

1950

Lincoln

AND

Lincoln COSMOPOLITAN



BODY
PARTS

DECEMBER, 1950

C A T A L O G U E

LINCOLN-MERCURY DIVISION OF FORD MOTOR COMPANY
DETROIT, MICHIGAN

1950 *Lincoln*
AND
Lincoln COSMOPOLITAN



**BODY
PARTS**

DECEMBER, 1950

C A T A L O G U E

LINCOLN-MERCURY DIVISION OF FORD MOTOR COMPANY
DETROIT, MICHIGAN

QUICK REFERENCE INDEX

Group	Group Name	Page
	Group Alphabetical Index	XI
	Illustration Index	XIX
	Body Illustrations	XX
00120	Body Front	1
03100	Windshield	13
04100	Visor	15
13018-46	Floor Carpets	26
20122-3	Front Door	29
21402-3	Front Door Vent Window	35
23200-1	Door Window Regulators	44
23942-3	Front Door Trim	48
24622-3	Rear Door	55
27406-7	Rear Door Trims	59
27840-1	Rear Quarter Body Panel	61
40112	Luggage Compartment Door	80
50000	Top and Roof	91
60000	Seat	118

LINCOLN—MERCURY

Division of FORD MOTOR COMPANY

Detroit, Michigan

United States District Offices

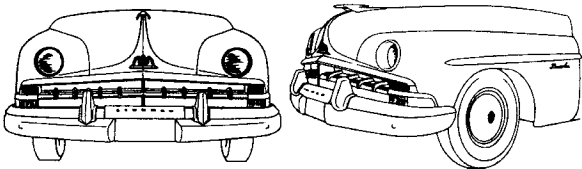
- | | | | |
|------------------------------|---------------------|-----------------------|------------------------------|
| *Atlanta, Ga. | *Denver, Colo. | *Long Beach, Calif. | *Omaha, Neb. |
| Boston, Mass. | *Des Moines, Iowa | Los Angeles, Calif. | Pittsburgh, Pa. |
| Buffalo, N. Y. | *Detroit, Mich. | *Memphis, Tenn. | *Richmond, Calif. |
| *Charlotte, N. C. | *Edgewater, N. J. | *New Orleans, La. | *St. Louis, Mo. |
| *Chester, Pa. | *Fargo, N. D. | New York, N. Y. | *Salt Lake City, Utah |
| *Chicago, Ill. | *Houston, Texas | *Norfolk, Va. | *Seattle, Wash. |
| Cincinnati, Ohio | *Jacksonville, Fla. | Oakland, Calif. | *Somerville, Mass. |
| Cleveland, Ohio | Kansas City, Mo. | *Oklahoma City, Okla. | *Twin City (St. Paul, Minn.) |
| *Dallas, Texas | | | Washington, D. C. |
| *Lincoln-Mercury Parts Depot | | | |

MODEL IDENTIFICATION

1950

Lincoln

OL Series—121" W. B.



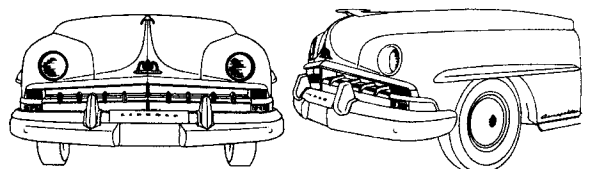
BODY
TYPE

NAME

- | | |
|------|---------------------------------|
| 72 | Six Passenger Coupe |
| 72-C | Six Passenger Coupe
(Custom) |
| 74 | Sport Sedan |

Lincoln Cosmopolitan

OH Series—125" W. B.



BODY
TYPE

NAME

- | | |
|------|------------------------------------|
| 72 | Six Passenger Coupe |
| 72-C | Six Passenger Coupe
(Custom) |
| 74 | Sport Sedan |
| 76 | Six Passenger Convertible
Coupe |

FOREWORD

This group type **BODY PARTS CATALOGUE** has been prepared in appreciation of the difficulty experienced occasionally in the ordering of Body Parts.

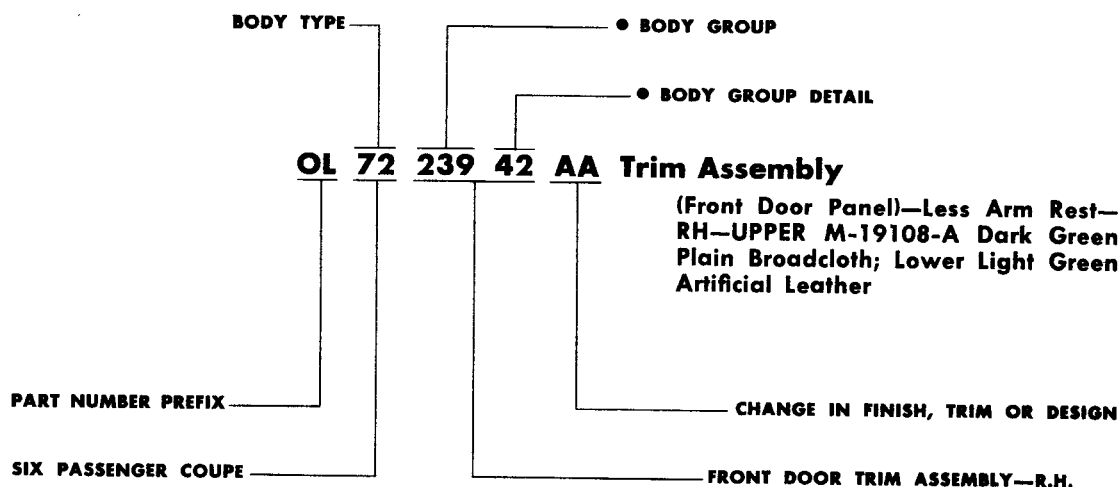
Every effort has been made to insure ease in selecting and ordering the correct parts you need.

We will welcome any suggestions for improvement of future publications of this Catalogue.

LINCOLN-MERCURY DIVISION

GENERAL INFORMATION

FOLLOWING IS A DIAGRAM OF THE BODY PARTS NUMBERING SYSTEM



● These five characters (The combined numbers of the **BODY GROUP** and **BODY DETAIL GROUP**) comprise the Body Group Numbers as used throughout this Body Parts Catalogue except for Chassis Parts and Body Parts engineered prior to the adoption of this **BODY PARTS NUMBERING SYSTEM**.

Basic Body Parts Numbers engineered prior to the year 1939 had but 5 (five) or 6 (six) characters.

Example 78-735280 Handle (quarter glass frame)—R.H.

There are a few instances where Part Numbers of this type are used in Current models. In such instances the **BODY GROUP NUMBERS** contain but 4 (four) characters.

Example Group 5280 Handle (quarter glass frame)

Every effort has been made to insure ease in selecting and ordering the correct or needed parts.

A new "easy to read" index is incorporated in this catalogue in order to simplify ordering of body parts.

This index is compiled in fifteen (15) major group assemblies, which are listed in alphabetical sequence starting with "Deck (Rear) and Luggage Compartment" and terminating with "Windshield."

DECK (REAR) AND LUGGAGE COMPARTMENT	PILLARS (CENTER BODY)
DOORS (FRONT)	QUARTER (REAR)
DOORS (REAR)	ROOF
FLOOR	SEAT (FRONT)
FRONT	SEAT (REAR)
HYDRAULIC SYSTEM	TOP—CONVERTIBLE
PACKAGE TRAY	WINDOW (BACK)
	WINDSHIELD

Each of these major group assemblies is compiled in alphabetical sequence and lists all the parts pertaining to that group with cross reference to group number in which the part is listed.

The first three characters of the Body Group Numbers are as follows:

000-009 FRONT END GROUP	400-499 BACK GROUP
100-199 FLOOR GROUP	500-599 TOP AND ROOF GROUP
200-399 SIDE ASSEMBLY GROUP	600-699 SEAT GROUP

The fourth and fifth characters of the Body Group Numbers are The Body Group Detail Numbers—

To select the correct part needed the following procedure should be followed:

- A. Determine the correct NAME of PART required.
- B. Check GROUP ALPHABETICAL INDEX for GROUP NUMBER.
- C. Refer to GROUP NUMBER and select required PART.

For Example — Should a Trim Assembly for a Right Hand Front Door Panel—Upper Dark Green Plain Broadcloth; Lower Light Green Artificial Leather of a Lincoln Six Passenger Coupe be required, the "Door (Front) Group Alphabetical Index" lists the group number as 23942-3. By referring to Group 23942-3 on Page 48, OL-7223942-AA is listed as Trim Assembly (Front Door Panel) Less Arm Rest—R.H.—Upper M-19108-A Dark Green Plain Broadcloth, Lower Light Green Artificial Leather.

YEAR 19-	BODY TYPES	REMARKS	PART NUMBER	NO. REQ'D
Group 23942-3 TRIM ASSEMBLY (FRONT DOOR PANEL)—LESS ARM REST				
50	OL72	R. H.—Upper M-19108-A Dark Green Plain Broadcloth, Lower Light Green Artificial Leather	OL 7223942-AA	1
50	OL72	L. H.—Upper M-19108-A Dark Green Plain Broadcloth, Lower Light Green Artificial Leather	OL 7223943-AA	1

The remarks column includes such information as right or left hand, finish, dimensions, type of trim, size of attaching parts and special notations.

Attaching parts such as Bolts, Screws, Clamps, etc., are listed below the part with which they are used.

Illustrations throughout this Catalogue are for a particular BODY TYPE although GROUP NUMBERS and DESCRIPTIONS are applicable to practically all BODY TYPES.

With the exception of attaching parts such as bolts, nuts, etc., group numbers only appear on exploded illustrations.

Do not order parts by the GROUP NUMBER or GROUP HEADINGS as shown on illustrations; always consult the list of Parts for complete PART NUMBER.

The driver's position governs such parts as doors, seats, etc., as to whether an item is Right Hand or Left Hand.

Always give complete PART NUMBER and NAME of each part ordered.

When Part Number of part required cannot be located in Catalogue, a complete description including dimensions, should be given along with the information shown on the Body Plate and Patent Plate.

A Sample of trim material should be submitted on all orders for trim parts.

Specify whether shipments are to be made by Freight, Express or Parcel Post.

Listed below is a brief General Telegraphic Code covering miscellaneous instructions relative to the shipment of parts.

ABSEN—Ship via Air Express

ABSIN—Rush by Air Mail

ANGRA—Express at Once

ANILE—Express Direct To

BEAGA—Post Today

BOOBA—Ship Fast Freight

BORIK—Ship Today Sure

BOSTO—Ship on Next Plane

BREWA—Advise How and When Shipping

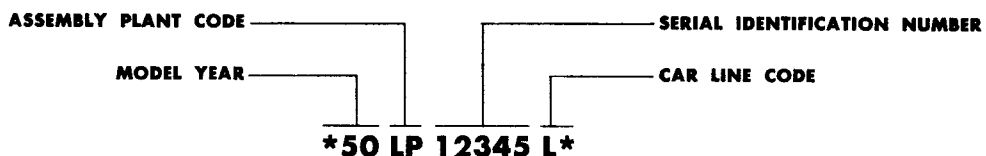
ABBREVIATIONS

art	artificial	L/W	lockwasher
approx.	approximately	mldg.	moulding
assy	assembly	mount. or (mtg.)	mounting
brkt.	bracket	O.D.	outer diameter
b-hd	button head	o/all	overall
compt.	compartment	reinf.	reinforcement
c/pin.	cotter pin	reg.	regulator
cyl.	cylinder	rep.	replaced
defl.	deflector	req'd	required
def.	defroster	ret.	retainer
dia.	diameter	R.H.	Right Hand
equipt.	equipment	rd-hd	round head
fl-hd	flat head	spec.	special
ft.	foot or feet	spec-hd	special head
H/D	heavy-duty	sq-hd	square head
hex	hexagonal	std.	standard
hex-hd	hexagonal head	tap.	tapping
hsg.	housing	trans.	transmission
hyd.	hydraulic	vac.	vacuum
I.D.	inner diameter	vent.	ventilator
instr.	instrument	W/S	windshield
L.H.	Left Hand	w/	with
	w/o		without

PATENT PLATE and BODY PLATE

The information on the Patent Plate indicates the Model Year, Plant which assembled the car, Serial Identification Number and Car Name.

PATENT PLATE SERIAL NUMBER DIAGRAM



ASSEMBLY PLANT IDENTIFICATION CODES

LA—Los Angeles

LP—Lincoln Plant

CAR LINE IDENTIFICATION CODES

L—Lincoln

H—Lincoln Cosmopolitan

The complete serial number is stamped on the extreme top edge of the Patent Plate.

50LP12345L

This serial number (***50LP12345L***) indicates

“50”—1950 Model

“LP”—Assembled at Lincoln Plant

“12345”—Serial Identification Number

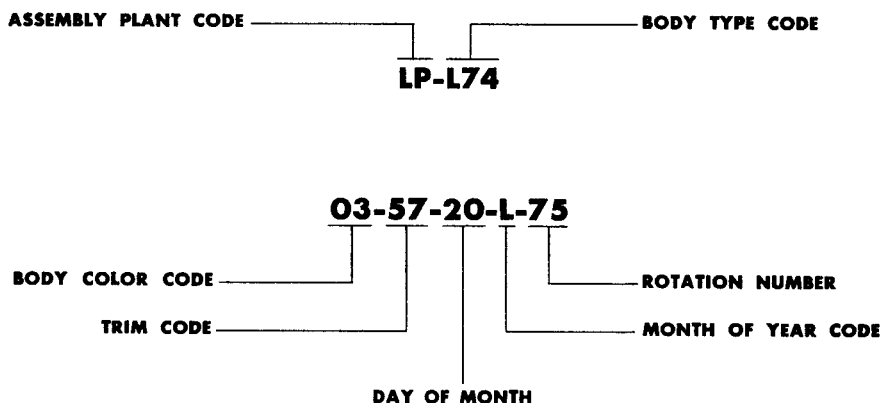
“L”—Lincoln

The asterisks in front of and after the complete serial number are inserted as insurance that no other digits or letters can be added to the serial number.

The complete serial number as shown on the patent plate is stamped at three (3) places on the chassis frame. On the top side of frame right side member near front body bracket, the right top side of frame rear cross member and the right top side of frame intermediate cross member.

The information on the Body Plate indicates the Plant which assembled the car, Body Type, Body Outside Paint Color, Trim Scheme, Day of Month car was assembled, Month car was assembled and its numerical sequence of assembly.

BODY PLATE DIAGRAM



ASSEMBLY PLANT IDENTIFICATION CODES

LA—Los Angeles

LP—Lincoln Plant

SAMPLE BODY PLATE

LP
STYLE L-74
BODY NUMBER
03-57-20-L-75

This sample body plate indicates

- "LP"—Assembled at Lincoln Plant
- "L-74"—Lincoln Sport Sedan
- "03"—Banning Blue Body Color
- "57"—Two-Tone Green Cable Stripe
Broadcloth with One-Tone Carpet
- "20"—20th Day of Month
- "L"—Month of Year—November
- "75"—75th Car Assembled

BREAKDOWN OF CODES USED IN LINCOLN AND LINCOLN COSMOPOLITAN BODY PLATE NUMBERS

ASSEMBLY PLANT CODES

CODE	ASSEMBLY PLANT
LA	Los Angeles
LP	Lincoln Plant

BODY TYPE CODES

CODE	BODY TYPE
L72	Lincoln Six Passenger Coupe
L72-C	Lincoln Six Passenger Coupe (Custom)
H72	Lincoln Cosmopolitan Six Passenger Coupe
H72-C	Lincoln Cosmopolitan Six Passenger Coupe (Custom)
L74	Lincoln Sport Sedan
H74	Lincoln Cosmopolitan Sport Sedan
H76	Lincoln Cosmopolitan Six Passenger Convertible Coupe

MONTH OF YEAR CODE

CODE	MONTH	CODE	MONTH
A	January	G	July
B	February	H	August
C	March	J	September
D	April	K	October
E	May	L	November
F	June	M	December

TRIM SCHEME CODES

CODE	TRIM SCHEMES
50	Light Gray Shadow Narrow Stripe Broadcloth
51	Gray Stripe Nylon and Mohair with One-Tone Carpet
51Y	Gray Stripe Nylon and Mohair with Two-Tone Carpet
53	Light Tan Shadow Stripe Broadcloth
54	Brown Check Broadcloth with One-Tone Carpet
54X	Brown Check Broadcloth with Two-Tone Carpet
56	Light Green Shadow Narrow Stripe Broadcloth
57	Two-Tone Green Cable Stripe Broadcloth with One-Tone Carpet
57Z	Two-Tone Green Cable Stripe Broadcloth with Two-Tone Carpet
59	Two-Tone Tan Nylon and Mohair
61	Two-Tone Green Nylon and Mohair
65	Tan Leather

TRIM SCHEME CODES—CONTINUED

CODE	TRIM SCHEMES
67	Cherry Red Leather
69	Green Leather
71	Light Blue Leather
73	Yellow Leather
75	Lime Green Leather
80	Light Blue Leather and Blue Whipcord
82	Cherry Red Leather and Beige Whipcord
83	Tan Leather and Beige Whipcord
84	Green Leather and Green Whipcord
85	Yellow Leather and Beige Whipcord
86	Lime Green Leather and Beige Whipcord
87	Cherry Red Leather and Black Leather
88	Yellow Leather and Black Leather
89	Light Blue and Dark Blue Leather

PAINT CODES

CODE	COLOR
01	Black
02	Admiral Blue
03	Banning Blue
04	Cosmopolitan Maroon
05	Royal Bronze Maroon
06	Newport Gray
07	Trojan Gray
08	Nassau Beige
09	Dune Beige
10	Mallard Green
12	Arrowhead Gray
14	Danube Blue
15	Laguna Blue
16	Palomar Green
18	Carlsbad Tan
20	Chantilly Green
21	Penrod Tan
22	Glendale Green
28	Upper-Trojan Gray
	Lower-Danube Blue
29	Upper-Danube Blue
	Lower-Trojan Gray
30	Upper-Newport Gray
	Lower-Danube Blue
31	Upper-Penrod Tan
	Lower-Dune Beige
32	Upper-Danube Blue
	Lower-Newport Gray
34	Upper-Newport Gray
	Lower-Arrowhead Gray
36	Upper-Arrowhead Gray
	Lower-Newport Gray
37	Upper-Trojan Gray
	Lower-Banning Blue
38	Upper-Carlsbad Tan
	Lower-Nassau Blue

**BREAKDOWN OF CODES USED IN LINCOLN AND LINCOLN
COSMOPOLITAN BODY PLATE NUMBERS—CONTINUED**

PAINT CODES—CONTINUED

CODE	COLOR
39	Upper—Banning Blue Lower—Trojan Gray
40	Upper—Nassau Beige Lower—Carlsbad Tan
41	Upper—Trojan Gray Lower—Laguna Blue
42	Upper—Glendale Green Lower—Palomar Green
43	Upper—Laguna Blue Lower—Trojan Gray
44	Upper—Palomar Green Lower—Glendale Green
45	Upper—Trojan Gray Lower—Arrowhead Gray
46	Upper—Arrowhead Gray Lower—Trojan Gray
47	Upper—Penrod Tan Lower—Carlsbad Tan
48	Upper—Carlsbad Tan Lower—Penrod Tan

CODE	COLOR
49	Upper—Dune Beige Lower—Penrod Tan
205	Seal Brown Leather and Beige Whipcord —Cuban Sand Metallic Paint, Brown Top
206	Oyster White Leather and Green Whipcord—Yosemite Green Metallic Paint, Oyster White Top
207	Dark Blue Leather and Blue Whipcord— Bonita Blue Metallic Paint, Dark Blue Top
208	Light Blue Leather and Blue Whipcord— Raven Black Paint, Gray Top
210	Seal Brown Leather and Yellow Beige Whipcord—Canary Yellow Paint, Brown Top
211	Cherry Red Leather and Beige Whipcord —Manitou Red Metallic Paint, Tan Top
212	Oyster White Leather and Blue Whipcord —Bangor Blue Metallic Paint, Oyster White Top

Group Alphabetical Index

GROUP AND PART NAME	GROUP NO.	GROUP AND PART NAME	GROUP NO.
DECK (REAR) AND LUGGAGE COMPARTMENT		DECK (REAR) AND LUGGAGE COMPARTMENT-CONTINUED	
Anti squeak (front lower luggage compartment board support)	45864	Support (luggage compartment door lock)	43248
Anti squeak (luggage compartment board front)	45816	Trigger (luggage compartment door handle locking)	43606
Arm assy (luggage compartment door support)	44200-1	Weatherstrip (luggage compartment door)	43720
Board assy (luggage compartment shelf)-front	45766	DOORS (FRONT)	
Board assy (luggage compartment tire board)	45800	FOR HYDRAULIC EQUIPMENT REFER TO HYDRAULIC SYSTEM GROUP	
Bolt (luggage compartment door lock handle)	43506	Arm assy (door check)	23500
Bracket (luggage compartment door support arm)	44218-9	Bar assy (front door ventilating window division)	22296-7
Bracket (luggage compartment spare wheel mounting)	47070	Bolt (door window regulator stop)	23338
Bracket (luggage compartment trim panel wheelhouse)	43557	Bracket (door division channel)-lower	22928-9
Cardboard (luggage compartment)-front	45444	Bracket (front door vent window upper pivot)-on retainer	21464-5
Cardboard (luggage compartment)-side rear	45416-7	Bracket & handle shaft assy (door ventilator window)	22938
Clamp (spare wheel)	47074	Bumper (hood front to grille)	23030
Cover (luggage compartment floor)-front	45460	Button and guide assy (outside door handle)	22454
Cover (luggage compartment)-quarter wheelhouse	45466-7	Cap (front door window frame front)-at belt	22334-5
Cover (luggage compartment)-tire board	45616	Cap (front door window frame rear)-at belt	22336-7
Cover assy (luggage compartment door handle key hole)	43514	Channel & bracket assy (door window glass run)-lock side	21702-3
Cover assy (luggage compartment tire board)-complete	45400	Channel and bracket assy (front door glass)	21462-3
Cover assy (luggage compartment wheelhouse)	45472-3	Channel assy (front door glass)	21458-9
Cylinder assy (luggage compartment lock)-with keys	43505	Clip (door weatherstrip retainer)-front	20478
Door assy (luggage compartment)-without lock	40112	Clip (door window finish strip)-lower	21042
Filler (luggage compartment)-tire well	45464	Clip (door window finish strip)-on door	21042
Gusset (luggage compartment opening lower corner)	44830-1	Clip (door window finish strip)-upper	21040
Handle (luggage compartment door)	43508	Clip (outside moulding)	20995
Handle (luggage compartment door)-complete less cylinder and keys	43500	Clip (window reveal moulding)	20925
Hinge assy (luggage compartment door)	42700-1	Control assy (front door lock remote)	21818-9
Hinge (luggage compartment shelf assy)	45834	Cover & spring kit (door lock & sleeve assy)-outside	21942-3
Hook assy (luggage compartment shelf board)	45842	Door assy (front)-less paint, trim, glass, handles, hinges, lock and regulator	20122-3
Key (glove box and rear deck lid)	18306	Escutcheon assy (door inside handle and window regulator handle)	22618
Latch pin and plate assy (luggage compartment)	43246	Escutcheon assy (vent window regulator handle)	23420
Lever (luggage compartment door handle trigger)	43639	Ferrule (door lock knob)	21999
Lock assy (luggage compartment door)	43200	Frame and glass assy (front door vent window)	21228-9
Mat (luggage compartment floor)	45456	Front door window assy-complete	22218-9
Moulding (luggage compartment shelf)-center	45862	Gear and shaft assy (door vent window regulator)	23436
Moulding (luggage compartment shelf)-front	45860	Glass (front door vent window)	21412
Moulding (rear belt rail)	41780	Glass (front door window)	21410
Pad (luggage compartment door handle)	43531	Glass, channel and frame assy (door)	21400-1
Pad (luggage compartment door hinge)	42770-6	Glass & frame assy (frt. door ventilating window)	21406-7
Panel (body upper back)	40314	Handle (door inside)	22614
Panel (lower back body)	40320	Handle (door outside)-complete	22400-1
Pin (luggage compartment door handle trigger)	43293	Handle (front door vent window regulator)	23410
Plate (luggage compartment latch pin tapping)	43256	Handle (window regulator)	23342
Ornament (luggage compartment door handle)	16637	Hinge (front door vent window upper)-on frame	21464-5
Rail (back belt)	41700	Hinge (front door vent window upper pivot)-on frame	21466-7
Reinforcement (body lower panel to rear fender)	40440-1	Hinge assy (front door)-lower	22810-1
Reinforcement (luggage compartment hinge)	44808	Hinge assy (front door)-upper	22800-1
Reinforcement (luggage compartment opening upper and corner)	44718-9	Housing assy (door check arm)	23530
Retainer (luggage compartment door handle trigger pin)	43609	Key (door ventilator window frame)	22920
Retainer (luggage compartment hinge)	6865	Knob (door locking control rod)	21850
Remote control assy (luggage compartment door lock)	43272	Latch (door ventilating window)	22924-5
Screw and washer assy (luggage compartment door handle to door)	43561	Lock assy (front door)	21812-3
Shim (deck lid latch plate)	44214	Lock set assy	3687-9
Spring (luggage compartment door handle)	43633	Lock and sleeve assy (door panel)-complete with keys	21984-5
Spring (luggage compartment door handle key hole cover)	43567	Moulding (front door outside)-at belt	20934-5
Strip assy (back belt rail)-tacking	41748	Moulding assy (front door trim panel)	20942-3
Spring (luggage compartment door support arm)	44236	Moulding assy (front door window finish)-front	21038
Support (luggage compartment board front)	45852		

Group Alphabetical Index

GROUP AND PART NAME	GROUP NO.	GROUP AND PART NAME	GROUP NO.
DOORS (FRONT)-CONTINUED		DOORS (FRONT)-CONTINUED	
Moulding assy (front door window finish)-rear	20954	Weatherstrip (door glass channel)-lower	21510
Moulding assy (front door window finish)-wainscoting	20954	Weatherstrip (door glass channel)-upper	21444
Moulding & stud assy (frt. door panel)-lower-outside	20928-9	Weatherstrip (door hinge side and header)	20530-1
Moulding and weatherstrip assy (door belt)	21010-1	Weatherstrip (door lock side)	20542-3
Moulding and weatherstrip assy (front door window panel reveal)	20984-5	Weatherstrip (door opening)-outer	20530-1
Pad (door outside handle)-large	22428	Weatherstrip (door vent window division bar)	21450-1
Pad (door outside handle)-small	22448	Weatherstrip (door vent window division bar)	21546
Plate (door arm rest finger tip)	24142-3	Weatherstrip (door vent window frame)-rear	21454
Panel (door finish wainscoting)	21034-5	Weatherstrip (door vent window)-at belt	21432
Panel (door trim bottom)	23866	Weatherstrip (front and rear door glass channel)	21510
Pin (door hinge)	22840	Weatherstrip (front door glass header)	21544
Pin (door outside handle)-release	22438	Weatherstrip (front door hinge pillar and lock pillar)-lower	20456
Pin (door vent window regulator extension shaft)	23464	Weatherstrip (front door vent window)	21448-9
Pin (door window regulator and door inside handle)	23354	Weatherstrip (frt. door vent window seal at belt)	21487
Pin (front and rear door regulator handle to shaft)	2790	Weatherstrip (front door window glass)-inner	21438
Plate (door division channel lower bracket tapping)	22921	Weatherstrip (front door window glass)-outer	21436-7
Plate (door lock striker)	22008-9	Weatherstrip (front door window opening)	21452-3
Plate (door ventilator window lock)	22924	Welt and carboard assy (front door window finish)	20724-5
Plate (front door scuff)	13200-1	Windlace assy (front door opening)-outer	20538
Rainshield (front door ventilating window)	22884-5	Worm (door vent window regulator)	23460
Regulator assy (front door window)	23200-1		
Rest assy (front door arm)	24140-1	DOORS (REAR)	
Retainer (door bottom weatherstrip)-outer	20712	FOR HYDRAULIC EQUIPMENT REFER TO HYDRAULIC SYSTEM GROUP	
Retainer (door glass run)-lock side	21572-3	Arm assy (rear door check)	27200
Retainer (door lock cylinder)	21998	Channel and bracket assy (rear door glass)	26228-9
Retainer (door trim panel bottom)	23898	Control assy (rear door lock remote)	26404-5
Retainer (door vent window regulator shaft)	23468	Door assy (rear)-less paint, trim, glass, handles, hinges, lock and regulator	24622-3
Retainer and bar assy (ventilating window)-complete	22204-5	Frame assy (rear door glass)	26220-1
Rod (door lock safety catch)	21852-3	Glass (rear door ventilator window)	26870
Run (door glass)-lock side-complete	21550	Glass (rear door window)	25712
Run (door glass division bar)	21546	Glass and frame assy (rear door vent. window)	26868-9
Run (front door glass)-upper	21548	Guide (rear door glass run)-hinge side lower	25790
Shim (door lock striker plate)	22058	Hinge assy (rear door)-lower	26810-1
Spring (door lock main)	21858	Hinge assy (rear door)-upper	26800-1
Spring (door lock panel stop)	21988	Lock assy (rear door)	26412-3
Spring (door lock remote control)	21910	Moulding assy (rear door trim panel)-lower	25558
Spring (door lock slide toggle)	21872	Moulding assy (rear door window finish strip)	25590
Shaft (door vent window regulator extension)	23456	Moulding and stud assy (rear door panel)-lower-outside	25674-5
Spring (door ventilator window handle)	22986	Moulding and weatherstrip assy (rear door belt)	25588-9
Spring (door ventilator window pivot)	22926	Moulding and weatherstrip assy (rear door window panel reveal)	25588-9
Spring (door window regulator balance)	23318	Moulding (rear door outside panel)-at belt	25554-5
Spring (front door window reg. arm stud retaining)	23257	Panel (rear door window wainscoting)	25522-3
Spring (outside door handle push button)	22462	Pin (front and rear door regulator handle to shaft)	2790
Stop (glass frame assy)-front	22300	Plate (rear door scuff)	13220-1
Strip (door vent window glass retaining)	21478	Regulator assy (rear door window)	27000-1
Strip (front door finish)-rear	24410-1	Rest assy (rear door arm)	27540-1
Strip (front door glass retaining)	21424	Retainer (rear door bottom weatherstrip)	25312
Strip (front door header finish)	20552-3	Retainer and division bar assy (rear door ventilating window)	26902-3
Strip (front door window finish)-inner	20900-1	Run (rear door glass)-rear	25744
Strip and weatherstrip assy (door window finish)	20902-3	Run (rear door glass)-upper	25764
Trim assy (front door panel)-less arm rest	23942-3	Spring (door lock remote control)	21910
Ventilating window assy (front door)-complete	21402-3	Spring (door window regulator balance)	23318
Washer (door ventilator window latch)	22982	Strip (rear door finish)-upper	25120
Washer (front door ventilator window pivot friction)	22963	Strip (rear door glass retaining)	25724
Washer (window regulator arm attaching bracket)	23259	Strip (rear door vent window glass retaining)	26875
Water shield (door lock cylinder)	22059		
Weatherstrip (belt moulding at ventilating window)	21496-7		
Weatherstrip (door bottom)	20394-5		
Weatherstrip (door check arm hole)	23554		

Group Alphabetical Index

GROUP AND PART NAME	GROUP NO.	GROUP AND PART NAME	GROUP NO.
DOORS (REAR)-CONTINUED		FLOOR-CONTINUED	
Strip (rear door window finish)-complete	25500-1	Retainer (body rocker panel moulding)-front	10199
Strip (rear door window retainer)	25724	Retainer (body to frame anti squeak)	00146
Trim assy (rear door)	27406-7	Seal (brake pedal opening)	13028
Trim assy (rear door)-less arm rest	27434-5	Seal (transmission access hole cover)	12181
Weatherstrip (rear door belt)	25852-3	Seal (transmission cover filler hole)	12179
Weatherstrip (rear door bottom)	25104-5	Sealer (rear transmission cover)	12167
Weatherstrip (rear door hinge side and header)	25324-5	Silencer (floor pan)	11166
Weatherstrip (rear door glass header)	25856	Silencer (floor pan)	67300
Weatherstrip (rear door glass)-outer	25596-7	Silencer (floor pan)-front	11166-7
Weatherstrip (rear door opening)-outer	25324-5	Silencer (floor pan)-front	11172-3
Window assy (rear door ventilator)-complete	26866-7	Silencer (floor pan center)-front	11172-3
Weatherstrip (rear door ventilating window)	26896-7	Silencer (floor pan)-rear	11454
Weatherstrip (rear door window finish moulding)-inner	25854	Silencer (front floor pan)	11464-5
Welt and cardboard assy (rear door window finish)	24754-5	Silencer (rear floor tunnel)	12183
Windlace assy (rear door header)	27518	Silencer (transmission cover)-center	12184
Windlace assy (rear door opening)-outer	25116	Silencer (transmission cover)-front	12182
Windlace and cord assy (rear door opening)	27542-3	Silencer (transmission cover)-rear	12163
FLOOR		Spacer (body to frame)	11520
Anti squeak (body to frame)	00152	Spacer (body to frame)	12320
Anti squeak (body to frame)	00154	Spacer (body to frame)-front	12320
Clip (floor pan to outer trim panel locating)	11334	Spacer (body to frame)-No. 1 body bolt	01740
Carpet and binding assy (rear floor)-with pad	13046	Spacer (body to frame)-No. 2 body bolt	12328
Carpet and binding assy (rear floor)-with pad	13050	Spacer (body to frame)-rear	12298
Carpet and pad assy (front floor)	13018	Spacer (body to frame at kickup)	11534
Cross member assy (front floor)-rear	10698	Spacer (body to frame kickup)	12296
Cover (rear floor pan gas gauge)	11290	Spacer (dash to frame brace)	01736
Cover (transmission band adjustment)-access hole	12129	Spacer (floor pan to frame)	11184
Extension (floor pan side)-rear	11250-1	Weatherseal (dash panel pedal opening)	12138
Extension (rear floor side)-rear	11252-3	FRONT	
Gasket (floor transmission cover plate)-front	12116	Anti rattle (instrument and control housing medallion)	04547
Gasket (floor transmission cover plate)-rear	12121	Anti squeak (cowl side panel)	02066
Gasket (floor transmission cover plate)-side	12122	Anti squeak (hand brake bracket)	04399
Grommet (accel. kick down switch frt. floor carpet)	6930	Arm (visor bracket)	04110-1
Member (floor side)	10120-1	Arm and bracket assy (visor)	04144
Member assy (floor side)	10110-1	Box assy (glove compartment)	06010
Member and trim retainer assy (floor side)	10118-9	Brace (dash to frame)	01714
Moulding (body rocker panel curb buffer)	10176-7	Brace (dash to frame)	01780-1
Pad (body to cross member)	00150	Brace (front body hinge pillar to floor)	02582-3
Pad (body to frame at kickup)	11533	Brace (instrument panel to pillar)	04560
Pad (heel)-front floor carpet	13086	Brace (instrument panel to roof panel)	04562
Pan assy (front floor)	11135	Brace (steering column to roof panel bracket)	03052
Pan and back panel assy (floor)-rear	11216	Bracket (radio receiver)	04452-3
Pan and reinforcement assy (floor)-center and rear	11216	Bracket (visor arm)	04122-3
Pan and reinforcement assy (floor front)	11134	Bumper (glove compartment door)	1671
Pan and side member assy (floor front)	11100	Bumper (glove compartment door hinge)	06115
Panel (body rocker)	10128-9	Bumper (quarter panel fuel tank lid)	06066
Panel (body rocker)	10130-1	Cable assy (fresh air inlet)	01890-1
Plate (body rocker panel moulding attaching)	10206	Carpet and binding assy (dash)	01760
Plate (body rocker panel scuff)-front	13208-9	Clamp assy (battery drain hose to tray)	24289
Plate (body rocker panel scuff)-rear	13228-9	Clip (instrument and control housing medallion)	04552
Plate (dash pedal opening)	11126	Collar (ventilating air duct to fender apron)	01941
Plate (front floor transmission cover)	12108	Collar (ventilating air duct to splash panel)-lower	01943
Plate (floor transmission cover)	12115	Collar (ventilating air duct to splash panel)-upper	01937
Plate (transmission cover filler hole)	12133	Connector (body vent air duct)	01878
Reinforcement (front floor pan body bolt #1)	10290-1	Cover (air valve damper shaft)-upper	01972
Reinforcement (front floor pan body bolt #3)	10602-3	Cover (cigar lighter terminal)	04618
Reinforcement (front floor pan body bolt #4)	10282-3	Cover (cowl side panel opening)	02092
Reinforcement (rear floor pan body bolt #5)	11291	Cover (instrument panel ash receptacle)	04817
Retainer (body rocker panel curb buffer moulding)	10198	Cover assy (handbrake cable opening)-dash	01634

Group Alphabetical Index

GROUP AND PART NAME	GROUP NO.	GROUP AND PART NAME	GROUP NO.
HYDRAULIC SYSTEM-CONTINUED		PACKAGE TRAY	
Plate (hydraulic pump port)	53405	Bracket (package tray to floor pan strainer)	46612-3
Plate (hydraulic pump rotor)	53404	Cardboard (package tray trim)	46656
Plate (hydraulic pump reservoir fluid retainer)	53388	Cover (package tray to rear window)	51966
Plate (window regulator switch mounting)	24232-3	Panel (package tray)	46506
Plug (hydraulic pump valve adjuster)	53413	Panel assy (package tray)-trimmed	46668
Reservoir (hydraulic pump)	53396	Strainer (package tray support to floor side member)	46521
Retainer (hose cover spring)	53354	Strainer (package tray to floor)	46610-1
Retainer (hydraulic pump reservoir fluid)	53389	Strainer (package tray to floor)	46574-5
Retainer and nut assy (rear door hose cover spring)	53325	Strainer (quarter window to package tray)	46568-9
Rotor assy (inner and outer)-hydraulic pump	53400		
Screw (hydraulic pump bottom plate)	53408	PILLARS (CENTER BODY)	
Seal (hydraulic pump bottom)	53406	Bumper (body center pillar)	24414
Seal (hydraulic pump mounting screw)	53358	Pillar (body center)	24300
Seat adjuster (hydraulic)	60473	Seal (center body pillar to scuff plate)	24357
Solenoid (hydraulic pump motor)	53380	Trim assy (body center pillar)	24446-7
Spacer (top operating cylinder to floor bracket)	50606	Windlace and reinforcement assy (body center pillar)	24538
Spring (hydraulic electric switch)-locking	23604		
Spring (hydraulic pump rotor)	53407	QUARTER (REAR)	
Spring (hydraulic pump valve)	53412	FOR HYDRAULIC EQUIPMENT REFER TO HYDRAULIC SYSTEM GROUP	
Spring (hydraulic seat adjuster)	60493	Anti squeak (quarter panel inside)-side	27857
Spring (hydraulic window mounting stud)	24193	Anti squeak (quarter panel inside)-upper	27856
Spring (hydraulic window operating)-inner	53330	Bar assy (quarter vent window division)	30234-5
Spring (hydraulic window operating)-outer	53329	Brace (quarter lock pillar to floor)	29388-9
Spring (quarter window hydraulic operating)	23603	Bracket (assist loop)	31420
Strap (motor and hydraulic pump to solenoid)	53386	Bracket (coat hanger)	31452
Stud (hydraulic pump motor frame & field assy)	53377	Bracket (quarter panel wheel cover guide)-front	28000-1
Support (door hydraulic window regulator)	24248	Bracket (quarter panel wheel cover guide)-rear	28002-3
Support (door hydraulic window reg. side rail)-upper	2,312	Bracket (quarter vent window division bar)-lower	30274
Support (rear door hydraulic window regulator inside rail)-upper	27338	Bracket (quarter wheelhouse body bolt)-inner	27828-9
Support and ret. assy (hyd. window reg. arm roller)	23308	Bracket (quarter window)-on body	29932-3
Support and ret. assy (hyd. window reg. arm roller)	23382	Bracket (quarter window division bar lower fastening)	30240
Switch (hydraulic seat regulator control)	24206	Bracket (quarter window guide)-lower	29798
Switch (hydraulic window regulator control)	24206	Bracket (rear quarter window frame locking)	30258
Switch and housing assy (hydraulic window regulator)	23302-3	Bumper (quarter window glass run)	29986
Tube assy (dash to seat regulator)	53362	Cap (assist loop bracket)	31422
Tube assy (extension tube to hose)	53426-7	Channel and bracket assy (quarter glass)	29900-1
Tube assy (front door hydraulic window regulator)	53344-5	Clamp (quarter window frame)-lower pivot	30548
Tube assy (front door window regulator)	53350-1	Clip (quarter panel wheel cover reinforcement)	28006
Tube assy (front seat hydraulic regulator)	53394	Clip (quarter window finish strip)	29097
Tube assy (hydraulic pump to dash supply)	53317	Cover assy (quarter panel wheel opening)	27968-9
Tube assy (hyd. pump to top control valve return)	53341	Frame assy (quarter window)	30504-5
Tube assy (rear door and quarter supply)-rear	53359	Frame assy (quarter window)-outer	29002-3
Tube assy (rear door hydraulic window regulator)	53368-9	Frame and glass assy (quarter window)	29700-1
Tube assy (rear door window supply)	53359	Frame and glass assy (quarter window)	30506-7
Tube assy (rear qtr. hyd. window regulator cross)	53364-5	Frame and vent window assy (quarter window)-complete	30504-5
Tube assy (top cylinder supply)-lower	53363	Glass (quarter vent window)	29712
Tube assy (top cylinder supply)-upper	53361	Glass (rear quarter window)	29710
Tube assy (top hydraulic cylinder rear cross)-lower	53392-3	Glass and frame assy (quarter vent window)	29700-1
Tube assy (top hydraulic cylinder rear cross)-upper	53390-1	Glass run (quarter window)-front	30106
Tube assy (to top valve)	53342	Glass run (quarter window)-upper	30110
Valve (hydraulic pump)	53410	Guide assy (quarter window)-complete	29764-5
Valve (top operating control)	50738	Gusset (quarter panel to package tray)	29428-9
Washer (hydraulic pump)	53411	Handle (quarter glass frame)	5280-1
Washer (hydraulic pump motor armature shaft)-upper	53352	Hinge (quarter window)-on body	29948
Washer (hydraulic pump motor armature shaft)-lower	53353	Hinge (quarter window frame)	29954-5
Weatherstrip (door hydraulic window lift hose cover)	53459	Housing (quarter panel fuel tank filler neck)	28617
Yoke (top operating cylinder)	50774	Housing assy (quarter panel to floor pan filler neck)	27936
		Lid assy (quarter panel fuel tank filler)	28611
		Loop assy (assist)	31410
		Moulding (quarter panel at belt)-outside	29034-5

Group Alphabetical Index

GROUP AND PART NAME	GROUP NO.	GROUP AND PART NAME	GROUP NO.
QUARTER (REAR)-CONTINUED		QUARTER (REAR)-CONTINUED	
Moulding (quarter belt)-outside	29034-5	Trim assy (rear quarter)	31000-1
Moulding (quarter lock pillar)	28174-5	Trim assy (rear quarter panel)-less arm rest	31002-3
Moulding (quarter window reveal outer)	29082-3	Washer (quarter ventilating window pivot friction)	22963
Moulding assy (quarter panel)-outside	29038-9	Weatherstrip (quarter panel wheelhouse shield)-inner	27724
Moulding assy (quarter trim panel)	31140	Weatherstrip (quarter panel wheelhouse shield)-outer	27725
Moulding assy (qtr. window finish)	29084	Weatherstrip (quarter vent window)	29904-5
Moulding and stud assy (quarter side panel)-outside	29032-3	Weatherstrip (quarter vent window)	30248-9
Moulding and weatherstrip assy (quarter belt)	29022-3	Weatherstrip (quarter window)-inner	29910
Moulding (rear quarter arm rest)	31798-9	Weatherstrip (quarter window)-inner	29908-9
Panel (quarter body)-complete	27700-1	Weatherstrip (quarter window belt)	29214-5
Panel (quarter body)-complete	27760-1	Weatherstrip (quarter window frame)	29908-9
Panel (quarter)-inside	27884-5	Weatherstrip (quarter window glass)-outer	29908-9
Panel (quarter trim)-bottom	31118-9	Weatherstrip (quarter window glass)-upper	30618
Panel (quarter window regulator)	27870-1	Weatherstrip (quarter window glass bottom)	29070
Panel (quarter window regulator)	27876-7	Weatherstrip (quarter window glass retainer)	29762
Panel (rear quarter trim)-front	31004-5	Weatherstrip (quarter window guide)	29750-1
Panel (rear quarter trim)-rear-less arm rest	31010-1	Windlace assy (rear quarter window)	30182
Panel (rear quarter wheelhouse)-inner	27886-7	Windlace and reinforcement assy (quarter lock pillar)	31296-7
Panel assy (body quarter)	27840-1	Windlace and reinforcement assy (quarter lock pillar)	31306
Panel assy (wheelhouse)-inner	27834	Windlace and reinforcement assy (rear quarter hinge pillar)	31306
Pillar (quarter hinge)	28104-5	Window and finish strip assy (quarter)-complete	29700-1
Pillar (quarter lock)	28160-1	Window and frame assy (quarter)-complete	30504-5
Pin (quarter window frame hinge)	30556		
Plate (quarter vent window lock)	30284	ROOF	
Plate (quarter vent window upper lock)	30288	Binding (roof rail wire on)	52320
Plate (quarter vent window upper pivot lock)	30256	Bow and dome lamp bracket assy (roof)-No. 1	51269
Plate (quarter window finish)-rear	29088-9	Cap (roof drip side finish moulding)-end	51750-1
Plate (quarter window mounting)	29785	Cover assy (roof complete)	53700
Regulator assy (quarter window)	30306-7	Clip (roof panel moulding)-rear	51736
Reinforcement (quarter lock pillar)-lower	28216-7	Extension (roof headlining retainer strip)-rear	52170-1
Rest assy (rear quarter arm)	31600-1	Headlining-under back window	42415
Retainer (quarter panel wheel cover seal)	27996-7	Headlining assy (roof)	51916
Retainer (quarter pillar window seal)	28278-9	Insulator (roof panel)-front	54310
Retainer (quarter wheelhouse trim)	28508	Insulator (roof panel)-rear	54330
Retainer (quarter window weatherstrip)-front	29906	Insulator (roof at quarter panel)	54332
Retainer (rear quarter belt folding top)	28730-1	Moulding (roof cover retainer)-front	53716
Seal (outer wheelhouse to quarter panel)	27932	Moulding (roof drip)	51700-1
Seal (quarter outside moulding retainer)	29074	Moulding (roof drip side finish)	51726-7
Seal (quarter panel wheel opening cover)	27986-7	Moulding (roof panel finish)	51734-5
Sealer (quarter panel fuel tank filler neck)	28615	Pad (roof cover)-back belt	53728
Shaft and bracket assy (quarter window handle)	30280	Pad (roof cover)-center	53722
Shield assy (quarter panel wheelhouse splash)	27720-1	Pad (roof cover)-rear quarter	53726
Strainer (quarter hinge pillar upper reinforcement to package tray)	28164-5	Pad (roof cover)-side	53724
Strip (quarter vent window glass retaining)	30224	Panel (roof)	50200
Strip (quarter window finish)	29002-3	Plate (dome lamp switch mounting)	24232
Strip (quarter window finish)	29000-1	Rail (roof side)	51142-3
Strip (quarter window finish)-front	29008-9	Rail (roof side)	51184-5
Strip (quarter window finish)-lower	29010-1	Rail (roof side)-rear half	51214-5
Strip (quarter window finish)-upper	29006-7	Reinforcement (roof panel to instrument panel brace)	50242
Strip (quarter window glass retaining)	29724	Reinforcement (roof side rail)	51196-7
Strip and retainer assy (quarter belt tacking)	28722-3	Reinforcement and plate assy (roof side rail)	51144-5
Strip and weatherstrip (quarter window finish)	29000-1	Retainer (roof cover)-side	53714
Stop (quarter glass frame pivot)	30552	Retainer (roof cover front moulding)	53718
Stop (quarter vent window pivot)	30226	Retainer (roof panel finish moulding)-center	51760
Support (qtr. belt rail & top joint lower brkt.)	28726-7	Retainer (roof panel finish moulding)-corner	51759
Support (quarter window regulator)	27958-9	Retainer (roof panel finish moulding)-rear	51760
Support (rear quarter trim)	27888-9	Retainer (roof panel finish moulding)-side	51758
Trim assy (quarter hinge pillar)	31230-1	Silencer (roof panel)	54306
Trim assy (quarter lock pillar)	31230	Strip (roof headlining retainer)-center	50954-5

Group Alphabetical Index

GROUP AND PART NAME	GROUP NO.	GROUP AND PART NAME	GROUP NO.
ROOF-CONTINUED		SEAT (REAR)	
Strip (roof headlining retaining)	50952-3	Arm rest assy (rear seat center)-trimmed	67240
Strip (roof headlining retaining)-front	50952-3	Cover (rear seat back rear panel)	66930-1
Strip (roof headlining retaining)-rear	50956-7	Cover assy (rear seat back cushion)	66606-7
Support (roof headlining)	52101-6	Cover assy (rear seat center arm rest)	67244
Support and bracket assy (dome lamp mounting)	51486	Cover assy (rear seat cushion)	63804
SEAT (FRONT)		Cushion assy (rear seat)	60080
FOR HYDRAULIC EQUIPMENT REFER TO HYDRAULIC SYSTEM GROUP		Cushion assy (rear seat back)	66604-5
Anchor (robe cord)	62808	Flap assy (rear seat center arm rest)	67286
Anti squeak (front seat support block)	45866	Link and vertical strainer assy (center arm rest)	67210-1
Ash receptacle assy (front seat back)-complete	62869	Pad (center arm rest)-lower	67272
Bracket (front seat lock lever)	61799	Pad (rear seat back)-inner	66800-1
Bracket (front seat support to floor pan)-front	60456	Pad (rear seat back)-lower	66800-1
Bracket (front seat support to floor pan)-rear	60462-3	Pad (rear seat back)-outer	66810-1
Box & snuffler assy (frt. seat back ash receptacle)-less lighter and emblem	62896	Pad (rear seat back cover)-top	66816-7
Carpet assy (front seat base)-side	62662-3	Pad (rear seat back end pleat)	66846-7
Carpet assy (front seat base foot rest)	62654	Pad (rear seat back intermediate)-inner	6684c
Carpet assy (front seat base frame tube)	62664	Pad (rear seat back intermediate)-outer	66844-5
Cord assy (front seat back robe)	62800	Pad (rear seat cushion)-pleated design	63398-9
Cordwelt assy (front seat back)	65224	Pad (rear seat cushion)-upper	63840
Cordwelt assy (front seat side shield)	66450	Pad (rear seat cushion spring)	63846
Cover (front seat hinge stop adjuster screw)	61115	Panel (rear seat center arm rest flap attaching)	67296
Cover assy (front seat back cushion)	64416-7	Panel assy (rear seat back)-rear	66904-5
Cover assy (front seat back frame)	64430-1	Retainer (rear seat center arm rest flap)	67296
Cover assy (front seat base center bracket)	64614	Strainer & reinforcement (rear seat center arm rest)	67212
Cover assy (front seat base strainer)-rear	62694	TOP-CONVERTIBLE	
Cover assy (front seat cushion)	62900	FOR HYDRAULIC EQUIPMENT REFER TO HYDRAULIC SYSTEM GROUP	
Cushion assy (front seat)	60050	Anti rattle (folding top No. 1 bow locking rod)	51422
Cushion assy (front seat back)	64400-1	Binding (header bow)-folding top	52308
Emblem (front seat back ash receptacle case)	62881	Binding (rear roof bow)-folding top	52300
Foot rest assy (front seat)-trimmed	62632	Bolt (lower power link to mounting bracket)	50525
Frame assy (front seat)-less seat and seat back cushion	60152	Bolt (No. 2 bow and link to No. 1 bow & side rail)	50520
Frame assy (front seat back)-trimmed	60148-9	Bolt (No. 2 bow to No. 1 link)	50526
Frame assy (front seat base)-trimmed	60335	Bow assy (folding top)-rear	51278
Gear and cross tube assy (front seat)	61723	Bow (folding top)-No. 3	51272
Handle (front seat back ash receptacle)	62878	Bow (top folding compartment)	54630
Handle (front seat back robe cord)	62810-1	Bow and links assy (folding top)-No. 2	51264
Handle (front seat lock lever)	61795	Bracket (folding top upper quarter pillar)	50378-9
Hook (front seat robe cord)	62840	Bracket (No. 2 bow connecting link to frt. side rail)	50890-1
Knob (front seat back cigar lighter)	04602	Bracket (top control rod)	50580
Knob & element assy (frt. seat back cigar lighter)	04610	Bracket (top mounting)	53118-9
Moulding assy (front seat back)	60788-9	Bracket (top operating valve dash)	01658
Pad (front seat cushion)-lower	63206	Bracket (top slat iron side rail to header)	50832-3
Pad (front seat cushion)-upper	63200	Bushing (folding top lock handle shaft)	53121
Pad (front seat back cover)-lower	64872-3	Bushing (top control rod)	50588
Pad (front seat back cover)-upper	64870-1	Clamp (folding top quarter pad to No. 3 bow)	51267
Pad (front seat back spring)	64800-1	Container assy (top dust hood)	54486
Pad (front seat cushion)-pleated design	63242-3	Control rod assy (top)	50570
Pin (front seat back frame hinge)-outer	61088	Curtain assy (folding top back)	52500
Screw (front seat back hinge stop adj.)-lower	61114	Dowel (folding top No. 1 bow)	03458-9
Scuff plate (front seat back)	61642	Dowel (folding top No. 1 bow)-center	03442
Shield assy (front seat side)-lower-trimmed	62152-3	Fastener (button)-folding top	53029
Spring (front seat adjustment tension)-front	63234	Frame assy (back curtain glass)-outside	53220
Spring (front seat lock lever)	61784	Frame (back curtain glass)-inside	53224
Stop (front seat hydraulic regulator)-on R.H. side	60484	Glass (top back curtain)	53200
Support (front seat back)	60414	Handle (top locking)	03570
		Header assy (folding top No. 1 bow)	51270
		Hinge and link assy (folding top front side rail)	53008-9
		Hinge and link assy (folding top rear side rail)-frt.	53010-1

Group Alphabetical Index

GROUP AND PART NAME	GROUP NO.	GROUP AND PART NAME	GROUP NO.
TOP-CONVERTIBLE-CONTINUED		TOP-CONVERTIBLE-CONTINUED	
Hinge (folding top rear side rail)-rear	53170-1	Weatherstrip (folding top front bow)	51330
Hinge (pillar)-folding top	24324-5	Weatherstrip (folding top side roof rail)-center	51564
Hood assy (top dust)	54400	Weatherstrip (folding top side roof rail)-front	51562-3
Knob (top control)	50577	Weatherstrip (folding top side roof rail)-rear	51566-7
Link (folding top balance)	50454-5	Zipper assy (top back curtain)	53250-1
Link (folding top No. 1)	50432-3	WINDOW (BACK)	
Link (folding top power)-lower	50418-9	Bar (back window division)-inner	42078
Link (folding top power)-upper	50370	Bar (back window division)-outer	42076
Link (folding top side rail control)-front	50310	Clip (back window inside finish strip)	42418
Link (folding top side rail control)-rear	50308	Cover (back window outside moulding joint)	42432
Loop (top boot to rear seat back)	54410	Glass (back window)-center	42006
Nut (balance link to body bracket)	50404	Glass (back window)-center	42016
Plate (folding top tapping)-No. 3 bow	51256	Glass (back window)-end	42018-9
Plate (folding top No. 1 bow protector)	51418	Glass (back window)-end	42026-7
Rail (folding top pillar)	53196-7	Moulding (back window division bar)-inner and outer	42292
Retainer (center side rail window seal)	51150-1	Moulding (back window division bar)-outside	42420-1
Retainer (folding top header bow weatherstrip)	51152	Moulding (back window finish)-outside	42430-1
Retainer (front side rail window seal)	51126-7	Retainer (back window division bar moulding)-inner	42296
Retainer (top control rod bushing)	50589	Retainer (back window division bar moulding)-outer	42096
Retainer (top deck welt sleeve)	53072	Retainer (back window division bar moulding)-outer	42298
Screw (balance link to pillar and rear rail)	50522	Strip (back window finish)-inside	42410
Screw (No. 1 link to pillar and rear rail)	50522	Weatherstrip (back window)	42082
Seal (folding top hinge to body at belt)	53132	Weatherstrip (back window opening)	42084
Side rail assy (folding top)-front	53006-7	WINDSHIELD	
Side rail assy (folding top)-rear-complete	51154-5	Clip (windshield and rear window outside finish	03092
Slat iron (folding top rear bow)	50340-1	moulding)	
Sleeve (top deck welt)	53070	Extension (windshield opening reinforcement)	03618-9
Stud (rear bow to support assy rear bow to w/house)	50521	Glass (windshield)	03100
Stud (side rail control link to hinge)	53165	Moulding (windshield finish)-outside	03088-9
Support (rear bow to wheelhouse)	52992-3	Plate (windshield center inside finish strip)-lower	03086
Top assy-complete-trimmed including back curtain	50100	Plate (windshield finish strip)-upper	03084
Top assy (folding)-less trim	53000	Plug (windshield opening finish strip defroster)	03594
Top deck and quarter assy (folding top)	52700	Reinforcement (windshield opening and header)-inside	03576
Washer (balance link to pillar rail)	53213	Retainer (windshield center weatherstrip)-inner	03076
Washer (lower power link to bracket top mounting)	53213	Retainer (windshield center weatherstrip)-outer	03078
Washer (No. 2 bow to No. 1 link)	53210	Retainer (windshield)-lower	03556-7
Washer (No. 2 bow to bracket front side rail)	53217	Retainer (windshield lower)-center	03558
Washer (No. 1 link to hinge and link assy)	53211	Retainer (windshield opening finish strip)-at belt	03572
Washer (No. 1 link to pillar rail)	53213	Seal (windshield header)-rear	03476
Washer (rear bow to support assy)-rear bow to wheelhouse	53213	Strip (windshield opening finish)	03590-
Weatherseal (folding top quarter panel to hinge pillar)	52752-3	Weatherstrip (windshield)	03110
Weatherstrip (folding top bow No. 1)	51128		

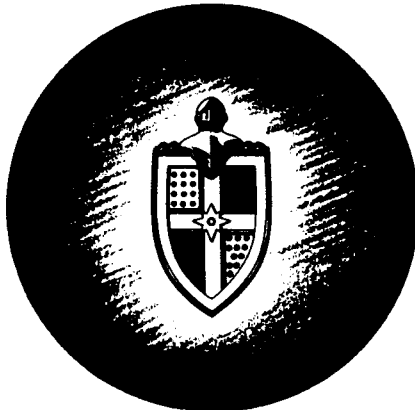
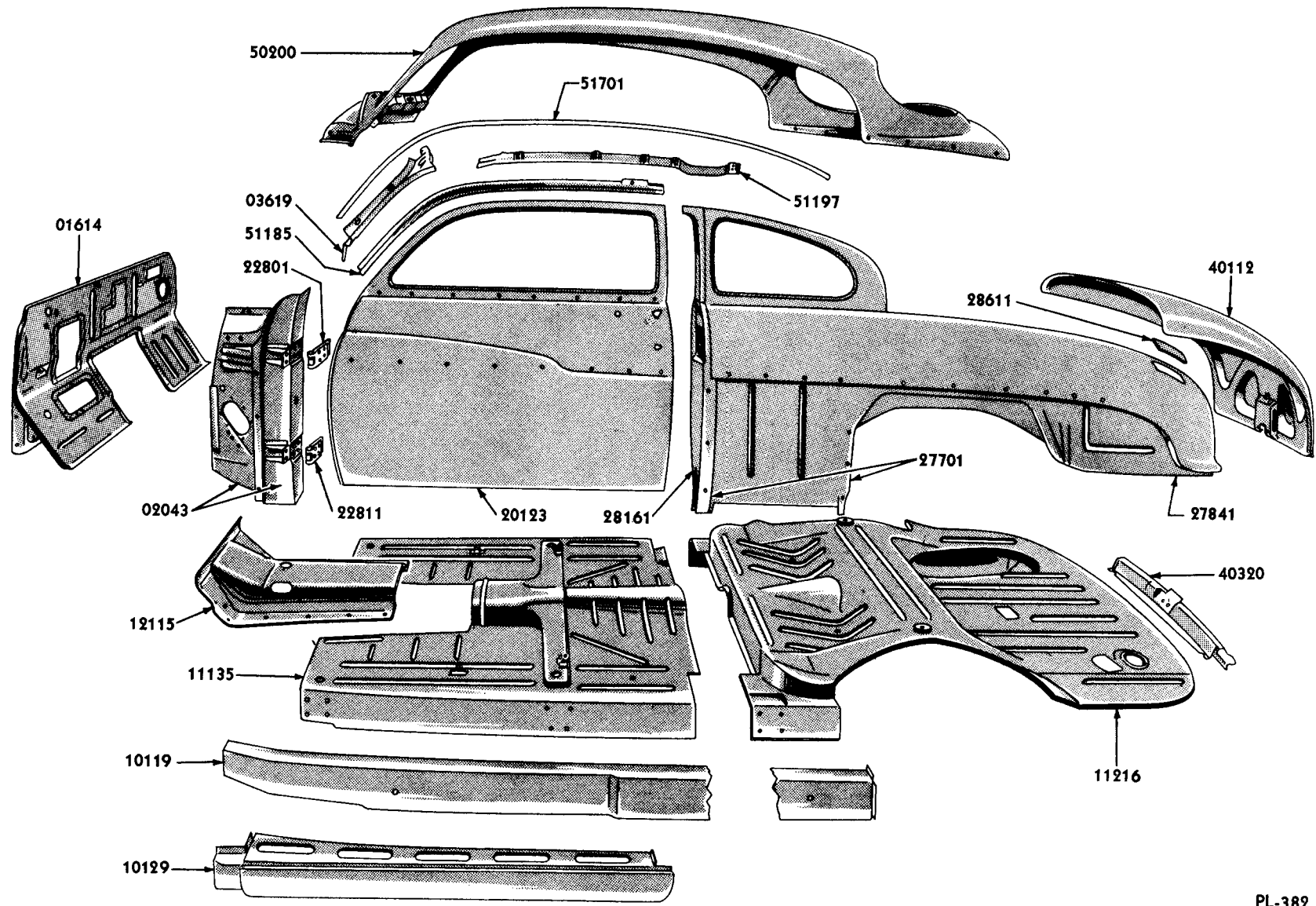


Illustration Index

DESCRIPTION	PAGE NO.
Ash receptacle assembly (front seat back)	128
Door parts-Lincoln	33
Door parts-Lincoln Cosmopolitan	34
Fresh air system-Lincoln	5
Fresh air system-Lincoln Cosmopolitan	6
Handle (door)-outside	41
Handle (luggage compartment door)	84
Handle (luggage compartment door)	85
Hydraulic system-Lincoln-Body Type 74	105
Hydraulic system-Lincoln Cosmopolitan-Body Type 72	104
Hydraulic system-Lincoln Cosmopolitan-Body Type 74	106
Hydraulic system-Lincoln Cosmopolitan-Body Type 76	107
Instrument panel	18
Lincoln Cosmopolitan Six Passenger Convertible Coupe -Body Type 76	XXX
Lincoln Cosmopolitan Six Passenger Coupe-Body Type 72	XXV
Lincoln Cosmopolitan Six Passenger Coupe-exterior view-Body Type 72C	XXVI
Lincoln Cosmopolitan Six Passenger Coupe top parts- Body Type 72C	116
Lincoln Cosmopolitan Sport Sedan-Body Type 74	XXVII
Lincoln Cosmopolitan Sport Sedan-exterior view-Body Type 74	XXVIII
Lincoln Cosmopolitan Sport Sedan-interior view-Body Type 74	XXIX
Lincoln Six Passenger Coupe-Body Type 72	XX
Lincoln Six Passenger Coupe-exterior view-Body Type 72C	XXI
Lincoln Six Passenger Coupe top parts-Body Type 72C	115
Lincoln Sport Sedan-Body Type 74	XXII
Lincoln Sport Sedan-exterior view-Body Type 74	XXIII
Lincoln Sport Sedan-interior view-Body Type 74	XXIV
Pump and motor (hydraulic)	108
Quarter window and finish strip assembly	67
Quarter window frame and glass assembly	68
Radio and steering column brackets	17
Regulator (window)-hydraulic control	45
Regulator (window)-manual control	44
Remote control (door)-Lincoln	39
Remote control (door)-Lincoln Cosmopolitan	39
Seat adjuster (hydraulic)	123
Switch (seat hydraulic regulator control)	53
Switch (window hydraulic)-multiple	46
Switch (window hydraulic)-single	46
Top-exterior view-Lincoln Cosmopolitan Convertible	90
Top-less trim-Lincoln Cosmopolitan Convertible	92
Window (rear)-Lincoln	81
Window (rear)-Lincoln Cosmopolitan	81
Windshield parts-Lincoln	13
Windshield parts-Lincoln Cosmopolitan	14

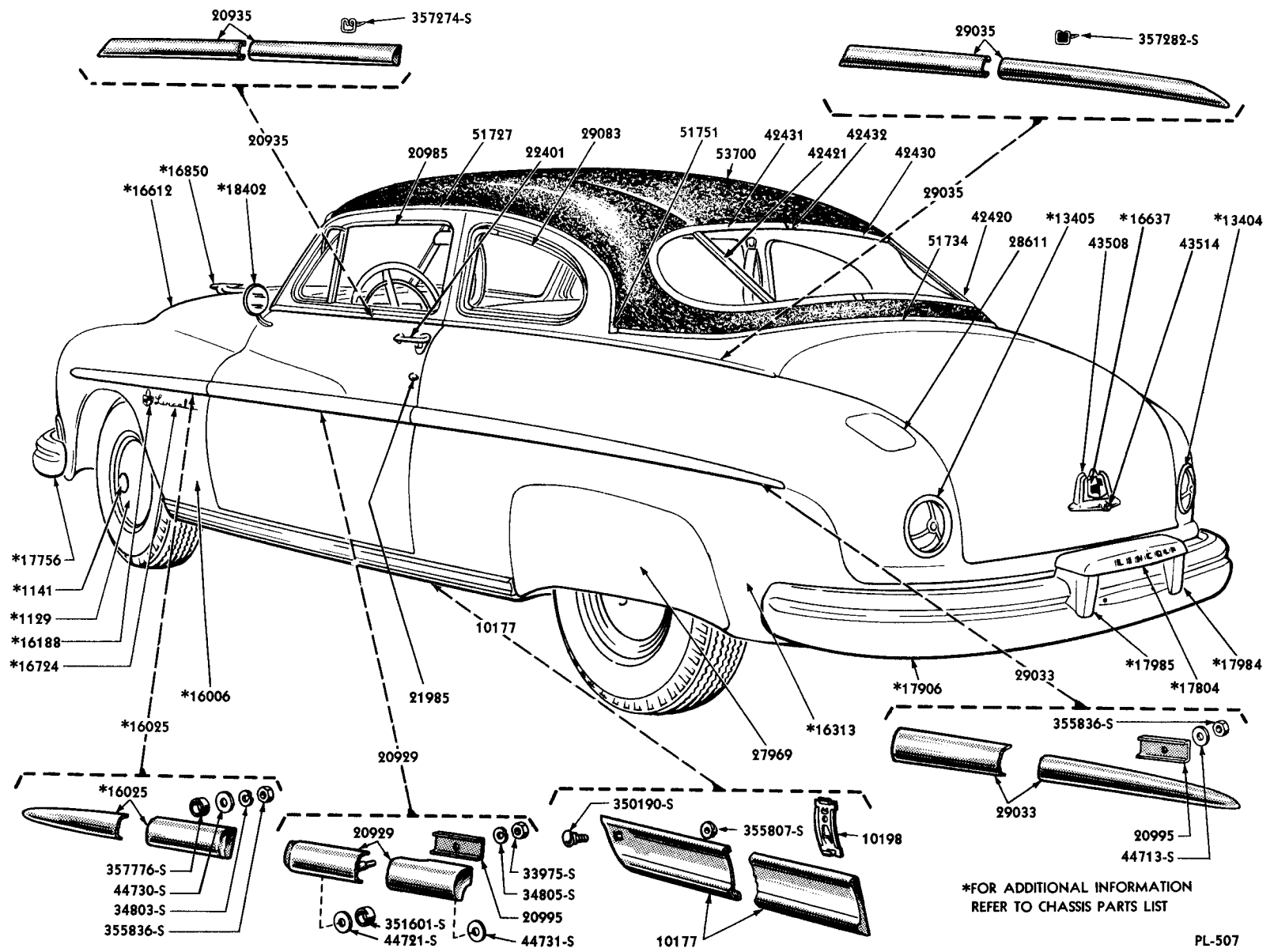
Lincoln and Lincoln Corporation

BODY PARTS CATALOGUE



LINCOLN SIX PASSENGER COUPE (BODY TYPE 72)

Group numbers only shown on illustration. Order by Part Numbers shown in list of parts.



LINCOLN SIX PASSENGER COUPE EXTERIOR VIEW (BODY TYPE 72C)

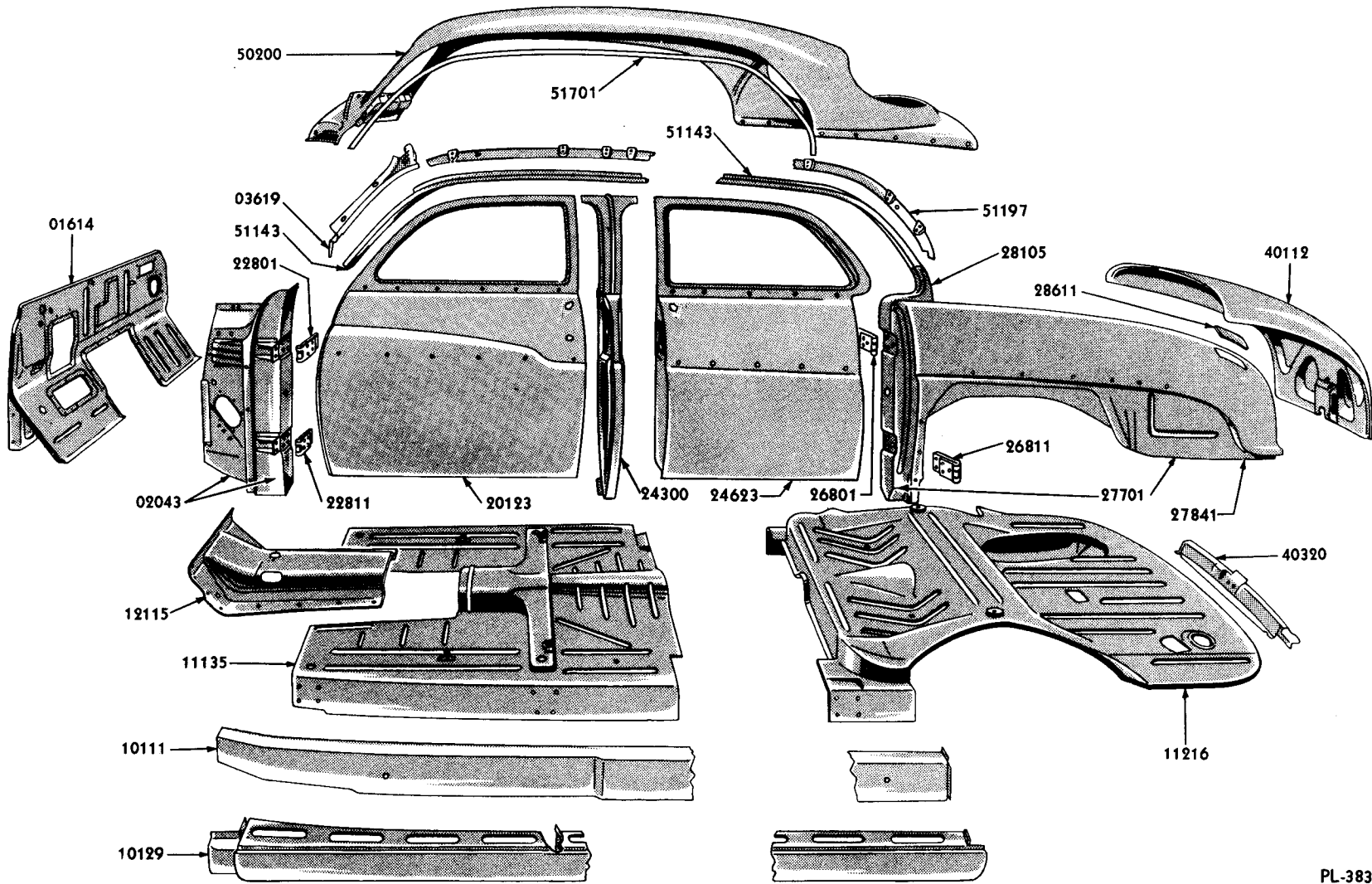
Group numbers only shown on illustration. Order by Part Numbers shown in list of parts.

*FOR ADDITIONAL INFORMATION
REFER TO CHASSIS PARTS LIST

PL-507

Lincoln and Lincoln Corporation

BODY PARTS CATALOGUE



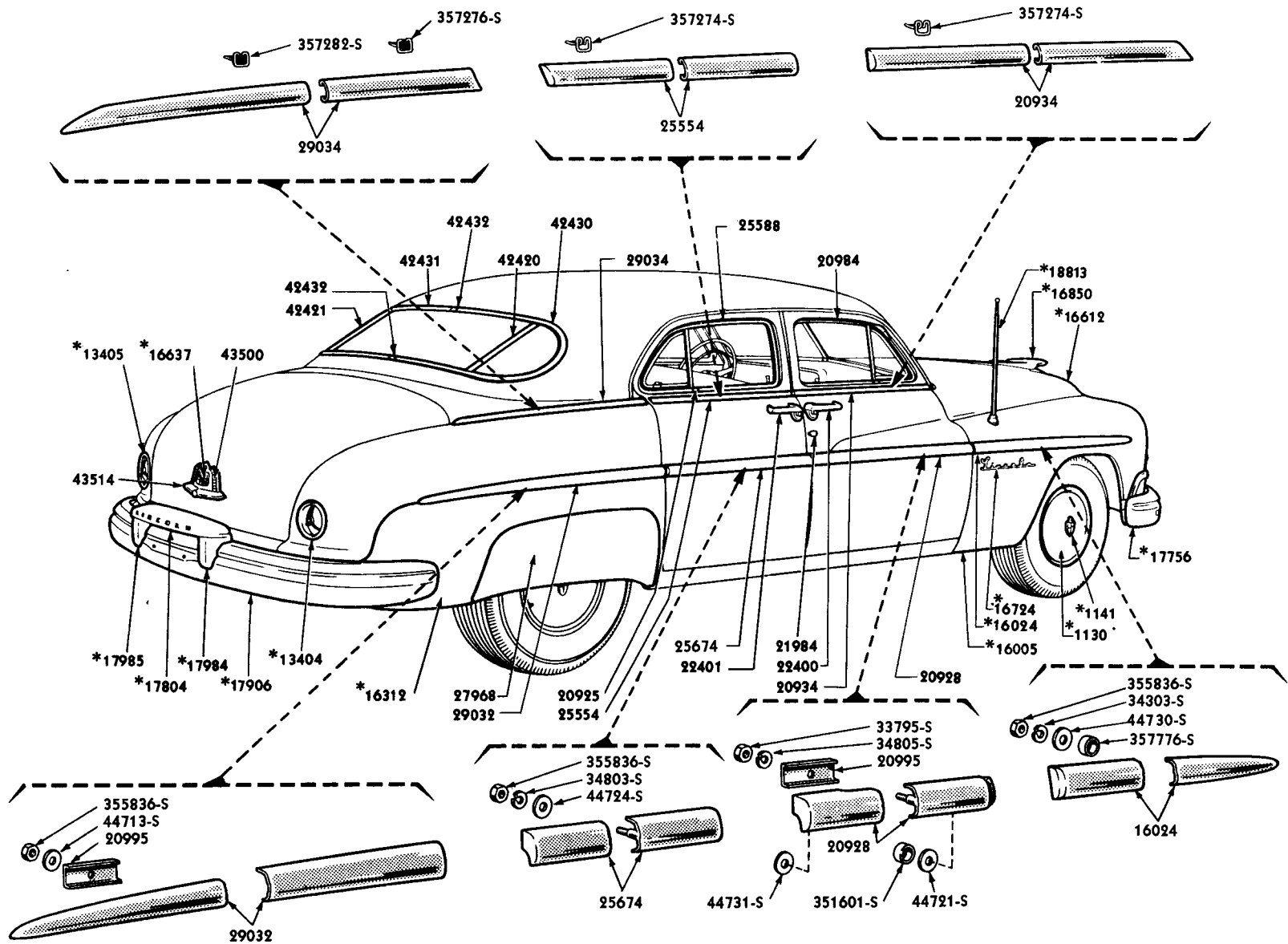
PL-383

LINCOLN SPORT SEDAN (BODY TYPE 74)

Group numbers only shown on illustration. Order by Part Numbers shown in list of parts.

Lincoln and Lincoln Corporation

BODY PARTS CATALOGUE



*FOR ADDITIONAL INFORMATION REFER TO CHASSIS PARTS LIST

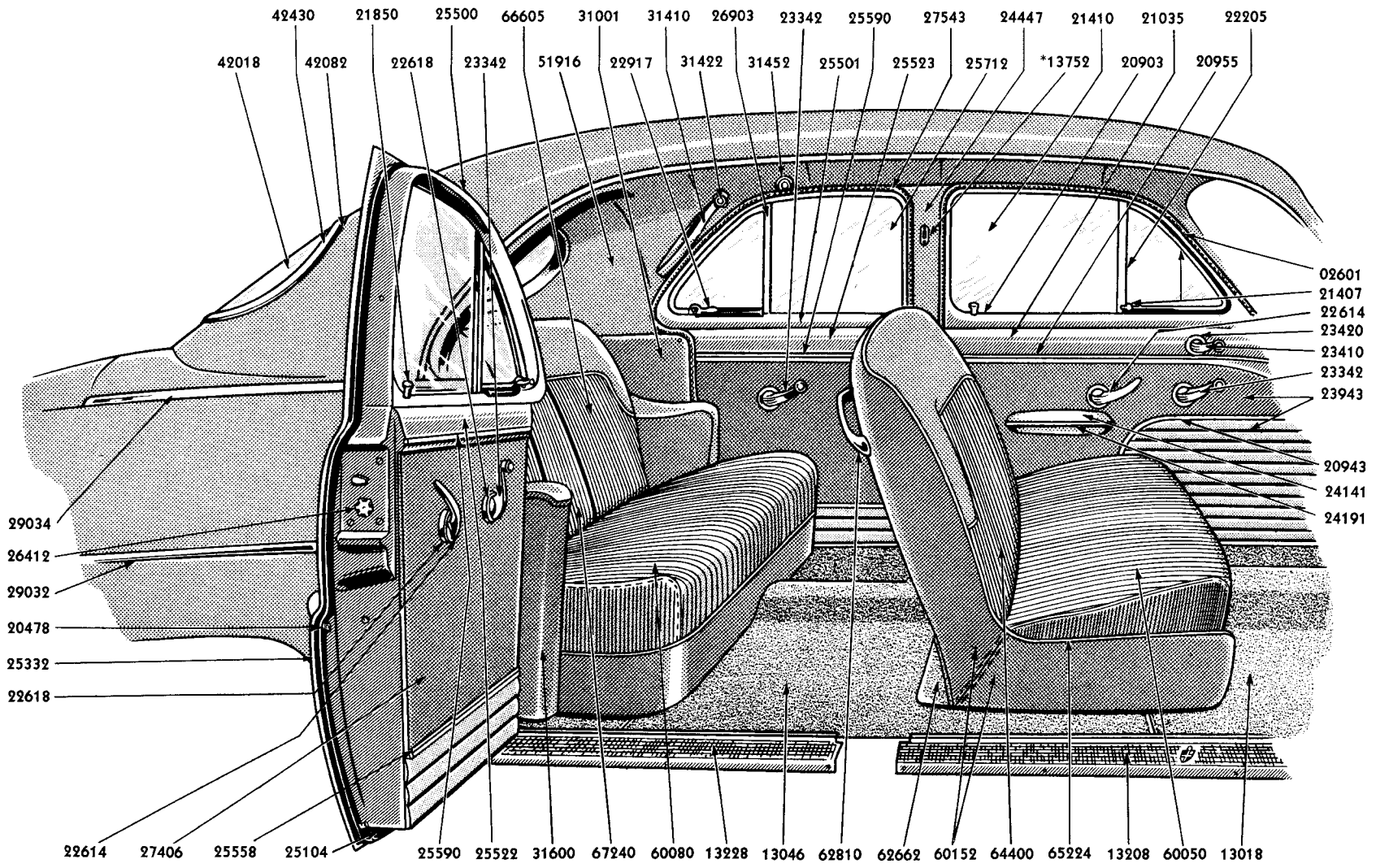
PL-509

LINCOLN SPORT SEDAN EXTERIOR VIEW (BODY TYPE 74)

Group numbers only shown on illustration. Order by Part Numbers shown in list of parts.

Lincoln and Lincoln Continental

BODY PARTS CATALOGUE

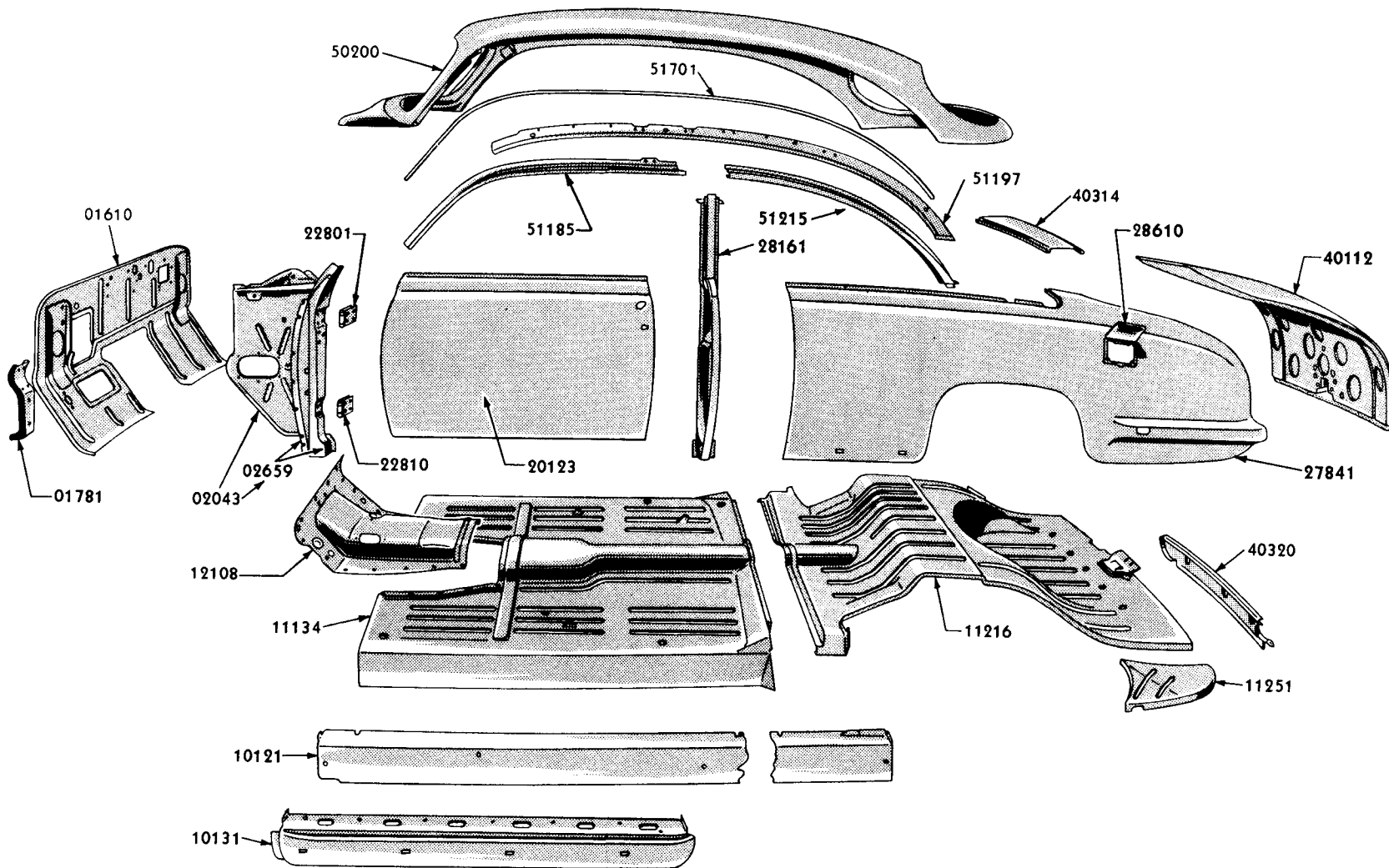


* FOR ADDITIONAL INFORMATION REFER TO CHASSIS PARTS LIST

PL-384

LINCOLN SPORT SEDAN INTERIOR VIEW (BODY TYPE 74)

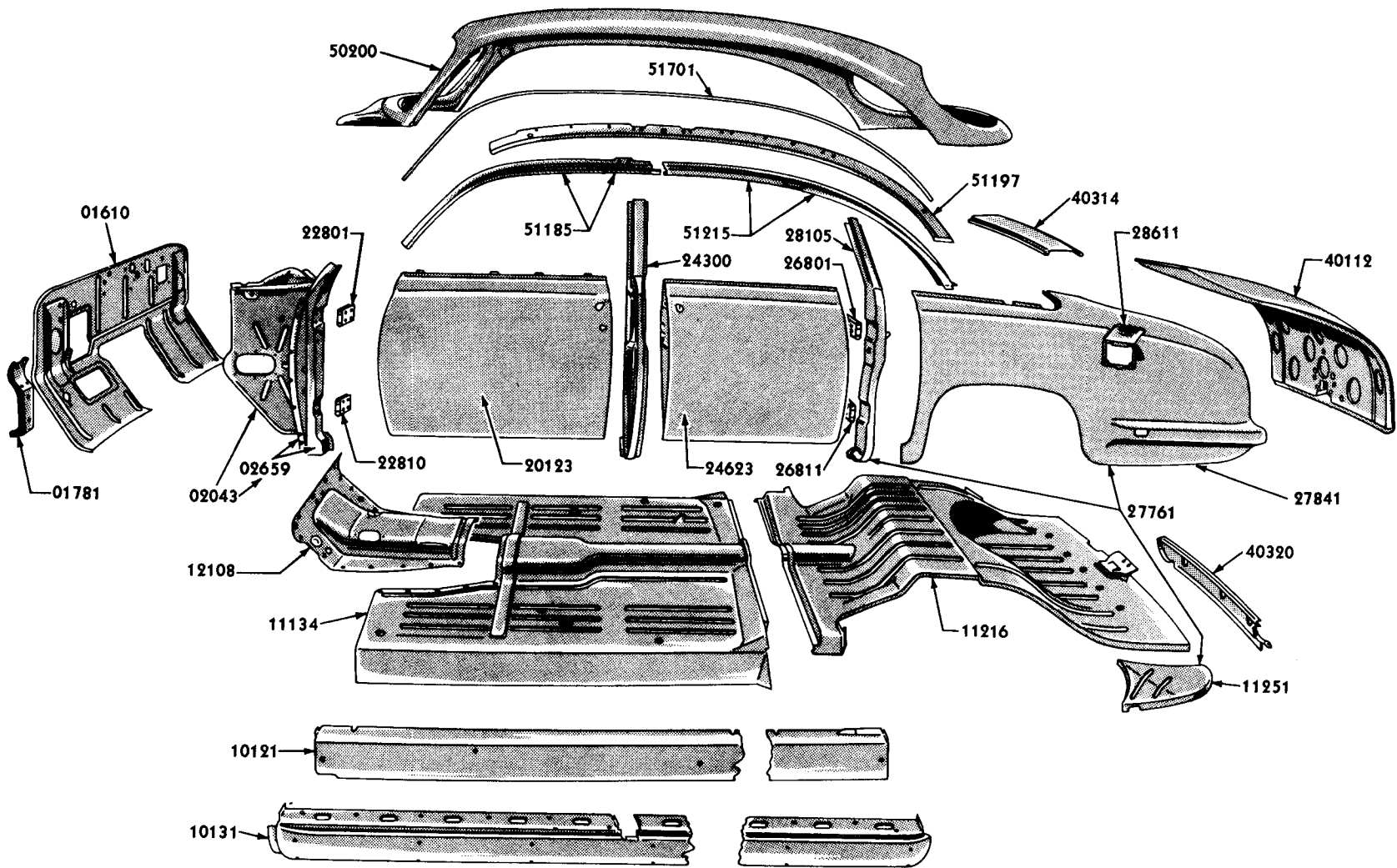
Group numbers only shown on illustration. Order by Part Numbers shown in list of parts.



PL-379

LINCOLN COSMOPOLITAN SIX PASSENGER COUPE (BODY TYPE 72)

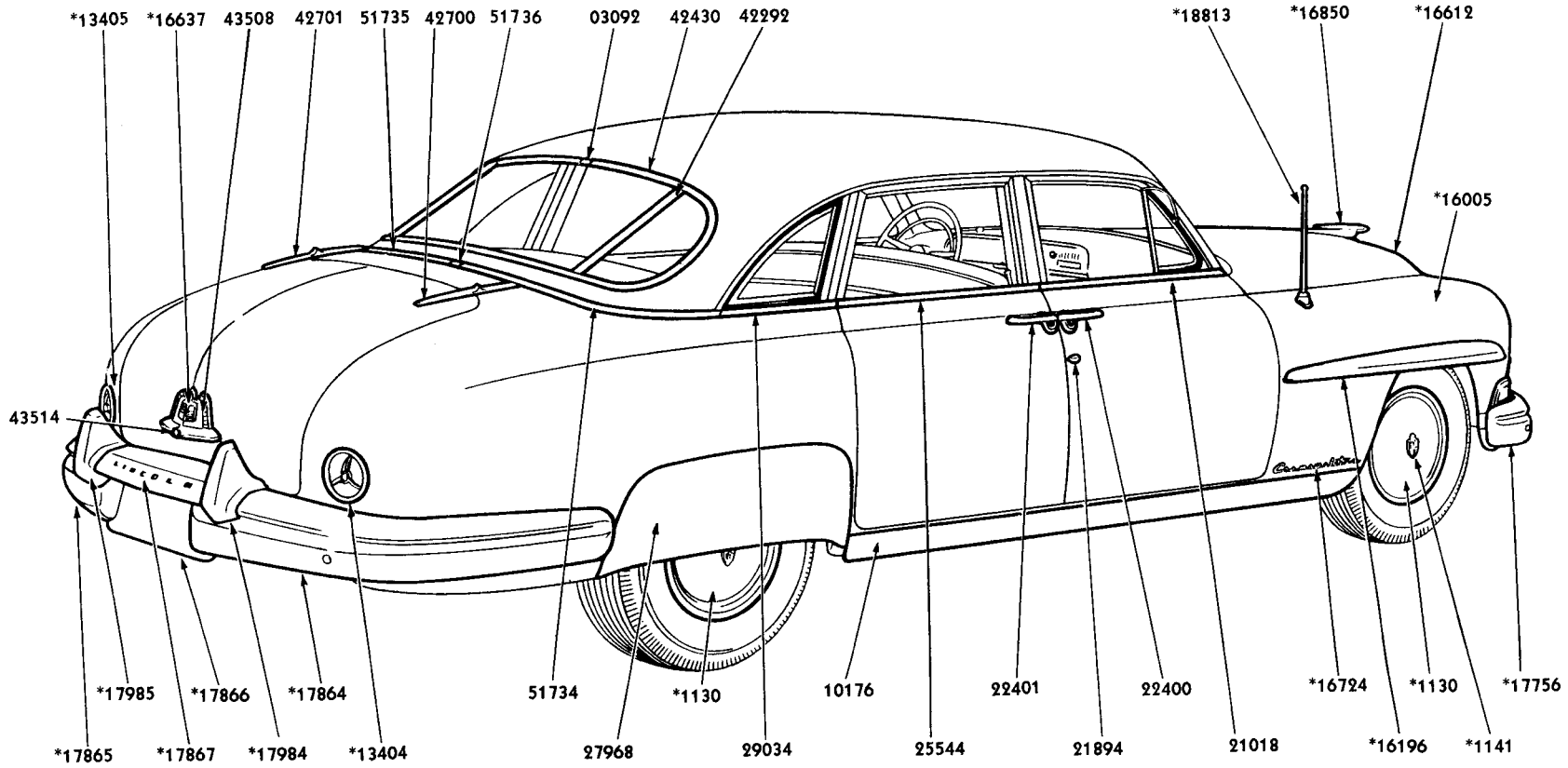
Group numbers only shown on illustration. Order by Part Numbers shown in list of parts.



PL-380

LINCOLN COSMOPOLITAN SPORT SEDAN (BODY TYPE 74)

Group numbers only shown on illustration. Order by Part Numbers shown in list of parts.

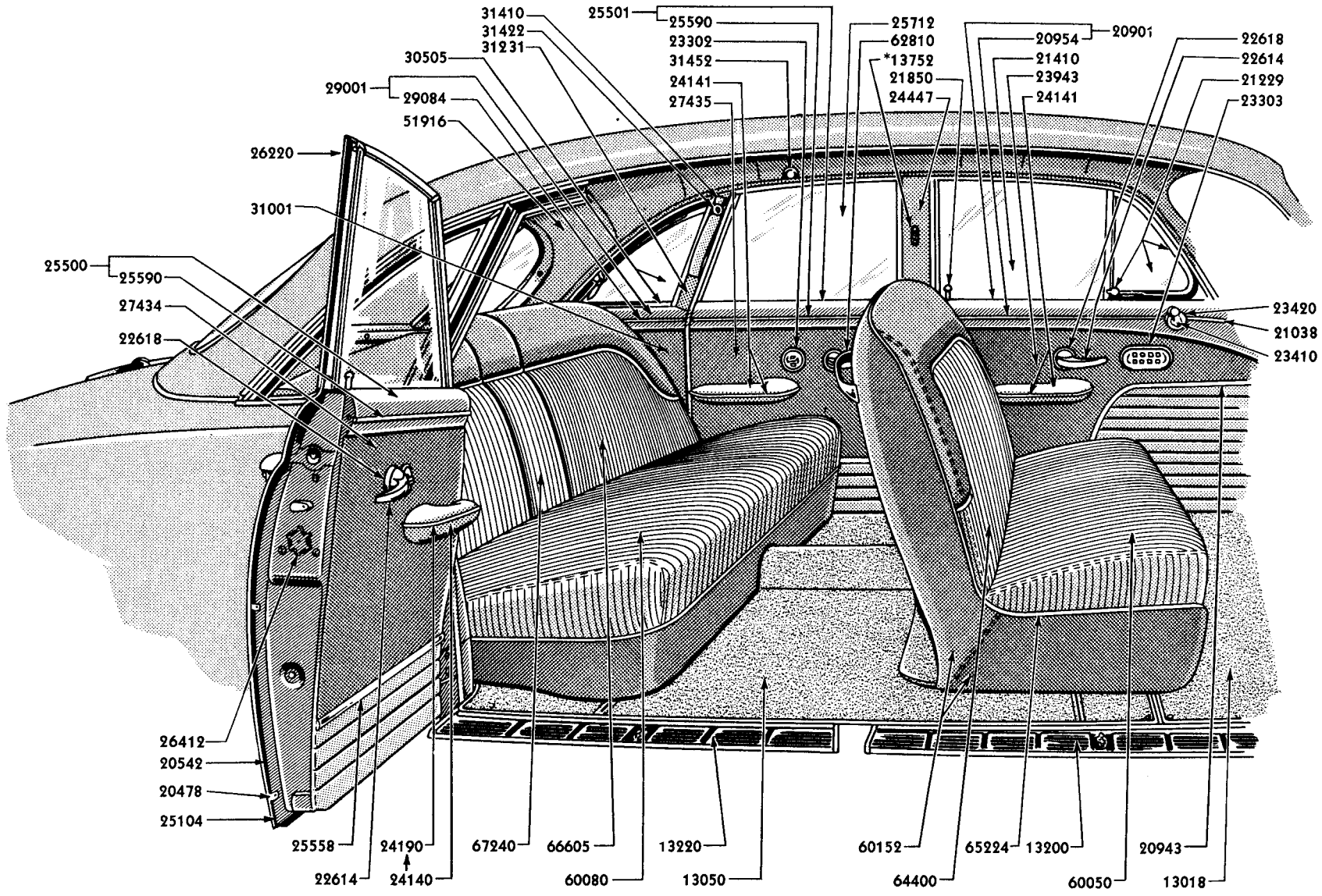


*FOR ADDITIONAL INFORMATION REFER TO CHASSIS PARTS LIST

PL-392

LINCOLN COSMOPOLITAN SPORT SEDAN EXTERIOR VIEW (BODY TYPE 74)

Group numbers only shown on illustration. Order by Part Numbers shown in list of parts.



*FOR ADDITIONAL INFORMATION REFER TO CHASSIS PARTS LIST.

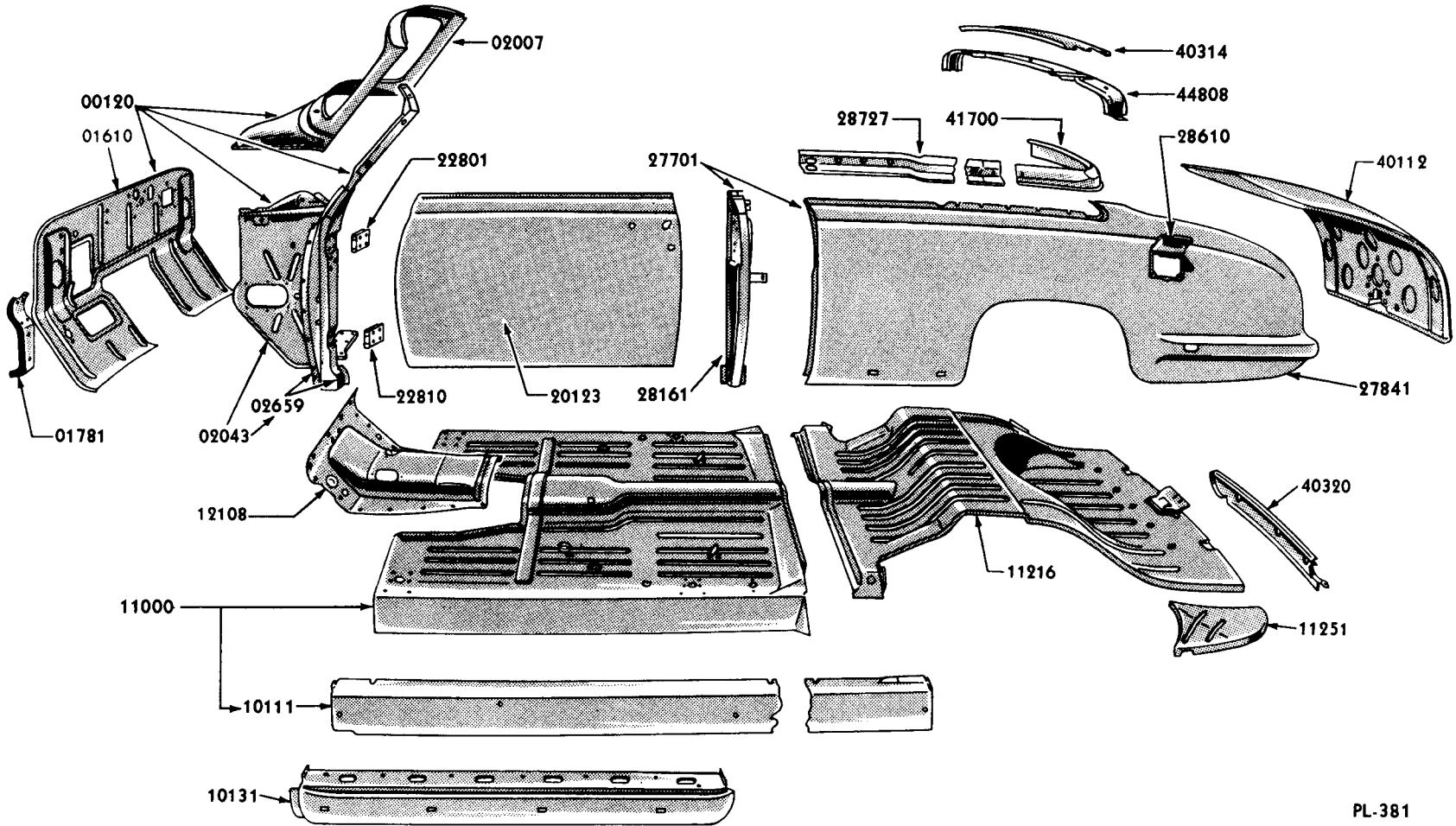
PL-376

LINCOLN COSMOPOLITAN SPORT SEDAN INTERIOR VIEW (BODY TYPE 74)

Group numbers only shown on illustration. Order by Part Numbers shown in list of parts.

Lincoln and Lincoln Cosmopolitan

BODY PARTS CATALOGUE



PL-381

LINCOLN COSMOPOLITAN SIX PASSENGER CONVERTIBLE COUPE (BODY TYPE 76)

Group numbers only shown on illustration. Order by Part Numbers shown in list of parts.

Lincoln and Lincoln Cosmopolitan

BODY PARTS CATALOGUE

YEAR 19__	BODY TYPES	REMARKS	PART NUMBER	NO. REQ'D
Group 1671 BUMPER (GLOVE COMPARTMENT DOOR)				
50	OL,OH		48 701671-A	2
Group 2790 PIN (FRONT AND REAR DOOR REGULATOR HANDLE TO SHAFT)				
50	OL,OH	5/8" long	48 702790	2
Group 3687-9 LOCK SET ASSEMBLY				
50	OL	Consists of ignition lock cylinder with keys and door lock cylinders and sleeve	OM 3687-A	1
50	OH	Consists of ignition lock cylinder with keys and door lock cylinders and sleeve	OH 3687-A	1
50	OL,OH	Consists of glove compartment lock assy with keys and rear deck lock cylinder	OL 3689-A	1
Group 5280-1 HANDLE (QUARTER GLASS FRAME)				
50	OL72-72C,OH except 76	R.H.	78 735280	1
50	OL72-72C,OH except 76	L.H.	78 735281	1
50	OL72-72C,OH except 76	Pin (groove)-3/32" x 1/2"	352471-S7	2
50	OL72-72C,OH except 76	Washer (spring)-5/16" I.D. x 9/16" O.D. x 1/16"	356361-S7	1
Group 6865 RETAINER (LUGGAGE COMPARTMENT HINGE)				
50	OH		78 706865	8
Group 6930 GROMMET (ACCELERATOR KICK DOWN SWITCH FRONT FLOOR CARPET)				
50	OL,OH	Clinch No. 5 male	16H-6930	1
50	OL,OH	Clinch No. 5 female	16H-6931	1
Group 00120 FRONT ASSEMBLY (BODY)				
50	OH76	Without holes in reinforcement	OH 7600120-A	1
50	OH76	With holes in reinforcement	OH 7600120-D	1
50	OH76	Bolt (hex head)-5/16"-18 x 1/2"	20310-S2	2
50	OH76	Bolt (hex head)-5/16"-18 x 3/4"	24366-S7	4
50	OH76	Lockwasher-5/16"	34806-S2	10
50	OH76	Lockwasher-5/16"	34826-S7	10
50	OH76	Nut (hex)-5/16"-18	33797-S7	8
50	OH76	Screw (flat head)-5/16"-18 x 3/4"	24666-S7	2
50	OH76	Screw (fillister head machine)-5/16"-18 x 1"	24698-S2	4
Group 00146 RETAINER (BODY TO FRAME ANTI-SQUEAK)				
50	OH except 76	1-13/16" O.D.	7EH 7300146	6
Group 00150 PAD (BODY TO CROSS MEMBER)				
50	OL	Rubber-1-43/64" diameter	7A 7000150-A	6
50	OH except 76	Rubber-1-3/4" diameter	7EH 7300150	2
Group 00152 ANTI SQUEAK (BODY TO FRAME)				
50	OL	Rubber-1-3/4" O.D. 51/64" thick	8M 7000152	2

Lincoln and Lincoln Cosmopolitan

BODY PARTS CATALOGUE

YEAR 19	BODY TYPES	REMARKS	PART NUMBER	NO. REQ'D
Group 00154 ANTI SQUEAK (BODY TO FRAME)				
50	OL	Rubber-1-13/16" diameter	21A 7000154-A	6
50	OL,OH except 76	Rubber-1-3/4" O.D.-31/32" thick	7EE 7300154	2or6
Group 01610 PANEL ASSEMBLY (DASH)				
50	OH except 76		OH 7301610	1
50	OH76		OH 7601610	1
50	OH	Nut (square)-No. 10-32	34141-S7	2
Group 01614 PANEL AND BRACE ASSEMBLY (DASH)				
50	OL		OL 7201614	1
Group 01634 COVER ASSEMBLY (HANDBRAKE CABLE OPENING)-DASH				
50	OL		OM 7201634	1
50	OH		OH 7301634	1
Group 01647 PLUG (DASH PANEL)				
50	OH	When Fresh Air heater is not used	OH 7301647	9
Group 01654 RETAINER (STEERING COLUMN OPENING SEALER)				
50	OL,OH	Steel-approximately 5-7/16" long	8M 7001654-B	2
50	OL	Screw (hex washer head self tapping)-No. 14-10 x 1/2"	31527-S7	2
50	OL	Screw (hex head self tapping)-No. 10-12 x 3/4"	42021-S	4
50	OH	Screw (hex head self tapping) No. 10-12 x 1-1/4"	42037-S8	2
Group 01658 BRACKET (TOP OPERATING VALVE DASH)				
50	OH76		OH 7601658	1
Group 01670 INSULATOR ASSEMBLY (DASH UPPER)				
50	OL		OL 7201670	1
50	OL	Clip (dash liner)	352173-S32	7
Group 01670-1 INSULATOR ASSEMBLY (DASH)				
50	OH	R.H.-Cardboard and Fibre Glass	OH 7301670	1
50	OH	L.H.-Cardboard and Fibre Glass	OH 7301671	1
50	OH	Clip (trim)	357036-S32	12
Group 01673 INSULATOR ASSEMBLY (STEERING COLUMN OPENING)-DASH UPPER				
50	OL		OL 7201673	1
Group 01695 GROMMET (HAND BRAKE CABLE CONDUIT TO DASH)				
50	OL,OH	Rubber-1/16" thick	OM 7201695	1
Group 01698 PLATE (STEERING COLUMN OPENING LOWER COVER)				
50	OL	Steel-5-5/32" x 7-9/16"	8M 7001698-B	1
50	OH	Steel-7-25/32" x 10" approximate overall length	8H 7301698	1
50	OL	Screw (hex head self tapping)-No. 10-12 x 1/2"	42007-S7	as req'd

Lincoln and Lincoln Cosmopolitan

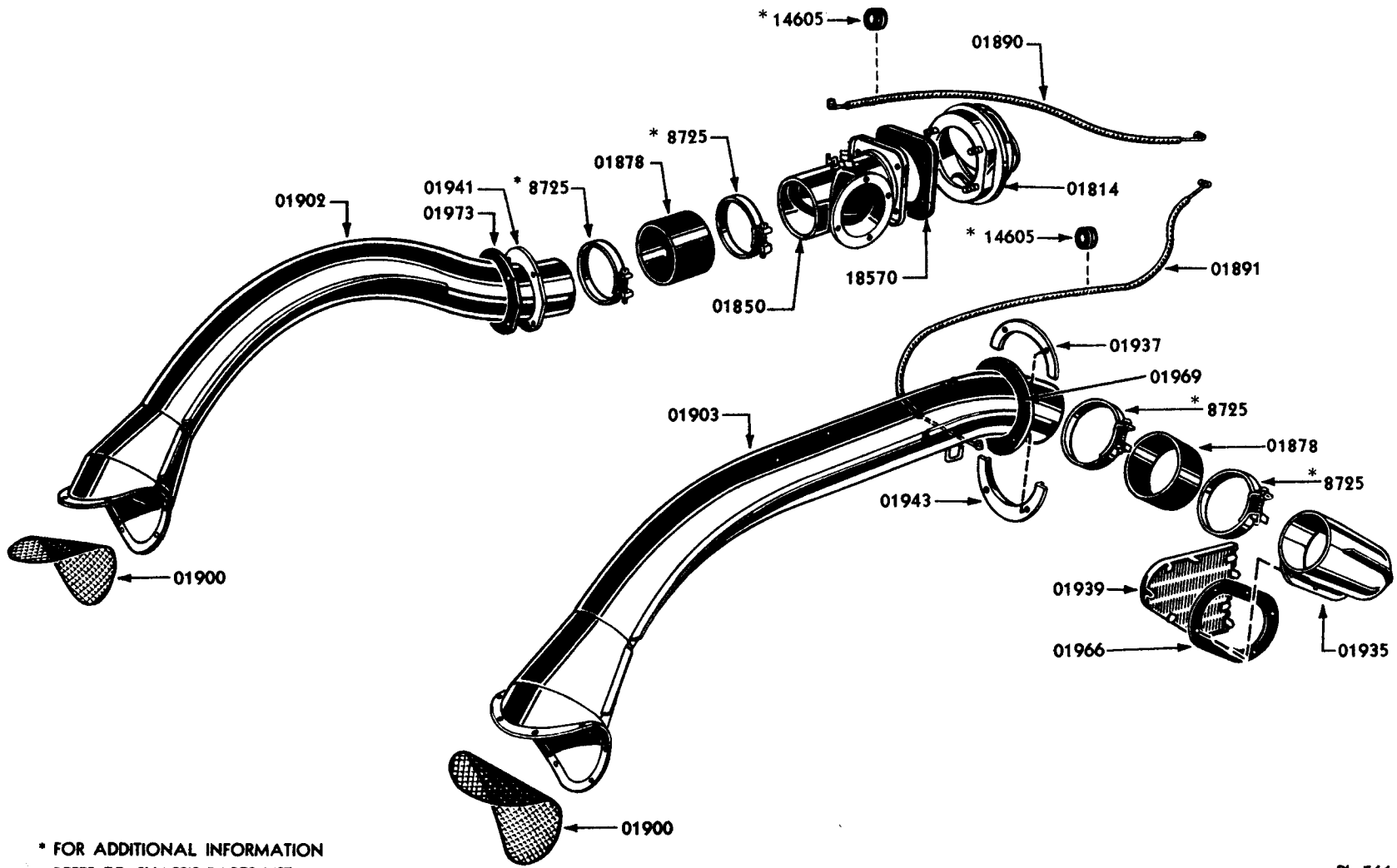
BODY PARTS CATALOGUE

YEAR 19__	BODY TYPES	REMARKS	PART NUMBER	NO. REQ'D
Group 01699 PLATE (STEERING COLUMN OPENING UPPER COVER)				
50	OL	Steel-4-31/64" x 7-9/16"	8M 7001699-B	1
50	OH	Steel-5-5/16" x 7-51/64"	8H 7301699	1
50	OL	Screw (hex head self tapping)-No. 10-12 x 1/2"	42007-S7	as req'd
Group 01714 BRACE ASSEMBLY (DASH TO FRAME)				
50	OL	With reinforcement	8M 7001714	2
Group 01736 SPACER (DASH TO FRAME BRACE)				
50	OL	Rubber-1-3/4" x 9/32" thick-hole diameter 13/32"	8M 7001736-A	6
50	OL,OH	Rubber-1-3/4" x 9/32" thick-hole diameter 5/8"	8M 7001736-B	8
Group 01740 SPACER (BODY TO FRAME)-NO. 1 BODY BOLT				
50	OL	Steel-1-3/4" square x 5/16" thick	8M 7001740	2
50	OH	1/2" I.D. x 1-3/4" O.D. x 5/8"	8H 7301740	2
Group 01760 CARPET AND BINDING ASSEMBLY (DASH)				
50	OL72-72C-74	Gray-One Tone	OL 7201760-AC	1
50	OL72-74	Gray-Two Tone	OL 7201760-AY	1
50	OL72-72C-74	Green-One Tone	OL 7201760-AA	1
50	OL72-74	Green-Two Tone	OL 7201760-AZ	1
50	OL72-72C-74	Tan-One Tone	OL 7201760-AB	1
50	OL72-74	Tan-Two Tone	OL 7201760-AX	1
50	OH72-72C-74-76	Gray	OH 7301760-AC	1
50	OH72-74-76	Green	OH 7301760-AA	1
50	OH72-72C-74-76	Tan	OH 7301760-AB	1
50	OH72C-76	Cherry Red	OH 7601760-AA	1
50	OH76	Black	OH 7601760-AB	1
50	OL	Screw (cross recessed oval hd self tap.)-No. 8-15 x 1-1/2"	52388-S15	6
50	OL,OH	Screw (cross recessed oval hd self tap.)-No. 8-15 x 3/4"	52360-S15	as req'd
50	OL,OH	Washer (hollow countersunk)-No. 8	34885-S15	as req'd
50	OH except 76	Washer (finish)-No. 6	34876-S15	16
Group 01780-1 BRACE ASSEMBLY (DASH TO FRAME)				
50	OH	R.H.	OH 7301780	1
50	OH	L.H.	OH 7301781	1
50	OH	Bolt and lockwasher assy (hex head)-5/16"-18 x 1"	42847-S8	8
50	OH except 76	Bolt (hex head special)-3/8"-24 x 1-5/8"	350269-S7	2
50	OH76	Bolt (hex head special)-3/8"-24 x 1-1/4"	350264-S7	2
Group 01782 PLATE (UPPER STEERING COLUMN TO DASH COVER)				
50	OH	Steel-5-15/16" x 7-51/64"	7EH 7301782	1
50	OH	Screw (hex head self tapping)-No. 10-12 x 1/2"	42007-S7	4
Group 01786-7 SILENCER (DASH PANEL LOWER)				
50	OL	R.H.-38-3/4" long	8L 7201786	1
50	OL	L.H.-with punch out clutch pedal opening	8L 7201787	1
Group 01788 INSULATOR (STEERING COLUMN TO DASH COVER PLATE)				
50	OH	Fibre Glass on Cardboard-8-7/64" x 8-55/64"	OH 7301788	1
50	OH	Clip (trim)	357036-S32	12

Lincoln and Lincoln Cosmopolitan

BODY PARTS CATALOGUE

YEAR 19	BODY TYPES	REMARKS	PART NUMBER	NO. REQ'D
Group 01814 REGISTER ASSY (FRESH AIR DUCT)				
50	OL	R.H.-complete with door and knob-passenger side of dash	8L 7301814	1
Group 01844 HANDLE (FRESH AIR DUCT)				
50	OL	R.H.	8L 7301844	1
Group 01846 PLATE (HEATER OPENING COVER)				
50	OL	When heater is not used	OM 7001846	1
50	OH	When heater is not used	OH 7301846	1
50	OH	Screw (pan head self tapping)-No. 10-12 x 1/2"	32924-S2	3
Group 01848 PLATE (HEATER CONTROL VALVE OPENING COVER)				
50	OL,OH	When heater is not used	8H 7301848	1
50	OH	Screw (pan head self tapping)-No. 8-15 x 1/2"	32923-S7	2
Group 01850 VALVE ASSEMBLY (FRESH AIR DUCT)				
50	OL	R.H.-when heater is used	OM 7201850-A	1
50	OL	R.H.-when heater is not used	OM 7201850-B	1
50	OL	Clip	353261-S7	1
50	OL	Screw (pan head self tapping)-No. 10-12 x 3/8"	32917-S7	1
Group 01878 CONNECTOR (BODY VENT AIR DUCT)				
50	OL	R.H.-Rubber-4" diameter x 4" long-with notch out	8M 7001878	1
50	OL	L.H.-Rubber-4" diameter x 3-1/4" long	OL 7201878	1
50	OH	L.H.-Rubber-4" diameter x 3-1/4" long	OL 7201878	2
Group 01880 GASKET (FRESH AIR REGISTER)				
50	OH	Used for mounting register to dash	8H 7301880	2
Group 01890-1 CABLE ASSEMBLY (FRESH AIR INLET)				
50	OL	R.H.-48-5/8" long-with one red stripe on end	OM 7201890-B	1
50	OL	L.H.-32-5/8" long-with two red stripes on end	OL 7201891-B	1
50	OH	R.H.-59-1/2" long-with three red stripes on end	OH 7301890-D	1
50	OH	L.H.-35" long-with three red stripes on end	OH 7301891-B	1
50	OL	Grommet (3/4" O.D. x 1/4" I.D.)	352963-S	2
50	OL,OH	Screw and washer assy (hex hd)-No. 10-32 x 1/2"	42728-S8	1
Group 01900 SCREEN (VENTILATING AIR DUCT)-FRONT				
50	OL,OH		8H 7301900	2
50	OL,OH	Nut (spring "J" shape)-No. 10	351722-AS32	16
Group 01902-3 VENTILATING AIR DUCT ASSEMBLY-COMPLETE				
50	OL	R.H.	OL 7201902	1
50	OL	L.H.	OL 7201903	1
50	OH	R.H.	OH 7301902	1
50	OH	L.H.	OH 7301903	1
50	OL,OH	Nut (spring "J" shape)-No. 10	351722-AS32	16

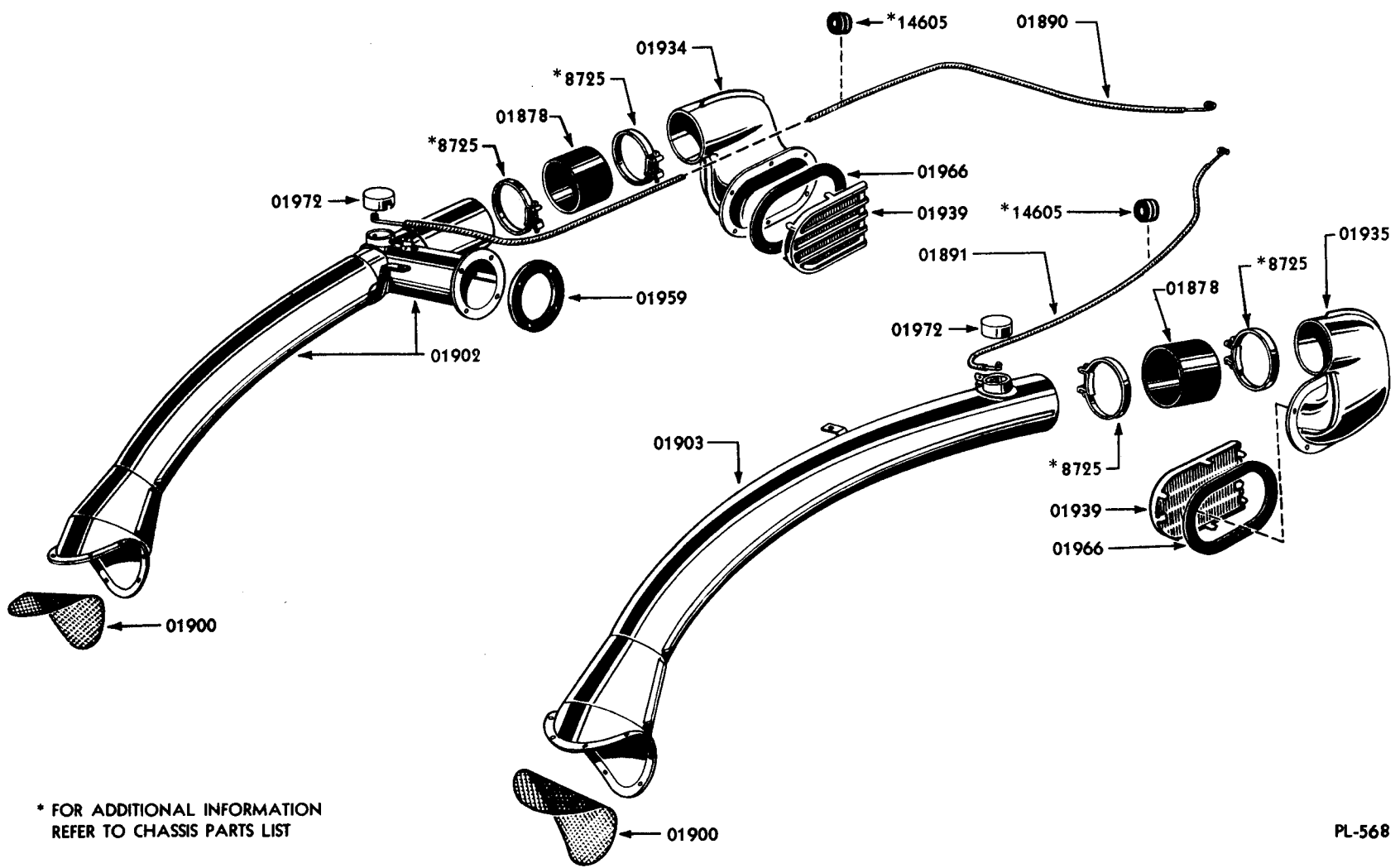


* FOR ADDITIONAL INFORMATION
REFER TO CHASSIS PARTS LIST

PL-561

LINCOLN FRESH AIR SYSTEM

Group numbers only shown on illustration. Order by Part Numbers shown in list of parts.



* FOR ADDITIONAL INFORMATION
REFER TO CHASSIS PARTS LIST

PL-568

LINCOLN COSMOPOLITAN FRESH AIR SYSTEM

Group numbers only shown on illustration. Order by Part Numbers shown in list of parts.

Lincoln and Lincoln Cosmopolitan

BODY PARTS CATALOGUE

YEAR 19__	BODY TYPES	REMARKS	PART NUMBER	NO. REQ'D
Group 01934-5 DUCT ASSEMBLY (AIR VENTILATING OUTLET)				
50	OL	L.H.	OL 7201935	1
50	OH	R.H.	8H 7301934	1
50	OH	L.H.	8H 7301935	1
Group 01937 COLLAR (VENTILATING AIR DUCT TO SPLASH PANEL)-UPPER				
50	OL		OL 7201937	1
Group 01939 SCREEN ASSEMBLY (AIR VENTILATING OUTLET)				
50	OL	L.H.	OL 7201939	1
50	OH	L.H. and R.H.	OH 7301939	2
Group 01941 COLLAR (VENTILATING AIR DUCT TO FENDER APRON)				
50	OL		OL 7201941-B	1
Group 01943 COLLAR (VENTILATING AIR DUCT TO SPLASH PANEL)-LOWER				
50	OL		OL 7201943	1
Group 01959 SEAL (VENTILATING AIR DUCT CENTER)-FLANGE TO COVER				
50	OH	Rubber-4-1/8" I.D. x 5-23/64" O.D. x 1/8" thick	8H 7301959	1
Group 01966 SPACER (VENTILATING AIR DUCT TO COWL)				
50	OL	Rubber-4-7/8" wide x 7-53/64" long x 1/8" thick	OL 7201966	1
50	OH	Rubber-5-1/8" wide x 8-7/16" long x 1/8" thick	8H 7301966	2
50	OL,OH	Nut (spring "J" shape)-No. 10	351722-AS32	6or12
50	OL,OH	Screw (hex washer head self tapping)-No. 10-12 x 5/8"	42134-S8	6or12
Group 01969 SEAL (VENTILATING AIR DUCT TO SPLASH PANEL)				
50	OL		OL 7201969	1
Group 01972 COVER (AIR VALVE DAMPER SHAFT)-UPPER				
50	OH	2-7/64" diameter	8H 7301972	2
50	OH	Screw (pan head self tapping)-No. 8 x 1/4"	32909-S8	1
Group 01973 SEAL (VENTILATING AIR DUCT TO FENDER APRON)				
50	OL	Rubber-1/8" thick	OL 7201973-B	1
Group 02007 PANEL (COWL TOP AND PILLAR)				
50	OH76	Without holes for bracket	8H 7602007	1
50	OH76	With holes for bracket	OH 7602007	1
Group 02042-3 PILLAR AND PANEL ASSEMBLY (COWL SIDE AND BODY FRONT)				
50	OL	R.H.	OM 7202042-A	1
50	OL	L.H.	OL 7202043-A	1
50	OH except 76	R.H.	OH 7302042-C	1
50	OH except 76	L.H.	OH 7302043-C	1
50	OH76	R.H.	OH 7602042-C	1
50	OH76	L.H.	OH 7602043-C	1

Lincoln and Lincoln Cosmopolitan

BODY PARTS CATALOGUE

YEAR 19	BODY TYPES	REMARKS	PART NUMBER	NO. REQ'D
Group 02066 ANTI SQUEAK (COWL SIDE PANEL)				
50	OL	22-1/4" long	8M 7002066-B	2
Group 02074-5 SEALER (COWL PANEL TO HOOD)				
50	OL	R.H.-Rubber	8M 7002074	1
50	OL	L.H.-Rubber	8M 7002075	1
50	OL	Screw (drive)-No. 6 x 1/2"	351629-S28-A2B	8
50	OL	Screw (pan head self tapping)-No. 8-15 x 5/8"	32930-S7	8
Group 02092 COVER (COWL SIDE PANEL OPENING)				
50	OL	Approximately 8-3/4" long 2-3/4" wide-with rounded corners	7A 7002092	2
50	OL	Screw (binding head self tapping)-No. 8 x 3/8"	52720-S8	8
Group 02093 GASKET (COWL SIDE PANEL OPENING COVER)				
50	OL	Cardboard-3" wide x 9" long	7A 7002093	2
Group 02164 INSULATOR (COWL UPPER)				
50	OH	Fibre Glass-3/4" thick	8H 7302164	2
Group 02348-9 TRIM ASSEMBLY (SIDE COWL PANEL)				
50	OL72-74	R.H.-Upper M-19108-B Dark Brown Plain Broadcloth, Lower Light Tan Artificial Leather	OL 7202348-AB	1
50	OL72-74	L.H.-Upper M-19108-B Dark Brown Plain Broadcloth, Lower Light Tan Artificial Leather	OL 7202349 AB	1
50	OL72-74	R.H.-Upper M-19108-C Dark Gray Plain Broadcloth, Lower Gray Artificial Leather	OL 7202348-AC	1
50	OL72-74	L.H.-Upper M-19108-C Dark Gray Plain Broadcloth, Lower Gray Artificial Leather	OL 7202349-AC	1
50	OL72-74	R.H.-Upper M-19108-A Dark Green Plain Broadcloth, Lower Light Green Artificial Leather	OL 7202348-AA	1
50	OL72-74	L.H.-Upper M-19108-A Dark Green Plain Broadcloth, Lower Light Green Artificial Leather	OL 7202349-AA	1
50	OL72-74	R.H.-Tan Artificial Leather	OL 7202348-AD	1
50	OL72-74	L.H.-Tan Artificial Leather	OL 7202349-AD	1
50	OL72C	R.H.-Upper M-19146-K Beige Whipcord, Lower Dark Tan Artificial Leather	OL 7202348-AH	1
50	OL72C	L.H.-Upper M-19146-K Beige Whipcord, Lower Dark Tan Artificial Leather	OL 7202349-AH	1
50	OL72C	R.H.-Upper M-19146-M Blue Whipcord, Lower Dark Blue Artificial Leather	OL 7202348-AF	1
50	OL72C	L.H.-Upper M-19146-M Blue Whipcord, Lower Dark Blue Artificial Leather	OL 7202349-AF	1
50	OL72C	R.H.-Upper M-19146-M Blue Whipcord, Lower Light Blue Artificial Leather	OL 7202348-AE	1
50	OL72C	L.H.-Upper M-19146-M Blue Whipcord, Lower Light Blue Artificial Leather	OL 7202349-AE	1
50	OL72C	R.H.-Upper M-19146-L Green Whipcord, Lower Oyster White Artificial Leather	OL 7202348-AG	1
50	OL72C	L.H.-Upper M-19146-L Green Whipcord, Lower Oyster White Artificial Leather	OL 7202349-AG	1

Lincoln and Lincoln Cosmopolitan

BODY PARTS CATALOGUE

YEAR 19__	BODY TYPES	REMARKS	PART NUMBER	NO. REQ'D
Group 02348-9 TRIM ASSEMBLY (SIDE COWL PANEL)-CONTINUED				
50	OH72-74	R.H.-Upper M-19106-H Dark Gray Plain Broadcloth, Lower Gray Artificial Leather	OH 7302348-AC	1
50	OH72-74	L.H.-Upper M-19106-H Dark Gray Plain Broadcloth, Lower Gray Artificial Leather	OH 7302349-AC	1
50	OH72-74	R.H.-Upper M-19106-B Dark Green Plain Broadcloth, Lower Light Green Artificial Leather	OH 7302348-AA	1
50	OH72-74	L.H.-Upper M-19106-B Dark Green Plain Broadcloth, Lower Light Green Artificial Leather	OH 7302349-AA	1
50	OH72-74	R.H.-Upper M-19106-D Dark Tan Plain Broadcloth, Lower Light Tan Artificial Leather	OH 7302348-AB	1
50	OH72-74	L.H.-Upper M-19106-D Dark Tan Plain Broadcloth, Lower Light Tan Artificial Leather	OH 7302349-AB	1
50	OH72-74	R.H.-Tan Artificial Leather	OH 7302348-AF	1
50	OH72-74	L.H.-Tan Artificial Leather	OH 7302349-AF	1
50	OH72C	R.H.-Upper M-19146-K Beige Whipcord, Lower Cherry Red Artificial Leather	OH 7202348-AAE	1
50	OH72C	L.H.-Upper M-19146-K Beige Whipcord, Lower Cheery Red Artificial Leather	OH 7202349-AAE	1
50	OH72C	R.H.-Upper M-19146-M Blue Whipcord, Lower Dark Blue Artificial Leather	OH 7202348-AAC	1
50	OH72C	L.H.-Upper M-19146-M Blue Whipcord, Lower Dark Blue Artificial Leather	OH 7202349-AAC	1
50	OH72C	R.H.-Upper M-19146-M Blue Whipcord, Lower Oyster White Artificial Leather	OH 7202348-AAD	1
50	OH72C	L.H.-Upper M-19146-M Blue Whipcord, Lower Oyster White Artificial Leather	OH 7202349-AAD	1
50	OH72C	R.H.-Upper M-19146-N Yellow Beige Whipcord, Lower Dark Tan Artificial Leather	OH 7202348-AAB	1
50	OH72C	L.H.-Upper M-19146-N Yellow Beige Whipcord, Lower Dark Tan Artificial Leather	OH 7202349-AAB	1
50	OH76	R.H.-Upper Black Artificial Leather, Lower Cherry Red Artificial Leather	OH 7602348-AX	1
50	OH76	L.H.-Upper Black Artificial Leather, Lower Cherry Red Artificial Leather	OH 7602349-AX	1
50	OH76	R.H.-Upper Black Artificial Leather, Lower Yellow Artificial Leather	OH 7602348-AY	1
50	OH76	L.H.-Upper Black Artificial Leather, Lower Yellow Artificial Leather	OH 7602349-AY	1
50	OH76	R.H.-Light Blue Artificial Leather	OH 7602348-AK	1
50	OH76	L.H.-Light Blue Artificial Leather	OH 7602349-AK	1
50	OH76	R.H.-Upper Dark Blue Artificial Leather, Lower Light Blue Artificial Leather	OH 7602348-AZ	1
50	OH76	L.H.-Upper Dark Blue Artificial Leather, Lower Light Blue Artificial Leather	OH 7602349-AZ	1
50	OH76	R.H.-Upper Light Blue Artificial Leather, Lower M-19146-M Blue Whipcord	OH 7602348-AT	1
50	OH76	L.H.-Upper Light Blue Artificial Leather, Lower M-19146-M Blue Whipcord	OH 7602349-AT	1
50	OH76	R.H.-Green Artificial Leather	OH 7602348-AJ	1
50	OH76	L.H.-Green Artificial Leather	OH 7602349-AJ	1
50	OH76	R.H.-Upper Green Artificial Leather, Lower M-19146-L Green Whipcord	OH 7602348-AS	1
50	OH76	L.H.-Upper Green Artificial Leather, Lower M-19146-L Green Whipcord	OH 7602349-AS	1
50	OH76	R.H.-Lime Green Artificial Leather	OH 7602348-AM	1
50	OH76	L.H.-Lime Green Artificial Leather	OH 7602349-AM	1

Lincoln and Lincoln Cosmopolitan

BODY PARTS CATALOGUE

YEAR 19__	BODY TYPES	REMARKS	PART NUMBER	NO. REQ'D
Group 02348-9 TRIM ASSEMBLY (SIDE COWL PANEL)-CONTINUED				
50	OH76	R.H.-Upper Lime Green Artificial Leather, Lower M-19146-N Yellow Beige Whipcord	OH 7602348-AV	1
50	OH76	L.H.-Upper Lime Green Artificial Leather, Lower M-19146-N Yellow Beige Whipcord	OH 7602349-AV	1
50	OH76	R.H.-Cherry Red Artificial Leather	OH 7602348-AG	1
50	OH76	L.H.-Cherry Red Artificial Leather	OH 7602349-AG	1
50	OH76	R.H.-Upper Cherry Red Artificial Leather, Lower M-19146-K Beige Whipcord	OH 7602348-AN	1
50	OH76	L.H.-Upper Cherry Red Artificial Leather, Lower M-19146-K Beige Whipcord	OH 7602349-AN	1
50	OH76	R.H.-Tan Artificial Leather	OH 7602348-AH	1
50	OH76	L.H.-Tan Artificial Leather	OH 7602349-AH	1
50	OH76	R.H.-Upper Tan Artificial Leather, Lower M-19146-K Beige Whipcord	OH 7602348-AR	1
50	OH76	L.H.-Upper Tan Artificial Leather, Lower M-19146-K Beige Whipcord	OH 7602349-AR	1
50	OH76	R.H.-Yellow Artificial Leather	OH 7602348-AL	1
50	OH76	L.H.-Yellow Artificial Leather	OH 7602349-AL	1
50	OH76	R.H.-Upper Yellow Artificial Leather, Lower M-19146-N Yellow Beige Whipcord	OH 7602348-AU	1
50	OH76	L.H.-Upper Yellow Artificial Leather, Lower M-19146-N Yellow Beige Whipcord	OH 7602349-AU	1
50	OH	Screw (Pan hd.)-No. 6 x 3/4"	32948-S2	8
50	OH,OL	Screw (oval head)-No. 8 x 3/4"	52360-S15	2
50	OH	Washer (finish countersunk)-No. 8	34885-S7	2
Group 02354 RETAINER (COWL CARDBOARD)				
50	OL	In Prime	LL 7202354-AP	2
50	OH	In Prime	LH 7202354-AP	2
50	OL	Screw (pan head self tapping)-No. 8-15 x 3/8"	52720-S8	6
Group 02368-9 MOULDING ASSEMBLY (COWL TRIM PANEL)				
50	OL	R.H.-11" long	OL 7202368-A	1
50	OL	L.H.-2-7/8" long	OL 7202369-A	1
50	OH	11" long	OL 7202368-A	2
Group 02380-1 PANEL (COWL TRIM)-BOTTOM				
50	OH72C	R.H.-Chrome Finish	OH 7202380	1
50	OH72C	L.H.-Chrome Finish	OH 7202381	1
50	OH76	R.H.-Chrome Finish	OH 7602380	1
50	OH76	L.H.-Chrome Finish	OH 7602381	1
Group 02384 RETAINER ASSEMBLY (COWL BOTTOM TRIM PANEL)				
50	OH76		OH 7602384	2
Group 02582-3 BRACE (FRONT BODY HINGE PILLAR TO FLOOR)				
50	OH76	R.H.	8H 7602582-B	1
50	OH76	L.H.	8H 7602583-B	1
Group 02594-5 RETAINER (FRONT BODY PILLAR WEATHERSTRIP)-UPPER				
50	OH76	R.H.-16-57/64" long	8H 7602594	1
50	OH76	L.H.-16-57/64" long	8H 7602595	1
50	OH76	Screw (pan head self tapping)-No. 8-18 x 1/4"	33169-S7	6

Lincoln and Lincoln Cosmopolitan

BODY PARTS CATALOGUE

YEAR 19	BODY TYPES	REMARKS	PART NUMBER	NO. REQ'D
Group 02600-1 WINDLACE AND REINFORCEMENT ASSEMBLY (FRONT BODY PILLAR AND DOOR OPENING)				
50	OL72	R.H.-Light Gray-with M-19164-F Light Gray Headlining	8L 7002600-J	1
50	OL72	L.H.-Light Gray-with M-19164-F Light Gray Headlining	8L 7002601-J	1
50	OL72	R.H.-Light Green-with M-19164-D Light Green Headlining	8L 7002600-G	1
50	OL72	L.H.-Light Green-with M-19164-D Light Green Headlining	8L 7002601-G	1
50	OL72	R.H.-Light Tan-with M-19164-E Light Tan Headlining	8L 7002600-H	1
50	OL72	L.H.-Light Tan-with M-19164-E Light Tan Headlining	8L 7002601-H	1
50	OL72	R.H.-Tan Artificial Leather-use with Tan Leather Trim	OL 7202600-AD	1
50	OL72	L.H.-Tan Artificial Leather-use with Tan Leather Trim	OL 7202601-AD	1
50	OL72C	R.H.-Light Gray-with Light Gray Outside Convertible Top Material, and Dark Blue Artificial Leather Reinforcement	OL 7202600-AF	1
50	OL72C	L.H.-Light Gray-with Light Gray Outside Convertible Top Material, and Dark Blue Artificial Leather Reinforcement	OL 7202601-AF	1
50	OL72C	R.H.-Light Gray-with Light Gray Outside Convertible Top Material, and Light Blue Artificial Leather Reinforcement	OL 7202600-AE	1
50	OL72C	L.H.-Light Gray-with Light Gray Outside Convertible Top Material, and Light Blue Artificial Leather Reinforcement	OL 7202601-AE	1
50	OL72C	R.H.-Light Green-with Green Outside Convertible Top Material	OL 7202600-AG	1
50	OL72C	L.H.-Light Green-with Green Outside Convertible Top Material	OL 7202601-AG	1
50	OL72C	R.H.-Light Tan-with Light Tan Outside Convertible Top Material	OL 7202600-AH	1
50	OL72C	L.H.-Light Tan-with Light Tan Outside Convertible Top Material	OL 7202601-AH	1
50	OL74	R.H.-Light Gray	8L 7302600-J	1
50	OL74	L.H.-Light Gray	8L 7302601-J	1
50	OL74	R.H.-Light Green	8L 7302600-G	1
50	OL74	L.H.-Light Green	8L 7302601-G	1
50	OL74	R.H.-Light Tan	8L 7302600-H	1
50	OL74	L.H.-Light Tan	8L 7302601-H	1
50	OL74	R.H.-Tan Artificial Leather-use with Tan Leather Trim	OL 7402600-AD	1
50	OL74	L.H.-Tan Artificial Leather-use with Tan Leather Trim	OL 7402601-AD	1
50	OL	Screw (drive)-No. 6	351629-A2A-S28	as req'd

Group 02606-7 WINDLACE AND REINFORCEMENT ASSEMBLY (FRONT BODY PILLAR)

50	OH72	R.H.-Light Gray-with M-19163-H Light Gray Headlining	8H 7202606-M	1
50	OH72	L.H.-Light Gray-with M-19163-H Light Gray Headlining	8H 7202607-M	1
50	OH72	R.H.-Light Green-with M-19163-E Light Green Headlining	8H 7202606-K	1
50	OH72	L.H.-Light Green-with M-19163-E Light Green Headlining	8H 7202607-K	1
50	OH72	R.H.-Light Tan-with M-19163-F Light Tan Headlining	8H 7202606-L	1
50	OH72	L.H.-Light Tan-with M-19163-F Light Tan Headlining	8H 7202607-L	1
50	OH72	R.H.-Tan-use with Tan Leather Trim	8H 7202606-J	1
50	OH72	L.H.-Tan-use with Tan Leather Trim	8H 7202607-J	1
50	OH72C	R.H.-Light Gray-with Light Gray Outside Convertible Top Material	OH 7202606-AAC	1
50	OH72C	L.H.-Light Gray-with Light Gray Outside Convertible Top Material	OH 7202607-AAC	1
50	OH72C	R.H.-Light Tan-with Light Tan Outside Convertible Top Material	OH 7202606-AAB	1
50	OH72C	L.H.-Light Tan-with Light Tan Outside Convertible Top Material	OH 7202607-AAB	1
50	OH74	R.H.-Light Gray	8H 7302606-M	1
50	OH74	L.H.-Light Gray	8H 7302607-M	1
50	OH74	R.H.-Light Green	8H 7302606-K	1
50	OH74	L.H.-Light Green	8H 7302607-K	1
50	OH74	R.H.-Light Tan	8H 7302606-L	1
50	OH74	L.H.-Light Tan	8H 7302607-L	1
50	OH74	R.H.-Tan-use with Tan Leather Trim	8H 7302606-J	1
50	OH74	L.H.-Tan-use with Tan Leather Trim	8H 7302607-J	1

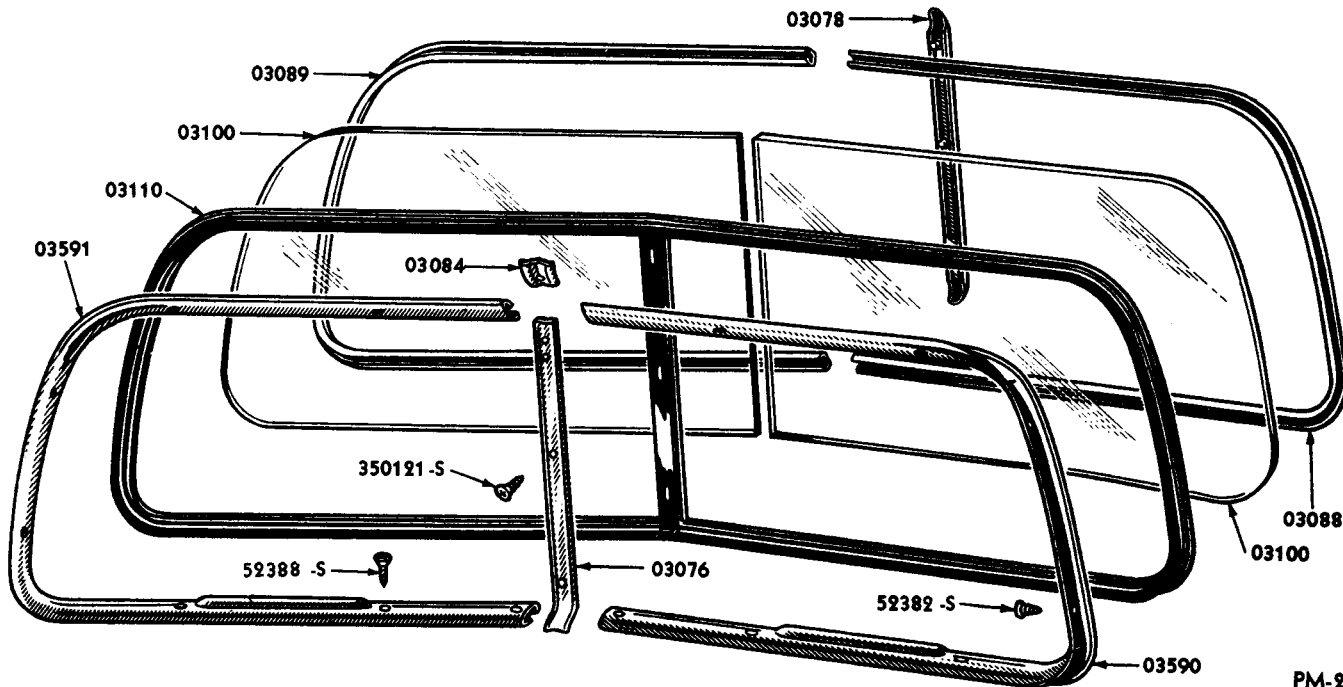
Lincoln and Lincoln Cosmopolitan

BODY PARTS CATALOGUE

YEAR 19	BODY TYPES	REMARKS	PART NUMBER	NO. REQ'D
Group 02610 WINDLACE ASSEMBLY (FRONT BODY PILLAR)				
50	OH76	32" long-Black	OH 7602610-AX	2
50	OH76	32" long-Dark Blue	OH 7602610-AZ	2
50	OH76	32" long-Light Blue	8H 7602610-D	2
50	OH76	32" long-Green	8H 7602610-C	2
50	OH76	32" long-Lime Green	8H 7602610-F	2
50	OH76	32" long-Cherry Red	OH 7602610-AG	2
50	OH76	32" long-Tan	8H 7602610-B	2
50	OH76	32" long-Yellow	8H 7602610-E	2
Group 02626-7 WEATHERSTRIP (FRONT BODY PILLAR)-UPPER				
50	OH76	R.H. -16-23/32" long	OH 7602626	1
50	OH76	L.H. -16-23/32" long	OH 7602627	1
Group 02656 SEAL (FRONT BODY HINGE AND QUARTER PILLAR TO SCUFF PLATE)				
50	OL	Sponge Rubber-1-1/4" long-Quarter Round	OM 7202656	2or4
Group 02658-9 PILLAR ASSEMBLY (FRONT BODY HINGE)				
50	OH except 76	R.H.	OH 7302658-B	1
50	OH except 76	L.H.	OH 7302659-B	1
50	OH76	R.H.	OH 7602658-B	1
50	OH76	L.H.	OH 7602659-B	1
Group 03051 WASHER (STEERING COLUMN TO ROOF PANEL BRACE)				
50	OL	Steel (concave)-7/16" I.D. x 1-3/4" O.D. x 1/8"	OL 7203051-A	1
Group 03052 BRACE (STEERING COLUMN TO ROOF PANEL BRACKET)				
50	OL	Straight type	OL 7203052-A	1
50	OL	Wishbone type	OL 7203052-B	1
50	OH	Straight type	OH 7303052	1
50	OH	Wishbone type	OH 7203052	1
50	OL	Lockwasher (external tooth)-1/4"	34940-S2	2
50	OL	Nut (hex)-1/4-20	33795-S7	2
50	OL	Washer (special serrated)-17/64" I.D. x 3/4" O.D.	351343-S7	2
Group 03076 RETAINER (WINDSHIELD CENTER WEATHERSTRIP)-INNER				
50	OL72-74	Grained	OL 7203076-AB	1
50	OL72C	Chrome Finish	8M 7003076-A	1
Group 03078 RETAINER ASSEMBLY (WINDSHIELD CENTER WEATHERSTRIP)-OUTER				
50	OL	Chrome Finish	8L 7003078	1
Group 03084 PLATE (WINDSHIELD FINISH STRIP)-UPPER				
50	OL72-74		OL 7203084-AB	1
50	OL72C	Chrome Finish	OM 7203084-B	1
50	OL	Screw (cross recessed oval hd self tap.)-No. 8-15 x 1-1/2"	52388-S13	1
Group 03086 PLATE (WINDSHIELD CENTER INSIDE FINISH STRIP)-LOWER				
50	OH	Chrome Plate-1-1/4" long	OH 7303086	1
50	OH	Screw (cross recessed oval hd self tap.)-No. 6-18 x 3/4"	52358-S13	1

Lincoln and Lincoln Cosmopolitan

BODY PARTS CATALOGUE



PM-254

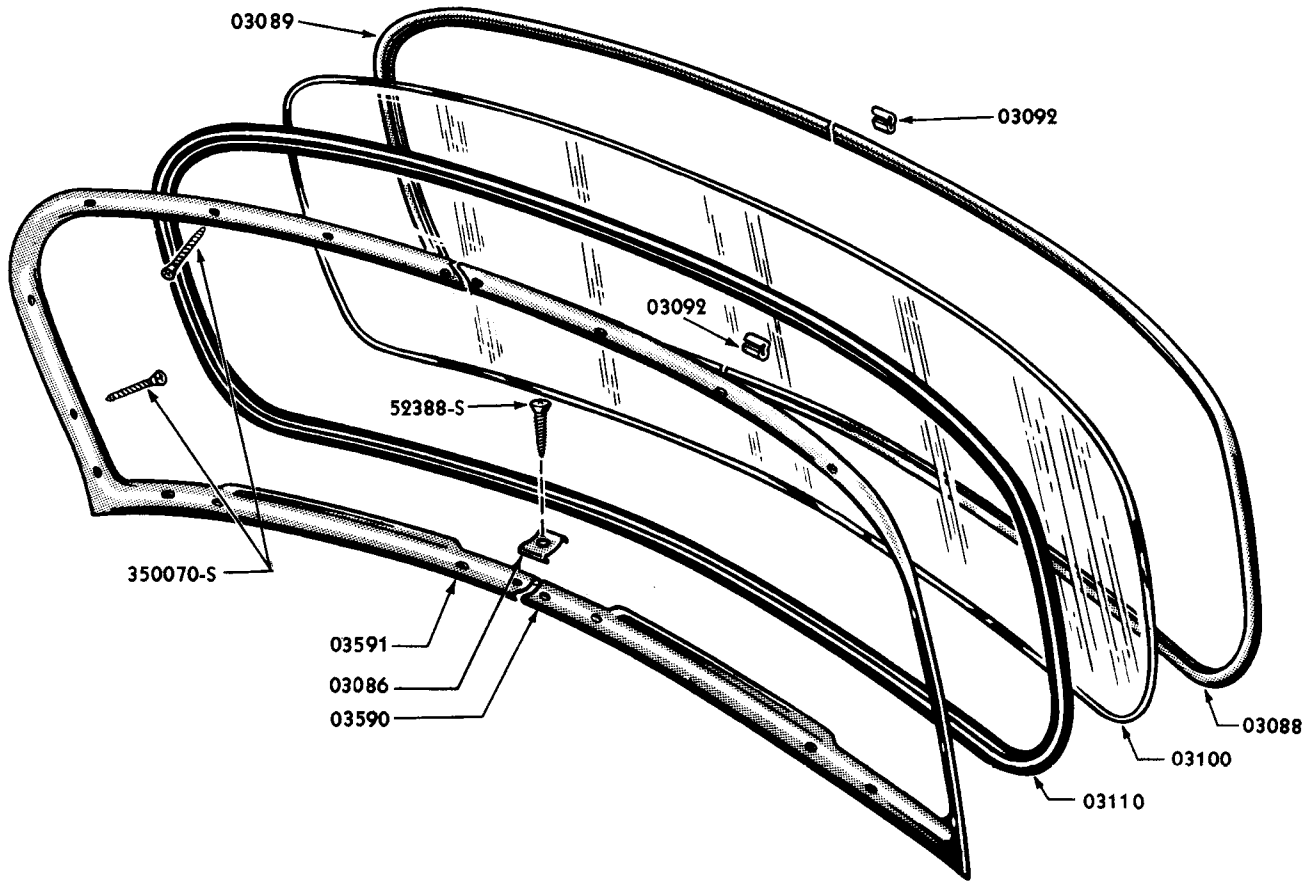
1950 LINCOLN WINDSHIELD PARTS

Group numbers only shown on illustration. Order by Part Numbers shown in list of parts.

YEAR 19__	BODY TYPES	REMARKS	PART NUMBER	NO. REQ'D
Group 03088-9 MOULDING (WINDSHIELD FINISH)-OUTSIDE				
50	OL	R.H.-Chrome Finish	8L 7003088	1
50	OL	L.H.-Chrome Finish	8L 7003089	1
50	OH except 76	R.H.-Chrome Finish	OH 7203088	1
50	OH except 76	L.H.-Chrome Finish	OH 7203089	1
50	OH76	R.H.-Chrome Finish	OH 7603088-B	1
50	OH76	L.H.-Chrome Finish	OH 7603089-B	1
Group 03092 CLIP (WINDSHIELD AND REAR WINDOW OUTSIDE FINISH MOULDING)				
50	OH	Chrome Finish	OH 7303092	2or4
50	OH except 76	Screw (pan head self tapping)-No. 6-18 x 3/8"	32914-S2	2
Group 03100 GLASS ASSEMBLY (WINDSHIELD)				
50	OL		8M 7003100	2
50	OH except 76		7EH 7303100	1
50	OH76		8H 7603100	1
Group 03110 WEATHERSTRIP (WINDSHIELD)				
50	OL		8M 7003110-A	1
50	OH except 76		OH 7303110	1
50	OH76		OH 7603110	1
Group 03442 DOWEL (FOLDING TOP NO. 1 BOW)-CENTER				
50	OH76		8H 7603442	1

Lincoln and Lincoln Cosmopolitan

BODY PARTS CATALOGUE



PL-405

1950 LINCOLN COSMOPOLITAN WINDSHIELD PARTS

Group numbers only shown on illustration. Order by Part Numbers shown in list of parts.

YEAR 19	BODY TYPES	REMARKS	PART NUMBER	NO. REQ'D
Group 03458-9 DOWEL (FOLDING TOP NO. 1 BOW)				
50	OH76	R.H.	8H 7603458	1
50	OH76	L.H.	8H 7603459	1
Group 03476 SEAL (WINDSHIELD HEADER)-REAR				
50	OH76	Rubber -55-39/64" long	8H 7603476	1
Group 03556-7 RETAINER (WINDSHIELD)-LOWER				
50	OH	R.H.-overall length approximately 21-11/16"	OH 7303556	1
50	OH	L.H.-overall length approximately 21-11/16"	OH 7303557	1
50	OH	Screw (cross recessed pan head type)-No. 8-15 x 1"	52754-S8	6
Group 03558 RETAINER (WINDSHIELD LOWER)-CENTER				
50	OH	Approximately 12-1/16" long	OH 7303558	1
50	OH	Screw (cross recessed pan head type)-No. 8-15 x 1"	52754-S8	2
Group 03570 HANDLE (TOP LOCKING)				
50	OH76		8H 7603570	1
50	OH76	Pin (tapered)-No. 2 x 3/4"	73689-S	1

Lincoln and Lincoln Cosmopolitan

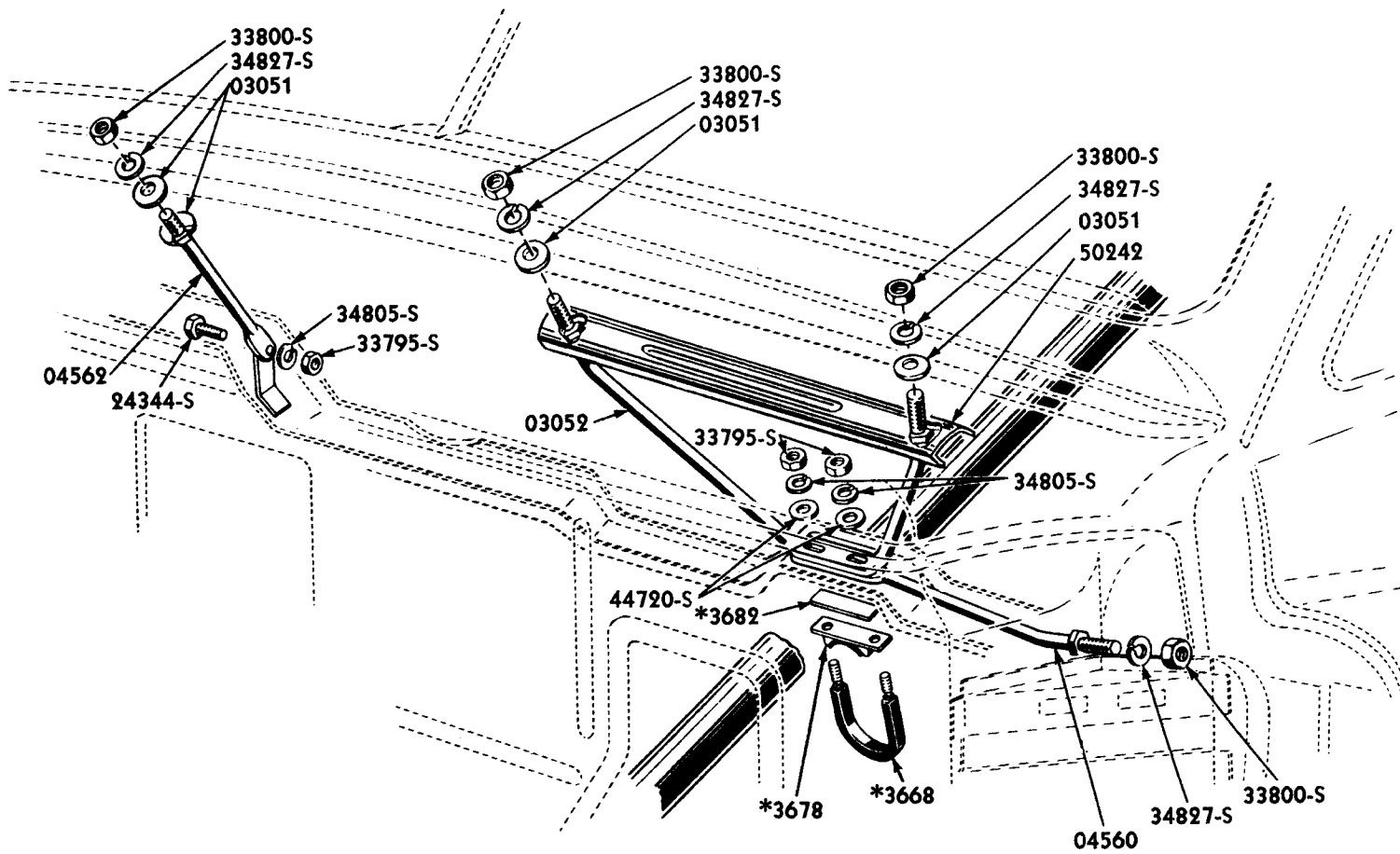
BODY PARTS CATALOGUE

YEAR 19	BODY TYPES	REMARKS	PART NUMBER	NO. REQ'D
Group 03572 RETAINER (WINDSHIELD OPENING FINISH STRIP)-AT BELT				
50	OL	1" long	8M 7003572	2
50	OL	Screw (oval head self tapping)-No. 8-15 x 1"	33013-S2	4
Group 03576 REINFORCEMENT ASSEMBLY (WINDSHIELD OPENING AND HEADER)-INSIDE				
50	OH76		OH 7603576	1
50	OH76	Screw (cross recessed oval head)-No. 10-32 x 1-3/8"	350142-S13	2
Group 03590-1 STRIP (WINDSHIELD OPENING FINISH)				
50	OL72-74	R.H.-Has double grain with reddish cast	OL 7203590-AA	1
50	OL72-74	L.H.-Has double grain with reddish cast	OL 7203591-AA	1
50	OL72-74	R.H.-Has single grain with blue gray cast-without hole in corner	OL 7203590-AB	1
50	OL72-74	L.H.-Has single grain with blue gray cast-without hole in corner	OL 7203591-AB	1
50	OL72-74	R.H.-Has single grain with blue gray cast-with hole in corner	OL 7203590-BB	1
50	OL72-74	L.H.-Has single grain with blue gray cast-with hole in corner	OL 7203591-BB	1
50	OL72C	R.H.-Chrome Finish	OM 7203590-C	1
50	OL72C	L.H.-Chrome Finish	OM 7203591-C	1
50	OH72-74	R.H.	OH 7303590	1
50	OH72-74	L.H.	OH 7303591	1
50	OH76	R.H.	OH 7603590	1
50	OH76	L.H.	OH 7603591	1
50	OL,OH	Screw (cross recessed oval hd self tap.)-No. 8-15 x 1-1/2"	52388-S13	10or14
50	OL,OH	Screw (cross recessed oval hd self tap.)-No. 8-15 x 1-1/4"	52382-S13	10
50	OH	Screw (cross recessed oval hd self tap.)-No. 6-18 x 3/4"	52358-S13	6
Group 03594 PLUG (WINDSHIELD OPENING FINISH STRIP DEFROSTER)				
50	OL,OH		OM 7203594	4
Group 03618-9 EXTENSION (WINDSHIELD OPENING REINFORCEMENT)				
50	OL	R.H.	8M 7003618	1
50	OL	L.H.	8M 7003619	1
Group 04100-1 VISOR ASSEMBLY (COMPLETE)				
50	OL72-74	R.H.-M-19164-F Light Gray Headlining Cloth	8L 7204100-C	1
50	OL72-74	L.H.-M-19164-F Light Gray Headlining Cloth	8L 7204101-C	1
50	OL72-74	R.H.-M-19164-D Light Green Headlining Cloth	8L 7204100-A	1
50	OL72-74	L.H.-M-19164-D Light Green Headlining Cloth	8L 7204101-A	1
50	OL72-74	R.H.-M-19164-E Light Tan Headlining Cloth	8L 7204100-B	1
50	OL72-74	L.H.-M-19164-E Light Tan Headlining Cloth	8L 7204101-B	1
50	OL72-74	R.H.-Tan Artificial Leather-use with Tan Leather Trim	OL 7204100-AD	1
50	OL72-74	L.H.-Tan Artificial Leather-use with Tan Leather Trim	OL 7204101-AD	1
50	OL72C	R.H.-Upper (M-19114-A) Light Gray Outside Convertible Top Material, Lower Dark Blue Artificial Leather	OL 7204100-AF	1
50	OL72C	L.H.-Upper (M-19114-A) Light Gray Outside Convertible Top Material, Lower Dark Blue Artificial Leather	OL 7204101-AF	1
50	OL72C	R.H.-Upper (M-19114-A) Light Gray Outside Convertible Top Material, Lower Light Blue Artificial Leather	OL 7204100-AE	1
50	OL72C	L.H.-Upper (M-19114-A) Light Gray Outside Convertible Top Material, Lower Light Blue Artificial Leather	OL 7204101-AE	1
50	OL72C	R.H.-Upper (M-19114-C) Green Outside Convertible Top Material, Lower Oyster White Artificial Leather	OL 7204100-AG	1
50	OL72C	L.H.-Upper (M-19114-C) Green Outside Convertible Top Material, Lower Oyster White Artificial Leather	OL 7204101-AG	1
50	OL72C	R.H.-Upper (M-19114-B) Light Tan Outside Convertible Top Material, Lower Dark Tan Artificial Leather	OL 7204100-AH	1
50	OL72C	L.H.-Upper (M-19114-B) Light Tan Outside Convertible Top Material, Lower Dark Tan Artificial Leather	OL 7204101-AH	1

Lincoln and Lincoln Cosmopolitan

BODY PARTS CATALOGUE

YEAR 19	BODY TYPES	REMARKS	PART NUMBER	NO. REQ'D
Group 04100-1 VISOR ASSEMBLY (COMPLETE)-CONTINUED				
50	OH72-74	R.H.-M-19163-H Light Gray Headlining Cloth	8H 7304100-J	1
50	OH72-74	L.H.-M-19163-H Light Gray Headlining Cloth	8H 7304101-J	1
50	OH72-74	R.H.-M-19163-E Light Green Headlining Cloth	8H 7304100-G	1
50	OH72-74	L.H.-M-19163-E Light Green Headlining Cloth	8H 7304101-G	1
50	OH72-74	R.H.-M-19163-F Light Tan Headlining Cloth	8H 7304100-H	1
50	OH72-74	L.H.-M-19163-F Light Tan Headlining Cloth	8H 7304101-H	1
50	OH72C	R.H.-Upper (M-19114-B) Light Tan Outside Convertible Top Material, Lower Dark Tan Artificial Leather	OH 7204100-AAB	1
50	OH72C	L.H.-Upper (M-19114-B) Light Tan Outside Convertible Top Material, Lower Dark Tan Artificial Leather	OH 7204101-AAB	1
50	OH72C	R.H.-Upper (M-19114-A) Light Gray Outside Convertible Top Material, Lower Dark Blue Artificial Leather	OH 7204100-AAC	1
50	OH72C	L.H.-Upper (M-19114-A) Light Gray Outside Convertible Top Material, Lower Dark Blue Artificial Leather	OH 7204101-AAC	1
50	OH72C	R.H.-Upper (M-19114-A) Light Gray Outside Convertible Top Material, Lower Oyster White Artificial Leather	OH 7204100-AAD	1
50	OH72C	L.H.-Upper (M-19114-A) Light Gray Outside Convertible Top Material, Lower Oyster White Artificial Leather	OH 7204101-AAD	1
50	OH72C	R.H.-Upper (M-19114-B) Light Tan Outside Convertible Top Material, Lower Cherry Red Artificial Leather	OH 7204100-AAE	1
50	OH72C	L.H.-Upper (M-19114-B) Light Tan Outside Convertible Top Material, Lower Cherry Red Artificial Leather	OH 7204101-AAE	1
Group 04106 VISOR ASSEMBLY				
50	OH76	Light Blue Artificial Leather	8H 7604106-D	2
50	OH76	Green Artificial Leather	8H 7604106-C	2
50	OH76	Lime Green Artificial Leather	8H 7604106-F	2
50	OH76	Cherry Red Artificial Leather	OH 7604106	2
50	OH76	Tan Artificial Leather	8H 7604106-B	2
50	OH76	Yellow Artificial Leather	8H 7604106-E	2
50	OH76	Screw (oval head cross recessed)-No. 10-32 x 1"	50439-S13	4
Group 04110-1 ARM (VISOR BRACKET)				
50	OH76	R.H.	8H 7604110	2
50	OH76	L.H.	8H 7604111	2
50	OH76	Screw (cross recessed oval head)-No. 8-32 x 3/4"	355083-S13	8
50	OH76	Washer (hollow countersunk)-No. 8	34885-S13	8
Group 04114 ROD (VISOR FRAME LOCKING END)				
50	OH except 76	2-5/16" long	06H 7304114-A	2
Group 04122-3 BRACKET (VISOR ARM)				
50	OH76	R.H.	8H 7604122	2
50	OH76	L.H.	8H 7604123	2
50	OH76	Screw (cross recessed oval head)-No. 10-32 x 5/8"	50439-S13	4
Group 04144 ARM AND BRACKET ASSEMBLY (VISOR)				
50	OL		8L 7304144	2
50	OH except 76		8H 7304144	2
50	OL	Screw (oval head self tapping)-No. 10-12 x 1/2"	52414-S13	6



*FOR ADDITIONAL INFORMATION REFER TO CHASSIS PARTS LISTS

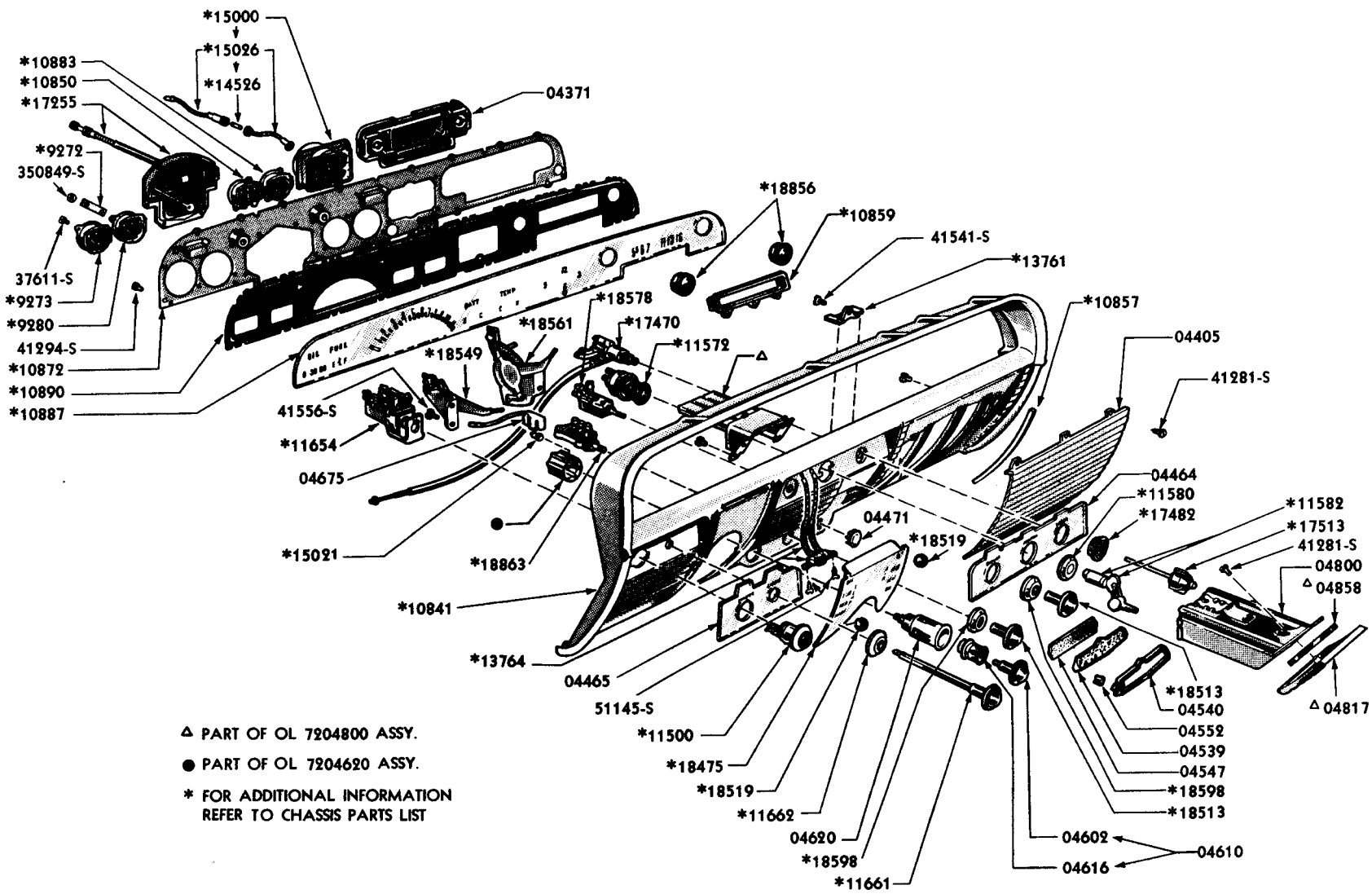
PL-576

RADIO AND STEERING COLUMN BRACKETS

Group numbers only shown on illustration. Order by Part Numbers shown in list of parts.

Lincoln and Lincoln Cosmopolitan

BODY PARTS CATALOGUE



△ PART OF OL 7204800 ASSY.
 ● PART OF OL 7204620 ASSY.
 * FOR ADDITIONAL INFORMATION REFER TO CHASSIS PARTS LIST

1950 LINCOLN AND LINCOLN COSMOPOLITAN INSTRUMENT PANEL

Group numbers only shown on illustration. Order by Part Numbers shown in list of parts.

PL-421

Lincoln and Lincoln Cosmopolitan

BODY PARTS CATALOGUE

YEAR	BODY TYPES	REMARKS	PART NUMBER	NO. REQ'D
19				
Group 04320 PANEL ASSEMBLY (INSTRUMENT)-LESS INSTRUMENTS				
50	OL72-74	Lincoln Gray Grain-with bracket for steering column reinforcement	OL 7204320-BB	1
50	OL72C	In Prime	OL 7204320-BP	1
50	OH72-74	Lincoln Cosmopolitan Mahogany Grain-with bracket for steering column reinforcement	OH 7204320-AA	1
50	OH72-74	Lincoln Cosmopolitan Mahogany Grain-without bracket for steering column reinforcement	OH 7304320-AA	1
50	OH72C-76	In Prime-without bracket for steering column reinforcement	OH 7304320-AP	1
50	OH	In Prime-with bracket for steering column reinforcement	OH 7204320-AP	1
50	OL,OH	Bolt (hex head)-5/16-18 x 1"	24386-S2	2
50	OL,OH	Lockwasher (external tooth)-5/16"	34941-S2	2
50	OL,OH	Washer (flat)-5/16"	44722-S8	2
Group 04332-3 MOULDING (INSTRUMENT PANEL TRIM)				
50	OL	R.H.-overall length-19-27/64" long	OL 7204332	1
50	OL	L.H.-overall length-1-1/2" long	OL 7204333-A	1
50	OH	R.H.-overall length-21-7/8" long	OH 7304332	1
50	OH	L.H.-overall length-3-61/64" long	OH 7304333	1
Group 04371 PLATE ASSEMBLY (RADIO OPENING COVER)				
50	OL,OH	On cars without radio	OL 7204371	1
50	OL,OH	Screw (flat head self tapping)-No. 10-12 x 1/2"	32924-S8	2
Group 04399 ANTI-SQUEAK (HAND BRAKE BRACKET)				
50	OL,OH		OM 7204399	1
Group 04405 GRILLE (RADIO)				
50	OL,OH	Light Gray Metallic	OL 7204405-AB	1
50	OL,OH	Screw (fillister head self tapping)-No. 8-32 x 1/4"	41281-S8	6
Group 04452-3 BRACKET (RADIO RECEIVER)				
50	OL,OH	R.H.	OL 7204452	1
50	OL,OH	L.H.	OL 7204453	1
50	OL,OH	Screw (hex head)-No. 10-32 x 3/8"	41036-S8	4
Group 04464-5 PLATE (INSTRUMENT AND CONTROL HOUSING NAME)				
50	OL,OH	R.H.-For Blower, Ignition and Wiper	OL 7204464	1
50	OL,OH	L.H.-For Starter and Lights	OL 7204465	1
Group 04471 PLUG (BUTTON)				
50	OL,OH	Use when road lamp switch is not installed	OL 7204471-AW	1
Group 04539 MEDALLION (INSTRUMENT AND CONTROL HOUSING)				
50	OL,OH		OL 7204539-A	1
Group 04540 RETAINER (INSTRUMENT AND CONTROL HOUSING MEDALLION)				
50	OL,OH		OL 7204540	1
Group 04543 NAME PLATE (INSTRUMENT PANEL)				
50	OL		OL 7204543	1
50	OH		OH 7304543	1
50	OL,OH	Nut (spring)-3/32"	45035-S32	3or4

Lincoln and Lincoln Cosmopolitan

BODY PARTS CATALOGUE

YEAR 19__	BODY TYPES	REMARKS	PART NUMBER	NO. REQ'D
Group 04547 ANTI RATTLE (INSTRUMENT AND CONTROL HOUSING MEDALLION)				
50	OL,OH		OL 7204547	1
Group 04552 CLIP (INSTRUMENT AND CONTROL HOUSING MEDALLION)				
50	OL,OH		OL 7204552	2
Group 04560 BRACE (INSTRUMENT PANEL TO PILLAR)				
50	OL	Steel-approximately 13-5/64" long	OL 7204560	1
Group 04562 BRACE (INSTRUMENT PANEL TO ROOF PANEL)				
50	OH	Steel-approximately 12-55/64" long	OH 7204562	1
50	OL	Steel-approximately 12-37/64" long	OL 7204562	1
Group 04602 KNOB (FRONT SEAT BACK CIGAR LIGHTER)				
50	OH		8H 7304602-A	1or2
50	OL		8L 7004602-B	1or2
Group 04602 KNOB ASSEMBLY (INSTRUMENT PANEL CIGAR LIGHTER)				
50	OL,OH		OL 7204602-A	1
Group 04603 KIT (CIGAR LIGHTER ELEMENT)				
50	OL,OH	Contains 12 51A-7004616-A1 Casco Cigar Lighter Elements	8H 7004603	1
Group 04610 KNOB AND ELEMENT ASSEMBLY (FRONT SEAT BACK CIGAR LIGHTER)				
50	OH		8H 7304610-A	1or2
50	OL		8L 7004610-B	1or2
Group 04610 KNOB AND ELEMENT ASSEMBLY (INSTRUMENT PANEL CIGAR LIGHTER)				
50	OL,OH		OL 7204610-A	1
Group 04616 ELEMENT ASSEMBLY (CIGAR LIGHTER)				
50	OL,OH		51A 7004616-A	1or3
Group 04618 COVER (CIGAR LIGHTER TERMINAL)				
50	OL,OH	Purchase Locally-Asbestos-1-3/4" wide 1/32" thick	OL 7204618	1or2
Group 04620 SOCKET AND RETAINER ASSEMBLY (LIGHTER)				
50	OL,OH	Front seat back	8A 7004620-A	2or3
50	OL,OH	Instrument Panel	OL 7204620	1
Group 04675 LAMP ASSEMBLY (CIGAR LIGHTER)				
50	OL,OH		OL 7204675	1
Group 04800 RECEPTACLE ASSEMBLY (INSTRUMENT PANEL ASH)-COMPLETE				
50	OL,OH	Paint to match for 72C jobs	OL 7204800-AB	1
50	OL,OH	Screw (fillister head self tapping)-No. 8-32 x 1/4"	41281-S8	4

Lincoln and Lincoln Cosmopolitan

BODY PARTS CATALOGUE

YEAR 19	BODY TYPES	REMARKS	PART NUMBER	NO. REQ'D
Group 04817 COVER (INSTRUMENT PANEL ASH RECEPTACLE)				
50	OL,OH	Paint to match for 72C jobs	OL 7204817-AB	1
50	OL,OH	Screw (round head self tapping)-No. 8-32 x 1/4"	41281-S8	1
Group 04858 STOP (ASH RECEPTACLE)				
50	OL,OH		OL 7204858	1
Group 06010 BOX ASSEMBLY (GLOVE COMPARTMENT)				
50	OL,OH		OL 7206010-B	1
50	OL	Screw (cross recessed pan head self tap.)-No. 10-12 x 1/2"	52727-S8	6
Group 06024 DOOR ASSEMBLY (GLOVE COMPARTMENT)				
50	OL72-74	Lincoln Gray Grain	OL 7206024-AB	1
50	OL72C,OH72C-76	In Prime	LL 7206024-AP	1
50	OH72-74	Lincoln Cosmopolitan Mahogany Grain	OH 7306024-AA	1
50	OL,OH	Screw (cross recessed oval head)-No. 10-32 x 1/2"	50399-S2	3
50	OL,OH	Washer (flush countersunk)-No. 10	34862-S7	3
Group 06042 HINGE ASSEMBLY (GLOVE COMPARTMENT DOOR)				
50	OL,OH	In Prime	IM 7206042-AP	1
50	OL,OH	Nut (square)-No. 10-32	34141-S7	3
50	OL,OH	Screw and Washer assy (cross recessed pan hd)-No. 10-32 x 3/8"	50804-S8	3
Group 06064 PLATE (GLOVE COMPARTMENT DOOR LOCK STRIKER)				
50	OL,OH		OM 7206064	1
50	OL,OH	Screw and Washer assy (cross recessed pan hd)-No. 10-32 x 3/8"	50804-S8	2
50	OL,OH	Washer (flat)-No. 10	44713-S8	2
Group 06066 BUMPER (QUARTER PANEL FUEL TANK LID)				
50	OL		01C 8106066-A	2
Group 06081 LOCK ASSEMBLY (GLOVE COMPARTMENT DOOR)-COMPLETE WITH KEYS				
50	OL,OH		OM 7206081-C	1
50	OL,OH	Screw and Washer assy (cross recessed pan hd)-No. 10-32 x 3/8"	50804-S8	2
Group 06115 BUMPER (GLOVE COMPARTMENT DOOR HINGE)				
50	OL,OH	Rubber	OL 7206115	2
Group 10110-1 MEMBER ASSEMBLY (FLOOR SIDE)				
50	OL74	R.H.	7A 7010110	1
50	OL74	L.H.	7A 7010111	1
50	OH76	R.H.-without welded nuts	8H 7610110	1
50	OH76	L.H.-without welded nuts	8H 7610111	1
50	OH76	R.H.-with welded nuts	OH 7610110	1
50	OH76	L.H.-with welded nuts	OH 7610111	1

Lincoln and Lincoln Cosmopolitan

BODY PARTS CATALOGUE

YEAR 19__	BODY TYPES	REMARKS	PART NUMBER	NO. REQ'D
Group 10118-9 MEMBER AND TRIM RETAINER ASSEMBLY (FLOOR SIDE)				
50	OL72-72C	R.H.	7A 7010118	1
50	OL72-72C	L.H.	7A 7010119	1
Group 10120-1 MEMBER (FLOOR SIDE)				
50	OH except 76	R.H.	OH 7310120	1
50	OH except 76	L.H.	OH 7310121	1
Group 10128-9 PANEL ASSEMBLY (BODY ROCKER)				
50	OL72-72C	R.H.	8M 7010128	1
50	OL72-72C	L.H.	8M 7010129	1
50	OL74	R.H.	8M 7310128	1
50	OL74	L.H.	8M 7310129	1
50	OL	Bolt (hex)-5/16"-18 x 7/8"	24366-S8	2
50	OL	Washer (flat)-5/16"	44724-S8	2
Group 10130-1 PANEL (BODY ROCKER)				
50	OH72-72C	R.H.	OH 7210130	1
50	OH72-72C	L.H.	OH 7210131	1
50	OH74	R.H.	OH 7310130	1
50	OH74	L.H.	OH 7310131	1
50	OH76	R.H.	OH 7610130	1
50	OH76	L.H.	OH 7610131	1
Group 10176-7 MOULDING (BODY ROCKER PANEL CURB BUFFER)				
50	OL	R.H.	OL 7210176	1
50	OL	L.H.	OL 7210177	1
50	OH	R.H.	OH 7310176	1
50	OH	L.H.	OH 7310177	1
50	OH	Nut (hex head)-No. 12-24	34054-S8	2
50	OH	Nut (hex check)-1/4"-20	33920-S	4
50	OH	Washer (flat)-1/4"	44719-S8	6
Group 10198 RETAINER (BODY ROCKER PANEL CURB BUFFER MOULDING)				
50	OL		OL 7210198	14
50	OH		OH 7310198	12
Group 10199 RETAINER ASSEMBLY (BODY ROCKER PANEL MOULDING)-FRONT				
50	OH		OH 7310199	2
Group 10206 PLATE ASSEMBLY (BODY ROCKER PANEL MOULDING ATTACHING)				
50	OH		OH 7310206-B	2
Group 10282-3 REINFORCEMENT ASSEMBLY (FRONT FLOOR PAN BODY BOLT #4)				
50	OH76	R.H.	8H 7610282-B	1
50	OH76	L.H.	8H 7610283-B	1
50	OH76	Nut-3/8"-24	34445-S7	2
Group 10290-1 REINFORCEMENT ASSEMBLY (FRONT FLOOR PAN BODY BOLT #1)				
50	OH except 76	R.H.	7EH 7310290	1
50	OH except 76	L.H.	7EH 7310291	1
50	OH76	R.H.	8H 7610290-B	1
50	OH76	L.H.	8H 7610291-B	1
50	OH	Nut-3/8"-24	34445-S7	2

Lincoln and Lincoln Cosmopolitan

BODY PARTS CATALOGUE

YEAR 19	BODY TYPES	REMARKS	PART NUMBER	NO. REQ'D
Group 10602-3 REINFORCEMENT ASSEMBLY (FRONT FLOOR PAN BODY BOLT #3)				
50	OH76	R.H.	8H 7610602-B	1
50	OH76	L.H.	8H 7610603-B	1
50	OH76	Nut-3/8"-24	34445-S7	2
Group 10698 CROSS MEMBER ASSEMBLY (FRONT FLOOR)-REAR				
50	OL		8M 7010698	1
Group 11100 PAN AND SIDE MEMBER ASSEMBLY (FLOOR FRONT)				
50	OH76	Without two welded on nuts	OH 7611100-A	1
50	OH76	With two welded on nuts	OH 7611100-B	1
Group 11126 PLATE (DASH PEDAL OPENING)				
50	OL,OH	HYDRA-MATIC Transmission	8H 7311126-B	1
50	OH	Screw (pan head self tapping)-No. 10-12 x 3/8"	32917-S7	10
50	OH	Screw (pan head self tapping)-No. 10-12 x 3/8"	33177-S7	10
Group 11134 PAN AND REINFORCEMENT ASSEMBLY (FLOOR FRONT)				
50	OH except 76		OH 7311134	1
Group 11135 PAN ASSEMBLY (FRONT FLOOR)				
50	OL		8M 7011135	1
50	OH76		OH 7611135	1
Group 11166 SILENCER (FLOOR PAN)				
50	OL	Center	8M 7011166	1
Group 11166-7 SILENCER (FLOOR PAN)-FRONT				
50	OH	R.H.-Paper Felt	8H 7311166	1
50	OH	L.H.-Paper Felt	8H 7311167	1
Group 11172-3 SILENCER (FLOOR PAN)-FRONT				
50	OL	R.H.-Paper Felt	8L 7211172	1
50	OL	L.H.-Paper Felt	8L 7211173	1
Group 11172-3 SILENCER (FLOOR PAN CENTER)-FRONT				
50	OH	R.H.-Paper Felt	8H 7311172	1
50	OH	L.H.-Paper Felt	8H 7311173	1
Group 11184 SPACER (FLOOR PAN TO FRAME)				
50	OH76	1-3/4" square x 1/2" thick 9/16" center dia. hole-repair locally	51A 7011184	4

Lincoln and Lincoln Cosmopolitan

BODY PARTS CATALOGUE

YEAR 19__	BODY TYPES	REMARKS	PART NUMBER	NO. REQ'D
Group 11216 PAN AND REINFORCEMENT ASSEMBLY (FLOOR)-CENTER AND REAR				
50	OH except 76		OH 7211216	1
50	OH76	Not serviced-repair locally	OH 7611216	1
50	OH76	Plug-1-1/2" O.D. x 7/16" thick	357384-S	4
Group 11216 PAN AND BACK PANEL ASSEMBLY (FLOOR)-REAR				
50	OL		8M 7211216-C	1
Group 11250-1 EXTENSION (FLOOR PAN SIDE)-REAR				
50	OH	R.H.	7EH 7311250	1
50	OH	L.H.	7EH 7311251	1
Group 11252-3 EXTENSION (REAR FLOOR SIDE)-REAR				
50	OL	R.H.	7A 7011252	1
50	OL	L.H.	7A 7011253	1
Group 11290 COVER (FLOOR PAN REAR GAS GAUGE)				
50	OL		21A 7011290	2
50	OH		8H 7311290	1
50	OH	Screw (pan head self tapping)-No. 10-16 x 3/8"	33177-S7	1
50	OL	Screw (pan head Sheet Metal)-No. 10-12 x 3/8"	32917-S7	1
Group 11291 REINFORCEMENT (REAR FLOOR PAN BODY BOLT #5)				
50	OH	1/2" hole 7-1/2" from end of reinforcement	8H 7311291	1
50	OH	Plug (button)-for 3/4" diameter hole	352291-S	2
Group 11334 CLIP (FLOOR PAN TO OUTER TRIM PANEL)-LOCATING				
50	OH76	Steel	8H 7611334	4
Group 11454 SILENCER (FLOOR PAN)-REAR				
50	OL		8M 7011454	1
Group 11464-5 SILENCER (FRONT FLOOR PAN)				
50	OH	R.H.-Paper Felt	OH 7311464	1
50	OH	L.H.-Paper Felt	OH 7311465	1
Group 11520 SPACER (BODY TO FRAME)				
50	OL,OH	2" long 1-1/2" wide-Steel	8A 7011520	as req'd
Group 11533 PAD (BODY TO FRAME AT KICK UP)				
50	OL	1-3/8" diameter x 7/16" thick-Rubber	OM 7211533	2
Group 11534 SPACER (BODY TO FRAME AT KICK UP)				
50	OL	1-51/64" diameter x 7/8" thick-Rubber	OM 7211534	2

Lincoln and Lincoln Cosmopolitan

BODY PARTS CATALOGUE

YEAR 19	BODY TYPES	REMARKS	PART NUMBER	NO. REQ'D
Group 12108 PLATE ASSEMBLY (FRONT FLOOR TRANSMISSION COVER)				
50	OH		8H 7312108-C	1
50	OH	Lockwasher-5/16"	34846-S2	1
50	OH	Nut (lock)-5/16"-24	34393-S7	1
50	OH	Screw and lockwasher assy (hex head)-1/4"-20 x 3/4"	42906-S8	as req'd
50	OH	Screw and washer assy (hex head)-1/4"-20 x 7/8"	43261-S8	1
Group 12115 PLATE ASSEMBLY (FLOOR TRANSMISSION COVER)				
50	OL		8L 7212115	1
50	OL	Lockwasher-5/16"	34846-S2	1
50	OL	Nut (lock)-5/16"-24	34393-S7	1
50	OL	Screw & washer assy (hex head self tap.)-No. 14-10 x 3/4"	357205-S34	as req'd
50	OL	Screw & washer assy (hex head self tap.)-No. 14-10 x 1/2"	357206-S34	5
Group 12116 GASKET (FLOOR TRANSMISSION COVER PLATE)-FRONT				
50	OL		8M 7012116	1
50	OH		7EH 7312116	1
Group 12121 GASKET (FLOOR TRANSMISSION COVER PLATE)-REAR				
50	OL		8M 7012121	1
50	OH	Sponge Rubber-18-1/8" long	7EH 7312121	1
Group 12122 GASKET (FLOOR TRANSMISSION COVER PLATE)-SIDE				
50	OH	Sponge Rubber-40-9/64" long	7EH 7312122	2
50	OL	Sponge Rubber-36-9/32" long	8M 7012122	2
Group 12129 COVER (TRANSMISSION BAND ADJUSTMENT)-ACCESS HOLE				
50	OL,OH	Overall length 6"	8H 7312129	1
50	OL,OH	Screw (hex washer head)-No. 14 x 5/8"	31498-S8	2
Group 12133 PLATE (TRANSMISSION COVER FILLER HOLE)				
50	OL		8L 7212133	1
50	OH		8H 7312133	1
50	OL,OH	Nut (speed)-No. 14	355880-S32	4
50	OL,OH	Screw (hex washer head self tapping)-No. 14 x 5/8"	31498-S8	2
Group 12138 WEATHER SEAL (DASH PANEL PEDAL OPENING)				
50	OL,OH	Sponge Rubber-5-51/64" x 10-43/64"	7EH 7312138	1
Group 12156 WEATHER SEAL (STEERING COLUMN TO DASH COVER)				
50	OL	Sponge Rubber-7-3/8" x 9-31/64"	8M 7012156-A	2
Group 12156 WEATHERSTRIP (STEERING COLUMN DASH COVER PLATE)				
50	OH	Sponge Rubber-7-51/64" x 12-5/16"	7EH 7312156	1
Group 12163 SILENCER (TRANSMISSION COVER)-REAR				
50	OH	Jute-16-31/64" x 17-1/2"	7EH 7312163	1

Lincoln and Lincoln Cosmopolitan

BODY PARTS CATALOGUE

YEAR 19	BODY TYPES	REMARKS	PART NUMBER	NO. REQ'D
Group 12167 SEALER (REAR TRANSMISSION COVER)				
50	OL,OH	61" long	OH 7212167	2
Group 12179 SEAL (TRANSMISSION COVER FILLER HOLE)				
50	OL,OH	Rubber-4" x 4-3/4" x 1/16" thick	8H 7312179	1
Group 12181 SEAL (TRANSMISSION ACCESS HOLE COVER)				
50	OL,OH	Rubber-3-13/16" x 6-1/2" x 1/16" thick	8H 7312181	1
Group 12182 SILENCER (TRANSMISSION COVER)-FRONT				
50	OL	Paper Felt-23" x 24-23/32"	8L 7212182	1
50	OH	Paper Felt-15-5/64" x 22-3/4"	8H 7312182-C	1
Group 12183 SILENCER (REAR FLOOR TUNNEL)				
50	OH	Paper Felt-9-55/64" x 31-23/64"	8H 7312183	1
Group 12184 SILENCER (TRANSMISSION COVER)-CENTER				
50	OH	20-13/16" high 25-19/64" wide	8H 7312184-B	1
Group 12296 SPACER (BODY TO FRAME KICK UP)				
50	OH	Rubber-1-1/2" diameter x 1-3/32"	OH 7312296	2
Group 12298 SPACER (BODY TO FRAME)-REAR				
50	OL	Rubber-1-51/64" diameter x 59/64"	21A 7012298-A	1
50	OL	Retainer	356769-S32	2
Group 12320 SPACER (BODY TO FRAME)-FRONT				
50	OL	Rubber-27/32" at large I.D. x 1-51/64" O.D. x 11/16"	21A 7012320-A	6
Group 12320 SPACER (BODY TO FRAME)				
50	OH	Rubber-45/64" at large I.D. x 1-51/64" O.D. x 11/16"	7EH 7312320	4or16
Group 12328 SPACER (BODY TO FRAME)-BODY BOLT NO. 2				
50	OL	Steel-1-3/4" diameter x 1/2"	OM 7212328	2
Group 13018 CARPET AND PAD ASSEMBLY (FRONT FLOOR)				
50	OL72-72C-74	Gray-One Tone	OL 7213018-AC	1
50	OL72-74	Gray-Two Tone	OL 7213018-AY	1
50	OL72-72C-74	Green-One Tone	OL 7213018-AA	1
50	OL72-74	Green-Two Tone	OL 7213018-AZ	1
50	OL72-72C-74	Tan-One Tone	OL 7213018-AB	1
50	OL72-74	Tan-Two Tone	OL 7213018-AX	1
50	OH72-72C-74-76	Gray	8H 7313018-T	1
50	OH72-74-76	Green	8H 7313018-Q	1
50	OH72-72C-74-76	Tan	8H 7313018-S	1
50	OH72C-76	Cherry Red	OH 7613018-BG	1
50	OH76	Black	OH 7613018-BL	1
50	OL,OH	Washer (hollow countersunk)-No. 6	34884-S15	6or10
50	OL,OH	Screw (oval head self tapping)-No. 6-18 x 7/8"	52366-S15	6or10
Group 13028 SEAL (BRAKE PEDAL OPENING)				
50	OL		OM 7213028	1or2

Lincoln and Lincoln Cosmopolitan

BODY PARTS CATALOGUE

YEAR 19	BODY TYPES	REMARKS	PART NUMBER	NO. REQ'D
Group 13046 CARPET AND BINDING ASSEMBLY (REAR FLOOR)-WITH PAD				
50	OL72	Gray-Two Tone	OL 7213046-AY	1
50	OL72	Green-Two Tone	OL 7213046-AZ	1
50	OL72	Tan-Two Tone	OL 7213046-AX	1
50	OL72-72C	Gray-One Tone	OL 7213046-AC	1
50	OL72-72C	Green-One Tone	OL 7213046-AA	1
50	OL72-72C	Tan-One Tone	OL 7213046-AB	1
50	OL74	Gray-One Tone	OL 7413046-AC	1
50	OL74	Gray-Two Tone	OL 7413046-AY	1
50	OL74	Green-One Tone	OL 7413046-AA	1
50	OL74	Green-Two Tone	OL 7413046-AZ	1
50	OL74	Tan-One Tone	OL 7413046-AB	1
50	OL74	Tan-Two Tone	OL 7413046-AX	1
50	OL	Screw (oval head self tapping)-No. 6-18 x 7/8"	52366-S15	2
50	OL	Washer (countersunk)-No. 6	34876-S15	2
Group 13050 CARPET AND BINDING ASSEMBLY (REAR FLOOR)-WITH PAD				
50	OH72-72C	Gray	8H 7213050-P	1
50	OH72	Green	8H 7213050-M	1
50	OH72-72C	Tan	8H 7213050-N	1
50	OH72C	Cherry Red	OH 7213050-AAE	1
50	OH74	Gray	8H 7313050-P	1
50	OH74	Green	8H 7313050-M	1
50	OH74	Tan	8H 7313050-N	1
50	OH76	Black	OH 7613050-AI	1
50	OH76	Gray	OH 7613050-AK	1
50	OH76	Green	OH 7613050-AJ	1
50	OH76	Cherry Red	OH 7613050-AG	1
50	OH76	Tan	OH 7613050-AH	1
50	OH	Screw (oval head self tapping)-No. 6-18 x 7/8"	52366-S15	as req'd
50	OH	Washer (countersunk)-No. 6	34884-S15	as req'd
Group 13086 PAD (HEEL)-FRONT FLOOR CARPET				
50	OL,OH	Gray Rubber-15-5/8" long	8H 7313086-F	1
50	OL,OH72-74	Green Rubber-15-5/8" long	8H 7313086-D	1
50	OL,OH	Tan Rubber-15-5/8" long	8H 7313086-E	1
50	OH72C-76	Cherry Red-15-5/8" long	OH 7613086-A	1
50	OH76	Black-15-5/8" long	OH 7613086-B	1
Group 13200-1 PLATE ASSEMBLY (FRONT DOOR SCUFF)				
50	OH72	R.H.-Green Rubber	8H 7213200-A	1
50	OH72	L.H.-Green Rubber	8H 7213201-A	1
50	OH72-72C	R.H.-Gray Rubber	8H 7213200-C	1
50	OH72-72C	L.H.-Gray Rubber	8H 7213201-C	1
50	OH72-72C	R.H.-Tan Rubber	8H 7213200-B	1
50	OH72-72C	L.H.-Tan Rubber	8H 7213201-B	1
50	OH72C	R.H.-Blue Gray Rubber	OH 7213200-B	1
50	OH72C	L.H.-Blue Gray Rubber	OH 7213201-B	1
50	OH72C	R.H.-Brown Rubber	OH 7213200-C	1
50	OH72C	L.H.-Brown Rubber	OH 7213201-C	1
50	OH72C	R.H.-Cherry Red Rubber	OH 7213200-A	1
50	OH72C	L.H.-Cherry Red Rubber	OH 7213201-A	1

Lincoln and Lincoln Cosmopolitan

BODY PARTS CATALOGUE

YEAR 19	BODY TYPES	REMARKS	PART NUMBER	NO. REQ'D
Group 13200-1 PLATE ASSEMBLY (FRONT DOOR SCUFF)-CONTINUED				
50	OH74	R.H.-Gray Rubber	8H 7313200-C	1
50	OH74	L.H.-Gray Rubber	8H 7313201-C	1
50	OH74	R.H.-Green Rubber	8H 7313200-A	1
50	OH74	L.H.-Green Rubber	8H 7313201-A	1
50	OH74	R.H.-Tan Rubber	8H 7313200-B	1
50	OH74	L.H.-Tan Rubber	8H 7313201-B	1
50	OH76	R.H.-Gray Rubber	8H 7613200-D	1
50	OH76	L.H.-Gray Rubber	8H 7613201-D	1
50	OH76	R.H.-Green Rubber	8H 7613200-B	1
50	OH76	L.H.-Green Rubber	8H 7613201-B	1
50	OH76	R.H.-Red Rubber	8H 7613200-E	1
50	OH76	L.H.-Red Rubber	8H 7613201-E	1
50	OH76	R.H.-Tan Rubber	8H 7613200-C	1
50	OH76	L.H.-Tan Rubber	8H 7613201-C	1
50	OH	Fastener (scuff plate)-25/32" long	353175-S21	12or14
50	OH	Screw (drive)-No. 8 x 7/16"	351675-S28	10
Group 13208-9 PLATE (BODY ROCKER PANEL SCUFF)-FRONT				
50	OL72-72C	R.H.	8L 7013208	1
50	OL72-72C	L.H.	8L 7013209	1
50	OL74	R.H.	8L 7313208	1
50	OL74	L.H.	8L 7313209	1
50	OL	Screw (oval head cross recessed)-No. 6 x 1/2"	52342-S8	8
Group 13220-1 PLATE ASSEMBLY (REAR DOOR SCUFF)				
50	OH74	R.H.-Gray Rubber	8H 7313220-C	1
50	OH74	L.H.-Gray Rubber	8H 7313221-C	1
50	OH74	R.H.-Green Rubber	8H 7313220-A	1
50	OH74	L.H.-Green Rubber	8H 7313221-A	1
50	OH74	R.H.-Tan Rubber	8H 7313220-B	1
50	OH74	L.H.-Tan Rubber	8H 7313221-B	1
50	OH74	Fastener (scuff plate)-25/32" long	353175-S21	10
50	OH74	Screw (drive)-No. 8 x 7/16"	351675-S28	10
Group 13228-9 PLATE (BODY ROCKER PANEL SCUFF)-REAR				
50	OL74	R.H.-with two notches for windlace	8M 7313228-A	1
50	OL74	L.H.-with two notches for windlace	8M 7313229-A	1
50	OL74	Screw (oval head cross recessed)-No. 6 x 1/2"	52342-S8	6
50	OL74	Screw (oval head cross recessed)-No. 6 x 7/8"	52366-S8	6
Group 14577 CLIP (HYDRAULIC TUBING)				
50	OL74,OH74		51A 14577-A	3or4
50	OH74	Screw (pan head self tapping)-No. 10-16 x 3/8"	33177-S7	12
Group 16637 ORNAMENT (LUGGAGE COMPARTMENT DOOR HANDLE)				
50	OL,OH		OL 16637	1
50	OL,OH	Lockwasher (external tooth)-No. 6	34937-S7	2
50	OL,OH	Nut (hex)-No. 6-32	34051-S7	2

Lincoln and Lincoln Cosmopolitan

BODY PARTS CATALOGUE

YEAR 19	BODY TYPES	REMARKS	PART NUMBER	NO. REQ'D
Group 18306 KEY (GLOVE BOX AND REAR DECK LID)				
50	OL,OH		8H 18306	2
Group 18570 GASKET (HOT WATER FRESH AIR HEATER)				
50	OL	Blower motor housing to dash-4-7/8" x 4-7/8" x 1/4" thick with square hole 3-1/8" x 3-1/2"	8M 18570-B	1
50	OH	Fresh air duct flange to dash-5-13/64" x 5-13/64" x 1/16" thick with 4" diameter hole	8M 18570-A	2
Group 19545 FLUID (WINDOW REGULATOR)				
50	OL,OH	In pint container-for service use 8L-19545-B	8L 19545-A	as req'd
50	OL,OH	Case of 12 pint cans	8L 19545-B	as req'd
Group 20122-3 DOOR ASSEMBLY (FRONT)-LESS PAINT,TRIM,GLASS,HANDLES,HINGES,LOCK AND REGULATOR				
50	OL72-72C	R.H.-Rework this door for 72C	OL 7220122-A	1
50	OL72-72C	L.H.-Rework this door for 72C	OL 7220123-A	1
50	OL74	R.H.	OL 7420122-A	1
50	OL74	L.H.	OL 7420123-A	1
50	OH72-72C	R.H.-Rework this door for 72C	OH 7220122-A	1
50	OH72-72C	L.H.-Rework this door for 72C	OH 7220123-A	1
50	OH74	R.H.	OH 7320122-A	1
50	OH74	L.H.	OH 7320123-A	1
50	OH76	R.H.	OH 7620122-A	1
50	OH76	L.H.	OH 7620123-A	1
Group 20394-5 WEATHERSTRIP (DOOR BOTTOM)				
50	OL72-72C	R.H.	8M 7020394	1
50	OL72-72C	L.H.	8M 7020395	1
50	OL74	R.H.	8M 7320394	1
50	OL74	L.H.	8M 7320395	1
50	OH72-72C-76	R.H.	8H 7220394	1
50	OH72-72C-76	L.H.	8H 7220395	1
50	OH74	R.H.	8H 7320394	1
50	OH74	L.H.	8H 7320395	1
Group 20456 WEATHERSTRIP (FRONT DOOR HINGE PILLAR AND LOCK PILLAR)-LOWER				
50	OH76	Rubber	8A 7620456-B	2or4
Group 20478 CLIP (DOOR WEATHERSTRIP RETAINER)-FRONT				
50	OL		7C 8120478	6or12
50	OH		8A 7020478	6or12
50	OL	Screw (cross recessed pan head self tap.)-No. 6-18 x 3/8"	356793-S8	2or8
50	OL,OH	Screw (cross recessed pan head self tap.)-No. 8-15 x 3/8"	52720-S8	6or12
Group 20530-1 WEATHERSTRIP (DOOR OPENING)-OUTER				
50	OL72-72C	R.H.	8M 7020530-B	1
50	OL72-72C	L.H.	8M 7020531-B	1
50	OL74	R.H.	8M 7320530-B	1
50	OL74	L.H.	8M 7320531-B	1

Lincoln and Lincoln Cosmopolitan

BODY PARTS CATALOGUE

YEAR 19	BODY TYPES	REMARKS	PART NUMBER	NO. REQ'D
Group 20530-1 WEATHERSTRIP (DOOR HINGE SIDE AND HEADER)				
50	0H72-72C	R.H.	8H 7220530	1
50	0H72-72C	L.H.	8H 7220531	1
50	0H74	R.H.	8H 7320530	1
50	0H74	L.H.	8H 7320531	1
Group 20538 WINDLACE ASSEMBLY (FRONT DOOR OPENING OUTER)				
50	0H72	Light Gray	8H 7220538-H	2
50	0H72	Light Green	8H 7220538-F	2
50	0H72	Light Tan	8H 7220538-G	2
50	0H72C	Light Gray	0H 7220538-AAC	2
50	0H72C	Light Tan	0H 7220538-AAB	2
50	0H74	Light Gray	8H 7320538-H	2
50	0H74	Light Green	8H 7320538-F	2
50	0H74	Light Tan	8H 7320538-G	2
50	0H72-74	Screw (cross recessed oval head self tap.)-No. 6-18 x 1/2"	52342-S13	16or20
Group 20542-3 WEATHERSTRIP (DOOR LOCK SIDE)				
50	0H except 76	R.H.	8H 7320542	1or2
50	0H except 76	L.H.	8H 7320543	1or2
50	0H76	R.H.	8H 7620542	1
50	0H76	L.H.	8H 7620543	1
Group 20552-3 STRIP (FRONT DOOR HEADER FINISH)				
50	0H72-72C	R.H.-Chrome Finish	8H 7220552-D	1
50	0H72-72C	L.H.-Chrome Finish	8H 7220553-D	1
50	0H74	R.H.-Chrome Finish	8H 7320552-D	1
50	0H74	L.H.-Chrome Finish	8H 7320553-D	1
50	0H except 76	Screw (cross recessed oval head self tap.)-No. 6-18 x 1/2"	52342-S13	as req'd
Group 20712 RETAINER (DOOR BOTTOM WEATHERSTRIP)-OUTER				
50	0L72-72C		8M 7020712-B	2
50	0L74		8M 7320712-B	2
50	0H72-72C-76		7EH 7220712	2
50	0H74		7EH 7320712	2
50	0H72-72C-76	Screw (binding head self tapping)-No. 8 x 1/2"	33443-S2	24
50	0H	Screw (drive)-No. 8 x 9/16"	357285-S28	as req'd
Group 20724-5 WELT AND CARDBOARD ASSEMBLY (FRONT DOOR WINDOW FINISH)				
50	0L72-72C	R.H.	8M 7020724	1
50	0L72-72C	L.H.	8M 7020725	1
50	0L74	R.H.	8M 7320724	1
50	0L74	L.H.	8M 7320725	1

Lincoln and Lincoln Cosmopolitan

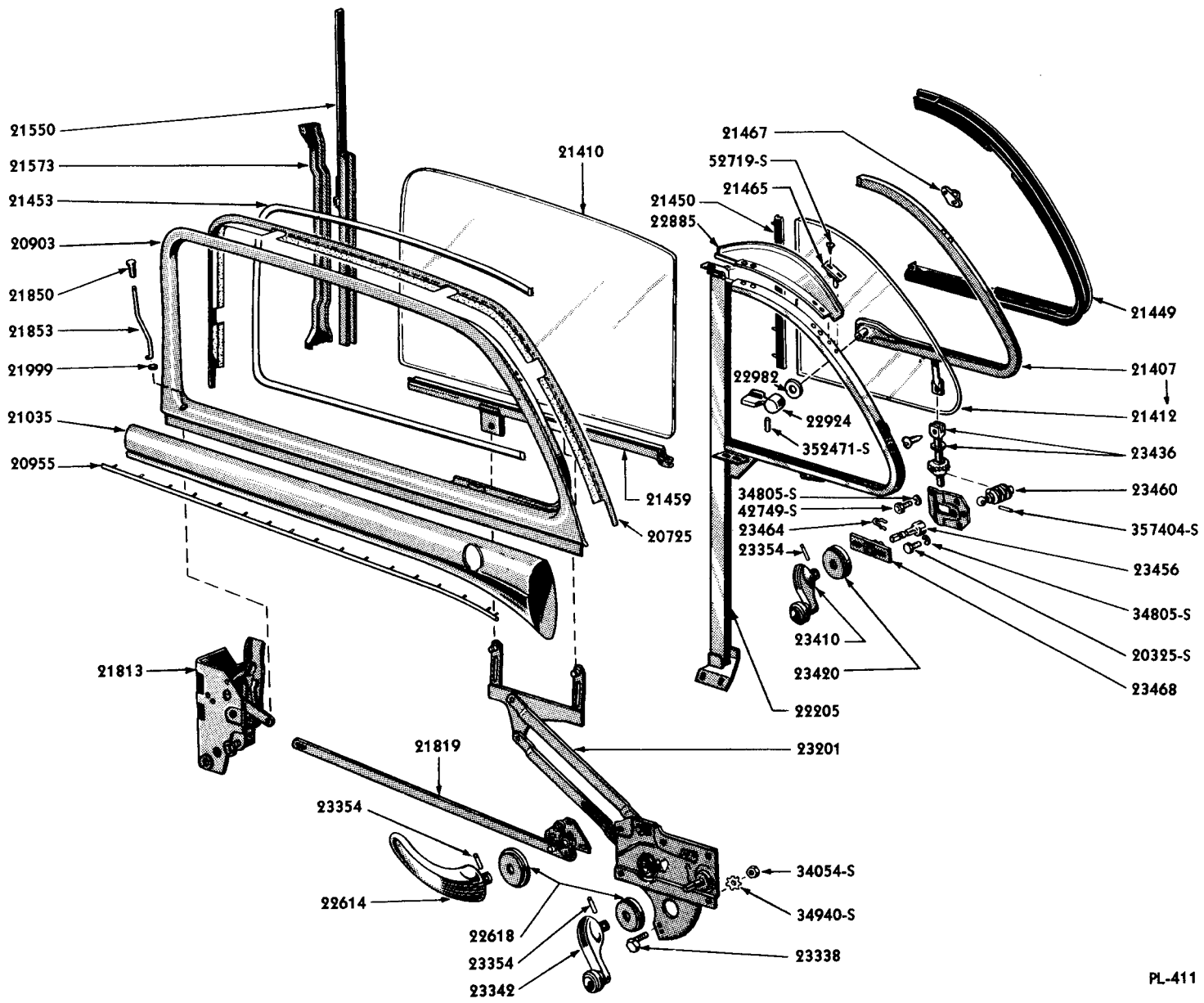
BODY PARTS CATALOGUE

YEAR 19__	BODY TYPES	REMARKS	PART NUMBER	NO. REQ'D
Group 20900-1 STRIP ASSEMBLY (FRONT DOOR WINDOW FINISH)-INNER				
50	OH72	R.H.-Lincoln Cosmopolitan Mahogany Grain	OH 7220900-AA	1
50	OH72	L.H.-Lincoln Cosmopolitan Mahogany Grain	OH 7220901-AA	1
50	OH72C	R.H.-in Prime	OH 7220900-AP	1
50	OH72C	L.H.-in Prime	OH 7220901-AP	1
50	OH74	R.H.-Lincoln Cosmopolitan Mahogany Grain	OH 7320900-AA	1
50	OH74	L.H.-Lincoln Cosmopolitan Mahogany Grain	OH 7320901-AA	1
50	OH76	R.H.-in Prime	OH 7620900-AP	1
50	OH76	L.H.-in Prime	OH 7620901-AP	1
50	OH	Screw (cross recessed oval hd. self tap.)-No. 8-15 x 1-1/4"	52382-S13	2
50	OH	Screw (cross recessed oval hd. self tap.)-No. 8-15 x 1-3/4"	52392-S13	2
Group 20902-3 STRIP AND WEATHERSTRIP ASSEMBLY (DOOR WINDOW FINISH)				
50	OL72	R.H.-Lincoln Gray Grain	OL 7220902-BB	1
50	OL72	L.H.-Lincoln Gray Grain	OL 7220903-BB	1
50	OL72C	R.H.-Chrome Finish	OL 7220902-C	1
50	OL72C	L.H.-Chrome Finish	OL 7220903-C	1
50	OL74	R.H.-Lincoln Gray Grain	OL 7420902-BB	1
50	OL74	L.H.-Lincoln Gray Grain	OL 7420903-BB	1
50	OL	Screw (pan head self tapping)-No. 8-15 x 3/8"	32916-S8	6
Group 20925 CLIP (WINDOW REVEAL MOULDING)				
50	OL		8M 7020925	4
Group 20928-9 MOULDING AND STUD ASSEMBLY (FRONT DOOR PANEL)-LOWER-OUTSIDE				
50	OL72-72C	R.H.	8L 7220928	1
50	OL72-72C	L.H.	8L 7220929	1
50	OL74	R.H.	8L 7320928	1
50	OL74	L.H.	8L 7320929	1
50	OL	Clip (moulding)	OL 7220995	8
50	OL	Cup washer-9/32" I.D. x 5/8" O.D. x 1/4"	351601-S8	2
50	OL	Lockwasher-1/4"	34805-S8	12
50	OL	Nut-1/4"-20	33795-S8	12or16
50	OL	Washer-1/4"	44721-S	2or6
50	OL	Washer (flat)-7/16"	44731-S8	2
Group 20934-5 MOULDING (FRONT DOOR OUTSIDE)-AT BELT				
50	OL72-72C	R.H.	8M 7020934	1
50	OL72-72C	L.H.	8M 7020935	1
50	OL74	R.H.	8M 7320934	1
50	OL74	L.H.	8M 7320935	1
50	OH76	Screw (cross recessed pan hd self tap.)-No. 6-18 x 3/8"	356793-S8	2
50	OL	Trim clip	358168-S3	as req'd

Lincoln and Lincoln Cosmopolitan

BODY PARTS CATALOGUE

YEAR 19__	BODY TYPES	REMARKS	PART NUMBER	NO. REQ'D
Group 20942-3 Moulding Assembly (Front Door Trim Panel)				
50	OL72-72C	R.H.	OL 7220942-A	1
50	OL72-72C	L.H.	OL 7220943-A	1
50	OL74	R.H.	OL 7420942-A	1
50	OL74	L.H.	OL 7420943-A	1
50	OH72-72C	R.H.	OH 7220942-A	1
50	OH72-72C	L.H.	OH 7220943-A	1
50	OH74	R.H.	OH 7320942-A	1
50	OH74	L.H.	OH 7320943-A	1
50	OH76	R.H.	OH 7620942-A	1
50	OH76	L.H.	OH 7620943-A	1
Group 20954 Moulding Assembly (Front Door Window Finish)-Wainscoting				
50	OL72-72C		OL 7220954	2
50	OL74		OL 7420954	2
Group 20954 Moulding Assembly (Front Door Window Finish)-Rear				
50	OH72-72C-76	37-5/32" long-14 prongs	OH 7220954	2
50	OH74	27-21/32" long-10 prongs	OH 7320954	2
Group 20984-5 Moulding and Weatherstrip Assembly (Front Door Window Panel Reveal)				
50	OL72-72C	R.H.	OM 7220984	1
50	OL72-72C	L.H.	OM 7220985	1
50	OL74	R.H.	OM 7420984	1
50	OL74	L.H.	OM 7420985	1
50	OL	Clip (speed)	353267-S32	6or10
Group 20995 CLIP (Outside Moulding)				
50	OL	4" long-Front doors, Rear doors and Quarter Panels	OL 7220995	as req'd
Group 21010-1 Moulding and Weatherstrip Assembly (Door Belt)				
50	OH72-72C	R.H.	8H 7221010	1
50	OH72-72C	L.H.	8H 7221011	1
50	OH74	R.H.	OH 7421010	1
50	OH74	L.H.	OH 7421011	1
50	OH76	R.H.	OH 7621010	1
50	OH76	L.H.	OH 7621011	1
Group 21034-5 Panel Assembly (Door Finish Wainscoting)				
50	OL72	R.H.-Lincoln Gray Grain	OL 7221034-AB	1
50	OL72	L.H.-Lincoln Gray Grain	OL 7221035-AB	1
50	OL72C	R.H.-in Prime	OL 7221034-AP	1
50	OL72C	L.H.-in Prime	OL 7221035-AP	1
50	OL74	R.H.-Lincoln Gray Grain	OL 7421034-AB	1
50	OL74	L.H.-Lincoln Gray Grain	OL 7421035-AB	1
50	OL	Screw (pan head self tapping)-No. 10-12 x 3/4"	32938-S7	6
50	OL	Screw (oval head self tapping)-No. 8-15 x 1/4"	52382-S13	4
Group 21038 Moulding Assembly (Front Door Window Finish)-Front				
50	OH	3-9/16" long	OH 7321038	2



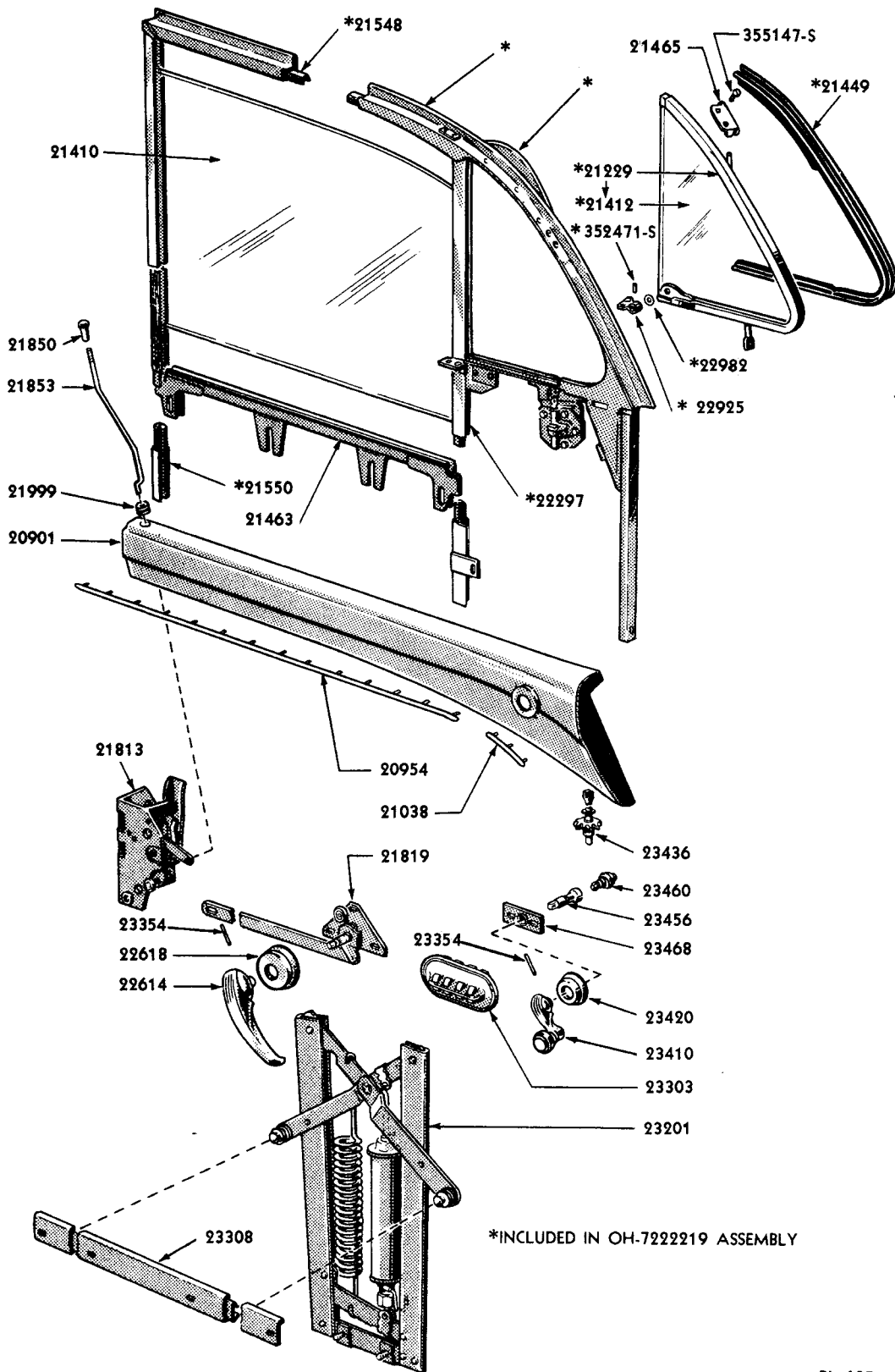
PL-411

1950 LINCOLN DOOR PARTS

Group numbers only shown on illustration. Order by Part Numbers shown in list of parts.

Lincoln and Lincoln Cosmopolitan

BODY PARTS CATALOGUE



*INCLUDED IN OH-722219 ASSEMBLY

COSMOPOLITAN DOOR PARTS

PL-625

Lincoln and Lincoln Cosmopolitan

BODY PARTS CATALOGUE

YEAR 19__	BODY TYPES	REMARKS	PART NUMBER	NO. REQ'D
Group 21040 CLIP (DOOR WINDOW FINISH STRIP)-UPPER				
50	OH		OH 7321040	6or10
50	OH	Screw (pan hd self tapping)-No. 10-12 x 1/2"	32924-S2	4or6
Group 21042 CLIP (DOOR WINDOW FINISH STRIP)-ON DOOR				
50	OL		OL 7221042	8or12
Group 21042 CLIP (DOOR WINDOW FINISH STRIP)-LOWER				
50	OH		OH 7321042	6or10
50	OH	Screw (pan hd self tapping)-No. 10-12 x 1/2"	32924-S2	8or12
Group 21228-9 FRAME AND GLASS ASSEMBLY (FRONT DOOR VENT WINDOW)				
50	OH except 76	R.H.	8H 7321228-B	1
50	OH except 76	L.H.	8H 7321229-B	1
50	OH76	R.H.	8H 7621228	1
50	OH76	L.H.	8H 7621229	1
50	OH except 76	Nut (square)-1/4"-28	34143-S2	2
Group 21400-1 GLASS, CHANNEL AND FRAME ASSEMBLY (DOOR)				
50	OH76	R.H.-without water shield	8H 7621400	1
50	OH76	L.H.-without water shield	8H 7621401	1
50	OH76	R.H.-with water shield	OH 7621400	1
50	OH76	L.H.-with water shield	OH 7621401	1
Group 21402-3 VENTILATING WINDOW ASSEMBLY (FRONT DOOR)-COMPLETE				
50	OL	R.H.-without rivets in division bar weatherstrip	8L 7021402-E	1
50	OL	L.H.-without rivets in division bar weatherstrip	8L 7021403-E	1
50	OL	R.H.-with division bar weatherstrip riveted on	OL 7221402	1
50	OL	L.H.-with division bar weatherstrip riveted on	OL 7221403	1
50	OH76	R.H.	8H 7621402-B	1
50	OH76	L.H.	8H 7621403-B	1
50	OL,OH76	Lockwasher-No. 10	34803-S7	2
50	OL,OH76	Screw (round head)-No. 10-32 x 1/2"	27081-S7	2
50	OL	Screw and washer assy (cross recessed oval head)-No. 10-32 x 3/4"	50709-S8	2
Group 21406-7 GLASS AND FRAME ASSEMBLY (FRONT DOOR VENTILATING WINDOW)				
50	OL	R.H.	8L 7221406-B	1
50	OL	L.H.	8L 7221407-B	1
Group 21410 GLASS ASSEMBLY (FRONT DOOR WINDOW)				
50	OL72-72C		8M 7021410-A	2
50	OL74		8M 7321410-A	2
50	OH72-72C		7EH 7221410	2
50	OH74		7EH 7321410	2
50	OH76		8H 7621410	2

Lincoln and Lincoln Cosmopolitan

BODY PARTS CATALOGUE

YEAR 19	BODY TYPES	REMARKS	PART NUMBER	NO. REQ'D
Group 21412 GLASS ASSEMBLY (FRONT DOOR VENT WINDOW)				
50	OL		8M 7021412-B	2
50	OH except 76		8H 7321412-B	2
50	OH76		8H 7621412	2
Group 21424 STRIP (FRONT DOOR GLASS RETAINING)				
50	OL72-72C	27-1/4" long-replaced by M-17779-A	8M 7021424-D	2
50	OL74	17-25/32" long-replaced by M-17779-A	8M 7321424-D	2
50	OH72-72C	28-47/64" long-replaced by M-17779-A	7EH 7221424-H	2
50	OH74	19-19/64" long-replaced by M-17779-A	7EH 7321424-H	2
Group 21432 WEATHERSTRIP (DOOR VENT WINDOW)-AT BELT				
50	OH76	4-3/4" long	OH 7621432	2
Group 21436-7 WEATHERSTRIP (FRONT DOOR WINDOW GLASS)-OUTER				
50	OH72-72C	R.H.	8H 7221436	1
50	OH72-72C	L.H.	8H 7221437	1
50	OH74	R.H.	8H 7321436-B	1
50	OH74	L.H.	8H 7321437-B	1
50	OH76	R.H.	8H 7621436-B	1
50	OH76	L.H.	8H 7621437-B	1
Group 21438 WEATHERSTRIP (FRONT DOOR WINDOW GLASS)-INNER				
50	OH72-72C	29-17/32" long	OH 7221438	2
50	OH74	20-5/64" long	8H 7321438	2
50	OH76	29-3/4" long	OH 7621438	2
Group 21444 WEATHERSTRIP (DOOR GLASS CHANNEL)-UPPER				
50	OH76	58-7/8" long	8H 7621444-A	2
Group 21448-9 WEATHERSTRIP (FRONT DOOR VENT WINDOW)				
50	OL	R.H.	8M 7021448	1
50	OL	L.H.	8M 7021449	1
50	OH except 76	R.H.	8H 7321448	1
50	OH except 76	L.H.	8H 7321449	1
50	OH76	R.H.	8H 7621448	1
50	OH76	L.H.	8H 7621449	1
Group 21450-1 WEATHERSTRIP (DOOR VENT WINDOW DIVISION BAR)				
50	OL	With tabs	8M 7021450	2or4
50	OL	Without tabs	8M 7221450	2or4
50	OH	R.H.	7EH 7321450	1
50	OH	L.H.	7EH 7321451	1
Group 21452-3 WEATHERSTRIP (FRONT DOOR WINDOW OPENING)				
50	OL72-72C	R.H.-with Chrome beading	8M 7221452	2
50	OL72-72C	L.H.-with Chrome beading	8M 7221453	2
50	OL74	R.H.-with Chrome beading	8M 7421452	2
50	OL74	L.H.-with Chrome beading	8M 7421453	2

Lincoln and Lincoln Cosmopolitan

BODY PARTS CATALOGUE

YEAR 19	BODY TYPES	REMARKS	PART NUMBER	NO. REQ'D
Group 21454 WEATHERSTRIP (DOOR VENT WINDOW FRAME)-REAR				
50	OH76		8H 7621454	2
Group 21458-9 CHANNEL ASSEMBLY (FRONT DOOR GLASS)				
50	OL72-72C	R.H.-Manual Control	8M 7021458-A	1
50	OL72-72C	L.H.-Manual Control	8M 7021459-A	1
50	OL72-72C	R.H.-Hydraulic Control	8M 7021458-B	1
50	OL72-72C	L.H.-Hydraulic Control	8M 7021459-B	1
50	OL74	R.H.-Manual Control	8M 7321458-A	1
50	OL74	L.H.-Manual Control	8M 7321459-A	1
50	OL74	R.H.-Hydraulic Control	8M 7321458-B	1
50	OL74	L.H.-Hydraulic Control	8M 7321459-B	1
50	OL	Bolt (hex head)-1/4"-28 x 5/8"	20325-S7	4or8
50	OL	Nut (lock)-1/4"-20	34391-S7	4or8
50	OL	Washer (flat)-1/4"	34705-S2	4or8
Group 21462-3 CHANNEL AND BRACKET ASSEMBLY (FRONT DOOR GLASS)				
50	OH72-72C	Hydraulic Control	8H 7221462	2
50	OH74	Hydraulic Control	8H 7321462	2
Group 21462-3 SUPPORT ASSEMBLY (DOOR GLASS BOTTOM CHANNEL)				
50	OH76	R.H.-Hydraulic Control-without water shield	8H 7621462	1
50	OH76	L.H.-Hydraulic Control-without water shield	8H 7621463	1
50	OH76	R.H.-Hydraulic Control-with water shield	OH 7621462	1
50	OH76	L.H.-Hydraulic Control-with water shield	OH 7621463	1
Group 21464-5 BRACKET (FRONT DOOR VENT WINDOW UPPER PIVOT)-ON RETAINER				
50	OL	R.H.-male	8M 7021464	1
50	OL	L.H.-male	8M 7021465	1
50	OL	Screw (cross recessed pan hd self tap.)-No. 6-18 x 1/4"	52713-S8	4
Group 21464-5 HINGE (FRONT DOOR VENT WINDOW UPPER)-ON FRAME				
50	OH72-72C-74	R.H.-female	8H 7321464	1
50	OH72-72C-74	L.H.-female	8H 7321465	1
50	OH72-72C-74	Screw and lockwasher assy.-No. 10-32 x 5/16"	355147-S	2
Group 21466-7 HINGE (FRONT DOOR VENTILATING WINDOW UPPER PIVOT)-ON FRAME				
50	OL	R.H.-female	8M 7021466	1
50	OL	L.H.-female	8M 7021467	1
Group 21478 STRIP (DOOR VENT WINDOW GLASS RETAINING)				
50	OH except 76	Secure locally-24" long-.060" thick-1-3/8" wide-Rubber tape	8H 7321478-E	2
50	OH except 76	Secure locally-24" long-.070" thick-1-3/8" wide-Rubber tape	8H 7321478-F	2
Group 21487 WEATHERSTRIP (FRONT DOOR VENT WINDOW SEAL AT BELT)				
50	OH72-72C-74		8H 7321487	2
Group 21496-7 WEATHERSTRIP ASSEMBLY (BELT MOULDING AT VENTILATING WINDOW)				
50	OH76	R.H.	OH 7621496	1
50	OH76	L.H.	OH 7621497	1

Lincoln and Lincoln Cosmopolitan

BODY PARTS CATALOGUE

YEAR 19	BODY TYPES	REMARKS	PART NUMBER	NO. REQ'D
Group 21510 WEATHERSTRIP (FRONT AND REAR DOOR GLASS CHANNEL)				
50	OL,OH	28-63/64" long	7EH 7221510	2or4
Group 21510 WEATHERSTRIP (DOOR GLASS CHANNEL)-LOWER				
50	OH76	28-3/4" long	8H 7621510-A	2
Group 21544 WEATHERSTRIP (FRONT DOOR GLASS HEADER)				
50	OL	31" long	8M 7021544	2
Group 21546 RUN (DOOR GLASS DIVISION BAR)				
50	OL	26-21/64" long-without Chrome beading	8M 7021546-C	2or4
50	OL	26-21/64" long-with Chrome beading	OM 7221546	2or4
Group 21546 WEATHERSTRIP (DOOR VENT WINDOW DIVISION BAR)				
50	OH76		8H 7621546	2
Group 21548 RUN (FRONT DOOR GLASS)-UPPER				
50	OH72-72C	30-1/4" long	7EH 7221548	2
50	OH74	20-13/16" long	7EH 7321548	2
Group 21550 RUN ASSEMBLY (DOOR GLASS)-LOCK SIDE-COMPLETE				
50	OL	22-29/32" long	7A 7021550	2or6
50	OH except 76	30-17/64" long-front door rear	7EH 7321550	2or4
50	OH74	30-17/64" long-rear door front	7EH 7321550	2
50	OL74	Nut (hex)-No. 10-32	34079-S7	4
Group 21572-3 RETAINER (DOOR GLASS RUN)-LOCK SIDE				
50	OL	R.H.-14-7/32" long	OM 7221572-A	1or2
50	OL	L.H.-14-7/32" long	OM 7221573-A	1or2
50	OL	Nut (hex)-No. 10-32	34079-S7	2
50	OL	Lockwasher (internal and external combination)-No. 10	356256-S2	2
50	OL	Screw (pan hd)-No. 10-32 x 3/8"	39032-S8	as req'd
Group 21702-3 CHANNEL AND BRACKET ASSEMBLY (DOOR WINDOW GLASS RUN)-LOCK SIDE				
50	OH76	R.H.	OH 7621702	1
50	OH76	L.H.	OH 7621703	1
Group 21812-3 LOCK ASSEMBLY (FRONT DOOR)				
50	OL,OH	R.H.	OA 7021812	1
50	OL,OH	L.H.	OA 7021813	1
50	OL,OH	Screw and lockwasher assy. (pan hd)-No. 12-24 x 3/8"	355168-S2	2
50	OL,OH	Screw (cross recessed flat hd)-No. 12-24 x 1/2"	357797-S8	6

Lincoln and Lincoln Cosmopolitan

BODY PARTS CATALOGUE

WHERE USED	ASS'Y NO.	A
FRONT DOOR	OM-7221818-9	25 $\frac{3}{4}$ "
FRONT DOOR	OM-7421818-9	15 $\frac{3}{16}$ "
REAR DOOR	OM-7426404-5	6 $\frac{1}{2}$ "

PM-337

WHERE USED	ASS'Y NO.	A
FRONT DOOR	OH-7221818-9	25 $\frac{13}{16}$ "
FRONT DOOR	OH-7321818-9	16 $\frac{9}{32}$ "
REAR DOOR	OH-7326404-5	12 $\frac{3}{16}$ "

PL-410

YEAR 19	BODY TYPES	REMARKS	PART NUMBER	NO. REQ'D
Group 21818-9 CONTROL ASSEMBLY (FRONT DOOR LOCK REMOTE)				
50	OL72-72C	R.H.	OM 7221818	1
50	OL72-72C	L.H.	OM 7221819	1
50	OL74	R.H.	OM 7421818	1
50	OL74	L.H.	OM 7421819	1
50	OH except 74	R.H.	OH 7221818	1
50	OH except 74	L.H.	OH 7221819	1
50	OH74	R.H.	OH 7321818	1
50	OH74	L.H.	OH 7321819	1
50	OL,OH	Screw and washer assy (pan hd)-No. 12-24 x 3/8	355168-S2	2
Group 21850 KNOB (DOOR LOCKING CONTROL ROD)				
50	OL,OH		OH 7321850	2or4
Group 21852-3 ROD (DOOR LOCK SAFETY CATCH)				
50	OL		OM 7221852-A	2or4
50	OH	R.H.-front door or L.H. rear door	OH 7321852	1or2
50	OH	L.H.-front door or R.H. rear door	OH 7321853	1or2
Group 21858 SPRING (DOOR LOCK MAIN)				
50	OL,OH	Steel	OA 7021858	2or4
Group 21872 SPRING (DOOR LOCK SLIDE TOGGLE)				
50	OL,OH	Steel	OA 7021872	1or2
50	OL,OH	Steel	OA 7021873	1or2

Lincoln and Lincoln Cosmopolitan

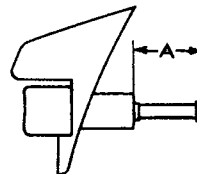
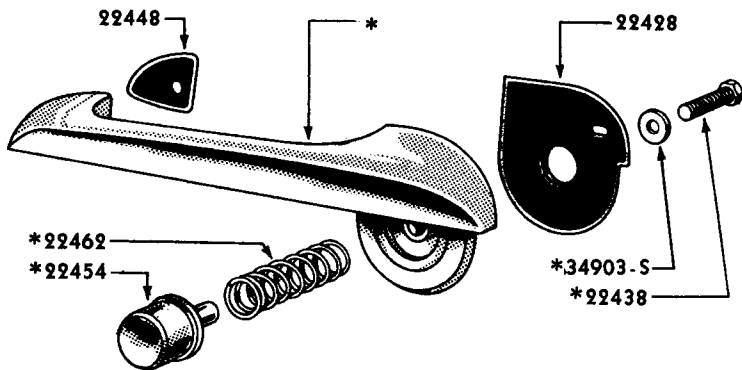
BODY PARTS CATALOGUE

YEAR 19	BODY TYPES	REMARKS	PART NUMBER	NO. REQ'D
Group 21910 SPRING (DOOR LOCK REMOTE CONTROL)				
50	OL,OH	Steel	8A 7021910-C	2or4
Group 21942-3 COVER AND SPRING KIT (DOOR LOCK AND SLEEVE ASSEMBLY)-OUTSIDE				
50	OL,OH	R.H.-Briggs & Stratton-includes spring and cover	HAK 7221942-A	1
50	OL,OH	L.H.-Briggs & Stratton-includes spring and cover	HAK 7221943-A	1
50	OL,OH	R.H.-Hurd-includes spring and cover	HAK 7221942-B	1
50	OL,OH	L.H.-Hurd-includes spring and cover	HAK 7221943-B	1
Group 21984-5 LOCK AND SLEEVE ASSEMBLY (DOOR PANEL)-COMPLETE WITH KEYS				
50	OL	R.H.-4-55/64" overall length	OM 7221984-B	1
50	OL	L.H.-4-55/64" overall length	OM 7221985-B	1
50	OH	R.H.-5-1/4" overall length	OH 7221984	1
50	OH	L.H.-5-1/4" overall length	OH 7221985	1
Group 21988 SPRING (DOOR LOCK PANEL STOP)				
50	OL,OH	Steel	OA 7021988	2or4
Group 21998 RETAINER ASSEMBLY (DOOR LOCK CYLINDER)				
50	OL,OH	51/64" diameter	OA 7021998-A	2
Group 21999 FERRULE (DOOR LOCK KNOB)				
50	OL,OH	Rubber	8M 7221999	2or4
Group 22008-9 PLATE ASSEMBLY (DOOR LOCK STRIKER)				
50	OL,OH	R.H.	OA 7022008	1or2
50	OL,OH	L.H.	OA 7022009	1or2
50	OL	Screw (cross recessed flat head)-5/16"-24 x 1"	352282-88	4or8
50	OH	Screw and washer assy (cross recessed flat head)-5/16"-24 x 7/8"	357173-88	4or8
Group 22058 SHIM (DOOR LOCK STRIKER PLATE)				
50	OL,OH		OA 7022058	as req'd
Group 22059 WATER SHIELD (DOOR LOCK CYLINDER)				
50	OL,OH		OA 7022059	2
Group 22204-5 RETAINER AND BAR ASSEMBLY (VENTILATING WINDOW)-COMPLETE				
50	OL	R.H.-without rivets in division bar weatherstrip	8L 7022204	1
50	OL	L.H.-without rivets in division bar weatherstrip	8L 7022205	1
50	OL	R.H.-with division bar weatherstrip riveted on	OL 7222204	1
50	OL	L.H.-with division bar weatherstrip riveted on	OL 7222205	1
50	OL	Rivet (flat hd. tubular)-9/64 x 7/16"	351904-88	2
50	OL	Rivet (button hd. tubular)-5/64 x 5/32"	351921-87	4
Group 22218-9 FRONT DOOR WINDOW ASSEMBLY-COMPLETE				
50	OH72-72C	R.H.-Includes Division Bar, Vent Window, Rainshield, Weatherstrip	OH 7222218	1
50	OH72-72C	L.H.-Includes Division Bar, Vent Window, Rainshield, Weatherstrip	OH 7222219	1
50	OH74	R.H.-Includes Division Bar, Vent Window, Rainshield, Weatherstrip	OH 7322218	1
50	OH74	L.H.-Includes Division Bar, Vent Window, Rainshield, Weatherstrip	OH 7322219	1
50	OH except 76	Rivet (oval head tubular)-3/16" x 5/16"	63313-S3	2

Lincoln and Lincoln Cosmopolitan

BODY PARTS CATALOGUE

YEAR 19	BODY TYPES	REMARKS	PART NUMBER	NO. REQ'D
Group 22296-7 BAR ASSEMBLY (FRONT DOOR VENTILATING WINDOW DIVISION)				
50	OH except 76	R.H.	8H 7322296	1
50	OH except 76	L.H.	8H 7322297	1
Group 22300 STOP ASSEMBLY (GLASS FRAME ASSEMBLY)-FRONT				
50	OH76		06H 7622300	4
50	OH76	Rivet (tubular)-3/32" x 5/16"	63557-S	4
Group 22334-5 CAP (FRONT DOOR WINDOW FRAME FRONT)-AT BELT				
50	OH72-74	R.H.	OH 7322334-AA	1
50	OH72-74	L.H.	OH 7322335-AA	1
50	OH72C	R.H.-in Prime	OH 7222334-AP	1
50	OH72C	L.H.-in Prime	OH 7222335-AP	1
50	OH76	R.H.-Rustless Steel	OH 7622334	1
50	OH76	L.H.-Rustless Steel	OH 7622335	1
50	OH	Screw (pan head self tapping)-No. 6-18 x 3/8"	32914-S8	4or8
Group 22336-7 CAP (FRONT DOOR WINDOW FRAME REAR)-AT BELT				
50	OH except 76	R.H.	OH 7322336	1or2
50	OH except 76	L.H.	OH 7322337	1or2
50	OH76	R.H.-Rustless Steel	OH 7622336	1
50	OH76	L.H.-Rustless Steel	OH 7622337	1
50	OH	Screw (pan head self tapping)-No. 6-18 x 3/8"	32914-S8	4or8



THEORETICAL PIN SETTINGS	A	ASS'Y
OL-72 DOOR	2 ³ / ₄ "	OL-7222400-1
OL-74 REAR DOOR	3 ⁷ / ₈ "	OL-7222400-1
OL-74 FRONT DOOR	2 ⁵ / ₈ "	OL-7222400-1
OH-72 DOOR	5 ⁵ / ₈ "	OH-7322400-1
OH-74 REAR DOOR	1 ³ / ₁₆ "	OH-7322400-1
OH-74 FRONT DOOR	1 ³ / ₁₆ "	OH-7322400-1
OH-76 DOOR	5 ⁵ / ₈ "	OH-7322400-1

*INCLUDED IN 22400-1 ASSY.

PL-387

1950 OUTSIDE DOOR HANDLE

Group numbers only shown on illustration. Order by Part Numbers shown in list of parts.

Group 22400-1 HANDLE ASSEMBLY (DOOR OUTSIDE)-COMPLETE				
50	OL	R.H.	OL 7222400-A	1or2
50	OL	L.H.	OL 7222401-A	1or2
50	OH	R.H.	OH 7322400	1or2
50	OH	L.H.	OH 7322401	1or2
50	OL74	Screw and washer assy (pan hd)-No. 10-32 x 7/8"	42806-S8	4
50	OL,OH	Screw and washer assy (pan head)-No. 10-32 x 5/8"	42804-S8	2or4

Lincoln and Lincoln Cosmopolitan

BODY PARTS CATALOGUE

YEAR 19	BODY TYPES	REMARKS	PART NUMBER	NO. REQ'D
Group 22428 PAD (DOOR OUTSIDE HANDLE)-LARGE				
50	OL	Rubber-1-1/2" hole	OL 7222428-B	2or4
50	OL,OH	Rubber-1" hole	OL 7222428-A	2or4
Group 22438 PIN (DOOR OUTSIDE HANDLE) RELEASE				
50	OL	1-7/64" long	OA 7022438	2or4
50	OH	1-9/16" long	OA 7622438	2or4
Group 22448 PAD (DOOR OUTSIDE HANDLE)-SMALL				
50	OL,OH	Rubber-9/32" diameter hole	OL 7222448	2or4
Group 22454 BUTTON AND GUIDE ASSEMBLY (OUTSIDE DOOR HANDLE)				
50	OL,OH		OA 7022454-B	2or4
50	OL,OH	Lockwasher (internal tooth)-No. 10	34903-S7	2or4
50	OL,OH	Nut (hex)-No. 10-32	34079-S7	2or4
Group 22462 SPRING (OUTSIDE DOOR HANDLE PUSH BUTTON)				
50	OL,OH	Steel	OA 7022462	2or4
Group 22614 HANDLE (DOOR INSIDE)				
50	OL,OH		8H 7322614-B	2or4
Group 22618 ESCUTCHEON ASSEMBLY (DOOR INSIDE HANDLE AND WINDOW REGULATOR HANDLE)				
50	OL,OH		8H 7322618-B	2or8
Group 22800-1 HINGE ASSEMBLY (FRONT DOOR)-UPPER				
50	OL	R.H.-with six holes	OM 7222800-A	1
50	OL	L.H.-with six holes	OM 7222801-A	1
50	OL	R.H.-with four holes	OM 7222800-B	1
50	OL	L.H.-with four holes	OM 7222801-B	1
50	OH	R.H.	7EH 7322800	1
50	OH	L.H.	7EH 7322801	1
50	OL	Screw & lockwasher assy (cross recessed flat head)-5/16"-24 x 1"	352282-S8	16
50	OH	Screw & lockwasher assy (cross recessed oval head)-5/16"-24 x 1"	50728-S2	as req'd
Group 22810-1 HINGE ASSEMBLY (FRONT DOOR)-LOWER				
50	OL	R.H.-with six holes	OM 7222810-A	1
50	OL	L.H.-with six holes	OM 7222811-A	1
50	OL	R.H.-with four holes	OM 7222810-B	1
50	OL	L.H.-with four holes	OM 7222811-B	1
50	OH		7EH 7322810	2
50	OL	Screw & lockwasher assy (cross recessed flathead)-5/16"- 24 x 1"	352282-S8	16

Lincoln and Lincoln Cosmopolitan

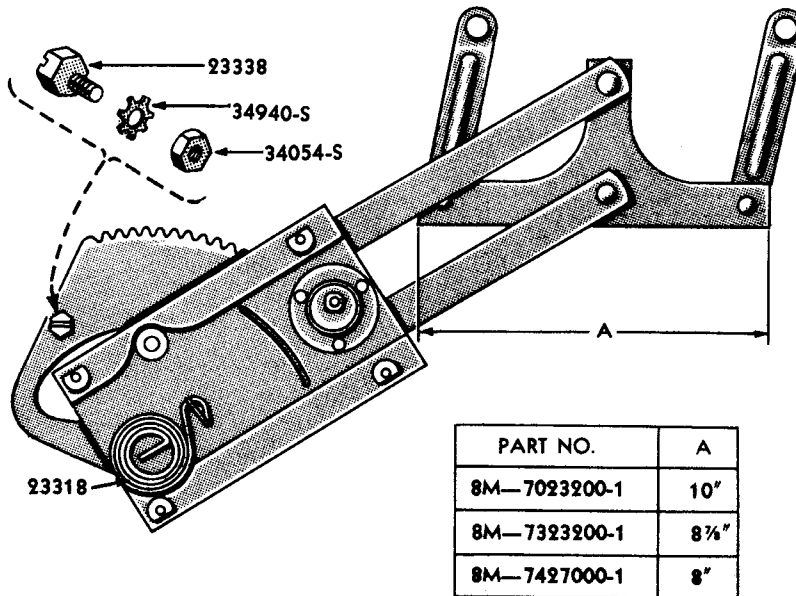
BODY PARTS CATALOGUE

YEAR 19___	BODY TYPES	REMARKS	PART NUMBER	NO. REQ'D
Group 22840 PIN (DOOR HINGE)				
50	OL	5/16" diameter	OM 7222840	4or8
50	OH	11/32" diameter	7EH 7322840	4or8
Group 22884-5 RAIN SHIELD (DOOR VENTILATING WINDOW)				
50	OL	R.H.	8M 7022884	1
50	OL	L.H.	8M 7022885	1
50	OL	Screw (binding hd self tapping)-No. 4 x 1/4	32905-S8	8
Group 22920 KEY (DOOR VENTILATOR WINDOW FRAME)				
50	OL74	Rear Door	8A 7022920	2
Group 22921 PLATE (DOOR DIVISION CHANNEL LOWER BRACKET TAPPING)				
50	OL		7A 7022921	2or4
Group 22924 PLATE (DOOR VENTILATOR WINDOW LOCK)				
50	OL74	Rear Door	01A 7022924-B	2
Group 22924-5 LATCH (DOOR VENTILATING WINDOW)				
50	OL,OH72-72C-74	R.H.-Front Door	8L 7222924	1
50	OL,OH72-72C-74	L.H.-Front Door	8L 7222925	1
50	OL,OH72-72C-74	Pin (groove)-3/32" x 1/2"	352471-S7	2
Group 22926 SPRING (DOOR VENTILATOR WINDOW PIVOT)				
50	OL74	Rear Door	01A 7022926	2
Group 22926 SPRING (QUARTER WINDOW HANDLE)				
50	OH except 76	Quarter window handle	01A 7022926	2
Group 22928-9 BRACKET (DOOR DIVISION CHANNEL)-LOWER				
50	OH except 76	R.H.	7EH 7322928	1
50	OH except 76	L.H.	7EH 7322929	1
50	OH76	R.H.	8H 7622928	1
50	OH76	L.H.	8H 7622929	1
50	OH	Bolt (hex head)-1/4"-20 x 5/8"	24324-S7	4
50	OH	Nut (lock)-1/4"-20	34390-S7	3
50	OH	Screw and washer assy (pan head)-No. 10-32 x 3/8"	42802-S8	2
50	OH	Washer (flat)-1/4"-20	44719-S8	4
Group 22938 BRACKET AND HANDLE SHAFT ASSEMBLY (DOOR VENTILATOR WINDOW)				
50	OL74	Rear Door	01A 7022938	2
Group 22963 WASHER (FRONT DOOR VENTILATOR WINDOW PIVOT FRICTION)				
50	OH except 76		01A 7022963	2
Group 22963 WASHER (QUARTER VENTILATING WINDOW PIVOT FRICTION)				
50	OL74	Rear Door	8A 7022963	2
Group 22982 WASHER (DOOR VENTILATOR WINDOW LATCH)				
50	OL	25/64" I.D. x 39/64" O.D.	01A 7022982	2

Lincoln and Lincoln Cosmopolitan

BODY PARTS CATALOGUE

YEAR 19	BODY TYPES	REMARKS	PART NUMBER	NO. REQ'D
Group 22986 SPRING (DOOR VENTILATOR WINDOW HANDLE)				
50	OL74	Rear door-free length 7/16"	01A 7022986	2
Group 23030 BUMPER (HOOD FRONT TO GRILLE)				
50	OL,OH	Rubber -21/32" long	11A 7023030-A	2
50	OL,OH	Rubber -25/32" long	11A 7023030-B	2



PM-338

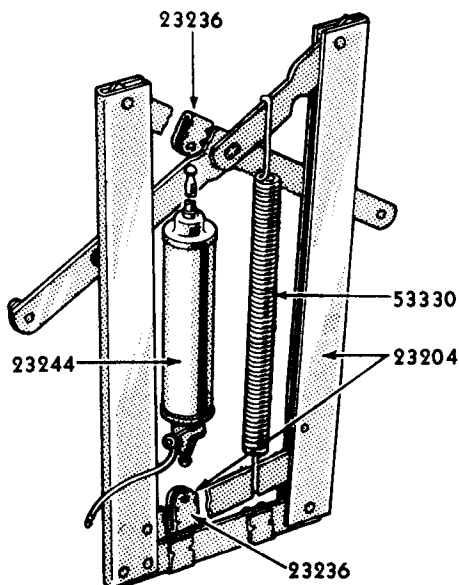
WINDOW REGULATOR MANUAL CONTROL

Group numbers only shown on illustration. Order by Part Numbers shown in list of parts.

YEAR 19	BODY TYPES	REMARKS	PART NUMBER	NO. REQ'D
Group 23200-1 REGULATOR ASSEMBLY (FRONT DOOR WINDOW)				
50	OL72-72C	R.H.-Manual Control	8M 7023200-C	1
50	OL72-72C	L.H.-Manual Control	8M 7023201-C	1
50	OL74	R.H.-Manual Control	8M 7323200-C	1
50	OL74	L.H.-Manual Control	8M 7323201-C	1
50	OL	R.H.-Hydraulic Control-front and rear door	8M 7023200-B	1or2
50	OL	L.H.-Hydraulic Control-front and rear door	8M 7023201-B	1or2
50	OH	Hydraulic Control-front and rear door	8H 7323200-A	2or4
50	OH	Connector (inverted male)-1/2"-20 female and 1/8"-27 male thread	353002-S	2or4
50	OL	Lockwasher (internal and external tooth)-No. 12	351281-AS	2
50	OL	Lockwasher (internal)-No. 12	34904-S2	10
50	OL	Nut (hex)-No. 12-24	34054-S2	2
50	OL	Nut (lock)-5/16"-24	34393-S7	4or8
50	OL	Screw (pan head)-No. 12-24 x 1/2"	39049-S2	10
50	OL,OH	Washer (flat)-5/16"	44724-S8	4or8
50	OH	Washer (lock)-5/16"	34806-S2	4or8

Lincoln and Lincoln Cosmopolitan

BODY PARTS CATALOGUE



PM-409

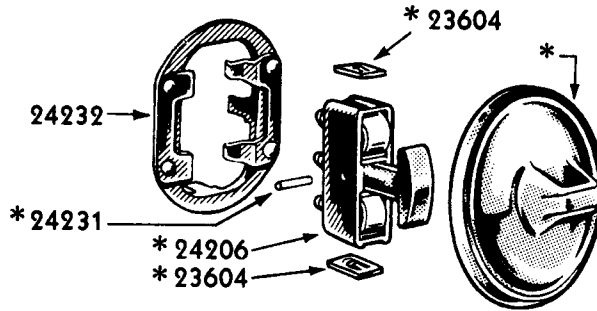
WINDOW REGULATOR, HYDRAULIC CONTROL

Group numbers only shown on illustration. Order by Part Numbers shown in list of parts.

YEAR 19__	BODY TYPES	REMARKS	PART NUMBER	NO. REQ'D
Group 23204-5 FRAME ASSEMBLY (DOOR HYDRAULIC WINDOW REGULATOR)				
50	OL	R.H.	8M 7023204	1or2
50	OL	L.H.	8M 7023205	1or2
50	OH		8H 7323204	2or4
50	OH except 76	Bolt (hex head)-1/4"-28 x 5/8"-window regulator arm roller support and retainer to channel	20325-S7	8
50	OH	Lockwasher-5/16"	34806-S2	4or8
50	OH except 76	Lockwasher-1/4" window regulator arm roller support and retainer to channel	34805-S2	8
50	OH	Nut (hex)-5/16"-24-regulator to support	33798-S2	4or8
50	OH	Nut (hex)-1/4"-28-window regulator arm roller support and retainer to channel	33796-S7	8
50	OH	Washer (flat)-5/16" regulator to support	44722-S8	4or8
50	OH except 76	Washer (flat)-1/4"-window regulator arm roller support and retainer to channel	34705-S2	8
Group 23236 BRACKET (DOOR HYDRAULIC WINDOW REGULATOR ARM)				
50	OL		51A 7123236	5or9
50	OH		51A 7123236	9
Group 23244 CYLINDER ASSEMBLY (DOOR HYDRAULIC WINDOW REGULATOR)				
50	OL		8L 7323244	2or4
50	OH		8H 7323244	2or4
50	OH	Connector (inverted male)-1/2"-20 female and 1/8"-27 male thread	353002-S	2or4
Group 23257 SPRING (FRONT DOOR WINDOW REGULATOR ARM STUD RETAINING)				
50	OL		11A 7023257	4or8
Group 23259 WASHER (WINDOW REGULATOR ARM ATTACHING BRACKET)				
50	OL,OH		11A 7023259	8or12

Lincoln and Lincoln Cosmopolitan

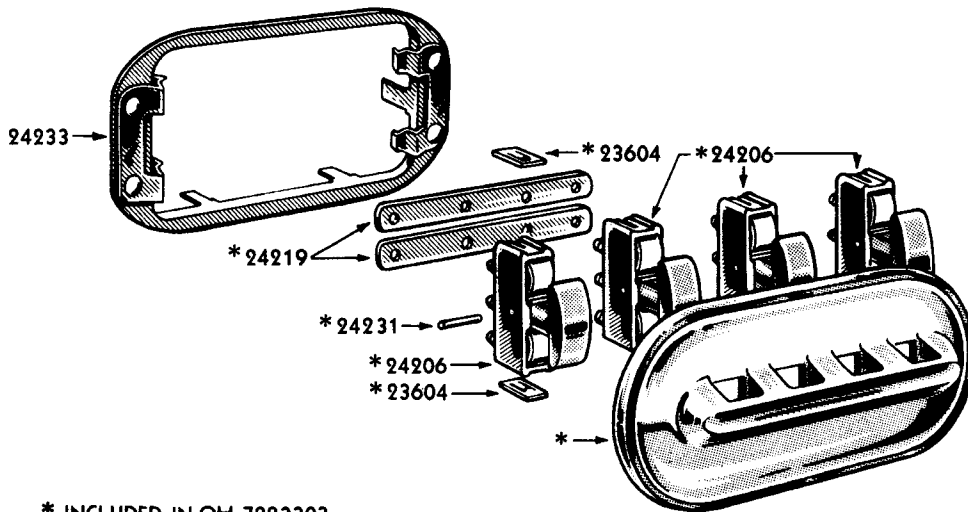
BODY PARTS CATALOGUE



*INCLUDED IN OH-7223302

PL-417

SINGLE HYDRAULIC WINDOW SWITCH (OH-7223302)



* INCLUDED IN OH-7223303

PL-418

MULTIPLE HYDRAULIC WINDOW SWITCH (OH-7223303)

Group numbers only shown on illustration. Order by Part Numbers shown in list of parts.

YEAR 19__	BODY TYPES	REMARKS	PART NUMBER	NO. REQ'D
Group 23302-3 SWITCH AND HOUSING ASSEMBLY (HYDRAULIC WINDOW REGULATOR)				
50	OL	Special equipment-single switch	OH 7223302	3
50	OL74	Special equipment-four switch	OH 7223303	1
50	OH	Single switch	OH 7223302	3
50	OH	Four switch	OH 7223303	1
Group 23308 SUPPORT AND RETAINER ASSEMBLY (HYDRAULIC WINDOW REGULATOR ARM ROLLER)				
50	OH72-72C	Front Door-28-3/4" long	8H 7223308	2
50	OH74	Front Door-19-21/64" long	8H 7323308-A	2
50	OH74	Rear Door-24-47/64" long	8H 7323308-B	2
50	OH	Bolt (hex head)-1/4"-28 x 5/8"	24325-S8	4or8
50	OH except 76	Lockwasher-1/4"	34805-S2	8
50	OH except 76	Nut (lock)-1/4"-28	34391-S7	4or8
50	OH except 76	Washer (flat)-1/4"	34705-S2	8
50	OH except 76	Washer (special)-9/32" I.D. x 3/4" O.D. x 13/32"	352413-S8	4or8

Lincoln and Lincoln Cosmopolitan

BODY PARTS CATALOGUE

YEAR 19	BODY TYPES	REMARKS	PART NUMBER	NO. REQ'D
Group 23312 SUPPORT (DOOR HYDRAULIC WINDOW REGULATOR SIDE RAIL)-UPPER				
50	OL72-72C	Hydraulic Controlled	OM 7223312	2
50	OL74	Hydraulic Controlled	8M 7323312	2
Group 23318 SPRING (DOOR WINDOW REGULATOR BALANCE)				
50	OH		5EH 7323318	2or4
Group 23338 BOLT (DOOR WINDOW REGULATOR STOP)				
50	OL	Manual Control	01A 7023338	2or4
50	OL	Lockwasher (external tooth)-1/4"	34940-S2	2or4
50	OL	Nut (hex)-No. 12-24	34054-S2	2or4
Group 23342 HANDLE ASSEMBLY (WINDOW REGULATOR)				
50	OL	Manual Control	8L 7223342	2or4
Group 23354 PIN (DOOR WINDOW REGULATOR AND DOOR INSIDE HANDLE)				
50	OL,OH		0A 7023354	2or4
Group 23382 SUPPORT AND RETAINER ASSEMBLY (HYDRAULIC WINDOW REGULATOR ARM ROLLER)				
50	OL	Front Door	5EH 7323382	2
50	OL74	Rear Door	8M 7423382	2
50	OH72-72C	Quarter Window	5EH 7323382	2
50	OL,OH72-72C	Bolt (hex head)-1/4"-28 x 5/8"	24325-S8	4
50	OH except 76	Nut (hex)-1/4"-28	33796-S7	8
50	OH except 76	Washer (flat)-1/4"	34705-S2	8
Group 23410 HANDLE ASSEMBLY (FRONT DOOR VENT WINDOW REGULATOR)				
50	OL,OH		8H 7323410	2
Group 23420 ESCUTCHEON ASSEMBLY (VENT WINDOW REGULATOR HANDLE)				
50	OL,OH		OH 7323420	2
Group 23436 GEAR AND SHAFT ASSEMBLY (DOOR VENT WINDOW REGULATOR)				
50	OL		8L 7623436	2
50	OH		16H 7323436	2
Group 23456 SHAFT (DOOR VENT WINDOW REGULATOR EXTENSION)				
50	OL		OL 7223456-A	2
50	OH except 76		OH 7323456	2
50	OH76		OH 7623456-A	2
Group 23460 WORM (DOOR VENT WINDOW REGULATOR)				
50	OL,OH		16H 7323460	2
Group 23464 PIN (DOOR VENT WINDOW REGULATOR EXTENSION SHAFT)				
50	OL,OH	Horseshoe shape	16H 7323464	2

Lincoln and Lincoln Cosmopolitan

BODY PARTS CATALOGUE

YEAR 19	BODY TYPES	REMARKS	PART NUMBER	NO. REQ'D
Group 23468 RETAINER ASSEMBLY (DOOR VENT WINDOW REGULATOR SHAFT)				
50	OL,OH		16H 7323468	2
50	OL,OH	Screw (round head self tapping)-No. 12-11 x 1/2"	32860-S8	4
Group 23500 ARM ASSEMBLY (DOOR CHECK)				
50	OL	5-9/64" long	8M 7023500	2
50	OH	5-9/32" long	7EH 7323500	2or4
Group 23530 HOUSING ASSEMBLY (DOOR CHECK ARM)				
50	OL,OH		06H 5623530	2or4
50	OL,OH	Rivet (round hd)-3/16 x 3/8"	60330-S	4or8
Group 23554 WEATHERSTRIP (DOOR CHECK ARM HOLE)				
50	OL		OM 7223554	2or4
Group 23600-1 FRAME ASSEMBLY (HYDRAULIC QUARTER WINDOW REGULATOR)				
50	OH76	R.H.	8H 7623600	1
50	OH76	L.H.	8H 7623601	1
Group 23602 CYLINDER ASSEMBLY (REAR QUARTER WINDOW HYDRAULIC)				
50	OH72-72C-76		8H 7623602	2
Group 23603 SPRING (QUARTER WINDOW HYDRAULIC OPERATING)				
50	OH72-74	Black Enamel	8H 7623603	2
Group 23604 SPRING (HYDRAULIC ELECTRIC SWITCH)-LOCKING				
50	OL,OH		1H 7323604-A	as req'd
Group 23866 PANEL (DOOR TRIM BOTTOM)				
50	OH76	Chrome Finish	OH 7623866	2
Group 23898 RETAINER ASSEMBLY (DOOR TRIM PANEL BOTTOM)				
50	OH76		OH 7623898	2
Group 23942-3 TRIM ASSEMBLY (FRONT DOOR PANEL)-LESS ARM REST				
50	OL72	R.H.-Upper M-19108-B Dark Brown Plain Broadcloth, Lower Light Tan Artificial Leather	OL 7223942-AB	1
50	OL72	L.H.-Upper M-19108-B Dark Brown Plain Broadcloth, Lower Light Tan Artificial Leather	OL 7223943-AB	1
50	OL72	R.H.-Upper M-19108-C Dark Gray Plain Broadcloth, Lower Gray Artificial Leather	OL 7223942-AC	1
50	OL72	L.H.-Upper M-19108-C Dark Gray Plain Broadcloth, Lower Gray Artificial Leather	OL 7223943-AC	1
50	OL72	R.H.-Upper M-19108-A Dark Green Plain Broadcloth, Lower Light Green Artificial Leather	OL 7223942-AA	1
50	OL72	L.H.-Upper M-19108-A Dark Green Plain Broadcloth, Lower Light Green Artificial Leather	OL 7223943-AA	1
50	OL72	R.H.-Tan Artificial Leather	OL 7223942-AD	1
50	OL72	L.H.-Tan Artificial Leather	OL 7223943-AD	1

Lincoln and Lincoln Cosmopolitan

BODY PARTS CATALOGUE

YEAR 19__	BODY TYPES	REMARKS	PART NUMBER	NO. REQ'D
Group 23942-3 TRIM ASSEMBLY (FRONT DOOR PANEL)-LESS ARM REST-CONTINUED				
50	OL72C	R.H.-Upper M-19146-K Beige Whipcord, Lower Dark Tan Artificial Leather	OL 7223942-AH	1
50	OL72C	L.H.-Upper M-19146-K Beige Whipcord, Lower Dark Tan Artificial Leather	OL 7223943-AH	1
50	OL72C	R.H.-Upper M-19146-M Blue Whipcord, Lower Dark Blue Artificial Leather	OL 7223942-AF	1
50	OL72C	L.H.-Upper M-19146-M Blue Whipcord, Lower Dark Blue Artificial Leather	OL 7223943-AF	1
50	OL72C	R.H.-Upper M-19146-M Blue Whipcord, Lower Light Blue Artificial Leather	OL 7223942-AE	1
50	OL72C	L.H.-Upper M-19146-M Blue Whipcord, Lower Light Blue Artificial Leather	OL 7223943-AE	1
50	OL72C	R.H.-Upper M-19146-L Green Whipcord, Lower Oyster White Artificial Leather	OL 7223942-AG	1
50	OL72C	L.H.-Upper M-19146-L Green Whipcord, Lower Oyster White Artificial Leather	OL 7223943-AG	1
50	OL74	R.H.-Upper M-19108-B Dark Brown Plain Broadcloth, Lower Dark Tan Artificial Leather	OL 7423942-AB	1
50	OL74	L.H.-Upper M-19108-B Dark Brown Plain Broadcloth, Lower Dark Tan Artificial Leather	OL 7423943-AB	1
50	OL74	R.H.-Upper M-19108-C Dark Gray Plain Broadcloth, Lower Gray Artificial Leather	OL 7423942-AC	1
50	OL74	L.H.-Upper M-19108-C Dark Gray Plain Broadcloth, Lower Gray Artificial Leather	OL 7423943-AC	1
50	OL74	R.H.-Upper M-19108-A Dark Green Plain Broadcloth, Lower Light Green Artificial Leather	OL 7423942-AA	1
50	OL74	L.H.-Upper M-19108-A Dark Green Plain Broadcloth, Lower Light Green Artificial Leather	OL 7423943-AA	1
50	OL74	R.H.-Tan Artificial Leather	OL 7423942-AD	1
50	OL74	L.H.-Tan Artificial Leather	OL 7423943-AD	1
50	OH72	R.H.-Upper M-19106-H Dark Gray Plain Broadcloth, Lower Gray Artificial Leather	OH 7223942-AC	1
50	OH72	L.H.-Upper M-19106-H Dark Gray Plain Broadcloth, Lower Gray Artificial Leather	OH 7223943-AC	1
50	OH72	R.H.-Upper M-19106-B Dark Green Plain Broadcloth, Lower Light Green Artificial Leather	OH 7223942-AA	1
50	OH72	L.H.-Upper M-19106-B Dark Green Plain Broadcloth, Lower Light Green Artificial Leather	OH 7223943-AA	1
50	OH72	R.H.-Upper M-19106-D Dark Tan Plain Broadcloth, Lower Light Tan Artificial Leather	OH 7223942-AB	1
50	OH72	L.H.-Upper M-19106-D Dark Tan Plain Broadcloth, Lower Light Tan Artificial Leather	OH 7223943-AB	1
50	OH72	R.H.-Tan Artificial Leather	OH 7223942-AF	1
50	OH72	L.H.-Tan Artificial Leather	OH 7223943-AF	1
50	OH72C	R.H.-Upper M-19146-K Beige Whipcord, Lower Cherry Red Artificial Leather	OH 7223942-AAE	1
50	OH72C	L.H.-Upper M-19146-K Beige Whipcord, Lower Cherry Red Artificial Leather	OH 7223943-AAE	1
50	OH72C	R.H.-Upper M-19146-M Blue Whipcord, Lower Dark Blue Artificial Leather	OH 7223942-AAC	1
50	OH72C	L.H.-Upper M-19146-M Blue Whipcord, Lower Dark Blue Artificial Leather	OH 7223943-AAC	1

Lincoln and Lincoln Cosmopolitan

BODY PARTS CATALOGUE

YEAR 19	BODY TYPES	REMARKS	PART NUMBER	NO. REQ'D
Group 23942-3 TRIM ASSEMBLY (FRONT DOOR PANEL)-LESS ARM REST-CONTINUED				
50	OH72C	R.H.-Upper M-19146-M Blue Whipcord, Lower Oyster White Artificial Leather	OH 7223942-AAD	1
50	OH72C	L.H.-Upper M-19146-M Blue Whipcord, Lower Oyster White Artificial Leather	OH 7223943-AAD	1
50	OH72C	R.H.-Upper M-19146-N Yellow-Beige Whipcord, Lower Dark Tan Artificial Leather	OH 7223942-AAB	1
50	OH72C	L.H.-Upper M-19146-N Yellow-Beige Whipcord, Lower Dark Tan Artificial Leather	OH 7223943-AAB	1
50	OH74	R.H.-Upper M-19106-E Dark Gray Plain Broadcloth, Lower Gray Artificial Leather	OH 7323942-AC	1
50	OH74	L.H.-Upper M-19106-E Dark Gray Plain Broadcloth, Lower Gray Artificial Leather	OH 7323943-AC	1
50	OH74	R.H.-Upper M-19106-B Dark Green Plain Broadcloth, Lower Light Green Artificial Leather	OH 7323942-AA	1
50	OH74	L.H.-Upper M-19106-B Dark Green Plain Broadcloth, Lower Light Green Artificial Leather	OH 7323943-AA	1
50	OH74	R.H.-Upper M-19106-D Dark Tan Plain Broadcloth, Lower Light Tan Artificial Leather	OH 7323942-AB	1
50	OH74	L.H.-Upper M-19106-D Dark Tan Plain Broadcloth, Lower Light Tan Artificial Leather	OH 7323943-AB	1
50	OH74	R.H.-Tan Artificial Leather	OH 7323942-AF	1
50	OH74	R.H.-Tan Artificial Leather	OH 7323943-AF	1
50	OH76	R.H.-Upper Black Artificial Leather, Lower Cherry Red Artificial Leather	OH 7623942-AX	1
50	OH76	L.H.-Upper Black Artificial Leather, Lower Cherry Red Artificial Leather	OH 7623943-AX	1
50	OH76	R.H.-Upper Black Artificial Leather, Lower Yellow Artificial Leather	OH 7623942-AY	1
50	OH76	L.H.-Upper Black Artificial Leather, Lower Yellow Artificial Leather	OH 7623943-AY	1
50	OH76	R.H.-Upper Dark Blue Artificial Leather, Lower Light Blue Artificial Leather	OH 7623942-AZ	1
50	OH76	L.H.-Upper Dark Blue Artificial Leather, Lower Light Blue Artificial Leather	OH 7623943-AZ	1
50	OH76	R.H.-Light Blue Artificial Leather	OH 7623942-AK	1
50	OH76	L.H.-Light Blue Artificial Leather	OH 7623943-AK	1
50	OH76	R.H.-Upper Light Blue Artificial Leather, Lower M-19146-M Blue Whipcord	OH 7623942-AT	1
50	OH76	L.H.-Upper Light Blue Artificial Leather, Lower M-19146-M Blue Whipcord	OH 7623943-AT	1
50	OH76	R.H.-Green Artificial Leather	OH 7623942-AJ	1
50	OH76	L.H.-Green Artificial Leather	OH 7623943-AJ	1
50	OH76	R.H.-Upper Green Artificial Leather, Lower M-19146-L Green Whipcord	OH 7623942-AS	1
50	OH76	L.H.-Upper Green Artificial Leather, Lower M-19146-L Green Whipcord	OH 7623943-AS	1
50	OH76	R.H.-Lime Green Artificial Leather	OH 7623942-AM	1
50	OH76	L.H.-Lime Green Artificial Leather	OH 7623943-AM	1
50	OH76	R.H.-Upper Lime Green Artificial Leather, Lower M-19146-N Yellow Beige Whipcord	OH 7623942-AV	1
50	OH76	L.H.-Upper Lime Green Artificial Leather, Lower M-19146-N Yellow Beige Whipcord	OH 7623943-AV	1

Lincoln and Lincoln Cosmopolitan

BODY PARTS CATALOGUE

YEAR 19	BODY TYPES	REMARKS	PART NUMBER	NO. REQ'D
Group 23942-3 TRIM ASSEMBLY (FRONT DOOR PANEL)-LESS ARM REST-CONTINUED				
50	OH76	R.H.-Cherry Red Artificial Leather	OH 7623942-AG	1
50	OH76	L.H.-Cherry Red Artificial Leather	OH 7623943-AG	1
50	OH76	R.H.-Upper Cherry Red Artificial Leather, Lower M-19146-K Beige Whipcord	OH 7623942-AN	1
50	OH76	L.H.-Upper Cherry Red Artificial Leather, Lower M-19146-K Beige Whipcord	OH 7623943-AN	1
50	OH76	R.H.-Tan Artificial Leather	OH 7623942-AH	1
50	OH76	L.H.-Tan Artificial Leather	OH 7623943-AH	1
50	OH76	R.H.-Upper Tan Artificial Leather, Lower M-19146-K Beige Whipcord	OH 7623942-AR	1
50	OH76	L.H.-Upper Tan Artificial Leather, Lower M-19146-K Beige Whipcord	OH 7623943-AR	1
50	OH76	R.H.-Yellow Artificial Leather	OH 7623942-AL	1
50	OH76	L.H.-Yellow Artificial Leather	OH 7623943-AL	1
50	OH76	R.H.-Upper Yellow Artificial Leather, Lower M-19146-N Yellow Beige Whipcord	OH 7623942-AU	1
50	OH76	L.H.-Upper Yellow Artificial Leather, Lower M-19146-N Yellow Beige Whipcord	OH 7623943-AU	1
50	OH,OL	Clip (Trim)	358300-S3	30or36
50	OL	Screw (oval head self tapping)-No. 8-15 x 1"	33013-S2	4
50	OH except 76	Screw (crossed recessed oval head self tap.)-No. 8-15 x 1"	52376-S13	4
50	OL,OH76	Screw (cross recessed pan head self tap.)-No. 14-10 x 1-1/4"	52761-S8	4
50	OH except 76	Washer (flush countersunk)-No. 8	34862-S23	4
50	OL	Washer (hollow countersunk)-No. 8	34885-S7	4

Group 24140-1 REST ASSEMBLY (FRONT DOOR ARM)

50	OL72-74	R.H.-Top Dark Gray Leather, Bottom M-19108-C Dark Gray Plain Broadcloth	OL 7224140-AC	1
50	OL72-74	L.H.-Top Dark Gray Leather, Bottom M-19108-C Dark Gray Plain Broadcloth	OL 7224141-AC	1
50	OL72-74	R.H.-Top Light Green Leather, Bottom M-19108-A Dark Green Plain Broadcloth	OL 7224140-AA	1
50	OL72-74	L.H.-Top Light Green Leather, Bottom M-19108-A Dark Green Plain Broadcloth	OL 7224141-AA	1
50	OL72-74	R.H.-Top Dark Tan Leather, Bottom M-19108-B Dark Brown Plain Broadcloth	OL 7224140-AB	1
50	OL72-74	L.H.-Top Dark Tan Leather, Bottom M-19108-B Dark Brown Plain Broadcloth	OL 7224141-AB	1
50	OL72-74	R.H.-Top Tan Leather, Bottom Tan Artificial Leather-use with Tan Leather Trim	OH 7624140-AH	1
50	OL72-74	L.H.-Top Tan Leather, Bottom Tan Artificial Leather-use with Tan Leather Trim	OH 7624141-AH	1
50	OL72C	R.H.-Top Dark Blue Leather, Bottom Dark Blue Artificial Leather	OL 7224140-AF	1
50	OL72C	L.H.-Top Dark Blue Leather, Bottom Dark Blue Artificial Leather	OL 7224141-AF	1
50	OL72C	R.H.-Top Light Blue Leather, Bottom Light Blue Artificial Leather	OL 7224140-AE	1
50	OL72C	L.H.-Top Light Blue Leather, Bottom Light Blue Artificial Leather	OL 7224141-AE	1
50	OL72C,OH72C	R.H.-Top Oyster White Leather, Bottom Oyster White Artificial Leather	OL 7224140-AG	1
50	OL72C,OH72C	L.H.-Top Oyster White Leather, Bottom Oyster White Artificial Leather	OL 7224141-AG	1
50	OL72C,OH72C	R.H.-Top Dark Tan Leather, Bottom Dark Tan Artificial Leather	OL 7224140-AH	1
50	OL72C,OH72C	L.H.-Top Dark Tan Leather, Bottom Dark Tan Artificial Leather	OL 7224141-AH	1

Lincoln and Lincoln Cosmopolitan

BODY PARTS CATALOGUE

YEAR 19	BODY TYPES	REMARKS	PART NUMBER	NO. REQ'D
Group 24140-1 REST ASSEMBLY (FRONT DOOR ARM)-CONTINUED				
50	OH72-74	R.H.-Top Dark Gray Leather, Bottom M-19106-H Dark Gray Plain Broadcloth	OH 7324140-AC	1
50	OH72-74	L.H.-Top Dark Gray Leather, Bottom M-19106-H Dark Gray Plain Broadcloth	OH 7324141-AC	1
50	OH72-74	R.H.-Top Light Green Leather, Bottom M-19106-B Dark Green Plain Broadcloth	OH 7324140-AA	1
50	OH72-74	L.H.-Top Light Green Leather, Bottom M-19106-B Dark Green Plain Broadcloth	OH 7324141-AA	1
50	OH72-74	R.H.-Top Dark Tan Leather, Bottom M-19106-D Dark Tan Plain Broadcloth	OH 7324140-AB	1
50	OH72-74	L.H.-Top Dark Tan Leather, Bottom M-19106-D Dark Tan Plain Broadcloth	OH 7324141-AB	1
50	OH72C,76	R.H.-Top Dark Blue Leather, Bottom Dark Blue Artificial Leather	OH 7624140-AZ	1
50	OH72C,76	L.H.-Top Dark Blue Leather, Bottom Dark Blue Artificial Leather	OH 7624141-AZ	1
50	OH72C,76	R.H.-Top Cherry Red Leather, Bottom Cherry Red Artificial Leather	OH 7624140-AG	1
50	OH72C,76	L.H.-Top Cherry Red Leather, Bottom Cherry Red Artificial Leather	OH 7624141-AG	1
50	OH76	R.H.-Top Black Leather, Bottom Black Artificial Leather	OH 7624140-AX	1
50	OH76	L.H.-Top Black Leather, Bottom Black Artificial Leather	OH 7624141-AX	1
50	OH76	R.H.-Top Light Blue Leather, Bottom Blue Artificial Leather	OH 7624140-AK	1
50	OH76	L.H.-Top Light Blue Leather, Bottom Blue Artificial Leather	OH 7624141-AK	1
50	OH76	R.H.-Top Green Leather, Bottom Green Artificial Leather	OH 7624140-AJ	1
50	OH76	L.H.-Top Green Leather, Bottom Green Artificial Leather	OH 7624141-AJ	1
50	OH76	R.H.-Top Lime Green Leather, Bottom Lime Green Artificial Leather	OH 7624140-AM	1
50	OH76	L.H.-Top Lime Green Leather, Bottom Lime Green Artificial Leather	OH 7624141-AM	1
50	OH76	R.H.-Top Tan Leather, Bottom Tan Artificial Leather	OH 7624140-AH	1
50	OH76	L.H.-Top Tan Leather, Bottom Tan Artificial Leather	OH 7624141-AH	1
50	OH76	R.H.-Top Yellow Leather, Bottom Yellow Artificial Leather	OH 7624140-AL	1
50	OH76	L.H.-Top Yellow Leather, Bottom Yellow Artificial Leather	OH 7624141-AL	1
50	OL,OH	Nut (speed "J" shape)-No. 14A	352312-S32	4
50	OL,OH	Screw (pan head self tapping)-No. 8-18 x 3/8"	33176-S2	8or16
50	OL,OH except 76	Screw (pan hd)-No. 14 x 1-1/4"	32956-S8	as req'd

Group 24142-3 PLATE (DOOR ARM REST FINGER TIP)

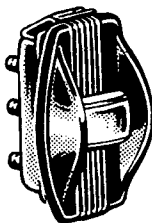
50	OL,OH	R.H.	OL 7224142	1or2
50	OL,OH	L.H.	OL 7224143	1or2

Group 24193 SPRING (HYDRAULIC WINDOW MOUNTING STUD)

50	OL,OH		8H 7324193	as req'd
----	-------	--	------------	-------------

Lincoln and Lincoln Cosmopolitan

BODY PARTS CATALOGUE



8L-7024206

PL-287

YEAR 19	BODY TYPES	REMARKS	PART NUMBER	NO. REQ'D
Group 24206 SWITCH ASSEMBLY (HYDRAULIC SEAT REGULATOR CONTROL)				
50	OL	Special equipment	8L 7024206	1
50	OH		8L 7024206	1
50	OH	Nut (hex)-No. 10 x 32	34079-S7	1
50	OL,OH	Washer (lock)-No. 6	34801-S7	3
Group 24206 SWITCH (HYDRAULIC WINDOW REGULATOR CONTROL)				
50	OL	Special equipment	8H 7224206	3or7
50	OH		8H 7224206	7
50	OL,OH	Washer (lock)-No. 6	34801-S7	as req'd
Group 24219 BAR (WINDOW REGULATOR SWITCH BUS)				
50	OL74,OH	3" long	8M 7624219	2
Group 24230 ESCUTCHEON (HYDRAULIC SEAT REGULATOR)				
50	OL	Special equipment	7EH 7324230	1
50	OH		7EH 7324230	1
Group 24231 PIN (HYDRAULIC SWITCH KNOB RETAINING)				
50	OL,OH	5/64" diameter x 35/64" long	8M 7024231	as req'd
Group 24232 PLATE (DOME LAMP SWITCH MOUNTING)				
50	OH76	Quarter panel-single switch-2" x 2-1/4"	8H 7224232	1
Group 24232-3 PLATE (WINDOW REGULATOR SWITCH MOUNTING)				
50	OL74	Special equipment-multiple switch	8H 7224233	1
50	OL	Special equipment-single switch	8H 7224232	2or3
50	OH	Multiple switch	8H 7224233	1
50	OH	Single switch	8H 7224232	3or4
Group 24248 SUPPORT (DOOR HYDRAULIC WINDOW REGULATOR)				
50	OL		8M 7024248-B	2or4
50	OL	Nut (hex head)-1/4"-20	34390-S7	8
50	OL	Screw (pan head)-1/4"-20 x 5/8"	39072-S2	8
50	OL	Washer (flat)-1/4"	44719-S8	8
Group 24258 COVER SPRING (HYDRAULIC WINDOW REGULATOR HOSE AND WIRE)				
50	OL	Front door	8M 7424258	4
50	OH		26H 7324258-A	2or8

Lincoln and Lincoln Cosmopolitan

BODY PARTS CATALOGUE

YEAR 19	BODY TYPES	REMARKS	PART NUMBER	NO. REQ'D
Group 24289 CLAMP ASSEMBLY (BATTERY DRAIN HOSE TO TRAY)				
50	OL,OH		26H 7324289	1
Group 24300 PILLAR ASSEMBLY (BODY CENTER)				
50	OL74		OM 7424300	2
50	OH74		OH 7324300	2
Group 24324-5 HINGE (PILLAR)-FOLDING TOP				
50	OH76	R.H.	8H 7624324	1
50	OH76	L.H.	8H 7624325	1
50	OH76	Lockwasher-1/4"	34805-S2	as req'd
50	OH76	Screw (Fillister head)-1/4"-20 x 5/8"	31080-S7	as req'd
Group 24357 SEAL (CENTER BODY PILLAR TO SCUFF PLATE)				
50	OL74	Rubber-7/8" long	OM 7424357	4
Group 24410-1 STRIP (FRONT DOOR FINISH)-REAR				
50	OH except 76	R.H.-Chrome Finish	8H 7324410-E	1or3
50	OH except 76	L.H.-Chrome Finish	8H 7324411-E	1or3
50	OH74	Screw (cross recessed oval hd self tap.)-No. 6-18 x 1/2"	52342-S13	as req'd
Group 24414 BUMPER (BODY CENTER PILLAR)				
50	OH74		8H 7324414-A	2
Group 24446-7 TRIM ASSEMBLY (BODY CENTER PILLAR)				
50	OL74	M-19108-B Dark Brown Plain Broadcloth	OL 7424446-AB	2
50	OL74	M-19108-C Dark Gray Plain Broadcloth	OL 7424446-AC	2
50	OL74	M-19108-A Dark Green Plain Broadcloth	OL 7424446-AA	2
50	OL74	Tan Artificial Leather	OL 7424446-AD	2
50	OH74	R.H.-M-19106-H Dark Gray Plain Broadcloth-with trim clips	OH 7324446-BC	1
50	OH74	L.H.-M-19106-H Dark Gray Plain Broadcloth-with trim clips	OH 7324447-BC	1
50	OH74	M-19106-H Dark Gray Plain Broadcloth-without trim clips	OH 7324446-AC	2
50	OH74	R.H.-M-19106-B Dark Green Plain Broadcloth-with trim clips	OH 7324446-BA	1
50	OH74	L.H.-M-19106-B Dark Green Plain Broadcloth-with trim clips	OH 7324447-BA	1
50	OH74	M-19106-B Dark Green Plain Broadcloth-without trim clips	OH 7324446-AA	2
50	OH74	R.H.-M-19106-D Dark Tan Plain Broadcloth-with trim clips	OH 7324446-BB	1
50	OH74	L.H.-M-19106-D Dark Tan Plain Broadcloth-with trim clips	OH 7324447-BB	1
50	OH74	M-19106-D Dark Tan Plain Broadcloth-without trim clips	OH 7324446-AB	2
50	OH74	R.H.-Tan Artificial Leather-with trim clips	OH 7324446-BF	1
50	OH74	L.H.-Tan Artificial Leather-with trim clips	OH 7324447-BF	1
50	OH74	Tan Artificial Leather-without trim clips	OH 7324446-AF	2
50	OL74	Clip (Trim)	358300-S3	16
50	OH74	Washer (ratchet nail)-7/8" O.D.	351462-S	22
Group 24538 WINDLACE AND REINFORCEMENT ASSEMBLY (BODY CENTER PILLAR)				
50	OH74	Light Gray	8H 7324538-H	4
50	OH74	Light Green	8H 7324538-F	4
50	OH74	Light Tan	8H 7324538-G	4
50	OH74	Tan-use with Tan Leather Trim	8H 7324538-E	4

Lincoln and Lincoln Cosmopolitan

BODY PARTS CATALOGUE

YEAR 19	BODY TYPES	REMARKS	PART NUMBER	NO. REQ'D
Group 24622-3 DOOR ASSEMBLY (REAR)-LESS PAINT,TRIM,GLASS,HANDLES,HINGES,LOCK AND REGULATOR				
50	OL74	R.H.	OL 7424622-A	1
50	OL74	L.H.	OL 7424623-A	1
50	OH74	R.H.	OH 7324622-A	1
50	OH74	L.H.	OH 7324623-A	1
Group 24754-5 WELT AND CARDBOARD ASSEMBLY (REAR DOOR WINDOW FINISH)				
50	OL74	R.H.-56-1/2" long	8M 7424754	1
50	OL74	L.H.-56-1/2" long	8M 7424755	1
Group 25104-5 WEATHERSTRIP (REAR DOOR BOTTOM)				
50	OL74	R.H.-inside overall measurement 26"	8M 7325104	1
50	OL74	L.H.-inside overall measurement 26"	8M 7325105	1
50	OH74	R.H.-inside overall measurement 29-1/8"	8H 7325104	1
50	OH74	L.H.-inside overall measurement 29-1/8"	8H 7325105	1
Group 25116 WINDLACE ASSEMBLY (REAR DOOR OPENING)-OUTER				
50	OH74	Light Gray	8H 7325116-G	2
50	OH74	Light Green	8H 7325116-E	2
50	OH74	Light Tan	8H 7325116-F	2
Group 25120 STRIP (REAR DOOR FINISH)-UPPER				
50	OH74	Chrome Finish	8H 7325120-D	2
50	OH74	Screw (cross recessed oval hd self tap.)-No. 6-18 x 1/2"	52342-S13	as req'd
Group 25312 RETAINER (REAR DOOR BOTTOM WEATHERSTRIP)				
50	OL74	22-5/8" long	8A 7325312-B	2
50	OH74	27-7/32" long	7EH 7325312	2
50	OH74	Screw (drive)-No. 8 x 9/16"	357285-S28	14
Group 25324-5 WEATHERSTRIP (REAR DOOR HINGE SIDE AND HEADER)				
50	OH74	R.H.	8H 7325324	1
50	OH74	L.H.	8H 7325325	1
Group 25324-5 WEATHERSTRIP (REAR DOOR OPENING)-OUTER				
50	OL74	R.H.-108-1/4" long	8M 7425324-B	1
50	OL74	L.H.-108-1/4" long	8M 7425325-B	1
50	OL74	Trim clip	352331-S3	4
Group 25500-1 STRIP ASSEMBLY (REAR DOOR WINDOW FINISH)				
50	OL74	R.H.-Lincoln Gray Grain	OL 7425500-BB	1
50	OL74	L.H.-Lincoln Gray Grain	OL 7425501-BB	1
50	OH74	R.H.-Lincoln Cosmopolitan Mahogany Grain	OH 7325500-AA	1
50	OH74	L.H.-Lincoln Cosmopolitan Mahogany Grain	OH 7325501-AA	1
50	OL74	Screw (pan head self tapping)-No. 8-15 x 3/8"	32916-S8	6
50	OH74	Screw (cross recessed oval hd self tapping)-No. 8-15 x 1/4"	52382-S13	4

Lincoln and Lincoln Cosmopolitan

BODY PARTS CATALOGUE

YEAR 19	BODY TYPES	REMARKS	PART NUMBER	NO. REQ'D
Group 25522-3 PANEL ASSEMBLY (REAR DOOR WINDOW WAINSCOTING)				
50	OL74	R.H.	OL 7425522-AB	1
50	OL74	L.H.	OL 7425523-AB	1
50	OL74	Screw (oval head self tapping)-No. 8-15 x 1/4"	52382-S13	4
50	OL74	Screw (pan head self tapping)-No. 10-12 x 3/4"	32938-S7	6
Group 25554-5 MOULDING (REAR DOOR OUTSIDE PANEL)-AT BELT				
50	OL74	R.H.-29-3/64" long-with Angled Edge	8M 7425554-B	1
50	OL74	L.H.-29-3/64" long-with Angled Edge	8M 7425555-B	1
50	OL74	Trim clip	358168-S3	as req'd
Group 25558 MOULDING ASSEMBLY (REAR DOOR TRIM PANEL)				
50	OL74	24-1/32" long	OL 7425558-A	2
50	OH74	27-29/64" long	OH 7325558-A	2
Group 25588-9 MOULDING AND WEATHERSTRIP ASSEMBLY (REAR DOOR WINDOW PANEL REVEAL)				
50	OL74	R.H.	OM 7425588	1
50	OL74	L.H.	OM 7425589	1
50	OL74	Clip (speed)	353267-S32	4
Group 25588-9 MOULDING AND WEATHERSTRIP ASSEMBLY (REAR DOOR BELT)				
50	OH74	R.H.-31-3/4" long	OH 7425588	1
50	OH74	L.H.-31-3/4" long	OH 7425589	1
Group 25590 MOULDING ASSEMBLY (REAR DOOR WINDOW FINISH STRIP)				
50	OL74	24-11/16" long	OL 7425590	2
50	OH74	24-27/64" long	OH 7325590	2
Group 25596-7 WEATHERSTRIP ASSEMBLY (REAR DOOR GLASS)-OUTER				
50	OL74	R.H.	OM 7425596	2
50	OL74	L.H.	OM 7425597	2
Group 25674-5 MOULDING AND STUD ASSEMBLY (REAR DOOR PANEL)-LOWER-OUTSIDE				
50	OL74	R.H.	8L 7325674-B	1
50	OL74	L.H.	8L 7325675-B	1
50	OL74	Lockwasher-No. 10	34803-S7	10
50	OL74	Nut-#10-24	355836-S7	10
50	OL74	Washer-5/16"	44724-S8	10
Group 25712 GLASS ASSEMBLY (REAR DOOR WINDOW)				
50	OL74		8M 7425712-A	2
50	OH74		7EH 7425712	2
Group 25724 STRIP (REAR DOOR GLASS RETAINING)				
50	OH74	28" long-use M-17779-A for service	8H 7325724-A	2
Group 25724 STRIP (REAR DOOR WINDOW RETAINER)				
50	OL74	15-3/8" long-use M-17779-A for service	8M 7425724-D	2

Lincoln and Lincoln Cosmopolitan

BODY PARTS CATALOGUE

YEAR 19	BODY TYPES	REMARKS	PART NUMBER	NO. REQ'D
Group 25744 RUN (REAR DOOR GLASS)-REAR				
50	OH74	29-9/32" long	7EH 7425744	2
Group 25764 RUN ASSEMBLY (REAR DOOR GLASS)-UPPER				
50	OH74	22-59/64" long	7EH 7425764	2
Group 25790 GUIDE (REAR DOOR GLASS RUN)-HINGE SIDE LOWER				
50	OH74	15-5/8" long	8H 7325790	2
Group 25852-3 WEATHERSTRIP (REAR DOOR BELT)				
50	OH74	R.H.-27-55/64" long	8H 7325852	1
50	OH74	L.H.-27-55/64" long	8H 7325853	1
Group 25854 WEATHERSTRIP (REAR DOOR WINDOW FINISH MOULDING)-INNER				
50	OH74	27-45/64" long	OH 7325854	2
Group 25856 WEATHERSTRIP (REAR DOOR GLASS HEADER)				
50	OL74		7A 7425856-A	2
Group 26220-1 FRAME ASSEMBLY (REAR DOOR GLASS)				
50	OH74	R.H.	OH 7426220-A	1
50	OH74	L.H.	OH 7426221-A	1
Group 26228-9 CHANNEL AND BRACKET ASSEMBLY (REAR DOOR GLASS)				
50	OL74	R.H.-Manual Control	7A 7426228-A	1
50	OL74	L.H.-Manual Control	7A 7426229-A	1
50	OL74	R.H.-Hydraulic Control	8M 7426228-B	1
50	OL74	L.H.-Hydraulic Control	8M 7426229-B	1
50	OH74	R.H.	8H 7326228-B	1
50	OH74	L.H.	8H 7326229-B	1
Group 26404-5 CONTROL ASSEMBLY (REAR DOOR LOCK REMOTE)				
50	OL74	R.H.	OM 7426404	1
50	OL74	L.H.	OM 7426405	1
50	OH74	R.H.	OH 7326404	1
50	OH74	L.H.	OH 7326405	1
50	OL74, OH74	Screw and lockwasher assy (pan hd)-No. 12-24 x 3/8"	355168-S2	6
Group 26412-3 LOCK ASSEMBLY (REAR DOOR)				
50	OL74, OH74	R.H.	OM 7426412	1
50	OL74, OH74	L.H.	OM 7426413	1
50	OL74, OH74	Screw (flat hd)-No. 12-24 x 1/2"	357797-S8	6
50	OL74, OH74	Screw and Lockwasher Assy (pan hd)-No. 12-24 x 3/8	355168-S2	2
Group 26800-1 HINGE ASSEMBLY (REAR DOOR)-UPPER				
50	OL74	R.H.	OM 7426800	1
50	OL74	L.H.	OM 7426801	1
50	OH74	R.H.	7EH 7326800	1
50	OH74	L.H.	7EH 7326801	1
50	OH74	Screw and lockwasher assy (cross recessed flat head)- 5/16"-24 x 1"	352282-S8	12
50	OH74	Screw and washer assy (oval hd)-5/16"-24 x 1	50728-S2	16

Lincoln and Lincoln Cosmopolitan

BODY PARTS CATALOGUE

YEAR 19	BODY TYPES	REMARKS	PART NUMBER	NO. REQ'D
Group 26810-1 HINGE ASSEMBLY (REAR DOOR)-LOWER				
50	OL74	R.H.	OM 7426810	1
50	OL74	L.H.	OM 7426811	1
50	OH74	R.H.	7EH 7326810	1
50	OH74	L.H.	7EH 7326811	1
50	OL74	Screw and lockwasher assy (cross recessed flat head)- 5/16"-24 x 1"	352282-S8	12
Group 26866-7 WINDOW ASSEMBLY (REAR DOOR VENTILATOR)-COMPLETE				
50	OL74	R.H.-without chrome beading	8M 7426866-G	1
50	OL74	L.H.-without chrome beading	8M 7426867-G	1
50	OL74	R.H.-with chrome beading	OM 7426866	1
50	OL74	L.H.-with chrome beading	OM 7426867	1
50	OL74	Screw and washer assy (cross recessed oval head)- No. 10-32 x 3/4"	50709-S8	2
50	OL74	Washer (flat)-5/16"	44722-S8	4
Group 26868-9 GLASS AND FRAME ASSEMBLY (REAR DOOR VENTILATING WINDOW)				
50	OL74	R.H.	8M 7426868-B	1
50	OL74	L.H.	8M 7426869-B	1
50	OL74	Lockwasher (internal tooth)-1/4"	34906-S8	2
Group 26870 GLASS ASSEMBLY (REAR DOOR VENTILATOR WINDOW)				
50	OL74		8M 7426870-A	2
Group 26875 STRIP (REAR DOOR VENT WINDOW GLASS RETAINING)				
50	OL74	Secure Locally-26" long-Tape	7A 7426875-B	2
Group 26896-7 WEATHERSTRIP (REAR DOOR VENTILATING WINDOW)				
50	OL74	R.H.	8M 7426896	1
50	OL74	L.H.	8M 7426897	1
Group 26902-3 RETAINER AND DIVISION BAR ASSEMBLY (REAR DOOR VENTILATING WINDOW)				
50	OL74	R.H.-without rivets in division bar weatherstrip	8M 7426902	1
50	OL74	L.H.-without rivets in division bar weatherstrip	8M 7426903	1
50	OL74	R.H.-with division bar weatherstrip riveted on	OM 7426902	1
50	OL74	L.H.-with division bar weatherstrip riveted on	OM 7426903	1
Group 27000-1 REGULATOR ASSEMBLY (REAR DOOR WINDOW)				
50	OL	R.H.-Hydraulic Control-front and rear door	8M 7023200-B	1or2
50	OL	L.H.-Hydraulic Control-front and rear door	8M 7023201-B	1or2
50	OL74	R.H.-Manual Control	8M 7427000-B	1
50	OL74	L.H.-Manual Control	8M 7427001-B	1
50	OH	Hydraulic Control-front and rear door	8H 7323200-A	2or4
50	OL74	Lockwasher (internal tooth)-No. 12	34904-S2	24
50	OL74	Nut (hex) No. 12-24	34054-S2	2
50	OL74	Screw (pan head)-No. 12-24 x 1/2"	39049-S2	24
50	OL74	Washer (flat)-1/4"	34705-S2	2
50	OL74	Washer (flat)-5/16"	44724-S8	4

Lincoln and Lincoln Cosmopolitan

BODY PARTS CATALOGUE

YEAR 19__	BODY TYPES	REMARKS	PART NUMBER	NO. REQ'D
Group 27200 ARM ASSEMBLY (REAR DOOR CHECK)				
50	OL74	4-57/64" long	8M 7327200-B	2
Group 27336 COVER SPRING (HYDRAULIC WINDOW LIFT HOSE)-REAR DOOR				
50	OL74	7" long	8M 7427336	4
Group 27338 SUPPORT (REAR DOOR HYDRAULIC WINDOW REGULATOR INSIDE RAIL)-UPPER				
50	OL74	Overall length approximately-14-1/2"	8M 7327338	2
Group 27406-7 TRIM ASSEMBLY (REAR DOOR)				
50	OL74	R.H.-Upper M-19108-B Dark Brown Plain Broadcloth, Lower Light Tan Artificial Leather	OL 7427406-AB	1
50	OL74	L.H.-Upper M-19108-B Dark Brown Plain Broadcloth, Lower Light Tan Artificial Leather	OL 7427407-AB	1
50	OL74	R.H.-Upper M-19108-C Dark Gray Plain Broadcloth, Lower Gray Artificial Leather	OL 7427406-AC	1
50	OL74	L.H.-Upper M-19108-C Dark Gray Plain Broadcloth, Lower Gray Artificial Leather	OL 7427407-AC	1
50	OL74	R.H.-Upper M-19108-A Dark Green Plain Broadcloth, Lower Light Green Artificial Leather	OL 7427406-AA	1
50	OL74	L.H.-Upper M-19108-A Dark Green Plain Broadcloth, Lower Light Green Artificial Leather	OL 7427407-AA	1
50	OL74	R.H.-Tan Artificial Leather	OL 7427406-AD	1
50	OL74	L.H.-Tan Artificial Leather	OL 7427407-AD	1
50	OL74	Clip (Trim)	358300-S3	22
50	OL74	Screw (oval head self tapping)-No. 8-15 x 1"	33013-S2	4
50	OL74, OH74	Screw (oval hd cross recessed)-No. 8 x 1"	52376-S13	4
50	OL74	Washer (Hollow countersunk)-No. 8	34885-S15	4
Group 27434-5 TRIM ASSEMBLY (REAR DOOR) LESS ARM REST				
50	OH74	R.H.-Upper M-19106-H Dark Gray Plain Broadcloth, Lower Gray Artificial Leather	OH 7327434-AC	1
50	OH74	L.H.-Upper M-19106-H Dark Gray Plain Broadcloth, Lower Gray Artificial Leather	OH 7327435-AC	1
50	OH74	R.H.-Upper M-19106-B Dark Green Plain Broadcloth, Lower Light Green Artificial Leather	OH 7327434-AA	1
50	OH74	L.H.-Upper M-19106-B Dark Green Plain Broadcloth, Lower Light Green Artificial Leather	OH 7327435-AA	1
50	OH74	R.H.-Upper M-19106-D Dark Tan Plain Broadcloth, Lower Light Tan Artificial Leather	OH 7327434-AB	1
50	OH74	L.H.-Upper M-19106-D Dark Tan Plain Broadcloth, Lower Light Tan Artificial Leather	OH 7327435-AB	1
50	OH74	R.H.-Tan Artificial Leather	OH 7327434-AF	1
50	OH74	L.H.-Tan Artificial Leather	OH 7327435-AF	1
50	OH74	Clip (Trim)	358300-S3	26
50	OH74	Screw (cross recessed oval head self tap.)-No. 8-15 x 1"	52376-S13	4
50	OH74	Washer (flush countersunk)-No. 8	34862-S23	4
Group 27518 WINDLACE ASSEMBLY (REAR DOOR HEADER)				
50	OH74	Light Gray	8H 7327518-H	2
50	OH74	Light Green	8H 7327518-F	2
50	OH74	Light Tan	8H 7327518-G	2
50	OH74	Tan Leather	8H 7327518-E	2

Lincoln and Lincoln Cosmopolitan

BODY PARTS CATALOGUE

YEAR 19	BODY TYPES	REMARKS	PART NUMBER	NO. REQ'D
Group 27540-1 REST ASSEMBLY (REAR DOOR ARM)				
50	OH74	R.H.-Top Dark Gray Leather, Bottom M-19106-H Dark Gray Plain Broadcloth	OH 7327540-AC	1
50	OH74	L.H.-Top Dark Gray Leather, Bottom M-19106-H Dark Gray Plain Broadcloth	OH 7327541-AC	1
50	OH74	R.H.-Top Light Green Leather, Bottom M-19106-B Dark Green Plain Broadcloth	OH 7327540-AA	1
50	OH74	L.H.-Top Light Green Leather, Bottom M-19106-B Dark Green Plain Broadcloth	OH 7327541-AA	1
50	OH74	R.H.-Top Dark Tan Leather, Bottom M-19106-D Dark Tan Plain Broadcloth	OH 7327540-AB	1
50	OH74	L.H.-Top Dark Tan Leather, Bottom M-19106-D Dark Tan Plain Broadcloth	OH 7327541-AB	1
50	OH74	R.H.-Top Tan Leather, Bottom Tan Artificial Leather	OH 7327540-AF	1
50	OH74	L.H.-Top Tan Leather, Bottom Tan Artificial Leather	OH 7327541-AF	1
50	OH74	Washer (plain)-No. 8	44710-S2	10
Group 27542-3 WINDLACE AND CORD ASSEMBLY (REAR DOOR OPENING)				
50	OL74	R.H.-Gray	OL 7427542-AC	1
50	OL74	L.H.-Gray	OL 7427543-AC	1
50	OL74	R.H.-Green	OL 7427542-AA	1
50	OL74	L.H.-Green	OL 7427543-AA	1
50	OL74	R.H.-Tan	OL 7427542-AB	1
50	OL74	L.H.-Tan	OL 7427543-AB	1
50	OL74	R.H.-Tan Artificial Leather	OL 7427542-AD	1
50	OL74	L.H.-Tan Artificial Leather	OL 7427543-AD	1
Group 27700-1 PANEL ASSEMBLY (QUARTER BODY)-COMPLETE				
50	OL72-72C	R.H.-Includes outer w/ouse only-package tray support-"T" shaped	OL 7227700-A	1
50	OL72-72C	L.H.-Includes outer w/ouse only-package tray support-"T" shaped	OL 7227701-A	1
50	OL72-72C	R.H.-Includes outer w/ouse only-package tray support-flat with two ribs	OL 7227700-E	1
50	OL72-72C	L.H.-Includes outer w/ouse only-package tray support-flat with two ribs	OL 7227701-E	1
50	OL74	R.H.-Includes outer w/ouse only-package tray support-flat with two ribs	OL 7427700-B	1
50	OL74	L.H.-Includes outer w/ouse only-package tray support-flat with two ribs	OL 7427701-B	1
50	OL74	R.H.-Rework for Hydraulic-drill req'd holes in qtr. hinge pillar	8L 7427700-D	1
50	OL74	L.H.-Rework for Hydraulic-drill req'd holes in qtr. hinge pillar	8L 7427701-D	1
50	OH76	R.H.-Includes outer wheelhouse only-drill holes for rocker panel moulding	OH 7627700	1
50	OH76	L.H.-Includes outer wheelhouse only-drill holes for rocker panel moulding	OH 7627701	1
Group 27720-1 SHIELD ASSEMBLY (QUARTER PANEL WHEELHOUSE SPLASH)				
50	OH	R.H.	8H 7327720	1
50	OH	L.H.	8H 7327721	1
50	OH	Bolt (carriage)-5/16"-24 x 5/8"	350477-S2	4
50	OH	Locknut (hex light thick)-5/16"-24	34443-S8	4
50	OH	Screw (hex washer head self tapping)-1/4"-20 x 1/2"	39881-S7	2
50	OH	Washer (flat)-5/16"	44722-S8	2
Group 27724 WEATHERSTRIP (QUARTER PANEL WHEELHOUSE SHIELD)-INNER				
50	OH	11-13/16" long	7EH 7327724-A	2
Group 27725 WEATHERSTRIP (QUARTER PANEL WHEELHOUSE SHIELD)-OUTER				
50	OH	21-5/16" long	7EH 7327725-A	2

Lincoln and Lincoln Cosmopolitan

BODY PARTS CATALOGUE

YEAR 19	BODY TYPES	REMARKS	PART NUMBER	NO. REQ'D
Group 27760-1 PANEL ASSEMBLY (QUARTER BODY)-COMPLETE				
50	0H72	R.H.-includes lock pillar-rear floor pan extension-inner and outer wheelhouses	0H 7227760	1
50	0H72	L.H.-includes lock pillar-rear floor pan extension-gas tank filler lid-inner and outer wheelhouses	0H 7227761	1
50	0H74	R.H.-includes hinge pillar-rear floor pan extension-inner and outer wheelhouse	8H 7427760-C	1
50	0H74	L.H.-includes hinge pillar-gas tank filler lid-floor pan extension-inner and outer wheelhouses	8H 7427761-C	1
Group 27828-9 BRACKET (QUARTER WHEELHOUSE BODY BOLT)-INNER				
50	0H	R.H.	8H 7327828	1
50	0H	L.H.	8H 7327829	1
Group 27834 PANEL ASSEMBLY (WHEELHOUSE)-INNER				
50	0H76	R.H.	8H 7627834-B	1
50	0H76	L.H.	8H 7627835-B	1
Group 27840-1 PANEL ASSEMBLY (BODY QUARTER)				
50	0L72-72C	R.H.	0L 7227840-A	1
50	0L72-72C	L.H.	0L 7227841-A	1
50	0L74	R.H.	8L 7427840-C	1
50	0L74	L.H.	8L 7427841-C	1
50	0H72-72C	R.H.-drill holes for rocker panel moulding	0H 7227840	1
50	0H72-72C	L.H.-drill holes for rocker panel moulding	0H 7227841	1
50	0H74	R.H.	0H 7427840	1
50	0H74	L.H.	0H 7427841	1
50	0H76	R.H.-drill holes for rocker panel moulding	0H 7627840	1
50	0H76	L.H.-drill holes for rocker panel moulding	0H 7627841	1
Group 27856 ANTI SQUEAK (QUARTER PANEL INSIDE)-UPPER				
50	0H72-72C		8H 7227856	2
Group 27857 ANTI SQUEAK (QUARTER PANEL INSIDE)-SIDE				
50	0H72-72C		8H 7227857	2
Group 27870-1 PANEL ASSEMBLY (QUARTER WINDOW REGULATOR)				
50	0H76	R.H.	0H 7627870	1
50	0H76	L.H.	0H 7627871	1
Group 27876-7 PANEL (QUARTER WINDOW REGULATOR)				
50	0H72-72C	R.H.	0H 7227876	1
50	0H72-72C	L.H.	0H 7227877	1
50	0H74	R.H.	8H 7427876	1
50	0H74	L.H.	8H 7427877	1
Group 27884-5 PANEL ASSEMBLY (QUARTER)-INSIDE				
50	0H72-72C	R.H.-13-27/32" x 22-1/32"	0H 7227884	1
50	0H72-72C	L.H.-13-27/32" x 22-1/32"	0H 7227885	1

Lincoln and Lincoln Cosmopolitan

BODY PARTS CATALOGUE

YEAR 19	BODY TYPES	REMARKS	PART NUMBER	NO. REQ'D
Group 27886-7 PANEL (REAR QUARTER WHEELHOUSE)-INNER				
50	OL	R.H.	8M 7327886-B	1
50	OL	L.H.	8M 7327887-B	1
Group 27888-9 SUPPORT (REAR QUARTER TRIM)				
50	OL72-72C	R.H.-11-3/16" long	8L 7227888	1
50	OL72-72C	L.H.-11-3/16" long	8L 7227889	1
Group 27932 SEAL (OUTER WHEELHOUSE TO QUARTER PANEL)				
50	OH	Sponge Rubber-6" long-1" wide-3/16" thick	8H 7327932	2
Group 27936 HOUSING ASSEMBLY (QUARTER PANEL TO FLOOR PAN FILLER NECK)				
50	OL		8M 7027936	1
50	OL	Screw (pan head self tapping)-No. 10-12 x 1/2"	32924-S2	8
Group 27958-9 SUPPORT (QUARTER WINDOW REGULATOR)				
50	OH72-72C	R.H.-6-9/64" across winged ends	7EH 7227958	1
50	OH72-72C	L.H.-6-9/64" across winged ends	7EH 7227959	1
50	OH76	1-39/64" x 9/64" slot	8H 7627958-B	2
50	OH72	Washer (flat)-1/4"	34705-S2	4
Group 27968-9 COVER ASSEMBLY (QUARTER PANEL WHEEL OPENING)				
50	OL	R.H.	8L 7327968	1
50	OL	L.H.	8L 7327969	1
50	OH	R.H.-without support	8H 7327968	1
50	OH	L.H.-without support	8H 7327969	1
50	OH	R.H.-with support	OH 7327968	1
50	OH	L.H.-with support	OH 7327969	1
50	OL,OH	Lockwasher-No. 10	34803-S7	4
50	OL,OH	Nut (hex)-No. 10 x 32	34079-S7	4
50	OL,OH	Washer (flat)-No. 10	44713-S8	4
Group 27986-7 SEAL (QUARTER PANEL WHEEL OPENING COVER)				
50	OL,OH	Rubber-55-9/64" long-without notches	8H 7327986	2
50	OL,OH	R.H. Rubber-with two 2" notches 5" from each end	OH 7227986	1
50	OL,OH	L.H. Rubber-with two 2" notches 5" from each end	OH 7227987	1
Group 27996-7 RETAINER (QUARTER PANEL WHEEL OPENING COVER SEAL)				
50	OL	R.H.	8L 7327996	1
50	OL	L.H.	8L 7327997	1
50	OH	R.H.	8H 7327996	1
50	OH	L.H.	8H 7327997	1
Group 28000-1 BRACKET (QUARTER PANEL WHEEL OPENING COVER GUIDE)-FRONT				
50	OL	R.H.	8L 7328000	1
50	OL	L.H.	8L 7328001	1
50	OH	R.H.	8H 7328000	1
50	OH	L.H.	8H 7328001	1
50	OL	Bolt (round head carriage)-No. 10-32 x 5/8"	23374-S8	2
50	OH except 76	Bolt (round head carriage)-No. 10-32 x 3/4"	23375-S7	2
50	OL	Rivet-3/16" x 5/8"	61855-S8	2

Lincoln and Lincoln Cosmopolitan

BODY PARTS CATALOGUE

YEAR 19	BODY TYPES	REMARKS	PART NUMBER	NO. REQ'D
Group 28002-3 BRACKET (QUARTER PANEL WHEEL OPENING COVER GUIDE)-REAR				
50	OL	R.H.	8L 7328002	1
50	OL	L.H.	8L 7328003	1
50	OH	R.H.	8H 7328002	1
50	OH	L.H.	8H 7328003	1
50	OL	Bolt (round head carriage)-No. 10-32 x 5/8"	23374-S8	2
50	OH except 76	Bolt (round head carriage)-No. 10-32 x 3/4"	23375-S7	2
50	OL	Rivet-3/16" x 5/8"	61855-S8	2
Group 28006 CLIP (QUARTER PANEL WHEEL OPENING COVER REINFORCEMENT)				
50	OL	4" long	8L 7328006	2
Group 28104-5 PILLAR ASSEMBLY (QUARTER HINGE)				
50	OL74	R.H.-Manual Control	8M 7428104-B	1
50	OL74	L.H.-Manual Control	8M 7428105-B	1
50	OL74	R.H.-Hydraulic Control	8L 7428104	1
50	OL74	L.H.-Hydraulic Control	8L 7428105	1
50	OH74	R.H.	7EH 7428104	1
50	OH74	L.H.	7EH 7428105	1
Group 28160-1 PILLAR ASSEMBLY (QUARTER LOCK)				
50	OL72-72C	R.H.	OM 7228160-A	1
50	OL72-72C	L.H.	OM 7228161-A	1
50	OH72-72C	R.H.	OH 7228160	1
50	OH72-72C	L.H.	OH 7228161	1
50	OH76	R.H.	OH 7628160	1
50	OH76	L.H.	OH 7628161	1
Group 28164-5 STRAINER (QUARTER HINGE PILLAR UPPER REINFORCEMENT TO PACKAGE TRAY)				
50	OL74	R.H.	8M 7428164	1
50	OL74	L.H.	8M 7428165	1
Group 28174-5 MOULDING (QUARTER LOCK PILLAR)				
50	OH72C	R.H.-chrome finish	OH 7228174	1
50	OH72C	L.H.-chrome finish	OH 7228175	1
Group 28216-7 REINFORCEMENT (QUARTER LOCK PILLAR)-LOWER				
50	OH72-72C	R.H.	7EH 7228216	1
50	OH72-72C	L.H.	7EH 7228217	1
Group 28278-9 RETAINER (QUARTER PILLAR WINDOW SEAL)				
50	OH76	R.H.-overall length approximately 17-1/8"	8H 7628278	1
50	OH76	L.H.-overall length approximately 17-1/8"	8H 7628279	1
50	OH76	Screw (pan head self tapping)-No. 8-18 x 1/4"	33169-S7	8
Group 28508 RETAINER (QUARTER WHEELHOUSE)-TRIM				
50	OL	5/8" x 15/16" x 2" long	7A 7328508	2

Lincoln and Lincoln Cosmopolitan

BODY PARTS CATALOGUE

YEAR 19	BODY TYPES	REMARKS	PART NUMBER	NO. REQ'D
Group 28611 LID ASSEMBLY (QUARTER PANEL FUEL TANK FILLER)				
50	OL		8M 7028611	1
50	OH		7EH 7228611	1
50	OL	Spring	8M 16377	1
50	OH	Spring	8H 16377	2
50	OL	Lockwasher-No. 10	34803-S7	2
50	OL	Nut (hex)-No. 8-32	34052-S7	2
50	OL	Screw and washer assy (pan head)-No. 8-32 x 3/8"	43373-S7	2
50	OH	Washer (plain)-No. 8	44710-S8	4
Group 28615 SEALER (QUARTER PANEL FUEL TANK FILLER NECK)				
50	OL	Rubber	8M 7028615	1
Group 28617 HOUSING (QUARTER PANEL FUEL TANK FILLER NECK)				
50	OL		8M 7028617	1
50	OL	Screw (cross recessed pan head self tap.)-No. 6-18 x 3/8"	356793-S8	8
Group 28722-3 STRIP AND RETAINER ASSEMBLY (QUARTER BELT TACKING)				
50	OH76	R.H.	8H 7628722	1
50	OH76	L.H.	8H 7628723	1
Group 28726-7 SUPPORT ASSEMBLY (QUARTER BELT RAIL AND TOP JOINT LOWER BRACKET)				
50	OH76	R.H.	8H 7628726	1
50	OH76	L.H.	8H 7628727	1
Group 28730-1 RETAINER (REAR QUARTER BELT FOLDING TOP)				
50	OH76	R.H.-25-5/8" long	OH 7628730	1
50	OH76	L.H.-25-5/8" long	OH 7628731	1
Group 29000-1 STRIP AND WEATHERSTRIP (QUARTER WINDOW FINISH)				
50	OH72	R.H.-Lincoln Cosmopolitan Mahogany Grain	OH 7229000-AA	1
50	OH72	L.H.-Lincoln Cosmopolitan Mahogany Grain	OH 7229001-AA	1
50	OH72C	R.H.-in Prime	OH 7229000-AP	1
50	OH72C	L.H.-in Prime	OH 7229001-AP	1
50	OH72	Screw (cross recessed oval head self tapping)-No. 8-15 x 1-1/4"	52382-S13	4
50	OH72	Screw (cross recessed (oval hd self tap.)-No. 8-15 x 5/8"	52352-S13	16
Group 29000-1 STRIP ASSEMBLY (QUARTER WINDOW FINISH)				
50	OH74	R.H.-Lincoln Cosmopolitan Mahogany Grain	OH 7429000-AA	1
50	OH74	L.H.-Lincoln Cosmopolitan Mahogany Grain	OH 7429001-AA	1
50	OH76	R.H.-in Prime	OH 7629000-AP	1
50	OH76	L.H.-in Prime	OH 7629001-AP	1
50	OH74	Screw (cross recessed oval hd self tap.)-No. 8-15 x 1-1/4"	52382-S13	4
50	OH76	Screw (cross recessed oval hd self tap.)-No. 8-15 x 5/8"	52352-S13	16

Lincoln and Lincoln Cosmopolitan

BODY PARTS CATALOGUE

YEAR 19	BODY TYPES	REMARKS	PART NUMBER	NO. REQ'D
Group 29002-3 STRIP ASSEMBLY (QUARTER WINDOW FINISH)				
50	OL72	R.H.-Lincoln Gray Grain	OL 7229002-AB	1
50	OL72	L.H.-Lincoln Gray Grain	OL 7229003-AB	1
50	OL72C	R.H.-Chrome Finish-upper strip only	OL 7229002-B	1
50	OL72C	L.H.-Chrome Finish-upper strip only	OL 7229003-B	1
Group 29002-3 FRAME ASSEMBLY (QUARTER WINDOW)-OUTER				
50	OH74	R.H.-Rustless Steel	8H 7429002	1
50	OH74	L.H.-Rustless Steel	8H 7429003	1
50	OH74	Rivet (oval head tubular)-9/64" x 3/16"	63528-S	22
Group 29006-7 STRIP (QUARTER WINDOW FINISH)-UPPER				
50	OH72-72C	R.H.-Chrome Finish	8H 7229006-D	1
50	OH72-72C	L.H.-Chrome Finish	8H 7229007-D	1
50	OH74	R.H.-Chrome Finish	8H 7429006-D	1
50	OH74	L.H.-Chrome Finish	8H 7429007-D	1
50	OH74	Screw (cross recessed oval hd self tap.)-No. 8-15 x 5/8"	52352-S13	as req'd
Group 29008-9 STRIP (QUARTER WINDOW FINISH)-FRONT				
50	OH72-72C-74	R.H.-Chrome Finish	8H 7429008-D	1
50	OH72-72C-74	L.H.-Chrome Finish	8H 7429009-D	1
50	OH74	Screw (cross recessed oval hd self tap.)-No. 8-15 x 5/8"	52352-S13	as req'd
Group 29010-1 STRIP (QUARTER WINDOW FINISH)-LOWER				
50	OL72C	R.H.-in Prime	OL 7229010-AP	1
50	OL72C	L.H.-in Prime	OL 7229011-AP	1
Group 29022-3 MOULDING AND WEATHERSTRIP ASSEMBLY (QUARTER BELT)				
50	OH72-72C	R.H.-41-11/16" long	8H 7229022-B	1
50	OH72-72C	L.H.-41-11/16" long	8H 7229023-B	1
Group 29032-3 MOULDING AND STUD ASSEMBLY (QUARTER SIDE PANEL)-OUTSIDE				
50	OL72-72C	R.H.-moulding 63-19/32" long	8L 7229032	1
50	OL72-72C	L.H.-moulding 63-19/32" long	8L 7229033	1
50	OL74	R.H.-moulding 44-7/32" long	8L 7329032-B	1
50	OL74	L.H.-moulding 44-7/32" long	8L 7329033-B	1
50	OL	Clip (moulding)	OL 7220995	6
50	OL	Nut (hex)-No. 10-24	355836-S28	12
50	OL	Washer (flat)-No. 10	44713-S8	12
Group 29034-5 MOULDING (QUARTER BELT)-OUTSIDE				
50	OH74	R.H.-Front-17-59/64" long	8H 7429034	1
50	OH74	L.H.-Front-17-59/64" long	8H 7429035	1
50	OH76	R.H.-23-61/64" long	8H 7629034	1
50	OH76	L.H.-23-61/64" long	8H 7629035	1
50	OH74	Screw (pan head self tapping)-No. 6-18 x 3/8"	32914-S2	6
50	OH72	Screw (cross recessed pan hd self tap.)-No. 6-18 x 3/8"	356793-S8	2

Lincoln and Lincoln Cosmopolitan

BODY PARTS CATALOGUE

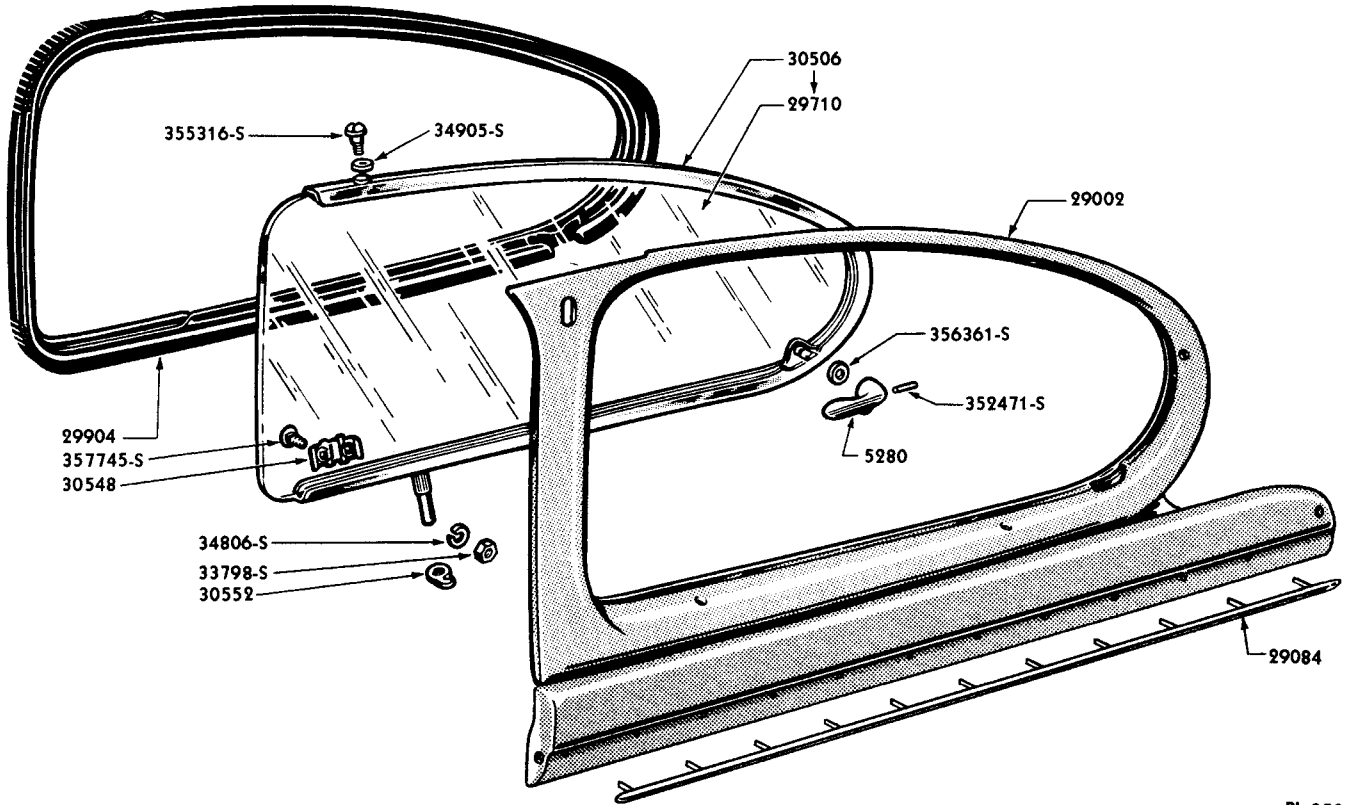
YEAR 19	BODY TYPES	REMARKS	PART NUMBER	NO. REQ'D
Group 29034-5 MOULDING (QUARTER PANEL AT BELT)-OUTSIDE				
50	OL72-72C	R.H.-approximately 55-29/32" long	8M 7229034	1
50	OL72-72C	L.H.-approximately 55-29/32" long	8M 7229035	1
50	OL74	R.H.-approximately 35-63/64" long	8M 7429034-B	1
50	OL74	L.H.-approximately 35-63/64" long	8M 7429035-B	1
50	OL	Trim clip	358168-83	as req'd
Group 29038-9 MOULDING ASSEMBLY (QUARTER PANEL)-OUTSIDE				
50	OH72C	R.H.	OH 7229038	1
50	OH72C	L.H.	OH 7229039	1
Group 29070 WEATHERSTRIP (QUARTER WINDOW GLASS BOTTOM)				
50	OH76	21-3/8" long	8H 7629070-A	2
Group 29074 SEAL (QUARTER OUTSIDE MOULDING RETAINER)				
50	OH72C	1" diameter 3/32" thick	OH 7229074	4
Group 29082-3 MOULDING (QUARTER WINDOW REVEAL OUTER)				
50	OL72-72C	R.H.-Rustless Steel	8M 7229082	1
50	OL72-72C	L.H.-Rustless Steel	8M 7229083	1
50	OL72	Clip (speed)	353267-832	4
Group 29084 MOULDING ASSEMBLY (QUARTER WINDOW FINISH)				
50	OL72-72C	32-1/2" long	OL 7229084	2
50	OH72-72C	33-3/4" long	OH 7229084	2
50	OH74	10-9/32" long	OH 7329084	2
50	OH76	16-5/32" long	OH 7629084	2
Group 29088-9 PLATE (QUARTER WINDOW FINISH)-REAR				
50	OH76	R.H.-Rustless Steel	8H 7629088	1
50	OH76	L.H.-Rustless Steel	8H 7629089	1
50	OH76	Screw (pan head self tapping)-No. 6-32 x 3/8"	40513-87	3
Group 29097 CLIP (QUARTER WINDOW FINISH STRIP)				
50	OH72-72C	Steel	OH 7229097	4
50	OH76	Steel	OH 7629097	4
50	OH72-72C-76	Lockwasher-No. 10	34939-82	8
50	OH72-72C-76	Screw (pan head)-No. 10-12 x 1/2"	32924-82	8
Group 29214-5 WEATHERSTRIP (QUARTER WINDOW FRAME)				
50	OH72-72C	R.H.	8H 7229214	1
50	OH72-72C	L.H.	8H 7229215	1
50	OH74	R.H.	8H 7429214	1
50	OH74	L.H.	8H 7429215	1

Lincoln and Lincoln Cosmopolitan

BODY PARTS CATALOGUE

YEAR 19__	BODY TYPES	REMARKS	PART NUMBER	NO. REQ'D
Group 29388-9 BRACE (QUARTER LOCK PILLAR TO FLOOR)				
50	OH76		8H 7629388-B	1
50	OH76		8H 7629389-B	1
50	OH76	Plug-Rubber	357384-S	2
50	OH76	Screw (flat head)-1/4"-20 x 1-1/2"-brace to pillar	24729-S2	6

Group 29428-9 GUSSET (QUARTER PANEL TO PACKAGE TRAY)				
50	OL	R.H.	OM 7229428	1
50	OL	L.H.	OM 7229429	1



PL-398

QUARTER WINDOW AND FINISH STRIP ASSEMBLY (OL-7229700)

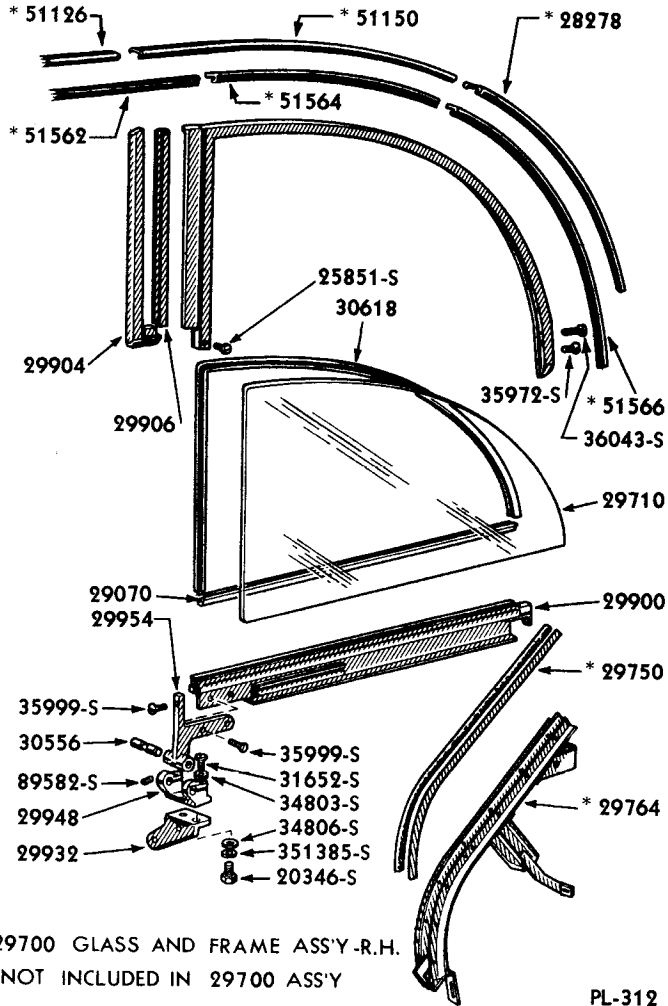
Group numbers only shown on illustration. Order by Part Numbers shown in list of parts.

Group 29700-1 WINDOW AND FINISH STRIP ASSEMBLY (QUARTER)-COMPLETE				
50	OL72	R.H.-Lincoln Gray Grain	OL 7229700-AB	1
50	OL72	L.H.-Lincoln Gray Grain	OL 7229701-AB	1
50	OL72C	R.H.-upper Chrome Finish, lower in Prime	OL 7229700-BP	1
50	OL72C	L.H.-upper Chrome Finish, lower in Prime	OL 7229701-BP	1

Group 29700-1 GLASS AND FRAME ASSEMBLY (QUARTER VENT WINDOW)				
50	OH72-72C	R.H.	8H 7229700	1
50	OH72-72C	L.H.	8H 7229701	1

Lincoln and Lincoln Cosmopolitan

BODY PARTS CATALOGUE



8H-7629700 GLASS AND FRAME ASS'Y-R.H.

* NOT INCLUDED IN 29700 ASS'Y

PL-312

Group numbers only shown on illustration. Order by Part Numbers shown in list of parts.

YEAR 19__	BODY TYPES	REMARKS	PART NUMBER	NO. REQ'D
Group 29700-1 FRAME AND GLASS ASSEMBLY (QUARTER WINDOW)				
50	OH72-72C	R.H.		
50	OH72-72C	L.H.	8H 7229700	1
50	OH74	R.H.	8H 7229701	1
50	OH74	L.H.	8H 7429700	1
50	OH76	R.H.	8H 7429701	1
50	OH76	L.H.	8H 7629700	1
			8H 7629701	1
Group 29710 GLASS ASSEMBLY (REAR QUARTER WINDOW)				
50	OL72-72C			
50	OH72-72C		8M 7229710-A	2
50	OH74		7EH 7229710	2
50	OH76		8H 7429710	2
			8H 7629710	2
Group 29712 GLASS ASSEMBLY (QUARTER VENT WINDOW)				
50	OH72-72C			
			8H 7229712	2

Lincoln and Lincoln Cosmopolitan

BODY PARTS CATALOGUE

YEAR 19__	BODY TYPES	REMARKS	PART NUMBER	NO. REQ'D
Group 29724 STRIP (QUARTER WINDOW GLASS RETAINING)				
50	OL72-72C	Secure locally-48-1/2" long-.070" thick-1-1/2" wide-Rubber tape	7A 7229724-A	2
50	OL72-72C	Secure locally-48-1/2" long-.085" thick-1-1/2" wide-Rubber tape	7A 7229724-B	2
50	OH72-72C	16-9/32" long-use M-17779-A for service	7EH 7229724-H	2
50	OH74	Secure locally-34" long-.060" thick-1-3/8" wide-Rubber tape	8H 7429724-E	2
50	OH74	Secure locally-24" long-.070" thick-1-3/8" wide-Rubber tape	8H 7429724-F	2
Group 29750-1 WEATHERSTRIP (QUARTER WINDOW GUIDE)				
50	OH76	R.H.	7A 7629750-A	2
50	OH76	L.H.	7A 7629751-A	2
Group 29762 WEATHERSTRIP (QUARTER WINDOW GLASS RETAINER)				
50	OH72-72C	16-9/32" long-use 7EH-7221510 for service	7EH 7229762	2
Group 29764-5 GUIDE ASSEMBLY (QUARTER WINDOW)-COMPLETE				
50	OH76	R.H.	8H 7629764	1
50	OH76	L.H.	8H 7629765	1
Group 29785 PLATE (QUARTER WINDOW MOUNTING)				
50	OH76	1" x 3-7/8"	OH 7629785	2
Group 29798 BRACKET (QUARTER WINDOW GUIDE)-LOWER				
50	OH76	2-41/64" long-1" wide-"L" type	8H 7629798	2
Group 29900-1 CHANNEL AND BRACKET ASSEMBLY (QUARTER GLASS)				
50	OH72-72C		7EH 7229900-A	2
50	OH76	R.H.	8H 7629900	1
50	OH76	L.H.	8H 7629901	1
Group 29904-5 WEATHERSTRIP (QUARTER VENT WINDOW)				
50	OL72-72C	R.H.	7A 7229904-A	1
50	OL72-72C	L.H.	7A 7229905-A	1
50	OH74	R.H.	8H 7429904	1
50	OH74	L.H.	8H 7429905	1
50	OH76	R.H.-Front	OH 7629904-B	1
50	OH76	L.H.-Front	OH 7629905-B	1
Group 29906 RETAINER (QUARTER WINDOW WEATHERSTRIP)-FRONT				
50	OH76	13-3/16" long	8H 7629906	2
50	OH76	Screw (pan head self tapping)-No. 2 x 1/4"	355008-S7	8
Group 29908-9 WEATHERSTRIP (QUARTER WINDOW BELT)				
50	OH76	R.H.-22-5/8" long	8H 7629908	1
50	OH76	L.H.-22-5/8" long	8H 7629909	1

Lincoln and Lincoln Cosmopolitan

BODY PARTS CATALOGUE

YEAR 19__	BODY TYPES	REMARKS	PART NUMBER	NO. REQ'D
Group 29908-9 WEATHERSTRIP (QUARTER WINDOW GLASS)-OUTER AT BELT				
50	OH72-72C	R.H.-18-9/32" long	8H 7229908	1
50	OH72-72C	L.H.-18-9/32" long	8H 7229909	1
Group 29910 WEATHERSTRIP (QUARTER WINDOW)-INNER				
50	OH72-72C	17-21/64" long	OH 7229910	2
50	OH76	22-5/8" long	8H 7629910	2
Group 29932-3 BRACKET (QUARTER WINDOW)-ON BODY				
50	OH76	R.H.-2-19/64" x 3-49/64"	OH 7629932	1
50	OH76	L.H.-2-19/64" x 3-49/64"	OH 7629933	1
Group 29948 HINGE (QUARTER WINDOW)-ON BODY				
50	OH76	Female	8H 7629948	2
50	OH76	Lockwasher-No. 10	34803-S2	4
50	OH76	Screw (fillister head)-No. 10-32 x 13/16"	31652-S2	4
Group 29954-5 HINGE (QUARTER WINDOW FRAME)				
50	OH76	R.H.-male	8H 7629954	1
50	OH76	L.H.-male	8H 7629955	1
50	OH76	Screw (flat head machine)-No. 8-32 x 3/8"	35999-S7	2
Group 29986 BUMPER (QUARTER WINDOW GLASS RUN)				
50	OH76	Rubber	8H 7629986	2
Group 30106 GLASS RUN (QUARTER WINDOW)-FRONT				
50	OH72-72C	28-29/32" long	7EH 7230106	2
Group 30110 GLASS RUN (QUARTER WINDOW)-UPPER				
50	OH72-72C	18-39/64" long	7EH 7230110	2
Group 30182 WINDLACE ASSEMBLY (REAR QUARTER WINDOW)				
50	OH72	Light Gray	8H 7230182-H	2
50	OH72	Light Green	8H 7230182-F	2
50	OH72	Light Tan	8H 7230182-G	2
50	OH72C	Light Gray	OH 7230182-AAC	2
50	OH72C	Light Tan	OH 7230182-AAB	2
50	OH74	Light Gray	8H 7430182-G	2
50	OH74	Light Green	8H 7430182-E	2
50	OH74	Light Tan	8H 7430182-F	2
50	OH72-72C	Screw (cross recessed oval head self tap.)-No. 6-18 x 1/2"	52342-S13	14
Group 30224 STRIP (QUARTER VENT WINDOW GLASS RETAINING)				
50	OH72-72C	Secure locally-37" long-.060" thick-1-3/8" wide-Rubber tape	8H 7230224-E	2
50	OH72-72C	Secure locally-37" long-.070" thick-1-3/8" wide-Rubber tape	8H 7230224-F	2
Group 30226 STOP (QUARTER VENT WINDOW PIVOT)				
50	OH except 76	1/4" wide x 1/8" thick	8H 7330226	2

Lincoln and Lincoln Cosmopolitan

BODY PARTS CATALOGUE

YEAR 19	BODY TYPES	REMARKS	PART NUMBER	NO. REQ'D
Group 30234-5 BAR ASSEMBLY (QUARTER VENT WINDOW DIVISION)				
50	OH72-72C	R.H.	7EH 7230234	1
50	OH72-72C	L.H.	7EH 7230235	1
50	OH72-72C	Screw (round head)-No. 8-32 x 1/4"	26457-S7	2
Group 30240 BRACKET (QUARTER WINDOW DIVISION BAR LOWER FASTENING)				
50	OH72-72C		7EH 7230240	2
50	OH72-72C	Nut (hex)-No. 10-32	34079-S7	2
50	OH72-72C	Screw and washer assy (pan head)-No. 10-32 x 3/8"	42802-S8	2
Group 30248-9 WEATHERSTRIP (QUARTER VENT WINDOW)				
50	OH72-72C	R.H.	8H 7230248-A	1
50	OH72-72C	L.H.	8H 7230249-A	1
Group 30256 PLATE (QUARTER VENT WINDOW)-UPPER PIVOT LOCK				
50	OH72-72C		19A 7030256	2
Group 30258 BRACKET (REAR QUARTER WINDOW FRAME LOCKING)				
50	OH72-72C	Rustless Steel	8H 7330258	2
Group 30274 BRACKET (QUARTER VENT WINDOW DIVISION BAR)-LOWER				
50	OH72-72C	3/4" x 1-1/4"	8H 7230274	2
50	OH72-72C	Nut (hex)-No. 10-32	34079-S7	2
50	OH72-72C	Screw and washer assy (pan head)-No. 10-32 x 3/8"	42802-S8	2
Group 30280 SHAFT AND BRACKET ASSEMBLY (QUARTER WINDOW HANDLE)				
50	OH except 76		8H 7330280	2
Group 30284 PLATE (QUARTER VENT WINDOW LOCK)				
50	OL72-72C	Rustless Steel	8M 7030284	2
Group 30288 PLATE (QUARTER VENT WINDOW UPPER LOCK)				
50	OH74	9/16" x 1-1/8"	8H 7330288	2
Group 30306-7 REGULATOR ASSEMBLY (QUARTER WINDOW)				
50	OH76	R.H.	8H 7630306	1
50	OH76	L.H.	8H 7630307	1
50	OH76	Bolt (hex head)-1/4"-20 x 1/2"-bracket to side member	24308-S	4
50	OH76	Connector (inverted male)-1/2"-20 female & 1/8"-27 male thread	353002-S	2
Group 30504-5 FRAME AND VENT WINDOW ASSEMBLY (QUARTER WINDOW)-COMPLETE				
50	OH72-72C	R.H.-without division bar	8H 7230504-B	1
50	OH72-72C	L.H.-without division bar	8H 7230505-B	1
50	OH72-72C	Screw (oval head cross recessed)-No. 8 x 1/2"	52344-S8	10
50	OH72-72C	Screw (pan head self tapping)-No. 8 x 3/8"	52720-S8	10
Group 30504-5 WINDOW AND FRAME ASSEMBLY (QUARTER)-COMPLETE				
50	OH74	R.H.-includes outer frame	8H 7430504	1
50	OH74	L.H.-includes outer frame	8H 7430505	1
Group 30504-5 FRAME ASSEMBLY (QUARTER WINDOW)				
50	OH76	R.H.	8H 7630504	1
50	OH76	L.H.	8H 7630505	1
50	OH76	Screw (pan head self tapping)-No. 8 x 3/8"	52720-S8	10

Lincoln and Lincoln Cosmopolitan

BODY PARTS CATALOGUE

YEAR 19	BODY TYPES	REMARKS	PART NUMBER	NO. REQ'D
Group 30506-7 FRAME AND GLASS ASSEMBLY (QUARTER WINDOW)				
50	OL72-72C	R.H.	7A 7230506	1
50	OL72-72C	L.H.	7A 7230507	1
50	OL72-72C	Bolt (round head shoulder)-1/4"-28 x 15/16"	355316-S	1
50	OL72-72C	Lockwasher (internal tooth)-1/4"	34905-S7	1
Group 30548 CLAMP (QUARTER WINDOW FRAME)-LOWER PIVOT				
50	OL72-72C	1" x 1-3/4"	8M 7030548	2
50	OL72-72C	Bolt (shoulder)-5/16"-24 x 3/4"	357745-S8	2
50	OL72-72C	Lockwasher-5/16"	34806-S2	1
50	OL72-72C	Nut (hex)-5/16"	33798-S2	1
Group 30552 STOP (QUARTER GLASS FRAME PIVOT)				
50	OL72-72C	Serrated hole	8M 7330552	2
50	OL74		8A 7030552	4
51	OL72-72C	Lockwasher-5/16"	34806-S2	4
50	OL72-72C	Nut (hex)-5/16"-24	33798-S8	4
50	OL74	Washer (3/8" I.D. x 3/4" O.D.)	356425-S	4
Group 30556 PIN (QUARTER WINDOW FRAME HINGE)				
50	OH76	1/2" O.D. x 2-7/8" long	7A 7630556	2
Group 30618 WEATHERSTRIP (QUARTER WINDOW GLASS)-UPPER				
50	OH76		8H 7630618-A	2
Group 31000-1 TRIM ASSEMBLY (REAR QUARTER)				
50	OL74	R.H.-M-19108-B Dark Brown Plain Broadcloth	OL 7431000-AB	1
50	OL74	L.H.-M-19108-B Dark Brown Plain Broadcloth	OL 7431001-AB	1
50	OL74	R.H.-M-19108-C Dark Gray Plain Broadcloth	OL 7431000-AC	1
50	OL74	L.H.-M-19108-C Dark Gray Plain Broadcloth	OL 7431001-AC	1
50	OL74	R.H.-M-19108-A Dark Green Plain Broadcloth	OL 7431000-AA	1
50	OL74	L.H.-M-19108-A Dark Green Plain Broadcloth	OL 7431001-AA	1
50	OL74	R.H.-Tan Artificial Leather	OL 7431000-AD	1
50	OL74	L.H.-Tan Artificial Leather	OL 7431001-AD	1
50	OH74	R.H.-Upper M-19106-H Dark Gray Plain Broadcloth, Lower Gray Artificial Leather	OH 7331000-AC	1
50	OH74	L.H.-Upper M-19106-H Dark Gray Plain Broadcloth, Lower Gray Artificial Leather	OH 7331001-AC	1
50	OH74	R.H.-Upper M-19106-B Dark Green Plain Broadcloth, Lower Light Green Artificial Leather	OH 7331000-AA	1
50	OH74	L.H.-Upper M-19106-B Dark Green Plain Broadcloth, Lower Light Green Artificial Leather	OH 7331001-AA	1
50	OH74	R.H.-Upper M-19106-D Dark Tan Plain Broadcloth, Lower Light Tan Artificial Leather	OH 7331000-AB	1
50	OH74	L.H.-Upper M-19106-D Dark Tan Plain Broadcloth, Lower Light Tan Artificial Leather	OH 7331001-AB	1
50	OH74	R.H.-Tan Artificial Leather	OH 7331000-AF	1
50	OH74	L.H.-Tan Artificial Leather	OH 7331001-AF	1
50	OH74, OL74	Clip (trim)	358333-S3	8
50	OH74	Screw (pan head self tapping)-No. 10-12 x 1/2"	32924-S2	2

Lincoln and Lincoln Cosmopolitan

BODY PARTS CATALOGUE

YEAR 19	BODY TYPES	REMARKS	PART NUMBER	NO. REQ'D
Group 31002-3 TRIM ASSEMBLY (REAR QUARTER PANEL)-LESS ARM REST				
50	OL72	R.H.-Upper M-19108-B Dark Brown Plain Broadcloth, Lower Light Tan Artificial Leather	OL 7231002-AB	1
50	OL72	L.H.-Upper M-19108-B Dark Brown Plain Broadcloth, Lower Light Tan Artificial Leather	OL 7231003-AB	1
50	OL72	R.H.-Upper M-19108-C Dark Gray Plain Broadcloth, Lower Gray Artificial Leather	OL 7231002-AC	1
50	OL72	L.H.-Upper M-19108-C Dark Gray Plain Broadcloth, Lower Gray Artificial Leather	OL 7231003-AC	1
50	OL72	R.H.-Upper M-19108-A Dark Green Plain Broadcloth, Lower Light Green Artificial Leather	OL 7231002-AA	1
50	OL72	L.H.-Upper M-19108-A Dark Green Plain Broadcloth, Lower Light Green Artificial Leather	OL 7231003-AA	1
50	OL72	R.H.-Tan Artificial Leather	OL 7231002-AD	1
50	OL72	L.H.-Tan Artificial Leather	OL 7231003-AD	1
50	OL72C	R.H.-Upper M-19146-K Beige Whipcord, Lower Dark Tan Artificial Leather	OL 7231002-AH	1
50	OL72C	L.H.-Upper M-19146-K Beige Whipcord, Lower Dark Tan Artificial Leather	OL 7231003-AH	1
50	OL72C	R.H.-Upper M-19146-M Blue Whipcord, Lower Dark Blue Artificial Leather	OL 7231002-AF	1
50	OL72C	L.H.-Upper M-19146-M Blue Whipcord, Lower Dark Blue Artificial Leather	OL 7231003-AF	1
50	OL72C	R.H.-Upper M-19146-M Blue Whipcord, Lower Light Blue Artificial Leather	OL 7231002-AE	1
50	OL72C	L.H.-Upper M-19146-M Blue Whipcord, Lower Light Blue Artificial Leather	OL 7231003-AE	1
50	OL72C	R.H.-Upper M-19146-L Green Whipcord, Lower Oyster White Artificial Leather	OL 7231002-AG	1
50	OL72C	L.H.-Upper M-19146-L Green Whipcord, Lower Oyster White Artificial Leather	OL 7231003-AG	1
50	OH72	R.H.-Upper M-19106-H Dark Gray Plain Broadcloth, Lower Gray Artificial Leather	OH 7231002-AC	1
50	OH72	L.H.-Upper M-19106-H Dark Gray Plain Broadcloth, Lower Gray Artificial Leather	OH 7231003-AC	1
50	OH72	R.H.-Upper M-19106-B Dark Green Plain Broadcloth, Lower Light Green Artificial Leather	OH 7231002-AA	1
50	OH72	L.H.-Upper M-19106-B Dark Green Plain Broadcloth, Lower Light Green Artificial Leather	OH 7231003-AA	1
50	OH72	R.H.-Upper M-19106-D Dark Tan Plain Broadcloth, Lower Light Tan Artificial Leather	OH 7231002-AB	1
50	OH72	L.H.-Upper M-19106-D Dark Tan Plain Broadcloth, Lower Light Tan Artificial Leather	OH 7231003-AB	1
50	OH72	R.H.-Tan Artificial Leather	OH 7231002-AF	1
50	OH72	L.H.-Tan Artificial Leather	OH 7231003-AF	1
50	OH72C	R.H.-Upper M-19146-K Beige Whipcord, Lower Cherry Red Artificial Leather	OH 7231002-AAE	1
50	OH72C	L.H.-Upper M-19146-K Beige Whipcord, Lower Cherry Red Artificial Leather	OH 7231003-AAE	1
50	OH72C	R.H.-Upper M-19146-M Blue Whipcord, Lower Dark Blue Artificial Leather	OH 7231002-AAC	1
50	OH72C	L.H.-Upper M-19146-M Blue Whipcord, Lower Dark Blue Artificial Leather	OH 7231003-AAC	1

Lincoln and Lincoln Cosmopolitan

BODY PARTS CATALOGUE

YEAR 19	BODY TYPES	REMARKS	PART NUMBER	NO. REQ'D
Group 31002-3 TRIM ASSEMBLY (REAR QUARTER PANEL)-LESS ARM REST-CONTINUED				
50	OH72C	R.H.-Upper M-19146-M Blue Whipcord, Lower Oyster White Artificial Leather	OH 7231002-AAD	1
50	OH72C	L.H.-Upper M-19146-M Blue Whipcord, Lower Oyster White Artificial Leather	OH 7231003-AAD	1
50	OH72C	R.H.-Upper M-19146-N Yellow Beige Whipcord, Lower Dark Tan Artificial Leather	OH 7231002-AAB	1
50	OH72C	L.H.-Upper M-19146-N Yellow Beige Whipcord, Lower Dark Tan Artificial Leather	OH 7231003-AAB	1
50	OL,OH72-74	Clip (Trim)	358300-S3	8or10
50	OL	Screw (cross recessed pan head self tap.)-No. 10-12 x 1/2"	52727-S8	2
50	OH72	Screw (cross recessed pan head self tap.)-No. 14-10 x 1/4"	52761-S8	4
Group 31004-5 PANEL ASSEMBLY (REAR QUARTER TRIM)-FRONT				
50	OH76	R.H.-Upper Black Artificial Leather, Lower Cherry Red Artificial Leather	OH 7631004-AX	1
50	OH76	L.H.-Upper Black Artificial Leather, Lower Cherry Red Artificial Leather	OH 7631005-AX	1
50	OH76	R.H.-Upper Black Artificial Leather, Lower Yellow Artificial Leather	OH 7631004-AY	1
50	OH76	L.H.-Upper Black Artificial Leather, Lower Yellow Artificial Leather	OH 7631005-AY	1
50	OH76	R.H.-Light Blue Artificial Leather	OH 7631004-AK	1
50	OH76	L.H.-Light Blue Artificial Leather	OH 7631005-AK	1
50	OH76	R.H.-Upper Dark Blue Artificial Leather, Lower Light Blue Artificial Leather	OH 7631004-AZ	1
50	OH76	L.H.-Upper Dark Blue Artificial Leather, Lower Light Blue Artificial Leather	OH 7631005-AZ	1
50	OH76	R.H.-Upper Light Blue Artificial Leather, Lower M-19146-M Blue Whipcord	OH 7631004-AT	1
50	OH76	L.H.-Upper Light Blue Artificial Leather, Lower M-19146-M Blue Whipcord	OH 7631005-AT	1
50	OH76	R.H.-Green Artificial Leather	OH 7631004-AJ	1
50	OH76	L.H.-Green Artificial Leather	OH 7631005-AJ	1
50	OH76	R.H.-Upper Green Artificial Leather, Lower M-19146-L Green Whipcord	OH 7631004-AS	1
50	OH76	L.H.-Upper Green Artificial Leather, Lower M-19146-L Green Whipcord	OH 7631005-AS	1
50	OH76	R.H.-Lime Green Artificial Leather	OH 7631004-AM	1
50	OH76	L.H.-Lime Green Artificial Leather	OH 7631005-AM	1
50	OH76	R.H.-Upper Lime Green Artificial Leather, Lower M-19146-N Yellow Beige Whipcord	OH 7631004-AV	1
50	OH76	L.H.-Upper Lime Green Artificial Leather, Lower M-19146-N Yellow Beige Whipcord	OH 7631005-AV	1
50	OH76	R.H.-Cherry Red Artificial Leather	OH 7631004-AG	1
50	OH76	L.H.-Cherry Red Artificial Leather	OH 7631005-AG	1
50	OH76	R.H.-Upper Cherry Red Artificial Leather, Lower M-19146-K Beige Whipcord	OH 7631004-AN	1
50	OH76	L.H.-Upper Cherry Red Artificial Leather, Lower M-19146-K Beige Whipcord	OH 7631005-AN	1
50	OH76	R.H.-Tan Artificial Leather	OH 7631004-AH	1
50	OH76	L.H.-Tan Artificial Leather	OH 7631005-AH	1
50	OH76	R.H.-Upper Tan Artificial Leather, Lower M-19146-K Beige Whipcord	OH 7631004-AR	1
50	OH76	L.H.-Upper Tan Artificial Leather, Lower M-19146-K Beige Whipcord	OH 7631005-AR	1

Lincoln and Lincoln Cosmopolitan

BODY PARTS CATALOGUE

YEAR 19__	BODY TYPES	REMARKS	PART NUMBER	NO. REQ'D
Group 31004-5 PANEL ASSEMBLY (REAR QUARTER TRIM)-FRONT-CONTINUED				
50	OH76	R.H.-Yellow Artificial Leather	OH 7631004-AL	1
50	OH76	L.H.-Yellow Artificial Leather	OH 7631005-AL	1
50	OH76	R.H.-Upper Yellow Artificial Leather, Lower M-19146-M Yellow Beige Whipcord	OH 7631004-AU	1
50	OH76	L.H.-Upper Yellow Artificial Leather, Lower M-19146-M Yellow Beige Whipcord	OH 7631005-AU	1
Group 31010-1 PANEL ASSEMBLY (REAR QUARTER TRIM)-REAR-LESS ARM REST				
50	OH76	R.H.-Black Artificial Leather	OH 7631010-AX	1
50	OH76	L.H.-Black Artificial Leather	OH 7631011-AX	1
50	OH76	R.H.-Dark Blue Artificial Leather	OH 7631010-AZ	1
50	OH76	L.H.-Dark Blue Artificial Leather	OH 7631011-AZ	1
50	OH76	R.H.-Light Blue Artificial Leather	OH 7631010-AK	1
50	OH76	L.H.-Light Blue Artificial Leather	OH 7631011-AK	1
50	OH76	R.H.-Green Artificial Leather	OH 7631010-AJ	1
50	OH76	L.H.-Green Artificial Leather	OH 7631011-AJ	1
50	OH76	R.H.-Lime Green Artificial Leather	OH 7631010-AM	1
50	OH76	L.H.-Lime Green Artificial Leather	OH 7631011-AM	1
50	OH76	R.H.-Cherry Red Artificial Leather	OH 7631010-AG	1
50	OH76	L.H.-Cherry Red Artificial Leather	OH 7631011-AG	1
50	OH76	R.H.-Tan Artificial Leather	OH 7631010-AH	1
50	OH76	L.H.-Tan Artificial Leather	OH 7631011-AH	1
50	OH76	R.H.-Yellow Artificial Leather	OH 7631010-AL	1
50	OH76	L.H.-Yellow Artificial Leather	OH 7631011-AL	1
50	OH76	Washer (hollow countersunk)-No. 8	34885-S13	10
Group 31118-9 PANEL (QUARTER TRIM)-BOTTOM				
50	OH72C	R.H.-Chrome Finish	OH 7231118	1
50	OH72C	L.H.-Chrome Finish	OH 7231119	1
50	OH76	R.H.-Chrome Finish	OH 7631118	1
50	OH76	L.H.-Chrome Finish	OH 7631119	1
50	OH76	Screw (cross recessed pan hd self tap.)-No. 6-18 x 1/4"	52713-S8	4
Group 31140 MOULDING ASSEMBLY (QUARTER TRIM PANEL)				
50	OH72-72C	7-3/64" long	OH 7231140-A	2
50	OH72-72C	9-59/64" long	OH 7231140-A	2
50	OH76	Developed length approximately-8-53/64"	OH 7631140-A	2
Group 31230 TRIM ASSEMBLY (QUARTER LOCK PILLAR)				
50	OH72	M-19106-H Dark Gray Plain Broadcloth	OH 7231230-AC	2
50	OH72	M-19106-B Dark Green Plain Broadcloth	OH 7231230-AA	2
50	OH72	M-19106-D Dark Tan Plain Broadcloth	OH 7231230-AB	2
50	OH72	Tan Artificial Leather	OH 7231230-AF	2
50	OH72C	M-19114-A Light Gray Convertible Top Material	OH 7231230-AAC	2
50	OH72C	M-19114-B Light Tan Convertible Top Material	OH 7231230-AAB	2

Lincoln and Lincoln Cosmopolitan

BODY PARTS CATALOGUE

YEAR 19	BODY TYPES	REMARKS	PART NUMBER	NO. REQ'D
Group 31230-1 TRIM ASSEMBLY (QUARTER HINGE PILLAR)				
50	OH74	R.H.-M-19106-H Dark Gray Plain Broadcloth	OH 7431230-AC	1
50	OH74	L.H.-M-19106-H Dark Gray Plain Broadcloth	OH 7431231-AC	1
50	OH74	R.H.-M-19106-B Dark Green Plain Broadcloth	OH 7431230-AA	1
50	OH74	L.H.-M-19106-B Dark Green Plain Broadcloth	OH 7431231-AA	1
50	OH74	R.H.-M-19106-D Dark Tan Plain Broadcloth	OH 7431230-AB	1
50	OH74	L.H.-M-19106-D Dark Tan Plain Broadcloth	OH 7431231-AB	1
50	OH74	R.H.-Tan Artificial Leather	OH 7431230-AF	1
50	OH74	L.H.-Tan Artificial Leather	OH 7431231-AF	1
Group 31296-7 WINDLACE AND REINFORCEMENT ASSEMBLY (QUARTER LOCK PILLAR)				
50	OH76	R.H.-Black	OH 7631296-AX	1
50	OH76	L.H.-Black	OH 7631297-AX	1
50	OH76	R.H.-Dark Blue	OH 7631296-AZ	1
50	OH76	L.H.-Dark Blue	OH 7631297-AZ	1
50	OH76	R.H.-Light Blue	8H 7631296-D	1
50	OH76	L.H.-Light Blue	8H 7631297-D	1
50	OH76	R.H.-Green	8H 7631296-C	1
50	OH76	L.H.-Green	8H 7631297-C	1
50	OH76	R.H.-Lime Green	8H 7631296-F	1
50	OH76	L.H.-Lime Green	8H 7631297-F	1
50	OH76	R.H.-Cherry Red	OH 7631296-AG	1
50	OH76	L.H.-Cherry Red	OH 7631297-AG	1
50	OH76	R.H.-Tan	8H 7631296-B	1
50	OH76	L.H.-Tan	8H 7631297-B	1
50	OH76	R.H.-Yellow	8H 7631296-E	1
50	OH76	L.H.-Yellow	8H 7631297-E	1
Group 31306 WINDLACE AND REINFORCEMENT ASSEMBLY (REAR QUARTER HINGE PILLAR)				
50	OH74	Light Gray	8H 7331306-H	2
50	OH74	Light Green	8H 7331306-F	2
50	OH74	Light Tan	8H 7331306-G	2
50	OH74	Tan Artificial Leather	8H 7331306-E	2
Group 31306 WINDLACE AND REINFORCEMENT ASSEMBLY (QUARTER LOCK PILLAR)				
50	OH72	Light Gray	8H 7231306-G	2
50	OH72	Light Green	8H 7231306-E	2
50	OH72	Light Tan	8H 7231306-F	2
50	OH72	Tan Artificial Leather	8H 7231306-D	2
50	OH72C	Light Gray	OH 7231306-AAC	2
50	OH72C	Light Tan	OH 7231306-AAB	2
Group 31410 LOOP ASSEMBLY (ASSIST)				
50	OL72-74,OH72	M-19108-B Dark Brown Plain Broadcloth Cover	OL 7231410-AB	2
50	OL72-74,OH72	M-19108-C Dark Gray Plain Broadcloth Cover	OL 7231410-AC	2
50	OL72-74,OH72	M-19106-G Light Gray Plain Broadcloth Cover	8L 7331410-D	2
50	OL72-74,OH72	M-19108-A Dark Green Plain Broadcloth Cover	OL 7231410-AA	2
50	OL72-74,OH72	M-19106-A Light Green Plain Broadcloth Cover	8H 7331410-A	2
50	OL72-74,OH72	M-19106-C Light Tan Plain Broadcloth Cover	8H 7331410-B	2

Lincoln and Lincoln Cosmopolitan

BODY PARTS CATALOGUE

YEAR 19	BODY TYPES	REMARKS	PART NUMBER	NO. REQ'D
Group 31410 LOOP ASSEMBLY (ASSIST)-CONTINUED				
50	OL72C	Light Blue Leather	OL 7231410-BE	2
50	OL72C,OH72C	Dark Blue Leather	OL 7231410-BF	2
50	OL72C,OH72C	Oyster White Leather	OL 7231410-BG	2
50	OL72C,OH72C	Dark Tan Leather	OL 7231410-BH	2
50	OH72C	Cherry Red Leather	OH 7231410-BAE	2
50	OH74	M-19108-B Dark Brown Plain Broadcloth Cover	OH 7431410-AB	2
50	OH74	M-19108-C Dark Gray Plain Broadcloth Cover	OH 7431410-AC	2
50	OH74	M-19106-G Light Gray Plain Broadcloth Cover	8H 7431410-J	2
50	OH74	M-19108-A Dark Green Plain Broadcloth Cover	OH 7431410-AA	2
50	OH74	M-19106-A Light Green Plain Broadcloth Cover	8H 7431410-F	2
50	OH74	M-19106-C Light Tan Plain Broadcloth Cover	8H 7431410-G	2
50	OH72-72C	Bolt (round head shoulder)-1/4"-28 x 31/32"	352368-S8	2
50	OL72-72C	Bolt (round head shoulder)-No. 10-32 x 7/32"	352370-S8	2
50	OL74,OH74	Button ("Durable Dot" snap type)-5/32" x 3/16"	95397-S23	2
50	OL72-72C,OH72-72C	Eyelet (clinch type)-21/64" I.D. x 25/32" O.D. x 5/16"	95630-S6	2
50	OL,OH except 76	Fastener Socket 3/8" I.D. x 9/16" O.D.	95460-S13	2
50	OH72-72C	Stud ("Durable Dot" snap type)-No. 8 x 1"	95243-S13	2
50	OL74,OH74	Stud ("Durable Dot" snap type)-No. 10 x 5/8"	95215-S13	2
50	OL,OH72-72C-74	Washer (clinch type)-3/8" I.D. x 23/32" O.D.	95627-S7	2
Group 31420 BRACKET (ASSIST LOOP)				
50	OL,OH72-72C-74		7EH 7331420	2
Group 31422 CAP (ASSIST LOOP BRACKET)				
50	OL72-72C,OH72-72C-74		7EH 7331422	2
Group 31452 BRACKET (COAT HANGER)				
50	OL,OH except 76		8H 7331452	2
50	OL,OH except 76	Screw (oval hd self tapping)-No. 8-15 x 5/8	52352-S13	4
Group 31600-1 REST ASSEMBLY (REAR QUARTER ARM)				
50	OL72	R.H.-Top Dark Gray Leather, Bottom M-16560-D Gray Stripe Nylon and Mohair	OL 7231600-AC	1
50	OL72	L.H.-Top Dark Gray Leather, Bottom M-16560-D Gray Stripe Nylon and Mohair	OL 7231601-AC	1
50	OL72	R.H.-Top Light Green Leather, Bottom M-19105-M Two Tone Green Cable Stripe Broadcloth	OL 7231600-AA	1
50	OL72	L.H.-Top Light Green Leather, Bottom M-19105-M Two Tone Green Cable Stripe Broadcloth	OL 7231601-AA	1
50	OL72	R.H.-Top Dark Tan Leather, Bottom M-19105-N Brown Check Broadcloth	OL 7231600-AB	1
50	OL72	L.H.-Top Dark Tan Leather, Bottom M-19105-N Brown Check Broadcloth	OL 7231601-AB	1
50	OL72	R.H.-Top Tan Leather, Bottom Tan Artificial Leather	OL 7231600-AD	1
50	OL72	L.H.-Top Tan Leather, Bottom Tan Artificial Leather	OL 7231601-AD	1
50	OL72C	R.H.-Top Dark Blue Leather, Bottom M-19146-M Blue Whipcord	OL 7231600-AF	1
50	OL72C	L.H.-Top Dark Blue Leather, Bottom M-19146-M Blue Whipcord	OL 7231601-AF	1
50	OL72C	R.H.-Top Light Blue Leather, Bottom M-19146-M Blue Whipcord	OL 7231600-AE	1
50	OL72C	L.H.-Top Light Blue Leather, Bottom M-19146-M Blue Whipcord	OL 7231601-AE	1
50	OL72C	R.H.-Top Oyster White Leather, Bottom M-19146-L Green Whipcord	OL 7231600-AG	1
50	OL72C	L.H.-Top Oyster White Leather, Bottom M-19146-L Green Whipcord	OL 7231601-AG	1
50	OL72C	R.H.-Top Dark Tan Leather, Bottom M-19146-K Beige Whipcord	OL 7231600-AH	1
50	OL72C	L.H.-Top Dark Tan Leather, Bottom M-19146-K Beige Whipcord	OL 7231601-AH	1

Lincoln and Lincoln Cosmopolitan

BODY PARTS CATALOGUE

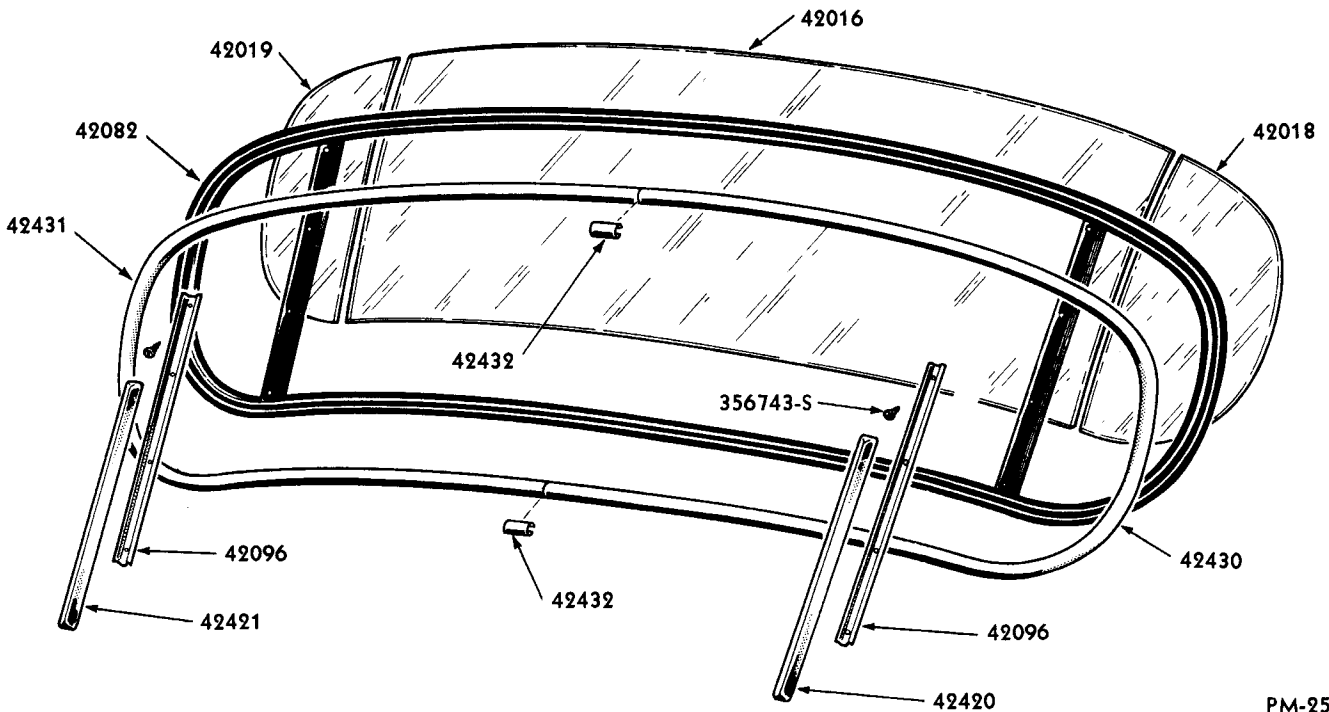
YEAR 19	BODY TYPES	REMARKS	PART NUMBER	NO. REQ'D
Group 31600-1 REBST ASSEMBLY (REAR QUARTER ARM)-CONTINUED				
50	OL74	R.H.-Top Dark Gray Leather, Side Gray Stripe Nylon and Mohair, Front Dark Gray Leather	OL 7431600-AC	1
50	OL74	L.H.-Top Dark Gray Leather, Side Gray Stripe Nylon and Mohair, Front Dark Gray Leather	OL 7431601-AC	1
50	OL74	R.H.-Top Light Green Leather, Side M-19105-M Two Tone Green Cable Stripe Broadcloth, Front Light Green Leather	OL 7431600-AA	1
50	OL74	L.H.-Top Light Green Leather, Side M-19105-M Two Tone Green Cable Stripe Broadcloth, Front Light Green Leather	OL 7431601-AA	1
50	OL74	R.H.-Top Dark Tan Leather, Side M-19105-N Brown Check Broadcloth, Front Dark Tan Leather	OL 7431600-AB	1
50	OL74	L.H.-Top Dark Tan Leather, Side M-19105-N Brown Check Broadcloth, Front Dark Tan Leather	OL 7431601-AB	1
50	OL74	R.H.-Top Tan Leather, Side Tan Artificial Leather, Front Tan Leather	OL 7431600-AD	1
50	OL74	L.H.-Top Tan Leather, Side Tan Artificial Leather, Front Tan Leather	OL 7431601-AD	1
50	OH72	R.H.-Top Dark Gray Leather, Bottom M-19106-H Dark Gray Plain Broadcloth	OH 7231600-AC	1
50	OH72	L.H.-Top Dark Gray Leather, Bottom M-19106-H Dark Gray Plain Broadcloth	OH 7231601-AC	1
50	OH72	R.H.-Top Light Green Leather, Bottom M-19106-B Dark Green Plain Broadcloth	OH 7231600-AA	1
50	OH72	L.H.-Top Light Green Leather, Bottom M-19106-B Dark Green Plain Broadcloth	OH 7231601-AA	1
50	OH72	R.H.-Top Dark Tan Leather, Bottom M-19106-D Dark Tan Plain Broadcloth	OH 7231600-AB	1
50	OH72	L.H.-Top Dark Tan Leather, Bottom M-19106-D Dark Tan Plain Broadcloth	OH 7231601-AB	1
50	OH72	R.H.-Top Tan Leather, Bottom Tan Artificial Leather	OH 7231600-AF	1
50	OH72	L.H.-Top Tan Leather, Bottom Tan Artificial Leather	OH 7231601-AF	1
50	OH72C	R.H.-Top Dark Blue Leather, Bottom Dark Blue Artificial Leather	OH 7231600-AAC	1
50	OH72C	L.H.-Top Dark Blue Leather, Bottom Dark Blue Artificial Leather	OH 7231601-AAC	1
50	OH72C	R.H.-Top Dark Tan Leather, Bottom Dark Tan Artificial Leather	OH 7231600-AAB	1
50	OH72C	L.H.-Top Dark Tan Leather, Bottom Dark Tan Artificial Leather	OH 7231601-AAB	1
50	OH72C	R.H.-Top Oyster White Leather, Bottom Oyster White Artificial Leather	OH 7231600-AAD	1
50	OH72C	L.H.-Top Oyster White Leather, Bottom Oyster White Artificial Leather	OH 7231601-AAD	1
50	OH72C	R.H.-Top Cherry Red Leather, Bottom Cherry Red Artificial Leather	OH 7231600-AAE	1
50	OH72C	L.H.-Top Cherry Red Leather, Bottom Cherry Red Artificial Leather	OH 7231601-AAE	1
50	OH76	R.H.-Top Black Leather, Side Black Artificial Leather	OH 7631600-AX	1
50	OH76	L.H.-Top Black Leather, Side Black Artificial Leather	OH 7631601-AX	1
50	OH76	R.H.-Top Dark Blue Leather, Side Dark Blue Artificial Leather	OH 7631600-AZ	1
50	OH76	L.H.-Top Dark Blue Leather, Side Dark Blue Artificial Leather	OH 7631601-AZ	1
50	OH76	R.H.-Top Light Blue Leather, Side Blue Artificial Leather	OH 7631600-AK	1
50	OH76	L.H.-Top Light Blue Leather, Side Blue Artificial Leather	OH 7631601-AK	1
50	OH76	R.H.-Top Green Leather, Side Green Artificial Leather	OH 7631600-AJ	1
50	OH76	L.H.-Top Green Leather, Side Green Artificial Leather	OH 7631601-AJ	1
50	OH76	R.H.-Top Lime Green Leather, Side Lime Green Artificial Leather	OH 7631600-AM	1
50	OH76	L.H.-Top Lime Green Leather, Side Lime Green Artificial Leather	OH 7631601-AM	1
50	OH76	R.H.-Top Cherry Red Leather, Side Cherry Red Artificial Leather	OH 7631600-AG	1
50	OH76	L.H.-Top Cherry Red Leather, Side Cherry Red Artificial Leather	OH 7631601-AG	1
50	OH76	R.H.-Top Tan Leather, Side Tan Artificial Leather	OH 7631600-AH	1
50	OH76	L.H.-Top Tan Leather, Side Tan Artificial Leather	OH 7631601-AH	1

Lincoln and Lincoln Cosmopolitan

BODY PARTS CATALOGUE

YEAR 19	BODY TYPES	REMARKS	PART NUMBER	NO. REQ'D
Group 40112 DOOR ASSEMBLY (LUGGAGE COMPARTMENT)-WITHOUT LOCK				
50	OL	Without clinch on nuts on door handle reinforcement assembly	OM 7240112-A	1
50	OL	With clinch on nuts on door handle reinforcement assembly	OM 7240112-B	1
50	OH		OH 7240112	1
Group 40314 PANEL (UPPER BACK BODY)				
50	OH except 76		8H 7240314	1
50	OH76		8H 7640314	1
Group 40320 PANEL ASSEMBLY (LOWER BACK BODY)				
50	OL		8M 7240320	1
50	OH		8H 7240320	1
Group 40440-1 REINFORCEMENT (BODY LOWER PANEL TO REAR FENDER)				
50	OL	R.H.	8L 7340440	1
50	OL	L.H.	8L 7340441	1
50	OL	Nut (Spring "J" shaped)-No. 14-A	355880-S32	8
50	OL	Screw (hex washer head self tapping)-No. 14-10 x 1/2"	31527-S7	8
Group 41700 RAIL ASSEMBLY (BACK BELT)				
50	OH76		8H 7641700	1
Group 41748 STRIP ASSEMBLY (BACK BELT RAIL TACKLING)				
50	OH76	Overall length approximately-33-39/64"	OH 7641748	1
Group 41780 MOULDING (REAR BELT RAIL)				
50	OH76	57-1/16" long	8H 7641780	1
50	OH76	Stud (narrow head)-No. 8 x 7/8"	352392-S13	9
Group 42006 GLASS (BACK WINDOW)-CENTER				
50	OH except 76		7EH 7342006	1
Group 42016 GLASS (BACK WINDOW)-CENTER				
50	OL		8M 7242016	1
Group 42018-9 GLASS (BACK WINDOW)-END				
50	OL	R.H.	8M 7242018	1
50	OL	L.H.	8M 7242019	1
Group 42026-7 GLASS (BACK WINDOW)-END				
50	OH72-72C-74	R.H.	7EH 7242026	1
50	OH72-72C-74	L.H.	7EH 7242027	1
Group 42076 BAR (BACK WINDOW DIVISION)-OUTER				
50	OH except 76	Rubber	7EH 7342076	2
Group 42078 BAR (BACK WINDOW DIVISION)-INNER				
50	OH except 76	Rubber	7EH 7342078	2

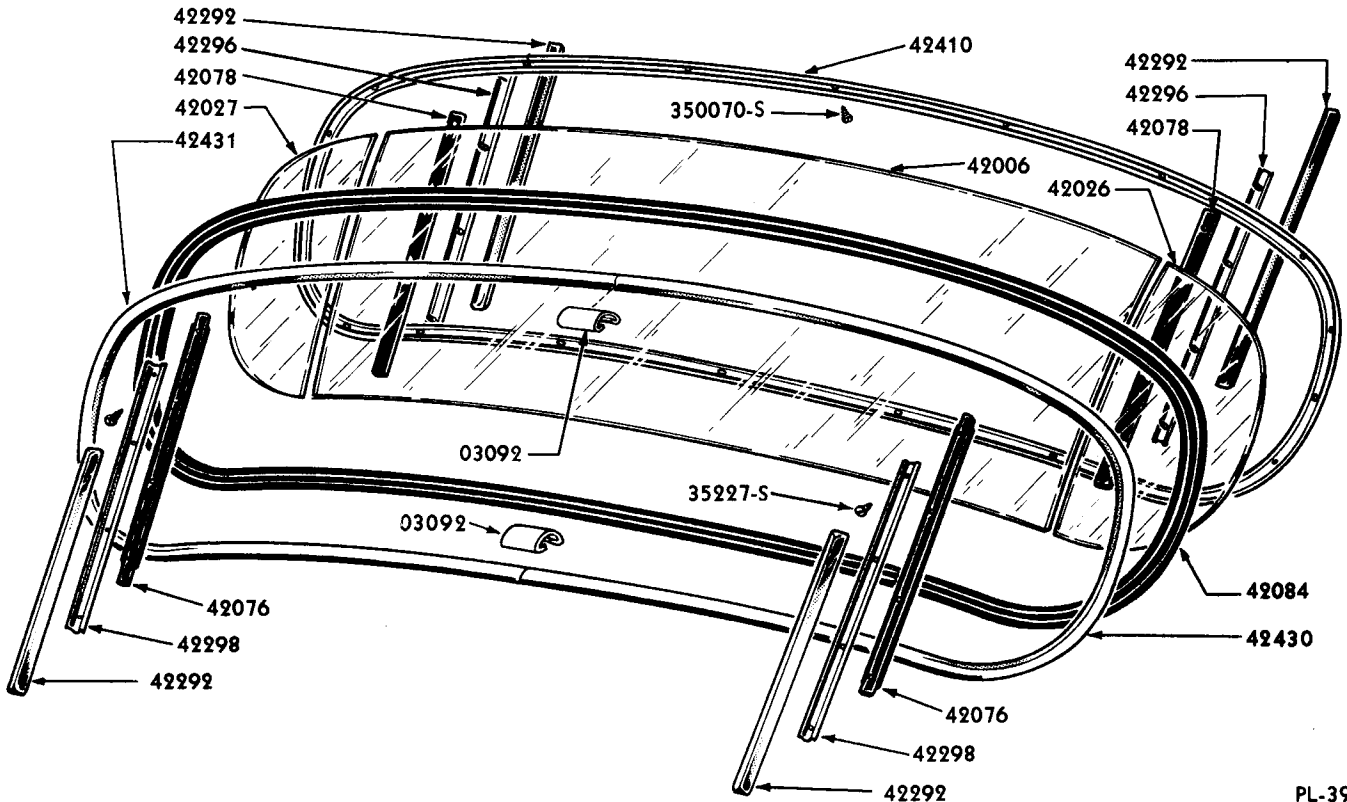
BODY PARTS CATALOGUE



PM-257

LINCOLN REAR WINDOW

Group numbers only shown on illustration. Order by Part Numbers shown in list of parts.



PL-397

LINCOLN COSMOPOLITAN REAR WINDOW

Group numbers only shown on illustration. Order by Part Numbers shown in list of parts.

Lincoln and Lincoln Cosmopolitan

BODY PARTS CATALOGUE

YEAR 19__	BODY TYPES	REMARKS	PART NUMBER	NO. REQ'D
Group 42082 WEATHERSTRIP (BACK WINDOW)				
50	OL		8M 7242082-B	1
Group 42084 WEATHERSTRIP (BACK WINDOW OPENING)				
50	OH72-74-76	51/64" wide x 55/64" high	OH 7242084-A	1
50	OH72C	51/64" wide x 1-5/64" high	OH 7242084-B	1
Group 42096 RETAINER (BACK WINDOW DIVISION BAR MOULDING)-OUTER				
50	OL		8M 7242096-B	2
50	OL	Screw (cross recessed pan head)-No. 10-32 x 3/8"	50508-S8	8
Group 42292 MOULDING (BACK WINDOW DIVISION BAR)-INNER AND OUTER				
50	OH except 76	Chrome Finish	7EH 7342292-B	4
Group 42296 RETAINER ASSEMBLY (BACK WINDOW DIVISION BAR MOULDING)-INNER				
50	OH except 76		7EH 7342296	2
50	OH except 76	Screw (cross recessed pan head)-No. 10-32 x 3/4"	352273-S8	8
Group 42298 RETAINER (BACK WINDOW DIVISION BAR MOULDING)-OUTER				
50	OH except 76		7EH 7342298	2
50	OH except 76	Screw (cross recessed pan head)-No. 10-32 x 3/4"	352273-S8	8
Group 42410 STRIP (BACK WINDOW FINISH)-INSIDE				
50	OH except 76	One piece style	OH 7242410-A	1
50	OH except 76	R.H.-Chrome Finish	OH 7242410-B	1
50	OH except 76	L.H.-Chrome Finish	OH 7242411-B	1
Group 42415 HEADLINING (UNDER BACK WINDOW)				
50	OL72-74	M-19164-F Light Gray Headlining	8L 7242415-J	1
50	OL72-74	M-19164-D Light Green Headlining	8L 7242415-G	1
50	OL72-74	M-19164-E Light Tan Headlining	8L 7242415-H	1
50	OL72-74	Tan Artificial Leather	OL 7242415-AD	1
50	OL72C	M-19114-A Light Gray Outside Convertible Top Material	OL 7242415-AE	1
50	OL72C	M-19114-B Light Tan Outside Convertible Top Material	OL 7242415-AH	1
50	OL72C	M-19114-C Green Outside Convertible Top Material	OL 7242415-AG	1
Group 42418 CLIP (BACK WINDOW INSIDE FINISH STRIP)				
50	OH except 76	Chrome Finish-1" x 1-1/2"	OH 7342418	2
Group 42420-1 MOULDING (BACK WINDOW DIVISION BAR)-OUTSIDE				
50	OL	R.H.	8L 7242420	1
50	OL	L.H.	8L 7242421	1

Lincoln and Lincoln Cosmopolitan

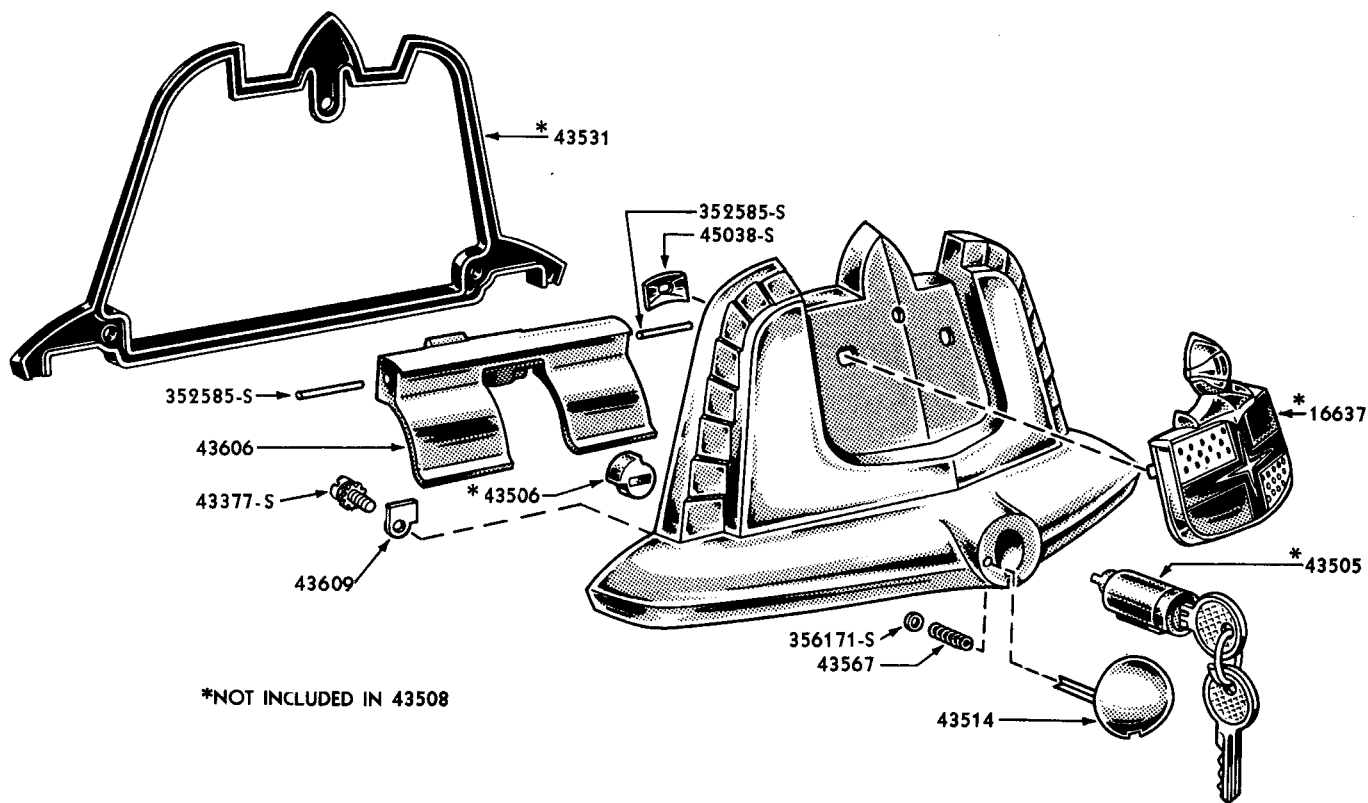
BODY PARTS CATALOGUE

YEAR 19	BODY TYPES	REMARKS	PART NUMBER	NO. REQ'D
Group 42430-1 MOULDING (BACK WINDOW FINISH)-OUTSIDE				
50	OL	R.H.	8L 7242430	1
50	OL	L.H.	8L 7242431	1
50	OH except 76	R.H.	OH 7242430-B	1
50	OH except 76	L.H.	OH 7242431-B	1
Group 42432 COVER (BACK WINDOW OUTSIDE MOULDING JOINT)				
50	OL	1" long	8L 7242432	2
Group 42700-1 HINGE ASSEMBLY (LUGGAGE COMPARTMENT DOOR)				
50	OL	R.H.	OM 7242700	1
50	OL	L.H.	OM 7242701	1
50	OH except 76	R.H.	7EH 7242700	1
50	OH except 76	L.H.	7EH 7242701	1
50	OH76	R.H.	8H 7642700	1
50	OH76	L.H.	8H 7642701	1
50	OL	Bolt (hex head pointed)-5/16"-24 x 3/4"	24347-S8	8
50	OH	Bolt (hex head)-5/16"-24 x 9/16"	20327-S7	8
50	OH	Bolt (hex head)-5/16"-24-3/4"	20327-S7	1
50	OH	Lockwasher-5/16"	34826-S7	8
50	OL	Locknut (hex light thick)-5/16"-24	34393-S7	6
50	OL	Lockwasher-5/16"	34806-S2	4
50	OL	Washer (flat)-5/16"	44722-S8	14
Group 42714-5 SUPPORT ASSEMBLY (LUGGAGE COMPARTMENT DOOR HINGE)				
50	OL	R.H.	OM 7242714	1
50	OL	L.H.	OM 7242715	1
Group 42770-6 PAD (LUGGAGE COMPARTMENT DOOR HINGE)				
50	OH except 76	On body	7EH 7242770	2
50	OH	On door	7EH 7242776	2
50	OH76	On body	8H 7642770	2
Group 43200 LOCK ASSEMBLY (LUGGAGE COMPARTMENT DOOR)				
50	OL,OH		8H 7343200	1
50	OH	Lockwasher-1/4"	34805-S8	4
50	OL	Locknut (hex head)-1/4"-20	34390-S7	4
50	OL	Nut (hex head)-1/4"-20	33795-S7	2
50	OL	Screw (round head)-1/4"-20 x 1/2"	39050-S2	4
50	OH	Screw and lockwasher assy (cross recessed oval head)-No. 10-32 x 7/16"	352295-S8	4
50	OH	Screw (round head)-1/4"-20 x 1/2"	26483-S7	4
Group 43246 LATCH PIN AND PLATE ASSEMBLY (LUGGAGE COMPARTMENT)				
50	OL		OM 7243246	1
50	OH		OH 7343246	1
50	OL,OH	Bolt and lockwasher assy (hex head)-1/4"-28 x 1/2"	42907-S8	2
50	OL	Washer (counter sunk external tooth)-No. 16	34955-S7	2

Lincoln and Lincoln Cosmopolitan

BODY PARTS CATALOGUE

YEAR	BODY TYPES	REMARKS	PART NUMBER	NO. REQ'D
19				
Group 43248 SUPPORT ASSEMBLY (LUGGAGE COMPARTMENT DOOR LOCK)				
50	OL	With two 9/32" holes for bolts	OM 7243248-A	1
50	OL	With two 9/32" x 9/16" slots for bolts	OM 7243248-B	1
50	OH		OH 7343248	1
50	OL	Lockwasher (countersunk external tooth)-No. 10	34952-S7	4
50	OL,OH	Lockwasher (external tooth)-No. 10	34939-S2	2
50	OL,OH	Nut (hex)-No. 10-32	34079-S7	2
50	OL	Screw (oval head)-No. 10-32 x 7/16"	28923-S7	4
Group 43256 PLATE (LUGGAGE COMPARTMENT LATCH PIN TAPPING)				
50	OL,OH		26H 7343256	1
Group 43272 REMOTE CONTROL ASSEMBLY (LUGGAGE COMPARTMENT DOOR LOCK)				
50	OL		OM 7243272	1
50	OH		OH 7343272	1



LUGGAGE COMPARTMENT DOOR HANDLE (OL 7243508-B)

Group numbers only shown on illustration. Order by Part Numbers shown in list of parts.

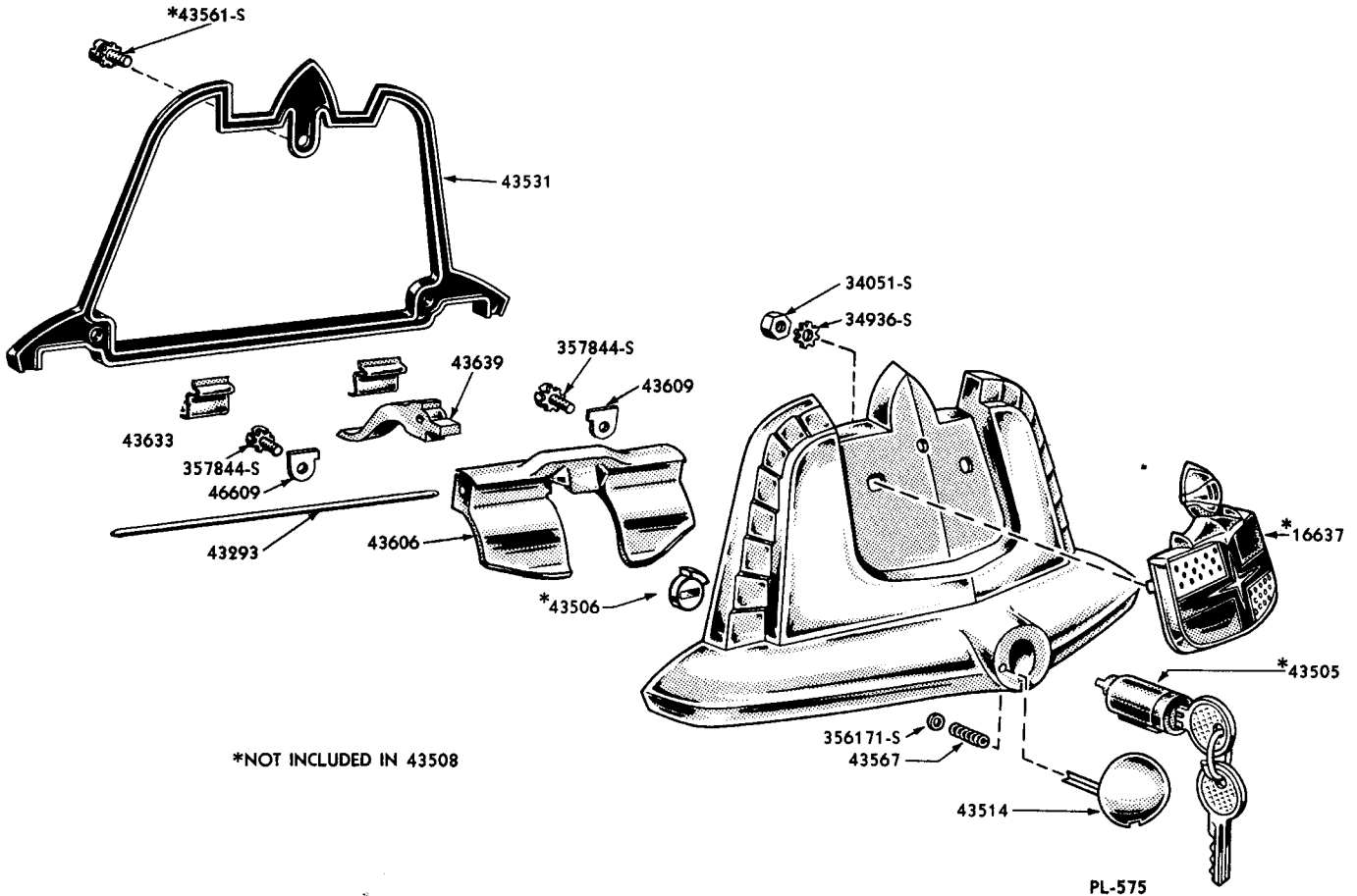
Group 43293 PIN (LUGGAGE COMPARTMENT DOOR HANDLE TRIGGER)				
50	OL	5" long	OM 7243293	1
Group 43500 HANDLE ASSEMBLY (LUGGAGE COMPARTMENT DOOR)-COMPLETE LESS CYLINDER AND KEYS				
50	OL	For service use OL-16637, OL-7243505, OM-7243506-C and OL-7243508-C	OL 7243500-C	1
50	OH	For service use OL-16637, OL-7243505, OM-7243506-B and OH-7343508-B	OH 7343500-B	1

PL-386

Lincoln and Lincoln Cosmopolitan

BODY PARTS CATALOGUE

YEAR 19	BODY TYPES	REMARKS	PART NUMBER	NO. REQ'D
Group 43505 CYLINDER ASSEMBLY (LUGGAGE COMPARTMENT LOCK)-WITH KEYS				
50	OL,OH		OL 7243505	1
Group 43506 BOLT (LUGGAGE COMPARTMENT DOOR LOCK HANDLE)				
50	OL,OH	Use when 1" pin is used in handle	OM 7243506-B	1
50	OL	Use when 5" pin is used in handle	OM 7243506-C	1



LUGGAGE COMPARTMENT DOOR HANDLE (OL 7243508-C)

Group numbers only shown on illustration. Order by Part Numbers shown in list of parts.

Group 43508 HANDLE ASSEMBLY (LUGGAGE COMPARTMENT DOOR)				
50	OL	With two 1" pins	OL 7243508-B	1
50	OL	With 5" pin	OL 7243508-C	1
50	OH		OH 7343508-B	1
50	OL,OH	Screw and washer assy-(hex head)-No. 10-24 x 1/2"	OM 7243561	5or7
Group 43514 COVER ASSEMBLY (LUGGAGE COMPARTMENT DOOR HANDLE KEYHOLE)				
50	OL,OH		OL 7243514	1
50	OL,OH	Washer (flat)-3/32" I.D. x 13/64" O.D. x 1/64"	356171-S8	1
Group 43531 PAD (LUGGAGE COMPARTMENT DOOR HANDLE)				
50	OL	Rubber	OL 7243531	1
50	OH	Rubber	OH 7343531	1

Lincoln and Lincoln Cosmopolitan

BODY PARTS CATALOGUE

YEAR 19	BODY TYPES	REMARKS	PART NUMBER	NO. REQ'D
Group 43557 BRACKET (LUGGAGE COMPARTMENT TRIM PANEL WHEELHOUSE)				
50.	OL		8M 7043557	2
Group 43561 SCREW AND WASHER ASSEMBLY (LUGGAGE COMPARTMENT DOOR HANDLE TO DOOR)				
50	OL,OH	No. 10-24 x 5/8"	OH 7343561	3
Group 43567 SPRING (LUGGAGE COMPARTMENT DOOR HANDLE KEY HOLE COVER)				
50	OL,OH	Free length-1/2"	OM 7243567	1
Group 43606 TRIGGER (LUGGAGE COMPARTMENT DOOR HANDLE LOCKING)				
50	OL	One piece style	OM 7243606-A	1
50	OL	Two piece style	OM 7243606-B	1
50	OH		OH 7343606	1
50	OL,OH	Pin (straight)-1/8" x 1"	352585-S8	2
Group 43609 RETAINER (LUGGAGE COMPARTMENT DOOR HANDLE TRIGGER PIN)				
50	OL,OH		OM 7243609	2
50	OL,OH	Screw and Lockwasher Assy (Pan head)-No. 6-32 x 1/2"	350712-S8	2
Group 43633 SPRING (LUGGAGE COMPARTMENT DOOR HANDLE)				
50	OL	Clip type-53/64" x 1"	OM 7243633	2
Group 43639 LEVER (LUGGAGE COMPARTMENT DOOR HANDLE TRIGGER)				
50	OL		OM 7243639	1
Group 43720 WEATHERSTRIP (LUGGAGE COMPARTMENT DOOR)				
50	OL	Rectangular-33-1/4" x 55"	8M 7243720-C	1
50	OH	151" long	8H 7243720-B	1
Group 44200-1 ARM ASSEMBLY (LUGGAGE COMPARTMENT DOOR SUPPORT)				
50	OH	R.H.	7EH 7244200	1
50	OH	L.H.	7EH 7244201	1
50	OH	Bolt (hex-hd shoulder)-3/8"-24 x 1.03"-support arm to body	350519-S7	2
50	OH	Lockwasher 3/8"-arm assy to body	34807-S2	2
50	OH	Lockwasher (light)-5/16"	34826-S7	4
50	OH	Screw (hex head)-5/16"-24 x 1"-arm bracket to lid	24387-S7	4
50	OH	Washer (plain)-5/16"-arm bracket to lid	351359-S7	4
50	OH	Washer (spring)-1/2"	351473-S7	2
50	OH	Washer (special flat)-33/64" x 51/64"	356453-S7	2
Group 44214 SHIM (DECK LID LATCH PLATE)				
50	OH	1/16" x 1-49/64" x 2-27/64"	8H 7344214	as req'd
Group 44218-9 BRACKET ASSEMBLY (LUGGAGE COMPARTMENT DOOR SUPPORT ARM)				
50	OH	R.H.	7EH 7244218	1
50	OH	L.H.	7EH 7244219	1

Lincoln and Lincoln Cosmopolitan

BODY PARTS CATALOGUE

YEAR 19__	BODY TYPES	REMARKS	PART NUMBER	NO. REQ'D
Group 44236 SPRING (LUGGAGE COMPARTMENT DOOR SUPPORT ARM)				
50	OH	2-27/32" O.D. x 3/8" wide	91A 7744236	2
Group 44718-9 REINFORCEMENT ASSEMBLY (LUGGAGE COMPARTMENT OPENING UPPER AND CORNER)				
50	OL	R.H.	8M 7244718	1
50	OL	L.H.	8M 7244719	1
Group 44808 REINFORCEMENT ASSEMBLY (LUGGAGE COMPARTMENT HINGE)				
50	OH except 76		8H 7244808	1
50	OH76		8H 7644808	1
Group 44830-1 GUSSET (LUGGAGE COMPARTMENT OPENING LOWER CORNER)				
50	OL	R.H.	7A 7044830	1
50	OL	L.H.	7A 7044831	1
Group 45400 COVER ASSEMBLY (LUGGAGE COMPARTMENT TIRE BOARD)-COMPLETE				
50	OH except 76	Tan Herringbone Vinyl Coated Jute	OH 7245400-B	1
50	OH76	Tan Herringbone Vinyl Coated Jute	OH 7645400-B	1
Group 45416-7 CARDBOARD (LUGGAGE COMPARTMENT)-SIDE REAR				
50	OL	R.H.-all trim-Two Tone Gray Cardboard	8L 7245416	1
50	OL	L.H.-all trim-Two Tone Gray Cardboard	8L 7245417	1
50	OH except 76	R.H.-all trim-Two Tone Gray Cardboard	8H 7245416	1
50	OH except 76	L.H.-all trim-Two Tone Gray Cardboard	8H 7245417	1
50	OH except 76	R.H.-Tan Landau Grain Cardboard	OH 7245416	1
50	OH except 76	L.H.-Tan Landau Grain Cardboard	OH 7245417	1
50	OH76	R.H.-all trim-Two Tone Gray Cardboard	8H 7645416-B	1
50	OH76	L.H.-all trim-Two Tone Gray Cardboard	8H 7645417-B	1
50	OH76	R.H.-Tan Landau Grain Cardboard	OH 7645416	1
50	OH76	L.H.-Tan Landau Grain Cardboard	OH 7645417	1
50	OH	Clip (trim)	355187-S12	8
50	OL	Screw (oval head cross recessed)-No. 8 x 5/8"	52352-S13	2
50	OL	Washer (countersunk)-No. 8	34885-S13	2
Group 45444 CARDBOARD (LUGGAGE COMPARTMENT)-FRONT				
50	OL	All trim-Two Tone Gray Cardboard	8L 7245444-C	1
50	OH except 76	All trim-Two Tone Gray Cardboard	8H 7245444	1
50	OH except 76	Tan Landau Grain Cardboard	OH 7245444	1
50	OH76	All trim-Two Tone Gray Cardboard	8H 7645444	1
50	OH76	Tan Landau Grain Cardboard	OH 7645444	1
50	OH	Clip (trim)	355187-S12	2
Group 45456 MAT (LUGGAGE COMPARTMENT FLOOR)				
50	OL	Benton Gray Rubber	8L 7245456-B	1

Lincoln and Lincoln Cosmopolitan

BODY PARTS CATALOGUE

YEAR 19__	BODY TYPES	REMARKS	PART NUMBER	NO. REQ'D
Group 45460 COVER (LUGGAGE COMPARTMENT FLOOR)-FRONT				
50	OH except 76	R.H.-Green Gray Rubber	8H 7245460	1
50	OH except 76	L.H.-Green Gray Rubber	8H 7245461	1
50	OH except 76	R.H.-Tan Rubber	OH 7245460	1
50	OH except 76	L.H.-Tan Rubber	OH 7245461	1
50	OH76	R.H.-Green Gray Rubber	8H 7345460	1
50	OH76	L.H.-Green Gray Rubber	8H 7345461	1
50	OH76	R.H.-Tan Rubber	OH 7645460	1
50	OH76	L.H.-Tan Rubber	OH 7645461	1
Group 45464 FILLER (LUGGAGE COMPARTMENT TIRE WELL)				
50	OL	Benton Gray Rubber	8L 7245464	1
Group 45466-7 COVER (LUGGAGE COMPARTMENT)-QUARTER WHEELHOUSE				
50	OL	R.H.-Benton Gray Rubber	8L 7245466-B	1
50	OL	L.H.-Benton Gray Rubber	8L 7245467-B	1
50	OH except 76	R.H.-Green Gray Rubber	8H 7245466	1
50	OH except 76	L.H.-Green Gray Rubber	8H 7245467	1
50	OH76	R.H.-Green Gray Rubber	8H 7345466	1
50	OH76	L.H.-Green Gray Rubber	8H 7345467	1
Group 45472-3 COVER ASSEMBLY (LUGGAGE COMPARTMENT WHEELHOUSE)				
50	OH	R.H.-Tan Rubber	OH 7245472	1
50	OH	L.H.-Tan Rubber	OH 7245473	1
Group 45616 COVER (LUGGAGE COMPARTMENT TIRE BOARD)				
50	OH except 76	Green Gray Rubber	8H 7245616	1
50	OH76	Green Gray Rubber	8H 7345616	1
Group 45766 BOARD ASSEMBLY (LUGGAGE COMPARTMENT SHELF)-FRONT				
50	OH	10" x 30-7/32"-Secure Locally	8H 7345766	1
50	OH	Nut (sleeve)-No. 10-32	350850-AS2	4
50	OH	Screw (flat head self tapping)-No. 14-10 x 1-1/4"	32826-S2	4
50	OH	Screw (flat head machine)-1/4"-20 x 1"	24697-S2	2
50	OH	Washer (countersunk)-9/32"	351304-S2	10
Group 45800 BOARD ASSEMBLY (LUGGAGE COMPARTMENT TIRE BOARD)				
50	OH	25-43/64" x 30-7/32"-Secure Locally	8H 7345800	1
50	OH	Screw (flat head machine)-No. 10-32 x 7/8"	25223-S2	4
50	OH	Washer (flat)-No. 10	44713-S8	4
Group 45816 ANTI SQUEAK (LUGGAGE COMPARTMENT BOARD FRONT)				
50	OH	30-1/2" long-replaced by M-17771-A	8H 7345816	1
Group 45834 HINGE (LUGGAGE COMPARTMENT SHELF ASSEMBLY)				
50	OH		06H 7345834	2
Group 45842 HOOK ASSEMBLY (LUGGAGE COMPARTMENT SHELF BOARD)				
50	OH	Gray Strap	8H 7345842	1
50	OH	Tan Strap	OH 7245842	1
50	OH	Screw (oval head self tap)-No. 10-12 x 5/8"	32996-S13	1

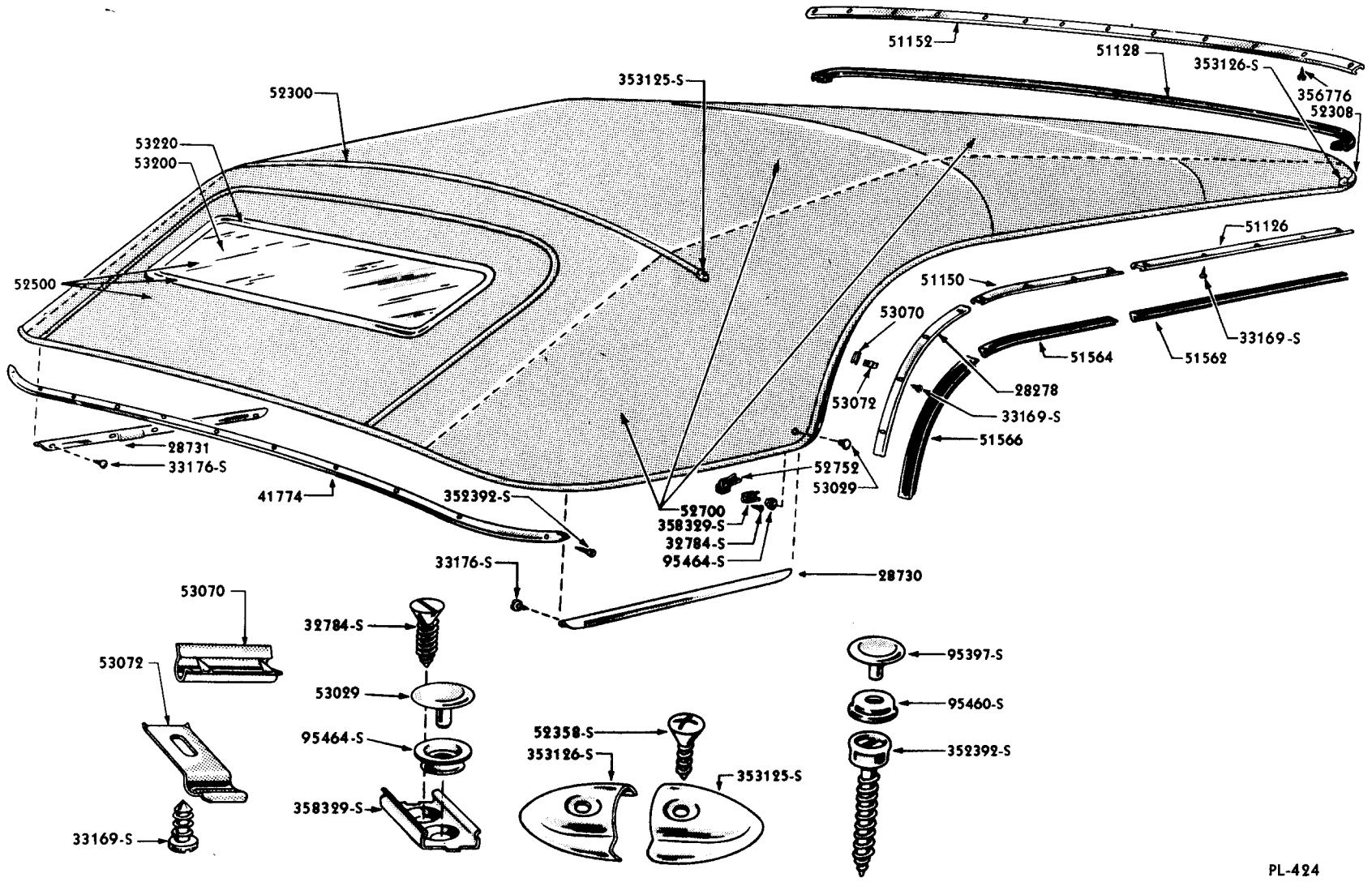
Lincoln and Lincoln Cosmopolitan

BODY PARTS CATALOGUE

YEAR 19	BODY TYPES	REMARKS	PART NUMBER	NO. REQ'D
Group 45852 SUPPORT ASSEMBLY (LUGGAGE COMPARTMENT BOARD FRONT)				
50	OH	Overall length approximately 5-7/8"	7EH 7345852	2
50	OH	Screw (pan head self tap)-No. 14-10 x 5/8"	31478-S7	4
50	OH	Washer (countersunk)-9/32"	351304-S2	2
Group 45860 MOULDING (LUGGAGE COMPARTMENT SHELF)-FRONT				
50	OH	11" long	OH 7345860	2
Group 45862 MOULDING (LUGGAGE COMPARTMENT SHELF)-CENTER				
50	OH	30-13/64" across open ends	OH 7345862	1
Group 45864 ANTI SQUEAK (FRONT LOWER LUGGAGE COMPARTMENT BOARD SUPPORT)				
50	OH		8H 7345864	2
Group 45866 ANTI SQUEAK (FRONT SEAT SUPPORT BLOCK)				
50	OH		8H 7345866	4
Group 46506 PANEL ASSEMBLY (PACKAGE TRAY)				
50	OL		OL 7246506	1
50	OH except 76		OH 7246506	1
50	OL	Washer (flat)-No. 10	44713-S8	2
Group 46521 STRAINER ASSEMBLY (PACKAGE TRAY SUPPORT TO FLOOR SIDE MEMBER)				
50	OL72		OM 7246521	2
Group 46568-9 STRAINER (QUARTER WINDOW TO PACKAGE TRAY)				
50	OL72-72C	R.H.	8M 7246568	1
50	OL72-72C	L.H.	8M 7246569	1
Group 46574-5 STRAINER ASSEMBLY (PACKAGE TRAY TO FLOOR)				
50	OL	R.H.	8M 7246574	1
50	OL	L.H.	8M 7246575	1
Group 46610-1 STRAINER (PACKAGE TRAY TO FLOOR)				
50	OH except 76	R.H.	7EH 7346610	1
50	OH except 76	L.H.	7EH 7346611	1
Group 46612-3 BRACKET (PACKAGE TRAY TO FLOOR PAN STRAINER)				
50	OH except 76	R.H.	8H 7246612	1
50	OH except 76	L.H.	8H 7246613	1
Group 46656 CARDBOARD (PACKAGE TRAY TRIM)				
50	OL except 72C	Gray	OL 7246656-AC	1
50	OL except 72C	Green	OL 7246656-AA	1
50	OL except 72C	Tan-use with cloth trim	OL 7246656-AB	1
50	OL except 72C	Tan-use with leather trim	OM 7246656-AC	1

Lincoln and Lincoln Cosmopolitan

BODY PARTS CATALOGUE



LINCOLN COSMOPOLITAN SIX PASSENGER CONVERTIBLE COUPE TOP EXTERIOR VIEW (BODY TYPE 76)

Group numbers only shown on illustration. Order by Part Numbers shown in list of parts.

PL-424

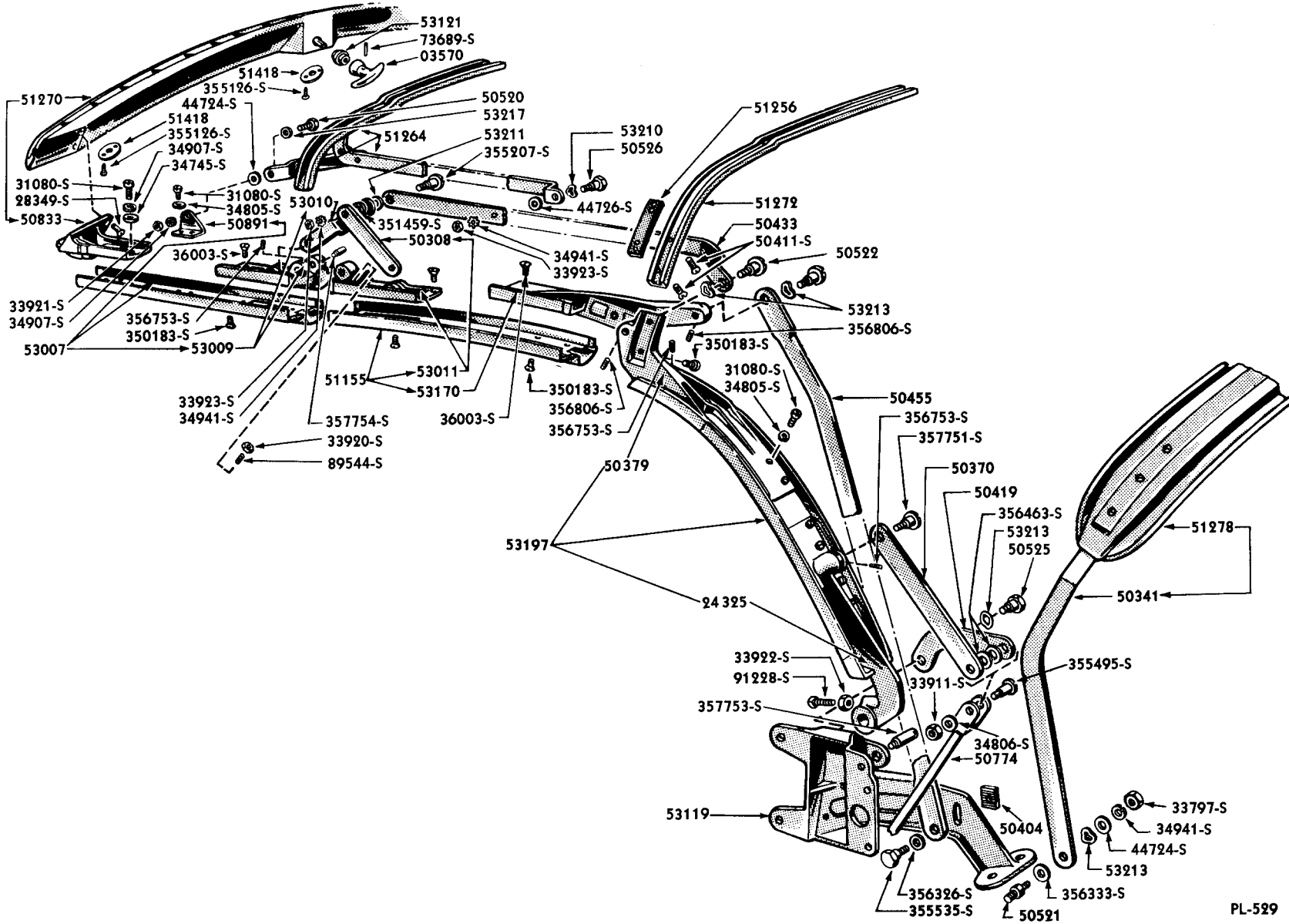
Lincoln and Lincoln Cosmopolitan

BODY PARTS CATALOGUE

YEAR IS	BODY TYPES	REMARKS	PART NUMBER	NO. REQ'D
Group 46668 PANEL ASSEMBLY (PACKAGE TRAY)-TRIMMED				
50	OL72-74	Gray Cardboard	OL 7246668-AC	1
50	OL72-74	Green Cardboard	OL 7246668-AA	1
50	OL72-74	Tan Cardboard-use with cloth trim	OL 7246668-AB	1
50	OL72-74	Tan Cardboard-use with leather trim	OM 7246668-AC	1
50	OL72C	Cardboard-covered with (M-19114-A) Light Gray Outside Convertible Top Material	OL 7246668-AE	1
50	OL72C	Cardboard-covered with (M-19114-C) Green Outside Convertible Top Material	OL 7246668-AG	1
50	OL72C	Cardboard-covered with (M-19114-B) Light Tan Outside Convertible Top Material	OL 7246668-AH	1
50	OH72-74	Gray Cardboard	OH 7246668-C	1
50	OH72-74	Light Green Cardboard	OH 7246668-A	1
50	OH72-74	Light Tan Cardboard-use with cloth trim	OH 7246668-B	1
50	OH72-74	Tan Cardboard-use with leather trim	OH 7246668-D	1
50	OH72C	Cardboard-covered with (M-19114-A) Light Gray Outside Convertible Top Material	OH 7246668-AAC	1
50	OH72C	Cardboard-covered with (M-19114-B) Light Tan Outside Convertible Top Material	OH 7246668-AAB	1
Group 47070 BRACKET ASSEMBLY (LUGGAGE COMPARTMENT SPARE WHEEL MOUNTING)				
50	OL		OL 7247070	1
Group 47074 CLAMP (SPARE WHEEL)				
50	OH	With notched end	OH 7347074-B	1
50	OH	Bolt (hex head)-1/2" x 2-7/8"	350815-S7	1
Group 50100 TOP ASSEMBLY-COMPLETE-TRIMMED-INCLUDING BACK CURTAIN				
50	OH76	Black-with Black Binding	OH 7650100-AA	1
50	OH76	Black-with Red Binding	OH 7650100-AE	1
50	OH76	Blue Gray-with Blue Gray Binding	OH 7650100-AD	1
50	OH76	Gray Tan-with Gray Tan Binding	OH 7650100-AB	1
50	OH76	Green-with Black Binding	OH 7650100-AF	1
50	OH76	Green-with Green Binding	OH 7650100-AC	1
50	OH76	Screw (drive)-No. 6 x 1/2"	351629-S28 A2B	as req'd
Group 50200 PANEL ASSEMBLY (ROOF)				
50	OL72-72C		OM 7250200	1
50	OL74		OM 7450200	1
50	OH except 76		OH 7250200-B	1
Group 50242 REINFORCEMENT (ROOF PANEL TO INSTRUMENT PANEL BRACE)				
50	OH		OH 7250242	1
50	OL		OL 7250242	1
Group 50308 LINK (FOLDING TOP SIDE RAIL CONTROL)-REAR				
50	OH76		OH 7650308	2

Lincoln and Lincoln Cosmopolitan

BODY PARTS CATALOGUE



PL-529

LINCOLN COSMOPOLITAN SIX PASSENGER CONVERTIBLE COUPE TOP-LESS TRIM (BODY TYPE 76)

Group numbers only shown on illustration. Order by Part Numbers shown in list of parts.

Lincoln and Lincoln Cosmopolitan

BODY PARTS CATALOGUE

YEAR 19	BODY TYPES	REMARKS	PART NUMBER	NO. REQ'D
Group 50310 LINK (FOLDING TOP SIDE RAIL CONTROL)-FRONT				
50	OH76		8H 7650310	2
Group 50340-1 SLAT IRON (FOLDING TOP REAR BOW)				
50	OH76	R.H.	OH 7650340	1
50	OH76	L.H.	OH 7650341	1
50	OH76	Nut (hex check)-3/8"-16	33924-S7	2
50	OH76	Screw (round head)-No. 12-24 x 3/8"	26469-S7	6
50	OH76	Washer (flat)-25/64" I.D. x 1-1/8" O.D. x 7/64" thick	356326-S7	2
Group 50370 LINK (FOLDING TOP POWER)-UPPER				
50	OH76		8H 7650370	2
50	OH76	Screw (socket head set)	356753-S8	2
50	OH76	Stud (special slotted head)-3/8"-16	357751-S2	2
Group 50378-9 BRACKET (FOLDING TOP UPPER QUARTER PILLER)				
50	OH76	R.H.	8H 7650378	1
50	OH76	L.H.	8H 7650379	1
50	OH76	Lockwasher-1/4"	34805-S2	as req'd
50	OH76	Screw (fillister head)-1/4"-20 x 5/8"	31080-S7	as req'd
Group 50404 NUT (BALANCE LINK TO BODY BRACKET)				
50	OH76	Serrated	8H 7650404	2
Group 50418-9 LINK (FOLDING TOP POWER)-LOWER				
50	OH76	R.H.	8H 7650418	1
50	OH76	L.H.	8H 7650419	1
50	OH76	Bolt (hex head shoulder)-3/8"-16 x 19/64"	352390-S13	2
50	OH76	Bolt (special shoulder)-3/8"-16 x 1"	8M 7650525	2
50	OH76	Nut (hex)-3/8"-16	33924-S8	2
50	OH76	Washer (flat)-1/2" I.D. x 7/8" O.D. x 1/32" thick	351459-S2	2
50	OH76	Washer (lock external tooth)-3/8"	34807-S2	2
50	OH76	Washer (spring-three wave)-33/64" I.D. x 13/16" O.D.	8M 7653213	2
Group 50432-3 LINK (FOLDING TOP NO. 1)				
50	OH76	R.H.	8H 7650432	1
50	OH76	L.H.	8H 7650433	1
50	OH76	Screw (oval head shoulder)-3/8"-16 x 59/64"	8M 7650522	2
50	OH76	Screw (socket head set)	356806-S8	2
50	OH76	Washer (spring-three wave)-29/64" I.D. x 3/4" O.D.	8M 7653211	2
50	OH76	Washer (spring-three wave)-33/64" I.D. x 13/16" O.D.	8M 7653213	2
Group 50454-5 LINK (FOLDING TOP BALANCE)				
50	OH76	R.H.	8H 7650454-A	1
50	OH76	L.H.	8H 7650455-A	1
50	OH76	Bolt (hex head shoulder)-3/8"-24 x 1-1/4"	352271-S8	2
50	OH76	Bolt (hex head shoulder)-3/8"-24 x 61/64"	355535-S7	2
50	OH76	Screw (oval head shoulder)-3/8"-16 x 59/64"	8M 7650522	2
50	OH76	Screw (socket head set)	356806-S8	2
50	OH76	Washer (flat)-25/64" I.D. x 1-1/8" O.D. x 7/64" thick	356326-S7	2
50	OH76	Washer (spring-three wave)-33/64" I.D. x 13/16" O.D.	8M 7653213	2

Lincoln and Lincoln Cosmopolitan

BODY PARTS CATALOGUE

YEAR 19__	BODY TYPES	REMARKS	PART NUMBER	NO. REQ'D
Group 50520 BOLT (NO. 2 BOW AND LINK TO NO. 1 BOW AND SIDE RAIL)				
50	OH76	Special shoulder-1/4"-28 x 51/64"	8M 7650520	2
Group 50521 STUD (REAR BOW TO SUPPORT ASSEMBLY REAR BOW TO WHEELHOUSE)				
50	OH76	Special shoulder-5/16"-18 and 3/8"-16 x 1-3/16"	8H 7650521	2
Group 50522 SCREW (NO. 1 LINK TO PILLAR AND REAR RAIL)				
50	OH76	Oval head shoulder-3/8"-16 x 59/64"	8M 7650522	2
Group 50522 SCREW (BALANCE LINK TO PILLAR AND REAR RAIL)				
50	OH76	Oval head shoulder-3/8"-16 x 59/64"	8M 7650522	2
Group 50525 BOLT (LOWER POWER LINK TO MOUNTING BRACKET)				
50	OH76	Special shoulder-3/8"-16 x 1"	8M 7650525	2
Group 50526 BOLT (NO. 2 BOW TO NO. 1 LINK)				
50	OH76	Special shoulder-5/16"-24 x 13/16"	8M 7650526	2
Group 50570 CONTROL ROD ASSEMBLY (TOP)				
50	OH76	Without chamfer on end of shaft	OH 7650570-A	1
50	OH76	With chamfer on end of shaft	OH 7650570-B	1
50	OH76	Grommet (rubber)	356632-S	1
50	OH76	Screw (round head machine)-No. 10-32 x 1/4"	36784-S7	1
Group 50577 KNOB ASSEMBLY (TOP CONTROL)				
50	OH76		OH 7650577	1
Group 50580 BRACKET (TOP CONTROL ROD)				
50	OH76	13/64" Rod hole	OH 7650580-A	1
50	OH76	1/2" Rod hole	OH 7650580-B	1
Group 50588 BUSHING (TOP CONTROL ROD)				
50	OH76	Felt-11/64" I.D. x 21/64" O.D. x 7/16" long	OM 7650588	1
Group 50589 RETAINER (TOP CONTROL ROD BUSHING)				
50	OH76	Chrome Finish-shoulder-1/4" I.D. x 5/8" O.D.	OM 7650589	1
Group 50598 CYLINDER AND YOKE ASSEMBLY (HYDRAULIC TOP LIFT)				
50	OH76		8H 7650598	2
Group 50599 CYLINDER (HYDRAULIC TOP OPERATING)-LESS YOKE				
50	OH76		8H 7650599	2
Group 50606 SPACER (TOP OPERATING CYLINDER TO FLOOR BRACKET)				
50	OH76	Rubber	96H 7650606	4

Lincoln and Lincoln Cosmopolitan

BODY PARTS CATALOGUE

YEAR 19	BODY TYPES	REMARKS	PART NUMBER	NO. REQ'D
Group 50738 VALVE ASSEMBLY (TOP OPERATING CONTROL)				
50	OH76		5EH 7650738	1
50	OH76	Connector (inverted male)-1/2"-20 female thread and 1/8"-27 male thread for 5/16" tube	353002-S	2
50	OH76	Lockwasher (external tooth)-No. 6	34937-S7	1
50	OH76	Lockwasher-No. 12	34804-S2	2or4
50	OH76	Screw (round head machine)-No. 12-24 x 3/8"	26469-S7	3
Group 50764 BRACKET (TOP HYDRAULIC CYLINDER TO FLOOR)				
50	OH76	R.H.	8H 7650764	1
50	OH76	L.H.	8H 7650765	1
50	OH76	Bolt (hex head)-5/16"-24 x 1"	24387-S8	6
50	OH76	Lockwasher-5/16"	34806-S2	6
Group 50774 YOKE (TOP OPERATING CYLINDER)				
50	OH76		8H 7650774	2
50	OH76	Bolt (fillister head shoulder)-3/8"-24 x 1-27/64"	355495-S13	2
50	OH76	Nut (hex head)-3/8"-24	33925-S7	2
50	OH76	Lockwasher-5/16"	34806-S2	2
Group 50832-3 BRACKET (TOP SLAT IRON SIDE RAIL TO HEADER)				
50	OH76	R.H.	8H 7650832	1
50	OH76	L.H.	8H 7650833	1
50	OH76	Screw (flat head machine)-1/4"-20 x 5/8"	24649-S13	4
50	OH76	Screw (oval head)-1/4"-20 x 5/8"	28349-S13	8
Group 50890-1 BRACKET (NO. 2 BOW CONNECTING LINK TO FRONT SIDE RAIL)				
50	OH76	R.H.	8H 7650890	1
50	OH76	L.H.	8H 7650891	1
50	OH76	Screw (fillister head)-1/4"-20 x 5/8"	31080-S7	4
50	OH76	Lockwasher-1/4"	34805-S2	4
Group 50952-3 STRIP (ROOF HEADLINING RETAINING)				
50	OL72-72C	R.H.	8M 7050952	1
50	OL72-72C	L.H.	8M 7050953	1
50	OL72-72C	Screw (cross recessed pan head self tap)-No. 8-15 x 3/8"	52720-S8	8
Group 50952-3 STRIP (ROOF HEADLINING RETAINING)-FRONT				
50	OL74	R.H.	8M 7350952	1
50	OL74	L.H.	8M 7350953	1
50	OL74	Screw (cross recessed pan head self tap)-No. 8-15 x 3/8"	52720-S8	8
Group 50954-5 STRIP (ROOF HEADLINING RETAINER)-CENTER				
50	OL74	R.H.	OM 7450954	1
50	OL74	L.H.	OM 7450955	1
50	OL74	Screw (cross recessed pan head self tap)-No. 8-15 x 3/8"	52720-S8	4
Group 50956-7 STRIP (ROOF HEADLINING RETAINING)-REAR				
50	OL74	R.H.	8M 7450956	1
50	OL74	L.H.	8M 7450957	1
50	OL74	Screw (cross recessed pan head self tap)-No. 8-15 x 3/8"	52720-S8	26

Lincoln and Lincoln Cosmopolitan

BODY PARTS CATALOGUE

YEAR 19	BODY TYPES	REMARKS	PART NUMBER	NO. REQ'D
Group 51126-7 RETAINER (FRONT SIDE RAIL WINDOW SEAL)				
50	OH76	R.H.	8H 7651126	1
50	OH76	L.H.	8H 7651127	1
50	OH76	Screw (pan head self tap)-No. 8-18 x 1/4"	33169-S7	10
Group 51128 WEATHERSTRIP (FOLDING TOP BOW NO. 1)				
50	OH76	60" long	8H 7651128	1
Group 51142-3 RAIL ASSEMBLY (ROOF SIDE)				
50	OL74	R.H.	8M 7451142-B	1
50	OL74	L.H.	8M 7451143-B	1
Group 51144-5 REINFORCEMENT AND PLATE ASSY (ROOF SIDE RAIL)				
50	OL74	R.H.	8L 7451144	1
50	OL74	L.H.	8L 7451145	1
Group 51150-1 RETAINER (CENTER SIDE RAIL WINDOW SEAL)				
50	OH76	R.H.	8H 7651150	1
50	OH76	L.H.	8H 7651151	1
50	OH76	Screw (pan head self tap)-No. 8-18 x 1/4"	33169-S7	8
Group 51152 RETAINER (FOLDING TOP HEADER BOW WEATHERSTRIP)				
50	OH76		8H 7651152	1
50	OH76	Screw (cross recessed pan head self tap)-No. 6-18 x 1/4"	52713-S8	13
Group 51154-5 SIDE RAIL ASSEMBLY (FOLDING TOP)-REAR-COMplete				
50	OH76	R.H.	8H 7651154	1
50	OH76	L.H.	8H 7651155	1
50	OH76	Screw (special flat head)-No. 10-24 x 3/8"	350183-S7	16
Group 51184-5 RAIL (ROOF SIDE)				
50	OL72-72C	R.H.	7A 7251184	1
50	OL72-72C	L.H.	7A 7251185	1
50	OH72-72C	R.H.	8H 7251184	1
50	OH72-72C	L.H.	8H 7251185	1
50	OH74	R.H.	8H 7351184	1
50	OH74	L.H.	8H 7351185	1
Group 51196-7 REINFORCEMENT (ROOF SIDE RAIL)				
50	OL72-72C	R.H.	7A 7051196	1
50	OL72-72C	L.H.	7A 7051197	1
50	OL74	R.H.	8M 7451196	1
50	OL74	L.H.	8M 7451197	1
50	OH72-72C	R.H.	8H 7251196-B	1
50	OH72-72C	L.H.	8H 7251197-B	1
50	OH74	R.H.	8H 7451196-B	1
50	OH74	L.H.	8H 7451197-B	1

Lincoln and Lincoln Cosmopolitan

BODY PARTS CATALOGUE

YEAR 19	BODY TYPES	REMARKS	PART NUMBER	NO. REQ'D
Group 51214-5 RAIL (ROOF SIDE)-REAR HALF				
50	OH72-72C	R.H.	8H 7251214-0	1
50	OH72-72C	L.H.	8H 7251215-0	1
50	OH74	R.H.	8H 7451214-0	1
50	OH74	L.H.	8H 7451215-0	1
Group 51256 PLATE (FOLDING TOP TAPPING)-NO. 3 BOW				
50	OH76		8H 7651256	2
50	OH76	Bolt (cross recessed oval head)-1/4"-20 x 5/8"	50411-S13	4
Group 51264 BOW AND LINKS ASSEMBLY (FOLDING TOP)-NO. 2				
50	OH76		8H 7651264	1
50	OH76	Bolt (special shoulder)-1/4"-28 x 51/64"	8M 7650520	2
50	OH76	Bolt (special shoulder)-5/16"-24 x 13/16"	8M 7650526	2
50	OH76	Lockwasher (external tooth)-1/4"	34940-S2	2
50	OH76	Lockwasher (external tooth)-1/4"	34941-S7	4
50	OH76	Nut (hex)-1/4"-28	33921-S13	2
50	OH76	Nut (hex)-5/16"-24	33923-S13	2
50	OH76	Washer (flat)-5/16"	34746-S13	2
50	OH76	Washer (flat)-3/8"	34747-S8	2
50	OH76	Washer (flat)-1/2"	351459-S8	2
50	OH76	Washer (spring-three wave)-25/64" I.D. x 5/8" O.D.	8M 7653210	2
50	OH76	Washer (spring-three wave)-21/64" I.D. x 9/16" O.D.	8M 7653217	2
Group 51267 CLAMP (FOLDING TOP QUARTER PAD TO NO. 3 BOW)				
50	OH76		8M 7651267	2
50	OH76	Screw (pan head machine)-No. 10-32 x 1/4"	39012-S7	4
Group 51269 BOW AND DOME LAMP BRACKET ASSEMBLY (ROOF)-NO. 1				
50	OH72-72C		8H 7251269	1
50	OH74		8H 7351269	1
Group 51270 HEADER ASSEMBLY (FOLDING TOP NO. 1 BOW)				
50	OH76		8H 7651270	1
50	OH76	Screw (fillister head)-1/4"-20 x 5/8"-header assy to front side rail	31080-S7	6
Group 51272 BOW (FOLDING TOP)-NO. 3				
50	OH76		8H 7651272	1
Group 51278 BOW ASSEMBLY (FOLDING TOP)-REAR				
50	OH76		OH 7651278	1
50	OH76	Lockwasher (external tooth)-5/16"	34941-S7	2
50	OH76	Nut (jam hex)-5/16"-18	33922-S2	2
50	OH76	Stud (shoulder)-5/16"-18 and 3/8"-16 x 1-3/16"	8H 7650521	2
50	OH76	Washer (flat)-25/64" I.D. x 1-1/8" O.D. x 7/64" thick	356326-S	2
50	OH76	Washer (spring-three wave)-33/64" I.D. x 13/16" O.D.	8M 7653213	2
50	OH76	Washer (flat)-5/16"	44726-S8	2

Lincoln and Lincoln Cosmopolitan

BODY PARTS CATALOGUE

YEAR 19__	BODY TYPES	REMARKS	PART NUMBER	NO. REQ'D
Group 51330 WEATHERSTRIP (FOLDING TOP)-FRONT BOW				
50	OH76	Black-60" long	8H 7651330-A	1
50	OH76	Blue Gray-60" long	8H 7651330-D	1
50	OH76	Gray-60" long	8H 7651330-B	1
50	OH76	Green-60" long	8H 7651330-C	1
Group 51418 PLATE (FOLDING TOP NO. 1 BOW PROTECTOR)				
50	OH76		8H 7651418	1
50	OH76	Screw (oval head)-No. 10-24 x 3/8"	355126-88	6
Group 51422 ANTI RATTLE (FOLDING TOP NO. 1 BOW LOCKING ROD)				
50	OH76		8H 7651422	2
Group 51486 SUPPORT AND BRACKET ASSEMBLY (DOME LAMP MOUNTING)				
50	OL72		8L 7051486	1
50	OL74		8L 7351486	1
Group 51562-3 WEATHERSTRIP (FOLDING TOP SIDE ROOF RAIL)-FRONT				
50	OH76	R.H.-27-3/16" long	8H 7651562	1
50	OH76	L.H.-27-3/16" long	8H 7651563	1
Group 51564 WEATHERSTRIP (FOLDING TOP SIDE ROOF RAIL)-CENTER				
50	OH76	18-1/8" long	8H 7651564	2
Group 51566-7 WEATHERSTRIP (FOLDING TOP SIDE ROOF RAIL)-REAR				
50	OH76	R.H.-17-1/2" long	8H 7651566	1
50	OH76	L.H.-17-1/2" long	8H 7651567	1
Group 51700-1 MOULDING (ROOF DRIP)				
50	OL72-72C	R.H.	8M 7251700	1
50	OL72-72C	L.H.	8M 7251701	1
50	OL74	R.H.	8M 7451700	1
50	OL74	L.H.	8M 7451701	1
50	OH72-72C-74	R.H.	7EH 7251700	1
50	OH72-72C-74	L.H.	7EH 7251701	1
Group 51726-7 MOULDING (ROOF DRIP SIDE FINISH)				
50	OL72C	R.H.-Chrome Finish-overall length approximately 80"	OM 7251726	1
50	OL72C	L.H.-Chrome Finish-overall length approximately 80"	OM 7251727	1
50	OH72C	R.H.-Chrome Finish-overall length approximately 87"	OH 7251726	1
50	OH72C	L.H.-Chrome Finish-overall length approximately 87"	OH 7251727	1
Group 51734-5 MOULDING (ROOF PANEL FINISH)				
50	OL72C	Rear	OM 7251734	1
50	OH except 76	R.H.-rear	8H 7251734-B	1
50	OH except 76	L.H.-rear	8H 7251735-B	1
50	OH except 76	Clip (moulding)	358177-S3	2

Lincoln and Lincoln Cosmopolitan

BODY PARTS CATALOGUE

YEAR 19__	BODY TYPES	REMARKS	PART NUMBER	NO. REQ'D
Group 51736 CLIP (ROOF PANEL MOULDING)-REAR				
50	OH except 76	1-1/2" long	8H 7251736-B	1
Group 51750-1 CAP (ROOF DRIP SIDE FINISH MOULDING)-END				
50	OL72C	R.H.-Chrome Finish	OM 7251750	1
50	OL72C	L.H.-Chrome Finish	OM 7251751	1
Group 51758 RETAINER (ROOF PANEL FINISH MOULDING)-SIDE				
50	OH except 76	4-11/16" long	8H 7251758	2
50	OH except 76	Screw (cross recessed pan head self tap.)-No. 6-18" x 1/2"	356795-S8	4
Group 51759 RETAINER (ROOF PANEL FINISH MOULDING)-CORNER				
50	OH except 76	3/4" long	8H 7251759	4
50	OH except 76	Screw (cross recessed pan head self tap.)-No. 6-18" x 1/2"	356795-S8	4
Group 51760 RETAINER (ROOF PANEL FINISH MOULDING)-REAR				
50	OL72C	Overall length approximately 60-55/64"	OM 7251760	1
Group 51760 RETAINER (ROOF PANEL FINISH MOULDING)-CENTER				
50	OH except 76	36" long	8H 7251760	1
50	OH except 76	Screw (cross recessed pan head self tap.)-No. 6-18 x 1/2"	356795-S8	10
Group 51916 HEADLINING ASSEMBLY (ROOF)				
50	OL72	M-19164-F Light Gray Headlining	8L 7251916-J	1
50	OL72	M-19164-D Light Green Headlining	8L 7251916-G	1
50	OL72	M-19164-E Light Tan Headlining	8L 7251916-H	1
50	OL72	Tan Artificial Leather Headlining	OL 7251916-AD	1
50	OL72C	M-19114-A Light Gray Outside Convertible Top Material	OL 7251916-AE	1
50	OL72C	M-19114-C Green Outside Convertible Top Material	OL 7251916-AG	1
50	OL72C	M-19114-B Light Tan Outside Convertible Top Material	OL 7251916-AH	1
50	OL74	M-19164-F Light Gray Headlining	8L 7451916-J	1
50	OL74	M-19164-D Light Green Headlining	8L 7451916-G	1
50	OL74	M-19164-E Light Tan Headlining	8L 7451916-H	1
50	OL74	Tan Artificial Leather Headlining	OL 7451916-AD	1
50	OH72	M-19163-H Light Gray Headlining	8H 7251916-N	1
50	OH72	M-19163-E Light Green Headlining	8H 7251916-L	1
50	OH72	M-19163-F Light Tan Headlining	8H 7251916-M	1
50	OH72	Tan Artificial Leather-use with Leather Trim	8H 7251916-P	1
50	OH72C	M-19114-A Light Gray Outside Convertible Top Material	OH 7251916-AAC	1
50	OH72C	M-19114-B Light Tan Outside Convertible Top Material	OH 7251916-AAB	1
50	OH74	M-19163-H Light Gray Headlining	8H 7451916-N	1
50	OH74	M-19163-E Light Green Headlining	8H 7451916-L	1
50	OH74	M-19163-F Light Tan Headlining	8H 7451916-M	1
50	OH74	Tan Artificial Leather-use with Leather Trim	8H 7451916-P	1
50	OH except 76	Screw (pan head)-No. 10-12" x 1/2"	32924-S2	12
50	OH except 76	Screw (drive-combination)-No. 4 x 3/8"	351580-S28-A1	18
50	OL	Screw (cross recessed pan hd self tap)-No. 8-15" x 1"	52754-S8	4

Lincoln and Lincoln Cosmopolitan

BODY PARTS CATALOGUE

YEAR 19	BODY TYPES	REMARKS	PART NUMBER	NO. REQ'D
Group 51966 COVER (PACKAGE TRAY TO REAR WINDOW)				
50	OH except 76	M-19163-H Light Gray Headlining	8H 7251966-H	1
50	OH except 76	M-19163-E Light Green Headlining	8H 7251966-F	1
50	OH except 76	M-19163-F Light Tan Headlining	8H 7251966-G	1
50	OH except 76	Tan Artificial Leather-use with Leather Trim	8H 7251966-E	1
50	OH72C	M-19114-B Light Tan Outside Convertible Top Material	OH 7251966-AAB	1
50	OH72C	M-19114-A Light Gray Outside Convertible Top Material	OH 7251966-AAC	1
Group 52101-6 SUPPORT (ROOF HEADLINING)				
50	OL	No. 1-overall length-50-23/32"	7A 7052101	1
50	OL72-72C	No. 2-overall length-52-17/64"	7A 7052102	1
50	OL72-72C	No. 3-overall length-53-41/64"	8M 7052103	1
50	OL72-72C	No. 4-overall length-53-13/16"	OM 7252104	1
50	OL72-72C	No. 5-overall length-54-7/16"	OM 7252105	1
50	OL74	No. 2-overall length-52-15/16"	8M 7352102	1
50	OL74	No. 3-overall length-53"	7A 7352103	1
50	OL74	No. 4-overall length-54-21/32"	OM 7452104	1
50	OL74	No. 5-overall length-56-7/8"	OM 7452105	1
50	OH except 76	No. 1-overall length-51-17/64"	8H 7352101-B	1
50	OH except 76	No. 2-overall length-51-35/64"	8H 7352102-B	1
50	OH except 76	No. 3-overall length-51-21/32"	8H 7352103-B	1
50	OH except 76	No. 4-overall length-51-3/8"	8H 7252104	1
50	OH except 76	No. 5-overall length-51-21/64"	8H 7252105	1
50	OH except 76	No. 6-overall length-52"	8H 7252106-B	1
Group 52170-1 EXTENSION (ROOF HEADLINING RETAINER STRIP)-REAR				
50	OL74	R.H.	8M 7452170-B	1
50	OL74	L.H.	8M 7452171-B	1
Group 52300 BINDING (REAR ROOF BOW)-FOLDING TOP				
50	OH76	Black-58" long-use M-19046-A for service	8H 7652300-A	1
50	OH76	Blue Gray-58" long-use M-19046-D for service	8H 7652300-D	1
50	OH76	Cherry Red-58" long-use M-17108-W for service	OH 7652300	1
50	OH76	Gray Tan-58" long-use M-19046-B for service	8H 7652300-B	1
50	OH76	Green-58" long-use M-19046-C for service	8H 7652300-C	1
50	OH76	R.H.-End Tip	353126-S23A	1
50	OH76	L.H.-End Tip	353125-S23A	1
Group 52308 BINDING (HEADER BOW)-FOLDING TOP				
50	OH76	Black-60" long-use M-19046-A for service	8H 7652308-A	1
50	OH76	Blue Gray-60" long-use M-19046-D for service	8H 7652308-D	1
50	OH76	Cherry Red-58" long-use M-17108-W for service	OH 7652308	1
50	OH76	Gray Tan-60" long-use M-19046-B for service	8H 7652308-B	1
50	OH76	Green-60" long-use M-19046-C for service	8H 7652308-C	1
50	OH76	R.H.-End Tip	353126-S23A	1
50	OH76	L.H.-End Tip	353125-S23A	1

Lincoln and Lincoln Cosmopolitan

BODY PARTS CATALOGUE

YEAR 19	BODY TYPES	REMARKS	PART NUMBER	NO. REQ'D
Group 52320 BINDING (ROOF RAIL WIRE ON)				
50	OH72-74	Light Gray 104" long-use M-19044-H for service	8H 7252320-H	2
50	OH72-74	Light Green 104" long-use M-19044-E for service	8H 7252320-F	2
50	OH72-74	Light Tan 104" long-use M-19044-F for service	8H 7252320-G	2
50	OH72C	Gray-98" long-use M-19048-A for service	OH 7252320-AAC	1
50	OH72C	Tan-98". long-use M-19048-B for service	OH 7252320-AAB	1
Group 52500 CURTAIN ASSEMBLY (FOLDING TOP BACK)				
50	OH76	Black	OH 7652500-AA	1
50	OH76	Blue Gray	OH 7652500-AD	1
50	OH76	Gray Tan	OH 7652500-AB	1
50	OH76	Green	OH 7652500-AC	1
Group 52700 TOP DECK AND QUARTER ASSEMBLY (FOLDING TOP)				
50	OH76	Black-with Black Binding	OH 7652700-AA	1
50	OH76	Black-with Red Binding	OH 7652700-AE	1
50	OH76	Blue Gray-with Blue Gray Binding	OH 7652700-AD	1
50	OH76	Gray Tan-with Gray Tan Binding	OH 7652700-AB	1
50	OH76	Green-with Black Binding	OH 7652700-AF	1
50	OH76	Green-with Green Binding	OH 7652700-AC	1
50	OH76	Button (fastener)-5/32" x 5/16"	8H 7653029	4
50	OH76	Fastener (automatic curtain)-Top to Pillar Rail	358329-S13	2
50	OH76	Stud (clinch)-25/64" x 35/64"	95464-S6	2
50	OH76	Screw (cross recessed pan hd self tapping)-No. 6-18 x 1/4"	52713-S8	2
50	OH76	Screw (flat head self tapping)-No. 6-18 x 3/8"	32784-S13	4
50	OH76	Washer (flat)-No. 5	44706-S8	2
Group 52752-3 WEATHERSEAL (FOLDING TOP QUARTER PANEL TO HINGE PILLAR)				
50	OH76	R.H.-Rubber	OH 7652752	1
50	OH76	L.H.-Rubber	OH 7652753	1
Group 52992-3 SUPPORT ASSEMBLY (REAR BOW TO WHEELHOUSE)				
50	OH76	R.H.	8H 7652992	1
50	OH76	L.H.	8H 7652993	1
Group 53000 TOP ASSEMBLY (FOLDING)-LESS TRIM				
50	OH76		8H 7653000	1
Group 53006-7 SIDE RAIL ASSEMBLY (FOLDING TOP)-FRONT				
50	OH76	R.H.	8H 7653006	1
50	OH76	L.H.	8H 7653007	1
50	OH76	Lockwasher (external tooth)-1/4"	34940-S2	6
50	OH76	Screw (fillister head)-1/4"-20 x 5/8"	31080-S7	6
50	OH76	Screw (socket head set)-No. 10-24 x 3/8"	356753-S8	2
50	OH76	Screw (special flat head)-No. 10-24 x 3/8"	350183-S7	16
50	OH76	Washer (flat)-1/4"	44719-S8	6
Group 53008-9 HINGE AND LINK ASSEMBLY (FOLDING TOP FRONT SIDE RAIL)				
50	OH76	R.H.	8H 7653008	1
50	OH76	L.H.	8H 7653009	1
50	OH76	Lockwasher (external tooth countersunk)-No. 14	34954-S7	4
50	OH76	Screw (flat head)-1/4"-28 x 1/2"	36003-S8	4

Lincoln and Lincoln Cosmopolitan

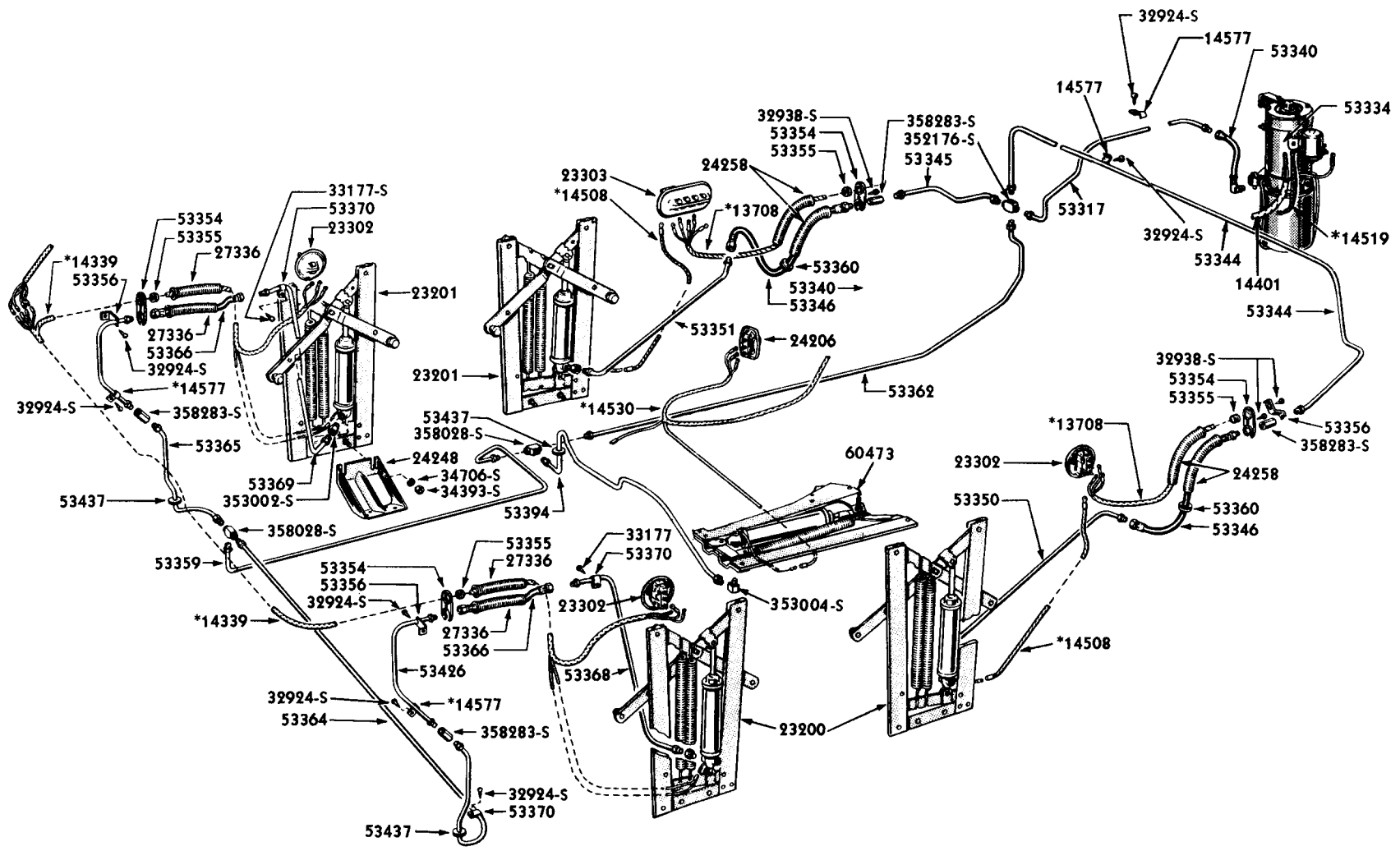
BODY PARTS CATALOGUE

YEAR 19	BODY TYPES	REMARKS	PART NUMBER	NO. REQ'D
Group 53010-1 HINGE AND LINK ASSEMBLY (FOLDING TOP REAR SIDE RAIL)-FRONT				
50	OH76	R.H.	8H 7653010	1
50	OH76	L.H.	8H 7653011	1
50	OH76	Lockwasher (external tooth countersunk)-No. 14	34954-S7	4
50	OH76	Screw (flat head)-1/4"-28 x 1/2"	36003-S8	4
Group 53029 FASTENER (BUTTON)-FOLDING TOP				
50	OH76	5/32" x 5/16"	8H 7653029	4
Group 53070 SLEEVE (TOP DECK WELT)				
50	OH76	Rustless Steel-1" long	8M 7653070	14
Group 53072 RETAINER (TOP DECK WELT SLEEVE)				
50	OH76	Chrome Finish-1/2" x 1-13/64" with 5/32" x 13/32" slot	8M 7653072	14
Group 53118-9 BRACKET (TOP MOUNTING)				
50	OH76	R.H.	8H 7653118	1
50	OH76	L.H.	8H 7653119	1
50	OH76	Lockwasher (external tooth countersunk)-3/8"	34957-S7	4
50	OH76	Screw (flat head machine)-3/8"-16 x 7/8"-mounting bracket to top joint lower bracket support front	36072-S8	4
50	OH76	Screw (flat head machine)-3/8"-16 x 7/8"-bracket to panel assy quarter window regulator	36072-S8	2
50	OH76	Screw and lockwasher assy (hex head)-1/4"-20 x 3/4"-mounting bracket to top joint lower bracket support rear	42906-S8	4
50	OH76	Screw and lockwasher assy (hex head)-5/16"-18 x 3/4"-mounting bracket to window regulator panel	42759-S8	4
50	OH76	Screw and lockwasher assy (hex head)-3/8"-24-7/8"-mounting bracket to wheelhouse	42783-S8	4
50	OH76	Washer (countersunk external tooth)-No. 10-mounting bracket to top joint lower bracket support front	34952-S2	4
Group 53121 BUSHING (FOLDING TOP LOCK HANDLE SHAFT)				
50	OH76	15/32" long	8H 7653121	1
Group 53132 SEAL (FOLDING TOP HINGE TO BODY AT BELT)				
50	OH76	Black Sponge Rubber-59/64" x 3/8"	OH 7653132	2
50	OH76	Screw (pan head self tapping)-No. 6-32 x 3/8"	51754-S8	4
Group 53165 STUD (SIDE RAIL CONTROL LINK TO HINGE)				
50	OH76	5/16"-18 x 13/16" long	8H 7653165	4
Group 53170-1 HINGE (FOLDING TOP REAR SIDE RAIL)-REAR				
50	OH76	R.H.	8H 7653170	1
50	OH76	L.H.	8H 7653171	1
50	OH76	Lockwasher-1/4"	34805-S2	4or6
50	OH76	Screw (fillister head)-1/4"-20 x 5/8"	31080-S8	4or6
50	OH76	Screw (special flat head)-No. 10-24 x 3/8"	350183-S7	8or12
50	OH76	Screw (special flat head)-No. 10-24 x 1/2"	36003-S8	4

Lincoln and Lincoln Cosmopolitan

BODY PARTS CATALOGUE

YEAR 19	BODY TYPES	REMARKS	PART NUMBER	NO. REQ'D
Group 53196-7 RAIL ASSEMBLY (FOLDING TOP PILLAR)				
50	OH76	R.H.	8H 7653196	1
50	OH76	L.H.	8H 7653197	1
50	OH76	Nut (hex)-5/16"-18	33922-S2	2
50	OH76	Screw (set)-5/16"-18 x 1/4"	91228-S8	2
50	OH76	Screw (socket head set)-No. 10-24 x 3/8"	356753-S8	2
50	OH76	Stud (special slotted head)-3/8"-16 x 1-23/64"	357753-S	2
Group 53200 GLASS (TOP BACK CURTAIN)				
50	OH76		8M 7653200	1
Group 53210 WASHER (NO. 2 BOW TO NO. 1 LINK)				
50	OH76	Spring-three wave-25/64" I.D. x 5/8" O.D.	8M 7653210	2
Group 53211 WASHER (NO. 1 LINK TO HINGE AND LINK ASSEMBLY)				
50	OH76	Spring-three wave-29/64" I.D. x 3/4" O.D.	8M 7653211	2
Group 53213 WASHER (LOWER POWER LINK TO BRACKET TOP MOUNTING)				
50	OH76	Spring-three wave-33/64" I.D. x 13/16" O.D.	8M 7653213	2
Group 53213 WASHER (NO. 1 LINK TO PILLAR RAIL)				
50	OH76	Spring-three wave-33/64" I.D. x 13/16" O.D.	8M 7653213	2
Group 53213 WASHER (BALANCE LINK TO PILLAR RAIL)				
50	OH76	Spring-three wave-33/64" I.D. x 13/16" O.D.	8M 7653213	2
Group 53213 WASHER (REAR BOW TO SUPPORT ASSEMBLY-REAR BOW TO WHEELHOUSE)				
50	OH76	Spring-three wave-33/64" I.D. x 13/16" O.D.	8M 7653213	2
Group 53217 WASHER (NO. 2 BOW TO BRACKET FRONT SIDE RAIL)				
50	OH76	Spring-three wave-21/64" I.D. x 9/16" O.D.	8M 7653217	2
Group 53220 FRAME ASSEMBLY (BACK CURTAIN GLASS)-OUTSIDE				
50	OH76		8M 7653220	1
Group 53224 FRAME (BACK CURTAIN GLASS)-INSIDE				
50	OH76		OH 7653224-B	1
50	OH76	Screw (special oval head)-No. 5-40 x 3/8"	350025-S13	14
Group 53250-1 ZIPPER ASSEMBLY (TOP BACK CURTAIN)				
50	OH76	R.H.	OH 7653250	1
50	OH76	L.H.	OH 7653251	1
50	OH76	Screw (pan head self tapping)-No. 10-12 x 3/8"	32917-S7	1

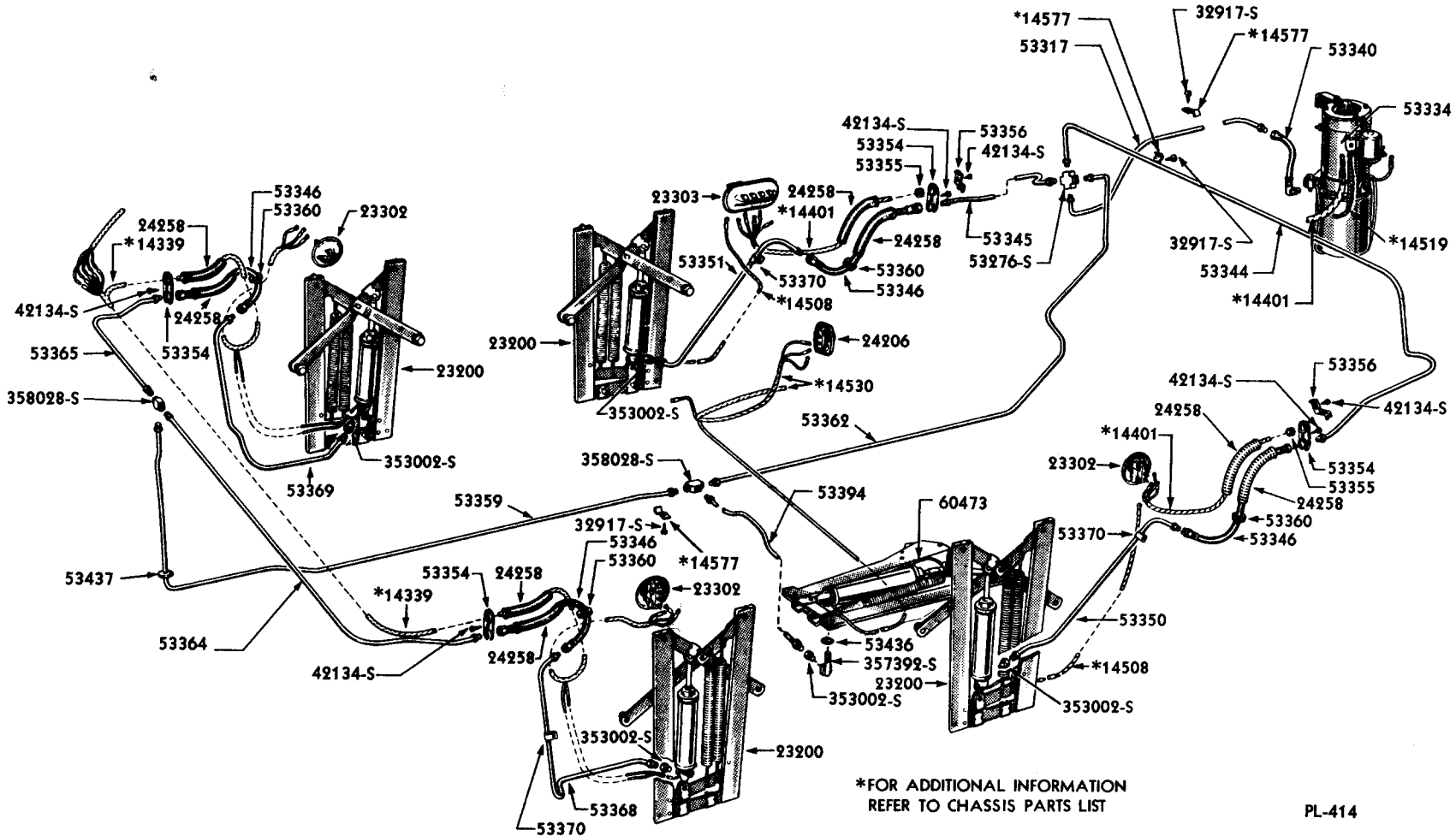


*FOR ADDITIONAL INFORMATION REFER TO CHASSIS PARTS LIST

PL-609

LINCOLN HYDRAULIC WINDOW LIFT SYSTEM (BODY TYPE 74)

Group numbers only shown on illustration. Order by Part Numbers shown in list of parts.

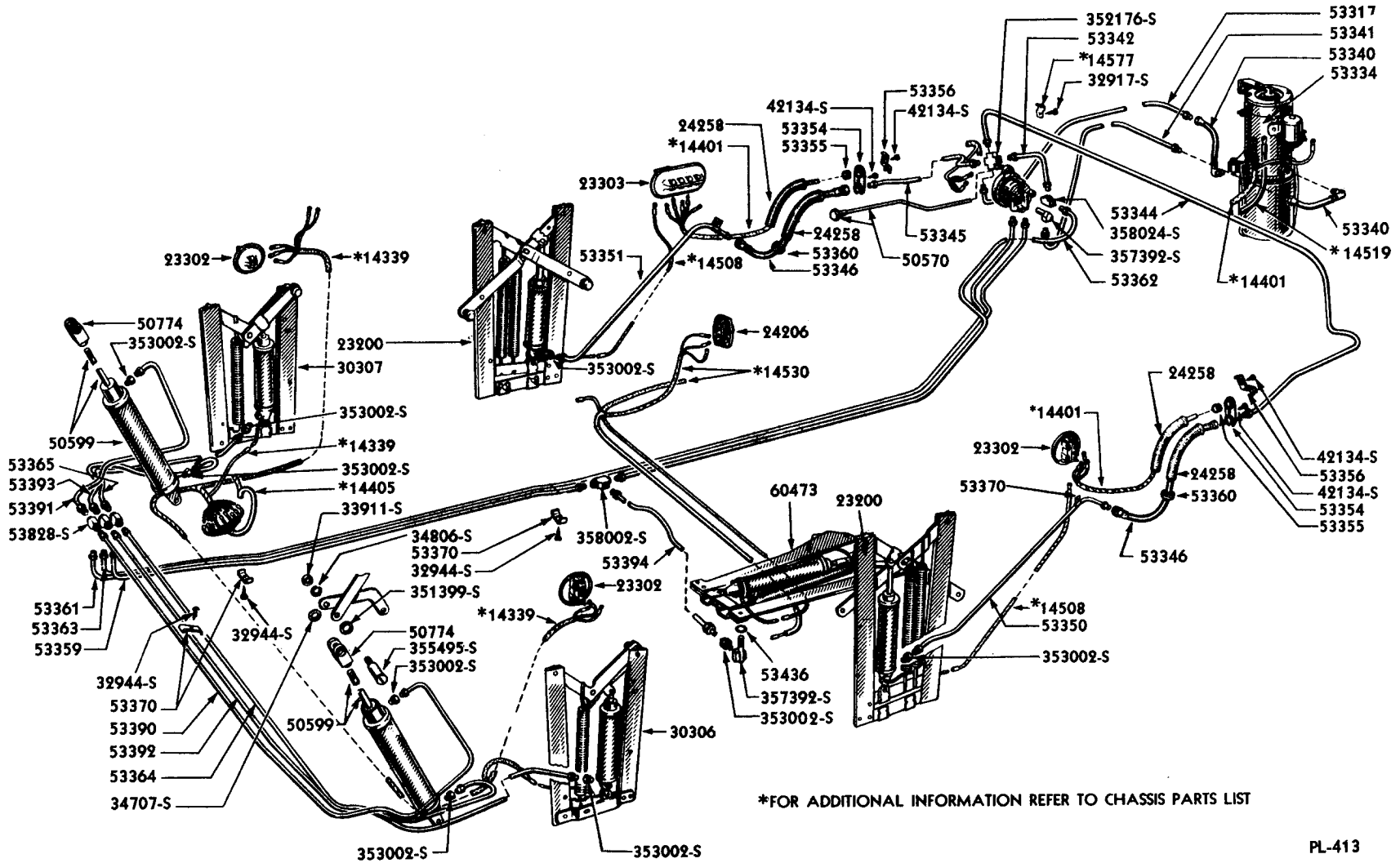


*FOR ADDITIONAL INFORMATION REFER TO CHASSIS PARTS LIST

PL-414

LINCOLN COSMOPOLITAN HYDRAULIC WINDOW LIFT SYSTEM (BODY TYPE 74)

Group numbers only shown on illustration. Order by Part Numbers shown in list of parts.



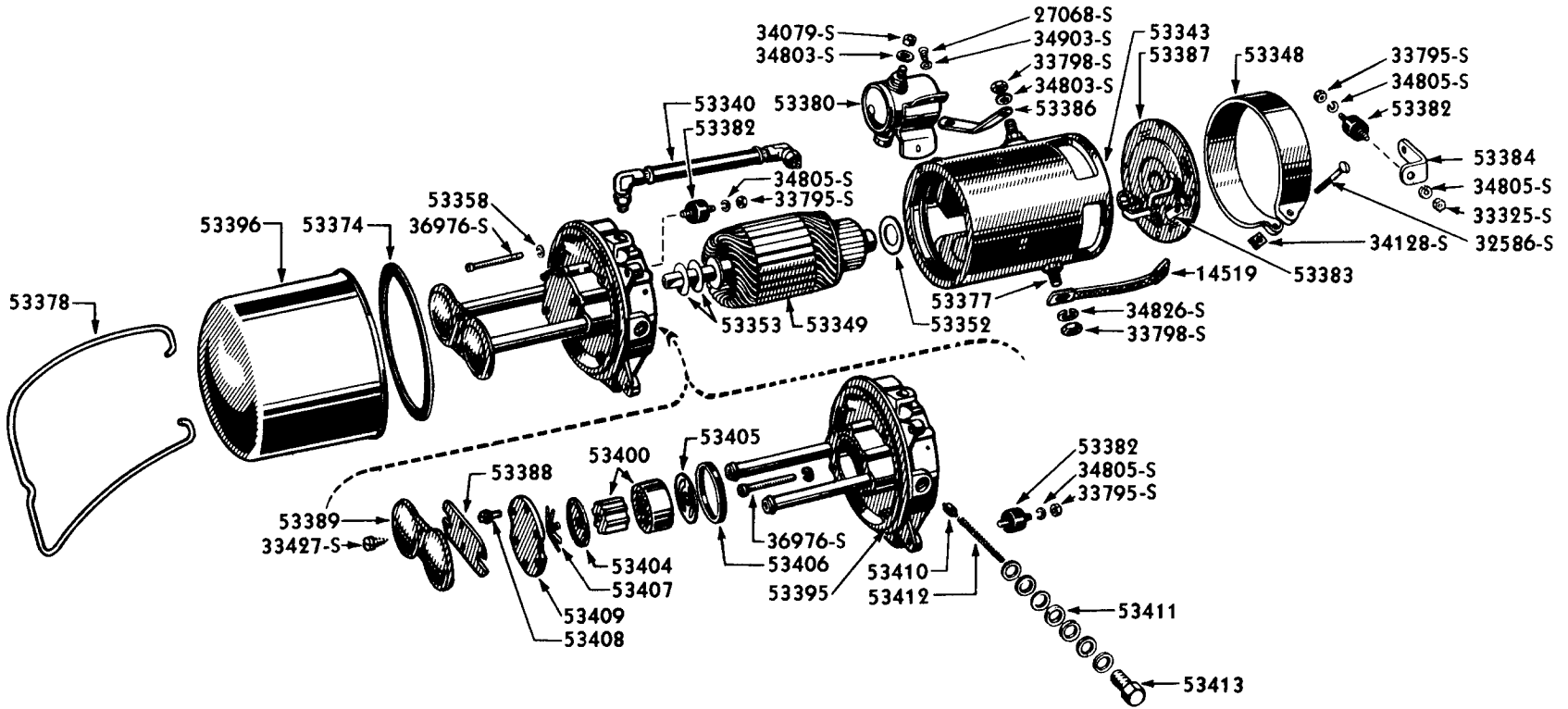
LINCOLN COSMOPOLITAN HYDRAULIC WINDOW AND FOLDING TOP SYSTEM (BODY TYPE 76)

Group numbers only shown on illustration. Order by Part Numbers shown in list of parts.

PL-413

Lincoln and Lincoln Corporation

BODY PARTS CATALOGUE



PL-416

HYDRAULIC PUMP AND MOTOR (OH-7353334)
 Group numbers only shown on illustration. Order by Part Numbers shown in list of parts.

Lincoln and Lincoln Cosmopolitan

109

BODY PARTS CATALOGUE

YEAR 19__	BODY TYPES	REMARKS	PART NUMBER	NO. REQ'D
Group 53317 TUBE ASSEMBLY (HYDRAULIC PUMP TO DASH SUPPLY)				
50	OL	Developed length approximately 34-1/2"	OL 7253317	1
50	OH	Developed length approximately 32-9/64"	OH 7353317	1
50	OH	Fitting (inverted flared tube cross)-5/16"	352176-S	1
Group 53325 RETAINER AND NUT ASSY (REAR DOOR HOSE COVER SPRING)				
50	OL74	Overall length approximately 2-1/2"	8M 7353325	2
50	OL74	Screw and lockwasher assy (pan head)-No. 8-32 x 3/4"	43243-S8	2
Group 53329 SPRING (HYDRAULIC WINDOW OPERATING)-OUTER				
50	OL,OH	Green Enamel	8H 7353329	as req'd
Group 53330 SPRING (HYDRAULIC WINDOW OPERATING)-INNER				
50	OL,OH	Yellow Enamel	8H 7353330	as req'd
Group 53334 MOTOR AND HYDRAULIC PUMP ASSEMBLY-INCLUDES RESERVOIR,BAIL,SOLENOID AND MOUNTING BRACKET				
50	OL,OH		OH 7353334	1
50	OL	Nut (lock)-1/4"-20	34390-S7	1
Group 53338 BRACKET (MOTOR AND HYDRAULIC PUMP)-UPPER				
50	OL		OL 7253338	1
50	OH		OH 7353338	1
50	OL	Lockwasher (external tooth)-No. 10	34939-S2	1
50	OL	Nut (hex)-No. 10-32	34079-S7	1
50	OH76	Nut (lock)-1/4"-20	34390-S7	3
50	OL	Screw (hex head)-No. 10-32 x 3/8"	355137-S8	1
Group 53340 HOSE ASSEMBLY (HYDRAULIC PUMP TO TUBING)				
50	OL,OH	Overall length approximately 6"	OH 7353340	1or2
Group 53341 TUBE ASSEMBLY (HYDRAULIC PUMP TO TOP CONTROL VALVE RETURN)				
50	OH76		OH 7653341	1
50	OH76	Elbow (inverted male)-1/8"-27 male & 1/2"-20 female thread	357392-S	1
Group 53342 TUBE ASSEMBLY (HYDRAULIC PUMP TO TOP CONTROL VALVE SUPPLY)				
50	OH76		OH 7653342	1
Group 53343 FRAME AND FIELD ASSEMBLY (HYDRAULIC PUMP MOTOR)				
50	OL,OH		8H 7353343-B	1

Lincoln and Lincoln Cosmopolitan

BODY PARTS CATALOGUE

YEAR 19	BODY TYPES	REMARKS	PART NUMBER	NO. REQ'D
Group 53344-5 TUBE ASSEMBLY (FRONT DOOR HYDRAULIC WINDOW REGULATOR)				
50	OL	R.H.-developed length approximately 75"	OL 7253344	1
50	OL	L.H.-developed length approximately 16-3/4"	OL 7253345	1
50	OH	R.H.-developed length approximately 90-3/64"	OH 7353344-A	1
50	OH	L.H.-developed length approximately 19-1/16"	OH 7353345-A	1
50	OH	Fitting (inverted flared tube cross)-5/16"	352176-S	1
50	OL	Screw (pan head self tapping)-No. 10-12 x 1/2"	32924-S2	4
50	OL	Screw (pan head self tapping)-No. 10-12 x 3/4"	32938-S7	1
50	OH	Screw (pan head self tap)-No. 10-16 x 3/8"	33177-S7	1
Group 53346 HOSE ASSEMBLY (DOOR HYDRAULIC WINDOW REGULATOR)				
50	OL	Front door	8M 7653346	2
50	OL74	Rear door	8M 7353366	2
50	OH		7EH 7353346	2or4
Group 53348 BAND ASSEMBLY (HYDRAULIC PUMP MOTOR)				
50	OL,OH		5EH 7353348	1
Group 53349 ARMATURE ASSEMBLY (HYDRAULIC PUMP MOTOR)-COMPLETE				
50	OL,OH		8H 7353349	1
Group 53350-1 TUBE ASSEMBLY (FRONT DOOR WINDOW REGULATOR)				
50	OL72-72C	R.H.-developed length approximately 26-9/16"	8M 7053350	1
50	OL72-72C	L.H.-developed length approximately 26-9/16"	8M 7053351	1
50	OL74	R.H.-developed length approximately 20-55/64"	8M 7353350	1
50	OL74	L.H.-developed length approximately 20-55/64"	8M 7353351	1
50	OH72-72C-76	R.H.-developed length approximately 27-5/8"	7EH 7253350	1
50	OH72-72C-76	L.H.-developed length approximately 24-3/4"	7EH 7253351	1
50	OH74	R.H.-developed length approximately 24-13/16"	7EH 7353350	1
50	OH74	L.H.-developed length approximately 21-11/16"	7EH 7353351	1
50	OL72-72C,OH	Connector (inverted male)-1/2"-20 female and 1/8"-27 male thread	353002-S	2
50	OH	Lockwasher (external tooth)-No. 10	34939-S2	2
50	OH74	Screw (round head)-No. 10-32 x 7/16"	27073-S2	2
Group 53352 WASHER (HYDRAULIC PUMP MOTOR ARMATURE SHAFT)-UPPER				
50	OL,OH	Fibre-41/64" I.D.-1-1/4" O.D.-1/32" thick	8H 7353352	as req'd
Group 53353 WASHER (HYDRAULIC PUMP MOTOR ARMATURE SHAFT)-LOWER				
50	OL,OH	Fibre-33/64" I.D.-1-3/32" O.D.-1/32" thick	8H 7353353	as req'd
Group 53354 RETAINER (HOSE COVER SPRING)				
50	OL,OH	Overall length approximately 2-1/2"	7EH 7353354	2or4
50	OL74	Nut (hex head)-No. 8-32	34052-S7	1
50	OL	Screw (pan head)-No. 10-12 x 3/4"	32938-S7	4
50	OL	Screw (pan head self tapping)-No. 10-12 x 1/2"	32924-S2	2
50	OL74	Washer (flat)-No. 6	34701-S7	4

Lincoln and Lincoln Cosmopolitan

BODY PARTS CATALOGUE

YEAR 19__	BODY TYPES	REMARKS	PART NUMBER	NO. REQ'D
Group 53355 GROMMET (WINDOW REGULATOR CONTROL WIRES)				
50	OL,OH	Rubber	7EH 7353355	as req'd
Group 53356 CLAMP (HOSE TO HOSE COVER SPRING RETAINER)				
50	OL	Front door	8M 7053356	3
50	OL74	Rear door	8M 7453356	2
50	OH	Overall length 1-13/16"	7EH 7353356	2or4
50	OL	Screw (pan head self tapping)-No. 10-12 x 1/2"	32924-S2	2
Group 53358 SEAL (HYDRAULIC PUMP MOUNTING SCREW)				
50	OL,OH	13/64" I.D. x 3/8" O.D.	5EH 7353358	4
Group 53359 TUBE ASSEMBLY (REAR DOOR AND QUARTER SUPPLY)-REAR				
50	OH74	Developed length approximately 71-15/32"	OH 7353359	1
50	OH72-72C-76		OH 7653359	1
Group 53359 TUBE ASSEMBLY (REAR DOOR WINDOW SUPPLY)				
50	OL74	Developed length approximately 42-3/4"	8M 7053359	1
Group 53360 GROMMET (HYDRAULIC WINDOW REGULATOR SPRING HOSE COVER)				
50	OL	Brass-1-1/8" O.D.-3/4" overall length-front door	8M 7053360	4
50	OL74	Brass-1-1/8" O.D.-11/32" overall length-rear door	8M 7353360	4
50	OH	Brass-1-3/4" O.D.-27/64" approximate overall length	7EH 7353360	4or8
Group 53361 TUBE ASSEMBLY (TOP CYLINDER SUPPLY)-UPPER				
50	OH76	Developed length approximately 122"	OH 7653361	1
50	OH76	Connector (inverted male)-1/2"-20 female & 1/8"-27 male thread	353002-S	1
Group 53362 TUBE ASSEMBLY (DASH TO SEAT REGULATOR)				
50	OL	Developed length approximately-56-17/64"	OL 7253362	1
50	OH except 76	Developed length approximately-67"	OH 7353362	1
50	OH76	Developed length approximately-64-5/8"	OH 7653362	1
50	OH76	Tee (3 way)-1/2"-20 female & 1/8"-27 male thread	358024-S	1
Group 53363 TUBE ASSEMBLY (TOP CYLINDER SUPPLY)-LOWER				
50	OH76		OH 7653363	1
50	OH76	Connector (inverted male)-1/2"-20 female 1/8"-27 male thread	353002-S	1
Group 53364-5 TUBE ASSEMBLY (REAR QUARTER HYDRAULIC WINDOW REGULATOR CROSS)				
50	OL74	R.H.-developed length approximately 66"	8M 7353364	1
50	OL74	L.H.-developed length approximately 27-1/4"	8M 7353365	1
50	OH72-72C	R.H.-developed length approximately 59-3/8"	OH 7253364	1
50	OH72-72C	L.H.-developed length approximately 38-5/64"	OH 7253365	1
50	OH74	R.H.-developed length approximately 52-1/2"	OH 7353364-A	1
50	OH74	L.H.-developed length approximately 30-1/2"	OH 7353365-A	1
50	OH76	R.H.-developed length approximately 38-7/16"	OH 7653364	1
50	OH76	L.H.-developed length approximately 62-25/64"	OH 7653365	1
50	OL,OH	Tee (3 way inverted)-1/2"-20 female thread for 5/16" tube	358028-S	1
50	OL	Union (inverted)-1/2"-20 female thread for 5/16" tube	358283-S	2

Lincoln and Lincoln Cosmopolitan

BODY PARTS CATALOGUE

YEAR 19	BODY TYPES	REMARKS	PART NUMBER	NO. REQ'D
Group 53366 HOSE ASSEMBLY (REAR DOOR HYDRAULIC WINDOW REGULATOR)				
50	OL74	15" long	8M 7353366	2
Group 53367 CLIP (HYDRAULIC TUBE TO FLOOR PAN REINFORCEMENT)				
50	OH76	Overall length approximately 29/32"	8H 7653367	2
50	OH76	Screw (pan head self tap)-No. 10 x 5/8"	33191-S7	2
Group 53368-9 TUBE ASSEMBLY (REAR DOOR HYDRAULIC WINDOW REGULATOR)				
50	OL74	R.H.	8M 7453368	1
50	OL74	L.H.	8M 7453369	1
50	OH74	R.H.	7EH 7353368	1
50	OH74	L.H.	7EH 7353369	1
50	OH	Connector (inverted male)-1/2"-20 female & 1/8"-27 male thread	353002-S	1
50	OH74	Nut (hex)-No. 10-32	34079-S7	2
Group 53370 CLIP (HYDRAULIC TUBE TO DASH)				
50	OL,OH76	Overall length approximately 1-21/64"	8H 7653370	1or6
Group 53370 CLIP (HYDRAULIC TUBING TO BODY)				
50	OL,OH		7EH 7353370	as req'd
50	OH	Lockwasher (external tooth)-No. 10	34939-S2	2
50	OH	Nut (hex)-No. 10-32	34079-S7	4
50	OH except 76	Screw (round head machine)-No. 10-32 x 7/16"	27073-S2	2
50	OL	Screw (pan head self tap)-No. 10-12 x 3/4"	32938-S7	1
50	OH	Screw (pan head self tap)-No. 10-12 x 5/8"	32931-S8	as req'd
Group 53374 GASKET (HYDRAULIC PUMP RESERVOIR)				
50	OL,OH		5EH 7353374-B	1
Group 53377 STUD (HYDRAULIC PUMP MOTOR FRAME AND FIELD ASSEMBLY)				
50	OL,OH	5/16"-24 x 15/16" long	8H 7353377	1
Group 53378 BAIL (HYDRAULIC PUMP RESERVOIR)				
50	OL,OH		8H 7353378	1
Group 53380 SOLENOID (HYDRAULIC PUMP MOTOR)				
50	OL,OH		7EH 7353380	1
50	OH	Lockwasher (light)-5/16"	34806-S2	4
50	OH	Nut (hex)-5/16"-24	33798-S2	4
50	OH	Screw (round head)-No. 10-32 x 3/8"-solenoid to pump	27068-S7	2
Group 53382 CUSHION (HYDRAULIC MOTOR MOUNTING)				
50	OL,OH		5EH 7353382	3
50	OL,OH	Lockwasher-1/4"	34803-S7	1
50	OL,OH	Nut-1/4"-20	33795-S7	1

Lincoln and Lincoln Cosmopolitan

BODY PARTS CATALOGUE

YEAR 19__	BODY TYPES	REMARKS	PART NUMBER	NO. REQ'D
Group 53383 BRUSH (HYDRAULIC PUMP MOTOR FRAME AND FIELD ASSEMBLY)				
50	OL,OH		8H 7353383	2
Group 53384 BRACKET (HYDRAULIC MOTOR MOUNTING CUSHION)				
50	OL,OH		OH 7353384	1
Group 53386 STRAP (MOTOR AND HYDRAULIC PUMP TO SOLENOID)				
50	OL,OH		5EH 7353386	1
Group 53387 HEAD AND BRUSH HOLDER ASSEMBLY (HYDRAULIC PUMP MOTOR)				
50	OL,OH		8H 7353387	1
Group 53388 PLATE (RESERVOIR FLUID RETAINER)				
50	OL,OH	1-7/16" x 2-7/16" x 1/32" thick	5EH 7353388	1
Group 53389 RETAINER (HYDRAULIC PUMP RESERVOIR FLUID)				
50	OL,OH	1-29/64" x 3-23/64"	5EH 7353389	1
50	OL,OH	Screw (pan head self tapping)-No. 6-20 x 1/4"	33427-S7	1
Group 53390-1 TUBE ASSEMBLY (TOP HYDRAULIC CYLINDER REAR CROSS)-UPPER				
50	OH76	R.H.	OH 7653390	1
50	OH76	L.H.	OH 7653391	1
Group 53392-3 TUBE ASSEMBLY (TOP HYDRAULIC CYLINDER REAR CROSS)-LOWER				
50	OH76	R.H.	OH 7653392	1
50	OH76	L.H.	OH 7653393	1
Group 53394 TUBE ASSEMBLY (FRONT SEAT HYDRAULIC REGULATOR)				
50	OL	Developed length approximately 49-5/16"	OM 7653394	1
50	OH	Developed length approximately 36-29/32"	OH 7353394	1
50	OL	Elbow (inverted male)-1/2"-20 female & 1/8"-27 male thread	353004-S	1
50	OL,OH	Clip (hydraulic tubing)	51A 14577-A	1
50	OL,OH	Connector (inverted male)-1/2"-20 female & 1/8"-27 male thread	353002-S	1
50	OH	Elbow (inverted male)-1/2"-20 female & 1/8"-27 male thread	357392-S	1
50	OH	Screw (pan head self tapping)-No. 10-16 x 3/8"	33177-S7	1
50	OH	Tee (3 way inverted)-1/2"-20 female thread for 5/16" tube	358028-S	1
Group 53395 HOUSING ASSEMBLY (HYDRAULIC PUMP)				
50	OL,OH		8H 7353395	1
50	OL,OH	Screw (round head)-No. 10-32 x 1-3/4"	36976-S2	3
Group 53396 RESERVOIR (HYDRAULIC PUMP)				
50	OL,OH		8H 7353396	1

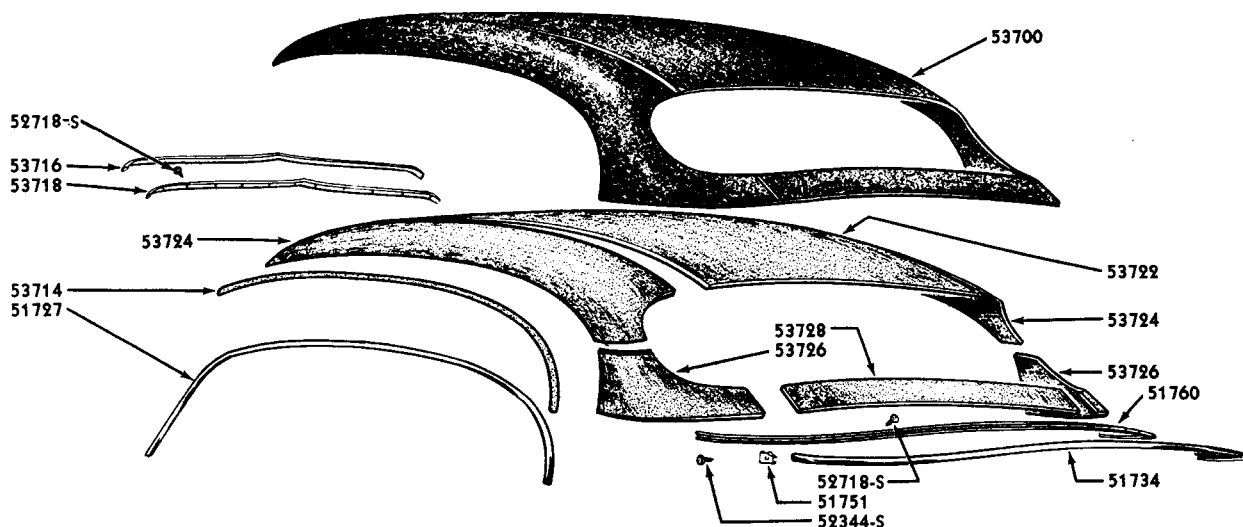
Lincoln and Lincoln Cosmopolitan

BODY PARTS CATALOGUE

YEAR 19	BODY TYPES	REMARKS	PART NUMBER	NO. REQ'D
Group 53400 ROTOR ASSEMBLY (INNER AND OUTER)-HYDRAULIC PUMP				
50	OL,OH		8H 7353400	1
Group 53404 PLATE (HYDRAULIC PUMP ROTOR)				
50	OL,OH	1/4" I.D. x 1-1/2" O.D.	8H 7353404	1
Group 53405 PLATE (HYDRAULIC PUMP PORT)				
50	OL,OH	17/32" I.D. x 1-1/2" O.D.	8H 7353405	1
Group 53406 SEAL (HYDRAULIC PUMP BOTTOM)				
50	OL,OH	Rubber-1-3/16" O.D.	8H 7353406	1
Group 53407 SPRING (HYDRAULIC PUMP ROTOR)				
50	OL,OH	8 prongs	8H 7353407	1
Group 53408 SCREW (HYDRAULIC PUMP BOTTOM PLATE)				
50	OL,OH	No. 10-24 x 7/16"	8H 7353408	6
50	OL,OH	Lockwasher (internal tooth)-No. 10	34903-S7	6
Group 53409 PLATE (HYDRAULIC PUMP BOTTOM)				
50	OL,OH	2-9/16" O.D. with six 13/64" holes in outer edge	8H 7353409	1
Group 53410 VALVE (HYDRAULIC PUMP)				
50	OL,OH		8H 7353410	1
Group 53411 WASHER (HYDRAULIC PUMP)				
50	OL,OH	Aluminum-29/64"	8H 7353411	7
Group 53412 SPRING (HYDRAULIC PUMP VALVE)				
50	OL,OH	Free length approximately 2-1/2"	8H 7353412	1
Group 53413 PLUG (HYDRAULIC PUMP VALVE)-ADJUSTER				
50	OL,OH		8H 7353413	1
Group 53414 BRACKET ASSEMBLY (HYDRAULIC SEAT REGULATOR TO FLOOR)				
50	OL,OH		8H 7353414	1
Group 53426-7 TUBE ASSEMBLY (EXTENSION TUBE TO HOSE)				
50	OL74	R.H.-developed length approximately 16-45/64"	8M 7453426	1
50	OL74	L.H.-developed length approximately 16-45/64"	8M 7453427	1
Group 53436 GROMMET (HYDRAULIC SUPPLY TUBES FLOOR)				
50	OH	Rubber-1-1/2" O.D.	OH 7353436	1
Group 53437 GROMMET (HYDRAULIC SUPPLY TUBES FLOOR)				
50	OL,OH	Rubber-1-5/32" O.D.	OH 7353437	1or3
Group 53459 WEATHERSTRIP (DOOR HYDRAULIC WINDOW LIFT HOSE COVER)				
50	OH		OH 7253459	2

Lincoln and Lincoln Cosmopolitan

BODY PARTS CATALOGUE



PL-595

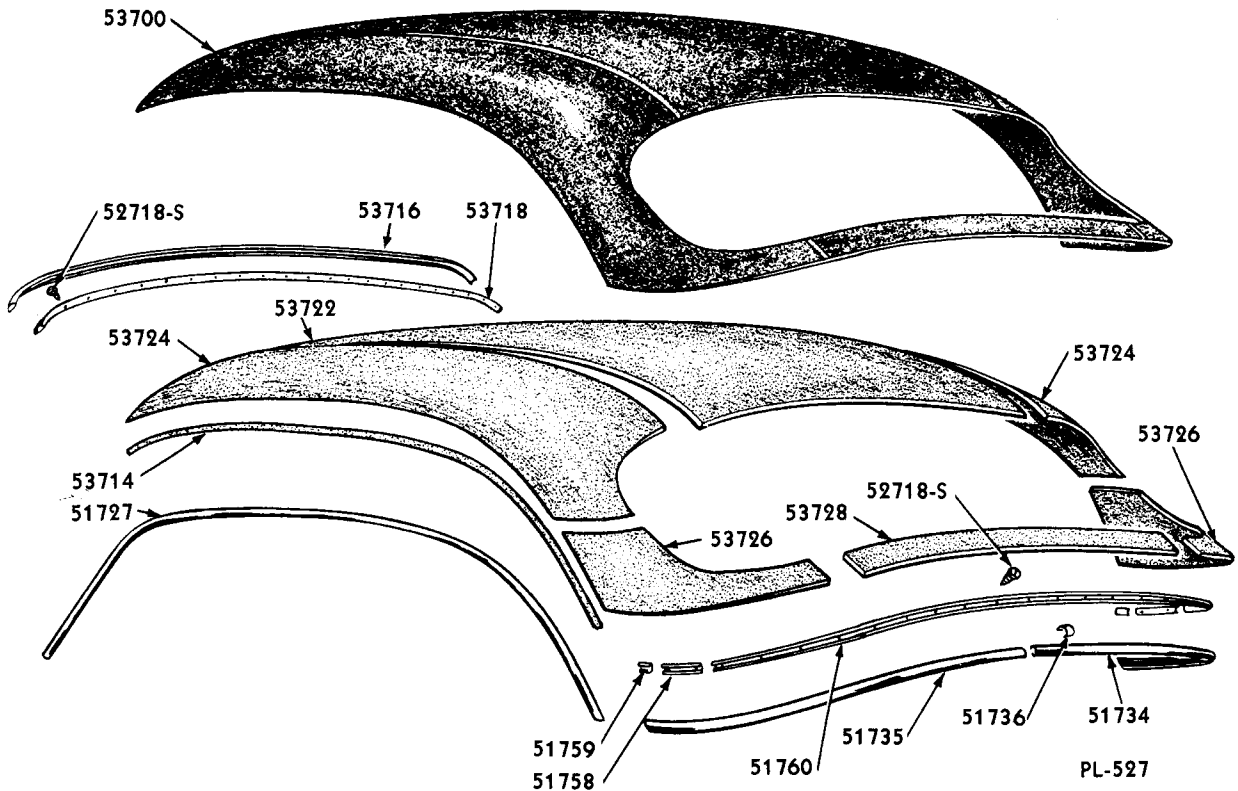
LINCOLN SIX PASSENGER COUPE TOP PARTS (BODY TYPE 72C)

Group numbers only shown on illustration. Order by Part Numbers shown in list of parts.

YEAR 19	BODY TYPES	REMARKS	PART NUMBER	NO. REQ'D
Group 53700 COVER ASSEMBLY (ROOF)-COMPLETE				
50	OL72C	M-18012 Brown Vinyl Artificial Leather	OL 7253700-AH	1
50	OL72C	M-18012-A Dark Blue Vinyl Artificial Leather	OL 7253700-AF	1
50	OL72C	M-18012-E Gray Vinyl Artificial Leather	OL 7253700-AE	1
50	OL72C	M-18012-B Oyster White Vinyl Artificial Leather	OL 7253700-AG	1
50	OH72C	M-18012-D Brown Vinyl Artificial Leather	OH 7253700-AAB	1
50	OH72C	M-18012-A Dark Blue Vinyl Artificial Leather	OH 7253700-AAC	1
50	OH72C	M-18012-B Oyster White Vinyl Artificial Leather	OH 7253700-AAD	1
50	OH72C	M-18012-C Tan Vinyl Artificial Leather	OH 7253700-AAE	1
Group 53714 RETAINER (ROOF COVER)-SIDE				
50	OL72C	Black-76-1/2" long-use M-9791-B for service	OL 7253714-C	2
50	OL72C	Light Gray-76-1/2" long-use M-9791-C for service	OL 7253714-A	2
50	OL72C	Oyster White-76-1/2" long-use M-9791-D for service	OL 7253714-B	2
50	OH72C	Black-80-1/4" long-use M-9792-A for service	OH 7253714-E	2
50	OH72C	Oyster White-80-1/4" long-use M-9792-C for service	OH 7253714-C	2
50	OH72C	Tan-80-1/4" long-use M-9792-B for service	OH 7253714-D	2
Group 53716 MOULDING (ROOF COVER RETAINER)-FRONT				
50	OL72C	Chrome Finish-overall length approximately 54-9/16"	OM 7253716	1
50	OH72C	Chrome Finish-overall length approximately 56-19/32"	OH 7253716	1

Lincoln and Lincoln Cosmopolitan

BODY PARTS CATALOGUE



LINCOLN COSMOPOLITAN SIX PASSENGER COUPE TOP PARTS (BODY TYPE 72C)

Group numbers only shown on illustration. Order by Part Numbers shown in list of parts.

YEAR 19__	BODY TYPES	REMARKS	PART NUMBER	NO. REQ'D
Group 53718 RETAINER (ROOF COVER FRONT MOULDING)				
50	OL72C	Zinc Finish-overall length 53-55/64"	OM 7253718	1
50	OH72C	Zinc Finish-overall length 56"	OH 7253718	1
Group 53722 PAD (ROOF COVER)-CENTER				
50	OL72C,OH72C	Fibre Glass-40" x 78-7/8"	OA 7053722	1
Group 53724 PAD (ROOF COVER)-SIDE				
50	OL72C	Fibre Glass-75-3/16" long	OM 7253724	2
50	OH72C	Fibre Glass-76-11/64" long	OH 7253724	2
Group 53726 PAD (ROOF COVER)-REAR QUARTER-SIDE				
50	OL72C	Fibre Glass-24-1/2" long	OM 7253726	2
50	OH72C	Fibre Glass-19-9/16" long	OH 7253726	2
Group 53728 PAD (ROOF COVER)-BACK BELT				
50	OL72C	Fibre Glass-37-55/64" long	OM 7253728	1
50	OH72C	Fibre Glass-46" long	OH 7253728	1
Group 54306 SILENCER (ROOF PANEL)				
50	OL	Two piece design	8M 7054306-B	1
50	OH except 76		7EH 7254306	2

Lincoln and Lincoln Cosmopolitan

BODY PARTS CATALOGUE

YEAR 19	BODY TYPES	REMARKS	PART NUMBER	NO. REQ'D
Group 54310 INSULATOR (ROOF PANEL)-FRONT				
50	OH72-72C	Fibre Glass-32" x 54"	OH 7254310	2
50	OL,OH74	Fibre Glass-24" x 54"-cut from OH-7254310 for service	OM 7254310	1
Group 54330 INSULATOR (ROOF PANEL)-REAR				
50	OL,OH74	Fibre Glass-27" x 42"-cut from OH-7254310 for service	OM 7254330	2
Group 54332 INSULATOR (ROOF AT QUARTER PANEL)				
50	OL	5-1/2" x 14-1/2"	OM 7254332	2
50	OH except 76	4" x 14-1/2"-Use OM-7254332 for service	OH 7254332	2
Group 54400 HOOD ASSEMBLY (TOP DUST)				
50	OH76	Black-with Black Binding	OH 7654400-AA	1
50	OH76	Black-with Red Binding	OH 7654400-AE	1
50	OH76	Blue Gray-with Blue Gray Binding	OH 7654400-AD	1
50	OH76	Gray Tan-with Gray Tan Binding	OH 7654400-AB	1
50	OH76	Green-with Black Binding	OH 7654400-AF	1
50	OH76	Green-with Green Binding	OH 7654400-AC	1
50	OH76	Button (oval head "Durable Dot" snap type)-5/32" x 3/16"	95397-S13	15
50	OH76	Clip	353229-S13	4
50	OH76	Socket ("Durable Dot" snap type)-3/8"	95460-S13	15
50	OH76	Stud (clinch)-25/64" x 35/64"	95464-S6	2
50	OH76	Stud ("Durable Dot" snap type)-No. 8 x 7/8"	352392-S13	9
50	OH76	Stud (snap type sheet metal screw base)-No. 10 x 5/8"	95215-S13	2
50	OH76	Washer (flat)-No. 6	34701-S23	4
Group 54410 LOOP (TOP BOOT TO REAR SEAT BACK)				
50	OH76		8H 7654410	2
50	OH76	Screw (cross recessed oval head self tap)-No. 6-18 x 3/4"	52358-S23	4
Group 54486 CONTAINER ASSEMBLY (TOP DUST HOOD)				
50	OH76	All trim	8H 7654486	1
50	OH76	Button (fastener)-3/16" long	95397-S13	2
50	OH76	Eyelet-Clinch-1/4"	95442-S6	2
50	OH76	Fastener (Clinch Stud)-25/64"	95464-S6	2
Group 54630 BOW (TOP FOLDING COMPARTMENT)				
50	OH76		8H 7654630	1
50	OH76	Screw (pan head self tap)-No. 10-12 x 3/4"	33198-S2	2

Lincoln and Lincoln Cosmopolitan

BODY PARTS CATALOGUE

YEAR 19	BODY TYPES	REMARKS	PART NUMBER	NO. REQ'D
Group 60050 CUSHION ASSEMBLY (FRONT SEAT)				
50	OL72	M-19105-N Brown Check Broadcloth-with One Tone carpet	OL 7260050-AB	1
50	OL72	M-19105-N Brown Check Broadcloth-with Two Tone carpet	OL 7260050-AX	1
50	OL72	M-16560-D Gray Stripe Nylon and Mohair-with One Tone carpet	OL 7260050-AC	1
50	OL72	M-16560-D Gray Stripe Nylon and Mohair-with Two Tone carpet	OL 7260050-AY	1
50	OL72	M-19105-M Two Tone Green Cable Stripe Broadcloth-with One Tone carpet	OL 7260050-AA	1
50	OL72	M-19105-M Two Tone Green Cable Stripe Broadcloth-with Two Tone carpet	OL 7260050-AZ	1
50	OL72	Tan Leather	OL 7260050-AD	1
50	OL72C	M-19146-K Beige Whipcord	OL 7260050-AH	1
50	OL72C	M-19146-M Blue Whipcord with Light Blue Artificial Leather Cordwelt	OL 7260050-AE	1
50	OL72C	M-19146-M Blue Whipcord with Dark Blue Artificial Leather Cordwelt	OL 7260050-AF	1
50	OL72C	M-19146-L Green Whipcord	OL 7260050-AG	1
50	OL74	M-19108-N Brown Check Broadcloth-with One Tone carpet	OL 7460050-AB	1
50	OL74	M-19108-N Brown Check Broadcloth-with Two Tone carpet	OL 7460050-AX	1
50	OL74	M-16560-D Gray Stripe Nylon and Mohair-with One Tone carpet	OL 7460050-AC	1
50	OL74	M-16560-D Gray Stripe Nylon and Mohair-with Two Tone carpet	OL 7460050-AY	1
50	OL74	M-19105-M Two Tone Green Cable Stripe Broadcloth-with One Tone carpet	OL 7460050-AA	1
50	OL74	M-19105-M Two Tone Green Cable Stripe Broadcloth-with Two Tone carpet	OL 7460050-AZ	1
50	OL74	Tan Leather	OL 7460050-AD	1
50	OH72	M-19105-S Light Gray Shadow Stripe Broadcloth	OH 7260050-AC	1
50	OH72	M-19105-P Light Green Shadow Stripe Broadcloth	OH 7260050-AA	1
50	OH72	M-16560-F Two Tone Green Nylon and Mohair	OH 7260050-AE	1
50	OH72	M-19105-Q Light Tan Shadow Stripe Broadcloth	OH 7260050-AB	1
50	OH72	M-16560-E Two Tone Tan Nylon and Mohair	OH 7260050-AD	1
50	OH72-76	Tan Leather	OH 7660050-AH	1
50	OH72C	M-19146-K Beige Whipcord	OH 7260050-AAE	1
50	OH72C	M-19146-M Blue Whipcord-with Dark Blue Cordwelt	OH 7260050-AAC	1
50	OH72C	M-19146-M Blue Whipcord-with Oyster White Cordwelt	OH 7260050-AAD	1
50	OH72C	M-19146-N Yellow Beige Whipcord	OH 7260050-AAB	1
50	OH74	M-19105-S Light Gray Shadow Stripe Broadcloth	OH 7360050-AC	1
50	OH74	M-19105-P Light Green Shadow Stripe Broadcloth	OH 7360050-AA	1
50	OH74	M-16560-F Two Tone Green Nylon and Mohair	OH 7360050-AE	1
50	OH74	M-19105-Q Light Tan Shadow Stripe Broadcloth	OH 7360050-AB	1
50	OH74	M-16560-E Two Tone Tan Nylon and Mohair	OH 7360050-AD	1
50	OH74	Tan Leather	OH 7360050-AF	1
50	OH76	M-19146-K Beige Whipcord with Cherry Red Carpet	OH 7660050-AN	1
50	OH76	M-19146-K Beige Whipcord with Tan Carpet	OH 7660050-AR	1
50	OH76	Light Blue Leather	OH 7660050-AK	1
50	OH76	M-19146-M Blue Whipcord	OH 7660050-AT	1
50	OH76	Green Leather	OH 7660050-AJ	1
50	OH76	M-19146-L Green Whipcord	OH 7660050-AS	1
50	OH76	Lime Green Leather	OH 7660050-AM	1
50	OH76	Cherry Red Leather	OH 7660050-AG	1
50	OH76	M-19146-N Yellow Beige Whipcord	OH 7660050-AU	1
50	OH76	Yellow Leather with Black Carpet	OH 7660050-AL	1
50	OH76	Yellow Leather with Tan Carpet	OH 7660050-AAA	1

Lincoln and Lincoln Cosmopolitan

BODY PARTS CATALOGUE

YEAR 19	BODY TYPES	REMARKS	PART NUMBER	NO. REQ'D
Group 60080 CUSHION ASSEMBLY (REAR SEAT)				
50	OL72	M-19105-N Brown Check Broadcloth	OL 7260080-AB	1
50	OL72	M-16560-D Gray Stripe Nylon and Mohair	OL 7260080-AC	1
50	OL72	M-19105-M Two Tone Green Cable Stripe Broadcloth	OL 7260080-AA	1
50	OL72	Tan Leather	OL 7260080-AD	1
50	OL72C	M-19146-K Beige Whipcord	OL 7260080-AH	1
50	OL72C	M-19146-M Blue Whipcord with Light Blue Artificial Leather Cordwelt	OL 7260080-AE	1
50	OL72C	M-19146-M Blue Whipcord with Dark Blue Artificial Leather Cordwelt	OL 7260080-AF	1
50	OL72C	M-19146-L Green Whipcord	OL 7260080-AG	1
50	OL74	M-19105-N Brown Check Broadcloth	OL 7460080-AB	1
50	OL74	M-16560-D Gray Stripe Nylon and Mohair	OL 7460080-AC	1
50	OL74	M-19105-M Two Tone Green Cable Stripe Broadcloth	OL 7460080-AA	1
50	OL74	Tan Leather	OL 7460080-AD	1
50	OH72	M-19105-S Light Gray Shadow Stripe Broadcloth	OH 7260080-AC	1
50	OH72	M-19105-P Light Green Shadow Stripe Broadcloth	OH 7260080-AA	1
50	OH72	M-16560-E Two Tone Green Nylon and Mohair	OH 7260080-AE	1
50	OH72	M-19105-Q Light Tan Shadow Stripe Broadcloth	OH 7260080-AB	1
50	OH72	M-16560-E Two Tone Tan Nylon and Mohair	OH 7260080-AD	1
50	OH72	Tan Leather	OH 7260080-AF	1
50	OH72C	M-19146-K Beige Whipcord	OH 7260080-AAE	1
50	OH72C	M-19146-M Blue Whipcord	OH 7260080-AAC	1
50	OH72C	M-19146-N Yellow Beige Whipcord	OH 7260080-AAB	1
50	OH74	M-19105-S Light Gray Shadow Stripe Broadcloth	OH 7360080-AC	1
50	OH74	M-19105-P Light Green Shadow Stripe Broadcloth	OH 7360080-AA	1
50	OH74	M-16560-F Two Tone Green Nylon and Mohair	OH 7360080-AE	1
50	OH74	M-19105-Q Light Tan Shadow Stripe Broadcloth	OH 7360080-AB	1
50	OH74	M-16560-E Two Tone Tan Nylon and Mohair	OH 7360080-AD	1
50	OH74	Tan Leather	OH 7360080-AF	1
50	OH76	M-19146-K Beige Whipcord	OH 7660080-AN	1
50	OH76	Light Blue Leather	OH 7660080-AK	1
50	OH76	M-19146-M Blue Whipcord	OH 7660080-AT	1
50	OH76	Green Leather	OH 7660080-AJ	1
50	OH76	M-19146-L Green Whipcord	OH 7660080-AS	1
50	OH76	Lime Green Leather	OH 7660080-AM	1
50	OH76	Cherry Red Leather	OH 7660080-AG	1
50	OH76	Tan Leather	OH 7660080-AH	1
50	OH76	M-19146-N Yellow Beige Whipcord	OH 7660080-AU	1
50	OH76	Yellow Leather	OH 7660080-AL	1
Group 60148-9 FRAME ASSEMBLY (FRONT SEAT BACK)-TRIMMED				
50	OL72	R.H.-M-19108-B Dark Brown Plain Broadcloth	OL 7260148-AB	1
50	OL72	L.H.-M-19108-B Dark Brown Plain Broadcloth	OL 7260149-AB	1
50	OL72	R.H.-M-19108-C Dark Gray Plain Broadcloth	OL 7260148-AC	1
50	OL72	L.H.-M-19108-C Dark Gray Plain Broadcloth	OL 7260149-AC	1
50	OL72	R.H.-M-19108-A Dark Green Plain Broadcloth	OL 7260148-AA	1
50	OL72	L.H.-M-19108-A Dark Green Plain Broadcloth	OL 7260149-AA	1
50	OL72,OH72	R.H.-Tan Artificial Leather	OH 7660148-AH	1
50	OL72,OH72	L.H.-Tan Artificial Leather	OH 7660149-AH	1

Lincoln and Lincoln Cosmopolitan

BODY PARTS CATALOGUE

YEAR 19	BODY TYPES	REMARKS	PART NUMBER	NO. REQ'D
Group 60148-9 FRAME ASSEMBLY (FRONT SEAT BACK)-TRIMMED-CONTINUED				
50	OL72C	R.H.-Light Blue Artificial Leather	OH 7660148-AK	1
50	OL72C	L.H.-Light Blue Artificial Leather	OH 7660149-AK	1
50	OL72C,OH72C	R.H.-Dark Blue Artificial Leather	OL 7260148-AF	1
50	OL72C,OH72C	L.H.-Dark Blue Artificial Leather	OL 7260149-AF	1
50	OL72C,OH72C	R.H.-Oyster White Artificial Leather	OL 7260148-AG	1
50	OL72C,OH72C	L.H.-Oyster White Artificial Leather	OL 7260149-AG	1
50	OL72C,OH72C	R.H.-Dark Tan Artificial Leather	OL 7260148-AH	1
50	OL72C,OH72C	L.H.-Dark Tan Artificial Leather	OL 7260149-AH	1
50	OH72C	R.H.-Cherry Red Artificial Leather	OH 7660148-AG	1
50	OH72C	L.H.-Cherry Red Artificial Leather	OH 7660149-AG	1
50	OH72	R.H.-M-19106-H Dark Gray Plain Broadcloth	OH 7260148-AC	1
50	OH72	L.H.-M-19106-H Dark Gray Plain Broadcloth	OH 7260149-AC	1
50	OH72	R.H.-M-19106-B Dark Green Plain Broadcloth	OH 7260148-AA	1
50	OH72	L.H.-M-19106-B Dark Green Plain Broadcloth	OH 7260149-AA	1
50	OH72	R.H.-M-19106-D Dark Tan Plain Broadcloth	OH 7260148-AB	1
50	OH72	L.H.-M-19106-D Dark Tan Plain Broadcloth	OH 7260149-AB	1
50	OH76	R.H.-Black Artificial Leather with Cherry Red Binding	OH 7660148-AX	1
50	OH76	L.H.-Black Artificial Leather with Cherry Red Binding	OH 7660149-AX	1
50	OH76	R.H.-Black Artificial Leather with Yellow Binding	OH 7660148-AY	1
50	OH76	L.H.-Black Artificial Leather with Yellow Binding	OH 7660149-AY	1
50	OH76	R.H.-Dark Blue Artificial Leather	OH 7660148-AZ	1
50	OH76	L.H.-Dark Blue Artificial Leather	OH 7660149-AZ	1
50	OH76	R.H.-Light Blue Artificial Leather	OH 7660148-AK	1
50	OH76	L.H.-Light Blue Artificial Leather	OH 7660149-AK	1
50	OH76	R.H.-Green Artificial Leather	OH 7660148-AJ	1
50	OH76	L.H.-Green Artificial Leather	OH 7660149-AJ	1
50	OH76	R.H.-Lime Green Artificial Leather	OH 7660148-AM	1
50	OH76	L.H.-Lime Green Artificial Leather	OH 7660149-AM	1
50	OH76	R.H.-Cherry Red Artificial Leather	OH 7660148-AG	1
50	OH76	L.H.-Cherry Red Artificial Leather	OH 7660148-AG	1
50	OH76	R.H.-Tan Artificial Leather	OH 7660148-AH	1
50	OH76	L.H.-Tan Artificial Leather	OH 7660149-AH	1
50	OH76	R.H.-Yellow Artificial Leather	OH 7660148-AL	1
50	OH76	L.H.-Yellow Artificial Leather	OH 7660149-AL	1
50	OH72	Cotter Pin-3/32" x 5/8"	72009-S	4
50	OH76	Nut (hex)-5/16"-18	33797-S7	8
50	OL72-72C,OH72-72C-76	Pin (clevis)-3/8" x 5/8"-seat back to seat base	73862-S8	4
50	OH76	Screw (drive)-No. 4 x 3/8"	351580-S23-A1	32
50	OL,OH	Screw (hex head self tapping)-No. 10-12 x 3/4"	42021-S7	2or4

Group 60152 FRAME ASSEMBLY (FRONT SEAT)-LESS SEAT AND SEAT BACK CUSHION

50	OL74	M-19108-B Dark Brown Plain Broadcloth-Manual Control-One Tone Carpet	OL 7460152-AB	1
50	OL74	M-19108-B Dark Brown Plain Broadcloth-Manual Control-Two Tone Carpet	OL 7460152-AX	1
50	OL74	M-19108-B Dark Brown Plain Broadcloth-Hydraulic Control-One Tone Carpet	OL 7460152-BB	1
50	OL74	M-19108-B Dark Brown Plain Broadcloth-Hydraulic Control-Two Tone Carpet	OL 7460152-BX	1

Lincoln and Lincoln Cosmopolitan

BODY PARTS CATALOGUE

YEAR 19	BODY TYPES	REMARKS	PART NUMBER	NO. REQ'D
Group 60152 FRAME ASSEMBLY (FRONT SEAT)-LESS SEAT AND SEAT BACK CUSHION-CONTINUED				
50	OL74	M-19108-C Dark Gray Plain Broadcloth-Manual Control-One Tone Carpet	OL 7460152-AC	1
50	OL74	M-19108-C Dark Gray Plain Broadcloth-Manual Control-Two Tone Carpet	OL 7460152-AY	1
50	OL74	M-19108-C Dark Gray Plain Broadcloth-Hydraulic Control-One Tone Carpet	OL 7460152-BC	1
50	OL74	M-19108-C Dark Gray Plain Broadcloth-Hydraulic Control-Two Tone Carpet	OL 7460152-BY	1
50	OL74	M-19108-A Dark Green Plain Broadcloth-Manual Control-One Tone Carpet	OL 7460152-AA	1
50	OL74	M-19108-A Dark Green Plain Broadcloth-Manual Control-Two Tone Carpet	OL 7460152-AZ	1
50	OL74	M-19108-A Dark Green Plain Broadcloth-Hydraulic Control-One Tone Carpet	OL 7460152-BA	1
50	OL74	M-19108-A Dark Green Plain Broadcloth-Hydraulic Control-Two Tone Carpet	OL 7460152-BZ	1
50	OL74	Tan Artificial Leather-Manual Control	8L 7460152-G	1
50	OL74	Tan Artificial Leather-Hydraulic Control	8L 7460152-H	1
50	OH74	M-19106-H Dark Gray Plain Broadcloth	OH 7360152-AC	1
50	OH74	M-19106-B Dark Green Plain Broadcloth	OH 7360152-AA	1
50	OH74	M-19106-D Dark Tan Plain Broadcloth	OH 7360152-AB	1
50	OH74	Tan Artificial Leather	OH 7360152-AF	1
Group 60335 FRAME ASSEMBLY (FRONT SEAT BASE)-TRIMMED				
50	OL72	M-19108-B Dark Brown Plain Broadcloth-Manual Control-with One Tone carpet	OL 7260335-AB	1
50	OL72	M-19108-B Dark Brown Plain Broadcloth-Manual Control-with Two Tone carpet	OL 7260335-AX	1
50	OL72	M-19108-B Dark Brown Plain Broadcloth-Hydraulic Control-with One Tone carpet	OL 7260335-BB	1
50	OL72	M-19108-B Dark Brown Plain Broadcloth-Hydraulic Control-with Two Tone carpet	OL 7260335-BX	1
50	OL72	M-19108-C Dark Gray Plain Broadcloth-Manual Control-with One Tone carpet	OL 7260335-AC	1
50	OL72	M-19108-C Dark Gray Plain Broadcloth-Manual Control-with Two Tone carpet	OL 7260335-AY	1
50	OL72	M-19108-C Dark Gray Plain Broadcloth-Hydraulic Control-with One Tone carpet	OL 7260335-BC	1
50	OL72	M-19108-C Dark Gray Plain Broadcloth-Hydraulic Control-with Two Tone carpet	OL 7260335-BY	1
50	OL72	M-19108-A Dark Green Plain Broadcloth-Manual Control-with One Tone carpet	OL 7260335-AA	1
50	OL72	M-19108-A Dark Green Plain Broadcloth-Manual Control-with Two Tone carpet	OL 7260335-AZ	1
50	OL72	M-19108-A Dark Green Plain Broadcloth-Hydraulic Control-with One Tone carpet	OL 7260335-BA	1
50	OL72	M-19108-A Dark Green Plain Broadcloth-Hydraulic Control-with Two Tone carpet	OL 7260335-BZ	1
50	OL72	Tan Artificial Leather-Manual Control	OL 7260335-AD	1
50	OL72	Tan Artificial Leather-Hydraulic Control	OL 7260335-BD	1
50	OL72C	Light Blue Artificial Leather-Manual Control	OL 7260335-AE	1
50	OL72C	Light Blue Artificial Leather-Hydraulic Control	OL 7260335-BE	1
50	OL72C	Dark Blue Artificial Leather-Manual Control	OL 7260335-AF	1
50	OL72C	Dark Blue Artificial Leather-Hydraulic Control	OL 7260335-BF	1

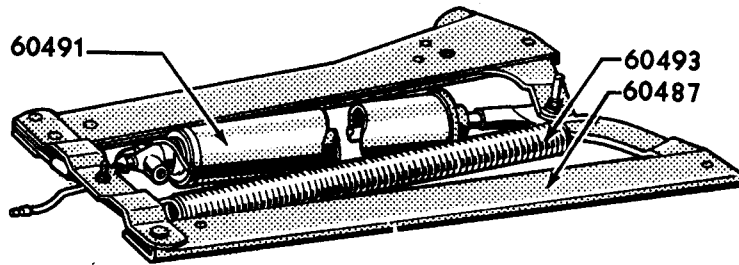
Lincoln and Lincoln Cosmopolitan

BODY PARTS CATALOGUE

YEAR 19	BODY TYPES	REMARKS	PART NUMBER	NO. REQ'D
Group 60335 FRAME ASSEMBLY (FRONT SEAT BASE)-TRIMMED-CONTINUED				
50	OL72C	Oyster White Artificial Leather-Manual Control	OL 7260335-AG	1
50	OL72C	Oyster White Artificial Leather-Hydraulic Control	OL 7260335-BG	1
50	OL72C	Dark Tan Artificial Leather-Manual Control	OL 7260335-AH	1
50	OL72C	Dark Tan Artificial Leather-Hydraulic Control	OL 7260335-BH	1
50	OH72	M-19106-H Dark Gray Plain Broadcloth	OH 7260335-AC	1
50	OH72	M-19106-B Dark Green Plain Broadcloth	OH 7260335-AA	1
50	OH72	M-19106-D Dark Tan Plain Broadcloth	OH 7260335-AB	1
50	OH72	Tan Artificial Leather	OH 7660335-AH	1
50	OH72C	Dark Blue Artificial Leather	OH 7660335-AZ	1
50	OH72C	Oyster White Artificial Leather	OH 7260335-AAD	1
50	OH72C	Cherry Red Artificial Leather	OH 7660335-AG	1
50	OH72C	Dark Tan Artificial Leather	OH 7260335-AAB	1
50	OH76	Black Artificial Leather with Black Carpet	OH 7660335-AY	1
50	OH76	Black Artificial Leather with Cherry Red Carpet	OH 7660335-AX	1
50	OH76	Dark Blue Artificial Leather	OH 7660335-AZ	1
50	OH76	Light Blue Artificial Leather	OH 7660335-AK	1
50	OH76	Green Artificial Leather	OH 7660335-AJ	1
50	OH76	Lime Green Artificial Leather	OH 7660335-AM	1
50	OH76	Cherry Red Artificial Leather	OH 7660335-AG	1
50	OH76	Tan Artificial Leather	OH 7660335-AH	1
50	OH76	Yellow Artificial Leather with Tan Carpet	OH 7660335-AU	1
50	OL72-72C,OH72-72C-76	Pin (clevis)-seat to floor	73862-S8	4
50	OL,OH	Pin (self locking)-9/32" x 61/64"	352358-S	4
Group 60414 SUPPORT ASSEMBLY (FRONT SEAT BACK)				
50	OH76	Overall length approximately 48-5/8" long	8H 7660414	1
Group 60456 BRACKET (FRONT SEAT SUPPORT TO FLOOR PAN)-FRONT				
50	OL	With nibs	8M 7060456-A	2
50	OL	Without nibs	8M 7060456-B	2
50	OH		8H 7360456	4
50	OH	Bolt (hex)-3/8"-24 x 2-3/8"	24541-S7	2
50	OH	Lockwasher-3/8"	34847-S8	2
Group 60462-3 BRACKET (FRONT SEAT SUPPORT TO FLOOR PAN)-REAR				
50	OL	R.H.-with nibs	8M 7060462-A	1
50	OL	L.H.-with nibs	8M 7060463-A	1
50	OL	R.H.-without nibs	8M 7060462-B	1
50	OL	L.H.-without nibs	8M 7060463-B	1

Lincoln and Lincoln Cosmopolitan

BODY PARTS CATALOGUE



PM-299

HYDRAULIC SEAT ADJUSTER

Group numbers only shown on illustration. Order by Part Numbers shown in list of parts.

YEAR 19	BODY TYPES	REMARKS	PART NUMBER	NO. REQ'D
Group 60473 SEAT ADJUSTER (HYDRAULIC)				
50	OL,OH	Not serviced-Service details-Consists of the following (1) 8H-7360487-B Frame assembly (1) 8H-7360491 Cylinder assembly (1) 8H-7360493 Spring	8H 7360473-B	1
Group 60484 STOP (FRONT SEAT HYDRAULIC REGULATOR)-ON (R.H.) SIDE				
50	OL,OH	1-3/16" x 1-23/64"	OM 7260484	1
Group 60487 FRAME ASSEMBLY (HYDRAULIC SEAT ADJUSTER)				
50	OL,OH	With mounting stud	8H 7360487-B	1
50	OL,OH	Bolt (hex head shoulder)-5/16"-24 x 1"	351190-S8	1
50	OL,OH	Nut (hex)-5/16-24"	33923-S7	1
50	OL,OH	Washer (flat)-5/16"	44722-S8	1
Group 60491 CYLINDER ASSEMBLY (SEAT ADJUSTER HYDRAULIC)				
50	OL,OH		8H 7360491	1
50	OH	Elbow (inverted male)-1/8"-27 male & 1/2"-20 female thread	357392-S	1
Group 60493 SPRING (HYDRAULIC SEAT ADJUSTER)				
50	OL,OH	Red Enamel	8H 7360493	1
Group 60788-9 MOULDING ASSEMBLY (FRONT SEAT BACK)				
50	OL72-72C,OH72-72C-76	R.H.	OL 7260788-B	1
50	OL72-72C,OH72-72C-76	L.H.	OL 7260789-B	1
50	OL74,OH74		OH 7460788-B	1
50	OL,OH	Bolt (moulding)-No. 8-32 x 3/4"	355123-S8	as req'd
50	OL,OH	Locknut (hex)-No. 8-32	355806-S7	9or10
Group 61088 PIN (FRONT SEAT BACK FRAME HINGE)-OUTER				
50	OL72-72C,OH except 74	57/64" long	8M 7061088	2

Lincoln and Lincoln Cosmopolitan

BODY PARTS CATALOGUE

YEAR 19	BODY TYPES	REMARKS	PART NUMBER	NO. REQ'D
Group 61114 SCREW ASSEMBLY (FRONT SEAT BACK HINGE STOP ADJUSTING)-LOWER				
50	OL72-72C,OH except 74	Hex head with fibre insert-5/16"-18 x 1-1/4"	8H 7261114	2
50	OL72-72C,OH except 74	Washer (finishing)-No. 8	34885-S13	2
Group 61115 COVER (HINGE STOP ADJUSTER SCREW)				
50	OH except 74	11/32" I.D. x 13/16" O.D.	26H 7261115	1
Group 61642 SCUFF PLATE (FRONT SEAT BACK)				
50	OL72-72C,OH72-72C-76		8A 7061642	2
Group 61723 GEAR AND CROSS TUBE ASSEMBLY (FRONT SEAT)				
50	OL,OH		8L 7261723	1
Group 61784 SPRING (LOCK LEVER)				
50	OL	Music wire-5/32" diameter	8H 7361784	1
Group 61795 HANDLE (FRONT SEAT LOCK LEVER)				
50	OL		7EH 7361795	1
50	OL	Bolt (round head)-No. 10-32 x 5/8"	27097-S2	2
50	OL	Lockwasher-No. 10	34803-S7	2
50	OL	Nut (hex)-No. 10-32	34079-S7	2
Group 61799 BRACKET (FRONT SEAT LOCK LEVER)				
50	OL,OH		8H 7361799	1
Group 62152-3 SHIELD ASSEMBLY (FRONT SEAT SIDE)-LOWER-TRIMMED				
50	OL72	R.H.-M-19108-B Dark Brown Plain Broadcloth	OL 7262152-AB	1
50	OL72	L.H.-M-19108-B Dark Brown Plain Broadcloth	OL 7262153-AB	1
50	OL72	R.H.-M-19108-C Dark Gray Plain Broadcloth	OL 7262152-AC	1
50	OL72	L.H.-M-19108-C Dark Gray Plain Broadcloth	OL 7262153-AC	1
50	OL72	R.H.-M-19108-A Dark Green Plain Broadcloth	OL 7262152-AA	1
50	OL72	L.H.-M-19108-A Dark Green Plain Broadcloth	OL 7262153-AA	1
50	OL72	R.H.-Tan Artificial Leather	OH 7662152-AH	1
50	OL72	L.H.-Tan Artificial Leather	OH 7662153-AH	1
50	OL72C	R.H.-Light Blue Artificial Leather	OH 7662152-AK	1
50	OL72C	L.H.-Light Blue Artificial Leather	OH 7662153-AK	1
50	OL72C,OH72C	R.H.-Dark Blue Artificial Leather	OL 7262152-AF	1
50	OL72C,OH72C	L.H.-Dark Blue Artificial Leather	OL 7262153-AF	1
50	OL72C,OH72C	R.H.-Oyster White Artificial Leather	OL 7262152-AG	1
50	OL72C,OH72C	L.H.-Oyster White Artificial Leather	OL 7262153-AG	1
50	OL72C,OH72C	R.H.-Dark Tan Artificial Leather	OL 7262152-AH	1
50	OL72C,OH72C	L.H.-Dark Tan Artificial Leather	OL 7262153-AH	1
50	OH72C	R.H.-Cherry Red Artificial Leather	OH 7662152-AG	1
50	OH72C	L.H.-Cherry Red Artificial Leather	OH 7662153-AG	1
50	OH72	R.H.-M-19106-H Dark Gray Plain Broadcloth	OH 7262152-AC	1
50	OH72	L.H.-M-19106-H Dark Gray Plain Broadcloth	OH 7262153-AC	1
50	OH72	R.H.-M-19106-B Dark Green Plain Broadcloth	OH 7262152-AA	1
50	OH72	L.H.-M-19106-B Dark Green Plain Broadcloth	OH 7262153-AA	1
50	OH72	R.H.-M-19106-D Dark Tan Plain Broadcloth	OH 7262152-AB	1
50	OH72	L.H.-M-19106-D Dark Tan Plain Broadcloth	OH 7262153-AB	1
50	OH72	R.H.-Tan Artificial Leather	OH 7662152-AH	1
50	OH72	L.H.-Tan Artificial Leather	OH 7662153-AH	1

Lincoln and Lincoln Cosmopolitan

BODY PARTS CATALOGUE

YEAR 19	BODY TYPES	REMARKS	PART NUMBER	NO. REQ'D
Group 62152-3 SHIELD ASSEMBLY (FRONT SEAT SIDE)-LOWER-TRIMMED-CONTINUED				
50	OH76	R.H.-Black Artificial Leather with Cherry Red Binding	OH 7662152-AX	1
50	OH76	L.H.-Black Artificial Leather with Cherry Red Binding	OH 7662153-AX	1
50	OH76	R.H.-Black Artificial Leather with Yellow Binding	OH 7662152-AY	1
50	OH76	L.H.-Black Artificial Leather with Yellow Binding	OH 7662153-AY	1
50	OH76	R.H.-Dark Blue Artificial Leather	OH 7662152-AZ	1
50	OH76	L.H.-Dark Blue Artificial Leather	OH 7662153-AZ	1
50	OH76	R.H.-Light Blue Artificial Leather	OH 7662152-AK	1
50	OH76	L.H.-Light Blue Artificial Leather	OH 7662153-AK	1
50	OH76	R.H.-Green Artificial Leather	OH 7662152-AJ	1
50	OH76	L.H.-Green Artificial Leather	OH 7662153-AJ	1
50	OH76	R.H.-Lime Green Artificial Leather	OH 7662152-AM	1
50	OH76	L.H.-Lime Green Artificial Leather	OH 7662153-AM	1
50	OH76	R.H.-Cherry Red Artificial Leather	OH 7662152-AG	1
50	OH76	L.H.-Cherry Red Artificial Leather	OH 7662153-AG	1
50	OH76	R.H.-Tan Artificial Leather	OH 7662152-AH	1
50	OH76	L.H.-Tan Artificial Leather	OH 7662153-AH	1
50	OH76	R.H.-Yellow Artificial Leather	OH 7662152-AL	1
50	OH76	L.H.-Yellow Artificial Leather	OH 7662153-AL	1
50	OL72-72C,OH72-72C-76	Screw (hex head self tapping)-No. 10-12 x 1/2"	42007-S7	6

Group 62632 FOOT REST ASSEMBLY (FRONT SEAT)-TRIMMED				
50	OH	Gray Carpet	OH 7362632-AC	1
50	OH	Tan Carpet	OH 7362632-AB	1
50	OH except 72C	Green Carpet	OH 7362632-AA	1
50	OH72C,OH76	Cherry Red Carpet	OH 7662632-AG	1
50	OH76	Black Carpet	OH 7662632-AL	1
50	OH	Lockwasher-No. 10	34805-S8	4

Group 62654 CARPET ASSEMBLY (FRONT SEAT BASE FOOT REST)				
50	OH	Gray	OH 7362654-AC	1
50	OH	Tan	OH 7362654-AB	1
50	OH except 72C	Green	OH 7362654-AA	1
50	OH72C,OH76	Cherry Red	OH 7662654-AG	1
50	OH76	Black	OH 7662654-AL	1

Group 62662-3 CARPET ASSEMBLY (FRONT SEAT BASE)-SIDE				
50	OL72	R.H.-Gray-One Tone	OL 7262662-AC	1
50	OL72	L.H.-Gray-One Tone	OL 7262663-AC	1
50	OL72	R.H.-Gray-Two Tone	OL 7262662-AY	1
50	OL72	L.H.-Gray-Two Tone	OL 7262663-AY	1
50	OL72	R.H.-Green-One Tone	OL 7262662-AA	1
50	OL72	L.H.-Green-One Tone	OL 7262663-AA	1
50	OL72	R.H.-Green-Two Tone	OL 7262662-AZ	1
50	OL72	L.H.-Green-Two Tone	OL 7262663-AZ	1
50	OL72	R.H.-Tan-One Tone-use with cloth trim	OL 7262662-AB	1
50	OL72	L.H.-Tan-One Tone-use with cloth trim	OL 7262663-AB	1
50	OL72	R.H.-Tan-Two Tone-use with cloth trim	OL 7262662-AX	1
50	OL72	L.H.-Tan-Two Tone-use with cloth trim	OL 7262663-AX	1
50	OL72	R.H.-Tan-use with leather trim	OL 7262662-AD	1
50	OL72	L.H.-Tan-use with leather trim	OL 7262663-AD	1

Lincoln and Lincoln Cosmopolitan

BODY PARTS CATALOGUE

YEAR 19	BODY TYPES	REMARKS	PART NUMBER	NO. REQ'D
Group 62662-3 CARPET ASSEMBLY (FRONT SEAT BASE)-SIDE-CONTINUED				
50	OL72C	R.H.-Gray-with Dark Blue Artificial Leather inside cover	OL 7262662-AF	1
50	OL72C	L.H.-Gray-with Dark Blue Artificial Leather inside cover	OL 7262663-AF	1
50	OL72C	R.H.-Gray-with Light Blue Artificial Leather inside cover	OL 7262662-AE	1
50	OL72C	L.H.-Gray-with Light Blue Artificial Leather inside cover	OL 7262663-AE	1
50	OL72C	R.H.-Green-with Oyster White Artificial Leather inside cover	OL 7262662-AG	1
50	OL72C	L.H.-Green-with Oyster White Artificial Leather inside cover	OL 7262663-AG	1
50	OL72C	R.H.-Tan-with Dark Tan Artificial Leather inside cover	OL 7262662-AH	1
50	OL72C	L.H.-Tan-with Dark Tan Artificial Leather inside cover	OL 7262663-AH	1
50	OL74	R.H.-Gray-One Tone	OL 7462662-AC	1
50	OL74	L.H.-Gray-One Tone	OL 7462663-AC	1
50	OL74	R.H.-Gray-Two Tone	OL 7462662-AY	1
50	OL74	L.H.-Gray-Two Tone	OL 7462663-AY	1
50	OL74	R.H.-Green-One Tone	OL 7462662-AA	1
50	OL74	L.H.-Green-One Tone	OL 7462663-AA	1
50	OL74	R.H.-Green-Two Tone	OL 7462662-AZ	1
50	OL74	L.H.-Green-Two Tone	OL 7462663-AZ	1
50	OL74	R.H.-Tan-One Tone-use with cloth or leather trim	OL 7462662-AB	1
50	OL74	L.H.-Tan-One Tone-use with cloth or leather trim	OL 7462663-AB	1
50	OL74	R.H.-Tan-Two Tone-use with cloth trim	OL 7462662-AX	1
50	OL74	L.H.-Tan-Two Tone-use with cloth trim	OL 7462663-AX	1
50	OH72	R.H.-Gray	OH 7262662-AC	1
50	OH72	L.H.-Gray	OH 7262663-AC	1
50	OH72	R.H.-Green	OH 7262662-AA	1
50	OH72	L.H.-Green	OH 7262663-AA	1
50	OH72	R.H.-Tan	OH 7262662-AB	1
50	OH72	L.H.-Tan	OH 7262663-AB	1
50	OH72C	R.H.-Gray-with Dark Blue Artificial Leather inside cover	OH 7662662-AZ	1
50	OH72C	L.H.-Gray-with Dark Blue Artificial Leather inside cover	OH 7662663-AZ	1
50	OH72C	R.H.-Gray-with Oyster White Artificial Leather inside cover	OH 7262662-AAD	1
50	OH72C	L.H.-Gray-with Oyster White Artificial Leather inside cover	OH 7262663-AAD	1
50	OH72C	R.H.-Cherry Red-with Cherry Red Artificial Leather inside cover	OH 7662662-AG	1
50	OH72C	L.H.-Cherry Red-with Cherry Red Artificial Leather inside cover	OH 7262663-AG	1
50	OH72C	R.H.-Tan-with Dark Tan Artificial Leather inside cover	OH 7262662-AAB	1
50	OH72C	L.H.-Tan-with Dark Tan Artificial Leather inside cover	OH 7262663-AAB	1
50	OH76	R.H.-Black	OH 7662662-AY	1
50	OH76	L.H.-Black	OH 7662663-AY	1
50	OH76	R.H.-Gray-with Dark Blue Artificial Leather inside cover	OH 7662662-AZ	1
50	OH76	L.H.-Gray-with Dark Blue Artificial Leather inside cover	OH 7662663-AZ	1
50	OH76	R.H.-Gray-with Light Blue Artificial Leather inside cover	OH 7662662-AK	1
50	OH76	L.H.-Gray-with Light Blue Artificial Leather inside cover	OH 7662663-AK	1
50	OH76	R.H.-Green	OH 7662662-AJ	1
50	OH76	L.H.-Green	OH 7662663-AJ	1
50	OH76	R.H.-Cherry Red-with Black Artificial Leather inside cover	OH 7662662-AX	1
50	OH76	L.H.-Cherry Red-with Black Artificial Leather inside cover	OH 7662663-AX	1
50	OH76	R.H.-Cherry Red-with Cherry Red Artificial Leather inside cover	OH 7662662-AG	1
50	OH76	L.H.-Cherry Red-with Cherry Red Artificial Leather inside cover	OH 7662663-AG	1
50	OH76	R.H.-Tan-with Lime Green Artificial Leather inside cover	OH 7662662-AM	1
50	OH76	L.H.-Tan-with Lime Green Artificial Leather inside cover	OH 7662663-AM	1
50	OH76	R.H.-Tan-with Tan Artificial Leather inside cover	OH 7662662-AH	1
50	OH76	L.H.-Tan-with Tan Artificial Leather inside cover	OH 7662663-AH	1
50	OH76	R.H.-Tan-with Yellow Artificial Leather inside cover	OH 7662662-AU	1
50	OH76	L.H.-Tan-with Yellow Artificial Leather inside cover	OH 7662663-AU	1

Lincoln and Lincoln Cosmopolitan

127

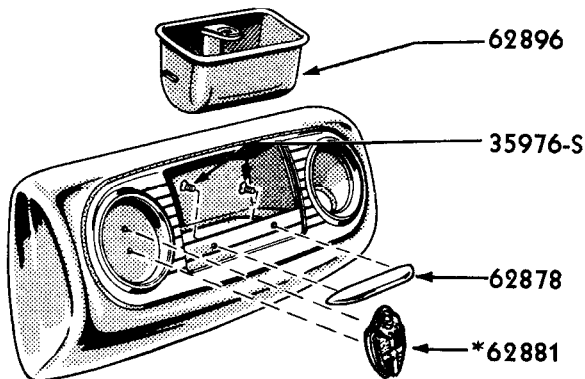
BODY PARTS CATALOGUE

YEAR 19__	BODY TYPES	REMARKS	PART NUMBER	NO. REQ'D
Group 62664 CARPET ASSEMBLY (FRONT SEAT BASE FRAME TUBE)				
50	OL72	Gray-One Tone	OL 7262664-AC	1
50	OL72	Gray-Two Tone	OL 7262664-AY	1
50	OL72	Green-One Tone	OL 7262664-AA	1
50	OL72	Green-Two Tone	OL 7262664-AZ	1
50	OL72	Tan-One Tone	OL 7262664-AB	1
50	OL72	Tan-Two Tone	OL 7262664-AX	1
50	OL72C	Gray-with Dark Blue Artificial Leather center bracket cover	OH 7662664-AZ	1
50	OL72C	Gray-with Light Blue Artificial Leather center bracket cover	OH 7662664-AK	1
50	OL72C	Green	OL 7262664-AG	1
50	OL72C	Tan	OL 7262664-AH	1
50	OH72	Gray	OH 7262664-AC	1
50	OH72	Green	OH 7262664-AA	1
50	OH72	Tan-use with cloth trim	OH 7262664-AB	1
50	OH72	Tan-use with leather trim	OH 7662664-AH	1
50	OH72C	Gray-with Dark Blue Artificial Leather center bracket cover	OH 7662664-AZ	1
50	OH72C	Gray-with Oyster White Artificial Leather center bracket cover	OH 7262664-AAD	1
50	OH72C	Cherry Red-with Cherry Red Artificial Leather center bracket cover	OH 7662664-AG	1
50	OH72C	Tan-with Dark Tan Artificial Leather center bracket cover	OH 7262664-AAB	1
50	OH76	Black	OH 7662664-AY	1
50	OH76	Gray-with Dark Blue Artificial Leather center bracket cover	OH 7662664-AZ	1
50	OH76	Gray-with Light Blue Artificial Leather center bracket cover	OH 7662664-AK	1
50	OH76	Green	OH 7662664-AJ	1
50	OH76	Cherry Red-with Black Artificial Leather center bracket cover	OH 7662664-AX	1
50	OH76	Cherry Red-with Cherry Red Artificial Leather center bracket cover	OH 7662664-AG	1
50	OH76	Tan-with Lime Green Artificial Leather center bracket cover	OH 7662664-AM	1
50	OH76	Tan-with Tan Artificial Leather center bracket cover	OH 7662664-AH	1
50	OH76	Tan-with Yellow Artificial Leather center bracket cover	OH 7662664-AU	1
Group 62694 COVER ASSEMBLY (FRONT SEAT BASE STRAINER)-REAR				
50	OL72-74	Gray-Two Tone Carpet	OL 7262694-AY	2
50	OL72-74	Green-Two Tone Carpet	OL 7262694-AZ	2
50	OL72-74	Tan-Two Tone Carpet	OL 7262694-AX	2
50	OL72-72C-74	Gray-One Tone Carpet	OL 7262694-AC	2
50	OL72-72C-74	Green-One Tone Carpet	OL 7262694-AA	2
50	OL72-72C-74	Tan-One Tone Carpet	OL 7262694-AB	2
Group 62800 CORD ASSEMBLY (FRONT SEAT BACK ROBE)				
50	OL72	Blue Gray	8L 7262800-F	2
50	OL72	Green	8L 7262800-D	2
50	OL72	Tan	8L 7262800-E	2
50	OL72,OH72-72C	Blue Gray	8H 7262800-H	2
50	OL72C,OH72C	Dark Tan Leather	OL 7262800-AH	2
50	OL72C,OH72C	Oyster White Leather	OL 7262800-AG	2
50	OL74	Blue Gray	8L 7362800-F	1
50	OL74	Green	8L 7362800-D	1
50	OL74	Tan	8L 7362800-E	1
50	OH72	Green	8H 7262800-E	2
50	OH72	Tan	8H 7262800-F	2

Lincoln and Lincoln Cosmopolitan

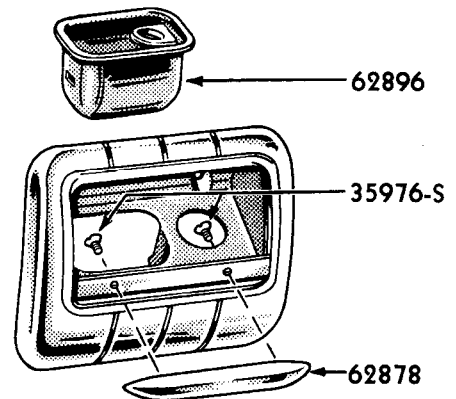
BODY PARTS CATALOGUE

YEAR 19	BODY TYPES	REMARKS	PART NUMBER	NO. REQ'D
Group 62800 CORD ASSEMBLY (FRONT SEAT BACK ROBE)-CONTINUED				
50	OH74	Blue Gray	8H 7362800-P	1
50	OH74	Green	8H 7362800-L	1
50	OH74	Tan	8H 7362800-M	1
50	OH76	Black Leather	OH 7662800-G	2
50	OH76	Dark Blue Leather	OH 7662800-H	2
50	OH76	Light Blue Leather	OH 7662800-D	2
50	OH76	Green Leather	OH 7662800-C	2
50	OH76	Lime Green Leather	OH 7662800-F	2
50	OH76	Red Leather	OH 7662800-A	2
50	OH76	Tan Leather	OH 7662800-B	2
50	OH76	Yellow Leather	OH 7662800-E	2
Group 62808 ANCHOR (ROBE CORD)				
50	OL72-72C, OH72-72C-76		8H 7262808	4
50	OL72-72C, OH72-72C-76	Screw (flat head)-No. 12-24 x 11/16"-plate to robe cord	24656-S	4
50	OL72-72C, OH72-72C-76	Screw and lockwasher assy (round head)-No. 12-24 x 1"	43236-S8	8
Group 62810-1 HANDLE (FRONT SEAT BACK ROBE CORD)				
50	OL74, OH74	R.H.	8H 7362810	1
50	OL74, OH74	L.H.	8H 7362811	1
50	OH74	Lockwasher (internal tooth)-No. 12	34904-S2	8
50	OL74, OH74	Lockwasher (split ring)-No. 12	34824-S2	2
50	OH74	Screw (round head)-No. 12-24 x 1"	26546-S	2
50	OL74, OH74	Screw (round head)-No. 12-24 x 1-5/8"	26586-S8	2
50	OL74, OH74	Screw (round head)-No. 12-24 x 1/2"	26482-S7	2
Group 62840 HOOK (FRONT SEAT ROBE CORD)				
50	OL74, OH74		8H 7362840	1



8H-7362869

*NOT INCLUDED IN THIS ASSY



8H-7262869

PL-333

Group numbers only shown on illustration. Order by Part Numbers shown in list of parts.

Lincoln and Lincoln Cosmopolitan

BODY PARTS CATALOGUE

YEAR 19__	BODY TYPES	REMARKS	PART NUMBER	NO. REQ'D
Group 62869 ASH RECEPTACLE ASSEMBLY (FRONT SEAT BACK)-COMPLETE-LESS LIGHTER AND EMBLEM				
50	OL,OH72-72C-76		8H 7262869	1or2
50	OH74		8H 7362869-B	1
50	OH72-72C-76	Lockwasher-3/8"	34807-S2	1
50	OL72-72C,OH72-72C-76	Nut (hex)-3/8"-24	33925-S7	2
50	OL72-72C-74,OH72-72C-76	Screw (cross recessed oval head self tap.)-No. 8-15 x 5/8"	52352-S13	4
50	OH74	Screw (cross recessed pan head self tap.)-No. 8-15 x 5/8"	52734-S8	4
50	OL,OH72-72C-76	Screw (flat head)-No. 6 x 3/8"	35976-S7	2
Group 62878 HANDLE (FRONT SEAT BACK ASH RECEPTACLE)				
50	OL,OH		8H 7262878	1or2
50	OL,OH	Screw (flat head machine)-No. 6-32 x 3/8"	35976-S7	as req'd
Group 62881 EMBLEM (FRONT SEAT BACK ASH RECEPTACLE CASE)				
50	OH74		8H 7362881	1
Group 62896 BOX AND SNUFFLER ASSEMBLY (FRONT SEAT BACK ASH RECEPTACLE)				
50	OL,OH72-72C-76		8H 7262896	2
50	OH74		8H 7362896	1
Group 62900 COVER ASSEMBLY (FRONT SEAT CUSHION)				
50	OL72	M-19105-N Brown Check Broadcloth-with One Tone carpet	OL 7262900-AB	1
50	OL72	M-19105-N Brown Check Broadcloth-with Two Tone carpet	OL 7262900-AX	1
50	OL72	M-16560-D Gray Stripe Nylon and Mohair-with One Tone carpet	OL 7262900-AC	1
50	OL72	M-16560-D Gray Stripe Nylon and Mohair-with Two Tone carpet	OL 7262900-AY	1
50	OL72	M-19105-M Two Tone Green Cable Stripe Broadcloth-with One Tone carpet	OL 7262900-AA	1
50	OL72	M-19105-M Two Tone Green Cable Stripe Broadcloth-with Two Tone carpet	OL 7262900-AZ	1
50	OL72	Tan Leather	OL 7262900-AD	1
50	OL72C	M-19146-K Beige Whipcord	OL 7262900-AH	1
50	OL72C	M-19146-M Blue Whipcord with Dark Blue Artificial Leather Cordwelt	OL 7262900-AF	1
50	OL72C	M-19146-M Blue Whipcord with Light Blue Artificial Leather Cordwelt	OL 7262900-AE	1
50	OL72C	M-19146-L Green Whipcord	OL 7262900-AG	1
50	OL74	M-19105-N Brown Check Broadcloth-with One Tone carpet	OL 7462900-AB	1
50	OL74	M-19105-N Brown Check Broadcloth-with Two Tone carpet	OL 7462900-AX	1
50	OL74	M-16560-D Gray Stripe Nylon and Mohair-with One Tone carpet	OL 7462900-AC	1
50	OL74	M-16560-D Gray Stripe Nylon and Mohair-with Two Tone carpet	OL 7462900-AY	1
50	OL74	M-19105-M Two Tone Green Cable Stripe Broadcloth-with One Tone carpet	OL 7462900-AA	1
50	OL74	M-19105-M Two Tone Green Cable Stripe Broadcloth-with Two Tone carpet	OL 7462900-AZ	1
50	OL74	Tan Leather	OL 7462900-AD	1

Lincoln and Lincoln Cosmopolitan

BODY PARTS CATALOGUE

YEAR 19__	BODY TYPES	REMARKS	PART NUMBER	NO. REQ'D
Group 62900 COVER ASSEMBLY (FRONT SEAT CUSHION)-CONTINUED				
50	OH72	M-19105-S Light Gray Shadow Stripe Broadcloth	OH 7262900-AC	1
50	OH72	M-19105-P Light Green Shadow Stripe Broadcloth	OH 7262900-AA	1
50	OH72	M-16560-F Two Tone Green Nylon and Mohair	OH 7262900-AE	1
50	OH72	M-19105-Q Light Tan Shadow Stripe Broadcloth	OH 7262900-AB	1
50	OH72	M-16560-E Two Tone Tan Nylon and Mohair	OH 7262900-AD	1
50	OH72-76	Tan Leather	OH 7662900-AH	1
50	OH72C	M-19146-K Beige Whipcord	OH 7262900-AAE	1
50	OH72C	M-19146-M-Blue Whipcord-with Dark Blue Cordwelt	OH 7262900-AAC	1
50	OH72C	M-19146-M-Blue Whipcord-with Oyster White Cordwelt	OH 7262900-AAD	1
50	OH72C	M-19146-N Yellow Beige Whipcord	OH 7262900-AAB	1
50	OH74	M-19105-S Light Gray Shadow Stripe Broadcloth	OH 7362900-AC	1
50	OH74	M-19105-P Light Green Shadow Stripe Broadcloth	OH 7362900-AA	1
50	OH74	M-16560-F Two Tone Green Nylon and Mohair	OH 7362900-AE	1
50	OH74	M-19105-Q Light Tan Shadow Stripe Broadcloth	OH 7362900-AB	1
50	OH74	M-16560-E Two Tons Tan Nylon and Mohair	OH 7362900-AD	1
50	OH74	Tan Leather	OH 7362900-AF	1
50	OH76	M-19146-K Beige Whipcord with Cherry Red Carpet	OH 7662900-AN	1
50	OH76	M-19146-K Beige Whipcord with Tan Carpet	OH 7662900-AR	1
50	OH76	Light Blue Leather	OH 7662900-AK	1
50	OH76	M-19146-M Blue Whipcord	OH 7662900-AT	1
50	OH76	Green Leather	OH 7662900-AJ	1
50	OH76	M-19146-L Green Whipcord	OH 7662900-AS	1
50	OH76	Lime Green Leather	OH 7662900-AM	1
50	OH76	Cherry Red Leather	OH 7662900-AG	1
50	OH76	M-19146-N Yellow Beige Whipcord	OH 7662900-AU	1
50	OH76	Yellow Leather with Black Carpet	OH 7662900-AL	1
50	OH76	Yellow Leather with Tan Carpet	OH 7662900-AAA	1
50	OL,OH	Clip-"C"	358338-S	as req'd
Group 63200 PAD ASSEMBLY (FRONT CUSHION)-UPPER				
50	OL,OH72-72C-74	Cotton-used with Cloth Trim only	7EH 7363200	1
Group 63206 PAD (FRONT SEAT CUSHION)-LOWER				
50	OL,OH	Sponge Rubber	7EH 7363206	1
50	OL	Clip-"C"	358338-S	13
Group 63234 SPRING (FRONT SEAT ADJUSTMENT TENSION)-FRONT				
50	OL		8H 7363234	1
Group 63242-3 PAD (FRONT SEAT CUSHION)-PLEAT				
50	OL,OH except 76	R.H.-Sponge Rubber-use with Leather Trim	8H 7363242-B	1
50	OL,OH except 76	L.H.-Sponge Rubber-use with Leather Trim	8H 7363243-B	1
Group 63398-9 PAD (REAR SEAT CUSHION)-PLEAT				
50	OH72	R.H.-Sponge Rubber-use with Leather Trim	8H 7263398-B	1
50	OH72	L.H.-Sponge Rubber-use with Leather Trim	8H 7263399-B	1
50	OH74	R.H.-Sponge Rubber-use with Leather Trim	8H 7363398-B	1
50	OH74	L.H.-Sponge Rubber-use with Leather Trim	8H 7363399-B	1

Lincoln and Lincoln Cosmopolitan

BODY PARTS CATALOGUE

YEAR 19	BODY TYPES	REMARKS	PART NUMBER	NO. REQ'D
Group 63804 COVER ASSEMBLY (REAR SEAT CUSHION)				
50	OL72	M-19105-N Brown Check Broadcloth	OL 7263804-AB	1
50	OL72	M-16560-D Gray Stripe Nylon and Mohair	OL 7263804-AC	1
50	OL72	M-19105-M Two Tone Green Cable Stripe Broadcloth	OL 7263804-AA	1
50	OL72	Tan Leather	OL 7263804-AD	1
50	OL72C	M-19146-K Beige Whipcord	OL 7263804-AH	1
50	OL72C	M-19146-M Blue Whipcord with Dark Blue Artificial Leather Cordwelt	OL 7263804-AF	1
50	OL72C	M-19146-M Blue Whipcord with Light Blue Artificial Leather Cordwelt	OL 7263804-AE	1
50	OL72C	M-19146-L Green Whipcord	OL 7263804-AG	1
50	OL74	M-19105-N Brown Check Broadcloth	OL 7463804-AB	1
50	OL74	M-16560-D Gray Stripe Nylon and Mohair	OL 7463804-AC	1
50	OL74	M-19105-M Two Tone Green Cable Stripe Broadcloth	OL 7463804-AA	1
50	OL74	Tan Leather	OL 7463804-AD	1
50	OH72	M-19105-S Light Gray Shadow Stripe Broadcloth	OH 7263804-AC	1
50	OH72	M-19105-P Light Green Shadow Stripe Broadcloth	OH 7263804-AA	1
50	OH72	M-16560-F Two Tone Green Nylon and Mohair	OH 7263804-AE	1
50	OH72	M-19105-Q Light Tan Shadow Stripe Broadcloth	OH 7263804-AB	1
50	OH72	M-16560-E Two Tone Tan Nylon and Mohair	OH 7263804-AD	1
50	OH72	Tan Leather	OH 7263804-AF	1
50	OH72C	M-19146-K Beige Whipcord	OH 7263804-AAE	1
50	OH72C	M-19146-M Blue Whipcord	OH 7263804-AAC	1
50	OH72C	M-19146-N Yellow Beige Whipcord	OH 7263804-AAB	1
50	OH74	M-19105-S Light Gray Shadow Stripe Broadcloth	OH 7363804-AC	1
50	OH74	M-19105-P Light Green Shadow Stripe Broadcloth	OH 7363804-AA	1
50	OH74	M-16560-F Two Tone Green Nylon and Mohair	OH 7363804-AE	1
50	OH74	M-19105-Q Light Tan Shadow Stripe Broadcloth	OH 7363804-AB	1
50	OH74	M-16560-E Two Tone Tan Nylon and Mohair	OH 7363804-AD	1
50	OH74	Tan Leather	OH 7363804-AF	1
50	OH76	M-19146-K Beige Whipcord	OH 7663804-AN	1
50	OH76	Light Blue Leather	OH 7663804-AK	1
50	OH76	M-19146-M Blue Whipcord	OH 7663804-AT	1
50	OH76	Green Leather	OH 7663804-AJ	1
50	OH76	M-19146-L Green Whipcord	OH 7663804-AS	1
50	OH76	Lime Green Leather	OH 7663804-AM	1
50	OH76	Cherry Red Leather	OH 7663804-AG	1
50	OH76	Tan Leather	OH 7663804-AH	1
50	OH76	M-19146-N Yellow Beige Whipcord	OH 7663804-AU	1
50	OH76	Yellow Leather	OH 7663804-AL	1
50	OL,OH except 76	Clip-"C"	358338-S	as req'd

Group 63840 PAD ASSEMBLY (REAR SEAT CUSHION)-UPPER

50	OL72-72C	Cotton	OM 7263840	1
50	OL74	Cotton	OM 7463840	1
50	OH except 76	Cotton	OH 7363840	1

Lincoln and Lincoln Cosmopolitan

BODY PARTS CATALOGUE

YEAR 19__	BODY TYPES	REMARKS	PART NUMBER	NO. REQ'D
Group 63846 PAD (REAR SEAT CUSHION SPRING)				
50	OL72-72C	Sponge Rubber	OM 7263846-A	1
50	OL74	Sponge Rubber	OM 7463846	1
50	OH72-72C	Sponge Rubber	8H 7263846-B	1
50	OH74	Sponge Rubber	8H 7463846-B	1
50	OH76	Sponge Rubber	8H 7663846	1
50	OL72-72C-74, OH72-72C-74	Clip-"C"	358338-S	as req'd
Group 64400-1 CUSHION ASSEMBLY (FRONT SEAT BACK)				
50	OL72	R.H.-Upper M-19108-B Dark Brown Plain Broadcloth, Lower M-19105-N Brown Check Broadcloth	OL 7264400-AB	1
50	OL72	L.H.-Upper M-19108-B Dark Brown Plain Broadcloth, Lower M-19105-N Brown Check Broadcloth	OL 7264401-AB	1
50	OL72	R.H.-Upper M-19108-C Dark Gray Plain Broadcloth, Lower M-16560-D Gray Stripe Nylon and Mohair	OL 7264400-AC	1
50	OL72	L.H.-Upper M-19108-C Dark Gray Plain Broadcloth, Lower M-16560-D Gray Stripe Nylon and Mohair	OL 7264401-AC	1
50	OL72	R.H.-Upper M-19108-A Dark Green Plain Broadcloth, Lower M-19105-M Two Tone Green Cable Stripe Broadcloth	OL 7264400-AA	1
50	OL72	L.H.-Upper M-19108-A Dark Green Plain Broadcloth, Lower M-19105-M Two Tone Green Cable Stripe Broadcloth	OL 7264401-AA	1
50	OL72	R.H.-Tan Leather	OH 7664400-AH	1
50	OL72	L.H.-Tan Leather	OH 7664401-AH	1
50	OL72C	R.H.-Upper Dark Blue Leather, Lower M-19146-M Blue Whipcord	OL 7264400-AF	1
50	OL72C	L.H.-Upper Dark Blue Leather, Lower M-19146-M Blue Whipcord	OL 7264401-AF	1
50	OL72C	R.H.-Upper Light Blue Leather, Lower M-19146-M Blue Whipcord	OL 7264400-AE	1
50	OL72C	L.H.-Upper Light Blue Leather, Lower M-19146-M Blue Whipcord	OL 7264401-AE	1
50	OL72C	R.H.-Upper Seal Brown Leather, Lower M-19146-K Beige Whipcord	OL 7264400-AH	1
50	OL72C	L.H.-Upper Seal Brown Leather, Lower M-19146-K Beige Whipcord	OL 7264401-AH	1
50	OL72C	R.H.-Upper Oyster White Leather, Lower M-19146-L Green Whipcord	OL 7264400-AG	1
50	OL72C	L.H.-Upper Oyster White Leather, Lower M-19146-L Green Whipcord	OL 7264401-AG	1
50	OL74	Upper M-19108-B Dark Brown Plain Broadcloth, Lower M-19105-N Brown Check Broadcloth	OL 7464400-AB	1
50	OL74	Upper M-19108-C Dark Gray Plain Broadcloth, Lower M-16560-D Gray Stripe Nylon and Mohair	OL 7464400-AC	1
50	OL74	Upper M-19108-A Dark Green Plain Broadcloth, Lower M-19105-M Two Tone Green Cable Stripe Broadcloth	OL 7464400-AA	1
50	OL74	Tan Leather	OL 7464400-AD	1
50	OH72	R.H.-Upper M-19106-H Dark Gray Plain Broadcloth, Lower M-19105-S Light Gray Shadow Stripe Broadcloth	OH 7264400-AC	1
50	OH72	L.H.-Upper M-19106-H Dark Gray Plain Broadcloth, Lower M-19105-S Light Gray Shadow Stripe Broadcloth	OH 7264401-AC	1
50	OH72	R.H.-Upper M-19106-B Dark Green Plain Broadcloth, Lower M-19105-P Light Green Shadow Stripe Broadcloth	OH 7264400-AA	1
50	OH72	L.H.-Upper M-19106-B Dark Green Plain Broadcloth, Lower M-19105-P Light Green Shadow Stripe Broadcloth	OH 7264401-AA	1
50	OH72	R.H.-Upper M-19106-B Dark Green Plain Broadcloth, Lower M-16560-F Two Tone Green Nylon and Mohair	OH 7264400-AE	1
50	OH72	L.H.-Upper M-19106-B Dark Green Plain Broadcloth, Lower M-16560-F Two Tone Green Nylon and Mohair	OH 7264401-AE	1

Lincoln and Lincoln Cosmopolitan

BODY PARTS CATALOGUE

YEAR 19__	BODY TYPES	REMARKS	PART NUMBER	NO. REQ'D
Group 64400-1 CUSHION ASSEMBLY (FRONT SEAT BACK)-CONTINUED				
50	0H72	R.H.-Upper M-19106-D Dark Tan Plain Broadcloth, Lower M-19105-Q Light Tan Shadow Stripe Broadcloth	OH 7264400-AB	1
50	0H72	L.H.-Upper M-19106-D Dark Tan Plain Broadcloth, Lower M-19105-Q Light Tan Shadow Stripe Broadcloth	OH 7264401-AB	1
50	0H72	R.H.-Upper M-19106-D Dark Tan Plain Broadcloth, Lower M-16560-E Two Tone Tan Nylon and Mohair	OH 7264400-AD	1
50	0H72	L.H.-Upper M-19106-D Dark Tan Plain Broadcloth, Lower M-16560-E Two Tone Tan Nylon and Mohair	OH 7264401-AD	1
50	0H72	R.H.-Tan Leather	OH 7664400-AH	1
50	0H72	L.H.-Tan Leather	OH 7664401-AH	1
50	0H72C	R.H.-Upper Dark Blue Leather, Lower M-19146-M Blue Whipcord	OH 7264400-AAC	1
50	0H72C	L.H.-Upper Dark Blue Leather, Lower M-19146-M Blue Whipcord	OH 7264401-AAC	1
50	0H72C	R.H.-Upper Seal Brown Leather, Lower M-19146-N Yellow Beige Whipcord	OH 7264400-AAB	1
50	0H72C	L.H.-Upper Seal Brown Leather, Lower M-19146-N Yellow Beige Whipcord	OH 7264401-AAB	1
50	0H72C	R.H.-Upper Oyster White Leather, Lower M-19146-M Blue Whipcord	OH 7264400-AAD	1
50	0H72C	L.H.-Upper Oyster White Leather, Lower M-19146-M Blue Whipcord	OH 7264401-AAD	1
50	0H72C	R.H.-Upper Cherry Red Leather, Lower M-19146-K Beige Whipcord	OH 7664400-AN	1
50	0H72C	L.H.-Upper Cherry Red Leather, Lower M-19146-K Beige Whipcord	OH 7664401-AN	1
50	0H74	Upper M-19106-H Dark Gray Plain Broadcloth, Lower M-19105-S Light Gray Shadow Stripe Broadcloth	OH 7364400-AC	1
50	0H74	Upper M-19106-B Dark Green Plain Broadcloth, Lower M-19105-P Light Green Shadow Stripe Broadcloth	OH 7364400-AA	1
50	0H74	Upper M-19106-B Dark Green Plain Broadcloth, Lower M-16560-F Two Tone Green Nylon and Mohair	OH 7364400-AE	1
50	0H74	Upper M-19106-D Dark Tan Plain Broadcloth, Lower M-19105-Q Light Tan Shadow Stripe Broadcloth	OH 7364400-AB	1
50	0H74	Upper M-19106-D Dark Tan Plain Broadcloth, Lower M-16560-E Two Tone Tan Nylon and Mohair	OH 7364400-AD	1
50	0H74	Tan Leather	OL 7464400-AD	1
50	0H76	R.H.-Upper Black Leather, Lower Cherry Red Leather	OH 7664400-AX	1
50	0H76	L.H.-Upper Black Leather, Lower Cherry Red Leather	OH 7664401-AX	1
50	0H76	R.H.-Upper Black Leather, Lower Yellow Leather	OH 7664400-AY	1
50	0H76	L.H.-Upper Black Leather, Lower Yellow Leather	OH 7664401-AY	1
50	0H76	R.H.-Upper Dark Blue Leather, Lower Light Blue Leather	OH 7664400-AZ	1
50	0H76	L.H.-Upper Dark Blue Leather, Lower Light Blue Leather	OH 7664401-AZ	1
50	0H76	R.H.-Light Blue Leather	OH 7664400-AK	1
50	0H76	L.H.-Light Blue Leather	OH 7664401-AK	1
50	0H76	R.H.-Upper Light Blue Leather, Lower M-19146-M Blue Whipcord	OH 7664400-AT	1
50	0H76	L.H.-Upper Light Blue Leather, Lower M-19146-M Blue Whipcord	OH 7664401-AT	1
50	0H76	R.H.-Green Leather	OH 7664400-AJ	1
50	0H76	L.H.-Green Leather	OH 7664401-AJ	1
50	0H76	R.H.-Upper Green Leather, Lower M-19146-L Green Whipcord	OH 7664400-AS	1
50	0H76	L.H.-Upper Green Leather, Lower M-19146-L Green Whipcord	OH 7664401-AS	1
50	0H76	R.H.-Lime Green Leather	OH 7664400-AM	1
50	0H76	L.H.-Lime Green Leather	OH 7664401-AM	1
50	0H76	R.H.-Upper Lime Green Leather, Lower M-19146-N Yellow Beige Whipcord	OH 7664400-AV	1
50	0H76	L.H.-Upper Lime Green Leather, Lower M-19146-N Yellow Beige Whipcord	OH 7664401-AV	1
50	0H76	R.H.-Cherry Red Leather	OH 7664400-AG	1
50	0H76	L.H.-Cherry Red Leather	OH 7664401-AG	1

Lincoln and Lincoln Cosmopolitan

BODY PARTS CATALOGUE

YEAR 19	BODY TYPES	REMARKS	PART NUMBER	NO. REQ'D
Group 64400-1 CUSHION ASSEMBLY (FRONT SEAT BACK)-CONTINUED				
50	OH76	R.H.-Upper Cherry Red Leather, Lower M-19146-K Beige Whipcord	OH 7664400-AN	1
50	OH76	L.H.-Upper Cherry Red Leather, Lower M-19146-K Beige Whipcord	OH 7664401-AN	1
50	OH76	R.H.-Tan Leather	OH 7664400-AH	1
50	OH76	L.H.-Tan Leather	OH 7664401-AH	1
50	OH76	R.H.-Upper Tan Leather, Lower M-19146-K Beige Whipcord	OH 7664400-AR	1
50	OH76	L.H.-Upper Tan Leather, Lower M-19146-K Beige Whipcord	OH 7664401-AR	1
50	OH76	R.H.-Yellow Leather	OH 7664400-AL	1
50	OH76	L.H.-Yellow Leather	OH 7664401-AL	1
50	OH76	R.H.-Upper Yellow Leather, Lower M-19146-N Yellow Beige Whipcord	OH 7664400-AU	1
50	OH76	L.H.-Upper Yellow Leather, Lower M-19146-N Yellow Beige Whipcord	OH 7664401-AU	1
Group 64416-7 COVER ASSEMBLY (FRONT SEAT BACK CUSHION)				
50	OL72	R.H.-Upper M-19108-B Dark Brown Plain Broadcloth, Lower M-19105-N Brown Check Broadcloth	OL 7264416-AB	1
50	OL72	L.H.-Upper M-19108-B Dark Brown Plain Broadcloth, Lower M-19105-N Brown Check Broadcloth	OL 7264417-AB	1
50	OL72	R.H.-Upper M-19108-C Dark Gray Plain Broadcloth, Lower M-16560-D Gray Stripe Nylon and Mohair	OL 7264416-AC	1
50	OL72	L.H.-Upper M-19108-C Dark Gray Plain Broadcloth, Lower M-16560-D Gray Stripe Nylon and Mohair	OL 7264417-AC	1
50	OL72	R.H.-Upper M-19108-A Dark Green Plain Broadcloth, Lower M-19105-M Two Tone Green Cable Stripe Broadcloth	OL 7264416-AA	1
50	OL72	L.H.-Upper M-19108-A Dark Green Plain Broadcloth, Lower M-19105-M Two Tone Green Cable Stripe Broadcloth	OL 7264417-AA	1
50	OL72	R.H.-Tan Leather	OH 7664416-AH	1
50	OL72	L.H.-Tan Leather	OH 7664417-AH	1
50	OL72C	R.H.-Upper Dark Blue Leather, Lower M-19146-M Blue Whipcord	OL 7264416-AF	1
50	OL72C	L.H.-Upper Dark Blue Leather, Lower M-19146-M Blue Whipcord	OL 7264417-AF	1
50	OL72C	R.H.-Upper Light Blue Leather, Lower M-19146-M Blue Whipcord	OL 7264416-AE	1
50	OL72C	L.H.-Upper Light Blue Leather, Lower M-19146-M Blue Whipcord	OL 7264417-AE	1
50	OL72C	R.H.-Upper Seal Brown Leather, Lower M-19146-K Beige Whipcord	OL 7264416-AH	1
50	OL72C	L.H.-Upper Seal Brown Leather, Lower M-19146-K Beige Whipcord	OL 7264417-AH	1
50	OL72C	R.H.-Upper Oyster White Leather, Lower M-19146-L Green Whipcord	OL 7264416-AG	1
50	OL72C	L.H.-Upper Oyster White Leather, Lower M-19146-L Green Whipcord	OL 7264417-AG	1
50	OL74	Upper M-19108-B Dark Brown Plain Broadcloth, Lower M-19105-N Brown Check Broadcloth	OL 7464416-AB	1
50	OL74	Upper M-19108-C Dark Gray Plain Broadcloth, Lower M-16560-D Gray Stripe Nylon and Mohair	OL 7464416-AC	1
50	OL74	Upper M-19108-A Dark Green Plain Broadcloth, Lower M-19105-M Two Tone Green Cable Stripe Broadcloth	OL 7464416-AA	1
50	OL74	Tan Leather	OL 7464416-AD	1
50	OH72	R.H.-Upper M-19106-H Dark Gray Plain Broadcloth, Lower M-19105-S Light Gray Shadow Stripe Broadcloth	OH 7264416-AC	1
50	OH72	L.H.-Upper M-19106-H Dark Gray Plain Broadcloth, Lower M-19105-S Light Gray Shadow Stripe Broadcloth	OH 7264417-AC	1
50	OH72	R.H.-Upper M-19106-B Dark Green Plain Broadcloth, Lower M-19105-P Light Green Shadow Stripe Broadcloth	OH 7264416-AA	1
50	OH72	L.H.-Upper M-19106-B Dark Green Plain Broadcloth, Lower M-19105-P Light Green Shadow Stripe Broadcloth	OH 7264417-AA	1
50	OH72	R.H.-Upper M-19106-B Dark Green Plain Broadcloth, Lower M-16560-F Two Tone Green Nylon and Mohair	OH 7264416-AE	1
50	OH72	L.H.-Upper M-19106-B Dark Green Plain Broadcloth, Lower M-16560-F Two Tone Green Nylon and Mohair	OH 7264417-AE	1

Lincoln and Lincoln Cosmopolitan

BODY PARTS CATALOGUE

YEAR 19	BODY TYPES	REMARKS	PART NUMBER	NO. REQ'D
Group 64416-7 COVER ASSEMBLY (FRONT SEAT BACK CUSHION)-CONTINUED				
50	OH72	R.H.-Upper M-19106-D Dark Tan Plain Broadcloth, Lower M-19105-Q Light Tan Shadow Stripe Broadcloth	OH 7264416-AB	1
50	OH72	L.H.-Upper M-19106-D Dark Tan Plain Broadcloth, Lower M-19105-Q Light Tan Shadow Stripe Broadcloth	OH 7264417-AB	1
50	OH72	R.H.-Upper M-19106-D Dark Tan Plain Broadcloth, Lower M-16560-E Two Tone Tan Nylon and Mohair	OH 7264416-AD	1
50	OH72	L.H.-Upper M-19106-D Dark Tan Plain Broadcloth, Lower M-16560-E Two Tone Tan Nylon and Mohair	OH 7264417-AD	1
50	OH72	R.H.-Tan Leather	OH 7664416-AH	1
50	OH72	L.H.-Tan Leather	OH 7664417-AH	1
50	OH72C	R.H.-Upper Dark Blue Leather, Lower M-19146-M Blue Whipcord	OH 7264416-AAC	1
50	OH72C	L.H.-Upper Dark Blue Leather, Lower M-19146-M Blue Whipcord	OH 7264417-AAC	1
50	OH72C	R.H.-Upper Seal Brown Leather, Lower M-19146-N Yellow Beige Whipcord	OH 7264416-AAB	1
50	OH72C	L.H.-Upper Seal Brown Leather, Lower M-19146-N Yellow Beige Whipcord	OH 7264417-AAB	1
50	OH72C	R.H.-Upper Oyster White Leather, Lower M-19146-M Blue Whipcord	OH 7264416-AAD	1
50	OH72C	L.H.-Upper Oyster White Leather, Lower M-19146-M Blue Whipcord	OH 7264417-AAD	1
50	OH72C	R.H.-Upper Cherry Red Leather, Lower M-19146-K Beige Whipcord	OH 7664416-AN	1
50	OH72C	L.H.-Upper Cherry Red Leather, Lower M-19146-K Beige Whipcord	OH 7664417-AN	1
50	OH74	Upper M-19106-H Dark Gray Plain Broadcloth, Lower M-19105-S Light Gray Shadow Stripe Broadcloth	OH 7364416-AC	1
50	OH74	Upper M-19106-B Dark Green Plain Broadcloth, Lower M-19105-P Light Green Shadow Stripe Broadcloth	OH 7364416-AA	1
50	OH74	Upper M-19106-B Dark Green Plain Broadcloth, Lower M-19560-F Two Tone Green Nylon and Mohair	OH 7364416-AE	1
50	OH74	Upper M-19106-D Dark Tan Plain Broadcloth, Lower M-19105-Q Light Tan Shadow Stripe Broadcloth	OH 7364416-AB	1
50	OH74	Upper M-19106-D Dark Tan Plain Broadcloth, Lower M-16560-E Two Tone Tan Nylon and Mohair	OH 7364416-AD	1
50	OH74	Tan Leather	OL 7464416-AD	1
50	OH76	R.H.-Upper Black Leather, Lower Cherry Red Leather	OH 7664416-AX	1
50	OH76	L.H.-Upper Black Leather, Lower Cherry Red Leather	OH 7664417-AX	1
50	OH76	R.H.-Upper Black Leather, Lower Yellow Leather	OH 7664416-AY	1
50	OH76	L.H.-Upper Black Leather, Lower Yellow Leather	OH 7664417-AY	1
50	OH76	R.H.-Upper Dark Blue Leather, Lower Light Blue Leather	OH 7664416-AZ	1
50	OH76	L.H.-Upper Dark Blue Leather, Lower Light Blue Leather	OH 7664417-AZ	1
50	OH76	R.H.-Light Blue Leather	OH 7664416-AK	1
50	OH76	L.H.-Light Blue Leather	OH 7664417-AK	1
50	OH76	R.H.-Upper Light Blue Leather, Lower M-19146-M Blue Whipcord	OH 7664416-AT	1
50	OH76	L.H.-Upper Light Blue Leather, Lower M-19146-M Blue Whipcord	OH 7664417-AT	1
50	OH76	R.H.-Green Leather	OH 7664416-AJ	1
50	OH76	L.H.-Green Leather	OH 7664417-AJ	1
50	OH76	R.H.-Upper Green Leather, Lower M-19146-L Green Whipcord	OH 7664416-AS	1
50	OH76	L.H.-Upper Green Leather, Lower M-19146-L Green Whipcord	OH 7664417-AS	1
50	OH76	R.H.-Lime Green Leather	OH 7664416-AM	1
50	OH76	L.H.-Lime Green Leather	OH 7664417-AM	1
50	OH76	R.H.-Upper Lime Green Leather, Lower M-19146-N Yellow Beige Whipcord	OH 7664416-AV	1
50	OH76	L.H.-Upper Lime Green Leather, Lower M-19146-N Yellow Beige Whipcord	OH 7664417-AV	1
50	OH76	R.H.-Cherry Red Leather	OH 7664416-AG	1
50	OH76	L.H.-Cherry Red Leather	OH 7664417-AG	1

Lincoln and Lincoln Cosmopolitan

BODY PARTS CATALOGUE

YEAR 19	BODY TYPES	REMARKS	PART NUMBER	NO. REQ'D
Group 64416-7 COVER ASSEMBLY (FRONT SEAT BACK CUSHION)-CONTINUED				
50	OH76	R.H.-Upper Cherry Red Leather, Lower M-19146-K Beige Whipcord	OH 7664416-AN	1
50	OH76	L.H.-Upper Cherry Red Leather, Lower M-19146-K Beige Whipcord	OH 7664417-AN	1
50	OH76	R.H.-Tan Leather	OH 7664416-AH	1
50	OH76	L.H.-Tan Leather	OH 7664417-AH	1
50	OH76	R.H.-Upper Tan Leather, Lower M-19146-K Beige Whipcord	OH 7664416-AR	1
50	OH76	L.H.-Upper Tan Leather, Lower M-19146-K Beige Whipcord	OH 7664417-AR	1
50	OH76	R.H.-Yellow Leather	OH 7664416-AL	1
50	OH76	L.H.-Yellow Leather	OH 7664417-AL	1
50	OH76	R.H.-Upper Yellow Leather, Lower M-19146-N Yellow Beige Whipcord	OH 7664416-AU	1
50	OH76	L.H.-Upper Yellow Leather, Lower M-19146-N Yellow Beige Whipcord	OH 7664417-AU	1
50	OL,OH	Clip-"C"	358338-S	as req'd
Group 64430-1 COVER ASSEMBLY (FRONT SEAT BACK FRAME)				
50	OL72	R.H.-M-19108-B Dark Brown Plain Broadcloth	OL 7264430-AB	1
50	OL72	L.H.-M-19108-B Dark Brown Plain Broadcloth	OL 7264431-AB	1
50	OL72	R.H.-M-19108-C Dark Gray Plain Broadcloth	OL 7264430-AC	1
50	OL72	L.H.-M-19108-C Dark Gray Plain Broadcloth	OL 7264431-AC	1
50	OL72	R.H.-M-19108-A Dark Green Plain Broadcloth	OL 7264430-AA	1
50	OL72	L.H.-M-19108-A Dark Green Plain Broadcloth	OL 7264431-AA	1
50	OL72	R.H.-Tan Artificial Leather	8H 7664430-P	1
50	OL72	L.H.-Tan Artificial Leather	8H 7664431-P	1
50	OL72C	R.H.-Light Blue Artificial Leather	8H 7664430-S	1
50	OL72C	L.H.-Light Blue Artificial Leather	8H 7664431-S	1
50	OL72C,OH72C	R.H.-Dark Blue Artificial Leather	OH 7664430-AZ	1
50	OL72C,OH72C	L.H.-Dark Blue Artificial Leather	OH 7664431-AZ	1
50	OL72C,OH72C	R.H.-Oyster White Artificial Leather	OL 7264430-AG	1
50	OL72C,OH72C	L.H.-Oyster White Artificial Leather	OL 7264431-AG	1
50	OL72C,OH72C	R.H.-Dark Tan Artificial Leather	OL 7264430-AH	1
50	OL72C,OH72C	L.H.-Dark Tan Artificial Leather	OL 7264431-AH	1
50	OH72C	R.H.-Cherry Red Artificial Leather	OH 7664430-AG	1
50	OH72C	L.H.-Cherry Red Artificial Leather	OH 7664431-AG	1
50	OL74	M-19108-B Dark Brown Plain Broadcloth-with One Tone carpet	OL 7464430-AB	1
50	OL74	M-19108-B Dark Brown Plain Broadcloth-with Two Tone carpet	OL 7464430-AX	1
50	OL74	M-19108-C Dark Gray Plain Broadcloth-with One Tone carpet	OL 7464430-AC	1
50	OL74	M-19108-C Dark Gray Plain Broadcloth-with Two Tone carpet	OL 7464430-AY	1
50	OL74	M-19108-A Dark Green Plain Broadcloth-with One Tone carpet	OL 7464430-AA	1
50	OL74	M-19108-A Dark Green Plain Broadcloth-with Two Tone carpet	OL 7464430-AZ	1
50	OL74,OH74	Tan Leather	OL 7464430-AD	1
50	OH72	R.H.-M-19106-H Dark Gray Plain Broadcloth	OH 7264430-AC	1
50	OH72	L.H.-M-19106-H Dark Gray Plain Broadcloth	OH 7264431-AC	1
50	OH72	R.H.-M-19106-B Dark Green Plain Broadcloth	OH 7264430-AA	1
50	OH72	L.H.-M-19106-B Dark Green Plain Broadcloth	OH 7264431-AA	1
50	OH72	R.H.-M-19106-D Dark Tan Plain Broadcloth	OH 7264430-AB	1
50	OH72	L.H.-M-19106-D Dark Tan Plain Broadcloth	OH 7264431-AB	1
50	OH72	R.H.-Tan Artificial Leather	8H 7664430-P	1
50	OH72	L.H.-Tan Artificial Leather	8H 7664431-P	1
50	OH74	M-19106-H Dark Gray Plain Broadcloth	OH 7364430-AC	1
50	OH74	M-19106-B Dark Green Plain Broadcloth	OH 7364430-AA	1
50	OH74	M-19106-D Dark Tan Plain Broadcloth	OH 7364430-AB	1

Lincoln and Lincoln Cosmopolitan

BODY PARTS CATALOGUE

YEAR 19__	BODY TYPES	REMARKS	PART NUMBER	NO. REQ'D
Group 64430-1 COVER ASSEMBLY (FRONT SEAT BACK FRAME)-CONTINUED				
50	OH76	R.H.-Black Artificial Leather	OH 7664430-AX	1
50	OH76	L.H.-Black Artificial Leather	OH 7664431-AX	1
50	OH76	R.H.-Dark Blue Artificial Leather	OH 7664430-AZ	1
50	OH76	L.H.-Dark Blue Artificial Leather	OH 7664431-AZ	1
50	OH76	R.H.-Light Blue Artificial Leather	8H 7664430-S	1
50	OH76	L.H.-Light Blue Artificial Leather	8H 7664431-S	1
50	OH76	R.H.-Green Artificial Leather	8H 7664430-Q	1
50	OH76	L.H.-Green Artificial Leather	8H 7664431-Q	1
50	OH76	R.H.-Lime Green Artificial Leather	8H 7664430-U	1
50	OH76	L.H.-Lime Green Artificial Leather	8H 7664431-U	1
50	OH76	R.H.-Yellow Artificial Leather	8H 7664430-T	1
50	OH76	L.H.-Yellow Artificial Leather	8H 7664431-T	1
50	OH76	R.H.-Cherry Red Artificial Leather	OH 7664430-AG	1
50	OH76	L.H.-Cherry Red Artificial Leather	OH 7664431-AG	1
50	OH76	R.H.-Tan Artificial Leather	8H 7664430-P	1
50	OH76	L.H.-Tan Artificial Leather	8H 7664431-P	1
Group 64614 COVER ASSEMBLY (FRONT SEAT BASE CENTER BRACKET)				
50	OL72	M-19108-B Dark Brown Plain Broadcloth	OL 7264614-AB	1
50	OL72	M-19108-C Dark Gray Plain Broadcloth	OL 7264614-AC	1
50	OL72	M-19108-A Dark Green Plain Broadcloth	OL 7264614-AA	1
Group 64800-1 PAD ASSEMBLY (FRONT SEAT BACK SPRING)				
50	OL72-72C,OH72-72C	R.H.	OL 7264800	1
50	OL72-72C,OH72-72C	L.H.	OL 7264801	1
50	OL74,OH74		OL 7464800	1
50	OL,OH	Clip-"C"	358338-S	as req'd
Group 64870-1 PAD ASSEMBLY (FRONT SEAT BACK COVER)-UPPER				
50	OL72-72C,OH72-72C-76	R.H.	OL 7264870	1
50	OL72-72C,OH72-72C-76	L.H.	OL 7264871	1
Group 64872-3 PAD ASSEMBLY (FRONT SEAT BACK COVER)-LOWER				
50	OL72-72C,OH72-72C	R.H.	OL 7264872-A	1
50	OL72-72C,OH72-72C	L.H.	OL 7264873-A	1
Group 65224 CORDWELT ASSEMBLY (FRONT SEAT BACK)				
50	OL72,OH72	Dark Gray Artificial Leather	8L 7265224-C	2
50	OL72,OH72	Dark Green Artificial Leather	8L 7265224-A	2
50	OL72,OH72	Dark Tan Artificial Leather	8L 7265224-B	2
50	OL72,OH72	Tan Leather-use with Leather Trim	8H 7665224-H	2
50	OL74,OH74	Dark Gray Artificial Leather	8L 7365224-G	1
50	OL74,OH74	Dark Green Artificial Leather	8L 7365224-E	1
50	OL74,OH74	Dark Tan Artificial Leather	8L 7365224-F	1
50	OL74,OH74	Tan Leather-use with Leather Trim	8H 7365224-E	1

Lincoln and Lincoln Cosmopolitan

BODY PARTS CATALOGUE

YEAR 19__	BODY TYPES	REMARKS	PART NUMBER	NO. REQ'D
Group 66450 CORDWELT ASSEMBLY (FRONT SEAT SIDE SHIELD)				
50	OL72,OH72	Dark Gray Artificial Leather	8L 7266450-C	2
50	OL72,OH72	Dark Green Artificial Leather	8L 7266450-A	2
50	OL72,OH72	Dark Tan Artificial Leather	8L 7266450-B	2
50	OL72,OH72-76	Tan Leather	8H 7666450-H	2
50	OH76	Blue Leather	8H 7666450-K	2
50	OH76	Green Leather	8H 7666450-J	2
50	OH76	Lime Green Leather	8H 7666450-M	2
50	OH76	Cherry Red Leather	OH 7666450-A	2
50	OH76	Yellow Leather	8H 7666450-L	2
Group 66604-5 CUSHION ASSEMBLY (REAR SEAT BACK)				
50	OL except 72C	R.H.-Upper M-19108-B Dark Brown Plain Broadcloth, Lower M-19105-N Brown Check Broadcloth	OL 7266604-AB	1
50	OL except 72C	L.H.-Upper M-19108-B Dark Brown Plain Broadcloth, Lower M-19105-N Brown Check Broadcloth	OL 7266605-AB	1
50	OL except 72C	R.H.-Upper M-19108-C Dark Gray Plain Broadcloth, Lower M-16560-D Gray Stripe Nylon and Mohair	OL 7266604-AC	1
50	OL except 72C	L.H.-Upper M-19108-C Dark Gray Plain Broadcloth, Lower M-16560-D Gray Stripe Nylon and Mohair	OL 7266605-AC	1
50	OL except 72C	R.H.-Upper M-19108-A Dark Green Plain Broadcloth, Lower M-19105-M Two Tone Green Cable Stripe Broadcloth	OL 7266604-AA	1
50	OL except 72C	L.H.-Upper M-19108-A Dark Green Plain Broadcloth, Lower M-19105-M Two Tone Green Cable Stripe Broadcloth	OL 7266605-AA	1
50	OL except 72C	R.H.-Tan Leather	OL 7266604-AD	1
50	OL except 72C	L.H.-Tan Leather	OL 7266605-AD	1
50	OL72C	R.H.-Upper Dark Blue Leather, Lower M-19146-M Blue Whipcord	OL 7266604-AF	1
50	OL72C	L.H.-Upper Dark Blue Leather, Lower M-19146-M Blue Whipcord	OL 7266605-AF	1
50	OL72C	R.H.-Upper Light Blue Leather, Lower M-19146-M Blue Whipcord	OL 7266604-AE	1
50	OL72C	L.H.-Upper Light Blue Leather, Lower M-19146-M Blue Whipcord	OL 7266605-AE	1
50	OL72C	R.H.-Upper Oyster White Leather, Lower M-19146-L Green Whipcord	OL 7266604-AG	1
50	OL72C	L.H.-Upper Oyster White Leather, Lower M-19146-L Green Whipcord	OL 7266605-AG	1
50	OL72C	R.H.-Upper Seal Brown Leather, Lower M-19146-K Beige Whipcord	OL 7266604-AH	1
50	OL72C	L.H.-Upper Seal Brown Leather, Lower M-19146-K Beige Whipcord	OL 7266605-AH	1
50	OH72-74	R.H.-Upper M-19106-H Dark Gray Plain Broadcloth, Lower M-19105-S Light Gray Shadow Stripe Broadcloth	OH 7266604-AC	1
50	OH72-74	L.H.-Upper M-19106-H Dark Gray Plain Broadcloth, Lower M-19105-S Light Gray Shadow Stripe Broadcloth	OH 7266605-AC	1
50	OH72-74	R.H.-Upper M-19106-B Dark Green Plain Broadcloth, Lower M-19105-P Light Green Shadow Stripe Broadcloth	OH 7266604-AA	1
50	OH72-74	L.H.-Upper M-19106-B Dark Green Plain Broadcloth, Lower M-19105-P Light Green Shadow Stripe Broadcloth	OH 7266605-AA	1
50	OH72-74	R.H.-Upper M-19106-B Dark Green Plain Broadcloth, Lower M-16560-F Two Tone Green Nylon and Mohair	OH 7266604-AE	1
50	OH72-74	L.H.-Upper M-19106-B Dark Green Plain Broadcloth, Lower M-16560-F Two Tone Green Nylon and Mohair	OH 7266605-AE	1
50	OH72-74	R.H.-Upper M-19106-D Dark Tan Plain Broadcloth, Lower M-19105-Q Light Tan Shadow Stripe Broadcloth	OH 7266604-AB	1
50	OH72-74	L.H.-Upper M-19106-D Dark Tan Plain Broadcloth, Lower M-19105-Q Light Tan Shadow Stripe Broadcloth	OH 7266605-AB	1

Lincoln and Lincoln Cosmopolitan

BODY PARTS CATALOGUE

YEAR 19__	BODY TYPES	REMARKS	PART NUMBER	NO. REQ'D
Group 66604-5 CUSHION ASSEMBLY (REAR SEAT BACK)-CONTINUED				
50	OH72-74	R.H.-Upper M-19106-D Dark Tan Plain Broadcloth, Lower M-16560-E Two Tone Tan Nylon and Mohair	OH 7266604-AD	1
50	OH72-74	L.H.-Upper M-19106-D Dark Tan Plain Broadcloth, Lower M-16560-E Two Tone Tan Nylon and Mohair	OH 7266605-AD	1
50	OH72-74	R.H.-Tan Leather	OH 7266604-AF	1
50	OH72-74	L.H.-Tan Leather	OH 7266605-AF	1
50	OH72C	R.H.-Upper Dark Blue Leather, Lower M-19146-M Blue Whipcord	OH 7266604-AAC	1
50	OH72C	L.H.-Upper Dark Blue Leather, Lower M-19146-M Blue Whipcord	OH 7266605-AAC	1
50	OH72C	R.H.-Upper Seal Brown Leather, Lower M-19146-N Yellow Beige Whipcord	OH 7266604-AAB	1
50	OH72C	L.H.-Upper Seal Brown Leather, Lower M-19146-N Yellow Beige Whipcord	OH 7266605-AAB	1
50	OH72C	R.H.-Upper Oyster White Leather, Lower M-19146-M Blue Whipcord	OH 7266604-AAD	1
50	OH72C	L.H.-Upper Oyster White Leather, Lower M-19146-M Blue Whipcord	OH 7266605-AAD	1
50	OH72C	R.H.-Upper Cherry Red Leather, Lower M-19146-K Beige Whipcord	OH 7266604-AAE	1
50	OH72C	L.H.-Upper Cherry Red Leather, Lower M-19146-K Beige Whipcord	OH 7266605-AAE	1
50	OH76	R.H.-Upper Black Leather, Lower Cherry Red Leather	OH 7666604-AX	1
50	OH76	L.H.-Upper Black Leather, Lower Cherry Red Leather	OH 7666605-AX	1
50	OH76	R.H.-Upper Black Leather, Lower Yellow Leather	OH 7666604-AY	1
50	OH76	L.H.-Upper Black Leather, Lower Yellow Leather	OH 7666605-AY	1
50	OH76	R.H.-Upper Dark Blue Leather, Lower Light Blue Leather	OH 7666604-AZ	1
50	OH76	L.H.-Upper Dark Blue Leather, Lower Light Blue Leather	OH 7666605-AZ	1
50	OH76	R.H.-Light Blue Leather	OH 7666604-AK	1
50	OH76	L.H.-Light Blue Leather	OH 7666605-AK	1
50	OH76	R.H.-Upper Light Blue Leather, Lower M-19146-M Blue Whipcord	OH 7666604-AT	1
50	OH76	L.H.-Upper Light Blue Leather, Lower M-19146-M Blue Whipcord	OH 7666605-AT	1
50	OH76	R.H.-Green Leather	OH 7666604-AJ	1
50	OH76	L.H.-Green Leather	OH 7666605-AJ	1
50	OH76	R.H.-Upper Green Leather, Lower M-19146-L Green Whipcord	OH 7666604-AS	1
50	OH76	L.H.-Upper Green Leather, Lower M-19146-L Green Whipcord	OH 7666605-AS	1
50	OH76	R.H.-Lime Green Leather	OH 7666604-AM	1
50	OH76	L.H.-Lime Green Leather	OH 7666605-AM	1
50	OH76	R.H.-Upper Lime Green Leather, Lower M-19146-N Yellow Beige Whipcord	OH 7666604-AV	1
50	OH76	L.H.-Upper Lime Green Leather, Lower M-19146-N Yellow Beige Whipcord	OH 7666605-AV	1
50	OH76	R.H.-Cherry Red Leather	OH 7666604-AG	1
50	OH76	L.H.-Cherry Red Leather	OH 7666605-AG	1
50	OH76	R.H.-Upper Cherry Red Leather, Lower M-19146-K Beige Whipcord	OH 7666604-AN	1
50	OH76	L.H.-Upper Cherry Red Leather, Lower M-19146-K Beige Whipcord	OH 7666605-AN	1
50	OH76	R.H.-Tan Leather	OH 7666604-AH	1
50	OH76	L.H.-Tan Leather	OH 7666605-AH	1
50	OH76	R.H.-Upper Tan Leather, Lower M-19146-K Beige Whipcord	OH 7666604-AR	1
50	OH76	L.H.-Upper Tan Leather, Lower M-19146-K Beige Whipcord	OH 7666605-AR	1
50	OH76	R.H.-Yellow Leather	OH 7666604-AL	1
50	OH76	L.H.-Yellow Leather	OH 7666605-AL	1
50	OH76	R.H.-Upper Yellow Leather, Lower M-19146-N Yellow Beige Whipcord	OH 7666604-AU	1
50	OH76	L.H.-Upper Yellow Leather, Lower M-19146-N Yellow Beige Whipcord	OH 7666605-AU	1
50	OH	Nut (speed)-No. 14	355880-S32	4
50	OH	Screw (hex head self tapping)-No. 14-10 x 1-1/4"	42039-S8	4
50	OL	Screw (hex head self tapping)-No. 10-12 x 1-1/4"	42037-S8	4
50	OH76	Stud ("Durable Dot" snap type)-No. 8 x 7/8"	352392-S13	2
50	OL72-72C-74	Washer (flat)-No. 10	44713-S8	4
50	OH	Washer (flat)-1/4"	34705-S2	4

Lincoln and Lincoln Cosmopolitan

BODY PARTS CATALOGUE

YEAR 19	BODY TYPES	REMARKS	PART NUMBER	NO. REQ'D
Group 66606-7 COVER ASSEMBLY (REAR SEAT BACK CUSHION)				
50	OL except 72C	R.H.-Upper M-19108-B Dark Brown Plain Broadcloth, Lower M-19105-N Brown Check Broadcloth	OL 7266606-AB	1
50	OL except 72C	L.H.-Upper M-19108-B Dark Brown Plain Broadcloth, Lower M-19105-N Brown Check Broadcloth	OL 7266607-AB	1
50	OL except 72C	R.H.-Upper M-19108-C Dark Gray Plain Broadcloth, Lower M-16560-D Gray Stripe Nylon and Mohair	OL 7266606-AC	1
50	OL except 72C	L.H.-Upper M-19108-C Dark Gray Plain Broadcloth, Lower M-16560-D Gray Stripe Nylon and Mohair	OL 7266607-AC	1
50	OL except 72C	R.H.-Upper M-19108-A Dark Green Plain Broadcloth, Lower M-19105-M Two Tone Green Cable Stripe Broadcloth	OL 7266606-AA	1
50	OL except 72C	L.H.-Upper M-19108-A Dark Green Plain Broadcloth, Lower M-19105-M Two Tone Green Cable Stripe Broadcloth	OL 7266607-AA	1
50	OL except 72C	R.H.-Tan Leather	OL 7266606-AD	1
50	OL except 72C	L.H.-Tan Leather	OL 7266607-AD	1
50	OL72C	R.H.-Upper Dark Blue Leather, Lower M-19146-M Blue Whipcord	OL 7266606-AF	1
50	OL72C	L.H.-Upper Dark Blue Leather, Lower M-19146-M Blue Whipcord	OL 7266607-AF	1
50	OL72C	R.H.-Upper Light Blue Leather, Lower M-19146-M Blue Whipcord	OL 7266606-AE	1
50	OL72C	L.H.-Upper Light Blue Leather, Lower M-19146-M Blue Whipcord	OL 7266607-AE	1
50	OL72C	R.H.-Upper Oyster White Leather, Lower M-19146-L Green Whipcord	OL 7266606-AG	1
50	OL72C	L.H.-Upper Oyster White Leather, Lower M-19146-L Green Whipcord	OL 7266607-AG	1
50	OL72C	R.H.-Upper Seal Brown Leather, Lower M-19146-K Beige Whipcord	OL 7266606-AH	1
50	OL72C	L.H.-Upper Seal Brown Leather, Lower M-19146-K Beige Whipcord	OL 7266607-AH	1
50	OH72-74	R.H.-Upper M-19106-H Dark Gray Plain Broadcloth, Lower M-19105-S Light Gray Shadow Stripe Broadcloth	OH 7266606-AC	1
50	OH72-74	L.H.-Upper M-19106-H Dark Gray Plain Broadcloth, Lower M-19105-S Light Gray Shadow Stripe Broadcloth	OH 7266607-AC	1
50	OH72-74	R.H.-Upper M-19106-B Dark Green Plain Broadcloth, Lower M-19105-P Light Green Shadow Stripe Broadcloth	OH 7266606-AA	1
50	OH72-74	L.H.-Upper M-19106-B Dark Green Plain Broadcloth, Lower M-19105-P Light Green Shadow Stripe Broadcloth	OH 7266607-AA	1
50	OH72-74	R.H.-Upper M-19106-B Dark Green Plain Broadcloth, Lower M-16560-F Two Tone Green Nylon and Mohair	OH 7266606-AE	1
50	OH72-74	L.H.-Upper M-19106-B Dark Green Plain Broadcloth, Lower M-16560-F Two Tone Green Nylon and Mohair	OH 7266607-AE	1
50	OH72-74	R.H.-Upper M-19106-D Dark Tan Plain Broadcloth, Lower M-19105-Q Light Tan Shadow Stripe Broadcloth	OH 7266606-AB	1
50	OH72-74	L.H.-Upper M-19106-D Dark Tan Plain Broadcloth, Lower M-19105-Q Light Tan Shadow Stripe Broadcloth	OH 7266607-AB	1
50	OH72-74	R.H.-Upper M-19106-D Dark Tan Plain Broadcloth, Lower M-16560-E Two Tone Tan Nylon and Mohair	OH 7266606-AD	1
50	OH72-74	L.H.-Upper M-19106-D Dark Tan Plain Broadcloth, Lower M-16560-E Two Tone Tan Nylon and Mohair	OH 7266607-AD	1
50	OH72-74	R.H.-Tan Leather	OH 7266606-AF	1
50	OH72-74	L.H.-Tan Leather	OH 7266607-AF	1
50	OH72C	R.H.-Upper Dark Blue Leather, Lower M-19146-M Blue Whipcord	OH 7266606-AAC	1
50	OH72C	L.H.-Upper Dark Blue Leather, Lower M-19146-M Blue Whipcord	OH 7266607-AAC	1
50	OH72C	R.H.-Upper Seal Brown Leather, Lower M-19146-N Yellow Beige Whipcord	OH 7266606-AAB	1
50	OH72C	L.H.-Upper Seal Brown Leather, Lower M-19146-N Yellow Beige Whipcord	OH 7266607-AAB	1
50	OH72C	R.H.-Upper Oyster White Leather, Lower M-19146-M Blue Whipcord	OH 7266606-AAD	1
50	OH72C	L.H.-Upper Oyster White Leather, Lower M-19146-M Blue Whipcord	OH 7266607-AAD	1
50	OH72C	R.H.-Upper Cherry Red Leather, Lower M-19146-K Beige Whipcord	OH 7266606-AAE	1
50	OH72C	L.H.-Upper Cherry Red Leather, Lower M-19146-K Beige Whipcord	OH 7266607-AAE	1

Lincoln and Lincoln Cosmopolitan

BODY PARTS CATALOGUE

YEAR 19	BODY TYPES	REMARKS	PART NUMBER	NO. REQ'D
Group 66606-7 COVER ASSEMBLY (REAR SEAT BACK CUSHION)-CONTINUED				
50	OH76	R.H.-Upper Black Leather, Lower Cherry Red Leather	OH 7666606-AX	1
50	OH76	L.H.-Upper Black Leather, Lower Cherry Red Leather	OH 7666607-AX	1
50	OH76	R.H.-Upper Black Leather, Lower Yellow Leather	OH 7666606-AY	1
50	OH76	L.H.-Upper Black Leather, Lower Yellow Leather	OH 7666607-AY	1
50	OH76	R.H.-Upper Dark Blue Leather, Lower Light Blue Leather	OH 7666606-AZ	1
50	OH76	L.H.-Upper Dark Blue Leather, Lower Light Blue Leather	OH 7666607-AZ	1
50	OH76	R.H.-Light Blue Leather	OH 7666606-AK	1
50	OH76	L.H.-Light Blue Leather	OH 7666607-AK	1
50	OH76	R.H.-Upper Light Blue Leather, Lower M-19146-M Blue Whipcord	OH 7666606-AT	1
50	OH76	L.H.-Upper Light Blue Leather, Lower M-19146-M Blue Whipcord	OH 7666607-AT	1
50	OH76	R.H.-Green Leather	OH 7666606-AJ	1
50	OH76	L.H.-Green Leather	OH 7666607-AJ	1
50	OH76	R.H.-Upper Green Leather, Lower M-19146-L Green Whipcord	OH 7666606-AS	1
50	OH76	L.H.-Upper Green Leather, Lower M-19146-L Green Whipcord	OH 7666607-AS	1
50	OH76	R.H.-Lime Green Leather	OH 7666606-AM	1
50	OH76	L.H.-Lime Green Leather	OH 7666607-AM	1
50	OH76	R.H.-Upper Lime Green Leather, Lower M-19146-N Yellow Beige Whipcord	OH 7666605-AV	1
50	OH76	L.H.-Upper Lime Green Leather, Lower M-19146-N Yellow Beige Whipcord	OH 7666607-AV	1
50	OH76	R.H.-Cherry Red Leather	OH 7666606-AG	1
50	OH76	L.H.-Cherry Red Leather	OH 7666607-AG	1
50	OH76	R.H.-Upper Cherry Red Leather, Lower M-19146-K Beige Whipcord	OH 7666606-AN	1
50	OH76	L.H.-Upper Cherry Red Leather, Lower M-19146-K Beige Whipcord	OH 7666607-AN	1
50	OH76	R.H.-Tan Leather	OH 7666606-AH	1
50	OH76	L.H.-Tan Leather	OH 7666607-AH	1
50	OH76	R.H.-Upper Tan Leather, Lower M-19146-K Beige Whipcord	OH 7666606-AR	1
50	OH76	L.H.-Upper Tan Leather, Lower M-19146-K Beige Whipcord	OH 7666607-AR	1
50	OH76	R.H.-Yellow Leather	OH 7666606-AL	1
50	OH76	L.H.-Yellow Leather	OH 7666607-AL	1
50	OH76	R.H.-Upper Yellow Leather, Lower M-19146-N Yellow Beige Whipcord	OH 7666606-AU	1
50	OH76	L.H.-Upper Yellow Leather, Lower M-19146-N Yellow Beige Whipcord	OH 7666607-AU	1
50	OL,OH except 76	Clip-"C"	358338-S	as req'd
50	OL,OH	Screw (cross recessed oval head)-No. 6-18 x 3/4"	52358-S23	8or10
50	OH76	Washer (finishing)-No. 6	34861-S23	6or10

Group 66800-1 PAD ASSEMBLY (REAR SEAT BACK)-INNER

50	OL	R.H.	OL 7266800	1
50	OL	L.H.	OL 7266801	1
50	OH except 76	R.H.	OH 7266800	1
50	OH except 76	L.H.	OH 7266801	1
50	OL72-72C,OH72-72C-74	Clip-"C"	358338-S	30

Group 66800-1 PAD (REAR SEAT BACK)-LOWER

50	OH76	R.H.	OH 7666800	1
50	OH76	L.H.	OH 7666801	1

Group 66810-1 PAD ASSEMBLY (REAR SEAT BACK)-OUTER

50	OL	R.H.	OL 7266810-A	1
50	OL	L.H.	OL 7266811-A	1
50	OH except 76	R.H.	OH 7366810	1
50	OH except 76	L.H.	OH 7366811	1

Lincoln and Lincoln Cosmopolitan

BODY PARTS CATALOGUE

YEAR 19	BODY TYPES	REMARKS	PART NUMBER	NO. REQ'D
Group 66816-7 PAD ASSEMBLY (REAR SEAT BACK COVER)-TOP				
50	OL	R.H.	OL 7266816	1
50	OL	L.H.	OL 7266817	1
50	OH except 76	R.H.	OH 7266816	1
50	OH except 76	L.H.	OH 7266817	1
50	OH76	R.H.	OH 7666816	1
50	OH76	L.H.	OH 7666817	1
Group 66840 PAD (REAR SEAT BACK INTERMEDIATE)-INNER				
50	OL72-72C-74,OH76	Use with Tan Leather	OH 7666840	1or4
50	OH72-72C-74	Use with Tan Leather	8H 7366840	4
Group 66844-5 PAD (REAR SEAT BACK INTERMEDIATE)-OUTER				
50	OH76	R.H.	OH 7666844	1
50	OH76	L.H.	OH 7666845	1
Group 66846-7 PAD (REAR SEAT BACK END PLEAT)				
50	OH76	R.H.	OH 7666846	1
50	OH76	L.H.	OH 7666847	1
Group 66904-5 PANEL ASSEMBLY (REAR SEAT BACK)-REAR				
50	OH76	R.H.-Black Artificial Leather	OH 7666904-AX	1
50	OH76	L.H.-Black Artificial Leather	OH 7666905-AX	1
50	OH76	R.H.-Dark Blue Artificial Leather	OH 7666904-AZ	1
50	OH76	L.H.-Dark Blue Artificial Leather	OH 7666905-AZ	1
50	OH76	R.H.-Light Blue Artificial Leather	8H 7666904-D	1
50	OH76	L.H.-Light Blue Artificial Leather	8H 7666905-D	1
50	OH76	R.H.-Green Artificial Leather	8H 7666904-C	1
50	OH76	L.H.-Green Artificial Leather	8H 7666905-C	1
50	OH76	R.H.-Lime Green Artificial Leather	8H 7666904-F	1
50	OH76	L.H.-Lime Green Artificial Leather	8H 7666905-F	1
50	OH76	R.H.-Cherry Red Artificial Leather	OH 7666904-AG	1
50	OH76	L.H.-Cherry Red Artificial Leather	OH 7666905-AG	1
50	OH76	R.H.-Tan Artificial Leather	8H 7666904-B	1
50	OH76	L.H.-Tan Artificial Leather	8H 7666905-B	1
50	OH76	R.H.-Yellow Artificial Leather	8H 7666904-E	1
50	OH76	L.H.-Yellow Artificial Leather	8H 7666905-E	1
Group 66930-1 COVER (REAR SEAT BACK REAR PANEL)				
50	OH76	R.H.-Black Artificial Leather	OH 7666930-B	1
50	OH76	L.H.-Black Artificial Leather	OH 7666931-B	1
50	OH76	R.H.-Dark Blue Artificial Leather	OH 7666930-C	1
50	OH76	L.H.-Dark Blue Artificial Leather	OH 7666931-C	1
50	OH76	R.H.-Light Blue Artificial Leather	8H 7666930-D	1
50	OH76	L.H.-Light Blue Artificial Leather	8H 7666931-D	1
50	OH76	R.H.-Green Artificial Leather	8H 7666930-C	1
50	OH76	L.H.-Green Artificial Leather	8H 7666931-C	1
50	OH76	R.H.-Lime Green Artificial Leather	8H 7666930-F	1
50	OH76	L.H.-Lime Green Artificial Leather	8H 7666931-F	1
50	OH76	R.H.-Cherry Red Artificial Leather	OH 7666930-A	1
50	OH76	L.H.-Cherry Red Artificial Leather	OH 7666931-A	1
50	OH76	R.H.-Tan Artificial Leather	8H 7666930-B	1
50	OH76	L.H.-Tan Artificial Leather	8H 7666931-B	1
50	OH76	R.H.-Yellow Artificial Leather	8H 7666930-E	1
50	OH76	L.H.-Yellow Artificial Leather	8H 7666931-E	1

Lincoln and Lincoln Cosmopolitan

BODY PARTS CATALOGUE

YEAR 19	BODY TYPES	REMARKS	PART NUMBER	NO. REQ'D
Group 67210-1 LINK AND VERTICAL STRAINER ASSEMBLY (CENTER ARM REST)				
50	OH76	R.H.-12-1/2" long	8H 7667210	1
50	OH76	L.H.-12-1/2" long	8H 7667211	1
50	OH76	Nut (hex)-1/4"-20	34390-S7	2
50	OH76	Screw (pan head self tap)-No. 10-16 x 1/2"	33444-S2	2or4
50	OH76	Washer (flat)-No. 10	44713-S8	2or4
50	OH76	Washer (flat)-5/16"	44722-S8	4
Group 67212 STRAINER AND REINFORCEMENT ASSEMBLY (REAR SEAT ARM REST)-CENTER				
50	OL		8L 7267212	1
50	OH except 76		8H 7267212	1
Group 67240 ARM REST ASSEMBLY (REAR SEAT CENTER)-TRIMMED				
50	OL except 72C	Upper M-19108-B Dark Brown Plain Broadcloth, Lower M-19105-N Brown Check Broadcloth	OL 7267240-AB	1
50	OL except 72C	Upper M-19108-C Dark Gray Plain Broadcloth, M-16560-D Gray Stripe Nylon and Mohair	OL 7267240-AC	1
50	OL except 72C	Upper M-19108-A Dark Green Plain Broadcloth, Lower M-19105-M Two Tone Green Cable Stripe Broadcloth	OL 7267240-AA	1
50	OL except 72C	Tan Leather	OL 7267240-AD	1
50	OL72C	Upper Dark Blue Leather, Lower M-19146-M Blue Whipcord	OL 7267240-AF	1
50	OL72C	Upper Light Blue Leather, Lower M-19146-M Blue Whipcord	OL 7267240-AE	1
50	OL72C	Upper Seal Brown Leather, Lower M-19146-K Beige Whipcord	OL 7267240-AH	1
50	OL72C	Upper Oyster White Leather, Lower M-19146-L Green Whipcord	OL 7267240-AG	1
50	OH72-74	Upper M-19105-H Dark Gray Plain Broadcloth, Lower M-19105-S Light Gray Shadow Stripe Broadcloth	OH 7267240-AC	1
50	OH72-74	Upper M-19106-B Dark Green Plain Broadcloth, Lower M-19105-P Light Green Shadow Stripe Broadcloth	OH 7267240-AA	1
50	OH72-74	Upper M-19106-B Dark Green Plain Broadcloth, Lower M-16560-F Two Tone Green Nylon and Mohair	OH 7267240-AE	1
50	OH72-74	Upper M-19106-D Dark Tan Plain Broadcloth, Lower M-19105-Q Light Tan Shadow Stripe Broadcloth	OH 7267240-AB	1
50	OH72-74	Upper M-16560-D Dark Tan Plain Broadcloth, Lower M-16560-E Two Tone Tan Nylon and Mohair	OH 7267240-AD	1
50	OH72-74	Tan Leather	OH 7267240-AF	1
50	OH72C	Upper Dark Blue Leather, Lower M-19146-M Blue Whipcord	OH 7267240-AAC	1
50	OH72C	Upper Seal Brown Leather, Lower M-19146-N Yellow Beige Whipcord	OH 7267240-AAB	1
50	OH72C	Upper Oyster White Leather, Lower M-19146-M Blue Whipcord	OH 7267240-AAD	1
50	OH72C	Upper Cherry Red Leather, Lower M-19146-K Beige Whipcord	OH 7267240-AAE	1
50	OH76	Upper Black Leather, Lower Cherry Red Leather	OH 7667240-AX	1
50	OH76	Upper Black Leather, Lower Yellow Leather	OH 7667240-AY	1
50	OH76	Upper Dark Blue Leather, Lower Light Blue Leather	OH 7667240-AZ	1
50	OH76	Light Blue Leather	OH 7667240-AK	1
50	OH76	Upper Light Blue Leather, Lower M-19146-M Blue Whipcord	OH 7667240-AT	1
50	OH76	Green Leather	OH 7667240-AJ	1
50	OH76	Upper Green Leather, Lower M-19146-L Green Whipcord	OH 7667240-AS	1
50	OH76	Lime Green Leather	OH 7667240-AM	1
50	OH76	Upper Lime Green Leather, Lower M-19146-N Yellow Beige Whipcord	OH 7667240-AV	1
50	OH76	Cherry Red Leather	OH 7667240-AG	1
50	OH76	Upper Cherry Red Leather, Lower M-19146-K Beige Whipcord	OH 7667240-AN	1
50	OH76	Tan Leather	OH 7667240-AH	1
50	OH76	Upper Tan Leather, Lower M-19146-K Beige Whipcord	OH 7667240-AR	1
50	OH76	Yellow Leather	OH 7667240-AL	1
50	OH76	Upper Yellow Leather, Lower M-19146-N Yellow Beige Whipcord	OH 7667240-AU	1

Lincoln and Lincoln Cosmopolitan

BODY PARTS CATALOGUE

YEAR 19	BODY TYPES	REMARKS	PART NUMBER	NO. REQ'D
Group 67244 COVER ASSEMBLY (REAR SEAT CENTER ARM REST)				
50	OL except 72C	Upper M-19108-B Dark Brown Plain Broadcloth, Lower M-19105-N Brown Check Broadcloth	OL 7267244-AB	1
50	OL except 72C	Upper M-19108-C Dark Gray Plain Broadcloth, Lower M-16560-D Gray Stripe Nylon and Mohair	OL 7267244-AC	1
50	OL except 72C	Upper M-19108-A Dark Green Plain Broadcloth, Lower M-19105-M Two Tone Green Cable Stripe Broadcloth	OL 7267244-AA	1
50	OL72C	Upper Dark Blue Leather, Lower M-19146-M Blue Whipcord	OL 7267244-AF	1
50	OL72C	Upper Light Blue Leather, Lower M-19146-M Blue Whipcord	OL 7267244-AE	1
50	OL72C	Upper Seal Brown Leather, Lower M-19146-K Beige Whipcord	OL 7267244-AH	1
50	OL72C	Upper Oyster White Leather, Lower M-19146-L Green Whipcord	OL 7267244-AG	1
50	OH72-74	Upper M-19105-H Dark Gray Plain Broadcloth, Lower M-19105-S Light Gray Shadow Stripe Broadcloth	OH 7267244-AC	1
50	OH72-74	Upper M-19106-B Dark Green Plain Broadcloth, Lower M-19105-P Light Green Shadow Stripe Broadcloth	OH 7267244-AA	1
50	OH72-74	Upper M-19106-B Dark Green Plain Broadcloth, Lower M-16560-F Two Tone Green Nylon and Mohair	OH 7267244-AE	1
50	OH72-74	Upper M-19106-D Dark Tan Plain Broadcloth, Lower M-19105-Q Light Tan Shadow Stripe Broadcloth	OH 7267244-AB	1
50	OH72-74	Upper M-16560-D Dark Tan Plain Broadcloth, Lower M-16560-E Two Tone Tan Nylon and Mohair	OH 7267244-AD	1
50	OH72-74	Tan Leather	OH 7267244-AF	1
50	OH72C	Upper Dark Blue Leather, Lower M-19146-M Blue Whipcord	OH 7267244-AAC	1
50	OH72C	Upper Seal Brown Leather, Lower M-19146-N Yellow Beige Whipcord	OH 7267244-AAB	1
50	OH72C	Upper Oyster White Leather, Lower M-19146-M Blue Whipcord	OH 7267244-AAD	1
50	OH72C	Upper Cherry Red Leather, Lower M-19146-K Beige Whipcord	OH 7267244-AAE	1
50	OH76	Upper Black Leather, Lower Cherry Red Leather	OH 7667244-AX	1
50	OH76	Upper Black Leather, Lower Yellow Leather	OH 7667244-AY	1
50	OH76	Upper Dark Blue Leather, Lower Light Blue Leather	OH 7667244-AZ	1
50	OH76	Light Blue Leather	OH 7667244-AK	1
50	OH76	Upper Light Blue Leather, Lower M-19146-M Blue Whipcord	OH 7667244-AT	1
50	OH76	Green Leather	OH 7667244-AJ	1
50	OH76	Upper Green Leather, Lower M 19146-L Green Whipcord	OH 7667244-AS	1
50	OH76	Lime Green Leather	OH 7667244-AM	1
50	OH76	Upper Lime Green Leather, Lower M-19146-N Yellow Beige Whipcord	OH 7667244-AV	1
50	OH76	Cherry Red Leather	OH 7667244-AG	1
50	OH76	Upper Cherry Red Leather, Lower M-19145-K Beige Whipcord	OH 7667244-AN	1
50	OH76	Tan Leather	OH 7667244-AH	1
50	OH76	Upper Tan Leather, Lower M-19146-K Beige Whipcord	OH 7667244-AR	1
50	OH76	Yellow Leather	OH 7667244-AL	1
50	OH76	Upper Yellow Leather, Lower M-19146-N Yellow Beige Whipcord	OH 7667244-AU	1
50	OL,OH except 76	Clip-"C"	358338-S	3
Group 67272 PAD ASSEMBLY (CENTER ARM REST)-LOWER				
50	OL		OL 7267272-A	1
50	OL		OL 7267272-B	1

Lincoln and Lincoln Cosmopolitan

BODY PARTS CATALOGUE

YEAR 19	BODY TYPES	REMARKS	PART NUMBER	NO. REQ'D
Group 67286 FLAP ASSEMBLY (REAR SEAT CENTER ARM REST)				
50	OL except 72C	M-19108-B Dark Brown Plain Broadcloth	OL 7267286-AB	1
50	OL except 72C	M-19108-C Dark Gray Plain Broadcloth	OL 7267286-AC	1
50	OL except 72C	M-19108-A Dark Green Plain Broadcloth	OL 7267286-AA	1
50	OL except 72C	Tan Artificial Leather	OL 7267286-AD	1
50	OL72C	Dark Blue Artificial Leather	OL 7267286-AF	1
50	OL72C	Light Blue Artificial Leather	OL 7267286-AE	1
50	OL72C	Oyster White Artificial Leather	OL 7267286-AG	1
50	OL72C	Dark Tan Artificial Leather	OL 7267286-AH	1
50	OH72-74	M-19106-H Dark Gray Plain Broadcloth	OH 7267286-AC	1
50	OH72-74	M-19106-B Dark Green Plain Broadcloth	OH 7267286-AA	1
50	OH72-74	M-19106-D Dark Tan Plain Broadcloth	OH 7267286-AB	1
50	OH72-74	Tan Artificial Leather	OH 7267286-AF	1
50	OH72C	Dark Blue Artificial Leather	OH 7267286-AAC	1
50	OH72C	Oyster White Artificial Leather	OH 7267286-AAD	1
50	OH72C	Cherry Red Artificial Leather	OH 7267286-AAE	1
50	OH72C	Dark Tan Artificial Leather	OH 7267286-AAB	1
50	OH76	Black Artificial Leather	OH 7667286-AX	1
50	OH76	Dark Blue Artificial Leather	OH 7667286-AZ	1
50	OH76	Light Blue Artificial Leather	OH 7667286-AK	1
50	OH76	Green Artificial Leather	OH 7667286-AJ	1
50	OH76	Lime Green Artificial Leather	OH 7667286-AM	1
50	OH76	Cherry Red Artificial Leather	OH 7667286-AG	1
50	OH76	Tan Artificial Leather	OH 7667286-AH	1
50	OH76	Yellow Artificial Leather	OH 7667286-AL	1
50	OH except 76	Screw (hex head self tap)-No. 10-12 x 3/4"-flap to package tray	42021-S7	2
50	OL72-72C-74	Washer (flat)-No. 10	44713-S8	2
Group 67296 RETAINER (REAR SEAT CENTER ARM REST FLAP)				
50	OL	5-3/4" long	8L 7267296-C	1
50	OL	Screw (cross recessed pan head self tap)-No. 10-12 x 1/2"	52727-S8	2
50	OL	Screw (flat head wood)-No. 10-13 x 5/8"	31886-S2	3
50	OL	Screw (pan head sheet metal)-No. 8 x 1/2"	32923-S7	2
50	OL	Washer (flat)-No. 10	34703-S7	2
Group 67296 PANEL (REAR SEAT CENTER ARM REST FLAP ATTACHING)				
50	OH76	Steel	8H 7667296	1
Group 67300 SILENCER (FLOOR PAN)				
50	OL	Under rear seat-All Cloth Trim	8M 7267300	1