



1951

MERCURY

**BODY PARTS
CATALOGUE**

**LINCOLN - MERCURY
DIVISION OF FORD MOTOR COMPANY**

APRIL, 1952

450
PSR 1045

QUICK REFERENCE INDEX



1951

MERCURY

**BODY PARTS
CATALOGUE**

**LINCOLN - MERCURY
DIVISION OF FORD MOTOR COMPANY**

**A P R I L
1 9 5 2**

COPYRIGHT 1952
FORD MOTOR COMPANY
DEARBORN, MICHIGAN
ALL RIGHTS RESERVED

LITHO IN U. S. A.

Group	Group Name	Page
	Alphabetical Index	IX
	Illustration Index	XVII
00120	Body Front	1
03100	Windshield Glass	9
04100	Visor	10
13000	Floor Mat	17
20122-3	Front Door	20
21402-3	Front Door Vent Window	24
23200	Front Door Window Regulator	34
23942-3	Front Door Trim	38
24622-3	Rear Door	43
27000-1	Rear Door Window Regulator	47
27406-7	Rear Door Trim	47
27840-1	Rear Quarter Body Panel	49
40112	Luggage Compartment Door	67
50200	Roof Panel	77
60000	Seat	100

LINCOLN—MERCURY

Division of FORD MOTOR COMPANY

Detroit, Michigan

LINCOLN-MERCURY DISTRICT SALES OFFICES

*Atlanta, Ga.	Cleveland, Ohio	*Jacksonville, Fla.	Pittsburgh, Pa.
*Boston, Mass.	*Dallas, Texas	Kansas City, Mo.	*St. Louis, Mo.
Buffalo, N.Y.	*Denver, Colo.	*Los Angeles, Calif.	*Seattle, Wash.
*Chester, Pa.	*Des Moines, Iowa	*Memphis, Tenn.	*Twin City (St. Paul, Minn.)
*Chicago, Ill.	*Detroit, Mich.	New York, N.Y.	Washington, D.C.
Cincinnati, Ohio	*Houston, Texas	Oakland, Calif.	

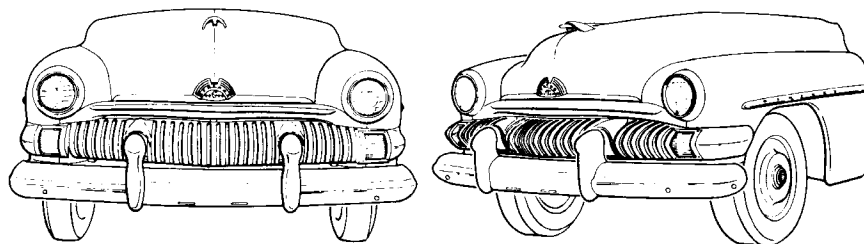
*Warehouse location for L/M Parts and Accessories

MODEL IDENTIFICATION

1951

Mercury

118" W.B.—1M Series



BODY TYPE	NAME
72-A	Six Passenger Coupe (Standard)
72-B	Six Passenger Coupe (DeLuxe)
72-C	Six Passenger Coupe (Custom)
74	Sport Sedan
76	Six Passenger Convertible Coupe
79	Station Wagon

FOREWORD

This group type **BODY PARTS CATALOGUE** has been prepared in appreciation of the difficulty experienced occasionally in the ordering of Body Parts.

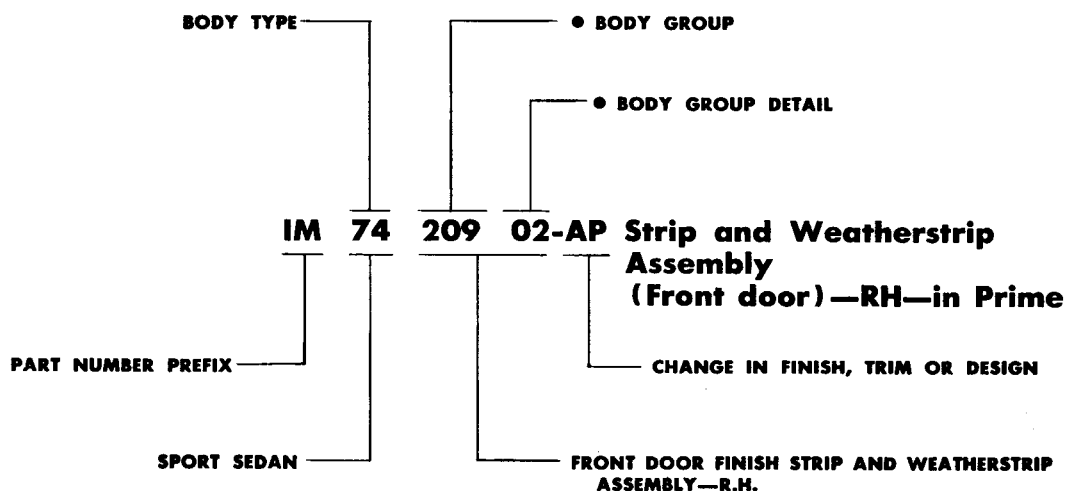
Every effort has been made to insure ease in selecting and ordering the correct parts you need.

We will welcome any suggestions for improvement of future publications of this Catalogue.

LINCOLN-MERCURY DIVISION

GENERAL INFORMATION

FOLLOWING IS A DIAGRAM OF THE BODY PARTS NUMBERING SYSTEM



● These five characters (The combined numbers of the **BODY GROUP** and **BODY DETAIL GROUP**) comprise the Body Group Numbers as used throughout this Body Parts Catalogue except for Chassis Parts and Body Parts engineered prior to the adoption of this **BODY PARTS NUMBERING SYSTEM**.

Basic Body Parts Numbers engineered prior to the year 1939 had but 5 (five) or 6 (six) characters.

Example 78-735280 Handle (quarter glass frame)—R.H.

There are a few instances where Part Numbers of this type are used in Current models. In such instances the **BODY GROUP NUMBERS** contain but 4 (four) characters.

Example Group 5280 Handle (quarter glass frame)

Every effort has been made to insure ease in selecting and ordering the correct or needed parts.

A new "easy to read" index is incorporated in this catalogue in order to simplify ordering of body parts.

This index is compiled in seventeen (17) major group assemblies, which are listed in alphabetical sequence starting with Deck (Rear) and Luggage Compartment and terminating with Windshield.

DECK (REAR) AND LUGGAGE COMPARTMENT	QUARTER (REAR)
DOORS (FRONT)	ROOF
DOORS (REAR)	SEAT (CENTER)— STATION WAGON
FLOOR	SEAT (FRONT)
FRONT	SEAT (REAR)
HYDRAULIC SYSTEM	TAILGATE—STATION WAGON
PACKAGE TRAY	TOP—CONVERTIBLE
PILLARS (CENTER BODY)	WINDOW (BACK)
	WINDSHIELD

Each of these major group assemblies is compiled in alphabetical sequence and lists all the parts pertaining to that group with cross reference to group number in which the part is listed.

Group numbers are a portion of the complete Part Number and are listed in the catalogue in numerical sequence.

The first three characters of the Body Group Numbers are as follows:

000-009 FRONT END GROUP	400-499 BACK GROUP
100-199 FLOOR GROUP	500-599 TOP AND ROOF GROUP
200-399 SIDE ASSEMBLY GROUP	600-699 SEAT GROUP

The fourth and fifth characters of the Body Group Numbers are The Body Group Detail Numbers.

To select the correct part needed the following procedure should be followed:

- A. Determine the correct NAME of PART required.
- B. Check INDEX for GROUP NUMBER.
- C. Refer to GROUP NUMBER and select required PART.

For Example—Should a Finish Strip and Weatherstrip Assembly — in Prime for a Right Hand Front Door of a Sport Sedan be required the "Door (Front) Group Index" lists the group number as 20902-3. On page 23, 1M-7420902-AP is listed as Strip and Weatherstrip assembly (front door window finish)—R.H. in Prime, the required part.

YEAR 19-	BODY TYPES	REMARKS	PART NUMBER	NO. REQ'D
Group 20902-3 STRIP AND WEATHERSTRIP ASSEMBLY (FRONT DOOR WINDOW FINISH)				
51	1M74	R.H.—in Prime	1M-7420902-AP	1
51	1M74	L.H.—in Prime	1M-7420903-AP	1

The remarks column includes such information as right or left hand, finish, dimensions, type of trim, size of attaching parts and special notations.

Attaching parts such as Bolts, Screws, Clamps, etc., are listed below the part with which they are used.

Illustrations throughout this Catalogue are for a particular BODY TYPE although GROUP NUMBERS and DESCRIPTIONS are applicable to practically all BODY TYPES.

With the exception of attaching parts such as bolts, nuts, etc., group numbers only appear on exploded illustrations.

Do not order parts by the **GROUP NUMBER** or **GROUP HEADINGS** as shown on illustrations; always consult the list of Parts for complete **PART NUMBER**.

The driver's position governs such parts as doors, seats, etc., as to whether an item is Right Hand or Left Hand.

Always give complete **PART NUMBER** and **NAME** of each part ordered.

When Part Number of part required cannot be located in Catalogue, a complete description including dimensions, should be given along with the information shown on the Body Plate and Patent Plate.

A Sample of trim material should be submitted on all orders for trim parts.

Specify whether shipments are to be made by Freight, Express or Parcel Post.

Listed below is a brief General Telegraphic Code covering miscellaneous instructions relative to the shipment of parts.

ABSEN—Ship via Air Express

ABSIN—Rush by Air Mail

ANGRA—Express at Once

ANILE—Express Direct To

BEAGA—Post Today

BOOBA—Ship Fast Freight

BORIK—Ship Today Sure

BOSTO—Ship on Next Plane

BREWA—Advise How and When Shipping

ABBREVIATIONS

art	artificial	L/W	lockwasher
approx.	approximately	mdg.	moulding
assy	assembly	mount. or (mtg.)	mounting
brkt.	bracket	O.D.	outer diameter
b-hd	button head	o/all	overall
compt.	compartment	reinf.	reinforcement
c/pin.	cotter pin	reg.	regulator
cyl.	cylinder	rep.	replaced
defl.	deflector	req'd	required
def.	defroster	ret.	retainer
dia.	diameter	R.H.	Right Hand
equipt.	equipment	rd-hd	round head
fl-hd	flat head	spec.	special
ft.	foot or feet	spec-hd	special head
H/D	heavy-duty	sq-hd	square head
hex	hexagonal	std.	standard
hex-hd	hexagonal head	tap.	tapping
hsg.	housing	trans.	transmission
hyd.	hydraulic	vac.	vacuum
I.D.	inner diameter	vent.	ventilator
instr.	instrument	W/S	windshield
L.H.	Left Hand	w/	with
		w/o		without

PATENT PLATE and BODY PLATE

The information on the Patent Plate indicates the Model Year, Plant which assembled the car, Serial Identification Number and Car Name.

PATENT PLATE SERIAL NUMBER DIAGRAM



ASSEMBLY PLANT IDENTIFICATION CODES

DA—Dearborn
LA—Los Angeles
ME—Metuchen
SL—St. Louis

The complete serial number is stamped on the extreme top edge of the Patent Plate.

51DA12345M

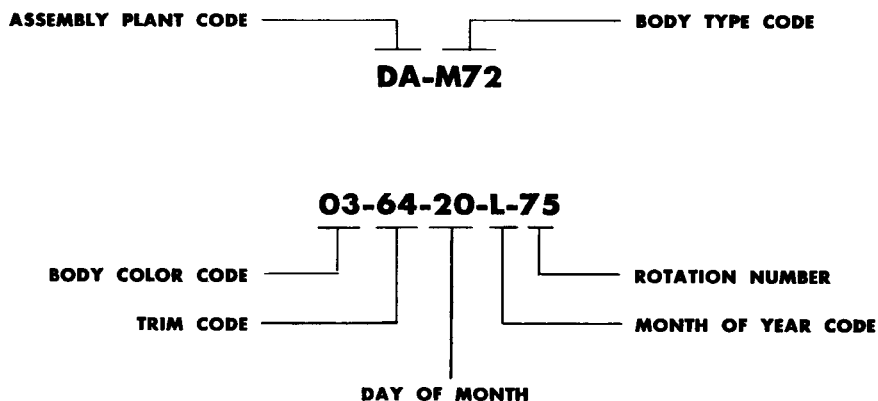
This serial number (*51DA12345M*) indicates

"51"—1951 Model
 "DA"—Assembled at Dearborn
 "12345"—Serial Identification Number
 "M"—Mercury

The asterisks in front of and after the complete serial number are inserted as insurance that no other digits or letters can be added to the serial number.

The information on the Body Plate indicates the Plant which assembled the car, Body Type, Body Outside Paint Color, Trim Scheme, Day of Month car was assembled, Month car was assembled and its numerical sequence of assembly.

BODY PLATE DIAGRAM



ASSEMBLY PLANT IDENTIFICATION CODES

DA—Dearborn
LA—Los Angeles
ME—Metuchen
SL—St. Louis

SAMPLE BODY PLATE

<p>STYLE DA-M72 BODY NUMBER 03-64-20-L-75</p>
--

This sample body plate indicates

"DA"—Assembled at Dearborn
 "M72"—Mercury Six Passenger Coupe
 "03"—Banning Blue Metallic Body Color
 "64"—Gray Block Broadcloth
 "20"—20th Day of Month
 "L"—Month of Year—November
 "75"—75th Car Assembled

BREAKDOWN OF CODES USED IN MERCURY BODY PLATE NUMBERS

ASSEMBLY PLANT CODES

CODE	ASSEMBLY PLANT
DA	Dearborn
LA	Los Angeles
ME	Metuchen
SL	St. Louis

BODY TYPE CODES

CODE	BODY TYPE
M72-A	Six Passenger Coupe (Standard)
M72-B	Six Passenger Coupe (Deluxe)
M72-C	Six Passenger Coupe (Custom)
M74	Sport Sedan
M76	Six Passenger Convertible Coupe
M79	Station Wagon

MONTH OF YEAR CODE

CODE	MONTH	CODE	MONTH
A	January	G	July
B	February	H	August
C	March	J	September
D	April	K	October
E	May	L	November
F	June	M	December

PAINT CODES

CODE	COLOR
01	Black
03	Banning Blue Metallic
05	Luxor Maroon Metallic
07	Mission Gray
09	Tomah Ivory
11	Everglade Green
13	Sheffield Green
15	Kerry Blue Metallic
15C	Academy Blue
17	Coventry Green Gray
19	Vassar Yellow
30	Upper-Black
	Lower-Tomah Ivory
31	Upper-Tomah Ivory
	Lower-Sheffield Green

PAINT CODES CONTINUED

CODE	COLOR
32	Upper—Sheffield Green
	Lower—Tomah Ivory
33	Upper—Coventry Green Gray
	Lower—Everglade Green
34	Upper—Everglade Green
	Lower—Coventry Green Gray
37	Upper—Sheffield Green
	Lower—Coventry Green Gray
38	Upper—Coventry Green Gray
	Lower—Sheffield Green
39	Upper—Mission Gray
	Lower—Banning Blue
40	Upper—Banning Blue
	Lower—Mission Gray
202	Monterey Red
203	Turquoise Blue
204	Brewster Green Metallic
204A	Yosemite Green Metallic

TRIM CODES

CODE	TRIM SCHEME
60	Tan Two-Tone Broadcloth
62	Tan Gray Stripe Broadcloth
64	Gray Block Broadcloth
64A	Gray and Rust Cord
66	Blue Stripe Nylon
68	Green Stripe Broadcloth
72	Red and Black Leather
74	Golden Tan and Chestnut Brown Leather
76	Blue and Ivory Leather
78	Blue Leather and Nylon
80	Light Red and Dark Red Leather
82	Light Green and Dark Green Leather
84	Tan Gray and Rust Cord
97	Green Stripe Nylon
98	Brown Stripe Nylon
202	Black and Red Leather Trim, Monterey Red Metallic Paint, Black Top
203	Seal Brown Leather and Turquoise Cord Trim, Turquoise Blue Paint, Seal Brown Top
204	Oyster White Leather and Green Leather Trim, Brewster Green Metallic Paint, Oyster White Top

Group Alphabetical Index

IX

GROUP AND PART NAME	GROUP NO.	GROUP AND PART NAME	GROUP NO.
DECK (REAR) AND LUGGAGE COMPARTMENT		DOORS (FRONT)-CONTINUED	
Bracket (luggage compartment spare wheel mounting)	47070	Bracket and handle shaft assy (door ventilator window)	22938-9
Bracket (luggage compartment trim panel to wheelhouse)	43557	Bumper (door upper)	23030
Bumper (glove compartment door)	16758	Button and guide assy (outside door handle)	22454
Cardboard (luggage compartment)-front	45444	Cap (door vent window finish)-front	21390-1
Cardboard (luggage compartment)-side rear	45416-7	Channel and bracket assy (front door glass)	21458-9
Clip (luggage compartment door lock key hole cover spring)	43577	Channel and retainer assy (door window glass lifter)	21458-9
Cover (luggage compartment door keyhole)	43516	Clip (door weatherstrip retainer)	20574
Cylinder assy (luggage compartment lock)-with keys	43505	Clip (door weatherstrip retainer)-front	20478
Cylinder (spare tire)-with keys	18309	Clip (door window finish strip)-rear lower	20930-1
Door assy (luggage compartment)	40112	Clip (window reveal moulding)	20925
Filler (luggage compartment)-tire well	45464	Control assy (front door lock remote)	21818-9
Gusset (luggage compartment opening lower corner)	44830-1	Cover and spring kit (door lock cylinder and cylinder and sleeve assy)-outside	21942-3
Handle assy (luggage compartment door)	43500	Door assy (front)-less paint,trim,glass,handles, hinges,lock and regulator	20122-3
Handle assy (luggage compartment door)	43508	Emblem assy (door outside)	21020
Hinge assy (luggage compartment door)	42700-1	Escutcheon assy (door inside handle)	22618
Key (glove box and rear deck lid)	18306	Ferrule (door lock knob)	21999
Latch pin and plate assy (luggage compartment)	43246	Fluid (window regulator)	19545
Lever (luggage compartment trigger)	43639	Frame assy (front door finish)-upper-outside	20406-7
Link (luggage compartment door lock cylinder to trigger)	43541	Frame and glass assy (door glass)-complete	22218-9
Lock assy (luggage compartment door)	43200	Frame and glass assy (door vent window)	21228-9
Mat (luggage compartment floor)	45456	Frame and panel assy (front door finish)-lower-outside	20400-1
Mat (luggage compartment)-rear side	45462	Glass (front door vent window)	21412
Medallion (luggage compartment door handle)	42530	Glass (front door window)	21410
Pad (luggage compartment door handle)	43531	Glass and frame assy (front door ventilating window)	21406-7
Panel assy (back lower rear)-center	40308	Handle (door ventilator window frame)	22916-7
Pin (luggage compartment cylinder to trigger link)	43529	Handle assy (door inside)	22600
Pin (luggage compartment door handle trigger)	43293	Handle assy (door outside)-complete	22400
Plate (luggage compartment latch pin tapping)	43256	Handle assy (door window regulator)	23342
Reinforcement assy (back belt flanging strip and luggage compartment)	41716	Hinge (door vent window pivot)-on retainer	22978-9
Reinforcement assy (luggage compartment opening upper and corner)	44718-9	Hinge (door vent window upper pivot)-on frame	22976-7
Remote control assy (luggage compartment door lock)	43272	Hinge (front door ventilating window upper pivot)-on frame	21466-7
Retainer (luggage compartment door handle medallion)	43564	Hinge assy (front door)-lower	22810-1
Retainer (luggage compartment door handle trigger pin)	43609	Hinge assy (front door)-upper	22800-1
Screw and washer assy (luggage compartment door handle to door)	43561	Housing assy (door check arm)	23530
Spring (luggage compartment door handle key hole cover)	43567	Key (door ventilator window frame)	22920
Spring (luggage compartment door handle trigger)	43633	Kit (door lock cylinder cover and spring)	21942-3
Spring (luggage compartment door lock trigger lever)	43652	Knob (door locking control rod)	21850
Support assy (luggage compartment door lock)	43248	Lock assy (front door)	21812-3
Support assy (luggage compartment door hinge)	42714-5	Lock cylinder and sleeve assy (door panel)-complete with keys	21984-5
Trigger (luggage compartment door handle locking)	43606	Panel (body side lining)	31070-1
Weatherstrip(luggage compartment door)	43720	Moulding (body side lining panel)-front	29040-1
		Moulding (door arm rest)	24190-1
		Moulding (door inside)-bottom	20988-9
		Moulding (door inside)-front	20990-1
		Panel (door inside lining)	20252-3
		Moulding (door inside)-rear	20998-9
		Moulding (door outside)-at belt	20934-5
		Moulding (front door outside)-lower	20938-9
		Moulding (front door window finish)	20952-3
		Moulding assy (front door trim panel)	20942-3
		Moulding and weatherstrip assy (front door window reveal)-outside	20984-5
		Pad (door lock cylinder)	22042
DOORS (FRONT)			
Arm assy (door check)	23500		
Bolt (door window regulator stop)	23338		
Bracket (front door ventilating window upper pivot)-on retainer	21464-5		
Bracket (front door vent window locking handle shaft)	22940		
Bracket (window regulator arm)	23236		

Group Alphabetical Index

GROUP AND PART NAME	GROUP NO.	GROUP AND PART NAME	GROUP NO.
DOORS (FRONT)-CONTINUED		DOORS (FRONT)-CONTINUED	
Pad (outside door handle)-large	22428	Trim panel assy (front door)-less arm rest	23942-3
Pad (outside door handle)-small	22448	Ventilating window assy (front door)-complete including division bar	21402-3
Panel (door outside finish)-upper	20256-7	Washer (door ventilator window pivot)	22982
Panel (door outside finish)-lower	20258-9	Washer (window regulator arm attaching bracket)	23259
Panel (door outside finish)-complete	20256-7	Weatherstrip (door bottom)	20394-5
Pin (door hinge)	22840	Weatherstrip (door check arm hole)	23554
Pin (door outside handle release)	22438	Weatherstrip (door glass channel)-lower	21510
Plate (door division channel lower bracket tapping)	22921	Weatherstrip (door hinge pillar)	20530-1
Plate (door lock striker tapping)	22024	Weatherstrip (door lock pillar)	20542-3
Plate (door ventilator window lock)	22924	Weatherstrip (door opening)-outer	20530-1
Plate assy (door lock striker)	22008-9	Weatherstrip (door vent window division bar)	21450
Plate (door outside name)	20978	Weatherstrip (door vent window frame)-rear	21454
Plate (window regulator handle)	23370	Weatherstrip (door ventilating window)-belt	21432-3
Rainshield (front door ventilating window)	22884-5	Weatherstrip (door ventilating window to door)	22342
Regulator assy (front door window)	23200-1	Weatherstrip (door window)-at belt	21452-3
Reinforcement (front door lock pillar)	28214-5	Weatherstrip (door window glass)	21452
Rest assy (front door arm)	24140-1	Weatherstrip (front door glass header)	21544
Retainer (door arm rest moulding)	24192	Weatherstrip (front door vent window)	21448-9
Retainer (door bottom weatherstrip)-outer	20712	Weatherstrip (front door window opening)	21452-3
Retainer (outside door handle button)	22459	Weatherstrip (front and rear door glass channel)	21510
Retainer assy (door glass run)-lock side	21570-1	Welt and cardboard assy (front door window finish strip)	20724-5
Retainer assy (door glass run)-lock side	21572-3		
Retainer assy (door lock cylinder)	21998		
Retainer and bar assy (ventilating window)-complete	22204-5	DOORS (REAR)	
Rivet (division bar weatherstrip)	21524	FOR HYDRAULIC EQUIPMENT REFER TO HYDRAULIC SYSTEM GROUP	
Rod (door lock safety catch)	21852	Arm assy (rear door check)	27200
Run (door glass division bar)	21546	Channel and bracket assy (rear door glass)	26228-9
Run (door glass)-hinge side	21546-7	Control assy (rear door lock remote)	26404-5
Run assy (door glass)-lock side-complete	21508-9	Door assy (rear)-less paint,trim,glass,handles, hinges,lock and regulator	24622-3
Run assy (door glass)-lock side-complete	21550	Finish strip and weatherstrip (rear door window)	25500-1
Screw and washer assy (to attach outside door handle to door)	22473-5	Glass (rear door ventilator window)	26870
Seal (door outside handle button)	22478	Glass (rear door window)	25712
Shim (door lock striker plate)	22058	Glass and frame assy (rear door ventilating window)	26868-9
Shim (door vent window frame to inside panel rear bracket extension)	22274	Hinge assy (rear door)-lower	26810-1
Shim (door window corner filler to inside panel attaching bracket)	20497	Hinge assy (rear door)-upper	26800-1
Sleeve (door lock pawl stop)	21909	Knob (rear door and quarter window sliding glass latch)	25814
Spring (door inside handle and window regulator handle)	22624	Lock assy (rear door)	26412-3
Spring (door lock main)	21858	Moulding (rear door outside)-lower	25556-7
Spring (door lock pawl stop)	21988	Moulding (rear door outside panel)-at belt	25554-5
Spring (door lock remote control)	21910	Moulding assy (rear door trim)-upper	25558
Spring (door lock slide toggle)	21872	Moulding assy (rear door trim)-lower	25578
Spring (door ventilator window handle)	22986	Moulding and weatherstrip (rear door outside reveal)	25588-9
Spring (door window regulator counter balance)	23318	Regulator assy (rear door window)	27000-1
Spring (front door regulator arm stud retaining)	23257	Retainer (rear door bottom weatherstrip)-outer	25312
Spring (front door ventilator window pivot)	22926	Retainer and division bar assy (rear door ventilating window)	26902-3
Spring (outside door handle push button)	22462	Strip (rear door vent window glass retaining)	26875
Stop (door glass)-on inner panel	23494	Strip (rear door window retainer)	25724
Stop (door vent window pivot)	22992-3	Trim panel assy (rear door)	27406-7
Strip (front door glass retaining)	21424	Ventilating (window assy (rear door)-complete-including division bar	26866-7
Strip and weatherstrip assy (front door window finish)	20902-3	Weatherstrip (front and rear door glass channel)	21510
Strip and weatherstrip assy (door window finish)	20964-5	Weatherstrip (rear door bottom)	25104-5
Support assy (door glass run)-lower	21538	Weatherstrip (rear door glass)-outer	25596-7
Support assy (front door vent window front and rear frame bracket)-lower	23050		

Group Alphabetical Index

GROUP AND PART NAME	GROUP NO.	GROUP AND PART NAME	GROUP NO.
DOORS (REAR) CONTINUED		FLOOR-CONTINUED	
Weatherstrip (rear door glass header)	25856	Side member (floor)	10110-1
Weatherstrip (rear door opening)-outer	25324-5	Side member and trim retainer assy (floor)	10118-9
Weatherstrip (rear door ventilating window)	26896-7	Silencer (floor pan)	11166
Welt and cardboard assy (rear door window finish strip)	24754-5	Silencer (floor pan)	67300
Windlace and cord assy (rear door opening)	27542-3	Silencer (floor pan)-front	11172
FLOOR		Silencer (floor pan)-rear	11454
Anti squeak (body to frame)	00152	Silencer (transmission cover front)	12182
Anti squeak (body to frame)	00154	Spacer (body to frame)	11520
Anti squeak (body to frame)	12322	Spacer (body to frame)	12298
Board assy (rear floor to center seat board)	11710	Spacer (body to frame)	12324
Carpet and pad assy (front floor)	13018	Spacer (body to frame)-front	12320
Cover (floor pan rear gas gauge)	11290	Spacer (body to frame at kick up)	12298
Cover (rear floor to center seat board)	13095	Spacer (body to frame at seat track)	11534
Cross member (floor pan)-rear	10775	Spacer (body to frame)-No. 1 body bolt	00154
Cross member (front floor)-rear	10678	Spacer (body to frame)-Body Bolt No. 2	01740
Cross member (rear floor)	10668	Strip (rear floor finish)-at wheelhouse	12328
Extension (rear floor pan side)-rear	11252-3	Strip (rear floor finish)-rear	13210-1
Extension assy (rear floor side)-rear	11234-5	Strip (rear floor to center seat board)	13222
Extension (rear floor pan side)-rear	11256-7	Strip (rear floor to center seat board)-front finish	11788
Extension (rear floor to center seat board)	11727	Strip (rear floor to center seat board)-front finish	11789
Filler assy (rear floor pan)-rear corner	11226-7	Washer (body to frame anti-squick)-large	0045
Grommet (accelerator kick down switch front floor carpet)	6930-1	FRONT	
Hinge (rear floor to center seat board)	11778	Anti squeak (hand brake bracket)	04399
Latch (rear floor to center seat board frt. riser)	11755	Anti squeak (cowl side panel)	02066
Mat (floor)-center	13040	Arm (glove compartment door check)	06117
Mat (floor)-front complete	13000	Box assy (glove compartment)	06010
Mat (floor)-rear	13046	Brace (steering column to roof panel bracket)	03052
Mat (floor)-rear	13054	Brace assembly (dash to frame)	01714
Mat (floor side sill)	13036-7	Bracket (radio receiver)	04452
Member (rear floor cross)	10668	Bumper (glove compartment door)	1671
Member assy (floor pan rear cross)	10775	Cable assembly (fresh air inlet control)	01890-1
Member assy (floor side)	10110-1	Cardboard (cowl trim)	02344-5
Member assy (front floor cross member)-rear	10698	Connector (body vent air duct)	01878-9
Member and trim retainer assy (floor side)	10118-9	Cover (clock opening)	04228
Moulding (body rock panel curb buffer)	10176-7	Cover (cowl side panel opening)	02092
Pad (body to cross member)	00150	Cover (instrument panel ash receptacle)	04817
Pad (body to frame at kick up)	11533	Cover assembly (hand brake cable opening)-dash	01634
Pad (front floor carpet)-heel	13086	Door assy (glove compartment)	06024
Pan assy (floor)-rear	11215	Front assembly (body)	00120
Pan assy (floor front)	11135	Gasket (cowl side panel opening cover)-cardboard	02093
Pan and back panel assy (floor)-rear	11216	Gasket (vent air valve)	01880
Panel assy (body rocker)	10128-9	Grille (instrument panel radio)	04405
Plate (front door scuff)	13208-9	Grommet (glove compartment door check arm)	06122
Plate (rear door scuff)	13228-9	Grommet (hand brake cable conduit to dash)	01695
Plate (rear floor to center seat board front riser latch)	11753	Handle (fresh air duct register door)	01844
Plate assy (floor transmission cover)	12115	Hinge assy (glove compartment door)	06042-3
Plate assy (rear floor pan body side panel dust cover)	12186-7	Insulator assembly (dash upper)-inside	01670
Plate assy (transmission filler hole)-access	12126	Insulator assy (steering column opening)-dash upper	01673
Reinforcement assy (cross member rear)	10785	Key (glove box and rear deck lid)	18306
Retainer (body rocker panel curb buffer moulding)	10198	Kit (cigar lighter element)	04603
Retainer (steering column opening sealer)	01654	Knob (ash receptacle)	30710
Seal (brake pedal opening)	13028	Knob and element assy (cigar lighter)	04610
Seal (transmission cover filler hole)	12179	Lock assy (glove compartment door)-complete with keys	06081
Sealer (rear transmission cover)	12167	Lock assy (glove compartment door)-complete-without keys	06081
		Lock set assembly	3687-9
		Medallion (hood)-front	42530

Group Alphabetical Index

GROUP AND PART NAME	GROUP NO.	GROUP AND PART NAME	GROUP NO.
FRONT-CONTINUED		HYDRAULIC SYSTEM-CONTINUED	
Medallion (instrument panel)	04539	Clamp (hose to tube cover spring retainer)	53356
Moulding (front body pillar drip)	02512-3	Clip (hydraulic tube to dash)	53370
Nut (speed irregular type)-No. 10	04558	Clip (hydraulic tubing to body)	53370
Panel assembly (cowl top)	02010	Cover (hydraulic window regulator hose and wire)	24258
Panel assy (instrument)-less instruments	04320	Cover spring (hydraulic window lift hose)-rear door	27336
Panel and brace assembly (dash)	01614	Cushion (hydraulic motor and pump mounting)	53382
Pillar assy (front body hinge)-complete	02504-5	Cylinder assy (door window regulator hydraulic)	23244
Pillar and panel assy (cowl side and body front)	02042-3	Cylinder assy (quarter window hydraulic)	23602
Plate (air ventilating rear duct sealer)	01920	Cylinder assembly (seat adjuster hydraulic)	60491
Plate (dash pedal opening)	11126	Escutcheon (hydraulic seat regulator control switch)	24230
Plate (glove compartment door lock striker)	06064	Frame assy (hydraulic quarter window)	23600-1
Plate (heater control valve opening cover)	01848	Frame assembly (hydraulic seat adjuster)	60487
Plate (heater opening cover)	01846	Frame assy (hydraulic window regulator)	23204-5
Plate (radio opening cover)	04371	Frame and field assy (hydraulic pump motor)	53343
Plate (steering column opening lower cover)	01698	Gasket (hydraulic pump reservoir)	53374
Plate (steering column opening upper cover)	01699	Grommet (hydraulic supply tubes floor)	53437
Plug (dash panel transmission access)	01647	Grommet (hydraulic window regulator spring hose cover)	53360
Receptacle assy (instrument panel ash)-complete	04800	Grommet (window regulator control wires)	53355
Receptacle and retainer assy (quarter ash)	30708	Head and brush holder assy (hydraulic pump motor)	53387
Register assembly (fresh air duct)	01814-5	Hose assy (front door hydraulic window regulator)	53346
Retainer (cowl cardboard)	02354	Hose assy (hydraulic pump to top control valve return)	53341
Retainer (front body pillar weatherstrip)-upper	02594-5	Hose assy (hydraulic pump to top control valve supply)	53342
Retainer (window seal)-at front rail section	20520-1	Hose assy (hydraulic pump to tubing)	53340
Retainer (window seal)-at pillar section-lower	29118-9	Hose assy (rear door hydraulic window regulator)	53366
Retainer (window seal)-at pillar section upper	29122-3	Housing assembly (hydraulic pump)	53395
Retainer assembly (front seat back ash receptacle)	62868	Motor and hydraulic pump assy (includes reservoir, bail, solenoid and mounting bracket)	53334
Screen (ventilating air duct)-front	01900	Pin (hydraulic window switch retaining)	24231
Seal (front body and quarter hinge pillar to scuff plate)	02656	Plate (hydraulic pump bottom)	53409
Sealer (air ventilating rear duct)	01928	Plate (hydraulic pump port)	53405
Sealer (cowl panel to hood)	02074-5	Plate (hydraulic pump reservoir fluid retainer)	53388
Sealer (dash insulator)-dust	01718	Plate (hydraulic pump rotor)	53404
Sealer (dash panel lower)	01786-7	Plate (window regulator switch mounting)	24232-3
Socket and retainer assy (cigar lighter)	04620	Plug (hydraulic pump valve)-adjuster	53413
Spacer (dash to frame brace)	01736	Reservoir (hydraulic pump)	53396
Stop (ash receptacle)	04858	Retainer (hose cover spring)	53354
Valve assembly (fresh air duct)	01850-1	Retainer (hydraulic pump reservoir fluid)	53389
Visor assy (complete)	04100	Retainer and nut assy (rear door hose cover spring)	53325
Weatherseal (dash panel pedal opening)	12138	Rotor assembly (inner and outer)-hydraulic pump	53400
Weatherseal (steering column to dash cover)	12156	Screw (hydraulic pump bottom plate)	53408
Weatherstrip (front body pillar)-upper	02626-7	Seal (hydraulic pump bottom)	53406
Windlace and cover assy (front body pillar)	02600-1	Seal (hydraulic pump mounting screw)	53358
Windlace and reinforcement assy (front body pillar and door opening)	02600-1	Seat adjuster (hydraulic)	60473
HYDRAULIC SYSTEM		Solenoid (hydraulic pump motor)	53380
Armature assy (hydraulic pump motor)	53349	Spacer (top operating cylinder to floor bracket)	50606
Bail (hydraulic pump reservoir)	53378	Spring (hydraulic electric switch)-locking	23604
Bar (window regulator switch bus)	24219	Spring (hydraulic pump rotor)	53407
Band assy (hydraulic motor pump)	53348	Spring (hydraulic pump valve)	53412
Bracket (door hydraulic hose conduit clamp)	53332	Spring (hydraulic seat adjuster)	60493
Bracket (hydraulic motor and pump mounting cushion)	53384	Spring (hydraulic window mounting stud)	24193
Bracket assembly (hydraulic seat regulator to seat support)	53414	Spring (hydraulic window operating)	53330
Brush (hydraulic pump motor frame and field assy)	53383	Strap (motor and hydraulic pump to solenoid)	53386
Clamp (door hydraulic hose conduit)	53356	Strap (hydraulic pump motor ground)	14519
		Strip (motor and hydraulic pump to solenoid)	53386

Group Alphabetical Index

XIII

GROUP AND PART NAME	GROUP NO.	GROUP AND PART NAME	GROUP NO.
HYDRAULIC SYSTEM-CONTINUED		QUARTER (REAR)-CONTINUED	
Stud (hydraulic pump motor frame and field assy)	53377	Bracket (quarter window)-on body	29932-3
Support (door hydraulic window regulator)	24248	Bracket (seat cushion)-on body	60687
Support (door hydraulic window regulator side rail)-upper	23312	Bracket (trim panel to wheelhouse)	27804-5
Support (rear door hydraulic window regulator inside rail)-upper	27338	Bumper (quarter panel fuel filler lid)	28626
Support and retainer assy (hydraulic window regulator arm roller)	23382	Channel assy (quarter window front lower corner)	29958-9
Switch (window regulator)	24206	Clamp (quarter window frame lower pivot)	30548
Switch assy (hydraulic seat regulator control)	24206	Clip (quarter window glass retainer)	30154-5
Switch and housing assy (hydraulic window regulator)	23302-3	Clip (quarter window glass retainer)-front	30158
Tube assembly (extension tube to hose)	53426-7	Clip (reinforcement quarter panel wheel cover)	28006
Tube assy (front door window regulator)	53350-1	Cover (assist strap bracket)	31421
Tube assembly (front seat hydraulic regulator)-long	53394	Cover (quarter wheelhouse luggage compartment)	45466-7
Tube assy (front seat regulator)-short	53376	Filler assy (quarter window opening)	29978
Tube assy (rear door hydraulic window regulator)	53368-9	Filler strip (quarter window)	29789
Tube assy (rear door window supply)	53359	Frame and glass assy (quarter window)	30506-7
Tube assembly (rear quarter hydraulic supply)-front	53362	Frame and glass assy (quarter window)-complete	29700-1
Tube assy (rear quarter hydraulic window regulator cross)	53364-5	Frame assy (body side finish)-upper	28700-1
Tube assy (rear quarter window supply)	53359	Frame and panel assy (body side finish)-lower	28710-1
Tube assy (to front door hydraulic window regulator)	53344	Glass (quarter window)-rear	29740
Tube assy (top cylinder supply)-lower	53363	Glass (quarter window sliding)-front	29710
Tube assy (top cylinder supply)-upper	53361	Glass (rear quarter window)	29710
Tube assy (top hydraulic cylinder rear cross)-upper	53390-1	Guide assy (quarter window)-complete	29764-5
Tube assembly (top hydraulic cylinder rear cross)-lower	53392-3	Gusset (quarter panel to package tray)	29428-9
Valve (hydraulic pump)	53410	Handle (quarter glass frame)	5280-1
Washer (hydraulic pump)	53411	Handle (quarter window sliding glass)-front	29754
Washer (hydraulic pump motor armature shaft)-lower	53353	Hinge (quarter window)-on body	29948
Washer (hydraulic pump motor armature shaft)-upper	53352	Hook (coat)-quarter	29025
Yoke (top operating cylinder)	50774	Housing (quarter panel fuel tank filler neck)	28617
PACKAGE TRAY		Key (robe cord anchor plate)	62818
Panel assy (package tray)	46506	Kit (name plate installation)-Merc-O-Matic	25622
Panel assy (package tray)	46668	Latch assy (quarter window sliding glass)-front	29668
Panel assy (package tray to rear window)	51932	Lid assy (quarter panel fuel tank filler)	28611
Silencer (package tray)	46664	Medallion (ash receptacle)	30724
Strainer assy (package tray support to floor side member)	46521	Moulding (back belt finish)	41774
Strainer assy (package tray to floor)	46574-5	Moulding (quarter outside)-upper	29034-5
PILLARS (CENTER BODY)		Moulding (quarter panel at belt outside)	29034-5
Pillar assy (body center)	24300	Moulding (quarter wheel opening cover)	28064-5
Seal (center body pillar to scuff plate)	24357	Moulding (quarter window reveal outer)	29082-3
Trim assy (center body pillar)	24446	Moulding (quarter window finish strip)	29104
QUARTER (REAR)		Moulding assy (quarter trim)	31140
FOR HYDRAULIC EQUIPMENT REFER TO HYDRAULIC SYSTEM GROUP		Moulding assy (quarter trim)-upper	31140
Bracket (assist strap)	31418	Moulding assy (quarter trim panel)-lower	31215
Bracket (coat hanger)	31452	Ornament assy (quarter panel)-lower	27918-9
Bracket (quarter wheel opening cover)-lower front	28000-1	Panel (body side finish outer)-upper	27880-1
Bracket (quarter wheel opening cover)-lower rear	28002-3	Panel (body side finish outer)-rear	27906-7
Bracket (quarter wheelhouse inner body bolt)	27828-9	Panel (body side finish outer)-lower front	27914-5
		Panel (quarter wheelhouse)-inner	27886-7
		Panel (rear body side inside lining)-lower	40330
		Panel (rear quarter inside lining)-upper	40326-7
		Panel assy (back lower rear)-center	40308
		Panel assy (body lower back)	40320
		Panel assy (body lower rear side)	40320-1
		Panel assy (body quarter)	27840-1
		Panel assy (body quarter)-complete	27700-1
		Panel assy (body upper back)	40310
		Panel assy quarter (rear corner)-upper	31096-7
		Panel assy (quarter window regulator)	27870-1
		Pillar assy (quarter hinge)	28104-5

Group Alphabetical Index

GROUP AND PART NAME	GROUP NO.	GROUP AND PART NAME	GROUP NO.
QUARTER (REAR)-CONTINUED		QUARTER (REAR)-CONTINUED	
Pillar assy (quarter lock)	28160-1	Weatherstrip assy (quarter window front)-complete	30106-7
Cover assy (quarter panel wheel opening)	27968-9	Welt assy (quarter window finish strip moulding)	29136
Pillar assy (rear quarter)	28252-3	Windlace assy (quarter lock pillar)	02610
Pillar and tacking stripe assy (quarter lock)	41742-3	Windlace assy (quarter lock pillar)	31290
Pin (quarter window frame hinge)	30556	Window and finish strip assy (quarter)-complete	29700-1
Plate (quarter trim finish)	27806-7		
Plate (quarter vent window lock)	30284	ROOF	
Plate (quarter window finish strip)	29125	Bow (roof)-No. 1	51272
Plate assembly (robe cord end anchor)	62808	Bow (roof)-No. 2 and 4	51276
Receptacle assy (quarter ash)-complete	30702	Bow (roof)-No. 3	51280
Receptacle assy (quarter ash retainer)	30708	Bow (roof)-No. 5	51288
Regulator assy (quarter window)	30306-7	Cap (roof drip side finish moulding end)-front	51750-1
Rest assy (rear quarter arm)-complete	31600-1	and rear	
Retainer (quarter ash receptacle)	30714	Cover assembly (roof)-complete	53700
Retainer (quarter lock pillar trim)	28276	Extension (roof headlining retainer strip)-rear	52170-1
Retainer (quarter panel wheel opening cover seal)	27996-7	Headlining assy (roof)	51916
Retainer (quarter outside moulding)	29144	Moulding (roof cover retainer)-front	53716
Retainer (quarter wheel opening cover moulding)-front	28068	Insulator (roof panel)-front	54310
Retainer (quarter wheel opening cover moulding)-rear	28066	Moulding (roof drip)	51700-1
Retainer (quarter wheelhouse)-trim	28508	Moulding (roof drip)-rear	51704
Retainer (quarter window front weatherstrip)	29952	Moulding (roof drip)-rear extension	51702-3
Retainer (quarter window glass run)-upper rear	30124	Moulding (roof drip)-side front	51710-1
Retainer (window seal)-at rear rail section	20526-7	Moulding (roof drip)-side rear	51714-5
Run (quarter window glass front)-vertical	30106	Moulding (roof drip side)-finish	51726
Run (quarter window glass)-lower	30116	Pad (roof cover)-center	53722
Run assy (quarter window glass)-upper front	30104-5	Pad (roof cover)-side	53724
Seal (quarter outside moulding retainer)-lower	29074	Pad (roof cover)-rear quarter side	53726
Seal (quarter panel wheel opening cover)	27986	Panel assy (roof)	50200
Seal (quarter pillar)-dust	28237	Panel assy (roof)-with silencer	50026
Seal (quarter trim panel to floor)	30358	Rail (roof side)-front	51184-5
Silencer (quarter rear)	31267	Rail assy (roof side)	51142-3
Spring (quarter window hydraulic operating)	23603	Reinforcement (roof side rail)	51196-7
Spring (quarter window sliding glass latch)	3796	Reinforcement assy (roof rail side)-front	51190-1
Spring (robe cord anchor plate)	62820	Retainer (roof cover)-front	53718
Stop (quarter glass frame pivot)	30552	Retainer (roof cover)-side	53714
Strainer (back belt flanging strip center to wheelhouse)	44640	Silencer (roof panel)	54306
Strainer (quarter hinge pillar upper reinforcement to package tray)	28164-5	Strip (roof headlining retaining)	50952-3
Strainer (quarter window to package tray)	46568-9	Strip (roof headlining retaining)-center	50954-5
Strainer assy (quarter window frame to floor)	29496	Strip (roof headlining retaining)-front	50952-3
Strap assy (assist)	31440	Strip (roof headlining retaining)-rear	50956-7
Strip (quarter window glass retaining)	29724	Support (roof headlining)	52101-5
Strip assy (back belt tacking)-center	41748	Support and bracket assy (dome lamp mounting)	51486
Strip assy (quarter window finish)	29002-3	Visor assembly	04100
Strip and retainer assy back belt tacking-end	41760-1		
Trim assy (quarter)	31012-3	SEAT (CENTER)-STATION WAGON	
Trim assy (quarter folding compartment side)	32400-1	Back assembly (center seat)	60042-3
Trim assy (quarter lock pillar)	31224-5	Bracket (center seat to wheelhouse)	60637
Washer (quarter ventilating window pivot friction)	22963	Bumper (center seat back)	61333
Weatherstrip (quarter vent window)	29904-5	Clip (center seat back catch)	60568
Weatherstrip (quarter window belt)	29908	Catch assembly (center and rear seat leg)	7350
Weatherstrip (quarter window)	29904-5	Catch (center seat back)	60569
Weatherstrip (quarter window)-inner	29910	Cover assembly (center seat back)	64428
Weatherstrip (quarter window glass)-outer	29732	Cover assembly (center seat cushion)	62908
Weatherstrip (quarter window glass)-rear	29904	Cover (center seat)-back panel	60570
Weatherstrip (quarter window guide)	29750-1	Cushion assembly (center seat)	60054

GROUP AND PART NAME	GROUP NO.	GROUP AND PART NAME	GROUP NO.
SEAT (CENTER)-STATION WAGON-CONTINUED		SEAT (FRONT) CONTINUED	
Hinge assembly (center seat)	60514	Catch assembly (center and rear seat leg)	7350
Leg assembly (center seat)	60492	Cover assembly (rear seat back)	66600
Leg assembly (center seat)-folding	60476	Cover assembly (rear seat cushion)	63804
Lock and housing assembly (center seat cushion stop)	60818	Cover assembly (rear seat heelboard)	65716
Riser (center seat leg)-front	60693	Cushion assembly (rear seat)	60080
Riser assembly (center seat leg)-rear	60677	Hanger (rear seat back spring)	66746
Stop (center seat back)	61334	Riser assembly (rear seat)-front	60648
Strip (center seat back lower)-finish	60574	Support assembly (rear seat back frame)	62332
Strip (center seat cushion end)-finish	60578		
Strip (center seat cushion front)-finish	60577	TAILGATE-STATION WAGON	
Strip (center seat cushion rear)-finish	60576	Angle (tailgate)-upper edge	45002
Tip (center seat leg)	60988	Bolt (tailgate latch)	44448
		Bracket (tailgate to latch)	44424-5
SEAT (FRONT)		Bracket (tailgate support rod)	44414-5
FOR HYDRAULIC EQUIPMENT REFER TO HYDRAULIC SYSTEM GROUP		Bumper (tailgate support rod)	40741
Back assembly (front seat)	60136-7	Dowel (tailgate bumper)	43914
Bar (front seat track equalizer)	61845	Hinge assy (tailgate)	43000
Bracket (front seat lock lever)	61799	Latch assy (tailgate)	44434
Bracket (front seat support to floor pan)-front	60456	Panel assy (tailgate)-inside finish	40726
Bracket (front seat support to floor pan)-rear	60462-3	Rod assy (tailgate support)	44400-1
Clip (front seat robe cord bracket)-stay	7160	Shim (tailgate lock striker plate)	44431
Cord assembly (front seat back robe)	62800	Strip (tailgate skid)	44432
Cover assembly (front seat back)	64416-7	Tailgate assy (complete painted and trimmed)	40200
Cover assembly (front seat base)-side	62662-3	Weatherseal (tailgate)	43016
Cover assembly (front seat base frame tube)	62664	Weatherseal (tailgate side)	41626
Cover assy (front seat base strainer)-rear upper	62694		
Cover assembly (front seat cushion)	62900	TOP (CONVERTIBLE)	
Cushion assembly (front seat)	60050	Anti rattle (folding top No. 1 bow locking rod)	51422
Escutcheon (front seat adjusting lever)	61789	Binding (header bow)-folding top	52308
Frame assembly (front seat base)-trimmed	60335	Binding (rear roof bow)-folding top	52300
Gear and cross tube assembly (front seat)	61723	Bolt (shoulder)-fillister head	50523
Handle (front seat lock lever)	61795	Bolt (special shoulder)	50520
Knob (front seat track adjusting handle)	61839	Bolt (special shoulder)	50521
Nut (front seat track tie rod adjusting)	61893	Bolt (special shoulder)	50525
Pin (front seat back frame hinge)-outer	61088	Bolt (special shoulder)	50526
Plate assembly (robe cord and anchor)	62808	Bow assy (folding top)-No. 3	51269
Rod (front seat track tie)	61726	Bow assy (folding top)-rear	51278
Screw assy (front seat back hinge stop lower adjusting)-zig-zag spring	61113	Bow and links assy (folding top)-No. 2	51264
Screw assembly (front seat back hinge stop lower adjusting)-coil spring	61114	Bracket (top mounting)	53118-9
Scuff plate (front seat back)	61642	Bracket (top control)	16930
Scuff plate (front seat back frame)-inner	61182	Bracket (top operating valve dash)	01658
Seat track (front seat)	61704-5	Bracket (top slat iron side rail to header)	50832-3
Shield assembly (front seat side)	66400-1	Bracket (No. 2 bow connecting link to front ride rail)	50890-1
Spring (front seat adjustment tension)-front	63234	Bushing (folding top lock handle shaft)	53121
Spring (front seat spring to tie rod)	61930	Bushing (top control rod)	50588
Spring (seat lock lever)	61784	Clamp (folding top quarter pad to No. 3 bow)	51267
Spring (front seat track assist)	61828	Clip (top back curtain)-side	53257
Stop (front seat)-R.H.	60484	Container assembly (top dust hood)	54486
		Control rod assy (top operating)	50570
SEAT (REAR)		Curtain assy (folding top back)	52500
Back assembly (rear seat)	60032	Cylinder (top operating)	50601
Bracket (rear seat back frame support to floor strainer)	62410-1	Dowel (folding top No. 1 bow)	03458-9
		Dowel (folding top No. 1 bow)-center	03442
		Fastener button (convertible top quarter belt)	53029
		Frame (back curtain glass)-inner	53224

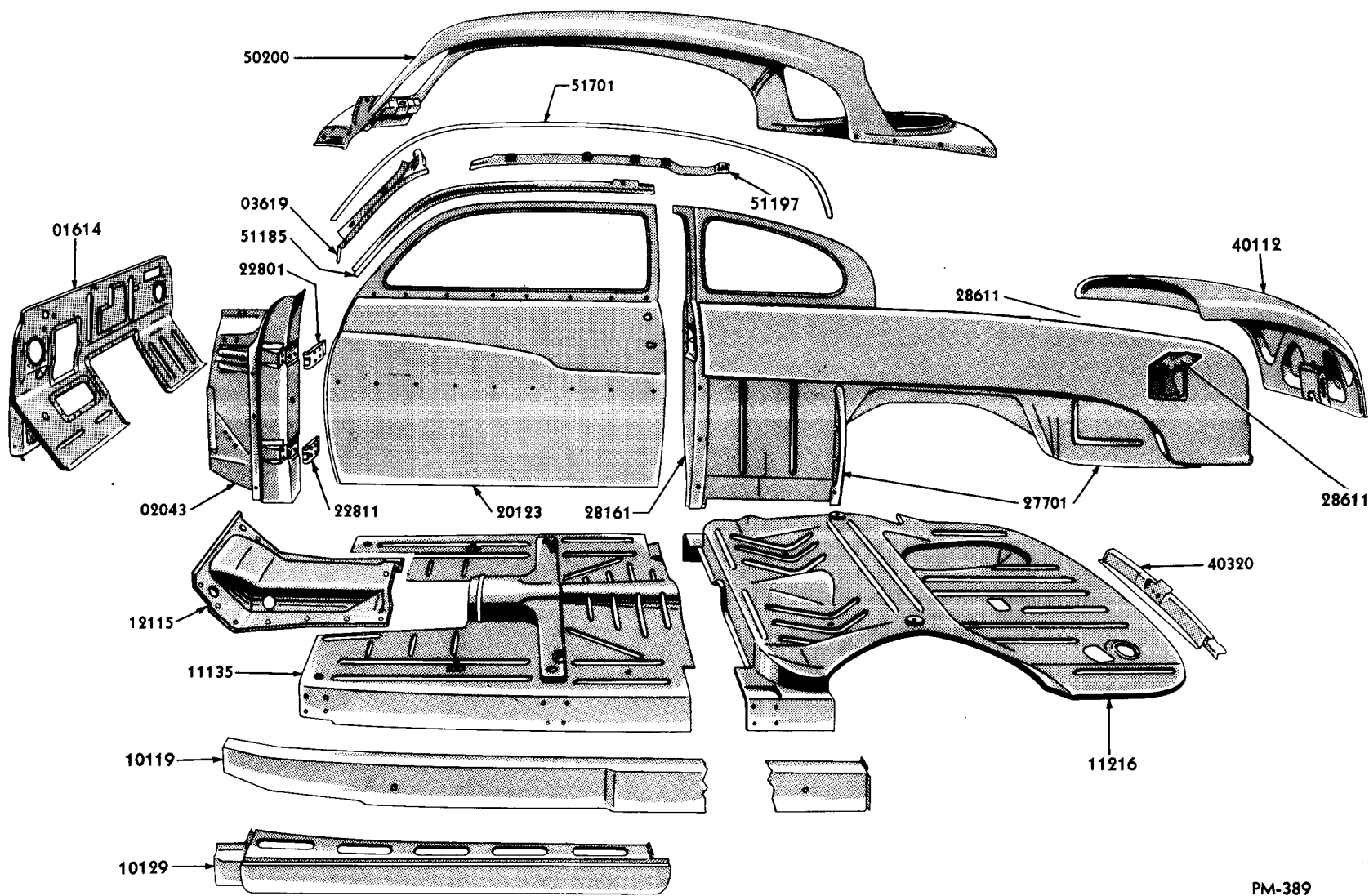
Group Alphabetical Index

GROUP AND PART NAME	GROUP NO.	GROUP AND PART NAME	GROUP NO.
TOP (CONVERTIBLE)-CONTINUED		TOP CONVERTIBLE-CONTINUED	
Frame assy (back curtain glass)-outer	53220	Weatherstrip (folding top side roof rail)-rear	51566-7
Glass (top back curtain)	53200	Weatherstrip (tailgate bottom side)-on body	41606
Handle (top locking)	03570	Weatherstrip (tailgate)-outer bottom	41632
Header assy (folding top No. 1 bow)	51270	Weatherstrip (tailgate)-outside	43726
Hinge (folding top pillar)	24324-5	Weatherstrip assy (folding top)-No. 1 bow	51338-9
Hinge (folding top rear side rail)-rear	53170-1	Welt assy (back belt rail)	41786
Hinge (upper quarter pillar hinge)-folding top	50378-9	Zipper assy (top back curtain)	53250-1
Hinge and link assy (folding top front side rail)	53008-9		
Hinge and link assy (folding top rear side rail)-front	53010-1	WINDOW (BACK)	
Hood assembly (top dust)	54400	Cover (back window)-outside lower moulding joint	42432
Knob (top control rod)	50579	Glass (back window)	42006
Link (folding top)-No. 1	50432-3	Handle (back window)-inside	43426
Link (folding top power)-lower	50418	Handle assy (back window)-outside-less lock and cylinder	43429
Link & spacer assy (folding top power)-upper	50368	Hinge assy (back window)	42900
Link & spacer assy (folding top power)-lower	50356-7	Insert (back window weatherstrip)	42054
Link (folding top power)-upper	50370	Lock assy (back window)	43102
Link (folding top side rail control)-front	50310	Moulding (back window)-upper	42430
Link (folding top side rail control)-rear	50308	Moulding (back window opening)-inner	42410
Link (balance folding top)	50454	Moulding (back window outside)-lower center	42404
Loop (top boot to rear seat back)	54410	Moulding (back window outside)-lower corner	42406-7
Nut (folding top balance link to body bracket)	50404	Pin (back window support arm stop)	42057
Plate (tapping-folding top)-No. 3 bow	51256	Plate (back window lock striker)	43126
Plate (folding top No. 1 bow protector)	51418	Retainer (back window)-outside lower corner moulding	42438
Rail and brackets assy (folding top pillar)	53196-7	Retainer (back window lower moulding)-center	42425
Reinforcement (top back curtain)-side	53255	Retainer (back window weatherstrip)-outer	42094
Retainer (rear quarter belt folding top)	28730-1	Strip (back window division bar finish)	42424
Retainer (top control rod)-bushing	50589	Strip assy (back window finish)	42400-1
Retainer (top control rod seal to dash)	01793	Support assy (back window)	42058-9
Retainer (top deck welt sleeve)	53072	Weatherseal (back window)-lower	42086
Rod (top folding compartment trim support)	54638	Weatherseal (back window)-upper	42084
Screw (shoulder)-oval head	50522	Weatherstrip (back window)	41954
Seal (top control rod to dash)	01792	Weatherstrip (back window)	42084
Side rail bracket and link assy (folding top front side)-front	53006-7	Weatherstrip (back window)-lower corner	42088-9
Side rail assy (folding top rear)-complete	51154-5	Weatherstrip (back window)-outer	43706
Slat iron (folding top rear bow)	50340-1	Window assy (back)-less outside trim	42002
Sleeve (top deck welt)	53070		
Support assy (top mounting bracket on quarter wheelhouse)	53128-9	WINDSHIELD	
Top assy (folding)-complete	50100	Extension (windshield opening reinforcement)	03618-9
Top assy (folding)-less trim	53000	Glass (windshield)	03100
Top deck and quarter assy (folding top)	52700	Moulding (windshield finish)-outside	03088-9
Valve assy (top operating control)	50738	Panel assy (windshield opening inside)	03566
Washer (No. 2 bow and link to rear side rail)	53210	Plate (windshield center inside finish strip)-lower	03086
Washer (No. 1 link to rear side rail and front side rail)	53211	Plate (windshield finish strip)-upper	03084
Washer (lower power link to mounting bracket)	53213	Plug (windshield opening finish strip defroster)	03594
Washer (rear control link No. 2 bow to front control link No. 2 bow)	53217	Retainer (windshield center weatherstrip)-inner	03076
Weatherseal (folding top qtr. panel to hinge pillar)	52752-3	Retainer assy (windshield center weatherstrip)-outer	03078
Weatherstrip (folding top side roof rail)-center	51564	Seal (windshield header)-inner	03476
Weatherstrip (folding top side roof rail)-front	51562-3	Strainer assy (windshield)-center	03040
		Strip assy (windshield opening finish)	03590-1
		Weatherstrip (windshield)	03110-1

Illustration Index

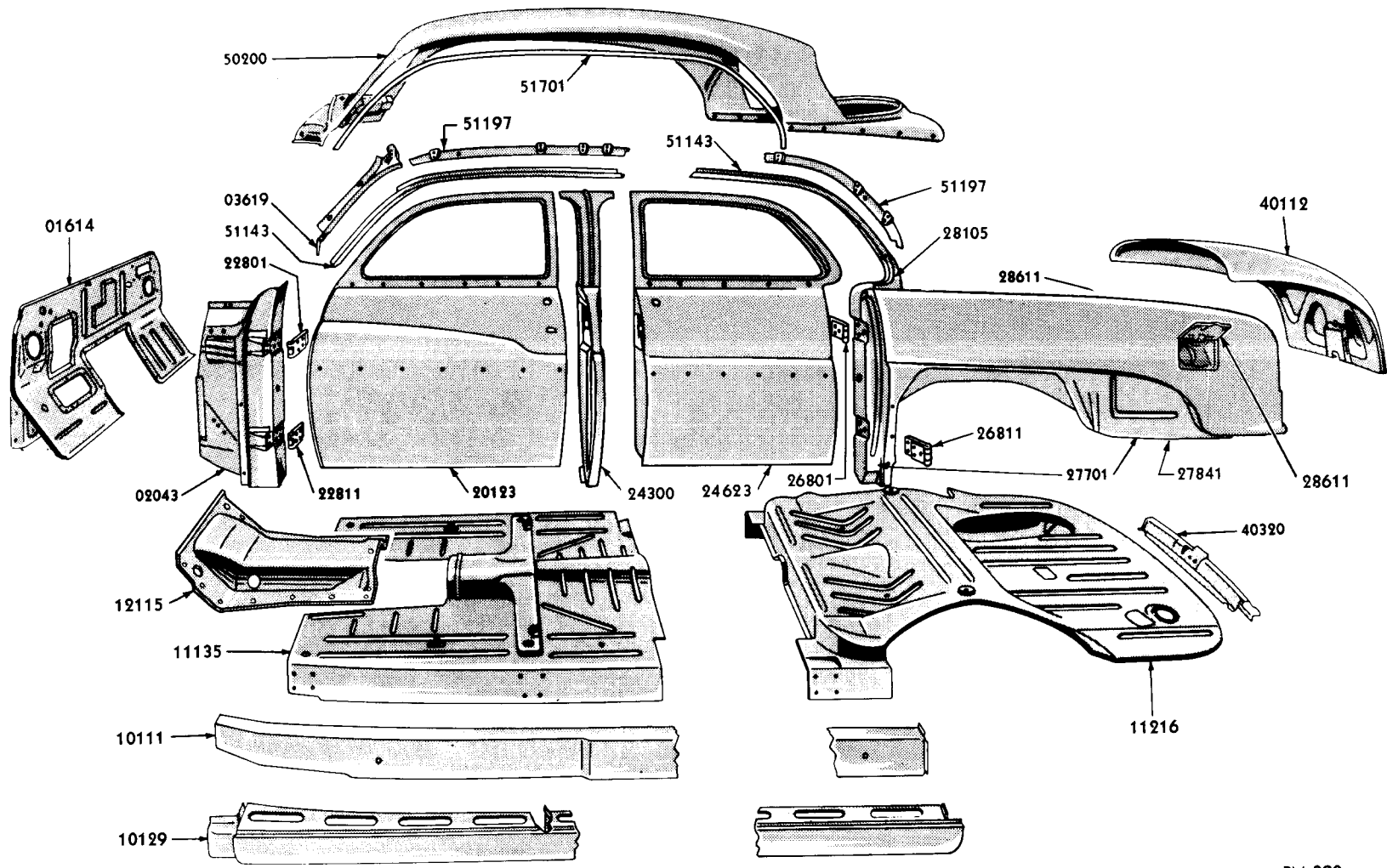
XVII

	DESCRIPTION	PAGE NO.	
	Body Bolt Chart	XXX	
	Cable-Fresh Air	4	
	Door Parts-Front	22	
	Door Parts-Rear	44	
	Exterior View-Six Passenger Coupe (Body Type 72-C)	XXVI	
	Exterior View-Sport Sedan (Body Type 74)	XXV	
	Exterior View-Wood Panels-Station Wagon (Body Type 79)	XXVII	
	Exterior View-Metal Panels-Station Wagon (Body Type 79)	XXIX	
	Fresh Air System	3	
	Handle-Door-Outside	30	
	Interior View-Six Passenger Coupe (Body Type 72)	XXII	
	Interior View (Body Type 74)	XXIII	
	Interior View (Body Type 76)	XXIV	
	Handle-Luggage Compartment Door	72	
	Pump and Motor-Hydraulic	91	
	Rear Window	70	
	Receptacle-Ash-Rear Seat	117	
	Receptacles-Quarter Ash	59	
	Remote Control-Door Lock	28	
	Seat Adjuster-Hydraulic	109	
	Seat and Seat Track-Zig Zag Springs	113	
	Sheet Metal (Body Type 72)	XVIII	
	Sheet Metal (Body Type 74)	XIX	
	Sheet Metal (Body Type 76)	XX	
	Sheet Metal (Body Type 79)	XXI	
	Support Rod and Component Parts-Tail Gate	74	
	Switch-Hydraulic Window-Multiple	36	
	Switch-Hydraulic Window-Single	36	
	Switch-Seat	42	
	Top-Less Trim-Six Passenger Convertible Coupe (Body Type 76)	78	
	Top Parts-Six Passenger Coupe (Body Type 72-C)	86	
	Top Exterior View-Six Passenger Convertible Coupe (Body Type 76)	87	
	Window and Finish Strip Assembly-Quarter	54	
	Window and Folding Top Lift System-Hydraulic (Body Type 76)	93	
	Window Lift System-Hydraulic (Body Type 74)	92	
	Window-Quarter-Six Passenger Convertible Coupe (Body Type 76)	55	
	Window Regulator-Manual Control	34	
	Window Regulator-Hydraulic Control	35	
	Window Regulator-Quarter	57	
	Windshield Parts	9	



SIX PASSENGER COUPE (BODY TYPE 72)
Group numbers only shown on illustration. Order by Part Numbers shown in list of parts.

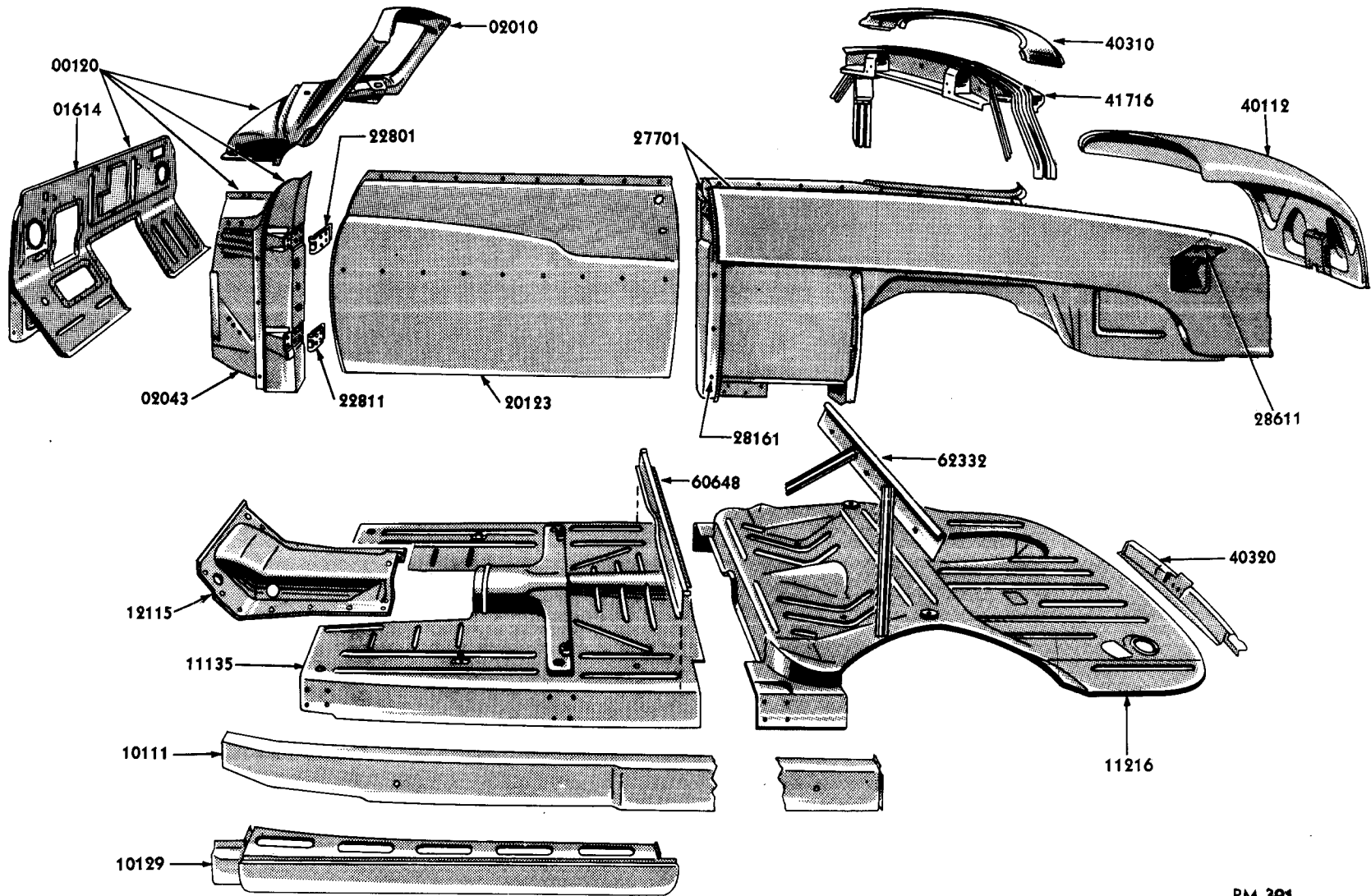
PM-389



PM-390

SPORT SEDAN (BODY TYPE 74)

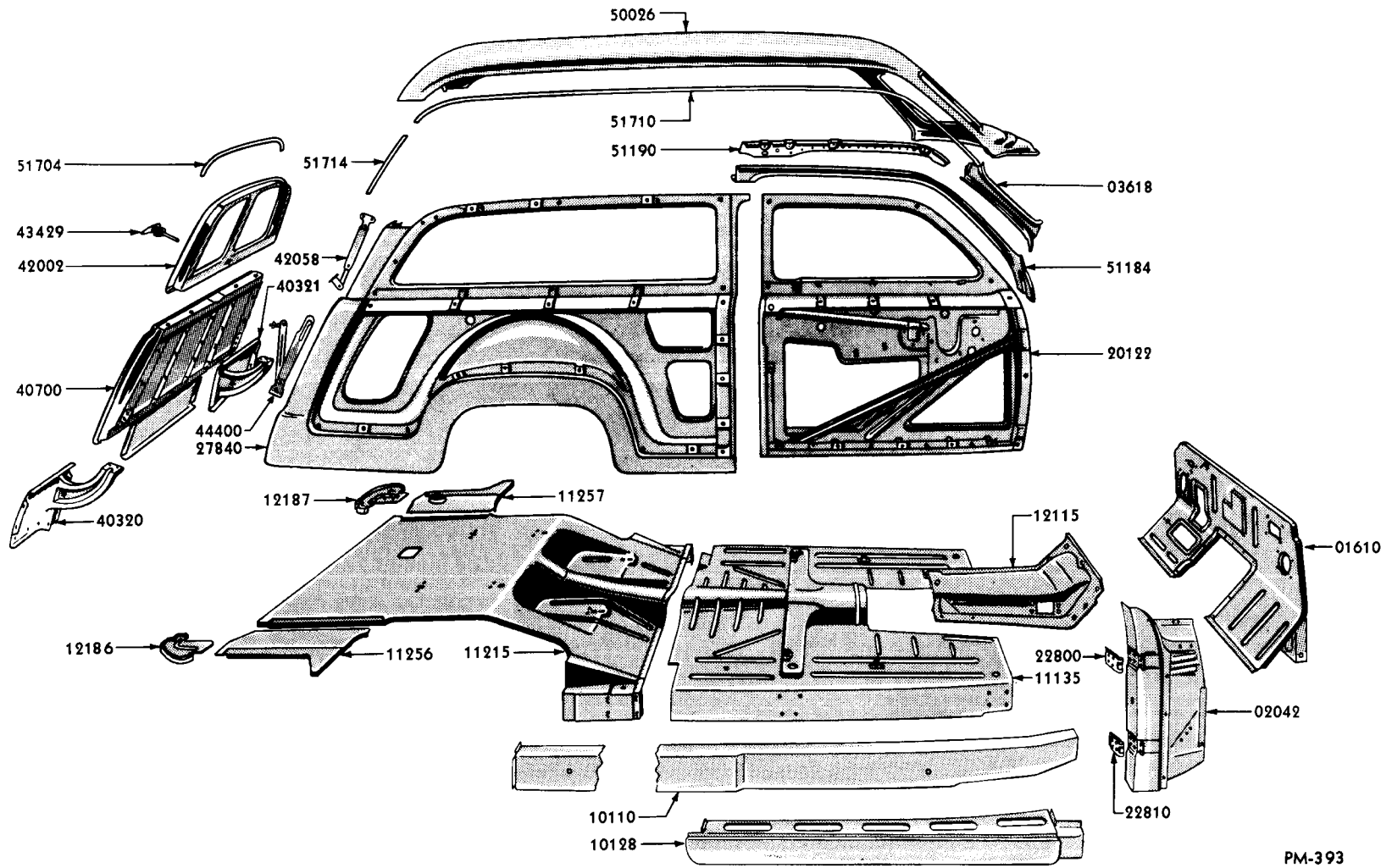
Group numbers only shown on illustration. Order by Part Numbers shown in list of parts.



PM-391

SIX PASSENGER CONVERTIBLE COUPE (BODY TYPE 76)

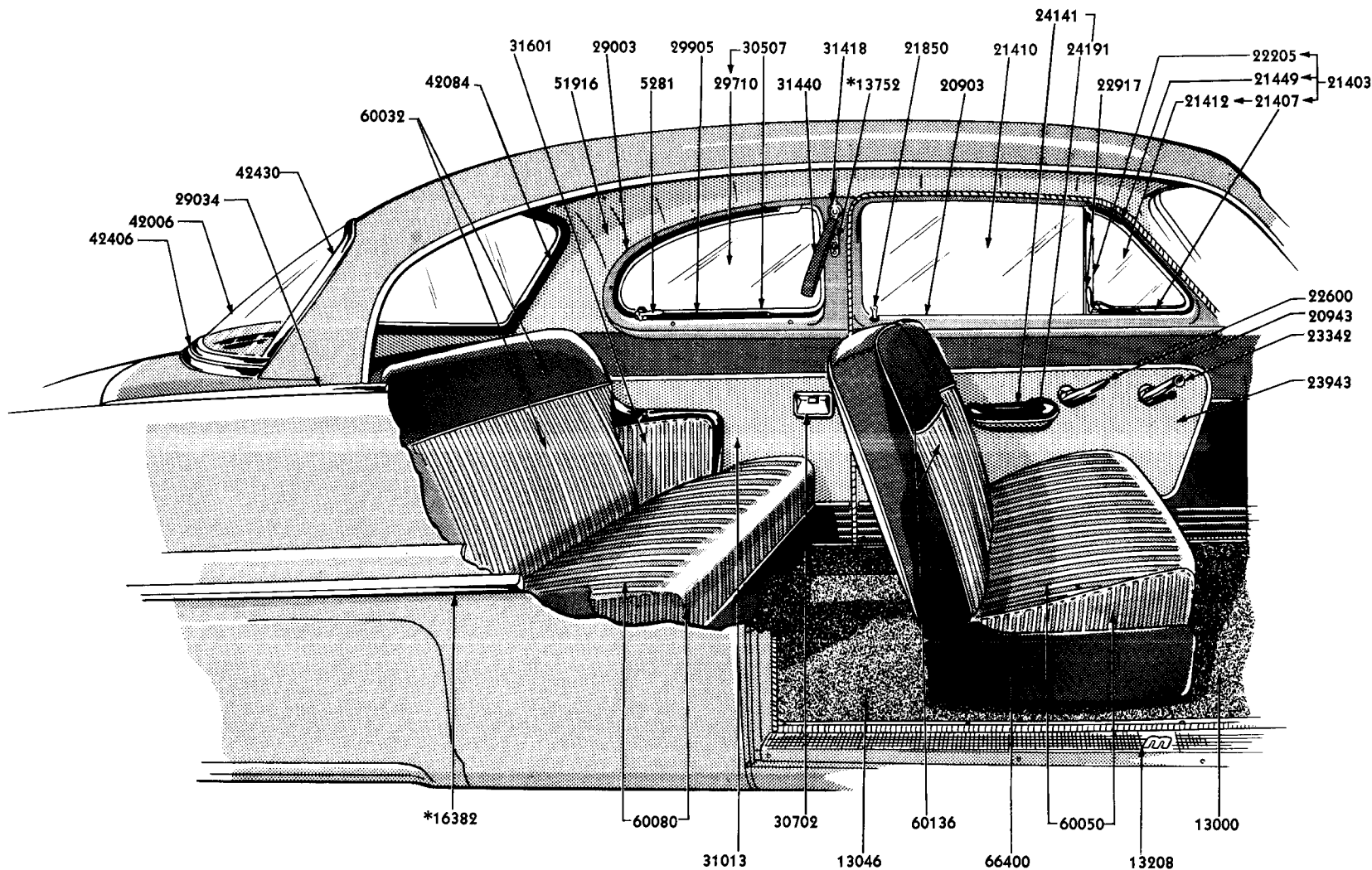
Group numbers only shown on illustration. Order by Part Numbers shown in list of parts.



PM-393

STATION WAGON (BODY TYPE 79)

Group numbers only shown on illustration. Order by Part Numbers shown in list of parts.

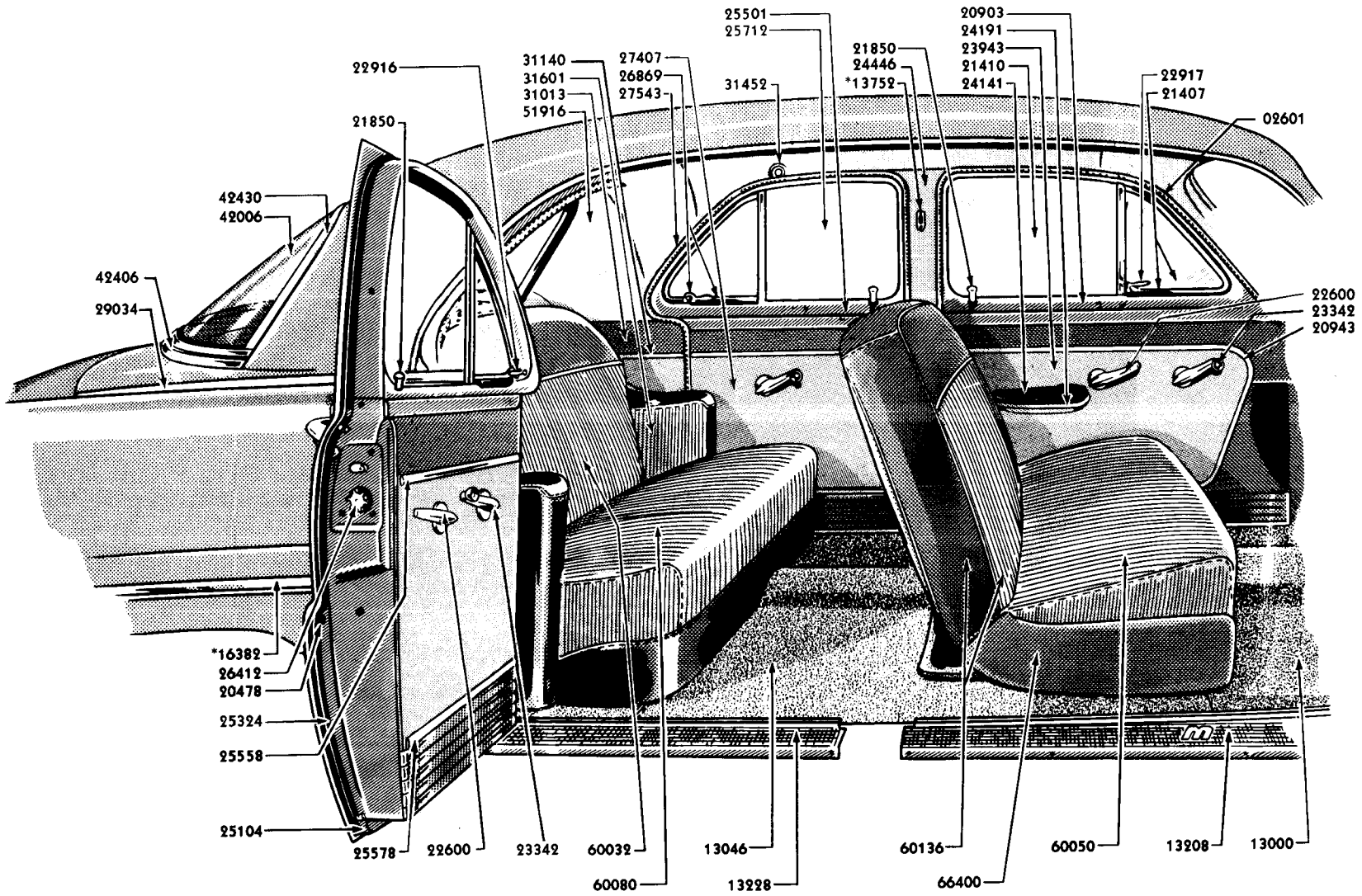


*FOR ADDITIONAL INFORMATION REFER TO CHASSIS PARTS LIST

PM-479

SIX PASSENGER COUPE INTERIOR VIEW (BODY TYPE 72)

Group numbers only shown on illustration. Order by Part Numbers shown in list of parts.

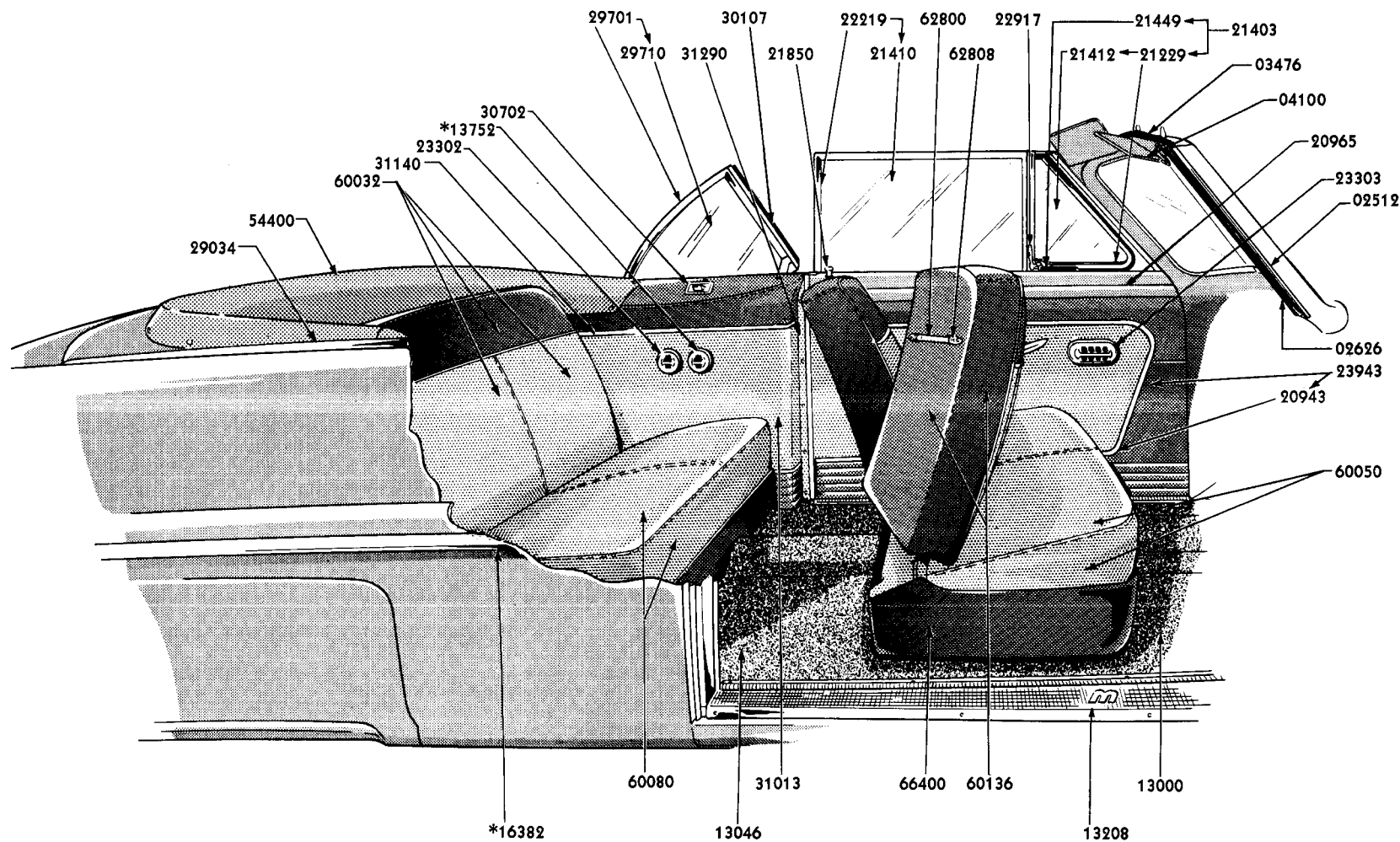


*FOR ADDITIONAL INFORMATION REFER TO CHASSIS PARTS LIST.

PM-392

INTERIOR VIEW (BODY TYPE 74)

Group numbers only shown on illustration. Order by Part Numbers shown in list of parts.

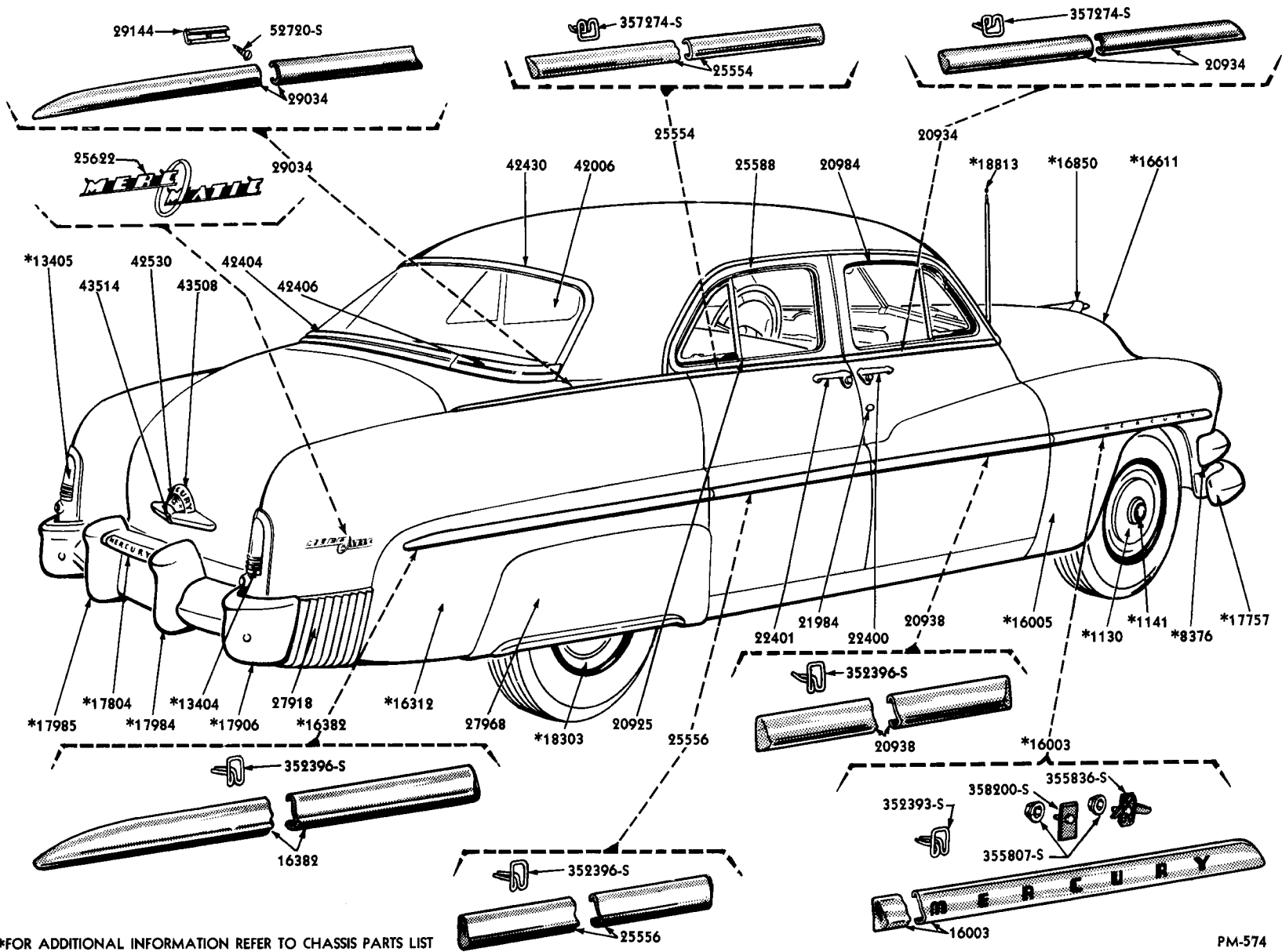


*FOR ADDITIONAL INFORMATION REFER TO CHASSIS PARTS LIST

PM-480

INTERIOR VIEW (BODY TYPE 76)

Group numbers only shown on illustration. Order by Part Numbers shown in list of parts.

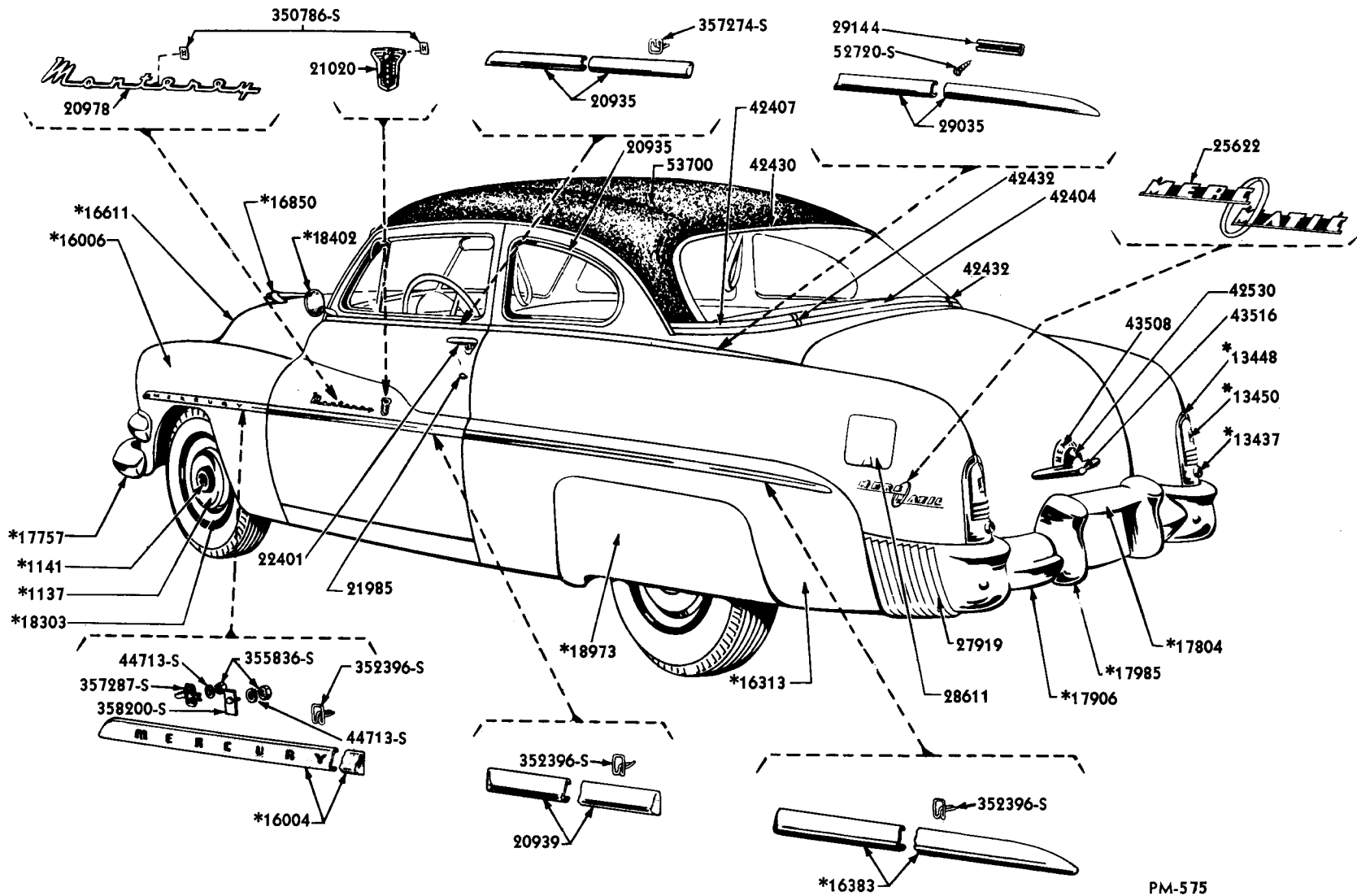


*FOR ADDITIONAL INFORMATION REFER TO CHASSIS PARTS LIST

SPORT SEDAN EXTERIOR VIEW (BODY TYPE 74)

Group numbers only shown on illustration. Order by Part Numbers shown in list of parts.

PM-574

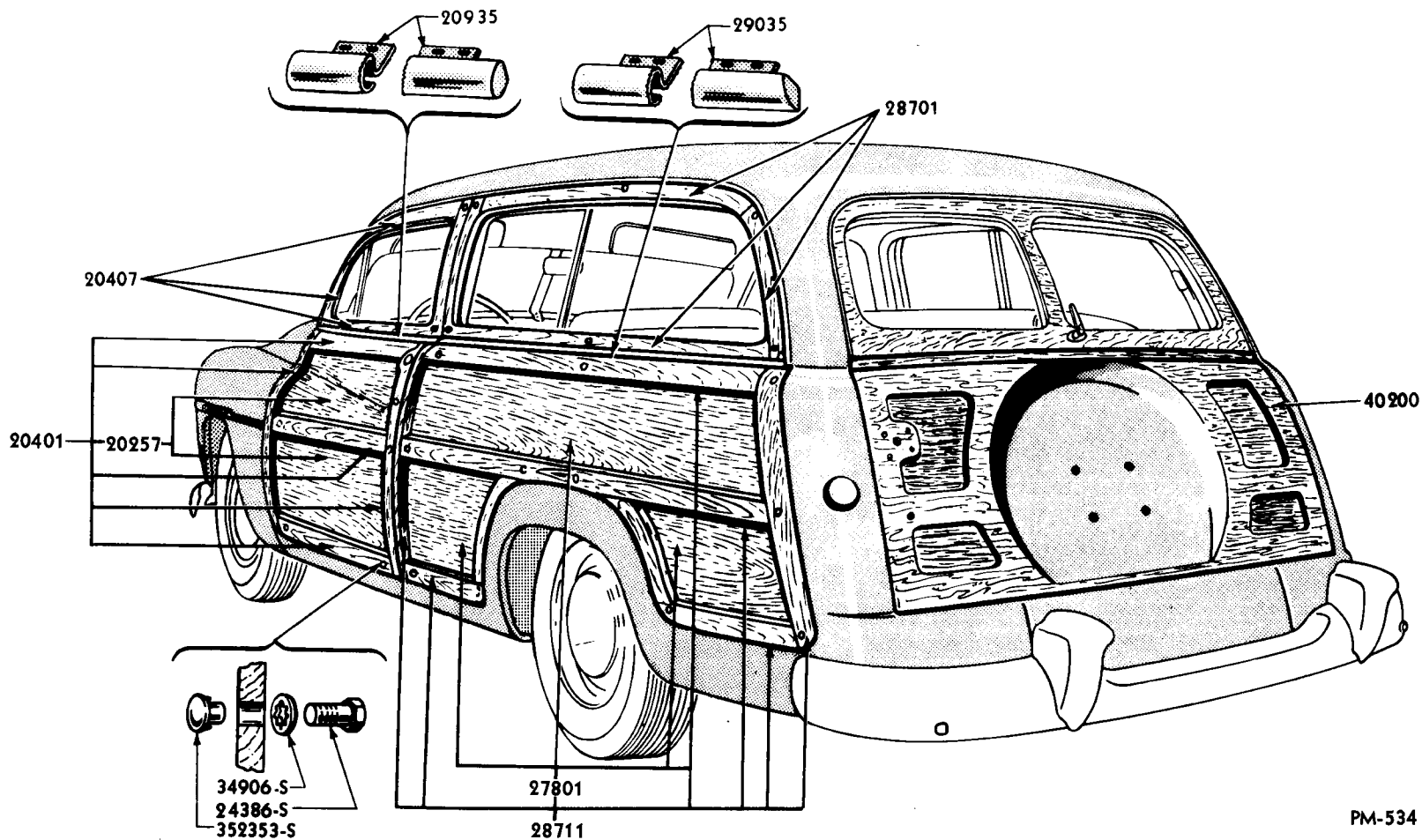


*FOR ADDITIONAL INFORMATION REFER TO CHASSIS PARTS LIST

PM-575

SIX PASSENGER COUPE EXTERIOR VIEW (BODY TYPE 72C)

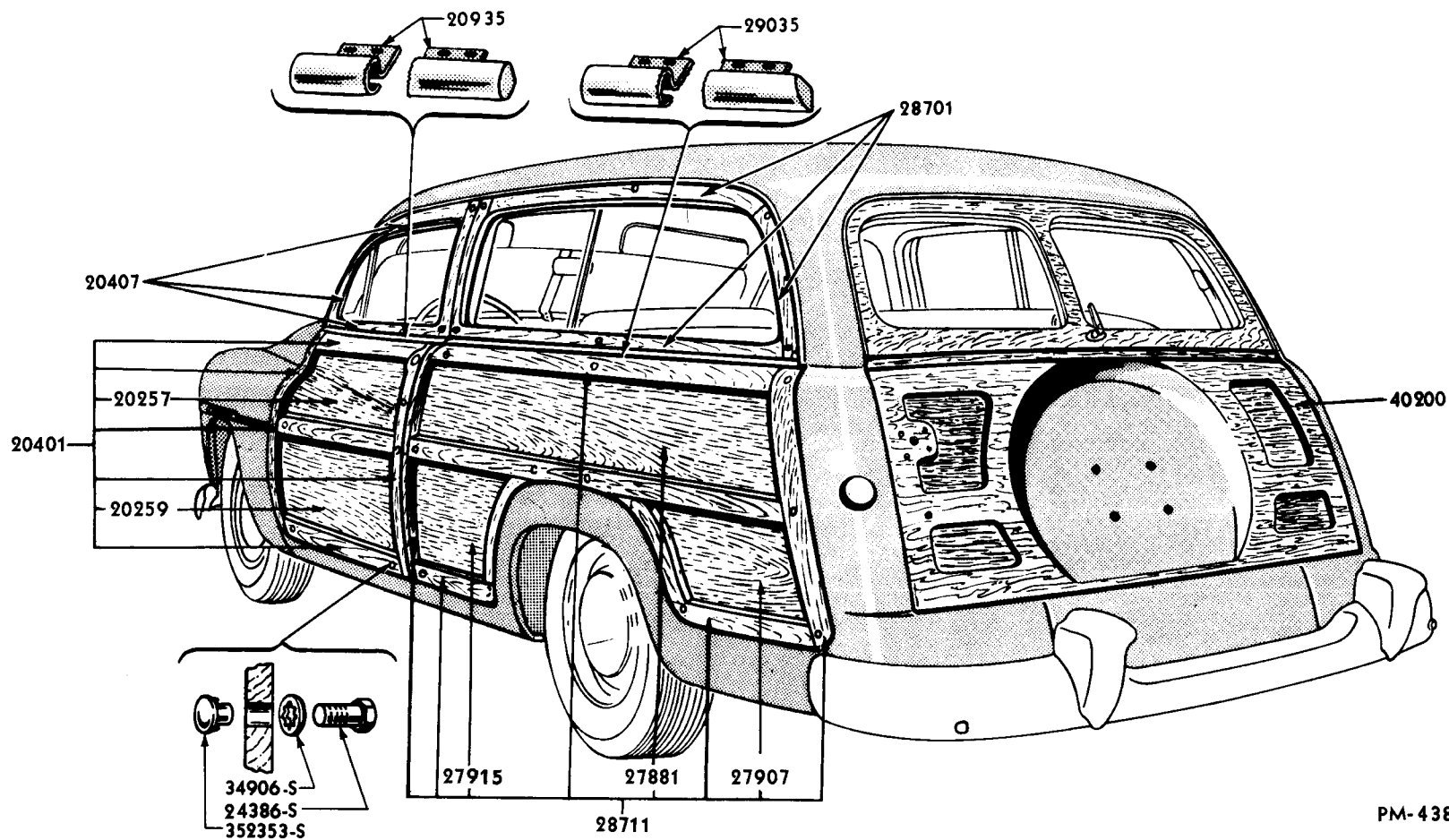
Group numbers only shown on illustration. Order by Part Numbers shown in list of parts.



PM-534

STATION WAGON EXTERIOR VIEW-WOOD PANELS (BODY TYPE 79)

Group numbers only shown on illustration. Order by Part Numbers shown in list of parts.

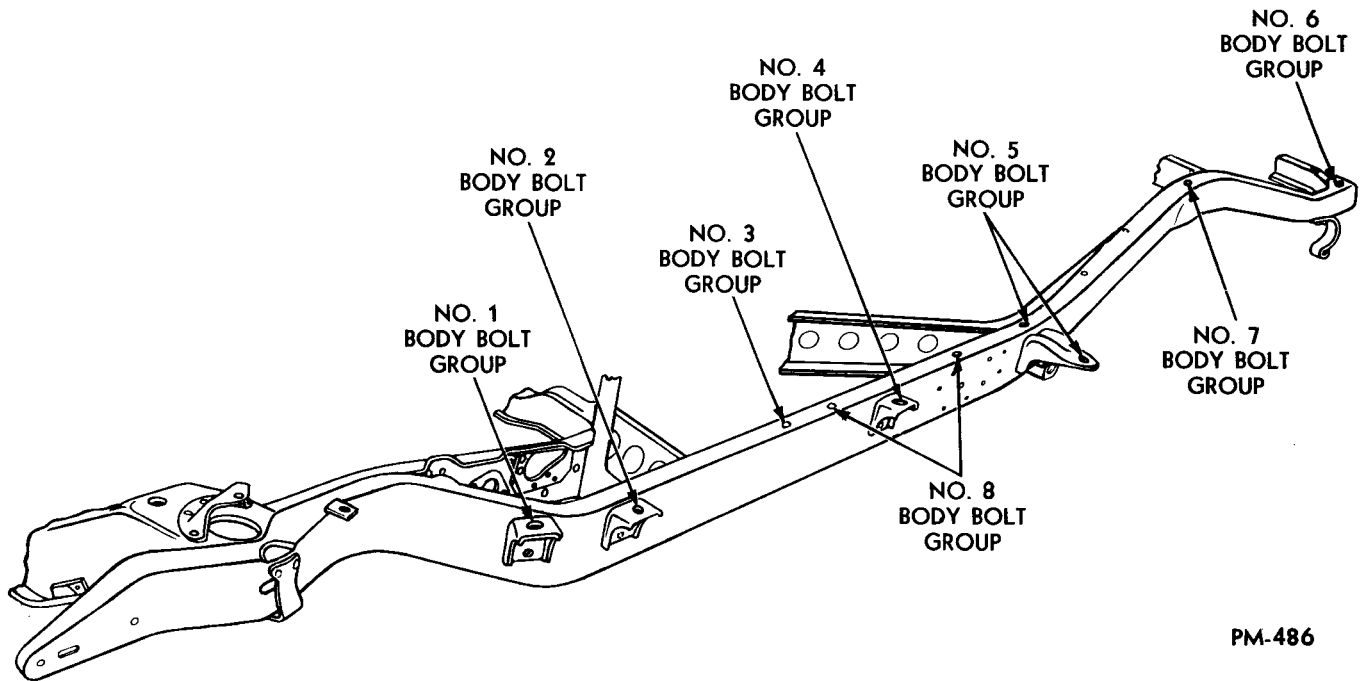


PM-438

STATION WAGON EXTERIOR VIEW—METAL PANELS (BODY TYPE 79)

Group numbers only shown on illustration. Order by Part Numbers shown in list of parts.

1951 MERCURY BODY BOLT CHART



PM-486

YEAR 19	BODY TYPES	REMARKS	PART NUMBER	NO. REQ'D
------------	------------	---------	-------------	--------------

NO. 1 BODY BOLT GROUP

51	1M72-74-79	Bolt (hex head pointed)-3/8"-24 x 2-3/8"	24541-S7	2
51	1M72-74-79	Spacer (dash to frame brace)-Rubber-5/8" I.D. x 1-3/4" O.D. x 9/32"	8M 7001736-B	4
51	1M72-74-79	Spacer (body to frame)-Metal-1-3/4" x 1-3/4" x 5/16"	8M 7001740	2
51	1M72-74-79	Washer (flat)-29/64" I.D. x 1-1/2" O.D. 5/32"	352311-S8	4
51	1M76	Bolt (hex head pointed)-3/8"-24 x 2"	24523-S8	2
51	1M76	Spacer (body to frame)-Metal-15/32" I.D. x 1-1/2" O.D. x 55/64"	8M 7612324-B	2
51	1M76	Washer (flat)-3/8" I.D. x 1-1/8" O.D. x 7/64"	356326-S7	2
51	1M76	Washer (flat)-29/64" I.D. x 1-1/2" O.D. x 5/32"	352311-S8	2
51	1M	Nut (lock)-3/8"-24	34445-S7	2
51	1M	Spacer (body to frame)-Steel-1-7/16" x 2" x 3/32"	8A 7011520	as req'd

NO. 2 BODY BOLT GROUP

51	1M72-74-79	Bolt (hex head pointed)-3/8"-24 x 2-3/8"	24541-S7	2
51	1M72-74-79	Spacer (dash to frame brace)-Rubber-5/8" I.D. x 1-3/4" O.D. x 9/32"	8M 7001736-B	4
51	1M72-74-79	Spacer (body to frame)-Metal-5/8" I.D. x 1-3/4" O.D. x 1/2"	0M 7212328	2
51	1M72-74-79	Washer (flat)-7/16" I.D. x 1-1/2" O.D. x 5/32"	352311-S8	4
51	1M76	Bolt (hex head pointed)-3/8"-24 x 2"	24523-S8	2
51	1M76	Spacer (body to frame)-Metal-15/32" I.D. x 1-1/2" O.D. 55/64"	8M 7612324-B	2
51	1M76	Spacer (body to frame)-Steel-1-7/16" x 2" x 3/32"	8A 7011520	as req'd
51	1M76	Washer (flat)-7/16" I.D. x 1-1/2" O.D. x 5/32"	352311-S8	2
51	1M	Nut (lock)-3/8"-24	34445-S7	2
51	1M	Washer (flat)-3/8" I.D. x 1-1/8" O.D. x 7/64"	356326-S7	2

BODY PARTS CATALOGUE

YEAR 19	BODY TYPES	REMARKS	PART NUMBER	NO. REQ'D
NO. 3 BODY BOLT GROUP (Use On Mercury Bodies Equipped With Front Seat and Front Seat Back Coil Springs)				
51	1M72-74-79	Anti-squeak (body to frame)-Rubber-5/8" I.D. x 1-3/4" O.D. x 31/32"	7EH 7300154	2
51	1M76	Spacer (body to frame)-Metal-29/64" I.D. tapered to 1/2" I.D. x 1-1/2" O.D. x 11/16"	8M 7600154-B	2
51	1M	Bolt (hex head)-3/8"-24 x 1-3/4"	357889-S8	2
51	1M	Lockwasher-3/8"	34847-S8	2
51	1M	Nut (lock)-3/8"-24	34445-S7	2
51	1M	Spacer (body to frame)-Steel-1-7/16" x 2" x 3/32"	8A 7011520	as req'd

NO. 4 BODY BOLT GROUP

51	1M72-74-79	Bolt (shoulder)-5/16"-24 x 2-1/16"	350453-S8	2
51	1M72-74-79	Mount (body to frame)-Rubber-29/64" I.D. x 1-51/64" O.D. x 1-7/16"	21A 7000154-A	2
51	1M72-74-79	Nut (lock)-5/16"-24	34443-S8	2
51	1M72-74-79	Pad (body to cross member)-Rubber-1-1/16" I.D. x 1-11/16" O.D. x 27/64"	7A 7000150-A	2
51	1M72-74-79	Washer (cup)-13/32" I.D. x 1-3/8" O.D. x 1/4"	356250-S7	2
51	1M76	Bolt (shoulder)-3/8"-24 x 2"	357832-S8	2
51	1M76	Nut (lock)-3/8"-24	34445-S7	2
51	1M76	Spacer (body to frame)-Metal-15/32" I.D. x 1-1/2" O.D. x 55/64"	8M 7612324-B	2
51	1M76	Washer (flat)-29/64" I.D. x 1-1/2" O.D. x 5/32"	352311-S8	2
51	1M	Spacer (body to frame)-Steel-1-7/16" x 2" x 3/32"	8A 7011520	as req'd
51	1M	Washer (flat)-25/64" I.D. x 1-1/8" O.D. x 7/64"	356326-S7	2

NO. 5 BODY BOLT GROUP

51	1M72-74	Bolt (shoulder)-5/16"-24 x 2-1/16"-thru 8M 5078 bracket	350453-S8	2
51	1M72-74-79	Mount (body to frame)-Rubber-29/64" I.D. x 1-51/64" O.D. x 1-7/16"	21A 7000154-A	2
51	1M72-74-79	Nut (lock)-5/16"-24	34443-S8	2
51	1M72-74-79	Pad (body to cross member)-Rubber-1-1/16" I.D. x 1-11/16" O.D. x 27/64"	7A 7000150-A	2
51	1M72-74-79	Washer (cup)-13/32" I.D. x 1-3/8" O.D. x 1/4"	356250-S7	2
51	1M76	Bolt (hex head)-3/8"-24 x 3"-thru 8M 5078 bracket	356773-S8	2
51	1M76	Bolt (hex head pointed)-3/8"-24 x 1-1/2"-thru frame at 8M 5078 bracket location	24469-S7	2
51	1M76	Lockwasher-3/8" I.D.	34807-S2	2
51	1M76	Nut (lock)-3/8"-24	34445-S8	2
51	1M76	Spacer (body to 8M-5078)-Metal-7/16" I.D. x 1-1/2" O.D. x 3/8"	8M 7612298	2
51	1M76	Spacer (body to frame)-Metal-15/32" I.D. x 1-1/2" O.D. x 15/16"	8M 7612324-A	2
51	1M76	Washer (flat)-3/8" I.D. x 13/16" O.D. x 1/16"	44726-S8	2
51	1M76	Washer (flat)-29/64" I.D. x 1-1/2" O.D. x 5/32"	352311-S8	2
51	1M79	Bolt (hex head)-5/16"-24 x 1-7/8"-thru 8M 5078 bracket	24513-S8	2
51	1M	Spacer (body to frame)-Steel-1-7/16" x 2" x 3/32"	8A 7011520	as req'd

NO. 6 BODY BOLT GROUP

51	1M72-74	Anti-squeak (body to frame)-Rubber-5/8" I.D. x 1-3/4" O.D. x 1-1/16"	1M 7200152	2
51	1M72-74	Bolt (shoulder)-3/8"-24 x 3-23/64"	357292-S8	2
51	1M72-74	Pad (body to frame)-Rubber-19/32" I.D. x 1-3/8" O.D. x 7/16"	0M 7211533	2
51	1M72-74-76	Lockwasher-1/2"	34829-S2	2
51	1M72-74-76	Washer (flat)-37/64" I.D. x 1-7/16" O.D. x 7/64"	351321-S8	2
51	1M76	Bolt (hex head pointed)-3/8"-24 x 3"	24994-S8	2

BODY PARTS CATALOGUE

YEAR 19__	BODY TYPES	REMARKS	PART NUMBER	NO. REQ'D
NO. 6 BODY BOLT GROUP-CONTINUED				
51	1M76	Spacer (body to frame)-Metal-29/64" I.D. tapered to 1/2" I.D. x 1-1/2" O.D. x 29/32"	1M 7600154	2
51	1M79	Bolt (shoulder)-5/16"-24 x 2-1/16"	350453-S8	2
51	1M79	Mount (body to frame)-Rubber-29/64" I.D. x 1-51/64" O.D. x 1-7/16"	21A 7000154	2
51	1M79	Nut (lock)-5/16"-24	34443-S8	2
51	1M79	Pad (body to cross member)-Rubber-1-1/16" I.D. x 1-11/16" O.D. x 27/64"	7A 7000150-A	2
51	1M79	Spacer (body to frame)-Steel-1-7/16" x 2" x 3/32"	8A 7011520	as req'd
51	1M79	Washer (cup)-13/32" I.D. x 1-3/8" O.D. x 1/4"	356250-S7	2
51	1M79	Washer (flat)-3/8" I.D. x 1" O.D. x 5/64"	34707-S2	2

NO. 7 BODY BOLT GROUP				
51	1M72-74	Bolt (shoulder)-3/8"-24 x 2-1/2"	357194-S8	2
51	1M72-74	Lockwasher-1/2"	34829-S2	2
51	1M72-74	Pad (body to frame)-Rubber-19/32" I.D. x 1-3/8" O.D. 7/16" (upper)	OM 7211533	2
51	1M72-74	Pad (body to frame)-Rubber-5/8" I.D. x 1-51/64" O.D. x 1-1/8" (lower)	OM 7211534	2
51	1M72-74	Washer (flat)-1/2" I.D. x 1-3/8" O.D. x 1/8"	44736-S8	2
51	1M76	Bolt (hex head pointed)-3/8"-24 x 2"	24523-S8	2
51	1M76	Lockwasher-3/8"	34807-S2	2
51	1M76	Spacer (body to frame)-Metal-1/2" I.D. x 1-3/4" O.D. x 5/8"	8H 7301740	2
51	1M76	Washer (flat)-13/32" I.D. x 1-3/4" O.D. x 1/8"	356295-S8	2
51	1M76	Washer (flat)-9/16" I.D. x 1-9/16" O.D. 3/16"	351477-S7	2
51	1M79	Mount (body to frame)-Rubber-1/4" I.D. x 1-13/16" O.D. x 29/32"	21A 7012298	2
51	1M79	Screw (round head)-3/8"-24 x 3/4"	36873-S8	2

NO. 8 BODY BOLT GROUP (Use On Mercury Bodies Equipped with Front Seat and Front Seat Back Zig-Zag Type Springs)				
51	1M72-74-79	Anti-squeak (body to frame)-Rubber-5/8" I.D. x 1-3/4" O.D. x 31/32"	7EH 7300154	4
51	1M76	Spacer (body to frame)-Metal-29/64" I.D. tapered to 1/2" I.D. x 1-1/2" O.D. x 11/16"	8M 7600154-B	4
51	1M76	Spacer (body to frame)-Steel-1-7/16" x 2" x 3/32"	8A 7011520	as req'd
51	1M	Nut (lock)-3/8"-24	34445-S7	4
51	1M	Nut (jam)-3/8"-24	33925-S7	4
51	1M	Stud-3/8"-24 Both ends x 2-5/16"	357665-S7	4
51	1M	Washer (flat)-3/8" I.D. x 1" O.D. x 3/32"	44728-S8	4

MERCURY

BODY PARTS CATALOGUE

YEAR 19__	BODY TYPES	REMARKS	PART NUMBER	NO. REQ'D
Group 0045 WASHER (BODY TO FRAME ANTI SQUEAK)-LARGE				
51	1M	Rubber	78 700045-A	2
Group 1671 BUMPER (GLOVE COMPARTMENT DOOR)				
51	1M		48 701671-A	2
Group 3687-9 LOCK SET ASSEMBLY				
51	1M72A-72B-72C-74	Consists of ignition lock cylinder with keys and door lock cylinders and sleeve	OM 3687-C	1
51	1M76	Consists of ignition lock cylinder with keys and door lock cylinders and sleeve	OM 3687-D	1
51	1M79	Consists of ignition lock cylinder with keys, door lock cylinders and sleeve, glove compartment lock assy with keys, rear window lock cylinder, and spare wheel lock cylinder	OM 3687-E	1
51	1M72A	Consists of glove compartment latch and rear deck lock cylinder with keys	1M 3689-A	1
51	1M72B-72C-74-76	Lock set assembly-consists of glove compartment lock assy. with keys and rear deck lock cylinder	1M 3689-B	1
Group 3796 SPRING (QUARTER WINDOW SLIDING GLASS LATCH)				
51	1M79		81A 793796	2
Group 5280-1 HANDLE (QUARTER GLASS FRAME)				
51	1M72B-72C	R.H.	78 735280	1
51	1M72B-72C	L.H.	78 735281	1
51	1M72B-72C	Pin (grooved)-3/32" x 1/2"	352471-S7	2
51	1M72B-72C	Washer (spring)-5/16"	356361-S7	2
Group 6930-1 GROMMET (ACCELERATOR KICK DOWN SWITCH FRONT FLOOR CARPET)				
51	1M72B-72C-74	Clinch No. 5 male	16H 6930	1
51	1M72B-72C-74	Clinch No. 5 female	16H 6931	1
Group 7160 CLIP (FRONT SEAT ROBE CORD BRACKET)-STAY				
51	1M74-76		78 737160	2
Group 7350 CATCH ASSEMBLY (CENTER AND REAR SEAT LEG)				
51	1M79		81A 797350	1
51	1M79	Nut (hex)-1/4"-20	34390-S7	4
51	1M79	Screw (pan head machine)-1/4"-20 x 1"	39138-S2	4
Group 00120 FRONT ASSEMBLY (BODY)				
51	1M76		1M 7600120-B	1
Group 00150 PAD (BODY TO CROSS MEMBER)				
51	1M except 76	Rubber-1-43/64" diameter	7A 7000150-A	4or6
Group 00152 ANTI SQUEAK (BODY TO FRAME)				
51	1M72A-72B-72C-74	Rubber-1-1/16" x 1-3/4" O.D.	1M 7200152	2
Group 00154 ANTI SQUEAK (BODY TO FRAME)				
51	1M except 76	1-13/16" diameter	21A 7000154-A	4or6
51	1M except 76	Rubber-31/32" x 1-3/4" O.D.	7EH 7300154	4

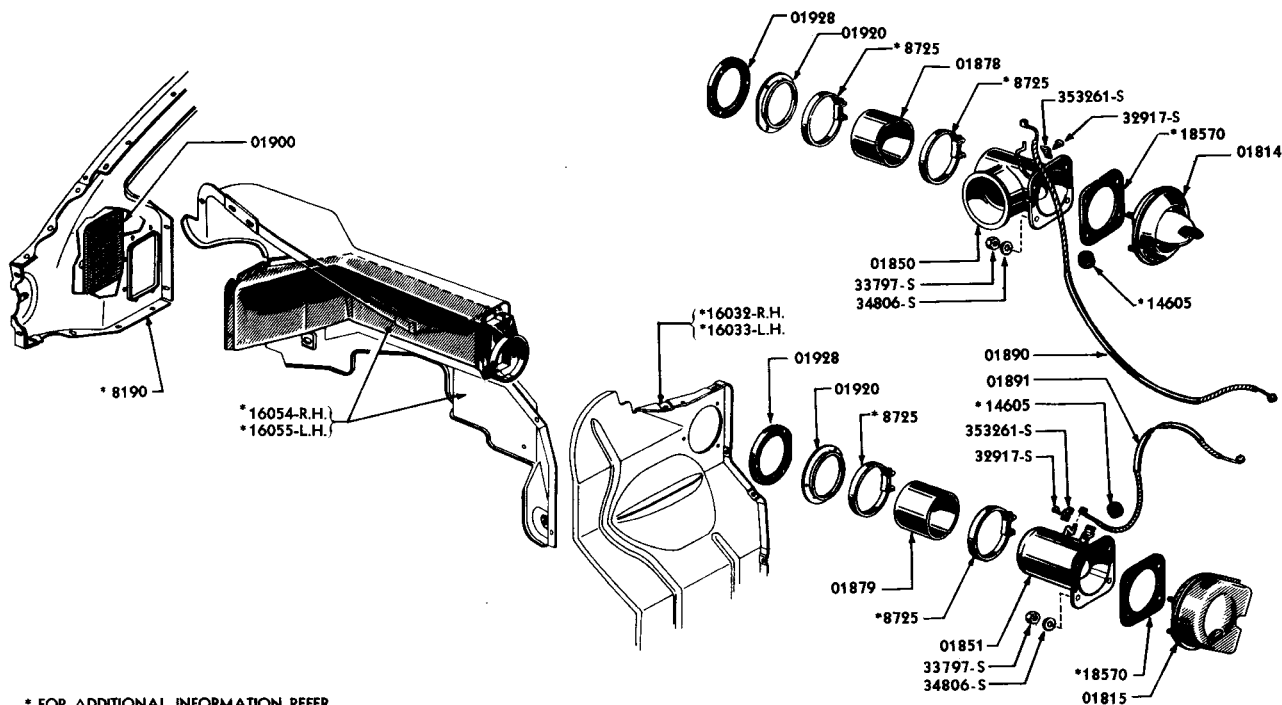
MERCURY

BODY PARTS CATALOGUE

YEAR 19	BODY TYPES	REMARKS	PART NUMBER	NO. REQ'D
Group 00154 SPACER (BODY TO FRAME)-REAR				
51	1M76	29/32" x 1-1/2" diameter	1M 7600154	4
Group 00154 SPACER (BODY TO FRAME AT SEAT TRACK)				
51	1M76	Cast Iron-29/64" I.D. tapered to 1/2" I.D. x 1-1/2" O.D. x 11/16"	8M 7600154-B	4
Group 01614 PANEL AND BRACE ASSEMBLY (DASH)				
51	1M72A-72B-72C-74-79		1M 7201614-B	1
51	1M76		1M 7601614-B	1
51	1M	Plug-to plug O.D. harness hole	352291-S	1
Group 01634 COVER ASSEMBLY (HANDBRAKE CABLE OPENING)-DASH				
51	1M	Steel	OM 7201634	1
Group 01647 PLUG (DASH PANEL TRANSMISSION ACCESS)				
51	1M	Rubber	1A 7001647	2
Group 01654 RETAINER (STEERING COLUMN OPENING SEALER)				
51	1M	Approximately 5-7/16" long	8M 7001654-B	2
51	1M	Screw (hex head self tapping)-No. 10-12 x 1-1/4"	42037-S	4
51	1M	Screw (hex head self tapping)-No. 10-12 x 3/4"	42021-S8	4
Group 01658 BRACKET (TOP OPERATING VALVE DASH)				
51	1M76		8M 7601658-B	1
51	1M76	Bolt (hex head)-1/4"-20 x 1/2"	24308-S8	2
51	1M76	Locknut (hex)-1/4"-20	34390-S7	2
Group 01670 INSULATOR ASSEMBLY (DASH UPPER)-INSIDE				
51	1M		1M 7201670	1
51	1M	Clip	352279-S32	8
Group 01673 INSULATOR ASSEMBLY (STEERING COLUMN OPENING)-DASH UPPER				
51	1M		OM 7201673	1
Group 01695 GROMMET (HAND BRAKE CABLE CONDUIT TO DASH)				
51	1M	Rubber-1/16" thick	OM 7201695	1
Group 01698 PLATE (STEERING COLUMN OPENING LOWER COVER)				
51	1M		8M 7001698-B	1
51	1M	Screw (hex head self tapping)-No. 10-12 x 1/2"	42007-S7	as req'd
Group 01699 PLATE (STEERING COLUMN OPENING UPPER COVER)				
51	1M	Steel	8M 7001699-B	1
51	1M	Screw (hex head self tapping)-No. 10-12 x 1/2"	42007-S7	as req'd
51	1M	Screw (hex head)-No. 10-12 x 5/8"	42014-S8	6
Group 01714 BRACE ASSEMBLY (DASH TO FRAME)				
51	1M	With reinforcement	8M 7001714	2
Group 01718 SEALER (DASH INSULATOR)-DUST				
51	1M		OM 7201718	1

BODY PARTS CATALOGUE

YEAR 19__	BODY TYPES	REMARKS	PART NUMBER	NO. REQ'D
Group 01736 SPACER (DASH TO FRAME BRACE)				
51	1M except 76	Rubber	8M 7001736-B	8
Group 01740 SPACER (BODY TO FRAME)-NO. 1 BODY BOLT				
51	1M72A-72B-72C-74-79	Steel-1-3/4" square x 5/16" thick	8M 7001740	2
51	1M76	Iron-1-3/4" diameter x 5/8" thick-for 7B Body Bolt	8H 7301740	2
Group 01786-7 SILENCER (DASH PANEL LOWER)				
51	1M	R.H.	1M 7201786	1
51	1M72A-72B-72C-74-76	L.H.-with punch out clutch pedal opening	1M 7201787-B	1
Group 01792 SEAL (TOP CONTROL ROD TO DASH)				
51	1M76	Sponge Rubber-1" x 25/32" x 1/4"	8M 7601792	1
51	1M76	Screw (binding head self tapping)-No. 8-15 x 1/4"	32909-S2	2
Group 01793 RETAINER (TOP CONTROL ROD SEAL TO DASH)				
51	1M76	1-23/32" long	8M 7601793	1
51	1M76	Screw (pan head self tapping)-No. 8-15 x 1/4"	52720-S8	2



* FOR ADDITIONAL INFORMATION REFER TO CHASSIS PARTS LIST

PM-414

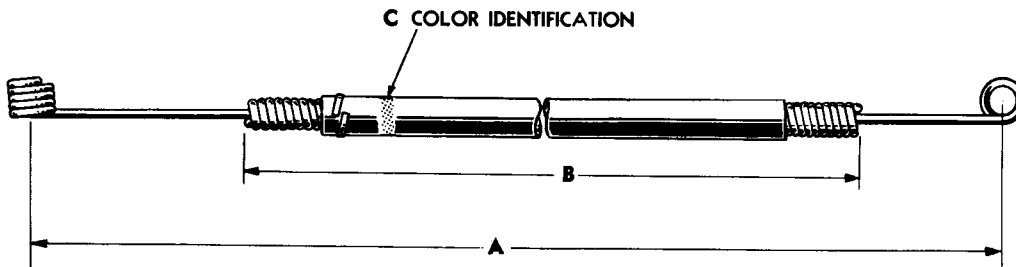
FRESH AIR SYSTEM

Group numbers only shown on illustration. Order by Part Numbers shown in list of parts.

MERCURY

BODY PARTS CATALOGUE

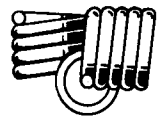
YEAR 19	BODY TYPES	REMARKS	PART NUMBER	NO. REQ'D
Group 01814-5 REGISTER ASSEMBLY (FRESH AIR DUCT)				
51	1M	R.H.	8M 7301814	1
51	1M	L.H.	1M 7201815	1
Group 01844 HANDLE (FRESH AIR DUCT REGISTER DOOR)				
51	1M	Only (1) required when hot water heater is used	8M 7301844	2
Group 01846 PLATE (HEATER OPENING COVER)				
51	1M	When heater is not used	QM 7001846	1
Group 01848 PLATE (HEATER CONTROL VALVE OPENING COVER)				
51	1M	When heater is not used	8H 7301848	1
51	1M	Screw (pan head self tapping)-No. 8 x 1/2"	32923-S7	2
Group 01850-1 VALVE ASSEMBLY (FRESH AIR DUCT)				
51	1M	R.H. When heater is used	QM 7201850-A	1
51	1M	R.H. When heater is not used	QM 7201850-B	1
51	1M	L.H.	QM 7201851	1
51	1M	Clip	353261-S7	1
51	1M	Nut (hex)-5/16"-18	33797-S7	8
51	1M	Screw (pan head)-No. 10-12 x 3/8"	32917-S7	4
51	1M	Washer (spring)	34806-S7	8
Group 01878-9 CONNECTOR (BODY VENT AIR DUCT)				
51	1M	R.H.-Rubber-4" diameter x 4"-long-less notch	8M 7001878	1
51	1M	L.H.-Rubber-4" diameter x 4" long-less notch	8M 7001879	1



END VIEW



OM-7201890-C



OL-7201891-C

PART NO.	A	B	C
OM-7201890-C	48 $\frac{1}{2}$ "-48 $\frac{3}{4}$ "	46 $\frac{1}{2}$ "-46 $\frac{3}{4}$ "	RED
OM-7201891-C	15 $\frac{1}{2}$ "-16 $\frac{1}{2}$ "	13 $\frac{1}{2}$ "-13 $\frac{3}{4}$ "	BLUE

PM-507

FRESH AIR CABLE

Group numbers only shown on illustration. Order by Part Numbers shown in list of parts.

BODY PARTS CATALOGUE

YEAR 19__	BODY TYPES	REMARKS	PART NUMBER	NO. REQ'D
Group 01880 GASKET (VENT AIR VALVE)				
51	1M	Use when heater is not used	8A 7001880	1
Group 01890-1 CABLE ASSEMBLY (FRESH AIR INLET CONTROL)				
51	1M	R.H.	OM 7201890-C	1
51	1M	L.H.	OM 7201891-C	1
51	1M	Clip-control wire assembly	353261-S8	2
51	1M	Screw and washer assy (hex head)-No. 10-32 x 1/2"	42728-S8	2
Group 01900 SCREEN (VENTILATING AIR DUCT)-FRONT				
51	1M		OM 7201900	2
51	1M	Screw (hex head self tapping)-No. 10-5/8"	42134-S8	10
Group 01920 PLATE (AIR VENTILATING REAR DUCT SEALER)				
51	1M	4-23/64" I.D. x 5-7/16" O.D. with three 7/32" dia. holes equally spaced	8M 7001920	2
51	1M	Screw (hex head)-No. 10-12 x 5/8"	42014-S8	6
Group 01928 SEALER (AIR VENTILATING REAR DUCT)				
51	1M	Sponge Rubber-5-7/16" O.D. x 3-3/4" I.D.	8M 7001928	2
Group 02010 PANEL ASSEMBLY (COWL TOP)				
51	1M76		OM 7602010	1
Group 02042-3 PILLAR AND PANEL ASSEMBLY (COWL SIDE AND BODY FRONT)				
51	1M72A-72B-72C-74	R.H.	OM 7202042-A	1
51	1M72A-72B-72C-74	L.H.	OM 7202043-A	1
51	1M76	R.H.	OM 7602042-A	1
51	1M76	L.H.	OM 7602043-A	1
51	1M79	R.H.	OM 7902042-A	1
51	1M79	L.H.	OM 7902043-A	1
Group 02066 ANTI SQUEAK (COWL SIDE PANEL)				
51	1M	22-1/4" long	8M 7002066-B	2
Group 02074-5 SEALER (COWL PANEL TO HOOD)				
51	1M	R.H.-Rubber	8M 7002074	1
51	1M	L.H.-Rubber	8M 7002075	1
51	1M	Nail (drive)-No. 6 x 1/2"	351629-S28-A2B	8
51	1M	Screw (pan head self tapping)-No. 8-15 x 5/8"	32930-S7	8
Group 02092 COVER (COWL SIDE PANEL OPENING)				
51	1M	Approximately 8-3/4" long-2-3/4" wide-with rounded corners	7A 7002092	2
51	1M	Screw (binding head self tapping)-No. 8-18 x 3/8"	33176-S2	8
51	1M	Screw (pan head self tapping)-No. 8-15 x 3/8"	52720-S8	8
Group 02093 GASKET (COWL SIDE PANEL OPENING COVER)-CARDBOARD				
51	1M	Cardboard 9" overall	7A 7002093	2

MERCURY

BODY PARTS CATALOGUE

YEAR 19__	BODY TYPES	REMARKS	PART NUMBER	NO. REQ'D
Group 02344-5 CARDBOARD (COWL TRIM)				
51	1M72A	R.H.-Gray-use with Trim Code 84	1M 7202344-AE	1
51	1M72A	L.H.-Gray-use with Trim Code 84	1M 7202345-AE	1
51	1M72B-74	R.H.-Blue-use with Trim Codes 64-66	OM 7202344-AB	1
51	1M72B-74	L.H.-Blue-use with Trim Codes 64-66	OM 7202345-AB	1
51	1M72B-74	R.H.-Dark Brown-use with Trim Code 60-62-98	1M 7202344-AA	1
51	1M72B-74	L.H.-Dark Brown-use with Trim Code 60-62-98	1M 7202345-AA	1
51	1M72B-74	R.H.-Green-use with Trim Codes 68-97	OM 7202344-AR	1
51	1M72B-74	L.H.-Green-use with Trim Codes 68-97	OM 7202345-AR	1
51	1M72B-74-76	R.H.-Blue Colonial Grain-use with Trim Code 76-78	1M 7602344-AJ	1
51	1M72B-74-76	L.H.-Blue Colonial Grain-use with Trim Code 76-78	1M 7602345-AJ	1
51	1M72B-74-76	R.H.-Dark Blue Antique Grain-use with Trim Code 76-78	1M 7202344-AZ	1
51	1M72B-74-76	L.H.-Dark Blue Antique Grain-use with Trim Code 76-78	1M 7202345-AZ	1
51	1M72B-74-76	R.H.-Chestnut Brown Antique Grain-use with Trim Code 74	1M 7202344-AY	1
51	1M72B-74-76	L.H.-Chestnut Brown Antique Grain-use with Trim Code 74	1M 7202345-AY	1
51	1M72B-74-76	R.H.-Dark Brown Colonial Grain-use with Trim Code 74	1M 7602344-AH	1
51	1M72B-74-76	L.H.-Dark Brown Colonial Grain-use with Trim Code 74	1M 7602345-AH	1
51	1M72C	R.H.-Green-use with Trim Code 204	1M 7202344-AT	1
51	1M72C	L.H.-Green-use with Trim Code 204	1M 7202345-AT	1
51	1M72C	R.H.-Tan-use with Trim Code 203	OM 7202344-AA	1
51	1M72C	L.H.-Tan-use with Trim Code 203	OM 7202345-AA	1
51	1M72C-76	R.H.-Black Antique Grain-use with Trim Code 202-72	1M 7202344-AS	1
51	1M72C-76	L.H.-Black Antique Grain-use with Trim Code 202-72	1M 7202345-AS	1
51	1M76	R.H.-Black Colonial Grain-use with Trim Code 72	1M 7602344-AG	1
51	1M76	L.H.-Black Colonial Grain-use with Trim Code 72	1M 7602345-AG	1
51	1M79	R.H.-Green	OM 7902344-AG	1
51	1M79	L.H.-Green	OM 7902345-AG	1
51	1M79	R.H.-Red	OM 7902344-AE	1
51	1M79	L.H.-Red	OM 7902345-AE	1
51	1M79	R.H.-Tan	OM 7902344-AF	1
51	1M79	L.H.-Tan	OM 7902345-AF	1
Group 02354 RETAINER (COWL CARDBOARD)				
51	1M	In Prime-17-19/32" long	OM 7202354-AP	2
51	1M	Screw (pan head)-No. 8-15 x 3/8"	52720-S8	6
Group 02504-5 PILLAR ASSEMBLY (FRONT BODY HINGE)-COMPLETE				
51	1M76	R.H.	OM 7602504-A	1
51	1M76	L.H.	OM 7602505-A	1
Group 02512-3 MOULDING (FRONT BODY PILLAR DRIP)				
51	1M76	R.H.	OM 7602512	1
51	1M76	L.H.	OM 7602513	1
Group 02594-5 RETAINER (FRONT BODY PILLAR WEATHERSTRIP)-UPPER				
51	1M76	R.H.	7A 7602594	1
51	1M76	L.H.	7A 7602595	1

MERCURY

BODY PARTS CATALOGUE

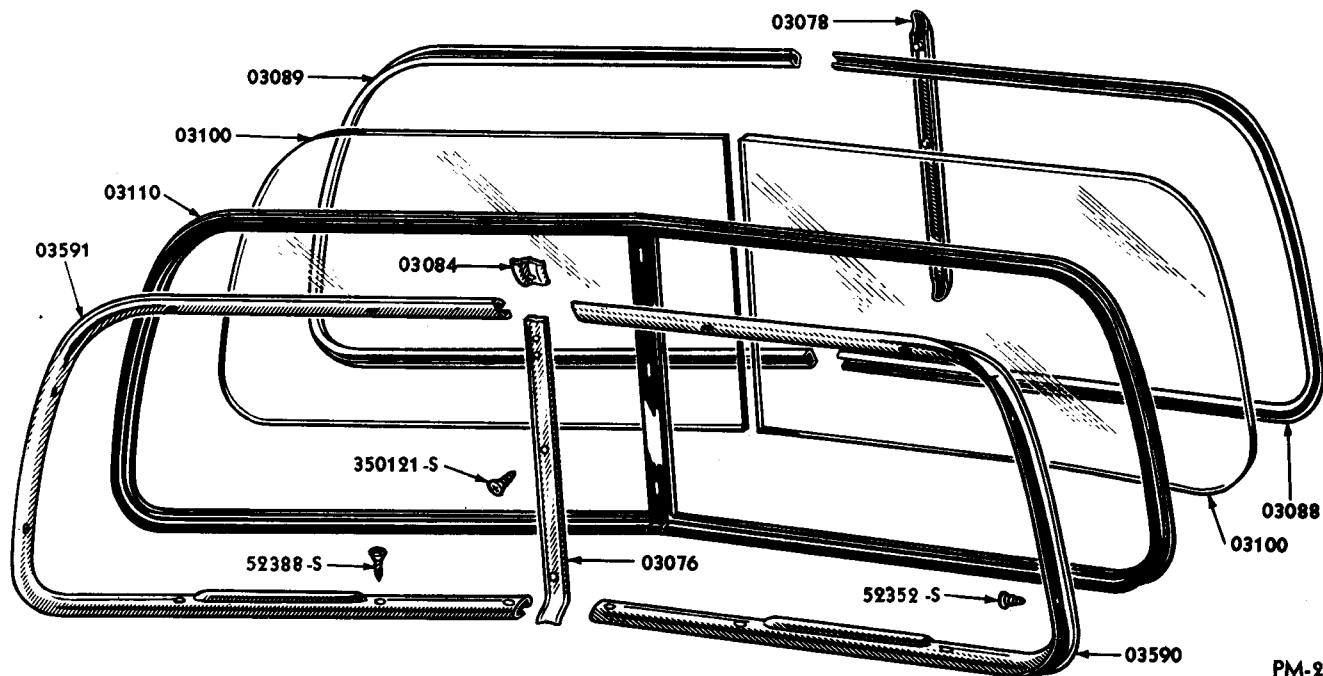
YEAR 19	BODY TYPES	REMARKS	PART NUMBER	NO. REQ'D
Group 02600-1 WINDLACE AND REINFORCEMENT ASSEMBLY (FRONT BODY PILLAR AND DOOR OPENING)				
51	1M72A	R.H.-Blue-use with Trim Code 84	1M 7202600-AE	1
51	1M72A	L.H.-Blue-use with Trim Code 84	1M 7202601-AE	1
51	1M72A-72B	R.H.-Blue-use with Trim Code 64	OM 7202600-AB	1
51	1M72A-72B	L.H.-Blue-use with Trim Code 64	OM 7202601-AB	1
51	1M72B	R.H.-Blue-use with Trim Code 76	1M 7202600-AZ	1
51	1M72B	L.H.-Blue-use with Trim Code 76	1M 7202601-AZ	1
51	1M72B	R.H.-Blue Gray-use with Trim Code 66	OM 7202600-AD	1
51	1M72B	L.H.-Blue Gray-use with Trim Code 66	OM 7202601-AD	1
51	1M72B	R.H.-Chestnut Brown-use with Trim Code 74	1M 7202600-AY	1
51	1M72B	L.H.-Chestnut Brown-use with Trim Code 74	1M 7202601-AY	1
51	1M72B	R.H.-Light Brown-use with Code Trim 98	1M 7202600-AAH	1
51	1M72B	L.H.-Light Brown-use with Trim Code 98	1M 7202601-AAH	1
51	1M72B	R.H.-Green-use with Trim Code 68	OM 7202600-AR	1
51	1M72B	L.H.-Green-use with Trim Code 68	OM 7202601-AR	1
51	1M72B	R.H.-Light Green-use with Trim Code 97	1M 7202600-AAJ	1
51	1M72B	L.H.-Light Green-use with Trim Code 97	1M 7202601-AAJ	1
51	1M72B	R.H.-Tan-use with Trim Code 60	1M 7202600-AA	1
51	1M72B	L.H.-Tan-use with Trim Code 60	1M 7202601-AA	1
51	1M72B	R.H.-Gray Tan-use with Trim Code 62	1M 7202600-AR	1
51	1M72B	L.H.-Gray Tan-use with Trim Code 62	1M 7202601-AR	1
51	1M72C	R.H.-Green-use with Trim Code 204	1M 7202600-AAF	1
51	1M72C	L.H.-Green-use with Trim Code 204	1M 7202601-AAF	1
51	1M72C	R.H.-Cherry Red-use with Trim Code 202	1M 7202600-AAE	1
51	1M72C	L.H.-Cherry Red-use with Trim Code 202	1M 7202601-AAE	1
51	1M72C	R.H.-Turquoise-use with Trim Code 203	1M 7202600-AAG	1
51	1M72C	L.H.-Turquoise-use with Trim Code 203	1M 7202601-AAG	1
51	1M74	R.H.-Blue-use with Trim Code 64	OM 7402600-AB	1
51	1M74	L.H.-Blue-use with Trim Code 64	OM 7402601-AB	1
51	1M74	R.H.-Blue-use with Trim Code 76	1M 7402600-AZ	1
51	1M74	L.H.-Blue-use with Trim Code 76	1M 7402601-AZ	1
51	1M74	R.H.-Blue Gray-use with Trim Code 66	OM 7402600-AD	1
51	1M74	L.H.-Blue Gray-use with Trim Code 66	OM 7402601-AD	1
51	1M74	R.H.-Chestnut Brown-use with Trim Code 74	1M 7402600-AY	1
51	1M74	L.H.-Chestnut Brown-use with Trim Code 74	1M 7402601-AY	1
51	1M74	R.H.-Light Brown-use with Trim Code 98	1M 7402600-AAH	1
51	1M74	L.H.-Light Brown-use with Trim Code 98	1M 7402601-AAH	1
51	1M74	R.H.-Green-use with Trim Code 68	OM 7402600-AR	1
51	1M74	L.H.-Green-use with Trim Code 68	OM 7402601-AR	1
51	1M74	R.H.-Light Green-use with Trim Code 97	1M 7402600-AAJ	1
51	1M74	L.H.-Light Green-use with Trim Code 97	1M 7402601-AAJ	1
51	1M74	R.H.-Tan-use with Trim Code 60	1M 7402600-AA	1
51	1M74	L.H.-Tan-use with Trim Code 60	1M 7402601-AA	1
51	1M74	R.H.-Gray Tan-use with Trim Code 62	1M 7402600-AR	1
51	1M74	L.H.-Gray Tan-use with Trim Code 62	1M 7402601-AR	1
51	1M79	R.H.-Light Green	OM 7902600-AF	1
51	1M79	L.H.-Light Green	OM 7902601-AF	1
51	1M79	R.H.-Light Red	OM 7902600-AD	1
51	1M79	L.H.-Light Red	OM 7902601-AD	1
51	1M79	R.H.-Golden Tan	OM 7902600-AE	1
51	1M79	L.H.-Golden Tan	OM 7902601-AE	1
51	1M	Nail (drive)-No. 6 x 1/2"	351529-A2B-S28	as req'd

MERCURY

BODY PARTS CATALOGUE

YEAR 19__	BODY TYPES	REMARKS	PART NUMBER	NO. REQ'D
Group 02600-1 WINDLACE AND COVER ASSEMBLY (FRONT BODY PILLAR)				
51	1M76	R.H.-Black-33" long	1M 7602600-AAA	1
51	1M76	L.H.-Black-33" long	1M 7602601-AAA	1
51	1M76	R.H.-Blue-33" long	1M 7602600-AAC	1
51	1M76	L.H.-Blue-33" long	1M 7602601-AAC	1
51	1M76	R.H.-Chestnut Brown-33" long	1M 7602600-AAB	1
51	1M76	L.H.-Chestnut Brown-33" long	1M 7602601-AAB	1
Group 02610 WINDLACE ASSEMBLY (QUARTER LOCK PILLAR)				
51	1M76	Light Gray-33" long	OM 7602610-AC	2
Group 02626-7 WEATHERSTRIP (FRONT BODY PILLAR)-UPPER				
51	1M76	R.H.-19" long	OM 7602626	1
51	1M76	L.H.-19" long	OM 7602627	1
51	1M76	Screw (binding head self tapping)-No. 8-15 x 1/2"	32923-S7	2
Group 02656 SEAL (FRONT BODY AND QUARTER HINGE PILLAR TO SCUFF PLATE)				
51	1M except 79	Sponge Rubber-1-1/4" long-Quarter Round	OM 7202656	2or4
Group 03040 STRAINER ASSEMBLY (WINDSHIELD)-CENTER				
51	1M76	Chrome (inner)	8M 7603040	1
51	1M76	Lockwasher-No. 12	34804-S2	4
51	1M76	Nut (hex)-No. 12-24	34054-S8	2
51	1M76	Screw (oval head machine)-No. 10-32 x 1"	350121-S13	3
51	1M76	Screw (pan head)-No. 12-24 x 3/4"	39093-S2	4
51	1M76	Washer (flat)-No. 12	34704-S8	4
51	1M76	Washer (flat)-No. 10	44716-S8	2
Group 03052 BRACE (STEERING COLUMN TO ROOF PANEL BRACKET)				
51	1M		OM 7203052	1
51	1M	Lockwasher (external tooth)-1/4"	34940-S8	2
51	1M	Nut (hex)-1/4"-20	33795-S7	2
51	1M	Washer (special serrated)-17/64" I.D. x 3/4" O.D. x 9/64"	351343-S7	2
Group 03076 RETAINER (WINDSHIELD CENTER WEATHERSTRIP)-INNER				
51	1M72A	In Prime	1L 7203076-AP	1
51	1M72B-72C-74-76	Chrome Finish	8M 7003076-A	1
51	1M79	Mahogany Grain	OM 7903076-AA	1
51	1M72B-72C-74	Screw (oval head machine)-No. 10-32 x 1"	350121-S13	3
Group 03078 RETAINER ASSEMBLY (WINDSHIELD CENTER WEATHERSTRIP)-OUTER				
51	1M72A	Slate Gray	OM 7203078	1
51	1M72B-72C-74-76	Chrome Finish	8L 7003078	1
51	1M79	Rustless Steel	8M 7903078	1
Group 03084 PLATE (WINDSHIELD FINISH STRIP)-UPPER				
51	1M72A-72B-74	In Prime	1L 7203084-AP	1
51	1M72C	Chrome Finish	OM 7203084-B	1
51	1M76	In Prime	8M 7603084-AP	1
51	1M79	Mahogany Grain	OM 7203084-AC	1
51	1M	Screw (oval head cross recessed)-No. 8-15 x 1-1/2"	52388-S13	1

BODY PARTS CATALOGUE



PM-254

WINDSHIELD PARTS

Group numbers only shown on illustration. Order by Part Numbers shown in list of parts.

YEAR 19__	BODY TYPES	REMARKS	PART NUMBER	NO. REQ'D
Group 03086 PLATE (WINDSHIELD CENTER INSIDE FINISH STRIP)-LOWER				
51	1M76	In Prime	8M 7603086-AP	1
Group 03088-9 MOULDING (WINDSHIELD FINISH)-OUTSIDE				
51	1M72B-72C-74-76	R.H.-Chrome Finish	8L 7003088	1
51	1M72B-72C-74-76	L.H.-Chrome Finish	8L 7003089	1
51	1M79	R.H.-Rustless Steel	8M 7903088	1
51	1M79	L.H.-Rustless Steel	8M 7903089	1
Group 03100 GLASS (WINDSHIELD)				
51	1M except 79		8M 7003100	2
51	1M except 79	Tinted	1M 7203100	2
51	1M79		7A 7903100	2
Group 03110-1 WEATHERSTRIP (WINDSHIELD)				
51	1M72A		0M 7203110	1
51	1M72B-72C-74		8M 7003110-A	1
51	1M76		8M 7603110-A	1
51	1M79	R.H.	8M 7903110-A	1
51	1M79	L.H.	8M 7903111-A	1
Group 03442 DOWEL (FOLDING TOP NO. 1 BOW)-CENTER				
51	1M76		8H 7603442	1
Group 03458-9 DOWEL (FOLDING TOP NO. 1 BOW)				
51	1M76	R.H.	8H 7603458	1
51	1M76	L.H.	8H 7603459	1
51	1M76	Screw (flat head machine)-1/4"-20 x 5/8"	24649-S13	6

MERCURY

BODY PARTS CATALOGUE

YEAR 19___	BODY TYPES	REMARKS	PART NUMBER	NO. REQ'D
Group 03476 SEAL (WINDSHIELD HEADER)-INNER				
51	1M76	Rubber-50" long	8M 7603476-B	1
Group 03566 PANEL ASSEMBLY (WINDSHIELD OPENING INSIDE)				
51	1M76		OM 7603566	1
Group 03570 HANDLE (TOP LOCKING)				
51	1M76		8H 7603570	1
51	1M76	Pin (tapered)-No. 2 x 3/4"	73689-S	1
Group 03590-1 STRIP ASSEMBLY (WINDSHIELD OPENING FINISH)				
51	1M72A-72B-74	R.H.-in Prime	1M 7203590-BP	1
51	1M72A-72B-74	L.H.-in Prime	1M 7203591-BP	1
51	1M72C	R.H.-Chrome Finish	OM 7203590-C	1
51	1M72C	L.H.-Chrome Finish	OM 7203591-C	1
51	1M76	R.H.-in Prime	OM 7603590-BP	1
51	1M76	L.H.-in Prime	OM 7603591-BP	1
51	1M79	R.H.-Mahogany Grain	OM 7903590-AA	1
51	1M79	L.H.-Mahogany Grain	OM 7903591-AA	1
51	1M	Screw (oval head cross recessed)-No. 8-15 x 1-1/2"	52388-S13	14or16
51	1M76	Screw (oval head self tapping)-No. 8-15 x 2"	352954-S13	2
Group 03594 PLUG (WINDSHIELD OPENING FINISH STRIP DEFROSTER)				
51	1M		OM 7203594	4
Group 03618-9 EXTENSION (WINDSHIELD OPENING REINFORCEMENT)				
51	1M72A-72B-72C-74	R.H.	8M 7003618	1
51	1M72A-72B-72C-74	L.H.	8M 7003619	1
51	1M79	R.H.	OM 7903618	1
51	1M79	L.H.	OM 7903619	1

Group 04100

VISOR ASSEMBLY (COMPLETE)

51	1M72B-74	Upper M-16908-L Blue Headlining, Lower Blue Gray Artificial Leather	OM 7204100-AB	2
51	1M72B-74	Upper M-5156-Q Blue Gray Broadcloth, Lower Blue Gray Artificial Leather	OM 7204100-AC	2
51	1M72A	Light Blue Cardboard	1M 7204100-AE	1
51	1M72B-74	Upper M-2H1-H Light Brown Broadcloth, Lower Tan Artificial Leather	1M 7204100-AAH	2
51	1M72B-74	Upper M-16908-M Green Headling, Lower Green Artificial Leather	OM 7204100-AR	2
51	1M72B-74	Upper M-2H1-J Light Green Broadcloth, Lower Green Artificial Leather	1M 7204100-AAJ	2
51	1M72B-74	Ivory Antique Grain Artificial Leather	1M 7204100-AZ	2
51	1M72B-74	Ivory Colonial Grain Artificial Leather	1M 7204100-AV	2
51	1M72B-74	Golden Tan Antique Grain Artificial Leather	1M 7204100-AY	2
51	1M72B-74	Golden Tan Colonial Grain Artificial Leather	1M 7204100-AF	2
51	1M72B-74	Upper M-16908-N Tan Headling, Lower Tan Artificial Leather	1M 7204100-AA	2
51	1M72B-74	Upper M-16908-P Gray Tan Headling, Lower Gray Tan Artificial Leather	1M 7204100-AR	2

BODY PARTS CATALOGUE

YEAR 19__	BODY TYPES	REMARKS	PART NUMBER	NO. REQ'D
Group 04100 VISOR ASSEMBLY (COMPLETE)-CONTINUED				
51	1M72C	Green Artificial Leather	1M 7204100-AT	2
51	1M72C	Red Artificial Leather	1M 7204100-AS	2
51	1M72C	Turquoise Artificial Leather	1M 7204100-AU	2
51	1M76	Blue Colonial Grain Artificial Leather	1M 7604100-BJ	2
51	1M76	Blue Antique Grain Artificial Leather	1M 7604100-AAC	2
51	1M76	Red Antique Grain Artificial Leather	1M 7604100-AAA	2
51	1M76	Red Colonial Grain Artificial Leather	1M 7604100-AG	2
51	1M76	Tan Colonial Grain Artificial Leather	1M 7604100-BH	2
51	1M76	Golden Tan Antique Grain Artificial Leather	1M 7604100-AAB	2
51	1M79	Green Artificial Leather-with Plastic Binding	OM 7904100-F	2
51	1M79	Red Artificial Leather-with Plastic Binding	OM 7904100-D	2
51	1M79	Tan Artificial Leather-with Plastic Binding	OM 7904100-E	2
51	1M	Screw (oval head cross recessed)-No. 10 x 1/2"	52345-S13	3or6
Group 04320 PANEL ASSEMBLY (INSTRUMENT)-LESS INSTRUMENTS				
51	1M72A	For service use one 1M-7204320-AP, one 1M-7204539, and 2 spring nuts 45024-S2	1M 7204320-BP	1
51	1M except 79	In Prime	1M 7204320-AP	1
51	1M79	Mahogany Grained	1M 7204320-AG	1
51	1M	Bolt (hex head)-5/16"-18 x 1"	24386-S2	2
51	1M	Lockwasher (external tooth)-5/16"	34941-S7	2
51	1M	Screw (pan head cross recessed)-No. 10-12 x 1/2"	52727-S8	8
51	1M	Washer (flat)-5/16"	44724-S8	2
Group 04371 PLATE (RADIO OPENING COVER)				
51	1M	On cars without radio	OM 7204371	1
51	1M	Screw (flat head self tapping)-No. 10-12 x 1/2"	32924-S8	2
Group 04399 ANTI SQUEAK (HAND BRAKE BRACKET)				
51	1M	1-1/4" x 2-5/8"	OM 7204399	1
Group 04405 GRILLE (INSTRUMENT PANEL RADIO)				
51	1M		1M 7204405-AA	1
Group 04428 COVER (CLOCK OPENING)				
51	1M72A		OM 7204428	1
51	1M72A	Screw (fillister head)-No. 8-32 x 1/4"	37611-S7	4
Group 04452 BRACKET (RADIO RECEIVER)				
51	1M		OM 7204452	2
51	1M	Screw (fillister head self tapping)-No. 8-32 x 3/8"	41556-S8	4
Group 04539 MEDALLION (INSTRUMENT PANEL)				
51	1M72B-72C-74-76-79	Brass-1-7/8" long	1M 7204539-B	1
51	1M72B-72C-74-76-79	Nut (spring)-1/16"	45024-S2	2
Group 04558 NUT (SPEED IRREGULAR TYPE)-NO. 10				
51	1M	To attach instrument cluster housing to instrument panel	OM 7204558	4

MERCURY

BODY PARTS CATALOGUE

YEAR 19__	BODY TYPES	REMARKS	PART NUMBER	NO. REQ'D
Group 04603 KIT (CIGAR LIGHTER ELEMENT)				
51	1M	Contains (12) 51A-7004616-A1 Casco cigar lighter elements	8H 7004603	1
Group 04610 KNOB AND ELEMENT ASSEMBLY (CIGAR LIGHTER)				
51	1M		1M 7204610-A	1
Group 04616 ELEMENT ASSEMBLY (CIGAR LIGHTER)				
51	1M	Serviced in Kit 8H-7004603 consisting of (12) elements and display card	51A 7004616-A	1
Group 04620 SOCKET AND RETAINER ASSEMBLY (CIGAR LIGHTER)				
51	1M	Automatic	OL 7204620	1
Group 04800 RECEPTACLE ASSEMBLY (INSTRUMENT PANEL ASH)-COMPLETE				
51	1M		1M 7204800-AA	1
51	1M	Screw (fillister head self tapping)-No. 8-32 x 1/4"	41281-S8	3
Group 04817 COVER (INSTRUMENT PANEL ASH RECEPTACLE)				
51	1M		1M 7204817-AA	1
51	1M	Screw (fillister head)-No. 8-32 x 1/4"	41281-S8	2
Group 04858 STOP (ASH RECEPTACLE)				
51	1M	Rubber	OM 7204858	2
Group 06010 BOX ASSEMBLY (GLOVE COMPARTMENT)				
51	1M		OM 7206010	1
51	1M	Screw (cross recessed pan head)-No. 8-15 x 1/2"	52726-S8	6
Group 06024 DOOR ASSEMBLY (GLOVE COMPARTMENT)				
51	1M except 79	In Prime	1M 7206024-AP	1
51	1M79	Mahogany Grained	OM 7206024-AC	1
51	1M	Screw (oval head)-No. 10-32 x 1/2"	50399-S2	3
51	1M	Washer (flush countersunk)-No. 8	34862-S7	3
Group 06042-3 HINGE ASSEMBLY (GLOVE COMPARTMENT DOOR)				
51	1M	In Prime	1M 7206042-AP	1
51	1M	Nut (square)-No. 10-32	34141-S8	3
51	1M	Screw and washer assy (cross recessed pan head)-No. 10-32 x 3/8"	50804-S8	3
Group 06064 PLATE (GLOVE COMPARTMENT DOOR LOCK STRIKER)				
51	1M		OM 7206064	1
51	1M	Screw and washer assy (cross recessed pan head)-No. 10-32 x 3/8"	50804-S8	2
51	1M	Washer (flat)-No. 10	34703-S7	2
Group 06081 LOCK ASSEMBLY (GLOVE COMPARTMENT DOOR)-COMPLETE WITH KEYS				
51	1M72B-72C-74-76-79		OM 7206081-C	1
51	1M72B-72C-74-76-79	Screw and washer assy (cross recessed pan head)-No. 10-32 x 3/8"	50804-S8	2

MERCURY

BODY PARTS CATALOGUE

YEAR 19	BODY TYPES	REMARKS	PART NUMBER	NO. REQ'D
Group 06081 LOCK ASSEMBLY (GLOVE COMPARTMENT DOOR)-WITHOUT KEYS				
51	1M72A		OM 7206081-B	1
Group 06117 ARM (GLOVE COMPARTMENT DOOR CHECK)				
51	1M	In Prime	OM 7206117-AP	1
Group 06122 GROMMET (GLOVE COMPARTMENT DOOR CHECK ARM)				
51	1M	Rubber	OM 7206122	1
51	1M	Screw & washer assy (pan head cross recessed)-No. 10-32 x 3/8"	50804-S8	2
Group 10110-1 MEMBER ASSEMBLY (FLOOR SIDE)				
51	1M74	R.H.	7A 7010110	1
51	1M74	L.H.	7A 7010111	1
51	1M76	R.H.	7A 7610110	1
51	1M76	L.H.	7A 7610111	1
51	1M79	R.H.	8M 7910110	1
51	1M79	L.H.	8M 7910111	1
Group 10118-9 MEMBER AND TRIM RETAINER ASSEMBLY (FLOOR SIDE)				
51	1M72A-72B	R.H.	7A 7010118	1
51	1M72A-72B	L.H.	7A 7010119	1
Group 10128-9 PANEL ASSEMBLY (BODY ROCKER)				
51	1M72A-72B-72C	R.H.	8M 7010128	1
51	1M72A-72B-72C	L.H.	8M 7010129	1
51	1M74	R.H.	8M 7310128	1
51	1M74	L.H.	8M 7310129	1
51	1M76	R.H.	8M 7610128	1
51	1M76	L.H.	8M 7610129	1
51	1M79	R.H.	8M 7910128	1
51	1M79	L.H.	8M 7910129	1
51	1M	Washer (flat)-5/16"	34706-S2	2
Group 10176-7 MOULDING (BODY ROCK PANEL CURB BUFFER)				
51	1M	R.H.	1M 7210176	1
51	1M	L.H.	1M 7210177	1
51	1M	Bolt (carriage)-No. 10-24 x 1/2"	350190-S8	2
51	1M	Nut (hex washer stamped)-No. 10-24	355807-S7	2
Group 10198 RETAINER (BODY ROCKER PANEL CURB BUFFER MOULDING)				
51	1M		0L 7210198	14
Group 10668 MEMBER (REAR FLOOR CROSS)				
51	1M except 79		1M 7210668	1
Group 10698 MEMBER ASSEMBLY (FRONT FLOOR CROSS MEMBER)-REAR				
51	1M	Without depression at clinch nuts	8M 7010698	1
51	1M	With depression at clinch nuts	1L 7210698	1
Group 10775 MEMBER ASSEMBLY (FLOOR PAN REAR CROSS)				
51	1M79		7A 7910775	1
51	1M79	Nut (retainer)-5/16"	353202-S	2

MERCURY

BODY PARTS CATALOGUE

YEAR 19__	BODY TYPES	REMARKS	PART NUMBER	NO. REQ'D
Group 10785 REINFORCEMENT ASSEMBLY (CROSS MEMBER REAR)				
51	1M79		8M 7910785	1
51	1M79	Nut (hex)-1/4"-20	34129-S2	4
Group 11126 PLATE (DASH PEDAL OPENING)				
51	1M	Standard Transmission	8H 7311126-A	1
51	1M	Merc.O.Matic Transmission	1M 7211126	1
Group 11135 PAN ASSEMBLY (FLOOR FRONT)				
51	1M72A-72B-72C-74	Without depression in rear support	8M 7211135	1
51	1M72A-72B-72C-74	With depression in rear support-use on jobs with coil type seat cushion springs	1L 7211135	1
51	1M72A-72B-72C-74	Without seat support brackets-use on jobs with Zig-Zag seat cushion springs	1M 7211135	1
51	1M76	With seat mounting brackets-use on jobs with coil type seat cushion springs	8M 7611135	1
51	1M76	Without seat mounting brackets-use on jobs with Zig-Zag seat cushion springs	1M 7611135	1
51	1M79	With seat mounting brackets-use on jobs with coil type seat cushion springs	0M 7911135	1
51	1M79	Without seat mounting brackets-use on jobs with Zig-Zag seat cushion springs	1M 7911135	1
51	1M	Bolt (hex head)-1/4"-28 x 5/8"	20325-S7	4
51	1M	Lockwasher (heavy)-1/4"	34845-S2	4
51	1M	Plug (rubber)	352291-S	8
Group 11166 SILENCER (FLOOR PAN)				
51	1M	Center-Paper Felt 61-13/32" long	8M 7011166	1
51	1M	Center-Paper Felt 62-59/64" long	1M 7211166	1
Group 11172 SILENCER (FLOOR PAN)-FRONT				
51	1M	One piece	1M 7211172-B	1
Group 11215 PAN ASSEMBLY (FLOOR)-REAR				
51	1M79		0M 7911215	1
51	1M79	Plug-1-57/64" O.D.	352426-S2	1
Group 11216 PAN AND BACK PANEL ASSEMBLY (FLOOR)-REAR				
51	1M72A-72B-72C-74		1M 7211216	1
51	1M76		1M 7611216	1
51	1M	Plug-1-57/64" O.D.	352426-S2	1
Group 11234-5 EXTENSION ASSEMBLY (REAR FLOOR SIDE)-REAR				
51	1M except 79	R.H.-with four 1/4" nuts welded in place	1M 7211234	1
51	1M except 79	L.H.-with four 1/4" nuts welded in place	1M 7211235	1
Group 11252-3 EXTENSION (REAR FLOOR PAN SIDE)-REAR				
51	1M except 79	R.H.	1M 7211252	1
51	1M except 79	L.H.	1M 7211253	1

MERCURY

BODY PARTS CATALOGUE

YEAR 19	BODY TYPES	REMARKS	PART NUMBER	NO. REQ'D
Group 11256-7 EXTENSION (REAR FLOOR PAN SIDE)-REAR				
51	1M79	R.H.	7A 7911256	1
51	1M79	L.H.	7A 7911257	1
Group 11290 COVER (FLOOR PAN REAR GAS GAUGE)				
51	1M except 79		21A 7011290	1
51	1M	Screw (pan head self tapping)-No. 10-12 x 3/8"	32917-S7	1
Group 11454 SILENCER (FLOOR PAN)-REAR				
51	1M except 76		8M 7011454	1
51	1M76		8M 7611454	1
Group 11520 SPACER (BODY TO FRAME)				
51	1M	Steel-1-1/2" x 2" long	8A 7011520	as req'd
Group 11533 PAD (BODY TO FRAME AT KICK UP)				
51	1M72A-72B-72C-74	7/16" x 1-3/8" diameter	OM 7211533	4
Group 11534 SPACER (BODY TO FRAME AT KICK UP)				
51	1M72A-72B-72C-74	Rubber-5/8" I.D. x 1-13/16" O.D.	OM 7211534	2
Group 11710 BOARD ASSEMBLY (REAR FLOOR TO CENTER SEAT BOARD)				
51	1M79		1M 7911710	1
Group 11727 EXTENSION (REAR FLOOR TO CENTER SEAT BOARD)				
51	1M79	Steel-47-7/16" long	OM 7911727	1
51	1M79	Screw (flat head)-No. 10-12 x 3/4"	52023-S8	2
Group 11753 PLATE (REAR FLOOR TO CENTER SEAT BOARD FRONT RISER LATCH)				
51	1M79	1-35/64" x 2-1/2"-with two 7/32" x 7/16" elongated holes and one 11/32" x 1-3/64" slot	1A 7911753	1
Group 11755 LATCH (REAR FLOOR TO CENTER SEAT BOARD FRONT RISER)				
51	1M79	1/2" x 1-3/4"-with two 3/16" holes	1A 7911755	1
Group 11778 HINGE (REAR FLOOR TO CENTER SEAT BOARD)				
51	1M79		OA 7911778	3
51	1M79	Screw (flat head machine)-No. 10-32 x 3/4"	30495-S13	as req'd
Group 11788 STRIP (REAR FLOOR TO CENTER SEAT BOARD)				
51	1M79	Rustless Steel-41-9/16" long	OM 7911788-B	2
51	1M79	Screw (oval head)-No. 10-12 x 5/8"	52353-S13	7
51	1M79	Screw (oval head cross recessed)-No. 10-12 x 1/2"	52414-S13	7
Group 11789 STRIP (REAR FLOOR TO CENTER SEAT BOARD)-FRONT FINISH				
51	1M79	Rustless Steel-47-3/16" long	OM 7911789-B	1
51	1M79	Screw (oval head)-No. 10-12 x 5/8"	52353-S13	7

MERCURY

BODY PARTS CATALOGUE

YEAR 19__	BODY TYPES	REMARKS	PART NUMBER	NO. REQ'D
Group 12115 PLATE ASSEMBLY (FLOOR TRANSMISSION COVER)				
51	1M	Without inspection hole-Standard Transmission	1M 7212115-A	1
51	1M	With inspection hole-Merc.O.Matic Transmission	1M 7212115-B	1
51	1M	Screw and washer assy (hex head)-No. 14	357205-834	11
Group 12126 PLATE ASSEMBLY (TRANSMISSION FILLER HOLE)-ACCESS				
51	1M	Merc.O.Matic Transmission only	1M 7212126	1
Group 12138 WEATHERSEAL (DASH PANEL PEDAL OPENING)				
51	1M	Sponge Rubber-5-51/64" x 10-11/16"	7EH 7312138	1
Group 12156 WEATHERSEAL (STEERING COLUMN TO DASH COVER)				
51	1M	Sponge Rubber-7-3/8" x 9-31/64"	8M 7012156-A	2
Group 12167 SEALER (REAR TRANSMISSION COVER)				
51	1M	61" long-cut to length	0EH 7212167	2
Group 12179 SEAL (TRANSMISSION COVER FILLER HOLE)				
51	1M	Sponge Rubber-5-3/4" x 6-1/4"-on cars with Merc.O.Matic Transmission	1M 7212179	1
Group 12182 SILENCER (TRANSMISSION COVER FRONT)				
51	1M	Paper Felt-on cars with Merc.O.Matic Transmission	1M 7212182	1
Group 12186-7 PLATE ASSEMBLY (REAR FLOOR PAN BODY SIDE PANEL DUST COVER)				
51	1M79	R.H.	8M 7912186	1
51	1M79	L.H.	8M 7912187	1
51	1M79	Screw (round head self tapping)-No. 10-16 x 1/2"	33119-S7	3
51	1M79	Screw (self tapping)-No. 10-1/2"	32859-S7	3
Group 12298 SPACER (BODY TO FRAME)-REAR				
51	1M except 76	Rubber-1-51/64" O.D.-59/64" thick	21A 7012298-A	4
51	1M except 76	Retainer	358357-S32	2
Group 12298 SPACER (BODY TO FRAME)				
51	1M76	Metal-3/8" x 1-1/2" O.D.	8M 7612298	2
Group 12320 SPACER (BODY TO FRAME)-FRONT				
51	1M	Rubber-11/16" x 1-51/64" O.D.	21A 7012320-A	2or6
51	1M	Retainer	356769-832	2
51	1M	Retainer	358357-832	4
Group 12322 ANTI SQUEAK (BODY TO FRAME)				
51	1M76	39/64" x 1-3/4" O.D.	8M 7612322-C	5
51	1M76	Screw (hex washer head self tapping)-1/4"-20 x 1/2"	39881-S7	4
Group 12324 SPACER (BODY TO FRAME)				
51	1M76	Metal-11/16" x 1-1/2" O.D.	8M 7612324-A	2
51	1M76	Metal-39/64" x 1-1/2" O.D.	8M 7612324-B	6

MERCURY

17

BODY PARTS CATALOGUE

YEAR 19__	BODY TYPES	REMARKS	PART NUMBER	NO. REQ'D
	Group 12328	SPACER (BODY TO FRAME)-BODY BOLT NO. 2		
51	1M	Steel-5/8" I.D. x 1-3/4" O.D.	OM 7212328	2

Group 13000

MAT ASSEMBLY (FLOOR)-FRONT COMPLETE

51	1M72A	Dark Gray Rubber-with 1-1/4" cut-out at rear for seat bracket	1M 7213000-AE	1
51	1M72B-74	Green Rubber-with 1-1/4" cut-out at rear for seat bracket	1M 7213000-AC	1
51	1M72B-74-76	Blue Gray Rubber-with 1-1/4" cut-out at rear for seat bracket	1M 7213000-AB	1
51	1M72B-74-76	Taupe Rubber	1M 7213000-BA	1
51	1M76	Red Rubber-with 1-1/4" cut-out at rear for seat bracket	1M 7613000-AG	1
51	1M79	Tan Rubber-with 1-1/4" cut out at rear for seat bracket	1M 7913000-AM	1

Group 13018

CARPET AND PAD ASSEMBLY (FRONT FLOOR)

51	1M72C	Black Carpet-Merc.O.Matic Transmission-use on jobs with coil type seat cushion springs	1M 7213018-BV	1
51	1M72C	Black Carpet-Standard Transmission-use on jobs with coil type seat cushion springs	1M 7213018-AV	1
51	1M72C	Black Carpet-Standard Transmission-use on jobs with Zig-Zag seat cushion springs	1M 7213018-AS	1
51	1M72C	Black Carpet-Merc.O.Matic Transmission-use on jobs with Zig-Zag seat cushion springs	1M 7213018-BS	1
51	1M72C	Brown Carpet-Standard Transmission-use on jobs with coil type seat cushion spring	1M 7213018-AU	1
51	1M72C	Brown Carpet Merc.O.Matic Transmission-use on jobs with coil type seat cushion springs	1M 7213018-BU	1
51	1M72C	Green Carpet-Standard Transmission-use on jobs with coil type seat cushion springs	1M 7213018-AT	1
51	1M72C	Green Carpet-Merc.O.Matic Transmission-use on jobs with coil type seat cushion springs	1M 7213018-BT	1
51	1M72C	Green Carpet-Standard Transmission-use on jobs with Zig-Zag seat cushion springs	1M 7213018-CT	1
51	1M72C	Green Carpet-Merc.O.Matic Transmission-use on jobs with Zig-Zag seat cushion springs	1M 7213018-DT	1
51	1M72B-74	Blue Carpet-Standard Transmission-use on jobs with coil type seat cushion springs	1M 7213018-AD	1
51	1M72B-74	Blue Carpet-Merc.O.Matic Transmission-use on jobs with coil type seat cushion springs	1M 7213018-BD	1
51	1M72B-74	Blue Carpet-Standard Transmission-use on jobs with Zig-Zag seat cushion springs	1M 7213018-CD	1
51	1M72B-74	Blue Carpet-Merc.O.Matic Transmission-use on jobs with Zig-Zag seat cushion springs	1M 7213018-DD	1
51	1M72B-74	Green Carpet-Standard Transmission-use on jobs with Zig-Zag seat cushion springs	1M 7213018-AAJ	1
51	1M72B-74	Green Carpet-Merc.O.Matic Transmission-use on jobs with Zig-Zag seat cushion springs	1M 7213018-BAJ	1
51	1M72B-72C-74	Brown Carpet-Standard Transmission-use on jobs with Zig-Zag seat cushion springs	1M 7213018-CU	1
51	1M72B-72C-74	Brown Carpet-Merc.O.Matic Transmission-use on jobs with Zig-Zag seat cushion springs	1M 7213018-DU	1
51	1M72B-74	Screw (oval head)-No. 6-18 x 7/8"	52366-S15	10
51	1M72B-74	Washer (hollow countersunk)-No. 6	34876-S23	10

Group 13028

SEAL (BRAKE PEDAL OPENING)

51	1M		QM 7213028	1or2
----	----	--	------------	------

MERCURY

BODY PARTS CATALOGUE

YEAR 19__	BODY TYPES	REMARKS	PART NUMBER	NO. REQ'D
Group 13036-7 MAT (FLOOR SIDE SILL)				
51	1M79	R.H.	OM 7913036	1
51	1M79	L.H.	OM 7913037	1
Group 13040 MAT ASSEMBLY (FLOOR)-CENTER				
51	1M79	All Trim-with slit at rear for seat bracket	OM 7913040	1
51	1M79	All Trims-with 1-1/4" cut out at rear for seat bracket	1M 7913040	1
Group 13046 MAT ASSEMBLY (REAR FLOOR)				
51	1M72A	Dark Gray Rubber	1M 7213046-AE	1
51	1M72B	Blue Carpet-use on jobs with coil type seat cushion springs	1M 7213046-BD	1
51	1M72B	Blue Carpet-use on jobs with Zig-Zag seat cushion springs	1M 7213046-AD	1
51	1M72B	Blue Gray Rubber	1M 7213046-AB	1
51	1M72B	Brown Carpet-use with Brown Stripe Nylon Scheme	1M 7213046-CU	1
51	1M72B	Green Carpet-use with Green Stripe Nylon Scheme	1M 7213046-AAJ	1
51	1M72B	Green Rubber	1M 7213046-AC	1
51	1M72B	Taupe Rubber	1M 7213046-BA	1
51	1M72C	Black Carpet-use on jobs with coil type seat cushion springs	1M 7213046-AS	1
51	1M72C	Black Carpet-use on jobs with Zig-Zag seat cushion springs	1M 7213046-CS	1
51	1M72C	Brown Carpet-use on jobs with coil type seat cushion springs	1M 7213046-AU	1
51	1M72C	Brown Carpet-use on jobs with Zig-Zag seat cushion springs	1M 7213046-CU	1
51	1M72C	Green Carpet-use on jobs with coil type seat cushion springs	1M 7213046-AT	1
51	1M72C	Green Carpet-use on jobs with Zig-Zag seat cushion springs	1M 7213046-CT	1
51	1M74	Blue Carpet-use on jobs with Zig-Zag seat cushion springs	1M 7413046-AD	1
51	1M74	Blue Carpet-use on jobs with coil type seat cushion springs	1M 7413046-BD	1
51	1M74	Blue Gray Rubber	1M 7413046-AB	1
51	1M74	Brown Carpet-use with Brown Stripe Nylon Scheme	1M 7413046-AAH	1
51	1M74	Green Rubber	1M 7413046-AC	1
51	1M74	Green Carpet-use with Green Stripe Nylon Scheme	1M 7413046-AAJ	1
51	1M74	Taupe Rubber	1M 7413046-BA	1
51	1M76	Blue Gray Rubber	1M 7613046-AJ	1
51	1M76	Red Rubber	1M 7613046-AG	1
51	1M76	Taupe Rubber	1M 7613046-BH	1
51	1M72B-74-76	Screw (oval head cross recessed)-No. 6-18 x 7/8"	52366-S15	2
51	1M72A-72B-74	Washer (hollow countersunk)-No. 6	34876-S23	2
Group 13054 MAT (FLOOR)-REAR				
51	1M79	All Trims	OM 7913054	1
51	1M79	Screw (oval head)-No. 10-12 x 5/8"	52353-S13	2
51	1M79	Washer (flush countersunk)-No. 10	34863-S13	2
Group 13086 PAD (FRONT FLOOR CARPET HEEL)				
51	1M72C	Black Rubber	OM 7213086-D	1
51	1M72C	Brown Rubber	1M 7213086-B	1
51	1M72C	Green Rubber	1M 7213086-A	1
Group 13095 COVER (REAR FLOOR TO CENTER SEAT BOARD)				
51	1M79		OA 7913095	1

BODY PARTS CATALOGUE

YEAR 19	BODY TYPES	REMARKS	PART NUMBER	NO. REQ'D
Group 13208-9 PLATE (BODY ROCKER PANEL SCUFF)-FRONT				
51	1M72A-72B-76-79	R.H.-Aluminum	8M 7013208	1
51	1M72A-72B-76-79	L.H.-Aluminum	8M 7013209	1
51	1M72A-72B-76-79	R.H.-Rubber	1M 7213208-B	1
51	1M72A-72B-76-79	L.H.-Rubber	1M 7213209-B	1
51	1M74	R.H.-Aluminum	8M 7313208	1
51	1M74	L.H.-Aluminum	8M 7313209	1
51	1M74	R.H.-Rubber	1M 7413208-B	1
51	1M74	L.H.-Rubber	1M 7413209-B	1
51	1M	Screw (oval head self tapping)-No. 6-18 x 3/8"	32979-88	8
51	1M	Screw (oval head self tapping)-No. 6 x 1/2"	52342-88	as req'd
51	1M	Screw (oval head self tapping)-No. 6 x 7/8"	52366-88	6or8
51	1M	Screw (pan head self tapping)-No. 8-15 x 3/4"	52742-88	16
51	1M72A-72B-76-79	Screw (oval head self tapping)-No. 6-18 x 3/4"	33000-S13	4
Group 13210-1 STRIP (REAR FLOOR FINISH)-AT WHEELHOUSE				
51	1M79	R.H.	8M 7913210	1
51	1M79	L.H.	8M 7913211	1
51	1M79	Screw (cross recessed pan head self tap.)-No. 6-18 x 1/2"	52732-88	12
Group 13222 STRIP (REAR FLOOR FINISH)-REAR				
51	1M79		8M 7913222	1
51	1M79	Screw (cross recessed oval head self tap.)-No. 10-16 x 5/8"	350117-S13	8
Group 13228-9 PLATE (BODY ROCKER PANEL SCUFF)-REAR				
51	1M74	R.H.-Aluminum	8M 7313228-B	1
51	1M74	L.H.-Aluminum	8M 7313229-B	1
51	1M74	R.H.-Rubber	1M 7413228-B	1
51	1M74	L.H.-Rubber	1M 7413229-B	1
51	1M74	Screw (oval head self tapping)-No. 6-18 x 3/8"	32979-88	6
51	1M74	Screw (oval head self tapping)-No. 6-18 x 3/4"	33000-S13	4
51	1M74	Screw (oval head self tapping)-No. 6 x 1/2"	52342-88	6
51	1M74	Screw (oval head self tapping)-No. 6 x 7/8"	52366-88	6
51	1M74	Screw (pan head self tapping)-No. 8-15 x 3/4"	52742-88	8
Group 14519 STRAP (HYDRAULIC PUMP MOTOR GROUND)				
51	1M72B-72C-74-76	5-3/8" long	8H 14519	1
Group 16758 BUMPER (GLOVE COMPARTMENT DOOR)				
51	1M	Rubber-3/4" overall with 1/2" O.D. at largest end	11A 16758-A	2
Group 16930 BRACKET (TOP CONTROL)				
51	1M76		OM 16930	1
Group 18306 KEY (GLOVE BOX AND REAR DECK LID)				
51	1M72B-74-76-79		8E 18306	2
Group 18309 CYLINDER (SPARE TIRE)-WITH KEYS				
51	1M79		01A 18309	1

MERCURY

BODY PARTS CATALOGUE

YEAR 19__	BODY TYPES	REMARKS	PART NUMBER	NO. REQ'D
Group 19545		FLUID (WINDOW REGULATOR)		
51	1M	In pint container-Replaced by 8L-19545-B	8L 19545-A	as req'd
51	1M	Case of (12) pint cans	8L 19545-B	as req'd

Group 20122-3 DOOR ASSEMBLY (FRONT)-LESS PAINT, TRIM, GLASS, HANDLES, HINGES, LOCK AND REGULATOR

51	1M72A-72B-72C	R.H.	OM 7220122-B	1
51	1M72A-72B-72C	L.H.	OM 7220123-B	1
51	1M72A-72B-72C	R.H.-Without moulding holes (to be drilled for service)	1L 7220122-B	1
51	1M72A-72B-72C	L.H.-Without moulding holes (to be drilled for service)	1L 7220123-B	1
51	1M74	R.H.	OM 7420122-B	1
51	1M74	L.H.	OM 7420123-B	1
51	1M74	R.H.-Without moulding holes (to be drilled for service)	1L 7420122-B	1
51	1M74	L.H.-Without moulding holes (to be drilled for service)	1L 7420123-B	1
51	1M76	R.H.	1M 7620122	1
51	1M76	L.H.	1M 7620123	1
51	1M79	R.H.	OM 7920122-B	1
51	1M79	L.H.	OM 7920123-B	1
51	1M72B-72C-74	Nut (hex)-5/16"-24	33879-S8	8

Group 20256-7 PANEL (DOOR OUTSIDE FINISH)-UPPER

51	1M79	R.H.-Steel Panel with Mahogany Grain Finish	OM 7920256-B	1
51	1M79	L.H.-Steel Panel with Mahogany Grain Finish	OM 7920257-B	1

Group 20256-7 PANEL (DOOR OUTSIDE FINISH)-COMPLETE

51	1M79	R.H.-Plywood with Mahogany Grain Finish	1M 7920256	1
51	1M79	L.H.-Plywood with Mahogany Grain Finish	1M 7920257	1

Group 20258-9 PANEL (DOOR OUTSIDE FINISH)-LOWER

51	1M79	R.H.-Steel Panel with Mahogany Grain Finish	OM 7920258	1
51	1M79	L.H.-Steel Panel with Mahogany Grain Finish	OM 7920259	1

Group 20394-5 WEATHERSTRIP (DOOR BOTTOM)

51	1M72A-72B-72C-76	R.H.	8M 7020394	1
51	1M72A-72B-72C-76	L.H.	8M 7020395	1
51	1M74	R.H.	8M 7320394	1
51	1M74	L.H.	8M 7320395	1
51	1M79	R.H.	8M 7920394	1
51	1M79	L.H.	8M 7920395	1
51	1M79	Screw (pan head self tapping)-No. 7-15 x 3/8"	32916-S8	6

Group 20400 KIT (GRAINING)-REPAIR

51	1M79		APA 7920400	1
----	------	--	-------------	---

Group 20400-1 FRAME AND PANEL ASSEMBLY (FRONT DOOR FINISH)-LOWER-OUTSIDE

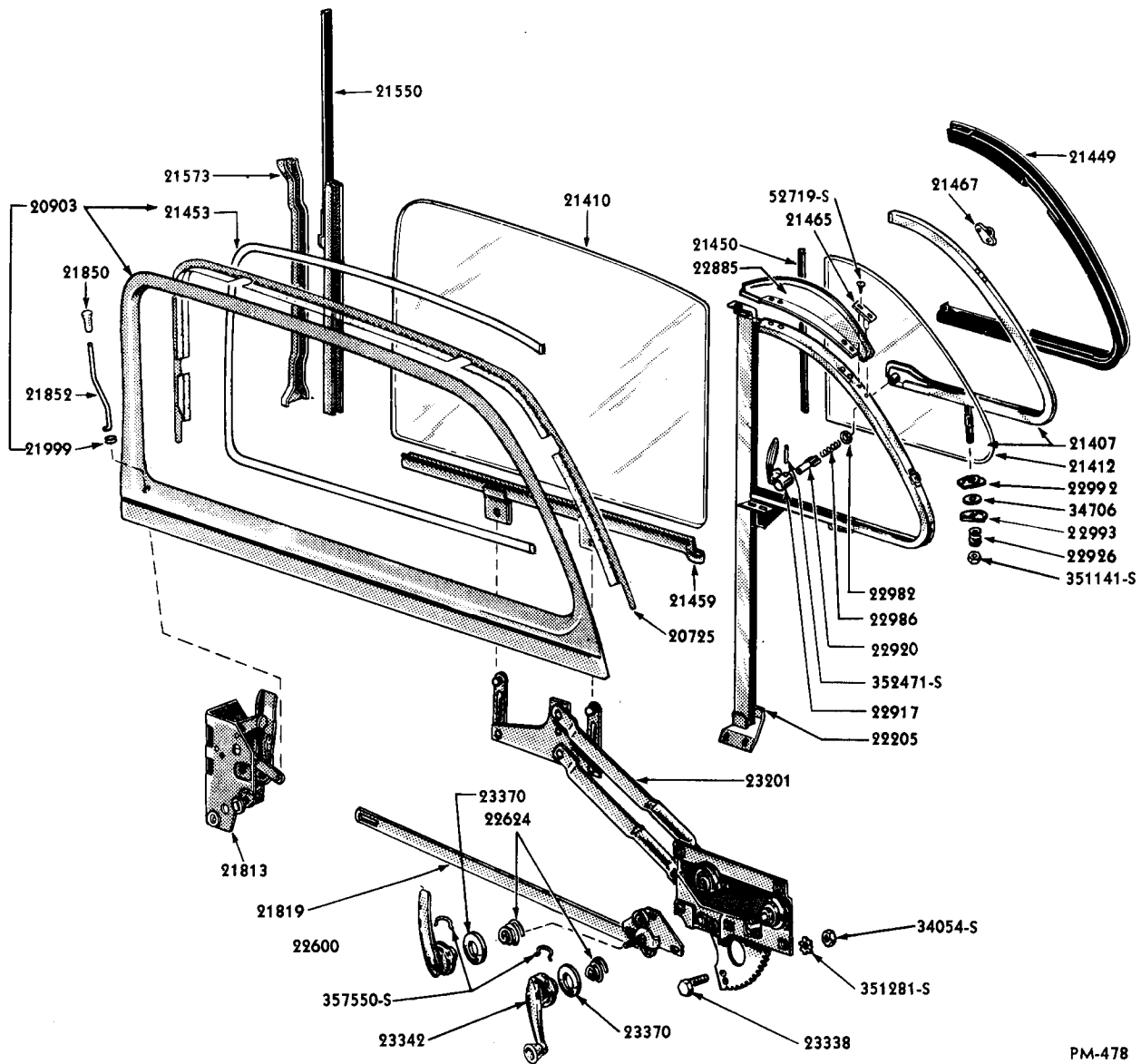
51	1M79	R.H.-Wood Frame and Painted Steel Panel	OM 7920400-B	1
51	1M79	L.H.-Wood Frame and Painted Steel Panel	OM 7920401-B	1
51	1M79	R.H.-Wood Frame and Plywood Panel	1M 7920400	1
51	1M79	L.H.-Wood Frame and Plywood Panel	1M 7920401	1
51	1M79	Washer (flat)-5/16"	44722-S8	14

Group 20406-7 FRAME ASSEMBLY (FRONT DOOR FINISH)-UPPER-OUTSIDE

51	1M79	R.H.-Wood	7A 7920406	1
51	1M79	L.H.-Wood	7A 7920407	1
51	1M79	Lockwasher (internal tooth)-5/16"	34906-S7	10
51	1M79	Nut (sleeve)-5/16"-18 x 35/64"	352353-S23	10
51	1M79	Screw (cross recessed round head)-5/16"-18 x 5/8"	355204-S7	8

BODY PARTS CATALOGUE

YEAR 19	BODY TYPES	REMARKS	PART NUMBER	NO. REQ'D
Group 20497 SHIM (DOOR WINDOW CORNER FILLER TO INSIDE PANEL ATTACHING BRACKET)				
51	1M76	23/32" x 1-39/64" long	8M 7620497	as req'd
Group 20520-1 RETAINER (WINDOW SEAL)-AT FRONT RAIL SECTION				
51	1M76	R.H.-approximately 24-5/8"	8M 7620520	1
51	1M76	L.H.-approximately 24-5/8"	8M 7620521	1
51	1M76	Screw (pan head self tapping)-No. 8-15 x 3/8"	32916-88	10
Group 20526-7 RETAINER (WINDOW SEAL)-AT REAR RAIL SECTION				
51	1M76	R.H.-17-17/32" long	8M 7620526	1
51	1M76	L.H.-17-17/32" long	8M 7620527	1
51	1M76	Screw (pan head self tapping)-No. 8-15 x 3/8"	32916-88	8
Group 20530-1 WEATHERSTRIP (DOOR OPENING)-OUTER				
51	1M72A-72B-72C	R.H.-117" long	8M 7020530-B	1
51	1M72A-72B-72C	L.H.-117" long	8M 7020531-B	1
51	1M74	R.H.-108-1/4" long	8M 7320530-B	1
51	1M74	L.H.-108-1/4" long	8M 7320531-B	1
51	1M79	R.H.-120-1/4" long	8M 7920530-B	1
51	1M79	L.H.-120-1/4" long	8M 7920531-B	1
Group 20530-1 WEATHERSTRIP (DOOR HINGE PILLAR)				
51	1M76	R.H.-approximately 26"	8M 7620530-B	1
51	1M76	L.H.-approximately 26"	8M 7620531-B	1
51	1M76	Screw (cross recessed pan head self tap.)-No. 8-15 x 1/2"	52726-S13	2
Group 20542-3 WEATHERSTRIP (DOOR LOCK PILLAR)				
51	1M76	R.H.	8M 7620542-B	1
51	1M76	L.H.	8M 7620543-B	1
51	1M76	Screw (cross recessed pan head self tap.)-No. 8-15 x 1/2"	52726-S13	2
Group 20574 CLIP (DOOR WEATHERSTRIP RETAINER)				
51	1M76		8M 7620574	2
51	1M76	Screw (oval head cross recessed)-No. 8-15 x 3/4"	52360-S13	2
Group 20712 RETAINER (DOOR BOTTOM WEATHERSTRIP)-OUTER				
51	1M72A-72B	46-13/64" long	8M 7020712-B	2
51	1M74	35-13/64" long	8M 7320712-B	2
51	1M79	45-3/16" long	8M 7920712	2
Group 20724-5 WELT AND CARIBOARD ASSEMBLY (FRONT DOOR WINDOW FINISH STRIP)				
51	1M72A-72B-72C	R.H.	8M 7020724	1
51	1M72A-72B-72C	L.H.	8M 7020725	1
51	1M74	R.H.	8M 7320724	1
51	1M74	L.H.	8M 7320725	1



PM-478

FRONT DOOR PARTS

Group numbers only shown on illustration. Order by Part Numbers shown in list of parts.

BODY PARTS CATALOGUE

YEAR 19__	BODY TYPES	REMARKS	PART NUMBER	NO. REQ'D
Group 20902-3 STRIP AND WEATHERSTRIP ASSEMBLY (FRONT DOOR WINDOW FINISH)				
51	1M72A-72B	R.H.-in Prime-without moulding holes	OM 7220902-CP	1
51	1M72A-72B	L.H.-in Prime-without moulding holes	OM 7220903-CP	1
51	1M72C	R.H.-in Prime-with five 3/8" diameter moulding holes	1M 7220902-AP	1
51	1M72C	L.H.-in Prime-with five 3/8" diameter moulding holes	1M 7220903-AP	1
51	1M74	R.H.-in Prime	1M 7420902-AP	1
51	1M74	L.H.-in Prime	1M 7420903-AP	1
51	1M79	R.H.-Mahogany Grain	OM 7920902-AA	1
51	1M79	L.H.-Mahogany Grain	OM 7920903-AA	1
51	1M72A-72B-74	Screw (cross recessed oval head self tap.)-No. 8-15 x 3/4"	52360-S13	10
Group 20925 CLIP (WINDOW REVEAL MOULDING)				
51	1M72A-72B-72C-74	3/4" long	8M 7020925	4
Group 20930-1 CLIP (DOOR WINDOW FINISH STRIP)-REAR LOWER				
51	1M79	R.H.-1-1/2" at widest point	8M 7920930	1
51	1M79	L.H.-1-1/2" at widest point	8M 7920931	1
Group 20934-5 MOULDING (DOOR OUTSIDE)-AT BELT				
51	1M72A-72B-72C	R.H.-approximately 47-37/64" long	8M 7020934	1
51	1M72A-72B-72C	L.H.-approximately 47-37/64" long	8M 7020935	1
51	1M74	R.H.-approximately 37-3/8" long	8M 7320934	1
51	1M74	R.H.-approximately 37-3/8" long	8M 7320935	1
51	1M79	R.H.-47-5/8" long	8M 7920934	1
51	1M79	L.H.-47-5/8" long	8M 7920935	1
51	1M72A-72B-72C-74	Clip	35267-S32	as req'd
Group 20938-9 MOULDING (FRONT DOOR OUTSIDE)-LOWER				
51	1M72A-72B-72C-76	R.H.-50-63/64" long	8M 7020938	1
51	1M72A-72B-72C-76	L.H.-50-63/64" long	8M 7020939	1
51	1M74	R.H.-40-31/64" long	8M 7320938	1
51	1M74	L.H.-40-31/64" long	8M 7320939	1
51	1M except 79	Clip (moulding)	352396-S32	as req'd
51	1M except 79	Clip (moulding)	358107-S32	2
51	1M except 79	Retainer assy (moulding)-No. 10-24	358200-S7	2
Group 20942-3 MOULDING ASSEMBLY (FRONT DOOR TRIM PANEL)				
51	1M72B-72C-76	R.H.-17-11/16" across open end x 42-21/64"	1M 7220942	1
51	1M72B-72C-76	L.H.-17-11/16" across open end x 42-21/64"	1M 7220943	1
51	1M74	R.H.-17-11/16" across open end x 32"	1M 7420942	1
51	1M74	L.H.-17-11/16" across open end x 32"	1M 7420943	1
Group 20952-3 MOULDING (FRONT DOOR WINDOW FINISH)				
51	1M72C	R.H.-Rustless Steel 45-19/64" long	1M 7220952	1
51	1M72C	L.H.-Rustless Steel 45-19/64" long	1M 7220953	1
51	1M72C	Clip (moulding)	357120-S8	10

MERCURY

BODY PARTS CATALOGUE

YEAR 19	BODY TYPES	REMARKS	PART NUMBER	NO. REQ'D
Group 20964-5 STRIP AND WEATHERSTRIP ASSEMBLY (DOOR WINDOW FINISH)				
51	1M76	R.H.-in Prime	1M 7620964-AP	1
51	1M76	L.H.-in Prime	1M 7620965-AP	1
Group 20978 PLATE (DOOR OUTSIDE NAME)				
51	1M72C	Monterey	OM 7220978	2
51	1M72C	Speed Nut	350786-AS8	10
Group 20984-5 MOULDING AND WEATHERSTRIP ASSEMBLY (FRONT DOOR WINDOW REVEAL)-OUTSIDE				
51	1M72A-72B-72C	R.H.	OM 7220984	1
51	1M72A-72B-72C	L.H.	OM 7220985	1
51	1M74	R.H.	OM 7420984	1
51	1M74	L.H.	OM 7420985	1
51	1M76	R.H.	8M 7620984-B	1
51	1M76	L.H.	8M 7620985-B	1
51	1M	Clip	353267-S32	10or12
Group 20998-9 MOULDING (DOOR INSIDE)-REAR				
51	1M79	R.H.-27-27/64" long	7A 7920998	1
51	1M79	L.H.-27-27/64" long	7A 7920999	1
Group 21020 EMBLEM ASSEMBLY (DOOR OUTSIDE)				
51	1M72C	Rustless Steel with Crystal Inlay	1M 7221020	2
Group 21228-9 FRAME AND GLASS ASSEMBLY (DOOR VENT WINDOW)				
51	1M76	R.H.	8M 7621228-C	1
51	1M76	L.H.	8M 7621229-C	1
Group 21390-1 CAP (DOOR VENT WINDOW FINISH)-FRONT				
51	1M76	R.H.-Rustless Steel	8M 7621390	1
51	1M76	L.H.-Rustless Steel	8M 7621391	1

Group 21402-3 VENTILATING WINDOW ASSEMBLY (FRONT DOOR)-COMPLETE INCLUDING DIVISION BAR

51	1M72A-72B-72C-74	R.H.		OM 7221402	1
51	1M72A-72B-72C-74	L.H.		OM 7221403	1
51	1M76	R.H.		OM 7621402	1
51	1M76	L.H.		OM 7621403	1
51	1M79	R.H.		OA 7921402	1
51	1M79	L.H.		OA 7921403	1
51	1M72A-72B-74		Screw and washer assy-1/4"-28 x 1/2"	42907-S8	4
51	1M except 76		Screw (hex head)-No. 14 x 3/4"	42023-S7	4
51	1M except 79		Nut ("J" type)-No. 14A	352312-S32	4
51	1M76		Bolt (round head)-No. 10-32 x 5/8"	35510-S7	4
51	1M76		Screw (pan head)-No. 10-32 x 5/8"	39070-S7	4

Group 21406-7 GLASS AND FRAME ASSEMBLY (FRONT DOOR VENTILATING WINDOW)

51	1M72A-72B-72C-74	R.H.		8M 7021406-B	1
51	1M72A-72B-72C-74	L.H.		8M 7021407-B	1
51	1M79	R.H.		8M 7921406	1
51	1M79	L.H.		8M 7921407	1
51	1M		Nut (lock)-5/16"-24	351141-S8	2

BODY PARTS CATALOGUE

YEAR 19__	BODY TYPES	REMARKS	PART NUMBER	NO. REQ'D
Group 21410 GLASS (FRONT DOOR WINDOW)				
51	1M72A-72B-72C		8M 7021410-A	2
51	1M74		8M 7321410-A	2
51	1M76		8M 7621410-A	2
51	1M79		8M 7921410-A	2
Group 21412 GLASS (FRONT DOOR VENT WINDOW)				
51	1M72A-72B-72C-74		8M 7021412-B	2
51	1M76		8M 7621412-B	2
51	1M79		8M 7921412-B	2
Group 21424 STRIP (FRONT DOOR GLASS RETAINING)				
51	1M72A-72B-72C-76-79	27-1/4" long-replaced by M-17779-A	8M 7021424-D	2
51	1M74	17-3/4" long-replaced by M-17779-A	8M 7321424-D	2
Group 21432-3 WEATHERSTRIP (DOOR VENTILATING WINDOW)-BELT				
51	1M76	R.H.-Rubber-2-5/8" long	OM 7621432	1
51	1M76	L.H.-Rubber-2-5/8" long	OM 7621433	1
Group 21448-9 WEATHERSTRIP (FRONT DOOR VENT WINDOW)				
51	1M72A-72B-72C-74	R.H.	8M 7021448	1
51	1M72A-72B-72C-74	L.H.	8M 7021449	1
51	1M76	R.H.	OM 7621448	1
51	1M76	L.H.	OM 7621449	1
51	1M79	R.H.	8M 7921448	1
51	1M79	L.H.	8M 7921449	1
51	1M76	Button (special)	356904-S13	4
Group 21450 WEATHERSTRIP (DOOR VENT WINDOW DIVISION BAR)				
51	1M72A-72B-72C-74	10-7/32" long	OM 7221450	2or4
51	1M79		OA 7921450	2
51	1M except 76	Rivet (special)	OA 7021524	8
51	1M79	Rivet (oval head)-9/64" x 13/64"	351909-S8	2
Group 21452-3 WEATHERSTRIP (FRONT DOOR WINDOW OPENING)				
51	1M72A-72B-72C	R.H.-with Chrome beading	OM 7221452	2
51	1M72A-72B-72C	L.H.-with Chrome beading	OM 7221453	2
51	1M74	R.H.-with Chrome beading	OM 7421452	2
51	1M74	L.H.-with Chrome beading	OM 7421453	2
Group 21452 WEATHERSTRIP (DOOR WINDOW GLASS)				
51	1M76		7A 7621452	4
Group 21452-3 WEATHERSTRIP (DOOR WINDOW)-AT BELT				
51	1M79	R.H.	OM 7921452	1
51	1M79	L.H.	OM 7921453	1
51	1M79	Clip (weatherstrip retainer)	358226-S8	10
Group 21454 WEATHERSTRIP (DOOR VENT WINDOW FRAME)-REAR				
51	1M76		8M 7621454	2

MERCURY

BODY PARTS CATALOGUE

YEAR 19	BODY TYPES	REMARKS	PART NUMBER	NO. REQ'D
Group 21458-9 CHANNEL AND BRACKET ASSEMBLY (FRONT DOOR GLASS)				
51	1M72A-72B-72C	R.H.-Manual Control	8M 7021458-A	1
51	1M72A-72B-72C	L.H.-Manual Control	8M 7021459-A	1
51	1M72B-72C	R.H.-Hydraulic Control	8M 7021458-B	1
51	1M72B-72C	L.H.-Hydraulic Control	8M 7021459-B	1
51	1M74	R.H.-Manual Control	8M 7321458-A	1
51	1M74	L.H.-Manual Control	8M 7321459-A	1
51	1M74	R.H.-Hydraulic Control	8M 7321458-B	1
51	1M74	L.H.-Hydraulic Control	8M 7321459-B	1
51	1M79	R.H.-Manual Control	8M 7921458-A	1
51	1M79	L.H.-Manual Control	8M 7921459-A	1
51	1M	Bolt (hex head)-1/4"-28 x 5/8"	24325-88	4
51	1M	Nut (lock)-1/4"-28	34391-87	4
51	1M76	Washer (flat)-1/4"	44720-88	4
Group 21458-9 CHANNEL AND RETAINER ASSEMBLY (DOOR WINDOW GLASS LIFTER)				
51	1M76	R.H.-27-1/4" long	8M 7621458-B	1
51	1M76	L.H.-27-1/4" long	8M 7621459-B	1
51	1M76	Lockwasher-No. 8	34938-87	8
51	1M76	Screw (pan head self tapping)-No. 8-10 x 1/2"	33183-87	8
Group 21464-5 BRACKET (FRONT DOOR VENTILATING WINDOW UPPER PIVOT)-ON RETAINER				
51	1M except 76	R.H.-male-for 1M76 requirements refer to group 22978-9	8M 7021464	1
51	1M except 76	L.H.-male-for 1M76 requirements refer to group 22978-9	8M 7021465	1
51	1M72A-72B-72C-74	Screw (cross recessed pan head self tap.)-No. 6-18 x 1/4"	52713-88	4
51	1M79	Screw (cross recessed pan head self tap.)-No. 7-16 x 3/8"	52719-88	4
Group 21466-7 HINGE (FRONT DOOR VENTILATING WINDOW UPPER PIVOT)-ON FRAME				
51	1M except 76	R.H.-female-for 1M76 requirements refer to group 22976-7	8M 7021466	1
51	1M except 76	L.H.-female-for 1M76 requirements refer to group 22976-7	8M 7021467	1
51	1M except 76	Rivet	351878-88	4
Group 21508-9 RUN ASSEMBLY (DOOR GLASS)-LOCK SIDE-COMPLETE				
51	1M76	R.H.	1M 7621508	1
51	1M76	L.H.	1M 7621509	1
51	1M76	Locknut-1/4"-20	34390-87	1
51	1M76	Lockwasher-1/4"	34805-82	2
51	1M76	Screw (pan head)-1/4"-20 x 5/8"	38228-82	2
51	1M76	Washer (flat)-1/4"	44719-88	4
Group 21510 WEATHERSTRIP (FRONT AND REAR DOOR GLASS CHANNEL)				
51	1M except 76	28-63/64" long	7EH 7221510	1
Group 21510 WEATHERSTRIP (DOOR GLASS CHANNEL)-LOWER				
51	1M76	21/32" high-5/32" inside lip	8M 7621510	2
Group 21524 RIVET (DIVISION BAR WEATHER STRIP)				
51	1M except 76		OA 7021524	8or16

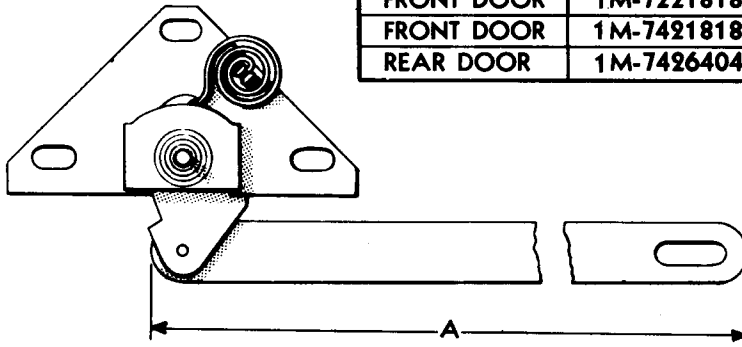
BODY PARTS CATALOGUE

YEAR 19__	BODY TYPES	REMARKS	PART NUMBER	NO. REQ'D
Group 21538 SUPPORT ASSEMBLY (DOOR GLASS RUN)-LOWER				
51	1M76	"L" shaped 1-3/4" wide	8M 7621538	4
51	1M76	Nut (square)-1/4"-20	34095-S8	4
51	1M76	Screw (binding head)-1/4"-20 x 5/8"	39072-S2	4
51	1M76	Screw (pan head self tapping)-No. 8-15 x 1/2"	32923-S7	4
51	1M76	Screw and lockwasher assy (hex head)-1/4"-20 x 5/8"	43263-S8	4
Group 21544 WEATHERSTRIP (FRONT DOOR GLASS HEADER)				
51	1M72A-72B-72C-74	31" long-cut to length for 1M74	8M 7021544	2
Group 21546 RUN (DOOR GLASS DIVISION BAR)				
51	1M72A-72B-72C-74		OM 7221546	2or4
51	1M79		OA 7921546	2
Group 21546-7 RUN (DOOR GLASS)-HINGE SIDE				
51	1M76	R.H.-28-3/64" long	7A 7621546	1
51	1M76	L.H.-28-3/64" long	7A 7621547	1
51	1M76	Washer (flat)-1/4"	44719-S8	4
Group 21550 RUN ASSEMBLY (DOOR GLASS)-LOCK SIDE-COMPLETE				
51	1M72A-72B-72C-74	Approximately 23-59/64" long	7A 7021550	2or4
51	1M79	Approximately 65-1/2" long	7A 7921550-A	2
51	1M72A-72B-72C-74	Lockwasher (external tooth)-No. 10	34903-S8	2or4
51	1M72A-72B-72C-74	Nut (hex)-No. 10-32	34079-S7	2or4
51	1M72A-72B-72C-74	Screw (pan head)-No. 10-32 x 3/8"	39032-S8	2or4
51	1M72A-72B-72C-74	Screw (flat head self tap.)-No. 6 x 3/8"	32784-S2	2or4
51	1M79	Screw (flat head self tap.)-No. 6-18 x 7/16"	351614-S2	4
Group 21570-1 RETAINER ASSEMBLY (DOOR GLASS RUN)-LOCK SIDE				
51	1M79	R.H.-16-7/16" long	7A 7921570	1
51	1M79	L.H.-16-7/16" long	7A 7921571	1
51	1M79	Lockwasher (external tooth)-No. 12	34927-S7	2
51	1M79	Nut (hex)-No. 12-24	34054-S8	2
51	1M79	Screw (oval head)-No. 12-24 x 3/4"	50420-S8	2
51	1M79	Washer (flat)-No. 10	44716-S8	2
Group 21572-3 RETAINER ASSEMBLY (DOOR GLASS RUN)-LOCK SIDE				
51	1M72A-72B-72C-74	R.H.-14-7/32" long	OM 7221572-A	1or2
51	1M72A-72B-72C-74	L.H.-14-7/32" long	OM 7221573-A	1or2
51	1M72A-72B-72C-74	Nut (hex)-No. 10-32	34079-S7	2
51	1M72A-72B-72C-74	Screw (pan head)-No. 10-32 x 3/8"	50508-S8	as req'd
51	1M72A-72B-72C-74	Washer (internal and external tooth)-No. 10	356256-S2	2
Group 21812-3 LOCK ASSEMBLY (FRONT DOOR)				
51	1M	R.H.	OA 7021812	1
51	1M	L.H.	OA 7021813	1
51	1M	Screw (cross recessed flat head)-No. 12-24 x 1/2"	357797-S8	6
51	1M	Screw and lockwasher assy (hex head)-No. 12-24 x 3/8"	355394-S8	2

MERCURY

BODY PARTS CATALOGUE

WHERE USED	ASS'Y NO.	A
FRONT DOOR	1M-7221818-9	25 $\frac{3}{4}$ "
FRONT DOOR	1M-7421818-9	15 $\frac{3}{16}$ "
REAR DOOR	1M-7426404-5	6 $\frac{1}{2}$ "



PM-387

Group 21818-9 CONTROL ASSEMBLY (FRONT DOOR LOCK REMOTE)

51	1M except 74	R.H.	1M 7221818	1
51	1M except 74	L.H.	1M 7221819	1
51	1M74	R.H.	1M 7421818	1
51	1M74	L.H.	1M 7421819	1
51	1M	Screw and washer assy (hex head)-No. 12-24 x 3/8"	355394-88	6

Group 21850 KNOB (DOOR LOCKING CONTROL ROD)

51	1M except 72C	Rubber	8A 7021850-B	2or4
51	1M72C	Chrome	0H 7321850	2

Group 21852 ROD (DOOR LOCK SAFETY CATCH)

51	1M72A-72B-72C-74		0M 7221852-A	2or4
51	1M76		0M 7621852-A	2
51	1M79		0A 7921852-A	2

Group 21858 SPRING (DOOR LOCK MAIN)

51	1M		0A 7021858	2or4
----	----	--	------------	------

Group 21872 SPRING (DOOR LOCK SLIDE TOGGLE)

51	1M	R.H.-Steel-double ring	0A 7021872	1or2
51	1M	L.H.-Steel-double ring	0A 7021873	1or2

Group 21909 SLEEVE (DOOR LOCK PAWL STOP)

51	1M	Rubber	0A 7021909	2or4
----	----	--------	------------	------

Group 21910 SPRING (DOOR LOCK REMOTE CONTROL)

51	1M	Steel-3 coils	8A 7021910-C	1
----	----	---------------	--------------	---

Group 21942-3 COVER AND SPRING KIT (DOOR LOCK AND SLEEVE ASSEMBLY)-OUTSIDE

51	1M	R.H.-Briggs & Stratton-includes spring and cover	HAK 7221942-A	1
51	1M	L.H.-Briggs & Stratton-includes spring and cover	HAK 7221943-A	1
51	1M	R.H.-Hurd-includes spring and cover	HAK 7221942-B	1
51	1M	L.H.-Hurd-includes spring and cover	HAK 7221943-B	1

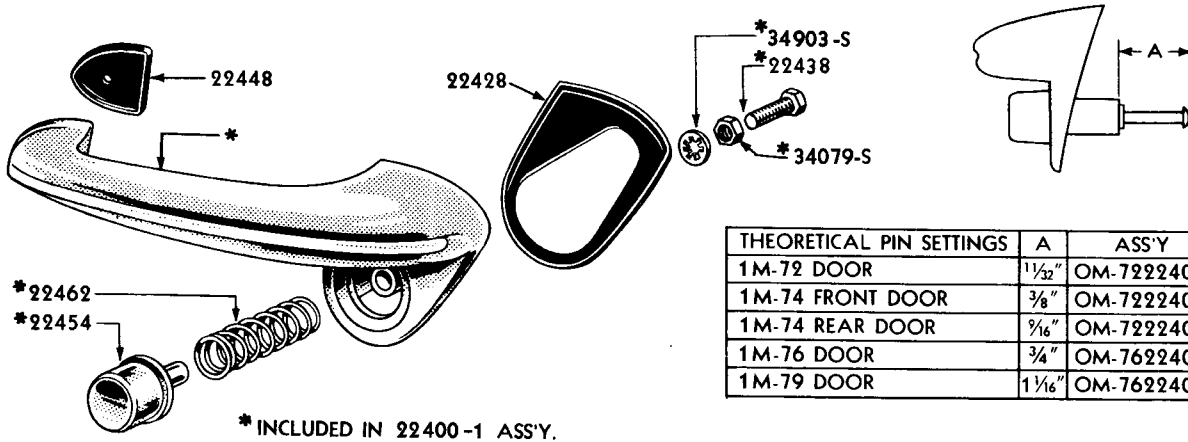
MERCURY

BODY PARTS CATALOGUE

YEAR 19	BODY TYPES	REMARKS	PART NUMBER	NO. REQ'D
Group 21984-5 LOCK CYLINDER AND SLEEVE ASSEMBLY (DOOR PANEL)-COMPLETE WITH KEYS				
51	1M72A-72B-72C-74	R.H.	OM 7221984-B	1
51	1M72A-72B-72C-74	L.H.	OM 7221985-B	1
51	1M76	R.H.	OM 7621984-B	1
51	1M76	L.H.	OM 7621985-B	1
51	1M79	R.H.	OH 7221984	1
51	1M79	L.H.	OH 7221985	1
51	1M except 79	Screw (hex socket set)-No. 10-32 x 1/2"	355114-S8	2
51	1M79	Nut (sleeve)-No. 10-32	350866-S7	2
51	1M79	Screw (hex socket set)-No. 10-32 x 3/4"	350106-S7	2
Group 21988 SPRING (DOOR LOCK PAWL STOP)				
51	1M	Steel-3/16" wide	OA 7021988-A	2or4
Group 21998 RETAINER ASSEMBLY (DOOR LOCK CYLINDER)				
51	1M72A-72B-72C-74-76	51/64" O.D.	OA 7021998-B	2
Group 21999 FERRULE (DOOR LOCK KNGB)				
51	1M except 79	Rubber	8M 7221999	2or4
Group 22008-9 PLATE ASSEMBLY (DOOR LOCK STRIKER)				
51	1M	R.H.	BA 7022008-A	1or2
51	1M	L.H.	BA 7022009-A	1or2
51	1M	Screw and lockwasher assy (cross recessed flat head)- 5/16"-24 x 1"	352282-S2	4
Group 22024 PLATE (DOOR LOCK STRIKER TAPPING)				
51	1M		OA 7022024	2or4
Group 22042 PAD (DOOR LOCK CYLINDER)				
51	1M	Rubber	1A 7022042	2
Group 22058 SHIM (DOOR LOCK STRIKER PLATE)				
51	1M	Steel-zinc plate-2-25/32" long	OA 7022058-B	as req'd
Group 22204-5 RETAINER AND BAR ASSEMBLY (VENTILATING WINDOW)-COMPLETE				
51	1M72A-72B-72C-74	R.H.	OM 7222204	1
51	1M72A-72B-72C-74	L.H.	OM 7222205	1
51	1M79	R.H.	OA 7922204	1
51	1M79	L.H.	OA 7922205	1
51	1M except 79	Screw and washer assy-No. 10-32 x 3/8"	42802-S8	2
Group 22218-9 FRAME AND GLASS ASSEMBLY (DOOR GLASS)-COMPLETE				
51	1M76	R.H.	8M 7622218-B	1
51	1M76	L.H.	8M 7622219-B	1
Group 22274 SHIM (DOOR VENT WINDOW FRAME TO INSIDE PANEL REAR BRACKET EXTENSION)				
51	1M76	23/32" wide by 2-7/8" long	8M 7622274	as req'd
Group 22342 WEATHERSTRIP (DOOR VENTILATING WINDOW TO DOOR)				
51	1M76	3" long-at front of finish strip	OM 7622342	2

MERCURY

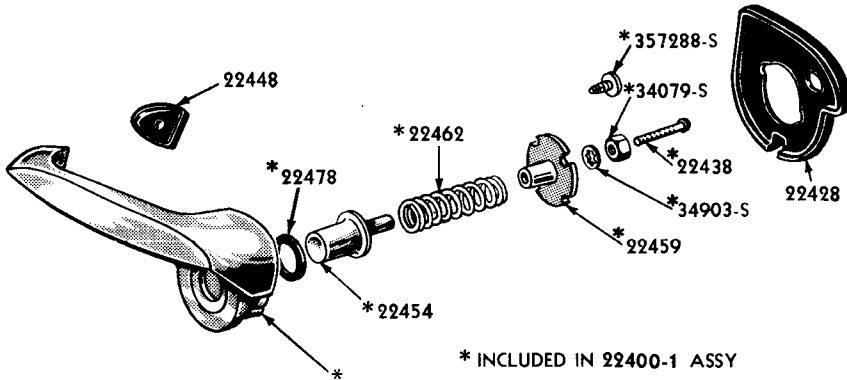
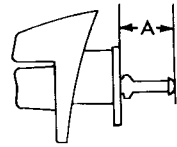
BODY PARTS CATALOGUE



THEORETICAL PIN SETTINGS	A	ASS'Y
1M-72 DOOR	1 1/32"	OM-7222400-1-A
1M-74 FRONT DOOR	3/8"	OM-7222400-1-A
1M-74 REAR DOOR	5/16"	OM-7222400-1-A
1M-76 DOOR	3/4"	OM-7622400-1-A
1M-79 DOOR	1 1/16"	OM-7622400-1-A

PM-477

THEORETICAL PIN SETTINGS	A	ASS'Y
1M-72 DOOR	1 1/32"	OL-7222400-1-B
1M-74 REAR DOOR	3/8"	OL-7222400-1-B
1M-74 FRONT DOOR	5/16"	OL-7222400-1-B
1M-76 DOOR	3/4"	OH-7222400-1



PM-476

YEAR 19	BODY TYPES	REMARKS	PART NUMBER	NO. REQ'D
Group 22400-1 HANDLE ASSEMBLY (DOOR OUTSIDE)-COMPLETE				
51	1M72A-72B-72C-74	R.H.	OM 7222400-A	1or2
51	1M72A-72B-72C-74	L.H.	OM 7222401-A	1or2
51	1M72A-72B-72C-74B	R.H.	OL 7222400-B	1or2
51	1M72A-72B-72C-74B	L.H.	OL 7222401-B	1or2
51	1M76	R.H.	OH 7222400	1
51	1M76	L.H.	OH 7222401	1
51	1M76-79	R.H.	OM 7622400-A	1
51	1M76-79	L.H.	OM 7622401-A	1
51	1M72A-72B-72C	Screw and washer assy (pan head)-No. 10-32 x 5/8"	42804-S8	2
51	1M74-76	Screw and washer assy (pan head)-No. 10-32 x 3/8"	42802-S8	2or4
51	1M74-76	Screw and washer assy (pan head)-No. 10-32 x 1"	42807-S8	2or4
51	1M79	Screw and washer assy (pan head)-No. 10-32 x 1-1/4"	357459-S8	2
51	1M79	Screw and washer assy (pan head)-No. 10-32 x 1-3/8"	357460-S8	2

MERCURY

BODY PARTS CATALOGUE

YEAR 19__	BODY TYPES	REMARKS	PART NUMBER	NO. REQ'D
Group 22428 PAD (OUTSIDE DOOR HANDLE)-LARGE				
51	1M except 79	Rubber	OL 7222428-B	2or4
51	1M	Rubber	OM 7222428-A	2
Group 22438 PIN (OUTSIDE DOOR HANDLE RELEASE)				
51	1M72A-72B-72C-74	1-7/64" long	OA 7022438	2or4
51	1M76-79	1-9/16" long	OA 7622438	2
Group 22448 PAD (OUTSIDE DOOR HANDLE)-SMALL				
51	1M	Rubber	OM 7222448	2or4
51	1M except 79	Rubber	OL 7222448	2
Group 22454 BUTTON AND GUIDE ASSEMBLY (OUTSIDE DOOR HANDLE)				
51	1M		OA 7022454-B	2
51	1M except 79		OM 7222454	2or4
51	1M	Lockwasher (internal tooth)-No. 10	34903-S8	2or4
51	1M	Nut (hex)-No. 10-32	34079-S7	2or4
Group 22459 RETAINER (OUTSIDE DOOR HANDLE BUTTON)				
51	1M except 79		OM 7222459	2or4
51	1M except 79	Screw (pan head cross recessed)-No. 6-32 x 3/8"	357288-S18	4or8
Group 22462 SPRING (OUTSIDE DOOR HANDLE PUSH BUTTON)				
51	1M except 79	Steel-29/64" O.D.-free length 2-5/16"	OM 7222462	2or4
51	1M	1/2" O.D.-free length 2-5/16"	OA 7022462	2
Group 22478 SEAL (OUTSIDE DOOR HANDLE BUTTON)				
51	1M except 79		1M 7222478	2or4
Group 22600 HANDLE ASSEMBLY (DOOR INSIDE)				
51	1M		1M 7222600	2or4
51	1M	Retainer (spring)	357550-S	2or4
Group 22618 ESCUTCHEON ASSEMBLY (DOOR INSIDE HANDLE)				
51	1M79		1A 7922618	4
Group 22624 SPRING (DOOR INSIDE HANDLE AND WINDOW REGULATOR HANDLE)				
51	1M		1A 7022624	as req'd

MERCURY

BODY PARTS CATALOGUE

YEAR 19	BODY TYPES	REMARKS	PART NUMBER	NO. REQ'D
Group 22800-1 HINGE ASSEMBLY (FRONT DOOR)-UPPER				
51	1M except 79	R.H.-with four holes	OM 7222800-B	1
51	1M except 79	L.H.-with four holes	OM 7222801-B	1
51	1M79	R.H.-with four holes	OM 7922800-B	1
51	1M79	L.H.-with four holes	OM 7922801-B	1
51	1M	Screw and lockwasher assy (cross recessed flat head)- 5/16"-24 x 1"	352282-S2	16 req'd
Group 22810-1 HINGE ASSEMBLY (FRONT DOOR)-LOWER				
51	1M	R.H.-with four holes	OM 7222810-B	1
51	1M	L.H.-with four holes	OM 7222811-B	1
Group 22840 PIN (DOOR HINGE)				
51	1M	5/16" diameter	OM 7222840	4 or 8
Group 22884-5 RAIN SHIELD (FRONT DOOR VENTILATING WINDOW)				
51	1M72A-72B-72C-74	R.H.	8M 7022884	1
51	1M72A-72B-72C-74	L.H.	8M 7022885	1
51	1M76	R.H.	8M 7622884	1
51	1M76	L.H.	8M 7622885	1
51	1M79	R.H.	8M 7922884	1
51	1M79	L.H.	8M 7922885	1
Group 22916-7 HANDLE (DOOR VENTILATOR WINDOW FRAME)				
51	1M except 76	R.H.-Front Door	8A 7022916-C	1
51	1M except 76	L.H.-Front Door	8A 7022917-C	1
51	1M74	R.H.-Rear Door	8M 7022916	1
51	1M74	L.H.-Rear Door	8M 7022917	1
51	1M76	R.H.	8A 7622916-C	1
51	1M76	L.H.	8A 7622917-C	1
51	1M except 76	Pin (taper)-3/32" x 1/2"	352471-S7	2
Group 22920 KEY (DOOR VENTILATOR WINDOW FRAME)				
51	1M		8A 7022920	2 or 4
Group 22921 PLATE (DOOR DIVISION CHANNEL LOWER BRACKET TAPPING)				
51	1M72A-72B-72C-74-79		7A 7022921	2 or 4
Group 22924 PLATE (DOOR VENTILATOR WINDOW LOCK)				
51	1M74	Rear Door	01A 7022924-B	2

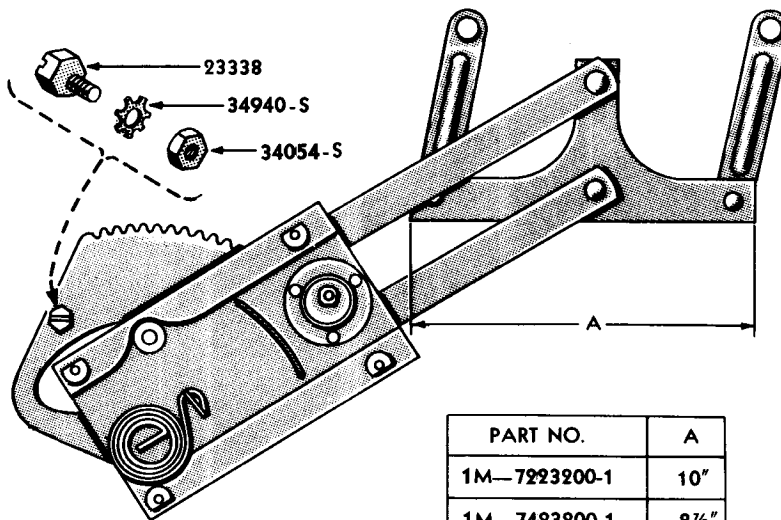
BODY PARTS CATALOGUE

YEAR 19__	BODY TYPES	REMARKS	PART NUMBER	NO. REQ'D
Group 22926 SPRING (FRONT DOOR VENTILATOR WINDOW PIVOT)				
51	1M	13/16" free length	01A 7022926	2or4
51	1M74	Nut (lock)-5/16"-24	351141-S8	2
51	1M76	Washer (flat)-5/16"	44724-S8	4
Group 22938-9 BRACKET AND HANDLE SHAFT ASSEMBLY (DOOR VENTILATOR WINDOW)				
51	1M	R.H.-Front Door	8A 7022938-B	1
51	1M	L.H.-Front Door	8A 7022939-B	1
51	1M74	Rear Door	01A 7022938	2
Group 22940-1 BRACKET (FRONT DOOR VENT WINDOW LOCKING HANDLE SHAFT)				
51	1M	R.H.	8A 7022940-B	1
51	1M	L.H.	8A 7022941-B	1
Group 22963 WASHER (QUARTER VENTILATING WINDOW PIVOT FRICTION)				
51	1M74		8A 7022963	2
51	1M74	Washer-3/8" I.D. x 49/64" O.D.	356425-S	4
Group 22976-7 HINGE (DOOR VENT WINDOW UPPER PIVOT)				
51	1M76	R.H.-upper hinge-female	8A 7622976-B	1
51	1M76	L.H.-upper hinge-female	8A 7622977-B	1
Group 22978-9 HINGE (DOOR VENT WINDOW PIVOT)				
51	1M76	R.H.-lower hinge-male	8A 7622978-B	1
51	1M76	L.H.-lower hinge-male	8A 7622979-B	1
51	1M76	Screw (cross recessed)-No. 10-32 x 1/4"	0A 7621480	2
Group 22982 WASHER (DOOR VENTILATOR WINDOW PIVOT)				
51	1M	25/64" I.D. x 39/64" O.D.	01A 7022982	2or4
Group 22986 SPRING (DOOR VENTILATOR WINDOW HANDLE)				
51	1M	Free length 7/16"	01A 7022986	2or4
Group 22992-3 STOP (DOOR VENT WINDOW PIVOT)				
51	1M72A-72B-72C-74-79	R.H.	8A 7022992	2
51	1M72A-72B-72C-74-79	L.H.	8A 7022993	2
51	1M76	R.H.-1" x 1-3/8"	8M 7022992	2
51	1M76	L.H.-1" x 1-3/8"	8M 7022993	2
51	1M76	Washer (flat)-5/16"	34746-S2	4
Group 23030 BUMPER (DOOR UPPER)				
51	1M	Rubber	11A 7023030-B	2

MERCURY

BODY PARTS CATALOGUE

YEAR 19	BODY TYPES	REMARKS	PART NUMBER	NO. REQ'D
	Group 23050	SUPPORT ASSEMBLY (FRONT DOOR VENT WINDOW FRONT AND REAR FRAME BRACKET) - LOWER		
51	1M76		11A 7623050	2
51	1M76	Lockwasher-1/4"	34805-S2	2
51	1M76	Nut (square)-1/4"-20	34095-S8	2
51	1M76	Screw (pan head)-1/4"-20 x 5/8"	38228-S2	2



PART NO.	A
1M-7223200-1	10"
1M-7423200-1	8 1/4"
1M-7427000-1	8"

PM-388

WINDOW REGULATOR MANUAL CONTROL

Group numbers only shown on illustration. Order by Part Numbers shown in list of parts.

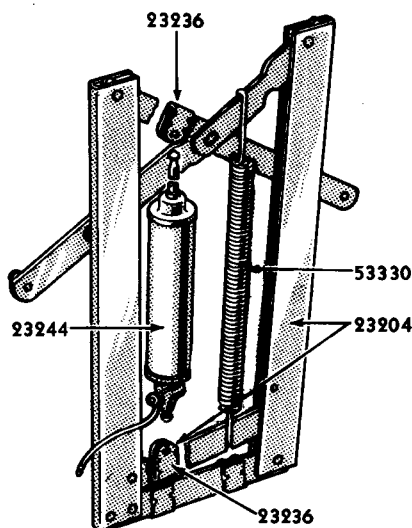
YEAR 19__	BODY TYPES	REMARKS	PART NUMBER	NO. REQ'D
Group 23200-1 REGULATOR ASSEMBLY (FRONT DOOR WINDOW)				
51	1M72A-72B-72C	R.H.-Manual Control	1M 7223200	1
51	1M72A-72B-72C	L.H.-Manual Control	1M 7223201	1
51	1M72B-74	R.H.-Hydraulic Control-front and rear door	8M 7023200-B	1or2
51	1M72B-74	L.H.-Hydraulic Control-front and rear door	8M 7023201-B	1or2
51	1M74	R.H.-Manual Control	1M 7423200	1
51	1M74	L.H.-Manual Control	1M 7423201	1
51	1M76	R.H.-Hydraulic Control	8M 7623200	1
51	1M76	L.H.-Hydraulic Control	8M 7623201	1
51	1M79	R.H.-Manual Control	1A 7923200	1
51	1M79	L.H.-Manual Control	1A 7923201	1
51	1M	Lockwasher (external tooth)-No. 12	351281-S2A	2
51	1M	Screw and washer assy (hex head)-No. 12-24 x 3/8"	355394-S8	10
51	1M except 76	Nut (hex)-No. 12-24	34054-S8	2

Group 23204-5 FRAME ASSEMBLY (HYDRAULIC WINDOW REGULATOR)

51	1M72B-72C-74	R.H.	8M 7023204	1or2
51	1M72B-72C-74	L.H.	8M 7023205	1or2
51	1M76	R.H.	8H 7323204	1
51	1M76	L.H.	8M 7623205	1

BODY PARTS CATALOGUE

YEAR 19__	BODY TYPES	REMARKS	PART NUMBER	NO. REQ'D
Group 23236 BRACKET (HYDRAULIC WINDOW REGULATOR ARM)				
51	1M72B-72C-74-76-79	7/8" x 1-19/64"	51A 7123236	5or9
Group 23244 CYLINDER ASSEMBLY (DOOR WINDOW REGULATOR HYDRAULIC)				
51	1M72B-72C-74-76		8L 7323244	2or4



PM-409

WINDOW REGULATOR HYDRAULIC CONTROL

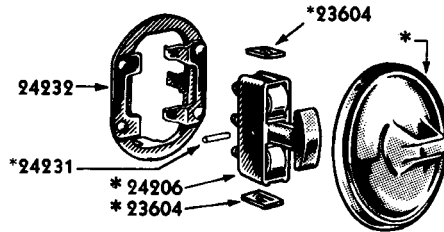
Group numbers only shown on illustration. Order by Part Numbers shown in list of parts.

YEAR 19__	BODY TYPES	REMARKS	PART NUMBER	NO. REQ'D
Group 23257 SPRING (FRONT DOOR REGULATOR ARM STUD RETAINING)				
51	1M72A-72B-72C-74-79		11A 7023257	4or8
Group 23259 WASHER (WINDOW REGULATOR ARM ATTACHING BRACKET)				
51	1M72A-72B-72C-74		11A 7023259	2or8
Group 23302-3 SWITCH AND HOUSING ASSEMBLY (HYDRAULIC WINDOW REGULATOR)				
51	1M72B-72C-74	Special equipment-single switch	OH 7223302	3
51	1M72B-72C-74	Special equipment-four switch	OH 7223303	1
51	1M76	Single switch	OH 7223302	3
51	1M76	Multiple switch	OH 7223303	1
Group 23312 SUPPORT (DOOR HYDRAULIC WINDOW REGULATOR SIDE RAIL)-UPPER				
51	1M72B-72C	Hydraulic Control	OM 7223312	2
51	1M74	Hydraulic Control	8M 7323312	2

MERCURY

BODY PARTS CATALOGUE

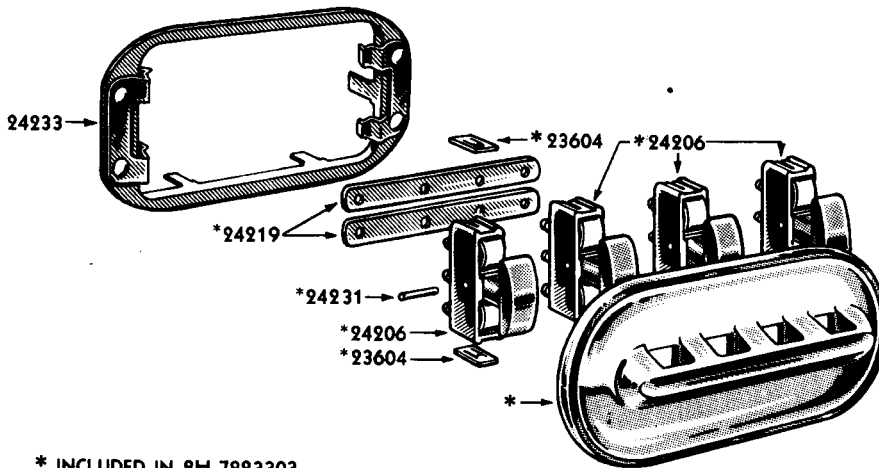
YEAR 19	BODY TYPES	REMARKS	PART NUMBER	NO. REQ'D
Group 23318 SPRING (DOOR WINDOW REGULATOR COUNTER BALANCE)				
51	1M79		7A 7923318	2
Group 23338 BOLT (DOOR WINDOW REGULATOR STOP)				
51	1M72A-72B-72C-74	Manual Control	01A 7023338	2or4
51	1M74	Lockwasher-No. 12	351281-AS2	2
Group 23342 HANDLE ASSEMBLY (DOOR WINDOW REGULATOR)				
51	1M except 76		1M 723342	2or4
51	1M except 76	Retainer (spring)	357550-S	2or4



* INCLUDED IN OH-7223302

PL-417

SINGLE HYDRAULIC WINDOW SWITCH (OH-7223302)



* INCLUDED IN 8H-7223303

PL-418

MULTIPLE HYDRAULIC WINDOW SWITCH (OH-7223303)

Group numbers only shown on illustration. Order by Part Numbers shown in list of parts.

BODY PARTS CATALOGUE

YEAR 19	BODY TYPES	REMARKS	PART NUMBER	NO. REQ'D
Group 23370 PLATE (WINDOW REGULATOR HANDLE)				
51	1M	1-1/32" I.D. x 1-31/32" O.D.	1A 7023370-B	as req'd
51	1M	1-1/16" I.D. x 11/16" O.D.	1A 7023370-A	as req'd
Group 23382 SUPPORT AND RETAINER ASSEMBLY (HYDRAULIC WINDOW REGULATOR ARM ROLLER)				
51	1M72B-72C-74-76	Front Door	5EH 7323382	2
51	1M74	Rear Door	8M 7423382	2
Group 23494 STOP (DOOR GLASS)-ON INNER PANEL				
51	1M76		8M 7623494	4
51	1M76	Lockwasher-No. 10	34803-S7	4
51	1M76	Screw (pan head self tapping)-No. 8-15 x 1/2"	32923-S7	4
51	1M76	Screw (pan head)-No. 10-32 x 1-1/2"	39180-S7	4
51	1M76	Screw (pan head)-No. 10-32 x 1/2"	39048-S2	4
51	1M76	Washer (internal tooth)-No. 10	34903-S8	4
Group 23500 ARM ASSEMBLY (DOOR CHECK)				
51	1M		8M 7023500	2
Group 23530 HOUSING ASSEMBLY (DOOR CHECK ARM)				
51	1M72A-72B-72C-74-76		06H 5623530	2or4
51	1M79		96H 7023530	2
51	1M	Rivet (round head)-3/16" x 3/8"	60330-S	4or8
Group 23554 WEATHERSTRIP (DOOR CHECK ARM HOLE)				
51	1M except 79		0M 7223554	2or4
Group 23600-1 FRAME ASSEMBLY (HYDRAULIC QUARTER WINDOW REGULATOR)				
51	1M76	R.H.	8L 7623600	1
51	1M76	L.H.	8L 7623601	1
Group 23602 CYLINDER ASSEMBLY (QUARTER WINDOW HYDRAULIC)				
51	1M76		8H 7623602	2
Group 23603 SPRING (QUARTER WINDOW HYDRAULIC OPERATING)				
51	1M76	Black Enamel	8H 7623603	2
Group 23604 SPRING (HYDRAULIC ELECTRIC SWITCH)-LOCKING				
51	1M72B-72C-74-76	5/16" x 1/2"	8H 7323604	as req'd

MERCURY

BODY PARTS CATALOGUE

YEAR 19	BODY TYPES	REMARKS	PART NUMBER	NO. REQ'D
Group 23942-3 TRIM PANEL ASSEMBLY (FRONT DOOR)-LESS ARM REST				
51	1M72A	R.H.-Upper M-5156-P Light Blue Broadcloth, Center Light Gray Artificial Leather, Lower Light Gray Artificial Leather	1M 7223942-AE	1
51	1M72A	L.H.-Upper M-5156-P Light Blue Broadcloth, Center Light Gray Artificial Leather, Lower Light Gray Artificial Leather	1M 7223943-AE	1
51	1M72B	R.H.-Upper Blue Antique Grain Artificial Leather, Center Ivory Antique Grain Artificial Leather, Lower Blue Antique Grain Artificial Leather	1M 7223942-AZ	1
51	1M72B	L.H.-Upper Blue Antique Grain Artificial Leather, Center Ivory Antique Grain Artificial Leather, Lower Blue Antique Grain Artificial Leather	1M 7223943-AZ	1
51	1M72B	R.H.-Upper Blue Colonial Grain Artificial Leather, Center Ivory Colonial Grain Artificial Leather, Lower Blue Colonial Grain Artificial Leather	1M 7223942-AV	1
51	1M72B	L.H.-Upper Blue Colonial Grain Artificial Leather, Center Ivory Colonial Grain Artificial Leather, Lower Blue Colonial Grain Artificial Leather	1M 7223943-AV	1
51	1M72B	R.H.-Upper M-5156-N Dark Blue Broadcloth, Center M-5156-P Light Blue Broadcloth, Lower Dark Blue Artificial Leather	1M 7223942-AB	1
51	1M72B	L.H.-Upper M-5156-N Dark Blue Broadcloth, Center M-5156-P Light Blue Broadcloth, Lower Dark Blue Artificial Leather	1M 7223943-AB	1
51	1M72B	R.H.-Upper Chestnut Brown Antique Grain Artificial Leather, Center Golden Tan Antique Grain Artificial Leather, Lower Chestnut Brown Antique Grain Artificial Leather	1M 7223942-AY	1
51	1M72B	L.H.-Upper Chestnut Brown Antique Grain Artificial Leather, Center Golden Tan Antique Grain Artificial Leather, Lower Chestnut Brown Antique Grain Artificial Leather	1M 7223943-AY	1
51	1M72B	R.H.-Upper Chestnut Brown Colonial Grain Artificial Leather, Center Golden Tan Colonial Grain Artificial Leather, Lower Chestnut Brown Colonial Grain Artificial Leather	1M 7223942-AF	1
51	1M72B	L.H.-Upper Chestnut Brown Colonial Grain Artificial Leather, Center Golden Tan Colonial Grain Artificial Leather, Lower Chestnut Brown Colonial Grain Artificial Leather	1M 7223943-AF	1
51	1M72B	R.H.-Upper M-5156-T Dark Green Broadcloth, Center M-5156-S Light Green Broadcloth, Lower Green Artificial Leather	1M 7223942-AC	1
51	1M72B	L.H.-Upper M-5156-T Dark Green Broadcloth, Center M-5156-S Light Green Broadcloth, Lower Green Artificial Leather	1M 7223943-AC	1
51	1M72B	R.H.-Upper M-5158-A Dark Tan Broadcloth, Center M-5159-A Gray Tan Broadcloth, Lower Dark Tan Artificial Leather	1M 7223942-AR	1
51	1M72B	L.H.-Upper M-5158-A Dark Tan Broadcloth, Center M-5159-A Gray Tan Broadcloth, Lower Dark Tan Artificial Leather	1M 7223943-AR	1
51	1M72B	R.H.-Upper M-5158-A Dark Tan Broadcloth, Center M-5159-B Light Tan Broadcloth, Lower Dark Tan Artificial Leather	1M 7223942-AA	1
51	1M72B	L.H.-Upper M-5158-A Dark Tan Broadcloth, Center M-5159-B Light Tan Broadcloth, Lower Dark Tan Artificial Leather	1M 7223943-AA	1
51	1M72C	R.H.-Upper Black Antique Grain Artificial Leather, Center Cherry Red Antique Grain Artificial Leather, Lower Black Antique Grain Artificial Leather	1M 7223942-AS	1
51	1M72C	L.H.-Upper Black Antique Grain Artificial Leather, Center Cherry Red Antique Grain Artificial Leather, Lower Black Antique Grain Artificial Leather	1M 7223943-AS	1
51	1M72C	R.H.-Upper Oyster White Antique Grain Artificial Leather, Medium Green Antique Grain Artificial Leather, Lower Oyster White Antique Grain Artificial Leather	1M 7223942-AT	1
51	1M72C	L.H.-Upper Oyster White Antique Grain Artificial Leather, Medium Green Antique Grain Artificial Leather, Lower Oyster White Antique Grain Artificial Leather	1M 7223943-AT	1

BODY PARTS CATALOGUE

YEAR 19__	BODY TYPES	REMARKS	PART NUMBER	NO. REQ'D
Group 23942-3 TRIM PANEL ASSEMBLY (FRONT DOOR)-LESS ARM REST-CONTINUED				
51	1M72C	R.H.-Upper Black Burnished Grain Artificial Leather, Center Cherry Red Burnished Grain Artificial Leather, Lower Black Burnished Grain Artificial Leather	1M 7223942-AAE	1
51	1M72C	L.H.-Upper Black Burnished Grain Artificial Leather, Center Cherry Red Burnished Grain Artificial Leather, Lower Black Burnished Grain Artificial Leather	1M 7223943-AAE	1
51	1M72C	R.H.-Upper Seal Brown Antique Grain Artificial Leather, Center Turquoise Antique Grain Artificial Leather, Lower Seal Brown Antique Grain Artificial Leather	1M 7223942-AAG	1
51	1M72C	L.H.-Upper Seal Brown Antique Grain Artificial Leather, Center Turquoise Antique Grain Artificial Leather, Lower Seal Brown Antique Grain Artificial Leather	1M 7223943-AAG	1
51	1M72C	R.H.-Upper Ivory Antique Grain Artificial Leather, Center Medium Green Antique Grain Artificial Leather, Lower Ivory Antique Grain Artificial Leather	1M 7223942-AAF	1
51	1M72C	L.H.-Upper Ivory Antique Grain Artificial Leather, Center Medium Green Antique Grain Artificial Leather, Lower Ivory Antique Grain Artificial Leather	1M 7223943-AAF	1
51	1M72C	R.H.-Upper Brown Grain Artificial Leather, Center Turquoise Antique Grain Artificial Leather, Lower Brown Antique Grain Artificial Leather	1M 7223942-AU	1
51	1M72C	L.H.-Upper Brown Grain Artificial Leather, Center Turquoise Antique Grain Artificial Leather, Lower Brown Antique Grain Artificial Leather	1M 7223943-AU	1
51	1M74	R.H.-Upper Blue Antique Grain Artificial Leather, Center Ivory Antique Grain Artificial Leather, Lower Blue Antique Grain Artificial Leather	1M 7423942-AZ	1
51	1M74	L.H.-Upper Blue Antique Grain Artificial Leather, Center Ivory Antique Grain Artificial Leather, Lower Blue Antique Grain Artificial Leather	1M 7423943-AZ	1
51	1M74	R.H.-Upper Blue Colonial Grain Artificial Leather, Center Ivory Colonial Grain Artificial Leather, Lower Blue Colonial Grain Artificial Leather	1M 7423942-AV	1
51	1M74	L.H.-Upper Blue Colonial Grain Artificial Leather, Center Ivory Colonial Grain Artificial Leather, Lower Blue Colonial Grain Artificial Leather	1M 7423943-AV	1
51	1M74	R.H.-Upper M-5156-N Dark Blue Broadcloth, Center M-5156-P Light Blue Broadcloth, Lower Dark Blue Artificial Leather	1M 7423942-AB	1
51	1M74	L.H.-Upper M-5156-N Dark Blue Broadcloth, Center M-5156-P Light Blue Broadcloth, Lower Dark Blue Artificial Leather	1M 7423943-AB	1
51	1M74	R.H.-Upper Chestnut Brown Antique Grain Artificial Leather, Center Golden Tan Antique Grain Artificial Leather, Lower Chestnut Brown Antique Grain Artificial Leather	1M 7423942-AY	1
51	1M74	L.H.-Upper Chestnut Brown Antique Grain Artificial Leather, Center Golden Tan Antique Grain Artificial Leather, Lower Chestnut Brown Antique Grain Artificial Leather	1M 7423943-AY	1
51	1M74	R.H.-Upper Chestnut Brown Colonial Grain Artificial Leather, Center Golden Tan Colonial Grain Artificial Leather, Lower Chestnut Brown Colonial Grain Artificial Leather	1M 7423942-AF	1
51	1M74	L.H.-Upper Chestnut Brown Colonial Grain Artificial Leather, Center Golden Tan Colonial Grain Artificial Leather, Lower Chestnut Brown Colonial Grain Artificial Leather	1M 7423943-AF	1
51	1M74	R.H.-Upper M-5156-T Dark Green Broadcloth, Center M-5156-S Light Green Broadcloth, Lower Green Artificial Leather	1M 7423942-AC	1
51	1M74	L.H.-Upper M-5156-T Dark Green Broadcloth, Center M-5156-S Light Green Broadcloth, Lower Green Artificial Leather	1M 7423943-AC	1

MERCURY

BODY PARTS CATALOGUE

YEAR 19	BODY TYPES	REMARKS	PART NUMBER	NO. REQ'D
Group 23942-3 TRIM PANEL ASSEMBLY (FRONT DOOR)-LESS ARM REST-CONTINUED				
51	1M74	R.H.-Upper M-5158-A Dark Tan Broadcloth, Center M-5159-B Light Tan Broadcloth, Lower Dark Tan Artificial Leather	1M 7423942-AA	1
51	1M74	L.H.-Upper M-5158-A Dark Tan Broadcloth, Center M-5159-B Light Tan Broadcloth, Lower Dark Tan Artificial Leather	1M 7423943-AA	1
51	1M74	R.H.-Upper M-5158-A Dark Tan Broadcloth, Center M-5159-A Gray Tan Broadcloth, Lower Dark Tan Artificial Leather	1M 7423942-AR	1
51	1M74	L.H.-Upper M-5158-A Dark Tan Broadcloth, Center M-5159-A Gray Tan Broadcloth, Lower Dark Tan Artificial Leather	1M 7423943-AR	1
51	1M76	R.H.-Upper Black Antique Grain Artificial Leather, Center Red Antique Grain Artificial Leather, Lower Black Antique Grain Artificial Leather	1M 7623942-AAA	1
51	1M76	L.H.-Upper Black Antique Grain Artificial Leather, Center Red Antique Grain Artificial Leather, Lower Black Antique Grain Artificial Leather	1M 7623943-AAA	1
51	1M76	R.H.-Upper Black Wolf Grain Artificial Leather, Center Red Wolf Grain Artificial Leather, Lower Black Wolf Grain Artificial Leather	1M 7623942-AG	1
51	1M76	L.H.-Upper Black Wolf Grain Artificial Leather, Center Red Wolf Grain Artificial Leather, Lower Black Wolf Grain Artificial Leather	1M 7623943-AG	1
51	1M76	R.H.-Upper Blue Antique Grain Artificial Leather, Center Gray Antique Grain Artificial Leather, Lower Blue Antique Grain Artificial Leather	1M 7623942-AAD	1
51	1M76	L.H.-Upper Blue Antique Grain Artificial Leather, Center Gray Antique Grain Artificial Leather, Lower Blue Antique Grain Artificial Leather	1M 7623943-AAD	1
51	1M76	R.H.-Upper Blue Antique Grain Artificial Leather, Center Ivory Antique Grain Artificial Leather, Lower Blue Antique Grain Artificial Leather	1M 7623942-AAC	1
51	1M76	L.H.-Upper Blue Antique Grain Artificial Leather, Center Ivory Antique Grain Artificial Leather, Lower Blue Antique Grain Artificial Leather	1M 7623943-AAC	1
51	1M76	R.H.-Upper Blue Wolf Grain Artificial Leather, Center Gray Wolf Grain Artificial Leather, Lower Blue Wolf Grain Artificial Leather	1M 7623942-AK	1
51	1M76	L.H.-Upper Blue Wolf Grain Artificial Leather, Center Gray Wolf Grain Artificial Leather, Lower Blue Wolf Grain Artificial Leather	1M 7623943-AK	1
51	1M76	R.H.-Upper Blue Wolf Grain Artificial Leather, Center Ivory Wolf Grain Artificial Leather, Lower Blue Wolf Grain Artificial Leather	1M 7623942-AJ	1
51	1M76	L.H.-Upper Blue Wolf Grain Artificial Leather, Center Ivory Wolf Grain Artificial Leather, Lower Blue Wolf Grain Artificial Leather	1M 7623943-AJ	1
51	1M76	R.H.-Upper Chestnut Brown Wolf Grain Artificial Leather, Center Golden Tan Wolf Grain Artificial Leather, Lower Chestnut Brown Wolf Grain Artificial Leather	1M 7623942-AH	1
51	1M76	L.H.-Upper Chestnut Brown Wolf Grain Artificial Leather, Center Golden Tan Wolf Grain Artificial Leather, Lower Chestnut Brown Wolf Grain Artificial Leather	1M 7623943-AH	1
51	1M76	R.H.-Upper Chestnut Brown Antique Grain Artificial Leather, Center Golden Tan Antique Grain Artificial Leather, Lower Chestnut Brown Antique Grain Artificial Leather	1M 7623942-AAB	1
51	1M76	L.H.-Upper Chestnut Brown Antique Grain Artificial Leather, Center Golden Tan Antique Grain Artificial Leather, Lower Chestnut Brown Antique Grain Artificial Leather	1M 7623943-AAB	1

MERCURY

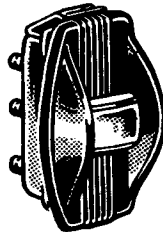
BODY PARTS CATALOGUE

YEAR 19__	BODY TYPES	REMARKS	PART NUMBER	NO. REQ'D
Group 23942-3 TRIM PANEL ASSEMBLY (FRONT DOOR)-LESS ARM REST-CONTINUED				
51	1M79	R.H.-Mahogany Wood finished panel with Chestnut Brown Artificial Leather Kick Pad	1M 7923942-AM	1
51	1M79	L.H.-Mahogany Wood finished panel with Chestnut Brown Artificial Leather Kick Pad	1M 7923943-AM	1
51	1M79	R.H.-Mahogany Wood finished panel with Dark Green Artificial Leather Kick Pad	1M 7923942-AN	1
51	1M79	L.H.-Mahogany Wood finished panel with Dark Green Artificial Leather Kick Pad	1M 7923943-AN	1
51	1M79	R.H.-Mahogany Wood finished panel with Dark Red Artificial Leather Kick Pad	1M 7923942-AL	1
51	1M79	L.H.-Mahogany Wood finished panel with Dark Red Artificial Leather Kick Pad	1M 7923943-AL	1
51	1M72A-72B-72C-74	Screw (oval head cross recessed)-No. 8-15 x 1"	52376-S13	4
51	1M except 79	Clip (trim)	352333-S3	as req'd
51	1M except 79	Washer (countersunk)-No. 8	34885-S7	4
51	1M79	Screw (cross recessed stove head)-No. 8-15	351769-S13	40
51	1M79	Screw (binding head self tapping)-No. 10 x 1/4"	32924-S8	42
Group 24140-1 REST ASSEMBLY (FRONT DOOR ARM)				
51	1M72A	L.H.-Top Gray Artificial Leather, Bottom Plastic	1M 7224141-AE	1
51	1M72B-74	R.H.-Top Blue Artificial Leather, Bottom Plastic	1M 7224140-AB	1
51	1M72B-74	L.H.-Top Blue Artificial Leather, Bottom Plastic	1M 7224141-AB	1
51	1M72B-74	R.H.-Top Green Artificial Leather, Bottom Plastic	1M 7224140-AC	1
51	1M72B-74	L.H.-Top Green Artificial Leather, Bottom Plastic	1M 7224141-AC	1
51	1M72B-74	R.H.-Top Dark Tan Artificial Leather, Bottom Dark Brown Plastic	1M 7224140-BA	1
51	1M72B-74	L.H.-Top Dark Tan Artificial Leather, Bottom Dark Brown Plastic	1M 7224141-BA	1
51	1M72B-74	R.H.-Top Dark Tan Artificial Leather, Bottom Light Tan Plastic	1M 7224140-CA	1
51	1M72B-74	L.H.-Top Dark Tan Artificial Leather, Bottom Light Tan Plastic	1M 7224141-CA	1
51	1M72B-74-76	R.H.-Top Blue Artificial Leather, Bottom Plastic	1M 7624140-BJ	1
51	1M72B-74-76	L.H.-Top Blue Artificial Leather, Bottom Plastic	1M 7624141-BJ	1
51	1M72B-74-76	R.H.-Top Chestnut Brown Artificial Leather, Bottom Plastic	1M 7624140-BH	1
51	1M72B-74-76	L.H.-Top Chestnut Brown Artificial Leather, Bottom Plastic	1M 7624141-BH	1
51	1M72C	R.H.-Top Seal Brown Artificial Leather, Bottom Plastic	1M 7224140-BU	1
51	1M72C	L.H.-Top Seal Brown Artificial Leather, Bottom Plastic	1M 7224141-BU	1
51	1M72C	R.H.-Top Green Artificial Leather, Bottom Plastic	1M 7224140-BT	1
51	1M72C	L.H.-Top Green Artificial Leather, Bottom Plastic	1M 7224141-BT	1
51	1M72C	R.H.-Top Cherry Red Artificial Leather, Bottom Plastic	1M 7224140-BS	1
51	1M72C	L.H.-Top Cherry Red Artificial Leather, Bottom Plastic	1M 7224141-BS	1
51	1M72C	R.H.-Top Turquoise Artificial Leather, Bottom Plastic	1M 7224140-AU	1
51	1M72C	L.H.-Top Turquoise Artificial Leather, Bottom Plastic	1M 7224141-AU	1
51	1M76	L.H.-Top Black Artificial Leather, Bottom Plastic	1M 7624141-BG	1
51	1M76	R.H.-Top Black Artificial Leather, Bottom Plastic	1M 7624140-BG	1
51	1M79	R.H.-Top Chestnut Brown Artificial Leather, Bottom Plastic	OM 7924140-AT	1
51	1M79	L.H.-Top Chestnut Brown Artificial Leather, Bottom Plastic	OM 7924141-AT	1
51	1M79	R.H.-Top Dark Green Artificial Leather, Bottom Plastic	OM 7924140-AU	1
51	1M79	L.H.-Top Dark Green Artificial Leather, Bottom Plastic	OM 7924141-AU	1
51	1M79	R.H.-Top Dark Red Artificial Leather, Bottom Plastic	OM 7924140-AS	1
51	1M79	L.H.-Top Dark Red Artificial Leather, Bottom Plastic	OM 7924141-AS	1
51	1M except 79	Screw (pan head self tapping)-No. 14-10 x 1"	32951-S2	4
51	1M79	Screw (pan head)-No. 10 x 1/2"	52727-S8	4

MERCURY

BODY PARTS CATALOGUE

YEAR 19	BODY TYPES	REMARKS	PART NUMBER	NO. REQ'D
Group 24190-1 MOULDING (DOOR ARM REST)				
51	1M72B-72C-74-76	R.H.	1M 7224190-A	1
51	1M72B-72C-74-76	L.H.	1M 7224191-A	1
Group 24192 RETAINER (DOOR ARM REST MOULDING)				
51	1M72B-72C-74-76		OM 7224192-B	4
Group 24193 SPRING (HYDRAULIC WINDOW MOUNTING STUD)				
51	1M except 79	7/8" x 1-1/32"	8H 7324193	as req'd



8L-7024206

PL-287

Group 24206 SWITCH ASSEMBLY (HYDRAULIC SEAT REGULATOR CONTROL)				
51	1M72B-72C-74	Special equipment	8L 7024206	1
51	1M76		8L 7024206	1
51	1M72B-72C-74-76	Lockwasher (standard)-No. 6	34801-S7	as req'd
Group 24206 SWITCH (WINDOW REGULATOR)				
51	1M72B-72C-74	Special equipment	8H 7224206	7
51	1M76		8H 7224206	7
51	1M72B-72C-74-76	Lockwasher (standard)-No. 6	34801-S7	as req'd
Group 24219 BAR (WINDOW REGULATOR SWITCH BUS)				
51	1M72B-72C-74-76		8M 7624219	2
Group 24230 ESCUTCHEON (HYDRAULIC SEAT REGULATOR CONTROL SWITCH)				
51	1M72B-72C-74	Special equipment	7EH 7324230	1
51	1M76		7EH 7324230	1
Group 24231 PIN (HYDRAULIC WINDOW SWITCH RETAINING)				
51	1M72B-72C-74-76	Fibre	8M 7024231	as req'd
Group 24232 PLATE (DOME LAMP SWITCH MOUNTING)				
51	1M76	Quarter panel-single switch	8H 7224232	1

BODY PARTS CATALOGUE

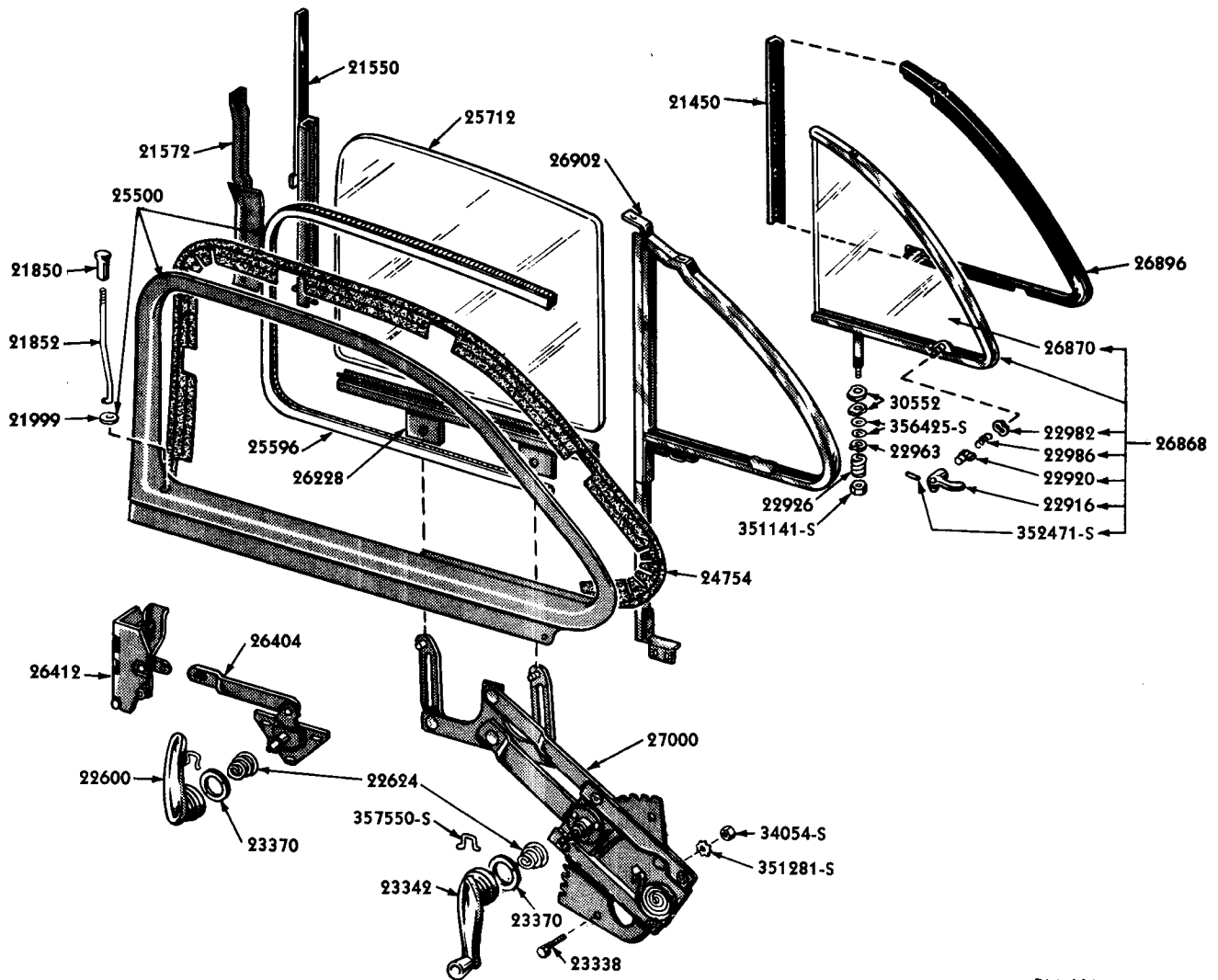
YEAR 19	BODY TYPES	REMARKS	PART NUMBER	NO. REQ'D
Group 24232-3 PLATE (WINDOW REGULATOR SWITCH MOUNTING)				
51	1M72B-72C-74	Special equipment-single switch	8H 7224232	3
51	1M72B-72C-74	Special equipment-multiple switch	8H 7224233	1
51	1M76	Single switch	8H 7224232	4
51	1M76	Multiple switch	8H 7224233	1
Group 24248 SUPPORT (DOOR HYDRAULIC WINDOW REGULATOR)				
51	1M72B-72C-74		8M 7024248-B	2or4
51	1M72B-72C-74	Nut (hex head)-1/4"-20	34390-S7	8
51	1M72B-72C-74	Screw (pan head)-1/4"-20 x 5/8"	39094-S8	8
51	1M72B-72C-74	Washer (flat)-1/4"	34745-S2	8
Group 24258 COVER (HYDRAULIC WINDOW REGULATOR HOSE AND WIRE)				
51	1M72B-72C-74	Front Door-coil spring-10-1/2" long	8M 7424258	4
51	1M76	Plastic-13-9/32" long	8M 7624258	2
Group 24300 PILLAR ASSEMBLY (BODY CENTER)				
51	1M74		OM 7424300	2
Group 24324-5 HINGE (FOLDING TOP PILLAR)				
51	1M76	R.H.	8M 7624324	1
51	1M76	L.H.	8M 7624325	1
51	1M76	Lockwasher-1/4"	34805-S7	8
51	1M76	Screw (fillister head)-No. 10-24 x 3/8"	31080-S7	8
51	1M76	Screw (flat head)-No. 10-24 x 3/8"	350183-S7	6
51	1M76	Stud (slotted head)-3/8"-16 x 1-23/64	357753-S	2
Group 24446 TRIM ASSEMBLY (CENTER BODY PILLAR)				
51	1M74	M-5156-P Light Blue Broadcloth	1M 7424446-AB	2
51	1M74	M-5159-A Gray Broadcloth	1M 7424446-AR	2
51	1M74	M-5156-S Light Green Broadcloth	1M 7424446-AC	2
51	1M74	M-5159-B Light Tan Broadcloth	1M 7424446-AR	2
51	1M74	Blue Antique Grain Artificial Leather	1M 7424446-AZ	2
51	1M74	Blue Colonial Grain Artificial Leather	1M 7424446-AV	2
51	1M74	Chestnut Brown Antique Grain Artificial Leather	1M 7424446-AY	2
51	1M74	Chestnut Brown Colonial Grain Artificial Leather	1M 7424446-AF	2
51	1M74	Clip	357749-S3	20

Group 24622-3 DOOR ASSEMBLY (REAR) - LESS PAINT, TRIM, GLASS, HANDLES, HINGES, LOCK AND REGULATOR

51	LM74	R.H.	OM 7424622-B	1
51	LM74	L.H.	OM 7424623-B	1
51	LM74	R.H. -Without holes (to be drilled for service)	LL 7420122-B	1
51	LM74	L.H. -Without holes (to be drilled for service)	LL 7420123-B	1
51	LM74	R.H. -Without holes (to be drilled for service)	OM 7424622-C	1
51	LM74	L.H. -Without holes (to be drilled for service)	OM 7424623-C	1

MERCURY

BODY PARTS CATALOGUE



PM-461

REAR DOOR PARTS

Group numbers only shown on illustration. Order by Part Numbers shown in list of parts.

Group 24754-5 WELT AND CARBOARD ASSEMBLY (REAR DOOR WINDOW FINISH STRIP)

51	1M74	R.H.-56-1/2" long	8M 7424754	1
51	1M74	L.H.-56-1/2" long	8M 7424755	1

Group 25104-5 WEATHERSTRIP (REAR DOOR BOTTOM)

51	1M74	R.H.-Approximate length 26"	8M 7325104	1
51	1M74	L.H.-Approximate length 25"	8M 7325105	1
51	1M74	Screw (drive)-No. 6	351629-A2B	2

Group 25312 RETAINER (REAR DOOR BOTTOM WEATHERSTRIP)-OUTER

51	1M74	22-5/8" long	8A 7325312-B	2
----	------	--------------	--------------	---

MERCURY

BODY PARTS CATALOGUE

YEAR 19__	BODY TYPES	REMARKS	PART NUMBER	NO. REQ'D
Group 25324-5 WEATHERSTRIP (REAR DOOR OPENING)-OUTER				
51	1M74	R.H.-108-1/4" long	8M 7425324-B	1
51	1M74	L.H.-108-1/4" long	8M 7425325-B	1
51	1M74	Clip	352331-S3	2
Group 25500-1 FINISH STRIP AND WEATHERSTRIP ASSEMBLY (REAR DOOR WINDOW)				
51	1M74	R.H.-in Prime	1M 7425500-AP	1
51	1M74	L.H.-in Prime	1M 7425501-AP	1
51	1M74	Screw (oval head)-No. 8-15 x 3/4"	52360-S13	8
Group 25554-5 MOULDING (REAR DOOR OUTSIDE PANEL)-AT BELT				
51	1M74	R.H.-29-3/64" long	8M 7425554-B	1
51	1M74	L.H.-29-3/64" long	8M 7425555-B	1
51	1M74	Clip (moulding)	358168-S3	10
Group 25556-7 MOULDING (REAR DOOR OUTSIDE)-LOWER				
51	1M74	R.H.-30-1/16" long	8M 7325556	1
51	1M74	L.H.-30-1/16" long	8M 7325557	1
51	1M74	Retainer (moulding)	352396-S32	8
51	1M74	Retainer assy (moulding)-No. 10-24	358200-S7	4
Group 25558 MOULDING ASSEMBLY (REAR DOOR TRIM)-UPPER				
51	1M74	25-61/64" long	1M 7425558	2
Group 25578 MOULDING ASSEMBLY (REAR DOOR TRIM)-LOWER				
51	1M74	24-15/64" long	1M 7425578	2
Group 25588-9 MOULDING AND WEATHERSTRIP (REAR DOOR OUTSIDE REVEAL)				
51	1M74	R.H.	OM 7425588	1
51	1M74	L.H.	OM 7425589	1
51	1M74B-74C	Clip (speed)	353267-S32	10
Group 25596-7 WEATHERSTRIP ASSEMBLY (REAR DOOR GLASS)-OUTER				
51	1M74	R.H.-with Chrome beading	OM 7425596	2
51	1M74	L.H.-with Chrome beading	OM 7425597	2
Group 25622 KIT (NAME PLATE INSTALLATION)-MERC.O.MATIC				
51	1M	Consists of the following (1) 1M 7225622-B Name Plate (4) 356470-S Washer (insulation) (4) 44710-S8 Washer No. 8 (4) 34052-S7 Nut (hex)-No. 8-32	MBK 7225622-A	2
Group 25712 GLASS (REAR DOOR WINDOW)				
51	1M74		8M 7425712-A	2

MERCURY

BODY PARTS CATALOGUE

YEAR 19__	BODY TYPES	REMARKS	PART NUMBER	NO. REQ'D
Group 25724 STRIP (REAR DOOR WINDOW RETAINER)				
51	1M74	15-3/8" long-use M-17779-A for service	8M 7425724-E	2
Group 25814 KNOB (REAR DOOR AND QUARTER WINDOW SLIDING GLASS LATCH)				
51	1M79		51A 7925814	2
Group 25856 WEATHERSTRIP (REAR DOOR GLASS HEADER)				
51	1M74	18-1/4" long	7A 7425856-A	2
Group 26228-9 CHANNEL AND BRACKET ASSEMBLY (REAR DOOR GLASS)				
51	1M74	R.H.-Manual Control	7A 7426228-A	1
51	1M74	L.H.-Manual Control	7A 7426229-A	1
51	1M74	R.H.-Hydraulic Control	8M 7426228-B	1
51	1M74	L.H.-Hydraulic Control	8M 7426229-B	1
Group 26404-5 CONTROL ASSEMBLY (REAR DOOR LOCK REMOTE)				
51	1M74	R.H.	1M 7426404	1
51	1M74	L.H.	1M 7426405	1
51	1M74	Screw and lockwasher assy (hex head)-No. 12-24 x 3/8"	355394-88	6
Group 26412-3 LOCK ASSEMBLY (REAR DOOR)				
51	1M74	R.H.	OM 7426412	1
51	1M74	L.H.	OM 7426413	1
51	1M74	Screw (cross recessed flat head)-No. 12-24 x 1/2"	357797-88	6
51	1M74	Screw and lockwasher assy (hex head)-No. 12-24 x 3/8"	355394-88	2
Group 26800-1 HINGE ASSEMBLY (REAR DOOR)-UPPER				
51	1M74	R.H.	OM 7426800	1
51	1M74	L.H.	OM 7426801	1
51	1M74	Screw and lockwasher assy (flat head)-5/16"-24 x 1"	352282-88	12
Group 26810-1 HINGE ASSEMBLY (REAR DOOR)-LOWER				
51	1M74	R.H.	OM 7426810	1
51	1M74	L.H.	OM 7426811	1
51	1M74	Screw and lockwasher assy (cross recessed)-5/16"-24 x 1"	352282-82	as req'd
Group 26866-7 VENTILATING WINDOW ASSEMBLY (REAR DOOR)-COMPLETE-INCLDING DIVISION BAR				
51	1M74	R.H.	OM 7426866	1
51	1M74	L.H.	OM 7426867	1
51	1M74	Nut (lock)-5/16"-24	351141-88	2
51	1M74	Nut ("J" type)-No. 14A	352312-832	4
51	1M74	Screw (hex head)-No. 14 x 3/4"	42023-87	4
Group 26868-9 GLASS AND FRAME ASSEMBLY (REAR DOOR VENTILATING WINDOW)				
51	1M74	R.H.	8M 7426868-B	1
51	1M74	L.H.	8M 7426869-B	1
51	1M74	Nut (self locking)-5/16"-24	351141-88	2

MERCURY

47

BODY PARTS CATALOGUE

YEAR 19__	BODY TYPES	REMARKS	PART NUMBER	NO. REQ'D
Group 26870 GLASS (REAR DOOR VENTILATOR WINDOW)				
51	1M74		8M 7426870-A	2
Group 26875 STRIP (REAR DOOR VENT WINDOW GLASS RETAINING)				
51	1M74	Secure locally	7A 7426875-B	2
Group 26896-7 WEATHERSTRIP (REAR DOOR VENTILATING WINDOW)				
51	1M74	R.H.	8M 7426896	1
51	1M74	L.H.	8M 7426897	1
51	1M74	Rivet (special)	OA 7021524	8
Group 26902-3 RETAINER AND DIVISION BAR ASSEMBLY (REAR DOOR VENTILATING WINDOW)				
51	1M74	R.H.	OM 7426902	1
51	1M74	L.H.	OM 7426903	1
51	1M74	Lockwasher (internal tooth)-1/4"	34905-S7	2

Group 27000-1 REGULATOR ASSEMBLY (REAR DOOR WINDOW)

51	1M74	R.H.-Manual Control	1M 7427000	1
51	1M74	L.H.-Manual Control	1M 7427001	1
51	1M74	R.H.-Hydraulic Control-front and rear door	8M 7023200-B	1or2
51	1M74	L.H.-Hydraulic Control-front and rear door	8M 7023201-B	1or2
51	1M74	Nut (hex)-No. 12-24	34054-S8	2
51	1M74	Washer (flat)-1/4"	44720-S8	2
51	1M74	Screw and washer assy (hex head)-No. 12-24 x 3/8"	355394-S8	8

Group 27200 ARM ASSEMBLY (REAR DOOR CHECK)

51	1M74	4-57/64" long	8M 7327200-B	2
----	------	---------------	--------------	---

Group 27336 COVER SPRING (HYDRAULIC WINDOW LIFT HOSE)-REAR DOOR

51	1M74	7" long	8M 7427336	4
----	------	---------	------------	---

Group 27338 SUPPORT (REAR DOOR HYDRAULIC WINDOW REGULATOR INSIDE RAIL)-UPPER

51	1M74	Overall length approximately 14-1/2"	8M 7327338	2
----	------	--------------------------------------	------------	---

Group 27406-7 TRIM PANEL ASSEMBLY (REAR DOOR)

51	1M74	R.H.-Upper M-5156-N Dark Blue Broadcloth, Center M-5156-P Light Blue Broadcloth, Lower Dark Blue Artificial Leather	1M 7427406-AB	1
51	1M74	L.H.-Upper M-5156-N Dark Blue Broadcloth, Center M-5156-P Light Blue Broadcloth, Lower Dark Blue Artificial Leather	1M 7427407-AB	1
51	1M74	R.H.-Upper Blue Colonial Grain Artificial Leather, Center Ivory Colonial Grain Artificial Leather, Lower Blue Colonial Grain Artificial Leather	1M 7427406-AV	1
51	1M74	L.H.-Upper Blue Colonial Grain Artificial Leather, Center Ivory Colonial Grain Artificial Leather, Lower Blue Colonial Grain Artificial Leather	1M 7427407-AV	1
51	1M74	R.H.-Upper Blue Antique Grain Artificial Leather, Center Ivory Antique Grain Artificial Leather, Lower Blue Antique Grain Artificial Leather	1M 7427406-AZ	1
51	1M74	L.H.-Upper Blue Antique Grain Artificial Leather, Center Ivory Antique Grain Artificial Leather, Lower Blue Antique Grain Artificial Leather	1M 7427407-AZ	1

MERCURY

BODY PARTS CATALOGUE

YEAR 19__	BODY TYPES	REMARKS	PART NUMBER	NO. REQ'D
Group 27406-7 TRIM PANEL ASSEMBLY (REAR DOOR)-CONTINUED				
51	1M74	R.H.-Upper Chestnut Brown Antique Grain Artificial Leather, Center Golden Tan Antique Grain Artificial Leather, Lower Chestnut Brown Artificial Leather-Manual Control	1M 7427406-AY	1
51	1M74	L.H.-Upper Chestnut Brown Antique Grain Artificial Leather, Center Golden Tan Antique Grain Artificial Leather, Lower Chestnut Brown Artificial Leather-Manual Control	1M 7427407-AY	1
51	1M74	R.H.-Upper Chestnut Brown Colonial Grain Artificial Leather, Center Golden Tan Colonial Grain Artificial Leather, Lower Chestnut Brown Colonial Grain Artificial Leather	1M 7427406-AF	1
51	1M74	L.H.-Upper Chestnut Brown Colonial Grain Artificial Leather, Center Golden Tan Colonial Grain Artificial Leather, Lower Chestnut Brown Colonial Grain Artificial Leather	1M 7427407-AF	1
51	1M74	R.H.-Upper M-5156-T Dark Green Broadcloth, Center M-5156-S Light Green Broadcloth, Lower Green Artificial Leather	1M 7427406-AC	1
51	1M74	L.H.-Upper M-5156-T Dark Green Broadcloth, Center M-5156-S Light Green Broadcloth, Lower Green Artificial Leather	1M 7427407-AC	1
51	1M74	R.H.-Upper M-5158-A Dark Tan Broadcloth, Center M-5159-A Gray Tan Broadcloth, Lower Dark Tan Artificial Leather	1M 7427406-AR	1
51	1M74	L.H.-Upper M-5158-A Dark Tan Broadcloth, Center M-5159-A Gray Tan Broadcloth, Lower Dark Tan Artificial Leather	1M 7427407-AR	1
51	1M74	R.H.-Upper M-5158-A Dark Tan Broadcloth, Center M-5159-B Light Tan Broadcloth, Lower Dark Tan Artificial Leather	1M 7427406-AA	1
51	1M74	L.H.-Upper M-5158-A Dark Tan Broadcloth, Center M-5159-B Light Tan Broadcloth, Lower Dark Tan Artificial Leather	1M 7427407-AA	1
51	1M74	Clip (trim)	352333-S3	as req'd
51	1M74	Screw (oval head self tapping)-No. 8-15 x 1"	52376-S13	4
51	1M74	Washer (countersunk)-No. 8	34876-S23B	4

Group 27542-3 WINDLACE AND CORD ASSEMBLY (REAR DOOR OPENING)

51	1M74	R.H.-Blue-use with Trim Code 64-66	OM 7427542-AB	1
51	1M74	L.H.-Blue-use with Trim Code 64-66	OM 7427543-AB	1
51	1M74	R.H.-Blue-use with Trim Code 76	1M 7427542-AZ	1
51	1M74	L.H.-Blue-use with Trim Code 76	1M 7427543-AZ	1
51	1M74	R.H.-Chestnut Brown-use with Trim Code 74	1M 7427542-AY	1
51	1M74	L.H.-Chestnut Brown-use with Trim Code 74	1M 7427543-AY	1
51	1M74	R.H.-Green-use with Trim Code 68	OM 7427542-AR	1
51	1M74	L.H.-Green-use with Trim Code 68	OM 7427543-AR	1
51	1M74	R.H.-Tan-use with Trim Code 60-62	OM 7427542-AA	1
51	1M74	L.H.-Tan-use with Trim Code 60-62	OM 7427543-AA	1
51	1M74	Screw (pan head cross recessed)-No. 8-15 x 3/8"	52720-S8	4
51	1M74	Nail (drive)-No. 4	351580-S28	as req'd

Group 27700-1 PANEL ASSEMBLY (BODY QUARTER)-COMPLETE

51	1M72A-72B-72C	R.H.-without caged nuts at rear floor pan filler	1M 7227700-C	1
51	1M72A-72B-72C	L.H.-without caged nuts at rear floor pan filler	1M 7227701-C	1
51	1M74	R.H.-without caged nuts at rear floor pan filler	1M 7427700-C	1
51	1M74	L.H.-without caged nuts at rear floor pan filler	1M 7427701-C	1
51	1M76	R.H.-without caged nuts at rear floor pan filler	1M 7627700-C	1
51	1M76	L.H.-without caged nuts at rear floor pan filler	1M 7627701-C	1

MERCURY

49

BODY PARTS CATALOGUE

YEAR 19	BODY TYPES	REMARKS	PART NUMBER	NO. REQ'D
Group 27804-5 BRACKET (TRIM PANEL TO WHEELHOUSE)				
51	1M76	R.H.-Approximate length 10-1/4"	8M 7627804	1
51	1M76	L.H.-Approximate length 10-1/4"	8M 7627805	1
Group 27806-7 PLATE (QUARTER TRIM FINISH)				
51	1M76	R.H.-length 4"-all trim	8M 7627806-B	1
51	1M76	L.H.-length 4"-all trim	8M 7627807-B	1
51	1M76	Screw (cross recessed pan head self tap.)-No. 8-15 x 3/8"	52720-S13	4
Group 27828-9 BRACKET (QUARTER WHEELHOUSE INNER BODY BOLT)				
51	1M except 79		8M 7027828	1
51	1M except 79		8M 7027829	1

Group 27840-1 PANEL ASSEMBLY (BODY QUARTER)

51	1M72A-72B-72C	R.H.	1M 7227840-C	1
51	1M72A-72B-72C	L.H.	1M 7227841-C	1
51	1M74	R.H.	1M 7427840-C	1
51	1M74	L.H.	1M 7427841-C	1
51	1M76	R.H.	1M 7627840-C	1
51	1M76	L.H.	1M 7627841-C	1
51	1M79	R.H.	OA 7927840	1
51	1M79	L.H.	OA 7927841	1
51	1M79	Bumper (rubber)-stop for window glass	357385-S	2
51	1M79	Screw (pan head)-No. 6-18 x 5/8"	52732-S8	2

Group 27870-1 PANEL ASSEMBLY (QUARTER WINDOW REGULATOR)

51	1M76	R.H.	8M 7627870	1
51	1M76	L.H.	8M 7627871	1
51	1M76	Bolt (hex head pointed)-1/4"-20 x 3/4"	24344-S7	12
51	1M76	Lockwasher (internal tooth)-1/4"	34905-S7	8

Group 27880-1 PANEL (BODY SIDE FINISH OUTER)-COMPLETE

51	1M79	R.H.-Mahogany Plywood	1A 7927880	1
51	1M79	L.H.-Mahogany Plywood	1A 7927881	1

Group 27880-1 PANEL (BODY SIDE FINISH OUTER)-UPPER

51	1M79	R.H.-Steel with Mahogany Grain Finish	OA 7927880	1
51	1M79	L.H.-Steel with Mahogany Grain Finish	OA 7927881	1

Group 27886-7 PANEL (QUARTER WHEELHOUSE)-INNER

51	1M except 79	R.H.	8M 7327886-B	1
51	1M except 79	L.H.	8M 7327887-B	1

Group 27906-7 PANEL (BODY SIDE FINISH OUTER)-REAR

51	1M79	R.H.-Steel with Mahogany Grain Finish	OA 7927906	1
51	1M79	L.H.-Steel with Mahogany Grain Finish	OA 7927907	1

Group 27914-5 PANEL (BODY SIDE FINISH OUTER)-LOWER FRONT

51	1M79	R.H.-Steel with Mahogany Grain Finish	OA 7927914	1
51	1M79	L.H.-Steel with Mahogany Grain Finish	OA 7927915	1

MERCURY

BODY PARTS CATALOGUE

YEAR 19	BODY TYPES	REMARKS	PART NUMBER	NO. REQ'D
Group 27918-9 ORNAMENT ASSEMBLY (QUARTER PANEL)-LOWER				
51	1M except 79	R.H.-Chrome Finish	1M 7227918-B	1
51	1M except 79	L.H.-Chrome Finish	1M 7227919-B	1
51	1M except 79	Lockwasher-1/4" I.D. x 5/8" O.D.	351274-S7	4
51	1M except 79	Nut (hex)-No. 10-24	34053-S8	4
51	1M except 79	Nut retainer assy	357254-S2	2
51	1M except 79	Nut (hex)-1/4"-28	34081-S7	2
51	1M except 79	Screw and washer assy-1/4"-28 x 5/8"	42904-S8	4
51	1M except 79	Washer (flat)-No. 10	44713-S8	4
Group 27968-9 COVER ASSEMBLY (QUARTER PANEL WHEEL OPENING)				
51	1M except 79	R.H.	1L 7227968	1
51	1M except 79	L.H.	1L 7227969	1
Group 27986-7 SEAL (QUARTER PANEL WHEEL OPENING COVER)				
51	1M except 79	R.H.	1L 7227986	1
51	1M except 79	L.H.	1L 7227987	1
Group 27996-7 RETAINER (QUARTER PANEL WHEEL OPENING COVER SEAL)				
51	1M except 79	R.H.	1L 7227996-B	1
51	1M except 79	L.H.	1L 7227997-B	1
Group 28000-1 BRACKET (QUARTER WHEEL OPENING COVER)-LOWER FRONT				
51	1M except 79	R.H.	1L 7228000	1
51	1M except 79	L.H.	1L 7228001	1
Group 28002-3 BRACKET (QUARTER WHEEL OPENING COVER)-LOWER REAR				
51	1M except 79		1L 7228002	1
51	1M except 79		1L 7228003	1
Group 28006 CLIP (REINFORCEMENT QUARTER PANEL WHEEL COVER)				
51	1M except 79	4" long	8L 7328006	2
Group 28104-5 PILLAR ASSEMBLY (QUARTER HINGE)				
51	1M74	R.H.-Manual Control	8M 7428104-B	1
51	1M74	L.H.-Manual Control	8M 7428105-B	1
51	1M74	R.H.-Hydraulic Control	8L 7428104	1
51	1M74	L.H.-Hydraulic Control	8L 7428105	1
Group 28160-1 PILLAR ASSEMBLY (QUARTER LOCK)				
51	1M72A-72B-72C	R.H.	OM 7228160-B	1
51	1M72A-72B-72C	L.H.	OM 7228161-B	1
51	1M76	R.H.	OM 7628160-B	1
51	1M76	L.H.	OM 7628161-B	1
51	1M79	R.H.	OM 7928160	1
51	1M79	L.H.	OM 7928161	1
Group 28164-5 STRAINER (QUARTER HINGE PILLAR UPPER REINFORCEMENT TO PACKAGE TRAY)				
51	1M74	R.H.	8M 7428164	1
51	1M74	L.H.	8M 7428165	1

MERCURY

BODY PARTS CATALOGUE

YEAR 19	BODY TYPES	REMARKS	PART NUMBER	NO. REQ'D
Group 28214-5 REINFORCEMENT (FRONT DOOR LOCK PILLAR)				
51	1M79	R.H.	7A 7928214	1
51	1M79	L.H.	7A 7928215	1
Group 28237 SEAL (QUARTER PILLAR)-DUST				
51	1M79	Sponge Rubber	8M 7928237	2
Group 28252-3 PILLAR ASSEMBLY (REAR QUARTER)				
51	1M79	R.H.	7A 7928252	1
51	1M79	L.H.	7A 7928253	1
Group 28276 RETAINER (QUARTER LOCK PILLAR TRIM)				
51	1M76	28-43/64" long	8M 7628276	2
51	1M76	Washer (hollow countersunk)-No. 8	34885-S13	14
Group 28508 RETAINER (QUARTER WHEELHOUSE)-TRIM				
51	1M72A-72B-72C-74	5/8" x 15/16" x 2" long	7A 7328508	2
Group 28611 LID ASSEMBLY (QUARTER PANEL FUEL TANK FILLER)				
51	1M except 79		1M 7228611-B	1
51	1M except 79	Bumper	1M 7228626	2
51	1M except 79	Lockwasher-No. 8	34902-S8	2
51	1M except 79	Lockwasher-No. 10	34903-S8	2
51	1M except 79	Nut (hex)-No. 10-32	34079-S7	2
51	1M except 79	Screw (pan head)-No. 10-32 x 3/8"	39032-S8	2
Group 28617 HOUSING (QUARTER PANEL FUEL TANK FILLER NECK)				
51	1M except 79		1M 7228617-B	1
51	1M except 79	Bumper	1M 7228626	2
51	1M except 79	Lockwasher (internal tooth)-No. 8	34902-S7	8
51	1M except 79	Screw (pan head self tapping)-No. 8-15 x 3/8"	52720-S8	8
Group 28626 BUMPER (QUARTER PANEL FUEL FILLER LID)				
51	1M except 79	Rubber	1M 7228626	2
Group 28700-1 FRAME ASSEMBLY (BODY SIDE FINISH)-UPPER				
51	1M79	R.H.-Wood	7A 7928700	1
51	1M79	L.H.-Wood	7A 7928701	1
51	1M79	Bolt (hex head)-5/16"-18 x 7/8"	20366-S2	12
51	1M79	Lockwasher (internal tooth)-5/16"	34906-S7	12
51	1M79	Screw and lockwasher assy (hex head)-5/16"-18 x 3/4"	42789-S8	2
51	1M79	Screw and washer assy (hex head)-5/16"-18 x 1"	42847-S8	10
51	1M79	Washer (flat)-No. 10	34703-S	12
51	1M79	Washer (flat)-5/16"	34746-S2	12
Group 28710-1 FRAME AND PANEL ASSEMBLY (BODY SIDE FINISH)-LOWER				
51	1M79	R.H.-Wood frame and Steel panel	0A 7928710	1
51	1M79	L.H.-Wood frame and Steel panel	0A 7928711	1
51	1M79	R.H.-Wood frame and Plywood panel	1A 7928710	1
51	1M79	L.H.-Wood frame and Plywood panel	1A 7928711	1
51	1M79	Screw and washer assy (hex head)-5/16"-18 x 1-1/8"	42848-S8	20

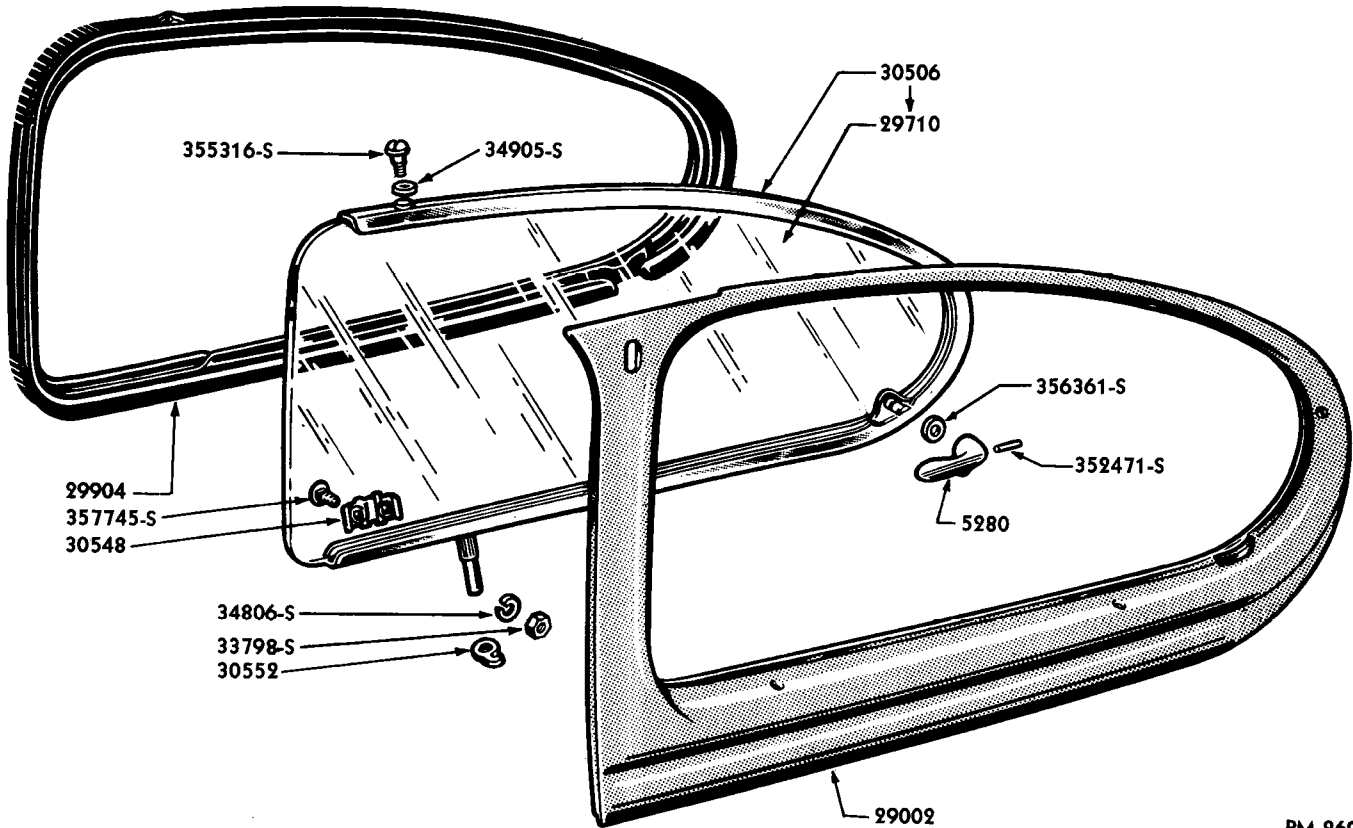
MERCURY

BODY PARTS CATALOGUE

YEAR 19__	BODY TYPES	REMARKS	PART NUMBER	NO. REQ'D
Group 28730-1 RETAINER (REAR QUARTER BELT FOLDING TOP)				
51	1M76	R.H.-19-3/8" long	OM 7628730	1
51	1M76	L.H.-19-3/8" long	OM 7628731	1
51	1M76	Nut (slotted truss head)-No. 6-40	351644-S13	4
51	1M76	Screw (special truss head)-No. 6-40 x 4"	351643-S13	4
51	1M76	Screw (binding head self tapping)-No. 8-18 x 3/8"	33176-S13	4
Group 29002-3 STRIP ASSEMBLY (QUARTER WINDOW FINISH)				
51	1M72A	R.H.-in Prime-without moulding holes	OM 7229002-BP	1
51	1M72A	L.H.-in Prime-without moulding holes	OM 7229003-BP	1
51	1M72B	R.H.-in Prime-without moulding holes	8M 7229002-AP	1
51	1M72B	L.H.-in Prime-without moulding holes	8M 7229003-AP	1
51	1M72C	R.H.-in Prime-3/8" diameter moulding holes	1M 7229002-BP	1
51	1M72C	L.H.-in Prime-3/8" diameter moulding holes	1M 7229003-BP	1
51	1M79	R.H.-Mahogany Wood Finish	OM 7929002-BA	1
51	1M79	L.H.-Mahogany Wood Finish	OM 7929003-BA	1
51	1M79	Screw (oval head cross recessed)-No. 8-15 x 1"	52376-S13	8
Group 29025 HOOK (COAT)-QUARTER				
51	1M72A		8A 7029025-B	2
51	1M79		1A 7029025	2
51	1M79	Screw (self tapping)-No. 8-15 x 7/8"	52368-S23	2
Group 29034-5 MOULDING (QUARTER OUTSIDE)-UPPER				
51	1M79	R.H.-67-7/8" long	OA 7929034	1
51	1M79	L.H.-67-7/8" long	OA 7929035	1
Group 29034-5 MOULDING (QUARTER PANEL AT BELT OUTSIDE)				
51	1M72A-72B-72C	R.H.-approximately 55-29/32" long	8M 7229034	1
51	1M72A-72B-72C	L.H.-approximately 55-29/32" long	8M 7229035	1
51	1M74	R.H.-approximately 35-63/64" long	8M 7429034-B	1
51	1M74	L.H.-approximately 35-63/64" long	8M 7429035-B	1
51	1M76	R.H.-approximately 55-7/8" long	1M 7629034	1
51	1M76	L.H.-approximately 55-7/8" long	1M 7629035	1
51	1M72A-72B-72C-74	Clip	358168-S3	10or16
51	1M except 79	Screw (pan head self tapping)-No. 8-15-3/8"	52720-S8	as req'd
Group 29040-1 MOULDING (BODY SIDE LINING PANEL)-FRONT				
51	1M79	R.H.	8A 7929040	1
51	1M79	L.H.	8A 7929041	1
Group 29074 SEAL (QUARTER OUTSIDE MOULDING RETAINER)-LOWER				
51	1M except 79		1A 7029074	4

BODY PARTS CATALOGUE

YEAR 19__	BODY TYPES	REMARKS	PART NUMBER	NO. REQ'D
Group 29082-3 MOULDING (QUARTER WINDOW REVEAL OUTER)				
51	1M72A-72B-72C	R.H.	8M 7229082	1
51	1M72A-72B-72C	L.H.	8M 7229083	1
51	1M72A-72B-72C	Clip (speed)	353267-S32	10
Group 29104 MOULDING (QUARTER WINDOW FINISH STRIP)				
51	1M72C	Rustless Steel-33-29/32" long	1M 7229104	2
Group 29118-9 RETAINER (WINDOW SEAL)-AT PILLAR SECTION LOWER				
51	1M76	R.H.-6-3/8" long	8M 7629118	1
51	1M76	L.H.-6-3/8" long	8M 7629119	1
51	1M76	Screw (pan head self tapping)-No. 8-15 x 3/8"	32916-S8	2
Group 29122-3 RETAINER (WINDOW SEAL)-AT PILLAR SECTION UPPER				
51	1M76	R.H.	8M 7629122	1
51	1M76	L.H.	8M 7629123	1
Group 29125 PLATE (QUARTER WINDOW FINISH STRIP MOULDING ATTACHING)				
51	1M72C	Steel-1-1/2" square	1M 7229125	2
Group 29136 WEIL ASSEMBLY (QUARTER WINDOW FINISH STRIP MOULDING)				
51	1M72C	Green-10-7/16" long	1M 7229136-AT	2
51	1M72C	Red-10-7/16" long	1M 7229136-AS	2
51	1M72C	Turquoise-10-7/16" long	1M 7229136-AU	2
Group 29144 RETAINER (QUARTER OUTSIDE MOULDING)				
51	1M except 79	Zinc Finish-2" long	1M 7229144	8or10
Group 29428-9 GUSSET (QUARTER PANEL TO PACKAGE TRAY)				
51	1M72A-72B-72C-74	R.H.	OM 7229428	1
51	1M72A-72B-72C-74	L.H.	OM 7229429	1
Group 29496 STRAINER ASSEMBLY (QUARTER WINDOW FRAME TO FLOOR)				
51	1M72A-72B-72C		OM 7229496	2
Group 29668 LATCH ASSEMBLY (QUARTER WINDOW SLIDING GLASS)-FRONT				
51	1M79		7A 7929668	2
51	1M79	Screw (oval head self tapping)-No. 10-12 x 3/4"	33003-S13	2
51	1M79	Screw (oval head self tapping)-No. 10-12 x 1/2"	52345-S13	2
51	1M79	Screw (oval head self tapping)-No. 10-12 x 1-1/4"	33019-S13	2



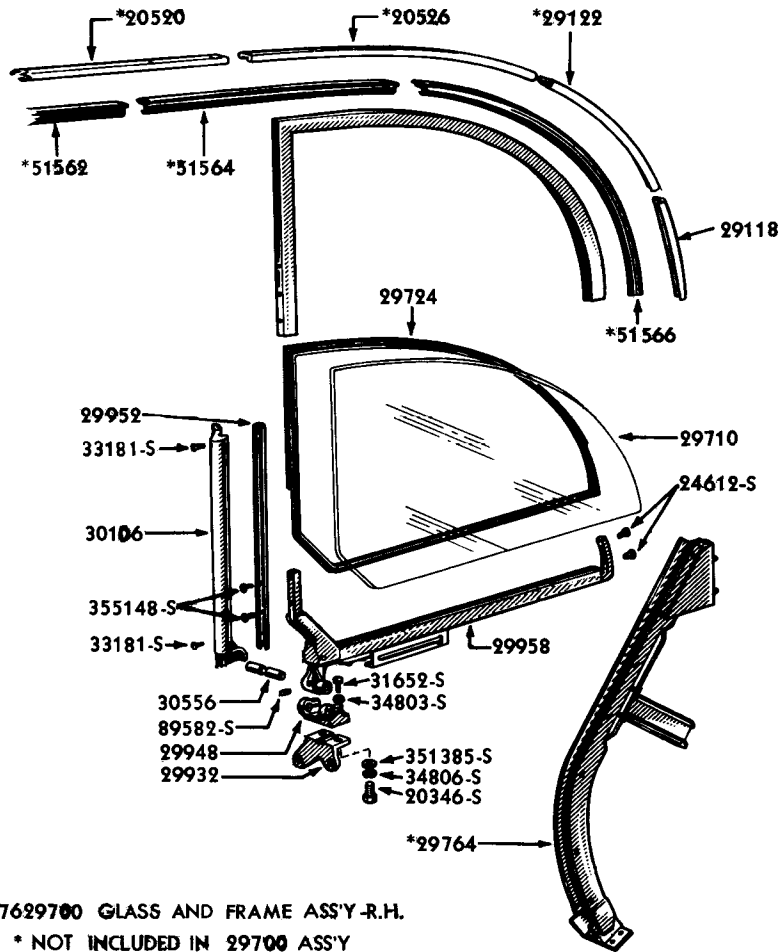
PM-269

QUARTER WINDOW AND FINISH STRIP ASSEMBLY (8M-7229700-BP)

Group numbers only shown on illustration. Order by Part Numbers shown in list of parts.

YEAR	BODY TYPES	REMARKS	PART NUMBER	NO. REQ'D
19				
Group 29700-1 WINDOW AND FINISH STRIP ASSEMBLY (QUARTER)-COMPLETE				
51	1M72B	R.H.-in Prime	8M 7229700-BP	1
51	1M72B	L.H.-in Prime	8M 7229701-BP	1
51	1M72C	R.H.-in Prime	1M 7229700-BP	1
51	1M72C	L.H.-in Prime	1M 7229701-BP	1
51	1M72B	Clip (moulding)	357120-S8	6
51	1M72B	Lockwasher-5/16"	34806-S2	4
51	1M72B	Screw (cross recessed oval hd self tap.)-No. 8-15 x 1-1/4"	52382-S13	12
51	1M72B	Screw (headless set cup point)-1/4"-28 x 5/16"	89582-S	2
Group 29700-1 FRAME AND GLASS ASSEMBLY (QUARTER WINDOW)-COMPLETE				
51	1M76	R.H.	QM 7629700	1
51	1M76	L.H.	QM 7629701	1
51	1M76	Screw (socket head cap-1/4"-20	355268-S	6
Group 29710 GLASS (REAR QUARTER WINDOW)				
51	1M72A		QM 7229710-A	2
51	1M72B-72C		8M 7229710-A	2
51	1M76		8M 7629710-A	2

BODY PARTS CATALOGUE



PM-342

SIX PASSENGER CONVERTIBLE COUPE QUARTER WINDOW BODY TYPE (76)

Group numbers only shown on illustration. Order by Part Numbers shown in list of parts.

YEAR 19	BODY TYPES	REMARKS	PART NUMBER	NO. REQ'D
	Group 29710	GLASS (QUARTER WINDOW SLIDING)-FRONT		
51	1M79		8M 7929710-A	2
	Group 29724	STRIP (QUARTER WINDOW GLASS RETAINING)		
51	1M72B-72C	Rubber Tape-purchase locally 48-1/2" long-.085" thick-1-1/2" wide	7A 7229724-B	2
51	1M76		7A 7629724-A	2
	Group 29732	WEATHERSTRIP (QUARTER WINDOW GLASS)-OUTER		
51	1M79	155" long-cut to length for door window glass	7A 7929732-A	2
	Group 29740	GLASS (QUARTER WINDOW)-REAR		
51	1M79		0A 7929740-A	2

MERCURY

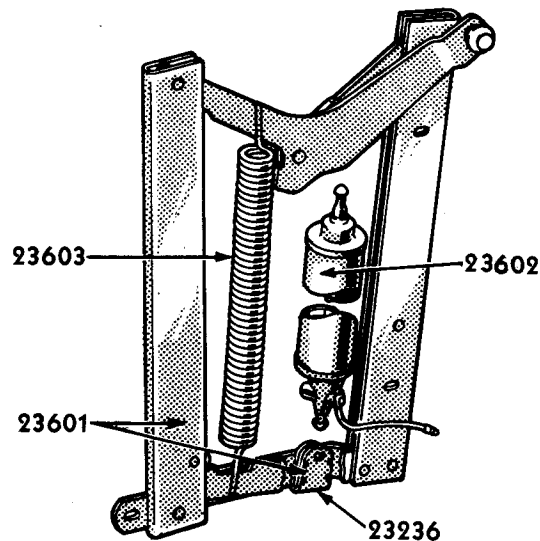
BODY PARTS CATALOGUE

YEAR 19__	BODY TYPES	REMARKS	PART NUMBER	NO. REQ'D
Group 29750-1 WEATHERSTRIP (QUARTER WINDOW GUIDE)				
51	1M76	R.H.	7A 7629750-A	2
51	1M76	L.H.	7A 7629751-A	2
Group 29754 HANDLE (QUARTER WINDOW SLIDING GLASS)-FRONT				
51	1M79		7A 7929754-A	2
Group 29764-5 GUIDE ASSEMBLY (QUARTER WINDOW)-COMPLETE				
51	1M76	R.H.	7A 7629764	1
51	1M76	L.H.	7A 7629765	1
51	1M76	Rivet (oval head)-9/64" x 3/16"	63528-S2	20
Group 29789 FILLER STRIP (QUARTER WINDOW)				
51	1M72A	Rubber-18-1/2" long	QM 7229789	2
Group 29904-5 WEATHERSTRIP (QUARTER VENT WINDOW)				
51	1M72B-72C	R.H.	7A 7229904-A	1
51	1M72B-72C	L.H.	7A 7229905-A	1
Group 29904-5 WEATHERSTRIP (QUARTER WINDOW)				
51	1M72A	R.H.	QM 7229904	1
51	1M72A	L.H.	QM 7229905	1
Group 29904 WEATHERSTRIP (QUARTER WINDOW GLASS)-REAR				
51	1M79		QA 7929904	2
Group 29908 WEATHERSTRIP (QUARTER WINDOW BELT)				
51	1M76		8M 7629908-A	2
51	1M76	Screw (binding head self tapping)-No. 4-24 x 1/4"	33165-S7	10
51	1M76	Screw (pan head self tapping)-No. 6-20 x 1/4"	33167-S8	10
Group 29910 WEATHERSTRIP (QUARTER WINDOW)-INNER				
51	1M79		7A 7929910-A	2
Group 29932-3 BRACKET (QUARTER WINDOW)-ON BODY				
51	1M76	R.H.	QM 7629932	1
51	1M76	L.H.	QM 7629933	1
51	1M76	Bolt (hex head)-5/16"-18 x 7/8"	24366-S8	4
51	1M76	Lockwasher-5/16"	34806-S7	4
51	1M76	Washer (flat)-25/64" I.D. x 3/4" O.D. x 3/32"	351385-S	1
Group 29948 HINGE (QUARTER WINDOW)-ON BODY				
51	1M76		7A 7629948	2
51	1M76	Lockwasher-No. 10	34803-S7	4
51	1M76	Screw (fillister head)-No. 10-32 x 13/16"	31652-S	4
Group 29952 RETAINER (QUARTER WINDOW FRONT WEATHERSTRIP)				
51	1M76	12-7/32" long	7A 7629952	2
51	1M76	Screw (pan head self tapping)-No. 6-20 x 1/2"	33181-S	2
51	1M76	Screw (special binding head)-No. 10-32 x 5/16"	355148-S7	4

MERCURY

BODY PARTS CATALOGUE

YEAR 19__	BODY TYPES	REMARKS	PART NUMBER	NO. REQ'D
Group 29958-9 CHANNEL ASSEMBLY (QUARTER WINDOW FRONT LOWER CORNER)				
51	1M76	R.H.	7A 7629958	1
51	1M76	L.H.	7A 7629959	1
51	1M76	Screw (flat head)-No. 8-32 x 5/16"	24612-S13	4
51	1M76	Screw (headless set)-1/4"-28 x 5/16"	89582-S	2
Group 29978 FILLER ASSEMBLY (QUARTER WINDOW OPENING)				
51	1M79	Mahogany Finish	QM 7929978-AA	2
Group 30104-5 RUN ASSEMBLY (QUARTER WINDOW GLASS)-UPPER FRONT				
51	1M79	R.H.	QA 7930104	1
51	1M79	L.H.	QA 7930105	1
Group 30106-7 WEATHERSTRIP ASSEMBLY (QUARTER WINDOW FRONT)-COMPLETE				
51	1M76	R.H.	8M 7630106	1
51	1M76	L.H.	8M 7630107	1
51	1M except 76	Rivet (special)	QA 7021524	8
Group 30106 RUN (QUARTER WINDOW GLASS FRONT)-VERTICAL				
51	1M79		QA 7930106	2
Group 30116 RUN (QUARTER WINDOW GLASS)-LOWER				
51	1M79		QA 7930116	2
Group 30124 RETAINER (QUARTER WINDOW GLASS RUN)-UPPER REAR				
51	1M79		QA 7930124	2



PM-268

QUARTER WINDOW REGULATOR (8M-7630307)

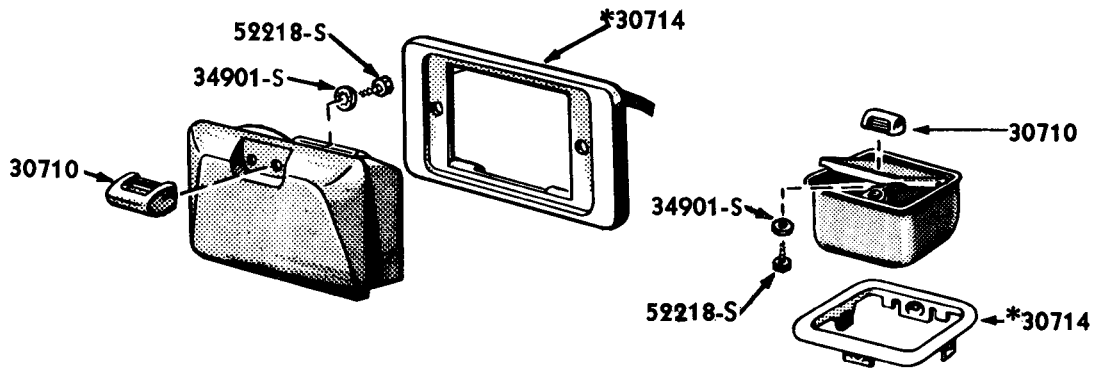
Group numbers only shown on illustration. Order by Part Numbers shown in list of parts.

MERCURY

BODY PARTS CATALOGUE

YEAR 19__	BODY TYPES	REMARKS	PART NUMBER	NO. REQ'D
Group 30154-5 CLIP (QUARTER WINDOW GLASS RETAINER)				
51	1M79	R.H.	8A 7930154-B	1
51	1M79	L.H.	8A 7930155-B	1
51	1M79	Screw (pan head self tapping)-No. 6-18 x 1/2"	32921-S8	2
Group 30158 CLIP (QUARTER WINDOW GLASS RETAINER)-FRONT				
51	1M79		0A 7930158	2
Group 30284 PLATE (QUARTER VENT WINDOW LOCK)				
51	1M72B-72C		8M 7030284	2
51	1M72B-72C	Rivet (tubular oval head)-.144/.141 x .15	351921-S7	4
Group 30306-7 REGULATOR ASSEMBLY (QUARTER WINDOW)				
51	1M76	R.H.	8M 7630306	1
51	1M76	L.H.	8M 7630307	1
51	1M76	Bolt (hex head)-1/4"-20 x 3/4" regulator to pillar and quarter panel	24344-S7	4
51	1M76	Locknut-1/4"-20	34390-S7	4
51	1M76	Washer (flat)-1/4"	44720-S8	8
Group 30358 SEAL (QUARTER TRIM PANEL TO FLOOR)				
51	1M76	Sponge Rubber-15" long	0M 7630358	2
Group 30506-7 FRAME AND GLASS ASSEMBLY (QUARTER WINDOW)				
51	1M72B-72C	R.H.	7A 7230506	1
51	1M72B-72C	L.H.	7A 7230507	1
51	1M72B-72C	Lockwasher (internal tooth)-1/4"	34905-S7	2
51	1M72B-72C	Screw (round head shoulder)-1/4"-28 x 15/16"	355316-S	2
Group 30548 CLAMP (QUARTER WINDOW FRAME LOWER PIVOT)				
51	1M72B-72C		8M 7030548	2
51	1M72B-72C	Bolt (shoulder)-5/16"-24 x 3/4"	357745-S8	2
51	1M72B-72C	Lockwasher-5/16"	34806-S2	1
51	1M72B-72C	Nut (hex)-5/16"	33798-S8	4
Group 30552 STOP (QUARTER GLASS FRAME PIVOT)				
51	1M72B-72C		8M 7330552	2
51	1M74		8A 7030552	4
51	1M72B-72C	Lockwasher-5/16"	34806-S7	4
51	1M72B-72C	Stud 5/16"-24 x 3/4"	357745-S8	4
Group 30556 PIN (QUARTER WINDOW FRAME HINGE)				
51	1M76		7A 7630556	2
51	1M76	Screw (set)-1/4"-28 x 3/16"	89582-S	2

BODY PARTS CATALOGUE


1M-7230702-AP
1M-7630702-AP

*NOT INCLUDED IN 1M-7230702 ASSY.

*NOT INCLUDED IN
1M-7630702 ASSY.

PM-397

QUARTER ASH RECEPTACLES

Group numbers only shown on illustration. Order by Part Numbers shown in list of parts.

YEAR 19__	BODY TYPES	REMARKS	PART NUMBER	NO. REQ'D
Group 30702 RECEPTACLE ASSEMBLY (QUARTER ASH)-COMPLETE				
51	1M72B	In Prime	8M 7030702-AP	2
51	1M72C	Chrome Finish	1M 7230702-B	2
51	1M74	In Prime	1M 7230702-AP	2
51	1M76	In Prime	1M 7630702-AP	2
51	1M72B	Screw (cross recessed oval head tapping)-No. 8-15 x 5/8"	52352-S13	4
51	1M72B-72C	Speed nut-No. 8A	352388-S32	4
Group 30708 RECEPTACLE AND RETAINER ASSEMBLY (QUARTER ASH)				
51	1M79	Use with all trim	8A 7930708-AF	2
51	1M79	Screw (pan head self tapping)-No. 8-15 x 1/2"	32923-S7	4
Group 30710 KNOB (ASH RECEPTACLE)				
51	1M72B	Quarter	8M 7030710	2
51	1M72B-72C	Quarter	1M 7230710	2
51	1M74	Front seat back	1M 7230710	1
51	1M76	Quarter	1M 7630710	2
51	1M except 79	Screw (round head)-No. 6-20 x 1/4"	52218-S8	4
51	1M except 79	Washer (internal tooth)-No. 6	34901-S7	4
Group 30714 RETAINER (QUARTER ASH RECEPTACLE)				
51	1M72B		8A 7030714	2
51	1M72B-72C		1M 7230714	2
51	1M76		8M 7630714	2
51	1M72B	Screw (oval head cross recessed)-No. 8-15 x 3/4"	52360-S13	4
Group 30724 MEDALLION (ASH RECEPTACLE)				
51	1M72B	Quarter	8M 7030724-A	2

MERCURY

BODY PARTS CATALOGUE

YEAR 19	BODY TYPES	REMARKS	PART NUMBER	NO. REQ'D
Group 31012-3 TRIM ASSEMBLY (QUARTER)				
51	1M72A	R.H.-Upper M-5156-P Light Blue Broadcloth, Center Light Gray Artificial Leather, Lower Light Gray Artificial Leather	1M 7231012-AE	1
51	1M72A	L.H.-Upper M-5156-P Light Blue Broadcloth, Center Light Gray Artificial Leather, Lower Light Gray Artificial Leather	1M 7231013-AE	1
51	1M72B	R.H.-Upper Blue Antique Grain Artificial Leather, Center Ivory Antique Grain Artificial Leather, Lower Blue Antique Grain Artificial Leather	1M 7231012-AZ	1
51	1M72B	L.H.-Upper Blue Antique Grain Artificial Leather, Center Ivory Antique Grain Artificial Leather, Lower Blue Antique Grain Artificial Leather	1M 7231013-AZ	1
51	1M72B	R.H.-Upper Blue Colonial Grain Artificial Leather, Center Ivory Colonial Grain Artificial Leather, Lower Blue Colonial Grain Artificial Leather	1M 7231012-AV	1
51	1M72B	L.H.-Upper Blue Colonial Grain Artificial Leather, Center Ivory Colonial Grain Artificial Leather, Lower Blue Colonial Grain Artificial Leather	1M 7231013-AV	1
51	1M72B	R.H.-Upper M-5156-N Dark Blue Broadcloth, Center M-5156-P Light Blue Broadcloth, Lower Dark Blue Artificial Leather	1M 7231012-AB	1
51	1M72B	L.H.-Upper M-5156-N Dark Blue Broadcloth, Center M-5156-P Light Blue Broadcloth, Lower Dark Blue Artificial Leather	1M 7231013-AB	1
51	1M72B	R.H.-Upper Chestnut Brown Antique Grain Artificial Leather, Center Golden Tan Antique Grain Artificial Leather, Lower Chestnut Brown Antique Grain Artificial Leather	1M 7231012-AY	1
51	1M72B	L.H.-Upper Chestnut Brown Antique Grain Artificial Leather, Center Golden Tan Antique Grain Artificial Leather, Lower Chestnut Brown Antique Grain Artificial Leather	1M 7231013-AY	1
51	1M72B	R.H.-Upper Chestnut Brown Colonial Grain Artificial Leather, Center Golden Tan Colonial Grain Artificial Leather, Lower Chestnut Brown Colonial Grain Artificial Leather	1M 7231012-AF	1
51	1M72B	L.H.-Upper Chestnut Brown Colonial Grain Artificial Leather, Center Golden Tan Colonial Grain Artificial Leather, Lower Chestnut Brown Colonial Grain Artificial Leather	1M 7231013-AF	1
51	1M72B	R.H.-Upper M-5156-T Dark Green Broadcloth, Center M-5156-S Light Green Broadcloth, Lower Green Artificial Leather	1M 7231012-AC	1
51	1M72B	L.H.-Upper M-5156-T Dark Green Broadcloth, Center M-5156-S Light Green Broadcloth, Lower Green Artificial Leather	1M 7231013-AC	1
51	1M72B	R.H.-Upper M-5158-A Dark Tan Broadcloth, Center M-5159-A Gray Tan Broadcloth, Lower Dark Tan Artificial Leather	1M 7231012-AR	1
51	1M72B	L.H.-Upper M-5158-A Dark Tan Broadcloth, Center M-5159-A Gray Tan Broadcloth, Lower Dark Tan Artificial Leather	1M 7231013-AR	1
51	1M72B	R.H.-Upper M-5158-A Dark Tan Broadcloth, Center M-5159-B Light Tan Broadcloth, Lower Dark Tan Artificial Leather	1M 7231012-AA	1
51	1M72B	L.H.-Upper M-5158-A Dark Tan Broadcloth, Center M-5159-B Light Tan Broadcloth, Lower Dark Tan Artificial Leather	1M 7231013-AA	1
51	1M72C	R.H.-Upper Black Burnished Grain Artificial Leather, Center Red Burnished Grain Artificial Leather, Lower Black Burnished Grain Artificial Leather	1M 7231012-AAE	1
51	1M72C	L.H.-Upper Black Burnished Grain Artificial Leather, Center Red Burnished Grain Artificial Leather, Lower Black Burnished Grain Artificial Leather	1M 7231013-AAE	1
51	1M72C	R.H.-Upper Black Antique Grain Artificial Leather, Center Cherry Red Antique Grain Artificial Leather, Lower Black Antique Grain Artificial Leather	1M 7231012-AS	1
51	1M72C	L.H.-Upper Black Antique Grain Artificial Leather, Center Cherry Red Antique Grain Artificial Leather, Lower Black Antique Grain Artificial Leather	1M 7231013-AS	1

MERCURY

BODY PARTS CATALOGUE

YEAR 19__	BODY TYPES	REMARKS	PART NUMBER	NO. REQ'D
Group 31012-3 TRIM ASSEMBLY (QUARTER)-CONTINUED				
51	1M72C	R.H.-Upper Seal Brown Antique Grain Artificial Leather, Center Medium Green Antique Grain Artificial Leather, Lower Seal Brown Antique Grain Artificial Leather	1M 7231012-AAG	1
51	1M72C	L.H.-Upper Seal Brown Antique Grain Artificial Leather, Center Medium Green Antique Grain Artificial Leather, Lower Seal Brown Antique Grain Artificial Leather	1M 7231013-AAG	1
51	1M72C	R.H.-Upper Ivory Antique Grain Artificial Leather, Center Medium Green Artificial Leather, Lower Ivory Antique Grain Artificial Leather	1M 7231012-AAF	1
51	1M72C	L.H.-Upper Ivory Antique Grain Artificial Leather, Center Medium Green Artificial Leather, Lower Ivory Antique Grain Artificial Leather	1M 7231013-AAF	1
51	1M72C	R.H.-Upper Oyster White Antique Grain Artificial Leather, Center Green Antique Grain Artificial Leather, Lower Oyster White Antique Grain Artificial Leather	1M 7231012-AT	1
51	1M72C	L.H.-Upper Oyster White Antique Grain Artificial Leather, Center Green Antique Grain Artificial Leather, Lower Oyster White Antique Grain Artificial Leather	1M 7231013-AT	1
51	1M72C	R.H.-Upper Brown Antique Grain Artificial Leather, Center Turquoise Antique Grain Artificial Leather, Lower Brown Antique Grain Artificial Leather	1M 7231012-AU	1
51	1M72C	L.H.-Upper Brown Antique Grain Artificial Leather, Center Turquoise Antique Grain Artificial Leather, Lower Brown Antique Grain Artificial Leather	1M 7231013-AU	1
51	1M74	R.H.-Upper Blue Antique Grain Artificial Leather, Lower Ivory Antique Grain Artificial Leather	1M 7431012-AZ	1
51	1M74	L.H.-Upper Blue Antique Grain Artificial Leather, Lower Ivory Antique Grain Artificial Leather	1M 7431013-AZ	1
51	1M74	R.H.-Upper M-5156-N Dark Blue Broadcloth, Lower M-5156-P Light Blue Broadcloth	1M 7431012-AB	1
51	1M74	L.H.-Upper M-5156-N Dark Blue Broadcloth, Lower M-5156-P Light Blue Broadcloth	1M 7431013-AB	1
51	1M74	R.H.-Upper Blue Colonial Grain Artificial Leather, Lower Ivory Colonial Grain Artificial Leather	1M 7431012-AV	1
51	1M74	L.H.-Upper Blue Colonial Grain Artificial Leather, Lower Ivory Colonial Grain Artificial Leather	1M 7431013-AV	1
51	1M74	R.H.-Upper Chestnut Brown Antique Grain Artificial Leather, Lower Golden Tan Antique Grain Artificial Leather	1M 7431012-AY	1
51	1M74	L.H.-Upper Chestnut Brown Antique Grain Artificial Leather, Lower Golden Tan Antique Grain Artificial Leather	1M 7431013-AY	1
51	1M74	R.H.-Upper Chestnut Brown Colonial Grain Artificial Leather, Lower Golden Tan Colonial Grain Artificial Leather	1M 7431012-AF	1
51	1M74	L.H.-Upper Chestnut Brown Colonial Grain Artificial Leather, Lower Golden Tan Colonial Grain Artificial Leather	1M 7431013-AF	1
51	1M74	R.H.-Upper M-5156-T Dark Green Broadcloth, Lower M-5156-S Light Green Broadcloth	1M 7431012-AC	1
51	1M74	L.H.-Upper M-5156-T Dark Green Broadcloth, Lower M-5156-S Light Green Broadcloth	1M 7431013-AC	1
51	1M74	L.H.-Upper M-5158-A Dark Tan Broadcloth, Lower M-5159-A Gray Tan Broadcloth	1M 7431013-AR	1
51	1M74	L.H.-Upper M-5158-A Dark Tan Broadcloth, Lower M-5159-A Gray Tan Broadcloth	1M 7431013-AR	1
51	1M74	R.H.-Upper M-5158-A Dark Tan Broadcloth, Lower M-5159-B Light Tan Broadcloth	1M 7431012-AA	1
51	1M74	L.H.-Upper M-5158-A Dark Tan Broadcloth, Lower M-5159-B Light Tan Broadcloth	1M 7431013-AA	1

MERCURY

BODY PARTS CATALOGUE

YEAR 19__	BODY TYPES	REMARKS	PART NUMBER	NO. REQ'D
Group 31012-3 TRIM ASSEMBLY (QUARTER)-CONTINUED				
51	1M76	R.H.-Upper Black Antique Grain Artificial Leather, Lower Red Antique Grain Artificial Leather	1M 7631012-AAA	1
51	1M76	L.H.-Upper Black Antique Grain Artificial Leather, Lower Red Antique Grain Artificial Leather	1M 7631013-AAA	1
51	1M76	R.H.-Upper Black Wolf Grain Artificial Leather, Lower Red Wolf Grain Artificial Leather	1M 7631012-AG	1
51	1M76	L.H.-Upper Black Wolf Grain Artificial Leather, Lower Red Wolf Grain Artificial Leather	1M 7631013-AG	1
51	1M76	R.H.-Upper Blue Antique Grain Artificial Leather, Lower Gray Antique Grain Artificial Leather	1M 7631012-AAD	1
51	1M76	L.H.-Upper Blue Antique Grain Artificial Leather, Lower Gray Antique Grain Artificial Leather	1M 7631013-AAD	1
51	1M76	R.H.-Upper Blue Antique Grain Artificial Leather, Lower Ivory Antique Grain Artificial Leather	1M 7631012-AAC	1
51	1M76	L.H.-Upper Blue Antique Grain Artificial Leather, Lower Ivory Antique Grain Artificial Leather	1M 7631013-AAC	1
51	1M76	R.H.-Upper Blue Wolf Grain Artificial Leather, Lower Gray Wolf Grain Artificial Leather	1M 7631012-AK	1
51	1M76	L.H.-Upper Blue Wolf Grain Artificial Leather, Lower Gray Wolf Grain Artificial Leather	1M 7631013-AK	1
51	1M76	R.H.-Upper Blue Wolf Grain Artificial Leather, Lower Ivory Wolf Grain Artificial Leather	1M 7631012-AJ	1
51	1M76	L.H.-Upper Blue Wolf Grain Artificial Leather, Lower Ivory Wolf Grain Artificial Leather	1M 7631013-AJ	1
51	1M76	R.H.-Upper Chestnut Brown Antique Grain Artificial Leather, Lower Golden Tan Antique Grain Artificial Leather	1M 7631012-AAB	1
51	1M76	L.H.-Upper Chestnut Brown Antique Grain Artificial Leather, Lower Golden Tan Antique Grain Artificial Leather	1M 7631013-AAB	1
51	1M76	R.H.-Upper Chestnut Brown Wolf Grain Artificial Leather, Lower Golden Tan Wolf Grain Artificial Leather	1M 7631012-AH	1
51	1M76	L.H.-Upper Chestnut Brown Wolf Grain Artificial Leather, Lower Golden Tan Wolf Grain Artificial Leather	1M 7631013-AH	1
51	1M79	R.H.-Mahogany Wood with Chestnut Brown Artificial Leather Kick Pad	1M 7931012-AM	1
51	1M79	L.H.-Mahogany Wood with Chestnut Brown Artificial Leather Kick Pad	1M 7931013-AM	1
51	1M79	R.H.-Mahogany Wood with Dark Green Artificial Leather Kick Pad	1M 7931012-AN	1
51	1M79	L.H.-Mahogany Wood with Dark Green Artificial Leather Kick Pad	1M 7931013-AN	1
51	1M79	R.H.-Mahogany Wood with Dark Red Artificial Leather Kick Pad	1M 7931012-AL	1
51	1M79	L.H.-Mahogany Wood with Dark Red Artificial Leather Kick Pad	1M 7931013-AL	1
51	1M72B-72C-74-76	Clip (trim)-21/32" long	358300-S3	6or10
51	1M74	Screw (oval head)-No. 8-15 x 1"	52376-S13	2
51	1M74	Washer (flush countersunk)-No. 10	356553-S	2
51	1M76	Lockwasher-1/4"	34805-S8	2
51	1M76	Nut (square)-1/4"-20	34095-S8	2
51	1M76	Screw (pan head self tapping)-No. 10 x 3/4"	32938-S7	2
51	1M76	Screw (pan head)-No. 8-15 x 1/2"	32923-S13	4
51	1M76	Screw (pan head)-1/4"-20 x 5/8"	38228-S2	2
51	1M76	Screw (washer head)-1/4"-20 x 5/8"	40934-S8	2
51	1M79	Screw (stove head)-No. 8-15	350075-S13	30
Group 31096-7 PANEL ASSEMBLY QUARTER (REAR CORNER)-UPPER				
51	1M79	R.H.-Light Green	QM 7931096-AU	1
51	1M79	L.H.-Light Green	QM 7931097-AU	1
51	1M79	R.H.-Light Red	QM 7931096-AS	1
51	1M79	L.H.-Light Red	QM 7931097-AS	1

MERCURY

BODY PARTS CATALOGUE

YEAR 19	BODY TYPES	REMARKS	PART NUMBER	NO. REQ'D
Group 31096-7 PANEL ASSEMBLY QUARTER (REAR CORNER)-UPPER-CONTINUED				
51	1M79	R.H.-Golden Tan	OM 7931096-AT	1
51	1M79	L.H.-Golden Tan	OM 7931097-AT	1
Group 31140 MOULDING ASSEMBLY (QUARTER TRIM)				
51	1M74	11-45/64" long	1M 7431140	2
Group 31140 MOULDING ASSEMBLY (QUARTER TRIM)-UPPER				
51	1M72B-72C	30-55/64" long	1M 7231140	2
51	1M76	27-7/16" developed length	1M 7631140	2
Group 31215 MOULDING ASSEMBLY (QUARTER TRIM PANEL)-LOWER				
51	1M72B-72C	9-15/16" long	1M 7231215	2
51	1M76	Developed length-6-35/64"	1M 7631215-B	2
Group 31224-5 TRIM ASSEMBLY (QUARTER LOCK PILLAR)				
51	1M76	R.H.-Gray Antique Grain Artificial Leather	1M 7631224-AAD	1
51	1M76	L.H.-Gray Antique Grain Artificial Leather	1M 7631225-AAD	1
51	1M76	R.H.-Gray Colonial Grain Artificial Leather	1M 7631224-AK	1
51	1M76	L.H.-Gray Colonial Grain Artificial Leather	1M 7631225-AK	1
51	1M76	R.H.-Ivory Antique Grain Artificial Leather	1M 7631224-AAC	1
51	1M76	L.H.-Ivory Antique Grain Artificial Leather	1M 7631225-AAC	1
51	1M76	R.H.-Ivory Colonial Grain Artificial Leather	1M 7631224-AJ	1
51	1M76	L.H.-Ivory Colonial Grain Artificial Leather	1M 7631225-AJ	1
51	1M76	R.H.-Red Colonial Grain Artificial Leather	1M 7631224-AG	1
51	1M76	L.H.-Red Colonial Grain Artificial Leather	1M 7631225-AG	1
51	1M76	R.H.-Red Antique Grain Artificial Leather	1M 7631224-AAA	1
51	1M76	L.H.-Red Antique Grain Artificial Leather	1M 7631225-AAA	1
51	1M76	R.H.-Golden Tan Antique Grain Artificial Leather	1M 7631224-AAB	1
51	1M76	L.H.-Golden Tan Antique Grain Artificial Leather	1M 7631225-AAB	1
51	1M76	R.H.-Golden Tan Colonial Grain Artificial Leather	1M 7631224-AH	1
51	1M76	L.H.-Golden Tan Colonial Grain Artificial Leather	1M 7631225-AH	1
51	1M79	R.H.-Light Green Artificial Leather	OM 7931224-AU	1
51	1M79	L.H.-Light Green Artificial Leather	OM 7931225-AU	1
51	1M79	R.H.-Light Red Artificial Leather	OM 7931224-AS	1
51	1M79	L.H.-Light Red Artificial Leather	OM 7931225-AS	1
51	1M79	R.H.-Golden Tan Artificial Leather	OM 7931224-AT	1
51	1M79	L.H.-Golden Tan Artificial Leather	OM 7931225-AT	1
51	1M79	Fastener	358130-S2	8
Group 31267 SILENCER (QUARTER REAR)				
51	1M72A-72B-72C	Fibre Glass	1M 7231267	2
Group 31290 WINDLACE ASSEMBLY (QUARTER LOCK PILLAR)				
51	1M76	Gray	1M 7631290-AAD	2
51	1M76	Light Gray	OM 7602610	2
51	1M76	Ivory	1M 7631290-AAC	2
51	1M76	Red	1M 7631290-AAA	2
51	1M76	Tan	1M 7631290-AAB	2
51	1M76	Nail (drive)-No. 6 x 1/2"	351629-A2B-S28	24

MERCURY

BODY PARTS CATALOGUE

YEAR 19	BODY TYPES	REMARKS	PART NUMBER	NO. REQ'D
Group 31418 BRACKET (ASSIST STRAP)				
51	1M72B-72C		8M 7031418	2
51	1M72B-72C	Bolt (cross recessed fillister head shoulder)-No. 10-32 x 1-7/16"	355153-S13	2
Group 31421 COVER (ASSIST STRAP BRACKET)				
51	1M72B-72C		8M 7031421-B	2
Group 31440 STRAP ASSEMBLY (ASSIST)				
51	1M72B	Outer Blue Lace, Inner M-19108-L Blue Headlining	OM 7231440-AB	2
51	1M72B	Outer Green Lace, Inner M-19108-M Green Headlining	OM 7231440-AR	2
51	1M72B	Ivory Artificial Leather	1M 7231440-AZ	2
51	1M72B	Tan Lace, Inner M-16908-H Tan Headlining	OM 7231440-AA	2
51	1M72B	Outer Tan Lace, Inner M-19108-N Light Tan Headlining	1M 7231440-AA	2
51	1M72B	Outer Gray Tan Lace, Inner M-19108-P Gray Tan Headlining	1M 7231440-AR	2
51	1M72B	Golden Tan Artificial Leather	1M 7231440-AY	2
51	1M72C	Green Artificial Leather	1M 7231440-AAF	2
51	1M72C	Cherry Red Artificial Leather	1M 7231440-AAE	2
51	1M72C	Turquoise Artificial Leather	1M 7231440-AAG	2
Group 31452 BRACKET (COAT HANGER)				
51	1M74		8H 7331452	2
51	1M74	Screw (cross recessed oval head self tap.)-No. 8-15 x 5/8"	52352-S13	4
Group 31600-1 REST ASSEMBLY (REAR QUARTER ARM)-COMPLETE				
51	1M72A	R.H.-Top Gray Artificial Leather, Side M-5085-Y Gray and Rust Bedford Cord	1M 7231600-AE	1
51	1M72A	L.H.-Top Gray Artificial Leather, Side M-5085-Y Gray and Rust Bedford Cord	1M 7231601-AE	1
51	1M72B	R.H.-Top Blue Artificial Leather, Side M-16102-N Blue Gray Block Broadcloth	1M 7231600-AB	1
51	1M72B	L.H.-Top Blue Artificial Leather, Side M-16102-N Blue Gray Block Broadcloth	1M 7231601-AB	1
51	1M72B	R.H.-Top Blue Artificial Leather, Side M-16560-J Blue Gray Stripe Nylon and Mohair	1M 7231600-AD	1
51	1M72B	L.H.-Top Blue Artificial Leather, Side M-16560-J Blue Gray Stripe Nylon and Mohair	1M 7231601-AD	1
51	1M72B	R.H.-Top Dark Brown Vinyl Artificial Leather, Side M-1H2-H Brown Stripe Nylon	1M 7231600-AAH	1
51	1M72B	L.H.-Top Dark Brown Vinyl Artificial Leather, Side M-1H2-H Brown Stripe Nylon	1M 7231601-AAH	1
51	1M72B	R.H.-Top Green Artificial Leather, Side M-16102-P Two Tone Green Stripe Broadcloth	1M 7231600-AC	1
51	1M72B	L.H.-Top Green Artificial Leather, Side M-16102-P Two Tone Green Stripe Broadcloth	1M 7231601-AC	1
51	1M72B	R.H.-Top Dark Green Vinyl Artificial Leather, Side M-1H2-J Green Stripe Nylon	1M 7231600-AAJ	1
51	1M72B	R.H.-Top Dark Green Vinyl Artificial Leather, Side M-1H2-J Green Stripe Nylon	1M 7231600-AAJ	1
51	1M72B	R.H.-Top and Side Oyster White Antique Grain Artificial Leather	1M 7231600-BZ	1
51	1M72B	L.H.-Top and Side Oyster White Antique Grain Artificial Leather	1M 7231601-BZ	1
51	1M72B	R.H.-Top and Side Ivory Colonial Grain Artificial Leather	1M 7231600-AV	1
51	1M72B	L.H.-Top and Side Ivory Colonial Grain Artificial Leather	1M 7231601-AV	1

MERCURY

BODY PARTS CATALOGUE

YEAR 19__	BODY TYPES	REMARKS	PART NUMBER	NO. REQ'D
Group 31600-1 REST ASSEMBLY (REAR QUARTER ARM)-COMPLETE-CONTINUED				
51	1M72B	R.H.-Top Tan Artificial Leather, Side M-16103-A Tan and Gray Stripe Broadcloth	1M 7231600-AR	1
51	1M72B	L.H.-Top Tan Artificial Leather, Side M-16103-A Tan and Gray Stripe Broadcloth	1M 7231601-AR	1
51	1M72B	R.H.-Top Tan Artificial Leather, Side M-16102-Q Tan Pin Stripe Broadcloth	1M 7231600-AA	1
51	1M72B	L.H.-Top Tan Artificial Leather, Side M-16102-Q Tan Pin Stripe Broadcloth	1M 7231601-AA	1
51	1M72B	R.H.-Top and Side Golden Tan Colonial Grain Artificial Leather	1M 7231600-AF	1
51	1M72B	L.H.-Top and Side Golden Tan Colonial Grain Artificial Leather	1M 7231601-AF	1
51	1M72B	R.H.-Top and Side Golden Tan Antique Grain Artificial Leather	1M 7231600-BF	1
51	1M72B	L.H.-Top and Side Golden Tan Antique Grain Artificial Leather	1M 7231601-BF	1
51	1M72C	R.H.-Top Green Leather, Side Green Antique Grain Artificial Leather	1M 7231600-BT	1
51	1M72C	L.H.-Top Green Leather, Side Green Antique Grain Artificial Leather	1M 7231601-BT	1
51	1M72C	R.H.-Top Cherry Red Leather, Side Cherry Red Antique Grain Artificial Leather	1M 7231600-AS	1
51	1M72C	L.H.-Top Cherry Red Leather, Side Cherry Red Antique Grain Artificial Leather	1M 7231601-AS	1
51	1M72C	R.H.-Top Cherry Red Burnished Leather, Side Cherry Red Artificial Burnished Leather	1M 7231600-BS	1
51	1M72C	L.H.-Top Cherry Red Burnished Leather, Side Cherry Red Artificial Burnished Leather	1M 7231601-BS	1
51	1M72C	R.H.-Top Turquoise Artificial Leather, Side M-5087-C Brown and Turquoise Bedford Cord	1M 7231600-BU	1
51	1M72C	L.H.-Top Turquoise Artificial Leather, Side M-5087-C Brown and Turquoise Bedford Cord	1M 7231601-BU	1
51	1M74	R.H.-Top Blue Artificial Leather, Side M-16102-N Blue Gray Block Broadcloth, Front Blue Artificial Leather	1M 7431600-AB	1
51	1M74	L.H.-Top Blue Artificial Leather, Side M-16102-N Blue Gray Block Broadcloth, Front Blue Artificial Leather	1M 7431601-AB	1
51	1M74	R.H.-Top Blue Artificial Leather, Side M-16560-J Blue Gray Stripe Nylon and Mohair, Front Blue Artificial Leather	1M 7431600-AD	1
51	1M74	L.H.-Top Blue Artificial Leather, Side M-16560-J Blue Gray Stripe Nylon and Mohair, Front Blue Artificial Leather	1M 7431601-AD	1
51	1M74	R.H.-Top Blue Artificial Leather, Side M-5085-Y Gray and Rust Bedford Cord, Front Blue Artificial Leather	1M 7431600-AX	1
51	1M74	L.H.-Top Blue Artificial Leather, Side M-5085-Y Gray and Rust Bedford Cord, Front Blue Artificial Leather	1M 7431601-AX	1
51	1M74	R.H.-Top Dark Brown Vinyl Artificial Leather, Side M-1H2-H Brown Stripe Nylon	1M 7431600-AAH	1
51	1M74	L.H.-Top Dark Brown Vinyl Artificial Leather, Side M-1H2-H Brown Stripe Nylon	1M 7431601-AAH	1
51	1M74	R.H.-Top Green Artificial Leather, Side M-16102-P Two Tone Green Stripe Broadcloth, Front Green Artificial Leather	1M 7431600-AC	1
51	1M74	L.H.-Top Green Artificial Leather, Side M-16102-P Two Tone Green Stripe Broadcloth, Front Green Artificial Leather	1M 7431601-AC	1
51	1M74	R.H.-Top Tan Artificial Leather, Side M-16103-A Tan and Gray Stripe Broadcloth, Front Tan Artificial Leather	1M 7431600-AR	1
51	1M74	L.H.-Top Tan Artificial Leather, Side M-16103-A Tan and Gray Stripe Broadcloth, Front Tan Artificial Leather	1M 7431601-AR	1
51	1M74	R.H.-Top Dark Green Vinyl Artificial Leather, Side M-1H2-J Green Stripe Nylon	1M 7431600-AAJ	1
51	1M74	L.H.-Top Dark Green Vinyl Artificial Leather, Side M-1H2-J Green Stripe Nylon	1M 7431601-AAJ	1

MERCURY

BODY PARTS CATALOGUE

YEAR 19__	BODY TYPES	REMARKS	PART NUMBER	NO. REQ'D
Group 40112 DOOR ASSEMBLY (LUGGAGE COMPARTMENT)				
51	1M except 79		1M 7240112	1
Group 40200 TAILGATE ASSEMBLY (COMPLETE PAINTED AND TRIMMED)				
51	1M79	Grained	OM 7940200	1
51	1M79	Lockwasher (external tooth countersunk)-1/4"	34954-S7	9
51	1M79	Nut (special spring)	357215-S32	2
51	1M79	Screw (flat head)-1/4"-20 x 5/8"	24649-S8	9
51	1M79	Screw (hex head self tapping)-No. 10-12 x 3/4"	42021-S7	4
51	1M79	Screw (pan head self tapping)-No. 10-12 x 5/8"	32938-S7	2
51	1M79	Washer-Rubber-7/16" I.D. x 1-1/4" O.D. x 1/16"	357394-S	4
Group 40308 PANEL ASSEMBLY (BACK LOWER REAR)-CENTER				
51	1M79		OA 7940308	1
Group 40310 PANEL ASSEMBLY (BODY UPPER BACK)				
51	1M76		1M 7640310	1
Group 40320 PANEL ASSEMBLY (BODY LOWER BACK)				
51	1M except 79		1M 7240320	1
Group 40320-1 PANEL ASSEMBLY (BODY LOWER REAR SIDE)				
51	1M79	R.H.	OM 7940320	1
51	1M79	L.H.	OA 7940321	1
51	1M79	Bolt (hex-head)-1/4"-20 x 5/8"	24324-S7	8
51	1M79	Locknut (standard light thick)-1/4"-20	34390-S7	8
51	1M79	Nut (plain)-1/4"-20	34129-S2	8
51	1M79	Washer (flat)-1/4"	44720-S8	8
Group 40326-7 PANEL (REAR QUARTER INSIDE LINING)-UPPER				
51	1M79	R.H.-in Prime	OM 7940326-AP	1
51	1M79	L.H.-in Prime	OM 7940327-AP	1
51	1M79	Screw (pan-hd self tapping)-No. 10-12 x 3/4"	32938-S7	8
Group 40330-1 PANEL (REAR BODY SIDE INSIDE LINING)-LOWER				
51	1M79	R.H.	OM 7940330	1
51	1M79	L.H.	OM 7940331	1
51	1M79	Screw (pan-hd self tapping)-No. 10-12 x 1/2"-one req'd for R.H.-2 req'd for L.H.	32924-S7	3
Group 40726 PANEL (TAIL GATE)-INSIDE FINISH				
51	1M79	Linoleum	OA 7940726	1
51	1M79	Washer (counter sunk)-No. 10	34863-S13	8
51	1M79	Screw (oval-hd cross recessed)-No. 10-12 x 5/8"	52353-S13	8
Group 40741 BUMPER (TAILGATE SUPPORT ROD)				
51	1M79	Rubber	OA 7940741	2
51	1M79	Screw (round head self tapping)-No. 10-12 x 1"	32884-S8	2
51	1M79	Washer (flat)-No. 10	44713-S8	2

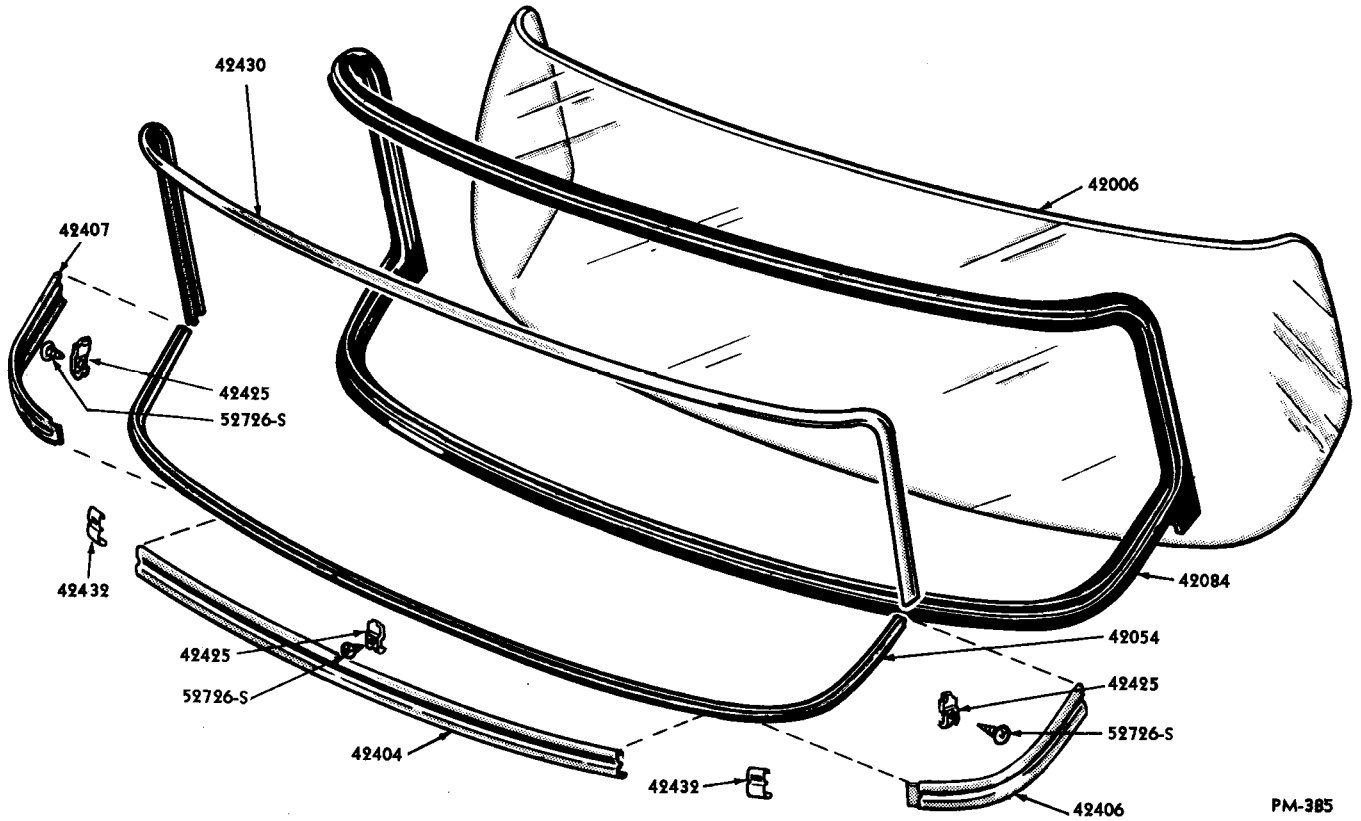
MERCURY

BODY PARTS CATALOGUE

YEAR 19__	BODY TYPES	REMARKS	PART NUMBER	NO. REQ'D
Group 41606 WEATHERSTRIP (TAILGATE BOTTOM SIDE)-ON BODY				
51	1M79	1-5/8" long	8A 7941606-B	2
Group 41626 WEATHERSEAL (TAILGATE SIDE)				
51	1M79	22-3/8" long	8M 7941626	2
Group 41632 WEATHERSTRIP (TAILGATE)-OUTER BOTTOM				
51	1M79	Sponge Rubber-12" long	0A 7941632	2
Group 41716 REINFORCEMENT ASSEMBLY (BACK BELT FLANGING STRIP AND LUGGAGE COMPARTMENT)				
51	1M76		0M 7641716	1
Group 41742-3 PILLAR AND TACKING STRIPE ASSEMBLY (QUARTER LOCK)				
51	1M76	R.H.	0M 7641742-B	1
51	1M76	L.H.	0M 7641743-B	1
Group 41748 STRIP ASSEMBLY (BACK BELT TACKING)-CENTER				
51	1M76	Overall length approximately 37-1/4"	0M 7641748	1
Group 41760-1 STRIP AND RETAINER ASSEMBLY (BACK BELT TACKING)-END				
51	1M76	R.H.-7/8" wide with two 7/16" holes 1-3/4" apart	7A 7641760	1
51	1M76	L.H.-7/8" wide with two 7/16" holes 1-3/4" apart	7A 7641761	1
Group 41774 MOULDING (BACK BELT FINISH)				
51	1M76	Rustless Steel-approximately 58-31/32" long	8M 7641774-A	1
51	1M76	Stud (fastener snap type)-No. 8 x 7/8"	352392-S13	11
Group 41786 WELT ASSEMBLY (BACK BELT RAIL)				
51	1M76	72" long-Black with Black Binding	8M 7641786-B	1
51	1M76	72" long-Black with Red Binding	8M 7641786-C	1
51	1M76	72" long-Gray Tan with Gray Tan Binding	8M 7641786-A	1
51	1M76	72" long-Green with Green Binding	8M 7641786-D	1
Group 41954 WEATHERSTRIP (BACK WINDOW)				
51	1M79	Rubber-70-1/2" long	0A 7941954	2
Group 42002 WINDOW ASSEMBLY (BACK)-LESS OUTSIDE TRIM				
51	1M79	Straight Maple Grain	8M 7942002-C	1
51	1M79	Screw (oval head)-No. 10-32 x 3/8"	28918-S13	4
Group 42006 GLASS (BACK WINDOW)				
51	1M72A-72B-72C-74	Clear	1M 7242006-A	1
51	1M72A-72B-72C-74	Tinted-Green	1M 7242006-B	1
51	1M79		8M 7942006-A	2
Group 42054 INSERT (BACK WINDOW WEATHERSTRIP)				
51	1M72A	141" long	1M 7242054-A	1
51	1M72B-72C-74	65" long-cut from 1M-7242054-A for service	1M 7242054-B	1
Group 42057 PIN (BACK WINDOW SUPPORT ARM STOP)				
51	1M79		8M 7942057	1

BODY PARTS CATALOGUE

YEAR 19__	BODY TYPES	REMARKS	PART NUMBER	NO. REQ'D
Group 42058-9 SUPPORT ASSEMBLY (BACK WINDOW)				
51	1M79	R.H.	OA 7942058-A	1
51	1M79	L.H.	OM 7942059	1
51	1M79	Nut (plain)-No. 10-32	34141-S8	4
51	1M79	Screw (flat head machine)-No. 10-32 x 1/2"-back window to rear body pillar	25231-S7	4
51	1M79	Screw (flat head self tapping)-No. 10-12 x 3/4"	32808-S2	4
Group 42084 WEATHERSTRIP (BACK WINDOW)				
51	1M72A	Free length at bottom 64-3/4"	1M 7242084-A	1
51	1M72B-72C-74	Free length at bottom 63-1/2"	1M 7242084-C	1
Group 42084 WEATHERSEAL (BACK WINDOW)-UPPER				
51	1M79	Sponge Rubber-71-7/32" long	8M 7942084	1
Group 42086 WEATHERSEAL (BACK WINDOW)-LOWER				
51	1M79	Sponge Rubber-47-13/32" long	8M 7942086	1
51	1M79	Screw (case recessed pan head self tap.)-No. 6-18 x 1/2"	356795-S8	15
51	1M79	Washer (flat)-No. 6	34701-S7	15
Group 42088-9 WEATHERSTRIP (BACK WINDOW)-LOWER CORNER				
51	1M79	R.H.-"L" shape 2-3/16" x 2-3/32"	8M 7942088	1
51	1M79	L.H.-"L" shape 2-3/16" x 2-3/32"	8M 7942089	1
Group 42094 RETAINER (BACK WINDOW WEATHERSTRIP)-OUTER				
51	1M79	Straight Grain Maple-42-31/32" long	8M 7942094	1
51	1M79	Screw (pan-hd cross recessed self tapping)-No. 6-18 x 1/2"	52724-S8	15
Group 42400-1 STRIP ASSEMBLY (BACK WINDOW FINISH)				
51	1M79	R.H.-Mahogany Finish	OM 7942400-AA	1
51	1M79	L.H.-Mahogany Finish	OM 7942401-AA	1
51	1M79	Screw (oval head self tapping)-No. 8-15 x 1"	33013-S13	6
51	1M79	Screw (oval head cross recessed self tap.)-No. 8-15 x 1"	52376-S13	6
51	1M79	Screw (oval hd. cross recessed self tap.)-No. 9-15 x 1/2"	52344-S8	10
Group 42404 MOULDING (BACK WINDOW OUTSIDE)-LOWER CENTER				
51	1M72B-74	Rustless Steel	1M 7242404	1
51	1M72C	Chrome Finish	1L 7242404	1
51	1M72-72C-74	Retainer-Zinc Finish-1" x 1-31/32"	1M 7242425	5
51	1M72-72C-74	Screw (pan head cross recessed)-No. 8-15 x 1/2"	52726-S8	5
Group 42406-7 MOULDING (BACK WINDOW OUTSIDE)-LOWER CORNER				
51	1M72B-74	R.H.-Rustless Steel	1M 7242406-B	1
51	1M72B-74	L.H.-Rustless Steel	1M 7242407-B	1
51	1M72C	Chrome Finish	1M 7242406-C	1
51	1M72C	Chrome Finish	1M 7242407-C	1
51	1M72-72C-74	Retainer-Zinc Finish-1" x 1-31/32"	1M 7242425	2
51	1M72C	Retainer-Zinc Finish-1" x 1-55/64"	1M 7242438	2
51	1M72-72C-74	Screw (pan head cross recessed)-No. 8-15 x 1/2"	52726-S8	4
Group 42410 MOULDING (BACK WINDOW OPENING)-INNER				
51	1M79	Mahogany Finish	8M 7942410-AB	1
51	1M79	Screw (oval head cross recessed self tapping)-No. 8-15 x 1"	52376-S13	7
51	1M79	Screw (oval hd. cross recessed self tap.)-No. 8-15 x 1-1/4"	52382-S13	2



REAR WINDOW

Group numbers only shown on illustration. Order by Part Numbers shown in list of parts.

YEAR 19	BODY TYPES	REMARKS	PART NUMBER	NO. REQ'D
Group 42424 STRIP (BACK WINDOW DIVISION BAR FINISH)				
51	1M79	Mahogany Finish	7A 7942424-AB	1
51	1M79	Screw (oval head self tapping)-No. 8-15 x 1"	52376-S13	3
Group 42425 RETAINER (BACK WINDOW LOWER MOULDING)				
51	1M72B-72C-74	Zinc Finish-1" x 1-63/64"	1M 7242425	7
51	1M72B-72C-74	Screw (pan head cross recessed self tap.)-No. 8-15 x 1/2"	52726-S8	7
Group 42430 MOULDING (BACK WINDOW)-UPPER				
51	1M72B-74	Rustless Steel	1M 7242430	1
51	1M72C	Chrome Finish	1L 7242430	1
Group 42438 RETAINER (BACK WINDOW)-OUTSIDE LOWER CORNER MOULDING				
51	1M72C	Zinc Finish-1" x 1-23/32"	1M 7242438	2
51	1M72C	Screw (pan hd. cross recessed self tap.)-No. 8-15 x 1/2"	52726-S8	2
Group 42432 COVER (BACK WINDOW)-OUTSIDE LOWER MOULDING JOINT				
51	1M72B-74	Rustless Steel	1M 7242432	2
51	1M72C	Chrome Finish	1L 7242432	2

MERCURY

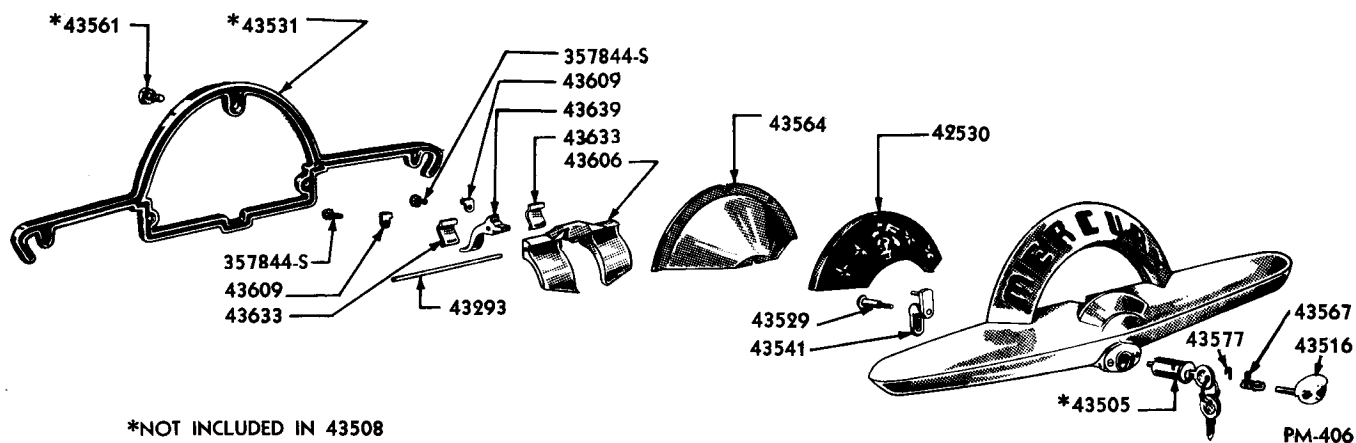
BODY PARTS CATALOGUE

YEAR 19	BODY TYPES	REMARKS	PART NUMBER	NO. REQ'D
Group 42530 MEDALLION (HOOD)-FRONT				
51	1M		OM 7242530	1
Group 42530 MEDALLION (LUGGAGE COMPARTMENT DOOR HANDLE)				
51	1M except 79		1M 7242530-B	1
Group 42700-1 HINGE ASSEMBLY (LUGGAGE COMPARTMENT DOOR)				
51	1M except 79	R.H.	OM 7242700	1
51	1M except 79	L.H.	OM 7242701	1
51	1M except 79	Bolt (pointed hex-hd)-5/16"-2 1/4 x 3/4"	24374-S8	8
51	1M except 79	Bolt (hex head)-5/16"-2 1/4 x 5/8"	24327-S8	4
51	1M except 79	Locknut (hex)-5/16"-2 1/4	34393-S7	2
51	1M except 79	Lockwasher-5/16"	34806-S7	8
51	1M except 79	Washer (flat)-5/16"	44722-S8	10
Group 42714-5 SUPPORT ASSEMBLY LUGGAGE COMPARTMENT DOOR HINGE				
51	1M72-72C-74	R.H.-Steel-approx. 4-3/64" x 4-51/64" x 12-9/64" overall	OM 7242714	1
51	1M72-72C-74	L.H.-Steel-approx. 4-3/64" x 4-51/64" x 12-9/64" overall	OM 7242715	1
Group 42900 HINGE ASSEMBLY (BACK WINDOW)				
51	1M79		8M 7942900	2
51	1M79	Rivet (round head)-3/16" x 3/8"	60330-S	4
51	1M79	Screw and washer assy (hex head)-1/4"-20 x 3/4"	42906-S8	6
51	1M79	Washer (flat)-1/4"	44720-S8	6
Group 43000 HINGE ASSEMBLY (TAILGATE)				
51	1M79		OA 7943000	1
51	1M79	Bolt (hex head)-1/4"-20 x 5/8"	24324-S8	8
51	1M79	Lockwasher-1/4"	34805-S8	8
51	1M79	Lockwasher (external tooth)-5/16"	34956-S2	2
51	1M79	Nut (plain)-1/4"-20	34129-S2	8
51	1M79	Screw (oval head)-5/16"-18 x 13/16"	30056-S2	2
51	1M79	Washer (flat)-1/4"	44720-S8	8
Group 43016 WEATHERSEAL (TAILGATE)				
51	1M79	Rubber-5 1/4"-1 1/4" long	8A 7943016	1
Group 43102 LOCK ASSEMBLY (BACK WINDOW)				
51	1M79		8M 7943102	1
51	1M79	Screw (oval head machine)-No. 12-2 1/4 x 1/2"	28332-S13	4
Group 43126 PLATE (BACK WINDOW LOCK STRIKER)				
51	1M79	1-23/64" x 1-1/2" with two 1/4" countersunk holes	8M 7943126-A	1
51	1M79	Screw (oval head)-No. 12-2 1/4 x 3/4"	28364-S13	2
Group 43200 LOCK ASSEMBLY (LUGGAGE COMPARTMENT DOOR)				
51	1M except 79		8H 7343200	1
51	1M except 79	Nut (hex)-No. 10-32	34079-S7	2
51	1M except 79	Screw and washer assy (oval head)-No. 10-32 x 1/2"	42861-S8	4
51	1M except 79	Washer (internal tooth)-No. 10	34903-S8	2
Group 43246 LATCH PIN AND PLATE ASSEMBLY (LUGGAGE COMPARTMENT)				
51	1M except 79		OM 7243246	1
51	1M except 79	Screw and washer assy (hex head)-1/4"-28 x 1/2"	42907-S8	2
51	1M except 79	Washer (flat)-1/4"	44719-S8	2

MERCURY

BODY PARTS CATALOGUE

YEAR 19	BODY TYPES	REMARKS	PART NUMBER	NO. REQ'D
Group 43248 SUPPORT ASSEMBLY (LUGGAGE COMPARTMENT DOOR LOCK)				
51	1M except 79		OM 7243248-B	1
51	1M except 79	Lockwasher (external tooth countersunk)-No. 10	34952-S7	4
51	1M except 79	Lockwasher (internal tooth)-No. 10	34903-S8	2
51	1M except 79	Nut (hex)-No. 10-32	34079-S7	2
51	1M except 79	Screw (oval head)-No. 10-32 x 7/16"	28923-S7	4
Group 43256 PLATE (LUGGAGE COMPARTMENT LATCH PIN TAPPING)				
51	1M except 79		26H 7343256	1
Group 43272 REMOTE CONTROL ASSEMBLY (LUGGAGE COMPARTMENT DOOR LOCK)				
51	1M except 79		OM 7243272	1
51	1M except 79	Screw (pan head-pointed)-1/4"-20 x 1/2"	39050-S8	4
51	1M except 79	Washer (internal tooth)-1/4"	34905-S7	4
Group 43293 PIN (LUGGAGE COMPARTMENT DOOR HANDLE TRIGGER)				
51	1M except 79	5" long	OM 7243293	1
Group 43426 HANDLE (BACK WINDOW)-INSIDE				
51	1M79		8M 7943426-A	1
51	1M79	Screw (oval head)-No. 10-32 x 1/2"	28931-S13A	1
51	1M79	Washer (flat)-3/8"	351421-S13	1
Group 43429 HANDLE ASSEMBLY (BACK WINDOW)-OUTSIDE-LESS LOCK AND CYLINDER				
51	1M79		8A 7943429-B	1
51	1M79	Screw (oval head)-No. 10-32 x 1/2"	28931-S13A	2



LUGGAGE COMPARTMENT DOOR HANDLE

Group numbers only shown on illustration. Order by Part Numbers shown in list of parts.

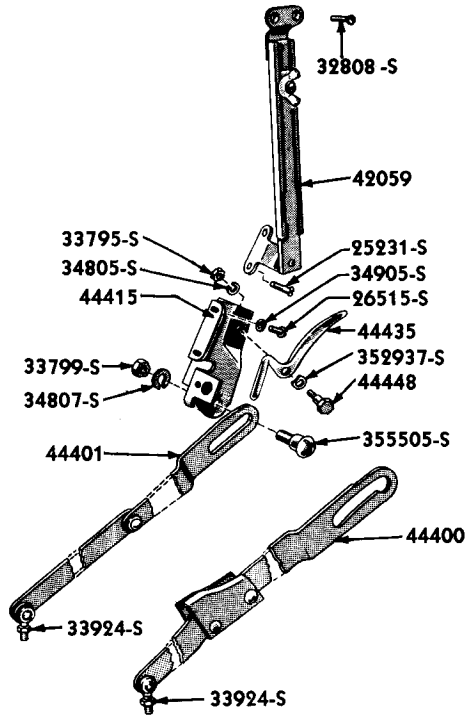
Group 43505 CYLINDER ASSEMBLY (LUGGAGE COMPARTMENT LOCK)-WITH KEYS				
51	1M except 79		1M 7243505-B	1
51	1M except 79	Pin (clevis)-1/4" x 1"	73903-S8	1
Group 43508 HANDLE ASSEMBLY (LUGGAGE COMPARTMENT DOOR)				
51	1M except 79		1M 7243508-C	1

BODY PARTS CATALOGUE

YEAR 19__	BODY TYPES	REMARKS	PART NUMBER	NO. REQ'D
Group 43516 COVER (LUGGAGE COMPARTMENT DOOR KEYHOLE)				
51	1M except 79		1M 7243516-B	1
Group 43531 PAD (LUGGAGE COMPARTMENT DOOR HANDLE)				
51	1M except 79	Rubber-18-11/32" long	1M 7243531	1
Group 43541 LINK (LUGGAGE COMPARTMENT DOOR LOCK CYLINDER TO TRIGGER)				
51	1M except 79		1M 7243541	1
Group 43557 BRACKET (LUGGAGE COMPARTMENT TRIM PANEL TO WHEELHOUSE)				
51	1M72A-72B-72C-74		8M 7043557	2
Group 43561 SCREW AND WASHER ASSEMBLY (LUGGAGE COMPARTMENT DOOR HANDLE TO DOOR)				
51	1M except 79	No. 10-24 x 1/2"	OM 7243561	5
Group 43564 RETAINER (LUGGAGE COMPARTMENT DOOR HANDLE MEDALLION)				
51	1M except 79		1M 7243564-A	1
Group 43567 SPRING (LUGGAGE COMPARTMENT DOOR HANDLE KEY HOLE COVER)				
51	1M except 79		1M 7243567-C	1
Group 43577 CLIP (LUGGAGE COMPARTMENT DOOR LOCK KEY HOLE COVER SPRING)				
51	1M except 79		1M 7243577	1
Group 43606 TRIGGER (LUGGAGE COMPARTMENT DOOR HANDLE LOCKING)				
51	1M except 79		OM 7243606-B	1
51	1M except 79	Pin (straight)-1/8" x 1"	352585-S	2
51	1M except 79	Screw and lockwasher assy (pan head)-No. 6-32 x 1/2"	43377-S8	2
Group 43609 RETAINER (LUGGAGE COMPARTMENT DOOR HANDLE TRIGGER PIN)				
51	1M except 79		OM 7243609	2
51	1M except 79	Screw and washer assy (pan-hd self tap.)-No. 6-32 x 3/8"	357844-S8	2
Group 43633 SPRING (LUGGAGE COMPARTMENT DOOR HANDLE TRIGGER)				
51	1M except 79		OM 7243633	2
Group 43639 LEVER (LUGGAGE COMPARTMENT TRIGGER)				
51	1M except 79		OM 7243639	1
Group 43652 SPRING (LUGGAGE COMPARTMENT DOOR LOCK TRIGGER LEVER)				
51	1M except 79		1M 7243652	1
Group 43706 WEATHERSTRIP (BACK WINDOW)-OUTER				
51	1M79	44-13/64" long	7A 7943706-A	1
Group 43720 WEATHERSTRIP (LUGGAGE COMPARTMENT DOOR)				
51	1M except 79	Rectangular-33-1/4" x 55"	8M 7243720-C	1
Group 43726 WEATHERSTRIP (TAILGATE)-OUT SIDE				
51	1M79	25-7/32" long	OA 7943726	2

MERCURY

BODY PARTS CATALOGUE



PM-485

TAIL GATE SUPPORT ROD AND COMPONENT PARTS

Group numbers only shown on illustration. Order by Part Numbers shown in list of parts.

YEAR 19__	BODY TYPES	REMARKS	PART NUMBER	NO. REQ'D
Group 44400-1 ROD ASSEMBLY (TAILGATE SUPPORT)				
51	1M79	R.H.	OA 7944400	1
51	1M79	L.H.	OA 7944401	1
51	1M79	Bolt (shoulder)-3/8"-16 x 1"	355505-S2	2
51	1M79	Lockwasher-3/8"	34807-S2	2
51	1M79	Nut (hex)-3/8"-16	33799-S7	2
51	1M79	Nut (hex jam)-3/8"-16	33924-S8	2
Group 44414-5 BRACKET (TAILGATE SUPPORT ROD)				
51	1M79	R.H.	OA 7944414	1
51	1M79	L.H.	OA 7944415	1
51	1M79	Lockwasher (internal tooth)-1/4"	34905-S7	8
51	1M79	Screw (round head machine)-1/4"-20 x 3/4"	26515-S13	8
Group 44424-5 BRACKET (TAIL GATE TO LATCH)				
51	1M79		OA 7944424	1
51	1M79		OA 7944425	1
51	1M79	Screw and washer assy (pan-hd cross recessed)-1/4"-20 x 3/4"	50828-S13	4
Group 44431 SHIM (TAILGATE LOCK STRIKER PLATE)				
51	1M79	1/32" thick	8A 7944431	as req'd

MERCURY

BODY PARTS CATALOGUE

YEAR 19__	BODY TYPES	REMARKS	PART NUMBER	NO. REQ'D
Group 44432 STRIP (TAILGATE SKID)				
51	1M79	Rustless Steel-3/4" x 16-57/64"	OA 7944432-B	3
51	1M79	Screw (flat-hd cross recessed)-1/4"-20 x 3/4"	50035-S13	6
51	1M79	Screw (flat-hd cross recessed self tap.)-No. 14-10 x 7/8"	52031-S13	6
Group 44434-5 LATCH ASSEMBLY (TAILGATE)				
51	1M79	R.H.	OA 7944434	1
51	1M79	L.H.	OA 7944435	1
51	1M79	Bolt (special shoulder)-1/4"-20 x 1"	OA 7944448	2
51	1M79	Lockwasher (spring)-1/4"	34805-S8	2
51	1M79	Lockwasher (external tooth)-1/4"	34940-S2	2
51	1M79	Nut (hex)-1/4"-20	33795-S7	4
51	1M79	Washer (spring three wave)	352937-S8	2
Group 44448 BOLT (TAILGATE LATCH)				
51	1M79	1/4"-20 x 1"	OA 7944448	2
Group 44640 STRAINER (BACK BELT FLANGING STRIP CENTER TO WHEELHOUSE)				
51	1M76		7A 7644640	2
Group 44718-9 REINFORCEMENT ASSEMBLY (LUGGAGE COMPARTMENT OPENING UPPER AND CORNER)				
51	1M72A-72B-72C-74	R.H.	8M 7244718	1
51	1M76	R.H.	8M 7644718	1
51	1M except 79	L.H.	8M 7244719	1
Group 44830-1 GUSSET (LUGGAGE COMPARTMENT OPENING LOWER CORNER)				
51	1M except 79	R.H.	7A 7044830	1
51	1M except 79	L.H.	7A 7044831	1
Group 45002 ANGLE (TAIL GATE)-UPPER EDGE				
51	1M79		OA 7945002	1
Group 45416-7 CARDBOARD (LUGGAGE COMPARTMENT)-SIDE REAR				
51	1M72B-72C-74	R.H.-Neutral Check-all trim	1M 7245416	1
51	1M72B-72C-74	L.H.-Neutral Check-all trim	1M 7245417	1
51	1M76	L.H.-Neutral Check-all trim	1M 7645417	1
51	1M72B-72C-74-76	Screw (cross recess self tapping)-No. 8-15 x 5/8"	52352-S13	2
51	1M72B-72C-74-76	Washer (countersunk)-No. 8	34885-S13	2

MERCURY

BODY PARTS CATALOGUE

YEAR 19	BODY TYPES	REMARKS	PART NUMBER	NO. REQ'D
Group 45444 CARDBOARD (LUGGAGE COMPARTMENT)-FRONT				
51	1M72A	Gray	1M 7245444-A	1
51	1M72B-72C-74	Neutral Check-all trim	1M 7245444-B	1
51	1M76	Neutral Check-all trim	1M 7645444-B	1
51	1M except 79	Clip (trim)	355187-S13	2
Group 45456 MAT (LUGGAGE COMPARTMENT FLOOR)				
51	1M except 79	Rubber-Black	1M 7245456	1
Group 45462 MAT (LUGGAGE COMPARTMENT)-REAR SIDE				
51	1M except 79	Rubber-Black	1M 7245462	1
Group 45464 FILLER (LUGGAGE COMPARTMENT)-TIRE WELL				
51	1M72B-72C-74-76	Rubber-approximately 1/16" x 10" x 14-15/16"	8M 7245464-B	1
Group 45466-7 COVER (QUARTER WHEELHOUSE LUGGAGE COMPARTMENT)				
51	1M72B-72C-74	R.H.-Rubber-Black	1M 7245466	1
51	1M72B-72C-74	L.H.-Rubber-Black	1M 7245467	1
51	1M76	R.H.-Rubber-Black	8M-7645466-B	1
51	1M76	L.H.-Rubber-Black	8M-7645467-B	1
51	1M79	R.H.-Rubber-Tan	8M 7945466	1
51	1M79	L.H.-Rubber-Tan	OM 7945467	1
51	1M except 79	Screw (cross recess self tapping)-No. 8-15 x 5/8"	52352-S13	4
51	1M except 79	Washer (countersunk)-No. 8	34885-S13	4
Group 46506 PANEL ASSEMBLY (PACKAGE TRAY)				
51	1M72A-72B-72C-74		1L 7246506	1
Group 46521 STRAINER ASSEMBLY (PACKAGE TRAY SUPPORT TO FLOOR SIDE MEMBER)				
51	1M72A-72B-72C		OM 7246521	1
Group 46568-9 STRAINER (QUARTER WINDOW TO PACKAGE TRAY)				
51	1M72A-72B-72C	R.H.-13-17/64" long	8M 7246568	1
51	1M72A-72B-72C	L.H.-13-17/64" long	8M 7246569	1
Group 46574-5 STRAINER ASSEMBLY (PACKAGE TRAY TO FLOOR)				
51	1M except 76	R.H.-29-21/32" long	1M 7246574	1
51	1M except 76	L.H.-29-21/32" long	1M 7246575	1

MERCURY

BODY PARTS CATALOGUE

YEAR 19	BODY TYPES	REMARKS	PART NUMBER	NO. REQ'D
Group 46664 SILENCER (PACKAGE TRAY)				
51	1M72A-72B-72C-74	Fibre Glass-57-19/64" long	1M 7246664-B	1
Group 46668 PANEL ASSEMBLY (PACKAGE TRAY)-CARDBOARD				
51	1M72A	Tan	1M 7246668-AE	1
51	1M72B-74	Beige	1M 7246668-BA	1
51	1M72B-74	Blue	1M 7246668-AB	1
51	1M72B-74	Gray	1M 7246668-AR	1
51	1M72B-74	Light Green	1L 7246668-BA	1
51	1M72B-74	Golden Tan	1M 7246668-AY	1
51	1M72B-74	Oyster White	1M 7246668-AZ	1
51	1M72C	Red	1M 7246668-AAE	1
51	1M72C	Medium Green	1M 7246668-AAF	1
51	1M72C	Turquoise	1M 7246668-AAG	1
51	1M72-74	Screw (oval-hd cross recessed self tapping)-No. 8-15 x 5/8"	52352-S13	3
51	1M 72-74	Washer (countersunk)-No. 8	34885-S13	3
Group 47070 BRACKET (LUGGAGE COMPARTMENT SPARE WHEEL MOUNTING)				
51	1M except 79	Includes mounting bolt	OL 7247070	1
Group 50026 PANEL ASSEMBLY (ROOF)-WITH SILENCER				
51	1M79		QM 7950026	1
Group 50100 TOP ASSEMBLY (FOLDING)-COMPLETE				
51	1M76	Black-with Black Binding	1M 7650100-AH	1
51	1M76	Black-with Red Binding	1M 7650100-AJ	1
51	1M76	Gray Tan-with Gray Tan Binding	1M 7650100-AG	1
51	1M76	Green-with Green Binding	1M 7650100-AK	1
51	1M76	Screw (drive)-No. 6 x 1/2"	351629-S28-A2B	as req'd
51	1M76	Fastener (clinch stud)	95464-S6	2
51	1M76	Fastener (button)	8H 7653029	2
51	1M76	Fastener (automatic curtain)	32784-S13	2
51	1M76	Screw (pan-hd self tapping)-No. 6-18 x 3/8"	32784-S13	2

Group 50200 PANEL ASSEMBLY (ROOF)

51	1M72A-72B	Rework for 1M72A-fill in moulding holes	1M 7250200-B	1
51	1M72-C	For Service use 1M 7250200-B with one 1M 7251702 and one 1M 7251703 Extensions	1M 7250200-C	1
51	1M74		1M 7450200	1

Group 50308 LINK (FOLDING TOP SIDE RAIL CONTROL)-REAR

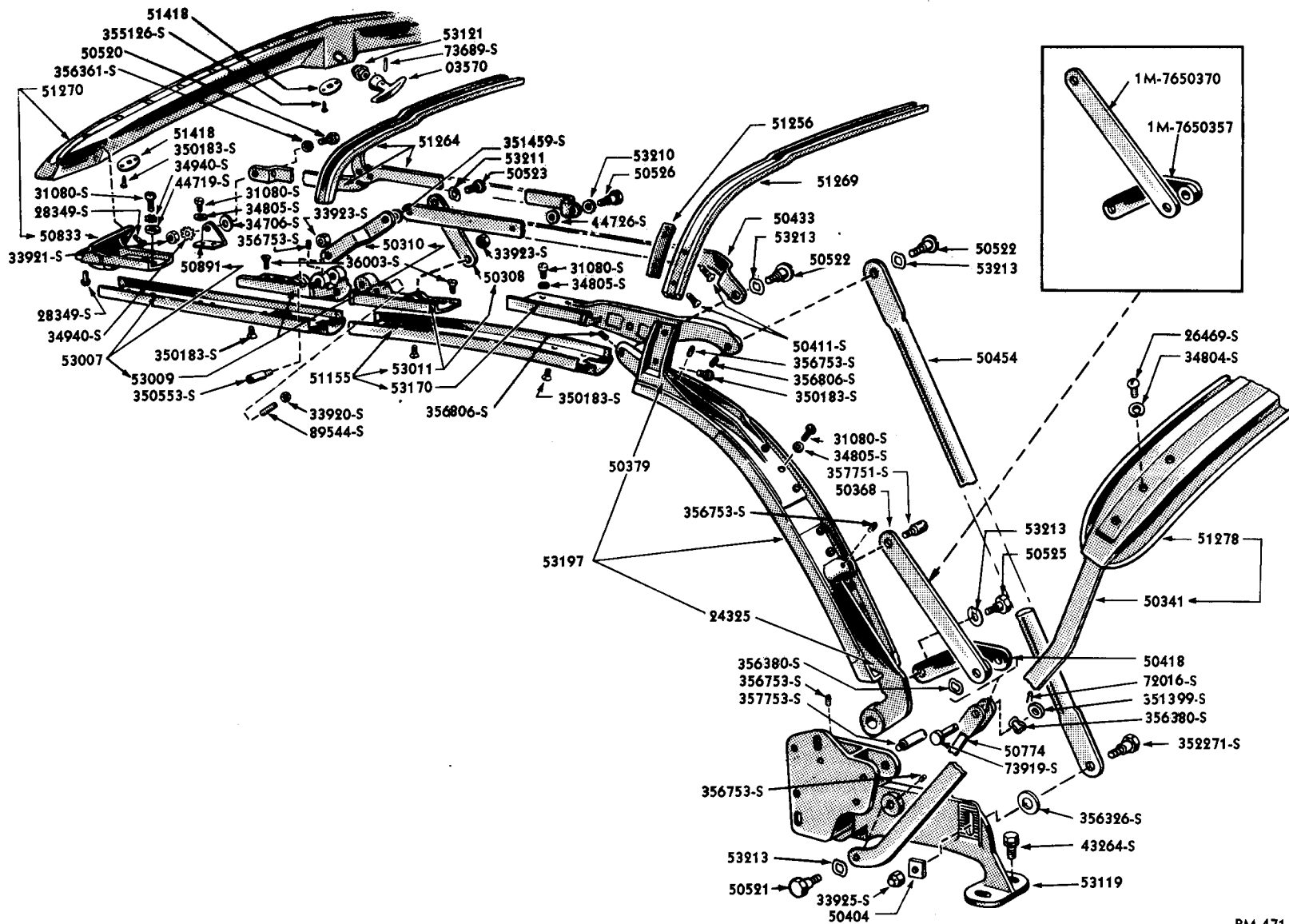
51	1M76	Chrome Finish-3/16" x 3/4" x 5-3/32"	8M 7650308	2
51	1M76	Nut (hex jam)-1/4"-20	33920-S	2

Group 50310 LINK (FOLDING TOP SIDE RAIL CONTROL)-FRONT

51	1M76	Chrome Finish-3/16" x 3/4" x 5-1/8"	8M 7650310	2
----	------	-------------------------------------	------------	---

Group 50340-1 SLAT IRON (FOLDING TOP REAR BOW)

51	1M76	R.H.-Chrome Finish-1/4" x 1" x 22-11/16" Overall	8M 7650340	1
51	1M76	L.H.-Chrome Finish-1/4" x 1" x 22-11/16" Overall	8M 7650341	1
51	1M76	Screw (rd head)-No. 12-24 x 3/8"	26469-S7	6
51	1M76	Washer (external tooth)-No. 12	34927-S8	6



PM-471

SIX PASSENGER CONVERTIBLE COUPE TOP—LESS TRIM (BODY TYPE 76)

Group numbers only shown on illustration. Order by Part Numbers shown in list of parts.

BODY PARTS CATALOGUE

YEAR 19	BODY TYPES	REMARKS	PART NUMBER	NO. REQ'D
Group 50356-7 LINK AND SPACER ASSEMBLY (FOLDING TOP POWER)-LOWER				
51	LM76	R.H.-Chrome Finish-with spacer welded on 1/4" x 1" x 8-7/64" overall	1M 7650356	1
51	LM76	L.H.-Chrome Finish-with spacer welded on-1/4" x 1" x 8-7/64" overall	1M 7650357	1
Group 50368 LINK AND SPACER ASSEMBLY (FOLDING TOP POWER)-UPPER				
51	LM76	Chrome Finish-with spacer welded on-1/4" x 1" x 8-3/4"	OM 7650368	2
51	LM76	Cotter pin-3/32" x 1/2"	72004-S7	2
Group 50370 LINK (FOLDING TOP POWER)-UPPER				
51	LM76		1M 7650370	2
51	LM76	Screw (socket hd set)-No. 10-24 x 3/8"	356753-S8	2
51	LM76	Stud (special slotted head)-3/8"-16 x 1-7/64"	357751-S2	2
Group 50378-9 HINGE (UPPER QUARTER PILLAR HINGE)-FOLDING TOP				
51	LM76	R.H.	8M 7650378-B	1
51	LM76	L.H.	8M 7650379-B	1
51	LM76	Bolt (special shoulder)-3/8"-16 x 59/64"	8M 7650522	2
51	LM76	Lockwasher-1/4"	34805-S8	6
51	LM76	Screw (fillister head)-1/4"-20 x 5/8"	31080-S7	6
51	LM76	Screw (flat head)-No. 10-24 x 3/8"	350183-S7	6
51	LM76	Washer (spring three wave)	8M 7653213	2
Group 50404 NUT (FOLDING TOP BALANCE LINK TO BODY BRACKET)				
51	LM76	Serrated-1/4" x 1" x 1"	8H 7650404	2
Group 50418 LINK (FOLDING TOP POWER)-LOWER				
51	LM76	Chrome Finish-1/4" x 1" x 8-7/64" overall	8M 7650418	2
51	LM76	Bolt (special shoulder)-3/8"-16 x 1"	8M 7650525	2
51	LM76	Screw (socket head set)-No. 10-24 x 3/8"	356753-S8	2
51	LM76	Washer (spring three wave)-33/64" I.D. x 13/16" O.D.	8M 7653213	2
Group 50432-3 LINK (FOLDING TOP)-NO. 1				
51	LM76	R.H.-Chrome Finish-1/4" x 1" x 17-15/32" overall	8M 7650432	1
51	LM76	L.H.-Chrome Finish-1/4" x 1" x 17-15/32" overall	8M 7650433	1
51	LM76	Bolt (shoulder fillister head)-5/16"-24 x 63/64"	8M 7650523	2
51	LM76	Lockwasher (external tooth)-5/16"	34941-S7	2
51	LM76	Screw (shoulder oval head)-3/8"-16 x 59/64"	8M 7650522	2
51	LM76	Screw (socket head set)-No. 10-24 x 1/4"	356806-S8	2
51	LM76	Washer (spring three wave)-29/64" I.D. x 3/4" O.D.	8M 7653211	2
51	LM76	Washer (spring-three wave)-33/64" I.D. x 13/16" O.D.	8M 7653213	2
Group 50454 LINK (BALANCE FOLDING TOP)				
51	LM76	Chrome Finish Tubing-approximately 21-3/16" overall	8M 7650454-B	2
51	LM76	Bolt (hex head shoulder)-3/8"-24 x 1-1/4"	352271-S8	2
51	LM76	Nut (hex)-3/8"-24	33925-S7	2
51	LM76	Nut (serrated)-3/8"-24	8H 7650404	2
51	LM76	Screw (socket head set)-No. 10-24 x 1/4"	356806-S8	2
51	LM76	Screw (shoulder oval head)-3/8"-16 x 59/64"	8M 7650522	2
51	LM76	Washer (flat)-25/64" I.D. x 1-1/8" O.D. x 7/64"	356326-S7	2
51	LM76	Washer (spring three wave)-33/64" I.D. x 13/16" O.D.	8M 7653213	2

MERCURY

BODY PARTS CATALOGUE

YEAR 19__	BODY TYPES	REMARKS	PART NUMBER	NO. REQ'D
Group 50520 BOLT (NO. 2 BOW AND LINK TO FRONT SIDE RAIL)				
51	1M76	Special-hex head-shoulder-1/4"-28 x 51/64" Chrome Finish	8M 7650520	2
Group 50521 BOLT (REAR BOW TO TOP MOUNTING BRACKET)				
51	1M76	Special-hex head-shoulder-3/8"-16 x 1" Chrome Finish	8M 7650521	2
Group 50522 SCREW (LINK NO. 1 TO PILLAR RAIL)				
51	1M76	Oval head shoulder-3/8"-16 x 59/64" Chrome Finish	8M 7650522	2
Group 50522 SCREW (BALANCE LINK TO SIDE RAIL)				
51	1M76	Oval head shoulder-3/8"-16 x 59/64" Chrome Finish	8M 7650522	2
Group 50523 BOLT (LINK NO. 1 TO REAR SIDE RAIL)				
51	1M76	Fillister head shoulder-5/16"-24 x 63/64" Chrome Finish	8M 7650523	2
Group 50525 BOLT (LOWER POWER LINK TO MOUNTING BRACKET)				
51	1M76	Special-hex head-shoulder-3/8"-16 x 1-1/64" Chrome Finish	8M 7650525	2
Group 50526 BOLT (NO. 2 BOW AND LINK TO FRONT SIDE RAIL)				
51	1M76	Special-hex head-shoulder-5/16"-24 x 53/64" Chrome Finish	8M 7650526	2
Group 50570 CONTROL ROD ASSY (TOP OPERATING)				
51	1M76	Developed length approximately 14-3/8"	OM 7650570-B	1
51	1M76	Bracket (top control)	OM 16930	1
51	1M76	Screw (pan self tapping)-No. 10-12 x 3/8"	32917-S7	2
51	1M76	Screw (round head machine)-No. 10-32 x 1/4"	36784-S7	1
Group 50579 KNOB (TOP CONTROL ROD)				
51	1M76	Chrome Finish-Word "TOP" in Black	8M 7650579	1
51	1M76	Screw (set)-No. 8-32 x 3/16"	355097-S	1
Group 50588 BUSHING (TOP CONTROL ROD)				
51	1M76	Felt 11/64" I.D. x 5/16" O.D. x 7/16"	OM 7650588	1
Group 50589 RETAINER (TOP CONTROL ROD)-BUSHING				
51	1M76	Chrome Finish-1/4" I.D. x 5/8" O.D. x 3/8"	OM 7650589	1
51	1M76	Nut (compression)-1/2"-20	357325-S	1
Group 50601 CYLINDER (TOP OPERATING)				
51	1M76	less yoke	8A 7650601	2
51	1M76	Cotter pin-3/32" x 3/4"-to floor	72016-S8	2
51	1M76	Pin (clevis)-3/8" x 7/16"-to floor	73956-S	2
Group 50606 SPACER (TOP OPERATING CYLINDER TO FLOOR BRACKET)				
51	1M76	Rubber-7/8" O.D. x 15/64" thick	96H 7650606	4
Group 50738 VALVE ASSEMBLY (TOP OPERATING CONTROL)				
51	1M76		5EH 7650738	1
51	1M76	Lockwasher-No. 12	34804-S8	2
51	1M76	Lockwasher (external tooth)-No. 6	34937-S7	1
51	1M76	Screw (round head machine)-No. 12-24 x 3/8"	26469-S7	2
Group 50774 YOKE (TOP OPERATING CYLINDER)				
51	1M76		8A 7650774	2
51	1M76	Cotter pin-3/32" x 3/4"	72016-S	2
51	1M76	Pin (clevis)-3/8" x 1-1/8"	73919-S7	2
51	1M76	Washer (flat)-25/64" I.D. x 1" O.D. x 3/16"	351399-S13	2
51	1M76	Washer (spring)-3/8" I.D. x 3/4" O.D.	356380-S8	4

MERCURY

BODY PARTS CATALOGUE

YEAR 19	BODY TYPES	REMARKS	PART NUMBER	NO. REQ'D
------------	------------	---------	-------------	--------------

Group 50832-3 BRACKET (TOP SLAT IRON SIDE RAIL TO HEADER)

51	1M76	R.H.	8M 7650832	1
51	1M76	L.H.	8M 7650833	1
51	1M76	Lockwasher (external tooth)-1/4"	34940-S2	6
51	1M76	Screw (fillister head)-1/4"-20 x 5/8"	31080-S7	6
51	1M76	Washer (flat)-1/4"	44719-S8	6

Group 50890-1 BRACKET (NO. 2 BOW CONNECTING LINK TO FRONT SIDE RAIL)

51	1M76	R.H.	8H 7650890	1
51	1M76	L.H.	8H 7651891	1
51	1M76	Lockwasher-1/4"	34805-S2	4
51	1M76	Screw (fillister head)-1/4"-20 x 5/8"	31080-S7	4

Group 50952-3 STRIP (ROOF HEADLINING RETAINING)

51	1M72A-72B-72C	R.H.	1M 7250952	1
51	1M72A-72B-72C	L.H.	1M 7250953	1
51	1M79	R.H.	8M 7950952	1
51	1M79	L.H.	8M 7950953	1
51	1M72A-72B-72C-79	Screw (pan head cross recessed self tap.)-No. 8-15 x 3/8"	52720-S8	16
51	1M72A-72B-72C	Screw (pan head cross recessed self tap.)-No. 8-15 x 1"	52754-S8	4
51	1M79	Screw (pan head cross recessed self tap.)-No. 8-15 x 3/4"	52742-S8	4

Group 50952-3 STRIP (ROOF HEADLINING RETAINING)-FRONT

51	1M74	R.H.	1M 7450952	1
51	1M74	L.H.	1M 7450953	1
51	1M74	Screw (pan head cross recessed self tap.)-No. 8-15 x 1"	52754-S8	4
51	1M74	Screw (pan head cross recessed self tap.)-No. 8-15 x 3/8"	52720-S8	10

Group 50954-5 STRIP (ROOF HEADLINING RETAINING)-CENTER

51	1M74	R.H.	1M 7450954	1
51	1M74	L.H.	1M 7450955	1
51	1M74	Screw (pan head cross recessed self tap.)-No. 8-15 x 3/8"	52720-S8	4

Group 50956-7 STRIP (ROOF HEADLINING RETAINING)-REAR

51	1M74	R.H.	1M 7450956	1
51	1M74	L.H.	1M 7450957	1
51	1M74	Screw (pan head cross recessed self tap.)-No. 8-15 x 3/8"	52720-S8	12

Group 51142-3 RAIL ASSEMBLY (ROOF SIDE)

51	1M74	R.H.	8M 7451142-B	1
51	1M74	L.H.	8M 7451143-B	1
51	1M72A-72B-72C	R.H.	7A 7251184	1
51	1M72A-72B-72C	L.H.	1M 7251143	1

Group 51154-5 SIDE RAIL ASSEMBLY (FOLDING TOP REAR)-COMPLETE

51	1M76	R.H.	8M 7651154-B	1
51	1M76	L.H.	8M 7651155-B	1
51	1M76	Bolt (fillister head)-1/4"-20 x 5/8"	31080-S7	14
51	1M76	Lockwasher-1/4"	34805-S2	4
51	1M76	Nut (hex head jam)-1/4"-20	33920-S	2
51	1M76	Screw (headless set)-1/4"-20 x 1-1/2"	89544-S7	2
51	1M76	Screw (special flat head)-No. 10-24 x 3/8"	350183-S7	12
51	1M76	Screw (socket head set)-No. 10-24 x 3/8"	356753-S8	2
51	1M76	Washer (spring-three wave)-33/64" I.D. x 13/16" O.D.	8M 7653213	2

MERCURY

BODY PARTS CATALOGUE

YEAR 19	BODY TYPES	REMARKS	PART NUMBER	NO. REQ'D
Group 51184-5 RAIL (ROOF SIDE)-FRONT				
51	1M72A-72B-72C	R.H.	7A 7251184	1
51	1M72A-72B-72C	L.H.	1M 7251143	1
51	1M79	R.H.	7A 7951184	1
51	1M79	L.H.	7A 7951185	1
Group 51190-1 REINFORCEMENT ASSEMBLY (ROOF RAIL SIDE)-FRONT				
51	1M79	R.H.	8M 7951190	1
51	1M79	L.H.	8M 7951191	1
Group 51196-7 REINFORCEMENT (ROOF SIDE RAIL)				
51	1M72A-72B-72C	R.H.	1M 7251196	1
51	1M72A-72B-72C	L.H.	1M 7251197	1
51	1M74	R.H.	1M 7451196	1
51	1M74	L.H.	1M 7451197	1
Group 51256 PLATE (FOLDING TOP TAPPING)-NO. 3 BOW				
51	1M76	3/16" x 1/2" x 2-29/32" overall	8H 7651256	2
51	1M76	Bolt (cross recessed oval head machine)-1/4"-20 x 5/8"	50411-S13	4
Group 51264 BOW AND LINKS ASSEMBLY (FOLDING TOP)-NO.2				
51	1M76		OM 7651264	1
51	1M76	Bolt (special shoulder)-1/4"-28 x 51/64"	8M 7650520	2
51	1M76	Bolt (special shoulder)-5/16"-24 x 13/16"	8M 7650526	2
51	1M76	Nut (hex)-5/16"-24	33923-S13	2
51	1M76	Nut (hex)-1/4"-28	33921-S13	2
51	1M76	Washer (flat)-3/8"	44726-S8	2
51	1M76	Washer (flat)-5/16"	44724-S8	2
51	1M76	Washer (lock external tooth)-1/4"	34940-S2	2
51	1M76	Washer (lock external tooth)-5/16"	34941-S7	2
51	1M76	Washer (spring)-3/8" x 9/16"	356361-S7	2
51	1M76	Washer (spring three wave)-11/32" I.D. x 9/16" O.D.	356361-S7	2
51	1M76	Washer (spring three wave)-25/64" I.D. x 5/8" O.D.	8M 7653210	2
Group 51267 CLAMP (FOLDING TOP QUARTER PAD TO NO.3 BOW)				
51	1M76	1/16" x 3/8" x 2-31/32"	8M 7651267	2
51	1M76	Screw (pan head pointed)-No. 10-32 x 1/4"	39012-S7	4
Group 51269 BOW ASSEMBLY (FOLDING TOP)-NO.3				
51	1M76		8M 7651269-B	1
51	1M76	Screw (cross recessed oval head)-1/4"-20 x 5/8"	50411-S13	4
Group 51270 HEADER ASSEMBLY (FOLDING TOP NO. 1 BOW)				
51	1M76		OM 7651270	1
51	1M76	Screw (oval head)-1/4"-20 x 5/8"	28349-S	6
Group 51272 BOW (ROOF)-NO. 1				
51	1M79	Metal	7A 7951272	1
Group 51276 BOW (ROOF)-NO. 2 AND 4				
51	1M79	Metal	7A 7951276	2
51	1M79	Nut (plain square)-1/4"-20	34129-S2	2

BODY PARTS CATALOGUE

YEAR 19__	BODY TYPES	REMARKS	PART NUMBER	NO. REQ'D
Group 51278 BOW ASSY (FOLDING TOP)-REAR				
51	1M76		8M 7651278-A	1
51	1M76	Bolt (special shoulder)-3/8"-16 x 1"	8M 7650521	2
51	1M76	Screw (socket head set)-No. 10-24 x 3/8"	356753-S8	2
51	1M76	Washer (three wave)-33/64" I.D. x 13/16" O.D.	8M 7653213	2
Group 51280 BOW (ROOF)-NO. 3				
51	1M79	Metal	7A 7951280	1
51	1M79	Nut (plain square)-1/4"-20	34129-S2	2
Group 51288 BOW (ROOF)-NO. 5				
51	1M79	Metal	7A 7951288	1
51	1M79	Nut (plain square)-1/4"-20	34129-S2	2
Group 51338-9 WEATHERSTRIP ASSEMBLY (FOLDING TOP)-NO. 1 BOW				
51	1M76	R.H.	OM 7651338	1
51	1M76	L.H.	OM 7651339	1
51	1M76	Screw (pan head cross recessed self tap.)-No. 6-18 x 1/4"	52713-S8	14
Group 51418 PLATE (FOLDING TOP NO. 1 BOW PROTECTOR)				
51	1M76	1-3/8" x 3-3/8"	8H 7651418	3
51	1M76	Screw (flat head)-No. 10-24 x 3/8"	350183-S7	6
Group 51422 ANTI RATTLE (FOLDING TOP NO. 1 BOW LOCKING ROD)				
51	1M76	Felt-1/2" x 3/4" x 1-1/4"	8H 7651422	2
Group 51486 SUPPORT AND BRACKET ASSEMBLY (DOME LAMP MOUNTING)				
51	1M72A-72B-72C		1M 7251486-B	1
51	1M74		1M 7451486-B	1
51	1M79		8M 7951486	1
Group 51562-3 WEATHERSTRIP (FOLDING TOP SIDE ROOF RAIL)-FRONT				
51	1M76	R.H.-24-7/8" long	8M 7651562	1
51	1M76	L.H.-24-7/8" long	8M 7651563	1
Group 51564 WEATHERSTRIP (FOLDING TOP SIDE ROOF RAIL)-CENTER				
51	1M76	17-3/4" long	8M 7651564	2
Group 51566-7 WEATHERSTRIP (FOLDING TOP SIDE ROOF RAIL)-REAR				
51	1M76	R.H.-20-3/4" long-Tapped	8M 7651566-B	1
51	1M76	L.H.-20-3/4" long-Tapped	8M 7651567-B	1
Group 51700-1 MOULDING (ROOF DRIP)				
51	1M72A-72B	R.H.	8M 7251700	1
51	1M72A-72B	L.H.	8M 7251701	1
51	1M72C	R.H.-For service use 8M-7251700 cut to length and 1M-7251702 extension	1M 7251700	1
51	1M72C	L.H.-For service use 8M-7251701 cut to length and 1M-7251703 extension	1M 7251701	1
51	1M74	R.H.	8M 7451700	1
51	1M74	L.H.	8M 7451701	1
Group 51702-3 MOULDING (ROOF DRIP)-REAR EXTENSION				
51	1M72C	R.H.-approximately 12-1/8"	1M 7251702	1
51	1M72C	L.H.-approximately 12-1/8"	1M 7251703	1
51	1M79	R.H.-approximately 16"	8M 7951702	1
51	1M79	L.H.-approximately 16"	8M 7951703	1

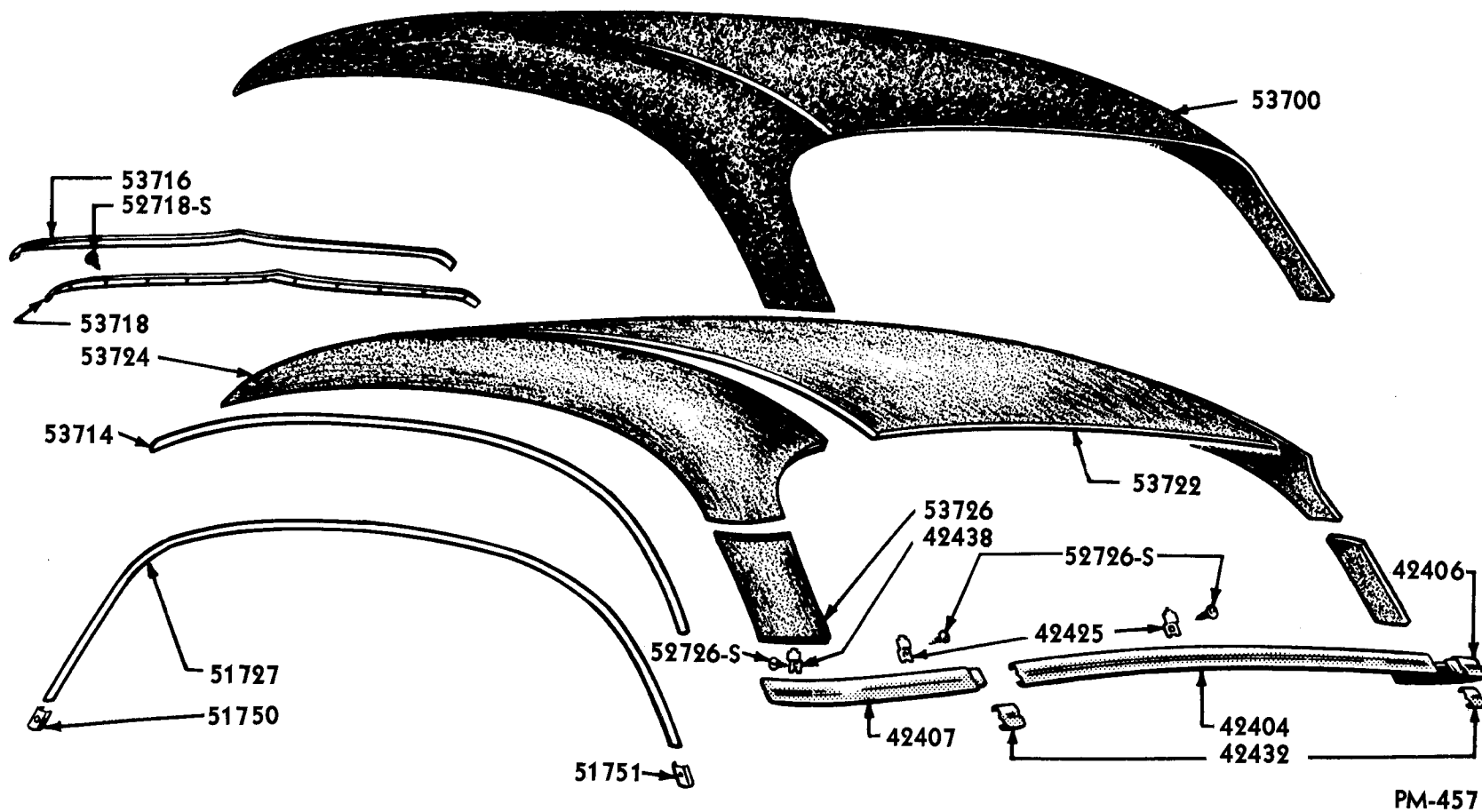
MERCURY

BODY PARTS CATALOGUE

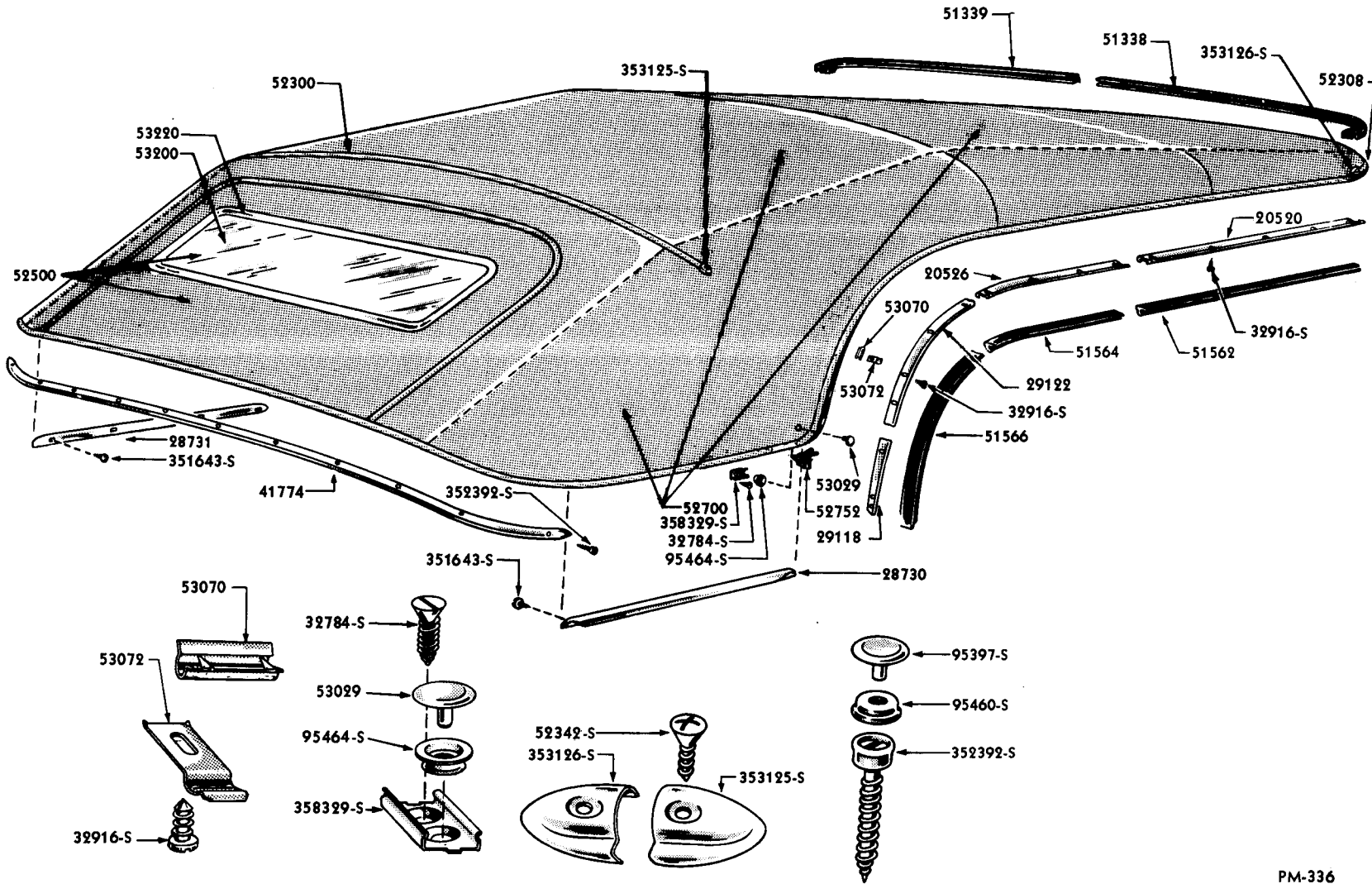
YEAR 19	BODY TYPES	REMARKS	PART NUMBER	NO. REQ'D
Group 51704 MOULDING (ROOF DRIP)-REAR				
51	1M79		7A 7951704	1
Group 51710-1 MOULDING (ROOF DRIP)-SIDE FRONT				
51	1M79	R.H.	7A 7951710	1
51	1M79	L.H.	7A 7951711	1
Group 51714-5 MOULDING (ROOF DRIP)-SIDE REAR				
51	1M79	R.H.	7A 7951714	1
51	1M79	L.H.	7A 7951715	1
Group 51726-7 MOULDING (ROOF DRIP SIDE)-FINISH				
51	1M72C	R.H.-Chrome Finish-overall length approximately 84-1/2"	1M 7251726	1
51	1M72C	L.H.-Chrome Finish-overall length approximately 84-1/2"	1M 7251727	1
51	1M72C	Screw (pan head self tapping)-No. 4-24 x 1/4"	32905-S13	4
Group 51750-1 CAP (ROOF DRIP SIDE FINISH MOULDING END)-FRONT AND REAR				
51	1M72C	R.H.-Rustless Steel-approximately 9/16" x 1-9/16"	1M 7251750-A	2
51	1M72C	L.H.-Rustless Steel-approximately 9/16" x 1-9/16"	1M 7251751-A	2
51	1M72C	Screw (pan head self tapping)-No. 4-24 x 1/4"	32905-S13	4
Group 51916 HEADLINING ASSEMBLY (ROOF)				
51	1M72A-72B	M-16908-L Blue Headlining	1M 7251916-AB	1
51	1M72B	M-2H1-H Light Brown Broadcloth	1M 7251916-AAH	1
51	1M72B	M-5156-Q Blue Gray Broadcloth	1M 7251916-AD	1
51	1M72B	M-16908-M Green Headlining	1M 7251916-AC	1
51	1M72B	M-2H1-J Light Green Broadcloth	1M 7251716-AAJ	1
51	1M72B	Ivory Artificial Leather	1M 7251916-AZ	1
51	1M72B	M-16908-P Gray Tan Headlining	1M 7251916-AR	1
51	1M72B	Golden Tan Artificial Leather	1M 7251916-AY	1
51	1M72B	M-16908-N Light Tan Headling	1M 7251916-AA	1
51	1M72C	Green Artificial Leather	1M 7251916-AT	1
51	1M72C	Red Artificial Leather	1M 7251916-AS	1
51	1M72C	Turquoise Artificial Leather	1M 7251916-AU	1
51	1M74	M-16908-L Blue Headlining	1M 7451916-AB	1
51	1M74	M-2H1-H Light Brown Broadcloth	1M 7451916-AAH	1
51	1M74	M-5156-Q Blue Gray Broadcloth	1M 7451916-AD	1
51	1M74	M-16908-M Green Headlining	1M 7451916-AC	1
51	1M74	M-2H1-J Light Green Broadcloth	1M 7451916-AAJ	1
51	1M74	Ivory Artificial Leather	1M 7451916-AZ	1
51	1M74	M-16908-P Gray Tan Headlining	1M 7451916-AR	1
51	1M74	Golden Tan Artificial Leather	1M 7451916-AY	1
51	1M74	M-16908-N Light Tan Headlining	1M 7451916-AA	1
51	1M79	Light Green Artificial Leather	OM 7951916-BU	1
51	1M79	Light Red Artificial Leather	OM 7951916-BG	1
51	1M79	Golden Tan Artificial Leather	OM 7951916-BT	1
51	1M72A-72B-72C-74	Clip (for electric wiring)	358297-S32	4
51	1M72B-74-79	Screw (drive)-No. 4 x 5/16"	351580-S28-A1	as req'd

BODY PARTS CATALOGUE

YEAR 19	BODY TYPES	REMARKS	PART NUMBER	NO. REQ'D
Group 51932 PANEL ASSEMBLY (PACKAGE TRAY TO REAR WINDOW)				
51	1M72A-72B-74	M-16908-L Blue Headlining-approximately 4-11/16" x 70"	1M 7251932-BB	1
51	1M72B-74	M-2H1-H Light Brown Broadcloth-approximately 4-11/16" x 70"	1M 7251932-AAH	1
51	1M72B-74	M-5156-Q Blue Gray Broadcloth-approximately 4-11/16" x 70"	1M 7251932-BD	1
51	1M72B-74	M-16908-M Green Headlining-approximately 4-11/16" x 70"	1M 7251932-BC	1
51	1M72B-74	M-2H1-J Light Green Broadcloth-approximately 4-11/16" x 70"	1M 7251932-AAJ	1
51	1M72B-74	Ivory Artificial Leather-approximately 4-11/16" x 70"	1M 7251932-AZ	1
51	1M72B-74	M-16908-N Tan Headlining-approximately 4-11/16" x 70"	1M 7251932-CA	1
51	1M72B-74	M-16908-P Gray Tan Headlining-4-11/16" x 70"	1M 7251932-BR	1
51	1M72B-74	Golden Tan Artificial Leather-approximately 4-11/16" x 70"	1M 7251932-AY	1
51	1M72C	Red Artificial Leather-approximately 4-11/16" x 70"	1M 7251932-BS	1
51	1M72C	Green Artificial Leather-approximately 4-11/16" x 70"	1M 7251932-BT	1
51	1M72C	Turquoise Artificial Leather-approximately 4-11/16" x 70"	1M 7251932-BU	1
51	1M72-74	Screw (oval head cross recessed self tap.)-No. 8-15 x 5/8"	52352-S13	3
51	1M72-74	Washer (countersunk)-No. 8	34885-S13	3
Group 52101-8 SUPPORT (ROOF HEADLINING)				
51	1M72A-72B-72C-74	No. 1-No paint on ends	1M 7252101-B	1
51	1M72A-72B-72C	No. 2-White paint on ends	1M 7252102-B	1
51	1M72A-72B-72C	No. 3-Blue paint on ends	1M 7252103-B	1
51	1M72A-72B-72C	No. 4-Yellow paint on ends	1M 7252104-B	1
51	1M72A-72B-72C	No. 5-Red paint on ends	1M 7252105-B	1
51	1M72A-72B-72C	No. 6-Green paint on ends	1M 7252106-B	1
51	1M72A-72B-72C	No. 7-Aluminum paint on ends	1M 7252107-B	1
51	1M72A-72B-72C	No. 8-Black paint on ends	1M 7252108-B	1
51	1M74	No. 2-Two White 1" stripes 1" apart	1M 7452102-B	1
51	1M74	No. 3-Two Blue 1" stripes 1" apart	1M 7452103-B	1
51	1M74	No. 4-Two Yellow 1" stripes 1" apart	1M 7452104-B	1
51	1M74	No. 5-Two Red 1" stripes 1" apart	1M 7452105-B	1
51	1M74	No. 6-Two Green 1" stripes 1" apart	1M 7452106-B	1
51	1M74	No. 7-Two Aluminum 1" stripes 1" apart	1M 7452107-B	1
51	1M74	No. 8-Two Black 1" stripes 1" apart	1M 7452108-B	1
Group 52170-1 EXTENSION (ROOF HEADLINING RETAINER STRIP)-REAR				
51	1M74	R.H.	6M 7452170-B	1
51	1M74	L.H.	6M 7452171-B	1
51	1M74	Screw (pan head)-No. 8-5 x 3/8"	32916-S8	4
Group 52300 BINDING (REAR ROOF BOW)-FOLDING TOP				
51	1M76	Black-53" long, use M-17108-Q for service	6M 7652300-B	as req'd
51	1M76	Gray Tan-53" long, use M-17108-P for service	6M 7652300-A	as req'd
51	1M76	Green-53" long, use M-17108-S for service	6M 7652300-D	as req'd
51	1M76	Red-53" long, use M-17108-W for service	6M 7652300-C	as req'd
51	1M76	R.H.-End Tip	353126-S23A	1
51	1M76	L.H.-End Tip	353125-S23A	1
51	1M76	Screw (cross recessed oval head self tapping)-No. 6-18 x 3/4"	52358-S23	2


SIX PASSENGER COUPE TOP PARTS (BODY TYPE 72-C)

Group numbers only shown on illustration. Order by Part Numbers shown in list of parts.



SIX PASSENGER CONVERTIBLE COUPE TOP EXTERIOR VIEW (BODY TYPE 76)

Group numbers only shown on illustration. Order by Part Numbers shown in list of parts.

PM-336

MERCURY

BODY PARTS CATALOGUE

YEAR 19__	BODY TYPES	REMARKS	PART NUMBER	NO. REQ'D
Group 52308 BINDING (HEADER BOW)-FOLDING TOP				
51	1M76	Black-61" long, use M-17108-Q for service	8M 7652308-B	as req'd
51	1M76	Gray Tan-61" long, use M-17108-P for service	8M 7652308-A	as req'd
51	1M76	Green-61" long, use M 17108-S for service	8M 7652308-D	as req'd
51	1M76	Red-61" long, use M-17108-W for service	8M 7652308-C	as req'd
51	1M76	R.H.-End Tip	353126-S23A	1
51	1M76	L.H.-End Tip	353125-S23A	1
51	1M76	Screw (cross recessed oval head self tap.)-No. 6-18 x 3/4"	52358-S23	2
Group 52500 CURTAIN ASSEMBLY (FOLDING TOP BACK)				
51	1M76	Black-with Black Binding	1M 7652500-AB	1
51	1M76	Black-with Red Binding	1M 7652500-AC	1
51	1M76	Gray Tan-with Gray Tan Binding	1M 7652500-AA	1
51	1M76	Green-with Green Binding	1M 7652500-AD	1
Group 52700 TOP DECK AND QUARTER ASSEMBLY (FOLDING TOP)				
51	1M76	Black-with Black Binding	1M 7652700-AB	1
51	1M76	Black-with Red Binding	1M 7652700-AC	1
51	1M76	Gray Tan-with Gray Tan Binding	1M 7652700-AA	1
51	1M76	Green-with Green Binding	1M 7652700-AD	1
51	1M76	Button (fastener)-5/32" x 5/16"	8H 7653029	2
51	1M76	Button (fastener)-5/32" x 5/16"	95397-S13	11
51	1M76	Clinch Stud-(durable dot)-25/64" x 35/64"	95464-S6	2
51	1M76	Fastener (automatic curtain)-top to pillar rail	358329-S13	2
51	1M76	Retainer (top deck welt sleeve)	8M 7653072	14
51	1M76	Screw (flat head self tapping)-No. 6-18 x 3/8"	32784-S2	4
51	1M76	Screw (pan head self tapping)-No. 8-15 x 1/4"	32916-S8	14
51	1M76	Screw (pan head cross recessed self tap.)-No. 6-18 x 1/4"	52713-S8	2
51	1M76	Screw (top deck welt)	8M 7653070	14
51	1M76	Stud (fastener snap type)-No. 8 x 7/8"	352392-S13	11
51	1M76	Socket (fastener)-9/16" I.D. x 11/64" O.D.	95460-S13	11
51	1M76	Washer (flat)-No. 6	44707-S8	2
Group 52752-3 WEATHERSEAL (FOLDING TOP QUARTER PANEL TO HINGE PILLAR)				
51	1M76	R.H.-Rubber	QM 7652752	1
51	1M76	L.H.-Rubber	QM 7652753	1
Group 53000 TOP ASSEMBLY (FOLDING)-LESS TRIM				
51	1M76		1M 7653000	1
Group 53006-7 SIDE RAIL BRACKET AND LINK ASSEMBLY (FOLDING TOP FRONT SIDE)-FRONT				
51	1M76	R.H.	8M 7653006	1
51	1M76	L.H.	8M 7653007	1
51	1M76	Nut (hex)	33923-S13	2
51	1M76	Stud (slotted head)-3/8"-16 x 1-29/32"	350553-S	2
Group 53008-9 HINGE AND LINK ASSEMBLY (FOLDING TOP FRONT SIDE RAIL)				
51	1M76	R.H.	8M 7653003	1
51	1M76	L.H.	8M 7653009	1
51	1M76	Screw (flat head)-1/4"-28 x 1/2"	36003-S8	4
51	1M76	Screw (socket head set)-No. 10-24 x 3/8"	356753-S8	2
51	1M76	Washer (external countersunk)-1/4"	34954-S7	4

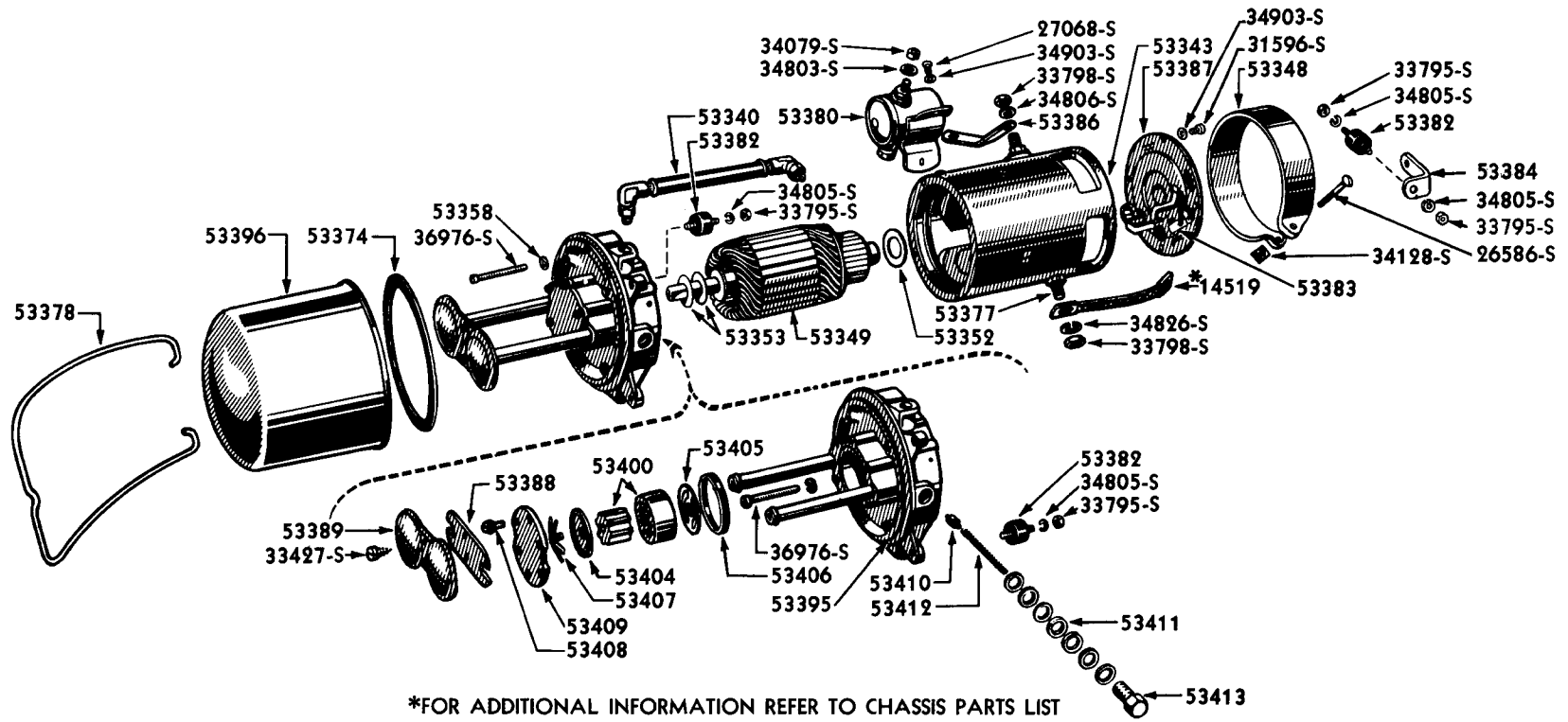
BODY PARTS CATALOGUE

YEAR 19	BODY TYPES	REMARKS	PART NUMBER	NO. REQ'D
Group 53010-1 HINGE AND LINK ASSEMBLY (FOLDING TOP REAR SIDE RAIL)-FRONT				
51	1M76	R.H.	8M 7653010	1
51	1M76	L.H.	8M 7653011	1
51	1M76	Screw (flat head)-1/4"-28 x 1/2"	36003-S8	4
51	1M76	Screw (headless set)-1/4"-20 x 1-1/2"	89544-S7	2
51	1M76	Washer (external countersunk)-1/4"	34954-S7	4
Group 53029 FASTENER BUTTON (CONVERTIBLE TOP QUARTER BELT)				
51	1M76	5/32" x 5/16"-to attach convertible top at quarter belt	8H 7653029	2
Group 53070 SLEEVE (TOP DECK WELT)				
51	1M76	Rustless steel-1" long	8M 7653070	14
Group 53072 RETAINER (TOP DECK WELT SLEEVE)				
51	1M76	Chrome Finish-1/2" x 1-1/4" with 3/16" x 13/32" slot	1M 7653072	14
51	1M76	Screw (pan head self tapping)-No. 8-15 x 3/8"	32916-S8	14
Group 53118-9 BRACKET (TOP MOUNTING)				
51	1M76	R.H.	8M 7653118-c	1
51	1M76	L.H.	8M 7653119-c	1
51	1M76	Screw (flat head-pointed)-3/8"-16 x 7/8"	36072-S8	2
51	1M76	Screw (hex head self tapping)-No. 14-10 x 5/8"	31490-S7	4
51	1M76	Screw and lockwasher assy (hex head)-5/16"-24 x 7/8"	43264-S8	12
51	1M76	Screw and lockwasher assy (oval head)-5/16"-24 x 7/8"	42896-S8	2
51	1M76	Screw (set)-No. 10-24 x 3/8"	356753-S8	4
51	1M76	Stud (slotted head)-7/16"-14 x 1-47/64"	357753-S7	2
51	1M76	Washer (flat)-5/16"	34706-S2	8
51	1M76	Washer (external countersunk)-3/8"	34957-S7	2
Group 53121 BUSHING (FOLDING TOP LOCK HANDLE SHAFT)				
51	1M76	15/32" long	8H 7653121	1
51	1M76	Pin (tapered)-No. 2 x 3/4"	73689-S	1
Group 53128-9 SUPPORT ASSEMBLY (TOP MOUNTING BRACKET ON QUARTER WHEELHOUSE)				
51	1M76	R.H.	8M 7653128-B	1
51	1M76	L.H.	8M 7653129-B	1
Group 53170-1 HINGE (FOLDING TOP REAR SIDE RAIL)-REAR				
51	1M76	R.H.	8M 7653170-B	1
51	1M76	L.H.	8M 7653171-B	1
51	1M76	Lockwasher-1/4"	34805-S8	6
51	1M76	Screw (fillister head)-1/4"-20 x 5/8"	31080-S8	6
51	1M76	Screw (hex socket set)-No. 10-24 x 1/4"	356806-S8	2
Group 53196-7 RAIL AND BRACKETS ASSEMBLY (FOLDING TOP PILLAR)				
51	1M76	R.H.	8M 7653196	1
51	1M76	L.H.	8M 7653197	1
51	1M76	Screw (hex socket set)-No. 10-24 x 3/8"	356753-S8	4
51	1M76	Screw (shoulder oval head)-3/8"-16 x 59/64"	8M 7650522	2
51	1M76	Stud (special slotted head)-3/8"-16 x 1-23/64"	357753-S	2
51	1M76	Washer (spring-three wave)-1/2" I.D. x 13/16" O.D.	8M 7653213	2
Group 53200 GLASS (TOP BACK CURTAIN)				
51	1M76		8M 7653200	1

MERCURY

BODY PARTS CATALOGUE

YEAR 19	BODY TYPES	REMARKS	PART NUMBER	NO. REQ'D
Group 53210 WASHER (NO. 2 BOW AND LINK TO REAR SIDE RAIL)				
51	1M76	Spring (three wave)-25/64" I.D. x 5/8" O.D.	8M 7653210	2
Group 53211 WASHER (NO. 1 LINK TO REAR SIDE RAIL AND FRONT SIDE RAIL)				
51	1M76	Spring (three wave)-29/64" I.D. x 3/4" O.D.	8M 7653211	2
Group 53213 WASHER (REAR BOW TO TOP MOUNTING BRACKET)				
51	1M76	Spring (three wave)-33/64" I.D. x 13/16" O.D.	8M 7653213	2
Group 53213 WASHER (LOWER POWER LINK TO MOUNTING BRACKET)				
51	1M76	Spring (three wave)-33/64" I.D. x 13/16" O.D.	8M 7653213	2
Group 53213 WASHER (NO. 1 LINK TO PILLAR RAIL)				
51	1M76	Spring (three wave)-33/64" I.D. x 13/16" O.D.	8M 7653213	2
Group 53213 WASHER (BALANCE LINK TO REAR SIDE RAIL)				
51	1M76	Spring (three wave)-33/64" I.D. x 13/16" O.D.	8M 7653213	2
Group 53217 WASHER (REAR CONTROL LINK NO. 2 BOW TO FRONT CONTROL LINK NO. 2 BOW)				
51	1M76	Spring (three wave)-21/64" I.D. x 9/16" O.D.	8M 7653217	2
Group 53220 FRAME ASSEMBLY (BACK CURTAIN GLASS)-OUTER				
51	1M76	Chrome Finish	8M 7653220	1
Group 53224 FRAME (BACK CURTAIN GLASS)-INNER				
51	1M76		8M 7653224-AB	1
51	1M76	Screw (oval head cross recessed)-No. 5-40 x 3/8"-Brass	357326-S6	14
Group 53250-1 ZIPPER ASSEMBLY (TOP BACK CURTAIN)				
51	1M76	R.H.	OM 7653250	1
51	1M76	L.H.	OM 7653251	1
Group 53255 REINFORCEMENT (TOP BACK CURTAIN)-SIDE				
51	1M76	Steel-Zinc finish-59/64" x 1-25/32"	1M 7653255	4
Group 53257 CLIP (TOP BACK CURTAIN)-SIDE				
51	1M76	Steel-Zinc finish-1-1/16" x 1-27/32"	1M 7653257	4
Group 53325 RETAINER AND NUT ASSEMBLY (REAR DOOR HOSE COVER SPRING)				
51	1M74	Overall length approximately 2-1/2"	8M 7353325	2
51	1M74	Screw and lockwasher assy (pan head)-No. 8-32 x 3/4"	43243-88	2
Group 53330 SPRING (HYDRAULIC WINDOW OPERATING)				
51	1M72B-72C-74-76	Green Enamel	1H 7253330	as req'd
Group 53332 BRACKET (DOOR HYDRAULIC HOSE CONDUIT CLAMP)				
51	1M76	3/4" x 3/4" x 2-21/32" long	8M 7653332	2
51	1M76	Screw (pan head cross recessed self tap.)-No. 8-15 x 3/8"	52720-S8	4
Group 53334 MOTOR AND HYDRAULIC PUMP ASSEMBLY (INCLUDES RESERVOIR, BALL, SOLENOID AND MOUNTING BRACKET)				
51	1M72B-72C-74-76		OH 7353334	1
51	1M76	Lockwasher-5/16"	34806-S2	4
51	1M76	Lockwasher-1/4"	34805-S2	1
51	1M76	Nut (hex)-No. 10-32	34079-S7	1
51	1M72B-72C-74-76	Screw (pan head self tapping)-No. 8-15 x 1/4"	32909-S2	1 req'd

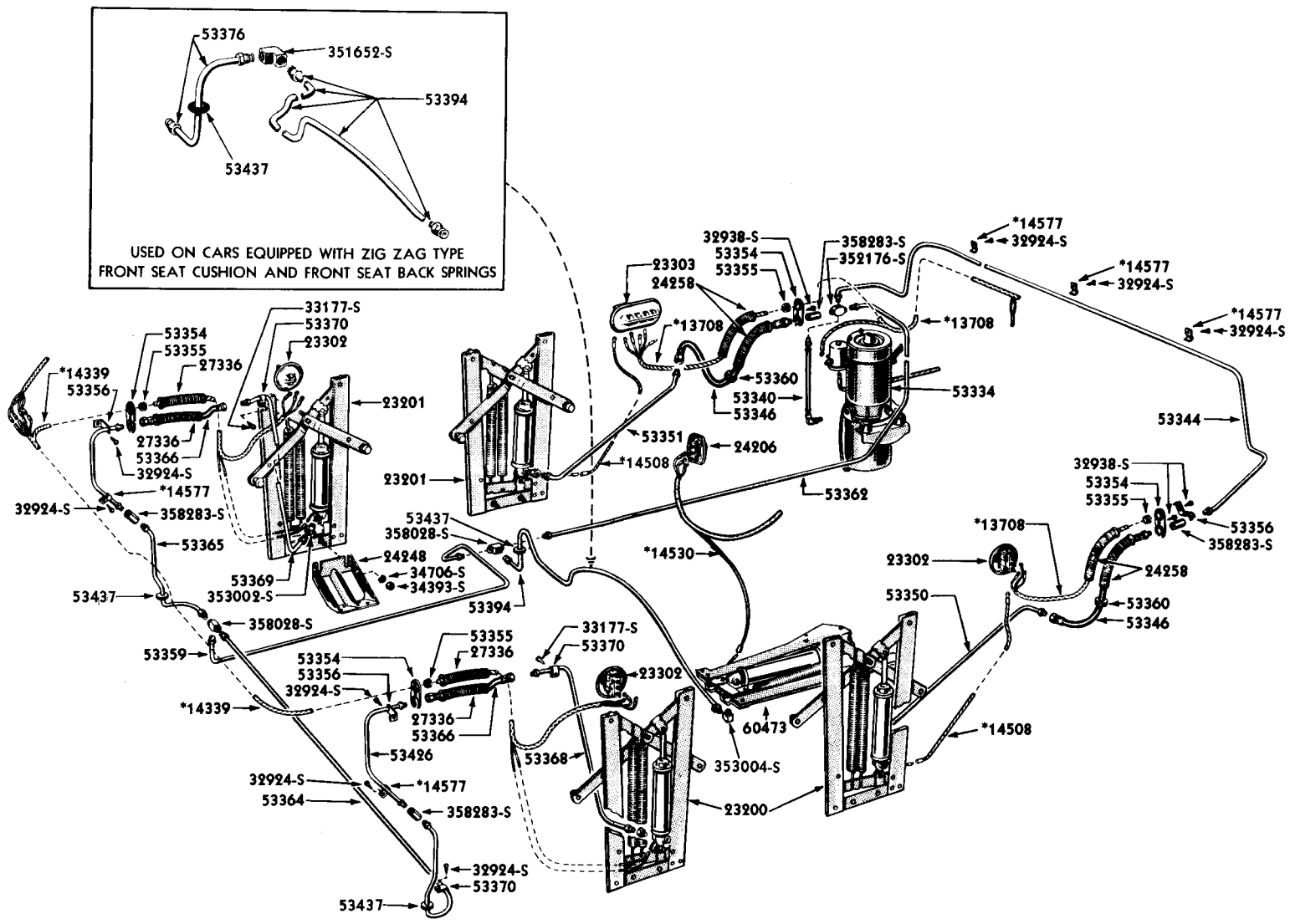


*FOR ADDITIONAL INFORMATION REFER TO CHASSIS PARTS LIST

PL-283

HYDRAULIC PUMP AND MOTOR (OH-7353334)

Group numbers only shown on illustration. Order by Part Numbers shown in list of parts.



53376
351652-S
53394
53437

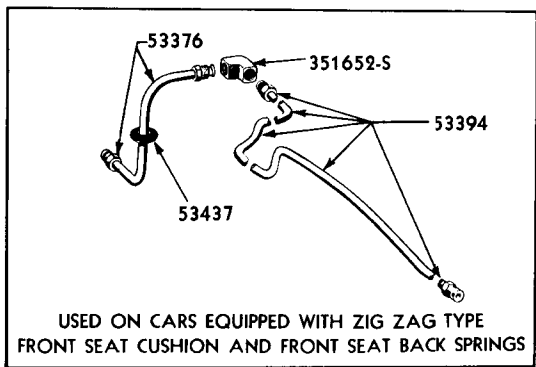
USED ON CARS EQUIPPED WITH ZIG ZAG TYPE FRONT SEAT CUSHION AND FRONT SEAT BACK SPRINGS

*FOR ADDITIONAL INFORMATION REFER TO CHASSIS PARTS LIST

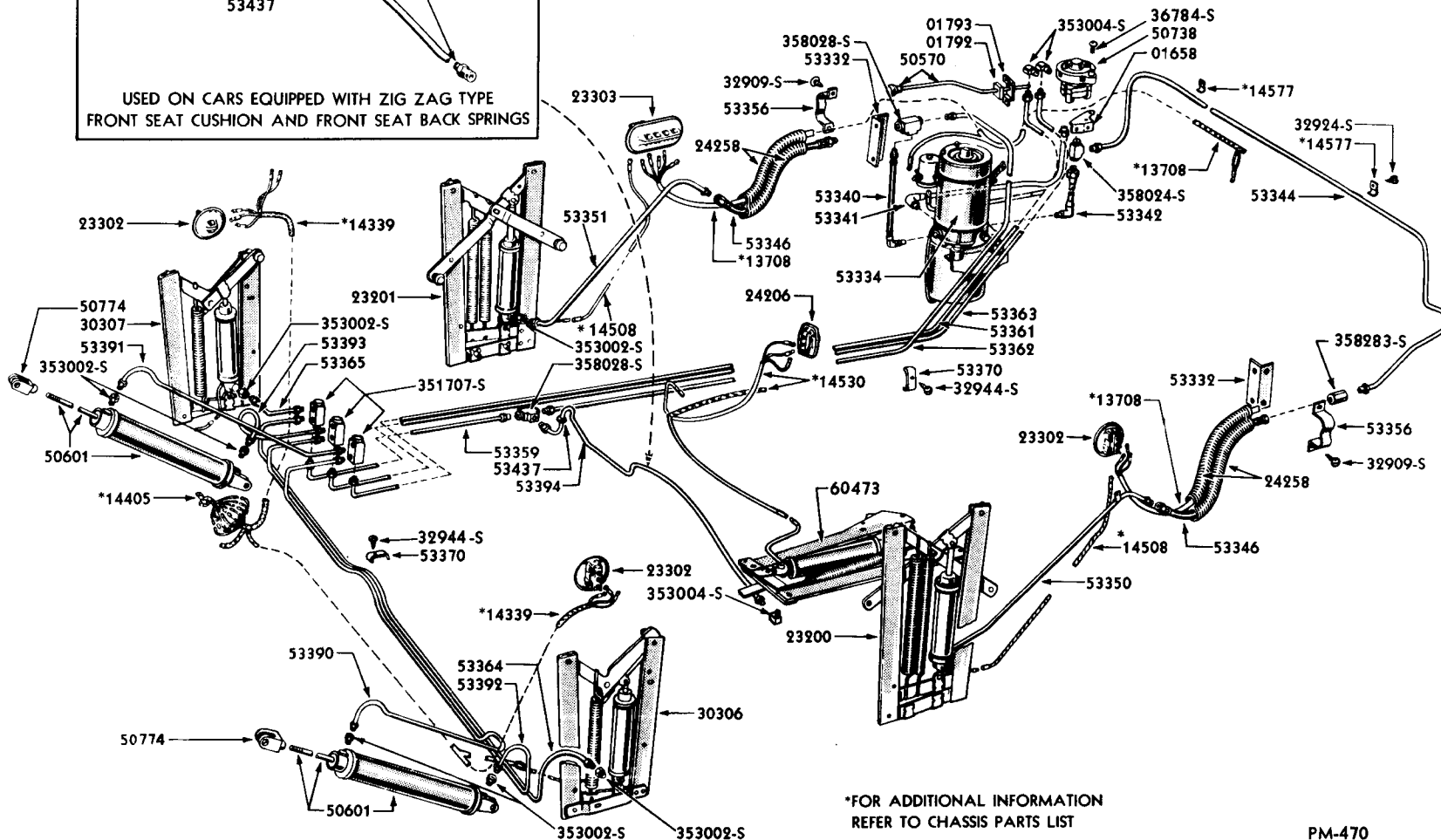
PM-469

HYDRAULIC WINDOW LIFT SYSTEM (BODY TYPE 74)

Group numbers only shown on illustration. Order by Part Numbers shown in list of parts.



USED ON CARS EQUIPPED WITH ZIG ZAG TYPE FRONT SEAT CUSHION AND FRONT SEAT BACK SPRINGS



*FOR ADDITIONAL INFORMATION REFER TO CHASSIS PARTS LIST

PM-470

HYDRAULIC WINDOW AND FOLDING TOP LIFT SYSTEM (BODY TYPE 76)

Group numbers only shown on illustration. Order by Part Numbers shown in list of parts.

MERCURY

BODY PARTS CATALOGUE

YEAR 19__	BODY TYPES	REMARKS	PART NUMBER	NO. REQ'D
Group 53340 HOSE ASSEMBLY (HYDRAULIC PUMP TO TUBING)				
51	LM72B-72C-74-76	Approximately 7-5/16" long	8M 7653340	1
51	LM76	Tee (3 way inverted)-1/2"-20 for 5/16" tube	358028-S	1
51	LM72B-72C-74	Tube Cross (4 way inverted flared)-1/2"-20 for 5/16" tube	352176-S	1
Group 53341 HOSE ASSEMBLY (HYDRAULIC PUMP TO TOP CONTROL VALVE RETURN)				
51	LM76	Approximately 12-7/64"	8M 7653341-A	1
Group 53342 HOSE ASSEMBLY (HYDRAULIC PUMP TO TOP CONTROL VALVE SUPPLY)				
51	LM76	Approximately 6-15/32"	8M 7653342	1
51	LM76	Tee (3 way inverted)-1/2"-20 female and 1/8"-27 male for 5/16" tube	358024-S	1
Group 53343 FRAME AND FIELD ASSEMBLY (HYDRAULIC PUMP MOTOR)				
51	LM72B-72C-74-76		8H 7353343-B	1
Group 53344 TUBE ASSEMBLY (TO FRONT DOOR HYDRAULIC WINDOW REGULATOR)				
51	LM72B-72C-74	R.H.-developed length approximately 84-35/64"	8M 7053344-B	1
51	LM76	R.H.-developed length approximately 84-1/8"	OM 7653344	1
51	LM74-76	Screw (pan head self tapping)-No. 10-12 x 1/2"	32924-S7	3
51	LM72B-72C-74	Tube Cross (4 way inverted flared)-1/2"-20 for 5/16" tube	352176-S	1
51	LM72E-72C-74-76	Union (inverted)-1/2"-20 for 5/16" tube	358283-S	1
Group 53346 HOSE ASSEMBLY (FRONT DOOR HYDRAULIC WINDOW REGULATOR)				
51	LM72E-72C-74-76	21-1/2" long	8M 7653346	2
51	LM72E-72C-74	Tube Cross (4 way inverted flared)-1/2"-20 for 5/16" tube	352176-S	1
51	LM76	Union (inverted)-1/2"-20 for 5/16" tube	358283-S	1
Group 53348 BAND ASSEMBLY (HYDRAULIC PUMP MOTOR)				
51	LM72E-72C-74-76		5EH 7353348	1
Group 53349 ARMATURE ASSEMBLY (HYDRAULIC PUMP MOTOR)				
51	LM72E-72C-74-76		8H 7353349	1
Group 53350-1 TUBE ASSEMBLY (FRONT DOOR WINDOW REGULATOR)				
51	LM72B-72C	R.H.-developed length approximately 26-9/16"	8M 7053350	1
51	LM72B-72C	L.H.-developed length approximately 26-9/16"	8M 7053351	1
51	LM74	R.H.-developed length approximately 20-55/64"	8M 7353350	1
51	LM74	L.H.-developed length approximately 20-55/64"	8M 7353351	1
51	LM76	R.H.-developed length approximately 27-1/2"	8M 7653350	1
51	LM76	L.H.-developed length approximately 27-1/2"	8M 7653351	1
51	LM76	Lockwasher (internal tooth)-No. 10	34903-S8	2
51	LM76	Nut (hex)-No. 10-32	34079-S7	2
51	LM76	Screw (round head)-No. 10-32 x 1/2"	27081-S7	2
Group 53352 WASHER (HYDRAULIC PUMP MOTOR ARMATURE SHAFT)-UPPER				
51	LM72B-72C-74-76	Fibre-41/64" I.D. x 1-1/4" O.D. x 1/32"	8H 7353352	as req'd
Group 53353 WASHER (HYDRAULIC PUMP MOTOR ARMATURE SHAFT)-LOWER				
51	LM72B-72C-74-76	Fibre-33/64" I.D. x 1-3/32" O.D. x 1/32"	8H 7353353	as req'd

MERCURY

BODY PARTS CATALOGUE

YEAR 19__	BODY TYPES	REMARKS	PART NUMBER	NO. REQ'D
Group 53354 RETAINER (HOSE COVER SPRING)				
51	1M72B-72C-74	Approximately 1-1/4" x 2-1/2"	7EH 7353354	2or4
51	1M74	Nut (hex head)-No. 8-32	34052-S7	1
51	1M72B-72C-74	Screw (pan head)-No. 10-12 x 3/4"	32938-S7	4
51	1M72B-72C-74	Screw (pan head self tapping)-No. 10-12 x 1/2"	32924-S2	2
51	1M74	Screw (pan head)-No. 8-32 x 3/4"	39091-S7	2
51	1M74	Washer (flat)-No. 6	44707-S8	4
Group 53355 GROMMET (WINDOW REGULATOR CONTROL WIRES)				
51	1M72B-72C-74	Rubber	7EH 7353355	2or8
Group 53356 CLAMP (DOOR HYDRAULIC HOSE CONDUIT)				
51	1M76	Length 2-3/8"	8M 7653356	2
51	1M76	Screw (pan head cross recessed self tap.)-No. 8-15 x 3/8"	52720-S8	4
Group 53356 CLAMP (HOSE TO TUBE COVER SPRING RETAINER)				
51	1M72B-72C-74	Front door-approximately 5/64" x 29/32" x 2-3/4"	8M 7053356	2
51	1M74	Rear door-approximately 5/64" x 3/4" x 1-1/8"	8M 7453356	2
Group 53358 SEAL (HYDRAULIC PUMP MOUNTING SCREW)				
51	1M72B-72C-74-76	13/64" I.D. x 3/8" O.D. x 1/32"	5EH 7353358	4
Group 53359 TUBE ASSEMBLY (REAR DOOR WINDOW SUPPLY)				
51	1M74	Developed length approximately 42-3/4"	8M 7053359	1
Group 53359 TUBE ASSEMBLY (REAR WINDOW SUPPLY)				
51	1M76	Developed length approximately 28"	8M 7653359-B	2
51	1M76	Grommet-3 hole-Rubber	355430-S	1
51	1M76	Screw (pan head self tapping)-No. 10-12 x 7/8"	32944-S2	1
51	1M76	Tee (3 way inverted)-1/2"-20 for 5/16" tube	351707-S	3
51	1M76	Tee (triple inverted)-5/16"	358028-S	1
Group 53360 GROMMET (HYDRAULIC WINDOW REGULATOR SPRING HOSE COVER)				
51	1M72B-72C-74	Brass-front door 1-1/8" O.D. x 3/4" long	8M 7053360	4
51	1M74	Brass-rear door 1-1/8" O.D. x 11/32"	8M 7353360	4
Group 53361 TUBE ASSEMBLY (TOP CYLINDER SUPPLY)-UPPER				
51	1M76	Developed length approximately 79-3/8"	8M 7653361-D	1
51	1M76	Elbow (inverted)-1/2"-20 female and 1/8"-27 male for 5/16" tube	353004-S	2
51	1M76	Grommet-3 hole-Rubber	355430-S	1
51	1M76	Tee (3 way inverted)-1/2"-20 for 5/16" tube	351707-S	3
51	1M76	Screw (pan head self tapping)-No. 10-12 x 7/8"	32944-S2	1
Group 53362 TUBE ASSEMBLY (REAR QUARTER HYDRAULIC SUPPLY)-FRONT				
51	1M72B-72C-74-76	Developed length approximately 59-5/8"	8M 7653362-B	1
51	1M72B-72C	Elbow (inverted tube)-1/2"-20 for 5/16" tube	351652-S	1
51	1M76	Elbow (inverted)-1/2"-20 female and 1/8"-27 male for 5/16" tube	353004-S	2
51	1M72B-72C-74-76	Tee (3 way inveted)-1/2"-20 for 5/16" tube	358028-S	1
51	1M72B-72C-74	Tube Cross (4 way inverted flared)-1/2"-20 for 5/16" tube	352176-S	1
51	1M76	Screw (pan head self tapping)-No. 10-12 x 7/8"	32944-S2	1

MERCURY

BODY PARTS CATALOGUE

YEAR 19	BODY TYPES	REMARKS	PART NUMBER	NO. REQ'D
Group 53363 TUBE ASSEMBLY (TOP CYLINDER SUPPLY)-LOWER				
51	LM76	Developed length approximately 82-1/32"	8M 7653363-D	1
51	LM76	Grommet-3 hole-Rubber	355430-S	1
51	LM76	Screw (pan head self tapping)-No. 10-12 x 7/8"	32944-S2	1
51	LM76	Tee (3 way inverted)-1/2"-20 for 5/16" tube	351707-S	3
Group 53364-5 TUBE ASSEMBLY (REAR QUARTER HYDRAULIC WINDOW REGULATOR CROSS)				
51	LM74	R.H.-developed length approximately 66"	8M 7353364	1
51	LM74	L.H.-developed length approximately 27-1/4"	8M 7353365	1
51	LM76	R.H.-length approximately 64-45/64"	8M 7653364	1
51	LM76	L.H.-length approximately 4-5/64"	8M 7653365	1
51	LM74	Clip (tube)	351647-S8	1
51	LM76	Connector (inverted male)-1/2"-20 female thread and 1/8" 27 male thread for 5/16" tube	353002-S	2
51	LM76	Screw (pan head self tapping)-No. 10-12 x 1/2"	32924-S2	1
51	LM74	Tee (3 way inverted)-1/2"-20 for 5/16" tube	358028-S	1
51	LM74	Union (inverted)-1/2"-20 for 5/16" tube	358283-S	2
Group 53366 HOSE ASSEMBLY (REAR DOOR HYDRAULIC WINDOW REGULATOR)				
51	LM74	15" long	8M 7353366	2
Group 53368-9 TUBE ASSEMBLY (REAR DOOR HYDRAULIC WINDOW REGULATOR)				
51	LM74	R.H.-developed length approximately 26-3/8"	8M 7453368	1
51	LM74	L.H.-developed length approximately 26-3/8"	8M 7453369	1
Group 53370 CLIP (HYDRAULIC TUBING TO BODY)				
51	LM72B-72C-74-76	Steel-5/8" x 1-3/32"	7EH 7353370	2or4
51	LM76	Screw (pan head self tapping)-No. 10-12 x 7/8"	32944-S2	as req'd
51	LM72B-72C-74	Washer (flat)-No. 6	34701-S7	2or4
Group 53370 CLIP (HYDRAULIC TUBE TO DASH)				
51	LM72B-72C-74-76	Steel-5/8" x 1-1/4"	8H 7653370	1or3
51	LM72B-72C-74-76	Screw (round head machine)-No. 10-32 x 1/2"	27081-S7	2
51	LM72B-74	Washer (flat)-No. 6	44707-S8	2or4
Group 53374 GASKET (HYDRAULIC PUMP RESERVOIR)				
51	LM72B-72C-74-76	Rubber-4-1/32" I.D. x 4-21/32" O.D. x 3/32"	5EH 7353374-B	1
Group 53376 TUBE ASSEMBLY (FRONT SEAT HYDRAULIC REGULATOR)-SHAFT				
51	LM72B-72C-74-76	Developed length approximately 10-1/2"	+1M 7653376	1
Group 53377 STUD (HYDRAULIC PUMP MOTOR FRAME AND FIELD ASSEMBLY)				
51	LM72B-72C-74-76	5/16"-24 x 15/16" long	8H 7353377	1
Group 53378 BAIL (HYDRAULIC PUMP RESERVOIR)				
51	LM72B-72C-74-76	Spring Steel Wire-11/64" dia. x approx. 19-1/2" developed length	8H 7353378	1

† Used on cars equipped with Zig Zag type Front Seat Cushion and Front Seat Back springs.

BODY PARTS CATALOGUE

YEAR 19__	BODY TYPES	REMARKS	PART NUMBER	NO. REQ'D
Group 53380 SOLENOID (HYDRAULIC PUMP MOTOR)				
51	1M72B-72C-74-76		7EH 7353380	1
51	1M72B-72C-74-76	Bolt (round head)-No. 10-32 x 3/8"	27068-S7	2
51	1M72B-72C-74-76	Lockwasher (internal tooth)-No. 10	34903-S8	2
Group 53382 CUSHION (HYDRAULIC MOTOR AND PUMP MOUNTING)				
51	1M72B-72C-74-76		5EH 7353382	3
51	1M72B-72C-74-76	Lockwasher-1/4"	34805-S8	4
51	1M72B-72C-74-76	Nut (hex)-1/4"-20	33795-S7	4
Group 53383 BRUSH (HYDRAULIC PUMP MOTOR FRAME AND FIELD ASSEMBLY)				
51	1M72B-72C-74-76		8H 7353383	2
Group 53384 BRACKET (HYDRAULIC MOTOR AND PUMP MOUNTING CUSHION)				
51	1M72B-72C-74-76	Steel-"L" shaped 1-1/4" x 2-5/16" x 1" x 1/8"	5EH 7353384	1
51	1M72B-72C-74-76	Screw (fillister head)-No. 10-32 x 1/2"	31612-S7	1
Group 53386 STRAP (MOTOR AND HYDRAULIC PUMP TO SOLENOID)				
51	1M72B-72C-74-76	Copper	5EH 7353386	1
51	1M72B-72C-74-76	Lockwasher 5/16"	34806-S7	1
51	1M72B-72C-74-76	Nut (hex)-5/16"-24	33798-S8	1
51	1M72B-72C-74-76	Nut (hex)-No. 10-32	34079-S7	1
51	1M72B-72C-74-76	Washer (internal tooth)-No. 10-3/8"	34803-S8	2
Group 53387 HEAD AND BRUSH HOLDER ASSEMBLY (HYDRAULIC PUMP MOTOR)				
51	1M72B-72C-74-76		8H 7353387	1
51	1M72B-72C-74-76	Lockwasher (internal tooth)-No. 10	34903-S8	4
51	1M72B-72C-74-76	Screw (fillister head)-No. 10-32 x 3/8"	31596-S7	4
Group 53388 PLATE (HYDRAULIC PUMP RESERVOIR FLUID RETAINER)				
51	1M72B-72C-74-76	1-7/16" x 2-7/16" x 1/32"	5EH 7353388	1
Group 53389 RETAINER (HYDRAULIC PUMP RESERVOIR FLUID)				
51	1M72B-72C-74-76	1-29/64" x 3-23/64"	5EH 7353389	1
51	1M72B-72C-74-76	Screw (pan head self tapping)-No. 6-20 x 1/4"	33427-S7	1
Group 53390-1 TUBE ASSEMBLY (TOP HYDRAULIC CYLINDER REAR CROSS)-UPPER				
51	1M76	R.H.-length approximately 56-15/16"	8M 7653390	1
51	1M76	L.H.-developed length approximately 22"	8M 7653391	1
51	1M76	Clip (tube)	351647-S8	1
51	1M76	Connector (inverted male)-1/2"-20 female and 1/8"-27 male for 5/16" tube	353002-S	2
51	1M76	Screw (pan head self tapping)-No. 10-12 x 7/8"	32944-S2	1
Group 53392-3 TUBE ASSEMBLY (TOP HYDRAULIC CYLINDER REAR CROSS)-LOWER				
51	1M76	R.H.-length approximately 60-1/4"	8M 7653392	1
51	1M76	L.H.-length approximately 5"	8M 7653393	1
51	1M76	Connector (inverted male)-1/2"-20 female and 1/8"-27 male for 5/16" tube	353002-S	2
51	1M76	Screw (pan head self tapping)-No. 10-12 x 7/8"	32944-S2	1

MERCURY

BODY PARTS CATALOGUE

YEAR 19__	BODY TYPES	REMARKS	PART NUMBER	NO. REQ'D.
Group 53394 TUBE ASSEMBLY (FRONT SEAT HYDRAULIC REGULATOR)-LONG				
51	1M72B-72C-74-76	Developed length approximately 49-5/16"	◇OM 7653394	1
51	1M72B-72C-74-76	Developed length approximately 46-1/2"	+1M 7653394	1
51	1M76	Clip (hydraulic tubing)	51A 14577-A	1
51	1M72B-72C-74-76	Connector (inverted male)-1/2"-20 female and 1/8"-27 male for 5/16" tube	353002-S	1
51	1M72B-72C	Elbow (inverted)-1/2"-20 for 5/16" tube	351652-S	1
51	1M72B-72C-76	Elbow (inverted)-1/2"-20 female thread-1/8"-27 male thread for 5/16" tube	353011-S	1
51	1M76	Screw (pan head self tapping)-No. 10-12 x 1/2"	32924-S2	1
Group 53395 HOUSING ASSEMBLY (HYDRAULIC PUMP)				
51	1M72B-72C-74-76		8H 7353395	1
51	1M72B-72C-74-76	Screw (round head)-No. 10-32 x 1-3/4"	36976-S2	4
51	1M72B-72C-74-76	Seal-13/64" I.D. x 3/8" O.D. x 1/32"	5EH 7353338	4
Group 53396 RESERVOIR (HYDRAULIC PUMP)				
51	1M72B-72C-74-76	Aluminum-4-13/16" O.D. x 6" deep	8H 7353396	1
Group 53400 ROTOR ASSEMBLY (INNER AND OUTER)-HYDRAULIC PUMP				
51	1M72B-72C-74-76	1/2" I.D. x 1-1/2" O.D. x 3/4"	8H 7353400	1
Group 53404 PLATE (HYDRAULIC PUMP ROTOR)				
51	1M72B-72C-74-76	Spring Steel-1/4" I.D. x 1-1/2" O.D.	8H 7353404	1
Group 53405 PLATE (HYDRAULIC PUMP PORT)				
51	1M72B-72C-74-76	Spring Steel-17/32" I.D. x 1-1/2" O.D.	8H 7353405	1
Group 53406 SEAL (HYDRAULIC PUMP BOTTOM)				
51	1M72B-72C-74-76	Rubber-1-11/16" I.D. x 1-13/16" O.D. x 3/16"	8H 7353406	1
Group 53407 SPRING (HYDRAULIC PUMP ROTOR)				
51	1M72B-72C-74-76	Spring Steel-8 prongs 1-15/32" diameter concaved	8H 7353407	1
Group 53408 SCREW (HYDRAULIC PUMP BOTTOM PLATE)				
51	1M72B-72C-74-76	No. 10-24 x 7/16"	8H 7353408	6
Group 53409 PLATE (HYDRAULIC PUMP BOTTOM)				
51	1M72B-72C-74-76	Steel-2-9/16" diameter x 1/8"	8H 7353409	1
51	1M72B-72C-74-76	Lockwasher (internal tooth)-No. 10	34903-S7	6
51	1M72B-72C-74-76	Screw-No. 10-24 x 7/16"	8H 7353408	6
Group 53410 VALVE (HYDRAULIC PUMP)				
51	1M72B-72C-74-76	Steel-5/16" diameter x 45/64"	8H 7353410	1
Group 53411 WASHER (HYDRAULIC PUMP)				
51	1M72B-72C-74-76	Aluminum-29/64" I.D. x 5/8" O.D. x 1/32"	8H 7353411	7
Group 53412 SPRING (HYDRAULIC PUMP VALVE)				
51	1M72B-72C-74-76	Approximately 2-1/2" free length	8H 7353412	1

◇ Used on cars equipped with Coil type Front Seat Cushion and Front Seat Back springs.

+ Used on cars equipped with Zig Zag type Front Seat Cushion and Front Seat Back springs.

BODY PARTS CATALOGUE

YEAR 19__	BODY TYPES	REMARKS	PART NUMBER	NO. REQ'D
Group 53413 PLUG (HYDRAULIC PUMP VALVE)-ADJUSTER				
51	1M72B-72C-74-76	7/16" -20 x 1-1/8" length with 5/8" hex head	8M 7353413	1
Group 53414 BRACKET ASSEMBLY (HYDRAULIC SEAT REGULATOR TO SEAT SUPPORT)				
51	1M72B-72C-74-76	Steel-approximately 6" x 6-3/4"	1M 7653414	1
51	1M72B-72C-74-76	Bolt (hex head)-1/4"-28 x 5/8"	24325-88	2
51	1M72B-72C-74-76	Nut (lock)-1/4"-28	34391-87	2
Group 53426-7 TUBE ASSEMBLY (EXTENSION TUBE TO HOSE)				
51	1M74	R.H.-developed length approximately 16-45/64"	8M 7453426	1
51	1M74	L.H.-developed length approximately 16-45/64"	8M 7453427	1
Group 53437 GROMMET (HYDRAULIC SUPPLY TUBES FLOOR)				
51	1M72B-72C-74-76		OH 7353437	1
Group 53700 COVER ASSEMBLY (ROOF)-COMPLETE				
51	1M72C	M-18012-L Black Vinyl Artificial Leather	1M 7253700-AS	1
51	1M72C	M-18012-B Oyster White Vinyl Artificial Leather	1M 7253700-AT	1
51	1M72C	M-18012-D Brown Vinyl Artificial Leather	1M 7253700-AU	1
51	1M72C	Screw (drive)-No. 4	351580-A1-S28	12
Group 53714 RETAINER (ROOF COVER)-SIDE				
51	1M72C	Oyster White 84-1/2" long use M-9791-D for service	OL 7253714-B	2
51	1M72C	Black 84-1/2" long use M-9791-B for service	OM 7253714-B	2
Group 53716 MOULDING (ROOF COVER RETAINER)-FRONT				
51	1M72-74	Use with Two Tone Exterior Jobs only-Paint to Match	1M 7253716	1
51	1M72C	Chrome Finish-length approximately 54-9/16"	OM 7253716	1
Group 53718 RETAINER (ROOF COVER)-FRONT				
51	1M72-72C-74	Zinc Finish-length approximately 53-55/64"	OM 7253718	1
51	1M72-72C-74	Screw (pan head cross recessed self tap.)-No. 6-18 x 3/8"	52718-88	27
Group 53722 PAD (ROOF COVER)-CENTER				
51	1M72C	Fibre Glass-40" x 78-19/64"	1M 7253722	1
Group 53724 PAD (ROOF COVER)-SIDE				
51	1M72C	Fibre Glass-12-15/16" x 73-13/16"	1M 7253724	2
Group 53726 PAD (ROOF COVER)-REAR QUARTER SIDE				
51	1M72C	Fibre Glass-6-11/32" x 13-13/64"	1M 7253726	2
Group 54306 SILENCER (ROOF PANEL)				
51	1M72A-72B-72C-74	Approximately 22" x 62"	8M 7054306-B	2
51	1M79	Approximately 22" x 92"	8M 7954306-B	2
Group 54310 INSULATOR (ROOF PANEL)-FRONT				
51	1M72B-72C-74	Fibre Glass-27" x 66" for service use 1H-7254310 and cut to size	1M 7254310	2
51	1M79	Fibre Glass	OH 7254310	3

MERCURY

BODY PARTS CATALOGUE

YEAR 19__	BODY TYPES	REMARKS	PART NUMBER	NO. REQ'D
Group 54400 HOOD ASSEMBLY (TOP DUST)				
51	1M76	Black	OM 7654400-B	1
51	1M76	Gray Tan	OM 7654400-A	1
51	1M76	Green	OM 7654400-C	1
51	1M76	Button (oval head Durable Dot Snap type)-5/32" x 3/16"	95397-S13	21
51	1M76	Clip	353229-S13	4
51	1M76	Socket (Durable Dot Snap type)	95460-S13	15
51	1M76	Washer (flat)-No. 6	34701-S23	4
Group 54410 LOOP (TOP BOOT TO REAR SEAT BACK)				
51	1M76	Chrome Finish	8B 7654410	4
51	1M76	Screw (oval head cross recessed self tapping)-No. 6-18 x 3/4"	52358-S23	8
Group 54486 CONTAINER ASSEMBLY (TOP DUST HOOD)				
51	1M76	All trims	8M 7654486	1
Group 54638 ROD (TOP FOLDING COMPARTMENT TRIM SUPPORT)				
51	1M76	5/16" diameter x 37-1/2" long	8M 7654638	1

Group 60032 BACK ASSEMBLY (REAR SEAT)

51	1M72A	M-5085-Y Gray and Rust Bedford Cord	1M 7260032-AE	1
51	1M72B-74	Upper M-16811-F Dark Blue Broadcloth, Lower M-16102-N Blue Gray Block Broadcloth	1M 7260032-AB	1
51	1M72B-74	Upper M-16811-F Dark Blue Broadcloth, Lower M-16560-J Blue Gray Stripe Nylon and Mohair	1M 7260032-AD	1
51	1M72B-74	Upper Blue Antique Grain Leather, Lower Ivory Antique Grain Leather	1M 7260032-BV	1
51	1M72B-74	Upper Blue Colonial Grain Leather, Lower Ivory Colonial Grain Leather	1M 7260032-AV	1
51	1M72B-74	Upper Chestnut Brown Antique Grain Leather, Lower Golden Tan Antique Grain Leather	1M 7260032-BF	1
51	1M72B-74	Upper Chestnut Brown Colonial Grain Leather, Lower Golden Tan Colonial Grain Leather	1M 7260032-AF	1
51	1M72B-74	Upper M-16811-H Dark Green Broadcloth, Lower M-16102-P Two Tone Green Stripe Broadcloth	1M 7260032-AC	1
51	1M72B-74	Upper-M-16811-H Dark Green Broadcloth, Lower M-1H2-J Green Stripe Nylon	1M 7260032-AAJ	1
51	1M72B-74	Upper M-16811-J Dark Tan Broadcloth, Lower M-16102-Q Tan Pin Stripe Broadcloth	1M 7260032-AA	1
51	1M72B-74	Upper M-16811-J Dark Tan Broadcloth, Lower M-1H2-H Brown Stripe Nylon	1M 7260032-AAH	1
51	1M72B-74	Upper M-16811-J Dark Tan Broadcloth, Lower M-16103-A Tan and Gray Stripe Broadcloth	1M 7260032-AR	1
51	1M72C	Upper Black Leather, Lower Cherry Red Leather	1M 7260032-BS	1
51	1M72C	Upper Seal Brown Leather, Lower M-5087-C Brown and Turquoise Bedford Cord	1M 7260032-BU	1
51	1M72C	Upper Oyster White Leather, Lower Green Leather	1M 7260032-BT	1
51	1M74	Upper M-16811-F Dark Blue Broadcloth, Lower M-5085-Y Gray and Rust Bedford Cord	1M 7260032-AX	1

BODY PARTS CATALOGUE

YEAR 19	BODY TYPES	REMARKS	PART NUMBER	NO. REQ'D
------------	------------	---------	-------------	--------------

Group 60032 BACK ASSEMBLY (REAR SEAT)-CONTINUED

51	1M76	Upper Black Antique Grain Leather, Lower Red Antique Grain Leather	1M 7660032-BG	1
51	1M76	Upper Black Colonial Grain Leather, Lower Red Colonial Grain Leather	1M 7660032-AG	1
51	1M76	Upper Blue Antique Grain Leather, Lower M-16560-J Blue Gray Stripe Nylon and Mohair	1M 7660032-BK	1
51	1M76	Upper Dark Blue Colonial Grain Leather, Lower M-16560-J Blue Gray Stripe Nylon and Mohair	1M 7660032-AK	1
51	1M76	Upper Blue Antique Grain Leather, Lower Ivory Antique Grain Leather	1M 7660032-BJ	1
51	1M76	Upper Blue Colonial Grain Leather, Lower Ivory Colonial Grain Leather	1M 7660032-AJ	1
51	1M76	Upper Chestnut Brown Antique Grain Leather, Lower Golden Tan Antique Grain Leather	1M 7660032-BH	1
51	1M76	Upper Chestnut Brown Colonial Grain Leather, Lower Golden Tan Colonial Grain Leather	1M 7660032-AH	1
51	1M79	Light Green Vinyl Artificial Leather	OM 7960032-AU	1
51	1M79	Light Red Vinyl Artificial Leather	OM 7960032-AS	1
51	1M79	Golden Tan Vinyl Artificial Leather	OM 7960032-AT	1
51	1M79	Bolt (hex head pointed)-3/8"-24 x 2"	24523-S8	2
51	1M79	Washer (flat)-3/8"	44726-S8	2
51	1M79	Washer (flat)	356431-S	2
51	1M except 79	Screw (hex head self tapping)-No. 10-12 x 1-1/4"	42037-S8	2

Group 60042 BACK ASSEMBLY (CENTER SEAT)

51	1M79	Light Green Vinyl Artificial Leather	OM 7960042-AU	1
51	1M79	Light Red Vinyl Artificial Leather	OM 7960042-AS	1
51	1M79	Golden Tan Vinyl Artificial Leather	OM 7960042-AT	1
51	1M79	Clevis pin-3/8" x 5/8"	7386E-S8	1
51	1M79	Clevis pin-3/8" x 1-7/16"	73956-S8	1
51	1M79	Clip "C"	358338-S	as req'd
51	1M79	Cotter pin-1/8" x 7/8"	72035-S	2
51	1M79	Pin (self locking)-9/32" x 61/64"	352358-S	2
51	1M79	Screw (pan head cross recessed self tap.)-No. 8-15 x 5/8"	52734-S8	3
51	1M79	Washer (flat)-3/8"	44726-S8	2

Group 60050 CUSHION ASSEMBLY (FRONT SEAT)

51	1M72A	M-5085-Y Gray and Rust Bedford Cord	◊1M 7260050-AE	1
51	1M72B	M-16102-N Blue Gray Block Broadcloth	◊1M 7260050-AB	1
51	1M72B	M-16102-N Blue Gray Block Broadcloth-Manual Control	+1M 7260050-BB	1
51	1M72B	M-16102-N Blue Gray Block Broadcloth-Hydraulic Control	+1M 7260050-CB	1
51	1M72B	M-16560-J Blue Gray Stripe Nylon and Mohair	◊1M 7260050-AD	1
51	1M72B	M-16560-J Blue Gray Stripe Nylon and Mohair-Manual Control	+1M 7260050-BD	1
51	1M72B	M-16560-J Blue Gray Stripe Nylon and Mohair-Hydraulic Control	+1M 7260050-CD	1
51	1M72B	Blue and Ivory Antique Grain Leather-Manual Control	+1M 7260050-FV	1
51	1M72B	M-1H2-H Brown Stripe Nylon-Manual Control	+1M 7260050-AAH	1
51	1M72B	M-1H2-H Brown Stripe Nylon-Hydraulic Control	+1M 7260050-BAH	1
51	1M72B	M-16102-P Two Tone Green Stripe Broadcloth	◊1M 7260050-AC	1
51	1M72B	M-16102-P Two Tone Green Stripe Broadcloth-Manual Control	+1M 7260050-BC	1
51	1M72B	M-16102-P Two Tone Green Stripe Broadcloth-Hydraulic Control	+1M 7260050-CC	1

◊ Used on cars equipped with Coil type Front Seat Cushion and Front Seat Back springs.

+ Used on cars equipped with Zig Zag type Front Seat Cushion and Front Seat Back springs.

MERCURY

BODY PARTS CATALOGUE

YEAR 19__	BODY TYPES	REMARKS	PART NUMBER	NO. REQ'D
Group 60050 CUSHION ASSEMBLY (FRONT SEAT)-CONTINUED				
51	1M72B	M-1H2-J Green Stripe Nylon-Manual Control	+1M 7260050-AAJ	1
51	1M72B	M-1H2-J Green Stripe Nylon-Hydraulic Control	+1M 7260050-BAJ	1
51	1M72B	Golden Tan Leather	◊1M 7260050-AF	1
51	1M72B-76	Golden Tan Antique Grain Leather	+1M 7660050-CH	1
51	1M72B	Golden Tan Colonial Grain Leather-Manual Control	+1M 7260050-CF	1
51	1M72B	Golden Tan Colonial Grain Leather-Hydraulic Control	+1M 7260050-DF	1
51	1M72B	Golden Tan and Chestnut Brown Antique Grain Leather-Manual Control	+1M 7260050-FF	1
51	1M72B	M-16103-A Tan and Gray Stripe Broadcloth	◊1M 7260050-AR	1
51	1M72B	M-16103-A Tan and Gray Stripe Broadcloth-Manual Control	+1M 7260050-BR	1
51	1M72B	M-16103-A Tan and Gray Stripe Broadcloth-Hydraulic Control	+1M 7260050-CR	1
51	1M72B	Ivory Leather	◊1M 7260050-AV	1
51	1M72B-76	Ivory Antique Grain Leather	+1M 7660050-CJ	1
51	1M72B	Ivory Colonial Grain Leather-Manual Control	+1M 7260050-CV	1
51	1M72B	Ivory Colonial Grain Leather-Hydraulic Control	+1M 7260050-DV	1
51	1M72B	M-16102-Q Tan Pin Stripe Broadcloth	◊1M 7260050-AA	1
51	1M72B	M-16102-Q Tan Pin Stripe Broadcloth-Manual Control	+1M 7260050-BA	1
51	1M72B	M-16102-Q Tan Pin Stripe Broadcloth-Hydraulic Control	+1M 7260050-CA	1
51	1M72C	M-5087-C Brown and Turquoise Bedford Cord	◊1M 7260050-AU	1
51	1M72C	M-5087-C Brown and Turquoise Bedford Cord-Manual Control	+1M 7260050-EU	1
51	1M72C	M-5087-C Brown and Turquoise Bedford Cord-Hydraulic Control	+1M 7260050-FU	1
51	1M72C	Green Leather	◊1M 7260050-AT	1
51	1M72C	Green Leather-Hydraulic Control	+1M 7260050-FT	1
51	1M72C	Green Leather-Manual Control	+1M 7260050-ET	1
51	1M72C	Cherry Red Leather	◊1M 7260050-AS	1
51	1M72C	Cherry Red Leather-Manual Control	+1M 7260050-ES	1
51	1M72C	Cherry Red Leather-Hydraulic Control	+1M 7260050-FS	1
51	1M74	M-1H2-H Brown Stripe Nylon-Manual Control	+1M 7460050-AAH	1
51	1M74	M-1H2-H Brown Stripe Nylon-Hydraulic Control	+1M 7460050-BAH	1
51	1M74	M-16102-N Blue Gray Block Broadcloth	◊1M 7460050-AB	1
51	1M74	M-16102-N Blue Gray Block Broadcloth-Manual Control	+1M 7460050-BB	1
51	1M74	M-16102-N Blue Gray Block Broadcloth-Hydraulic Control	+1M 7460050-CB	1
51	1M74	M-16560-J Blue Gray Stripe Nylon and Mohair	◊1M 7460050-AD	1
51	1M74	M-16560-J Blue Gray Stripe Nylon and Mohair-Manual Control	+1M 7460050-BD	1
51	1M74	M-16560-J Blue Gray Stripe Nylon and Mohair-Hydraulic Control	+1M 7460050-CD	1
51	1M74	M-5085-Y Gray and Rust Bedford Cord-Manual Control	+1M 7460050-AX	1
51	1M74	M-5085-Y Gray and Rust Bedford Cord-Hydraulic Control	+1M 7460050-BX	1
51	1M74	M-1H2-J Green Stripe Nylon-Manual Control	+1M 7460050-AAJ	1
51	1M74	M-1H2-J Green Stripe Nylon-Hydraulic Control	+1M 7460050-BAJ	1
51	1M74	M-16102-P Two Tone Green Stripe Broadcloth-Manual Control	+1M 7460050-BC	1
51	1M74	M-16102-P Two Tone Green Stripe Broadcloth	◊1M 7460050-AC	1
51	1M74	M-16102-P Two Tone Green Stripe Broadcloth-Hydraulic Control	+1M 7460050-CC	1
51	1M74	Ivory Leather	◊1M 7460050-AV	1
51	1M74	Ivory Antique Grain Leather-Manual Control	+1M 7460050-GV	1
51	1M74	Ivory Antique Grain Leather-Hydraulic Control	+1M 7460050-HV	1
51	1M74	Ivory Colonial Grain Leather-Manual Control	+1M 7460050-CV	1
51	1M74	Ivory Colonial Grain Leather-Hydraulic Control	+1M 7460050-DV	1

◊ Used on cars equipped with Coil type Front Seat Cushion and Front Seat Back springs.

+ Used on cars equipped with Zig Zag type Front Seat Cushion and Front Seat Back springs.

BODY PARTS CATALOGUE

YEAR 19__	BODY TYPES	REMARKS	PART NUMBER	NO. REQ'D
Group 60050 CUSHION ASSEMBLY (FRONT SEAT)-CONTINUED				
51	1M74	Golden Tan Leather	◇1M 7460050-AF	1
51	1M74	Golden Tan Antique Grain Leather-Manual Control	+1M 7460050-GF	1
51	1M74	Golden Tan Antique Grain Leather-Hydraulic Control	+1M 7460050-HF	1
51	1M74	Golden Tan Colonial Grain Leather-Manual Control	+1M 7460050-CF	1
51	1M74	Golden Tan Colonial Grain Leather-Hydraulic Control	+1M 7460050-DF	1
51	1M74	M-16103-A Tan and Gray Stripe Broadcloth	◇1M 7460050-AR	1
51	1M74	M-16103-A Tan and Gray Stripe Broadcloth-Manual Control	+1M 7460050-BR	1
51	1M74	M-16103-A Tan and Gray Stripe Broadcloth-Hydraulic Control	+1M 7460050-CR	1
51	1M74	M-16102-Q Tan Pin Stripe Broadcloth	◇1M 7460050-AA	1
51	1M74	M-16102-Q Tan Pin Stripe Broadcloth-Manual Control	+1M 7460050-BA	1
51	1M74	M-16102-Q Tan Pin Stripe Broadcloth-Hydraulic Control	+1M 7460050-CA	1
51	1M76	M-16560-J Blue Gray Stripe Nylon and Mohair	◇1M 7660050-AK	1
51	1M76	M-16560-J Blue Gray Stripe Nylon and Mohair	+1M 7660050-CK	1
51	1M76	Ivory Leather	◇1M 7660050-AJ	1
51	1M76	Ivory Antique Grain Leather	+1M 7660050-CJ	1
51	1M76	Ivory Colonial Grain Leather	+1M 7660050-BJ	1
51	1M76	Red Leather	◇1M 7660050-AG	1
51	1M76	Red Antique Grain Leather	+1M 7660050-CG	1
51	1M76	Red Colonial Grain Leather	+1M 7660050-BG	1
51	1M76	Golden Tan Leather	◇1M 7660050-AH	1
51	1M76	Golden Tan Antique Grain Leather	+1M 7660050-CH	1
51	1M76	Golden Tan Colonial Grain Leather	+1M 7660050-BH	1
51	1M79	Light Green Vinyl Artificial Leather	◇OM 7960050-AU	1
51	1M79	Light Green Vinyl Artificial Leather	+1M 7960050-AN	1
51	1M79	Light Red Vinyl Artificial Leather	◇OM 7960050-AS	1
51	1M79	Light Red Vinyl Artificial Leather	+1M 7960050-AL	1
51	1M79	Golden Tan Vinyl Artificial Leather	◇OM 7960050-AT	1
51	1M79	Golden Tan Vinyl Artificial Leather	+1M 7960050-AM	1
51	1M	Clip "C"	358338-S	as req'd
Group 60054 CUSHION ASSEMBLY (CENTER SEAT)				
51	1M79	Light Green Vinyl Artificial Leather	OM 7960054-AU	1
51	1M79	Light Red Vinyl Artificial Leather	OM 7960054-AS	1
51	1M79	Golden Tan Vinyl Artificial Leather	OM 7960054-AT	1
51	1M79	Clip "C"	358338-S	18
51	1M79	Cotter pin-1/8" x 1"	72035-S	2
51	1M79	Pin (clevis)-7/16" x 13/16"	76038-S8	1
51	1M79	Pin (clevis)-7/16" x 1-1/8"	76043-S8	1
51	1M79	Pin (self locking)-9/32" x 61/64"	352358-S	2
51	1M79	Screw (drive)-No. 6 x 1/2"	351729-S28-A2B	29
51	1M79	Washer (flat)-7/16"	44730-S8	2
51	1M79	Washer (spring)	356383-S	2
Group 60080 CUSHION ASSEMBLY (REAR SEAT)				
51	1M72A	M-5085-Y Gray and Rust Bedford Cord	1M 7260080-AE	1
51	1M72B	M-1H2-B Brown Stripe Nylon	1M 7260080-AAH	1
51	1M72B	M-16102-N Blue Gray Block Broadcloth	1M 7260080-AB	1
51	1M72B	M-16560-J Blue Gray Stripe Nylon and Mohair	1M 7260080-AD	1

◇ Used on cars equipped with Coil type Front Seat Cushion and Front Seat Back springs.

+ Used on cars equipped with Zig Zag type Front Seat Cushion and Front Seat Back springs.

MERCURY

BODY PARTS CATALOGUE

YEAR 19	BODY TYPES	REMARKS	PART NUMBER	NO. REQ'D
Group 60080 CUSHION ASSEMBLY (REAR SEAT)-CONTINUED				
51	1M72B	M-1H2-J Green Stripe Nylon	1M 7260080-AAJ	1
51	1M72B	M-16102-P Two Tone Green Stripe Broadcloth	1M 7260080-AC	1
51	1M72B	Ivory Antique Grain Leather	1M 7260080-BV	1
51	1M72B	Ivory Colonial Grain Leather	1M 7260080-AV	1
51	1M72B	Golden Tan Antique Grain Leather	1M 7260080-BF	1
51	1M72B	Golden Tan Colonial Grain Leather	1M 7260080-AF	1
51	1M72B	M-16103-A Tan and Gray Stripe Broadcloth	1M 7260080-AR	1
51	1M72B	M-16102-Q Tan Pin Stripes Broadcloth	1M 7260080-AA	1
51	1M72C	Cherry Red Leather	1M 7260080-BS	1
51	1M72C	Green Leather	1M 7260080-BT	1
51	1M72C	M-5087-C Brown and Turquoise Bedford Cord	1M 7260080-BU	1
51	1M74	M-1H2-H Brown Stripe Nylon	1M 7460080-AAE	1
51	1M74	M-5085-Y Gray and Rust Bedford Cord	1M 7460080-AX	1
51	1M74	M-16102-N Blue Gray Block Broadcloth	1M 7460080-AB	1
51	1M74	M-16560-J Blue Gray Stripe Nylon and Mohair	1M 7460080-AD	1
51	1M74	M-1H2-J Green Stripe Nylon	1M 7460080-AAJ	1
51	1M74	M-16102-P Two Tone Green Stripe Broadcloth	1M 7460080-AC	1
51	1M74	Ivory Antique Grain Leather	1M 7460080-BV	1
51	1M74	Ivory Colonial Grain Leather	1M 7460080-AV	1
51	1M74	Golden Tan Antique Grain Leather	1M 7460080-BF	1
51	1M74	Golden Tan Colonial Grain Leather	1M 7460080-AF	1
51	1M74	M-16102-Q Tan Pin Stripes Broadcloth	1M 7460080-AA	1
51	1M74	M-16103-A Tan and Gray Stripe Broadcloth	1M 7460080-AR	1
51	1M76	M-16560-J Blue Gray Stripe Nylon and Mohair	1M 7660080-BK	1
51	1M76	Ivory Antique Grain Leather	1M 7660080-BJ	1
51	1M76	Ivory Colonial Grain Leather	1M 7660080-AJ	1
51	1M76	Red Antique Grain Leather	1M 7660080-BG	1
51	1M76	Red Colonial Grain Leather	1M 7660080-AG	1
51	1M76	Golden Tan Antique Grain Leather	1M 7660080-BH	1
51	1M76	Golden Tan Colonial Grain Leather	1M 7660080-AH	1
51	1M79	Light Green Vinyl Artificial Leather	OM 7960080-AU	1
51	1M79	Light Red Vinyl Artificial Leather	OM 7960080-AS	1
51	1M79	Golden Tan Vinyl Artificial Leather	OM 7960080-AT	1
51	1M	Clip "C"	358338-S	20
51	1M79	Screw (drive)-No. 6 x 1/2"	351629-S28-A2B	35

Group 60136-7 BACK ASSEMBLY (FRONT SEAT)

51	1M72A	R.H.-M-5085-Y Gray and Rust Bedford Cord	◊1M 7260136-AE	1
51	1M72A	L.H.-M-5085-Y Gray and Rust Bedford Cord	◊1M 7260137-AE	1
51	1M72B	R.H.-Upper M-16811-F Dark Blue Broadcloth, Lower M-16102-N Blue Gray Block Broadcloth	◊1M 7260136-AB	1
51	1M72B	L.H.-Upper M-16811-F Dark Blue Broadcloth, Lower M-16102-N Blue Gray Block Broadcloth	◊1M 7260137-AB	1
51	1M72B	R.H.-Upper M-16811-F Dark Blue Broadcloth, Lower M-16102-N Blue Gray Block Broadcloth	+1M 7260136-BB	1
51	1M72B	L.H.-Upper M-16811-F Dark Blue Broadcloth, Lower M-16102-N Blue Gray Block Broadcloth	+1M 7260137-BB	1

◊ Used on cars equipped with Coil type Front Seat Cushion and Front Seat Back Springs.

+ Used on cars equipped with Zig Zag type Front Seat Cushion and Front Seat Back springs.

BODY PARTS CATALOGUE

YEAR 19	BODY TYPES	REMARKS	PART NUMBER	NO. REQ'D
Group 60136-7 BACK ASSEMBLY (FRONT SEAT)-CONTINUED				
51	1M72B	R.H.-Upper Blue Leather, Lower Ivory Leather	◇1M 7260136-AV	1
51	1M72B	L.H.-Upper Blue Leather, Lower Ivory Leather	◇1M 7260137-AV	1
51	1M72B	R.H.-Upper Blue Antique Grain Leather, Lower Ivory Antique Grain Leather	+1M 7260136-DV	1
51	1M72B	L.H.-Upper Blue Antique Grain Leather, Lower Ivory Antique Grain Leather	+1M 7260137-DV	1
51	1M72B	R.H.-Upper Blue Colonial Grain Leather, Lower Ivory Colonial Grain Leather	+1M 7260136-CV	1
51	1M72B	L.H.-Upper Blue Colonial Grain Leather, Lower Ivory Colonial Grain Leather	+1M 7260137-CV	1
51	1M72B	R.H.-Upper M-16811-F Dark Blue Broadcloth, Lower M-16560-J Blue Gray Stripe Nylon and Mohair	◇1M 7260136-AD	1
51	1M72B	L.H.-Upper M-16811-F Dark Blue Broadcloth, Lower M-16560-J Blue Gray Stripe Nylon and Mohair	◇1M 7260137-AD	1
51	1M72B	R.H.-Upper M-16811-F Dark Blue Broadcloth, Lower M-16560-J Blue Gray Stripe Nylon and Mohair	+1M 7260136-BD	1
51	1M72B	L.H.-Upper M-16811-F Dark Blue Broadcloth, Lower M-16560-J Blue Gray Stripe Nylon and Mohair	+1M 7260137-BD	1
51	1M72B	R.H.-Upper Chestnut Brown Leather, Lower Golden Tan Leather	◇1M 7260136-AF	1
51	1M72B	L.H.-Upper Chestnut Brown Leather, Lower Golden Tan Leather	◇1M 7260137-AF	1
51	1M72B	R.H.-Upper Chestnut Brown Antique Grain Leather, Lower Golden Tan Antique Grain Leather	+1M 7260136-DF	1
51	1M72B	L.H.-Upper Chestnut Brown Antique Grain Leather, Lower Golden Tan Antique Grain Leather	+1M 7260137-DF	1
51	1M72B	R.H.-Upper Chestnut Brown Colonial Grain Leather, Lower Golden Tan Colonial Grain Leather	+1M 7260136-CF	1
51	1M72B	L.H.-Upper Chestnut Brown Colonial Grain Leather, Lower Golden Tan Colonial Grain Leather	+1M 7260137-CF	1
51	1M72B	R.H.-Upper M-16811-H Dark Green Broadcloth, Lower M-1H2-J Green Stripe Nylon	+1M 7260136-AAJ	1
51	1M72B	L.H.-Upper M-16811-H Dark Green Broadcloth, Lower M-1H2-J Green Stripe Nylon	+1M 7260137-AAJ	1
51	1M72B	R.H.-Upper M-16811-H Dark Green Broadcloth, Lower M-16102-P Two Tone Green Stripe Broadcloth	◇1M 7260136-AC	1
51	1M72B	L.H.-Upper M-16811-H Dark Green Broadcloth, Lower M-16102-P Two Tone Green Stripe Broadcloth	◇1M 7260137-AC	1
51	1M72B	R.H.-Upper M-16811-H Dark Green Broadcloth, Lower M-16102-P Two Tone Green Stripe Broadcloth	+1M 7260136-BC	1
51	1M72B	L.H.-Upper M-16811-H Dark Green Broadcloth, Lower M-16102-P Two Tone Green Stripe Broadcloth	+1M 7260137-BC	1
51	1M72B	R.H.-Upper M-16811-J Dark Tan Broadcloth, Lower M-16102-Q Tan Pin Stripe Broadcloth	◇1M 7260136-AA	1
51	1M72B	L.H.-Upper M-16811-J Dark Tan Broadcloth, Lower M-16102-Q Tan Pin Stripe Broadcloth	◇1M 7260137-AA	1
51	1M72B	R.H.-Upper M-16811-J Dark Tan Broadcloth, Lower M-16102-Q Tan Pin Stripe Broadcloth	+1M 7260136-BA	1
51	1M72B	L.H.-Upper M-16811-J Dark Tan Broadcloth, Lower M-16102-Q Tan Pin Stripe Broadcloth	+1M 7260137-BA	1
51	1M72B	R.H.-Upper M-16811-J Dark Tan Braodcloth, Lower M-1H2-H Brown Stripe Nylon	+1M 7260136-AAH	1
51	1M72B	L.H.-Upper M-16811-J Dark Tan Broadcloth, Lower M-1H2-H Brown Stripe Nylon	+1M 7260137-AAH	1

◇ Used on cars equipped with Coil type Front Seat Cushion and Front Seat Back Springs.

† Used on cars equipped with Zig Zag type Front Seat Cushion and Front Seat Back springs.

MERCURY

BODY PARTS CATALOGUE

YEAR 19__	BODY TYPES	REMARKS	PART NUMBER	NO. REQ'D
Group 60136-7 BACK ASSEMBLY (FRONT SEAT)-CONTINUED				
51	1M72B	R.H.-Upper M-16811-J Dark Tan Broadcloth, Lower M-16103-A Tan and Gray Stripe Broadcloth	◇1M 7260136-AR	1
51	1M72B	L.H.-Upper M-16811-J Dark Tan Broadcloth, Lower M-16103-A Tan and Gray Stripe Broadcloth	◇1M 7260137-AR	1
51	1M72B	R.H.-Upper M-16811-J Dark Tan Broadcloth, Lower M-16103-A Tan and Gray Stripe Broadcloth	+1M 7260136-BR	1
51	1M72B	L.H.-Upper M-16811-J Dark Tan Broadcloth, Lower M-16103-A Tan and Gray Stripe Broadcloth	+1M 7260137-BR	1
51	1M72C	R.H.-Upper Black Leather, Lower Cherry Red Leather	◇1M 7260136-AS	1
51	1M72C	L.H.-Upper Black Leather, Lower Cherry Red Leather	◇1M 7260137-AS	1
51	1M72C	R.H.-Upper Black Leather, Lower Cherry Red Leather	+1M 7260136-DS	1
51	1M72C	L.H.-Upper Black Leather, Lower Cherry Red Leather	+1M 7260137-DS	1
51	1M72C	R.H.-Upper Seal Brown Leather, Lower M-5087-C Brown and Turquoise Bedford Cord	◇1M 7260136-AU	1
51	1M72C	L.H.-Upper Seal Brown Leather, Lower M-5087-C Brown and Turquoise Bedford Cord	◇1M 7260137-AU	1
51	1M72C	R.H.-Upper Seal Brown Leather, Lower M-5087-C Brown and Turquoise Bedford Cord	+1M 7260136-DU	1
51	1M72C	L.H.-Upper Seal Brown Leather, Lower M-5087-C Brown and Turquoise Bedford Cord	+1M 7260137-DU	1
51	1M72C	R.H.-Upper Oyster White Leather, Lower Green Leather	◇1M 7260136-AT	1
51	1M72C	L.H.-Upper Oyster White Leather, Lower Green Leather	◇1M 7260137-AT	1
51	1M72C	R.H.-Upper Oyster White Leather, Lower Green Leather	+1M 7260136-DT	1
51	1M72C	L.H.-Upper Oyster White Leather, Lower Green Leather	+1M 7260137-DT	1
51	1M74	Upper Blue Leather, Lower Ivory Leather	◇1M 7460136-AV	1
51	1M74	Upper Blue Antique Grain Leather, Lower Ivory Antique Grain Leather	+1M 7460136-DV	1
51	1M74	Upper Blue Colonial Grain Leather, Lower Ivory Colonial Grain Leather	+1M 7460136-CV	1
51	1M74	Upper M-16811-F Dark Blue Broadcloth, Lower M-16102-N Blue Gray Block Broadcloth	◇1M 7460136-AB	1
51	1M74	Upper M-16811-F Dark Blue Broadcloth, Lower M-16102-N Blue Gray Block Broadcloth	+1M 7460136-BB	1
51	1M74	Upper M-16811-F Dark Blue Broadcloth, Lower M-5085-Y Gray and Rust Bedford Cord	+1M 7460136-AX	1
51	1M74	Upper M-16811-F Dark Blue Broadcloth, Lower M-16560-J Blue Gray Stripe Nylon and Mohair	◇1M 7460136-AD	1
51	1M74	Upper M-16811-F Dark Blue Broadcloth, Lower M-16560-J Blue Gray Stripe Nylon and Mohair	+1M 7460136-BD	1
51	1M74	Upper Chestnut Brown Leather, Lower Golden Tan Leather	◇1M 7460136-AF	1
51	1M74	Upper Chestnut Brown Antique Grain Leather, Lower Golden Tan Antique Grain Leather	+1M 7460136-DF	1
51	1M74	Upper Chestnut Brown Colonial Grain Leather, Lower Golden Tan Colonial Grain Leather	+1M 7460136-CF	1
51	1M74	Upper M-16811-H Dark Green Broadcloth, Lower M-1H2-J Green Stripe Nylon	+1M 7460136-AAJ	1
51	1M74	Upper M-16811-H Dark Green Broadcloth, Lower M-16102-P Two Tone Green Stripe Broadcloth	◇1M 7460136-AC	1
51	1M74	Upper M-16811-H Dark Green Broadcloth, Lower M-16102-P Two Tone Green Stripe Broadcloth	+1M 7460136-BC	1

◇ Used on cars equipped with Coil type Front Seat Cushion and Front Seat Back springs.

+ Used on cars equipped with Zig Zag type Front Seat Cushion and Front Seat Back springs.

BODY PARTS CATALOGUE

YEAR 19__	BODY TYPES	REMARKS	PART NUMBER	NO. REQ'D
Group 60136-7 BACK ASSEMBLY (FRONT SEAT)-CONTINUED				
51	1M74	Upper M-16811-J Dark Tan Broadcloth, Lower M-1H2-H Brown Stripe Nylon	+1M 7460136-AAH	1
51	1M74	Upper M-16811-J Dark Tan Broadcloth, Lower M-16102-Q Tan Pin Stripe Broadcloth	◊1M 7460136-AA	1
51	1M74	Upper M-16811-J Dark Tan Broadcloth, Lower M-16102-Q Tan Pin Stripe Broadcloth	+1M 7460136-BA	1
51	1M74	Upper M-16811-J Dark Tan Broadcloth, Lower M-16103-A Tan and Gray Stripe Broadcloth	◊1M 7460136-AR	1
51	1M74	Upper M-16811-J Dark Tan Broadcloth, Lower M-16103-A Tan and Gray Stripe Broadcloth	+1M 7460136-BR	1
51	1M76	R.H.-Upper Black Leather, Lower Red Leather	◊1M 7660136-AG	1
51	1M76	L.H.-Upper Black Leather, Lower Red Leather	◊1M 7660137-AG	1
51	1M76	R.H.-Upper Black Antique Grain Leather, Lower Red Antique Grain Leather	+1M 7660136-CG	1
51	1M76	L.H.-Upper Black Antique Grain Leather, Lower Red Antique Grain Leather	+1M 7660137-CG	1
51	1M76	R.H.-Upper Black Colonial Grain Leather, Lower Red Colonial Grain Leather	+1M 7660136-BG	1
51	1M76	L.H.-Upper Black Colonial Grain Leather, Lower Red Colonial Grain Leather	+1M 7660137-BG	1
51	1M76	R.H.-Upper Dark Blue Leather, Lower M 16560-J Blue Gray Stripe Nylon and Mohair	◊1M 7660136-AK	1
51	1M76	L.H.-Upper Dark Blue Leather, Lower M-16560-J Blue Gray Stripe Nylon and Mohair	◊1M 7660137-AK	1
51	1M76	R.H.-Upper Dark Blue Antique Grain Leather, Lower M-16560-J Blue Gray Stripe Nylon and Mohair	+1M 7660136-CK	1
51	1M76	L.H.-Upper Dark Blue Antique Grain Leather, Lower M-16560-J Blue Gray Stripe Nylon and Mohair	+1M 7660137-CK	1
51	1M76	R.H.-Upper Dark Blue Colonial Grain Leather, Lower M-16560-J Blue Gray Stripe Nylon and Mohair	+1M 7660136-BK	1
51	1M76	L.H.-Upper Dark Blue Colonial Grain Leather, Lower M-16560-J Blue Gray Stripe Nylon and Mohair	+1M 7660137-BK	1
51	1M76	R.H.-Upper Dark Blue Leather, Lower Ivory Leather	◊1M 7660136-AJ	1
51	1M76	L.H.-Upper Dark Blue Leather, Lower Ivory Leather	◊1M 7660137-AJ	1
51	1M76	R.H.-Upper Dark Blue Antique Grain Leather, Lower Ivory Antique Grain Leather	+1M 7660136-CJ	1
51	1M76	L.H.-Upper Dark Blue Antique Grain Leather, Lower Ivory Antique Grain Leather	+1M 7660137-CJ	1
51	1M76	R.H.-Upper Dark Blue Colonial Grain Leather, Lower Ivory Colonial Grain Leather	+1M 7660136-BJ	1
51	1M76	L.H.-Upper Dark Blue Colonial Grain Leather, Lower Ivory Colonial Grain Leather	+1M 7660137-BJ	1
51	1M76	R.H.-Upper Chestnut Brown Leather, Lower Golden Tan Leather	◊1M 7660136-AH	1
51	1M76	L.H.-Upper Chestnut Brown Leather, Lower Golden Tan Leather	◊1M 7660137-AH	1
51	1M76	R.H.-Upper Chestnut Brown Antique Grain Leather, Lower Golden Tan Antique Grain Leather	+1M 7660136-CH	1
51	1M76	L.H.-Upper Chestnut Brown Antique Grain Leather, Lower Golden Tan Antique Grain Leather	+1M 7660137-CH	1
51	1M76	R.H.-Upper Chestnut Brown Colonial Grain Leather, Lower Golden Tan Colonial Leather	+1M 7660136-BH	1
51	1M76	L.H.-Upper Chestnut Brown Colonial Grain Leather, Lower Golden Tan Colonial Grain Leather	+1M 7660137-BH	1

◊ Used on cars equipped with Coil type Front Seat Cushion and Front Seat Back springs.

+ Used on cars equipped with Zig Zag type Front Seat Cushion and Front Seat Back springs.

MERCURY

BODY PARTS CATALOGUE

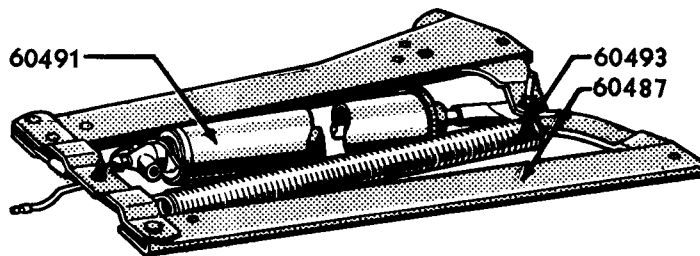
YEAR 19	BODY TYPES	REMARKS	PART NUMBER	NO. REQ'D
Group 60136-7 BACK ASSEMBLY (FRONT SEAT)-CONTINUED				
51	LM79	R.H.-Light Green Vinyl Artificial Leather	◇OM 7960136-AU	1
51	LM79	L.H.-Light Green Vinyl Artificial Leather	◇OM 7960137-AU	1
51	LM79	R.H.-Light Green Vinyl Artificial Leather	+1M 7960136-AN	1
51	LM79	L.H.-Light Green Vinyl Artificial Leather	+1M 7960137-AN	1
51	LM79	R.H.-Light Red Vinyl Artificial Leather	◇OM 7960136-AS	1
51	LM79	L.H.-Light Red Vinyl Artificial Leather	◇OM 7960137-AS	1
51	LM79	R.H.-Light Red Vinyl Artificial Leather	+1M 7960136-AL	1
51	LM79	L.H.-Light Red Vinyl Artificial Leather	+1M 7960137-AL	1
51	LM79	R.H.-Golden Tan Vinyl Artificial Leather	◇OM 7960136-AT	1
51	LM79	L.H.-Golden Tan Vinyl Artificial Leather	◇OM 7960137-AT	1
51	LM79	R.H.-Golden Tan Vinyl Artificial Leather	+1M 7960136-AM	1
51	LM79	L.H.-Golden Tan Vinyl Artificial Leather	+1M 7960137-AM	1
51	1M	Clip "C"	358338-S	as req'd
51	LM74	Bolt (pointed hex head)-3/8"-24 x 2"	24523-S8	2
51	LM74	Nut (lock)-3/8"-24	34395-S7	2
51	LM74	Pin (clevis)-3/8" x 11/16"-seat back to seat base	73867-S7	2
51	1M except 74	Pin (self locking)-9/32" x 61/64"	352358-S	4
51	1M except 74	Washer (flat)-3/8" I.D. x 13/16" O.D.	44726-S8	2
51	LM74	Washer (flat)-3/8" I.D. x 1" O.D.	44728-S8	2
Group 60335 FRAME ASSEMBLY (FRONT SEAT BASE)-TRIMMED				
51	LM72A	Gray Artificial Leather-Manual Control	1M 7260335-AE	1
51	LM72B	Blue Artificial Leather-Manual Control	1M 7260335-AV	1
51	LM72B	Blue Artificial Leather-Hydraulic Control	1M 7260335-BV	1
51	LM72B	M-5156-N Dark Blue Broadcloth with Blue Carpet Tube Cover- Manual Control	1M 7260335-AD	1
51	LM72B	M-5156-N Dark Blue Broadcloth with Blue Carpet Tube Cover- Hydraulic Control	1M 7260335-BD	1
51	LM72B	M-5156-N Dark Blue Broadcloth with Gray Vinyl Tube Cover- Manual Control	1M 7260335-AB	1
51	LM72B	M-5156-N Dark Blue Broadcloth with Gray Vinyl Tube Cover- Hydraulic Control	1M 7260335-BB	1
51	LM72B	Chestnut Brown Artificial Leather-Manual Control	1M 7260335-AF	1
51	LM72B	Chestnut Brown Artificial Leather-Hydraulic Control	1M 7260335-BF	1
51	LM72B	M-5156-T Dark Green Broadcloth-Manual Control	1M 7260335-AC	1
51	LM72B	M-5156-T Dark Green Broadcloth-Hydraulic Control	1M 7260335-BC	1
51	LM72B	M-5158-A Dark Tan Broadcloth-Manual Control	1M 7260335-AA	1
51	LM72B	M-5158-A Dark Tan Broadcloth-Hydraulic Control	1M 7260335-BA	1
51	LM72C	Black Artificial Leather-Manual Control	1M 7260335-AS	1
51	LM72C	Black Artificial Leather-Hydraulic Control	1M 7260335-BS	1
51	LM72C	Dark Tan Artificial Leather-Manual Control	1M 7260335-AU	1
51	LM72C	Dark Tan Artificial Leather-Hydraulic Control	1M 7260335-BU	1
51	LM72C	Oyster White Artificial Leather-Manual Control	1M 7260335-AT	1
51	LM72C	Oyster White Artificial Leather-Hydraulic Control	1M 7260335-BT	1

◇ Used on cars equipped with Coil type Front Seat Cushion and Front Seat Back springs.

+ Used on cars equipped with Zig Zag type Front Seat Cushion and Front Seat Back springs.

BODY PARTS CATALOGUE

YEAR 19__	BODY TYPES	REMARKS	PART NUMBER	NO. REQ'D
Group 60335 FRAME ASSEMBLY (FRONT SEAT BASE)-TRIMMED-CONTINUED				
51	1M74	Blue Artificial Leather-Manual Control	1M 7460335-AV	1
51	1M74	Blue Artificial Leather-Hydraulic Control	1M 7460335-BV	1
51	1M74	M-5156-N Dark Blue Broadcloth with Blue Carpet Tube Cover- Manual Control	1M 7460335-AD	1
51	1M74	M-5156-N Dark Blue Broadcloth with Blue Carpet Tube Cover- Hydraulic Control	1M 7460335-BD	1
51	1M74	M-5156-N Dark Blue Broadcloth with Gray Vinyl Tube Cover- Manual Control	1M 7460335-AB	1
51	1M74	M-5156-N Dark Blue Broadcloth with Gray Vinyl Tube Cover- Hydraulic Control	1M 7460335-BB	1
51	1M74	Chestnut Brown Artificial Leather-Manual Control	1M 7460335-AF	1
51	1M74	Chestnut Brown Artificial Leather-Hydraulic Control	1M 7460335-BF	1
51	1M74	M-5156-T Dark Green Broadcloth-Manual Control	1M 7460335-AC	1
51	1M74	M-5156-T Dark Green Broadcloth-Hydraulic Control	1M 7460335-BC	1
51	1M74	M-5158-A Dark Tan Broadcloth-Manual Control	1M 7460335-AA	1
51	1M74	M-5158-A Dark Tan Broadcloth-Hydraulic Control	1M 7460335-BA	1
51	1M76	Black Artificial Leather	1M 7660335-AG	1
51	1M76	Blue Artificial Leather	1M 7660335-AJ	1
51	1M76	Blue Artificial Leather and Blue Carpet	1M 7660335-AK	1
51	1M76	Chestnut Brown Artificial Leather	1M 7660335-AH	1
51	1M79	Chestnut Brown Vinyl Artificial Leather	OM 7960335-AT	
51	1M79	Dark Green Vinyl Artificial Leather	OM 7960335-AU	1
51	1M79	Dark Red Vinyl Artificial Leather	OM 7960335-AS	1
51	1M	Cotter pin-3/32" x 5/8"	72009-S	4
51	1M72A-72B-72C-76	Pin (clevis)-3/8" x 5/8"-seat to floor	73862-S8	4
51	1M	Pin (self locking)-9/32" x 61/64" long	352358-S	4
51	1M	Washer (flat)-3/8"	44728-S8	4
Group 60456 BRACKET (FRONT SEAT SUPPORT TO FLOOR PAN)-FRONT				
51	1M		1L 7260456-B	2
Group 60462-3 BRACKET (FRONT SEAT SUPPORT TO FLOOR PAN)-REAR				
51	1M	R.H.-without nibs	8M 7060462-B	1
51	1M	L.H.-without nibs	8M 7060463-B	1
51	1M	Bolt (hex head)-1/4"-28 x 5/8"	24325-S8	4
51	1M	Lockwasher-1/4"	34845-S2	4



PM-299

HYDRAULIC SEAT ADJUSTER

Group numbers only shown on illustration. Order by Part Numbers shown in list of parts.

MERCURY

BODY PARTS CATALOGUE

YEAR 19__	BODY TYPES	REMARKS	PART NUMBER	NO. REQ'D
Group 60473 SEAT ADJUSTER (HYDRAULIC)				
51	1M72B-72C-74-76	Service Details-consists of the following (1) 8H-7360487-B Frame assy (1) 8H-7360491 Cylinder assy (1) 8H-7360493 Spring	8H 7360473-B	1
51	1M72B-72C-74-76	Nut (hex)-5/16"-24	34393-S7	2
51	1M76	Washer (flat)-5/16"	44724-S8	1
Group 60476 LEG ASSEMBLY (CENTER SEAT)-FOLDING				
51	1M79	1/2" Steel Tubing	OM 7960476	1
Group 60484 STOP (FRONT SEAT)-R.H.				
51	1M72B-72C-74-76	1-3/16" x 1-23/64"-use on jobs equipped with hydraulic seat regulator	OM 7260484	1
Group 60487 FRAME ASSEMBLY (HYDRAULIC SEAT ADJUSTER)				
51	1M72B-72C-74-76	With mounting stud	8H 7360487-B	1
51	1M72B-72C-74-76	Bolt (hex head shoulder)-5/16"-24 x 1"	351190-S8	1
51	1M72B-72C-74-76	Nut (hex)-5/16"-24	33923-S7	1
51	1M72B-72C-74-76	Washer (flat)-5/16"	44722-S8	1
Group 60491 CYLINDER ASSEMBLY (SEAT ADJUSTER HYDRAULIC)				
51	1M72B-72C-74-76		8H 7360491	1
Group 60492 LEG ASSEMBLY (CENTER SEAT)				
51	1M79		OA 7960492	1
51	1M79	Bolt (hex head pointed)-5/16"-24 x 5/8"	24327-S8	2
51	1M79	Bolt (hex head pointed)-5/16"-24 x 1-1/4"	24427-S7	2
51	1M79	Lockwasher (external tooth)-5/16"	34941-S7	4
51	1M79	Screw (cross recessed self tapping)-No. 10-32 x 1/2"	52345-S13	7
51	1M79	Washer (spring)-5/16"	34806-S7	4
Group 60493 SPRING (HYDRAULIC SEAT ADJUSTER)				
51	1M72B-72C-74-76	Red Enamel Finish	8H 7360493	1
Group 60514 HINGE ASSEMBLY (CENTER SEAT)				
51	1M79	R.H. only	OA 7960514	1
Group 60568 CLIP (CENTER SEAT BACK CATCH)				
51	1M79		OA 7960568	1
Group 60569 CATCH (CENTER SEAT BACK)				
51	1M79		OA 7960569	1
Group 60570 COVER (CENTER SEAT)-BACK PANEL				
51	1M79	Linoleum	OA 7960570	1
Group 60574 STRIP (CENTER SEAT BACK LOWER)-FINISH				
51	1M79	Rustless steel	OM 7960574-B	1
51	1M79	Screw (pan head cross recessed self tap.)-No. 10-12 x 1/2"	52727-S13	7
Group 60576 STRIP (CENTER SEAT CUSHION REAR)-FINISH				
51	1M79	Rustless steel-approximately 35-3/8" long	OM 7960576-B	1
51	1M79	Screw (oval head cross recessed)-No. 10-12 x 5/8"	52353-S13	7

BODY PARTS CATALOGUE

YEAR 19	BODY TYPES	REMARKS	PART NUMBER	NO. REQ'D
Group 60577 STRIP (CENTER SEAT CUSHION FRONT)-FINISH				
51	LM79	Rustless steel-approximately 45-1/64" long	OM 7960577-B	1
51	LM79	Screw (cross recessed self tapping)-No. 10-12 x 5/8"	52353-S13	7
Group 60578 STRIP (CENTER SEAT CUSHION END)-FINISH				
51	LM79	Rustless steel-approximately 9" long	OM 7960578-B	2
51	LM79	Screw (cross recessed self tapping)-No. 10-12 x 5/8"	52353-S13	6
Group 60637 BRACKET (CENTER SEAT TO WHEELHOUSE)				
51	LM79	3" long	OA 7960637	1
Group 60648 RISER ASSEMBLY (REAR SEAT)-FRONT				
51	LM76	Approximate length 60"	8M 7660648-B	1
Group 60677 RISER ASSEMBLY (CENTER SEAT LEG)-REAR				
51	LM79	Length approximately-5-23/64"	OM 7960677	1
Group 60687 BRACKET (SEAT CUSHION)-ON BODY				
51	LM79	Length approximately-3-19/64"	OA 7960687	1
51	LM79	Lockwasher-5/16"	34806-S2	2
51	LM79	Screw (hex head)-5/16"-24 x 1"	24387-S7	2
Group 60693 RISER (CENTER SEAT LEG)-FRONT				
51	LM79	5-21/64" long	OM 7960693	1
Group 60818 LOCK AND HOUSING ASSEMBLY (CENTER SEAT CUSHION STOP)				
51	LM79		OM 7960818	1
51	LM79	Screw (oval head cross recessed self tap.)-No. 10-12 x 1/2"	52389-S13	2
Group 60988 TIP (CENTER SEAT LEG)				
51	LM79	Rubber	OA 7960988	2
Group 61088 PIN (FRONT SEAT BACK FRAME HINGE)-INNER AND OUTER				
51	LM except 74	Inner 1" long	◊01A 7061088	2
51	LM except 74	Outer 57/64" long	◊8M 7061088	2
51	LM except 74	Cotter pin-1/8" x 1"	72035-S	2
51	LM except 74	Washer (flat)-3/8"	34747-S2	2
Group 61113 SCREW ASSEMBLY (FRONT SEAT BACK HINGE STOP, LOWER ADJUSTING)-ZIG ZAG SPRING				
51	LM except 74		OA 7061113-B	2
Group 61114 SCREW ASSEMBLY (FRONT SEAT BACK HINGE STOP LOWER ADJUSTING)-COIL SPRING				
51	LM except 74	Hex head with fibre insert-5/16"-18 x 1-1/4"	8H 7261114	2
Group 61182 SCUFF PLATE (FRONT SEAT BACK FRAME)-INNER				
51	LM except 74	Fibre 13/32" I.D. x 1-7/80" O.D. x 1/16"	+8A 7061182	2
Group 61333 BUMPER (CENTER SEAT BACK)				
51	LM79	Rubber-3/4" O.D tapered to 39/64"	OA 7961333	1
51	LM79	Screw (pan head cross recessed self tap.)-No. 8-15 x 3/8"	52720-S13	2

◊ Used on cars equipped with Coil type Front Seat Cushion and Front Seat Back springs.

+ Used on cars equipped with Zig Zag type Front Seat Cushion and Front Seat Back spring.

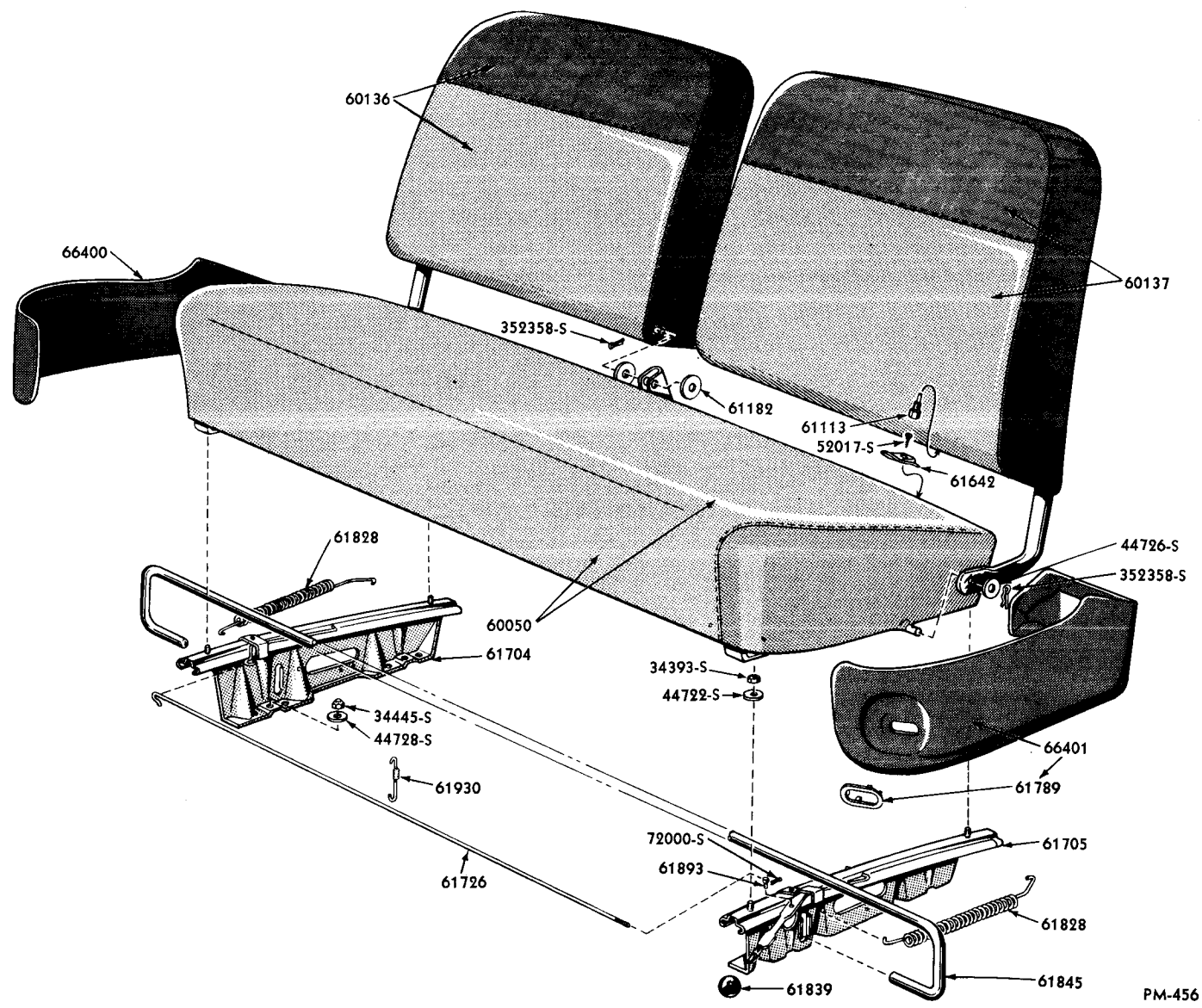
MERCURY

BODY PARTS CATALOGUE

YEAR 19	BODY TYPES	REMARKS	PART NUMBER	NO. REQ'D
Group 61334 STOP (CENTER SEAT BACK)				
51	LM79		OA 7961334	1
Group 61642 SCUFF PLATE (FRONT SEAT BACK)				
51	LM except 74	5/8" x 1-1/8"	◇8A 7061642	2
51	LM except 74	15/16" x 1-29/32"	+0A 7061642-B	2
51	LM except 74	Screw (flat head cross recessed self tap.)-No. 8-15 x 3/8"	52017-88	2
Group 61704-5 SEAT TRACK (FRONT SEAT)				
51	LM except 76	R.H.-Manual Control	+1M 7261704-A	1
51	LM except 76	L.H.-Manual Control	+1M 7261705-A	1
51	LM except 79	R.H.-Hydraulic Control	+1M 7261704-B	1
51	LM except 79	L.H.-Hydraulic Control	+1M 7261705-B	1
51	LM	Nut (lock)-5/16"-24	34393-87	4
51	LM	Nut (lock)-3/8"-24	34445-87	4
51	LM	Washer (flat)-5/16"	44722-88	4
51	LM	Washer (flat)-3/8"	44728-88	4
Group 61723 GEAR AND CROSS TUBE ASSEMBLY (FRONT SEAT)				
51	LM	Approximate overall length 44-27/32"	8L 7261723	1
51	LM	Lockwasher-3/8"	34807-82	2
51	LM	Nut (hex)-3/8"-24	33800-88	2
Group 61726 ROD (FRONT SEAT TRACK TIE)				
51	LM except 76	9/64" diameter x approximately 47" with 1-1/8" of #8-32 Thread one end-use with Manual Control	+1M 7261726	1
Group 61784 SPRING (LOCK LEVER)				
51	LM	Use with Coil Seat Springs only	8H 7361784	1
Group 61789 ESCUTCHEON (FRONT SEAT ADJUSTING LEVER)				
51	LM except 76	Rustless Steel-use with Manual Control	+1M 7261789	1
Group 61795 HANDLE (FRONT SEAT LOCK LEVER)				
51	LM except 76	Chrome Finish	◇7EH 7361795	1
Group 61799 BRACKET (FRONT SEAT LOCK LEVER)				
51	LM	9-19/32" overall with Five 25/64" notches	◇8H 7361799	1
Group 61828 SPRING (FRONT SEAT TRACK ASSIST)				
51	LM except 76	Use with Manual Control	+1A 7061828-B	2
Group 61839 KNOB (FRONT SEAT TRACK ADJUSTING HANDLE)				
51	LM except 76	Black Plastic-use with Manual Control	+1A 7061839	1
Group 61845 BAR (FRONT SEAT TRACK EQUALIZER)				
51	LM except 76	Steel-1/2" diameter x 50"-Manual Control	+1M 7261845-A	1
51	LM except 79	Steel-11/16" diameter x 52-11/16"-Hydraulic Control	+1M 7261845-B	1
51	LM	Screw and washer assy (hex head)-1/4"-20 x 5/8"	43263-88	4

◇ Used on cars equipped with Coil type Front Seat Cushion and Front Seat Back springs.

+ Used on cars equipped with Zig Zag type Front Seat Cushion and Front Seat Back springs.



PM-456

SEAT AND SEAT TRACK—ZIGZAG SPRINGS

Group numbers only shown on illustration. Order by Part Numbers shown in list of parts.

MERCURY

BODY PARTS CATALOGUE

YEAR 19	BODY TYPES	REMARKS	PART NUMBER	NO. REQ'D
Group 61893 NUT (FRONT SEAT TRACK TIE ROD ADJUSTING)				
51	1M except 76	Use with Manual Control	1A 7061893-A	1
51	1M except 76	Pin (cotter)-1/16" x 3/8"	72000-87	1
Group 61930 SPRING (FRONT SEAT SPRING TO TIE ROD)				
51	1M except 76	Use with Manual Control	1A 7061930	1
Group 62332 SUPPORT ASSEMBLY (REAR SEAT BACK FRAME)				
51	1M76		8M 7662332-B	1
Group 62410-1 BRACKET (REAR SEAT BACK FRAME SUPPORT TO FLOOR STRAINER)				
51	1M76	R.H.	8M 7662410	1
51	1M76	L.H.	8M 7662411	1
Group 62662-3 COVER ASSEMBLY (FRONT SEAT BASE)-SIDE				
51	1M72A	R.H.-Blue Gray Vinyl Coated Jute	1M 7262662-AE	1
51	1M72A	L.H.-Blue Gray Vinyl Coated Jute	1M 7262663-AE	1
51	1M72B	R.H.-Blue Carpet	1M 7262662-AD	1
51	1M72B	L.H.-Blue Carpet	1M 7262663-AD	1
51	1M72B	R.H.-Blue Vinyl Coated Jute	1M 7262662-AV	1
51	1M72B	L.H.-Blue Vinyl Coated Jute	1M 7262663-AV	1
51	1M72B	R.H.-Brown Vinyl Coated Jute	1M 7262662-AF	1
51	1M72B	L.H.-Brown Vinyl Coated Jute	1M 7262663-AF	1
51	1M72B	R.H.-Gray Vinyl Coated Jute	1M 7262662-AB	1
51	1M72B	L.H.-Gray Vinyl Coated Jute	1M 7262663-AB	1
51	1M72B	R.H.-Green Vinyl Coated Jute	1M 7262662-AC	1
51	1M72B	L.H.-Green Vinyl Coated Jute	1M 7262663-AC	1
51	1M72B	R.H.-Tan Vinyl Coated Jute	1M 7262662-AA	1
51	1M72B	L.H.-Tan Vinyl Coated Jute	1M 7262663-AA	1
51	1M72C	R.H.-Black Carpet	1M 7262662-AS	1
51	1M72C	L.H.-Black Carpet	1M 7262663-AS	1
51	1M72C	R.H.-Brown Carpet	1M 7262662-AU	1
51	1M72C	L.H.-Brown Carpet	1M 7262663-AU	1
51	1M72C	R.H.-Green Carpet	1M 7262662-AT	1
51	1M72C	L.H.-Green Carpet	1M 7262663-AT	1
51	1M74	R.H.-Blue Carpet	1M 7462662-AD	1
51	1M74	L.H.-Blue Carpet	1M 7462663-AD	1
51	1M74	L.H.-Blue Vinyl Coated Jute	1M 7462663-AV	1
51	1M74	R.H.-Blue Vinyl Coated Jute	1M 7462662-AV	1
51	1M74	L.H.-Brown Vinyl Coated Jute	1M 7462663-AF	1
51	1M74	R.H.-Brown Vinyl Coated Jute	1M 7462662-AF	1
51	1M74	R.H.-Gray Vinyl Coated Jute	1M 7462662-AB	1
51	1M74	L.H.-Gray Vinyl Coated Jute	1M 7462663-AB	1
51	1M74	R.H.-Green Vinyl Coated Jute	1M 7462662-AC	1
51	1M74	L.H.-Green Vinyl Coated Jute	1M 7462663-AC	1
51	1M74	R.H.-Tan Vinyl Coated Jute	1M 7462662-AA	1
51	1M74	L.H.-Tan Vinyl Coated Jute	1M 7462663-AA	1

BODY PARTS CATALOGUE

YEAR 19__	BODY TYPES	REMARKS	PART NUMBER	NO. REQ'D
Group 62662-3 COVER ASSEMBLY (FRONT SEAT BASE)-SIDE-CONTINUED				
51	1M76	R.H.-Black Vinyl Coated Jute	1M 7662662-AG	1
51	1M76	L.H.-Black Vinyl Coated Jute	1M 7662663-AG	1
51	1M76	R.H.-Blue Vinyl Coated Jute	1M 7662662-AJ	1
51	1M76	L.H.-Blue Vinyl Coated Jute	1M 7662663-AJ	1
51	1M76	R.H.-Brown Vinyl Coated Jute	1M 7662662-AH	1
51	1M76	L.H.-Brown Vinyl Coated Jute	1M 7662663-AH	1
51	1M79	R.H.-Brown Vinyl Coated Jute	OM 7962662-AT	1
51	1M79	L.H.-Brown Vinyl Coated Jute	OM 7962663-AT	1
51	1M79	R.H.-Dark Green Vinyl Coated Jute	OM 7962662-AU	1
51	1M79	L.H.-Dark Green Vinyl Coated Jute	OM 7962663-AU	1
51	1M79	R.H.-Red Vinyl Coated Jute	OM 7962662-AS	1
51	1M79	L.H.-Red Vinyl Coated Jute	OM 7962663-AS	1
Group 62664 COVER ASSEMBLY (FRONT SEAT BASE FRAME TUBE)				
51	1M72A	Blue Gray Vinyl Coated Jute	1M 7262664-AE	1
51	1M72B	Blue Carpet	1M 7262664-AD	1
51	1M72B	Blue Vinyl Coated Jute	1M 7262664-AV	1
51	1M72B	Brown Vinyl Coated Jute	1M 7262664-AF	1
51	1M72B	Gray Vinyl Coated Jute	1M 7262664-AB	1
51	1M72B	Green Vinyl Coated Jute	1M 7262664-AC	1
51	1M72B	Tan Vinyl Coated Jute	1M 7262664-AA	1
51	1M72C	Black Carpet	1M 7262664-AS	1
51	1M72C	Brown Carpet	1M 7262664-AU	1
51	1M72C	Green Carpet	1M 7262664-AT	1
51	1M74	Blue Carpet	1M 7462664-AD	1
51	1M74	Blue Vinyl Coated Jute	1M 7462664-AV	1
51	1M74	Brown Vinyl Coated Jute	1M 7462664-AF	1
51	1M74	Gray Vinyl Coated Jute	1M 7462664-AB	1
51	1M74	Green Vinyl Coated Jute	1M 7462664-AC	1
51	1M74	Tan Vinyl Coated Jute	1M 7462664-AA	1
51	1M76	Black Vinyl Coated Jute	1M 7662664-AG	1
51	1M76	Blue Vinyl Coated Jute	1M 7662664-AJ	1
51	1M76	Blue Vinyl Coated Jute with Gray Binding on Center Bracket Cover	1M 7662664-AK	1
51	1M76	Brown Vinyl Coated Jute	1M 7662664-AH	1
51	1M79	Brown Vinyl Coated Jute	OM 7962664-AT	1
51	1M79	Dark Green Vinyl Coated Jute	OM 7962664-AU	1
51	1M79	Red Vinyl Coated Jute	OM 7962664-AS	1
51	1M	Screw (drive)-No. 6 x 1/2"	351629-S23-A2B	12
51	1M72A-72B-74-76	Screw (oval head cross recessed self tap.)-No. 8-15 x 5/8"	52352-S13	1or3
51	1M72A-72B-74-76	Washer (finish)-No. 6	34885-S13	1or3

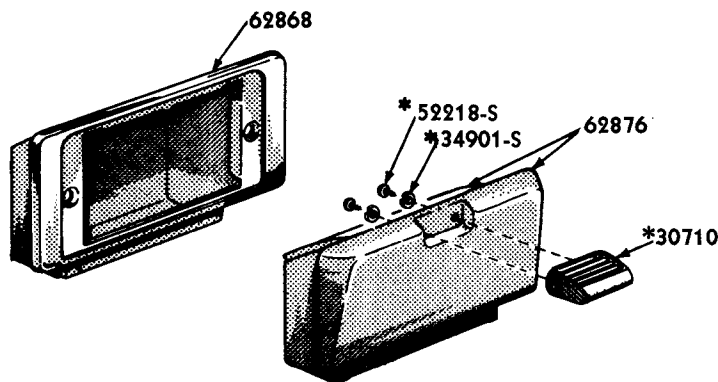
MERCURY

BODY PARTS CATALOGUE

YEAR 19	BODY TYPES	REMARKS	PART NUMBER	NO. REQ'D
Group 62694 COVER ASSY (FRONT SEAT BASE STRAINER)-REAR UPPER				
51	1M72A	Blue Gray Vinyl Coated Jute	1M 7262694-AE	2
51	1M72B-74	Blue Carpet	1M 7262694-AD	2
51	1M72B-74	Blue Vinyl Coated Jute	1M 7262694-AV	2
51	1M72B-74	Brown Vinyl Coated Jute	1M 7262694-AF	2
51	1M72B-74	Gray Vinyl Coated Jute	1M 7262694-AB	2
51	1M72B-74	Green Vinyl Coated Jute	1M 7262694-AC	2
51	1M72B-74	Tan Vinyl Coated Jute	1M 7262694-AA	2
51	1M72C	Black Carpet	1M 7262694-AS	2
51	1M72C	Brown Carpet	1M 7262694-AU	2
51	1M72C	Green Carpet	1M 7262694-AT	2
51	1M76	Black Vinyl Coated Jute	1M 7662694-AG	2
51	1M76	Blue Vinyl Coated Jute	1M 7662694-AJ	2
51	1M76	Brown Vinyl Coated Jute	1M 7662694-AH	2
51	1M79	Brown Vinyl Coated Jute	OM 7962694-AT	2
51	1M79	Dark Green Vinyl Coated Jute	OM 7962694-AU	2
51	1M79	Red Vinyl Coated Jute	OM 7962694-AS	2
51	1M	Clip "C"	358338-S	6
Group 62800 CORD ASSEMBLY (FRONT SEAT BACK ROBE)				
51	1M72B	Blue	OM 7262800-AB	2
51	1M72B	Green	OM 7262800-AR	2
51	1M72B	Tan	OM 7262800-AA	2
51	1M72C	Black Artificial Leather	OM 7262800-AV	2
51	1M72C	Ivory Artificial Leather	1M 7262800-AAF	2
51	1M72C	Dark Tan Artificial Leather	1M 7262800-AU	2
51	1M72C	Cherry Red Artificial Leather	1M 7262800-AAE	2
51	1M72C	Turquoise Artificial Leather	1M 7262800-AAG	2
51	1M74	Blue	OM 7462800-AB	1
51	1M74	Blue Artificial Leather	1M 7462800-AZ	1
51	1M74	Chestnut Brown Artificial Leather	1M 7462800-AY	1
51	1M74	Green	OM 7462800-AR	1
51	1M74	Tan	OM 7462800-AA	1
51	1M76	Black Artificial Leather	1M 7662800-AAA	2
51	1M76	Blue Artificial Leather	1M 7662800-AAC	2
51	1M76	Chestnut Brown Artificial Leather	1M 7662800-AAB	2
Group 62808 PLATE ASSEMBLY (ROBE CORD END ANCHOR)				
51	1M72B-72C-74-76	Four ribs on plate	8M 7362808-A	2or4
51	1M72B-72C-74-76	Smooth plate	8M 7362808-B	2or4
51	1M72B-74	Screw (oval head cross recessed machine)-No. 12-24 x 3/4"	352404-S13	4or8
Group 62818 KEY (ROBE CORD ANCHOR PLATE)				
51	1M72B-72C-74-76	15/16" wide	8M 7362818-B	2or4
51	1M72B-72C-74-76	Screw (cross recessed oval head)-No. 12-24 x 3/4"	50420-S8	4or8
Group 62820 SPRING (ROBE CORD ANCHOR PLATE)				
51	1M72B-72C-74-76	Free length 4"	8M 7362820	2or4

BODY PARTS CATALOGUE

YEAR 19__	BODY TYPES	REMARKS	PART NUMBER	NO. REQ'D
Group 62868 RETAINER ASSEMBLY (FRONT SEAT BACK ASH RECEPTACLE)				
51	1M74	Chrome Finish	1M 7462868	1
51	1M74	Screw (oval head cross recessed self tap.)-No. 8-15 x 5/8"	52352-S13	2



*INCLUDED IN 1M 7462876

PM-454

REAR SEAT ASH RECEPTACLE

Group numbers only shown on illustration. Order by Part Numbers shown in list of parts.

Group 62876 RECEPTACLE ASSEMBLY (FRONT SEAT BACK ASH)-COMPLETE				
51	1M74	in Prime	1M 7462876-AP	1
Group 62900 COVER ASSEMBLY (FRONT SEAT CUSHION)				
51	1M72A	M-5085-Y Gray and Rust Bedford Cord	◊1M 7262900-AE	1
51	1M72B	M-1H2-H Brown Stripe Nylon	+1M 7262900-AAH	1
51	1M72B	M-16102-N Blue Gray Block Broadcloth	◊1M 7262900-AB	1
51	1M72B	M-16102-N Blue Gray Block Broadcloth	+1M 7262900-BB	1
51	1M72B	M-16560-J Blue Gray Stripe Nylon and Mohair	◊1M 7262900-AD	1
51	1M72B	M-16560-J Blue Gray Stripe Nylon and Mohair	+1M 7262900-BD	1
51	1M72B	M-16102-P Two Tone Green Stripe Broadcloth	◊1M 7262900-AC	1
51	1M72B	M-16102-P Two Tone Green Stripe Broadcloth	+1M 7262900-BC	1
51	1M72B	M-1H2-J Green Stripe Nylon	+1M 7262900-AAJ	1
51	1M72B	Ivory Antique Grain Leather	+1M 7262900-FV	1
51	1M72B	Ivory Colonial Grain Leather	◊1M 7262900-AV	1
51	1M72B	Ivory Colonial Grain Leather	+1M 7262900-CV	1
51	1M72B	M-16103-A Tan and Gray Stripe Broadcloth	◊1M 7262900-AR	1
51	1M72B	M-16103-A Tan and Gray Stripe Broadcloth	+1M 7262900-BR	1
51	1M72B	M-16102-Q Tan Pin Stripe Broadcloth	◊1M 7262900-AA	1
51	1M72B	M-16102-Q Tan Pin Stripe Broadcloth	+1M 7262900-BA	1
51	1M72B	Golden Tan Antique Grain Leather	+1M 7262900-FF	1
51	1M72B	Golden Tan Colonial Grain Leather	◊1M 7262900-AF	1
51	1M72B	Golden Tan Colonial Grain Leather	+1M 7262900-CF	1

◊ Used on cars equipped with Coil type Front Seat Cushion and Front Seat Back springs.

+ Used on cars equipped with Zig Zag type Front Seat Cushion and Front Seat Back springs.

MERCURY

BODY PARTS CATALOGUE

YEAR 19	BODY TYPES	REMARKS	PART NUMBER	NO. REQ'D
Group 62900 COVER ASSEMBLY (FRONT SEAT CUSHION) -CONTINUED				
51	1M72C	M-5087-C Brown and Turquoise Bedford Cord	◇1M 7262900-AU	1
51	1M72C	M-5087-C Brown and Turquoise Bedford Cord	+1M 7262900-DU	1
51	1M72C	Green Leather	◇1M 7262900-AT	1
51	1M72C	Green Leather	+1M 7262900-DT	1
51	1M72C	Cherry Red Leather	◇1M 7262900-AS	1
51	1M72C	Cherry Red Leather	+1M 7262900-IS	1
51	1M74	M-1H2-H Brown Stripe Nylon	+1M 7462900-AAH	1
51	1M74	M-16102-N Blue Gray Block Broadcloth	◇1M 7462900-AB	1
51	1M74	M-16102-N Blue Gray Block Broadcloth	+1M 7462900-BB	1
51	1M74	M-16560-J Blue Gray Stripes Nylon and Mohair	◇1M 7462900-AD	1
51	1M74	M-16560-J Blue Gray Stripes Nylon and Mohair	+1M 7462900-BD	1
51	1M74	M-5085-Y Gray and Rust Bedford Cord	+1M 7462900-AX	1
51	1M74	M-16102-P Two Tone Green Stripe Broadcloth	◇1M 7462900-AC	1
51	1M74	M-16102-P Two Tone Green Stripe Broadcloth	+1M 7462900-BC	1
51	1M74	M-1H2-J Green Stripe Nylon	+1M 7462900-AAJ	1
51	1M74	Ivory Leather	◇1M 7462900-AV	1
51	1M74	Ivory Antique Grain Leather	+1M 7462900-FV	1
51	1M74	Ivory Colonial Grain Leather	+1M 7462900-CV	1
51	1M74	M-16103-A Tan and Gray Stripes Broadcloth	◇1M 7462900-AR	1
51	1M74	M-16103-A Tan and Gray Stripes Broadcloth	+1M 7462900-BR	1
51	1M74	M-16102-Q Tan Pin Stripe Broadcloth	+1M 7462900-BA	1
51	1M74	M-16102-Q Tan Pin Stripe Broadcloth	◇1M 7462900-AA	1
51	1M74	Golden Tan Leather	◇1M 7462900-AF	1
51	1M74	Golden Tan Antique Green Leather	+1M 7462900-FF	1
51	1M74	Golden Tan Colonial Grain Leather	+1M 7462900-CF	1
51	1M76	M-16560-J Blue Gray Stripes Nylon and Mohair	◇1M 7662900-AK	1
51	1M76	M-16560-J Blue Gray Stripes Nylon and Mohair	+1M 7662900-CK	1
51	1M76	Ivory Leather	◇1M 7662900-AJ	1
51	1M76	Ivory Antique Grain Leather	+1M 7662900-CJ	1
51	1M76	Ivory Colonial Grain Leather	+1M 7662900-BJ	1
51	1M76	Red Leather	◇1M 7662900-AG	1
51	1M76	Red Antique Grain Leather	+1M 7662900-CK	1
51	1M76	Red Colonial Grain Leather	+1M 7662900-BG	1
51	1M76	Golden Tan Leather	◇1M 7662900-AH	1
51	1M76	Golden Tan Antique Grain Leather	+1M 7662900-CH	1
51	1M76	Golden Tan Colonial Grain Leather	+1M 7662900-BH	1
51	1M79	Light Green Vinyl Artificial Leather	◇OM 7962900-AU	1
51	1M79	Light Green Vinyl Artificial Leather	+1M 7962900-AN	1
51	1M79	Light Red Vinyl Artificial Leather	◇OM 7962900-AS	1
51	1M79	Light Red Vinyl Artificial Leather	+1M 7962900-AL	1
51	1M79	Golden Tan Vinyl Artificial Leather	◇OM 7962900-AT	1
51	1M79	Golden Tan Vinyl Artificial Leather	+1M 7962900-AM	1
51	1M	Clip "C"	358338-S	as req'd

◇ Used on cars equipped with Coil type Front Seat Cushion and Front Seat Back springs.

+ Used on cars equipped with Zig Zag type Front Seat Cushion and Front Seat Back springs.

BODY PARTS CATALOGUE

YEAR 19__	BODY TYPES	REMARKS	PART NUMBER	NO. REQ'D
Group 62908 COVER ASSEMBLY (CENTER SEAT CUSHION)				
51	LM79	Light Green Vinyl Artificial Leather	OM 7962908-AU	1
51	LM79	Light Red Vinyl Artificial Leather	OM 7962908-AS	1
51	LM79	Golden Tan Vinyl Artificial Leather	OM 7962908-AT	1
Group 63804 COVER ASSEMBLY (REAR SEAT CUSHION)				
51	LM72A	M-5085-Y Gray and Rust Bedford Cord	LM 7263804-AE	1
51	LM72B	M-1H2-B Brown Stripe Nylon	LM 7263804-AAH	1
51	LM72B	M-16102-N Blue Gray Block Broadcloth	LM 7263804-AB	1
51	LM72B	M-16560-J Blue Gray Stripe Nylon and Mohair	LM 7263804-AD	1
51	LM72B	M-1H2-J Green Stripe Nylon	LM 7263804-AAJ	1
51	LM72B	M-16102-P Two Tone Green Stripe Broadcloth	LM 7263804-AC	1
51	LM72B	Ivory Colonial Grain Leather	LM 7263804-AV	1
51	LM72B	Ivory Antique Grain Leather	LM 7263804-BV	1
51	LM72B	Golden Tan Colonial Grain Leather	LM 7263804-AF	1
51	LM72B	Golden Tan Antique Grain Leather	LM 7263804-BF	1
51	LM72B	M-16103-A Tan and Gray Stripe Broadcloth	LM 7263804-AR	1
51	LM72B	M-16102-Q Tan Pin Stripe Broadcloth	LM 7263804-AA	1
51	LM72C	M-5087-C Brown and Turquoise Bedford Cord	LM 7263804-BU	1
51	LM72C	Cherry Red Leather	LM 7263804-BS	1
51	LM72C	Green Leather	LM 7263804-BT	1
51	LM74	M-1H2-H Brown Stripe Nylon	LM 7463804-AAH	1
51	LM74	M-16102-N Blue Gray Block Broadcloth	LM 7463804-AB	1
51	LM74	M-16560-J Blue Gray Stripe Nylon and Mohair	LM 7463804-AD	1
51	LM74	M-5085-Y Gray and Rust Bedford Cord	LM 7463804-AX	1
51	LM74	M-1H2-J Green Stripe Nylon	LM 7463804-AAJ	1
51	LM74	M-16102-P Two Tone Green Stripe Broadcloth	LM 7463804-AC	1
51	LM74	Ivory Antique Grain Leather	LM 7463804-BV	1
51	LM74	Ivory Colonial Grain Leather	LM 7463804-AV	1
51	LM74	Golden Tan Antique Grain Leather	LM 7463804-BF	1
51	LM74	Golden Tan Colonial Grain Leather	LM 7463804-AF	1
51	LM74	M-16103-A Tan and Gray Stripe Broadcloth	LM 7463804-AR	1
51	LM74	M-16102-Q Tan Pin Stripe Broadcloth	LM 7463804-AA	1
51	LM76	M-16560-J Blue Gray Stripe Nylon and Mohair	LM 7663804-AK	1
51	LM76	Ivory Antique Grain Leather	LM 7663804-BJ	1
51	LM76	Ivory Colonial Grain Leather	LM 7663804-AG	1
51	LM76	Red Antique Grain Leather	LM 7663804-BG	1
51	LM76	Red Colonial Grain Leather	LM 7663804-AG	1
51	LM76	Golden Tan Antique Grain Leather	LM 7663804-BH	1
51	LM76	Golden Tan Colonial Grain Leather	LM 7663804-AH	1
51	LM79	Light Green Vinyl Artificial Leather	OM 7963804-AU	1
51	LM79	Light Red Vinyl Artificial Leather	OM 7963804-AS	1
51	LM79	Golden Tan Vinyl Artificial Leather	OM 7963804-AT	1

MERCURY

BODY PARTS CATALOGUE

YEAR 19	BODY TYPES	REMARKS	PART NUMBER	NO. REQ'D
Group 64416-7 COVER ASSEMBLY (FRONT SEAT BACK)				
51	1M72A	R.H.-M-5085-Y Gray and Rust Bedford Cord	◊1M 7264416-AE	1
51	1M72A	L.H.-M-5085-Y Gray and Rust Bedford Cord	◊1M 7264417-AE	1
51	1M72B	R.H.-Upper M-16811-F Dark Blue Broadcloth, Lower M-16102-N Blue Gray Block Broadcloth	◊1M 7264416-AB	1
51	1M72B	L.H.-Upper M-16811-F Dark Blue Broadcloth, Lower M-16102-N Blue Gray Block Broadcloth	◊1M 7264417-AB	1
51	1M72B	R.H.-Upper M-16811-F Dark Blue Broadcloth, Lower M-16102-N Blue Gray Block Broadcloth	+1M 7264416-BB	1
51	1M72B	L.H.-Upper M-16811-F Dark Blue Broadcloth, Lower M-16102-N Blue Gray Block Broadcloth	+1M 7264417-BB	1
51	1M72B	R.H.-Upper M-16811-F Dark Blue Broadcloth, Lower M-16560-J Blue Gray Stripe Nylon and Mohair	◊1M 7264416-AD	1
51	1M72B	L.H.-Upper M-16811-F Dark Blue Broadcloth, Lower M-16560-J Blue Gray Stripe Nylon and Mohair	◊1M 7264417-AD	1
51	1M72B	R.H.-Upper M-16811-F Dark Blue Broadcloth, Lower M-16560-J Blue Gray Stripe Nylon and Mohair	+1M 7264416-BD	1
51	1M72B	L.H.-Upper M-16811-F Dark Blue Broadcloth, Lower M-16560-J Blue Gray Stripe Nylon and Mohair	+1M 7264417-BD	1
51	1M72B	R.H.-Upper Blue Leather, Lower Ivory Leather	◊1M 7264416-AV	1
51	1M72B	L.H.-Upper Blue Leather, Lower Ivory Leather	◊1M 7264417-AV	1
51	1M72B	R.H.-Upper Blue Antique Grain Leather, Lower Ivory Antique Grain Leather	+1M 7264416-FV	1
51	1M72B	L.H.-Upper Blue Antique Grain Leather, Lower Ivory Antique Grain Leather	+1M 7264417-FV	1
51	1M72B	R.H.-Upper Blue Colonial Grain Leather, Lower Ivory Colonial Grain Leather	+1M 7264416-CV	1
51	1M72B	L.H.-Upper Blue Colonial Grain Leather, Lower Ivory Colonial Grain Leather	+1M 7264417-CV	1
51	1M72B	R.H.-Upper Chestnut Brown Leather, Lower Golden Tan Leather	◊1M 7264416-AF	1
51	1M72B	L.H.-Upper Chestnut Brown Leather, Lower Golden Tan Leather	◊1M 7264417-AF	1
51	1M72B	R.H.-Upper Chestnut Brown Antique Grain Leather, Lower Golden Tan Antique Grain Leather	+1M 7264416-FF	1
51	1M72B	L.H.-Upper Chestnut Brown Antique Grain Leather, Lower Golden Tan Antique Grain Leather	+1M 7264417-FF	1
51	1M72B	R.H.-Upper Chestnut Brown Colonial Grain Leather, Lower Golden Tan Colonial Grain Leather	+1M 7264416-CF	1
51	1M72B	L.H.-Upper Chestnut Brown Colonial Grain Leather, Lower Golden Tan Colonial Grain Leather	+1M 7264417-CF	1
51	1M72B	R.H.-Upper M-16811-H Dark Green Broadcloth, Lower M-16102-P Two Tone Green Stripe Broadcloth	◊1M 7264416-AC	1
51	1M72B	L.H.-Upper M-16811-H Dark Green Broadcloth, Lower M-16102-P Two Tone Green Stripe Broadcloth	◊1M 7264417-AC	1
51	1M72B	R.H.-Upper M-16811-H Dark Green Broadcloth, Lower M-16102-P Two Tone Green Stripe Broadcloth	+1M 7264416-BC	1
51	1M72B	L.H.-Upper M-16811-H Dark Green Broadcloth, Lower M-16102-P Two Tone Green Stripe Broadcloth	+1M 7264417-BC	1
51	1M72B	R.H.-Upper M-16811-H Dark Green Broadcloth, Lower M-1E2-J Green Stripe Nylon	+1M 7264416-AAJ	1
51	1M72B	L.H.-Upper M-16811-H Dark Green Broadcloth, Lower M-1E2-J Green Stripe Nylon	+1M 7264417-AAJ	1

◊ Used on cars equipped with Coil type Front Seat Cushion and Front Seat Back springs.

+ Used on cars equipped with Zig Zag type Front Seat Cushion and Front Seat Back springs.

MERCURY

BODY PARTS CATALOGUE

YEAR 19	BODY TYPES	REMARKS	PART NUMBER	NO. REQ'D
Group 64416-7 COVER ASSEMBLY (FRONT SEAT BACK)-CONTINUED				
51	1M72B	R.H.-Upper M-16811-J Dark Tan Broadcloth, Lower M-1H2-J Brown Stripe Nylon	+1M 7264416-AAH	1
51	1M72B	L.H.-Upper M-16811-J Dark Tan Broadcloth, Lower M-1H2-H Brown Stripe Nylon	+1M 7264417-AAH	1
51	1M72B	R.H.-Upper M-16811-J Dark Tan Broadcloth, Lower M-16103-A Tan and Gray Stripe Broadcloth	◊1M 7264416-AR	1
51	1M72B	L.H.-Upper M-16811-J Dark Tan Broadcloth, Lower M-16103-A Tan and Gray Stripe Broadcloth	◊1M 7264417-AR	1
51	1M72B	R.H.-Upper M-16811-J Dark Tan Broadcloth, Lower M-16103-A Tan and Gray Stripe Broadcloth	+1M 7264416-BR	1
51	1M72B	L.H.-Upper M-16811-J Dark Tan Broadcloth, Lower M-16103-A Tan and Gray Stripe Broadcloth	+1M 7264417-BR	1
51	1M72B	R.H.-Upper M-16811-J Dark Tan Broadcloth, Lower M-16102-Q Tan Pin Stripe Broadcloth	◊1M 7264416-AA	1
51	1M72B	L.H.-Upper M-16811-J Dark Tan Broadcloth, Lower M-16102-Q Tan Pin Stripe Broadcloth	◊1M 7264417-AA	1
51	1M72B	R.H.-Upper M-16811-J Dark Tan Broadcloth, Lower M-16102-Q Tan Pin Stripe Broadcloth	+1M 7264416-BA	1
51	1M72B	L.H.-Upper M-16811-J Dark Tan Broadcloth, Lower M-16102-Q Tan Pin Stripe Broadcloth	+1M 7264417-BA	1
51	1M72C	R.H.-Upper Black Leather, Lower Cherry Red Leather	◊1M 7264416-AS	1
51	1M72C	L.H.-Upper Black Leather, Lower Cherry Red Leather	◊1M 7264417-AS	1
51	1M72C	R.H.-Upper Black Leather, Lower Cherry Red Leather	+1M 7264416-DS	1
51	1M72C	L.H.-Upper Black Leather, Lower Cherry Red Leather	+1M 7264417-DS	1
51	1M72C	R.H.-Upper Seal Brown Leather, Lower M-5087-C Brown and Turquoise Bedford Cord	◊1M 7264416-AU	1
51	1M72C	L.H.-Upper Seal Brown Leather, Lower M-5087-C Brown and Turquoise Bedford Cord	◊1M 7264417-AU	1
51	1M72C	R.H.-Upper Seal Brown Leather, Lower M-5087-C Brown and Turquoise Bedford Cord	+1M 7264416-DU	1
51	1M72C	L.H.-Upper Seal Brown Leather, Lower M-5087-C Brown and Turquoise Bedford Cord	+1M 7264417-DU	1
51	1M72C	R.H.-Upper Oyster White Leather, Lower Green Leather	◊1M 7264416-AT	1
51	1M72C	L.H.-Upper Oyster White Leather, Lower Green Leather	◊1M 7264417-AT	1
51	1M72C	R.H.-Upper Oyster White Leather, Lower Green Leather	+1M 7264416-DT	1
51	1M72C	L.H.-Upper Oyster White Leather, Lower Green Leather	+1M 7264417-DT	1
51	1M74	Upper M-16811-F Dark Blue Broadcloth, Lower M-16102-N Blue Gray Block Broadcloth	◊1M 7464416-AB	1
51	1M74	Upper M-16811-F Dark Blue Broadcloth, Lower M-16102-N Blue Gray Block Broadcloth	+1M 7464416-BB	1
51	1M74	Upper M-16811-F Dark Blue Broadcloth, Lower M-5085-Y Gray and Rust Bedford Cord	+1M 7464416-AX	1
51	1M74	Upper Blue Leather, Lower Ivory Leather	◊1M 7464416-AV	1
51	1M74	Upper Blue Antique Grain Leather, Lower Ivory Antique Grain Leather	+1M 7464416-DV	1
51	1M74	Upper Blue Colonial Grain Leather, Lower Ivory Colonial Grain Leather	+1M 7464416-CV	1
51	1M74	Upper M-16811-F Dark Blue Broadcloth, Lower M-16560-J Blue Gray Stripe Nylon and Mohair	+1M 7464416-BD	1
51	1M74	Upper M-16811-F Dark Blue Broadcloth, Lower M-16560-J Blue Gray Stripe Nylon and Mohair	◊1M 7464416-AD	1

◊ Used on cars equipped with Coil type Front Seat Cushion and Front Seat Back springs.

+ Used on cars equipped with Zig Zag type Front Seat Cushion and Front Seat Back springs.

MERCURY

BODY PARTS CATALOGUE

YEAR 19__	BODY TYPES	REMARKS	PART NUMBER	NO. REQ'D
Group 64416-7 COVER ASSEMBLY (FRONT SEAT BACK)-CONTINUED				
51	1M74	Upper Chestnut Brown Leather, Lower Golden Tan Leather	◇1M 7464416-AF	1
51	1M74	Upper Chesnut Brown Antique Grain Leather, Lower Golden Tan Antique Grain Leather	+1M 7464416-DF	1
51	1M74	Upper Chestnut Brown Colonial Grain Leather, Lower Golden Tan Colonial Grain Leather	+1M 7464416-CF	1
51	1M74	Upper M-16811-H Dark Green Broadcloth, Lower M-16102-P Two Tone Green Stripe Broadcloth	◇1M 7464416-AC	1
51	1M74	Upper M-16811-H Dark Green Broadcloth, Lower M-16102-P Two Tone Green Stripe Broadcloth	+1M 7464416-BC	1
51	1M74	Upper M-16811-H Dark Green Broadcloth, Lower M-1E2-J Green Stripe Nylon	+1M 7464416-AAJ	1
51	1M74	Upper M-16811-J Dark Tan Broadcloth, Lower M-16102-Q Tan Pin Stripe Broadcloth	◇1M 7464416-AA	1
51	1M74	Upper M-16811-J Dark Tan Broadcloth, Lower M-16102-Q Tan Pin Stripe Broadcloth	+1M 7464416-BA	1
51	1M74	Upper M-16811-J Dark Tan Broadcloth, Lower M-16103-A Tan and Gray Stripe Broadcloth	◇1M 7464416-AR	1
51	1M74	Upper M-16811-J Dark Tan Broadcloth, Lower M-16103-A Tan and Gray Stripe Broadcloth	+1M 7464416-BR	1
51	1M74	Upper M-16811-J Dark Tan Broadcloth, Lower M-1E2-H Brown Stripe Nylon	+1M 7464416-AAH	1
51	1M76	R.H.-Upper Black Leather, Lower Red Leather	◇1M 7664416-AG	1
51	1M76	L.H.-Upper Black Leather, Lower Red Leather	◇1M 7664417-AG	1
51	1M76	R.H.-Upper Black Antique Grain Leather, Lower Red Antique Grain Leather	+1M 7664416-CG	1
51	1M76	L.H.-Upper Black Antique Grain Leather, Lower Red Antique Grain Leather	+1M 7664417-CG	1
51	1M76	R.H.-Upper Black Colonial Grain Leather, Lower Red Colonial Grain Leather	+1M 7664416-BG	1
51	1M76	L.H.-Upper Black Colonial Grain Leather, Lower Red Colonial Grain Leather	+1M 7664417-BG	1
51	1M76	R.H.-Upper Dark Blue Leather, Lower Ivory Leather	◇1M 7664416-AJ	1
51	1M76	L.H.-Upper Dark Blue Leather, Lower Ivory Leather	◇1M 7664417-AJ	1
51	1M76	R.H.-Upper Dark Blue Antique Grain Leather, Lower Ivory Antique Grain Leather	+1M 7664416-CJ	1
51	1M76	L.H.-Upper Dark Blue Antique Grain Leather, Lower Ivory Antique Grain Leather	+1M 7664417-CJ	1
51	1M76	R.H.-Upper Dark Blue Colonial Grain Leather, Lower Ivory Colonial Grain Leather	+1M 7664416-BJ	1
51	1M76	L.H.-Upper Dark Blue Colonial Grain Leather, Lower Ivory Colonial Grain Leather	+1M 7664417-BJ	1
51	1M76	R.H.-Upper Dark Blue Leather, Lower M-16560-J Blue and Gray Stripe Nylon and Mohair	+1M 7664416-CK	1
51	1M76	L.H.-Upper Dark Blue Leather, Lower M-16560-J Blue and Gray Stripe Nylon and Mohair	+1M 7664417-CK	1
51	1M76	R.H.-Upper Dark Blue Leather, Lower M-16560-J Blue Gray Stripe Nylon and Mohair	◇1M 7664416-AK	1
51	1M76	L.H.-Upper Dark Blue Leather, Lower M-16560-J Blue Gray Stripe Nylon and Mohair	◇1M 7664417-AK	1
51	1M76	R.H.-Upper Dark Blue Colonial Grain Leather, Lower M-16560-J Blue Gray Stripe Nylon and Mohair	+1M 7664416-EK	1
51	1M76	L.H.-Upper Dark Blue Colonial Grain Leather, Lower M-16560-J Blue Gray Stripe Nylon and Mohair	+1M 7664417-EK	1

◇ Used on cars equipped with Coil type Front Seat Cushion and Front Seat Back springs.

+ Used on cars equipped with Zig Zag type Front Seat Cushion and Front Seat Back springs.

BODY PARTS CATALOGUE

YEAR 19__	BODY TYPES	REMARKS	PART NUMBER	NO. REQ'D
Group 64416-7 COVER ASSEMBLY (FRONT SEAT BACK)-CONTINUED				
51	LM76	R.H.-Upper Chestnut Brown Leather, Lower Golden Tan Leather	◇LM 7664416-AH	1
51	LM76	L.H.-Upper Chestnut Brown Leather, Lower Golden Tan Leather	◇LM 7664417-AH	1
51	LM76	R.H.-Upper Chestnut Brown Antique Grain Leather, Lower Golden Tan Antique Grain Leather	+LM 7664416-CH	1
51	LM76	L.H.-Upper Chestnut Brown Antique Grain Leather, Lower Golden Tan Antique Grain Leather	+LM 7664417-CH	1
51	LM76	R.H.-Upper Chestnut Brown Colonial Grain Leather, Lower Golden Tan Colonial Grain Leather	+LM 7664416-BH	1
51	LM76	L.H.-Upper Chestnut Brown Colonial Grain Leather, Lower Golden Tan Colonial Grain Leather	+LM 7664417-BH	1
51	LM79	R.H.-Light Green Vinyl Artificial Leather	◇OM 7964416-AU	1
51	LM79	L.H.-Light Green Vinyl Artificial Leather	◇OM 7964417-AU	1
51	LM79	L.H.-Light Green Vinyl Artificial Leather	+LM 7964417-AN	1
51	LM79	R.H.-Light Green Vinyl Artificial Leather	+LM 7964416-AN	1
51	LM79	R.H.-Light Red Vinyl Artificial Leather	◇OM 7964416-AS	1
51	LM79	L.H.-Light Red Vinyl Artificial Leather	◇OM 7964417-AS	1
51	LM79	R.H.-Light Red Vinyl Artificial Leather	+LM 7964416-AL	1
51	LM79	L.H.-Light Red Vinyl Artificial Leather	+LM 7964417-AL	1
51	LM79	R.H.-Golden Tan Vinyl Artificial Leather	◇OM 7964416-AT	1
51	LM79	L.H.-Golden Tan Vinyl Artificial Leather	◇OM 7964417-AT	1
51	LM79	R.H.-Golden Tan Vinyl Artificial Leather	+LM 7964416-AM	1
51	LM79	L.H.-Golden Tan Vinyl Artificial Leather	+LM 7964417-AM	1
51	LM	Clip "C"	358338-S	as req'd
Group 64428 COVER ASSEMBLY (CENTER SEAT BACK)				
51	LM79	Light Green Vinyl Artificial Leather	OM 7964428-AU	1
51	LM79	Light Red Vinyl Artificial Leather	OM 7964428-AS	1
51	LM79	Golden Tan Vinyl Artificial Leather	OM 7964428-AT	1
Group 66400-1 SHIELD ASSEMBLY (FRONT SEAT SIDE)				
51	LM72A	R.H.-Gray Artificial Leather	◇LM 7266400-AE	1
51	LM72A	L.H.-Gray Artificial Leather	◇LM 7266401-AE	1
51	LM72B	R.H.-M-5156-N Dark Blue Broadcloth-Manual and Hydraulic Control	+LM 7266400-BB	1
51	LM72B	L.H.-M-5156-N Dark Blue Broadcloth-Manual Control	+LM 7266401-BB	1
51	LM72B	L.H.-M-5156-N Dark Blue Broadcloth-Hydraulic Control	+LM 7266401-CB	1
51	LM72B	R.H.-Blue Artificial Leather-Manual and Hydraulic Control	+LM 7266400-AZ	1
51	LM72B	L.H.-Blue Artificial Leather-Manual Control	+LM 7266401-AZ	1
51	LM72B	L.H.-Blue Artificial Leather-Hydraulic Control	+LM 7266401-AAC	1
51	LM72B	R.H.-Chestnut Brown Artificial Leather-Manual and Hydraulic Control	+LM 7266400-AY	1
51	LM72B	L.H.-Chestnut Brown Artificial Leather-Manual Control	+LM 7266401-AY	1
51	LM72B	L.H.-Chestnut Brown Artificial Leather-Hydraulic Control	+LM 7266401-AAB	1
51	LM72B	R.H.-M-5156-T Dark Green Broadcloth-Manual and Hydraulic Control	+LM 7266400-BC	1
51	LM72B	L.H.-M-5156-T Dark Green Broadcloth-Manual Control	+LM 7266401-BC	1
51	LM72B	L.H.-M-5156-T Dark Green Broadcloth-Hydraulic Control	+LM 7266401-CC	1
51	LM72B	R.H.-M-5158-A Dark Tan Broadcloth-Manual and Hydraulic Control	+LM 7266400-BA	1
51	LM72B	L.H.-M-5158-A Dark Tan Broadcloth-Manual Control	+LM 7266401-BA	1
51	LM72B	L.H.-M-5158-A Dark Tan Broadcloth-Hydraulic Control	+LM 7266401-CA	1

◇ Used on cars equipped with Coil type Front Seat Cushion and Front Seat Back springs.

+ Used on cars equipped with Zig Zag type Front Seat Cushion and Front Seat Back springs.

MERCURY

BODY PARTS CATALOGUE

YEAR 19	BODY TYPES	REMARKS	PART NUMBER	NO. REQ'D
Group 66400-1 SHIELD ASSEMBLY (FRONT SEAT SIDE)-CONTINUED				
51	1M72B-74	R.H.-M-5156-N Dark Blue Broadcloth	◇1M 7266400-AB	1
51	1M72B-74	L.H.-M-5156-N Dark Blue Broadcloth	◇1M 7266401-AB	1
51	1M72B-74	R.H.-Blue Artificial Leather	◇1M 7266400-AV	1
51	1M72B-74	L.H.-Blue Artificial Leather	◇1M 7266401-AV	1
51	1M72B-74	R.H.-Chestnut Brown Artificial Leather	◇1M 7266400-AF	1
51	1M72B-74	L.H.-Chestnut Brown Artificial Leather	◇1M 7266401-AF	1
51	1M72B-74	R.H.-M-5156-T Dark Green Broadcloth	◇1M 7266400-AC	1
51	1M72B-74	L.H.-M-5156-T Dark Green Broadcloth	◇1M 7266401-AC	1
51	1M72B-74	R.H.-M-5158-A Dark Tan Broadcloth	◇1M 7266400-AA	1
51	1M72B-74	L.H.-M-5158-A Dark Tan Broadcloth	◇1M 7266401-AA	1
51	1M72C	R.H.-Black Artificial Leather	◇1M 7266400-AS	1
51	1M72C	L.H.-Black Artificial Leather	◇1M 7266401-AS	1
51	1M72C	R.H.-Black Artificial Leather-Manual and Hydraulic Control	+1M 7266400-AAE	1
51	1M72C	L.H.-Black Artificial Leather-Manual Control	+1M 7266401-AAE	1
51	1M72C	L.H.-Black Artificial Leather-Hydraulic Control	+1M 7266401-EAE	1
51	1M72C	R.H.-Dark Tan Artificial Leather	◇1M 7266400-AU	1
51	1M72C	L.H.-Dark Tan Artificial Leather	◇1M 7266401-AU	1
51	1M72C	R.H.-Dark Tan Artificial Leather-Manual and Hydraulic Control	+1M 7266400-AAG	1
51	1M72C	L.H.-Dark Tan Artificial Leather-Manual Control	+1M 7266401-AAG	1
51	1M72C	L.H.-Dark Tan Artificial Leather-Hydraulic Control	+1M 7266401-BAG	1
51	1M72C	R.H.-Oyster White Artificial Leather	◇1M 7266400-AT	1
51	1M72C	L.H.-Oyster White Artificial Leather	◇1M 7266401-AT	1
51	1M72C	R.H.-Oyster White Artificial Leather-Manual and Hydraulic Control	+1M 7266400-AAF	1
51	1M72C	L.H.-Oyster White Artificial Leather-Manual Control	+1M 7266401-AAF	1
51	1M72C	L.H.-Oyster White Artificial Leather-Hydraulic Control	+1M 7266401-BAF	1
51	1M74	L.H.-M-5156-N Dark Blue Broadcloth-Manual Control	+1M 7466401-BB	1
51	1M74	R.H.-M-5156-N Dark Blue Broadcloth-Manual and Hydraulic Control	+1M 7466400-BB	1
51	1M74	L.H.-M-5156-N Dark Blue Broadcloth-Hydraulic Control	+1M 7466401-CB	1
51	1M74	R.H.-Blue Artificial Leather-Manual and Hydraulic Control	+1M 7466400-AZ	1
51	1M74	L.H.-Blue Artificial Leather-Manual Control	+1M 7466401-AZ	1
51	1M74	L.H.-Blue Artificial Leather-Hydraulic Control	+1M 7466401-EZ	1
51	1M74	R.H.-Chestnut Brown Artificial Leather-Manual and Hydraulic Control	+1M 7466400-AY	1
51	1M74	L.H.-Chestnut Brown Artificial Leather-Manual Control	+1M 7466401-AY	1
51	1M74	L.H.-Chestnut Brown Artificial Leather-Hydraulic Control	+1M 7466401-BY	1
51	1M74	R.H.-M-5156-T Dark Green Broadcloth-Manual and Hydraulic Control	+1M 7466400-BC	1
51	1M74	L.H.-M-5156-T Dark Green Broadcloth-Manual Control	+1M 7466401-BC	1
51	1M74	L.H.-M-5156-T Dark Green Broadcloth-Hydraulic Control	+1M 7466401-CC	1
51	1M74	R.H.-M-5158-A Dark Tan Broadcloth-Manual and Hydraulic Control	+1M 7466400-BA	1
51	1M74	L.H.-M-5158-A Dark Tan Broadcloth-Manual Control	+1M 7466401-BA	1
51	1M74	L.H.-M-5158-A Dark Tan Broadcloth-Hydraulic Control	+1M 7466401-CA	1
51	1M76	R.H.-Black Artificial Leather	◇1M 7666400-AG	1
51	1M76	L.H.-Black Artificial Leather	◇1M 7666401-AG	1
51	1M76	R.H.-Black Artificial Leather	+1M 7666400-AAA	1
51	1M76	L.H.-Black Artificial Leather	+1M 7666401-AAA	1
51	1M76	R.H.-Blue Artificial Leather	◇1M 7666400-AJ	1
51	1M76	L.H.-Blue Artificial Leather	◇1M 7666401-AJ	1
51	1M76	R.H.-Blue Artificial Leather	+1M 7666400-AAC	1
51	1M72B-76	L.H.-Blue Artificial Leather-Hydraulic Control	+1M 7666401-AAC	1

◇ Used on cars equipped with Coil type Front Seat Cushion and Front Seat Back springs.

+ Used on cars equipped with Zig Zag type Front Seat Cushion and Front Seat Back springs.

BODY PARTS CATALOGUE

YEAR 19	BODY TYPES	REMARKS	PART NUMBER	NO. REQ'D
Group 66400-1 SHIELD ASSEMBLY (FRONT SEAT SIDE)-CONTINUED				
51	1M76	R.H.-Chestnut Brown Artificial Leather	+1M 7666400-AAB	1
51	1M72B-76	L.H.-Chestnut Brown Artificial Leather-Hydraulic Control	+1M 7666401-AAB	1
51	1M76	R.H.-Chestnut Brown Artificial Leather	◇1M 7666400-AH	1
51	1M76	L.H.-Chestnut Brown Artificial Leather	◇1M 7666401-AH	1
51	1M79	R.H.-Dark Green Artificial Leather	+1M 7966400-AN	1
51	1M79	L.H.-Dark Green Artificial Leather	+1M 7966401-AN	1
51	1M79	R.H.-Dark Green Vinyl Artificial Leather	◇OM 7966400-AU	1
51	1M79	L.H.-Dark Green Vinyl Artificial Leather	◇OM 7966401-AU	1
51	1M79	R.H.-Chestnut Brown Artificial Leather	+1M 7966400-AM	1
51	1M79	L.H.-Chestnut Brown Artificial Leather	+1M 7966401-AM	1
51	1M79	R.H.-Chestnut Brown Vinyl Artificial Leather	◇OM 7966400-AT	1
51	1M79	L.H.-Chestnut Brown Vinyl Artificial Leather	◇OM 7966401-AT	1
51	1M79	R.H.-Dark Red Artificial Leather	+1M 7966400-AL	1
51	1M79	L.H.-Dark Red Artificial Leather	+1M 7966401-AL	1
51	1M79	R.H.-Dark Red Vinyl Artificial Leather	◇OM 7966400-AS	1
51	1M79	L.H.-Dark Red Vinyl Artificial Leather	◇OM 7966401-AS	1
51	1M	Washer (flat)-No. 10	44713-S8	10
51	1M	Screw (pan head cross recessed self tap.)-No. 10-12 x 3/4"	52743-S8	10
Group 66600 COVER ASSEMBLY (REAR SEAT BACK)				
51	1M72A	M-5085-Y Gray and Rust Bedford Cord	1M 7266600-AE	1
51	1M72B-74	Upper M-16811-F Dark Blue Broadcloth, Lower M-16102-N Blue Gray Block Broadcloth	1M 7266600-AB	1
51	1M72B-74	Upper M-16811-F Dark Blue Broadcloth, Lower M-16560-J Blue Gray Stripe Nylon and Mohair	1M 7266600-AD	1
51	1M72B-74	Upper Blue Antique Grain Leather, Lower Ivory Antique Grain Leather	1M 7266600-BV	1
51	1M72B-74	Upper Blue Colonial Grain Leather, Lower Ivory Colonial Grain Leather	1M 7266600-AV	1
51	1M72B-74	Upper Chestnut Brown Antique Grain Leather, Lower Golden Tan Antique Grain Leather	1M 7266600-BF	1
51	1M72B-74	Upper Chestnut Brown Colonial Grain Leather, Lower Golden Tan Colonial Grain Leather	1M 7266600-AF	1
51	1M72B-74	Upper M-16811-H Dark Green Broadcloth, Lower M-16102-P Two Tone Green Stripe Broadcloth	1M 7266600-AC	1
51	1M72B-74	Upper M-16811-H Dark Green Broadcloth, Lower M-1H2-J Green Stripe Nylon	1M 7266600-AAJ	1
51	1M72B-74	Upper M-16811-J Dark Tan Broadcloth, Lower M-1H2-H Brown Stripe Nylon	1M 7266600-AAH	1
51	1M72B-74	Upper M-16811-J Dark Tan Broadcloth, Lower M-16103-A Tan and Gray Stripe Broadcloth	1M 7266600-AR	1
51	1M72B-74	Upper M-16811-J Dark Tan Broadcloth, Lower M-16102-Q Tan Pin Stripe Broadcloth	1M 7266600-AA	1

◇ Used on cars equipped with Coil type Front Seat Cushion and Front Seat Back springs.

† Used on cars equipped with Zig Zag type Front Seat Cushion and Front Seat Back Springs.

MERCURY

BODY PARTS CATALOGUE

YEAR 19	BODY TYPES	REMARKS	PART NUMBER	NO. REQ'D
Group 66600 COVER ASSEMBLY (REAR SEAT BACK)-CONTINUED				
51	1M72C	Upper Black Leather, Lower Cherry Red Leather	1M 7266600-BS	1
51	1M72C	Upper Seal Brown Leather, Lower M-5087-C Brown and Turquoise Bedford Cord	1M 7266600-BU	1
51	1M72C	Upper Oyster White Leather, Lower Green Leather	1M 7266600-BT	1
51	1M74	Upper M-16811-F Dark Blue Broadcloth, Lower M-5085-X Gray and Rust Bedford Cord	1M 7266600-AX	1
51	1M76	Upper Black Antique Grain Leather, Lower Red Antique Grain Leather	1M 7666600-BG	1
51	1M76	Upper Black Colonial Grain Leather, Lower Red Colonial Grain Leather	1M 7666600-AG	1
51	1M76	Upper Dark Blue Antique Grain Leather, Lower Ivory Antique Grain Leather	1M 7666600-BJ	1
51	1M76	Upper Dark Blue Colonial Grain Leather, Lower Ivory Colonial Grain Leather	1M 7666600-AJ	1
51	1M76	Upper Dark Blue Antique Grain Leather, Lower M-16560-J Blue Gray Stripe Nylon and Mohair	1M 7666600-BK	1
51	1M76	Upper Dark Blue Colonial Grain Leather, Lower M-16560-J Blue Gray Stripe Nylon and Mohair	1M 7666600-AK	1
51	1M76	Upper Chestnut Brown Antique Grain Leather, Lower Golden Tan Antique Grain Leather	1M 7666600-BH	1
51	1M76	Upper Chestnut Brown Colonial Grain, Lower Golden Tan Colonial Grain Leather	1M 7666600-AH	1
51	1M79	Light Green Vinyl Artificial Leather	OM 7966600-AU	1
51	1M79	Light Red Vinyl Artificial Leather	OM 7966600-AS	1
51	1M79	Golden Tan Vinyl Artificial Leather	OM 7966600-AT	1
51	1M79	Clip "C"	358338-S	46
51	1M79	Grommet (screened)	358141-S15	6
Group 66746 HANGER (REAR SEAT BACK SPRING)				
51	1M76		8L 7666746	2
51	1M76	Lockwasher-No. 10	34803-S7	4
51	1M76	Nut (hex)-No. 10-32	34079-S7	4
51	1M76	Screw (round head machine)-No. 10-32 x 5/8"	27113-S2	4
Group 67300 SILENCER (FLOOR PAN)				
51	1M72A-72B-72C-74-76	Under rear seat-All Cloth Trim	8M 7267300	1
Group 67516 COVER ASSEMBLY (REAR SEAT HEELBOARD)				
51	1M76	Black Artificial Leather	1M 7667516-AAA	1
51	1M76	Blue Artificial Leather	1M 7667516-AAC	1
51	1M76	Chestnut Brown Artificial Leather	1M 7667516-AAB	1