

1949 MERCURY

Body Parts

CATALOGUE



OCTOBER, 1949

LINCOLN-MERCURY DIVISION OF FORD MOTOR COMPANY

DETROIT, MICHIGAN

1949 MERCURY

Body Parts

CATALOGUE



OCTOBER, 1949

LINCOLN-MERCURY DIVISION OF FORD MOTOR COMPANY
DETROIT, MICHIGAN

COPYRIGHT 1949
FORD MOTOR COMPANY
DEARBORN, MICHIGAN
ALL RIGHTS RESERVED

LITHO IN U. S. A.

QUICK REFERENCE INDEX

Group	Group Name	Page
	Alphabetical Index	V
	Body Illustrations	XII
00120	Body Front	1
03100	Windshield Glass	8
04100	Visor	9
13000	Floor Mat	17
20122-3	Front Door	19
21402-3	Front Door Vent Window	23
23200	Front Door Window Regulator	31
23942-3	Front Door Trim	34
24622-3	Rear Door	41
27000-1	Rear Door Window Regulator	44
27406-7	Rear Door Trim	45
27840-1	Rear Quarter Body Panel	47
40112	Luggage Compartment Door	63
50200	Roof Panel	75
60000	Seat	92

LINCOLN—MERCURY

Division of FORD MOTOR COMPANY

Detroit, Michigan

United States District Offices

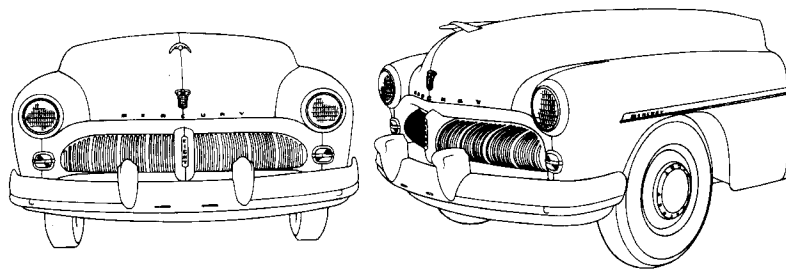
- | | | | |
|-------------------|---------------------|-----------------------|------------------------------|
| *Atlanta, Ga. | *Dearborn, Mich. | *Long Beach, Calif. | *Omaha, Neb. |
| Boston, Mass. | *Denver, Colo. | Los Angeles, Calif. | *Pittsburgh, Pa. |
| *Buffalo, N. Y. | *Des Moines, Iowa | *Louisville, Ky. | *Richmond, Calif. |
| *Charlotte, N. C. | *Edgewater, N. J. | *Memphis, Tenn. | *St. Louis, Mo. |
| *Chester, Pa. | *Fargo, N. D. | *New Orleans, La. | *Salt Lake City, Utah |
| *Chicago, Ill. | *Houston, Texas | New York, N. Y. | *Seattle, Wash. |
| Cincinnati, Ohio | *Jacksonville, Fla. | *Norfolk, Va. | *Somerville, Mass. |
| Cleveland, Ohio | Kansas City, Mo. | Oakland, Calif. | *Twin City (St. Paul, Minn.) |
| *Dallas, Texas | | *Oklahoma City, Okla. | Washington, D. C. |
- *Lincoln-Mercury Parts Depot

MODEL IDENTIFICATION

1949

Mercury

118" W. B.—9M Series



BODY TYPE	NAME
72	Six Passenger Coupe
74	Sport Sedan
76	Six Passenger Convertible Coupe
79	Station Wagon

FOREWORD

This group type BODY PARTS CATALOGUE has been prepared in appreciation of the difficulty experienced occasionally in the ordering of Body Parts.

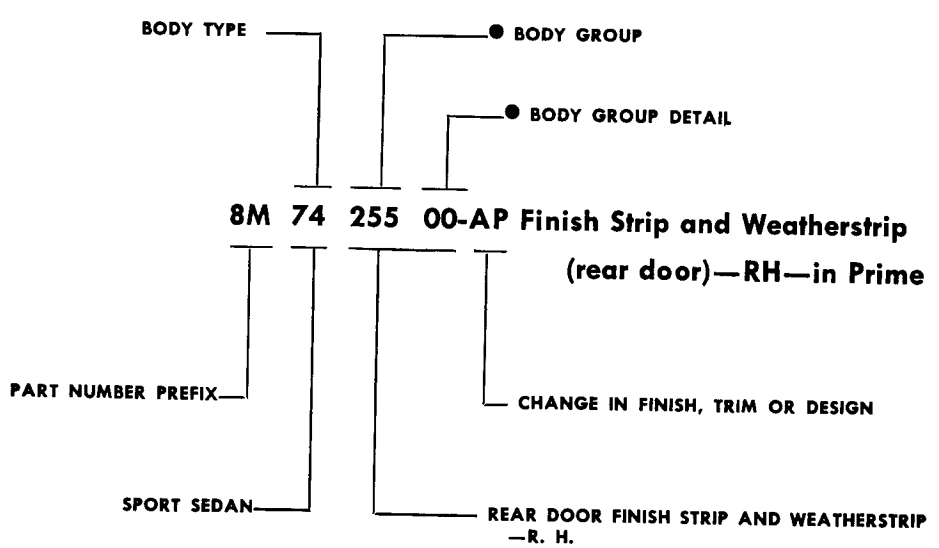
Every effort has been made to insure ease in selecting and ordering the correct parts you need.

We will welcome any suggestions for improvement of future publications of this Catalogue.

LINCOLN-MERCURY DIVISION

GENERAL INFORMATION

FOLLOWING IS A DIAGRAM OF THE BODY PARTS NUMBERING SYSTEM



● These five characters (The combined numbers of the BODY GROUP and BODY DETAIL GROUP) comprise the Body Group Numbers as used throughout this Body Parts Catalogue except for Chassis Parts and Body Parts engineered prior to the adoption of this BODY PARTS NUMBERING SYSTEM.

Basic Body Part Numbers engineered prior to the year 1939 had but 5 (five) or 6 (six) characters.

Example 78-735280 Handle (quarter glass frame)—R. H.

There are a few instances where Part Numbers of this type are used in Current Models. In such instances the BODY GROUP NUMBERS contain but 4 (four) characters.

Example Group 5280 Handle (quarter glass frame)

Every effort has been made to insure ease in selecting and ordering the correct or needed parts. A complete ALPHABETICAL INDEX has been included which also lists the various GROUP NUMBERS under which parts have been listed.

GROUP NUMBERS are a portion of the complete Part Number and are in numerical sequence.

The first three characters of the Body Group Numbers are as follows:

- | | |
|-----------------------------|----------------------------|
| 000-099 FRONT END GROUP | 400-499 BACK GROUP |
| 100-199 FLOOR GROUP | 500-599 TOP AND ROOF GROUP |
| 200-399 SIDE ASSEMBLY GROUP | 600-699 SEAT GROUP |

The fourth and fifth characters of the Body Group Numbers are The Body Group Detail Numbers—

To select the correct part needed the following procedure should be followed:

- A. Determine the correct NAME of PART required.
- B. Check ALPHABETICAL INDEX for GROUP NUMBER.
- C. Refer to GROUP NUMBER and select desired PART.

For Example—Should a Finish Strip and Weatherstrip Assembly—in Prime for a Right Hand Rear Door of a Sport Sedan be required the Alphabetical Index lists the group number as 25500-1. By referring to Group 25500-1 on page 42, 8M-7425500-AP is listed as Finish Strip and Weatherstrip (rear door window finish)—R. H.—in Prime.

YEAR 19-	BODY TYPES	REMARKS	PART NUMBER	NO. REQ'D
Group 25500-01 FINISH STRIP AND WEATHERSTRIP (REAR DOOR WINDOW FINISH)				
49	9M74	R. H.—in Prime	8M-7425500-AP	1
49	9M74	L. H.—in Prime	8M-7425501-AP	1

The remarks column includes such information as right or left hand, finish, dimensions, type of trim, size of attaching parts and special notations.

Attaching parts such as Bolts, Screws, Clamps, etc., are listed below the part with which they are used.

Illustrations throughout this Catalogue are for a particular BODY TYPE although GROUP NUMBERS and DESCRIPTIONS are applicable to practically all BODY TYPES.

With the exception of attaching parts such as bolts, nuts, etc., group numbers only appear on exploded illustrations.

Do not order parts by the GROUP NUMBER or GROUP HEADINGS as shown on Illustrations; always consult the list of Parts for complete PART NUMBER.

The driver's position governs such parts as doors, seats, etc., as to whether an item is Right Hand or Left Hand.

Always give complete PART NUMBER and NAME of each part ordered.

Specify whether shipments are to be made by Freight, Express or Parcel Post.

Listed below is a brief General Telegraphic Code covering miscellaneous instructions relative to the shipment of parts.

ANGRA—Express at Once
ANILE—Express Direct To

BOOBA—Ship Fast Freight
BEAGA—Post Today

BREWA—Advise How and When Shipping

Alphabetical Index

V

PART NAME	GROUP NO.	PART NAME	GROUP NO.
- A -			
Anchor plate assy (robe cord end)	62808	Bracket (rear seat back frame support to floor strainer)	62410-1
Anti rattle (folding top No. 1 bow locking rod)	51422	Bracket (seat hydraulic adjuster)-rear	60457
Anti rattler (frt. seat back robe cord brkt.)-inside	62821	Bracket (tailgate support rod)	44414-5
Anti squeak (body to frame)	00152	Bracket (top mounting)	53118-9
Anti squeak (body to frame)	00154	Bracket (top operating valve dash)	01658
Anti squeak (body to frame)	12322	Bracket (top slat iron side rail to header)	50832-3
Anti squeak (cowl side panel)	02066	Bracket (trim panel to wheelhouse)	27804-5
Anti squeak (front body hinge pillar bracket to fender flange support)	02060	Bracket (upper quarter pillar)-folding top	50378-9
Anti squeak (hand brake bracket)	04399	Bracket (window regulator arm)	23236
Arm assy (door check)	23500	Bracket and handle shaft assy (door ventilator window)	22938
Arm assy (rear door check)	27200	Brush (hydraulic pump motor frame and field assy)	53383
Arm rest assy (front door)	24140-1	Bumper (cowl side panel to hood)	0546
Arm rest assy (rear quarter)	31600-1	Bumper (floor pan to rear axle)	11329
Armature assy (hydraulic pump motor)	53349	Bumper (quarter panel fuel tank lid)	06066
		Bumper assy (tailgate dowel plate)	43916
		Bushing (folding top lock handle shaft)	53121
		Button (door ventilator window handle)	22984
- B -		- C -	
Back assy (center seat)	60042-3	Cable assy (air valve control)	01890-1
Back assy (front seat)	60136-7	Cardboard (cowl trim)	02344-5
Back assy (rear seat)	60032	Cardboard (luggage compartment)-front	45444
Bail (hydraulic pump reservoir)	53378	Cardboard (luggage compartment)-side rear	45416-7
Bar (window regulator switch bus)	24219	Cardboard (package tray trim)	46656
Bar and bracket assy (front and rear door vent window division)-including weatherstrip	22296-7	Carpet assy (front seat base)-side	62662-3
Binding (header bow)-folding top	52308	Carpet assy (front seat base foot rest)	62654
Binding (rear roof bow)-folding top	52300	Carpet assy (front seat frame center foot rest)	62670
Body front assy	00120	Carpet assy (rear floor)	13046
Bolt (door window regulator stop)	23338	Carpet assy (rear seat heelboard)	67516
Bolt (luggage compt. door handle conn. rod lock)	43622	Catch assy (center and rear seat leg)	7350
Bow (roof)-No. 1	51272	Channel assy (door window glass lifter)	21458-9
Bow (roof)-No. 2 and 4	51276	Channel assy (quarter window front lower corner)	29958-9
Bow (roof)-No. 3	51280	Channel and bracket assy (front door glass)	21458-9
Bow (roof)-No. 3	51288	Channel and bracket assy (rear door glass)	26228-9
Bow assy (folding top)-No. 3	51269	Clamp (door hydraulic hose conduit)	53356
Bow assy (folding top)-No. 3	53005	Clamp (folding top quarter pad to No. 3 bow)	51267
Bow assy (folding top)-rear	51278	Clamp (hose to tube cover spring retainer)	53356
Bow and links assy (folding top)-No. 2	51264	Clamp (quarter window frame lower pivot)	30548
Box assy (glove compartment)	06010	Clip (door weatherstrip retainer)	20574
Brace (dash to frame)	01726-7	Clip (door weatherstrip retainer)-front	20478
Brace assy (dash to frame)	01714	Clip (door window finish strip)-rear lower	20930-1
Bracket (assist strap)	31418	Clip (folding top compartment trim support rod)	54639
Bracket (back belt flanging strip center to wheelhouse strainer)	44664-5	Clip (quarter window glass retainer)	30154
Bracket (coat hanger)	31452	Clip (radio opening cover retainer)	04416
Bracket (door hydraulic hose conduit clamp)	53332	Clip (hydraulic 3 tube multiple)	53367
Bracket (front seat lock lever)	61799	Clip (hydraulic tubing)	14577
Bracket (front seat support to floor pan)-front	60456	Clip (hydraulic tubing to body)	53370
Bracket (front seat support to floor pan)-rear	60462-3	Clip (hydraulic tube to dash)	53370
Bracket (hydraulic motor and pump mounting cushion)	53384	Clip (window reveal moulding)	20925
Bracket (hydraulic seat regulator to floor)	53414	Connector (body vent air duct)	01878
Bracket (instrument panel radio speaker)	04172	Container assy (top dust hood)	54486
Bracket (luggage compt. spare wheel mounting)	47070	Control assy (front door lock remote)	21818-9
Bracket (luggage compt. trim panel to wheelhouse)	43557	Control assy (rear door lock remote)	26404-5
Bracket (No. 2 bow conn. link to front side rail)	50890-1	Control rod assy (top operating)	50570
Bracket (quarter panel wheel cover guide)-front	28000-1	Cord assy (front seat back robe)	62800
Bracket (quarter panel wheel cover guide)-rear	28002-3	Cover (assist strap bracket)	31421
Bracket (quarter window)-on body	29932-3	Cover (back window outside moulding joint)	42432
		Cover (cowl side panel opening)	02092

Alphabetical Index

PART NAME	GROUP NO.	PART NAME	GROUP NO.
Glass (rear door ventilator window)	26870	Housing (tailgate support rod spring)	44428-9
Glass (rear quarter window)	29710	Housing assy (door check arm)	23530
Glass (top back curtain)	53200	Housing assy (hydraulic pump)	53395
Glass (windshield)	03100	Housing assy (quarter panel to floor pan filler neck)	27936
Glass and channel assy (rear door window)	26224-5	Hydraulic motor and pump mounting cushion	53382
Glass and frame assy (front door ventilating window)	21406-7		
Glass and frame assy (rear door ventilating window)	26868-9	- I -	
Grille (instrument panel radio)	04405	Insert (back window weatherstrip)	42054
Grommet (door handle outside)	22482	Insert (garnish moulding plastic name)	20988
Grommet (hyd. window regulator spring hose cover)	53360	Insulator assy (dash upper)	01670
Grommet (window regulator control wires)	53355	Insulator assy (steering column opening)-dash upper	01673
Guide assy (quarter window)-complete	29764-5		
Gusset (luggage compartment opening lower corner)	44830-1	- K -	
Gusset (quarter panel to package tray)	29428-9	Key (door ventilator window frame)	22920
- H -		Key (glove box and rear deck lid)	18306
Handle (back window)-inside	43426	Key (robe cord anchor plate)	62818
Handle (door inside)	22614	Knob (ash receptacle)	30710
Handle (door ventilator window frame)	22916-7	Knob (door locking control rod)	21850
Handle (fresh air duct register door)	01844	Knob (rear door and quarter window sliding glass latch)	25814
Handle (front seat lock lever)	61795	Knob (top control rod)	50579
Handle (instrument panel ash receptacle)	04830	Knob assy (instrument panel cigar lighter)	04602
Handle (quarter glass frame)	5280-1	Knob and element assy (cigar lighter)	04610
Handle (quarter window sliding glass)-center	29756	Kit (cigar lighter element)	04603
Handle (quarter window sliding glass)-front	29754	Kit-for servicing folding top-No. 3 bow, mounting bracket and rear side rail hinge	50105
Handle (top locking)	03570		
Handle assy (back window)-outside-less lock & cyl.	43429	- L -	
Handle assy (door outside)	22400	Latch assy (quarter window sliding glass)-center	29670
Handle assy (luggage compartment door)	43500	Latch assy (quarter window sliding glass)-front	29668
Handle assy (window regulator)	23342	Latch assy (tailgate)	44434
Hanger (rear seat back spring)	66746	Latch pin and plate assy (luggage compartment)	43246
Head and brush holder assy (hydraulic pump motor)	53387	Lid assy (quarter panel fuel tank filler)	28611
Header assy (folding top No. 1 bow)	51270	Lining assy (luggage compartment)-front	45443
Headlining (under back window)	42415	Lining assy (luggage compartment)-side rear	45410-1
Headlining assy (roof)	51916	Link (folding top balance)	50454
Hinge (folding top pillar)	24324-5	Link (folding top)-No. 1	50432-3
Hinge (folding top rear side rail)-rear	53170-1	Link (folding top power)-lower	50418
Hinge (front door ventilating window)-upper	21464-7	Link (folding top power)-upper	50370
Hinge (quarter window)-on body	29948	Link (folding top side rail control)-front	50310
Hinge assy (back window)	42900	Link (folding top side rail control)-rear	50308
Hinge assy (front door)-lower	22810-1	Lock assy (back window)	43102
Hinge assy (front door)-upper	22800-1	Lock assy (front door)	21812-3
Hinge assy (glove compartment door)	06042-3	Lock assy (glove compartment door)-complete with keys	06081
Hinge assy (luggage compartment door)	42700-1	Lock assy (luggage compartment door)	43200
Hinge assy (rear door)-lower	26810-1	Lock assy (rear door)	26412-3
Hinge assy (rear door)-upper	26800-1	Lock plate (door ventilator window)	22924
Hinge assy (tailgate)	43000	Lock plate (quarter vent window)	30284
Hinge and link assy (folding top front side rail)	53008-9	Lock set assy (ignition and door)	3687-9
Hinge and link assy (folding top rear side rail)-frt.	53010-1	Loop (top boot to rear seat back)	54410
Hood assy (top dust)	54400		
Hook (back curtain strap)	53268		
Hook (door arm rest attaching)	24130		
Hose assy (front door hydraulic window regulator)	53346		
Hose assy (hyd. pump to top control valve return)	53341		
Hose assy (hyd. pump to top control valve supply)	53342		
Hose assy (hydraulic pump to tubing)	53340		
Hose assy (rear door hydraulic window regulator)	53366		
Housing (instrument panel speedometer)	04342		
Housing (quarter panel fuel tank filler neck)	28617		

Alphabetical Index

PART NAME	GROUP NO.	PART NAME	GROUP NO.
-M-		Moulding and weatherstrip assy (front door window reveal)-lower	20984-5
Mat (luggage compartment floor)	45456	Mounting plate (window regulator switch)	24232-3
Mat assy (floor)-center	13040	-N-	
Mat assy (floor)-front complete	13000	Name plate (instrument panel control)	04465
Mat assy (floor)-rear	13062	Nut (folding top balance link to body bracket)-serrated	50404
Medallion (ash receptacle)	30724	-P-	
Medallion (luggage compt. door handle keyhole cover)	42530	Pad (body to cross member)	00150
Member assy (floor pan rear cross)	10775	Pad (door glass frame to door panel)-hinge side	21388-9
Member assy (floor side)	10110-1	Pad (front seat back)	64800
Member assy (front floor cross member)-rear	10698	Pad (front seat back)-front	64810-1
Member and trim retainer assy (floor side)	10118-9	Pad (front seat cushion)	63204
Motor & hydraulic pump assy (includes reservoir, bail, solenoid and mounting bracket)	53334	Pad (front seat cushion)-upper	63200
Moulding (back belt finish)	41774	Pad (front seat cushion)-sponge rubber	63206
Moulding (back window division bar outside)	42420-1	Pad (luggage compartment door handle)	43531
Moulding (back window opening)-inner	42410	Pad (rear seat back)	66800
Moulding (back window opening)-inner	42432	Pad (rear seat cushion)-upper	63840
Moulding (back window outside)-end	42430-1	Pad (rear seat cushion spring)	63846
Moulding (back window outside)-upper and lower	42404	Pan assy (floor)-rear	11215
Moulding (body side lining panel)-front	29040-1	Pan and panel assy (floor)-rear	11216
Moulding (door inside)-bottom	20988-9	Pan and reinforcement assy (floor front)	11135
Moulding (door inside)-front	20990-1	Panel (body rocker)	10130-1
Moulding (door inside)-rear	20998-9	Panel (body side lining)	31070-1
Moulding (door outside)-at belt	20934-5	Panel (body upper back)	40314
Moulding (door outside)-upper	20934-5	Panel (door inside lining)	20252-3
Moulding (folding top header finish)	53214	Panel (quarter wheelhouse)-inner	27886-7
Moulding (folding top rear bow)	53204	Panel (rear quarter inside lining)-upper	40326-7
Moulding (front door outside)-lower	20938-9	Panel assy (body lower back)	40320
Moulding (glove compartment door)	06048	Panel assy (body lower rear side)	40320-1
Moulding (instrument panel center)	04332-3	Panel assy (body quarter)	27840-1
Moulding (instrument panel end)	04410-1	Panel assy (body quarter)-complete	27700-1
Moulding (quarter outside)-upper	29034-5	Panel assy (body rocker)	10128-9
Moulding (quarter panel at belt outside)	29034-5	Panel assy (body upper back)	40310
Moulding (quarter window reveal outer)	29082-3	Panel assy (cowl top)	02010
Moulding (rear door outside panel)-at belt	25554-5	Panel assy (dash)	01610
Moulding (rear door outside)-lower	25556-7	Panel assy (instrument)-less instruments	04320
Moulding (rear seat riser)-front	60653	Panel assy (instrument cluster trim)	04300
Moulding (roof drip)	51700-1	Panel assy (package tray)	46506
Moulding (roof drip)-rear	51704	Panel assy (quarter and back body)-complete	27800
Moulding (roof drip)-rear extension	51702-3	Panel assy (quarter window regulator)	27870-1
Moulding (roof drip)-side front	51710-1	Panel assy (roof)	50200
Moulding (roof drip)-side rear	51714-5	Panel assy (windshield opening inside)	03566
Moulding (windshield finish)-outside	03088-9	Panel assy (roof)-with silencer	50026
Moulding assy (front door trim)	20942-3	Panel and brace assy (dash)	01614
Moulding assy (front door trim panel)-lower	20956	Pillar assy (body center)	24300
Moulding assy (quarter interior trim)	31140-1	Pillar assy (front body hinge)-complete	02504-5
Moulding assy (quarter trim)-lower	31217	Pillar assy (quarter hinge)	28104-5
Moulding assy (quarter trim)-upper	31140	Pillar assy (quarter lock)	28160-1
Moulding assy (quarter window garnish)	29002-3	Pillar assy (rear corner)	41032-3
Moulding assy (rear door trim)	25558-9	Pillar assy (rear quarter)	28252-3
Moulding assy (rear door trim)-lower	25578	Pillar and strip assy (quarter lock)	41742-3
Moulding assy (rear quarter trim)	31140	Pillar and panel assy (cowl side and body front)	02042-3
Moulding and clip assy (door outside panel reveal)-front	20992-3	Pin (back window support arm stop)	42057
Moulding and clip assy (quarter window reveal outer)-front	29070-1	Pin (door hinge)	22840
Moulding and clip assy (quarter window reveal outer)-rear	29072-3		
Moulding and clip assy (rear door outside panel reveal)-rear	25668-9		
Moulding and weatherstrip (rear door outside reveal)	25588-9		

Alphabetical Index

PART NAME	GROUP NO.	PART NAME	GROUP NO.
Pin (door window regulator and door inside handle)	23354	Regulator assy (rear door window)	27000-1
Pin (front and rear door regulator handle to shaft)	2790	Reinforcement (front door lock pillar)	28214-5
Pin (front seat back frame hinge)-outer	61088	Reinforcement (quarter panel wheel cover clip)	28006
Pin (hydraulic window switch retaining)	24231	Reinforcement (roof side rail)	51196-7
Pin (luggage compartment door handle trigger)	43546	Reinforcement assy (back belt flanging strip and luggage compartment)	41716
Pin (quarter window frame hinge)	30556	Reinforcement assy (cross member rear)	10785
Plate (back window lock striker)	43126	Reinforcement assy (luggage compartment opening upper and corner)	44718-9
Plate (body rocker panel scuff)-front	13208-9	Reinforcement assy (roof rail side)-front	51190-1
Plate (body rocker panel scuff)-rear	13228-9	Remote control assy (front door lock)	21818-9
Plate (dash pedal opening)	11126	Remote control assy (rear door lock)	26404-5
Plate (dome lamp switch mounting)	24232	Reservoir (hydraulic pump)	53396
Plate (door arm rest finger tip trim)	24106-7	Rest assy (front door arm)	24140-1
Plate (door division channel lower bracket tapping)	22921	Rest assy (rear quarter arm)-complete	31600-1
Plate (door outside handle escutcheon bottom)	22428	Retainer (back window division bar moulding)	42096
Plate (door ventilator window lock)	22924	Retainer (back window moulding)	42426-8
Plate (folding top tapping)-No. 3 bow	51256	Retainer (back window weatherstrip)-outer	42094
Plate (folding top No. 1 bow protector)	51418	Retainer (cowl cardboard)	02354
Plate (glove compartment door look striker)	06064	Retainer (door bottom weatherstrip)-outer	20712
Plate (heater control valve opening cover)	01848	Retainer (door glass run)-lock side	21572-3
Plate (heater opening cover)	01846	Retainer (front body pillar weatherstrip)-upper	02594-5
Plate (hydraulic pump bottom)	53409	Retainer (garnish moulding insert)	20946
Plate (hydraulic pump port)	53405	Retainer (glove compartment door moulding)	06076
Plate (hydraulic pump reservoir fluid retainer)	53388	Retainer (hose cover spring)	53354
Plate (hydraulic pump rotor)	53404	Retainer (hydraulic pump reservoir fluid)	53389
Plate (luggage compt. door hinge tapping)-on body	44726	Retainer (quarter ash receptacle)	30714
Plate (luggage compartment latch pin tapping)	43256	Retainer (quarter lock pillar trim)	28276-7
Plate (quarter trim finish)	27806-7	Retainer (quarter panel wheel cover seal)	27996-7
Plate (quarter vent window lock)	30284	Retainer (quarter wheelhouse)-trim	28508
Plate (radio opening cover)	04370	Retainer (quarter window front weatherstrip)	29952
Plate (steering column opening lower cover)	01698	Retainer (rear door bottom weatherstrip)-outer	25312
Plate (steering column opening upper cover)	01699	Retainer (rear quarter belt folding top)	28730-1
Plate (window regulator switch mounting)	24232-3	Retainer (steering column opening sealer)	01654
Plate (windshield center inside finish strip)-lower	03086	Retainer (top cloth)	51153
Plate (windshield finish strip)-upper	03084	Retainer (top control rod seal to dash)	01793
Plate assy (door lock latch pin)	22078-9	Retainer (window seal)-at front rail section	20520-1
Plate assy (door lock striker tapping)	22020	Retainer (window seal)-at rear rail section	20526-7
Plate assy (floor transmission cover)	12115	Retainer (window seal)-at pillar section	29050-1
Plate assy (rear floor pan body side panel dust cover)	12186-7	Retainer (window seal)-at pillar section-lower	29118-9
Plate assy (robe cord end anchor)	62808	Retainer (window seal)-at pillar section-upper	29122-3
Plug (hydraulic pump valve)-adjuster	53413	Retainer (windshield center weatherstrip)-inner	03076
Plug (windshield opening finish strip defroster)	03594	Retainer (windshield opening finish strip)-at belt	03572-3
		Retainer assy (door glass run)-lock side	21570-1
		Retainer assy (instrument panel ash receptacle)	04826
		Retainer assy (luggage compartment door handle)	43527
		Retainer assy (windshield center weatherstrip)-outer	03078
		Retainer and nut assy (rear door hose cover spring)	53325
		Riser assy (rear seat)-front	60648
		Robe cord assy (front seat back)	62800
		Rod (door lock safety catch)	21852-3
		Rod (luggage compartment door handle trigger conn.)	43628
		Rod (top folding compartment trim support)	54638
		Rod assy (tailgate support)	44400-1
		Rod assy (top operating control)	50570
		Roll assy (rear seat cushion corner)	63860
		Rotor assy (inner and outer)-hydraulic pump	53400
		Run (door glass)-hinge side	21546-7
		Run (quarter window glass)-lower front	30112
		Run (quarter window glass)-lower rear	30116
		Run (quarter window glass front)-vertical	30106-7
		Run assy (door glass)-lock side-complete	21508-9
		Run assy (door glass)-lock side-complete	21550
		Run assy (quarter window glass)-upper front	30104
		Run assy (quarter window glass)-upper rear	30105

- R -

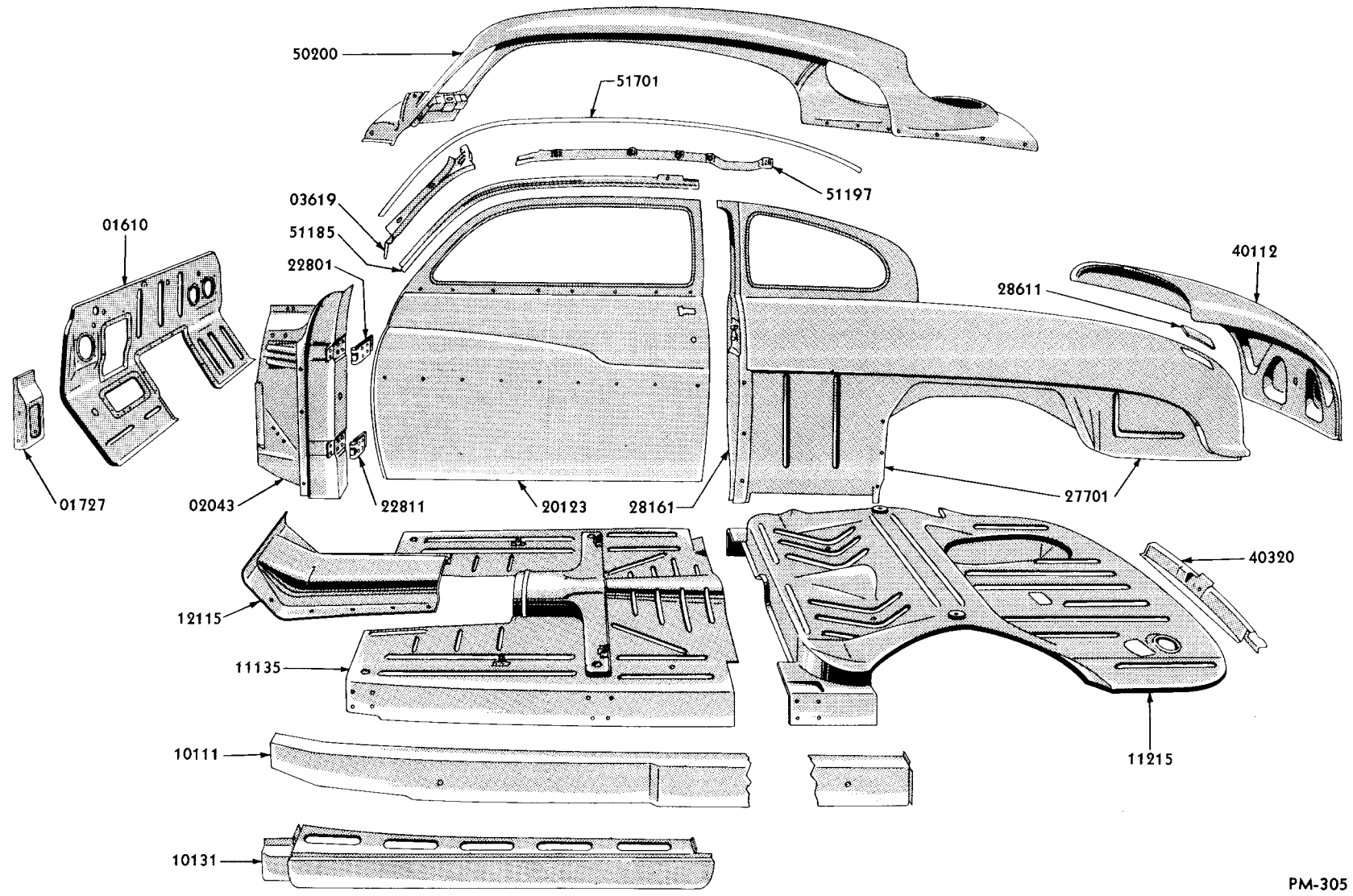
Rail (roof side)	51184-5
Rail (roof side)-front	51184-5
Rail bracket and link assy (folding top front side)-front	53006-7
Rail and brackets assy (folding top pillar)	53196-7
Rail and brackets assy (folding top side)-rear-complete	51154-5
Rail assy (roof side)	51142-3
Rain shield (front door ventilating window)	22884-5
Receptacle assy (front seat back ash)-less retainer	62876
Receptacle assy (instrument panel ash)	04810
Receptacle assy (quarter ash)-complete	30702
Receptacle assy (quarter ash retainer)	30708
Receptacle and retainer assy (front seat back ash receptacle)	62866
Register assy (fresh air duct)	01814-5
Regulator assy (front door window)	23200-1
Regulator assy (quarter window)	30306-7

Alphabetical Index

PART NAME	GROUP NO.	PART NAME	GROUP NO.
-S-			
Screw (hydraulic pump bottom plate)	53408	Spring (quarter window hydraulic operating)	23603
Screw assy (front seat back hinge stop lower adj.)	61114	Spring (quarter window sliding glass latch)	3796
Scuff plate (body rocker panel)-front	13208-9	Spring (robe cord anchor plate)	62820
Scuff plate (body rocker panel)-rear	13228-9	Spring (tailgate support rod)	44417
Scuff plate (front seat back frame)-inner	61182	Spring (top folding compartment trim support rod)	54637
Striker plate (back window lock)	43126	Stop (door glass)-on inner panel	23494
Seal (hydraulic pump bottom)	53406	Stop (door vent window pivot)	22992-3
Seal (quarter panel wheel opening cover)	27986	Stop (quarter glass frame pivot)	30552
Seal (quarter pillar)-dust	28237	Stop (quarter vent window pivot)	30226
Seal (tailgate)-weather	43016	Stop assy (glove box door)	06117
Seal (top control rod to dash)	01792	Strainer (back belt flanging strip center to wheelhouse)	44640
Seal (windshield header)-inner	03476	Strainer (quarter hinge pillar upper reinforcement to package tray)	28164-5
Sealer (cowl panel to hood)	02074-5	Strainer (quarter window to package tray)	46568-9
Sealer (quarter panel fuel tank filler neck)	28615	Strainer assy (package tray support to floor side member)	46521
Shield assy (front seat side)	66400-1	Strainer assy (package tray to floor)	46574-5
Shim (door lock striker plate)	22058	Strainer assy (windshield)-center	03040
Shim (door vent window frame to inside panel rear bracket extension)	22274	Strap (hydraulic pump motor ground)	53379
Shim (door window corner filler to inside panel attaching bracket)	20497	Strap (motor and hydraulic pump to solenoid)	53386
Side rail assy (folding top rear)-complete	51154-5	Strap assy (assist)	31440
Side shield assy (front seat)	66400-1	Strap assy (back curtain support)-upper	53264
Silencer (cowl side panel)	02292-3	Strap & buckle assy (back curtain support)-lower	45320
Silencer (dash panel lower)	01786-7	Striker plate (glove compartment door lock)	06064
Silencer (floor pan)	67300	Strip (back window division bar finish)	42424
Silencer (floor pan)	11166-7	Strip (front door glass retaining)	21424
Silencer (floor pan)-front	11172	Strip (quarter window glass retaining)	29724
Silencer (floor pan)-rear	11454	Strip (rear door vent window glass retaining)	26875
Silencer (roof panel)	54306	Strip (rear door window retainer)	25724
Slat iron (folding top rear bow)	50340-1	Strip (rear floor finish)-at wheelhouse	13210-1
Snap ring (luggage compt. door handle keyhole cover)	43564	Strip (rear floor finish)-at wheelhouse	13224-5
Socket and retainer assy (cigar lighter)	04620	Strip (rear floor finish)-front	13215
Solenoid (hydraulic pump motor)	53380	Strip (rear floor finish)-rear	13222
Spacer (body to frame)	12298	Strip (roof headlining retaining)	50952-3
Spacer (body to frame)	12324	Strip (roof headlining retaining)-front	50952-3
Spacer (body to frame)	11520	Strip (roof headlining retaining)-rear	50956-7
Spacer (body to frame)-No. 1 body bolt	01740	Strip (tailgate skid)	44432
Spacer (body to frame)-front	12320	Strip (windshield opening finish)	03590-1
Spacer (body to frame)-rear	12298	Strip assy (back window finish)	42400-1
Spacer (body to frame at seat track)	00154	Strip assy (center body pillar finish)-upper	24344-5
Spacer (dash to frame brace)	01736	Strip assy (quarter window finish)	29002-3
Spacer (quarter panel tail lamp attaching bolt front)	27976-7	Strip and weatherstrip assy (door window finish)	20902-3
Spacer (quarter panel tail lamp attaching bolt rear)	27978-9	Strip and weatherstrip assy (door window finish)-lower	20964-5
Spacer (rear lamp hinge)-on tailgate	40922	Stud (hydraulic pump motor frame and field assy)	53377
Spacer (top operating cyl. to floor bracket)	50606	Support (door hydraulic window regulator)	24248
Spring (door ventilator window handle)	22986	Support (door hyd. window regulator side rail)-upper	23312
Spring (door window regulator counter balance)	23318	Support (luggage compartment door lock)	43249
Spring (front door regulator arm stud retaining)	23257	Support (rear door hydraulic window regulator inside rail)-upper	27338
Spring (front door ventilator window pivot)	22926	Support (roof headlining)	52101-5
Spring (front seat adjustment tension)-front	63234	Support assy (back window)	42058-9
Spring (hydraulic electric switch)-locking	23604	Support assy (door glass run)-lower	21510
Spring (hydraulic pump rotor)	53407	Support assy (door glass run)-lower	21538
Spring (hydraulic pump valve)	53412	Support assy (front door vent window front and rear frame bracket)-lower	23050
Spring (hydraulic seat adjuster)	60493	Support assy (rear seat back frame)	62332
Spring (hydraulic window lift rise cover)-rear door	27336	Support assy (top mounting brkt. on qtr. wheelhouse)	53128-9
Spring (hydraulic window mounting stud)	24193	Support and bracket assy (dome lamp mounting)	51486
Spring (hydraulic window operating)-inner	53330	Support and ret. assy (hyd. window reg. arm roller)	23382
Spring (hydraulic window operating)-outer	53329	Switch (window regulator)	24206
Spring (luggage compartment door handle button)	43626	Switch assy (hydraulic seat regulator control)	24206
Spring (luggage compt. door handle keyhole cover)	43245	Switch and housing assy (hydraulic window regulator)	23302-3

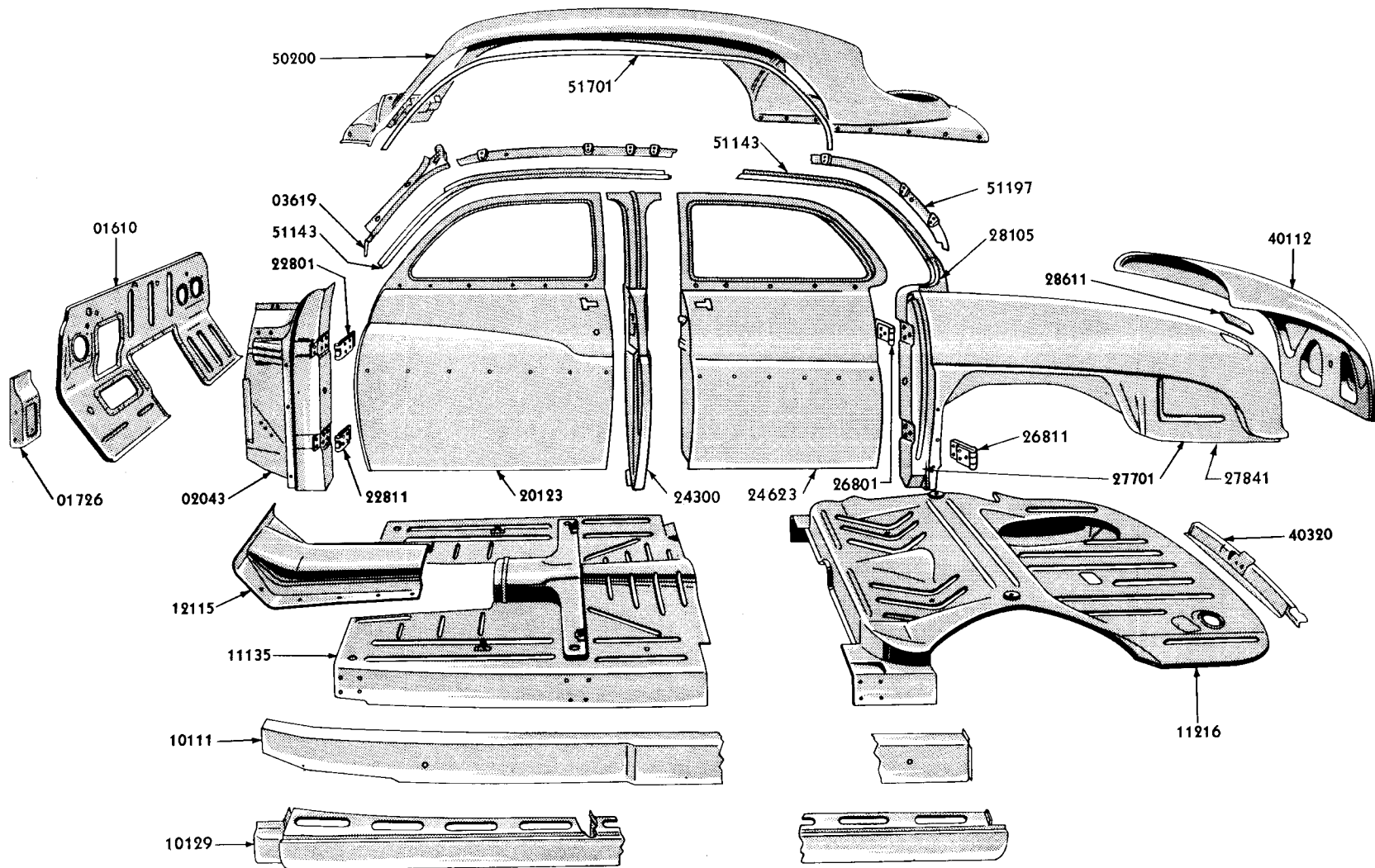
Alphabetical Index

PART NAME	GROUP NO.	PART NAME	GROUP NO.
- T -			
Tailgate assy (complete painted and trimmed)	40202	Weatherstrip (back window)	42082
Tapping plate (door division channel lower bracket)	22921	Weatherstrip (back window)	42084
Tapping plate (folding top No. 3 bow)	51256	Weatherstrip (back window)-outer	43706
Tapping plate (luggage compt. door hinge)-on body	44726	Weatherstrip (door bottom)	20394-5
Tapping plate assy (door lock striker)	22020	Weatherstrip (door glass channel)	21510
Top assy (folding)-complete	50100	Weatherstrip (door glass channel)-lower	21510
Top assy (folding)-less trim	53000	Weatherstrip (door hinge pillar)	20530-1
Top deck and quarter assy (folding top)	52700	Weatherstrip (door lock pillar)	20542-3
Trigger (luggage compartment door handle locking)	43606	Weatherstrip (door opening)-outer	20530-1
Trim assy (center body pillar)-lower	24446	Weatherstrip (door vent window division bar)	21450
Trim assy (front door)	23942-3	Weatherstrip (door vent window frame)-rear	12454
Trim assy (quarter)	31012-3	Weatherstrip (door window)-at belt	21452-3
Trim assy (quarter folding compartment side)	32400-1	Weatherstrip (door window glass)-outer	21446
Trim assy (quarter lock pillar)	31224-5	Weatherstrip (door window opening)	21452-3
Trim assy (rear door)	27406-7	Weatherstrip (folding top side roof rail)-center	51564
Tube assy (extension tube to hose)	53426-7	Weatherstrip (folding top side roof rail)-front	51562-3
Tube assy (front door window regulator)	53350-1	Weatherstrip (folding top side roof rail)-rear	51566-7
Tube assy (front seat hydraulic regulator)	53394	Weatherstrip (front body pillar)-upper	02626-7
Tube assy (rear door hydraulic window regulator)	53368-9	Weatherstrip (front door bottom)-inner	20708
Tube assy (rear quarter hyd. window regulator cross)	53364-5	Weatherstrip (front door bottom)-outer	20706
Tube assy (rear quarter hydraulic supply)-front	53362	Weatherstrip (front door glass header)	21544
Tube assy (rear quarter window supply)	53359	Weatherstrip (front door hinge pillar)-lower	20448
Tube assy (to front door hydraulic window regulator)	53344	Weatherstrip (front door lock pillar)-lower	20548-9
Tube assy (top cylinder supply)-lower	53363	Weatherstrip (front door vent window)	21448-9
Tube assy (top cylinder supply)-upper	53361	Weatherstrip (luggage compartment door)	43720
Tube assy (top hydraulic cyl. rear cross)-lower	53392-3	Weatherstrip (luggage compartment door)-bottom	43728
Tube assy (top hydraulic cyl. rear cross)-upper	53390-1	Weatherstrip (luggage compt. door)-top and sides	43724
Tube assy (rear door window supply)	53359	Weatherstrip (quarter vent window)	29904-5
- V -			
Valance assy (top back curtain)	52512	Weatherstrip (quarter window)-front	30146-7
Valve (hydraulic pump)	53410	Weatherstrip (quarter window)-inner	29910
Valve assy (fresh air duct)	01850-1	Weatherstrip (quarter window belt)	29908-9
Valve assy (top operating control)	50738	Weatherstrip (quarter window front lower corner)	29746
Ventilating window and finish strip assy (front door)-complete	21402-3	Weatherstrip (quarter window glass)-outer	29732
Visor assy (complete)	04100	Weatherstrip (quarter window glass)-rear	29904
- W -			
Washer (anti squeak)	0045	Weatherstrip (quarter window guide)	29750-1
Washer (arm rest)	3930	Weatherstrip (rear door bottom)	25104-5
Washer (door ventilator window pivot)	22982	Weatherstrip (rear door glass channel)	26258
Washer (eccentric)	43636	Weatherstrip (rear door glass header)	25856
Washer (hydraulic pump)	53411	Weatherstrip (rear door hinge pillar)-lower	25332-3
Washer (hydraulic pump motor armature shaft)-lower	53353	Weatherstrip (rear door lock pillar)-lower	25308
Washer (hydraulic pump motor armature shaft)-upper	53352	Weatherstrip (rear door opening)-outer	25324-5
Washer (window regulator arm attaching bracket)	23259	Weatherstrip (rear door vent window)	26894-5
Weatherseal (back window)-lower	42086	Weatherstrip (tailgate)-bottom side	41632-3
Weatherseal (back window)-upper	42084	Weatherstrip (tailgate bottom side)-on body	41606-7
Weatherseal (dash panel pedal opening)	12138	Weatherstrip (tailgate side)-bottom	43726
Weatherseal (steering column to dash cover)	12156	Weatherstrip (windshield)	03110-1
Weatherseal (tailgate)	43016	Welt (front seat back bottom)	65220
Weatherseal (tailgate side)	41626	Welt assy (back belt rail)	41786
Weatherstrip (back window)	41954	Welt and cardboard assy (front door window finish strip)	20724-5
- Y -			
		Welt and cardboard assy (rear door window finish strip)	24754-5
		Windlace assy (front body and quarter lock pillar)	02610
		Windlace and cord assy (rear door opening)	27542-3
		Windlace and reinforcement assy (front body pillar and door opening)	02600-1
		Window regulator fluid	19545
		Window assy (back)-less trim	42002
		Window assy (front door ventilating)-complete	21402-3
		Window assy (rear door ventilator)-complete	26866-7
		Window and finish strip assy (quarter)-complete	29700-1
		Yoke (top operating cylinder)	50774



SIX PASSENGER COUPE (BODY TYPE 72)

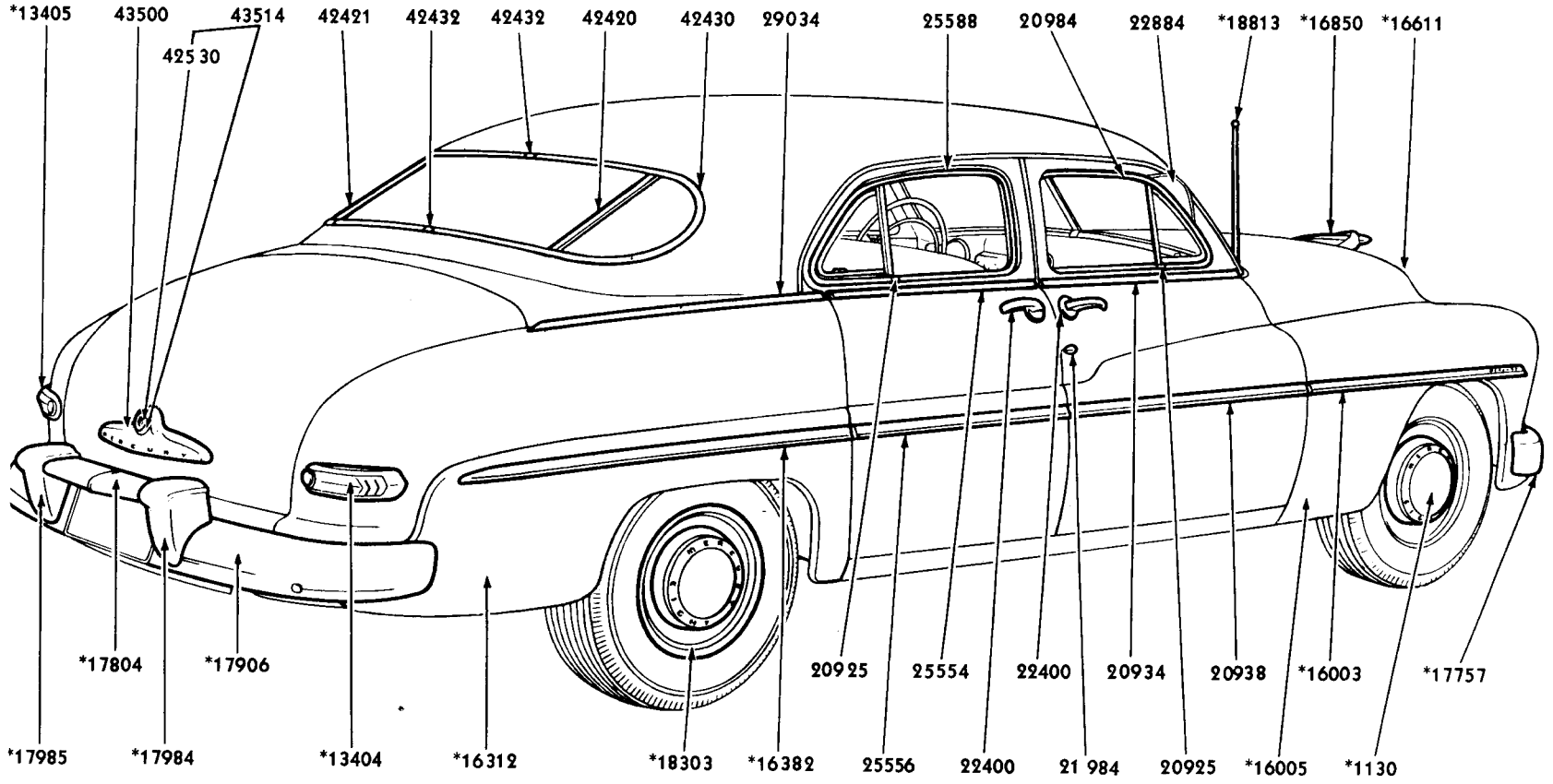
Group numbers only shown on illustration. Order by Part Numbers shown in list of parts.



PM-219

SPORT SEDAN (BODY TYPE 74)

Group numbers only shown on illustration. Order by Part Numbers shown in list of parts.

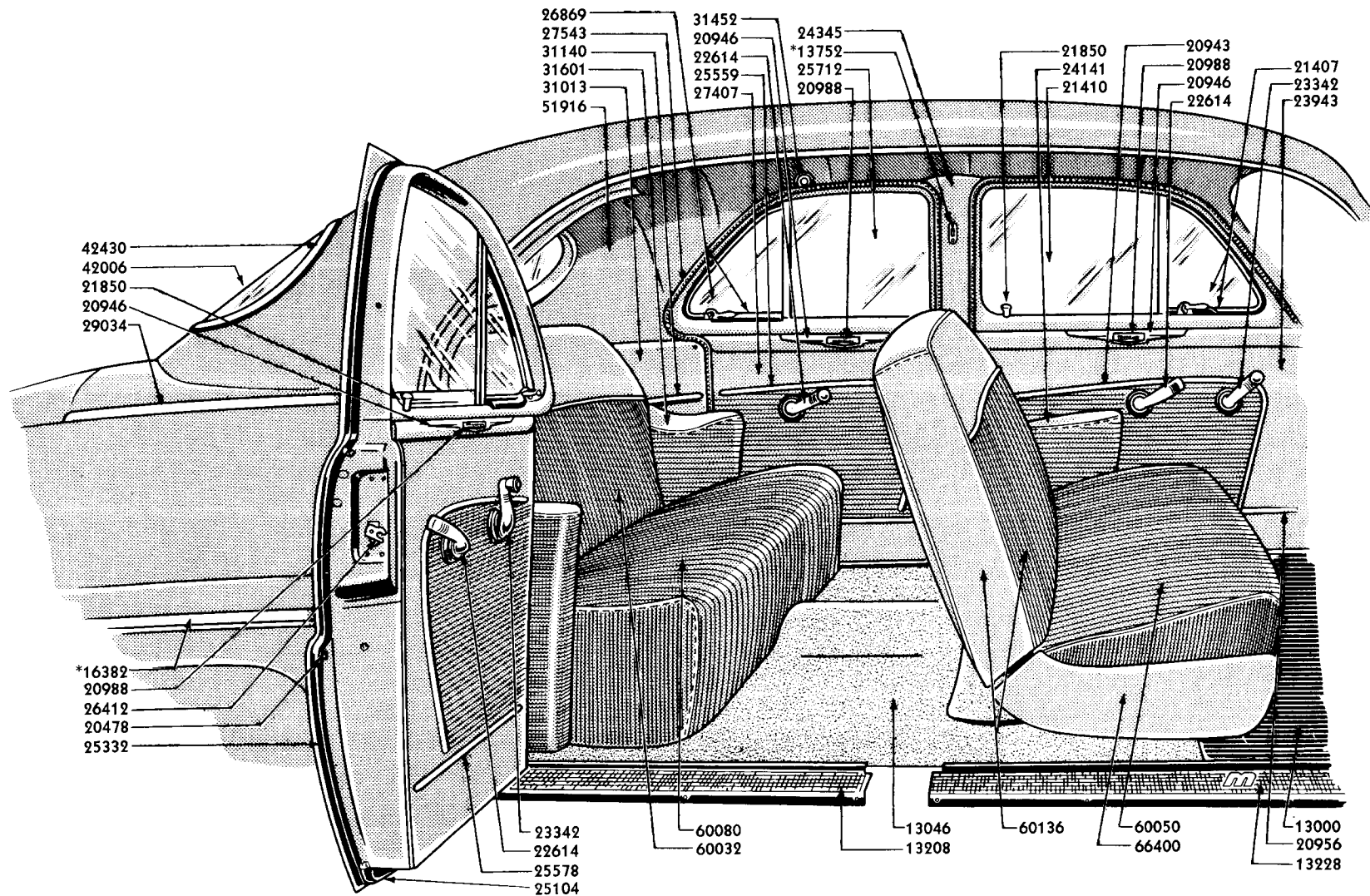


*FOR ADDITIONAL INFORMATION REFER TO CHASSIS PARTS LIST

PM-214

SPORT SEDAN EXTERIOR VIEW (BODY TYPE 74)

Group numbers only shown on illustration. Order by Part Numbers shown in list of parts.

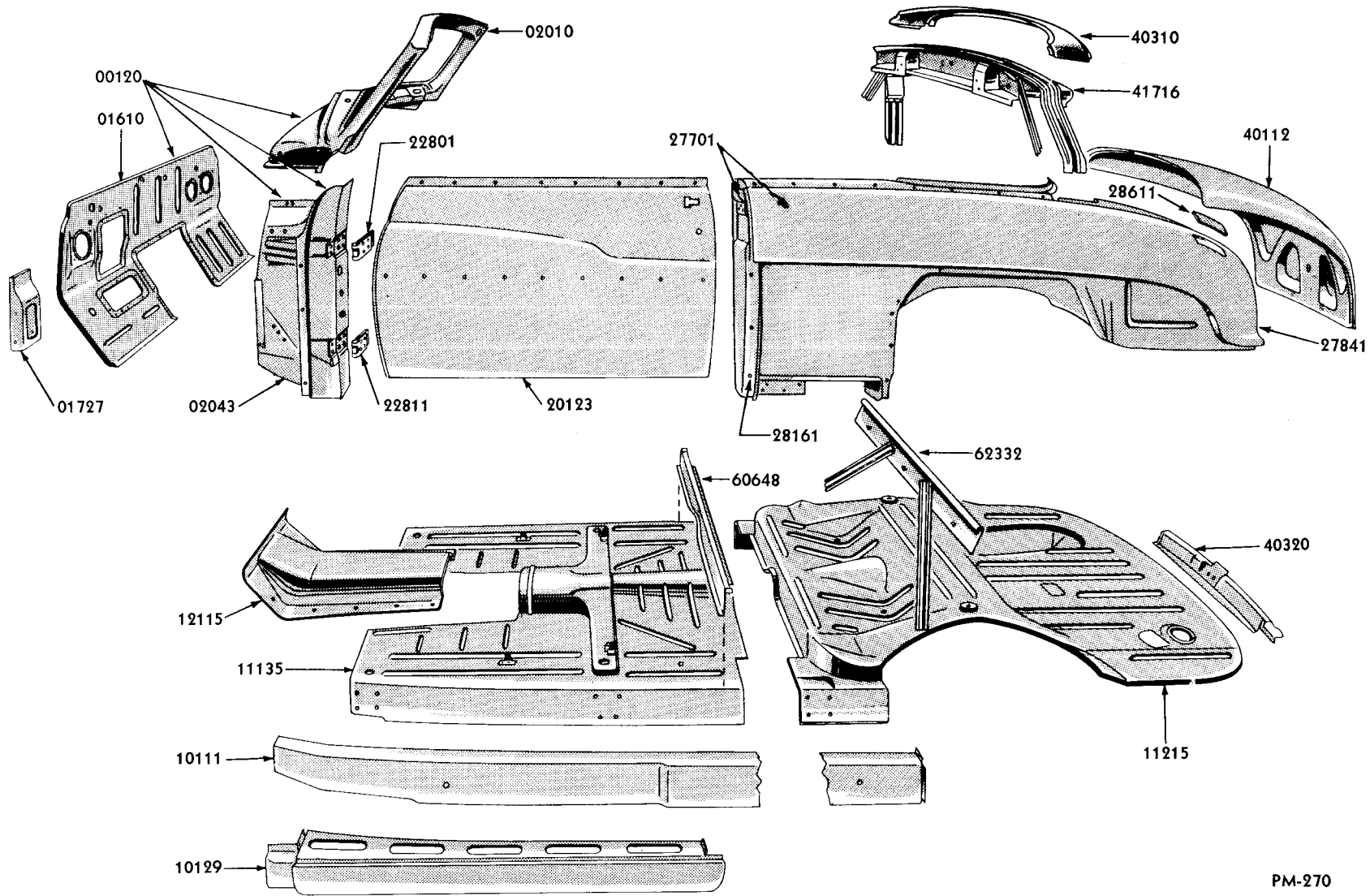


FOR ADDITIONAL INFORMATION REFER TO CHASSIS PARTS LIST

PM-306

INTERIOR VIEW (BODY TYPE 74)

Group numbers only shown on illustration. Order by Part Numbers shown in list of parts.

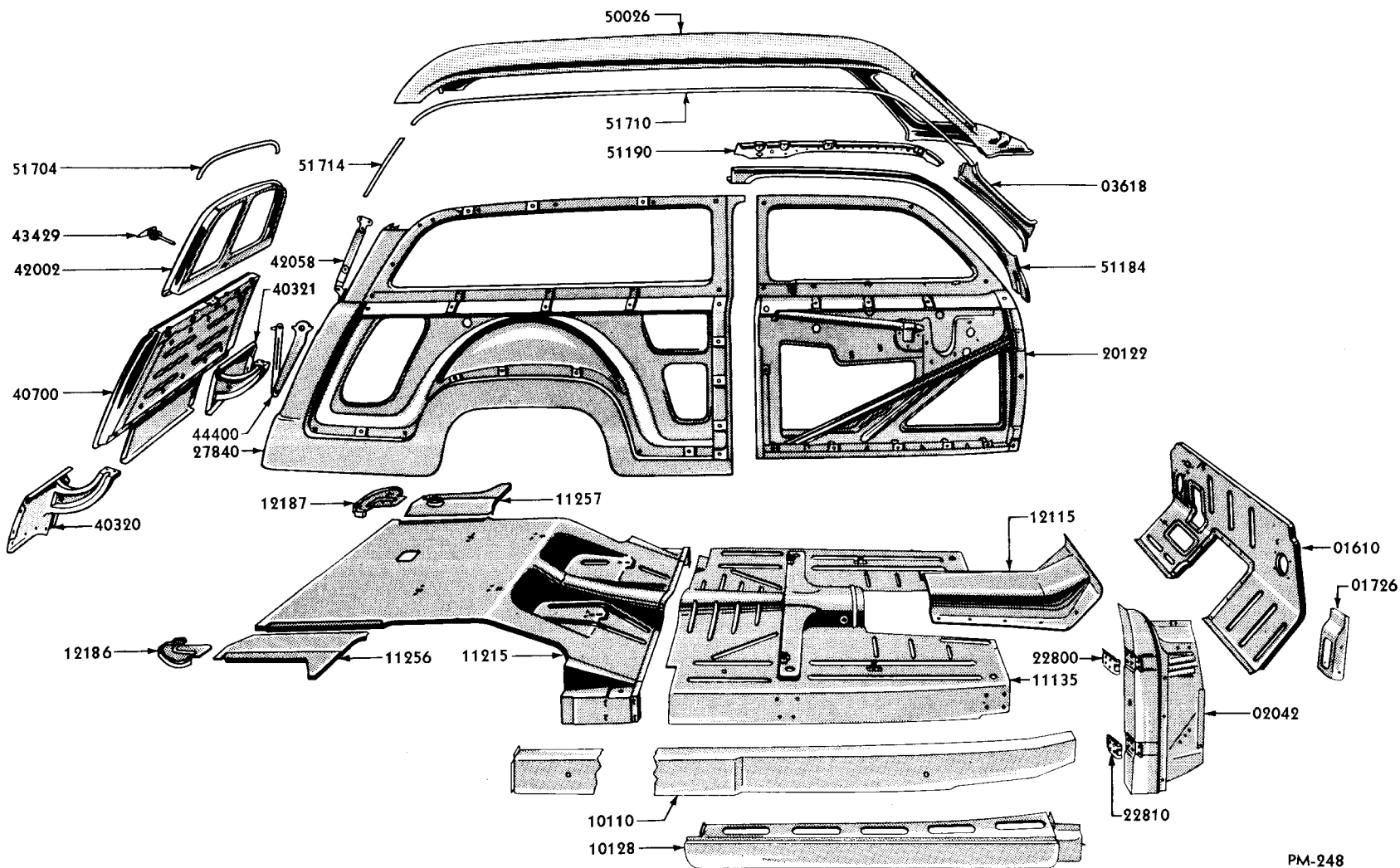


PM-270

SIX PASSENGER CONVERTIBLE COUPE (BODY TYPE 76)

Group numbers only shown on illustration. Order by Part Numbers shown in list of parts.

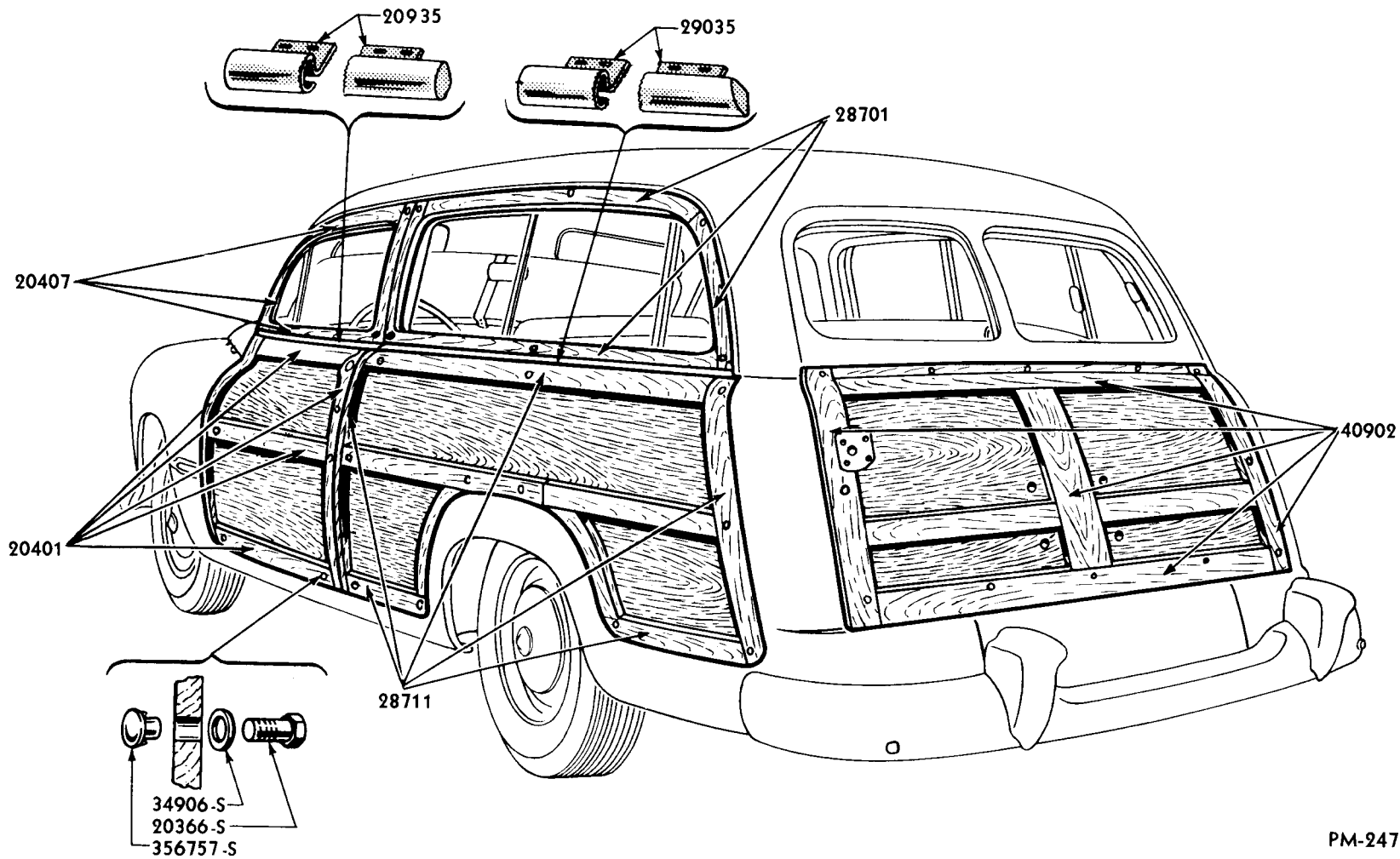




PM-248

STATION WAGON (BODY TYPE 79)

Group numbers only shown on illustration. Order by Part Numbers shown in list of parts.



PM-247

STATION WAGON EXTERIOR VIEW (BODY TYPE 79)

Group numbers only shown on illustration. Order by Part Numbers shown in list of parts.

MERCURY

BODY PARTS CATALOGUE

YEAR 19__	BODY TYPES	REMARKS	PART NUMBER	NO. REQ'D
Group 0045 WASHER (ANTI SQUEAK)				
49	9M	Rubber	78 700045-A	2
Group 0546 BUMPER (COWL SIDE PANEL TO HOOD)				
49	9M76	29/32" diameter	40 700546-A	2
Group 2790 PIN (FRONT AND REAR DOOR REGULATOR HANDLE TO SHAFT)				
49	9M	5/8" long	48 702790	4to8
Group 3687-9 LOCK SET ASSEMBLY				
49	9M except 79	Consists of ignition lock cylinder with keys and door lock cylinders and sleeve	8L 3687-A	1
49	9M79	Consists of ignition lock cylinder with keys and door lock cylinders and sleeve	8E 3687-A	1
49	9M except 79	Consists of glove compartment lock assy with keys and rear deck lock cylinder	8M 3689-A	1
49	9M79	Consists of glove compartment lock assy with keys and rear window lock cylinder and spare wheel lock cylinder	8M 3689-B	1
Group 3796 SPRING (QUARTER WINDOW SLIDING GLASS LATCH)				
49	9M79		81A 793796	4
Group 3930 WASHER (ARM REST)				
49	9M74		40 703930	2
49	9M74	Screw (binding head sheet metal)-No. 10-3/4"	32938-S7	2
Group 5280-1 HANDLE (QUARTER GLASS FRAME)				
49	9M72	R.H.	78 735280	1
49	9M72	L.H.	78 735281	1
49	9M72	Pin (grooved)-3/32" x 1/2"	352471-S7	2
49	9M72	Washer (spring)-5/16"	356361-S7	1
Group 7350 CATCH ASSEMBLY (CENTER AND REAR SEAT LEG)				
49	9M79		81A 797350	6
49	9M79	Screw (binding head machine)-1/4"-2 x 3/4"	39064-S2	12
Group 00120 FRONT ASSEMBLY (BODY)				
49	9M76		8M 7600120-B	1
Group 00150 PAD (BODY TO CROSS MEMBER)				
49	9M	Rubber-1-43/64" diameter	7A 7000150-A	6
Group 00152 ANTI SQUEAK (BODY TO FRAME)				
49	9M except 79	Rubber-1-1/4" O.D. 51/64" thick	8M 7000152	2
Group 00154 ANTI SQUEAK (BODY TO FRAME)				
49	9M	1-13/16" diameter	21A 7000154-A	6
49	9M	Rubber-1-3/4" O.D.-31/32" thick	7EH 7300154	2
Group 00154 SPACER (BODY TO FRAME AT SEAT TRACK)				
49	9M76	Metal-3/8" dia. hole x 1-1/2" O.D. x 11/16" thick	8M 7600154-B	2
Group 01610 PANEL ASSEMBLY (DASH)				
49	9M except 76	horn relay holes 3-1/4" from top of dash panel	8M 7001610-A	1
49	9M except 76	horn relay holes 43/64" from top of dash panel	8M 7001610-B	1
49	9M76	replaced by 8M-7601614-B	8M 7601610-B	1

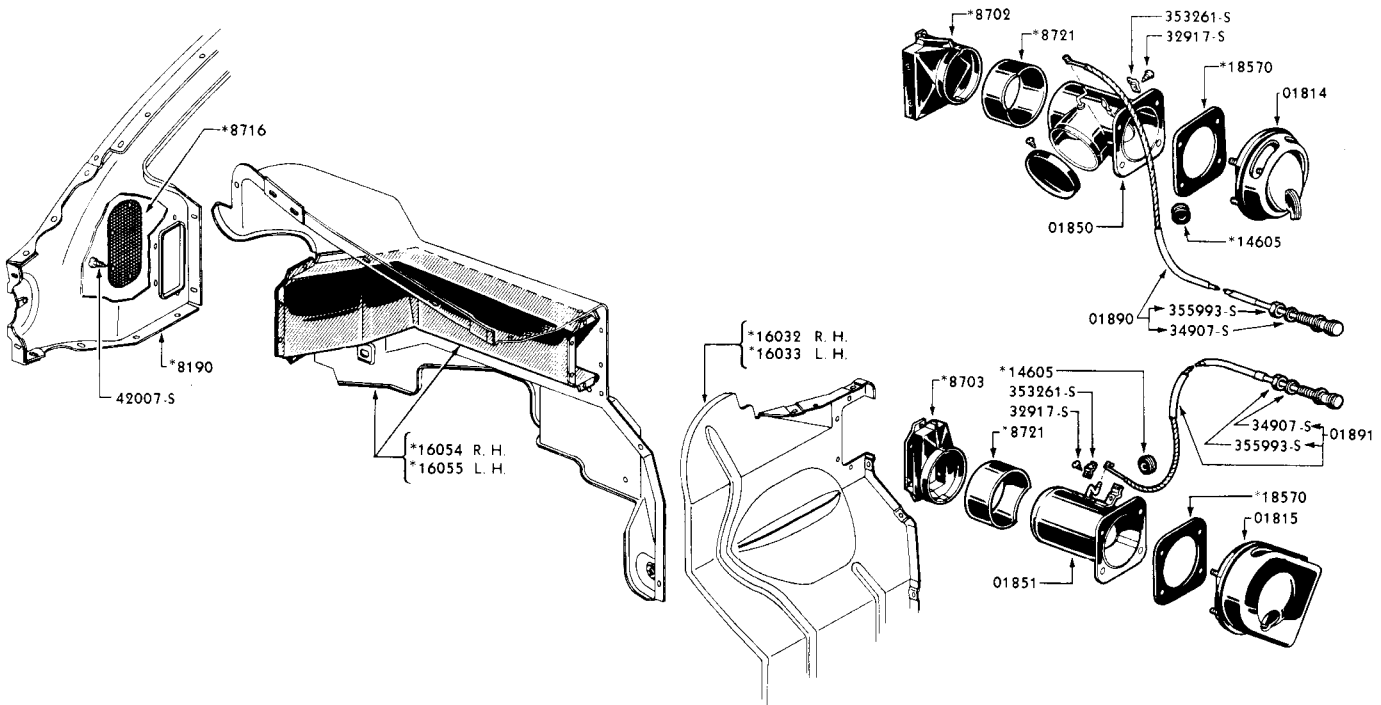
MERCURY

BODY PARTS CATALOGUE

YEAR 19	BODY TYPES	REMARKS	PART NUMBER	NO. REQ'D
Group 01614 PANEL AND BRACE ASSEMBLY (DASH)				
49	9M except 76		8M 7001614-B	
49	9M76		8M 7601614-B	
Group 01654 RETAINER (STEERING COLUMN OPENING SEALER)				
49	9M	approximately 5-7/16" long	8M 7001654	2
49	9M	Screw (hex head self tapping)-No. 10 x 3/4"	42037-S	4
Group 01658 BRACKET (TOP OPERATING VALVE DASH)				
49	9M76	Straight bracket	8M 7601658-A	1
49	9M76	Step in bracket	8M 7601658-B	1
49	9M76	Bolt (hex head)-1/4"-20 x 1/2"	24308-S8	2
49	9M76	Locknut (hex)-1/4"-20	34390-S7	2
Group 01670 INSULATOR ASSEMBLY (DASH UPPER)				
49	9M		8M 7001670-B	1
49	9M	Clip (dash liner)	352173-S32	7
Group 01673 INSULATOR ASSEMBLY (STEERING COLUMN OPENING)-DASH UPPER				
49	9M		8M 7001673-B	1
Group 01698 PLATE (STEERING COLUMN OPENING LOWER COVER)				
49	9M		8M 7001698	1
49	9M	Screw (hex head self tapping)-No. 10 x 1/2"	42007-S7	as req'd
Group 01699 PLATE (STEERING COLUMN OPENING UPPER COVER)				
49	9M		8M 7001699	1
49	9M	Screw (hex head self tapping)-No. 10 x 1/2"	42007-S7	as req'd
Group 01714 BRACE ASSEMBLY (DASH TO FRAME)				
49	9M	with reinforcement	8M 7001714	2
Group 01726 BRACE (DASH TO FRAME)				
49	9M	without reinforcement	8M 7001726	2
49	9M	Bolt (hex head shoulder)-5/16"-24 x 2.25"-brace to frame	350453-S7	4
Group 01736 SPACER (DASH TO FRAME BRACE)				
49	9M except 76	Rubber-1-3/4" square x 9/32" thick	8M 7001736	8
Group 01740 SPACER (BODY TO FRAME)-NO. 1 BODY BOLT				
49	9M	Steel-1-3/4" square x 5/16" thick	8M 7001740	4
Group 01786-7 SILENCER (DASH PANEL LOWER)				
49	9M	10-1/2" tunnel width-one piece type	8M 7001786-B	1
49	9M	R.H.-10-1/2" tunnel width	8M 7001786-D	1
49	9M	R.H.-15" tunnel width-40-1/4" long	8M 7001786-C	1
49	9M	L.H.-without punch out clutch pedal opening	8M 7001787	1
49	9M except 79	L.H.-with punch out clutch pedal opening	8L 7201787	1
49	9M	Washer (flat)-No. 6	34701-S7	3
Group 01792 SEAL (TOP CONTROL ROD TO DASH)				
49	9M76	Sponge Rubber-1" x 25/32" x 1/4"	8M 7601792	1
49	9M76	Screw (binding head self tapping)-No. 8 x 1/4"	32909-S2	2
Group 01793 RETAINER (TOP CONTROL ROD SEAL TO DASH)				
49	9M76	1-23/32" long	8M 7601793	1
49	9M76	Screw (binding head self tapping)-No. 8 x 1/4"	32909-S2	2

BODY PARTS CATALOGUE

YEAR 19	BODY TYPES	REMARKS	PART NUMBER	NO. REQ'D
Group 01814 REGISTER ASSEMBLY (FRESH AIR DUCT)				
49	9M	R.H.	8M 7301814	1
49	9M	L.H.	8M 7301815-B	1
Group 01844 HANDLE (FRESH AIR DUCT REGISTER DOOR)				
49	9M	only 1 required when hot water heater is used	8M 7301844	2



*FOR ADDITIONAL INFORMATION REFER TO CHASSIS PARTS LIST

PM-261

1949 FRESH AIR SYSTEM

Group numbers only shown on illustration. Order by Part Numbers shown in list of parts.

Group 01846 PLATE (HEATER OPENING COVER)				
49	9M	When heater is not used	8M 7001846	1
Group 01848 PLATE (HEATER CONTROL VALVE OPENING COVER)				
49	9M	When heater is not used	8M 7001848	1
Group 01850-1 VALVE ASSEMBLY (FRESH AIR DUCT)				
49	9M	R.H.-Engine compartment side of dash	8M 7301850	1
49	9M	L.H.-Engine compartment side of dash	8M 7301851	1
49	9M	Clip	353261-S7	2
49	9M	Lockwasher-.5/16"	34806-S2	8
49	9M	Nut (hex)-.5/16"-18	33797-S7	8
49	9M	Screw (binding head)-No. 10-12 x 3/8"	32917-S7	3

MERCURY

BODY PARTS CATALOGUE

YEAR 19	BODY TYPES	REMARKS	PART NUMBER	NO. REQ'D
Group 01862 DAMPER ASSEMBLY (AIR VALVE)				
49	9M	replaced by 8M-7301850 or 8M-7301851	8M 7301862	2
Group 01878 CONNECTOR (BODY VENT AIR DUCT)				
49	9M		8A-7001878	1
Group 01890-1 CABLE ASSY (AIR VALVE CONTROL)				
49	9M	R.H.	8M 7301890-D	1
49	9M	L.H.	8M 7301891-B	1
49	9M	Lockwasher (light)-3/8"	34907-S7	2
49	9M	Nut (hex)-3/8"-24	355993-S8	2
Group 02010 PANEL ASSEMBLY (COWL TOP)				
49	9M76		7A 7602010	1
Group 02042-3 PILLAR AND PANEL ASSEMBLY (COWL SIDE AND BODY FRONT)				
49	9M72-74	R.H.-Manual Control	8M 7002042	1
49	9M72-74	L.H.-Manual Control	8M 7002043	1
49	9M72-74	R.H.	8L 7302042-B	1
49	9M72-74	L.H.-Hydraulic Control-including hyd. motor mounting brackets	8L 7302043-B	1
49	9M76	R.H.	8M 7602042	1
49	9M76	L.H.	8M 7602043	1
49	9M79	R.H.	8M 7902042	1
49	9M79	L.H.	8M 7902043	1
Group 02060 ANTI SQUEAK (FRONT BODY HINGE PILLAR BRACKET TO FENDER FLANGE SUPPORT)				
49	9M	5.5" long-replaced by 8M-7002066-B	8M 7002060	2
Group 02066 ANTI SQUEAK (COWL SIDE PANEL)				
49	9M	22-1/4" long	8M 7002066-B	2
Group 02074-5 SEALER (COWL PANEL TO HOOD)				
49	9M	R.H.-Rubber	8M 7002074	1
49	9M	L.H.-Rubber	8M 7002075	1
49	9M	Nail(drive)-No. 6	351629-S28-A2B	8
49	9M	Screw (stove head sheet metal)-No. 8 x 1/2"	350065-S7	8
Group 02092 COVER (COWL SIDE PANEL OPENING)				
49	9M	approximately 8-3/4" long-2-3/4" wide-with rounded corners	7A 7002092	2
49	9M	Screw (binding head self tapping)-No. 8 x 3/8"	33176-S2	8
Group 02093 GASKET (COWL SIDE PANEL OPENING COVER)-CARDBOARD				
49	9M		7A 7002093	2
Group 02292-3 SILENCER (COWL SIDE PANEL)				
49	9M	R.H.	8M 7002292	1
49	9M	L.H.	8M 7002293	1
Group 02344-5 CARDBOARD (COWL TRIM)				
49	9M72-74	Blue-R.H.-use with Blue Stripe Broadcloth Scheme	8M 7002344-C	1
49	9M72-74	Blue-L.H.-use with Blue Stripe Broadcloth Scheme	8M 7002345-C	1
49	9M72-74	Blue Gray-R.H.-use with Blue Stripe Broadcloth Scheme	8M 7002344-D	1
49	9M72-74	Blue Gray-L.H.-use with Blue Stripe Broadcloth Scheme	8M 7002345-D	1

MERCURY

BODY PARTS CATALOGUE

YEAR 19	BODY TYPES	REMARKS	PART NUMBER	NO. REQ'D
Group 02344-5 CARDBOARD (COWL TRIM)-CONTINUED				
49	QM72-74	Green-R.H.-use with Green Check Broadcloth Scheme	8M 7002344-A	1
49	QM72-74	Green-L.H.-use with Green Check Broadcloth Scheme	8M 7002345-A	1
49	QM72-74	Tan-R.H.-use with Beige Cord Scheme	8M 7002344-B	1
49	QM72-74	Tan-L.H.-use with Beige Cord Scheme	8M 7002345-B	1
49	QM76-79	Green-R.H.-use with Green Leather Trim	8M 7602344-C	1
49	QM76-79	Green-L.H.-use with Green Leather Trim	8M 7602345-C	1
49	QM76-79	Red-R.H.-use with Red Leather Trim	8M 7602344-A	1
49	QM76-79	Red-L.H.-use with Red Leather Trim	8M 7602345-A	1
49	QM76-79	Tan-R.H.-use with Tan Leather Trim	8M 7602344-B	1
49	QM76-79	Tan-L.H.-use with Tan Leather Trim	8M 7602345-B	1
Group 02354 RETAINER (COWL CARDBOARD)				
49	9M	in Prime-19-1/4" long	8M 7002354-AP	2
49	9M	Screw (hex head self tapping)-No. 8 x 1/2"	42006-S7	6
Group 02504-5 PILLAR ASSEMBLY (FRONT BODY HINGE)-COMPLETE				
49	9M76	R.H.	8M 7602504	1
49	9M76	L.H.	8M 7602505	1
Group 02594-5 RETAINER (FRONT BODY PILLAR WEATHERSTRIP)-UPPER				
49	9M76	R.H.	7A 7602594	1
49	9M76	L.H.	7A 7602595	1
Group 02600-1 WINDLACE AND REINFORCEMENT ASSEMBLY (FRONT BODY PILLAR AND DOOR OPENING)				
49	9M72	R.H.-use with Beige Cord Scheme-123" long	8M 7002600-B	1
49	9M72	L.H.-use with Beige Cord Scheme-123" long	8M 7002601-B	1
49	9M72	R.H.-use with Blue Bedford Cord Scheme-with M-19164-C Gray Headlining-123" long	8M 7002600-H	1
49	9M72	L.H.-use with Blue Bedford Cord Scheme-with M-19164-C Gray Headlining-123" long	8M 7002601-H	1
49	9M72	R.H.-use with Blue Pin Stripe Broadcloth Scheme-with M-19163-A Blue Headlining-123" long	8M 7002600-L	1
49	9M72	L.H.-use with Blue Pin Stripe Broadcloth Scheme-with M-19163-A Blue Headlining-123" long	8M 7002601-L	1
49	9M72	R.H.-use with Blue and Rust Tweed Broadcloth Scheme-with M-19163-A Blue Headlining-123" long	8M 7002600-M	1
49	9M72	L.H.-use with Blue and Rust Tweed Broadcloth Scheme-with M-19163-A Blue Headlining-123" long	8M 7002601-M	1
49	9M72	R.H.-use with Blue Stripe Broadcloth Scheme-with M-16908-C Headlining-123" long	8M 7002600-C	1
49	9M72	L.H.-use with Blue Stripe Broadcloth Scheme-with M-16908-C Headlining-123" long	8M 7002601-C	1
49	9M72	R.H.-use with Blue Stripe Broadcloth Scheme with M-16908-F Headlining-123" long	8M 7002600-E	1
49	9M72	L.H.-use with Blue Stripe Broadcloth Scheme with M-16908-F Headlining-123" long	8M 7002601-E	1
49	9M72	R.H.-use with Brown Stripe Broadcloth Scheme-with M-19163-B Tan Headlining-123" long	8M 7002600-K	1
49	9M72	L.H.-use with Brown Stripe Broadcloth Scheme-with M-19163-B Tan Headlining-123" long	8M 7002601-K	1
49	9M72	R.H.-use with Gray Birdseye Broadcloth Scheme-with M-19164-A Blue Green Headlining-123" long	8M 7002600-F	1
49	9M72	L.H.-use with Gray Birdseye Broadcloth Scheme-with M-19164-A Blue Green Headlining-123" long	8M 7002601-F	1
49	9M72	R.H.-use with Green Check Broadcloth Scheme-123" long	8M 7002600-A	1
49	9M72	L.H.-use with Green Check Broadcloth Scheme-123" long	8M 7002601-A	1

MERCURY

BODY PARTS CATALOGUE

YEAR 19__	BODY TYPES	REMARKS	PART NUMBER	NO. REQ'D
Group C2600-1 WINDLACE AND REINFORCEMENT ASSEMBLY (FRONT BODY PILLAR AND DOOR OPENING)-CONTINUED				
49	9M72	R.H.-use with Green Birdseye Broadcloth Scheme-with M-19163-C Green Headlining-123" long	8M 7002600-J	1
49	9M72	L.H.-use with Green Birdseye Broadcloth Scheme-with M-19163-C Green Headlining-123" long	8M 7002601-J	1
49	9M72	R.H.-use with Yellow Check Broadcloth Scheme-with M-19164-B Tan Headlining-123" long	8M 7002600-G	1
49	9M72	L.H.-use with Yellow Check Broadcloth Scheme-with M-19164-B Tan Headlining-123" long	8M 7002601-G	1
49	9M74	R.H.-use with Beige Cord Scheme-112" long	8M 7302600-B	1
49	9M74	L.H.-use with Beige Cord Scheme-112" long	8M 7302601-B	1
49	9M74	R.H.-use with Blue Bedford Cord Scheme-with M-19164-C Gray Headlining-112" long	8M 7302600-H	1
49	9M74	L.H.-use with Blue Bedford Cord Scheme-with M-19164-C Gray Headlining-112" long	8M 7302601-H	1
49	9M74	R.H.-use with Blue Pin Stripe Broadcloth Scheme-with M-19163-A Blue Headlining-112" long	8M 7302600-L	1
49	9M74	L.H.-use with Blue Pin Stripe Broadcloth Scheme-with M-19163-A Blue Headlining-112" long	8M 7302601-L	1
49	9M74	R.H.-use with Blue and Rust Tweed Broadcloth Scheme-with M-19163-A Blue Headlining-112" long	8M 7302600-M	1
49	9M74	L.H.-use with Blue and Rust Tweed Broadcloth Scheme-with M-19163-A Blue Headlining-112" long	8M 7302601-M	1
49	9M74	R.H.-use with Blue Stripe Broadcloth Scheme-with M-16908-C Head- lining-112" long	8M 7302600-C	1
49	9M74	L.H.-use with Blue Stripe Broadcloth Scheme-with M-16908-C Head- lining-112" long	8M 7302601-C	1
49	9M74	L.H.-use with Blue Stripe Broadcloth Scheme-with M-16908-F Headlining-112" long	8M 7302601-E	1
49	9M74	R.H.-use with Blue Stripe Broadcloth Scheme-with M-16908-F Headlining-112" long	8M 7302600-E	1
49	9M74	R.H.-use with Brown Stripe Broadcloth Scheme-with M-19163-B Tan Headlining-112" long	8M 7302600-K	1
49	9M74	L.H.-use with Brown Stripe Broadcloth Scheme-with M-19163-B Tan Headlining-112" long	8M 7302601-K	1
49	9M74	R.H.-use with Gray Birdseye Broadcloth Scheme-with M-19164-A Blue Green Headlining-112" long	8M 7302600-F	1
49	9M74	L.H.-use with Gray Birdseye Broadcloth Scheme-with M-19164-A Blue Green Headlining-112" long	8M 7302601-F	1
49	9M74	R.H.-use with Green Check Broadcloth Scheme-112" long	8M 7302600-A	1
49	9M74	L.H.-use with Green Check Broadcloth Scheme-112" long	8M 7302601-A	1
49	9M74	R.H.-use with Green Birdseye Broadcloth Scheme-with M-19163-C Green Headlining-112" long	8M 7302600-J	1
49	9M74	L.H.-use with Green Birdseye Broadcloth Scheme-with M-19163-C Green Headlining-112" long	8M 7302601-J	1
49	9M74	R.H.-use with Yellow Check Broadcloth Scheme-with M-19164-B Tan Headlining-112" long	8M 7302600-G	1
49	9M74	L.H.-use with Yellow Check Broadcloth Scheme-with M-19164-B Tan Headlining-112" long	8M 7302601-G	1
49	9M79	R.H.-Green Leather Trim-126-1/2" long	8M 7902600-C	1
49	9M79	L.H.-Green Leather Trim-126-1/2" long	8M 7902601-C	1
49	9M79	R.H.-Red Leather Trim-126-1/2" long	8M 7902600-A	1
49	9M79	L.H.-Red Leather Trim-126-1/2" long	8M 7902601-A	1
49	9M79	R.H.-Tan Leather Trim-126-1/2" long	8M 7902600-B	1
49	9M79	L.H.-Tan Leather Trim-126-1/2" long	8M 7902601-B	1
49	9M	Nail (drive)-No. 6	351629-S23-A2B	12or14

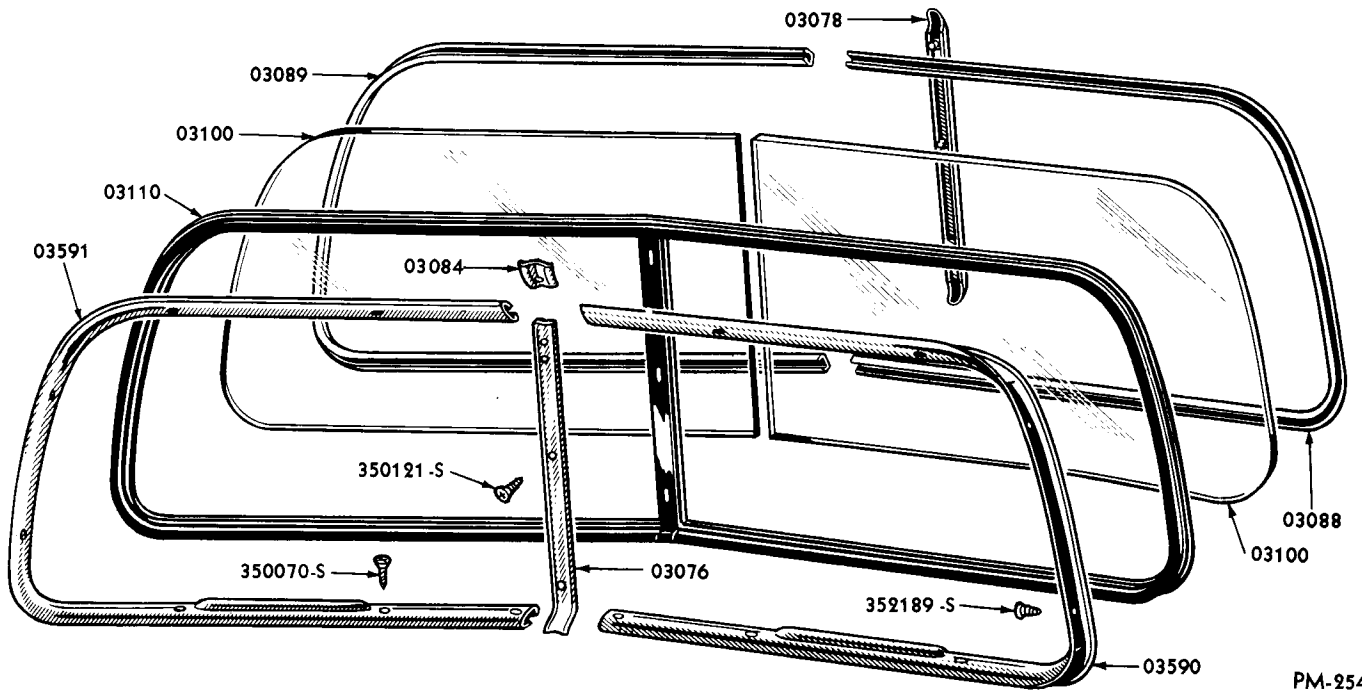
MERCURY

BODY PARTS CATALOGUE

YEAR 19	BODY TYPES	REMARKS	PART NUMBER	NO. REQ'D
Group 02610 WINDLACE ASSEMBLY (FRONT BODY AND QUARTER LOCK PILLAR)				
49	9M76	Front body pillar-33" long-use with Green Leather & Cord Trim	8M 7602610-C	2
49	9M76	Front body pillar-33" long-use with Red Leather & Cord Trim	8M 7602610-A	2
49	9M76	Front body pillar-33" long-use with Dark Red Leather & Cord Trim	8M 7602610-D	2
49	9M76	Front body pillar-33" long-use with Tan Leather & Cord Trim	8M 7602610-B	2
49	9M76	Quarter lock pillar-33" long-use with Green Leather & Cord Trim	8M 7602610-C	2
49	9M76	Quarter lock pillar-33" long-use with Red Leather & Cord Trim	8M 7602610-A	2
49	9M76	Quarter lock pillar-33" long-use with Dark Red Leather and Cord Trim	8M 7602610-D	2
49	9M76	Quarter lock pillar-33" long-use with Tan Leather & Cord Trim	8M 7602610-B	2
Group 02626-7 WEATHERSTRIP (FRONT BODY PILLAR)-UPPER				
49	9M76	R.H.	7A 7602626	1
49	9M76	L.H.	7A 7602627	1
49	9M76	Screw (binding head self tapping)-No. 8 x 1/2"	32923-S7	2
Group 03040 STRAINER ASSEMBLY (WINDSHIELD)-CENTER				
49	9M76		8M 7603040	1
49	9M76	Lockwasher-No. 12	34804-S2	4
49	9M76	Nut (hex)-No. 12-24	34054-S2	2
49	9M76	Screw (pan head)-No. 12-24 x 3/4"	39093-S2	4
49	9M76	Screw (oval head machine)-No. 10-32 x 1"	350121-S13	3
49	9M76	Washer (flat)-No. 12	34704-S7	4
Group 03076 RETAINER (WINDSHIELD CENTER WEATHERSTRIP)-INNER				
49	9M72-74		8M 7003076-A	1
49	9M79		8M 7903076	1
49	9M72-74	Screw (oval head machine)-No. 10-32 x 1"	350121-S13	3
Group 03078 RETAINER ASSEMBLY (WINDSHIELD CENTER WEATHERSTRIP)-OUTER				
49	9M except 79		7A 7003078	1
49	9M79		8M 7903078	1
Group 03084 PLATE (WINDSHIELD FINISH STRIP)-UPPER				
49	9M72-74	Mercury Texture Blue Metallic	8M 7003084-F	1
49	9M72-74	Alaska Gray Metallic-replaced by 8M-7003084-AP	8M 7003084-C	1
49	9M72-74	Green Metallic	8M 7003084-A	1
49	9M72-74	Mercury Texture Green Metallic	8M 7003084-D	1
49	9M72-74	Gazelle Tan Metallic-replaced by 8M-7003084-AP	8M 7003084-B	1
49	9M72-74	Mercury Texture Tan Metallic	8M 7003084-E	1
49	9M72-74	in Prime	8M 7003084-AP	1
49	9M76	in Prime	8M 7603084-AP	1
49	9M79	Straight Maple Grain	8M 7903084	1
49	9M except 79	Screw (Phillips head sheet metal)-No. 8 x 1-1/2"	350070-S13	1
Group 03086 PLATE (WINDSHIELD CENTER INSIDE FINISH STRIP)-LOWER				
49	9M76	in Prime	8M 7603086-AP	1
Group 03088-9 MOULDING (WINDSHIELD FINISH)-OUTSIDE				
49	9M except 79	R.H.	7A 7003088	1
49	9M except 79	L.H.	7A 7003089	1
49	9M79	R.H.	8M 7903088	1
49	9M79	L.H.	8M 7903089	1

MERCURY

BODY PARTS CATALOGUE



1949 WINDSHIELD PARTS

Group numbers only shown on illustration. Order by Part Numbers shown in list of parts.

YEAR 19__	BODY TYPES	REMARKS	PART NUMBER	NO. REQ'D
Group 03100 GLASS (WINDSHIELD)				
49	9M except 79		8M 7003100	2
49	9M79		7A 7903100	2
Group 03110-1 WEATHERSTRIP (WINDSHIELD)				
49	9M72-74			
49	9M76		8M 7003110-A	1
49	9M79	R.H.	8M 7603110-A	1
49	9M79	L.H.	8M 7903110-A	1
			8M 7903111-A	1
Group 03442 DOWEL (FOLDING TOP NO. 1 BOW)-CENTER				
49	9M76		8H 7603442	1
Group 03458-9 DOWEL (FOLDING TOP NO. 1 BOW)				
49	9M76	R.H.	8H 7603458	1
49	9M76	L.H.	8H 7603459	1
49	9M76	Screw (flat head machine)-1/4"-20 x 5/8"	24649-S13	6
Group 03476 SEAL (WINDSHIELD HEADER)-INNER				
49	9M76	Rubber 50" long	8M 7603476-B	1

MERCURY

BODY PARTS CATALOGUE

YEAR 19	BODY TYPES	REMARKS	PART NUMBER	NO. REQ'D
Group 03566 PANEL ASSMBLY (WINDSHIELD OPENING INSIDE)				
49	9M76		7A 7603566	1
Group 03570 HANDLE (TOP LOCKING)				
49	9M76		8E 7603570	1
49	9M76	Pin (tapered)-No. 2 x 3/4"	73689-S	1
Group 03572 RETAINER (WINDSHIELD OPENING FINISH STRIP)-AT BELT				
49	9M	1" long	8M 7003572	6
49	9M	Screw (oval head sheet metal)-No. 8 x 1"	33013-S2	4
Group 03590-1 STRIP (WINDSHIELD OPENING FINISH)				
49	9M72-74	R.H.-Blue Metallic	8M 7003590-C	1
49	9M72-74	L.H.-Blue Metallic	8M 7003591-C	1
49	9M72-74	R.H.-Mercury Texture Blue Metallic	8M 7003590-F	1
49	9M72-74	L.H.-Mercury Texture Blue Metallic	8M 7003591-F	1
49	9M72-74	R.H.-Green Metallic	8M 7003590-A	1
49	9M72-74	L.H.-Green Metallic	8M 7003591-A	1
49	9M72-74	R.H.-Mercury Texture Green Metallic	8M 7003590-D	1
49	9M72-74	L.H.-Mercury Texture Green Metallic	8M 7003591-D	1
49	9M72-74	R.H.-Tan Metallic	8M 7003590-B	1
49	9M72-74	L.H.-Tan Metallic	8M 7003591-B	1
49	9M72-74	R.H.-Mercury Texture Tan Metallic	8M 7003590-E	1
49	9M72-74	L.H.-Mercury Texture Tan Metallic	8M 7003591-E	1
49	9M72-74	R.H.-in Prime	8M 7003590-AP	1
49	9M72-74	L.H.-in Prime	8M 7003591-AP	1
49	9M76	R.H.-Chrome Gray Metallic	8M 7603590-A	1
49	9M76	L.H.-Chrome Gray Metallic	8M 7603591-A	1
49	9M76	R.H.-in Prime	8M 7603590-AP	1
49	9M76	L.H.-in Prime	8M 7603591-AP	1
49	9M79	R.H.-Straight Maple Grain	8M 7903590	1
49	9M79	L.H.-Straight Maple Grain	8M 7903591	1
49	9M	Screw (Phillips head sheet metal)-No. 8 x 1-1/2"	350070-S13	8
49	9M	Screw (Phillips head sheet metal)-No. 8 x 1-1/4"	352189-S13	1
Group 03594 PLUG (WINDSHIELD OPENING FINISH STRIP DEFROSTER)				
49	9M		7A 7003594	4
Group 03618-9 EXTENSION (WINDSHIELD OPENING REINFORCEMENT)				
49	9M72-74	R.H.	8M 7003618	1
49	9M72-74	L.H.	8M 7003619	1
49	9M79	R.H.	8M 7903618	1
49	9M79	L.H.	8M 7903619	1

Group 04100

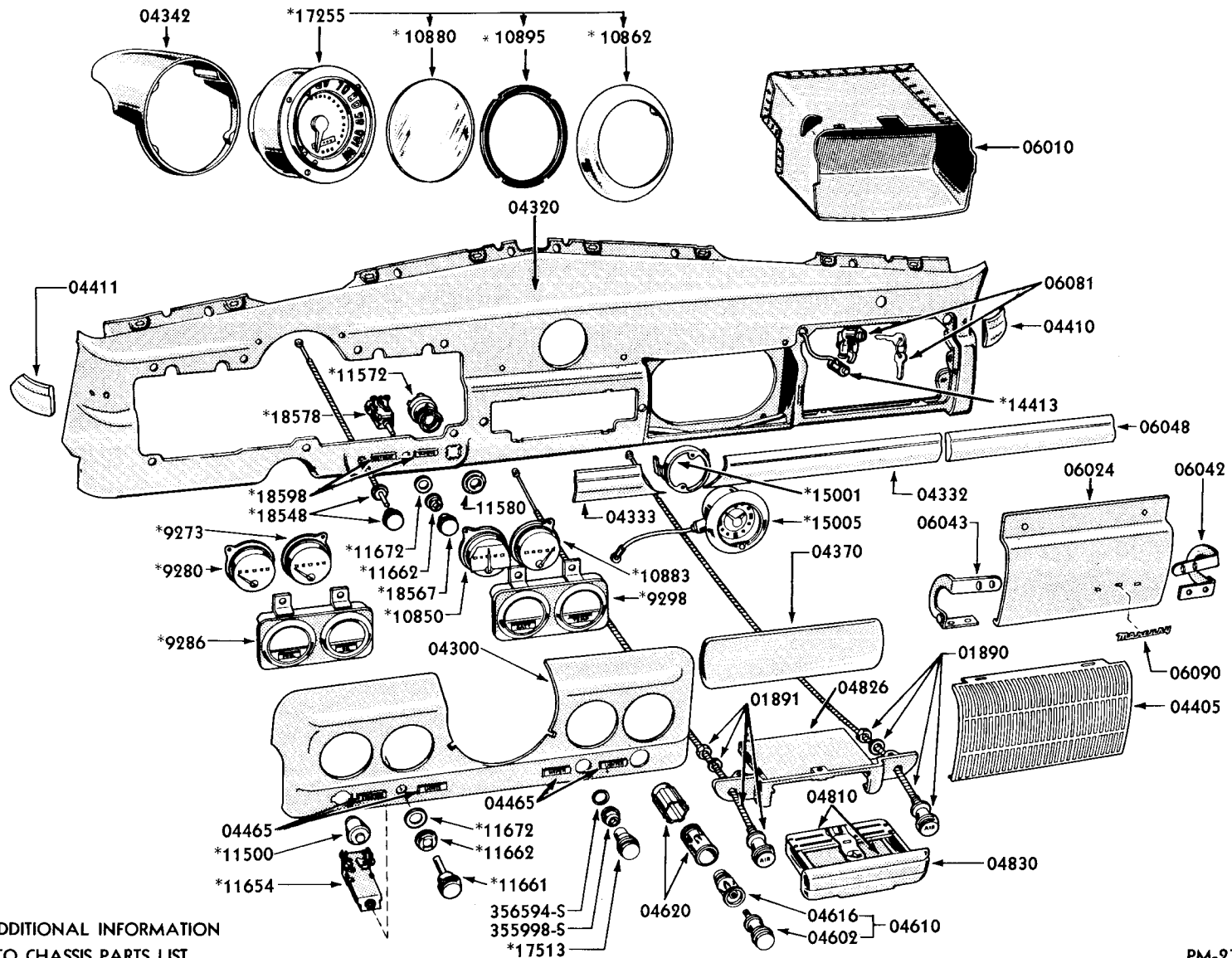
VISOR ASSEMBLY (COMPLETE)

49	9M72-74	M-16908-E-Headlining with Bracket Finish of Mercury Texture Blue Metallic	8M 7004100-G	2
49	9M72-74	M-16908-F-Headlining with Bracket Finish of Mercury Texture Blue Metallic	8M 7004100-J	2
49	9M72-74	M-19164-C Headlining with Bracket Finish of Mercury Texture Blue Metallic	8M 7004100-M	2
49	9M72-74	M-19163-A Headlining with Bracket Finish of Mercury Texture Blue Metallic-M-19077-L Binding	8M 7004100-Q	2
49	9M72-74	M-19163-A Headlining with Bracket Finish of Mercury Texture Blue Metallic-M-19077-H Binding	8M 7004100-S	2

MERCURY

BODY PARTS CATALOGUE

YEAR 19__	BODY TYPES	REMARKS	PART NUMBER	NO. REQ'D
Group 04100 VISOR ASSEMBLY (COMPLETE)-CONTINUED				
49	9M72-74	M-16908-C-Headlining with Bracket Finish of Alaska Gray Metallic	8M 7004100-C	2
49	9M72-74	M-16908-A Headlining with Bracket Finish of Green Metallic	8M 7004100-A	2
49	9M72-74	M-16908-A-Headlining with Bracket Finish of Mercury Texture Green Metallic	8M 7004100-E	2
49	9M72-74	M-19164-A Headlining with Bracket Finish of Mercury Texture Green Metallic	8M 7004100-K	2
49	9M72-74	M-19163-C Headlining with Bracket Finish of Mercury Texture Green Metallic	8M 7004100-N	2
49	9M72-74	M-16908-B-Headlining with Bracket Finish of Gazelle Tan Metallic	8M 7004100-B	2
49	9M72-74	M-16908-B-Headlining with Bracket Finish of Mercury Texture Tan Metallic	8M 7004100-F	2
49	9M72-74	M-19164-B Headlining with Bracket Finish of Mercury Texture Tan Metallic	8M 7004100-L	2
49	9M72-74	M-19163-B Headlining with Bracket Finish of Mercury Texture Tan Metallic	8M 7004100-P	2
49	9M76	use with Green Leather Trim	8M 7604100-C	2
49	9M76	use with Red Leather Trim	8M 7604100-A	2
49	9M76	use with Dark Red Leather Trim	8M 7604100-D	2
49	9M76	use with Tan Leather Trim	8M 7604100-B	2
49	9M79	use with Green Leather Trim	8M 7904100-C	2
49	9M79	use with Red Leather Trim	8M 7904100-A	2
49	9M79	use with Tan Leather Trim	8M 7904100-B	2
Group 04172 BRACKET (INSTRUMENT PANEL RADIO SPEAKER)				
49	9M		8M 7004172	1
Group 04300 PANEL ASSEMBLY (INSTRUMENT CLUSTER TRIM)				
49	9M except 79	in White	8M 7004300-AW	1
49	9M79	Straight Mahogany Grain	8M 7004300-AK	1
49	9M	Lockwasher-No. 10	34803-S7	3
49	9M	Nut (hex)-No. 10-32	34079-S7	3
Group 04320 PANEL ASSEMBLY (INSTRUMENT)-LESS INSTRUMENTS				
49	9M except 79	in Prime	8M 7004320-AP	1
49	9M79	upper Maple Grain-lower Straight Mahogany Grain	8M 7004320-AE	1
49	9M79	Mahogany Wood Grain	8M 7004320-AF	1
49	9M	Bolt (hex head)-5/16"-10 x 5/8"	350479-S2	2
49	9M	Nut (yield)-5/16"-10	353363-A1-S32	2
49	9M	Washer (flat)-5/16"	34746-S2	2
Group 04332-3 MOULDING (INSTRUMENT PANEL CENTER)				
49	9M	Right Side	8M 7004332-A	1
49	9M	Left Side	8M 7004333-A	1
49	9M	Clip (moulding speed)	353353-S32	1or2
49	9M	Retainer (moulding)	352386-S3	1or2



FOR ADDITIONAL INFORMATION
REFER TO CHASSIS PARTS LIST

1949 INSTRUMENT PANEL

Group numbers only shown on illustration. Order by Part Numbers shown in list of parts.

PM-276

MERCURY

BODY PARTS CATALOGUE

YEAR 19	BODY TYPES	REMARKS	PART NUMBER	NO. REQ'D
Group 04342 HOUSING (INSTRUMENT PANEL SPEEDOMETER)				
49	9M except 79	use with Blue Scheme	8M 7004342-AH	1
49	9M except 79	use with Green Scheme	8M 7004342-AF	1
49	9M except 79	use with Tan Scheme	8M 7004342-AG	1
49	9M except 79	in White	8M 7004342-AW	1
49	9M79	Straight Mahogany Grain	8M 7004342-AK	1
49	9M	Lockwasher (external tooth)-No. 6	34937-S7	5
49	9M	Washer (flat)-No. 6	34701-S7	5
Group 04370 PLATE (RADIO OPENING COVER)				
49	9M except 79	in White	8M 7004370-AW	1
49	9M79	Straight Mahogany Grain	8M 7004370-AK	1
Group 04399 ANTI SQUEAK (HAND BRAKE BRACKET)				
49	9M		8M 7004399	1
Group 04405 GRILLE (INSTRUMENT PANEL RADIO)				
49	9M except 79	in White	8M 7004405-AW	1
49	9M79	Straight Mahogany Grain	8M 7004405-AK	1
49	9M	Screw (binding head self tapping)-No. 10 x 1/2"	32924-S2	4
Group 04410-1 MOULDING (INSTRUMENT PANEL END)				
49	9M	R.H.	8M 7004410	1
49	9M	L.H.	8M 7004411	1
49	9M	Nut (speed)-push on type	355914-S32	4
Group 04416 CLIP (RADIO OPENING COVER RETAINER)				
49	9M	Cars with Radio	8L 7304416	2
Group 04429 EXTENSION ASSEMBLY (RADIO RECEIVER SUPPORT)				
49	9M		8M 7004429	1
Group 04465 NAME PLATE (INSTRUMENT PANEL CONTROL)				
49	9M	Lights	8M 7004465-B	1
49	9M	Lighter	8M 7004465-D	1
49	9M	Starter	8M 7004465-A	1
49	9M	Wiper	8M 7004465-J	1
49	9M	Nut (speed)-1/8" x 3/8"	355873-S32	as req'd
Group 04602 KNOB ASSEMBLY (INSTRUMENT PANEL CIGAR LIGHTER)				
49	9M		8M 7004602-A	1
Group 04603 KIT (CIGAR LIGHTER ELEMENT)				
49	9M		8H 7004603	1
Group 04610 KNOB AND ELEMENT ASSEMBLY (CIGAR LIGHTER)				
49	9M		8M 7004610-A	1
Group 04616 ELEMENT ASSEMBLY (CIGAR LIGHTER)				
49	9M		51A 7004616-A	1

BODY PARTS CATALOGUE

YEAR 19	BODY TYPES	REMARKS	PART NUMBER	NO. REQ'D
Group 04620 SOCKET AND RETAINER ASSEMBLY (CIGAR LIGHTER)				
49	9M	Automatic	8A 7004620-A	1
Group 04698 COVER (INSTRUMENT PANEL NAME PLATE)				
49	9M	not required when name plate is used-2-3/8" long	8M 7004698	2
Group 04810 RECEPTACLE ASSEMBLY (INSTRUMENT PANEL ASH)				
49	9M	includes handle	8M 7004810-A	1
Group 04826 RETAINER ASSEMBLY (INSTRUMENT PANEL ASH RECEPTACLE)				
49	9M	Chrome Gray Enamel	8M 7004826-A	1
49	9M	Mercury Texture Chrome Gray Metallic	8M 7004826-B	1
49	9M	in Prime	8M 7004826-BP	1
49	9M	Lockwasher (external tooth)-No. 8	34938-S8	3
49	9M	Nut (hex)-No. 8-32	34052-S7	3
49	9M	Screw (binding head machine)-No. 8-32 x 1/2"	38203-S8	3
Group 04830 HANDLE (INSTRUMENT PANEL ASH RECEPTACLE)				
49	9M		8M 7004830	1
49	9M	Lockwasher (internal tooth)-No. 6	34901-S7	2
49	9M except 79	Screw (binding head machine)-No. 6-32 x 3/16"	38171-S7	2
Group 06010 BOX ASSEMBLY (GLOVE COMPARTMENT)				
49	9M		8M 7006010	1
49	9M	Screw (binding head self tapping)-No. 8 x 1/2"	52726-S8	6
Group 06024 DOOR ASSEMBLY (GLOVE COMPARTMENT)				
49	9M except 79	in White	8M 7006024-AW	1
49	9M79	Straight Mahogany Grain	8M 7006024-AK	1
Group 06042-3 HINGE ASSEMBLY (GLOVE COMPARTMENT DOOR)				
49	9M except 79	R.H.	8M 7006042-AW	1
49	9M except 79	L.H.	8M 7006043-AW	1
49	9M79	R.H.	8M 7006042-B	1
49	9M79	L.H.	8M 7006043-B	1
49	9M	Screw and lockwasher assy (binding head)-No. 10-32 x 3/8"	42802-S8	8
49	9M	Washer (flat)-No. 10	34703-S7	4
Group 06048 MOULDING (GLOVE COMPARTMENT DOOR)				
49	9M		8M 7006048-A	1
49	9M	Clip	353353-S32	2
Group 06064 PLATE (GLOVE COMPARTMENT DOOR LOCK STRIKER)				
49	9M		7A 7006064	1
49	9M	Lockwasher (external tooth)-No. 6	34937-S7	2
49	9M	Screw (Phillips binding head)-No. 6 x 3/8"		2

MERCURY

BODY PARTS CATALOGUE

YEAR 19	BODY TYPES	REMARKS	PART NUMBER	NO. REQ'D
Group 06066 BUMPER (QUARTER PANEL FUEL TANK LID)				
49	9M except 79		01C 8106066-A	2
Group 06076 RETAINER (GLOVE COMPARTMENT DOOR MOULDING)				
49	9M		8M 7006076	5
49	9M	Screw (Phillips binding head)-No. 6 x 3/8"	356793-S8	2
49	9M	Washer (flat)-No. 6	34701-S7	2
Group 06081 LOCK ASSEMBLY (GLOVE COMPARTMENT DOOR)-COMPLETE WITH KEYS				
49	9M		8M 7006081-A	1
Group 06090 EMBLEM (GLOVE COMPARTMENT DOOR)				
49	9M		8M 7006090	1
Group 06117 STOP ASSY (GLOVE BOX DOOR)				
49	9M		09A 7006117-A	1
49	9M	Screw (hex head self tapping)-No. 10 x 3/8"	42000-S8	1
Group 10110-1 MEMBER ASSEMBLY (FLOOR SIDE)				
49	9M74	R.H.	7A 7010110	1
49	9M74	L.H.	7A 7010111	1
49	9M76	R.H.	7A 7610110	1
49	9M76	L.H.	7A 7610111	1
49	9M79	R.H.	8M 7910110	1
49	9M79	L.H.	8M 7910111	1
Group 10118-9 MEMBER AND TRIM RETAINER ASSEMBLY (FLOOR SIDE)				
49	9M72	R.H.	7A 7010118	1
49	9M72	L.H.	7A 7010119	1
Group 10128-9 PANEL ASSEMBLY (BODY ROCKER)				
49	9M72	R.H.	8M 7010128	1
49	9M72	L.H.	8M 7010129	1
49	9M74	R.H.	8M 7310128	1
49	9M74	L.H.	8M 7310129	1
49	9M76	R.H.	8M 7610128	1
49	9M76	L.H.	8M 7610129	1
49	9M79	R.H.	8M 7910128	1
49	9M79	L.H.	8M 7910129	1
49	9M	Washer (flat)-5/16"	34706-S2	2
Group 10130-1 PANEL (BODY ROCKER)				
49	9M72	R.H.	7A 7010130	1
49	9M72	L.H.	7A 7010131	1
49	9M79	R.H.	7A 7910130-B	1
49	9M79	L.H.	7A 7910131-B	1
Group 10698 MEMBER ASSEMBLY (FRONT FLOOR CROSS MEMBER)-REAR				
49	9M		8M 7010698	1

MERCURY

BODY PARTS CATALOGUE

YEAR 19	BODY TYPES	REMARKS	PART NUMBER	NO. REQ'D
Group 10775 MEMBER ASSEMBLY (FLOOR PAN REAR CROSS)				
49	9M79		7A 7910775	1
49	9M79	Nut (retainer)-5/16"	353202-S	2
Group 10785 REINFORCEMENT ASSEMBLY (CROSS MEMBER REAR)				
49	9M79		8M 7910785	1
49	9M79	Nut (hex)-1/4"-20	34129-S2	4
Group 11126 PLATE (DASH PEDAL OPENING)				
49	9M		8H 7311126-A	1
Group 11135 PAN AND REINFORCEMENT ASSEMBLY (FLOOR FRONT)				
49	9M except 76-79		8M 7011135	1
49	9M76		8M 7611135	1
49	9M79		8M 7911135	1
49	9M	Bolt (hex head)-1/4"-28	20325-S7	4
49	9M	Lockwasher (heavy)-1/4"	34845-S2	4
49	9M	Plug (button)-for .81" diameter hole	352372-S8	as req'd
Group 11166 SILENCER (FLOOR PAN)				
49	9M	center	8M 7011166	1
Group 11172 SILENCER (FLOOR PAN)-FRONT				
49	9M	one piece	8M 7011172	1
Group 11215 PAN ASSEMBLY (FLOOR)-REAR				
49	9M72-74		8M 7011215-A	1
49	9M79	without reinforcement at center	7A 7911215	1
49	9M79	with reinforcement at center	8M 7911215	1
49	9M	Plug (button)-for .81" diameter hole	352372-S8	as req'd
Group 11216 PAN AND PANEL ASSY (FLOOR)-REAR				
49	9M72-74		8M 7211216-C	1
49	9M76		8M 7611216-B	1
49	9M76		8M 7611216-C	1
Group 11252-3 EXTENSION (REAR FLOOR PAN SIDE)-REAR				
49	9M except 79	R.H.	7A 7011252	1
49	9M except 79	L.H.	7A 7011253	1
Group 11256-7 EXTENSION (REAR FLOOR PAN SIDE)-REAR				
49	9M79	R.H.	7A 7911256	1
49	9M79	L.H.	7A 7911257	1

MERCURY

BODY PARTS CATALOGUE

YEAR 19	BODY TYPES	REMARKS	PART NUMBER	NO. REQ'D
Group 11290 COVER (FLOOR PAN REAR GAS GAUGE)				
49	9M		21A 7011290	1or2
49	9M79		8M 7911290	1
49	9M	Screw (binding head sheet metal)-No. 10 x 3/8"	32917-S7	1
49	9M79	Screw (Phillips head sheet metal)-No. 10 x 3/4"	52430-S13	4
Group 11329 BUMPER (FLOOR PAN TO REAR AXLE)				
49	9M except 79		8M 7311329	1
Group 11454 SILENCER (FLOOR PAN)-REAR				
49	9M72-74		8M 7011454	1
49	9M76		8M 7611454	1
Group 11520 SPACER (BODY TO FRAME)				
49	9M	2" long-1-1/2" wide	8A 7011520	as reqd
Group 12115 PLATE ASSEMBLY (FLOOR TRANSMISSION COVER)				
49	9M	width of Tunnel at Front 10-1/2"	8M 7012115-A	1
49	9M	width of Tunnel at Front 15"	8M 7012115-B	1
49	9M	Lockwasher-5/16"	34846-S2	1
49	9M	Screw (hex head self tapping)-No. 14 x 3/4"	42023-S7	24
49	9M	Washer (flat)-1/4"	34705-S2	24
Group 12116 GASKET (FLOOR TRANSMISSION COVER PLATE)-FRONT				
49	9M		8M 7012116	1
Group 12121 GASKET (FLOOR TRANSMISSION COVER PLATE)-REAR				
49	9M		8M 7012121	1
Group 12122 GASKET (FLOOR TRANSMISSION COVER PLATE)-SIDE				
49	9M		8M 7012122	2
Group 12138 WEATHERSEAL (DASH PANEL PEDAL OPENING)				
49	9M		7EH 7312138	1
Group 12156 WEATHERSEAL (STEERING COLUMN TO DASH COVER)				
49	9M		8M 7012156-A	2
Group 12186-7 PLATE ASSEMBLY (REAR FLOOR PAN BODY SIDE PANEL DUST COVER)				
49	9M79	R.H.	8M 7912186	1
49	9M79	L.H.	8M 7912187	1
49	9M79	Screw (round head sheet metal)-No. 10-24 x 1/2"	33119-S7	3
Group 12298 SPACER (BODY TO FRAME)-REAR				
49	9M	Rubber-1-51/64" O.D.-59/64" thick	21A 7012298-A	4

MERCURY

17

BODY PARTS CATALOGUE

YEAR 19__	BODY TYPES	REMARKS	PART NUMBER	NO. REQ'D
Group 12298 SPACER (BODY TO FRAME)				
49	9M76	Metal-1-1/2" O.D.-3/8" thick	8M 7612298	2
Group 12320 SPACER (BODY TO FRAME)-FRONT				
49	9M	Rubber-1-51/64" O.D.-11/16" thick	21A 7012320-A	4
Group 12322 ANTI SQUEAK (BODY TO FRAME)				
49	9M76	1-13/64" O.D.-13/32" thick	8M 7612322-A	3
49	9M76	1-3/4" O.D.-39/64" thick	8M 7612322-C	2
49	9M76	Screw (hex washer head self tapping)-1/4" x 1/2"	39881-S7	4
Group 12324 SPACER (BODY TO FRAME)				
49	9M76	Metal-1-1/2" O.D.-11/16" thick	8M 7612324-A	2
49	9M76	Metal-1-1/2" O.D.-39/64" thick	8M 7612324-B	6
49	9M76	Metal-1-1/2" O.D.-33/64" thick	8M 7612324-C	2

Group 13000

MAT ASSEMBLY (FLOOR)-FRONT COMPLETE

49	9M except 79	for 10-1/2" wide tunnel-use with Beige Cord Scheme or Tan or Red Leather Trim-Solid Tan Rubber Mat-replaced by 8M-7013000-P	8M 7013000-H	1
49	9M except 79	for 10-1/2" wide tunnel-use with Beige Cord Scheme or Tan or Red Leather Trim-Benton Gray Mat with Tan Rubber insert	8M 7013000-P	1
49	9M except 79	for 10-1/2" wide tunnel-use with Green Check Broadcloth Scheme or Green Leather Trim-Benton Gray Mat with Green carpet insert	8M 7013000-A	1
49	9M except 79	for 10-1/2" wide tunnel-use with Green Check Broadcloth Scheme or Green Leather Trim-Benton Gray Mat with Green Rubber insert	8M 7013000-N	1
49	9M except 79	for 10-1/2" wide tunnel-use with Green Check Broadcloth Scheme or Green Leather Trim-Solid Green Rubber Mat	8M 7013000-G	1
49	9M72-74	for 10-1/2" wide tunnel-use with Beige Cord Scheme-Benton Gray Mat with Tan carpet insert	8M 7013000-B 1791	1
49	9M72-74	for 15" wide tunnel-use with Blue Gray Cloth Scheme-Benton Gray Mat with Blue carpet insert	8M 7013000-F 1791	1
49	9M72-74	for 10-1/2" wide tunnel-use with Blue Stripe Broadcloth Scheme-Benton Gray Mat with Blue carpet insert	8M 7013000-C 1791	1
49	9M72-74	for 10-1/2" wide tunnel-use with Blue Stripe Broadcloth Scheme-Solid Blue Rubber Mat	8M 7013000-J 1368	1
49	9M72-74	for 10-1/2" wide tunnel-use with Blue Stripe Broadcloth Scheme-Benton Gray Mat with Blue Rubber insert	8M 7013000-C 1791	1
49	9M76	for 10-1/2" wide tunnel-use with Red Leather Trim	8M 7613000-G	1
49	9M79	for 10-1/2" wide tunnel-all trims	8M 7913000-A	1
49	9M79	for 15" wide tunnel-all trims	8M 7913000-B	1

Group 13040

MAT ASSEMBLY (FLOOR)-CENTER

49	9M79	all trims	8M 7913040-C	1
----	------	-----------	--------------	---

Group 13046

CARPET ASSEMBLY (REAR FLOOR)

49	9M72	without pad-use with Beige Cord Scheme	△8M 7213046-B	1
49	9M72	with pad-use with Beige Cord Scheme	●8M 7213046-F	1
49	9M72	with pad-use with Blue Bedford Cord Scheme-Special Trim	8M 7213046-CCL	1
49	9M72	without pad-use with Blue Stripe Broadcloth Scheme	△8M 7213046-C	1
49	9M72	with pad-use with Blue Stripe Broadcloth Scheme	●8M 7213046-G	1
49	9M72	with pad-use with Blue Pin Stripe Broadcloth Scheme-Special Trim	8M 7213046-CCH	1

△ Used on cars having front seat with metal stationary foot rest welded to seat frame.

● Used on cars having front seat without foot rest.

MERCURY

BODY PARTS CATALOGUE

YEAR 19	BODY TYPES	REMARKS	PART NUMBER	NO. REQ'D
Group 13046 CARPET ASSEMBLY (REAR FLOOR)-CONTINUED				
49	9M72	with pad-use with Blue & Rust Tweed Broadcloth Scheme-Spec. Trim	8M 7213046-DDH	1
49	9M72	with pad-use with Brown Stripe Broadcloth Scheme-Special Trim	8M 7213046-BBH	1
49	9M72	with pad-use with Gray Birdseye Broadcloth Scheme-Special Trim	8M 7213046-AAL	1
49	9M72	with pad-use with Green Birdseye Broadcloth Scheme-Special Trim	8M 7213046-AAH	1
49	9M72	without pad-use with Green Check Broadcloth Scheme	△8M 7213046-A	1
49	9M72	with pad-use with Green Check Broadcloth Scheme	●8M 7213046-E	1
49	9M72	with pad-use with Yellow Check Broadcloth Scheme-Special Trim	8M 7213046-BBL	1
49	9M74	without pad-use with Beige Cord Scheme	△8M 7313046-B	1
49	9M74	with pad-use with Beige Cord Scheme	●8M 7413046-F	1
49	9M74	with pad-use with Blue Bedford Cord Scheme-Special Trim	8M 7413046-CGL	1
49	9M74	without pad-use with Blue Stripe Broadcloth Scheme	△8M 7313046-C	1
49	9M74	with pad-use with Blue Stripe Broadcloth Scheme	●8M 7413046-G	1
49	9M74	with pad-use with Blue Pin Stripe Broadcloth Scheme-Special Trim	8M 7413046-CGH	1
49	9M74	with pad-use with Blue & Rust Tweed Broadcloth Scheme-Spec. Trim	8M 7413046-DDH	1
49	9M74	with pad-use with Brown Stripe Broadcloth Scheme-Special Trim	8M 7413046-BBH	1
49	9M74	with pad-use with Gray Birdseye Broadcloth Scheme-Special Trim	8M 7413046-AAL	1
49	9M74	with pad-use with Green Birdseye Broadcloth Scheme-Special Trim	8M 7413046-AAH	1
49	9M74	without pad-use with Green Check Broadcloth Scheme	△8M 7313046-A	1
49	9M74	with pad-use with Green Check Broadcloth Scheme	●8M 7413046-E	1
49	9M74	with pad-use with Yellow Check Broadcloth Scheme-Special Trim	8M 7413046-BBL	1
49	9M76	with pad-use with Beige and Cord Combination Trim	●8M 7613046-E	1
49	9M76	without pad-use with Green Leather and Cord Combination Trim	△8M 7613046-C	1
49	9M76	with pad-use with Green Leather and Cord Combination Trim	●8M 7613046-F	1
49	9M76	without pad-use with Red Leather and Cord Combination Trim	△8M 7613046-A	1
49	9M76	without pad-use with Tan Leather and Cord Combination Trim	△8M 7613046-B	1
49	9M76	with pad-use with Red Leather and Cord Combination Trim	●8M 7613046-D	1
Group 13062 MAT ASSY (FLOOR)-REAR				
49	9M79		8M 7913062	1
Group 13208-9 PLATE (BODY ROCKER PANEL SCUFF)-FRONT				
49	9M except 74	R.H.	8M 7013208	1
49	9M except 74	L.H.	8M 7013209	1
49	9M74	R.H.	8M 7313208	1
49	9M74	L.H.	8M 7313209	1
49	9M except 79	Screw (oval head self tapping)-No. 6 x 3/4"	33000-S13	4
49	9M	Screw (oval head self tapping)-No. 6 x 3/8"	32979-S8	8
Group 13210-1 STRIP (REAR FLOOR FINISH)-AT WHEELHOUSE				
49	9M79	R.H.	8M 7913210	1
49	9M79	L.H.	8M 7913211	1
49	9M79	Screw (binding head sheet metal)-No. 6 x 1/2"	356795-S8	12
49	9M79	Screw (Phillips binding head)-No. 6 x 1/2"	356795-S8	12
Group 13215 STRIP (REAR FLOOR FINISH)-FRONT				
49	9M79		8M 7913215	1
49	9M79	Screw (Phillips head sheet metal)-No. 10 x 5/8"	350117-S13	7
Group 13222 STRIP (REAR FLOOR FINISH)-REAR				
49	9M79		8M 7913222	1
49	9M79	Screw (Phillips head sheet metal)-No. 10 x 5/8"	350117-S13	8

△ Used on cars having front seat with metal stationary foot rest welded to seat frame.

● Used on cars having front seat without foot rest.

MERCURY

19

BODY PARTS CATALOGUE

YEAR 19__	BODY TYPES	REMARKS	PART NUMBER	NO. REQ'D
Group 13224-5 STRIP (REAR FLOOR FINISH)-AT WHEELHOUSE				
49	9M79	replaced by 8M-7913210	8M 7913224	1
49	9M79	replaced by 8M-7913211	8M 7913225	1
Group 13228-9 PLATE (BODY ROCKER PANEL SCUFF)-REAR				
49	9M74	R.H.-two notches for windlace	8M 7313228-A	1
49	9M74	L.H.-two notches for windlace	8M 7313229-A	1
49	9M74	R.H.-one notch for windlace	8M 7313228-B	1
49	9M74	L.H.-one notch for windlace	8M 7313229-B	1
49	9M74	Screw (oval head self tapping)-No. 6 x 3/8"	32979-88	6
49	9M74	Screw (oval head self tapping)-No. 6 x 3/4"	33000-S13	4
Group 14577 CLIP (HYDRAULIC TUBING)				
49	9M76		51A 14577-A	3
49	9M76	Screw (binding head self tapping)-No. 10 x 3/8"	33177-87	3
Group 18306 KEY (GLOVE BOX AND REAR DECK LID)				
49	9M		8H 18306	2
Group 18570 GASKET (HOT WATER FRESH AIR HEATER)				
49	9M		8M 18570	2
Group 19545 FLUID (WINDOW REGULATOR)				
49	9M	in pint container	8L 19545	as req'd

Group 20122-3 DOOR ASSEMBLY (FRONT)-LESS PAINT,TRIM,GLASS,HANDLES,HINGES,LOCK AND REGULATOR

49	9M72	R.H.-Manual Control	8M 7020122-C	1
49	9M72	L.H.-Manual Control	8M 7020123-C	1
49	9M72	R.H.-Hydraulic Control	8M 7020122-D	1
49	9M72	L.H.-Hydraulic Control	8M 7020123-D	1
49	9M74	R.H.-Manual Control	8M 7320122-C	1
49	9M74	L.H.-Manual Control	8M 7320123-C	1
49	9M74	R.H.-Hydraulic Control	8M 7320122-D	1
49	9M74	L.H.-Hydraulic Control	8M 7320123-D	1
49	9M76	R.H.	8M 7620122-B	1
49	9M76	L.H.	8M 7620123-B	1
49	9M79	R.H.	8M 7920122-C	1
49	9M79	L.H.	8M 7920123-C	1

Group 20252-3 PANEL (DOOR INSIDE LINING)

49	9M79	R.H.	7A 7920252	1
49	9M79	L.H.	7A 7920253	1
49	9M79	Screw (pan head screw)-No. 10 x 1/2"	32924-S2	18
49	9M79	Screw (oval head sheet metal)-No. 10 x 5/8"	32996-S13	40
49	9M79	Screw (hex head)-No. 10 x 3/4"	42021-S7	10
49	9M79	Washer (flat)-No. 10	34703-S7	10
49	9M79	Washer (countersunk)-No. 10	34863-S13	40

MERCURY

BODY PARTS CATALOGUE

YEAR 19	BODY TYPES	REMARKS	PART NUMBER	NO. REQ'D
Group 20394-5 WEATHERSTRIP (DOOR BOTTOM)				
49	9M72-76	R.H.	8M 7020394	1
49	9M72-76	L.H.	8M 7020395	1
49	9M74	R.H.	8M 7320394	1
49	9M74	L.H.	8M 7320395	1
49	9M79	R.H.	8M 7920394	1
49	9M79	L.H.	8M 7920395	1
49	9M79	Screw (binding head)-No. 8 x 3/8"	32916-S8	6
Group 20400-1 FRAME AND PANEL ASSEMBLY (FRONT DOOR FINISH)-LOWER-OUTSIDE				
49	9M79	R.H.	8M 7920400	1
49	9M79	L.H.	8M 7920401	1
49	9M79	Bolt (hex head)-5/16"-18 x 7/8"	20366-S2	16
49	9M79	Lockwasher (internal tooth)-5/16"	34906-S7	16
49	9M79	Nut (capped sleeve)-5/16"-18	356757-S23	16
49	9M79	Washer (flat)-5/16"	34746-S2	14
Group 20406-7 FRAME ASSEMBLY (FRONT DOOR FINISH)-UPPER-OUTSIDE				
49	9M79	R.H.	7A 7920406	1
49	9M79	L.H.	7A 7920407	1
49	9M79	Lockwasher (internal tooth)-5/16"	34906-S7	10
49	9M79	Nut (capped sleeve)-5/16"-18	356757-S23	10
49	9M79	Nut (sleeve)-5/16"-18 x 35/64"	352353-S23	10
49	9M79	Screw (Phillips head machine)-5/16"-18 x 5/8"	355204-S7	8
Group 20448 WEATHERSTRIP (FRONT DOOR HINGE PILLAR)-LOWER				
49	9M72-74	replaced by 8M-7020394	8M 7020448-A	2
Group 20478 CLIP (DOOR WEATHERSTRIP RETAINER)-FRONT				
49	9M		7C 8120478	6or12
49	9M	Screw (Phillips binding head)-No. 8 x 3/8"	52720-S8	6or12
49	9M72-74	Screw (Phillips binding head)-No. 6 x 3/8"	356793-S8	2or8
Group 20497 SHIM (DOOR WINDOW CORNER FILLER TO INSIDE PANEL ATTACHING BRACKET)				
49	9M76	1-39/64" long-23/32" wide	8M 7620497	as req'd
Group 20520-1 RETAINER (WINDOW SEAL)-AT FRONT RAIL SECTION				
49	9M76	R.H.-approximately 24-5/8" overall length	8M 7620520	1
49	9M76	L.H.-approximately 24-5/8" overall length	8M 7620521	1
49	9M76	Screw (binding head self tapping)-No. 8 x 3/8"	32916-S8	10
Group 20526-7 RETAINER (WINDOW SEAL)-AT REAR RAIL SECTION				
49	9M76	R.H.-17-17/32" long	8M 7620526	1
49	9M76	L.H.-17-17/32" long	8M 7620527	1
49	9M76	Screw (binding head self tapping)-No. 8 x 3/8"	32916-S8	8
Group 20530-1 WEATHERSTRIP (DOOR OPENING)-OUTER				
49	9M72	R.H.-117" long	8M 7020530-B	1
49	9M72	L.H.-117" long	8M 7020531-B	1
49	9M74	R.H.-108-1/4" long	8M 7320530-B	1
49	9M74	L.H.-108-1/4" long	8M 7320531-B	1
49	9M79	R.H.-120-1/4" long	8M 7920530-B	1
49	9M79	L.H.-120-1/4" long	8M 7920531-B	1

BODY PARTS CATALOGUE

YEAR 19__	BODY TYPES	REMARKS	PART NUMBER	NO. REQ'D
Group 20530-1 WEATHERSTRIP (DOOR HINGE PILLAR)				
49	9M76	R.H.	8M 7620530-B	1
49	9M76	L.H.	8M 7630531-B	1
49	9M76	Screw (Phillips binding head)-No. 8 x 1/2"	350160-S13	2
Group 20542-3 WEATHERSTRIP (DOOR LOCK PILLAR)				
49	9M76	R.H.	8M 7620542-B	1
49	9M76	L.H.	8M 7620543-B	1
49	9M76	Screw (Phillips binding head)-No. 8 x 1/2"	350160-S13	2
Group 20548-9 WEATHERSTRIP (FRONT DOOR LOCK PILLAR)-LOWER				
49	9M72	R.H.-replaced by 8M-7020394	8M 7020548-A	1
49	9M72	L.H.-replaced by 8M-7020395	8M 7020549-A	1
49	9M74	R.H.-replaced by 8M-7320394	8M 7320548-A	1
49	9M74	L.H.-replaced by 8M-7320395	8M 7320549-A	1
Group 20574 CLIP (DOOR WEATHERSTRIP RETAINER)				
49	9M76		8M 7620574	2
Group 20706 WEATHERSTRIP (FRONT DOOR BOTTOM)-OUTER				
49	9M72-76	replaced by 8M-7020394-5	7A 7020706-A	2
49	9M74	replaced by 8M-7320394-5	7A 7320706-A	2
49	9M79	replaced by 8M-7920394-5	7A 7920706-A	2
Group 20708 WEATHERSTRIP (FRONT DOOR BOTTOM)-INNER				
49	9M except 74	replaced by 8M-7020394-5	7A 7020708-A	2
49	9M74	replaced by 8M-7320394-5	7A 7320708-A	2
Group 20712 RETAINER (DOOR BOTTOM WEATHERSTRIP)-OUTER				
39	9M except 74		8M 7020712-B	2
49	9M74		8M-7320712-B	2
49	9M79		8M 7920712-B	2
Group 20724-5 WELT AND CARDBOARD ASSEMBLY (FRONT DOOR WINDOW FINISH STRIP)				
49	9M72	R.H.	8M 7020724	1
49	9M72	L.H.	8M 7020725	1
49	9M74	R.H.	8M 7320724	1
49	9M74	L.H.	8M 7320725	1
Group 20902-3 STRIP AND WEATHERSTRIP ASSEMBLY (DOOR WINDOW FINISH)				
49	9M79	R.H.	8M 7920902	1
49	9M79	L.H.	8M 7920903	1
Group 20925 CLIP (WINDOW REVEAL MOULDING)				
49	9M72-74		8M 7020925	4
Group 20930-1 CLIP (DOOR WINDOW FINISH STRIP)-REAR LOWER				
49	9M79	R.H.	8M 7920930	1
49	9M79	L.H.	8M 7920931	1

MERCURY

BODY PARTS CATALOGUE

YEAR 19	BODY TYPES	REMARKS	PART NUMBER	NO. REQ'D
Group 20934-5 MOULDING (DOOR OUTSIDE)-AT BELT				
49	9M72	at belt-R.H.-approximately 47-37/64" long	8M 7020934	1
49	9M72	at belt-L.H.-approximately 47-37/64" long	8M 7020935	1
49	9M74	at belt-R.H.-approximately 37-3/8" long	8M 7320934	1
49	9M74	at belt-R.H.-approximately 37-3/8" long	8M 7320935	1
49	9M72-74	Retainer (moulding)	358168-S3	as reqd
Group 20934-5 MOULDING (DOOR OUTSIDE)-UPPER				
49	9M79	R.H.-47-5/8" long	8M 7920934	1
49	9M79	L.H.-47-5/8" long	8M 7920935	1
Group 20938-9 MOULDING (FRONT DOOR OUTSIDE)-LOWER				
49	9M72-76	R.H.-50-63/64" long	8M 7020938	1
49	9M72-76	L.H.-50-63/64" long	8M 7020939	1
49	9M74	R.H.-40-31/64" long	8M 7320938	1
49	9M74	L.H.-40-31/64" long	8M 7320939	1
49	9M except 79	Clip (moulding)	352396-S3	12or18
49	9M except 79	Retainer assy (moulding)-No. 10-24	35239-A2-S7	2
Group 20942-3 MOULDING ASSEMBLY (FRONT DOOR TRIM)				
49	9M72-76	R.H.	8M 7020942-A	1
49	9M72-76	L.H.	8M 7020943-A	1
49	9M74	R.H.	8M 7320942-A	1
49	9M74	L.H.	8M 7320943-A	1
Group 20946 RETAINER (GARNISH MOULDING INSERT)				
49	9M except 79		8M 7020946-A	2or4
49	9M except 79	Nut (speed) No. 12	350786-S7	4or8
Group 20956 MOULDING ASSEMBLY (FRONT DOOR TRIM PANEL)-LOWER				
49	9M72-76		8M 7020956-A	2
49	9M74		8M 7320956-A	2
Group 20964-5 STRIP AND WEATHERSTRIP ASSEMBLY (DOOR WINDOW FINISH)-LOWER				
49	9M76	R.H.-Chrome Gray Metallic	8M 7620964-A	1
49	9M76	L.H.-Chrome Gray Metallic-replaced by 8M-7620965-AP	8M 7620965-A	1
49	9M76	R.H.-Green Metallic-replaced by 8M-7620964-AP	8M 7620964-C	1
49	9M76	L.H.-Green Metallic-replaced by 8M-7620965-AP	8M 7620965-C	1
49	9M76	R.H.-Mercury Texture Green Metallic	8M 7620964-F	1
49	9M76	L.H.-Mercury Texture Green Metallic	8M 7620965-F	1
49	9M76	R.H.-Tampico Red Metallic	8M 7620964-D	1
49	9M76	L.H.-Tampico Red Metallic	8M 7620965-D	1
49	9M76	R.H.-Gazelle Tan Metallic	8M 7620964-B	1
49	9M76	L.H.-Gazelle Tan Metallic	8M 7620965-B	1
49	9M76	R.H.-Mercury Texture Tan Metallic-replaced by 8M-7620964-AP	8M 7620964-E	1
49	9M76	L.H.-Mercury Texture Tan Metallic	8M 7620965-E	1
49	9M76	R.H.-in Prime	8M 7620964-AP	1
49	9M76	L.H.-in Prime	8M 7620965-AP	1
49	9M76	Speed nut-No. 12	350786-AS7	4

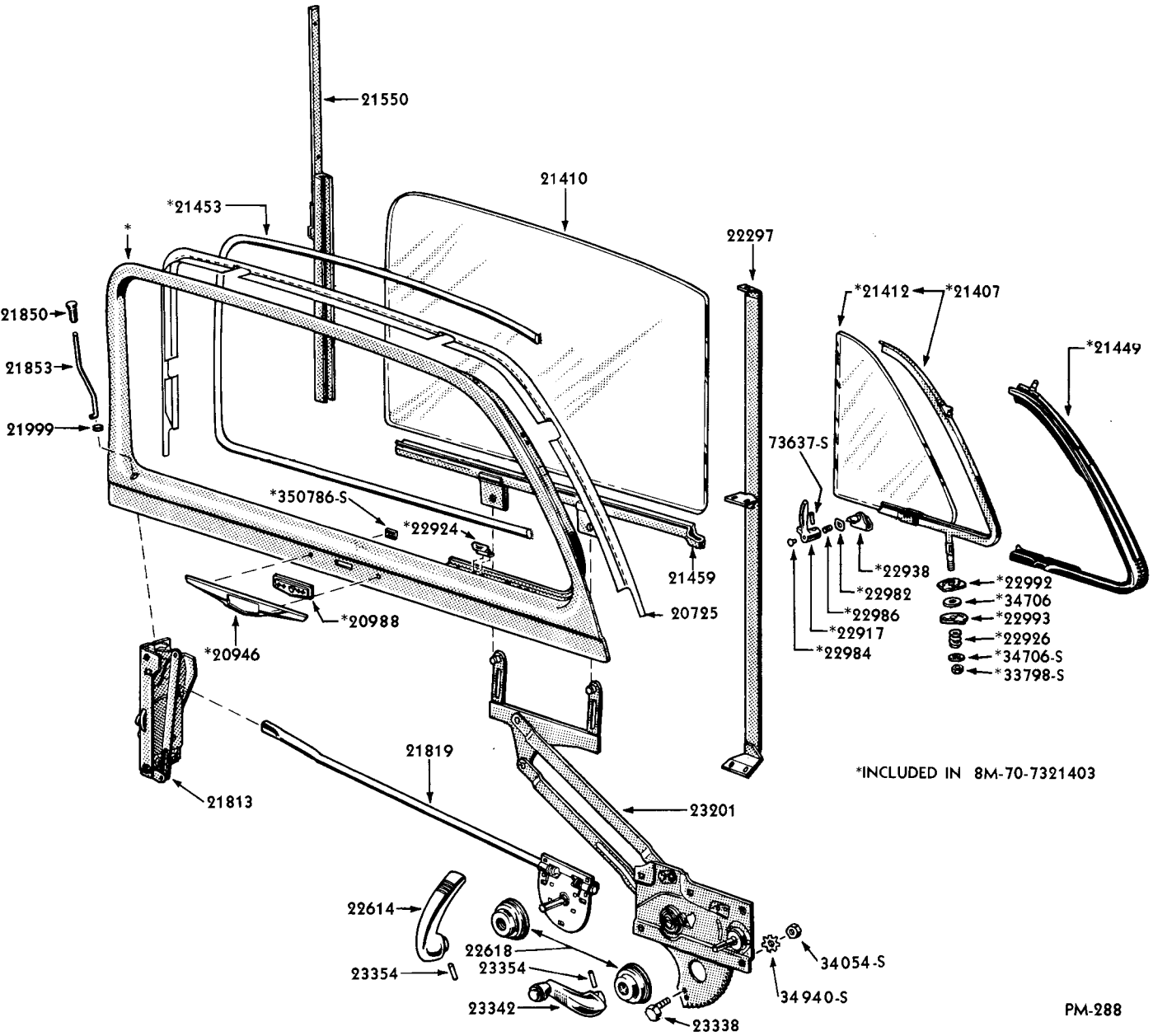
MERCURY

BODY PARTS CATALOGUE

YEAR 19	BODY TYPES	REMARKS	PART NUMBER	NO. REQ'D
Group 20984-5 MOULDING AND WEATHERSTRIP ASSEMBLY (FRONT DOOR WINDOW REVEAL)-OUTSIDE				
49	9M72	R.H.	8M 7020984-B	1
49	9M72	L.H.	8M 7020985-B	1
49	9M74	R.H.	8M 7320984-B	1
49	9M74	L.H.	8M 7320985-B	1
49	9M76	R.H.	8M 7620984	1
49	9M76	L.H.	8M 7620985	1
Group 20988 INSERT (GARNISH MOULDING PLASTIC NAME)				
49	9M except 79	Mercury Lettering	8M 7020988-A	2or4
Group 20988-9 MOULDING (DOOR INSIDE)-BOTTOM				
49	9M79	R.H.	7A 7920988	1
49	9M79	L.H.	7A 7920989	1
Group 20990-1 MOULDING (DOOR INSIDE)-FRONT				
49	9M79	R.H.-26-25/32" long	7A 7920990	1
49	9M79	L.H.-26-25/32" long	7A 7920991	1
Group 20992-3 MOULDING AND CLIP ASSEMBLY (DOOR OUTSIDE PANEL REVEAL)-FRONT				
49	9M72-74	R.H.-replaced by 8M-7020984-B or 8M-7320984-B	7A 7020992	1
49	9M72-74	L.H.-replaced by 8M-7020985-B or 8M-7320985-B	7A 7020993	1
Group 20998-9 MOULDING (DOOR INSIDE)-REAR				
49	9M79	R.H.-27-27/64" long	7A 7920998	1
49	9M79	L.H.-27-27/64" long	7A 7920999	1
Group 21228-9 FRAME AND GLASS ASSEMBLY (DOOR VENT WINDOW)				
49	9M76	R.H.	8M 7621228	1
49	9M76	L.H.	8M 7621229	1
Group 21388-9 PAD (DOOR GLASS FRAME TO DOOR PANEL)-HINGE SIDE				
49	9M76	R.H.	8M 7621388-A	1
49	9M76	L.H.	8M 7621389-A	1

Group 21402-3 VENTILATING WINDOW AND FINISH STRIP ASSEMBLY (FRONT DOOR)-COMPLETE

49	9M72	R.H.-Mercury Texture Blue Metallic	8M 7021402-F	1
49	9M72	L.H.-Mercury Texture Blue Metallic	8M 7021403-F	1
49	9M72	R.H.-Gray Metallic Finish	8M 7021402-C	1
49	9M72	L.H.-Gray Metallic Finish	8M 7021403-C	1
49	9M72	R.H.-Green Metallic Finish	8M 7021402-A	1
49	9M72	L.H.-Green Metallic Finish	8M 7021403-A	1
49	9M72	R.H.-Mercury Texture Green Metallic	8M 7021402-D	1
49	9M72	L.H.-Mercury Texture Green Metallic	8M 7021403-D	1
49	9M72	R.H.-Gazelle Tan Metallic Finish	8M 7021402-B	1
49	9M72	L.H.-Gazelle Tan Metallic Finish	8M 7021403-B	1
49	9M72	R.H.-Mercury Texture Tan Metallic	8M 7021402-E	1
49	9M72	L.H.-Mercury Texture Tan Metallic	8M 7021403-E	1
49	9M72	R.H.-in Prime	8M 7021402-AP	1
49	9M72	L.H.-in Prime	8M 7021403-AP	1
49	9M74	R.H.-in Prime	8M 7321402-AP	1
49	9M74	L.H.-in Prime	8M 7321403-AP	1
49	9M79	R.H.-Maple Grain	8M 7921402	1
49	9M79	L.H.-Maple Grain	8M 7921403	1
49	9M72-74	Screw (Phillips head)-No. 8 x 3/4"	350095-S13	10
49	9M79	Screw (Phillips-oval head)-No. 8 x 5/8"	350066-S13	12
49	9M79	Screw (Phillips-oval head self tapping)-No. 8 x 1"	350068-S13	2



1949 DOOR PARTS

Group numbers only shown on illustration. Order by Part Numbers shown in list of parts.

PM-288

YEAR	BODY TYPES	REMARKS	PART NUMBER	NO. REQ'D
19				
Group 21402-3 WINDOW ASSEMBLY (FRONT DOOR VENTILATING)-COMPLETE				
49	9M76	R.H.	8M 7621402	1
49	9M76	L.H.	8M 7621403	1
49	9M76	Screw (Phillips-oval head self tapping)-No. 8 x 7/8"	350067-S13	10
49	9M76	Washer (flat)-1/4"	34745-S2	8

BODY PARTS CATALOGUE

YEAR 19	BODY TYPES	REMARKS	PART NUMBER	NO. REQ'D
* Group 21406-7 GLASS AND FRAME ASSEMBLY (FRONT DOOR VENTILATING WINDOW)				
49	9M72-74	R.H.	8M 7021406-A	1
49	9M72-74	L.H.	8M 7021407-A	1
49	9M72-74	Nut (hex)-1/4"-24	33798-S2	2
49	9M72-74	Washer (flat)-5/16"	34706-S2	4
Group 21410 GLASS (FRONT DOOR WINDOW)				
49	9M72		8M 7021410-A	2
49	9M74		8M 7321410-A	2
49	9M76		8M 7621410-A	2
49	9M79		8M 7921410-A	2
Group 21412 GLASS (FRONT DOOR VENT WINDOW)				
49	9M72-74		8M 7021412-A	2
49	9M76		8M 7621412-A	2
49	9M79		8M 7921412-A	2
Group 21424 STRIP (FRONT DOOR GLASS RETAINING)				
49	9M72-79	27 1/4" long-replaced by M-17779-A	8M 7021424-D	2
49	9M74	17 3/4" long-replaced by M-17779-A	8M 7321424-D	2
Group 21446 WEATHERSTRIP (DOOR WINDOW GLASS)-OUTER				
49	9M79	75" long-replaced by 7A-7929732-A	7A 7921446	2
Group 21448-9 WEATHERSTRIP (FRONT DOOR VENT WINDOW)				
49	9M72-74	R.H.	7A 7021448	1
49	9M72-74	L.H.	7A 7021449	1
49	9M76	R.H.	8M 7621448	1
49	9M76	L.H.	8M 7621449	1
49	9M79	R.H.	7A 7921448-A	1
49	9M79	L.H.	7A 7921449-A	1
Group 21450 WEATHERSTRIP (DOOR VENT WINDOW DIVISION BAR)				
49	9M72-74	10-1/2" long	7A 7021450-A	2or4
49	9M79	12-21/64" long	7A 7921450	2
Group 21452-3 WEATHERSTRIP (DOOR WINDOW OPENING)				
49	9M72	R.H.	8M 7021452-A	2
49	9M72	L.H.	8M 7021453-A	2
49	9M74	R.H.-Front Door	8M 7321452-A	2
49	9M74	L.H.-Front Door	8M 7321453-A	2
Group 21452 WEATHERSTRIP (DOOR WINDOW GLASS)				
49	9M76		7A 7621452	4
Group 21452-3 WEATHERSTRIP (DOOR WINDOW)-AT BELT				
49	9M79	R.H.	8M 7921452-A	1
49	9M79	L.H.	8M 7921453-A	1
Group 21454 WEATHERSTRIP (DOOR VENT WINDOW FRAME)-REAR				
49	9M76		8M 7621454	2

MERCURY

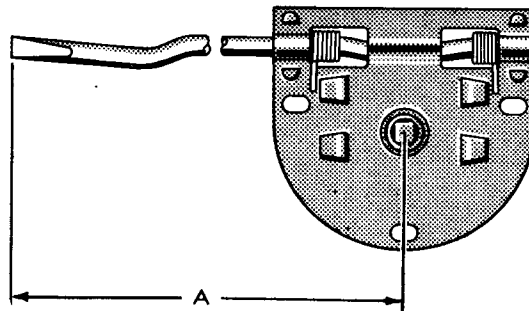
BODY PARTS CATALOGUE

YEAR 19	BODY TYPES	REMARKS	PART NUMBER	NO. REQ'D
Group 21458-9 CHANNEL AND BRACKET ASSEMBLY (FRONT DOOR GLASS)				
49	9M72	R.H.-Manual Control	8M 7021458-A	1
49	9M72	L.H.-Manual Control	8M 7021459-A	1
49	9M72	R.H.-Hydraulic Control	8M 7021458-B	1
49	9M72	L.H.-Hydraulic Control	8M 7021459-B	1
49	9M74	R.H.-Manual Control	8M 7321458-A	1
49	9M74	L.H.-Manual Control	8M 7321459-A	1
49	9M74	R.H.-Hydraulic Control	8M 7321458-B	1
49	9M74	L.H.-Hydraulic Control	8M 7321459-B	1
49	9M79	R.H.-Manual Control	8M 7921458-A	1
49	9M79	L.H.-Manual Control	8M 7921459-A	1
49	9M72-74	Bolt (hex head)-1/4"-28 x 5/8"	20325-S7	4or8
49	9M72-74	Nut (lock)-1/4"-28	34391-S7	4or8
49	9M72-74	Washer (flat)-1/4"	34705-S2	4or8
Group 21458-9 CHANNEL ASSEMBLY (DOOR WINDOW GLASS LIFTER)				
49	9M76	R.H.-with flange on retainer-use with 7A-7621510-A weatherstrip	8M 7621458-A	1
49	9M76	L.H.-with flange on retainer-use with 7A-7621510-A weatherstrip	8M 7621459-A	1
49	9M76	R.H.-without flange on retainer-use with 8M-7621510 weatherstrip	8M 7621458-B	1
49	9M76	L.H.-without flange on retainer-use with 8M-7621510 weatherstrip	8M 7621459-B	1
Group 21464-7 HINGE (FRONT DOOR VENTILATING WINDOW)-UPPER				
49	9M except 76	R.H.-on moulding	7A 7021464	1
49	9M except 76	L.H.-on moulding	7A 7021465	1
49	9M except 76	R.H.-on frame	7A 7021466	1
49	9M except 76	L.H.-on frame	7A 7021467	1
49	9M except 76	Rivet (special tubular)-9/64" x 17/64"	356920-S	8
Group 21508-9 RUN ASSEMBLY (DOOR GLASS)-LOCK SIDE-COMPLETE				
49	9M76	R.H.	7A 7621508	1
49	9M76	L.H.	7A 7621509	1
49	9M76	Locknut-1/4"-20	34390-S7	4
49	9M76	Rivet (oval head tubular)	63528-S	4
Group 21510 WEATHERSTRIP (DOOR GLASS CHANNEL)				
49	9M72-79	27-1/4" long-replaced by 7EH-7221510 for service	8M 7021510	2
49	9M74	17-25/32" long-replaced by 7EH-7221510 for service	8M 7321510	2
49	9M except 76		7EH 7221510	2
Group 21510 WEATHERSTRIP (DOOR GLASS CHANNEL)-LOWER				
49	9M76	19/32" high 5/32" inside lip-use on 8M-7621458-9-A	7A 7621510-A	2
49	9M76	21/32" high 5/32" inside lip-use on 8M-7621458-9-B	8M 7621510-B	2
Group 21538 SUPPORT ASSEMBLY (DOOR GLASS RUN)-LOWER				
49	9M76		8M 7621538	4
49	9M76	Screw (binding head)-1/4"-20 x 5/8"	39072-S2	4
49	9M76	Screw and lockwasher assy (hex head)-1/4"-20 x 5/8"	43263-S8	4
Group 21544 WEATHERSTRIP (FRONT DOOR GLASS HEADER)				
49	9M72	31" long	8M 7021544	2
49	9M74	20-5/32" long-replaced by 8M-7021544 for service	8M 7321544	2

MERCURY

BODY PARTS CATALOGUE

YEAR 19	BODY TYPES	REMARKS	PART NUMBER	NO. REQ'D
Group 21546-7 RUN (DOOR GLASS)-HINGE SIDE				
49	9M76	R.H.	7A 7621546	1
49	9M76	L.H.	7A 7621547	1
Group 21550 RUN ASSEMBLY (DOOR GLASS)-LOCK SIDE-COMLETE				
49	9M72-74		7A 7021550	2or6
49	9M79		7A 7921550	2
49	9M79	Screw (flat head sheet metal)-No. 6 x 3/8"	351614-S2	4
Group 21570-1 RETAINER ASSEMBLY (DOOR GLASS RUN)-LOCK SIDE				
49	9M79	R.H.	7A 7921570	1
49	9M79	L.H.	7A 7921571	1
49	9M79	Screw and washer assy (oval head)-No. 12-24 x 1/2"	42868-S2	4
Group 21572-3 RETAINER (DOOR GLASS RUN)-LOCK SIDE				
49	9M72-74	R.H.-14-7/32" long	8M 7021572	1or2
49	9M72-74	L.H.-14-7/32" long	8M 7021573	1or2
Group 21812-3 LOCK ASSEMBLY (FRONT DOOR)				
49	9M	R.H.	8M 7021812	1
49	9M	L.H.	8M 7021813	1
49	9M	Nut (sleeve-special)-No. 10-32	350866-S7	8
49	9M	Screw and lockwasher assy (oval head)-No. 10-32 x 1/2"	50697-S8	8



PART NO.	A
8M-7021818-9	26 ³ / ₁₆ "
8M-7321819-9	16 ¹ / ₁₆ "
8M-7326404-5	7 ² / ₃₂ "

PM-283

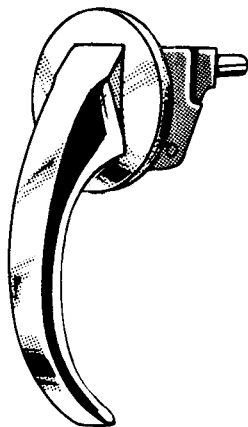
Group 21818-9 CONTROL ASSEMBLY (FRONT DOOR LOCK REMOTE)				
49	9M except 74	R.H.	8M 7021818	1
49	9M except 74	L.H.	8M 7021819	1
49	9M74	R.H.	8M 7321818	1
49	9M74	L.H.	8M 7321819	1
Group 21850 KNOB (DOOR LOCKING CONTROL ROD)				
49	9M		8H 7321850-B	2or4

MERCURY

BODY PARTS CATALOGUE

YEAR 19	BODY TYPES	REMARKS	PART NUMBER	NO. REQ'D
Group 21852-3 ROD (DOOR LOCK SAFETY CATCH)				
49	9M except 76	R.H.	8M 7021852-A	1or2
49	9M except 76	L.H.	8M 7021853-A	1or2
49	9M76	R.H.	8M 7621852-A	1
49	9M76	L.H.	8M 7621853-A	1
Group 21984-5 CYLINDER AND SLEEVE ASSEMBLY (DOOR PANEL LOCK)-COMPLETE WITH KEY				
49	9M	R.H.	8L 7321934	1
49	9M	L.H.	8L 7321935	1
49	9M except 79	Screw (hex socket set)-No. 10-32	355114-S8	2
49	9M79	Screw (hex socket set)-No. 10-32 x 3/4"	350106-S7	2
49	9M79	Nut (sleeve)-No. 10-32	350866-S7	2
Group 21999 FERRULE (DOOR LOCK KNOB)				
49	9M	Rubber	8M 7221999	2or4
Group 22020 PLATE ASSEMBLY (DOOR LOCK STRIKER TAPPING)				
49	9M		7EH 7322020	2or4
Group 22058 SHIM (DOOR LOCK STRIKER PLATE)				
49	9M	2-13/32" x 1-3/16"	8M 7022058	
Group 22078-9 PLATE ASSEMBLY (DOOR LOCK LATCH PIN)				
49	9M	R.H.	8H 7322078	1or2
49	9M	L.H.	8H 7322079	1or2
49	9M72	Lockwasher (external tooth)-1/4"	34954-S7	4or8
49	9M74	Screw (flat head-Phillips)-1/4"-28 x 5/8"	50026-S8	4or8
49	9M	Screw and lockwasher assy (flat head)-1/4"-28 x 1/2"	355307-S7	4or8
Group 22218-9 FRAME AND GLASS ASSEMBLY (DOOR GLASS)-COMPLETE				
49	9M76	R.H.-with flange on channel ret.-use with 7A type weatherstrip	8M 7622218-A	1
49	9M76	L.H.-with flange on channel ret.-use with 7A type weatherstrip	8M 7622219-A	1
49	9M76	R.H.-without flange on channel ret.-use with 8M type weatherstrip	8M 7622218-B	1
49	9M76	L.H.-without flange on channel ret.-use with 8M type weatherstrip	8M 7622219-B	1
Group 22274 SHIM (DOOR VENT WINDOW FRAME TO INSIDE PANEL REAR BRACKET EXTENSION)				
49	9M76	23/32" wide by 2-7/8" long	8M 7622274	as req'd
Group 22296-7 BAR AND BRACKET ASSEMBLY (FRONT AND REAR DOOR VENT WINDOW DIVISION)-INCLUDING WEATHERSTRIP				
49	9M72-74	R.H.-with one hole in middle bracket	8M 7022296-A	1
49	9M72-74	L.H.-with one hole in middle bracket	8M 7022297-A	1
49	9M72-74	R.H.-with two holes in middle bracket	8M 7022296-B	1
49	9M72-74	L.H.-with two holes in middle bracket	8M 7022297-B	1
49	9M74	R.H.-rear door	8M 7422296-B	1
49	9M74	L.H.-rear door	8M 7422297-B	1
49	9M79	R.H.	8M 7922296-B	1
49	9M79	L.H.	8M 7922297-B	1
49	9M	Nut (speed)-No. 14-A	352312-S32	4
49	9M except 76	Screw (binding head self tapping)-No. 14 x 1/2"	31477-S2	4or8
49	9M72-74	Screw (binding head machine)-No. 10-32 x 3/8"	39032-S7	2
49	9M72-74	Screw and lockwasher assy (binding head self tapping)- No. 10-32 x 3/8"	42802-S8	2
49	9M72-74	Screw and washer assy (hex head)-1/4"-28 x 1/2"	42907-S8	4
49	9M72-74	Screw and lockwasher assy (binding head)-No. 10-32 x .62	355167-S8	2
49	9M79	Screw and lockwasher assy (hex head)-1/4"-28 x 5/8"	42904-S8	4
49	9M79	Washer (flat)-1/4"	34705-S2	4

BODY PARTS CATALOGUE



8M-7022400

PM-284

YEAR 19	BODY TYPES	REMARKS	PART NUMBER	NO. REQ'D
Group 22400 HANDLE ASSEMBLY (DOOR OUTSIDE)				
49	9M except 79	Pull type Handle	8M 7022400-B	2or4
49	9M except 79	Pull Type Handle-rod 1-39/64" long	8M 7022400-C	2or4
49	9M79	Pull Type Handle-rod 2-1/64" long	8M 7922400-C	2
49	9M79	Lockwasher-No. 12	34804-S2	4
49	9M79	Screw (round head pointed)-No. 12-24 x 1"	26546-S	4
49	9M except 79	Screw and lockwasher assy (round head)-No. 12-24 x 5/8"	42902-S8	4or8
Group 22428 PLATE (DOOR OUTSIDE HANDLE ESCUTCHEON BOTTOM)				
49	9M79		8M 7922428	2
Group 22482 GROMMET (DOOR HANDLE OUTSIDE)				
49	9M except 79		8M 7022482	2or4
Group 22614 HANDLE (DOOR INSIDE)				
49	9M		8M 7022614	2or4
Group 22618 ESCUTCHEON ASSEMBLY (DOOR INSIDE HANDLE AND WINDOW REGULATOR HANDLE)				
49	9M		8M 7022618	4or8
Group 22800-1 HINGE ASSEMBLY (FRONT DOOR)-UPPER				
49	9M except 79	R.H.	8M 7022800	1
49	9M except 79	L.H.	8M 7022801	1
49	9M79	R.H.	8M 7922800	1
49	9M79	L.H.	8M 7922801	1
49	9M except 76	Nut (lock)-5/16"-24	34393-S7	as req'd

MERCURY

BODY PARTS CATALOGUE

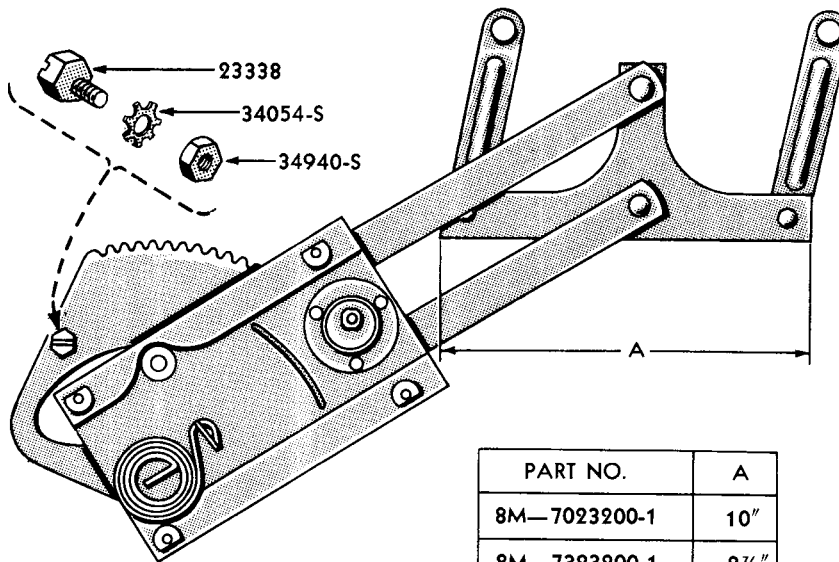
YEAR 19	BODY TYPES	REMARKS	PART NUMBER	NO. REQ'D
Group 22810-1 HINGE ASSEMBLY (FRONT DOOR)-LOWER				
49	9M	R.H.	8M 7022810	1
49	9M	L.H.	8M 7022811	1
49	9M except 76	Locknut-5/16"-24	35393-S7	as req'd
49	9M	Screw and lockwasher assy (oval head)-5/16"-24	355469-S2	as req'd
Group 22840 PIN (DOOR HINGE)				
49	9M		8M 7022840-B	4or8
Group 22884-5 RAIN SHIELD (FRONT DOOR VENTILATING WINDOW)				
49	9M72-74	R.H.	7A 7022884	1
49	9M72-74	L.H.	7A 7022885	1
49	9M72-74	Screw (binding head self tapping)-No. 4 x 1/2"	32905-S8	8
Group 22916-7 HANDLE (DOOR VENTILATOR WINDOW FRAME)				
49	9M	R.H.	01A 7022916-B	1or2
49	9M	L.H.	01A 7022917-B	1or2
49	9M	Pin (taper)-1/2"	73637-S7-8	2
Group 22920 KEY (DOOR VENTILATOR WINDOW FRAME)				
49	9M		01A 7022920	2or4
Group 22921 PLATE (DOOR DIVISION CHANNEL LOWER BRACKET TAPPING)				
49	9M except 76		7A 7022921	2or4
49	9M79	Screw and lockwasher assy (hex head)-1/4"-28 x 5/8"	42904-S8	4
Group 22924 PLATE (DOOR VENTILATOR WINDOW LOCK)				
49	9M		01A 7022924-B	2or4
Group 22926 SPRING (FRONT DOOR VENTILATOR WINDOW PIVOT)				
49	9M		01A 7022926	2
Group 22938 BRACKET AND HANDLE SHAFT ASSEMBLY (DOOR VENTILATOR WINDOW)				
49	9M		01A 7022938	2or4
Group 22982 WASHER (DOOR VENTILATOR WINDOW PIVOT)				
49	9M		01A 7022982	2or4
Group 22984 BUTTON (DOOR VENTILATOR WINDOW HANDLE)				
49	9M		01A 7022984	2or4
Group 22986 SPRING (DOOR VENTILATOR WINDOW HANDLE)				
49	9M		01A 7022986	2or4
Group 22992-3 STOP (DOOR VENT WINDOW PIVOT)				
49	9M	R.H.	8M 7022992	2
49	9M	L.H.	8M 7022993	2

MERCURY

31

BODY PARTS CATALOGUE

YEAR 19	BODY TYPES	REMARKS	PART NUMBER	NO. REQ'D
	Group 23050	SUPPORT ASSEMBLY (FRONT DOOR VENT WINDOW FRONT AND REAR FRAME BRACKET)-LOWER		
49	9M76		11A 7623050	2
49	9M76	Screw and lockwasher assy (hex head)-1/4"-20 x 5/8"	43263-S8	2



PART NO.	A
8M-7023200-1	10"
8M-7323200-1	8 1/2"
8M-7427000-1	8"

PM-282

WINDOW REGULATOR MANUAL CONTROL

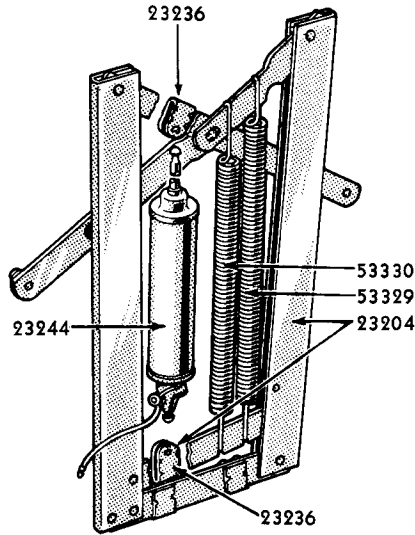
Group numbers only shown on illustration. Order by Part Numbers shown in list of parts.

Group 23200-1 REGULATOR ASSEMBLY (FRONT DOOR WINDOW)

49	9M72	R.H.-Manual Control	8M 7023200-A	1
49	9M72	L.H.-Manual Control	8M 7023201-A	1
49	9M72-74	R.H.-Hydraulic Control-front and rear door	8M 7023200-B	1or2
49	9M72-74	L.H.-Hydraulic Control-front and rear door	8M 7023201-B	1or2
49	9M74	R.H.-Manual Control	8M 7323200-A	1
49	9M74	L.H.-Manual Control	8M 7323201-A	1
49	9M76	R.H.-Hydraulic Control	8M 7623200	1
49	9M76	L.H.-Hydraulic Control	8M 7623201	1
49	9M79	R.H.-Manual Control	7A 7923200	1
49	9M79	L.H.-Manual Control	7A 7923201	1
49	9M79	Lockwasher (internal tooth)-No. 12	34904-S2	10
49	9M72-74	Lockwasher (internal and external tooth)-No. 12	351281-S2-A1	2
49	9M79	Screw (binding head)-No. 12-24 x 1/2"	39049-S2	10
49	9M79	Screw (binding head machine)-No. 12-24 x 3/8"	355168-S2	10
49	9M72	Washer (flat)-5/16"	34706-S2	2

Group 23204-5 FRAME ASSEMBLY (HYDRAULIC WINDOW REGULATOR)

49	9M72-74	R.H.	8M 7023204	1or2
49	9M72-74	L.H.	8M 7023205	1or2



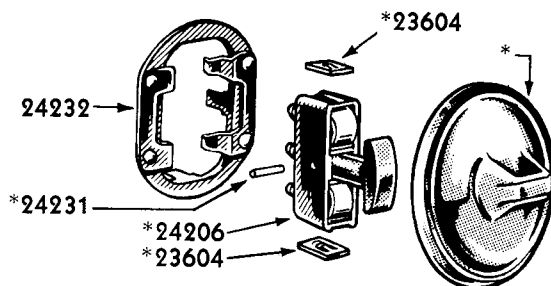
PM-267

WINDOW REGULATOR HYDRAULIC CONTROL

Group numbers only shown on illustration. Order by Part Numbers shown in list of parts.

YEAR 19__	BODY TYPES	REMARKS	PART NUMBER	NO. REQ'D
Group 23236 BRACKET (WINDOW REGULATOR ARM)				
49	9M		51A 7123236	5or9
Group 23244 CYLINDER ASSEMBLY (DOOR WINDOW REGULATOR HYDRAULIC)				
49	9M except 79		8L 7323244	2or4
Group 23257 SPRING (FRONT DOOR REGULATOR ARM STUD RETAINING)				
49	9M except 76		11A 7023257	4or8
Group 23259 WASHER (WINDOW REGULATOR ARM ATTACHING BRACKET)				
49	9M except 76		11A 7023259	8or12
Group 23302-3 SWITCH AND HOUSING ASSEMBLY (HYDRAULIC WINDOW REGULATOR)				
49	9M72-74	special equipment-single switch	8H 7223302	3
49	9M74	special equipment-four switch	8H 7223303	1
49	9M76	single switch	8H 7223302	3
49	9M76	four switch	8H 7223303	1

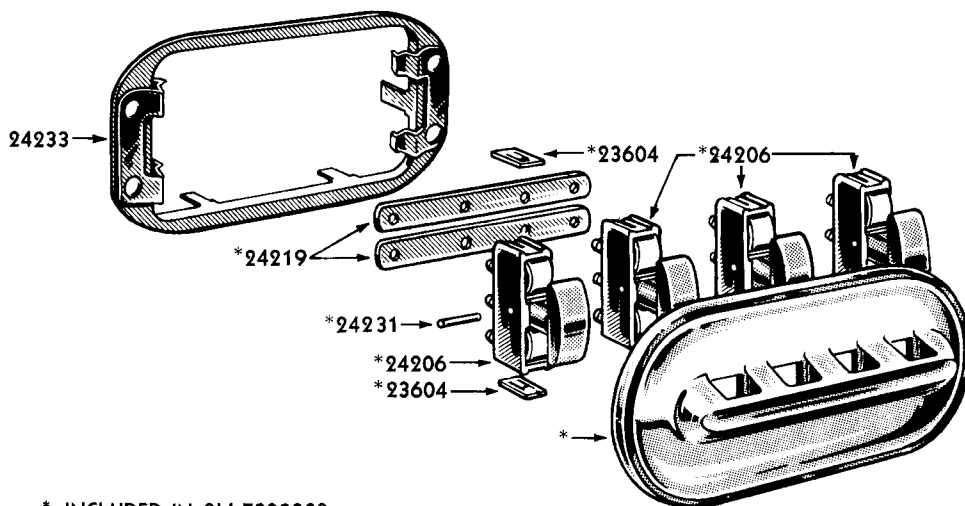
BODY PARTS CATALOGUE



*INCLUDED IN 8H-7223302

PL-286

SINGLE HYDRAULIC WINDOW SWITCH (8H-7223302)



* INCLUDED IN 8H-7223303

PL-285

MULTIPLE HYDRAULIC WINDOW SWITCH (8H-7223303)

Group numbers only shown on illustration. Order by Part Numbers shown in list of parts.

YEAR 19	BODY TYPES	REMARKS	PART NUMBER	NO. REQ'D
Group 23312 SUPPORT (DOOR HYDRAULIC WINDOW REGULATOR SIDE RAIL)-UPPER				
49	9M72	Hydraulic Controlled	8M 7023312	2
49	9M74	Hydraulic Controlled	8M 7323312	2
Group 23318 SPRING (DOOR WINDOW REGULATOR COUNTER BALANCE)				
49	9M79		7A 7923318	2
Group 23338 BOLT (DOOR WINDOW REGULATOR STOP)				
49	9M except 76	Manual control	01A 7023338	2or4
49	9M except 76	Lockwasher (external tooth)-1/4"	34940-S	2or4
49	9M except 76	Nut (hex)-No. 12-24	34054-S2	2or4
Group 23342 HANDLE ASSEMBLY (WINDOW REGULATOR)				
49	9M except 76	Manual Control	8M 7023342	2or4

MERCURY

BODY PARTS CATALOGUE

YEAR 19__	BODY TYPES	REMARKS	PART NUMBER	NO. REQ'D
Group 23354 PIN (DOOR WINDOW REGULATOR AND DOOR INSIDE HANDLE)				
49	GM	3/4" long	8A 7023354-B	4or8
Group 23382 SUPPORT AND RETAINER ASSEMBLY (HYDRAULIC WINDOW REGULATOR ARM ROLLER)				
49	GM except 79	front door	5EH 7323382	2
49	GM74	rear door	8M 7423382	2
Group 23494 STOP (DOOR GLASS)-ON INNER PANEL				
49	GM76		8M 7623494	4
Group 23500 ARM ASSEMBLY (DOOR CHECK)				
49	GM		8M 7023500	2
Group 23530 HOUSING ASSEMBLY (DOOR CHECK ARM)				
49	GM except 79		06H 5623530	2or4
49	GM79		96H 7023530	2
Group 23600-1 FRAME ASSEMBLY (HYDRAULIC QUARTER WINDOW)				
49	GM76	R.H.	8L 7623600	1
49	GM76	L.H.	8L 7623601	1
Group 23602 CYLINDER ASSEMBLY (QUARTER WINDOW HYDRAULIC)				
49	GM		8H 7623602	2
Group 23603 SPRING (QUARTER WINDOW HYDRAULIC OPERATING)				
49	GM	Black Enamel	8H 7623603	2
Group 23604 SPRING (HYDRAULIC ELECTRIC SWITCH)-LOCKING				
49	GM except 79		8H 7323604	as req'd

Group 23942-3 TRIM ASSEMBLY (FRONT DOOR)

49	9M72	R.H.-Upper M-5156-C Plain Blue Broadcloth, Center M-5155-C Blue Stripe Broadcloth, Lower Blue Carpet	8M 7023942-C	1
49	9M72	L.H.-Upper M-5156-C Plain Blue Broadcloth, Center M-5155-C Blue Stripe Broadcloth, Lower Blue Carpet	8M 7023943-C	1
49	9M72	R.H.-Upper M-5156-C Plain Blue Broadcloth, Center M-5155-C Blue Stripe Broadcloth, Lower Blue Artificial Leather	8M 7023942-G	1
49	9M72	L.H.-Upper M-5156-C Plain Blue Broadcloth, Center M-5155-C Blue Stripe Broadcloth, Lower Blue Artificial Leather	8M 7023943-G	1
49	9M72	R.H.-Upper M-5156-F Blue Gray Broadcloth, Center M-5155-D Blue Stripe Broadcloth, Lower Blue Artificial Leather	8M 7023942-H	1
49	9M72	L.H.-Upper M-5156-F Blue Gray Broadcloth, Center M-5155-D Blue Stripe Broadcloth, Lower Blue Artificial Leather	8M 7023943-H	1
49	9M72	R.H.-Upper M-19104-F Blue Gray Broadcloth, Center M-19104-D Blue Stripe Broadcloth, Lower Dark Blue Gray Artificial Leather - Special Trim	8M 7023942-CCH	1
49	9M72	L.H.-Upper M-19104-F Blue Gray Broadcloth, Center M-19104-D Blue Stripe Broadcloth, Lower Dark Blue Gray Artificial Leather - Special Trim	8M 7023943-CCH	1
49	9M72	R.H.-Upper M-19101-V Blue Gray Broadcloth, Center M-19101-L Blue Gray Broadcloth, Lower Blue Gray Artificial Leather-Special Trim	8M 7023942-DDH	1
49	9M72	L.H.-Upper M-19101-V Blue Gray Broadcloth, Center M-19101-L Blue Gray Broadcloth, Lower Blue Gray Artificial Leather-Special Trim	8M 7023943-DDH	1

BODY PARTS CATALOGUE

YEAR 19	BODY TYPES	REMARKS	PART NUMBER	NO. REQ'D
Group 23942-3 TRIM ASSEMBLY (FRONT DOOR)-CONTINUED				
49	9M72	R.H.-Upper M-19152-V Dark Gray Broadcloth, Center M-19141-P Dark Gray Bedford Cord, Lower Gray Bedford Artificial Leather-Special Trim	8M 7023942-CCL	1
49	9M72	L.H.-Upper M-19152-V Dark Gray Broadcloth, Center M-19141-P Dark Gray Bedford Cord, Lower Gray Bedford Artificial Leather-Special Trim	8M 7023943-CCL	1
49	9M72	R.H.-Upper M-19152-L Gray Broadcloth, Center M-19101-U Blue Green Birdseye Broadcloth, Lower Gray Artificial Leather-Special Trim	8M 7023942-AAL	1
49	9M72	L.H.-Upper M-19152-L Gray Broadcloth, Center M-19101-U Blue Green Birdseye Broadcloth, Lower Gray Artificial Leather-Special Trim	8M 7023943-AAL	1
49	9M72	R.H.-Upper M-5156-A Plain Green Broadcloth, Center M-5155-A Patterned Green Broadcloth, Lower Green Carpet	8M 7023942-A	1
49	9M72	L.H.-Upper M-5156-A Plain Green Broadcloth, Center M-5155-A Patterned Green Broadcloth, Lower Green Carpet	8M 7023943-A	1
49	9M72	R.H.-Upper M-5156-A Plain Green Broadcloth, Center M-5155-A Patterned Green Broadcloth, Lower Green Artificial Leather	8M 7023942-E	1
49	9M72	L.H.-Upper M-5156-A Plain Green Broadcloth, Center M-5155-A Patterned Green Broadcloth, Lower Green Artificial Leather	8M 7023943-E	1
49	9M72	R.H.-Upper M-19104-E Green Broadcloth, Center M-19104-C Green Gray Broadcloth, Lower Green Gray Artificial Leather-Special Trim	8M 7023942-AAH	1
49	9M72	L.H.-Upper M-19104-E Green Broadcloth, Center M-19104-C Green Gray Broadcloth, Lower Green Gray Artificial Leather-Special Trim	8M 7023943-AAH	1
49	9M72	R.H.-Upper M-5156-B Plain Tan Broadcloth, Center M-5155-B Patterned Tan Bedford Cord, Lower Tan Carpet	8M 7023942-B	1
49	9M72	L.H.-Upper M-5156-B Plain Tan Broadcloth, Center M-5155-B Patterned Tan Bedford Cord, Lower Tan Carpet	8M 7023943-B	1
49	9M72	R.H.-Upper M-5156-B Plain Tan Broadcloth, Center M-5155-B Patterned Tan Bedford Cord, Lower Tan Artificial Leather	8M 7023942-F	1
49	9M72	L.H.-Upper M-5156-B Plain Tan Broadcloth, Center M-5155-B Patterned Tan Bedford Cord, Lower Tan Artificial Leather	8M 7023943-F	1
49	9M72	R.H.-Upper M-19101-N Tan Broadcloth, Center M-19101-T Brown Stripe Broadcloth, Lower Tan Artificial Leather-Special Trim	8M 7023942-BBH	1
49	9M72	L.H.-Upper M-19101-N Tan Broadcloth, Center M-19101-T Brown Stripe Broadcloth, Lower Tan Artificial Leather-Special Trim	8M 7023943-BBH	1
49	9M72	R.H.-Upper M-19152-M Brown Taupe Broadcloth, Center M-19101-W Tan and Yellow Broken Stripe Broadcloth, Lower Brown Taupe Artificial Leather-Special Trim	8M 7023942-BBL	1
49	9M72	L.H.-Upper M-19152-M Brown Taupe Broadcloth, Center M-19101-W Tan and Yellow Broken Stripe Broadcloth, Lower Brown Taupe Artificial Leather-Special Trim	8M 7023943-BBL	1
49	9M74	R.H.-Upper M-5156-C Plain Blue Broadcloth, Center M-5155-C Blue Stripe Broadcloth, Lower Blue Carpet	8M 7323942-C	1
49	9M74	L.H.-Upper M-5156-C Plain Blue Broadcloth, Center M-5155-C Blue Stripe Broadcloth, Lower Blue Carpet	8M 7323943-C	1
49	9M74	R.H.-Upper M-5156-C Plain Blue Broadcloth, Center M-5155-C Blue Stripe Broadcloth, Lower Blue Artificial Leather	8M 7323942-G	1
49	9M74	L.H.-Upper M-5156-C Plain Blue Broadcloth, Center M-5155-C Blue Stripe Broadcloth, Lower Blue Artificial Leather	8M 7323943-G	1
49	9M74	R.H.-Upper M-5156-F Blue Gray Broadcloth, Center M-5155-D Blue Stripe Broadcloth, Lower Blue Artificial Leather	8M 7323942-H	1
49	9M74	L.H.-Upper M-5156-F Blue Gray Broadcloth, Center M-5155-D Blue Stripe Broadcloth, Lower Blue Artificial Leather	8M 7323943-H	1

BODY PARTS CATALOGUE

YEAR 19	BODY TYPES	REMARKS	PART NUMBER	NO. REQ'D
Group 23942-3 TRIM ASSEMBLY (FRONT DOOR)-CONTINUED				
49	9M76	R.H.-Upper Green Artificial Leather, Center M-5085-Q-Green Bedford Cord, Lower Green Carpet	8M 7623942-C	1
49	9M76	L.H.-Upper Green Artificial Leather, Center M-5085-Q-Green Bedford Cord, Lower Green Carpet	8M 7623943-C	1
49	9M76	R.H.-Upper Green Artificial Leather, Center M-5085-Q Green Bedford Cord, Lower Green Artificial Leather	8M 7623942-F	1
49	9M76	L.H.-Upper Green Artificial Leather, Center M-5085-Q Green Bedford Cord, Lower Green Artificial Leather	8M 7623943-F	1
49	9M76	R.H.-Upper Red Artificial Leather, Center M-5085-P Tan Bedford cord, Lower Red Carpet	8M 7623942-A	1
49	9M76	L.H.-Upper Red Artificial Leather, Center M-5085-Tan Bedford Cord, Lower Red Carpet	8M 7623943-A	1
49	9M76	R.H.-Upper Red Artificial Leather, Center M-5085-P Tan Bedford Cord, Lower Red Artificial Leather	8M 7623942-D	1
49	9M76	L.H.-Upper Red Artificial Leather, Center M-5085-P Tan Bedford Cord, Lower Red Artificial Leather	8M 7623943-D	1
49	9M76	R.H.-Upper Dark Red Artificial Leather, Center M-5085-P Tan Bedford Cord, Lower Dark Red Artificial Leather	8M 7623942-G	1
49	9M76	L.H.-Upper Dark Red Artificial Leather, Center M-5085-P Tan Bedford Cord, Lower Dark Red Artificial Leather	8M 7623943-G	1
49	9M76	R.H.-Upper Red Artificial Leather, Center M-5085-K Light Tan Bedford Cord, Lower Red Artificial Leather	8M 7623942-X	1
49	9M76	L.H.-Upper Red Artificial Leather, Center M-5085-K Light Tan Bedford Cord, Lower Red Artificial Leather	8M 7623943-X	1
49	9M76	R.H.-Upper Tan Artificial Leather, Center M-5085-P Tan Bedford Cord, Lower Tan Carpet	8M 7623942-B	1
49	9M76	L.H.-Upper Tan Artificial Leather, Center M-5085-P Tan Bedford Cord, Lower Tan Carpet	8M 7624943-B	1
49	9M76	R.H.-Upper Tan Artificial Leather, Center M-5085-P Tan Bedford Cord, Lower Tan Artificial Leather	8M 7623942-E	1
49	9M76	L.H.-Upper Tan Artificial Leather, Center M-5085-P Tan Bedford Cord, Lower Tan Artificial Leather	8M 7623943-E	1
49	9M76	R.H.-Upper Tan Artificial Leather, Center M-5085-L Dark Tan Bedford Cord, Lower Tan Artificial Leather	8M 7623942-Y	1
49	9M76	L.H.-Upper Tan Artificial Leather, Center M-5085-L Dark Tan Bedford Cord, Lower Tan Artificial Leather	8M 7623942-Y	1
49	9M72-74	Clip (trim)	352333-S3	18or20
49	9M72-74	Clip (trim)	353296-S3	12or15
49	9M72-74	Screw (oval head self tapping)-No. 8 x 1"	33013-S2	4
49	9M72-74	Washer (finishing)-No. 8	34885-S15	4

Group 24106-7 PLATE (DOOR ARM REST FINGER TIP TRIM)

49	9M except 79	R.H.	8M 7024106	1
49	9M except 79	L.H.	8M 7024107	1

Group 24130 HOOK (DOOR ARM REST ATTACHING)

49	9M except 79		8M 7024130	2or4
49	9M72-74	Screw (binding head sheet metal)-No. 10 x 3/4"	32938-S7	4or8

MERCURY

BODY PARTS CATALOGUE

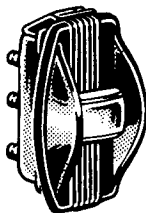
YEAR 19	BODY TYPES	REMARKS	PART NUMBER	NO. REQ'D
Group 24140-1 REST ASSEMBLY (FRONT DOOR ARM)				
49	9M except 76-79	R.H.-Top Blue Art. Leather, Side M-5155-C Blue Stripe Broadcloth	8M 7024140-C	1
49	9M except 76-79	L.H.-Top Blue Art. Leather, Side M-5155-C Blue Stripe Broadcloth	8M 7024141-C	1
49	9M except 76-79	R.H.-Top Blue Gray Artificial Leather, Side M-5155-D Blue Stripe Broadcloth	8M 7024140-E	1
49	9M except 76-79	L.H.-Top Blue Gray Artificial Leather, Side M-5155-D Blue Stripe Broadcloth	8M 7024141-E	1
49	9M except 76-79	R.H.-Top Blue Gray Leather, Side M-19104-D Blue Stripe Broadcloth -Special Trim	8M 7024140-CCH	1
49	9M except 76-79	L.H.-Top Blue Gray Leather, Side M-19104-D Blue Stripe Broadcloth -Special Trim	8M 7024141-CCH	1
49	9M except 76-79	R.H.-Top Blue Gray Leather, Side M-19101-L Blue Gray Broadcloth- Special Trim	8M 7024140-DDH	1
49	9M except 76-79	L.H.-Top Blue Gray Leather, Side M-19101-L Blue Gray Broadcloth- Special Trim	8M 7024141-DDH	1
49	9M except 76-79	R.H.-Top Gray Bedford Leather, Side M-19141-P Dark Gray Bedford Cord-Special Trim	8M 7024140-CCL	1
49	9M except 76-79	L.H.-Top Gray Bedford Leather, Side M-19141-P Dark Gray Bedford Cord-Special Trim	8M 7024141-CCL	1
49	9M except 76-79	R.H.-Top Gray Leather, Side M-19101-U Blue Green Birdseye Broadcloth-Special Trim	8M 7024140-AAL	1
49	9M except 76-79	L.H.-Top Gray Leather, Side M-19101-U Blue Green Birdseye Broadcloth-Special Trim	8M 7024141-AAL	1
49	9M except 76-79	R.H.-Top Green Artificial Leather, Side M-5155-A Green Patterned Broadcloth	8M 7024140-A	1
49	9M except 76-79	L.H.-Top Green Artificial Leather, Side M-5155-A Green Patterned Broadcloth	8M 7024141-A	1
49	9M except 76-79	R.H.-Top Green Gray Leather, Side M-19104-C Green Gray Broadcloth -Special Trim	8M 7024140-AAH	1
49	9M except 76-79	L.H.-Top Green Gray Leather, Side M-19104-C Green Gray Broadcloth -Special Trim	8M 7024141-AAH	1
49	9M except 76-79	R.H.-Top Tan Artificial Leather, Side M-5155-B Tan Patterned Bedford Cord	8M 7024140-B	1
49	9M except 76-79	L.H.-Top Tan Artificial Leather, Side M-5155-B Tan Patterned Bedford Cord	8M 7024141-B	1
49	9M except 76-79	R.H.-Top Tan Leather, Side M-19101-T Brown Stripe Broadcloth- Special Trim	8M 7024140-BBH	1
49	9M except 76-79	L.H.-Top Tan Leather, Side M-19101-T Brown Stripe Broadcloth- Special Trim	8M 7024141-BBH	1
49	9M except 76-79	R.H.-Top Brown Taupe Leather, Side M-19101-W Tan and Yellow Broken Stripe Broadcloth-Special Trim	8M 7024140-BBL	1
49	9M except 76-79	L.H.-Top Brown Taupe Leather, Side M-19101-W Tan and Yellow Broken Stripe Broadcloth-Special Trim	8M 7024141-BBL	1
49	9M76	R.H.-Top Green Leather, Side M-5085-Q Green Bedford Cord	8M 7624140-C	1
49	9M76	L.H.-Top Green Leather, Side M-5085-Q Green Bedford Cord	8M 7624141-C	1
49	9M76	R.H.-Top Red Leather, Side M-5085-P Tan Bedford Cord	8M 7624140-A	1
49	9M76	L.H.-Top Red Leather, Side M-5085-P Tan Bedford Cord	8M 7624141-A	1
49	9M76	R.H.-Top Red Leather, Side M-5085-K Light Tan Bedford Cord	8M 7624140-X	1
49	9M76	L.H.-Top Red Leather, Side M-5085-K Light Tan Bedford Cord	8M 7624141-X	1
49	9M76	R.H.-Top Dark Red Leather, Side M-5085-P Tan Bedford Cord	8M 7624140-D	1
49	9M76	L.H.-Top Dark Red Leather, Side M-5085-P Tan Bedford Cord	8M 7624140-D	1
49	9M76	R.H.-Top Tan Leather, Side M-5085-P Tan Bedford Cord	8M 7624140-B	1
49	9M76	L.H.-Top Tan Leather, Side M-5085-P Tan Bedford Cord	8M 7624141-B	1
49	9M76	R.H.-Top Tan Leather, Side M-5085-L Dark Tan Bedford Cord	8M 7624140-Y	1
49	9M76	L.H.-Top Tan Leather, Side M-5085-L Dark Tan Bedford Cord	8M 7624141-Y	1

MERCURY

BODY PARTS CATALOGUE

YEAR 19__	BODY TYPES	REMARKS	PART NUMBER	NO. REQ'D
Group 24140-1 REST ASSEMBLY (FRONT DOOR ARM)-CONTINUED				
49	9M79	Antique Grain-Green Leather and Vinyl-without finger tip recess	8M 7924140-C	2
49	9M79	Wolf Grain-Green Leather and Vinyl-without finger tip recess	8M 7924140-E	2
49	9M79	Wolf Grain-Green Leather and Vinyl-with finger tip recess	8M 7924140-G	2
49	9M79	Antique Grain-Red Leather and Vinyl-without finger tip recess	8M 7924140-A	2
49	9M79	Wolf Grain-Red Leather and Vinyl-without finger tip recess	8M 7924140-D	2
49	9M79	Wolf Grain-Dark Red Leather and Vinyl-with fingertip recess	8M 7924140-H	2
49	9M79	Antique Grain-Tan Leather and Vinyl-without finger recess	8M 7924140-B	2
49	9M79	Wolf Grain-Tan Leather and Vinyl-without finger tip recess	8A 7924140-A	2
49	9M79	Wolf Grain-Tan Leather and Vinyl-with finger tip recess	8A 7924140-B	2

Group 24193 SPRING (HYDRAULIC WINDOW MOUNTING STUD)				
49	9M except 79		8H 7324193	as req'd



8L-7024206

PL-287

Group 24206 SWITCH ASSEMBLY (HYDRAULIC SEAT REGULATOR CONTROL)				
49	9M72-74	special equipment	8L 7024206	1
49	9M76		8L 7024206	1
49	9M except 79	Lockwasher (standard)-No. 6	34801-S7	as req'd

Group 24206 SWITCH (WINDOW REGULATOR)				
49	9M72-74	special equipment	8H 7224206	3or7
49	9M76		8H 7224206	7
49	9M except 79	Lockwasher (standard)-No. 6	34801-S7	as req'd

Group 24219 BAR (WINDOW REGULATOR SWITCH BUS)				
49	9M74-76		8M 7624219	2

MERCURY

BODY PARTS CATALOGUE

YEAR 19	BODY TYPES	REMARKS	PART NUMBER	NO. REQ'D
Group 24230 ESCUTCHEON (HYDRAULIC SEAT REGULATOR CONTROL SWITCH)				
49	9M72-74	special equipment	7EH 7324230	1
49	9M76		7EH 7324230	1
Group 24231 PIN (HYDRAULIC WINDOW SWITCH RETAINING)				
49	9M except 79	Fiber	8M 7024231	as req'd
Group 24232 PLATE (DOME LAMP SWITCH MOUNTING)				
49	9M76	quarter panel-single switch	8H 7224232	1
Group 24232-3 PLATE (WINDOW REGULATOR SWITCH MOUNTING)				
49	9M72-74	special equipment-single switch	8H 7224232	3
49	9M74	special equipment-four switch	8H 7224233	1
49	9M76	single switch	8H 7224232	4
49	9M76	four switch	8H 7224233	1
Group 24248 SUPPORT (DOOR HYDRAULIC WINDOW REGULATOR)				
49	9M except 76-79		8M 7024248-B	2or4
49	9M except 76-79	Nut (hex head)-1/4"-20	34390-S7	8
49	9M except 76-79	Screw (pan head)-1/4"-20 x 5/8"	39072-S2	8
49	9M except 76 79	Washer (flat)-1/4"	34745-S2	8
Group 24258 COVER (HYDRAULIC WINDOW REGULATOR HOSE AND WIRE)				
49	9M72-74	front door-coil spring-10-1/2" long	8M 7424258	4
49	9M76	Plastic-13-9/32" long	8M 7624258	2
Group 24300 PILLAR ASSEMBLY (BODY CENTER)				
49	9M74		8M 7324300	2
Group 24324-5 HINGE (FOLDING TOP PILLAR)				
49	9M76	R.H.	8M 7624324	1
49	9M76	L.H.	8M 7624325	1
49	9M76	Lockwasher-1/4"	34805-S2	14
49	9M76	Screw (Fillister head)-1/4"-20 x 5/8"	31080-S7	14

MERCURY

BODY PARTS CATALOGUE

YEAR 19	BODY TYPES	REMARKS	PART NUMBER	NO. REQ'D
Group 24344-5 STRIP ASSEMBLY (CENTER BODY PILLAR FINISH)-UPPER				
49	9M74	R.H.-Mercury Texture Blue Metallic Finish-replaced by 8M-7324344-AP	8M 7324344-F	1
49	9M74	L.H.-Mercury Texture Blue Metallic Finish-replaced by 8M-7324345-AP	8M-7324345-F	1
49	9M74	R.H.-Gray Metallic Finish	8M 7324344-C	1
49	9M74	L.H.-Gray Metallic Finish	8M 7324345-C	1
49	9M74	R.H.-Green Metallic Finish	8M 7324344-A	1
49	9M74	L.H.-Green Metallic Finish	8M 7324345-A	1
49	9M74	R.H.-Mercury Texture Green Metallic Finish-replaced by 8M-7324344-AP	8M 7324344-D	1
49	9M74	L.H.-Mercury Texture Green Metallic Finish-replaced by 8M-7324345-AP	8M 7324345-D	1
49	9M74	R.H.-Gazelle Tan Metallic Finish	8M 7324344-B	1
49	9M74	L.H.-Gazelle Tan Metallic Finish	8M 7324345-B	1
49	9M74	R.H.-Mercury Texture Tan Metallic Finish-replaced by 8M-7324344-AP	8M 7324344-E	1
49	9M74	L.H.-Mercury Texture Tan Metallic Finish-replaced by 8M-7324345-AP	8M-7324345-E	1
49	9M74	R.H.-in Prime	8M 7324344-AP	1
49	9M74	L.H.-in Prime	8M 7324345-AP	1
49	9M74	Screw (stove head sheet metal)-No. 8 x 1/2"	350065-S7	4

Group 24446 TRIM ASSEMBLY (CENTER BODY PILLAR)-LOWER				
49	9M74	M-5156-C Plain Blue Broadcloth	8M 7324446-C	2
49	9M74	M-5156-F Blue Gray Broadcloth	8M 7324446-E	2
49	9M74	M-19104-F Blue Gray Broadcloth-Special Trim	8M 7324446-CCH	2
49	9M74	M-19101-V Blue Gray Broadcloth-Special Trim	8M 7324446-DDH	2
49	9M74	M-19152-V Dark Gray Broadcloth-Special Trim	8M 7324446-CCL	2
49	9M74	M-19152-L Gray Broadcloth-Special Trim	8M 7324446-AAL	2
49	9M74	M-5156-A Plain Green Broadcloth	8M 7324446-A	2
49	9M74	M-19104-E Green Broadcloth-Special Trim	8M 7324446-AAH	2
49	9M74	M-5156-B Plain Tan Broadcloth	8M 7324446-B	2
49	9M74	M-19101-N Tan Broadcloth-Special Trim	8M 7324446-BBH	2
49	9M74	M-19152-M Brown Taupe Broadcloth-Special Trim	8M 7324446-BBL	2
49	9M74	Retainer (trim fastener)-5/8" long	353175-S21	12

Group 24622-3 DOOR ASSEMBLY (REAR)-LESS PAINT,TRIM,GLASS,HANDLES,HINGES,LOCK AND REGULATOR

49	9M74	R.H.-Manual Control-with 90° angle below vent window hinge side	8M 7424622-A	1
49	9M74	L.H.-Manual Control-with 90° angle below vent window hinge side	8M 7424623-A	1
49	9M74	R.H.-Manual Control-45° angle below vent window hinge side	8M 7424622-D	1
49	9M74	L.H.-Manual Control-45° angle below vent window hinge side	8M 7424623-D	1
49	9M74	R.H.-Hydraulic Control	8M 7424622-E	1
49	9M74	L.H.-Hydraulic Control	8M 7424623-E	1

Group 24754-5 WELT AND CARDBOARD ASSEMBLY (REAR DOOR WINDOW FINISH STRIP)

49	9M74	R.H.-56-1/2" long	8M 7424754	1
49	9M74	L.H.-56-1/2" long	8M 7424755	1

Group 25104-5 WEATHERSTRIP (REAR DOOR BOTTOM)

49	9M74	R.H.	8M 7325104	1
49	9M74	L.H.	8M 7325105	1

Group 25308 WEATHERSTRIP (REAR DOOR LOCK PILLAR)-LOWER

49	9M74		8M 7325308-A	2
----	------	--	--------------	---

MERCURY

BODY PARTS CATALOGUE

YEAR 19	BODY TYPES	REMARKS	PART NUMBER	NO. REQ'D
Group 25312 RETAINER (REAR DOOR BOTTOM WEATHERSTRIP)-OUTER				
49	9M74	replaced by 8A-7325312-B	7A 7325312	2
49	9M74	22-5/8" long	8A 7325312-B	2
Group 25324-5 WEATHERSTRIP (REAR DOOR OPENING)-OUTER				
49	9M74	R.H.-108-1/4" long	8M 7425324-B	1
49	9M74	L.H.-108-1/4" long	8M 7425325-B	1
Group 25332-3 WEATHERSTRIP (REAR DOOR HINGE PILLAR)-LOWER				
49	9M74	R.H.-replaced by 8M-7325104	8M 7325332-A	1
49	9M74	L.H.-replaced by 8M-7325105	8M 7325333-A	1
Group 25500-1 FINISH STRIP AND WEATHERSTRIP (REAR DOOR WINDOW)				
49	9M74	R.H.-Mercury Texture Blue Metallic Finish	8M 7425500-F	1
49	9M74	L.H.-Mercury Texture Blue Metallic Finish	8M 7425501-F	1
49	9M74	R.H.-Gray Metallic Finish	8M 7425500-C	1
49	9M74	L.H.-Gray Metallic Finish-replaced by 8M-7425501-AP	8M 7425501-C	1
49	9M74	R.H.-Green Metallic Finish	8M 7425500-A	1
49	9M74	L.H.-Green Metallic Finish	8M 7425501-A	1
49	9M74	R.H.-Mercury Texture Green Metallic Finish	8M 7425500-D	1
49	9M74	L.H.-Mercury Texture Green Metallic Finish	8M 7425501-D	1
49	9M74	R.H.-Tan Metallic Finish	8M 7425500-B	1
49	9M74	L.H.-Tan Metallic Finish	8M 7425501-B	1
49	9M74	R.H.-Mercury Texture Tan Metallic Finish	8M 7425500-E	1
49	9M74	L.H.-Mercury Texture Tan Metallic Finish	8M 7425501-E	1
49	9M74	R.H.-in Prime	8M 7425500-AP	1
49	9M74	L.H.-in Prime	8M 7425501-AP	1
49	9M74	Screw (Phillips head sheet metal)-No. 8 x 3/4"	350095-S13	8
Group 25554-5 MOULDING (REAR DOOR OUTSIDE PANEL)-AT BELT				
49	9M74	R.H.-29-3/64" long-with square edge	8M 7425554-A	1
49	9M74	L.H.-29-3/64" long-with square edge	8M 7425555-A	1
49	9M74	R.H.-29-3/64" long-with angle edge	8M 7425554-B	1
49	9M74	L.H.-29-3/64" long-with angle edge	8M 7425555-B	1
49	9M74	Retainer (moulding)	358168-S3	10
Group 25556-7 MOULDING (REAR DOOR OUTSIDE)-LOWER				
49	9M74	R.H.	8M 7325556	1
49	9M74	L.H.	8M 7325557	1
49	9M74	Retainer (moulding)	352396-S3	8
49	9M74	Retainer assy (moulding)-No. 10-24	353239-A2-S7	4
Group 25558-9 MOULDING ASSEMBLY (REAR DOOR TRIM)-UPPER				
49	9M74	R.H.	8M 7325558-A	1
49	9M74	L.H.	8M 7325559-A	1
Group 25578 MOULDING ASSEMBLY (REAR DOOR TRIM)-LOWER				
49	9M74	24-1/4" long	8M 7325578-A	2

BODY PARTS CATALOGUE

YEAR 19	BODY TYPES	REMARKS	PART NUMBER	NO. REQ'D
Group 25588-9 MOULDING AND WEATHERSTRIP (REAR DOOR OUTSIDE REVEAL)				
49	9M74	R.H.	8M 7425588	1
49	9M74	L.H.	8M 7425589	1
49	9M74	Screw (binding head self tapping)-No. 4 x 1/4"	33165-87	6
Group 25668-9 MOULDING AND CLIP ASSEMBLY (REAR DOOR OUTSIDE PANEL REVEAL)-REAR				
49	9M74	R.H.-replaced by 8M-7425588	7A 7425668	1
49	9M74	L.H.-replaced by 8M-7425589	7A 7425669	1
Group 25712 GLASS (REAR DOOR WINDOW)				
49	9M74		8M 7425712-A	2
Group 25724 STRIP (REAR DOOR WINDOW RETAINER)				
49	9M74	15-3/8" long-use M-17779-A for service	8M 7425724-D	2
Group 25814 KNOB (REAR DOOR AND QUARTER WINDOW SLIDING GLASS LATCH)				
49	9M79		51A 7925814	4
Group 25856 WEATHERSTRIP (REAR DOOR GLASS HEADER)				
49	9M74		7A 7425856-A	2
Group 26224-5 GLASS AND CHANNEL ASSEMBLY (REAR DOOR WINDOW)				
49	9M74	R.H.-Manual Control-replaced by 8M-7425712-A, 8M-7426258, 7A-7426228 and M-17779-A	8M 7426224-A	1
49	9M74	L.H.-Manual Control-replaced by 8M-7425712-A, 8M-7426258, 7A-7426229 and M-17779-A	8M 7426225-A	1
Group 26228-9 CHANNEL AND BRACKET ASSEMBLY (REAR DOOR GLASS)				
49	9M74	R.H.-Manual Control	7A 7426228-A	1
49	9M74	L.H.-Manual Control	7A 7426229-A	1
49	9M74	R.H.-Hydraulic Control	8M 7426228-B	1
49	9M74	L.H.-Hydraulic Control	8M 7426229-B	1
Group 26258 WEATHERSTRIP (REAR DOOR GLASS CHANNEL)				
49	9M74	15-3/8" long-replaced by 7EH-7221510	8M 7426258	2
Group 26404-5 CONTROL ASSEMBLY (REAR DOOR LOCK REMOTE)				
49	9M74	R.H.	8M 7326404	1
49	9M74	L.H.	8M 7326405	1
Group 26412-3 LOCK ASSEMBLY (REAR DOOR)				
49	9M74	R.H.	8M 7326412	1
49	9M74	L.H.	8M 7326413	1
49	9M74	Screw and lockwasher assy (oval head)-No. 10-32 x 1/2"		8
Group 26800-1 HINGE ASSEMBLY (REAR DOOR)-UPPER				
49	9M74	R.H.	8M 7326800	1
49	9M74	L.H.	8M 7326801	1
49	9M74	Screw and washer assy (oval hd)-5/16"-24 x 1"	355469-S2	4
49	9M74	Screw and washer assy (Phillips oval head)-5/16"-24 x 3/4"	355468-S2	6

MERCURY

BODY PARTS CATALOGUE

YEAR 19	BODY TYPES	REMARKS	PART NUMBER	NO. REQ'D
Group 26810-1 HINGE ASSEMBLY (REAR DOOR)-LOWER				
49	9M74	R.H.	8M 7326810	1
49	9M74	L.H.	8M 7326811	1
49	9M74	Screw and washer assy (Phillips oval head)-5/16"-24 x 3/4"	355468-S2	6
49	9M74	Screw and washer assy (Phillips oval head)-5/16"-24 x 1"	355469-S2	4
Group 26866-7 WINDOW ASSEMBLY (REAR DOOR VENTILATOR)-COMPLETE				
49	9M74	R.H.-Gazelle Tan Metallic Finish	8M 7426866-B	1
49	9M74	L.H.-Gazelle Tan Metallic Finish	8M 7426867-B	1
49	9M74	R.H.-Gray Metallic Finish	8M 7426866-C	1
49	9M74	L.H.-Gray Metallic Finish-replaced by 8M-7426867-AP	8M 7426867-C	1
49	9M74	R.H.-Green Metallic Finish	8M 7426866-A	1
49	9M74	L.H.-Green Metallic Finish	8M 7426867-A	1
49	9M74	R.H.-Mercury Texture Blue Metallic Finish	8M 7426866-F	1
49	9M74	L.H.-Mercury Texture Blue Metallic Finish	8M 7426867-F	1
49	9M74	R.H.-Mercury Texture Green Metallic Finish	8M 7426866-D	1
49	9M74	L.H.-Mercury Texture Green Metallic Finish	8M 7426867-D	1
49	9M74	R.H.-Mercury Texture Tan Metallic Finish	8M 7426866-E	1
49	9M74	L.H.-Mercury Texture Tan Metallic Finish	8M 7426867-E	1
49	9M74	R.H.-in Prime	8M 7426866-AP	1
49	9M74	L.H.-in Prime	8M 7426867-AP	1
49	9M74	Lockwasher (internal tooth)-1/4"	34905-S7	2
Group 26868-9 GLASS AND FRAME ASSEMBLY (REAR DOOR VENTILATING WINDOW)				
49	9M74	R.H.	7A 7426868	1
49	9M74	L.H.	7A 7426869	1
Group 26870 GLASS (REAR DOOR VENTILATOR WINDOW)				
49	9M74		8M 7426870-A	2
Group 26875 STRIP (REAR DOOR VENT WINDOW GLASS RETAINING)				
49	9M74	Secure Locally	7A 7426875-A	2
49	9M74	Secure Locally	7A 7426875-B	2
Group 26876-7 FRAME ASSEMBLY (REAR DOOR VENT WINDOW)				
49	9M74	R.H.--replaced by 7A-7426868	7A 7426876	1
49	9M74	L.H.--replaced by 7A-7426869	7A 7426877	1
Group 26894-5 WEATHERSTRIP (REAR DOOR VENT WINDOW)				
49	9M74	R.H.	7A 7426894	1
49	9M74	L.H.	7A 7426895	1

Group 27000-1 REGULATOR ASSEMBLY (REAR DOOR WINDOW)

49	9M74	R.H.-Manual Control	8M 7427000	1
49	9M74	L.H.-Manual Control	8M 7427001	1
49	9M74	R.H.-Hydraulic Control-front and rear door	8M 7023200-B	1or2
49	9M74	L.H.-Hydraulic Control-front and rear door	8M 7023201-B	1or2
49	9M74	Lockwasher (internal tooth)-No. 12	34904-S2	24
49	9M74	Nut (hex)-No. 12-24	34054-S2	2
49	9M74	Screw (binding head)-No. 12-24 x 1/2"	39049-S2	24
49	9M74	Washer (flat)-1/4"	34705-S7	2
49	9M74	Washer (flat)-5/16"	34706-S2	4

Group 27200 ARM ASSEMBLY (REAR DOOR CHECK)

49	9M74	5-1/4" long	8M 7327200-A	2
49	9M74	4-57/64" long	8M 7327200-B	2

MERCURY

45

BODY PARTS CATALOGUE

YEAR 19	BODY TYPES	REMARKS	PART NUMBER	NO. REQ'D
	Group 27336	COVER SPRING (HYDRAULIC WINDOW LIFT HOSE)-REAR DOOR		
49	GM74	7" long	8M 7427336	4
	Group 27338	SUPPORT (REAR DOOR HYDRAULIC WINDOW REGULATOR INSIDE RAIL)-UPPER		
49	GM74		8M 7327338	2

Group 27406-7 TRIM ASSEMBLY (REAR DOOR)

49	9M74	R.H.-Upper M-5156-C Plain Blue Broadcloth, Center M-5155-C Blue Stripe Broadcloth, Lower Blue Carpet	8M 7327406-C	1
49	9M74	L.H.-Upper M-5156-C Plain Blue Broadcloth, Center M-5155-C Blue Stripe Broadcloth, Lower Blue Carpet	8M 7327407-C	1
49	9M74	R.H.-Upper M-5156-C Plain Blue Broadcloth, Center M-5155-C Blue Stripe Broadcloth, Lower Blue Artificial Leather	8M 7327406-G	1
49	9M74	L.H.-Upper M-5156-C Plain Blue Broadcloth, Center M-5155-C Blue Stripe Broadcloth, Lower Blue Artificial Leather	8M 7327407-G	1
49	9M74	R.H.-Upper M-5156-F Blue Gray Broadcloth, Center M-5155-D Blue Stripe Broadcloth, Lower Blue Artificial Leather	8M 7327406-H	1
49	9M74	L.H.-Upper M-5156-F Blue Gray Broadcloth, Center M-5155-D Blue Stripe Broadcloth, Lower Blue Artificial Leather	8M 7327407-H	1
49	9M74	R.H.-Upper M-19104-F Blue Gray Broadcloth, Center M-19104-D Blue Stripe Broadcloth, Lower Dark Blue Gray Artificial Leather-Special Trim	8M 7327406-CCH	1
49	9M74	L.H.-Upper M-19104-F Blue Gray Broadcloth, Center M-19104-D Blue Stripe Broadcloth, Lower Dark Blue Gray Artificial Leather-Special Trim	8M 7327407-CCH	1
49	9M74	R.H.-Upper M-19101-V Blue Gray Broadcloth, Center M-19101-L Blue Gray Broadcloth, Lower Blue Gray Artificial Leather-Special Trim	8M 7327406-DDH	1
49	9M74	L.H.-Upper M-19101-V Blue Gray Broadcloth, Center M-19101-L Blue Gray Broadcloth, Lower Blue Gray Artificial Leather-Special Trim	8M 7327407-DDH	1
49	9M74	R.H.-Upper M-19152-L Gray Broadcloth, Center M-19101-U Blue Green Birdseye Broadcloth, Lower Gray Artificial Leather-Special Trim	8M 7327406-AAL	1
49	9M74	L.H.-Upper M-19152-L Gray Broadcloth, Center M-19101-U Blue Green Birdseye Broadcloth, Lower Gray Artificial Leather-Special Trim	8M 7327407-AAL	1
49	9M74	R.H.-Upper M-19152-V Dark Gray Broadcloth, Center M-19141-P Dark Gray Bedford Cord, Lower Gray Bedford Artificial Leather-Special Trim	8M 7327406-CCL	1
49	9M74	L.H.-Upper M-19152-V Dark Gray Broadcloth, Center M-19141-P Dark Gray Bedford Cord, Lower Gray Bedford Artificial Leather-Special Trim	8M 7327407-CCL	1
49	9M74	R.H.-Upper M-19104-E Green Broadcloth, Center M-19104-C Green Gray Broadcloth, Lower Green Gray Artificial Leather-Special Trim	8M 7327406-AAH	1
49	9M74	L.H.-Upper M-19104-E Green Broadcloth, Center M-19104-C Green Gray Broadcloth, Lower Green Gray Artificial Leather-Special Trim	8M 7327407-AAH	1
49	9M74	R.H.-Upper M-5156-A Plain Green Broadcloth, Center M-5155-A Green Patterned Broadcloth, Lower Green Carpet	8M 7327406-A	1
49	9M74	L.H.-Upper M-5156-A Plain Green Broadcloth, Center M-5155-A Green Patterned Broadcloth, Lower Green Carpet	8M 7327407-A	1
49	9M74	R.H.-Upper M-5156-A Plain Green Broadcloth, Center M-5155-A Green Patterned Broadcloth, Lower Green Artificial Leather	8M 7327406-E	1
49	9M74	L.H.-Upper M-5156-A Plain Green Broadcloth, Center M-5155-A Green Patterned Broadcloth, Lower Green Artificial Leather	8M 7327407-E	1
49	9M74	R.H.-Upper M-5156-B Plain Tan Broadcloth, Center M-5155-B Tan Bedford Cord, Lower Tan Carpet	8M 7327406-B	1
49	9M74	L.H.-Upper M-5156-B Plain Tan Broadcloth, Center M-5155-B Tan Bedford Cord, Lower Tan Carpet	8M 7327407-B	1

MERCURY

BODY PARTS CATALOGUE

YEAR 19	BODY TYPES	REMARKS	PART NUMBER	NO. REQ'D
Group 27406-7 TRIM ASSEMBLY (REAR DOOR)-CONTINUED				
49	9M74	R.H.-Upper M-5156-B Plain Tan Broadcloth, Center M-5155-B Tan Bedford Cord, Lower Tan Artificial Leather	8M 7327406-F	1
49	9M74	L.H.-Upper M-5156-B Plain Tan Broadcloth, Center M-5155-B Tan Bedford Cord, Lower Tan Artificial Leather	8M 7327407-F	1
49	9M74	R.H.-Upper M-19101-N Tan Broadcloth, Center M-19101-T Brown Stripe Broadcloth, Lower Tan Artificial Leather-Special Trim	8M 7327406-BBH	1
49	9M74	L.H.-Upper M-19101-N Tan Broadcloth, Center M-19101-T Brown Stripe Broadcloth, Lower Tan Artificial Leather-Special Trim	8M 7327407-BBH	1
49	9M74	R.H.-Upper M-19152-M Brown Taupe Broadcloth, Center M-19101-W Tan and Yellow Broken Stripe Broadcloth, Lower Brown Taupe Artificial Leather-Special Trim	8M 7327406-BBL	1
49	9M74	L.H.-Upper M-19152-M Brown Taupe Broadcloth, Center M-19101-W Tan and Yellow Broken Stripe Broadcloth, Lower Brown Taupe Artificial Leather-Special Trim	8M 7327407-BBL	1
49	9M74	Clip (trim)	352333-S3	16
49	9M74	Clip (trim)	353296-S3	8
49	9M74	Screw (oval head self tapping)-No. 8 x 1"	33013-S2	4
49	9M74	Screw (Phillips pan head)-No. 8 x 3/8"	52720-S8	4

Group 27542-3 WINDLACE AND CORD ASSEMBLY (REAR DOOR OPENING)

49	9M74	R.H.-use with Blue Bedford Cord Scheme-110" long	8M 7327542-M	1
49	9M74	L.H.-use with Blue Bedford Cord Scheme-110" long	8M 7327543-M	1
49	9M74	R.H.-use with Blue Stripe Broadcloth Scheme-110" long-with one tab	8M 7327542-E	1
49	9M74	L.H.-use with Blue Stripe Broadcloth Scheme-110" long-with one tab	8M 7327543-E	1
49	9M74	R.H.-use with Blue Stripe Broadcloth Scheme-110" long-with two tabs	8M 7327542-J	1
49	9M74	L.H.-use with Blue Stripe Broadcloth Scheme-110" long-with two tabs	8M 7327543-J	1
49	9M74	R.H.-use with Blue Pin Stripe Broadcloth Scheme-110" long	8M 7327542-Q	1
49	9M74	L.H.-use with Blue Pin Stripe Broadcloth Scheme-110" long	8M 7327543-Q	1
49	9M74	R.H.-use with Blue and Rust Tweed Broadcloth Scheme-110" long	8M 7327542-S	1
49	9M74	L.H.-use with Blue and Rust Tweed Broadcloth Scheme-110" long	8M 7327543-S	1
49	9M74	R.H.-use with Brown Stripe Broadcloth Scheme-110" long	8M 7327542-P	1
49	9M74	L.H.-use with Brown Stripe Broadcloth Scheme-110" long	8M 7327543-P	1
49	9M74	R.H.-use with Gray Birdseye Broadcloth Scheme-110" long	8M 7327542-K	1
49	9M74	L.H.-use with Gray Birdseye Broadcloth Scheme-110" long	8M 7327543-K	1
49	9M74	R.H.-use with Green Birdseye Broadcloth Scheme-110" long	8M 7327542-N	1
49	9M74	L.H.-use with Green Birdseye Broadcloth Scheme-110" long	8M 7327543-N	1
49	9M74	R.H.-use with Green Check Broadcloth Scheme-110" long-with one tab	8M 7327542-A	1
49	9M74	L.H.-use with Green Check Broadcloth Scheme-110" long-with one tab	8M 7327543-A	1
49	9M74	R.H.-use with Green Check Broadcloth Scheme-110" long-with two tabs	8M 7327542-F	1
49	9M74	L.H.-use with Green Check Broadcloth Scheme-110" long-with two tabs	8M 7327543-F	1
49	9M74	R.H.-use with Tan Bedford Cord Scheme-110" long-with one tab	8M 7327542-B	1
49	9M74	L.H.-use with Tan Bedford Cord Scheme-110" long-with one tab	8M 7327543-B	1
49	9M74	R.H.-use with Tan Bedford Cord Scheme-110" long-with two tabs	8M 7327542-G	1
49	9M74	L.H.-use with Tan Bedford Cord Scheme-110" long-with two tabs	8M 7327543-G	1
49	9M74	R.H.-use with Yellow Check Broadcloth Scheme-110" long	8M 7327542-L	1
49	9M74	L.H.-use with Yellow Check Broadcloth Scheme-110" long	8M 7327543-L	1
49	9M74	Washer (hollow countersunk)-No. 8	34885-S15	4

MERCURY

47

BODY PARTS CATALOGUE

YEAR 19	BODY TYPES	REMARKS	PART NUMBER	NO. REQ'D
Group 27700-1 PANEL ASSEMBLY (BODY QUARTER)-COMPLETE				
49	9M72	R.H.-Manual Control-includes outer wheelhouse only	8M 7227700-B	1
49	9M72	L.H.-Manual Control-includes outer wheelhouse only	8M 7227701-B	1
49	9M74	R.H.-Manual Control-with cavity at curve in hinge pillar	8M 7427700-A	1
49	9M74	L.H.-Manual Control-with cavity at curve in hinge pillar	8M 7427701-A	1
49	9M74	R.H.-Manual Control-without cavity at curve in hinge pillar	8M 7427700-C	1
49	9M74	L.H.-Manual Control-without cavity at curve in hinge pillar	8M 7427701-C	1
49	9M74	R.H.-Hydraulic Control	8M 7427700-D	1
49	9M74	L.H.-Hydraulic Control	8M 7427701-D	1
49	9M76	R.H.	8M 7627700-B	1
49	9M76	L.H.	8M 7627701-B	1
49	9M76	Screw and Washer Combination (flat head)-1/4"-28 x 1/2"	355307-S7	4
Group 27800 PANEL ASSEMBLY (QUARTER AND BACK BODY)-COMPLETE				
49	9M76		8M 7627800	1
Group 27804-5 BRACKET (TRIM PANEL TO WHEELHOUSE)				
49	9M76	R.H.		
49	9M76	L.H.	8M 7627804	1
			8M 7627805	1
Group 27806-7 PLATE (QUARTER TRIM FINISH)				
49	9M76	R.H.-all trim	8M 7627806	1
49	9M76	L.H.-all trim	8M 7627807	1
49	9M76	Screw (Phillips-oval head)-No. 10 x 1/2"	350117	2

Group 27840-1 PANEL ASSEMBLY (BODY QUARTER)

49	9M72	R.H.-one piece stamped at rear	8M 7227840-A	
49	9M72	L.H.-one piece stamped at rear	8M 7227841-A	1
49	9M72	R.H.-two pieces welded at rear	8M 7227840-B	1
49	9M72	L.H.-two pieces welded at rear	8M 7227841-B	1
49	9M74	R.H.-with moulding clearance cut out	8M 7427840-B	1
49	9M74	L.H.-with moulding clearance cut out	8M 7427841-B	1
49	9M74	R.H.-two pieces welded at rear	8M 7427840-C	1
49	9M74	L.H.-two pieces welded at rear	8M 7427841-C	1
49	9M76	R.H.	8M 7627840	1
49	9M76	L.H.	8M 7627841	1
49	9M79	R.H.	8M 7927840	1
49	9M79	L.H.	8M 7927841	1
49	9M74-76	Nut-Retainer-5/16"	353202-S	8or10

Group 27886-7 PANEL (QUARTER WHEELHOUSE) INNER

49	9M except 79	R.H.	8M 7327886-B	1
49	9M except 79	L.H.	8M 7327887-B	1

Group 27870-1 PANEL ASSEMBLY (QUARTER WINDOW REGULATOR)

49	9M76	R.H.	8M 7627870	1
49	9M76	L.H.	8M 7627871	1

Group 27936 HOUSING ASSEMBLY (QUARTER PANEL TO FLOOR PAN FILLER NECK)

49	9M except 79		8M 7027936	1
49	9M except 79	Screw (binding head self tapping)-No. 10 x 1/2"	32924-S2	8

MERCURY

BODY PARTS CATALOGUE

YEAR 19	BODY TYPES	REMARKS	PART NUMBER	NO. REQ'D
Group 27968-9 COVER ASSEMBLY (QUARTER PANEL WHEEL OPENING)				
49	9M	R.H.	8L 7327968	1
49	9M	L.H.	8L 7327969	1
49	9M	Washer (Flat)-No. 10	34703-S7	4
Group 27974-5 COVER ASSEMBLY (QUARTER PANEL WHEEL OPENING)				
49	9M	R.H.-replaced by one each 8L-7327968,8H-7327986,8L-7327996	8M 7327974	1
49	9M	L.H.-replaced by one each 8L-7327969,8H-7327986,8L-7327997	8M 7327975	1
Group 27976-7 SPACER (QUARTER PANEL TAIL LAMP ATTACHING BOLT FRONT)				
49	9M except 79	R.H.	8M 7027976	1
49	9M except 79	L.H.	8M 7027977	1
Group 27978-9 SPACER (QUARTER PANEL TAIL LAMP ATTACHING BOLT REAR)				
49	9M except 79	R.H.	8M 7027978	1
49	9M except 79	L.H.	8M 7027979	1
Group 27986 SEAL (QUARTER PANEL WHEEL OPENING COVER)				
49	9M	Rubber-55-9/64" long	8H 7327986	2
Group 27996-7 RETAINER (QUARTER PANEL WHEEL COVER SEAL)				
49	9M	R.H.	8L 7327996	1
49	9M	L.H.	8L 7327997	1
Group 28000-1 BRACKET (QUARTER PANEL WHEEL COVER GUIDE)-FRONT				
49	9M	R.H.	8L 7328000	1
49	9M	L.H.	8L 7328001	1
Group 28002-3 BRACKET (QUARTER PANEL WHEEL COVER GUIDE)-REAR				
49	9M	R.H.	8L 7328002	1
49	9M	L.H.	8L 7328003	1
Group 28006 REINFORCEMENT (QUARTER PANEL WHEEL COVER CLIP)				
49	9M		8L 7328006	2
Group 28104-5 PILLAR ASSEMBLY (QUARTER HINGE)				
49	9M74	R.H.-Manual Control	8M 7428104-B	1
49	9M74	L.H.-Manual Control	8M 7428105-B	1
49	9M74	R.H.-Hydraulic Control	8L 7428104	1
49	9M74	L.H.-Hydraulic Control	8L 7428105	1
49	9M74	Nut-Retainer-5/16"	353202-S	1
Group 28160-1 PILLAR ASSEMBLY (QUARTER LOCK)				
49	9M72	R.H.	8M 7028160	1
49	9M72	L.H.	8M 7028161	1
49	9M76	R.H.	7A 7628160	1
49	9M76	L.H.	7A 7628161	1
49	9M79	R.H.	7A 7928160	1
49	9M79	L.H.	7A 7928161	1
49	9M72	Nut-Retainer-5/16"	353202-S	6

MERCURY

BODY PARTS CATALOGUE

YEAR 19__	BODY TYPES	REMARKS	PART NUMBER	NO. REQ'D
Group 28164-5 STRAINER (QUARTER HINGE PILLAR UPPER REINFORCEMENT TO PACKAGE TRAY)				
49	9M74	R.H.	8M 7428164	1
49	9M74	L.H.	8M 7428165	1
Group 28214-5 REINFORCEMENT (FRONT DOOR LOCK PILLAR)				
49	9M79	R.H.	7A 7928214	1
49	9M79	L.H.	7A 7928215	1
Group 28237 SEAL (QUARTER PILLAR)-DUST				
49	9M79	Sponge Rubber	8M 7928237	2
Group 28252-3 PILLAR ASSEMBLY (REAR QUARTER)				
49	9M79	R.H.	7A 7928252	1
49	9M79	L.H.	7A 7928253	1
Group 28276 RETAINER (QUARTER LOCK PILLAR TRIM)				
49	9M76		8M 7628276	2
Group 28508 RETAINER (QUARTER WHEELHOUSE)-TRIM				
49	9M72-74	5/8" x 15/16" x 2" long	7A 7328508	2
Group 28611 LID ASSEMBLY (QUARTER PANEL FUEL TANK FILLER)				
49	9M except 79		8M 7028611	1
49	9M except 79	Spring	06H 16377	1
49	9M except 79	Lockwasher-No. 10	34803-S7	2
49	9M except 79	Nut (hex)-No. 8-32	34052-S7	2
49	9M except 79	Screw and washer assy (binding head)-No. 8-32 x 3/8"	43373-S7	2
Group 28615 SEALER (QUARTER PANEL FUEL TANK FILLER NECK)				
49	9M except 79	Rubber	8M 7028615	1
Group 28617 HOUSING (QUARTER PANEL FUEL TANK FILLER NECK)				
49	9M except 79		8M 7028617	1
49	9M except 79	Screw (binding head self tapping)-No. 6 x 3/8"	356793-S8	8
Group 28700-1 FRAME AND PANEL ASSEMBLY (BODY SIDE FINISH)-UPPER				
49	9M79	R.H.	7A 7928700	1
49	9M79	L.H.	7A 7928701	1
49	9M79	Bolt (hex head)-5/16"-18 x 7/8"	20366-S2	12
49	9M79	Lockwasher (internal tooth)-5/16"	34906-S7	12
49	9M79	Nut (capped sleeve)-5/16"-18	356767-S23	12
49	9M79	Screw and lockwasher assy-5/16"-18 x 3/4"	42789-S7	2
49	9M79	Washer (flat)-No. 10	34703-S	12
49	9M79	Washer (flat)-5/16"	34746-S2	12

MERCURY

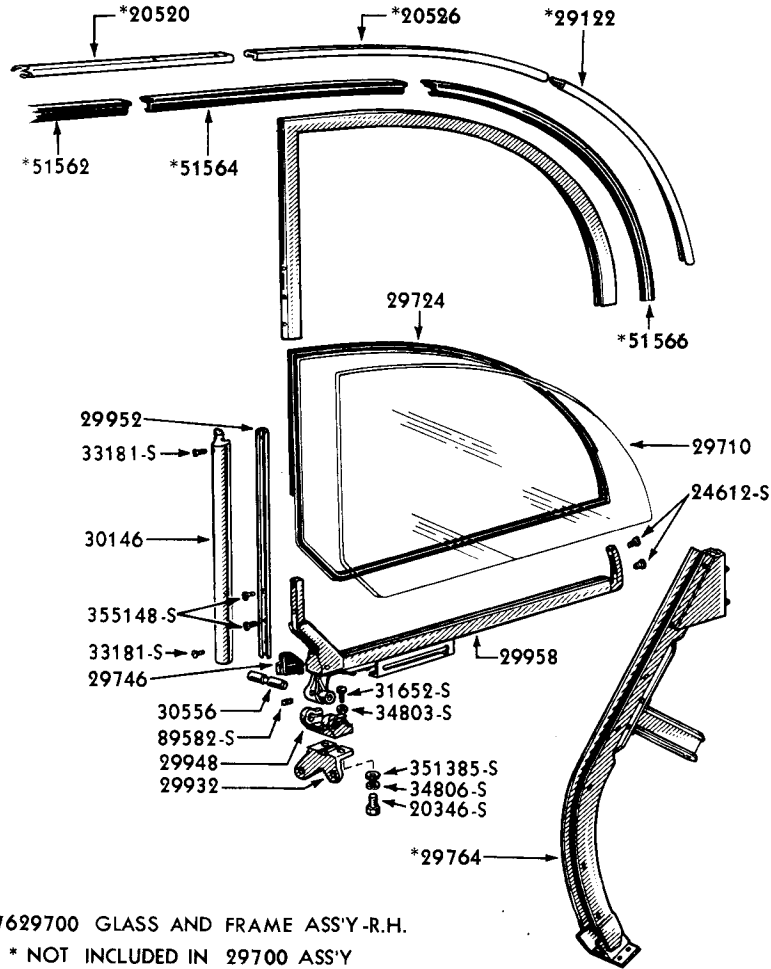
BODY PARTS CATALOGUE

YEAR 19	BODY TYPES	REMARKS	PART NUMBER	NO. REQ'D
Group 28710-1 FRAME AND PANEL ASSEMBLY (BODY SIDE FINISH)-LOWER				
49	9M79	R.H.	8M 7928710	1
49	9M79	L.H.	8M 7928711	1
49	9M79	Bolt (hex head)-5/16"-18 x 7/8"	20366-S2	20
49	9M79	Lockwasher (internal tooth)-5/16"	34906-S7	20
49	9M79	Nut (capped sleeve)-5/16"-18	356767-S23	20
49	9M79	Washer (flat)-No. 10	34703-S7	20
Group 28730-1 RETAINER (REAR QUARTER BELT FOLDING TOP)				
49	9M76	R.H.-19-3/8" long	8M 7628730	1
49	9M76	L.H.-19-3/8" long	8M 7628731	1
49	9M76	Nut (slotted truss head)-No. 6-40	351644-S13	4
49	9M76	Screw (special truss head)-No. 6-40 x .4"	351643-S13	4
49	9M76	Screw (binding head self tapping)-No. 8 x 3/8"	33176-S13	12
Group 29002-3 MOULDING ASSEMBLY (QUARTER WINDOW GARNISH)				
49	9M79	R.H.	7A 7929002-A	1
49	9M79	L.H.	7A 7929003-A	1
49	9M79	Screw (oval head self tapping)-No. 8 x 1"	33013-S13	8
49	9M79	Screw (oval head sheet metal)-No. 8 x 1/2"	33022-S13	8
Group 29002-3 STRIP ASSEMBLY (QUARTER WINDOW FINISH)				
49	9M72	R.H.-Mercury Texture Blue Metallic Finish	8M 7229002-F	1
49	9M72	L.H.-Mercury Texture Blue Metallic Finish	8M 7229003-F	1
49	9M72	R.H.-Gray Metallic Finish	8M 7229002-C	1
49	9M72	L.H.-Gray Metallic Finish	8M 7229003-C	1
49	9M72	R.H.-Green Metallic Finish	8M 7229002-A	1
49	9M72	L.H.-Green Metallic Finish	8M 7229003-A	1
49	9M72	R.H.-Mercury Texture Green Metallic Finish	8M 7229002-D	1
49	9M72	L.H.-Mercury Texture Green Metallic Finish	8M 7229003-D	1
49	9M72	R.H.-Tan Metallic Finish-replaced by 8M-7229002-AP	8M 7229002-B	1
49	9M72	L.H.-Tan Metallic Finish-replaced by 8M-7229003-AP	8M 7229003-B	1
49	9M72	R.H.-Mercury Texture Tan Metallic Finish	8M 7229002-E	1
49	9M72	L.H.-Mercury Texture Tan Metallic Finish	8M 7229003-E	1
49	9M72	R.H.-in Prime	8M 7229002-AP	1
49	9M72	L.H.-in Prime	8M 7229003-AP	1
Group 29034-5 MOULDING (QUARTER OUTSIDE)-UPPER				
49	9M79	R.H.-68" long	8M 7929034	1
49	9M79	L.H.-68" long	8M 7929035	1
Group 29034-5 MOULDING (QUARTER PANEL AT BELT OUTSIDE)				
49	9M72	R.H.-approximately 55-29/32" long	8M 7229034	1
49	9M72	L.H.-approximately 55-29/32" long	8M 7229035	1
49	9M74	R.H.-approximately 35-63/64" long	8M 7429034-A	1
49	9M74	L.H.-approximately 35-63/64" long	8M 7429035-A	1
49	9M74	R.H.-approximately 35-63/64" long	8M 7429034-B	1
49	9M74	L.H.-approximately 35-63/64" long	8M 7429035-B	1
49	9M76	R.H.-approximately 55-7/8" long	8M 7629034	1
49	9M76	L.H.-approximately 55-7/8" long	8M 7629035	1
49	9M except 79	Retainer (moulding)	358168-S3	12or18
49	9M except 79	Retainer assy (moulding)	353243-S8	2

BODY PARTS CATALOGUE

YEAR 19	BODY TYPES	REMARKS	PART NUMBER	NO. REQ'D
Group 29040-1 MOULDING (BODY SIDE LINING PANEL)-FRONT				
49	9M79	R.H.	7A 7929040	1
49	9M79	L.H.	7A 7929041	1
Group 29050-1 RETAINER (WINDOW SEAL)-AT PILLAR SECTION				
49	9M76	R.H.-replaced by 8M-7629122	8M 7629050-A	1
49	9M76	L.H.-replaced by 8M-7629123	8M 7629051-A	1
49	9M76	Screw (binding head self tapping)-No. 8 x 3/8"	32916-88	8
Group 29070-1 MOULDING AND CLIP ASSEMBLY (QUARTER WINDOW REVEAL OUTER)-FRONT				
49	9M72	R.H.-replaced by 8M-7229082	7A 7229070	1
49	9M72	L.H.-replaced by 8M-7229083	7A 7229071	1
49	9M72	Screw (binding head self tapping)-No. 4 x 1/4"	33165-S7	as req'd
Group 29072-3 MOULDING AND CLIP ASSEMBLY (QUARTER WINDOW REVEAL OUTER)-REAR				
49	9M72	R.H.-replaced by 8M-7229082	7A 7229072	1
49	9M72	L.H.-replaced by 8M-7229083	7A 7229073	1
49	9M72	Clip (moulding)	353267-S32	as req'd
49	9M72	Screw (binding head self tapping)-No. 4 x 1/4"	33165-S7	as req'd
Group 29082-3 MOULDING (QUARTER WINDOW REVEAL OUTER)				
49	9M72	R.H.	8M 7229082	1
49	9M72	L.H.	8M 7229083	1
Group 29118-9 RETAINER (WINDOW SEAL)-AT PILLAR SECTION LOWER				
49	9M76	R.H.-6-3/8"	8M 7629118	1
49	9M76	L.H.-6-3/8"	8M 7629119	1
Group 29122-3 RETAINER (WINDOW SEAL)-AT PILLAR SECTION UPPER				
49	9M76	R.H.	8M 7629122	1
49	9M76	L.H.	8M 7629123	1
Group 29428-9 GUSSET (QUARTER PANEL TO PACKAGE TRAY)				
49	9M72-74	R.H.	7A 7229428	1
49	9M72-74	L.H.	7A 7229429	1
Group 29668 LATCH ASSEMBLY (QUARTER WINDOW SLIDING GLASS)-FRONT				
49	9M79		7A 7929668	2
49	9M79	Screw (oval head sheet metal)-No. 10 x 1-1/4"	33019-S13	2
49	9M79	Screw (oval head sheet metal)-No. 10 x 3/4"	33003-S13	2
Group 29670 LATCH ASSEMBLY (QUARTER WINDOW SLIDING GLASS)-CENTER				
49	9M79		7A 7929670	2
49	9M79	Screw (oval head machine)-No. 8-32 x 3/8"	28317-S13	4

BODY PARTS CATALOGUE



8M-7629700 GLASS AND FRAME ASS'Y-R.H.
* NOT INCLUDED IN 29700 ASS'Y

PM-281

Group numbers only shown on illustration. Order by Part Numbers shown in list of parts.

YEAR 19	BODY TYPES	REMARKS	PART NUMBER	NO. REQ'D
Group 29700-1 FRAME AND GLASS ASSEMBLY (QUARTER WINDOW)-COMPLETE				
49	9M76	R.H.-includes hinge and bracket	8M 7629700	1
49	9M76	L.H.-includes hinge and bracket	8M 7629701	1
Group 29710 GLASS (REAR QUARTER WINDOW)				
49	9M72		8M 7229710-A	2
49	9M76		8M 7629710-A	2
Group 29710 GLASS (QUARTER WINDOW SLIDING)-FRONT				
49	9M79		8M 7929710-A	2
Group 29712 GLASS (QUARTER WINDOW SLIDING)-CENTER				
49	9M79		8M 7929712-A	2

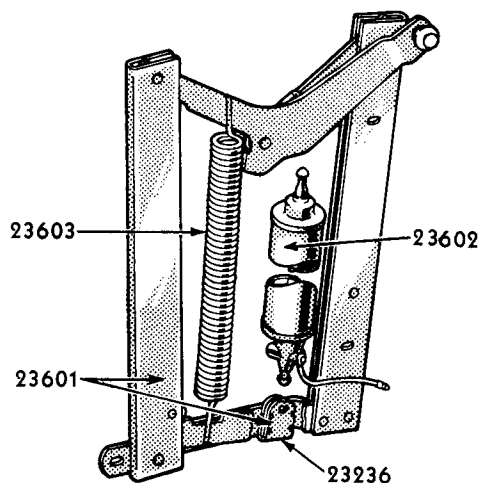
MERCURY

BODY PARTS CATALOGUE

YEAR 19__	BODY TYPES	REMARKS	PART NUMBER	NO. REQ'D
Group 29724 STRIP (QUARTER WINDOW GLASS RETAINING)				
49	9M72	Rubber Tape-purchase locally-48-1/2" long-.070" thick-1-1/2" wide	7A 7229724-A	2
49	9M72	Rubber Tape-purchase locally-48-1/2" long-.085" thick-1-1/2" wide	7A 7229724-B	2
49	9M76		7A 7629724-A	2
Group 29732 WEATHERSTRIP (QUARTER WINDOW GLASS)-OUTER				
49	9M79	155" long	7A 7929732-A	2
Group 29746 WEATHERSTRIP (QUARTER WINDOW FRONT LOWER CORNER)				
49	9M76		7A 7629746-A	2
Group 29750 GLASS (QUARTER WINDOW)-REAR				
49	9M79		7A 7929750	2
Group 29750-1 WEATHERSTRIP (QUARTER WINDOW GUIDE)				
49	9M76	R.H.	7A 7629750-A	2
49	9M76	L.H.	7A 7629751-A	2
Group 29754 HANDLE (QUARTER WINDOW SLIDING GLASS)-FRONT				
49	9M79		7A 7929754-A	2
Group 29756 HANDLE (QUARTER WINDOW SLIDING GLASS)-CENTER				
49	9M79		7A 7929756-A	2
Group 29764-5 GUIDE ASSEMBLY (QUARTER WINDOW)-COMPLETE				
49	9M76	R.H.	7A 7629764	1
49	9M76	L.H.	7A 7629765	1
Group 29904-5 WEATHERSTRIP (QUARTER VENT WINDOW)				
49	9M72	R.H.	7A 7229904-A	1
49	9M72	L.H.	7A 7229905-A	1
Group 29904 WEATHERSTRIP (QUARTER WINDOW GLASS)-REAR				
49	9M79		7A 7929904-A	2
Group 29908-9 WEATHERSTRIP (QUARTER WINDOW BELT)				
49	9M76		8M 7629908-A	2
49	9M76	Screw (binding head self tapping)-No. 14 x 1/4"	33165-S7	10
Group 29910 WEATHERSTRIP (QUARTER WINDOW)-INNER				
49	9M79		7A 7929910-A	2
Group 29932-3 BRACKET (QUARTER WINDOW)-ON BODY				
49	9M76	R.H.	7A 7629932	1
49	9M76	L.H.	7A 7629933	1
49	9M76	Bolt (hex head)-5/16"-17 x 3/4"-bracket to hinge	20346-S2	4
49	9M76	Lockwasher-5/16	34806-S2	4
49	9M76	Washer (flat)-.39" x .75" x .10"	351385-S7	4

BODY PARTS CATALOGUE

YEAR 19__	BODY TYPES	REMARKS	PART NUMBER	NO. REQ'D
Group 29948 HINGE (QUARTER WINDOW)-ON BODY				
49	9M76		7A 7629948	2
49	9M76	Lockwasher-No. 10	34803-S7	4
49	9M76	Screw (fillister head)-No. 10-32 x 13/16"	31652-S	4
Group 29952 RETAINER (QUARTER WINDOW FRONT WEATHERSTRIP)				
49	9M76		7A 7629952	2
49	9M76	Screw (special binding head)-No. 10-32 x 5/16"	355148-S7	4
Group 29958-9 CHANNEL ASSEMBLY (QUARTER WINDOW FRONT LOWER CORNER)				
49	9M76	R.H.	7A 7629958	1
49	9M76	L.H.	7A 7629959	1
49	9M76	Screw (flat head)-No. 8-32 x 5/16"	24612-S13	4
49	9M76	Screw (headless set)-1/4"-28 x 5/16"	89582-S	2
Group 30104 RUN ASSEMBLY (QUARTER WINDOW GLASS)-UPPER FRONT				
49	9M79		8M 7930104	2
Group 30105 RUN ASSEMBLY (QUARTER WINDOW GLASS)-UPPER REAR				
49	9M79		8M 7930105	2
Group 30106-7 RUN (QUARTER WINDOW GLASS FRONT)-VERTICAL				
49	9M79	R.H.	7A 7930106	1
49	9M79	L.H.	7A 7930107	1
49	9M79	Bumper (rubber)	357385-S	4
49	9M79	Screw (flat head sheet metal)-No. 6 x 3/8"	32784-S2	4
49	9M79	Screw (flat head sheet metal)-No. 6 x 3/8"-front	32784-S2	12
49	9M79	Screw (flat head sheet metal)-No. 6 x 3/8"-rear	32784-S2	4
Group 30112 RUN (QUARTER WINDOW GLASS)-LOWER-FRONT				
49	9M79		7A 7930112	2
49	9M79	Screw (flat head sheet metal)-No. 6 x 3/8"	32784-32	8
Group 30116 RUN (QUARTER WINDOW GLASS)-LOWER-REAR				
49	9M79		7A 7930116	2
49	9M79	Screw (flat head sheet metal)-No. 6 x 3/8"	32784-S2	4
Group 30146-7 WEATHERSTRIP (QUARTER WINDOW)-FRONT				
49	9M76	R.H.-13-5/16" long	7A 7630146	1
49	9M76	L.H.-13-5/16" long	7A 7630147	1
49	9M76	Screw (binding head)-No. 6 x 1/2"	33181-S4	4
Group 30154 CLIP (QUARTER WINDOW GLASS RETAINER)				
49	9M79	1" long x 7/8" wide	8A 7930154	2
Group 30226 STOP (QUARTER VENT WINDOW PIVOT)				
49	9M74	rear door	19A 7030226-B	2
Group 30232-3 DIVISION BAR AND GLASS RUN ASSEMBLY (QUARTER WINDOW)				
49	9M79	R.H.	8M 7930232	1
49	9M79	L.H.	8M 7930233	1
49	9M79	Lockwasher (internal tooth)-1/4"	34905-S7	4
49	9M79	Screw (round head machine)-1/4"-20 x 5/8"	35511-S7	4
Group 30284 PLATE (QUARTER VENT WINDOW LOCK)				
49	9M72		8M 7030284	



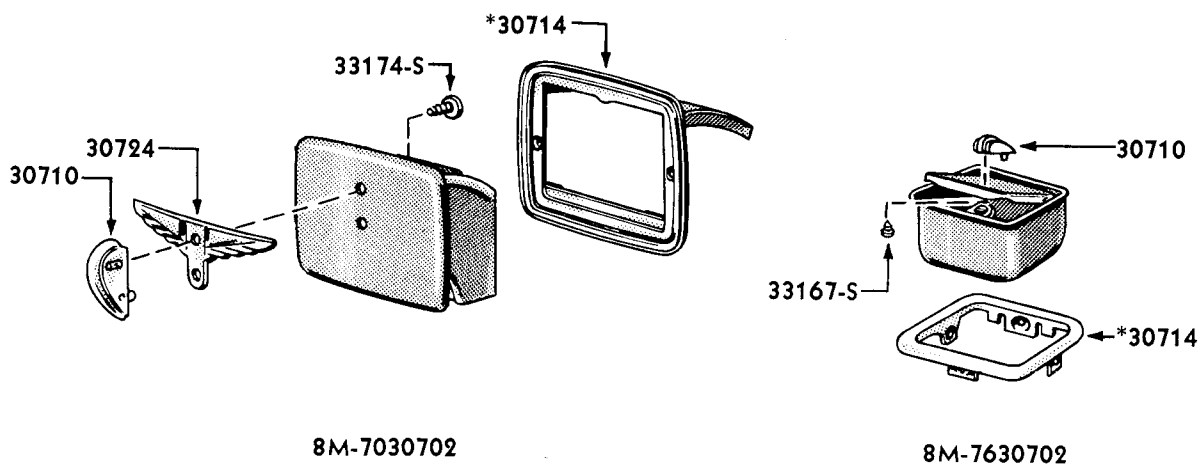
PM-268

QUARTER WINDOW REGULATOR (8M-7630307)

Group numbers only shown on illustration. Order by Part Numbers shown in list of parts.

YEAR 19__	BODY TYPES	REMARKS	PART NUMBER	NO. REQ'D
Group 30306-7 REGULATOR ASSEMBLY (QUARTER WINDOW)				
49	9M76	R.H.	8M 7630306	1
49	9M76	L.H.	8M 7630307	1
49	9M76	Bolt (hex head)-1/4"-20 x 3/4" regulator to pillar and quarter panel	24344-87	4
49	9M76	Locknut-1/4"-20	34390-87	4
Group 30506-7 FRAME AND GLASS ASSEMBLY (QUARTER WINDOW)				
49	9M72	R.H.	7A 7230506	1
49	9M72	L.H.	7A 7230507	1
49	9M72	Lockwasher (internal tooth)-1/4"	34905-87	1
49	9M72	Screw (special shoulder)-1/4"-28	355316-S	1
Group 30548 CLAMP (QUARTER WINDOW FRAME LOWER PIVOT)				
49	9M72-74		8M 7030548	2
49	9M72-74	Bolt (shoulder)-5/16"-24 x 3/4"	357745-S8	2
49	9M72-74	Lockwasher-5/16"	34806-S2	1
49	9M72-74	Nut (hex)-5/16"	33798-S2	1
Group 30552 STOP (QUARTER GLASS FRAME PIVOT)				
49	9M72		8M 7330552	2
Group 30556 PIN (QUARTER WINDOW FRAME HINGE)				
49	9M76		7A 7630556	2

BODY PARTS CATALOGUE



*NOT INCLUDED IN 8M-7030702 ASSY.

*NOT INCLUDED IN 8M-7630702 ASSY.

PM-301

QUARTER ASH RECEPTACLES

Group numbers only shown on illustration. Order by Part Numbers shown in list of parts.

YEAR 19__	BODY TYPES	REMARKS	PART NUMBER	NO. REQ'D
Group 30702 RECEPTACLE ASSEMBLY (QUARTER ASH)-COMPLETE				
49	9M72	Mercury Texture Blue Metallic Finish	8M 7030702-J	2
49	9M72	Alaska Gray Metallic Finish	8M 7030702-C	2
49	9M72	Green Metallic Finish	8M 7030702-A	2
49	9M72	Mercury Texture Green Metallic Finish	8M 7030702-G	2
49	9M72	Gazelle Tan Metallic Finish	8M 7030702-B	2
49	9M72	Mercury Texture Tan Metallic Finish	8M 7030702-H	2
49	9M72	in Prime	8M 7030702-AP	2
49	9M76	use with all Trim	8M 7630702	2
49	9M72	Nut (speed)-No. 8-A	352388-S32	4
49	9M72	Screw (Phillips-oval head-self tapping)-No. 8 x 5/8"	350066-S13	4
Group 30708 RECEPTACLE ASSEMBLY (QUARTER ASH RETAINER)				
49	9M79	Mahogany	8M 7930708	2
49	9M79	Screw (binding head self tapping)-No. 8 x 1/2"	32923-S7	4
49	9M76	Screw (binding head)-No. 6 x 1/4"	33167-S8	1
Group 30710 KNOB (ASH RECEPTACLE)				
49	9M72-76	rear quarter ash receptacle	8M 7030710	2
49	9M74	front seat back ash receptacle	8M 7030710	1
49	9M except 76	Screw (pan head)-No. 6 x 3/8"	33174-S2	1
Group 30714 RETAINER (QUARTER ASH RECEPTACLE)				
49	9M72		8A 7030714	2
49	9M76		8M 7630714	2
49	9M76	Screw (binding head sheet metal)-No. 6 x 1/4"	33167-S8	1
Group 30724 MEDALLION (ASH RECEPTACLE)				
49	9M72	rear quarter ash receptacle	8M 7030724-A	2
49	9M74	front seat back ash receptacle	8M 7030724-A	1

MERCURY

BODY PARTS CATALOGUE

YEAR 19	BODY TYPES	REMARKS	PART NUMBER	NO. REQ'D
Group 31012-3 TRIM ASSEMBLY (QUARTER)				
49	9M72	R.H.-Upper M-5156-C Plain Blue Broadcloth, Center M-5155-C Blue Stripe Broadcloth, Lower Blue Carpet	8M 7231012-C	1
49	9M72	L.H.-Upper M-5156-C Plain Blue Broadcloth, Center M-5155-C Blue Stripe Broadcloth, Lower Blue Carpet	8M 7231013-C	1
49	9M72	R.H.-Upper M-5156-C Plain Blue Broadcloth, Center M-5155-C Blue Stripe Broadcloth, Lower Blue Artificial Leather	8M 7231012-G	1
49	9M72	L.H.-Upper M-5156-C Plain Blue Broadcloth, Center M-5155-C Blue Stripe Broadcloth, Lower Blue Artificial Leather	8M 7231013-G	1
49	9M72	R.H.-Upper M-5156-F Blue Gray Broadcloth, Center M-5155-D Blue Stripe Broadcloth, Lower Blue Artificial Leather	8M 7231012-H	1
49	9M72	L.H.-Upper M-5156-F Blue Gray Broadcloth, Center M-5155-D Blue Stripe Broadcloth, Lower Blue Artificial Leather	8M 7231013-H	1
49	9M72	R.H.-Upper M-19104-F Blue Gray Broadcloth, Center M-19104-D Blue Stripe Broadcloth, Lower Dark Blue Artificial Leather-Special Trim	8M 7231012-CCH	1
49	9M72	L.H.-Upper M-19104-F Blue Gray Broadcloth, Center M-19104-D Blue Stripe Broadcloth, Lower Dark Blue Artificial Leather-Special Trim	8M 7231013-CCH	1
49	9M72	R.H.-Upper M-19101-V Blue Gray Broadcloth, Center M-19101-L Blue Gray Broadcloth, Lower Blue Gray Artificial Leather-Special Trim	8M 7231012-DDH	1
49	9M72	L.H.-Upper M-19101-V Blue Gray Broadcloth, Center M-19101-L Blue Gray Broadcloth, Lower Blue Gray Artificial Leather-Special Trim	8M 7231013-DDH	1
49	9M72	R.H.-Upper M-19152-L Gray Broadcloth, Center M-19101-U Blue Green Birdseye Broadcloth, Lower Gray Artificial Leather-Special Trim	8M 7231012-AAL	1
49	9M72	L.H.-Upper M-19152-L Gray Broadcloth, Center M-19101-U Blue Green Birdseye Broadcloth, Lower Gray Artificial Leather-Special Trim	8M 7231013-AAL	1
49	9M72	R.H.-Upper M-19152-V Dark Gray Broadcloth, Center M-19141-P Dark Gray Bedford Cord, Lower Gray Bedford Artificial Leather-Special Trim	8M 7231012-CCL	1
49	9M72	L.H.-Upper M-19152-V Dark Gray Broadcloth, Center M-19141-P Dark Gray Bedford Cord, Lower Gray Bedford Artificial Leather-Special Trim	8M 7231013-CCL	1
49	9M72	R.H.-Upper M-5156-A Plain Green Broadcloth, Center M-5155-A Patterned Green Broadcloth, Lower Green Carpet	8M 7231012-A	1
49	9M72	L.H.-Upper M-5156-A Plain Green Broadcloth, Center M-5155-A Patterned Green Broadcloth, Lower Green Carpet	8M 7231013-A	1
49	9M72	R.H.-Upper M-5156-A Plain Green Broadcloth, Center M-5155-A Patterned Green Broadcloth, Lower Green Artificial Leather	8M 7231012-E	1
49	9M72	L.H.-Upper M-5156-A Plain Green Broadcloth, Center M-5155-A Patterned Green Broadcloth, Lower Green Artificial Leather	8M 7231013-E	1
49	9M72	R.H.-Upper M-19104-E Green Broadcloth, Center M-19104-C Green Gray Broadcloth, Lower Green Gray Artificial Leather-Special Trim	8M 7231012-AAH	1
49	9M72	L.H.-Upper M-19104-E Green Broadcloth, Center M-19104-C Green Gray Broadcloth, Lower Green Gray Artificial Leather-Special Trim	8M 7231013-AAH	1
49	9M72	R.H.-Upper M-5156-B Plain Tan Broadcloth, Center M-5155-B Patterned Tan Bedford Cord, Lower Tan Carpet	8M 7231012-B	1
49	9M72	L.H.-Upper M-5156-B Plain Tan Broadcloth, Center M-5155-B Patterned Tan Bedford Cord, Lower Tan Carpet	8M 7231013-B	1
49	9M72	R.H.-Upper M-5156-B Plain Tan Broadcloth, Center M-5155-B Patterned Tan Bedford Cord, Lower Tan Artificial Leather	8M 7231012-F	1
49	9M72	L.H.-Upper M-5156-B Plain Tan Broadcloth, Center M-5155-B Patterned Tan Bedford Cord, Lower Tan Artificial Leather	8M 7231013-F	1

BODY PARTS CATALOGUE

YEAR 19	BODY TYPES	REMARKS	PART NUMBER	NO. REQ'D
Group 31012-3 TRIM ASSEMBLY (QUARTER)-CONTINUED				
49	9M72	R.H.-Upper M-19101-N Tan Broadcloth, Center M-19101-T Brown Stripe Broadcloth, Lower Tan Artificial Leather-Special Trim	8M 7231012-BBH	1
49	9M72	L.H.-Upper M-19101-N Tan Broadcloth, Center M-19101-T Brown Stripe Broadcloth, Lower Tan Artificial Leather-Special Trim	8M 7231013-BBH	1
49	9M72	R.H.-Upper M-19152-M Brown Taupe Broadcloth, Center M-19101-W Tan and Yellow Broken Stripe Broadcloth, Lower Brown Taupe Artificial Leather-Special Trim	8M 7231012-BBL	1
49	9M72	L.H.-Upper M-19152-M Brown Taupe Broadcloth, Center M-19101-W Tan and Yellow Broken Stripe Broadcloth, Lower Brown Taupe Artificial Leather-Special Trim	8M 7231013-BBL	1
49	9M74	R.H.-Upper M-5156-C Plain Blue Broadcloth, Lower M-16102-E Blue Stripe Broadcloth	8M 7431012-C	1
49	9M74	L.H.-Upper M-5156-C Plain Blue Broadcloth, Lower M-16102-E Blue Stripe Broadcloth	8M 7431013-C	1
49	9M74	R.H.-Upper M-5156-F Blue Gray Broadcloth, Lower M-16102-J Blue Stripe Broadcloth	8M 7431012-E	1
49	9M74	L.H.-Upper M-5156-F Blue Gray Broadcloth, Lower M-16102-J Blue Stripe Broadcloth	8M 7431013-E	1
49	9M74	R.H.-Upper M-19104-F Blue Gray Broadcloth, Lower M-19104-D Blue Stripe Broadcloth-Special Trim	8M 7431012-CCH	1
49	9M74	L.H.-Upper M-19104-F Blue Gray Broadcloth, Lower M-19104-D Blue Stripe Broadcloth-Special Trim	8M 7431013-CCH	1
49	9M74	R.H.-Upper M-19101-V Blue Gray Broadcloth, Lower M-19101-L Blue Gray Broadcloth-Special Trim	8M 7431012-DDH	1
49	9M74	L.H.-Upper M-19101-V Blue Gray Broadcloth, Lower M-19101-L Blue Gray Broadcloth-Special Trim	8M 7431013-DDH	1
49	9M74	R.H.-Upper M-19152-L Gray Broadcloth, Lower M-19101-U Blue Green Birdseye Broadcloth-Special Trim	8M 7431012-AAL	1
49	9M74	L.H.-Upper M-19152-L Gray Broadcloth, Lower M-19101-U Blue Green Birdseye Broadcloth-Special Trim	8M 7431013-AAL	1
49	9M74	R.H.-Upper M-19152-V Dark Gray Broadcloth, Lower M-19141-P Dark Gray Bedford Cord-Special Trim	8M 7431012-CCL	1
49	9M74	L.H.-Upper M-19152-V Dark Gray Broadcloth, Lower M-19141-P Dark Gray Bedford Cord-Special Trim	8M 7431013-CCL	1
49	9M74	R.H.-Upper M-5156-A Plain Green Broadcloth, Lower M-16102-D Patterned Green Broadcloth	8M 7431012-A	1
49	9M74	L.H.-Upper M-5156-A Plain Green Broadcloth, Lower M-16102-D Patterned Green Broadcloth	8M 7431013-A	1
49	9M74	R.H.-Upper M-19104-E Green Broadcloth, Lower M-19104-C Green Gray Broadcloth-Special Trim	8M 7431012-AAH	1
49	9M74	L.H.-Upper M-19104-E Green Broadcloth, Lower M-19104-C Green Gray Broadcloth-Special Trim	8M 7431013-AAH	1
49	9M74	R.H.-Upper M-5156-B Plain Tan Broadcloth, Lower M-5085-N Tan Bedford Cord	8M 7431012-B	1
49	9M74	L.H.-Upper M-5156-B Plain Tan Broadcloth, Lower M-5085-N Tan Bedford Cord	8M 7431013-B	1
49	9M74	R.H.-Upper M-19101-N Tan Broadcloth, Lower M-19101-T Brown Stripe Broadcloth-Special Trim	8M 7431012-BBH	1
49	9M74	L.H.-Upper M-19101-N Tan Broadcloth, Lower M-19101-T Brown Stripe Broadcloth	8M 7431013-BBH	1
49	9M74	R.H.-Upper M-19152-M Brown Taupe Broadcloth, Lower M-19101-W Tan and Yellow Broken Stripe Broadcloth-Special Trim	8M 7431012-BBL	1
49	9M74	L.H.-Upper M-19152-M Brown Taupe Broadcloth, Lower M-19101-W tan and Yellow Broken Stripe Broadcloth-Special Trim	8M 7431013-BBL	1

MERCURY

BODY PARTS CATALOGUE

YEAR 19	BODY TYPES	REMARKS	PART NUMBER	NO. REQ'D
Group 31012-3 TRIM ASSEMBLY (QUARTER)-CONTINUED				
49	9M76	R.H.-Upper Green Artificial Leather, Lower M-5085-Q Green Bedford Cord	△8M 7631012-C	1
49	9M76	L.H.-Upper Green Artificial Leather, Lower M-5085-Q Green Bedford Cord	△8M 7631013-C	1
49	9M76	R.H.-Upper Green Artificial Leather, Lower M-5085-Q Green Bedford Cord	●8M 7631012-F	1
49	9M76	L.H.-Upper Green Artificial Leather, Lower M-5085-Q Green Bedford Cord	●8M 7631013-F	1
49	9M76	R.H.-Upper Red Artificial Leather, Lower M-5085-P Tan Bedford Cord	△8M 7631012-A	1
49	9M76	L.H.-Upper Red Artificial Leather, Lower M-5085-P Tan Bedford Cord	△8M 7631013-A	1
49	9M76	R.H.-Upper Red Artificial Leather, Lower M-5085-P Tan Bedford Cord	●8M 7631012-D	1
49	9M76	L.H.-Upper Red Artificial Leather, Lower M-5085-P Tan Bedford Cord	●8M 7631013-D	1
49	9M76	R.H.-Upper Red Artificial Leather, Lower M-5085-K Light Tan Bedford Cord	●8M 7631012-X	1
49	9M76	L.H.-Upper Red Artificial Leather, Lower M-5085-K Light Tan Bedford Cord	●8M 7631013-X	1
49	9M76	R.H.-Upper Tan Artificial Leather, Lower M-5085-P Tan Bedford Cord	△8M 7631012-B	1
49	9M76	L.H.-Upper Tan Artificial Leather, Lower M-5085-P Tan Bedford Cord	△8M 7631013-B	1
49	9M76	R.H.-Upper Tan Artificial Leather, Lower M-5085-P Tan Bedford Cord	●8M 7631012-E	1
49	9M76	L.H.-Upper Tan Artificial Leather, Lower M-5085-P Tan Bedford Cord	●8M 7631013-E	1
49	9M76	R.H.-Upper Tan Artificial Leather, Lower M-5085-L Dark Tan Bedford Cord	8M 7631012-Y	1
49	9M76	L.H.-Upper Tan Artificial Leather, Lower M-5085-L Dark Tan Bedford Cord	8M 7631013-Y	1
49	9M72-74	Clip (trim)	352333-S3	4or6
49	9M76	Fastener-17/64" x 15/64"		4
49	9M76	Fastener (Snap Type Durable Dot)-No. 8 x 3/4"	95223-S13	2
49	9M76	Screw (binding head self tapping)-No. 8 x 1/2"	32923-S13	4
49	9M76	Screw (Phillips head self tapping)-No. 8 x 7/8"	350067-S13	6
49	9M74	Washer (countersunk)-No. 8	34862-S23	2
49	9M76	Washer (finish)-No. 8	34885-S13	as req'd

Group 31070-1 PANEL (BODY SIDE LINING)

49	9M79	R.H.-with countersunk screw holes	8M 7931070-A	1
49	9M79	L.H.-with countersunk screw holes	8M 7931071-A	1
49	9M79	R.H.-without countersunk screw holes	8M 7931070-B	1
49	9M79	L.H.-without countersunk screw holes	8M 7931071-B	1

Group 31140 MOULDING ASSEMBLY (QUARTER TRIM)-UPPER

49	9M72		8M 7231140-A	2
----	------	--	--------------	---

Group 31140 MOULDING ASSEMBLY (REAR QUARTER TRIM)

49	9M74		8M 7431140-A	2
----	------	--	--------------	---

△ Used on cars having front seat with metal stationary foot rest welded to seat frame.

● Used on cars having front seat without foot rest.

BODY PARTS CATALOGUE

YEAR 19__	BODY TYPES	REMARKS	PART NUMBER	NO. REQ'D
Group 31140-1 MOULDING ASSEMBLY (QUARTER INTERIOR TRIM)				
49	9M76	R.H.	8M 7631140-A	1
49	9M76	L.H.	8M 7631141-A	1
Group 31217 MOULDING ASSEMBLY (QUARTER TRIM)-LOWER				
49	9M72		8M 7231217-A	2
Group 31224-5 TRIM ASSEMBLY (QUARTER LOCK PILLAR)				
49	9M76	R.H.-Green Artificial Leather	8M 7631224-C	1
49	9M76	L.H.-Green Artificial Leather	8M 7631225-C	1
49	9M76	R.H.-Red Artificial Leather	8M 7631224-A	1
49	9M76	L.H.-Red Artificial Leather	8M 7631225-A	1
49	9M76	R.H.-Dark Red Artificial Leather	8M 7631224-D	1
49	9M76	L.H.-Dark Red Artificial Leather	8M 7631225-D	1
49	9M76	R.H.-Tan Artificial Leather	8M 7631224-B	1
49	9M76	L.H.-Tan Artificial Leather	8M 7631225-B	1
49	9M79	R.H.-Green Artificial Leather	8M 7931224-C	1
49	9M79	L.H.-Green Artificial Leather	8M 7931225-C	1
49	9M79	R.H.-Red Artificial Leather	8M 7931224-A	1
49	9M79	L.H.-Red Artificial Leather	8M 7931225-A	1
49	9M79	R.H.-Tan Artificial Leather	8M 7931224-B	1
49	9M79	L.H.-Tan Artificial Leather	8M 7931225-B	1
49	9M76	Screw (Phillips head self tapping)-No. 8 x 5/8"	350066-S13	12
49	9M76	Washer (countersunk)-No. 8	34862-S23	12
Group 31418 BRACKET (ASSIST STRAP)				
49	9M72		8M 7031418	2
49	9M72	Bolt (Phillips head shoulder)-No. 10-32 x 1-7/16"	355153-S13	2
Group 31421 COVER (ASSIST STRAP BRACKET)				
49	9M72		8M 7031421-B	2
Group 31440 STRAP ASSEMBLY (ASSIST)				
49	9M72	use with Beige Bedford Cord Scheme	8M 7031440-B	2
49	9M72	use with Blue Bedford Cord Scheme	8M 7031440-G	2
49	9M72	use with Blue Stripe Broadcloth Scheme	8M 7031440-C	2
49	9M72	use with Blue Pin Stripe Broadcloth Scheme	8M 7031440-K	2
49	9M72	use with Brown Stripe Broadcloth Scheme	8M 7031440-J	2
49	9M72	use with Gray Birdseye Broadcloth Scheme	8M 7031440-E	2
49	9M72	use with Green Birdseye Broadcloth Scheme	8M 7031440-H	2
49	9M72	use with Green Check Broadcloth Scheme	8M 7031440-A	2
49	9M72	use with Yellow Check Broadcloth Scheme	8M 7031440-F	2
49	9M72	Bolt (Phillips head shoulder)-No. 10-32 x 7/16"	355153-S13	2
Group 31452 BRACKET (COAT HANGER)				
49	9M74-79		8M 7331452	2
49	9M except 76	Screw (Phillips-self tapping)-No. 8 x 5/8"	350066-S13	4

MERCURY

BODY PARTS CATALOGUE

YEAR 19	BODY TYPES	REMARKS	PART NUMBER	NO. REQ'D
Group 31600-1 REST ASSEMBLY (REAR QUARTER ARM)-COMPLETE				
49	9M72	R.H.-Top Blue Artificial Leather, Side M-5155-C Blue Stripe Broadcloth	8M 7231600-C	1
49	9M72	L.H.-Top Blue Artificial Leather, Side M-5155-C Blue Stripe Broadcloth	8M 7231601-C	1
49	9M72	R.H.-Top Blue Gray Artificial Leather, Side M-5155-D Blue Stripe Broadcloth-Inner wheelhouse has 6-31/32" bulge	8M 7231600-E	1
49	9M72	L.H.-Top Blue Gray Artificial Leather, Side M-5155-D Blue Stripe Broadcloth-Inner wheelhouse has 6-31/32" bulge	8M 7231601-E	1
49	9M72	R.H.-Top Blue Gray Artificial Leather, Side M-5155-D Blue Stripe Broadcloth-Inner wheelhouse has 8-1/16" bulge	8M 7231600-H	1
49	9M72	L.H.-Top Blue Gray Artificial Leather, Side M-5155-D Blue Stripe Broadcloth-Inner wheelhouse has 8-1/16" bulge	8M 7231601-H	1
49	9M72	R.H.-Top Blue Gray Leather, Side M-19104-D Blue Stripe Broadcloth-Special Trim	8M 7231600-CCH	1
49	9M72	L.H.-Top Blue Gray Leather, Side M-19104-D Blue Stripe Broadcloth-Special Trim	8M 7231601-CCH	1
49	9M72	R.H.-Top Blue Gray Leather, Side M-19101-L Blue Gray Broadcloth-Special Trim	8M 7231600-DDE	1
49	9M72	L.H.-Top Blue Gray Leather, Side M-19101-L Blue Gray Broadcloth-Special Trim	8M 7231601-DDH	1
49	9M72	R.H.-Top Gray Leather, Side M-19101-U Blue Green Birdseye Broadcloth-Special Trim	8M 7231600-AAL	1
49	9M72	L.H.-Top Gray Leather, Side M-19101-U Blue Green Birdseye Broadcloth-Special Trim	8M 7231601-AAL	1
49	9M72	R.H.-Top Gray Bedford Leather, Side M-19141-P Dark Gray Bedford Cord-Special Trim	8M 7231600-CCL	1
49	9M72	L.H.-Top Gray Bedford Leather, Side M-19141-P Dark Gray Bedford Cord-Special Trim	8M 7231601-CCL	1
49	9M72	R.H.-Top Green Artificial Leather, Side M-5155-A Green Patterned Broadcloth-Inner wheelhouse has 6-31/32" bulge	8M 7231600-A	1
49	9M72	L.H.-Top Green Artificial Leather, Side M-5155-A Green Patterned Broadcloth-Inner wheelhouse has 6-31/32" bulge	8M 7231601-A	1
49	9M72	R.H.-Top Green Artificial Leather, Side M-5155-A Green Patterned Broadcloth-Inner wheelhouse has 8-1/16" bulge	8M 7231600-F	1
49	9M72	L.H.-Top Green Artificial Leather, Side M-5155-A Green Patterned Broadcloth-Inner wheelhouse has 8-1/16" bulge	8M 7231601-F	1
49	9M72	R.H.-Top Green Gray Leather, Side M-19104-C Green Gray Broadcloth-Special Trim	8M 7231600-AAH	1
49	9M72	L.H.-Top Green Gray Leather, Side M-19104-C Green Gray Broadcloth-Special Trim	8M 7231601-AAH	1
49	9M72	R.H.-Top Tan Artificial Leather, Side M-5155-B Tan Patterned Broadcloth-Inner wheelhouse has 6-31/32" bulge	8M 7231600-B	1
49	9M72	L.H.-Top Tan Artificial Leather, Side M-5155-B Tan Patterned Broadcloth-Inner wheelhouse has 6-31/32" bulge	8M 7231601-B	1
49	9M72	R.H.-Top Tan Artificial Leather, Side M-5155-B Tan Patterned Broadcloth-Inner wheelhouse has 8-1/16" bulge	8M 7231600-G	1
49	9M72	L.H.-Top Tan Artificial Leather, Side M-5155-B Tan Patterned Broadcloth-Inner wheelhouse has 8-1/16" bulge	8M 7231601-G	1
49	9M72	R.H.-Top Tan Leather, Side M-19101-T Brown Stripe Broadcloth-Special Trim	8M 7231600-BBH	1
49	9M72	L.H.-Top Tan Leather, Side M-19101-T Brown Stripe Broadcloth-Special Trim	8M 7231601-BBH	1
49	9M72	R.H.-Top Brown Taupe Leather, Side M-19101-W Tan and Yellow Broken Stripe Broadcloth-Special Trim	8M 7231600-BBL	1
49	9M72	L.H.-Top Brown Taupe Leather, Side M-19101-W Tan and Yellow Broken Stripe Broadcloth-Special Trim	8M 7231601-BBL	1

BODY PARTS CATALOGUE

YEAR 19__	BODY TYPES	REMARKS	PART NUMBER	NO. REQ'D
Group 31600-1 REST ASSEMBLY (REAR QUARTER ARM)-COMPLETE-CONTINUED				
49	9M74	R.H.-Top Blue Artificial Leather, Side M-16102-E Blue Stripe Broadcloth	△8M 7431600-C	1
49	9M74	L.H.-Top Blue Artificial Leather, Side M-16102-E Blue Stripe Broadcloth	△8M 7431601-C	1
49	9M74	R.H.-Top Blue Artificial Leather, Side M-16102-E Blue Stripe Broadcloth	●8M 7431600-G	1
49	9M74	L.H.-Top Blue Artificial Leather, Side M-16102-E Blue Stripe Broadcloth	●8M 7431601-G	1
49	9M74	R.H.-Top Blue Gray Artificial Leather, Side M-16102-J Blue Stripe Broadcloth-Inner wheelhouse has 6-31/32" bulge	●8M 7431600-H	1
49	9M74	L.H.-Top Blue Gray Artificial Leather, Side M-16102-J Blue Stripe Broadcloth-Inner wheelhouse has 6-31/32" bulge	●8M 7431601-H	1
49	9M74	R.H.-Top Blue Gray Artificial Leather, Side M-16102-J Blue Stripe Broadcloth-Inner wheelhouse has 8-1/16" bulge	8M 7431600-L	1
49	9M74	L.H.-Top Blue Gray Artificial Leather, Side M-16102-J Blue Stripe Broadcloth-Inner wheelhouse has 8-1/16" bulge	8M 7431601-L	1
49	9M74	R.H.-Top Blue Gray Leather, Side M-19104-D Blue Stripe Broadcloth-Special Trim	8M 7431600-CCH	1
49	9M74	L.H.-Top Blue Gray Leather, Side M-19104-D Blue Stripe Broadcloth-Special Trim	8M 7431601-CCH	1
49	9M74	R.H.-Top Blue Gray Leather, Side M-19101-L Blue Gray Broadcloth-Special Trim	8M 7431600-DDH	1
49	9M74	L.H.-Top Blue Gray Leather, Side M-19101-L Blue Gray Broadcloth-Special Trim	8M 7431601-DDH	1
49	9M74	R.H.-Top Gray Bedford Leather, Side M-19141-P Dark Gray Bedford Cord-Special Trim	8M 7431600-CCL	1
49	9M74	L.H.-Top Gray Bedford Leather, Side M-19141-P Dark Gray Bedford Cord-Special Trim	8M 7431601-CCL	1
49	9M74	R.H.-Top Gray Leather, Side M-19101-U Blue Green Birdseye Broadcloth-Special Trim	8M 7431600-AAL	1
49	9M74	L.H.-Top Gray Leather, Side M-19101-U Blue Green Birdseye Broadcloth-Special Trim	8M 7431601-AAL	1
49	9M74	R.H.-Top Green Artificial Leather, Side M-16102-D Green Patterned Broadcloth	△8M 7431600-A	1
49	9M74	L.H.-Top Green Artificial Leather, Side M-16102-D Green Patterned Broadcloth	△8M 7431601-A	1
49	9M74	R.H.-Top Green Artificial Leather, Side M-16102-D Green Patterned Broadcloth-Inner wheelhouse has 6-31/32" bulge	●8M 7431600-E	1
49	9M74	L.H.-Top Green Artificial Leather, Side M-16102-D Green Patterned Broadcloth-Inner wheelhouse has 6-31/32" bulge	●8M 7431601-E	1
49	9M74	R.H.-Top Green Artificial Leather, Side M-16102-D Green Patterned Broadcloth-Inner wheelhouse has 8-1/16" bulge	8M 7431600-J	1
49	9M74	L.H.-Top Green Artificial Leather, Side M-16102-D Green Patterned Broadcloth-Inner wheelhouse has 8-1/16" bulge	8M 7431601-J	1
49	9M74	R.H.-Top Green Gray Leather, Side M-19104-C Green Gray Broadcloth-Special Trim	8M 7431600-AAH	1
49	9M74	L.H.-Top Green Gray Leather, Side M-19104-C Green Gray Broadcloth-Special Trim	8M 7431601-AAH	1
49	9M74	R.H.-Top Tan Artificial Leather, Side M-5085-N Tan Bedford Cord	△8M 7431600-B	1
49	9M74	L.H.-Top Tan Artificial Leather, Side M-5085-N Tan Bedford Cord	△8M 7431601-B	1
49	9M74	R.H.-Top Tan Artificial Leather, Side M-5085-N Tan Bedford Cord-Inner wheelhouse has 6-31/32" bulge	●8M 7431600-F	1
49	9M74	L.H.-Top Tan Artificial Leather, Side M-5085-N Tan Bedford Cord-Inner wheelhouse has 6-31/32" bulge	●8M 7431601-F	1
49	9M74	R.H.-Top Tan Artificial Leather, Side M-5085-N Tan Bedford Cord-Inner wheelhouse has 8-1/16" bulge	8M 7431600-K	1

△ Used on cars having front seat with metal stationary foot rest welded to seat frame.

● Used on cars having front seat without foot rest.

MERCURY

BODY PARTS CATALOGUE

YEAR 19__	BODY TYPES	REMARKS	PART NUMBER	NO. REQ'D
Group 31600-1 REST ASSEMBLY (REAR QUARTER ARM)-COMPLETE-CONTINUED				
49	9M74	L.H.-Top Tan Artificial Leather, Side M-5085-N Tan Bedford Cord- Inner wheelhouse has 8-1/16" bulge	8M 7431601-K	1
49	9M74	R.H.-Top Tan Leather, Side M-19101-T Brown Stripe Broadcloth- Special Trim	8M 7431600-BBH	1
49	9M74	L.H.-Top Tan Leather, Side M-19101-T Brown Stripe Broadcloth- Special Trim	8M 7431601-BBH	1
49	9M74	R.H.-Top Brown Taupe Leather, Side M-19101-W Tan and Yellow Broken Stripe Broadcloth-Special Trim	8M 7431600-BBL	1
49	9M74	L.H.-Top Brown Taupe Leather, Side M-19101-W Tan and Yellow Broken Stripe Broadcloth-Special Trim	8M 7431601-BBL	1
49	9M except 76	Screw (hex head self tapping)-No. 10 x 1/2"	52727-S8	4

Group 32400-1 TRIM ASSEMBLY (QUARTER FOLDING COMPARTMENT SIDE)

49	9M76	R.H.	8M 7632400	1
49	9M76	L.H.	8M 7632401	1

Group 40112 DOOR ASSEMBLY (LUGGAGE COMPARTMENT)

49	9M except 79		8M 7240112	1
----	--------------	--	------------	---

Group 40202 TAILGATE ASSEMBLY (COMPLETE PAINTED AND TRIMMED)

49	9M79		8M 7940202	1
49	9M79	Screw (flat head)-1/4"-20 x 3/4"	36046-S13	10
49	9M79	Screw (hex head self tapping)-No. 10 x 3/4"	42021-S7	4
49	9M79	Washer (rubber)	357394-S	4

Group 40310 PANEL ASSEMBLY (BODY UPPER BACK)

49	9M76		8M 7640310	1
----	------	--	------------	---

Group 40314 PANEL (BODY UPPER BACK)

49	9M76	replaced by 8M-7640310	8M 7640314	1
----	------	------------------------	------------	---

Group 40320 PANEL ASSEMBLY (BODY LOWER BACK)

49	9M except 79		8M 7240320	1
----	--------------	--	------------	---

Group 40320-1 PANEL ASSEMBLY (BODY LOWER REAR SIDE)

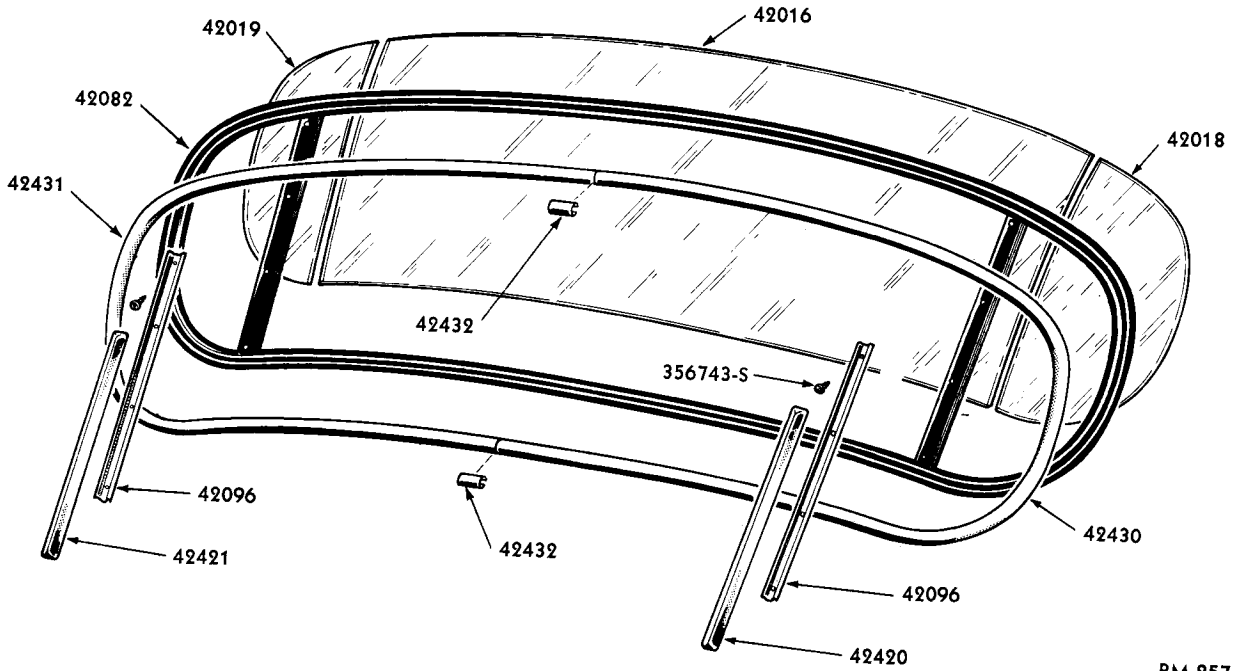
49	9M79	R.H.-when one rear lamp is used	8M 7940320-A	1
49	9M79	when two rear lamps are used	8M 7940320-B	1
49	9M79	L.H.	8M 7940321	1
49	9M79	Bolt (hex-head)-1/4"-20 x 5/8"	20324-S2	4
49	9M79	Locknut (standard light thick)-1/4"-20	34390-S7	4
49	9M79	Washer (flat)-1/4"	34705-S2	4

Group 40326-7 PANEL (REAR QUARTER INSIDE LINING)-UPPER

49	9M79	R.H.	8M 7940326	1
49	9M79	L.H.	8M 7940327	1

Group 40902 FRAME AND PANEL ASSEMBLY (TAILGATE FINISH)-COMPLETE

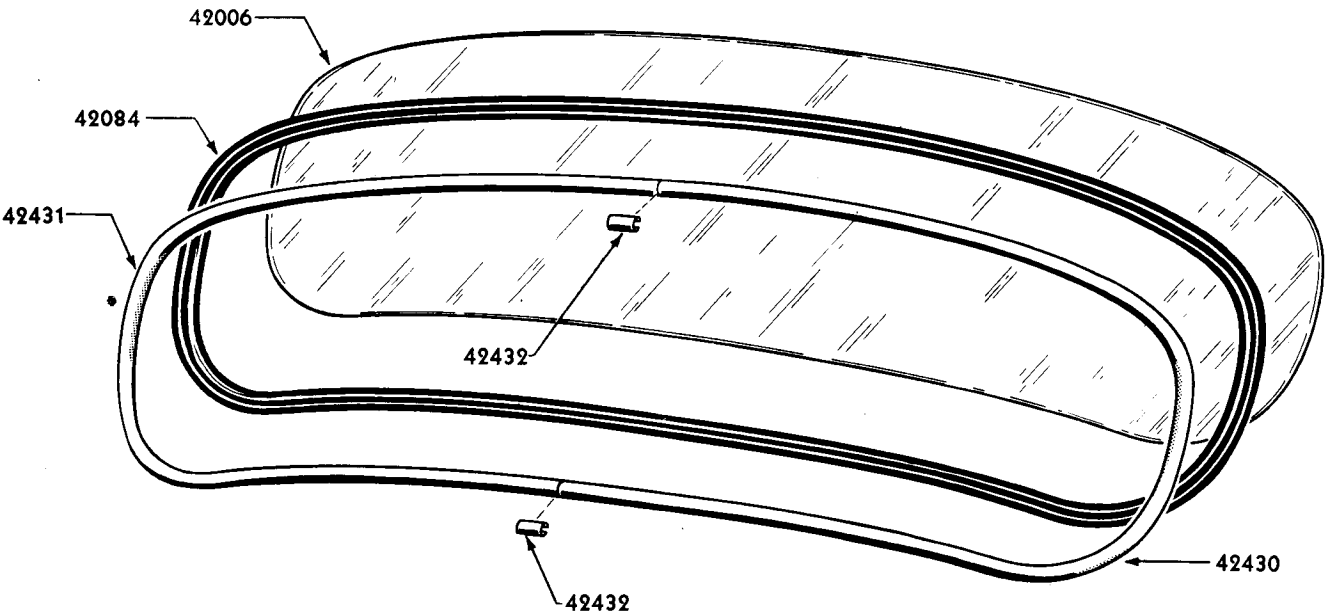
49	9M79	when one rear lamp is used	8M 7940902-A	1
49	9M79	when two rear lamps are used	8M 7940902-B	1
49	9M79	Bolt (hex head)-5/16"-18 x 7/8"	20366-S2	12
49	9M79	Bumper (rubber)	352394-S	2
49	9M79	Lockwasher (internal tooth)-5/16"	34906-S	
49	9M79	Nut (capped sleeve)-5/16"-18	356757-S23	12
49	9M79	Nut (sleeve)-5/16"-18 x 9/16"	352353-S23	5
49	9M79	Washer (flat)-5/16"	34746-S2	12



PM-257

REAR WINDOW 3 PIECE GLASS

Group numbers only shown on illustration. Order by Part Numbers shown in list of parts.



PM-307

REAR WINDOW 1 PIECE GLASS

Group numbers only shown on illustration. Order by Part Numbers shown in list of parts.

MERCURY

BODY PARTS CATALOGUE

YEAR 19__	BODY TYPES	REMARKS	PART NUMBER	NO. REQ'D
Group 40922 SPACER (REAR LAMP HINGE)-ON TAILGATE				
49	9M79	R.H.	8M 7940922	2
49	9M79	L.H.	8M 7940922	2
Group 41032-3 PILLAR ASSEMBLY (REAR CORNER)				
49	9M79	R.H.	7A 7941032	1
49	9M79	L.H.	7A 7941033	1
49	9M79	Nut (square head)-No. 10-32	34141-S7	8
Group 41606-7 WEATHERSTRIP (TAILGATE BOTTOM SIDE)-ON BODY				
49	9M74	R.H.	8A 7941606	1
49	9M79	L.H.	8A 7941607	1
Group 41626 WEATHERSEAL (TAILGATE SIDE)				
49	9M79		7A 7941626-A	2
Group 41632-3 WEATHERSTRIP (TAILGATE)-BOTTOM SIDE				
49	9M79	R.H.	8A 7941632	1
49	9M79	L.H.	8A 7941633	1
Group 41716 REINFORCEMENT ASSEMBLY (BACK BELT FLANGING STRIP AND LUGGAGE COMPARTMENT)				
49	9M76		8M 7641716	1
Group 41742-3 PILLAR AND STRIP ASSEMBLY (QUARTER LOCK)				
49	9M76	R.H.	8M 7641742	1
49	9M76	L.H.	8M 7641743	1
Group 41774 MOULDING (BACK BELT FINISH)				
49	9M76	approximately 58-31/32" long	8M 7641774-A	1
49	9M76	Stud (narrow head)-No. 8	352392-S13	9
Group 41786 WELT ASSEMBLY (BACK BELT RAIL)				
49	9M76	72" long-Black with Black Binding	8M 7641786-B	1
49	9M76	72" long-Black with Red Binding	8M 7641786-C	1
49	9M76	72" long-Gray Tan with Gray Tan Binding	8M 7641786-A	1
49	9M76	72" long-Green with Green Binding	8M 7641786-D	1
Group 41954 WEATHERSTRIP (BACK WINDOW)				
49	9M79		7A 7941954-A	2
Group 42002 WINDOW ASSEMBLY (BACK)-LESS TRIM				
49	9M79	Straight Maple Grain	8M 7942002-BU	1
Group 42006 GLASS (BACK WINDOW)				
49	9M72-74	one piece style	8M 7242006	1
49	9M79		8M 7942006-A	2
Group 42016 GLASS (BACK WINDOW)-CENTER				
49	9M72-74		8M 7242016	1
Group 42018-9 GLASS (BACK WINDOW)-END				
49	9M72-74	R.H.	8M 7242018	1
49	9M72-74	L.H.	8M 7242019	1
Group 42054 INSERT (BACK WINDOW WEATHERSTRIP)				
49	9M72-74	Rubber-14-13/32" long	8M 7242054-A	1

MERCURY

BODY PARTS CATALOGUE

YEAR 19	BODY TYPES	REMARKS	PART NUMBER	NO. REQ'D
Group 42057 PIN (BACK WINDOW SUPPORT ARM STOP)				
49	9M79		8M 7942057	1
Group 42058-9 SUPPORT ASSEMBLY (BACK WINDOW)				
49	9M79	R.H.	7A 7942058	1
49	9M79	L.H.	7A 7942059	1
49	9M79	Screw (flat head machine)-No. 10-32 x 1/2"-back window to rear body pillar	25231-S7	4
49	9M79	Screw (oval head machine)-N . 10-32 x 3/8"-support assy to window frame	28918-S13	4
Group 42082 WEATHERSTRIP (BACK WINDOW)				
49	9M72-74	repl. by one each of 8M-7242082-B, 8M-7242420-B, 8M-7242421-B, 8M-7242430-C and 8M-7242431-C and two each of 8M-7242096-B and 8M-7242432-B-use with four piece style moulding	8M 7242082-A	1
49	9M72-74	use with two piece style moulding	8M 7242082-B	1
Group 42084 WEATHERSEAL (BACK WINDOW)-UPPER				
49	9M79		7A 7942084-A	1
Group 42084 WEATHERSTRIP (BACK WINDOW)				
49	9M72-74	use with One Piece Rear Window	8M 7242084-B	1
Group 42086 WEATHERSEAL (BACK WINDOW)-LOWER				
49	9M79		7A 7942086-A	1
49	9M79	Screw (binding head sheet metal)-No. 6 x 1/2"	356795-S8	15
49	9M79	Washer (flat)-No. 6	34701-S7	15
Group 42094 RETAINER (BACK WINDOW WEATHERSTRIP)-OUTER				
49	9M79	Straight Grain Maple-42-31/32" long	8M 7942094	1
Group 42096 RETAINER (BACK WINDOW DIVISION BAR MOULDING)				
49	9M72-74	use with 8M-7242082-A weatherstrip	8M 7242096-A	2
49	9M72-74	use with 8M-7242082-B weatherstrip	8M 7242096-B	2
49	9M72-74	Screw (Phillips binding head)-No. 10-32 x 3/8"	356743-S8	8
Group 42400-1 STRIP ASSEMBLY (BACK WINDOW FINISH)				
49	9M79	R.H.-Straight Maple Grain Finish	7A 7942400	1
49	9M79	L.H.-Straight Maple Grain Finish	7A 7942401	1
49	9M79	Screw (oval head sheet metal)-No. 8 x 5/8"	32995-S13	10
49	9M79	Screw (oval head sheet metal)-No. 8 x 1"	33013-S13	6
Group 42404 MOULDING (BACK WINDOW OUTSIDE)-UPPER AND LOWER				
49	9M72-74		8M 7242404-A	2
Group 42410 MOULDING (BACK WINDOW OPENING)-INNER				
49	9M79		8M 7942410	1

BODY PARTS CATALOGUE

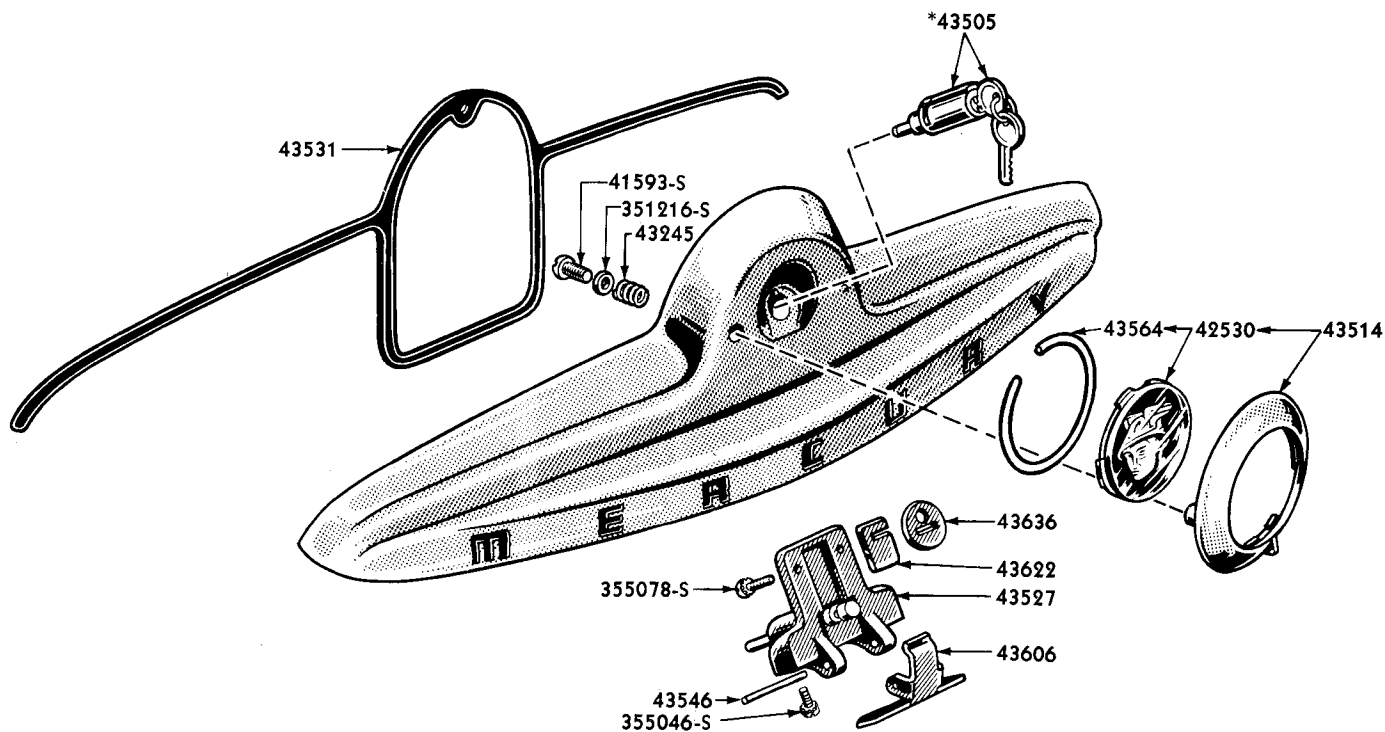
YEAR 19	BODY TYPES	REMARKS	PART NUMBER	NO. REQ'D
Group 42415 HEADLINING (UNDER BACK WINDOW)				
49	9M72-74	M-16908-C Blue Heading	8M 7242415-C	1
49	9M72-74	M-19163-A Blue Headlining-Special Trim	8M 7242415-CCH	1
49	9M72-74	M-19164-A Blue Green Headlining-Special Trim	8M 7242415-AAL	1
49	9M72-74	M-19164-C Gray Headlining-Special Trim	8M 7242415-CCL	1
49	9M72-74	M-16908-A Green Heading	8M 7242415-A	1
49	9M72-74	M-19163-C Green Headlining-Special Trim	8M 7242415-AAH	1
49	9M72-74	M-16908-B Tan Heading	8M 7242415-B	1
49	9M72-74	M-19163-B Tan Headlining-Special Trim	8M 7242415-BBH	1
49	9M72-74	M-19164-B Tan Headlining-Special Trim	8M 7242415-BBL	1
Group 42420-1 MOULDING (BACK WINDOW DIVISION BAR OUTSIDE)				
49	9M72-74	R.H.-15-15/16" long	8M 7242420-A	1
49	9M72-74	L.H.-15-15/16" long	8M 7242421-A	1
49	9M72-74	R.H.-15-31/64" long	8M 7242420-B	1
49	9M72-74	L.H.-15-31/64" long	8M 7242421-B	1
Group 42424 STRIP (BACK WINDOW DIVISION BAR FINISH)				
49	9M79		7A 7942424	1
49	9M79	Screw (oval head sheet metal)-No. 8 x 1"	33013-S13	3
Group 42426-8 RETAINER (BACK WINDOW MOULDING)				
49	9M72-74	40-1/2" long	8M 7242426	2
49	9M72-74	6" long	8M 7242427	2
49	9M72-74	5/8" long	8M 7242428	4
49	9M72-74	Screw (Phillips binding head)-No. 10-32 x 3/8"	356743-S8	8
49	9M72-74	Screw (binding head self tapping)-No. 8 x 3/4"	32872-S7	as req'd
Group 42430-1 MOULDING (BACK WINDOW OUTSIDE)-END				
49	9M72-74	R.H.-four piece style	8M 7242430-A	1
49	9M72-74	L.H.-four piece style	8M 7242431-A	1
49	9M72-74	R.H.-two piece style	8M 7242430-C	1
49	9M72-74	L.H.-two piece style	8M 7242431-C	1
Group 42432 COVER (BACK WINDOW OUTSIDE MOULDING JOINT)				
49	9M72-74	1" long-use with four piece style moulding	8M 7242432-A	4
49	9M72-74	1" long-use with two piece style moulding	8M 7242432-B	2
Group 42432 MOULDING (BACK WINDOW OPENING)-INNER				
49	9M79	Straight Maple Grain Finish	7A 7942432	1
49	9M79	Screw (oval head sheet metal)-No. 8 x 1"	33013-S13	9
Group 42530 MEDALLION (LUGGAGE COMPARTMENT DOOR HANDLE KEYHOLE COVER)				
49	9M except 79		8M 7042530	1
Group 42700-1 HINGE ASSEMBLY (LUGGAGE COMPARTMENT DOOR)				
49	9M except 79	R.H.	8M 7242700	1
49	9M except 79	L.H.	8M 7242701	1
49	9M except 79	Bolt (hex head pointed)-5/16"-24 x 3/4"-deck lid to deck lid hinge support	20347-S2	4
49	9M76	Locknut (hex)-5/16"-24	34393-S7	4
49	9M except 79	Locknut (hex light thick)-5/16"-24 hinge to support	34393-S7	6
49	9M except 79	Lockwasher-5/16"-hinge to deck lid	34806-S2	4
49	9M except 79	Washer (flat)-5/16"	34746-S2	14

MERCURY

BODY PARTS CATALOGUE

YEAR 19	BODY TYPES	REMARKS	PART NUMBER	NO. REQ'D
Group 42900 HINGE ASSEMBLY (BACK WINDOW)				
49	9M79		8M 7942900	2
Group 43000 HINGE ASSEMBLY (TAILGATE)				
49	9M79		8M 7943000	1
49	9M79	Screw (flat head machine)-1/4"-20 x 5/8"-hinge to floor pan rear cross member	36024-S2	9
49	9M79	Washer (flat)-1/4"	34705-S2	9
Group 43016 WEATHERSEAL (TAILGATE)				
49	9M79	54-1/4" long-Rubber	8A 7943016	1
Group 43102 LOCK ASSEMBLY (BACK WINDOW)				
49	9M79		8M 7943102	1
49	9M79	Screw (oval head machine)-No. 12-24 x 1/2"	28332-S13	4
Group 43126 PLATE (BACK WINDOW LOCK STRIKER)				
49	9M79		8M 7943126-A	1
49	9M79	Screw (oval head)-No. 12-24 x 3/4"	28372-S13	2
Group 43200 LOCK ASSEMBLY (LUGGAGE COMPARTMENT DOOR)				
49	9M except 79		8H 7343200	1
49	9M except 79	Locknut (hex head)-1/4"-20	34390-S7	4
49	9M except 79	Nut (hex)-1/4"-20	33795-S7	2
49	9M except 79	Screw (round head machine)-1/4"-20 x 1/2"	39050-S2	4
Group 43245 SPRING (LUGGAGE COMPARTMENT DOOR HANDLE KEYHOLE COVER)				
49	9M except 79		7EH 7343245	1
49	9M except 79	Screw (pan head self tapping)-No. 8 x 3/4"	41593-S8	1
Group 43246 LATCH PIN AND PLATE ASSEMBLY (LUGGAGE COMPARTMENT)				
49	9M except 79		8M 7043246	1
49	9M except 79	Bolt (flat head)-1/4"-28 x 1/2"	36003-S8	2
49	9M except 79	Washer (shakeproof)-No. 16	34955-S7	2
Group 43249 SUPPORT (LUGGAGE COMPARTMENT DOOR LOCK)				
49	9M except 79		8M 7243249-B	1
Group 43256 PLATE (LUGGAGE COMPARTMENT LATCH PIN TAPPING)				
49	9M except 79		26H 7343256	1
Group 43426 HANDLE (BACK WINDOW)-INSIDE				
49	9M79		8M 7943426-A	1
49	9M79	Screw (oval head machine)-No. 10-32 x 1/2"	29566-S13	1
49	9M79	Washer (flat)-3/8"	351421-S13	1
Group 43429 HANDLE ASSEMBLY (BACK WINDOW)-OUTSIDE-LESS LOCK AND CYLINDER				
49	9M79		8A 7943429-B	1
49	9M79	Screw (oval head machine)-No. 10-32 x 1/2"	29566-S13	2

BODY PARTS CATALOGUE



*NOT INCLUDED IN 8M-7043500

PM-251

LUGGAGE COMPARTMENT DOOR HANDLE

Group numbers only shown on illustration. Order by Part Numbers shown in list of parts.

YEAR 19	BODY TYPES	REMARKS	PART NUMBER	NO. REQ'D
Group 43500 HANDLE ASSEMBLY (LUGGAGE COMPARTMENT DOOR)				
49	9M except 79		8M 7043500-B	1
49	9M except 79	Hex nut-No. 10-32	34079-S	5
49	9M except 79	Screw and lockwasher assy (rd-hd machine)-No. 10-32 x 1/2"	43232-S8	5
49	9M except 79	Stud-No. 10-32 x 3/4"	357670-S7	5
Group 43505 CYLINDER ASSEMBLY (LUGGAGE COMPARTMENT LOCK)-WITH KEYS				
49	9M except 79		8H 7343505	1
Group 43514 COVER ASSEMBLY (LUGGAGE COMPARTMENT DOOR KEYHOLE)				
49	9M except 79		8M 7043514	1
49	9M except 79	Screw (self tapping)-No. 8 x 3/4"	41593-S8	1
49	9M except 79	Washer (flat)-.200" I.D. x .38" O.D.	351216-S7	1
Group 43527 RETAINER ASSEMBLY (LUGGAGE COMPARTMENT DOOR HANDLE)				
49	9M except 79		8M 7043527	1
49	9M except 79	Screw and lockwasher assy (binding head)-No. 8-32 x 3/4"	355078-S2	2
49	9M except 79	Screw and lockwasher assy (flat head)-No. 8-32 x 1/2"	355046-S7	2
Group 43531 PAD (LUGGAGE COMPARTMENT DOOR HANDLE)				
49	9M except 79	Rubber	8M 7043531-A	1

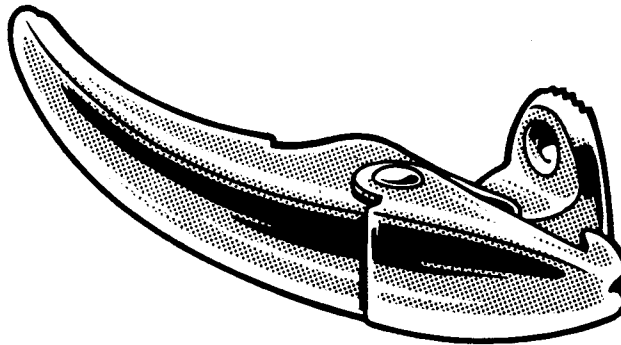
MERCURY

BODY PARTS CATALOGUE

YEAR 19__	BODY TYPES	REMARKS	PART NUMBER	NO. REQ'D
Group 43546 PIN (LUGGAGE COMPARTMENT DOOR HANDLE TRIGGER)				
49	9M except 79		8M 7043546	1
Group 43557 BRACKET (LUGGAGE COMPARTMENT TRIM PANEL TO WHEELHOUSE)				
49	9M72-74		8M 7043557	2
Group 43564 SNAP RING (LUGGAGE COMPARTMENT DOOR HANDLE KEYHOLE COVER)				
49	9M except 79		8M 7043564	1
Group 43606 TRIGGER (LUGGAGE COMPARTMENT DOOR HANDLE LOCKING)				
49	9M except 79		8M 7043606	1
Group 43622 BOLT (LUGGAGE COMPARTMENT DOOR HANDLE CONNECTING ROD LOCK)				
49	9M except 79		8M 7043622	1
Group 43626 SPRING (LUGGAGE COMPARTMENT DOOR HANDLE BUTTON)				
49	9M except 79		8M 7043626	1
Group 43628 ROD (LUGGAGE COMPARTMENT DOOR HANDLE TRIGGER CONNECTING)				
49	9M except 79		8M 7043628	1
Group 43636 WASHER (ECCENTRIC)				
49	9M except 79		8M 7343636	1
Group 43706 WEATHERSTRIP (BACK WINDOW)-OUTER				
49	9M79	44-13/64" long	7A 7943706-A	1
Group 43720 WEATHERSTRIP (LUGGAGE COMPARTMENT DOOR)				
49	9M except 79	one piece type	8M 7243720-C	1
Group 43724 WEATHERSTRIP (LUGGAGE COMPARTMENT DOOR)-TOP AND SIDES				
49	9M except 79	120-1/4" long	8M 7243724-B	1
Group 43726 WEATHERSTRIP (TAILGATE SIDE)-BOTTOM				
49	9M79	3-27/32" long	8A 7943726	2
Group 43728 WEATHERSTRIP (LUGGAGE COMPARTMENT DOOR)-BOTTOM				
49	9M except 79	42" long	8M 7243728-B	1
Group 43914 DOWEL (TAILGATE BUMPER)				
49	9M79		91A 7943914	2
49	9M79	Lockwasher-3/8"	34807-S2	2
49	9M79	Nut (acorn)-3/8"-24	34180-S7	2
49	9M79	Washer (flat)-3/8"	34707-S2	2
Group 43916 BUMPER ASSEMBLY (TAILGATE DOWEL PLATE)				
49	9M79		8M 7943916-A	2
49	9M79	Lockwasher-No. 8	34802-S7	2
49	9M79	Screw (round head machine)-No. 8-32 x 1/2"	26472-S2	2

BODY PARTS CATALOGUE

YEAR 19	BODY TYPES	REMARKS	PART NUMBER	NO. REQ'D
Group 44400-1 ROD ASSEMBLY (TAILGATE SUPPORT)				
49	9M79	R.H.-double rod	8M 7944400-A	1
49	9M79	L.H.-double rod	8M 7944401-A	1
49	9M79	R.H.-single rod	8M 7944400-B	1
49	9M79	L.H.-single rod	8M 7944401-B	1
49	9M79	Bolt (shoulder)-3/8"-16 x 1"	355505-S2	2
49	9M79	Lockwasher-3/8"	34807-S2	2
49	9M79	Nut (hex)-3/8"-16	33799-S7	2
Group 44414-5 BRACKET (TAILGATE SUPPORT ROD)				
49	9M79	R.H.	8M 7944414	1
49	9M79	L.H.	8M 7944415	1
49	9M79	Lockwasher (internal tooth)-1/4"	34905-S7	8
49	9M79	Screw (round head machine)-1/4"-20 x 3/4"	26515-S13	8
Group 44417 SPRING (TAILGATE SUPPORT ROD)				
49	9M79		8M 7944417	2
Group 44428-9 HOUSING (TAILGATE SUPPORT ROD SPRING)				
49	9M79	R.H.	8M 7944428	1
49	9M79	L.H.	8M 7944429	1
Group 44432 STRIP (TAILGATE SKID)				
49	9M79	1" wide	8M 7944432	5
49	9M79	3/4" wide	8A 7944432	5



PM-302

8M-7944434

Group numbers only shown on illustration. Order by Part Numbers shown in list of parts.

Group 44434 LATCH ASSEMBLY (TAILGATE)				
49	9M79		8M 7944434-A	2
49	9M79	Locknut (standard light thick)-1/4"-20	34390-S2	4
49	9M79	Screw (oval head machine)-1/4"-20-3/4"	30047-S13	4
Group 44640 STRAINER (BACK BELT FLANGING STRIP CENTER TO WHEELHOUSE)				
49	9M76		7A 7644640	2

MERCURY

BODY PARTS CATALOGUE

YEAR 19__	BODY TYPES	REMARKS	PART NUMBER	NO. REQ'D
Group 44664-5 BRACKET (BACK BELT FLANGING STRIP CENTER TO WHEELHOUSE STRAINER)				
49	9M76	R.H.	7A 7644664	1
49	9M76	L.H.	7A 7644665	1
Group 44718-9 REINFORCEMENT ASSEMBLY (LUGGAGE COMPARTMENT OPENING UPPER AND CORNER)				
49	9M72-74	R.H.	8M 7244718	1
49	9M except 79	L.H.	8M 7244719	1
49	9M76	R.H.	8M 7644718	1
Group 44726 PLATE (LUGGAGE COMPARTMENT DOOR HINGE TAPPING)-ON BODY				
49	9M76	replaced by (4) nuts (hex head lock)-5/16"-24 34393-S7	8M 7644726	2
Group 44830-1 GUSSET (LUGGAGE COMPARTMENT OPENING LOWER CORNER)				
49	9M except 79	R.H.	7A 7044830	1
49	9M except 79	L.H.	7A 7044831	1
Group 45320 STRAP AND BUCKLE ASSEMBLY (BACK CURTAIN SUPPORT)-LOWER				
49	9M76	all tops	8M 7645320	2
49	9M76	Screw (binding head self tapping)-No. 8 x 1/2"	32923-S8	4
Group 45410-1 LINING ASSEMBLY (LUGGAGE COMPARTMENT)-SIDE REAR				
49	9M72-74	R.H.-all trim-Weaved Style	8M 7045410	1
49	9M72-74	L.H.-all trim-Weaved Style	8M 7245411	1
49	9M76	R.H.-all trim-Weaved Style-for service use 8M-7645416-B	8M 7645410	1
49	9M76	L.H.-all trim-Weaved Style-for service use 8M-7645417-B	8M 7645411	1
49	9M except 79	Screw (Phillips-oval head self tapping)-No. 8 x 5/8"	350066-S13	2or4
49	9M except 79	Washer (finishing)-No. 8	34885-S15	2
Group 45416-7 CARDBOARD (LUGGAGE COMPARTMENT)-SIDE REAR				
49	9M72-74	R.H.-all trim-Natural Check Cardboard	8M 7245416-B	1
49	9M72-74	L.H.-all trim-Natural Check Cardboard	8M 7245417-B	1
49	9M76	R.H.-all trim-Natural Check Cardboard	8M 7645416	1
49	9M76	L.H.-all trim-Natural Check Cardboard	8M 7645417	1
Group 45443 LINING ASSEMBLY (LUGGAGE COMPARTMENT)-FRONT				
49	9M72-74	all trim-Weaved Style-for service use 8M-7245444-A or 8M-7245444-B-Natural Check Cardboard Style	8M 7245443	1
49	9M72-74	Clip (trim)	355187-S12	4
Group 45444 CARDBOARD (LUGGAGE COMPARTMENT)-FRONT				
49	9M72-74	all trim-Natural Check Cardboard	8M 7245444-B	1
49	9M72-74	all trim-Natural Check Cardboard	8M 7245444-C	1
49	9M76	all trim-Natural Check Cardboard	8M 7645444-B	1
49	9M76	all trim-Natural Check Cardboard	8M 7645444-C	1
Group 45456 MAT (LUGGAGE COMPARTMENT FLOOR)				
49	9M except 79	use with inner Wheelhouse having 6-31/32" bulge	8M 7245456-A	1
49	9M except 79	use with inner Wheelhouse having 8-1/16" bulge	8M 7245456-B	1
Group 45464 FILLER (LUGGAGE COMPARTMENT)-TIRE WELL				
49	9M except 79	Rubber	8M 7245464	1

MERCURY

75

BODY PARTS CATALOGUE

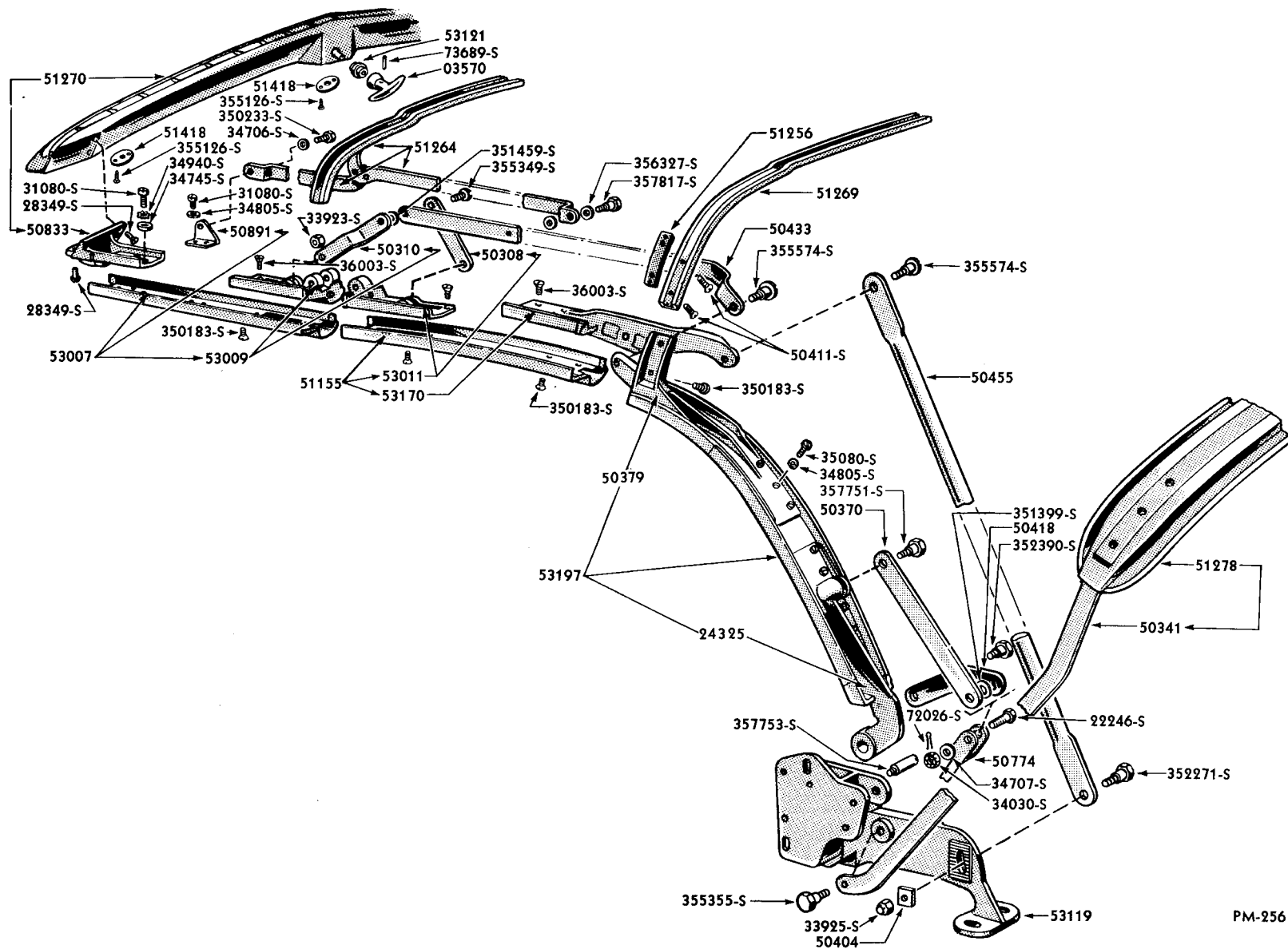
YEAR 19	BODY TYPES	REMARKS	PART NUMBER	NO. REQ'D
Group 45466-7 COVER (QUARTER WHEELHOUSE LUGGAGE COMPARTMENT)				
49	9M72-74	R.H.-Rubber-use with inner Wheelhouse having 6-31/32" bulge	8M 7245466-A	1
49	9M72-74	L.H.-Rubber-use with inner Wheelhouse having 6-31/32" bulge	8M 7245467-A	1
49	9M72-74	R.H.-Rubber-use with inner Wheelhouse having 8-1/16" bulge	8M 7245466-B	1
49	9M72-74	L.H.-Rubber-use with inner Wheelhouse having 8-1/16" bulge	8M 7245467-B	1
49	9M76	R.H.-Rubber-use with inner Wheelhouse having 6-31/32" bulge	8M 7645466-A	1
49	9M76	L.H.-Rubber-use with inner Wheelhouse having 6-31/32" bulge	8M 7645467-A	1
49	9M76	R.H.-Rubber-use with inner Wheelhouse having 8-1/16" bulge	8M 7645466-B	1
49	9M76	L.H.-Rubber-use with inner Wheelhouse having 8-1/16" bulge	8M 7645467-B	1
49	9M79	R.H.-Rubber	8M 7945466	1
49	9M79	L.H.-Rubber	8M 7945467	1
Group 45472-3 COVER ASSEMBLY (LUGGAGE COMPARTMENT)-SIDE FRONT				
49	9M72-74	R.H.-all trim-Weaved Style-for service use 8M-7245466-A or 8M-7245466-B	8M 7245472	1
49	9M72-74	L.H.-all trim-Weaved Style-for service use 8M-7245467-A or 8M-7245467-B	8M 7245473	1
49	9M76	R.H.-all trim-Weaved Style	8M 7645472	1
49	9M76	L.H.-all trim-Weaved Style	8M 7645473	1
Group 46506 PANEL ASSEMBLY (PACKAGE TRAY)				
49	9M72-74		△ 8M 7246506-A	1
49	9M72-74		● 8M 7246506-B	1
Group 46521 STRAINER ASSEMBLY (PACKAGE TRAY SUPPORT TO FLOOR SIDE MEMBER)				
49	9M72		7A 7246521	2
Group 46568-9 STRAINER (QUARTER WINDOW TO PACKAGE TRAY)				
49	9M72	R.H.	8M 7246568	1
49	9M72	L.H.	8M 7246569	1
Group 46574-5 STRAINER ASSEMBLY (PACKAGE TRAY TO FLOOR)				
49	9M72-74	R.H.-used on jobs having 6-31/32" bulge on inner Wheelhouse	7A 7246574	1
49	9M72-74	L.H.-used on jobs having 6-31/32" bulge on inner Wheelhouse	7A 7246575	1
49	9M72-74	R.H.-used on jobs having 8-1/16" bulge on inner Wheelhouse	8M 7246574	1
49	9M72-74	L.H.-used on jobs having 8-1/16" bulge on inner Wheelhouse	8M 7246575	1
Group 46656 CARDBOARD (PACKAGE TRAY TRIM)				
49	9M72-74	Blue	8M 7246656-C	1
49	9M72-74	Blue Gray	8M 7246656-E	1
49	9M72-74	Green	8M 7246656-A	1
49	9M72-74	Tan	8M 7246656-B	1
Group 47070 BRACKET (LUGGAGE COMPARTMENT SPARE WHEEL MOUNTING)				
49	9M except 79		8M 7247070	1
Group 48468 COVER ASSEMBLY (LUGGAGE COMPARTMENT FLOOR)-FRONT				
49	9M72-74	all trim-Weaved Style	8M 7248468	1
49	9M76	all trim-Weaved Style	8M 7648468	1

Group 50026

PANEL ASSEMBLY (ROOF)-WITH SILENCER

49	9M79		8M 7950026	1

- △ Used on cars having front seat with metal stationary foot rest welded to seat frame
- Used on cars having front seat without foot rest



PM-256

SIX PASSENGER CONVERTIBLE COUPE TOP LESS TRIM (BODY TYPE 76)

Group numbers only shown on illustration. Order by Part Numbers shown in list of parts.

BODY PARTS CATALOGUE

YEAR 19__	BODY TYPES	REMARKS	PART NUMBER	NO. REQ'D
Group 50100 TOP ASSEMBLY (FOLDING)-COMPLETE				
49	9M76	Black-with Black Binding	8M 7650100-B	1
49	9M76	Black-with Red Binding	8M 7650100-C	1
49	9M76	Gray Tan-with Gray Tan Binding	8M 7650100-A	1
49	9M76	Green-with Green Binding	8M 7650100-D	1
49	9M76	Nail (drive)-No. 6	351629-S28-A2B	as req'd
Group 50105 KIT-FOR SERVICING FOLDING TOP-NO. 3 BOW, MOUNTING BRACKET AND REAR SIDE RAIL HINGE				
49	9M76	Consists of the following (1) 8M-7651272-B Bow (Folding Top No. 3) (1) 8M-7653170-B R.H.-Hinge (Folding Top Rear Side Rail)-Rear (1) 8M 7653171-B L.H.-Hinge (Folding Top Rear Side Rail)-Rear (2) 8M-7650454-B Link (Folding Top)-Balance (1) 8M-7653118-B R.H.-Bracket (Top Mounting) (1) 8M-7653119-B L.H.-Bracket (Top Mounting) (2) 352271-S8 Bolt (shoulder) (2) 33925-S8 Nut (check)	8M 7650105	as req'd
Group 50200 PANEL ASSEMBLY (ROOF)				
49	9M72		8M 7250200	1
49	9M74		8M 7450200-B	1
Group 50308 LINK (FOLDING TOP SIDE RAIL CONTROL)-REAR				
49	9M76		8M 7650308	2
Group 50310 LINK (FOLDING TOP SIDE RAIL CONTROL)-FRONT				
49	9M76	approximately 4-3/8" long	8M 7650310	2
Group 50340-1 SLAT IRON (FOLDING TOP REAR BOW)				
49	9M76	R.H.	8M 7650340	1
49	9M76	L.H.	8M 7650341	1
49	9M76	Bolt (hex head-shoulder)-3/8"-16 x 3-27/32"	355355-S13	2
Group 50370 LINK (FOLDING TOP POWER)-UPPER				
49	9M76		8M 7650370	2
49	9M76	Stud (special slotted head)-3/8"-16	357751-S2	2
Group 50378-9 BRACKET (UPPER QUARTER PILLER)-FOLDING TOP				
49	9M76	R.H.	8M 7650378	1
49	9M76	L.H.	8M 7650379	1
49	9M76	Screw (fillister head)-1/4"-20 x 5/8"	31080-S7	14
49	9M76	Lockwasher-1/4"	34805-S2	14
Group 50404 NUT (FOLDING TOP BALANCE LINK TO BODY BRACKET)-SERRATED				
49	9M76		8M 7650404	2
Group 50418 LINK (FOLDING TOP POWER)-LOWER				
49	9M76		8M 7650418	2
49	9M76	Bolt (hex head-shoulder)-3/8"-16 x 3/4" to attach power link lower to top mounting bracket	352390-S13	2
49	9M76	Washer (flat)-3/8"	34707-S2	2
49	9M76	Washer (special flat)-25/64" x 3/16"	351399-S13	2

MERCURY

BODY PARTS CATALOGUE

YEAR 19	BODY TYPES	REMARKS	PART NUMBER	NO. REQ'D
Group 50432-3 LINK (FOLDING TOP)-NO. 1				
49	9M76	R.H.	8M 7650432	1
49	9M76	L.H.	8M 7650433	1
49	9M76	Bolt (fillister head shoulder)-5/16"-24	355349-S13	2
49	9M76	Nut (check)-5/16"-24	33923-S13	2
49	9M76	Screw (oval head)-3/8"-16	355574-S13	4
49	9M76	Washer (special flat)-1/2"-1/32" x 7/8"	351459-S2	4
Group 50454 LINK (FOLDING TOP BALANCE)				
49	9M76		8M 7650454-B	2
49	9M76	Bolt (shoulder hex head)-3/8"-24 x 1.25	352271-S8	2
49	9M76	Nut (hex)-3/8"-24	33925-S7	2
49	9M76	Screw (oval head)-3/8"-16	355574-S13	2
49	9M76	Washer-1-1/8" I.D. x 7/64" O.D.	356326-S7	2
49	9M76	Washer (flat)-3/8"	34707-S2	4
Group 50570 CONTROL ROD ASSY (TOP OPERATING)				
49	9M76		8M 7650570-C	1
49	9M76	Screw (round head machine)-No. 10-32 x 1/4"	36784-S7	1
Group 50579 KNOB (TOP CONTROL ROD)				
49	9M76		8M 7650579	1
49	9M76	Screw (set)-No. 8-32 x 3/16"	355097-S	1
Group 50601 CYLINDER (TOP OPERATING)				
49	9M76	less yoke	8A 7650601	2
Group 50606 SPACER (TOP OPERATING CYLINDER TO FLOOR BRACKET)				
49	9M76	Rubber-I.D. tapered-O.D. 7/8" x 15/64" thick	96H 7650606	4
Group 50738 VALVE ASSEMBLY (TOP OPERATING CONTROL)				
49	9M76		5EH 7650738	1
49	9M76	Lockwasher-No. 12	34804-S2	2
49	9M76	Lockwasher (external tooth)-No. 6	34937-S7	1
49	9M76	Screw (round head machine)-No. 12-24 x 3/8"	26469-S7	2
Group 50774 YOKE (TOP OPERATING CYLINDER)				
49	9M76		8A 7650774	2
49	9M76	Bolt (hex head)-3/8"-24	22246-S8	2
49	9M76	Cotter pin-1/4" x 7/8"	72026-S	2
49	9M76	Nut (slotted)-3/8"-24	34030-S8	2
49	9M76	Lockwasher-1/4"	34806-S2	2
Group 50832-3 BRACKET (TOP SLAT IRON SIDE RAIL TO HEADER)				
49	9M76	R.H.	8M 7650832	1
49	9M76	L.H.	8M 7650833	1
49	9M76	Screw (oval head)-1/4"-20 x 5/8"	28349-S13	8
Group 50890-1 BRACKET (NO. 2 BOW CONNECTING LINK TO FRONT SIDE RAIL)				
49	9M76	R.H.	8H 7650890	1
49	9M76	L.H.	8H 7650891	1
49	9M76	Lockwasher-1/4"	34805-S2	4
49	9M76	Screw (fillister head)-1/4"-20 x 5/8"	31080-S7	4

BODY PARTS CATALOGUE

YEAR 19	BODY TYPES	REMARKS	PART NUMBER	NO. REQ'D
Group 50952-3 STRIP (ROOF HEADLINING RETAINING)				
49	9M72	R.H.	8M 7050952	1
49	9M72	L.H.	8M 7050953	1
49	9M72	Screw (binding head self tapping)-No. 8 x 3/8"	52720-S8	8
Group 50952-3 STRIP (ROOF HEADLINING RETAINING)-FRONT				
49	9M74	R.H.	8M 7350952	1
49	9M74	L.H.	8M 7350953	1
49	9M74	Screw (binding head self tapping)-No. 8 x 3/8"	52720-S8	8
Group 50956-7 STRIP (ROOF HEADLINING RETAINING)-REAR				
49	9M74	R.H.	8M 7450956	1
49	9M74	L.H.	8M 7450957	1
49	9M74	Screw (binding head self tapping)-No. 8 x 3/8"	52720-S8	8
Group 51142-3 RAIL ASSEMBLY (ROOF SIDE)				
49	9M74	R.H.	8M 7451142-B	1
49	9M74	L.H.	8M 7451143-B	1
Group 51153 RETAINER (TOP CLOTH)				
49	9M76	7" long-two used on front side rail, two used on center side rail	8M 7651153	4
49	9M76	Screw (binding head self tapping)-No. 8 x 3/8"	33176-S2	5
49	9M76	Screw (binding head self tapping)-No. 4 x 1/4"	32905-S8	8
Group 51154-5 SIDE RAIL ASSEMBLY (FOLDING TOP REAR)-COMPLETE				
49	9M76	R.H.	8M 7651154-B	1
49	9M76	L.H.	8M 7651155-B	1
49	9M76	Lockwasher-1/4"	34805-S2	6
49	9M76	Stud (slotted head special)-3/8"-16-front rail to rear rail	350553-S8	2
49	9M76	Screw (special flat head)-No. 10-24 x 3/8"	350183-S7	16
Group 51180-1 FILLER (ROOF PANEL TO QUARTER PANEL)				
49	9M74	R.H.	8M 7451180	1
49	9M74	L.H.	8M 7451181	1
Group 51184-5 RAIL (ROOF SIDE)-FRONT				
49	9M79	R.H.	7A 7951184	1
49	9M79	L.H.	7A 7951185	1
Group 51184-5 RAIL (ROOF SIDE)				
49	9M72	R.H.	7A 7251184	1
49	9M72	L.H.	7A 7251185	1
Group 51190-1 REINFORCEMENT ASSEMBLY (ROOF RAIL SIDE)-FRONT				
49	9M79	R.H.	8M 7951190	1
49	9M79	L.H.	8M 7951191	1
Group 51196-7 REINFORCEMENT (ROOF SIDE RAIL)				
49	9M72	R.H.	7A 7051196	1
49	9M72	L.H.	7A 7051197	1
49	9M74	R.H.	8M 7451196	1
49	9M74	L.H.	8M 7451197	1

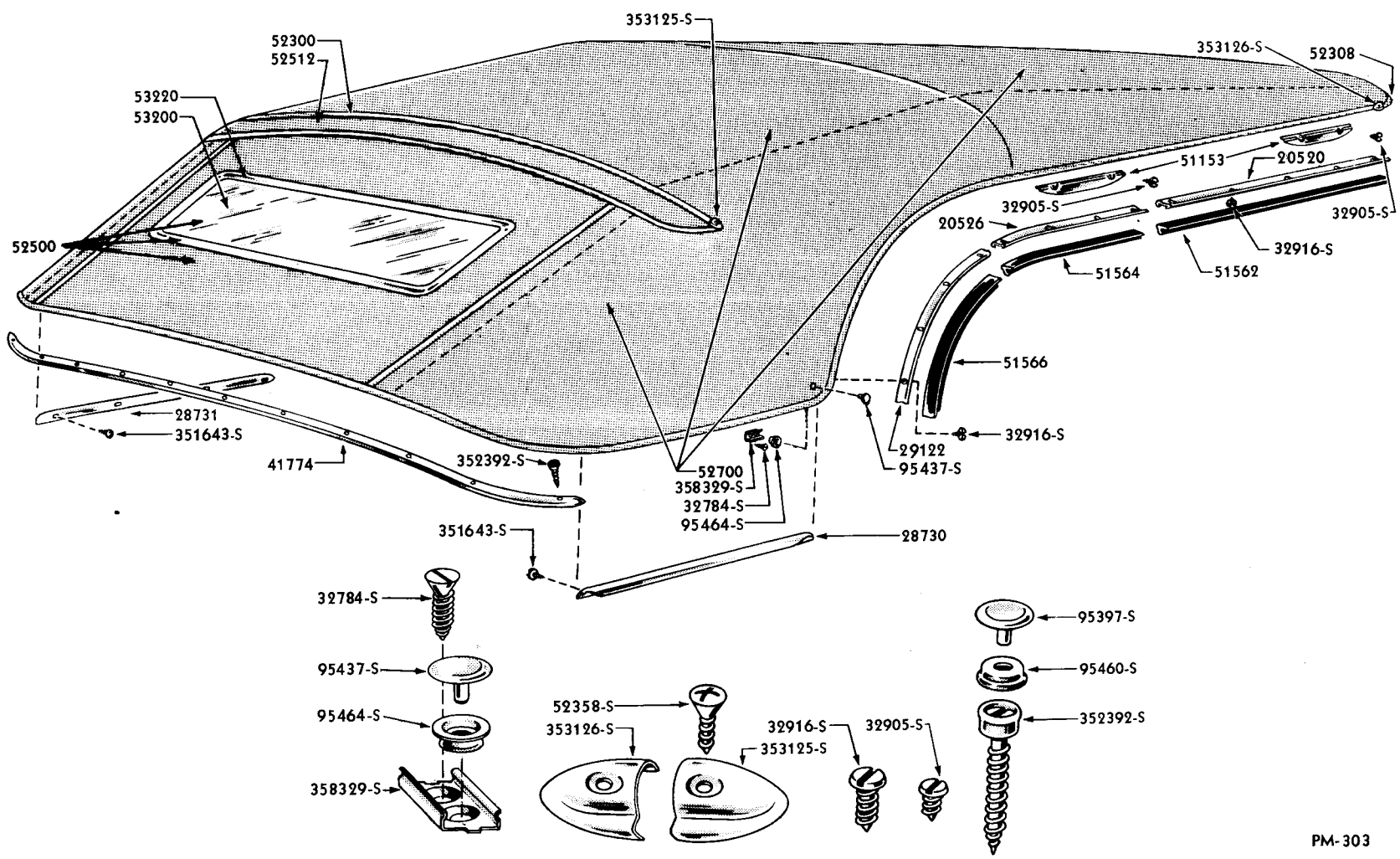
MERCURY

BODY PARTS CATALOGUE

YEAR 19	BODY TYPES	REMARKS	PART NUMBER	NO. REQ'D
Group 51256 PLATE (FOLDING TOP TAPPING)-No. 3 BOW				
49	9M76		8M 7651256	2
49	9M76	Bolt (oval head Phillips machine)-1/4"-20 x 5/8"	50411-S13	4
Group 51264 BOW AND LINKS ASSEMBLY (FOLDING TOP)-NO. 2				
49	9M76		8M 7651264	1
49	9M76	Bolt (spec. shoulder)-1/4"-28-bow link to front side rail	350233-S13	4
49	9M76	Washer (spring)-3/8"-3/4" x 1/16"	356327-S13	2
49	9M76	Washer (Flat)-5/16"	34706-S2	2
Group 51267 CLAMP (FOLDING TOP QUARTER PAD TO NO. 3 BOW)				
49	9M76		8M 7651267	2
49	9M76	Screw (binding head machine)-No. 10-32 x 1/4"	39012-S7	4
Group 51269 BOW ASSEMBLY (FOLDING TOP)-NO. 3				
49	9M76		8M 7651269-B	1
Group 51270 HEADER ASSEMBLY (FOLDING TOP NO. 1 BOW)				
49	9M76		8M 7651270	1
49	9M76	Washer (external tooth countersunk)-No. 10	34952-S7	6
Group 51272 BOW (ROOF)-NO. 1				
49	9M79	Metal	7A 7951272	1
Group 51276 BOW (ROOF)-NO. 2 AND 4				
49	9M79	Metal	7A 7951276	2
Group 51278 BOW ASSY (FOLDING TOP)-REAR				
49	9M76		8M 7651278	1
49	9M76	Bolt (shoulder)	355355-S13	2
49	9M76	Screw (oval head wood)-No. 12 x 7/8"-bow assy to slat iron rear bow slat	32469-S13	4
49	9M76	Screw (round head machine)-No. 12-24 x 3/8"	26469-S8	6
49	9M76	Washer (special flat)-3/4" x 33/64"	356463-S6	2
Group 51280 BOW (ROOF)-NO. 3				
49	9M79	Metal	7A 7951280	1
Group 51288 BOW (ROOF)-NO. 3				
49	9M79	Metal	7A 7951288	
Group 51418 PLATE (FOLDING TOP NO. 1 BOW PROTECTOR)				
49	9M76		8M 7651418	1
49	9M76	Screw (oval head)-No. 10-24 x 3/8"	355126-S8	6
Group 51422 ANTI RATTLE (FOLDING TOP NO. 1 BOW LOCKING ROD)				
49	9M76	1-1/2" x 1/2" x 3/4"	8M 7651422	2
Group 51486 SUPPORT AND BRACKET ASSEMBLY (DOME LAMP MOUNTING)				
49	9M72		8M 7051486	1
49	9M74		8M 7351486	1
49	9M79		8M 7951486	1
Group 51562-3 WEATHERSTRIP (FOLDING TOP SIDE ROOF RAIL)-FRONT				
49	9M76	R.H.-24-7/8" long	8M 7651562	1
49	9M76	L.H.-24-7/8" long	8M 7651563	1

BODY PARTS CATALOGUE

YEAR 19	BODY TYPES	REMARKS	PART NUMBER	NO. REQ'D
Group 51564 WEATHERSTRIP (FOLDING TOP SIDE ROOF RAIL)-CENTER				
49	9M76	17-3/4" long	8M 7651564	2
Group 51566-7 WEATHERSTRIP (FOLDING TOP SIDE ROOF RAIL)-REAR				
49	9M76	R.H.-20-3/4" long-Straight	8M 7651566-A	1
49	9M76	L.H.-20-3/4" long-Straight	8M 7651567-A	1
49	9M76	R.H.-20-3/4" long-Tappered	8M 7651566-B	1
49	9M76	L.H.-20-3/4" long-Tappered	8M 7651567-B	1
Group 51700-1 MOULDING (ROOF DRIP)				
49	9M72	R.H.	8M 7251700	1
49	9M72	L.H.	8M 7251701	1
49	9M74	R.H.	8M 7451700	1
49	9M74	L.H.	8M 7451701	1
Group 51702-3 MOULDING (ROOF DRIP)-REAR EXTENSION				
49	9M79	R.H.	8M 7951702	1
49	9M79	L.H.	8M 7951703	1
Group 51704 MOULDING (ROOF DRIP)-REAR				
49	9M79		7A 7951704	1
Group 51710-1 MOULDING (ROOF DRIP)-SIDE FRONT				
49	9M79	R.H.	7A 7951710	1
49	9M79	L.H.	7A 7951711	1
Group 51714-5 MOULDING (ROOF DRIP)-SIDE REAR				
49	9M79	R.H.	7A 7951714	1
49	9M79	L.H.	7A 7951715	1
Group 51916 HEADLINING ASSEMBLY (ROOF)				
49	9M72	M-16908-C Blue Headlining-replaced by 8M-7251916-C M-16908-E Blue Headlining	8M 7251916-C	1
49	9M72	M-16908-E Blue Headlining	8M 7251916-C	1
49	9M72	M-19163-A Blue Headlining-Special Trim	8M 7251916-CCH	1
49	9M72	M-16908-F Blue Gray Headlining	8M 7251916-E	1
49	9M72	M-16908-F Blue Gray Headlining-use with supports having "S" type ends	8M 7251916-H	1
49	9M72	M-19164-A Blue Green Headlining-Special Trim	8M 7251916-AAL	1
49	9M72	M-19164-C Gray Headlining-Special Trim	8M 7251916-CCL	1
49	9M72	M-16908-A Green Headlining	8M 7251916-A	1
49	9M72	M-16908-A Green Headlining-use with supports having "S" type ends	8M 7251916-F	1
49	9M72	M-19163-C Green Headlining-Special Trim	8M 7251916-AAH	1
49	9M72	M-16908-B Tan Headlining	8M 7251916-B	1
49	9M72	M-16908-B Tan Headlining-use with supports having "S" type ends	8M 7251916-G	1
49	9M72	M-19163-B Tan Headlining-Special Trim	8M 7251916-BBH	1
49	9M72	M-19164-B Tan Headlining-Special Trim	8M 7251916-BBL	1
49	9M74	M-16908-C Blue Headlining-replaced by 8M-7451916-C, M-16908-E Blue Headlining	8M 7451916-C	1
49	9M74	M-16908-C Blue Headlining-use with supports having "S" type ends	8M 7451916-H	1
49	9M74	M-16908-E Blue Headlining	8M 7451916-C	1
49	9M74	M-19163-A Blue Headlining-Special Trim	8M 7451916-CCH	1
49	9M74	M-16908-F Blue Gray Headlining	8M 7451916-E	1
49	9M74	M-19164-C Gray Headlining-Special Trim	8M 7451916-CCL	1
49	9M74	M-19164-A Blue Green Headlining-Special Trim	8M 7451916-AAL	1
49	9M74	M-16908-A Green Headlining	8M 7451916-A	1



PM-303

SIX PASSENGER CONVERTIBLE COUPE TOP EXTERIOR VIEW (BODY TYPE 76)
Group numbers only shown on illustration. Order by Part Numbers shown in list of parts.

BODY PARTS CATALOGUE

YEAR 19	BODY TYPES	REMARKS	PART NUMBER	NO. REQ'D
Group 51916 HEADLINING ASSEMBLY (ROOF)-CONTINUED				
49	9M74	M-16908-A Green Headlining-use with supports having "S" type ends	8M 7451916-F	1
49	9M74	M-19163-C Green Headlining-Special Trim	8M 7451916-AAH	1
49	9M74	M-16908-B Tan Headlining	8M 7451916-B	1
49	9M74	M-16908-B Tan Headlining-use with supports having "S" type ends	8M 7451916-G	1
49	9M74	M-19163-B Tan Headlining-Special Trim	8M 7451916-BBH	1
49	9M74	M-19164-B Tan Headlining-Special Trim	8M 7451916-BBL	1
49	9M79	Green Artificial Leather	8M 7951916-B	1
49	9M79	Red Artificial Leather	8M 7951916-A	1
49	9M79	Tan Artificial Leather	8A 7951916-A	1
49	9M79	Nail (drive)-No. 6	351629-S28-A2B	as req'd
49	9M79	Screw and washer assy-1/4"-20 x 5/8"	43263-S8	10
49	9M72-74	Screw (Phillips pan head)-No. 8	52754-S8	4
Group 52101-5 SUPPORT (ROOF HEADLINING)				
49	9M72	No. 2	7A 7052102	1
49	9M72	No. 3	8M 7052103	1
49	9M72	No. 4-"L" type ends	8M 7252104-A	1
49	9M72	No. 4-"S" type ends	8M 7252104-B	1
49	9M72	No. 5-overall length-54-17/64"-L" type ends	8M 7252105-A	1
49	9M72	No. 5-overall length-54-7/16"-S" type ends	8M 7252105-B	1
49	9M72-74	No. 1	7A 7052101	1
49	9M74	No. 2	8M 7352102	1
49	9M74	No. 3	7A 7352103	1
49	9M74	No. 14-overall length-54-33/64"-L" type ends	8M 7452104-A	1
49	9M74	No. 4-overall length-54-21/32"-S" type ends	8M 7452104-B	1
49	9M74	No. 5-L type ends	8M 7452105-A	1
49	9M74	No. 5-S type ends	8M 7452105-B	1
Group 52170-1 EXTENSION (ROOF HEADLINING RETAINER STRIP)-REAR				
49	9M74	R.H.	8M 7452170	1
49	9M74	L.H.	8M 7452171	1
Group 52300 BINDING (REAR ROOF BOW)-FOLDING TOP				
49	9M76	Black-53" long, use M-17108-Q for service	8M 7652300-B	as req'd
49	9M76	Green-53" long, use M-17108-S for service	8M 7652300-D	as req'd
49	9M76	Red-53" long, use M-17108-T for service	8M 7652300-C	as req'd
49	9M76	Gray Tan-53" long, use M-17108-P for service	8M 7652300-A	as req'd
49	9M76	R.H.-End Tip	353126-S23A	1
49	9M76	L.H.-End Tip	353125-S23A	1
49	9M76	Screw (Phillips head self tapping)-No. 6 x 3/4"	52358-S23	2
Group 52308 BINDING (HEADER BOW)-FOLDING TOP				
49	9M76	Black-61" long, use M-17108-Q for service	8M 7652308-B	as req'd
49	9M76	Green-61" long, use M-17108-S for service	8M 7652308-D	as req'd
49	9M76	Red-61" long, use M-17108-T for service	8M 7652308-C	as req'd
49	9M76	Gray Tan-61" long, use M-17108-P for service	8M 7652308-A	as req'd
49	9M76	R.H.-End Tip	353126-S23A	1
49	9M76	L.H.-End Tip	353125-S23A	1

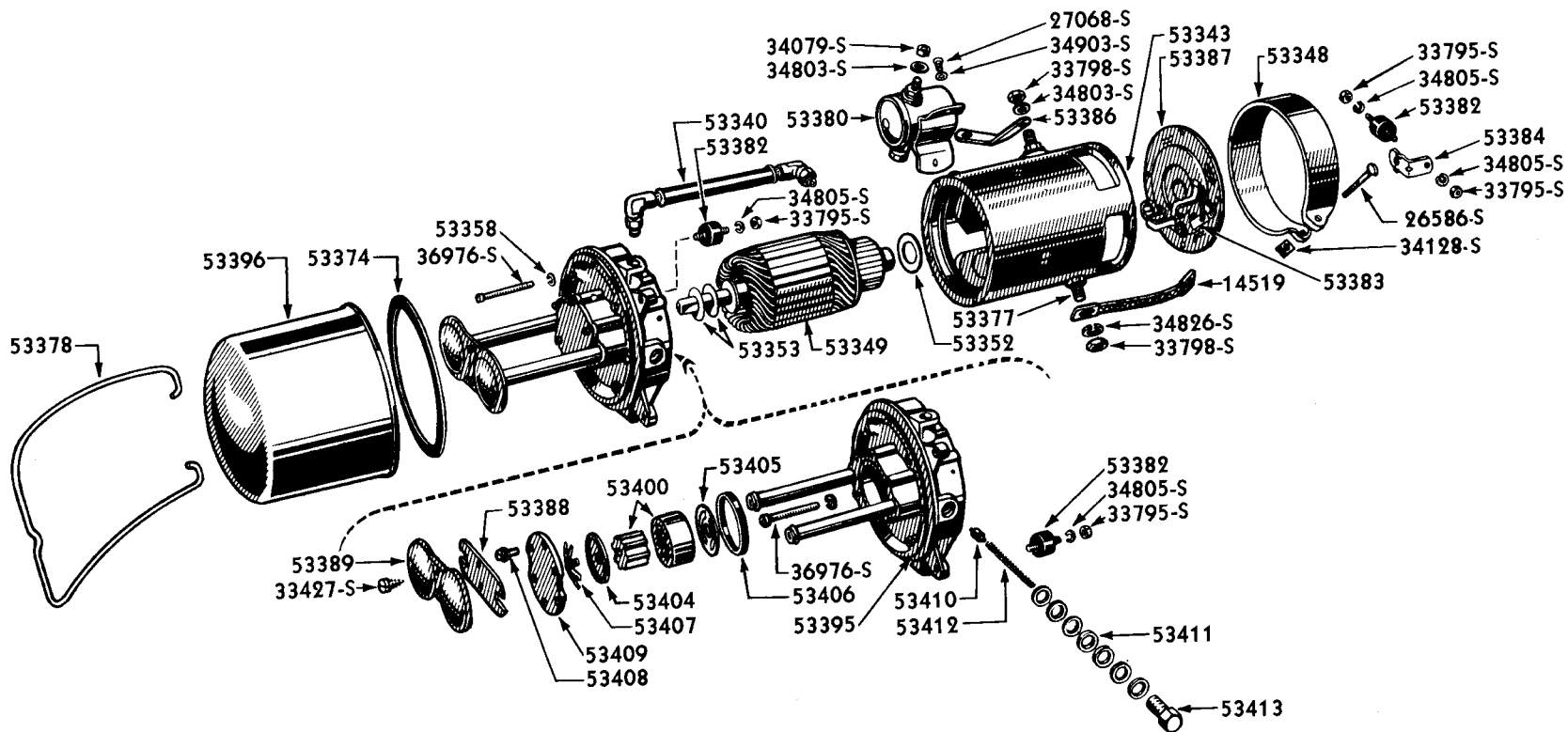
MERCURY

BODY PARTS CATALOGUE

YEAR 19	BODY TYPES	REMARKS	PART NUMBER	NO. REQ'D
Group 52500 CURTAIN ASSEMBLY (FOLDING TOP BACK)				
49	9M76	Black-with Black Binding	8M 7652500-B	1
49	9M76	Green-with Green Binding	8M 7652500-C	1
49	9M76	Gray Tan-with Tan Binding	8M 7652500-A	1
Group 52508 CURTAIN ASSEMBLY (FOLDING TOP BACK)-LESS FRAME AND GLASS				
49	9M76	Black	8M 7652508-B	1
49	9M76	Green	8M 7652508-C	1
49	9M76	Gray Tan	8M 7652508-A	1
Group 52512 VALANCE ASSEMBLY (TOP BACK CURTAIN)				
49	9M76	Black-with Black Binding	8M 7652512-B	1
49	9M76	Black-with Red Binding	8M 7652512-C	1
49	9M76	Green-with Green Binding	8M 7652512-D	1
49	9M76	Gray Tan-with Gray Tan Binding	8M 7652512-A	1
Group 52700 TOP DECK AND QUARTER ASSEMBLY (FOLDING TOP)				
49	9M76	Black-with Black Binding	8M 7652700-B	1
49	9M76	Black-with Red Binding	8M 7652700-C	1
49	9M76	Green-with Green Binding	8M 7652700-D	1
49	9M76	Gray Tan-with Gray Tan Binding	8M 7652700-A	1
49	9M76	Automatic curtain fastener-top to pillar rail	358329-S13	2
49	9M76	Button (fastener)	95437-S23	2
49	9M76	Clinch Stud-(durable dot)	95464-S6	2
49	9M76	Screw (flat head self tapping)-No. 6 x 3/8"	32784-S13	4
Group 53000 TOP ASSEMBLY (FOLDING)-LESS TRIM				
49	9M76		8M 7653000-B	1
Group 53005 BOW ASSEMBLY (FOLDING TOP)-NO. 3				
49	9M76		8M 7653005	1
49	9M76	Bolt-1/4"-20 x 5/8"-bow to pillar bracket	50411-S13	4
Group 53006-7 RAIL BRACKET AND LINK ASSEMBLY (FOLDING TOP FRONT SIDE)-FRONT				
49	9M76	R.H.	8M 7653006	1
49	9M76	L.H.	8M 7653007	1
49	9M76	Bolt (spec. shoulder)-1/4"-28-bow link to front side rail	350233-S13	2
49	9M76	Lockwasher (external tooth)-1/4"	34940-S2	6
49	9M76	Screw (fillister head)-1/4"-20 x 5/8"	31080-S7	6
49	9M76	Screw (special flat head)-No. 10-24 x 3/8"	350183-S7	16
49	9M76	Stud (slotted head spec.)-3/8"-16-front rail to rear rail	350553-S8	2
49	9M76	Washer (flat)-1/4"	34745-S2	6
Group 53008-9 HINGE AND LINK ASSEMBLY (FOLDING TOP FRONT SIDE RAIL)				
49	9M76	R.H.	8M 7653008	1
49	9M76	L.H.	8M 7653009	1
49	9M76	Screw (flat head)-1/4"-28 x 1/2"	36003-S8	4
Group 53010-1 HINGE AND LINK ASSEMBLY (FOLDING TOP REAR SIDE RAIL)-FRONT				
49	9M76	R.H.	8M 7653010	1
49	9M76	L.H.	8M 7653011	1
49	9M76	Screw (flat head)-1/4"-28 x 1/2"	36003-S8	4

BODY PARTS CATALOGUE

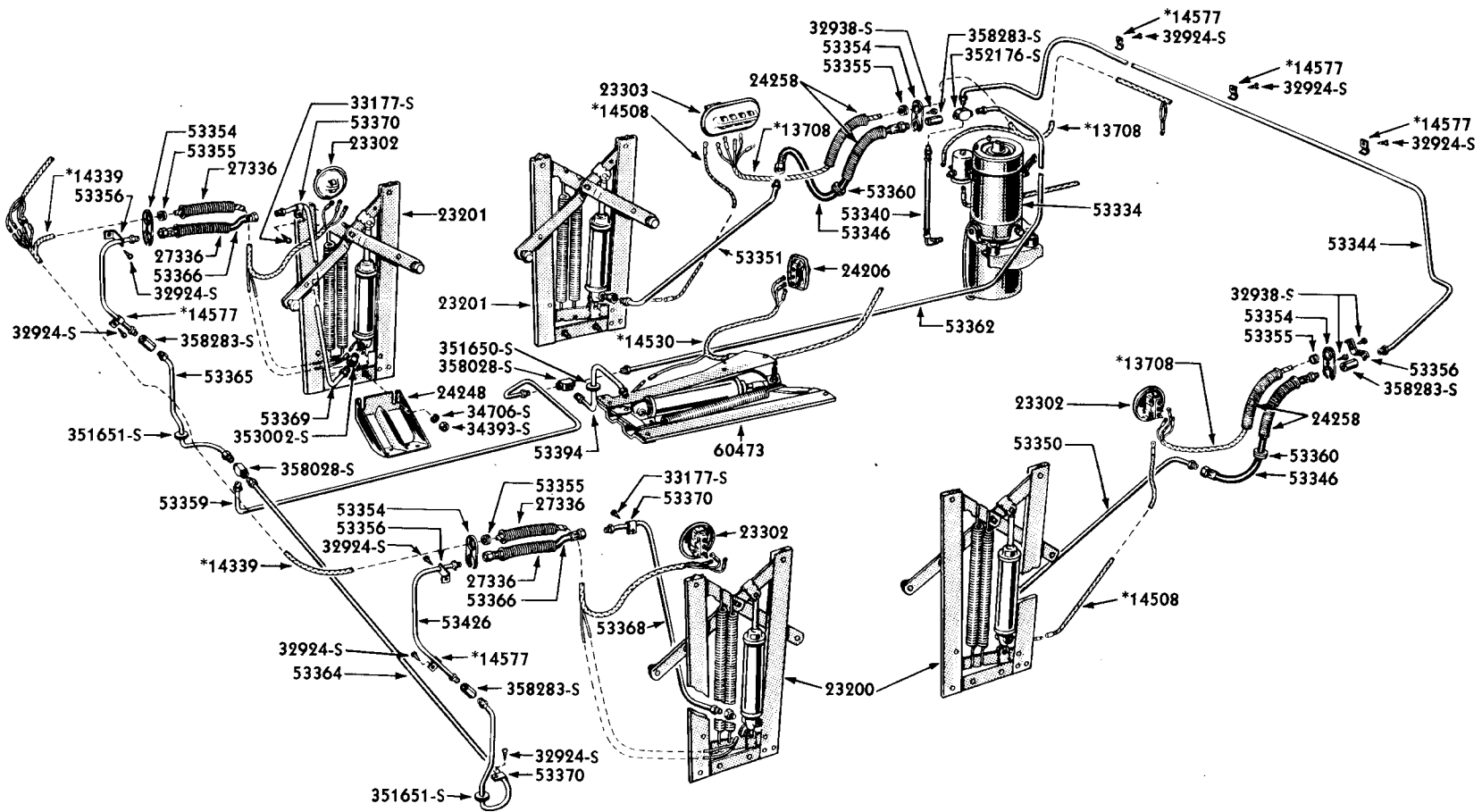
YEAR 19	BODY TYPES	REMARKS	PART NUMBER	NO. REQ'D
Group 53118-9 BRACKET (TOP MOUNTING)				
49	9M76	R.H.	8M 7653118-B	1
49	9M76	L.H.	8M 7653119-B	1
49	9M76	Screw (hex head self tapping)-No. 14 x 5/8"	31490-S7	4
49	9M76	Screw and lockwasher assy (hex head)-5/16"-24 x 7/8"	43264-S8	12
49	9M76	Screw and washer assy (oval head)-5/16"-24 x 7/8"	42896-S8	2
49	9M76	Washer (flat)-5/16"	34706-S2	8
Group 53121 BUSHING (FOLDING TOP LOCK HANDLE SHAFT)				
49	9M76	15/32" long	8H 7653121	1
Group 53128-9 SUPPORT ASSEMBLY (TOP MOUNTING BRACKET ON QUARTER WHEELHOUSE)				
49	9M76	R.H.-use on jobs having 6-31/32" bulge on inner Wheelhouse	8M 7653128-A	1
49	9M76	L.H.-use on jobs having 6-31/32" bulge on inner Wheelhouse	8M 7653129-A	1
49	9M76	R.H.-use on jobs having 8-1/16" bulge on inner Wheelhouse	8M 7653128-B	1
49	9M76	L.H.-use on jobs having 8-1/16" bulge on inner Wheelhouse	8M 7653129-B	1
Group 53170-1 HINGE (FOLDING TOP REAR SIDE RAIL)-REAR				
49	9M76	R.H.	8M 7653170-B	1
49	9M76	L.H.	8M 7653171-B	1
49	9M76	Lockwasher-1/4"	34805-S2	6
49	9M76	Screw (fillister head)-1/4"-20 x 5/8"	31080-S8	6
49	9M76	Screw (special flat head)-No. 10-24 x 3/8"	350183-S7	12
49	9M76	Screw (special flat head)-No. 10-24 x 1/2"	36003-S8	4
Group 53196-7 RAIL AND BRACKETS ASSEMBLY (FOLDING TOP PILLAR)				
49	9M76	R.H.	8M 7653196	1
49	9M76	L.H.	8M 7653197	1
49	9M76	Automatic curtain fastener	358329-S13	2
49	9M76	Lockwasher-1/4"	34805-S2	14
49	9M76	Screw (fillister head)-3/8"-16	355570-S13	2
49	9M76	Screw (flat head self tapping)-No. 6 x 3/8"	32784-S13	4
49	9M76	Stud (special slotted head)-3/8"-16 x 1-23/64"	357753-S	2
Group 53200 GLASS (TOP BACK CURTAIN)				
49	9M76		8M 7653200	1
Group 53204 MOULDING (FOLDING TOP REAR BOW)				
49	9M76	replaced by one each 8M-7652300-A, 8M-7652300-B, 8M7652300-C, 8M-7652300-D, 353126-S23, 353125-S23 as required	8M 7653204	1
Group 53214 MOULDING (FOLDING TOP HEADER FINISH)				
49	9M76	replaced by one each 8M-7652308-A, 8M-7652308-B, 8M-7653208-C, 8M-7653208-D, 353126-S23, 353125-S23 as required	8M 7653214	1
Group 53220 FRAME ASSEMBLY (BACK CURTAIN GLASS)-OUTSIDE				
49	9M76		8M 7653220	1
Group 53224 FRAME (BACK CURTAIN GLASS)-INNER				
49	9M76		8M 7653224	1
49	9M76	Screw (special oval head)-No. 5-40	350025-S13	14



PL-283

HYDRAULIC PUMP AND MOTOR (8H-7353334)

Group numbers only shown on illustration. Order by Part Numbers shown in list of parts.

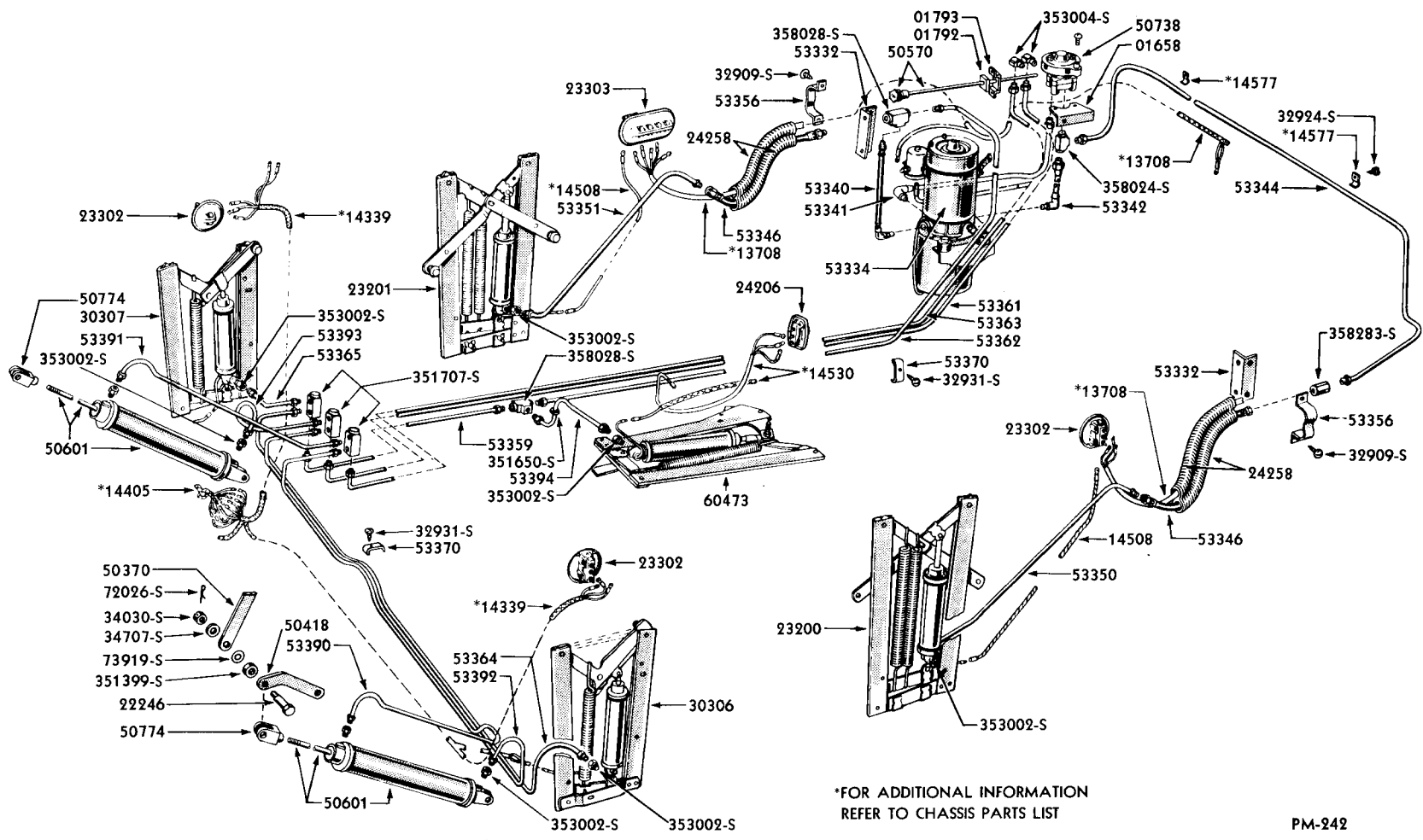


*FOR ADDITIONAL INFORMATION REFER TO CHASSIS PARTS LIST

PM-243

HYDRAULIC WINDOW LIFT SYSTEM (BODY TYPE 74)

Group numbers only shown on illustration. Order by Part Numbers shown in list of parts.



*FOR ADDITIONAL INFORMATION
REFER TO CHASSIS PARTS LIST

PM-242

HYDRAULIC WINDOW AND FOLDING TOP LIFT SYSTEM (BODY TYPE 76)
Group numbers only shown on illustration. Order by Part Numbers shown in list of parts.

BODY PARTS CATALOGUE

YEAR 19	BODY TYPES	REMARKS	PART NUMBER	NO. REQ'D
Group 53264 STRAP ASSEMBLY (BACK CURTAIN SUPPORT)-UPPER				
49	9M76		8M 7653264	2
49	9M76	Button (Snap Type Durable Dot)-5/32" x 3/16"	95397-S13	2
49	9M76	Screw (binding head self tapping)-No. 8 x 1/2"	32923-S7	4
49	9M76	Washer (flat)-No. 6	34701-S7	4
Group 53268 HOOK (BACK CURTAIN STRAP)				
49	9M76		16H 7653268	2
Group 53325 RETAINER AND NUT ASSEMBLY (REAR DOOR HOSE COVER SPRING)				
49	9M74	approximately 2-1/2" overall length	8M 7353325	2
Group 53329 SPRING (HYDRAULIC WINDOW OPERATING)-OUTER				
49	9M except 79	Green enamel	8H 7353329	as req'd
Group 53330 SPRING (HYDRAULIC WINDOW OPERATING)-INNER				
49	9M except 79	Yellow enamel	8H 7353330	as req'd
Group 53332 BRACKET (DOOR HYDRAULIC HOSE CONDUIT CLAMP)				
49	9M76	2-21/32" long	8M 7653332	2
49	9M76	Screw (binding head self tapping)-No. 8 x 1/4"	32909-S2	4
Group 53334 MOTOR AND HYDRAULIC PUMP ASSEMBLY (INCLUDES RESERVOIR, BAIL, SOLENOID AND MOUNTING BRACKET)				
49	9M except 79		8H 7353334	1
49	9M76	Lockwasher-5/16"	34806-S2	4
49	9M76	Lockwasher 1/4"	34805-S2	1
49	9M76	Nut (hex)-No. 10-32	34079-S7	1
49	9M except 79	Screw (binding head self tapping)-No. 8 x 1/4"	32909-S2	1
Group 53340 HOSE ASSEMBLY (HYDRAULIC PUMP TO TUBING)				
49	9M except 79	7" long	8M 7653340	1
49	9M72-74	Tube Cross (inverted flared)-5/16"	352176-S	1
49	9M76	Tee (inverted)-5/16"	358028-S	1
Group 53341 HOSE ASSEMBLY (HYDRAULIC PUMP TO TOP CONTROL VALVE RETURN)				
49	9M76	11-51/64" long	8M 7653341-A	1
49	9M76	9" long	8M 7653341-B	1
Group 53342 HOSE ASSEMBLY (HYDRAULIC PUMP TO TOP CONTROL VALVE SUPPLY)				
49	9M76	6-5/32" long	8M 7653342	1
49	9M76	Tee (inverted flared)-5/16"	358024-S	1
Group 53343 FRAME AND FIELD ASSEMBLY (HYDRAULIC PUMP MOTOR)				
49	9M except 79		8H 7353343-B	1
Group 53344 TUBE ASSEMBLY (TO FRONT DOOR HYDRAULIC WINDOW REGULATOR)				
49	9M72-74	R.H.-developed length approximately 84-35/64"	8M 7053344	1
49	9M76	R.H.-developed length approximately 82"	8M 7653344-A	1
49	9M76	R.H.-developed length approximately 85-7/8"	8M 7653344-C	1
49	9M except 79	Union (inverted flared tube)-5/16"	358283-S	1
49	9M72-74	Tube Cross (inverted flared)-5/16"	352176-S	1

MERCURY

BODY PARTS CATALOGUE

YEAR 19__	BODY TYPES	REMARKS	PART NUMBER	NO. REQ'D
Group 53346 HOSE ASSEMBLY (FRONT DOOR HYDRAULIC WINDOW REGULATOR)				
49	GM except 79	21-1/2" Long-Front Door	8M 7653346	2
49	GM72-74	Tube Cross (inverted flared)-5/16"	352176-S	1
49	GM76	Union (inverted flared tube)-5/16"	358283-S	1
Group 53349 ARMATURE ASSEMBLY (HYDRAULIC PUMP MOTOR)				
49	GM except 79		8H 7353349	1
Group 53350-1 TUBE ASSEMBLY (FRONT DOOR WINDOW REGULATOR)				
49	GM72	R.H.-developed length approximately 26-9/16"	8M 7053350	1
49	GM72	L.H.-developed length approximately 26-9/16"	8M 7053351	1
49	GM7L	R.H.-developed length approximately 20-55/64"	8M 7353350	1
49	GM74	L.H.-developed length approximately 20-55/64"	8M 7353351	1
49	GM76	R.H.-developed length approximately 27-1/2"	8M 7653350	1
49	GM76	L.H.-developed length approximately 27-1/2"	8M 7653351	1
49	GM72,76	Connector (inverted male)-9/16"	353002-S	2
Group 53352 WASHER (HYDRAULIC PUMP MOTOR ARMATURE SHAFT)-UPPER				
49	GM except 79		8H 7353352	as req'd
Group 53353 WASHER (HYDRAULIC PUMP MOTOR ARMATURE SHAFT)-LOWER				
49	GM except 79		8H 7353353	as req'd
Group 53354 RETAINER (HOSE COVER SPRING)				
49	GM72-74		7EH 7353354	2or4
49	GM72-74	Screw (pan head)-No. 10 x 5/8"	32938-S7	4
49	GM74	Nut (hex head)-No. 8-32	34052-S7	1
49	GM74	Washer (flat)-No. 6	34701-S7	4
Group 53355 GROMMET (WINDOW REGULATOR CONTROL WIRES)				
49	GM72-74		7EH 7353355	2or8
Group 53356 CLAMP (DOOR HYDRAULIC HOSE CONDUIT)				
49	GM72-74	front door	8M 7053356	2
49	GM76	2-3/8" overall length	8M 7653356	2
49	GM76	Screw (binding head self tapping)-No. 8 x 1/4"	32909-S2	4
Group 53356 CLAMP (HOSE TO TUBE COVER SPRING RETAINER)				
49	GM72-74	front door	8M 7053356	2
49	GM74	rear door	8M 7453356	2
Group 53359 TUBE ASSEMBLY (REAR QUARTER WINDOW SUPPLY)				
49	GM74	developed length approximately 42-3/4"	8M 7053359	1
Group 53359 TUBE ASSEMBLY (REAR DOOR WINDOW SUPPLY)				
49	GM76	developed length approximately 28"	8M 7653359	2
49	GM76	Grommet-3 hole-Rubber	355430-S	1
49	GM76	Tee (triple inverted)	351707-S	3
Group 53360 GROMMET (HYDRAULIC WINDOW REGULATOR SPRING HOSE COVER)				
49	GM72-74	Brass-approximately 27/64" long	8M 7053360	4

MERCURY

BODY PARTS CATALOGUE

YEAR 19	BODY TYPES	REMARKS	PART NUMBER	NO. REQ'D
Group 53361 TUBE ASSEMBLY (TOP CYLINDER SUPPLY)-UPPER				
49	9M76	developed length approximately 85-13/32"	8M 7653361-A	1
49	9M76	developed length approximately 86-1/64"	3M 7653361-C	1
49	9M76	Elbow (inverted male)	353004-S	2
49	9M76	Grommet-3 hole-Rubber	355430-S	1
49	9M76	Teo (triple inverted)	351707-S	3
Group 53362 TUBE ASSEMBLY (REAR QUARTER HYDRAULIC SUPPLY)-FRONT				
49	9M except 79	developed length approximately 60"	8M 7653362	1
49	9M72	Elbow (inverted tube)-5/16"	351652-S	1
49	9M72-74	Tee (inverted)-5/16"	358028-S	1
49	9M72-74	Tube Cross (inverted flared)-5/16"	352176-S	1
49	9M76	Elbow (inverted male)	353004-S	2
49	9M76	Screw (binding head self tapping)-No. 10 x 1/2"	32924-S2	1
Group 53363 TUBE ASSEMBLY (TOP CYLINDER SUPPLY)-LOWER				
49	9M76	developed length approximately 83-29/32"	8M 7653363-A	1
49	9M76	developed length approximately 83-39/64"	8M 7653363-C	1
49	9M76	Grommet-3 hole-Rubber	355430-S	1
49	9M76	Tee (triple inverted)	351707-S	3
Group 53364-5 TUBE ASSEMBLY (REAR QUARTER HYDRAULIC WINDOW REGULATOR CROSS)				
49	9M74	R.H.-developed length approximately 66"	8M 7353364	1
49	9M74	L.H.-developed length approximately 27-1/4"	8M 7353365	1
49	9M76	R.H.-overall length approximately 64-45/64"	8M 7653364	1
49	9M76	L.H.-overall length approximately 4-5/64"	8M 7653365	1
49	9M76	Clip (tube)	351647-S8	1
49	9M74	Tee (inverted)-5/16"	358028-S	1
49	9M72-74	Union (inverted flared)-5/16"	353283-S	2
49	9M76	Connector (inverted male)-9/16"	353002-S	2
49	9M76	Screw (binding head self tapping)-No. 10 x 1/2"	32924-S2	1
Group 53366 HOSE ASSEMBLY (REAR DOOR HYDRAULIC WINDOW REGULATOR)				
49	9M72-74	15" long	8M 7353366	2
Group 53367 CLIP (HYDRAULIC 3 TUBE MULTIPLE)				
49	9M76	approximately 1-7/16" overall length-replaced by 8H-7653370	8M 7653367	2
Group 53368-9 TUBE ASSEMBLY (REAR DOOR HYDRAULIC WINDOW REGULATOR)				
49	9M74	R.H.-overall length approximately 17"	8M 7453368	
49	9M74	L.H.-overall length approximately 17"	8M 7453369	
Group 53370 CLIP (HYDRAULIC TUBING TO BODY)				
49	9M except 79		7EH 7353370	2or4
49	9M except 79	Screw (round head machine)-No. 10-32 x 7/16"	27073-S2	2
49	9M74	Screw (pan head)-No. 10 x 1/2"	32924-S2	1
49	9M74	Screw (pan head)-No. 10 x 3/8"	33177-S7	2
Group 53370 CLIP (HYDRAULIC TUBE TO DASH)				
49	9M76		8H 7653370	3
49	9M76	Screw (round head machine)-No. 10-32 x 1/2"	27081-S7	2
Group 53374 GASKET (HYDRAULIC PUMP RESERVOIR)				
49	9M except 79		5EH 7353374-B	1
Group 53377 STUD (HYDRAULIC PUMP MOTOR FRAME AND FIELD ASSEMBLY)				
49	9M except 79		8H 7353377	1

MERCURY

BODY PARTS CATALOGUE

YEAR 19	BODY TYPES	REMARKS	PART NUMBER	NO. REQ'D
Group 53378 BAIL (HYDRAULIC PUMP RESERVOIR)				
49	9M76		8H 7353378	1
Group 53379 STRAP (HYDRAULIC PUMP MOTOR GROUND)				
49	9M except 79	replaced by 8H-14519	8H 7353379	1
49	9M except 79		8H 14519	1
Group 53380 SOLENOID (HYDRAULIC PUMP MOTOR)				
49	9M except 79		7EH 7353380	1
Group 53382 CUSHION (HYDRAULIC MOTOR AND PUMP MOUNTING)				
49	9M except 79		5EH 7353382	3
49	9M except 79	Lockwasher-1/4"	34805-S	1
49	9M except 79	Nut (hex)-1/4"-20	33795-S	1
Group 53383 BRUSH (HYDRAULIC PUMP MOTOR FRAME AND FIELD ASSEMBLY)				
49	9M except 79		8H 7353383	2
Group 53384 BRACKET (HYDRAULIC MOTOR AND PUMP MOUNTING CUSHION)				
49	9M76		5EH 7353384	1
Group 53386 STRAP (MOTOR AND HYDRAULIC PUMP TO SOLENOID)				
49	9M76		5EH 7353386	1
Group 53387 HEAD AND BRUSH HOLDER ASSEMBLY (HYDRAULIC PUMP MOTOR)				
49	9M except 79		8H 7353387	1
Group 53388 PLATE (HYDRAULIC PUMP RESERVOIR FLUID RETAINER)				
49	9M76		5EH 7353388	1
Group 53389 RETAINER (HYDRAULIC PUMP RESERVOIR FLUID)				
49	9M76		5EH 7353389	1
49	9M76	Screw (binding head self tapping)-No. 6 x 1/4"	33427-S7	1
Group 53390-1 TUBE ASSEMBLY (TOP HYDRAULIC CYLINDER REAR CROSS)-UPPER				
49	9M76	R.H.-overall length approximately 56-15/16"	8M 7653390	1
49	9M76	L.H.-developed length approximately 22"	8M 7653391	1
49	9M76	Clip (tube)	351647-S8	1
49	9M76	Connector (inverted male)-9/16"	353002-S	2
49	9M76	Screw (binding head self tapping)-No. 10 x 1/2"	32924-S2	1
Group 53392-3 TUBE ASSEMBLY (TOP HYDRAULIC CYLINDER REAR CROSS)-LOWER				
49	9M76	R.H.-approximately 60-1/4" overall length	8M 7653392	1
49	9M76	L.H.-approximately 5" overall length	8M 7653393	1
49	9M76	Connector (inverted male)-9/16"	353002-S	2
49	9M76	Screw (binding head self tapping)-No. 10 x 1/2"	32924-S2	1
Group 53394 TUBE ASSEMBLY (FRONT SEAT HYDRAULIC REGULATOR)				
49	9M except 79	developed length approximately 15-1/2"	8M 7653394	1
49	9M76	Clip (hydraulic tubing)	51A 14577-A	1
49	9M	Connector (inverted male)-9/16"	353002-S	1
49	9M	Grommet-rubber	351650-S	1
49	9M72	Elbow (inverted tube)-5/16"	351652-S	1
49	9M74	Grommet-rubber	351651-S	2
49	9M76	Screw (binding head self tapping)-No. 10 x 1/2"	32924-S2	1

BODY PARTS CATALOGUE

YEAR 19	BODY TYPES	REMARKS	PART NUMBER	NO. REQ'D
Group 53395 HOUSING ASSEMBLY (HYDRAULIC PUMP)				
49	9M except 79		8H 7353395	1
49	9M except 79	Screw (round head)-No. 10-32 x 1-3/4"	36976-S2	3
Group 53396 RESERVOIR (HYDRAULIC PUMP)				
49	9M76		8H 7353396	1
Group 53400 ROTOR ASSEMBLY (INNER AND OUTER)-HYDRAULIC PUMP				
49	9M except 79		8H 7353400	1
Group 53404 PLATE (HYDRAULIC PUMP ROTOR)				
49	9M except 79		8H 7353404	1
Group 53405 PLATE (HYDRAULIC PUMP PORT)				
49	9M except 79		8H 7353405	1
Group 53406 SEAL (HYDRAULIC PUMP BOTTOM)				
49	9M except 79		8H 7353406	1
Group 53407 SPRING (HYDRAULIC PUMP ROTOR)				
49	9M except 79		8H 7353407	1
Group 53408 SCREW (HYDRAULIC PUMP BOTTOM PLATE)				
49	9M except 79		8H 7353408	6
Group 53409 PLATE (HYDRAULIC PUMP BOTTOM)				
49	9M except 79		8H 7353409	1
Group 53410 VALVE (HYDRAULIC PUMP)				
49	9M except 79		8H 7353410	1
Group 53411 WASHER (HYDRAULIC PUMP)				
49	9M except 79		8H 7353411	7
Group 53412 SPRING (HYDRAULIC PUMP VALVE)				
49	9M except 79		8H 7353412	1
Group 53413 PLUG (HYDRAULIC PUMP VALVE)-ADJUSTER				
49	9M except 79		8H 7353413	1
Group 53414 BRACKET ASSEMBLY (HYDRAULIC SEAT REGULATOR TO FLOOR)				
49	9M except 79		8H 7353414	1
Group 53426-7 TUBE ASSEMBLY (EXTENSION TUBE TO HOSE)				
49	9M74	R.H.-developed length approximately 16-45/64"	8M 7453426	1
49	9M74	L.H.-developed length approximately 16-45/64"	8M 7453427	1
Group 54306 SILENCER (ROOF PANEL)				
49	9M72-74	two piece design	8M 7054306-B	2
49	9M79	one piece design	8M 7954306-A	1
49	9M79	two piece design	8M 7954306-B	2

MERCURY

BODY PARTS CATALOGUE

YEAR 19__	BODY TYPES	REMARKS	PART NUMBER	NO. REQ'D
Group 54400 HOOD ASSEMBLY (TOP DUST)				
49	9M76	Black-with Black Binding	8M 7654400-B	1
49	9M76	Gray Tan-with Gray Tan Binding	8M 7654400-A	1
49	9M76	Green-with Green Binding	8M 7654400-D	1
49	9M76	Button (oval head tubular)-1/8" x 3/16"	95397-S13	11
49	9M76	Clip	353229-S13	4
49	9M76	Socket (Durable Dot Snap type)	95460-S13	17
49	9M76	Washer (flat)-No. 6	34701-S23	4
Group 54410 LOOP (TOP BOOT TO REAR SEAT BACK)				
49	9M76		8M 7654410	4
49	9M76	Screw (Phillips head sheet metal)-No. 6 x .75"	52358-S23	8
Group 54486 CONTAINER ASSEMBLY (TOP DUST HOOD)				
49	9M76	all trims	8M 7654486	1
Group 54637 SPRING (TOP FOLDING COMPARTMENT TRIM SUPPORT ROD)				
49	9M76	3-15/64" free length	8M 7654637	1
Group 54638 ROD (TOP FOLDING COMPARTMENT TRIM SUPPORT)				
49	9M76		8M 7654638	1
Group 54639 CLIP (FOLDING TOP COMPARTMENT TRIM SUPPORT ROD)				
49	9M76		8M 7654639	1

Group 60032 BACK ASSEMBLY (REAR SEAT)

49	9M72	Upper-M-16102-E Blue Stripe Broadcloth, Lower-M-16102-E Blue Stripe Broadcloth, Facing-M-5156-C Plain Blue Broadcloth	△8M 7260032-C	1
49	9M72	Upper-M-16811-A Plain Green Broadcloth, Lower-M-16102-D Patterned Green Broadcloth, Facing-M-5156-A Plain Green Broadcloth	△8M 7260032-A	1
49	9M72	Upper-M-16811-B Tan Bedford Cord, Lower-M-5085-N Tan Bedford Cord, Facing-M-5156-B Plain Tan Broadcloth	△8M 7260032-B	1
49	9M72-74	Upper-M-16102-E Blue Stripe Broadcloth, Lower-M-16102-E Blue Stripe Broadcloth, Facing-M-5156-C Plain Blue Broadcloth	●8M 7260032-G	1
49	9M72-74	Upper-M-16102-K Blue Gray Broadcloth, Lower-M-16102-J Blue Stripe Broadcloth, Facing-M-5156-F Blue Gray Broadcloth-use with inner Wheelhouse having 6-31/32" bulge	●8M 7260032-J	1
49	9M72-74	Upper-M-16102-K Blue Gray Broadcloth, Lower M-16102-J Blue Stripe Broadcloth, Facing-M-5156-F Blue Gray Broadcloth-use with inner Wheelhouse having 8-1/16" bulge	8M 7260032-M	1
49	9M72-74	Upper-M-19104-F Blue Gray Broadcloth, Lower-M-19104-D Blue Stripe Broadcloth-Special Trim	8M 7260032-CCH	1
49	9M72-74	Upper-M-19101-V Blue Gray Broadcloth, Lower-M-19101-L Blue Gray Broadcloth-Special Trim	8M 7260032-DDH	1
49	9M72-74	M-19141-P Dark Gray Bedford Cord-Special Trim	8M 7260032-CCL	1
49	9M72-74	Upper-M-19101-Q Gray Broadcloth, Lower-M-19101-U Blue Green Broadcloth-Special Trim	8M 7260032-AAL	1
49	9M72-74	Upper-M-16811-A Plain Green Broadcloth, Lower-M-16102-D Patterned Green Broadcloth, Facing-M-5156-A Plain Green Broadcloth-use with inner Wheelhouse having 6-31/32" bulge	●8M 7260032-E	1
49	9M72-74	Upper-M-16811-A Plain Green Broadcloth, Lower M-16102-D Patterned Green Broadcloth, Facing-M-5156-A Plain Green Broadcloth-use with inner Wheelhouse having 8-1/16" bulge	8M 7260032-K	1
49	9M72-74	Upper-M-19104-E Green Broadcloth, Lower-M-19104-C Green Gray Broadcloth-Special Trim	8M 7260032-AAH	1

△ Used on cars having front seat with metal stationary foot rest welded to seat frame.

● Used on cars having front seat without foot rest.

BODY PARTS CATALOGUE

YEAR 19	BODY TYPES	REMARKS	PART NUMBER	NO. REQ'D
Group 60032 BACK ASSEMBLY (REAR SEAT)-CONTINUED				
49	9M72-74	Upper-M-16811-B Tan Bedford Cord, Lower-M-5085-N Tan Bedford Cord, Facing-M-5156-B Plain Tan Broadcloth-use with inner Wheelhouse having 6-31/32" bulge	8M 7260032-F	1
49	9M72-74	Upper-M-16811-B Tan Bedford Cord, Lower-M-5085-N Tan Bedford Cord, Facing-M-5156-B Plain Tan Broadcloth-use with inner Wheelhouse having 8-1/16" bulge	8M 7260032-L	1
49	9M72-74	Upper-M-19101-N Tan Broadcloth, Lower-M-19101-T Brown Stripe Broadcloth-Special Trim	8M 7260032-BBI	1
49	9M72-74	Upper-M-19101-S Brown Taupe Broadcloth, Lower-M-19101-W Tan and Yellow Broken Stripe Broadcloth-Special Trim	8M 7260032-BBL	1
49	9M74	Upper-M-16102-E Blue Stripe Broadcloth, Lower-M-16102-E Blue Stripe Broadcloth, Facing-M-5156-C Plain Blue Broadcloth	48M 7460032-C	1
49	9M74	Upper-M-16811-A Plain Green Broadcloth, Lower-M-16102-D Patterned Green Broadcloth, Facing-M-5156-A Plain Green Broadcloth	48M 7460032-A	1
49	9M74	Upper-M-16811-B Tan Bedford Cord, Lower-M-5085-N Tan Bedford Cord, Facing-M-5156-B Plain Tan Broadcloth	48M 7460032-B	1
49	9M76	Upper-Green Leather, Lower M-5085-Q Green Bedford Cord, Facing-Green Artificial Leather	48M 7660032-C	1
49	9M76	Upper-Green Leather, Lower-M-5085-Q Green Bedford Cord, Facing-Green Artificial Leather	8M 7660032-F	1
49	9M76	Upper-Red Leather, Lower-M-5085-P Tan Bedford Cord, Facing-Red Artificial Leather	48M 7660032-A	1
49	9M76	Upper-Red Leather, Lower-M-5085-P Tan Bedford Cord, Facing Red Artificial Leather	8M 7660032-D	1
49	9M76	Upper-Red Leather, Lower-M-5085-K Light Tan Bedford Cord, Facing-Red Artificial Leather	8M 7660032-X	1
49	9M76	Upper-Dark Red Leather, Lower M-5085-P Tan Bedford Cord, Facing-Red Artificial Leather	8M 7660032-G	1
49	9M76	Upper-Tan Leather, Lower-M-5085-P Tan Bedford Cord, Facing-Tan Artificial Leather	48M 7660032-B	1
49	9M76	Upper-Tan Leather, Lower M-5085-P Tan Bedford Cord, Facing-Tan Artificial Leather	8M 7660032-E	1
49	9M76	Upper-Tan Leather, Lower-M-5085-L Dark Tan Bedford Cord, Facing Tan Artificial Leather	8M 7660032-Y	1
49	9M79	Antique Grain-Green Leather and Vinyl	8M 7960032-F	1
49	9M79	Wolf Grain-Green Leather and Vinyl	8M 7960032-J	1
49	9M79	Antique Grain-Red Leather and Vinyl	8M 7960032-D	1
49	9M79	Wolf Grain-Red Leather and Vinyl	8M 7960032-G	1
49	9M79	Antique Grain-Tan Leather and Vinyl	8M 7960032-E	1
49	9M79	Wolf Grain-Tan Leather and Vinyl	8M 7960032-H	1
49	9M	Clip	358338-S	as
49	9M79	Washer (flat)-5/16"	34747-S2	2 req'd
Group 60042-3 BACK ASSEMBLY (CENTER SEAT)				
49	9M79	R.H.-Antique Grain-Green Leather and Vinyl	8M 7960042-C	1
49	9M79	L.H.-Antique Grain-Green Leather and Vinyl	8M 7960043-C	1
49	9M79	R.H.-Wolf Grain-Green Leather and Vinyl	8M 7960042-F	1
49	9M79	L.H.-Wolf Grain-Green Leather and Vinyl	8M 7960043-F	1
49	9M79	R.H.-Antique Grain-Red Leather and Vinyl	8M 7960042-A	1
49	9M79	L.H.-Antique Grain-Red Leather and Vinyl	8M 7960043-A	1

Δ Used on cars having front seat with metal stationary foot rest welded to seat frame.

● Used on cars having front seat without foot rest.

MERCURY

BODY PARTS CATALOGUE

YEAR	BODY TYPES	REMARKS	PART NUMBER	NO. REQ'D
Group 60042-3 BACK ASSEMBLY (CENTER SEAT)-CONTINUED				
49	9M79	R.H.-Wolf Grain-Red Leather and Vinyl	8M 7960042-D	1
49	9M79	L.H.-Wolf Grain-Red Leather and Vinyl	8M 7960043-D	1
49	9M79	R.H.-Antique Grain-Tan Leather and Vinyl	8M 7960042-E	1
49	9M79	L.H.-Antique Grain-Tan Leather and Vinyl	8M 7960043-E	1
49	9M79	R.H.-Wolf Grain-Tan Leather and Vinyl	8M 7960042-F	1
49	9M79	L.H.-Wolf Grain-Tan Leather and Vinyl	8M 7960043-F	1
49	9M79	Clip	358338-S	as req'd
49	9M79	Cotter pin-1/8" x 7/8"	72035-S	2
Group 60050 CUSHION ASSEMBLY (FRONT SEAT)				
49	9M72	M-16102-E Blue Stripe Broadcloth	●8M 7060050-L	1
49	9M72	special equipment-Sponge Rubber Pad-M-16102-E Blue Stripe Broadcloth	●8M 7060050-P	1
49	9M72	special equipment-Sponge Rubber Pad-M-16102-J Blue Stripe Broadcloth	●8M 7060050-U	1
49	9M72	M-19104-D Blue Stripe Broadcloth-Special Trim	8M 7060050-CCH	1
49	9M72	M-19101-T Brown Stripe Broadcloth-Special Trim	8M 7060050-EBH	1
49	9M72	M-19101-L Blue Gray Broadcloth-Special Trim	8M 7060050-IDH	1
49	9M72	M-19141-P Dark Gray Bedford Cord-Special Trim	8M 7060050-CCL	1
49	9M72	M-19104-C Green Gray Broadcloth-Special Trim	8M 7060050-AAH	1
49	9M72	M-19101-U Blue Green Birdseye Broadcloth-Special Trim	8M 7060050-AAL	1
49	9M72	special equipment-Sponge Rubber Pad-M-16102-D Patterned Green Broadcloth	●8M 7060050-M	1
49	9M72	special equipment-Sponge Rubber Pad-M-5085-N Tan Bedford Cord	●8M 7060050-N	1
49	9M72	M-19101-W Tan and Yellow Broken Stripe Broadcloth-Special Trim	8M 7060050-BBL	1
49	9M72-74	M-16102-E Blue Stripe Broadcloth	△8M 7060050-C	1
49	9M72-74	special equipment-Sponge Rubber Pad-M-16102-E Blue Stripe Broadcloth	△8M 7060050-F	1
49	9M72-74	M-16102-D Patterned Green Broadcloth	△8M 7060050-A	1
49	9M72-74	special equipment-Sponge Rubber Pad-M-16102-D Patterned Green Broadcloth	△8M 7060050-D	1
49	9M72-74	M-5085-N Tan Bedford Cord	△8M 7060050-E	1
49	9M72-74	special equipment-Sponge Rubber Pad-M-5085-N Tan Bedford Cord	△8M 7060050-E	1
49	9M74	M-16102-E Blue Stripe Broadcloth	●8M 7360050-C	1
49	9M74	special equipment-Sponge Rubber Pad-M-16102-E Blue Stripe Broadcloth	●8M 7360050-F	1
49	9M74	M-16102-J Blue Stripe Broadcloth	●8M 7360050-J	1
49	9M74	special equipment-Sponge Rubber Pad-M-16102-J Blue Stripe Broadcloth	●8M 7360050-K	1
49	9M74	M-19104-D Blue Stripe Broadcloth-Special Trim	8M 7360050-CCH	1
49	9M74	M-19101-T Brown Stripe Broadcloth-Special Trim	8M 7360050-EBH	1
49	9M74	M-19101-L Blue Gray Broadcloth-Special Trim	8M 7360050-DDH	1
49	9M74	M-19141-P Dark Gray Bedford Cord-Special Trim	8M 7360050-CCL	1
49	9M74	M-19104-C Green Gray Broadcloth-Special Trim	8M 7360050-AAH	1
49	9M74	M-19101-V Blue Green Birdseye Broadcloth-Special Trim	8M 7360050-AAL	1
49	9M74	M-16102-D Patterned Green Broadcloth	●8M 7360050-A	1
49	9M74	special equipment-Sponge Rubber Pad-M-16102-D Patterned Green Broadcloth	●8M 7360050-D	1
49	9M74	M-5085-N Tan Bedford Cord	●8M 7360050-E	1
49	9M74	special equipment-Sponge Rubber Pad-M-5085-N Tan Bedford Cord	●8M 7360050-E	1
49	9M74	M-19101-W Tan and Yellow Broken Stripe Broadcloth-Special Trim	8M 7360050-BBL	1

△ Used on cars having front seat with metal stationary foot rest welded to seat frame.

● Used on cars having front seat without foot rest.

BODY PARTS CATALOGUE

YEAR 19	BODY TYPES	REMARKS	PART NUMBER	NO. REQ'D
Group 60050 CUSHION ASSEMBLY (FRONT SEAT)-CONTINUED				
49	QM76	M-5085-Q Green Bedford Cord	△8M 7660050-C	1
49	QM76	M-5085-Q Green Bedford Cord	●8M 7660050-F	1
49	QM76	M-5085-P Tan Bedford Cord	△8M 7660050-A	1
49	QM76	M-5085-P Tan Bedford Cord	△8M 7660050-B	1
49	QM76	M-5085-P Tan Bedford Cord	●8M 7660050-D	1
49	QM76	M-5085-P Tan Bedford Cord	●8M 7660050-E	1
49	QM76	M-5085-L Dark Tan Bedford Cord	●8M 7660050-Y	1
49	QM76	M-5085-K Light Tan Bedford Cord	●8M 7660050-X	1
49	QM79	Antique Grain-Green Leather and Vinyl	△8M 7960050-C	1
49	QM79	Antique Grain-Green Leather and Vinyl	●8M 7960050-F	1
49	QM79	Wolf Grain-Green Leather and Vinyl	●8M 7960050-N	1
49	QM79	Antique Grain-Red Leather and Vinyl	●8M 7960050-D	1
49	QM79	Antique Grain-Red Leather and Vinyl	△8M 7960050-A	1
49	QM79	Wolf Grain-Red Leather and Vinyl	●8M 7960050-G	1
49	QM79	Antique Grain-Tan Leather and Vinyl	△8M 7960050-B	1
49	QM79	Antique Grain-Tan Leather and Vinyl	●8M 7960050-E	1
49	QM79	Wolf Grain-Tan Leather and Vinyl	●8M 7960050-M	1
49	QM	Clip	358338-S	as req'd

Group 60054 CUSHION ASSEMBLY (CENTER SEAT)				
49	QM79	Antique Grain-Green Leather and Vinyl	8M 7960054-C	1
49	QM79	Wolf Grain-Green Leather and Vinyl	8M 7960054-F	1
49	QM79	Antique Grain-Red Leather and Vinyl	8M 7960054-A	1
49	QM79	Wolf Grain-Red Leather and Vinyl	8M 7960054-D	1
49	QM79	Antique Grain-Tan Leather and Vinyl	8M 7960054-B	1
49	QM79	Wolf Grain-Tan Leather and Vinyl	8M 7960054-E	1
49	QM79	Clip	358338-S	18
49	QM79	Nail (drive)-No. 6	351629-S28-A2B	29

Group 60080 CUSHION ASSEMBLY (REAR SEAT)				
49	QM72	M-16102-E Blue Stripe Broadcloth	△8M 7260080-C	1
49	QM72	M-16102-E Blue Stripe Broadcloth	●8M 7260080-L	1
49	QM72	special equipment-Sponge Rubber Pad-M-16102-E Blue Stripe Broadcloth	△8M 7260080-F	1
49	QM72	special equipment-Sponge Rubber Pad-M-16102-E Blue Stripe Broadcloth	●8M 7260080-P	1
49	QM72	special equipment-Sponge Rubber Pad-M-16102-J Blue Stripe Broadcloth	●8M 7260080-U	1
49	QM72	M-19104-D Blue Stripe Broadcloth-Special Trim	8M 7260080-CCH	1
49	QM72	M-19101-T Brown Stripe Broadcloth-Special Trim	8M 7260080-BBH	1
49	QM72	M-19101-L Blue Gray Broadcloth-Special Trim	8M 7260080-DDH	1
49	QM72	M-19141-P Dark Gray Bedford Cord-Special Trim	8M 7260080-CCL	1
49	QM72	M-19104-C Green Gray Broadcloth-Special Trim	8M 7260080-AAH	1
49	QM72	M-19101-U Blue Green Birdseye Broadcloth-Special Trim	8M 7260080-AAL	1
49	QM72	M-16102-D Patterned Green Broadcloth	△8M 7260080-A	1
49	QM72	special equipment-Sponge Rubber Pad-M-16102-D Patterned Green Broadcloth	△8M 7260080-D	1
49	QM72	special equipment-Sponge Rubber Pad-M-16102-D Patterned Green Broadcloth	8M 7260080-M	1
49	QM72	special equipment-Sponge Rubber Pad-M-5085-N-Tan Bedford Cord	△8M 7260080-E	1
49	QM72	special equipment-Sponge Rubber Pad-M-5085-N Tan Bedford Cord	●8M 7260080-N	1
49	QM72	M-5085-N Tan Bedford Cord	△8M 7260080-B	1
49	QM72	M-19101-W Tan and Yellow Broken Stripe Broadcloth-Special Trim	8M 7260080-BBL	1

△ Used on cars having front seat with metal stationary foot rest welded to seat frame.

● Used on cars having front seat without foot rest.

MERCURY

BODY PARTS CATALOGUE

YEAR 19	BODY TYPES	REMARKS	PART NUMBER	NO. REQ'D
Group 60C80 CUSHION ASSEMBLY (REAR SEAT)-CONTINUED				
49	9M74	M-16102-E Blue Stripe Broadcloth	48M 7460080-C	1
49	9M74	M-16102-E Blue Stripe Broadcloth	8M 7460080-L	1
49	9M74	special equipment-Sponge Rubber Pad-M-16102-E Blue Stripe Broadcloth	48M 7460080-F	1
49	9M74	special equipment-Sponge Rubber Pad-M-16102-E Blue Stripe Broadcloth	8M 7460080-P	1
49	9M74	special equipment-Sponge Rubber Pad-M-16102-J Blue Stripe Broadcloth	8M 7460080-U	1
49	9M74	M-19104-D Blue Stripe Broadcloth-Special Trim	8M 7460080-CCH	1
49	9M74	M-19101-T Brown Stripe Broadcloth-Special Trim	8M 7460080-BBH	1
49	9M74	M-19101-L Blue Gray Broadcloth-Special Trim	8M 7460080-DDH	1
49	9M74	M-19141-P Dark Gray Bedford Cord-Special Trim	8M 7460080-CCL	1
49	9M74	M-19101-U Blue Green Birdseye Broadcloth-Special Trim	8M 7460080-AAL	1
49	9M74	M-19104-C Green Gray Broadcloth-Special Trim	8M 7460080-AAH	1
49	9M74	M-16102-D Patterned Green Broadcloth	48M 7460080-A	1
49	9M74	special equipment-Sponge Rubber Pad-M-16102-D Patterned Green Broadcloth	48M 7460080-D	1
49	9M74	special equipment-Sponge Rubber Pad-M-16102-D Patterned Green Broadcloth	8M 7460080-M	1
49	9M74	M-5085-N Tan Bedford Cord	48M 7460080-B	1
49	9M74	special equipment-Sponge Rubber Pad-M-5085-N Tan Bedford Cord	48M 7460080-E	1
49	9M74	special equipment-Sponge Rubber Pad-M-5085-N Tan Bedford Cord	8M 7460080-N	1
49	9M74	M-19101-W Tan and Yellow Broken Stripes Broadcloth-Special Trim	8M 7460080-BBL	1
49	9M76	M-5085-Q Green Bedford Cord	48M 7660080-B	1
49	9M76	M-5085-Q Green Bedford Cord	8M 7660080-D	1
49	9M76	M-5085-P Tan Bedford Cord, used on Red Leather and Tan Leather Jobs	48M 7660080-A	1
49	9M76	M-5085-P Tan Bedford Cord, used on Red Leather and Tan Leather Jobs	48M 7660080-C	1
49	9M76	M-5085-L Dark Tan Bedford Cord-for Tan Leather Trim	8M 7660080-Y	1
49	9M76	M-5085-K Light Tan Bedford Cord-for Red Leather Trim	8M 7660080-X	1
49	9M79	Antique Grain-Green Leather and Vinyl	8M 7960080-C	1
49	9M79	Wolf Grain-Green Leather and Vinyl	8M 7960080-F	1
49	9M79	Antique Grain-Red Leather and Vinyl	8M 7960080-A	1
49	9M79	Wolf Grain-Red Leather and Vinyl	8M 7960080-D	1
49	9M79	Antique Grain-Tan Leather and Vinyl	8M 7960080-E	1
49	9M79	Wolf Grain-Tan Leather and Vinyl	8M 7960080-E	1
49	9M	Clip	358338-S	20
49	9M79	Nail (drive)-No. 6	351629-828-A2B	35

Group 60136-7 BACK ASSEMBLY (FRONT SEAT)

49	9M72	R.H.-M-16102-E Blue Stripe Broadcloth	48M 7060136-C	1
49	9M72	L.H.-M-16102-E Blue Stripe Broadcloth	48M 7060137-C	1
49	9M72	R.H.-M-16102-E Blue Stripe Broadcloth	8M 7060136-C	1
49	9M72	L.H.-M-16102-E Blue Stripe Broadcloth	8M 7060137-G	1
49	9M72	R.H.-Upper-M-16102-K Blue Gray Broadcloth, Lower M-16102-J Blue Stripe Broadcloth	8M 7060136-J	1
49	9M72	L.H.-Upper M-16102-K Blue Gray Broadcloth, Lower M-16102-J Blue Stripe Broadcloth	8M 7060137-J	1
49	9M72	R.H.-Upper M-19104-F Blue Gray Broadcloth, Lower M-19104-D Blue Stripe Broadcloth-Special Trim	8M 7060136-CCH	1
49	9M72	L.H.-Upper M-19104-F Blue Gray Broadcloth, Lower M-19104-D Blue Stripe Broadcloth-Special Trim	8M 7060137-CCH	1

Δ Used on cars having front seat with metal stationary foot rest welded to seat frame.

● Used on cars having front seat without foot rest.

BODY PARTS CATALOGUE

YEAR 19	BODY TYPES	REMARKS	PART NUMBER	NO. REQ'D
Group 60136-7 BACK ASSEMBLY (FRONT SEAT)-CONTINUED				
49	9M72	R.H.-Upper-M-19101-V Blue Gray Broadcloth, Lower M-19101-L Blue Gray Broadcloth-Special Trim	8M 7060136-DDH	1
49	9M72	L.H.-Upper M-19101-V Blue Gray Broadcloth, Lower M-19101-L Blue Gray Broadcloth-Special Trim	8M 7060137-DDH	1
49	9M72	R.H.-Upper M-19101-Q Gray Broadcloth, Lower M-19101-U Blue Green Birdseye Broadcloth-Special Trim	8M 7060136-AAL	1
49	9M72	R.H.-Upper M-19101-Q Gray Broadcloth, Lower M-19101-U Blue Green Birdseye Broadcloth-Special Trim	8M 7060137-AAL	1
49	9M72	R.H.-M-19141-P Dark Gray Bedford Cord-Special Trim	8M 7060136-CCL	1
49	9M72	L.H.-M-19141-P Dark Gray Bedford Cord-Special Trim	8M 7060137-CCL	1
49	9M72	R.H.-Upper-M-16811-A Plain Green Broadcloth, Lower-M-16102-D Patterned Green Broadcloth	48M 7060136-A	1
49	9M72	L.H.-Upper-M-16811-A Plain Green Broadcloth, Lower-M-16102-D Patterned Green Broadcloth	48M 7060137-A	1
49	9M72	R.H.-Upper M-16811-A Plain Green Broadcloth, Lower M-16102-D Patterned Green Broadcloth	●8M 7060136-E	1
49	9M72	L.H.-Upper M-16812-A Plain Green Broadcloth, Lower M-16102-D Patterned Green Broadcloth	●8M 7060137-E	1
49	9M72	R.H.-Upper M-19104-E Green Broadcloth, Lower M-19104-C Green Gray Broadcloth-Special Trim	8M 7060136-AAH	1
49	9M72	L.H.-Upper M-19104-E Green Broadcloth, Lower M-19104-C Green Gray Broadcloth-Special Trim	8M 7060137-AAH	1
49	9M72	R.H.-Upper M-16811-B Plain Tan Broadcloth, Lower M-5085-N Tan Bedford Cord	48M 7060136-B	1
49	9M72	L.H.-Upper M-16811-B Plain Tan Broadcloth, Lower M-5085-N Tan Bedford Cord	48M 7060137-B	1
49	9M72	R.H.-Upper M-16811-B Plain Tan Broadcloth, Lower M-5085-N Tan Bedford Cord	●8M 7060136-F	1
49	9M72	L.H.-Upper M-16811-B Plain Tan Broadcloth, Lower M-5085-N Tan Bedford Cord	●8M 7060137-F	1
49	9M72	R.H.-Upper M-19101-N Tan Broadcloth, Lower M-19101-T Brown Stripe Broadcloth-Special Trim	8M 7060136-BBH	1
49	9M72	L.H.-Upper M-19101-N Tan Broadcloth, Lower M-19101-T Brown Stripe Broadcloth-Special Trim	8M 7060137-BBH	1
49	9M72	R.H.-Upper M-19101-S Brown Taupe Broadcloth, Lower M-19101-W Tan and Yellow Broken Stripe Broadcloth-Special Trim	8M 7060136-BBL	1
49	9M72	L.H.-Upper M-19101-S Brown Taupe Broadcloth, M-19101-W Tan and Yellow Broken Stripe Broadcloth-Special Trim	8M 7060137-BBL	1
49	9M74	M-16102-E Blue Stripe Broadcloth	48M 7360136-C	1
49	9M74	M-16102-E Blue Stripe Broadcloth	●8M 7360136-G	1
49	9M74	Upper M-16102-K Blue Gray Broadcloth, Lower M-16102-J Blue Stripe Broadcloth	●8M 7360136-J	1
49	9M74	Upper M-19104-F Blue Gray Broadcloth Lower M-19104-D Blue Stripe Broadcloth-Special Trim	8M 7360136-CCH	1
49	9M74	Upper M-19101-V Blue Gray Broadcloth, Lower M-19101-L Blue Gray Broadcloth-Special Trim	8M 7360136-DDH	1
49	9M74	Upper M-19101-S Brown Taupe Broadcloth, Lower M-19101-W Tan and Yellow Broken Stripe Broadcloth-Special Trim	8M 7360136-BBL	1
49	9M74	Upper M-19101-Q Gray Broadcloth, Lower M-19101-U Blue Green Birdseye Broadcloth-Special Trim	8M 7360136-AAL	1
49	9M74	M-19141-P Dark Gray Bedford Cord-Special Trim	8M 7360136-CCL	1
49	9M74	Upper M-16811-A Plain Green Broadcloth, Lower M-16102-D patterned Green Broadcloth	48M 7360136-A	1
49	9M74	Upper M-16811-A Plain Green Broadcloth, Lower M-16102-D Patterned Green Broadcloth	48M 7360136-E	1

△ Used on cars having front seat with metal stationary foot rest welded to seat frame.

● Used on cars having front seat without foot rest.

MERCURY

BODY PARTS CATALOGUE

YEAR 19	BODY TYPES	REMARKS	PART NUMBER	NO. REQ'D
Group 60136-7 BACK ASSEMBLY (FRONT SEAT)-CONTINUED				
49	9M74	Upper M-19104-E Green Broadcloth, Lower M-19104-C Green Gray Broadcloth-Special Trim	8M 7360136-AAH	1
49	9M74	Upper M-16811-B Plain Tan Broadcloth, Lower M-5085-N Tan Bedford Cord	48M 7360136-B	1
49	9M74	Upper M-16811-B Plain Tan Broadcloth, Lower M-5085-N Tan Bedford Cord	●8M 7360136-F	1
49	9M74	Upper M-19101-N Tan Broadcloth, Lower M-19101-T Brown Stripe Broadcloth-Special Trim	8M 7360136-BBH	1
49	9M76	R.H.-Upper Green Leather, Lower M-5085-Q Green Bedford Cord	48M 7660136-C	1
49	9M76	L.H.-Upper Green Leather, Lower M-5085-Q Green Bedford Cord	48M 7660137-C	1
49	9M76	R.H.-Upper Green Leather, Lower M-5085-Q Green Bedford Cord	●8M 7660136-F	1
49	9M76	L.H.-Upper Green Leather, Lower M-5085-Q Green Bedford Cord	●8M 7660137-F	1
49	9M76	R.H.-Upper Red Leather, Lower M-5085-P Tan Bedford Cord	48M 7660136-A	1
49	9M76	L.H.-Upper Red Leather, Lower M-5085-P Tan Bedford Cord	48M 7660137-A	1
49	9M76	R.H.-Upper Red Leather, Lower M-5085-P Tan Bedford Cord	●8M 7660136-D	1
49	9M76	L.H.-Upper Red Leather, Lower M-5085-P Tan Bedford Cord	●8M 7660137-D	1
49	9M76	R.H.-Upper Red Leather, Lower M-5085-K Light Tan Bedford Cord	●8M 7660136-X	1
49	9M76	L.H.-Upper Red Leather, Lower M-5085-K Light Tan Bedford Cord	●8M 7660137-X	1
49	9M76	R.H.-Upper Dark Red Leather, Lower M-5085-P Tan Bedford Cord	8M 7660136-G	1
49	9M76	L.H.-Upper Dark Red Leather, Lower M-5085-P Tan Bedford Cord	8M 7660137-G	1
49	9M76	R.H.-Upper Tan Leather, Lower M-5085-P Tan Bedford Cord	48M 7660136-B	1
49	9M76	L.H.-Upper Tan Leather, Lower M-5085-P Tan Bedford Cord	48M 7660137-B	1
49	9M76	R.H.-Upper Tan Leather, Lower M-5085-P Tan Bedford Cord	●8M 7660136-E	1
49	9M76	L.H.-Upper Tan Leather, Lower M-5085-P Tan Bedford Cord	●8M 7660137-E	1
49	9M76	R.H.-Upper Tan Leather, Lower M-5085-L Dark Tan Bedford Cord	●8M 7660136-Y	1
49	9M76	L.H.-Upper Tan Leather, Lower M-5085-L Dark Tan Bedford Cord	●8M 7660137-Y	1
49	9M79	R.H.-Antique Grain-Green Leather and Vinyl	48M 7960136-C	1
49	9M79	L.H.-Antique Grain-Green Leather and Vinyl	48M 7960137-C	1
49	9M79	R.H.-Antique Grain-Green Leather and Vinyl	●8M 7960136-F	1
49	9M79	L.H.-Antique Grain-Green Leather and Vinyl	●8M 7960137-F	1
49	9M79	R.H.-Wolf Grain-Green Leather and Vinyl	●8M 7960136-J	1
49	9M79	L.H.-Wolf Grain-Green Leather and Vinyl	●8M 7960137-J	1
49	9M79	R.H.-Antique Grain-Red Leather and Vinyl	48M 7960136-A	1
49	9M79	L.H.-Antique Grain-Red Leather and Vinyl	48M 7960137-A	1
49	9M79	R.H.-Antique Grain-Red Leather and Vinyl	●8M 7960136-D	1
49	9M79	L.H.-Antique Grain-Red Leather and Vinyl	●8M 7960137-D	1
49	9M79	R.H.-Wolf Grain-Red Leather and Vinyl	●8M 7960136-G	1
49	9M79	L.H.-Wolf Grain-Red Leather and Vinyl	●8M 7960137-G	1
49	9M79	R.H.-Antique Grain-Tan Leather and Vinyl	48M 7960136-B	1
49	9M79	L.H.-Antique Grain-Tan Leather and Vinyl	48M 7960137-B	1
49	9M79	R.H.-Antique Grain Tan Leather and Vinyl	●8M 7960136-E	1
49	9M79	L.H.-Antique Grain-Tan Leather and Vinyl	●8M 7960137-E	1
49	9M79	R.H.-Wolf Grain-Tan Leather and Vinyl	●8M 7960136-H	1
49	9M79	L.H.-Wolf Grain-Tan Leather and Vinyl	●8M 7960137-H	1
49	9M	Clip	358338-S	as req'd
49	9M	Cotter pin-1/8" x 5/8"-seat back to seat base	352358-S	2or4
49	9M74	Pin (clevis)-3/8" x 11/16"-seat back to seat base	73867-S7	4
Group 60335 FRAME ASSEMBLY (FRONT SEAT BASE)-TRIMMED				
49	9M72	M-5156-C Plain Blue Broadcloth-Manual Control	●8M 7060335-K	1
49	9M72	M-5156-C Plain Blue Broadcloth-Hydraulic Control	●8M 7060335-N	1
49	9M72	M-5156-F Blue Gray Broadcloth-Manual Control	●8M 7060335-S	1
49	9M72	M-5156-F Blue Gray Broadcloth-Hydraulic Control	●8M 7060335-T	1

△ Used on cars having front seat with metal stationary foot rest welded to seat frame.

● Used on cars having front seat without foot rest.

MERCURY

BODY PARTS CATALOGUE

YEAR 19	BODY TYPES	REMARKS	PART NUMBER	NO. REQ'D
	Group 60335	FRAME ASSEMBLY (FRONT SEAT BASE)-TRIMMED-CONTINUED		
49	9M72	M-19104-F Blue Gray Broadcloth-Special Trim	8M 7060335-GCH	1
49	9M72	M-19101-V Blue Gray Broadcloth-Special Trim	8M 7060335-DDH	1
49	9M72	M-19101-Q Gray Broadcloth-Special Trim	8M 7060335-AAL	1
49	9M72	M-19141-P Dark Gray Bedford Cord-Special Trim	8M 7060335-CCL	1
49	9M72	M-5156-A Plain Green Broadcloth-Manual Control	● 8M 7060335-H	1
49	9M72	M-5156-A Plain Green Broadcloth-Hydraulic Control	● 8M 7060335-L	1
49	9M72	M-19104-E Green Broadcloth-Special Trim	8M 7060335-AAH	1
49	9M72	M-5156-B Plain Tan Broadcloth-Manual Control	● 8M 7060335-J	1
49	9L72	M-5156-B Plain Tan Broadcloth-Hydraulic Control	● 8M 7060335-M	1
49	9M72	M-19101-N Tan Broadcloth-Special Trim	8M 7060335-BBH	1
49	9M72	M-19101-S Brown Taupe Broadcloth-Special Trim	8M 7060335-BBL	1
49	9M72	Blue Artificial Leather-Manual Control	△ 8M 7060335-C	1
49	9M72	Blue Artificial Leather-Hydraulic Control	△ 8M 7060335-G	1
49	9M72	Green Artificial Leather-Manual Control	△ 8M 7060335-A	1
49	9M72	Green Artificial Leather-Hydraulic Control	△ 8M 7060335-E	1
49	9M72	Tan Artificial Leather-Manual Control	△ 8M 7060335-B	1
49	9M72	Tan Artificial Leather-Hydraulic Control	△ 8M 7060335-F	1
49	9M74	M-5156-C Plain Blue Broadcloth-Manual Control	● 8M 7360335-K	1
49	9M74	M-5156-C Plain Blue Broadcloth-Hydraulic Control	● 8M 7360335-N	1
49	9M74	M-5156-F Blue Gray Broadcloth-Manual Control	● 8M 7360335-S	1
49	9M74	M-5156-F Blue Gray Broadcloth-Hydraulic Control	● 8M 7360335-T	1
49	9M74	M-19104-F Blue Gray Broadcloth-Special Trim	8M 7360335-GCH	1
49	9M74	M-19101-V Blue Gray Broadcloth-Special Trim	8M 7360335-DDH	1
49	9M74	M-19101-Q Gray Broadcloth-Special Trim	8M 7360335-AAL	1
49	9M74	M-19141-P Dark Gray Bedford Cord-Special Trim	8M 7360335-CCL	1
49	9M74	M-5156-A Plain Green Broadcloth-Manual Control	● 8M 7360335-H	1
49	9M74	M-5156-A Plain Green Broadcloth-Hydraulic Control	● 8M 7360335-L	1
49	9M74	M-19104-E Green Broadcloth-Special Trim	8M 7360335-AAH	1
49	9M74	M-5156-B Plain Tan Broadcloth-Manual Control	● 8M 7360335-J	1
49	9M74	M-5156-B Plain Tan Broadcloth-Hydraulic Control	● 8M 7360335-M	1
49	9M74	M-19101-N Tan Broadcloth-Special Trim	8M 7360335-BBH	1
49	9M74	M-19101-S Brown Taupe Broadcloth-Special Trim	8M 7360335-BBL	1
49	9M74	Blue Artificial Leather-Manual Control	△ 8M 7360335-C	1
49	9M74	Blue Artificial Leather-Hydraulic Control	△ 8M 7360335-G	1
49	9M74	Green Artificial Leather-Manual Control	● 8M 7360335-A	1
49	9M74	Green Artificial Leather-Hydraulic Control	△ 8M 7360335-E	1
49	9M74	Tan Artificial Leather-Manual Control	△ 8M 7360335-B	1
49	9M74	Tan Artificial Leather-Hydraulic Control	△ 8M 7360335-F	1
49	9M76	Green Artificial Leather	△ 8M 7660335-C	1
49	9M76	Green Artificial Leather	● 8M 7660335-F	1
49	9M76	Red Artificial Leather	△ 8M 7660335-A	1
49	9M76	Red Artificial Leather	● 8M 7660335-D	1
49	9M76	Dark Red Artificial Leather	8M 7660335-G	1
49	9M76	Tan Artificial Leather	△ 8M 7660335-B	1
49	9M76	Tan Artificial Leather	● 8M 7660335-E	1
49	9M79	Green Artificial Leather	△ 8M 7960335-C	1
49	9M79	Green Artificial Leather	● 8M 7960335-F	1
49	9M79	Red Artificial Leather	△ 8M 7960335-A	1
49	9M79	Red Artificial Leather	● 8M 7960335-D	1
49	9M79	Tan Artificial Leather	△ 8M 7960335-B	1
49	9M79	Tan Artificial Leather	● 8M 7960335-E	1
49	9M except 79	Pin (clevis)-3/8" x 5/8"-seat to floor	73862-S8	4
49	9M	Pin (self locking)	352358-S	4

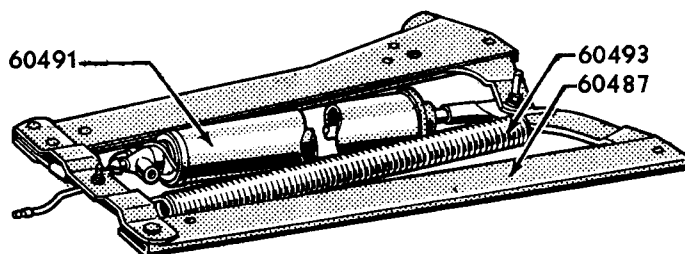
△ Used on cars having front seat with metal stationary foot rest welded to seat frame.

● Used on cars having front seat without foot rest.

MERCURY

BODY PARTS CATALOGUE

YEAR 19	BODY TYPES	REMARKS	PART NUMBER	NO. REQ'D
Group 60456 BRACKET (FRONT SEAT SUPPORT TO FLOOR PAN)-FRONT				
49	9M	with nibs	8M 7060456-A	2
49	9M	without nibs	8M 7060456-B	2
Group 60457 BRACKET (SEAT HYDRAULIC ADJUSTER)-REAR				
49	9M76		8M 7660457	1
49	9M76	Bolt and lockwasher assy (hex head)-1/4"-20 x 3/4"- bracket to floor pan	42744-S7	2
49	9M76	Locknut (hex light thick)-5/16"-24-hydraulic seat adjuster to bracket rear	34393-S7	1
49	9M76	Washer (flat)-5/16"	34706-S2	1
Group 60462-3 BRACKET (FRONT SEAT SUPPORT TO FLOOR PAN)-REAR				
49	9M	R.H.-with nibs	8M 7060462-A	1
49	9M	L.H.-with nibs	8M 7060463-A	1
49	9M	R.H.-without nibs	8M 7060462-B	1
49	9M	L.H.-without nibs	8M 7060463-B	1



PM-299

HYDRAULIC SEAT ADJUSTER

Group numbers only shown on illustration. Order by Part Numbers shown in list of parts.

Group 60487 FRAME ASSEMBLY (HYDRAULIC SEAT ADJUSTER)				
49	9M76		8H 7360487-A	1
49	9M except 79	with mounting stud	8H 7360487-B	1
49	9M except 79	Bolt (hex head shoulder)-5/16"-24 x 1"	351190-S8	1
49	9M except 79	Nut (hex)-5/16"-24	33923-S7	1
49	9M except 79	Washer (flat)-5/16"	34746-S2	1
Group 60491 CYLINDER ASSEMBLY (SEAT ADJUSTER HYDRAULIC)				
49	9M except 79		8H 7360491	1
Group 60493 SPRING (HYDRAULIC SEAT ADJUSTER)				
49	9M except 79	Red Enamel Finish	8H 7360493	1
Group 60648 RISER ASSEMBLY (REAR SEAT)-FRONT				
49	9M76		8M 7660648	1
Group 60653 MOULDING (REAR SEAT RISER)-FRONT				
49	9M76		•8M 7660653	1
49	9M76	Screw (hex head self tapping)-No. 8 x 3/8"		

• Used on cars having front seat without foot rest.

BODY PARTS CATALOGUE.

YEAR 19__	BODY TYPES	REMARKS	PART NUMBER	NO. REQ'D
Group 61088 PIN (FRONT SEAT BACK FRAME HINGE)-OUTER				
49	9M except 74	1-1/64" long	01A 7061088	2
49	9M except 74	57/64" long	8M 7061088	2
49	9M79	Cotter pin-1/8" x 1"	72035-S	2
49	9M79	Washer (flat)-3/8"	34747-S2	2
Group 61114 SCREW ASSEMBLY (FRONT SEAT BACK HINGE STOP LOWER ADJUSTING)				
49	9M except 74		8H 7261114	2
49	9M except 74	Nut (hex)-5/16"-18	33922-S2	2
49	9M72	Washer (finishing)-No. 8	34885-S13	2
Group 61182 SCUFF PLATE (FRONT SEAT BACK FRAME)-INNER				
49	9M79	Fiber-1-7/8" Diameter	8A 7061182	2
Group 61723 GEAR AND CROSS TUBE ASSEMBLY (FRONT SEAT)				
49	9M		8L 7261723	1
Group 61795 HANDLE (FRONT SEAT LOCK LEVER)				
49	9M		7EH 7361795	1
49	9M except 79	Bolt (round head)-No. 10-32 x 5/8"	2797-S2	2
49	9M except 79	Lockwasher-No. 10	34803-S7	2
49	9M except 79	Nut (hex)-No. 10-32	34079-S7	2
Group 61799 BRACKET (FRONT SEAT LOCK LEVER)				
49	9M		8H 7361799	1
Group 62332 SUPPORT ASSEMBLY (REAR SEAT BACK FRAME)				
49	9M76	use on jobs having 6-31/32" bulge on inner Wheelhouse	8M 7662332-A	1
49	9M76	use on jobs having 8-1/16" bulge on inner Wheelhouse	8M 7662332-B	1
Group 62410-1 BRACKET (REAR SEAT BACK FRAME SUPPORT TO FLOOR STRAINER)				
49	9M76	R.H.-use with inner Wheelhouse having 6-31/32" bulge	7A 7662410	1
49	9M76	L.H.-use with inner Wheelhouse having 6-31/32" bulge	7A 7662411	1
49	9M76	R.H.-use with inner Wheelhouse having 8-1/16" bulge	8M 7662410	1
49	9M76	L.H.-use with inner Wheelhouse having 8-1/16" bulge	8M 7662411	1
Group 62654 CARPET ASSEMBLY (FRONT SEAT BASE FOOT REST)				
49	9M72-74	use with Beige Cord Scheme	Δ8M 7062654-B	1
49	9M72-74	use with Blue Stripe Broadcloth Scheme	Δ8M 7062654-C	1
49	9M72-74	use with Green Check Broadcloth Scheme	Δ8M 7062654-A	1
49	9M76-79	use with Green Leather and Cord Scheme	Δ8M 7662654-C	1
49	9M76-79	use with Red Leather and Cord Scheme	Δ8M 7662654-A	1
49	9M76-79	use with Tan Leather and Cord Scheme	Δ8M 7662654-B	1
Group 62659 COVER (FRONT SEAT FRAME CENTER FRONT)				
49	9M76	M-5085-Q Green Bedford Cord	8M 7662659-B	1
49	9M76	M-5085-P Tan Bedford Cord	8M 7662659-A	1
Group 62662-3 CARPET ASSEMBLY (FRONT SEAT BASE)-SIDE				
49	9M72	R.H.-use with Beige Cord Scheme	Δ8M 7062662-B	1
49	9M72	L.H.-use with Beige Cord Scheme	Δ8M 7062663-B	1
49	9M72	R.H.-use with Beige Cord Scheme-7-11/16" high	●8M 7062662-F	1
49	9M72	L.H.-use with Beige Cord Scheme-7-11/16" high	●8M 7062663-F	1
49	9M72	R.H.-use with Beige Cord Scheme-9-5/16" high	●8M 7062662-K	1
49	9M72	L.H.-use with Beige Cord Scheme-9-5/16" high	●8M 7062663-K	1
49	9M72	R.H.-use with Blue Bedford Cord Scheme-Special Trim	8M 7062662-CCL	1
49	9M72	L.H.-use with Blue Bedford Cord Scheme-Special Trim	8M 7062663-CCL	1

Δ Used on cars having front seat with metal stationary foot rest welded to seat frame.

● Used on cars front seat without foot rest.

MERCURY

BODY PARTS CATALOGUE

YEAR 19	BODY TYPES	REMARKS	PART NUMBER	NO. REQ'D
Group 62662-3 CARPET ASSEMBLY (FRONT SEAT BASE)-SIDE-CONTINUED				
49	9M72	R.H.-use with Blue Stripe Broadcloth Scheme	△8M 7062662-C	1
49	9M72	L.H.-use with Blue Stripe Broadcloth Scheme	△8M 7062663-C	1
49	9M72	R.H.-use with Blue Stripe Broadcloth Scheme-7-11/16" high	●8M 7062662-G	1
49	9M72	L.H.-use with Blue Stripe Broadcloth Scheme-7-11/16" high	●8M 7062663-G	1
49	9M72	R.H.-use with Blue Stripe Broadcloth Scheme-9-5/16" high	●8M 7062662-L	1
49	9M72	L.H.-use with Blue Stripe Broadcloth Scheme-9-5/16" high	●8M 7062663-L	1
49	9M72	R.H.-use with Blue Pin Stripe Broadcloth Scheme-Special Trim	8M 7062662-CCH	1
49	9M72	L.H.-use with Blue Pin Stripe Broadcloth Scheme-Special Trim	8M 7062663-CCH	1
49	9M72	R.H.-use with Blue and Rust Tweed Scheme-Special Trim	8M 7062662-DDH	1
49	9M72	L.H.-use with Blue and Rust Tweed Scheme-Special Trim	8M 7062663-DDH	1
49	9M72	R.H.-use with Brown Stripe Broadcloth Scheme-Special Trim	8M 7062662-BBH	1
49	9M72	L.H.-use with Brown Stripe Broadcloth Scheme-Special Trim	8M 7062663-BBH	1
49	9M72	R.H.-use with Gray Birdseye Broadcloth Scheme-Special Trim	8M 7062662-AAL	1
49	9M72	L.H.-use with Gray Birdseye Broadcloth Scheme-Special Trim	8M 7062663-AAL	1
49	9M72	R.H.-use with Green Birdseye Broadcloth Scheme-Special Trim	8M 7062662-AAH	1
49	9M72	L.H.-use with Green Birdseye Broadcloth Scheme-Special Trim	8M 7062663-AAH	1
49	9M72	R.H.-use with Green Check Broadcloth Scheme	△8M 7062662-A	1
49	9M72	L.H.-use with Green Check Broadcloth Scheme	△8M 7062663-A	1
49	9M72	R.H.-use with Green Check Broadcloth Scheme-7-11/16" high	●8M 7062662-E	1
49	9M72	L.H.-use with Green Check Broadcloth Scheme-7-11/16" high	●8M 7062663-E	1
49	9M72	R.H.-use with Green Check Broadcloth Scheme-9-5/16" high	●8M 7062662-J	1
49	9M72	L.H.-use with Green Check Broadcloth Scheme-9-5/16" high	●8M 7062663-J	1
49	9M72	R.H.-use with Yellow Check Broadcloth Scheme-Special Trim	8M 7062662-BBL	1
49	9M72	L.H.-use with Yellow Check Broadcloth Scheme-Special Trim	8M 7062663-BBL	1
49	9M74	R.H.-use with Beige Cord Scheme	△8M 7362662-B	1
49	9M74	L.H.-use with Beige Cord Scheme	△8M 7362663-B	1
49	9M74	R.H.-use with Beige Cord Scheme-7-11/16" high	●8M 7362662-F	1
49	9M74	L.H.-use with Beige Cord Scheme-7-11/16" high	●8M 7362663-F	1
49	9M74	R.H.-use with Beige Cord Scheme-9-5/16" high	●8M 7362662-K	1
49	9M74	L.H.-use with Beige Cord Scheme-9-5/16" high	●8M 7362663-K	1
49	9M74	R.H.-use with Blue Bedford Cord Scheme-Special Trim	8M 7362662-OCL	1
49	9M74	L.H.-use with Blue Bedford Cord Scheme-Special Trim	8M 7362663-OCL	1
49	9M74	R.H.-use with Blue Stripe Broadcloth Scheme	△8M 7362662-C	1
49	9M74	L.H.-use with Blue Stripe Broadcloth Scheme	△8M 7362663-C	1
49	9M74	R.H.-use with Blue Stripe Broadcloth Scheme-7-11/16" high	●8M 7362662-G	1
49	9M74	L.H.-use with Blue Stripe Broadcloth Scheme-7-11/16" high	●8M 7362663-G	1
49	9M74	R.H.-use with Blue Stripe Broadcloth Scheme-9-5/16" high	●8M 7362662-L	1
49	9M74	L.H.-use with Blue Stripe Broadcloth Scheme-9-5/16" high	●8M 7362663-L	1
49	9M74	R.H.-use with Blue Pin Stripe Broadcloth Scheme-Special Trim	8M 7362662-CCH	1
49	9M74	L.H.-use with Blue Pin Stripe Broadcloth Scheme-Special Trim	8M 7362663-CCH	1
49	9M74	R.H.-use with Blue and Rust Tweed Scheme-Special Trim	8M 7362662-DDH	1
49	9M74	L.H.-use with Blue and Rust Tweed Scheme-Special Trim	8M 7362663-DDH	1
49	9M74	R.H.-use with Brown Stripe Broadcloth Scheme-Special Trim	8M 7362662-BBH	1
49	9M74	L.H.-use with Brown Stripe Broadcloth Scheme-Special Trim	8M 7362663-BBH	1
49	9M74	R.H.-use with Gray Birdseye Broadcloth Scheme-Special Trim	8M 7362662-AAL	1
49	9M74	L.H.-use with Gray Birdseye Broadcloth Scheme-Special Trim	8M 7362663-AAL	1
49	9M74	R.H.-use with Green Birdseye Broadcloth Scheme-Special Trim	8M 7362662-AAH	1
49	9M74	L.H.-use with Green Birdseye Broadcloth Scheme-Special Trim	8M 7362663-AAH	1
49	9M74	R.H.-use with Green Check Broadcloth Scheme	△8M 7362662-A	1
49	9M74	L.H.-use with Green Check Broadcloth Scheme	△8M 7362663-A	1
49	9M74	R.H.-use with Green Check Broadcloth Scheme-7-11/16" high	●8M 7362662-E	1
49	9M74	L.H.-use with Green Check Broadcloth Scheme-7-11/16" high	●8M 7362663-E	1
49	9M74	R.H.-use with Green Check Broadcloth Scheme-9-5/16" high	●8M 7362662-J	1
49	9M74	L.H.-use with Green Check Broadcloth Scheme-9-5/16" high	●8M 7362663-J	1

△ Used on cars having front seat with metal stationary foot rest welded to seat frame.

● Used on cars having front seat without foot rest.

BODY PARTS CATALOGUE

YEAR 19	BODY TYPES	REMARKS	PART NUMBER	NO. REQ'D
Group 62662-3 CARPET ASSEMBLY (FRONT SEAT BASE)-SIDE-CONTINUED				
49	9M74	R.H.-use with Yellow Check Broadcloth Scheme-Special Trim	8M 7362662-BEL	1
49	9M74	L.H.-use with Yellow Check Broadcloth Scheme-Special Trim	8M 7362663-BEL	1
49	9M76-79	R.H.-use with Green Leather and Cord Scheme	△8M 7662662-C	1
49	9M76-79	L.H.-use with Green Leather and Cord Scheme	△8M 7662663-C	1
49	9M76-79	R.H.-use with Green Leather and Cord-7-11/16" high	●8M 7662662-F	1
49	9M76-79	L.H.-use with Green Leather and Cord-7-11/16" high	●8M 7662663-F	1
49	9M76-79	R.H.-use with Green Leather and Cord-9-5/16" high	●8M 7662662-J	1
49	9M76-79	L.H.-use with Green Leather and Cord-9-5/16" high	●8M 7662663-J	1
49	9M76-79	R.H.-use with Red Leather and Cord Scheme	△8M 7662662-A	1
49	9M76-79	L.H.-use with Red Leather and Cord Scheme	△8M 7662663-A	1
49	9M76-79	R.H.-use with Red Leather and Cord-7-11/16" high	●8M 7662662-D	1
49	9M76-79	L.H.-use with Red Leather and Cord-7-11/16" high	●8M 7662663-D	1
49	9M76-79	R.H.-use with Red Leather and Cord-9-5/16" high	●8M 7662662-G	1
49	9M76-79	L.H.-use with Red Leather and Cord-9-5/16" high	●8M 7662663-G	1
49	9M76-79	R.H.-use with Tan Leather and Cord Scheme	△8M 7662662-B	1
49	9M76-79	L.H.-use with Tan Leather and Cord Scheme	△8M 7662663-B	1
49	9M76-79	R.H.-use with Tan Leather and Cord-7-11/16" high	●8M 7662662-E	1
49	9M76-79	L.H.-use with Tan Leather and Cord-7-11/16" high	●8M 7662663-E	1
49	9M76-79	R.H.-use with Tan Leather and Cord-9-5/16" high	●8M 7662662-H	1
49	9M76-79	L.H.-use with Tan Leather and Cord-9-5/16" high	●8M 7662663-H	1
49	9M76	R.H.-use with Dark Red Leather and Cord-9-5/16" high	8M 7662662-K	1
49	9M76	L.H.-use with Dark Red Leather and Cord-9-5/16" high	8M 7662663-K	1
49	9M	Nail (drive)-No. 6	351829-S28-A2B	12
Group 62664 COVER ASSEMBLY (FRONT SEAT BASE FRAME TUBE)				
49	9M72	use with Beige Cord Scheme	△8M 7062664-B	2
49	9M72	use with Beige Cord Scheme	●8M 7062664-E	1
49	9M72	use with Blue Bedford Cord Scheme-Special Trim	8M 7062664-CCL	1
49	9M72	use with Blue Stripe Broadcloth Scheme	△8M 7062664-C	2
49	9M72	use with Blue Stripe Broadcloth Scheme	●8M 7062664-F	1
49	9M72	use with Blue Pin Stripe Broadcloth Scheme-Special Trim	8M 7062664-CCH	1
49	9M72	use with Blue and Rust Tweed Scheme-Special Trim	8M 7062664-DDH	1
49	9M72	use with Brown Stripe Broadcloth Scheme-Special Trim	8M 7062664-BBH	1
49	9M72	use with Gray Birdseye Broadcloth Scheme-Special Trim	8M 7062664-AAL	1
49	9M72	use with Green Birdseye Broadcloth Scheme-Special Trim	8M 7062664-AAH	1
49	9M72	use with Green Check Broadcloth Scheme	△8M 7062664-A	2
49	9M72	use with Green Check Broadcloth Scheme	●8M 7062664-D	1
49	9M72	use with Yellow Check Broadcloth Scheme-Special Trim	8M 7062664-BBL	1
49	9M74	R.H.-use with Beige Cord Scheme	△8M 7362664-B	1
49	9M74	L.H.-use with Beige Cord Scheme	△8M 7362665-B	1
49	9M74	use with Beige Cord Scheme	●8M 7362664-F	1
49	9M74	use with Blue Bedford Cord Scheme-Special Trim	8M 7362664-CCL	1
49	9M74	use with Blue Stripe Broadcloth Scheme	●8M 7362664-G	1
49	9M74	R.H.-use with Blue Stripe Broadcloth Scheme	△8M 7362664-C	1
49	9M74	L.H.-use with Blue Stripe Broadcloth Scheme	△8M 7362665-C	1
49	9M74	use with Blue Pin Stripe Broadcloth Scheme-Special Trim	8M 7362664-CCH	1
49	9M74	use with Blue and Rust Tweed Scheme-Special Trim	8M 7362664-DDH	1
49	9M74	use with Brown Stripe Broadcloth Scheme-Special Trim	8M 7362664-BBH	1
49	9M74	use with Gray Birdseye Broadcloth Scheme-Special Trim	8M 7362664-AAL	1
49	9M74	use with Green Birdseye Broadcloth Scheme-Special Trim	8M 7362664-AAH	1
49	9M74	use with Green Check Broadcloth Scheme	●8M 7362664-E	1
49	9M74	R.H.-use with Green Check Broadcloth Scheme	△8M 7362664-A	1
49	9M74	L.H.-use with Green Check Broadcloth Scheme	△8M 7362665-A	1
49	9M74	use with Yellow Check Broadcloth Scheme-Special Trim	8M 7362664-BBL	1

△ Used on cars having front seat with metal stationary foot rest welded to seat frame.

● Used on cars having front seat without foot rest.

MERCURY

BODY PARTS CATALOGUE

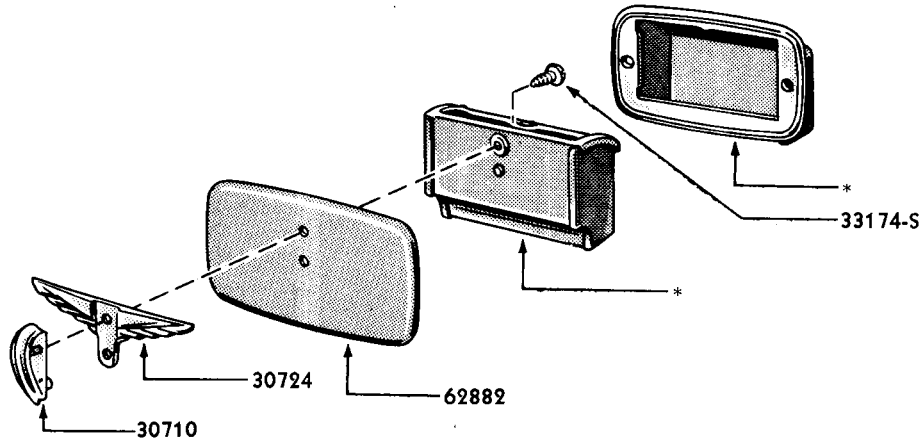
YEAR 19	BODY TYPES	REMARKS	PART NUMBER	NO. REQ'D
Group 62664 COVER ASSEMBLY (FRONT SEAT BASE FRAME TUBE)-CONTINUED				
49	9M76-79	Green Leather and Cord	△8M 7662664-C	2
49	9M76-79	Green Leather and Cord	●8M 7662664-F	1
49	9M76-79	Red Leather and Cord	△8M 7662664-A	2
49	9M76-79	Red Leather and Cord	●8M 7662664-D	1
49	9M76-79	Tan Leather and Cord	△8M 7662664-B	2
49	9M76-79	Tan Leather and Cord	●8M 7662664-E	1
49	9M	Nail (drive)-No. 6	351629-S23-A2B	12
49	9M except 79	Screw (Phillips head-self tapping)-No. 8 x 5/8"	350066-S13	2
49	9M except 79	Washer (finish)-No. 8	34885-S13	2
Group 62670 CARPET ASSEMBLY (FRONT SEAT FRAME CENTER FOOT REST)				
49	9M72	use with Beige Cord Scheme	△8M 7062670-B	1
49	9M72	use with Blue Stripe Broadcloth Scheme	△8M 7062670-C	1
49	9M72	use with Green Check Broadcloth Scheme	△8M 7062670-A	1
49	9M74	use with Beige Cord Scheme	△8M 7362670-B	1
49	9M74	use with Blue Stripe Broadcloth Scheme	△8M 7362670-C	1
49	9M74	use with Green Check Broadcloth Scheme	△8M 7362670-A	1
49	9M76	use with Green Leather and Cord	△8M 7662670-C	1
49	9M76	use with Red Leather and Cord	△8M 7662670-A	1
49	9M76	use with Tan Leather and Cord	△8M 7662670-B	1
49	9M79	use with Green Leather and Vinyl	△8M 7962670-C	1
49	9M79	use with Red Leather and Vinyl	△8M 7962670-A	1
49	9M79	use with Tan Leather and Vinyl	△8M 7962670-B	1
Group 62694 COVER ASSY (FRONT SEAT BASE STRAINER)-REAR UPPER				
49	9M	use with Green Check Broadcloth, Green Leather and Cord and Green Leather	8M 7062694-A	2
49	9M72-74	use with Beige Cord Scheme	8M 7062694-B	2
49	9M72-74	use with Blue Stripe Broadcloth Scheme	8M 7062694-C	2
49	9M76-79	use with Red Leather and Cord and Red Leather	8M 7662694-A	2
49	9M76-79	use with Tan Leather and Cord and Red Leather	8M 7662694-B	2
Group 62800 CORD ASSEMBLY (FRONT SEAT BACK ROBE)				
49	9M72	use with Beige Cord and Brown Stripe Broadcloth Schemes	8M 7062800-B	2
49	9M72	use with Blue Stripe Broadcloth, Blue and Rust Tweed and Blue Bedford Cord Schemes	8M 7062800-C	2
49	9M72	use with Blue Pin Stripe Broadcloth Scheme	8M 7062800-F	2
49	9M72	use with Gray Birdseye Broadcloth Scheme	8M 7062800-D	2
49	9M72	use with Green Check Broadcloth and Green Birdseye Broadcloth Schemes	8M 7062800-A	2
49	9M72	use with Yellow Check Broadcloth Scheme	8M 7062800-E	2
49	9M74	use with Beige Cord and Brown Stripe Broadcloth Schemes	8M 7362800-B	1
49	9M74	use with Blue Stripe Broadcloth, Blue and Rust Tweed and Blue Bedford Cord Schemes	8M 7362800-C	1
49	9M74	use with Blue Pin Stripe Broadcloth Scheme	8M 7362800-E	1
49	9M74	use with Gray Birdseye Broadcloth Scheme	8M 7362800-F	1
49	9M74	use with Green Check Broadcloth and Green Birdseye Broadcloth Schemes	8M 7362800-A	1
49	9M74	use with Yellow Check Broadcloth Scheme	8M 7362800-G	1
49	9M76	use with Green Leather and Cord	8M 7662800-C	2
49	9M76	use with Red Leather and Cord	8M 7662800-A	2
49	9M76	use with Dark Red Leather and Cord	8M 7662800-D	2
49	9M76	use with Tan Leather and Cord	8M 7662800-B	2

△ Used on cars having front seat with metal stationary foot rest welded to seat frame.

● Used on cars having front seat without foot rest.

BODY PARTS CATALOGUE

YEAR 19__	BODY TYPES	REMARKS	PART NUMBER	NO. REQ'D
Group 62808 PLATE ASSEMBLY (ROBE CORD END ANCHOR)				
49	9M except 79	four ribs on plate	8M 7362808-A	2or4
49	9M except 79	Smooth plate	8M 7362808-B	2or4
49	9M72-76	Screw (Phillips oval head machine)-No. 12-24 x 3/4"	352404-S13	8
49	9M74	Screw (Phillips oval head machine)-No. 12-24 x 3/4"	352404-S13	4
Group 62818 KEY (ROBE CORD ANCHOR PLATE)				
49	9M except 79	15/16" wide	8M 7362818-B	2or4
Group 62820 SPRING (ROBE CORD ANCHOR PLATE)				
49	9M except 79		8M 7362820	2or4
Group 62821 ANTI RATTLE (FRONT SEAT BACK ROBE CORD BRACKET)-INSIDE				
49	9M72-76	Jute	8M 7062821	2



8M-7362866

*INCLUDED IN 8M-7362866 ASSY.

PM-300

Group numbers only shown on illustration. Order by Part Numbers shown in list of parts.

Group 62866 RECEPTACLE AND RETAINER ASSEMBLY (FRONT SEAT BACK ASH RECEPTACLE)				
49	9M74	Mercury Texture Blue Metallic	8M 7362866-F	1
49	9M74	Alaska Gray Metallic	8M 7362866-C	1
49	9M74	Green Metallic	8M 7362866-A	1
49	9M74	Mercury Texture Green Metallic	8M 7362866-D	1
49	9M74	Gazelle Tan Metallic	8M 7362866-B	1
49	9M74	Mercury Texture Tan Metallic	8M 7362866-E	1
49	9M74	in Prime	8M 7362866-AP	1
49	9M74	Screw (binding head sheet metal)-No. 8 x 1/2"	32923-S7	2
Group 62876 RECEPTACLE ASSEMBLY (FRONT SEAT BACK ASH)-LESS RETAINER				
49	9M74	Gray Metallic-replaced by 8M 7362866-C	8M 7362876-C	1
49	9M74	Tan Metallic-replaced by 8M 7362866-B	8M 7362876-B	1

MERCURY

BODY PARTS CATALOGUE

YEAR 19__	BODY TYPES	REMARKS	PART NUMBER	NO. REQ'D
Group 62882 COVER (FRONT SEAT BACK ASH RECEPTACLE)				
49	9M74	Alaska Blue Metallic Finish	8M 7362882-C	1
49	9M74	Green Metallic Finish	8M 7362882-A	1
49	9M74	Gazelle Tan Metallic Finish	8M 7362882-B	1
49	9M74	in Prime	8M 7362882-AP	1
Group 62900 COVER ASSEMBLY (FRONT SEAT CUSHION)				
49	9M72	M-16102-E Blue Stripe Broadcloth	● 8M 7062900-G	1
49	9M72	M-16102-J Blue Stripe Broadcloth	● 8M 7062900-J	1
49	9M72	M-19104-D Blue Stripe Broadcloth-Special Trim	8M 7062900-CCH	1
49	9M72	M-19101-L Blue Gray Broadcloth-Special Trim	8M 7062900-DDE	1
49	9M72	M-19101-U Blue Green Birdseye Broadcloth-Special Trim	8M 7062900-AAI	1
49	9M72	M-19101-T Brown Stripe Broadcloth-Special Trim	8M 7062900-BBH	1
49	9M72	M-19141-P Dark Gray Bedford Cord-Special Trim	8M 7062900-CCL	1
49	9M72	M-19104-C Green Gray Broadcloth-Special Trim	8M 7062900-AAE	1
49	9M72	M-16102-D Green Patterned Broadcloth	● 8M 7062900-E	1
49	9M72	M-5085-N Tan Bedford Cord	● 8M 7062900-F	1
49	9M72	M-19101-W Tan and Yellow Broken Stripe Broadcloth-Special Trim	8M 7062900-BBL	1
49	9M72-74	M-16102-E Blue Stripe Broadcloth	△ 8M 7062900-C	1
49	9M72-74	M-16102-D Green Patterned Broadcloth	△ 8M 7062900-A	1
49	9M72-74	M-5085-N Tan Bedford Cord	△ 8M 7062900-B	1
49	9M74	M-16102-E Blue Stripe Broadcloth	● 8M 7362900-C	1
49	9M74	M-16102-J Blue Stripe Broadcloth	● 8M 7362900-E	1
49	9M74	M-19104-D Blue Stripe Broadcloth-Special Trim	8M 7362900-CCH	1
49	9M74	M-19101-L Blue Gray Broadcloth-Special Trim	8M 7362900-DDH	1
49	9M74	M-19101-U Blue Green Birdseye Broadcloth-Special Trim	8M 7362900-AAI	1
49	9M74	M-19101-T Brown Stripe Broadcloth-Special Trim	8M 7362900-BBH	1
49	9M74	M-19141-P Dark Gray Bedford Cord-Special Trim	8M 7362900-CCL	1
49	9M74	M-19104-C Green Gray Broadcloth-Special Trim	8M 7362900-AAE	1
49	9M74	M-16102-D Green Patterned Broadcloth	● 8M 7362900-A	1
49	9M74	M-5085-N Tan Bedford Cord	● 8M 7362900-B	1
49	9M74	M-19101-W Tan and Yellow Broken Stripe Broadcloth-Special Trim	8M 7362900-BBL	1
49	9M76	M-5085-Q Green Bedford Cord	△ 8M 7662900-C	1
49	9M76	M-5085-Q Green Bedford Cord	● 8M 7662900-F	1
49	9M76	M-5085-P Tan Bedford Cord-for Tan Leather Trim	△ 8M 7662900-B	1
49	9M76	M-5085-P Tan Bedford Cord-for Tan Leather Trim	● 8M 7662900-E	1
49	9M76	M-5085-P Tan Bedford Cord-for Red Leather Trim	△ 8M 7662900-A	1
49	9M76	M-5085-P Tan Bedford Cord-for Red Leather Trim	● 8M 7662900-D	1
49	9M76	M-5085-L Dark Tan Bedford Cord-for Tan Leather Trim	● 8M 7662900-Y	1
49	9M76	M-5085-K Light Tan Bedford Cord-for Red Leather Trim	● 8M 7662900-X	1
49	9M79	Antique Grain-Green Leather and Vinyl	△ 8M 7962900-C	1
49	9M79	Antique Grain-Green Leather and Vinyl	● 8M 7962900-F	1
49	9M79	Wolf Grain-Green Leather and Vinyl	● 8M 7962900-J	1
49	9M79	Antique Grain-Red Leather and Vinyl	△ 8M 7962900-A	1
49	9M79	Antique Grain-Red Leather and Vinyl	● 8M 7962900-D	1
49	9M79	Wolf Grain-Red Leather and Vinyl	● 8M 7962900-G	1
49	9M79	Antique Grain-Tan Leather and Vinyl	△ 8M 7962900-B	1
49	9M79	Antique Grain-Tan Leather and Vinyl	● 8M 7962900-E	1
49	9M79	Wolf Grain-Tan Leather and Vinyl	● 8M 7962900-H	1
Group 62908 COVER ASSEMBLY (CENTER SEAT CUSHION)				
49	9M79	Antique Grain-Green Leather and Vinyl	8M 7962908-C	1
49	9M79	Wolf Grain-Green Leather and Vinyl	8M 7962908-F	1
49	9M79	Antique Grain-Red Leather and Vinyl	8M 7962908-A	1

△ Used on cars having front seat with metal stationary foot rest welded to seat frame.

● Used on cars having front seat without foot rest.

BODY PARTS CATALOGUE

YEAR 19__	BODY TYPES	REMARKS	PART NUMBER	NO. REQ'D
Group 62908 COVER ASSEMBLY (CENTER SEAT CUSHION)-CONTINUED				
49	GM79	Wolf Grain-Red Leather and Vinyl	8M 7962908-D	1
49	GM79	Antique Grain-Tan Leather and Vinyl	8M 7962908-B	1
49	GM79	Wolf Grain-Tan Leather and Vinyl	8M 7962908-E	1
Group 63200 PAD (FRONT SEAT CUSHION)-UPPER				
49	GM72-74	special equipment-use with Sponge Rubber Pad	△8M 7063200	1
49	GM	special equipment-use with Sponge Rubber Pad	●7EH 7363200	1
49	GM76	use with Sponge Rubber Pad	△8M 7063200	1
49	GM76	use with Sponge Rubber Pad	●7EH 7363200	1
49	GM72-74	Clip	358338-S	6
Group 63204 PAD (FRONT SEAT CUSHION)				
49	GM except 76	all trim	△8M 7063204-A	1
49	GM except 76	all trim	●8M 7063204-B	1
Group 63206 PAD (FRONT SEAT CUSHION)-SPONGE RUBBER				
49	GM72-74	special equipment	7EH 7363206	1
49	GM76		7EH 7363206	1
Group 63234 SPRING (FRONT SEAT ADJUSTMENT TENSION)-FRONT				
49	GM		8H 7363234	1
Group 63804 COVER ASSEMBLY (REAR SEAT CUSHION)				
49	GM72	M-16102-E Blue Stripe Broadcloth	△8M 7263804-C	1
49	GM72	M-16102-E Blue Stripe Broadcloth	●8M 7263804-G	1
49	GM72	M-16102-J Blue Stripe Broadcloth	●8M 7263804-J	1
49	GM72	M-19104-D Blue Stripe Broadcloth-Special Trim	8M 7063804-CCH	1
49	GM72	M-19101-T Brown Stripe Broadcloth-Special Trim	8M 7063804-BBH	1
49	GM72	M-19101-L Blue Gray Broadcloth-Special Trim	8M 7063804-DDH	1
49	GM72	M-19141-P Dark Gray Bedford Cord-Special Trim	8M 7063804-CCL	1
49	GM72	M-19104-C Green Gray Broadcloth-Special Trim	8M 7263804-AAH	1
49	GM72	M-19101-U Blue Green Birdseye Broadcloth-Special Trim	8M 7263804-AAL	1
49	GM72	M-16102-D Green Patterned Broadcloth	△8M 7263804-A	1
49	GM72	M-16102-D Green Patterned Broadcloth	●8M 7263804-E	1
49	GM72	M-5085-N Tan Bedford Cord	△8M 7263804-B	1
49	GM72	M-5085-N Tan Bedford Cord	●8M 7263804-F	1
49	GM72	M-19101-W Tan and Yellow Broken Stripe Broadcloth-Special Trim	8M 7063804-BBL	1
49	GM74	M-16102-E Blue Stripe Broadcloth	△8M 7463804-C	1
49	GM74	M-16102-E Blue Stripe Broadcloth	●8M 7463804-G	1
49	GM74	M-16102-J Blue Stripe Broadcloth	●8M 7463804-J	1
49	GM74	M-19104-D Blue Stripe Broadcloth-Special Trim	8M 7463804-CCH	1
49	GM74	M-19101-T Brown Stripe Broadcloth-Special Trim	8M 7463804-BBH	1
49	GM74	M-19101-L Blue Gray Broadcloth-Special Trim	8M 7463804-DDH	1
49	GM74	M-19141-P Dark Gray Bedford Cord-Special Trim	8M 7463804-CCL	1
49	GM74	M-19104-C Green Gray Broadcloth-Special Trim	8M 7463804-AAH	1
49	GM74	M-19101-U Blue Green Birdseye Broadcloth-Special Trim	8M 7463804-AAL	1
49	GM74	M-16102-D Green Patterned Broadcloth	△8M 7463804-A	1
49	GM74	M-16102-D Green Patterned Broadcloth	●8M 7463804-E	1
49	GM74	M-5085-N Tan Bedford Cord	△8M 7463804-B	1
49	GM74	M-5085-N Tan Bedford Cord	●8M 7463804-F	1
49	GM74	M-19101-W Tan and Yellow Broken Stripe Broadcloth-Special Trim	8M 7463804-BBL	1

△ Used on cars having front seat with metal stationary foot rest welded to seat frame.

● Used on cars having front seat without foot rest.

MERCURY

BODY PARTS CATALOGUE

YEAR 19	BODY TYPES	REMARKS	PART NUMBER	NO. REQ'D
Group 63804 COVER ASSEMBLY (REAR SEAT CUSHION)-CONTINUED				
49	9M76	M-5085-Q Green Bedford Cord	△8M 7663804-B	1
49	9M76	M-5085-Q Green Bedford Cord	●8M 7663804-D	1
49	9M76	M-5085-P Tan Bedford Cord-use with Red or Tan Leather Trim	△8M 7663804-A	1
49	9M76	M-5085-P Tan Bedford Cord-use with Red or Tan Leather Trim	●8M 7663804-C	1
49	9M76	M-5085-K Light Tan Bedford Cord-use with Red Leather Trim	●8M 7663804-X	1
49	9M76	M-5085-L Dark Tan Bedford Cord-use with Tan Leather Trim	●8M 7663804-Y	1
49	9M79	Antique Grain-Green Leather and Vinyl	8M 7963804-C	1
49	9M79	Wolf Grain-Green Leather and Vinyl	8M 7963804-F	1
49	9M79	Antique Grain-Red Leather and Vinyl	8M 7963804-A	1
49	9M79	Wolf Grain-Red Leather and Vinyl	8M 7963804-D	1
49	9M79	Antique Grain-Tan Leather and Vinyl	8M 7963804-B	1
49	9M79	Wolf Grain-Tan Leather and Vinyl	8M 7963804-E	1
Group 63840 PAD (REAR SEAT CUSHION)-UPPER				
49	9M72-74	Cotton	8M 7063840	1
49	9M76	Cotton	8M 7663840	1
Group 63846 PAD (REAR SEAT CUSHION SPRING)				
49	9M72	Cotton	8M 7263846-B	1
49	9M74	Cotton	△8M 7463846-A	
49	9M72-74	Special equipment-Sponge Rubber	8L 7063846	1
49	9M76	Sponge Rubber	8L 7663846	1
49	9M72-74	Clip-"C"	358338-S	as req'd
Group 63860 ROLL ASSEMBLY (REAR SEAT CUSHION CORNER)				
49	9M72	Cotton	8M 7263860	2
Group 64416-7 COVER ASSEMBLY (FRONT SEAT BACK)				
49	9M72	R.H.-M-16102-E Blue Stripe Broadcloth	△8M 7064416-C	1
49	9M72	L.H.-M-16102-E Blue Stripe Broadcloth	△8M 7064417-C	1
49	9M72	R.H.-M-16102-E Blue Stripe Broadcloth	●8M 7064416-G	1
49	9M72	L.H.-M-16102-E Blue Stripe Broadcloth	●8M 7064417-G	1
49	9M72	R.H.-Upper M-16102-K Blue Gray Broadcloth, Lower M-16102-J Blue Stripe Broadcloth	●8M 7064416-J	1
49	9M72	L.H.-Upper M-16102-K Blue Gray Broadcloth, Lower M-16102-J Blue Stripe Broadcloth	●8M 7064417-J	1
49	9M72	R.H.-Upper M-19104-F Blue Gray Broadcloth, Lower M-19104-D Blue Stripe Broadcloth-Special Trim	8M 7064416-CCH	1
49	9M72	L.H.-Upper M-19104-F Blue Gray Broadcloth, Lower M-19104-D Blue Stripe Broadcloth-Special Trim	8M 7064417-CCH	1
49	9M72	R.H.-Upper M-19101-V Blue Gray Broadcloth, Lower M-19101-L Blue Gray Broadcloth-Special Trim	8M 7064416-DDH	1
49	9M72	L.H.-Upper M-19101-V Blue Gray Broadcloth, Lower M-19101-L Blue Gray Broadcloth-Special Trim	8M 7064417-DDH	1
49	9M72	R.H.-Upper M-19101-Q Gray Broadcloth, Lower M-19101-U Blue Green Birdseye Broadcloth-Special Trim	8M 7064416-AAL	1
49	9M72	L.H.-Upper M-19101-Q Gray Broadcloth, Lower M-19101-U Blue Green Birdseye Broadcloth-Special Trim	8M 7064417-AAL	1
49	9M72	R.H.-M-19141-P Dark Gray Bedford Cord-Special Trim	8M 7064416-CCL	1
49	9M72	L.H.-M-19141-P Dark Gray Bedford Cord-Special Trim	8M 7064417-CCL	1
49	9M72	R.H.-Upper M-16811-A Plain Green Broadcloth, Lower M-16102-D Green Patterned Broadcloth	△8M 7064416-A	1
49	9M72	L.H.-Upper M-16811-A Plain Green Broadcloth, Lower M-16102-D Green Patterned Broadcloth	△8M 7064417-A	1

△ Used on cars having front seat with stationary foot rest welded to seat frame

● Used on cars having front seat without foot rest

MERCURY

BODY PARTS CATALOGUE

YEAR 19	BODY TYPES	REMARKS	PART NUMBER	NO. REQ'D
Group 64416-7 COVER ASSEMBLY (FRONT SEAT BACK)-CONTINUED				
49	9M72	R.H.-Upper M-16811-A Plain Green Broadcloth, Lower M-16102-D Green Patterned Broadcloth	●8M 7064416-E	1
49	9M72	L.H.-Upper M-16811-A Plain Green Broadcloth, Lower M-16102-D Green Patterned Broadcloth	●8M 7064417-E	1
49	9M72	R.H.-Upper M-19104-E Green Broadcloth, Lower M-19104-C Green Gray Broadcloth-Special Trim	8M 7064416-AAH	1
49	9M72	L.H.-Upper M-19104-5 Green Broadcloth, Lower M-19104-C Green Gray Broadcloth-Special Trim	8M 7064417-AAH	1
49	9M72	R.H.-Upper M-16811-B Plain Tan Broadcloth, Lower M-5085-N Tan Bedford Cord	△8M 7064416-B	1
49	9M72	L.H.-Upper M-16811-B Plain Tan Broadcloth, Lower M-5085-N Tan Bedford Cord	△8M 7064417-B	1
49	9M72	R.H.-Upper M-16811-B Plain Tan Broadcloth, Lower M-5085-N Tan Bedford Cord	●8M 7064416-F	1
49	9M72	L.H.-Upper M-16811-B Plain Tan Broadcloth, Lower M-5085-N Tan Bedford Cord	●8M 7064417-F	1
49	9M72	R.H.-Upper M-19101-N Tan Broadcloth, Lower M-19101-T Brown Stripe Broadcloth-Special Trim	8M 7064416-BBH	1
49	9M72	L.H.-Upper M-19101-N Tan Broadcloth, Lower M-19101-T Brown Stripe Broadcloth-Special Trim	8M 7064417-BBH	1
49	9M72	R.H.-Upper M-19101-S Brown Taupe Broadcloth, Lower M-19101-W Tan and Yellow Broken Stripe Broadcloth-Special Trim	8M 7064416-BBL	1
49	9M72	L.H.-Upper M-19101-S Brown Taupe Broadcloth, Lower M-19101-W Tan and Yellow Broken Stripe Broadcloth-Special Trim	8M 7064417-BBL	1
49	9M74	M-16102-E Blue Stripe Broadcloth	△8M 7364416-C	1
49	9M74	M-16102-E Blue Stripe Broadcloth	●8M 7364416-G	1
49	9M74	Upper M-16102-K Blue Gray Broadcloth, Lower M-16102-J Blue Stripe Broadcloth	●8M 7364416-J	1
49	9M74	Upper M-19104-F Blue Gray Broadcloth, Lower M-19104-D Blue Stripe Broadcloth-Special Trim	8M 7364416-CCF	1
49	9M74	Upper M-19101-V Blue Gray Broadcloth, Lower M-19101-L Blue Gray Broadcloth-Special Trim	8M 7364416-DDH	1
49	9M74	Upper M-19101-Q Gray Broadcloth, Lower M-19101-U Blue Green Birdseye Broadcloth-Special Trim	8M 7364416-AAL	1
49	9M74	Upper M-19141-P Dark Gray Bedford Cord-Special Trim	8M 7364416-CCL	1
49	9M74	Upper M-16811-A Plain Green Broadcloth, Lower M-16102-D Green Patterned Broadcloth	△8M 7364416-A	1
49	9M74	Upper-M-16811-A Plain Green Broadcloth, Lower M-16102-D Green Patterned Broadcloth	●8M 7364416-E	1
49	9M74	Upper M-19104-E Green Broadcloth, Lower M-19104-C Green Gray Broadcloth-Special Trim	8M 7364416-AAH	1
49	9M74	Upper M-16811-B Plain Tan Broadcloth, Lower M-5085-N Tan Bedford Cord	△8M 7364416-B	1
49	9M74	Upper-M-16811-B Plain Tan Broadcloth, Lower M-5085-N Tan Bedford Cord	●8M 7364416-F	1
49	9M74	Upper M-19101-N Tan Broadcloth, Lower M-19101-T Brown Stripe Broadcloth-Special Trim	8M 7364416-BBH	1
49	9M74	Upper M-19101-S Brown Taupe Broadcloth, Lower M-19101-W Tan and Yellow Broken Stripe Broadcloth-Special Trim	8M 7364416-BBL	1
49	9M76	R.H.-Upper Green Leather, Lower M-5085-Q Green Bedford Cord	△8M 7664416-C	1
49	9M76	L.H.-Upper Green Leather, Lower M-5085-Q Green Bedford Cord	△8M 7664417-C	1
49	9M76	R.H.-Upper Green Leather, Lower M-5085-Q Green Bedford Cord	●8M 7664416-F	1
49	9M76	L.H.-Upper Green Leather, Lower M-5085-Q Green Bedford Cord	●8M 7664417-F	1

△ Used on cars having front seat with metal stationary foot rest welded to seat frame.

● Used on cars having front seat without foot rest.

MERCURY

BODY PARTS CATALOGUE

YEAR 19	BODY TYPES	REMARKS	PART NUMBER	NO. REQ'D
Group 64416-7 COVER ASSEMBLY (FRONT SEAT BACK)-CONTINUED				
49	9M76	R.H.-Upper Red Leather, Lower M-5085-P Tan Bedford Cord	△8M 7664416-A	1
49	9M76	L.H.-Upper Red Leather, Lower M-5085-P Tan Bedford Cord	△8M 7664417-A	1
49	9M76	R.H.-Upper Red Leather, Lower M-5085-P Tan Bedford Cord	●8M 7664416-D	1
49	9M76	L.H.-Upper Red Leather, Lower M-5085-P Tan Bedford Cord	●8M 7664417-D	1
49	9M76	R.H.-Upper Red Leather, Lower M-5085-K Light Tan Bedford Cord	●8M 7664416-X	1
49	9M76	L.H.-Upper Red Leather, Lower M-5085-K Light Tan Bedford Cord	●8M 7664417-X	1
49	9M76	R.H.-Upper Dark Red Leather, Lower M-5085-P Tan Bedford Cord	8M 7664416-C	1
49	9M76	L.H.-Upper Dark Red Leather, Lower M-5085-P Tan Bedford Cord	8M 7664417-G	1
49	9M76	R.H.-Upper Tan Leather, Lower M-5085-P Tan Bedford Cord	△8M 7664416-B	1
49	9M76	L.H.-Upper Tan Leather, Lower M-5085-P Tan Bedford Cord	△8M 7664417-B	1
49	9M76	R.H.-Upper Tan Leather, Lower M-5085-P Tan Bedford Cord	●8M 7664416-E	1
49	9M76	L.H.-Upper Tan Leather, Lower M-5085-P Tan Bedford Cord	●8M 7664417-E	1
49	9M76	R.H.-Upper Tan Leather, Lower M-5085-L Dark Tan Bedford Cord	●8M 7664416-Y	1
49	9M76	L.H.-Upper Tan Leather, Lower M-5085-L Dark Tan Bedford Cord	●8M 7664417-Y	1
49	9M79	R.H.-Antique Grain-Green Leather and Vinyl	△8M 7964416-C	1
49	9M79	L.H.-Antique Grain-Green Leather and Vinyl	△8M 7964417-C	1
49	9M79	R.H.-Antique Grain-Green Leather and Vinyl	●8M 7964416-F	1
49	9M79	L.H.-Antique Grain-Green Leather and Vinyl	●8M 7964417-F	1
49	9M79	R.H.-Wolf Grain-Green Leather and Vinyl	●8M 7964416-J	1
49	9M79	L.H.-Wolf Grain-Green Leather and Vinyl	●8M 7964417-J	1
49	9M79	R.H.-Antique Grain-Red Leather and Vinyl	△8M 7964416-A	1
49	9M79	L.H.-Antique Grain-Red Leather and Vinyl	△8M 7964417-A	1
49	9M79	R.H.-Antique Grain-Red Leather and Vinyl	●8M 7964416-D	1
49	9M79	L.H.-Antique Grain-Red Leather and Vinyl	●8M 7964417-D	1
49	9M79	R.H.-Wolf Grain-Red Leather and Vinyl	●8M 7964416-G	1
49	9M79	L.H.-Wolf Grain-Red Leather and Vinyl	●8M 7964417-G	1
49	9M79	R.H.-Antique Grain-Tan Leather and Vinyl	△8M 7964416-B	1
49	9M79	L.H.-Antique Grain-Tan Leather and Vinyl	△8M 7964417-B	1
49	9M79	R.H.-Antique Grain-Tan Leather and Vinyl	●8M 7964416-E	1
49	9M79	L.H.-Antique Grain-Tan Leather and Vinyl	●8M 7964417-E	1
49	9M79	R.H.-Wolf Grain-Tan Leather and Vinyl	●8M 7964416-H	1
49	9M79	L.H.-Wolf Grain-Tan Leather and Vinyl	●8M 7964417-H	1
49	9M79	Grommet (screened)	358141-S15	8
Group 64428-9 COVER ASSEMBLY (CENTER SEAT BACK)				
49	9M79	R.H.-Antique Grain-Green Leather and Vinyl	8M 7964428-C	1
49	9M79	L.H.-Antique Grain-Green Leather and Vinyl	8M 7964429-C	1
49	9M79	R.H.-Wolf Grain-Green Leather and Vinyl	8M 7964428-F	1
49	9M79	L.H.-Wolf Grain-Green Leather and Vinyl	8M 7964429-F	1
49	9M79	R.H.-Antique Grain-Red Leather and Vinyl	8M 7964428-A	1
49	9M79	L.H.-Antique Grain-Red Leather and Vinyl	8M 7964429-A	1
49	9M79	R.H.-Wolf Grain-Red Leather and Vinyl	8M 7964428-D	1
49	9M79	L.H.-Wolf Grain-Red Leather and Vinyl	8M 7964429-D	1
49	9M79	R.H.-Antique Grain-Tan Leather and Vinyl	8M 7964428-B	1
49	9M79	L.H.-Antique Grain-Tan Leather and Vinyl	8M 7964429-B	1
49	9M79	R.H.-Wolf Grain-Tan Leather and Vinyl	8M 7964428-E	1
49	9M79	L.H.-Wolf Grain-Tan Leather and Vinyl	8M 7964429-E	1
49	9M79	Grommet (screened)	358141-S15	8
Group 64614 COVER ASSEMBLY (FRONT SEAT BASE CENTER BRACKET)				
49	9M72	Blue Artificial Leather	△8M 7064614-C	1
49	9M72	Blue Artificial Leather	●8M 7064614-G	1
49	9M72	Dark Blue Artificial Leather	●8M 7064614-J	1
49	9M72	Blue Gray Artificial Leather-Special Trim	8M 7064614-DDH	1
49	9M72	Dark Blue Gray Artificial Leather-Special Trim	8M 7064614-CCH	1

△ Used on cars having front seat with metal stationary foot rest welded to seat frame.

● Used on cars having front seat without foot rest.

BODY PARTS CATALOGUE

YEAR 19	BODY TYPES	REMARKS	PART NUMBER	NO. REQ'D
Group 64614 COVER ASSEMBLY (FRONT SEAT BASE CENTER BACK)-CONTINUED				
49	9M72	Gray Artificial Leather-Special Trim	8M 7064614-AAL	1
49	9M72	Gray Bedford Artificial Leather-Special Trim	8M 7064614-CCL	1
49	9M72	Green Artificial Leather	48M 7064614-A	1
49	9M72	Green Artificial Leather	●8M 7064614-E	1
49	9M72	Green Gray Artificial Leather-Special Trim	8M 7064614-AAH	1
49	9M72	Tan Artificial Leather-Pyroxlin coated	△8M 7064614-B	1
49	9M72	Tan Artificial Leather-Pyroxlin coated	●8M 7064614-F	1
49	9M72	Tan Artificial Leather-Special Trim-Vinyl coated	8M 7064614-BBH	1
49	9M72	Brown Taupe Artificial Leather-Special Trim	8M 7064614-BBL	1
49	9M76	Dark Red Artificial Leather	8M 7664614-G	1
49	9M76-79	Green Artificial Leather	△8M 7664614-C	1
49	9M76-79	Green Artificial Leather	●8M 7664614-F	1
49	9M76-79	Red Artificial Leather	△8M 7664614-A	1
49	9M76-79	Red Artificial Leather	●8M 7664614-D	1
49	9M76-79	Tan Artificial Leather	△8M 7664614-B	1
49	9M76-79	Tan Artificial Leather	●8M 7664614-E	1
49	9M except 74	Screw (Phillips head)-self tapping	350066-S13	2
49	9M except 74	Washer (finish)-No. 8	34885-S13	2
Group 64800 PAD (FRONT SEAT BACK)				
49	9M74	Cotton	●8M 7364800	1
Group 64810 PAD (FRONT SEAT BACK)-FRONT				
49	9M except 74	R.H.	△8M 7064810	1
49	9M except 74	L.H.	△8M 7064811	1
49	9M except 74	R.H.	●8M 7264810	1
49	9M except 74	L.H.	●8M 7264811	1
49	9M74		△8M 7364810	1
Group 65220 WELT (FRONT SEAT BACK BOTTOM)				
49	9M72	use with Blue Stripe Broadcloth Scheme-26" long	8M 7065220-C	2
49	9M72	use with Beige Bedford Cord Scheme-26" long	8M 7065220-B	2
49	9M72	use with Green Check Broadcloth Scheme-26" long	8M 7065220-A	2
49	9M76-79	use with Green Leather and Cord Trim-26" long	8M 7665220-C	2
49	9M76-79	use with Red Leather and Cord Trim-26" long	8M 7665220-A	2
49	9M76-79	use with Tan Leather and Cord Trim-26" long	8M 7665220-B	2
Group 66400-1 SHIELD ASSEMBLY (FRONT SEAT SIDE)				
49	9M72-74	R.H.-M-5156-C Plain Blue Broadcloth	●8M 7066400-F	1
49	9M72-74	L.H.-M-5156-C Plain Blue Broadcloth-Manual Control	●8M 7066401-F	1
49	9M72-74	L.H.-M-5156-C Plain Blue Broadcloth-Hydraulic Control	●8M 7066401-J	1
49	9M72-74	R.H.-M-5156-F Blue Gray Broadcloth-with elongated hole in brackets	●8M 7066400-S	1
49	9M72-74	L.H.-M-5156-F Blue Gray Broadcloth-without perforation for seat switch-with elongated hole in brackets	●8M 7066401-S	1
49	9M72-74	L.H.-M-5156-F Blue Gray Broadcloth-Manual Control-with round hole in brackets	●8M 7066401-M	1
49	9M72-74	L.H.-M-5156-F Blue Gray Broadcloth-Hydraulic Control-with perforation for seat switch	●8M 7066401-N	1
49	9M72-74	R.H.-Blue Artificial Leather	48M 7066400-C	1
49	9M72-74	L.H.-Blue Artificial Leather-Manual Control	48M 7066401-C	1

△ Used on cars having front seat with metal stationary foot rest welded to seat frame.

● Used on cars having front seat without foot rest.

MERCURY

BODY PARTS CATALOGUE

YEAR 19	BODY TYPES	REMARKS	PART NUMBER	NO. REQ'D
Group 66400-1 SHIELD ASSEMBLY (FRONT SEAT SIDE)-CONTINUED				
49	QM72-74	R.H.-M-5156-A Plain Green Broadcloth-with elongated hole in brackets	●8M 7066400-P	1
49	QM72-74	L.H.-M-5156-A Plain Green Broadcloth-without perforation for seat switch-with elongated hole in brackets	●8M 7066401-P	1
49	QM72-74	L.H.-M-5156-A Plain Green Broadcloth-Manual Control-with round hole in bracket	●8M 7066401-D	1
49	QM72-74	L.H.-M-5156-A Plain Green Broadcloth-Hydraulic Control-with perforation for seat switch	●8M 7066401-G	1
49	QM72-74	R.H.-Green Artificial Leather	△8M 7066400-A	1
49	QM72-74	L.H.-Green Artificial Leather-Manual Control	△8M 7066401-A	1
49	QM72-74	R.H.-M-5156-B Plain Tan Broadcloth-with elongated hole in brackets	●8M 7066400-Q	1
49	QM72-74	L.H.-M-5156-B Plain Tan Broadcloth-without perforation for seat switch-with elongated hole in brackets	●8M 7066401-Q	1
49	QM72-74	L.H.-M-5156-B Plain Tan Broadcloth-Manual Control-with round hole in brackets	●8M 7066401-E	1
49	QM72-74	L.H.-M-5156-B Plain Tan Broadcloth-Hydraulic Control-with perforation for seat switch	●8M 7066401-H	1
49	QM72-74	R.H.-Tan Artificial Leather	△8M 7066400-B	1
49	QM72-74	L.H.-Tan Artificial Leather-Manual Control	△8M 7066401-B	1
49	QM76	R.H.-Green Artificial Leather-with round hole in brackets	△8M 7666400-C	1
49	QM76	L.H.-Green Artificial Leather-with round hole in brackets	△8M 7666401-C	1
49	QM76	R.H.-Green Artificial Leather-with elongated hole in brackets	●8M 7666400-J	1
49	QM76	L.H.-Green Artificial Leather-without perforation for seat switch	●8M 7666401-J	1
49	QM76	L.H.-Green Artificial Leather-with elongated hole in brackets	●8M 7666401-F	1
49	QM76	R.H.-Red Artificial Leather-with round hole in brackets	△8M 7666400-A	1
49	QM76	L.H.-Red Artificial Leather-with round hole in brackets	△8M 7666401-A	1
49	QM76	R.H.-Red Artificial Leather-with elongated hole in brackets	●8M 7666400-G	1
49	QM76	L.H.-Red Artificial Leather-without perforation for seat switch	●8M 7666401-G	1
49	QM76	L.H.-Red Artificial Leather-with elongated hole in brackets	●8M 7666401-D	1
49	QM76	R.H.-Dark Red Artificial Leather	●8M 7666400-K	1
49	QM76	L.H.-Dark Red Artificial Leather	●8M 7666401-K	1
49	QM76	R.H.-Tan Artificial Leather-with round hole in brackets	△8M 7666400-B	1
49	QM76	L.H.-Tan Artificial Leather-with round hole in brackets	△8M 7666401-B	1
49	QM76	R.H.-Tan Artificial Leather-with elongated hole in brackets	●8M 7666400-H	1
49	QM76	L.H.-Tan Artificial Leather-without perforation for seat switch	●8M 7666401-H	1
49	QM76	L.H.-Tan Artificial Leather-with elongated hole in brackets	●8M 7666401-E	1
49	QM79	R.H.-Green Artificial Leather-with round hole in brackets	△8M 7966400-C	1
49	QM79	L.H.-Green Artificial Leather-with round hole in brackets	△8M 7966401-C	1
49	QM79	R.H.-Green Artificial Leather-with elongated hole in bracket	●8M 7966400-J	1
49	QM79	L.H.-Green Artificial Leather-without perforation for seat switch	●8M 7966401-J	1
49	QM79	L.H.-Green Artificial Leather-with elongated hole in brackets	●8M 7966401-F	1
49	QM79	R.H.-Red Artificial Leather-with round hole in brackets	△8M 7966400-A	1
49	QM79	L.H.-Red Artificial Leather-with round hole in brackets	△8M 7966401-A	1
49	QM79	L.H.-Red Artificial Leather-with elongated hole in brackets	●8M 7966401-D	1
49	QM79	R.H.-Red Artificial Leather-with elongated hole in brackets	●8M 7966400-G	1
49	QM79	L.H.-Red Artificial Leather-without perforation for seat switch	●8M 7966401-G	1
49	QM79	R.H.-Tan Artificial Leather-with round hole in brackets	△8M 7966400-B	1
49	QM79	L.H.-Tan Artificial Leather-with round hole in brackets	△8M 7966401-B	1
49	QM79	R.H.-Tan Artificial Leather-with elongated hole in brackets	●8M 7966400-H	1
49	QM79	L.H.-Tan Artificial Leather-without perforation for seat switch	●8M 7966401-H	1
49	QM79	L.H.-Tan Artificial Leather-with elongated hole in brackets	●8M 7966401-E	1
49	QM72-76	Screw (hex head self tapping)-No. 10 x 1/2"	42007-S7	6

△ Used on cars having front seat with metal stationary foot rest welded to seat frame.

● Used on cars having front seat without foot rest.

BODY PARTS CATALOGUE

YEAR 19__	BODY TYPES	REMARKS	PART NUMBER	NO. REQ'D
Group 66600 COVER ASSEMBLY (REAR SEAT BACK)				
49	9M72	Upper M-16102-E Blue Stripe Broadcloth, Lower M-16102-E Blue Stripe Broadcloth	8M 7266600-C	1
49	9M72	Upper M-16811-A Plain Green Broadcloth, Lower M-16102-D Green Patterned Broadcloth	48M 7266600-A	1
49	9M72	Upper M-16811-B Plain Tan Broadcloth, Lower M-5085-N Tan Bedford Cord	48M 7266600-B	1
49	9M72-74	Upper M-16102-E Blue Stripe Broadcloth, Lower M-16102-E Blue Stripe Broadcloth	•8M 7266600-G	1
49	9M72-74	Upper M-16102-K Blue Gray Broadcloth, Lower M-16102-J Blue Stripe Broadcloth-use with inner Wheelhouse having 6-31/32" bulge	•8M 7266600-J	1
49	9M72-74	Upper M-16102-K Blue Gray Broadcloth, Lower M-16102-J Blue Stripe Broadcloth-use with inner Wheelhouse having 8-1/16" bluge	8M 7266600-M	1
49	9M72-74	Upper M-19104-F Blue Gray Broadcloth, Lower M-19104-D Blue Stripe Broadcloth-Special Trim	8M 7266600-CCH	1
49	9M72-74	Upper M-19101-V Blue Gray Broadcloth, Lower M-19101-L Blue Gray Broadcloth-Special Trim	8M 7266600-DDH	1
49	9M72-74	Upper M-19141-P Dark Gray Bedford Cord-Special Trim	8M 7266600-CCL	1
49	9M72-74	Upper M-19101-Q Gray Broadcloth, Lower M-19101-U Blue Green Birdseye Broadcloth-Special Trim	8M 7266600-AAL	1
49	9M72-74	Upper M-16811-A Plain Green Broadcloth, Lower M-16102-D Green Patterned Broadcloth-use with inner Wheelhouse having 6-31/32" bulge	•8M 7266600-E	1
49	9M72-74	Upper M-16811-A Plain Green Broadcloth, Lower M-16102-D Green Patterned Broadcloth-use with inner Wheelhouse having 8-1/16" bluge	8M 7266600-K	1
49	9M72-74	Upper M-19104-E Green Broadcloth, Lower M-19104-C Green Gray Gray Broadcloth-Special Trim	8M 7266600-AAH	1
49	9M72-74	Upper M-16811-B Plain Tan Broadcloth, Lower M-5085-N Tan Bedford Cord-use with inner Wheelhouse having 6-31/32" bulge	•8M 7266600-F	1
49	9M72-74	Upper M-16811-B Plain Tan Broadcloth, Lower M-5085-N Tan Bedford Cord-use with inner Wheelhouse having 8-1/16" bluge	8M 7266600-L	1
49	9M72-74	Upper M-19101-N Tan Broadcloth, Lower M-19101-T Brown Stripe Broadcloth-Special Trim	8M 7266600-BBH	1
49	9M72-74	Upper M-19101-S Brown Taupe Broadcloth, Lower M-19101-W Tan and Yellow Broken Stripe Broadcloth-Special Trim	8M 7266600-BBL	1
49	9M74	Upper M-16102-E Blue Stripe Broadcloth, Lower M-16102-E Blue Stripe Broadcloth	48M 7466600-C	1
49	9M74	Upper M-16811-A Plain Green Broadcloth, Lower M-16102-D Green Patterned Broadcloth	48M 7466600-A	1
49	9M74	Upper M-16811-B Plain Tan Broadcloth, Lower M-5085-N Tan Bedford Cord	48M 7466600-B	1
49	9M76	Upper Green Leather, Lower M-5085-Q Green Bedford Cord	48M 7666600-C	1
49	9M76	Upper Green Leather, Lower M-5085-Q Green Bedford Cord	•8M 7666600-F	1
49	9M76	Upper Red Leather, Lower M-5085-P Tan Bedford Cord	48M 7666600-A	1
49	9M76	Upper Red Leather, Lower M-5085-P Tan Bedford Cord	•8M 7666600-D	1
49	9M76	Upper Red Leather, Lower M-5085-K Light Tan Bedford Cord	•8M 7666600-X	1
49	9M76	Upper Dark Red Leather, Lower M-5085-P Tan Bedford Cord	8M 7666600-G	1
49	9M76	Upper Tan Leather, Lower M-5085-P Tan Bedford Cord	48M 7666600-B	1
49	9M76	Upper Tan Leather, Lower M-5085-P Tan Bedford Cord	•8M 7666600-E	1
49	9M76	Upper Tan Leather, Lower M-5085-L Dark Tan Bedford Cord	•8M 7666600-Y	1
49	9M79	Antique Grain-Green Leather and Vinyl	8M 7966600-F	1
49	9M79	Wolf Grain-Green Leather and Vinyl	8M 7966600-J	1
49	9M79	Antique Grain-Red Leather and Vinyl	8M 7966600-D	1
49	9M79	Wolf Grain-Red Leather and Vinyl	8M 7966600-G	1

△ Used on cars having front seat with metal stationary foot rest welded to seat frame.

• Used on cars having front seat without foot rest.

