

1950

MERCURY

BODY PARTS

CATALOGUE

DECEMBER



1950

LINCOLN-MERCURY DIVISION OF FORD MOTOR COMPANY
DETROIT, MICHIGAN

1950

MERCURY

BODY PARTS CATALOGUE

DECEMBER



1950

LINCOLN-MERCURY DIVISION OF FORD MOTOR COMPANY
DETROIT, MICHIGAN

QUICK REFERENCE INDEX

Group	Group Name	Page
	Alphabetical Index	IX
	Body Illustrations	XVII
00120	Body Front	1
03100	Windshield Glass	8
04100	Visor	10
13000	Floor Mat	16
20122-3	Front Door	18
21402-3	Front Door Vent Window	23
23200	Front Door Window Regulator	31
23942-3	Front Door Trim	34
24622-3	Rear Door	39
27000-1	Rear Door Window Regulator	41
27406-7	Rear Door Trim	41
27840-1	Rear Quarter Body Panel	42
40112	Luggage Compartment Door	58
50200	Roof Panel	70
60000	Seat	96

COPYRIGHT 1950
FORD MOTOR COMPANY
DEARBORN, MICHIGAN
ALL RIGHTS RESERVED

O R M 3741-50

LITHO IN U. S. A.

LINCOLN—MERCURY

Division of FORD MOTOR COMPANY

Detroit, Michigan
United States District Offices

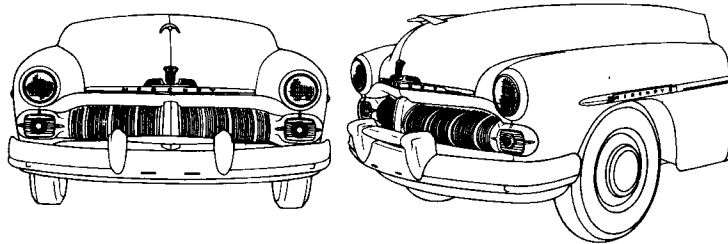
- | | | | |
|-------------------|---------------------|-----------------------|------------------------------|
| *Atlanta, Ga. | *Dearborn, Mich. | *Long Beach, Calif. | *Omaha, Neb. |
| Boston, Mass. | *Denver, Colo. | Los Angeles, Calif. | *Pittsburgh, Pa. |
| Buffalo, N. Y. | *Des Moines, Iowa | *Memphis, Tenn. | *Richmond, Calif. |
| *Charlotte, N. C. | *Edgewater, N. J. | *New Orleans, La. | *St. Louis, Mo. |
| *Chester, Pa. | *Fargo, N. D. | New York, N. Y. | *Salt Lake City, Utah |
| *Chicago, Ill. | *Houston, Texas | *Norfolk, Va. | *Seattle, Wash. |
| Cincinnati, Ohio | *Jacksonville, Fla. | Oakland, Calif. | *Somerville, Mass. |
| Cleveland, Ohio | Kansas City, Mo. | *Oklahoma City, Okla. | *Twin City (St. Paul, Minn.) |
| *Dallas, Texas | | | Washington, D. C. |
- *Lincoln-Mercury Parts Depot

MODEL IDENTIFICATION

1950

Mercury

118" W.B.—OM Series



BODY TYPE	NAME
72-A	Six Passenger Coupe (Standard)
72-B	Six Passenger Coupe (DeLuxe)
72-C	Six Passenger Coupe (Custom)
74	Sport Sedan
76	Six Passenger Convertible Coupe
79	Station Wagon

FOREWORD

This group type **BODY PARTS CATALOGUE** has been prepared in appreciation of the difficulty experienced occasionally in the ordering of Body Parts.

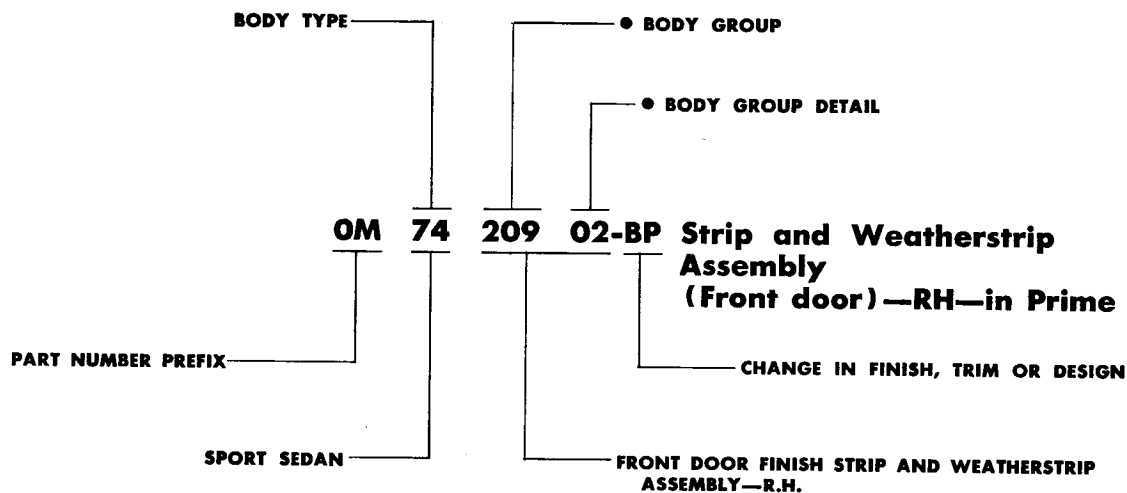
Every effort has been made to insure ease in selecting and ordering the correct parts you need.

We will welcome any suggestions for improvement of future publications of this Catalogue.

LINCOLN-MERCURY DIVISION

GENERAL INFORMATION

FOLLOWING IS A DIAGRAM OF THE BODY PARTS NUMBERING SYSTEM



● These five characters (The combined numbers of the **BODY GROUP** and **BODY DETAIL GROUP**) comprise the Body Group Numbers as used throughout this Body Parts Catalogue except for Chassis Parts and Body Parts engineered prior to the adoption of this **BODY PARTS NUMBERING SYSTEM**.

Basic Body Parts Numbers engineered prior to the year 1939 had but 5 (five) or 6 (six) characters.

Example 78-735280 Handle (quarter glass frame)—R.H.

There are a few instances where Part Numbers of this type are used in Current models. In such instances the **BODY GROUP NUMBERS** contain but 4 (four) characters.

Example Group 5280 Handle (quarter glass frame)

Every effort has been made to insure ease in selecting and ordering the correct or needed parts.

A new "easy to read" index is incorporated in this catalogue in order to simplify ordering of body parts.

This index is compiled in seventeen (17) major group assemblies, which are listed in alphabetical sequence starting with Deck (Rear) and Luggage Compartment and terminating with Windshield.

DECK (REAR) AND LUGGAGE COMPARTMENT	QUARTER (REAR)
DOORS (FRONT)	ROOF
DOORS (REAR)	SEAT (CENTER)— STATION WAGON
FLOOR	SEAT (FRONT)
FRONT	SEAT (REAR)
HYDRAULIC SYSTEM	TAILGATE—STATION WAGON
PACKAGE TRAY	TOP—CONVERTIBLE
PILLARS (CENTER BODY)	WINDOW (BACK)
	WINDSHIELD

Each of these major group assemblies is compiled in alphabetical sequence and lists all the parts pertaining to that group with cross reference to group number in which the part is listed.

Group numbers are a portion of the complete Part Number and are listed in the catalogue in numerical sequence.

The first three characters of the Body Group Numbers are as follows:

000-009 FRONT END GROUP	400-499 BACK GROUP
100-199 FLOOR GROUP	500-599 TOP AND ROOF GROUP
200-399 SIDE ASSEMBLY GROUP	600-699 SEAT GROUP

The fourth and fifth characters of the Body Group Numbers are The Body Group Detail Numbers—
To select the correct part needed the following procedure should be followed:

- A. Determine the correct NAME of PART required.
- B. Check INDEX for GROUP NUMBER.
- C. Refer to GROUP NUMBER and select required PART.

For Example—Should a Finish Strip and Weatherstrip Assembly — in Prime for a Right Hand Front Door of a Sport Sedan be required the "Door (Front) Group Index" lists the group number as 20902-3. On page 20, 0M-7420902-BP is listed as Strip and Weatherstrip assembly (front door window finish)—R.H. in Prime, the required part.

YEAR 19-	BODY TYPES	REMARKS	PART NUMBER	NO. REQ'D
Group 20902-3 STRIP AND WEATHERSTRIP ASSEMBLY (FRONT DOOR WINDOW FINISH)				
51	0M74	R.H.—in Prime	0M-7420902-BP	1
51	0M74	L.H.—in Prime	0M-7420903-BP	1

The remarks column includes such information as right or left hand, finish, dimensions, type of trim, size of attaching parts and special notations.

Attaching parts such as Bolts, Screws, Clamps, etc., are listed below the part with which they are used.

Illustrations throughout this Catalogue are for a particular BODY TYPE although GROUP NUMBERS and DESCRIPTIONS are applicable to practically all BODY TYPES.

With the exception of attaching parts such as bolts, nuts, etc., group numbers only appear on exploded illustrations.

Do not order parts by the GROUP NUMBER or GROUP HEADINGS as shown on illustrations; always consult the list of Parts for complete PART NUMBER.

The driver's position governs such parts as doors, seats, etc., as to whether an item is Right Hand or Left Hand.

Always give complete PART NUMBER and NAME of each part ordered.

When Part Number of part required cannot be located in Catalogue, a complete description including dimensions, should be given along with the information shown on the Body Plate and Patent Plate.

A Sample of trim material should be submitted on all orders for trim parts.

Specify whether shipments are to be made by Freight, Express or Parcel Post.

Listed below is a brief General Telegraphic Code covering miscellaneous instructions relative to the shipment of parts.

- ABSEN—Ship via Air Express
- ABSIN—Rush by Air Mail
- ANGRA—Express at Once
- ANILE—Express Direct To
- BEAGA—Post Today
- BOOBA—Ship Fast Freight
- BORIK—Ship Today Sure
- BOSTO—Ship on Next Plane
- BREWA—Advise How and When Shipping

ABBREVIATIONS

art	artificial	L/W	lockwasher
approx.	approximately	mldg.	moulding
assy	assembly	mount. or (mtg.)	mounting
brkt.	bracket	O.D.	outer diameter
b-hd	button head	o/all	overall
compt.	compartment	reinf.	reinforcement
c/pin.	cotter pin	reg.	regulator
cyl.	cylinder	rep.	replaced
defl.	deflector	req'd	required
def.	defroster	ret.	retainer
dia.	diameter	R.H.	Right Hand
equipt.	equipment	rd-hd	round head
fl-hd	flat head	spec.	special
ft.	foot or feet	spec-hd	special head
H/D	heavy-duty	sq-hd	square head
hex	hexagonal	std.	standard
hex-hd	hexagonal head	tap.	tapping
hsg.	housing	trans.	transmission
hyd.	hydraulic	vac.	vacuum
I.D.	inner diameter	vent.	ventilator
instr.	instrument	W/S	windshield
L.H.	Left Hand	w/	with
		w/o		without

PATENT PLATE and BODY PLATE

The information on the Patent Plate indicates the Model Year, Plant which assembled the car, Serial Identification Number and Car Name.

PATENT PLATE SERIAL NUMBER DIAGRAM



ASSEMBLY PLANT IDENTIFICATION CODES

DA—Dearborn
LA—Los Angeles
ME—Metuchen
SL—St. Louis

The complete serial number is stamped on the extreme top edge of the Patent Plate.

50DA12345M

This serial number (*50DA12345M*) indicates

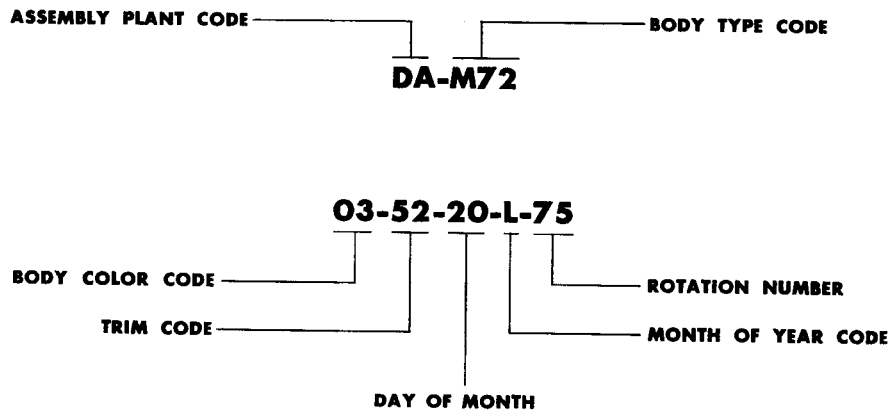
"50"—1950 Model
 "DA"—Assembled at Dearborn
 "12345"—Serial Identification Number
 "M"—Mercury

The asterisks in front of and after the complete serial number are inserted as insurance that no other digits or letters can be added to the serial number.

The complete serial number as shown on the patent plate is stamped at three (3) places on the chassis frame. On the top side of frame right side member near front body bracket, the right top side of frame rear cross member and the right top side of frame intermediate cross member.

The information on the Body Plate indicates the Plant which assembled the car, Body Type, Body Outside Paint Color, Trim Scheme, Day of Month car was assembled, Month car was assembled and its numerical sequence of assembly.

BODY PLATE DIAGRAM



ASSEMBLY PLANT IDENTIFICATION CODES

DA—Dearborn
LA—Los Angeles
ME—Metuchen
SL —St. Louis

SAMPLE BODY PLATE

STYLE DA-M72
BODY NUMBER
03-52-20-L-75

This sample body plate indicates

"DA"—Assembled at Dearborn
 "M72"—Mercury Six Passenger Coupe
 "03"—Banning Blue Metallic Body Color
 "52"—Blue Two-Tone Plain Broadcloth
 "20"—20th Day of Month
 "L"—Month of Year—November
 "75"—75th Car Assembled

BREAKDOWN OF CODES USED IN MERCURY BODY PLATE NUMBERS

ASSEMBLY PLANT CODES

CODE	ASSEMBLY PLANT
DA	Dearborn
LA	Los Angeles
ME	Metuchen
SL	St. Louis

BODY TYPE CODES

CODE	BODY TYPE
M72-A	Six Passenger Coupe (Standard)
M72-B	Six Passenger Coupe (Deluxe)
M72-C	Six Passenger Coupe (Custom)
M74	Sport Sedan
M76	Six Passenger Convertible Coupe
M79	Station Wagon

MONTH OF YEAR CODE

CODE	MONTH	CODE	MONTH
A	January	G	July
B	February	H	August
C	March	J	September
D	April	K	October
E	May	L	November
F	June	M	December

PAINT CODES

CODE	COLOR
01	Black
03	Banning Blue
05	Royal Bronze Maroon
07	Trojan Gray
09	Dune Beige
11	Everglade Green
13	Maywood Green
15	Laguna Blue
17	Roanoke Green
19	Mirada Yellow
26	Upper—Maywood Green Lower—Trojan Gray
27	Upper—Dune Beige Lower—Penrod Tan
31	Upper—Penrod Tan Lower—Dune Beige
33	Upper—Trojan Gray Lower—Roanoke Green
35	Upper—Roanoke Green Lower—Trojan Gray

PAINT CODES CONTINUED

CODE	COLOR
37	Upper—Trojan Gray Lower—Banning Blue
39	Upper—Banning Blue Lower—Trojan Gray
41	Upper—Trojan Gray Lower—Laguna Blue
43	Upper—Laguna Blue Lower—Trojan Gray

TRIM CODES

CODE	TRIM SCHEME
52	Blue Two-Tone Plain Broadcloth
55	Tan and Brown Stripe Bedford Cord
55-A	Tan Pin Stripe Broadcloth
58	Blue Gray Block Broadcloth
60	Blue Gray Stripe Nylon and Mohair (M-16560-A)
60-A	Blue Gray Stripe Nylon and Mohair (M-16560-J)
62	Tan Gray Bedford Cord
62-A	Gray and Rust Bedford Cord
63	Green Stripe Broadcloth
66	Tan Two-Tone Leather
68	Red and Black Leather
70	Blue and Gray Leather
72	Tan Leather
72-A	Golden Tan and Chestnut Brown Leather
74	Red Leather
74-A	Light Red and Dark Red Leather
76	Green Leather
76-A	Light Green and Dark Green Leather
81	Blue Leather and Blue Stripe Nylon (M-16560-A)
81-A	Blue Leather and Blue Stripe Nylon (M-16560-J)
201	Yellow and Black Leather—Black Paint, Yellow Top
202	Black Leather and Red and Black Bedford Cord—Cortaro Red Metallic Paint, Black Top
202-A	Black Leather and Red Leather—Cortaro Red Metallic Paint, Black Top
203	Dark Blue Leather and Turquoise Bedford Cord—Turquoise Blue Paint, Dark Blue Top
203-A	Seal Brown Leather and Turquoise Brown Bedford Cord—Turquoise Blue Paint, Dark Blue Top

Group Alphabetical Index

IX

GROUP AND PART NAME	GROUP NO.	GROUP AND PART NAME	GROUP NO.
DECK (REAR) AND LUGGAGE COMPARTMENT		DOORS (FRONT)-CONTINUED	
Bolt (luggage compartment door lock handle)	43506	Escutcheon (door inside handle and window regulator handle)	22618
Bracket (luggage compt. spare wheel mounting)	47070	Frame assy (front door finish)-upper-outside	20406-7
Bracket (luggage compt. trim panel to wheelhouse)	43557	Frame and glass assy (door glass)-complete	22218-9
Cardboard (luggage compartment)-front	45444	Frame and glass assy (door vent window)	21228-9
Cardboard (luggage compartment)-side rear	45416-7	Frame and panel assy (front door finish)-lower- outside	20400-1
Cover (luggage compartment door keyhole)	43514	Ferrule (door lock knob)	21999
Cover (quarter wheelhouse luggage compartment)	45466-7	Glass (front door vent window)	21412
Cylinder (luggage compartment lock)-with keys	43505	Glass (front door window)	21410
Door assy (luggage compartment)	40112	Glass and frame assy (front door ventilating window)	21406-7
Filler (luggage compartment)-tire well	45464	Handle (door inside)	22614
Gusset (luggage compartment opening lower corner)	44830-1	Handle (door outside)-complete	22400
Handle (luggage compartment door)	43500	Handle (door ventilator window frame)	22916-7
Handle (luggage compartment door)	43508	Handle (window regulator)	23342
Hinge (luggage compartment door)	42700-1	Hinge (door vent window upper pivot)-on frame	22976-7
Key (glove box and rear deck lid)	18306	Hinge (door vent window pivot)-on retainer	22978-9
Latch pin and plate assy (luggage compartment)	43246	Hinge (front door)-lower	22810-1
Lever (luggage compartment door handle trigger)	43639	Hinge (front door)-upper	22800-1
Look assy (luggage compartment door)	43200	Hinge (front door vent window upper pivot)-on frame	21466-7
Mat (luggage compartment floor)	45456	Housing (door check arm)	23530
Medallion (luggage compartment door handle)	42530	Key (door ventilator window frame)	22920
Pad (luggage compartment door handle)	43531	Knob (door locking control rod)	21850
Panel (package tray)	46506	Lock assy (front door)	21812-3
Pin (luggage compartment door handle trigger)	43293	Lock and sleeve assy (door panel)-complete with keys	21984-5
Plate (luggage compartment latch pin tapping)	43256	Moulding (door arm rest)	24190-1
Reinforcement assy (back belt flanging strip and luggage compartment)	41716	Moulding (door inside)-bottom	20988-9
Reinforcement (luggage compartment opening upper and corner)	44718-9	Moulding (door inside)-front	20990-1
Remote control assy (luggage compartment door lock)	43272	Moulding (door inside)-rear	20998-9
Retainer (luggage compt. door handle medallion)	43564	Moulding (door outside)-at belt	20934-5
Retainer (luggage compt. door handle trigger pin)	43609	Moulding (door outside)-upper	20934-5
Screw and washer assy (luggage compartment door handle to door)	43561	Moulding (front door outside)-lower	20938-9
Spring (luggage compt. door handle key hole cover)	43567	Moulding (front door trim panel)	20942-3
Spring (luggage compartment door handle trigger)	43633	Moulding (front door trim panel)-lower	20956
Support (luggage compartment door lock)	43248	Moulding and weatherstrip assy (front door window reveal)-outside	20984-5
Trigger (luggage compartment door handle locking)	43606	Ornament (door outside)	20980
Weatherstrip (luggage compartment door)	43720	Ornament (door garnish moulding)	20988
DOORS (FRONT)		Pad (outside door handle)-large	22428
FOR HYDRAULIC EQUIPMENT REFER TO HYDRAULIC SYSTEM GROUP		Pad (outside door handle)-small	22448
Arm assy (door check)	23500	Panel (door inside lining)	20252-3
Bracket (front door vent window upper pivot)-on ret.	21464-5	Panel (door outside finish)-lower	20258-9
Bracket and handle shaft assy (door ventilator window)	22938	Panel (door outside finish)-upper	20256-7
Bumper (door upper)	23030	Pin (door hinge)	22840
Button and guide assy (outside door handle)	22454	Pin (door outside handle release)	22438
Cap (door vent window finish)-front	21390-1	Pin (door window regulator and door inside handle)	23354
Channel assy (door window glass lifter)	21458-9	Plate (door division channel lower bracket tapping)	22921
Channel and bracket assy (front door glass)	21458-9	Plate (door lock striker)	22008-9
Channel and ret. assy (door window glass lifter)	21458-9	Plate (door outside name)	20978
Clip (door weatherstrip retainer)	20574	Plate (door ventilator window lock)	22924
Clip (door weatherstrip retainer)-front	20478	Rain shield (front door ventilating window)	22884-5
Clip (door window finish strip)-rear lower	20930-1	Regulator assy (front door window)	23200-1
Clip (window reveal moulding)	20925	Reinforcement (front door lock pillar)	28214-5
Control assy (front door lock remote)	21818-9	Rest assy (front door arm)	24140-1
Cover and spring kit (door lock and sleeve assy)	21942-3	Retainer (door arm rest moulding)	24192
Door assy (front)-less paint, trim, glass, handles, hinges, lock and regulator	20122-3	Retainer (door bottom weatherstrip)-outer	20712
		Retainer (door glass run)-lock side	21570-1
		Retainer (door glass run)-lock side	21572-3
		Retainer (door lock cylinder)	21998
		Retainer (window seal)-at front rail section	20520-1
		Retainer (window seal)-at rear rail section	20526-7

Group Alphabetical Index

GROUP AND PART NAME	GROUP NO.	GROUP AND PART NAME	GROUP NO.
DOORS (FRONT)-CONTINUED		DOORS (REAR)-CONTINUED	
Retainer and bar assy (ventilating window)-complete	22204-5	Glass (rear door window)	25712
Rod (door lock safety catch)	21852-3	Glass and frame assy (rear door ventilating window)	26868-9
Run (door glass division bar)	21546	Hinge (rear door)-lower	26810-1
Run (door glass)-hinge side	21546-7	Hinge (rear door)-upper	26800-1
Run (door glass)-lock side-complete	21508-9	Knob (rear door and quarter window sliding glass latch)	25814
Run (door glass)-lock side-complete	21550	Lock assy (rear door)	26412-3
Screw and washer assy (outside door handle to door)	22473-5	Moulding (rear door outside)-lower	25556-7
Shim (door vent window frame to inside panel rear bracket extension)	22274	Moulding (rear door outside panel)-at belt	25554-5
Shim (door lock striker plate)	22058	Moulding (rear door trim)-lower	25578
Shim (door window corner filler to inside panel attaching bracket)	20497	Moulding (rear door trim)-upper	25558
Spring (door lock main)	21858	Moulding and weatherstrip (rear door outside reveal)	25588-9
Spring (door lock pawl stop)	21988	Regulator assy (rear door window)	27000-1
Spring (door lock remote control)	21910	Retainer (rear door bottom weatherstrip)-outer	25312
Spring (door lock slide toggle)	21872	Retainer & division bar assy (rear door vent window)	26902-3
Spring (door ventilator window handle)	22986	Strip (rear door vent window glass retaining)	26875
Spring (front door ventilator window pivot)	22926	Strip (rear door window retainer)	25724
Spring (outside door handle push button)	22462	Trim panel assy (rear door)	27406-7
Stop (door glass)-on inner panel	23494	Ventilating window assy (rear door)-complete-including division bar	26866-7
Stop (door vent window pivot)	22992-3	Weatherstrip (rear door bottom)	25104-5
Strip (front door glass retaining)	21424	Weatherstrip (rear door glass)-outer	25596-7
Strip and weatherstrip assy (door window finish)-lower	20964-5	Weatherstrip (rear door glass header)	25856
Strip and weatherstrip assy (front door window finish)	20902-3	Weatherstrip (rear door opening)-outer	25324-5
Support (door glass run)-lower	21538	Weatherstrip (rear door ventilating window)	26896-7
Support (front door vent window front and rear frame bracket)-lower	23050	Welt and cardboard assy (rear door window finish strip)	24754-5
Trim panel assy (front door)	23942-3	Windlace and cord assy (rear door opening)	27542-3
Ventilating window assy (front door)-complete-including division bar	21402-3	FLOOR	
Washer (door ventilator window pivot)	22982	Anti squeak (body to frame)	00152
Water shield (door lock cylinder)	22059	Anti squeak (body to frame)	00154
Weatherstrip (door check arm hole)	23554	Anti squeak (body to frame)	12322
Weatherstrip (door bottom)	20394-5	Board assy (rear floor to center seat)-complete	11710
Weatherstrip (door glass channel)-lower	21510	Carpet assy (rear floor)	13046
Weatherstrip (front door glass header)	21544	Carpet and pad assy (front floor)	13018
Weatherstrip (door hinge pillar)	20530-1	Cover (rear floor pan rear gas gauge)	11290
Weatherstrip (door lock pillar)	20542-3	Cover (rear floor to center seat board)	13095
Weatherstrip (door opening)-outer	20530-1	Extension (rear floor pan side)-rear	11252-3
Weatherstrip (door vent window division bar)	21450	Extension (rear floor pan side)-rear	11256-7
Weatherstrip (door ventilating window)-belt	21432-	Extension (rear floor to center seat board)	11727
Weatherstrip (door vent window frame)-rear	21454	Gasket (floor transmission cover plate)-front	12116
Weatherstrip (door window)-at belt	21452-3	Gasket (floor transmission cover plate)-rear	12121
Weatherstrip (door window glass)-outer	21446	Gasket (floor transmission cover plate)-side	12122
Weatherstrip (front door vent window)	21448-9	Grommet (accel. kick down switch)-front floor carpet	6930-1
Weatherstrip (front door window opening)	21452-3	Hinge (rear floor to center seat board)	11778
Weatherstrip (front and rear door glass channel)	21510	Mat (floor side sill)	13036-7
Welt and cardboard assy (front door window finish strip)	20724-5	Mat (floor)-center	13040
DOORS (REAR)		Mat (floor)-front complete	13000
FOR HYDRAULIC EQUIPMENT REFER TO HYDRAULIC SYSTEM GROUP		Mat (floor)-rear	13054
Arm assy (rear door check)	27200	Mat (floor)-rear	13062
Channel and bracket assy (rear door glass)	26228-9	Member (rear floor cross)	10668
Control assy (rear door lock remote)	26404-5	Member assy (floor pan rear cross)	10775
Door assy (rear)-less paint, trim, glass, handles, hinges, lock and regulator	24622-3	Member assy (floor side)	10110-1
Finish strip and weatherstrip (rear door window)	25500-1	Member assy (front floor cross member)-rear	10698
Glass (rear door ventilator window)	26870	Member and trim retainer assy (floor side)	10118-9
		Moulding (body rocker panel curb buffer)	10176-7
		Pad (body to cross member)	00150
		Pad (body to frame at kick up)	11533

Group Alphabetical Index

XI

GROUP AND PART NAME	GROUP NO.	GROUP AND PART NAME	GROUP NO.
FLOOR-CONTINUED		FRONT-CONTINUED	
Pad (heel)-front floor carpet	13086	Cover (cowl side panel opening)	02092
Pan assy (floor front)	11135	Cover (hand brake cable opening)-dash	01634
Pan assy (floor)-rear	11215	Cover (instrument panel ash receptacle)	04817
Pan and panel assy (floor)-rear	11216	Cowl trim panel assy	02348-9
Panel (body rocker)	10128-9	Door assy (glove compartment)	06024
Plate (body rocker panel scuff)-front	13208-9	Element assy (cigar lighter)	04616
Plate (body rocker panel scuff)-rear	13228-9	Front assy (body)	00120
Plate (floor transmission cover)	12115	Gasket (cowl side panel opening cover)	02093
Plate (rear floor pan body side panel dust cover)	12186-7	Grille (instrument panel radio)	04405
Plate assy (transmission filler hole access)	12126	Grommet (glove compartment door check arm)	06122
Reinforcement (cross member rear)	10785	Grommet (hand brake cable conduit to dash)	01695
Retainer (body rocker curb buffer moulding)	10198	Handle (fresh air duct register door)	01844
Seal (accelerator pedal rod)	13013	Hinge (glove compartment door)	06042-3
Seal (brake pedal opening)	13028	Insulator (dash upper)	01670
Seal (transmission cover filler hole)	12179	Insulator (steering column opening)-dash upper	01673
Sealer (rear transmission cover)	12167	Kit (cigar lighter element)	04603
Silencer (floor pan)	67300	Knob (cigar lighter)	04602
Silencer (floor pan)	11166-7	Knob and element assy (cigar lighter)	04610
Silencer (floor pan)-front	11172	Lock assy (glove compartment door)-complete with keys	06081
Silencer (floor pan)-rear	11454	Lock assy (glove comp. door)-complete-without keys	06081
Silencer (front floor transmission cover)-upper and lower	12182-4	Lock set assy (ignition, glove comp., deck lid)	3687-9
Silencer (transmission cover)-front	12182	Moulding (front body pillar)-drip	02512-3
Spacer (body to frame)	11520	Name plate (instrument panel)	04443
Spacer (body to frame)	12298	Panel (cowl top)	02010
Spacer (body to frame)	12324	Panel (instrument)-less instruments	04320
Spacer (body to frame at kick up)	11534	Panel and brace assy (dash)	01614
Spacer (body to frame at seat track)	00154	Pillar assy (front body hinge)-complete	02504-5
Spacer (body to frame)-front	12320	Pillar and panel assy (cowl side and body front)	02042-3
Spacer (body to frame)-No. 1 body bolt	01740	Plate (air ventilating rear duct sealer)	01920
Spacer (body to frame)-No. 2 body bolt	12328	Plate (dash pedal opening)	11126
Spacer (body to frame)-rear	12298	Plate (glove compartment door lock striker)	06064
Strip (rear floor to center seat board)	11788	Plate (heater control valve opening cover)	01848
Strip (rear floor finish)-at wheelhouse	13210-1	Plate (heater opening cover)	01846
Strip (rear floor finish)-front	13215	Plate (radio opening cover)	04371
Strip (rear floor finish)-rear	13222	Plate (steering column opening lower cover)	01698
Strip (rear floor to center seat board)-front finish	11789	Plate (steering column opening upper cover)	01699
Weatherseal (dash panel pedal opening)	12138	Receptacle assy (instrument panel ash)-complete	04800
Weatherseal (steering column to dash cover)	12156	Register assy (fresh air duct)	01814-5
		Retainer (cowl cardboard)	02354
		Retainer (front body pillar weatherstrip)-upper	02594-5
		Retainer (steering column opening sealer)	01654
		Retainer (window seal)-at pillar section-lower	29118-9
		Retainer (window seal)-at pillar section-upper	29122-3
		Screen (ventilating air duct)-front	01900
		Seal (front body and quarter hinge pillar to scuff plate)	02656
		Sealer (air ventilating rear duct)	01928
		Sealer (cowl panel to hood)	02074-5
		Sealer (dash insulator)-dust	01718
		Silencer (dash panel lower)	01786-7
		Socket and retainer assy (cigar lighter)	04620
		Spacer (dash to frame brace)	01736
		Stop (ash receptacle)	04858
		Valve (fresh air duct)	01850-1
		Visor assy (complete)	04100
		Weatherstrip (front body pillar)-upper	02626-7
		Windlace assy (front body pillar)	02610
		Windlace and cover assy (front body to pillar)	02600-1
		Windlace and reinforcement assy (front body pillar and door opening)	02600-1
FRONT			
Anti squeak (cowl side panel)	02066		
Anti squeak (hand brake bracket)	04399		
Arm (glove compartment door check)	06117		
Box assy (glove compartment)	06010		
Brace (dash to frame)	01714		
Brace (instrument panel to pillar)	04560		
Brace (steering column to roof panel bracket)	03052		
Bracket (radio receiver)	04452		
Bumper (glove compartment door)	1671		
Cardboard (cowl trim)	02344-5		
Connector (body vent air duct)	01878-9		
Control assy (fresh air inlet)	01890-1		
Cover (clock opening)	04428		

Group Alphabetical Index

GROUP AND PART NAME	GROUP NO.	GROUP AND PART NAME	GROUP NO.
HYDRAULIC SYSTEM		HYDRAULIC SYSTEM-CONTINUED	
Armature assy (hydraulic pump motor)	53349	Spring (hydraulic pump valve)	53412
Ball (hydraulic pump reservoir)	53378	Spring (hydraulic seat adjuster)	60493
Band assy (hydraulic pump)	53348	Spring (hydraulic window mounting stud)	24193
Bar (window regulator switch bus)	24219	Spring (hydraulic window operating)-inner	53330
Bolt (door window regulator stop)	23338	Spring (hydraulic window operating)-outer	53329
Bracket (door hydraulic hose conduit clamp)	53332	Spring (quarter window hydraulic operating)	23603
Bracket (hydraulic motor and pump mounting cushion)	53384	Strap (motor and hydraulic pump to solenoid)	53386
Bracket (hydraulic seat regulator to floor)	53414	Stop (front seat hydraulic regulator)-R.H. side	60484
Bracket (window regulator arm)	23236	Stud (hydraulic pump motor frame and field assy)	53377
Brush (hydraulic pump motor frame and field assy)	53383	Support (door hydraulic window regulator)	24248
Clamp (door hydraulic hose conduit)	53356	Support (door hyd. window regulator side rail)-upper	23312
Clamp (hose to tube cover spring retainer)	53356	Support (rear door hydraulic window regulator inside rail)-upper	27338
Clip (hydraulic tube to dash)	53370	Support and ret. assy (hyd. window reg. arm roller)	23382
Clip (hydraulic tubing to body)	53370	Switch (hydraulic seat regulator control)	24206
Cover (center seat back panel)	60570	Switch (window regulator)	24206
Cover (hydraulic window regulator hose and wire)	24258	Switch and housing assy (hydraulic window regulator)	23302-3
Cover spring (hydraulic window lift hose)-rear door	27336	Tube assy (extension tube to hose)	53426-7
Cushion (hydraulic motor and pump mounting)	53382	Tube assy (front door window regulator)	53350-1
Cylinder (door window regulator)-hydraulic	23244	Tube assy (front seat hydraulic regulator)	53394
Cylinder (quarter window hydraulic)	23602	Tube assy (rear door hydraulic window regulator)	53368-9
Cylinder (seat adjuster hydraulic)	60491	Tube assy (rear door window supply)	53359
Escutcheon (hyd. seat regulator control switch)	24230	Tube assy (rear quarter hydraulic supply)-front	53362
Fluid (window regulator)	19545	Tube assy (rear quarter hyd. window regulator cross)	53364-5
Frame assy (hydraulic quarter window)	23600-1	Tube assy (rear quarter window supply)	53359
Frame assy (hydraulic window regulator)	23204-5	Tube assy (to front door hydraulic window regulator)	53344
Frame assy (hydraulic seat adjuster)	60487	Tube assy (top cylinder supply)-lower	53363
Frame and field assy (hydraulic pump motor)	53343	Tube assy (top cylinder supply)-upper	53361
Gasket (hydraulic pump reservoir)	53374	Tube assy (top hydraulic cyl. rear cross)-lower	53392-3
Grommet (hydraulic supply tubes)-door	53437	Tube assy (top hydraulic cyl. rear cross)-upper	53390-1
Grommet (hyd. window regulator spring hose cover)	53360	Valve (hydraulic pump)	53410
Grommet (window regulator control wires)	53355	Washer (hydraulic pump)	53411
Head and brush holder assy (hydraulic pump motor)	53387	Washer (hydraulic pump motor armature shaft)-lower	53353
Hose assy (front door hydraulic window regulator)	53346	Washer (hydraulic pump motor armature shaft)-upper	53352
Hose assy (hyd. pump to top control valve return)	53341	Washer (window regulator arm attaching bracket)	23259
Hose assy (hyd. pump to top control valve supply)	53342		
Hose assy (hydraulic pump to tubing)	53340	PACKAGE TRAY	
Hose assy (rear door hydraulic window regulator)	53366	Cardboard (package tray trim)	46656
Housing (hydraulic pump)	53395	Panel assy (package tray trim)	46668
Motor & hydraulic pump assy (includes reservoir, bail, solenoid and mounting bracket)	53334	Strainer (quarter window to package tray)	46568-9
Pin (hydraulic window switch retaining)	24231	Strainer assy (package tray support to floor side member)	46521
Plate (dome lamp switch mounting)	24232	Strainer assy (package tray to floor)	46574-5
Plate (hydraulic pump bottom)	53409		
Plate (hydraulic pump port)	53405	PILLARS (CENTER BODY)	
Plate (hydraulic pump reservoir fluid retainer)	53388	Pillar assy (body center)	24300
Plate (hydraulic pump rotor)	53404	Plate (dome lamp switch mounting)	24232
Plate (window regulator switch mounting)	24232-3	Seal (center body pillar to scuff plate)	24357
Plug (hydraulic pump valve)-adjuster	53413	Trim assy (center body pillar)	24446
Reservoir (hydraulic pump)	53396		
Retainer (hose cover spring)	53354	QUARTER (REAR)	
Retainer (hydraulic pump reservoir fluid)	53389	FOR HYDRAULIC EQUIPMENT REFER TO HYDRAULIC SYSTEM GROUP	
Retainer and nut assy (rear door hose cover spring)	53325	Bolt (quarter window sliding glass)-front	29676
Rotor assy (inner and outer)-hydraulic pump	53400	Bracket (assist strap)	31418
Screw (hydraulic pump bottom plate)	53408	Bracket (back belt flanging strip center to wheelhouse strainer)	44664-5
Seal (hydraulic pump mounting screw)	53358	Bracket (coat hanger)	31452
Seal (hydraulic pump bottom)	53406	Bracket (trim panel to wheelhouse)	27804-5
Seat adjuster (hydraulic)	60473		
Solenoid (hydraulic pump motor)	53380		
Spring (door window regulator counter balance)	23318		
Spring (front door regulator arm stud retaining)	23257		
Spring (hydraulic electric switch)-locking	23604		
Spring (hydraulic pump rotor)	53407		

Group Alphabetical Index

XIII

GROUP AND PART NAME	GROUP NO.	GROUP AND PART NAME	GROUP NO.
QUARTER (REAR)-CONTINUED		QUARTER (REAR)-CONTINUED	
Bracket (quarter panel wheel cover guide)-front	28000-1	Pillar assy (rear quarter)	28252-3
Bracket (quarter panel wheel cover guide)-rear	28002-3	Pillar and tacking strip assy (quarter lock)	4J742-3
Bracket (quarter window)-on body	29932-3	Pin (quarter window frame hinge)	30556
Bumper (quarter panel fuel tank lid)	06066	Plate (quarter trim finish)	27806-7
Channel assy (quarter window front lower corner)	29958-9	Plate (quarter vent window lock)	30284
Clamp (quarter window frame lower pivot)	30548	Receptacle assy (quarter ash)-complete	30702
Clip (quarter window glass retainer)	30154-5	Receptacle assy (quarter ash retainer)	30708
Clip (quarter window glass retainer)-front	30158	Regulator assy (quarter window)	30306-7
Coat hook (quarter)	29025	Reinforcement (quarter panel wheel cover clip)	28006
Cover (assist strap bracket)	31421	Rest assy (rear quarter arm)-complete	31600-1
Cover (quarter panel wheel opening)	27968-9	Retainer (quarter ash receptacle)	30714
Division bar and glass run assy (quarter window)	30232-3	Retainer (quarter lock pillar trim)	28276-7
Filler strip (quarter window)	29789	Retainer (quarter panel wheel opening cover seal)	27996-7
Filler assy (quarter window opening)	29978	Retainer (quarter wheelhouse)-trim	28508
Frame assy (body side finish)-upper	28700-1	Retainer (quarter window front weatherstrip)	29952
Frame and glass assy (quarter window)	30506-7	Retainer (quarter window glass run)-upper rear	30124
Frame and glass assy (quarter window)-complete	29700-1	Retainer (rear quarter belt folding top)	28730-1
Frame and panel assy (body side finish)-lower	28710-1	Run (quarter window glass)-lower front	30112
Glass (quarter window)-rear	29740	Run (quarter window glass)-lower rear	30116
Glass (quarter window sliding)-center	29712	Run (quarter window glass)-upper front	30104-5
Glass (quarter window sliding)-front	29710	Run (quarter window glass)-upper rear	30105
Glass (rear quarter window)	29710	Run (quarter window glass front)-vertical	30106-7
Guide assy (quarter window)-complete	29764-5	Seal (quarter panel wheel opening cover)	27986-7
Gusset (quarter panel to package tray)	29428-9	Seal (quarter pillar)-dust	28237
Handle (quarter glass frame)	5280-1	Seal (quarter trim panel to floor)	30358
Handle (quarter window sliding glass)-center	29756	Sealer (quarter panel fuel tank filler neck)	28615
Handle (quarter window sliding glass)-front	29754	Spacer (quarter panel tail lamp attaching bolt front)	27976-7
Hinge (quarter window)-on body	29948	Spacer (quarter panel tail lamp attaching bolt rear)	27978-9
Housing (quarter panel fuel tank filler neck)	28617	Spring (quarter window sliding glass latch)	3796
Housing (quarter panel to floor pan filler neck)	27936	Strip (quarter window glass retaining)	29724
Knob (ash receptacle)	30710	Strainer (back belt flanging strip center to wheelhouse)	44640
Latch assy (quarter window sliding glass)-center	29670	Strainer (quarter hinge pillar upper reinforcement to package tray)	28164-5
Latch assy (quarter window sliding glass)-front	29668	Strap assy (assist)	31440
Lid assy (quarter panel fuel tank filler)	28611	Strip (quarter window finish)	29002-3
Medallion (ash receptacle)	30724	Strip and retainer assy (back belt tacking)-center	41748
Moulding (back belt finish)	41774	Strip and retainer assy (back belt tacking)-end	41760-1
Moulding (body side lining panel)-front	29040-1	Stop (quarter glass frame pivot)	30552
Moulding (quarter outside)-upper	29034-5	Trim assy (quarter)	31012-3
Moulding (quarter panel at belt outside)	29034-5	Trim assy (quarter folding compartment side)	32400-1
Moulding (quarter trim)-lower	31217	Trim assy (quarter lock pillar)	31224-5
Moulding (quarter trim)-upper	31140	Washer (quarter ventilating window pivot friction)	22963
Moulding (quarter trim panel)-lower	31215	Welt assy (back belt rail)	41786
Moulding (quarter window reveal outer)	29082-3	Weatherstrip (quarter vent window)	29904-5
Panel (body lower back)	40320	Weatherstrip (quarter window)	29904-5
Panel (body lower rear side)	40320-1	Weatherstrip (quarter window)-inner	29910
Panel (body quarter)	27840-1	Weatherstrip (quarter window belt)	29908-9
Panel (body quarter)-complete	27700-1	Weatherstrip (quarter window front)-complete	30106-7
Panel (body side finish outer)-lower front	27914-5	Weatherstrip (quarter window glass)-outer	29732
Panel (body side finish outer)-rear	27906-7	Weatherstrip (quarter window glass)-rear	29904
Panel (body side finish outer)-upper	27880-1	Weatherstrip (quarter window guide)	29750-1
Panel (body side lining)	31070-1	Windlace assy (quarter lock pillar)	02610
Panel (body upper back)	40310	Window and finish strip assy (quarter)-complete	29700-1
Panel (quarter wheelhouse)-inner	27886-7		
Panel (quarter window regulator)	27870-1		
Panel (rear body side inside lining)-lower	40330-1		
Panel (rear quarter inside lining)-upper	40326-7		
Panel assy (back lower rear center)	40308		
Panel assy (quarter rear corner)-upper	31096-7		
Pillar assy (quarter hinge)	28104-5		
Pillar assy (quarter lock)	28160-1		
Pillar assy (rear corner)	41032-3		
		ROOF	
		Bow (roof)-No. 1	51272
		Bow (roof)-No. 2 and 4	51276
		Bow (roof)-No. 3	51280
		Bow (roof)-No. 5	51288

Group Alphabetical Index

GROUP AND PART NAME	GROUP NO.	GROUP AND PART NAME	GROUP NO.
ROOF-CONTINUED		SEAT (FRONT) FOR HYDRAULIC EQUIPMENT REFER TO HYDRAULIC SYSTEM GROUP	
Cap (roof drip side finish moulding)-end	51750-1	Back assy (front seat)	60136-7
Cover assy (roof)	53700	Bracket (front seat lock lever)	61799
Extension (roof headlining retainer strip)-rear	52170-1	Bracket (front seat support to floor pan)-front	60456
Headlining assy (roof)	51916	Bracket (front seat support to floor pan)-rear	60462-3
Headlining (under back window)	42415	Cord assy (front seat back robe)	62800
Insulator (roof at quarter panel)	54332	Cover (front seat back)	64416-7
Insulator (roof panel)-front	54310	Cover (front seat back ash receptacle)	62882
Insulator (roof panel)-rear	54330	Cover (front seat base frame tube)	62664
Moulding (roof cover retainer)-front	53716-7	Cover (front seat base strainer)-rear upper	62694
Moulding (roof drip)	51700-1	Cover (front seat cushion)	62900
Moulding (roof drip)-rear	51704	Cover assy (front seat base)-side	62662-3
Moulding (roof drip)-rear extension	51702-3	Cushion assy (front seat)	60050
Moulding (roof drip)-side front	51710-1	Frame assy (front seat base)-trimmed	60335
Moulding (roof drip)-side rear	51714-5	Gear and cross tube assy (front seat)	61723
Moulding (roof drip finish)-side	51726-7	Handle (front seat lock lever)	61795
Moulding (roof panel finish)-rear	51734	Key (robe cord anchor plate)	62818
Pad (roof cover)-back belt	53728	Pad (front seat back)-front	64810-1
Pad (roof cover)-center	53722	Pad (front seat cushion)	63204
Pad (roof cover)-rear quarter side	53726	Pad (front seat cushion)-sponge rubber	63206
Pad (roof cover)-side	53724	Pad (front seat cushion)-upper	63200
Panel (roof)	50200	Pad assy (front seat back)	64800
Panel assy (roof)-with silencer	50026	Pin (front seat back frame hinge)-outer	61088
Rail (roof side)	51142-3	Plate (robe cord end anchor)	62808
Rail (roof side)	51184-5	Receptacle and retainer assy (front seat back ash receptacle)	62866
Rail (roof side)-front	51184-5	Screw (front seat back hinge stop lower adj.)	61114
Reinforcement (roof side rail)	51196-7	Scuff plate (front seat back)	61642
Reinforcement (roof rail side)-front	51190-1	Scuff plate (front seat back frame)-inner	61182
Retainer (roof cover)-side	53714	Shield assy (front seat side)	66400-1
Retainer (roof cover moulding)-front	53718	Spring (front seat adjustment tension)-front	63234
Retainer (roof panel finish moulding)-rear	51760	Spring (lock lever)	61784
Silencer (roof panel)	54306	Spring (robe cord anchor plate)	62820
Strip (roof headlining retaining)	50952-3	SEAT (REAR)	
Strip (roof headlining retaining)-center	50954-5	Back assy (rear seat)	60032
Strip (roof headlining retaining)-front	50952-3	Cover (rear seat back)	66600
Strip (roof headlining retaining)-rear	50956-7	Cover (rear seat cushion)	63804
Support (roof headlining)	52101-5	Cover (rear seat heelboard)	67516
Support and bracket assy (dome lamp mounting)	51486	Cushion assy (rear seat)	60080
SEAT (CENTER)-STATION WAGON		Hanger (rear seat back spring)	66746
Back assy (center seat)	60042-3	Moulding (rear seat riser)-front	60653
Bracket (center seat cushion)-on body	60687	Pad (rear seat back)	66800
Bracket (center seat to wheelhouse)	60637	Pad (rear seat cushion)-upper	63840
Bumper (center seat back)	61333	Pad (rear seat cushion spring)	63846
Catch assy (center and rear seat leg)	7350	Retainer (rear seat riser moulding)	60667
Cover (center seat back)	64428-9	Riser assy (rear seat)-front	60648
Cover (center seat cushion)	62908	Support (rear seat back frame)	62332
Cover assy (center seat bracket)	64522	Bracket (rear seat back frame support to floor strainer)	62410-1
Cushion assy (center seat)	60054	TAILGATE-STATION WAGON	
Leg (center seat)	60492	Angle (tailgate)-upper edge	45002
Leg assy (center seat)-folding	60476	Bolt (tailgate latch)	44448
Lock and housing assy (center seat cushion stop)	60818	Bracket (tailgate support rod)	44414-5
Riser (center seat leg)-front	60693	Bracket (tailgate to latch)	44424-5
Riser assy (center seat leg)-rear	60677	Bumper (tailgate dowel plate)	43916
Strip (center seat back lower)-finish	60574	Dowel (tailgate bumper)	43914
Strip (center seat cushion end)-finish	60578		
Strip (center seat cushion front)-finish	60577		
Strip (center seat cushion rear)-finish	60576		
Tip (center seat leg)	60988		

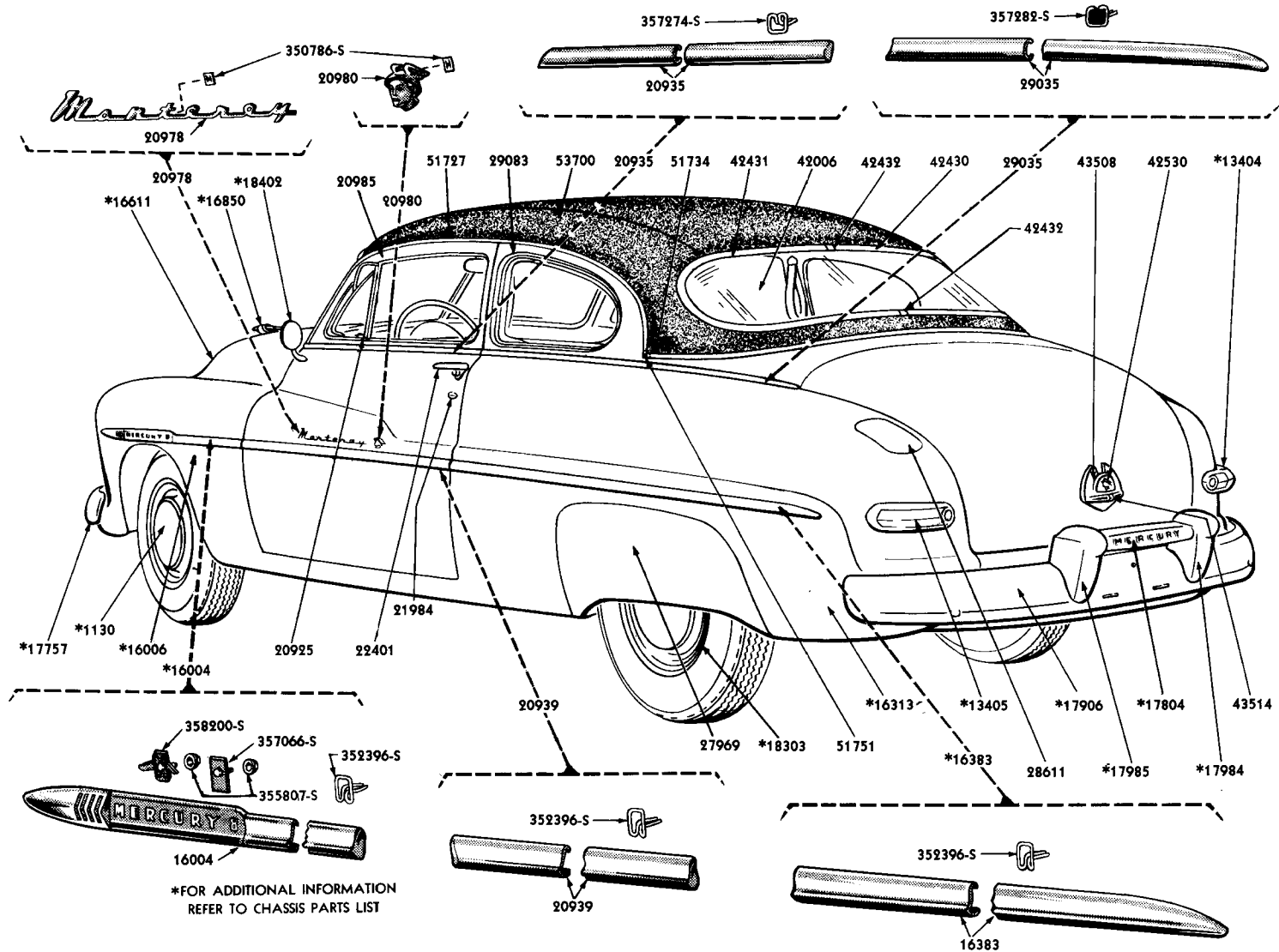
Group Alphabetical Index

XV

GROUP AND PART NAME	GROUP NO.	GROUP AND PART NAME	GROUP NO.
TAILGATE-STATION WAGON-CONTINUED		TOP-CONVERTIBLE-CONTINUED	
Frame and Panel assy (tailgate outside finish)-complete	40902	Knob (top control rod)	50579
Hinge (tailgate)	43000	Link (folding top)-No. 1	50432-3
Housing (tailgate support rod spring)	44428-9	Link (folding top balance)	50454
Latch assy (tailgate)	44434-5	Link (folding top power)-lower	50418
Panel (tailgate inside finish)	40726	Link (folding top power)-upper	50370
Rod assy (tailgate support)	44400-1	Link (folding top side rail control)-front	50310
Shim (tailgate striker plate)	44431	Link (folding top side rail control)-rear	50308
Spacer (rear lamp hinge)-on tailgate	40922	Link assy (folding top upper power)	50368
Spring (tailgate support rod)	44417	Loop (top boot to rear seat back)	54410
Strip (tailgate skid)	44432	Nut (folding top balance link to body bracket)-serrated	50404
Tailgate assy (complete painted and trimmed)	40200	Plate (folding top No. 1 bow protector)	51418
Tailgate assy (complete painted and trimmed)	40202	Plate (folding top tapping)-No. 3 bow	51256
Weatherseal (tailgate)	43016	Rail, bracket and link assy (folding top front side)-front	53006-7
Weatherseal (tailgate side)	41626	Rail and brackets assy (folding top pillar)	53196-7
Weatherstrip (tailgate)-bottom side	41632-3	Retainer (top control rod bushing)	50589
Weatherstrip (tailgate)-outer bottom	41632	Retainer (top control rod seal to dash)	01793
Weatherstrip (tailgate)-outer side	43726	Retainer (top deck welt sleeve)	53072
Weatherstrip (tailgate bottom side)-on body	41606	Rod (top folding compartment trim support)	54638
Weatherstrip (tailgate side)-bottom	43726	Seal (top control rod to dash)	01792
TOP-CONVERTIBLE		Side rail assy (folding top rear)-complete	51154-5
FOR HYDRAULIC EQUIPMENT REFER TO HYDRAULIC SYSTEM GROUP		Slat iron (folding top rear bow)	50340-1
Anti rattle (folding top No. 1 bow locking rod)	51422	Sleeve (top deck welt)	53070
Binding (header bow)-folding top	52308	Spacer (top operating cylinder to floor bracket)	50606
Binding (rear roof bow)-folding top	52300	Screw (balance link to side rail)	50522
Bolt (No. 2 bow and link to front side rail)	50520	Screw (No. 1 link to pillar rail)	50522
Bolt (No. 2 bow and link to front side rail)	50526	Support (top mounting brkt. on qtr. wheelhouse)	53128-9
Bolt (No. 1 link to rear side rail)	50523	Top deck and quarter assy (folding top)	52700
Bolt (lower link to mounting bracket)	50525	Top assy (folding)-complete	50100
Bolt (rear bow and top mounting bracket)	50521	Top assy (folding)-less trim	53000
Bow (folding top)-No. 3	51269	Valve (top operating control)	50738
Bow (folding top)-rear	51278	Washer (balance link to rear side rail)	53213
Bow and links assy (folding top)-No. 2	51264	Washer (lower power link to mounting bracket)	53213
Bracket (No. 2 bow conn. link to front side rail)	50890-1	Washer (No. 2 bow and link to rear side rail)	53210
Bracket (top mounting)	53118-9	Washer (No. 1 link to pillar rail)	53213
Bracket (top operating valve dash)	01658	Washer (No. 1 link to rear side rail and front side rail)	53211
Bracket (top slat iron side rail to header)	50832-3	Washer (rear bow to top mounting bracket)	53213
Bushing (folding top lock handle shaft)	53121	Washer (rear control link No. 2 bow to front control link No. 2 bow)	53217
Bushing (top control rod)	50588	Weatherseal (folding top quarter panel to hinge pillar)	52752-3
Clamp (folding top quarter pad to No. 3 bow)	51267	Weatherstrip (folding top)-No. 1 bow	51338-9
Container assy (top dust hood)	54486	Weatherstrip (folding top side roof rail)-center	51564
Control rod assy (top operating)	50570	Weatherstrip (folding top side roof rail)-front	51562-3
Curtain assy (folding top back)	52500	Weatherstrip (folding top side roof rail)-rear	51566-7
Cylinder (top operating)	50601	Yoke (top operating cylinder)	50774
Dowel (folding top No. 1 bow)-center	03442	Zipper assy (top back curtain)	53250
Dowel (folding top No. 1 bow)-end	03458-9	WINDOW (BACK)	
Fastener (button)	53029	Cover (back window outside moulding joint)	42432
Frame (back curtain glass)-inner	53224	Glass (back window)	42006
Frame assy (back curtain glass)-outer	53220	Handle (back window)-inside	43426
Glass (top back curtain)	53200	Handle (back window)-outside-less lock and cylinder	43429
Handle (top locking)	03570	Hinge (back window)	42900
Header assy (folding top No. 1 bow)	51270	Insert (back window weatherstrip)	42054
Hinge (folding top pillar)	24324-5	Lock assy (back window)	43102
Hinge (folding top rear side rail)-rear	53170-1	Moulding (back window opening)-inner	42410
Hinge (upper quarter pillar bracket)-folding top	50378-9		
Hinge and link assy (folding top front side rail)	53008-9		
Hinge and link assy (folding top rear side rail)-frt.	53010-1		
Hood assy (top dust)	54400		

Group Alphabetical Index

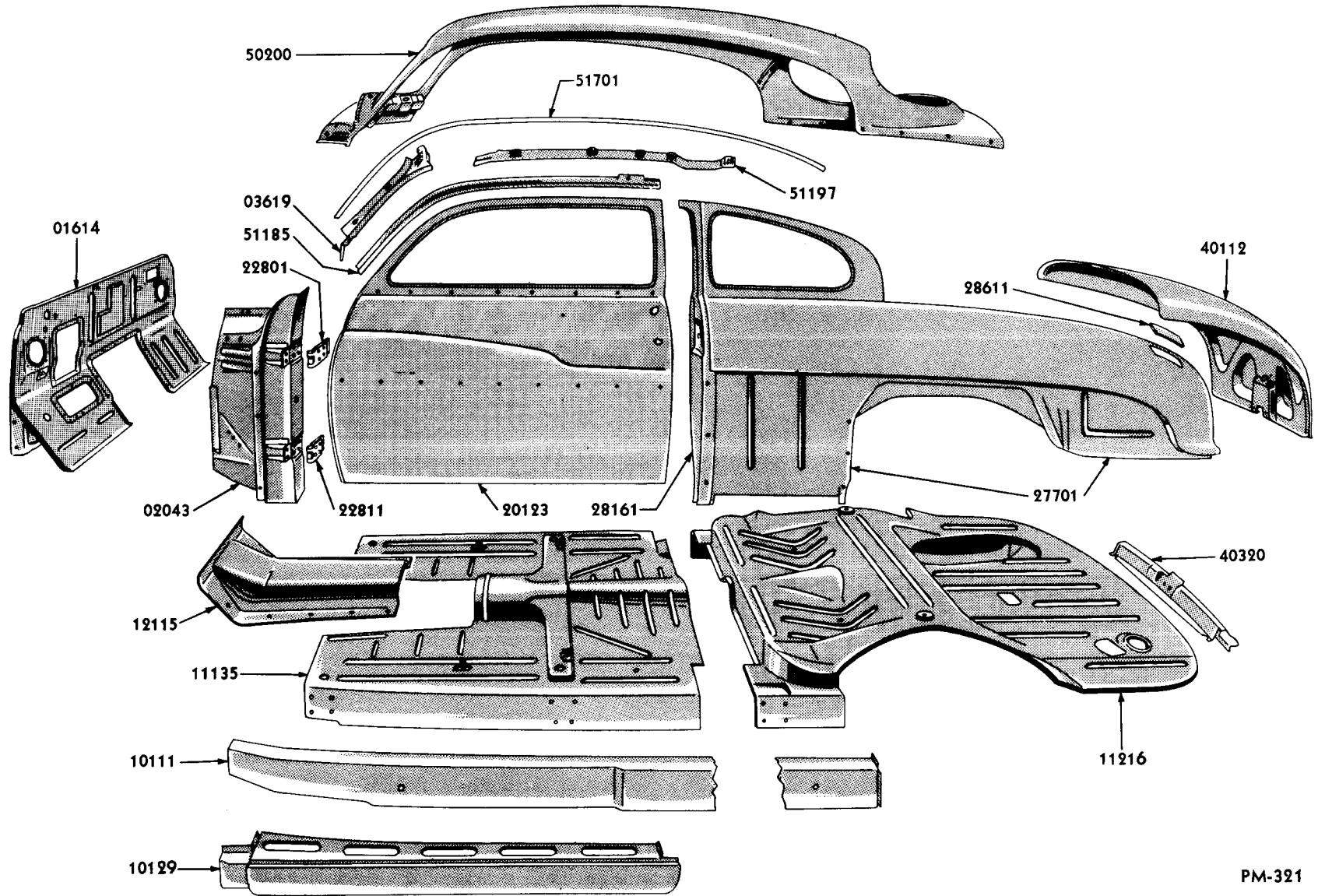
GROUP AND PART NAME	GROUP NO.	GROUP AND PART NAME	GROUP NO.
WINDOW (BACK)-CONTINUED		WINDSHIELD	
Moulding (back window outside)-end	42430-1	Extension (windshield opening reinforcement)	03618-9
Pin (back window support arm stop)	42057	Glass (windshield)	03100
Plate (back window lock striker)	43126	Moulding (windshield finish)-outside	03088-9
Retainer (back window weatherstrip)-outer	42094	Panel (windshield opening inside)	03566
Strip (back window division bar finish)	42424	Plate (windshield center inside finish strip)-lower	03086
Strip (back window finish)	42400-1	Plate (windshield finish strip)-upper	03084
Support (back window)	42058-9	Plug (windshield opening finish strip defroster)	03594
Weatherseal (back window)-lower	42086	Retainer (windshield center weatherstrip)-inner	03076
Weatherseal (back window)-upper	42084	Retainer (windshield center weatherstrip)-outer	03078
Weatherstrip (back window)	41954	Seal (windshield header)-inner	03476
Weatherstrip (back window)	42084	Strainer assy (windshield)-center	03040
Weatherstrip (back window)-lower corner	42088-9	Strip (windshield opening finish)	03590-1
Weatherstrip (back window)-outer	43706	Weatherstrip (windshield)	03110-1
Window frame assy (back)-less glass and trim	42002		



SIX PASSENGER COUPE EXTERIOR VIEW (BODY TYPE 72-C)

Group numbers only shown on illustration. Order by Part Numbers shown in list of parts.

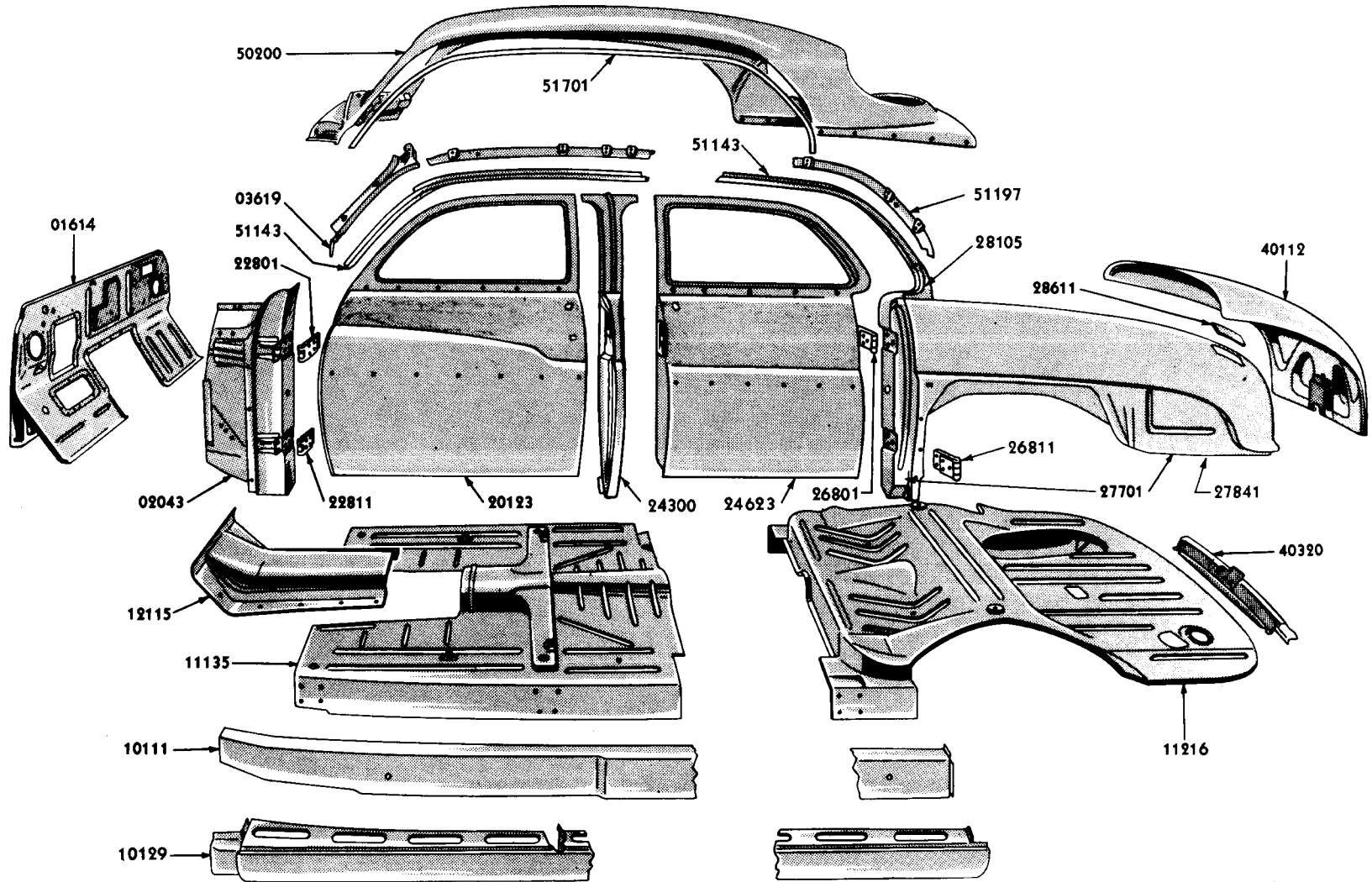
PM-380



SIX PASSENGER COUPE (BODY TYPE 72)

Group numbers only shown on illustration. Order by Part Numbers shown in list of parts.

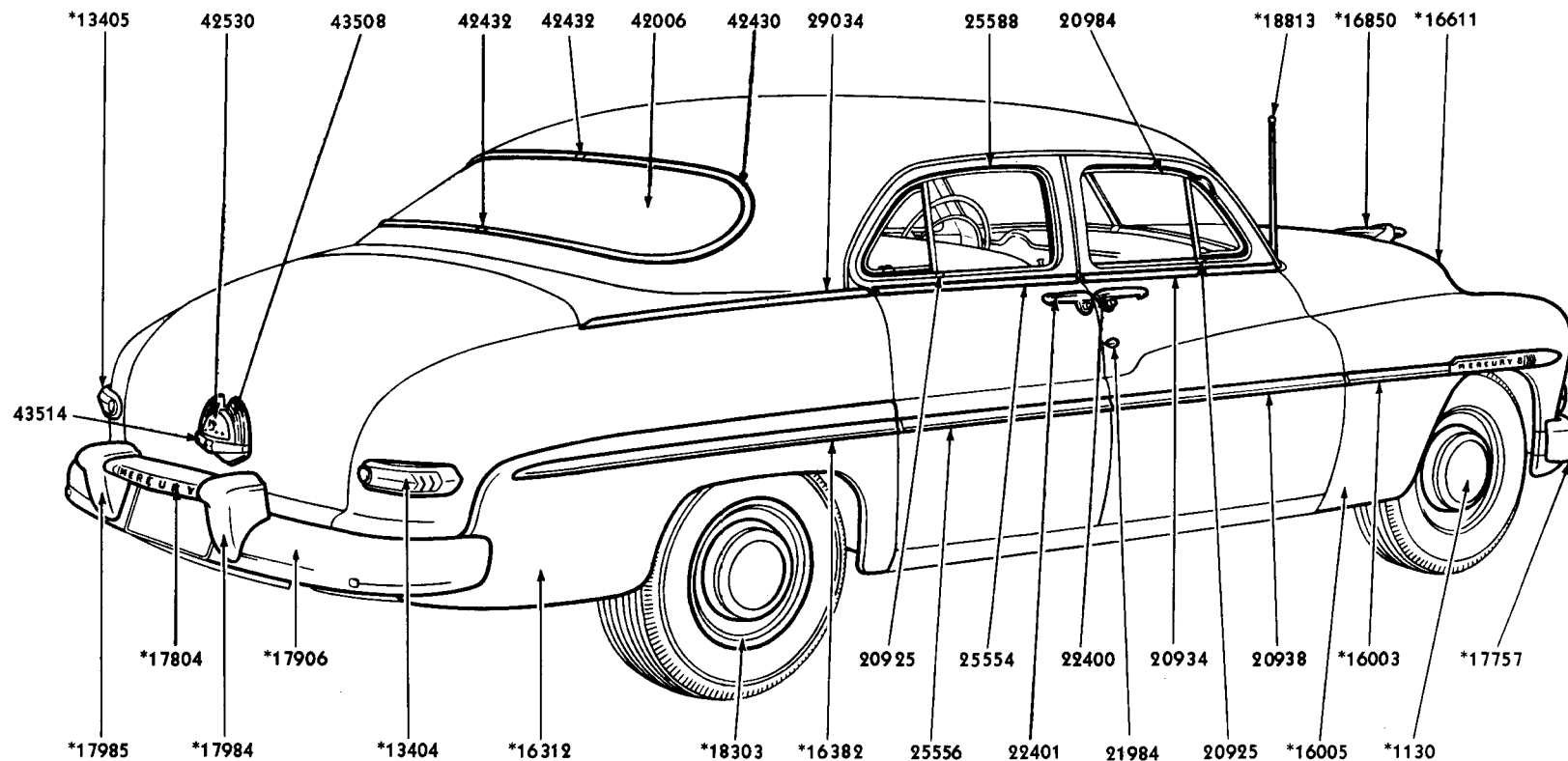
PM-321



PM-322

SPORT SEDAN (BODY TYPE 74)

Group numbers only shown on illustration. Order by Part Numbers shown in list of parts.

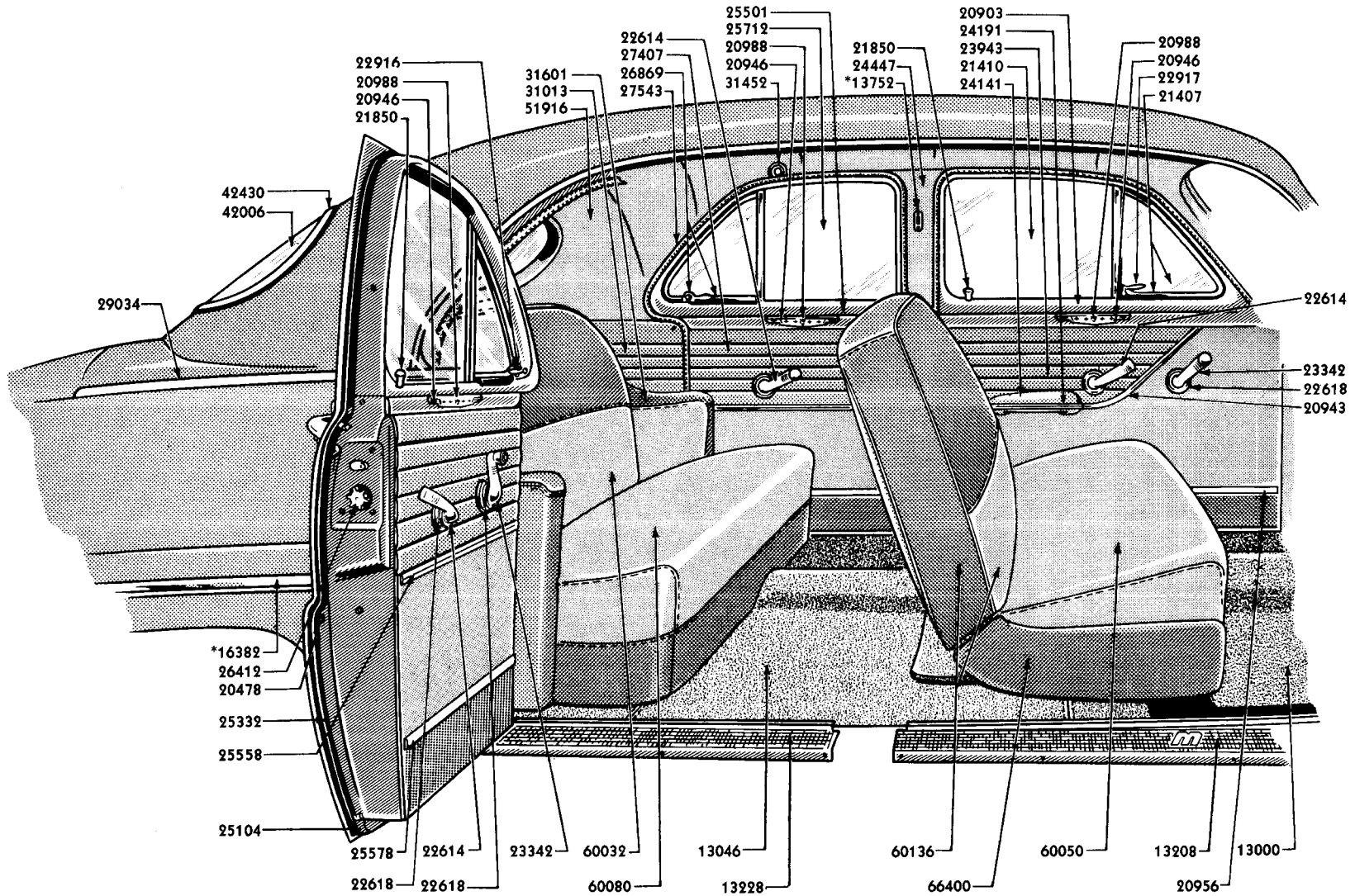


*FOR ADDITIONAL INFORMATION REFER TO CHASSIS PARTS LIST

PM-327

SPORT SEDAN EXTERIOR VIEW (BODY TYPE 74)

Group numbers only shown on illustration. Order by Part Numbers shown in list of parts.

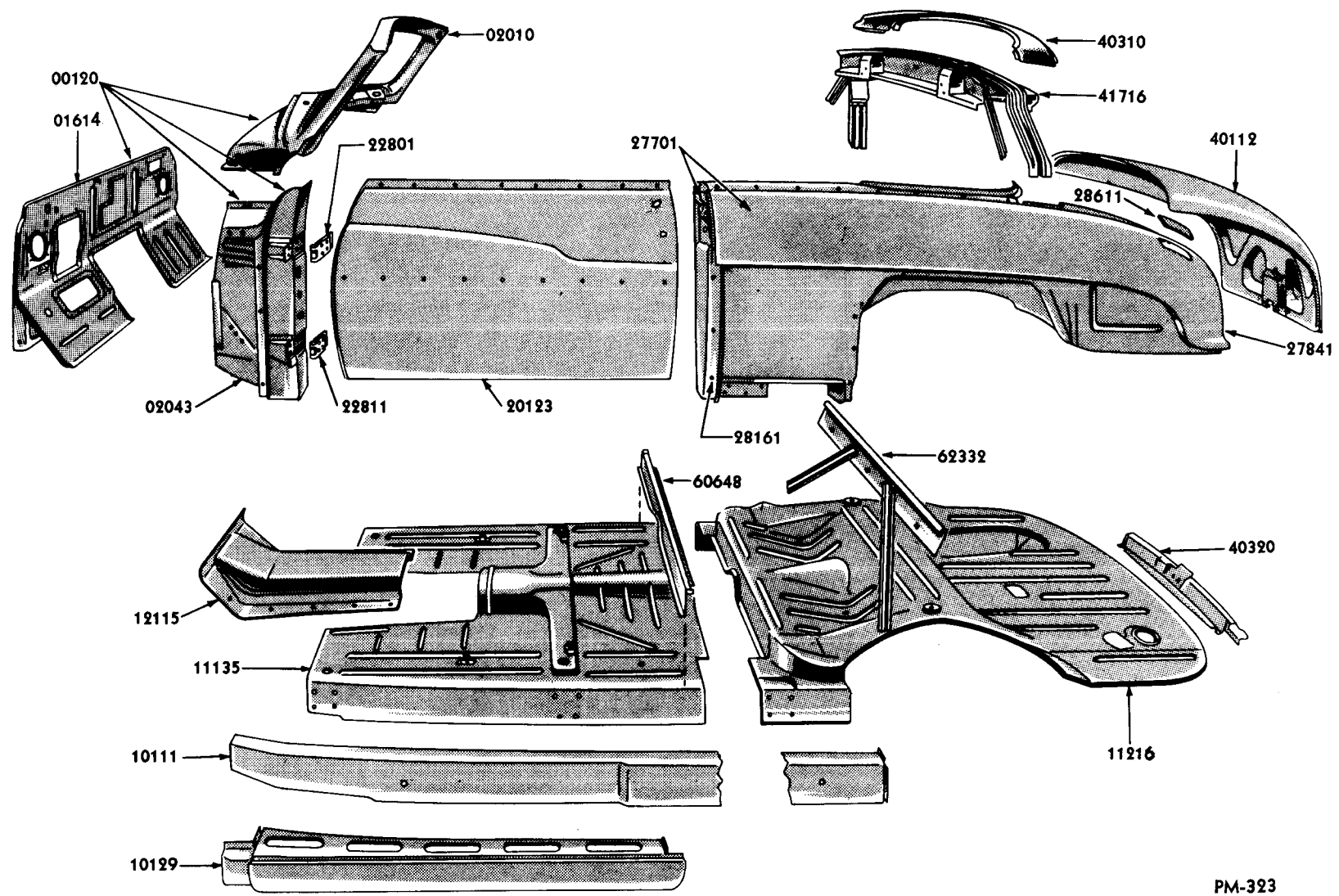


*FOR ADDITIONAL INFORMATION REFER TO CHASSIS PARTS LIST.

PM-309

INTERIOR VIEW (BODY TYPE 74)

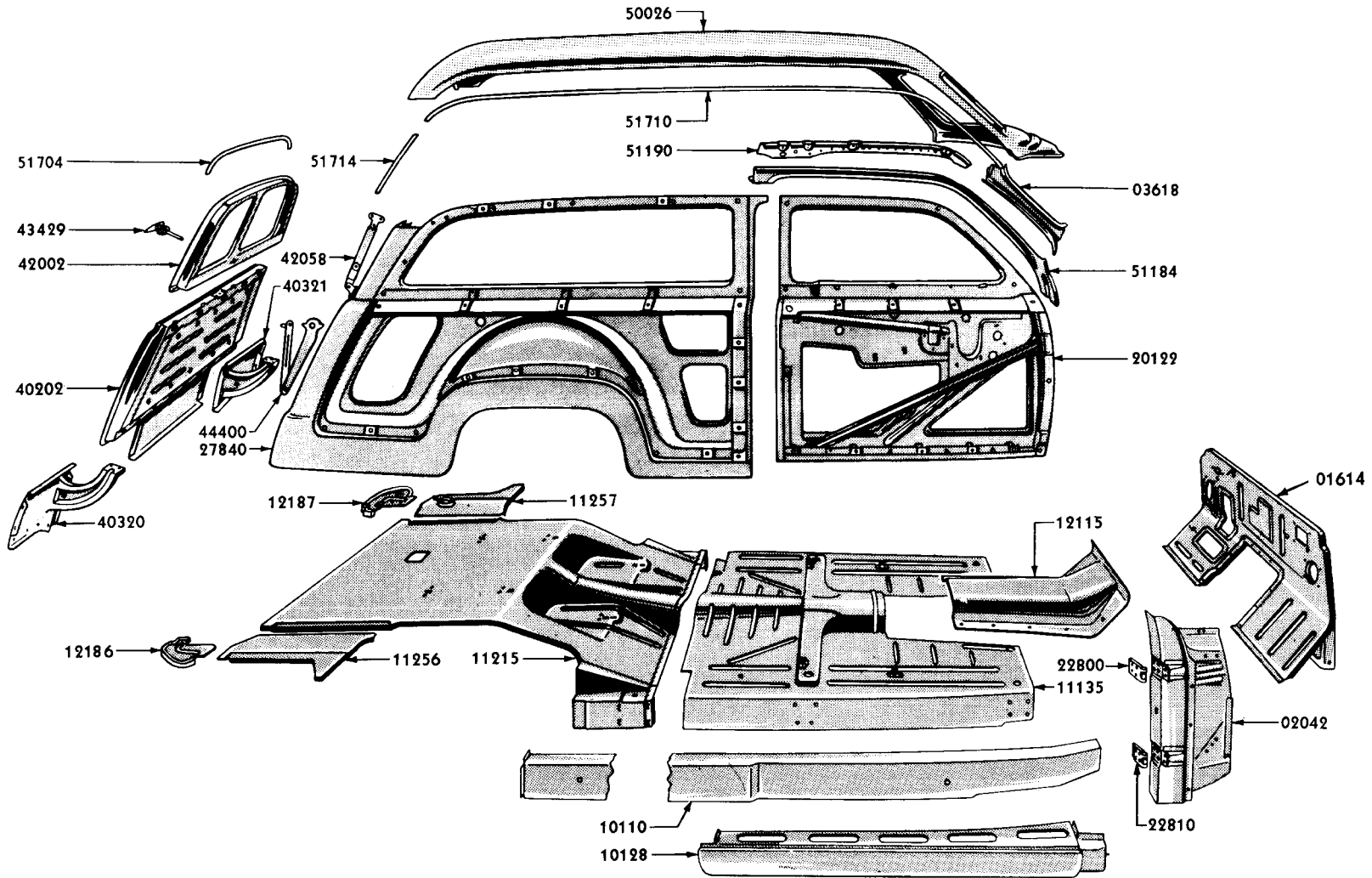
Group numbers only shown on illustration. Order by Part Numbers shown in list of parts.



PM-323

SIX PASSENGER CONVERTIBLE COUPE (BODY TYPE 76)

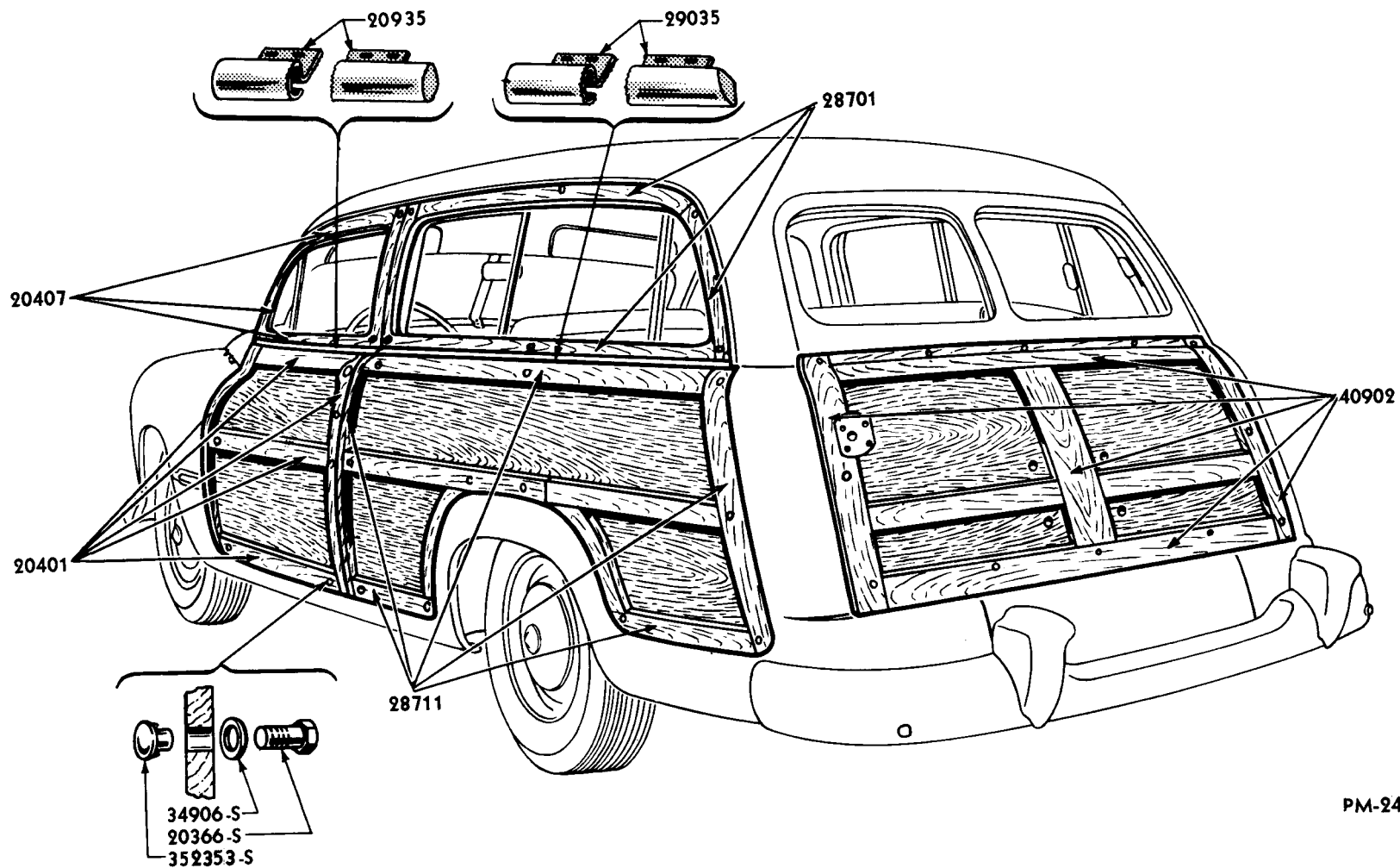
Group numbers only shown on illustration. Order by Part Numbers shown in list of parts.



PM-324

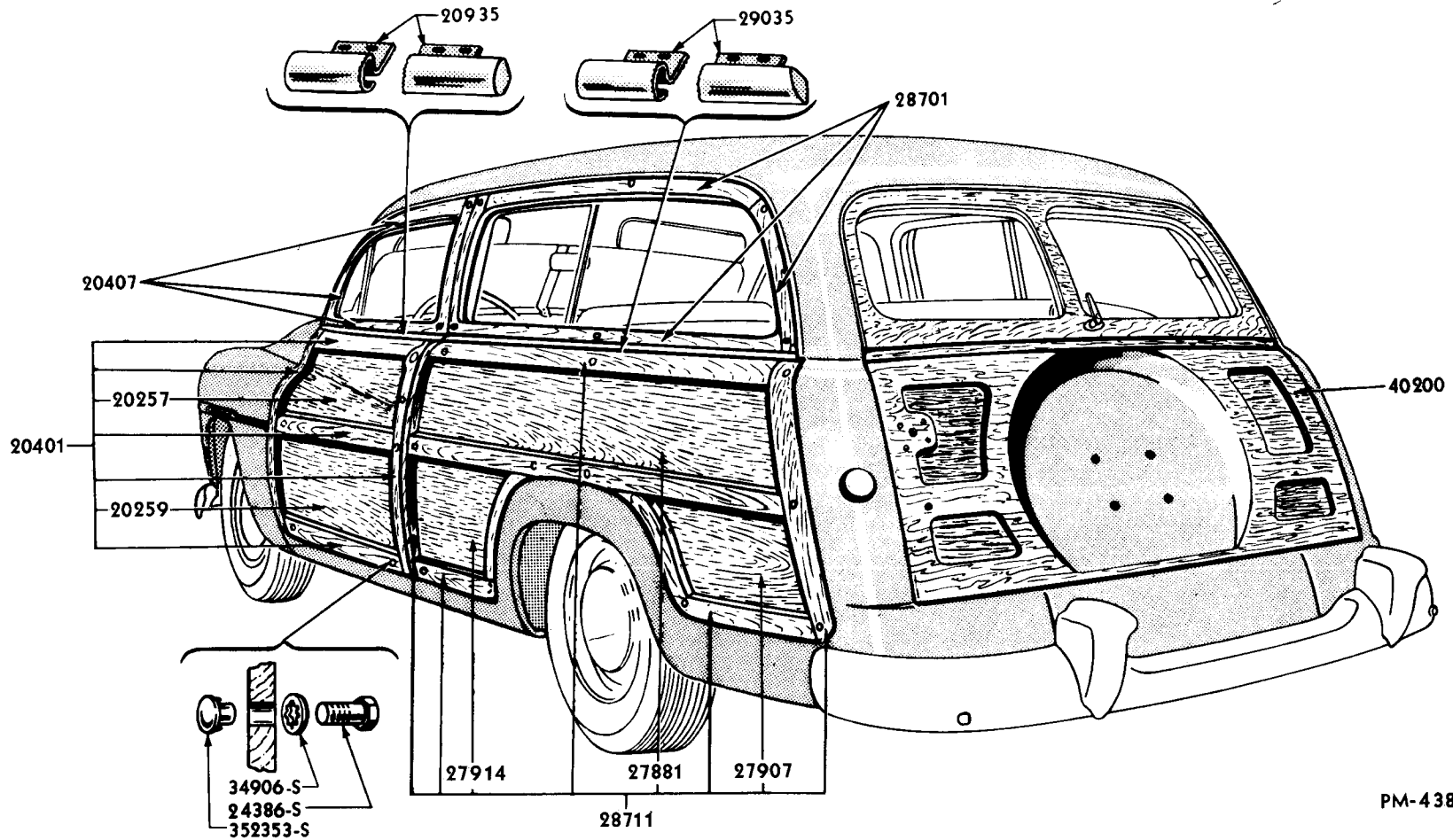
STATION WAGON (BODY TYPE 79)

Group numbers only shown on illustration. Order by Part Numbers shown in list of parts.



STATION WAGON EXTERIOR VIEW—WOOD PANELS (BODY TYPE 79)

Group numbers only shown on illustration. Order by Part Numbers shown in list of parts.



PM-438

STATION WAGON EXTERIOR VIEW-METAL PANELS (BODY TYPE 79)

Group numbers only shown on illustration. Order by Part Numbers shown in list of parts.

MERCURY

BODY PARTS CATALOGUE

YEAR 19__	BODY TYPES	REMARKS	PART NUMBER	NO. REQ'D
Group 1671 BUMPER (GLOVE COMPARTMENT DOOR)				
50	OM		48 701671-A	2
Group 3687-9 LOCK SET ASSEMBLY				
50	OM72A-72B-72C-74-76	Consists of ignition lock cylinder with keys and door lock cylinders and sleeve	OM 3687-A	1
50	OM76	Consists of ignition lock cylinder with keys and door lock cylinders and sleeve	OM 3687-B	1
50	OM79	Consists of ignition lock cylinder with keys and door lock cylinders and sleeve	OH 3687-A	1
50	OM72B-72C-74-76	Consists of glove compartment lock assy with keys and rear deck lock cylinder	OM 3689-A	1
50	OM79	Consists of glove compartment lock assy with keys and rear window lock cylinder and spare wheel lock cylinder	OM 3689-B	1
50	OM72A	Consists of glove compartment latch and rear deck lock cylinder with keys	OM 3684-C	1
Group 3796 SPRING (QUARTER WINDOW SLIDING GLASS LATCH)				
50	OM79		81A 793796	2
Group 5280-1 HANDLE (QUARTER GLASS FRAME)				
50	OM72B-72C	R.H.	78 735280	1
50	OM72B-72C	L.H.	78 735281	1
50	OM72B-72C	Pin (grooved)-3/32" x 1/2"	352471-S7	2
50	OM72B-72C	Washer (spring)-5/16"	356361-S7	1
Group 6930-1 GROMMET (ACCELERATOR KICK DOWN SWITCH FRONT FLOOR CARPET)				
50	OM72B-72C-74	Clinch No. 5 male	16H 6930	1
50	OM72B-72C-74	Clinch No. 5 female	16H 6931	1
Group 7350 CATCH ASSEMBLY (CENTER AND REAR SEAT LEG)				
50	OM79		81A 797350	2
50	OM79	Bolt-1/4"-20	39438-S2	4
50	OM79	Nut (lock)-1/4"-20	34390-S7	4
Group 00120 FRONT ASSEMBLY (BODY)				
50	OM76		1M 7600120	1
Group 00150 PAD (BODY TO CROSS MEMBER)				
50	OM	Rubber-1-43/64" diameter	7A 7000150-A	6
Group 00152 ANTI SQUEAK (BODY TO FRAME)				
50	OM72A-72B-72C-74-76	Rubber-1-1/4" O.D. x 51/64" thick	8M 7000152	2
Group 00154 ANTI SQUEAK (BODY TO FRAME)				
50	OM	1-13/16" diameter	21A 7000154-A	6
50	OM	Rubber-1-3/4" O.D. x 31/32" thick	7EH 7300154	2
Group 00154 SPACER (BODY TO FRAME AT SEAT TRACK)				
50	OM76	Metal-3/8" dia. hole x 1-1/2" O.D. x 11/16" thick	8M 7600154-B	2
Group 01614 PANEL AND BRACE ASSEMBLY (DASH)				
50	OM72A-72B-72C-74-79	With accelerator shaft bracket	1M 7201614	1
50	OM76	Without accelerator shaft bracket	OM 7601614	1
50	OM76	With accelerator shaft bracket	1M 7601614	1

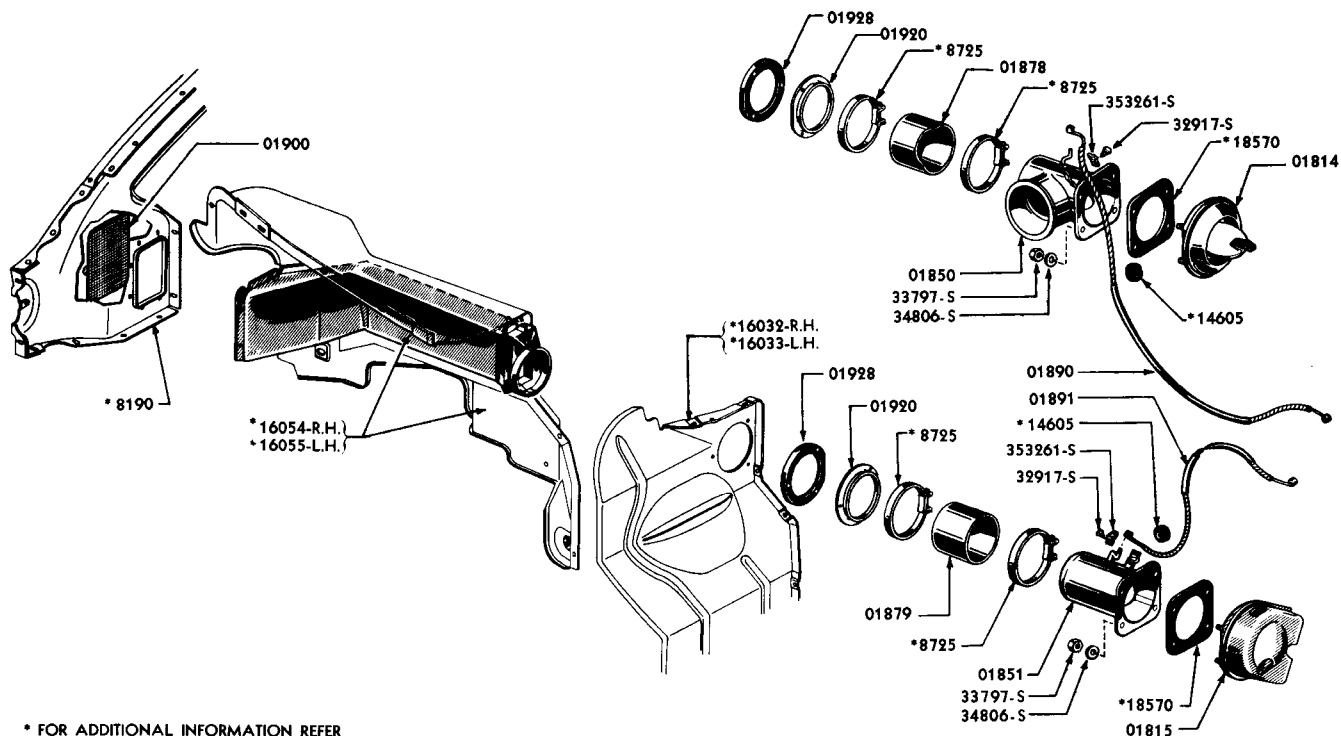
MERCURY

BODY PARTS CATALOGUE

YEAR 19__	BODY TYPES	REMARKS	PART NUMBER	NO. REQ'D
Group 01634 COVER ASSEMBLY (HANDBRAKE CABLE OPENING) DASH				
50	OM	Steel	OM 7201634	1
Group 01654 RETAINER (STEERING COLUMN OPENING SEALER)				
50	OM	approximately 5-7/16" long	8M 7001654-B	2
50	OM	Screw (hex head self tapping)-No. 10-12 x 1-1/4"	42037-S	4
Group 01658 BRACKET (TOP OPERATING VALVE DASH)				
50	OM76		8M 7601658-B	1
50	OM76	Bolt (hex head)-1/4"-20 x 1/2"	24308-S8	2
50	OM76	Locknut (hex)-1/4"-20	34390-S7	2
Group 01670 INSULATOR ASSEMBLY (DASH UPPER)				
50	OM		OM 7201670	1
50	OM		1M 7201670	1
Group 01673 INSULATOR ASSEMBLY (STEERING COLUMN OPENING)-DASH UPPER				
50	OM		OM 7201673	1
Group 01695 GROMMET (HAND BRAKE CABLE CONDUIT TO DASH)				
50	OM	Rubber-1/16" thick	OM 7201695	1
Group 01698 PLATE (STEERING COLUMN OPENING LOWER COVER)				
50	OM		8M 7001698-B	1
50	OM	Screw (hex head self tapping)-No. 10-12 x 1/2"	42007-S7	as req'd
Group 01699 PLATE (STEERING COLUMN OPENING UPPER COVER)				
50	OM	Steel	8M 7001699-B	1
50	OM	Screw (hex head self tapping)-No. 10-12 x 1/2"	42007-S7	as req'd
Group 01714 BRACE ASSEMBLY (DASH TO FRAME)				
50	OM	with reinforcement	8M 7001714	2
Group 01718 SEALER (DASH INSULATOR)-DUCT				
50	OM	Rubber-38-3/64" long x 1-3/4" wide	OM 7201718-A	1
50	OM	Rubber-38-15/32" long x 2-13/16" wide	OM 7201718-B	1
Group 01736 SPACER (DASH TO FRAME BRACE)				
50	OM72A-72B-72C-74-79	Rubber-1-3/4" square x 9/32" thick-hole diameter 13/32"	8M 7001736-A	6
50	OM	Rubber-1-3/4" square x 9/32" thick-hole diameter 5/8"	8M 7001736-B	8
Group 01740 SPACER (BODY TO FRAME)-NO. 1 BODY BOLT				
50	OM	Steel-1-3/4" square x 5/16" thick	8M 7001740	2
50	OM76	1/2" core 1-3/4" diameter	8H 7301740	2
Group 01786-7 SILENCER (DASH PANEL LOWER)				
50	OM	R.H.-use with Standard Transmission	8M 7001786-C	1
50	OM	L.H.-with punch out clutch pedal opening-Standard Transmission	8L 7201787	1
50	OM	R.H.-use with Merc.O-Matic transmission	1M 7201786	1
50	OM	L.H.-use with Merc.O-Matic transmission	1M 7201787-B	1
50	OM	Washer (flat)-No. 6	34701-S7	3

BODY PARTS CATALOGUE

YEAR 19	BODY TYPES	REMARKS	PART NUMBER	NO. REQ'D
Group 01792 SEAL (TOP CONTROL ROD TO DASH)				
50	OM76	Sponge Rubber-1" x 25/32" x 1/4"	8M 7601792	1
50	OM76	Screw (binding head self tapping)-No. 8-15 x 1/4"	32909-S2	2
Group 01793 RETAINER (TOP CONTROL ROD SEAL TO DASH)				
50	OM76	1-23/32" long	8M 7601793	1
50	OM76	Screw (pan head self tapping)-No. 8-15 x 1/4"	52720-S8	2



* FOR ADDITIONAL INFORMATION REFER TO CHASSIS PARTS LIST

PM-414

1950 FRESH AIR SYSTEM

Group numbers only shown on illustration. Order by Part Numbers shown in list of parts.

Group 01814-5 REGISTER ASSEMBLY (FRESH AIR DUCT)				
50	OM	R.H.	8M 7301814	1
50	OM	L.H.	OM 7301815	1
Group 01844 HANDLE (FRESH AIR DUCT REGISTER DOOR)				
50	OM	R.H.-only 1 required when hot water heater is used	8M 7301844	2
Group 01846 PLATE (HEATER OPENING COVER)				
50	OM	When heater is not used	OM 7201846	1

MERCURY

BODY PARTS CATALOGUE

YEAR 19	BODY TYPES	REMARKS	PART NUMBER	NO. REQ'D
Group 01848 PLATE (HEATER CONTROL VALVE OPENING COVER)				
50	OM	When heater is not used	8H 7301848	1
Group 01850-1 VALVE ASSEMBLY (FRESH AIR DUCT)				
50	OM	R.H. When heater is used	OM 7201850-A	1
50	OM	R.H. When heater is not used	OM 7201850-B	1
50	OM	L.H.	OM 7201851	1
50	OM	Clip	353261-S7	1
50	OM	Screw (pan head)-No. 10-12 x 3/8"	32917-S7	4
Group 01878-9 CONNECTOR (BODY VENT AIR DUCT)				
50	OM	R.H.-Rubber	8M 7001878	1
50	OM	L.H.-Rubber	8M 7001879	1
Group 01890-1 CONTROL ASSEMBLY (FRESH AIR INLET)				
50	OM	R.H.	OM 7201890-B	1
50	OM	L.H.	OM 7201891-B	1
50	OM	Screw and washer assy (hex head)-No. 10-32 x 1/2"	42728-S8	1
50	OM	Grommet (3/4" O.D. x 1/4" I.D.)	42728-S8	1
Group 01900 SCREEN (VENTILATING AIR DUCT) FRONT				
50	OM		OM 7201900	2
Group 01920 PLATE (AIR VENTILATING REAR DUCT SEALER)				
50	OM	4-23/64" I.D. x 5-7/16" O.D. with three 7/32" dia. holes equally spaced	8M 7001920	2
Group 01928 SEALER (AIR VENTILATING REAR DUCT)				
50	OM	Sponge Rubber	8M 7001928	2
Group 02010 PANEL ASSEMBLY (COWL TOP)				
50	OM76		OM 7602010	1
Group 02042-3 PILLAR AND PANEL ASSEMBLY (COWL SIDE AND BODY FRONT)				
50	OM72A-72B-72C-74	R.H.	OM 7202042-A	1
50	OM72A-72B-72C-74	L.H.	OM 7202043-A	1
50	OM76	R.H.	OM 7602042-A	1
50	OM76	L.H.	OM 7602043-A	1
50	OM79	R.H.	OM 7902042-A	1
50	OM79	L.H.	OM 7902043-A	1
Group 02066 ANTI SQUEAK (COWL SIDE PANEL)				
50	OM	22-1/4" long	8M 7002066-B	2
Group 02074-5 SEALER (COWL PANEL TO HOOD)				
50	OM	R.H.-Rubber	8M 7002074	1
50	OM	L.H.-Rubber	8M 7002075	1
50	OM	Nail (drive)-No. 6 x 1/2"	351629-S28-A2B	8
50	OM	Screw (pan head self tapping)-No. 8-15 x 5/8"	32930-S7	8
Group 02092 COVER (COWL SIDE PANEL OPENING)				
50	OM	approximately 8-3/4" long-2-3/4" wide-with rounded corners	7A 7002092	2
50	OM	Screw (binding head self tapping)-No. 8-18 x 3/8"	33176-S2	8

BODY PARTS CATALOGUE

YEAR 19	BODY TYPES	REMARKS	PART NUMBER	NO. REQ'D
Group 02093 GASKET (COWL SIDE PANEL OPENING COVER)-CARDBOARD				
50	OM	Cardboard 9" overall	7A 7002093	2
Group 02344-5 CARDBOARD (COWL TRIM)				
50	OM72B-74	R.H.-Blue	OM 7202344-AB	1
50	OM72B-74	L.H.-Blue	OM 7202345-AB	1
50	OM72B-74	R.H.-Green	OM 7202344-AR	1
50	OM72B-74	L.H.-Green	OM 7202345-AR	1
50	OM72A-72B-74	R.H.-Tan	OM 7202344-AA	1
50	OM72A-72B-74	L.H.-Tan	OM 7202345-AA	1
50	OM76	R.H.-Gray	OM 7602344-AC	1
50	OM76	L.H.-Gray	OM 7602345-AC	1
50	OM76	R.H.-Red	OM 7602344-AA	1
50	OM76	L.H.-Red	OM 7602345-AA	1
50	OM76	R.H.-Tan	OM 7602344-AB	1
50	OM76	L.H.-Tan	OM 7602345-AB	1
50	OM79	R.H.-Green-use on jobs equipped with Stationary Center Seat	OM 7902344-AC	1
50	OM79	L.H.-Green-use on jobs equipped with Stationary Center Seat	OM 7902345-AC	1
50	OM79	R.H.-Green-use on jobs equipped with Folding Center Seat	OM 7902344-AG	1
50	OM79	L.H.-Green-use on jobs equipped with Folding Center Seat	OM 7902345-AG	1
50	OM79	R.H.-Red-use on jobs equipped with Stationary Center Seat	OM 7902344-AA	1
50	OM79	L.H.-Red-use on jobs equipped with Stationary Center Seat	OM 7902345-AA	1
50	OM79	R.H.-Red-use on jobs equipped with Folding Center Seat	OM 7902344-AE	1
50	OM79	L.H.-Red-use on jobs equipped with Folding Center Seat	OM 7902345-AE	1
50	OM72B-74-79	R.H.-Tan-use with Tan Leather Trim	OM 7902344-AB	1
50	OM72B-74-79	L.H.-Tan-use with Tan Leather Trim	OM 7902345-AB	1
50	OM79	R.H.-Tan-use on jobs equipped with Folding Center Seat	OM 7902344-AF	1
50	OM79	L.H.-Tan-use on jobs equipped with Folding Center Seat	OM 7902345-AF	1
Group 02348-9 COWL TRIM PANEL ASSEMBLY				
50	OM72C	R.H.-Black Artificial Leather	OM 7202348-AV	1
50	OM72C	L.H.-Black Artificial Leather	OM 7202349-AV	1
50	OM72C	R.H.-Red Artificial Leather	OM 7202348-AX	1
50	OM72C	L.H.-Red Artificial Leather	OM 7202349-AX	1
50	OM72C	R.H.-Dark Tan Artificial Leather	OM 7202348-AAF	1
50	OM72C	L.H.-Dark Tan Artificial Leather	OM 7202349-AAF	1
50	OM72C	R.H.-Turquoise Blue Artificial Leather	OM 7202348-AY	1
50	OM72C	L.H.-Turquoise Blue Artificial Leather	OM 7202349-AY	1
Group 02354 RETAINER (COWL CARDBOARD)				
50	OM	in Prime-17-19/32" long	OM 7202354-AP	2
50	OM	Screw (pan head)-No. 8-15 x 3/8"	52720-S8	6
Group 02504-5 PILLAR ASSEMBLY (FRONT BODY HINGE)-COMPLETE				
50	OM76	R.H.	OM 7602504-A	1
50	OM76	L.H.	OM 7602505-A	1
Group 02512-3 MOULDING (FRONT BODY PILLAR)-DRIP				
50	OM76	R.H.-17-9/32" long	OM 7602512	1
50	OM76	L.H.-17-9/32" long	OM 7602513	1

MERCURY

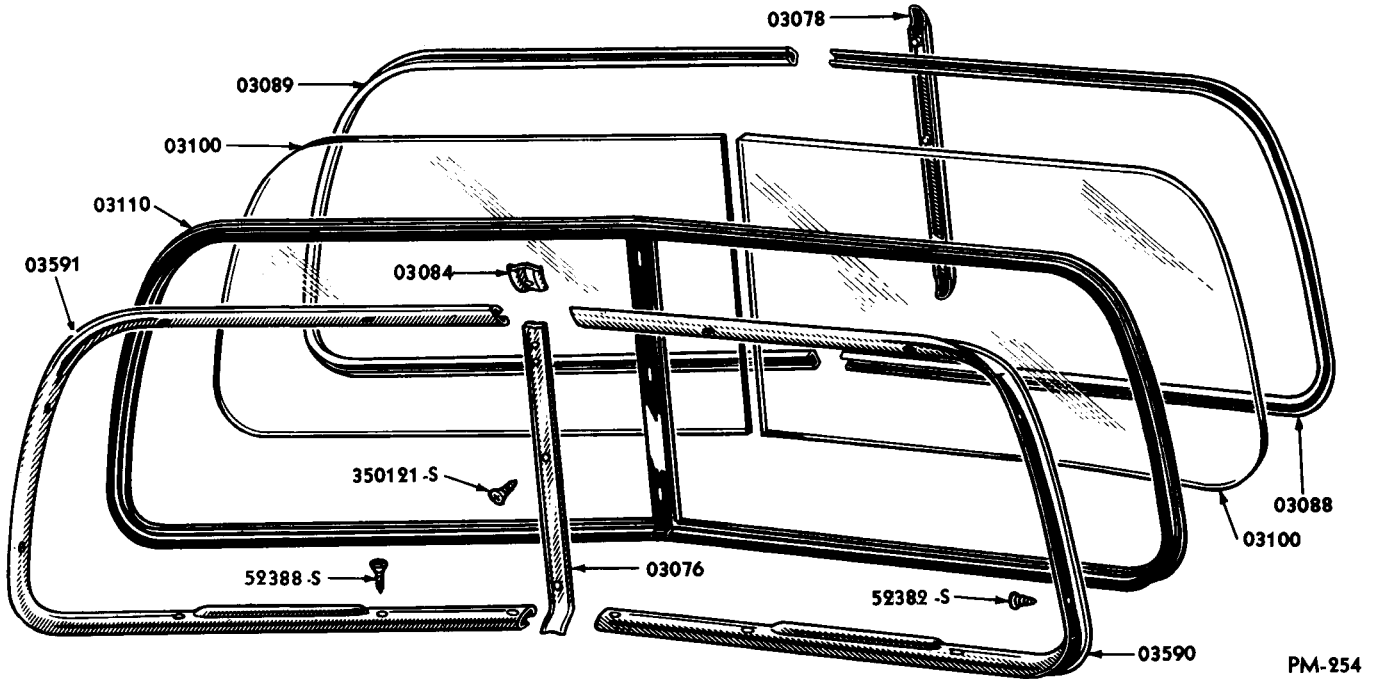
BODY PARTS CATALOGUE

YEAR 19__	BODY TYPES	REMARKS	PART NUMBER	NO. REQ'D
Group 02594-5 RETAINER (FRONT BODY PILLAR WEATHERSTRIP)-UPPER				
50	OM76	R.H.	7A 7602594	1
50	OM76	L.H.	7A 7602595	1
Group 02600-1 WINDLACE AND REINFORCEMENT ASSEMBLY (FRONT BODY PILLAR AND DOOR OPENING)				
50	OM72A	R.H.-Blue-123" long	OM 7202600-AAG	1
50	OM72A	L.H.-Blue-123" long	OM 7202601-AAG	1
50	OM72B	R.H.-Blue-123" long-with M-16908-L Headlining Cloth	OM 7202600-AB	1
50	OM72B	L.H.-Blue-123" long-with M-16908-L Headlining Cloth	OM 7202601-AB	1
50	OM72B	R.H.-Blue Gray-123" long-with M-5156-Q Sidewall Cloth	OM 7202600-AD	1
50	OM72B	L.H.-Blue Gray-123" long-with M-5156-Q Sidewall Cloth	OM 7202601-AD	1
50	OM72B	R.H.-Green-123" long	OM 7202600-AR	1
50	OM72B	L.H.-Green-123" long	OM 7202601-AR	1
50	OM72A-72B	R.H.-Tan-123" long	OM 7202600-AA	1
50	OM72A-72B	L.H.-Tan-123" long	OM 7202601-AA	1
50	OM72B	R.H.-Tan Artificial Leather-use with Tan Leather Trim	OM 7202600-AC	1
50	OM72B	L.H.-Tan Artificial Leather-use with Tan Leather Trim	OM 7202601-AC	1
50	OM72C	R.H.-Red	OM 7202600-AX	1
50	OM72C	L.H.-Red	OM 7202601-AX	1
50	OM72C	R.H.-Turquoise	OM 7202600-AAF	1
50	OM72C	L.H.-Turquoise	OM 7202601-AAF	1
50	OM72C	R.H.-Turquoise Blue	OM 7202600-AY	1
50	OM72C	L.H.-Turquoise Blue	OM 7202601-AY	1
50	OM72C	R.H.-Yellow	OM 7202600-AV	1
50	OM72C	L.H.-Yellow	OM 7202601-AV	1
50	OM74	R.H.-Blue-112" long-with M-16908-L Headlining Cloth	OM 7402600-AB	1
50	OM74	L.H.-Blue-112" long-with M-16908-L Headlining Cloth	OM 7402601-AB	1
50	OM74	R.H.-Blue Gray-112" long-with M-5156-Q Sidewall Cloth	OM 7402600-AD	1
50	OM74	L.H.-Blue Gray-112" long-with M-5156-Q Sidewall Cloth	OM 7402601-AD	1
50	OM74	R.H.-Green-112" long	OM 7402600-AR	1
50	OM74	L.H.-Green-112" long	OM 7402601-AR	1
50	OM74	R.H.-Tan-112" long	OM 7402600-AA	1
50	OM74	L.H.-Tan-112" long	OM 7402601-AA	1
50	OM74	R.H.-Tan Artificial Leather-use with Tan Leather Trim	OM 7402600-AC	1
50	OM74	L.H.-Tan Artificial Leather-use with Tan Leather Trim	OM 7402601-AC	1
50	OM79	R.H.-Green-use on jobs equipped with Stationary Center Seat	OM 7902600-AC	1
50	OM79	L.H.-Green-use on jobs equipped with Stationary Center Seat	OM 7902601-AC	1
50	OM79	R.H.-Light Green-use on jobs equipped with Folding Center Seat	OM 7902600-AF	1
50	OM79	L.H.-Light Green-use on jobs equipped with Folding Center Seat	OM 7902601-AF	1
50	OM79	R.H.-Red-use on jobs equipped with Stationary Center Seat	OM 7902600-AA	1
50	OM79	L.H.-Red-use on jobs equipped with Stationary Center Seat	OM 7902601-AA	1
50	OM79	R.H.-Light Red-use on jobs equipped with Folding Center Seat	OM 7902600-AD	1
50	OM79	L.H.-Light Red-use on jobs equipped with Folding Center Seat	OM 7902601-AD	1
50	OM79	R.H.-Tan-use on jobs equipped with Stationary Center Seat	OM 7902600-AB	1
50	OM79	L.H.-Tan-use on jobs equipped with Stationary Center Seat	OM 7902601-AB	1
50	OM79	R.H.-Golden Tan-use on jobs equipped with Folding Center Seat	OM 7902600-AE	1
50	OM79	L.H.-Golden Tan-use on jobs equipped with Folding Center Seat	OM 7902601-AE	1
50	OM except 79	Nail (drive)-No. 6	351629-A2A-S28	as req'd

MERCURY

BODY PARTS CATALOGUE

YEAR 19	BODY TYPES	REMARKS	PART NUMBER	NO. REQ'D
Group 02600-1 WINDLACE AND COVER ASSEMBLY (FRONT BODY PILLAR)				
50	OM76	R.H.-Gray	OM 7602600-AC	1
50	OM76	L.H.-Gray	OM 7602601-AC	1
50	OM76	R.H.-Red	OM 7602600-AA	1
50	OM76	L.H.-Red	OM 7602601-AA	1
50	OM76	R.H.-Tan	OM 7602600-AB	1
50	OM76	L.H.-Tan	OM 7602601-AB	1
Group 02610 WINDLACE ASSEMBLY (FRONT BODY PILLAR)				
50	OM76	Gray Artificial Leather-33" long	OM 7602610-AC	2
50	OM76	Red Artificial Leather-33" long	OM 7602610-AA	2
50	OM76	Tan Artificial Leather-33" long	OM 7602610-AB	2
Group 02610 WINDLACE ASSEMBLY (QUARTER LOCK PILLAR)				
50	OM76	Gray Artificial Leather-33" long	OM 7602610-AC	2
50	OM76	Red Artificial Leather-33" long	OM 7602610-AA	2
50	OM76	Tan Artificial Leather-33" long	OM 7602610-AB	2
Group 02626-7 WEATHERSTRIP (FRONT BODY PILLAR)-UPPER				
50	OM76	R.H.	OM 7602626	1
50	OM76	L.H.	OM 7602627	1
50	OM76	Screw (binding head self tapping)-No. 8-15 x 1/2"	32923-S7	2
Group 02656 SEAL (FRONT BODY AND QUARTER HINGE PILLAR TO SCUFF PLATE)				
50	OM except 79	Sponge Rubber-1-1/4" long Quarter Round	OM 7202656	2or4
Group 03040 STRAINER ASSEMBLY (WINDSHIELD)-CENTER				
50	OM76		8M 7603040	1
50	OM76	Lockwasher-No. 12	34804-S2	4
50	OM76	Nut (hex)-No. 12-24	34054-S2	2
50	OM76	Screw (pan head)-No. 12-24 x 3/4"	39093-S2	4
50	OM76	Screw (oval head machine)-No. 10-32 x 1"	350121-S13	3
50	OM76	Washer (flat)-No. 12	34704-S7	4
Group 03052 BRACE (STEERING COLUMN TO ROOF PANEL BRACKET)				
50	OM		OM 7203052	1
50	OM	Lockwasher (external tooth)-1/4"	34940-S8	2
50	OM	Nut (hex)-1/4"-20	33795-S7	2
50	OM	Washer (special serrated)-17/64" I.D. x 3/4" O.D. x 9/64"	351343-S7	2
Group 03076 RETAINER (WINDSHIELD CENTER WEATHERSTRIP)-INNER				
50	OM72A	in Prime	1L 7203076-AP	1
50	OM72B-72C-74		8M 7003076-A	1
50	OM79		OM 7903076-AA	1
50	OM72B-74	Screw (oval head machine)-No. 10-32 x 1"	350121-S13	3
Group 03078 RETAINER ASSEMBLY (WINDSHIELD CENTER WEATHERSTRIP)-OUTER				
50	OM72A	Slate Gray	OM 7203078	1
50	OM72B-72C-74-76	Chrome Finish	8L 7003078	1
50	OM79	Rustless Steel	8M 7903078	1



1950 WINDSHIELD PARTS

Group numbers only shown on illustration. Order by Part Numbers shown in list of parts.

YEAR 19	BODY TYPES	REMARKS	PART NUMBER	NO. REQ'D
Group 03084 PLATE (WINDSHIELD FINISH STRIP)-UPPER				
50	OM72A-72B-74	in Prime	1M 7203084-AP	1
50	OM72C	Chrome Finish	OM 7203084-B	1
50	OM76	in Prime	8M 7603084-AP	1
50	OM79	Mahogany Wood Finish	8M 7903084-AB	1
Group 03086 PLATE (WINDSHIELD CENTER INSIDE FINISH STRIP)-LOWER				
50	OM	in Prime	8M 7603086-AP	1
Group 03088-9 MOULDING (WINDSHIELD FINISH)-OUTSIDE				
50	OM72B-72C-74-76	R.H.-Chrome Finish	8L 7003088	1
50	OM72B-72C-74-76	L.H.-Chrome Finish	8L 7003089	1
50	OM79	R.H.-Rustless Steel	8M 7903088	1
50	OM79	L.H.-Rustless Steel	8M 7903089	1
Group 03100 GLASS (WINDSHIELD)				
50	OM except 79		8M 7003100	2
50	OM79		7A 7903100	2
Group 03110-1 WEATHERSTRIP (WINDSHIELD)				
50	OM72A		OM 7203110	1
50	OM72B-72C-74		8M 7003110-A	1
50	OM76		8M 7603110-A	1
50	OM79	R.H.	8M 7903110-A	1
50	OM79	L.H.	8M 7903111-A	1

MERCURY

BODY PARTS CATALOGUE

YEAR 19__	BODY TYPES	REMARKS	PART NUMBER	NO. REQ'D
Group 03442 DOWEL (FOLDING TOP NO. 1 BOW)-CENTER				
50	OM76		8H 7603442	1
Group 03458-9 DOWEL (FOLDING TOP NO. 1 BOW)				
50	OM76	R.H.	8H 7603458	1
50	OM76	L.H.	8H 7603459	1
50	OM76	Screw (flat head machine)-1/4"-20 x 5/8"	24649-S13	6
Group 03476 SEAL (WINDSHIELD HEADER)-INNER				
50	OM76	Rubber 50" long	8M 7603476-B	1
Group 03566 PANEL ASSEMBLY (WINDSHIELD OPENING INSIDE)				
50	OM76		OM 7603566	1
Group 03570 HANDLE (TOP LOCKING)				
50	OM76		8H 7603570	1
50	OM76	Pin (tapered)-No. 2 x 3/4"	73689-S	1
Group 03590-1 STRIP ASSEMBLY (WINDSHIELD OPENING FINISH)				
50	OM72A-72B-74	R.H.-in Prime-with seven holes in finish strip	OM 7203590-AP	1
50	OM72A-72B-74	L.H.-in Prime-with seven holes in finish strip	OM 7203591-AP	1
50	OM72A-72B-74	R.H.-in Prime-with eight holes in finish strip	1M 7203590-BP	1
50	OM72A-72B-74	L.H.-in Prime-with eight holes in finish strip	1M 7203591-BP	1
50	OM72C	R.H.-Chrome Finish	OM 7203590-C	1
50	OM72C	L.H.-Chrome Finish	OM 7203591-C	1
50	OM76	R.H.-in Prime-with six holes in finish strip	OM 7603590-AP	1
50	OM76	L.H.-in Prime-with six holes in finish strip	OM 7603591-AP	1
50	OM76	R.H.-in Prime-with seven holes in finish strip	OM 7603590-BP	1
50	OM76	L.H.-in Prime-with seven holes in finish strip	OM 7603590-BP	1
50	OM79	R.H.-Mahogany Wood Finish	8M 7903590-AB	1
50	OM79	L.H.-Mahogany Wood Finish	8M 7903591-AB	1
50	OM	Screw (cross recessed oval head self tapping)-No. 8-15 x 1-1/2"	52388-S13	12or14
50	OM76	Screw (oval head self tapping)-No. 8-15 x 2"	352954-S13	2
50	OM79	Screw (cross recessed oval head self tapping)-No. 8-15 x 1-1/4"	352189-S13	1
Group 03594 PLUG (WINDSHIELD OPENING FINISH STRIP DEFROSTER)				
50	OM		OM 7203594	4
Group 03618-9 EXTENSION (WINDSHIELD OPENING REINFORCEMENT)				
50	OM72A-72B-72C-74	R.H.	8M 7003618	1
50	OM72A-72B-72C-74	L.H.	8M 7003619	1
50	OM79	R.H.-Base for sun visor bracket is flush	8M 7903618	1
50	OM79	L.H.-Base for sun visor bracket is flush	8M 7903619	1
50	OM79	R.H.-Base for sun visor bracket raised 1/4"	OM 7903618	1
50	OM79	L.H.-Base for sun visor bracket raised 1/4"	OM 7903619	1

MERCURY

BODY PARTS CATALOGUE

YEAR 19__	BODY TYPES	REMARKS	PART NUMBER	NO. REQ'D
Group 04100 VISOR ASSEMBLY (COMPLETE)				
50	OM72A	Tan Cardboard	OM 7204100-BA	2
50	OM72B-74	Upper M-16908-L Blue Headlining, Lower Light Gray Artificial Leather	OM 7204100-AB	2
50	OM72B-74	Upper M-5156-Q Blue Gray Sidewall Cloth, Lower Light Gray Artificial Leather	OM 7204100-AC	2
50	OM72B-74	Upper M-16908-M Green Headlining, Lower Green Artificial Leather	OM 7204100-AR	2
50	OM72B-74	Upper M-16908-N Tan Headlining, Lower Tan Artificial Leather	OM 7204100-AA	2
50	OM72C	Upper Red Artificial Leather, Lower Black Artificial Leather	OM 7204100-AX	2
50	OM72C	Upper Turquoise Blue Artificial Leather, Lower Dark Blue Artificial Leather	OM 7204100-AY	2
50	OM72C	Upper Yellow Artificial Leather, Lower Black Artificial Leather	OM 7204100-AV	2
50	OM76	Gray Artificial Leather	OM 7604100-AC	2
50	OM76	Red Artificial Leather	OM 7604100-AA	2
50	OM76	Tan Artificial Leather	OM 7604100-AB	2
50	OM79	Green Artificial Leather-with Gimp Binding	OM 7904100-C	2
50	OM79	Green Artificial Leather-with Plastic Binding	OM 7904100-F	2
50	OM79	Red Artificial Leather-with Gimp Binding	OM 7904100-A	2
50	OM79	Red Artificial Leather-with Plastic Binding	OM 7904100-D	2
50	OM79	Tan Artificial Leather-with Gimp Binding	OM 7904100-B	2
50	OM79	Tan Artificial Leather-with Plastic Binding	OM 7904100-E	2
Group 04320 PANEL ASSEMBLY (INSTRUMENT)-LESS INSTRUMENTS				
50	OM72A	For service use one OM-7204320-AP, one OM-7204543 and ten 45026-S2 spring nuts	OM 7204320-BP	1
50	OM72B-72C-74-76	in Prime	OM 7204320-AP	1
50	OM79	Mahogany Wood Finish	OM 7204320-AC	1
50	OM	Bolt (hex head)-5/16"-18 x 1"	24386-S2	2
50	OM	Lockwasher (external tooth)-5/16"	34941-S2	2
50	OM	Washer (flat)-5/16"	34746-S2	2
Group 04371 PLATE (RADIO OPENING COVER)				
50	OM	on cars without radio	OM 7204371	1
50	OM	Screw (flat head self tapping)-No. 10-12 x 1/2"	32924-S8	2
Group 04399 ANTI SQUEAK (HAND BRAKE BRACKET)				
50	OM	1-1/4" x 2-5/8"	OM 7204399	1
Group 04405 GRILLE (INSTRUMENT PANEL RADIO)				
50	OM		OM 7204405-AA	1
Group 04428 COVER (CLOCK OPENING)				
50	OM72A		OM 7204428	1
50	OM72A	Screw (fillister head)-No. 8-32 x 1/4"	37611-S7	4
Group 04452 BRACKET (RADIO RECEIVER)				
50	OM		OM 7204452	2
50	OM	Screw (hex head)-No. 10-32 x 3/8"	41036-S8	4

MERCURY

11

BODY PARTS CATALOGUE

YEAR 19	BODY TYPES	REMARKS	PART NUMBER	NO. REQ'D
Group 04543 NAME PLATE (INSTRUMENT PANEL)				
50	OM		OM 7204543	1
50	OM	Nut (spring)-1/16"	45024-S2	10
Group 04560 BRACE (INSTRUMENT PANEL TO PILLAR)				
50	OM	Steel-approximately 14-8/32" long	OM 7204560	1
Group 04602 KNOB ASSEMBLY (CIGAR LIGHTER)				
50	OM		OM 7204602-A	1
Group 04603 KIT (CIGAR LIGHTER ELEMENT)				
50	OM	contains 12 51A-7004616-A1 Casco Cigar Lighter Elements	8H 7004603	1
Group 04610 KNOB AND ELEMENT ASSEMBLY (CIGAR LIGHTER)				
50	OM		OM 7204610-A	1
Group 04616 ELEMENT ASSEMBLY (CIGAR LIGHTER)				
50	OM		51A 7004616-A	1
Group 04620 SOCKET AND RETAINER ASSEMBLY (CIGAR LIGHTER)				
50	OM	Automatic	OL 7204620	1
Group 04800 RECEPTACLE ASSEMBLY (INSTRUMENT PANEL ASH)-COMPLETE				
50	OM		OM 7204800-AA	1
50	OM	Screw (fillister head self tapping)-No. 8-32 x 1/4"	41281-S8	3
Group 04817 COVER (INSTRUMENT PANEL ASH RECEPTACLE)				
50	OM		OM 7204817-AA	1
50	OM	Screw (round head)-No. 8-32 x 1/4"	41281-S8	2
Group 04858 STOP (ASH RECEPTACLE)				
50	OM	Rubber	OM 7204858	2
Group 06010 BOX ASSEMBLY (GLOVE COMPARTMENT)				
50	OM		OM 7206010	1
Group 06024 DOOR ASSEMBLY (GLOVE COMPARTMENT)				
50	OM72A-72B-72C-74-76	in Prime	1M 7206024-AP	1
50	OM79	Mahogany Wood Finish	OM 7206024-AC	1
50	OM	Screw and lockwasher assy (cross recessed flat head)- No. 10-32 x 1/2"	50399-S2	3
50	OM	Washer (countersunk)-No. 10	34862-S2	3
Group 06042-3 HINGE ASSEMBLY (GLOVE COMPARTMENT DOOR)				
50	OM	in Prime	1M 7206042-AP	1
50	OM	Nut (square)-No. 10-32	34141-S8	3
50	OM	Screw and washer assy (cross recessed pan head)-No. 10-32 x 3/8"	50804-S8	3
Group 06064 PLATE (GLOVE COMPARTMENT DOOR LOCK STRIKER)				
50	OM		OM 7206064	1
50	OM	Screw and washer assy (cross recessed pan head)-No. 10-32 x 3/8"	50804-S8	2
50	OM	Washer (flat)-No. 10	34703-S7	2

MERCURY

BODY PARTS CATALOGUE

YEAR 19	BODY TYPES	REMARKS	PART NUMBER	NO. REQ'D
Group 06066 BUMPER (QUARTER PANEL FUEL TANK LID)				
50	OM		01C 8106066-A	2
Group 06081 LOCK ASSEMBLY (GLOVE COMPARTMENT DOOR)-COMPLETE WITH KEYS				
50	OM72B-72C-74-76-79		OM 7206081-C	1
50	OM72B-72C-74-76-79	Screw and washer assy (cross recessed pan head)-No. 10-32 x 3/8"	50804-S8	2
Group 06081 LOCK ASSEMBLY (GLOVE COMPARTMENT DOOR)-COMPLETE WITHOUT KEYS				
50	OM72A		OM 7206081-B	1
Group 06117 ARM (GLOVE COMPARTMENT DOOR CHECK)				
50	OM	in Prime	OM 7206117-AP	1
50	OM	Screw and washer assy (pan head cross recessed)-No. 10-32 x 3/8"	50804-S8	2
Group 06122 GROMMET (GLOVE COMPARTMENT DOOR CHECK ARM)				
50	OM	Rubber	OM 7206122	1
Group 10110-1 MEMBER ASSEMBLY (FLOOR SIDE)				
50	OM74	R.H.	7A 7010110	1
50	OM74	L.H.	7A 7010111	1
50	OM76	R.H.	7A 7610110	1
50	OM76	L.H.	7A 7610111	1
50	OM79	R.H.	8M 7910110	1
50	OM79	L.H.	8M 7910111	1
Group 10118-9 MEMBER AND TRIM RETAINER ASSEMBLY (FLOOR SIDE)				
50	OM72A-72B-72C	R.H.	7A 7010118	1
50	OM72A-72B-72C	L.H.	7A 7010119	1
Group 10128-9 PANEL ASSEMBLY (BODY ROCKER)				
50	OM72A-72B-72C	R.H.	8M 7010128	1
50	OM72A-72B-72C	L.H.	8M 7010129	1
50	OM74	R.H.	8M 7310128	1
50	OM74	L.H.	8M 7310129	1
50	OM76	R.H.	8M 7610128	1
50	OM76	L.H.	8M 7610129	1
50	OM79	R.H.	8M 7910128	1
50	OM79	L.H.	8M 7910129	1
50	OM	Bolt (hex)-5/16"-18 x 7/8"	24366-S8	2
50	OM	Washer (flat)-5/16"	34706-S2	2
Group 10176-7 MOULDING (BODY ROCKER PANEL CURB BUFFER)				
50	OM	R.H.	OM 7210176	1
50	OM	L.H.	OM 7210177	1
Group 10198 RETAINER (BODY ROCKER PANEL CURB BUFFER MOULDING)				
50	OM		OL 7210198	14

BODY PARTS CATALOGUE

YEAR 19__	BODY TYPES	REMARKS	PART NUMBER	NO. REQ'D
Group 10668 MEMBER (REAR FLOOR CROSS)				
50	OM76		OM 7610668	1
Group 10698 MEMBER ASSEMBLY (FRONT FLOOR CROSS MEMBER)-REAR				
50	OM		8M 7010698	1
Group 10775 MEMBER ASSEMBLY (FLOOR PAN REAR CROSS)				
50	OM79		7A 7910775	1
50	OM79	Nut (retainer)-5/16"	353202-S	2
Group 10785 REINFORCEMENT ASSEMBLY (CROSS MEMBER REAR)				
50	OM79		8M 7910785	1
50	OM79	Nut (hex)-1/4"-20	34129-S2	4
Group 11126 PLATE (DASH PEDAL OPENING)				
50	OM	use with Standard transmission	8B 7311126-A	1
50	OM	use with Merc.O-Matic transmission	1M 7211126	1
Group 11135 PAN ASSEMBLY (FLOOR FRONT)				
50	OM72A-72B-72C-74		8M 7011135	1
50	OM76		8M 7611135	1
50	OM79	use on jobs with Stationary Center Seat	8M 7911135	1
50	OM79	use on jobs with Folding Center Seat	OM 7911135	1
50	OM	Bolt (hex head)-1/4"-28	20325-S7	4
50	OM	Lockwasher (heavy)-1/4"	34845-S2	4
Group 11166 SILENCER (FLOOR PAN)				
50	OM	center	8M 7011166	1
Group 11172 SILENCER (FLOOR PAN)-FRONT				
50	OM	one piece-use with Standard transmission	8M 7011172	1
50	OM	use with Merc.O-Matic transmission	1M 7211172	1
Group 11215 PAN ASSEMBLY (FLOOR)-REAR				
50	OM79	Without center seat riser-use on jobs equipped with Stationary Center Seat	8M 7911215	1
50	OM79	With center seat riser-use on jobs equipped with Folding Center Seat	OM 7911215	1
Group 11216 PAN AND PANEL ASSEMBLY (FLOOR)-REAR				
50	OM72A-72B-72C-74		8M 7211216-C	1
50	OM76	Without OM-7610668 cross member at rear	8M 7611216-C	1
50	OM76	With OM-7610668 cross member at rear	OM 7611216	1
Group 11252-3 EXTENSION (REAR FLOOR PAN SIDE)-REAR				
50	OM72A-72B-72C-74-76	R.H.	7A 7011252	1
50	OM72A-72B-72C-74-76	L.H.	7A 7011253	1

MERCURY

BODY PARTS CATALOGUE

YEAR 19	BODY TYPES	REMARKS	PART NUMBER	NO. REQ'D
Group 11256-7 EXTENSION (REAR FLOOR PAN SIDE)-REAR				
50	OM79	R.H.	7A 7911256	1
50	OM79	L.H.	7A 7911257	1
Group 11290 COVER (FLOOR PAN REAR GAS GAUGE)				
50	OM72A-72B-72C-74-76		21A 7011290	2
50	OM79		8M 7911290	1
50	OM	Screw (pan head self tapping)-No. 10-12 x 3/8"	32917-S7	1
50	OM79	Screw (cross recessed oval head self tap.)-No. 10-16 x 3/4"	52430-S13	4
Group 11454 SILENCER (FLOOR PAN)-REAR				
50	OM72A-72B-72C-74		8M 7011454	1
50	OM76		8M 7611454	1
Group 11520 SPACER (BODY TO FRAME)				
50	OM	2" long-1-1/2" wide-Steel	8A 7011520	as req'd
Group 11533 PAD (BODY TO FRAME AT KICK UP)				
50	OM72A-72B-72C-74	1-3/8" diameter-7/16" thick	OM 7211533	2
Group 11534 SPACER (BODY TO FRAME AT KICK UP)				
50	OM72A-72B-72C-74	1-51/64" diameter x 3/16" thick	OM 7211534	2
Group 11710 BOARD ASSEMBLY (REAR FLOOR TO CENTER SEAT)-COMPLETE				
50	OM79	use on jobs equipped with Folding Center Seat	OM 7911710	1
Group 11727 EXTENSION (REAR FLOOR TO CENTER SEAT BOARD)				
50	OM79	Steel-use on jobs equipped with Folding Center Seat	OM 7911727	1
50	OM79	Screw (Phillister head self tapping)-No. 10-12 x 1/2"	32794-S2	7
Group 11778 HINGE (REAR FLOOR TO CENTER SEAT BOARD)				
50	OM79	use on jobs equipped with Folding Center Seat	OA 7911778	3
50	OM79	Screw (flat head machine)-No. 10-32 x 3/4"	25263-S7	as req'd
Group 11788 STRIP (REAR FLOOR TO CENTER SEAT BOARD)				
50	OM79	Rustless Steel-41-9/16" long-use on jobs equipped with Folding Center Seat	OM 7911788-B	2
50	OM79	Screw (oval head cross recessed)-No. 10 x 1/2"	52414-S13	7
Group 11789 STRIP (REAR FLOOR TO CENTER SEAT BOARD)-FRONT FINISH				
50	OM79	Rustless Steel-47-3/16" long-use on jobs equipped with Folding Center Seat	OM 7911789-B	1

BODY PARTS CATALOGUE

YEAR 19	BODY TYPES	REMARKS	PART NUMBER	NO. REQ'D
Group 12115 PLATE ASSEMBLY (FLOOR TRANSMISSION COVER)				
50	OM	use with Standard transmission-with hole in upper left corner for overdrive switch	8M 7012115-A	1
50	OM	without inspection hole-use with Standard transmission	1M 7212115-A	1
50	OM	with inspection hole-use with Merc.O.Matic transmission	1M 7212115-B	1
50	OM	Lockwasher-5/16"	34846-S2	1
50	OM	Screw (hex head self tapping)-No. 14-10 x 3/4"	42023-S7	24
50	OM	Screw and washer assy (hex head)-No. 14-10 x 3/4"	357205-S34	as req'd
50	OM	Washer (flat)-1/4"	34705-S2	24
Group 12116 GASKET (FLOOR TRANSMISSION COVER PLATE)-FRONT				
50	OM	Sponge Rubber-7/8" x 20-1/2"	8M 7012116	1
Group 12121 GASKET (FLOOR TRANSMISSION COVER PLATE)-REAR				
50	OM		8M 7012121	1
Group 12122 GASKET (FLOOR TRANSMISSION COVER PLATE)-SIDE				
50	OM	Sponge Rubber-7/8" x 36-9/32"	8M 7012122	2
Group 12126 PLATE ASSEMBLY (TRANSMISSION FILLER HOLE ACCESS)				
50	OM	use with Merc.O.Matic transmission	1M 7212126	1
50	OM	Retainer assy (nut 10/32")	357229-S2	4
50	OM	Screw and washer assy (pan head)-No. 10-32 x 5/8"		4
Group 12138 WEATHERSEAL (DASH PANEL PEDAL OPENING)				
50	OM	Sponge Rubber-5-51/64" x 10-11/16"	7EH 7312138	1
Group 12156 WEATHERSEAL (STEERING COLUMN TO DASH COVER)				
50	OM	Sponge Rubber-7-3/8" x 9-31/64"	8M 7012156-A	2
Group 12167 SEALER (REAR TRANSMISSION COVER)				
50	OM	61" long	OH 7212167	2
Group 12179 SEAL (TRANSMISSION COVER FILLER HOLE)				
50	OM	Sponge Rubber-5-3/4" x 6-1/4"-use with Merc.O.Matic transmission	1M 7212179	1
Group 12182 SILENCER (TRANSMISSION COVER)-FRONT				
50	OM	Paper Felt-use with Merc.O.Matic transmission-one piece	1M 7212182-A	1
Group 12182-4 SILENCER (FRONT FLOOR TRANSMISSION COVER)-UPPER AND LOWER				
50	OM	Paper Felt-use with Merc.O.Matic transmission-upper	1M 7212182-B	1
50	OM	Paper Felt-use with Merc.O.Matic transmission-lower	1M 7212184	1
Group 12186-7 PLATE ASSEMBLY (REAR FLOOR PAN BODY SIDE PANEL DUST COVER)				
50	OM79	R.H.	8M 7912186	1
50	OM79	L.H.	8M 7912187	1
50	OM79	Screw (round head self tapping)-No. 10-16 x 1/2"	33119-S7	3

MERCURY

BODY PARTS CATALOGUE

YEAR 19	BODY TYPES	REMARKS	PART NUMBER	NO. REQ'D
Group 12298 SPACER (BODY TO FRAME)-REAR				
50	OM	Rubber-1-51/64" O.D.-59/64" thick	21A 7012298-A	4
50	OM	Retainer	356769-S32	2
Group 12298 SPACER (BODY TO FRAME)				
50	OM76	Metal-1-1/2" O.D.-3/8" thick	8M 7612298	2
Group 12320 SPACER (BODY TO FRAME)-FRONT				
50	OM	Rubber-1-51/64" O.D.-11/16" thick	21A 7012320-A	2or6
Group 12322 ANTI SQUEAK (BODY TO FRAME)				
50	OM76	1-13/64" O.D.-13/32" thick	8M 7612322-A	2
50	OM76	1-3/4" O.D.-39/64" thick	8M 7612322-C	5
50	OM76	Screw (hex washer head self tapping)-1/4"-20 x 1/2"	39881-S7	4
Group 12324 SPACER (BODY TO FRAME)				
50	OM76	Metal-1-1/2" O.D.-11/16" thick	8M 7612324-A	2
50	OM76	Metal-1-1/2" O.D.-39/64" thick	8M 7612324-B	6
50	OM76	Washer (special)-13/32" diameter x 1-1/8" x 7/16"	356377-S	2
Group 12328 SPACER (BODY TO FRAME)-BODY BOLT NO. 2				
50	OM		OM 7212328	2

Group 13000

MAT ASSEMBLY (FLOOR)-FRONT COMPLETE

50	OM72A	Gray Rubber	+1M 7213000-W	1
50	OM72A	Tan Rubber	◇OM 7213000-D	1
50	OM72B-74-76	Benton Gray Mat with Blue Gray Insert	◇OM 7213000-A	1
50	OM72B-74-76	Blue Gray Rubber	+1M 7213000-S	1
50	OM72B-74-76	Benton Gray Mat with Brown Insert	◇OM 7213000-B	1
50	OM72B-74	Brown Rubber	+1M 7213000-T	1
50	OM72B-74	Benton Gray Mat with Green Insert	◇OM 7213000-E	1
50	OM72B-74	Green Rubber	+1M 7213000-V	1
50	OM72B-74	Benton Gray Mat with Tan Insert-use with Tan Leather Trim	◇OM 7213000-C	1
50	OM72B-74-76-79	Tan Rubber	+1M 7213000-U	1
50	OM76	Benton Gray Mat with Red Insert	◇OM 7613000-A	1
50	OM76	Red Rubber	+1M 7613000-H	1
50	OM76	Benton Gray Mat with Red Brown Insert	◇OM 7613000-B	1
50	OM76	Red Brown Rubber	+1M 7613000-J	1
50	OM79	Benton Gray Mat	◇OM 7913000-A	1

Group 13013

SEAL (ACCELERATOR PEDAL ROD)

50	OM	Secure locally-Impregnated Fabric-1-49/64" x 1-49/64" x 9/64" thick	OA 7013013	1
----	----	--	------------	---

◇ Use with transmission cover plate having hole in upper left corner for overdrive switch

† Use with transmission cover plate without hole for overdrive switch

MERCURY

BODY PARTS CATALOGUE

YEAR 19	BODY TYPES	REMARKS	PART NUMBER	NO. REQ'D
Group 13018 CARPET AND PAD ASSEMBLY (FRONT FLOOR)				
50	OM72C	Black-Standard transmission	◇OM 7213018-AV	1
50	OM72C	Black-Standard transmission	+1M 7213018-AV	1
50	OM72C	Black-Merc·O·Matic transmission	+1M 7213018-BV	1
50	OM72C	Gray Black-Standard transmission	◇OM 7213018-AAC	1
50	OM72B-74	Blue-Standard transmission	◇OM 7213018-AD	1
50	OM72B-72C-74	Blue-Standard transmission	+1M 7213018-AD	1
50	OM72B-72C-74	Blue-Merc·O·Matic transmission	+1M 7213018-BD	1
50	OM72B-74	Screw (cross recessed oval head-self tap.)-No. 6-18 x 3/4"	52358-S15	10
50	OM72B-74	Washer (hollow countersunk)-No. 6	34884-S15	10
Group 13028 SEAL (BRAKE PEDAL OPENING)				
50	OM		OM 7213028	1or2
Group 13036-7 MAT (FLOOR SIDE SILL)				
50	OM	R.H.-all trim-Merc·O·Matic transmission	OM 7913036	1
50	OM	L.H.-all trim-Merc·O·Matic transmission	OM 7913037	1
Group 13040 MAT ASSEMBLY (FLOOR)-CENTER				
50	OM79	all trims-use on jobs equipped with Stationary Center Seat	8M 7913040-C	1
50	OM79	all trims-use on jobs equipped with Folding Center Seat	OM 7913040-B	1
Group 13046 CARPET ASSEMBLY (REAR FLOOR)				
50	OM72A	Tan Grain Rubber	OM 7213046-AF	1
50	OM72B-72C	Blue	OM 7213046-AB	1
50	OM72B	Brown	OM 7213046-AA	1
50	OM72B	Green	OM 7213046-AR	1
50	OM72B	Tan-use with Tan Leather Trim	OM 7213046-AE	1
50	OM72C	Black	OM 7213046-AV	1
50	OM72C	Brown	OM 7213046-AAF	1
50	OM72C	Blue	OM 7213046-AY	1
50	OM72C	Gray Black	OM 7213046-AAC	1
50	OM74	Blue	OM 7413046-AB	1
50	OM74	Brown	OM 7413046-AA	1
50	OM74	Green	OM 7413046-AR	1
50	OM74	Tan-use with Tan Leather Trim	OM 7413046-AE	1
50	OM76	Blue	OM 7613046-AH	1
50	OM76	Red	OM 7613046-AF	1
50	OM76	Tan	OM 7613046-AG	1
50	OM72A-72B-74	Screw (cross recessed oval head self tap.)-No. 6-18 x 3/4"	52358-S15	2
50	OM72A-72B-74	Washer (hollow countersunk)-No. 6	34884-S15	2
Group 13054 MAT (FLOOR)-REAR				
50	OM79	Linoleum	OM 7913054	1
Group 13062 MAT ASSY (FLOOR)-REAR				
50	OM79	use on jobs without Folding Center Seat	8M 7913062	1

◇ Use with transmission cover plate having hole in upper left corner for overdrive switch

† Use with transmission cover plate with out hole for overdrive switch

MERCURY

BODY PARTS CATALOGUE

YEAR 19__	BODY TYPES	REMARKS	PART NUMBER	NO. REQ'D
Group 13086 PAD (HEEL)-FRONT FLOOR CARPET				
50	OM72B-72C-74	Black Rubber-Standard transmission	OM 7213086-C	1
50	OM	Black Rubber-Merc-0-Matic transmission	OM 7213086-D	1
Group 13095 COVER (REAR FLOOR TO CENTER SEAT BOARD)				
50	OM79	Linoleum	OA 7913095	1
Group 13208-9 PLATE (BODY ROCKER PANEL SCUFF)-FRONT				
50	OM72A-72B-72C-76-79	R.H.	8M 7013208	1
50	OM72A-72B-72C-76-79	L.H.	8M 7013209	1
50	OM74	R.H.	8M 7313208	1
50	OM74	L.H.	8M 7313209	1
50	OM	Screw (oval head cross recessed)-No. 6 x 1/2"	52342-S8	8
Group 13210-1 STRIP (REAR FLOOR FINISH)-AT WHEELHOUSE				
50	OM79	R.H.	8M 7913210	1
50	OM79	L.H.	8M 7913211	1
50	OM79	Screw (cross recessed pan head self tap.)-No. 6-18 x 5/8"	52732-S8	12
Group 13215 STRIP (REAR FLOOR FINISH)-FRONT				
50	OM79	use on jobs equipped with Stationary Center Seat	8M 7913215	1
50	OM79	Screw (cross recessed oval head)-No. 10 x 1/2"	52414-S13	7
Group 13222 STRIP (REAR FLOOR FINISH)-REAR				
50	OM79		8M 7913222	1
50	OM79	Screw (cross recessed oval head)-No. 10 x 1/2"	52414-S13	8
Group 13228-9 PLATE (BODY ROCKER PANEL SCUFF)-REAR				
50	OM74	R.H.	8M 7313228-B	1
50	OM74	L.H.	8M 7313229-B	1
50	OM74	Screw (oval head cross recessed)-No. 6 x 1/2"	52342-S8	6
50	OM74	Screw (oval head cross recessed)-No. 6 x 7/8"	52366-S8	6
Group 18306 KEY (GLOVE BOX AND REAR DECK LID)				
50	OM72B-72C-74-76-79		8H 18306	2
Group 19545 FLUID (WINDOW REGULATOR)				
50	OM	in pint container-Replaced by 8L-19545-B	8L 19545	as req'd
50	OM	case of 12 pint cans	8L 19545-B	as req'd

Group 20122-3 DOOR ASSEMBLY (FRONT)-LESS PAINT,TRIM,GLASS,HANDLES,HINGES,LOCK AND REGULATOR

50	OM72A-72B-72C	R.H.-Rework this door for 72C	OM 7220122-A	1
50	OM72A-72B-72C	L.H.-Rework this door for 72C	OM 7220123-A	1
50	OM74	R.H.	OM 7420122-A	1
50	OM74	L.H.	OM 7420123-A	1
50	OM76	R.H.	OM 7620122-A	1
50	OM76	L.H.	OM 7620123-A	1
50	OM79	R.H.	OM 7920122-A	1
50	OM79	L.H.	OM 7920123-A	1

Group 20252-3 PANEL (DOOR INSIDE LINING)

50	OM79	R.H.-Plywood	OM 7920252-A	1
50	OM79	L.H.-Plywood	OM 7920253-A	1

BODY PARTS CATALOGUE

YEAR 19__	BODY TYPES	REMARKS	PART NUMBER	NO. REQ'D
Group 20256-7 PANEL (DOOR OUTSIDE FINISH)-UPPER				
50	OM79	R.H.-Steel Panel with Mahogany Grain Finish	OM 7920256-B	1
50	OM79	L.H.-Steel Panel with Mahogany Grain Finish	OM 7920257-B	1
Group 20258-9 PANEL (DOOR OUTSIDE FINISH)-LOWER				
50	OM79	R.H.-Steel Panel with Mahogany Grain Finish	OM 7920258	1
50	OM79	L.H.-Steel Panel with Mahogany Grain Finish	OM 7920259	1
Group 20394-5 WEATHERSTRIP (DOOR BOTTOM)				
50	OM72A-72B-72C-76	R.H.	8M 7020394	1
50	OM72A-72B-72C-76	L.H.	8M 7020395	1
50	OM74	R.H.	8M 7320394	1
50	OM74	L.H.	8M 7320395	1
50	OM79	R.H.	8M 7920394	1
50	OM79	L.H.	8M 7920395	1
50	OM79	Screw (pan head self tapping)-No. 7-15 x 3/8"	32916-S8	6
Group 20400-1 FRAME AND PANEL ASSEMBLY (FRONT DOOR FINISH)-LOWER-OUTSIDE				
50	OM79	R.H.-Wood frame and Plywood panel	OM 7920400-A	1
50	OM79	L.H.-Wood frame and Plywood panel	OM 7920401-A	1
50	OM79	R.H.-Wood frame and Painted Steel panel	OM 7920400-B	1
50	OM79	L.H.-Wood frame and Painted Steel panel	OM 7920401-B	1
50	OM79	Screw (flat head wood)-No. 10-13 x 5/8"	31886-S2	34
Group 20406-7 FRAME ASSEMBLY (FRONT DOOR FINISH)-UPPER-OUTSIDE				
50	OM79	R.H.-Wood	7A 7920406	1
50	OM79	L.H.-Wood	7A 7920407	1
50	OM79	Lockwasher (internal tooth)-5/16"	34906-S7	10
50	OM79	Nut (sleeve)-5/16"-18 x 35/64"	352353-S23	10
50	OM79	Screw (cross recessed round head)-5/16"-18 x 5/8"	355204-S7	8
Group 20478 CLIP (DOOR WEATHERSTRIP RETAINER)-FRONT				
50	OM		7C 8120478	6or12
50	OM	Screw (cross recessed pan head self tap.)-No. 8-15 x 3/8"	52720-S8	6or12
Group 20497 SHIM (DOOR WINDOW CORNER FILLER TO INSIDE PANEL ATTACHING BRACKET)				
50	OM76	1-39/64" long-23/32" wide	8M 7620497	as req'd
Group 20520-1 RETAINER (WINDOW SEAL)-AT FRONT RAIL SECTION				
50	OM76	R.H.-approximately 24-5/8" overall length	8M 7620520	1
50	OM76	L.H.-approximately 24-5/8" overall length	8M 7620521	1
50	OM76	Screw (pan head self tapping)-No. 8-15 x 3/8"	32916-S8	10
Group 20526-7 RETAINER (WINDOW SEAL)-AT REAR RAIL SECTION				
50	OM76	R.H.-17-17/32" long	8M 7620526	1
50	OM76	L.H.-17-17/32" long	8M 7620527	1
50	OM76	Screw (pan head self tapping)-No. 8-15 x 3/8"	32916-S8	8
Group 20530-1 WEATHERSTRIP (DOOR OPENING)-OUTER				
50	OM72A-72B-72C	R.H.-117" long	8M 7020530-B	1
50	OM72A-72B-72C	L.H.-117" long	8M 7020531-B	1
50	OM74	R.H.-108-1/4" long	8M 7320530-B	1
50	OM74	L.H.-108-1/4" long	8M 7320531-B	1
50	OM79	R.H.-120-1/4" long	8M 7920530-B	1
50	OM79	L.H.-120-1/4" long	8M 7920531-B	1

MERCURY

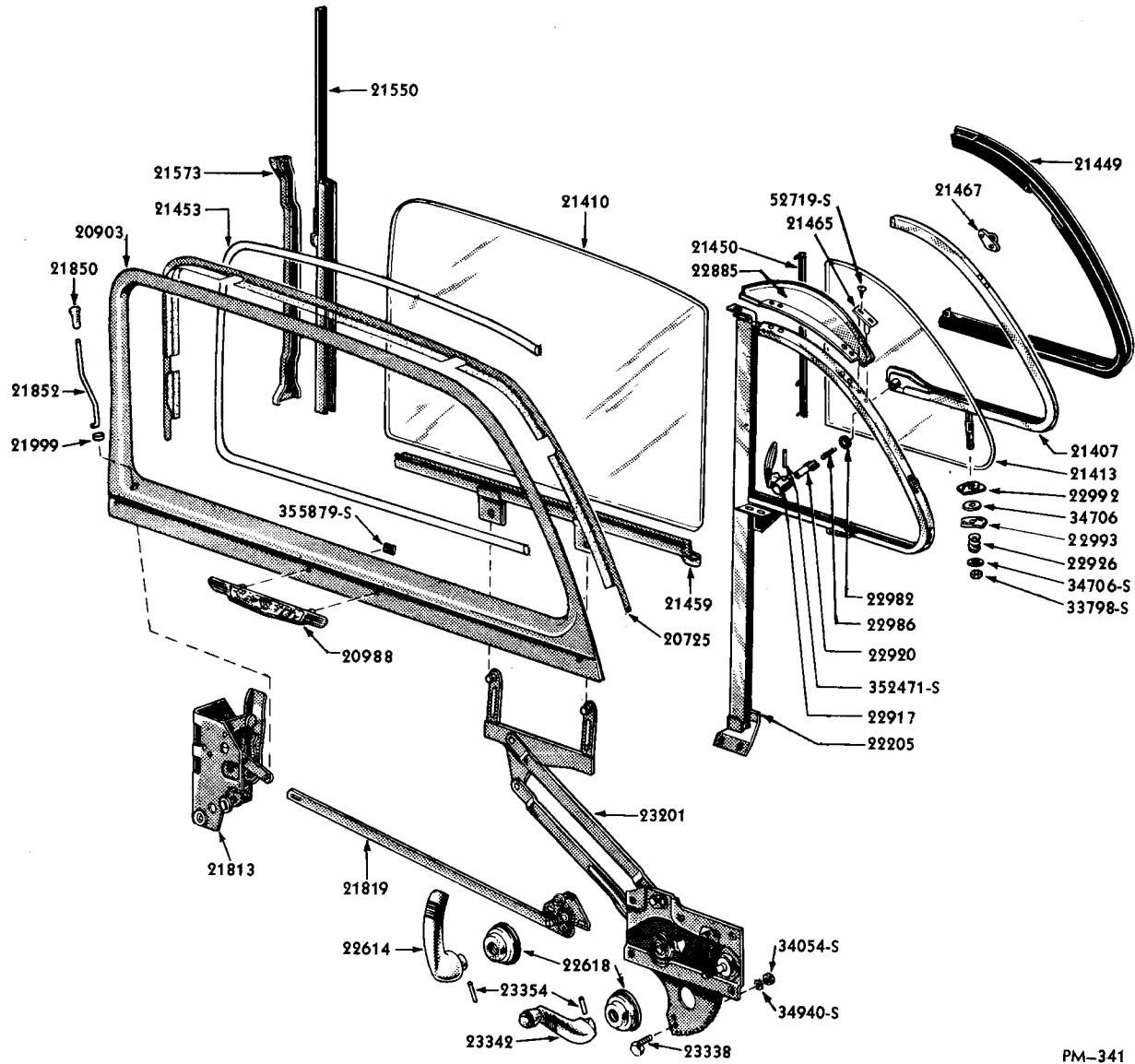
BODY PARTS CATALOGUE

YEAR 19	BODY TYPES	REMARKS	PART NUMBER	NO. REQ'D
Group 20530-1 WEATHERSTRIP (DOOR HINGE PILLAR)				
50	OM76	R.H.-approximately 26" overall length	8M 7620530-B	1
50	OM76	L.H.-approximately 26" overall length	8M 7620531-B	1
50	OM76	Screw (cross recessed pan head self tap.)-No. 8-15 x 1/2"	52726-S13	2
Group 20542-3 WEATHERSTRIP (DOOR LOCK PILLAR)				
50	OM76	R.H.	8M 7620542-B	1
50	OM76	L.H.	8M 7620543-B	1
50	OM76	Screw (cross recessed pan head self tap.)-No. 8-15 x 1/2"	52726-S13	2
Group 20574 CLIP (DOOR WEATHERSTRIP RETAINER)				
50	OM76		8M 7620574	2
Group 20712 RETAINER (DOOR BOTTOM WEATHERSTRIP)-OUTER				
50	OM72A-72B-72C-76	46-13/64" long	8M 7020712-B	2
50	OM74	35-13/64" long	8M 7320712-B	2
50	OM79	45-3/16" long	8M 7920712	2
Group 20724-5 WELT AND CARDBOARD ASSEMBLY (FRONT DOOR WINDOW FINISH STRIP)				
50	OM72A-72B-72C	R.H.	8M 7020724	1
50	OM72A-72B-72C	L.H.	8M 7020725	1
50	OM74	R.H.	8M 7320724	1
50	OM74	L.H.	8M 7320725	1
Group 20902-3 STRIP AND WEATHERSTRIP ASSEMBLY (FRONT DOOR WINDOW FINISH)				
50	OM72A	R.H.-in Prime	OM 7220902-CP	1
50	OM72A	L.H.-in Prime	OM 7220903-CP	1
50	OM72B	R.H.-in Prime	OM 7220902-BP	1
50	OM72B	L.H.-in Prime	OM 7220903-BP	1
50	OM72C	R.H.-Chrome Finish	OM 7220902-D	1
50	OM72C	L.H.-Chrome Finish	OM 7220903-D	1
50	OM74	R.H.-in Prime	OM 7420902-BP	1
50	OM74	L.H.-in Prime	OM 7420903-BP	1
50	OM79	R.H.-Mahogany Wood Finish	OM 7920902-AA	1
50	OM79	L.H. Mahogany Wood Finish	OM 7920903-AA	1
50	OM72A-72B-74	Screw (cross recessed oval head self tap.)-No. 8-15 x 1"	52376-S13	2
Group 20925 CLIP (WINDOW REVEAL MOULDING)				
50	OM72A-72B-72C-74	3/4" long	8M 7020925	4
Group 20930-1 CLIP (DOOR WINDOW FINISH STRIP)-REAR LOWER				
50	OM79	R.H.-1-1/2" at widest point	8M 7920930	1
50	OM79	L.H.-1-1/2" at widest point	8M 7920931	1
Group 20934-5 MOULDING (DOOR OUTSIDE)-AT BELT				
50	OM72A-72B-72C	R.H.-approximately 47-37/64" long	8M 7020934	1
50	OM72A-72B-72C	L.H.-approximately 47-37/64" long	8M 7020935	1
50	OM74	R.H.-approximately 37-3/8" long	8M 7320934	1
50	OM74	R.H.-approximately 37-3/8" long	8M 7320935	1
50	OM72A-72B-72C-74	Clip	358168-S	16

MERCURY

BODY PARTS CATALOGUE

YEAR 19__	BODY TYPES	REMARKS	PART NUMBER	NO. REQ'D
Group 20934-5 MOULDING (DOOR OUTSIDE)-UPPER				
50	OM79	R.H.-47-5/8" long	8M 7920934	1
50	OM79	L.H.-47-5/8" long	8M 7920935	1
Group 20938-9 MOULDING (FRONT DOOR OUTSIDE)-LOWER				
50	OM72A-72B-72C-76	R.H.-50-63/64" long	8M 7020938	1
50	OM72A-72B-72C-76	L.H.-50-63/64" long	8M 7020939	1
50	OM74	R.H.-40-31/64" long	8M 7320938	1
50	OM74	L.H.-40-31/64" long	8M 7320939	1
50	OM72A-72B-74-76	Clip (moulding)	352396-83	12or18
Group 20942-3 MOULDING ASSEMBLY (FRONT DOOR TRIM PANEL)				
50	OM72B-72C-76	R.H.-38-21/64" overall length	OM 7220942-A	1
50	OM72B-72C-76	L.H.-38-21/64" overall length	OM 7220943-A	1
50	OM74	R.H.-27-53/64" overall length	OM 7420942-A	1
50	OM74	L.H.-27-53/64" overall length	OM 7420943-A	1
Group 20956 MOULDING ASSEMBLY (FRONT DOOR TRIM PANEL)-LOWER				
50	OM72B-72C-76	approximately 45-1/2" long	OM 7220956-A	2
50	OM74	approximately 35" long	OM 7420956-A	2
Group 20964-5 STRIP AND WEATHERSTRIP ASSEMBLY (DOOR WINDOW FINISH)-LOWER				
50	OM76	R.H.-in Prime	OM 7620964-AP	1
50	OM76	L.H.-in Prime	OM 7620965-AP	1
Group 20978 PLATE (DOOR OUTSIDE NAME)				
50	OM72C	MONTERY	OM 7220978	2
Group 20980 ORNAMENT (DOOR OUTSIDE)				
50	OM72C	Mercury Head	OM 7220980	2
Group 20984-5 MOULDING AND WEATHERSTRIP ASSEMBLY (FRONT DOOR WINDOW REVEAL)-OUTSIDE				
50	OM72A-72B-72C	R.H.	OM 7220984	1
50	OM72A-72B-72C	L.H.	OM 7220985	1
50	OM74	R.H.	OM 7420984	1
50	OM74	L.H.	OM 7420985	1
50	OM76	R.H.-47-11/16" long 1-1/2" wide	8M 7620984-B	1
50	OM76	L.H.-47-11/16" long 1-1/2" wide	8M 7620985-B	1
50	OM72A-72B-72C-74	Clip (speed)	353267-832	6or10
50	OM76	Screw (cross recessed round head self tap.)-No. 8-15 x 3/8"	52168-S13	4
Group 20988 ORNAMENT (DOOR GARNISH MOULDING)				
50	OM72B-74-76-79	Plastic-Stars and Head on Light Background	OM 7220988-B	2or4
50	OM72C	Plastic-Stars and Head on Black Background	OM 7220988-C	2
50	OM72B-74-76	Nut (spring flat type)-1/8"	355879-832	4or8
Group 20988-9 MOULDING (DOOR INSIDE)-BOTTOM				
50	OM79	R.H.-use on jobs equipped with Stationary Center Seat	7A 7920988	1
50	OM79	L.H.-use on jobs equipped with Stationary Center Seat	7A 7920989	1



PM-341

1950 DOOR PARTS

Group numbers only shown on illustration. Order by Part Numbers shown in list of parts.

MERCURY

23

BODY PARTS CATALOGUE

YEAR 19__	BODY TYPES	REMARKS	PART NUMBER	NO. REQ'D
Group 20990-1 MOULDING (DOOR INSIDE)-FRONT				
50	OM79	R.H. -26-25/32" long-use on jobs equipped with Plywood Inside Panels	7A 7920990	1
50	OM79	L.H. -26-25/32" long-use on jobs equipped with Plywood Inside Panels	7A 7920991	1
Group 20998-9 MOULDING (DOOR INSIDE)-REAR				
50	OM79	R.H. -27-27/64" long	7A 7920998	1
50	OM79	L.H. -27-27/64" long	7A 7920999	1
Group 21228-9 FRAME AND GLASS ASSEMBLY (DOOR VENT WINDOW)				
50	OM76	R.H.	8M 7621228-C	1
50	OM76	L.H.	8M 7621229-C	1
Group 21390-1 CAP (DOOR VENT WINDOW FINISH)-FRONT				
50	OM76	R.H. - Rustless Steel	8M 7621390	1
50	OM76	L.H. - Rustless Steel	8M 7621391	1
50	OM76	Screw (cross recessed round head self tap.)-No. 8-15 x 3/8"	52168-S13	2

Group 21402-3

VENTILATING WINDOW ASSEMBLY (FRONT DOOR)-COMPLETE INCLUDING DIVISION BAR

50	OM72A-72B-72C-74	R.H.		8M 7021402-G	1
50	OM72A-72B-72C-74	L.H.-replaced by OM-7221403		8M 7021403-G	1
50	OM72A072B-72C-74	R.H.		OM 7221402	1
50	OM72A-72B-72C-74	L.H.		OM 7221403	1
50	OM76	R.H.-without enlongated hole in weatherstrip retainer		8M 7621402-E	1
50	OM76	L.H.-without enlongated hole in weatherstrip retainer		8M 7621403-E	1
50	OM76	R.H.-with enlongated hole in weatherstrip retainer		OM 7621402	1
50	OM79	L.H.-with enlongated hole in weatherstrip retainer		OM 7621403	1
50	OM79	R.H.		OA 7921402	1
50	OM79	L.H.		OA 7921403	1
50	OM76	Bolt (round hd)-No. 10-32 x 5/8		35510-S7	4
50	OM76	Nut (hex)-1/4"-20		34390-S7	4
50	OM72A-72B-74-79	Screw and washer assy (cross recessed oval head)- No. 10-32 x 3/4"		50709-S8	2
50	OM76	Washer (flat)-1/4"		44719-S8	4

Group 21406-7

GLASS AND FRAME ASSEMBLY (FRONT DOOR VENTILATING WINDOW)

50	OM72A-72B-72C-74	R.H.		8M 7021406-B	1
50	OM72A-72B-72C-74	L.H.		8M 7021407-B	1
50	OM79	R.H.		8M 7921406	1
50	OM79	L.H.		8M 7921407	1

Group 21410

GLASS (FRONT DOOR WINDOW)

50	OM72A-72B-72C			8M 7021410-A	2
50	OM74			8M 7321410-A	2
50	OM76			8M 7621410-A	2
50	OM79			8M 7921410-A	2

Group 21412

GLASS (FRONT DOOR VENT WINDOW)

50	OM72A-72B-72C-74			8M 7021412-B	2
50	OM76			8M 7621412-B	2
50	OM79			8M 7921412-B	2

MERCURY

BODY PARTS CATALOGUE

YEAR 19__	BODY TYPES	REMARKS	PART NUMBER	NO. REQ'D
Group 21424 STRIP (FRONT DOOR GLASS RETAINING)				
50	OM72A-72B-72C-76-79	27-1/4" long-replaced by M-17779-A	8M 7021424-D	2
50	OM74	17-3/4" long-replaced by M-17779-A	8M 7321424-D	2
Group 21432-3 WEATHERSTRIP (DOOR VENTILATING WINDOW)-BELT				
50	OM76	R.H.-Rubber-2-5/8" long	OM 7621432	1
50	OM76	L.H.-Rubber-2-5/8" long	OM 7621433	1
Group 21446 WEATHERSTRIP (DOOR WINDOW GLASS)-OUTER				
50	OM79	75" long-replaced by 7A-7929732-A	7A 7921446	2
Group 21448-9 WEATHERSTRIP (FRONT DOOR VENT WINDOW)				
50	OM72A-72B-72C-74	R.H.	8M 7021448	1
50	OM72A-72B-72C-74	L.H.	8M 7021449	1
50	OM76	R.H.-use with retainer without elongated holes	8M 7621448-B	1
50	OM76	L.H.-use with retainer without elongated holes	8M 7621449-B	1
50	OM76	R.H.-use with retainer with elongated holes	OM 7621448	1
50	OM76	L.H.-use with retainer with elongated holes	OM 7621449	1
50	OM79	R.H.	8M 7921448	1
50	OM79	L.H.	8M 7921449	1
Group 21450 WEATHERSTRIP (DOOR VENT WINDOW DIVISION BAR)				
50	OM72A-72B-72C-74	with tabs	8M 7021450	2or4
50	OM72-72C-74	without tabs	OM 7221450	2or4
50	OM79	with tabs	8M 7921450	2
50	OM79	without tabs	OA 7921450	2
Group 21452-3 WEATHERSTRIP (FRONT DOOR WINDOW OPENING)				
50	OM72A-72B-72C	R.H.-with Chrome beading	OM 7221452	2
50	OM72A-72B-72C	L.H.-with Chrome beading	OM 7221453	2
50	OM74	R.H.-with Chrome beading	OM 7421452	2
50	OM74	L.H.-with Chrome beading	OM 7421453	2
Group 21452 WEATHERSTRIP (DOOR WINDOW GLASS)				
50	OM76		7A 7621452	4
Group 21452-3 WEATHERSTRIP (DOOR WINDOW)-AT BELT				
50	OM79	R.H.	OM 7921452	1
50	OM79	L.H.	OM 7921453	1
Group 21454 WEATHERSTRIP (DOOR VENT WINDOW FRAME)-REAR				
50	OM76		8M 7621454	2
Group 21458-9 CHANNEL AND BRACKET ASSEMBLY (FRONT DOOR GLASS)				
50	OM72A-72B-72C	R.H.-Manual Control	8M 7021458-A	1
50	OM72A-72B-72C	L.H.-Manual Control	8M 7021459-A	1
50	OM72B-72C	R.H.-Hydraulic Control	8M 7021458-B	1
50	OM72B-72C	L.H.-Hydraulic Control	8M 7021459-B	1
50	OM74	R.H.-Manual Control	8M 7321458-A	1
50	OM74	L.H.-Manual Control	8M 7321459-A	1
50	OM74	R.H.-Hydraulic Control	8M 7321458-B	1
50	OM74	L.H.-Hydraulic Control	8M 7321459-B	1
50	OM79	R.H.-Manual Control	8M 7921458-A	1
50	OM79	L.H.-Manual Control	8M 7921459-A	1
50	OM72B-72C-74	Bolt (hex head)-1/4"-28 x 5/8"	20325-S7	4or8
50	OM72B-72C-74	Nut (lock)-1/4"-28	34391-S7	4or8
50	OM72B-72C-74	Washer (flat)-1/4"	34705-S2	4or8

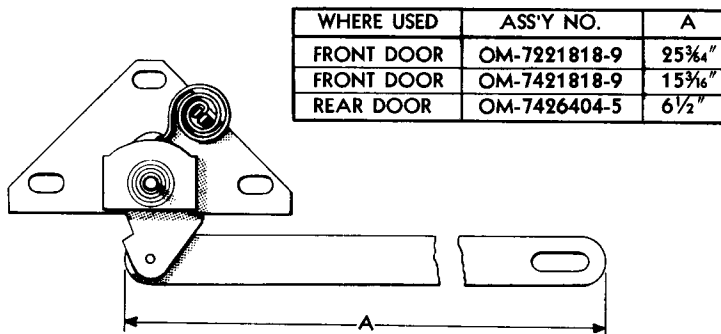
BODY PARTS CATALOGUE

YEAR 19__	BODY TYPES	REMARKS	PART NUMBER	NO. REQ'D
Group 21458-9 CHANNEL AND RETAINER ASSEMBLY (DOOR WINDOW GLASS LIFTER)				
50	OM76	R.H.-27-1/4" long	8M 7621458-B	1
50	OM76	L.H.-27-1/4" long	8M 7621459-B	1
50	OM76	Lockwasher (external tooth)-No. 8	34938-S8	8
50	OM76	Screw (pan head self tapping)-No. 8 x 1/2"	33183-S7	8
Group 21464-5 BRACKET (FRONT DOOR VENTILATING WINDOW UPPER PIVOT)-ON RETAINER				
50	OM72A-72B-72C-74-79	R.H.-male-for OM76 requirements refer to group 22978-9	8M 7021464	1
50	OM72A-72B-72C-74-79	L.H.-male-for OM76 requirements refer to group 22978-9	8M 7021465	1
50	OM72A-72B-72C-74	Screw (cross recessed pan head self tap.)-No. 6-18 x 1/4"	52713-S8	4
50	OM79	Screw (cross recessed pan head self tap.)-No. 7-16 x 3/8"	52719-S8	4
Group 21466-7 HINGE (FRONT DOOR VENTILATING WINDOW UPPER PIVOT)-ON FRAME				
50	OM72A-72B-72C-74-79	R.H.-female-for OM76 requirements refer to group 22976-7	8M 7021466	1
50	OM72A-72B-72C-74-79	L.H.-female-for OM76 requirements refer to group 22976-7	8M 7021467	1
50	OM72A-72B-72C-74-79	Rivet	351878-S8	4
Group 21508-9 RUN ASSEMBLY (DOOR GLASS)-LOCK SIDE- COMPLETE				
50	OM76	R.H.	7A 7621508	1
50	OM76	L.H.	7A 7621509	1
50	OM76	Locknut-1/4"-20	34390-S7	4
50	OM76	Lockwasher-1/4"	34805-S2	2
50	OM76	Screw (pan hd)-1/4-20 x 5/8	38228-S2	2
Group 21510 WEATHERSTRIP (FRONT AND REAR DOOR GLASS CHANNEL)				
50	OM72A-72B-72C-74-79	28-63/64" long	7EH 7221510	2
Group 21510 WEATHERSTRIP (DOOR GLASS CHANNEL)-LOWER				
50	OM76	21/32" high 5/32" inside lip-use on 8M-7621458-9-B	8M 7621510	2
Group 21538 SUPPORT ASSEMBLY (DOOR GLASS RUN)-LOWER				
50	OM76	"L" shaped 1-3/4" wide	8M 7621538	4
50	OM76	Nut (square)-1/4-20	34095-S2	4
50	OM76	Screw (binding head)-1/4"-20 x 5/8"	39072-S2	4
50	OM76	Screw and lockwasher assy (hex head)-1/4"-20 x 5/8"	43263-S8	4
50	OM76	Screw (pan head self tapping)-No. 8-15 x 1/2"	32923-S7	4
Group 21544 WEATHERSTRIP (FRONT DOOR GLASS HEADER)				
50	OM72A-72B-72C-74	31" long	8M 7021544	2
Group 21546 RUN (DOOR GLASS DIVISION BAR)				
50	OM72A-72B-72C-74	26-21/64" long-without Chrome beading	8M 7021546-C	2or4
50	OM72A-72B-72C-74	26-21/64" long-with Chrome beading	OM 7221546	2or4
50	OM79	30-17/64" long-without Chrome beading	8M 7921546-B	2
50	OM79	30-17/64"-with Chrome beading	OA 7921546	2
Group 21546-7 RUN (DOOR GLASS)-HINGE SIDE				
50	OM76	R.H.-28-3/64" long	7A 7621546	1
50	OM76	L.H.-28-3/64" long	7A 7621547	1

MERCURY

BODY PARTS CATALOGUE

YEAR 19	BODY TYPES	REMARKS	PART NUMBER	NO. REQ'D
Group 21550 RUN ASSEMBLY (DOOR GLASS)-LOCK SIDE-COMLETE				
50	OM72A-72B-72C-74	approximately 23-59/64" long	7A 7021550	2or6
50	OM79	Developed length approximately 65-1/2"	7A 7921550-A	2
50	OM79	Screw (flat head self tap.)-No. 6-18 x 7/16"	351614-S2	4
Group 21570-1 RETAINER ASSEMBLY (DOOR GLASS RUN)-LOCK SIDE				
50	OM79	R.H.-16-7/16" long	7A 7921570	1
50	OM79	L.H.-16-7/16" long	7A 7921571	1
50	OM79	Nut (hex)-No. 12-24	34054-S8	2
50	OM79	Lockwasher (external tooth)-No. 12	34927-S8	2
50	OM79	Screw (oval head cross recessed)-No. 12-24 x 3/4"	50420-S8	2
Group 21572-3 RETAINER ASSEMBLY (DOOR GLASS RUN)-LOCK SIDE				
50	OM72A-72B-72C-74	R.H.-14-7/32" long	OM 7221572-A	1or2
50	OM72A-72B-72C-74	L.H.-14-7/32" long	OM 7221573-A	1or2
50	OM72A-72B-72C-74	Nut (hex)-No. 10-32	34079-S7	2
50	OM72A-72B-72C-74	Screw (pan head)-No. 10-32 x 3/8"	39032-S8	as req'd
50	OM72A-72B-72C-74	Washer (internal and external tooth)-No. 10	356256-S2	2
Group 21812-3 LOCK ASSEMBLY (FRONT DOOR)				
50	OM	R.H.	OA 7021812	1
50	OM	L.H.	OA 7021813	1
50	OM	Screw and lockwasher assy (pan head)-No. 12-24 x 3/8"	355168-S2	2
50	OM	Screw (cross recessed flat head)-No. 12-24 x 1/2"	357797-S8	6



PM-337

Group 21818-9 CONTROL ASSEMBLY (FRONT DOOR LOCK REMOTE)				
50	OM72A-72B-72C-76-79	R.H.	OM 7221818	1
50	OM72A-72B-72C-76-79	L.H.	OM 7221819	1
50	OM74	R.H.	OM 7421818	1
50	OM74	L.H.	OM 7421819	1
50	OM	Screw and washer assy (pan head)-No. 12-24 x 3/8"	355168-S2	6
Group 21850 KNOB (DOOR LOCKING CONTROL ROD)				
50	OM		8A 7021850-B	2or4
Group 21852-3 ROD (DOOR LOCK SAFETY CATCH)				
50	OM72A-72B-72C-74		OM 7221852-A	2or4
50	OM76		OM 7621852-A	2
50	OM79		OA 7921852-A	2

BODY PARTS CATALOGUE

YEAR 19	BODY TYPES	REMARKS	PART NUMBER	NO. REQ'D
Group 21858 SPRING (DOOR LOCK MAIN)				
50	OM	Steel Arm approximately 1-1/2" long	OA 7021858	2or4
Group 21872 SPRING (DOOR LOCK SLIDE TOGGLE)				
50	OM	R.H.-Steel-double ring	OA 7021872	lor2
50	OM	L.H.-Steel-double ring	OA 7021873	lor2
Group 21910 SPRING (DOOR LOCK REMOTE CONTROL)				
50	OM	Steel-3 coils	8A 7021910-C	1
Group 21942-3 COVER AND SPRING KIT (DOOR LOCK AND SLEEVE ASSEMBLY)-OUTSIDE				
50	OM	R.H.-Briggs & Stratton design-includes spring and cover	HAK 7221942-A	1
50	OM	L.H.-Briggs & Stratton design-includes spring and cover	HAK 7221943-A	1
50	OM	R.H.-Hurd design-includes spring and cover	HAK 7221942-B	1
50	OM	L.H.-Hurd design-includes spring and cover	HAK 7221943-B	1
Group 21984-5 LOCK AND SLEEVE ASSEMBLY (DOOR PANEL)-COMPLETE WITH KEYS				
50	OM72A-72B-72C-74	R.H.-4-55/64" overall length	OM 7221984-B	1
50	OM72A-72B-72C-74	L.H.-4-55/64" overall length	OM 7221985-B	1
50	OM76	R.H.-5-7/64" overall length	OM 7621984-B	1
50	OM76	L.H.-5-7/64" overall length	OM 7621985-B	1
50	OM79	R.H.-5-1/4" overall length	OH 7221984	1
50	OM79	L.H.-5-1/4" overall length	OH 7221985	1
Group 21988 SPRING (DOOR LOCK PAWL STOP)				
50	OM	Steel-3/16" wide	OA 7021988	2or4
Group 21998 RETAINER ASSEMBLY (DOOR LOCK CYLINDER)				
50	OM72A-72B-72C-74-76	51/64" O.D.	OA 7021998-A	2
Group 21999 FERRULE (DOOR LOCK KNOB)				
50	OM	Rubber	8M 7221999	2or4
Group 22008-9 PLATE ASSEMBLY (DOOR LOCK STRIKER)				
50	OM	R.H.	OA 7022008	lor2
50	OM	L.H.	OA 7022009	lor2
50	OM72A-72B-72C-76-79	Screw and lockwasher assy (cross recessed flat head)- 5/16"-24 x 1"	352282-S2	4
Group 22058 SHIM (DOOR LOCK STRIKER PLATE)				
50	OM	Steel-zinc plated-2-25/32" long	OA 7022058	as req'd
Group 22059 WATER SHIELD (DOOR LOCK CYLINDER)				
50	OM except 79		OA 7022059	2

MERCURY

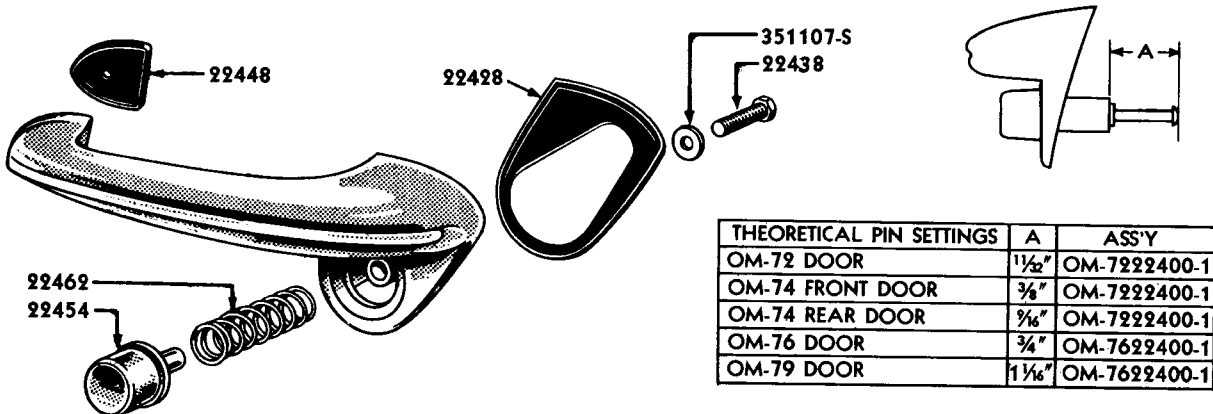
BODY PARTS CATALOGUE

YEAR 19__	BODY TYPES	REMARKS	PART NUMBER	NO. REQ'D
Group 22204-5 RETAINER AND BAR ASSEMBLY (VENTILATING WINDOW)-COMPLETE				
50	OM72A-72B-72C-74	R.H.-with tabs on weatherstrip	8M 7022204	1
50	OM72A-72B-72C-74	L.H.-with tabs on weatherstrip	8M 7022205	1
50	OM72A-72B-72C-74	R.H.-without tabs on weatherstrip	OM 7222204	1
50	OM72A-72B-72C-74	L.H.-without tabs on weatherstrip	OM 7222205	1
50	OM79	R.H.-with tabs on weatherstrip	8M 7922204	1
50	OM79	L.H.-with tabs on weatherstrip	8M 7922205	1
50	OM79	R.H.-without tabs on weatherstrip	OA 7922204	1
50	OM79	L.H.-without tabs on weatherstrip	OA 7922205	1
50	OM72A-72B-72C-74	Rivet (flat head tubular)-9/64" x 7/16"	351904-S8	2
50	OM72A-72B-72C-74-79	Rivet (button head tubular)-9/64" x 5/32"	351921-S7	4or8

Group 22218-9 FRAME AND GLASS ASSEMBLY (DOOR GLASS)-COMPLETE				
50	OM76	R.H.	8M 7622218-B	1
50	OM76	L.H.	8M 7622219-B	1
50	OM76	Lockwasher (external tooth)-No. 8	34938-S8	1

Group 22274 SHIM (DOOR VENT WINDOW FRAME TO INSIDE PANEL REAR BRACKET EXTENSION)				
50	OM76	23/32" wide by 2-7/8" long	8M 7622274	as req'd

Group 22342 WEATHERSTRIP (DOOR VENTILATING WINDOW TO DOOR)				
50	OM76	3" long	OM 7622342	2



PM-320

Group 22400-1 HANDLE ASSEMBLY (DOOR OUTSIDE)-COMPLETE				
50	OM72A-72B-72C-74	R.H.	OM 7222400-A	1or2
50	OM72A-72B-72C-74	L.H.	OM 7222401-A	1or2
50	OM76-79	R.H.	OM 7622400-A	1
50	OM76-79	L.H.	OM 7622401-A	1
50	OM72	Screw and washer assy (pan head)-No. 10-32 x 5/8"	42804-S8	2or4
50	OM74-76	Screw and washer assy (pan head)-No. 10-32 x 7/8"	42806-S8	2or4

BODY PARTS CATALOGUE

YEAR 19__	BODY TYPES	REMARKS	PART NUMBER	NO. REQ'D
Group 22428 PAD (OUTSIDE DOOR HANDLE)-LARGE				
50	OM	Rubber	OM 7222428-A	2or4
Group 22438 PIN (DOOR OUTSIDE HANDLE RELEASE)				
50	OM72A-72B-72C-74	1-7/64" long	OA 7022438	2or4
50	OM76-79	1-9/16" long	OA 7622438	2
Group 22448 PAD (OUTSIDE DOOR HANDLE)-SMALL				
50	OM	Rubber	OM 7222448	2or4
Group 22454 BUTTON AND GUIDE ASSEMBLY (OUTSIDE DOOR HANDLE)				
50	OM		OA 7022454-B	2or4
50	OM	Nut (hex)-No. 10-32	34079-S7	2or4
50	OM	Washer (lock-internal tooth)-No. 10	34903-S7	2or4
Group 22462 SPRING (OUTSIDE DOOR HANDLE PUSH BUTTON)				
50	OM	Steel	OA 7022462	2or4
Group 22473-5 SCREW AND WASHER ASSEMBLY (DOOR OUTSIDE HANDLE TO DOOR)				
50	OM79	No. 10-32 x 1-1/4"-to attach door outside handle to door	OM 7922473	2
50	OM79	No. 10-32 x 1-3/8"-to attach door outside handle to door	OM 7922475	2
Group 22614 HANDLE (DOOR INSIDE)				
50	OM		OM 7022614-B	2or4
Group 22618 ESCUTCHEON ASSEMBLY (DOOR INSIDE HANDLE AND WINDOW REGULATOR HANDLE)				
50	OM	Chrome Finish	OM 7222618	4or8
Group 22800-1 HINGE ASSEMBLY (FRONT DOOR)-UPPER				
50	OM72A-72B-72C-74-76	R.H.-with six holes	OM 7222800-A	1
50	OM72A-72B-72C-74-76	L.H.-with six holes	OM 7222801-A	1
50	OM72A-72B-72C-74-76	R.H.-with four holes	OM 7222800-B	1
50	OM72A-72B-72C-74-76	L.H.-with four holes	OM 7222801-B	1
50	OM79	R.H.-with six holes	OM 7922800-A	1
50	OM79	L.H.-with six holes	OM 7922801-A	1
50	OM79	R.H.-with four holes	OM 7922800-B	1
50	OM79	L.H.-with four holes	OM 7922801-B	1
50	OM	Screw and lockwasher assy (cross recessed flat head)- 5/16"-24 x 1"	352282-S8	16
Group 22810-1 HINGE ASSEMBLY (FRONT DOOR)-LOWER				
50	OM	R.H.-with six holes	OM 7222810-A	1
50	OM	L.H.-with six holes	OM 7222811-A	1
50	OM	R.H.-with four holes	OM 7222810-B	1
50	OM	L.H.-with four holes	OM 7222811-B	1
50	OM	Screw and lockwasher assy (flat head)-5/16"-24 x 1"	352282-S8	16
Group 22840 PIN (DOOR HINGE)				
50	OM	5/16" diameter	OM 7222840	4or8

MERCURY

BODY PARTS CATALOGUE

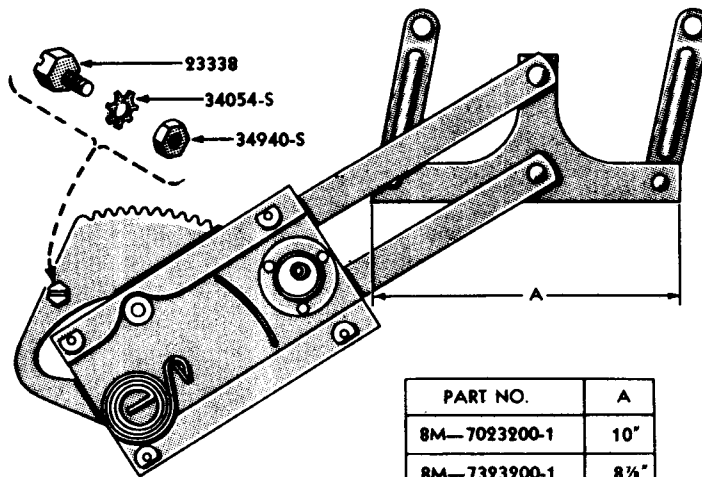
YEAR 19	BODY TYPES	REMARKS	PART NUMBER	NO. REQ'D
Group 22884-5 RAIN SHIELD (FRONT DOOR VENTILATING WINDOW)				
50	OM72A-72B-72C-74	R.H.	8M 7022884	1
50	OM72A-72B-72C-74	L.H.	8M 7022885	1
50	OM76	R.H.	8M 7622884	1
50	OM76	L.H.	8M 7622885	1
50	OM79	R.H.	8M 7922884	1
50	OM79	L.H.	8M 7922885	1
Group 22916-7 HANDLE (DOOR VENTILATOR WINDOW FRAME)				
50	OM except 76	R.H.-Front door	8A 7022916-C	1
50	OM except 76	L.H.-Front door	8A 7022917-C	1
50	OM74	R.H.-Rear Door	8M 7022916	1
50	OM74	L.H.-Rear Door	8M 7022917	1
50	OM76	R.H.	8A 7622916-C	1
50	OM76	L.H.	8A 7622917-C	1
50	OM	Pin (taper)-3/32" x 1/2"	352471-S7	2
Group 22920 KEY (DOOR VENTILATOR WINDOW FRAME)				
50	OM		8A 7022920	2or4
Group 22921 PLATE (DOOR DIVISION CHANNEL LOWER BRACKET TAPPING)				
50	OM72A-72B-72C-74-79		7A 7022921	2or4
Group 22924 PLATE (DOOR VENTILATOR WINDOW LOCK)				
50	OM74	Rear Door	01A 7022924-B	2
Group 22926 SPRING (FRONT DOOR VENTILATOR WINDOW PIVOT)				
50	OM	13/16" free length	01A 7022926	2or4
50	OM79	Washer (flat)-5/16"	34746-S2	4
Group 22938-9 BRACKET AND HANDLE SHAFT ASSEMBLY (DOOR VENTILATOR WINDOW)				
50	OM	R.H.-Front Door	8A 7022938-B	1
50	OM	L.H.-Front Door	8A 7022939-B	1
50	OM74	Rear Door	01A 7022938	2
Group 22963 WASHER (QUARTER VENTILATING WINDOW PIVOT FRICTION)				
50	OM74		8A 7022963	2
Group 22976-7 HINGE (DOOR VENT WINDOW UPPER PIVOT)-ON FRAME				
50	OM76	R.H.-upper hinge-female	8A 7622976-B	1
50	OM76	L.H.-upper hinge-female	8A 7622977-B	1
Group 22978-9 HINGE (DOOR VENT WINDOW PIVOT)-ON RETAINER				
50	OM76	R.H.-lower hinge-male	8A 7622978-B	1
50	OM76	L.H.-lower hinge-male	8A 7622979-B	1
50	OM76	Screw (cross recessed)-No. 10-32 x 1/4"	0A 7621480	2
Group 22982 WASHER (DOOR VENTILATOR WINDOW PIVOT)				
50	OM		01A 7022982	2or4
Group 22986 SPRING (DOOR VENTILATOR WINDOW HANDLE)				
50	OM		01A 7022986	2or4

MERCURY

31

BODY PARTS CATALOGUE

YEAR 19	BODY TYPES	REMARKS	PART NUMBER	NO. REQ'D
Group 22992-3 STOP (DOOR VENT WINDOW PIVOT)				
50	OM72A-72B-72C-74-79	R.H.	8A 7022992	2
50	OM72A-72B-72C-74-79	L.H.	8A 7022993	2
50	OM76	R.H.-1" x 1-3/8"	8M 7022992	2
50	OM76	L.H.-1" x 1-3/8"	8M 7022993	2
50	OM76	Washer (flat)-5/16"	34746-S2	4
Group 23030 BUMPER (DOOR UPPER)				
50	OM	Rubber	11A 7023030-A	2
Group 23050 SUPPORT ASSEMBLY (FRONT DOOR VENT WINDOW FRONT AND REAR FRAME BRACKET)-LOWER				
50	OM76		11A 7623050	2
50	OM76	Lockwasher-1/4"	34805-S2	2
50	OM76	Nut (square)-1/4"-20	34095-S2	1
50	OM76	Screw (pan head)-1/4"-20 x 5/8"	38228-S2	2
50	OM76	Screw and lockwasher assy (hex head)-1/4"-20 x 5/8"	43263-S8	2



PART NO.	A
8M-7023200-1	10"
8M-7323200-1	8 1/2"
8M-7427000-1	8"

PM-338

WINDOW REGULATOR MANUAL CONTROL

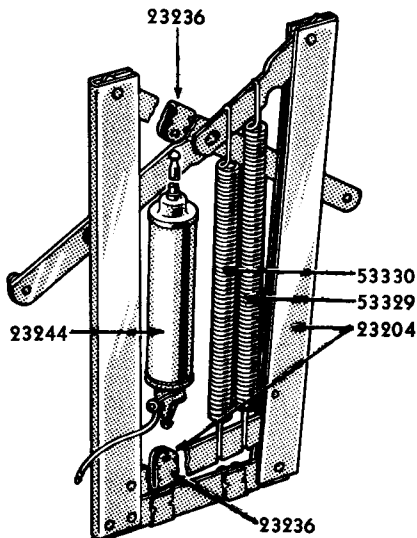
Group numbers only shown on illustration. Order by Part Numbers shown in list of parts.

Group 23200-1 REGULATOR ASSEMBLY (FRONT DOOR WINDOW)

50	OM72A-72B-72C	R.H.-Manual Control	8M 7023200-C	1
50	OM72A-72B-72C	L.H.-Manual Control	8M 7023201-C	1
50	OM72B-74	R.H.-Hydraulic Control-front and rear door	8M 7023200-B	1or2
50	OM72B-74	L.H.-Hydraulic Control-front and rear door	8M 7023201-B	1or2
50	OM74	R.H.-Manual Control	8M 7323200-C	1
50	OM74	L.H.-Manual Control	8M 7323201-C	1
50	OM76	R.H.-Hydraulic Control	8M 7623200	1
50	OM76	L.H.-Hydraulic Control	8M 7623201	1
50	OM79	R.H.-Manual Control	8A 7923200	1
50	OM79	L.H.-Manual Control	8A 7923201	1
50	OM except 76	Lockwasher (internal)-No. 12	34904-S2	10
50	OM72B-74	Nut (lock)-5/16"-24	34393-S7	4or8
50	OM except 76	Screw (pan head)-No. 12-24 x 1/2"	39049-S2	10
50	OM72B-72C-74	Washer (flat)-5/16"	34746-S2	4or8

MERCURY

BODY PARTS CATALOGUE



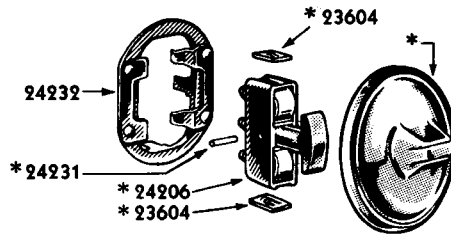
PM-267

WINDOW REGULATOR HYDRAULIC CONTROL

Group numbers only shown on illustration. Order by Part Numbers shown in list of parts.

YEAR 19__	BODY TYPES	REMARKS	PART NUMBER	NO. REQ'D
Group 23204-5 FRAME ASSEMBLY (HYDRAULIC WINDOW REGULATOR)				
50	OM72B-72C-74	R.H.	8M 7023204	1or2
50	OM72B-72C-74	L.H.	8M 7023205	1or2
50	OM76	R.H.	8H 7323204	1
50	OM76	L.H.	8M 7623205	1
Group 23236 BRACKET (WINDOW REGULATOR ARM)				
50	OM	7/8" x 1-19/64"	51A 7123236	5or9
Group 23244 CYLINDER ASSEMBLY (DOOR WINDOW REGULATOR HYDRAULIC)				
50	OM72B-72C-74-76		8L 7323244	2or4
Group 23257 SPRING (FRONT DOOR REGULATOR ARM STUD RETAINING)				
50	OM72A-72B-72C-74-79		11A 7023257	4or8
Group 23259 WASHER (WINDOW REGULATOR ARM ATTACHING BRACKET)				
50	OM72A-72B-72C-74-79		11A 7023259	8or12

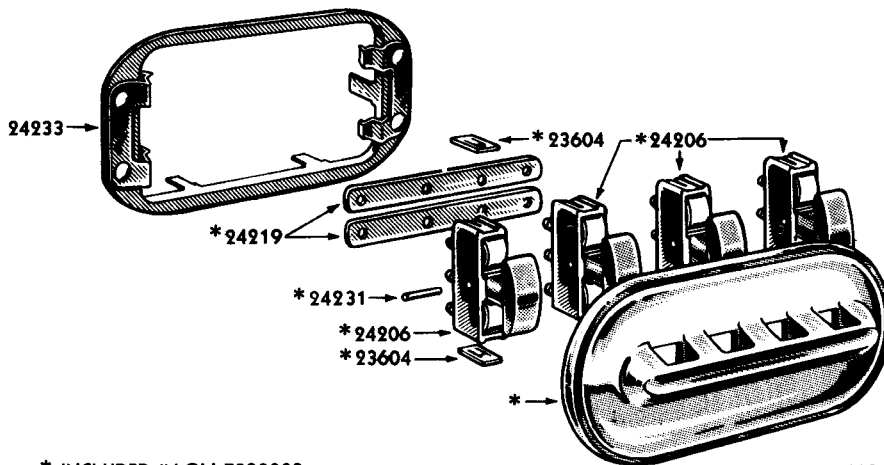
BODY PARTS CATALOGUE



* INCLUDED IN OH-7223302

PL-417

SINGLE HYDRAULIC WINDOW SWITCH (OH-7223302)



* INCLUDED IN OH-7223303

PL-418

MULTIPLE HYDRAULIC WINDOW SWITCH (OH-7223303)

Group numbers only shown on illustration. Order by Part Numbers shown in list of parts.

YEAR 19	BODY TYPES	REMARKS	PART NUMBER	NO. REQ'D
Group 23302-3 SWITCH AND HOUSING ASSEMBLY (HYDRAULIC WINDOW REGULATOR)				
50	OM72B-72C-74	special equipment-single switch	OH 7223302	3
50	OM74	special equipment-four switch	OH 7223303	1
50	OM76	single switch	OH 7223302	3
50	OM76	four switch	OH 7223303	1
Group 23312 SUPPORT (DOOR HYDRAULIC WINDOW REGULATOR SIDE RAIL)-UPPER				
50	OM72B	Hydraulic Controlled	OM 7223312	2
50	OM74	Hydraulic Controlled	8M 7323312	2
Group 23318 SPRING (DOOR WINDOW REGULATOR COUNTER BALANCE)				
50	OM79		7A 7923318	2
50	OM72A-72B-72C-74-79	Nut (hex)-No. 12-24	34054-S2	2
50	OM72A-72B-72C-74-79	Washer (external tooth)-1/4"	34940-S2	2
Group 23338 BOLT (DOOR WINDOW REGULATOR STOP)				
50	OM72A-72B-72C-74-79	Manual Control	01A 7023338	2or4
Group 23342 HANDLE ASSEMBLY (WINDOW REGULATOR)				
50	OM72A-72B-72C-74-79	Manual Control-serrated round hole	8M 7023342-B	2or4

MERCURY

BODY PARTS CATALOGUE

YEAR 19	BODY TYPES	REMARKS	PART NUMBER	NO. REQ'D
Group 23354 PIN (DOOR WINDOW REGULATOR AND DOOR INSIDE HANDLE)				
50	OM		OA 7023354	as req'd
Group 23382 SUPPORT AND RETAINER ASSEMBLY (HYDRAULIC WINDOW REGULATOR ARM ROLLER)				
50	OM72B-72C-74-76	Front Door	5EH 7323382	2
50	OM74	Rear Door	8M 7423382	2
Group 23494 STOP (DOOR GLASS)-ON INNER PANEL				
50	OM76		8M 7623494	4
50	OM76	Screw (pan head self tapping)-No. 8-15 x 1/2"	32923-S7	4
50	OM76	Screw and washer assy (pan head)-No. 10-32 x 1/2"	42803-S8	4
Group 23500 ARM ASSEMBLY (DOOR CHECK)				
50	OM		8M 7023500	2
Group 23530 HOUSING ASSEMBLY (DOOR CHECK ARM)				
50	OM72A-72B-72C-74-76		06H 5623530	2or4
50	OM79		96H 7023530	2
50	OM	Rivet (round head)-3/16" x 3/8"	60330-S	4or8
Group 23554 WEATHERSTRIP (DOOR CHECK ARM HOLE)				
50	OM except 79		OM 7223554	2or4
Group 23600-1 FRAME ASSEMBLY (HYDRAULIC QUARTER WINDOW)				
50	OM76	R.H.	8L 7623600	1
50	OM76	L.H.	8L 7623601	1
Group 23602 CYLINDER ASSEMBLY (QUARTER WINDOW HYDRAULIC)				
50	OM76		8H 7623602	2
Group 23603 SPRING (QUARTER WINDOW HYDRAULIC OPERATING)				
50	OM76	Black Enamel	8H 7623603	2
Group 23604 SPRING (HYDRAULIC ELECTRIC SWITCH)-LOCKING				
50	OM72B-72C-74-76	5/16" x 1/2"	1H 7323604-A	as req'd

Group 23942-3 TRIM PANEL ASSEMBLY (FRONT DOOR)

50	OM72A	R.H.-Upper M-5156-P Light Blue Broadcloth, Center Light Gray Artificial Leather, Lower Light Gray Artificial Leather	OM 7223942-AAG	1
50	OM72A	L.H.-Upper M-5156-P Light Blue Broadcloth, Center Light Gray Artificial Leather, Lower Light Gray Artificial Leather	OM 7223943-AAG	1
50	OM72A	R.H.-Upper M-5156-M Brown Broadcloth, Center Light Tan Artificial Leather, Lower Dark Brown Artificial Leather	OM 7223942-AN	1
50	OM72A	L.H.-Upper M-5156-M Brown Broadcloth, Center Light Tan Artificial Leather, Lower Dark Brown Artificial Leather	OM 7223943-AN	1
50	OM72B	R.H.-Upper M-5156-N Dark Blue Broadcloth, Center M-5156-P Light Blue Broadcloth, Lower Dark Blue Artificial Leather	OM 7223942-AB	1
50	OM72B	L.H.-Upper M-5156-N Dark Blue Broadcloth, Center M-5156-P Light Blue Broadcloth, Lower Dark Blue Artificial Leather	OM 7223943-AB	1
50	OM72B	R.H.-Upper M-5156-M Dark Brown Broadcloth, Center M-5156-L Tan Broadcloth, Lower Dark Brown Artificial Leather	OM 7223942-AA	1
50	OM72B	L.H.-Upper M-5156-M Dark Brown Broadcloth, Center M-5156-L Tan Broadcloth, Lower Dark Brown Artificial Leather	OM 7223943-AA	1
50	OM72B	R.H.-Upper M-5156-T Dark Green Broadcloth, Center M-5156-S Light Green Broadcloth, Lower Green Artificial Leather	OM 7223942-AR	1
50	OM72B	L.H.-Upper M-5156-T Dark Green Broadcloth, Center M-5156-S Light Green Broadcloth, Lower Green Artificial Leather	OM 7223943-AR	1

BODY PARTS CATALOGUE

YEAR 19	BODY TYPES	REMARKS	PART NUMBER	NO. REQ'D
Group 23942-3 TRIM PANEL ASSEMBLY (FRONT DOOR)-CONTINUED				
50	OM72B	R.H.-Tan Artificial Leather-use with Tan Leather Trim	OM 7223942-AE	1
50	OM72B	L.H.-Tan Artificial Leather-use with Tan Leather Trim	OM 7223943-AE	1
50	OM72C	R.H.-Upper Black Artificial Leather, Center Red Artificial Leather, Lower Black Artificial Leather	OM 7223942-AX	1
50	OM72C	L.H.-Upper Black Artificial Leather, Center Red Artificial Leather, Lower Black Artificial Leather	OM 7223943-AX	1
50	OM72C	R.H.-Upper Dark Blue Artificial Leather, Center Turquoise Blue Artificial Leather, Lower Dark Blue Artificial Leather	OM 7223942-AY	1
50	OM72C	L.H.-Upper Dark Blue Artificial Leather, Center Turquoise Blue Artificial Leather, Lower Dark Blue Artificial Leather	OM 7223943-AY	1
50	OM72C	R.H.-Upper Dark Tan Artificial Leather, Center Turquoise Artificial Leather, Lower Dark Tan Artificial Leather	OM 7223942-AAF	1
50	OM72C	L.H.-Upper Dark Tan Artificial Leather, Center Turquoise Artificial Leather, Lower Dark Tan Artificial Leather	OM 7223943-AAF	1
50	OM72C	R.H.-Upper Yellow Artificial Leather, Center Black Artificial Leather, Lower Yellow Artificial Leather	OM 7223942-AV	1
50	OM72C	L.H.-Upper Yellow Artificial Leather, Center Black Artificial Leather, Lower Yellow Artificial Leather	OM 7223943-AV	1
50	OM74	R.H.-Upper M-5156-N Dark Blue Broadcloth, Center M-5156-P Light Blue Broadcloth, Lower Dark Blue Artificial Leather	OM 7423942-AB	1
50	OM74	L.H.-Upper M-5156-N Dark Blue Broadcloth, Center M-5156-P Light Blue Broadcloth, Lower Dark Blue Artificial Leather	OM 7423943-AB	1
50	OM74	R.H.-Upper M-5156-M Dark Brown Broadcloth, Center M-5156-L Tan Broadcloth, Lower Dark Brown Artificial Leather	OM 7423942-AA	1
50	OM74	L.H.-Upper M-5156-M Dark Brown Broadcloth, Center M-5156-L Tan Broadcloth, Lower Dark Brown Artificial Leather	OM 7423943-AA	1
50	OM74	R.H.-Upper M-5156-M Dark Brown Broadcloth, Center M-16811-B Tan Broadcloth, Lower Dark Brown Artificial Leather	OM 7423942-AZ	1
50	OM74	L.H.-Upper M-5156-M Dark Brown Broadcloth, Center M-16811-B Tan Broadcloth, Lower Dark Brown Artificial Leather	OM 7423943-AZ	1
50	OM74	R.H.-Upper M-5156-T Dark Green Broadcloth, Center M-5156-S Light Green Broadcloth, Lower Green Artificial Leather	OM 7423942-AR	1
50	OM74	L.H.-Upper M-5156-T Dark Green Broadcloth, Center M-5156-S Light Green Broadcloth, Lower Green Artificial Leather	OM 7423943-AR	1
50	OM74	R.H.-Tan Artificial Leather-use with Tan Leather Trim	OM 7423942-AE	1
50	OM74	L.H.-Tan Artificial Leather-use with Tan Leather Trim	OM 7423943-AE	1
50	OM76	R.H.-Upper Black Artificial Leather, Center Red Artificial Leather, Lower Black Artificial Leather	OM 7623942-AF	1
50	OM76	L.H.-Upper Black Artificial Leather, Center Red Artificial Leather, Lower Black Artificial Leather	OM 7623943-AF	1
50	OM76	R.H.-Upper Blue Artificial Leather, Center Gray Artificial Leather, Lower Blue Artificial Leather	OM 7623942-AH	1
50	OM76	L.H.-Upper Blue Artificial Leather, Center Gray Artificial Leather, Lower Blue Artificial Leather	OM 7623943-AH	1
50	OM76	R.H.-Upper Brown Artificial Leather, Center Tan Artificial Leather, Lower Brown Artificial Leather	OM 7623942-AG	1
50	OM76	L.H.-Upper Brown Artificial Leather, Center Tan Artificial Leather, Lower Brown Artificial Leather	OM 7623943-AG	1
50	OM79	R.H.-Gypsum Board equipped with Chestnut Brown Artificial Leather kick pad	OM 7923942-AT	1
50	OM79	L.H.-Gypsum Board equipped with Chestnut Brown Artificial Leather kick pad	OM 7923943-AT	1
50	OM79	R.H.-Gypsum Board equipped with Dark Green Artificial Leather kick pad	OM 7923942-AU	1
50	OM79	L.H.-Gypsum Board equipped with Dark Green Artificial Leather kick pad	OM 7923943-AU	1

MERCURY

BODY PARTS CATALOGUE

YEAR 19	BODY TYPES	REMARKS	PART NUMBER	NO. REQ'D
Group 23942-3 TRIM PANEL ASSEMBLY (FRONT DOOR)-CONTINUED				
50	OM79	R.H.-Gypsum Board equipped with Dark Red Artificial Leather kick pad	OM 7923942-AS	1
50	OM79	L.H.-Gypsum Board equipped with Dark Red Artificial Leather kick pad	OM 7923943-AS	1
50	OM72A-72B-72C-74-76	Screw (oval head self tapping)-No. 8-15 x 1"	33013-S2	4
50	OM72A-72B-72C-74-76	Screw (cross recessed pan hd self tap.)-No. 14-10 x 1-1/4"	52761-S8	6
50	OM79	Screw (cross recessed)-No. 8-15	350075-S13	as req'd
50	OM72A-72B-72C-74-76	Trim retainer-11/16" long (side and bottom)	358300-S3	32or36
50	OM72A-72B-72C-74-76	Washer (finishing)-No. 8	34885-S7	as req'd

Group 24140-1 REST ASSEMBLY (FRONT DOOR ARM)

50	OM72A	L.H.-Tan Artificial Leather	OM 7224141-AN	1
50	OM72A	L.H.-Top Tan Artificial Leather, Bottom Tan Plastic	OM 7224141-BN	1
50	OM72B-74	R.H.-Top Blue Artificial Leather, Bottom Light Blue Broadcloth	OM 7224140-AB	1
50	OM72B-74	L.H.-Top Blue Artificial Leather, Bottom Light Blue Broadcloth	OM 7224141-AB	1
50	OM72B-74	R.H.-Top Blue Artificial Leather, Bottom Blue Plastic	OM 7224140-EB	1
50	OM72B-74	L.H.-Top Blue Artificial Leather, Bottom Blue Plastic	OM 7224141-BE	1
50	OM72B-74	R.H.-Top Green Artificial Leather, Bottom Green Plastic	OM 7224140-BR	1
50	OM72B-74	L.H.-Top Green Artificial Leather, Bottom Green Plastic	OM 7224141-BR	1
50	OM72B-74	R.H.-Top Tan Artificial Leather, Bottom M-5156-L Tan Broadcloth	OM 7224140-AA	1
50	OM72B-74	L.H.-Top Tan Artificial Leather, Bottom M-5156-L Tan Broadcloth	OM 7224141-AA	1
50	OM72B-74	R.H.-Top Tan Artificial Leather, Bottom Tan Plastic	OM 7224140-BA	1
50	OM72B-74	L.H.-Top Tan Artificial Leather, Bottom Tan Plastic	OM 7224141-BA	1
50	OM72B-74	R.H.-Tan Leather-use with Tan Leather Trim	OM 7224140-AE	1
50	OM72B-74	L.H.-Tan Leather-use with Tan Leather Trim	OM 7224141-AE	1
50	OM72B-74	R.H.-Top Tan Leather, Bottom Tan Plastic-use with Tan Leather Trim	OM 7224140-BE	1
50	OM72B-74	L.H.-Top Tan Leather, Bottom Tan Plastic-use with Tan Leather Trim	OM 7224141-BE	1
50	OM72C	R.H.-Top Black Leather, Bottom Black Plastic	OM 7224140-BX	1
50	OM72C	L.H.-Top Black Leather, Bottom Black Plastic	OM 7224141-BX	1
50	OM72C	R.H.-Top Dark Blue Leather, Bottom Turquoise Plastic	OM 7224140-BY	1
50	OM72C	L.H.-Top Dark Blue Leather, Bottom Turquoise Plastic	OM 7224141-BY	1
50	OM72C	R.H.-Top Yellow Leather, Bottom Black Plastic	OM 7224140-BV	1
50	OM72C	L.H.-Top Yellow Leather, Bottom Black Plastic	OM 7224141-BV	1
50	OM74	R.H.-Top Tan Artificial Leather, Bottom M-16811-B Tan Broadcloth	OM 7224140-AZ	1
50	OM74	L.H.-Top Tan Artificial Leather, Bottom M-16811-B Tan Broadcloth	OM 7224141-AZ	1
50	OM76	R.H.-Black Leather	OM 7624140-AF	1
50	OM76	L.H.-Black Leather	OM 7624141-AF	1
50	OM76	R.H.-Top Black Leather, Bottom Black Plastic	OM 7624140-BF	1
50	OM76	L.H.-Top Black Leather, Bottom Black Plastic	OM 7624141-BF	1
50	OM76	R.H.-Dark Blue Leather	OM 7624140-AH	1
50	OM76	L.H.-Dark Blue Leather	OM 7624141-AH	1
50	OM76	R.H.-Top Dark Blue Leather, Bottom Blue Plastic	OM 7624140-BH	1
50	OM76	L.H.-Top Dark Blue Leather, Bottom Blue Plastic	OM 7624141-BH	1
50	OM76	R.H.-Brown Leather	OM 7624140-AG	1
50	OM76	L.H.-Brown Leather	OM 7624141-AG	1
50	OM76	R.H.-Top Brown Leather, Bottom Brown Plastic	OM 7624140-BG	1
50	OM76	L.H.-Top Brown Leather, Bottom Brown Plastic	OM 7624141-BG	1

BODY PARTS CATALOGUE

YEAR 19	BODY TYPES	REMARKS	PART NUMBER	NO. REQ'D
Group 24140-1 REST ASSEMBLY (FRONT DOOR ARM)-CONTINUED				
50	OM79	R.H.-Top Chestnut Brown Artificial Leather, Bottom Plastic	OM 7924140-AT	1
50	OM79	L.H.-Top Chestnut Brown Artificial Leather, Bottom Plastic	OM 7924141-AT	1
50	OM79	Green Leather	OM 7924140-AM	2
50	OM79	R.H.-Top Green Leather, Bottom Plastic	OM 7924140-BM	1
50	OM79	L.H.-Top Green Leather, Bottom Plastic	OM 7924141-BM	1
50	OM79	R.H.-Top Dark Green Artificial Leather, Bottom Plastic	OM 7924140-AU	1
50	OM79	L.H.-Top Dark Green Artificial Leather, Bottom Plastic	OM 7924141-AU	1
50	OM79	Red Leather	OM 7924140-AK	2
50	OM79	R.H.-Top Red Leather, Bottom Plastic	OM 7924140-BK	1
50	OM79	L.H.-Top Red Leather, Bottom Plastic	OM 7924141-BK	1
50	OM79	R.H.-Top Dark Red Artificial Leather, Bottom Plastic	OM 7924140-AS	1
50	OM79	L.H.-Top Dark Red Artificial Leather, Bottom Plastic	OM 7924141-AS	1
50	OM79	Tan Leather	OA 7924140-AN	2
50	OM79	R.H.-Top Tan Leather, Bottom Plastic	OM 7924140-AL	1
50	OM79	L.H.-Top Tan Leather, Bottom Plastic	OM 7924141-AL	1
50	OM79	Screw (cross recessed pan head)-No. 14 x 2-1/4"	355297-S34	4
50	OM79	Screw (cross recessed pan hd self tap.)-No. 10-12 x 1/2"	52727-S8	4
50	OM except 79	Screw (pan hd self tapping)-No. 14 x 1-1/4"	32956-S8	3or6

Group 24190-1 MOULDING (DOOR ARM REST)

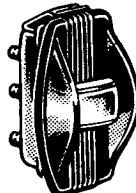
50	OM72B-72C-74-76	R.H.	OM 7224190-A	1
50	OM72B-72C-74-76	L.H.	OM 7224191-A	1
50	OM72B-72C-74-76	Screw (pan head self tapping)-No. 8-15 x 1/2"	52726-S8	2or4

Group 24192 RETAINER (DOOR ARM REST MOULDING)

50	OM72B-72C-74-76		OM 7224192-B	4
----	-----------------	--	--------------	---

Group 24193 SPRING (HYDRAULIC WINDOW MOUNTING STUD)

50	OM except 79	7/8" x 1-1/32"	8H 7324193	as req'd
----	--------------	----------------	------------	-------------



8L-7024206

PL-287

Group 24206 SWITCH ASSEMBLY (HYDRAULIC SEAT REGULATOR CONTROL)

50	OM72B-72C-74	special equipment	8L 7024206	1
50	OM76		8L 7024206	1
50	OM72B-72C-74-76	Lockwasher (standard)-No. 6	34801-S7	as req'd

Group 24206 SWITCH (WINDOW REGULATOR)

50	OM72B-72C-74	special equipment	8H 7224206	3or7
50	OM76		8H 7224206	7
50	OM72B-72C-74-76	Lockwasher (standard)-No. 6	34801-S7	as req'd

MERCURY

BODY PARTS CATALOGUE

YEAR 19__	BODY TYPES	REMARKS	PART NUMBER	NO. REQ'D
Group 24219 BAR (WINDOW REGULATOR SWITCH BUS)				
50	OM72B-72C-74-76		8M 7624219	2
Group 24230 ESCUTCHEON (HYDRAULIC SEAT REGULATOR CONTROL SWITCH)				
50	OM72B-72C-74	special equipment	7EH 7324230	1
50	OM76		7EH 7324230	1
Group 24231 PIN (HYDRAULIC WINDOW SWITCH RETAINING)				
50	OM72B-72C-74-76	Fiber	8M 7024231	as req'd
Group 24232 PLATE (DOME LAMP SWITCH MOUNTING)				
50	OM76	quarter panel-single switch	8H 7224232	1
Group 24232-3 PLATE (WINDOW REGULATOR SWITCH MOUNTING)				
50	OM72B-72C-74	special equipment-single switch	8H 7224232	3
50	OM74	special equipment-four switch	8H 7224233	1
50	OM76	single switch	8H 7224232	4
50	OM76	four switch	8H 7224233	1
Group 24248 SUPPORT (DOOR HYDRAULIC WINDOW REGULATOR)				
50	OM72B-72C-74		8M 7024248-B	2or4
50	OM72B-72C-74	Nut (hex head)-1/4"-20	34390-S7	8
50	OM72B-72C-74	Screw (pan head)-1/4"-20 x 5/8"	39072-S2	8
50	OM72B-72C-74	Washer (flat)-1/4"	44719-S8	8
Group 24258 COVER (HYDRAULIC WINDOW REGULATOR HOSE AND WIRE)				
50	OM72B-72C-74	Front Door-coil spring-10-1/2" long	8M 7424258	4
50	OM76	Plastic-13-9/32" long	8M 7624258	2
Group 24300 PILLAR ASSEMBLY (BODY CENTER)				
50	OM74		OM 7424300	2
Group 24324-5 HINGE (FOLDING TOP PILLAR)				
50	OM76	R.H.	8M 7624324	1
50	OM76	L.H.	8M 7624325	1
50	OM76	Lockwasher-1/4"	34805-S2	14
50	OM76	Screw (Fillister head)-1/4"-20 x 5/8"	31080-S7	14
Group 24357 SEAL (CENTER BODY PILLAR TO SCUFF PLATE)				
50	OM74	Rubber-7/8" long	OM 7424357	4
Group 24446 TRIM ASSEMBLY (CENTER BODY PILLAR)				
50	OM74	M-5156-P Light Blue Broadcloth	OM 7424446-AB	2
50	OM74	M-5156-S Light Green Broadcloth	OM 7424446-AR	2
50	OM74	M-5156-L Tan Broadcloth	OM 7424446-AA	2
50	OM74	M-16811-B Tan Broadcloth	OM 7424446-AZ	2
50	OM74	Tan Artificial Leather-use with Tan Leather Trim	OM 7424446-AE	2
50	OM74	Clip (trim)-21/32" long	358300-S3	16

BODY PARTS CATALOGUE

YEAR 19	BODY TYPES	REMARKS	PART NUMBER	NO. REQ'D
Group 24622-3 DOOR ASSEMBLY (REAR)-LESS PAINT,TRIM,GLASS,HANDLES,HINGES,LOCK AND REGULATOR				
50	OM74	R.H.	OM 7424622-A	1
50	OM74	L.H.	OM 7424623-A	1
Group 24754-5 WELT AND CARDBOARD ASSEMBLY (REAR DOOR WINDOW FINISH STRIP)				
50	OM74	R.H.-56-1/2" long	8M 7424754	1
50	OM74	L.H.-56-1/2" long	8M 7424755	1
Group 25104-5 WEATHERSTRIP (REAR DOOR BOTTOM)				
50	OM74	R.H.-overall length approximately 26"	8M 7325104	1
50	OM74	L.H.-overall length approximately 26"	8M 7325105	1
Group 25312 RETAINER (REAR DOOR BOTTOM WEATHERSTRIP)-OUTER				
50	OM74	22-5/8" long	8A 7325312-B	2
Group 25324-5 WEATHERSTRIP (REAR DOOR OPENING)-OUTER				
50	OM74	R.H.-108-1/4" long	8M 7425324-B	1
50	OM74	L.H.-108-1/4" long	8M 7425325-B	1
50	OM74	Trim clip	352331-83	4
Group 25500-1 FINISH STRIP AND WEATHERSTRIP (REAR DOOR WINDOW)				
50	OM74	R.H.-in Prime-without hole in rear corner at hinge side	OM 7425500-BP	1
50	OM74	L.H.-in Prime-without hole in rear corner at hinge side	OM 7425501-BP	1
50	OM74	R.H.-in Prime-with hole in rear corner at hinge side	OM 7425500-CP	1
50	OM74	L.H.-in Prime-with hole in rear corner at hinge side	OM 7425501-CP	1
Group 25554-5 MOULDING (REAR DOOR OUTSIDE PANEL)-AT BELT				
50	OM74	R.H.-29-3/64" long-with angle edge	8M 7425554-B	1
50	OM74	L.H.-29-3/64" long-with angle edge	8M 7425555-B	1
50	OM74	Clip	358168-83	10
Group 25556-7 MOULDING (REAR DOOR OUTSIDE)-LOWER				
50	OM74	R.H.-30-1/16" long	8M 7325556	1
50	OM74	L.H.-30-1/16" long	8M 7325557	1
50	OM74	Clip (moulding)	352396-832	8
Group 25558 MOULDING ASSEMBLY (REAR DOOR TRIM)-UPPER				
50	OM74	24-23/32" long	OM 7425558-A	2
Group 25578 MOULDING ASSEMBLY (REAR DOOR TRIM)-LOWER				
50	OM74		OM 7425578-A	2
Group 25588-9 MOULDING AND WEATHERSTRIP (REAR DOOR OUTSIDE REVEAL)				
50	OM74	R.H.	OM 7425588	1
50	OM74	L.H.	OM 7425589	1
50	OM74	Clip (speed)	353267-832	4
Group 25596-7 WEATHERSTRIP ASSEMBLY (REAR DOOR GLASS)-OUTER				
50	OM74	R.H.-with Chrome beading	OM 7425596	2
50	OM74	L.H.-with Chrome beading	OM 7425597	2

MERCURY

BODY PARTS CATALOGUE

YEAR 19	BODY TYPES	REMARKS	PART NUMBER	NO. REQ'D
Group 25712 GLASS (REAR DOOR WINDOW)				
50	OM74		8M 7425712-A	2
Group 25724 STRIP (REAR DOOR WINDOW RETAINER)				
50	OM74	15-3/8" long-use M-17779-A for service	8M 7425724-D	2
Group 25814 KNOB (REAR DOOR AND QUARTER WINDOW SLIDING GLASS LATCH)				
50	OM79		51A 7925814	2
Group 25856 WEATHERSTRIP (REAR DOOR GLASS HEADER)				
50	OM74	18-1/4" long	7A 7425856-A	2
Group 26228-9 CHANNEL AND BRACKET ASSEMBLY (REAR DOOR GLASS)				
50	OM74	R.H.-Manual Control	7A 7426228-A	1
50	OM74	L.H.-Manual Control	7A 7426229-A	1
50	OM74	R.H.-Hydraulic Control	8M 7426228-B	1
50	OM74	L.H.-Hydraulic Control	8M 7426229-B	1
Group 26404-5 CONTROL ASSEMBLY (REAR DOOR LOCK REMOTE)				
50	OM74	R.H.	OM 7426404	1
50	OM74	L.H.	OM 7426405	1
50	OM74	Screw and lockwasher assy (pan hd)-No.12-24 x 3/8"	355168-S2	2
Group 26412-3 LOCK ASSEMBLY (REAR DOOR)				
50	OM74	R.H.	OM 7426412	1
50	OM74	L.H.	OM 7426413	1
50	OM74	Screw (cross recessed flat head)-No. 12-24 x 1/2"	357797-S8	6
Group 26800-1 HINGE ASSEMBLY (REAR DOOR)-UPPER				
50	OM74	R.H.	OM 7426800	1
50	OM74	L.H.	OM 7426801	1
50	OM74	Screw lockwasher assy (flat head)-5/16"-24 x 1"	352282-S8	12
Group 26810-1 HINGE ASSEMBLY (REAR DOOR)-LOWER				
50	OM74	R.H.	OM 7426810	1
50	OM74	L.H.	OM 7426811	1
50	OM74	Screw and lockwasher assy (flat head)-5/16"-24 x 1"	352282-S8	12
Group 26866-7 VENTILATING WINDOW ASSEMBLY (REAR DOOR)-COMPLETE-INCLUDING DIVISION BAR				
50	OM74	R.H.-division bar weatherstrip held in place by tabs	8M 7426866-G	1
50	OM74	L.H.-division bar weatherstrip held in place by tabs	8M 7425867-G	1
50	OM74	R.H.-division bar weatherstrip held in place by rivets	OM 7426866	1
50	OM74	L.H.-division bar weatherstrip held in place by rivets	OM 7426867	1
50	OM74	Screw and washer assy (cross recessed oval head)- No. 10-32 x 3/4"	50709-S8	2
50	OM74	Washer (flat)-5/16"	34746-S2	4
Group 26868-9 GLASS AND FRAME ASSEMBLY (REAR DOOR VENTILATING WINDOW)				
50	OM74	R.H.	8M 7426868-B	1
50	OM74	L.H.	8M 7426869-B	1
50	OM74	Lockwasher (internal tooth)-1/4"	34905-S8	2

MERCURY

41

BODY PARTS CATALOGUE

YEAR 19__	BODY TYPES	REMARKS	PART NUMBER	NO. REQ'D
Group 26870 GLASS (REAR DOOR VENTILATOR WINDOW)				
50	OM74		8M 7426870-A	2
Group 26875 STRIP (REAR DOOR VENT WINDOW GLASS RETAINING)				
50	OM74	Secure locally-rubber tape	7A 7426875-B	2
Group 26896-7 WEATHERSTRIP (REAR DOOR VENTILATING WINDOW)				
50	OM74	R.H.	8M 7426896	1
50	OM74	L.H.	8M 7426897	1
Group 26902-3 RETAINER AND DIVISION BAR ASSEMBLY (REAR DOOR VENTILATING WINDOW)				
50	OM74	R.H.-use with window that has division bar weatherstrip held in place by tabs	8M 7426902	1
50	OM74	L.H.-use with window that has division bar weatherstrip held in place by tabs	8M 7426903	1
50	OM74	R.H.-use with window that has division bar weatherstrip riveted in place	OM 7426902	1
50	OM74	L.H.-use with window that has division bar weatherstrip riveted in place	OM 7426903	1

Group 27000-1 REGULATOR ASSEMBLY (REAR DOOR WINDOW)

50	OM74	R.H.-Manual Control	8M 7427000-B	1
50	OM74	L.H.-Manual Control	8M 7427001-B	1
50	OM74	R.H.-Hydraulic Control-front and rear door	8M 7023200-B	1or2
50	OM74	L.H.-Hydraulic Control-front and rear door	8M 7023201-B	1or2
50	OM74	Lockwasher (internal tooth)-No. 12	34904-S2	24
50	OM74	Nut (hex)-No. 12-24	34054-S2	2
50	OM74	Screw (binding head)-No. 12-24 x 1/2"	39049-S2	24
50	OM74	Washer (flat)-1/4"	34705-S7	2

Group 27200 ARM ASSEMBLY (REAR DOOR CHECK)

50	OM74	4-57/64" long	8M 7327200-B	2
----	------	---------------	--------------	---

Group 27336 COVER SPRING (HYDRAULIC WINDOW LIFT HOSE)-REAR DOOR

50	OM74	7" long	8M 7427336	4
----	------	---------	------------	---

Group 27338 SUPPORT (REAR DOOR HYDRAULIC WINDOW REGULATOR INSIDE RAIL)-UPPER

50	OM74	overall length approximately 14-1/2"	8M 7327338	2
50	OM74	Clip (trim)-21/32" long (side and bottom)	358300-S3	26
50	OM74	Screw (oval head self tapping)-No. 8-15 x 1"	33013-S2	4

Group 27406-7 TRIM PANEL ASSEMBLY (REAR DOOR)

50	OM74	R.H.-Upper M-5156-N Dark Blue Broadcloth, Center M-5156-P Light Blue Broadcloth, Lower Dark Blue Artificial Leather	OM 7427406-AB	1
50	OM74	L.H.-Upper M-5156-N Dark Blue Broadcloth, Center M-5156-P Light Blue Broadcloth, Lower Dark Blue Artificial Leather	OM 7427407-AB	1
50	OM74	R.H.-Upper M-5156-M Dark Brown Broadcloth, Center M-5156-L Tan Broadcloth, Lower Dark Brown Artificial Leather	OM 7427406-AA	1
50	OM74	L.H.-Upper M-5156-M Dark Brown Broadcloth, Center M-5156-L Tan Broadcloth, Lower Dark Brown Artificial Leather	OM 7427407-AA	1
50	OM74	R.H.-Upper M-5156-M Dark Brown Broadcloth, Center M-16811-B Tan Broadcloth, Lower Dark Brown Artificial Leather	OM 7427406-AZ	1
50	OM74	L.H.-Upper M-5156-M Dark Brown Broadcloth, Center M-16811-B Tan Broadcloth, Lower Dark Brown Artificial Leather	OM 7427407-AZ	1
50	OM74	R.H.-Upper M-5156-T Dark Green Broadcloth, Center M-5156-S Light Green Broadcloth, Lower Green Artificial Leather	OM 7427406-AR	1
50	OM74	L.H.-Upper M-5156-T Dark Green Broadcloth, Center M-5156-S Light Green Broadcloth, Lower Green Artificial Leather	OM 7427407-AR	1
50	OM74	R.H.-Tan Artificial Leather-use with Tan Leather Trim	OM 7427406-AE	1
50	OM74	L.H.-Tan Artificial Leather-use with Tan Leather Trim	OM 7427407-AE	1

MERCURY

BODY PARTS CATALOGUE

YEAR 19	BODY TYPES	REMARKS	PART NUMBER	NO. REQ'D
Group 27542-3 WINDLACE AND CORD ASSEMBLY (REAR DOOR OPENING)				
50	OM74	R.H.-Blue-110" long	OM 7427542-AB	1
50	OM74	L.H.-Blue-110" long	OM 7427543-AB	1
50	OM74	R.H.-Green-110" long	OM 7427542-AR	1
50	OM74	L.H.-Green-110" long	OM 7427543-AR	1
50	OM74	R.H.-Tan-110" long	OM 7427542-AA	1
50	OM74	L.H.-Tan-110" long	OM 7427543-AA	1
50	OM74	R.H.-Tan Artificial Leather-use with Tan Leather Trim	8M 7327542-H	1
50	OM74	L.H.-Tan Artificial Leather-use with Tan Leather Trim	8M 7327543-H	1
50	OM74	Nail (drive)-No. 6	351629-A2A-S28	as req'd

Group 27700-1 PANEL ASSEMBLY (BODY QUARTER)-COMPLETE

50	OM72A-72B-72C	R.H.	OM 7227700-D	1
50	OM72A-72B-72C	L.H.	OM 7227701-D	1
50	OM74	R.H.-with flat type brace for package tray reinforcement	OM 7427700-B	1
50	OM74	L.H.-with flat type brace for package tray reinforcement	OM 7427701-B	1
50	OM74	R.H.-with "V" shaped brace for package tray reinforcement	8M 7427700-C	1
50	OM74	L.H.-with "V" shaped brace for package tray reinforcement	8M 7427701-C	1
50	OM76	R.H.	OM 7627700-A	1
50	OM76	L.H.	OM 7627701-A	1

Group 27804-5 BRACKET (TRIM PANEL TO WHEELHOUSE)

50	OM76	R.H.-overall length approximately 10-1/4"	8M 7627804	1
50	OM76	L.H.-overall length approximately 10-1/4"	8M 7627805	1

Group 27806-7 PLATE (QUARTER TRIM FINISH)

50	OM76	R.H.-all trim-overall length approximately 4"	8M 7627806-B	1
50	OM76	L.H.-all trim-overall length approximately 4"	8M 7627807-B	1
50	OM76	Screw (cross recessed pan hd self tap.)-No. 8-15 x 3/8"	52720-S13	4

Group 27840-1 PANEL ASSEMBLY (BODY QUARTER)

50	OM72A-72B-72C	R.H.	OM 7227840-A	1
50	OM72A-72B-72C	L.H.	OM 7227841-A	1
50	OM74	R.H.	8M 7427840-C	1
50	OM74	L.H.	8M 7427841-C	1
50	OM76	R.H.	8M 7627840	1
50	OM76	L.H.	8M 7627841	1
50	OM79	R.H.-use on jobs with stationary center seat	OM 7927840	1
50	OM79	L.H.-use on jobs with stationary center seat	OM 7927841	1
50	OM79	R.H.-use on jobs with folding center seat	OA 7927840	1
50	OM79	L.H.-use on jobs with folding center seat	OA 7927841	1

Group 27870-1 PANEL ASSEMBLY (QUARTER WINDOW REGULATOR)

50	OM76	R.H.	8M 7627870	1
50	OM76	L.H.	8M 7627871	1

Group 27880-1 PANEL (BODY SIDE FINISH OUTER)-UPPER

50	OM79	R.H.-Steel Panel with Mahogany Grain Finish	OA 7927880	1
50	OM79	L.H.-Steel Panel with Mahogany Grain Finish	OA 7927881	1

Group 27886-7 PANEL (QUARTER WHEELHOUSE) INNER

50	OM72A-72B-72C-74-76	R.H.	8M 7327886-B	1
50	OM72A-72B-72C-74-76	L.H.	8M 7327887-B	1

BODY PARTS CATALOGUE

YEAR 19	BODY TYPES	REMARKS	PART NUMBER	NO. REQ'D
Group 27906-7 PANEL (BODY SIDE FINISH OUTER)-REAR				
50	OM79	R.H.-Steel Panel with Mahogany Grain Finish	OA 7927906	1
50	OM79	L.H.-Steel Panel with Mahogany Grain Finish	OA 7927907	1
Group 27914-5 PANEL (BODY SIDE FINISH OUTER)-LOWER FRONT				
50	OM79	R.H.-Steel Panel with Mahogany Grain Finish	OA 7927914	1
50	OM79	L.H.-Steel Panel with Mahogany Grain Finish	OA 7927915	1
Group 27936 HOUSING ASSEMBLY (QUARTER PANEL TO FLOOR PAN FILLER NECK)				
50	OM72A-72B-72C-74-76		8M 7027936	1
50	OM72A-72B-72C-74-76	Screw (binding head self tapping)-No. 10-12 x 1/2"	32924-S2	8
Group 27968-9 COVER ASSEMBLY (QUARTER PANEL WHEEL OPENING)				
50	OM	R.H.-Special Equipment	8L 7327968	1
50	OM	L.H.-Special Equipment	8L 7327969	1
50	OM	Washer (flat)-No. 10	44713-S8	4
Group 27976-7 SPACER (QUARTER PANEL TAIL LAMP ATTACHING BOLT FRONT)				
50	OM72A-72B-72C-74-76	R.H.-overall length 4-1/16"	8M 7027976	1
50	OM72A-72B-72C-74-76	L.H.-overall length 4-1/16"	8M 7027977	1
Group 27978-9 SPACER (QUARTER PANEL TAIL LAMP ATTACHING BOLT REAR)				
50	OM except 79	R.H.-overall length 4-1/16"	8M 7027978	1
50	OM except 79	L.H.-overall length 4-1/16"	8M 7027979	1
Group 27986-7 SEAL (QUARTER PANEL WHEEL OPENING COVER)				
50	OM	Rubber-55-9/64" long-without notches	8H 7327986	2
50	OM	R.H.-Rubber-with two 2" notches 5" from each end	OH 7327986	1
50	OM	L.H.-Rubber-with two 2" notches 5" from each end	OH 7327987	1
Group 27996-7 RETAINER (QUARTER PANEL WHEEL OPENING COVER SEAL)				
50	OM	R.H.	8L 7327996	1
50	OM	L.H.	8L 7327997	1
Group 28000-1 BRACKET (QUARTER PANEL WHEEL OPENING COVER GUIDE)-FRONT				
50	OM	R.H.	8L 7328000	1
50	OM	L.H.	8L 7328001	1
Group 28002-3 BRACKET (QUARTER PANEL WHEEL OPENING COVER GUIDE)-REAR				
50	OM	R.H.	8L 7328002	1
50	OM	L.H.	8L 7328003	1
Group 28006 REINFORCEMENT (QUARTER PANEL WHEEL OPENING COVER CLIP)				
50	OM	4" long	8L 7328006	2
Group 28104-5 PILLAR ASSEMBLY (QUARTER HINGE)				
50	OM74	R.H.-Manual Control	8M 7428104-B	1
50	OM74	L.H.-Manual Control	8M 7428105-B	1
50	OM74	R.H.-Hydraulic Control	8L 7428104	1
50	OM74	L.H.-Hydraulic Control	8L 7428105	1
Group 28160-1 PILLAR ASSEMBLY (QUARTER LOCK)				
50	OM72A-72B-72C	R.H.	OM 7228160-A	1
50	OM72A-72B-72C	L.H.	OM 7228161-A	1
50	OM76	R.H.	OM 7628160-A	1
50	OM76	L.H.	OM 7628161-A	1
50	OM79	R.H.	OM 7928160	1
50	OM79	L.H.	OM 7928161	1

MERCURY

BODY PARTS CATALOGUE

YEAR 19__	BODY TYPES	REMARKS	PART NUMBER	NO. REQ'D
Group 28164-5 STRAINER (QUARTER HINGE PILLAR UPPER REINFORCEMENT TO PACKAGE TRAY)				
50	OM74	R.H.	8M 7428164	1
50	OM74	L.H.	8M 7428165	1
Group 28214-5 REINFORCEMENT (FRONT DOOR LOCK PILLAR)				
50	OM79	R.H.	7A 7928214	1
50	OM79	L.H.	7A 7928215	1
Group 28237 SEAL (QUARTER PILLAR)-DUST				
50	OM79	Sponge Rubber	8M 7928237	2
Group 28252-3 PILLAR ASSEMBLY (REAR QUARTER)				
50	OM79	R.H.	7A 7928252	1
50	OM79	L.H.	7A 7928253	1
Group 28276 RETAINER (QUARTER LOCK PILLAR TRIM)				
50	OM76	28-43/64" long	8M 7628276	2
Group 28508 RETAINER (QUARTER WHEELHOUSE)-TRIM				
50	OM72A-72B-74	5/8" x 15/16" x 2" long	7A 7328508	2
Group 28611 LID ASSEMBLY (QUARTER PANEL FUEL TANK FILLER)				
50	OM72A-72B-72C-74-76		8M 7028611	1
50	OM72A-72B-72C-74-76	Spring	8M 16377	1
50	OM72A-72B-72C-74-76	Lockwasher-No. 10	34803-S7	2
50	OM72A-72B-72C-74-76	Nut (hex)-No. 8-32	34052-S7	2
50	OM72A-72B-72C-74-76	Screw and washer assy (binding head)-No. 8-32 x 3/8"	43373-S7	2
Group 28615 SEALER (QUARTER PANEL TO FUEL TANK FILLER NECK)				
50	OM72A-72B-72C-74-76	Rubber	8M 7028615	1
Group 28617 HOUSING (QUARTER PANEL TO FUEL TANK FILLER NECK)				
50	OM72A-72B-72C-74-76		8M 7028617	1
50	OM72A-72B-72C-74-76	Screw (binding head self tapping)-No. 6-18 x 3/8"	356793-S8	8
Group 28700-1 FRAME ASSEMBLY (BODY SIDE FINISH)-UPPER				
50	OM79	R.H.-Wood	7A 7928700	1
50	OM79	L.H.-Wood	7A 7928701	1
50	OM79	Bolt (hex head)-5/16"-18 x 7/8"	20366-S2	12
50	OM79	Lockwasher (internal tooth)-5/16"	34906-S7	12
50	OM79	Nut (capped sleeve)-5/16"-18	352353-S23	12
50	OM79	Screw and lockwasher assy (hex head)-5/16"-18 x 3/4"	42789-S7	2
50	OM79	Washer (flat)-No. 10	44713-S8	12
50	OM79	Washer (flat)-5/16"	34746-S2	12
Group 28710-1 FRAME AND PANEL ASSEMBLY (BODY SIDE FINISH)-LOWER				
50	OM79	R.H.-Wood frame and Plywood panel	8M 7928710	1
50	OM79	L.H.-Wood frame and Plywood panel	8M 7928711	1
50	OM79	R.H.-Wood frame and Steel panel	0A 7928710	1
50	OM79	L.H.-Wood frame and Steel panel	0A 7928711	1
50	OM79	Bolt (hex head)-5/16"-18 x 7/8"	20366-S2	20
50	OM79	Lockwasher (internal tooth)-5/16"	34906-S7	20
50	OM79	Nut (capped sleeve)-5/16"-18	352353-S23	20
50	OM79	Washer (flat)-No. 10	44713-S8	16

BODY PARTS CATALOGUE

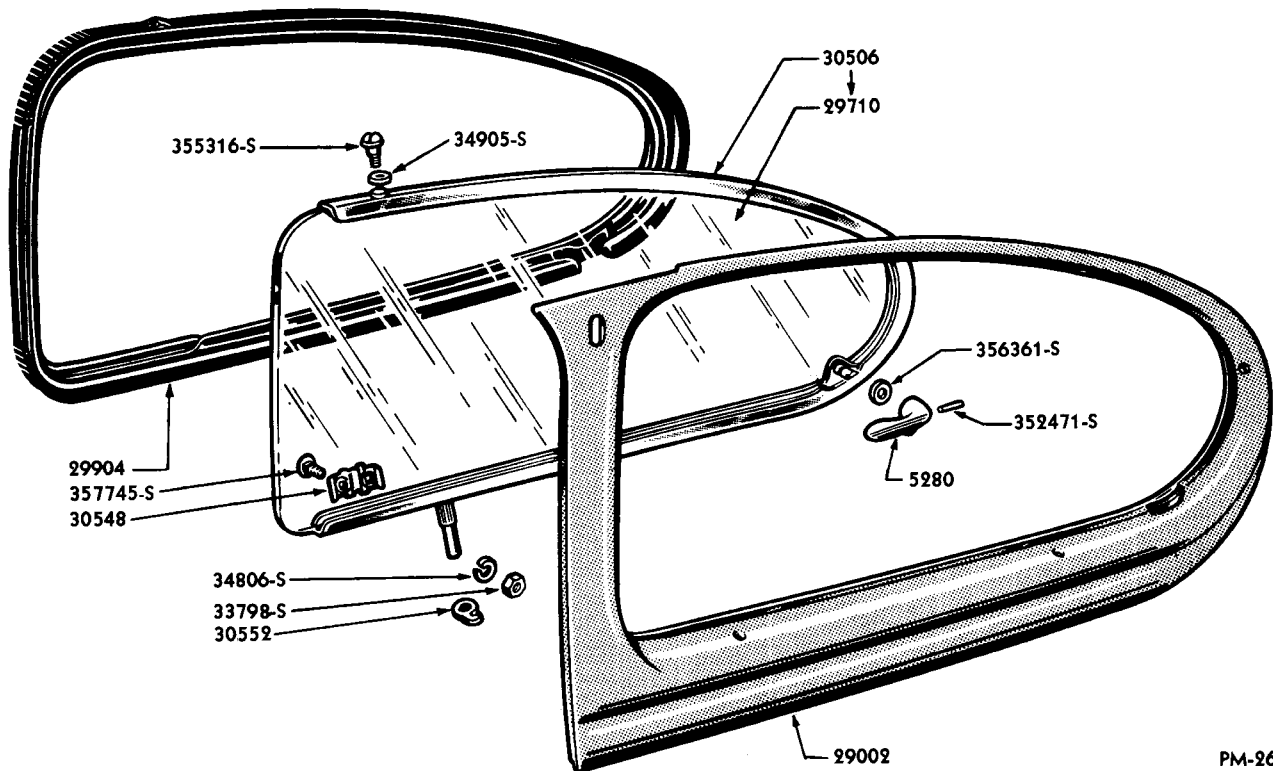
YEAR 19	BODY TYPES	REMARKS	PART NUMBER	NO. REQ'D
Group 28730-1 RETAINER (REAR QUARTER BELT FOLDING TOP)				
50	OM76	R.H.-19-3/8" long	OM 7628730	1
50	OM76	L.H.-19-3/8" long	OM 7628731	1
50	OM76	Nut (slotted truss head)-No. 6-40	351644-S13	4
50	OM76	Screw (special truss head)-No. 6-40 x 4"	351643-S13	4
50	OM76	Screw (binding head self tapping)-No. 8-18 x 3/8"	33176-S13	12
Group 29002-3 STRIP ASSEMBLY (QUARTER WINDOW FINISH)				
50	OM72A	R.H.-in Prime	OM 7229002-BP	1
50	OM72A	L.H.-in Prime	OM 7229003-BP	1
50	OM72B	R.H.-in Prime	8M 7229002-AP	1
50	OM72B	L.H.-in Prime	8M 7229003-AP	1
50	OM72C	R.H.-Chrome Finish	OM 7229002-B	1
50	OM72C	L.H.-Chrome Finish	OM 7229003-B	1
50	OM79	R.H.-Mahogany Wood Finish-use on jobs equipped with Double Sliding Glass Quarter Window	OA 7929002-AA	1
50	OM79	L.H.-Mahogany Wood Finish-use on jobs equipped with Double Sliding Glass Quarter Window	OA 7929003-AA	1
50	OM79	R.H.-Mahogany Wood Finish-use on jobs equipped with Single Sliding Glass Quarter Window	OM 7929002-BA	1
50	OM79	L.H.-Mahogany Wood Finish-use on jobs equipped with Single Sliding Glass Quarter Window	OM 7929003-BA	1
Group 29025 COAT HOOK (QUARTER)				
50	OM72A		8A 7029025-B	2
50	OM72A	Screw (oval head cross recessed)-tapping	52352-S13	4
Group 29034-5 MOULDING (QUARTER OUTSIDE)-UPPER				
50	OM79	R.H.-68" long	8M 7929034	1
50	OM79	L.H.-68" long	8M 7929035	1
50	OM79	R.H.-67-7/8" long	OA 7929034	1
50	OM79	L.H.-67-7/8" long	OA 7929035	1
Group 29034-5 MOULDING (QUARTER PANEL AT BELT OUTSIDE)				
50	OM72A-72B-72C	R.H.-approximately 55-29/32" long	8M 7229034	1
50	OM72A-72B-72C	L.H.-approximately 55-29/32" long	8M 7229035	1
50	OM74	R.H.-approximately 35-63/64" long	8M 7429034-B	1
50	OM74	L.H.-approximately 35-63/64" long	8M 7429035-B	1
50	OM76	R.H.-approximately 55-7/8" long	8M 7629034	1
50	OM76	L.H.-approximately 55-7/8" long	8M 7629035	1
50	OM72A-72B-74	Clip	358168-S3	12to18
50	OM76	Trim Clip-5/8" long	357274-S3	18

MERCURY

BODY PARTS CATALOGUE

YEAR 19	BODY TYPES	REMARKS	PART NUMBER	NO. REQ'D
Group 29040-1 MOULDING (BODY SIDE LINING PANEL)-FRONT				
50	OM79	R.H.-27-11/32" long-use on Jobs equipped with Plywood Inside Panels	7A 7929040	1
50	OM79	L.H.-27-11/32" long-use on Jobs equipped with Plywood Inside Panels	7A 7929041	1
Group 29082-3 MOULDING (QUARTER WINDOW REVEAL OUTER)				
50	OM72A-72B-72C	R.H.	8M 7229082	1
50	OM72A-72B-72C	L.H.	8M 7229083	1
Group 29118-9 RETAINER (WINDOW SEAL)-AT PILLAR SECTION LOWER				
50	OM76	R.H.-6-3/8"	8M 7629118	1
50	OM76	L.H.-6-3/8"	8M 7629119	1
Group 29122-3 RETAINER (WINDOW SEAL)-AT PILLAR SECTION UPPER				
50	OM76	R.H.	8M 7629122	1
50	OM76	L.H.	8M 7629123	1
Group 29428-9 GUSSET (QUARTER PANEL TO PACKAGE TRAY)				
50	OM72A-72B-72C-74	R.H.	OM 7229428	1
50	OM72A-72B-72C-74	L.H.	OM 7229429	1
Group 29668 LATCH ASSEMBLY (QUARTER WINDOW SLIDING GLASS)-FRONT				
50	OM79		7A 7929668	2
50	OM79	Screw (oval head self tapping)-No. 10-12 x 3/4"	33003-S13	2
50	OM79	Screw (oval head self tapping)-No. 10-12 x 1/2"	32989-S13	2
50	OM79	Screw (oval head self tapping)-No. 10-12 x 1-1/4"	33019-S13	2
Group 29670 LATCH ASSEMBLY (QUARTER WINDOW SLIDING GLASS)-CENTER				
50	OM79	use on Jobs equipped with Double Sliding Glass Quarter Window	7A 7929670	2
50	OM79	Screw (oval head machine)-No. 8-32 x 3/8"	30002-S13	4
Group 29676 BOLT (QUARTER WINDOW SLIDING GLASS)-FRONT				
50	OM79	No. 10-32 x 1-13/32" overall length	7A 7929676	2

BODY PARTS CATALOGUE

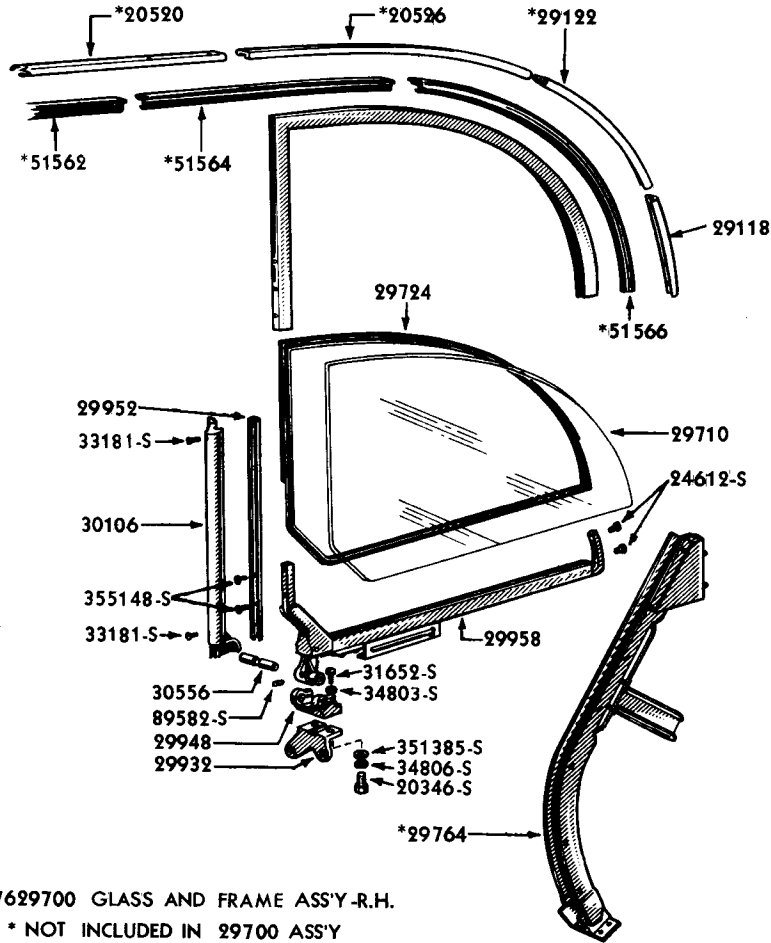


PM-269

QUARTER WINDOW AND FINISH STRIP ASSEMBLY (8M-7229700-BP)

Group numbers only shown on illustration. Order by Part Numbers shown in list of parts.

YEAR 19__	BODY TYPES	REMARKS	PART NUMBER	NO. REQ'D
Group 29700-1 WINDOW AND FINISH STRIP ASSEMBLY (QUARTER)-COMPLETE				
50	OM72B	R.H.-in Prime	8M 7229700-BP	1
50	OM72B	L.H.-in Prime	8M 7229701-BP	1
50	OM72C	R.H.-Chrome Finish	OM 7229700	1
50	OM72C	L.H.-Chrome Finish	OM 7229701	1
50	OM72B-72C	Lockwasher-5/16"	34806-S2	4
50	OM72B-72C	Screw (headless set cup point)-1/4"-28 x 5/16"	89582-S	2
50	OM72B-72C	Screw (cross recessed oval hd self tap.)-No. 8-15 x 1-1/4"	52382-S13	12
Group 29700-1 FRAME AND GLASS ASSEMBLY (QUARTER WINDOW)-COMPLETE				
50	OM76	R.H.	OM 7629700	1
50	OM76	L.H.	OM 7629701	1
Group 29710 GLASS (REAR QUARTER WINDOW)				
50	OM72A		OM 7229710-A	2
50	OM72B-72C		8M 7229710-A	2
50	OM76		8M 7629710-A	2
Group 29710 GLASS (QUARTER WINDOW SLIDING)-FRONT				
50	OM79		8M 7929710-A	2
Group 29712 GLASS (QUARTER WINDOW SLIDING)-CENTER				
50	OM79	use on jobs equipped with Double Sliding Glass Quarter Window	8M 7929712-A	2



OM-7629700 GLASS AND FRAME ASS'Y-R.H.
 * NOT INCLUDED IN 29700 ASS'Y

PM-342

SIX PASSENGER CONVERTIBLE COUPE QUARTER WINDOW BODY TYPE (76)

Group numbers only shown on illustration. Order by Part Numbers shown in list of parts.

YEAR 19	BODY TYPES	REMARKS	PART NUMBER	NO. REQ'D
Group 29724 STRIP (QUARTER WINDOW GLASS RETAINING)				
50	OM72B-72C	Rubber Tape-purchase locally-48-1/2" long-.085" thick-1-1/2" wide	7A 7229724-B	2
50	OM76		7A 7629724-A	2
Group 29732 WEATHERSTRIP (QUARTER WINDOW GLASS)-OUTER				
50	OM79	155" long	7A 7929732-A	2
Group 29740 GLASS (QUARTER WINDOW)-REAR				
50	OM79	11" x 14-31/32"-use on jobs equipped with Double Sliding Glass Quarter Window	7A 7929740	2
50	OM79	15-3/64" x 37-1/64"-use on jobs equipped with Single Sliding Glass Quarter Window	QA 7929740-A	2
Group 29750-1 WEATHERSTRIP (QUARTER WINDOW GUIDE)				
50	OM76	R.H.	7A 7629750-A	2
50	OM76	L.H.	7A 7629751-A	2

BODY PARTS CATALOGUE

YEAR 19__	BODY TYPES	REMARKS	PART NUMBER	NO. REQ'D
Group 29754 HANDLE (QUARTER WINDOW SLIDING GLASS)-FRONT				
50	OM79		7A 7929754-A	2
Group 29756 HANDLE (QUARTER WINDOW SLIDING GLASS)-CENTER				
50	OM79	use on jobs equipped with Double Sliding Glass Quarter Window	7A 7929756-A	2
Group 29764-5 GUIDE ASSEMBLY (QUARTER WINDOW)-COMPLETE				
50	OM76	R.H.	7A 7629764	1
50	OM76	L.H.	7A 7629765	1
Group 29789 FILLER STRIP (QUARTER WINDOW)				
50	OM72A	18-1/2" long	OM 7229789	2
Group 29904-5 WEATHERSTRIP (QUARTER VENT WINDOW)				
50	OM72B-72C	R.H.	7A 7229904-A	1
50	OM72B-72C	L.H.	7A 7229905-A	1
Group 29904-5 WEATHERSTRIP (QUARTER WINDOW)				
50	OM72A	R.H.	OM 7229904	1
50	OM72A	L.H.	OM 7229905	1
Group 29904 WEATHERSTRIP (QUARTER WINDOW GLASS)-REAR				
50	OM79	use on jobs equipped with Double Sliding Glass Quarter Window	7A 7929904-A	2
50	OM79	use on jobs equipped with Single Sliding Glass Quarter Window	OA 7929904	2
Group 29908-9 WEATHERSTRIP (QUARTER WINDOW BELT)				
50	OM76		8M 7629908-A	2
50	OM76	Screw (binding head self tapping)-No. 4-24 x 1/4"	33167-S8	10
Group 29910 WEATHERSTRIP (QUARTER WINDOW)-INNER				
50	OM79		7A 7929910-A	2
Group 29932-3 BRACKET (QUARTER WINDOW)-ON BODY				
50	OM76	R.H.	OM 7629932	1
50	OM76	L.H.	OM 7629933	1
50	OM76	Bolt (hex head)-5/16"-18 x 3/4"	20346-S	1
50	OM76	Lockwasher-5/16"	34806-S	1
50	OM76	Washer (flat)-25/64" I.D. x 3/4" O.D. x 3/32"	351385-S	1
50	OM76	Screw (fillister head)-No. 10-32 x 7/8"	31652-S	4
Group 29948 HINGE (QUARTER WINDOW)-ON BODY				
50	OM76		7A 7629948	2
50	OM76	Lockwasher-No. 10	34803-S7	4
50	OM76	Screw (fillister head)-No. 10-32 x 13/16"	31652-S	4
Group 29952 RETAINER (QUARTER WINDOW FRONT WEATHERSTRIP)				
50	OM76	12-7/32" long	7A 7629952	2
50	OM76	Screw (pan head self tapping)-No. 6-20 x 1/2"	33181-S	2
50	OM76	Screw (special binding head)-No. 10-32 x 5/16"	355148-S7	4

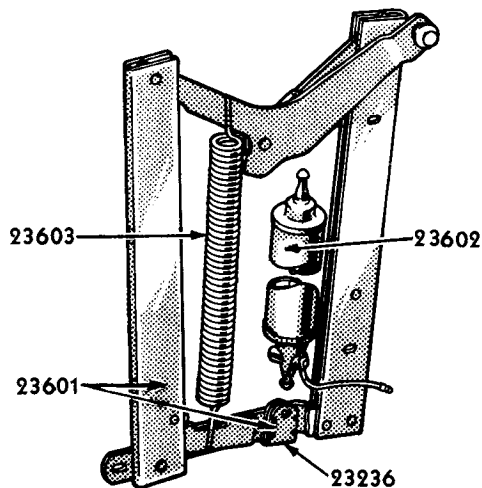
MERCURY

BODY PARTS CATALOGUE

YEAR 19__	BODY TYPES	REMARKS	PART NUMBER	NO. REQ'D
Group 29958-9 CHANNEL ASSEMBLY (QUARTER WINDOW FRONT LOWER CORNER)				
50	OM76	R.H.	7A 7629958	1
50	OM76	L.H.	7A 7629959	1
50	OM76	Screw (flat head)-No. 8-32 x 5/16"	24612-S13	4
50	OM76	Screw (headless set)-1/4"-28 x 5/16"	89582-S	2
Group 29978 FILLER ASSEMBLY (QUARTER WINDOW OPENING)				
50	OM79	use on jobs equipped with Single Sliding Glass Quarter Window	QA 7929978-AA	2
50	OM79	Screw (oval head cross recessed self tapping)-No. 8 x 7/8"	52368-S23	16
Group 30104-5 RUN ASSEMBLY (QUARTER WINDOW GLASS)-UPPER FRONT				
50	OM79	Run has double channel-use on jobs equipped with Double Sliding Glass Quarter Window	8M 7930104	2
50	OM79	R.H.-Run has single channel-use on jobs equipped with Single Sliding Glass Quarter Window	QA 7930104	1
50	OM79	L.H.-Run has single channel-use on jobs equipped with Single Sliding Glass Quarter Window	QA 7930105	1
50	OM79	Screw (flat head type "A")-No. 6 x 3/8"	32784-S2	4
50	OM79	Screw (pan head self tapping)-No. 6-18 x 3/8"	32914-S8	2
Group 30105 RUN ASSEMBLY (QUARTER WINDOW GLASS)-UPPER REAR				
50	OM79	use on jobs equipped with Double Sliding Glass Quarter Window	8M 7930105	2
Group 30106-7 WEATHERSTRIP ASSEMBLY (QUARTER WINDOW FRONT)-COMPLETE				
50	OM76	R.H.	8M 7630106	1
50	OM76	L.H.	8M 7630107	1
Group 30106-7 RUN (QUARTER WINDOW GLASS FRONT)-VERTICAL				
50	OM79	R.H.-double channel-use on jobs equipped with Double Sliding Glass Quarter Window	7A 7930106	1
50	OM79	L.H.-double channel-use on jobs equipped with Double Sliding Glass Quarter Window	7A 7930107	1
50	OM79	single channel-use on jobs equipped with Single Sliding Glass Quarter Window	QA 7930106	2
50	OM79	Bumper (rubber)	357385-S	4
50	OM79	Screw (flat head self tapping)-No. 6-18 x 3/8" front	32784-S2	12
50	OM79	Screw (flat head self tapping)-No. 6-18 x 3/8"-rear	32784-S2	4
Group 30112 RUN (QUARTER WINDOW GLASS)-LOWER-FRONT				
50	OM79	use on jobs equipped with Double Sliding Glass Quarter Window	7A 7930112	2
50	OM79	Screw (flat head self tapping)-No. 6-18 x 3/8"	32784-S2	8
Group 30116 RUN (QUARTER WINDOW GLASS)-LOWER-REAR				
50	OM79	use on jobs equipped with Double Sliding Glass Quarter Window	7A 7930116	2
50	OM79	use on jobs equipped with Single Sliding Glass Quarter Window	QA 7930116	2
50	OM79	Screw (flat head self tapping)-No. 6-18 x 3/8"	32784-S2	4
Group 30124 RETAINER (QUARTER WINDOW GLASS RUN)-UPPER REAR				
50	OM79	use on jobs equipped with Single Sliding Glass Quarter Window	QA 7930124	2

BODY PARTS CATALOGUE

YEAR 19	BODY TYPES	REMARKS	PART NUMBER	NO. REQ'D
Group 30154-5 CLIP (QUARTER WINDOW GLASS RETAINER)				
50	OM79	R.H.	8A 7930154-B	1
50	OM79	L.H.	8A 7930155-B	1
50	OM79	Screw (pan head self tapping)-No. 6-18 x 1/2"	32921-88	2
Group 30158 CLIP (QUARTER WINDOW GLASS RETAINER)-FRONT				
50	OM79	use on jobs equipped with Single Sliding Glass Quarter Window	QA 7930158	2
Group 30232-3 DIVISION BAR AND GLASS RUN ASSEMBLY (QUARTER WINDOW)				
50	OM79	R.H.-use on jobs equipped with Double Sliding Glass Quarter Window	8M 7930232	1
50	OM79	L.H.-use on jobs equipped with Double Sliding Glass Quarter Window	8M 7930233	1
50	OM79	Lockwasher (internal tooth)-1/4"	34905-S7	4
50	OM79	Screw (round head machine)-1/4"-20 x 5/8"	35511-S7	4
Group 30284 PLATE (QUARTER VENT WINDOW LOCK)				
50	OM72B-72C		8M 7030284	2



PM-268

QUARTER WINDOW REGULATOR (8M-7630307)

Group numbers only shown on illustration. Order by Part Numbers shown in list of parts.

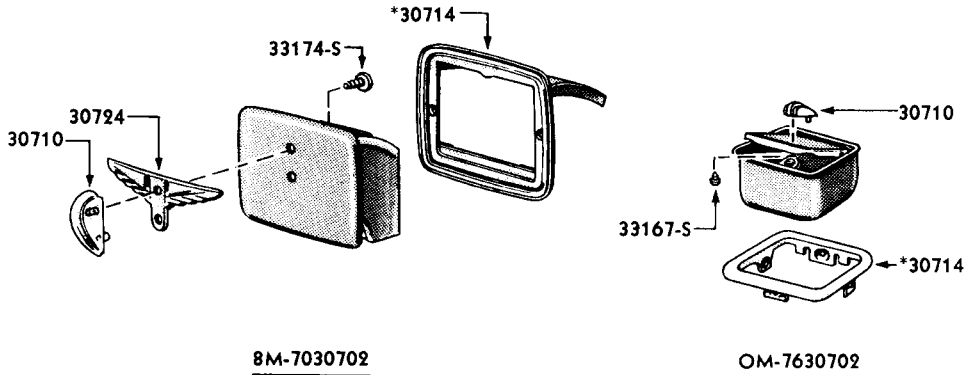
Group 30306-7 REGULATOR ASSEMBLY (QUARTER WINDOW)

50	OM76	R.H.	8M 7630306	1
50	OM76	L.H.	8M 7630307	1
50	OM76	Bolt (hex head)-1/4"-20 x 3/4" regulator to pillar and quarter panel	24344-S7	4
50	OM76	Locknut-1/4"-20	34390-S7	4

MERCURY

BODY PARTS CATALOGUE

YEAR 19	BODY TYPES	REMARKS	PART NUMBER	NO. REQ'D
Group 30358 SEAL (QUARTER TRIM PANEL TO FLOOR)				
50	OM76	15" x 3/4"	OM 7630358	2
Group 30506-7 FRAME AND GLASS ASSEMBLY (QUARTER WINDOW)				
50	OM72B-72C	R.H.	7A 7230506	1
50	OM72B-72C	L.H.	7A 7230507	1
50	OM72B-72C	Lockwasher (internal tooth)-1/4"	34905-S7	2
50	OM72B-72C	Screw (round head shoulder)-1/4"-28 x 15/16"	355316-S7	2
Group 30548 CLAMP (QUARTER WINDOW FRAME LOWER PIVOT)				
50	OM72B-72C		8M 7030548	2
50	OM72B-72C	Bolt (shoulder)-5/16"-24 x 3/4"	357745-S8	2
50	OM72B-72C	Lockwasher-5/16"	34806-S2	1
50	OM72B-72C	Nut (hex)-5/16"	33798-S2	1
Group 30552 STOP (QUARTER GLASS FRAME PIVOT)				
50	OM72B-72C		8M 7330552	2
50	OM74		8A 7030552	4
50	OM72B-72C	Lockwasher-5/16"	34806-S2	4
50	OM72B-72C	Nut (hex)-5/16"-24	33798-S8	4
50	OM74	Washer (3/8" I.D. x 3/4" O.D.)	356425-S	4
Group 30556 PIN (QUARTER WINDOW FRAME HINGE)				
50	OM76		7A 7630556	2



*NOT INCLUDED IN 8M-7030702 ASSY.

*NOT INCLUDED IN
OM-7630702 ASSY.

PM-340

QUARTER ASH RECEPTACLES

Group numbers only shown on illustration. Order by Part Numbers shown in list of parts.

Group 30702 RECEPTACLE ASSEMBLY (QUARTER ASH)-COMPLETE				
50	OM72B-72C	in Prime	8M 7030702-AP	2
50	OM76	in Prime	OM 7630702-BP	2
50	OM72B-72C	Nut (spring flat type)-No. 8-A	352388-S32	4
50	OM72B-72C	Screw (cross recessed oval hd self tap.)-No. 8-15 x 5/8"	52352-S13	4

BODY PARTS CATALOGUE

YEAR 19__	BODY TYPES	REMARKS	PART NUMBER	NO. REQ'D
Group 30708 RECEPTACLE ASSEMBLY (QUARTER ASH RETAINER)				
50	OM79	use with all trim	8A 7930708-AB	2
Group 30710 KNOB (ASH RECEPTACLE)				
50	OM72B-72C	rear quarter ash receptacle	8M 7030710	2
50	OM74	front seat back ash receptacle	8M 7030710	1
50	OM76	Black Plastic-rear quarter ash receptacle	OM 7630710	2
50	OM except 76	Screw (pan head self tapping)-No. 6-18 x 3/8"	33174-S2	1
Group 30714 RETAINER (QUARTER ASH RECEPTACLE)				
50	OM72B-72C		8A 7030714	2
50	OM76		8M 7630714	2
50	OM76	Screw (pan head self tapping)-No. 6-18 x 1/4"	33167-S8	1
Group 30724 MEDALLION (ASH RECEPTACLE)				
50	OM72B-72C	rear quarter ash receptacle	8M 7030724-A	2
50	OM74	front seat back ash receptacle	8M 7030724-A	1
Group 31012-3 TRIM ASSEMBLY (QUARTER)				
50	OM72A	R.H.-Upper M-5156-P Light Blue Broadcloth, Center Light Gray Artificial Leather, Lower Light Gray Artificial Leather	OM 7231012-AAG	1
50	OM72A	L.H.-Upper M-5156-P Light Blue Broadcloth, Center Light Gray Artificial Leather, Lower Light Gray Artificial Leather	OM 7231013-AAG	1
50	OM72A	R.H.-Upper M-5156-M Brown Broadcloth, Center Light Tan Artificial Leather, Lower Dark Brown Artificial Leather	OM 7231012-AN	1
50	OM72A	L.H.-Upper M-5156-M Brown Broadcloth, Center Light Tan Artificial Leather, Lower Dark Brown Artificial Leather	OM 7231013-AN	1
50	OM72B	R.H.-Upper M-5156-N Dark Blue Broadcloth, Center M-5156-P Light Blue Broadcloth, Lower Dark Blue Artificial Leather	OM 7231012-AB	1
50	OM72B	L.H.-Upper M-5156-N Dark Blue Broadcloth, Center M-5156-P Light Blue Broadcloth, Lower Dark Blue Artificial Leather	OM 7231013-AB	1
50	OM72B	R.H.-Upper M-5156-M Dark Brown Broadcloth, Center M-5156-L Tan Broadcloth, Lower Dark Brown Artificial Leather	OM 7231012-AA	1
50	OM72B	L.H.-Upper M-5156-M Dark Brown Broadcloth, Center M-5156-L Tan Broadcloth, Lower Dark Brown Artificial Leather	OM 7231013-AA	1
50	OM72B	R.H.-Upper M-5156-T Dark Green Broadcloth, Center M-5156-S Light Green Broadcloth, Lower Green Artificial Leather	OM 7231012-AR	1
50	OM72B	L.H.-Upper M-5156-T Dark Green Broadcloth, Center M-5156-S Light Green Broadcloth, Lower Green Artificial Leather	OM 7231013-AR	1
50	OM72B	R.H.-Tan Artificial Leather-use with Tan Leather Trim	OM 7231012-AE	1
50	OM72B	L.H.-Tan Artificial Leather-use with Tan Leather Trim	OM 7231013-AE	1
50	OM72C	R.H.-Upper Black Artificial Leather, Center Red Artificial Leather, Lower Black Artificial Leather	OM 7231012-AX	1
50	OM72C	L.H.-Upper Black Artificial Leather, Center Red Artificial Leather, Lower Black Artificial Leather	OM 7231013-AX	1
50	OM72C	R.H.-Upper Dark Blue Artificial Leather, Center Turquoise Blue Artificial Leather, Lower Dark Blue Artificial Leather	OM 7231012-AY	1
50	OM72C	L.H.-Upper Dark Blue Artificial Leather, Center Turquoise Blue Artificial Leather, Lower Dark Blue Artificial Leather	OM 7231013-AY	1
50	OM72C	R.H.-Upper Dark Tan Artificial Leather, Center Turquoise Artificial Leather, Lower Dark Tan Artificial Leather	OM 7231012-AAF	1
50	OM72C	L.H.-Upper Dark Tan Artificial Leather, Center Turquoise Artificial Leather, Lower Dark Tan Artificial Leather	OM 7231013-AAF	1
50	OM72C	R.H.-Upper Yellow Artificial Leather, Center Black Artificial Leather, Lower Yellow Artificial Leather	OM 7231012-AV	1
50	OM72C	L.H.-Upper Yellow Artificial Leather, Center Black Artificial Leather, Lower Yellow Artificial Leather	OM 7231013-AV	1

MERCURY

BODY PARTS CATALOGUE

YEAR 19	BODY TYPES	REMARKS	PART NUMBER	NO. REQ'D
Group 31012-3 TRIM ASSEMBLY (QUARTER)-CONTINUED				
50	OM74	R.H.-M-5156-N Dark Blue Broadcloth	OM 7431012-AB	1
50	OM74	L.H.-M-5156-N Dark Blue Broadcloth	OM 7431013-AB	1
50	OM74	R.H.-M-5156-M Dark Brown Broadcloth	OM 7431012-AA	1
50	OM74	L.H.-M-5156-M Dark Brown Broadcloth	OM 7431013-AA	1
50	OM74	R.H.-M-5156-T Dark Green Broadcloth	OM 7431012-AR	1
50	OM74	L.H.-M-5156-T Dark Green Broadcloth	OM 7431013-AR	1
50	OM74	R.H.-Tan Artificial Leather-use with Tan Leather Trim	OM 7431012-AE	1
50	OM74	L.H.-Tan Artificial Leather-use with Tan Leather Trim	OM 7431013-AE	1
50	OM76	R.H.-Upper Black Artificial Leather, Center Red Artificial Leather, Lower Black Artificial Leather	OM 7631012-BF	1
50	OM76	L.H.-Upper Black Artificial Leather, Center Red Artificial Leather, Lower Black Artificial Leather	OM 7631013-BF	1
50	OM76	R.H.-Upper Blue Artificial Leather, Center Gray Artificial Leather, Lower Blue Artificial Leather	OM 7631012-BH	1
50	OM76	L.H.-Upper Blue Artificial Leather, Center Gray Artificial Leather, Lower Blue Artificial Leather	OM 7631013-BH	1
50	OM76	R.H.-Upper Brown Artificial Leather, Center Tan Artificial Leather, Lower Brown Artificial Leather	OM 7631012-BG	1
50	OM76	L.H.-Upper Brown Artificial Leather, Center Tan Artificial Leather, Lower Brown Artificial Leather	OM 7631013-BG	1
50	OM79	R.H.-Gypsum Board equipped with Chestnut Brown Artificial Leather kick pad	OM 7931012-AT	1
50	OM79	L.H.-Gypsum Board equipped with Chestnut Brown Artificial Leather kick pad	OM 7931013-AT	1
50	OM79	R.H.-Gypsum Board equipped with Dark Green Artificial Leather kick pad	OM 7931012-AU	1
50	OM79	L.H.-Gypsum Board equipped with Dark Green Artificial Leather kick pad	OM 7931013-AU	1
50	OM79	R.H.-Gypsum Board equipped with Dark Red Artificial Leather kick pad	OM 7931012-AS	1
50	OM79	L.H.-Gypsum Board equipped with Dark Red Artificial Leather kick pad	OM 7931013-AS	1
50	OM72B-72C-74	Clip (trim)-21/32" long	358300-S3	6or10
50	OM79	Screw (cross recessed)-No. 8-15	350075-S13	as req'd
50	OM76	Screw (binding head self tapping)-No. 8 x 1/2"	32923-S13	as req'd
50	OM76	Washer (finish)-No. 8	34885-S13	as req'd

Group 31070-1 PANEL (BODY SIDE LINING)

50	OM79	R.H.-28-5/16" x 75-29/32"-Plywood	8M 7931070-B	1
50	OM79	L.H.-28-5/16" x 75-29/32"-Plywood	8M 7931071-B	1
50	OM79	Screw (cross recessed oval hd self tap.)-No. 10-12 x 5/8"	52353-S13	16

Group 31096-7 PANEL ASSEMBLY (QUARTER REAR CORNER)-UPPER

50	OM79	R.H.-Light Red	OM 7931096-AS	1
50	OM79	L.H.-Light Red	OM 7931097-AS	1
50	OM79	R.H.-Golden Tan	OM 7931096-AT	1
50	OM79	L.H.-Golden Tan	OM 7931097-AT	1
50	OM79	R.H.-Light Green	OM 7931096-AU	1
50	OM79	L.H.-Light Green	OM 7931097-AU	1

BODY PARTS CATALOGUE

YEAR 19__	BODY TYPES	REMARKS	PART NUMBER	NO. REQ'D
Group 31140 MOULDING ASSEMBLY (QUARTER TRIM)-UPPER				
50	OM72B-72C	12-11/16" long	OM 7231140-A	2
50	OM76	26-1/2"	OM 7631140-A	2
Group 31215 MOULDING ASSEMBLY (QUARTER TRIM PANEL)-LOWER				
50	OM76	6-43/64"	OM 7631215-A	2
Group 31217 MOULDING ASSEMBLY (QUARTER TRIM)-LOWER				
50	OM72B-72C	13-11/32" long	OM 7231217-A	2
Group 31224-5 TRIM ASSEMBLY (QUARTER LOCK PILLAR)				
50	OM76	R.H.-Gray Artificial Leather	OM 7631224-AH	1
50	OM76	L.H.-Gray Artificial Leather	OM 7631225-AH	1
50	OM76	R.H.-Red Artificial Leather	OM 7631224-AF	1
50	OM76	L.H.-Red Artificial Leather	OM 7631225-AF	1
50	OM76	R.H.-Tan Artificial Leather	OM 7631224-AG	1
50	OM76	L.H.-Tan Artificial Leather	OM 7631225-AG	1
50	OM79	R.H.-Green Artificial Leather-use on jobs equipped with Plywood Inside Panels	8M 7931224-C	1
50	OM79	L.H.-Green Artificial Leather-use on jobs equipped with Plywood Inside Panels	8M 7931225-C	1
50	OM79	R.H.-Light Green Artificial Leather-use on jobs equipped with Gypsum Board Inside Panels	OM 7931224-AU	1
50	OM79	L.H.-Light Green Artificial Leather-use on jobs equipped with Gypsum Board Inside Panels	OM 7931225-AU	1
50	OM79	R.H.-Red Artificial Leather-use on jobs equipped with Plywood Inside Panels	8M 7931224-A	1
50	OM79	L.H.-Red Artificial Leather-use on jobs equipped with Plywood Inside Panels	8M 7931225-A	1
50	OM79	R.H.-Light Red Artificial Leather-use on jobs equipped with Gypsum Board Inside Panels	OM 7931224-AS	1
50	OM79	L.H.-Light Red Artificial Leather-use on jobs equipped with Gypsum Board Inside Panels	OM 7931225-AS	1
50	OM79	R.H.-Tan Artificial Leather-use on jobs equipped with Plywood Inside Panels	8M 7931224-B	1
50	OM79	L.H.-Tan Artificial Leather-use on jobs equipped with Plywood Inside Panels	8M 7931225-B	1
50	OM79	R.H.-Golden Tan Artificial Leather-use on jobs equipped with Gypsum Board Inside Panels	OM 7931224-AT	1
50	OM79	L.H.-Golden Tan Artificial Leather-use on jobs equipped with Gypsum Board Inside Panels	OM 7931225-AT	1
50	OM76	Screw (oval head self tapping)-No. 8 x 7/8"	52368-S23	14
50	OM76	Washer (countersunk)-No. 8	34885-S13	14
Group 31418 BRACKET (ASSIST STRAP)				
50	OM72B-72C		8M 7031418	2
50	OM72B-72C	Bolt (cross recessed fillister head shoulder)-No. 10-32 x 1-7/16"	355153-S13	2
Group 31421 COVER (ASSIST STRAP BRACKET)				
50	OM72B-72C		8M 7031421-B	2

MERCURY

BODY PARTS CATALOGUE

YEAR 19__	BODY TYPES	REMARKS	PART NUMBER	NO. REQ'D
Group 31440 STRAP ASSEMBLY (ASSIST)				
50	OM72B	Blue	OM 7231440-AB	2
50	OM72B	Tan	OM 7231440-AA	2
50	OM72B	Green	OM 7231440-AR	2
50	OM72B	Tan Leather-use with Tan Leather Trim	8M 7031440-D	2
50	OM72C	Black	OM 7231440-AV	2
50	OM72C	Dark Blue	OM 7231440-AY	2
Group 31452 BRACKET (COAT HANGER)				
50	OM74-79		8H 7331452	2
50	OM74	Screw cross recessed oval head self tap.)-No. 8-15 x 5/8"	52352-S13	4
Group 31600-1 REST ASSEMBLY (REAR QUARTER ARM)-COMPLETE				
50	OM72A	R.H.-Top Gray Artificial Leather, Side M-5085-Y Gray and Rust Bedford Cord	OM 7231600-AAG	1
50	OM72A	L.H.-Top Gray Artificial Leather, Side M-5085-Y Gray and Rust Bedford Cord	OM 7231601-AAG	1
50	OM72A	R.H.-Top Tan Leather, Side M-5085-X Tan Gray Bedford Cord	OM 7231600-AN	1
50	OM72A	L.H.-Top Tan Leather, Side M-5085-X Tan Gray Bedford Cord	OM 7231601-AN	1
50	OM72B	R.H.-Top Blue Artificial Leather, Side M-16102-N Blue Gray Block Broadcloth	OM 7231600-AB	1
50	OM72B	L.H.-Top Blue Artificial Leather, Side M-16102-N Blue Gray Block Broadcloth	OM 7231601-AB	1
50	OM72B	R.H.-Top Blue Artificial Leather, Side M-16560-A Blue Gray Stripe Nylon and Mohair	OM 7231600-AD	1
50	OM72B	L.H.-Top Blue Artificial Leather, Side M-16560-A Blue Gray Stripe Nylon and Mohair	OM 7231601-AD	1
50	OM72B	R.H.-Top Blue Artificial Leather, Side M-16560-J Blue Gray Stripe Nylon and Mohair	OM 7231600-BAA	1
50	OM72B	L.H.-Top Blue Artificial Leather, side M-16560-J Blue Gray Stripe Nylon and Mohair	OM 7231601-BAA	1
50	OM72B	R.H.-Top Blue Artificial Leather, Side M-16811-G Gray Broadcloth	OM 7231600-AC	1
50	OM72B	L.H.-Top Blue Artificial Leather, Side M-16811-G Gray Broadcloth	OM 7231601-AC	1
50	OM72B	R.H.-Top Green Artificial Leather, Side M-16102-P Two Tone Green Stripe Broadcloth	OM 7231600-AR	1
50	OM72B	L.H.-Top Green Artificial Leather, Side M-16102-P Two Tone Green Stripe Broadcloth	OM 7231601-AR	1
50	OM72B	R.H.-Top Tan Artificial Leather, Side M-5085-W Tan and Brown Stripe Bedford Cord	OM 7231600-AA	1
50	OM72B	L.H.-Top Tan Artificial Leather, Side M-5085-W Tan and Brown Stripe Bedford Cord	OM 7231601-AA	1
50	OM72B	R.H.-Top Tan Artificial Leather, Side M-16102-Q Tan Pin Stripe Broadcloth	OM 7231600-AAH	1
50	OM72B	L.H.-Top Tan Artificial Leather, Side M-16102-Q Tan Pin Stripe Broadcloth	OM 7231601-AAH	1
50	OM72B	R.H.-Tan Artificial Leather-use with Tan Leather Trim	OM 7231600-AE	1
50	OM72B	L.H.-Tan Artificial Leather-use with Tan Leather Trim	OM 7231601-AE	1
50	OM72C	R.H.-Top Black Leather, Side Cherry Red Leather	OM 7231600-AAE	1
50	OM72C	L.H.-Top Black Leather, Side Cherry Red Leather	OM 7231601-AAE	1
50	OM72C	R.H.-Top Black Leather, Side M-5087-A Red and Black Bedford Cord	OM 7231600-AX	1
50	OM72C	L.H.-Top Black Leather, Side M-5087-A Red and Black Bedford Cord	OM 7231601-AX	1
50	OM72C	R.H.-Top Dark Blue Leather, Side M-5087-B Blue and Turquoise Bedford Cord	OM 7231600-AY	1
50	OM72C	L.H.-Top Dark Blue Leather, Side M-5087-B Blue and Turquoise Bedford Cord	OM 7231601-AY	1

MERCURY

BODY PARTS CATALOGUE

YEAR 19__	BODY TYPES	REMARKS	PART NUMBER	NO. REQ'D
Group 40112 DOOR ASSEMBLY (LUGGAGE COMPARTMENT)				
50	OM except 79	Without clinch nuts on door handle reinforcement assembly	OM 7240112-A	1
50	OM except 79	With clinch nuts on door handle reinforcement assembly	OM 7240112-B	1
Group 40200 TAILGATE ASSEMBLY (COMPLETE)-PAINTED AND TRIMMED				
50	OM79	All Steel-Grained	OM 7940200	1
Group 40202 TAILGATE ASSEMBLY (COMPLETE)-PAINTED AND TRIMMED				
50	OM79	Wood Frame and Plywood Panels	8M 7940202	1
50	OM79	Washer (rubber)-7/16" I.D. x 1-1/4" O.D. x 1/16"	357394-S	4
Group 40308 PANEL ASSEMBLY (BACK LOWER REAR)-CENTER				
50	OM79		OA 7940308	1
Group 40310 PANEL ASSEMBLY (BODY UPPER BACK)				
50	OM76		OM 7640310	1
Group 40320 PANEL ASSEMBLY (BODY LOWER BACK)				
50	OM except 79		8M 7240320	1
Group 40320-1 PANEL ASSEMBLY (BODY LOWER REAR SIDE)				
50	OM79	R.H.-Use on jobs equipped with Stationary Center Seat	8M 7940320-B	1
50	OM79	L.H.-Use on jobs equipped with Stationary Center Seat	8M 7940321	1
50	OM79	R.H.-Use on jobs equipped with Folding Center Seat	OM 7940320	1
50	OM79	L.H.-Use on jobs equipped with Folding Center Seat	OA 7940321	1
50	OM79	Bolt (hex-head)-1/4"-20 x 5/8"	20324-S2	4
50	OM79	Locknut (standard light thick)-1/4"-20	34390-S7	4
50	OM79	Washer (flat)-1/4"	34705-S2	4
Group 40326-7 PANEL (REAR QUARTER INSIDE LINING)-UPPER				
50	OM79	R.H.-in Prime	OM 7940326-AP	1
50	OM79	L.H.-in Prime	OM 7940327-AP	1
50	OM79	Screw (cross recessed oval head self tap.)-No. 10-12 x 5/8"	52353-S13	8
Group 40330-1 PANEL (REAR BODY SIDE INSIDE LINING)-LOWER				
50	OM79	R.H.	8M 7940330	1
50	OM79	L.H.	8M 7940331	1
50	OM79	Screw (pan head self tapping)-No. 10-12 x 3/4"	32938-S7	3
Group 40726 PANEL (TAILGATE INSIDE FINISH)				
50	OM79	Brown Linoleum	OA 7940726	1

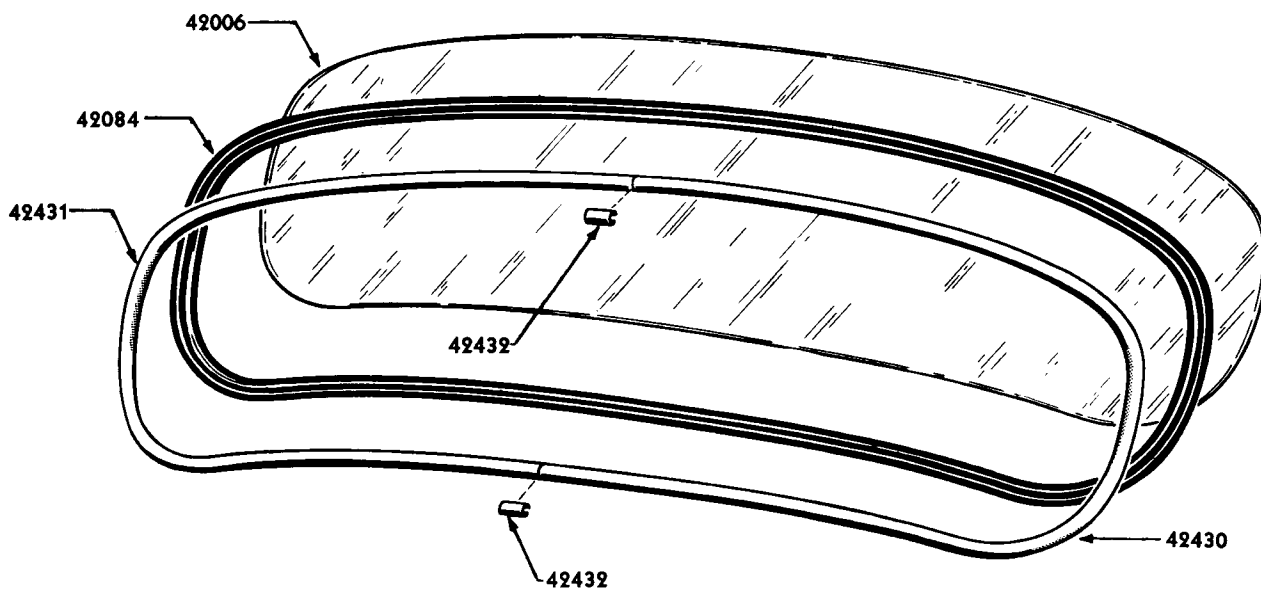
BODY PARTS CATALOGUE

YEAR 19__	BODY TYPES	REMARKS	PART NUMBER	NO. REQ'D
Group 40902 FRAME AND PANEL ASSEMBLY (TAILGATE OUTSIDE FINISH)-COMPLETE				
50	OM79	Use on jobs equipped with Wood Frame and Plywood Panels	8M 7940902-B	1
50	OM79	Bolt (hex head)-5/16"-18 x 7/8"	20366-S2	12
50	OM79	Bumper (rubber)	352394-S	2
50	OM79	Washer (flat)-No. 10	44713-S8	2
50	OM79	Screw (round head self tapping)-No. 10 x 1"	32884-S8	2
Group 40922 SPACER (REAR LAMP HINGE)-ON TAILGATE				
50	OM79	Use on jobs equipped with Wood Frame and Plywood Panels	8M 7940922	2
Group 41032-3 PILLAR ASSEMBLY (REAR CORNER)				
50	OM79	R.H.-Use on jobs equipped with Wood Frame and Plywood Panels	7A 7941032	1
50	OM79	L.H.-Use on jobs equipped with Wood Frame and Plywood Panels	7A 7941033	1
50	OM79	Nut (square head)-No. 10-32	34141-S7	8
Group 41606 WEATHERSTRIP (TAILGATE BOTTOM SIDE)-ON BODY				
50	OM79	1-5/8" long	8A 7941606-B	2
Group 41626 WEATHERSEAL (TAILGATE SIDE)				
50	OM79	22-3/8" long	8M 7941626	2
Group 41632 WEATHERSTRIP (TAILGATE)-OUTER BOTTOM				
50	OM79	Sprong Rubber 12" long-Use on jobs equipped with Wood Frame and Steel Panels	0A 7941632	2
Group 41632-3 WEATHERSTRIP (TAILGATE)-BOTTOM SIDE				
50	OM79	R.H.-11-47/64" long-Use on jobs equipped with Wood Frame and Plywood Panels	8A 7941632	1
50	OM79	L.H.-11-47/64" long-Use on jobs equipped with Wood Frame and Plywood Panels	8A 7941633	1
Group 41716 REINFORCEMENT ASSEMBLY (BACK BELT FLANGING STRIP AND LUGGAGE COMPARTMENT)				
50	OM76		OM 7641716	1
Group 41742-3 PILLAR AND TACKING STRIPE ASSEMBLY (QUARTER LOCK)				
50	OM76	R.H.	OM 7641742-A	1
50	OM76	L.H.	OM 7641743-A	1
Group 41748 STRIP AND RETAINER ASSEMBLY (BACK BELT TACKING)-CENTER				
50	OM76	Overall length approximately 37-1/4"	OM 7641748	1
Group 41760-1 STRIP AND RETAINER ASSEMBLY (BACK BELT TACKING)-END				
50	OM76	R.H.-7/8" wide with ten 7/16" holes 1-3/4" apart	7A 7641760	1
50	OM76	L.H.-7/8" wide with ten 7/16" holes 1-3/4" apart	7A 7641761	1

MERCURY

BODY PARTS CATALOGUE

YEAR 19	BODY TYPES	REMARKS	PART NUMBER	NO. REQ'D
Group 41774 MOULDING (BACK BELT FINISH)				
50	OM76	Rustless Steel-approximately 58-31/32" long	8M 7641774-A	1
50	OM76	Stud (narrow head)-No. 8 x 7/8"	352392-813	9
Group 41786 WELT ASSEMBLY (BACK BELT RAIL)				
50	OM76	72" long-Black with Black Binding	8M 7641786-B	1
50	OM76	72" long-Black with Red Binding	8M 7641786-C	1
50	OM76	72" long-Gray Tan with Gray Tan Binding	8M 7641786-A	1
50	OM76	72" long-Green with Green Binding	8M 7641786-D	1
Group 41954 WEATHERSTRIP (BACK WINDOW)				
50	OM79	Approximately 70-1/2" long	QA 7941954	2
Group 42002 WINDOW FRAME ASSEMBLY (BACK)-LESS GLASS AND TRIM				
50	OM79	Straight Maple Grain	8M 7942002-C	1



REAR WINDOW

PM-307

Group numbers only shown on illustration. Order by Part Numbers shown in list of parts.

Group 42006 GLASS (BACK WINDOW)				
50	OM72A-72B-72C-74		8M 7242006	1
50	OM76		8M 7653200	1
50	OM79		8M 7942006-A	2
Group 42054 INSERT (BACK WINDOW WEATHERSTRIP)				
50	OM72A	130" long	OM 7242054	1

MERCURY

BODY PARTS CATALOGUE

YEAR 19__	BODY TYPES	REMARKS	PART NUMBER	NO. REQ'D
Group 42057 PIN (BACK WINDOW SUPPORT ARM STOP)				
50	OM79		8M 7942057	1
Group 42058-9 SUPPORT ASSEMBLY (BACK WINDOW)				
50	OM79	R.H.-With circular clamping nut	7A 7942058	1
50	OM79	L.H.-With circular clamping nut	7A 7942059	1
50	OM79	R.H.-With wing nut for clamping	0A 7942058-A	1
50	OM79	L.H.-With wing nut for clamping	OM 7942059	1
50	OM79	Nut (hex)-No. 10-32	34141-S8	4
50	OM79	Screw (flat head machine)-No. 10-32 x 1/2"-back window to rear body pillar (2) required on jobs equipped with Steel Panels-R.H.-only (4) required on jobs equipped with Plywood Panels	25231-S7	4
50	OM79	Screw (oval head machine)-No. 10-32 x 3/8"-support assy to window frame	28918-S13	4
50	OM79	Screw (flat head self tapping)-No. 10-32 x 5/8"-back window to rear body pillar-L.H.-Use on jobs equipped with Steel Panels only	32801-S13	2
Group 42084 WEATHERSTRIP (BACK WINDOW)				
50	OM72A		OM 7242084	1
50	OM72B-72C-74		8M 7242084-B	1
Group 42084 WEATHERSEAL (BACK WINDOW)-UPPER				
50	OM79		8M 7942084	1
Group 42086 WEATHERSEAL (BACK WINDOW)-LOWER				
50	OM79	47-13/32" long	8M 7942086	1
50	OM79	Screw (case recessed pan head self tapping)-No. 6-18 x 1/2"	356795-S8	15
50	OM79	Washer (flat)-No. 6	34701-S7	15
Group 42088-9 WEATHERSTRIP (BACK WINDOW)-LOWER CORNER				
50	OM79	R.H.-"L" shape 2-3/16" x 2-3/32"	8M 7942088	1
50	OM79	L.H.-"L" shape 2-3/16" x 2-3/32"	8M 7942089	1
Group 42094 RETAINER (BACK WINDOW WEATHERSTRIP)-OUTER				
50	OM79	Straight Grain Maple-42-31/32" long	8M 7942094	1
Group 42400-1 STRIP ASSEMBLY (BACK WINDOW FINISH)				
50	OM79	R.H.-Mahogany Finish	OM 7942400-AA	1
50	OM79	L.H.-Mahogany Finish	OM 7942401-AA	1
50	OM79	Screw (oval head self tapping)-No. 8-15 x 5/8"	32995-S13	10
50	OM79	Screw (oval head self tapping)-No. 8-15 x 1"	33013-S13	6
Group 42410 MOULDING (BACK WINDOW OPENING)-INNER				
50	OM79	Mahogany Finish	8M 7942410-AB	1

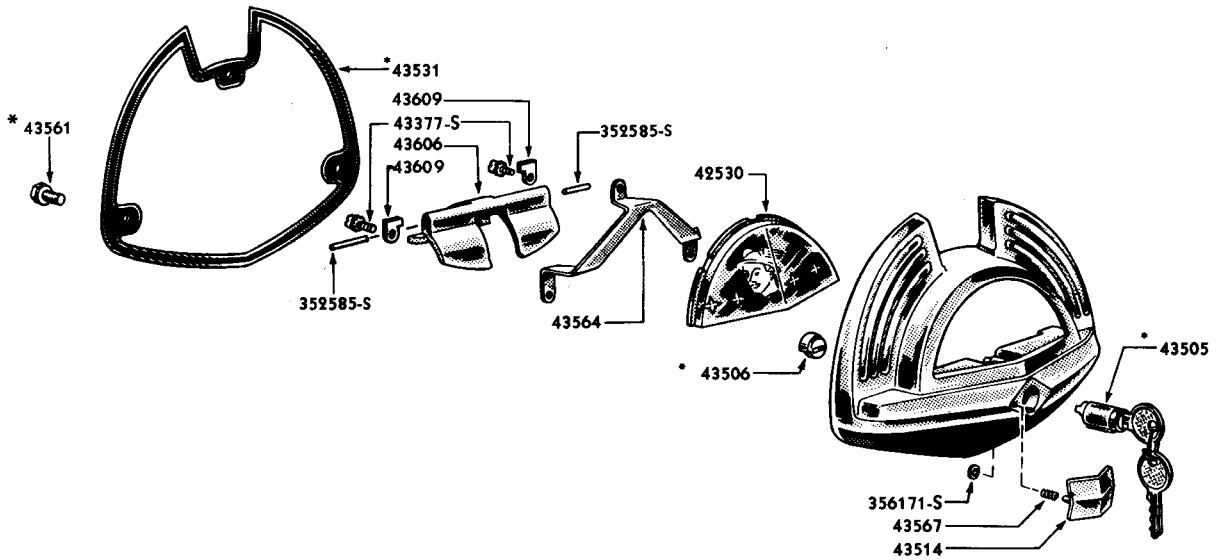
MERCURY

BODY PARTS CATALOGUE

YEAR 19	BODY TYPES	REMARKS	PART NUMBER	NO. REQ'D
Group 42415 HEADLINING (UNDER BACK WINDOW)				
50	OM72A-72B-74	M-16908-H Tan Headlining	OM 7242415-AA	1
50	OM72B-74	M-16908-L Blue Headlining	OM 7242415-AB	1
50	OM72B-74	M-5156-Q Blue Gray Broadcloth	OM 7242415-AC	1
50	OM72B-74	M-16908-M Green Headlining	OM 7242415-AR	1
50	OM72B-74	Tan Artificial Leather	8M 7242415-D	1
50	OM72C	Red Artificial Leather	OM 7242415-AX	1
50	OM72C	Turquoise Artificial Leather	OM 7242415-AY	1
50	OM72C	Yellow Artificial Leather	OM 7242415-AV	1
Group 42424 STRIP (BACK WINDOW DIVISION BAR FINISH)				
50	OM79	Mahogany Finish	7A 7942424-AB	1
50	OM79	Screw (oval head self tapping)-No. 8-15 x 1"	33013-S13	3
Group 42430-1 MOULDING (BACK WINDOW OUTSIDE)-END				
50	OM72B-74C-74	R.H.-Chrome Finish	8L 7242430	1
50	OM72B-72C-74	L.H.-Chrome Finish	8L 7242431	1
Group 42432 COVER (BACK WINDOW OUTSIDE MOULDING JOINT)				
50	OM72B-72C-74	Chrome Finish-1" long	8L 7242432	2
Group 42530 MEDALLION (LUGGAGE COMPARTMENT DOOR HANDLE)				
50	OM except 79		OA 7242530	1
Group 42700-1 HINGE ASSEMBLY (LUGGAGE COMPARTMENT DOOR)				
50	OM except 79	R.H.	OM 7242700	1
50	OM except 79	L.H.	OM 7242701	1
50	OM except 79	Bolt (hex head pointed)-5/16"-24 x 3/4"-deck lid to deck lid hinge support	20347-S2	4
50	OM except 79	Locknut (hex)-5/16"-24	34393-S7	6
50	OM except 79	Lockwasher-5/16"-hinge to deck lid	34806-S2	4
50	OM except 79	Washer (flat)-5/16"	34746-S2	14
Group 42714-5 SUPPORT ASSEMBLY (LUGGAGE COMPARTMENT DOOR HINGE)				
50	OM72A-72B-72C-74	R.H.	OM 7242714	1
50	OM72A-72B-72C-74	L.H.	OM 7242715	1
Group 42900 HINGE ASSEMBLY (BACK WINDOW)				
50	OM79		8M 7942900	2
50	OM79	Rivet (round head solid)-3/16" x 3/8"	60330-S	4
Group 43000 HINGE ASSEMBLY (TAILGATE)				
50	OM79	Use on jobs equipped with Wood Frame and Plywood Panels	8M 7943000	1
50	OM79	Use on jobs equipped with Wood Frame and Steel Panels	OA 7943000	1
50	OM79	Screw (flat head)-1/4"-20 x 5/8"	24649-S13	9
50	OM79	Washer (flat)-1/4"	34705-S2	9
50	OM79	Washer (lock ext. tooth countersunk)-5/16"	34956-S2	2
Group 43016 WEATHERSEAL (TAILGATE)				
50	OM79	54-1/4" long-Rubber	8A 7943016	1

BODY PARTS CATALOGUE

YEAR 19__	BODY TYPES	REMARKS	PART NUMBER	NO. REQ'D
Group 43102 LOCK ASSEMBLY (BACK WINDOW)				
50	OM79		8M 7943102	1
50	OM79	Screw (oval head machine)-No. 12-24 x 1/2"	28332-S13	4
Group 43126 PLATE (BACK WINDOW LOCK STRIKER)				
50	OM79		8M 7943126-A	1
50	OM79	Screw (oval head)-No. 12-24 x 3/4"	28372-S13	2
Group 43200 LOCK ASSEMBLY (LUGGAGE COMPARTMENT DOOR)				
50	OM except 79		8H 7343200	1
50	OM except 79	Locknut (hex head)-1/4"-20	34390-S7	4
50	OM except 79	Nut (hex)-1/4"-20	33795-S7	2
50	OM except 79	Screw (round head machine)-1/4"-20 x 1/2"	39050-S2	4
Group 43246 LATCH PIN AND PLATE ASSEMBLY (LUGGAGE COMPARTMENT)				
50	OM except 79		OM 7243246	1
50	OM except 79	Bolt (flat head)-1/4"-28 x 1/2"	36003-S8	2
50	OM except 79	Washer (external tooth-countersunk)-No. 16	34955-S7	2
Group 43248 SUPPORT ASSEMBLY (LUGGAGE COMPARTMENT DOOR LOCK)				
50	OM except 79	With two 9/32" holes for bolts	OM 7243248-A	1
50	OM except 79	With two 9/32" x 9/16" slots for bolts	OM 7243248-B	1
50	OM except 79	Lockwasher (external tooth countersunk)-No. 10	34952-S7	4
50	OM except 79	Lockwasher (external tooth)-No. 10	34939-S2	2
50	OM except 79	Nut (hex)-No. 10-32	34079-S7	2
50	OM except 79	Screw (oval head)-No. 10-32 x 7/16"	28923-S7	4
Group 43256 PLATE (LUGGAGE COMPARTMENT LATCH PIN TAPPING)				
50	OM except 79		26H 7343256	1
Group 43272 REMOTE CONTROL ASSEMBLY (LUGGAGE COMPARTMENT DOOR LOCK)				
50	OM except 79		OM 7243272	1
Group 43293 PIN (LUGGAGE COMPARTMENT DOOR HANDLE TRIGGER)				
50	OM except 79	5" long	OM 7243293	1
Group 43426 HANDLE (BACK WINDOW)-INSIDE				
50	OM79		8M 7943426-A	1
50	OM79	Screw (oval head machine)-No. 10-32 x 1/2"	29566-S13	1
50	OM79	Washer (flat)-3/8"	351421-S13	1
Group 43429 HANDLE ASSEMBLY (BACK WINDOW)-OUTSIDE-LESS LOCK AND CYLINDER				
50	OM79		8A 7943429-B	1
50	OM79	Screw (oval head machine)-No. 10-32 x 1/2"	29566-S13	2

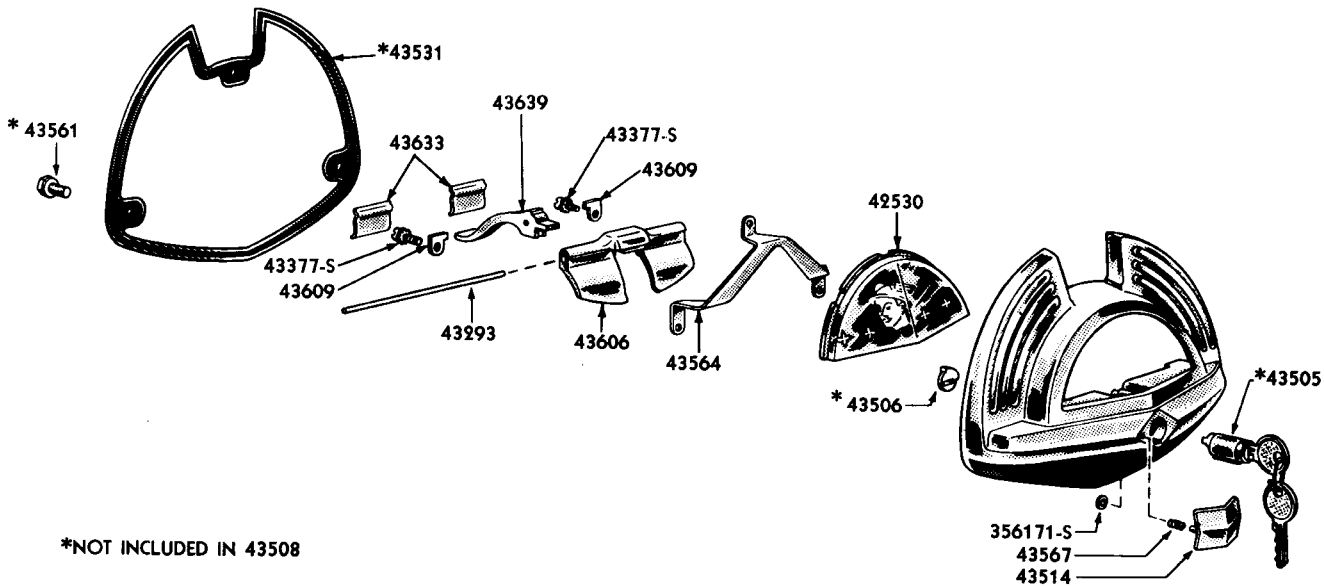


* NOT INCLUDED IN 43508

PM-437

LUGGAGE COMPARTMENT DOOR HANDLE (OM-724350-B)

Group numbers only shown on illustration. Order by Part Numbers shown in list of parts.



*NOT INCLUDED IN 43508

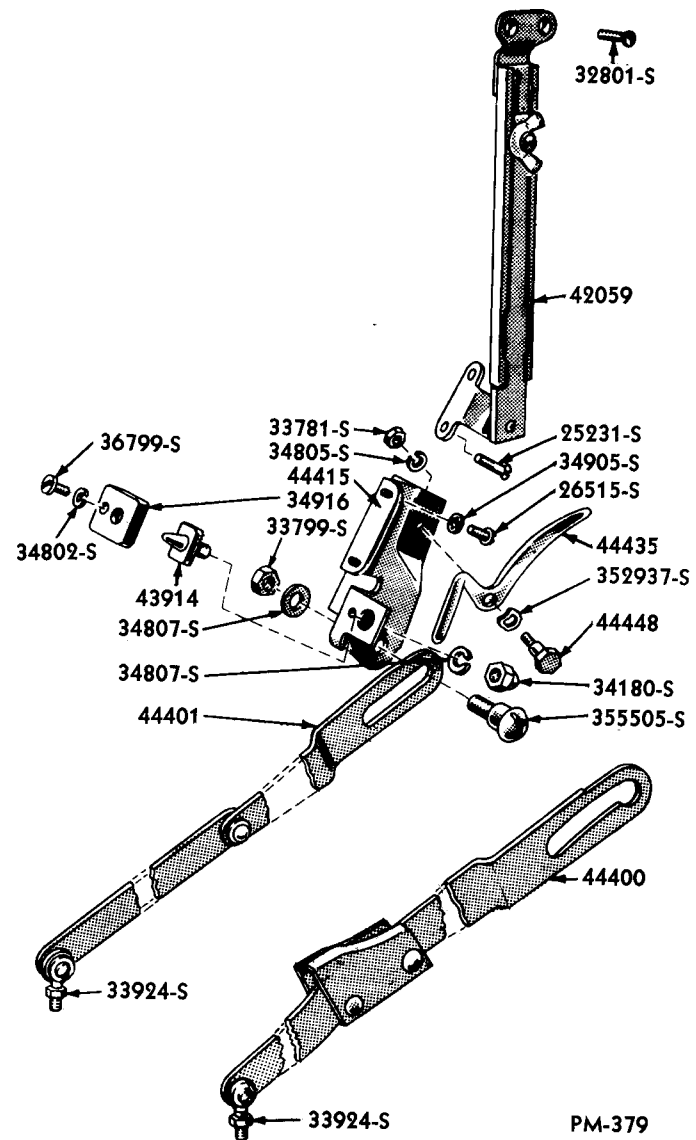
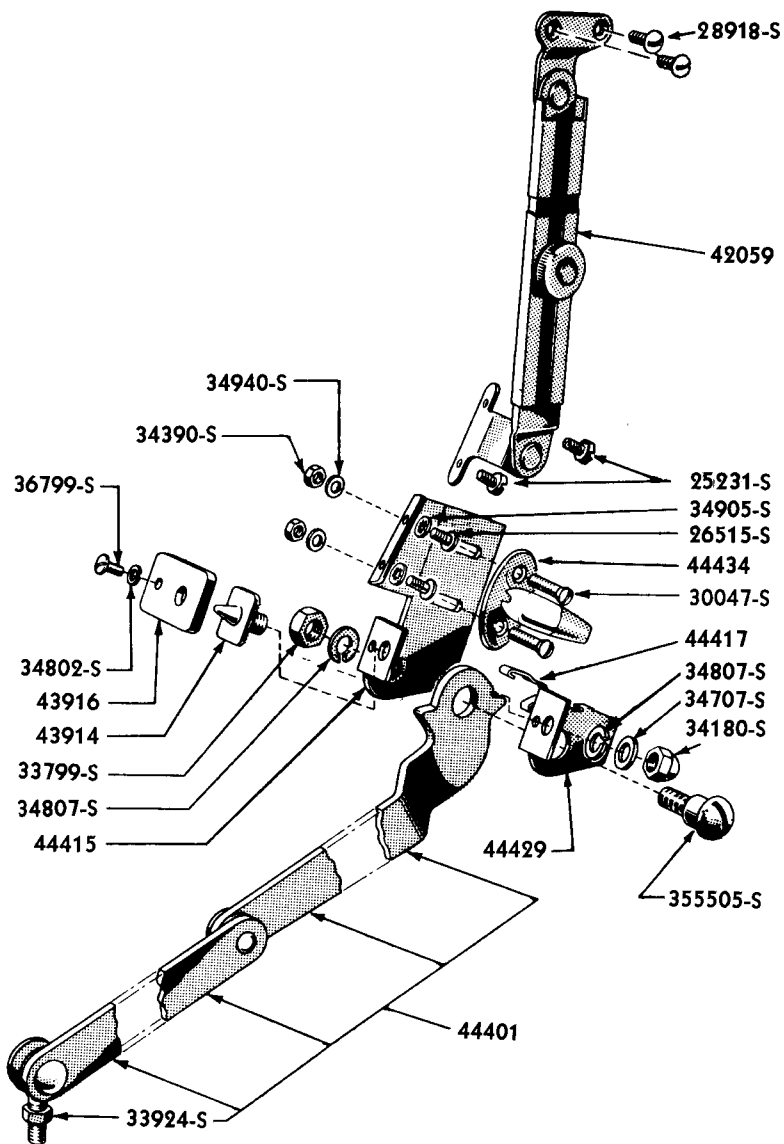
PM-436

LUGGAGE COMPARTMENT DOOR HANDLE (OM-724350-C)

Group numbers only shown on illustration. Order by Part Numbers shown in list of parts.

BODY PARTS CATALOGUE

YEAR 19__	BODY TYPES	REMARKS	PART NUMBER	NO. REQ'D
Group 43500 HANDLE ASSEMBLY (LUGGAGE COMPARTMENT DOOR)				
50	OM except 79	With one piece Trigger-For service use 8H-7343505, OM-7243506-B and OM-7243508-B	OM 7243500-B	1
50	OM except 79	With two piece Trigger-For service use 8H-7343505, OM-7243506-C and OM-7243508-C	OM 7243500-C	1
Group 43505 CYLINDER ASSEMBLY (LUGGAGE COMPARTMENT LOCK)-WITH KEYS				
50	OM except 79		8H 7343505	1
Group 43506 BOLT (LUGGAGE COMPARTMENT DOOR LOCK HANDLE)				
50	OM except 79	Use with handle having two 1" trigger pins	OM 7243506-B	1
50	OM except 79	Use with handle having 5" trigger pin	OM 7243506-C	1
Group 43508 HANDLE ASSEMBLY (LUGGAGE COMPARTMENT DOOR)				
50	OM except 79	With two 1" trigger pins	OM 7243508-B	1
50	OM except 79	With 5" trigger pin	OM 7243508-C	1
Group 43514 COVER ASSEMBLY (LUGGAGE COMPARTMENT DOOR KEYHOLE)				
50	OM except 79		OM 7243514	1
50	OM except 79	Washer (flat)-3/32" I.D. x 13/64" O.D. x 1/64"	356171-88	1
Group 43531 PAD (LUGGAGE COMPARTMENT DOOR HANDLE)				
50	OM except 79	Rubber	OM 7243531	1
Group 43557 BRACKET (LUGGAGE COMPARTMENT TRIM PANEL TO WHEELHOUSE)				
50	OM except 79		8M 7043557	2
Group 43561 SCREW AND WASHER ASSEMBLY (LUGGAGE COMPARTMENT DOOR HANDLE TO DOOR)				
50	OM except 79	No. 10-24 x 1/2"	OM 7243561	3
Group 43564 RETAINER (LUGGAGE COMPARTMENT DOOR HANDLE MEDALLION)				
50	OM except 79	Recessed "V" shape	OM 7243564-B	1
Group 43567 SPRING (LUGGAGE COMPARTMENT DOOR HANDLE KEY HOLE COVER)				
50	OM except 79		OM 7243567	1
Group 43606 TRIGGER (LUGGAGE COMPARTMENT DOOR HANDLE LOCKING)				
50	OM except 79	One piece style	OM 7243606-A	1
50	OM except 79	Two piece style	OM 7243606-B	1
50	OM except 79	Pin (straight)-1/8" x 1"	352585-88	2
50	OM except 79	Screw and lockwasher assy (pan head)-No. 6-32 x 1/2"	43377-88	2
Group 43609 RETAINER (LUGGAGE COMPARTMENT DOOR HANDLE TRIGGER PIN)				
50	OM except 79		OM 7243609	2
50	OM except 79	Screw and washer assy (pan head)-No. 6 x 1/2"	350712-88	2
Group 43633 SPRING (LUGGAGE COMPARTMENT DOOR HANDLE TRIGGER)				
50	OM except 79		OM 7243633	2
Group 43639 LEVER (LUGGAGE COMPARTMENT DOOR HANDLE TRIGGER)				
50	OM except 79		OM 7243639	1



TAIL GATE SUPPORT ROD AND COMPONENT PARTS

Group numbers only shown on illustration. Order by Part Numbers shown in list of parts.

PM-379

BODY PARTS CATALOGUE

YEAR 19__	BODY TYPES	REMARKS	PART NUMBER	NO. REQ'D
Group 43706 WEATHERSTRIP (BACK WINDOW)-OUTER				
50	OM79	44-13/64" long	7A 7943706-A	1
Group 43720 WEATHERSTRIP (LUGGAGE COMPARTMENT DOOR)				
50	OM except 79		8M 7243720-C	1
Group 43726 WEATHERSTRIP (TAILGATE SIDE)-BOTTOM				
50	OM79	3-27/32" long-Use on jobs equipped with Wood Frame and Plywood Panels	8A 7943726	2
Group 43726 WEATHERSTRIP (TAILGATE)-OUTER SIDE				
50	OM79	25-7/32" long-Use on jobs equipped with Wood Frame and Steel Panels	0A 7943726	2
Group 43914 DOWEL (TAILGATE BUMPER)				
50	OM79		91A 7943914	2
50	OM79	Lockwasher-3/8"	34807-S2	2
50	OM79	Nut (blind)-3/8"-24	34180-S7	2
50	OM79	Washer (flat)-3/8"	34707-S2	2
Group 43916 BUMPER ASSEMBLY (TAILGATE DOWEL PLATE)				
50	OM79	Rubber-approximately 1-1/32" x 13/64"	8M 7943916-A	2
50	OM79	Lockwasher-No. 8	34802-S7	2
50	OM79	Screw (round head machine)-No. 8-32 x 3/8"	36799-S7	2
Group 44400-1 ROD ASSEMBLY (TAILGATE SUPPORT)				
50	OM79	R.H.-Use on jobs equipped with Wood Frame and Plywood Panels	8M 7944400-B	1
50	OM79	L.H.-Use on jobs equipped with Wood Frame and Plywood Panels	8M 7944401-B	1
50	OM79	R.H.-Use on jobs equipped with Wood Frame and Steel Panels	0A 7944400	1
50	OM79	L.H.-Use on jobs equipped with Wood Frame and Steel Panels	0A 7944401	1
50	OM79	Bolt (shoulder)-3/8"-16 x 1"	355505-S13	2
50	OM79	Lockwasher-3/8"	34807-S2	2
50	OM79	Nut (hex)-3/8"-16	33799-S7	2
50	OM79	Nut (hex)-3/8"-16	33924-S8	2
Group 44414-5 BRACKET (TAILGATE SUPPORT ROD)				
50	OM79	R.H.-Use on jobs equipped with Wood Frame and Plywood Panels	8M 7944414	1
50	OM79	L.H.-Use on jobs equipped with Wood Frame and Plywood Panels	8M 7944415	1
50	OM79	R.H.-Use on jobs equipped with Wood Frame and Steel Panels	0A 7944414	1
50	OM79	L.H.-Use on jobs equipped with Wood Frame and Steel Panels	0A 7944415	1
50	OM79	Lockwasher (internal tooth)-1/4"	34905-S7	8
50	OM79	Screw (round head machine)-1/4"-20 x 3/4"	26515-S13	8
50	OM79	Washer (lock)-1/4"	34805-S8	2
Group 44417 SPRING (TAILGATE SUPPORT ROD)				
50	OM79	Approximately 3/16" wide-Use on jobs equipped with Wood Frames and Plywood Panels	8M 7944417	2

MERCURY

BODY PARTS CATALOGUE

YEAR 19__	BODY TYPES	REMARKS	PART NUMBER	NO. REQ'D
Group 44424-5 BRACKET (TAIL GATE TO LATCH)				
50	OM79	R.H.-Use on jobs equipped with Wood Frames and Steel Panels	OA 7944424	1
50	OM79	L.H.-Use on jobs equipped with Wood Frames and Steel Panels	OA 7944425	1
Group 44428-9 HOUSING (TAILGATE SUPPORT ROD SPRING)				
50	OM79	R.H.-Use on jobs equipped with Wood Frame and Plywood Panels	8M 7944428	1
50	OM79	L.H.-Use on jobs equipped with Wood Frame and Plywood Panels	8M 7944429	1
Group 44431 SHIM (TAILGATE STRIKER PLATE)				
50	OM79	1/32" thick	8A 7944431	as req'd
Group 44432 STRIP (TAILGATE SKID)				
50	OM79	3/4" x 16-57/64"-Painted-Use on jobs equipped with Wood Frame and Plywood Panels	8A 7944432	5
50	OM79	3/4" x 16-57/64"-Rustless Steel-Use on jobs equipped with Wood Frame and Steel Panels	OA 7944432-B	3
50	OM79	Screw (flat head machine)-1/4"-20 x 3/4"	50035-S13	6
50	OM79	Screw (flat head self tapping)-No. 14 x 7/8"	52031-S13	6
Group 44434-5 LATCH ASSEMBLY (TAILGATE)				
50	OM79	Use on jobs equipped with Wood Frame and Plywood Panels	8M 7944434-A	2
50	OM79	R.H.-Use on jobs equipped with Wood Frames and Steel Panels	OA 7944434	1
50	OM79	L.H.-Use on jobs equipped with Wood Frames and Steel Panels	OA 7944435	1
50	OM79	Locknut (standard light thick)-1/4"-20	34390-S7	4
50	OM79	Nut (hex)-1/4"-20	33795-S7	2
50	OM79	Screw (oval head machine)-1/4"-20-3/4"	30047-S13	4
50	OM79	Washer (lock)-1/4"	34805-S8	2
50	OM79	Washer (external tooth)-1/4"	34940-S2	4
Group 44448 BOLT (TAILGATE LATCH)				
50	OM79	1/4"-20 x 1"-Use on jobs equipped with Wood Frames and Steel Panels	OA 7944448	2
Group 44640 STRAINER (BACK BELT FLANGING STRIP CENTER TO WHEELHOUSE)				
50	OM76		7A 7644640	2
Group 44664-5 BRACKET (BACK BELT FLANGING STRIP CENTER TO WHEELHOUSE STRAINER)				
50	OM76	R.H.	7A 7644664	1
50	OM76	L.H.	7A 7644665	1
Group 44718-9 REINFORCEMENT ASSEMBLY (LUGGAGE COMPARTMENT OPENING UPPER AND CORNER)				
50	OM72A-72B-72C-74	R.H.	8M 7244718	1
50	OM76	R.H.	8M 7644718	1
50	OM except 79	L.H.	8M 7244719	1
Group 44830-1 GUSSET (LUGGAGE COMPARTMENT OPENING LOWER CORNER)				
50	OM except 79	R.H.	7A 7044830	1
50	OM except 79	L.H.	7A 7044831	1

MERCURY

BODY PARTS CATALOGUE

YEAR 19__	BODY TYPES	REMARKS	PART NUMBER	NO. REQ'D
Group 45002 ANGLE (TAIL GATE)-UPPER EDGE				
50	OM79	Use on jobs equipped with Wood Frame and Plywood Panels	7A 7945002	1
50	OM79	Use on jobs equipped with Wood Frame and Steel Panels	0A 7945002	1
Group 45416-7 CARDBOARD (LUGGAGE COMPARTMENT)-SIDE REAR				
50	OM72B-72C-74	R.H.-all trim-Neutral Check Cardboard	8M 7245416-B	1
50	OM72B-72C-74	L.H.-all trim-Neutral Check Cardboard	8M 7245417-B	1
50	OM76	R.H.-all trim-Neutral Check Cardboard	8M 7645416-B	1
50	OM76	L.H.-all trim-Neutral Check Cardboard	8M 7645417-B	1
50	OM72B-74C-74-76	Screw (oval head cross recessed)-No. 8 x 5/8"	52352-S13	2
50	OM	Washer (countersunk)-No. 8	34885-S13	2
Group 45444 CARDBOARD (LUGGAGE COMPARTMENT)-FRONT				
50	OM72A	Black Cardboard	OM 7245444	1
50	OM72B-72C-74	All trim-Neutral Check Cardboard	8M 7245444-C	1
50	OM76	All trim-Neutral Check Cardboard	8M 7645444-C	1
Group 45456 MAT (LUGGAGE COMPARTMENT FLOOR)				
50	OM except 79	Rubber	8M 7245456-B	1
Group 45464 FILLER (LUGGAGE COMPARTMENT)-TIRE WELL				
50	OM72B-72C-74	Rubber-approximately 1/16" x 10" x 14-15/16"	8M 7245464	1
Group 45466-7 COVER (QUARTER WHEELHOUSE LUGGAGE COMPARTMENT)				
50	OM72B-72C-74	R.H.-Rubber	8M 7245466-B	1
50	OM72B-72C-74	L.H.-Rubber	8M 7245467-B	1
50	OM76	R.H.-Rubber	8M 7645466-B	1
50	OM76	L.H.-Rubber	8M 7645467-B	1
50	OM79	R.H.-Rubber	8M 7945466	1
50	OM79	L.H.-Rubber-without cutout for center seat bracket-use on jobs equipped with stationary center seat	8M 7945467	1
50	OM79	L.H.-Rubber-with cutout for center seat bracket-use on jobs equipped with folding center seat	OM 7945467	1
Group 46506 PANEL ASSEMBLY (PACKAGE TRAY)				
50	OM72A-72C-72B-74		OM 7246506	1
Group 46521 STRAINER ASSEMBLY (PACKAGE TRAY SUPPORT TO FLOOR SIDE MEMBER)				
50	OM72A-72B-72C		OM 7246521	1
Group 46568-9 STRAINER (QUARTER WINDOW TO PACKAGE TRAY)				
50	OM72A-72B-72C	R.H.	8M 7246568	1
50	OM72A-72B-72C	L.H.	8M 7246569	1
Group 46574-5 STRAINER ASSEMBLY (PACKAGE TRAY TO FLOOR)				
50	OM72A-72B-72C-74	R.H.	8M 7246574	1
50	OM72A-72B-72C-74	L.H.	8M 7246575	1

MERCURY

BODY PARTS CATALOGUE

YEAR 19	BODY TYPES	REMARKS	PART NUMBER	NO. REQ'D
Group 46656 CARDBOARD (PACKAGE TRAY TRIM)				
50	OM72B-74	Blue	OM 7246656-AB	1
50	OM72B-74	Green	OL 7246656-AA	1
50	OM72A-72B-74	Tan-use with Cloth Trim	OM 7246656-AA	1
50	OM72B-74	Tan-use with Leather Trim	OM 7246656-AC	1
Group 46668 PANEL ASSEMBLY (PACKAGE TRAY TRIM)				
50	OM72B-74	Blue	OM 7246668-AB	1
50	OM72B-74	Green	OL 7246668-AA	1
50	OM72A-72B-74	Tan-use with Cloth Trim	OM 7246668-AA	1
50	OM72B-74	Tan-use with Leather Trim	OM 7246668-AC	1
50	OM72C	Yellow	OM 7246668-AV	1
50	OM72C	Black	OM 7246668-AX	1
50	OM72C	Blue	OM 7246668-AY	1
Group 47070 BRACKET (LUGGAGE COMPARTMENT SPARE WHEEL MOUNTING)				
50	OM except 79	Includes mounting bolt	OL 7247070	1

Group 50026 PANEL ASSEMBLY (ROOF)-WITH SILENCER

50	OM79		OM 7950026	1
----	------	--	------------	---

Group 50100 TOP ASSEMBLY (FOLDING)-COMPLETE

50	OM76	Black-with Black Binding	OM 7650100-AB	1
50	OM76	Black-with Red Binding	OM 7650100-AC	1
50	OM76	Gray Tan-with Gray Tan Binding	OM 7650100-AA	1
50	OM76	Green-with Green Binding	OM 7650100-AD	1
50	OM76	Screw (drive)-No. 6 x 1/2"	351629-S28-A2B	as req'd

Group 50200 PANEL ASSEMBLY (ROOF)

50	OM72A-72B-72C		OM 7250200	1
50	OM74		OM 7450200	1

Group 50308 LINK (FOLDING TOP SIDE RAIL CONTROL)-REAR

50	OM76		8M 7650308	2
----	------	--	------------	---

Group 50310 LINK (FOLDING TOP SIDE RAIL CONTROL)-FRONT

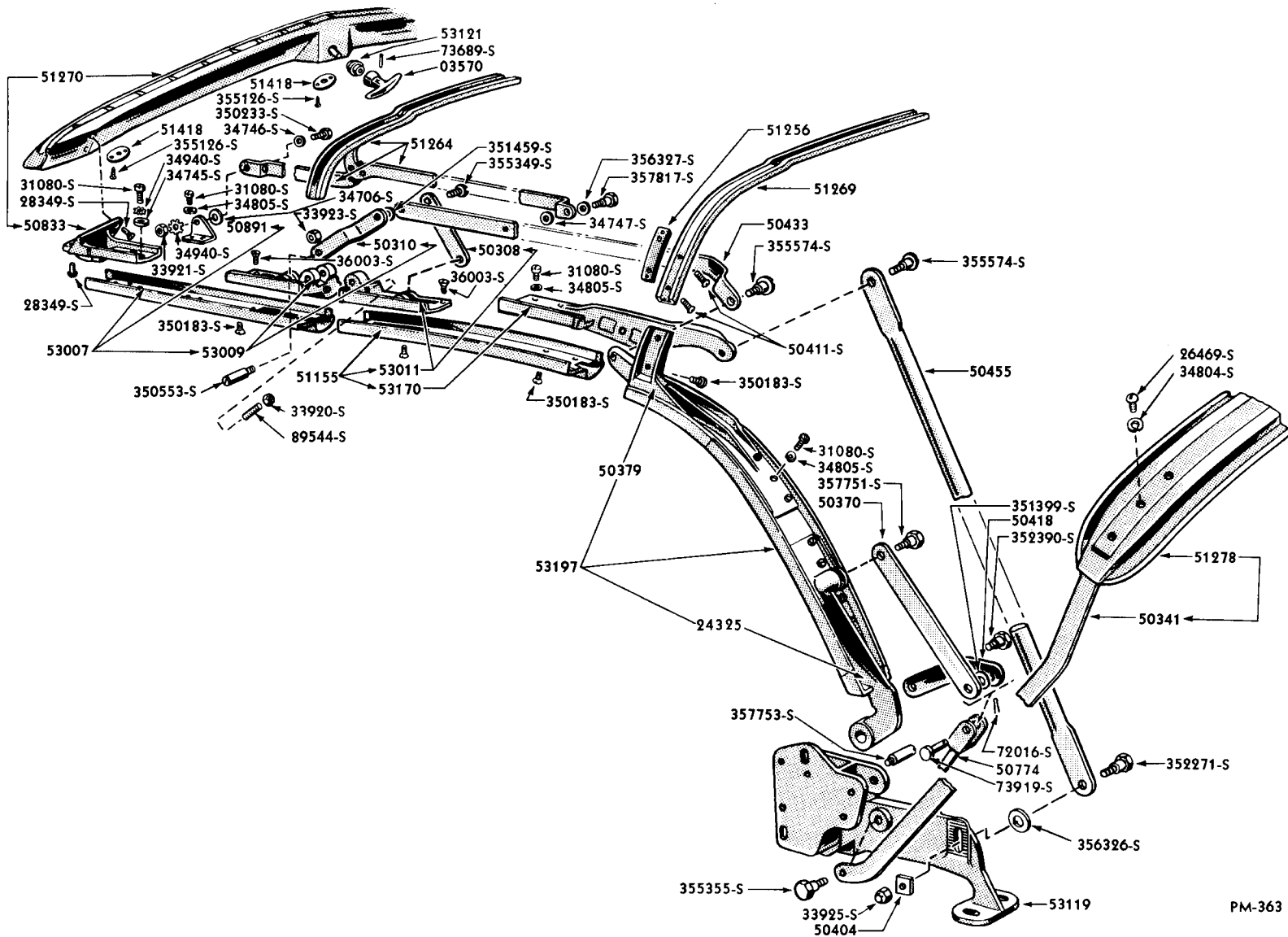
50	OM76	Approximately 4-3/8" long	8M 7650310	2
----	------	---------------------------	------------	---

Group 50340-1 SLAT IRON (FOLDING TOP REAR BOW)

50	OM76	R.H.	8M 7650340	1
50	OM76	L.H.	8M 7650341	1
50	OM76	Bolt (hex head-shoulder)-3/8"-16 x 3-27/32"	●355355-S13	2
50	OM76	Lockwasher-No. 12	△34804-S8	6
50	OM76	Screw (round head)-No. 12-24 x 3/8"	△26469-S7	6

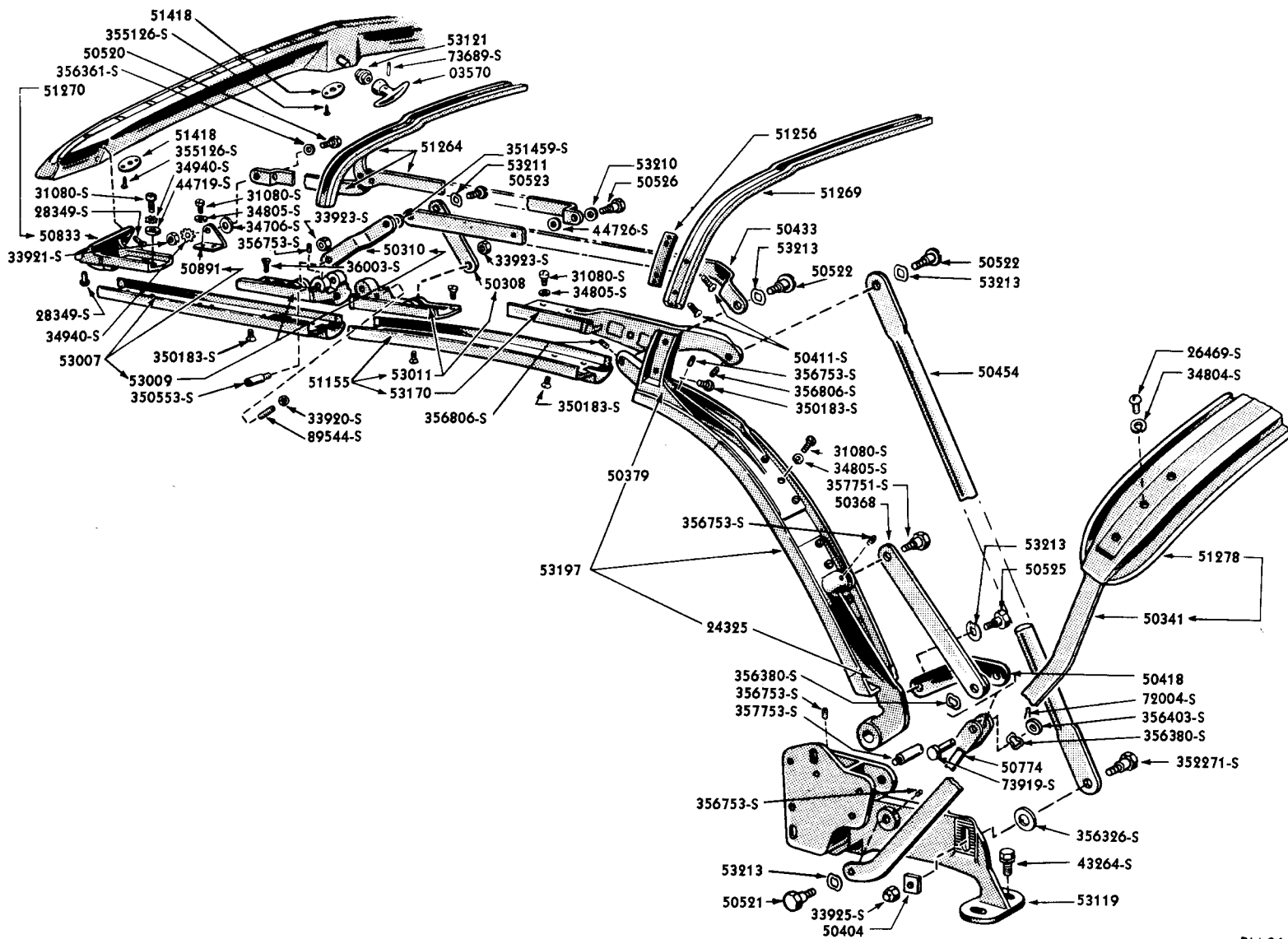
● Use with OM-7653000-A top

△ Use with OM-7653000-B top



PM-363

SIX PASSENGER CONVERTIBLE COUPE TOP LESS TRIM (OM-7653000-A)
 Group numbers only shown on illustration. Order by Part Numbers shown in list of parts.



PM-364

SIX PASSENGER CONVERTIBLE COUPE TOP LESS TRIM (OM-7653000-B)

Group numbers only shown on illustration. Order by Part Numbers shown in list of parts.

BODY PARTS CATALOGUE

YEAR 19__	BODY TYPES	REMARKS	PART NUMBER	NO. REQ'D
Group 50368 LINK ASSEMBLY (FOLDING TOP UPPER POWER)				
50	OM		OM 7650368	2
Group 50370 LINK (FOLDING TOP POWER)-UPPER				
50	OM76		8M 7650370	2
50	OM76	Screw (socket head set)-No. 10-24 x 3/8"	Δ356753-S8	2
50	OM76	Stud (special slotted head)-3/8"-16 x 1-7/64"	357751-S2	2
50	OM76	Washer (flat)-25/64" I.D. x 1" O.D. x 3/16"	351399-S13	2
Group 50378-9 HINGE (UPPER QUARTER PILLAR BRACKET)-FOLDING TOP				
50	OM76	R.H.-without tapped hole for set screw	8M 7650378-A	1
50	OM76	L.H.-without tapped hole for set screw	8M 7650379-A	1
50	OM76	R.H.-with tapped hole for set screw	8M 7650378-B	1
50	OM76	L.H.-with tapped hole for set screw	8M 7650379-B	1
50	OM76	Bolt (special shoulder)-3/8"-16 x 1"	Δ8M 7650521	2
50	OM76	Lockwasher-1/4"	34805-S2	14
50	OM76	Screw (fillister head)-1/4"-20 x 5/8"	31080-S7	14
Group 50404 NUT (FOLDING TOP BALANCE LINK TO BODY BRACKET)-SERRATED				
50	OM76		8H 7650404	2
Group 50418 LINK (FOLDING TOP POWER)-LOWER				
50	OM76		8M 7650418	2
50	OM76	Bolt (hex head-shoulder)-3/8"-16 x 3/4"	●352390-S13	2
50	OM76	Bolt (special shoulder)-3/8"-16 x 1"	Δ8M 7650525	2
50	OM76	Screw (socket head set)-No. 10-24 x 3/8"	Δ356753-S8	2
50	OM76	Washer (special flat)-25/64" I.D. x 1" O.D. x 3/16"	●351399-S13	2
50	OM76	Washer (spring-three wave)-33/64" I.D. x 13/16" O.D.	Δ8M 7653213	2
50	OM76	Washer (spring)-1/2" I.D. x 13/16" O.D.	●356468-S13	2
Group 50432-3 LINK (FOLDING TOP)-NO. 1				
50	OM76	R.H.	8M 7650432	1
50	OM76	L.H.	8M 7650433	1
50	OM76	Bolt (fillister head shoulder)-5/16"-24 x 1"	●355349-S13	2
50	OM76	Bolt (shoulder fillister head)-5/16"-24 x 63/64"	Δ8M 7650523	2
50	OM76	Nut (check)-5/16"-24	●33923-S13	2
50	OM76	Screw (oval head shoulder)-3/8"-16 x 3/4"	●355574-S13	4
50	OM76	Screw (shoulder oval head)-3/8"-16 x 59/64"	Δ8M 7650522	2
50	OM76	Screw (socket head set)-No. 10-24 x 1/4"	Δ356806-S8	2
50	OM76	Washer (special flat)-1/2" I.D. x 7/8" O.D. x 1/32"	●351459-S2	2
50	OM76	Washer (spring-three wave)-33/64" I.D. x 13/16" O.D.	Δ8M 7653213	2
50	OM76	Washer (spring-three wave)-29/64" I.D. x 3/4" O.D.	Δ8M 7653211	2
Group 50454 LINK (FOLDING TOP BALANCE)				
50	OM76		8M 7650454-B	2
50	OM76	Bolt (hex head shoulder)-3/8"-24 x 1-1/4"	352271-S8	2
50	OM76	Nut (hex)-3/8"-24	33925-S7	2
50	OM76	Nut (serrated)-3/8"-24	8H 7650404	2
50	OM76	Screw (socket head set)-No. 10-24 x 1/4"	Δ356806-S8	2
50	OM76	Screw (shoulder oval head)-3/8"-16 x 59/64"	Δ8M 7650522	2
50	OM76	Screw (oval head shoulder)-3/8"-16 x 3/4"	●355574-S13	2
50	OM76	Washer (flat)-25/64" I.D. x 1-1/8" O.D. x 7/64"	356326-S7	2
50	OM76	Washer (spring-three wave)-33/64" I.D. x 13/16" O.D.	Δ8M 7653213	2

● Use with OM-7653000-A top

Δ Use with OM-7653000-B top

MERCURY

BODY PARTS CATALOGUE

YEAR 19__	BODY TYPES	REMARKS	PART NUMBER	NO. REQ'D
Group 50520 BOLT (NO. 2 BOW AND LINK TO FRONT SIDE RAIL)				
50	OM76	Special shoulder-1/4"-28 x 51/64"	8M 7650520	2
Group 50521 BOLT (REAR BOW AND TOP MOUNTING BRACKET)				
50	OM76	Special shoulder-3/8"-16 x 1"	8M 7650521	2
Group 50522 SCREW (NO. 1 LINK TO PILLAR RAIL)				
50	OM76	Oval head shoulder-3/8"-16 x 59/64"	8M 7650522	2
Group 50522 SCREW (BALANCE LINK TO SIDE RAIL)				
50	OM76	Oval head shoulder-3/8"-16 x 59/64"	8M 7650522	2
Group 50523 BOLT (NO. 1 LINK TO REAR SIDE RAIL)				
50	OM76	Fillister head shoulder-5/16"-24 x 63/64"	8M 7650523	2
Group 50525 BOLT (LOWER POWER LINK TO MOUNTING BRACKET)				
50	OM76	Special shoulder-3/8"-16 x 1"	8M 7650525	2
Group 50526 BOLT (NO. 2 BOW AND LINK TO FRONT SIDE RAIL)				
50	OM76	Special shoulder-5/16"-24 x 13/16"	8M 7650526	2
Group 50570 CONTROL ROD ASSY (TOP OPERATING)				
50	OM76	13-15/32" long	OM 7650570-A	1
50	OM76	13-23/32" long	OM 7650570-B	1
50	OM76	Screw (round head machine)-No. 10-32 x 1/4"	36784-S7	1
Group 50579 KNOB (TOP CONTROL ROD)				
50	OM76		8M 7650579	1
50	OM76	Screw (set)-No. 8-32 x 3/16"	355097-S	1
Group 50588 BUSHING (TOP CONTROL ROD)				
50	OM76	Felt-11/64" I.D. x 21/64" O.D. x 7/16" long	OM 7650588	1
Group 50589 RETAINER (TOP CONTROL ROD BUSHING)				
50	OM76	Chrome Finish-Shoulder 1/4" I.D. x 5/8" O.D.	OM 7650589	1
Group 50601 CYLINDER (TOP OPERATING)				
50	OM76	Less yoke	8A 7650601	2
Group 50606 SPACER (TOP OPERATING CYLINDER TO FLOOR BRACKET)				
50	OM76	Rubber-tapped I.D. 7/8" O.D. x 15/64" thick	96H 7650606	4
Group 50738 VALVE ASSEMBLY (TOP OPERATING CONTROL)				
50	OM76		5EH 7650738	1
50	OM76	Lockwasher-No. 12	34804-S2	2
50	OM76	Lockwasher (external tooth)-No. 6	34937-S7	1
50	OM76	Screw (round head machine)-No. 12-24 x 3/8"	26469-S7	2
Group 50774 YOKE (TOP OPERATING CYLINDER)				
50	OM76		8A 7650774	2
50	OM76	Cotter pin-3/32" x 1/2"	72004-S7	2
50	OM76	Pin (clevis)-3/8" x 1-1/8"	73919-S7	2
50	OM76	Washer (flat)-25/64" I.D. x 1" O.D. x 3/16"	351399-S13	2
50	OM76	Washer (spring)-3/8" I.D. x 3/4" O.D.	356380-S8	4

BODY PARTS CATALOGUE

YEAR 19	BODY TYPES	REMARKS	PART NUMBER	NO. REQ'D
Group 50832-3 BRACKET (TOP SLAT IRON SIDE RAIL TO HEADER)				
50	OM76	R.H.	8M 7650832	1
50	OM76	L.H.	8M 7650833	1
50	OM76	Lockwasher (external tooth)-1/4"	34940-S2	6
50	OM76	Screw (fillister head)-1/2"-20 x 5/8"	31080-S7	6
50	OM76	Washer (flat)-1/4"	44719-S8	6
Group 50890-1 BRACKET (NO. 2 BOW CONNECTING LINK TO FRONT SIDE RAIL)				
50	OM76	R.H.	8H 7650890	1
50	OM76	L.H.	8H 7650891	1
50	OM76	Lockwasher-1/4"	34805-S2	4
50	OM76	Screw (fillister head)-1/4"-20 x 5/8"	31080-S7	4
Group 50952-3 STRIP (ROOF HEADLINING RETAINING)				
50	OM72A-72B-72C	R.H.	8M 7050952	1
50	OM72A-72B-72C	L.H.	8M 7050953	1
50	OM79	R.H.	8M 7950952	1
50	OM79	L.H.	8M 7950953	1
50	OM except 79	Screw (cross recessed pan head self tapping)-No. 8-15 x 3/8"	52720-S8	12
50	OM79	Screw (cross recessed pan head self tapping)-No. 8-15 x 3/4"	52742-S8	4
Group 50952-3 STRIP (ROOF HEADLINING RETAINING)-FRONT				
50	OM74	R.H.	8M 7350952	1
50	OM74	L.H.	8M 7350953	1
50	OM74	Screw (cross recessed pan head self tapping)-No. 8-15 x 3/8"	52720-S8	26
Group 50954-5 STRIP (ROOF HEADLINING RETAINING)-CENTER				
50	OM74	R.H.	OM 7450954	1
50	OM74	L.H.	OM 7450955	1
50	OM74	Screw (cross recessed pan head self tapping)-No. 8-15 x 3/8"	52720-S8	4
Group 50956-7 STRIP (ROOF HEADLINING RETAINING)-REAR				
50	OM74	R.H.	8M 7450956	1
50	OM74	L.H.	8M 7450957	1
50	OM74	Screw (cross recessed pan head self tapping)-No. 8-15 x 3/8"	52720-S8	8
Group 51142-3 RAIL ASSEMBLY (ROOF SIDE)				
50	OM74	R.H.	8M 7451142-B	1
50	OM74	L.H.	8M 7451143-B	1
Group 51154-5 SIDE RAIL ASSEMBLY (FOLDING TOP REAR)-COMPLETE				
50	OM76	R.H.	8M 7651154-B	1
50	OM76	L.H.	8M 7651155-B	1
50	OM76	Bolt (fillister head)-1/4"-20 x 5/8"	31080-S7	14
50	OM76	Lockwasher-1/4"	34805-S2	14
50	OM76	Nut (hex head jam)-1/4"-20	33920-S	2
50	OM76	Screw (socket head set)-No. 10-24 x 3/8"	4356753-S8	2
50	OM76	Screw (headless set)-1/4"-20 x 1-1/2"	89544-S7	2

△ Use with OM-7653000-B top

MERCURY

BODY PARTS CATALOGUE

YEAR 19__	BODY TYPES	REMARKS	PART NUMBER	NO. REQ'D
Group 51184-5 RAIL (ROOF SIDE)				
50	OM72A-72B-72C	R.H.	7A 7251184	1
50	OM72A-72B-72C	L.H.	7A 7251185	1
Group 51184-5 RAIL (ROOF SIDE)-FRONT				
50	OM79	R.H.	7A 7951184	1
50	OM79	L.H.	7A 7951185	1
Group 51190-1 REINFORCEMENT ASSEMBLY (ROOF RAIL SIDE)-FRONT				
50	OM79	R.H.	8M 7951190	1
50	OM79	L.H.	8M 7951191	1
Group 51196-7 REINFORCEMENT (ROOF SIDE RAIL)				
50	OM72A-72B-72C	R.H.	7A 7051196	1
50	OM72A-72B-72C	L.H.	7A 7051197	1
50	OM74	R.H.	8M 7451196	1
50	OM74	L.H.	8M 7451197	1
Group 51256 PLATE (FOLDING TOP TAPPING)-NO. 3 BOW				
50	OM76		8H 7651256	2
50	OM76	Bolt (cross recessed oval head machine)-1/4"-20 x 5/8"	50411-S13	4
Group 51264 BOW AND LINKS ASSEMBLY (FOLDING TOP)-NO. 2				
50	OM76		OM 7651264	1
50	OM76	Bolt (spec. hex head shoulder)-1/4"-28 x 5/8"	●357817-S13	4
50	OM76	Bolt (special shoulder)-1/4"-28 x 51/64"	△8M 7650520	2
50	OM76	Bolt (special shoulder)-5/16"-24 x 13/16"	△8M 7650526	2
50	OM76	Nut (hex check)-1/4"-28	33921-S13	2
50	OM76	Nut (hex)-5/16"-24	33923-S13	2
50	OM76	Washer (spring)-3/8" I.D. x 3/4" O.D. x 1/16"	●356327-S13	2
50	OM76	Washer (flat)-5/16"	●35706-S2	2
50	OM76	Washer (lock external tooth)-5/16"	34941-S7	2
50	OM76	Washer (spring)-11/32" x 9/16"	356361-S7	2
50	OM76	Washer (flat)-3/8"	44726-S8	2
50	OM76	Washer (lock external tooth)-1/4"	34940-S2	2
50	OM76	Washer (spring-three wave)-25/64" I.D. x 5/8" O.D.	△8M 7653210	2
50	OM76	Washer	356361-S	2
Group 51267 CLAMP (FOLDING TOP QUARTER PAD TO NO. 3 BOW)				
50	OM76		8M 7651267	2
50	OM76	Screw (binding head machine)-No. 10-32 x 1/4"	39012-S7	4
Group 51269 BOW ASSEMBLY (FOLDING TOP)-NO. 3				
50	OM76		8M 7651269-B	1
50	OM76	Screw (cross recessed oval head)-1/4"-20 x 5/8"	50411-S13	4

● Use with OM-7653000-A top

△ Use with OM-7653000-B top

BODY PARTS CATALOGUE

YEAR 19__	BODY TYPES	REMARKS	PART NUMBER	NO. REQ'D
Group 51270 HEADER ASSEMBLY (FOLDING TOP NO. 1 BOW)				
50	OM76	With five piece tacking strip	8M 7651270	1
50	OM76	With four piece tacking strip	OM 7651270	1
50	OM76	Screw (oval head)-1/4"-20 x 5/8"	28349-S	6
Group 51272 BOW (ROOF)-NO. 1				
50	OM79	Metal	7A 7951272	1
Group 51276 BOW (ROOF)-NO. 2 AND 4				
50	OM79	Metal	7A 7951276	2.
50	OM79	Nut (plain)-1/4"-20	34129-S8	2
Group 51278 BOW ASSY (FOLDING TOP)-REAR				
50	OM76		8M 7651278-A	1
50	OM76	Bolt (hex head shoulder)-3/8"-16 x 61/64"	● 355355-S13	2
50	OM76	Bolt (special shoulder)-3/8"-16 x 1"	● 8M 7650521	2
50	OM76	Screw (socket head set)	Δ 356753-S8	2
50	OM76	Washer (spring-three wave)-33/64" I.D. x 13/16" O.D.	Δ 8M 7653213	2
Group 51280 BOW (ROOF)-NO. 3				
50	OM79	Metal	7A 7951280	1
50	OM79	Nut (plain)-1/4"-20	34129-S8	2
Group 51288 BOW (ROOF)-NO. 5				
50	OM79	Metal	7A 7951288	1
50	OM79	Nut (plain)-1/4"-20	34129-S8	2
Group 51338-9 WEATHERSTRIP ASSEMBLY (FOLDING TOP)-NO. 1 BOW				
50	OM76	R.H.	OM 7651338	1
50	OM76	L.H.	OM 7651339	1
50	OM76	Screw (cross recessed pan hd self tapping)-No. 6-32 x 3/8"	51754-S8	14
Group 51418 PLATE (FOLDING TOP NO. 1 BOW PROTECTOR)				
50	OM76		8H 7651418	1
50	OM76	Screw (oval head)-No. 10-24 x 3/8"	355126-S8	6
Group 51422 ANTI RATTLE (FOLDING TOP NO. 1 BOW LOCKING ROD)				
50	OM76	Felt-1-1/2" x 1/2" x 3/4"	8H 7651422	2
Group 51486 SUPPORT AND BRACKET ASSEMBLY (DOME LAMP MOUNTING)				
50	OM72A-72B-72C		8M 7051486	1
50	OM74		8M 7351486	1
50	OM79		8M 7951486	1
Group 51562-3 WEATHERSTRIP (FOLDING TOP SIDE ROOF RAIL)-FRONT				
50	OM76	R.H.-24-7/8" long	8M 7651562	1
50	OM76	L.H.-24-7/8" long	8M 7651563	1

● Use with OM-7653000-A top

Δ Use with OM-7653000-B top

MERCURY

BODY PARTS CATALOGUE

YEAR 19	BODY TYPES	REMARKS	PART NUMBER	NO. REQ'D
Group 51564 WEATHERSTRIP (FOLDING TOP SIDE ROOF RAIL)-CENTER				
50	OM76	17-3/4" long	8M 7651564	2
Group 51566-7 WEATHERSTRIP (FOLDING TOP SIDE ROOF RAIL)-REAR				
50	OM76	R.H.-20-3/4" long-Tappered	8M 7651566-B	1
50	OM76	L.H.-20-3/4" long-Tappered	8M 7651567-B	1
Group 51700-1 MOULDING (ROOF DRIP)				
50	OM72A-72B-72C	R.H.	8M 7251700	1
50	OM72A-72B-72C	L.H.	8M 7251701	1
50	OM74	R.H.	8M 7451700	1
50	OM74	L.H.	8M 7451701	1
Group 51702-3 MOULDING (ROOF DRIP)-REAR EXTENSION				
50	OM79	R.H.	8M 7951702	1
50	OM79	L.H.	8M 7951703	1
Group 51704 MOULDING (ROOF DRIP)-REAR				
50	OM79		7A 7951704	1
Group 51710-1 MOULDING (ROOF DRIP)-SIDE FRONT				
50	OM79	R.H.	7A 7951710	1
50	OM79	L.H.	7A 7951711	1
Group 51714-5 MOULDING (ROOF DRIP)-SIDE REAR				
50	OM79	R.H.	7A 7951714	1
50	OM79	L.H.	7A 7951715	1
Group 51726-7 MOULDING (ROOF DRIP FINISH)-SIDE				
50	OM72C	R.H.-Chrome Finish-overall length approximately 80"	QM 7251726	1
50	OM72C	L.H.-Chrome Finish-overall length approximately 80"	QM 7251727	1
Group 51734 MOULDING (ROOF PANEL FINISH)-REAR				
50	OM72C	Chrome Finish-overall length approximately 60-1/2"	QM 7251734	1
Group 51750-1 CAP (ROOF DRIP SIDE FINISH MOULDING)-END				
50	OM72C	R.H.-Chrome Finish	QM 7251750	1
50	OM72C	L.H.-Chrome Finish	QM 7251751	1
Group 51760 RETAINER (ROOF PANEL FINISH MOULDING)-REAR				
50	OM72C	Overall length approximately 60-55/64"	QM 7251760	1

BODY PARTS CATALOGUE

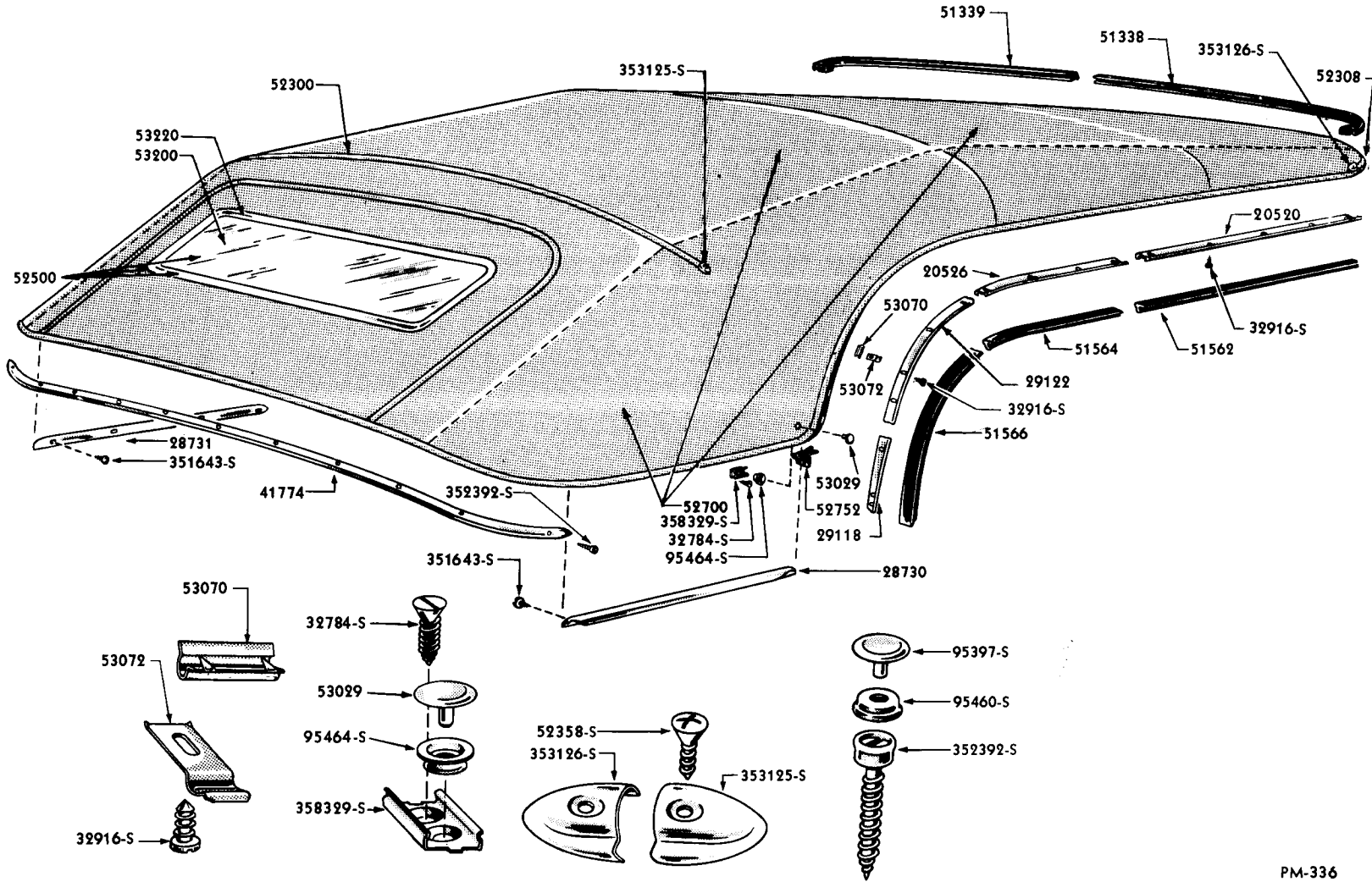
YEAR 19	BODY TYPES	REMARKS	PART NUMBER	NO. REQ'D
Group 51916 HEADLINING ASSEMBLY (ROOF)				
50	OM72A-72B	M-16908-L Blue Headlining	OM 7251916-AB	1
50	OM72A-72B	M-16908-H Tan Headlining	OM 7251916-AA	1
50	OM72B	M-5156-Q Blue Gray Broadcloth	OM 7251916-AC	1
50	OM72B	M-16908-M Green Headlining	OM 7251916-AR	1
50	OM72B	Tan Artificial Leather	8M 7251916-J	1
50	OM72C	Red Artificial Leather	OM 7251916-AX	1
50	OM72C	Turquoise Artificial Leather-Antique Finish	OM 7251916-AY	1
50	OM72C	Turquoise Artificial Leather Colonial Grain	OM 7251916-AAF	1
50	OM72C	Yellow Artificial Leather	OM 7251916-AV	1
50	OM74	M-16908-L Blue Headlining	OM 7451916-AB	1
50	OM74	M-5156-Q Blue Gray Broadcloth	OM 7451916-AC	1
50	OM74	M-16908-M Green Headlining	OM 7451916-AR	1
50	OM74	M-16908-H Tan Headlining	OM 7451916-AA	1
50	OM74	Tan Artificial Leather	8M 7451916-J	1
50	OM79	Green Artificial Leather-use on jobs equipped with Leather covered Seat Cushions	8M 7951916-B	1
50	OM79	Light Green Artificial Leather-use on jobs equipped with Artificial Leather covered Seat Cushions	OM 7951916-AU	1
50	OM79	Red Artificial Leather-use on jobs equipped with Leather covered Seat Cushions	8M 7951916-A	1
50	OM79	Light Red Artificial Leather-use on jobs equipped with Artificial Leather covered Seat Cushions	OM 7951916-AS	1
50	OM79	Tan Artificial Leather-use on jobs equipped with Leather covered Seat Cushions	8A 7951916-A	1
50	OM79	Golden Tan Artificial Leather-use on jobs equipped with Artificial Leather covered Seat Cushions	OM 7951916-AT	1
50	OM72A-72B-72C-74	Screw (cross recessed pan head)-No. 8-15 x 1"	52754-S8	4
50	OM79	Screw (drive)-No. 6 x 1/2"	351629-S28-A2B	as req'd
50	OM79	Screw and lockwasher assy (hex head)-1/4"-20 x 5/8"	43263-S8	10

Group 52101-5 SUPPORT (ROOF HEADLINING)

50	OM72A-72B-72C	No. 2	7A 7052102	1
50	OM72A-72B-72C	No. 3	8M 7052103	1
50	OM72A-72B-72C	No. 4	OM 7252104	1
50	OM72A-72B-72C	No. 5	OM 7252105	1
50	OM72A-72B-72C-74	No. 1	7A 7052101	1
50	OM74	No. 2	8M 7352102	1
50	OM74	No. 3	7A 7352103	1
50	OM74	No. 4	OM 7452104	1
50	OM74	No. 5	OM 7452105	1

Group 52170-1 EXTENSION (ROOF HEADLINING RETAINER STRIP)-REAR

50	OM74	R.H.	8M 7452170-B	1
50	OM74	L.H.	8M 7452171-B	1



PM-336

SIX PASSENGER CONVERTIBLE COUPE TOP EXTERIOR VIEW (BODY TYPE 76)

Group numbers only shown on illustration. Order by Part Numbers shown in list of parts.

MERCURY

BODY PARTS CATALOGUE

YEAR 19	BODY TYPES	REMARKS	PART NUMBER	NO. REQ'D
Group 52308 BINDING (HEADER BOW)-FOLDING TOP				
50	OM76	Black-61" long, use M-17108-Q for service	8M 7652308-B	as req'd
50	OM76	Gray Tan-61" long, use M-17108-P for service	8M 7652308-A	as req'd
50	OM76	Green-61" long, use M-17108-S for service	8M 7652308-D	as req'd
50	OM76	Red-61" long, use M-17108-W for service	8M 7652308-C	as req'd
50	OM76	Screw (cross recess oval head self tapping)-No. 6-18 x 3/4"	52358-S23	2
Group 52300 BINDING (REAR ROOF BOW)-FOLDING TOP				
50	OM76	Black-53" long, use M-17108-Q for service	8M 7652300-B	as req'd
50	OM76	Gray Tan-53" long, use M-17108-P for service	8M 7652300-A	as req'd
50	OM76	Green-53" long, use M-17108-S for service	8M 7652300-D	as req'd
50	OM76	Red-53" long, use M-17108-W for service	8M 7652300-C	as req'd
50	OM76	Screw (cross recessed oval head self tapping)-No. 6-18 x 3/4"	52358-S23	2
Group 52500 CURTAIN ASSEMBLY (FOLDING TOP BACK)				
50	OM76	Black-with Black Binding	OM 7652500-AB	1
50	OM76	Black-with Red Binding	OM 7652500-AC	1
50	OM76	Gray Tan-with Gray Tan Binding	OM 7652500-AA	1
50	OM76	Green-with Green Binding	OM 7652500-AD	1
Group 52700 TOP DECK AND QUARTER ASSEMBLY (FOLDING TOP)				
50	OM76	Black-with Black Binding	OM 7652700-AB	1
50	OM76	Black-with Red Binding	OM 7652700-AC	1
50	OM76	Gray Tan-with Gray Tan Binding	OM 7652700-AA	1
50	OM76	Green-with Green Binding	OM 7652700-AD	1
50	OM76	Button (fastener)-5/32" x 5/16"	8H 7653029	2
50	OM76	Button (fastener)-5/32" x 5/16"	95397-S13	11
50	OM76	Clinch Stud-(durable dot)-25/64" x 35/64"	95464-S6	2
50	OM76	Fastener (automatic curtain)-top to pillar rail	358329-S13	2
50	OM76	Retainer (top deck welt sleeve)	8M 7653072	14
50	OM76	Screw (flat head self tapping)-No. 6-18 x 3/8"	32784-S13	4
50	OM76	Screw (pan head self tapping)-No. 8-15 x 1/4"	32916-S8	14
50	OM76	Sleeve (top deck welt)	8M 7653070	14
50	OM76	Socket (fastener)-9/16" I.D. x 11/64" O.D.	95460-S13	11
Group 52752-3 WEATHERSEAL (FOLDING TOP QUARTER PANEL TO HINGE PILLAR)				
50	OM76	R.H.-Rubber	OM 7652752	1
50	OM76	L.H.-Rubber	OM 7652753	1
Group 53000 TOP ASSEMBLY (FOLDING)-LESS TRIM				
50	OM76	Without set screws	OM 7653000-A	1
50	OM76	With set screws	OM 7653000-B	1

MERCURY

BODY PARTS CATALOGUE

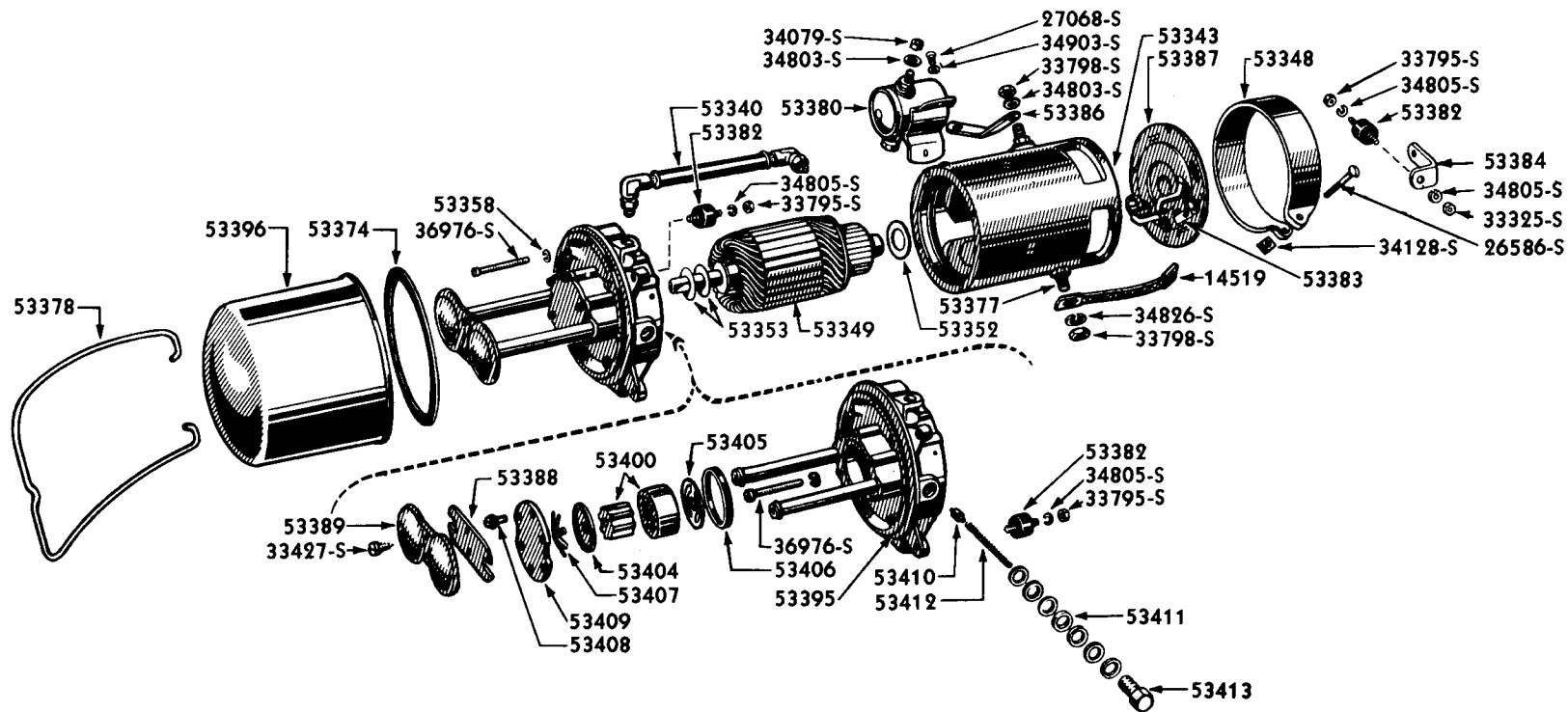
YEAR 19	BODY TYPES	REMARKS	PART NUMBER	NO. REQ'D
Group 53006-7 RAIL BRACKET AND LINK ASSEMBLY (FOLDING TOP FRONT SIDE)-FRONT				
50	OM76	R.H.	8M 7653006	1
50	OM76	L.H.	8M 7653007	1
50	OM76	Bolt (spec. hex head shoulder)-1/4"-28 x 5/8" bow link to front side rail	350233-813	2
50	OM76	Lockwasher-1/4"	34805-S2	2
50	OM76	Lockwasher (external tooth)-1/4"	34940-S2	6
50	OM76	Screw (fillister head)-1/4"-20 x 5/8"	31080-S7	6
50	OM76	Screw (socket head set)-No. 10-24 x 3/8"	4356753-S8	2
50	OM76	Stud (slotted head)-3/8"-16 x 1-29/32"	350553-S	2
50	OM76	Washer (flat)-1/4"	44719-S8	6
Group 53008-9 HINGE AND LINK ASSEMBLY (FOLDING TOP FRONT SIDE RAIL)				
50	OM76	R.H.	8M 7653008	1
50	OM76	L.H.	8M 7653009	1
50	OM76	Screw (flat head)-1/4"-28 x 1/2"	36003-S8	4
Group 53010-1 HINGE AND LINK ASSEMBLY (FOLDING TOP REAR SIDE RAIL)-FRONT				
50	OM76	R.H.	8M 7653010	1
50	OM76	L.H.	8M 7653011	1
50	OM76	Screw (flat head)-1/4"-28 x 1/2"	36003-S8	4
50	OM76	Screw (headless set)-1/4"-20 x 1-1/2"	89544-S	2
Group 53029 FASTENER (BUTTON)				
50	OM76	5/32" x 5/16"-to attach convertible top at quarter belt	8H 7653029	2
Group 53070 SLEEVE (TOP DECK WELT)				
50	OM76	Rustless steel-1" long	8M 7653070	14
Group 53072 RETAINER (TOP DECK WELT SLEEVE)				
50	OM76	Chrome Finish-1/2" x 1-13/64" with 5/32" x 13/32" slot	8M 7653072	14
50	OM76	Screw (pan head self tapping)-No. 8-15 x 3/8"	32916-S8	14
Group 53118-9 BRACKET (TOP MOUNTING)				
50	OM76	R.H.-without tapped holes for set screws	8M 7653118-B	1
50	OM76	L.H.-without tapped holes for set screws	8M 7653119-B	1
50	OM76	R.H.-with tapped holes for set screws	8M 7653118-C	1
50	OM76	L.H.-with tapped holes for set screws	8M 7653119-C	1
50	OM76	Screw and lockwasher assy (hex head)-5/16"-24 x 7/8"	43264-S8	12
Group 53121 BUSHING (FOLDING TOP LOCK HANDLE SHAFT)				
50	OM76	15/32" long	8H 7653121	1
Group 53128-9 SUPPORT ASSEMBLY (TOP MOUNTING BRACKET ON QUARTER WHEELHOUSE)				
50	OM76	R.H.	8M 7653128-B	1
50	OM76	L.H.	8M 7653129-B	1
△ Use with OM-7653000-B top				

BODY PARTS CATALOGUE

YEAR 19	BODY TYPES	REMARKS	PART NUMBER	NO. REQ'D
Group 53170-1 HINGE (FOLDING TOP REAR SIDE RAIL)-REAR				
50	OM76	R.H.	8M 7653170-B	1
50	OM76	L.H.	8M-7653171-B	1
50	OM76	Lockwasher-1/4"	34805-S2	6
50	OM76	Screw (fillister head)-1/4"-20 x 5/8"	31080-S8	6
Group 53196-7 RAIL AND BRACKETS ASSEMBLY (FOLDING TOP PILLAR)				
50	OM76	R.H.	8M 7653196	1
50	OM76	L.H.	8M 7653197	1
50	OM76	Screw (oval head shoulder)-3/8"-16 x 3/4"	●355574-S13	2
50	OM76	Screw (shoulder oval head)-3/8"-16 x 59/64"	△8M 7650522	2
50	OM76	Stud (special slotted head)-3/8"-16 x 1-23/64"	357753-S	2
50	OM76	Washer (spring-three wave)-1/2" I.D. x 13/16" O.D.	△8M 7653213	2
Group 53200 GLASS (TOP BACK CURTAIN)				
50	OM76		8M 7653200	1
Group 53210 WASHER (NO. 2 BOW AND LINK TO REAR SIDE RAIL)				
50	OM76	Spring-three wave-25/64" I.D. x 5/8" O.D.	8M 7653210	2
Group 53211 WASHER (NO. 1 LINK TO REAR SIDE RAIL AND FRONT SIDE RAIL)				
50	OM76	Spring-three wave-29/64" I.D. x 3/4" O.D.	8M 7653211	2
Group 53213 WASHER (REAR BOW TO TOP MOUNTING BRACKET)				
50	OM76	Spring-three wave-33/64" I.D. x 13/16" O.D.	8M 7653213	2
Group 53213 WASHER (LOWER POWER LINK TO MOUNTING BRACKET)				
50	OM76	Spring-three wave-33/64" I.D. x 13/16" O.D.	8M 7653213	2
Group 53213 WASHER (NO. 1 LINK TO PILLAR RAIL)				
50	OM76	Spring-three wave-33/64" I.D. x 13/16" O.D.	8M 7653213	2
Group 53213 WASHER (BALANCE LINK TO REAR SIDE RAIL)				
50	OM76	Spring-three wave-33/64" I.D. x 13/16" O.D.	8M 7653213	2
Group 53217 WASHER (REAR CONTROL LINK NO. 2 BOW TO FRONT CONTROL LINK NO. 2 BOW)				
50	OM76	Spring-three wave-21/64" I.D. x 9/16" O.D.	8M 7653217	2
Group 53220 FRAME ASSEMBLY (BACK CURTAIN GLASS)-OUTER				
50	OM76		8M 7653220	1
Group 53224 FRAME (BACK CURTAIN GLASS)-INNER				
50	OM76		8M 7653224-AB	1
50	OM76	Screw (special oval head)-No. 5-40 x 3/8"	350025-S13	14
Group 53250-1 ZIPPER ASSEMBLY (TOP BACK CURTAIN)				
50	OM76	R.H.	OM 7653250	1
50	OM76	L.H.	OM 7653251	1

● Use with OM-7653000-A top

△ Use with OM-7653000-B top



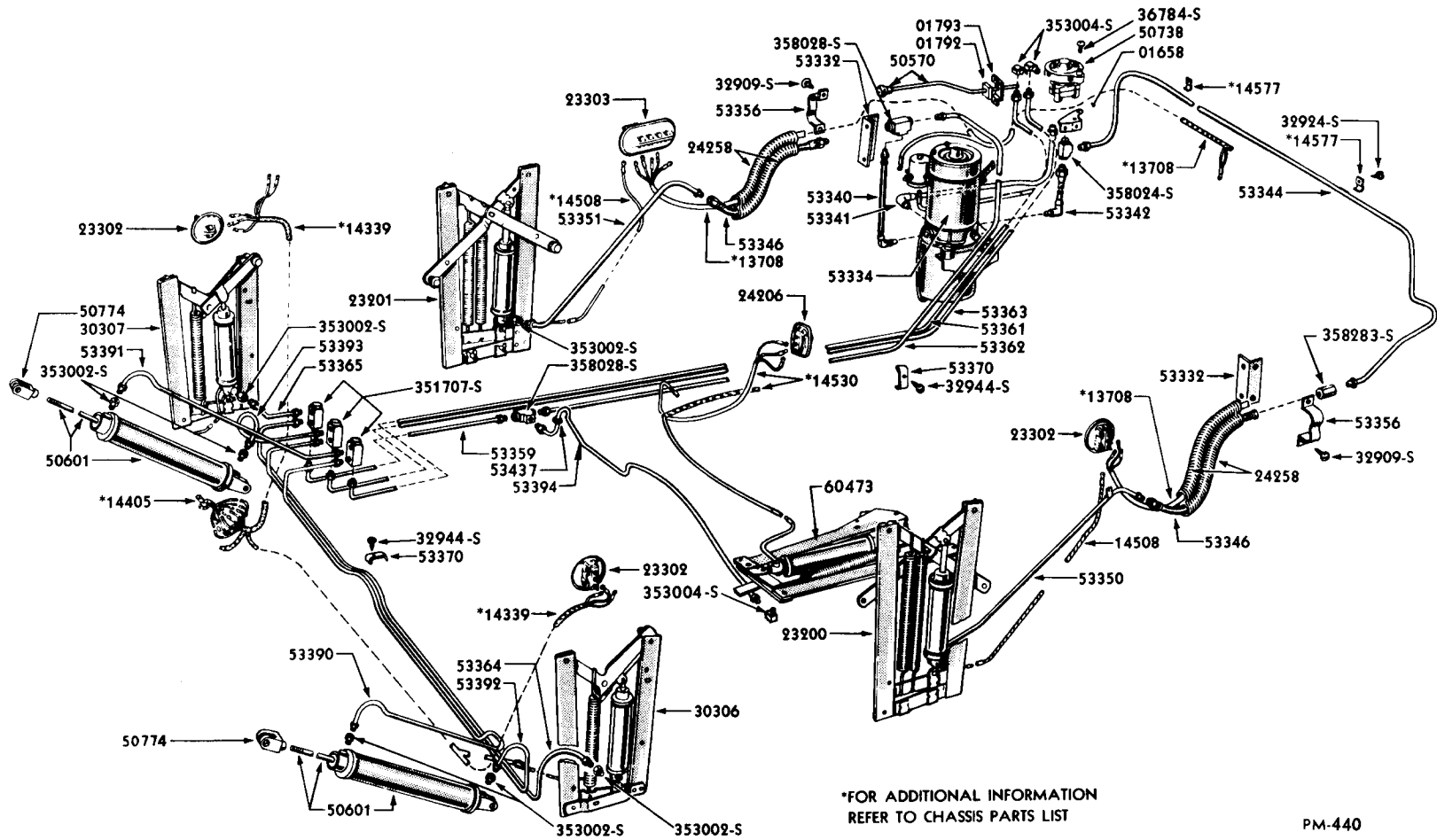
PL-416

HYDRAULIC PUMP AND MOTOR (OH-7353334)

Group numbers only shown on illustration. Order by Part Numbers shown in list of parts.

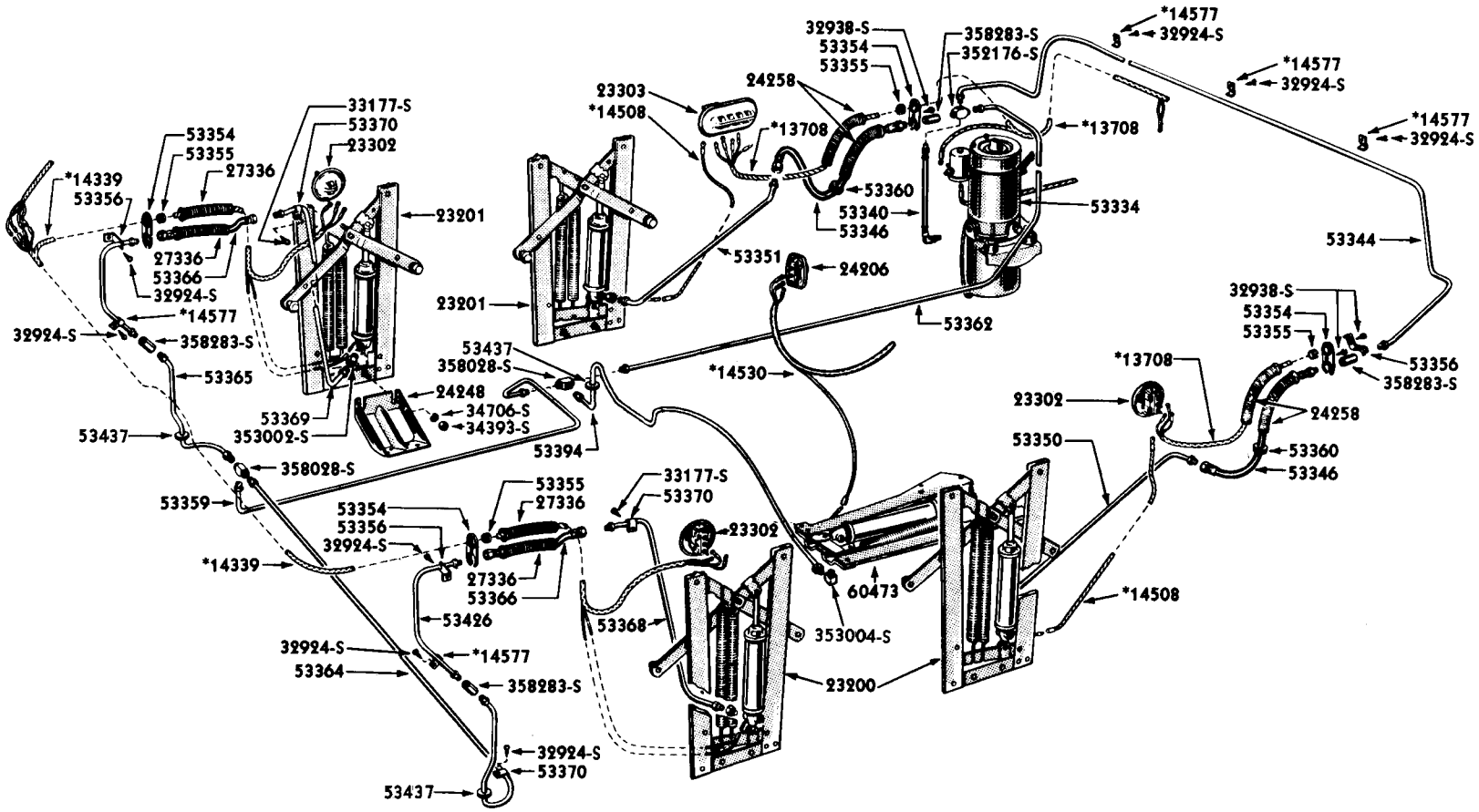
BODY PARTS CATALOGUE

YEAR 19	BODY TYPES	REMARKS	PART NUMBER	NO. REQ'D
Group 53325 RETAINER AND NUT ASSEMBLY (REAR DOOR HOSE COVER SPRING)				
50	OM74	Overall length approximately 2-1/2"	8M 7353325	2
50	OM74	Screw and lockwasher assy (pan head)-No. 8-32 x 3/4"	43243-S8	2
Group 53329 SPRING (HYDRAULIC WINDOW OPERATING)-OUTER				
50	OM72B-72C-74-76	Green enamel	8H 7353329	as req'd
Group 53330 SPRING (HYDRAULIC WINDOW OPERATING)-INNER				
50	OM72B-72C-74-76	Yellow enamel	8H 7353330	as req'd
Group 53332 BRACKET (DOOR HYDRAULIC HOSE CONDUIT CLAMP)				
50	OM76	2-21/32" long	8M 7653332	2
50	OM76	Screw (pan head self tapping)-No. 8-15 x 3/8"	52720-S8	4
Group 53334 MOTOR AND HYDRAULIC PUMP ASSEMBLY (INCLUDES RESERVOIR, BALL, SOLENOID AND MOUNTING BRACKET)				
50	OM72B-72C-74-76		OH 7353334	1
50	OM76	Lockwasher-1/4"	34805-S2	1
50	OM76	Lockwasher-5/16"	34806-S2	4
50	OM76	Nut (hex)-No. 10-32	34079-S7	1
50	OM72B-72C-74-76	Screw (pan head self tapping)-No. 8-15 x 1/4"	32909-S2	1
Group 53340 HOSE ASSEMBLY (HYDRAULIC PUMP TO TUBING)				
50	OM72B-72C-74-76	7" long	8M 7653340	1
50	OM72B-72C-74	Tube Cross (4 way inverted flared)-1/2"-20 for 5/16" tube	352176-S	1
50	OM76	Tee (3 way inverted)-1/2"-20 for 5/16" tube	358028-S	1
Group 53341 HOSE ASSEMBLY (HYDRAULIC PUMP TO TOP CONTROL VALVE RETURN)				
50	OM76	11-51/64" long	8M 7653341-A	1
Group 53342 HOSE ASSEMBLY (HYDRAULIC PUMP TO TOP CONTROL VALVE SUPPLY)				
50	OM76	6-5/32" long	8M 7653342	1
50	OM76	Tee (3 way inverted)-1/2"-20 female and 1/8"-27 male for 5/16" tube	358024-S	1
Group 53343 FRAME AND FIELD ASSEMBLY (HYDRAULIC PUMP MOTOR)				
50	OM72B-72C-74-76		8H 7353343-B	1
Group 53344 TUBE ASSEMBLY (TO FRONT DOOR HYDRAULIC WINDOW REGULATOR)				
50	OM72B-72C-74	R.H.-developed length approximately 84-35/64"	8M 7053344-A	1
50	OM76	R.H.-developed length approximately 84-1/8"	OM 7653344	1
50	OM72-72C-74-76	Screw (pan head self tapping)-No. 10-12 x 1/2"	32924-S2	3
50	OM76	Screw (pan head self tapping)-No. 10-12 x 1/2"	32924-S2	3
50	OM72B-72C-74	Tube Cross (4 way inverted flared)-1/2"-20 for 5/16" tube	352176-S	1



HYDRAULIC WINDOW AND FOLDING TOP LIFT SYSTEM (BODY TYPE 76)

Group numbers only shown on illustration. Order by Part Numbers shown in list of parts.



*FOR ADDITIONAL INFORMATION REFER TO CHASSIS PARTS LIST

PM-439

HYDRAULIC WINDOW LIFT SYSTEM (BODY TYPE 74)

Group numbers only shown on illustration. Order by Part Numbers shown in list of parts.

MERCURY

BODY PARTS CATALOGUE

YEAR 19	BODY TYPES	REMARKS	PART NUMBER	NO. REQ'D
Group 53346 HOSE ASSEMBLY (FRONT DOOR HYDRAULIC WINDOW REGULATOR)				
50	OM72B-72C-74-76	Front Door-overall length 21-1/2"	8M 7653346	2
50	OM72B-72C-74	Tube Cross (4 way inverted flared)-1/2"-20 for 5/16" tube	352176-S	1
50	OM76	Union (inverted)-1/2"-20 for 5/16" tube	358283-S	1
Group 53348 BAND ASSEMBLY (HYDRAULIC PUMP MOTOR)				
50	OM72B-72C-74-76		5EH 7353348	1
Group 53349 ARMATURE ASSEMBLY (HYDRAULIC PUMP MOTOR)				
50	OM72B-72C-74-76		8H 7353349	1
Group 53350-1 TUBE ASSEMBLY (FRONT DOOR WINDOW REGULATOR)				
50	OM72B-72C	R.H.-developed length approximately 26-9/16"	8M 7053350	1
50	OM72B-72C	L.H.-developed length approximately 26-9/16"	8M 7053351	1
50	OM74	R.H.-developed length approximately 20-55/64"	8M 7353350	1
50	OM74	L.H.-developed length approximately 20-55/64"	8M 7353351	1
50	OM76	R.H.-developed length approximately 27-1/2"	8M 7653350	1
50	OM76	L.H.-developed length approximately 27-1/2"	8M 7653351	1
50	OM72B-76	Connector (inverted male)-1/2"-20 female and 1/8"-27 male for 5/16" tube	353002-S	2
Group 53352 WASHER (HYDRAULIC PUMP MOTOR ARMATURE SHAFT)-UPPER				
50	OM72B-72C-74-76	Fibre-41/64" I.D. x 1-1/4" O.D. x 1/32"	8H 7353352	as req'd
Group 53353 WASHER (HYDRAULIC PUMP MOTOR ARMATURE SHAFT)-LOWER				
50	OM72B-72C-74-76	Fibre-33/64" I.D. x 1-3/32" O.D. x 1/32"	8H 7353353	as req'd
Group 53354 RETAINER (HOSE COVER SPRING)				
50	OM72B-72C-74	Overall length approximately 2-1/2"	7EH 7353354	2or4
50	OM74	Nut (hex head)-No. 8-32	34052-S7	1
50	OM72B-72C-74	Screw (pan head)-No. 10-12 x 3/4"	32938-S7	4
50	OM72B-72C-74	Screw (pan head self tapping)-No. 10-12 x 1/2"	32924-S2	2
50	OM74	Washer (flat)-No. 6	34701-S7	4
Group 53355 GROMMET (WINDOW REGULATOR CONTROL WIRES)				
50	OM72B-72C-74		7EH 7353355	2or8
Group 53356 CLAMP (DOOR HYDRAULIC HOSE CONDUIT)				
50	OM72B-72C-74	Front door	8M 7053356	2
50	OM76	Overall length 2-3/8"	8M 7653356	2
50	OM76	Screw (pan head self tapping)-No. 8-15 x 3/8"	52720-S8	4
50	OM72B-72C-74	Screw (pan head self tapping)-No. 10-12 x 1/2"	32924-S2	2
Group 53356 CLAMP (HOSE TO TUBE COVER SPRING RETAINER)				
50	OM72B-72C-74	Front door-overall length approximately 29/32" x 2-5/64"	8M 7053356	2
50	OM74	Rear door-overall length approximately 3/4" x 1-1/8"	8M 7453356	2

BODY PARTS CATALOGUE

YEAR 19	BODY TYPES	REMARKS	PART NUMBER	NO. REQ'D
Group 53358 SEAL (HYDRAULIC PUMP MOUNTING SCREW)				
50	OM72B-72C-74-76	13/64" I.D. x 3/8" O.D. x 1/32"	5EH 7353358	4
Group 53359 TUBE ASSEMBLY (REAR DOOR WINDOW SUPPLY)				
50	OM74	Developed length approximately 42-3/4"	8M 7053359	1
Group 53359 TUBE ASSEMBLY (REAR QUARTER WINDOW SUPPLY)				
50	OM76	Developed length approximately 28"	8M 7653359-B	2
50	OM76	Grommet-3 hole-Rubber	355430-S	1
50	OM76	Tee (3 way inverted)-1/2"-20 for 5/16" tube	351707-S	3
Group 53360 GROMMET (HYDRAULIC WINDOW REGULATOR SPRING HOSE COVER)				
50	OM72B-72C-74	Brass-approximately 3/4" long-front door	8M 7053360	4
50	OM74	Brass-approximately 11/32" long-rear door	8M 7353360	4
Group 53361 TUBE ASSEMBLY (TOP CYLINDER SUPPLY)-UPPER				
50	OM76	Developed length approximately 79-3/8"	8M 7653361-D	1
50	OM76	Elbow (inverted)-1/2"-20 female and 1/8"-27 male for 5/16" tube	353004-S	2
50	OM76	Grommet-3 hole-Rubber	355430-S	1
50	OM76	Tee (3 way inverted)-1/2"-20 for 5/16" tube	351707-S	3
Group 53362 TUBE ASSEMBLY (REAR QUARTER HYDRAULIC SUPPLY)-FRONT				
50	OM72B-72C-74-76	Developed length approximately 60"	8M 7653362-B	1
50	OM72B-72C	Elbow (inverted tube)-1/2"-20 for 5/16" tube	351652-S	1
50	OM76	Elbow (inverted)-1/2"-20 female and 1/8"-27 male for 5/16" tube	353004-S	2
50	OM76	Screw (pan head self tapping)-No. 10-12 x 1/2"	32924-S2	1
50	OM72B-72C-74	Tee (3 way inverted)-1/2"-20 for 5/16" tube	358028-S	1
50	OM72B-72C-74	Tube Cross (4 way inverted flared)-1/2"-20 for 5/16" tube	352176-S	1
Group 53363 TUBE ASSEMBLY (TOP CYLINDER SUPPLY)-LOWER				
50	OM76	Developed length approximately 82-1/32"	8M 7653363-D	1
50	OM76	Grommet-3 hole-Rubber	355430-S	1
50	OM76	Tee (3 way inverted)-1/2"-20 for 5/16" tube	351707-S	3
Group 53364-5 TUBE ASSEMBLY (REAR QUARTER HYDRAULIC WINDOW REGULATOR CROSS)				
50	OM74	R.H.-developed length approximately 66"	8M 7353364	1
50	OM74	L.H.-developed length approximately 27-1/4"	8M 7353365	1
50	OM76	R.H.-overall length approximately 64-45/64"	8M 7653364	1
50	OM76	L.H.-overall length approximately 4-5/64"	8M 7653365	1
50	OM76	Clip (tube)	351647-S8	1
50	OM76	Connector (inverted male)-1/2"-20 female thread and 1/8"-27 male thread for 5/16" tube	353002-S	2
50	OM76	Screw (pan head self tapping)-No. 10-12 x 1/2"	32924-S2	1
50	OM74	Tee (3 way inverted)-1/2"-20 for 5/16" tube	358028-S	1
50	OM74	Union (inverted)-1/2"-20 for 5/16" tube	358283-S	2
Group 53366 HOSE ASSEMBLY (REAR DOOR HYDRAULIC WINDOW REGULATOR)				
50	OM72B-72C-74	15" long	8M 7353366	2

MERCURY

BODY PARTS CATALOGUE

YEAR 19	BODY TYPES	REMARKS	PART NUMBER	NO. REQ'D
Group 53368-9 TUBE ASSEMBLY (REAR DOOR HYDRAULIC WINDOW REGULATOR)				
50	OM74	R.H.-overall length approximately 17"	8M 7453368	1
50	OM74	L.H.-overall length approximately 17"	8M 7453369	1
Group 53370 CLIP (HYDRAULIC TUBING TO BODY)				
50	OM72B-72C-74-76	5/8" wide	7EH 7353370	2or4
50	OM76	Screw (pan head self tapping)-No. 10-12 x 7/8"	32944-S2	as req'd
50	OM72B-72C-74	Washer (flat)-No. 6	34701-S7	2or4
Group 53370 CLIP (HYDRAULIC TUBE TO DASH)				
50	OM72B-72C-74-76	5/8" x 1-1/4"	8H 7653370	1or3
50	OM72B-72C-74-76	Screw (round head machine)-No. 10-32 x 1/2"	27081-S7	2
Group 53374 GASKET (HYDRAULIC PUMP RESERVOIR)				
50	OM72B-72C-74-76	Rubber-4-1/32" I.D. x 4-21/32" O.D. x 3/32"	5EH 7353374-B	1
Group 53377 STUD (HYDRAULIC PUMP MOTOR FRAME AND FIELD ASSEMBLY)				
50	OM72B-72C-74-76		8H 7353377	1
Group 53378 BALL (HYDRAULIC PUMP RESERVOIR)				
50	OM72B-72C-74-76		8H 7353378	1
Group 53380 SOLENOID (HYDRAULIC PUMP MOTOR)				
50	OM72B-72C-74-76		7EH 7353380	1
Group 53382 CUSHION (HYDRAULIC MOTOR AND PUMP MOUNTING)				
50	OM72B-72C-74-76		5EH 7353382	3
50	OM72B-72C-74-76	Lockwasher-1/4"	34805-S	1
50	OM72B-72C-74-76	Nut (hex)-1/4"-20	33795-S	1
Group 53383 BRUSH (HYDRAULIC PUMP MOTOR FRAME AND FIELD ASSEMBLY)				
50	OM72B-72C-74-76		8H 7353383	2
Group 53384 BRACKET (HYDRAULIC MOTOR AND PUMP MOUNTING CUSHION)				
50	OM72B-72C-74-76	"L" shaped	5EH 7353384	1
Group 53386 STRAP (MOTOR AND HYDRAULIC PUMP TO SOLENOID)				
50	OM72B-72C-74-76	Copper	5EH 7353386	1
Group 53387 HEAD AND BRUSH HOLDER ASSEMBLY (HYDRAULIC PUMP MOTOR)				
50	OM72B-72C-74-76		8H 7353387	1

MERCURY

91

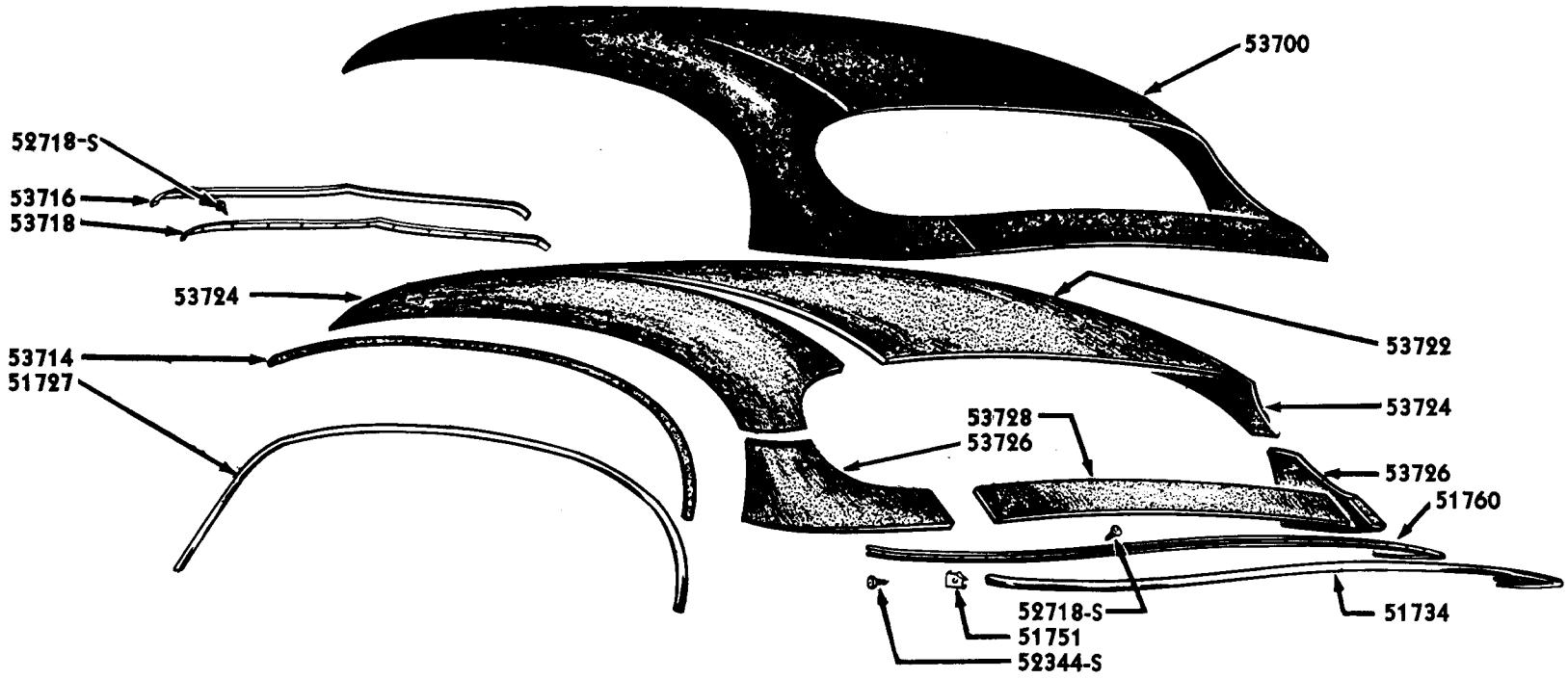
BODY PARTS CATALOGUE

YEAR 19__	BODY TYPES	REMARKS	PART NUMBER	NO. REQ'D
Group 53388 PLATE (HYDRAULIC PUMP RESERVOIR FLUID RETAINER)				
50	OM72B-72C-74-76		5EH 7353388	1
Group 53389 RETAINER (HYDRAULIC PUMP RESERVOIR FLUID)				
50	OM72B-72C-74-76		5EH 7353389	1
50		Screw (binding head self tapping)-No. 6 x 1/4"	33427-S7	1
Group 53390-1 TUBE ASSEMBLY (TOP HYDRAULIC CYLINDER REAR CROSS)-UPPER				
50	OM76	R.H.-overall length approximately 56-15/16"	8M 7653390	1
50	OM76	L.H.-developed length approximately 22"	8M 7653391	1
50	OM76	Clip (tube)	351647-S8	1
50	OM76	Connector (inverted male)-1/2"-20 female and 1/8"-27 male for 5/16" tube	353002-S	2
50	OM76	Screw (pan head self tapping)-No. 10-12 x 1/2"	32924-S2	1
Group 53392-3 TUBE ASSEMBLY (TOP HYDRAULIC CYLINDER REAR CROSS)-LOWER				
50	OM76	R.H.-overall length approximately 60-1/4"	8M 7653392	1
50	OM76	L.H.-overall length approximately 5"	8M 7653393	1
50	OM76	Connector (inverted male)-1/2"-20 female and 1/8"-27 male for 5/16" tube	353002-S	2
50	OM76	Screw (pan head self tapping)-No 10-12 x 1/2"	32924-S2	1
Group 53394 TUBE ASSEMBLY (FRONT SEAT HYDRAULIC REGULATOR)				
50	OM72B-72C-74-76		OM 7653394	1
50	OM76	Clip (hydraulic tubing)	51A 14577-A	1
50	OM72B-72C-74-76	Connector (inverted male)-1/2"-20 female and 1/8"-27 male for 5/16" tube	353002-S	1
50	OM72B-72C	Elbow (inverted)-1/2"-20 for 5/16" tube	351652-S	1
50	OM72B-72C	Elbow (inverted)-1/2"-20 female thread-1/8"-27 male thread for 5/16" tube	353004-S	1
50	OM76	Screw (pan head self tapping)-No. 10-12 x 1/2"	32924-S2	1
Group 53395 HOUSING ASSEMBLY (HYDRAULIC PUMP)				
50	OM72B-72C-74-76		8H 7353395	1
50	OM72B-72C-74-76	Screw (round head)-No. 10-32 x 1-3/4"	36976-S2	3
Group 53396 RESERVOIR (HYDRAULIC PUMP)				
50	OM72B-72C-74-76	4-13/16" O.D. x 6" deep	8H 7353396	1
Group 53400 ROTOR ASSEMBLY (INNER AND OUTER)-HYDRAULIC PUMP				
50	OM72B-72C-74-76		8H 7353400	1
Group 53404 PLATE (HYDRAULIC PUMP ROTOR)				
50	OM72B-72C-74-76	1/4" I.D. x 1-1/2" O.D. x 1/16"	8H 7353404	1

MERCURY

BODY PARTS CATALOGUE

YEAR 19	BODY TYPES	REMARKS	PART NUMBER	NO. REQ'D
Group 53405 PLATE (HYDRAULIC PUMP PORT)				
50	OM72B-72C-74-76	1-1/2" O.D.	8H 7353405	1
Group 53406 SEAL (HYDRAULIC PUMP BOTTOM)				
50	OM72B-72C-74-76	1-3/16" O.D.	8H 7353406	1
Group 53407 SPRING (HYDRAULIC PUMP ROTOR)				
50	OM72B-72C-74-76	8 prongs	8H 7353407	1
Group 53408 SCREW (HYDRAULIC PUMP BOTTOM PLATE)				
50	OM72B-72C-74-76	No. 10-24 x 7/16"	8H 7353408	6
Group 53409 PLATE (HYDRAULIC PUMP BOTTOM)				
50	OM72B-72C-74-76	2-9/16" O.D. with six 13/64" holes in outer edge	8H 7353409	1
Group 53410 VALVE (HYDRAULIC PUMP)				
50	OM72B-72C-74-76	Overall length 45/64"	8H 7353410	1
Group 53411 WASHER (HYDRAULIC PUMP)				
50	OM72B-72B-74-76	Aluminum-29/64" I.D. x 5/8" O.D. x 1/32"	8H 7353411	7
Group 53412 SPRING (HYDRAULIC PUMP VALVE)				
50	OM72B-72C-74-76	Free length 2-1/2"	8H 7353412	1
Group 53413 PLUG (HYDRAULIC PUMP VALVE)-ADJUSTER				
50	OM72B-72C-74-76		8H 7353413	1
Group 53414 BRACKET ASSEMBLY (HYDRAULIC SEAT REGULATOR TO FLOOR)				
50	OM72B-72C-74-76		8H 7353414	1
Group 53426-7 TUBE ASSEMBLY (EXTENSION TUBE TO HOSE)				
50	OM74	R.H.-developed length approximately 16-45/64"	8M 7453426	1
50	OM74	L.H.-developed length approximately 16-45/64"	8M 7453427	1
Group 53437 GROMMET (HYDRAULIC SUPPLY TUBES FLOOR)				
50	OM72B-72C-74-76		OH 7353437	1



PL-525

SIX PASSENGER COUPE TOP PARTS (BODY TYPE 72-C)

Group numbers only shown on illustration. Order by Part Numbers shown in list of parts.

BODY PARTS CATALOGUE

YEAR 19__	BODY TYPES	REMARKS	PART NUMBER	NO. REQ'D
Group 53700 COVER ASSEMBLY (ROOF)				
50	OM72C	(M-18012-G)-Black Artificial Leather	OM 7253700-AX	1
50	OM72C	(M-18012-H)-Dark Blue Artificial Leather	OM 7253700-AY	1
50	OM72C	(M-18012-F)-Yellow Artificial Leather	OM 7253700-AV	1
Group 53714 RETAINER (ROOF COVER)-SIDE				
50	OM72C	Black-76-1/2" long-use M-9791-B for service	OM 7253714-B	2
50	OM72C	Yellow-76-1/2" long-use M-9791-A for service	OM 7253714-A	2
Group 53716 MOULDING (ROOF COVER RETAINER)-FRONT				
50	OM72C	Chrome Finish-overall length approximately 54-9/16"	OM 7253716	1
Group 53718 RETAINER (ROOF COVER MOULDING)-FRONT				
50	OM72C	Zinc Finish-53-55/64" long	OM 7253718	1
Group 53722 PAD (ROOF COVER)-CENTER				
50	OM72C	Fibre Glass-40" x 78-7/8"	OA 7053722	1
Group 53724 PAD (ROOF COVER)-SIDE				
50	OM72C	Fibre Glass-75-3/16" long	OM 7253724	2
Group 53726 PAD (ROOF COVER)-REAR QUARTER SIDE				
50	OM72C	Fibre Glass-24-1/2" long	OM 7253726	2
Group 53728 PAD (ROOF COVER)-BACK BELT				
50	OM72C	Fibre Glass-37-55/64" long	OM 7253728	1
Group 54306 SILENCER (ROOF PANEL)				
50	OM72A-72B-72C-74	Two piece design	8M 7054306-B	2
50	OM79	Two piece design	8M 7954306-B	2
Group 54310 INSULATOR (ROOF PANEL)-FRONT				
50	OM72B-72C-74	Fibre Glass-24" x 54"-cut from OH-7254310 for service	OM 7254310	1
50	OM79	Fibre Glass-32" x 54"	OH 7254310	2
Group 54330 INSULATOR (ROOF PANEL)-REAR				
50	OM72B-72C-74	Fibre Glass-27" x 42"-cut from OH-7254310 for service	OM 7254330	2
Group 54332 INSULATOR (ROOF AT QUARTER PANEL)				
50	OM72B-72C-74	14-1/2" x 5-1/2"	OM 7254332	2
Group 54400 HOOD ASSEMBLY (TOP DUST)				
50	OM76	Black	OM 7654400-B	1
50	OM76	Gray Tan	OM 7654400-A	1
50	OM76	Green	OM 7654400-C	1
50	OM76	Button (oval head Durable Dot Snap type)-5/32" x 3/16"	95397-S13	11
50	OM76	Clip	353229-S13	4
50	OM76	Socket (Durable Dot Snap type)	95460-S13	17
50	OM79	Stud (narrow head sheet metal base)-No. 8	352392-S13	11
50	OM76	Washer (flat)-No. 6	34701-S23	4

MERCURY

BODY PARTS CATALOGUE

YEAR 19__	BODY TYPES	REMARKS	PART NUMBER	NO. REQ'D
Group 54410 LOOP (TOP BOOT TO REAR SEAT BACK)				
50	OM76		8H 7654410	4
50	OM76	Screw (cross released oval head self tapping)-No. 6-18 x 1/2"	52342-S13	8
Group 54486 CONTAINER ASSEMBLY (TOP DUST HOOD)				
50	OM76	All trims	8M 7654486	1
Group 54638 ROD (TOP FOLDING COMPARTMENT TRIM SUPPORT)				
50	OM76		8M 7654638	1

Group 60032 BACK ASSEMBLY (REAR SEAT)

50	OM72A	M-5085-Y Gray and Rust Bedford Cord	OM 7260032-AAG	1
50	OM72A	M-5085-X Tan Gray Bedford Cord	OM 7260032-AN	1
50	OM72B-74	Upper M-16811-F Dark Blue Broadcloth, Lower M-16102-N Blue Gray Block Broadcloth	OM 7260032-AB	1
50	OM72B-74	Upper M-16811-F Dark Blue Broadcloth, Lower M-16560-A Blue Gray Stripe Nylon and Mohair	OM 7260032-AD	1
50	OM72B-74	Upper M-16811-F Dark Blue Broadcloth, Lower M-16560-J Blue Gray Stripe Nylon and Mohair	OM 7260032-BAA	1
50	OM72B-74	Upper M-16811-F Dark Blue Broadcloth, Lower M-16811-G Gray Broadcloth	OM 7260032-AC	1
50	OM72B-74	Upper M-16811-D Plain Brown Broadcloth, Lower M-5085-W Tan and Brown Stripe Bedford Cord	OM 7260032-AA	1
50	OM72B-74	Upper M-16811-D Plain Brown Broadcloth, Lower M-16102-Q Tan Pin Stripe Broadcloth	OM 7260032-AAH	1
50	OM72B-74	Tan Leather	OM 7260032-AE	1
50	OM72B-74	Upper M-16811-H Dark Green Broadcloth, Lower M-16102-P Two Tone Green Stripe Broadcloth	OM 7260032-AR	1
50	OM72C	Upper Black Leather, Lower M-5087-A Red and Black Bedford Cord	OM 7260032-AX	1
50	OM72C	Upper Black Leather, Lower Red Leather	OM 7260032-AAE	1
50	OM72C	Upper Dark Blue Leather, Lower M-5087-B Blue and Turquoise Bedford Cord	OM 7260032-AY	1
50	OM72C	Upper Seal Brown Leather, Lower M-5087-C Brown and Turquoise Bedford Cord	OM 7260032-AAF	1
50	OM72C	Upper Yellow Leather, Lower Black Leather	OM 7260032-AV	1
50	OM76	Upper Black Leather, Lower Red Leather	OM 7660032-AF	1
50	OM76	Upper Dark Blue Leather, Lower M-16560-A Blue Gray Stripe Nylon and Mohair	OM 7660032-AJ	1
50	OM76	Upper Dark Blue Leather, Lower Gray Leather	OM 7660032-AH	1
50	OM76	Upper Brown Leather, Lower Tan Leather	OM 7660032-AG	1
50	OM79	Green Leather and Vinyl	8M 7960032-J	1
50	OM79	Light Green Vinyl Artificial Leather	OM 7960032-AV	1
50	OM79	Red Leather and Vinyl	8M 7960032-G	1
50	OM79	Light Red Vinyl Artificial Leather	OM 7960032-AS	1
50	OM79	Tan Leather and Vinyl	8M 7960032-H	1
50	OM79	Golden Tan Vinyl Artificial Leather	OM 7960032-AT	1
50	OM	Clip "C"	358338-S	as req'd
50	OM72A-72B-72C-74-76	Screw (hex head self tapping)-No. 10-12 x 1-1/4"	42037-S8	2
50	OM72A-72B-72C-74-76	Washer (flat)-No. 10	34703-S7	2
50	OM79	Washer (flat)-5/16"	34747-S2	2

BODY PARTS CATALOGUE

YEAR 19	BODY TYPES	REMARKS	PART NUMBER	NO. REQ'D
Group 60042-3 BACK ASSEMBLY (CENTER SEAT)				
50	OM79	R.H.-Green Leather and Vinyl	8M 7960042-F	1
50	OM79	L.H.-Green Leather and Vinyl	8M 7960043-F	1
50	OM79	R.H.-Red Leather and Vinyl	8M 7960042-D	1
50	OM79	L.H.-Red Leather and Vinyl	8M 7960043-D	1
50	OM79	R.H.-Tan Leather and Vinyl	8M 7960042-E	1
50	OM79	L.H.-Tan Leather and Vinyl	8M 7960043-E	1
50	OM79	Light Green Vinyl Artificial Leather	OM 7960042-AU	1
50	OM79	Light Red Vinyl Artificial Leather	OM 7960042-AS	1
50	OM79	Golden Tan Vinyl Artificial Leather	OM 7960042-AT	1
50	OM79	Cotter pin-1/8" x 7/8"	72035-S	2
50	OM79	Pin (clevis)-3/8" x 5/8"	73862-S8	1
50	OM79	Pin (clevis)-3/8" x 1-7/16"	73956-S8	1
50	OM79	Pin (self locking)	352358-S	2
50	OM79	Washer (flat)-3/8"	44726-S8	2
Group 60050 CUSHION ASSEMBLY (FRONT SEAT)				
50	OM72A	M-5085-Y Gray and Rust Bedford Cord	OM 7260050-AAG	1
50	OM72A	M-5085-X Tan Gray Bedford Cord	OM 7260050-AN	1
50	OM72B	M-16102-N Blue Gray Block Broadcloth	OM 7260050-AB	1
50	OM72B	M-16560-A Blue Gray Stripe Nylon and Mohair	OM 7260050-AD	1
50	OM72B	M-16560-J Blue Gray Stripe Nylon and Mohair	OM 7260050-BAA	1
50	OM72B	M-16811-G Gray Broadcloth	OM 7260050-AC	1
50	OM72B	M-16102-P Two Tone Green Stripe Broadcloth	OM 7260050-AR	1
50	OM72B	Tan Leather	OM 7260050-AE	1
50	OM72B	M-5085-W Tan and Brown Stripe Bedford Cord	OM 7260050-AA	1
50	OM72B	M-16102-Q Tan Pin Stripe Broadcloth	OM 7260050-AAH	1
50	OM72C	Black Leather-with Gray Black Carpet	OM 7260050-AAC	1
50	OM72C	Black Leather-with Jet Black Carpet	OM 7260050-AV	1
50	OM72C	M-5087-B Blue and Turquoise Bedford Cord	OM 7260050-AY	1
50	OM72C	M-5087-C Brown and Turquoise Bedford Cord	OM 7260050-AAF	1
50	OM72C	Red Leather	OM 7260050-AAE	1
50	OM72C	M-5087-A Red and Black Bedford Cord-with Gray Black Carpet	OM 7260050-AAD	1
50	OM72C	M-5087-A Red and Black Bedford Cord-with Jet Black Carpet	OM 7260050-AX	1
50	OM74	M-16102-N Blue Gray Block Broadcloth	OM 7460050-AB	1
50	OM74	M-16560-A Blue Gray Stripe Nylon and Mohair	OM 7460050-AD	1
50	OM74	M-16560-J Blue Gray Stripe Nylon and Mohair	OM 7460050-BAA	1
50	OM74	M-16811-G Gray Broadcloth	OM 7460050-AC	1
50	OM74	M-16102-P Two Tone Green Stripe Broadcloth	OM 7460050-AR	1
50	OM74	Tan Leather	OM 7460050-AE	1
50	OM74	M-5085-W Tan and Brown Stripe Bedford Cord	OM 7460050-AA	1
50	OM74	M-16102-Q Tan Pin Stripe Broadcloth	OM 7460050-AAH	1
50	OM76	M-16560-A Blue Gray Stripe Nylon and Mohair	OM 7660050-AJ	1
50	OM76	Gray Leather	OM 7660050-AH	1
50	OM76	Red Leather	OM 7660050-AF	1
50	OM76	Tan Leather	OM 7660050-AG	1
50	OM79	Green Leather and Vinyl	OM 7960050-AM	1
50	OM79	Light Green Vinyl Artificial Leather	OM 7960050-AU	1
50	OM79	Red Leather and Vinyl	OM 7960050-AK	1
50	OM79	Light Red Vinyl Artificial Leather	OM 7960050-AS	1
50	OM79	Tan Leather and Vinyl	OM 7960050-AL	1
50	OM79	Golden Tan Vinyl Artificial Leather	OM 7960050-AT	1
50	OM	Clip "C"	358338-S	as req'd

MERCURY

BODY PARTS CATALOGUE

YEAR 19__	BODY TYPES	REMARKS	PART NUMBER	NO. REQ'D
Group 60054 CUSHION ASSEMBLY (CENTER SEAT)				
50	OM79	Green Leather and Vinyl	8M 7960054-F	1
50	OM79	Light Green Vinyl Artificial Leather	OM 7960054-AU	1
50	OM79	Red Leather and Vinyl	8M 7960054-D	1
50	OM79	Light Red Vinyl Artificial Leather	OM 7960054-AS	1
50	OM79	Tan Leather and Vinyl	8M 7960054-E	1
50	OM79	Golden Tan Vinyl Artificial Leather	OM 7960054-AT	1
50	OM79	Clip "C"	358338-S	18
50	OM79	Pin (cotter)-5/32" x 1-1/2"	72072-S	6
50	OM79	Screw (drive)-No. 6 x 1/2"	351629-S28-A2B	29
Group 60080 CUSHION ASSEMBLY (REAR SEAT)				
50	OM72A	M-5085-Y Gray and Rust Bedford Cord	OM 7260080-AAG	1
50	OM72A	M-5085-X Tan Gray Bedford Cord	OM 7260080-AN	1
50	OM72B	M-16102-N Blue Gray Block Broadcloth	OM 7260080-AB	1
50	OM72B	M-16560-A Blue Gray Stripe Nylon and Mohair	OM 7260080-AD	1
50	OM72B	M-16560-J Blue Gray Stripe Nylon and Mohair	OM 7260080-BAA	1
50	OM72B	M-16811-G Gray Broadcloth	OM 7260080-AC	1
50	OM72B	M-16102-P Two Tone Green Stripe Broadcloth	OM 7260080-AR	1
50	OM72B	Tan Leather	OM 7260080-AE	1
50	OM72B	M-5085-W Tan and Brown Stripe Bedford Cord	OM 7260080-AA	1
50	OM72B	M-16102-Q Tan Pin Stripe Broadcloth	OM 7260080-AAH	1
50	OM72C	Black Leather	OM 7260080-AV	1
50	OM72C	M-5087-B Blue and Turquoise Bedford Cord	OM 7260080-AY	1
50	OM72C	M-5087-C Brown and Turquoise Bedford Cord	OM 7260080-AAF	1
50	OM72C	Red Leather	OM 7260080-AAE	1
50	OM72C	M-5007-A Red and Black Bedford Cord	OM 7260080-AX	1
50	OM74	M-16102-N Blue Gray Block Broadcloth	OM 7460080-AB	1
50	OM74	M-16560-A Blue Gray Stripe Nylon and Mohair	OM 7460080-AD	1
50	OM74	M-16560-J Blue Gray Stripe Nylon and Mohair	OM 7460080-BAA	1
50	OM74	M-16811-G Gray Broadcloth	OM 7460080-AC	1
50	OM74	M-16102-P Two Tone Green Stripe Broadcloth	OM 7460080-AR	1
50	OM74	Tan Leather	OM 7460080-AE	1
50	OM74	M-5085-W Tan and Brown Stripe Bedford Cord	OM 7460080-AA	1
50	OM74	M-16102-Q Tan Pin Stripe Broadcloth	OM 7460080-AAH	1
50	OM76	M-16560-A Blue Gray Stripe Nylon and Mohair	OM 7660080-AJ	1
50	OM76	Gray Leather	OM 7660080-AH	1
50	OM76	Red Leather	OM 7660080-AF	1
50	OM76	Tan Leather	OM 7660080-AG	1
50	OM79	Green Leather and Vinyl	8M 7960080-F	1
50	OM79	Light Green Vinyl Artificial Leather	OM 7960080-AU	1
50	OM79	Red Leather and Vinyl	8M 7960080-D	1
50	OM79	Light Red Vinyl Artificial Leather	OM 7960080-AS	1
50	OM79	Tan Leather and Vinyl	8M 7960080-E	1
50	OM79	Golden Tan Vinyl Artificial Leather	OM 7960080-AT	1
50	OM	Clip-"C"	358338-S	20
50	OM79	Screw (drive)-No. 6 x 1/2"	351629-S28-A2B	35

BODY PARTS CATALOGUE

YEAR 19	BODY TYPES	REMARKS	PART NUMBER	NO. REQ'D
Group 60136-7 BACK ASSEMBLY (FRONT SEAT)				
50	QM72A	R.H.-M-5085-Y Gray and Rust Bedford Cord	OM 7260136-AAG	1
50	QM72A	L.H.-M-5085-Y Gray and Rust Bedford Cord	OM 7260137-AAG	1
50	QM72A	R.H.-M-5085-X Tan Gray Bedford Cord	OM 7260136-AN	1
50	QM72A	L.H.-M-5085-X Tan Gray Bedford Cord	OM 7260137-AN	1
50	QM72B	R.H.-Upper M-16811-F Dark Blue Broadcloth, Lower M-16102-N Blue Gray Block Broadcloth	OM 7260136-AB	1
50	QM72B	L.H.-Upper M-16811-F Dark Blue Broadcloth, Lower M-16102-N Blue Gray Block Broadcloth	OM 7260137-AB	1
50	QM72B	R.H.-Upper M-16811-F Dark Blue Broadcloth, Lower M-16560-A Blue Gray Stripe Nylon and Mohair	OM 7260136-AD	1
50	QM72B	L.H.-Upper M-16811-F Dark Blue Broadcloth, Lower M-16560-A Blue Gray Stripe Nylon and Mohair	OM 7260137-AD	1
50	QM72B	R.H.-Upper M-16811-F Dark Blue Broadcloth, Lower M-16560-J Blue Gray Stripe Nylon and Mohair	OM 7260136-BAA	1
50	QM72B	L.H.-Upper M-16811-F Dark Blue Broadcloth, Lower M-16560-J Blue Gray Stripe Nylon and Mohair	OM 7260137-BAA	1
50	QM72B	R.H.-Upper M-16811-F Dark Blue Broadcloth, Lower M-16811-G Gray Broadcloth	OM 7260136-AC	1
50	QM72B	L.H.-Upper M-16811-F Dark Blue Broadcloth, Lower M-16811-G Gray Broadcloth	OM 7260137-AC	1
50	QM72B	R.H.-Upper M-16811-D Plain Brown Broadcloth, Lower M-5085-W Tan and Brown Stripe Bedford Cord	OM 7260136-AA	1
50	QM72B	L.H.-Upper M-16811-D Plain Brown Broadcloth, Lower M-5085-W Tan and Brown Stripe Bedford Cord	OM 7260137-AA	1
50	QM72B	R.H.-Upper M-16811-D Plain Brown Broadcloth, Lower M-16102-Q Tan Pin Stripe Broadcloth	OM 7260136-AAH	1
50	QM72B	L.H.-Upper M-16811-D Plain Brown Broadcloth, Lower M-16102-Q Tan Pin Stripe Broadcloth	OM 7260137-AAH	1
50	QM72B	R.H.-Upper M-16811-H Dark Green Broadcloth, Lower M-16102-P Two Tone Green Stripe Broadcloth	OM 7260136-AR	1
50	QM72B	L.H.-Upper M-16811-H Dark Green Broadcloth, Lower M-16102-P Two Tone Green Stripe Broadcloth	OM 7260137-AR	1
50	QM72B	R.H.-Tan Leather	OM 7260136-AE	1
50	QM72B	L.H.-Tan Leather	OM 7260137-AE	1
50	QM72C	R.H.-Upper Black Leather, Lower Red Leather	OM 7260136-AAE	1
50	QM72C	L.H.-Upper Black Leather, Lower Red Leather	OM 7260137-AAE	1
50	QM72C	R.H.-Upper Black Leather, Lower M-5087-A Red & Black Bedford Cord	OM 7260136-AX	1
50	QM72C	L.H.-Upper Black Leather, Lower M-5087-A Red & Black Bedford Cord	OM 7260137-AX	1
50	QM72C	R.H.-Dark Blue Leather, Lower M-5087-B Blue and Turquoise Bedford Cord	OM 7260136-AY	1
50	QM72C	L.H.-Dark Blue Leather, Lower M-5087-B Blue and Turquoise Bedford Cord	OM 7260137-AY	1
50	QM72C	R.H.-Upper Seal Brown Leather, Lower M-5087-C Brown and Turquoise Bedford Cord	OM 7260136-AAF	1
50	QM72C	L.H.-Upper Seal Brown Leather, Lower M-5087-C Brown and Turquoise Bedford Cord	OM 7260137-AAF	1
50	QM72C	R.H.-Upper Yellow Leather, Lower Black Leather	OM 7260136-AV	1
50	QM72C	L.H.-Upper Yellow Leather, Lower Black Leather	OM 7260137-AV	1
50	QM74	Upper M-16811-F Dark Blue Broadcloth, Lower M-16102-N Blue Gray Block Broadcloth	OM 7460136-AB	1
50	QM74	Upper M-16811-F Dark Blue Broadcloth, Lower M-16560-A Blue Gray Stripe Nylon and Mohair	OM 7460136-AD	1
50	QM74	Upper M-16811-F Dark Blue Broadcloth, Lower M-16811-G Gray Broadcloth	OM 7460136-AC	1

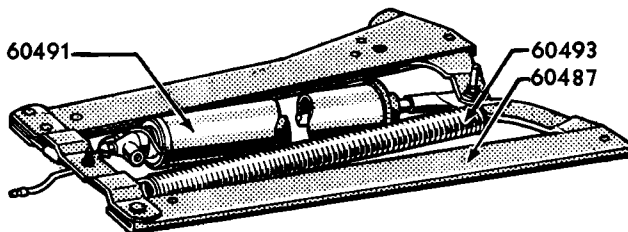
MERCURY

BODY PARTS CATALOGUE

YEAR 19__	BODY TYPES	REMARKS	PART NUMBER	NO. REQ'D
Group 60136-7 BACK ASSEMBLY (FRONT SEAT)-CONTINUED				
50	OM74	Upper M-16811-F Dark Blue Broadcloth, Lower M-16560-J Blue Gray Stripe Nylon and Mohair	OM 7460136-BAA	1
50	OM74	Upper M-16811-D Plain Brown Broadcloth, Lower M-5085-W Tan and Brown Stripe Bedford Cord	OM 7460136-AA	1
50	OM74	Upper M-16811-D Plain Brown Broadcloth, Lower M-16102-Q Tan Pin Stripe Broadcloth	OM 7460136-AAH	1
50	OM74	Upper M-16811-H Dark Green Broadcloth, Lower M-16102-P Two Tone Green Stripe Broadcloth	OM 7460136-AR	1
50	OM74	Tan Leather	OM 7460136-AE	1
50	OM76	R.H.-Upper Black Leather, Lower Red Leather	OM 7660136-AF	1
50	OM76	L.H.-Upper Black Leather, Lower Red Leather	OM 7660137-AF	1
50	OM76	R.H.-Upper Dark Blue Leather, Lower M-16560-A Blue Gray Stripe Nylon and Mohair	OM 7660136-AJ	1
50	OM76	L.H.-Upper Dark Blue Leather, Lower M-16560-A Blue Gray Stripe Nylon and Mohair	OM 7660137-AJ	1
50	OM76	R.H.-Upper Dark Blue Leather, Lower Gray Leather	OM 7660136-AH	1
50	OM76	L.H.-Upper Dark Blue Leather, Lower Gray Leather	OM 7660137-AH	1
50	OM76	R.H.-Upper Brown Leather, Lower Tan Leather	OM 7660136-AG	1
50	OM76	L.H.-Upper Brown Leather, Lower Tan Leather	OM 7660137-AG	1
50	OM79	R.H.-Green Leather and Vinly	OM 7960136-AM	1
50	OM79	L.H.-Green Leather and Vinyl	OM 7960137-AM	1
50	OM79	R.H.-Light Green Vinyl Artificial Leather	OM 7960136-AU	1
50	OM79	L.H.-Light Green Vinyl Artificial Leather	OM 7960137-AU	1
50	OM79	R.H.-Red Leather and Vinyl	OM 7960136-AK	1
50	OM79	L.H.-Red Leather and Vinyl	OM 7960137-AK	1
50	OM79	R.H.-Light Red Vinyl Artificial Leather	OM 7960136-AS	1
50	OM79	L.H.-Light Red Vinyl Artificial Leather	OM 7960137-AS	1
50	OM79	R.H.-Tan Leather and Vinyl	OM 7960136-AL	1
50	OM79	L.H.-Tan Leather and Vinyl	OM 7960137-AL	1
50	OM79	R.H.-Golden Tan Vinyl Artificial Leather	OM 7960136-AT	1
50	OM79	L.H.-Golden Tan Vinyl Artificial Leather	OM 7960137-AT	1
50	OM74	Pin (clevis)-3/8" x 9/16"	73857-88	2
50	OM-72A-72B-74	Pin (self locking)-9/32" x 61/64"	352358-S	2or4
Group 60335 FRAME ASSEMBLY (FRONT SEAT BASE)-TRIMMED				
50	OM72A	Dark Brown Artificial Leather-Manual Control	OM 7260335-AN	1
50	OM72A	Gray Artificial Leather-Manual Control	OM 7260335-AAG	1
50	OM72B	M-5156-N Dark Blue Broadcloth-Manual Control	OM 7260335-AB	1
50	OM72B	M-5156-N Dark Blue Broadcloth-Hydraulic Control	OM 7260335-HB	1
50	OM72B	M-5156-M Dark Brown Broadcloth-Manual Control	OM 7260335-AA	1
50	OM72B	M-5156-M Dark Brown Broadcloth-Hydraulic Control	OM 7260335-BA	1
50	OM72B	M-5156-T Dark Green Broadcloth-Manual Control	OM 7260335-AR	1
50	OM72B	M-5156-T Dark Green Broadcloth-Hydraulic Control	OM 7260335-BR	1
50	OM72B	Tan Artificial Leather-Manual Control	8M 7060335-P	1
50	OM72B	Tan Artificial Leather-Hydraulic Control	8M 7060335-Q	1
50	OM72C	Black Artificial Leather-with Gray Black Carpet-Manual Control	OM 7260335-AAD	1
50	OM72C	Black Artificial Leather-with Gray Black Carpet-Hydraulic Control	OM 7260335-BAD	1
50	OM72C	Black Artificial Leather-with Jet Black Carpet-Manual Control	OM 7260335-AX	1
50	OM72C	Black Artificial Leather-with Jet Black Carpet-Hydraulic Control	OM 7260335-BX	1
50	OM72C	Dark Blue Artificial Leather-Manual Control	OM 7260335-AY	1
50	OM72C	Dark Blue Artificial Leather-Hydraulic Control	OM 7260335-BY	1
50	OM72C	Dark Tan Artificial Leather-Manual Control	OM 7260335-AAF	1
50	OM72C	Dark Tan Artificial Leather-Hydraulic Control	OM 7260335-BBF	1
50	OM72C	Yellow Artificial Leather-with Gray Black Carpet-Manual Control	OM 7260335-AAC	1

BODY PARTS CATALOGUE

YEAR 19	BODY TYPES	REMARKS	PART NUMBER	NO. REQ'D
Group 60335 FRAME ASSEMBLY (FRONT SEAT BASE) TRIMMED-CONTINUED				
50	OM72C	Yellow Artificial Leather-with Gray Black Carpet-Hydraulic Control	OM 7260335-BAC	1
50	OM72C	Yellow Artificial Leather-with Jet Black Carpet-Manual Control	OM 7260335-AV	1
50	OM72C	Yellow Artificial Leather-with Jet Black Carpet-Hydraulic Control	OM 7260335-BV	1
50	OM74	M-5156-N Dark Blue Broadcloth-Manual Control	OM 7460335-AB	1
50	OM74	M-5156-N Dark Blue Broadcloth-Hydraulic Control	OM 7460335-BB	1
50	OM74	M-5156-M Dark Brown Broadcloth-Manual Control	OM 7460335-AA	1
50	OM74	M-5156-M Dark Brown Broadcloth-Hydraulic Control	OM 7460335-BA	1
50	OM74	M-5156-T Dark Green Broadcloth-Manual Control	OM 7460335-AR	1
50	OM74	M-5156-T Dark Green Broadcloth-Hydraulic Control	OM 7460335-BR	1
50	OM74	Tan Artificial Leather-Manual Control	8M 7360335-P	1
50	OM74	Tan Artificial Leather-Hydraulic Control	8M 7360335-Q	1
50	OM76	Black Artificial Leather	OM 7660335-AF	1
50	OM76	Blue Artificial Leather	OM 7660335-AH	1
50	OM76	Brown Artificial Leather	OM 7660335-AG	1
50	OM79	Chestnut Brown Vinyl Artificial Leather	OM 7960335-AT	1
50	OM79	Green Artificial Leather	8M 7960335-F	1
50	OM79	Dark Green Vinyl Artificial Leather	OM 7960335-AU	1
50	OM79	Red Artificial Leather	8M 7960335-D	1
50	OM79	Dark Red Vinyl Artificial Leather	OM 7960335-AS	1
50	OM79	Tan Artificial Leather	8M 7960335-E	1
50	OM	Pin (self locking)-9/32" x 61/64"	352358-S	4
Group 60456 BRACKET (FRONT SEAT SUPPORT TO FLOOR PAN)-FRONT				
50	OM	With nibs	8M 7060456-A	2
50	OM	Without nibs	8M 7060456-B	2
Group 60462-3 BRACKET (FRONT SEAT SUPPORT TO FLOOR PAN)-REAR				
50	OM	R.H.-with nibs	8M 7060462-A	1
50	OM	L.H.-with nibs	8M 7060463-A	1
50	OM	R.H.-without nibs	8M 7060462-B	1
50	OM	L.H.-without nibs	8M 7060463-B	1



PM-299

HYDRAULIC SEAT ADJUSTER

Group numbers only shown on illustration. Order by Part Numbers shown in list of parts.

Group 60473 SEAT ADJUSTER (HYDRAULIC)				
50	OM72B-72C-74-76	Consists of the following (1) 8H-7360487-B Frame assy (1) 8H-7360491 Cylinder assy (1) 8H-7360493 Spring	8H 7360473-B	1

MERCURY

BODY PARTS CATALOGUE

YEAR 19	BODY TYPES	REMARKS	PART NUMBER	NO. REQ'D
Group 60476 LEG ASSEMBLY (CENTER SEAT)-FOLDING				
50	QM79	Use on jobs equipped with Folding Center Seat	QM 7960476	1
50	QM79	Screw (pan head self tapping)-No. 6-18 x 3/8"	32914-S8	2
50	QM79	Screw (pan head machine)-1/4"-20 x 3/4"	39094-S8	8
Group 60484 STOP (FRONT SEAT HYDRAULIC REGULATOR)-R.H.-SIDE				
50	QM72B-72C-74-76	1-3/4" x 1-23/64"	QM 7260484	1
Group 60487 FRAME ASSEMBLY (HYDRAULIC SEAT ADJUSTER)				
50	QM72B-72C-74-76	With mounting stud	8H 7360487-B	1
50	QM72B-72C-74-76	Bolt (hex head shoulder)-5/16"-24 x 1"	351190-S8	1
50	QM72B-72C-74-76	Nut (hex)-5/16"-24	33923-S7	1
50	QM72B-72C-74-76	Washer (flat)-5/16"	34746-S2	1
Group 60491 CYLINDER ASSEMBLY (SEAT ADJUSTER HYDRAULIC)				
50	QM72B-72C-74-76		8H 7360491	1
Group 60492 LEG (CENTER SEAT)				
50	QM79	Use on jobs equipped with Folding Center Seat	QA 7960492	1
50	QM79	Bolt (hex head)-5/16"-24 x 5/8"	24327-S8	2
50	QM79	Bolt (hex head)-5/16"-24 x 1-1/4"	24427-S8	2
50	QM79	Lockwasher-5/16"	34806-S2	4
Group 60493 SPRING (HYDRAULIC SEAT ADJUSTER)				
50	QM72B-72C-74-76	Red Enamel Finish	8H 7360493	1
Group 60570 COVER (CENTER SEAT BACK PANEL)				
50	QM79	Linoleum	QA 7960570	1
Group 60574 STRIP (CENTER SEAT BACK LOWER)-FINISH				
50	QM79	Rustless Steel-45-51/64" long-use on jobs equipped with Folding Center Seat	QM 7960574-B	1
50	QM79	Screw (oval head cross recessed)-No. 10-12 x 1/2"	52727-S13	7
Group 60576 STRIP (CENTER SEAT CUSHION REAR)-FINISH				
50	QM79	Rustless Steel-approximately 35-3/8" long-use on jobs equipped with Folding Center Seat	QM 7960576-B	1
Group 60577 STRIP (CENTER SEAT CUSHION FRONT)-FINISH				
50	QM79	Rustless Steel-approximately 45-1/64" long-use on jobs equipped with Folding Center Seat	QM 7960577-B	1
Group 60578 STRIP (CENTER SEAT CUSHION END)-FINISH				
50	QM79	Rustless Steel-approximately 9" long-use on jobs equipped with Folding Center Seat	QM 7960578-B	2
Group 60637 BRACKET (CENTER SEAT TO WHEELHOUSE)				
50	QM79	Use on jobs equipped with Folding Center Seat	QA 7960637	1
50	QM79	Bolt (hex head)-5/16"-24 x 5/8"	42908-S8	2
50	QM79	Lockwasher-5/16"	34806-S2	2

BODY PARTS CATALOGUE

YEAR 19__	BODY TYPES	REMARKS	PART NUMBER	NO. REQ'D
Group 60648 RISER ASSEMBLY (REAR SEAT)-FRONT				
50	OM76		8M 7660648-B	1
Group 60653 MOULDING (REAR SEAT RISER)-FRONT				
50	OM76	Rustless Steel-52" long	OM 7660653	1
Group 60667 RETAINER (REAR SEAT RISER MOULDING)				
50	OM76		OM 7660667	1
Group 60677 RISER ASSEMBLY (CENTER SEAT LEG)-REAR				
50	OM79	Use on jobs equipped with Folding Center Seat	OM 7960677	1
Group 60687 BRACKET (CENTER SEAT CUSHION)-ON BODY				
50	OM79	Use on jobs equipped with Folding Center Seat	OA 7960687	1
50	OM79	Bolt (hex head)-5/16"-24 x 1"	24387-S7	2
50	OM79	Lockwasher-5/16"	34806-S2	2
Group 60693 RISER (CENTER SEAT LEG)-FRONT				
50	OM79	Use on jobs equipped with Folding Center Seat	OM 7960693	1
Group 60818 LOCK AND HOUSING ASSEMBLY (CENTER SEAT CUSHION STOP)				
50	OM79	Use on jobs equipped with Folding Center Seat to hold cushion in vertical position	OM 7960818	1
50	OM79	Screw (oval head cross recessed self tapping)-No. 10-12 x 1-1/2"	52389-S13	2
Group 60988 TIP (CENTER SEAT LEG)				
50	OM79	Rubber	OA 7960988	2
Group 61088 PIN (FRONT SEAT BACK FRAME HINGE)-OUTER				
50	OM except 74	57/64" long	8M 7061088	2
50	OM except 74	Cotter pin-1/8" x 1"	72035-S	2
50	OM except 74	Washer (flat)-3/8"	34747-S2	2
Group 61114 SCREW ASSEMBLY (FRONT SEAT BACK HINGE STOP LOWER ADJUSTING)				
50	OM except 74	Hex head with fiber insert-5/16"-18 x 1-1/4"	8H 7261114	2
50	OM72	Washer (finishing)-No. 8	34885-S13	2
Group 61182 SCUFF PLATE (FRONT SEAT BACK FRAME)-INNER				
50	OM79	Fibre-1-7/8" diameter	8A 7061182	2
50	OM79	Screw (pan head cross recessed self tap.)-No. 8-32 x 3/8"	52720-S13	2
Group 61333 BUMPER (CENTER SEAT BACK)				
50	OM79	Rubber-use on jobs equipped with Folding Center Seat	OA 7961333	1
Group 61642 SCUFF PLATE (FRONT SEAT BACK)				
50	OM except 74	Zinc Finish-oblong-5/8" x 1-1/8"	8A 7061642	2
Group 61723 GEAR AND CROSS TUBE ASSEMBLY (FRONT SEAT)				
50	OM		8L 7261723	1

MERCURY

BODY PARTS CATALOGUE

YEAR 19	BODY TYPES	REMARKS	PART NUMBER	NO. REQ'D
Group 61784 SPRING (LOCK LEVER)				
50	OM	5/32" diameter Wire	8H 7361784	1
Group 61795 HANDLE (FRONT SEAT LOCK LEVER)				
50	OM except 76		7EH 7361795	1
Group 61799 BRACKET (FRONT SEAT LOCK LEVER)				
50	OM		8H 7361799	1
Group 62332 SUPPORT ASSEMBLY (REAR SEAT BACK FRAME)				
50	OM76		8M 7662332-B	1
Group 62410-1 BRACKET (REAR SEAT BACK FRAME SUPPORT TO FLOOR STRAINER)				
50	OM76	R.H.	8M 7662410	1
50	OM76	L.H.	8M 7662411	1
Group 62662-3 COVER ASSEMBLY (FRONT SEAT BASE)-SIDE				
50	OM72A	R.H.-Blue Gray Vinyl Coated Jute	OM 7262662-AAG	1
50	OM72A	L.H.-Blue Gray Vinyl Coated Jute	OM 7262663-AAG	1
50	OM72A	R.H.-Tan Vinyl Coated Jute	OM 7262662-AN	1
50	OM72A	L.H.-Tan Vinyl Coated Jute	OM 7262663-AN	1
50	OM72B	R.H.-Blue Carpet	OM 7262662-AB	1
50	OM72B	L.H.-Blue Carpet	OM 7262663-AB	1
50	OM72B	R.H.-Brown Carpet	OM 7262662-AA	1
50	OM72B	L.H.-Brown Carpet	OM 7262663-AA	1
50	OM72B	R.H.-Green Carpet	OM 7262662-AR	1
50	OM72B	L.H.-Green Carpet	OM 7262663-AR	1
50	OM72B	R.H.-Tan Carpet-use with Leather Trim	8M 7062662-M	1
50	OM72B	L.H.-Tan Carpet-use with Leather Trim	8M 7062663-M	1
50	OM72C	R.H.-Jet Black Carpet-with Black Artificial Leather inside cover	OM 7262662-AV	1
50	OM72C	L.H.-Jet Black Carpet-with Black Artificial Leather inside cover	OM 7262663-AV	1
50	OM72C	R.H.-Jet Black Carpet-with Red Artificial Leather inside cover	OM 7262662-AX	1
50	OM72C	L.H.-Jet Black Carpet-with Red Artificial Leather inside cover	OM 7262663-AX	1
50	OM72C	R.H.-Blue Carpet	OM 7262662-AY	1
50	OM72C	L.H.-Blue Carpet	OM 7262663-AY	1
50	OM72C	R.H.-Brown Carpet	OM 7262662-AAF	1
50	OM72C	L.H.-Brown Carpet	OM 7262663-AAF	1
50	OM72C	R.H.-Gray Black Carpet-with Black Artificial Leather inside cover	OM 7262662-AAC	1
50	OM72C	L.H.-Gray Black Carpet-with Black Artificial Leather inside cover	OM 7262663-AAC	1
50	OM72C	R.H.-Gray Black Carpet-with Red Artificial Leather inside cover	OM 7262662-AAD	1
50	OM72C	L.H.-Gray Black Carpet-with Red Artificial Leather inside cover	OM 7262663-AAD	1
50	OM74	R.H.-Blue Carpet	OM 7462662-AB	1
50	OM74	L.H.-Blue Carpet	OM 7462663-AB	1
50	OM74	R.H.-Brown Carpet	OM 7462662-AA	1
50	OM74	L.H.-Brown Carpet	OM 7462663-AA	1
50	OM74	R.H.-Green Carpet	OM 7462662-AR	1
50	OM74	L.H.-Green Carpet	OM 7462663-AR	1
50	OM74	R.H.-Tan Carpet-use with Leather Trim	8M 7362662-M	1
50	OM74	L.H.-Tan Carpet-use with Leather Trim	8M 7362663-M	1

MERCURY

105

BODY PARTS CATALOGUE

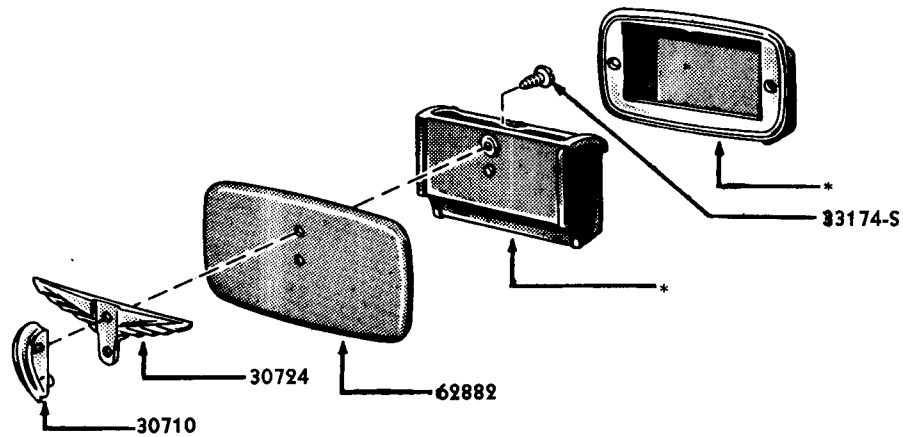
YEAR 19	BODY TYPES	REMARKS	PART NUMBER	NO. REQ'D
Group 62662-3 COVER ASSEMBLY (FRONT SEAT BASE)-SIDE-CONTINUED				
50	OM76	R.H.-Blue Carpet	OM 7662662-AH	1
50	OM76	L.H.-Blue Carpet	OM 7662663-AH	1
50	OM76	R.H.-Red Carpet	OM 7662662-AF	1
50	OM76	L.H.-Red Carpet	OM 7662663-AF	1
50	OM76	R.H.-Tan Carpet	OM 7662662-AG	1
50	OM76	L.H.-Tan Carpet	OM 7662663-AG	1
50	OM79	R.H.-Green Carpet	8M 7662662-J	1
50	OM79	L.H.-Green Carpet	8M 7662663-J	1
50	OM79	R.H.-Red Carpet	8M 7662662-G	1
50	OM79	L.H.-Red Carpet	8M 7662663-G	1
50	OM79	R.H.-Tan Carpet	8M 7662662-H	1
50	OM79	L.H.-Tan Carpet	8M 7662663-H	1
50	OM79	R.H.-Brown Vinyl Coated Jute	OM 7962662-AT	1
50	OM79	L.H.-Brown Vinyl Coated Jute	OM 7962663-AT	1
50	OM79	R.H.-Dark Green Vinyl Coated Jute	OM 7962662-AU	1
50	OM79	L.H.-Dark Green Vinyl Coated Jute	OM 7962663-AU	1
50	OM79	R.H.-Red Vinyl Coated Jute	OM 7962662-AS	1
50	OM79	L.H.-Red Vinyl Coated Jute	OM 7962663-AS	1
50	OM	Screw (drive)-No. 6 x 1/2"	351629-S28-A2B	12
Group 62664 COVER ASSEMBLY (FRONT SEAT BASE FRAME TUBE)				
50	OM72A	Blue Gray Vinyl Coated Jute	OM 7262664-AAG	1
50	OM72A	Tan Vinyl Coated Jute	OM 7262664-AN	1
50	OM72B	Blue Carpet	OM 7262664-AB	1
50	OM72B	Brown Carpet	OM 7262664-AA	1
50	OM72B	Green Carpet	OM 7262664-AR	1
50	OM72B	Tan Carpet-use with Tan Leather Trim	OM 7262664-AE	1
50	OM72C	Gray Black Carpet	OM 7262664-AAC	1
50	OM72C	Jet Black Carpet	OM 7262664-AV	1
50	OM72C	Blue Carpet	OM 7262664-AY	1
50	OM72C	Brown Carpet	OM 7262664-AAF	1
50	OM74	Blue Carpet	OM 7462664-AB	1
50	OM74	Brown Carpet	OM 7462664-AA	1
50	OM74	Green Carpet	OM 7462664-AR	1
50	OM74	Tan Carpet-use with Tan Leather Trim	OM 7462664-AE	1
50	OM76	Blue Carpet	OM 7662664-AE	1
50	OM76	Red Carpet	OM 7662664-AF	1
50	OM76	Tan Carpet	OM 7662664-AG	1
50	OM79	Brown Vinyl Coated Jute	OM 7962664-AT	1
50	OM79	Green Carpet	OM 7962664-AM	1
50	OM79	Dark Green Vinyl Coated Jute	OM 7962664-AU	1
50	OM79	Red Carpet	OM 7962664-AK	1
50	OM79	Red Vinyl Coated Jute	OM 7962664-AS	1
50	OM79	Tan Carpet	OM 7962664-AL	1
50	OM	Screw (drive)-No. 6 x 1/2"	351629-S28-A2B	12
50	OM72A-72B-72C-76	Screw (cross recessed oval head-self tapping)-No. 8-15 x 5/8"	52352-S13	2or3
50	OM72A-72B-72C-74-76	Washer (finish)-No. 8	34885-S13	2or3

MERCURY

BODY PARTS CATALOGUE

YEAR 19	BODY TYPES	REMARKS	PART NUMBER	NO. REQ'D
Group 62694 COVER ASSY (FRONT SEAT BASE STRAINER)-REAR UPPER				
50	OM72A	Blue Gray Vinyl Coated Jute	OM 7262694-AAG	2
50	OM72A	Tan Vinyl Coated Jute	OM 7262694-AN	2
50	OM72B-74	Blue Carpet	OM 7262694-AB	2
50	OM72B-74	Brown Carpet	OM 7262694-AA	2
50	OM72B-74	Green Carpet	OM 7262694-AR	2
50	OM72B-74-79	Tan Carpet-use with Tan Leather Trim	8M 7662694-B	2
50	OM72C	Gray Black Carpet	OM 7262694-AAC	2
50	OM72C	Jet Black Carpet	OM 7262694-AV	2
50	OM72C	Blue Carpet	OM 7262694-AY	2
50	OM72C	Brown Carpet	OM 7262694-AAF	2
50	OM76	Blue Carpet	OM 7662694-AH	2
50	OM76	Red Carpet	OM 7662694-AF	2
50	OM76	Tan Carpet	OM 7662694-AG	2
50	OM79	Brown Vinyl Coated Jute	OM 7962694-AT	1
50	OM79	Green Carpet	8M 7062694-A	2
50	OM79	Dark Green Vinyl Coated Jute	OM 7962694-AU	1
50	OM79	Red Carpet	8M 7662694-A	2
50	OM79	Red Vinyl Coated Jute	OM 7962694-AS	1
50	OM	Clip-"C"	358338-S	6
Group 62800 CORD ASSEMBLY (FRONT SEAT BACK ROBE)				
50	OM72B	Blue	OM 7262800-AB	2
50	OM72B	Green	OM 7262800-AR	2
50	OM72B	Tan	OM 7262800-AA	2
50	OM72B	Tan Artificial Leather	8M 7662800-B	2
50	OM72C	Black Artificial Leather	OM 7262800-AV	2
50	OM72C	Dark Blue Artificial Leather	OM 7262800-AY	2
50	OM74	Blue	OM 7462800-AB	1
50	OM74	Green	OM 7462800-AR	1
50	OM74	Tan	OM 7462800-AA	1
50	OM74	Tan Artificial Leather.	8M 7362800-E	1
50	OM76	Black Artificial Leather	OM 7662800-AA	1
50	OM76	Blue Artificial Leather	OM 7662800-AC	1
50	OM76	Brown Artificial Leather	OM 7662800-AB	1
Group 62808 PLATE ASSEMBLY (ROBE CORD END ANCHOR)				
50	OM72B-72C-74-76	Four ribs on plate	8M 7362808-A	2or4
50	OM72B-72C-74-76	Smooth Plate	8M 7362808-B	2or4
50	OM72B-72C-74-76	Screw (cross recessed oval head machine)-No. 12-24 x 3/4"	352404-S13	4or8
Group 62818 KEY (ROBE CORD ANCHOR PLATE)				
50	OM72B-72C-74-76	15/16" wide	8M 7362818-B	2or4
Group 62820 SPRING (ROBE CORD ANCHOR PLATE)				
50	OM72B-72C-74-76	Free length 4"	8M 7362820	2or4

BODY PARTS CATALOGUE



8M-7362866

*INCLUDED IN 8M-7362866 ASSY.

PM-300

Group numbers only shown on illustration. Order by Part Numbers shown in list of parts.

YEAR 19__	BODY TYPES	REMARKS	PART NUMBER	NO. REQ'D
Group 62866 ASH RECEPTACLE AND RETAINER ASSEMBLY (FRONT SEAT BACK)				
50	OM74	in Prime	8M 7362866-AP	1
Group 62882 COVER (FRONT SEAT BACK ASH RECEPTACLE)				
50	OM74	in Prime	8M 7362882-AP	1
50	OM74	Screw (pan head self tapping)-No. 6-20 x 3/8"	33174-S2	1
Group 62900 COVER ASSEMBLY (FRONT SEAT CUSHION)				
50	OM72A	M-5085-Y Gray and Rust Bedford Cord	OM 7262900-AAG	1
50	OM72A	M-5085-X Tan Gray Bedford Cord	OM 7262900-AN	1
50	OM72B	M-16102-N Blue Gray Block Broadcloth	OM 7262900-AB	1
50	OM72B	M-16560-A Blue Gray Stripe Nylon and Mohair	OM 7262900-AD	1
50	OM72B	M-16560-J Blue Gray Stripe Nylon and Mohair	OM 7262900-BAA	1
50	OM72B	M-16811-G Gray Broadcloth	OM 7262900-AC	1
50	OM72B	M-16102-P Two Tone Green Stripe Broadcloth	OM 7262900-AR	1
50	OM72B	Tan Leather	OM 7262900-AE	1
50	OM72B	M-5085-W Tan and Brown Stripe Bedford Cord	OM 7262900-AA	1
50	OM72B	M-16102-Q Tan Pin Stripe Broadcloth	OM 7262900-AAH	1
50	OM72C	Black Leather-with Gray Black Carpet	OM 7262900-AAC	1
50	OM72C	Black Leather-with Jet Black Carpet	OM 7262900-AV	1
50	OM72C	M-5087-B Blue and Turquoise Bedford Cord	OM 7262900-AY	1
50	OM72C	M-5087-C Brown and Turquoise Bedford Cord	OM 7262900-AAF	1
50	OM72C	Red Leather	OM 7262900-AAE	1
50	OM72C	M-5087-A Red and Black Bedford Cord-with Gray Black Carpet	OM 7262900-AAD	1
50	OM72C	M-5087-A Red and Black Bedford Cord-with Jet Black Carpet	OM 7262900-AX	1
50	OM74	M-16102-N Blue Gray Block Broadcloth	OM 7462900-AB	1
50	OM74	M-16560-A Blue Gray Stripe Nylon and Mohair	OM 7462900-AD	1
50	OM74	M-16560-J Blue Gray Stripe Nylon and Mohair	OM 7462900-BAA	1
50	OM74	M-16811-G Gray Broadcloth	OM 7462900-AC	1
50	OM74	M-16102-P Two Tone Green Stripe Broadcloth	OM 7462900-AR	1
50	OM74	Tan Leather	OM 7462900-AE	1
50	OM74	M-5085-W Tan and Brown Stripe Bedford Cord	OM 7462900-AA	1
50	OM74	M-16102-Q Tan Pin Stripe Broadcloth	OM 7462900-AAH	1

MERCURY

BODY PARTS CATALOGUE

YEAR 19__	BODY TYPES	REMARKS	PART NUMBER	NO. REQ'D
Group 62900 COVER ASSEMBLY (FRONT SEAT CUSHION)-CONTINUED				
50	OM76	M-16560-A Blue Gray Stripe Nylon and Mohair	OM 7662900-AJ	1
50	OM76	Gray Leather	OM 7662900-AH	1
50	OM76	Red Leather	OM 7662900-AF	1
50	OM76	Tan Leather	OM 7662900-AG	1
50	OM79	Green Leather and Vinyl	OM 7962900-AM	1
50	OM79	Light Green Vinyl Artificial Leather	OM 7962900-AU	1
50	OM79	Red Leather and Vinyl	OM 7962900-AK	1
50	OM79	Light Red Vinyl Artificial Leather	OM 7962900-AS	1
50	OM79	Tan Leather and Vinyl	OM 7962900-AL	1
50	OM79	Golden Tan Vinyl Artificial Leather	OM 7962900-AT	1
50	OM	Clip-"C"	358338-S	as req'd
Group 62908 COVER ASSEMBLY (CENTER SEAT CUSHION)				
50	OM79	Green Leather and Vinyl	8M 7962908-F	1
50	OM79	Light Green Vinyl Artificial Leather	OM 7962908-AU	1
50	OM79	Red Leather and Vinyl	8M 7962908-D	1
50	OM79	Light Red Vinyl Artificial Leather	OM 7962908-AS	1
50	OM79	Tan Leather and Vinyl	8M 7962908-E	1
50	OM79	Golden Tan Vinyl Artificial Leather	OM 7962908-AT	1
Group 63200 PAD (FRONT SEAT CUSHION)-UPPER				
50	OM72B-72C-74-76-79	Cotton	7EH 7363200	1
50	OM72B-72C-74	Clip-"C"	358338-S	6
Group 63204 PAD (FRONT SEAT CUSHION)				
50	OM72A	All trim	OM 7263204	1
50	OM72A	Clip-"C"	358338-S	16
Group 63206 PAD (FRONT SEAT CUSHION)-SPONGE RUBBER				
50	OM72B-72C-74-76-79		7EH 7363206	1
Group 63234 SPRING (FRONT SEAT ADJUSTMENT TENSION)-FRONT				
50	OM	Free length-6-3/64"	8H 7363234	1
Group 63804 COVER ASSEMBLY (REAR SEAT CUSHION)				
50	OM72A	M-5085-Y Gray and Rust Bedford Cord	OM 7263804-AAG	1
50	OM72A	M-5085-X Tan Gray Bedford Cord	OM 7263804-AAN	1
50	OM72B	M-16102-N Blue Gray Block Broadcloth	OM 7263804-AB	1
50	OM72B	M-16560-A Blue Gray Stripe Nylon and Mohair	OM 7263804-AD	1
50	OM72B	M-16560-J Blue Gray Stripe Nylon and Mohair	OM 7263804-BAA	1
50	OM72B	M-16811-G Gray Broadcloth	OM 7263804-AC	1
50	OM72B	M-16102-P Two Tone Green Stripe Broadcloth	OM 7263804-AR	1
50	OM72B	Tan Leather	OM 7263804-AE	1
50	OM72B	M-5085-W Tan and Brown Stripe Bedford Cord	OM 7263804-AA	1
50	OM72B	M-16102-Q Tan Pin Stripe Broadcloth	OM 7263804-AAH	1
50	OM72C	Black Leather	OM 7263804-AV	1
50	OM72C	M-5087-B Blue and Turquoise Bedford Cord	OM 7263804-AY	1
50	OM72C	M-5087-C Brown and Turquoise Bedford Cord	OM 7263804-AAF	1
50	OM72C	Red Leather	OM 7263804-AAE	1
50	OM72C	M-5087-A Red and Black Bedford Cord	OM 7263804-AX	1

BODY PARTS CATALOGUE

YEAR 19	BODY TYPES	REMARKS	PART NUMBER	NO. REQ'D
Group 63804 COVER ASSEMBLY (REAR SEAT CUSHION)-CONTINUED				
50	OM74	M-16102-N Blue Gray Block Broadcloth	OM 7463804-AB	1
50	OM74	M-16560-A Blue Gray Stripe Nylon and Mohair	OM 7463804-AD	1
50	OM74	M-16560-J Blue Gray Stripe Nylon and Mohair	OM 7463804-BAA	1
50	OM74	M-16811-G Gray Broadcloth	OM 7463804-AC	1
50	OM74	M-16102-P Two Tone Green Stripe Broadcloth	OM 7463804-AR	1
50	OM74	M-5085-W Tan and Brown Stripe Bedford Cord	OM 7463804-AA	1
50	OM74	Tan Leather	OM 7463804-AE	1
50	OM74	M-16102-Q Tan Pin Stripe Broadcloth	OM 7463804-AAH	1
50	OM76	M-16560-A Blue Gray Stripe Nylon and Mohair	OM 7663804-AJ	1
50	OM76	Gray Leather	OM 7663804-AH	1
50	OM76	Red Leather	OM 7663804-AF	1
50	OM76	Tan Leather	OM 7663804-AG	1
50	OM79	Green Leather and Vinyl	8M 7963804-F	1
50	OM79	Light Green Vinyl Artificial Leather	OM 7963804-AU	1
50	OM79	Red Leather and Vinyl	8M 7963804-D	1
50	OM79	Light Red Vinyl Artificial Leather	OM 7963804-AS	1
50	OM79	Tan Leather and Vinyl	8M 7963804-E	1
50	OM79	Golden Tan Vinyl Artificial Leather	OM 7963804-AT	1
Group 63840 PAD (REAR SEAT CUSHION)-UPPER				
50	OM72B-72C	Cotton	OM 7263840	1
50	OM74	Cotton	OM 7463840	1
50	OM76	Cotton	8M 7663840	1
Group 63846 PAD (REAR SEAT CUSHION SPRING)				
50	OM72A	Cotton	OM 7263846-B	1
50	OM72B-72C	Sponge Rubber	OM 7263846-A	1
50	OM74	Sponge Rubber	OM 7463846	1
50	OM76	Sponge Rubber	8L 7663846	1
Group 64416-7 COVER ASSEMBLY (FRONT SEAT BACK)				
50	OM72A	R.H.-M-5085-Y Gray and Rust Bedford Cord	OM 7264416-AAG	1
50	OM72A	L.H.-M-5085-Y Gray and Rust Bedford Cord	OM 7264417-AAG	1
50	OM72A	R.H.-M-5085-X Tan Gray Bedford Cord	OM 7264416-AN	1
50	OM72A	L.H.-M-5085-X Tan Gray Bedford Cord	OM 7264417-AN	1
50	OM72B	R.H.-Upper M-16811-F Dark Blue Broadcloth, Lower M-16102-N Blue Gray Block Broadcloth	OM 7264416-AB	1
50	OM72B	L.H.-Upper M-16811-F Dark Blue Broadcloth, Lower M-16102-N Blue Gray Block Broadcloth	OM 7264417-AB	1
50	OM72B	R.H.-Upper M-16811-F Dark Blue Broadcloth, Lower M-16560-A Blue Gray Stripe Nylon and Mohair	OM 7264416-AD	1
50	OM72B	L.H.-Upper M-16811-F Dark Blue Broadcloth, Lower M-16560-A Blue Gray Stripe Nylon and Mohair	OM 7264417-AD	1
50	OM72B	R.H.-Upper M-16811-F Dark Blue Broadcloth, Lower M-16560-J Blue Gray Stripe Nylon and Mohair	OM 7264416-BAA	1
50	OM72B	L.H.-Upper M-16811-F Dark Blue Broadcloth, Lower M-16560-J Blue Gray Stripe Nylon and Mohair	OM 7264417-BAA	1
50	OM72B	R.H.-Upper M-16811-F Dark Blue Broadcloth, Lower M-16811-G Gray Broadcloth	OM 7264416-AC	1
50	OM72B	L.H.-Upper M-16811-F Dark Blue Broadcloth, Lower M-16811-G Gray Broadcloth	OM 7264417-AC	1
50	OM72B	R.H.-Upper M-16811-D Plain Brown Broadcloth, Lower M-5085-W Tan and Brown Stripe Bedford Cord	OM 7264416-AA	1
50	OM72B	L.H.-Upper M-16811-D Plain Brown Broadcloth, Lower M-5085-W Tan and Brown Stripe Bedford Cord	OM 7264417-AA	1

MERCURY

BODY PARTS CATALOGUE

YEAR 19	BODY TYPES	REMARKS	PART NUMBER	NO. REQ'D
Group 64416-7 COVER ASSEMBLY (FRONT SEAT BACK)-CONTINUED				
50	OM72B	R.H.-Upper M-16811-D Plain Brown Broadcloth, Lower M-16102-Q Tan Pin Stripe Broadcloth	OM 7264416-AAH	1
50	OM72B	L.H.-Upper M-16811-D Plain Brown Broadcloth, Lower M-16102-Q Tan Pin Stripe Broadcloth	OM 7264417-AAH	1
50	OM72B	R.H.-Upper M-16811-H Dark Green Broadcloth, Lower M-16102-P Two Tone Green Stripe Broadcloth	OM 7264416-AR	1
50	OM72B	L.H.-Upper M-16811-H Dark Green Broadcloth, Lower M-16102-P Two Tone Green Stripe Broadcloth	OM 7264417-AR	1
50	OM72B	R.H.-Tan Leather	OM 7264416-AE	1
50	OM72B	L.H.-Tan Leather	OM 7264417-AE	1
50	OM72C	R.H.-Upper Black Leather, Lower Red Leather	OM 7264416-AAE	1
50	OM72C	L.H.-Upper Black Leather, Lower Red Leather	OM 7264417-AAE	1
50	OM72C	R.H.-Upper Black Leather, Lower M-5087-A Red and Black Bedford Cord	OM 7264416-AX	1
50	OM72C	L.H.-Upper Black Leather, Lower M-5087-A Red and Black Bedford Cord	OM 7264417-AX	1
50	OM72C	R.H.-Dark Blue Leather, Lower M-5087-B Blue and Turquoise Bedford Cord	OM 7264416-AY	1
50	OM72C	L.H.-Dark Blue Leather, Lower M-5087-B Blue and Turquoise Bedford Cord	OM 7264417-AY	1
50	OM72C	R.H.-Upper Seal Brown Leather, Lower M-5087-C Brown and Turquoise Bedford Cord	OM 7264416-AAF	1
50	OM72C	L.H.-Upper Seal Brown Leather, Lower M-5087-C Brown and Turquoise Bedford Cord	OM 7264417-AAF	1
50	OM72C	R.H.-Upper Yellow Leather, Lower Black Leather	OM 7264416-AV	1
50	OM72C	L.H.-Upper Yellow Leather, Lower Black Leather	OM 7264417-AV	1
50	OM74	Upper M-16811-F Dark Blue Broadcloth, Lower M-16102-N Blue Gray Block Broadcloth	OM 7464416-AB	1
50	OM74	Upper M-16811-F Dark Blue Broadcloth, Lower M-16560-A Blue Gray Stripe Nylon and Mohair	OM 7464416-AD	1
50	OM74	Upper M-16811-F Dark Blue Broadcloth, Lower M-16560-J Blue Gray Stripe Nylon and Mohair	OM 7464416-BAA	1
50	OM74	Upper M-16811-F Dark Blue Broadcloth, Lower M-16811-G Gray Broadcloth	OM 7464416-AC	1
50	OM74	Upper M-16811-D Plain Brown Broadcloth, Lower M-5085-W Tan and Brown Stripe Bedford Cord-with M-5156-L Tan Broadcloth back	OM 7464416-AA	1
50	OM74	Upper M-16811-D Plain Brown Broadcloth, Lower M-5085-W Tan and Brown Stripe Bedford Cord-with M-16811-B Tan Broadcloth Back	OM 7464416-AZ	1
50	OM74	Upper M-16811-D Plain Brown Broadcloth, Lower M-16102-Q Tan Pin Stripe Broadcloth	OM 7464416-AAH	1
50	OM74	Upper M-16811-H Dark Green Broadcloth, Lower M-16102-P Two Tone Green Stripe Broadcloth	OM 7464416-AR	1
50	OM74	Tan Leather	OM 7464416-AE	1
50	OM76	R.H.-Upper Black Leather, Lower Red Leather	OM 7664416-AF	1
50	OM76	L.H.-Upper Black Leather, Lower Red Leather	OM 7664417-AF	1
50	OM76	R.H.-Upper Dark Blue Leather, Lower M-16560-A Blue Gray Stripe Nylon and Mohair	OM 7664416-AJ	1
50	OM76	L.H.-Upper Dark Blue Leather, Lower M-16560-A Blue Gray Stripe Nylon and Mohair	OM 7664417-AJ	1
50	OM76	R.H.-Upper Dark Blue Leather, Lower Gray Leather	OM 7664416-AH	1
50	OM76	L.H.-Upper Dark Blue Leather, Lower Gray Leather	OM 7664417-AH	1
50	OM76	R.H.-Upper Brown Leather, Lower Tan Leather	OM 7664416-AG	1
50	OM76	L.H.-Upper Brown Leather, Lower Tan Leather	OM 7664417-AG	1

BODY PARTS CATALOGUE

YEAR 19	BODY TYPES	REMARKS	PART NUMBER	NO. REQ'D
Group 64416-7 COVER ASSEMBLY (FRONT SEAT BACK)-CONTINUED				
50	OM79	R.H.-Green Leather and Vinyl	OM 7964416-AM	1
50	OM79	L.H.-Green Leather and Vinyl	OM 7964417-AM	1
50	OM79	R.H.-Light Green Artificial Leather	OM 7964416-AU	1
50	OM79	L.H.-Light Green Artificial Leather	OM 7964417-AU	1
50	OM79	R.H.-Red Leather and Vinyl	OM 7964416-AK	1
50	OM79	L.H.-Red Leather and Vinyl	OM 7964417-AK	1
50	OM79	R.H.-Light Red Vinyl Artificial Leather	OM 7964416-AS	1
50	OM79	L.H.-Light Red Vinyl Artificial Leather	OM 7964417-AS	1
50	OM79	R.H.-Tan Leather and Vinyl	OM 7964416-AL	1
50	OM79	L.H.-Tan Leather and Vinyl	OM 7964417-AL	1
50	OM79	R.H.-Golden Tan Vinyl Artificial Leather	OM 7964416-AT	1
50	OM79	L.H.-Golden Tan Vinyl Artificial Leather	OM 7964417-AT	1
50	OM	Clip-"C"	358338-S	48
Group 64428-9 COVER ASSEMBLY (CENTER SEAT BACK)				
50	OM79	R.H.-Green Leather and Vinyl	8M 7964428-F	1
50	OM79	L.H.-Green Leather and Vinyl	8M 7964429-F	1
50	OM79	R.H.-Red Leather and Vinyl	8M 7964428-D	1
50	OM79	L.H.-Red Leather and Vinyl	8M 7964429-D	1
50	OM79	R.H.-Tan Leather and Vinyl	8M 7964428-E	1
50	OM79	L.H.-Tan Leather and Vinyl	8M 7964429-E	1
50	OM79	Light Green Vinyl Artificial Leather	OM 7964428-AU	1
50	OM79	Light Red Vinyl Artificial Leather	OM 7964428-AS	1
50	OM79	Golden Tan Vinyl Artificial Leather	OM 7964428-AT	1
Group 64522 COVER ASSEMBLY (CENTER SEAT BRACKET)				
50	OM79	Green Artificial Leather	OM 7964522-AM	1
50	OM79	Red Artificial Leather	OM 7964522-AK	1
50	OM79	Tan Artificial Leather	OM 7964522-AL	1
50	OM79	Screw (oval head cross recessed)-No. 8-15 x 5/8"	52352-813	1
Group 64800 PAD ASSEMBLY (FRONT SEAT BACK)				
50	OM74	Cotton	8M 7364800	1
Group 64810-1 PAD (FRONT SEAT BACK)-FRONT				
50	OM except 74	R.H.	8M 7264810	1
50	OM except 79	L.H.	8M 7264811	1
50	OM	Clip-"C"	358338-S	30
Group 66400-1 SHIELD ASSEMBLY (FRONT SEAT SIDE)				
50	OM72A	R.H.-Dark Brown Artificial Leather	OM 7266400-AN	1
50	OM72A	L.H.-Dark Brown Artificial Leather	OM 7266401-AN	1
50	OM72A	R.H.-Gray Artificial Leather	OM 7266400-AAG	1
50	OM72A	L.H.-Gray Artificial Leather	OM 7266401-AAG	1
50	OM72B-74	R.H.-M-5156-N Dark Blue Broadcloth	OM 7266400-AB	1
50	OM72B-74	L.H.-M-5156-N Dark Blue Broadcloth	OM 7266401-AB	1
50	OM72B-74	R.H.-M-5156-M Dark Brown Broadcloth	OM 7266400-AA	1
50	OM72B-74	L.H.-M-5156-M Dark Brown Broadcloth	OM 7266401-AA	1
50	OM72B-74	R.H.-M-5156-T Dark Green Broadcloth	OM 7266400-AR	1
50	OM72B-74	L.H.-M-5156-T Dark Green Broadcloth	OM 7266401-AR	1
50	OM72B-74	R.H.-Tan Artificial Leather	8M 7066400-T	1
50	OM72B-74	L.H.-Tan Artificial Leather	8M 7066401-T	1

MERCURY

BODY PARTS CATALOGUE

YEAR 19	BODY TYPES	REMARKS	PART NUMBER	NO. REQ'D
Group 66400-1 SHIELD ASSEMBLY (FRONT SEAT SIDE)-CONTINUED				
50	OM72C	R.H.-Black Artificial Leather	OM 7266400-AX	1
50	OM72C	L.H.-Black Artificial Leather	OM 7266401-AX	1
50	OM72C	R.H.-Dark Blue Artificial Leather	OM 7266400-AY	1
50	OM72C	L.H.-Dark Blue Artificial Leather	OM 7266401-AY	1
50	OM72C	R.H.-Dark Tan Artificial Leather	OM 7266400-AAF	1
50	OM72C	L.H.-Dark Tan Artificial Leather	OM 7266401-AAF	1
50	OM72C	R.H.-Yellow Artificial Leather	OM 7266400-AV	1
50	OM72C	L.H.-Yellow Artificial Leather	OM 7266401-AV	1
50	OM76	R.H.-Black Artificial Leather	OM 7666400-AF	1
50	OM76	L.H.-Black Artificial Leather	OM 7666401-AF	1
50	OM76	R.H.-Blue Artificial Leather	OM 7666400-AH	1
50	OM76	L.H.-Blue Artificial Leather	OM 7666401-AH	1
50	OM76	R.H.-Brown Artificial Leather	OM 7666400-AG	1
50	OM76	L.H.-Brown Artificial Leather	OM 7666401-AG	1
50	OM79	R.H.-Chestnut Brown Vinyl Artificial Leather	OM 7966400-AT	1
50	OM79	L.H.-Chestnut Brown Vinyl Artificial Leather	OM 7966401-AT	1
50	OM79	R.H.-Green Artificial Leather	8M 7966400-J	1
50	OM79	L.H.-Green Artificial Leather	8M 7966401-J	1
50	OM79	R.H.-Dark Green Vinyl Artificial Leather	OM 7966400-AU	1
50	OM79	L.H.-Dark Green Vinyl Artificial Leather	OM 7966401-AU	1
50	OM79	R.H.-Red Artificial Leather	8M 7966400-G	1
50	OM79	L.H.-Red Artificial Leather	8M 7966401-G	1
50	OM79	R.H.-Dark Red Vinyl Artificial Leather	OM 7966400-AS	1
50	OM79	L.H.-Dark Red Vinyl Artificial Leather	OM 7966401-AS	1
50	OM79	R.H.-Tan Artificial Leather	8M 7966400-H	1
50	OM79	L.H.-Tan Artificial Leather	8M 7966401-H	1
50	OM	Screw (hex head self tapping)-No. 10-12 x 1/2"	42007-S7	6
Group 66600 COVER ASSEMBLY (REAR SEAT BACK)				
50	OM72A	M-5085-Y Gray and Rust Bedford Cord	OM 7266600-AAG	1
50	OM72A	M-5085-X Tan Gray Bedford Cord	OM 7266600-AN	1
50	OM72B-74	Upper M-16811-F Dark Blue Broadcloth, Lower M-19102-N Blue Gray Block Broadcloth	OM 7266600-AB	1
50	OM72B-74	Upper M-16811-F Dark Blue Broadcloth, Lower M-16560-A Blue Gray Stripe Nylon and Mohair	OM 7266600-AD	1
50	OM72B-74	Upper M-16811-F Dark Blue Broadcloth, Lower M-16560-J Blue Gray Stripe Nylon and Mohair	OM 7266600-BAA	1
50	OM72B-74	Upper M-16811-F Dark Blue Broadcloth, Lower M-16811-G Gray Broadcloth	OM 7266600-AC	1
50	OM72B-74	Upper M-16811-D Plain Brown Broadcloth, Lower M-5085-W Tan and Brown Stripe Bedford Cord	OM 7266600-AA	1
50	OM72B-74	Upper M-16811-D Plain Brown Broadcloth, Lower M-16102-Q Tan Pin Stripe Broadcloth	OM 7266600-AAH	1
50	OM72B-74	Upper M-16811-H Dark Green Broadcloth, Lower M-16102-P Two Tone Green Stripe Broadcloth	OM 7266600-AR	1
50	OM72B-74	Tan Leather	OM 7266600-AE	1
50	OM72C	Upper Black Leather, Lower Red Leather	OM 7266600-AAE	1
50	OM72C	Upper Black Leather, Lower M-5087-A Red and Black Bedford Cord	OM 7266600-AX	1
50	OM72C	Upper Dark Blue Leather, Lower M-5087-B Blue and Turquoise Bedford Cord	OM 7266600-AY	1
50	OM72C	Upper Seal Brown Leather, Lower M-5087-C Brown and Turquoise Bedford Cord	OM 7266600-AAF	1
50	OM72C	Upper Yellow Leather, Lower Black Leather	OM 7266600-AV	1

