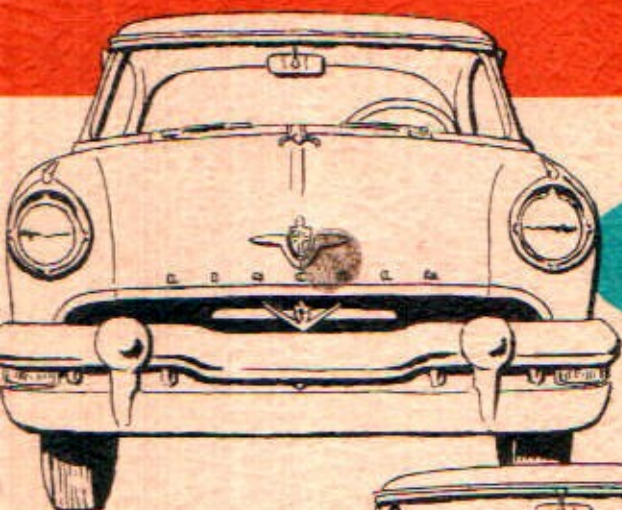


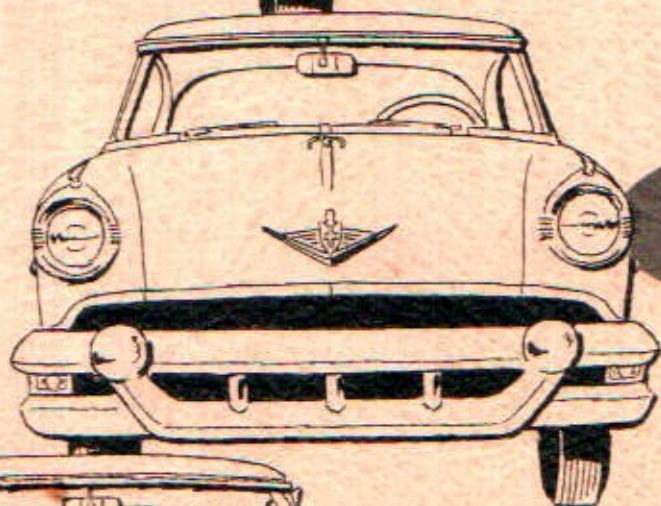
Lincoln

BODY PARTS

CATALOGUE



1953



1954



1955

NOV. 1954

PARTS AND ACCESSORIES
LINCOLN-MERCURY

DIVISION OF FORD MOTOR COMPANY

FORM 3641-55

Lincoln

BODY PARTS

CATALOGUE



1953



1954



1955

NOV. 1954

PARTS AND ACCESSORIES

LINCOLN-MERCUURY

DIVISION OF FORD MOTOR COMPANY

NOVEMBER, 1954

COPYRIGHT 1954
FORD MOTOR COMPANY
DEARBORN, MICHIGAN
ALL RIGHTS RESERVED

LITHO IN U. S. A.

QUICK REFERENCE INDEX

Group	Group Name	Page
	Alphabetical Index	XII
	Body Illustrations	XXII
01610	Panel Assy Dash	2
03100	Windshield	7
20122-3	Front Door	21
21402-3	Front Door Vent Window	27
23200-1	Door Window Regulators	38
24622-3	Rear Door	43
27700-1	Rear Quarter Body Panel	53
40110	Luggage Compartment Door	74
50202	Top and Roof	86
60000	Seat	104
	Soft Trim Section	117

District Offices

LINCOLN—MERCURY

Division of FORD MOTOR COMPANY

Detroit, Michigan

District Office	District Office Location	Lincoln-Mercury Stocking Location
Atlanta, Ga.	Hapeville, Ga.	East Point, Ga.
Boston, Mass.	Natick, Mass.	Natick, Mass.
Buffalo, N. Y.	Buffalo, N.Y.	
Philadelphia, Pa.	Wynnewood, Pa.	
Chicago, Ill.	Melrose Park, Ill.	Melrose Park, Ill.
Cincinnati, Ohio	Cincinnati, Ohio	
Cleveland, Ohio	Cleveland, Ohio	
Dallas, Texas	Dallas, Texas	Dallas, Texas
Detroit, Mich.	Detroit, Mich.	*Detroit, Mich.
Denver, Colo.	Denver, Colo.	Denver, Colo.
Des Moines, Iowa	Des Moines, Iowa	Des Moines, Iowa
Houston, Texas	Houston, Texas	
Jacksonville, Fla.	Jacksonville, Fla.	
Kansas City, Mo.	Kansas City, Mo.	Oklahoma City, Okla.
Los Angeles, Calif.	Los Angeles, Calif.	Los Angeles, Calif.
Memphis, Tenn.	Memphis, Tenn.	Memphis, Tenn.
New York, N. Y.	Teterboro, N. J.	Teterboro, N. J.
Oakland, Calif.	Okaland, Calif.	Richmond, Calif.
Pittsburgh, Pa.	Pittsburgh, Pa.	
St. Louis, Mo.	Robertson, Mo.	Chicago, Ill.
Seattle, Wash.	Seattle, Wash.	Seattle, Wash.
Twin Cities	Minneapolis, Minn.	St. Paul, Minn.
Washington, D. C.	Washington, D. C.	Richmond, Va.

*Lincoln-Mercury General Parts Depot

Revised 8-2-54

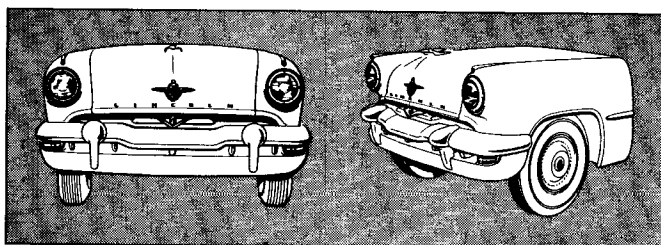
MODEL IDENTIFICATION

1953-54-55

Lincoln Cosmopolitan and Capri

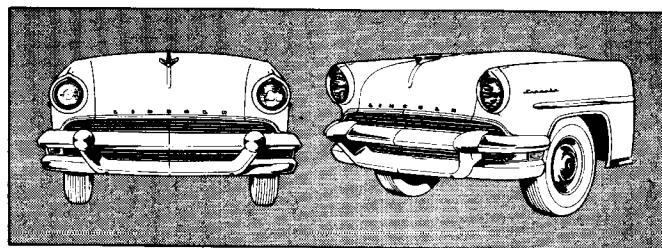
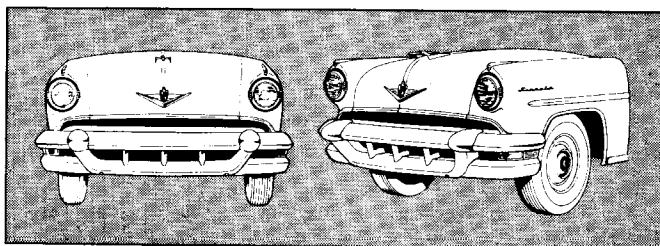
BH-BS-BT Series—123" W.B.

1953



1954

1955



**BODY
TYPE**

NAME

- | | |
|-----|---------------------------------------|
| 60A | Six Passenger Capri Coupe |
| 60C | Six Passenger Sports Coupe |
| 73A | Four Door Sedan |
| 73B | Capri Four Door Sedan |
| 76A | Six Passenger Capri Convertible Coupe |

FOREWORD

This group type **BODY PARTS CATALOGUE** has been prepared in appreciation of the difficulty experienced occasionally in the ordering of Body Parts.

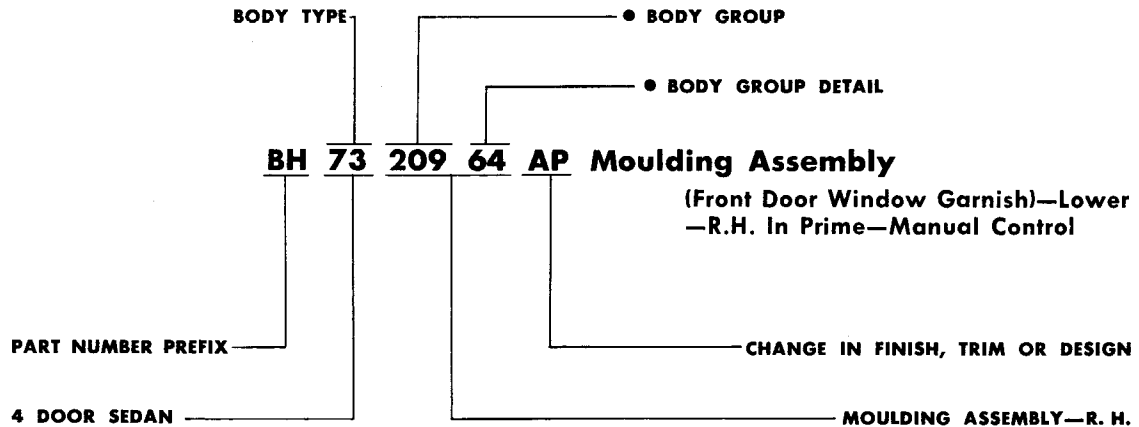
Every effort has been made to insure ease in selecting and ordering the correct parts you need.

We will welcome any suggestions for improvement of future publications of this Catalogue.

LINCOLN-MERCURY DIVISION

GENERAL INFORMATION

FOLLOWING IS A DIAGRAM OF THE BODY PARTS NUMBERING SYSTEM



● These five characters (The combined numbers of the **BODY GROUP** and **BODY DETAIL GROUP**) comprise the Body Group Numbers as used throughout this Body Parts Catalogue except for Chassis Parts and Body Parts engineered prior to the adoption of this **BODY PARTS NUMBERING SYSTEM**.

The index is compiled in fifteen (15) major group assemblies, which are listed in alphabetical sequence starting with "Deck (Rear) and Luggage Compartment" and terminating with "Windshield."

DECK (REAR) AND LUGGAGE COMPARTMENT	PILLARS (CENTER BODY)
DOORS (FRONT)	QUARTER (REAR)
DOORS (REAR)	ROOF
FLOOR	SEAT (FRONT)
FRONT	SEAT (REAR)
ELECTRICAL	TOP—CONVERTIBLE
PACKAGE TRAY	WINDOW (BACK)
	WINDSHIELD

Each of these major group assemblies is compiled in alphabetical sequence and lists all the parts pertaining to that group with cross reference to group number in which the part is listed.

The first three characters of the Body Group Numbers are as follows:

000-009 FRONT END GROUP	400-499 BACK GROUP
100-199 FLOOR GROUP	500-599 TOP AND ROOF GROUP
200-399 SIDE ASSEMBLY GROUP	600-699 SEAT GROUP

The fourth and fifth characters of the Body Group Numbers are The Body Group Detail Numbers.

Illustrations throughout this Catalogue are for a particular Body Type although Group Numbers and Descriptions are applicable to practically all Body Types.

An Illustration Index has been incorporated directly behind the Group Alphabetical Index to help locate needed parts by means of visual aid.

Always give complete PART NUMBER and NAME of each part ordered.

When Part Number for part required cannot be located in Catalogue, a complete description including dimensions, should be given along with the information shown on the Patent Plate.

With the exception of Standard parts such as bolts, nuts, etc., Group Numbers only appear on exploded illustrations.

Standard parts such as Bolts, Screws, Clamps, etc., are listed below the part with which they are used.

Do not order parts by the GROUP NUMBER or GROUP HEADINGS as shown on illustrations; always consult the list of Parts for complete PART NUMBER.

The driver's position governs such parts as doors, seats, etc., as to whether an item is Right Hand or Left Hand.

A Sample of trim material should be submitted on all orders for trim parts.

Specify whether shipments are to be made by Freight, Express or Parcel Post.

ABBREVIATIONS

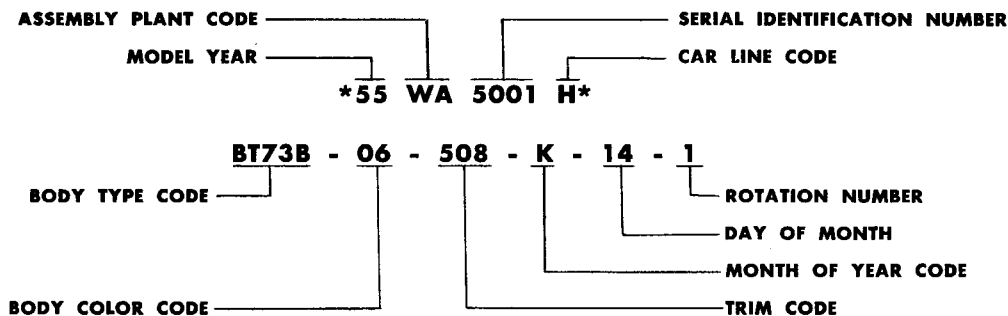
art	artificial	L/W	lockwasher
approx.	approximately	mldg.	moulding
assy	assembly	mount. or (mtg.)	mounting
brkt.	bracket	O.D.	outer diameter
b-hd	button head	o/all	overall
compt.	compartment	reinf.	reinforcement
c/pin.	cotter pin	reg.	regulator
cyl.	cylinder	rep.	replaced
defl.	deflector	req'd	required
def.	defroster	ret.	retainer
dia.	diameter	R.H.	Right Hand
equipt.	equipment	rd-hd	round head
fl-hd	flat head	spec.	special
ft.	foot or feet	spec-hd	special head
H/D	heavy-duty	sq-hd	square head
hex	hexagonal	std.	standard
hex-hd	hexagonal head	tap.	tapping
hsg.	housing	trans.	transmission
hyd.	hydraulic	vac.	vacuum
I.D.	inner diameter	vent.	ventilator
instr.	instrument	W/S	windshield
L.H.	Left Hand	w/	with
	w/o		without

PATENT PLATE

The Patent Plate for 1955 has been designed to include the Body Style and Body Specifications in addition to the car serial number. The Patent Plate will be installed on the left front body pillar just below the upper hinge opening.

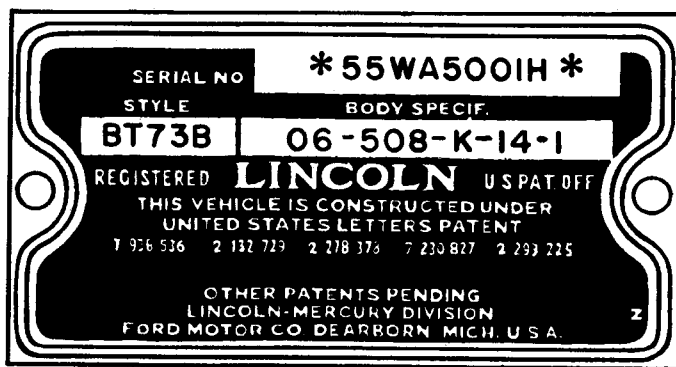
The following diagram of the Patent Plate specifies the Model Year, Plant which assembled the car, Serial Identification Number, Car Name, Body Type, Body Outside Paint Color, Trim Scheme, Day of Month car was assembled, Month car was assembled and its numerical sequence of assembly.

PATENT PLATE DIAGRAM



ASSEMBLY PLANT IDENTIFICATION CODES

LA—Los Angeles
 WA—Wayne Plant
 SL—St. Louis



Serial Number (*55WA5001H*)

“55”—1955 Model
 “WA”—Assembled at Wayne Plant
 “5001”—Serial Identification Number
 “H”—Lincoln

Style and Body Specifications: (BT73B 06-508-K-14-1)

BT73B—Capri Four Door Sedan
 06—Starlight Gray
 508—Dark Blue Nylon and
 Light Blue Modern Weave
 K—Month of Year—October
 14—14th Day of Month
 1—1st Car Assembled

The asterisks in front of and after the complete serial number are inserted as Assurance that no other digits or letters can be added to the serial number.

BREAKDOWN OF CODES USED IN LINCOLN COSMOPOLITAN AND CAPRI PATENT PLATE NUMBERS

ASSEMBLY PLANT CODES

CODE	ASSEMBLY PLANT
LA	Los Angeles
WA	Wayne
SL	St. Louis

BODY TYPE CODES

CODE	BODY TYPE
60A	Six Passenger Capri Coupe
60C	Six Passenger Sport Coupe
73A	Four Door Sedan
73B	Capri Four Door Sedan
76A	Six Passenger Capri Convertible Coupe

MONTH OF YEAR CODE

CODE	MONTH	CODE	MONTH
A	January	G	July
B	February	H	August
C	March	J	September
D	April	K	October
E	May	L	November
F	June	M	December

1953-54 CONVERTIBLE TOP COLOR CODES

CODE	COLORS.
100	Gray Tan—Tan Binding
101	Black—Black Binding
102	Black—Red Binding
103	Green—Green Binding
104	Blue Gray—Blue Gray Binding

1955 CONVERTIBLE TOP COLOR CODES

CODE	COLORS
100	Tan—Tan Binding
101	Black—Black Binding
102	Black—Red Binding
103	Green—Green Binding
105	White—White Binding

1953-55 TRIM SCHEME CODES

CODE	TRIM SCHEMES
301	Dark Gray and Silver Frieze
302	Dark Brown and Silver Frieze
303	Dark Gray and White Tweed
304	Dark Brown and White Tweed

1953-55 TRIM SCHEME CODES

CODE	TRIM SCHEMES
305	Dark Green and White Pindot Nylon
306	Dark Gray and White Pindot Nylon
307	Dark Blue Shadow Stripe Broadcloth
308	Dark Brown Shadow Stripe Broadcloth
309	Red Leather and Black Nylon
310	Calf Leather and Black Nylon
311	White Leather and Black Nylon
312	Light Blue Leather and Dark Blue Nylon
313	White Leather and Dark Blue Nylon
314	Light Green Leather and Dark Green Nylon
315	White Leather and Dark Green Nylon
316	Red and Black Leather
317	Calf and Black Leather
318	White and Black Leather
319	Light Blue and Dark Blue Leather
320	White and Dark Blue Leather
321	Light Green and Dark Green Leather
322	White and Dark Green Leather
323	White and Calf Leather
324	Calf Leather
405	Dark Gray and Silver Frieze and Light Gray Gabardine
406	Light Brown and White Check Broadcloth and Dark Brown Gabardine
406A	Light Brown and White Check Broadcloth and Dark Brown Gabardine
407	Dark Green and Silver Frieze and Light Green Gabardine
408	Light Blue and White Check Broadcloth and Dark Blue Gabardine
408A	Light Blue and White Check Broadcloth and Dark Blue Gabardine
409	Calf Leather
410	Light Gray and Dark Gray Gabardine
411	Light Brown and Dark Brown Gabardine
412	Light Green and Dark Green Gabardine
413	Light Blue and Dark Blue Gabardine
414	Red Leather and Black Pebble Weave
416	White Leather and Black Pebble Weave
416A	Ermine White Leather and Black Pebble Weave
419	Light Blue Leather and Dark Blue Pebble Weave
420	White Leather and Dark Blue Pebble Weave
420A	Ermine White Leather and Dark Blue Pebble Weave
421	Light Green Leather and Dark Green Pebble Weave

**BREAKDOWN OF CODES USED IN LINCOLN
COSMOPOLITAN AND CAPRI PATENT PLATE NUMBERS—CONTINUED**

1953-55 TRIM SCHEME CODES (Continued)

CODE	TRIM SCHEMES
422	White Leather and Dark Green Pebble Weave
422A	Ermine White Leather and Dark Green Pebble Weave
423	Calf Leather and Beige Whipcord
424	Black Leather and Beige Whipcord
427	Black and Red Leather
429	Black and White Leather
429A	Black and Ermine White Leather
430	Black and Light Blue Leather
431	Black and Light Green Leather
433	Dark Blue and White Leather
433A	Dark Blue and Ermine White Leather
435	Dark Green and White Leather
435A	Dark Green and Ermine White Leather
436	Calf and White Leather
436A	Calf and Ermine White Leather
437	Yellow Leather and Black Pebble Weave
438	Yellow and Black Leather
501	Dark Gray Nylon and Light Gray Seaweave
503	Dark Green Nylon and Light Green Seaweave
504	Dark Blue Nylon and Light Blue Seaweave
505	Dark Gray Nylon and Light Gray Modern Weave
506	Dark Brown Nylon and Light Brown Modern Weave

CODE	TRIM SCHEMES
507	Dark Green Nylon and Light Green Modern Weave
508	Dark Blue Nylon and Light Blue Modern Weave
511	Buff Leather
512	Ermine White Leather and Light Green Willow Weave Nylon
513	Ermine White Leather and Light Blue Willow Weave Nylon
514	Yellow Leather and Black Willow Weave Nylon
515	Red Leather and Black Willow Weave Nylon
517	Dark Green Leather and Light Green Willow Weave Nylon
518	Dark Blue Leather and Light Blue Willow Weave Nylon
519	Ermine White and Light Green Leather
520	Ermine White and Light Blue Leather
523	Ermine White and Palomino Buff Leather
524	Yellow and Black Leather
525	Red and Black Leather
527	Ermine White Leather and Black Willow Weave Nylon
528	Ermine White and Black Leather
529	Ermine White and Red Leather
530	Ermine White and Yellow Leather
531	Ermine White and Coral Leather
532	Ermine White and Turquoise Leather

1953 PAINT CODES

CODE	COLORS
01	Regent Black
02	Crown Blue Metallic
04	Majestic Maroon Metallic
05	Kingsbury Gray
08	Embassy Brown Metallic
09	Castle Tan
10	Colonial Blue
12	Esquire Green
14	Empire Green Metallic
15	Oxford Gray Metallic
16	Palace Green Metallic
18	Royal Red
19	Cavalier Yellow
28	Upper—Kingsbury Gray Lower—Crown Blue Metallic
29	Upper—Crown Blue Metallic Lower—Kingsbury Gray

CODE	COLORS
30	Upper—Regent Black Lower—Kingsbury Gray
31	Upper—Kingsbury Gray Lower—Regent Black
34	Upper—Regent Black Lower—Cavalier Yellow
38	Upper—Castle Tan Lower—Majestic Maroon Metallic
39	Upper—Majestic Maroon Metallic Lower—Castle Tan
48	Upper—Empire Green Metallic Lower—Esquire Green
49	Upper—Esquire Green Lower—Empire Green Metallic
50	Upper—Palace Green Metallic Lower—Esquire Green
51	Upper—Esquire Green Lower—Palace Green Metallic

**BREAKDOWN OF CODES USED IN LINCOLN
COSMOPOLITAN AND CAPRI PATENT PLATE NUMBERS—CONTINUED**

1953 PAINT CODES (Continued)

CODE	COLORS	CODE	COLORS
52	Upper—Oxford Gray Metallic Lower—Kingsbury Gray	58	Upper—Regent Black Lower—Esquire Green
53	Upper—Kingsbury Gray Lower—Oxford Gray Metallic	60	Upper—Regent Black Lower—Castle Tan
54	Upper—Crown Blue Metallic Lower—Colonial Blue	61	Upper—Regent Black Lower—Majestic Maroon Metallic
55	Upper—Colonial Blue Lower—Crown Blue Metallic	62	Upper—Regent Black Lower—Colonial Blue
56	Upper—Castle Tan Lower—Embassy Brown Metallic	63	Upper—Regent Black Lower—Royal Red
57	Upper—Embassy Brown Metallic Lower—Castle Tan	64	Upper—Castle Tan Lower—Royal Red

1954 PAINT CODES

CODE	COLORS	CODE	COLORS
01	Regent Black	48	Upper—Wellington Gray Lower—Cadet Gray Metallic
02	Ambassador Blue Metallic	49	Upper—Ambassador Blue Metallic Lower—Columbia Blue
04	Majestic Maroon Metallic	50	Upper—Columbia Blue Lower—Ambassador Blue Metallic
05	Wellington Gray	51	Upper—Colony Tan Lower—Embassy Brown Metallic
07	Cadet Gray Metallic	52	Upper—Embassy Brown Metallic Lower—Colony Tan
08	Colony Tan	53	Upper—Regent Black Lower—Colony Tan
09	Columbia Blue	54	Upper—Regent Black Lower—Columbia Blue
11	Embassy Brown Metallic	55	Upper—Regent Black Lower—Canterbury Green
11A	Viceroy Brown	56	Upper—Regent Black Lower—Empire Green Metallic
13	Canterbury Green	57	Upper—Regent Black Lower—Wellington Gray
14	Empire Green Metallic	58	Upper—Colony Tan Lower—Palace Green Metallic
16	Palace Green Metallic	59	Upper—Colony Tan Lower—Ambassador Blue Metallic
19	Premier Yellow	72	Upper—Ermine White Lower—Royal Red
20	Royal Red	72A	Upper—Ermine White Lower—Regal Red
21	Regal Red	73	Upper—Ermine White Lower—Embassy Brown Metallic
23	Ermine White	73A	Upper—Ermine White Lower—Viceroy Brown
34	Upper—Regent Black Lower—Premier Yellow	74	Upper—Embassy Brown Metallic Lower—Ermine White
38	Upper—Regent Black Lower—Royal Red	74A	Upper—Viceroy Brown Lower—Ermine White
38A	Upper—Regent Black Lower—Regal Red	75	Upper—Regent Black Lower—Ermine White
39	Upper—Colony Tan Lower—Royal Red		
39A	Upper—Colony Tan Lower—Regal Red		
42	Upper—Empire Green Metallic Lower—Canterbury Green		
43	Upper—Canterbury Green Lower—Empire Green Metallic		
45	Upper—Palace Green Metallic Lower—Canterbury Green		
46	Upper—Canterbury Green Lower—Palace Green Metallic		
47	Upper—Cadet Gray Metallic Lower—Wellington Gray		

**BREAKDOWN OF CODES USED IN LINCOLN
COSMOPOLITAN AND CAPRI PATENT PLATE NUMBERS—CONTINUED**

1954 PAINT CODES (Continued)

CODE	COLORS
76	Upper—Ermine White Lower—Palace Green Metallic
77	Upper—Ermine White Lower—Ambassador Blue Metallic
78	Upper—Ambassador Blue Metallic Lower—Ermine White

CODE	COLORS
79	Upper—Palace Green Metallic Lower—Ermine White
80	Upper—Royal Red Lower—Ermine White
80A	Upper—Royal Red Lower—Ermine White

1955 PAINT CODES

CODE	COLORS
01	Executive Black
02	Chalet Blue Metallic
06	Starlight Gray
07	Chancellor Gray Metallic
09	Brunswick Blue
10	Estate Green Metallic
11	Viceroy Brown Metallic
12	Galway Green Metallic
13	Summit Green
19	Sunstone Yellow
21	Huntsman Red
23	Ermine White
25	Palomino Buff
27	Cashmere Coral
28	Taos Turquoise
30	Bahama Blue Metallic
34	Upper—Executive Black Lower—Sunstone Yellow
37	Upper—Executive Black Lower—Starlight Gray
42	Upper—Galway Green Metallic Lower—Summit Green
43	Upper—Summit Green Lower—Galway Green Metallic
44	Upper—Estate Green Metallic Lower—Summit Green
45	Upper—Summit Green Lower—Estate Green Metallic
46	Upper—Chancellor Gray Metallic Lower—Starlight Gray
47	Upper—Starlight Gray Lower—Chancellor Gray Metallic
48	Upper—Chalet Blue Metallic Lower—Brunswick Blue
49	Upper—Brunswick Blue Lower—Chalet Blue Metallic
50	Upper—Ermine White Lower—Estate Green Metallic
51	Upper—Estate Green Metallic Lower—Ermine White
52	Upper—Chalet Blue Metallic Lower—Ermine White

CODE	COLORS
53	Upper—Ermine White Lower—Chalet Blue Metallic
54	Upper—Ermine White Lower—Summit Green
55	Upper—Huntsman Red Lower—Ermine White
56	Upper—Ermine White Lower—Huntsman Red
57	Upper—Ermine White Lower—Brunswick Blue
58	Upper—Galway Green Metallic Lower—Ermine White
59	Upper—Ermine White Lower—Galway Green Metallic
60	Upper—Ermine White Lower—Palomino Buff
61	Upper—Palomino Buff Lower—Ermine White
73	Upper—Ermine White Lower—Viceroy Brown Metallic
74	Upper—Viceroy Brown Metallic Lower—Ermine White
75	Upper—Executive Black Lower—Ermine White
76	Upper—Ermine White Lower—Executive Black
89	Upper—Ermine White Lower—Sunstone Yellow
90	Upper—Ermine White Lower—Cashmere Coral
91	Upper—Cashmere Coral Lower—Ermine White
92	Upper—Ermine White Lower—Taos Turquoise
93	Upper—Taos Turquoise Lower—Ermine White
96	Upper—Executive Black Lower—Huntsman Red
97	Upper—Huntsman Red Lower—Executive Black
98	Upper—Ermine White Lower—Bahama Blue Metallic
99	Upper—Bahama Blue Metallic Lower—Ermine White

Group Alphabetical Index

Group Name	Group Number	Group Name	Group Number
DECK (REAR) AND LUGGAGE COMPARTMENT			
Bracket assy (luggage compt. hinge to wheelhouse)	42704-5	Cylinder assy set-with keys	3687-9
Bracket (spare wheel mounting)	47076	Name plate (luggage compartment door)	42528
Bracket (luggage compartment door bumper)	40130-1	Ornament assy (luggage compt. door handle)	43503
Cover (luggage compt. door handle keyhole)	43516	Ornament (luggage compartment door handle)	43533
Cover assy (luggage compartment floor)-front	45455	Pad (luggage compartment door handle)	43531
Cover assy (luggage compartment floor)-rear	45456	Panel assy (lower back body)	40320
Cover assy (luggage compt. floor)-R. H. & L. H.	45456-7	Panel assy (quarter wheelhouse luggage compartment trim)	45480-1
Cover assy (luggage compt. fuel filler housing)	45487	Plate (luggage compartment door lock striker)	43252
Cover (luggage compartment fuel filler housing)	45489	Plate (luggage compt. door lock striker)-tapping	43222
Cover assy (luggage compt. door lock keyhole)	43514	Rail assy (belt)-side	41732-3
Cover assy (quarter wheelhouse luggage compt.)	45472-3	Reinforcement (luggage compartment opening-upper)	44822
Cyl. assy (luggage compartment lock)-with keys	43505	Retainer (luggage compt. door handle medallion)	43564
Door assy (luggage compartment)-without lock	40110	Retainer (lower back panel lining board)	40433
Handle assy (luggage compartment door)-less cylinder and keys	43500	Spacer (luggage compartment door)	43520
Hinge assy (luggage compartment door)	42700-1	Spring (luggage compartment door hinge)	42760
Housing assy (fuel tank filler pipe)	11310	Spring (luggage compartment door lock pawl)	43259
Key (luggage compartment door lock)	43562	Spring (luggage compt. door lock keyhole cover)	43567
Lining board (lower back panel)	40448-9	Spring (luggage compartment key hole cover)	22007
Lining board (luggage compartment)-front	45444	Support assy (luggage compt. door hinge to body)	42794-5
Lining board (luggage compartment)-side	45416-7	Trough assy (luggage compartment door opening drain)-side	45100-1
Lining board (quarter wheelhouse side)-front	28086	Weatherstrip (luggage compartment door)	43720
Lining board assy (luggage compartment)-front	45443		
Link (luggage compartment door lock actuating)	43226		
Lock assy (luggage compartment door)	43200		

DOORS (FRONT)

Arm (door check)	23504	Escutcheon assy (front door vent and window regulator handle)	23420
Arm and plate assy (door window regulator)	23234-5	Escutcheon assy (inside handle)	22618
Arm rest assy (door trim)	*24140-1	Filler (front door window garnish mldg. joint)-front	21158-9
Bar (window regulator control switch)-bus	14513	Frame assembly (door glass)	22220-1
Bracket assembly (door vent window glass run-lower)-inner	22912	Frame assembly (front door vent window)-less glass	22206-7
Bracket (door window stop)-upper	21760-1	Filler (front door window garnish mldg. joint)-rear	21118-9
Bracket (front door vent window upper pivot)-on retainer	21464-5	Gear and shaft assy (door vent window regulator)	23436
Bracket (door window regulator motor)	23312-3	Glass assy (front door window)	21410
Bumper (door window stop)	21762	Glass assy (front door vent window)	21412
Button and guide assy (outside door handle)	22454	Glass, channel and frame assy (door)	21400-1
Cap (door vent window division bar)-upper	21394-5	Gold star transfer kit	20752
Channel and bracket assy (front door glass)	21458-9	Grommet (door lock knob)	21999
Clip (door arm rest)	24146	Grommet (door windows regulator)-motor mounting	23283
Clip (door lock rod)	21952	Guide assembly (front door check)	23552
Control assy (front door lock remote)	21818-9	Handle (door ventilating window)	22916-7
Coupling (door window regulator drive)	23440	Handle assy (door inside)	22600
Cover and spring kit (door lock cylinder)	21942-3	Handle assy (door outside)-complete	22400-1
Cylinder assy set-with keys	3687-9	Handle assembly (door outside)-less pin	22406-7
Cylinder assy (door lock)-with keys	21984-5	Handle assy (front door vent window regulator)	23410
Door assy (front)-less paint, trim, glass, handles, hinges, lock and regulator	20122-3	Handle assy (window regulator)	23342
Drive assy (door window regulator)	23394-5	Hinge assy (front door)	22800-1

*Refer to Soft Trim Section

Group Alphabetical Index

Group Name	Group Number	Group Name	Group Number
------------	--------------	------------	--------------

DOORS (FRONT) - continued

Hinge (front door ventilating window upper pivot)-on frame	21466-7	Run (front door vent window division bar glass)	21546
Key (door ventilator window frame)	22920	Run assy (door glass)-lock side	21508-9
Knob (door locking control rod)	21850	Run assy (front door glass)-lock side	21550
Latch (door ventilating window)	22924-5	Seal (door handle push button)	22478
Lock assy (front door)	21812-3	Shaft (door vent window regulator extension)	23456
Moulding (front door garnish finish)	21172-3	Shim (door lock striker plate)	22058
Moulding (front door top)-outside	20492-3	Sleeve (door lock pawl stop)	21909
Moulding (front door trim)-lower	20956	Spacer (door window garnish moulding)	20922
Moulding (front door garnish finish)-upper	21168-9	Spring (door lock operating lever)-retaining	22075
Moulding (front door outside)-at belt	20934-5	Spring (door lock main)	21858
Moulding (front door outside)-lower	20938-9	Spring (door lock pawl stop)	21988
Moulding (front door top)-outside	20492-3	Spring (door lock remote control)	21910
Moulding assy (front door window garnish)-upper	20904-5	Spring (door lock slide toggle)	21872-3
Motor assy (window regulator)	14553	Spring (electric switch)-locking	23604
Moulding and weatherstrip assy (front door belt)	21010-1	Spring (door ventilator window handle)	22986
Pad (door outside handle)-large	22428	Spring (door ventilator window pivot)	22926
Pad (door outside handle)-small	22448	Spring (door window regulator roller)	23243
Pin (door hinge)	22840	Spring (inside door handle and window reg. handle)	22624
Pin (door outside handle)-release	22438	Spring (key hole cover door lock cylinder)	22006-7
Pin (door vent window regulator extension shaft)	23464	Spring (outside door handle push button)	22462
Plate (door lock striker tapping)	22024	Stop (door window upper)-rear	21768
Plate (front door scuff)	13208	Stop (door window upper)-front	21770
Plate (window regulator handle)	23370	Strip (door glass retaining)-lower	21424
Plate (window regulator switch mounting)-single	14523	Strip (door glass retaining)-upper	21478
Plate (window regulator switch mounting)-multiple	14524	Support (front door arm rest)	24160-1
Plate assy (door lock striker)	22008-9	Support assy (door glass run)-lower lock side	21514
Rain shield (door ventilating window)	22884-5	Switch assy (window regulator control)-multiple	14540
Regulator assy (front door window)	23200-1	Switch assy (window regulator control)-single	14529
Regulator assy (front door window)-less arms	23202-3	Switch and housing assy (window regulator)-multiple	14505
Regulator assy (front door window)-less motor	23208-9	Trim assy (front door panel)-less arm rest	*23942-3
Retainer (front door trim moulding)-lower	20950	Washer (door ventilator window pivot)	22982
Retainer (outside door handle button)	22459	Weatherstrip (door glass at belt)-outside	21446
Retainer (door belt weatherstrip)	21486	Weatherstrip (door vent window division bar)	21450
Retainer (door lock cylinder)	22023	Weatherstrip (front door glass at belt)-inside	21456-7
Retainer assy (door vent window regulator shaft)	23468-9	Weatherstrip (front door vent window)	21448-9
Retainer and bar assy (front door vent. window)	22204-5	Weatherstrip assy (front door)	20530-1
Rivet (division bar weatherstrip)	21524	Weatherstrip assy (front door glass at belt)-outer	21452-3
Rod (front door lock push button)	21852-3	Welt and cardboard assy (front door window garnish moulding)	20724-5
Roller assembly (door window regulator)	23240	Windlace and reinforcement assy (front body pillar and door opening)	*02600-1
Roller (door window regulator arm)	23286	Window assy (front door ventilating)-complete	21402-3
Roller (door check arm)-outer	23518	Worm (door vent window regulator)	23460
Roller (door check arm)-inner	23519		
Run (door glass division bar)	21546-7		

DOORS (REAR)

Arm (rear door check)	27204	Channel and bracket assy (rear door glass)	26228-9
Arm rest assembly (door trim)	*24140-1	Clip (rear door trim at lock water shield)	27463
Bellcrank (rear door lock)	26448	Control assy (rear door lock remote)	25404-5
Bracket (door window regulator relay)	27036	Cover and shaft assy (rear door electric regulator)-"A" design	27440
Button and guide assy (outside door handle)	22454		

*Refer to Soft Trim Section

Group Alphabetical Index

Group Name	Group Number	Group Name	Group Number
DOORS (REAR) - continued			
Door assy (rear)-less paint, trim, glass, handles, hinges, lock and regulator	24622-3	Plate (door lock striker tapping)	22024
Filler (rear door window garnish moulding joint)-front	25592-3	Plate (rear door scuff)	13228-9
Filler (rear door window garnish moulding-joint) rear	25594-5	Plate (window regulator switch mtg.)-single	14523
Frame assy (rear door vent window)-less glass	26898-9	Plate assy (door lock striker)	22008-9
Glass assy (rear door ventilator window)	26870	Regulator assy (rear door window)	27000-1
Glass assy (rear door window)	25712	Regulator assy (rear door window)-less motor	27008-9
Grommet (door lock knob)	21999	Retainer (outside door handle button)	22459
Grommet (door windows regulator)-motor mounting	23283	Retainer (rear door bottom weatherstrip)	25312
Guide assembly (rear door check arm)	27226	Retainer (rear door trim moulding)-lower	25582
Handle assy (door inside)	22600	Retainer and division bar assy (rear door ventilating window)	26902-3
Handle assy (door outside)-complete	22400-1	Rod (rear door lock push button)	26460
Handle assy (window regulator)	23342	Roller (door window regulator arm)	23286
Handle assy (window regulator)	30322	Stop (rear door vent window pivot)-lower	26912
Hinge assy (rear door)	26800-1	Run (rear door vent window division bar)	26884
Knob (door locking control rod)	21850	Run assy (rear door glass lock side)	25760
Link assy (rear door lock control rod)	26408-9	Seal (door outside handle push button)	22478
Lock assy (rear door)	26412-3	Shim (door lock striker plate)	22058
Motor assy (window regulator)	14553	Spring (electric switch)-locking	23604
Moulding (rear door outside)-lower front	25556-7	Spring (inside door handle and window reg. handle)	22624
Moulding (rear door outside)-lower rear	25532-3	Spring (outside door handle push button)	22462
Moulding (rear door top)-outside	25542-3	Spring (rear door check)	27206
Moulding (rear door outside panel)-at belt	25554-5	Spring (rear door window regulator handle)	27046
Moulding (rear door trim)-lower	25580	Stop (rear door vent window pivot)-lower	26912
Moulding assy (rear door)-outside top	25636-7	Switch assy (window regulator control)-single	14529
Moulding assy (rear door window garnish)-upper	25514-5	Switch and housing assy (window regulator)-single	14507
Moulding assy (rear door window garnish)-lower	25590-1	Trim assy (rear door panel)	*27406-7
Pad (door outside handle)-large	22428	Welt and cardboard assy (rear door window finish)	24754-5
Pad (door outside handle)-small	22448	Windlace assy (rear door opening)	*24544-5
Pin (door hinge)	22840	Window assy (rear door ventilator)-complete	26866-7
Pin (door outside handle)-release	22438	Weatherstrip (rear door glass at belt)-inside	25860-1
Pin (rear door hinge)	26832	Weatherstrip (rear door opening)-outer	25324-5
Pin (window regulator control switch retaining)	14520	Weatherstrip (rear door vent window)	26894-5
Pinion and shield assy (rear door electric regulator)-"A" design	27438	Weatherstrip (rear door vent window division bar)	26906
		Weatherstrip assy (rear door glass at belt)-outer	25596-7
ELECTRICAL			
Bar assembly (front seat track equalizing)-horizontal	61842	Circuit breaker assy (top control)	14526
Bar (front seat track equalizing)-vertical	61849	Clamp (front seat adjuster regulator shaft boot)	60479
Bar (window regulator control switch)-bus	14513	Coupling (door window regulator drive)	23440
Bezel (top control knob)	15677	Coupling (motor to shaft assy front seat adjuster)	60487
Boot (front seat adjuster regulator shaft)	60475	Cover and shaft assy (rear door electric regulator)	27440
Bracket (front seat adjuster to floor)	60455	"A" design	
Bracket assy (folding top lift junction block)	53465	Cover and shaft assy (quarter window electric regulator)-"A" design	30315
Bracket assy (motor mounting top control)	15669	Drive assy (door window regulator)	23394-5
Bracket assy (top lift motor mounting)	50747	Drive assy (quarter window electric regulator)-"B" design	30304
Bracket (door window regulator motor)	23312-3	Drive assy (quarter window regulator)-electric	30304-5
Bushing (front seat track regulator)-front	61835	Gasket (seat adjuster regulator cover)	60467
Bushing (front seat track regulator)-rear	61829		

*Refer to Soft Trim Section

Group Alphabetical Index

Group Name	Group Number	Group Name	Group Number
------------	--------------	------------	--------------

ELECTRICAL - continued

Gear assy (front seat adjuster regulator)	60471	Regulator assy (quarter window)-less motor	30380-1
Grommet (door window regulator)-motor mounting	23283	Relay assy (window regulator control)	14512
Housing cover assembly (front seat adjuster regulator)	60481	Relay assy (top control)	15672
Knob and element assy (front seat back and quarter)-cigar lighter	62844	Relay assy (seat regulator control)	14546
Knob and element assy (quarter and front seat-back)	15078	Shaft assy (front seat adjuster regulator)	60477
Lift assy (folding top)	50454-5	Shaft assy (quarter window regulator)-electric	30334
Motor assy (horizontal seat regulator)	14547	Shaft assy (top lift drive)	50612-3
Motor assy (top control)	15664	Spacer (folding top lift motor support)	53382
Motor assy (window regulator)	14553	Spacer (front seat track regulator shaft to drive link)-long	61825
Pinion and shield assy (quarter window regulator)-"A" design	30327	Spring (electric switch)-locking	23604
Plate (window regulator switch mounting)-single	14523	Switch assy (tap control)	15668
Plate (window regulator switch mounting)-multiple	14524	Switch assy (window regulator control)-multiple	14540
Regulator assy (front door window)-less motor	23208-9	Switch assy (window regulator control)-single	14529
Regulator assy (front seat adjuster)-electric	60473	Switch assy (seat regulator control)	14545
Regulator assy (front door window)	23200-1	Switch and housing (window regulator)-multiple	14505
Regulator assy (quarter window)	30306-1	Switch and housing assy (window regulator)-single	14507
Regulator assy (rear door window)	27000-1	Switch and housing assy (seat regulator control)	14680
		Washer (front seat regulator drive shaft lock)	60494

FLOOR

Carpet and pad assy (front floor)	*13000-1	Mat (floor accessory)	13084
Carpet and pad assy (rear floor)	*13046	Member (floor side)	10120
Cover (floor pan rear gas gauge)	11290	Moulding (body rocker panel curb buffer)	10176
Cover (transmission band adjustment)-access hole	12129	Pad (front floor)-heel	*13086
Cover (underseat heater opening)	01460	Pan assy (front floor)	11135
Extension assy (rear floor pan to qtr. panel)	11239	Pan assy (rear floor)	11215
Extension (rear floor pan)	11250-1	Panel assy (body rocker)	10128-9
Extension (rocker panel side ornament)	10168-9	Plate (transmission filler hole) access	12133
Filler (front door depression)	13130	Retainer (body rocker panel curb buffer moulding)	10198
Filler (rear floor to quarter panel)	11228-9	Seal (transmission access hole cover)	12181
Grommet (carpet)-female	13092	Seal (underseat heater opening cover)	01462
Grommet (carpet)-male	13090	Shim (body mounting)	00145
Insulator assy (front floor)	11112	Silencer (floor pan front)-center	11165
Insulator assy (rear floor)	11268	Spacer (body bolt)	00134
Insulator assy (rear floor under seat)	11486	Spacer (body bolt at frame)	00141
Insulator (body bolt)-lower	00155	Spacer (body to frame)	11520
Insulator (body bolt)	00154	Support assy (fuel tank)-rear	11324

FRONT

Arm and bracket assy (visor)	04144	Bracket (front body pillar visor)	04128-9
Box assy (battery)	01615	Brake pedal (support and brake assy)	01506
Box assy (glove compartment)	06010	Bracket (instrument panel ash receptacle)	04854
Box assy (instrument panel)-ash	04821	Bracket (top control switch mounting)	15676
Brace (dash to frame)	01726-7	Bracket (visor arm clip moulding)	04186
Brace (brake pedal support)-to cowl top	01554	Bulb (cigar lighter lamp)	15021
Brace assy (brake pedal support)	01506	Bumper (cowl side panel to hood)	0546
Brace assy (dash to frame)-L. H. side	01715	Bumper (glove compartment door hinge)	06115

*Refer to Soft Trim Section

Group Alphabetical Index

Group Name	Group Number	Group Name	Group Number
FRONT - continued			
Cable assy (fresh air inlet control)	01890-1	Medallion (instrument panel)	04539
Catch (glove compartment door lock)	06064	Moulding (instrument panel)	04348-9
Clip assy (visor arm)	04131	Panel assy (cowl top)	02010
Connector (body vent air duct)	01878	Panel assy (dash)	01610
Cover (front body pillar hinge opening)-lower	02648	Panel assy (instrument)-less instruments	04320
Cover (front body pillar hinge opening)-upper	02648	Pillar assy (front body upper)-inner	02522-3
Cover (front body pillar)-fender bolt access	02590	Pillar assy (front body upper)-outer	02536-7
Cover (dash panel heater opening)	01846	Pillar and panel assy (cowl side and body front)	02042-3
Cover (hand brake cable opening in dash)	01641	Pin (visor anchor)	04114
Cover (temperature regulator valve opening)	01849	Plate (instrument panel name)	04460
Cover assy (battery access)	01619	Plate (radio opening cover)	04371
Cover (windshield header opening)-upper	*03550	Plate (steering column opening cover)-upper	01698
Cover (front body pillar hinge opening)-lower	02648	Register assy (fresh air duct)	01814
Cover (front body pillar hinge opening)-upper	02648	Reinforcement (brake pedal support)-dash panel	01550
Cover (glove compartment door access)	06126	Reinforcement assy (instrument panel brake-support)	01510
Damper assy (body vent air valve)	01862	Retainer assy (instrument panel ash receptacle)	04826
Door assy (glove compartment)	06024	Retainer (cowl cardboard)	02354-5
Duct assy-(vent air)	01902-3	Retainer (front body pillar weatherstrip)-upper	02594
Element (cigar lighter)	04603	Screen (ventilating air duct)	01900
Emblem (instrument panel)	04407	Seal (battery access cover)	01645
Extension (cowl side panel)	02062-3	Seal (radio antenna control knob assy)	29074
Gasket (air valve)	01880	Seal (steering column opening cover plate)	01738
Guard (dash to frame side-brace heater hose)	01755	Shield assy (battery side)	01662
Handle (fresh air duct)	01844	Silencer (dash panel lower)	01786-7
Handle assy (top control)	15674	Silencer (dash panel lower)-center	01692
Hinge assy (glove compartment door)	06050-1	Socket and retainer assy (cigar lighter)	15055
Insulator assy (dash)	01670-1	Support and brace assy (brake pedal)	01506
Insulator (vent air duct)-at hood hinge	01464	Trim assy (side cowl panel)	*02348-9
Knob and element assy (cigar lighter)	15052	Valve assy (fresh air duct)	01850-1
Lamp assy (cigar lighter)	04675	Visor (less arm and bracket assy)	*04104
Lock assy (glove compartment door)-complete with keys	06081	Weatherstrip (front body pillar)-upper	02626-7
Medallion assy (instrument panel)	04538		

PACKAGE TRAY

Panel assy (package tray)	46506	Strainer (package tray to floor)	46610
Panel (package tray trim)	*46656	Welt (package tray front)	*46672
Silencer (package tray)	46664		

PILLARS (CENTER BODY)

Moulding assy (center body pillar lower)-outside	24420-1	Pillar assy (quarter lock)	28160-1
Moulding assy (center body pillar top)-outside	24428	Trim assy (center body pillar)	*24446-7
Pillar assy (body center)	24300-1		

QUARTER (REAR)

Arm rest assy (rear quarter)	*31600-1	Brace (quarter window guide)-outer	30376-7
Baffle (quarter panel rear lamp opening)	28092	Bracket (quarter panel wheel cover)-lower	27990
Brace (quarter lock pillar to floor)	28260-1	Bracket (quarter panel wheel cover)-upper	28020

*Refer to Soft Trim Section

Group Alphabetical Index

XVII

Group Name	Group Number	Group Name	Group Number
------------	--------------	------------	--------------

QUARTER (REAR) - continued

Bracket and hinge assy (quarter window)-on body	29976-7	Regulator assy (quarter window electric)-	30380-1
Bumper (quarter window stop)	29934-5	Reinforcement (quarter lock pillar)-lower	28216-7
Bumper (quarter window stop)-outer	29986	Reinforcement assy (quarter panel tail lamp opening)	27970
Channel (quarter window)-front and rear	29962-3	Reinforcement (quarter panel lock side)-upper	28208-9
Channel (quarter window)-lower	29958-9	Reinforcement (quarter window regulator panel)	30344
Clip (quarter trim)-retaining	31168	Reinforcement (rear wheel opening)	28006
Cover and shaft assy (quarter window electric regulator)-"A" design	30315	Reinforcement assy (quarter panel)-lock side	28200-1
Drive assy (quarter window electric regulator)-"B" design	30304	Reinforcement assy (quarter panel tail lamp opening)	27970
Extension (qtr. panel lower rear ornament)	29092-3	Retainer (qtr. panel rear lamp)	28094
Escutcheon assy (quarter regulator handle)	22618	Retainer assy (body side stone guard)	25659
Filler (quarter trim watershield)-front	31276-7	Retainer (quarter pillar windlace)-lower	31346-7
Frame and glass assy (quarter window)	29700-1	Retainer (quarter trim water shield)	31240-1
Glass assy (rear quarter window)	29710	Retainer (quarter window front weather strip)	29952
Guard (body side stone)	25652-3	Retainer (quarter trim panel)-front	31067
Guide assy (quarter window)-complete	29764-5	Retainer assy (lower back panel moulding)	40368
Handle assy (quarter window regulator)	30322	Retainer (lower back panel moulding)	40370
Hook (coat)	29025	Seal (quarter outside molding retainer)-lower	29074
Insert (quarter window weatherstrip)-front	30148	Seal (qtr. panel rear lamp retainer)	28098
Knob (quarter ash receptacle)	20710	Seal (quarter panel wheel opening cover)	27986-7
Medallion (body side)	25662	Shaft assy (quarter window electric regulator)-"B" design	30334
Moulding (quarter panel)-upper edge	29048-9	Shield (quarter trim)-water	31090-1
Moulding (quarter panel outside)-lower	29038-9	Spacer (coat hook)-and w'strip quarter window-corner	29156
Moulding (quarter panel ornament)	29054-5	Stop assy (quarter window)	29968
Moulding (quarter outside lower)-rear	29098-9	Strip (quarter trim water shield)-front	31244
Moulding (lower back panel)	40372-3	Strip (quarter trim water shield)-front lower	31258
Moulding assy (quarter window garnish)	29002-3	Strip (quarter trim water shield)-rear	31256
Moulding and weatherstrip assy (quarter belt)-outside	29022-3	Strip (quarter window glass retainer)	29724
Ornament assy (body side)	25612-3	Support (quarter window regulator motor)	30346
Ornament (qtr. wheel opening cover lower)-front	29036	Trim assy (rear quarter panel)	*31000-1
Ornament (qtr. wheel opening cover lower)-rear	29046	Trim assy (rear quarter panel)-front	*31004-5
Ornament (qtr. wheel opening panel)	29050-1	Trim assy (rear quarter panel)-less arm rest	*31002-3
Panel (body quarter)	27846-7	Trim assy (rear quarter panel)-less arm rest	*31012-3
Panel (quarter window regulator)	27876-7	Trim assy (rear quarter panel)-rear	*31010-1
Panel assy (body quarter)	27840-1	Washer (quarter ventilating window pivot friction)	22963
Panel assy (quarter wheel opening)	27974-5	Weatherstrip assy (quarter window)-front	20146-7
Panel assy (quarter window regulator)	27870-1	Weatherstrip (quarter window front lower corner)	29746-7
Panel assy (wheelhouse and quarter)	27700-1	Weatherstrip (quarter window glass at belt)-inside	29744-5
Pillar assy (quarterlock)	28160-1	Weatherstrip (quarter window glass at belt)-outside	29742
Pin (quarter window frame hinge) less motor	30556	Weatherstrip and retainer assy (quarter window outer)-upper	29920-1
Pinion and shield assy (quarter window electric regulator)-"A" design	30327	Windlace and reinforcement assy (quarter lock pillar)	*31290-1
Receptacle assy (quarter ash)	30702	Wheelhouse assy (quarter)	27882-3
Regulator assy (quarter window)	30306-7		

ROOF

Bracket (coat hook)	29019	Cover (roof trim mldg. corner joint)	51780-1
Cover (roof drip finish mldg. front corner joint)	51792	Headlining assy (roof)	*51916
Cover (roof trim moulding joint)	51778-9	Hook (coat)	29025

*Refer to Soft Trim Section

Group Alphabetical Index

Group Name	Group Number	Group Name	Group Number
ROOF - continued			
Hook (coat)	29026	Ornament (roof side)-inner	50274-5
Insulator (roof panel)	54310	Panel (roof)	50202
Insulator assy (roof panel inner)	54312-3	Panel (roof side rear extension)	50206-7
Letter (roof side ornament)	50268-9	Panel (roof side ornament)	50254-5
Medallion assy (roof side ornament)	50228-9	Rail (roof side)-inner	51184-5
Moulding (roof drip)-front	51724	Rail assy (roof side)-inner	51212-3
Moulding (roof drip)-side	51700-1	Rail assy (roof side)-outer	51218-9
Moulding (roof drip finish)-side front	51726	Retainer (rear roof headlining support)	52180
Moulding (roof drip finish)-side rear	51728-9	Retainer (roof headlining header strip)	50966
Moulding (roof drip finish)-front	51718	Retainer (roof side ornament)	50272
Moulding (roof drip finish)-side	51726-7	Strip (roof headlining retainer)-center	50954
Moulding (roof side lower inner)-rear	51754-5	Strip (roof headlining retainer)-rear	50956-7
Moulding (roof side inner)-front	51752-3	Strip (roof side headlining rear lower corner)	50960
Moulding (roof side trim)-front	51772-3	Support (roof headlining)	52101-8
Moulding (roof side trim)-rear	51776-7	Support and bracket assy (dome lamp mounting)	51486
Moulding (roof trim front)-center	51782	Weatherstrip assy (roof side rail)	51222-3
Ornament assy (roof side)	50250-1	Welt (roof side inner front and rear moulding)	51774

SEAT (FRONT)

Ash receptacle assy (front seat back)-complete-less lighter and emblem	62869	Handle (front seat back ash receptacle)	62878
Bar (front seat track equalizing)	61845	Handle assy (front seat track adjusting)	61755
Bar assembly (front seat track equalizing)-horizontal	61842	Hook (front seat robe cord)	62840
Bar (front seat track equalizing)-vertical	61849	Housing cover assembly (front seat adjuster regulator)	60481
Boot (front seat adjuster regulator shaft)	60475	Knob and element assy (front seat back and quarter)-cigar lighter	15078
Box and snuffer assy (front seat back ash receptacle)	62896	Knob and element assy (front seat back cigar lighter)	62844
Bracket (front seat adjuster relay)	60454	Key (robe cord anchor plate)	62818
Bushing (seat regulator)	60485	Link (front seat track tie rod)	61744
Button assy (front seat back)	*63501	Medallion (front seat back ash receptacle)	3649
Clamp (front seat adjuster regulator shaft boot)	60479	Nut (front seat track tie rod adjusting)	61893
Coupling (motor to shaft assy front seat adj.)	60487	Panel assy (front seat back frame trim)	*64410-1
Cover assy (front seat back)	*64416-7	Pin (front seat back center hinge)	61094-5
Cover assy (front seat back frame)-outer	*64408-9	Pin (front seat back frame hinge)-outer	61088
Cover assy (front seat cushion)	*62900	Pin (front seat track pivot horizontal bar link)	61731
Cover (front seat regulator control switch opening)	62188	Plate (robe cord end anchor)	62810
Cord assy (robe)	*62800	Regulator assy (front seat adjuster)-electric	60473
Cover assy (robe cord end)	62808	Retainer (front seat back ash receptacle-medallion)	62879
Cushion assy (front seat back)	*64400-1	Retainer and receptacle assy (front seat back ash)-less knob and element	62866
Cushion assy (front seat trimmed)	*60050	Retainer assy (front seat back ash receptacle)	62868
Eye bolt (front seat track tie rod)	61730	Retainer (seat trim strap)	63520
Frame assy (front seat back trimmed)-less cushion	*60148-9	Rod (front seat track tie)	61726
Frame assy (front seat base trimmed)-less cushion	*60335	Rod (seat track tie)	61727
Frame assy (front seat trimmed)-less front seat cushion and front seat back cushion and track mechanism	*60152	Shaft assy (front seat adjuster regulator)	60477
Front seat cushion assy (trimmed)	*60050	Shield (front seat track)	62162-3
Gasket (seat adjuster regulator cover)	60467	Shield (front seat track)-inner	62126-7
Gear assy (front seat adjuster regulator)	60471	Shield assy (front seat cushion side)-trimmed	*62152-3
		Spacer (front seat track regulator shaft to drive link)-long	61825
		Spring (front seat track latch)	61883

*Refer to Soft Trim Section

Group Alphabetical Index

XIX

Group Name	Group Number	Group Name	Group Number
------------	--------------	------------	--------------

SEAT (FRONT)—continued

Spring (front seat to tie rod)	61930	Support (front seat adjuster)-Horizontal	60457
Spring (front seat track adjusting crank anti-rattle)	61863	Support (front seat track equalizing bar)	61840
Spring (front seat track equalizing bar anti-rattler)	61852	Support (front seat track shield)	62168
Spring (front seat track assist)	61828	Track assy (front seat)	61704-5
Spring (robe cord anchor plate)	62820	Washer (front seat regulator drive shaft lock)	60494
Stop assy (front seat back)	61062	Welt (front seat back frame)	*65224-5
Support (front seat adjuster)-vertical	60444	Welt (front seat side shield)	*66450-1

SEAT (REAR)

Back assy (rear seat)-trimmed	*60032-3	Heelboard assy (rear seat)	*87516
Baffle (rear seat speaker)	46684	Insulator assy (package tray to floor)	46694
Brace (rear seat back support to floor)	62446	Link and vertical strainer assy (center arm rest)	67210-1
Bracket (rear seat back support to side)	62444-5	Panel assy (rear seat back)-rear	*66904-5
Bracket (rear seat back support brace to floor)	62448	Plate assy (rear seat radio speaker mounting)	67320
Brkt. assy (rear seat back support to wheelhouse)	62408-9	Reinforcement (package tray air conditioner register opening)	46532
Button assy (rear seat back)	*63501	Retainer (package tray trim)	46698
Center arm rest assy-trimmed	*67240	Retainer (rear seat cushion)-front	63370
Cover assy (center arm rest)	*67244	Retainer (seat trim strap)	63520
Cover assy (center arm rest flap retainer)	*67274	Riser (rear seat)-front	60650
Cover assy (rear seat back)	*66600-1	Strip (rear seat back support finish)-upper	62450
Cover assy (rear seat cushion)	*63804	Support (center arm rest strainer)	67230
Cushion assy (rear seat)-trimmed	*60080	Support (rear seat back)	62400
Flap assy (center arm rest)	*67286		

TOP (CONVERTIBLE)

Arm assy (folding top rear quarter top deck sealing)	52772-3	Handle assy (folding top locking)	03570
Bezel (top control knob)	15677	Header assy (folding top no. 1 bow)	53038
Binding (folding top)-no. 1 bow	*52308	Hood assy (folding top dust)	*54400
Binding (folding top)-no. 4 bow	*52300	Lift assy (folding top)	50600-1
Bow assy (folding top no. 2)	51274	Lift assy (folding top)	50612-3
Bow assy (folding top no. 3)	51269	Link (folding top balance)	50454-5
Bow assy (folding top no. 4)	51278	Link assy (folding top control)	50316-7
Bracket (folding top balance link adjusting)	50478-9	Link assy (folding top power)	50352-3
Bracket (folding top main pivot)	53080-1	Loop (top boot to rear seat back)	54410
Bracket (folding top no. 3 bow)	53144-5	Motor assy (top control)-less brackets	15669
Bracket (front seat adjuster to floor)	60455	Plate (folding top header striker)-center	53308
Bracket assy (folding top balance link pivot)	50450-1	Plate (folding top header striker)-end	53311
Bracket assy (folding top lift junction block)	53465	Plate (front side rail to header bracket)	53116
Bracket assy (top lift to floor)	50564-5	Plug (folding top side rail)-front	50344
Bracket assy (top lift motor mounting)	50747	Rail assy (folding top side)-center	51154-5
Bushing (folding top center rail)	50471	Rail assy (folding top side)-rear	53196-7
Bushing (folding top side rail)-rear	50473	Rail (folding top side)-front	53104-5
Case assembly (top quarter pad)	*52874-5	Relay assy (top control)	15672
Circuit breaker assy (top control)	14526	Retainer (folding top bumper)	53067
Container assy (folding top dust hood)	*54486	Retainer (folding top no. 4 bow)	52740
Curtain window and valance assy (top back)	*52500	Retainer (folding top header rear weatherstrip)	51352
Dowel (folding top no. 1 bow)-center	03442	Retainer (folding top no. 4 bow-top deck)	52740
Dowel (folding top no. 1 bow)-side	03458-9	Retainer (folding top rail deck)	52714
		Retainer (folding top rear quarter deck)	52720-1

*Refer to Soft Trim Section

Group Alphabetical Index

XX

Group Name	Group Number	Group Name	Group Number
------------	--------------	------------	--------------

TOP (CONVERTIBLE) - continued

Screw (folding top balance link horizontal adj.)	50490	Washer (spring three wave)	53213
Screw (folding top balance link vertical adj.)	50491	Washer (spring three wave)	53217
Slat (folding top rear bow no. 4)	50340-1	Weather seal (folding top front side rail to no. 1 bow)	*52850
Spacer (folding top lift motor support)	53382	Weatherstrip (folding top header front)	51338
Striker (folding top limit switch)	50626	Weatherstrip assy (folding top center side rail)-inner	51564-5
Strip (roof headlining retainer)-front	50952-3	Weatherstrip assy (folding top center side rail)-outer	51552-3
Strip assy (back belt rail tacking end)	41760-1	Weatherstrip assy (folding top side rail)-rear	51566-7
Support assy (folding top main pivot bracket)	53156-7	Weatherstrip assy (folding top no. 1 bow)-inner	*51330
Support assy (folding top main pivot bracket to wheelhouse)	53086-7	Weatherstrip assy (folding top no. 1 bow)-outer	*51340
Switch assy (top control)	15668	Weatherstrip assy (folding top side rail)-front	51562-3
Top deck and quarter assy (folding top)	*52700	Weatherstrip assy (folding top rear side rail)-outer	51558-9
Top kit (folding)-less no. 1 header bow and trim	53000	Zipper assy (top back curtain)-side	*53250
Trim assy (top folding compartment)-rear	*54600	Zipper assy (top back curtain)-top	*53278
Valance assy (top back curtain)	*52512		
Washer (spring three wave)	53210		
Washer (spring three wave)	53211		

WINDOW (BACK)

Clip assy (back belt moulding)	40246	Moulding (back window garnish)-upper	42410
Cover (back belt moulding joint)	40240	Moulding (back window garnish)-side	42416-7
Cover (back window garnish mldg. center joint)	42490	Moulding (back window outside)-upper	42430-1
Cover (back window garnish mldg. corner joint)	42458	Moulding (back window trim)-upper	42488
Cover (back window outside upper mldg. joint)	42450	Panel (upper back)	40314
Frame assy (back window)	42206	Panel assy (rail and upper back center belt)	41724
Glass (back window)-center	42006	Spacer (back window-outside moulding retainer)-upper	42494
Moulding assy (back belt)	40238-9	Weatherstrip assy (back window)	42084
Moulding (back window garnish)-lower	42456-7		

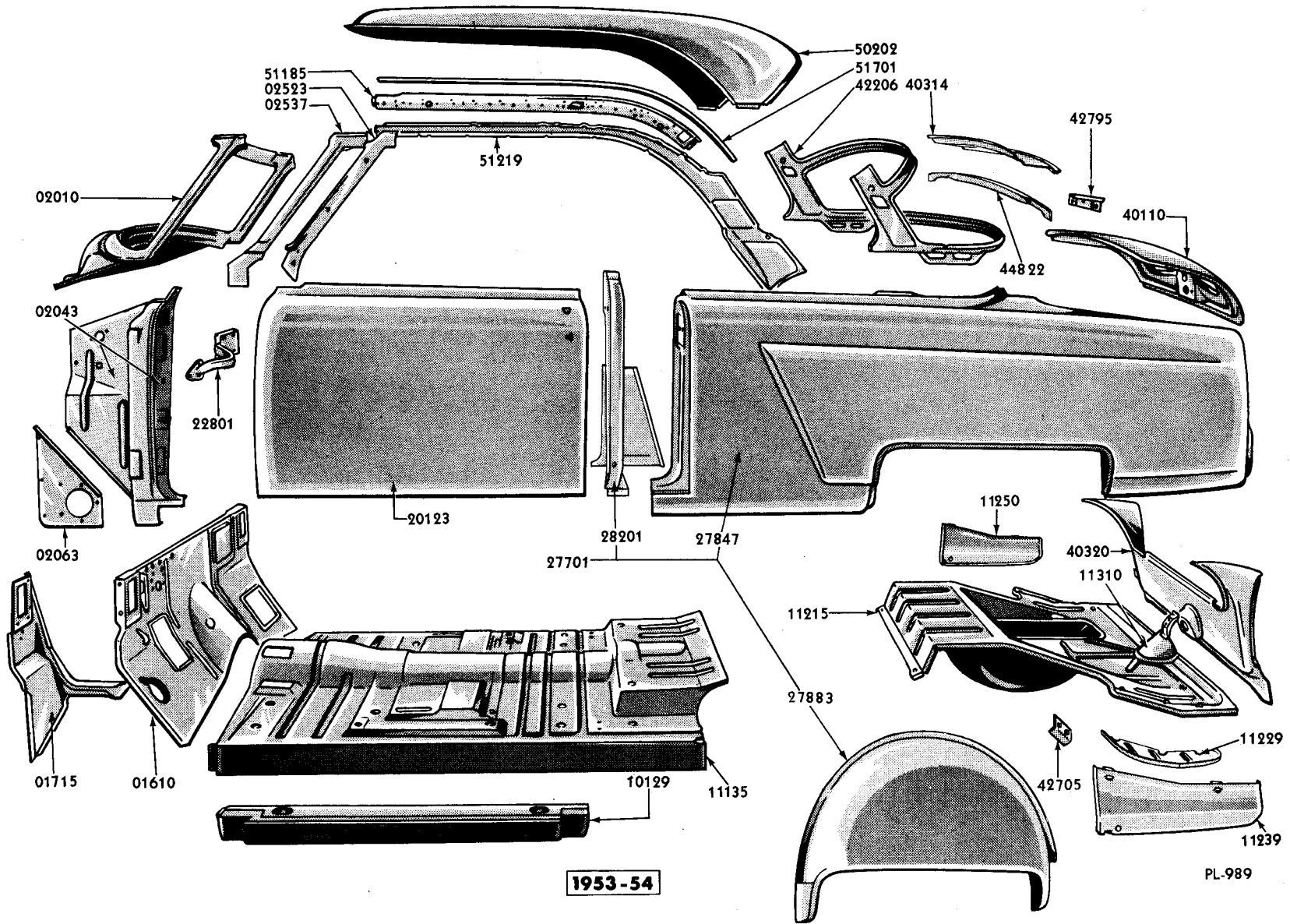
WINDSHIELD

Arm and bracket assy (visor)	04144	Moulding (windshield)-upper-trim	03536
Bracket (visor arm clip moulding)	04186	Moulding (windshield garnish)-lower	03626
Clip assy (visor arm)	04131	Moulding (windshield garnish)-upper	03606
Cover (windshield outside top moulding joint)	03097	Moulding (windshield garnish)-side	03598-9
Cover (windshield moulding)	40240	Moulding (windshield header)	03542
Filler (windshield garnish moulding)-lower corner	03642-3	Panel (windshield header)	03410
Glass assy (windshield)	03100	Seal (windshield header dowel)	03466
Moulding (windshield)-outside belt	03148-9	Visor (less arm and bracket assy)	*04104
Moulding (windshield)-outside side	03136-7	Weatherstrip (windshield)	03110
Moulding (windshield)-outside top	03144-5		

*Refer to Soft Trim Section

ILLUSTRATION INDEX

DESCRIPTION	PAGE NO.	DESCRIPTION	PAGE NO.
Arm (Door Check)-Front Door	41	Interior View-Four Door Sedan-(Body Type 73B)-1955	XXXVI
Ash Receptacle-Quarter	67	Interior View-Four Door Sedan-(Body Type 73A)-1953	XXXVII
Body Bolts Chart	L	Interior View-Four Door Sedan-(Body Type 73A)-1954	XXXVIII
Door Lock and Parts	33	Interior View-Four Door Sedan-(Body Type 73A)-1955	XXXIX
Door Parts (front) Electrical	25	Interior View-Convertible Coupe (Body Type-76A)-1953	XL
Door Parts (front) Manual	24	Interior View-Convertible Coupe (Body Type-76A)-1954	XLI
Exterior View-Four Door Sedan (Body Type 73)-1953	XLIV	Interior View-Convertible Coupe (Body Type-76A)-1955	XLII
Exterior View-Four Door Sedan (Body Type 73)-1954	XLVI	Luggage Compartment Trim 1953-55	84
Exterior View-Four Door Sedan (Body Type 73)-1955	XLVIII	Outside Door Handle	35
Exterior View-Six Passenger Coupe (Body Type-60)-1953	XLV	Rear Door Parts	51
Exterior View-Six Passenger Sport Coupe-(Body Type 60)-1954	XLVII	Remote Control	32
Exterior View-Six Passenger Sport Coupe-(Body Type 60)-1955	XLIX	Regulator-Electric 2 & 4 Way Seat	105
Fresh Air Vent Assembly	4	Regulator-Front Door Window-Electrical-Control ("A" Design)	31
Front Door-Electric Control	25	Regulator-Front Door Window-Electric Control-("B" Design)	38
Front Door-Manual Control	24	Regulator-Quarter Window-Electric Control-("A" Design)	64
Front Door Regulator (B-Design)	38	Regulator-Quarter Window-Electric Control-("B" Design)	65
Front Windshield	8	Regulator-Rear Door Window-Electric Control-("B" Design)	50
Fuel Tank Filler Housing and Lower Panel Assy	70	Robe Cord Assembly (All Body Types) and Ash Tray Assembly Body Type 73	113
Handle-Door Outside	35	Seat Mechanism-Manual and Electric 2-Way	108
Handle-Luggage Compartment Door 1953-54	81	Seat Mechanism-Electric 4-Way	109
Handle-Luggage Compartment Door 1955	81	Seat Regulator-Electric (2 & 4 way)	83
Instrument Panel	12	Sheet Metal (Body Type 60)	XXII
Interior Mouldings (Body Type 73)	71	Sheet Metal (Body Type 73)	XXIV
Interior Mouldings (Body Type 60A)	72	Sheet Metal (Body Type 76)	XXVI
Interior Mouldings (Body Type 60C)	73	Top-Less Trim-Convertible Coupe (Body Type 76)	89
Interior View-Six Passenger Sport Coupe (Body-Type 60A)-1953	XXVIII	Top-Exterior View-Convertible Coupe (Body Type-76)	95
Interior View-Six Passenger Sport Coupe (Body-Type 60A)-1954	XXIX	Weatherstrip and Retainer Quarter Window	62
Interior View-Six Passenger Sport Coupe (Body-Type 60A)-1955	XXX	Window Parts-Quarter	60
Interior View-Six Passenger Sport Coupe (Body-Type 60C)-1953	XXXI	Window-Rear (Body Type 60A-1955)	77
Interior View-Six Passenger Sport Coupe-(Body-Type 60C)-1954	XXXII	Window-Rear (Body Type 60A-1953-54, 60C-1953-55)	77
Interior View-Six Passenger Sport Coupe-(Body-Type 60C)-1955	XXXIII	Window-Rear (Body Type 73)	78
Interior View-Four Door Sedan-(Body Type 73B)-1953	XXXIV	Windshield Parts	8
Interior View-Four Door Sedan-(Body Type 73B)-1954	XXXV		



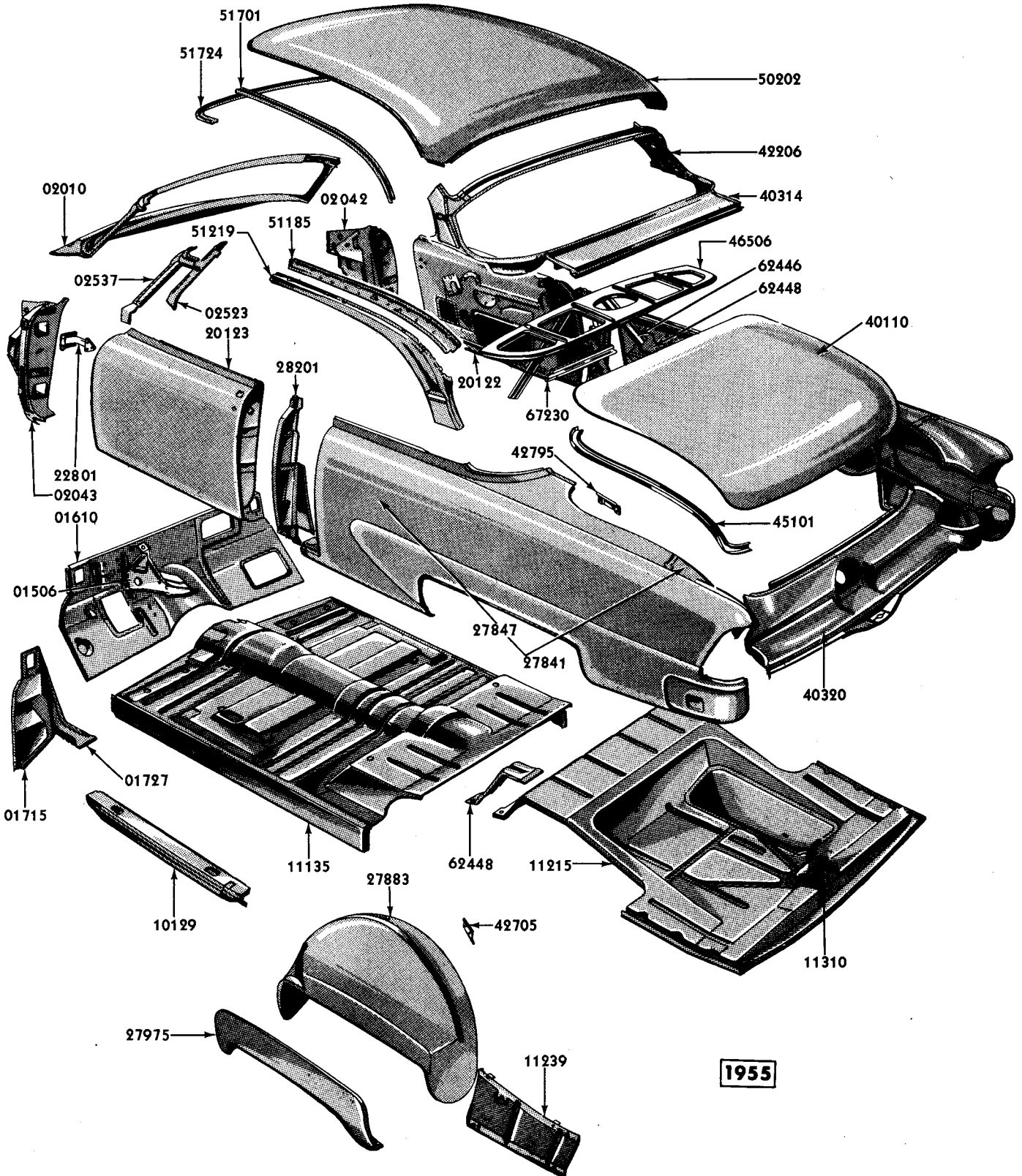
1953-54

(BODY TYPE 60)

Group numbers only shown on illustration. Order by Part Numbers shown in list of parts.

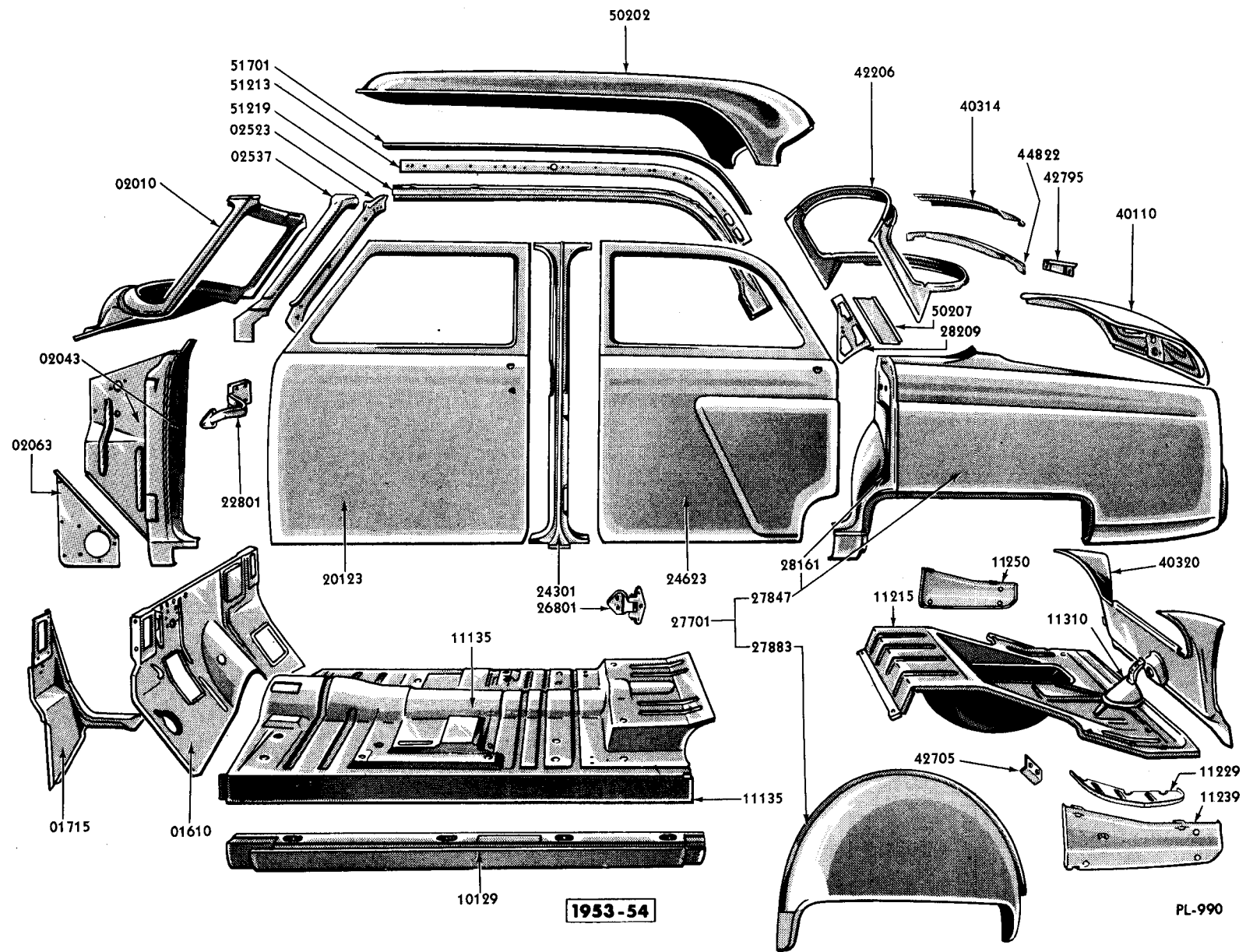
PL-989

BODY PARTS CATALOGUE



(BODY TYPE 60)

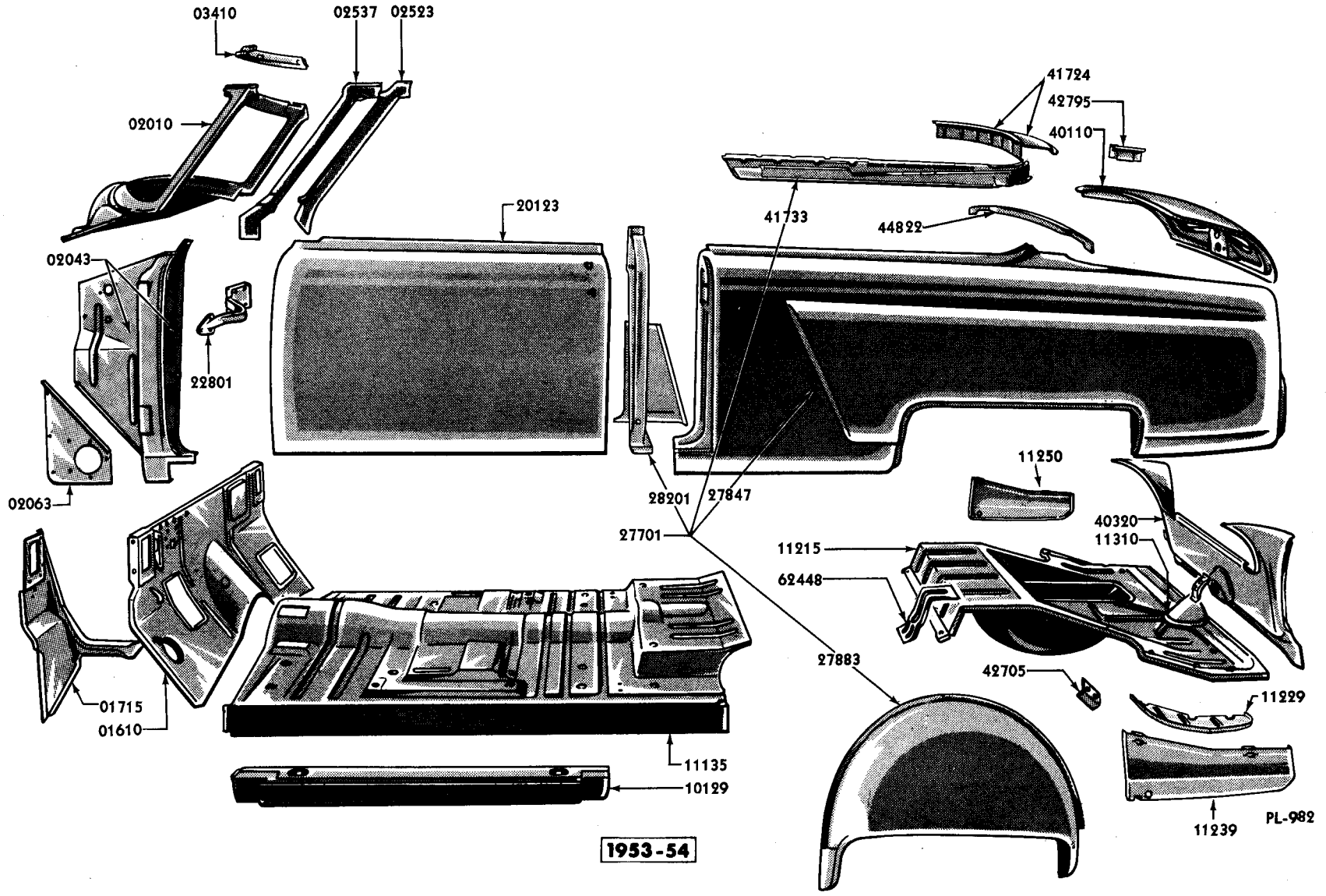
Group numbers only shown on illustration. Order by Part Numbers shown in list of parts.



1953-54

FOUR DOOR SEDAN (BODY TYPE 73)

Group numbers only shown on illustration. Order by Part Numbers shown in list of parts.

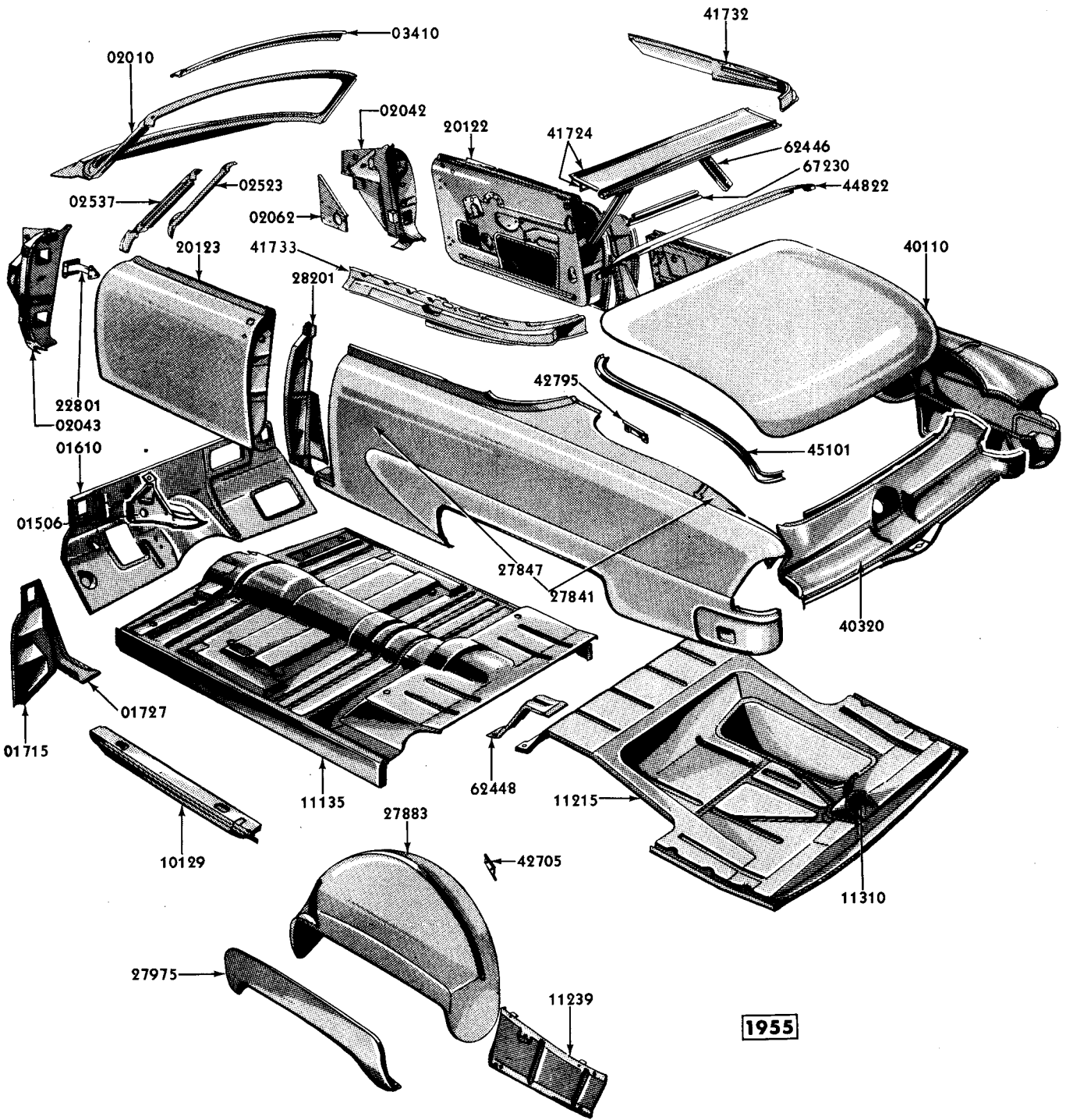


1953-54

CAPRI CONVERTIBLE (BODY TYPE 76)

Group numbers only shown on illustration. Order by Part Numbers shown in list of parts.

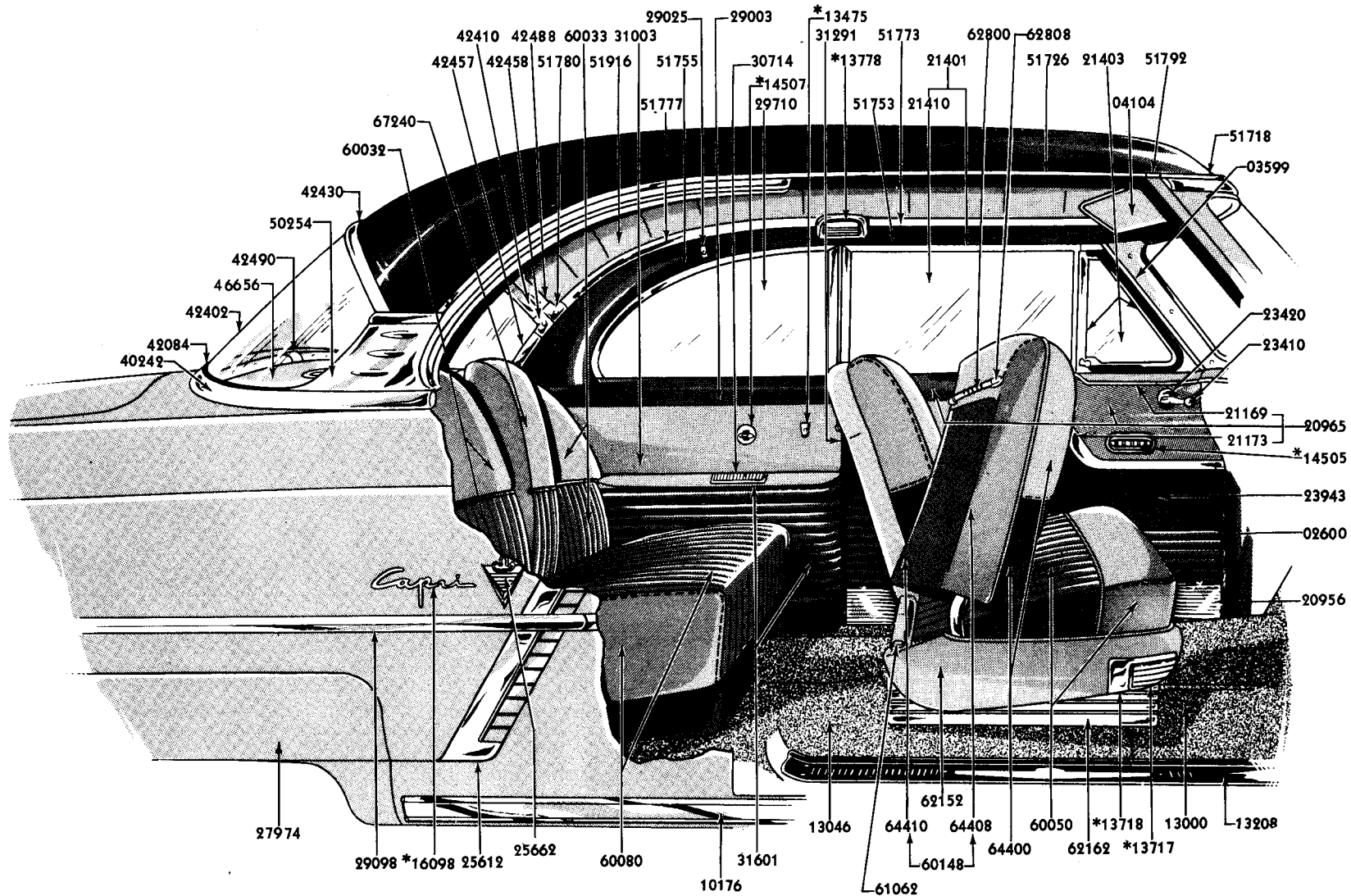
BODY PARTS CATALOGUE



1955

CAPRI CONVERTIBLE (BODY TYPE 76)

Group numbers only shown on illustration. Order by Part Numbers shown in list of parts.



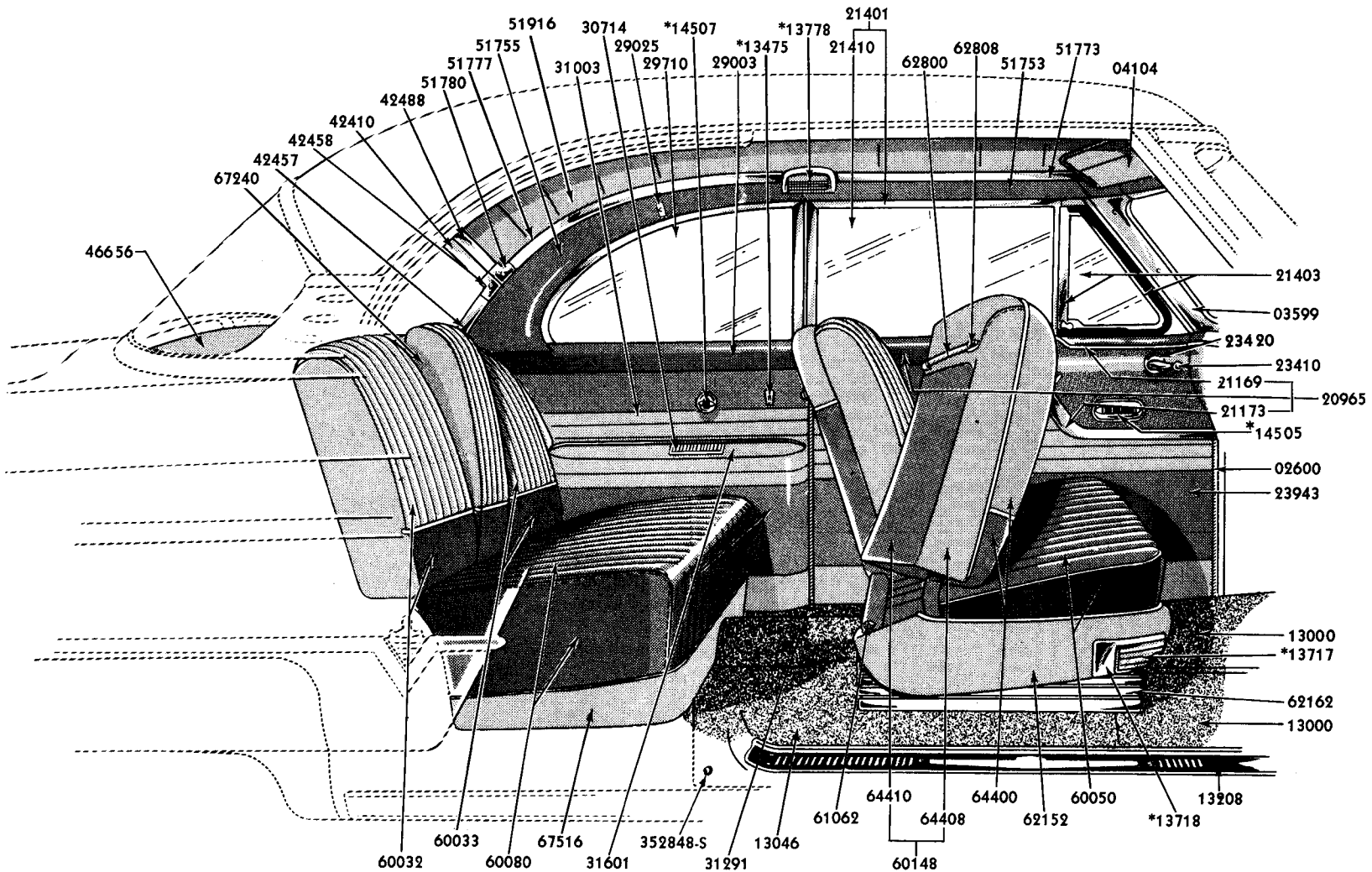
*FOR ADDITIONAL INFORMATION REFER TO CHASSIS PARTS CATALOGUE.

1953

PL-870

CAPRI COUPE (BODY TYPE 60A)

Group numbers only shown on illustration. Order by Part Numbers shown in list of parts.



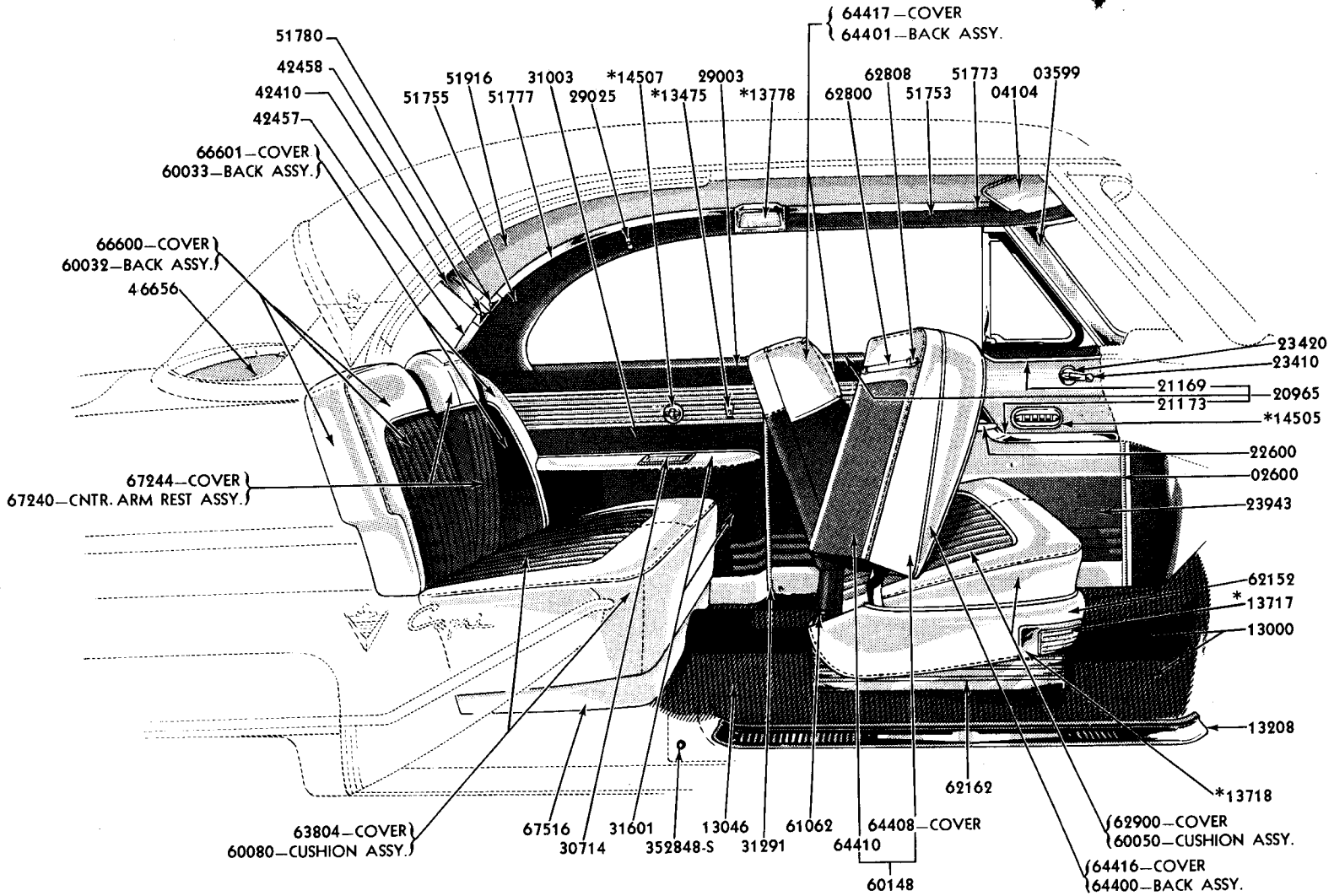
1954

*FOR ADDITIONAL INFORMATION REFER TO CHASSIS PARTS CATALOGUE.

PL-979

CAPRI COUPE (BODY TYPE 60A)

Group numbers only shown on illustration. Order by Part Numbers shown in list of parts.



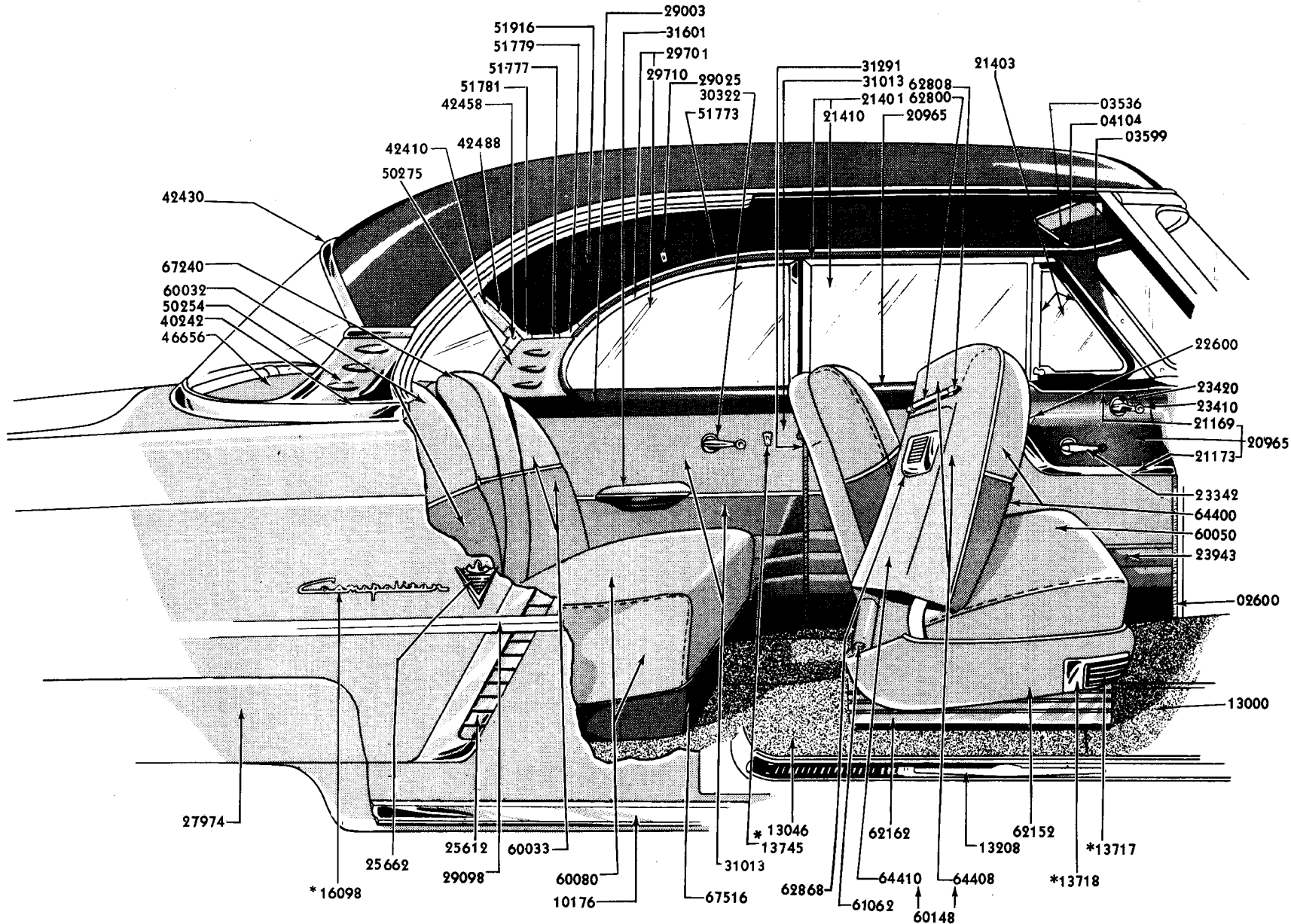
*FOR ADDITIONAL INFORMATION REFER TO CHASSIS PARTS CATALOGUE

1955

PLB-2

CAPRI COUPE (BODY TYPE 60A)

Group numbers only shown on illustration. Order by Part Numbers shown in list of parts.



*FOR ADDITIONAL INFORMATION REFER TO CHASSIS PARTS CATALOGUE.

1953

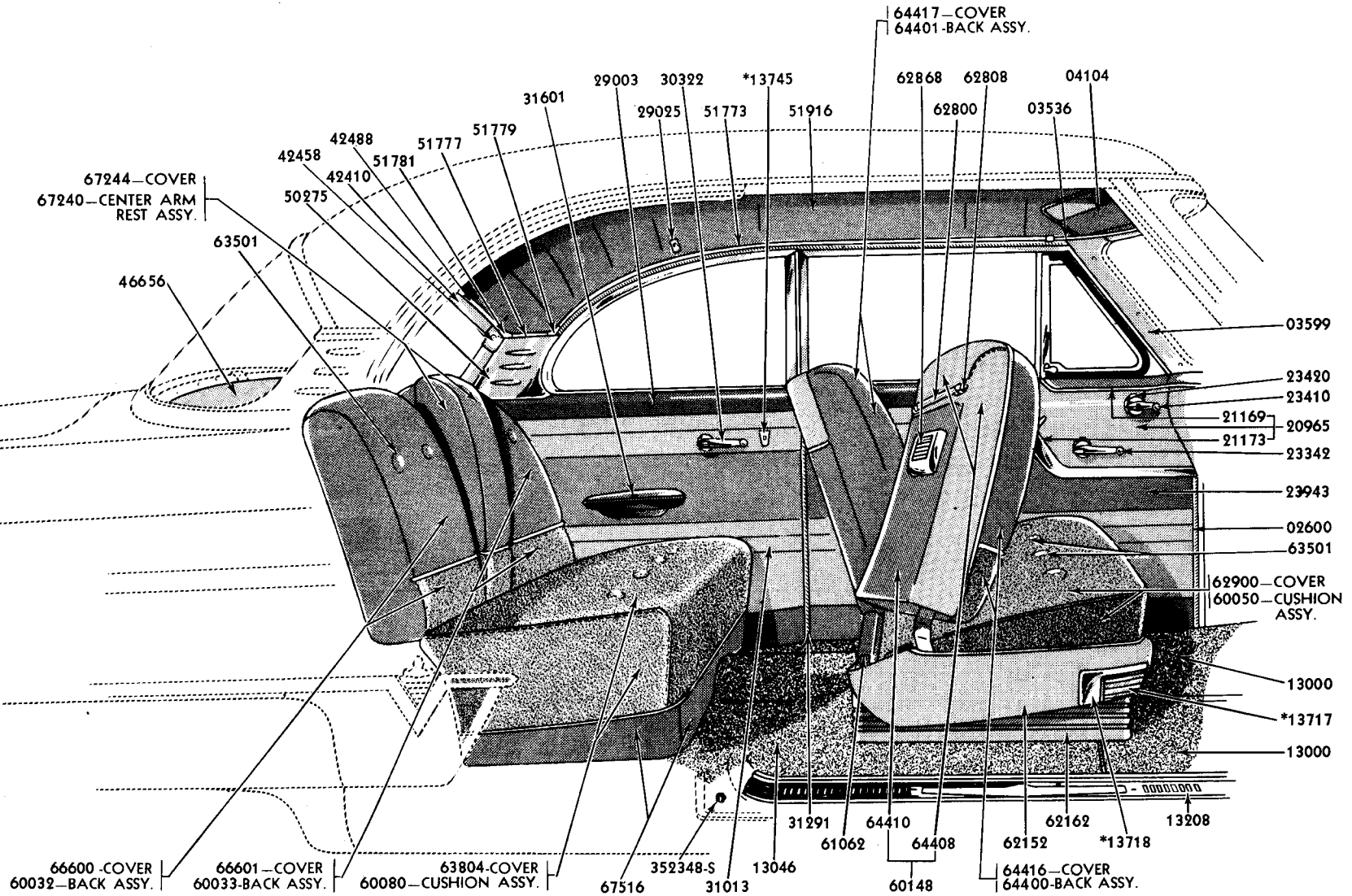
PL-872

SPORT COUPE (BODY TYPE 60C)

Group numbers only shown on illustration. Order by Part Numbers shown in list of parts.

BODY PARTS CATALOGUE

Lincoln



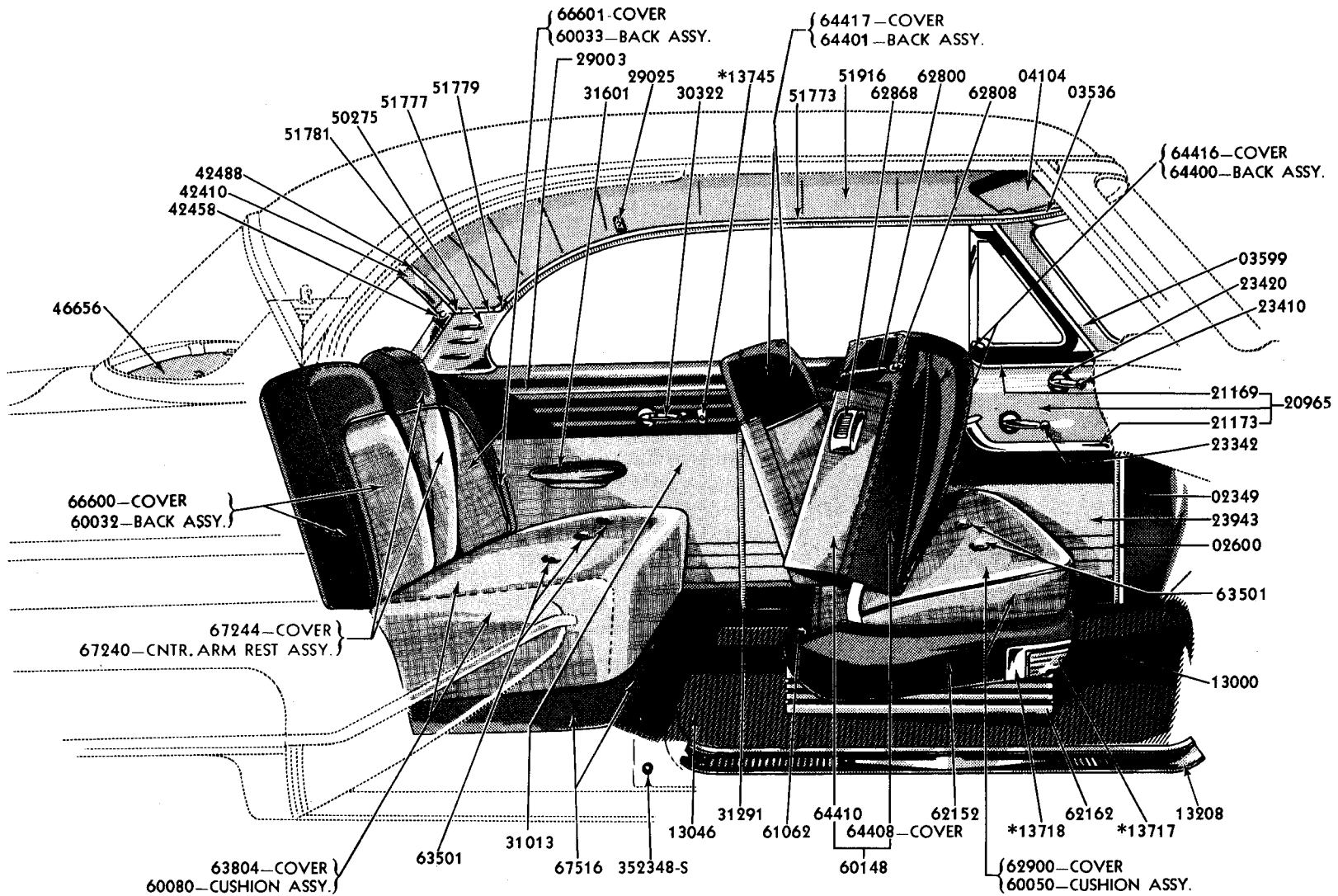
*FOR ADDITIONAL INFORMATION REFER TO CHASSIS PARTS CATALOGUE.

1954

PL-980

SPORT COUPE (BODY TYPE 60C)

Group numbers only shown on illustration. Order by Part Numbers shown in list of parts.



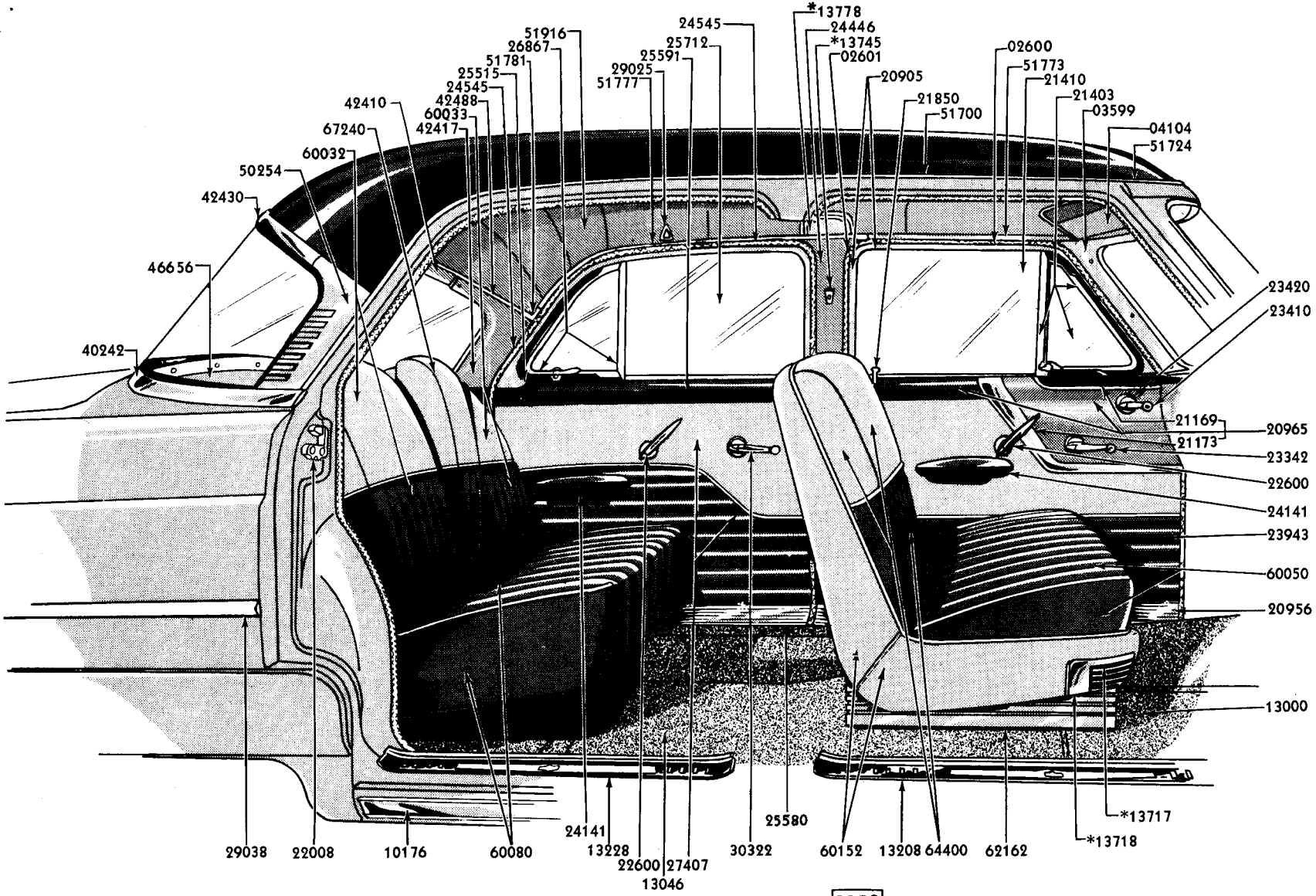
1955

*FOR ADDITIONAL INFORMATION REFER TO CHASSIS PARTS CATALOGUE

PLB-11

SPORT COUPE (BODY TYPE 60C)

Group numbers only shown on illustration. Order by Part Numbers shown in list of parts.



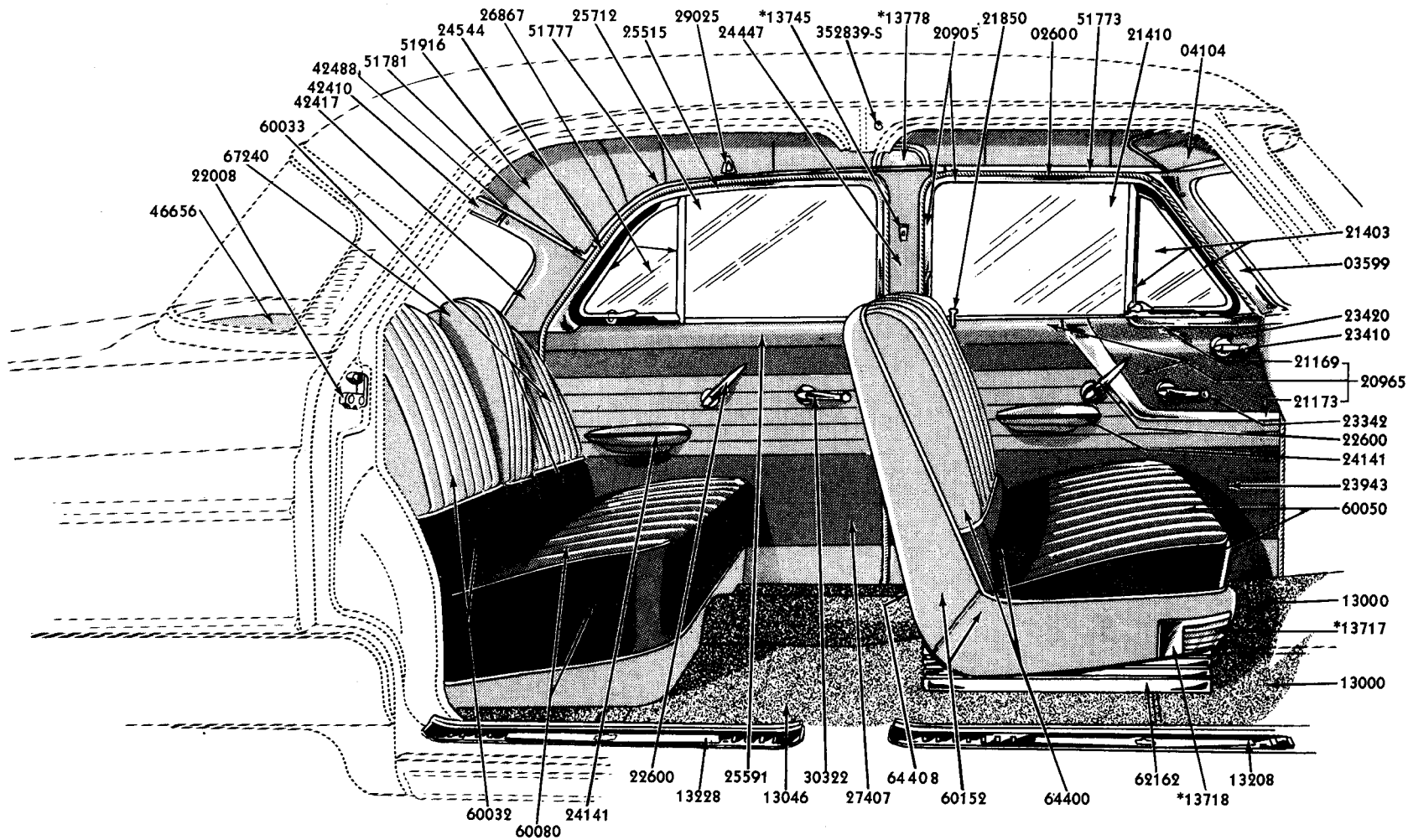
*FOR ADDITIONAL INFORMATION REFER TO CHASSIS PARTS CATALOGUE.

1953

PL-871

FOUR DOOR SEDAN INTERIOR VIEW (BODY TYPE 73B)

Group numbers only shown on illustration. Order by Part Numbers shown in list of parts.

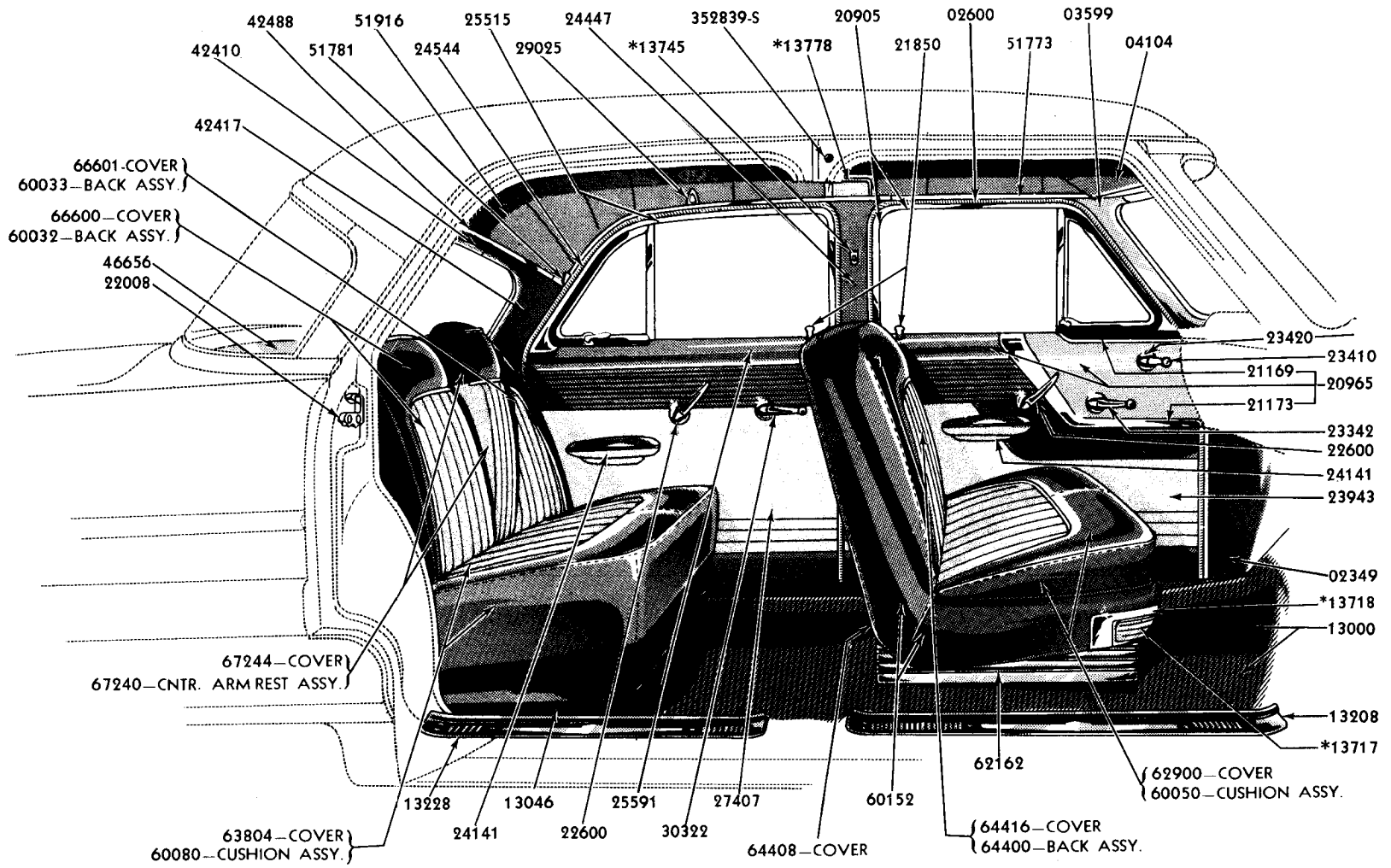


1954

*FOR ADDITIONAL INFORMATION REFER TO CHASSIS PARTS CATALOGUE.

PL-978

Group numbers only shown on illustration. Order by Part Numbers shown in list of parts.
FOUR DOOR SEDAN INTERIOR VIEW (BODY TYPE 73B)



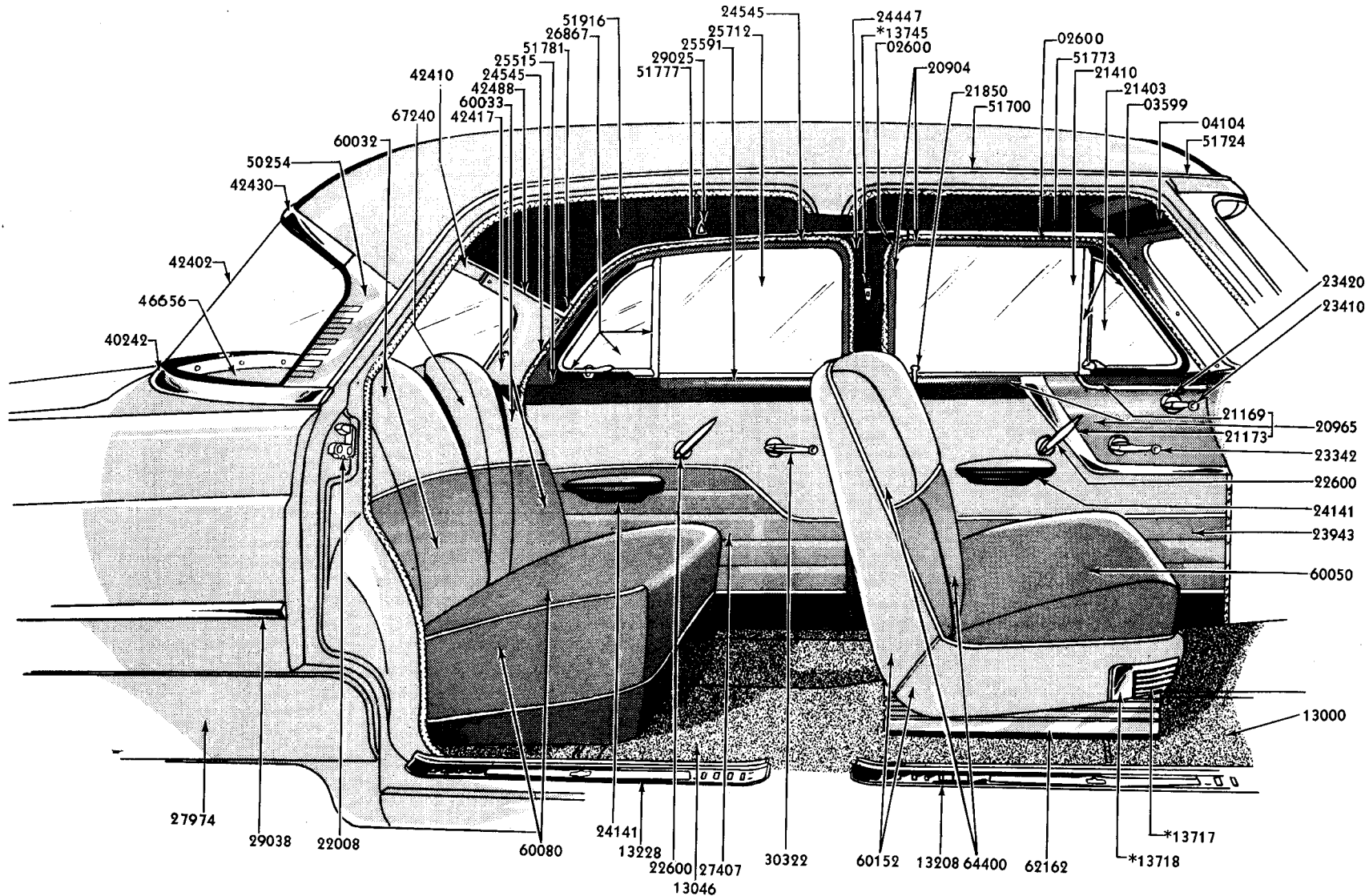
*FOR ADDITIONAL INFORMATION REFER TO CHASSIS PARTS CATALOGUE

1955

PLB-10

FOUR DOOR SEDAN INTERIOR VIEW (BODY TYPE 73B)

Group numbers only shown on illustration. Order by Part Numbers shown in list of parts.



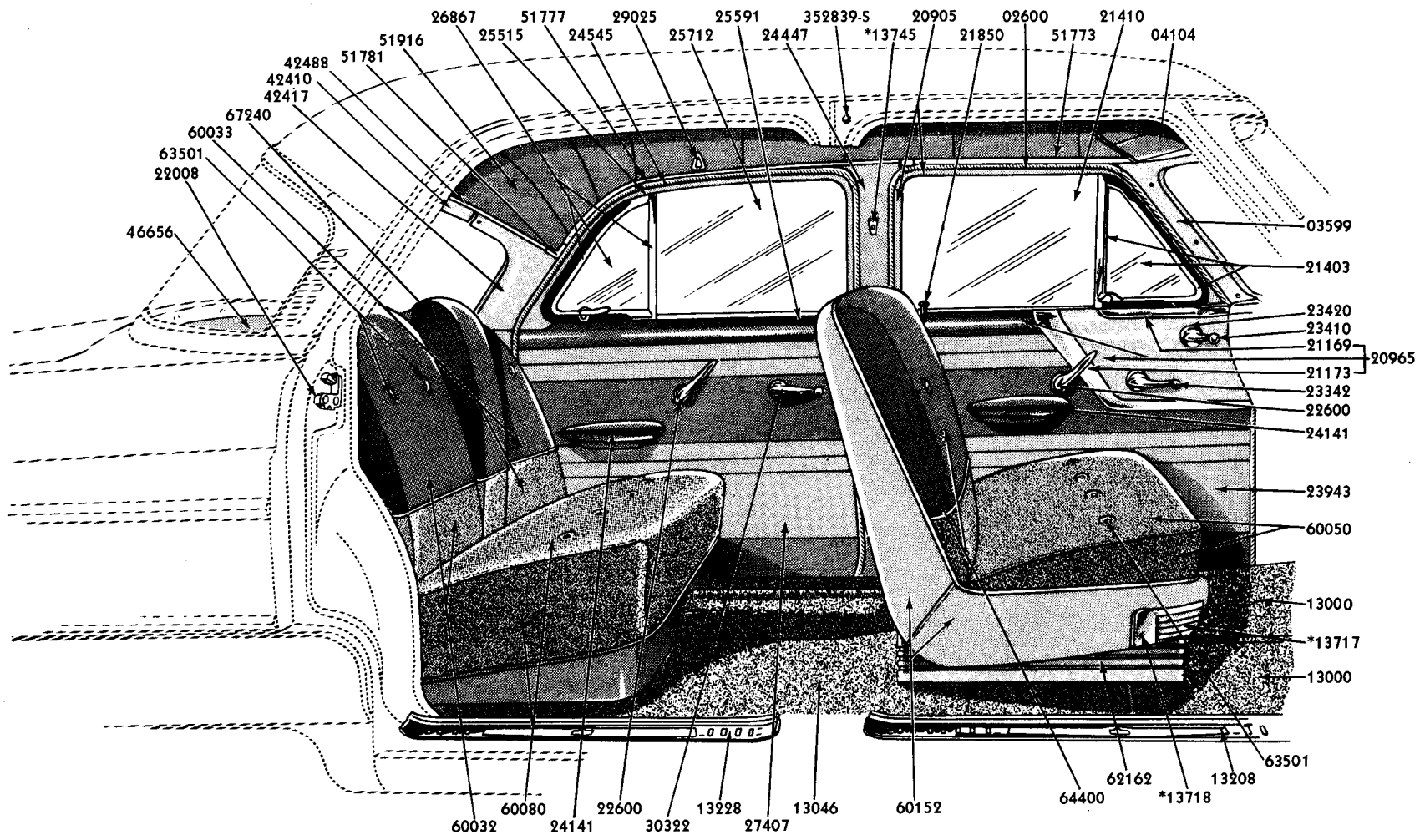
*FOR ADDITIONAL INFORMATION REFER TO CHASSIS PARTS CATALOGUE.

1953

PL-873

FOUR DOOR SEDAN INTERIOR VIEW (BODY TYPE 73A)

Group numbers only shown on illustration. Order by Part Numbers shown in list of parts.



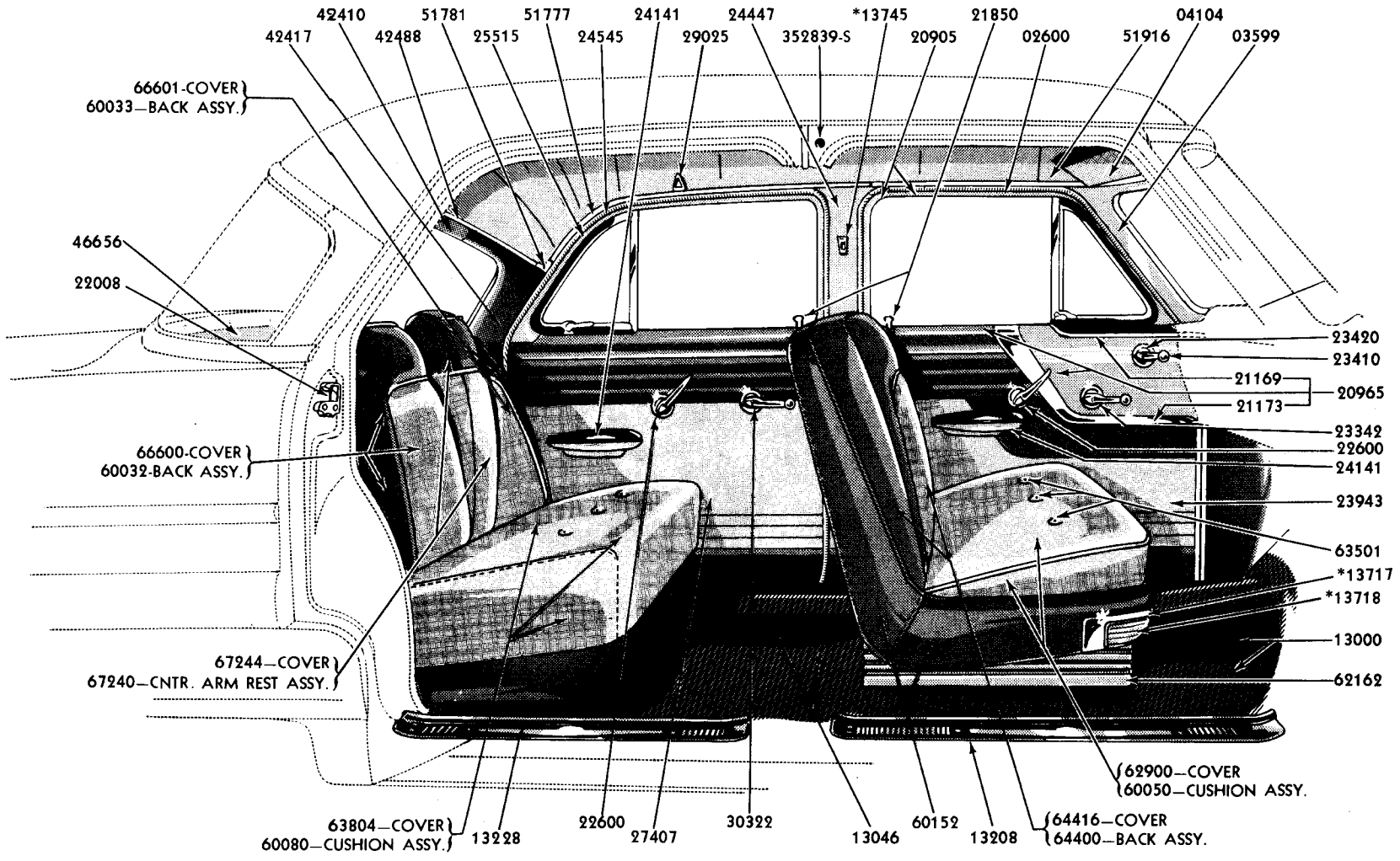
1954

*FOR ADDITIONAL INFORMATION REFER TO CHASSIS PARTS CATALOGUE.

PL-977

FOUR DOOR SEDAN INTERIOR VIEW (BODY TYPE 73A)

Group numbers only shown on illustration. Order by Part Numbers shown in list of parts.



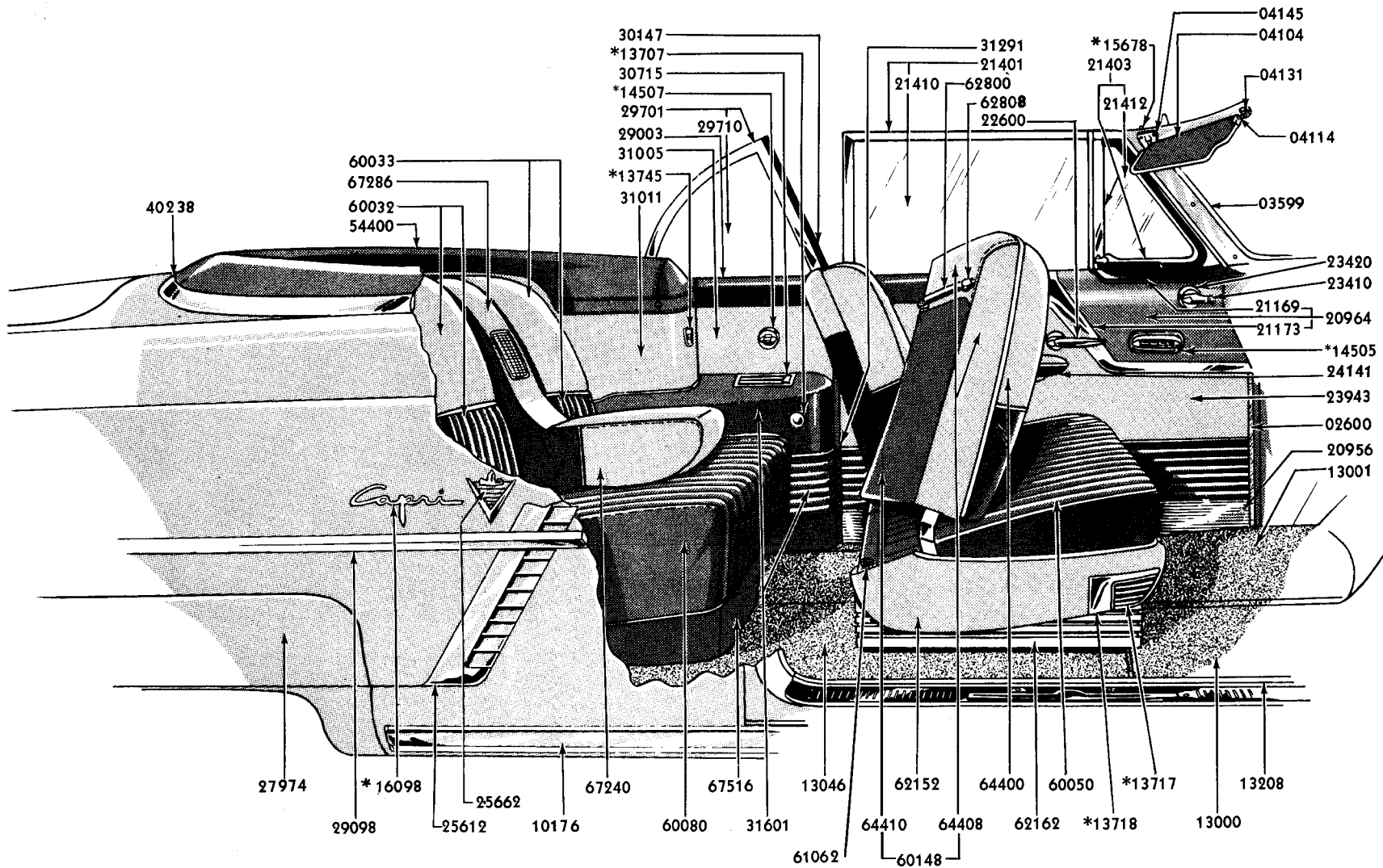
*FOR ADDITIONAL INFORMATION REFER TO CHASSIS PARTS CATALOGUE

1955

PLB-9

FOUR DOOR SEDAN INTERIOR VIEW (BODY TYPE 73A)

Group numbers only shown on illustration. Order by Part Numbers shown in list of parts.



BODY PARTS CATALOGUE

Lincoln

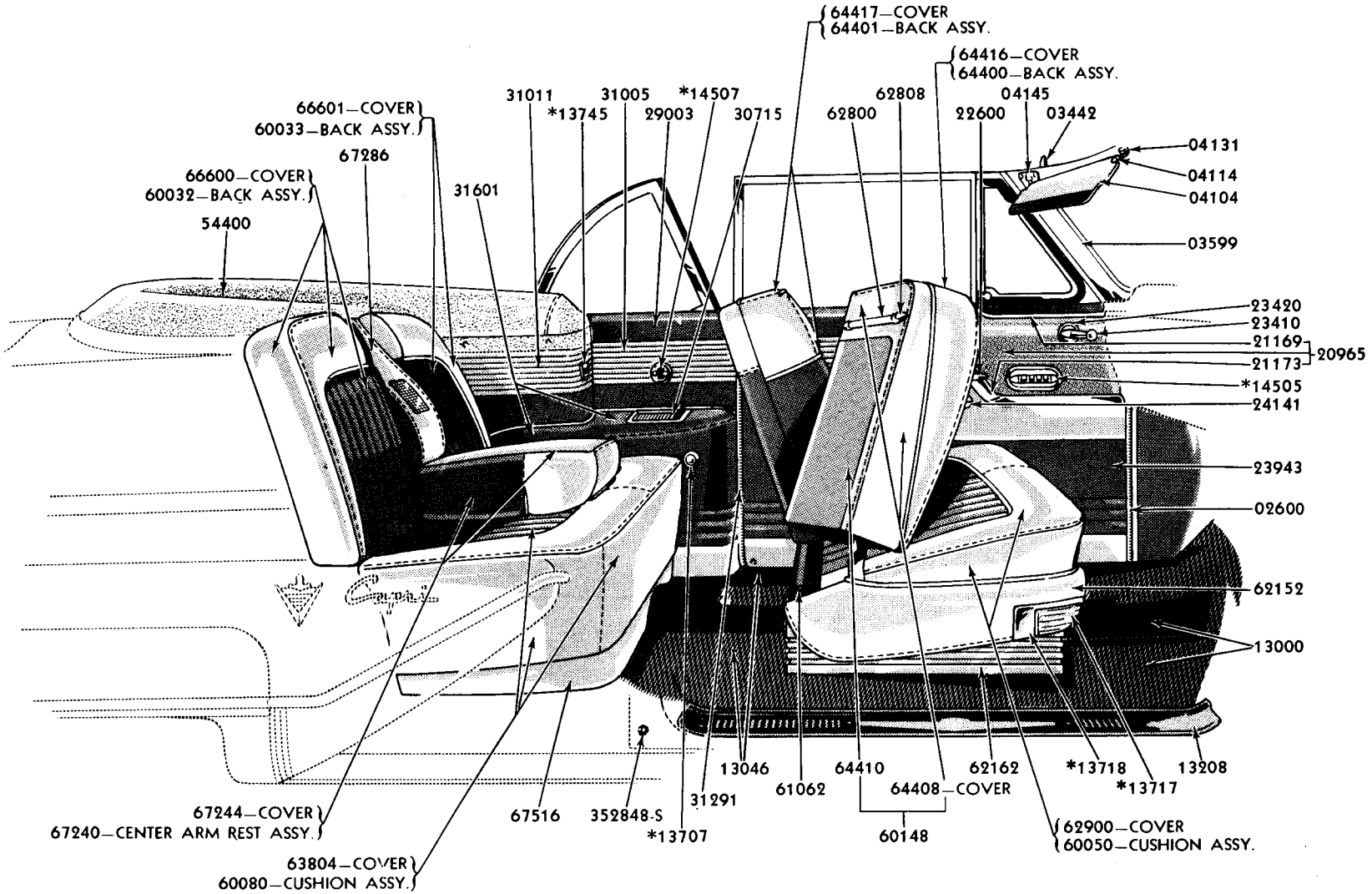
*FOR ADDITIONAL INFORMATION REFER TO CHASSIS PARTS CATALOGUE.

1953

PL-866

CONVERTIBLE COUPE INTERIOR VIEW (BODY TYPE 76A)

Group numbers only shown on illustration. Order by Part Numbers shown in list of parts.



1955

*FOR ADDITIONAL INFORMATION REFER TO CHASSIS PARTS CATALOGUE

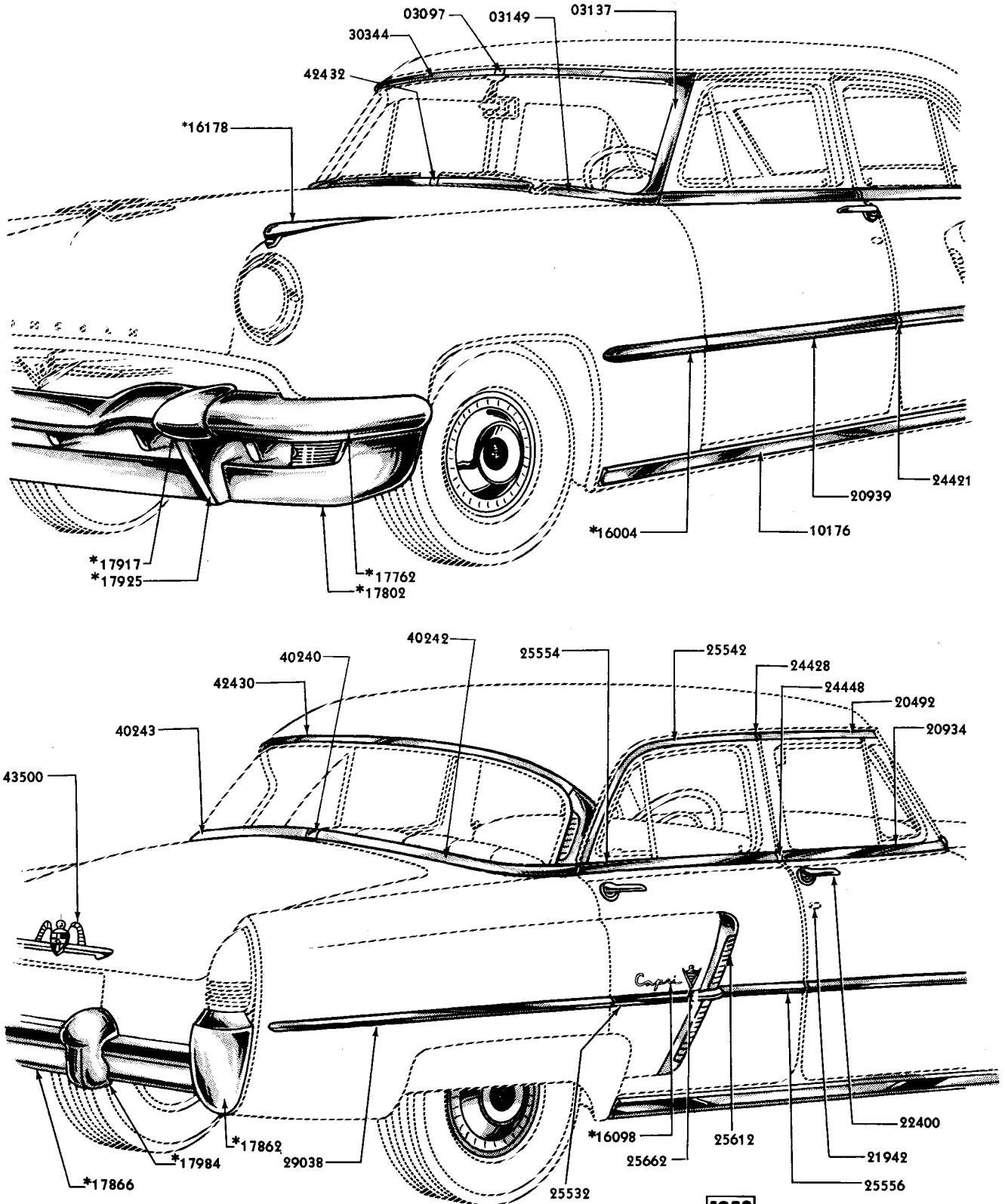
PLB-8

CONVERTIBLE COUPE INTERIOR VIEW (BODY TYPE 76A)

Group numbers only shown on illustration. Order by Part Numbers shown in list of parts.

Lincoln

BODY PARTS CATALOGUE



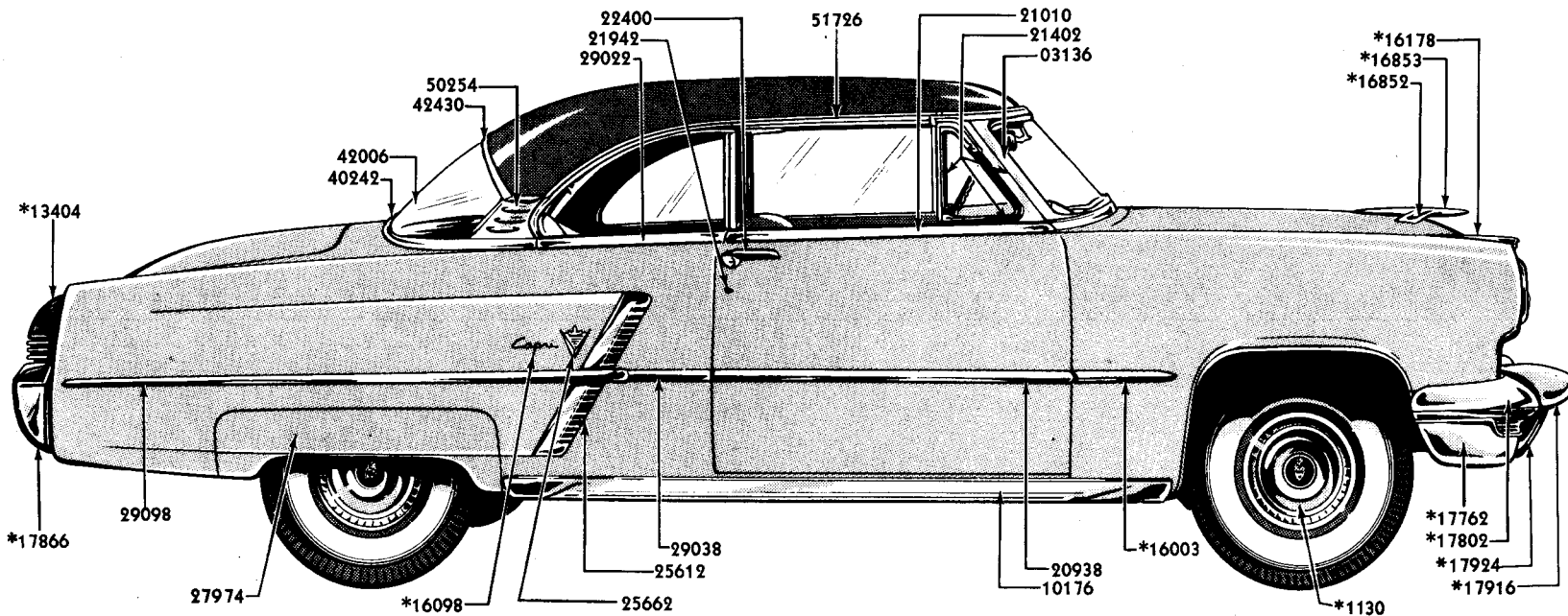
1953

*FOR ADDITIONAL INFORMATION REFER TO CHASSIS PARTS LIST

PL-875

FOUR DOOR SEDAN EXTERIOR VIEW (BODY TYPE 73)

Group numbers only shown on illustration. Order by Part Numbers shown in list of parts.



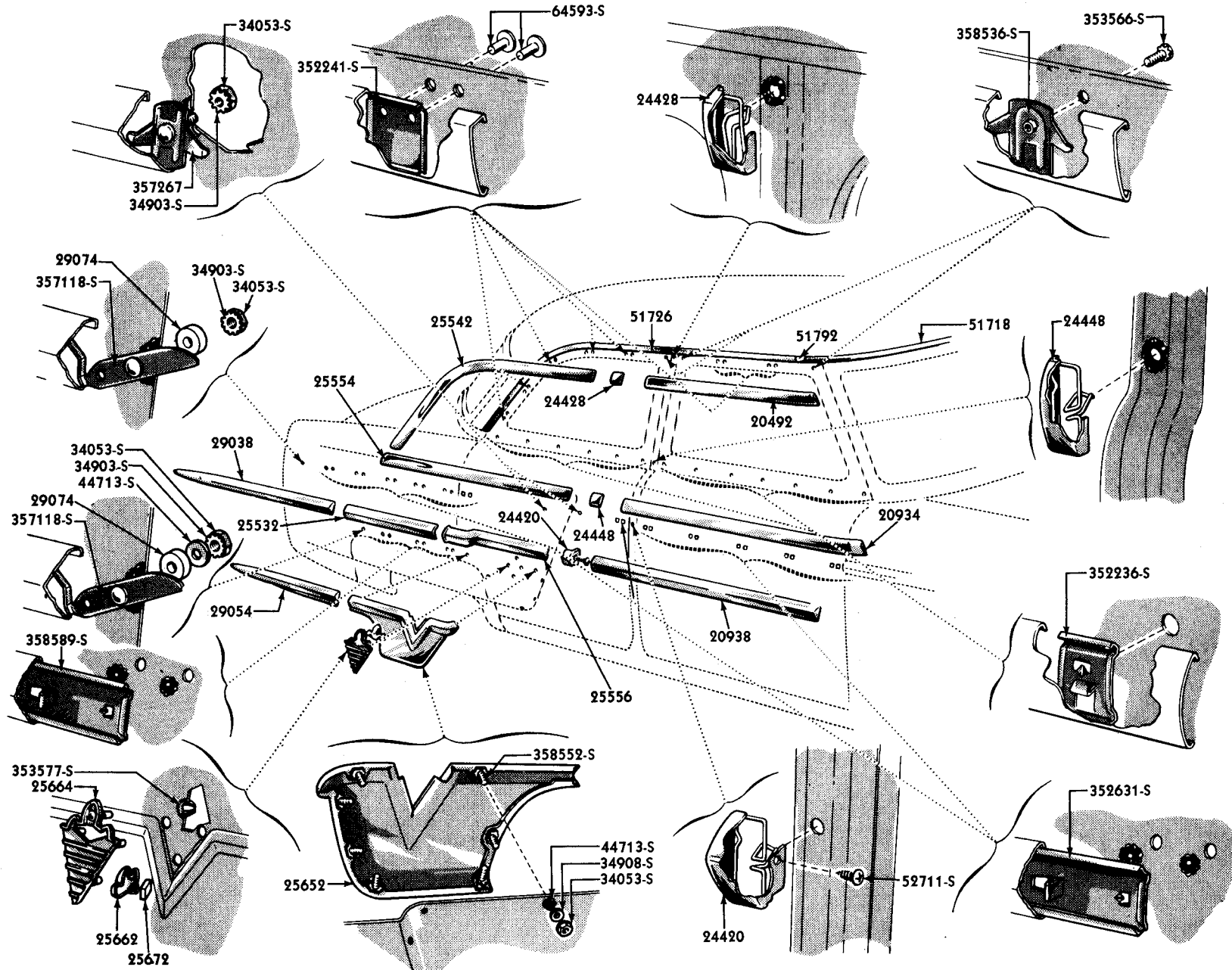
*FOR ADDITIONAL INFORMATION REFER TO CHASSIS PARTS LIST.

PL-867

SIX PASSENGER COUPE EXTERIOR VIEW (BODY TYPE 60)

Group numbers only shown on illustration. Order by Part Numbers shown in list of parts.

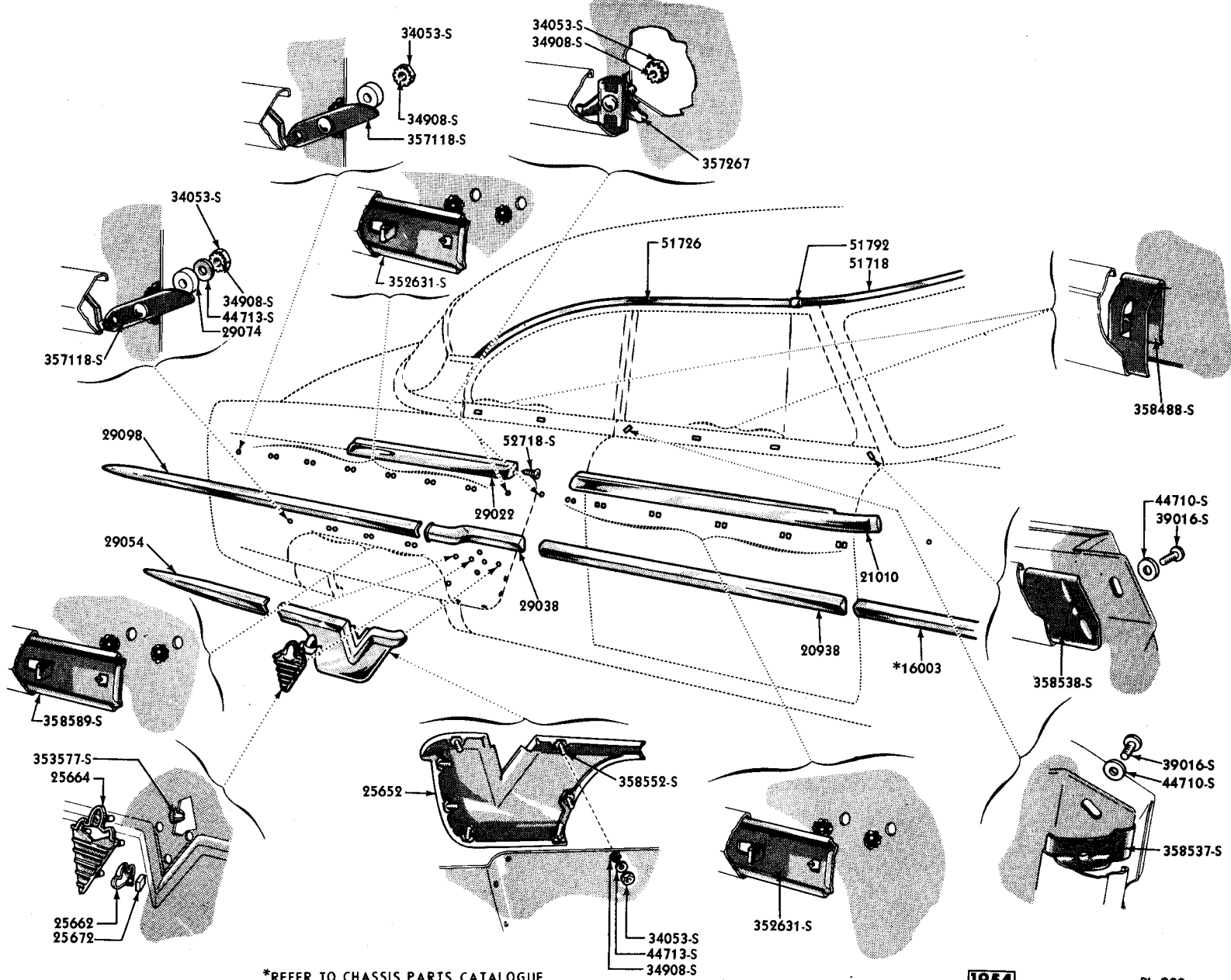
Lincoln



FOUR DOOR SEDAN EXTERIOR VIEW (BODY TYPE 73) 1954

Group numbers only shown on illustration. Order by Part Numbers shown in list of parts.

PL-929



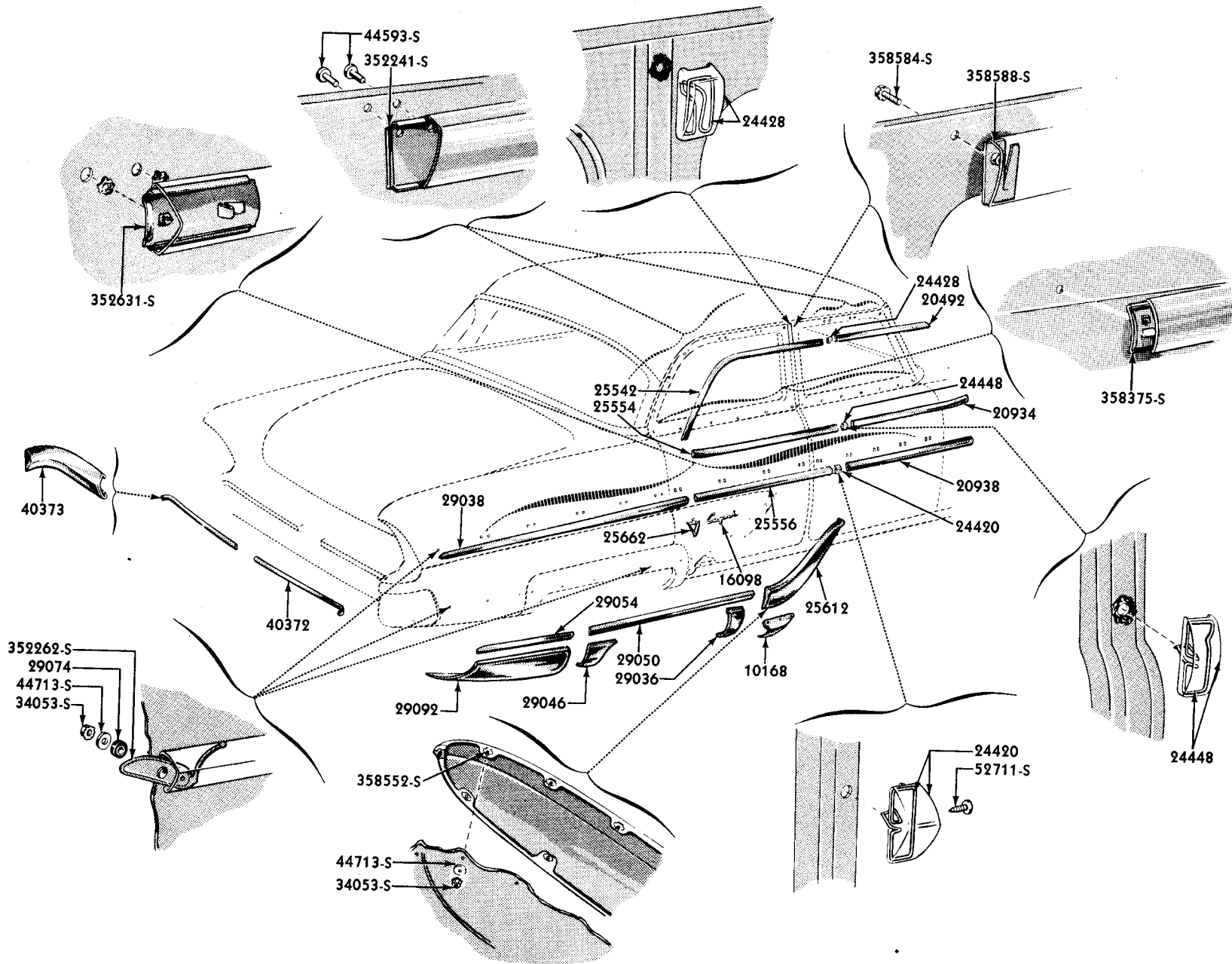
*REFER TO CHASSIS PARTS CATALOGUE

1954

PL-928

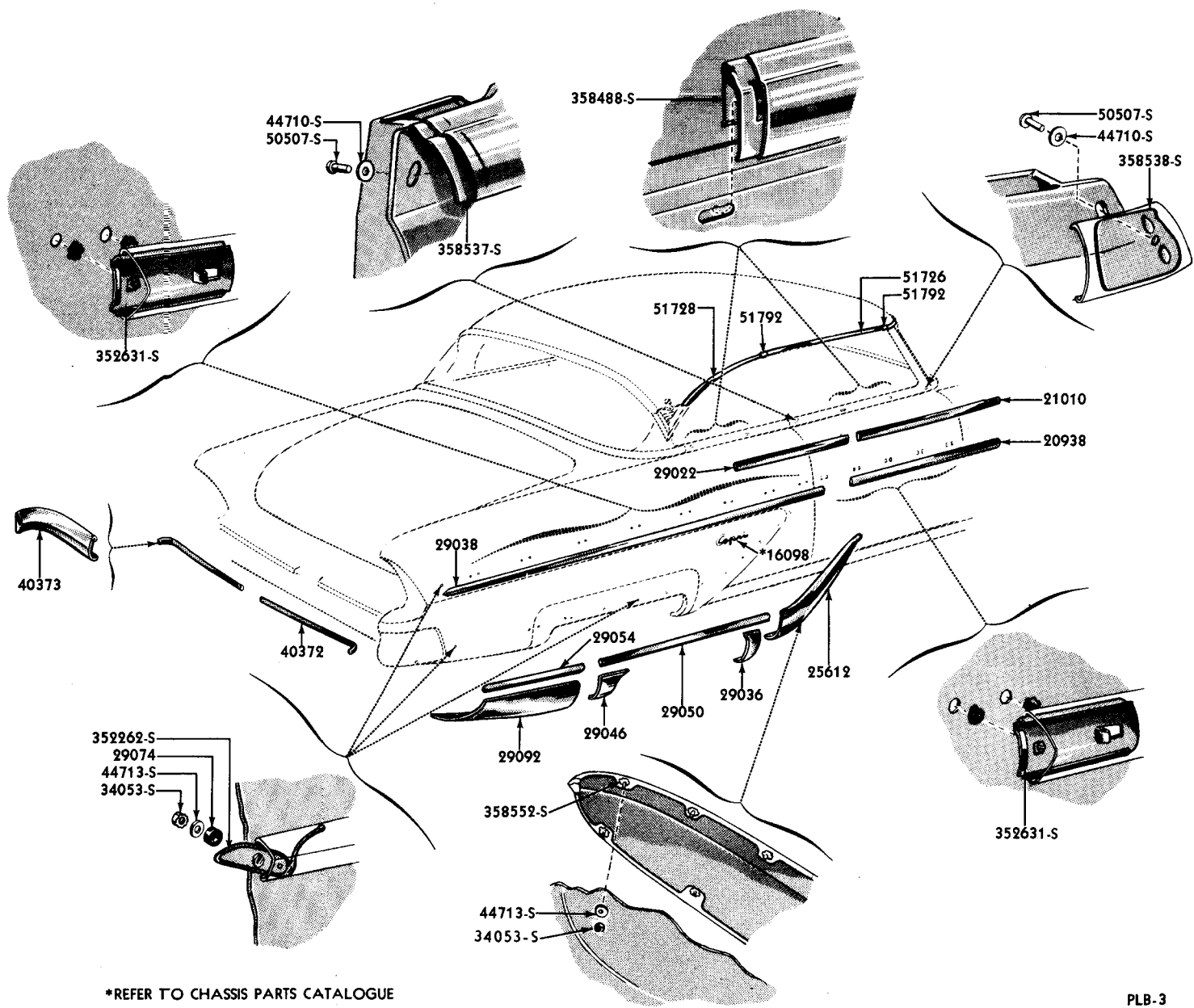
EXTERIOR VIEW (BODY TYPE 60)

Group numbers only shown on illustration. Order by Part Numbers shown in list of parts.



FOUR DOOR SEDAN EXTERIOR VIEW (BODY TYPE 73)

Group numbers only shown on illustration. Order by Part Numbers shown in list of parts.



*REFER TO CHASSIS PARTS CATALOGUE

PLB-3

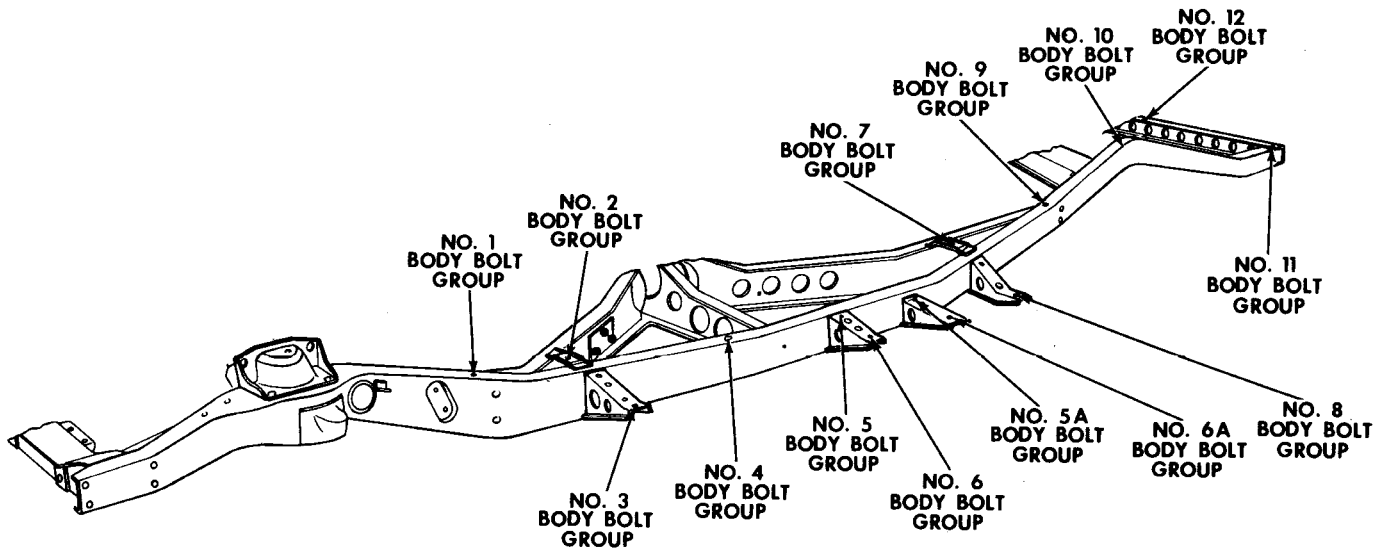
EXTERIOR VIEW (BODY TYPE 60)

Group numbers only shown on illustration. Order by Part Numbers shown in list of parts.

Lincoln

BODY PARTS CATALOGUE

1953-55 LINCOLN BODY BOLT CHART



PL-946

YEAR 19	BODY TYPES	REMARKS	PART NUMBER	NO. REQ'D
------------	------------	---------	-------------	--------------

NO. 1 BODY BOLT GROUP

53-55	BH, BS, BT	Bolt (hex head)-7/16"-14 x 2-3/8"	353423-S8	2
53-55	BH, BS, BT	Nut-7/16"-14	34446-S8	2
53-55	BH, BS, BT	Washer (flat)-29/64" I. D. -1" O. D. x 5/32"	356420-S8	2
53-55	BH, BS, BT except 76A	Spacer-11/32" I. D. -1-3/4" O. D. x 7/8"	BA 7000134-A	2
53-55	BH76A, BS76A, BT76A	Spacer	BA 7001740	2

NO. 2 BODY BOLT GROUP

53-55	BH, BS, BT	Plug (rubber)-1-13/16" x 7/16"	352285-S	2
53-55	BH, BS, BT except 76A	Bolt (hex head)-3/8"-16 x 2-1/4"	20234-S8	2
53-55	BH, BS, BT except 76A	Washer (lock)-19/32" I. D. -1-1/32" O. D. x 1/16"	34810-S7	2
53-55	BH, BS, BT except 76A	Washer (flat)-19/32" I. D. x 1-5/16" O. D. x 3/16"	356476-S8	2
53-55	BH, BS, BT except 76A	Insulator-15/32" I. D. -1-3/8" O. D. x 15/32"	BC 7000154-A	2
53-55	BH, BS, BT except 76A	Spacer-7/8" I. D. -1-3/4" O. D. x 7/16"	BC 7000141-A	2
53-55	BH, BS, BT except 76A	Nut-3/8"-16	34444-S8	2
53-55	BH76A, BS76A, BT76A	Bolt (hex head)-3/8"-16 x 2"	351753-S8	2
53-55	BH76A, BS76A, BT76A	Nut-3/8"-16	34444-S8	2
53-55	BH76A, BS76A, BT76A	Washer (lock)-3/8" I. D. -11/16" O. D. x 3/32"	34807-S8	2
53-55	BH76A, BS76A, BT76A	Washer (flat)-19/32" I. D. -1-5/16" O. D. x 3/16"	356476-S8	2
53-55	BH76A, BS76A, BT76A	Spacer-1-3/4" x 5/16"	8M 7001740	2

Lincoln

BODY PARTS CATALOGUE

YEAR 19	BODY TYPES	REMARKS	PART NUMBER	NO. REQ'D
NO. 3 BODY BOLT GROUP				
53-55	BH, BS, BT except 76A	Plug (rubber)-1-13/16" x 7/16"	352285-S	2
53-55	BH, BS, BT except 76A	Bolt (hex head)-3/8"-16 x 2-1/4"	20234-S8	2
53-55	BH, BS, BT except 76A	Washer (flat)-19/32" I. D. -1-5/16" O. D. x 3/16"	356476-S8	2
53-55	BH, BS, BT except 76A	Insulator-15/32" I. D. -1-3/8" O. D. x 15/32"	BC 7000154-A	2
53-55	BH, BS, BT except 76A	Insulator	BC 7000155-A	2
53-55	BH, BS, BT except 76A	Spacer-7/8" I. D. -1-3/4" O. D. x 7/16"	BC 7000141-A	2
53-55	BH, BS, BT except 76A	Washer (flat)-29/64" I. D. -1" O. D. x 5/32"	356420-S8	2
53-55	BH, BS, BT	Nut (lock)-3/8"-16	34444-S8	2
53-55	BH76A, BS76A, BT76A	Bolt (hex head)-3/8"-16 x 2"	351753-S8	2
53-55	BH76A, BS76A, BT76A	Washer (flat)-19/32" I. D. -1-5/16" O. D. x 3/16"	356476-S8	2
53-55	BH76A, BS76A, BT76A	Spacer-1-3/4" x 5/16"	8M 7001740	2
53-55	BH76A, BS76A, BT76A	Washer (flat)-29/64" I. D. -1" O. D. x 5/32"	356420-S8	2

NO. 4 BODY BOLT GROUP

53-55	BH, BS, BT	Plug (rubber)-1-13/16 x 7/16"	352285-S	2
53-55	BH, BS, BT except 76A	Bolt (hex head)-3/8"-16 x 2-1/4"	20234-S8	2
53-55	BH, BS, BT except 76A	Washer (lock)-19/32" I. D. -1-1/32" O. D. x 1/16"	34810-S7	2
53-55	BH, BS, BT except 76A	Washer (flat)-19/32" I. D. -1-5/16" O. D. x 3/16"	356476-S8	2
53-55	BH, BS, BT except 76A	Insulator-15/32" I. D. -1-3/8" O. D. x 15/32"	BC 7000154-A	2
53-55	BH, BS, BT except 76A	Spacer-7/8" I. D. -1-3/4" O. D. x 7/16"	BC 7000141-A	2
53-55	BH, BS, BT except 76A	Nut -3/8"-16	34444-S8	2
53-55	BH76A, BS76A, BT76A	Bolt (hex head)-3/8"-16 x 2"	351753-S8	2
53-55	BH76A, BS76A, BT76A	Washer (lock)-3/8" I. D. -11/16" O. D. x 3/32"	34807-S8	2
53-55	BH76A, BS76A, BT76A	Washer (flat)-19/32" I. D. -1-5/16" O. D. x 3/16"	356476-S8	2
53-55	BH76A, BS76A, BT76A	Spacer-1-3/4" x 5/16"	8M 7001740	2
53-55	BH76A, BS76A, BT76A	Nut -3/8"-16	34444-S8	2

NO. 5 BODY BOLT GROUP

53-55	BH, BS, BT	Plug (rubber)-1-13/16" x 7/16"	352285-S	2
53-55	BH, BS, BT except 76A	Bolt (hex head)-3/8"-16 x 2-1/4"	20234-S8	2
53-55	BH, BS, BT except 76A	Washer (lock)-19/32" I. D. -1-1/32" O. D. x 1/16"	34923-S7	2
53-55	BH, BS, BT except 76A	Washer (flat)-19/32" I. D. -1-5/16" O. D. x 3/16"	356476-S8	2
53-55	BH, BS, BT except 76A	Insulator-15/32" I. D. -1-3/8" O. D. x 15/32"	BC 7000154-A	2
53-55	BH, BS, BT except 76A	Spacer-7/8" I. D. -1-3/4" O. D. x 7/16"	BC 7000141-A	2
53-55	BH, BS, BT except 76A	Nut (weld)-3/8"-16"	351898-S5	2
53-55	BH76A, BS76A, BT76A	Bolt (hex head)-3/8"-16 x 2"	351753-S8	2
53-55	BH76A, BS76A, BT76A	Washer (lock)-3/8" I. D. -11/16" O. D. x 3/32"	34807-S8	2
53-55	BH76A, BS76A, BT76A	Washer (flat)-19/32" I. D. -1-5/16" O. D. x 3/16"	356476-S8	2
53-55	BH76A, BS76A, BT76A	Spacer-1-3/4" x 5/16"	8M 7001740	2
53-55	BH76A, BS76A, BT76A	Nut (weld)-3/8"-16	351898-S5	2

Lincoln

BODY PARTS CATALOGUE

YEAR 19__	BODY TYPES	REMARKS	PART NUMBER	NO. REQ'D
NO. 5A BODY BOLT GROUP				
53-55	BH60A-60C, BS60A-60C, BT60A-60C	Plug (rubber)-1-13/16" x 7/16"	352285-S	2
53-55	BH60A-60C, BS60A-60C, BT60A-60C	Bolt (shoulder)-3/8"-16 x 2-53/64"	357666-S8	2
53-55	BH60A-60C, BS60A-60C, BT60A-60C	Washer (flat)-19/32" I. D. -1-5/16" O. D. x 3/16"	356476-S8	2
53-55	BH60A-60C, BS60A-60C, BT60A-60C	Insulator-15/32" I. D. -1-3/8" O. D. x 15/32"	BC 7000154-A	2
53-55	BH60A-60C, BS60A-60C, BT60A-60C	Spacer-7/8" I. D. -1-3/4" O. D. x 1"	BC 7000134-A	2
53-55	BH60A-60C, BS60A-60C, BT60A-60C	Insulator	BC 7000155-A	2
53-55	BH60A-60C, BS60A-60C, BT60A-60C	Washer (flat)-29/64" I. D. - 1" O. D. x 5/32"	356420-S8	2
53-55	BH60A-60C, BS60A-60C, BT60A-60C	Nut (lock)-3/8"-16"	34444-S8	2
53-55	BH76A, BS76A, BT76A	Bolt (hex head)-3/8"-16 x 2-3/8"	20540-S8	2
53-55	BH76A, BS76A, BT76A	Washer (flat)-19/32" I. D. -1-5/16" O. D. x 3/16"	356476-S8	2
53-55	BH76A, BS76A, BT76A	Spacer-5/8" I. D. -1-1/2" O. D. x 13/16"	BC 7600134-A	2
53-55	BH76A, BS76A, BT76A	Washer (flat)-29/64" I. D. -1" O. D. x 5/32"	356420-S8	2
53-55	BH76A, BS76A, BT76A	Nut (lock)-3/8"-16	34444-S8	2

NO. 6 BODY BOLT GROUP

53-55	BH, BS, BT	Plug (rubber)-1-13/16" x 7/16"	352285-S	2
53-55	BH, BS, BT except 76A	Bolt (shoulder)-3/8"-16 x 2-53/64"	357666-S8	2
53-55	BH, BS, BT except 76A	Washer-19/32" I. D. -1-5/16" O. D. x 3/16"	356476-S8	2
53-55	BH, BS, BT except 76A	Insulator-15/32" I. D. -1-3/8" O. D. x 15/32"	BC 7000154-A	2
53-55	BH, BS, BT except 76A	Spacer-7/8" I. D. -1-3/4" O. D. x 1"	BC 7000134-A	2
53-55	BH, BS, BT except 76A	Insulator	BC 7000155-A	2
53-55	BH, BS, BT except 76A	Washer (flat)-29/64" I. D. -1" O. D. x 5/32"	356420-S8	2
53-55	BH76A, BS76A, BT76A	Bolt (hex head)-3/8"-16 x 2-3/8"	20540-S8	2
53-55	BH, BS, BT	Nut (lock)-3/8"-16	34444-S8	2
53-55	BH76A, BS76A, BT76A	Washer (flat)-19/32" I. D. -1-5/16" O. D. x 3/16"	356476-S8	2
53-55	BH76A, BS76A, BT76A	Spacer-5/8" I. D. -1-1/2" O. D. x 13/16"	BC 7600134-A	2
53-55	BH76A, BS76A, BT76A	Washer (flat)-29/64" I. D. -1" O. D. x 5/32"	356420-S8	2

NO. 6A BODY BOLT GROUP

53-55	BH60A-60C, BS60A-60C, BT60A-60C	Bolt (hex head)-3/8"-16 x 2-3/8"	20540-S8	2
53-55	BH60A-60C, BS60A-60C, BT60A-60C	Washer (lock)-3/8" I. D. -11/16 O. D. x 3/32"	34807-S7	2
53-55	BH60A-60C, BS60A-60C, BT60A-60C	Washer (flat)-29/64" I. D. x 1" O. D. x 5/32"	356420-S8	2
53-55	BH60A-60C, BS60A-60C, BT60A-60C	Insulator	BC 7000155-A	2
53-55	BH60A-60C, BS60A-60C, BT60A-60C	Spacer-7/8" I. D. -1-3/4" O. D. x 1"	BC 7000134-A	2
53-55	BH76A, BS76A, BT76A	Bolt (hex head)-3/8"-16 x 2-3/8"	353439-S8	2
53-55	BH76A, BS76A, BT76A	Washer (lock)-3/8" I. D. -11/16 O. D. x 3/32"	34807-S8	2
53-55	BH76A, BS76A, BT76A	Washer (flat)-29/64" I. D. -1" O. D. x 5/32"	356420-S8	2
53-55	BH76A, BS76A, BT76A	Spacer-5/8" I. D. -1-1/2" O. D. x 13/16"	BC 7600134-A	2

Lincoln

BODY PARTS CATALOGUE

YEAR 19	BODY TYPES	REMARKS	PART NUMBER	NO. REQ'D
NO. 7 BODY BOLT GROUP				
53-55	BH, BS, BT except 76A	Plug (rubber)-1-13/16" x 7/16"	352285-S	2
53-55	BH, BS, BT except 76A	Bolt (hex head)-3/8"-16 x 2-1/4"	20234-S8	2
53-55	BH, BS, BT except 76A	Washer (lock)-19/32" I. D. -1-1/32" O. D. x 1/16"	34810-S7	2
53-55	BH, BS, BT except 76A	Washer (flat)-19/32" I. D. -1-5/16" O. D. x 3/16"	356476-S8	2
53-55	BH, BS, BT except 76A	Insulator-15/32" I. D. -1-3/8" O. D. x 15/32"	BC 7000154-A	2
53-55	BH, BS, BT except 76A	Spacer-7/8" I. D. -1-3/4" O. D. x 7/16"	BC 7000141-A	2
53-55	BH, BS, BT except 76A	Nut -3/8"-16	34444-S8	2
53-55	BH76A, BS76A, BT76A	Bolt (hex head)-3/8"-16 x 2"	351753-S8	2
53-55	BH76A, BS76A, BT76A	Washer (lock)-3/8" I. D. -11/16" O. D. x 3/32"	34807-S8	2
53-55	BH76A, BS76A, BT76A	Washer (flat)-19/32" I. D. -1-5/16" O. D. x 3/16"	356476-S8	2
53-55	BH76A, BS76A, BT76A	Spacer-1-3/4" x 5/16"	8M 7001740	2
53-55	BH76A, BS76A, BT76A	Nut -3/8"-16	34444-S8	2

NO. 8 BODY BOLT GROUP

53-55	BH, BS, BT	Plug (rubber)-1-13/16" x 7/16"	352285-S	2
53-55	BH, BS, BT except 76A	Bolt (shoulder)-3/8"-16 x 2-53/64"	357666-S8	2
53-55	BH, BS, BT except 76A	Washer (flat)-19/32" I. D. -1-5/16" O. D. x 3/16"	356476-S8	2
53-55	BH, BS, BT except 76A	Insulator-15/32" I. D. -1-3/8" O. D. x 15/32"	BC 7000154-A	2
53-55	BH, BS, BT except 76A	Spacer-7/8" I. D. -1-3/4" O. D. x 1"	BC 7000134-A	2
53-55	BH, BS, BT	Shim	BC 7000145-A	as req'd
53-55	BH, BS, BT except 76A	Insulator	BC 7000155-A	2
53-55	BH, BS, BT except 76A	Washer (flat)-29/64" I. D. -1" O. D. x 5/32"	356420-S8	2
53-55	BH, BS, BT	Nut (lock)-3/8"-16	34444-S8	2
53-55	BH76A, BS76A, BT76A	Bolt (hex head)-3/8"-16 x 2-3/8"	20540-S8	2
53-55	BH76A, BS76A, BT76A	Washer (flat)-19/32" I. D. -1-5/16" O. D. x 3/16"	356476-S8	2
53-55	BH76A, BS76A, BT76A	Spacer-5/8" I. D. -1-1/2" O. D. x 13/16"	BC 7600134-A	2
53-55	BH76A, BS76A, BT76A	Washer (flat)-29/64" I. D. -1" O. D. x 5/32"	356420-S8	2

NO. 9 BODY BOLT GROUP

53-55	BH, BS, BT except 76A	Bolt (hex head)-3/8"-16 x 2-1/4"	20234-S8	2
53-55	BH, BS, BT except 76A	Nut - 3/8" -16	34444-S8	2
53-55	BH, BS, BT except 76A	Washer (lock)-19/32" I. D. -1-1/32" O. D. x 1/16"	34810-S7	2
53-55	BH, BS, BT except 76A	Washer (flat)-19/32" I. D. -1-5/16" O. D. x 3/16"	356476-S8	2
53-55	BH, BS, BT except 76A	Insulator-15/32" I. D. -1-3/8" O. D. x 15/32"	BC 7000154-A	2
53-55	BH, BS, BT except 76A	Spacer-7/8" I. D. -1-3/4" O. D. x 7/16"	BC 7000141-A	2
53-55	BH76A, BS76A, BT76A	Bolt (hex head)-3/8"-16 x 2"	351753-S8	2
53-55	BH76A, BS76A, BT76A	Nut-3/8"-16	34444-S8	2
53-55	BH76A, BS76A, BT76A	Washer (lock)-3/8" I. D. -11/16" O. D. x 3/32"	34807-S8	2
53-55	BH76A, BS76A, BT76A	Washer (flat)-19/32" I. D. -1-5/16" O. D. x 3/16"	356476-S8	2
53-55	BH76A, BS76A, BT76A	Spacer-1-3/4" x 5/16"	8M 7001740	2

Lincoln

BODY PARTS CATALOGUE

YEAR 19__	BODY TYPES	REMARKS	PART NUMBER	NO. REQ'D
NO. 10 BODY BOLT GROUP				
53-55	BH, BS, BT except 76A	Bolt (hex head)-3/8"-16 x 2-1/4"	20234-S8	2
53-55	BH, BS, BT except 76A	Washer (lock)-19/32" I. D. -1-1/32" O. D. x 1/16"	34810-S7	2
53-55	BH, BS, BT except 76A	Washer (flat)-19/32" I. D. -1-5/16" O. D. x 3/16"	356476-S8	2
53-55	BH, BS, BT except 76A	Insulator-15/32" I. D. -1-3/8" O. D. x 15/32"	BC 7000154-A	2
53-55	BH, BS, BT except 76A	Spacer-7/8" I. D. -1-3/4" O. D. x 7/16"	BC 7000141-A	2
53-55	BH, BS, BT except 76A	Nut -3/8"-16	34444-S8	2
53-55	BH76A, BS76A, BT76A	Bolt (hex head)-3/8" -16 x 2"	351753-S8	2
53-55	BH76A, BS76A, BT76A	Nut -3/8"-16	34444-S8	2
53-55	BH76A, BS76A, BT76A	Washer (lock)-3/8" I. D. -11/16" O. D. x 3/32"	34807-S8	2
53-55	BH76A, BS76A, BT76A	Washer (flat)-19/32" I. D. -1-5/16" O. D. x 3/16"	356476-S8	2
53-55	BH76A, BS76A, BT76A	Spacer-1-3/4" x 5/16"	8M 7001740	2

NO. 11 BODY BOLT GROUP

53-55	BH, BS, BT	Plug (rubber)-1-13/16" x 7/16"	352285-S	2
53-55	BH, BS, BT except 76A	Bolt (hex head)-3/8"-16 x 2-1/4"	20234-S8	2
53-55	BH, BS, BT except 76A	Washer (lock)-19/32" I. D. -1-1/32" O. D. x 1/16"	34810-S7	2
53-55	BH, BS, BT except 76A	Washer (flat)-19/32" I. D. -1-5/16" O. D. x 3/16"	356476-S8	2
53-55	BH, BS, BT except 76A	Insulator-15/32" I. D. -1-3/8" O. D. x 15/32"	BC 7000154-A	2
53-55	BH, BS, BT except 76A	Spacer-7/8" I. D. -1-3/4" O. D. x 7/16"	BC 7000141-A	2
53-55	BH, BS, BT except 76A	Nut -3/8"-16	34444-S8	2
53-55	BH76A, BS76A, BT76A	Bolt (hex head)-3/8" -16 x 2"	351753-S8	2
53-55	BH76A, BS76A, BT76A	Nut -3/8"-16	34444-S8	2
53-55	BH76A, BS76A, BT76A	Washer (lock)-3/8" I. D. -11/16" O. D. x 3/32"	34807-S8	2
53-55	BH76A, BS76A, BT76A	Washer (flat)-19/32" I. D. -1-5/16" O. D. x 3/16"	356476-S8	2
53-55	BH76A, BS76A, BT76A	Spacer-1-3/4" x 5/16"	8M 7001740	2

NO. 12 BODY BOLT GROUP

53-55	BH, BS, BT	Bolt (shoulder)-3/8" -16 x 2-53/64"	357666-S8	2
53-55	BH, BS, BT	Nut -3/8"-16	34444-S8	2
53-55	BH, BS, BT	Plug (rubber)-1-13/16" x 7/16"	352285-S	2
53-55	BH, BS, BT	Washer (lock)-19/32" I. D. -1-1/32" O. D. x 1/16"	34923-S7	2
53-55	BH, BS, BT	Washer (flat)-19/32" I. D. -1-5/16" O. D. x 3/16"	356476-S8	2
53-55	BH, BS, BT	Insulator-15/32" I. D. -1-3/8" O. D. x 15/32"	BC 7000154-A	2
53-55	BH, BS, BT	Spacer-7/8" I. D. -1-3/4" O. D. x 1"	BC 7000134-A	2

Lincoln

BODY PARTS CATALOGUE

YEAR 19__	BODY TYPES	REMARKS	PART NUMBER	NO. REQ'D
Group 0546 BUMPER (COWL SIDE PANEL TO HOOD)				
53-55	BH76A, BS76A, BT76A	Rubber-1/2" I. D.	40-700546-A	2
Group 3649 EMBLEM (FRONT SEAT BACK ASH RECEPTACLE CASE)				
53-55	BH73A-73B, BS73A-73B, BT73A-73B		FAB 3649-A	1
Group 3687-9 CYLINDER ASSEMBLY SET (WITH KEYS)				
53-55	BH, BS, BT	Consists of ignition lock cylinder with keys and door lock cylinders	BD 3687-B	1
53-55	BH, BS, BT	Consists of glove compartment lock assy with keys and rear deck lock cylinder	BD 3689-B	1
Group 00134 SPACER (BODY BOLT)				
53-55	BH, BS, BT	Rubber-7/8" I. D. x 3/4" O. D. x 1"	BC 7000134-A	as req'd
53-55	BH, BS, BT except 76A	11/32" x 1-3/4" overall-with 7/8" diameter hole through center	BA 7000134-A	2
53-55	BH76A, BS76A, BT76A	Steel-5/8" I. D. x 1-1/2" O. D. x 13/16"-with four 7/32" holes	BC 7600134-A	8
Group 00141 SPACER (BODY BOLT AT FRAME)				
53-55	BH, BS, BT	Rubber-7/16" x 1-3/4" x 1-3/4" with 7/8" hole through center	BC 7000141-A	16
Group 00145 SHIM (BODY MOUNTING)				
53-55	BH, BS, BT	Steel-13/32" I. D. x 1-7/8" O. D. x 7/64"	BC 7000145-A	as req'd
53-55	BH, BS, BT	Steel-11/32" I. D. x 1-7/8" O. D. x 7/32"	BC 7000145-B	as req'd
53-55	BH, BS, BT	Steel-11/32" I. D. x 1-7/8" O. D. x 21/64"	BC 7000145-C	as req'd
Group 00154 INSULATOR (BODY BOLT)				
53-55	BH, BS, BT	Rubber-35/64" I. D. x 1-3/8" O. D. -with four 1/4" dia. holes	BC 7000154-A	as req'd
Group 00155 SHIM (BODY MOULDING)				
53-55	BH, BS, BT	Rubber-13/32" I. D. x 1-1/4" O. D. x 3/16"	BC 7000155-A	6or10
Group 00164 RETAINER (BODY BOLT AT FRAME)-SPACER				
55	BT except 76A	Used at Body Bolts #4, #5, #7	BT 7300164-A	6
Group 01460 COVER (UNDERSEAT HEATER OPENING)				
53-55	BH, BS, BT	Steel-3-13/16" x 6-13/16"	BD 7301460-A	1
53-55	BH, BS, BT	Screw (pan head self tapping)-No. 8-15 x 3/8"	52720-S8	4
Group 01462 SEAL (UNDERSEAT HEATER OPENING COVER)				
53-55	BH, BS, BT	Rubber-3-13/16" x 6-13/16"	BD 7301462-A	1
Group 01464 INSULATOR (VENT AIR DUCT)-AT HOOD HINGE				
53-55	BH, BS, BT	Fibre Padding	BD 7301464-A	2

Lincoln

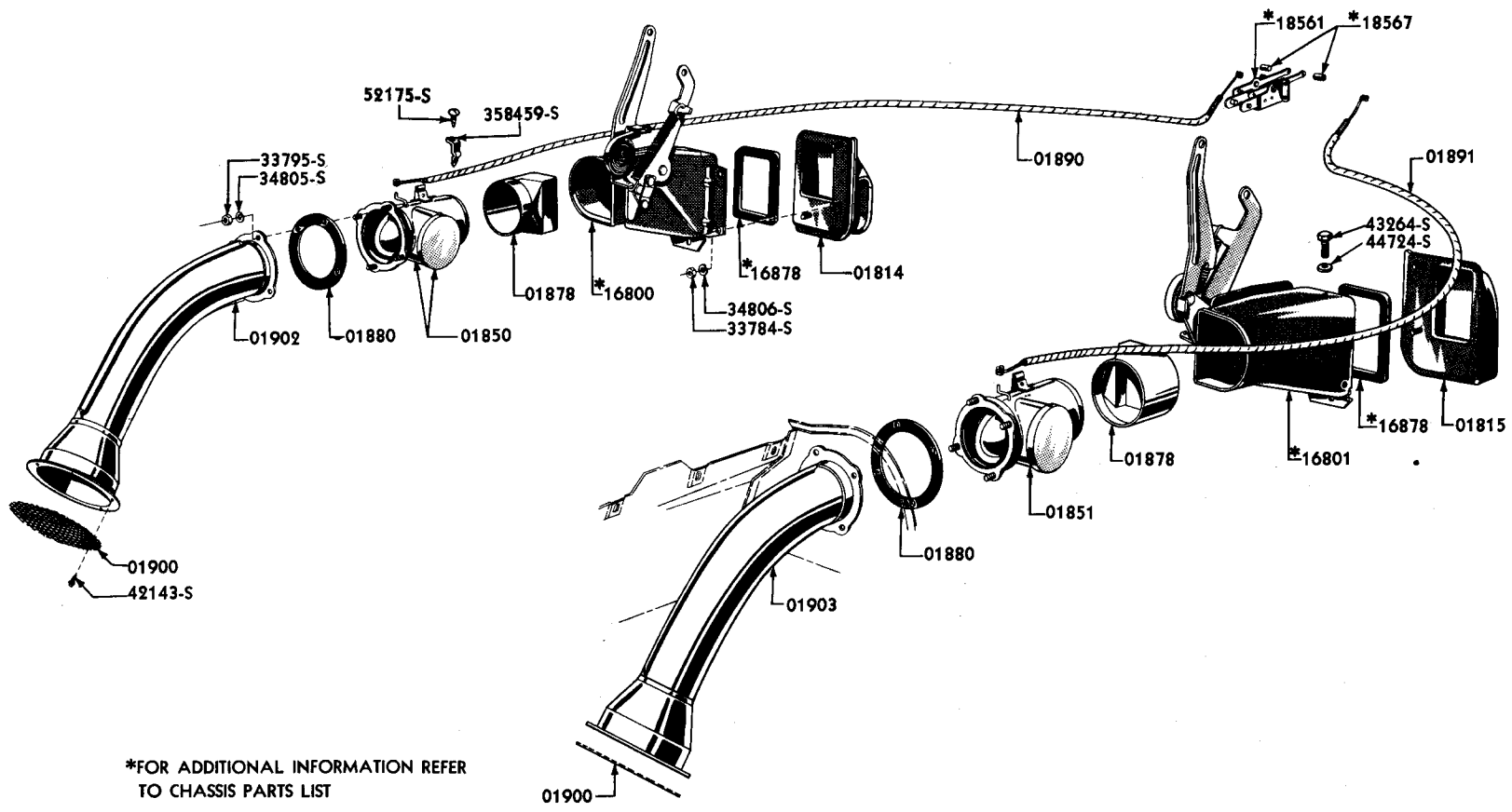
BODY PARTS CATALOGUE

YEAR 19__	BODY TYPES	REMARKS	PART NUMBER	NO. REQ'D
Group 01506 BRACE ASSEMBLY (BRAKE PEDAL SUPPORT)				
53-55	BH, BS, BT	With bracket welded at flange	BS 7301506-A	1
53-55	BH, BS, BT	Washer (spring lock)-5/16"	34806-S7	2
53-55	BH, BS, BT	Nut (plain)-5/16" - 24	34144-S8	2
Group 01510 REINFORCEMENT ASSEMBLY (INSTRUMENT PANEL BRAKE SUPPORT)				
53-55	BH, BS, BT	2" wide x 4-1/32" long	BD 7301510-A	1
Group 01540 SUPPORT ASSEMBLY (ACCELERATOR SHAFT)-ON DASH PANEL				
53-55	BH, BS, BT		BD 7301540-A	1
Group 01550 REINFORCEMENT - BRAKE PEDAL SUPPORT (DASH PANEL)				
54-55	BS, BT		BS 7301550-A	1
Group 01554 BRACE (BRAKE PEDAL SUPPORT) TO COWL TOP				
54-55	BS, BT		BS 7301554-A	1
54-55	BS, BT	Nut (hex)-3/8 - 24	33800-S8	2
54-55	BS, BT	Washer (external)-3/8"	34807-S8	2
Group 01610 PANEL ASSEMBLY (DASH)				
53-55	BH, BS, BT		BH 7301610-A	1
53-55	BH, BS, BT	Plug-Rubber-1-7/8"	357216-S	2
Group 01615 BOX ASSEMBLY (BATTERY)				
53-55	BH, BS, BT		BH 7301615-A	1
Group 01619 COVER ASSEMBLY (BATTERY ACCESS)				
53-55	BH, BS, BT		BD 7301619-B	1
Group 01641 COVER (HAND BRAKE CABLE OPENING IN DASH)				
53-55	BH, BS, BT	Forming board	BD 7301641-A	1
Group 01645 SEAL (BATTERY ACCESS COVER)				
53-55	BH, BS, BT	Sponge Rubber	BD 7301645-A	1
Group 01662 SHIELD ASSEMBLY (BATTERY SIDE)				
53-55	BH, BS, BT		BD 7301662-A	1
53-55	BH, BS, BT	Screw (pan head cross recessed self tap.) No. 10-12 x 3/8"	52721-S8	5
Group 01663 SILENCER ASSEMBLY (BATTERY ACCESS COVER)				
53-55	BH, BS, BT	Paper Felt	BD 7301663-B	1

Lincoln

BODY PARTS CATALOGUE

YEAR 19__	BODY TYPES	REMARKS	PART NUMBER	NO. REQ'D
Group 01670 INSULATOR ASSEMBLY (DASH)				
53-55	BH, BS, BT	Paper Felt	BH 7301670-A	1
54-55	BS, BT	Used with Air Conditioning Unit	BS 7301670-A	1
53-55	BH, BS, BT	Fastener (dash liner)	357036-S32	11
Group 01692 SILENCER (DASH PANEL LOWER)-CENTER				
53-55	BH, BS, BT	Paper Felt	BD 7301692-A	1
Group 01698 PLATE (STEERING COLUMN OPENING COVER)-UPPER				
53-55	BH, BS, BT	1/32" x 4-14/32" x 7-1/2" overall	BH 7301698-A	1
53-55	BH, BS, BT	Screw and Washer Assy. (pan-hd cross rec.)-1/4"-20 x 7/8"	50835-S8	9
53-55	BH, BS, BT	Retainer Assy (Nut)-1/4"-20	357227-S	9
Group 01699 PLATE (STEERING COLUMN OPENING COVER)-LOWER				
53-55	BH, BS, BT		BH 7301699-A	1
Group 01715 BRACE ASSEMBLY (DASH TO FRAME)-L. H. SIDE				
53-55	BH, BS, BT		BH 7301715-A	1
Group 01726-7 BRACE (DASH TO FRAME)				
53-55	BH, BS, BT	R. H.	BD 7301726-A	1
53-55	BH, BS, BT	L. H.	BH 7301727-A	1
Group 01738 SEAL (STEERING COLUMN OPENING COVER PLATE)				
53-55	BH, BS, BT	Rubber	BH 7301738-A	1
Group 01740 SPACER (BODY TO FRAME)				
53-55	BH, BS, BT	Steel-1-3/4" square x 5/16" thick	8M 7001740	18
Group 01755 GUARD (DASH TO FRAME SIDE BRACE HEATER HOSE)				
53	BH	Vinyl	BH 7301755-A	3
Group 01786-7 SILENCER (DASH PANEL LOWER)				
53-55	BH, BS, BT	R. H. -Paper Felt	BD 7301786-B	1
53-55	BH, BS, BT	L. H. -Paper Felt-with pedal opening	BD 7301787-B	1
Group 01814-5 REGISTER ASSEMBLY (FRESH AIR DUCT)				
53-55	BH, BS, BT	R. H.	BD 7301814-B	1
53-55	BH, BS, BT	L. H.	BD 7301815-B	1
53-55	BH, BS, BT	Screw (hex washer head)-No. 12-11 x 1/2"	42128-S8	4
Group 01844 HANDLE (FRESH AIR DUCT)				
53-55	BH, BS, BT	Plastic	BA 7001844-A	2
53-55	BH, BS, BT	Lockwasher-No. 6	34801-S7	2
53-55	BH, BS, BT	Screw (pan hd. cr. rec.)-No. 6-18 x 3/8"	52718-S8	2



*FOR ADDITIONAL INFORMATION REFER TO CHASSIS PARTS LIST

PL-693

FRESH AIR VENTILATING SYSTEM

Group numbers only shown on illustration. Order by Part Numbers shown in list of parts.

Lincoln

BODY PARTS CATALOGUE

YEAR 19__	BODY TYPES	REMARKS	PART NUMBER	NO. REQ'D
Group 01846 COVER (DASH PANEL HEATER OPENING)				
53-55	BH, BS, BT	Use on jobs without heater	BA 7001846-A	1
53-55	BH, BS, BT	Screw (hex hd self tapping)-No. 10-12 x 1/2"	42007-S8	6
53-55	BH, BS, BT	Screw (rd hd self tapping)-No. 8-15 x 1/2"	32858-S2	1
Group 01849 COVER (TEMPERATURE REGULATOR VALVE OPENING)				
53-55	BH, BS, BT	Use on jobs without heater	BD 7301849-A	1
53-55	BH, BS, BT	Screw (hex washer head)-No. 10-12 x 3/8"	42360-S7	2
Group 01850-1 VALVE ASSEMBLY (FRESH AIR DUCT)				
53	BH	R. H.	BC 7001850-A	1
54-55	BS, BT	R. H.	BR 7001850-A	1
53-55	BH, BS, BT	L. H.	BD 7301851-A	1
53-55	BH, BS, BT	Nut (hex)-1/4"-20	33795-S7	8
53-55	BH, BS, BT	Lockwasher-1/4"	34805-S8	8
53-55	BH, BS, BT	Washer (external tooth)-1/4"	34940-S7	8
Group 01862 DAMPER ASSEMBLY (BODY VENT AIR VALVE)				
53-55	BH, BS, BT		8A 7001862-B	2
53-55	BH, BS, BT	Screw (hex washer hd)-No. 8-15 x 5/8"	42133-S8	1
Group 01878 CONNECTOR (BODY VENT AIR DUCT)				
53-55	BH, BS, BT	Rubber-3-45/64" I. D.	BA 7001878-C	2
Group 01880 GASKET (AIR VALVE)				
53-55	BH, BS, BT	Sponge Rubber 1/8" x 4" I. D. x 5-1/2" O. D. -with four 5/16" holes equally spaced	BA 7001880-A	2
Group 01890-1 CABLE ASSEMBLY (FRESH AIR INLET CONTROL)				
53-55	BH, BS, BT	R. H. -approximate length 74-1/2"	FAC 7301890-A	1
53-55	BH, BS, BT	L. H. -approximate length 39"	FAC 7301891-A	1
53-55	BH, BS, BT	Clip (wiring)	358459-S2	2
53-55	BH, BS, BT	Screw (round hd. cr. rec.)-No. 10-12 x 1/2"	52727-S8	2
Group 01900 SCREEN (VENTILATING AIR DUCT)				
53-55	BH, BS, BT	Steel Wire Mesh-7-5/8" O. D.-with six 5/16" holes equally spaced	BD 7301900-A	2
53-55	BH, BS, BT	Screw (hex washer head self tapping)-No. 14-10 x 3/4"	42143-S8	12
Group 01902-3 DUCT ASSEMBLY-(VENT AIR)				
53-55	BH, BS, BT	R. H.	BD 7301902-C	1
53-55	BH, BS, BT	L. H.	BD 7301903-C	1
53-55	BH, BS, BT	Screw (hex washer hd self tapping)-No. 14-10 x 3/4"	42143-S8	12

Lincoln

BODY PARTS CATALOGUE

YEAR 19__	BODY TYPES	REMARKS	PART NUMBER	NO. REQ'D
Group 02010 PANEL ASSEMBLY (COWL TOP)				
53-55	BH60A-60C, BS60A-60C, BT60A-60C	Re-work for Service-Drill necessary wiring holes	BS 6002010-A	1
53	BH73A-73B	Re-work for Service-Drill necessary wiring holes	BH 7302010-A	1
54-55	BS73A-73B, BT73A-73B		BS 7302010-A	1
53	BH76A	Re-work for Service-Drill necessary wiring holes	EDBH 7602010-B	1
54-55	BS76A, BT76A		BS 7602010-A	1
53-55	BH, BS, BT	Screw and Washer assy (hex head)-5/16"-24 x 7/8"	43264-S8	2
Group 02042-3 PILLAR AND COWL SIDE ASSEMBLY (FRONT BODY)				
53-55	BH, BS, BT	R. H.	BD 7302042-A	1
53-55	BH, BS, BT	L. H.	BD 7302043-A	1
53-55	BH, BS, BT	Grommet (rubber)-used with electric window wiring	352807-S	as req'd
Group 02062-3 EXTENSION (COWL SIDE PANEL)				
53-55	BH, BS, BT	R. H.	BD 7302062-A	1
53-55	BH, BS, BT	L. H.	BD 7302063-A	1
53-55	BH, BS, BT	Screw (oval head cross recessed)-No. 8-15 x 7/8"	52368-S23	2
Group 02354-5 RETAINER (COWL CARDBOARD)				
53-55	BH, BS, BT	R. H. -In Prime	BD 7302354-CP	1
53-55	BH, BS, BT	L. H. -In Prime	BD 7302355-CP	1
Group 02522-3 PILLAR ASSEMBLY (FRONT BODY UPPER)-INNER				
53-55	BH60A-60C, BS60A-60C, BT60A-60C	R. H.	BD 6002522-A	1
53-55	BH60A-60C, BS60A-60C, BT60A-60C	L. H.	BD 6002523-A	1
53-55	BH73A-73B, BS73A-73B, BT73A-73B	R. H.	BD 7302522-B	1
53-55	BH73A-73B, BS73A-73B, BT73A-73B	L. H.	BD 7302523-B	1
53-55	BH76A, BS76A, BT76A	R. H.	BD 7602522-A	1
53-55	BH76A, BS76A, BT76A	L. H.	BD 7602523-A	1
Group 02536-7 PILLAR ASSEMBLY (FRONT BODY UPPER)-OUTER				
53-55	BH60A-60C, BS60A-60C, BT60A-60C	R. H.	BD 6002536-C	1
53-55	BH60A-60C, BS60A-60C, BT60A-60C	L. H.	BD 6002537-C	1
53-55	BH73A-73B, BS73A-73B, BT73A-73B	R. H.	BD 7302536-B	1
53-55	BH73A-73B, BS73A-73B, BT73A-73B	L. H.	BD 7302537-B	1
53-55	BH76A, BS76A, BT76A	R. H.	BD 7602536-E	1
53-55	BH76A, BS76A, BT76A	L. H.	BH 7602537-A	1
53-55	BH, BS, BT	Plug (button)-1/2"	352285-S	2

Lincoln

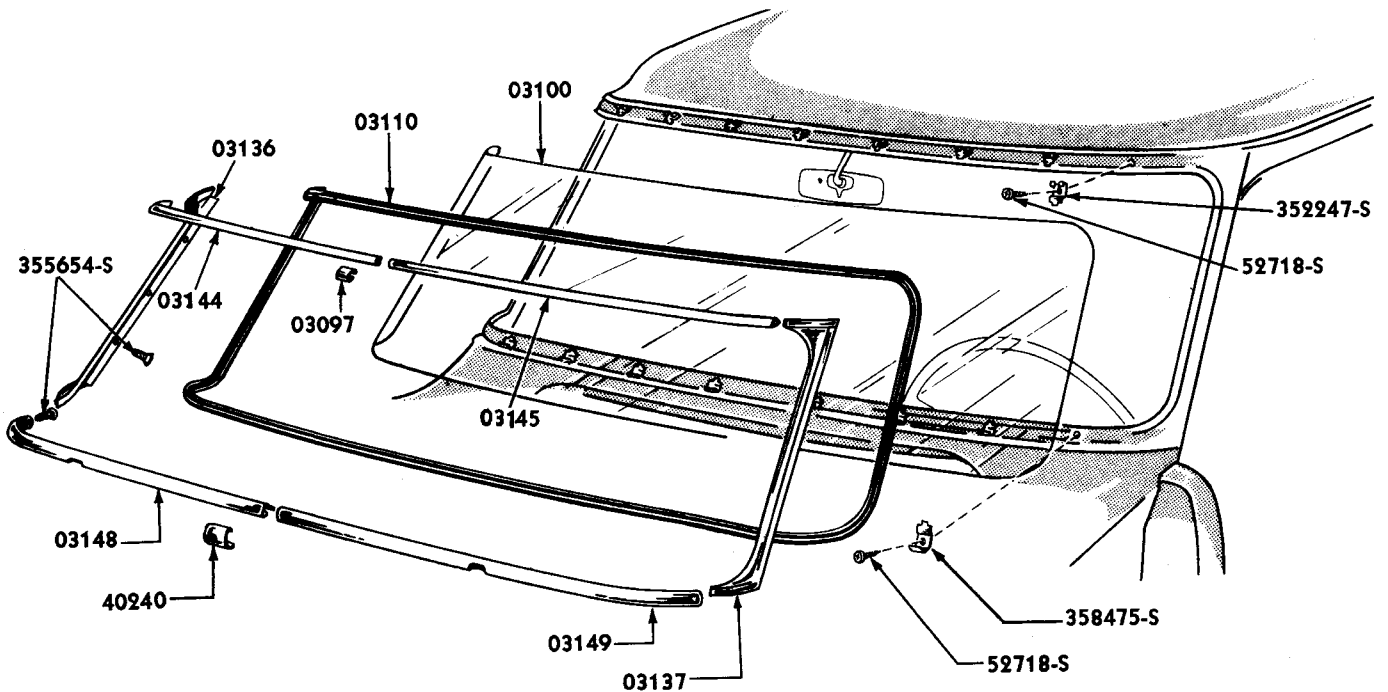
BODY PARTS CATALOGUE

YEAR 19	BODY TYPES	REMARKS	PART NUMBER	NO. REQ'D
Group 02590-1 COVER (FRONT BODY PILLAR)-FENDER BOLT ACCESS				
53-55	BH, BS, BT	R. H. -with turned down flange	BD 7302590-B	1
53-55	BH, BS, BT	L. H. -with turned down flange	BD 7302591-B	1
53-55	BH, BS, BT	Screw (pan head cross recess)-No. 6-18 x 3/8"	52718-S8	6
Group 02594 RETAINER (FRONT BODY PILLAR WEATHERSTRIP)-UPPER				
53-55	BH60A-60C, BS60A-60C, BT60A-60C		BA 6002594-A	2
53-55	BH76A, BS76A, BT76A		BH 7602594-A	2
53-55	BH60A-60C-76A, BS60A- 60C-76A, BT60A-60C- 76A	Screw (oval head cross recess tapp.)-No. 6-18 x 5/8"	52350-S13	10
Group 02626-7 WEATHERSTRIP (FRONT BODY PILLAR)-UPPER				
53-55	BH76A, BS76A, BT76A	R. H. -Rubber-approximate length 17-1/16"	BD 7602626-B	1
53-55	BH76A, BS76A, BT76A	L. H. -Rubber-approximate length 17-1/16"	BD 7602627-B	1
53-55	BH76A, BS76A, BT76A	Screw (pan head)-No. 8-15 x 1/2"	52726-S8	2
Group 02648 COVER (FRONT BODY PILLAR HINGE OPENING)				
53-55	BH, BS, BT	Used with manual window regulators	BD 7302648-A	4
53-55	BH, BS, BT	Screw (pan head)-No. 6-32 x 3/8"	51754-S8	8
Group 02648 COVER (FRONT BODY PILLAR HINGE OPENING)-UPPER				
53-55	BH, BS, BT	Used with electric window regulators	BD 7302648-B	2
53-55	BH, BS, BT	Screw (pan hd. cr. rec.)-No. 6-18 x 3/8"	52718-S8	16
Group 03097 COVER (WINDSHIELD OUTSIDE TOP MOULDING JOINT)				
53-55	BH73A-73B, BS73A-73B, BT73A-73B	Chrome Finish	B2A 7303097-A	1
Group 03100 GLASS (WINDSHIELD)				
53-55	BH60A-60C-76A, BS60A- 60C-76A, BT60A-60C- 76A	Clear	BD 7603100-B	1
53-55	BH60A-60C-76A, BS60A- 60C-76A, BT60A-60C- 76A	Tinted (Green)	BD 7603100-C	1
53-55	BH73A-73B, BS73A-73B, BT73A-73B	Clear	BD 7303100-B	1
53-55	BH73A-73B, BS73A-73B, BT73A-73B	Tinted (Green)	BD 7303100-C	1

Lincoln

BODY PARTS CATALOGUE

YEAR 19	BODY TYPES	REMARKS	PART NUMBER	NO. REQ'D
Group 03110 WEATHERSTRIP (WINDSHIELD)				
53-55	BH, BS, BT	Rubber	BD 7303110-D	1
Group 03136-7 MOULDING (WINDSHIELD) OUTSIDE-SIDE				
53-55	BH60A-60C-76A, BS60A-60C-76A, BT60A-60C-76A	R. H. -Chrome Finish	BD 7603136-A	1
53-55	BH60A-60C-76A, BS60A-60C-76A, BT60A-60C-76A	L. H. -Chrome Finish	BD 7603137-A	1
53-55	BH73A, BS73A, BT73A	R. H. -Prime	BD 7303136-C	1
53-55	BH73A, BS73A, BT73A	L. H. -Prime	BD 7303137-C	1
53-55	BH73B, BS73B, BT73B	R. H. -Chrome Finish	BD 7303136-D	1
53-55	BH73B, BS73B, BT73B	L. H. -Chrome Finish	BD 7303137-D	1
53-55	BH, BS, BT	Clip (moulding)	352247-S8	as req'd
53-55	BH60A-60C-76A, BS60A-60C-76A, BT60A-60C-76A	Screw (flat hd cross recess self tapping)-No. 4-24 x 1/4"	52050-S13	6
53-55	BH73A-73B, BS73A-73B, BT73A-73B	Screw (flat hd cross recess self tapping)-No. 4-40 x 1/2"	355654-S13	6
53-55	BH73A-73B, BS73A-73B, BT73A-73B	Screw (pan head self tapping)-No. 6-18 x 3/8"	52718-S8	8



WINDSHIELD PARTS

Group numbers only shown on illustration. Order by Part Numbers shown in list of parts.

PL-712

Lincoln

BODY PARTS CATALOGUE

YEAR 19____	BODY TYPES	REMARKS	PART NUMBER	NO. REQ'D
Group 03144-5 MOULDING (WINDSHIELD)-OUTSIDE TOP				
53-55	BH60A-60C-76A, BS60A-60C-76A, BT60A-60C-76A	R. H. -Chrome Finish	BD 7603144-B	1
53-55	BH60A-60C-76A, BS60A-60C-76A, BT60A-60C-76A	L. H. -Chrome Finish	BD 7603145-B	1
53-55	BH73A-73B, BS73A-73B, BT73A-73B	R. H. -Chrome Finish	BD 7303144-B	1
53-55	BH73A-73B, BS73A-73B, BT73A-73B	L. H. -Chrome Finish	BD 7303145-B	1
53-55	BH, BS, BT	Kit-Moulding Clips (exterior) Consists of the following:	HCK 350013-A	1
		(8) 52718-S8 Screw (pan hd.)-No. 6-18 x 3/8" (2) 52050-S13 Screw (tapping)-No. 4-24 x 1/4" (1) 52003-S13 Screw (flat hd.)-No. 4-24 x 3/8"		
Group 03148-9 MOULDING (WINDSHIELD)-OUTSIDE BELT				
53-55	BH, BS, BT	R. H. -Chrome Finish	BD 7303148-B	1
53-55	BH, BS, BT	L. H. -Chrome Finish	BD 7303149-B	1
53-55	BH, BS, BT	Clip (moulding)	358475-S8	8
53-55	BH, BS, BT	Screw (flat head cross recess)-No. 4-40 x 1/2"	355654-S13	2
53-55	BH, BS, BT	Screw (pan head cross recessed self tap.)-No. 6-18 x 3/8"	52718-S8	14
53-55	BH73A-73B, BS73A-73B, BT73A-73B	Screw (flat head cross recess)-No. 4-24 x 1/4"	52050-S13	2
Group 03410 PANEL (WINDSHIELD HEADER)				
53-55	BH76A, BS76A, BT76A		BD 7603410-A	1
Group 03442 DOWEL (FOLDING TOP NO. 1 BOW)-CENTER				
53-54	BH76A, BS76A	Chrome Finish-Straight Shank Type	BD 7603442-A	1
54-55	BS76A, BT76A	Chrome Finish-T-Shape	BA 7603442-A	1
53-54	BH76A, BS76A	Screw (headless set)-No. 8-32 x 1/4"	89565-S7	1
54-55	BS76A, BT76A	Screw (oval head)-1/4"-20 x 3/4"	30047-S13	2
53-54	BH76A, BS76A	Washer (flat)-3/8"	44726-S8	as req'd
54-55	BS76A, BT76A	Washer (external)-1/4"	34954-S13	2
Group 03458-9 DOWEL (FOLDING TOP NO. 1 BOW)-SIDE				
53	BH76A	R. H. -Chrome Finish-approximate length 1-43/64"	BD 7603458-B	1
53	BH76A	L. H. -Chrome Finish-approximate length 1-43/64"	BD 7603459-B	1
54-55	BS76A, BT76A	R. H. -Chrome Finish-T-Shape	BD 7603458-C	1
54-55	BS76A, BT76A	L. H. -Chrome Finish-T-Shape	BD 7603459-C	1
53-54	BH76A, BS76A	Screw (headless set)-No. 8-32 x 1/4"	89565-S7	2
54-55	BS76A, BT76A	Screw and Washer Assy (oval hd. cr. rec.)-1/4"-20 x 3/4"	50711-S13	4
Group 03466 SEAL (WINDSHIELD HEADER DOWEL)				
53-55	BH76A, BS76A, BT76A	Sponge Rubber	BD 7603466-A	2

Lincoln

BODY PARTS CATALOGUE

YEAR 19____	BODY TYPES	REMARKS	PART NUMBER	NO. REQ'D
Group 03536 MOULDING (WINDSHIELD)-UPPER-TRIM				
53-55	BH60A, BS60A, BT60A	Chrome Finish-approximate length 49-11/32"	BH 6003536-A	1
53	BH60C	Chrome Finish-approximate length 49-29/32"	BD 6003536-B	1
54-55	BS60C, BT60C	Chrome Finish-approximate length 49-29/32"	BH 6003536-B	1
53-55	BH60A-60C, BS60A-60C, BT60A-60C	Clip (moulding)	352224-S8	11
Group 03542 MOULDING (WINDSHIELD HEADER)				
53-55	BH60A, BS60A, BT60A	In Prime	BD 6003542-BP	1
53-55	BH60A, BS60A, BT60A	Clip (moulding)	352224-S8	11
53-55	BH60A, BS60A, BT60A	Screw (pan head cr. rec.)-No. 8-15 x 1/2"	52726-S13	2
Group 03570 HANDLE ASSEMBLY (FOLDING TOP LOCKING)				
53-55	BH76A, BS76A, BT76A	Chrome Finish	BA 7603570-A	1
53-55	BH76A, BS76A, BT76A	Screw (set)-No. 10-32	351745-S8	1
Group 03598-9 MOULDING (WINDSHIELD GARNISH)-SIDE				
53-55	BH60A, BS60A, BT60A	R. H. -Chrome Finish	BD 6003598-D	1
53-55	BH60A, BS60A, BT60A	L. H. -Chrome Finish	BD 6003599-D	1
53-55	BH60C, BS60C, BT60C	R. H. -In Prime	BD 6003598-CP	1
53-55	BH60C, BS60C, BT60C	L. H. -In Prime	BD 6003599-CP	1
53-55	BH73A, BS73A, BT73A	R. H. -In Prime	BD 7303598-FP	1
53-55	BH73A, BS73A, BT73A	L. H. -In Prime	BD 7303599-FP	1
53-55	BH73B, BS73B, BT73B	R. H. -Chrome Finish	BD 7303598-G	1
53-55	BH73B, BS73B, BT73B	L. H. -Chrome Finish	BD 7303599-G	1
53-55	BH76A, BS76A, BT76A	R. H. -Chrome Finish	BD 7603598-B	1
53-55	BH76A, BS76A, BT76A	L. H. -Chrome Finish	BD 7603599-B	1
53-55	BH60A-60C-76A, BS60A- 60C-76A, BT60A-60C- 76A	Screw (oval head cross recess)-No. 8-15 x 7/8"	52368-S2	4or8
53-55	BH73A-73B, BS73A-73B, BT73A-73B	Screw (oval head cross recess)-No. 8-15 x 1"	52376-S13	6
Group 03606-7 MOULDING (WINDSHIELD GARNISH)-UPPER				
53-55	BH60A, BS60A, BT60A	Chrome Finish	BD 6003606-B	1
53-55	BH60C, BS60C, BT60C	In Prime	BD 6003606-AP	1
53-55	BH73A, BS73A, BT73A	R. H. -In Prime	BD 7303606-DP	1
53-55	BH73A, BS73A, BT73A	L. H. -In Prime	BD 7303607-DP	1
53-55	BH73B, BS73B, BT73B	R. H. -Chrome Finish	BD 7303606-E	1
53-55	BH73B, BS73B, BT73B	L. H. -Chrome Finish	BD 7303607-E	1
53-55	BH76A, BS76A, BT76A	Chrome Finish	BD 7603606-B	1
53-55	BH60A-60C-76A, BS60A- 60C-76A, BT60A-60C- 76A	Screw (oval head cross recess)-No. 8-15 x 7/8"	52368-S2	4
53-55	BH73A-73B, BS73A-73B, BT73A-73B	Screw (oval head cross recess)-No. 8-15 x 1"	52376-S13	6

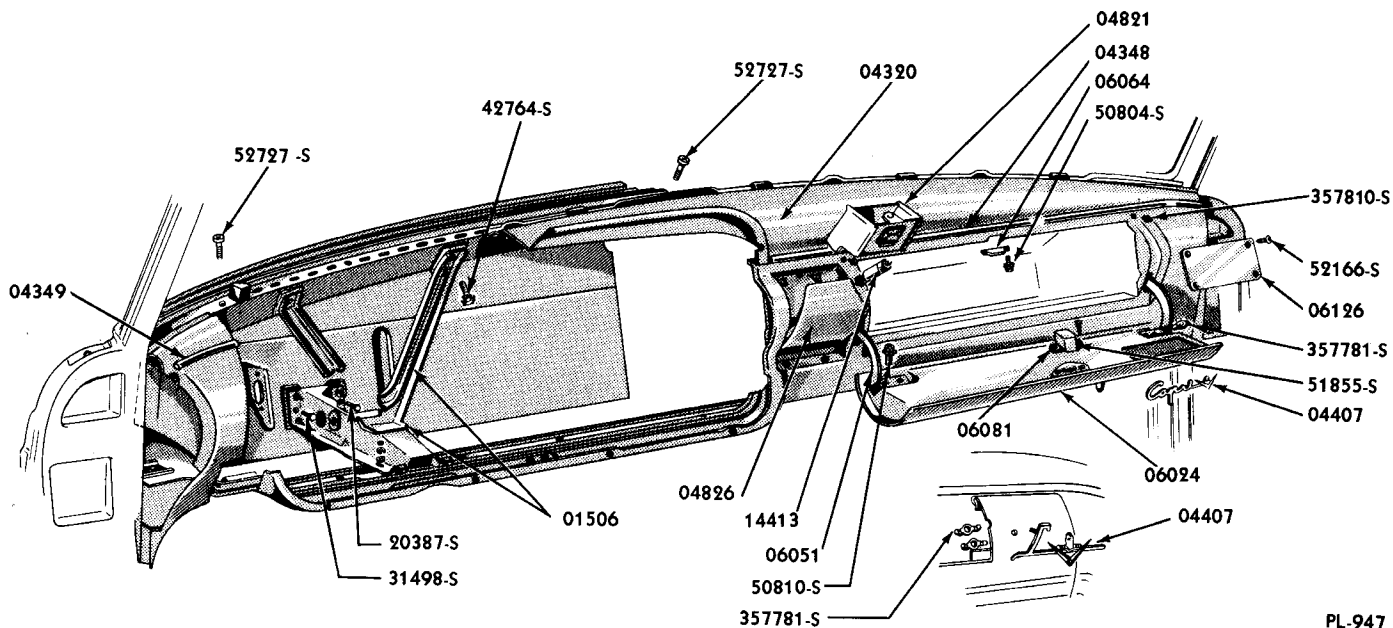
Lincoln

BODY PARTS CATALOGUE

YEAR 19__	BODY TYPES	REMARKS	PART NUMBER	NO. REQ'D
Group 03626 MOULDING (WINDSHIELD GARNISH)-LOWER				
53-55	BH, BS, BT	In Prime	BD 7303626-BP	1
53-55	BH, BS, BT	Screw (oval head)-No. 8-15 x 3/4"	52360-S13	6
Group 03642-3 FILLER (WINDSHIELD GARNISH MOULDING)-LOWER CORNER				
53-55	BH60A-60C-76A, BS60A-60C-76A, BT60A-60C-76A	Rubber 4-1/2" long	BD 7603642-D	2
53-55	BH73A-73B, BS73A-73B, BT73A-73B	R. H. -Rubber	BD 7303642-C	1
53-55	BH73A-73B, BS73A-73B, BT73A-73B	L. H. -Rubber	BD 7303643-C	1
Group 04114 PIN (VISOR ANCHOR)				
53-55	BH, BS, BT, except 76A	Chrome Finish	BD 7304114-A	2
53-55	BH76A, BS76A, BT76A	Chrome Finish	BC 7604114-B	2
Group 04128-9 BRACKET (FRONT BODY PILLAR VISOR)				
53-55	BH60C, BS60C, BT60C	R. H.	BD 6004128-A	1
53-55	BH60C, BS60C, BT60C	L. H.	BD 6004129-A	1
53-55	BH60C, BS60C, BT60C	Screw (pan head)-No. 8-15 x 1/2"	32923-S7	4
Group 04131 CLIP ASSEMBLY (VISOR ARM)				
53-55	BH60A-60C-76A, BS60A-60C-76A, BT60A-60C-76A		BC 7604131-A	2
53-55	BH73A-73B, BS73A-73B, BT73A-73B		BD 7304131-A	2
Group 04144-5 ARM AND BRACKET ASSEMBLY (VISOR)				
53-55	BH60A, BS60A, BT60A	Arm Plated with Bracket in Prime	BD 6004144-DP	2
53-55	BH60C, BS60C, BT60C	Chrome Finish-with bracket made of Zinc Die Cast	BD 6004144-C	2
53-55	BH73A-73B, BS73A-73B, BT73A-73B	Chrome Finish-with bracket made of Zinc Die Cast	BC 7304144-A	2
53-55	BH76A, BS76A, BT76A	R. H. -Chrome Finish-with bracket made of Zinc Die Cast	BD 7604144-D	1
53-55	BH76A, BS76A, BT76A	L. H. -Chrome Finish-with bracket made of Zinc Die Cast	BD 7604145-D	1
Group 04186 BRACKET (VISOR ARM CLIP MOULDING)				
53-55	BH60C, BS60C, BT60C		BD 6004186-A	2

Lincoln

BODY PARTS CATALOGUE



PL-947

INSTRUMENT PANEL

Group numbers only shown on illustration. Order by Part Numbers shown in list of parts.

YEAR 19___	BODY TYPES	REMARKS	PART NUMBER	NO. REQ'D
Group 04320 PANEL ASSEMBLY (INSTRUMENT)-LESS INSTRUMENTS				
53-55	BH, BS, BT	In Prime	BH 7304320-AP	1
53-55	BH, BS, BT	Lockwasher-5/16"	34806-S7	2
53-55	BH, BS, BT	Nut (hex)-5/16"-24	33823-S7	2
53-55	BH, BS, BT	Screw and Washer assy (pan head cross recess)-No. 10-32 x 3/8"	50804-S8	3
53-55	BH, BS, BT	Screw (pan hd cross recessed)-No. 10-12 x 1/2"	52727-S8	7
53-55	BH, BS, BT	Screw and Washer assy (hex head)-5/16"-24 x 3/4"	42905-S8	2
53-55	BH, BS, BT	Washer (flat)-5/16"	357789-S7	4
Group 04348-9 MOULDING (INSTRUMENT PANEL)				
53-55	BH, BS, BT	R. H. -Chrome Finish	BH 7304348-A	1
53	BH	L. H. -Chrome Finish	BD 7304349-A	1
54-55	BS, BT	L. H. -Chrome Finish	BH 7304349-A	1
53-55	BH, BS, BT	Lockwasher (internal tooth)-No. 6	34901-S7	9
53-55	BH, BS, BT	Nut (hex)-No. 6-32	34051-S7	9
Group 04371 PLATE (RADIO OPENING COVER)				
53-55	BH, BS, BT	Use when radio is not installed	FAA 7304371-A	1
53-55	BH, BS, BT	Screw (pan head)-No. 10-16 x 1/2"	33444-S2	2

Lincoln

BODY PARTS CATALOGUE

YEAR 19_____	BODY TYPES	REMARKS	PART NUMBER	NO. REQ'D
Group 04407 EMBLEM (INSTRUMENT PANEL)				
54-55	BS60C-73A, BT60C-73A	Zinc Die Cast - "L" with "V"	BS 7304407-A	1
54-55	BS60A-73B-76A, BT60A-73B-76A	Zinc Die Cast - Capri with "V"	BS 7304407-B	1
54-55	BS, BT	Nut (spring)-3/32"	357781-S2	2or3
Group 04460 PLATE (INSTRUMENT PANEL NAME)				
53	BH	Chrome Finish	FAB 7304460-A	1
54	BS	Chrome Plate and Gold Tint	FAA 7304460-A	1
55	BT	Chrome Finish	FDL 7304460-A	1
Group 04538 MEDALLION ASSEMBLY (INSTRUMENT PANEL) - 50TH ANNIVERSARY				
53	BH		BH 7304538-A	1
53	BH	Nut (hex)-No. 8-32	34052-S7	1
53	BH	Washer (lock)-No. 8	34802-S7	1
Group 04539 MEDALLION (INSTRUMENT PANEL)-GLOVE COMPARTMENT				
53	BH	Chrome Finish	BH 7304539-A	1
53	BH	Nut (hex head)-No. 10-32	34079-S7	1
53	BH	Washer (flat)-No. 10	35129-S7	1
Group 04603 KIT (CIGAR LIGHTER ELEMENT)				
53-55	BH, BS, BT	Contains (12) 51A-7004616-A1 Casco cigar lighter elements	8H 7004603	1
Group 04675 LAMP ASSEMBLY (CIGAR LIGHTER)				
53-55	BH, BS, BT		OL 7204675	1
Group 04821 BOX ASSEMBLY (INSTRUMENT PANEL)-ASH				
53-55	BH, BS, BT		BD 7304821-A	1
Group 04826 RETAINER ASSEMBLY (INSTRUMENT PANEL ASH RECEPTACLE)				
53-55	BH, BS, BT	In Prime	BD 7304826-AP	1
53-55	BH, BS, BT	Nut (hex)-No. 10-32	34079-S8	2
53-55	BH, BS, BT	Screw and Washer assy (pan head cross recess)-No. 10-32 x 3/8"	50804-S8	2
Group 04854 BRACKET (INSTRUMENT PANEL ASH RECEPTACLE)				
53-55	BH, BS, BT	Steel 3-1/2" long	BD 7304854-A	1
Group 06010 BOX ASSEMBLY (GLOVE COMPARTMENT)				
53-55	BH, BS, BT	Cardboard-with five No. 8 speed nuts	BD 7306010-A	1
53-55	BH, BS, BT	Screw (cross recessed pan head)-No. 8-15 x 1/2"	52726-S8	5
53-55	BH, BS, BT	Washer (finishing)-No. 8	34862-S7	10

Lincoln

BODY PARTS CATALOGUE

YEAR 19____	BODY TYPES	REMARKS	PART NUMBER	NO. REQ'D
Group 06024 DOOR ASSEMBLY (GLOVE COMPARTMENT)				
53	BH	In Prime	BD 7306024-CP	1
54-55	BS, BT	In Prime	BS 7306024-BP	1
53-55	BH, BS, BT	Bumper (rubber)	357811-S	2
Group 06050-1 HINGE ASSEMBLY (GLOVE COMPARTMENT DOOR)				
53-55	BH, BS, BT	R. H.	BD 7306050-AW	1
53-55	BH, BS, BT	L. H.	BD 7306051-AW	1
53-55	BH, BS, BT	Screw and Washer assy (pan head cross recess)- No. 10-32 x 1/2"	51766-S8	8
Group 06064 CATCH (GLOVE COMPARTMENT DOOR LOCK)				
53-55	BH, BS, BT	Steel Stamping	BD 7306064-B	1
53-55	BH, BS, BT	Screw and Washer assy (pan hd cross recess)-No. 10-32 x 1/2"	51766-S8	2
Group 06081 LOCK ASSEMBLY (GLOVE COMPARTMENT DOOR)-COMPLETE WITH KEYS				
53-55	BH, BS, BT		BD 7306081-B	1
53-55	BH, BS, BT	Screw and Washer assy (pan hd cross recess)-No. 10-32 x 3/8"	50804-S8	2
53-55	BH, BS, BT	Screw (pan hd.)-No. 10-32 x 1/2"	39048-S2	2
Group 06115 BUMPER (GLOVE COMPARTMENT DOOR HINGE)				
53-55	BH, BS, BT	Rubber-1/4" I. D. x 3/8" O. D.	BC 7006115-A	2
Group 06126 COVER (GLOVE COMPARTMENT DOOR ACCESS)				
54-55	BS, BT	In Prime-4-5/8" wide	BS 7306126-AP	1
54-55	BS, BT	Screw (rd. hd. cr. rec.)-No. 6-18 x 3/8"	52166-S8	4
Group 10120-1 MEMBER (FLOOR SIDE)				
53-55	BH, BS, BT	R. H. -approximate length 79-3/64"	BD 7310120-B	1
53-55	BH, BS, BT	L. H. -approximate length 79-3/64"	BD 7310121-B	1
Group 10128-9 PANEL ASSEMBLY (BODY ROCKER)				
53-55	BH60A-60C-76A, BS60A- 60C-76A, BT60A-60C- 76A	R. H.	BD 7610128-A	1
53-55	BH60A-60C-76A, BS60A- 60C-76A, BT60A-60C- 76A	L. H.	BD 7610129-A	1
53	BH73A-73B	R. H.	BD 7310128-A	1
53	BH73A-73B	L. H.	BD 7310129-A	1
54	BS73A-73B	R. H.	BH 7310128-A	1
54	BS73A-73B	L. H.	BH 7310129-A	1
55	BT73A-73B	R. H.	BT 7310128-A	1
55	BT73A-73B	L. H.	BT 7310129-A	1

Lincoln

BODY PARTS CATALOGUE

YEAR 19__	BODY TYPES	REMARKS	PART NUMBER	NO. REQ'D
Group 10146 MOULDING KIT (BODY ROCKER PANEL)				
55	BT	Consists of the following: (1) R. H. - BT 7310176-A Moulding (1) L. H. - BT 7310177-A Moulding (14) OL 7210198 Clips	BT 7310146-A	1
Group 10168-9 EXTENSION (ROCKER PANEL SIDE ORNAMENT)				
55	BT73A-73B	R. H. - Chrome Finish	BT 7310168-A	1
55	BT73A-73B	L. H. - Chrome Finish	BT 7310169-A	1
55	BT73A-73B	Screw - No. 8-15 x 3/4"	52360-S13	8
Group 10176-7 MOULDING (BODY ROCKER PANEL CURB BUFFER)				
53-54	BH, BS	Chrome Finish-87-29/32" long	BD 7310176-A	2
55	BT	R. H. - Rustless Steel - 85 - 11/32" long	BT 7310176-A	1
55	BT	L. H. - Rustless Steel - 85 - 11/32" long	BT 7310177-A	1
Group 10198 RETAINER (BODY ROCKER PANEL CURB BUFFER MOULDING)				
53-55	BH, BS, BT		OL 7210198	14
Group 11112 INSULATOR ASSEMBLY (FRONT FLOOR)				
54-55	BS, BT, except 76A	Fiber Glass - Used with Air Conditioning Unit	BS 7311112-A	1
Group 11135 PAN ASSEMBLY (FRONT FLOOR)				
53-54	BH60A-60C, BS60A-60C		BH 6011135-A	1
55	BT60A-60C		BT 6011135-A	1
53-55	BH73A-73B, BS73A-73B, BT73A-73B		BT 7311135-A	1
53-55	BH76A, BS76A, BT76A		BT 7611135-A	1
53-55	BH, BS, BT	Plug (button)	352285-S	as req'd
Group 11165 SILENCER (FLOOR PAN FRONT)-CENTER				
53-55	BH, BS, BT	Paper Felt	BD 7311165-B	1
Group 11215 PAN ASSEMBLY (REAR FLOOR)				
53-54	BH, BS		BS 7311215-A	1
55	BT		BT 7311215-A	1
53-55	BH, BS, BT	Plug-Rubber-for 1-1/4" drain hole	352284-S	1
Group 11228-9 FILLER (REAR FLOOR TO QUARTER PANEL)				
53-54	BH, BS	R. H.	BD 7311228-C	1
53-54	BH, BS	L. H.	BD 7311229-C	1
55	BT	R. H.	BT 7311228-A	1
55	BT	L. H.	BT 7311229-A	1
53-55	BH, BS, BT	Screw (hex head washer head)-No. 14-10 x 5/8"	31498-S8	6

Lincoln

BODY PARTS CATALOGUE

YEAR 19_____	BODY TYPES	REMARKS	PART NUMBER	NO. REQ'D
Group 11239 EXTENSION ASSEMBLY (REAR FLOOR PAN TO QUARTER PANEL)-L, H.				
55	BH, BS	L. H. -21-47/64" long	BT 7311239-A	1
Group 11250-1 EXTENSION (REAR FLOOR PAN TO QUARTER PANEL)				
53-54	BH, BS	R. H. -approximate length 24-21/64"	BD 7311250-A	1
53	BH	L. H. -approximate length 24-21/64"	BD 7311251-A	1
54	BS	L. H. -approximate length 24-21/64"	BD 7311251-B	1
55	BT	R. H. -approximate length 21-47/64"	BT 7311250-A	1
53-55	BH, BS, BT	Plug (button)-rubber-for 3/4" hole	352291-S	4
Group 11254-5 SHIELD (REAR FLOOR TO QUARTER PANEL EXTENSION)-SPLASH				
53-55	BH, BS, BT	R. H.	BT 7311254-A	1
53-55	BH, BS, BT	L. H.	BT 7311255-A	1
Group 11268 INSULATOR ASSEMBLY (REAR FLOOR)				
54-55	BS60A-60C, BT60A-60C	Fiber Glass - Used with Air Conditioning Unit	BS 6011268-A	1
54-55	BS73A-73B, BT73A-73B	Fiber Glass - Used with Air Conditioning Unit	BS 7311268-A	1
Group 11290 COVER (FLOOR PAN REAR FUEL GAUGE)				
53-55	BH, BS, BT		BM 7011290-B	1
53-55	BH, BS, BT	Screw (pan head self tap.)-No. 10-12 x 3/8"	32917-S7	1
Group 11310 HOUSING ASSEMBLY (FUEL TANK FILLER PIPE)				
53-54	BH, BS	Use Sealer M5335-B	BD 7311310-B	1
55	BT	Use Sealer M5335-B	BT 7311310-A	1
Group 11324 SUPPORT ASSEMBLY (FUEL TANK)-REAR				
53-55	BH, BS, BT	3-9/64" x 3-25/32"-with 5/16"-24 nut welded in place	BD 7311324-A	1
Group 11486 INSULATOR ASSEMBLY (REAR FLOOR UNDER SEAT)				
54-55	BS60A-60C, BT60A-60C	Fiber Glass - Used with Air Conditioning Unit	BS 6011486-A	1
54-55	BS73A-73B, BT73A-73B	Fiber Glass - Used with Air Conditioning Unit	BS 7311486-B	1
Group 11520 SPACER (BODY TO FRAME)				
53-55	BH76A, BS76A, BT76A		8A 7011520	as req'd
Group 12129 COVER (TRANSMISSION BAND ADJUSTMENT)-ACCESS HOLE				
53-55	BH, BS, BT		BD 7312129-B	1
53-55	BH, BS, BT	Bolt and lockwasher assy 1/4"-28 x 5/8"	355338-S8	3
53-55	BH, BS, BT	Nut and retainer assy-1/4"-28	357254-S2	3
Group 12133 PLATE (TRANSMISSION FILLER HOLE) ACCESS				
53	BH		BD 7312133-A	1
53	BH	Nut and retainer assy-1/4"-28	357254-S2	2

Lincoln

BODY PARTS CATALOGUE

YEAR 19__	BODY TYPES	REMARKS	PART NUMBER	NO. REQ'D
Group 12181 SEAL (TRANSMISSION ACCESS HOLE COVER)				
53-55	BH, BS, BT	Rubber-1/8" x 5-39/64" x 8-33/64" overall length	BD 7312181-A	1
Group 13084 MAT (FLOOR MAT HEEL)				
53-55	BH, BS, BT	Black Rubber-16-1/2" x 20"	BD 7313084-A	1
53-55	BH, BS, BT	Blue Rubber-16-1/2" x 20"	BD 7313084-B	1
53-55	BH, BS, BT	Green Rubber-16-1/2" x 20"	BD 7313084-C	1
53-55	BH, BS, BT	Maroon Rubber-16-1/2" x 20"	BD 7313084-D	1
53-55	BH, BS, BT	Light Blue Rubber-16-1/2" x 20"	BD 7313084-E	1
53-55	BH, BS, BT	Red Rubber-16-1/2" x 20"	BD 7313084-F	1
53-55	BH, BS, BT	Yellow Rubber-16-1/2" x 20"	BD 7313084-G	1
Group 13090 GROMMET (CARPET)-MALE				
53-54	BH, BS	Brass-1" I. D. x 1-1/2" O. D.	HB 13090	1
Group 13092 GROMMET (CARPET)-FEMALE				
53-54	BH, BS	Brass-1-1/16" I. D. x 1-1/2" O. D.	HB 13092	1
Group 13130 FILLER (FRONT DOOR DEPRESSION)				
53-55	BH, BS, BT	Fiber-approximate length 9-35/64"	BD 7313130-B	1
Group 13208-9 PLATE (FRONT DOOR SCUFF)				
53	BH60A-60C-76A	R. H. -Rubber 41-7/8" long	BD 7613208-C	1
53	BH60A-60C-76A	L. H. -Rubber 41-7/8" long	BD 7613209-C	1
54	BS60A-60C-76A	R. H. - Aluminum-41-7/8" long-Dull Finish-Used on Jobs through 7-22-54	BD 7613208-A	1
54	BS60A-60C-76A	L. H. - Aluminum-41-7/8" long-Dull Finish-Used on Jobs through 7-22-54	BD 7613209-A	1
54-55	BS60A-60C-76A, BT60A-60C-76A	R. H. - Aluminum-41-7/8" long-Bright Finish-Used on Jobs after 7-22-54	BS 7613208-A	1
54-55	BS60A-60C-76A, BT60A-60C-76A	L. H. - Aluminum-41-7/8" long-Bright Finish-Used on Jobs after 7-22-54	BS 7613209-A	1
53	BH73A-73B	R. H. -Rubber-35-9/16"	BD 7313208-C	1
53	BH73A-73B	L. H. -Rubber-35-9/16"	BD 7313209-C	1
54	BS73A-73B	R. H. - Aluminum-35-9/16" long-Dull Finish-Used on Jobs through 7-22-54	BD 7313208-A	1
54	BS73A-73B	L. H. - Aluminum-35-9/16" long-Dull Finish-Used on Jobs through 7-22-54	BD 7313209-A	1
54-55	BS73A-73B, BT73A-73B	R. H. - Aluminum-35-9/16" long-Bright Finish-Used on Jobs after 7-22-54	BS 7313208-A	1
54-55	BS73A-73B, BT73A-73B	L. H. - Aluminum-35-9/16" long-Bright Finish-Used on Jobs after 7-22-54	BS 7313209-A	1
53-55	BH, BS, BT	Screw (oval head cross recess self tapping)-No. 8-15 x 3/4"	52360-S13	as req'd

Lincoln

BODY PARTS CATALOGUE

YEAR 19___	BODY TYPES	REMARKS	PART NUMBER	NO. REQ'D
Group 13228-9 PLATE (REAR DOOR SCUFF)				
53	BH73A-73B	R. H. -Rubber 28-11/64" long	BD 7313228-C	1
53	BH73A-73B	L. H. -Rubber 28-11/64" long	BD 7313229-C	1
54	BS73A-73B	R. H. -Aluminum-28-11/64" long-Dull Finish-Used on Jobs through 7-22-54	BD 7313228-A	1
54	BS73A-73B	L. H. -Aluminum-28-11/64" long-Dull Finish-Used on Jobs through 7-22-54	BD 7313229-A	1
54-55	BS73A-73B, BT73A-73B	R. H. -Aluminum-28-11/64" long-Bright Finish-Used on Jobs after 7-22-54	BS 7313228-A	1
54-55	BS73A-73B, BT73A-73B	L. H. -Aluminum-28-11/64" long-Bright Finish-Used on Jobs after 7-22-54	BS 7313229-A	1
53-55	BH73A-73B, BS73A-73B, BT73A-73B	Screw (oval hd cross recess self tap.)-No. 8-15 x 3/4"	52360-S13	16
Group 14505 SWITCH AND HOUSING ASSEMBLY (WINDOW REGULATOR)-MULTIPLE				
53-55	BH, BS, BT		FAA 14505-B	1
Group 14507 SWITCH AND HOUSING ASSEMBLY (WINDOW REGULATOR)-SINGLE				
53-55	BH, BS, BT		FAA 14507-B	3
Group 14512 RELAY ASSY (WINDOW REGULATOR CONTROL)				
53-55	BH, BS, BT		FAA 14512-A	4
53-55	BH, BS, BT	Bolt (hex hd.)-1/4"-20 x 7/8"	20384-S2	4or8
53-55	BH, BS, BT	Nut (hex)-1/4"-20	33795-S7	4or8
53-55	BH, BS, BT	Washer (lock)-1/4"	34805-S7	4or8
Group 14513 BAR (WINDOW REGULATOR CONTROL SWITCH)-BUS				
53-55	BH, BS, BT		FAA 14513-A	1
Group 14523 PLATE (WINDOW REGULATOR SWITCH MOUNTING)-SINGLE				
53-55	BH, BS, BT	2-1/32" O. D.	FAA 14523-A	2
53-55	BH, BS, BT	Screw (pan hd cross recessed)-No. 8-15 x 3/8"	52168-S13	2
Group 14526 CIRCUIT BREAKER ASSEMBLY (TOP, SEAT AND WINDOW CONTROL)-40 AMP.				
53-55	BH, BS, BT	Located on Rear Seat Riser or R. H. Air Duct on 76A Units	1A 14526	as req'd
53-55	BH, BS, BT	Screw (hex washer hd tapp.)-No. 14-10 x 1/2"	31498-S7	2

Lincoln

BODY PARTS CATALOGUE

YEAR 19__	BODY TYPES	REMARKS	PART NUMBER	NO. REQ'D
Group 14529 SWITCH ASSEMBLY (WINDOW REGULATOR CONTROL)-SINGLE				
53-55	BH, BS, BT		FAA 14529-A	3
Group 14540 SWITCH ASSEMBLY (WINDOW REGULATOR CONTROL)-MULTIPLE				
53-55	BH, BS, BT		FAA 14540-A	4
Group 14545 SWITCH ASSEMBLY (SEAT REGULATOR CONTROL)				
53-55	BH, BS, BT	Used with 4-way seat	FAA 14545-A	2
Group 14546 RELAY ASSEMBLY (SEAT REGULATOR CONTROL)				
53	BH	Used with 2-way and 4-way seat-with straight battery terminal	FAA 14546-A	1
Group 14547 MOTOR ASSY (HORIZONTAL SEAT REGULATOR)				
53-55	BH, BS, BT	With 15" leads-used with 2-way seat system only	FAA 14547-A	1
Group 14547 MOTOR ASSY (HORIZONTAL AND VERTICAL REGULATOR)				
53-55	BH, BS, BT	Used with 4-way seat system only (Kit)	HEK 14547-A	2
Group 14553 MOTOR ASSEMBLY (WINDOW REGULATOR)				
53-55	BH, BS, BT	Electric-with Stud Support-used with B-Design Regulator	FAA 14553-A	2or4
53-55	BH, BS, BT	Nut (hex)-No. 10-32	34079-S7	as req'd
Group 14680 SWITCH AND HOUSING ASSEMBLY (SEAT REGULATOR CONTROL)				
53-55	BH, BS, BT	Used with 4-way seat	FAB 14680-A	1
Group 15021 BULB (CIGAR LIGHTER LAMP)				
53-55	BH, BS, BT		48 15021	1
Group 15052 KNOB AND ELEMENT ASSEMBLY (CIGAR LIGHTER)-DASH ASSEMBLY				
53	BH	Use FAA 7362844-A for Front Seat Back and Quarter Arm Rest	FAF 15052-A	1
54-55	BS60C-73A, BT60C-73A		FAG 15052-A	1
54-55	BS60A-73B-76A, BT60A-73B-76A		FAG 15052-B	1

Lincoln

BODY PARTS CATALOGUE

YEAR 19	BODY TYPES	REMARKS	PART NUMBER	NO. REQ'D
Group 15055 SOCKET AND RETAINER ASSEMBLY (CIGAR LIGHTER)				
53-55	BH, BS, BT		FAD 15055-B	as req'd
Group 15078 KNOB AND ELEMENT ASSY (QUARTER AND FRONT SEAT BACK)				
54-55	BS60A-73B-76A, BT60A-73B-76A	Used with FAA 7362844-A	FAA 15078-A	2
Group 15667 MOTOR ASSEMBLY (TOP CONTROL)-LESS BRACKETS				
53-55	BH76A, BS76A, BT76A		FAA 15667-A	1
53-55	BH76A, BS76A, BT76A	Nut (hex)-1/4"-20	34365-S7	4
53-55	BH76A, BS76A, BT76A	Washer (flat)-1/4"	44719-S8	4
Group 15668 SWITCH ASSEMBLY (TOP CONTROL)				
53	BH76A	Three Terminal Type	FAA 15668-C	1
53-55	BH76A, BS76A, BT76A	Two Terminal Type	FAA 15668-B	1
Group 15669 BRACKET ASSEMBLY (MOTOR MOUNTING TOP CONTROL)				
53-55	BH76A, BS76A, BT76A	Used with FAA 15667-A	FAA 15669-A	2
53-55	BH76A, BS76A, BT76A	Insert (steel) -17/64" L D. x 15/16" O. D. x 1/4"	FAA 15679-A	4
53-55	BH76A, BS76A, BT76A	Nut (hex)-1/4" -20	34365-S7	4
53-55	BH76A, BS76A, BT76A	Spacer (rubber)-9/32" L D. x 11/16" O. D.	BA 7653382-A	4
53-55	BH76A, BS76A, BT76A	Washer (flat)-1/4"	44719-S8	4
Group 15672 RELAY ASSEMBLY (TOP AND ELECTRIC SEAT CONTROL)				
53-55	BH76A, BS76A, BT76A		FAB 15672-A	1
53-55	BH, BS, BT	2-way and 4-way seat-with flange type battery terminal	FAB 15672-A	1or2
Group 15674 KNOB ASSEMBLY (TOP CONTROL)				
53-55	BH76A, BS76A, BT76A	Chrome Finish	FAB 15674-A	1
Group 15676 BRACKET (TOP CONTROL SWITCH MOUNTING)				
53-55	BH76A, BS76A, BT76A		FAA 15676-A	1
53-55	BH76A, BS76A, BT76A	Bolt and L/W assy (pan hd cross recess)-1/4"-20 x 3/4"	352301-S8	1
53-55	BH76A, BS76A, BT76A	Nut (hex)-1/4"-20	33795-S7	1
Group 16754 BUMPER (LUGGAGE COMPARTMENT DOOR TO STRIKER PLATE)				
53-55	BH, BS, BT	Rubber and Steel-used with BC 7040130-1A Bracket	BD 16754-A	2

Lincoln

BODY PARTS CATALOGUE

YEAR 19____	BODY TYPES	REMARKS	PART NUMBER	NO. REQ'D
Group 20122-3 DOOR ASSEMBLY (FRONT)-LESS HINGES				
53	BH60A-60C-76A	R. H.	BH 7620122-A	1
53	BH60A-60C-76A	L. H.	BH 7620123-A	1
54-55	BS60A-60C-76A, BT60A-60C-76A	R. H.	BS 7620122-A	1
54-55	BS60A-60C-76A, BT60A-60C-76A	L. H.	BS 7620123-A	1
53	BH73A-73B	R. H.	BD 7320122-C	1
53	BH73A-73B	L. H.	BD 7320123-C	1
54-55	BS73A-73B, BT73A-73B	R. H.	BS 7320122-A	1
54-55	BS73A-73B, BT73A-73B	L. H.	BS 7320123-A	1
53-55	BH, BS, BT	Bumper (rubber)-used in lower rear corner	352848-S	2
53-55	BH73A-73B, BS73A-73B, BT73A-73B	Bumper (rubber)-used in upper rear corner	352839-S	2
53-55	BH, BS, BT	Grommet (rubber)-used with electric window wiring	352807-S	as req'd
53-55	BH, BS, BT	Screw and Washer assy (pan head)-No. 10-32 x 3/8"	42802-S8	4
53-55	BH, BS, BT	Screw and Washer assy (pan head)-No. 10-32 x 1-1/4"	43315-S8	2

Group 20492-3 MOULDING (FRONT DOOR TOP)-OUTSIDE

53-55	BH73A-73B, BS73A-73B, BT73A-73B	R. H. -Chrome Finish	BD 7320492-B	1
53-55	BH73A-73B, BS73A-73B, BT73A-73B	L. H. -Chrome Finish	BD 7320493-B	1
53-55	BH73A-73B, BS73A-73B, BT73A-73B	Kit-Moulding Clips (exterior)	HCK 350008-A	1

Consists of the following:

- | | |
|-------------------------------|-----------------------------------|
| (10) 64593-S8 Rivet | (2) 358588-S8 Clip (moulding) |
| (2) 352241-S8 Clip (moulding) | (2) 358584-S8 Screw & Washer Assy |

Group 20530-1 WEATHERSTRIP ASSEMBLY (FRONT DOOR)

53-55	BH60A-60C-76A, BS60A-60C-76A, BT60A-60C-76A	R. H. -Rubber-Use Retainer BA 7621486	BD 7620530-D	1
53-55	BH60A-60C-76A, BS60A-60C-76A, BT60A-60C-76A	L. H. -Rubber-Use Retainer BA 7621487	BD 7620531-D	1
53-55	BH73A-73B, BS73A-73B, BT73A-73B	R. H. -Rubber	BD 7320530-B	1
53-55	BH73A-73B, BS73A-73B, BT73A-73B	L. H. -Rubber	BD 7320531-B	1
53-55	BH60A-60C-76A, BS60A-60C-76A, BT60A-60C-76A	Screw (pan head cross recess)-No. 8-15 x 1"	52754-S8	2
53-55	BH60A-60C-76A, BS60A-60C-76A, BT60A-60C-76A	Screw (pan head cross recess)-No. 8-15 x 3/8"	32916-S8	2

Lincoln

BODY PARTS CATALOGUE

YEAR 19__	BODY TYPES	REMARKS	PART NUMBER	NO. REQ'D
Group 20724-5 WELT AND CARDBOARD ASSEMBLY (FRONT DOOR WINDOW GARNISH MOULDING)				
53-55	BH73A-73B, BS73A-73B, BT73A-73B	R. H. -57-3/16" long	BD 7320724-B	1
53-55	BH73A-73B, BS73A-73B, BT73A-73B	L. H. -57-3/16" long	BD 7320725-B	1

Group 20752 KIT (GOLD STAR TRANSFER)				
54	BS60A-73B-76A		HEK 7320752-A	1
Consists of the following:				
		(3) BS 7320748-A	Gold Star Transfer Sheets (15" x 36-1/2")	
		(1) M 5412-A	Pint Water Soluble Solution (M 5412-A)	
		(1)	Rubber Sponge	

Group 20904-5 MOULDING ASSEMBLY (FRONT DOOR WINDOW GARNISH)-UPPER				
53-55	BH73A, BS73A, BT73A	R. H. -In Prime	BD 7320904-CW	1
53	BH73A	L. H. -In Prime	BD 7320905-BW	1
54-55	BS73A, BT73A	L. H. -In Prime	BD 7320905-CW	1
53	BH73B	R. H. -Chrome Finish	BD 7320904-A	1
54-55	BS73B, BT73B	R. H. -Chrome Finish	BD 7320904-D	1
53-55	BH73B, BT73B, BS73B	L. H. -Chrome Finish	BD 7320905-D	1
53-55	BH73A-73B, BS73A-73B, BT73A-73B	Screw (oval head cross recess)-No. 8-15 x 1/2"	52344-S13	4
53-55	BH73A-73B, BS73A-73B, BT73A-73B	Screw (oval head cross recess)-No. 8-15 x 5/8"	52352-S13	8

Group 20922 SPACER (DOOR WINDOW GARNISH MOULDING)				
53-55	BH60A-60C-76A, BS60A- 60C-76A, BT60A-60C- 76A	Rear and Center	BD 7620922-A	4or6
53-55	BH60A-60C-76A, BS60A- 60C-76A, BT60A-60C- 76A	Front	BA 7620922-A	2
53-55	BH73A-73B, BS73A-73B, BT73A-73B	Front and Rear Door	BD 7320922-A	8

Group 20934-5 MOULDING (FRONT DOOR OUTSIDE)-AT BELT				
53-55	BH73A-73B, BS73A-73B, BT73A-73B	R. H. -Chrome Finish	BD 7320934-B	1
53-55	BH73A-73B, BS73A-73B, BT73A-73B	L. H. -Chrome Finish	BD 7320935-B	1
53-55	BH73A-73B, BS73A-73B, BT73A-73B	Kit-Moulding Clips (exterior)	HCK 350007-A	1

Consists of the following:

(7) 358375-S8 Clip (moulding)

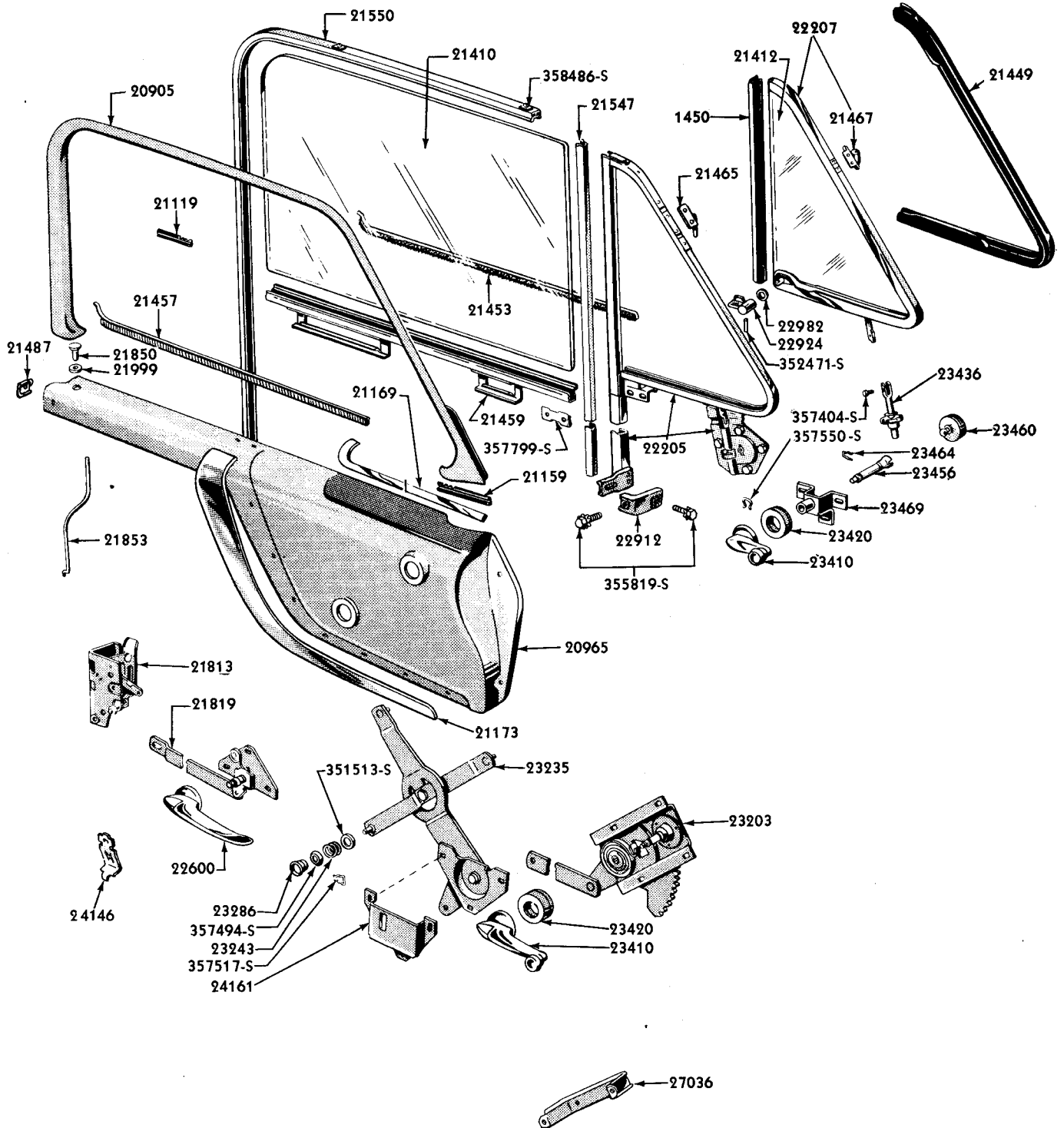
Lincoln

BODY PARTS CATALOGUE

YEAR 19	BODY TYPES	REMARKS	PART NUMBER	NO. REQ'D
Group 20938-9 MOULDING (FRONT DOOR OUTSIDE)-LOWER				
53	BH60A-60C-76A	R. H. -Chrome Finish	BD 7620938-A	1
53	BH60A-60C-76A	L. H. -Chrome Finish	BD 7620939-A	1
54-55	BS60A-60C-76A, BT60A-60C-76A	Chrome Finish	BS 7620938-A	2
53	BH73A-73B	R. H. -Chrome Finish	BD 7320938-A	1
53	BH73A-73B	L. H. -Chrome Finish	BD 7320939-A	1
54-55	BS73A-73B, BT73A-73B	Chrome Finish	BS 7320938-A	2
53	BH	Kit-Moulding Clips (exterior) Consists of the following: (2) 34803-S7 Lockwasher-No. 10 (6) 357786-S8 Clip (moulding) (2) 34053-S8 Nut (hex hd)-No. 10-24 (2) 357785-S8 Clip (moulding) (2) 44713-S8 Washer (flat)-No. 10 (1) 358535-S8 Retainer (2) 352262-S8 Clip (moulding)	HCK 350000-A	2
54-55	BS, BT	Kit-Moulding Clips (exterior) Consists of the following: (5) 352631-S8 Clip (moulding)	HEK 350001-A	1
Group 20950 RETAINER (FRONT DOOR TRIM MOULDING)-LOWER				
53	BH60A-76A	42-5/16" long	BH 7620950-B	2
53	BH73B	36-3/32" long	BH 7320950-B	2
Group 20956 MOULDING (FRONT DOOR TRIM)-LOWER				
53	BH60A-76A	Rustless Steel-approximate length 43-3/32"	BH 7620956-B	2
53	BH73B	Rustless Steel-approximate length 36-25/32"	BH 7320956-B	2
Group 20964-5 MOULDING ASSEMBLY (FRONT DOOR WINDOW GARNISH)-LOWER				
53-55	BH60A-60C-76A, BS60A-60C-76A, BT60A-60C-76A	R. H. -In Prime-Manual Control	BH 7620964-CP	1
53-55	BH60A-60C-76A, BS60A-60C-76A, BT60A-60C-76A	L. H. -In Prime-Manual Control	BH 7620965-CP	1
53-55	BH60A-60C-76A, BS60A-60C-76A, BT60A-60C-76A	R. H. -In Prime-Electric Control	BH 7620964-DP	1
53-55	BH60A-60C-76A, BS60A-60C-76A, BT60A-60C-76A	L. H. -In Prime-Electric Control	BH 7620965-DP	1
53-55	BH73A-73B, BS73A-73B, BT73A-73B	R. H. -In Prime-Manual Control	BH 7320964-AP	1
53-55	BH73A-73B, BS73A-73B, BT73A-73B	L. H. -In Prime-Manual Control	BH 7320965-AP	1
53	BH73A-73B	R. H. -In Prime-Electric Control	BD 7320964-CP	1
53	BH73A-73B	L. H. -In Prime-Electric Control	BD 7320965-CP	1
54-55	BS73A-73B, BT73A-73B	R. H. -In Prime-Electric Control	BH 7320964-BP	1
54-55	BS73A-73B, BT73A-73B	L. H. -In Prime-Electric Control	BH 7320965-BP	1
53-55	BH, BS, BT	Screw (oval head cross rec.)-No. 8-15 x 3/4"	52360-S13	6
53-55	BH, BS, BT	Screw (oval hd)-No. 8-15 x 1/4"	52382-S13	2

Lincoln

BODY PARTS CATALOGUE



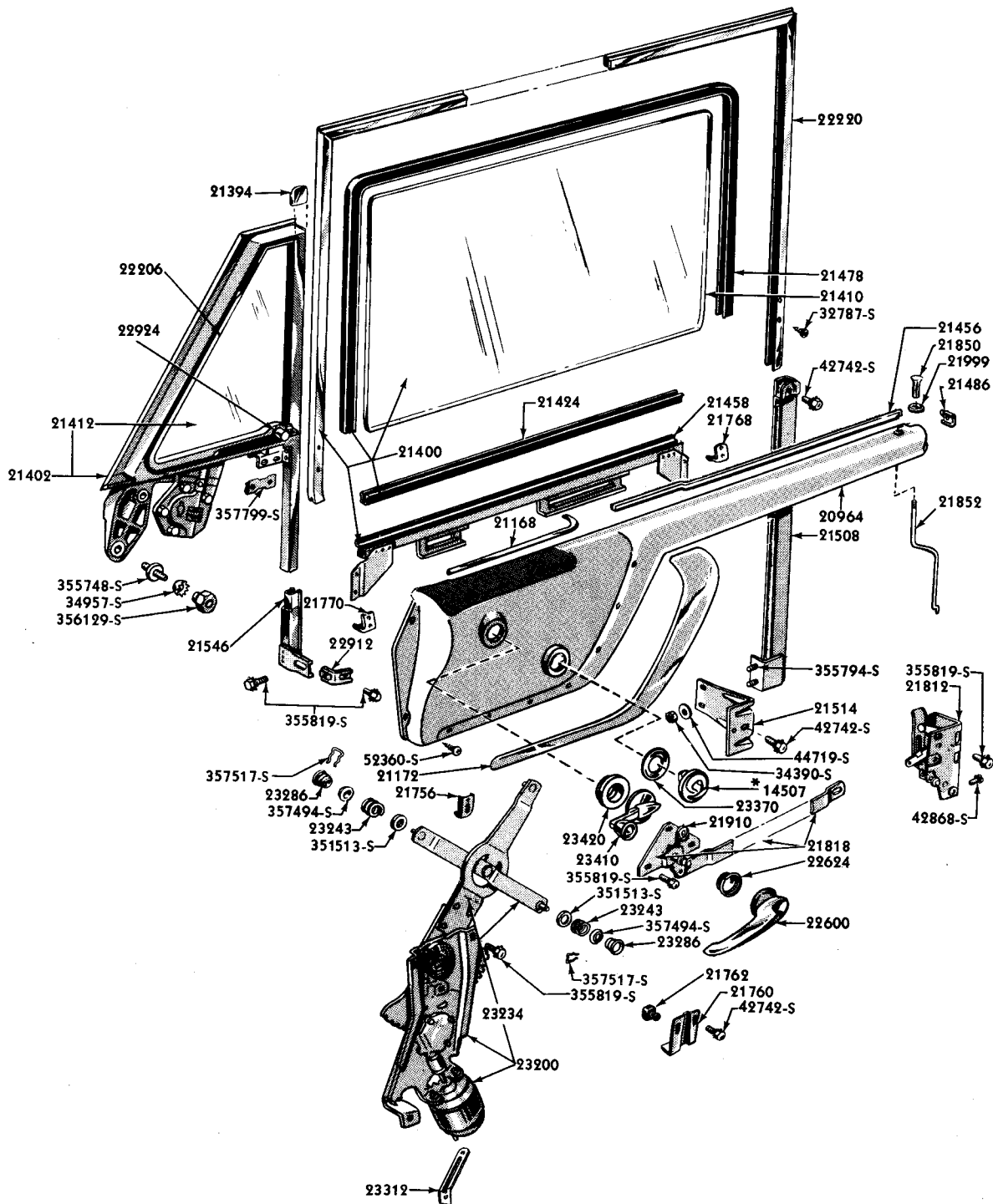
PMB-21

FRONT DOOR PARTS—MANUAL CONTROL

Group numbers only shown on illustration. Order by Part Numbers shown in list of parts.

Lincoln

BODY PARTS CATALOGUE



*FOR ADDITIONAL INFORMATION REFER TO CHASSIS PARTS CATALOGUE.

PMB-22

FRONT DOOR PARTS—ELECTRIC CONTROL

Group numbers only shown on illustration. Order by Part Numbers shown in list of parts.

Lincoln

BODY PARTS CATALOGUE

YEAR 19__	BODY TYPES	REMARKS	PART NUMBER	NO. REQ'D
Group 21010-1 MOULDING AND WEATHERSTRIP ASSEMBLY (FRONT DOOR BELT)				
53-55	BH60A-60C-76A, BS60A-60C-76A, BT60A-60C-76A	R. H. -Chrome Finish-43-13/16" long	BH 7621010-A	1
53-55	BH60A-60C-76A, BS60A-60C-76A, BT60A-60C-76A	L. H. -Chrome Finish-43-13/16" long	BH 7621011-A	1
53-55	BH60A-60C-76A, BS60A-60C-76A, BT60A-60C-76A	Kit-Moulding Clips (exterior)	HCK 350012-A	1
Consists of the following:				
	(2) 44710-S8 Washer (flat)-No. 8	(1) 358537-S8 Clip (moulding)		
	(2) 50507-S8 Screw (pan hd.)-No. 8-32 x 3/8"	(1) 358557-S2 Clip (moulding)-Left Side		
	(2) 358488-S2 Clip (moulding)	(1) 358538-S2 Clip (moulding)-Right Side		
Group 21118-9 FILLER (FRONT AND REAR DOOR WINDOW GARNISH MOULDING JOINT)-REAR				
53	BH73A-73B	R. H. -Rubber-approximate length 2-5/8"-Used on Units up to 5-11-53 *	EDBD 7321118-A	2
53	BH73A-73B	L. H. -Rubber-approximate length 2-5/8"-Used on Units up to 5-11-53 *	EDBD 7321119-A	2
Group 21158-9 FILLER (FRONT DOOR WINDOW GARNISH MOULDING JOINT)-FRONT AND REAR				
53	BH73A-73B	R. H. -Rubber-Used on Units up to 5-11-53 **	EDBD 7321158-A	2
53	BH73A-73B	L. H. -Rubber-Used on Units up to 5-11-53 **	EDBD 7321159-A	2
Group 21168-9 MOULDING (FRONT DOOR GARNISH FINISH)-UPPER				
53-55	BH, BS, BT	R. H. -Zinc Die Cast-Chrome Finish	BD 7321168-B	1
53-55	BH, BS, BT	L. H. -Zinc Die Cast-Chrome Finish	BD 7321169-B	1
53-55	BH, BS, BT	Washer (clip)	353451-S8	2
53-55	BH, BS, BT	Screw & Washer Assy (pan head)-No. 6-32 x 1/4"	50800-S8	2
Group 21172-3 MOULDING (FRONT DOOR GARNISH FINISH) - LOWER				
53-54	BH60A-60C-76A, BS60A-60C-76A	R. H. -Rustless Steel	BH 7621172-A	1
53-54	BH60A-60C-76A, BS60A-60C-76A	L. H. -Rustless Steel	BH 7621173-A	1
55	BT60A-60C-76A	R. H. -Chrome Finish	BS 7621172-A	1
55	BT60A-60C-76A	L. H. -Chrome Finish	BS 7621173-A	1
53	BH73A-73B	R. H. -Rustless Steel	BD 7321172-B	1
53	BH73A-73B	L. H. -Rustless Steel	BD 7321173-B	1
54	BS73A-73B	R. H. -Rustless Steel	BH 7321172-A	1
54	BS73A-73B	L. H. -Rustless Steel	BH 7321173-A	1
55	BT73A-73B	R. H. -Chrome Finish	BS 7321172-A	1
55	BT73A-73B	L. H. -Chrome Finish	BS 7321173-A	1
53-55	BH, BS, BT	Clip (moulding)	358406-S8	14
53-55	BH, BS, BT	Clip (moulding)	358493-S	2
53-55	BH, BS, BT	Nut (hex)-No. 10-32	34079-S7	2
53-55	BH, BS, BT	Washer (lock)-No. 10	34803-S7	2

** Use BD 7325592-3B on Jobs after 5-11-53

* Use BD 7325594-5B on Jobs after 5-11-53

Lincoln

BODY PARTS CATALOGUE

YEAR 19__	BODY TYPES	REMARKS	PART NUMBER	NO. REQ'D
Group 21394-5 CAP (DOOR VENT WINDOW DIVISION BAR)-UPPER				
53-55	BH60A-60C-76A, BS60A-60C-76A, BT60A-60C-76A	R. H. -Chrome Finish	BD 7621394-A	1
53-55	BH60A-60C-76A, BS60A-60C-76A, BT60A-60C-76A	L. H. -Chrome Finish	BD 7621395-A	1
Group 21400-1 GLASS, CHANNEL AND FRAME ASSEMBLY (DOOR)				
53-55	BH60A-60C-76A, BS60A-60C-76A, BT60A-60C-76A	R. H.	BH 7621400-H	1
53-55	BH60A-60C-76A, BS60A-60C-76A, BT60A-60C-76A	L. H.	BD 7621401-H	1
53-55	BH, BS, BT	Retainer (spring)	357517-S8	4
53-55	BH, BS, BT	Washer (flat)-5/8" I. D. x 7/8" O. D.	351513-S8	4
53-55	BH, BS, BT	Washer (cup)-41/64" I. D. x 55/64" O. D.	357494-S8	4
Group 21402-3 WINDOW ASSEMBLY (FRONT DOOR VENTILATING)-COMPLETE				
53-55	BH60A-60C-76A, BS60A-60C-76A, BT60A-60C-76A	R. H.	BS 7621402-A	1
53-55	BH60A-60C-76A, BS60A-60C-76A, BT60A-60C-76A	L. H.	BS 7621403-A	1
53-55	BH73A-73B, BS73A-73B-BT73A-73B	R. H.	BH 7321402-A	1
53-55	BH73A-73B, BS73A-73B-BT73A-73B	L. H.	BH 7321403-A	1
53-55	BH60A-60C-76A, BS60A-60C-76A, BT60A-60C-76A	Bolt (hex head)-3/8"-24 x 1-1/4"	24429-S7	2
53-55	BH60A-60C-76A, BS60A-60C-76A, BT60A-60C-76A	Locknut (special hex)-3/8"-24	356129-S8	4
53-55	BH60A-60C-76A, BS60A-60C-76A, BT60A-60C-76A	Lockwasher-3/8"	34827-S2	2
53-55	BH60A-60C-76A, BS60A-60C-76A, BT60A-60C-76A	Stud (special head)-3/8"-24 x 1-7/16"	355748-S8	2
53-55	BH, BS, BT	Lockwasher (internal and external tooth)-1/4"	351274-S7	2
53-55	BH, BS, BT	Nut (spring)-No. 14A	357799-S32A	2
53-55	BH, BS, BT	Nut (hex)-1/4"-20	33795-S7	2
53-55	BH, BS, BT	Screw (pan head)-No. 14-10 x 5/8"	31478-S7	4
53-55	BH, BS, BT	Stud (special head)-1/4"-20 x 2-1/8"	357516-S8	2

Lincoln

BODY PARTS CATALOGUE

YEAR 19	BODY TYPES	REMARKS	PART NUMBER	NO. REQ'D
Group 21410 GLASS (FRONT DOOR WINDOW)				
53-55	BH60A-60C-76A, BS60A-60C-76A, BT60A-60C-76A	Clear	BD 7621410-D	2
53-55	BH60A-60C-76A, BS60A-60C-76A, BT60A-60C-76A	Tinted (Green)	BD 7621410-E	2
53-55	BH73A-73B, BS73A-73B, BT73A-73B	Clear	BD 7321410-A	2
53-55	BH73A-73B, BS73A-73B, BT73A-73B	Tinted (Green)	BD 7321410-B	2
Group 21412 GLASS (FRONT DOOR VENT WINDOW)				
53-55	BH60A-60C-76A, BS60A-60C-76A, BT60A-60C-76A	Clear	BD 7621412-A	2
53-55	BH60A-60C-76A, BS60A-60C-76A, BT60A-60C-76A	Tinted (Green)	BD 7621412-B	2
53-55	BH73A-73B, BS73A-73B, BT73A-73B	Clear	BD 7321412-A	2
53-55	BH73A-73B, BS73A-73B, BT73A-73B	Tinted (Green)	BD 7321412-B	2
Group 21424 STRIP (DOOR GLASS RETAINING)-LOWER				
53-55	BH60A-60C-76A, BS60A-60C-76A, BT60A-60C-76A	25-1/4" long-cut from BD 7621478-C	BD 7621424-C	2
Group 21446 WEATHERSTRIP (DOOR GLASS AT BELT)-OUTSIDE				
53-55	BH60A-60C-76A, BS60A-60C-76A, BT60A-60C-76A		BH 7621446-A	2
Group 21448-9 WEATHERSTRIP (FRONT DOOR VENT WINDOW)				
53-55	BH60A-60C-76A, BS60A-60C-76A, BT60A-60C-76A	R. H. -Rubber	BD 7621448-B	1
53-55	BH60A-60C-76A, BS60A-60C-76A, BT60A-60C-76A	L. H. -Rubber	BD 7621449-B	1
53-55	BH73A-73B, BS73A-73B, BT73A-73B	R. H. -Rubber	BD 7321448-B	1
53-55	BH73A-73B, BS73A-73B, BT73A-73B	L. H. -Rubber	BD 7321449-B	1
Group 21450 WEATHERSTRIP (DOOR VENT WINDOW DIVISION BAR)				
53-55	BH60A-60C-76A, BS60A-60C-76A, BT60A-60C-76A	Rubber on Steel-12-27/64" long	BD 7621450-A	2
53-55	BH73A-73B, BS73A-73B, BT73A-73B	Rubber on Steel-13" long	BD 7321450-A	2

Lincoln

BODY PARTS CATALOGUE

YEAR 19	BODY TYPES	REMARKS	PART NUMBER	NO. REQ'D
Group 21452-3 WEATHERSTRIP ASSEMBLY (FRONT & REAR DOOR GLASS AT BELT)-OUTER				
53-55	BH73A-73B, BS73A-73B, BT73A-73B	R. H. -with Rustless Steel beading-approximate length 20-7/16"	BD 7321452-B	1or2
53-55	BH73A-73B, BS73A-73B, BT73A-73B	L. H. -with Rustless Steel beading-approximate length 20-7/16"	BD 7321453-B	1or2
Group 21456-7 WEATHERSTRIP (FRONT DOOR GLASS AT BELT)-INSIDE				
53	BH60A-60C-76A	R. H. -with Rustless Steel beading-approximate length 26-9/32"	BD 7621456-B	1
54-55	BS60A-60C-76A, BT60A- 60C-76A	R. H. -with Rustless Steel beading-approximate length 26-9/32"	BH 7621456-A	1
53-55	BH60A-60C-76A, BS60A- 60C-76A, BT60A-60C- 76A	L. H. -with Rustless Steel beading-approximate length 26-9/32"	BH 7621457-A	1
53-55	BH73A-73B, BS73A-73B, BT73A-73B	R. H. -with Rustless Steel beading-approximate length 20-11/32"	BD 7321456-B	1
53-55	BH73A-73B, BS73A-73B, BT73A-73B	L. H. -with Rustless Steel beading-approximate length 20-11/32"	BD 7321457-B	1
Group 21458-9 CHANNEL AND BRACKET ASSEMBLY (FRONT DOOR GLASS)				
53-55	BH60A-60C-76A, BS60A- 60C-76A, BT60A-60C- 76A	R. H. -approximate length 25-53/64"	BD 7621458-C	1
53-55	BH60A-60C-76A, BS60A- 60C-76A, BT60A-60C- 76A	L. H. -approximate length 25-53/64"	BD 7621459-C	1
53-55	BH73A-73B, BS73A-73B, BT73A-73B	R. H. -approximate length 19-3/8"	BD 7321458-A	1
53-55	BH73A-73B, BS73A-73B, BT73A-73B	L. H. -approximate length 19-3/8"	BD 7321459-A	1
Group 21464-5 BRACKET (FRONT DOOR VENT WINDOW UPPER PIVOT)-ON RETAINER				
53-55	BH60A-60C-76A, BS60A- 60C-76A, BT60A-60C- 76A	R. H. -Chrome Finish	BD 7621464-A	1
53-55	BH60A-60C-76A, BS60A- 60C-76A, BT60A-60C- 76A	L. H. -Chrome Finish	BS 7621465-A	1
53-55	BH73A-73B, BS73A-73B, BT73A-73B	R. H. -Chrome Finish	BD 7321464-A	1
53-55	BH73A-73B, BS73A-73B, BT73A-73B	L. H. -Chrome Finish	BD 7321465-A	1
Group 21466-7 HINGE (FRONT DOOR VENTILATING WINDOW UPPER PIVOT)-ON FRAME				
53-55	BH, BS, BT	R. H. -Chrome Finish	BD 7321466-A	1
53-55	BH, BS, BT	L. H. -Chrome Finish	BD 7321467-A	1
Group 21478 STRIP (DOOR GLASS RETAINING)-UPPER				
53-55	BH60A-60C-76A, BS60A- 60C-76A, BT60A-60C- 76A	60" long	BD 7621478-D	2

Lincoln

BODY PARTS CATALOGUE

YEAR 19	BODY TYPES	REMARKS	PART NUMBER	NO. REQ'D
Group 21486-7 RETAINER (DOOR WEATHERSTRIP)-AT BELT				
53-55	BH60A-60C-76A, BS60A-60C-76A, BT60A-60C-76A	R. H.	BA 7621486-A	1
53-55	BH60A-60C-76A, BS60A-60C-76A, BT60A-60C-76A	L. H.	BA 7621487-A	1
53-55	BH60A-60C-76A, BS60A-60C-76A, BT60A-60C-76A	Washer (flat)-1/4"	44719-S8	4
Group 21508-9 RUN ASSEMBLY (DOOR GLASS)-LOCK SIDE				
53-55	BH60A-60C-76A, BS60A-60C-76A, BT60A-60C-76A	R. H. -20" long	BH 7621508-A	1
53-55	BH60A-60C-76A, BS60A-60C-76A, BT60A-60C-76A	L. H. -20" long	BH 7621509-A	1
53-55	BH60A-60C-76A, BS60A-60C-76A, BT60A-60C-76A	Bolt and lockwasher assy (hex head)-1/4"-20 x 1/2"	43260-S8	2
53-55	BH60A-60C-76A, BS60A-60C-76A, BT60A-60C-76A	Nut (hex)-1/4"-20	34390-S7	4
53-55	BH60A-60C-76A, BS60A-60C-76A, BT60A-60C-76A	Screw (pan head cr. rec.)-No. 8-15 x 3/8"	52720-S8	2
Group 21514 SUPPORT ASSEMBLY (DOOR GLASS RUN)-LOWER LOCK SIDE				
53-55	BH60A-60C-76A, BS60A-60C-76A, BT60A-60C-76A		BA 7621514-A	2
53-55	BH60A-60C-76A, BS60A-60C-76A, BT60A-60C-76A	Bolt and lockwasher assy (hex head)-1/4"-20 x 1/2"	43260-S8	2
53-55	BH60A-60C-76A, BS60A-60C-76A, BT60A-60C-76A	Screw (pan head cr. rec.)-No. 8-15 x 3/8"	52720-S8	2
Group 21524 RIVET (DIVISION BAR WEATHERSTRIP)				
53-55	BH, BS, BT	Tubular-31/32" O. D. x 5/32" long	OA 7021524	8or16
Group 21546 RUN (FRONT DOOR VENT WINDOW DIVISION BAR GLASS)				
53-55	BH73A-73B, BS73A-73B, BT73A-73B	Approximate length 30-15/32"	BH 7321546-A	2
Group 21546-7 RUN (DOOR GLASS DIVISION BAR)				
53-55	BH60A-60C-76A, BS60A-60C-76A, BT60A-60C-76A	R. H. -31-29/32" long	BD 7621546-A	1
53-55	BH60A-60C-76A, BS60A-60C-76A, BT60A-60C-76A	L. H. -31-29/32" long	BD 7621547-A	1

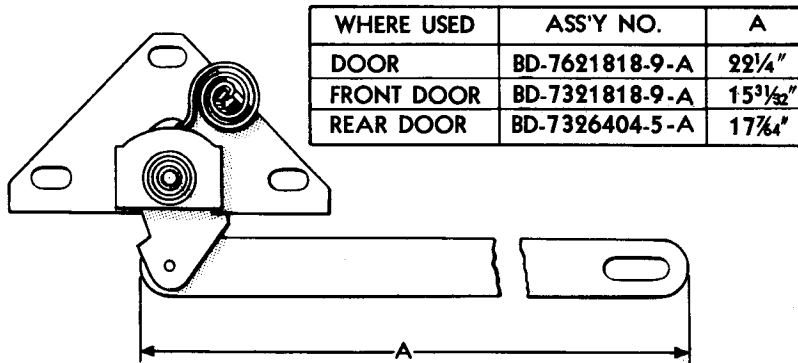
Lincoln

BODY PARTS CATALOGUE

YEAR 19	BODY TYPES	REMARKS	PART NUMBER	NO. REQ'D
Group 21550 RUN ASSEMBLY (FRONT DOOR GLASS)-LOCK SIDE				
53	BH73A-73B	Approx. length 51-23/64"-For Service on Units 3-retainers thru 7-24-53	BD 7321550-A	2
53-55	BH73A-73B, BS73A-73B, BT73A-73B	Approx. length 51-23/64"-For Service on Units using 6 retainers after 7-24-53	BD 7321550-B	2
53-55	BH73A-73B, BS73A-73B, BT73A-73B	Bolt (pan head)-No. 10-32 x 1/2"	39048-S8	2
53-55	BH73A-73B, BS73A-73B, BT73A-73B	Fastener (trim)	358486-S32	12
53-55	BH73A-73B, BS73A-73B, BT73A-73B	Nut (hex)-1/4"-20	33920-S	2
53-55	BH73A-73B, BS73A-73B, BT73A-73B	Nut and retainer assy-No. 10-32	357229-S2	2
53-55	BH73A-73B, BS73A-73B, BT73A-73B	Screw (oval head cross recess)-No. 10-12 x 1/2"	52345-S13	2
53-55	BH73A-73B, BS73A-73B, BT73A-73B	Washer (internal tooth)-No. 10	34903-S8	2
53-55	BH73A-73B, BS73A-73B, BT73A-73B	Washer (flat)-No. 10	44713-S8	2
Group 21760 BRACKET (DOOR WINDOW STOP)-LOWER				
53-55	BH, BS, BT		BA 7021760-B	2or4
Group 21760-1 BRACKET (DOOR WINDOW STOP)-UPPER				
53	BH60A-60C-76A	R. H. -Chrome Finish	BA 7621760-A	2
53	BH60A-60C-76A	L. H. -Chrome Finish	BA 7621761-A	2
54-55	BS60A-60C-76A, BT60A-60C-76A	R. H. -Chrome Finish	BH 7621760-A	2
54-55	BS60A-60C-76A, BT60A-60C-76A	L. H. -Chrome Finish	BH 7621761-A	2
53-55	BH60A-60C-76A, BS60A-60C-76A, BT60A-60C-76A	Nut (hex)-No. 10-32	34079-S7	4
Group 21762 BUMPER (DOOR WINDOW STOP)-LOWER				
53-55	BH, BS, BT	Rubber	BA 7021762-B	2or4
Group 21768 STOP (DOOR WINDOW UPPER)-REAR				
53-55	BH60A-60C-76A, BS60A-60C-76A, BT60A-60C-76A	1" x 1-5/32" long	BD 7621768-A	2
Group 21770 STOP (DOOR WINDOW UPPER)-FRONT				
53-55	BH60A-60C-76A, BS60A-60C-76A, BT60A-60C-76A	1" x 5/16" long	BD 7621770-A	2
Group 21812-3 LOCK ASSEMBLY (FRONT DOOR)				
53-55	BH, BS, BT	R. H.	BH 7321812-A	1
53-55	BH, BS, BT	L. H.	BH 7321813-A	1
53-55	BH, BS, BT	Screw (flat head cross recess)-No. 12-24 x 1/2"	357797-S8	6

Lincoln

BODY PARTS CATALOGUE



WHERE USED	ASS'Y NO.	A
DOOR	BD-7621818-9-A	22 ¹ / ₄ "
FRONT DOOR	BD-7321818-9-A	15 ³ / ₃₂ "
REAR DOOR	BD-7326404-5-A	17 ¹ / ₄ "

REMOTE CONTROL

Group numbers only shown on illustration. Order by Part Numbers shown in list of parts.

YEAR 19	BODY TYPES	REMARKS	PART NUMBER	NO. REQ'D
Group 21818-9 CONTROL ASSEMBLY (FRONT DOOR LOCK REMOTE)				
53-55	BH60A-60C-76A, BS60A-60C-76A, BT60A-60C-76A	R. H.	BD 7621818-A	1
53-55	BH60A-60C-76A, BS60A-60C-76A, BT60A-60C-76A	L. H.	BD 7621819-A	1
53-54	BH73A-73B, BS73A-73B, BT73A-73B	R. H.	BD 7321818-A	1
53-54	BH73A-73B, BS73A-73B, BT73A-73B	L. H.	BD 7321819-A	1

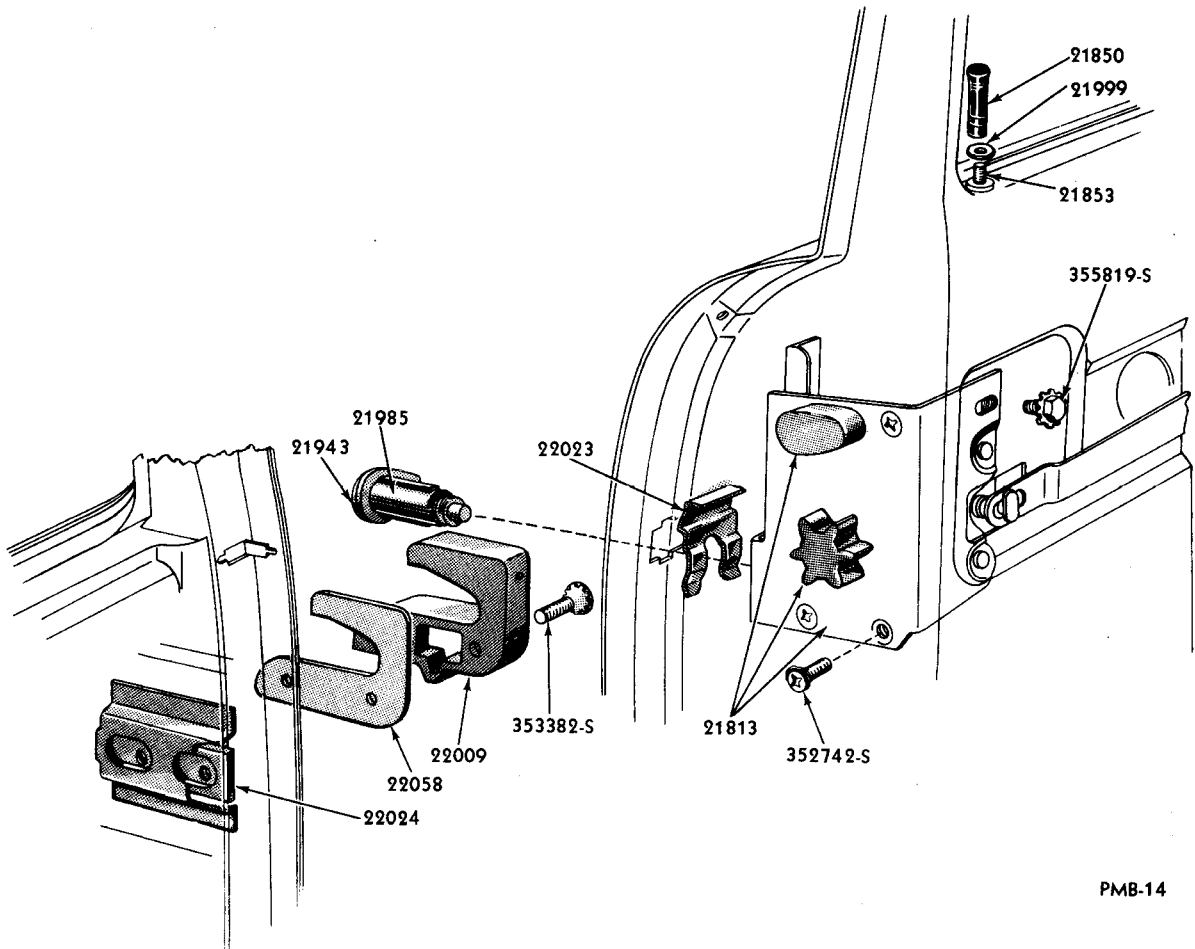
Group 21850 KNOB (DOOR LOCKING CONTROL ROD)				
53-54	BH, BS	Zinc Die Cast	OH 7321850	2or4
55	BT	Dark Gray	BT 7321850-AA	2or4
55	BT	Dark Brown	BT 7321850-AB	2or4
55	BT	Dark Green	BT 7321850-AC	2or4
55	BT	Dark Blue	BT 7321850-AD	2or4
55	BT	Black	BT 7321850-AE	2or4
55	BT	Red	BT 7321850-AF	2or4
55	BT	Buff	BT 7321850-AG	2or4
55	BT	Coral	BT 7321850-AH	2or4
55	BT	Turquoise	BT 7321850-AJ	2or4
55	BT	Yellow	BT 7321850-AK	2or4

Group 21852-3 ROD (FRONT DOOR LOCK PUSH BUTTON)				
53-55	BH60A-60C-76A, BS60A-60C-76A, BT60A-60C-76A	R. H. -9/64" O. D. -approximate length 8-23/32"	BD 7621852-A	1
53-55	BH60A-60C-76A, BS60A-60C-76A, BT60A-60C-76A	L. H. -9/64" O. D. -approximate length 8-23/32"	BD 7621853-A	1
53-55	BH73A-73B, BS73A-73B, BT73A-73B	R. H. -9/64" O. D. -approximate length 8-5/8"	BD 7321852-A	1
53-55	BH73A-73B, BS73A-73B, BT73A-73B	L. H. -9/64" O. D. -approximate length 8-5/8"	BD 7321853-A	1

Lincoln

BODY PARTS CATALOGUE

YEAR 19__	BODY TYPES	REMARKS	PART NUMBER	NO. REQ'D
Group 21858 SPRING (DOOR LOCK MAIN)				
53-55	BH, BS, BT		BA 7021858-A	2or4
Group 21872-3 SPRING (DOOR LOCK SLIDE TOGGLE)				
53-55	BH, BS, BT	R. H.	BA 7021872-B	1or2
53-55	BH, BS, BT	L. H.	BA 7021873-B	1or2
Group 21909 SLEEVE (DOOR LOCK PAWL STOP)				
53-55	BH, BS, BT	Rubber	OA 7021909	2or4
Group 21910 SPRING (DOOR LOCK REMOTE CONTROL)				
53-55	BH, BS, BT	Steel-3 coils	8A 7021910-C	2or4
Group 21942-3 COVER AND SPRING KIT (DOOR LOCK CYLINDER)				
53-55	BH, BS, BT	R. H.	B2A 7021942-A	1
53-55	BH, BS, BT	L. H.	B2A 7021943-A	1



PMB-14

DOOR LOCK PARTS

Group numbers only shown on illustration. Order by Part Numbers shown in list of parts.

Lincoln

BODY PARTS CATALOGUE

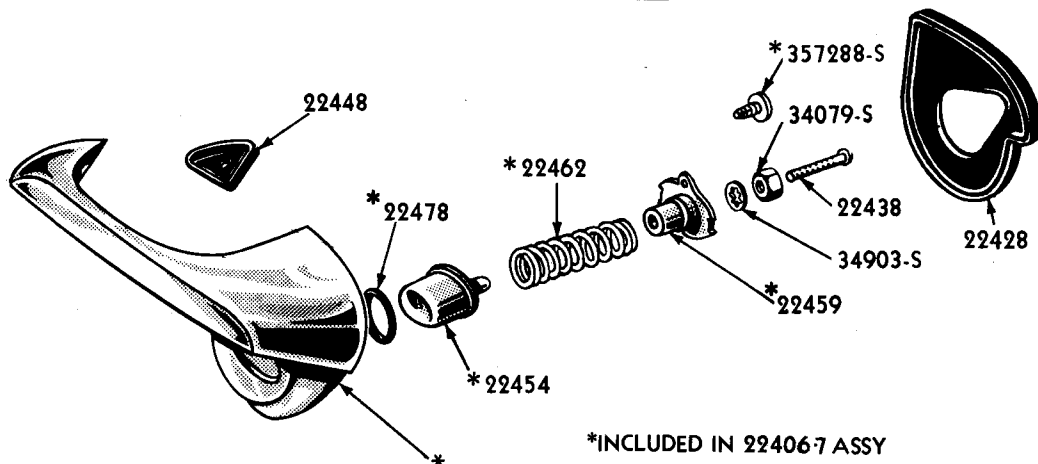
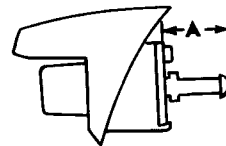
YEAR 19__	BODY TYPES	REMARKS	PART NUMBER	NO. REQ'D
Group 21952 CLIP (DOOR LOCK ROD)				
53-55	BH, BS, BT		BA 7021952	2or4
Group 21984-5 CYLINDER ASSEMBLY (DOOR LOCK)-WITH KEYS				
53-55	BH, BS, BT	R. H.	BD 7321984-B	1
53-55	BH, BS, BT	L. H.	BD 7321985-B	1
Group 21988 SPRING (DOOR LOCK PAWL STOP)				
53-55	BH, BS, BT	Steel	OA 7021988	1
Group 21999 GROMMET (DOOR LOCK KNOB)				
53-55	BH, BS, BT	Rubber	8M 7221999	2or4
Group 22006-7 SPRING (KEY HOLE COVER DOOR LOCK CYLINDER)				
53-55	BH, BS, BT	R. H.	BA 7022006-A	as req'd
53-55	BH, BS, BT	L. H. -also used with Group 43200	BA 7022007-A	as req'd
Group 22008-9 PLATE ASSEMBLY (DOOR LOCK STRIKER)				
53-55	BH, BS, BT	R. H. -Zinc Die Cast	BA 7022008-A	1or2
53-55	BH, BS, BT	L. H. -Zinc Die Cast	BA 7022009-A	1or2
53-55	BH, BS, BT	Screw and Washer assy (flat head cross rec.)-5/16"-24 x 1"	353382-S8	4or8
Group 22023 RETAINER (DOOR LOCK CYLINDER)				
53-55	BH, BS, BT		BA 7022023-A	2
Group 22024 PLATE (DOOR LOCK STRIKER TAPPING)				
53-55	BH, BS, BT	3/16" x 7/8" x 2-5/64"	OA 7022024	2or4
Group 22058 SHIM (DOOR LOCK STRIKER PLATE)				
53-55	BH, BS, BT		BA 7022058-A	as req'd
Group 22075 SPRING (DOOR LOCK OPERATING LEVER) RETAINING				
53-55	BH, BS, BT		BAAA 8122075-A	2
Group 22204-5 RETAINER AND BAR ASSEMBLY (FRONT DOOR VENTILATING WINDOW)-COMPLETE				
53-55	BH73A-73B, BS73A-73B, BT73A-73B	R. H.	BS 7322204-B	1
53-55	BH73A-73B, BS73A-73B, BT73A-73B	L. H.	BH 7322205-A	1

Lincoln

BODY PARTS CATALOGUE

YEAR 19	BODY TYPES	REMARKS	PART NUMBER	NO. REQ'D
Group 22206-7 FRAME ASSEMBLY (FRONT DOOR VENT WINDOW)-LESS GLASS				
53-55	BH60A-60C-76A, BS60A-60C-76A, BT60A-60C-76A	R. H.	BD 7622206-A	1
53-55	BH60A-60C-76A, BS60A-60C-76A, BT60A-60C-76A	L. H.	BD 7622207-A	1
53-55	BH73A-73B, BS73A-73B, BT73A-73B	R. H.	BD 7322206-A	1
53-55	BH73A-73B, BS73A-73B, BT73A-73B	L. H.	BD 7322207-A	1
Group 22220-1 FRAME ASSY (DOOR GLASS)				
53-55	BH60A-60C-76A, BS60A-60C-76A, BT60A-60C-76A	R. H. -Chrome Finish	BD 7622220-D	1
53-55	BH60A-60C-76A, BS60A-60C-76A, BT60A-60C-76A	L. H. -Chrome Finish	BD 7622221-D	1
Group 22406-7 HANDLE ASSEMBLY (DOOR OUTSIDE)-LESS RELEASE PIN				
53-55	BH, BS, BT	R. H.	BC 7022406-A	as req'd
53-55	BH, BS, BT	L. H.	BC 7022407-A	as req'd

THEORETICAL PIN SETTINGS	A	ASSY.
BH, BS, BT-60 DOOR	1 ¹³ / ₃₂ "	BC-7022406-7-A
BH, BS, BT-73 FRONT DOOR	1 ⁵ / ₈ "	BC-7022406-7-A
BH, BS, BT-73 REAR DOOR	1 ⁴ / ₆₄ "	BC-7022406-7-A
BH, BS, BT-76 DOOR	1 ¹³ / ₃₂ "	BC-7022406-7-A



PLB-23

DOOR HANDLE (OUTSIDE)

Group numbers only shown on illustration. Order by Part Numbers shown in list of parts.

Lincoln

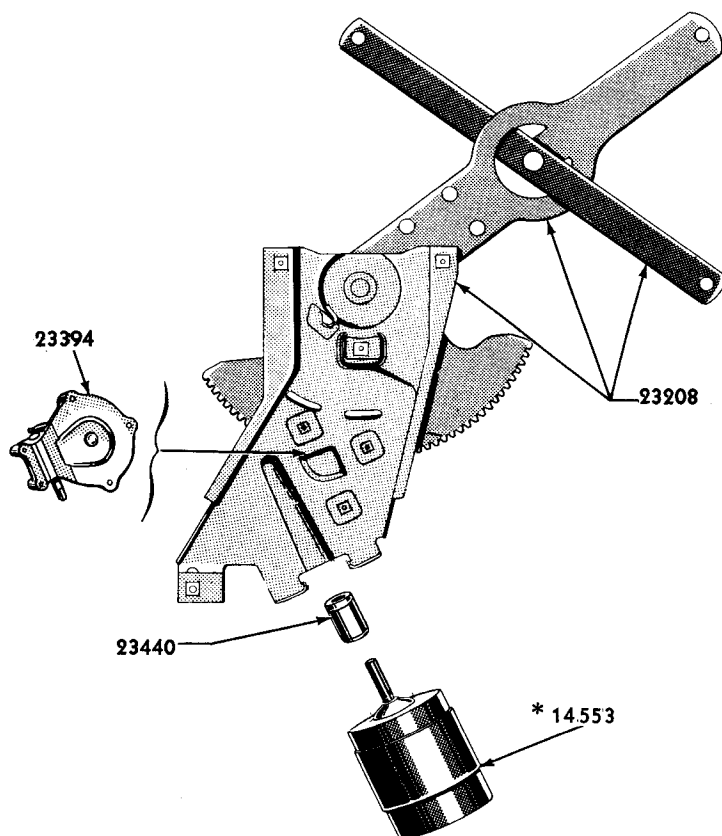
BODY PARTS CATALOGUE

YEAR 19__	BODY TYPES	REMARKS	PART NUMBER	NO. REQ'D
Group 22428 PAD (DOOR OUTSIDE HANDLE)-LARGE				
53-55	BH, BS, BT	Rubber	BC 7022428-A	2or4
Group 22438 PIN (DOOR OUTSIDE HANDLE)-RELEASE				
53-55	BH, BS, BT	Front Door	BD 7622438-A	2
53-54	BH73A-73B, BS73A-73B	Rear Door	BD 7622438-A	2
55	BT73A-73B	Rear Door	BD 7322438-A	2
Group 22448 PAD (DOOR OUTSIDE HANDLE)-SMALL				
53-55	BH, BS, BT	Rubber	BC 7022448-A	2or4
Group 22454 BUTTON AND GUIDE ASSEMBLY (OUTSIDE DOOR HANDLE)				
53-55	BH, BS, BT		BC 7022454-B	2or4
Group 22459 RETAINER (OUTSIDE DOOR HANDLE BUTTON)				
53-55	BH, BS, BT	Zinc Die Cast	BC 7022459-A	2or4
53-55	BH, BS, BT	Screw and Washer assy (pan head)-No. 6-32 x 3/8"	357844-S	2or4
Group 22462 SPRING (OUTSIDE DOOR HANDLE PUSH BUTTON)				
53-55	BH, BS, BT	Steel-approximate length 1-41/64"	BA 7022462-A	2or4
Group 22478 SEAL (DOOR OUTSIDE HANDLE PUSH BUTTON)				
53-55	BH, BS, BT	Rubber ring-15/16" I. D.	BC 7022478-A	2or4
Group 22600 HANDLE ASSEMBLY (DOOR INSIDE)				
53-55	BH, BS, BT		BD 7322600-A	2or4
53-55	BH, BS, BT	Retainer (spring)	357550-S	2or4
Group 22618 ESCUTCHEON ASSEMBLY (QUARTER REGULATOR HANDLE)				
53-55	BH60A-60C-76A, BS60A-60C-76A, BT60A-60C-76A		BC 7622618-A	2
Group 22624 SPRING (INSIDE DOOR HANDLE AND WINDOW REGULATOR HANDLE)				
53-55	BH, BS, BT		1A 7022624	as req'd
Group 22800-1 HINGE ASSEMBLY (FRONT DOOR)				
53-55	BH, BS, BT	R. H. -with four 3/8" x 9/16" elongated holes on body side and three 3/8" diameter holes on door side	BA 7022800-B	2
53-55	BH, BS, BT	L. H. -with four 3/8" x 9/16" elongated holes on body side and three 3/8" diameter holes on door side	BA 7022801-B	2
53-55	BH, BS, BT	Screw and Washer assy-5/16"-24 x 1"	353486-S8	as req'd
53-55	BH, BS, BT	Washer (flat)-5/16"	44722-S8	as req'd

Lincoln

BODY PARTS CATALOGUE

YEAR 19___	BODY TYPES	REMARKS	PART NUMBER	NO. REQ'D
Group 22840 PIN (DOOR HINGE)				
53-55	BH, BS, BT		BA 7022840-A	4
Group 22884-5 RAIN SHIELD (DOOR VENTILATING WINDOW)				
53-55	BH60A-60C-76A, BS60A-60C-76A, BT60A-60C-76A	R. H.	BD 7622884-A	1
53-55	BH60A-60C-76A, BS60A-60C-76A, BT60A-60C-76A	L. H.	BD 7622885-A	1
53-55	BH73A-73B, BS73A-73B, BT73A-73B	R. H.	BD 7322884-A	1
53-55	BH73A-73B, BS73A-73B, BT73A-73B	L. H.	BD 7322885-A	1
Group 22912 BRACKET ASSEMBLY (DOOR VENT WINDOW GLASS RUN LOWER)-INNER				
54-55	BS, BT		BM 7022912-A	2or4
Group 22916-7 HANDLE (DOOR VENTILATING WINDOW)				
53-55	BH73A-73B, BS73A-73B, BT73A-73B	R. H. -Rear Door	8M 7022916	1
53-55	BH73A-73B, BS73A-73B, BT73A-73B	L. H. -Rear Door	8M 7022917	1
53-55	BH73A-73B, BS73A-73B, BT73A-73B	Pin (roll)	357922-S8	2
Group 22920 KEY (DOOR VENTILATOR WINDOW FRAME)				
53-55	BH73A-73B, BS73A-73B, BT73A-73B	Rear Door	8A 7022920	2
Group 22924-5 LATCH (DOOR VENTILATING WINDOW)				
53-55	BH60A-60C-76A, BS60A-60C-76A, BT60A-60C-76A	R. H.	BD 7622924-A	1
53-55	BH60A-60C-76A, BS60A-60C-76A, BT60A-60C-76A	L. H.	BD 7622925-A	1
53-55	BH73A-73B, BS73A-73B, BT73A-73B	R. H. -Front Door	8L 7222924	1
53-55	BH73A-73B, BS73A-73B, BT73A-73B	L. H. -Front Door	8L 7222925	1
Group 22926 SPRING (DOOR VENTILATING WINDOW PIVOT)				
53-55	BH73A-73B, BS73A-73B, BT73A-73B	Rear Door-approximate length 13/16"	O1A 7022926	2or4



*FOR ADDITIONAL INFORMATION REFER TO CHASSIS PARTS LIST

PL-837

FRONT DOOR ELECTRIC WINDOW REGULATOR (B-DESIGN)

Group numbers only shown on illustration. Order by Part Numbers shown in list of parts.

YEAR 19	BODY TYPES	REMARKS	PART NUMBER	NO. REQ'D
Group 22963 WASHER (QUARTER VENTILATING WINDOW PIVOT) FRICTION				
53-55	BH73A-73B, BS73A-73B, BT73A-73B		8A 7022963	2
Group 22982 WASHER (DOOR VENT WINDOW PIVOT)-VENTILATING-FRONT & REAR DOOR				
53-55	BH, BS, BT	Rear Door-25/64" I. D. x 39/64" O. D.	O1A 7022982	2or4
Group 22986 SPRING (DOOR WINDOW HANDLE)-VENTILATING				
53-55	BH73A-73B, BS73A-73B, BT73A-73B	Rear Door-free length 7/16"	O1A 7022986	2
Group 23200-1 REGULATOR ASSEMBLY (FRONT DOOR WINDOW)				
53-55	BH, BS, BT	R. H. -Electric Control-includes motor-"B" Design	BD 7323200-A	1
53-55	BH, BS, BT	L. H. -Electric Control-includes motor-"B" Design	BD 7323201-A	1
53-55	BH, BS, BT	Bolt and washer assy (hex head)-No. 12-24 x 7/16"	355819-S8	8

Lincoln

BODY PARTS CATALOGUE

YEAR 19__	BODY TYPES	REMARKS	PART NUMBER	NO. REQ'D
Group 23202-3 REGULATOR ASSEMBLY (FRONT DOOR WINDOW)-LESS ARMS				
53	BH60A-60C-76A	R. H. -Manual Control-Straight Arm	BD 7623202-A	1
53	BH60A-60C-76A	L. H. -Manual Control-Straight Arm	BD 7623203-A	1
53-55	BH60A-60C-76A, BS60A-60C-76A, BT60A-60C-76A	R. H. -Manual Control-arm at 45° angle	BH 7623202-A	1
53-55	BH60A-60C-76A, BS60A-60C-76A, BT60A-60C-76A	L. H. -Manual Control-arm at 45° angle	BH 7623203-A	1
53-55	BH73A-73B, BS73A-73B, BT73A-73B	R. H. -Manual Control	BD 7323202-A	1
53-55	BH73A-73B, BS73A-73B, BT73A-73B	L. H. -Manual Control	BD 7323203-A	1
Group 23208-9 REGULATOR ASSEMBLY (FRONT DOOR WINDOW)-LESS MOTOR				
53-55	BH, BS, BT	R. H. -Electric Control-"B" Design	BD 7323208-A	1
53-55	BH, BS, BT	L. H. -Electric Control-"B" Design	BD 7323209-A	1
53-55	BH, BS, BT	Washer (c' sunk)-3/8" x 11/16"	356514-S8	8
Group 23234-5 ARM AND PLATE ASSEMBLY (DOOR WINDOW REGULATOR)				
53-55	BH, BS, BT	R. H.	BA 7023234-A	1
53-55	BH, BS, BT	L. H.	BA 7023235-A	1
53-55	BH, BS, BT	Screw and Washer Assy (hex head)-No. 12-24 x 7/16"	355819-S8	6
Group 23243 SPRING (DOOR WINDOW REGULATOR ROLLER)				
53-54	BH, BS	Free length-1/2"	BA 7023243-A	as req'd
Group 23283 GROMMET (DOOR WINDOW REGULATOR)-MOTOR MOUNTING				
53-55	BH, BS, BT	Rubber	BD 7323283-A	4
Group 23286 ROLLER (DOOR WINDOW REGULATOR ARM)				
53-55	BH, BS, BT	Approximately 31/32" I. D.	BA 7023286-A	8or12
53-55	BH, BS, BT	Retainer (spring)	357517-S8	as req'd
53-55	BH, BS, BT	Spring (free length-1/2")	BA 7023243-A	as req'd
53-55	BH, BS, BT	Washer (cup)-5/8" I. D. x 7/8" O. D.	357494-S8	as req'd
53-55	BH, BS, BT	Washer (flat)-5/8"	351513-S8	as req'd

Lincoln

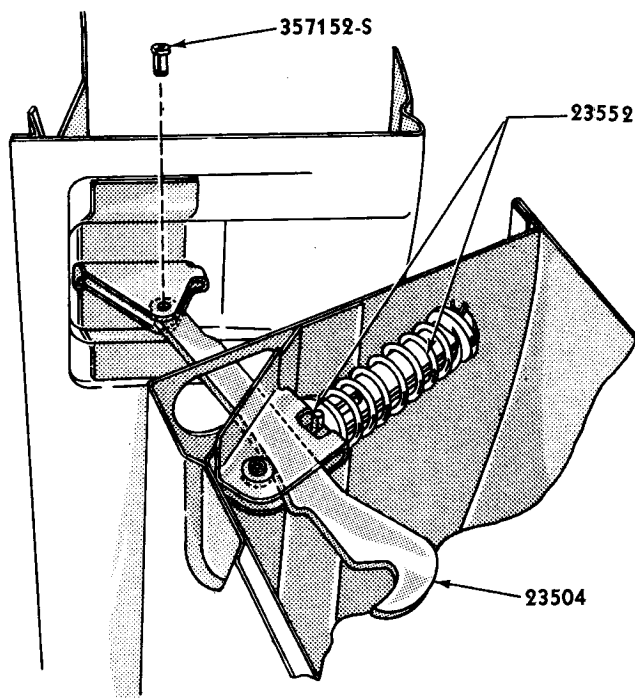
BODY PARTS CATALOGUE

YEAR 19__	BODY TYPES	REMARKS	PART NUMBER	NO. REQ'D
Group 23312-3 BRACKET (DOOR WINDOW REGULATOR MOTOR)				
53-55	BH60A-60C-76A, BS60A-60C-76A, BT60A-60C-76A	R. H.	BD 7623312-A	1
53-55	BH60A-60C-76A, BS60A-60C-76A, BT60A-60C-76A	L. H.	BD 7623313-A	1
53-55	BH60A-60C-76A, BS60A-60C-76A, BT60A-60C-76A	Nut (hex)-No. 10-32	34079-S7	2
53-55	BH60A-60C-76A, BS60A-60C-76A, BT60A-60C-76A	Screw (pan hd. cr. rec.)-No. 10-12 x 3/8"	52721-S8	2
53-55	BH60A-60C-76A, BS60A-60C-76A, BT60A-60C-76A	Washer (special)-No. 10	356256-S2	2
Group 23342 HANDLE ASSEMBLY (WINDOW REGULATOR)				
53-55	BH, BS, BT	Zinc Die Cast	BD 7323342-A	2
53-55	BH, BS, BT	Retainer (spring)	357550-S	2or4
Group 23370 PLATE (WINDOW REGULATOR HANDLE)				
53-55	BH, BS, BT	1-1/32" I. D. x 1-45/64" O. D.	1L 7223370	2or6
Group 23394-5 DRIVE ASSEMBLY (DOOR WINDOW REGULATOR)				
53-55	BH, BS, BT	R. H. -Electric Regulator-"B" Design	BD 7323394-A	1
53-55	BH, BS, BT	L. H. -Electric Regulator-"B" Design	BD 7323395-A	1
Group 23410 HANDLE ASSEMBLY (FRONT DOOR VENT WINDOW REGULATOR)				
53-55	BH, BS, BT	Zinc Die Cast	BD 7323410-C	2
53-55	BH, BS, BT	Retainer(spring)	357550-S	2
Group 23420 ESCUTCHEON ASSEMBLY (FRONT DOOR VENT AND WINDOW REGULATOR HANDLE)				
53-55	BH, BS, BT	Chrome Finish-1-3/32" I. D. x 1-53/64" O. D.	BD 7323420-A	4
Group 23436 GEAR AND SHAFT ASSEMBLY (DOOR VENT WINDOW REGULATORS)				
53-55	BH, BS, BT	3-7/8" long	BD 7323436-A	2
Group 23440 COUPLING (DOOR WINDOW REGULATOR DRIVE)				
53-55	BH, BS, BT	Electric Regulator-"B" Design-7/8" O. D. x 1-1/4" long	BD 7323440-A	2
Group 23456 SHAFT (DOOR VENT WINDOW REGULATOR EXTENSION)				
53-55	BH60A-60C-76A, BS60A-60C-76A, BT60A-60C-76A	Zinc Die Cast-3-7/32" long	BD 7623456-C	2
53-55	BH73A-73B, BS73A-73B, BT73A-73B	Zinc Die Cast-3-5/32" long	BD 7323456-C	2

Lincoln

BODY PARTS CATALOGUE

YEAR 19	BODY TYPES	REMARKS	PART NUMBER	NO. REQ'D
Group 23460 WORM (DOOR VENT WINDOW REGULATOR)				
53-55	BH, BS, BT	1-45/64" O. D.	BD 7323460-A	2
53-55	BH, BS, BT	Pin-1/8" x 23/32"	357404-S	2
Group 23464 PIN (DOOR VENT WINDOW REGULATOR EXTENSION SHAFT)				
53-55	BH, BS, BT	Spring-retainer type	16H 7323464	2
Group 23468-9 RETAINER ASSEMBLY (DOOR VENT WINDOW REGULATOR SHAFT)				
53-55	BH60A-60C-76A, BS60A-60C-76A, BT60A-60C-76A	R. H.	BD 7623468-A	1
53-55	BH60A-60C-76A, BS60A-60C-76A, BT60A-60C-76A	L. H.	BD 7623469-A	1
53-55	BH73A-73B, BS73A-73B, BT73A-73B		BD 7323468-A	2
53-55	BH73A-73B, BS73A-73B, BT73A-73B	Screw (hex washer head)-No. 12-11 x 1/2"	42008-S8	6
53-55	BH73A-73B, BS73A-73B, BT73A-73B	Washer (external tooth)-No. 12	34927-S7	6
Group 23504 ARM (DOOR CHECK)-FRONT DOOR				
53-55	BH, BS, BT	Approximate length 7-1/2"	BC 7023504-B	2



PM-822

ARM (DOOR CHECK) FRONT DOOR

Group numbers only shown on illustration. Order by Part Numbers shown in list of parts.

Lincoln

BODY PARTS CATALOGUE

YEAR 19___	BODY TYPES	REMARKS	PART NUMBER	NO. REQ'D
Group 23518 ROLLER (DOOR CHECK ARM)-OUTER				
53-55	BH, BS, BT		BF 7023518-A	2or4
53-55	BH, BS, BT	Pin (clevis)-1/4" x 13/16"	73879-S7	2
Group 23519 ROLLER (DOOR CHECK ARM)-INNER				
53-55	BH, BS, BT		BF 7023519-A	2or4
Group 23552 GUIDE ASSEMBLY (FRONT DOOR CHECK)				
53-55	BH, BS, BT		BF 7023552-A	2
Group 23604 SPRING (ELECTRIC SWITCH)-LOCKING				
53-55	BH, BS, BT	Used on Electric Window Regulator-Multiple Switch	1H 7323604-A	as req'd
53-55	BH, BS, BT	Used on Front Seat-Multiple and Single Switches	1H 7323604-B	as req'd
Group 24146 CLIP (DOOR ARM REST)				
53-55	BH, BS, BT		BA 7024146-A	4or8
Group 24160-1 SUPPORT (FRONT DOOR ARM REST)				
53-55	BH60A-60C-76A, BS60A-60C-76A, BT60A-60C-76A	R. H.	BD 7624160-A	1
53-55	BH60A-60C-76A, BS60A-60C-76A, BT60A-60C-76A	L. H.	BD 7624161-A	1
53-55	BH73A-73B, BS73A-73B, BT73A-73B	R. H.	BD 7324160-A	1
53-55	BH73A-73B, BS73A-73B, BT73A-73B	L. H.	BD 7324161-A	1
53-55	BH, BS, BT	Screw and Washer assy (pan head)-No. 12-24 x 1/2"	355 234-S7	2or6
Group 24300-1 PILLAR ASSEMBLY (BODY CENTER)				
53-55	BH73A-73B, BS73A-73B, BT73A-73B	R. H.	BH 7324300-B	1
53-55	BH73A-73B, BS73A-73B, BT73A-73B	L. H.	BH 7324301-B	1
53-55	BH73A-73B, BS73A-73B, BT73A-73B	Bumper (rubber)-Upper	35 2839-S	2
53-55	BH73A-73B, BS73A-73B, BT73A-73B	Bumper (rubber)-Lower	35 2848-S	2
53-55	BH73A-73B, BS73A-73B, BT73A-73B	Clip (moulding)	35 2230-S32	2
53-55	BH, BS, BT	Grommet (rubber)-used with electric window wiring	35 2807-S	as req'd

Lincoln

BODY PARTS CATALOGUE

YEAR 19	BODY TYPES	REMARKS	PART NUMBER	NO. REQ'D
Group 24420-1 MOULDING ASSY (CENTER BODY PILLAR LOWER)-OUTSIDE				
53	BH73A-73B	R. H. -Chrome Finish	BD 7324420-A	1
53	BH73A-73B	L. H. -Chrome Finish	BD 7324421-A	1
54-55	BS73A-73B, BT73A-73B	Chrome Finish	BS 7324420-A	2
53-55	BH73A-73B, BS73A-73B, BT73A-73B	Screw (pan head cross recess)-No. 4-24 x 1/4"	52711-S13	1
Group 24428 MOULDING ASSY (CENTER BODY PILLAR TOP)-OUTSIDE				
53-55	BH73A-73B, BS73A-73B, BT73A-73B	Chrome Finish	BD 7324428-A	2
Group 24448 MOULDING ASSY (CENTER BODY PILLAR OUTSIDE)-AT BELT				
53-55	BH73A-73B, BS73A-73B, BT73A-73B	Chrome Finish	BD 7324448-A	2
Group 24622-3 DOOR ASSEMBLY (REAR)-LESS HINGES				
53	BH73A-73B	R. H.	BH 7324622-C	1
53	BH73A-73B	L. H.	BH 7324623-C	1
54-55	BS73A-73B, BT73A-73B	R. H.	BS 7324622-A	1
54-55	BS73A-73B, BT73A-73B	L. H.	BS 7324623-A	1
53-55	BH73A-73B, BS73A-73B, BT73A-73B	Bumper (rubber)-used in rear corner	352839-S	2
53-55	BH, BS, BT	Grommet (rubber)-used with electric window wiring	352807-S	as req'd
53-55	BH73A-73B, BS73A-73B, BT73A-73B	Screw and Washer assembly (pan hd)-No. 10-32 x 3/8"	42802-S8	2
Group 24754-5 WELT AND CARDBOARD ASSEMBLY (REAR DOOR WINDOW FINISH)				
53-55	BH73A-73B, BS73A-73B, BT73A-73B	R. H. -57-15/32" long	BD 7324754-B	1
53-55	BH73A-73B, BS73A-73B, BT73A-73B	L. H. -57-15/32" long	BD 7324755-B	1
Group 25312 RETAINER (REAR DOOR BOTTOM WEATHERSTRIP)				
53-55	BH73A-73B, BS73A-73B, BT73A-73B	25-51/64" long	BD 7325312-A	2
Group 25324-5 WEATHERSTRIP (REAR DOOR OPENING)-OUTER				
53-55	BH73A-73B, BS73A-73B, BT73A-73B	R. H. -Rubber	BD 7325324-B	1
53-55	BH73A-73B, BS73A-73B, BT73A-73B	L. H. -Rubber	BD 7325325-B	1

Lincoln

BODY PARTS CATALOGUE

YEAR 19	BODY TYPES	REMARKS	PART NUMBER	NO. REQ'D
Group 25514-5 MOULDING ASSEMBLY (REAR DOOR WINDOW GARNISH)-UPPER				
53	BH73A	L. H. -In Prime-Use on Units prior to 5-11-53	BD 7325515-AP	1
53-55	BH73A, BS73A, BT73A	R. H. -In Prime	BD 7325514-BP	1
53-55	BH73A, BS73A, BT73A	L. H. -In Prime-Use on Units after 5-11-53	BD 7325515-BP	1
53	BH73B	R. H. -Chrome Finish-Use on Units prior to 5-11-53	BD 7325514-B	1
53-55	BH73B, BS73B, BT73B	R. H. -Chrome Finish-Use on Units after 5-11-53	BD 7325514-C	1
53-55	BH73B, BS73B, BT73B	L. H. -Chrome Finish	BD 7325515-C	1
53-55	BH73A-73B, BS73A-73B, BT73A-73B	Screw (oval head cross recess)-No. 8-15 x 5/8"	52352-S13	12

Group 25532-3 MOULDING (REAR DOOR OUTSIDE)-LOWER REAR				
53	BH73A-73B	R. H. -Chrome Finish-approximate length 21-3/4"	BD 7325532-A	1
53	BH73A-73B	L. H. -Chrome Finish-approximate length 21-3/4"	BD 7325533-A	1
54	BS73A-73B	Chrome Finish-approximate length 18-31/32"	BS 7325532-A	2
53	BH73A-73B	Kit-Moulding Clips (exterior) Consists of the following:	HCK 350000-A	1
	(2) 34803-S7	Lockwasher-No. 10	(6) 357786-S8	Clip (moulding)
	(2) 34053-S8	Nut (hex. hd.)-No. 10-24	(2) 357785-S8	Clip (moulding)
	(2) 44713-S8	Washer (flat)-No. 10	(1) 358535-S8	Retainer
	(2) 352262-S8	Clip (moulding)		

54	BS73A-73B	Kit-Moulding Clips (exterior) Consists of the following:	HEK 350002-A	1
	(1) 34803-S7	Washer (lock)-No. 10	(1) 352631-S8	Clip (moulding)
	(1) 34053-S8	Nut (hex. hd.)-No. 10-24	(1) 357267-S8	Retainer
	(1) 44713-S8	Washer (flat)-No. 10		

Group 25542-3 MOULDING (REAR DOOR TOP)-OUTSIDE				
53-55	BH73A-73B, BS73A-73B, BT73A-73B	R. H. -Chrome Finish	BD 7325542-B	1
53-55	BH73A-73B, BS73A-73B, BT73A-73B	L. H. -Chrome Finish	BD 7325543-B	1
53-55	BH73A-73B, BS73A-73B, BT73A-73B	Kit-Moulding Clips (exterior) Consists of the following:	HCK 350008-A	1
	(10) 64593-S8	Rivet	(2) 358588-S8	Clip (moulding)
	(2) 352241-S8	Clip (moulding)	(2) 358584-S8	Screw & Washer Assy

Group 25554-5 MOULDING (REAR DOOR OUTSIDE PANEL)-AT BELT				
53-55	BH73A-73B, BS73A-73B, BT73A-73B	R. H. -Chrome Finish-approximate length 38-5/64"	BD 7325554-B	1
53-55	BH73A-73B, BS73A-73B, BT73A-73B	L. H. -Chrome Finish-approximate length 38-5/64"	BD 7325555-B	1
53-55	BH73A-73B, BS73A-73B, BT73A-73B	Kit-Moulding Clips (exterior) Consists of the following:	HCK 350007-A	1
	(7) 358375-S8	Clip (moulding)		

Lincoln

BODY PARTS CATALOGUE

YEAR 19__	BODY TYPES	REMARKS	PART NUMBER	NO. REQ'D
Group 25556-7 MOULDING (REAR DOOR OUTSIDE)-LOWER FRONT				
53	BH73A-73B	R. H. -Chrome Finish-17-11/64" long	BD 7325556-A	1
53	BH73A-73B	L. H. -Chrome Finish-17-11/64" long	BD 7325557-A	1
54	BS73A-73B	Chrome Finish-20-15/64"-long	BS 7325556-A	2
55	BT73A-73B	Chrome Finish-38-15/32" long	BT 7325556-A	2
53	BH73A-73B	Kit-Moulding Clips (exterior) Consists of the following:	HCK 350000-A	1
		(2) 34803-S1 Lockwasher-No. 10	(6) 357786-S8 Clip (moulding)	
		(2) 34053-S8 Nut (hex hd.)-No. 10-24	(2) 357785-S8 Clip (moulding)	
		(2) 44713-S8 Washer (flat)-No. 10	(1) 358535-S8 Retainer	
		(2) 352262-S8 Clip (moulding)		
54	BS73A-73B	Kit-Moulding Clips (exterior) Consists of the following:	HEK 350002-A	1
		(1) 34803-S7 Washer (lock)-No. 10	(1) 352631-S8 Clip (moulding)	
		(1) 34053-S8 Nut (hex hd)-No. 10-24	(1) 357267-S8 Retainer	
		(1) 44713-S8 Washer (flat)-No. 10		
55	BT73A-73B	Kit-Moulding Clips (exterior) Consists of the following:	HEK 350001-A	1
		(15) 352631-S8 Clips (moulding)		
Group 25580 MOULDING (REAR DOOR TRIM)-LOWER				
53	BH73B	Rustless Steel-Approximate length 30-7/32"	BH 7325580-B	2
Group 25582 RETAINER (REAR DOOR TRIM MOULDING)-LOWER				
53	BH73B		BH 7325582-B	2
Group 25590-1 MOULDING ASSY (REAR DOOR WINDOW GARNISH)-LOWER				
53-55	BH73A-73B, BS73A-73B, BT73A-73B	R. H. -Moulding Assy-Rear door window garnish-lower	BD 7325590-AP	1
53-55	BH73A-73B, BS73A-73B, BT73A-73B	L. H. -Moulding Assy-Rear door window garnish-lower	BD 7325591-AP	1
Group 25592-3 FILLER (FRONT AND REAR DOOR WINDOW GARNISH MOULDING JOINT)-FRONT				
53	BH73A-73B	R. H. -Rubber-Use on jobs after 5-11-53 *	BD 7325992-B	1
53	BH73A-73B	L. H. -Rubber-Use on jobs after 5-11-53 *	BD 7325993-B	1
54-55	BS73A-73B, BT73A-73B	R. H. -Rubber	BD 7325592-B	2
54-55	BS73A-73B, BT73A-73B	L. H. -Rubber	BD 7325593-B	2
Group 25594-5 FILLER (FRONT AND REAR DOOR WINDOW GARNISH MOULDING-JOINT)-REAR				
53	BH73A-73B	R. H. -Rubber-On jobs after 5-11-53 **	BD 7325594-B	1
53	BH73A-73B	L. H. -Rubber-On jobs after 5-11-53 **	BD 7325995-B	1
54-55	BS73A-73B, BT73A-73B	R. H. -Rubber-Also used on Front Door	BD 7325594-B	2
54-55	BS73A-73B, BT73A-73B	L. H. -Rubber-Also used on Front Door	BD 7325595-B	2

* Use EDBD 7321158-9 On Jobs Prior to 5-11-53

** Use EDBD 7321118-9 On Jobs Prior to 5-11-53

Lincoln

BODY PARTS CATALOGUE

YEAR 19	BODY TYPES	REMARKS	PART NUMBER	NO. REQ'D
Group 25596-7 WEATHERSTRIP ASSEMBLY (REAR DOOR GLASS AT BELT)-OUTER				
53	BH73A-73B	R. H. -with Rustless Steel beading-approximate length 20-7/16" For 1954-55 use BD 7321452-B	BD 7325596-B	1
53	BH73A-73B	L. H. -with Rustless Steel beading-approximate length 20-7/16" For 1954-55 use BD 7321453-B	BD 7325597-B	1

Group 25612-3 ORNAMENT ASSEMBLY (BODY SIDE)				
53	BH	R. H. -Chrome Finish	BD 7325612-B	1
53	BH	L. H. -Chrome Finish	BD 7325613-B	1
55	BT60A-60C-76A	R. H. -Chrome Finish	BT 7625612-A	1
55	BT60A-60C-76A	L. H. -Chrome Finish	BT 7625613-A	1
55	BT73A-73B	R. H. -Chrome Finish	BT 7325612-A	1
55	BT73A-73B	L. H. -Chrome Finish	BT 7325613-A	1
53	BH	Sealer	M 5397-B	as req'd
53	BH	Washer (flat)-No. 10	44713-S8	14
53	BH	Nut (hex)-No. 10-24	45242-S8	14
55	BT	Kit-Moulding Clip (exterior) Consists of the following:	HEK 350009-A	1

(10) 34053-S8 Nut (hex hd)-No. 10-24

(10) 34803-S8 Washer (lock)-No. 10

(10) 44713-S8 Washer (flat)-No. 10

(6) 42119-S8 Screw (hex hd.)-No. 8-15 x 3/8"

(1) 52352-S13 Screw (oval hd.)-No. 8-15 x 3/8"

(9) 35852-S100 Clip (moulding)

Group 25652-3 GUARD (BODY SIDE STONE)				
54	BS60A-60C-76A	R. H. -Chrome Finish	BS 7625652-A	1
54	BS60A-60C-76A	L. H. -Chrome Finish	BS 7625653-A	1
54	BS73A-73B	R. H. -Chrome Finish	BS 7325652-A	1
54	BS73A-73B	L. H. -Chrome Finish	BS 7325653-A	1
54	BS	Nut (hex)-No. 10-24	34053-S8	16
54	BS	Washer (internal tooth)-No. 10	34903-S8	16
54	BS	Washer (flat)-No. 10	44713-S8	16
54	BS	Clip Assembly (moulding)	35852-S100	14
54	BS73A-73B	Clip Assembly (moulding)	358419-S100	2

Group 25659 RETAINER ASSY (BODY SIDE STONE GUARD)				
54	BS73A-73B	Chrome Finish	BS 7325659-A	2

Group 25662 KIT (MEDALLION AND RETAINER ASSEMBLY)-"V" ORNAMENT				
53, 55	BH, BT	Consists of the following	HDK 7325662-B	2
		(1) BH 7325662-A Medallion		
		(1) BH 7325666-B Retainer Assembly		
		(4) 45041-S8 Nut (Spring)		
54	BS	Consists of the following	HEK 7325662-A	2
		(1) BS 7325662-A Medallion		
		(1) BS 7325666-A Retainer		
		(1) BS 7325672-A Pad		
		(1) 353577-S8 Nut		

Lincoln

BODY PARTS CATALOGUE

YEAR 19__	BODY TYPES	REMARKS	PART NUMBER	NO. REQ'D
Group 25712 GLASS (REAR DOOR WINDOW)				
53-55	BH73A-73B, BS73A-73B, BT73A-73B	Clear	BD 7325712-A	2
53-55	BH73A-73B, BS73A-73B, BT73A-73B	Tinted (Green)	BD 7325712-B	2
Group 25760 RUN ASSEMBLY (REAR DOOR GLASS LOCK SIDE)				
53	BH73A-73B		BD 7325760-A	2
54-55	BS73A-73B, BT73A-73B		BD 7325760-B	2
53-55	BH73A-73B, BS73A-73B, BT73A-73B	Fastener (trim)	358486-S32	12
53-55	BH73A-73B, BS73A-73B, BT73A-73B	Lockwasher (external tooth)-No. 10	34903-S8	2
53-55	BH73A-73B, BS73A-73B, BT73A-73B	Nut (hex)-No. 10-32	34079-S7	2
53-55	BH73A-73B, BS73A-73B, BT73A-73B	Screw (pan head)-No. 10-32 x 1/2"	42728-S8	2
53-55	BH73A-73B, BS73A-73B, BT73A-73B	Washer (flat)-No. 10	44713-S8	2
Group 25860-1 WEATHERSTRIP (REAR DOOR GLASS AT BELT)-INSIDE				
53-55	BH73A-73B, BS73A-73B, BT73A-73B	R. H. -with Rustless Steel beading-approximate length 20-3/8"	BD 7325860-B	1
53-55	BH73A-73B, BS73A-73B, BT73A-73B	L. H. -with Rustless Steel beading-approximate length 20-3/8"	BD 7325861-B	1
Group 26228-9 CHANNEL AND BRACKET ASSEMBLY (REAR DOOR GLASS)				
53-55	BH73A-73B, BS73A-73B, BT73A-73B	R. H. -approximate length 19-3/8"	BD 7326228-A	1
53-55	BH73A-73B, BS73A-73B, BT73A-73B	L. H. -approximate length 19-3/8"	BD 7326229-A	1
53-55	BH73A-73B, BS73A-73B, BT73A-73B	Retainer (spring)	357517-S8	4
53-55	BH73A-73B, BS73A-73B, BT73A-73B	Washer (cup)-5/8" I. D. x 7/8" O. D.	357494-S8	4
53-55	BH73A-73B, BS73A-73B, BT73A-73B	Washer (flat)-5/8" I. D. x 7/8" O. D.	351513-S8	4
Group 26404-5 CONTROL ASSEMBLY (REAR DOOR LOCK REMOTE)				
53-55	BH73A-73B, BS73A-73B, BT73A-73B	R. H.	BD 7326404-A	1
53-55	BH73A-73B, BS73A-73B, BT73A-73B	L. H.	BD 7326405-A	1
53-55	BH73A-73B, BS73A-73B, BT73A-73B	Clip	358393-S2	6
53-55	BH73A-73B, BS73A-73B, BT73A-73B	Screw and Washer assy (pan head)-No. 12-24 x 3/8"	355168-S8	6

Lincoln

BODY PARTS CATALOGUE

YEAR 19__	BODY TYPES	REMARKS	PART NUMBER	NO. REQ'D
Group 26408-9 LINK ASSEMBLY (REAR DOOR LOCK CONTROL ROD)				
53-55	BH73A-73B, BS73A-73B, BT73A-73B	R. H. -approximate length 31-17/32"	BD 7326408-A	1
53-55	BH73A-73B, BS73A-73B, BT73A-73B	L. H. -approximate length 31-17/32"	BD 7326409-A	1
Group 26412-3 LOCK ASSEMBLY (REAR DOOR)				
53-55	BH73A-73B, BS73A-73B, BT73A-73B	R. H.	BH 7326412-A	1
53-55	BH73A-73B, BS73A-73B, BT73A-73B	L. H.	BH 7326413-A	1
53-55	BH73A-73B, BS73A-73B, BT73A-73B	Screw (flat head cross recess)-No. 12-24 x 1/2"	357797-S8	6
Group 26448 BELLCRANK (REAR DOOR LOCK)				
53-55	BH73A-73B, BS73A-73B, BT73A-73B	Steel-3/32" thick	BA 7326448-A	2
53-55	BH73A-73B, BS73A-73B, BT73A-73B	Bolt (hex head shoulder)-1/4"-20 x 7/16"	351716-S8	2
53-55	BH73A-73B, BS73A-73B, BT73A-73B	Washer (spring)-5/16"	356361-S7	2
Group 26460 ROD (REAR DOOR LOCK PUSH BUTTON)				
53-55	BH73A-73B, BS73A-73B, BT73A-73B	9/64" dia. x 7-15/16" long	BD 7326460-A	2
Group 26800-1 HINGE ASSEMBLY (REAR DOOR)				
53-55	BH73A-73B, BS73A-73B, BT73A-73B	R. H. -with three 5/16"-24 tapped holes on body side and three 3/8" holes on door side	BA 7326800-A	2
53-55	BH73A-73B, BS73A-73B, BT73A-73B	L. H. -with three 5/16"-24 tapped holes on body side and three 3/8" holes on door side	BA 7326801-A	2
53-55	BH73A-73B, BS73A-73B, BT73A-73B	Screw and Washer assy (hex head-dog point)-5/16"-24 x 1-1/8"	353483-S2	as req'd
53-55	BH73A-73B, BS73A-73B, BT73A-73B	Screw and Washer assy (hex head)-5/16"-24 x 3/4"	42905-S8	12
Group 26832 PIN (REAR DOOR HINGE)				
53-55	BH73A-73B, BS73A-73B, BT73A-73B	9/32" dia. x 2-31/32" long	BA 7326832-A	4

Lincoln

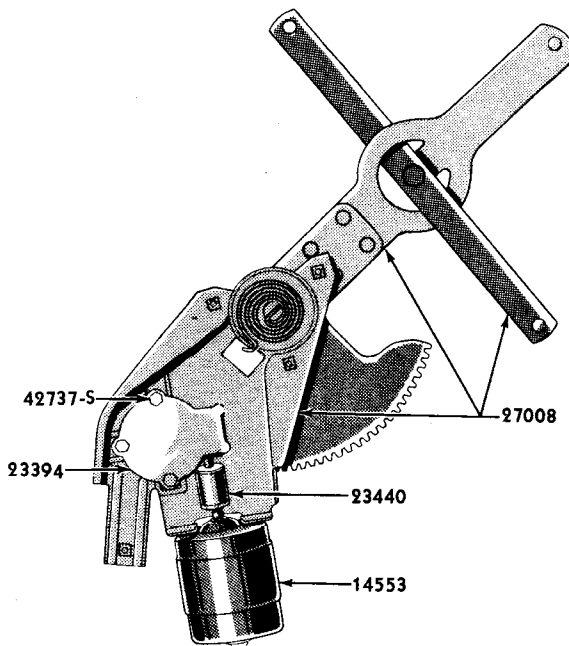
BODY PARTS CATALOGUE

YEAR 19	BODY TYPES	REMARKS	PART NUMBER	NO. REQ'D
Group 26866-7 WINDOW ASSEMBLY (REAR DOOR VENTILATING)-COMPLETE				
53-54	BH73A-73B, BS73A-73B	R. H. -Includes division bar	BD 7326866-C	1
53-54	BH73A-73B, BS73A-73B	L. H. -Includes division bar	BD 7326867-C	1
55	BT73A-73B	R. H. -Includes division bar	BS 7326866-A	1
55	BT73A-73B	L. H. -Includes division bar	BS 7326877-A	1
53-55	BH73A-73B, BS73A-73B, BT73A-73B	Lockwasher (external tooth)-1/4"	351274-S7	2
53-55	BH73A-73B, BS73A-73B, BT73A-73B	Nut (spring)-No. 14	357799-S32A	2
53-55	BH73A-73B, BS73A-73B, BT73A-73B	Screw (oval head cross recess)-No. 10-12 x 1/2"	52345-S13	2
Group 26870 GLASS (REAR DOOR VENTILATING WINDOW)				
53-55	BH73A-73B, BS73A-73B, BT73A-73B	Clear	BD 7326870-A	2
53-55	BH73A-73B, BS73A-73B, BT73A-73B	Tinted (Green)	BD 7326870-B	2
Group 26884 RUN (REAR DOOR VENTILATING WINDOW DIVISION BAR)				
53-55	BH73A-73B, BS73A-73B, BT73A-73B	With Rustless Steel beading-30-15/32" long	BD 7326884-A	2
53-55	BH73A-73B, BS73A-73B, BT73A-73B	Rivet (special tubular)-9/64" x 1/4"	351879-S8	4
Group 26894-5 WEATHERSTRIP (REAR DOOR VENTILATING WINDOW)				
53-55	BH73A-73B, BS73A-73B, BT73A-73B	R. H. -Rubber	BD 7326894-B	1
53-55	BH73A-73B, BS73A-73B, BT73A-73B	L. H. -Rubber	BD 7326895-B	1
Group 26898-9 FRAME ASSEMBLY (REAR DOOR VENT WINDOW)-LESS GLASS				
53-55	BH73A-73B, BS73A-73B, BT73A-73B	R. H.	BD 7326898-A	1
53-55	BH73A-73B, BS73A-73B, BT73A-73B	L. H.	BD 7326899-A	1
Group 26902-3 RETAINER AND DIVISION BAR ASSEMBLY (REAR DOOR VENTILATING WINDOW)				
53-55	BH73A-73B, BS73A-73B, BT73A-73B	R. H.	BS 7326902-A	1
53-55	BH73A-73B, BS73A-73B, BT73A-73B	L. H.	BD 7326903-A	1
53-55	BH73A-73B, BS73A-73B, BT73A-73B	Screw (pan head)-No. 14-10 x 5/8"	31478-S7	4
53-55	BH73A-73B, BS73A-73B, BT73A-73B	Washer (special)-3/8" x 49/64" x 3/32"	356425-S	4
Group 26906 WEATHERSTRIP (REAR DOOR VENTILATING WINDOW DIVISION BAR)				
53-55	BH73A-73B, BS73A-73B, BT73A-73B	Steel and Rubber-12-1/8" long	BD 7326906-A	2

Lincoln

BODY PARTS CATALOGUE

YEAR 19	BODY TYPES	REMARKS	PART NUMBER	NO. REQ'D
Group 26912 STOP (REAR DOOR VENTILATING WINDOW PIVOT)-LOWER				
53-55	BH73A-73B, BS73A-73B, BT73A-73B		BD 7326912-A	2
53-55	BH73A-73B, BS73A-73B, BT73A-73B	Washer (special)-3/8" x 49/64" x 3/32"	356425-S	4
Group 27000-1 REGULATOR ASSEMBLY (REAR DOOR WINDOW)				
53-55	BH73A-73B, BS73A-73B, BT73A-73B	R. H. -Manual Control	BD 7327000-A	1
53-55	BH73A-73B, BS73A-73B, BT73A-73B	L. H. -Manual Control	BD 73270001-A	1
53-55	BH73A-73B, BS73A-73B, BT73A-73B	R. H. -Electric Control-includes motor-"B" Design	BD 7327000-B	1
53-55	BH73A-73B, BS73A-73B, BT73A-73B	L. H. -Electric Control-includes motor-"B" Design	BD 7327001-B	1
53-55	BH73A-73B, BS73A-73B, BT73A-73B	Retainer (spring)	357517-S8	2
53-55	BH73A-73B, BS73A-73B, BT73A-73B	Washer (cup)-5/8" I. D. x 55/64" O. D.	357494-S8	2
Group 27008-9 REGULATOR ASSEMBLY (REAR DOOR WINDOW)-LESS MOTOR				
53-55	BH73A-73B, BS73A-73B, BT73A-73B	R. H. -Electric Control-"B" Design	BD 7327008-A	1
53-55	BH73A-73B, BS73A-73B, BT73A-73B	L. H. -Electric Control-"B" Design	BD 7327009-A	1



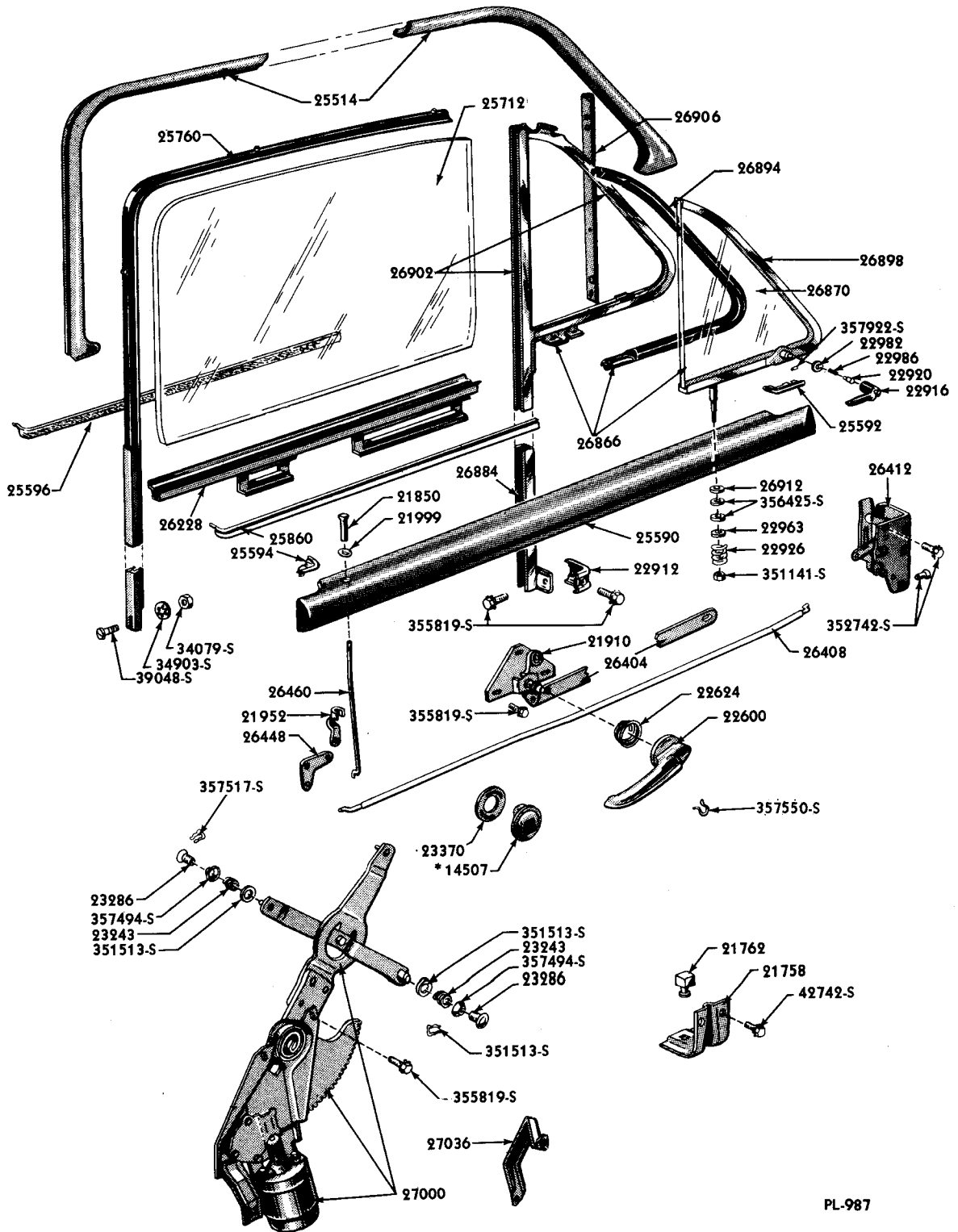
PL-841

REAR DOOR ELECTRIC WINDOW REGULATOR (B-DESIGN)

Group numbers only shown on illustration. Order by Part Numbers shown in list of parts.

Lincoln

BODY PARTS CATALOGUE



PL-987

*FOR ADDITIONAL INFORMATION REFER TO CHASSIS PARTS CATALOGUE.

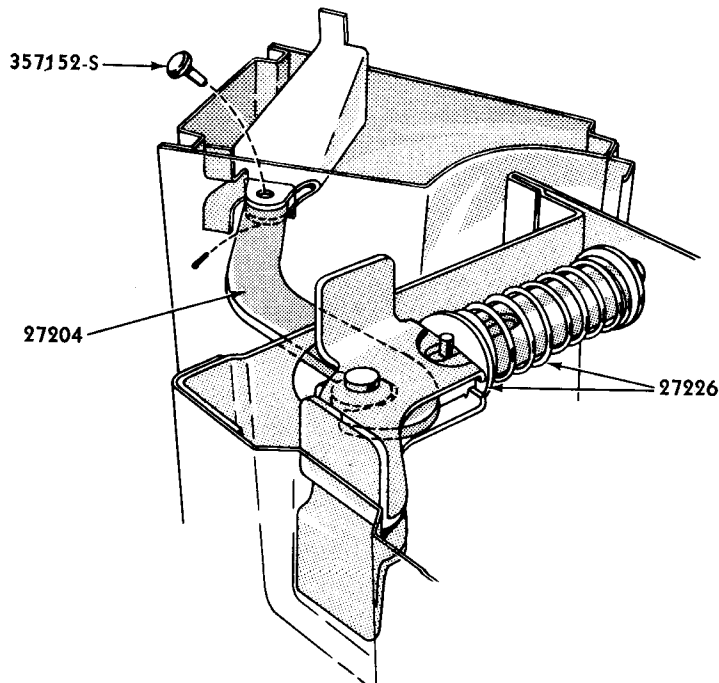
REAR DOOR PARTS

Group numbers only shown on illustration. Order by Part Numbers shown in list of parts.

Lincoln

BODY PARTS CATALOGUE

YEAR 19__	BODY TYPES	REMARKS	PART NUMBER	NO. REQ'D
Group 27036 BRACKET (DOOR WINDOW REGULATOR RELAY)				
53-55	BH73A-73B, BS73A-73B, BT73A-73B	Use with Electric Regulator	BC 7327036-A	2
Group 27046 SPRING (REAR DOOR WINDOW REGULATOR HANDLE)				
53-55	BH, BS, BT except 76A	Wire Steel	BH 7327046-A	2
Group 27200 ARM ASSEMBLY (REAR DOOR CHECK)				
53	BH73A-73B	Approximate length 4-41/64"	BA 7327200-A	2
Group 27204 ARM (REAR DOOR CHECK)				
53-55	BH73A-73B, BS73A-73B, BT73A-73B	Used with compression spring door check	BF 7327204-A	2
Group 27206 SPRING (REAR DOOR CHECK)				
53	BH73A-73B		BC 7327206-A	2
Group 27226 GUIDE ASSEMBLY (REAR DOOR CHECK ARM)				
53-55	BH73A-73B, BS73A-73B, BT73A-73B		BF 7327226-A	2
Group 27463 CLIP (REAR DOOR TRIM AT LOCK WATER SHIELD)				
54-55	BS73A-73B		BR 7327463-A	2



PM-823

ARM (DOOR CHECK) REAR DOOR

Group numbers only shown on illustration. Order by Part Numbers shown in list of parts.

Lincoln

BODY PARTS CATALOGUE

YEAR 19	BODY TYPES	REMARKS	PART NUMBER	NO. REQ'D
Group 27700-1 PANEL ASSEMBLY (WHEELHOUSE AND QUARTER)				
53	BH60A-60C	R. H.	BD 6027700-E	1
53	BH60A-60C	L. H.	BD 6027701-E	1
54	BS60A-60C	R. H.	BS 6027700-C	1
54	BS60A-60C	L. H.	BS 6027701-C	1
53	BH73A-73B	R. H.	BH 7327700-B	1
53	BH73A-73B	L. H.	BH 7327701-B	1
54	BS73A-73B	R. H.	BS 7327700-A	1
54	BS73A-73B	L. H.	BS 7327701-A	1
53	BH76A	R. H.	BD 7627700-A	1
53	BH76A	L. H.	BD 7627701-B	1
54	BS76A	R. H.	BS 7627700-A	1
54	BS76A	L. H.	BS 7627701-A	1
53-55	BH60A-60C-76A, BS60A-60C-76A, BT60A-60C-76A	Bumper (rubber)	352848-S	2
Group 27840-1 PANEL ASSY (QUARTER)-LESS WHEELHOUSE				
55	BT60A-60C	R. H.	BT 6027840-A	1
55	BT60A-60C	L. H.	BT 6027841-A	1
55	BT73A-73B	R. H.	BT 7327840-A	1
55	BT73A-73B	L. H.	BT 7327841-A	1
55	BT76A	R. H.	BT 7627840-A	1
55	BT76A	L. H.	BT 7627841-A	1
Group 27846-7 PANEL (BODY QUARTER REPAIR)-LESS WHEELHOUSE				
53	BH60A-60C-76A	R. H.	BD 6027846-A	1
53	BH60A-60C-76A	L. H.	BD 6027847-A	1
54	BS60A-60C-76A	R. H.	BS 6027846-A	1
54	BS60A-60C-76A	L. H.	BS 6027847-A	1
55	BT60A-60C-76A	R. H.	BT 6027846-A	1
55	BT60A-60C-76A	L. H.	BT 6027847-A	1
53	BH73A-73B	R. H.	BH 7327846-C	1
53	BH73A-73B	L. H.	BH 7327847-C	1
54	BS73A-73B	R. H.	BS 7327846-A	1
54	BS73A-73B	L. H.	BS 7327847-A	1
55	BT73A-73B	R. H.	BT 7327846-A	1
55	BT73A-73B	L. H.	BT 7327847-A	1
Group 27870-1 PANEL ASSEMBLY (QUARTER WINDOW REGULATOR)				
53-55	BH76A, BS76A, BT76A	R. H.	BD 7627870-A	1
53-55	BH76A, BS76A, BT76A	L. H.	BD 7627871-A	1
Group 27876-7 PANEL (QUARTER WINDOW REGULATOR)				
53-55	BH60A-60C, BS60A-60C, BT60A-60C	R. H.	BH 6027876-A	1
53-55	BH60A-60C, BS60A-60C, BT60A-60C	L. H.	BH 6027877-A	1
53-55	BH60A-60C, BS60A-60C, BT60A-60C	Nut (hex)-1/4"-20	33795-S7	2
53-55	BH60A-60C, BS60A-60C, BT60A-60C	Screw (set)-1/4"-20 x 1-1/16"	355742-S8	2

Lincoln

BODY PARTS CATALOGUE

YEAR 19__	BODY TYPES	REMARKS	PART NUMBER	NO. REQ'D
Group 27882-3 WHEELHOUSE ASSEMBLY (QUARTER)				
53-54	BH, BS except 76A	R. H.	BD 7327882-A	1
53-54	BH, BS except 76A	L. H.	BD 7327883-A	1
53-54	BH76A, BS76A	R. H.	BD 7627882-A	1
53-54	BH76A, BS76A	L. H.	BD 7627883-A	1
55	BT except 76A	R. H.	BT 7327882-A	1
55	BT except 76A	L. H.	BT 7327883-A	1
55	BT76A	R. H.	BT 7627882-A	1
55	BT76A	L. H.	BT 7627883-A	1
Group 27970 REINFORCEMENT ASSEMBLY (QUARTER PANEL TAIL LAMP OPENING)				
53-54	BH, BS		BD 7327970-A	2
55	BT		BT 7327970-A	2
Group 27974-5 PANEL ASSEMBLY (QUARTER WHEEL OPENING)				
53-54	BH, BS	R. H.	BD 7327974-A	1
53-54	BH, BS	L. H.	BD 7327975-A	1
55	BT	R. H.	BT 7327974-A	1
55	BT	L. H.	BT 7327975-A	1
Group 27986 SEAL (QUARTER PANEL WHEEL OPENING COVER)				
53-54	BH, BS	Rubber-56-3/8" long	BD 7327986-A	2
55	BT	Rubber-56-3/8" long	BT 7327986-A	2
Group 27990 BRACKET (QUARTER PANEL WHEEL COVER)-LOWER				
53-55	BH, BS, BT		BD 7327990-A	4
Group 28006 REINFORCEMENT (REAR WHEEL OPENING)				
53-55	BH, BS, BT	4" long	BD 7328006-B	2
Group 28020 QUARTER PANEL WHEEL COVER-UPPER				
53-55	BH, BS, BT	2-13/64" long	BD 7328020-B	4
Group 28058-9 EXTENSION (QUARTER PANEL)-REAR				
55	BT73A-73B	R. H.	BT 7328058-A	1
55	BT73A-73B	L. H.	BT 7328059-A	1
Group 28086 LINING BOARD (QUARTER WHEELHOUSE SIDE)-FRONT				
53-55	BH76A, BS76A, BT76A	Cardboard	BD 7628086-A	2
Group 28092 BAFFLE (QUARTER PANEL REAR LAMP OPENING)				
55	BT		BT 7328092-A	2
55	BT	Screw (hex washer head)-No. 8-15 x 3/8"	42119-S8	12
Group 28094 RETAINER (QUARTER PANEL REAR LAMP)				
55	BT		BT 7328094-A	2
Group 28098 SEAL (QUARTER PANEL REAR LAMP RETAINER)				
55	BT	Sponge Rubber	BT 7328098-A	2

Lincoln

BODY PARTS CATALOGUE

YEAR 19	BODY TYPES	REMARKS	PART NUMBER	NO. REQ'D
Group 28160-1 PILLAR ASSEMBLY (QUARTER LOCK)				
53-54	BH73A-73B, BS73A-73B	R. H.	BH 7328160-A	1
53-54	BH73A-73B, BS73A-73B	L. H.	BH 7328161-A	1
55	BT73A-73B	R. H.	BT 7328160-A	1
55	BT73A-73B	L. H.	BT 7328161-A	1
Group 28200-1 REINFORCEMENT ASSEMBLY (QUARTER PANEL)-LOCK SIDE				
53-55	BH60A-60C, BS60A-60C, BT60A-60C	R. H.	BD 6028200-A	1
53-55	BH60A-60C, BS60A-60C, BT60A-60C	L. H.	BD 6028201-A	1
53-55	BH76A, BS76A, BT76A	R. H.	BD 7628200-A	1
53-55	BH76A, BS76A, BT76A	L. H.	BD 7628201-A	1
53-55	BH60A-60C-76A, BS60A- 60C-76A, BT60A-60C- 76A	Lockwasher (internal tooth)-1/4"	34905-S7	2
Group 28208-9 REINFORCEMENT (QUARTER PANEL LOCK SIDE)-UPPER				
53-55	BH73A-73B, BS73A-73B, BT73A-73B	R. H.	BD 7328208-B	1
53-55	BH73A-73B, BS73A-73B, BT73A-73B	L. H.	BD 7328209-B	1
53-55	BH73A-73B, BS73A-73B, BT73A-73B	Clip (moulding)	35 2245-S2	2
53-55	BH73A-73B, BS73A-73B, BT73A-73B	Screw (pan head cross recess)-No. 6-18 x 3/8"	52718-S8	2
Group 28216-7 REINFORCEMENT (QUARTER LOCK PILLAR)-LOWER				
53-55	BH73A-73B, BS73A-73B, BT73A-73B	R. H.	BD 7328216-B	1
53-55	BH73A-73B, BS73A-73B, BT73A-73B	L. H.	BD 7328217-B	1
Group 28260-1 BRACE (QUARTER LOCK PILLAR TO FLOOR)				
53-55	BH60A-60C-76A, BS60A- 60C-76A, BT60A-60C- 76A	R. H.	BD 7628260-B	1
53-55	BH60A-60C-76A, BS60A- 60C-76A, BT60A-60C- 76A	L. H.	BD 7628261-B	1
53-55	BH60A-60C-76A, BS60A- 60C-76A, BT60A-60C- 76A	Bolt (hex head)-5/16"-24 x 5/8"	24327-S7	4
53-55	BH60A-60C-76A, BS60A- 60C-76A, BT60A-60C- 76A	Washer (flat)-5/16"	44722-S8	4

Lincoln

BODY PARTS CATALOGUE

YEAR 19	BODY TYPES	REMARKS	PART NUMBER	NO. REQ'D
Group 29002-3 MOULDING ASSEMBLY (QUARTER WINDOW GARNISH)				
53-55	BH60A-60C, BS60A-60C- BT60A-60C	R. H. -In Prime-35" long	BH 6029002-AP	1
53	BH60A-60C	L. H. -In Prime-35" long	BD 6029003-AP	1
54-55	BS60A-60C, BT60A-60C	L. H. -In Prime-35" long	BH 6029003-AP	1
53-55	BH76A, BS76A, BT76A	R. H. -In Prime-23-53/64" long	BH 7629002-AP	1
53	BH76A	L. H. -In Prime-23-53/64" long	BD 7629003-AP	1
54-55	BS76A, BT76A	L. H. -In Prime-23-53/64" long	BH 7629003-AP	1
53-55	BH, BS, BT, except 73A- 73B	Screw (oval head cross recess)-No. 8-15 x 1-1/4"	52382-S13	6

Group 29019 BRACKET (COAT HOOK)				
53-55	BH60C, BS60C, BT60C	Chrome Finish	BC 6029019-A	2
53-55	BH60C, BS60C, BT60C	Washer (external tooth lock)-No. 8	34938-S8	4

Group 29022-3 MOULDING AND WEATHERSTRIP ASSEMBLY (QUARTER BELT)-OUTSIDE				
53-55	BH60A-60C, BS60A-60C, BT60A-60C	R. H. -approximate length 26-9/64"	BH 6029022-A	1
53-55	BH60A-60C, BS60A-60C, BT60A-60C	L. H. -approximate length 26-9/64"	BH 6029023-A	1
53-55	BH76A, BS76A, BT76A	R. H. -approximate length 24-13/32"	BH 7629022-A	1
53-55	BH76A, BS76A, BT76A	L. H. -approximate length 24-13/32"	BH 7629023-A	1
53-55	BH, BS, BT, except 73A- 73B	Kit-Moulding Clip (exterior)	HCK 350011-A	1

Consists of the following:

- (2) 358488-S2 Clip (moulding)
- (1) 52718-S13 Screw (pan head)-No. 6-18 x 3/8"

Group 29025 HOOK (COAT)				
53-55	BH60A-60C, BS60A-60C, BT60A-60C	Steel Stamping-Chrome Finish	BA 7029025-D	2
53-55	BH60A-60C, BS60A-60C, BT60A-60C	Screw (oval head tap.)-No. 8-15 x 1-1/2"	353459-S13	2

Group 29026 HOOK (COAT)				
53-55	BH73A-73B, BS73A-73B, BT73A-73B	Zinc Die Cast-Chrome Finish	BD 7329026-A	2
53-55	BH73A-73B, BS73A-73B, BT73A-73B	Screw (oval head cross recess)-No. 8-15 x 7/8"	52368-S23	2

Lincoln

BODY PARTS CATALOGUE

YEAR 19	BODY TYPES	REMARKS	PART NUMBER	NO. REQ'D
Group 29038-9 MOULDING (QUARTER PANEL OUTSIDE)-LOWER				
53	BH60A-60C-76A	R. H. -Chrome Finish-approximate length 11-37/64"	BD 7629038-A	1
53	BH60A-60C-76A	L. H. -Chrome Finish-approximate length 11-37/64"	BD 7629039-A	1
54	BS60A-60C-76A	Chrome Finish-approximate length 14-47/64"	BS 7629038-A	2
55	BT60A-60C-76A	R. H. -Chrome Finish-89-51/64" long	BT 7629038-A	1
55	BT60A-60C-76A	L. H. -Chrome Finish-89-51/64" long	BT 7629039-A	1
53	BH73A-73B	R. H. -Chrome Finish-approximate length 55-7/32"	BD 7329038-A	1
53	BH73A-73B	L. H. -Chrome Finish-approximate length 55-7/32"	BD 7329039-A	1
54	BS73A-73B	R. H. -Chrome Finish-approximate length 55-19/64"	BS 7329038-A	1
54	BS73A-73B	L. H. -Chrome Finish-approximate length 55-19/64"	BS 7329039-A	1
55	BT73A-73B	R. H. -Chrome Finish-56-5/8" long	BT 7329038-A	1
55	BT73A-73B	L. H. -Chrome Finish-56-5/8" long	BT 7329039-A	1
53	BH60A-60C-76A	Kit-Moulding Clip (exterior) Consists of the following:	HCK 350005-A	1
		(2) 34053-S8 Nut (hex. hd.)-No. 10-24	(2) 357785-S8 Clip (moulding)	
		(2) 34803-S7 Washer (lock)-No. 10	(1) 1A-7029074 Seal	
		(2) 44713-S8 Washer (flat)-No. 10	(1) 352262-S8 Clip (moulding)	
54-55	BS60A-60C-76A, BT60A-60C-76A	Kit-Moulding Clip (exterior) Consists of the following:	HEK 350006-A	1
		(2) 34053-S8 Nut (hex. hd.)-No. 10-24	(1) 357267-S8 Retainer	
		(2) 34803-S7 Washer (lock)-No. 10	(1) 352262-S8 Clip (moulding)	
		(2) 44713-S8 Washer (flat)-No. 10	(1) 357118-S8 Clip (moulding)	
		(8) 352631-S8 Clip (moulding)	(1) 1A-7029074 Seal	
53	BH73A-73B	Kit-Moulding Clip (exterior) Consists of the following:	HCK 350003-A	1
		(1) 34053-S8 Nut (hex. hd.)-No. 10-24	(3) 357862-S8 Clip (moulding)	
		(1) 34903-S8 Washer (lock)-No. 10	(3) 352225-S2 Clip (moulding)	
		(1) 44713-S8 Washer (flat)-No. 10	(1) 1A-7029074 Seal	
		(1) 357118-S8 Clip (moulding)		
54-55	BS73A-73B, BT73A-73B	Kit-Moulding Clip (exterior) Consists of the following:	HEK 350004-A	1
		(6) 34053-S8 Nut (hex. hd.)-No. 10-24	(5) 352631-S8 Clip (moulding)	
		(6) 44713-S8 Washer (flat)-No. 10	(6) 1A-7029074 Seal	
		(6) 34903-S8 Washer (lock)-No. 10	(6) 352262-S8 Clip (moulding)	
		(1) 357118-S8 Clip (moulding)		
Group 29036-7 ORNAMENT (QUARTER WHEEL OPENING COVER LOWER)-FRONT				
55	BT60A-73B-76A	R. H. -Chrome Finish	BT 7329036-A	1
55	BT60A-73B-76A	L. H. -Chrome Finish	BT 7329037-A	1
55	BT60A-73B-76A	Screw (oval head)-No. 8-15 x 5/8"	52352-S13	4
Group 29046-7 ORNAMENT (QUARTER WHEEL OPENING COVER LOWER)-REAR				
55	BT60A-73B-76A	R. H. -Chrome Finish	BT 7329046-A	1
55	BT60A-73B-76A	L. H. -Chrome Finish	BT 7329047-A	1
55	BT60A-73B-76A	Screw (hex washer hd.)-No. 8-3/8"	42119-S8	4

Lincoln

BODY PARTS CATALOGUE

YEAR 19___	BODY TYPES	REMARKS	PART NUMBER	NO. REQ'D
Group 29048-9 MOULDING (QUARTER PANEL)-UPPER EDGE				
53-55	BH76A, BS76A, BT76A	R. H. -Chrome Finish-approximate length 18-1/8"	BD 7629048-B	1
53-55	BH76A, BS76A, BT76A	L. H. -Chrome Finish-approximate length 18-1/8"	BD 7629049-B	1

Group 29050-1 ORNAMENT (QUARTER WHEEL OPENING PANEL)				
55	BT60A-73B-76A	R. H. -Chrome Finish-38-21/64" long	BT 7329050-A	1
55	BT60A-73B-76A	L. H. -Chrome Finish-38-21/64" long	BT 7329051-A	1
55	BT60A-73B-76A	Kit-Moulding Clip (exterior)	HEK 350004-A	1

Consists of the following:

- | | |
|---------------------------------------|-------------------------------|
| (6) 34053-S8 Nut (hex. hd.)-No. 10-24 | (5) 352631-S8 Clip (moulding) |
| (6) 44713-S8 Washer (flat)-No. 10 | (6) 1A-7029074 Seal |
| (6) 34903-S8 Washer (lock)-No. 10 | (6) 352262-S8 Clip (moulding) |
| (1) 357118-S8 Clip (moulding) | |

Group 29054-5 MOULDING (QUARTER PANEL ORNAMENT)				
54	BS60A-60C-76A	R. H. -Chrome Finish-approximate length 51-15/15"	BS 7629054-A	1
54	BS60A-60C-76A	L. H. -Chrome Finish-approximate length 51-15/16"	BS 7629055-A	1
55	BT	R. H. -Chrome Finish-27" long	BT 7329054-A	1
55	BT	L. H. -Chrome Finish-27" long	BT 7329055-A	1
54	BS73A-73B	R. H. -Chrome Finish-approximate length 50-31/32"	BS 7329054-A	1
54	BS73A-73B	L. H. -Chrome Finish-approximate length 50-31/32"	BS 7329055-A	1
54	BS	Kit-Moulding Clip (exterior)	HEK 350010-A	1

Consists of the following:

- | | |
|-----------------------------------|-------------------------------|
| (1) 34053-S8 Nut (hex.)-No. 10-24 | (5) 358589-S2 Clip (moulding) |
| (1) 34803-S7 Washer (lock)-No. 10 | (1) 357118-S8 Clip (moulding) |
| (1) 44713-S8 Washer (flat)-No. 10 | (1) 1A-7029074 Seal |

55	BT60A-73B-76A	Kit-Moulding Clip (exterior)	HEK 350004-A	1
----	---------------	------------------------------	--------------	---

Consists of the following:

- | | |
|---------------------------------------|-------------------------------|
| (6) 34903-S8 Washer (lock)-No. 10 | (6) 352262-S8 Clip (moulding) |
| (6) 44713-S8 Washer (flat)-No. 10 | (6) 1A-7029074 Seal |
| (6) 34053-S8 Nut (hex. hd.)-No. 10-24 | (5) 352631-S8 Clip (moulding) |
| (1) 357118-S8 Clip (moulding) | |

Group 29074 SEAL (QUARTER OUTSIDE MOULDING RETAINER)-LOWER				
53	BH60A-60C-76A		OH 7229074	14

Group 29092-3 EXTENSION (QUARTER PANEL LOWER REAR ORNAMENT)				
55	BT60A-73B-76A	R. H. -Chrome Finish	BT 7329092-A	1
55	BT60A-73B-76A	L. H. -Chrome Finish	BT 7329093-A	1
55	BT60A-73B-76A	Kit-Moulding Clip (exterior)	HEK 350009-A	1

Consists of the following:

- | | |
|------------------------------------|--|
| (10) 34053-S8 Nut (hex.)-No. 10-24 | (6) 42119-S8 Screw (hex. hd.)-No. 8-15 x 3/8" |
| (10) 34803-S7 Washer (lock)-No. 10 | (1) 52352-S13 Screw (oval hd.)-No. 8-15 x 5/8" |
| (10) 44713-S8 Washer (flat)-No. 10 | (9) 358552-S100 Clip (moulding) |

Lincoln

BODY PARTS CATALOGUE

YEAR 19____	BODY TYPES	REMARKS	PART NUMBER	NO. REQ'D
----------------	------------	---------	-------------	--------------

Group 29098-9 MOULDING (QUARTER OUTSIDE LOWER)-REAR

53	BH60A-60C-76A	R. H. -Chrome Finish-approximate length 77-19/64"	BD 7629098-A	1
53	BH60A-60C-76A	L. H. -Chrome Finish-approximate length 77-19/64"	BD 7629099-A	1
54	BS60A-60C-76A	R. H. -Chrome Finish -approximate length 74-35/64"	BS 7629098-A	1
54	BS60A-60C-76A	L. H. -Chrome Finish -approximate length 74-35/64"	BS 7629099-A	1
53	BH60A-60C-76A	Kit-Moulding Clip (exterior)	HCK 350005-A	1

Consists of the following:

(2) 34053-S8 Nut (hex. hd.)-No. 10-24	(2) 357785-S8 Clip (moulding)
(2) 34803-S7 Washer (lock)-No. 10	(1) 1A-7029074 Seal
(2) 44713-S8 Washer (flat)-No. 10	(1) 352262-S8 Clip (moulding)

54	BS60A-60C-76A	Kit-Moulding Clip (exterior)	HEK 350006-A	1
----	---------------	------------------------------	--------------	---

Consists of the following:

(2) 34053-S8 Nut (hex. hd.)-No. 10-24	(1) 357267-S8 Retainer
(2) 34803-S7 Washer (lock)-No. 10	(1) 352262-S8 Clip (moulding)
(2) 44713-S8 Washer (flat)-No. 10	(1) 357118-S8 Clip (moulding)
(8) 352631-S8 Clip (moulding)	(1) 1A-7029074 Seal

Group 29156 SPACER (COAT HOOK)-AND WEATHERSTRIP QUARTER WINDOW CORNER

53-55	BH60A-60C-76A, BS60A-60C-76A, BT60A-60C-76A	Chrome Finish	BA 6029156-A	2or4

Group 29700-1 FRAME AND GLASS ASSEMBLY (QUARTER WINDOW)

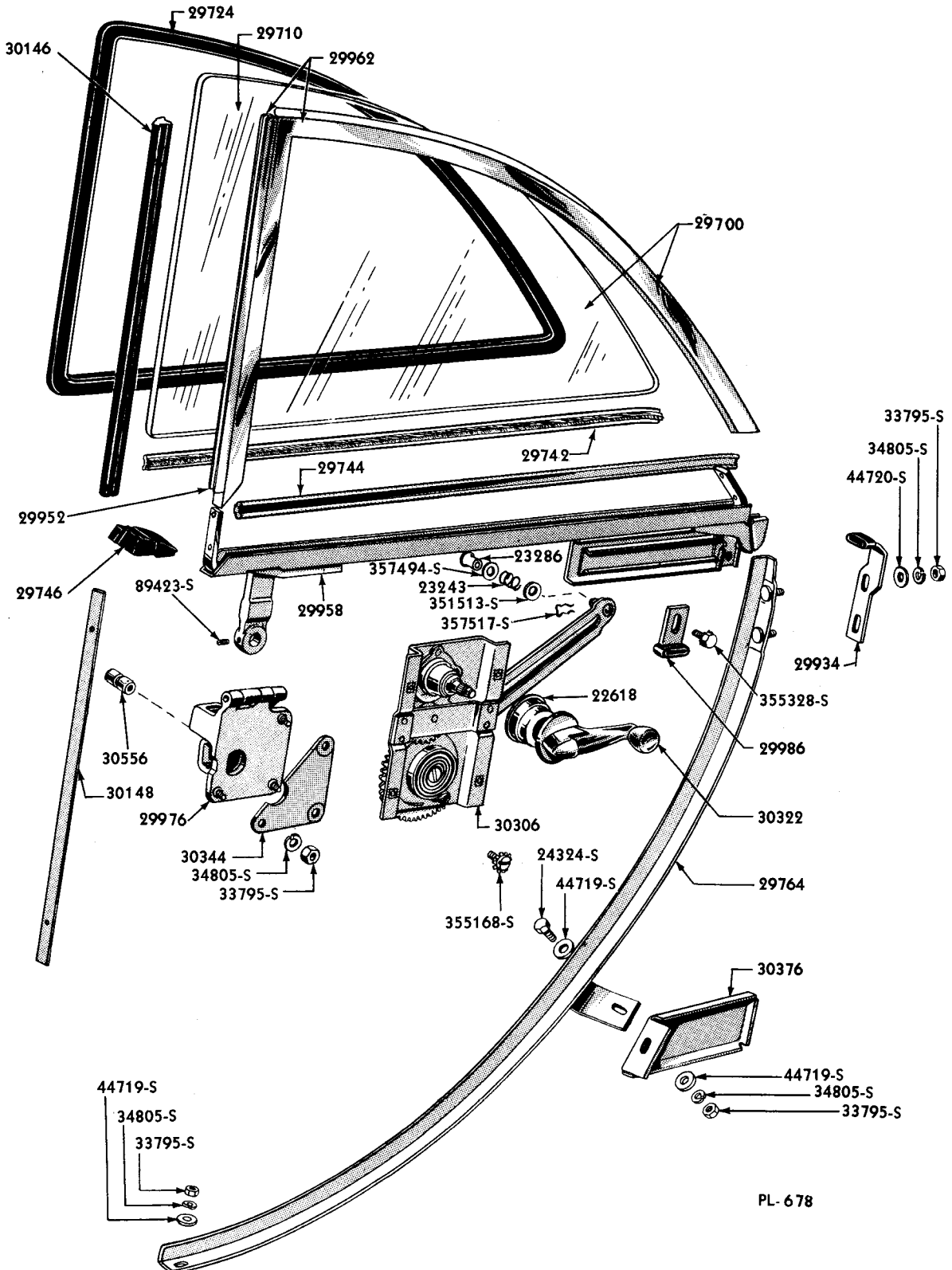
53-55	BH60A-60C, BS60A-60C-BT60A-60C	R. H.	BH 6029700-A	1
53-55	BH76A, BS76A, BT76A	R. H.	BH 7629700-A	1
53-55	BH76A, BS76A, BT76A	L. H.	BH 7629701-A	1
53-54	BH60A-60C-76A, BS60A-60C-76A, BT60A-60C-76A	Retainer (spring)	357517-S8	2
53-54	BH60A-60C-76A, BS60A-60C-76A, BT60A-60C-76A	Washer (flat)-5/8" I. D. x 7/8" O. D.	351513-S8	2
53-54	BH60A-60C-76A, BS60A-60C-76A, BT60A-60C-76A	Washer (cup)-41/64" I. D. x 55/64" O. D.	357494-S8	2

Group 29710 GLASS (REAR QUARTER WINDOW)

53-55	BH60A-60C, BS60A-60C, BT60A-60C	Clear	BD 6029710-A	2
53-55	BH60A-60C, BS60A-60C, BT60A-60C	Tinted (Green)	BD 6029710-B	2
53-55	BH76A, BS76A, BT76A	Clear	BD 7629710-A	2
53-55	BH76A, BS76A, BT76A	Tinted (Green)	BD 7629710-B	2

Lincoln

BODY PARTS CATALOGUE



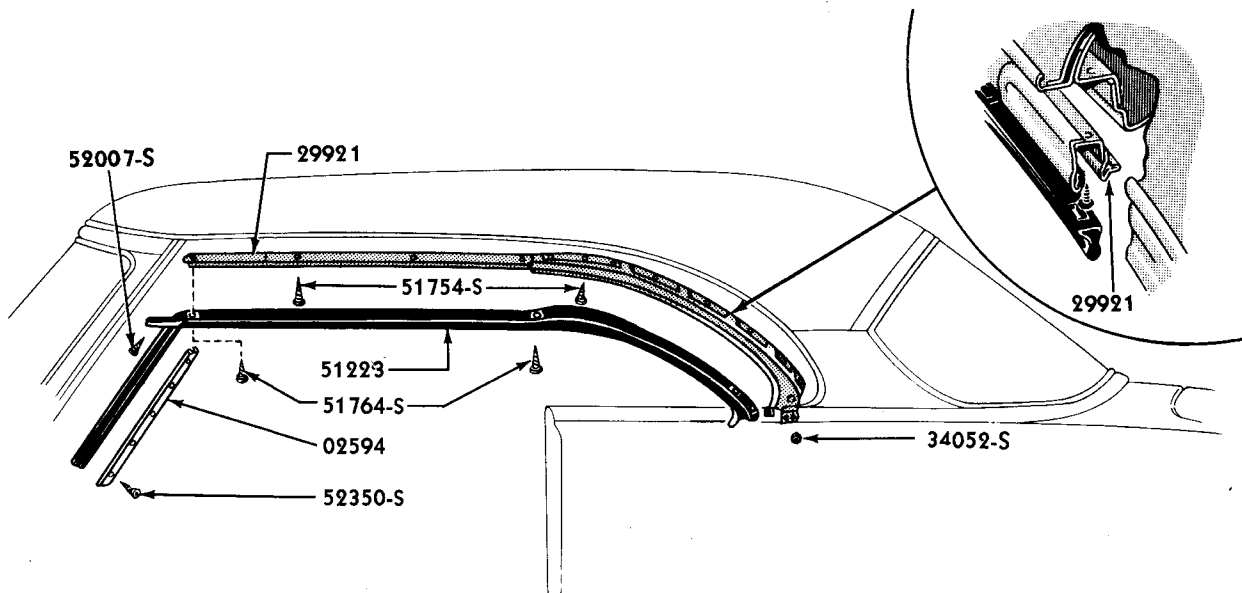
REAR QUARTER WINDOW PARTS

Group numbers only shown on illustration. Order by Part Numbers shown in list of parts.

Lincoln

BODY PARTS CATALOGUE

YEAR 19	BODY TYPES	REMARKS	PART NUMBER	NO. REQ'D
Group 29724 WEATHERSTRIP (QUARTER WINDOW GLASS RETAINER)				
53-55	BH60A-60C, BS60A-60C, BT60A-60C	Rubber	BD 6029724-B	2
53-55	BH76A, BS76A, BT76A	Rubber	BA 7629724-B	2
Group 29742 WEATHERSTRIP (QUARTER WINDOW GLASS AT BELT)-OUTSIDE				
53	BH60A-60C	With Rustless Steel beading-approximate length 25-3/4"	BD 6029742-B	2
54-55	BS60A-60C, BT60A-60C	With Rustless Steel beading-approximate length 25-3/4"	BH 6029742-A	2
53-55	BH76A, BS76A, BT76A	With Rustless Steel beading-approximate length 22-15/32"	BH 7629742-A	2
Group 29744-5 WEATHERSTRIP (QUARTER WINDOW GLASS AT BELT)-INSIDE				
53-55	BH60A-60C, BS60A-60C, BT60A-60C	With Rustless Steel beading-approximate length 26-31/64"	BH 6029744-A	2
53	BH76A	R. H. -with Rustless Steel beading-approximate length 22-15/32"	BD 7629744-A	1
53	BH76A	L. H. -with Rustless Steel beading-approximate length 22-15/32"	BD 7629745-A	1
54-55	BS76A, BT76A	R. H. -with Rustless Steel beading-approximate length 22-15/32"	BH 7629744-A	1
54-55	BS76A, BT76A	L. H. -with Rustless Steel beading-approximate length 22-15/32"	BH 7629745-A	1
Group 29746-7 WEATHERSTRIP (QUARTER WINDOW FRONT LOWER CORNER)				
53-55	BH60A-60C-76A, BS60A- 60C-76A, BT60A-60C- 76A	R. H. -Rubber	BD 7629746-B	1
53-55	BH60A-60C-76A, BS60A- 60C-76A, BT60A-60C- 76A	L. H. -Rubber	BD 7629747-B	1
53-55	BH60A-60C-76A, BS60A- 60C-76A, BT60A-60C- 76A	Screw (pan head cross recess)-No. 8-15 x 5/8"	52734-S8	2
Group 29764-5 GUIDE ASSEMBLY (QUARTER WINDOW)-COMPLETE				
53-55	BH60A-60C, BS60A-60C, BT60A-60C	R. H.	BD 6029764-A	1
53-55	BH60A-60C, BS60A-60C, BT60A-60C	L. H.	BD 6029765-A	1
53-55	BH76A, BS76A, BT76A	R. H.	BD 7629764-A	1
53-55	BH76A, BS76A, BT76A	L. H.	BD 7629765-A	1
53-55	BH60A-60C-76A, BS60A- 60C-76A, BT60A-60C- 76A	Bolt (hex head)-1/4"-20 x 5/8"	24329-S7	2
53-55	BH60A-60C-76A, BS60A- 60C-76A, BT60A-60C- 76A	Lockwasher (internal tooth)-1/4"	34905-S7	6
53-55	BH60A-60C-76A, BS60A- 60C-76A, BT60A-60C- 76A	Nut (hex)-1/4"-20	33795-S7	as req'd
53-55	BH60A-60C-76A, BS60A- 60C-76A, BT60A-60C- 76A	Washer (flat)-1/4"	44719-S8	6



PL-826

ROOF SIDE RAIL & PILLAR WEATHERSTRIP INSTALLATION

Group numbers only shown on illustration. Order by Part Numbers shown in list of parts.

YEAR 19__	BODY TYPES	REMARKS	PART NUMBER	NO. REQ'D
Group 29920-1 RETAINER ASSEMBLY (FRONT AND QUARTER WEATHERSTRIP OUTER)-UPPER				
53-54	BH60A-60C, BS60A-60C, BT60A-60C	R. H.	BD 6029920-B	1
53-54	BH60A-60C, BS60A-60C, BT60A-60C	L. H.	BD 6029921-B	1
53-55	BH60A-60C, BS60A-60C, BT60A-60C	Screw (pan hd. cr. rec.)-No. 8-32 x 1/2"	51764-S8	14
Group 29934-5 BUMPER (QUARTER WINDOW STOP)				
53-55	BH76A, BS76A, BT76A	R. H. -Steel and Rubber	BD 7629934-A	1
53-55	BH76A, BS76A, BT76A	L. H. -Steel and Rubber	BD 7629935-A	1
Group 29952 RETAINER (QUARTER WINDOW FRONT WEATHER STRIP)				
53-55	BH60A-60C-76A, BS60A- 60C-76A, BT60A-60C- 76A	Chrome Finish-approximately 13-1/2" long	BD 7629952-C	2
53-55	BH60A-60C-76A, BS60A- 60C-76A, BT60A-60C- 76A	Screw (pan head)-No. 8-32 x 5/16"	353552-S8	4
Group 29958-9 CHANNEL (QUARTER WINDOW)-LOWER				
53-55	BH60A-60C, BS60A-60C, BT60A-60C	R. H. -approximately 28" long	BD 6029958-C	1
53-55	BH60A-60C, BS60A-60C, BT60A-60C	L. H. -approximately 28" long	BD 6029959-C	1
53-55	BH76A, BS76A, BT76A	R. H. -approximately 23-5/8" long	BH 7629958-A	1
53-55	BH76A, BS76A, BT76A	L. H. -approximately 23-5/8" long	BH 7629959-A	1

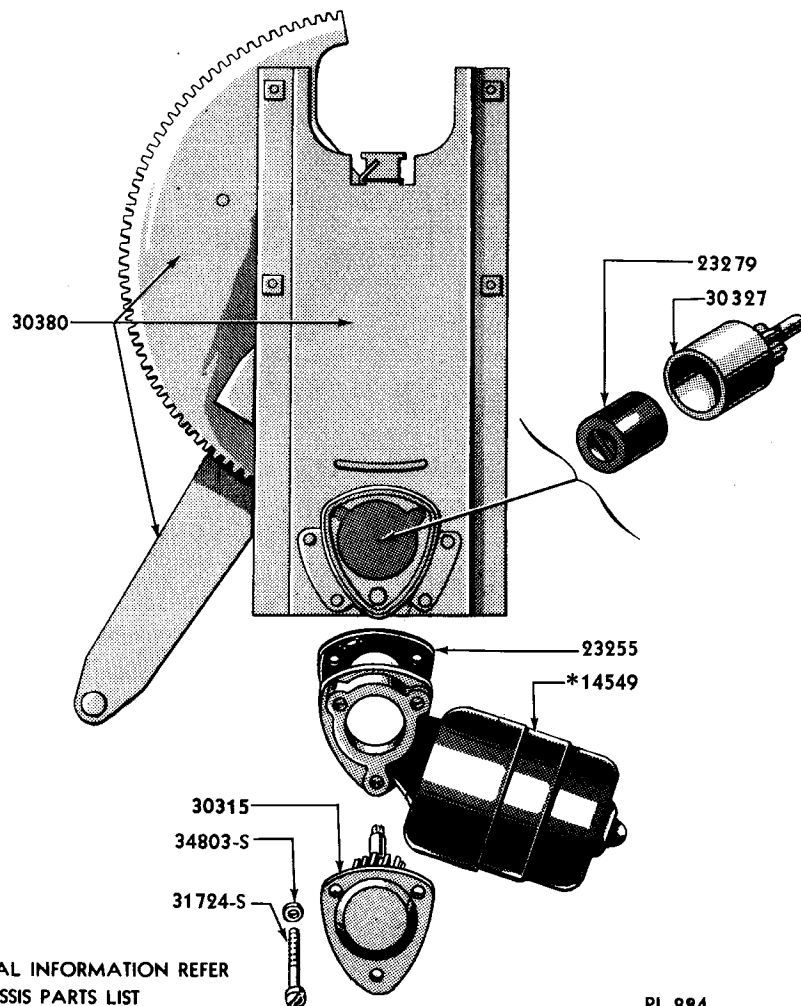
Lincoln

BODY PARTS CATALOGUE

YEAR 19	BODY TYPES	REMARKS	PART NUMBER	NO. REQ'D
Group 29962-3 CHANNEL (QUARTER WINDOW)-FRONT AND REAR				
53-55	BH60A-60C, BS60A-60C, BT60A-60C	R. H.	BD 6029962-D	1
53-55	BH60A-60C, BS60A-60C, BT60A-60C	L. H.	BD 6029963-D	1
53-55	BH76A, BS76A, BT76A	R. H.	BD 7629962-D	1
53-55	BH76A, BS76A, BT76A	L. H.	BD 7629963-D	1
Group 29968 STOP ASSEMBLY (QUARTER WINDOW)				
53-55	BH60A-60C, BS60A-60C, BT60A-60C		BD 6029968-A	2
53-55	BH60A-60C, BS60A-60C, BT60A-60C	Lockwasher-1/4"	34805-S8	2
53-55	BH60A-60C, BS60A-60C, BT60A-60C	Nut (hex)-1/4"-28	33796-S7	2
53-55	BH60A-60C, BS60A-60C, BT60A-60C	Screw (fillister head)-1/4"-28 x 1-5/8"	31718-S2	2
Group 29976-7 BRACKET AND HINGE ASSEMBLY (QUARTER WINDOW)-ON BODY				
53-55	BH60A-60C-76A, BS60A- 60C-76A, BT60A-60C- 76A	R. H.	BD 7629976-A	1
53-55	BH60A-60C-76A, BS60A- 60C-76A, BT60A-60C- 76A	L. H.	BD 7629977-A	1
53-55	BH60A-60C-76A, BS60A- 60C-76A, BT60A-60C- 76A	Nut (hex)-No. 1/4"-20	33795-S7	6
53-55	BH60A-60C-76A, BS60A- 60C-76A, BT60A-60C- 76A	Screw (set)-1/4"-20 x 1-1/16"	355742-S8	6
53-55	BH60A-60C-76A, BS60A- 60C-76A, BT60A-60C- 76A	Washer (lock)-1/4" special	351274-S7	6
Group 29986 BUMPER (QUARTER WINDOW STOP)-OUTER				
53-55	BH76A, BS76A, BT76A	Rubber and Steel	BA 7629986-A	2
53-55	BH76A, BS76A, BT76A	Bolt & Washer Assy (hex head)-1/4"-28 x 1/2"	355328-S8	2
Group 30146-7 WEATHERSTRIP ASSEMBLY (QUARTER WINDOW)-FRONT				
53-55	BH60A-60C-76A, BS60A- 60C-76A, BT60A-60C- 76A	R. H. -Rubber covered with Black Tape 13-13/16" long	BD 7630146-D	1
53-55	BH60A-60C-76A, BS60A- 60C-76A, BT60A-60C- 76A	L. H. -Rubber covered with Black Tape 13-13/16" long	BD 7630147-D	1

Lincoln

BODY PARTS CATALOGUE



*FOR ADDITIONAL INFORMATION REFER
TO CHASSIS PARTS LIST

PL-884

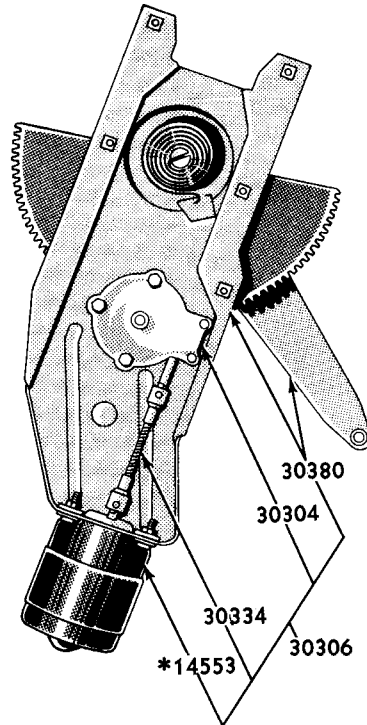
QUARTER WINDOW REGULATOR-ELECTRIC CONTROL (A-DESIGN)

Group numbers only shown on illustration. Order by Part Numbers shown in list of parts.

YEAR 19__	BODY TYPES	REMARKS	PART NUMBER	NO. REQ'D
Group 30148 INSERT (QUARTER WINDOW WEATHERSTRIP)-FRONT				
53-55	BH60A-60C-76A, BS60A-60C-76A, BT60A-60C-76A		BD 7630148-A	2
53-55	BH60A-60C-76A, BS60A-60C-76A, BT60A-60C-76A	Screw (pan head)-No. 8- 32 x 5/16"	353552-S8	4
Group 30304-5 DRIVE ASSEMBLY (QUARTER WINDOW REGULATOR)-ELECTRIC				
53-55	BH60A-60C-76A, BS60A-60C-76A, BT60A-60C-76A	R. H. - Used with "B" Design Regulator	BC 7630304-A	1
53-55	BH60A-60C-76A, BS60A-60C-76A, BT60A-60C-76A	L. H. - Used with "B" Design Regulator	BC 7630305-A	1

Lincoln

BODY PARTS CATALOGUE



*FOR ADDITIONAL INFORMATION REFER TO
CHASSIS PARTS LIST

PL-868

QUARTER WINDOW REGULATOR—ELECTRIC CONTROL (B-DESIGN)

Group numbers only shown on illustration. Order by Part Numbers shown in list of parts.

YEAR 19__	BODY TYPES	REMARKS	PART NUMBER	NO. REQ'D
Group 30306-7 REGULATOR ASSEMBLY (QUARTER WINDOW)				
53-55	BH60A-60C-76A, BS60A-60C-76A, BT60A-60C-76A	R. H. -Manual Control-Uses 6-5/8" O. D. Gear	BD 7630306-E	1
53-55	BH60A-60C-76A, BS60A-60C-76A, BT60A-60C-76A	L. H. -Manual Control-Uses 6-5/8" O. D. Gear	BD 7630307-E	1
53-55	BH60A-60C, BS60A-60C, BT60A-60C	R. H. -Electric Control-includes motor-"B" Design	BD 6030306-A	1
53-55	BH60A-60C, BS60A-60C, BT60A-60C	L. H. -Electric Control-includes motor-"B" Design	BD 6030307-A	1
53-55	BH76A, BS76A, BT76A	R. H. -Electric Control-includes motor-"A" Design	BD 7630306-B	1
53-55	BH76A, BS76A, BT76A	L. H. -Electric Control-includes motor-"A" Design	BD 7630307-B	1
53-55	BH60A-60C-76A, BS60A-60C-76A, BT60A-60C-76A	Retainer (spring)	357517-S8	2
53-55	BH60A-60C-76A, BS60A-60C-76A, BT60A-60C-76A	Screw & Washer Assy. (hex head)-No. 12-24 x 7/16"	355819-S8	8
Group 30315 COVER AND SHAFT ASSY (QUARTER WINDOW)				
53-55	BH76A, BS76A, BT76A	Use with A-Design Regulator	BC 7630315-A	2

Lincoln

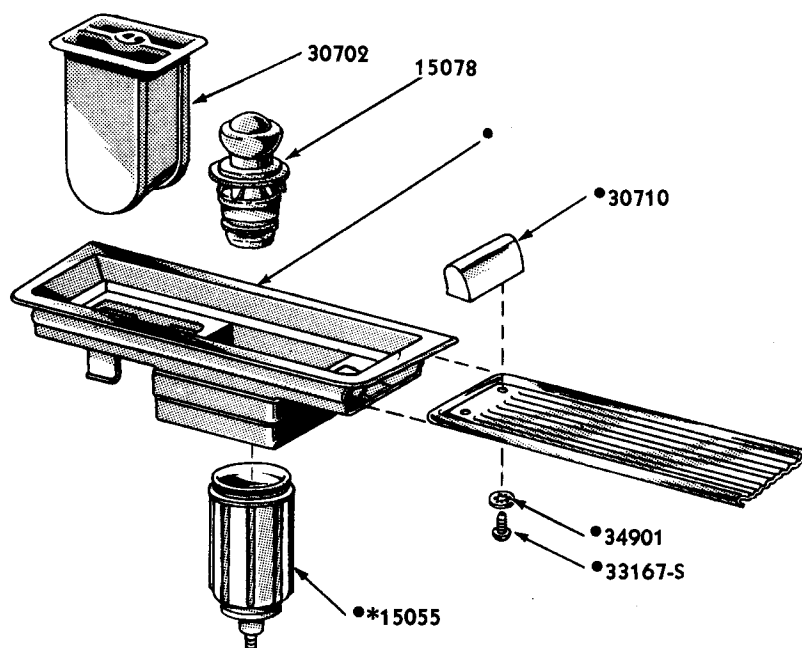
BODY PARTS CATALOGUE

YEAR 19__	BODY TYPES	REMARKS	PART NUMBER	NO. REQ'D
Group 30322 HANDLE ASSEMBLY (QUARTER WINDOW REGULATOR AND REAR DOOR)				
53	BH	Zinc Die Cast	BD 7630322-A	2
54-55	BS, BT	Zinc Die Cast	BD 7630322-B	2
53-55	BH, BS, BT	Retainer (spring)	357550-S	2
Group 30327 PINION AND SHIELD ASSY (QUARTER WINDOW)				
53-55	BH76A, BS76A, BT76A	Use with A-Design Regulator	BC 7630327-A	2
Group 30334 SHAFT ASSEMBLY (QUARTER WINDOW REGULATOR)-ELECTRIC				
53-55	BH60A-60C-76A, BS60A-60C-76A, BT60A-60C-76A	Used with "B" Design Regulator	BC 7630334-A	2
Group 30344 REINFORCEMENT (QUARTER WINDOW REGULATOR PANEL)				
53-55	BH60A-60C-76A, BS60A-60C-76A, BT60A-60C-76A		BD 7630344-A	2
53-55	BH60A-60C-76A, BS60A-60C-76A, BT60A-60C-76A	Lockwasher (internal tooth)-1/4"	34905-S7	6
53-55	BH60A-60C-76A, BS60A-60C-76A, BT60A-60C-76A	Nut (hex)-1/4"-20	33795-S7	6
Group 30346 SUPPORT ASSY (QUARTER WINDOW REGULATOR MOTOR)				
53-55	BH60A-60C, BS60A-60C, BT60A-60C	Used with "B" Design Regulator	BH 6030346-A	2
Group 30376-7 BRACE (QUARTER WINDOW GUIDE)-OUTER				
53-55	BH60A-60C, BS60A-60C, BT60A-60C	R. H. -Use 7653156 for 76 model	BD 6030376-A	1
53-55	BH60A-60C, BS60A-60C, BT60A-60C	L. H. -Use 7653156 for 76 model	BD 6030377-A	1
53-55	BH60A-60C, BS60A-60C, BT60A-60C	Bolt (hex head)-1/4"-20 x 5/8"	24324-S7	2
53-55	BH60A-60C, BS60A-60C, BT60A-60C	Lockwasher (internal tooth)-1/4"	34905-S7	2
53-55	BH60A-60C, BS60A-60C, BT60A-60C	Nut (hex)-1/4"-20	33795-S7	2
53-55	BH60A-60C, BS60A-60C, BT60A-60C	Screw (pan head)-No. 10-32 x 3/8"	41556-S8	4
53-55	BH60A-60C, BS60A-60C, BT60A-60C	Washer (flat)-1/4"	44719-S8	2

Lincoln

BODY PARTS CATALOGUE

YEAR 19__	BODY TYPES	REMARKS	PART NUMBER	NO. REQ'D
Group 30380-1 REGULATOR ASSEMBLY (QUARTER WINDOW)-LESS MOTOR				
53-55	BH60A-60C, BS60A-60C, BT60A-60C	R. H. -Used with "B" Design Regulator	BD 6030380-A	1
53-55	BH60A-60C, BS60A-60C, BT60A-60C	L. H. -Used with "B" Design Regulator	BD 6030381-A	1
53-55	BH76A, BS76A, BT76A	R. H. -Used with "A" Design Regulator	BD 7630380-A	1
53-55	BH76A, BS76A, BT76A	L. H. -Used with "A" Design Regulator	BD 7630381-A	1
Group 30556 PIN (QUARTER WINDOW FRAME HINGE)				
53-55	BH60A-60C-76A, BS60A- 60C-76A, BT60A-60C- 76A	Steel-1/2" O. D. -with 1/4"-20 tapped hole in one end	BD 7630556-A	2
Group 30702 RECEPTACLE ASSEMBLY (QUARTER ASH)				
53-55	BH60A-76A, BS60A-76A, BT60A-76A	Chrome Finish	BD 7630702-A	2
Group 30710 KNOB (QUARTER ASH RECEPTACLE)				
53-55	BH60A-76A, BS60A-76A, BT60A-76A	Black Plastic	BD 7630710-A	2



*INCLUDED IN 30714-5 ASSEMBLY

*FOR ADDITIONAL INFORMATION REFER TO CHASSIS
PARTS LIST

PL-739

QUARTER ASH RECEPTACLES

Group numbers only shown on illustration. Order by Part Numbers shown in list of parts.

Lincoln

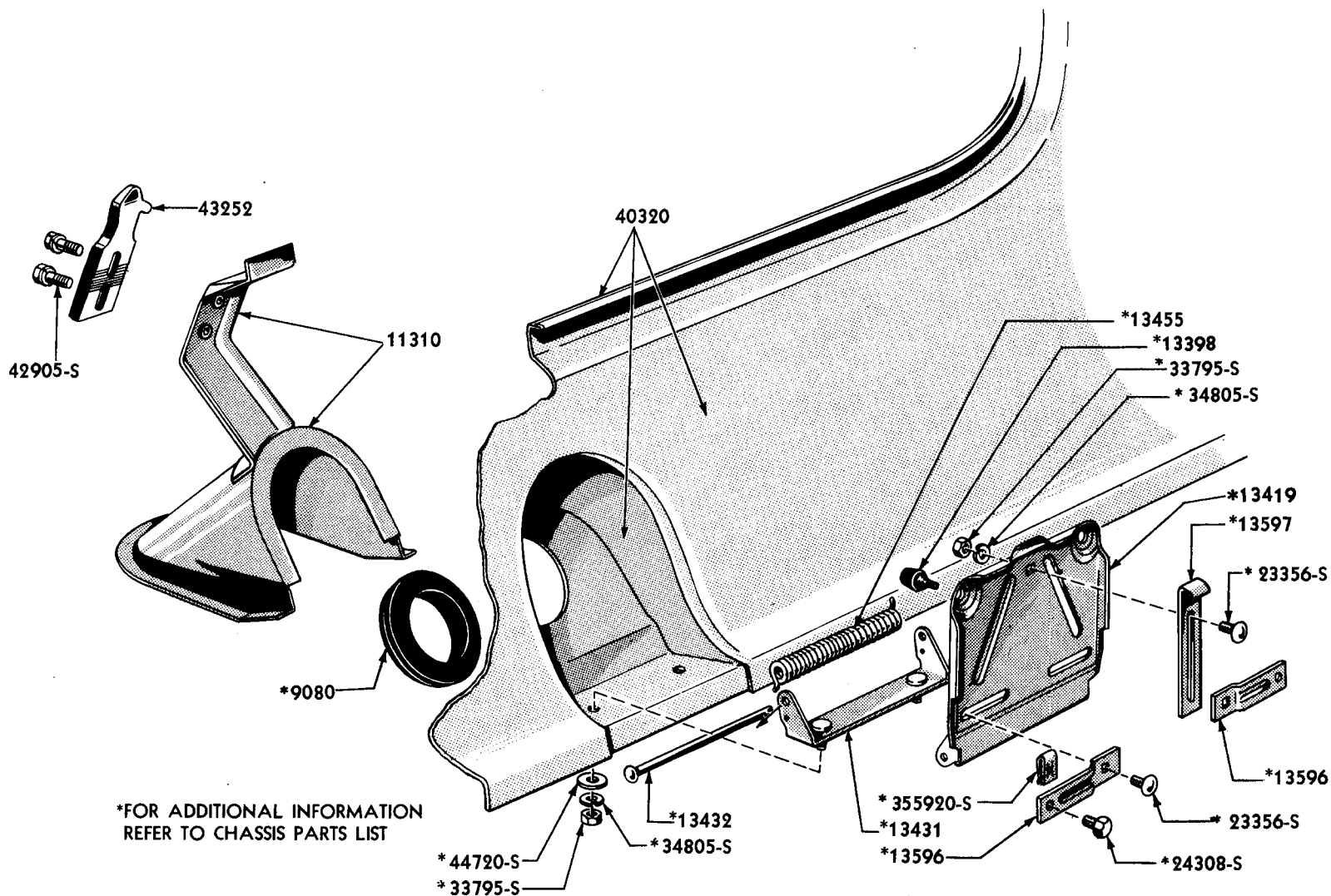
BODY PARTS CATALOGUE

YEAR 19__	BODY TYPES	REMARKS	PART NUMBER	NO. REQ'D
Group 30714-5 RETAINER ASSEMBLY (QUARTER ASH RECEPTACLE)				
53-55	BH60A-76A, BS60A-76A, BT60A-76A	R. H. -Chrome Finish	BD 7630714-A	1
53-55	BH60A-76A, BS60A-76A, BT60A-76A	L. H. -Chrome Finish	BD 7630715-A	1
Group 31067 RETAINER (QUARTER TRIM PANEL) - FRONT				
53-55	BH60A-76A, BS60A-76A, BT60A-76A		BA 7631067-A	4or6
53-55	BH60A-76A, BS60A-76A, BT60A-76A	Screw (pan hd. cr. rec.)-No. 10-12 x 1/2"	52727-S8	8
Group 31090-1 SHIELD (QUARTER TRIM)-WATER				
53-55	BH60A-60C, BS60A-60C, BT60A-60C	R. H.	BD 6031090-B	1
53-55	BH60A-60C, BS60A-60C, BT60A-60C	L. H.	BD 6031091-B	1
53-55	BH76A, BS76A, BT76A	R. H.	BD 7631090-B	1
53-55	BH76A, BS76A, BT76A	L. H.	BD 7631091-B	1
53-55	BH60A-60C-76A, BS60A- 60C-76A, BT60A-60C- 76A	Clip (trim)	358168-S32	6or10
53-55	BH60A-60C-76A, BS60A- 60C-76A, BT60A-60C- 76A	Screw (hex washer tap.)-No. 8-15 x 5/8"	42133-S8	as req'd
Group 31168 CLIP (QUARTER TRIM)-RETAINING				
55	BT60C		BT 6031168-A	8
Group 31240-1 RETAINER (QUARTER TRIM WATER SHIELD)				
53-55	BH60A-60C, BS60A-60C, BT60A-60C	R. H.	BD 6031240-A	1
53-55	BH60A-60C, BS60A-60C, BT60A-60C	L. H.	BD 6031241-A	1
Group 31244 STRIP (QUARTER TRIM WATER SHIELD)-FRONT				
53-55	BH60A-60C-76A, BS60A- 60C-76A, BT60A-60C- 76A	Steel-9-7/32" long	BD 7631244-A	2
Group 31256 STRIP (QUARTER TRIM WATER SHIELD)-REAR				
53-55	BH76A, BS76A, BT76A	Steel-Approximate length 15-9/32"	BD 7631256-A	2
Group 31258 STRIP (QUARTER TRIM WATER SHIELD)-FRONT LOWER				
53-55	BH60A-60C-76A, BS60A- 60C-76A, BT60A-60C- 76A	Steel-3-55/64" long	BD 7631258-A	2

Lincoln

BODY PARTS CATALOGUE

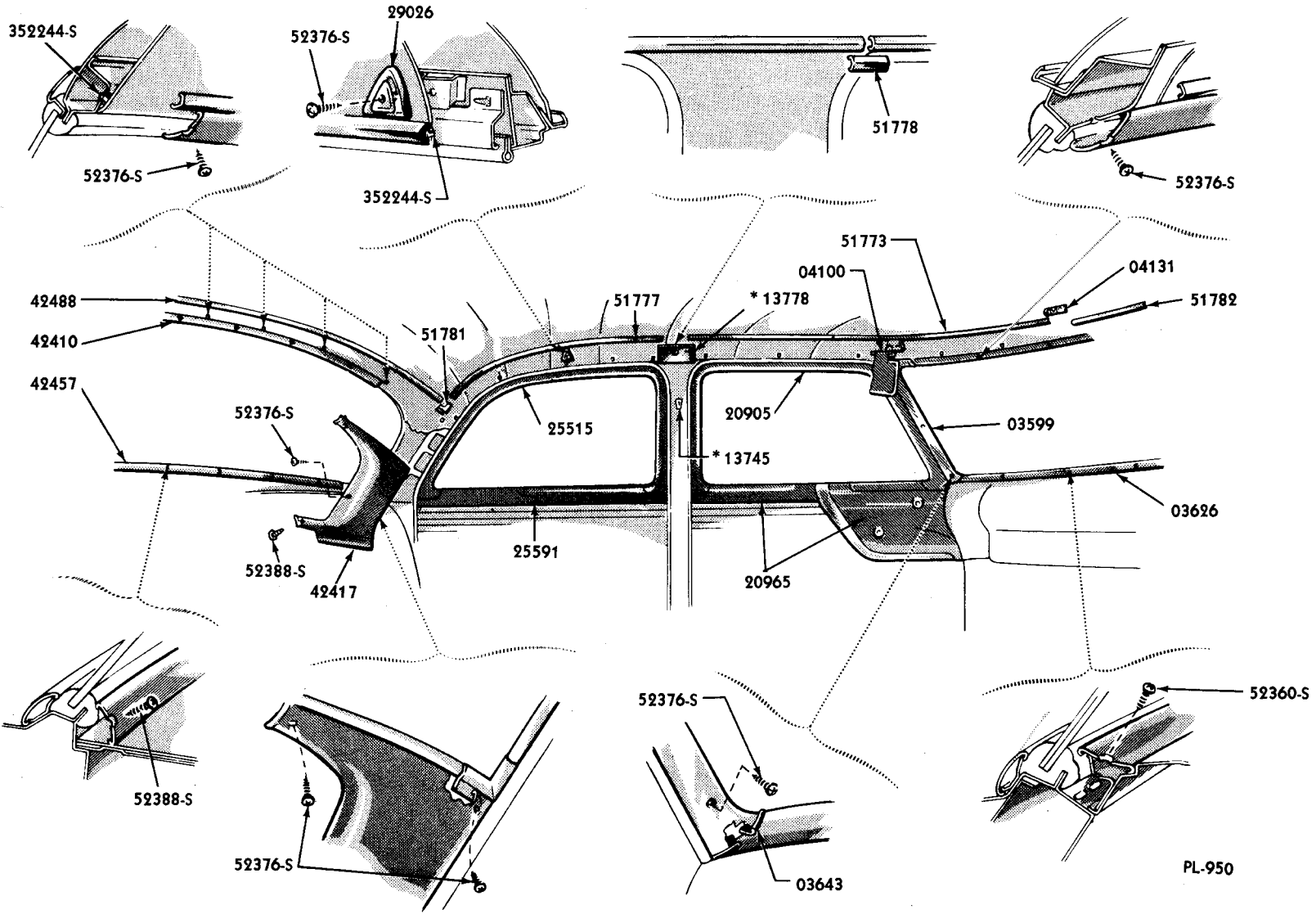
YEAR 19__	BODY TYPES	REMARKS	PART NUMBER	NO. REQ'D
Group 31276-7 FILLER (QUARTER TRIM WATERSHIELD)-FRONT				
53-55	BH60A-60C-76A, BS60A-60C-76A, BT60A-60C-76A	R. H. -Steel-length 2-1/4"	BD 7631276-A	1
53-55	BH60A-60C-76A, BS60A-60C-76A, BT60A-60C-76A	L. H. -Steel-length 2-1/4"	BD 7631277-A	1
Group 31346-7 RETAINER (QUARTER PILLAR WINDLACE)-LOWER				
53-55	BH73A-73B, BS73A-73B, BT73A-73B	R. H. -length 16-7/8"	BD 7331346-B	1
53-55	BH73A-73B, BS73A-73B, BT73A-73B	L. H. -length 16-7/8"	BD 7331347-B	1
Group 31348-9 RETAINER (QUARTER PILLAR WINDLACE)				
53-55	BH60A-60C-76A, BS60A-60C-76A, BT60A-60C-76A	R. H.	BD 7631348-B	1
53-55	BH60A-60C-76A, BS60A-60C-76A, BT60A-60C-76A	L. H.	BD 7631349-B	1
53-55	BH60A-60C-76A, BS60A-60C-76A, BT60A-60C-76A	Screw (pan hd. cr. rec.)-No. 10-12 x 1-1/4"	52759-S8	6



PM-521

FUEL TANK FILLER HOUSING AND LOWER PANEL ASSY

Group numbers only shown on illustration. Order by Part Numbers shown in list of parts.

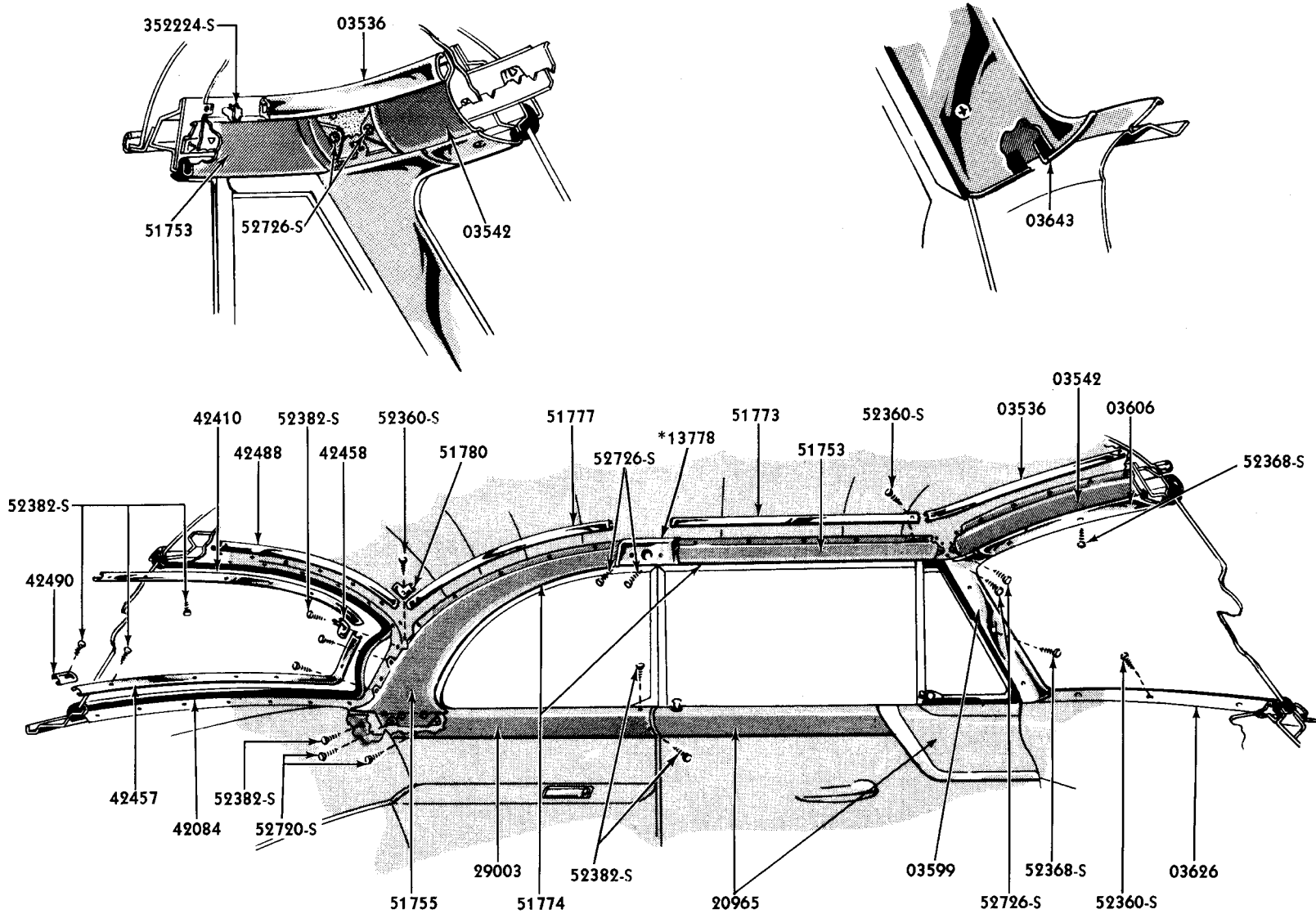


*REFER TO CHASSIS PARTS CATALOG

1953-55

INTERIOR MOULDINGS (BODY TYPE 73)

Group numbers only shown on illustration. Order by Part Numbers shown in list of parts.



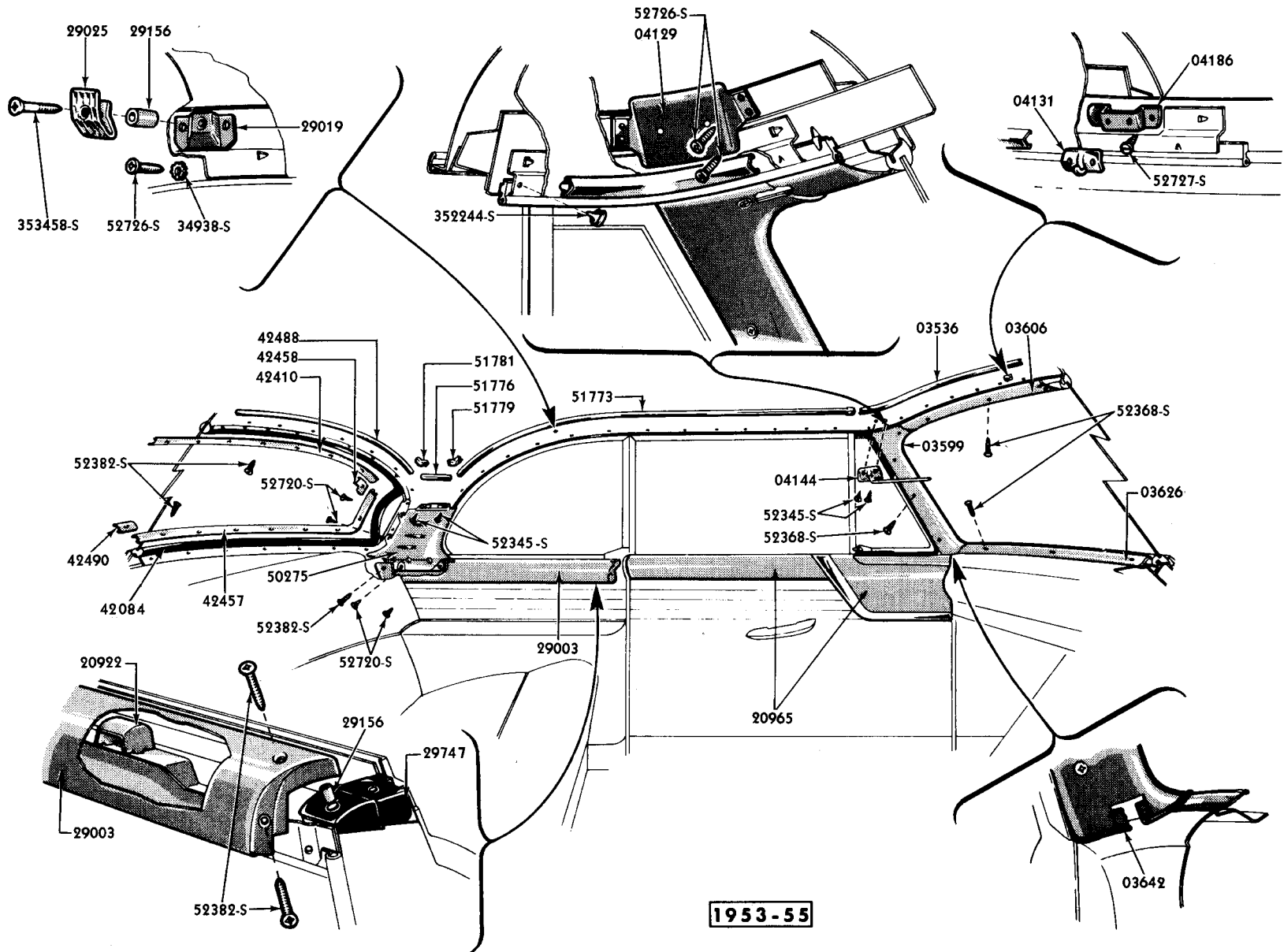
*FOR ADDITIONAL INFORMATION
REFER TO CHASSIS PARTS CATALOGUE

1953-55

PLB-24

INTERIOR MOULDINGS (BODY TYPE 60A)

Group numbers only shown on illustration. Order by Part Numbers shown in list of parts.



INTERIOR MOULDINGS (BODY TYPE 60C)

PL-926

Group numbers only shown on illustration. Order by Part Numbers shown in list of parts.

Lincoln

BODY PARTS CATALOGUE

YEAR 19__	BODY TYPES	REMARKS	PART NUMBER	NO. REQ'D
Group 40110 DOOR ASSEMBLY (LUGGAGE COMPARTMENT)-WITHOUT LOCK				
53-54	BH, BS	Drill 2 holes 7/16" diameter for screws to hold handle assy	BS 7340110-A	1
55	BT		BT 7340110-A	1
Group 40130-1 BRACKET (LUGGAGE COMPARTMENT DOOR BUMPER)				
53-55	BH, BS, BT	R. H. -Steel-used with BD 16754-A Bumper and 33925-S7 Nut	BA 7040130-A	1
53-55	BH, BS, BT	L. H. -Steel-used with BD 16754-A Bumper and 33925-S7 Nut	BA 7040131-A	1
Group 40238-9 MOULDING ASSEMBLY (BACK BELT)				
53-55	BH76A, BS76A, BT76A	R. H. -Rustless Steel-1-1/2" wide	BD 7640238-A	1
53-55	BH76A, BS76A, BT76A	L. H. -Rustless Steel-1-1/2" wide	BD 7640239-A	1
53-55	BH76A, BS76A, BT76A	Kit (Moulding Clips)-Exterior Consists of the following: (6) 34053-S8 Nut (hex) (6) 357562-S8 Retainer (3) 358433-S2 Retainer (3) 44713-S8 Washer (flat) (6) 34903-S8 Washer (Lock) (3) 50855-S8 Screw & Lockwasher Assy	HCK 350014-A	2
Group 40240 COVER (BACK BELT AND WINDSHIELD MOULDING JOINT)				
53-55	BH, BS, BT	Chrome Finish-1" x 1-1/2"	BD 7340240-C	1or2
Group 40242-3 MOULDING (BACK BELT)				
53-55	BH60A-60C, BS60A-60C, BT60A-60C	R. H. -Chrome Finish-1-1/2" wide	BD 6040242-C	1
53-55	BH60A-60C, BS60A-60C, BT60A-60C	L. H. -Chrome Finish-1-1/2" wide	BD 6040243-C	1
53-55	BH73A-73B, BS73A-73B, BT73A-73B	R. H. -Chrome Finish-1-1/2" wide	BH 7340242-A	1
53-55	BH73A-73B, BS73A-73B, BT73A-73B	L. H. -Chrome Finish-1-1/2" wide	BH 7340243-A	1
53-55	BH60A-60C, BS60A-60C, BT60A-60C	Seal-Rubber	1A 7029074	4
53-55	BH60A-60C, BS60A-60C, BT60A-60C	Clip Assembly	BD 6040246-A	2
53-55	BH, BS, BT except 76A	Clip (moulding)	357573-S8	12or10
53-55	BH60A-60C, BS60A-60C, BT60A-60C	Clip (moulding)-27/32" x 1-1/4"	352218-S8	4
53-55	BH, BS, BT except 76A	Nut (hex)-No. 10-24	34053-S8	12or10
53-55	BH, BS, BT except 76A	Washer (internal tooth lock)-No. 10	34903-S8	12or10
53-55	BH, BS, BT except 76A	Washer (flat)-3/16" x 1/2" x 3/16"	356479-S8	12or10
53-55	BH73A-73B, BS73A-73B, BT73A-73B	Screw (flat head cross recessed)-No. 4-24 x 1/4"	52050-S13	2
53-55	BH, BS, BT except 76A	Synthetic Resin Plastic Sealer (Bulk)	M 5397-B	as req'd

Lincoln

BODY PARTS CATALOGUE

YEAR 19	BODY TYPES	REMARKS	PART NUMBER	NO. REQ'D
Group 40246 CLIP ASSEMBLY (BACK BELT MOULDING)				
53-55	BH60A-60C, BS60A-60C, BT60A-60C	Approximately 1-3/8" x 4-51/64"	BD 6040246-A	2
53-55	BH60A-60C, BS60A-60C, BT60A-60C	Nut (hex)-No. 10-24	34053-S8	4
53-55	BH60A-60C, BS60A-60C, BT60A-60C	Washer (internal tooth lock)-No. 10	34903-S8	4
53-55	BH60A-60C, BS60A-60C, BT60A-60C	Washer-Rubber	1A 7029074	4
Group 40314 PANEL (UPPER BACK)				
53-55	BH60A-60C, BS60A-60C, BT60A-60C		BD 6040314-A	1
53-55	BH73A-73B, BS73A-73B, BT73A-73B		BD 7340314-A	1
Group 40320 PANEL ASSEMBLY (LOWER BACK BODY)				
53-54	BH, BS		BS 7340320-A	1
55	BT		BT 7340320-A	1
Group 40368 RETAINER ASSEMBLY (LOWER BACK PANEL MOULDING)				
55	BT	Steel (zinc plated)-approximately 3/16" x 11/16"	BT 7340368-A	2
Group 40370 RETAINER (LOWER BACK PANEL MOULDING)				
55	BT	Steel-approximately 35/64" x 27/32"	BT 7340370-A	6
Group 40372-3 MOULDING (LOWER BACK PANEL)				
55	BT	R. H. -Chrome Finish 27/32" x 23-11/64" across ends	BT 7340372-A	1
55	BT	L. H. -Chrome Finish 27/32" x 23-11/64" across ends	BT 7340373-A	1
55	BT	Retainer Assy-approximately 3/16" x 11/16"	BT 7340368-A	2
55	BT	Retainer-approximately 35/64" x 27/32"	BT 7340370-A	6
55	BT	Nut (hex hd.)-No. 10-24	34053-S8	2
55	BT	Washer (internal tooth lock)-No. 10	34903-S8	2
55	BT	Seal (rubber)	1A 7029074	2
55	BT	Washer (flat)-No. 10	44713-S8	2
Group 40433 RETAINER (LOWER BACK PANEL LINING BOARD)				
55	BT	Steel-approximately 1-43/64" with 9/32" dia. hole	BT 7340433-A	2

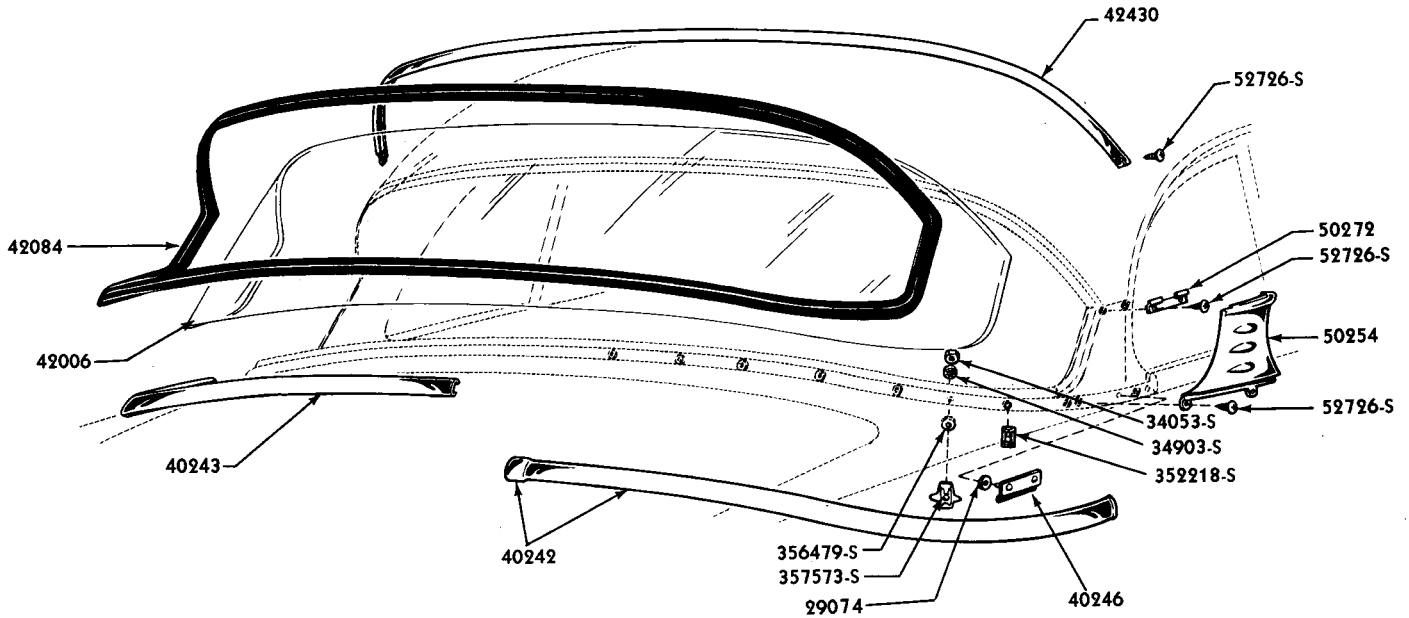
Lincoln

BODY PARTS CATALOGUE

YEAR 19	BODY TYPES	REMARKS	PART NUMBER	NO. REQ'D
Group 40448-9 LINING BOARD (LOWER BACK PANEL)				
53-54	BH, BS	R. H. -Brown	BD 7340448-BA	1
53-54	BH, BS	L. H. -Brown	BD 7340449-BA	1
54	BS	R. H. -Tan	BS 7340448-AA	1
54	BS	L. H. -Tan	BS 7340449-AA	1
55	BT	R. H. -Tan	BT 7340448-AA	1
55	BT	L. H. -Tan	BT 7340449-AA	1
Group 41724 PANEL ASSEMBLY (RAIL AND UPPER BACK CENTER BELT)				
53-55	BH76A, BS76A, BT76A		BD 7641724-A	1
Group 41732-3 RAIL ASSEMBLY (BELT)-SIDE				
53-55	BH76A, BS76A, BT76A	R. H. -approximate length 49-1/8"	BD 7641732-A	1
53-55	BH76A, BS76A, BT76A	L. H. -approximate length 49-1/8"	BD 7621733-A	1
Group 41760-1 STRIP ASSEMBLY (BACK BELT RAIL TACKING END)				
53-55	BH76A, BS76A, BT76A	R. H. -Approximate length 8-5/8"	BD 7641760-A	1
53-55	BH76A, BS76A, BT76A	L. H. -Approximate length 8-5/8"	BD 7641761-A	1
Group 42006 GLASS (BACK WINDOW)				
53-55	BH60A-60C, BS60A-60C, BT60A-60C	Clear	BH 6042006-A	1
53-55	BH60A-60C, BS60A-60C, BT60A-60C	Tinted (green)	BH 6042006-B	1
53-55	BH73A-73B, BS73A-73B, BT73A-73B	Clear	BH 7342006-A	1
53-55	BH73A-73B, BS73A-73B, BT73A-73B	Tinted (green)	BH 7342006-B	1
Group 42084 WEATHERSTRIP ASSEMBLY (BACK WINDOW)				
53-55	BH60A-60C, BS60A-60C, BT60C	Rubber	BH 6042084-A	1
55	BT60A	Rubber	BT 6042084-A	1
53-55	BH73A-73B, BS73A-73B, BT73A-73B	Rubber	BH 7342084-A	1
Group 42206 FRAME ASSEMBLY (BACK WINDOW)				
53-55	BH60A-60C, BS60A-60C, BT60A-60C		BT 6042206-A	1
53-55	BH73A-73B, BS73A-73B, BT73A-73B		BD 7342206-A	1

Lincoln

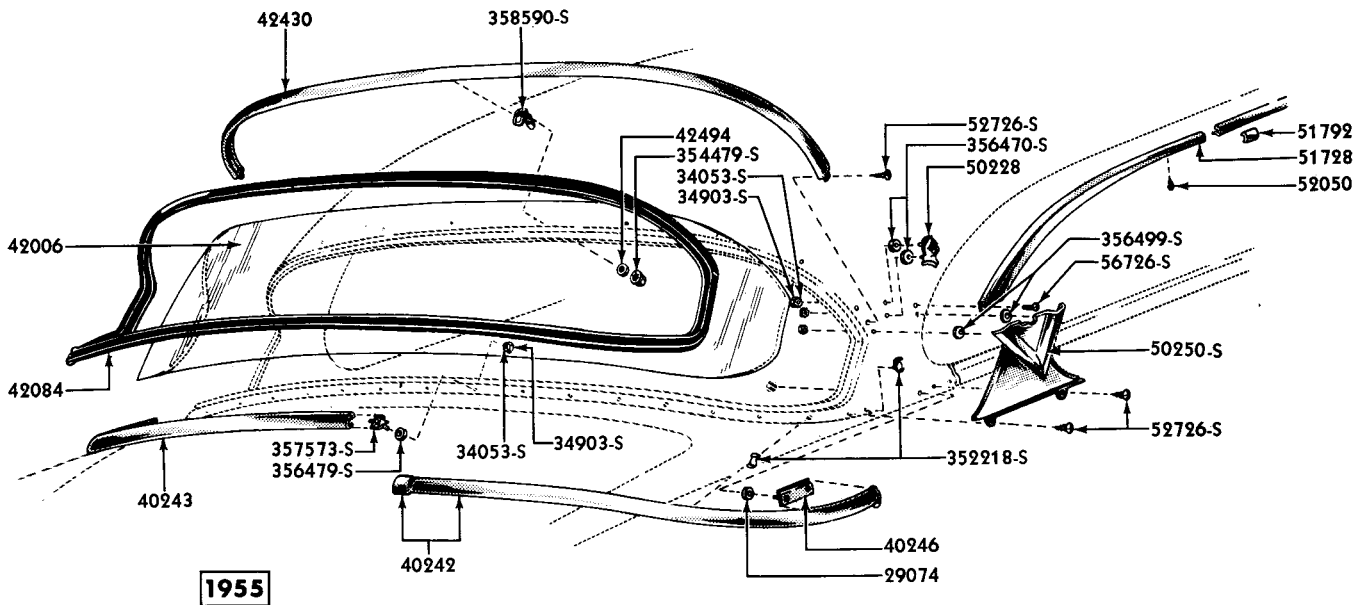
BODY PARTS CATALOGUE



PLB-16

REAR WINDOW (BODY TYPE 60-1953-54, 60C-1955)

Group numbers only shown on illustration. Order by Part Numbers shown in list of parts.



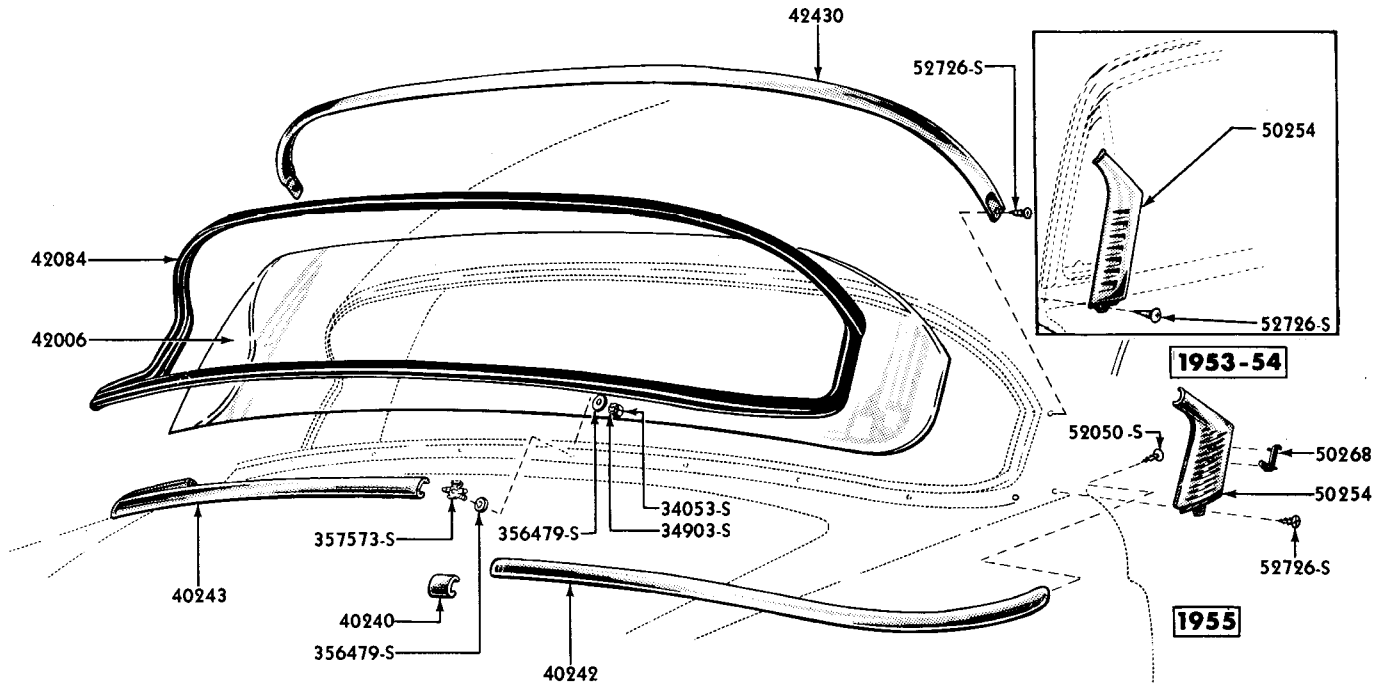
PLB-5

REAR WINDOW (BODY TYPE 60A)

Group numbers only shown on illustration. Order by Part Numbers shown in list of parts.

Lincoln

BODY PARTS CATALOGUE



PLB-7

REAR WINDOW (BODY TYPE 73)

Group numbers only shown on illustration. Order by Part Numbers shown in list of parts.

YEAR 19__	BODY TYPES	REMARKS	PART NUMBER	NO. REQ'D
Group 42410 MOULDING (BACK WINDOW GARNISH)-UPPER				
53-55	BH60A, BS60A, BT60A	Chrome Finish-approximate length 55-13/16"	BD 6042410-B	1
53-55	BH60C, BS60C, BT60C	Prime-approximate length 55-13/16"	BD 6042410-AP	1
53-55	BH73A-73B, BS73A-73B, BT73A-73B	Prime-approximate length 49-17/32"	BD 7342410-AP	1
53-55	BH60A-60C, BS60A-60C, BT60A-60C	Screw (oval head cross recessed)-No. 8-15 x 1-1/4"	52382-S13	11
53-55	BH73A-73B, BS73A-73B, BT73A-73B	Screw (oval head cross recessed)-No. 8-15 x 1"	52376-S13	7
Group 42416-7 MOULDING (BACK WINDOW GARNISH)-SIDE				
53-55	BH73A-73B, BS73A-73B, BT73A-73B	R. H. -Prime	BD 7342416-EP	1
53-55	BH73A-73B, BS73A-73B, BT73A-73B	L. H. -Prime	BD 7342417-EP	1
53-55	BH73A-73B, BS73A-73B, BT73A-73B	Screw (oval head cross recessed)-No. 8-15 x 1"	52376-S13	4
53-55	BH73A-73B, BS73A-73B, BT73A-73B	Screw (oval head cross recessed)-No. 8-15 x 1-1/2"	52388-S13	1

Lincoln

BODY PARTS CATALOGUE

YEAR 19__	BODY TYPES	REMARKS	PART NUMBER	NO. REQ'D
Group 42430 MOULDING (BACK WINDOW OUTSIDE)-UPPER				
53-55	BH60A-60C, BS60A-60C, BT60C	Chrome Finish-approximately 29/32" x 59" across ends	BD 6042430-B	1
55	BT60A	Chrome Finish-approximately 1-1/2" x 57-5/16" across ends	BT 6042430-A	1
53-55	BH73A-73B, BS73A-73B, BT73A-73B	Chrome Finish-approximately 1-1/8" x 56-3/8" across ends	BH 7342430-B	1
55	BT60A	Nut and Washer Assy No. 10-24	354479-S7	9
55	BT60A	Retainer	358590-S8	9
53-55	BH except 76A, BS ex- cept 76A, BT60C-73A- 73B	Screw (pan hd. cr. rec. tap.)-No. 8-15 x 1/2"	52726-S13	2
55	BT60A	Spacer	BT 6042494-A	9
Group 42456-7 MOULDING (BACK WINDOW GARNISH)-LOWER				
53-55	BH60A, BS60A, BT60A	R. H. -Chrome Finish-approximately 1-9/64" x 39-1/4"	BD 6042456-B	1
53-55	BH60A, BS60A, BT60A	L. H. -Chrome Finish-approximately 1-9/64" x 39-1/4"	BD 6042457-B	1
53-55	BH60C, BS60C, BT60C	R. H. -Prime-approximately 1-9/64" x 39-1/4"	BD 6042456-AP	1
53-55	BH60C, BS60C, BT60C	L. H. -Prime-approximately 1-9/64" x 39-1/4"	BD 6042457-AP	1
53-55	BH73A-73B, BS73A-73B, BT73A-73B	Prime-approximately 1" x 67"	BD 7342456-AP	1
53-55	BH60A-60C, BS60A-60C, BT60A-60C	Screw (oval head cross recessed)-No. 8-15 x 1-1/4"	52382-S13	7
53-55	BH73A-73B, BS73A-73B, BT73A-73B	Screw (oval head cross recessed)-No. 8-15 x 1-1/2"	52388-S13	9
Group 42458 COVER (BACK WINDOW GARNISH MOULDING CORNER JOINT)				
53-55	BH60A, BS60A, BT60A	Chrome Finish	BD 6042458-B	2
53-55	BH60C, BS60C, BT60C	Prime	BD 6042458-AP	2
53-55	BH60A-60C, BH60A-60C, BT60A-60C	Screw (oval head cross recessed)-No. 8-15 x 1-1/4"	52382-S13	1
Group 42488 MOULDING (BACK WINDOW UPPER TRIM)				
53-55	BH60A, BS60A, BT60A	Rustless Steel-approximately 25/32" x 54-1/4" across ends	BH 6042488-A	1
53-55	BH60C, BS60C, BT60C	Rustless Steel-approximately 31/64" x 55" across ends	BH 6042488-B	1
53-55	BH73A-73B, BS73A-73B, BT73A-73B	Rustless Steel-approximately 31/64" x 53-5/16"	BH 7342488-A	1
53-55	BH60A, BS60A, BT60A	Clip (moulding)	352224-S8	as req'd
53-55	BH60C-73A-73B, BS60C- 73A-73B, BT60C-73A-73B	Clip (moulding)	352244-S8	as req'd

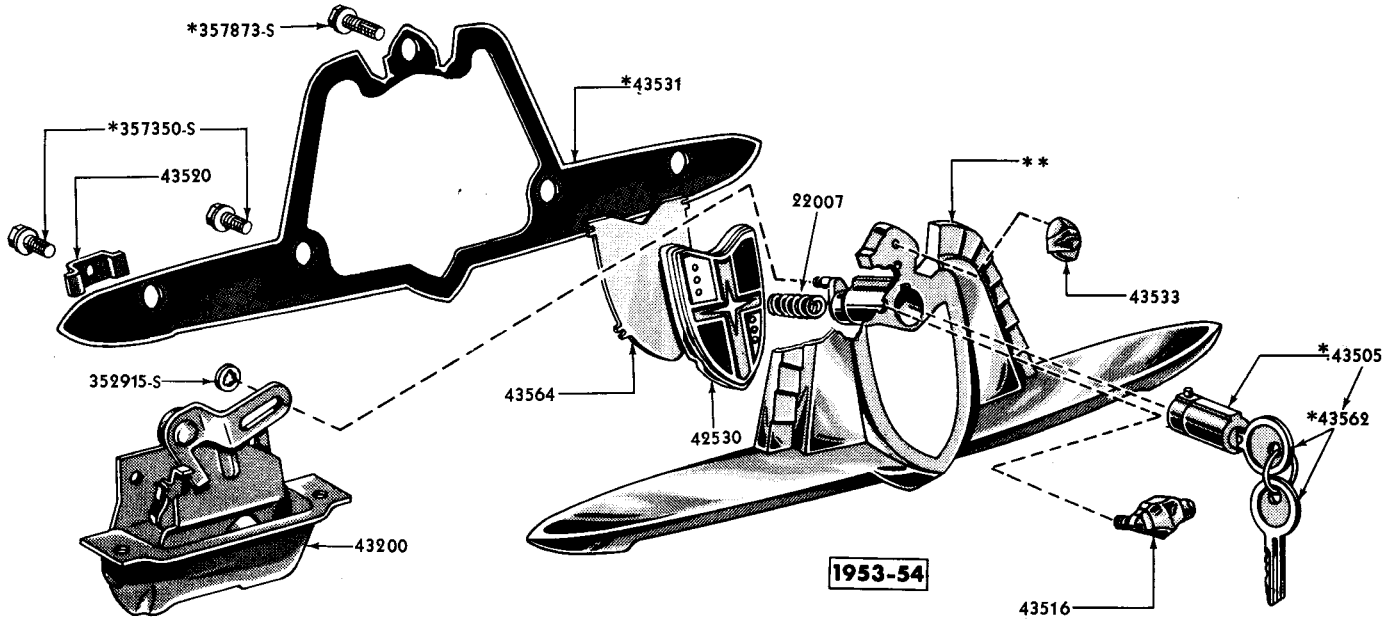
Lincoln

BODY PARTS CATALOGUE

YEAR 19	BODY TYPES	REMARKS	PART NUMBER	NO. REQ'D
Group 42490 COVER (BACK WINDOW LOWER GARNISH MOULDING CENTER JOINT)				
53-55	BH60A, BS60A, BT60A	Chrome Finish-approximately 1-7/32" x 1-5/16"	BD 6042490-B	1
53-55	BH60C, BS60C, BT60C	Prime-approximately 1-7/32" x 1-5/16"	BD 6042490-AP	1
53-55	BH60A-60C, BS60A-60C, BT60A-60C	Screw (oval head cross recessed)-No. 8-15 x 1-1/4"	52382-S13	1
Group 42494 SPACER (BACK WINDOW OUTSIDE MOULDING RETAINER)-UPPER				
55	BT60A	Rubber O. D. 1/2" I. D. 11/64" x 5/32"	BT 6042494-A	9
Group 42530 MEDALLION (LUGGAGE COMPARTMENT DOOR HANDLE)				
53-54	BH, BS	Plastic	BD 7342530-D	1
Group 42700-1 HINGE ASSEMBLY (LUGGAGE COMPARTMENT DOOR)				
53-55	BH, BS, BT	R. H.	BD 7342700-G	1
53-55	BH, BS, BT	L. H.	BD 7342701-G	1
53-55	BH, BS, BT	Bolt (Hex head)-5/16"-18 x 5/8"	20326-S7	8
53-55	BH, BS, BT	Washer (external tooth)-5/16"	34941-S7	8
53-55	BH, BS, BT	Washer (flat)-5/16"	351555-S8	12
Group 42704-5 BRACKET ASSEMBLY (LUGGAGE COMPARTMENT HINGE TO WHEELHOUSE)				
53-55	BH, BS, BT	R. H. -Steel approximate length 4-7/16"	BD 7342704-B	1
53-55	BH, BS, BT	L. H. -Steel approximate length 4-7/16"	BD 7342705-B	1
Group 42760 SPRING (LUGGAGE COMPARTMENT DOOR HINGE)				
53	BH		BD 7342760-B	2
54-55	BS, BT		BD 7342760-C	2
Group 42794-5 SUPPORT ASSEMBLY (LUGGAGE COMPARTMENT DOOR HINGE TO BODY)				
53-55	BH, BS, BT	R. H. -Steel	BD 7342794-B	1
53-55	BH, BS, BT	L. H. -Steel	BD 7342795-B	1
Group 43200 LOCK ASSEMBLY (LUGGAGE COMPARTMENT DOOR)				
53-54	BH, BS		BH 7343200-A	1
55	BT		BT 7343200-A	1
53-55	BH, BS, BT	Screw and lockwasher assy (hex hd)-1/4"-20 x 1/2"	43260-S8	5
Group 43222 PLATE (LUGGAGE COMPARTMENT DOOR LOCK STRIKER) TAPPING				
53-55	BH, BS, BT		BC 7043222-A	1

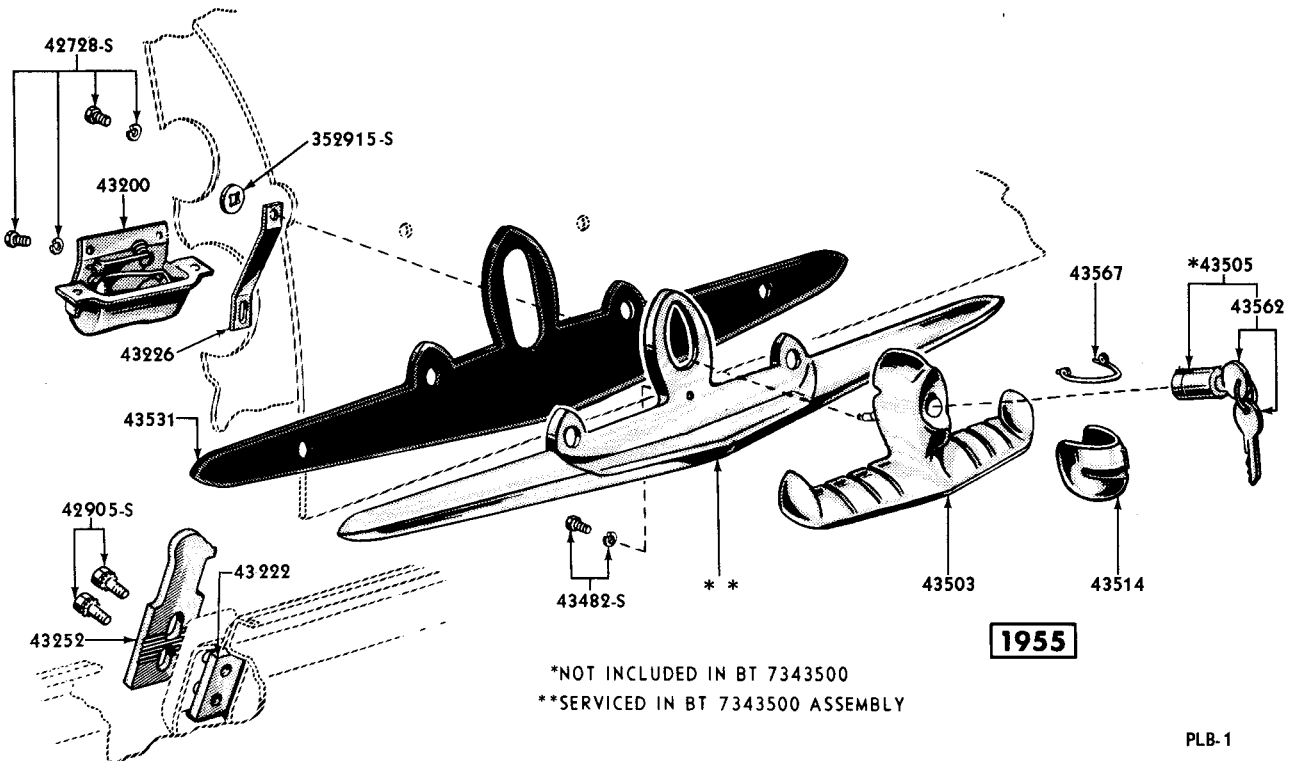
Lincoln

BODY PARTS CATALOGUE



*NOT INCLUDED IN BH 7343500
 **SERVICED IN BH 7343500 ASSEMBLY

PL-1015



*NOT INCLUDED IN BT 7343500
 **SERVICED IN BT 7343500 ASSEMBLY

PLB-1

LUGGAGE COMPARTMENT DOOR HANDLE

Group numbers only shown on illustration. Order by Part Numbers shown in list of parts.

Lincoln

BODY PARTS CATALOGUE

YEAR 19__	BODY TYPES	REMARKS	PART NUMBER	NO. REQ'D
Group 43226 LINK (LUGGAGE COMPARTMENT DOOR LOCK ACTUATING)				
55	BT	Steel-approximately 9/16" x 3-13/64" with 9/32" dia. hole one end and 11/32" slot at other end	BT 7343226-B	1
Group 43252 PLATE (LUGGAGE COMPARTMENT DOOR LOCK STRIKER)				
53-55	BH, BS, BT	Painted	BD 7343252-B	1
53-55	BH, BS, BT	Screw and washer assy (hex head)-5/16" -24 x 3/4"	42905-S8	2
Group 43259 SPRING (LUGGAGE COMPARTMENT DOOR LOCK PAWL)				
53-55	BH, BS, BT		BA 7043259-A	1
Group 43500 HANDLE ASSEMBLY (LUGGAGE COMPARTMENT DOOR)- LESS CYLINDER AND KEYS				
53-54	BH, BS	Chrome Finish-Zinc Die Cast-includes cover, ornament, medallion, retainer, spring	BH 7343500-A	1
55	BT	Chrome Finish-Zinc Die Cast-includes ornament assembly, cover assembly, spring	BT 7343500-A	1
53-54	BH, BS	Screw (hex washer head self tapping)-No. 10-24 x 1/2"	357350-S8	4
53-54	BH, BS	Screw (hex washer head self tapping)-No. 10-24 x 3/8"	357873-S8	1
55	BT	Screw and Washer assy (hex hd)-No. 10-24 x 1/2"	42728-S8	5
Group 43503 ORNAMENT ASSEMBLY (LUGGAGE COMPARTMENT DOOR HANDLE)				
55	BT	Gold Plated	BT 7343503-A	1
Group 43505 CYLINDER ASSEMBLY (LUGGAGE COMPARTMENT LOCK)-WITH KEYS				
53-55	BH, BS, BT		BD 7343505-B	1
Group 43514 COVER ASSEMBLY (LUGGAGE COMPARTMENT DOOR LOCK KEYHOLE)				
55	BT	Gold Plated	BT 7343514-A	1
Group 43516 COVER (LUGGAGE COMPARTMENT DOOR HANDLE KEYHOLE)				
53-54	BH, BS	Gold Plated-Zinc Die Cast	BH 7343516-A	1
Group 43520 SPACER (LUGGAGE COMPARTMENT DOOR)				
53-54	BH, BS		BH 7343520-A	2
Group 43531 PAD (LUGGAGE COMPARTMENT DOOR HANDLE)				
53-54	BH, BS	Rubber	BH 7343531-A	1
55	BT	Rubber	BT 7343531-B	1

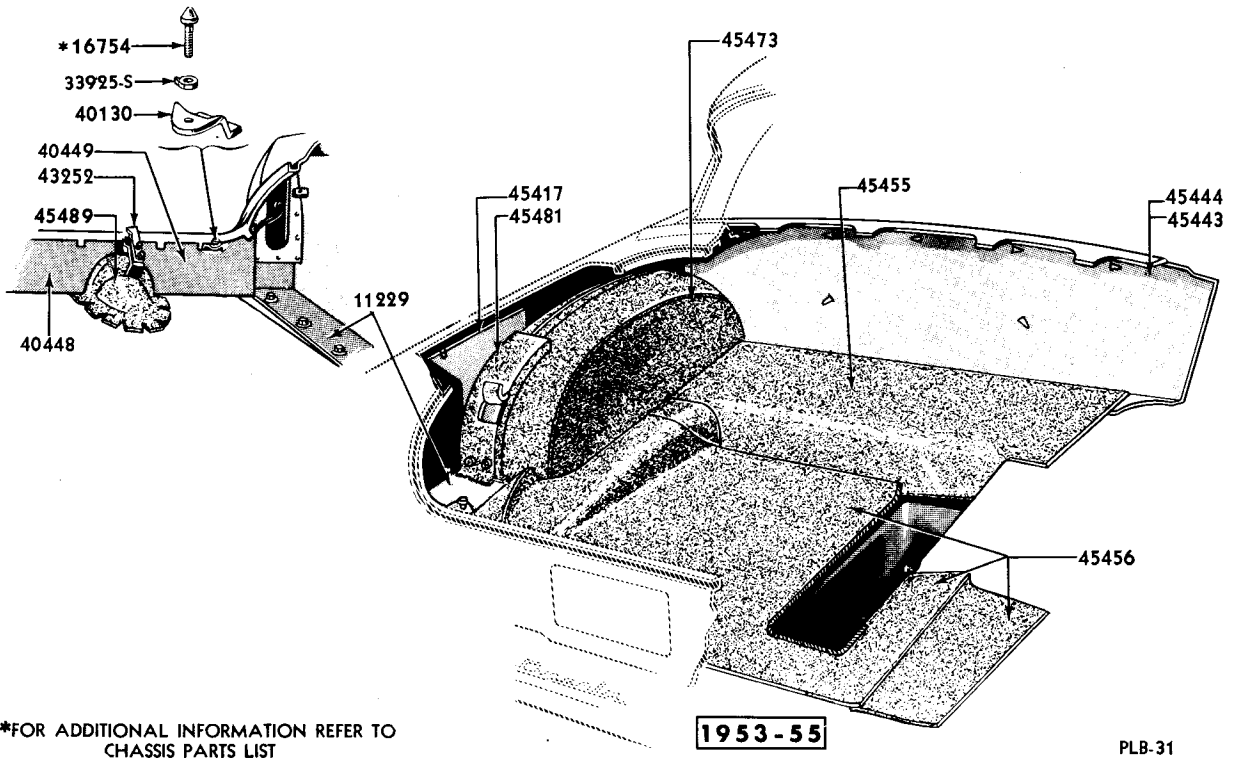
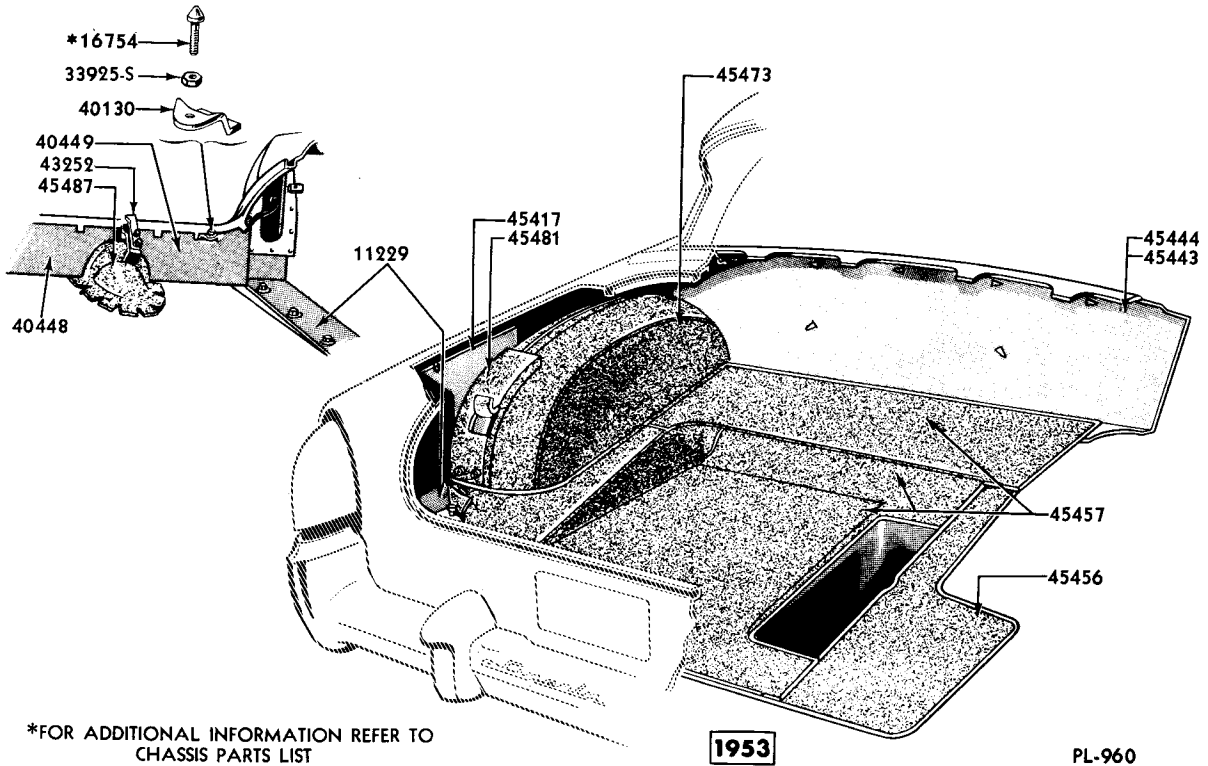
Lincoln

BODY PARTS CATALOGUE

YEAR 19	BODY TYPES	REMARKS	PART NUMBER	NO. REQ'D
Group 43533 ORNAMENT (LUGGAGE COMPARTMENT DOOR HANDLE)				
53-54	BH, BS	Gold Plated-Zinc Die Cast	BH 7343533-A	1
Group 43562 KEY (LUGGAGE COMPARTMENT DOOR LOCK)				
53-55	BH, BS, BT		BD 7343562-A	2
Group 43564 RETAINER (LUGGAGE COMPARTMENT DOOR HANDLE MEDALLION)				
53-54	BH, BS		BH 7343564-A	1
Group 43567 SPRING (LUGGAGE COMPARTMENT DOOR LOCK KEYHOLE COVER)				
55	BT	Music Wire	BT 7343567-A	1
Group 43720 WEATHERSTRIP (LUGGAGE COMPARTMENT DOOR)				
53-55	BH, BS, BT	Rubber-approximate length 164"	BD 7343720-A	1
Group 44822 REINFORCEMENT (LUGGAGE COMPARTMENT OPENING)-UPPER				
53-55	BH, BS, BT	Steel	BD 7344822-A	1
Group 45100-1 TROUGH ASSEMBLY (LUGGAGE COMPARTMENT DOOR OPENING DRAIN-SIDE)				
53-55	BH, BS, BT	R. H.	BD 7345100-A	1
53-55	BH, BS, BT	L. H.	BD 7345101-B	1
Group 45416-7 LINING BOARD (LUGGAGE COMPARTMENT)-SIDE				
53-54	BH, BS	R. H. -Brown	BD 7345416-BA	1
53-54	BH, BS	L. H. -Brown	BD 7345417-BA	1
54	BS	R. H. - Tan-add cutout for 54 Air Conditioner-refer to Service Bulletin	BS 7345416-AA	1
54	BS	L. H. - Tan-add cutout for 54 Air Conditioner-refer to Service Bulletin	BS 7345417-AA	1
55	BT	R. H. - Tan	BT 7345416-AA	1
55	BT	L. H. - Tan	BT 7345417-AA	1
Group 45443 LINING BOARD ASSEMBLY (LUGGAGE COMPARTMENT)-FRONT				
53-54	BH60A-60C, BS60A-60C	Brown	BD 6045443-AA	1
53	BH76A	Brown	BD 7645443-BM	2
54-55	BS76A, BT76A	Tan	BS 7645443-BA	2
53-55	BH76A, BS76A, BT76A	Screw (oval head cross recessed)-No. 8-15 x 5/8"	52352-S13	2
53-55	BH76A, BS76A, BT76A	Washer (external tooth)-No. 8	34951-S7	2
Group 45444 LINING BOARD (LUGGAGE COMPARTMENT)-FRONT				
54-55	BS60A-60C, BT60A-60C	Tan	BS 6045444-BA	1
53-54	BH73A-73B, BS73A-73B	Brown	BD 7345444-AA	1
54-55	BS73A-73B, BT73A-73B	Tan	BS 7345444-BA	1

Lincoln

BODY PARTS CATALOGUE



LUGGAGE COMPARTMENT TRIM

Group numbers only shown on illustration. Order by Part Numbers shown in list of parts.

Lincoln

BODY PARTS CATALOGUE

YEAR 19__	BODY TYPES	REMARKS	PART NUMBER	NO. REQ'D
Group 45455 COVER ASSEMBLY (LUGGAGE COMPARTMENT FLOOR)-FRONT				
53-55	BH60A-60C-76A, BS60A-60C-76A, BT60A-60C-76A	Tan and Black Plaid Vinyl Coated Jute-for Air Conditioner use BH-7345455-AA by cutting off 9" parallel with top	BH 7645455-AA	1
53-55	BH73A-73B, BS73A-73B, BT73A-73B	Tan and Black Plaid Vinyl Coated Jute-rework for Air Conditioner by cutting off 9" parallel with top	BH 7345455-AA	1
Group 45456 COVER ASSEMBLY (LUGGAGE COMPARTMENT FLOOR)-REAR				
53-55	BH, BS, BT	Tan and Black Plaid Vinyl Coated Jute	BH 7345456-BA	1
Group 45456-7 COVER ASSEMBLY (LUGGAGE COMPARTMENT FLOOR)				
53	BH	R. H. - Tan Vinyl coated jute	BD 7345456-AA	1
53	BH60A-60C-76A	L. H. - Tan Vinyl coated jute	BD 7645457-BM	1
53	BH73A-73B	L. H. - Tan Vinyl coated jute	BD 7345457-BA	1
Group 45472-3 COVER ASSEMBLY (QUARTER WHEELHOUSE LUGGAGE COMPARTMENT)				
53	BH60A-60C	R. H. - Tan Vinyl coated jute	BD 6045472-BA	1
53	BH60A-60C	L. H. - Tan Vinyl coated jute	BD 6045473-BA	1
53-55	BH60A-60C, BS60A-60C, BT60A-60C	R. H. - Tan and black Plaid Vinyl coated jute	BH 6045472-BA	1
53-55	BH60A-60C, BS60A-60C, BT60A-60C	L. H. - Tan and Black Plaid Vinyl coated jute	BH 6045473-BA	1
53	BH73A-73B	R. H. - Tan Vinyl coated jute	BD 7345472-CA	1
53	BH73A-73B	L. H. - Tan Vinyl coated jute	BD 7345473-CA	1
53-55	BH73A-73B, BS73A-73B, BT73A-73B	R. H. - Tan and Black Plaid Vinyl coated jute	BH 7345472-BA	1
53-55	BH73A-73B, BS73A-73B, BT73A-73B	L. H. - Tan and Black Plaid Vinyl coated jute	BH 7345473-BA	1
53	BH76A	R. H. - Tan Vinyl coated jute	BD 7645472-BM	1
53	BH76A	L. H. - Tan Vinyl coated jute	BD 7645473-BM	1
53-55	BH76A, BS76A, BT76A	R. H. - Tan and Black Plaid Vinyl coated jute	BH 7645472-BM	1
53-55	BH76A, BS76A, BT76A	L. H. - Tan and Black Plaid Vinyl coated jute	BH 7645473-BM	1
Group 45480-1 PANEL ASSEMBLY (QUARTER WHEELHOUSE LUGGAGE COMPARTMENT TRIM)				
53	BH	R. H. - Tan Vinyl coated jute and Steel Panel	BD 7345480-AA	1
53	BH	L. H. - Tan Vinyl coated jute and Steel Panel	BD 7345481-AA	1
53-55	BH, BS, BT	R. H. - Tan and Black Plaid Vinyl coated jute and Steel Panel	BH 7345480-AA	1
53-55	BH, BS, BT	L. H. - Tan and Black Plaid Vinyl coated jute and Steel Panel	BH 7345481-AA	1
53-55	BH, BS, BT	Screw (oval hd cross recessed self tapping)-No. 8-15 x 5/8"	52352-S13	4
53-55	BH, BS, BT	Washer (hollow countersunk)-No. 8	34885-S13	4
Group 45487 COVER ASSEMBLY (LUGGAGE COMPARTMENT FUEL FILLER HOUSING)				
53	BH	Tan Vinyl coated jute	BD 7345487-AA	1

Lincoln

BODY PARTS CATALOGUE

YEAR 19__	BODY TYPES	REMARKS	PART NUMBER	NO. REQ'D
Group 45489 COVER (LUGGAGE COMPARTMENT FUEL FILLER HOUSING)				
53-54	BH, BS	Tan and Black Plaid Vinyl coated jute	BH 7345489-AA	1
55	BT	Tan and Black Plaid Vinyl coated jute	BT 7345489-AA	1
Group 46506 PANEL ASSEMBLY (PACKAGE TRAY)				
53-54	BH60A-60C, BS60A-60C	Steel-rework for Air Conditioner by adding BS-6046532-A reinforcement-Refer to Service Bulletin	BD 6046506-A	1
55	BT60A-60C	Steel	BT 6046506-A	1
53-55	BH73A-73B, BS73A-73B,	Steel-rework for Air Conditioner by adding BS-7346532-A reinforcement-Refer to Service Bulletin	BD 7346506-B	1
Group 46532 REINFORCEMENT (PACKAGE TRAY AIR CONDITIONER REGISTER OPENING)				
54-55	BS60A-60C, BT60A-60C	Steel-one end 9-1/4" other 10-3/4" length 12-19/64"	BS 6046532-A	2
54-55	BS73A-73B, BT73A-73B	Make from BS 6046532-A by removing 3/4" from Rear and 1" from Front-Refer to Service Bulletin	BS 7346532-A	2
Group 46610 STRAINER (PACKAGE TRAY TO FLOOR)				
53-55	BH73A-73B, BS73A-73B, BT73A-73B	Steel-approximately 3/8" x 1-3/4" x 25-25/32"	BD 7346610-A	2
Group 46664 SILENCER (PACKAGE TRAY)				
53-55	BH60A-60C, BS60A-60C, BT60A-60C	Fibre Glass-approximately 1/4" x 13" x 54-27/32"	BD 6046664-A	1
53-55	BH73A-73B, BS73A-73B, BT73A-73B	Fibre Glass-approximately 1/4" x 9-7/16" x 55-1/2"	BD 7346664-A	1
Group 46684 BAFFLE (REAR SEAT SPEAKER)				
53-55	BH except 76B, BS except 76B, BT except 76B	Cardboard 6-13/32" x 8-7/8" with (4) 3/8" dia. holes	BD 7346684-AA	1
Group 46694 INSULATOR ASSEMBLY (PACKAGE TRAY TO FLOOR)				
54-55	BS60A-60C, BT60A-60C	Aluminum Foil Faced Glass Fiber-use with Air Conditioner	BS 6046694-A	1
54-55	BS73A-73B, BT73A-73B	Aluminum Foil Faced Glass Fiber-use with Air Conditioner	BS 7346694-A	1
Group 47076 BRACKET (SPARE WHEEL MOUNTING)				
53-55	BH, BS, BT	With 13/32" dia. hole	BD 7347076-B	1
Group 50202 PANEL (ROOF)				
53-55	BH60A-60C, BS60A-60C, BT60A-60C		BD 6050202-A	1
53-55	BH73A-73B, BS73A-73B, BT60A-60C		BD 7350202-A	1

Lincoln

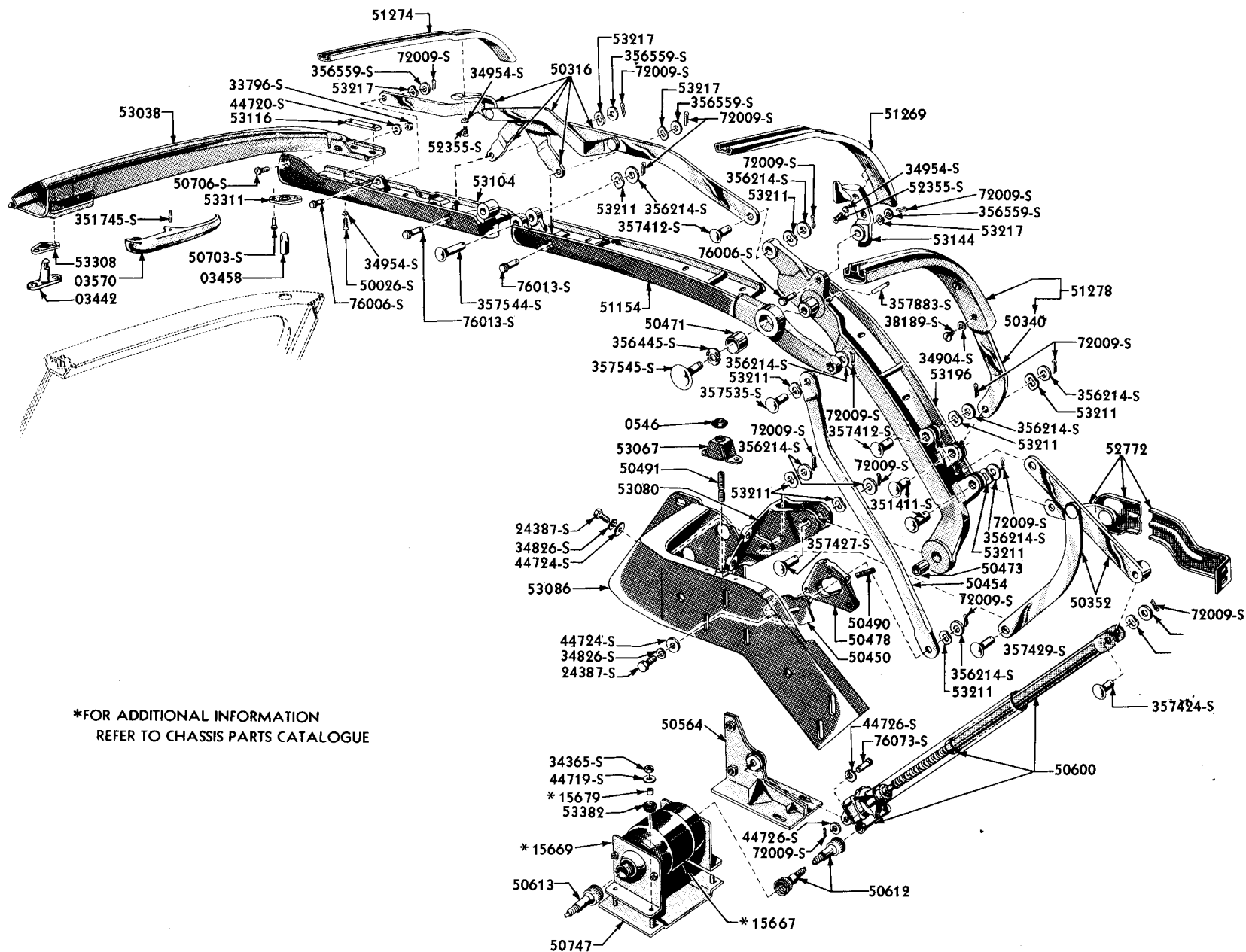
BODY PARTS CATALOGUE

YEAR 19__	BODY TYPES	REMARKS	PART NUMBER	NO. REQ'D
Group 50206-7 PANEL (ROOF SIDE REAR EXTENSION)				
53-55	BH73A-73B, BS73A-73B, BT73A-73B	R. H. -approximately 3-3/4" x 9"	BD 7350206-A	1
53-55	BH73A-73B, BS73A-73B, BT73A-73B	L. H. -approximately 3-3/4" x 9"	BD 7350207-A	1
Group 50228-9 MEDALLION ASSEMBLY (ROOF SIDE ORNAMENT)				
55	BT60A	R. H. Gold Plated	BT 6050228-A	1
55	BT60A	L. H. Gold Plated	BT 6050229-A	1
55	BT60A	Nut (hex)-No. 10-24	34053-S8	2
55	BT60A	Washer (internal tooth lock)-No. 10	34903-S8	2
55	BT60A	Washer (flat)-3/16" I. D. x 9/16" O. D.	356470-S	2
Group 50250-1 ORNAMENT ASSEMBLY (ROOF SIDE)				
55	BT60A	R. H. Chrome Finish	BT 6050250-A	1
55	BT60A	L. H. Chrome Finish	BT 6050251-A	1
55	BT60A	Nut (hex)-No. 10-24	34053-S8	2
55	BT60A	Screw (pan hd. cr. rec. tap.)-No. 8-15 x 1/2"	52726-S13	2
55	BT60A	Washer (flat)-3/16" I. D. x 9/16" O. D. x 1/8"	356499-S	2
55	BT60A	Washer (internal tooth lock)-No. 10	34903-S8	2
Group 50254-5 PANEL (ROOF SIDE ORNAMENT)-OUTER				
53-55	BH60A-60C, BS60A-60C, BT60C	R. H. -Chrome Finish-with three tear drop fins	BD 6050254-C	1
53-55	BH60A-60C, BS60A-60C, BT60C	L. H. -Chrome Finish-with three tear drop fins	BD 6050255-C	1
53	BH73A-73B	R. H. -Chrome Finish-with 7 grooves each 2-1/4" long	BH 7350254-A	1
53	BH73A-73B	R. H. -Chrome Finish-with 7 grooves each 2-1/4" long	BH 7350255-A	1
54	BS73A-73B	R. H. -Chrome Finish-with 7 grooves each 2-1/4" long	BH 7350254-B	1
54	BS73A-73B	L. H. -Chrome Finish-with 7 grooves each 2-1/4" long	BH 7350255-B	1
55	BT73A-73B	R. H. with 17 depressions-when used for 73B, drill (2) holes 9/64" diam. for Letter	BT 7350254-A	1
55	BT73A-73B	L. H. -with 17 depressions-when used for 73B, drill (2) holes 9/64" dia. for Letter	BT 7350255-A	1
53-55	BH except 76A, BS except 76A, BT except 76A & 60A	Screw (pan head cross recessed tapping)-No. 8-15 x 1/2"	52726-S13	2
Group 50268 LETTER (ROOF SIDE ORNAMENT)				
55	BT73B	R. H. -Zinc Die Cast (Gold Plated)	BT 7350268-A	1
55	BT73B	L. H. -Zinc Die Cast (Gold Plated)	BT 7350269-A	1

Lincoln

BODY PARTS CATALOGUE

YEAR 19__	BODY TYPES	REMARKS	PART NUMBER	NO. REQ'D
Group 50272 RETAINER (ROOF SIDE ORNAMENT)-OUTER				
53-55	BH60A-60C, BS60A-60C, BT60C	Steel-approximately 41/64" x 4"	BD 6050272-A	2
53-55	BH60A-60C, BS60A-60C, BT60C	Screw (pan head cross recessed)-No. 8-15 x 1/2"	52726-S13	2
Group 50274-5 ORNAMENT (ROOF SIDE)-INNER				
53-55	BH60C, BS60C, BT60C	R. H. -Rustless Steel-with three tear drop ribs	BH 6050274-A	1
53-55	BH60C, BS60C, BT60C	L. H. -Rustless Steel-with three tear drop ribs	BH 6050275-A	1
53-55	BH60C, BS60C, BT60C	Screw (pan head cross recessed)-No. 8-32 x 3/8"	52720-S8	5
Group 50316-7 LINK ASSEMBLY (FOLDING TOP CONTROL)				
53-55	BH76A, BS76A, BT76A	R. H. -Chrome Finish	BD 7650316-B	1
53-55	BH76A, BS76A, BT76A	L. H. -Chrome Finish	BD 7650317-B	1
53-55	BH76A, BS76A, BT76A	Pin (clevis)-5/16" x 7/8"	76006-S13	2
53-55	BH76A, BS76A, BT76A	Pin (clevis)-5/16" x 1-15/64"	76013-S13	4
53-55	BH76A, BS76A, BT76A	Pin (clevis)-7/16" x 1-15/64"	357412-S13	2
53-55	BH76A, BS76A, BT76A	Pin (cotter)-3/32" x 5/8"	72009-S	8
53-55	BH76A, BS76A, BT76A	Washer (flat)-29/64" I. D. x 3/4" O. D.	356214-S8	2
53-55	BH76A, BS76A, BT76A	Washer (flat)-5/16"	356559-S8	6
53-55	BH76A, BS76A, BT76A	Washer (spring)-21/64" I. D. x 9/16" O. D.	8M 7653217	6
53-55	BH76A, BS76A, BT76A	Washer (spring)-29/64" I. D. x 3/4" O. D.	8M 7653211	2
Group 50340-1 SLAT (FOLDING TOP REAR BOW NO. 4)				
53-55	BH76A, BS76A, BT76A	R. H. -Chrome Finish approximate length 11" long	BD 7650340-B	1
53-55	BH76A, BS76A, BT76A	L. H. -Chrome Finish approximate length 11" long	BD 7650341-B	1
53-55	BH76A, BS76A, BT76A	Pin (clevis)-7/16" x 7/8"	357411-S13	2
53-55	BH76A, BS76A, BT76A	Pin (cotter)-3/32" x 5/8"	72009-S	2
53-55	BH76A, BS76A, BT76A	Screw (pan head)-No. 12-24 x 3/8"	38189-S2	4
53-55	BH76A, BS76A, BT76A	Washer (flat)-29/64" I. D. x 3/4" O. D.	356214-S8	2
53-55	BH76A, BS76A, BT76A	Washer (internal tooth)-No. 12	34904-S13	4
53-55	BH76A, BS76A, BT76A	Washer (spring)-29/64" I. D. x 3/4" O. D.	8M 7653211	2
Group 50344 PLUG (FOLDING TOP SIDE RAIL)-FRONT				
53-55	BH76A, BS76A, BT76A	Sponge Rubber 2" long	BD 7650344-C	2



*FOR ADDITIONAL INFORMATION
REFER TO CHASSIS PARTS CATALOGUE

CONVERTIBLE COUPE TOP-LESS TRIM (BODY TYPE 76)

Group numbers only shown on illustration. Order by Part Numbers shown in list of parts.

PL-1021

Lincoln

BODY PARTS CATALOGUE

YEAR 19__	BODY TYPES	REMARKS	PART NUMBER	NO. REQ'D
Group 50352-3 LINK ASSEMBLY (FOLDING TOP POWER)				
53-55	BH76A, BS76A, BT76A	R. H. -Chrome Finish		
53-55	BH76A, BS76A, BT76A	L. H. -Chrome Finish	BD 7650352-B	1
			BD 7650353-B	1
53-55	BH76A, BS76A, BT76A	Pin (clevis)-7/16" x 1-15/64"		
53-55	BH76A, BS76A, BT76A	Pin (clevis)-3/8" x 1-9/64"	357412-S13	2
53-55	BH76A, BS76A, BT76A	Pin (clevis)-7/16" x 2-3/32"	357424-S13	2
53-55	BH76A, BS76A, BT76A	Pin (clevis)-7/16" x 2-3/32"	357429-S13	2
53-55	BH76A, BS76A, BT76A	Pin (cotter)-3/32" x 5/8"	72009-S	6
53-55	BH76A, BS76A, BT76A	Washer (flat)-29/64" I. D. x 3/4" O. D.	356214-S8	4
53-55	BH76A, BS76A, BT76A	Washer (flat)-3/8" I. D. x 3/4" O. D.	356403-S8	2
53-55	BH76A, BS76A, BT76A	Washer (spring)-25/64" I. D. x 5/8" O. D.	8M 7653210	2
53-55	BH76A, BS76A, BT76A	Washer (spring)-29/64" I. D. x 3/4" O. D.	8M 7653211	4
Group 50450-1 BRACKET ASSEMBLY (FOLDING TOP BALANCE LINK PIVOT)				
53-55	BH76A, BS76A, BT76A	R. H.	BD 7650450-B	1
53-55	BH76A, BS76A, BT76A	L. H.	BD 7650451-B	1
53-55	BH76A, BS76A, BT76A	Bolt (hex-hd pointed)-5/16"-24 x 7/8"	20367-S8	6
53-55	BH76A, BS76A, BT76A	Washer (flat)-5/16"	44724-S8	6
53-55	BH76A, BS76A, BT76A	Washer (spring lock)-5/16"	34826-S7	6
Group 50454-5 LINK (FOLDING TOP BALANCE)				
53-55	BH76A, BS76A, BT76A	R. H. -Chrome Finish approximate length 18-3/8"	BD 7650454-A	1
53-55	BH76A, BS76A, BT76A	L. H. -Chrome Finish approximate length 18-3/8"	BD 7650455-A	1
53-55	BH76A, BS76A, BT76A	Pin (clevis)	357535-S13	2
53-55	BH76A, BS76A, BT76A	Pin (cotter)-3/32" x 5/8"	72009-S	4
53-55	BH76A, BS76A, BT76A	Washer (flat)-29/64" I. D. x 3/4" O. D.	356214-S8	4
53-55	BH76A, BS76A, BT76A	Washer (spring)-29/64" I. D. x 3/4" O. D.	8M 7653211	4
Group 50471 BUSHING (FOLDING TOP CENTER RAIL)				
53-55	BH76A, BS76A, BT76A	13/16" I. D. x 1" O. D. x 23/32"	BD 7650471-A	2
Group 50473 BUSHING (FOLDING TOP SIDE RAIL)-REAR				
53-55	BH76A, BS76A, BT76A	7/16" I. D. x 5/8" O. D. x 3/4"	BD 7650473-A	2
Group 50478-9 BRACKET (FOLDING TOP BALANCE LINK ADJUSTING)				
53-55	BH76A, BS76A, BT76A	R. H. -Prime-Malleable Iron-1/2" x 2-13/32" x 3-11/16"	B5A 7650478-A	1
53-55	BH76A, BS76A, BT76A	L. H. -Prime-Malleable Iron-1/2" x 2-13/32" x 3-11/16"	B5A 7650479-A	1
53-55	BH76A, BS76A, BT76A	Bolt (hex head)-5/16"-24 x 1"	24387-S7	6
53-55	BH76A, BS76A, BT76A	Lockwasher-5/16"	34826-S7	6
53-55	BH76A, BS76A, BT76A	Nut (square L. H. thread)-3/8-24	356141-S	2
53-55	BH76A, BS76A, BT76A	Washer (flat)-5/16"	44724-S8	6

Lincoln

BODY PARTS CATALOGUE

YEAR 19	BODY TYPES	REMARKS	PART NUMBER	NO. REQ'D
Group 50490 SCREW (FOLDING TOP BALANCE LINK HORIZONTAL ADJUSTING)				
53-55	BH76A, BS76A, BT76A	Hex Head Set-5/16"-24 R. H. thread on one end and 5/16"-24 L. H. thread on socket end x 1-11/32" overall	BD 7650490-A	2
Group 50491 SCREW (FOLDING TOP BALANCE LINK VERTICAL ADJUSTING)				
53-55	BH76A, BS76A, BT76A	Hex Head Set-3/8"-24 R. H. thread on one end and 3/8"-24 L. H. thread on socket end x 1-45/64" overall	BD 7650491-A	2
53-55	BH76A, BS76A, BT76A	Nut (square L. H. thread)-3/8-24	356141-S	2
Group 50564-5 BRACKET ASSEMBLY (TOP LIFT TO FLOOR)				
53-55	BH76A, BS76A, BT76A	R. H. -approximately 3" x 3-7/8" x 5-7/16"	BD 7650564-A	1
53-55	BH76A, BS76A, BT76A	L. H. -approximately 3" x 3-7/8" x 5-7/16"	BD 7650565-A	1
53-55	BH76A, BS76A, BT76A	Bolt (hex head)-5/16"-24 x 5/8"	24327-S7	8
53-55	BH76A, BS76A, BT76A	Lockwasher -5/16"	34826-S7	8
53-55	BH76A, BS76A, BT76A	Washer (flat)-5/16"	44724-S8	8
Group 50600-1 LIFT ASSEMBLY (FOLDING TOP)				
53	BH76A	R. H. -Travel length approximately 12-15/16"	BA 7650600-A	1
53	BH76A	L. H. -Travel length approximately 12-15/16"	BA 7650601-A	1
54	BS76A	R. H. -Travel length approximately 12-21/64"	BF 7650600-D	1
54	BS76A	L. H. -Travel length approximately 12-21/64"	BF 7650601-D	1
55	BT76A	R. H. -Prime-Travel length approximately 12-21/64"	BS 7650600-BP	1
55	BT76A	L. H. -Prime-Travel length approximately 12-21/64"	BS 7650601-BP	1
53-55	BH76A, BS76A, BT76A	Pin (clevis)-3/8" x 1-13/16"	76073-S8	2
53-55	BH76A, BS76A, BT76A	Pin (clevis)-3/8" x 1-19/64"	357424-S13	2
53-55	BH76A, BS76A, BT76A	Pin (cotter)-1/8" x 5/8"	72008-S	2
53-55	BH76A, BS76A, BT76A	Pin (cotter)-3/32" x 5/8"	72009-S	2
53-55	BH76A, BS76A, BT76A	Spacer (rubber)	BA 7650606-A	4
53-55	BH76A, BS76A, BT76A	Washer (flat)-3/8"	44726-S8	4
53-55	BH76A, BS76A, BT76A	Washer (flat)-25/64" I. D. x 5/8" O. D.	356403-S8	2
53-55	BH76A, BS76A, BT76A	Washer (spring)-25/64" I. D. x 5/8" O. D.	8M 7653210	2
Group 50612-3 SHAFT ASSEMBLY (TOP LIFT DRIVE)				
53-55	BH76A, BS76A, BT76A	R. H. -length 11-5/8"	BA 7650612-A	1
53-55	BH76A, BS76A, BT76A	L. H. -length 37-3/8"	BD 7650613-A	1
Group 50626 STRIKER (FOLDING TOP LIMIT SWITCH)				
53-55	BH76A, BS76A, BT76A	Rustless Steel-Used with BD 7653038-C Header Bow	BD 7650626-A	1
53-55	BH76A, BS76A, BT76A	Screw (pan head cross recessed)-No. 6-18 x 1/4"	52713-S8	2
Group 50747 BRACKET ASSEMBLY (TOP LIFT MOTOR MOUNTING)				
53-55	BH76A, BS76A, BT76A	Approximately 3-27/32" x 6-7/16" o/all complete with four studs	BA 7650747-A	1

Lincoln

BODY PARTS CATALOGUE

YEAR 19___	BODY TYPES	REMARKS	PART NUMBER	NO. REQ'D
Group 50952-3 STRIP (ROOF HEADLINING RETAINER)-FRONT				
53-54	BH60A, BS60A	R. H. -approximate length 21-1/32" with 28 tabs	BD 6050952-B	1
53-54	BH60A, BS60A	L. H. -approximate length 21-1/32" with 28 tabs	BD 6050953-B	1
53-55	BH60C, BS60C, BT60C	R. H. -approximate length 24-13/32" with 32 tabs	BD 6050952-A	1
53-55	BH60C, BS60C, BT60C	L. H. -approximate length 24-13/32" with 32 tabs	BD 6050953-A	1
53-55	BH73A-73B, BS73A-73B, BT73A-73B	R. H. -approximate length 21-21/32" with 29 tabs	BS 7350952-A	1
53-55	BH73A-73B, BS73A-73B, BT73A-73B	L. H. -approximate length 21-21/32" with 29 tabs	BS 7350953-A	1
53-55	BH except 76A, BS except 76A, BT except 76A	Screw (pan head cross recessed self tap.)-No. 8-15 x 3/8"	52720-S8	16
54-55	BS73A-73B, BT73A-73B	Retainer	357578-S8	6

Group 50954 STRIP (ROOF HEADLINING RETAINER)-CENTER				
53-54	BH60A, BS60A	Approximate length 3-3/4" with 5 tabs	BD 6050954-A	2
53-55	BH73A, BS73A, BT73A	Approximate length 5-3/4" with 8 tabs	BD 7350954-A	2
53-55	BH60A-73A, BS60A-73A, BT73A	Screw (pan head cross recessed self tap.)-No. 8-15 x 3/8"	52720-S8	8
54-55	BS73A, BT73A	Retainer	357578-S8	6

Group 50956-7 STRIP (ROOF HEADLINING RETAINER)-REAR				
53-54	BH60A, BS60A	R. H. -approximate length 31" with 43 tabs	BD 6050956-B	1
53-54	BH60A, BS60A	L. H. -approximate length 31" with 43 tabs	BD 6050957-B	1
53-55	BH60C, BS60C, BT60C	R. H. -approximate length 30-1/2" with 41 tabs	BD 6050956-C	1
53-55	BH60C, BS60C, BT60C	L. H. -approximate length 30-1/2" with 41 tabs	BD 6050957-C	1
53-55	BH73A-73B, BS73A-73B, BT73A-73B	R. H. -approximate length 30" with 42 tabs	BD 7350956-A	1
53-55	BH73A-73B, BS73A-73B, BT73A-73B	L. H. -approximate length 30" with 42 tabs	BD 7350957-A	1
53-55	BH, BS, BT	Screw (pan head cross recessed self tap.)-No. 8-15 x 3/8"	52720-S8	20
54-55	BS73A-73B, BT73A-73B	Retainer	357578-S8	6

Group 50960 STRIP (ROOF SIDE HEADLINING REAR LOWER CORNER)				
53-55	BH60C, BS60C, BT60C	Approximate length 3-1/2" with 8 tabs	BD 6050960-A	2
53-55	BH60C, BS60C, BT60C	Screw (pan head cross recessed self tap.)-No. 8-15 x 3/8"	52720-S8	4

Group 50966 RETAINER (ROOF HEADLINING HEADER STRIP)				
53-55	BH60C, BS60C, BT60C	Approximate length 49-1/2" with 73 tabs	BD 6050966-C	1
53-55	BH60C, BS60C, BT60C	Clip (moulding)	352244-S8	14
53-55	BH60C, BS60C, BT60C	Screw (pan head crossed recessed self tap.)-No. 8-15 x 3/8"	52720-S8	14

Lincoln

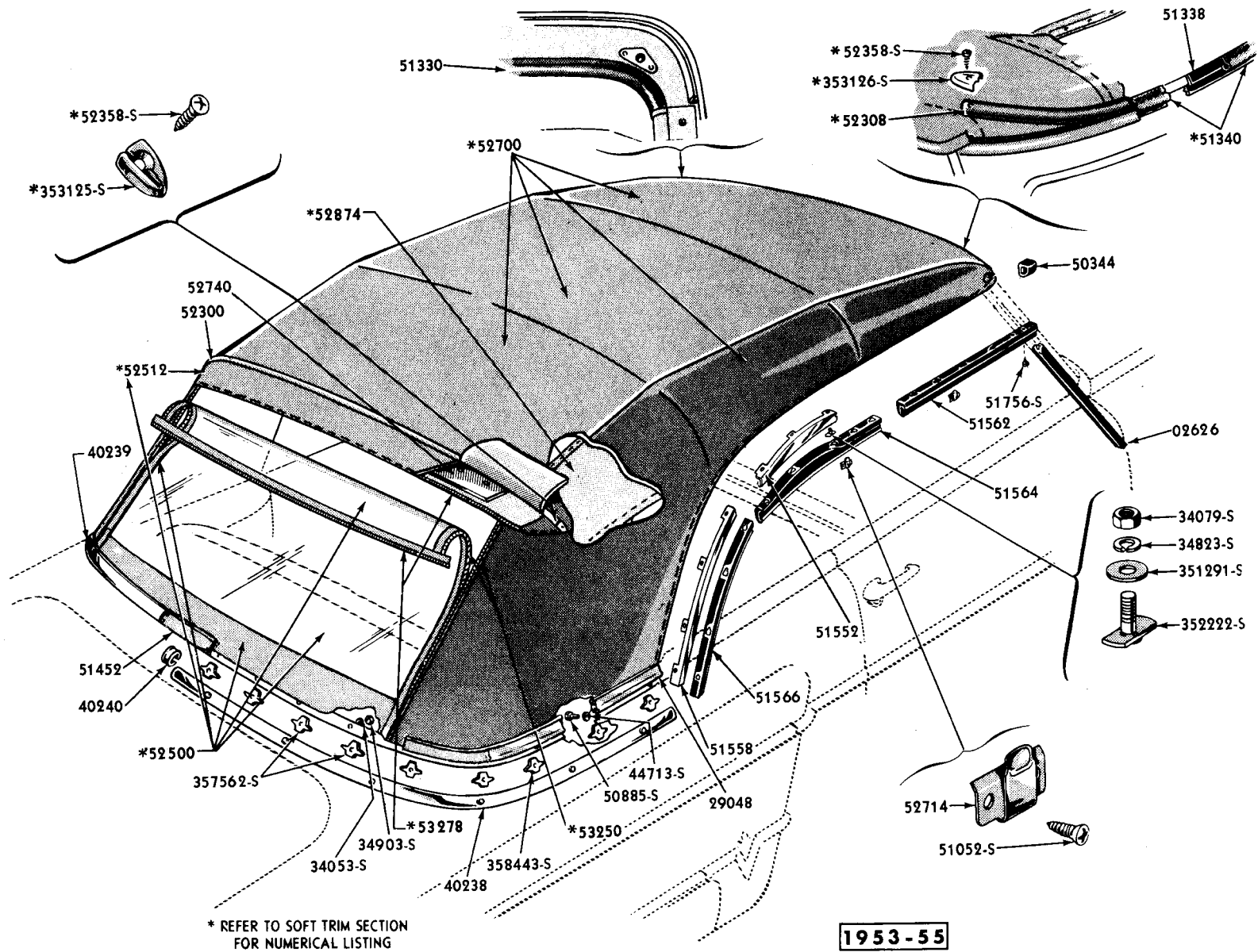
BODY PARTS CATALOGUE

YEAR 19__	BODY TYPES	REMARKS	PART NUMBER	NO. REQ'D
Group 51154-5 RAIL ASSEMBLY (FOLDING TOP SIDE)-CENTER				
53-55	BH76A, BS76A, BT76A	R. H.	BS 7651154-AP	1
53-55	BH76A, BS76A, BT76A	L. H.	BS 7651155-AP	1
53-55	BH76A, BS76A, BT76A	Pin (clevis)-5/16 x 1-15/64"	76013-S13	2
53-55	BH76A, BS76A, BT76A	Pin (clevis)-7/16" x 2-1/8"	357540-S13	2
53-55	BH76A, BS76A, BT76A	Pin (cotter)-3/32" x 5/8"	72009-S	2
53-55	BH76A, BS76A, BT76A	Pin (clevis)-3/8" x 1"	357545-S13	2
53-55	BH76A, BS76A, BT76A	Pin (roll)-1/8" x 1-1/2"	357883-S8	2
53-55	BH76A, BS76A, BT76A	Washer (flat)-29/64" I. D. x 3/4" O. D.	356214-S8	2
53-55	BH76A, BS76A, BT76A	Washer (spring)	356445-S8	2
53-55	BH76A, BS76A, BT76A	Washer (spring)-29/64" I. D. x 3/4" O. D.	8M 7653211	2
Group 51184-5 RAIL (ROOF SIDE)-INNER				
53-55	BH60A-60C, BS60A-60C, BT60A-60C	R. H.	BD 6051184-A	1
53-55	BH60A-60C, BS60A-60C, BT60A-60C	L. H.	BD 6051185-A	1
Group 51212-3 RAIL ASSEMBLY (ROOF SIDE)-INNER				
53-55	BH73A-73B, BS73A-73B, BT73A-73B	R. H.	BD 7351212-B	1
53-55	BH73A-73B, BS73A-73B, BT73A-73B	L. H.	BD 7351213-B	1
Group 51218-9 RAIL ASSEMBLY (ROOF SIDE)-OUTER				
53-54	BH60A-60C, BS60A-60C	R. H.	BD 6051218-A	1
53-54	BH60A-60C, BS60A-60C	L. H.	BD 6051219-A	1
55	BT60A-60C	R. H.	BT 6051218-A	1
55	BT60A-60C	L. H.	BT 6051219-A	1
53-55	BH73A-73B, BS73A-73B, BT73A-73B	R. H.	BD 7351218-A	1
53-55	BH73A-73B, BS73A-73B, BT73A-73B	L. H.	BD 7351219-A	1
Group 51222-3 WEATHERSTRIP ASSEMBLY (ROOF SIDE RAIL)				
53-55	BH60A-60C, BS60A-60C, BT60A-60C	R. H. -Rubber-Black	BH 6051222-A	1
53-55	BH60A-60C, BS60A-60C, BT60A-60C	L. H. -Rubber -Black	BH 6051223-A	1
53-55	BH60A-60C, BS60A-60C, BT60A-60C	Nut (hex)-No. 8-32	34052-S7	2
53-55	BH60A-60C, BS60A-60C, BT60A-60C	Screw (pan head cross recessed)-No. 6-32 x 3/8"	51754-S8	6

Lincoln

BODY PARTS CATALOGUE

YEAR 19___	BODY TYPES	REMARKS	PART NUMBER	NO. REQ'D
Group 51269 BOW ASSEMBLY (FOLDING TOP NO. 3)				
53-55	BH76A, BS76A, BT76A	Approximate length 54-21/32"-also serviced in Kit HCK-7653000-D	BS 7651269-AP	1
53-55	BH76A, BS76A, BT76A	Screw (oval head cross recessed)-No. 14-10 x 5/8"	52355-S13	4
53-55	BH76A, BS76A, BT76A	Washer (external tooth)-No. 14	34954-S13	4
Group 51274 BOW ASSEMBLY (FOLDING TOP NO. 2)				
53-55	BH76A, BS76A, BT76A	Approximate length 52-31/32"-also serviced in Kit HCK-7653000-D	BS 7651274-AP	1
53-55	BH76A, BS76A, BT76A	Screw (oval head cross recessed)-No. 14-10 x 5/8"	52355-S7	4
53-55	BH76A, BS76A, BT76A	Washer (external tooth)-No. 14	34954-S13	4
Group 51278 BOW ASSEMBLY (FOLDING TOP NO. 4)				
53-55	BH76A, BS76A, BT76A	Approximate length 57-15/16"-also serviced in Kit HCK-7653000-D	BS 7651278-AP	1
53-55	BH76A, BS76A, BT76A	Pin (clevis)-7/16" x 7/8"	357411-S13	2
53-55	BH76A, BS76A, BT76A	Pin (cotter)-3/32" x 5/8"	72009-S8	2
53-55	BH76A, BS76A, BT76A	Washer (flat)-7/16" I. D. x 3/4" O. D.	356214-S8	2
53-55	BH76A, BS76A, BT76A	Washer (spring)-29/64" I. D. x 3/4" O. D.	8M 7653211	2
Group 51330 WEATHERSTRIP ASSEMBLY (FOLDING TOP NO. 1 BOW)				
53-55	BH76A, BS76A, BT76A	Rubber (Black)-55-59/64" long	BD 7651330-B	1
53-55	BH76A, BS76A, BT76A	Retainer-Rustless Steel-approximately 1/32" x 3/8" x 3/4"	BD 7651352-A	16
53-55	BH76A, BS76A, BT76A	Screw (pan head cross recessed)-No. 6-18 x 3/8"	52718-S8	16
Group 51338 WEATHERSTRIP (FOLDING TOP HEADER FRONT)				
53-55	BH76A, BS76A, BT76A	Rubber (Black)-length 63"	BD 7651338-B	1
Group 51352 RETAINER (FOLDING TOP HEADER REAR WEATHERSTRIP)				
53-55	BH76A, BS76A, BT76A	Rustless Steel-approximately 1/32" x 3/8" x 3/4"	BD 7651352-A	16
Group 51486 SUPPORT AND BRACKET ASSEMBLY (DOME LAMP MOUNTING)				
53-55	BH60C, BS60C, BT60C		BD 6051486-C	1
54-55	BS60C, BT60C	Use with Air Conditioner	BS 6051486-B	1
53-55	BH73A, BS73A-73B, BT73A-73B	Used on BS73B and BT73B with Air Conditioner	BD 7351486-C	1
Group 51552-3 WEATHERSTRIP ASSEMBLY (FOLDING TOP CENTER SIDE RAIL)-OUTER				
53-55	BH76A, BS76A, BT76A	R. H. -Chrome Finish-approximate length 11-3/4"	BD 7651552-A	1
53-55	BH76A, BS76A, BT76A	L. H. -Chrome Finish-approximate length 11-3/4"	BD 7651553-A	1



* REFER TO SOFT TRIM SECTION FOR NUMERICAL LISTING

1953-55

PLB-30

CONVERTIBLE COUPE TOP EXTERIOR (BODY TYPE 76)

Group numbers only shown on illustration. Order by Part Numbers shown in list of parts.

Lincoln

BODY PARTS CATALOGUE

YEAR 19___	BODY TYPES	REMARKS	PART NUMBER	NO. REQ'D
Group 51558-9 WEATHERSTRIP ASSEMBLY (FOLDING TOP REAR SIDE RAIL)-OUTER				
53-55	BH76A, BS76A, BT76A	R. H. -Chrome Finish-approximate length 16-9/16"	BD 7651558-A	1
53-55	BH76A, BS76A, BT76A	L. H. -Chrome Finish-approximate length 16-9/16"	BD 7651559-A	1
Group 51562-3 WEATHERSTRIP ASSEMBLY (FOLDING TOP SIDE RAIL)-FRONT				
53-55	BH76A, BS76A, BT76A	R. H. -Rubber-21-3/4" long	BH 7651562-A	1
53-55	BH76A, BS76A, BT76A	L. H. -Rubber-21-3/4" long	BH 7651563-A	1
53-55	BH76A, BS76A, BT76A	Lockwasher-No. 10	34823-S2	10
53-55	BH76A, BS76A, BT76A	Nut (hex)-No. 10-32	34079-S7	10
53-55	BH76A, BS76A, BT76A	Ret. (mldg.)-5/16" x 3/4" head with No. 10-32 x 3/4"stud	352222-S8	10
53-55	BH76A, BS76A, BT76A	Washer (flat)-No. 10	351291-S7	10
Group 51564-5 WEATHERSTRIP ASSEMBLY (FOLDING TOP CENTER SIDE RAIL)-INNER				
53-55	BH76A, BS76A, BT76A	R. H. -Rubber-20-3/32" long	BD 7651564-A	1
53-55	BH76A, BS76A, BT76A	L. H. -Rubber-20-3/32" long	BD 7651565-A	1
53-55	BH76A, BS76A, BT76A	Lockwasher-No. 10	34823-S2	10
53-55	BH76A, BS76A, BT76A	Nut (hex)-No. 10-32	34079-S7	10
53-55	BH76A, BS76A, BT76A	Ret. (mldg.)-5/16" x 3/4" hd with No. 10-32 x 3/4" stud	352222-S8	10
53-55	BH76A, BS76A, BT76A	Washer (flat)-No. 10	351291-S7	10
Group 51566-7 WEATHERSTRIP ASSEMBLY (FOLDING TOP SIDE RAIL)-REAR				
53-55	BH76A, BS76A, BT76A	R. H. -Rubber-approximate length 18"	BD 7651566-A	1
53-55	BH76A, BS76A, BT76A	L. H. -Rubber-approximate length 18"	BD 7651567-A	1
53-55	BH76A, BS76A, BT76A	Lockwasher-No. 10	34823-S2	8
53-55	BH76A, BS76A, BT76A	Nut (hex)-No. 10-32	34079-S7	8
53-55	BH76A, BS76A, BT76A	Ret. (mldg.)-5/16" x 3/4" hd with No. 10-32 x 3/4" stud	352222-S8	8
53-55	BH76A, BS76A, BT76A	Washer (flat)-No. 10	351291-S7	8
Group 51700-1 MOULDING (ROOF DRIP)-SIDE				
53-55	BH60A-60C, BS60A-60C, BT60A-60C	R. H. -Steel-approximate length 54"	BD 6051700-A	1
53-55	BH60A-60C, BS60A-60C, BT60A-60C	L. H. -Steel-approximate length 54"	BD 6051701-A	1
53-55	BH73A-73B, BS73A-73B, BT73A-73B	R. H. -Steel-approximate length 60-11/16"	BD 7351700-A	1
53-55	BH73A-73B, BS73A-73B, BT73A-73B	L. H. -Steel-approximate length 60-11/16"	BD 7351701-A	1
Group 51718-9 MOULDING (ROOF DRIP FINISH)-FRONT				
53	BH60A	R. H. -Chrome Finish	BD 6051718-C	1
53	BH60A	L. H. -Chrome Finish	BD 6051719-C	1
54	BS60A	R. H. -Chrome Finish	BH 6051718-A	1
54	BS60A	L. H. -Chrome Finish	BH 6051719-A	1
53-55	BH73B, BS73B, BT73B	R. H. -Chrome Finish	BD 7351718-C	1
53-55	BH73B, BS73B, BT73B	L. H. -Chrome Finish	BD 7351719-C	1

Lincoln

BODY PARTS CATALOGUE

YEAR 19__	BODY TYPES	REMARKS	PART NUMBER	NO. REQ'D
Group 51724 MOULDING (ROOF DRIP)-FRONT				
53-55	BH60A-60C, BS60A-60C, BT60A-60C	Approximately 53-13/64" across ends	BD 6051724-A	1
53-55	BH73A-73B, BS73A-73B, BT73A-73B	Approximately 53-13/64" across ends	BD 7351724-A	1
Group 51726-7 MOULDING (ROOF DRIP FINISH)-SIDE				
53-55	BH60A-60C, BS60A-60C, BT60C	R. H. -Chrome Finish-approximate length 53"	BD 6051726-B	1
53-55	BH60A-60C, BS60A-60C, BT60C	L. H. -Chrome Finish-approximate length 53"	BD 6051727-B	1
53-55	BH73B, BS73B, BT73B	R. H. -Chrome Finish-approximate length 60-5/8"	BD 7351726-B	1
53-55	BH73B, BS73B, BT73B	L. H. -Chrome Finish-approximate length 60-5/8"	BD 7351727-B	1
Group 51726 MOULDING (ROOF DRIP FINISH)-SIDE FRONT				
55	BT60A	Chrome Finish-approximately 15/32" x 27-27/64"	BT 6051726-A	2
Group 51728-9 MOULDING (ROOF DRIP FINISH)-SIDE REAR				
55	BT60A	R. H. -Chrome Finish-approximately 15/32" x 26-1/2"	BT 6051728-A	1
55	BT60A	L. H. -Chrome Finish-approximately 15/32" x 26-1/2"	BT 6051729-A	1
55	BT60A	Screw (flat hd cr. rec.)-No. 4-24 x 1/4"	52050-S13	1
55	BT60A	Screw (pan hd. cr. rec. tap.)-No. 8-15 x 1/2"	52726-S13	1
Group 51752-3 MOULDING (ROOF SIDE INNER)-FRONT				
53-54	BH60A, BS60A	R. H. -Prime-approximate length 30"-For service on units up to 8-12-54	BD 6051752-BP	1
53-54	BH60A, BS60A	L. H. -Prime-approximate length 30"-For service on units up to 8-12-54	BD 6051753-BP	1
54-55	BS60A, BT60A	R. H. -Prime-approximate length 30"-For service on units after 8-12-54	BS 6051752-AP	1
54-55	BS60A, BT60A	L. H. -Prime-approximate length 30"-For service on units after 8-12-54	BS 6051753-AP	1
53-55	BH60A, BS60A, BT60A	Clip (moulding)	352224-S8	10
53-55	BH60A, BS60A, BT60A	Screw (pan head)-No. 8-32 x 3/8"	40514-S7	12
53-55	BH60A, BS60A, BT60A	Screw (pan head cross recessed)-No. 8-15 x 3/8"	52720-S8	10
53-55	BH60A, BS60A, BT60A	Screw (pan head cross recessed)-No. 8-15 x 1/2"	52726-S8	2
Group 51754-5 MOULDING (ROOF SIDE LOWER INNER)-REAR				
53-54	BH60A, BS60A	R. H. -Prime-approximate length 39-3/4"-For service on units up to 8-12-54	BD 6051754-AP	1
53-54	BH60A, BS60A	L. H. -Prime-approximate length 39-3/4"-For service on units up to 8-12-54	BD 6051755-AP	1
54-55	BS60A, BT60A	R. H. -Prime-approximate length 39-3/4"-For service on units after 8-12-54	BS 6051754-AP	
54-55	BS60A, BT60A	L. H. -Prime-approximate length 39-3/4"-For service on units after 8-12-54	BS 6051755-AP	
53-55	BH60A, BS60A, BT60A	Clip (moulding)	352224-S8	10
53-55	BH60A, BS60A, BT60A	Screw (pan hd cross recessed self tap.)-No. 8-15 x 3/8"	52720-S8	18

Lincoln

BODY PARTS CATALOGUE

YEAR 19__	BODY TYPES	REMARKS	PART NUMBER	NO. REQ'D
Group 51772-3 MOULDING (ROOF SIDE TRIM)-FRONT				
53-55	BH60A, BS60A, BT60A	R. H. -Rustless Steel-approximate length 24-53/64"	BH 6051772-A	1
53-55	BH60A, BS60A, BT60A	L. H. -Rustless Steel-approximate length 24-53/64"	BH 6051773-A	1
53-55	BH60C, BS60C, BT60C	R. H. -Rustless Steel-approximately 52-1/4"	BH 6051772-B	1
53-55	BH60C, BS60C, BT60C	L. H. -Rustless Steel-approximately 52-1/4"	BH 6051773-B	1
53-55	BH73A-73B, BS73A-73B, BT73A-73B	R. H. -Rustless Steel-approximately 48"	BH 7351772-A	1
53-55	BH73A-73B, BS73A-73B, BT73A-73B	L. H. -Rustless Steel-approximately 48"	BH 7351773-A	1
53-55	BH60A, BS60A, BT60A	Screw (oval head cross recessed tap.)-No. 8-15 x 3/4"	52360-S13	1
53-55	BH60C-73A-73B, BS60C- 73A-73B, BT60C-73A- 73B	Clip (moulding)	352244-S8	as reqd
Group 51774 WELT (ROOF SIDE INNER FRONT AND REAR MOULDING)				
54	BS 60A-60C	Rubber-approximate length 31-1/2" (cut to 26-33/64 when using for front	BS 6051774-A	2
Group 51776-7 MOULDING (ROOF SIDE TRIM)-REAR				
53-55	BH60A, BS60A, BT60A	R. H. -Rustless Steel-3/4" x 29-1/4"	BH 6051776-A	1
53-55	BH60A, BS60A, BT60A	L. H. -Rustless Steel-3/4" x 29-1/4"	BH 6051777-A	1
53-55	BH60C, BS60C, BT60C	Rustless Steel-1/2" x 4-53/64"	BH 6051776-B	2
53	BH73A	R. H. -Chrome Finish-approximate length 34-1/2"	BD 7351776-A	1
53	BH73A	L. H. -Chrome Finish-approximate length 34-1/2"	BD 7351777-A	1
54-55	BS73A, BT73A	R. H. -Rustless Steel-approximate length 34-1/2"	BH 7351776-A	1
54-55	BS73A, BT73A	L. H. -Rustless Steel-approximate length 34-1/2"	BH 7351777-A	1
54-55	BS73B, BT73B	R. H. -Rustless Steel-approximate length 34-1/2" used with Air Conditioner	BH 7351776-A	1
54-55	BS73B, BT73B	L. H. -Rustless Steel-approximate length 34-1/2" used with Air Conditioner	BH 7351777-A	1
53	BH73B	R. H. -Chrome Finish-approximate length 28-3/4"	BD 7351776-B	1
53	BH73B	L. H. -Chrome Finish-approximate length 28-3/4"	BD 7351777-B	1
54-55	BS73B, BT73B	R. H. -Rustless Steel-approximate length 28-3/4"	BH 7351776-B	1
54-55	BS73B, BT73B	L. H. -Rustless Steel-approximate length 28-3/4"	BH 7351777-B	1
53-55	BH60C, BS60C, BT60C	Screw (oval head cross recessed tap.)-No. 10-12 x 1/2"	52345-S13	4
53-55	BH73A-73B, BS73A-73B, BT73A-73B	Clip (moulding)	352244-S8	as reqd
Group 51778-9 COVER (ROOF TRIM MOULDING JOINT)				
53-55	BH60C, BS60C, BT60C	R. H. -Rustless Steel-1/2" x 1-1/2"	BH 6051778-A	1
53-55	BH60C, BS60C, BT60C	L. H. -Rustless Steel-1/2" x 1-1/2"	BH 6051779-A	1
53-55	BH73A, BS73A, BT73A	Rustless Steel-1/2" x 7/8"	BH 7351778-A	2
54-55	BS73B, BT73B	Rustless Steel-1/2" x 7/8" when used with Air Conditioner	BH 7351778-A	2

Lincoln

BODY PARTS CATALOGUE

YEAR 19	BODY TYPES	REMARKS	PART NUMBER	NO. REQ'D
Group 51780-1 COVER (ROOF TRIM MOULDING JOINT REAR CORNER)				
53	BH60A	Chrome Finish	BD 6051780-B	2
54-55	BS60A, BT60A	Rustless Steel	BH 6051780-B	2
53	BH60C	R. H. -Chrome Finish	BD 6051780-A	1
53	BH60C	L. H. -Chrome Finish	BD 6051781-A	1
54-55	BS60C, BT60C	R. H. -Rustless Steel	BH 6051780-A	1
54-55	BS60C, BT60C	L. H. -Rustless Steel	BH 6051781-A	1
53	BH73A-73B	R. H. -Chrome Finish	BD 7351780-A	1
53	BH73A-73B	L. H. -Chrome Finish	BD 7351781-A	1
54-55	BS73A-73B, BT73A-73B	R. H. -Rustless Steel	BH 7351780-A	1
54-55	BS73A-73B, BT73A-73B	L. H. -Rustless Steel	BH 7351781-A	1
53-55	BH60A, BS60A, BT60A	Screw (oval head cross recessed)-No. 8-15 x 3/4"	52360-S13	1
Group 51782 MOULDING (ROOF TRIM FRONT)-CENTER				
53	BH73A-73B	Chrome Finish-approximate length 5"	BD 7351782-A	1
54-55	BS73A-73B, BT73A-73B	Rustless Steel-approximate length 5"	BH 7351782-A	1
53-55	BH73A-73B, BS73A-73B, BT73A-73B	Clip (moulding)	352244-S8	2
Group 51792 COVER (ROOF DRIP FINISH MOULDING CENTER AND FRONT CORNER JOINT)				
53-55	BH60A-73B, BS60A-73B, BT60A-73B	Chrome Finish-31/64" x 3/4"	BD 7351792-A	3or1
Group 52101-8 SUPPORT (ROOF HEADLINING RETAINING)				
53-55	BH60A-60C, BS60A-60C, BT60A-60C	No. 1-approximate developed length 50-1/2"-One end Turquoise Blue for 3" other end Black for 3"	BD 6052101-B	1
54-55	BS60A-60C, BT60A-60C	No. 1-approximate developed length 50-1/4" One end Turquoise Blue for 3" other end Grey for 3"	*BS 6052101-B	1
53-55	BH60A-60C, BS60A-60C, BT60A-60C	No. 2-approximate developed length 52-1/4"-One end Turquoise Blue for 3" other end White for 3"	BD 6052102-B	1
54-55	BS60A-60C, BT60A-60C	No. 2-approximate developed length 51" One end Turquoise Blue for 3" other end White for 3"	*BS 6052102-B	1
53-55	BH60A-60C, BS60A-60C, BT60A-60C	No. 3-approximate developed length 53-1/8"-One end Turquoise Blue for 3" other end Blue for 3"	BD 6052103-B	1
54-55	BS60A-60C, BT60A-60C	No. 3-approximate developed length 51-29/64" One end Turquoise Blue for 3" other end Blue for 3"	*BS 6052103-B	1
53-55	BH60A-60C, BS60A-60C, BT60A-60C	No. 4-approximate developed length 53-7/8"-One end Turquoise Blue for 3" other end Yellow for 3"	BD 6052104-B	1
54-55	BS60A-60C, BT60A-60C	No. 4-approximate developed length 52" One end Turquoise Blue for 3" other end Yellow for 3"	*BS 6052104-B	1
53-55	BH60A-60C, BS60A-60C, BT60A-60C	No. 5-approximate developed length 54-15/16"-One end Turquoise Blue for 3" other end Red for 3"	BD 6052105-B	1
54-55	BS60A-60C, BT60A-60C	No. 5-approximate developed length 53-1/8" One end Turquoise Blue for 3" other end Red for 3"	*BS 6052105-B	1
53-55	BH60A-60C, BS60A-60C, BT60A-60C	No. 6-approximate developed length 56-9/16"-One end Turquoise Blue for 3" other end Green for 3"	BD 6052106-B	1
54-55	BS60A-60C, BT60A-60C	No. 6-approximate developed length 54-1/4" One end Turquoise Blue for 3" other end Green for 3"	*BS 6052106-B	1

* Used with Air Conditioner

Lincoln

BODY PARTS CATALOGUE

YEAR 19	BODY TYPES	REMARKS	PART NUMBER	NO. REQ'D
Group 52101-8 SUPPORT (ROOF HEADLINING RETAINING)-Continued				
53-55	BH60A-60C, BS60A-60C, BT60A-60C	No. 7-approximate developed length 58-9/16"-One end Turquoise Blue for 3" other end Aluminum for 3"	BD 6052107-B	1
54-55	BS60A-60C, BT60A-60C	No. 7-approximate developed length 56-1/8" One end Turquoise Blue for 3" other end Aluminum for 3"	*BS 6052107-B	1
53-55	BH60A-60C, BS60A-60C, BT60A-60C	No. 8-approximate developed length 60-3/4"-One end Turquoise Blue for 3" other end Orange for 3"	BD 6052108-B	1
54-55	BS60A-60C, BT60A-60C	No. 8-approximate developed length 58-1/8" One end Turquoise Blue for 3" other end Orange for 3"	*BS 6052108-A	1
53-55	BH73A-73B, BS73A-73B, BT73A-73B	No. 1-approximate developed length 53-5/16"-One end Brown for 3" other end Black for 3"	BD 7352101-B	1
54-55	BS73A-73B, BT73A-73B	No. 1-approximate developed length 52-1/4" One end Brown for 3" other end Black for 3"	*BS 7352101-B	1
53-55	BH73A-73B, BS73A-73B, BT73A-73B	No. 2-approximate developed length 54-13/16"-One end Brown for 3" other end White for 3"	BD 7352102-B	1
54-55	BS73A-73B, BT73A-73B	No. 2-approximate developed length 52-3/4" One end Brown for 3" other end White for 3"	*BS 7352102-B	1
53-55	BH73A-73B, BS73A-73B, BT73A-73B	No. 3-approximate developed length 54-15/16"-One end Turquoise Blue for 3" other end Red for 3"	BD 6052105-B	1
54-55	BS73A-73B, BT73A-73B	No. 3-approximate developed length 53" One end Brown for 3" other end Blue for 3"	*BS 7352103-B	1
53-55	BH73A-73B, BS73A-73B, BT73A-73B	No. 4-approximate developed length 54-15/16"-One end Turquoise Blue for 3" other end Red for 3"	BD 6052105-B	1
54-55	BS73A-73B, BT73A-73B	No. 4-approximate developed length 53-3/16" One end Brown for 3" other end Yellow for 3"	*BS 7352104-B	1
53-55	BH73A-73B, BS73A-73B, BT73A-73B	No. 5-approximate developed length 56-1/8"-One end Brown for 3" other end Red for 3"	BD 7352105-B	1
54-55	BS73A-73B, BT73A-73B	No. 5-approximate developed length 53-15/16" One end Brown for 3" other end Red for 3"	*BS 7352105-B	1
53-55	BH73A-73B, BS73A-73B, BT73A-73B	No. 6-approximate developed length 59"-One end Brown for 3" other end Green for 3"	BD 7352106-B	1
54-55	BS73A-73B, BT73A-73B	No. 6-approximate developed length 56-3/8" One end Brown for 3" other end Green for 3"	*BS 7352106-B	1
53-55	BH73A-73B, BS73A-73B, BT73A-73B	No. 7-approximate developed length 65"-One end Brown for 3" other end Aluminum for 3"	BD 7352107-B	1
54-55	BS73A-73B, BT73A-73B	No. 7-approximate developed length 61-1/2" One end Brown for 3" other end Aluminum for 3"	*BS 7352107-A	1

Group 52180 RETAINER (REAR ROOF HEADLINING SUPPORT)

53-55	BH60A-60C, BS60A-60C, BT60A-60C	Steel Wire-3/64" diameter x 5-7/32"	BA 7052180-B	2
53-55	BH73A-73B, BS73A-73B, BT73A-73B	Steel Wire-3/64" diameter x 8-3/8"	BD 7352180-B	2

Group 52714 RETAINER (FOLDING TOP RAIL DECK)

53-55	BH76A, BS76A, BT76A		BF 7652714-A	4
53-55	BH76A, BS76A, BT76A	Screw (flat head cross recessed)-No. 6-32 x 3/8"	51052-S8	8

* Used with Air Conditioner

Lincoln

BODY PARTS CATALOGUE

YEAR 19__	BODY TYPES	REMARKS	PART NUMBER	NO. REQ'D
Group 52720-1 RETAINER (FOLDING TOP REAR QUARTER DECK)				
53-55	BH76A, BS76A, BT76A	R. H. -Steel-approximately 1/2" x 20-1/2"	BD 7652720-A	1
53-55	BH76A, BS76A, BT76A	L. H. -Steel-approximately 1/2" x 20-1/2"	BD 7652721-A	1
53-55	BH76A, BS76A, BT76A	Screw (round head self tapping)-No. 8-15 x 1/2"	32858-S2	10
53-55	BH76A, BS76A, BT76A	Washer (flat)-No. 8	44710-S8	10

Group 52740 RETAINER (FOLDING TOP)-NO. 4 BOW TOP DECK				
53-55	BH76A, BS76A, BT76A	Steel-41-1/2" x 2-1/4"	BD 7652740-A	1

Group 52772-3 ARM ASSEMBLY (FOLDING TOP REAR QUARTER TOP DECK SEALING)				
53-55	BH76A, BS76A, BT76A	R. H.	BS 7652772-AP	1
53-55	BH76A, BS76A, BT76A	L. H.	BS 7652773-AP	1
53-55	BH76A, BS76A, BT76A	Bolt (hex head)-1/4"-20 x 3/4"	24344-S7	4
53-55	BH76A, BS76A, BT76A	Lockwasher-1/4"	34805-S8	4
53-55	BH76A, BS76A, BT76A	Pin (clevis)-7/16" x 7/8"	357411-S13	2
53-55	BH76A, BS76A, BT76A	Pin (cotter)-3/32" x 5/8"	72009-S	2
53-55	BH76A, BS76A, BT76A	Washer (flat)-1/4"	44720-S8	4
53-55	BH76A, BS76A, BT76A	Washer (flat)-29/64" I. D. x 3/4" O. D.	356214-S8	2
53-55	BH76A, BS76A, BT76A	Washer (spring)-29/64" I. D. x 3/4" O. D.	8M 7653211	2

Group 53000 TOP KIT (FOLDING)-LESS HEADER #1 BOW AND TRIM				
53-55	BH76A, BS76A, BT76A		HCK 7653000-D	1

Consists of the following:

- | | |
|--|------------------------------------|
| (1) BS 7650300-AP Rail Assy. R. H. | (1) BS 7650301-AP Rail Assy. L. H. |
| (1) BS 7651269-AP Bow Assy. #3 | (1) BS 7651274-AP Bow Assy. #2 |
| (1) BS 7651278-AP Bow Assy. #4 | (2) BD 7653116-A Plate |
| (12) 8M 7653211 Washer (spring (3) wave) | (2) 33796-S8 Nut (hex) |
| (12) 34954-S13 Washer (ext. tooth) #14 | (2) 44720-S8 Washer (flat)-1/4" |
| (4) 50026-S8 Screw (flat head) | (2) 50706-S13 Screw & Washer Assy. |
| (8) 52355-S13 Screw | (12) 72009-S8 Pin (cotter) |
| (12) 356214-S8 Washer (flat) | (4) 357411-S13 Pin (clevis) |
| (2) 357412-S13 Pin (clevis) | (2) 357427-S13 Pin (clevis) |
| (2) 357424-S13 Pin (clevis) | (2) 357429-S13 Pin (clevis) |

Group 53038 HEADER ASSEMBLY (FOLDING TOP NO. 1 BOW)				
53	BH76A	Used with Straight Type Dowel-BD 7603442-A	BD 7653038-C	1
53-55	BH76A, BS76A, BT76A	Used with "T" Type Dowel-BA 7603442-A	BS 7653038-AP	1
53-55	BH76A, BS76A, BT76A	Nut (hex)-1/4"-28	33796-S7	2
53-55	BH76A, BS76A, BT76A	Plate	BD 7653116-A	2
53-55	BH76A, BS76A, BT76A	Washer (flat)-1/4"	44720-S8	2
53-55	BH76A, BS76A, BT76A	Washer (external tooth)-No. 14	34954-S7	4
53-55	BH76A, BS76A, BT76A	Washer (internal tooth)-No. 12	34904-S2	2
53-55	BH76A, BS76A, BT76A	Lockwasher (external tooth)-1/4"	34940-S7	2
53-55	BH76A, BS76A, BT76A	Screw (flat head cross recessed)-1/4"-28 x 5/8"	50026-S8	4
53-55	BH76A, BS76A, BT76A	Screw (oval head cross recessed)-1/4"-28 x 3/4"	50422-S8	2

Lincoln

BODY PARTS CATALOGUE

YEAR 19__	BODY TYPES	REMARKS	PART NUMBER	NO. REQ'D
Group 53067 RETAINER (FOLDING TOP BUMPER)				
53-55	BH76A, BS76A, BT76A		BS 7653067-AP	2
53-55	BH76A, BS76A, BT76A	Screw (pan head cross recessed tap.)-No. 10-24 x 3/8"	51756-S8	4
Group 53080-1 BRACKET (FOLDING TOP MAIN PIVOT)				
53-55	BH76A, BS76A, BT76A	R. H. -Malleable Iron	BS 7653080-AP	1
53-55	BH76A, BS76A, BT76A	L. H. -Malleable Iron	BS 7653081-AP	1
53-55	BH76A, BS76A, BT76A	Bolt (hex head)-5/16" x 24 x 1"	24387-S7	8
53-55	BH76A, BS76A, BT76A	Lockwasher-5/16"	34826-S7	8
53-55	BH76A, BS76A, BT76A	Washer (flat)-5/16"	44724-S8	8
Group 53086-7 SUPPORT ASSEMBLY (FOLDING TOP MAIN PIVOT BRACKET TO WHEELHOUSE)				
53-55	BH76A, BS76A, BT76A	R. H.	BD 7653086-A	1
53-55	BH76A, BS76A, BT76A	L. H.	BD 7653087-A	1
53-55	BH76A, BS76A, BT76A	Bolt (hex head)-5/16"-24 x 1"	24387-S7	8
53-55	BH76A, BS76A, BT76A	Lockwasher-5/16"	34826-S7	8
53-55	BH76A, BS76A, BT76A	Nut (hex)-5/16"-24	33798-S8	8
53-55	BH76A, BS76A, BT76A	Washer (flat)-5/16"	44724-S8	8
Group 53104-5 RAIL (FOLDING TOP SIDE)-FRONT				
53-55	BH76A, BS76A, BT76A	R. H.	BS 7653104-AP	1
53-55	BH76A, BS76A, BT76A	L. H.	BS 7653105-AP	1
53-55	BH76A, BS76A, BT76A	Pin (clevis)-5/16" x 1-15/64"	76013-S13	2
53-55	BH76A, BS76A, BT76A	Pin (clevis)-7/16" x 2-1/8"	357540-S13	2
53-55	BH76A, BS76A, BT76A	Pin (cotter)-3/32" x 5/8"	72009-S	2
53-55	BH76A, BS76A, BT76A	Washer (flat)-7/16"	356214-S8	2
53-55	BH76A, BS76A, BT76A	Washer (spring)-29/64" I. D. x 3/4" O. D.	8M 7653211	2
Group 53116 PLATE (FRONT SIDE RAIL TO HEADER BRACKET)				
53-55	BH76A, BS76A, BT76A	Steel-1/4" x 9/16" x 4-1/4" with two 1/4"-28 holes-also serviced in Kit HCK-7653000-D	BD 7653116-A	2
Group 53144-5 BRACKET (FOLDING TOP NO. 3 BOW)				
53-55	BH76A, BS76A, BT76A	R. H.	BS 7653144-AP	1
53-55	BH76A, BS76A, BT76A	L. H.	BS 7653145-AP	1
53-55	BH76A, BS76A, BT76A	Clevis Pin-5/16" x 7/8"	76006-S13	2
53-55	BH76A, BS76A, BT76A	Pin (cotter)-3/32" x 3/8"	72009-S	2
53-55	BH76A, BS76A, BT76A	Screw (oval head cross recessed)-No. 14-10 x 5/8"	52355-S13	4
53-55	BH76A, BS76A, BT76A	Washer (external tooth countersunk lock)-1/4"	34954-S13	4
53-55	BH76A, BS76A, BT76A	Washer (flat)-7/16"	356559-S8	2
53-55	BH76A, BS76A, BT76A	Washer (spring)-21/64" I. D. x 9/16" O. D.	8M 7653217	2

Lincoln

BODY PARTS CATALOGUE

YEAR 19	BODY TYPES	REMARKS	PART NUMBER	NO. REQ'D
Group 53156-7 SUPPORT ASSEMBLY (FOLDING TOP MAIN PIVOT BRACKET)				
53-55	BH76A, BS76A, BT76A	R. H. -Steel-approximate length 26-11/16"	BD 7653156-A	1
53-55	BH76A, BS76A, BT76A	L. H. -Steel-approximate length 26-11/16"	BD 7653157-A	1
Group 53196-7 RAIL ASSEMBLY (FOLDING TOP SIDE)-REAR				
53-55	BH76A, BS76A, BT76A	R. H.	BS 7653196-AP	1
53-55	BH76A, BS76A, BT76A	L. H.	BS 7653197-AP	1
53-55	BH76A, BS76A, BT76A	Pin (clevis)-7/16" x 1-1/2"	357427-S13	2
53-55	BH76A, BS76A, BT76A	Pin (cotter)-3/32" x 5/8"	72009-S	2
53-55	BH76A, BS76A, BT76A	Washer (flat)-7/16"	356214-S8	2
53-55	BH76A, BS76A, BT76A	Washer (spring)-29/64" I. D. x 3/4" O. D.	8M 7653211	2
Group 53210 WASHER (SPRING THREE WAVE)				
53-55	BH76A, BS76A, BT76A	25/64" I. D. x 5/8" O. D.	8M 7653210	as req'd
Group 53211 WASHER (SPRING THREE WAVE)				
53-55	BH76A, BS76A, BT76A	29/64" I. D. x 3/4" O. D. -also serviced in Kit HCK-7653000-D	8M 7653211	as req'd
Group 53213 WASHER (SPRING THREE WAVE)				
53-55	BH76A, BS76A, BT76A	33/64" I. D. x 13/16" O. D.	8M 7653213	as req'd
Group 53217 WASHER (SPRING THREE WAVE)				
53-55	BH76A, BS76A, BT76A	21/64" I. D. x 9/16" O. D.	8M 7653217	14
Group 53308 PLATE (FOLDING TOP HEADER STRIKER)-CENTER				
53	BH76A	Rustless Steel-1-5/32" x 2-3/8"	BD 7653308-B	1
53-55	BH76A, BS76A, BT76A	Rustless Steel-1-7/32" x 2-7/16"	BA 7653308-A	1
53-55	BH76A, BS76A, BT76A	Screw (oval head cross recessed)-No. 10-32 x 5/8"	50703-S8	2
Group 53311 PLATE (FOLDING TOP HEADER STRIKER)-END				
53-55	BH76A, BS76A, BT76A	Rustless Steel	BD 7653311-C	2
53-55	BH76A, BS76A, BT76A	Screw (oval head cross recessed)-No. 10-32 x 5/8"	50703-S8	4

Lincoln

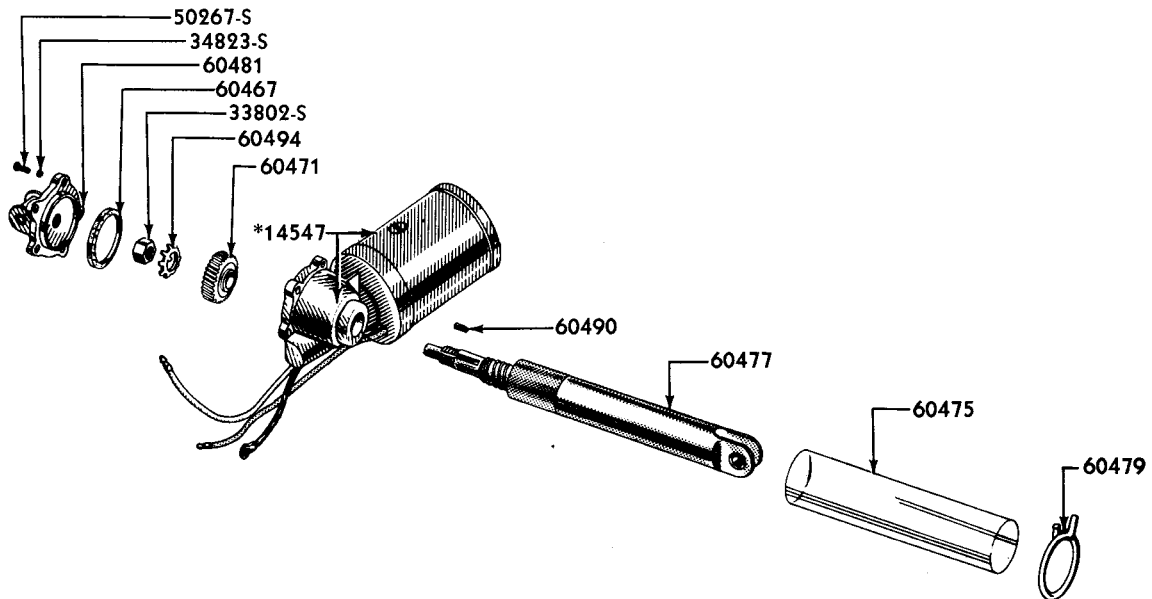
BODY PARTS CATALOGUE

YEAR 19__	BODY TYPES	REMARKS	PART NUMBER	NO. REQ'D
Group 53382 SPACER (FOLDING TOP LIFT MOTOR SUPPORT)				
53-55	BH76A, BS76A, BT76A	Rubber-9/32" I. D. x 11/16" O. D. x 19/64"	BA 7653382-A	4
Group 53465 BRACKET ASSEMBLY (FOLDING TOP LIFT JUNCTION BLOCK)				
53-55	BH76A, BS76A, BT76A	Approximately 3/4" x 3-1/2"	BA 7653465-A	1
Group 54310 INSULATOR (ROOF PANEL)				
53-55	BH60A-60C-73A-73B, BS60A-60C-73A-73B, BT60A-60C-73A-73B	Fibre Glass-1" x 18" x 66"-for service cut to size	BR 7054310-A	2
Group 54312-3 INSULATOR ASSEMBLY (ROOF PANEL INNER)				
54-55	BS60A-60C, BT60A-60C	R. H. - Aluminum Foil Faced Glass Fiber Insul.	BS 6054312-A	1
54-55	BS60A-60C, BT60A-60C	L. H. - Aluminum Foil Faced Glass Fiber Insul.	BS 6054313-A	1
54-55	BS73A-73B, BT73A-73B	R. H. - Aluminum Foil Faced Glass Fiber Insul.	BS 7354312-A	1
54-55	BS73A-73B, BT73A-73B	L. H. - Aluminum Foil Faced Glass Fiber Insul.	BS 7354313-A	1
Group 54410 LOOP (TOP BOOT TO REAR SEAT BACK)				
53-55	BH76A, BS76A, BT76A		8H 7654410	6
53-55	BH76A, BS76A, BT76A	Screw (oval head cross recessed)-No. 6-18 x 5/8"	52350-S23B	12
Group 60444 SUPPORT (FRONT SEAT ADJUSTER)-VERTICAL				
53-55	BH, BS, BT	Steel-approximate length 4-1/2" 2-way and 4-way electric control	BH 7360444-A	1
53-55	BH, BS, BT	Pin (clevis)-1/4" x 5/16"	73939-S	1
53-55	BH, BS, BT	Pin (self locking)	352358-S	1
Group 60454 BRACKET (FRONT SEAT ADJUSTER RELAY)				
53-55	BH, BS, BT	Steel-approximately 8-23/32" x 3-11/32"-Electric Control-(4-way seat)	BH 7360454-A	1
Group 60455 BRACKET (FRONT SEAT ADJUSTER TO FLOOR)				
53-55	BH, BS, BT	Steel-1-23/64" x 3-57/64"-Use with Electric Control-(2-way and 4-way seats)	BH 7360455-A	1
53-55	BH, BS, BT	Pin (self locking)	352358-S	1
53-55	BH, BS, BT	Pin (clevis)-5/16" x 1-3/4"	76054-S8	1

Lincoln

BODY PARTS CATALOGUE

YEAR 19___	BODY TYPES	REMARKS	PART NUMBER	NO. REQ'D
Group 60457 SUPPORT (FRONT SEAT ADJUSTER)-HORIZONTAL				
53-55	BH, BS, BT	Steel-approximate length 3-1/8" 2-way and 4-way electric control	BH 7360457-A	1
53-55	BH, BS, BT	Pin (clevis)-1/4" x 5/16"	73939-S	1
53-55	BH, BS, BT	Pin (self locking)	352358-S	1
Group 60467 GASKET (SEAT ADJUSTER REGULATOR COVER)				
53-55	BH, BS, BT	Cork-used with 2-way and 4-way Electric Seats	BH 7360467-A	1or2
Group 60471 GEAR ASSEMBLY (FRONT SEAT ADJUSTER REGULATOR)				
53-55	BH, BS, BT	Used with 2-way and 4-way Electric Seats	BH 7360471-A	1or2



*FOR ADDITIONAL INFORMATION REFER TO CHASSIS PARTS CATALOGUE.

PL-1018

2-WAY AND 4-WAY ELECTRIC SEAT REGULATOR

Group numbers only shown on illustration. Order by Part Numbers shown in list of parts.

YEAR 19___	BODY TYPES	REMARKS	PART NUMBER	NO. REQ'D
Group 60473 REGULATOR ASSEMBLY (FRONT SEAT ADJUSTER)-ELECTRIC				
53-55	BH, BS, BT	Horizontal adjuster-(4-way seat)-(alternate with BH 7360473-C in 2-way seat only)	BH 7360473-F	1
53-55	BH, BS, BT	Vertical adjuster-(4-way seat)	BH 7360473-G	1
53-54	BH, BS	Horizontal adjuster-(2-way seat)-(alternate with BH 7360473-F in 2-way seat only)	BH 7360473-C	1
53-55	BH, BS, BT	Washer (flat)-5/16" (to act as spacer between regulator and bracket to floor)	44724-S8	2

Lincoln

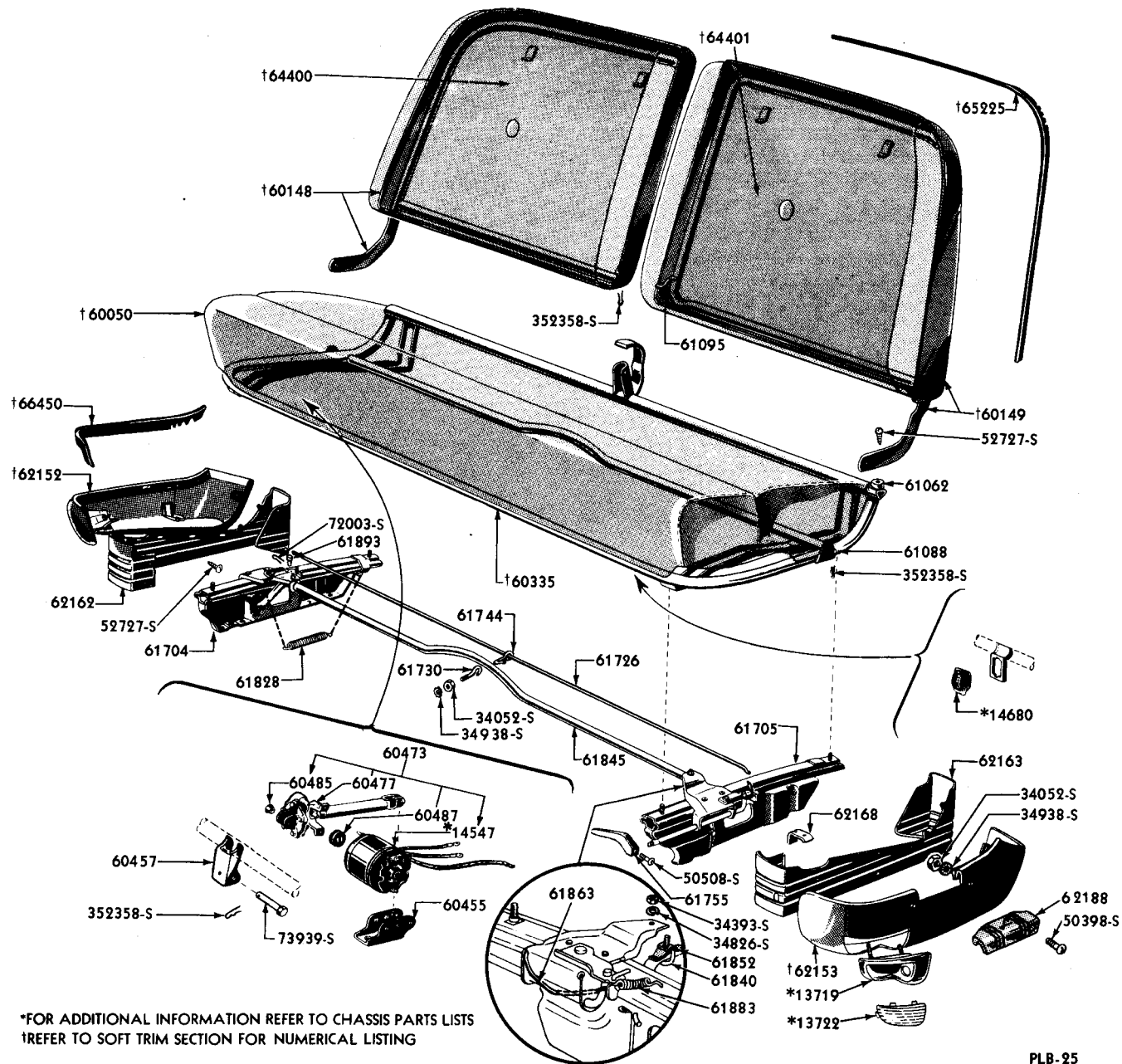
BODY PARTS CATALOGUE

YEAR 19__	BODY TYPES	REMARKS	PART NUMBER	NO. REQ'D
Group 60475 BOOT (FRONT SEAT ADJUSTER REGULATOR SHAFT)				
53-55	BH, BS, BT	Plastic tube used with 2-way and 4-way Electric Seats	BH 7360475-A	1or2
Group 60477 SHAFT ASSEMBLY (FRONT SEAT ADJUSTER REGULATOR)				
53	BH	Electric Control-(2-way seat)	BH 7360477-A	1
53-55	BH, BS, BT	4-way seat-Horizontal	BH 7360477-B	1
53-55	BH, BS, BT	4-way seat-Vertical	BH 7360477-C	1
53-55	BH, BS, BT	Nut (light hex)-7/16"-20	33802-S8	1
Group 60479 CLAMP (FRONT SEAT ADJUSTER REGULATOR SHAFT BOOT)				
53-55	BH, BS, BT	Spring wire-used with 2-way and 4-way seat	BH 7360479-A	1or2
Group 60481 HOUSING COVER ASSEMBLY (FRONT SEAT ADJUSTER REGULATOR)				
53-55	BH, BS, BT	Used with 2-way and 4-way seats	BH 7360481-A	1or2
53-55	BH, BS, BT	Screw (round head cross recess)-No. 10-32 x 1/2"	50267-S8	5or10
53-55	BH, BS, BT	Washer (light spring lock)-No. 10	34823-S7	5or10
Group 60485 BUSHING (SEAT REGULATOR)				
53	BH	Rubber-1/4" I. D. x 5/8" O. D. x 7/16" used with Electric Control-(2-way seat)	BD 7360485-A	2
Group 60487 COUPLING (MOTOR TO SHAFT ASSEMBLY FRONT SEAT ADJUSTER)				
53	BH	Rubber-1-1/8" diameter x 7/16"-Electric Control-used with (2-way seat)	BD 7360487-A	1
Group 60490 KEY (FRONT SEAT ADJUSTER REGULATOR)				
53-55	BH, BS, BT	Used with 2-way and 4-way seats	BH 7360490-A	1or2
Group 60494 WASHER (FRONT SEAT REGULATOR DRIVE SHAFT LOCK)				
53-55	BH, BS, BT	Used with 2-way and 4-way seats	BH 7360494-A	1or2
Group 60650 RISER (REAR SEAT)-FRONT				
53-55	BH60A-60C-76A, BS60A-60C-76A, BT60A-60C-76A	Approximate length 56-15/32"-When used with air conditioning cut two holes	BD 7660650-A	1

Lincoln

BODY PARTS CATALOGUE

YEAR 19	BODY TYPES	REMARKS	PART NUMBER	NO. REQ'D
Group 61062 STOP ASSEMBLY (FRONT SEAT BACK)				
53-55	BH60A-60C-76A, BS60A-60C-76A, BT60A-60C-76A	Rubber (Black)-1-1/8" diameter x 43/64"	BD 7661062-A	2
53-55	BH60A-60C-76A, BS60A-60C-76A, BT60A-60C-76A	Screw (pan hd cross recessed self tap.)-No. 10-12 x 1/2"	52727-S8	2
Group 61088 PIN (FRONT SEAT BACK FRAME HINGE)-OUTER				
53-55	BH60A-60C-76A, BS60A-60C-76A, BT60A-60C-76A	Steel-3/8" diameter x 1-5/64" long	BD 7661088-A	2
Group 61094-5 PIN (FRONT SEAT BACK CENTER HINGE)				
53-55	BH60A-60C-76A, BS60A-60C-76A, BT60A-60C-76A	R. H.	BD 7661094-A	1
53-55	BH60A-60C-76A, BS60A-60C-76A, BT60A-60C-76A	L. H.	BD 7661095-A	1
Group 61704-5 TRACK ASSEMBLY (FRONT SEAT)				
53-55	BH, BS, BT	R. H. -Manual Control	BD 7361704-F	1
53-55	BH, BS, BT	L. H. -Manual Control	BD 7361705-F	1
53	BH	R. H. -Electric Control-(2-way)	BD 7361704-G	1
53	BH	L. H. -Electric Control-(2-way)	BD 7361705-G	1
53-54	BH, BS	R. H. -Electric Control-(4-way)	BH 7361704-B	1
53-54	BH, BS	L. H. -Electric Control-(4-way)	BH 7361705-B	1
55	BT	R. H. -Electric Control-(4-way)	BS 7361704-A	1
55	BT	L. H. -Electric Control-(4-way)	BS 7361705-A	1
53-55	BH, BS, BT	Stud 3/8"-16 x 1-3/4"-use with 4-way	352736-S8	4
53-55	BH, BS, BT	Nut (light thick lock) 3/8"-16	34444-S8	4
53-55	BH, BS, BT	Washer 7/16" I. D. x 11/16" O. D.	356292-S7	4
Group 61726 ROD (FRONT SEAT TRACK TIE)-FRONT				
53-55	BH, BS, BT	5/64" diameter rod x 20-1/2"-Manual Control	BD 7361726-C	1
Group 61727 ROD (FRONT SEAT TRACK TIE)				
53-55	BH, BS, BT	5/64" diameter rod x 31-13/32"-Manual Control	BA 7061727-C	1
Group 61730 EYE BOLT (FRONT SEAT TRACK TIE ROD)				
53-55	BH, BS, BT	Steel-No. 8-32 thread x 9/64" diameter (length threaded 1-1/4")-Manual Control	BA 7061730-A	1
Group 61731 PIN (FRONT SEAT TRACK PIVOT HORIZONTAL BAR LINK)				
53-55	BH, BS, BT	Zinc Plate-approximate length 57/64"	BH 7361731-A	2



*FOR ADDITIONAL INFORMATION REFER TO CHASSIS PARTS LISTS
 *REFER TO SOFT TRIM SECTION FOR NUMERICAL LISTING

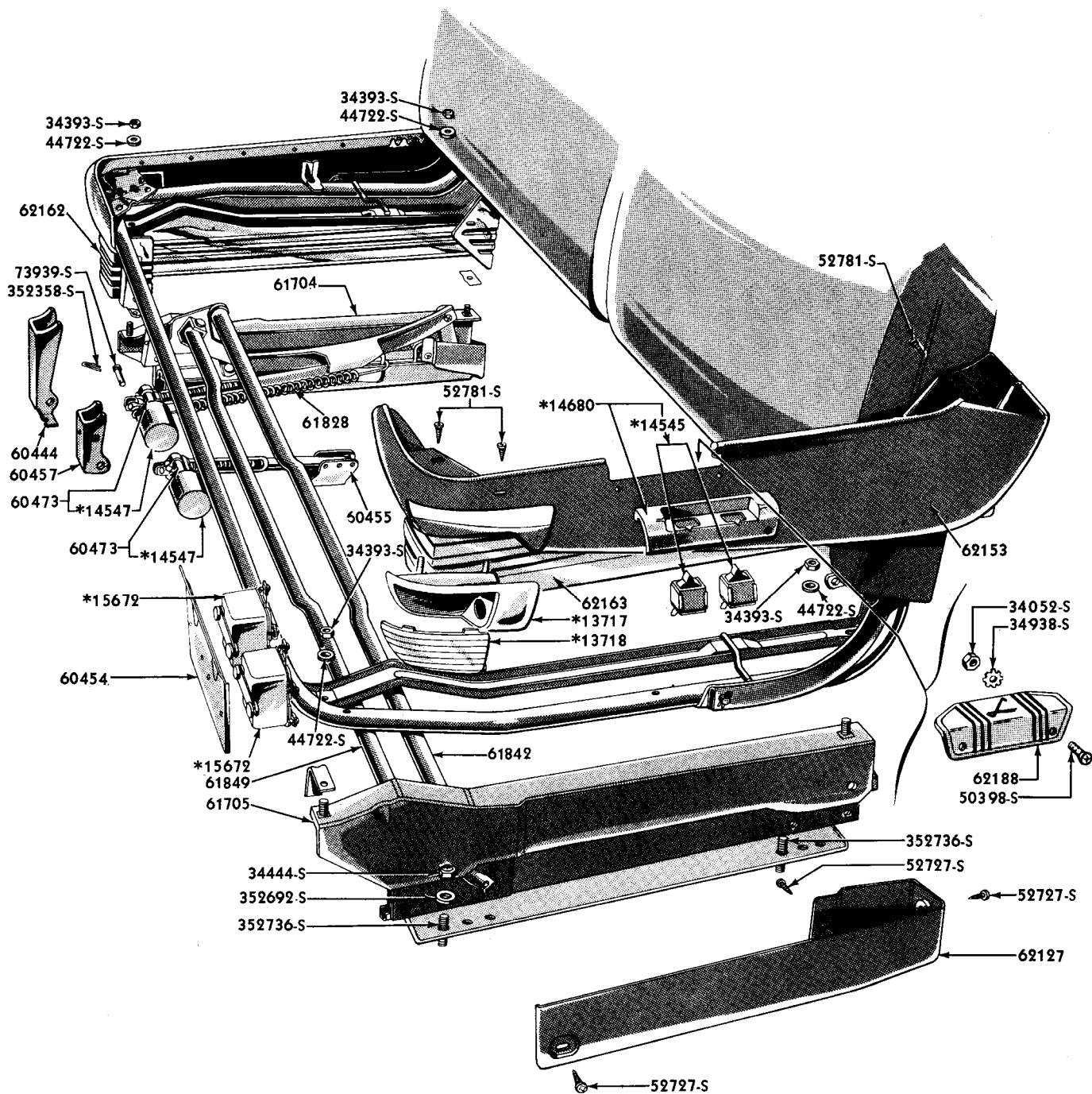
MANUAL & 2-WAY ELECTRIC SEAT MECHANISM

Group numbers only shown on illustration. Order by Part Numbers shown in list of parts.

PLB-25

Lincoln

BODY PARTS CATALOGUE



*FOR ADDITIONAL INFORMATION
REFER TO CHASSIS PARTS LIST

PLB-26

4-WAY ELECTRIC SEAT MECHANISM

Group numbers only shown on illustration. Order by Part Numbers shown in list of parts.

Lincoln

BODY PARTS CATALOGUE

YEAR 19	BODY TYPES	REMARKS	PART NUMBER	NO. REQ'D
Group 61744 LINK (FRONT SEAT TRACK TIE ROD)				
53-55	BH, BS, BT	Steel-3/32" diameter-Manual Control	BA 7061744-A	1
Group 61755 HANDLE ASSEMBLY (FRONT SEAT TRACK ADJUSTING)				
53-55	BH, BS, BT	Chrome Finish-Manual Control	BC 7061755-C	1
53-55	BH, BS, BT	Screw (round head cross recessed)-No. 10-32 x 3/8"	50508-S8	1
Group 61825 SPACER (FRONT SEAT TRACK REGULATOR SHAFT TO DRIVE LINK-LONG)				
53	BH	Steel-approximate length 13-1/8"	BH 7361825-A	1
54-55	BS, BT	Steel-approximate length 13-1/8"	BH 7361825-B	1
Group 61828 SPRING (FRONT SEAT TRACK ASSIST)				
53-55	BH, BS, BT	Used with Manual and 2-way electric seat-51 coils	BD 7361828-A	2
53-55	BH, BS, BT	Used with 4-way electric seat-47 coils	BH 7361828-A	1
Group 61840 SUPPORT (FRONT SEAT TRACK EQUALIZING BAR)				
53-55	BH, BS, BT	Used with Manual and 2-way seats	BA 7061840-A	2
53-55	BH, BS, BT	Nut (lock)-5/16"-24	34393-S7	2
53-55	BH, BS, BT	Washer (spring lock)-5/16"	34826-S8	2
Group 61842 BAR ASSEMBLY (FRONT SEAT TRACK EQUALIZING) HORIZONTAL				
53-55	BH, BS, BT	Used with 4-way seat	BH 7361842-C	1
Group 61845 BAR (FRONT SEAT TRACK EQUALIZING)				
53-55	BH, BS, BT	Steel-1/2" diameter x 52-7/32"-Manual Control	BD 7361845-B	1
53	BH	Steel-11/16" diameter x 52-7/32"-Electric Control-(2-way)	BD 7361845-C	1
53-55	BH, BS, BT	Nut (hex)-5/16"-24	33923-S7	4
53-55	BH, BS, BT	Lockwasher-5/16"	34826-S7	4
Group 61849 BAR (FRONT SEAT TRACK EQUALIZING)-VERTICAL				
53-55	BH, BS, BT	Used with 4-way seat	BH 7361849-A	1
Group 61852 SPRING (FRONT SEAT TRACK EQUALIZING BAR ANTI-RATTLER)				
53-55	BH, BS, BT	Steel-1-1/2" long with 5/16" diameter hole	BA 7061852-A	2
Group 61863 SPRING (FRONT SEAT TRACK ADJUSTING CRANK ANTI-RATTLE)				
53-55	BH, BS, BT	Steel-approximate length 5-21/64"	BA 7061863-B	1

Lincoln

BODY PARTS CATALOGUE

YEAR 19__	BODY TYPES	REMARKS	PART NUMBER	NO. REQ'D
Group 61883 SPRING (FRONT SEAT TRACK LATCH)				
53-55	BH, BS, BT	Free length approximately 1-25/64" (19 coils)	BA 7061883-A	2
Group 61893 NUT (FRONT SEAT TRACK TIE ROD ADJUSTING)				
53-55	BH, BS, BT	Steel-1/4" dia. -No. 8-32 thread x 11/16"-Manual Control	BA 7061893-B	1
53-55	BH, BS, BT	Pin (cotter)-1/16" x 1/2"	72003-S7	1
Group 62126-7 SHIELD (FRONT SEAT TRACK)-INNER				
53-55	BH, BS, BT	R. H. -Steel-approximately 2-11/32" x 13-11/16"-use with Electric Control-(4-way seat)	BH 7362126-AP	1
53-55	BH, BS, BT	L. H. -Steel-approximately 2-11/32" x 13-11/16"-use with Electric Control-(4-way seat)	BH 7362127-AP	1
53-55	BH, BS, BT	Screw (pan hd cross recessed self tap.)-No. 10-12 x 1/2"	52727-S8	6
Group 62162-3 SHIELD (FRONT SEAT TRACK)				
53-54	BH60A-73B-76A, BS60A-73B-76A	R. H. -Chrome Finish-with (3) painted grooves extending completely around all sides-Use with manual or 2-way Electric Control Seats	BD 7362162-D	1
53-54	BH60A-73B-76A, BS60A-73B-76A	L. H. -Chrome Finish-with (3) painted grooves extending completely around all sides and having 5/8" diam. hole in front end-Used with Manual Control Seats	BD 7362163-D	1
53-55	BH60A-73B-76A, BS60A-73B-76A, BT60A-73B-76A	R. H. -Chrome Finish-with (3) painted grooves extending to back-inside rear has (2) painted grooves-Use with Manual 2-way and 4-way Electric Control Seats	BH 7362162-F	1
53-55	BH60A-73B-76A, BS60A-73B-76A, BT60A-73B-76A	L. H. -Chrome Finish-with painted grooves-use with 2-way and 4-way electric seats	BH 7362163-F	1
53-55	BH60A-73B-76A, BS60A-73B-76A, BT60A-73B-76A	L. H. -Chrome Finish-with (3) painted grooves extending to back-inside rear has (2) painted grooves-Use with Manual Control Seat	BH 7362163-H	1
53	BH60C-73A	R. H. -Prime-Use with Electric 4-way seat	BH 7362162-AP	1
53	BH60C-73A	L. H. -Prime-Use with Electric 4-way seat	BH 7362163-AP	1
53	BH60C-73A	R. H. -Prime-with (3) grooves extending completely around all sides-Use with Manual or 2-way Electric Control Seats	BD 7362162-CP	1
53	BH60C-73A	L. H. -Prime-with (3) grooves extending completely around all sides and having 5/8" diam. hole in front end-Used with Manual Control	BD 7362163-CP	1
53	BH60C-73A	L. H. -Prime-Use with Electric 2-way seat	BD 7362163-EP	1
54-55	BS60C-73A, BT60C-73A	R. H. -Prime-with (3) grooves extending to back-inside rear has (2) grooves-Use with Manual and 4-way Electric Control Seats	BH 7362162-EP	1
54-55	BS60C-73A, BT60C-73A	L. H. -Prime-use with 4-way seat	BH 7362163-EP	1
54-55	BS60C-73A, BT60C-73A	L. H. -Prime-with 3 grooves extending to back-inside rear has (2) grooves-Use with Manual Control Seat	BH 7362163-GP	1
53-55	BH60A-60C-76A, BS60A-60C-76A, BT60A-60C-76A	Screw (pan hd cross recessed self tap.)-No. 10-12 x 1/2"	52727-S8	12
53-55	BH73A-73B, BS73A-73B, BT73A-73B	Screw (pan hd cross recessed tap.)-No. 10-16 x 1/2"	52787-S8	8

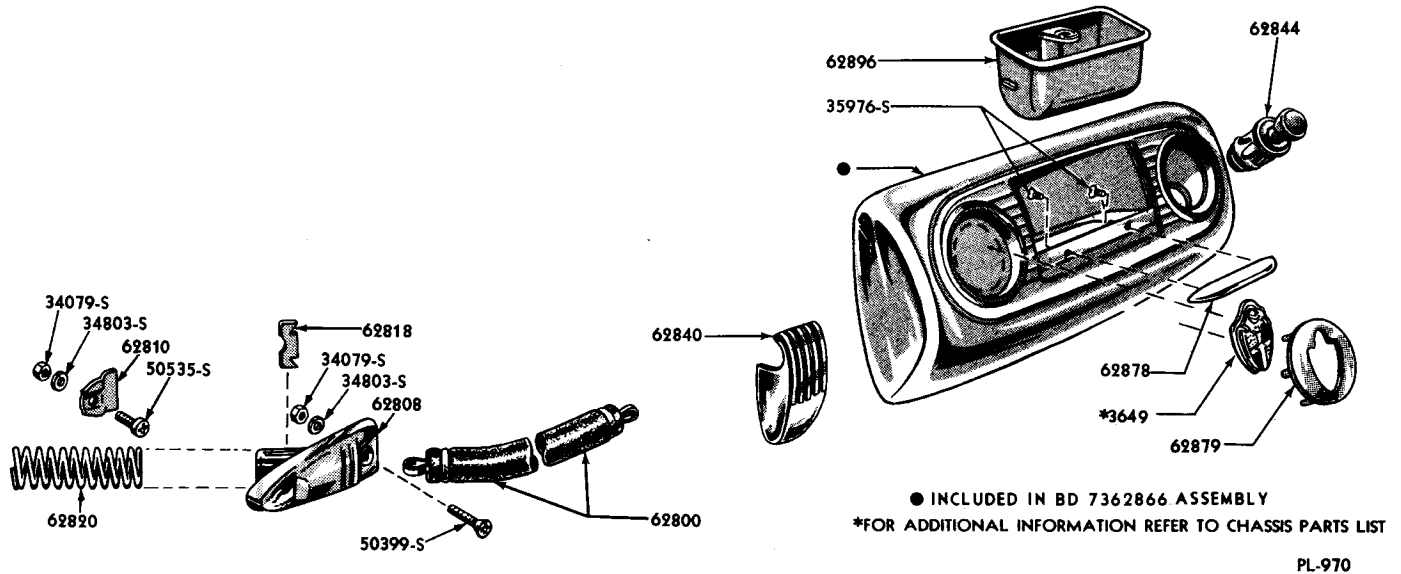
Lincoln

BODY PARTS CATALOGUE

YEAR 19__	BODY TYPES	REMARKS	PART NUMBER	NO. REQ'D
Group 62168 SUPPORT (FRONT SEAT TRACK SHIELD)				
53-55	BH, BS, BT	Steel-1" x 1-1/8" x 1-29/32"	BD 7362168-A	2
Group 62188 COVER (FRONT SEAT REGULATOR CONTROL SWITCH OPENING)				
53-55	BH, BS, BT	Plastic Aceto Butyrate-use with Manual Control	BH 7362188-A	1
53-55	BH, BS, BT	Nut (cold punched hex)-No. 8-32	34052-S7	2
53-55	BH, BS, BT	Screw (oval head cross recessed)-3/8"-24 x 3/8"	50398-S3	2
53-55	BH, BS, BT	Washer (tooth lock external)-No. 8	34938-S8	2
Group 62400 SUPPORT (REAR SEAT BACK)				
53-55	BH76A, BS76A, BT76A	Steel-5/8" x 3-1/4" x 49"	BD 7662400-A	1
		Note: 60A-60C Models serviced in next assy Group 46506		
Group 62408-9 BRACKET ASSEMBLY (REAR SEAT BACK SUPPORT TO WHEELHOUSE)				
53-55	BH76A, BS76A, BT76A	R. H.	BD 7662408-A	1
53-55	BH76A, BS76A, BT76A	L. H.	BD 7662409-A	1
Group 62444-5 BRACKET (REAR SEAT BACK SUPPORT TO SIDE)				
53-55	BH60A-60C, BS60A-60C, BT60A-60C	R. H. -Steel-1" x 2-57/64" x 3-3/4"	BD 6062444-A	1
53-55	BH60A-60C, BS60A-60C, BT60A-60C	L. H. -Steel-1" x 2-57/64" x 3-3/4"	BD 6062445-A	1
Group 62446 BRACE (REAR SEAT BACK SUPPORT TO FLOOR)				
53-55	BH60A-60C, BS60A-60C, BT60A-60C	Steel-3/8" x 2-3/4" x 23-1/4"	BD 6062446-A	2
53-55	BH76A, BS76A, BT76A	Steel-2-3/4" x 12-11/16"	BD 7662446-A	2
Group 62448 BRACKET (REAR SEAT BACK SUPPORT BRACE TO FLOOR)				
53-55	BH60A-60C-76A, BS60A- 60C-76A, BT60A-60C- 76A		BD 7662448-A	2
Group 62450 STRIP (REAR SEAT BACK SUPPORT FINISH)-UPPER				
53-55	BH76A, BS76A, BT76A	Steel-1/4" x 5/16" x 49"	BD 7662450-A	1

Lincoln

BODY PARTS CATALOGUE



ROBE CORD ASSEMBLY (ALL BODY TYPES) AND ASH TRAY ASSEMBLY (BODY TYPE 73)

Group numbers only shown on illustration. Order by Part Numbers shown in list of parts.

PL-970

YEAR 19__	BODY TYPES	REMARKS	PART NUMBER	NO. REQ'D
Group 62808 COVER ASSEMBLY (ROBE CORD END)				
53-55	BH, BS, BT	Chrome Finish	BC 7362808-A	2or4
53-55	BH, BS, BT	Nut (hex)-No. 10-32	34079-S7	2or4
53-55	BH, BS, BT	Screw (oval head cross recessed)-No. 10-32 x 1/2"	50399-S2	2or4
53-55	BH, BS, BT	Washer (lock)-No. 10	34803-S7	2or4
Group 62810 PLATE (ROBE CORD END ANCHOR)				
53-55	BH, BS, BT	Black Finish-1/16" x 59/64" x 1"	BC 7362810-A	2or4
53-55	BH, BS, BT	Lockwasher-No. 10	34803-S7	2or4
53-55	BH, BS, BT	Nut (hex)-No. 10-32	34079-S7	2or4
53-55	BH, BS, BT	Screw (pan head cross recessed)-No. 10-32 x 3/4"	50535-S8	2or4
Group 62818 KEY (ROBE CORD ANCHOR PLATE)				
53-55	BH, BS, BT	Steel-1/8" x 5/16" x 15/16"	8M 7362818-B	2or4
Group 62820 SPRING (ROBE CORD ANCHOR PLATE)				
53-55	BH, BS, BT	Free length 4"	8M 7362820	2or4
Group 62840 HOOK (FRONT SEAT ROBE CORD)				
53-55	BH73A-73B, BS73A-73B, BT73A-73B	Chrome Finish	IL 7462840	1

Lincoln

BODY PARTS CATALOGUE

YEAR 19__	BODY TYPES	REMARKS	PART NUMBER	NO. REQ'D
Group 62844 KNOB AND ELEMENT ASSEMBLY (FRONT SEAT BACK AND QUARTER)-CIGAR LIGHTER				
53	BH60A-76A	Used on Rear Quarter	FAA 7362844-A	2
53-55	BH60C-73A-73B, BS60C-73A, BT60C-73A	Used on Front Seat Back	FAA 7362844-A	1
54-55	BS60A-76A, BT60A-76A	Used on Rear Quarter	FAA 15078-A	2
54-55	BS73B, BT73B	Used on Front Seat Back	FAA 15078-A	1
Group 62866 RETAINER AND RECEPTACLE ASSY. (FRONT SEAT BACK ASH)-LESS KNOB AND ELEMENT				
53-55	BH73A-73B, BS73A-73B, BT73A-73B	Chrome Finish	BD 7362866-C	1
Group 62868 RETAINER ASSEMBLY (FRONT SEAT BACK ASH RECEPTACLE)				
53-55	BH60C, BS60C, BT60C	Chrome Finish	BD 6062868-A	1
53-55	BH60C, BS60C, BT60C	Chrome Finish-complete with lighter	BD 6062868-B	1
Group 62878 HANDLE (FRONT SEAT BACK ASH RECEPTACLE)				
53-55	BH60C, BS60C, BT60C	Chrome Finish	1L 7262878	2
53-55	BH73A-73B, BS73A-73B, BT73A-73B	Chrome Finish	8H 7262878	1
53-55	BH73A-73B, BS73A-73B, BT73A-73B	Screw (flat head cross recessed)-No. 6-32 x 3/8"	50005-S8	2
Group 62879 RETAINER (FRONT SEAT BACK ASH RECEPTACLE-MEDALLION)				
53-55	BH73A-73B, BS73A-73B, BT73A-73B	Chrome Finish	BD 7362879-A	1
Group 62896 BOX AND SNUFFER ASSEMBLY (FRONT SEAT BACK ASH RECEPTACLE)				
53-55	BH60C, BS60C, BT60C		8H 7262896	2
53-55	BH73A-73B, BS73A-73B, BT73A-73B		8H 7362896	1
Group 63370 RETAINER (REAR SEAT CUSHION)-FRONT				
53-55	BH73A-73B, BS73A-73B, BT73A-73B	Steel-7/8" x 2-3/32"	BD 7363370-A	2
Group 63520 RETAINER (SEAT TRIM BUTTON AND STRAP ASSEMBLY)				
54-55	BS60C-73A, BT60C-73A	Fibre-1" diameter x 1/16" thick with 13/16" dia. hole	BS 7363520-A	as reqd

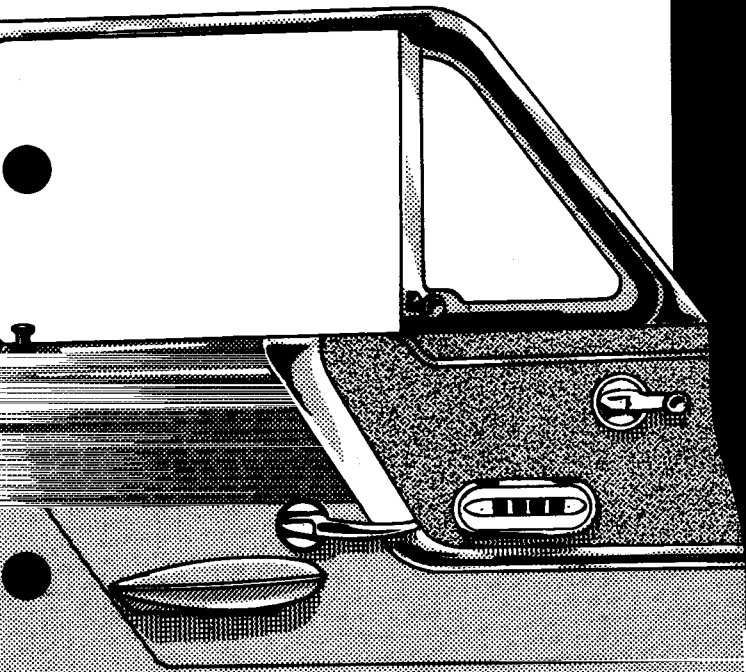
Lincoln

BODY PARTS CATALOGUE

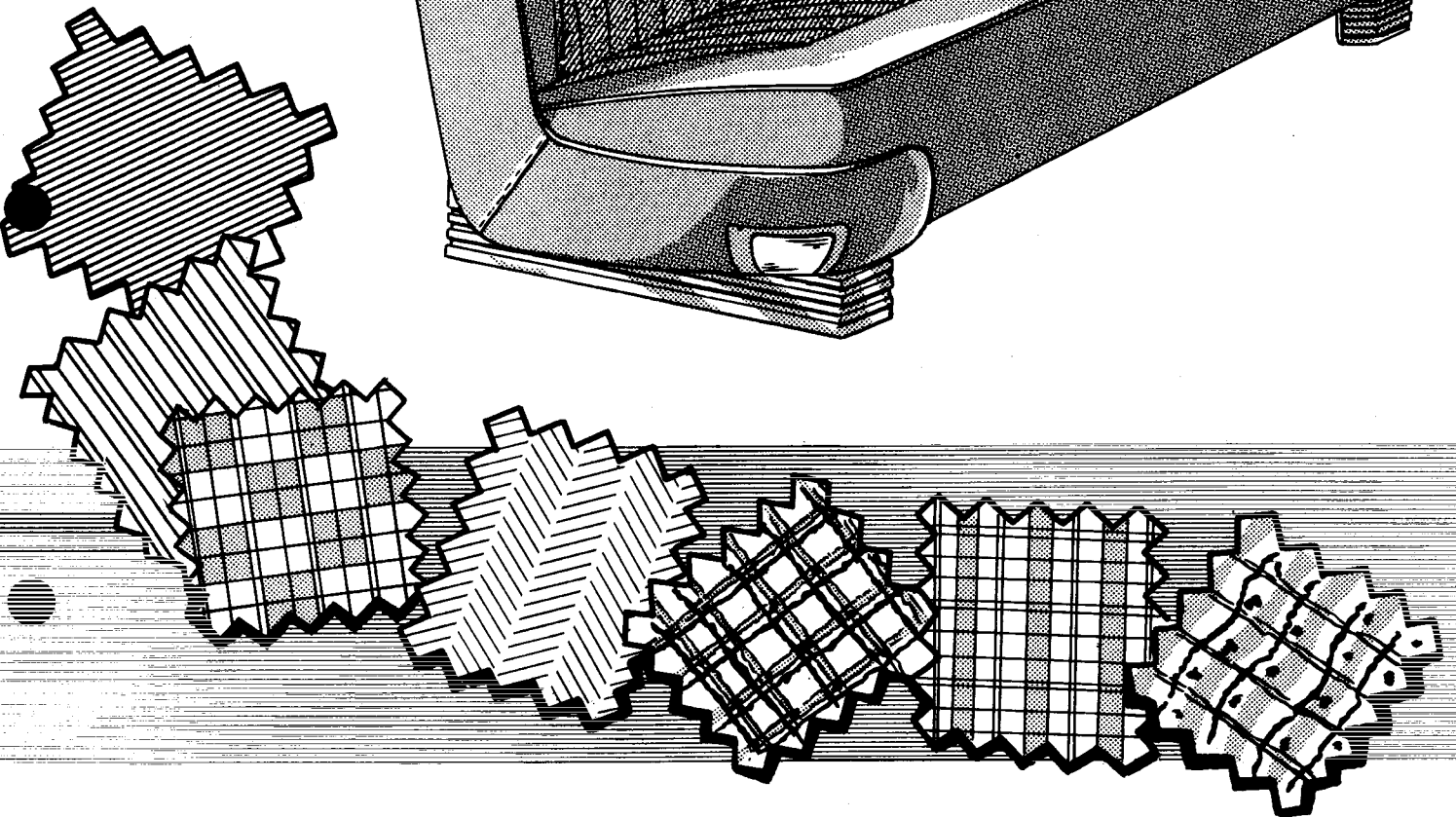
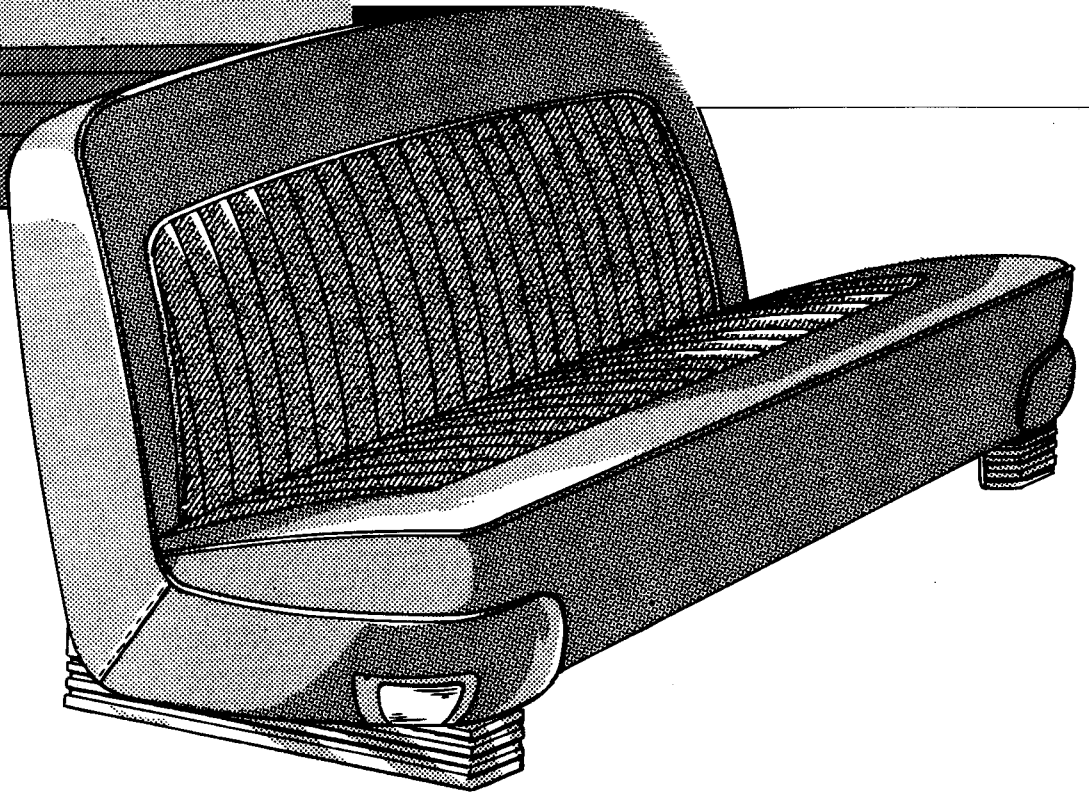
YEAR 19__	BODY TYPES	REMARKS	PART NUMBER	NO. REQ'D
Group 67210-1 LINK AND VERTICAL STRAINER ASSEMBLY (CENTER ARM REST)				
53-55	BH60A-60C, BS60A-60C, BT60A-60C	R. H.	BD 6067210-B	1
53-55	BH60A-60C, BS60A-60C, BT60A-60C	L. H.	BD 6067211-B	1
53-55	BH73A-73B, BS73A-73B, BT73A-73B	R. H.	BD 7367210-B	1
53-55	BH73A-73B, BS73A-73B, BT73A-73B	L. H.	BD 7367211-B	1
53-55	BH76A, BS76A, BT76A	R. H.	BD 7667210-B	1
53-55	BH76A, BS76A, BT76A	L. H.	BD 7667211-B	1
53-55	BH73A-73B, BS73A-73B, BT73A-73B	Bolt (hex hd)-1/4"-20 x 5/8"	20324-S8	1
53-55	BH76A, BS76A, BT76A	Bolt (carriage round hd)-1/4"-28 x 1/2"	23352-S8	1
53-55	BH73A-73B, BS73A-73B, BT73A-73B	Nut (flat)-1/4"-20	34129-S8	1
53-55	BH60A-60C, BS60A-60C, BT60A-60C	Nut (light hex)-1/4"-20	33795-S8	1
53-55	BH76A, BS76A, BT76A	Nut (light hex jam)-1/4"-28	33921-S8	1
53-55	BH60A-60C, BS60A-60C, BT60A-60C	Screw (pan hd. cr. rec.)-1/4"-20 x 7/8"	50547-S8	1
53-55	BH, BS, BT	Screw (pan hd. cr. rec. tap.)-No. 12-11 x 5/8"	52736-S8	1
53-55	BH73A-73B, BS73A-73B, BT73A-73B	Washer (spring light lock)-1/4"	34825-S8	1
53-55	BH60A-60C-76A, BS60A- 60C-76A, BT60A-60C- 76A	Washer (external tooth lock)-1/4"	34940-S8	1
53-55	BH, BS, BT	Washer (flat)-No. 10	44716-S8	1
53-55	BH60A-60C-73A-73B, BS60A-60C-73A-73B, BT60A-60C-73A-73B	Washer (flat)-1/4"	44720-S8	1
53-55	BH, BS, BT	Bolt (hex head)-5/16"-18 x 3/4" used to attach Link & Strainer Assy to Arm Rest	24346-S8	4
53-55	BH, BS, BT	Washer (flat)-5/16" used to attach Link & Strainer Assy to Arm Rest	44724-S8	4

Group 67230 SUPPORT (CENTER ARM REST STRAINER)

53-55	BH60A-60C-76A, BS60A- 60C-76A, BT60A-60C- 76A	Steel-3/8" x 1-3/4" x 22-61/64"	BD 6067230-A	1
53-55	BH73A-73B, BS73A-73B, BT73A-73B	Steel-3/8" x 1-3/4" x 23-5/32"	BD 7367230-A	1
53-55	BH76A, BS76A, BS76A	Bolt (round head carriage)-1/4"-28 x 5/8"	23366-S4	2
53-55	BH76A, BS76A, BS76A	Nut (hex)-1/4"-28	34081-S7	2
53-55	BH76A, BS76A, BS76A	Washer (internal tooth)-1/4"	34905-S7	2
53-55	BH60A-60C, BS60A-60C, BT60A-60C	Lockwasher-1/4"	34805-S8	2
53-55	BH60A-60C, BS60A-60C, BT60A-60C	Washer (flat)-1/4"	44720-S8	2



Soft TRIM



Group 02348-9

TRIM ASSEMBLY (SIDE COWL PANEL)-1953-54

BODY TYPES	R.H. & L.H. NOTES	PART NUMBER LESS SUFFIX	TRIM CODES																								NO. REQ'D
			301	302	303	304	305	306	307	308	309	310	311	312	313	314	315	316	317	318	319	320	321	322	323	324	
			PART NUMBER SUFFIXES																								
BH60A-73B-76A, BS60A-73B-76A	R.H.	BD 7302348					AA		AC					AC	AC	AA	AA				AC	AC	AA	AA			1
BH60A-73B-76A, BS60A-73B-76A	L.H.	BD 7302349					AA		AC					AC	AC	AA	AA				AC	AC	AA	AA			1
BH60A-73B-76A, BS60A-73B-76A	R.H.	BD 7602348									AM	AM	AM						AM	AM	AM						1
BH60A-73B-76A, BS60A-73B-76A	L.H.	BD 7602349									AM	AM	AM						AM	AM	AM						1
BH60C-73A-73B, BS60C-73A-73B	R.H.	BH 7302348	AA		AA			AA																			1
BH60C-73A-73B, BS60C-73A-73B	L.H.	BH 7302349	AA		AA			AA																			1
BH60C-73A-73B, BS60C-73A-73B	R.H.	BD 7302348		AB		AB				AB															AB	\$AB	1
BH60C-73A-73B, BS60C-73A-73B	L.H.	BD 7302349		AB		AB				AB															AB	\$AB	1

Group 02348-9

TRIM ASSEMBLY (SIDE COWL PANEL)-1954

BODY TYPES	R.H. & L.H. NOTES	PART NUMBER LESS SUFFIX	TRIM CODES																								NO. REQ'D
			405	406	406A	407	408	408A	409	410	411	412	413	414	416	416A	419	420	420A	421	422	422A	423	424	427	429	
			PART NUMBER SUFFIXES																								
BS60A-73B	R.H.	BS 7302348															AH	AH	AH	AG	AG	AG					1
BS60A-73B	L.H.	BS 7302349															AH	AH	AH	AG	AG	AG					1
BS60A-73B	R.H.	BH 7602348											AJ	AJ	AJ								AAC	AJ	AJ		1
BS60A-73B	L.H.	BH 7602349											AJ	AJ	AJ								AAC	AJ	AJ		1
BS60A-76A	R.H.	BH 7602348																						AJ	AJ		1
BS60A-76A	L.H.	BH 7602349																						AJ	AJ		1
BS60C-73A	R.H.	BS 7302348	AE	AF		AG	AH																				1
BS60C-73A	L.H.	BS 7302349	AE	AF		AG	AH																				1
BS73A	R.H.	BH 7602348								AAC																	1
BS73A	L.H.	BH 7602349								AAC																	1
BS73B	R.H.	BH 7602348																						AAC			1
BS73B	L.H.	BH 7602349																						AAC			1
BS73B	R.H.	BS 7302348								AE	AF	AG	AH														1
BS73B	L.H.	BS 7302349								AE	AF	AG	AH														1

\$ Used with 1953 Jobs Only

Continued on next page

BODY PARTS CATALOGUE

Lincoln

BODY TYPES	R.H. & L.H. NOTES	PART NUMBER LESS SUFFIX	TRIM CODES																								NO. REQ'D
			429A	430	431	433	433A	435	435A	436	436A	437	438														
			PART NUMBER SUFFIXES																								
BS60A	R.H.	BH 7602348																							AJ	1	
BS60A	L.H.	BH 7602349																							AJ	1	
BS60A-73B	R.H.	BS 7302348				AH			AG																	1	
BS60A-73B	L.H.	BS 7302349				AH			AG																	1	
BS60A-73B-76A	R.H.	BS 7302348								AG																1	
BS60A-73B-76A	L.H.	BS 7302349								AG																1	
BS60A-76A	R.H.	BH 7602348	AJ	AJ	AJ																				AAC AAC AJ	1	
BS60A-76A	L.H.	BH 7602349	AJ	AJ	AJ																				AAC AAC AJ	1	
BS60A-76A	R.H.	BS 7302348				AH	AH																			1	
BS60A-76A	L.H.	BS 7302349				AH	AH																			1	
BS76A	R.H.	BH 7602348																							AAC AJ	1	
BS76A	L.H.	BH 7602349																							AAC AJ	1	
BS76A	R.H.	BS 7302348				AH			AG																	1	
BS76A	L.H.	BS 7302349				AH			AG																	1	

Group 02348-9 TRIM ASSEMBLY (SIDE COWL PANEL)-1955

BODY TYPES	R.H. & L.H. NOTES	PART NUMBER LESS SUFFIX	TRIM CODES																								NO. REQ'D	
			501	503	504	505	506	507	508	511	512	513	514	515	517	518	519	520	523	524	525	527	528	529	530	531		532
			PART NUMBER SUFFIXES																									
BT60A	R.H.	BT 7602348																								AX AY	1	
BT60A	L.H.	BT 7602349																								AX AY	1	
BT60A-73B	R.H.	BH 7602348																								AX AY AJ AJ	1	
BT60A-73B	L.H.	BH 7602349																								AX AY AJ AJ	1	
BT60A-73B-76A	R.H.	BH 7602348																								AJ	1	
BT60A-73B-76A	L.H.	BH 7602349																								AJ	1	
BT60A-73B-76A	R.H.	BT 7602348																								AX	1	
BT60A-73B-76A	L.H.	BT 7602349																								AX	1	
BT60A-76A	R.H.	BH 7602348																								AJ AAH AAJ AAK AAL	1	
BT60A-76A	L.H.	BH 7602349																								AJ AAH AAJ AAK AAL	1	
BT60A-76A	R.H.	BT 7602348																								AY AAB	1	
BT60A-76A	L.H.	BT 7602349																								AY AAB	1	
BT60C-73A	R.H.	BS 7302348	AE	AG																							1	
BT60C-73A	L.H.	BS 7302349	AE	AG																							1	
BT60C-73A	R.H.	BT 7302348				AD																					1	
BT60C-73A	L.H.	BT 7302349				AD																					1	

Continued on next page

BODY PARTS CATALOGUE



Group 02348-9

TRIM ASSEMBLY (SIDE COWL PANEL)-1955-continued

BODY TYPES	R.H. & L.H. NOTES	PART NUMBER LESS SUFFIX	TRIM CODES																					NO. REQ'D				
			501	503	504	505	506	507	508	511	512	513	514	515	517	518	519	520	523	524	525	527	528		529	530	531	532
			PART NUMBER SUFFIXES																									
BT73A	R.H.	BT 7602348										AAB																1
BT73A	L.H.	BT 7602349										AAB																1
BT73B	R.H.	BS 7302348				AE	AF	AG																				1
BT73B	L.H.	BS 7302349				AE	AF	AG																				1
BT73B	R.H.	BT 7302348										AD																1
BT73B	L.H.	BT 7302349										AD																1

Group 02600

WINDLACE AND REINFORCEMENT ASSEMBLY (FRONT BODY PILLAR AND DOOR OPENING)-1953-54

BODY TYPES	R.H. & L.H. NOTES	PART NUMBER LESS SUFFIX	TRIM CODES																							NO. REQ'D		
			301	302	303	304	305	306	307	308	309	310	311	312	313	314	315	316	317	318	319	320	321	322	323		324	
			PART NUMBER SUFFIXES																									
BH60A-76A,BS60A-76A		BH 7602600										AJ	AJ	AJ	BM	BM	BR	BR	AJ	AJ	AJ	BM	BM	BR	BR	BAC		2
BH73A-73B,BS73A-73B		BH 7302600	BA	EB	BA	BB		BA		BB																		2
BH60C,BS60C		BH 6002600	BA	EB	BA	BB																						2
BH73A,BS73A		BH 7302600																									\$BAC	2
BH73B,BS73B		BH 7302600					BE		BG		BJ	BJ	BJ	BM	BM	AR	AR	BJ	BJ	BJ	BM	BM	AR	AR			\$BAC	2

Group 02600

WINDLACE AND REINFORCEMENT ASSEMBLY (FRONT BODY PILLAR AND DOOR OPENING)-1954

BODY TYPES	R.H. & L.H. NOTES	PART NUMBER LESS SUFFIX	TRIM CODES																					NO. REQ'D					
			405	406	406A	407	408	408A	409	410	411	412	413	414	416	416A	419	420	420A	421	422	422A	423		424	427	429		
			PART NUMBER SUFFIXES																										
BS60A		BH 7602600												AJ	AJ	AJ										BAC	AJ		2
BS60A		BS 6002600															AX	AX	AX	AZ	AZ	AZ						2	
BS60A-76A		BH 7602600																							AJ	AJ		2	
BS60C		BS 6002600	AA	AB		AC	AD																					2	
BS73A		BS 7302600	AA	AB		AC	AD		BAC																			2	
BS73B		BH 7302600												BJ	BJ	BJ										BJ	BJ		2
BS73B		BS 7302600						AA	AB	AC	AD						AD	AD	AD	AC	AC	AC	BAC					2	

\$ Used with 1953 Jobs Only

Continued on next page

BODY PARTS CATALOGUE



Group 04104

VISOR ASSEMBLY (LESS ARM AND BRACKET)-1953-54-Continued

BODY TYPES	R.H. & L.H. NOTES	PART NUMBER LESS SUFFIX	TRIM CODES																								NO. REQ'D			
			301	302	303	304	305	306	307	308	309	310	311	312	313	314	315	316	317	318	319	320	321	322	323	324				
			PART NUMBER SUFFIXES																											
BE73B,BS73B		BH 7304104					AE		AG																		2			
BE76A,BS76A		BH 7604104												AK	AL	AM	AN	AR	AS			AK	AL	AM	AN	AR	AS	AAC	2	
BE76A,BS76A		BD 7604104																									BM			2

Group 04104

VISOR ASSEMBLY (LESS ARM AND BRACKET)-1954

BODY TYPES	R.H. & L.H. NOTES	PART NUMBER LESS SUFFIX	TRIM CODES																								NO. REQ'D		
			405	406	406A	407	408	408A	409	410	411	412	413	414	416	416A	419	420	420A	421	422	422A	423	424	427	429			
			PART NUMBER SUFFIXES																										
BS60A		BS 6004104																									AT		2
BS60A-73B		BS 6004104												AR	AT	AAV	AX	AY	AAZ	AZ	AAA	AAZ	AAB	AAC	AR				2
BS60C-73A		BS 7304104	AA	AB		AC	AD																						2
BS73A		BS 7304104									AJ																		2
BS73B		BS 7304104							AA	AL	AC	AN																	2
BS76A		BS 7604104																								AAF	AAH		2

Group 04104

VISOR ASSEMBLY (LESS ARM AND BRACKET)-1954-continued

BODY TYPES	R.H. & L.H. NOTES	PART NUMBER LESS SUFFIX	TRIM CODES																								NO. REQ'D		
			429A	430	431	433	433A	435	435A	436	436A	437	438																
			PART NUMBER SUFFIXES																										
BS60A		BS 6004104	AAV	AAJ	AAK	AY	AAZ			AAS	ABC	AAT	AAT																2
BS76A		BS 7604104	AAZ	AAJ	AAK	AAM	ABA	AAR	ABB	AAS	ABC		AAU																2

Group 04104

VISOR ASSEMBLY (LESS ARM AND BRACKET)-1955

BODY TYPES	R.H. & L.H. NOTES	PART NUMBER LESS SUFFIX	TRIM CODES																								NO. REQ'D						
			501	503	504	505	506	507	508	511	512	513	514	515	517	518	519	520	523	524	525	527	528	529	530	531		532					
			PART NUMBER SUFFIXES																														
BT60A		BS 6004104																									AAT			2			
BT60A		BT 6004104												AU	AV		AN	AAB		AS		AAF	AAH	AAJ	AAK	AAL			2				
BT60A-73B		BS 6004104										AAT	AR								AR								2				
BT60A-73B		BT 6004104									AM	AN		AS			AM						AAF						2				
BT60C-73A		BT 7304104	AA	AC	AD																								2				
BT73A		BT 7304104									AL																		2				
BT73B		BT 7304104				AA	AB	AC	AD																				2				
BT76A		BS 7604104															AX	AY	AAB	AAU	AAF								2				
BT76A		BT 7604104																								AAD		AAG	AAH	AAJ	AAK	AAL	2

BODY TYPES	R.H. & L.H. NOTES	PART NUMBER LESS SUFFIX	TRIM CODES																								NO. REQ'D	
			301	302	303	304	305	306	307	308	309	310	311	312	313	314	315	316	317	318	319	320	321	322	323	324		
			PART NUMBER SUFFIXES																									
BH60A-73B-76A, BS60A-73B-76A	R.H.	BD 7313000												BC	BC	BA	BA					BC	BC	BA	BA	BB		1
BH60A-73B-76A	L.H.	BH 7313001												AG	AG	AE	AE					AG	AG	AE	AE	AB		1
BS60A-73B-76A	L.H.	ED-BH 7313001												AG	AG	AE	AE					AG	AG	AE	AE	AB		1
BH60A-73B-76A, BS60A-73B-76A	R.H.	BH 7613000								AJ	AJ	AJ						AJ	AJ	AJ								1
BH60A-73B-76A	L.H.	BH 7613001								AJ	AJ	AJ						AJ	AJ	AJ								1
BS60A-73B-76A	L.H.	ED-BH 7613001								AJ	AJ	AJ						AJ	AJ	AJ								1
BH60C-73A, BS60C-73A	R.H.	BD 7313000		BB		BB																				BB		1
BH60C-73A, BS60C-73A	R.H.	BH 7313000	AA	AB	AA	AB																						1
BH60C-73A	L.H.	BH 7313001	AA	AB	AA	AB																						1
BS60C-73A	L.H.	ED-BH 7313001	AA	AB	AA	AB																						1
BH73B,BS73B	R.H.	BD 7313000					BA		BC	BB																		1
BH73B,BS73B	R.H.	BH 7313000						AA																				1
BH73B	L.H.	BH 7313001						AA																				1
BS73B	L.H.	ED-BH 7313001						AE	AA	AG	BB																	1

BODY PARTS CATALOGUE



BODY TYPES	R.H. & L.H. NOTES	PART NUMBER LESS SUFFIX	TRIM CODES																				NO. REQ'D				
			405	406	406A	407	408	408A	409	410	411	412	413	414	416	416A	419	420	420A	421	422	422A		423	424	427	429
			PART NUMBER SUFFIXES																								
BS60A-73B		BH 7613000													BJ	BJ											1
BS60A-73B		BS 7313000															BJ	AH	AH	AH	AG	AG	AG	AF			1
BS60A-76A		BH 7613000																								BJ	1
BS60A-73B-76A		BH 7613000																									1
BS60C-73A		BS 7313000	AE	AF		AG	AH																				1
BS73A		BS 7313000							AF																		1
BS73B		BS 7313000								AE	AF	AG	AH														1

Group 13000

CARPET AND PAD ASSEMBLY (FRONT FLOOR)-1954-continued

BODY TYPES	R.H. & L.H. NOTES	PART NUMBER LESS SUFFIX	TRIM CODES																								NO. REQ'D
			429A	430	431	433	433A	435	435A	436	436A	437	438														
			PART NUMBER SUFFIXES																								
BS60A		BH 7613000																							BJ	1	
BS60A-76A		BH 7613000	BJ	BJ	BJ																				BJ	1	
BS60A-76A		BS 7313000				AH	AH					AF	AF													1	
BS60A-73B-76A		BS 7313000						AG	AG																	1	

Group 13000

CARPET AND PAD ASSEMBLY (FRONT FLOOR)-1955

BODY TYPES	R.H. & L.H. NOTES	PART NUMBER LESS SUFFIX	TRIM CODES																								NO. REQ'D				
			501	503	504	505	506	507	508	511	512	513	514	515	517	518	519	520	523	524	525	527	528	529	530	531		532			
			PART NUMBER SUFFIXES																												
BT60A		BS 7313000																								AG	AD	1			
BT60A-73B		BS 7313000										AG	AD															1			
BT60A-73B		BH 7613000																								BJ	BJ	1			
BT60A-76A		BS 7313000																									AD	AF	1		
BT60A-76A		BH 7613000																										BJ	1		
BT60A-73B-76A		BS 7313000																									AG	1			
BT60A-73B-76A		BH 7613000																										BJ	1		
BT60C-73A		BS 7313000	AE	AG	AD																							1			
BT73A		BS 7313000																									AF	1			
BT73B		BS 7313000																									AE	AF	AG	AD	1
BS, BT		BH-9776-A																										Shield (accelerator) pedal dust	1		
BS, BT		BH 9777-A																										Cover (accelerator pedal dust shield)	1		
BS, BT		52720-S8																										Screw (pan head cross recess) No.8-15 x 3/8"	2		
BS, BT		BH 99781-A																										Retainer	1		
BS, BT		353500-S15																										Screw (oval head cross recess)-No. 6-18 x 5/8"	10		
BS, BT		353501-S15																										Screw (oval head cross recess)-No. 6-18 x 1-1/4"	7		
BS, BT		353384-S15																										Washer (finish)-No. 6	7		

BODY PARTS CATALOGUE





Group 13046

CARPET AND PAD ASSEMBLY (REAR FLOOR)-1953-54

BODY TYPES	R.H. & L.H. NOTES	PART NUMBER LESS SUFFIX	TRIM CODES																								NO. REQ'D
			301	302	303	304	305	306	307	308	309	310	311	312	313	314	315	316	317	318	319	320	321	322	323	324	
			PART NUMBER SUFFIXES																								
BH60A-60C,BS60A-60C		* BH 6013046	BA	BB	BA	BB																					1
BH60A-76A,BS60A-76A		* BD 6013046																							AB		1
BH60A-76A,BS60A-76A		* BH 6013046																							BB		1
BH60A-76A,BS60A-76A		* BD 7613046										AR	AR	AN	AN						AR	AR	AN	AN			1
BH60A-76A,BS60A-76A		* BH 7613046								AJ	AJ	AJ					AJ	AJ	AJ								1
BH60A-73B-76A,BS60A-73B-76A		* BH 7613046								BJ	BJ	BJ	BM	BM	BR	BR	BJ	BJ	BJ	BM	BM	BR	BR				1
BH60C,BS60C		* BD 6013046		AB		AB																					1
BH60C,BS60C		* BH 6013046	AA		AA																						1
BH73A,BS73A		* BD 7313046		BB		BB																			\$BB		1
BH73A,BS73A		* BH 7313046	AA		AA																						1
BH73A,BS73A		* BH 7313046	BA	BB	BA	BB																			\$BB		1
BH73B,BS73B		* BH 7313046					AA			AJ	AJ	AJ					AJ	AJ	AJ								1
BH73B,BS73B		* BH 7313046				BE	BA	BG	BB			BG	BG	BE	BE					BG	BG	BE	BE	BB			1
BH73B,BS73B		* BD 7313046				BA		BC	BB			BC	BC	BA	BA					BC	BC	BA	BA	BB			1

Group 13046

CARPET AND PAD ASSEMBLY (REAR FLOOR)-1954

BODY TYPES	R.H. & L.H. NOTES	PART NUMBER LESS SUFFIX	TRIM CODES																				NO. REQ'D				
			405	406	406A	407	408	408A	409	410	411	412	413	414	416	416A	419	420	420A	421	422	422A		423	424	427	429
			PART NUMBER SUFFIXES																								
BS60A		* BH 7613046												AJ	AJ	AJ								AJ	AJ		1
BS60A		* BH 7613046												BJ	BJ	BJ								BJ	BJ		1
BS60A		* BS 7613046															AAM	AAM	AAM	AAR	AAR	AAR	AAS				1
BS60A		* BS 7613046															BAM	BAM	BAM	BAR	BAR	BAR	BAS				1
BS60A-76A		* BH 7613046																						AJ	AJ		1
BS60A-76A		* BH 7613046																						BJ	BJ		1

* Use with Manual and Electric Control Front Seat-2-Way
 † Use with Electric Control Front Seat-4-Way
 § Used on 1953 Jobs Only

Continued on next page

Group 13046

CARPET AND PAD ASSEMBLY (REAR FLOOR)-1954 - continued

BODY TYPES	R.H. & L.H. NOTES	PART NUMBER LESS SUFFIX	TRIM CODES																				NO. REQ'D				
			405	406	406A	407	408	408A	409	410	411	412	413	414	416	416A	419	420	420A	421	422	422A		423	424	427	429
			PART NUMBER SUFFIXES																								
BS60C		+ BS 6013046	AE																								1
BS60C		* BS 6013046	BE																								1
BS60C		+ BS 7613046		AAS		AAR	AAM																				1
BS60C		* BS 7613046		BAS		BAR	BAM																				1
BS73A		+ BS 7313046	AE	AF		AG	AH		AF																		1
BS73A		* BS 7313046	BE	BF		BG	BH		BF																		1
BS73B		+ BS 7313046								AE	AF	AG	AH		AG	AH	AH	AH	AG	AG		AF					1
BS73B		* BS 7313046								BE	BF	BG	BH		BG	BH	BH	BH	BG	BG		BF					1
BS73B		+ BH 7313046												AJ	AJ	AJ							AJ	AJ	AJ		1
BS73B		* BH 7313046												BJ	BJ	BJ							BJ	BJ	BJ		1

BODY PARTS CATALOGUE

Lincoln

Group 13046

CARPET AND PAD ASSEMBLY (REAR FLOOR)-1954-continued

BODY TYPES	R.H. & L.H. NOTES	PART NUMBER LESS SUFFIX	TRIM CODES																NO. REQ'D								
			429A	430	431	433	433A	435	435A	436	436A	437	438														
			PART NUMBER SUFFIXES																								
BS60A		+ BH 7613046														AJ											1
BS60A		* BH 7613046														BJ											1
BS60A-76A		+ BH 7613046	AJ	AJ	AJ											AJ											1
BS60A-76A		* BH 7613046	BJ	BJ	BJ											BJ											1
BS60A-76A		+ BS 7613046				AAM	AAM	AAR	AAR	AAS	AAS																1
BS60A-76A		* BS 7613046				BAM	BAM	BAR	BAR	BAS	BAS																1
BS73B		+ BS 7313046						AG	AG																		1
BS73B		* BS 7313046						BG	BG																		1

Group 13046

CARPET AND PAD ASSEMBLY (REAR FLOOR)-1955

BODY TYPES	R.H. & L.H. NOTES	PART NUMBER LESS SUFFIX	TRIM CODES																				NO. REQ'D					
			501	503	504	505	506	507	508	511	512	513	514	515	517	518	519	520	523	524	525	527		528	529	530	531	532
			PART NUMBER SUFFIXES																									
BT60A		+ BH 7613046												AY	AJ	AJ		AY										1
BT60A		+ BS 7613046												AAR				AAR										1
BT60A		* BS 7613046												BAR				BAR										1
BT60A		* BH 7613046												BY	BJ	BJ		BY										1

+ Use with Manual and Electric Control Front Seat-2-Way

* Use with Electric Control Front Seat-4-Way

Continued on next page

Group 13086

PAD (FRONT FLOOR)-HEEL-1954

BODY TYPES	R.H. & L.H. NOTES	PART NUMBER LESS SUFFIX	TRIM CODES																									NO. REQ'D
			405	406	406A	407	408	408A	409	410	411	412	413	414	416	416A	419	420	420A	421	422	422A	423	424	427	429		
			PART NUMBER SUFFIXES																									
BS60A-73B		BH 7613086												BJ	BJ	BJ									BJ		1	
BS60A-73B		BS 7313086															BD	BD	BD	BC	BC	BC	BB				1	
BS60A-76A		BH 7613086																								BJ		1
BS60A-73B-76A		BH 7613086																								BJ		1
BS60C-73A		BS 7313086			BB																							1
BS60C-73A		BS 7313086	BA			BC	BD																					1
BS73A		BS 7313086								BB																		1
BS73B		BS 7313086								BA	BB	BC	BD															1

Group 13086

PAD (FRONT FLOOR)-HEEL-1954-continued

BODY TYPES	R.H. & L.H. NOTES	PART NUMBER LESS SUFFIX	TRIM CODES																									NO. REQ'D	
			429A	430	431	433	433A	435	435A	436	436A	437	438																
			PART NUMBER SUFFIXES																										
BS60A		BH 7613086												BJ														1	
BS60A-76A		BH 7613086	BJ	BJ	BJ									BJ														1	
BS60A-76A		BS 7313086				BD	BD			BB	BB																	1	
BS60A-73B-76A		BS 7313086								BC	BC																	1	

Group 13086

PAD (FRONT FLOOR)-HEEL-1955

BODY TYPES	R.H. & L.H. NOTES	PART NUMBER LESS SUFFIX	TRIM CODES																									NO. REQ'D	
			501	503	504	505	506	507	508	511	512	513	514	515	517	518	519	520	523	524	525	527	528	529	530	531	532		
			PART NUMBER SUFFIXES																										
BT60A		BS 7313086																									BC		1
BT60A		BT 7313086																									AD		1
BT60A-73B		BH 7613086													BJ	BJ													1
BT60A-73B		BS 7313086											BC																1
BT60A-73B		BT 7313086															AD												1
BT60A-76A		BH 7613086																										BJ	1
BT60A-76A		BS 7313086																									BB		1
BT60A-76A		BT 7313086																										AD	1
BT60A-73B-76A		BS 7313086																									BC		1
BT60A-73B-76A		BH 7613086																										BJ	1
BT60C-73A		BS 7313086	BA	BC																									1
BT60C-73A-73B		BT 7313086				AD							AD																1
BT73A		BS 7313086											BB																1
BT73B		BS 7313086					BA	BB	BC																				1

BODY PARTS CATALOGUE

Lincoln

BODY TYPES	R.H. & L.H. NOTES	PART NUMBER LESS SUFFIX	TRIM CODES																								NO. REQ'D						
			301	302	303	304	305	306	307	308	309	310	311	312	313	314	315	316	317	318	319	320	321	322	323	324							
			PART NUMBER SUFFIXES																														
BH60A-76A	R.H.	BH 7623942																AJ	AK	AL	AM	AN	AR	AS	AJ	AK	AL	AM	AN	AR	AS	AAC	1
BH60A-76A	L.H.	BH 7623943																AJ	AK	AL	AM	AN	AR	AS	AJ	AK	AL	AM	AN	AR	AS	AAC	1
BS60A-76A	R.H.	BH 7623942																CJ	CK	CL	AM	CN	CR	CS	CJ	CK	CL	CM	CN	CR	CS	CAC	1
BS60A-76A	L.H.	BH 7623943																CJ	CK	CL	CM	CN	CR	CS	CJ	CK	CL	CM	CN	CR	CS	CAC	1
BH60C	R.H.	BH 6023942	AA	AB	AA	AB																											1
BH60C	L.H.	BH 6023943	AA	AB	AA	AB																											1
BS60C	R.H.	BH 6023942	CA	CB	CA	CB																											1
BS60C	L.H.	BH 6023943	CA	CB	CA	CB																											1
BH73A	R.H.	BH 7323942	AA	AB	AA	AB																										AAD	1
BH73A	L.H.	BH 7323943	AA	AB	AA	AB																									AAD	1	
BS73A	R.H.	BH 7323942	CA	CB	CA	CB																											1
BS73A	L.H.	BH 7323943	CA	CB	CA	CB																											1
BH73B	R.H.	BH 7323942					AE	AF	AG	AH	AJ	AK	AL	AM	AN	AR	AS	AJ	AK	AL	AM	AN	AR	AS	AJ	AK	AL	AM	AN	AR	AS	AAC	1
BH73B	L.H.	BH 7323943					AE	AF	AG	AH	AJ	AK	AL	AM	AN	AR	AS	AJ	AK	AL	AM	AN	AR	AS	AJ	AK	AL	AM	AN	AR	AS	AAC	1
BS73B	R.H.	BH 7323942					CE	CF	CG	CH	CJ	CK	CL	CM	CN	CR	CS	CJ	CK	CL	CM	CN	CR	CS	CJ	CK	CL	CM	CN	CR	CS	CAC	1
BS73B	L.H.	BH 7323943					CE	CF	CG	CH	CJ	CK	CL	CM	CN	CR	CS	CJ	CK	CL	CM	CN	CR	CS	CJ	CK	CL	CM	CN	CR	CS	CAC	1

BODY TYPES	R.H. & L.H. NOTES	PART NUMBER LESS SUFFIX	TRIM CODES																								NO. REQ'D					
			405	406	406A	407	408	408A	409	410	411	412	413	414	416	416A	419	420	420A	421	422	422A	423	424	427	429						
			PART NUMBER SUFFIXES																													
BS60A	R.H.	BS 6023942																AR	AT	AAV	AX	AY	AAZ	AAA	AAA	AAA	AAZ	AAB	AAC			1
BS60A	L.H.	BS 6023943																AR	AT	AAV	AX	AY	AAZ	AAA	AAA	AAA	AAZ	AAB	AAC			1
BS60A-76A	R.H.	BS 6023942																												AR	AT	1
BS60A-76A	L.H.	BS 6023943																												AR	AT	1
BS60C	R.H.	BS 6023942	AE	AF		AG	AH																									1
BS60C	L.H.	BS 6023943	AE	AF		AG	AH																									1
BS73A	R.H.	BS 7323942	AE	AF		AG	AH		AJ																							1
BS73A	L.H.	BS 7323943	AE	AF		AG	AH		AJ																							1
BS73B	R.H.	BS 7323942								AK	AL	AM	AN	AR	AR	AAV	AX	AX	AAZ	AZ	AZ	AAZ	AAB	AAB	AR							1
BS73B	L.H.	BS 7323943								AK	AL	AM	AN	AR	AR	AAV	AX	AX	AAZ	AZ	AZ	AAZ	AAB	AAB	AR							1

BODY PARTS CATALOGUE

Lincoln

Group 23942-3

TRIM ASSEMBLY (FRONT DOOR PANEL)-LESS ARM REST-1954-continued

BODY TYPES	R.H. & L.H. NOTES	PART NUMBER LESS SUFFIX	TRIM CODES																												NO. REQ'D
			429A	430	431	433	433A	435	435A	436	436A	437	438																		
			PART NUMBER SUFFIXES																												
BS60A	R.H.	BS 6023942																											AAT	1	
BS60A	L.H.	BS 6023943																											AAT	1	
BS60A-76A	R.H.	BS 6023942	AAV			AY	AA	AAA	AA																			AAT	1		
BS60A-76A	L.H.	BS 6023943	AAV			AY	AA	AAA	AA																			AAT	1		
BS60A-76A	R.H.	BS 7623942		AAJ	AAK																							AAS	1		
BS60A-76A	L.H.	BS 7623943		AAJ	AAK																							AAS	1		
BS73B	R.H.	BS 7323942								AZ	AA																		1		
BS73B	L.H.	BS 7323943								AZ	AA																		1		
BS76A	R.H.	BS 6023942																										ABC	AAT	1	
BS76A	L.H.	BS 6023943																										ABC	AAT	1	

Group 23942-3

TRIM ASSEMBLY (FRONT DOOR PANEL)-LESS ARM REST-1955

BODY TYPES	R.H. & L.H. NOTES	PART NUMBER LESS SUFFIX	TRIM CODES																												NO. REQ'D																														
			501	503	504	505	506	507	508	511	512	513	514	515	517	518	519	520	523	524	525	527	528	529	530	531	532																																		
			PART NUMBER SUFFIXES																																																										
BT60A	R.H.	BT 7623942												AX	AY	AAC	AAD	AZ	AAA									AAG	1																																
BT60A	L.H.	BT 7623943												AX	AY	AAC	AAD	AZ	AAA									AAG	1																																
BT60A-76A	R.H.	BT 7623942																										AX	AY	AAB	AAC	AAD		AAG	AAH	AAJ	AAK	AAL	1																						
BT60A-76A	L.H.	BT 7623943																											AX	AY	AAB	AAC	AAD		AAG	AAH	AAJ	AAK	AAL	1																					
BT60C	R.H.	BT 6023942	AA	AC	AD																																	1																							
BT60C	L.H.	BT 6023943	AA	AC	AD																																	1																							
BT73A	R.H.	BT 7323942	AA	AC	AD							AL																										1																							
BT73A	L.H.	BT 7323943	AA	AC	AD							AL																										1																							
BT73B	R.H.	BT 7323942				AE	AF	AG	AH			AM	AN		AS	AU	AV	AM										AS	AAF								1																								
BT73B	L.H.	BT 7323943				AE	AF	AG	AH			AM	AN		AS	AU	AV	AM										AS	AAF								1																								
BH,BS,BT		352267-S3	Clip (trim)-sides																																																									as req'd	
BH,BS,BT		357546-S3	Clip (trim)-bottom																																																										as req'd
BH,BS,BT		52368-S23	Screw (oval head cross recess)-No.8-15 x 7/8"																																																										4
BH,BS,BT		35654-S	Washer (finish)-11/64" x 11/32"																																																										4

BODY PARTS CATALOGUE



Lincoln

BODY PARTS CATALOGUE

Group 24140-1 ARM REST ASSEMBLY (DOOR TRIM)-1953-54

BODY TYPES	R.H. & L.H. NOTES	PART NUMBER LESS SUFFIX	TRIM CODES																								NO. REQ'D																	
			301	302	303	304	305	306	307	308	309	310	311	312	313	314	315	316	317	318	319	320	321	322	323	324																		
			PART NUMBER SUFFIXES																																									
BH60A-73B-76A, BS60A-73B-76A	R.H.	BH 7624140																									#BJ	#BJ	#BJ	#BM	#BM	#BR	#BR	#BJ	#BJ	#BJ	#BM	#BM	#BR	#BR	#BAC	#BAC	lor2	
BH60A-73B-76A, BS60A-73B-76A	L.H.	BH 7624141																									#BJ	#BJ	#BJ	#BM	#BM	#BR	#BR	#BJ	#BJ	#BJ	#BM	#BM	#BR	#BR	#BAC	#BAC	lor2	
BH60C-73A-73B	R.H.	BH 7324140					#AE																																				lor2	
BH60C-73A-73B	L.H.	BH 7324141	#AA		#AA		#AB	#AA	#AG																																		lor2	
BH60C-73A-73B, BS60C-73A-73B	R.H.	BH 7324140		#BB		#BB					#BB																																lor2	
BH60C-73A-73B, BS60C-73A-73B	L.H.	BH 7324141		#BB		#BB					#BB																																lor2	
BH60C-73A-73B, BS60C-73A-73B	R.H.	BG 7324140	#AF		#AF			#AF																																			lor2	
BH60C-73A-73B, BS60C-73A-73B	L.H.	BG 7324141	#AF		#AF			#AF																																				lor2
BH73A-73B	R.H.	BH 7624140									#AJ	#AJ	#AJ	#AM	#AM					#AJ	#AJ	#AJ	#AM	#AM																#AAC	#AAC	2		
BH73A-73B	L.H.	BH 7624141									#AJ	#AJ	#AJ	#AM	#AM					#AJ	#AJ	#AJ	#AM	#AM																#AAC	#AAC	2		
BH73A,BS73A	R.H.	BH 7624140																																						#BAC	2			
BH73A,BS73A	L.H.	BH 7624141																																						#BAC	2			
BH73B,BS73B	R.H.	BG 7324140					#AE																																			2		
BH73B,BS73B	L.H.	BG 7324141					#AE																																			2		
BH73B,BS73B	R.H.	BH 7324140									#BG																													#AT	2			
BH73B,BS73B	L.H.	BH 7324141									#BG																													#AT	2			

Group 24140-1 ARM REST ASSEMBLY (DOOR TRIM)-1954

BODY TYPES	R.H. & L.H. NOTES	PART NUMBER LESS SUFFIX	TRIM CODES																						NO. REQ'D																
			405	406	406A	407	408	408A	409	410	411	412	413	414	416	416A	419	420	420A	421	422	422A	423	424		427	429														
			PART NUMBER SUFFIXES																																						
BS60A	R.H.	BS 7324140																									#AZ														1
BS60A	L.H.	BS 7324141																									#AZ														1
BS60A-73B	R.H.	BS 7324140												#AR	#AT	#AAV	#AX	#AT	#AAV		#AT	#AAV	#AS	#AAC																	lor2
BS60A-73B	L.H.	BS 7324141												#AR	#AT	#AAV	#AX	#AT	#AAV		#AT	#AAV	#AS	#AAC																	lor2
BS60A-76A	R.H.	BS 7324140																																						#AT	1
BS60A-76A	L.H.	BS 7324141																																						#AT	1

* Vinyl Cover
 # Leather Cover
 \$ Use with 1953 Jobs Only

Continued on next page

Group 24140-1

ARM REST ASSEMBLY (DOOR TRIM)-1954 - continued

BODY TYPES	R.H. & L.H. NOTES	PART NUMBER LESS SUFFIX	TRIM CODES																				NO. REQ'D				
			405	406	406A	407	408	408A	409	410	411	412	413	414	416	416A	419	420	420A	421	422	422A		423	424	427	429
			PART NUMBER SUFFIXES																								
BS60A-73B-76A	R.H.	BS 7324140																								#AR	lor2
BS60A-73B-76A	L.H.	BS 7324141																								#AR	lor2
BS60C-73A	R.H.	BS 7324140	#AA	#AB		#AC	#AD																				lor2
BS60C-73A	L.H.	BS 7324141	#AA	#AB		#AC	#AD																				lor2
BS73A	R.H.	BS 7324140								#AS																	2
BS73A	L.H.	BS 7324141								#AS																	2
BS73B	R.H.	BS 7324140								#AA	#AL	#AC	#AN														2
BS73B	L.H.	BS 7324141								#AA	#AL	#AC	#AN														2

Group 24140-1

ARM REST ASSEMBLY (DOOR TRIM)-1954-continued

BODY TYPES	R.H. & L.H. NOTES	PART NUMBER LESS SUFFIX	TRIM CODES																NO. REQ'D							
			429A	430	431	433	433A	435	435A	436	436A	437	438													
			PART NUMBER SUFFIXES																							
BS60A	R.H.	BS 7624140									#AAU															1
BS60A	L.H.	BS 7624141									#AAU															1
BS60A-73B-76A	R.H.	BS 7324140			#AZ			#AT	#AAV																	lor2
BS60A-73B-76A	L.H.	BS 7324141			#AZ			#AT	#AAV																	lor2
BS60A-76A	R.H.	BS 7324140	#AAV	#AX		#AT	#AAV			#AT	#AAV	#AAU														1
BS60A-76A	L.H.	BS 7324141	#AAV	#AX		#AT	#AAV			#AT	#AAV	#AAU														1
BS60A-76A	R.H.	BS 7624140										#AAU														1
BS60A-76A	L.H.	BS 7624141										#AAU														1

Group 24140-1

ARM REST ASSEMBLY (DOOR TRIM)-1955

BODY TYPES	R.H. & L.H. NOTES	PART NUMBER LESS SUFFIX	TRIM CODES																				NO. REQ'D					
			501	503	504	505	506	507	508	511	512	513	514	515	517	518	519	520	523	524	525	527		528	529	530	531	532
			PART NUMBER SUFFIXES																									
BT60A	R.H.	BT 7624140											AAC														lor2	
BT60A	L.H.	BT 7624141											AAC														lor2	
BT60A-73B	R.H.	BT 7324140																			AD						lor2	
BT60A-73B	L.H.	BT 7324141																			AD						lor2	
BT60A-73B	R.H.	BT 7624140										AX	AY		AAD	AZ							AAG				lor2	
BT60A-73B	L.H.	BT 7624141										AX	AY		AAD	AZ							AAG				lor2	

* Vinyl Cover

Continued on next page

BODY PARTS CATALOGUE

Lincoln

Group 24140-1

ARM REST ASSEMBLY (DOOR TRIM)-1955-continued

BODY TYPES	R.H. & L.H. NOTES	PART NUMBER LESS SUFFIX	TRIM CODES																				NO. REQ'D					
			501	503	504	505	506	507	508	511	512	513	514	515	517	518	519	520	523	524	525	527		528	529	530	531	532
			PART NUMBER SUFFIXES																									
BT60A-76A	R.H.	BT 7624140															AX	AY	AAB	AAC	AAD		AAG	AAH	AAJ	AAR	AAL	lor2
BT60A-76A	L.H.	BT 7624141															AX	AY	AAB	AAC	AAD		AAG	AAH	AAJ	AAR	AAL	lor2
BT60C-73A	R.H.	BT 7324140	AA	AC	AD																							lor2
BT60C-73A	L.H.	BT 7324141	AA	AC	AD																							lor2
BT73A	R.H.	BT 7324140										AL																lor2
BT73A	L.H.	BT 7324141										AL																lor2
BT73B	R.H.	BT 7324140				AA	AB	AC	AD																			lor2
BT73B	L.H.	BT 7324141				AA	AB	AC	AD																			lor2
BH,BS,BT		52767-S8	Screw (pan head cross recess)-No. 14-10 x 1-3/4"																				4					
BH,BS,BT		355234-S7	Screw and Washer Assy (pan head)-No. 12-24 x 1/2"																				4					
BH60A-76A,BS60A-76A,BT60A-76A		52368-S23	Screw (oval head cross recess)-No. 8-15 x 7/8"																				4					

Group 24446-7

TRIM ASSEMBLY (CENTER BODY PILLAR)-1953-54

BODY TYPES	R.H. & L.H. NOTES	PART NUMBER LESS SUFFIX	TRIM CODES																				NO. REQ'D				
			301	302	303	304	305	306	307	308	309	310	311	312	313	314	315	316	317	318	319	320		321	322	323	324
			PART NUMBER SUFFIXES																								
BH73A	R.H.	BH 7324446	AA	AB	AA	AB																				AAD	1
BH73A	L.H.	BH 7324447	AA	AB	AA	AB																				AAD	1
BS73A	R.H.	BH 7324446	BA	BB	BA	BB																					1
BS73A	L.H.	BH 7324447	BA	BB	BA	BB																					1
BH73B	R.H.	BH 7324446					AE	AA	AG	AB	AJ	AK	AL	AM	AN	AR	AS	AJ	AK	AL	AM	AN	AR	AS	AAC	1	
BH73B	L.H.	BH 7324447					AE	AA	AG	AB	AJ	AK	AL	AM	AN	AR	AS	AJ	AK	AL	AM	AN	AR	AS	AAC	1	
BS73B	R.H.	BH 7324446					EE	BA	BG	BB	BJ	BJ	BJ	BM	BM	BR	BR	BJ	BJ	BJ	BM	BM	BR	BR	BAC	1	
BS73B	L.H.	BH 7324447					EE	BA	BG	BB	BJ	BJ	BJ	BM	BM	BR	BR	BJ	BJ	BJ	BM	BM	BR	BR	BAC	1	

Group 24446-7

TRIM ASSEMBLY (CENTER BODY PILLAR)-1954

BODY TYPES	R.H. & L.H. NOTES	PART NUMBER LESS SUFFIX	TRIM CODES																				NO. REQ'D				
			405	406	406A	407	408	408A	409	410	411	412	413	414	416	416A	419	420	420A	421	422	422A		423	424	427	429
			PART NUMBER SUFFIXES																								
BS73A	R.H.	BS 7324446	AE	AF		AG	AH		AJ																	1	
BS73A	L.H.	BS 7324447	AE	AF		AG	AH		AJ																	1	
BS73B	R.H.	BS 7324446								AE	AL	AG	AN	AR	AR	AR	AX	AX	AX	AZ	AZ	AZ	AAB	AAB	AR	1	
BS73B	L.H.	BS 7324447								AE	AL	AG	AN	AR	AR	AR	AX	AX	AX	AZ	AZ	AZ	AAB	AAB	AR	1	

Continued on next page

BODY PARTS CATALOGUE



Group 24446-7

TRIM ASSEMBLY (CENTER BODY PILLAR)-1954-continued

BODY TYPES	R.H. & L.H. NOTES	PART NUMBER LESS SUFFIX	TRIM CODES																								NO. REQ'D
			429A	430	431	433	433A	435	435A	436	436A	437	438														
			PART NUMBER SUFFIXES																								
BS73B	R.H.	BS 7324446						AZ	AZ																		1
BS73B	L.H.	BS 7324447						AZ	AZ																		1

Group 24446-7

TRIM ASSEMBLY (CENTER BODY PILLAR)-1955

BODY TYPES	R.H. & L.H. NOTES	PART NUMBER LESS SUFFIX	TRIM CODES																								NO. REQ'D	
			501	503	504	505	506	507	508	511	512	513	514	515	517	518	519	520	523	524	525	527	528	529	530	531		532
			PART NUMBER SUFFIXES																									
BT73A	R.H.	BT 7324446	AA	AC	AD						AL																1	
BT73A	L.H.	BT 7324447	AA	AC	AD						AL																1	
BT73B	R.H.	BT 7324446				AE	AF	AG	AH		AM	AN		AS	AU	AV	AM				AS	AAF					1	
BT73B	L.H.	BT 7324447				AE	AF	AG	AH		AM	AN		AS	AU	AV	AM				AS	AAF					1	
BH73A-73B,BS73A-73B,BT73A-73B		357360-S3	Clip (trim)																						as req'd			

Group 24544

WINDLACE ASSEMBLY (REAR DOOR OPENING)-1953-54

BODY TYPES	R.H. & L.H. NOTES	PART NUMBER LESS SUFFIX	TRIM CODES																								NO. REQ'D
			301	302	303	304	305	306	307	308	309	310	311	312	313	314	315	316	317	318	319	320	321	322	323	324	
			PART NUMBER SUFFIXES																								
BH73A-73B,BS73A-73B		BH 7324544	BA	BB	BA	BB		BA		BB															BAC	\$BAC	2
BH73B,BS73B		BH 7324544					BE		BG		BJ	BJ	BJ	BM	BM	\$AR	\$AR	BJ	BJ	BJ	BM	BM	\$AR	\$AR			2

Group 24544

WINDLACE ASSEMBLY (REAR DOOR OPENING)-1954

BODY TYPES	R.H. & L.H. NOTES	PART NUMBER LESS SUFFIX	TRIM CODES																								NO. REQ'D
			405	406	406A	407	408	408A	409	410	411	412	413	414	416	416A	419	420	420A	421	422	422A	423	424	427	429	
			PART NUMBER SUFFIXES																								
BS73A		BH 7324544							BAC																		2
BS73A		BS 7324544	AA	AB	AC	AD																					2
BS73B		BH 7324544											BJ	BJ	BJ									BAC	BJ	BJ	2
BS73B		BS 7324544							AA	AB	AC	AD					AD	AD	AD	AC	AC	AC				2	

\$ Used with 1953 Jobs Only

Continued on next page

BODY PARTS CATALOGUE

Lincoln

BODY PARTS CATALOGUE.

Lincoln

Group 24544

WINDLACE ASSEMBLY (REAR DOOR OPENING)-1954-continued

BODY TYPES	R.H. & L.H. NOTES	PART NUMBER LESS SUFFIX	TRIM CODES																								NO. REQ'D	
			429A	430	431	433	433A	435	435A	436	436A	437	438															
			PART NUMBER SUFFIXES																									
BS 73B		BS 7324544								AC	AC																2	

Group 24544

WINDLACE ASSEMBLY (REAR DOOR OPENING)-1955

BODY TYPES	R.H. & L.H. NOTES	PART NUMBER LESS SUFFIX	TRIM CODES																								NO. REQ'D	
			501	503	504	505	506	507	508	511	512	513	514	515	517	518	519	520	523	524	525	527	528	529	530	531		532
			PART NUMBER SUFFIXES																									
BT73A		BS 7324544	AA	AC	AD																						2	
BT73A		BT 7324544			AD					AT																	2	
BT73B		BH 7324544														BJ						BJ					2	
BT73B		BS 7324544				AA	AB	AC	AD																		2	
BT73B		BT 7324544							AD		AM		AR		AM												2	
BH73A-73B,BS73A-73B,BT73A-73B		358385-83	Clip (trim)																								24	
BH73A-73B,BS73A-73B,BT73A-73B		BD 7331346-7B	Retainer (Quarter Pillar Windlace)																								as req'd	
BH73A-73B,BS73A-73B,BT73A-73B		BD 7631348-9B	Retainer (Quarter Pillar Windlace)																								as req'd	

Group 27406-7

TRIM ASSEMBLY (REAR DOOR PANEL)-1953-54

BODY TYPES	R.H. & L.H. NOTES	PART NUMBER LESS SUFFIX	TRIM CODES																								NO. REQ'D		
			301	302	303	304	305	306	307	308	309	310	311	312	313	314	315	316	317	318	319	320	321	322	323	324			
			PART NUMBER SUFFIXES																										
BH73A	R.H.	BH 7327406	BA	BB	BA	BB																					BAD	1	
BH73A	L.H.	BH 7327407	BA	BB	BA	BB																						BAD	1
BS73A	R.H.	BH 7327406	FA	FB	FA	FB																							1
BS73A	L.H.	BH 7327407	FA	FB	FA	FB																							1
BH73B	R.H.	BH 7327406					BE	BF	BG	BH	BJ	BK	BL	BM	BN	BR	BS	BJ	BK	BL	BM	BN	BR	BS	BAC			1	
BH73B	L.H.	BH 7327407					BE	BF	BG	BH	BJ	BK	BL	BM	BN	BR	BS	BJ	BK	BL	BM	BN	BR	BS	BAC			1	
BS73B	R.H.	BH 7327406					FE	FF	FG	FH	FJ	FK	FL	FM	FN	FR	FS	FJ	FK	FL	FM	FN	FR	FS	FAC			1	
BS73B	L.H.	BH 7327407					FE	FF	FG	FH	FJ	FK	FL	FM	FN	FR	FS	FJ	FK	FL	FM	FN	FR	FS	FAC			1	

Continued on next page

Group 27406-7

TRIM ASSEMBLY (REAR DOOR PANEL)-1954

BODY TYPES	R.H. & L.H. NOTES	PART NUMBER LESS SUFFIX	TRIM CODES																				NO. REQ'D				
			405	406	406A	407	408	408A	409	410	411	412	413	414	416	416A	419	420	420A	421	422	422A		423	424	427	429
			PART NUMBER SUFFIXES																								
BS73A	R.H.	BS 7327406	AE	AF		AG	AH		AJ																		1
BS73A	L.H.	BS 7327407	AE	AF		AG	AH		AJ																		1
BS73B	R.H.	BS 7327406								AK	AL	AM	AN	AR	AT	AAV	AX	AY	AAZ	AZ	AAA	AAZ	AAB	AAC	AR		1
BS73B	L.H.	BS 7327407								AK	AL	AM	AN	AR	AT	AAV	AX	AY	AAZ	AZ	AAA	AAZ	AAB	AAC	AR		1

Group 27406-7

TRIM ASSEMBLY (REAR DOOR PANEL)-1954-continued

BODY TYPES	R.H. & L.H. NOTES	PART NUMBER LESS SUFFIX	TRIM CODES														NO. REQ'D												
			429A	430	431	433	433A	435	435A	436	436A	437	438																
			PART NUMBER SUFFIXES																										
BS73B	R.H.	BS 7327406								AAA	AAZ																	1	
BS73B	L.H.	BS 7327407								AAA	AAZ																	1	

Group 27406-7

TRIM ASSEMBLY (REAR DOOR PANEL)-1955

BODY TYPES	R.H. & L.H. NOTES	PART NUMBER LESS SUFFIX	TRIM CODES																				NO. REQ'D					
			501	503	504	505	506	507	508	511	512	513	514	515	517	518	519	520	523	524	525	527		528	529	530	531	532
			PART NUMBER SUFFIXES																									
BT73A	R.H.	BT 7327406	AA	AC	AD						AL																	1
BT73A	L.H.	BT 7327407	AA	AC	AD						AL																	1
BT73B	R.H.	BT 7327406				AE	AF	AG	AH		AM	AN		AS	AU	AV	AM				AS	AAF						1
BT73B	L.H.	BT 7327407				AE	AF	AG	AH		AM	AN		AS	AU	AV	AM				AS	AAF						1
BH73A-73B,BS73A-73B,BT73A-73B		352267-S3	Clip (trim)																				20					
BH73A-73B,BS73A-73B,BT73A-73B		358392-S8	Clip (trim)																				12					

Group 31002-3

TRIM ASSEMBLY (REAR QUARTER PANEL)-LESS ARM REST-1953-54

BODY TYPES	R.H. & L.H. NOTES	PART NUMBER LESS SUFFIX	TRIM CODES																								NO. REQ'D		
			301	302	303	304	305	306	307	308	309	310	311	312	313	314	315	316	317	318	319	320	321	322	323	324			
			PART NUMBER SUFFIXES																										
BH60A	R.H.	BH 6031002																											1
BH60A	L.H.	BH 6031003																											1
BS60A	R.H.	BH 6031002																											1
BS60A	L.H.	BH 6031003																											1

Continued on next page

BODY PARTS CATALOGUE

Lincoln



Group 31002-3 TRIM ASSEMBLY (REAR QUARTER PANEL)-LESS ARM REST-1954

BODY TYPES	R.H. & L.H. NOTES	PART NUMBER LESS SUFFIX	TRIM CODES																				NO. REQ'D					
			405	406	406A	407	408	408A	409	410	411	412	413	414	416	416A	419	420	420A	421	422	422A		423	424	427	429	
			PART NUMBER SUFFIXES																									
BS60A	R.H.	BS 6031002													AR	AT	AAV	AX	AY	AAX	AZ	AAA	AAV	AAB	AAC	AR	AT	1
BS60A	L.H.	BS 6031003													AR	AT	AAV	AX	AY	AAX	AZ	AAA	AAV	AAB	AAC	AR	AT	1

Group 31002-3 TRIM ASSEMBLY (REAR QUARTER PANEL)-LESS ARM REST-1954-continued

BODY TYPES	R.H. & L.H. NOTES	PART NUMBER LESS SUFFIX	TRIM CODES																	NO. REQ'D								
			429A	430	431	433	433A	435	435A	436	436A	437	438															
			PART NUMBER SUFFIXES																									
BS60A	R.H.	BS 6031002	AAV	AAJ	AAK	AY	AAX	AAA	AAV	AAS	ABC	AAT	AAT															1
BS60A	L.H.	BS 6031003	AAV	AAJ	AAK	AY	AAX	AAA	AAV	AAS	ABC	AAT	AAT															1

Group 31002-3 TRIM ASSEMBLY (REAR QUARTER PANEL)-LESS ARM REST-1955

BODY TYPES	R.H. & L.H. NOTES	PART NUMBER LESS SUFFIX	TRIM CODES																				NO. REQ'D						
			501	503	504	505	506	507	508	511	512	513	514	515	517	518	519	520	523	524	525	527		528	529	530	531	532	
			PART NUMBER SUFFIXES																										
BT60A	R.H.	BT 6031002												AM	AN	AR	AS	AU	AV	AM	AN	AAB	AR	AS					1
BT60A	L.H.	BT 6031003												AM	AN	AR	AS	AU	AV	AM	AN	AAB	AR	AS					1
BH60A,BS60A,BT60A		38937-S7	Screw (pan head)-No. 8-15 x 3/4"																							8			
BH60A,BS60A,BT60A		44710-S8	Washer (flat)-No. 8																							8			

Group 31004-5 TRIM ASSEMBLY (REAR QUARTER PANEL)-FRONT-1953-54

BODY TYPES	R.H. & L.H. NOTES	PART NUMBER LESS SUFFIX	TRIM CODES																											NO. REQ'D					
			301	302	303	304	305	306	307	308	309	310	311	312	313	314	315	316	317	318	319	320	321	322	323	324									
			PART NUMBER SUFFIXES																																
BH76A	R.H.	BH 7631004																		†AJ	†AK	†AL	†AM	†AN	†AR	†AS	†AJ	†AK	†AL	†AM	†AN	†AR	†AS	†AAC	1
BH76A	L.H.	BH 7631005																		†AJ	†AK	†AL	†AM	†AN	†AR	†AS	†AJ	†AK	†AL	†AM	†AN	†AR	†AS	†AAC	1
BH76A	R.H.	BH 7631004																		*BJ	*BK	*BL	*BM	*BN	*BR	*BS	*BJ	*BK	*BL	*BM	*BN	*BR	*BS	*BAC	1
BH76A	L.H.	BH 7631005																		*BJ	*BK	*BL	*BM	*BN	*BR	*BS	*BJ	*BK	*BL	*BM	*BN	*BR	*BS	*BAC	1
BS76A	R.H.	BH 7631004																		DJ	DK	DL	DM	DN	DR	DS	DJ	DK	DL	DM	DN	DR	DS	DAC	1
BS76A	L.H.	BH 7631005																		DJ	DK	DL	DM	DN	DR	DS	DJ	DK	DL	DM	DN	DR	DS	DAC	1

† Use with Manual Control Regulator
 * Use with Electric Control Regulator

Continued on next page

Group 31004-5

TRIM ASSEMBLY (REAR QUARTER PANEL)-FRONT-1954

BODY TYPES	R.H. & L.H. NOTES	PART NUMBER LESS SUFFIX	TRIM CODES																								NO. REQ'D
			405	406	406A	407	408	408A	409	410	411	412	413	414	416	416A	419	420	420A	421	422	422A	423	424	427	429	
			PART NUMBER SUFFIXES																								
BS76A	R.H.	BS 7631004																							†AAF	†AAH	1
BS76A	L.H.	BS 7631005																							†AAF	†AAH	1
BS76A	R.H.	BS 7631004																							*BAF	*BAH	1
BS76A	L.H.	BS 7631005																							*BAF	*BAH	1

Group 31004-5

TRIM ASSEMBLY (REAR QUARTER PANEL)-FRONT-1954-continued

BODY TYPES	R.H. & L.H. NOTES	PART NUMBER LESS SUFFIX	TRIM CODES																								NO. REQ'D	
			429A	430	431	433	433A	435	435A	436	436A	437	438															
			PART NUMBER SUFFIXES																									
BS76A	R.H.	BS 7631004	†AAZ	†AAJ	†AAK	†AAM	†ABA	†AAR	†ABB	†AAS	†ABC		†AAU														1	
BS76A	L.H.	BS 7631005	†AAZ	†AAJ	†AAK	†AAM	†ABA	†AAR	†ABB	†AAS	†ABC		†AAU														1	
BS76A	R.H.	BS 7631004	*BAZ	*BAJ	*BAR	*BAM	*BBA	*BAR	*BBB	*BAS	*BBC		*BAU														1	
BS76A	L.H.	BS 7631005	*BAZ	*BAJ	*BAR	*BAM	*BBA	*BAR	*BBB	*BAS	*BBC		*BAU														1	

Group 31004-5

TRIM ASSEMBLY (REAR QUARTER PANEL)-FRONT-1955

BODY TYPES	R.H. & L.H. NOTES	PART NUMBER LESS SUFFIX	TRIM CODES																								NO. REQ'D																							
			501	503	504	505	506	507	508	511	512	513	514	515	517	518	519	520	523	524	525	527	528	529	530	531		532																						
			PART NUMBER SUFFIXES																																															
BT76A	R.H.	BT 7631004																									AX	AY	AAB	AAC	AAD	1																		
BT76A	L.H.	BT 7631005																										AX	AY	AAB	AAC	AAD	1																	
BH76A,BS76A,BT76A		52734-S8	Screw (pan head cross recess)-No.8-15 x 5/8"																																														4or6	
BH76A,BS76A,BT76A		44710-S8	Washer (flat)-No. 8																																															4or6

Group 31010-1

TRIM ASSEMBLY (REAR QUARTER PANEL)-REAR-1953-54

BODY TYPES	R.H. & L.H. NOTES	PART NUMBER LESS SUFFIX	TRIM CODES																								NO. REQ'D					
			301	302	303	304	305	306	307	308	309	310	311	312	313	314	315	316	317	318	319	320	321	322	323	324						
			PART NUMBER SUFFIXES																													
BH76A	R.H.	BH 7631010										AJ	AK	AL	AM	AL	AR	AL	AJ	AK	AL	AM	AL	AR	AL	AL						1
BH76A	L.H.	BH 7631011										AJ	AK	AL	AM	AL	AR	AL	AJ	AK	AL	AM	AL	AR	AL	AL						1
BS76A	R.H.	BH 7631010										BJ	BK	BL	BM	BL	BR	BL	BJ	BK	BL	BM	BL	BR	BL	BL						1
BS76A	L.H.	BH 7631011										BJ	BK	BL	BM	BL	BR	BL	BJ	BK	BL	BM	BL	BR	BL	BL						1

† Use with Manual Control Regulator
 * Use with Electric Control Regulator

Continued on next page

BODY PARTS CATALOGUE

Lincoln



Group 31010-1 TRIM ASSEMBLY (REAR QUARTER PANEL)-REAR-1954

BODY TYPES	R.H. & L.H. NOTES	PART NUMBER LESS SUFFIX	TRIM CODES																								NO. REQ'D
			405	406	406A	407	408	408A	409	410	411	412	413	414	416	416A	419	420	420A	421	422	422A	423	424	427	429	
			PART NUMBER SUFFIXES																								
BS76A	R.H.	BS 7631010																							AAF	AAH	1
BS76A	L.H.	BS 7631011																							AAF	AAH	1

Group 31010-1 TRIM ASSEMBLY (REAR QUARTER PANEL)-REAR-1954-continued

BODY TYPES	R.H. & L.H. NOTES	PART NUMBER LESS SUFFIX	TRIM CODES																								NO. REQ'D	
			429A	430	431	433	433A	435	435A	436	436A	437	438															
			PART NUMBER SUFFIXES																									
BS76A	R.H.	BS 7631010	AAZ	AAJ	AAK	AAM	ABA	AAR	ABB	AAS	ABC		AAU														1	
BS76A	L.H.	BS 7631011	AAZ	AAJ	AAK	AAM	ABA	AAR	ABB	AAS	ABC		AAU														1	

Group 31010-1 TRIM ASSEMBLY (REAR QUARTER PANEL)-REAR-1955

BODY TYPES	R.H. & L.H. NOTES	PART NUMBER LESS SUFFIX	TRIM CODES																								NO. REQ'D																					
			501	503	504	505	506	507	508	511	512	513	514	515	517	518	519	520	523	524	525	527	528	529	530	531		532																				
			PART NUMBER SUFFIXES																																													
BT76A	R.H.	BT 7631010																							AX	AY	AAB	AAC	AAD	1																		
BT76A	L.H.	BT 7631011																								AX	AY	AAB	AAC	AAD	1																	
BH76A,BS76A,BT76A		52734-S8	Screw (pan head cross recess)-No. 8-15 x 5/8"																																												14	
BH76A,BS76A,BT76A		44710-S8	Washer (flat)-No.8																																													14

Group 31012-3 TRIM ASSEMBLY (REAR QUARTER PANEL)-LESS ARM REST-1953-54

BODY TYPES	R.H. & L.H. NOTES	PART NUMBER LESS SUFFIX	TRIM CODES																								NO. REQ'D			
			301	302	303	304	305	306	307	308	309	310	311	312	313	314	315	316	317	318	319	320	321	322	323	324				
			PART NUMBER SUFFIXES																											
BH60C	R.H.	BH 6031012	BA	BB	BA	BB																								1
BH60C	L.H.	BH 6031013	BA	BB	BA	BB																								1
BS60C	R.H.	BH 6031012	FA	FB	FA	FB																								1
BS60C	L.H.	BH 6031013	FA	FB	FA	FB																								1

Continued on next page

Group 31012-3

TRIM ASSEMBLY (REAR QUARTER PANEL)-LESS ARM REST-1954 - continued

BODY TYPES	R.H. & L.H. NOTES	PART NUMBER LESS SUFFIX	TRIM CODES																								NO. REQ'D
			405	406	406A	407	408	408A	409	410	411	412	413	414	416	416A	419	420	420A	421	422	422A	423	424	427	429	
			PART NUMBER SUFFIXES																								
BS60C	R.H.	BS 6031012	AE	AF		AG	AH																				1
BS60C	L.H.	BS 6031013	AE	AF		AG	AH																				1

Group 31012-3

TRIM ASSEMBLY (REAR QUARTER PANEL)-LESS ARM REST-1955

BODY TYPES	R.H. & L.H. NOTES	PART NUMBER LESS SUFFIX	TRIM CODES																								NO. REQ'D	
			501	503	504	505	506	507	508	511	512	513	514	515	517	518	519	520	523	524	525	527	528	529	530	531		532
			PART NUMBER SUFFIXES																									
BT60C	R.H.	BT 6031012	AA	AC	AD																						1	
BT60C	L.H.	BT 6031013	AA	AC	AD																						1	
BH60C,BS60C,BT60C		352267-S3	Clip (Trim)																								8	

Group 31290-1

WINDLACE AND REINFORCEMENT ASSEMBLY (QUARTER LOCK PILLAR)-1953-54

BODY TYPES	R.H. & L.H. NOTES	PART NUMBER LESS SUFFIX	TRIM CODES																								NO. REQ'D
			301	302	303	304	305	306	307	308	309	310	311	312	313	314	315	316	317	318	319	320	321	322	323	324	
			PART NUMBER SUFFIXES																								
BH60A-76A,BS60A-76A	R.H.	BH 7631290												AM	AM	AR	AR					AM	AM	AR	AR	AAC	1
BH60A-76A,BS60A-76A	L.H.	BH 7631291												AM	AM	AR	AR					AM	AM	AR	AR	AAC	1
BH60A-76A,BS60A-76A	R.H.	BD 7631290									CM	CM	CM					CM	CM	CM							1
BH60A-76A,BS60A-76A	L.H.	BD 7631291									CM	CM	CM					CM	CM	CM							1
BH60C,BS60C	R.H.	BH 6031290	AA	AB	AA	AB																					1
BH60C,BS60C	L.H.	BH 6031291	AA	AB	AA	AB																					1

Continued on next page

BODY PARTS CATALOGUE

Lincoln

Group 31290-1

WINDLACE AND REINFORCEMENT ASSEMBLY (QUARTER LOCK PILLAR)-1955-continued

BODY TYPES	R.H. & L.H. NOTES	PART NUMBER LESS SUFFIX	TRIM CODES																				NO. REQ'D								
			501	503	504	505	506	507	508	511	512	513	514	515	517	518	519	520	523	524	525	527		528	529	530	531	532			
			PART NUMBER SUFFIXES																												
BT60A-76A	R.H.	BD 7631290																		CM	CM								1		
BT60A-76A	L.H.	BD 7631291																		CM	CM								1		
BT60A-76A	R.H.	BT 7631290																									AAH	AAJ	AAK	AAL	1
BT60A-76A	L.H.	BT 7631291																									AAH	AAJ	AAK	AAL	1
BT60C		BS 6031290	BA	BC	BD																									2	
BT60C		BT 6031290			AD																									2	

Group 31600-1

ARM REST ASSEMBLY (REAR QUARTER)-1953-54

BODY TYPES	R.H. & L.H. NOTES	PART NUMBER LESS SUFFIX	TRIM CODES																				NO. REQ'D						
			301	302	303	304	305	306	307	308	309	310	311	312	313	314	315	316	317	318	319	320		321	322	323	324		
			PART NUMBER SUFFIXES																										
BH60A	R.H.	BH 6031600									#AJ	#AJ	#AJ	#AM	#AM	#AR	#AR	#AJ	#AJ	#AJ	#AM	#AM	#AR	#AR	#AAC				1
BH60A	L.H.	BH 6031601									#AJ	#AJ	#AJ	#AM	#AM	#AR	#AR	#AJ	#AJ	#AJ	#AM	#AM	#AR	#AR	#AAC				1
BS60A	R.H.	BH 6031600									*CJ	*CK	*CL	*CM	*CN	*CR	*CS	*CJ	*CK	*CL	*CM	*CN	*CR	*CS	*CAC				1
BS60A	L.H.	BH 6031601									*CJ	*CK	*CL	*CM	*CN	*CR	*CS	*CJ	*CK	*CL	*CM	*CN	*CR	*CS	*CAC				1
BH60C	R.H.	BH 6031600	#AA	#AB	#AA	#AB																							1
BH60C	L.H.	BH 6031601	#AA	#AB	#AA	#AB																							1
BH60C,BS60C	R.H.	BH 6031600	#BA	#BB	#BA	#BB																							1
BH60C,BS60C	L.H.	BH 6031601	#BA	#BB	#BA	#BB																							1
BH76A	R.H.	BH 7631601									#AJ	#AJ	#AJ	#AM	#AM	#AR	#AR	#AJ	#AJ	#AJ	#AM	#AM	#AR	#AR	#AAC				1
BH76A	L.H.	BH 7631601									#AJ	#AJ	#AJ	#AM	#AM	#AR	#AR	#AJ	#AJ	#AJ	#AM	#AM	#AR	#AR	#AAC				1
BS76A	R.H.	BH 7631600									*CJ	*CK	*CL	*CM	*CN	*CR	*CS	*CJ	*CK	*CL	*CM	*CN	*CR	*CS	*CAC				1
BS76A	L.H.	BH 7631601									*CJ	*CK	*CL	*CM	*CN	*CR	*CS	*CJ	*CK	*CL	*CM	*CN	*CR	*CS	*CAC				1

Group 31600-1

ARM REST ASSEMBLY (REAR QUARTER)-1954

BODY TYPES	R.H. & L.H. NOTES	PART NUMBER LESS SUFFIX	TRIM CODES																	NO. REQ'D								
			405	406	406A	407	408	408A	409	410	411	412	413	414	416	416A	419	420	420A		421	422	422A	423	424	427	429	
			PART NUMBER SUFFIXES																									
BS60A	R.H.	BS 6031600													#AR	#AT	#AAV	#AX	#AY	#AAK	#AZ	#AAA	#AAY	#AAB	#AAC	#AR	#AT	1
BS60A	L.H.	BS 6031601													#AR	#AT	#AAV	#AV	#AY	#AAK	#AZ	#AAA	#AAY	#AAB	#AAC	#AR	#AT	1
BS60C	R.H.	BS 6031600	#AA	#AB		#AC	#AD																					1
BS60C	L.H.	BS 6031601	#AA	#AB		#AC	#AD																					1
BS76A	R.H.	BS 7631600																								#AAF	#AAH	1
BS76A	L.H.	BS 7631601																								#AAF	#AAH	1

Leather Cover
 ‡ Vinyl Cover

Continued on next page

BODY PARTS CATALOGUE



BODY PARTS CATALOGUE

Lincoln

Group 31600-1 ARM REST ASSEMBLY (REAR QUARTER)-1954-continued

BODY TYPES	R.H. & L.H. NOTES	PART NUMBER LESS SUFFIX	TRIM CODES																								NO. REQ'D
			429A	430	431	433	433A	435	435A	436	436A	437	438														
			PART NUMBER SUFFIXES																								
BS60A	R.H.	BS 6031600	*AAV	*AAJ	*AAK	*AY	*AAZ	*AAA	*AAY	*AAS	*ABC	*AAT	*AAT														1
BS60A	L.H.	BS 6031601	*AAV	*AAJ	*AAK	*AY	*AAZ	*AAA	*AAY	*AAS	*ABC	*AAT	*AAT														1
BS76A	R.H.	BS 7631600	*AAZ	*AAJ	*AAK	*AAM	*ABA	*AAR	*ABB	*AAS	*ABC		*AAU														1
BS76A	L.H.	BS 7631601	*AAZ	*AAJ	*AAK	*AAM	*ABA	*AAR	*ABB	*AAS	*ABC		*AAU														1

Group 31600-1 ARM REST ASSEMBLY (REAR QUARTER)-1955

BODY TYPES	R.H. & L.H. NOTES	PART NUMBER LESS SUFFIX	TRIM CODES																								NO. REQ'D																		
			501	503	504	505	506	507	508	511	512	513	514	515	517	518	519	520	523	524	525	527	528	529	530	531		532																	
			PART NUMBER SUFFIXES																																										
BT60A	R.H.	BT 6031600																										1																	
BT60A	L.H.	BT 6031601																										1																	
BT60C	R.H.	BT 6031600	AA	AC	AD																							1																	
BT60C	L.H.	BT 6031601	AA	AC	AD																							1																	
BT76A	R.H.	BT 7631600																										1																	
BT76A	L.H.	BT 7631601																										1																	
BH60A-60C,BS60A-60C,BT60A-60C		52767-S8	Screw (pan head cross recess)-No.14-10 x 1-3/4"																																									4	
BH60A-76A,BS60A-76A,BT60A-76A		356554-S	Washer (finish)-11/64" x 11/32"																																										2
BH60A-60C,BS60A-60C,BT60A-60C		44710-S8	Washer (flat)-No.8																																										8

Group 46656 PANEL (PACKAGE TRAY TRIM)-1953-54

BODY TYPES	R.H. & L.H. NOTES	PART NUMBER LESS SUFFIX	TRIM CODES																								NO. REQ'D	
			301	302	303	304	305	306	307	308	309	310	311	312	313	314	315	316	317	318	319	320	321	322	323	324		
			PART NUMBER SUFFIXES																									
BH60A,BS60A		BH 6046656																										1
BH60C,BS60C		BH 6046656	AA	AB	AA	AB																						1
BH73A,BS73A		BH 7346656	AA	AB	AA	AB																						1
BH73B,BS73B		BH 7346656					AE	AA	AG	AB																		1
BH73B,BS73B		BS 7346656																										1

* Vinyl Cover
Leather Cover

Continued on next page

Group 46672

WELT (PACKAGE TRAY FRONT)-1953-54

BODY TYPES	R.H. & L.H. NOTES	PART NUMBER LESS SUFFIX	TRIM CODES																						NO. REQ'D		
			301	302	303	304	305	306	307	308	309	310	311	312	313	314	315	316	317	318	319	320	321	322		323	324
			PART NUMBER SUFFIXES																								
BH60A-73B,BS60A-73B		BH 6046672										AK	AL		AL		AL		AK	AL		AL		AL	AL		1
BH60A-73B,BS60A-73B		BH 7346672											AG		AE					AG		AE					1
BH60C-73A,BS60C-73A		BH 7346672	AA	AB	AA	AB																					1
BH73A,BS73A		BH 6046672																								AK	1
BH73B,BS73B		BH 7346672					AE	AA	AG	AB																	1

Group 46672

WELT (PACKAGE TRAY FRONT)-1954

BODY TYPES	R.H. & L.H. NOTES	PART NUMBER LESS SUFFIX	TRIM CODES																				NO. REQ'D				
			405	406	406A	407	408	408A	409	410	411	412	413	414	416	416A	419	420	420A	421	422	422A		423	424	427	429
			PART NUMBER SUFFIXES																								
BS60A		BS 7346672																							AT	1	
BS60A-73B		BH 6046672																				AK				1	
BS60A-73B		BS 6046672												AAV			AAV			AAV						1	
BS60A-73B		BS 7346672					AD					AR	AT		AD	AT		AM	AT			AAC	AR			1	
BS60C-73A		BS 7346672	AA	AF		AC	AR																			1	
BS73A		BH 6046672							AK																	1	
BS73B		BS 7346672		AB						AK	AB	AM	AD													1	

Group 46672

WELT (PACKAGE TRAY FRONT)-1954-continued

BODY TYPES	R.H. & L.H. NOTES	PART NUMBER LESS SUFFIX	TRIM CODES															NO. REQ'D								
			429A	430	431	433	433A	435	435A	436	436A	437	438													
			PART NUMBER SUFFIXES																							
BS60A		BS 6046672	AAV				AAV				AAV	AAT	AAT													1
BS60A		BS 7346672		AD	AM	AT					AT															1
BS60A-73B		BS 6046672								AAV																1

Continued on next page

BODY PARTS CATALOGUE



Group 51916

HEADLINING ASSEMBLY (ROOF)-1954-continued

BODY TYPES	R.H. & L.H. NOTES	PART NUMBER LESS SUFFIX	TRIM CODES																									NO. REQ'D
			429A	430	431	433	433A	435	435A	436	436A	437	438															
			PART NUMBER SUFFIXES																									
BS60A		BS 6051916	AAV	AX	AZ	AT	AAV	AT	AAV	AT	AAV	AAT	AAT															1
BS60A		BS 6051916		&BX	&BZ	&BT		&BT		&BT		&BAT	&BAT															1
BS60A		BT 6051916	AM				AM		AM		AM																	1
BS73B		BS 7351916							AT																			1
BS73B		BS 7351916							&BT	&AAV																		1
BS73B		BT 7351916								AM																		1
BS60C		M-1G8-M	Welt (headlining retaining) (Dk. Brown) used with-Lt. Brown & White Check Broadcloth																						3.7yds			
BS60C		M-1G8-P	Welt (headlining retaining) (Dk. Blue) used with-Lt. Blue & White Check Broadcloth																						3.7yds			
BS60C		M-1G8-Q	Welt (headlining retaining) (Lt. Gray) used with-Gray Frieze & Gray Gabardine																						3.7yds			
BS60C		M-1G8-S	Welt (headlining retaining) (Lt. Green) used with-Green Frieze & Green Gabardine																						3.7yds			

Group 51916

HEADLINING ASSEMBLY (ROOF)-1955

BODY TYPES	R.H. & L.H. NOTES	PART NUMBER LESS SUFFIX	TRIM CODES																									NO. REQ'D			
			501	503	504	505	506	507	508	511	512	513	514	515	517	518	519	520	523	524	525	527	528	529	530	531	532				
			PART NUMBER SUFFIXES																												
BT60A		BS 6051916																											1		
BT60A		&BS 6051916											AAV	AAV	BAT	BR				AAV	AAV	AAV	BAT		AAV	AAV	AAV	AAV	AAV	AAV	1
BT60A		BT 6051916										AM	AM				AU	AV	AM	AM	AM			AM	AM	AM	AM	AM	AM	1	
BT60A		&BT 6051916															BU	BV												1	
BT60C		BT 6051916	AA	AC	AD																								1		
BT60C		&BT 6051916	BA	BC	BD																								1		
BT60C		BS 6051916			BH																								1		
BT73A		BT 7351916	AA	AC	AD					AL																			1		
BT73A		&BT 7351916	BA	BC	BD					BL																			1		
BT73B		BS 7351916						BF							AR										AAV				1		
BT73B		&BS 7351916						CF					AAV	AAV	BR														1		
BT73B		BT 7351916				AA		AC	AD			AM	AM				AU	AV						AM					1		
BT73B		&BT 7351916				BA		BC	BD								BU	BV											1		
BT60C		M-1G8-L	Welt (headlining retaining) (Dk.Gray) used with Dk. Gray Nylon & Lt. Gray Seaweave																						3.7 yds.						
BT60C		M-1G8-M	Welt (headlining retaining) (Dk.Brown) used with Dk. Brown Nylon & Lt. Brown Seaweave																						3.7 yds.						
BT60C		M-1G8-N	Welt (headlining retaining) (Dk.Green) used with Dk. Green Nylon & Lt. Green Seaweave																						3.7 yds.						
BT60C		M-1G8-W	Welt (headlining retaining) (Dk.Blue) used with Dk. Blue Nylon & Lt. Blue Seaweave																						3.7 yds.						

& Use with Air Conditioning

BODY PARTS CATALOGUE

Lincoln

BODY PARTS CATALOGUE

Lincoln

Group 52300		BINDING (FOLDING TOP)-No. 4 BOW-1953-54															NO. REQ'D	
BODY TYPES	R.H. & L.H. NOTES	PART NUMBER LESS SUFFIX	TRIM CODES															
			100	101	102	103	104	105										
PART NUMBER SUFFIXES																		
BH76A,BS76A		BD 7652300	\$AB				†BC	#AD									1	
BH76A,BS76A,BT76A		BD 7652300		*AA													1	
BH76A		BD 7652300				#AE											1	
BS76A,BT76A		BS 7652300			◇AE												1	
BT76A		BS 7652300	\$\$AB			●AC											1	
BT76A		BT 7652300						##AF									1	
BH76A,BS76A,BT76A		353125-AS23	End Tip (pointed)														2	
BH76A,BS76A,BT76A		52358-S13	Screw (oval head cross recess-type A)-No.6-18 x 3/4"														2	

Group 52308		BINDING (FOLDING TOP)-NO. 1 BOW-1953-55															NO. REQ'D	
BODY TYPES	R.H. & L.H. NOTES	PART NUMBER LESS SUFFIX	TRIM CODES															
			100	101	102	103	104	105										
PART NUMBER SUFFIXES																		
BH76A,BS76A		BD 7652308	\$AB				†BC	#AD									1	
BH76A,BS76A,BT76A		BD 7652308		*AA													1	
BH76A		BD 7652308				#AE											1	
BS76A,BT76A		BS 7652308			◇AE												1	
BT76A		BS 7652308	\$\$AB			●AC											1	
BT76A		BT 7652308						##AF									1	
BH76A,BS76A,BT76A		353126-S7	End Tip (pointed)														2	
BH76A,BS76A,BT76A		52358-S13	Screw (oval head cross recess-type A)-No.6-18 x 3/4"														2	

- * For Service Use M-1G18-H Black with Black Binding - 54" long
- # For Service Use M-19046-D Blue Gray - 54" long
- \$ For Service Use M-19046-B Gray Tan - 54" long
- † For Service Use M-1G18-J Green - 54" long
- ◇ For Service Use M-1G18-P Black with Red Binding - 54" long
- * For Service Use M-1G18-A Black with Red Binding - 54" long
- \$\$ For Service Use M-1G18-V Tan - 54" long
- For Service Use M-1G18-X Green - 54" long
- ## For Service Use M-1G18-AM White - 54" long

Group 52500

CURTAIN, WINDOW AND VALANCE ASSEMBLY (TOP BACK)-1953-55

BODY TYPES	R.H. & L.H. NOTES	PART NUMBER LESS SUFFIX	TRIM CODES																NO. REQ'D
			100	101	102	103	104	105											
			PART NUMBER SUFFIXES																
BH76A		BH 7652500	AB	AA	AA	AC	AD										Clear	1	
BS76A		BD-BS 7652500	BB	BA	BA	BC	BD										Tinted	1	
BT76A		BS 7652500	BB	BA	BA	BC	BD										Tinted	1	
BT76A		BT 7652500														AF	Tinted	1	

Group 52512

VALANCE ASSEMBLY (TOP BACK CURTAIN)-1953-55

BODY TYPES	R.H. & L.H. NOTES	PART NUMBER LESS SUFFIX	TRIM CODES																NO. REQ'D
			100	101	102	103	104	105											
			PART NUMBER SUFFIXES																
BH76A,BS76A		BH 7652512	AB	AA	AA	AC	AD											1	
BT76A		BS 7652512	AB	AA	AA	AC												1	
BT76A		BT 7652512														AF		1	

Group 52700

TOP DECK AND QUARTER ASSEMBLY (FOLDING TOP)-1953-55

BODY TYPES	R.H. & L.H. NOTES	PART NUMBER LESS SUFFIX	TRIM CODES																NO. REQ'D
			100	101	102	103	104	105											
			PART NUMBER SUFFIXES																
BH76A,BS76A		BH 7652700	CB	CA	CE	CC	CD											1	
BT76A		BS 7652700	AB	AA	AE	AC												1	
BT76A		BT 7652700														AF		1	

Group 52874-5

CASE ASSEMBLY (TOP SIDE QUARTER PAD)-1953-55

BODY TYPES	R.H. & L.H. NOTES	PART NUMBER LESS SUFFIX	TRIM CODES																NO. REQ'D
			100	101	102	103	104	105											
			PART NUMBER SUFFIXES																
BH76A,BS76A	R.H.	BH 7652874	AA	AA	AA	AA	AA											1	
BH76A,BS76A	L.H.	BH 7652875	AA	AA	AA	AA	AA											1	
BT76A	R.H.	BS 7652874	AB	AA	AA	AC												1	
BT76A	L.H.	BS 7652875	AB	AA	AA	AC												1	
BT76A	R.H.	BT 7652874														AF		1	
BT76A	L.H.	BT 7652874														AF		1	

BODY PARTS CATALOGUE

Lincoln

Group 54600

TRIM ASSEMBLY (TOP FOLDING COMPARTMENT)-REAR-1953-55

BODY TYPES	R.H. & L.H. NOTES	PART NUMBER LESS SUFFIX	TRIM CODES																								NO. REQ'D
			100	101	102	103	104	105																			
			PART NUMBER SUFFIXES																								
BH76A,BS76A		BH 7654600	AA	AA	AA	AA	AA																				1
BT76A		BS 7654600	AB	AA	AA	AC		AB																			1

Group 60032-3

BACK ASSEMBLY (REAR SEAT)-TRIMMED-1953-54

BODY TYPES	R.H. & L.H. NOTES	PART NUMBER LESS SUFFIX	TRIM CODES																								NO. REQ'D
			301	302	303	304	305	306	307	308	309	310	311	312	313	314	315	316	317	318	319	320	321	322	323	324	
			PART NUMBER SUFFIXES																								
BH60A,BS60A	R.H.	BH 6060032																									1
BH60A,BS60A	L.H.	BH 6060033																									1
BH60C	R.H.	BH 6060032	AA	AB	AC	AD																					1
BH60C	L.H.	BH 6060033	AA	AB	AC	AD																					1
BS60C	R.H.	BH 6060032	●BA	●BB	●BC	●BD																					1
BS60C	L.H.	BH 6060033	●BA	●BB	●BC	●BD																					1
BH73A	R.H.	BH 7360032	AA	AB	AC	AD																				AAD	1
BH73A	L.H.	BH 7360033	AA	AB	AC	AD																				AAD	1
BS73A	R.H.	BH 7360032	●BA	●BB	●BC	●BD																					1
BS73A	L.H.	BH 7360033	●BA	●BB	●BC	●BD																					1
BH73B,BS73B	R.H.	BH 7360032					AE	AF	AG	AH	AJ	AK	AL	AM	AN	AR	AS	AT	AU	AV	AY	AZ	AAA	AAB	AAC		1
BH73B,BS73B	L.H.	BH 7360033					AE	AF	AG	AH	AJ	AK	AL	AM	AN	AR	AS	AT	AU	AV	AY	AZ	AAA	AAB	AAC		1
BH76A,BS76A	R.H.	BH 7660032																									1
BH76A,BS76A	L.H.	BH 7660033																									1

Group 60032-3

BACK ASSEMBLY (REAR SEAT)-TRIMMED-1954

BODY TYPES	R.H. & L.H. NOTES	PART NUMBER LESS SUFFIX	TRIM CODES																								NO. REQ'D
			405	406	406A	407	408	408A	409	410	411	412	413	414	416	416A	419	420	420A	421	422	422A	423	424	427	429	
			PART NUMBER SUFFIXES																								
BS60A	R.H.	BS 6060032																									1
BS60A	L.H.	BS 6060033																									1
BS60C	R.H.	BS 6060032	AE	AF	BF	AG	AH	BH																			1
BS60C	L.H.	BS 6060033	AE	AF	BF	AG	AH	BH																			1
BS73A	R.H.	BS 7360032	AE	AF	BF	AG	AH	BH	AJ																		1
BS73A	L.H.	BS 7360033	AE	AF	BF	AG	AH	BH	AJ																		1

● With Buttons

Continued on next page

BODY PARTS CATALOGUE

Lincoln



Group 60050 CUSHION ASSEMBLY (FRONT SEAT)-TRIMMED-1955

Table with columns: BODY TYPES, R.H. & L.H. NOTES, PART NUMBER LESS SUFFIX, TRIM CODES (501-532), PART NUMBER SUFFIXES (AM-AV), NO. REQ'D. Rows include BT60A, BT60A-76A, BT60C, BT73A, BT73B.

Group 60080 CUSHION ASSEMBLY (REAR SEAT-TRIMMED)-1953-54

Table with columns: BODY TYPES, R.H. & L.H. NOTES, PART NUMBER LESS SUFFIX, TRIM CODES (301-324), PART NUMBER SUFFIXES (AJ-AT), NO. REQ'D. Rows include BH60A, BS60A, BH60C, BS60C, BH73A, BS73A, BH73B, BS73B, BH76A, BS76A.

Group 60080 CUSHION ASSEMBLY (REAR SEAT-TRIMMED)-1954

Table with columns: BODY TYPES, R.H. & L.H. NOTES, PART NUMBER LESS SUFFIX, TRIM CODES (405-429), PART NUMBER SUFFIXES (AR-AX), NO. REQ'D. Rows include BS60A, BS60C, BS73A, BS73B, BS76A.

• With Buttons

Group 60080

CUSHION ASSEMBLY (REAR SEAT-TRIMMED)-1954-continued

BODY TYPES	R.H. & L.H. NOTES	PART NUMBER LESS SUFFIX	TRIM CODES																								NO. REQ'D
			429A	430	431	433	433A	435	435A	436	436A	437	438														
			PART NUMBER SUFFIXES																								
BS60A		BS 6060080	AAF	AAF	AAF	AAM	AAM	AAR	AAR	AAS	AAS	AR	AAF													1	
BS73B		BS 7360080						AAR	ABB																	1	
BS76A		BS 7660080	AAF	AAF	AAF	AAM	AAM	AAR	AAR	AAS	AAS		AAF													1	

Group 60080

CUSHION ASSEMBLY (REAR SEAT)-TRIMMED-1955

BODY TYPES	R.H. & L.H. NOTES	PART NUMBER LESS SUFFIX	TRIM CODES																								NO. REQ'D				
			501	503	504	505	506	507	508	511	512	513	514	515	517	518	519	520	523	524	525	527	528	529	530	531		532			
			PART NUMBER SUFFIXES																												
BT60A		BT 6060080												AM	AN	AR	AS	AU	AV	AX	AY	AAB	AAC	AAD	AAF	AAG	AAH	AAJ	AAK	AAL	1
BT60C		BT 6060080	AA	AC	AD																										1
BT73A		BT 7360080	AA	AC	AD						AL																			1	
BT73B		BT 7360080				AE	AF	AG	AH				AM	AN	AR	AS	AU	AV	AX				AAD	AAF						1	
BT76A		BT 7660080																	AX	AY	AAB	AAC	AAD		AAG	AAH	AAJ	AAK	AAL	1	

Group 60148-9

FRAME ASSEMBLY (FRONT SEAT BACK-TRIMMED)-LESS CUSHION-1953-54

BODY TYPES	R.H. & L.H. NOTES	PART NUMBER LESS SUFFIX	TRIM CODES																								NO. REQ'D							
			301	302	303	304	305	306	307	308	309	310	311	312	313	314	315	316	317	318	319	320	321	322	323	324								
			PART NUMBER SUFFIXES																															
BH60A-76A,BS60A-76A	R.H.	BH 7660148																	AJ	AK	AL	AM	AN	AR	AS	AJ	AK	AL	AM	AN	AR	AS	AAC	1
BH60A-76A,BS60A-76A	L.H.	BH 7660149																	AJ	AK	AL	AM	AN	AR	AS	AJ	AK	AL	AM	AN	AR	AS	AAC	1
BH60C,BS60C	R.H.	BH 6060148	AA	AB	AA	AB																											1	
BH60C,BS60C	L.H.	BH 6060149	AA	AB	AA	AB																											1	

Group 60148-9

FRAME ASSEMBLY (FRONT SEAT BACK-TRIMMED)-LESS CUSHION-1954

BODY TYPES	R.H. & L.H. NOTES	PART NUMBER LESS SUFFIX	TRIM CODES																								NO. REQ'D				
			405	406	406A	407	408	408A	409	410	411	412	413	414	416	416A	419	420	420A	421	422	422A	423	424	427	429					
			PART NUMBER SUFFIXES																												
BS60A	R.H.	BS 6060148																		AX	AY		AZ	AAA		AAB	AAC				1
BS60A	L.H.	BS 6060149																		AX	AY		AZ	AAA		AAB	AAC				1
BS60A	R.H.	BS 7660148													AAZ				ABA				ABB								1
BS60A	L.H.	BS 7660149													AAZ				ABA				ABB								1

Continued on next page

BODY PARTS CATALOGUE

Lincoln

Group 60148-9

FRAME ASSEMBLY (FRONT SEAT BACK-TRIMMED)-LESS CUSHION-1954-continued

BODY TYPES	R.H. & L.H. NOTES	PART NUMBER LESS SUFFIX	TRIM CODES																								NO. REQ'D
			405	406	406A	407	408	408A	409	410	411	412	413	414	416	416A	419	420	420A	421	422	422A	423	424	427	429	
			PART NUMBER SUFFIXES																								
BS60A-76A	R.H.	BS 7660148																									
BS60A-76A	L.H.	BS 7660149												AAF	AAH										AAF	AAH	
BS60C	R.H.	BS 6060148	AE	AF			AG	AH																			
BS60C	L.H.	BS 6060149	AE	AF			AG	AH																			

Group 60148-9

FRAME ASSEMBLY (FRONT SEAT BACK-TRIMMED)-LESS CUSHION-1954-continued

BODY TYPES	R.H. & L.H. NOTES	PART NUMBER LESS SUFFIX	TRIM CODES																		NO. REQ'D					
			429A	430	431	433	433A	435	435A	436	436A	437	438													
			PART NUMBER SUFFIXES																							
BS60A-76A	R.H.	BS 7660148	AAZ	AAJ	AAK	AAM	ABA	AAR	ABB	AAS			AAU													
BS60A-76A	L.H.	BS 7660149	AAZ	AAJ	AAK	AAM	ABA	AAR	ABB	AAS			AAU													

Group 60148-9

FRAME ASSEMBLY (FRONT SEAT BACK)-TRIMMED-LESS CUSHION-1955

BODY TYPES	R.H. & L.H. NOTES	PART NUMBER LESS SUFFIX	TRIM CODES																								NO. REQ'D											
			501	503	504	505	506	507	508	511	512	513	514	515	517	518	519	520	523	524	525	527	528	529	530	531		532										
			PART NUMBER SUFFIXES																																			
BT60A	R.H.	BT 7660148													AX	AY	AAC	AAD	AZ	AAA							AAG											
BT60A	L.H.	BT 7660149													AX	AY	AAC	AAD	AZ	AAA							AAG											
BT60A-76A	R.H.	BT 7660148																									AX	AY	AAB	AAC	AAD		AAG	AAH	AAJ	AAK	AAL	
BT60A-76A	L.H.	BT 7660149																										AX	AY	AAB	AAC	AAD		AAG	AAH	AAJ	AAK	AAL
BT60C	R.H.	BT 6060148	AA	AC	AD																																	
BT60C	L.H.	BT 6060149	AA	AC	AD																																	
BH,BS,BT60A-60C-76A		352358-S	Pin (self locking)-9/32" x 61/64"																						4													

BODY PARTS CATALOGUE

Lincoln

Group 60152

FRAME ASSEMBLY (FRONT SEAT-TRIMMED)-LESS FRONT SEAT CUSHION & FRONT SEAT BACK CUSHION-1953-54

BODY TYPES	R.H. & L.H. NOTES	PART NUMBER LESS SUFFIX	TRIM CODES																								NO. REQ'D
			301	302	303	304	305	306	307	308	309	310	311	312	313	314	315	316	317	318	319	320	321	322	323	324	
			PART NUMBER SUFFIXES																								
BH73A,BS73A		BH 7360152	†DA	†DB	†DA	†DB																				†DK	1
BH73A,BS73A		BH 7360152	*EA	*EB	*EA	*EB																				*EK	1
BH73A,BS73A		BH 7360152	#CA	#CB	#CA	#CB																				#CK	1
BH73B,BS73B		BH 7360152					†DE	†DF	†DG	†DH	†DJ	†DK	†DL	†DM	†DN	†DR	†DS	†DT	†DU	†DV	†DY	†DZ	†DAA	†DAB	†DAC		1
BH73B,BS73B		BH 7360152					*EE	*EF	*EG	*EH	*EJ	*EK	*EL	*EM	*EN	*ER	*ES	*ET	*EU	*EV	*EY	*EZ	*EAA	*EAB	*EAC		1
BH73B,BS73A		BH 7360152					#CE	#CF	#CG	#CH	#CJ	#CK	#CL	#CM	#CN	#CR	#CS	#CT	#CU	#CV	#CY	#CZ	#CAA	#CAB	#CAC		1

Group 60152

FRAME ASSEMBLY (FRONT SEAT TRIMMED)-LESS FRONT SEAT CUSHION & FRONT SEAT BACK CUSHION-1954

BODY TYPES	R.H. & L.H. NOTES	PART NUMBER LESS SUFFIX	TRIM CODES																								NO. REQ'D
			405	406	406A	407	408	408A	409	410	411	412	413	414	416	416A	419	420	420A	421	422	422A	423	424	427	429	
			PART NUMBER SUFFIXES																								
BS73A		BS 7360152	†AE	†AF		†AG	†AH		†AJ																		1
BS73A		BS 7360152	*BE	*BF		*BG	*BH		*BJ																		1
BS73A		BS 7360152	#CE	#CF		#CG	#CH		#CJ																		1
BS73B		BS 7360152								†AK	†AF	†AM	†AH	†AR	†AT	†AAV	†AX	†AY	†AAZ	†AZ	†AAA	†AAY	†AAB	†AAC	†AAF		1
BS73B		BS 7360152								*BK	*BF	*BM	*BH	*BR	*BT	*BAV	*BX	*BY	*BAZ	*BZ	*BAA	*BAY	*BAB	*BAC	*BAF		1
BS73B		BS 7360152								#CK	#CF	#CM	#CH	#CR	#CT	#CAV	#CX	#CY	#CAZ	#CZ	#CAA	#CAY	#CAB	#CAB	#CAF		1

Group 60152

FRAME ASSEMBLY (FRONT SEAT TRIMMED)-LESS FRONT SEAT CUSHION & FRONT SEAT BACK CUSHION-1954-continued

BODY TYPES	R.H. & L.H. NOTES	PART NUMBER LESS SUFFIX	TRIM CODES															NO. REQ'D									
			429A	430	431	433	433A	435	435A	436	436A	437	438														
			PART NUMBER SUFFIXES																								
BS73B		BS 7360152								†AAR	†AAY																1
BS73B		BS 7360152								*BAR	*BAY																1
BS73B		BS 7360152								#CAR	#CAY																1

† Use with Manual Control Front Seat
 * Use with Electric Control Front Seat-2-Way
 ‡ Use with Electric Control Front Seat-4-Way

Continued on next page

BODY PARTS CATALOGUE



Group 60335

FRAME ASSEMBLY (FRONT SEAT BASE TRIMMED)-LESS CUSHION-1954 - continued

BODY TYPES	R.H. & L.H. NOTES	PART NUMBER LESS SUFFIX	TRIM CODES																								NO. REQ'D
			405	406	406A	407	408	408A	409	410	411	412	413	414	416	416A	419	420	420A	421	422	422A	423	424	427	429	
			PART NUMBER SUFFIXES																								
BS60A-76A		BS 7660335																							†AAF	†AAH	1
BS60A-76A		BS 7660335																							*BAF	*BAH	1
BS60A-76A		BS 7660335																							‡CAF	‡CAH	1
BS60C		BS 6060335	†AE	†AF		†AG	†AH																				1
BS60C		BS 6060335	*BE	*BF		*BG	*BH																				1
BS60C		BS 6060335	‡CE	‡CF		‡CG	‡CH																				1

Group 60335

FRAME ASSEMBLY (FRONT SEAT BASE TRIMMED)-LESS CUSHION-1954-continued

BODY TYPES	R.H. & L.H. NOTES	PART NUMBER LESS SUFFIX	TRIM CODES																								NO. REQ'D
			429A	430	431	433	433A	435	435A	436	436A	437	438														
			PART NUMBER SUFFIXES																								
BS60A		BS 7660335																								†AAU	1
BS60A		BS 7660335																								*BAU	1
BS60A		BS 7660335																								‡CAU	1
BS60A-76A		BS 7660335	†AAZ	†AAJ	†AAK	†AAH	†AAZ	†AAH	†AAZ	†AAH	†AAZ		†AAU														1
BS60A-76A		BS 7660335	*BAZ	*BAJ	*BAK	*BAH	*BAZ	*BAH	*BAZ	*BAH	*BAZ		*BAU														1
BS60A-76A		BS 7660335	‡CAZ	‡CAJ	‡CAK	‡CAH	‡CAZ	‡CAH	‡CAZ	‡CAH	‡CAZ		‡CAU														1

Group 60335

FRAME ASSEMBLY (FRONT SEAT BASE-TRIMMED)-LESS CUSHION-1955

BODY TYPES	R.H. & L.H. NOTES	PART NUMBER LESS SUFFIX	TRIM CODES																								NO. REQ'D				
			501	503	504	505	506	507	508	511	512	513	514	515	517	518	519	520	523	524	525	527	528	529	530	531		532			
			PART NUMBER SUFFIXES																												
BT60A		BT 7660335																								†AAG	1				
BT60A		BT 7660335																								*BAG	1				
BT60A-76A		BT 7660335																								†AAG	†AAG	†AAG	†AAG	†AAG	1
BT60A-76A		BT 7660335																								*BAG	*BAG	*BAG	*BAG	*BAG	1
BT60C		BT 6060335	†AA	†AC	†AD																							1			
BT60C		BT 6060335	*BA	*BC	*BD																							1			
BH,BS,BT60A-60C-76A		350756-S8	Bolt (hex head-shoulder)-5/16"-24 x 3/4"																								4				
BH,BS,BT60A-60C-76A		52344-S13	Screw (oval head cross recess)-No.8-15 x 1/2"																								1				

† Use with Manual Control Front Seat
 * Use with Electric Control Front Seat-2-Way
 ‡ Use with Electric Control Front Seat-4-Way

BODY PARTS CATALOGUE





Group 62800 CORD ASSEMBLY (ROBE)-1954-continued

BODY TYPES	R.H. & L.H. NOTES	PART NUMBER LESS SUFFIX	TRIM CODES																								NO. REQ'D
			429A	430	431	433	433A	435	435A	436	436A	437	438														
			PART NUMBER SUFFIXES																								
BS60A		BS 7662800																							AR	2	
BS60A-76A		BH 7662800	AR					AX			AZ	BK	BK													2	
BS60A-76A		BS 7662800		AR	AR	AX					AZ													AR	2		
BS73B		BS 7362800									AZ	AZ													1		

Group 62800 CORD ASSEMBLY (ROBE)-1955

BODY TYPES	R.H. & L.H. NOTES	PART NUMBER LESS SUFFIX	TRIM CODES																								NO. REQ'D			
			501	503	504	505	506	507	508	511	512	513	514	515	517	518	519	520	523	524	525	527	528	529	530	531		532		
			PART NUMBER SUFFIXES																											
BT60A		BS 7662800																							AZ	AX	2			
BT60A		BT 7662800											AX	AX	AAC	AAD									AAA	2				
BT60A-76A		BT 7662800																							AX	AX	AX	AAC	AAD	2
BT60C		BS 6062800	AA	AC	AD																						2			
BT73A		BS 7362800	AA	AC	AD																						1			
BT73A		BT 7362800											AT														1			
BT73B		BS 7362800				AA	AB	AC	AD																AD	1				
BT73B		BT 7362800													AM	AM	AR	AS							AM		AS	1		
BH,BS,BT		34079-S7	Nut (hex head)-No.10-32																								6			
BH,BS,BT		50399-S13	Screw (oval head cross recess)-No.10-32 x 1/2"																								6			

Group 62900 COVER ASSEMBLY (FRONT SEAT CUSHION)-1953-54

BODY TYPES	R.H. & L.H. NOTES	PART NUMBER LESS SUFFIX	TRIM CODES																								NO. REQ'D																			
			301	302	303	304	305	306	307	308	309	310	311	312	313	314	315	316	317	318	319	320	321	322	323	324																				
			PART NUMBER SUFFIXES																																											
BH60A-76A		BH 7662900																								#AJ	#AK	#AL	#AM	#AN	#AR	#AS	#AT	#AU	#AV	#AY	#AZ	#AAA	#AAB	#AAC	1					
BH60A-76A,BS60A-76A		BH 7662900																									#BJ	#BK	#BL	#BM	#BN	#BR	#BS	#BT	#BU	#BV	#BY	#BZ	#BAA	#BAB	#BAC	1				
BH60C		BH 6062900	#AA	#AB	#AC	#AD																																					1			
BH60C,BS60C		BH 6062900	#BA	#BB	#BC	#BD																																					1			
BH73A		BH 7362900	#AA	#AB	#AC	#AD																																			#AAD	1				
BH73A,BS73A		BH 7362900	#BA	#BB	#BC	#BD																																		#BAD	1					
BH73B		BH 7362900																									#AE	#AF	#AG	#AH	#AJ	#AK	#AL	#AM	#AN	#AR	#AS	#AT	#AU	#AV	#AY	#AZ	#AAA	#AAB	#AAC	1
BH73B,BS73B		BH 7362900																									#BE	#BF	#BG	#BH	#BJ	#BK	#BL	#BM	#BN	#BR	#BS	#BT	#BU	#BV	#BY	#BZ	#BAA	#BAB	#BAC	1

+ Use with Manual and Electric Control Front Seat-2-Way - Jobs having control switch on Front of Seat
 * Jobs having control switch on side of seat
 \$ Use with 1953 Jobs Only

Continued on next page

BODY PARTS CATALOGUE



Group 63501 BUTTON & STRAP ASSEMBLY (SEAT BACK AND CUSHION TRIM)-1954

BODY TYPES	R.H. & L.H. NOTES	PART NUMBER LESS SUFFIX	TRIM CODES																				NO. REQ'D				
			405	406	406A	407	408	408A	409	410	411	412	413	414	416	416A	419	420	420A	421	422	422A		423	424	427	429
			PART NUMBER SUFFIXES																								
BS60C-73A		BS 7363501	★AA	★AB		★AC	★AD																			8	
BS60C-73A		BS 7363501	△AE	△AF	△BF	△AG	△AH	△BH																		8	

Group 63501 BUTTON AND STRAP ASSEMBLY (FRONT & REAR SEAT CUSHION)-1955

BODY TYPES	R.H. & L.H. NOTES	PART NUMBER LESS SUFFIX	TRIM CODES																				NO. REQ'D					
			501	503	504	505	506	507	508	511	512	513	514	515	517	518	519	520	523	524	525	527		528	529	530	531	532
			PART NUMBER SUFFIXES																									
BT60C-73A		BT 7363501	AA	AC	AD																					6		
BH60C-73A,BS60C-73A,BT60C-73A		BS 7363520	Retainer (trim strap)																				as req'd					

Group 63804 COVER ASSEMBLY (REAR SEAT CUSHION)-1953-54

BODY TYPES	R.H. & L.H. NOTES	PART NUMBER LESS SUFFIX	TRIM CODES																				NO. REQ'D					
			301	302	303	304	305	306	307	308	309	310	311	312	313	314	315	316	317	318	319	320		321	322	323	324	
			PART NUMBER SUFFIXES																									
BH60A,BS60A		BH 6063804																									1	
BH60C,BS60C		BH 6063804	AA	AB	AC	AD																					1	
BH73A,BS73A		BH 7363804	AA	AB	AC	AD																			‡AAD		1	
BH73B,BS73B		BH 7363804					AE	AF	AG	AH	AJ	AK	AL	AM	AN	AR	AS	AT	AU	AV	AY	AZ	AAA	AAB	AAC		1	
BH76A,BS76A		BH 7663804										AJ	AJ	AJ	AM	AM	AR	AR	AT	AT	AT	AY	AY	AAA	AAA	AAC		1

Group 63804 COVER ASSEMBLY (REAR SEAT CUSHION)-1954

BODY TYPES	R.H. & L.H. NOTES	PART NUMBER LESS SUFFIX	TRIM CODES																				NO. REQ'D				
			405	406	406A	407	408	408A	409	410	411	412	413	414	416	416A	419	420	420A	421	422	422A		423	424	427	429
			PART NUMBER SUFFIXES																								
BS60A		BS 6063804												AR	AR	AR	AX	AX	AX	AZ	AZ	AZ			AAF	AAF	1
BS60C		BS 6063804	AE	AF	BF	AG	AH	BH																			1
BS73A		BS 7363804	AE	AF	BF	AG	AH	BH	AJ																		1
BS73B		BS 7363804								AK	AL	AM	AN	AR	AT	AAV	AX	AY	AAZ	AZ	AAA	AAZ	AAB	AAC	AAF		1
BS76A		BS 7663804																							AAF	AAF	1

★ Front and Rear Seat Back
 △ Front and Rear Seat Cushion
 ‡ Used with 1953 Jobs Only

Continued on next page

BODY TYPES	R.H. & L.H. NOTES	PART NUMBER LESS SUFFIX	TRIM CODES																								NO. REQ'D
			429A	430	431	433	433A	435	435A	436	436A	437	438														
			PART NUMBER SUFFIXES																								
BS60A		BS 6063804	AAF	AAF	AAF	AAM	AAM	AAR	AAR	AAS	AAS	AR	AAF													1	
BS73B		BS 7363804						AAR	ABB																	1	
BS76A		BS 7663804	AAF	AAF	AAF	AAM	AAM	AAR	AAR	AAS	AAS		AAF													1	

BODY TYPES	R.H. & L.H. NOTES	PART NUMBER LESS SUFFIX	TRIM CODES																								NO. REQ'D			
			501	503	504	505	506	507	508	511	512	513	514	515	517	518	519	520	523	524	525	527	528	529	530	531		532		
			PART NUMBER SUFFIXES																											
BT60A		BT 6063804											AM	AN	AR	AS	AU	AV	AX	AY	AAB	AAC	AAD	AAF	AAG	AAH	AAJ	AAK	AAL	1
BT60C		BT 6063804	AA	AC	AD																									1
BT73A		BT 7363804	AA	AC	AD						AL																			1
BT73B		BT 7363804				AE	AF	AG	AH		AM	AN		AS	AU	AV							AAF							1
BT76A		BT 7663804																	AX	AY	AAB	AAC	AAD		AAG	AAH	AAJ	AAK	AAL	1
BH,BS,BT		358338-S	"C" Clip																								as req'd			

BODY TYPES	R.H. & L.H. NOTES	PART NUMBER LESS SUFFIX	TRIM CODES																								NO. REQ'D									
			301	302	303	304	305	306	307	308	309	310	311	312	313	314	315	316	317	318	319	320	321	322	323	324										
			PART NUMBER SUFFIXES																																	
BH60A-76A,BS60A-76A	R.H.	BH 7664400																	AJ	AK	AL	AM	AN	AR	AS	AT	AU	AV	AY	AZ	AAA	AAB	AAC		1	
BH60A-76A,BS60A-76A	L.H.	BH 7664401																	AJ	AK	AL	AM	AN	AR	AS	AT	AU	AV	AY	AZ	AAA	AAB	AAC		1	
BH60C	R.H.	BH 6064400	AA	AB	AC	AD																														1
BH60C	L.H.	BH 6064401	AA	AB	AC	AD																														1
BS60C	R.H.	BH 6064400	●BA	●BB	●BC	●BD																														1
BS60C	L.H.	BH 6064401	●BA	●BB	●BC	●BD																														1
BH73A		BH 7364400	AA	AB	AC	AD																												AAD		1
BS73A		BH 7364400	●BA	●BB	●BC	●BD																													1	
BH73B,BS73B		BH 7364400					AE	AF	AG	AH	AJ	AK	AL	AM	AN	AR	AS	AT	AU	AV	AY	AZ	AAA	AAB	AAC									1		

● With Buttons

Group 64410-1

PANEL ASSEMBLY (FRONT SEAT BACK FRAME)- TRIMMED-1954-continued

BODY TYPES	R.H. & L.H. NOTES	PART NUMBER LESS SUFFIX	TRIM CODES																								NO. REQ'D
			405	406	406A	407	408	408A	409	410	411	412	413	414	416	419	420	420A	421	422	422A	423	424	427	429		
			PART NUMBER SUFFIXES																								
BS60C	R.H.	BS 6064410	AE	AF		AG	AH																			1	
BS60C	L.H.	BS 6064411	AE	AF		AG	AH																			1	
BS73A		BS 7364410	AK	AF		AM	AH			AJ																1	
BS73B		BS 7364410									AK	AL	AM	AN	AR	AR	AR	AX	AX	AX	AZ	AZ	AZ	AAB	AAB	AR	1

Group 64410-1

PANEL ASSEMBLY (FRONT SEAT BACK FRAME)- TRIMMED-1954-continued

BODY TYPES	R.H. & L.H. NOTES	PART NUMBER LESS SUFFIX	TRIM CODES																NO. REQ'D							
			429A	430	431	433	433A	435	435A	436	436A	437	438													
			PART NUMBER SUFFIXES																							
BS60A	R.H.	BS 7664410	AAF			AAM	AAM	AAR	AAR			AAF														1
BS60A	L.H.	BS 7664411	AAF			AAM	AAM	AAR	AAR			AAF														1
BS60A-76A	R.H.	BS 7664410		AAF	AAF	AAM		AAR		AAS	AAS	AAF														1
BS60A-76A	L.H.	BS 7664411		AAF	AAF	AAM		AAR		AAS	AAS	AAF														1

Group 64410-1

PANEL ASSEMBLY (FRONT SEAT BACK FRAME-OUTER)-TRIMMED-1955

BODY TYPES	R.H. & L.H. NOTES	PART NUMBER LESS SUFFIX	TRIM CODES																								NO. REQ'D	
			501	503	504	505	506	507	508	511	512	513	514	515	517	518	519	520	523	524	525	527	528	529	530	531		532
			PART NUMBER SUFFIXES																									
BT60A	R.H.	BS 7664410										AAF	AAF						AAF	AAF	AAF						1	
BT60A	L.H.	BS 7664411										AAF	AAF						AAF	AAF	AAF						1	
BT60A	R.H.	BT 7664410									AX	AY			AX	AY											1	
BT60A	L.H.	BT 7664411									AX	AY			AX	AY											1	
BT60A-76A	R.H.	BS 7664410																				AAF					1	
BT60A-76A	L.H.	BS 7664411																				AAF					1	
BT60A-76A	R.H.	BT 7664410														AX	AY	AAB						AAH	AAJ	AAK	AAL	1
BT60A-76A	L.H.	BT 7664411														AX	AY	AAB						AAH	AAJ	AAK	AAL	1
BT60C	R.H.	BT 6064410	AA	AC	AD																						1	
BT60C	L.H.	BT 6064411	AA	AC	AD																						1	
BT73A		BT 7364410	AA	AC	AD						AL																1	
BT73B		BS 7364410													AR									AR			1	
BT73B		BT 7364410				AE	AF	AG	AH		AM	AN			AM	AN											1	
BH,BS,BT		352210-S3	Clip (trim)																					14				
BH,BS,BT		45246-S8	Nut (stamped)-No. 8-32																					as req'd				

BODY PARTS CATALOGUE



BODY PARTS CATALOGUE

Lincoln

Group 64416-7 COVER ASSEMBLY (FRONT SEAT BACK)-1953-54																																											
BODY TYPES	R.H. & L.H. NOTES	PART NUMBER LESS SUFFIX	TRIM CODES																									NO. REQ'D															
			301	302	303	304	305	306	307	308	309	310	311	312	313	314	315	316	317	318	319	320	321	322	323	324																	
			PART NUMBER SUFFIXES																																								
BH60A-76A,BS60A-76A	R.H.	BH 7664416																									AJ	AK	AL	AM	AN	AR	AS	AT	AU	AV	AY	AZ	AAA	AAB	AAC	1	
BH60A-76A,BS60A-76A	L.H.	BH 7664417																									AJ	AK	AL	AM	AN	AR	AS	AT	AU	AV	AY	AZ	AAA	AAB	AAC	1	
BH60C,BS60C	R.H.	BH 6064416	AA	AB	AC	AD																																					1
BH60C,BS60C	L.H.	BH 6064417	AA	AB	AC	AD																																					1
BH73A,BS73A		BH 7364416	AA	AB	AC	AD																																				\$AAD	1
BH73B,BS73B		BH 7364416						AE	AF	AG	AH	AJ	AK	AL	AM	AN	AR	AS	AT	AU	AV	AY	AZ	AAA	AAB	AAC																1	

Group 64416-7 COVER ASSEMBLY (FRONT SEAT BACK)-1954																																											
BODY TYPES	R.H. & L.H. NOTES	PART NUMBER LESS SUFFIX	TRIM CODES																									NO. REQ'D															
			405	406	406A	407	408	408A	409	410	411	412	413	414	416	416A	419	420	420A	421	422	422A	423	424	427	429																	
			PART NUMBER SUFFIXES																																								
BS60A	R.H.	BS 6064416																									AR	AT	AAV	AX	AY	AAZ	AZ	AAA	AAZ	AAB	AAC				1		
BS60A	L.H.	BS 6064417																									AR	AT	AAV	AX	AY	AAZ	AZ	AAA	AAZ	AAB	AAC				1		
BS60A	R.H.	BS 7664416																																							AAF	AAH	1
BS60A-76A	L.H.	BS 7664417																																							AAF	AAH	1
BS60C	R.H.	BS 6064416	AE	AF	BF	AG	AH	BH																																			1
BS60C	L.H.	BS 6064417	AE	AF	BF	AG	AH	BH																																			1
BS73A		BS 7364416	AE	AF	BF	AG	AH	BH	AJ																																		1
BS73B		BS 7364416								AK	AL	AM	AN	AR	AT	AAV	AX	AY	AAZ	AZ	AAA	AAZ	AAB	AAC	AAF																	1	

Group 64416-7 COVER ASSEMBLY (FRONT SEAT BACK)-1954-continued																																										
BODY TYPES	R.H. & L.H. NOTES	PART NUMBER LESS SUFFIX	TRIM CODES																									NO. REQ'D														
			429A	430	431	433	433A	435	435A	436	436A	437	438																													
			PART NUMBER SUFFIXES																																							
BS60A	R.H.	BS 6064416																									AAT															1
BS60A	L.H.	BS 6064417																									AAT															1
BS60A-76A	R.H.	BS 7664416	AAZ	AAJ	AAK	AAM	ABA	AAR	ABB	AAS	ABC																														AAU	1
BS60A-76A	L.H.	BS 7664417	AAZ	AAJ	AAK	AAM	ABA	AAR	ABB	AAS	ABC																														AAU	1
BS73B		BS 7364416							AAR	ABB																																1

\$ Used with 1953 Jobs Only

BODY TYPES	R.H. & L.H. NOTES	PART NUMBER LESS SUFFIX	TRIM CODES																								NO. REQ'D
			405	406	406A	407	408	408A	409	410	411	412	413	414	416	416A	419	420	420A	421	422	422A	423	424	427	429	
			PART NUMBER SUFFIXES																								
BS60A	R.H.	BH 7665224													AL			AL			AL						1
BS60A	L.H.	BH 7665225													AL			AL			AL						1
BS60A	R.H.	BS 6065224																									1
BS60A	L.H.	BS 6065225																									1
BS60A	R.H.	BS 7665224																									1
BS60A	L.H.	BS 7665225																									1
BS60A	R.H.	BT 7665224													AX			AX				AX					1
BS60A	L.H.	BT 7665225													AX			AX				AX					1
BS60A-76A	R.H.	BH 7665224																								AL	1
BS60A-76A	L.H.	BH 7665225																								AL	1
BS60C	R.H.	BS 6065224	AE	AF			AH																				1
BS60C	L.H.	BS 6065225	AE	AF			AH																				1
BS60C	R.H.	BS 7665224				AZ																					1
BS60C	L.H.	BS 7665225				AZ																					1
BS73A		BH 7365224								AK																	1
BS73A		BS 7365224	AK	AF		AM	AH																				1
BS73B		BH 7365224												AL				AL				AL			AK		1
BS73B		BS 7365224								AK	AB	AM	AD					AD				AM					1
BS73B		BT 7365224														AM						AM			AM		1

BODY TYPES	R.H. & L.H. NOTES	PART NUMBER LESS SUFFIX	TRIM CODES																								NO. REQ'D		
			429A	430	431	433	433A	435	435A	436	436A	437	438																
			PART NUMBER SUFFIXES																										
BS60A	R.H.	BS 7665224													AAU												1		
BS60A	L.H.	BS 7665225													AAU												1		
BS60A-76A	R.H.	BH 7665224				AL			AL			AL															1		
BS60A-76A	L.H.	BH 7665225				AL			AL			AL															1		
BS60A-76A	R.H.	BS 6065224		AD																							1		
BS60A-76A	L.H.	BS 6065225		AD																							1		
BS60A-76A	R.H.	BS 7665224				AZ																		AAU			1		
BS60A-76A	L.H.	BS 7665225				AZ																		AAU			1		
BS60A-76A	R.H.	BT 7665224	AX					AX			AX			AX													1		
BS60A-76A	L.H.	BT 7665225	AX					AX			AX			AX													1		
BS73B		BH 7365224						AL																			1		
BS73B		BT 7365224									AM																1		

Group 66600-1

COVER ASSEMBLY (REAR SEAT BACK)-1954- continued

BODY TYPES	R.H. & L.H. NOTES	PART NUMBER LESS SUFFIX	TRIM CODES																						NO. REQ'D		
			405	406	406A	407	408	408A	409	410	411	412	413	414	416	416A	419	420	420A	421	422	422A	423	424		427	429
			PART NUMBER SUFFIXES																								
BS60A	R.H.	BS 6066600												AR	AT	AAV	AX	AY	AAX	AZ	AAA	AAV	AAB	AAC	AAF	AAH	1
BS60A	L.H.	BS 6066601												AR	AT	AAV	AX	AY	AAX	AZ	AAA	AAV	AAB	AAC	AAF	AAH	1
BS60C	R.H.	BS 6066600	AE	AF	BF	AG	AH	BH																			1
BS60C	L.H.	BS 6066601	AE	AF	BF	AG	AH	BH																			1
BS73A	R.H.	BS 7366600	AE	AF	BF	AG	AH	BH	AJ																		1
BS73A	L.H.	BS 7366601	AE	AF	BF	AG	AH	BH	AJ																		1
BS73B	R.H.	BS 7366600								AK	AL	AM	AN	AR	AT	AAV	AX	AY	AAX	AZ	AAA	AAV	AAB	AAC	AAF		1
BS73B	L.H.	BS 7366601								AK	AL	AM	AN	AR	AT	AAV	AX	AY	AAX	AZ	AAA	AAV	AAB	AAC	AAF		1
BS76A	R.H.	BS 7666600																							AAF	AAH	1
BS76A	L.H.	BS 7666601																							AAF	AAH	1

Group 66600-1

COVER ASSEMBLY (REAR SEAT BACK)-1954-continued

BODY TYPES	R.H. & L.H. NOTES	PART NUMBER LESS SUFFIX	TRIM CODES																NO. REQ'D								
			429A	430	431	433	433A	435	435A	436	436A	437	438														
			PART NUMBER SUFFIXES																								
BS60A	R.H.	BS 6066600	AAZ	AAJ	AAK	AAM	ABA	AAR	ABB	AAS	ABC	AAT	AAU														1
BS60A	L.H.	BS 6066601	AAZ	AAJ	AAK	AAM	ABA	AAR	ABB	AAS	ABC	AAT	AAU														1
BS73B	R.H.	BS 7366600						AAR	ABB																		1
BS73B	L.H.	BS 7366601						AAR	ABB																		1
BS76A	R.H.	BS 7666600	AAZ	AAJ	AAK	AAM	ABA	AAR	ABB	AAS	ABC		AAU														1
BS76A	L.H.	BS 7666601	AAZ	AAJ	AAK	AAM	ABA	AAR	ABB	AAS	ABC		AAU														1

Group 66600-1

COVER ASSEMBLY (REAR SEAT BACK)-1955

BODY TYPES	R.H. & L.H. NOTES	PART NUMBER LESS SUFFIX	TRIM CODES																				NO. REQ'D						
			501	503	504	505	506	507	508	511	512	513	514	515	517	518	519	520	523	524	525	527		528	529	530	531	532	
			PART NUMBER SUFFIXES																										
BT60A	R.H.	BT 6066600										AM	AN	AR	AS	AU	AV	AX	AY	AAB	AAC	AAD	AAF	AAG	AAH	AAJ	AAK	AAL	1
BT60A	L.H.	BT 6066601										AM	AN	AR	AS	AU	AV	AX	AY	AAB	AAC	AAD	AAF	AAG	AAH	AAJ	AAK	AAL	1
BT60C	R.H.	BT 6066600	AA	AC	AD																								1
BT60C	L.H.	BT 6066601	AA	AC	AD																								1
BT73A	R.H.	BT 7366600	AA	AC	AD						AL																		1
BT73A	L.H.	BT 7366601	AA	AC	AD						AL																		1
BT73B	R.H.	BT 7366600				AE	AF	AG	AH		AM	AN		AS	AU	AV							AAF						1
BT73B	L.H.	BT 7366601				AE	AF	AG	AH		AM	AN		AS	AU	AV							AAF						1
BT76A	R.H.	BT 7666600															AX	AY	AAB	AAC	AAD		AAG	AAH	AAJ	AAK	AAL	1	
BT76A	L.H.	BT 7666601															AX	AY	AAB	AAC	AAD		AAG	AAH	AAJ	AAK	AAL	1	

BODY PARTS CATALOGUE

Lincoln

BODY TYPES	R.H. & L.H. NOTES	PART NUMBER LESS SUFFIX	TRIM CODES																				NO. REQ'D					
			501	503	504	505	506	507	508	511	512	513	514	515	517	518	519	520	523	524	525	527		528	529	530	531	532
			PART NUMBER SUFFIXES																									
BT60A		BS 6067286																			AAT							1
BT60A		BT 6067286												AU	AV	AM	AM	AM					AM	AM	AM	AM	AM	1
BT60A		BS 7367286																				AR						1
BT60A-73B		BT 6067286												AM	AM								AM					1
BT60C-73A		BT 7367286	AA	AC	AD																							1
BT73A		BT 6067286																				AT						1
BT73B		BS 7367286																										1
BT73B		BT 7367286				AA	AB	AC	AD																			1
BT76A		BT 7667286																										1
BT76A		BS 7667286																										1
BH,BS,BT		52342-S13	Screw (oval head cross recess)-No.6-18 x 1/2"																				4					
BH,BS,BT		353384-S	Washer (countersunk)-No.6																				4					

BODY PARTS CATALOGUE

Lincoln

Group 67516

HEELBOARD ASSEMBLY (REAR SEAT)-1953-54

BODY TYPES	R.H. & L.H. NOTES	PART NUMBER LESS SUFFIX	TRIM CODES																				NO. REQ'D					
			301	302	303	304	305	306	307	308	309	310	311	312	313	314	315	316	317	318	319	320		321	322	323	324	
			PART NUMBER SUFFIXES																									
BH60A-76A,BS60A-76A		BH 7667516																										1
BH60C,BS60C		BH 6067516	AA	AB	AA	AB																						1

Group 67516

HEELBOARD ASSEMBLY (REAR SEAT)-1954

BODY TYPES	R.H. & L.H. NOTES	PART NUMBER LESS SUFFIX	TRIM CODES																	NO. REQ'D										
			405	406	406A	407	408	408A	409	410	411	412	413	414	416	416A	419	420	420A		421	422	422A	423	424	427	429			
			PART NUMBER SUFFIXES																											
BS60A		BS 6067516													AR	AT			AX	AT			AZ	AT			1			
BS60A		BS 7667516																	AX				AX			AX	AAS	AAF	1	
BS60A-76A		BS 6067516																									AR	AT	1	
BS60A-76A		BS 7667516																										AAF	AAF	1
BS60C		BS 6067516	AE	AF			AG	AH																				1		

