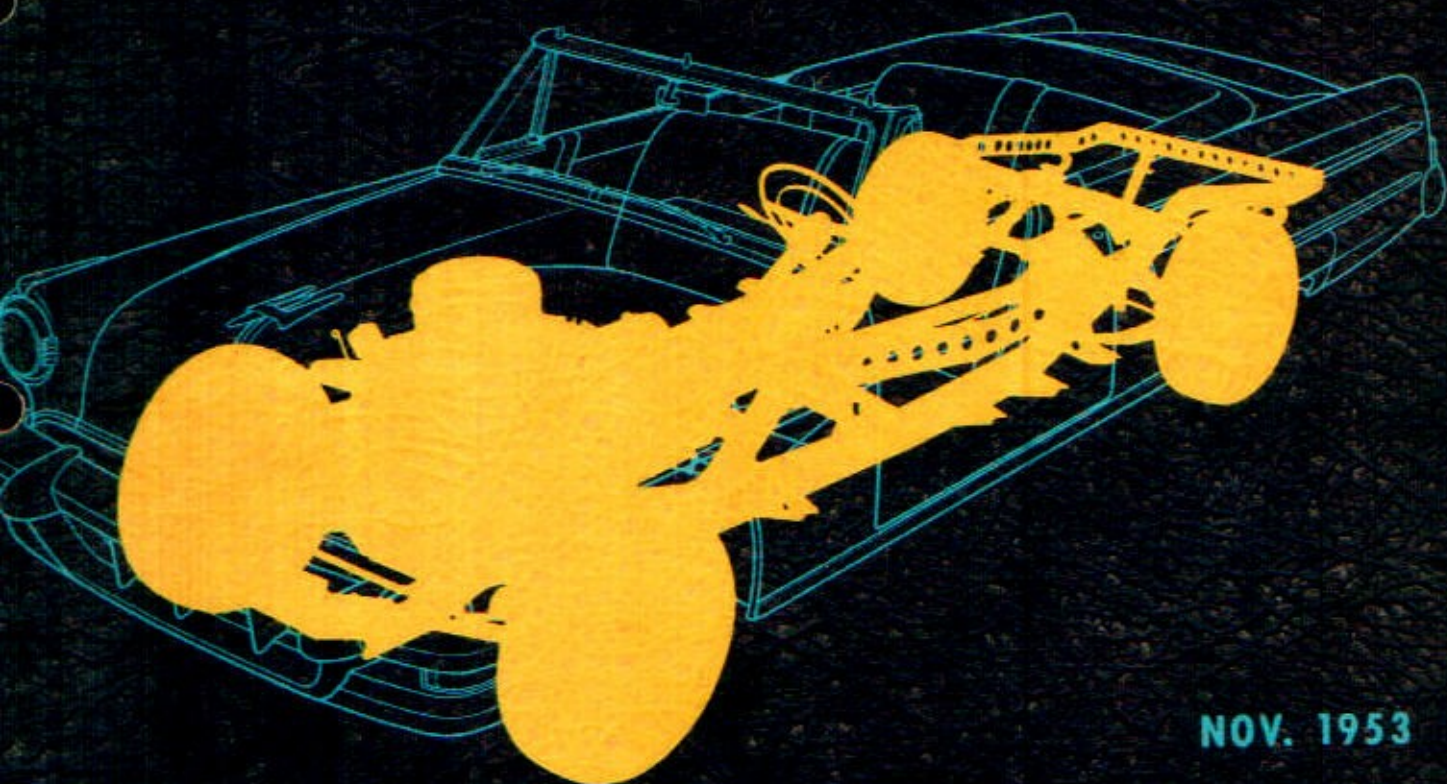


LINCOLN

Casmapalitan and Capri

1952 - - - 1954



NOV. 1953

CHASSIS PARTS CATALOGUE

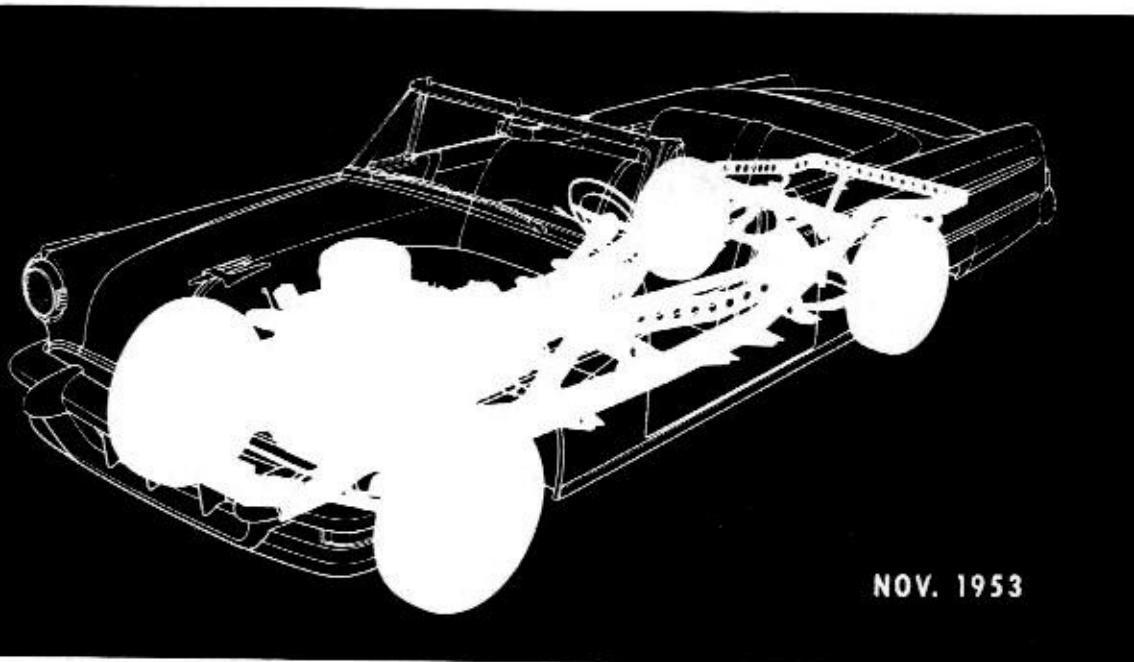
LINCOLN-MERCURY DIVISION OF FORD MOTOR COMPANY

FORM 3642-54

LINCOLN

Cosmopolitan and Capri

1952 - - - 1954



NOV. 1953

CHASSIS PARTS CATALOGUE

LINCOLN-MERCURY DIVISION OF FORD MOTOR COMPANY
FORM 3642-54

Identification Data	V
Alphabetical Index	IX
Wheels, Hubs and Drums	1
Brakes	2
Power Brakes	17
Front Suspension	27
Steering Linkage	32
Steering Gear	34
Power Steering	39
Rear Axle	49
Frame	53
Muffler	55
Springs	59
Cylinder and Engine Supports	63
Hydra-Matic Transmission	85
Cooling System	124
Fuel System	135
Generator	166
Battery	173
Starter	177
Ignition Coil, Distributor	179
Lamps	185
Wiring	199
Fenders	219
Hood	226
Windshield Wiper	234
Bumpers	237
Shock Absorbers	253
Air Conditioning	264
Accessories	296
Miscellaneous Kits	319

District Offices

LINCOLN—MERCURY

Division of FORD MOTOR COMPANY

Detroit, Michigan

District	Location	Lincoln-Mercury District Office	Lincoln-Mercury Stocking Location
Atlanta, Ga.	Hapeville, Ga.	X	
Boston, Mass.	Boston, Mass.	X	X
Buffalo, N. Y.	Buffalo, N. Y.	X	
Philadelphia, Pa.	Chester, Pa.	X	X
	Charlotte, N. C.		X
Chicago, Ill.	Chicago, Ill.	X	
Cincinnati, Ohio	Cincinnati, Ohio	X	
Cleveland, Ohio	Cleveland, Ohio	X	
Dallas, Texas	Dallas, Texas	X	X
Detroit, Mich.	Detroit, Mich.	X	*X
Denver, Colo.	Denver, Colo.	X	X
Des Moines, Iowa	Des Moines, Iowa	X	X
Houston, Texas	Houston, Texas	X	
Jacksonville, Fla.	Jacksonville, Fla.	X	X
Kansas City, Mo.	Kansas City, Mo.	X	
Los Angeles, Calif.	Los Angeles, Calif.	X	X
Memphis, Tenn.	Memphis, Tenn.	X	X
	Arabi, La.		X
New York, N. Y.	Teterboro, N. J.	X	X
	Richmond, Va.		X
Oakland, Calif.	Oakland, Calif.	X	
	Oklahoma City, Okla.		X
	Omaha, Neb.		X
Pittsburgh, Pa.	Pittsburgh, Pa.	X	
	Richmond, Calif.		X
St. Louis, Mo.	Robertson, Mo.	X	
	Salt Lake City, Utah		X
Seattle, Wash.	Seattle, Wash.	X	X
Twin City (St. Paul, Minn.)	St. Paul, Minn.	X	X
Washington, D. C.	Washington, D. C.	X	

*Lincoln-Mercury Parts Depot

GENERAL INFORMATION

Cross Reference Index showing Engineering Part Numbers which have been converted to *Ford P&A Part Numbers are listed numerically on page VIII. The Ford P&A Part Numbers appear in numerical sequence throughout the Catalogue and the corresponding Engineering Part Number is shown in the nomenclature opposite the Ford P&A Part Number preceded by the symbol ⊕ which indicates corresponding Engineering Part Number.

Example: B2Q-9438-A Spacer (exhaust manifold to cyl hd)—⊕ EAD-99437-A

Attaching parts such as bolts, screws, clamps, etc. are listed below the part with which they are used.

All standard bolts, screws, etc. are listed numerically on page 288.

Special bolts, screws, washers, etc. which are other than standard are listed numerically on page 220.

For rapid identification of parts for assemblies, such as, Steering Column Gear Shifts, Carburetors, Generators, Voltage Regulators, Starters, etc. parts have been listed in chart form. When referring to these charts, it is essential to first determine which assembly requires the replacement, then refer to the chart and select the part or parts wanted.

For example: A Pressure Distributor Ball is required for a Lincoln Cosmopolitan, with a Carburetor having a Spark Control Valve.

(1) Refer to the numerical listing of Carburetor Assembly (basic number 9510) which is shown on page 146 and note that the part number of a Carburetor used on a Lincoln Cosmopolitan with Spark Control Valve is EAD-9510-D.

(2) Refer to Carburetor Chart, page 156 and note that the part number of a Pressure Distributor Ball used with EAD-9510-D Carburetor is EAD-99547-A, the wanted part.

The driver's side is the left hand side of the vehicle and governs such parts as fenders, lamps, etc. as to whether a part is right hand or left hand.

Illustrations throughout this catalogue are for a particular model, however, the basic part numbers are applicable to practically all models.

When ordering parts always give full part number and name of each part. Also specify how shipments are to be made, Freight, Express or Parcel Post.

*The Ford P&A Part Number affects Ford controlled Parts only. These parts will include many 5 digit Part Numbers which have been converted to 4 digit Part Numbers so that they may be easily located in their intended group.

GROUP AND BASIC PART NUMBERS

*Lincoln-Mercury Division and Ford Motor Company basic part numbers are grouped according to their function, for example all parts applying to the rear axle are grouped from 4000 to 4799, transmission from 7000 to 7449, etc.

Following is an index of the various groups:

BASIC PART NO. SERIES	GROUP NAME	BASIC PART NO. SERIES	GROUP NAME
1000-1250	Wheels, Hubs & Drums	9900- 9999	Carburetor
1351-1499	Spare Wheel Carrier	10000-10449	Generator
2001-2449	Brakes (Service)	10500-10653	Cutout & Voltage Regulator
2450-2597	Brake (Controls)	10654-10747	Battery
2600-2867	Brakes (Hand)	10841-10990	Instrument Cluster & Ammeter
3000-3451	Front Axle	11000-11524	Starter Motor
3500-3743	Steering Gear	11572-11688	Ignition & Lighting Switch
4000-4799	Rear Axle & Drive Shaft	12000-12399	Ignition Coil, Distributor & Condenser
4800-4999	Coupling Shaft	12405-12425	Spark Plug
5000-5149	Frame & Brackets	13002-13299	Head & Parking Lamps
5150-5196	Battery Brackets & Parts	13304-13351	Turn Signal
5212-5299	Muffler & Exhaust Pipe	13400-13799	Rear, Luggage Compartment, License, Map, Courtesy & Dome Lamps
5300-5515	Front Springs		
5550-5818	Rear Springs	13800-13919	Horn
6000-6928	Engine	14054-14680	Wiring
7000-7449	Transmission	15000-15858	Miscellaneous Accessories
7500-7646	Clutch	16000-16550	Front Fender
8000-8499	Radiator	16600-16964	Hood
8500-8599	Water Pump	17003-17125	Tools
8600-8648	Fan	17250-17322	Speedometer
8700-8734	Air Ventilator	17450-17599	Windshield Wiper
9002-9299	Fuel Tank	17690-17702	Mirrors
9270-9420	Fuel Pump	17736-17999	Bumpers
9421-9499	Manifolds, Clamps, etc.	18000-18129	Shock Absorbers
9500-9699	Carburetor	18140-19592	Miscellaneous Accessories
9700-9833	Acc. & Choke Control Rods	19712-19993	Air Conditioning

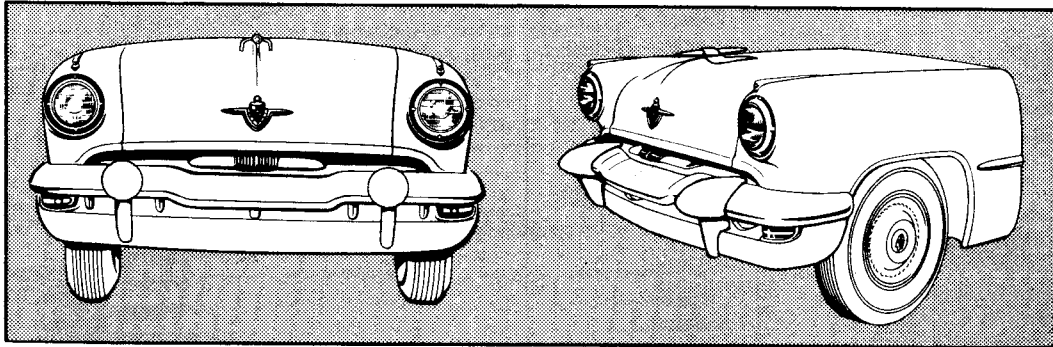
*There are a few exceptions to the above and when these do occur the part is assigned an extra first digit corresponding to the first digit of the group in which the part belongs.

Example: EAD-99983-A Cover and Plugs Assy: (carburetor main body).

MODEL IDENTIFICATION

Lincoln Cosmopolitan and Capri

1952



**BODY
TYPE**

NAME

- 60A Six Passenger Capri Coupe
- 60C Six Passenger Sports Coupe
- 73A Four Door Sedan

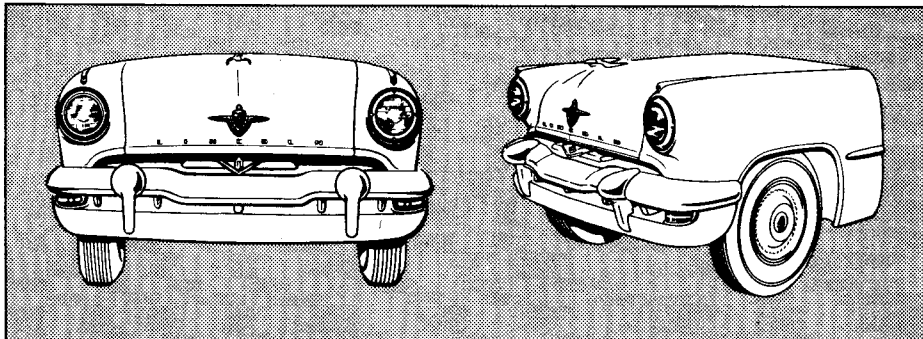
**BODY
TYPE**

NAME

- 73B Capri Four Door Sedan
- 76A Six Passenger Capri Convertible Coupe

Lincoln Cosmopolitan and Capri

1953



**BODY
TYPE**

NAME

- 60A Six Passenger Capri Coupe
- 60C Six Passenger Sports Coupe
- 73A Four Door Sedan

**BODY
TYPE**

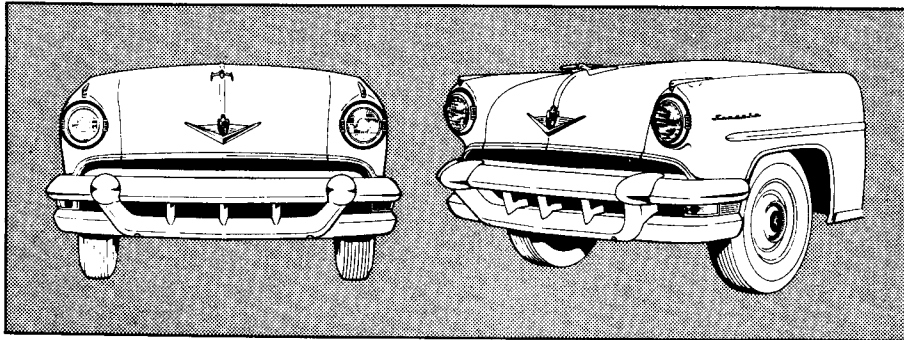
NAME

- 73B Capri Four Door Sedan
- 76A Six Passenger Capri Convertible Coupe

MODEL IDENTIFICATION

Lincoln Cosmopolitan and Capri

1954



**BODY
TYPE**

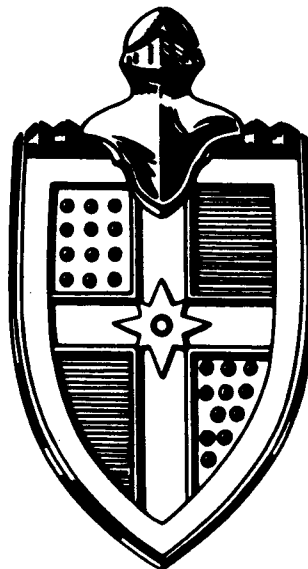
NAME

60A Six Passenger Capri Coupe
60C Six Passenger Sports Coupe
73A Four Door Sedan

**BODY
TYPE**

NAME

73B Capri Four Door Sedan
76A Six Passenger Capri Convertible Coupe



ABBREVIATIONS

accel.	accelerator	L.H.	Left Hand
adj.	adjusting	L.H.D.	Left Hand Drive
alum.	aluminum	lic.	license
approx.	approximately	L/W	lockwasher
assy.	assembly	lub.	lubricator
aux.	auxiliary	mach.	machine
brg.	bearing	man.	manifold
brkt.	bracket	mldg.	moulding
b-hd	button head	mount. or (mtg.)	mounting
C.P.	candle power	O/Drive	overdrive
carb.	carburetor	O.D.	outer diameter
compt.	compartment	o/all	overall
conn.	connecting	O/S	oversize
c/pin.	cotter pin	pass.	passenger
coup. or (cplg.)	coupling	ptd.	painted
c/shaft	crankshaft	rad.	radiator
cyl.	cylinder	reinf.	reinforcement
defl.	deflector	reg.	regulator
def.	defroster	rep.	replaced
dia.	diameter	req'd	required
diff.	differential	ret.	retainer
D.C.	double contact	R.H.	Right Hand
dist.	distributor	R.H.D.	Right Hand Drive
econ.	economizer	rd-hd	round head
emer.	emergency	S.C.	single contact
equipt.	equipment	spec.	special
exh.	exhaust	spec-hd	special head
ext.	extension	sq-hd	square head
fl-hd	flat head	std.	standard
ft.	foot or feet	tap.	tapping
gen.	generator	trans.	transmission
H/D	heavy duty	U/S	undersize
hex	hexagonal	univ.	universal
hex-hd	hexagonal head	univ/jt.	universal joint
hsg.	housing	vac.	vacuum
hyd.	hydraulic	vent.	ventilator
I.D.	inner diameter	W/S	windshield
ign.	ignition	w/	with
instr.	instrument	w/o	without
jt.	joint			

*Ford P & A Part Number Cross-Reference Index

FORD MOTOR ENGINEERING PART NUMBER	PART NAME	FORD P&A PART NUMBER
MB 22050-A AB 22141-C LA 22144-A LA 22179-A AD 22188-A AB 22473-A AB 22482-A MA 22482-A AD 33043-A AD 33043-B AD 33055-B AD 33056-B AD 33058-A AD 33068-C	Spring Cylinder assy Bumper Seat Gasket Bushing Insulator Insulator Shim Shim Cover Shield Retainer Cover	B4A 2049-A B2 2140-B B2A 2144-A A9A 2179-A B4A 1193-A B2A 2474-A B2A 2481-A B2A 2481-A B4 3043-A B4 3043-B B4A 3054-A B4A 3055-A B4A 3058-A B4A 3069-B
AD 33069-A AD 33087-B AD 33090-A LA 33091-B AB 33332-B OA 44044-A 8A 44208-D AB 55027-A AB 55260-C AB 55710-A AB 55711-A EAD 66061-A EAD 66514-A EAD 66571-A EAD 66571-B	Retainer Bushing Washer Washer Seal Bolt Kit (gear & pinion) Guard Bracket Insulator Retainer Dowel Spacer Seal Seal	B4A 3070-A B4A 3087-B B4A 3090-A B4A 3091-A B2A 3332-A A9A 4046-A A9A 4209-B B2A 5013-A B2A 5277-B B2A 5599-A B2A 5598-A B2Q 6061-A B3Q 6515-A B2Q 6571-A B4Q 6571-A
EAD 66627-A EAD 66643-A EAD 66643-B EAB 66721-A EAA 66741-C EBU 66751-A EAD 88549-A EAA 99356-A 7RA 99359 7RA 99361 1BA 99367-A 1EL 99380-A 1EL 99381-A 1EL 99385-A	Shaft assy Seal Seal Bracket Bolt & valve Assy Diaphragm Tube Clip Seat Plate Gasket Link Link Body Assy	B2Q 6608-A B2A 6643-A B2Q 6643-B B2A 6721-A B2A 6741-A B4A 6751-A B2Q 8549-A B2A 9296-A A8T 9302-A A8T 9305-A B1A 9308-A B1Q 9310-A B1Q 9311-A B1Q 9313-A
1EL 99390-A 7RA 99396 EAD 99396-A EAD 99437-A EAA 99515-B 1CM 99522 8CM 99527 EAD 99549-A EAD 99575-A EAM 99601-A EAD 99985-A	Diaphragm Assy Spring Spring Spacer Valve Screen & Ret. Assy Spring Screw Screw Washer Clamp	B1Q 9314-A A8T 9315-A B2Q 9315-A B2Q 9438-A B2A 9605-A A8Q 9938-A A8Q 9937-A B2Q 9588-A B2Q 9813-A B2Q 9566-A B2Q 9931-A

★ Refer to General Information

Alphabetical Index

NOTE: All parts in this catalog are listed in numerical sequence. Where the function of a part causes it to be listed out of numerical order it is indented the same as attaching parts and appears again in numerical sequence.

Basic part numbers only are shown in the following "Alphabetical Index." Always refer to Parts Listings for complete Part Number. For example: The basic Part Number of a Carburetor is 9510; by referring to Parts Listings you will find that 9510 appears numerically on page 146 where the various carburetors are shown.

Part Name	Basic Part No.	Part Name	Basic Part No.
— A —			
ACCELERATOR GROUP (Page 159)		Band (generator cover)	10142
ACCESSORIES GROUP (Page 296)		Band assy (starter cover)	11125
Adapter (brake booster mounting)	22120	Band assy (transmission front)	77510
Adapter (carb. fuel inlet)	9224	Band assy (transmission rear)	77518
Adapter (roadlamp)	15229	Bar (front bumper impact)	17757
Adapter (speedometer drive)	17269	Bar (front bumper impact)	17762
Adapter (trans. O/Drive)	7660	Bar (front bumper impact)	17802-3
Adapter (trans. rear pump tube)	77408	Bar (front fender apron & radiator support tie)	16156
Adapter assy (steering gear power cyl.)	33580	Bar (instr. cluster bus)	9272
Air cleaner & silencer assy (carb.)	9600	Bar (rear bumper center impact)	17866
AIR CLEANER GROUP (Page 159)		Bar (rear bumper impact)	17862-3
AIR CONDITIONING GROUP (Page 264)		Bar (rear bumper impact)	17906
Antenna assy (radio)	18813	Bar (rear spring shackle)	5627
Anti-freeze (permanent)	19544	Bar (window regulator control switch bus)	14513
Anti-freeze (type N)	19544	Bar assy (front stabilizer)	5482
Anti-squeak (steering column saddle)	33680	Bar assy (rear bumper guard cover)	17970
Apron and deflector assy (front fender)	16082-3	Battery assy	10655
Arm (front suspension)	3082	Bearing (camshaft center)	6262
Arm (generator adjustment)	10145	Bearing (camshaft front and rear)	6261
Arm (rear view mirror)	17690	Bearing (center main)	6337
Arm (spindle steering)	3130-31	Bearing (connecting rod)	6211
Arm (valve rocker)	6564	Bearing (front main)	6333
Arm (valve rocker)	6576	Bearing (generator front end plate)	10094
Arm and bracket assy (dist. breaker)	12171	Bearing (generator rear end plate)	10095
Arm assy (front suspension lower)	3078-79	Bearing (generator oilless)	10128
Arm assy (fuel & vacuum pump rocker)	9376	Bearing (generator rear end plate)	10094
Arm assy (steering gear)	3590	Bearing (needle)	77144
Arm assy (W/S wiper)	17526	Bearing (rear main)	6331
Armature assy (current limiter)	10584	Bearing (rear wheel)	1225
Armature assy (cutout)	10540	Bearing (starter brush end plate)	11052
Armature assy (generator)	10005	Bearing (steering gear shaft)	33576
Armature assy (regulator)	10551	Bearing (trans. gear shift lever socket)	7225
Armature assy (starter)	11005	Bearing (trans. pilot)	7938
Armature assy (voltage limiter)	10551	Bearing and slinger assy (water pump)	8578
Axle assy (rear)	4006	Bearing assy (brake master cyl. push rod end)	2388
— B —			
BACK UP LAMP GROUP (Page 296)		Bearing assy (power strg. gear worm thrust)	33586
BATTERY CLAMP GROUP (Page 55)		Bearing assy (power strg. pump rotor shaft)	33622
BATTERY GROUP (Page 173)		Bearing assy (steering column)	3517
Baffle (front brake grease)	2060	Bearing assy (steering gear sector shaft)	3770
Baffle (valve spring oil)	6524	Bearing assy (steering gear worm)-lower	33551
Bag assy (tool)	17005	Bearing assy (trans. output shaft)	77141
Bail assy (fuel pump gas strainer)	9387	Bearing assy (water pump)	8530
Ball (carb. accelerator pump check)	9576	Belt (compressor)	2890
Ball (carb. pressure dist.)	99547	Belt (fan, generator and water pump)	8620
		Belt (power strg. pump pulley)	33558
		Bezel (headlamp control switch)	11662
		Bezel (heater plenum chamber)	18699
		Bezel (heater plenum chamber)	18673
		Bezel (ignition switch)	11584
		Bezel (instrument cluster radio push button)	10859
		Bezel (roadlamp switch)	15268
		Bezel (top control knob)	15677

Alphabetical Index—Continued

Part Name	Basic Part No.	Part Name	Basic Part No.
Bezel (W/S wiper control)	17482	Boot (brake master cylinder)	2180
Blade assy (fan)	8600	Boot (brake wheel cylinder)	2206-7
Blade assy (W/S wiper)	17528	Boot (roadlamp adjusting nut)	15227
Block assy (cylinder)	6010	Bowl (fuel pump filter)	9355
Block assy (elect. wiring junction)	14448	Brace (front bumper end)	17784-5
Blower assy (heater)	18456	Brace (front bumper impact bar to stone defl.)	17822
Body (brake master cylinder)	2155	Brace (front bumper upper arm)	17798-9
Body (carb. spark control valve adaptor)	99962	Brace (front bumper upper ornament)	17896
Body (dome lamp)	13787	Brace (front bumper upper ornament)	17900
Body (power steering oil reservoir)	33532	Brace (front bumper upper ornament)	17901
Body (power steering oil reservoir inlet orifice)	33542	Brace (front fender opening)	16174-5
Body (rear lamp)	13440	Brace (hood lock support)	16864-5
Body (trans. front servo)	77415	Brace (hood lock support to radiator support)	16898-9
Body (trans. rear servo)	77446	Brace (hood lock support to radiator support)	16924
Body and lens (map lamp)	13762	Brace (rear bumper end)	17789-93
Body and oil seal assy (fuel pump)	9375	Brace (rear bumper impact bar-inner)	17958-9
Body and plugs assy (carb. main)	9512	Brace (radiator grille opening ornament)	88250
Body and shaft assy (carb. throttle)	9518	Brace assy (front fender opening)	16088-9
Body and socket (courtesy lamp)	13709	Brace assy (hood lock)	16749-50
Body and socket assy (rear license lamp)	13560	Bracket (brake booster mounting)	22027
Body assy (brake booster)	2366	Bracket (brake hose front)	2082
Body assy (brake booster check valve)	22368	Bracket (brake master cyl. operating lever)	22519
Body assy (fuel pump)	9354	Bracket (cigar lighter)	15057
Body assy (roof rail lamp)	13778	Bracket (compressor to intake man.)	2092
Body assy (oil pump)	6603	Bracket (frame to body)	5075
Body assy (parking lamp)	13206	Bracket (frame to body)	5076
Body assy (roof rail lamp)	13778	Bracket (frame to body)	5078
Body assy (trans. front servo)	77404	Bracket (frame to body)	5088
Body assy (trans. servo exhaust valve)	77409	Bracket (front bumper grille guard)	17893
Body assy (trans rear servo)	77444	Bracket (front bumper license plate mtg.)	17736
Body assy (trans. rear servo accumulator)	77454	Bracket (front fender apron to dash)	16296
Body assy (vacuum pump)	9313	Bracket (front fender opening brace)	16216
Body assy (W/S wiper auxiliary drive)	17579	Bracket (front fender to cowl)	16094
Bolt (connecting rod)	6214	Bracket (fuel tank vent tube)	99053
Bolt (cylinder head)	6065-66	Bracket (generator)	10151
Bolt (flywheel housing to trans.)	77008	Bracket (generator)	10153
Bolt (flywheel to crankshaft)	6379	Bracket (generator)	10156
Bolt (front suspension lower arm front mounting)	3057	Bracket (hand brake cable)	2153
Bolt (front suspension lower arm rear mounting)	3055	Bracket (hand brake cable)	2530-31
Bolt (front suspension upper arm mounting)	33072	Bracket (heater hose)	18481
Bolt (camshaft sprocket)	6279	Bracket (ignition cable mounting)	12111-2
Bolt (torus cover to flywheel)	7943	Bracket (oil filter return tube)	6721
Bolt (generator thru)	10120	Bracket (power strg. pump adjusting)	33554
Bolt (trans. parking pawl support)	77312	Bracket (radio antenna)	18939
Bolt (starter thru)	11091	Bracket (radiator grille opening ornament)	88254-5
Bolt (master cyl. link rod eccentric)	2462	Bracket (rear license lamp)	13423
Bolt (rear axle brake housing)	2248	Bracket (rear license plate)	13596
Bolt (rear brake cylinder connection)	2276	Bracket (roadlamp)	15209
Bolt (rear bumper bar to arm)	17758	Bracket (roadlamp housing)	15270
Bolt (spare wheel mounting)	1448	Bracket (seat regulator terminal block mtg.)	14652
Bolt (stabilator link)	55495	Bracket (stabilator to frame)	5486
Bolt (steering column tube flange)	3641	Bracket (steering column)-upper	3678
Bolt (trans. to flywheel hsg.)	77008	Bracket (steering idler arm mounting)	3351
Bolt (universal joint "U")	4529	Bracket (suspension arm & shock mounting)	5022
Bolt (wheel hub)	1107	Bracket (top control switch mounting)	15676
Bolt and valve assy (oil filter center)	6741	Bracket (turn signal flasher mounting)	13351
Bolt and washer assy (trans. cover to case)	77226	Bracket and crank assy (trans. reverse shifter)	77295
Booster assy (brake vacuum)	2005	Bracket and insulator assy (muffler outlet pipe)	5259-61

Alphabetical Index—Continued

Part Name	Basic Part No.	Part Name	Basic Part No.
Bracket and insulator assy (muffler outlet pipe)	5273	Bushing (stabilator to frame)	5484
Bracket and insulator assy (muffler outlet pipe)	55253	Bushing (starter rear end plate)	11135
Bracket & pulley assy (compressor belt idler adj.)	8675	Bushing (steering column)	3517
Bracket assy (engine front support)	6028	Bushing (strg. gear pitman shaft)	3553
Bracket assy (engine rear support)	5059	Bushing assy (camshaft fuel pump drive eccentric)	6281
Bracket assy (hand brake signal lamp)	15853	Button (radio knob opening plug)	18856
Bracket assy (heater blower mounting)	18535		
Bracket assy (horn mounting)	13830	— C —	
Bracket assy (horn mounting)	13831		
Bracket assy (motor mtg. top control)	15669		
Bracket assy (steering column)	3676		
Bracket assy (turn signal flasher)	13348	Cable and conduit assy (hand brake)	2275
Bracket assy (W/S wiper control)	17468	Cable and conduit assy (hand brake)	2853
Breather and indicator assy (trans. oil)	77005	Cable assy (battery to ground)	14301
Brush assy (generator)	10069	Cable assy (battery to starter relay)	14300
Bush assy (heater blower motor)	19293	Cable assy (dash to engine)	14303
Brush assy (motor)	14580	Cable assy (distributor spark advance)	12399
Brush assy (motor)	14584	Cable assy (relay to starter)	14431
Brush assy (top control motor)	15665	Cam (directional signal turn-off)	13318
Bulb assy (electric heat indicator)	10884	Cam assy (carb. fast idle)	9597
Bulb assy (headlamp)	13007	Camshaft	6250
Bulb assy (spotlight)	15330	CAMSHAFT AND CRANKSHAFT GROUP (Page 73)	
Bulb (back up lamp)	13465	Cap (front hub grease)	1139
Bulb (clear)	13466	Cap (fuel tank)	9030
Bulb (clear)	15021	Cap (generator rear end plate)	10118
Bulb (dome lamp)	13730	Cap (steering gear housing)	3589
Bulb (engine compartment lamp)	13799	Cap (wheel hub)	1130
Bulb (map light)	13730	Cap and medallion assy (horn blowing ring)	3623
Bulb (offset pin base)	13465	Cap assy (brake master cylinder filler)	2162
Bulb (roadlamp)	15220	Cap assy (oil filler)	6766
Bulb (utility lamp)	18570	Cap assy (power strg. oil reservoir filler)	33536
Bumper (fender to hood)	16754	Cap assy (radiator)	8100
Bumper (fender to hood)	16758	Cap assy (rear bumper outer impact bar)	17810
Bumper (front suspension rebound)	3025	Cap assy (rear bumper outer impact bar)	17811
Bumper (master cyl. push rod)	2144	CARBURETOR CHART (Page 148)	
Bumper (rear license plate support)	13398	CARBURETOR GROUP (Page 144)	
Bumper assy (front suspension lower arm)	3019-20	Carburetor assy	9510
Bumper assy (rear axle)	5783	Carrier assy (trans. front planet)	77180
Bumper assy (rear spring)	5783	Carrier assy (trans. reverse planet)	77140
BUMPER GRILLE GUARD GROUP (Page 297)		Case (differential gear)	4205
Bus assy (circuit breaker)	12294	Case (transmission)	7006
Bumper assy (rear spring)	55712	Case assy (transmission)	7005
Bushing (brake master cyl. operating lever)	22515	Case assy (underseat heater)	18670-1
Bushing (brake master cyl. push rod)	2474	Casebolt (seat reg. motor)	14558
Bushing (brake pedal)	2461	Casebolt (window reg. motor)	14548
Bushing (brake pedal lever)	22521	Casing and shaft assy (speedometer)	17260
Bushing (connecting rod)	6207	Cement (rubber)	19552
Bushing (cutout unit resistor insulating)	10621	Chain (timing)	6268
Bushing (distributor base)	12120	CIGAR LIGHTER AND MAP LAMP GROUP (Page 297)	
Bushing (distributor primary terminal)	12233	CIGAR LIGHTER GROUP (Page 215)	
Bushing (front suspension lower arm mounting bolt)	3069	Circuit breaker and bracket assy	12258
Bushing (front suspension upper arm inner shaft)	3068	Circuit breaker assy	12250
Bushing (front suspension upper arm inner shaft)	3087	Circuit breaker assy-15 amp.	14526
Bushing (fuel & vacuum pump rocker arm pin)	9389	Circuit breaker assy-40 amp.	14526
Bushing (gen. field terminal insulator)	10202	Clamp (carb. automatic choke thermostat hsg.)	9842
Bushing (rear shock absorber insulator)	18197	Clamp (carb. economizer body cover)	9931
Bushing (rear spring shackle)	5719	Clamp (distributor)	12270

Alphabetical Index—Continued

Part Name	Basic Part No.	Part Name	Basic Part No.
Clamp (distributor to spark plug mounting brkt.)	12361	Clock assy (electric)	15000
Clamp (distributor terminal housing)	12144	CLOCK GROUP (Page 215)	
Clamp (fuel tank vent pipe hose)	9171	Cloth (dust)	19517
Clamp (heater hose)	18572	Coating (chrome)	19514
Clamp (hose & wiring)	18954	Cock assy (cylinder block)	8115
Clamp (hose to intake manifold to booster tube)	18572	Cock assy (radiator drain)	8115
Clamp (hose to reservoir to booster & to power brake)	18572	Coil assy (generator field)	10175
Clamp (intake manifold to cyl. head)	9446	Coil assy (ignition)	12029
Clamp (muffler inlet pipe)	5298	Coil assy (starter field)	11083
Clamp (muffler outlet pipe)	5251	Coil assy (starter field)	11085
Clamp (muffler outlet pipe)	5265	Collar (distributor shaft)	12195
Clamp (parking lamp lens retainer)	13213	Compound (body porcelainize)	19528
Clamp (power steering hose)	18572	Compressor assy (air conditioning)	2875
Clamp (rear lamp mounting)	13516	Condenser assy (distributor)	12300
Clamp (rear lamp mounting)	13517	Cone and roller assy (front wheel)	1201
Clamp (rear spring)-outer	5724	Cone and roller assy (front wheel)	1216
Clamp (spindle connecting rod)	3287	Cone and roller assy (rear axle differential)	4221
Clamp (steering column)	3507	Cone and roller assy (rear axle driving pinion)	4621-30
Clamp (steering column brkt. lower)	33689	Cone (trans. reverse clutch stationary)	77591
Clamp (steering gear ball return)	33573	Connection assy (water outlet)	8592
Clamp (trans. oil filter tube)	77021	Connector (front brake line)	2075
Clamp assy (air duct retainer)	8725	Connector (heater blower duct to air valve)	18584
Clamp assy (battery)	5165	Connector (heater blower to air valve)	18584
Clamp assy (heater air duct retainer)	8725	Connector (heater to blower air duct)	18489
Clamp assy (radiator lower hose)	8287	Connector (rear brake line)	2074
Clamp assy (radiator upper hose)	8287	Connector and sleeve (bullet terminal)	14487
Clamp assy (steering column bracket)	3668	Connector assy (bullet terminal)	14487
Clamp assy (water by-pass connection)	8556	Connector assy (generator brush)	10037
Cleaner (body)	19520	Control assy (hand brake)	2780
Cleaner (chrome)	19522	Control assy (heater air regulator)	18561
Cleaner (cooling system)	18442	Control assy (heater air regulator)	18646
Cleaner (spot remover)	19521	Control assy (heater temperature)	18518
Cleaner (upholstery foam)	19526	Control assy (thermostatic choke)	9850
Cleaner (white side wall tire)	19523	Control assy (W/S wiper)	17470
Clip (battery hold down)	55163	Core assy (heater)	18476
Clip (brake pipe hose to frame bracket)	2814	Core assy (underseat heater)	18476
Clip (cowl instrument panel)	14585	COURTESY LAMP GROUP (Page 195)	
Clip (electric wiring)	14197	Cover (brake adjusting hole)	2092
Clip (electric wiring)	14586	Cover (brake booster air cleaner)	22382
Clip (electric wiring and tubing)	14599	Cover (crankcase ventilation)	6869
Clip (front brake pipe to frame)	2244	Cover (cylinder front)	6059
Clip (fuel line)	14197	Cover (flywheel housing)	6382
Clip (fuel & vacuum tubes)	9296	Cover (front suspension lower arm ball joint dust)	33068
Clip (hand brake cable)	2860	Cover (front suspension upper arm ball joint dust)	33055
Clip (hand brake cable spring lock)	2814	Cover (generator regulator)	10560
Clip (headlamp door retainer spring)	13064	Cover (headlamp dimmer switch)	13535
Clip (rear brake pipe to rear axle)	2244	Cover (horn motor)	13809
Clip (reservoir to booster)	2279	Cover (oil filter)	6737
Clip (roadlamp wiring loom)	15233	Cover (oil pump)	6616
Clip (spotlight wiring)	15342	Cover (rear axle carrier)	4192
Clip (rod end clevis)	9825	Cover (steering gear housing)	3580
Clip (seat regulator switch retaining)	14559	Cover (strg. gear power rack)	33584
Clip ("U" bolt rear spring)	5705	Cover (transmission case side)	7222
Clip (wheel stone deflector)	1039	Cover (trans. extension housing access)	77138
Clip (window regulator hsg. retainer)	14570	Cover (trans. rear pump)	77860
Clip (window regulator switch retaining)	14559	Cover (transmission rear oil pump)	77353
Clip (window regulator wiring to door hinge)	14649	Cover (valve rocker arm)	6582

Alphabetical Index—Continued

Part Name	Basic Part No.	Part Name	Basic Part No.
Cover assy (brake booster check valve)	22370	Dial (instrument cluster auxiliary)	10888
Cover assy (brake master cyl. reservoir)	22166	Dial (instrument cluster main)	10887
Cover assy (generator rear end plate oil hole)	10141	Dial (transmission control selector)	15805
Cover assy (power strg. gear hydraulic valve)	33561	Diaphragm (oil filter)	6571
Cover assy (power steering oil reservoir)	33533	Diaphragm and pull rod assy (fuel pump)	9398
Cover assy (power strg. pump hsg.)	33608	Diaphragm and stem assy (carb. economizer)	9904
Cover assy (oil pump screen)	6615	Diaphragm assy (distributor)	12370
Cover assy (strg. gear hsg. end)	3597	Diaphragm assy (vacuum pump)	9314
Cover assy (strg. gear hsg. sector shaft)	3583	DIRECTIONAL TURN SIGNAL GROUP (Page 189)	
Cover assy (trans. torus)	7910	Disc (radio tone & rear seat speaker volume control)	18830
Cover assy (valve push rod)	6519	Dispenser (tissue)	18261
Cover and guide assy (strg. gear power rack)	33583	Distributor assy-less terminal housing and rotor	12127
Cover and injector assy (W/S washer)	17616	DISTRIBUTOR, CIRCUIT BREAKER & DISTRIBUTOR WIRING GROUP (Page 180)	
Cover and plugs assy (carb. main body)	99983	Dome (fuel pump air)	9414
Crankshaft	6303	DOME LAMP GROUP (Page 196)	
Cup (brake master cylinder)	2173	Door (back up lamp)	15513
Cup (brake shoe hold down spring)	2066	Door (front seat courtesy lamp)	13718
Cup (distributor oil)	10141	Door (front seat courtesy lamp)	13719
Cup (front wheel bearing)	1202	Door (headlamp)	13045
Cup (front wheel bearing)	1217	Door (headlamp)	13052
Cup (front wheel brake cylinder)	2202	Door (rear lamp)	13448
Cup (rear axle differential bearing)	4222	Door (spotlight lens)	15328
Cup (rear axle driving pinion brg.)	4616-28	Door and lens assy (courtesy lamp)	13723
Cup (rear wheel brake cylinder)	2201	DOOR EDGE GUARD GROUP (Page 298)	
Cup (steering gear worm)	3553	DOOR HANDLE SHIELD GROUP (Page 298)	
Cup (steering gear worm bearing)	3552	Dowel (cylinder block to flywheel hsg.)	6397
CURB BUFFER GROUP (Page 297)		Dowel (cyl. head to cylinder block)	6061
CURB SIGNAL GROUP (Page 298)		Dowel (hood lock)	16929
Cushion assy (regulator to dash mounting)	10610	Drive assy (starter)	11350
Cylinder (strg. gear power)	33564	DRIVE SHAFT & UNIVERSAL JOINT GROUP (Page 53)	
Cylinder (trans. front band release)	77543	Drum and pin assy (trans. front)	77536
Cylinder (trans. front servo release)	77543	Drum and pin assy (trans. rear clutch)	77573
CYLINDER & ENGINE SUPPORTS GROUP (Page 63)		Drum assy	1126
Cylinder and keys assy (ignition switch lock)	11582	Drum assy (trans. front clutch)	77532
Cylinder & rack assy (power steering)	3565	Drum assy (trans. rear clutch)	77187
Cylinder assy (brake master)	2140	Duct assy (heater inlet)	18457
Cylinder assy (front brake)	2061-62	Duct assy (heater to blower)	18720
Cylinder assy (strg. gear power)	33563	Duct assy (side cowl to panel opening)	18714
Cylinder assy (transmission)	6009		
—D—		—E—	
Dampener (power strg. pump flow control valve)	33616	ELECTRIC MOTORS & WIRING GROUP (Page 208)	
Dampener assy (vibration)	6316	Element assy (power strg. oil reservoir filter)	33538
Deflector (driving pinion oil seal dust)	4859	Emblem assy (radiator grille opening)	88139
Deflector (front bumper)	17776-7	EMERGENCY BRAKE & HAND BRAKE LEVER GROUP (Page 26)	
Deflector (front bumper stone)	17779	ENGINE COMPARTMENT LAMP GROUP (Page 299)	
Deflector (radiator air inner)	8308	Equalizer (hand brake cable)	2119
Deflector (radiator air inner)	8309	EXHAUST DEFLECTOR GROUP (Page 299)	
Deflector (rear bumper stone)	17808	Extension (carb. nozzle tube)	99986
Deflector (rear bumper stone)	17888	Extension (muffler outlet pipe)	5263
Deflector (rear fender stone)	17836	Extension (rad. front fender apron support reinf.)	16183
Deflector assy (exhaust)	18259	Extension assy (transmission)	7650
Deflector assy (radiator air side)	8326		

Alphabetical Index—Continued

Part Name	Basic Part No.	Part Name	Basic Part No.
— F —			
FAN GROUP (Page 134)		Gasket (carb. main body cover plate)	9985
Fender assy (front)	16008	Gasket (carb. main body to throttle body)	9516
Fender assy (front)	16009	Gasket (carb. power jet)	9608
Ferrule (fuel line)	9242	Gasket (carb. spark control valve body)	9909
Ferrule (universal joint spider)	7083	Gasket (carb. spark control valve body adaptor)	99963
Ferrule assy (oil pump inlet tube)	6668	Gasket (carb. spark control valve body screw)	99571
Filler (front bumper upper to lower impact bar end)	17882-3	Gasket (carb. to intake manifold)	9447
Filler (radiator splash shield bumper opening)	88210	Gasket (crankcase ventilation adapter)	6872
Fitting (brake master cylinder outlet)	2076	Gasket (crankcase ventilation cover)	6870
Fitting (brake master cylinder outlet)	2161	Gasket (cylinder front cover)	6020
Fitting (brake master cylinder reservoir)	22157	Gasket (cylinder head)	6051
Fitting (power strg. pump valve outlet)	33614	Gasket (driving pinion oil seal)	4671
Fitting (strg. gear power cyl.)	33602	Gasket (exhaust manifold crossover pipe)	9450
Fitting (W/S washer)	17615	Gasket (exhaust man. to muffler inlet pipe)	9453
Flange and bearing assy (steering column tube)	3509	Gasket (flywheel to crankshaft)	6377
Flange assy (universal joint)	4851	Gasket (flywheel to torus cover assy)	7945
Flasher (hand brake signal lamp)	15858	Gasket (front brake line connector)	2149
Flasher (instrument warning signal)	15855	Gasket (fuel pump bowl)	9364
Flasher assy (direction turn signal)	13350	Gasket (fuel pump mounting)	9417
Float assy (carb.)	9550	Gasket (fuel pump valve to body)	9367
Fluid (brake)	19542	Gasket (fuel tank drain plug)	9388
Fluid (HYDRA-MATIC trans. and power steering)	19582	Gasket (fuel tank gauge unit flange)	9276
Fluid (shock absorber)	19541	Gasket (fuel tank gauge unit flange)	9276
Fluid (window regulator)	19545	Gasket (headlamp to fender)	13044
Flywheel assy	6375	Gasket (heater blower motor mounting)	18583
FLYWHEEL AND VALVES GROUP (Page 76)		Gasket (heater to dash)	18570
FRAME CHART (Page 54)		Gasket (intake man. to cylinder head)	9441
FRAME GROUP (Page 53)		Gasket (oil filter center bolt to cover)	6749
Frame assy	5005	Gasket (oil filter mounting)	6838
FRONT BUMPER GROUP (Page 237)		Gasket (oil pan)	6710
FRONT FENDER GROUP (Page 219)		Gasket (oil pan drain plug)	6734
FRONT SPRING GROUP (Page 59)		Gasket (oil pan to oil pump tube flange)	6648
FRONT STABILATOR GROUP (Page 59)		Gasket (oil pump cover)	6619
FRONT SUSPENSION GROUP (Page 27)		Gasket (oil pump inlet tube flange)	6625
FRONT VENT WIND DEFLECTOR GROUP (Page 299)		Gasket (oil pump relief valve)	6669
FUEL PUMP GROUP (Page 132)		Gasket (oil pump to block)	6659
FUEL TANK, FUEL GAUGE & OIL GAUGE GROUP (Page 135)		Gasket (parking lamp lens)	13211
FUEL TANK FILLER LID LOCK GROUP (Page 299)		Gasket (power steering oil reservoir cover)	33535
FUEL TANK LOCKING CAP GROUP (Page 300)		Gasket (power strg. pump cover)	33617
Fuse (cigar lighter)	14526	Gasket (rear axle carrier cover)	4035
Fuse assy (cigar lighter)	14429	Gasket (rear lamp lens)	13460
— G —			
Gasket (air cleaner to carb.)	99654	Gasket (rear license lamp lens)	13568
Gasket (air cond. blower motor mtg.)	18583	Gasket (regulator cover to base)	10623
Gasket (back up lamp)	15510	Gasket (steering gear power cylinder adapter)	33601
Gasket (brake booster mounting bracket)	22035	Gasket (spark plug)	12410
Gasket (brake master cyl. filler cap)	2167	Gasket (steering gear housing cover)	3581
Gasket (brake master cyl. mounting adapter)	22121	Gasket (thermostatic choke)	9853
Gasket (brake master cylinder outlet)	2154	Gasket (steering gear housing end cover)	3593
Gasket (carb. automatic choke piston hsg.)	9871	Gasket (trans. case front cover)	77022
Gasket (carb. float needle seat)	9569	Gasket (steering gear housing end plate)	3595
Gasket (carb. float needle seat plug)	9945	Gasket (trans. case side cover)	7223
Gasket (carb. fuel inlet adapter)	9229	Gasket (trans. extension)	7086
		Gasket (trans. extension housing access cover)	77161
		Gasket (trans. front pump intake pipe)	77346
		Gasket (trans. front servo body)	77480
		Gasket (trans. oil pan)	77014
		Gasket (trans. oil pan drain plug)	77485
		Gasket (trans. pressure regulator to case)	77382
		Gasket (trans. rear servo)	77457

Alphabetical Index—Continued

Part Name	Basic Part No.	Part Name	Basic Part No.
Hose assy (front brake)	2079	Insulator (distributor to spark plug wire)	12113
Hose assy (fuel pump to fuel tank tube)	9288	Insulator (front shock absorber)	18198
Hose assy (power strg. hyd. control valve to power end)	33637	Insulator (front stabilizer)	18198
Hose assy (power strg. hyd. control valve to rod)	33636	Insulator (front suspension coil spring)	5415
Hose assy (power strg. return line)	33588	Insulator (front suspension spring)	5414
Hose assy (power strg. pressure line)	33589	Insulator (generator brush holder rivet)	10048
Hose assy (rear brake)	2078	Insulator (generator frame to outer coil)	10206
HOT WATER HEATER GROUP (Page 300)		Insulator (generator terminal)	10202
Housing (control selector indicator lamp)	15803	Insulator (generator end plate)	10208
Housing (flywheel)	6394	Insulator (hood)	16738
Housing (instr. & control cluster)	10841	Insulator (horn wire terminal)	3635
Housing and bushing assy (steering gear)	3548	Insulator (muffler inlet pipe)	55246
Housing and plugs assy (carb. automatic choke)	9849	Insulator (power steering hose)	33550
Housing and thermostat assy (carb. automatic choke)	9848	Insulator (rear shock absorber)	18198
Housing and tube seat assy (rear brake cylinder)	2135-36	Insulator (starter brush holder rivet)	10048
Housing assy (distributor terminal)	12106	Insulator (starter terminal)	11107
Housing assy (heater regulator control)	19188	Insulator (steering column bracket)	3682
Housing assy (heater regulator control)	19193	Insulator (steering column bracket)	33687
Housing assy (power strg. pump)	33610	Insulator (trans. gear shift lever)	7246
Housing assy (roadlamp)	15256-57	Insulator (vacuum antenna)	18897
Housing assy (rear axle)	4010	Insulator (voltage limiter contact post)	10522
Housing assy (W/S wiper pivot shaft)	17554	Insulator (voltage limiter frame)	10524
Housing assy (W/S wiper pivot shaft)	17555	Insulator assy (engine front mount rebound)	6039
Hub (trans. rear clutch)	77579	Insulator assy (engine front support)	6038
Hub (water pump pulley)	8553	Insulator assy (engine rear mount)	6068
Hub and brake drum assy (front)	1102	Insulator assy (power steering pump)	33640
HYDRA-MATIC TRANSMISSION CHART (Page 86)		INTAKE & EXHAUST MANIFOLD GROUP (Page 142)	
HYDRA-MATIC TRANSMISSION GROUP (Page 85)		— J —	
— I —		Jack assy (bumper)	17080
IGNITION COIL GROUP (Page 179)		Jar (W/S washer)	17618
IGNITION SWITCH GROUP (Page 179)		Jet (W/S washer)	17666
Impeller (water pump)	8512	Jet (carb. main metering)	9533
Indicator assy (charge)	10850	Jet assy (carb. idling)	9542
Indicator assy (fuel level)	9280	Joint assy (front suspension lower arm ball)	33059
Indicator assy (oil level)	6750	Joint assy (front suspension upper arm ball)	33046
Indicator assy (oil pressure)	9273	— K —	
Indicator assy (temperature)	10883	Key (adapter repair)	33580
Indicator assy (transmission oil level)	77019	Key (ignition & door lock)	3685
Indicator assy (transmission oil level)	77626	Key (power steering pump pulley)	33557
Insert (oil filter mtg. bolt)	6890	Key (trans. reverse clutch stationary cone)	77594
Insert (top control motor support spacer)	15679	Key (valve spring retainer)	6518
Insert (trans. selector position)	77341	Key (trans. frt. pump drive)	77347
Insert (W/S wiper blade)	17593	Kit (automatic W/S washer installation)	18293
Insert assy (rear spring)	5586	Kit (back up lamp installation)	18274
INSTRUMENT PANEL INDICATORS GROUP (Page 174)		Kit (carb. float & float spring)	99525
Insulation (gen. rear end plate terminal screw)	10202	Kit (carburetor gasket)	9502
Insulation (starter brush holder)	11062	Kit (carb. pump rod repair)	9531
Insulator (brake master cyl. heat shield)	22142	Kit (carburetor repair)	9590
Insulator (current limiter contact post)	10522	Kit (caulking strip)	19560
Insulator (current limiter unit contact post)	10524	Kit (cigar lighter & map lamp installation)	18288
Insulator (distributor to coil)	12113	Kit (curb buffer moulding installation)	18243
Insulator (distributor primary terminal)	12234	Kit (curb signal installation)	19246
		Kit (door edge guard)	19292

Alphabetical Index—Continued

Part Name	Basic Part No.	Part Name	Basic Part No.
Kit (door handle shield)	18437	Kit (steering idler arm)	3352
Kit (drag link ball stud repair)	3312	Kit (steering spindle connecting rod end)	3270
Kit (emergency utility lamp and case)	15550	Kit (thermostat & gasket)	8570
Kit (engine compartment lamp installation)	18375	Kit (traffic lamp reflector installation)	18342
Kit (engine gasket)-lower	6675	Kit (trans. clutch piston seal and expander)	77535
Kit (engine overhaul gasket)	6008	Kit (trans. front pump screws & washers)	77330
Kit (front brake lining)	2007	Kit (trans. governor drive flange)	77388
Kit (front brake shoe and lining)	2001	Kit (trans. manual control shaft seal & washer)	77769
Kit (front brake spring repair)	22009	Kit (trans. pressure reg. plug & gasket)	7874
Kit (front bumper grille guard installation)	18412	Kit (trans. pressure regulator plug and gasket)	77383
Kit (front cylinder cover gasket)	6059	Kit (trans. rear oil pump driven gear)	77360
Kit (front shock absorber bushing)	18198	Kit (trans. rear servo check valve)	77448
Kit (front suspension arm joint-lower)	3050	Kit (trans. rear servo compensator piston & spring)	77475
Kit (front suspension arm joint-upper)	3049	Kit (trans. reverse clutch piston seal)	77167
Kit (front suspension upper shaft)	3047	Kit (trans. throttle shaft repair)	77211
Kit (front vent wind deflectors)	19301	Kit (universal joint)	7039
Kit (front wheel brake cylinder repair)	2221	Kit (valve gasket set)	6079
Kit (fuel filter)	9155	Kit (visor vanity mirror installation)	18208
Kit (fuel pump strainer)	99360	Kit (water pump repair)	8591
Kit (fuel & vacuum pump repair)	9349	Kit (window vents installation)	18246
Kit (fuse)	14527	Kit (W/S wiper arm and blade display)	17528
Kit (gas filler lid lock installation)	18168	Knob and element assy (cigar lighter)	15052
Kit (gasket & seal repair)	22160	Knob and element (cigar lighter)	15078
Kit (gasket & seal)	33570	Knob and insert assy (headlamp control switch)	11661
Kit (generator brush)	10043	Knob assy (heater, defroster & air control)	18519
Kit (heavy duty)	66005	Knob assy (roadlamp & air conditioner switch)	15259
Kit (license plate frames)	18350	Knob assy (top control)	15674
Kit (license plate frame window)	15480	Knob assy (W/S wiper control)	17513
Kit (manifold gasket-intake & exhaust)	9424	Knob (radio volume control)	18817
Kit (master brake cylinder repair)	2004	Knob (vacuum antenna control)	18911
Kit (motor 4 way seat)	14547	Knuckle assy (universal joint)	4841
Kit (oil pan gasket)	6781		
Kit (oil pump gasket)	6600	— L —	
Kit (piston packing)	22167		
Kit (piston & ring repair)	33567		
Kit (piston ring set)	6149		
Kit (power steering control valve orifice)	3610	Lacquer (touch-up)	19502
Kit (power steering cyl. and rack assy)	33546	Lamp assy (back up)	15500
Kit (reading & vanity light installation)	18295	Lamp assy (courtesy)	13707
Kit (rear brake lining)	2222	Lamp assy (front seat courtesy)	13706
Kit (rear brake shoe & lining)	2200	Lamp assy (front seat courtesy)	13707
Kit (rear brake spring repair)	22009	Lamp assy (hand brake signal)	15850
Kit (rear compartment draft deflector installation)	19136	Lamp assy (luggage compartment)	13506
Kit (rear door safety lock)	18333	Lamp assy (parking)	13200-1
Kit (rear shock absorber bushing)	18197	Lamp assy (rear)	13404
Kit (rear spring, rear shackle & front bolt)	5630	Lamp assy (trans. control selector)	13715
Kit (rear view mirror installation)	18402	Lamp assy (utility)	15550
Kit (rear wheel brake cylinder repair)	2128	Lead-in assy (radio antenna)	18812
Kit (rear window defroster installation)	18397	Lens assy (parking lamp)	13202-05
Kit (rear window wiper installation)	18387	Lens (back up lamp)	15514
Kit (roadlamp installation)	18207	Lens (dome lamp)	13783
Kit (spark plug and coil high tension wire)	12259	Lens (front seat courtesy lamp)	13717
Kit (spotlight bracket installation)	18154 -5	Lens (front seat courtesy lamp)	13722
Kit (spotlight mirror installation)	15301	Lens (roof rail lamp)	13783
Kit (spotlight mirror installation)	18403	Lens (license plate lamp)	13564
Kit (spotlight installation)	18151	Lens (rear lamp)	13450
Kit (stabilator link)	55495	Lens (roof rail dome lamp)	13783
Kit (starter brush)	11057	Lens (parking lamp)	13208

Alphabetical Index—Continued

Part Name	Basic Part No.	Part Name	Basic Part No.
Lens and retainer (luggage compt. lamp)	13547	Motor assy (window regulator)	14549
Letter (hood front)	16606	Motor assy (window regulator)	14533
Lever and insulator assy (trans. control selector)	7302	Motor assy (W/S wiper)	17508
Lever and shaft assy (carb. throttle)	9581	Moulding (front fender)	16003-4
Lever and shaft assy (carb. throttle)	9927	Moulding (front fender)	16164-5
Lever assy (brake master cyl. operating)	2514	Moulding (hood front)	16856
Lever assy (parking brake operating)	2103-4	Moulding (rear lamp)	13474-6
Lever assy (trans. control selector)	7202	Moulding assy (front fender)	16160-1
Lever assy (trans. high & intermediate shift)	7285	MUFFLER GROUP (Page 55)	
Lever assy (trans. inside detent control)	77234	Muffler assy	5230
Lever (carb. choke shaft)	9551		
Lever (hand brake equalizer)	2532	—N—	
Lever (trans. inside throttle valve control)	77284	Needle (carb. accel. pump discharge)	9902
Lever (trans. O/Drive control)	7689	Needle (carb. idle adjusting)	9541
Lever (trans. outer shifter)	7285	Needle, seat, gasket & wire clip assy (carb. float)	9564
Lever (trans. rear band actuating)	77516	Nozzle assy (heater defroster)	18490
Lever (trans. throttle control outer)	7919	Nozzle assy (W/S washer)	17665
LICENSE PLATE FRAMES GROUP (Page 305)		NUMERICAL LIST OF FIVE DIGIT PARTS GROUP (Page 276)	
LICENSE PLATE FRAME WINDOWS GROUP (Page 305)		NUMERICAL LIST OF 15,000 MISC. ACCESSORIES GROUP (Page 216)	
Line assy (fuel tank to jump)	9282	NUMERICAL LIST OF 18,000 MISC. ACCESSORIES GROUP (Page 256)	
Liner (rear spring clamp)	5334	NUMERICAL LIST OF 19,000 MISC. ACCESSORIES GROUP (Page 251)	
Link (brake pedal lever to master cyl. operating lever)	2466	NUMERICAL LIST OF STANDARD PARTS GROUP (Page 290)	
Link (brake shoe connecting)	2042	Nut (accel. shaft to pedal rod adj.)	9756
Link (fuel pump)	9381	Nut (brake adjusting screw pilot)	2047
Link (vacuum pump rocker arm)	9310-11	Nut (hand brake equalizer lever)	2091
Link assy (carb. accel. pump)	9526	Nut (valve adjusting screw)	6552
Link assy (steering connecting)	3304	Nut (oil relief valve)	6666
LIGHTING SWITCH GROUP (Page 179)		Nut (connecting rod)	6212
Lock (trans. reverse anchor support bolt)	77135	Nut (oil pump inlet tube)	6673
Lock assy (hood)	16700	Nut (rear spring clip)	5333
Locknut (strg. gear power cyl. piston rod)	33648	Nut (spare wheel mounting)	1457
Locknut assy (steering thrust screw)	3539	Nut (trans. main shaft)	7923
Lock set assy (primary)	3687	Nut (thermostatic choke control heat tube retaining)	9864
Lock set assy (secondary)	3689	Nut (vacuum antenna dome)	18865
Lubriplate	19586	Nut (wheel bolt)	1012
LUGGAGE COMPARTMENT LAMP GROUP (Page 193)			
—M—		—O—	
Manifold (exhaust)	9430	OIL FILTER & CRANKCASE VENTILATION GROUP (Page 83)	
Manifold (exhaust)	9431	OIL FILTER GROUP (Page 83)	
Manifold (intake)	9424	OIL PAN GROUP (Page 82)	
MAP LAMP GROUP (Page 196)		OIL PUMP GROUP (Page 80)	
Mask (instrument cluster)	10890	Oil seal (fuel pump diaphragm)	9469
Medallion (horn ring cap)	3649	Oil seal (vacuum pump diaphragm)	9469
Medallion (radiator grille opening)	88132	Oil seal assy (trans. extension rear)	7657
Member assy (frame cross)	5019	Ornament (front bumper grille guard)	17910
Member assy (frame cross)	5029	Ornament (front bumper lower impact bar)	17878
Member assy (frame cross)	5035	Ornament (front bumper upper impact bar)	17835
Mirror assy (rear view)	17702	Ornament (hood front)	16637
Mitt (car washing)	19512	Ornament (hood top)	16853
Motor assy (heater defroster blower)	18527	Ornament (radiator grille opening)	8216
Motor assy (heater underseat blower)	18527	Ornament assy (front fender)	16178-9
Motor assy (rear window defroster)	18631	Outlet assy (heater defroster)	18480
Motor assy (seat regulator)	14547		
Motor assy (top control)	15664		
Motor assy (top control)	15667		

Alphabetical Index—Continued

Part Name	Basic Part No.	Part Name	Basic Part No.
— P —			
Packing (carb. accel. pump operating rod)	9535	Piston (strg. gear power cyl.)	33587
Pad (back up lamp)	15533	Piston (trans. front band release)	77540
Pad (front fender apron and radiator support)	16186	Piston (trans. front clutch cylinder)	77531
Pad (hood)	16740	Piston (trans. parking blocker)	77328
Pad (hood front ornament)	16675	Piston (trans. rear clutch cylinder)	77572
Pad (horn ring pressure)	33674	Piston (trans. reverse)	77163
Pad (horn ring shock)	3672	Piston (trans. reverse shifter blocker)	77294
Pad (radiator grille opening medallion)	88170	PISTON AND CONNECTING ROD GROUP (Page 72)	
Pad (rear lamp mounting)	13420	Piston and stem assy (trans. rear service booster)	77470
Pad assy (brake pedal)	2454	Piston and stem assy (trans. rear servo accumulator)	77460
Pan assy (oil)	6675	Piston assy (automatic choke)	99523
Pan assy (trans. control linkage splash)	7770-1	Piston assy (brake booster body)	2395
Pan assy (trans. oil)	77011	Piston assy (brake master cylinder)	2169
Pan assy (trans. oil)	77472	Piston assy (carb. accel. pump)	9631
Panel assy (heater control)	19171	Piston assy (trans. front servo)	77410
PARKING LAMP GROUP (Page 187)		Plate (brake booster body end)	22380
Partition (rear lamp lens)	13430	Plate (brake booster body piston)	23395
Pawl (trans. parking)	77311	Plate (brake master cylinder piston stop)	2188
Pawl (turn signal switch)	13309	Plate (brake shoe anchor pin guide)	2028
Pedal assy (accel.)	9735	Plate (carb. Automatic choke hsg.)	9844
Pedal assy (brake)	2455	Plate (carb. choke)	9545
Pin (brake shoe anchor)	2027	Plate (carb. throttle)	9585
Pin (brake shoe hold down spring)	2069	Plate (control lamp housing cover)	10885
Pin (carb. float hinge)	9558	Plate (horn ring contact)	3630
Pin (fuel & vacuum pump rocker)	9378	Plate (horn ring pad retainer)	33671
Pin (hand brake handle locking)	2819	Plate (horn ring guard lower back)	17986-7
Pin (hand brake lever)	2859	Plate (front shock absorber mounting)	18072
Pin (piston)	6135	Plate (generator front end)	10139
Pin (power strg. pump rotor drive)	33633	Plate (hood name)	16604
Pin (rear license plate support hinge)	13432	Plate (muffler pipe insulator)	5298
Pin (starter drive pinion)	11365	Plate (parking lamp mounting)	13245-6
Pin (temp. regulator pivot)	18621	Plate (power strg. pump valve orifice)	33615
Pin (trans. control valve plug retainer)	77207	Plate (quarter panel name)	16098
Pin (trans. over-run control valve ret. spring)	77433	Plate (radiator grille opening medallion)	88125
Pin (trans. rear band actuating lever)	77521	Plate (radio tube cover)	18991
Pin (trans. rear clutch apring guide)	77575	Plate (rear bumper jack)	17918-9
Pin (trans. reverse blocker piston stop)	77164	Plate (rear lamp lens)	13462
Pinion (differential)	4215	Plate (rear spring center bolt)	5708
Pipe (exhaust man. crossover & thermo valve assy)	55267	Plate (rear spring "U" bolt)	5798
Pipe (oil filler)	6765	Plate (regulator hinge spring reinforcement)	10568
Pipe (muffler outlet)	5255	Plate (spare wheel mounting)	1446
Pipe (muffler to rear resonator)	5249	Plate (trans. center bearing cap lock)	77031
Pipe (rear servo compensator)	77468	Plate (trans. clutch driven)	77551
Pipe (trans. front oil pump delivery)	77348	Plate (trans. blocker piston pin)	77320
Pipe (trans. governor oil supply)	77401	Plate (trans. oil pump inlet pipe bolt)	77320
Pipe (trans. rear oil pump discharge)	77366	Plate (window regulator single switch mounting)	14523
Pipe (trans. servo oil transfer)	77426	Plate and brush assy (generator rear end)	10050
Pipe assy (exhaust manifold crossover)	5267	Plate assy (distributor breaker)	12151
Pipe assy (muffler inlet)	5246	Plate assy (engine rear support)	6054
Pipe assy (rear brake)	2267-68	Plate assy (front brake backing)	2012-13
Pipe assy (rear connector to rear hose)	2265	Plate assy (instrument cluster back)	10843
Pipe assy (trans. front oil pump inlet)	77321	Plate assy (rear brake backing)	2211-12
Piston (camshaft thrust)	6275	Plate assy (starter rear end)	11130
Piston (front wheel brake cylinder)	2198	Plate assy (trans. clutch drive)	77563
Piston, pin & retainer	6108	Plate assy (turn signal switch)	13304
Piston (rear wheel brake cylinder)	2197	Plenum chamber assy (heater)	18471
		Plate, bushing and brush holder assy (starter brush end)	11049

Alphabetical Index—Continued

Part Name	Basic Part No.	Part Name	Basic Part No.
Retainer (rear brake emergency lever pin)	2106	Rivet (distributor cap clamps)	12145
Retainer (rear wheel bearing)	2240	Rivet (generator brush end plate)	11069
Retainer (rear wheel bearing)	1180	Rivet (generator frame locating)	10088
Retainer (roadlamp ring)	15207	Rivet (starter brush end plate)	11069
Retainer (steering column opening)	33513	ROADLAMP GROUP (Page 310)	
Retainer (steering column opening seal)	33515	Roadlamp assy	15200
Retainer (trans. cover control spring)	77368	Rod (accel. pedal to shaft)	9727
Retainer (trans. detent plunger)	77202	Rod (brake master cylinder-push)	2143
Retainer (trans. fourth to third speed down shift valve)	77232	Rod (carb. accel. pump piston operating)	9531
Retainer (trans. front servo release spring)	77418	Rod (fuel pump push)	9400
Retainer (trans. gear shift selector spring)	7308	Rod (hand brake equalizer)	2529
Retainer (trans. pilot bearing)	7942	Rod (strg. gear power cyl. piston)	33568
Retainer (trans. rear servo spring)	77452	Rod (thermostatic choke lever)	9869
Retainer (trans. reverse clutch piston spring)	77598	Rod (valve push)	6565
Retainer (trans. torus check valve)	7921	Rod & ball stud assy (steering spindle arm connecting)	3280
Retainer (valve spring)	6514	Rod and cylinder assy (radio antenna)	18850
Retainer assy (antenna hose grommet)	14608	Rod assy (accel. shaft to trans. control shaft)	9784
Retainer assy (carb. check valve)	9575	Rod assy (carb. to trans. control shaft)	9747
Retainer assy (hood front ornament)	16632	Rod assy (connecting)	6200
Retainer assy (horn blowing ring medallion)	33651	Rod assy (manual shaft)	7325
Retainer assy (instrument panel wiring through dash)	14608	Rod assy (trans. control shaft to trans.)	77242
Retainer assy (rear lamp wiring thru front pillar)	14608	Rod assy (trans. high & intermediate gear shift)	7325
Retainer assy (top control wire to cowl panel)	14608	Roller (trans. reverse shifter crank)	77299
Retainer assy (trans. detent plunger)	77285	Roller assy (steering gear worm bearing)	3571
Rim (parking lamp)	13236-7	Rotor assy (distributor)	12200
Ring (camshaft sprocket lock)	6258	Rotor assy (power strg. pump)	33634
Ring gear & pinion (rear axle)	4209	Rust Inhibitor	19546
Ring (generator bearing stop)	10163		
Ring (headlamp ball)	13037	— S —	
Ring (headlamp bulb retainer)	13015	Screen assy (crankcase ventilation)	6841
Ring (headlamp bulb retaining)	13018	Screen assy (oil pump)	6623
Ring (oil seal)	77430	Screen assy (trans. oil pump intake)	77016
Ring (oil seal)	77434	Screen and retainer assy (carb. filter)	9938
Ring (oil seal)	77429	Screw (brake adjusting)	2041
Ring (oil seal)	77435	Screw (brake wheel cylinder bleeder)	2208
Ring (oil seal)	77432	Screw (carb. air cleaner anchor)	9813
Ring (power strg. hyd. control valve "O")	33603	Screw (carb. choke plate)	9588
Ring (power strg. hyd. control valve fit seal "O")	33605	Screw (carb. spark control valve body)	99964
Ring (power strg. oil reservoir orifice "O")	33549	Screw (carb. throttle plate)	9586
Ring (power strg. oil reservoir orifice "O")	33547	Screw (current limiter armature adjusting)	10523
Ring (power strg. pump flow director)	33619	Screw (cutout magnet frame)	10523
Ring (power strg. pump valve outlet fitting)	33618	Screw (internal gear)	77077
Ring (roadlamp retainer)	15214	Screw (generator pole piece)	10044
Ring (steering column tube trim)	33518	Screw (generator rear end plate terminal)	10211
Ring (strg. gear power cyl. adapter oil "O")	33570	Screw (generator terminal)	10211
Ring (steering gear power cyl. piston)	33569	Screw (headlamp adjusting)	13032
Ring (steering gear power cyl. piston rod "O")	33566	Screw (generator terminal)	10211
Ring (strg. gear power cyl. tube elbow oil seal "O")	33606	Screw (starter pole piece)	10044
Ring (strg. power cyl. fitting "O")	33604	Screw (steering sector shaft thrust)	3577
Ring (trans. front band release piston)	77431	Screw (trans. parking pawl support)	77312
Ring (trans. front oil pump seal)	77340	Screw (valve adjusting)	6549
Ring (trans. front servo band release piston oil)	77397	Screw (voltage limiter armature adjusting)	10523
Ring (trans. governor oil seal)	77428	Screw and washer assy (trans. frt. valve)	77126-7
Ring (trans. rear clutch cylinder retaining)	77584	Screw and washer assy (trans. outer valve)	77361
Ring (trans. rear servo accumulator oil seal)	77438	Screw and washer assy (trans. outer valve)	77633
Ring assy (horn)	3627		

Alphabetical Index—Continued

Part Name	Basic Part No.	Part Name	Basic Part No.
Seal (crankshaft rear main bearing cap)	6702	Shaft and worm assy (steering column)	3524
Seal (crankshaft rear oil)	6701	Shaft assy (distributor)	12175
Seal (flywheel hsg. front cover)	6411	Shaft assy (oil pump)	6608
Seal (front fender to body pillar)	16246	Shaft assy (steering gear sector)	3575
Seal (front fender to cowl)	16126	Shaft assy (trans. control to accel.)	77230
Seal (front suspension upper arm ball joint dust)	33057	Shaft assy (trans. output)	77061
Seal (hood hinge bracket to body)	16878	Shield (brake master cyl. heat)	22139
Seal (intake valve stem)	6571	Shield (fan and water pump belt)	8579
Seal (oil pump inlet tube)	6643	Shield (front fender splash rear)	16102-3
Seal (oil anti drain back)	6804	Shield (front suspension upper arm ball joint dust)	33056
Seal (oil reservoir cover)	6570	Shield (parking lamp splash)	16176-7
Seal (parking lamp splash shield)	16146	Shield (radiator splash)	16550
Seal (power steering oil reservoir)	6570	Shield (roadlamp anti-reflection)	15252-53
Seal (radiator splash shield)	88256	Shield (spark plug ignition wire)	12299
Seal (radiator splash shield front center)	88294	Shield (steering conn. link ext. ball stud-dust)	3343
Seal (rear stone deflector)	17832	Shield (trans. extension rear oil seal)	7692
Seal (strg. gear power cyl. piston rod oil)	33565	Shield assy (brake master cyl.)	22138
Seal (strg. gear sector shaft grease)	33587	Shield assy (exhaust crossover pipe heat)	55272
Seal (steering idler arm)	3359	Shield assy (generator splash)	10168
Seal (steering linkage ball stud)	3332	Shield assy (radiator splash)	8209
Seal (trans. front cover oil)	77334	Shim (differential bearing adjusting)	4067
Seal (trans. front pump intake pipe)	77355	Shim (driving pinion front bearing adj.)	4672
Seal (trans. pressure regulator to case)	77355	Shim (driving pinion rear bearing adj.)	4109
Seal (universal joint grease)	7078	Shim (front spring)	5355
Seal (valve rocker arm cover stud)	6570	Shim (front suspension lower arm front mounting bolt)	3054
Seal (valve stem)	6571	Shim (front suspension upper arm mounting)	3043
Seal assy (crankshaft front)	6700	Shim (strg. gear power rack cover)	33594
Seal assy (power strg. gear hydraulic valve)	33562	SHOCK ABSORBER GROUP (Page 253)	
Seal assy (power strg. pump rotor shaft oil)	33623	Shock absorber assy (front)	18045
Seal assy (rear axle driving pinion oil)	4676	Shock absorber assy (rear)	18080
Seal assy (steering gear hsg. oil)	3591	Sleeve (power strg. pressure hose insulator)	33595
Seal assy (steering gear worm oil)	33560	Sleeve (steering column bearing)	3518
Seal assy (starting motor to flywheel hsg.)	6436	Sleeve (trans. gear shift rod adjustment)	7353
Seal assy (water pump)	8564	Sleeve (trans. line exhaust valve)	77447
Seal assy (wheel bearing inner oil)	1177	Sleeve (valve spring retainer)	6517
Sealer (compound)	19554	Sleeve (wire terminal insulating)	14455
Sealer (steering column opening)	3513	Sleeve assy (drag link adjusting)	3310
Seat (front shock absorber insulator)	18031	Sleeve assy (trans. oil supply to clutches)	77027
Seat (front stabilizer insulator)	18031	Slinger (driving pinion shaft oil)	4670
Seat (front suspension arm rear mounting bolt)	3085	Slinger (water pump shaft)	8550
Seat (power strg. reservoir element spring)	33540	Snap ring (brake master cylinder piston)	2174
Seat (rear shock absorber insulator)	18172	Snap ring (torus retaining)	7917
Seat (steering conn. link ext. ball stud spring)	3326	Snap ring (trans. driven torus)	7927
Seat (vacuum pump diaphragm spring)	9302	Snap ring (trans. output shaft bearing retaining)	7030
Selector assy (trans. control)	7200	Snap ring (trans. output shaft center bearing ret.)	77069
SERVICE BRAKES GROUP (Page 2)		Snap ring (trans. rear oil pump gear retaining)	77142
Shaft (brake master cyl. operating lever)	2482	Snap ring (trans. reverse clutch piston spring ret.)	77596
Shaft (brake pedal)	2478	Snap ring (trans. reverse planet carrier retaining)	77148
Shaft (differential pinion)	4211	Snap ring (universal joint spider brg. retaining)	7096
Shaft (front suspension upper arm)	3056	Snap ring (water pump housing)	8576
Shaft (power strg. pump rotor)	33611	Snap ring (water pump shaft bearing retainer)	8630
Shaft (speedometer cable)	17262	Socket (brake adjusting screw)	2048
Shaft (valve rocker arm)	6563	Socket (roof rail lamp)	13721
Shaft and bearing assy (rear axle)	4234	Socket (trans. control selector lever)	7228
Shaft and bracket assy (accelerator)	9725	Socket and retainer assy (cigar lighter)	15055
Shaft and lever assy (carb. choke)	9546	Solution (W/S washer)	19550
Shaft and lever assy (carb. choke housing)	99557		
Shaft and universal joint assy (drive)	4602		

Alphabetical Index—Continued

Part Name	Basic Part No.	Part Name	Basic Part No.
Spacer (back up lamp)	15532	Spring (generator bearing)	10087
Spacer (carburetor)	9603	Spring (generator brush)	10057
Spacer (exhaust manifold to cylinder head)	9438	Spring (hand brake equalizer lever retracting)	2456
Spacer (fender bracket cowl)	16195	Spring (headlamp bulb ring)	13031
Spacer (front bumper lower arm to frame)	17765	Spring (heater blower motor brush ret.)	19294
Spacer (front fender to rocker panel)	16248	Spring (hood auxiliary latch)	16897
Spacer (front stabilator bar)	5490	Spring (hood hinge lock)	16812
Spacer (fuel & vacuum link & spring retainer)	9382	Spring (hood hinge tension)	16789
Spacer (horn bracket)	13827	Spring (hood latch trigger)	16921
Spacer (ornament)	8219	Spring (hood lock)	16925
Spacer (spring clamp)	5703	Spring (hood ornament anti-rattler)	16657
Spacer (steering column hsg. to fender apron)	3667	Spring (horn ring)	3626
Spacer (steering gear housing to frame)	3566	Spring (ignition switch retaining)	11581
Spacer (steering gear shaft bearing)	33518	Spring (oil filter element retaining)	6889
Spacer (trans. control valve detent plunger ret.)	77208	Spring (oil pump relief valve)	6670
Spacer (trans. countershaft gear bearing)	7125	Spring (oil pump screen)	6628
Spacer (trans. gear shift arm hub)	7336	Spring (parking brake strut to shoe)	2139
Spacer (trans. output shaft rear bearing)	7070	Spring (power strg. hyd. control valve)	33582
Spacer (trans. reverse planet carrier)	77179	Spring (power strg. oil reservoir filter element retaining)	33539
Spacer (valve spring)	6515	Spring (power strg. pump flow control valve)	3362
Spacer (water pump pulley to fan)	8546	Spring (power strg. pump relief valve)	33613
Spacer assy (W/S wiper mounting)	17519	Spring (ratchet bar locking)	2788
Spacer assy (W/S wiper mounting)	17520	Spring (rear band release)	77437
SPARE WHEEL CLAMPS GROUP (Page 2)		Spring (rear license plate support)	13455
Speedometer assy (miles)	17255	Spring (rear wheel brake cylinder piston return)	2204
SPEEDOMETER GROUP (Page 233)		Spring (regulator valve dampener)	7893
Spindle assy (front wheel)	3105	Spring (roadlamp adapter retainer)	15231
Spotlight assy (utility hand)	18148	Spring (starter brush)	11059
SPOTLIGHT GROUP (Page 313)		Spring (steering column bearing)	3520
SPOTLIGHT MIRROR GROUP (Page 315)		Spring (steering conn. link ext. ball stud)	3327
Spring (accel. shaft retracting)	9737	Spring (throttle adjusting screw)	9578
Spring (brake adjusting screw)	2049	Spring (top control brush holder)	15666
Spring (brake booster body piston reaction)	22358	Spring (trans. clutch release)	77578
Spring (brake booster body piston return)	2361	Spring (trans. clutch release)	77582
Spring (brake booster check valve)	22371	Spring (trans. control valve throttle oil ball)	77203
Spring (brake drum silencer)	1140	Spring (trans. front oil pump relief valve)	77349
Spring (brake master cylinder outlet valve)	2183	Spring (trans. front pump by pass valve)	77419
Spring (brake pedal retracting)	2472	Spring (trans. front pump primary)	77407
Spring (brake shoe hold down)	2068	Spring (trans. front servo booster)	77425
Spring (brake shoe retracting)	2035	Spring (trans. front servo check valve)	77395
Spring (brush holder)	14576	Spring (trans. front servo retracting)	77424
Spring (brush holder)	14595	Spring (trans. gear shift selector)	7293
Spring (camshaft piston thrust)	6276	Spring (trans. line exhaust valve)	77471
Spring (carb. accel. pump)	9986	Spring (trans. manual valve detent)	77605
Spring (carb. accel. pump check ball retainer)	9575	Spring (trans. oil pressure regulator)	77387
Spring (carb. accel. pump piston operating rod)	9636	Spring (trans. over-run control valve)	7872
Spring (carb. accel. pump piston return)	9636	Spring (trans. parking blocker piston)	77325
Spring (carb. filter screen retainer)	9937	Spring (trans. parking brake pawl return)	77313
Spring (carb. float)	9958	Spring (trans. rear band release)	77437
Spring (carb. idle adjusting needle)	9578	Spring (trans. rear servo booster)	77459
Spring (distributor diaphragm)	12225	Spring (trans. rear servo exhaust valve)	77436
Spring (distributor primary)	12192	Spring (trans. rear servo pressure)	77450
Spring (distributor shaft)	12213	Spring (trans. rear servo tension)	77453
Spring (front)	5310	Spring (trans. reverse blocker piston)	77155
Spring (front wheel brake cylinder piston return)	2205	Spring (trans. reverse clutch piston release)	77595
Spring (fuel pump diaphragm)	9396	Spring (trans. reverse clutch release)	77592
Spring (fuel & vacuum pump rocker arm)	9380	Spring (trans. reverse exhaust valve)	77203
Spring (gear shift anti vibrator)	7242	Spring (trans. shift lever trunion)	7208

Alphabetical Index—Continued

Part Name	Basic Part No.	Part Name	Basic Part No.
Spring (trans. torus check valve)	7922	Switch assy (spotlight)	15332
Spring (turn signal switch pawl)	13316	Switch assy (starter push button)	11500
Spring (turn signal switch plate retainer)	13343	Switch assy (stop light)	13480
Spring (vacuum pump diaphragm)	9315	Switch assy (top control)	15668
Spring (valve)	6513	Switch assy (top control limit)	15678
Spring (valve rocker arm locating)	6587	Switch assy (trans. control selector)	15812
Spring & retainer assy (brake master cyl. return)	2145	Switch assy (transmission gear shift neutral)	15812
Spring assy (generator splash shield)	10171	Switch assy (underseat heater)	18578
Spring (rear)	5560	Switch assy (window regulator control)	14540
Sprocket (camshaft timing chain)	6256	Switch assy (window regulator control)	14529
Sprocket (crankshaft)	6306	Switch, socket & wiring assy (glove compartment-lamp)	14413
STARTER AND STARTER DRIVE GROUP (Page 177)			
Starter assy-less drive and pin	11002		
STARTER SWITCH GROUP (Page 179)			
STEERING COLUMN GEAR SHIFT CHART (Page 118)			
STEERING COLUMN GEAR SHIFT GROUP (Page 117)			
STEERING GEAR GROUP (Page 34)			
STEERING LINKAGE GROUP (Page 32)			
Stop (governor plunger)	77394		
Stop (steering arm)	33590-1		
Stop (transmission band anchor)	77515		
Stop (trans. parking blocker piston spring)	77327		
Strap (ignition coil)	12043-4		
Strap assy (fuel tank support)	9092		
Stud (carb. air cleaner retaining)	99629		
Stud (carb. pump operating rod)	9988		
Stud (rear shock absorber)	18193		
Studbolt (top reg. motor)	14557		
Strut (parking brake)	2108		
Support (hood insulator)	16786		
Support (hood lock)	16717		
Support (horn button wire contact)	3646		
Support (front stone defl. to rod splash)	17890		
Support (power strg. oil reservoir filter element)	33541		
Support (power strg. pump)	33559		
Support (radiator air side inner deflector)	8128-29		
Support (rad. splash shield to hoodlock brace)	88209		
Support (radio receiver rear)	18888		
Support (trans. reverse internal gear)	77133		
Support (valve rocker arm shaft)	6531		
Support assy (front fender apron and radiator)	16138		
Support assy (hood front bumper)	16704-5		
Support assy (rear license plate)	13419		
Suppressor assy (radio)	18811		
Switch and escutcheon assy (dome lamp)	13745		
Switch and housing assy (seat regulator)	14680		
Switch and housing assy (window regulator)	14505		
Switch and housing assy (window regulator)	14507		
Switch and wiring assy (turn signal)	14486		
Switch assy (courtesy lamp)	13713		
Switch assy (foot dimmer)	13532		
Switch assy (heater & defroster)	18578		
Switch assy (ignition)	11572		
Switch assy (instrument panel lamp)	13470		
Switch assy (lighting control hand)	11654		
Switch assy (map lamp)	13740		
Switch assy (roadlamp)	15224		
Switch assy (seat regulator control)	14545		
		— T —	
		Tank assy (fuel)	9002
		Tappet assy (hyd. valve)	6500
		Tee (vacuum antenna)	18848
		Tee assy (W/S washer)	17587
		Tensioner assy (cable drive W/S wiper)	17590
		Tensioner assy (cable drive W/S wiper)	17591
		Terminal (fuel gauge)	9212
		Terminal (starter field)	11102
		Terminal (wire)-eyelet type	14463
		Thermostat assy (water)	8575
		TISSUE DISPENSER GROUP (Page 315)	
		TOOLS GROUP (Page 233)	
		Torus assy (trans. assy driving)	7914
		Torus assy (trans. driven)	7912
		TRAFFIC LAMP REFLECTOR GROUP (Page 315)	
		Transmission assy	7003
		Trunion (trans. shift lever)	7221
		Tube (brake booster to reservoir-front)	22270
		Tube (brake reservoir to booster)	22907
		Tube (distributor vacuum) primary	12226
		Tube (dist. vacuum) secondary	12229
		Tube (field coil lead connection)	10195
		Tube (fuel tank vent)	9107
		Tube (thermostat choke control)	9820
		Tube (trans. oil filler)	77020
		Tube (trans. pressure reg. reverse oil)	77467
		Tube (trans. reverse clutch oil)	77593
		Tube (water by-pass)-lower	8549
		Tube & adaptor assy (crankcase ventilation)	6758
		Tube assy (brake booster body piston to hose)	22393
		Tube assy (crankshaft ventilation oil return)	6874
		Tube assy (front brake)	2263-64
		Tube assy (fuel pump to carburetor)	9369
		Tube assy (fuel tank vent)	99048
		Tube assy (heater water inlet & outlet)	18696
		Tube assy (heater water outlet)	18663
		Tube assy (intake manifold to brake booster)	22349
		Tube assy (oil level indicator)	6754
		Tube assy (oil pan to oil pump)	6639
		Tube assy (rear brake)	2267
		Tube assy (rear brake)	2268
		Tube assy (rear brake tube connector to rear hose)	2265
		Tube assy (steering column)	3514

Alphabetical Index—Continued

Part Name	Basic Part No.	Part Name	Basic Part No.
Tube assy (power strg. bleed line)	33575	Washer (differential pinion thrust)	4230
Tube assy (thermostatic choke control heat)	9890	Washer (front hub bearing retainer)	1195
Tube assy (trans. control selector)	7212	Washer (front shock absorber insulator)	18039
Tube assy (vacuum pump to intake manifold)	9413	Washer (front shock absorber insulator)	18177
Tube assy (vacuum pump to W/S wiper hose)	17536	Washer (front stabilizer)	18041
Tube assy (valve rocker arm oil outlet)	6581	Washer (front suspension lower arm bushing)	3091
Tube assy (water by-pass)	8548	Washer (front suspension lower arm bushing compression)	33091
— U —		Washer (front suspension upper arm rear bushing)	3090
"U" bolt (muffler inlet pipe)	55248	Washer (fuel & vacuum pump rocker arm pin)	9418
Undercoating (body)	19515	Washer (generator field terminal)	10209
UTILITY LAMP GROUP (Page 316)		Washer (power strg. gear hyd. control valve seal)	33635
		Washer (power strg. pump adjusting brkt.)	33638
		Washer (rear shock absorber)	18039
— V —		Washer (rear shock absorber)	18040
Valve (carb. vacuum dist. bolt check)	9605	Washer (rear shock absorber insulator)	18039
Valve (exhaust)	6505	Washer (rear shock absorber insulator)	18177
Valve (intake)	6507	Washer (starter armature thrust)	11036
Valve (trans. fourth to third speed down shift)	77231	Washer (starter field terminal)	11093
Valve (trans. front oil pump relief)	77332	Washer (starter field terminal)	11095
Valve (trans. front pump by pass)	77333	Washer (starter field terminal insulator)	11094
Valve (trans. front pump pressure regulator)	77385	Washer (strg. gear worm thrust)	33593
Valve (trans. line exhaust)	77441	Washer (steering shaft)	3738
Valve (trans. manual control)	77603	Washer (strg. thrust screw lock)	3564
Valve (trans. over-run control)	7417	Washer (strg. sector shaft thrust)	3579
Valve (trans. rear servo exhaust)	77427	Washer (trans. front clutch drum rear backing)	77530
Valve (trans. torus check)	7916	Washer (trans. front clutch drum rear thrust)	77189
Valve assy (carb. power jet)	9594	Washer (trans. front cover to pump screw)	77336
Valve assy (carb. spark control)	99570	Washer (trans. front planetary assy front backing)	77184
Valve assy (exhaust thermostat)	99570	Washer (trans. front planetary assy front thrust)	77190
Valve assy (exhaust thermostat)	9685	Washer (trans. front pump locating)	77342
Valve assy (fuel pump)	9352	Washer (trans. main shaft nut lock)	7924
Valve assy (heater temperature regulator)	18502	Washer (trans. main shaft thrust)	77032
Valve assy (heater water control)	18495	Washer (trans. rear clutch hub thrust)	77581
Valve assy (oil anti drain back)	6800	Washer (trans. reverse clutch release spring ret.)	77590
Valve assy (power strg. check)	33578	Washer (trans. reverse internal gear thrust)	77146
Valve assy (power strg. gear hydraulic)	33577	Washer (trans. reverse sun gear backing thrust)	77154
Valve assy (power strg. pump)	33609	Washer (trans. reverse sun gear thrust)	77153
Valve assy (radio antenna)	18863	Washer (valve rocker arm shaft)	6590
Valve assy (steering gear hsg. vent)	33592	Washer (valve rocker arm shaft spring)	6598
Valve assy (trans. oil control)	77201	Washer (vibration dampener to crankshaft)	6378
Valve assy (W/S washer pump)	17642	Washer assy (vacuum antenna)	18966
VANITY MIRROR GROUP (Page 316)		WATER PUMP GROUP (Page 130)	
VOLTAGE REGULATOR CHART (Page 171)		Wax (body)	19534
VOLTAGE REGULATOR GROUP (Page 171)		Wax (body polishing)	19534
— W —		Weatherstrip (front fender apron splash panel)	16170
Washer (accel. pump rod seal)	9566	Weatherstrip (front fender apron to dash brace)	16262
Washer (brake shoe anchor pin to backing plate)	2029	Weatherstrip (front fender apron to frame)	16252
Washer (carb. accel. pump piston return spring retainer)	9632	Weatherstrip (front fender apron to frame)	16254
Washer (carb. air bleed screen)	99569	Weatherstrip (front fender rear splash shield)	16110
Washer (differential gear thrust)	4228	Wheels, Hubs, and Drums Group (Page 1)	
		Wheel assy	1007
		Wheel assy	1015
		Wheel assy (heater defroster blower)	18504
		Wheel assy (heater underseat blower)	18504
		Wheel assy (steering)	3600
		Wick (driving pinion shaft oil seal)	4673
		Window Vents Group (Page	

Alphabetical Index--Continued

Part Name	Basic Part No.	Part Name	Basic Part No.
WINDSHIELD WIPER BLADE GROUP (Page 318)		Wire assy (top circuit breaker to window regulator- circuit breaker)	14646
WINDSHIELD WASHER GROUP (Page 236)		Wire assy (top control circuit breaker to starting motor relay)	14351
WINDSHIELD WIPER GROUP (Page 234)		Wire assy (top control relay to circuit breaker)	14362
Wing assy (hood top ornament)	16852	Wiring & socket assy (back up lamp)	13412
Wire (regulator cover sealing)	10649	Wiring and socket assy (parking lamp)	13234
Wire (resistor to field terminal connector)	10625	Wiring and socket assy (rear lamp)	13410
Wire (roadlamp ground)	15239	Wiring assy (cigar lighter)	14350
Wire and fuse assy (ignition switch to heater)	14309	Wiring assy (coil to distributor)	14302
Wire assy (coil to distributor)	12298	Wiring assy (courtesy lamp instrument panel to seal)	14372
Wire assy (courtesy lamp socket)	14389	Wiring assy (dome lamp feed)	14334
Wire assy (distributor breaker ground)	12264	Wiring assy (front door window regulator switch)	14639
Wire assy (dist. to spark plug No. 1)	12286	Wiring assy (front seat courtesy lamp)	14376
Wire assy (dist. to spark plug No. 2)	12283	Wiring assy (fuel gauge tank unit)	14406
Wire assy (dist. to spark plug No. 3)	12284	Wiring assy (generator to voltage regulator)	14305
Wire assy (dist. to spark plug No. 4)	12287	Wiring assy (headlamp leads)	13076
Wire assy (dist. to spark plug No. 5)	12282	Wiring assy (instrument panel and dash panel)	14401
Wire assy (dist. to spark plug No. 6)	12285	Wiring assy (left front door window regulator)	14631
Wire assy (dist. to spark plug No. 7)	12295	Wiring assy (left rear door window regulator)	14633
Wire assy (dist. to spark plug No. 8)	12296	Wiring assy (license lamp connector)	14415
Wire assy (distributor terminal primary)	12216	Wiring assy (rear door window regulator switch)	14641
Wire assy (electric clock)	15026	Wiring assy (rear lamp)	14405
Wire assy (electric seat regulator relay feed)	14643	Wiring assy (rear quarter window regulator)	14644
Wire assy (horn relay to horn)	14440	Wiring assy (rear quarter window regulator switch)	14645
Wire assy (horn ring)	14308	Wiring assy (rear seat cigar lighter feed)	14341
Wire assy (ignition switch to heater switch)	14309	Wiring assy (R. H. to L. H. headlamp)	14445
Wire assy (roof rail lamp socket)	13796	Wiring assy (right front door window regulator)	14630
Wire assy (oil pressure gauge connector)	14322	Wiring assy (right rear door window regulator)	14632
Wire assy (roadlamp jumper)	14369	Wiring assy (seat regulator switch to relay)	14642
Wire assy (roadlamp lead)	15244	Wiring assy (starter switch to trans. lock switch)	14476
Wire assy (roadlamp switch to double connector)	15246	WIRING GROUP (Page 199)	
Wire assy (roadlamp switch to headlamp switch)	15248	Wrench (jack handle and wheel nut)	17035
Wire assy (roof rail dome lamp socket)	13796		
Wire assy (seat regulator relay feed)	14643		
Wire assy (starter button feed)	11524		

FINISH OF STANDARD PARTS

(BOLTS, SCREWS, NUTS, WASHERS, Etc.)

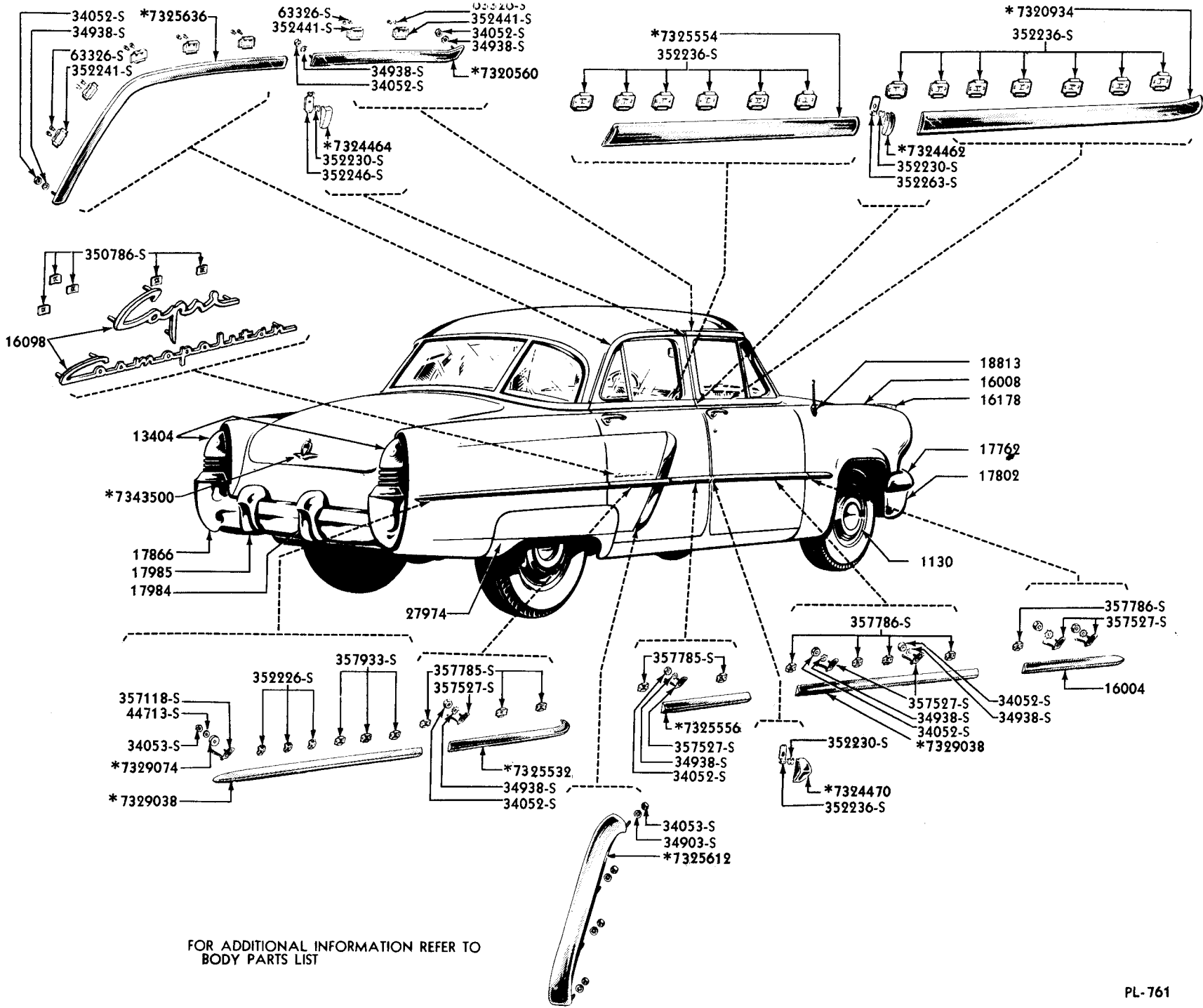
The "S" suffix on numbers covering Standard Parts represents the finish of the part as shown by the following list:

SUFFIX	FINISH	SUFFIX	FINISH
S	Plain	S18	Case hardened
S2	Raven finish	S19	Brass plate
S3	Black Japan	S20	Cement coated
S4	Raven finish and black paint	S21	Lacquer for identification
S5	Copper plate	S22	Chrome plate—Butler finish
S6	Nickel plate	S23	Rustless steel—head polished
S7	Cadmium plate	S24	Hot tin coated
S8	Zinc plate	S29	Clear enamel over bright zinc
S10	Tinned	S30	Gold tinted enamel over bright zinc
S12	Lacquer to match trim	S31	Cadmium with zinc
S13	Chrome plated	S32	Black paint or zinc chromate primer
S14	Nickel plate—Butler finish	S33	Case hardened raven finish
S15	Oxidized	S34	Case hardened cadmium finish
S16	Lead coated		

DECIMAL EQUIVALENTS OF PARTS OF AN INCH

1/64.....015625	11/32.....34375	43/64.....671875
1/32.....03125	23/64.....359375	11/16.....6875
3/64.....046875	3/8.....375	45/64.....703125
1/16.....0625	25/64.....390625	23/32.....71875
5/64.....078125	13/32.....40625	47/64.....734375
3/32.....09375	27/64.....421875	3/4.....75
7/64.....109375	7/16.....4375	49/64.....765625
1/8.....125	29/64.....453125	25/32.....78125
9/64.....140625	15/32.....46875	51/64.....796875
5/32.....15625	31/64.....484375	13/16.....8125
11/64.....171875	1/2.....5	53/64.....828125
3/16.....1875	33/64.....515625	27/32.....84375
13/64.....203125	17/32.....53125	55/64.....859375
7/32.....21875	35/64.....546875	7/8.....875
15/64.....234375	9/16.....5625	57/64.....890625
1/4.....25	37/64.....578125	29/32.....90625
17/64.....265625	19/32.....59375	59/64.....921875
9/32.....28125	39/64.....609375	15/16.....9375
19/64.....296875	5/8.....625	61/64.....953125
5/16.....3125	41/64.....640625	31/32.....96875
21/64.....328125	21/32.....65625	63/64.....984375
		1.....1.

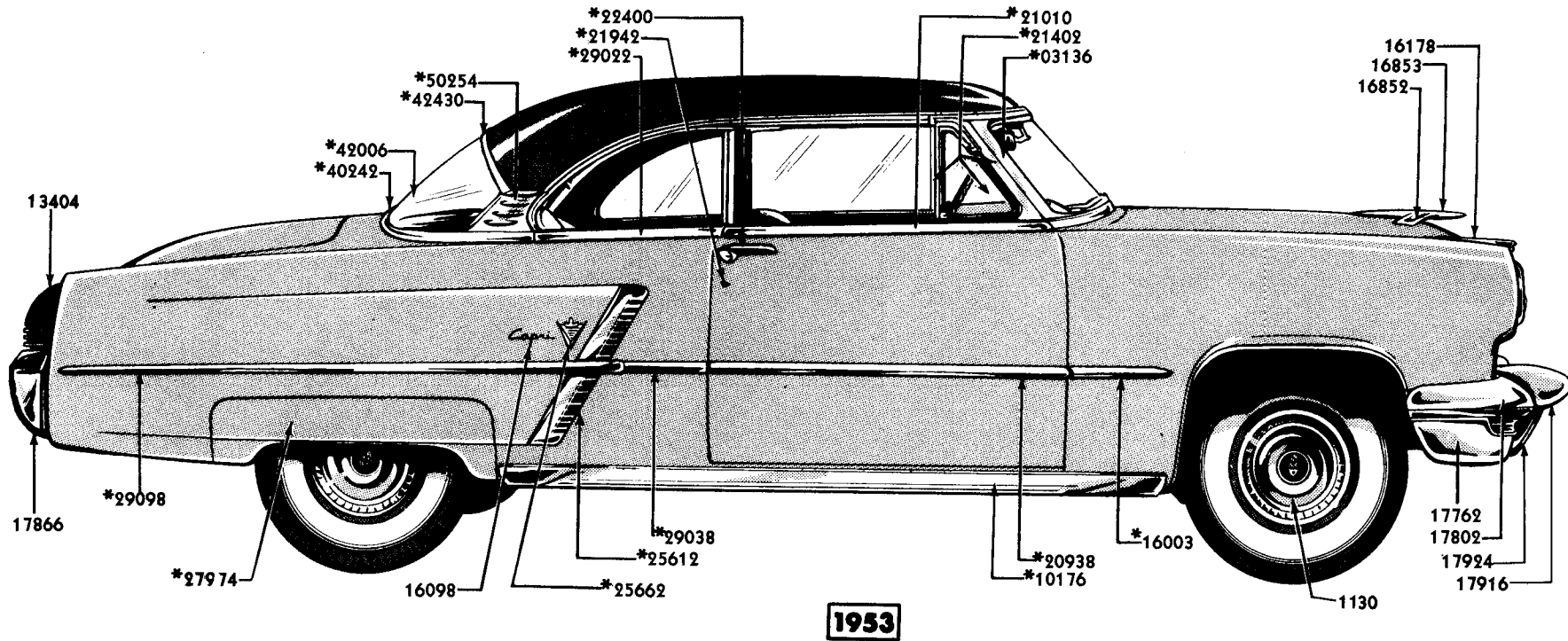
Lincoln Continental and Capri
CHASSIS PARTS CATALOGUE



FOR ADDITIONAL INFORMATION REFER TO
BODY PARTS LIST

FOUR DOOR SEDAN (BODY TYPE 73)

Basic numbers only shown on illustration. Order by Part Numbers shown in list of parts.

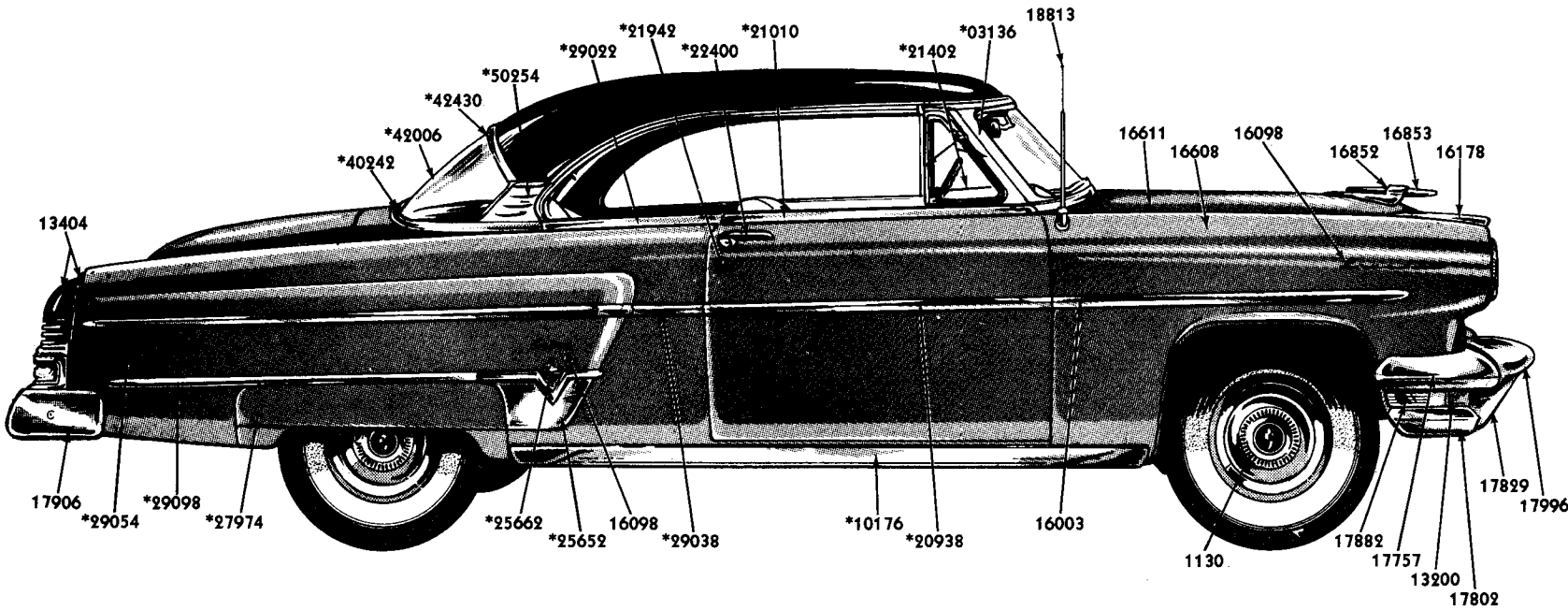


*FOR ADDITIONAL INFORMATION REFER TO BODY PARTS LIST.

PL-892

EXTERIOR VIEW (BODY TYPE 60)

Basic numbers only shown on illustration. Order by Part Numbers shown in list of parts.



1954

*FOR ADDITIONAL INFORMATION REFER TO BODY PARTS LIST.

PL-1013

EXTERIOR VIEW (BODY TYPE 60)
Basic numbers only shown on illustration. Order by Part Numbers shown in list of parts.

Lincoln Cosmopolitan and Capri

CHASSIS PARTS CATALOGUE

Polishes, Cleaners, Etc.

PART NUMBER	PART NAME	NO. REQ'D	MODEL	YEAR 19
M 5402	Sealer (windshield and rear lamp)-5 oz. tube			
HCCA 19502-A	Lacquer (touch-up)-Vassar Yellow-1/2 oz. tube			
HCCA 19502-B	Lacquer (touch-up)-Academy Blue-1/2 oz. tube			
HCCA 19502-C	Lacquer (touch-up)-Pebble Tan-1/2 oz. tube			
HCCA 19502-D	Lacquer (touch-up)-Coppertone-1/2 oz. tube			
HCCA 19502-E	Lacquer (touch-up)-Admiral Blue-1/2 oz. tube			
HCCA 19502-F	Lacquer (touch-up)-Saxon Gray-1/2 oz. tube			
HCCA 19502-G	Lacquer (touch-up)-Cinabar Red-1/2 oz. tube			
HCCA 19502-H	Lacquer (touch-up)-Fanfare Maroon-1/2 oz. tube			
HCCA 19502-K	Lacquer (touch-up)-Lakewood Green-1/2 oz. tube			
HCCA 19502-L	Lacquer (touch-up)-Hillcrest Green-1/2 oz. tube			
HCCA 19502-M	Lacquer (touch-up)-Black-1/2 oz. tube			
HCCA 19502-N	Lacquer (touch-up)-Newport Gray-1/2 oz. tube			
HDCA 19502-A	Lacquer (touch-up)-Crown Blue-1/2 oz. tube			
HDCA 19502-B	Lacquer (touch-up)-Majestic Maroon Metallic-1/2 oz. tube			
HDCA 19502-C	Lacquer (touch-up)-Kingsbury Gray-1/2 oz. tube			
HDCA 19502-D	Lacquer (touch-up)-Embassy Brown Metallic-1/2 oz. tube			
HDCA 19502-E	Lacquer (touch-up)-Castle Tan-1/2 oz. tube			
HDCA 19502-F	Lacquer (touch-up)-Colonial Blue-1/2 oz. tube			
HDCA 19502-G	Lacquer (touch-up)-Esquire Green-1/2 oz. tube			
HDCA 19502-H	Lacquer (touch-up)-Empire Green Metallic-1/2 oz. tube			
HDCA 19502-J	Lacquer (touch-up)-Empire Green-1/2 oz. tube			
HDCA 19502-K	Lacquer (touch-up)-Palace Green-1/2 oz. tube			
HDCA 19502-L	Lacquer (touch-up)-Regal Red-1/2 oz. tube			
HDCA 19502-M	Lacquer (touch-up)-Cavalier Yellow-1/2 oz. tube			
HDCA 19502-AA	Lacquer (touch-up)-Dark Gray Metallic-Interior-1/2 oz. tube			
HDCA 19502-AB	Lacquer (touch-up)-Dark Brown Metallic-Interior-1/2 oz. tube			
HDCA 19502-AC	Lacquer (touch-up)-Dark Green Metallic-Interior-1/2 oz. tube			
HDCA 19502-AD	Lacquer (touch-up)-Dark Blue Metallic-Interior-1/2 oz. tube			
HDCA 19502-AE	Lacquer (touch-up)-Argent-Interior-1/2 oz. tube			
HDCA 19502-AF	Lacquer (touch-up)-Gold Tone-Interior-1/2 oz. tube			
HECA 19502-B	Lacquer (touch-up)-Ambassador Blue Metallic-1/2 oz. tube			
HECA 19502-C	Lacquer (touch-up)-Wellington Gray-1/2 oz. tube			
HECA 19502-D	Lacquer (touch-up)-Cadet Gray Metallic-1/2 oz. tube			
HECA 19502-E	Lacquer (touch-up)-Colony Tan-1/2 oz. tube			
HECA 19502-F	Lacquer (touch-up)-Columbia Blue-1/2 oz. tube			
HECA 19502-G	Lacquer (touch-up)-Canterbury Green-1/2 oz. tube			
HECA 19502-H	Lacquer (touch-up)-Premier Yellow-1/2 oz. tube			
BD 19512-A	Mitt (car washing)-Chenille			
1M 19514-A	Coating (chrome)-8oz. can			

Lincoln Cosmopolitan and Capri

CHASSIS PARTS CATALOGUE

Polishes, Cleaners, Etc. — Continued

PART NUMBER	PART NAME	NO. REQ'D	MODEL	YEAR 19__
8L 19515-A	Undercoating (body)-Flash-53 gallon drum			
8L 19515-B	Undercoating (body)-53 gallon drum			
BD 19517-A	Cloth (dust)-wax treated			
8L 19520-A	Cleaner (body)-liquid-pt.			
8L 19520-D	Cleaner (body)-liquid-case of (12) pt. cans			
8H 19520	Porcelainize Cleaner (body)-liquid-case of (4) gals.			
8L 19521-A	Cleaner (spot remover)-pt.			
8L 19521-B	Cleaner (spot remover)-gal.			
8L 19521-C	Cleaner (spot remover)-case of (12) pt. cans			
BH 19521-A	Cleaner (spot remover)-pt. can			
8L 19522-A	Cleaner (chrome)-pt.			
8L 19522-B	Cleaner (chrome)-case of (12) pt. cans			
8H 19523-A	Cleaner (white side wall tires)-13 oz. can			
8H 19523-B	Cleaner (white side wall tires)-case of (12) 13 oz. cans			
HACA 19523-A	Cleaner (white side wall tire)-16 oz. can			
HACA 19523-B	Cleaner (white side wall tire)-gal. can			
8L 19526-A	Cleaner (upholstery foam)-pt.			
8L 19526-C	Cleaner (upholstery foam)-case of (12) pt. cans			
8L 19528-A	Compound (body porcelainize)-liquid-8 oz. bottle			
8L 19528-C	Compound (body porcelainize)-liquid-case of (24) 8 oz. bottles			
8L 19529-A	Polish (body porcelainize)-cream-8 oz. bottle			
8L 19529-C	Polish (body porcelainize)-cream-case of (24) 8 oz. bottles			
8L 19530-A	Polish (body)-pt.			
8L 19530-C	Polish (body)-case of (12) pt. cans			
BD 19530-A	Polish (body)-Blue Coral-16.18 imperial oz.			
BD 19530-B	Polish (body)-Lectron-16 oz.			
HCK 19530-C	Kit (blue coral)			
HCK 19530-D	Kit (blue coral)			
8L 19534-A	Wax (body polishing)-8 oz. cans			
8L 19534-B	Wax (body polishing)-case of (12) 8 oz. cans			
BD 19534-A	Wax (body)-Blue Coral-80 grams			
BD 19534-B	Wax (body)-Blue Coral-227 grams			
8L 19541-C	Fluid (shock absorber)-case of (12) pt. cans			

Lincoln Cosmopolitan and Capri

CHASSIS PARTS CATALOGUE

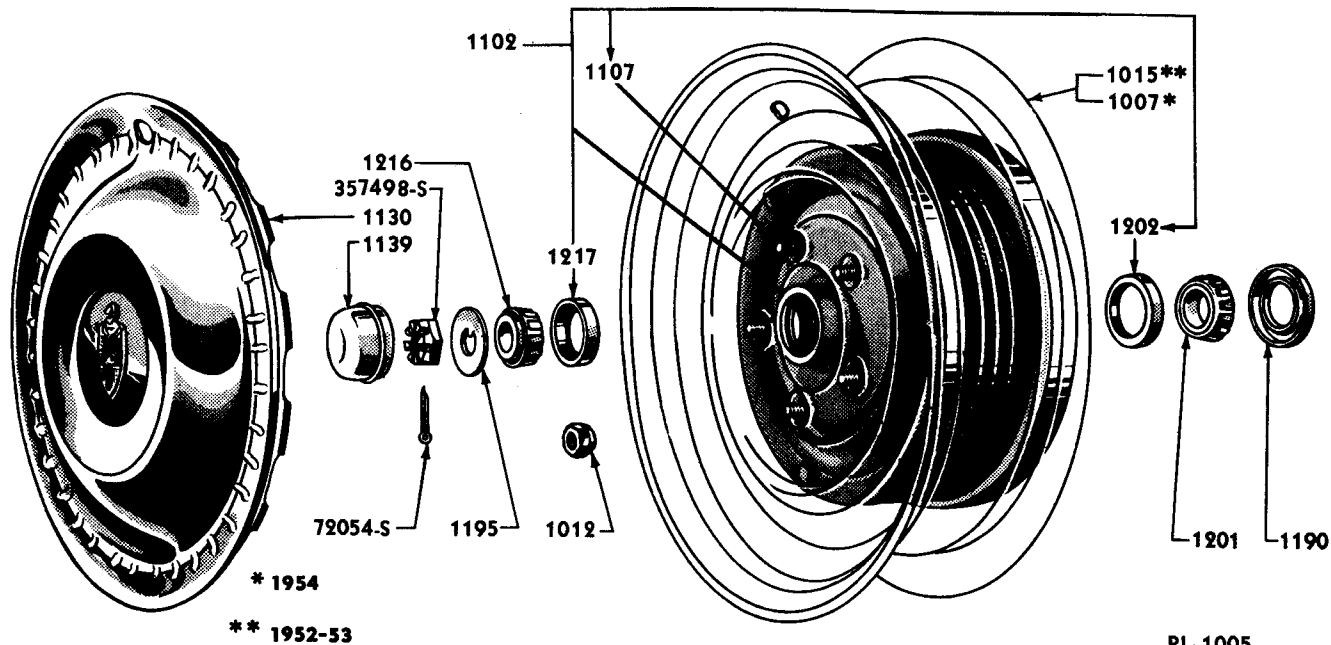
Polishes, Cleaners, Etc. — Continued

PART NUMBER	PART NAME	NO. REQ'D	MODEL	YEAR 19__
HACA 19542-A	Fluid (brake)-heavy duty-pt.			
HACA 19542-B	Fluid (brake)-heavy duty-gal.			
HACA 19542-C	Fluid (brake)-heavy duty-case of (12) pt. cans			
HACA 19542-D	Fluid (brake)-heavy duty-case of (4) gal. cans			
HACA 19542-E	Fluid (brake)-heavy duty-5 gal. can			
8H 19544-A	Anti-freeze (permanent)-gal.			
8H 19544-C	Anti-freeze (permanent)-qt.			
8M 19544-A	Anti-freeze (type N)-gal.			
8M 19544-B	Anti-freeze (type N)-54 gallon drum			
8L 19545-A	Fluid (window regulator)-pt.			
8L 19545-B	Fluid (window regulator)-case of (12) pt. cans			
8H 19546-A	Inhibitor (cooling system rust)-pt.			
8H 19546-B	Inhibitor (cooling system rust)-case of (12) pt. cans			
8L 19550-A	Solution (W/S washer)-6 oz.			
8L 19550-B	Solution (W/S washer)-case of (12) 6 oz. cans			
8L 19552-A	Cement (Rubber)-5 oz.			
8L 19552-B	Cement (Rubber)-case of (12) 5 oz. tubes			
8M 19554-A	Sealer (compound)-16 oz.			
8M 19554-B	Sealer (compound)-case of (12) 16 oz. cans			
8L 19558-A	Radiator stop leak-10 oz.			
8L 19558-B	Radiator stop leak-case of (12) 10 oz. cans			
8M 19560-A	Kit (caulking strips)-case of (8) cartons			
8M 19560-B	Kit (caulking strip)-carton (80 ft.)			
8L 19575-A	Grease (distributor)-4 oz. tube			
8L 19575-B	Grease (distributor)-case of (12) 4 oz. tubes			
8L 19582-A	Fluid (HYDRA-MATIC transmission and power steering)-54 gal. drum			
8L 19582-B	Fluid (HYDRA-MATIC transmission and power steering)-5 gal. can			
8L 19582-C	Fluid (HYDRA-MATIC transmission and power steering)-1 qt. can			
8L 19582-D	Fluid (HYDRA-MATIC transmission and power steering)-case of (24) qt. cans			
8L 19542-E	Fluid (HYDRA-MATIC transmission and power steering)-1 gal. can			
8L 19585-A	Grease (wheel bearing)-5 lb. can			
8L 19585-B	Grease (wheel bearing)-case of (6) 5 lb. cans			
8L 19586-A	Lubriplate-waterproof-2 oz. tube			
8L 19586-B	Lubriplate-waterproof-case of (12) 2 oz. tubes			

Lincoln Cosmopolitan and Capri

CHASSIS PARTS CATALOGUE

Wheels, Hubs, and Drums



FRONT WHEEL HUB, BEARINGS, CAP, ETC.

Basic numbers only shown on illustration. Order by Part Numbers shown in list of parts.

PART NUMBER	QTY	PART NAME	NO. REQ'D	MODEL	YEAR
		8L-19585-B Grease (wheel bearing)-5 pound can	as reqd	LA	52-54
LA 1007-CW		Wheel assembly (spider)-15" x 6"-in Prime	5	LA	54
B 1012		Nut (wheel bolt)-1/2"-20	20	LA	52-54
LA 1015-AP		Wheel assembly (disc)-15" x 6"-in Prime	5	LA	52-53
LA 1039-A		Clip (wheel stone deflector)-4-15/16" overall length	20	LA	52-53
LA 1102-A		Hub and brake drum assembly (front)	2	LA	52-53
LA 1102-F		Hub and brake drum assembly (front)	2	LA	54
8A 1107-A		Bolt (wheel hub)-front wheels-1/2"-20 x 1-3/8"	10	LA	52-54
LA 1107-A		Bolt (wheel hub)-rear wheels-1/2"-20 x 1-19/64"	10	LA	52-54
LA 1126-A		Drum assembly (rear)	2	LA	52-53
LA 1126-D		Drum assembly (rear)	2	LA	54
		356080-S32 Nut (spring)-1/2"-20-to attach rear brake drum to rear axle	6	LA	52-54
LA 1130-B		Cap (wheel hub)-with embossed medallion	4	LA	52-53
LA 1130-D		Cap (wheel hub)-with depressions around medallion painted black	4	LA	54
51A 1139		Cap (front hub grease)	2	LA	52-54
OM 1140		Spring (brake drum silencer)	4	LA	52-53
51A 1140		Spring (brake drum silencer)	4	LA	54
OM 1177-A		Seal assembly (wheel bearing inner oil)-1/4" thick	2	LA	52-54
8M 1180		Retainer (rear wheel bearing)-inner	2	LA	52-54
8M 1190-A		Retainer assembly (front wheel grease)	2	LA	52-54

Lincoln Cosmopolitan and Capri

CHASSIS PARTS CATALOGUE

PART NUMBER	PART NAME	NO. REQ'D	MODEL	YEAR 19__
-------------	-----------	-----------	-------	--------------

Wheels, Hubs, and Drums—Continued

B 1195	Washer (front hub bearing retainer)-3/4" I. D. x 1-13/16" O. D. x 3/32" thick, with lug for keyway	2	LA	52-54
01Y 1201	Cone and roller assembly (front wheel)-inner	2	LA	52-54
01Y 1202	Cup (front wheel bearing)-inner-2-23/32" O. D.	2	LA	52-54
8M 1216	Cone and roller assembly (front wheel)-outer	2	LA	52-54
8M 1217	Cup (front wheel bearing)-outer	2	LA	52-54
8M 1225-B	Bearing (rear wheel)-1-17/32" I. D. x 3-5/32" O. D. -spare wheel clamps	2	LA	52-54

Spare Wheel Clamps

BC 1446-A	Plate (spare wheel mounting)	1	LA	52
BD 1446-A	Plate (spare wheel mounting)	1	LA	53-54
BD 1448-C	Bolt (spare wheel mounting)-3/8"-16-approximately 7-3/4" long-with bend	1	LA	52
BD 1448-D	Bolt (spare wheel mounting)-3/8"-16-approximately 8" long-without bend	1	LA	53-54
	BD-7347076-A Bracket (spare wheel mounting)	1	LA	52
	BD-7347076-B Bracket (spare wheel mounting)	1	LA	53-54
	73889-S7 Pin (clevis)-3/8" x 7/8"-bolt to mounting bracket	1	LA	52-54
	352358-S Pin (self locking)-1" long-bolt to mounting bracket	1	LA	52-54
	44728-S8 Washer (flat)-3/8"-bolt to mounting bracket	2	LA	52-54
BA 1457-A	Nut (wing)-spare wheel mounting bolt-3/8"-16	1	LA	52-54

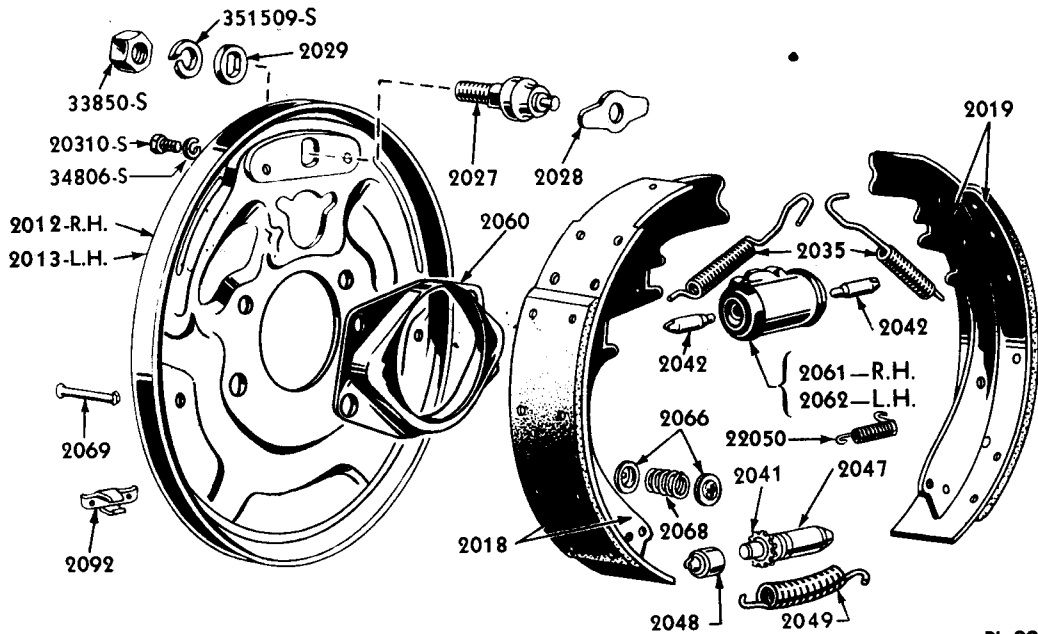
Service Brakes

	HACA-19542-A Fluid (brake)-heavy duty-pt.	as reqd	LA	52-54
	HACA-19542-B Fluid (brake)-heavy duty-gallon	as reqd	LA	52-54
	HACA-19542-E Fluid (brake)-heavy duty-5 gal. container	as reqd	LA	52-54
HCK 2001-A	Kit (front brake shoe & lining)-Standard-Axle Set-consists of the following (2) LA-2018-B Shoe & lining-front-primary (2) LA-2019-B Shoe & lining-front-secondary	1	LA	52-53
HCK 2001-B	Kit (front brake shoe & lining)-.030 O/S-Axle Set-consists of the following (2) LA-2018-C Shoe & lining-front-primary (2) LA-2019-C Shoe & lining-front-secondary	1	LA	52-53
HEK 2001-A	Kit (front brake shoe & lining)-Standard-Axle Set-consists of the following (2) LA-2018-E Shoe & lining-front-primary (2) LA-2019-H Shoe & lining-front-secondary	1	LA	54
HEK 2001-B	Kit (front brake shoe & lining)-030" O/S-Axle Set-consists of the following (2) LA-2018-F Shoe & lining-front-primary (2) LA-2019-J Shoe & lining-front-secondary	1	LA	54

Lincoln Cosmopolitan and Capri

CHASSIS PARTS CATALOGUE

Service Brakes—Continued



FRONT BRAKES

Basic numbers only shown on illustration. Order by Part Numbers shown in list of parts.

PART NUMBER	PART NAME	NO. REQ'D	MODEL	YEAR 19__
B2A 2004-A	Kit (master brake cylinder repair)-consists of the following (1) 91T-2154-A Gasket (1) 8M-2167 Gasket (1) AB-2169-B Piston (1) 51A-2173 Cup (1) 51A-2174 Snap Ring (1) A9A-2178-A Valve & Seat (1) 0A-2180 Boot	1	LA	52-54
† LA 2005-B	Booster assembly (brake vacuum)	1	LA	53
† LA 2005-C	Booster assembly (brake vacuum)	1	LA	54
HCK 2007-A	Kit (front brake lining)-Standard-Axle Set-consists of the following (2) LA-2021-B Lining-front-primary (2) LA-2022-B Lining-front-secondary (44) 351939-S Rivet	1	LA	52-53
HCK 2007-B	Kit (front brake lining)-.030 O/S-Axle Set-consists of the following (2) LA-2021-C Lining-front-primary (2) LA-2022-C Lining-front-secondary (44) 351939-S Rivet	1	LA	52-53
HEK 2007-A	Kit (front brake lining)-Standard-Axle Set-consists of the following (2) LA-2021-F Lining-front-primary (2) LA-2022-F Lining-front-secondary (44) 351939-S Rivet	1	LA	54

† Use with Power Brakes - Refer to Power Brake Group

Lincoln Cosmopolitan and Capri

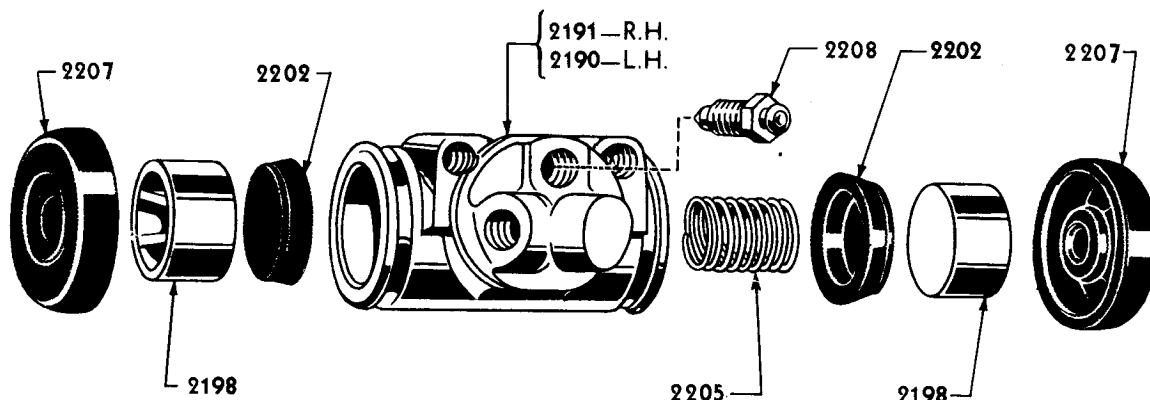
CHASSIS PARTS CATALOGUE

PART NUMBER	PART NAME	NO. REQ'D	MODEL	YEAR
Service Brakes—Continued				
HEK 2007-B	Kit (front brake lining)-.030 O/S-Axle Set-consists of the following • (2) LA-2021-G Lining-front-primary (2) LA-2022-G Lining-front-secondary (44) 351939-S Rivet	1	LA	54
	HCK-22009-B Kit (rear brake spring repair) consists of the following (4) 8M-2035 Spring (8) 6H-2066 Cup (4) H-2068 Spring (4) 8A-2069-A Pin (2) H-2092 Plate-alternate with 8A-2092 (2) 8A-2092 Plate-alternate with H-2092	1	LA	52-53
	HCK-22009-C Kit (front brake spring repair)- consists of the following (4) 8M-2035 Spring (8) 6H-2066 Cup (4) H-2068 Spring (4) LA-2069-A Pin (2) H-2092 Plate-alternate with 8A-2092 (2) 8A-2092 Plate-alternate with H-2092	1	LA	52-53
	HEK 22009-A Kit (brake spring repair)-complete car set-consists of the following (8) 96H-2036 Spring (16) 6H-2066 Cup (8) H-2068 Spring (4) 8L-2069 Pin (4) LA-2069-A Pin (4) H-2092 Plate-alternate with 8A-2092 (4) 8A-2092 Plate-alternate with H-2092	1	LA	54
LA 2012-A	Plate assembly (front brake backing)	2	LA	52-53
LA 2012-C	Plate assembly (front wheel brake backing)-R. H.	1	LA	54
LA 2013-C	Plate assembly (front wheel brake backing)-L. H.	1	LA	54
	351768-S8 Bolt (hex-hd)-7/16"-20 x 1-19/64"-to spindle-upper	4	LA	52-54
	357164-S8 Bolt (hex-hd)-1/2"-20 x 2-13/32"-to spindle-lower	4	LA	52-54
	72035-S7-8 Cotter Pin-1/8" x 1"-lower	4	LA	52-54
	357625-S7 Lockwasher-7/16"	4	LA	52-54
	33802-S8 Nut (hex)-7/16"-20-plate to spindle-upper	4	LA	52-54
	34032-S7 Nut (castle)-1/2"-20-lower spindle	4	LA	52-54
96H 2027	Pin (brake shoe anchor)	4	LA	52-54
	351509-S7 Lockwasher-5/8"	2or4	LA	52-54
	33850-S2 Nut (hex)-5/8"-18	2or4	LA	52-54
96H 2028	Plate (brake shoe anchor pin guide)	4	LA	52-54
96H 2029	Washer (brake shoe anchor pin to backing plate)- 21/32" and 11/16" I.D. x 1-1/16" and 1-3/16" O.D.	4	LA	52-54
8M 2035	Spring (brake shoe retracting)-also serviced in HCK-22009-B & C Kits	8	LA	52-53
96H 2036	NS Spring (brake shoe retracting)-serviced in HEK-22009-A Kit	8	LA	54

Lincoln Cosmopolitan and Capri

CHASSIS PARTS CATALOGUE

PART NUMBER	PART NAME	NO. REQ'D	MODEL	YEAR
Service Brakes—Continued				
	LA-22036-A Adapter (brake master cyl.mount.)	1	LA	53-54
H 2041	Screw (brake adjusting)-1/2"-20 x 2-1/2" overall length	4	LA	52-54
8M 2042	Link (brake shoe connecting)	8	LA	52-54
8M 2047	Nut (brake adjusting screw pilot)-with three grooves on O. D.	4	LA	52-54
8M 2048	Socket (brake adjusting screw)	4	LA	52-54
H 2049	Spring (brake adjusting screw)	4	LA	52-53
8M 2049	Spring (brake adjusting screw)	4	LA	54
	LA-22050-A Spring (front wheel brake shoe adjusting cam)	2	LA	54
LA 2060-A	Baffle (front brake grease)	2	LA	52-54



PM-579

FRONT WHEEL BRAKE CYLINDER

Basic numbers only shown on illustration. Order by Part Numbers shown in list of parts.

PART NUMBER	PART NAME	NO. REQ'D	MODEL	YEAR
8M 2061-A	Cylinder assy (front brake)-R. H. -1-1/8" diameter -casting double faced at line opening	1	LA	52-53
AD 2061-A	Cylinder assy (front wheel brake)-R. H. -1-1/8" dia. -casting single faced at line opening	1	LA	54
8M 2062-A	Cylinder assy (front brake)-L. H. -1-1/8" diameter -casting double faced at line opening	1	LA	52-53
AD 2062-A	Cylinder assy (front wheel brake)-L. H. -1-1/8" dia. -casting single faced at line opening	1	LA	54
	20310-S8 Bolt (hex-hd)-5/16"-18 x 1/2"	4	LA	52-54
	34806-S7 Lockwasher-5/16"	4	LA	52-54
	8M-2221 Kit (front wheel brake cyl. repair) -consists of the following (2) 91A-2202 Cup (2) OM-2207-A Boot	2	LA	52-53
† LA 2063-B	Reservoir assembly (power brake vacuum)	1	LA	53-54
	†40130-S8 Screw (tapping)-5/16"-18 x 3/8"-tank to frame	4	LA	53-54
6H 2066	Cup (brake shoe hold down spring)	16	LA	52-54
H 2068	Spring (brake shoe hold down)-23/32" O. D. x 1-1/16" overall free length	8	LA	52-54

† Use with Power Brakes - Refer to Power Brakes Group

Lincoln Cosmopolitan and Capri

CHASSIS PARTS CATALOGUE

PART NUMBER	PART NAME	NO. REQ'D	MODEL	YEAR
Service Brakes—Continued				
8A 2069-A NS	Pin (brake shoe hold down spring)-rear-serviced in HCK-22009-B Kit	4	LA	52-53
8L 2069	Pin (brake shoe hold down spring)-rear-serviced in HEK-22009-A Kit	4	LA	54
LA 2069-A NS	Pin (brake shoe hold down spring)-front-serviced in HCK-22009-C & HEK-22009-A Kits	4	LA	52-54
8M 2074	Connector (rear brake line)-has (3) 3/8"-24 tapped holes	1	LA	52-54
	24389-S8 Bolt (hex head)-3/8"-24 x 1"	1	LA	52-54
	34807-S2 Lockwasher-3/8"	1	LA	52-54
LA 2075-A	Connector assy (front brake line)-has (4) 3/8"-24 tapped holes	1	LA	52-54
	40923-S2 Screw (hex washer hd)-5/16"-18 x 1/2"-connector to frame	1	LA	52-54
AB 2076-A	Fitting (brake master cyl. outlet)-has (1) 3/8"-24 tapped hole	1	LA	52-54
† LA 2076-A	Fitting (brake master cyl. outlet)-has (2) holes	1	LA	53-54
	8L-2276 Bolt (brake master cylinder outlet connection)-1/2"-20 x 1-5/8" overall length	1	LA	52-54
LA 2078-A	Hose assy (rear brake)-18-27/32" overall length	1	LA	52-54
	8M-2149 Gasket (rear brake line connector)-Copper-25/64" I. D. x 5/8" O. D. x 1/16" thick	1	LA	52-54
	78-2814-A Clip (rear brake hose to frame and bracket)	1	LA	52-54
LA 2079-A	Hose assy (front brake)-15-3/32" overall length	2	LA	52-54
	8M-2149 Gasket (front brake hose assy to brake cyl.)-25/64" I. D. x 5/8" O. D. x 1/16" thick	2	LA	52-54
	78-2814-A Clip (front brake hose to bracket)	2	LA	52-54
LA 2082-A	Bracket (brake hose front)	2	LA	52-54
8A 2091	Nut (hand brake equalizer lever)-5/16"-24-equalizer lever to front cable assembly	1	LA	52-54
H 2092	Cover (brake adjusting hole)-also serviced in HCK-22009-B & C & HEK-22009-A Kits-alternate with 8A-2092	4	LA	52-54
8A 2092	Cover (brake adjusting hole)-also serviced in HCK-22009-B & C & HEK-22009-A Kits-alternate with H-2092	4	LA	52-54
MA 2103-A	Lever assembly (parking brake operating)-R. H.	1	LA	52-53
8L 2103	Lever assembly (parking brake operating)-R. H.	1	LA	54
MA 2104-A	Lever assembly (parking brake operating)-L. H.	1	LA	52-53
8L 2104	Lever assembly (parking brake operating)-L. H.	1	LA	54
	351467-S Washer (spring)-3/8"-parking brake anti rattle	2	LA	52-54
91A 2106	Retainer (rear brake emergency lever pin)	2	LA	52-54

† Use with Power Brakes - Refer to Power Brakes Group

Lincoln Cosmopolitan and Capri

CHASSIS PARTS CATALOGUE

PART NUMBER	PART NAME	NO. REQ'D	MODEL	YEAR
Service Brakes—Continued				
MA 2108-A	Strut (parking brake)	2	LA	52-53
8L 2108	Strut (parking brake)	2	LA	54
8M 2119	Equalizer (hand brake cable)	1	LA	52-54
	†LA-22121-A Gasket (brake master cylinder mounting adapter)	1	LA	52-54
8L 2128	Kit (rear wheel brake cylinder repair)-consists of the following (2) 8L-2201 Cup (2) 96H-2206 Boot	2	LA	52-54
8L 2135-A	Housing and tube seat assy (rear brake cylinder)-R. H.	1	LA	52-54
8L 2136-A	Housing and tube seat assy (rear brake cylinder)-L. H.	1	LA	52-54
96H 2139-B	Spring (parking brake strut to shoe)-1-1/4" overall free length, oblong shaped	2	LA	52-54
B2 2140-B	Cylinder assembly (brake master)-less push rod-⊕AB-22141-C	1	LA	52-54
	LA-22139-A Shield (brake master cyl. heat)-not used with power brake	1	LA	52-54
	24387-S7 Bolt (hex head)-5/16"-24 x 1"-cylinder to firewall	4	LA	52-54
	357624-S7 Lockwasher-5/16"-cylinder to firewall	4	LA	52-54
	OA-13480 Switch assembly (stop light)	1	LA	52-54
LA 2143-C	Rod assy (brake master cylinder push)-6-51/64" overall length	1	LA	52-54
	33925-S7 Nut (hex)-3/8"-24-link to rod	1	LA	52-54
† LA 2143-D	Rod assy (brake master cyl. push)-vacuum booster	1	LA	53-54
B2A 2144-A	Bumper (brake master cylinder push rod)-⊕LA-22144-A	1	LA	52-54
8A 2145	Spring & retainer assy (brake master cyl. return)	1	LA	52-54
8M 2149	Gasket (front brake line connector)-Copper-25/64" I. D. x 5/8" O. D. x 1/16" thick	3	LA	52-54
† LA 2152-A NS	Gasket (brake master cylinder outlet)-7/8" I. D. - serviced in HDK-22160-B Kit	1	LA	53-54
LA 2153-A	Bracket (hand brake cable)-front	1	LA	52-54
‡ 91T 2154-A	Gasket (brake master cylinder outlet)-Copper-1/2" I. D. x 11/16" O. D. x 1/32" thick	2	LA	52-54

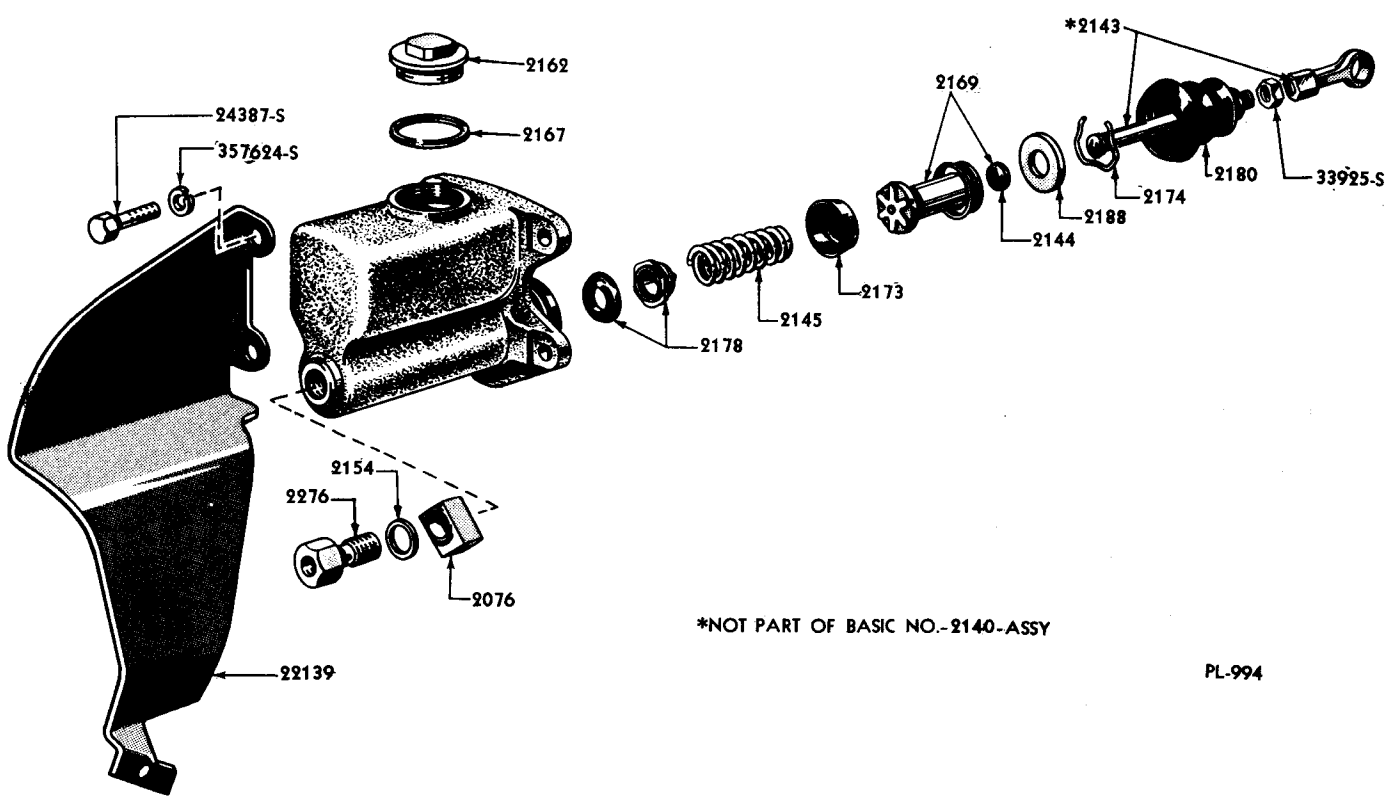
† Use with Power Brakes - Refer to Power Brakes Group

‡ Use with Power Brakes & Standard Brakes

Lincoln Cosmopolitan and Capri

CHASSIS PARTS CATALOGUE

Service Brakes—Continued



PL-994

MASTER BRAKE CYLINDER

Basic numbers only shown on illustration. Order by Part Numbers shown in list of parts.

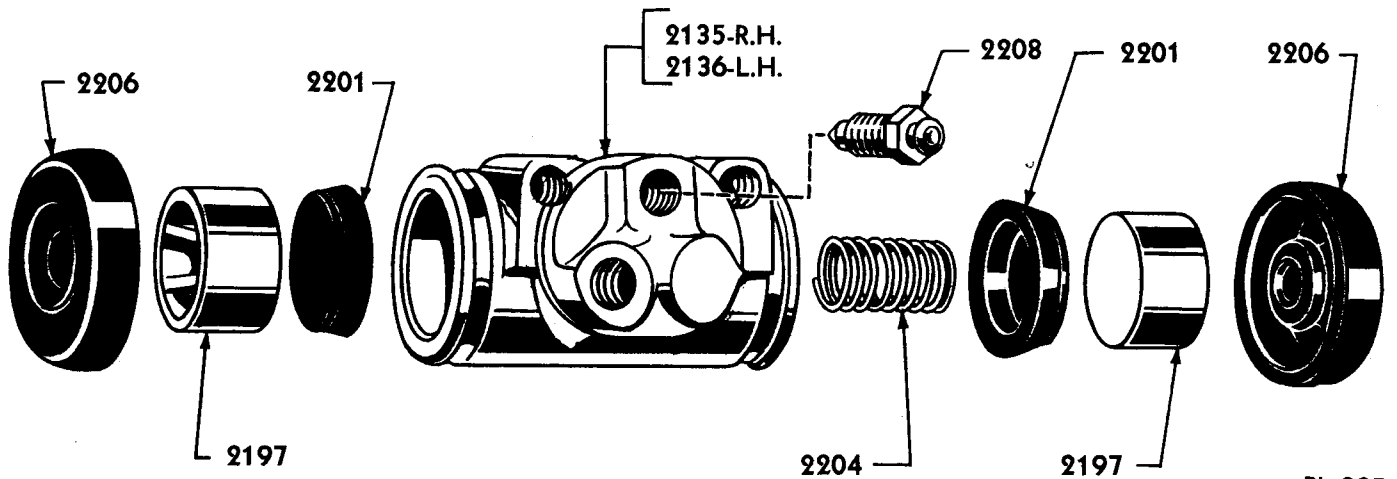
PART NUMBER	CLASSIFICATION	PART NAME	NO. REQ'D	MODEL	YEAR 19__
† LA 2155-C		Body (brake master cylinder)	1	LA	53-54
† LA 2161-A		Fitting (brake master cyl. outlet)-1/2"-tapped hole	1	LA	53-54
AB 2162-C		Cap assy (brake master cyl. filler)-with hex head-1-5/8"-18	1	LA	52-54
† 91A 2162-A		Cap assy (brake master cyl. filler)-with square head	1	LA	53-54
8M 2167		Gasket (brake master cylinder filler cap)-Fibre-41/64" I. D. x 1-7/8" O. D. x 1/16" thick	1	LA	52-54
† 91A 2167		Gasket (brake master cylinder filler cap)-1-17/64" I. D. x 1-1/2" O. D. -also serviced in HDK-22160-B	1	LA	53-54
AB 2169-B	NS	Piston assy (brake master cylinder)-serviced in B2A-2004-A Kit	1	LA	52-54
51A 2173		Cup (brake master cylinder)-primary	1	LA	52-54
51A 2174		Snap ring (brake master cylinder piston)-1-25/64" irregular O. D. and open end	1	LA	52-54

† Use with Power Brakes - Refer to Power Brakes Group

Lincoln Cosmopolitan and Capri

CHASSIS PARTS CATALOGUE

PART NUMBER	PART NAME	NO. REQ'D	MODEL	YEAR
Service Brakes—Continued				
A9A 2178-A	Kit (master cylinder valve and seat)-also serviced in Kit B2A-2004-A-consists of the following (1) AB-2178-A Valve (1) A9A-2179-A Seat	1	LA	52-54
† LA 2178-B NS	Valve assy (brake master cylinder outlet check)-serviced in HDK-22160-B Kit	1	LA	53-54
A9A 2179-A NS	Seat (brake master cylinder outlet)-serviced in Kit A9A-2178-A - @LA-22179-A	1	LA	52-54
OA 2180	Boot (brake master cylinder)-Rubber	1	LA	52-54
† LA 2180-A NS	Boot (brake master cylinder)-Rubber-serviced in HDK-22160-B Kit	1	LA	53-54
† LA 2183-A	Spring (brake master cyl. outlet valve)-15/32" dia.	1	LA	53-54
LA 2188-A	Plate (brake master cylinder piston stop)-9/16" I. D. x 1-1/8" O. D. x 1/8" thick	1	LA	52-54
8M 2190-A	Housing (front brake cylinder)-R. H.	1	LA	52-53
8M 2191-A	Housing (front brake cylinder)-L. H.	1	LA	52-53
8L 2197-A	Piston (rear wheel brake cylinder)-15/16" dia.	4	LA	52-54
96H 2198-A	Piston (front wheel brake cylinder)-1-1/8" dia.	4	LA	52-54
HCK 2200-A	Kit (rear brake shoe & lining)-Standard-Axle Set-consists of the following (2) OM-2019-B Shoe & lining-rear-secondary (2) LA-2218-B Shoe & lining-rear-primary	1	LA	52-53
HCK 2200-B	Kit (rear brake shoe & lining)-.030 O/S-Axle Set-consists of the following (2) MA-2019-C Shoe & lining-rear-secondary (2) LA-2218-C Shoe & lining-rear-primary	1	LA	52-53
HEK 2200-A	Kit (rear brake shoe & lining)-Standard-Axle Set-consists of the following (2) LA-2218-E Shoe & lining-rear-primary (2) LA-2219-C Shoe & lining-rear-secondary	1	LA	54



REAR WHEEL BRAKE CYLINDER

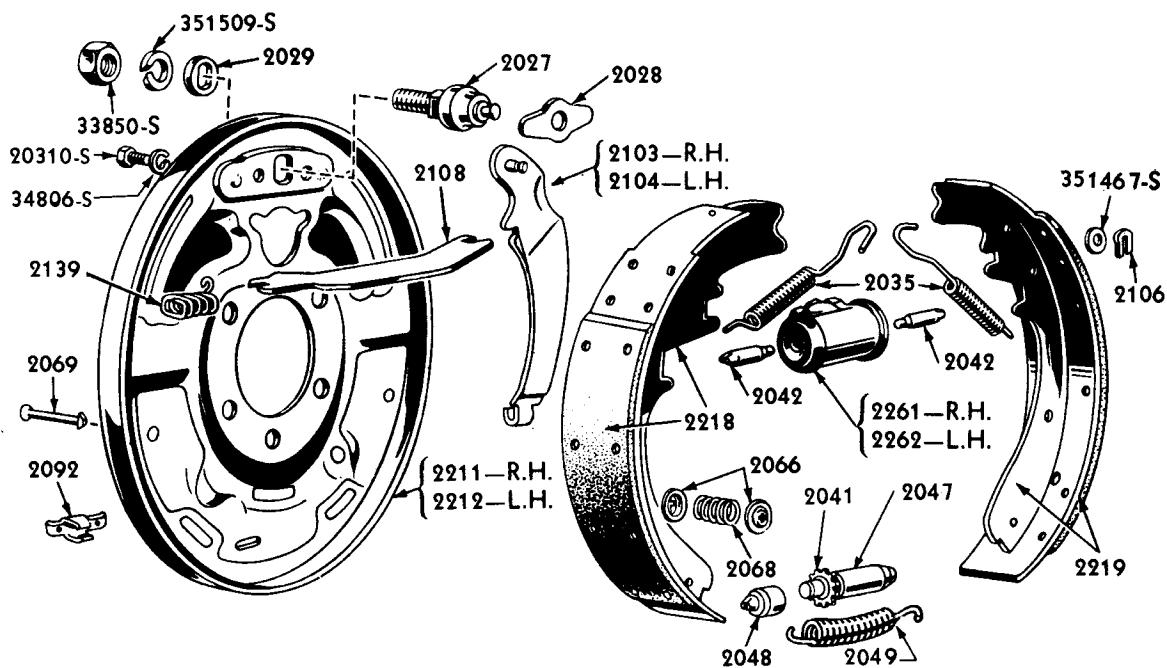
Basic numbers only shown on illustration. Order by Part Numbers shown in list of parts.

† Use with Power Brakes - Refer to Power Brakes Group

Lincoln Cosmopolitan and Capri

CHASSIS PARTS CATALOGUE

PART NUMBER	PART NAME	NO. REQ'D	MODEL	YEAR
Service Brakes—Continued				
HEK 2200-B	Kit (rear brake shoe & lining)-.030 O/S-Axle Set-consists of the following (2) LA-2218-F Shoe & lining-rear-primary (2) LA-2219-D Shoe & lining-rear-secondary	1	LA	54
8L 2201	Cup (rear wheel brake cylinder)-15/16" dia.	4	LA	52-54
91A 2202	Cup (front wheel brake cylinder)-1-1/8" dia.	4	LA	52-54
96H 2204	Spring (rear wheel brake cylinder piston return)-9/16" O. D. x 2-5/16" o/all free length-11 coils	2	LA	52-54
96H 2205	Spring (front wheel brake cylinder piston return)-11/16" O. D. x 2-1/4" o/all free length-9-1/2 coils	2	LA	52-54
96H 2206	Boot (brake wheel cylinder)-rear	4	LA	52-54
OM 2207-A	Boot (brake wheel cylinder)-front	4	LA	52-54
8M 2208	Screw (brake wheel cylinder bleeder)-3/8"-24 x 1-3/16" overall length	4	LA	52-54
LA 2211-A	Plate assy (rear brake backing)-R. H. -painted	1	LA	52-53
LA 2211-B	Plate assembly (rear wheel brake backing)-R. H.	1	LA	54



REAR BRAKES

PL-743

Basic numbers only shown on illustration. Order by Part Numbers shown in list of parts.

Lincoln Cosmopolitan and Capri

CHASSIS PARTS CATALOGUE

PART NUMBER	PART NAME	NO. REQ'D	MODEL	YEAR 19__
Service Brakes—Continued				
LA 2212-A	Plate assy (rear brake backing)-L. H. -painted	1	LA	52-53
LA 2212-B	Plate assembly (rear wheel brake backing)-L. H.	1	LA	54
	8M-2248 Bolt (rear axle brake housing)- 1/2"-20 x 1-1/8" special head	8	LA	52-54
	34424-S7 Locknut (hex)-1/2"-20	8	LA	52-54
8M 2221	Kit (front wheel brake cylinder repair)-consists of the following (2) 91A-2202 Cup (2) OM-2207-A Boot	1	LA	52-54
HCK 2222-A	Kit (rear brake lining)-Standard-Axle Set-consists of the following (2) OM-2022-B Lining-rear-secondary (2) LA-2284-B Lining-rear-primary (44) 351939-S Rivet	1	LA	52-53
HCK 2222-B	Kit (rear brake lining)-.030 O/S-Axle Set-consists of the following (2) MA-2022-C Lining-rear-secondary (2) LA-2284-C Lining-rear-primary (44) 351939-S Rivet	1	LA	52-53
HEK 2222-A	Kit (rear brake lining)-Standard-Axle Set-consists of the following (2) LA-2284-F Lining-rear-primary (2) LA-2285-C Lining-rear-secondary (44) 351939-S Rivet	1	LA	54
HEK 2222-B	Kit (rear brake lining)-.030 O/S-Axle Set-consists of the following (2) LA-2284-G Lining-rear-primary (2) LA-2285-D Lining-rear-secondary (44) 351939-S Rivet	1	LA	54
8M 2240	Retainer (rear wheel bearing)	2	LA	52-54
8M 2244	Clip (rear brake pipe to rear axle)	1	LA	52-54
8M 2244	Clip (front brake pipe to frame)	1	LA	52-54
	31527-S7 Screw (hex washer head self tap.)-No. 14-14 x 1/2"-to frame	1	LA	52-54
8M 2245	Gasket (wheel bearing retainer)-Paper	4	LA	52-54
8M 2248	Bolt (rear axle brake housing)-1/2"-20 x 1-1/8"- special head	8	LA	52-54
	34424-S7 Locknut (hex)-1/2"-20	8	LA	52-54
8L 2261-A	Cylinder assy (rear brake)-R. H. -15/16" dia.	1	LA	52-54
8L 2262-A	Cylinder assy (rear brake)-L. H. -15/16" dia.	1	LA	52-54
	20310-S8 Bolt (hex-hd)-5/16"-18 x 1/2"	4	LA	52-54
	34806-S7 Lockwasher -5/16"	4	LA	52-54
	8L-2128 Kit (rear wheel brake cyl. repair)- consists of the following (2) 8L-2201 Cup (2) 96H-2206 Boot	2	LA	52-54
LA 2263-B	Tube assy (front brake)-R. H. -with 4-13/64" long curved conduit	1	LA	52-54

Lincoln Cosmopolitan and Capri

CHASSIS PARTS CATALOGUE

PART NUMBER	PART NAME	NO. REQ'D	MODEL	YEAR
Service Brakes—Continued				
	8M-2244 Clip (front brake pipe to frame)	1	LA	52-54
	31527-S7 Screw (hex washer head self tap.)-No. 14-14 x 1/2"-to frame	1	LA	52-54
LA 2264-B	Tube assembly (front brake)-L. H.	1	LA	52-54
	MA-22264-C Hose assy (brake master cylinder to connector)-approx. 16-3/4" long	1	LA	52-54
	352223-S32 Clip (hose to front fender apron)	1	LA	52-54
	31527-S7 Screw (hex washer hd self tapping)-No. 14-14 x 1/2"-hose to front fender apron	1	LA	52-54
LA 2265-B	Pipe assy (rear connector to rear hose)-111-27/64" long	1	LA	52
LA 2265-C	Tube assy (rear brake tube connector to rear hose) -111-27/64" long	1	LA	53-54
	357331-S32 Clip (tube)-3/16"-tube connector to frame	4	LA	52-54
LA 2267-A	Tube assy (rear brake)-right side-41-9/32" long	1	LA	52-53
LA 2267-B	Tube assy (right rear brake)-41" approx. formed length	1	LA	54
	8M-2244 Clip (rear brake pipe to rear axle)	1	LA	52-54
	20328-S Bolt (hex hd)-3/8"-16 x 5/8"-for attaching rear brake right pipe clip	1	LA	52-54
	358349-S32 Clip (rear brake right pipe)-fastened to rear axle diff. housing	1	LA	52-54
	34807-S8 Lockwasher-3/8"-used with 20328-S	1	LA	52-54
	87942-S8 Nut (tube fitting)-3/8"-24-brake pipe attaching nut	10	LA	52-54
	31527-S7 Screw (hex washer head self tapping)-No. 14-14 x 1/2"-used with 8M-2244	1	LA	52-54
LA 2268-A	Tube assy (rear brake)-left side-12-17/64" approximate overall length	1	LA	52-53
LA 2268-B	Tube assy (left rear brake)-11-63/64" approx. formed length	1	LA	54
LA 2275-B	Cable & conduit assy (hand brake)-rear 139-3/8" long	1	LA	52-54
	8M-2814 Clip (hand brake cable spring lock)	2	LA	52-54
8L 2276	Bolt (rear brake cylinder connection)-1/2"-20 x 1-1/8" and 1/8"-27 female thread-with 13/32" dia. hole thru head-for attaching brake master cylinder outlet fitting	1	LA	52-54

Lincoln Cosmopolitan and Capri

CHASSIS PARTS CATALOGUE

PART NUMBER	QTY. REQ'D	PART NAME	NO. REQ'D	MODEL	YEAR
Service Brakes—Continued					
† 91T 2276		Bolt (master cylinder outlet)-1/2"-20 x 1-1/8"- to attach master cylinder outlet fitting	1	LA	53-54
† 91A 2279		Clip (reservoir to booster)-(2) 25/64" dia. holes	2	LA	53-54
† 59T 2348	NS	Wick (brake vacuum booster piston)-Yarn-serviced in HDK-22167-B & HEK-22167-A Kits	1	LA	53-54
† LA 2356-A	NS	Packing (brake booster body piston)-6" diameter- serviced in HDK-22167-B & HEK-22167-A Kits	1	LA	53-54
† LA 2357-A	NS	Ring (brake booster body piston packing)-serviced in HDK-22167-B & HEK-22167-A Kits	1	LA	53-54
† LA 2361-A	NS	Spring (brake booster body piston return)-4-1/4" diameter at large end	1	LA	53-54
† LA 2366-A		Body assembly (brake booster)	1	LA	53-54
† LA 2384-A	NS	Seal (brake booster push rod)-21/32" I. D. x 1-3/8" O. D. -serviced in HDK-22160-B Kit	1	LA	53-54
† LA 2388-A		Bearing assy (brake master cylinder push rod end)- 1-1/4" full thread	1	LA	53-54
† LA 2394-A		Retainer (brakes booster body piston packing)	1	LA	53-54
† LA 2395-C		Piston assembly (brake booster body)	1	LA	53-54
† LA 2429-A		Retainer (brake booster piston felt)	1	LA	53-54
† 59T 2437	NS	Seal (brake vacuum booster slave cylinder end)- 55/64" I. D. x 1-1/64" O. D. -serviced in HDK-22160-B Kit	1	LA	53-54
† LA 2440-A	NS	Collar (brake booster push rod)-serviced in HDK-22160-B Kit	1	LA	53-54
MA 2454-D		Pad assembly (brake pedal)	1	LA	52
MA 2454-E		Pad assembly (brake pedal)	1	LA	52
MA 2454-F		Pad assembly (brake pedal)	1	LA	53
MA 2454-G		Pad assembly (brake pedal)	1	LA	54
		24427-S7 Bolt (hex head)-5/16"-24 x 1-1/4"-pad plate to pedal assy	1	LA	52-54
		34443-S7 Locknut (hex)-5/16"-24	1	LA	52-54
LA 2455-D		Pedal assembly (brake)	1	LA	52
LA 2455-F		Pedal assembly (brake)	1	LA	53-54
† LA 2455-G		Pedal assembly (power brakes)-includes lever	1	LA	53-54
		†352602-S8 Pin (clevis)-3/8" x 1-1/16"- operating lever to pedal assy	1	LA	53-54
		†72035-S7-8 Pin (cotter)-1/8" x 1"	1	LA	53-54
		†356363-S7 Washer (spring)-3/8" I. D. x 9/16" O. D.	1	LA	53-54
		MA-7583-A Bumper (brake pedal)-Rubber	1	LA	52-54
8A 2456-B		Spring (brake pedal retracting)-8" free length- 34 coils	1	LA	52-54

† Use with Power Brakes - Refer to Power Brakes Group

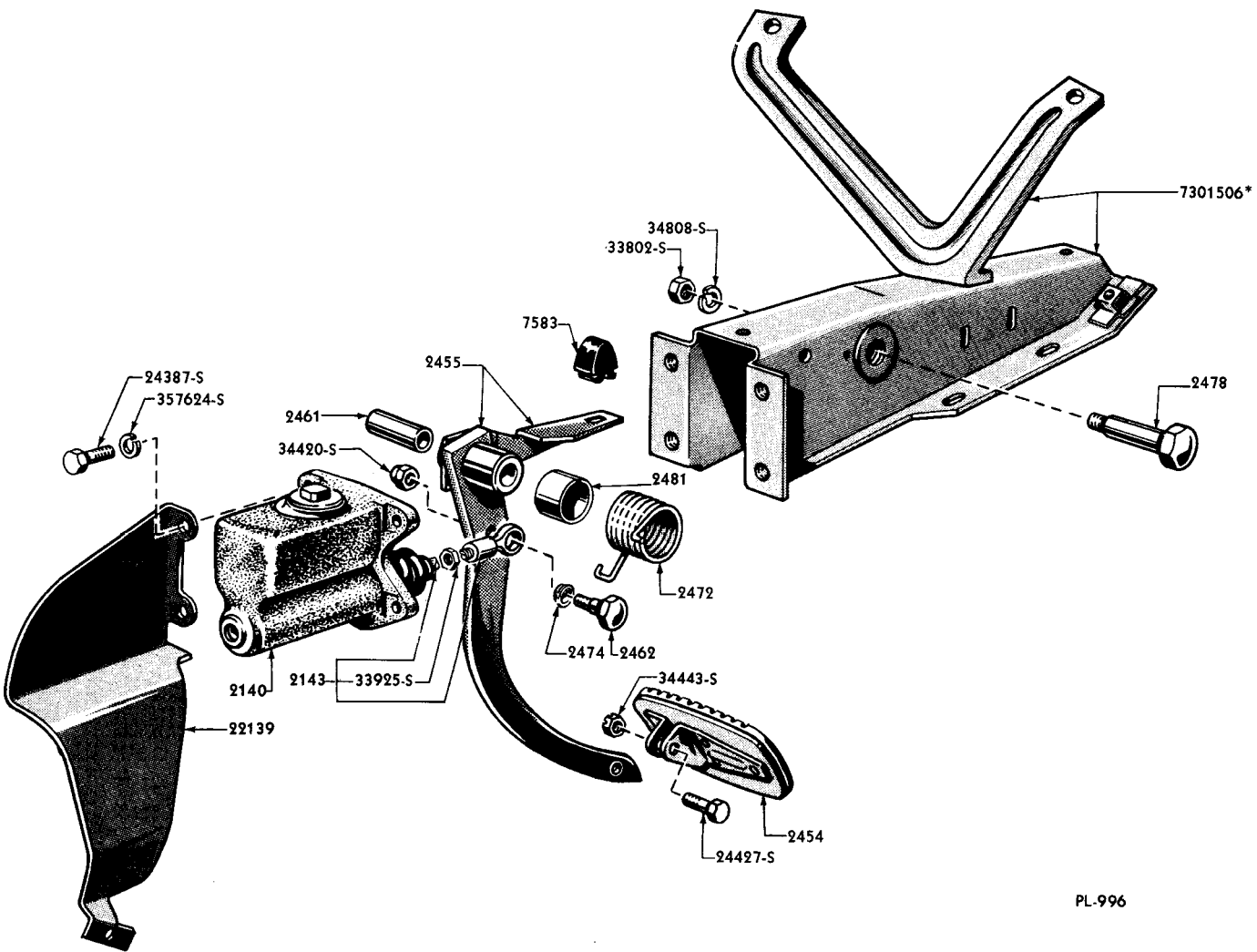
Lincoln Cosmopolitan and Capri

CHASSIS PARTS CATALOGUE

PART NUMBER	PART NAME	NO. REQ'D	MODEL	YEAR
-------------	-----------	-----------	-------	------

Service Brakes—Continued

‡ AB 2461-B	Bushing (brake pedal)-Nylon-5/8" I.D. x 11/16" O.D. x 1-59/64" long	1	LA	52-54
AB 2462-A	Bolt (master cylinder link rod eccentric)-3/8"-24 x 1-3/16"	1	LA	52-54
	34420-S Nut (lock)-3/8"-24	1	LA	52-54



PL-996

*FOR ADDITIONAL INFORMATION REFER TO BODY PARTS LIST

BRAKE PEDAL

Basic numbers only shown on illustration. Order by Part Numbers shown in list of parts.

‡ Use with Power Brakes & Standard Brakes

Lincoln Cosmopolitan and Capri

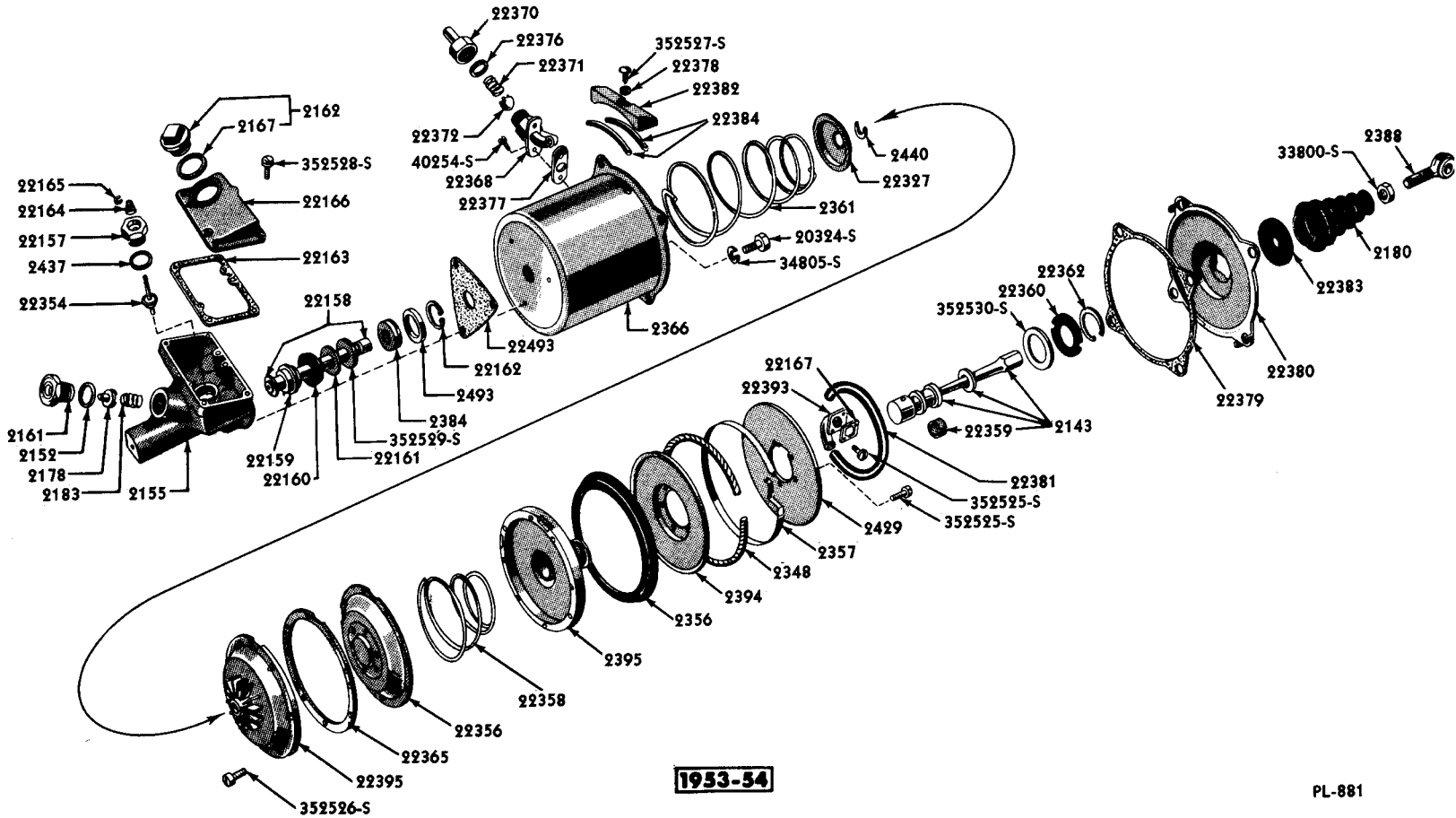
CHASSIS PARTS CATALOGUE

PART NUMBER	PART NAME	NO. REQ'D	MODEL	YEAR
Service Brakes—Continued				
† LA 2466-A	Link (brake pedal lever to master cylinder operating lever)-with (2) 3/8" dia. holes	2	LA	53-54
AB 2472-C	Spring (brake pedal retracting)	1	LA	52
AB 2472-D	Spring (brake pedal retracting)	1	LA	53-54
B2A 2474-A	Bushing (brake master cylinder push rod)-nylon ⊕AB-22473-A	1	LA	52-54
† AB 2478-A	Shaft (brake pedal)-7/16"-20 x 3"	1	LA	52-54
	34908-S8 Lockwasher-7/16"	1	LA	52-54
	33802-S8 Nut (hex)-7/16"-20-shaft to brake support & brace	1	LA	52-54
B2A 2481-A	Insulator (brake pedal hub spring)-Paper - ⊕MA-22482-A	1	LA	52
B2A 2481-B	Insulator (brake pedal hub spring)-Nylon - ⊕AB-22482-A	1	LA	53-54
† LA 2482-A	Shaft (brake master cylinder operating lever)-3/8" -24 x 2-17/32" long	1	LA	53
† LA 2482-B	Shaft (brake master cylinder operating lever)-3/8" -24 x 2-11/32" long	1	LA	54
	†351022-S2 Locknut (hex)-3/8"-24-retain operating lever in lever bracket	1	LA	53-54
† LA 2514-A	Lever assy (brake master cylinder operating)	1	LA	53
† LA 2514-B	Lever assembly (brake master cylinder operating)	1	LA	54
OM 2529	Rod (hand brake equalizer)-5-23/32" overall length with one end bent at right angle to threaded diameter	1	LA	52-54
	33798-S8 Nut (hex)-5/16"-24	2	LA	52-54
	351640-S32 Nut (spring)-9/32" diameter	1	LA	52-54
LA 2530-A	Bracket (hand brake cable)-rear-R. H.	1	LA	52-54
LA 2531-A	Bracket (hand brake cable)-rear-L. H.	1	LA	52-54
LA 2532-A	Lever (hand brake equalizer)	1	LA	52-54
	8A-2091 Nut (hand brake equalizer lever)- 5/16"-24-equalizer lever to front cable assy	1	LA	52-54
	8A-2456-B Spring (hand brake equalizer lever retracting)-8" free length-34 coils	1	LA	52-54

‡ Use with Power Brakes and Standard Brakes

† Use with Power Brakes - Refer to Power Brakes Group

Power Brakes

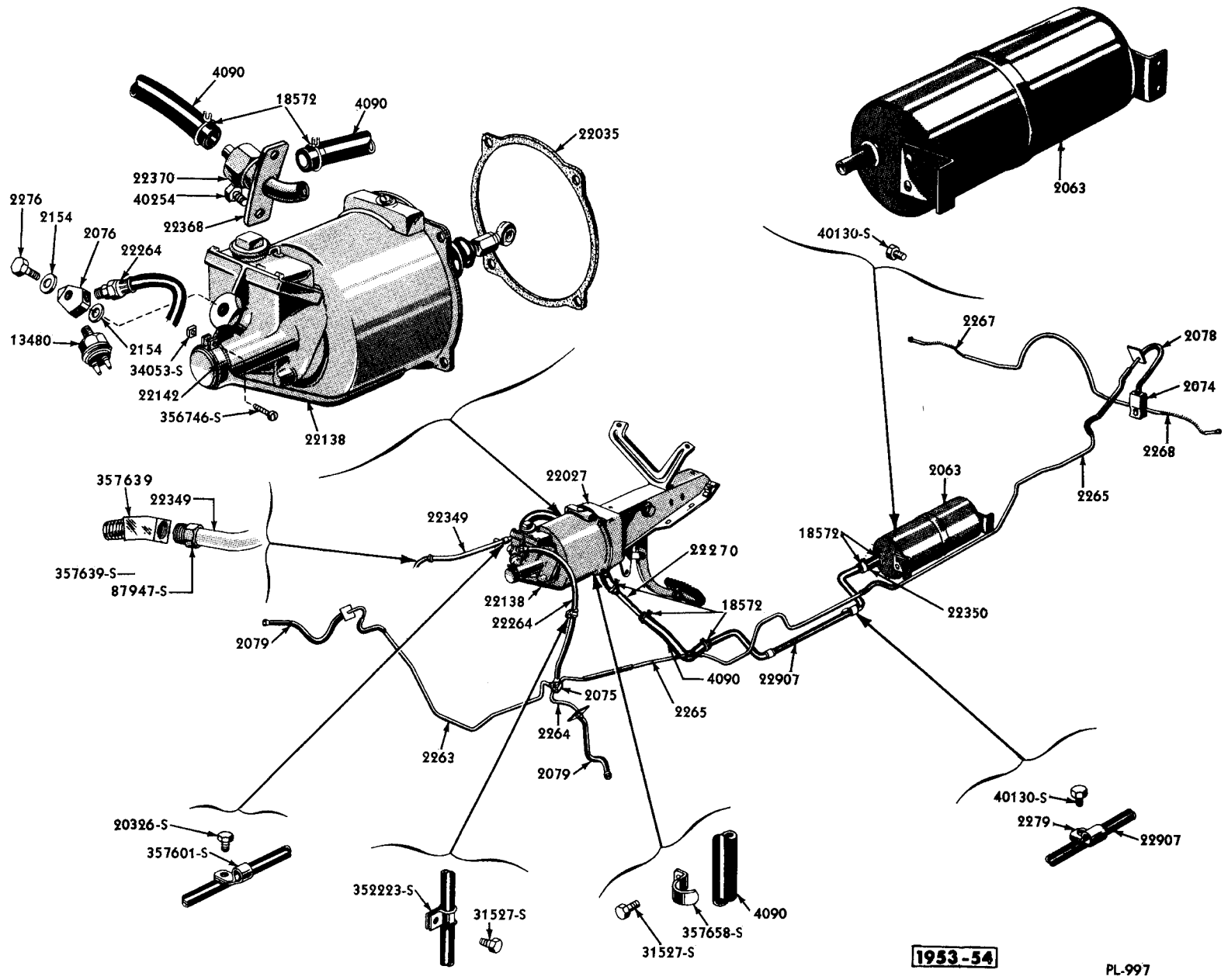


1953-54

PL-881

POWER BOOSTER BRAKE

Basic numbers only shown on illustration. Order by Part Numbers shown in list of parts.



1953-54

PL-997

POWER BRAKE RESERVOIR SYSTEM

Basic numbers only shown on illustration. Order by Part Numbers shown in list of parts.

Lincoln Cosmopolitan and Capri

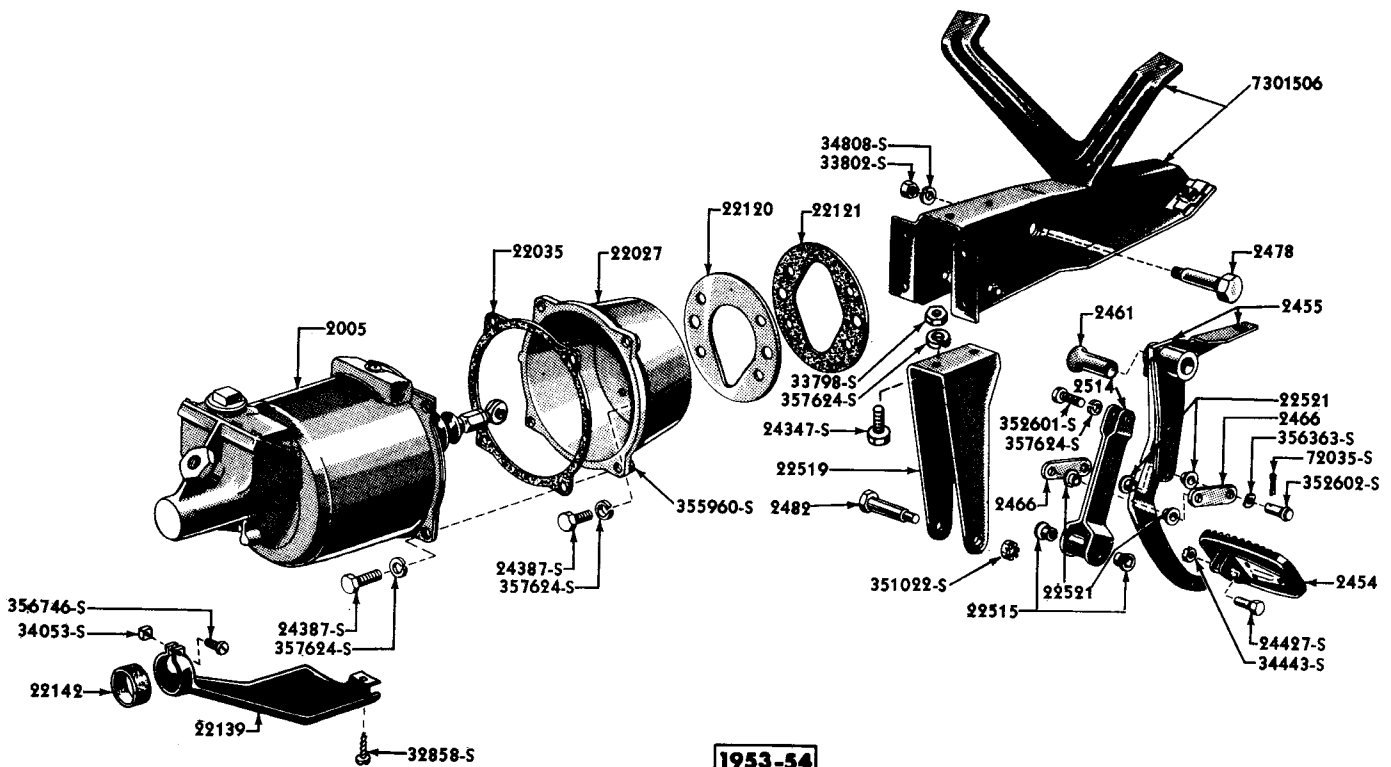
CHASSIS PARTS CATALOGUE

PART NUMBER	CLASS	PART NAME	NO. REQ'D	MODEL	YEAR 19__
Power Brakes—Continued					
		LA-2005-B Booster assembly (brake vacuum)	1	LA	53
		LA-2005-C Booster assembly (brake vacuum)	1	LA	54
		LA-2063-B Reservoir assy (power brakes)-vacuum	1	LA	53-54
		40130-S8 Screw (tapping)-5/16"-18 x 3/8"-tank to frame	4	LA	53-54
		LA-2076-A Fitting (brake master cylinder outlet)-has (2) holes	1	LA	53-54
		LA-2143-D Rod assy (brake master cylinder push)-vacuum booster-7-45/64" long without groove	1	LA	53-54
NS		LA-2152-A Gasket (brake master cylinder outlet)-7/8" I. D. -serviced in HDK-22160-B Kit	1	LA	53-54
		LA-2155-C Body (brake master cylinder)	1	LA	53-54
		LA-2161-A Fitting (brake master cylinder outlet)-1/2" tapped hole	1	LA	53-54
		91A-2162-A Cap assy (brake master cylinder filler)-with square head	1	LA	53-54
		91A-2167 Gasket (brake master cylinder filler cap)-1-17/64" I. D. x 1-1/2" O. D. -also serviced in HDK-22160-B Kit	1	LA	53-54
NS		LA-2178-B Valve assy (brake master cylinder outlet check)-serviced in HDK-22160-B Kit	1	LA	53-54
NS		LA-2180-A Boot (brake master cylinder)-Rubber-serviced in HDK-22160-B Kit	1	LA	53-54
		LA-2183-A Spring (brake master cylinder outlet valve)-15/32" diameter	1	LA	53-54
		91T-2276 Bolt (rear brake cylinder connection)-1/2"-20 x 1-1/8"	1	LA	53-54
		91A-2279 Clip (reservoir to booster)-with (2) 25/64" dia. holes	2	LA	53-54
NS		59T-2348 Wick (brake vacuum booster piston)-Yarn-serviced in HDK-22167-B & HEK-22167-A Kits	1	LA	53-54
NS		LA-2356-A Packing (brake booster body piston)-6" diameter-serviced in HDK-22167-B and HEK-22167-A Kits	1	LA	53-54
NS		LA-2357-A Ring (brake booster body piston packing)-serviced in HDK-22167-B & HEK-22167-A Kits	1	LA	53-54
		LA-2361-A Spring (brake booster body piston return)-4-1/4" dia. at large end	1	LA	53-54
		LA-2366-A Body assy (brake booster)	1	LA	53-54
NS		LA-2384-A Seal (brake booster push rod)-21/32" I. D. x 1-3/8" O. D. -serviced in HDK-22160-B Kit	1	LA	53-54

Lincoln Cosmopolitan and Capri

CHASSIS PARTS CATALOGUE

PART NUMBER	PART NAME	NO. REQ'D	MODEL	YEAR
Power Brakes—Continued				
LA-2388-A	Bearing assy (brake master cyl. push rod end)-1-1/4" full thread	1	LA	53-54
33800-S8	Nut (hex)-3/8"-24	1	LA	53-54
LA-2394-A	Retainer (brake booster body piston packing)	1	LA	53-54
LA-2395-C	Piston assy (brake booster body)	1	LA	53-54
352525-S8	Screw (fillister head)-No. 8-32 x 3/8"	7	LA	53-54
LA-2429-A	Retainer (brake booster piston felt)	1	LA	53-54
33800-S8	Nut (hex)-3/8"-24	1	LA	53-54
352525-S8	Screw (fillister head)-No. 8-32 x 3/8"	5	LA	53-54
NS 59T-2437	Seal (brake vacuum booster slave cylinder end body)-55/64" I. D. x 1-1/64" O. D. -serviced in HDK-22160-B Kit	1	LA	53-54



PL-998

POWER BRAKE PEDAL

Basic numbers only shown on illustration. Order by Part Numbers shown in list of parts.

Lincoln Cosmopolitan and Capri

CHASSIS PARTS CATALOGUE

PART NUMBER	CLAS	PART NAME	NO. REQ'D	MODEL	YEAR
Power Brakes—Continued					
NS	LA-2440-A	Collar (brake booster push rod)-serviced in HDK-22160-B Kit	1	LA	53-54
	‡MA-2454-F	Pad assy (brake pedal)	1	LA	52-53
	‡MA-2454-G	Pad assy (brake pedal)	1	LA	54
	LA-2455-G	Pedal assy (brake)-includes lever	1	LA	53-54
	352602-S8	Pin (clevis)-3/8" x 1-1/16"-operating lever to pedal assy	1	LA	53-54
	72035-S7-8	Pin (cotter)-1/8" x 1"	1	LA	53-54
	356363-S7	Washer (spring)-3/8" I. D. x 9/16" O. D.	1	LA	53-54
	‡AB-2461-B	Bushing (brake pedal)-Nylon-5/8" I. D. x 11/16" O. D. x 1-59/64" long	1	LA	52-54
	LA-2466-A	Link (brake pedal lever to master cylinder operating lever)-with (2) 3/8" dia. holes	2	LA	53-54
	‡AB-2478-A	Shaft (brake pedal)-7/16"-20 x 3"	1	LA	52-54
	‡34808-S8	Lockwasher-7/16"	1	LA	52-54
	‡33802-S8	Nut (hex)-7/16"-20	1	LA	52-54
	LA-2482-A	Shaft (brake master cylinder operating lever)-3/8"-24 x 2-17/32" long	1	LA	53
	LA-2482-B	Shaft (brake master cylinder operating lever)-3/8"-24 x 2-11/32" long	1	LA	54
	351022-S2	Locknut (hex)-3/8"-24-to retain shaft	1	LA	53-54
NS	TFAF-2493-A	Gasket (brake booster end plate)-air-1-11/32" I. D. x 1-19/32" O. D. -serviced in HDK-22160-B Kit	1	LA	53-54
	LA-2514-A	Lever assy (brake master cyl. operating)	1	LA	53
	LA-2514-B	Lever assy (brake master cyl. operating)	1	LA	54
	352601-S8	Bolt (hex-hd)-5/16"-24 x 1-1/16"-operating lever to booster assy	1	LA	53-54
	357624-S7	Lockwasher (special)-5/16"-operating lever to power unit	1	LA	53-54
	352602-S8	Pin (clevis)-3/8" x 1-1/16"-operating lever to pedal assy	1	LA	53-54
	72035-S7-8	Pin (cotter)-1/8" x 1"	1	LA	53-54
	356363-S7	Washer (spring)-3/8" I. D. x 9/16" O. D.	1	LA	53-54
NS	59T-4090M-E	Hose (intake manifold tube to booster)-1/2" I. D. x 15/16" O. D. x 8-1/2" approx. overall length-cut from 7RT-4090-M-C	2	LA	53-54
	7RT-4090M-C	Hose-1/2" I. D. x 15/16" O. D. x 36-1/4" approx. overall length	1	LA	53-54

‡ Use with Power Brakes & Standard Brakes

Lincoln Cosmopolitan and Capri

CHASSIS PARTS CATALOGUE

PART NUMBER	PART NAME	NO. REQ'D	MODEL	YEAR 19__
Power Brakes—Continued				
NS	LA-4090-A	Hose (booster to reservoir tube)- 1/2" I.D. x 15/16" O.D. x 21-1/4" approximate overall length-cut from 7RT-4090-MC	1 LA	53-54
	357658-S32	Clip-hose to dash panel	1 LA	53-54
	31527-S7	Screw (washer head)-No. -14- 14 x 1/2"	1 LA	53-54
	1C-18572-A	Clamp-hose to reservoir to booster tube & hose to power brake	2 LA	53-54
	1C-18572-A	Clamp-hose to intake manifold to brake booster tube	2 LA	53-54
	1C-18572-A	Clamp (hose-front)-booster to reservoir tube	2 LA	53-54
	LA-22027-A	Bracket assy (brake booster mounting)-with (6) 11/32" dia. holes	1 LA	53
	LA-22027-B	Bracket assy (brake booster mounting)-with pear shaped hole	1 LA	54
	24387-S7	Bolt (hex-hd)-5/16"-24 x 1" brkt. assy to brake pedal support	4 LA	53-54
	24387-S7	Bolt (hex-hd)-5/16"-24 x 1" power brake unit to mounting bracket	4 LA	53-54
	357624-S7	Lockwasher (special)-5/16"- mounting bracket to pedal support brace	4 LA	53-54
	357624-S7	Lockwasher (special)-5/16"- booster to mounting brkt.	4 LA	53-54
	355960-S	Nut (grommet)-5/16"-24	4 LA	53-54
	HDK-22005-D	Kit (power brake conversion)- consists of the following (1) LA-2005-B Booster (1) LA-2063-B Rsvr. (1) LA-2076-A Fitting (1) 91T-2154-A Gskt. (1) 91T-2276 Bolt (1) 91A-2279 Clip (1) LA-2455-G Pedal (2) LA-2466-A Link (1) LA-2482-B Shaft (1) LA-2514-A Lever (1) 59T-4090M-E Hose (1) 7RT-4090M-C Hose (6) 1C-18572-A Clamp (1) LA-22027-B Brkt. (1) LA-22035-A Gasket (1) LA-22120-B Adptr. (1) LA-22121-A Gasket (1) LA-22139-B Shield (1) LA-22142-A Insulator (1) LA-22264-B Hose (1) LA-22349-A Tube (1) LA-22350-A Hose (2) LA-22515-A Bushing (1) LA-22519-A Brkt. (4) LA-22521-A Bushing (1) LA-22907-A Hose (1) 20326-S7 Bolt (4) 24347-S8 Bolt (8) 24387-S7 Bolt (1) 31527-S7 Screw (1) 32858-S2 Screw (4) 33798-S8 Nut (1) 33802-S8 Nut (1) 34053-S8 Nut (1) 351022-S2 Nut (6) 40130-S8 Screw (2) 72035-S7-8 C/Pin (1) 352601-S8 Bolt (2) 352602-S8 Pin (2) 356363-S7 Wshr. (1) 356746-S Screw (1) 357601-S32 Clip (9) 357624-S7 L/Wshr. (1) 357639-S Elbow	1 LA	53

Lincoln Cosmopolitan and Capri

CHASSIS PARTS CATALOGUE

PART NUMBER	PART NAME	NO. REQ'D	MODEL	YEAR
Power Brakes—Continued				
	LA-22035-A Gasket (brake booster mounting bracket)	1	LA	53-54
	LA-22120-A Adapter (brake booster mounting)	1	LA	53
	LA-22120-B Adapter (brake booster mounting) -pear shaped holes	1	LA	54
	†LA-22121-A Gasket (brake master cyl. mounting adapter)	1	LA	53-54
	LA-22139-B Shield (brake master cyl. heat)	1	LA	53-54
	34053-S8 Nut No. 10-24-heat shield to booster	1	LA	53-54
	32858-S2 Screw (tapping)-No. 8-15 x 1/2"	1	LA	53-54
	356746-S Screw (fillister head)-No. 10- 24 x 3/4"-heat shield to booster	1	LA	53-54
	LA-22142-A Insulator (brake master cylinder heat shield)	1	LA	53-54
	LA-22157-A Fitting (brake master cylinder reservoir)-7/8"-14 x 15/32"	1	LA	53-54
	LA-22158-A Plunger assy (brake master cyl.)	1	LA	53-54
	352529-S Washer (flat)-23/32" I. D. x 1-3/8" O. D. x 3/32" thick	1	LA	53-54
	LA-22159-A Retainer (brake master cyl. plunger seal)-1-3/8" O. D.	1	LA	53-54
NS	LA-22160-A Seal (brake master cyl. plunger)- 1-7/16" O. D. -serviced in HDK-22160-B Kit	1	LA	53-54
	HDK-22160-B Kit (gasket and seal repair)- consists of the following (1) LA-2152-A Gasket (1) 91A-2167 Gasket (1) LA-2178-B Valve (1) LA-2180-A Boot (1) LA-2384-A Seal (1) 59T-2437 Seal (1) LA-2440-A Collar (1) TFAF-2493-A Seal (1) LA-22160-A Seal (1) LA-22161-A Washer (1) LA-22162-A Ring (1) LA-22163-A Gasket (1) LA-22164-A Spring (1) LA-22165-A Retnr. (1) LA-22354-A Stem (1) LA-22359-A Screen (1) LA-22360-A Insul. (1) LA-22362-A S/Ring (1) LA-22372-B Ball (1) LA-22376-A Gasket (1) LA-22377-A Gasket (1) LA-22378-A Gasket (1) LA-22379-A Gasket (1) LA-22383-A Washer (1) LA-22384-A Gasket (1) LA-22493-A Gasket	1	LA	53-54
NS	LA-22161-A Washer (brake master cylinder plunger seal backing)-21/32" I. D. x 1-3/8" O. D. -serviced in HDK-22160-B Kit	1	LA	53-54
NS	LA-22162-A Snap ring (brake master cylinder plunger retaining)-serviced in HDK-22160-B Kit	1	LA	53-54
NS	LA-22163-A Gasket (brake master cylinder reservoir cover)-Neoprene- serviced in HDK -22160-B Kit	1	LA	53-54

† Use with Power Brakes & Standard Brakes

Lincoln Cosmopolitan and Capri

CHASSIS PARTS CATALOGUE

PART NUMBER	PART NAME	NO. REQ'D	MODEL	YEAR
Power Brakes—Continued				
NS	LA-22164-A Spring (brake master cylinder compensating port)-9/16" at large end-serviced in HDK-22160-B Kit	1	LA	53-54
NS	LA-22165-A Retainer (brake master cyl. compensating port spring)-serviced in HDK-22160-B Kit	1	LA	53-54
	LA-22166-A Cover assy (brake master cyl. reservoir)	1	LA	53-54
	352528-S8 Screw (pan head)-No. 10-24 x 7/16"	6	LA	53-54
NS	LA-22167-A Gasket (brake booster body piston to hose tube plate)-Fibre-serviced in HDK-22167-B & HEK-22167-A Kits	1	LA	53-54
	HDK-22167-B Kit (piston packing)-consists of the following (1) 59T-2348 Wick (1) LA-2356-A Packing (1) LA-2357-A Ring (1) LA-22167-A Gasket (1) LA-22356-B Diaph. (1) LA-22365-A Gasket (1) LA-22381-A Hose	1	LA	53
	HEK-22167-A Kit (piston backing)-consists of the following (1) 59T-2348 Wick (1) LA-2356-A Packing (1) LA-2357-A Ring (1) LA-22167-A Gasket (1) LA-22356-C Diaph. (1) LA-22365-A Gasket (1) LA-22381-A Hose	1	LA	54
	LA-22264-B Hose assy (brake master cyl. to connector)-approx. 25-3/8" long	1	LA	53-54
	LA-22270-A Tube (booster to reservoir-front) -1/2" O. D. x 9"	1	LA	53-54
	‡352223-S32 Clip (hose to front fender apron)	1	LA	52-54
	‡1527-S7 Screw (hex washer head self tapping)-No. 14-14 x 1/2"	1	LA	52-54
	LA-22327-A Retainer (brake booster body piston return spring)-3-1/8" O. D.	1	LA	53-54
	LA-22349-A Tube assy (intake manifold to brake booster)-approx. 10-41/64" formed length	1	LA	53-54
	20326-S7 Bolt (hex)-5/16"-18 x 5/8"-357601-S32 to accelerator shaft	1	LA	52-54
	357601-S32 Clip-tube to accelerator brkt.	1	LA	53-54
	357639-S Elbow-1/2" x 7/16"-24 x 3/4"-18-tube to intake manifold	1	LA	53-54
	87947-S7 Nut (connector)-3/4"-18	1	LA	53-54
	LA-22350-A Hose (brake reservoir outlet)-approx. 3-1/2" overall length	1	LA	53-54
	1C-18572-A Clamp (hose)-reservoir outlet to booster tube	2	LA	53-54

‡ Use with Power Brakes and Standard Brakes

Lincoln Cosmopolitan and Capri

CHASSIS PARTS CATALOGUE

PART NUMBER	PART NAME	NO. REQ'D	MODEL	YEAR
Power Brakes—Continued				
NS LA-22354-A	Stem assy (brake master cylinder compensating port valve)-serviced in HDK-22160-B Kit	1	LA	53-54
NS LA-22356-B	Diaph. assy (brake booster body)-serviced in HDK-22167-B Kit	1	LA	53
NS LA-22356-C	Diaph. assy (brake booster body)-serviced in HEK-22167-A Kit	1	LA	54
LA-22358-A	Spring (brake booster body piston reaction)-3-13/16" large end	1	LA	53-54
NS LA-22359-A	Screen (brake booster plunger)-serviced in HDK-22160-B Kit	1	LA	53-54
NS LA-22360-A	Insulator (brake booster body piston)-Rubber-2" O. D. -serviced in HDK-22160-B Kit	1	LA	53-54
352530-S8	Washer (flat)-1-5/16" I. D. x 2" O. D. x 3/64" thick	1	LA	53-54
NS LA-22362-A	Snap ring (brake booster plunger retaining)-serviced in HDK-22160-B Kit	1	LA	53-54
NS LA-22365-A	Gasket (brake booster body diaphragm)-5-1/8" I. D. x 5-7/8" O. D. -serviced in HDK-22167-B & HEK-22167-A Kits	1	LA	53-54
LA-22368-A	Body assy (brake booster check valve)	1	LA	53-54
40254-S2	Screw (fillister head)-No. 8-32 x 3/8" long	2	LA	53-54
LA-22370-A	Cover assy (brake booster check valve)	1	LA	53-54
LA-22371-A	Spring (brake booster check valve)	1	LA	53-54
NS LA-22372-B	Ball (brake booster check valve)-Rubber-serviced in HDK-22160-B Kit	1	LA	53-54
NS LA-22376-A	Gasket (brake booster check valve) 49/64" I. D. x 29/32" O. D. -serviced in HDK-22160-B Kit	1	LA	53-54
NS LA-22377-A	Gasket (brake booster check valve to hose tube brace)-(1) 17/32" diameter hole-serviced in HDK-22160-B Kit	1	LA	53-54
NS LA-22378-A	Gasket (brake booster air cleaner screw)-serviced in HDK-22160-B Kit	1	LA	53-54
NS LA-22379-A	Gasket (brake booster body end plate)-6" I. D. -serviced in HDK-22160-B Kit	1	LA	53-54
LA-22380-A	Plate (brake booster body end)-6-3/4" O. D.	1	LA	53-54
NS LA-22381-A	Hose (brake booster check valve tube to body piston tube)-3/4" O.D.-serviced in HDK-22167-B and HEK-22167-A Kits	1	LA	53-54
LA-22382-A	Cover (brake booster air cleaner)	1	LA	53-54
352527-S8	Screw (rd-hd)-No. 8-15 x 1/2" long-to attach air cleaner to body	1	LA	53-54

Lincoln Cosmopolitan and Capri

CHASSIS PARTS CATALOGUE

PART NUMBER	CLASS	PART NAME	NO. REQ'D	MODEL	YEAR 19__
Power Brakes—Continued					
NS	LA-22383-A	Washer (brake master cyl. boot)- 5/16" I. D. x 2-1/8" O. D. - serviced in HDK-22160-B Kit	1	LA	53-54
NS	LA-22384-A	Gasket (brake booster air cleaner) 3-3/8" long-serviced in HDK-22160-B Kit	2	LA	53-54
	LA-22393-A	Tube assy (brake booster body piston to hose)	1	LA	53-54
	LA-22395-B	Plate (brake booster body piston)- front	1	LA	53-54
	352526-S8	Screw (fillister head)-No. 8-32 x 1/2" long	8	LA	53-54
NS	LA-22493-A	Gasket (brake booster body to master cylinder)-serviced in HDK-22160-B Kit	1	LA	53-54
	20324-S8	Bolt (hex-hd)-1/4"-20 x 5/8"	3	LA	53-54
	34805-S7	Lockwasher-1/4"	3	LA	53-54
	LA-22515-A	Bushing (brake master cylinder operating lever)-Nylon-1/2" I. D. x 9/16" O. D.	2	LA	53-54
	LA-22519-A	Bracket (brake master cylinder operating lever)	1	LA	53-54
	24347-S8	Bolt (hex-hd)-5/16"-24 x 3/4" -lever brkt. to brake support	4	LA	53-54
	357624-S7	Lockwasher-5/16"-bracket to pedal support brace	2	LA	53-54
	33798-S8	Nut (hex)-5/16"-24	4	LA	53-54
	LA-22521-A	Bushing (brake pedal lever)-3/8" I. D. x 7/16" O. D. x 11/64" long	4	LA	53-54
	LA-22907-A	Tube (brake reservoir to booster) -vacuum-23-41/64" long	1	LA	53-54
	40130-S8	Screw (hex-hd)-5/16"-18 x 3/8"-tube to frame assy	2	LA	53-54

Emergency Brake and Hand Brake Lever

LA 2780-A	Control assembly (hand brake)	1	LA	52	
LA 2780-B	Control assembly (hand brake)	1	LA	52-54	
NS	LA-22797-A	Anti-squeak (parking brake brkt.) -2" x 1-1/4"-impregnated web- bing-secure locally	1	LA	52-54
	24327-S7	Bolt (hex head)-5/16"-24 x 5/8"-hand brake control to dash panel	2	LA	52-54
	34826-S7	Lockwasher-5/16"-hand brake control to dash panel	2	LA	52-54
	42905-S8	Screw & lockwasher assy (hex head)-5/16"-24 x 3/4"-hand brake control mounting to instrument panel	2	LA	52-54
	44722-S8	Washer (flat)-5/16"-hand brake control mounting to instrument panel	2	LA	52-54

Lincoln Cosmopolitan and Capri

CHASSIS PARTS CATALOGUE

PART NUMBER	PART NAME	NO. REQ'D	MODEL	YEAR 19__
Emergency Brake and Hand Brake Lever—Continued				
OM 2786	Retainer (ratchet bar locking spring)	1	LA	52-54
OM 2788	Spring (ratchet bar locking)-outer	1	LA	52-54
OM 2804	Pulley assy (hand brake cable)	1	LA	52-54
	73880-S8 Pin (clevis)-5/16" x 13/16"	1	LA	52-54
	352358-S Pin (self locking)-9/32" x 61/64"-used with 73880-S8	1	LA	52-54
78 2814-A	Clip (hand brake cable spring lock)-1-3/32" wide at closed end	3	LA	52-54
8M 2814	Clip (hand brake cable spring lock)-13/16" wide at closed end	3	LA	52-54
OM 2819	Pin (hand brake handle locking)-straight knurled- 5/32" diameter x 13/32" overall length	1	LA	52-54
LA 2853-A	Cable and conduit assy (hand brake)-front- 65-13/16" long	1	LA	52-54
	31498-S8 Screw (hex washer head)- No. 14-10 x 5/8"-cable and conduit assy to dash panel	2	LA	52-54
OM 2859	Pin (hand brake lever)-straight knurled-9/32" dia. x 15/16" overall length	1	LA	52-54
LA 2860-A	Clip (hand brake cable)-1-1/2" long with two 23/64" holes	2	LA	52-54
	41170-S8 Screw (hex-hd)-5/16"-18 x 3/8"-clip to rear bracket	4	LA	52-54
◇EAD 2875-B	Compressor assembly (air conditioning)	1	LA60-73	53
	◇20410-S8 Bolt (hex-hd)-7/16"-14 x 1-1/8"-compressor to generator brkt.	1	LA60-73	53
	◇24428-S8 Bolt (hex)-3/8"-16 x 1-1/4"- compressor to cyl. block	2	LA60-73	53
	◇34847-S8 Lockwasher-3/8"	2	LA60-73	53
◇EAD 2890-A	Belt (compressor)	1	LA60-73	53
◇EAD 2902-A	Bracket (compressor to intake manifold)	1	LA60-73	53
	◇24428-S8 Bolt (hex)-3/8"-16 x 1-1/4"- bracket to cylinder head	1	LA60-73	53

Front Suspension

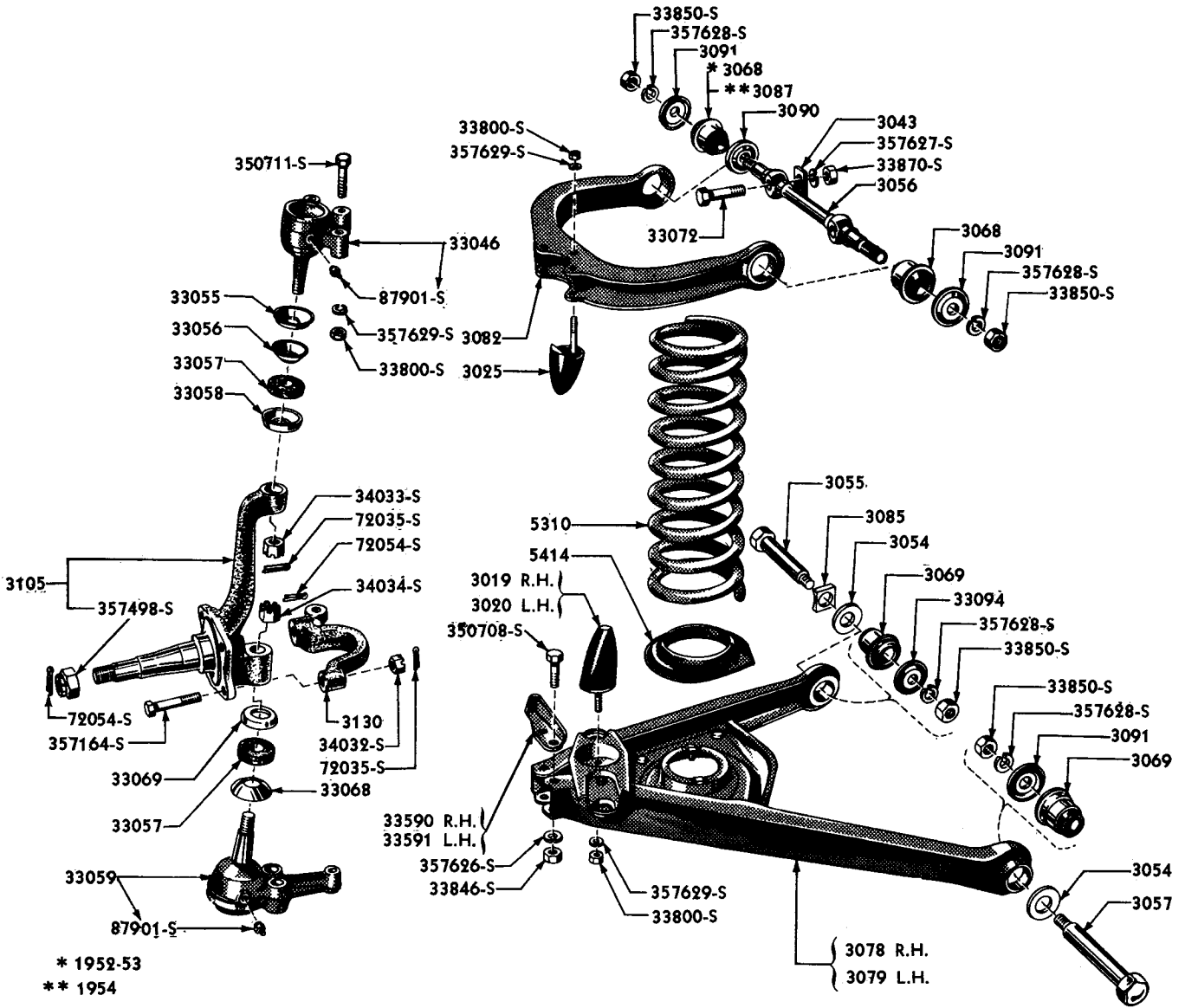
LA 3019-B	Bumper assy (front suspension lower arm)-R. H.	1	LA	52-54
LA 3020-B	Bumper assy (front suspension lower arm)-L. H.	1	LA	52-54
	357629-S7 Lockwasher-3/8"-bumper to lower arm	2	LA	52-54
	33800-S8 Nut (hex)-3/8"-24-bumper to lower arm	2	LA	52-54
LA 3025-A	Bumper (front suspension rebound)	2	LA	52-54
	357629-S7 Lockwasher-3/8"-bumper to upper arm	2	LA	52-54
	33800-S8 Nut (hex)-3/8"-24-bumper to upper arm	2	LA	52-54
LA 3043-A	Shim (front suspension upper arm mounting)-1/32" thick	as reqd	LA	52-54

◇ Use with Air Conditioning - Refer to Air Conditioning Group

Lincoln Cosmopolitan and Capri

CHASSIS PARTS CATALOGUE

Front Suspension—Continued



PL-999

FRONT SUSPENSION

Basic numbers only shown on illustration. Order by Part Numbers shown in list of parts.

PART NUMBER	QTY	PART NAME	NO. REQ'D	MODEL	YEAR
LA 3043-B		Shim (front suspension upper arm mounting)-1/8" thick	as reqd	LA	52-54
LA 3043-C		Shim (front suspension upper arm mounting)-1/64" thick	as reqd	LA	52-54
LA 3043-D		Shim (front suspension upper arm mounting)-1/16" thick	as reqd	LA	52-54

Lincoln Cosmopolitan and Capri

CHASSIS PARTS CATALOGUE

PART NUMBER	PART NAME	NO. REQ'D	MODEL	YEAR
Front Suspension—Continued				
HCK 3047-A	Kit (front suspension upper shaft)-consists of the following (1) LA-3056-C Shaft (2) LA-3068-A Bushing (2) B4A-3091-A Washer (2) 357628-S7 L/Washer (2) 33850-S Nut	2	LA	52-53
HCK 3047-B	Kit (front suspension upper shaft)-consists of the following (1) LA-3056-D Shaft (1) LA-3068-A Bushing (1) B4A-3087-B Bushing (1) B4A-3090-A Washer (2) B4A-3091-A Washer (2) 33850-S8 Nut (2) 357628-S8 Lockwasher	2	LA	54
HCK 3049-B	Kit (front suspension arm joint-upper)-consists of the following (1) LA-33046-A Joint (1) LA-33055-A Cover (1) LA-33056-A Shield (1) LA-33057-B Seal (1) LA-33058-A Retainer (1) 34033-S18 Nut (1) 72035-S8 Cotter pin	2	LA	52-54
HCK 3050-B	Kit (front suspension arm joint-lower)-consists of the following (1) LA-33057-B Seal (1) LA-33059-A Joint (1) LA-33068-A Cover (1) LA-33069-A Retainer (1) 34034-S18 Nut (1) 72054-S C/Pin	2	LA	52-54
LA 3054-A	Shim (front suspension lower arm front mounting bolt)-56/64" I.D. x 1-3/4" O.D. x 1/16" thick	as reqd	LA	52-54
LA 3054-B	Shim (front suspension lower arm front mounting bolt)-57/64" I.D. x 1-3/4" O.D. x 1/8" thick	as reqd	LA	52-54
LA 3055-A	Bolt (front suspension lower arm rear mounting)-5/8"-18 x 5-7/8" long	2	LA	52-54
HDK 3055-A	Kit (front suspension lower arm rear mounting)-consists of the following (2) LA-3054-A Shim (2) LA-3054-B Shim (1) LA-3055-A Bolt (1) LA-3069-A Bushing (1) LA-3085-A Seat (1) B4A-3091-A Washer (1) 33850-S2 Nut (1) 357628-S7 L/Washer	2	LA	52-54
LA-3056-C	Shaft (front suspension upper arm)-inner-14-7/16" overall length-also serviced in HCK-3047-A Kit	2	LA	52-53
LA 3056-D	NS Shaft (front suspension upper arm)-inner-serviced in HCK-3047-B Kit	2	LA	54
	357628-S7 Lockwasher-5/8"-shaft to upper arm	4	LA	52-54
	33850-S2 Nut (hex)-5/8"-18-shaft to upper arm	4	LA	52-54
LA 3057-A	Bolt (front suspension lower arm front mounting)-5/8"-18 x 5-7/8" long	2	LA	52-54
HDK 3057-A	Kit (front suspension lower arm front mounting)-consists of the following (2) LA-3054-A Shim (2) LA-3054-B Shim (1) LA-3057-A Bolt (1) LA-3069-A Bushing (1) B4A-3091-A Washer (1) 357628-S7 L/Washer (1) 33850-S2 Nut	2	LA	52-54

Lincoln Cosmopolitan and Capri

CHASSIS PARTS CATALOGUE

PART NUMBER	PART NAME	NO. REQ'D	MODEL	YEAR 19__
Front Suspension—Continued				
LA 3068-A	Bushing (front suspension upper arm inner shaft)- 3/4" I. D. x 1-15/16" max. O. D. x 1-55/64" long -also serviced in HCK-3047-A & B Kits	4 2	LA LA	52-53 54
LA 3069-A	Bushing (front suspension lower arm mounting bolt) -7/8" I. D. x 1-15/16" max. O. D. x 2-3/32" long- also serviced in HDK-3055-A & HDK-3057-A Kits	4	LA	52-54
LA 3078-B	Arm assy (front suspension lower)-R. H.	1	LA	52-54
LA-3079-B	Arm assy (front suspension lower)-L. H.	1	LA	52-54
LA 3082-A	Arm (front suspension)-upper	2	LA	52-54
LA 3085-A	Seat (front suspension arm rear mounting bolt)- 1-1/4" square-with 5/7/64" diameter hole	2	LA	52-54
	357628-S7 Lockwasher-5/8"-arm to frame	4	LA	52-54
	33850-S2 Nut (hex)-5/8"-18-lower arm to tubular cross member	2	LA	52-54
	33850-S2 Nut (hex)-5/8"-18-lower arm to front cross member	2	LA	52-54
B4A 3087-B	Bushing (upper arm inner shaft)-rear-also serviced in HCK-3047-B Kit-⊕AD-33087-B	2	LA	52-54
B4A 3090-A	Washer (upper arm rear bushing)-inner-also serviced in HCK-3047-B Kit-⊕AD-33090-A	2	LA	52-54
B4A 3091-A	Washer (lower arm compression bushing)-front- 5/8" I. D. x 2-1/4" O. D. -concave-⊕LA-33091-B	6	LA	52-54
LA 3105-A	Spindle assy (front wheel)-includes nut	2	LA	52-54
LA 3105-B	Spindle assy (front wheel)-heavy duty-includes nut - also serviced in Kit HDK-66005-A & B	2	LA	53-54
	72054-S Cotter pin-5/32" x 1-1/4"	2	LA	52-54
	357498-S Nut (hex slotted)-3/4"-16	2	LA	52-54
LA 3130-B	Arm (spindle steering)-R. H.	1	LA	52-54
LA 3130-C	Arm (steering spindle-heavy duty)-R. H. -also serviced in Kit HDK-66005-A & B	1	LA	53-54
LA 3131-B	Arm (spindle steering)-L. H.	1	LA	52-54
LA 3131-C	Arm (steering spindle-heavy duty)-L. H. -also serviced in Kit HDK-66005-A & B	1	LA	53-54
	357164-S8 Bolt (hex head)-1/2"-20 x 2-13/32"-lower spindle	4	LA	52-54
	72035-S7-8 Cotter pin-1/8" x 1"-lower spindle	4	LA	52-54
	357625-S7 Lockwasher-7/16"	4	LA	52-54
	34032-S7 Nut (castle)-1/2"-20-lower spindle	4	LA	52-54
	LA-33046-A Joint assy (front suspension upper arm ball-also serviced in HCK-3049-B Kit	2	LA	52-54
	350711-S8 Bolt (hex head)-3/8"-24 x 2"- ball joint to upper arm	4	LA	52-54
	72035-S7 Cotter pin-1/8" x 1"-ball joint to spindle	2	LA	52-54

Lincoln Cosmopolitan and Capri

CHASSIS PARTS CATALOGUE

PART NUMBER	PART NAME	NO. REQ'D	MODEL	YEAR 19__
Front Suspension—Continued				
87901-S8	Fitting (lubricator)-1/8"-27-straight type	2	LA	52-54
357629-S7	Lockwasher-3/8"-ball joint to upper arm	4	LA	52-54
33800-S8	Nut (hex)-3/8"-24-ball joint to upper arm	4	LA	52-54
34033-S18	Nut (hex)-9/16"-18-ball joint to spindle	2	LA	52-54
LA-33055-A	Cover (front suspension upper arm ball joint dust)-2" O. D. - with oblong hole 5/64" across flats	2	LA	52-54
LA-33056-A	Shield (front suspension upper arm ball joint dust)-1-13/16" O. D. x 47/64" I. D. x 15/32" thick-also serviced in HCK-3049-B Kit	2	LA	52-54
LA-33057-B	Seal (front suspension upper arm ball joint dust)-45/64" I. D. x 1-3/4" O. D. x 11/32" thick-also serviced in HCK-3049-B & HCK-3050-B Kits	4	LA	52-54
LA-33058-A	Retainer (front suspension upper arm ball joint dust seal)-1-3/4" O. D. x 47/64" I. D. x 23/64" thick-also serviced in HCK-3049-B Kit	2	LA	52-54
LA-33059-A	Joint assy (front suspension lower arm ball)-also serviced in HCK-3050-B Kit	2	LA	52-54
350708-S8	Bolt (hex head)-1/2"-20 x 2-37/64"-ball joint to lower arm	4	LA	52-54
72054-S	Cotter pin-5/32" x 1-1/4"-ball joint to spindle	2	LA	52-54
87901-S8	Fitting (lubricator)-1/8"-27-straight type	2	LA	52-54
357626-S7	Lockwasher-1/2"-ball joint to lower arm	4	LA	52-54
33846-S8	Nut (hex)-1/2"-20-ball joint to lower arm	4	LA	52-54
34034-S18	Nut (hex slotted)-5/8"-18-ball joint to spindle	2	LA	52-54
LA-33068-A	Cover (front suspension lower arm ball joint dust)-2-1/8" O. D. x 57/64" I. D. x 15/32" thick-also serviced in HCK-3050-B Kit	2	LA	52-54
LA-33069-A	Retainer (front suspension lower arm ball joint dust seal)-57/64" I. D. x 1-3/4" O. D. x 19/64" thick-also serviced in HCK-3050-B Kit	2	LA	52-54

Lincoln Cosmopolitan and Capri

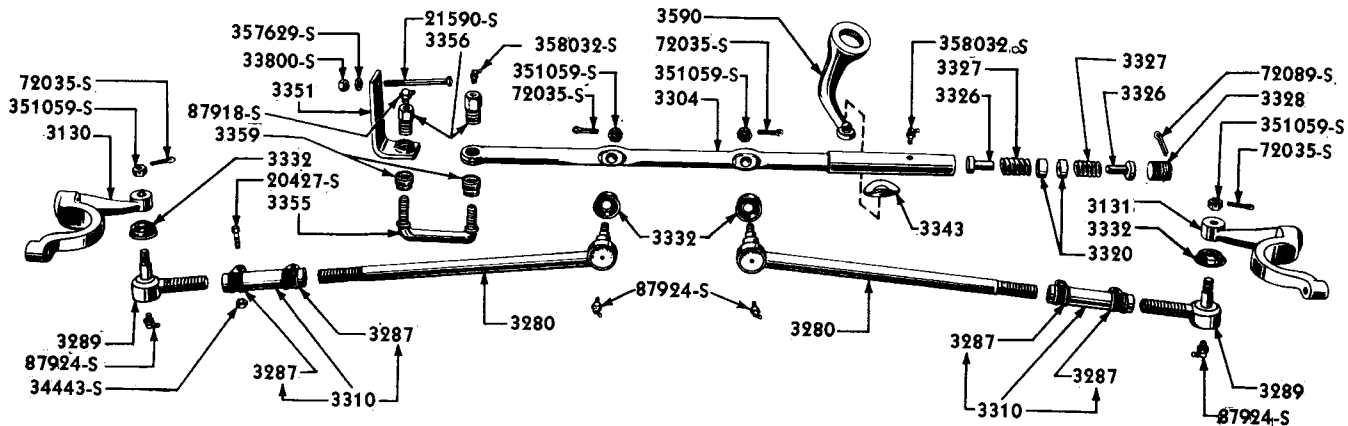
CHASSIS PARTS CATALOGUE

PART NUMBER	CLASS	PART NAME	NO. REQ'D	MODEL	YEAR 19__
-------------	-------	-----------	-----------	-------	--------------

Front Suspension—Continued

	LA-33072-A	Bolt (front suspension upper arm mounting)-9/16"-18 x 2-39/64" -to attach upper arm and shaft to upper bracket	4	LA	52-54
	357627-S7	Lockwasher-9/16"-arm & shaft to bracket	4	LA	52-54
	33870-S	Nut (hex)-9/16"-18-upper arm to bracket	4	LA	52-54
	LA-33094-A	Washer (front suspension lower arm bushing compression)-rear	2	LA	52-54
	LA-33590-A	Stop (steering arm)-R. H.	1	LA	52-54
	LA-33591-A	Stop (steering arm)-L. H.	1	LA	52-54

Steering Linkage



PL-862

STEERING LINKAGE

Basic numbers only shown on illustration. Order by Part Numbers shown in list of parts.

PART NUMBER	PART NAME	NO. REQ'D	MODEL	YEAR
HCK 3270-A	Kit (steering spindle connecting rod end)-consists of the following (1) LA-3289-A End assy (1) 8M-3332 Seal (1) 72035-S7 C/Pin (1) 351059-S8 Nut (1) 87924-S8 Fitting	2	LA	19 52-54

Lincoln Cosmopolitan and Capri

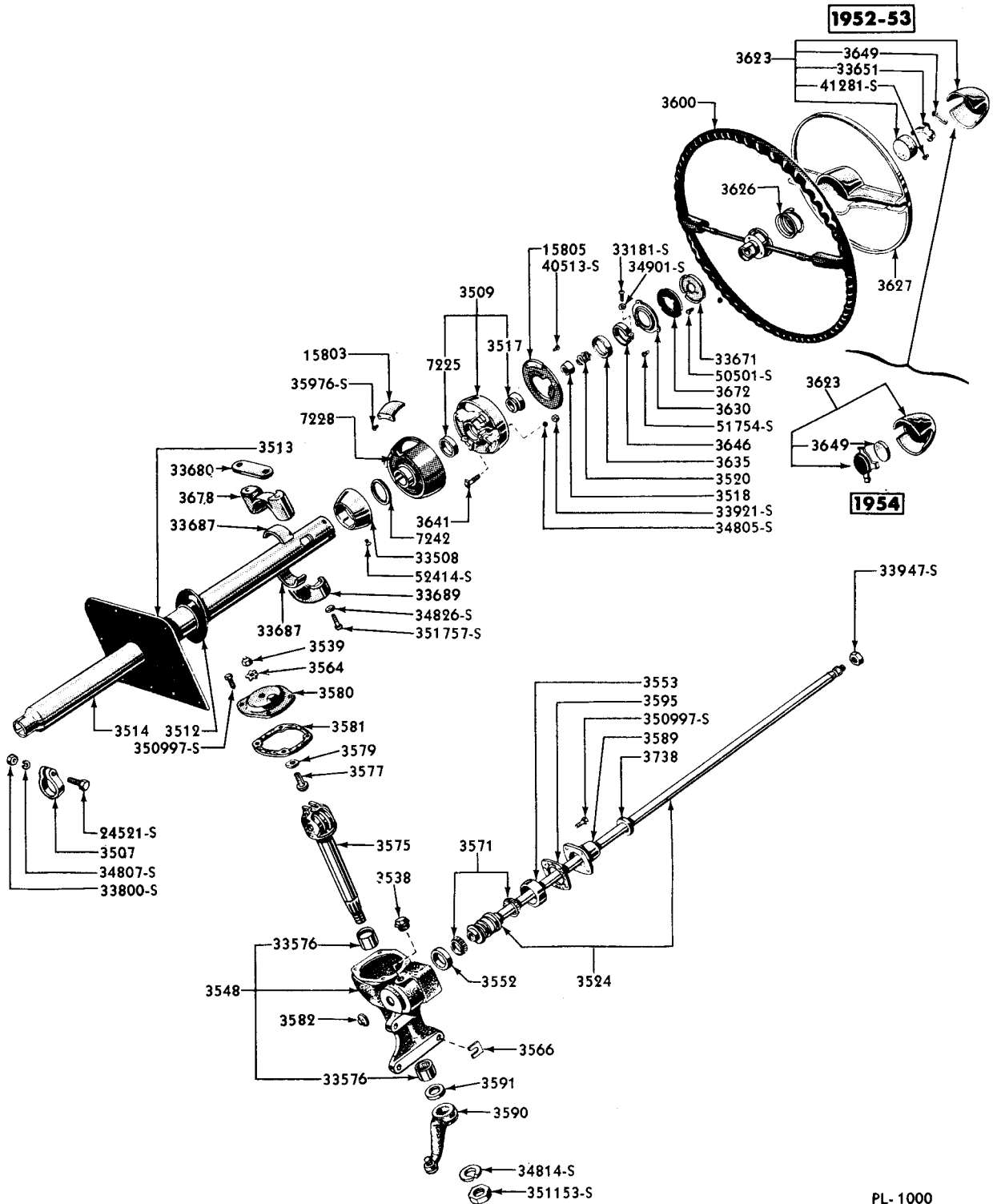
CHASSIS PARTS CATALOGUE

PART NUMBER	CLASS	PART NAME	NO. REQ'D	MODEL	YEAR 19__
Steering Linkage -Continued					
LA 3280-B		Rod and ball stud assy (steering spindle arm connecting)	2	LA	52-54
		72035-S7-8 Cotter Pin-1/8" x 1"	2	LA	52-54
		87924-S8 Fitting (lubricator)-1/4"-28 x 1/2"-elbow type	2	LA	52-54
		351059-S Nut (hex slotted)-1/2"-20	2	LA	52-54
48 3287		Clamp (spindle connecting rod)	4	LA	52-54
LA 3289-A	NS	End assy (spindle connecting rod)-serviced in HCK-3270-A Kit	2	LA	52-54
		72035-S7-8 Cotter pin-1/8" x 1"	2	LA	52-54
		87924-S8 Fitting (lubricator)-1/4"-28 x 1/2"-elbow type	2	LA	52-54
		351059-S Nut (hex slotted)-1/2"-20	2	LA	52-54
LA 3304-C		Link assy (steering connecting)	1	LA	52-54
		87918-S8 Fitting (lubricator)-1/8"-27 x 85°	1	LA	52-54
11A 3310		Sleeve assy (drag link adjusting)	2	LA	52-54
		20427-S8 Bolt (hex head)-5/16"-24 x 1-1/4"	4	LA	52-54
		34443-S7-8 Locknut (hex)-5/16"-24	4	LA	52-54
HCK 3312-A		Kit (drag link ball stud repair)-consists of the following (2) LA-3320-A Seat (2) LA-3326-A Seat (2) LA-3327-A Spring (1) LA-3328-B Plug (1) 72089-S C/Pin (1) 87918-S8 Fitting	1	LA	52-54
LA 3320-A	NS	Seat (steering connecting link extension ball stud)-serviced in HCK-3312-A Kit	2	LA	52-54
LA 3326-A		Seat (steering connecting link extension ball stud spring)-1-5/32" long-also serviced in HCK-3312-A Kit	2	LA	52-54
LA 3327-A	NS	Spring (steering connecting link extension ball stud)-31/32" O. D. -1-45/64" approx. free length-serviced in HCK-3312-A Kit	2	LA	52-54
LA 3328-B		Plug (steering connecting link extension)-1-1/16"-18 x 15/16"-also serviced in HCK-3312-A Kit	1	LA	52-54
		72089-S Cotter pin-1/8" x 1-3/4"	1	LA	52-54
8M 3332		Seal (steering linkage ball stud)-Rubber	4	LA	52-54
LA 3343-B		Shield (steering connecting link extension ball stud-dust)	1	LA	52-54
8A 3351-C		Bracket (steering idler arm mounting)-to frame	1	LA	52-54
		21590-S8 Bolt (hex head)-3/8"-24 x 4"	2	LA	52-54
		357629-S7 Lockwasher-3/8"	2	LA	52-54
		33800-S8 Nut (hex)-3/8"-24	2	LA	52-54
HCK 3352-A		Kit (steering idler arm)-consists of the following (1) LA-3355-A Arm (2) MA-3356-A Bushing (2) 8M-3359 Seal (2) 87918-S8 Fitting	1	LA	52-54
LA 3355-A	NS	Arm (steering idler)-serviced in HCK-3352-A Kit	1	LA	52-54
		358032-S8 Fitting (lubricator)-1/8"-27 x 85°	2	LA	52-54
MA 3356-A	NS	Bushing assy (steering idler arm)-serviced in HCK-3352-A Kit	2	LA	52-54
8M 3359		Seal (steering idler arm)-Rubber-also serviced in HCK-3352-A Kit	2	LA	52-54

Lincoln Cosmopolitan and Capri

CHASSIS PARTS CATALOGUE

Steering Gear



STEERING GEAR

Basic numbers only shown on illustration. Order by Part Numbers shown in list of parts.

PL- 1000

Lincoln Cosmopolitan and Capri

CHASSIS PARTS CATALOGUE

PART NUMBER	PART NAME	NO. REQ'D	MODEL	YEAR
Steering Gear—Continued				
LA 3504-C	Gear assy (steering)-20.4 to 1 ratio	1	LA	52-54
	353431-S8 Bolt (hex head)-7/16"-14 x 4-3/8"-to frame	3	LA	52-54
	357625-S7 Lockwasher-7/16"-to frame	3	LA	52-54
	351428-S7 Washer (flat)-7/16"-to frame	3	LA	52-54
† LA 3504-E	Gear assy (steering)-less tube & flange	1	LA	53
† LA 3504-F	Gear assy (steering)-less tube & flange	1	LA	54
FAA 3507-B	Clamp (steering column)-3/8" clamping bolt	1	LA	52-53
FDD 3507-B	Clamp (steering column)-7/16" clamping bolt	1	LA	54
	24521-S7 Bolt (hex-hd)-5/16"-32 x 1-7/8"	1	LA	52
	353117-S8 Bolt (carriage)-7/16"-20 x 2"-clamp to tube assy	1	LA	54
	34807-S8 Lockwasher-3/8"	1	LA	52-53
	34808-S8 Lockwasher-7/16"	1	LA	54
	33800-S8 Nut (hex)-3/8"-24	1	LA	52-53
	33802-S8 Nut (hex)-7/16"-20	1	LA	54
†FAB 3507-B	Clamp (steering column)-2-1/2" I. D.	1	LA	53
†FDD 3507-A	Clamp (steering column)-with 2 ears	1	LA	54
FAB 3509-A NS	Flange & bearing assy (steering column tube)-for FAB-7200-AP also use FAB-3509-B, (1) FAB-77341-A & (2) 350818-S8	1	LA	52-53
FAB 3509-B	Flange & bearing assy (steering column tube)-chrome-for FAB-7200-CP also use (1) FAB-77341-B & (2) 350818-S8	1	LA	52-53
	FAB-7228-AP Socket (trans. control selector)-lever)	1	LA	52-54
	FAA-33508-A Ring (steering column tube trim)-Chrome plate	1	LA	52-54
	52414-S13 Screw (oval hd. cross recess)-No. 10-16 x 1/2"	1	LA	52-54
FAC 3509-A	Flange & bearing assy (steering column tube)-use with FAD-7200-AP, FAE-7200-AP & BP	1	LA	53-54
† BD 3512-A	Grommet (steering column to dash)-Rubber-also used with standard steering	1	LA	52-54
BD 3513-A	Sealer (steering column opening)-Rubber-7-3/4" x 10-35/64" with 2" dia. hole	1	LA	52
BH 3513-A	Seal (steering column opening)-with (3) 7/32" dia. holes	1	LA	53-54
	BH-33513-A Retainer (strg. column opening seal)-inner	1	LA	53-54
	43134-S8 Screw (tapping)-No. 10 x 5/8"-retainer & seal to cover	3	LA	54

† Use with Power Steering-Refer to Power Steering Group

Lincoln Cosmopolitan and Capri

CHASSIS PARTS CATALOGUE

PART NUMBER	CLASS	PART NAME	NO. REQ'D	MODEL	YEAR 19__
Steering Gear—Continued					
FAB 3514-AP		Tube assy (steering column)-in Prime-with 2-13/64" gear shift slot opening-36-29/64" approx. overall length	1	LA	52-54
†FAC 3514-AP		Tube assy (steering column)-in Prime-31-35/64" approx. overall length	1	LA	53-54
		BH-33515-A Retainer (steering column opening seal)-outer	1	LA	53-54
21A 3517		Bearing assy (steering column)-upper-1.442/1.445" O.D. with 22 round balls	1	LA	52-53
† LA 3517-A		Bearing assy (strg. gear shaft)-1-1/4" I.D. x 1-5/8" O.D.	1	LA	53-54
†FAA 3517-A		Bushing (steering column)-upper-1.441"/1.443" O.D. -also used with standard steering for 1954	1	LA	53-54
8M 3518		Sleeve (steering column bearing)-upper-tapered-with 3/32" width slot	1	LA	52-53
8M 3520		Spring (steering column bearing)-upper-25/32" I.D. x 29/32" overall free length	1	LA	52-54
LA 3524-A		Shaft & worm assy (steering column)-20.4 to 1 ratio	1	LA	52-54
† LA 3524-B		Shaft and worm assy (steering gear)-19.8 to 1 ratio	1	LA	53-54
B 3538		Plug (steering gear oil filler)-3/4"-20 tapped hole	1	LA	52-54
78 3539-A		Locknut assy (steering thrust screw)-1/2"-20 tapped hole	1	LA	52-54
LA 3548-B		Housing and bushing assy (steering gear)	1	LA	52-54
† LA 3548-D		Housing assembly (steering gear)	1	LA	53-54
		8L-33576 Bearing (steering gear shaft)-needle point roller type	2	LA	52-54
		LA-33518-A Spacer (steering gear shaft bearing)-1-1/2" O.D. x 3-7/16" long	1	LA	52-54
LA 3552-A		Cup (steering gear worm bearing)-lower	1	LA	52-54
81T 3553		Cup (steering gear worm)-11/16" wide x 2-1/4" O.D.	1	LA	52-54
† LA 3553-A		Bushing (strg. gear pitman shaft)-1-15/64" I.D. x 1-1/4" O.D. x 1-3/8" long	1	LA	53-54
78 3564		Washer (steering thrust screw lock)-6 pointed with lettering "This Side Up".	1	LA	53-54
† LA 3565-A		Cylinder & rack assembly (power steering)	1	LA	53
† LA 3565-B		Cylinder & rack assembly (power steering)	1	LA	53-54
MA 3566-A		Spacer (steering gear housing to frame)-.030" thick	as reqd	LA	52-54
MA 3566-B		Spacer (steering gear housing to frame)-.010" thick	as reqd	LA	52-54
81T 3571-A		Roller assy (steering gear worm bearing)	2	LA	52-54
LA 3575-A		Shaft assy (steering gear sector)-20.4 to 1 ratio	1	LA	52-54
† LA 3575-B		Shaft assy (steering gear sector)-19.8 to 1 ratio	1	LA	53-54
78 3577		Screw (steering sector shaft thrust)-1/2"-20 x 1-1/4" overall length	1	LA	52-54
7RT 3579		Washer (steering sector shaft thrust)-7/8" square x 33/64" hole x 53/64" thick	1	LA	52-54

† Use with Power Steering-Refer to Power Steering Group

Lincoln Cosmopolitan and Capri

CHASSIS PARTS CATALOGUE

PART NUMBER	PART NAME	NO. REQ'D	MODEL	YEAR
Steering Gear—Continued				
7RT 3580	Cover (steering gear housing)	1	LA	52-54
	350997-S Screw (hex-hd)-5/16"-18 x 9/16"-cover to steering housing assembly	4	LA	52-54
7RT 3581	Gasket (steering gear housing cover)	1	LA	52-54
† LA 3581-A	Gasket (strg. gear hsg. sector shaft cover)-3-17/64" I.D. hole	1	LA	53-54
8M 3582	Plug (steering gear worm cover)-1-7/32" O.D. x 17/64" overall thickness-concave type	1	LA	52-54
† LA 3583-A	Cover assy (steering gear housing sector shaft)	1	LA	53-54
LA 3589-A	Cap (steering gear housing)-upper	1	LA	52-54
	350997-S Screw (hex-hd)-5/16"-18 x 9/16"-steering housing upper cap to steering housing assy	4	LA	52-54
LA 3590-A	Arm assy (steering gear)	1	LA	52-54
† LA 3590-B	Arm assy (steering gear)	1	LA	53-54
	34814-S Lockwasher-7/8"	1	LA	52-54
	351153-S Nut (hex)-7/8"-14-arm assy to shaft assy	1	LA	52-54
8M 3591	Seal assy (steering gear housing oil)-1-15/64" I.D. x 1-45/64" O.D. -steel washer bonded to Synthetic Rubber	1	LA	52-54
† LA 3593-A	Gasket (strg. gear hsg. end cover)-with (1) 2-15/32" I.D. hole	1	LA	53-54
81T 3595	Gasket (steering gear housing end plate)	as reqd	LA	52-54
† LA 3597-A	Cover assy (steering gear housing end)	1	LA	53-54
FAB 3600-A	Wheel assy (steering)-Black rim	1	LA	52-53
FAD 3600-A	Wheel assy (steering)-Black rim-used on power & standard steering	1 1	LA LA60C-73A	53 54
FAD 3600-B	Wheel assy (steering)-White rim-used on power & standard steering	1	LA60A-73B-76A	54
	FAA-33671-A Plate (horn ring pad retainer)-1-17/64" I.D. x 2-47/64" O.D.	1	LA	52-53
	† FAC-33761-A Plate (horn blowing ring shock pad retainer)-1-37/64" I.D. x 2-47/64" O.D. - also used on standard steering for 1954	1	LA	53-54
	33947-S2 Nut (hex)-5/8"-18-to attach steering wheel to shaft & worm assy	1	LA	52-54
	50501-S8 Screw (pan head)-No. 6-32 x 1/4"-plate to steering wheel	3	LA	52-54
† B3A 3610-A	Kit (control valve orifice)-consists of the following (1) LA-33612-A Spring (1) LA-33615-B Plate	1	LA	53-54
FAB 3623-A	Cap and medallion assy (horn blowing ring)	1	LA	52-53
FAD 3623-A	Cap and medallion assy (horn blowing ring)	1	LA	54

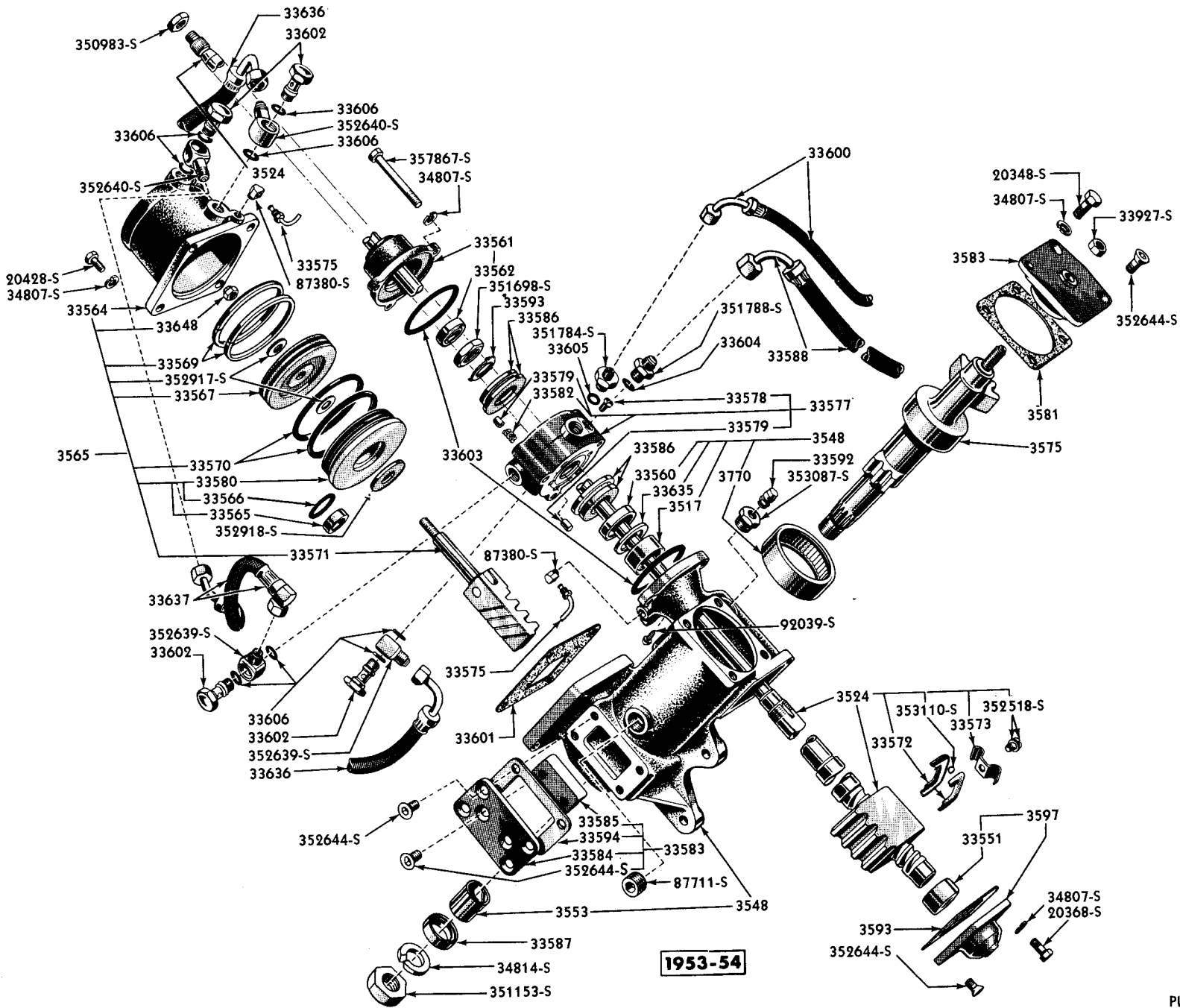
† Use with Power Steering-Refer to Power Steering Group

Lincoln Cosmopolitan and Capri

CHASSIS PARTS CATALOGUE

PART NUMBER	CHASSIS	PART NAME	NO. REQ'D	MODEL	YEAR
Steering Gear—Continued					
		FAA-33651-A Retainer assy (horn blowing ring medallion)	1	LA	52-53
		41281-S8 Screw (round hd.)-No. 8-32 x 1/4"-retainer to horn ring cap	2	LA	52-53
FAB 3626-A		Spring (horn ring)-2-3/16" O.D. -. 135" wire size	1	LA	52-54
FAB 3627-A		Ring assy (horn)-2 spokes	1	LA	52-53
FAG 3627-A		Ring assy (horn)-with black paint on lower surface of spokes	1	LA60C-73A	54
FAG 3627-B		Ring assy (horn)-with white paint on lower surface of spokes	1	LA60A-73B-76A	54
FAB 3630-A		Plate (horn ring contact)-1-7/16" I.D. x 2-1/2" O.D.	1	LA	52-53
		51754-S8 Screw (pan head)-No. 6-32 x 3/8"-plate to horn ring assy	3	LA	52-54
†FAD 3630-A		Plate (horn blowing ring contact)-1-21/32" I.D. x 2-1/2" O.D. -also used on std. steering for 1954	1	LA	53-54
8M 3635		Insulator (horn wire terminal)-Fibre	1	LA	52-53
†FAA 3635-A		Insulator (horn wire terminal)-Nylon-also used on standard steering for 1954	1	LA	54
8M 3641-B		Bolt (strg. column tube flange)-hook type-1/4"-28	2	LA	52-54
		34805-S8 Lockwasher-1/4"	2	LA	52-54
		33921-S13 Nut (hex)-1/4"-28-to attach flange bolt to steering column tube	2	LA	52-54
8M 3646		Support (horn button wire contact)	1	LA	52-54
		34901-S7 Lockwasher (internal tooth)-No. 6	1	LA	52-54
		33181-S7 Screw (pan head)-No. 6-20 x 1/2"	1	LA	52-54
FAB 3649-A		Medallion (horn ring cap)	1	LA	52-53
FAB 3649-A		Medallion (seat back ash receptacle)	1	LA	53-54
FAC 3649-A		Medallion (horn blowing ring cap)	1	LA	54
BD 3667-A		Spacer (steering column housing to fender apron)-Rubber-2" x 2-1/2"	1	LA	52-54
		FAB-33689-AP Clamp (strg. column bracket)-lower	1	LA	52-54
		34826-S7 Lockwasher-5/16"	2	LA	52-54
		351757-S8 Screw (fill-hd)-5/16"-24 x 3"	2	LA	52-54
FAB 3672-A		Pad (horn ring shock)-Rubber-1-19/64" I.D. x 2-9/16" O.D. x 19/64" thick	1	LA	52-53
†FAD 3672-A		Pad (horn blowing ring shock)-1-51/64" I.D. x 2-39/64" O.D. x 19/64" thick-also used on standard steering for 1954	1	LA	53-54
		FAB-33680-A Anti-squeak (steering column saddle)-Fibre	1	LA	52-54
FAB 3678-AP		Bracket (steering column)-upper	1	LA	52-54
		FAA-33687-A Insulator (steering column brkt)	2	LA	52-54
BD 3685-A		Key (ignition and door lock)-2-5/64" overall length	2	LA	52-54
BD 3687-B		Lock set assy (primary)-consists of ignition lock cylinder with keys & door lock cylinder	1	LA	52-54
BD 3689-B		Lock set assy (secondary)-consists of glove compt. lock assy with keys and rear deck lock cylinder	1	LA	52-54
7RT 3738		Washer (steering shaft)-27/32" I.D. x 1-5/16" O.D.	1	LA	52-54
† LA 3770-A		Bearing assy (steering gear sector shaft)-2-3/4" I.D. x 3-1/8" O.D.	1	LA	53-54

† Use with Power Steering - Refer to Power Steering Group



1953-54

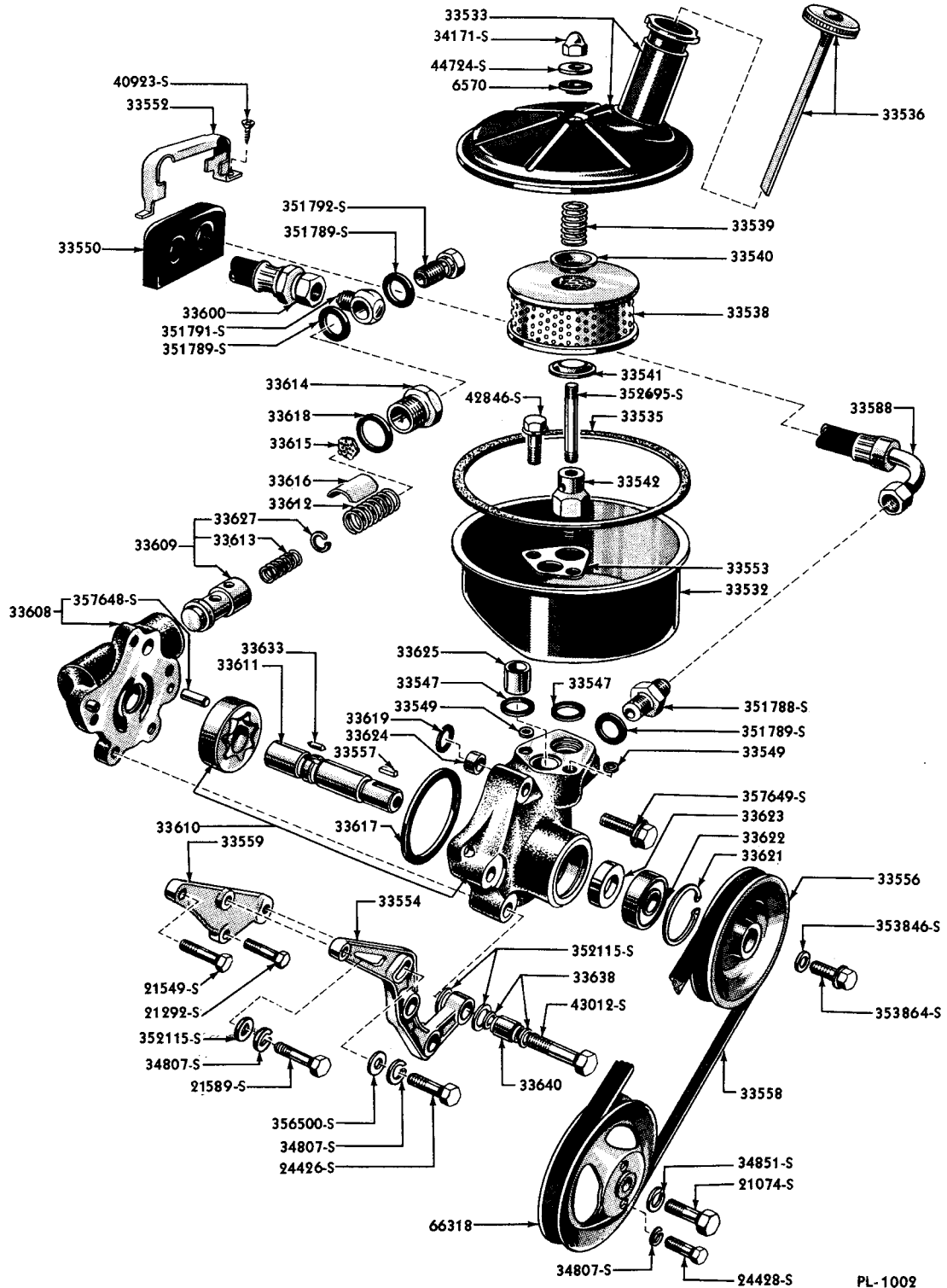
POWER STEERING GEAR

Basic numbers only shown on illustration. Order by Part Numbers shown in list of parts.

Lincoln Cosmopolitan and Capri

CHASSIS PARTS CATALOGUE

Power Steering—Continued



PL-1002

POWER STEERING PUMP & RESERVOIR

Basic numbers only shown on illustration. Order by Part Numbers shown in list of parts.

Lincoln Cosmopolitan and Capri

CHASSIS PARTS CATALOGUE

PART NUMBER	PART NAME	NO. REQ'D	MODEL	YEAR
Power Steering—Continued				
LA-3504-E	Gear assy (steering)-less tube & flange	1	LA	53
LA-3504-F	Gear assy (steering)-less tube & flange	1	LA	54
353431-S8	Bolt (hex)-7/16"-14 x 4-3/8"-gear assy to frame	2	LA	53-54
351989-S8	Bolt (hex)-7/16"-14 x 4-5/8"-gear assy to frame	1	LA	53-54
FAB-3507-B	Clamp (steering column)-2-1/2" I. D. -3/8" clamping bolt	1	LA	53
FDD-3507-A	Clamp (steering column)-2-1/2" I. D. - 7/16" clamping bolt	1	LA	54
24389-S8	Bolt (hex-hd)-3/8"-24 x 7/8"	1	LA	53
353117-S8	Bolt (carriage)-7/16"-20 x 2" clamp to tube assembly	1	LA	54
34807-S2	Lockwasher-3/8"	1	LA	53
34808-S8	Lockwasher-7/16"	1	LA	54
33800-S8	Nut (hex)-3/8"-24	1	LA	53
33802-S8	Nut (hex)-7/16"-20	1	LA	54
FAC-3509-A	Flange & bearing assy (steering column tube)-use with FAD-7200-AP	1	LA	53-54
FAC-3514-AP	Tube assy (steering column)-in Prime-31-35/64" approx. overall length	1	LA	53-54
FAA-3517-A	Bushing (steering column)-upper-1.441"/1.443" O. D.	1	LA	53-54
LA-3517-A	Bearing assy (strg. gear shaft)-1-1/4" I. D. x 1-5/8" O. D.	1	LA	53-54
LA-3524-B	Shaft & worm assy (steering gear)	1	LA	53-54
LA-3548-D	Housing assy (steering gear)	1	LA	53-54
92039-S	Screw (round head)-No. 6-to seal inspection hole	1	LA	53
LA-3553-A	Bushing (strg. gear pitman shaft)-1-15/64" I. D. x 1-1/4" O. D. x 1-3/8" long	1	LA	53-54
LA-3565-A	Cyl. & rack assy (power steering)	1	LA	53
LA-3565-B	Cyl. & rack assy (power steering)	1	LA	53-54
LA-3575-B	Shaft assy (steering gear sector)	1	LA	53-54
LA-3581-A	Gasket (strg. gear hsg. sector shaft cover)-3-17/64" I. D. hole	1	LA	53-54
LA-3583-A	Cover assy (steering gear housing sector shaft)	1	LA	53-54
352644-S8	Screw (socket head)-3/8"-16 x 11/16"-cover to housing assy	2	LA	53-54

Lincoln Cosmopolitan and Capri

CHASSIS PARTS CATALOGUE

PART NUMBER	CLASS	PART NAME	NO. REQ'D	MODEL	YEAR
Power Steering—Continued					
		LA-3590-B Arm assy (steering gear)	1	LA	53-54
		LA-3593-A Gasket (steering gear housing end cover)-with (1) 2-15/32" I. D. hole	1	LA	53-54
		LA-3597-A Cover assy (strg. gear hsg. end)	1	LA	53-54
		352644-S8 Screw (socket hd)-3/8"-16 x 11/16"-cover to housing assy	2	LA	53-54
		FAD-3600-A Wheel assy (steering)-Black rim	1	LA	53
			1	LA60C-73A	54
		FAD-3600-B Wheel assy (steering)-White rim	1	LA60A-73B-76A	54
		B3A-3610-A Kit (control valve orifice)-consists of the following (1) LA-33612-A Spring (1) LA-33615-B Plate	1	LA	53-54
		FAD-3630-A Plate (horn blowing ring contact)-1-21/32" I. D. x 2-1/2" O. D.	1	LA	53-54
		51754-S8 Screw (pan head)-No. 6-32 x 3/8"-plate to horn ring assy	3	LA	52-54
		FAA-3635-A Insulator (horn wire terminal)-Nylon	1	LA	53-54
		FAD-3672-A Pad (horn blowing ring shock)-1-51/64" I. D. x 2-39/64" O. D. x 19/64" thick	1	LA	53-54
		LA-3770-A Bearing assy (strg. gear sector shaft)-2-3/4" I. D. x 3-1/8" O. D.	1	LA	53-54
		EAD-6570-C Seal (power steering oil reservoir)	1	LA	53-54
		353767-S8 Bolt (hex-hd)-5/16"-18 x 2-1/2"-cover to body	1	LA	54
		34171-S13 Nut (blind)-5/16"-24-cover to body	1	LA	53
		350996-S Nut (spring)-5/16"-to hold cover, spring and element together	1	LA	54
		44724-S8 Washer (flat)-5/16"	1	LA	53-54
		LA-33532-A Body (power steering oil reservoir)-6-7/16" dia. including lip	1	LA	53
		AE-33532-A Body (power strg. oil reservoir)	1	LA	54
		42846-S8 Screw & washer assy-5/16"-18 x 7/8"-body to pump assy	2	LA	53-54
		LA-33533-A Cover assy (power steering oil reservoir)-long filler spout	1	LA	53
		AE-33533-A Cover assy (power steering oil reservoir)-short filler spout	1	LA	54
		LA-33535-A Gasket (power steering oil reservoir cover)-6-3/64" I. D. x 6-1/2" O. D. x 3/32" thick-impregnated fibre	1	LA	53

Lincoln Cosmopolitan and Capri

CHASSIS PARTS CATALOGUE

PART NUMBER	PART NAME	NO. REQ'D	MODEL	YEAR
Power Steering—Continued				
AE-33535-A	Gasket (power steering oil reservoir cover)-Rubber	1	LA	54
LA-33536-A	Cap assy (power steering oil reservoir filler)-long dip stick	1	LA	53
AE-33536-A	Cap assy (power steering oil reservoir filler)-short dip stick	1	LA	54
LA-33538-A	Element assy (power steering oil reservoir filter)	1	LA	53
AE-33538-A	Element assy (power steering oil reservoir filter)	1	LA	54
LA-33539-A	Spring (power steering oil reservoir filter element retaining)-1-23/32" approx. free length	1	LA	53
AE-33539-A	Spring (power steering oil reservoir filter element)-2-1/4" approx. free length	1	LA	54
LA-33540-A	Seat (power steering oil reservoir filter element retaining spring)-1-3/8" O. D.	1	LA	53
AE-33540-A	Seat (power steering oil reservoir filter element)	1	LA	54
LA-33541-A	Support (power steering oil reservoir filter element)-1-3/8" O. D.	1	LA	53
LA-33542-A	Body (power steering oil reservoir inlet orifice)	1	LA	53
352695-S8	Stud-5/16"-24 x 2-5/8"-attaches cover & filter to body	1	LA	53
AE-33542-A	Body (power steering oil reservoir inlet orifice)	1	LA	54
LA-33546-A	Kit (cylinder & rack assy)-consists of the following (1) LA-3565-A Cylinder (2) LA-33594-A Shim (1) LA-33594-B Shim (1) LA-33601-A Gskt. (4) LA-33606-A Seal	1	LA	53-54
HDK-33547-A	Kit (ring & gasket)-pump overhaul-consists of the following (1) LA-33617-A Gasket (1) LA-33618-A Ring (2) LA-33547-A Ring (2) LA-33549-A Ring (1) LA-33619-A Ring (3) 351789-S Washer	1	LA	53-54
LA-33547-A	Ring (power strg. oil reservoir orifice-"O")-3/4" I. D.	2	LA	53-54

Lincoln Cosmopolitan and Capri

CHASSIS PARTS CATALOGUE

PART NUMBER	PART NAME	NO. REQ'D	MODEL	YEAR
Power Steering—Continued				
LA-33549-A	Ring (power strg. oil reservoir orifice-"O")-5/16" I. D.	2	LA	53-54
LA-33550-A	Insulator (power steering hose)-2-7/8" long	1	LA	53-54
LA-33551-A	Bearing assy (strg. gear worm)-lower-1-1/8" I. D. x 1-1/2" O. D.	1	LA	53-54
LA-33552-A	Retainer (power steering hose insulator)	1	LA	53-54
40923-S2	Screw (hex head)-5/16"-18 x 1/2"-hose insulator retainer to brkt. support to frame	1	LA	53-54
LA-33553-A	Reinforcement (power steering oil reservoir orifice)-with (2) 25/32" dia holes	1	LA	53-54
EAD-33554-A	Bracket (power steering pump adjusting)	1	LA	53-54
43012-S	Bolt (hex-hd-self locking)-3/8"-16 x 2-3/4"-bracket to pump assy	3	LA	53-54
352115-S32	Washer (flat)-25/64" I. D. x 1-1/8" O. D. x 7/64" thick	6	LA	53-54
EAD-33556-A	Pulley (power steering pump)	1	LA	53-54
353864-S7	Screw & lockwasher assy (hex head)-5/16"-18 x 7/8"-pump pulley to pump assy	1	LA	53-54
353846-S8	Washer (flat)-5/16"	1	LA	53-54
EAD-33557-A	Key (power steering pump pulley)-1/2" long	1	LA	53-54
EAD-33558-A	Belt (power steering pump pulley)	1	LA	53-54
EAD-33559-A	Support (power steering pump)	1	LA	53-54
21292-S8	Bolt (hex-hd)-3/8"-16 x 3"-pump support to cylinder block	1	LA	53-54
21549-S8	Bolt (hex head)-3/8"-16 x 2-3/4"-support thru water pump & cover to cylinder block	1	LA	53-54
21589-S8	Bolt (hex-hd)-3/8"-16 x 4"-pump to cylinder block	1	LA	53-54
24428-S8	Bolt (hex-hd)-3/8"-16 x 1-1/4"-pump to pump support	1	LA	53
24468-S8	Bolt (hex-hd)-3/8"-16 x 1-1/2"-pump to pump support	1	LA	54
34807-S8	L/Washer-3/8"-pump to pump support-pump to cyl. block	2	LA	53-54

Lincoln Cosmopolitan and Capri

CHASSIS PARTS CATALOGUE

PART NUMBER	PART NAME	NO. REQ'D	MODEL	YEAR 19__
Power Steering—Continued				
44728-S8	Washer (flat)-3/8"-pump to pump support	1	LA	53
352115-S32	Washer (flat)-25/64" I. D. x 1-1/8" O. D. x 7/64" thick-pump to cylinder block	1	LA	54
356500-S8	Washer (flat)-13/32" I. D. x 1" O. D. -pump to pump support	1	LA	53-54
LA-33560-B	Seal assy (strg. gear worm oil)-1-11/64" I. D. x 1-3/4" O. D. x 3/8" thick	1	LA	53-54
LA-33561-B	Cover assembly (power strg. gear hydraulic valve)	1	LA	53-54
357867-S8	Bolt (hex head)-3/8"-16 x 3"-cover assy to housing assy	3	LA	53-54
34807-S2	Lockwasher (spring)-3/8"	3	LA	53-54
LA-33562-A	Seal assy (power strg. gear hyd. valve)-1-25/64" O. D.	1	LA	53
LA-33562-B	Seal assy (power strg. gear hyd. valve)-25/32" I. D. x 1-3/8" O. D. x 3/8" thick	1	LA	54
LA-33564-A	Cylinder (steering gear power)	1	LA	53
LA-33564-B	Cylinder (steering gear power)	1	LA	53-54
LA-33565-A	Seal (strg. gear power cylinder piston rod oil)-1-1/8" O. D.	1	LA	53-54
LA-33566-A	Ring (strg. gear power cyl. piston rod-"O")-Rubber-1-1/8" I. D. x 1-3/8" O. D.	1	LA	53-54
LA-33567-A	Piston (strg. gear power cylinder)-approximately 3-3/4" O. D.	1	LA	53-54
352917-S	Washer-7/16" I. D. x 1" O. D. x 3/32" thick-piston to power cylinder piston rod	2	LA	53-54
HDK-33567-A	Kit (piston & ring repair)-consists of the following (1) LA-33567-A Piston (2) LA-33569-A Ring	1	LA	53-54
LA-33569-A	Ring (strg. gear power cyl. piston)-3-19/32" I. D. x 3-3/4" O. D.	2	LA	53-54
LA-33570-A	Ring (strg. gear power cylinder adapter oil-"O")-3-1/2" I. D.	2	LA	53
LA-33570-B	Ring (strg. gear power cylinder adapter oil-"O")-3-11/32" I. D.	2	LA	53-54
HDK-33570-A	Kit (gasket & seal)-consists of the following (1) LA-3581-A Gasket (1) LA-3593-A Gasket (2) LA-33570-A Seal (1) LA-33587-A Seal (1) LA-33601-A Gasket (2) LA-33603-B Seal (1) LA-33604-A Seal (1) LA-33605-A Seal (8) LA-33606-A Seal	1	LA	53

Lincoln Cosmopolitan and Capri

CHASSIS PARTS CATALOGUE

PART NUMBER	CLASS	PART NAME	NO. REQ'D	MODEL	YEAR
Power Steering—Continued					
		HDK-33570-B Kit (gasket & seal)-consists of the following (1) LA-3581-A Gasket (1) LA-3593-A Gasket (2) LA-33570-B Seal (1) LA-33587-A Seal (1) LA-33601-A Gasket (2) LA-33603-A Seal (1) LA-33604-A Seal (1) LA-33605-A Seal (8) LA-33606-A Seal	1	LA	53-54
		LA-33571-B Rack assembly (strg. gear power)	1	LA	53-54
		LA-33572-A Guide (steering gear ball return)	4	LA	53-54
		353110-S Ball-9/32" diameter	60	LA	53-54
		LA-33573-A Clamp (strg. gear ball return guide)	1	LA	53-54
		352518-S Screw & washer assy (fill-hd) -1/4"-28 x 5/16"-clamp to return guide	1	LA	53-54
		LA-33575-A Tube assy (power strg. bleed line)	1	LA	53-54
		LA-33577-B Valve assy (power steering gear hydraulic control)	1	LA	53-54
		LA-33578-A Valve assy (power steering check)	1	LA	53-54
		LA-33579-A Plunger (power strg. hydraulic control valve)	10	LA	53
		LA-33579-B Plunger (power strg. hydraulic control valve)	10	LA	54
		LA-33580-A Adapter assy (str. gear power cylinder)	1	LA	53-54
		352918-S Washer-21/32" I. D. x 1-47/64" O. D. x 1/8" thick-to retain oil seal in adapter assy	1	LA	53-54
		HDK-33580-B Kit (adapter repair)-consists of the following (2) LA-33570-A Seal (1) LA-33580-A Adapter	1	LA	53-54
		LA-33582-B Spring (power strg. hydraulic control valve)-43/64" approx. free height	5	LA	53-54
		LA-33583-A Cover & guide assy (strg. gear power rack)	1	LA	53-54
		352644-S8 Screw (socket hd)-3/8"-16 x 11/16"-cover and guide to housing assembly	4	LA	53-54
		LA-33584-A Cover (steering gear power rack)	1	LA	53-54
		LA-33585-A Guide (steering gear power rack)	1	LA	53-54
		352644-S8 Screw (socket hd)-3/8"-16 x 11/16"-power rack cover to power rack guide	2	LA	53-54
		LA-33586-A Bearing assy (power strg. gear worm thrust)	2	LA	53-54
		LA-33587-A Seal (steering gear sector shaft grease)-1-9/16" O. D.	1	LA	53-54
		LA-33588-A Hose assy (power steering return line)-approx. 29-1/2" overall length	1	LA	53

Lincoln Cosmopolitan and Capri

CHASSIS PARTS CATALOGUE

PART NUMBER	PART NAME	NO. REQ'D	MODEL	YEAR
Power Steering—Continued				
LA-33588-B	Hose assy (power steering return line)-29-1/2" overall length	1	LA	54
351788-S8	Fitting-5/8"-18-to attach hose to pump and pump to valve	2	LA	53-54
351789-S	Washer (flat)-41/64" I. D. x 7/8" O. D. -seal between fitting and pump assy	1	LA	53-54
LA-33592-A	Valve assy (strg. gear hsg. vent)	1	LA	53
LA-33592-B	Valve assy (strg. gear hsg. vent)	1	LA	54
353087-S	Bushing (reducing pipe)-to attach vent to housing assy-1/8" x 1/2" pipe thread	1	LA	53-54
LA-33593-A	Washer (strg. gear worm thrust bearing nut lock)-with 8 tangs	1	LA	53-54
351698-S	Nut (hex)-1"-16-to adjust 33586 bearing assembly	1	LA	53-54
LA-33594-A	Shim (steering gear power rack cover)-.003" thick	as reqd	LA	53-54
LA-33594-B	Shim (steering gear power rack cover)-.005" thick	as reqd	LA	53-54
LA-33595-A	Sleeve (power steering pressure hose insulator)-Rubber-3" long	1	LA	53
LA-33600-A	Hose & sleeve assy (power strg. pressure line)-27" approx. overall length	1	LA	53-54
351792-S8	Bolt (hex)-5/8"-18 x 1" long-fitting to pump assy	1	LA	53-54
351791-S8	Fitting-hose to pump assy-5/8"-18	1	LA	53-54
351784-S	Union (flared tube)-1/4" hose to valve assy	1	LA	53-54
351789-S	Washer (flat)-41/64" I. D. x 7/8" O. D. -seal between fitting & pump	2	LA	53-54
LA-33601-A	Gasket (strg. gear power cylinder adapter)-1-1/2" square hole	1	LA	53-54
LA-33602-A	Fitting (strg. gear power cylinder)	4	LA	53-54
LA-33603-B	Ring (power strg. hyd. control valve-"O")-2-13/16" I. D. x 3-1/64" O. D.	2	LA	53-54
LA-33604-A	Ring (strg. power cyl. fitting-"O")-35/64" I. D.	1	LA	53-54
LA-33605-A	Ring (power strg. hyd. control valve fitting oil seal-"O")-15/32" I. D.	1	LA	53-54
LA-33606-A	Ring (strg. gear power cyl. tube elbow oil seal-"O")-5/8" I. D. x 23/32" O. D.	8	LA	53-54
LA-33607-A	Pump assembly (power steering)	1	LA	53
LA-33607-B	Pump assembly (power steering)	1	LA	54
LA-33608-B	Cover assy (power strg. pump hsg.)	1	LA	53-54
357648-S8	Pin (dowel)-5/16" x 3/4"-align cover assy to housing assy	2	LA	53-54

Lincoln Cosmopolitan and Capri

CHASSIS PARTS CATALOGUE

PART NUMBER	PART NAME	NO. REQ'D	MODEL	YEAR
Power Steering—Continued				
LA-33609-A	Valve assy (power steering pump)	1	LA	53
LA-33609-B	Valve assy (power steering pump)	1	LA	54
LA-33610-B	Housing assy (power strg. pump)	1	LA	53-54
357649-S8	Screw & washer assy (hex-hd)- 3/8"-16 x 1-3/4"-cover assy to housing assy	2	LA	53-54
LA-33611-A	Shaft (power steering pump rotor) -3-63/64" overall length	1	LA	53-54
NS LA-33612-A	Spring (power strg. pump flow control valve)-2-9/32" approx. free length-serviced in B3A-3610-A Kit	1	LA	53-54
LA-33613-B	Spring (power strg. pump relief valve)-1-19/32" approx. free length	1	LA	53-54
LA-33614-A	Fitting (power strg. pump valve outlet)	1	LA	53-54
LA-33615-A	Plate (power strg. pump valve orifice)	1	LA	53
NS LA-33615-B	Plate (power strg. pump valve orifice)-serviced in B3A-3610-A Kit	1	LA	53-54
LA-33616-A	Damper (power strg. pump flow control valve)	1	LA	53
LA-33617-A	Gasket (power strg. pump cover)- Rubber	1	LA	53-54
LA-33618-A	Ring (power strg. pump valve out- let fitting-"O")-51/64" I. D.	1	LA	53-54
LA-33619-A	Ring (power steering pump flow director-"O")-35/64" I. D.	1	LA	53-54
LA-33621-A	Retainer (power strg. pump rotor shaft bearing)	1	LA	53-54
LA-33622-A	Bearing assy (power strg. pump rotor shaft)-43/64" I. D. x 1-37/64" O. D.	1	LA	53-54
LA-33623-A	Seal assy (power strg. pump rotor shaft oil)-3/4" I. D. x 1-1/4" O. D.	1	LA	53-54
LA-33624-A	Retainer (power strg. pump flow director)-"O" ring-9/16" O. D.	1	LA	53-54
LA-33625-B	Retainer (power strg. oil reservoir orifice)-"O" ring	1	LA	53-54
LA-33627-A	Retainer (power strg. pump relief valve)	1	LA	53-54
LA-33633-A	Pin (power strg. pump rotor drive)	1	LA	53-54
LA-33635-A	Washer (power steering gear hydraulic control valve seal)- 1-9/32" I. D. x 1-47/64" O. D.	1	LA	53-54

Lincoln Cosmopolitan and Capri

CHASSIS PARTS CATALOGUE

PART NUMBER	PART NAME	NO. REQ'D	MODEL	YEAR
Power Steering—Continued				
LA-33636-A	Hose assy (power strg.hyd.control valve to power cyl. rod end)-11-43/64"approx.formed length	1	LA	53-54
352639-S8	Elbow (90°)-with 43/64" shank-hose assy to valve assy	1	LA	53-54
352640-S8	Elbow (90°)-with 19/64" shank-hose to cylinder assembly	1	LA	53-54
LA-33637-A	Hose assy (power strg.hyd.control valve to power head end)-8-3/16" approx. formed length	1	LA	53-54
352639-S8	Elbow (90°)-with 43/64" shank-hose assy to valve assy	1	LA	53-54
352640-S8	Elbow (90°)-with 19/64" shank-hose assy to cylinder assy	1	LA	53-54
EAD-33638-B	Washer (power steering pump adjusting bracket)-35/64" I. D. x 1-1/16" O. D.	6	LA	53-54
EAD-33640-A	Insulator assy (power strg. pump)	3	LA	53-54
352115-S32	Washer (flat)-25/64" I. D. x 1-1/8" O. D. x 7/64"	6	LA	53-54
LA-33648-A	Locknut (strg. gear power cyl. piston rod)-7/16"-20	1	LA	53-54
FAC-33671-A	Plate (horn blowing ring shock pad retainer)	1	LA	53-54
EAD-66318-A	Pulley (vibration damper)-outer	1	LA	53-54
∇EAD-66319-B	Pulley (power strg. crankshaft)	1	LA60-73	53
20408-S7	Bolt (hex)-3/8"-16 x 1-1/8"-pulley to crankshaft-use with EAD-66319-B	2	LA60-73	53
21074-S8	Bolt (hex-hd)-5/8"-18 x 2-1/8"-damper outer to crankshaft assembly	1	LA	53-54
24428-S8	Bolt (hex hd)-3/8"-16 x 1-1/4"-damper outer to crankshaft damper	2	LA	53-54
34807-S8	Lockwasher-3/8"-damper outer to crankshaft damper assy	2	LA	53-54
34851-S7	Lockwasher-5/8"-damper outer pulley to crankshaft assy	1	LA	53-54

Rear Axle

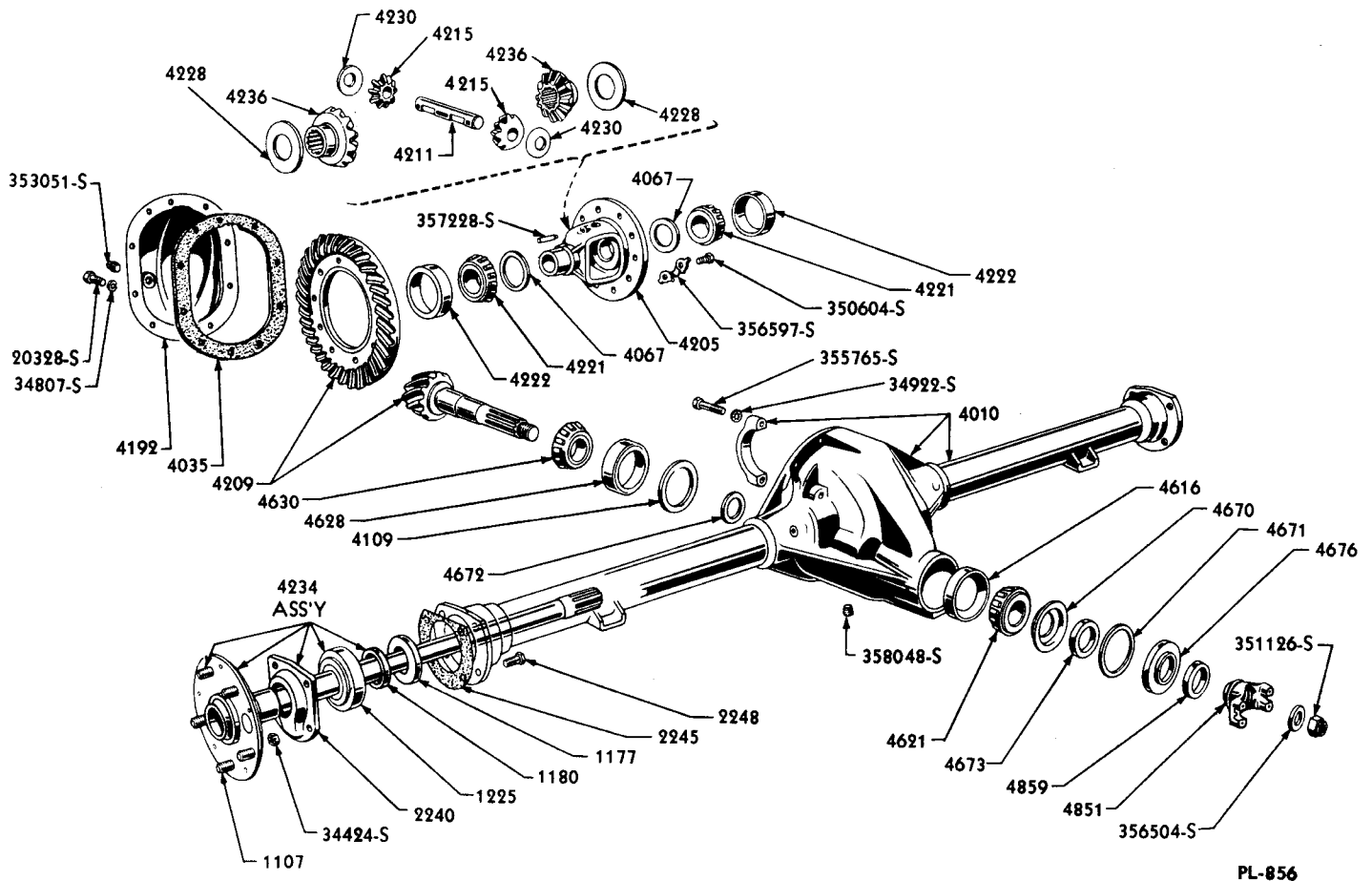
LA 4006-C	Axle assy (rear)-less brakes & axle shafts-3.15 to 1 ratio-normal axle ratio for HYDRA-MATIC transmission	1	LA	52
LA 4006-D	Axle assy (rear)-less brakes & axle shafts-3.31 to 1 ratio-normal axle ratio for Dual Range HYDRA-MATIC transmission	1	LA	52-54
LA 4006-G	Axle assy (rear)-less brakes & axle shafts-3.07 to 1 ratio-normal axle ratio for Dual Range HYDRA-MATIC transmission	1	LA	52

◇ Used with Air Conditioning - Refer to Air Conditioning Group

Lincoln Cosmopolitan and Capri

CHASSIS PARTS CATALOGUE

Rear Axle—Continued



REAR AXLE

Basic numbers only shown on illustration. Order by Part Numbers shown in list of parts.

Lincoln Cosmopolitan and Capri

CHASSIS PARTS CATALOGUE

Rear Axle—Continued

REAR AXLE CHART

PART NUMBER	CLASS	PART NAME	NUMBER REQUIRED								
			LA-4006-C	LA-4006-D	LA-4006-G						
LA 4010-A		Housing assembly (rear axle)	1	1	1						
		8M-2245 Gasket (wheel bearing retainer)-Paper	2	2	2						
		OM-1177-A Seal assy (wheel bearing inner oil)-1/4" thick	2	2	2						
		355765-S Bolt (hex-hd)-1/2"-13 x 2-1/4"-Bearing cap to differential case	4	4	4						
		34922-S Lockwasher (internal tooth)-1/2"	4	4	4						
		358048-S Plug (pipe)-3/4"-drain	1	1	1						
8L 4035		Gasket (rear axle carrier cover)	1	1	1						
8L 4067-A		Shim (differential bearing adjusting)-.0025"/.0035" thick	as reqd	as reqd	as reqd						
8L 4067-B		Shim (differential bearing adjusting)-.0045"/.0055" thick	as reqd	as reqd	as reqd						
8L 4067-C		Shim (differential bearing adjusting)-.009"/.011" thick	as reqd	as reqd	as reqd						
8L 4067-D		Shim (differential bearing adjusting)-.027"/.033" thick	as reqd	as reqd	as reqd						
7RT 4090-MC		Hose-1/2" I. D. x 15/16" O. D. x 36-1/4" approx. overall length	Refer to Power Brakes Group								
59T 4090 ME		Hose-1/2" I. D. x 15/16" O. D. x 6-1/2" approx. overall length	Refer to Power Brakes Group								
LA 4090-A	NS	Hose (booster to reservoir)-1/2" I. D. x 15/16" O. D. x 21-1/4" -approximate overall length	Refer to Power Brakes Group								
8L 4109-A		Shim (driving pinion rear bearing adj.)-.0025"/.0035" thick	as reqd	as reqd	as reqd						
8L 4109-B		Shim (driving pinion rear bearing adj.)-.0045"/.0055" thick	as reqd	as reqd	as reqd						
8L 4109-C		Shim (driving pinion rear bearing adj.)-.009"/.011" thick	as reqd	as reqd	as reqd						
8L 4192		Cover (rear axle carrier)-without clip	1	1	1						
		20328-S Bolt (hex-hd)-3/8"-16 x 5/8"	10	10	10						
		34807-S8 Lockwasher-3/8"	10	10	10						
		353051-S Plug (extended head pipe)-3/4"-filler	1	1	1						
8L 4205-A		Case (differential gear)-11/32" from inside face of ring gear flange to center line of differential pinion shaft hole	Refer to Heavy Duty Kits HDK-66005-A & HDK-66005-B								
8L 4205-B		Case (differential gear)-1-5/8" from inside face of ring gear flange to center line of differential pinion shaft hole	1	1	1						
		357228-S Pin (spec. lock)-15/64" x 1-7/16"	1	1	1						
8L-4209-A		Ring gear & pinion (rear axle)-matched set 3.91 to 1 ratio	Refer to Heavy Duty Kit HDK-66005-A								
8L 4209-D		Ring gear & pinion (rear axle)-matched set 3.31 to 1 ratio		1							
8L 4209-F		Ring gear & pinion (rear axle)-matched set 4.27 to 1 ratio	Refer to Heavy Duty Kit HDK-66005-B								
LA 4209-C		Ring gear & pinion (rear axle)-matched set 3.15 to 1 ratio	1								
LA 4209-D		Ring gear & pinion (rear axle)-matched set-3.07 to 1 ratio			1						
		353596-S Bolt (hex head)-7/16"-20 x 7/8"	12	12	12						
		356597-S Plate (locking)-ring gear to differential case	6	6	6						
8L 4211		Shaft (differential pinion)	1	1	1						
8M 4215		Pinion (differential)-small-10 teeth	2	2	2						
8L 4221		Cone & roller assembly (rear axle differential)	2	2	2						
8L 4222		Cup (rear axle differential bearing)	2	2	2						

Lincoln Cosmopolitan and Capri

CHASSIS PARTS CATALOGUE

Rear Axle—Continued

REAR AXLE CHART—CONTINUED

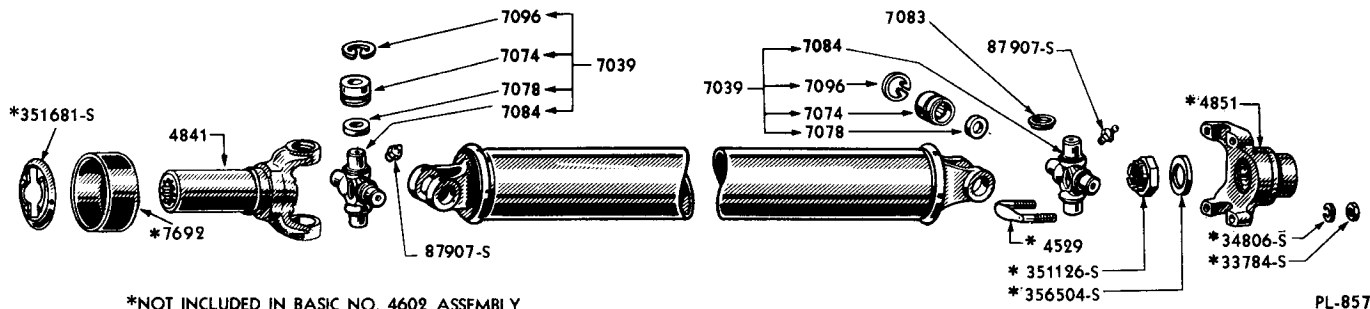
PART NUMBER	CLASS	PART NAME	REAR AXLE						
			LA-4006-C	LA-4006-D	LA-4006-G				
			NUMBER REQUIRED						
8L 4228		Washer (differential gear thrust)	2	2	2				
8M 4230		Washer (differential pinion thrust)	2	2	2				
♣ LA 4234-B		Shaft & bearing assy (rear axle)-30-1/16" from inside of flange to end of spline	2	2	2				
♣ LA 4234-E		Shaft & bearing assy (rear axle)-29-1/8" from inside of flange to end of spline-1954 models only		2					
		♣LA-1107-A Bolt (rd-hd-spec.)-1/2"-20 x 1-5/16"-rear axle shaft to drum	10	10	10				
		♣8M-1180 Retainer (rear wheel brg.)-inner-1-17/32" I.D. x 2-1/8" O.D. x 3/8" thick	2	2	2				
		♣8M-1225-B Bearing (rear wheel)-1-17/32" I.D. x 3-5/32" O.D.	2	2	2				
		♣8M-2240 Retainer (rear wheel brg.)-2-1/4" I.D. x 4-3/8" wide	2	2	2				
		♣8M-2248 Bolt (spec-hd)-1/2"-20 x 1-1/8"-rear axle brake housing	8	8	8				
		♣34424-S7 Locknut (hex)-1/2"-20	8	8	8				
8L 4236		Gear (differential side)-large-16 teeth-20 splines	2	2	2				
♣ 01Y 4529		Bolt (universal joint "U")-5/16"-24 drive shaft to rear axle	2	2	2				
♣ LA 4602-A		Shaft & universal joint assy (drive)-60-5/8" long overall	1	1	1				
8A 4616		Cup (rear axle driving pinion brg.)-front-2-7/8" O.D. x 7/8" wide	1	1	1				
8M 4621		Cone & roller assembly (rear axle driving pinion)-front	1	1	1				
8L 4628		Cup (rear axle driving pinion brg.)-rear-3-3/8" O.D. x 15/16" wide	1	1	1				
8L 4630		Cone & roller assy (rear axle driving pinion bearing)-rear	1	1	1				
8M 4670		Slinger (driving pinion shaft oil)	1	1	1				
8M 4671		Gasket (driving pinion oil seal)-Paper-2-3/4" I.D. x 3-9/64" O.D. x .030"/.040" thick	1	1	1				
8M 4672-A		Shim (driving pinion front bearing adj.)-.003" thick	as reqd	as reqd	as reqd				
8M 4672-B		Shim (driving pinion front bearing adj.)-.005" thick	as reqd	as reqd	as reqd				
8M 4672-C		Shim (driving pinion front bearing adj.)-.010" thick	as reqd	as reqd	as reqd				
8M 4672-D		Shim (driving pinion front bearing adj.)-.030" thick	as reqd	as reqd	as reqd				
8M 4673		Wick (driving pinion shaft oil seal)-1-9/16" I.D. x 2" O.D. x 1/4" thick	1	1	1				
8M 4676-A		Seal assy (rear axle driving pinion oil)-1-9/16" I.D. -reinf. lined with leather-also coil spring around edge of leather	1	1	1				
♣ 8L 4841-B		Knuckle assembly (universal joint)-front	1	1	1				
LA 4851-A		Flange assembly (universal joint)-axle end	1	1	1				
		351126-S Locknut (hex)-3/4"-16	1	1	1				
		356504-S Washer (driving pinion nut)-25/32" I.D. x 1-1/2" O.D. x 1/8" thick	1	1	1				
8M 4859		Deflector (driving pinion oil seal dust)	1	1	1				

♣ Used with but not part of Basic Number 4006 Axle Assembly

Lincoln Cosmopolitan and Capri

CHASSIS PARTS CATALOGUE

Drive Shaft and Universal Joint



DRIVE SHAFT ASSEMBLY AND RELATED PARTS

Basic numbers only shown on illustration. Order by Part Numbers shown in list of parts.

PART NUMBER	U N I T	PART NAME	NO. REQ'D	MODEL	YEAR 19__
01Y-4529		Bolt (universal joint "U")-5/16"- 24-drive shaft to rear axle	2	LA	52-54
87907-S8		Fitting (lubricator)-1/4"-28 x 1/2"-for univ. joint spider	2	LA	52-54
34806-S7		Lockwasher-5/16"-drive shaft to rear axle	4	LA	52-54
33798-S8		Nut (hex)-5/16"-24	4	LA	52-54
LA-4602-A		Shaft & univ. joint assy (drive)	1	LA	52-54
8L-4841-B		Knuckle assy (univ. joint)-front	1	LA	52-54
01Y-7039		Kit (univ. joint)-consists of the following (4) 01Y-7074 Bearing (1) 01Y-7084 Spider (4) 01Y-7096 Snap ring	2	LA	52-54
01T-7078-A		Seal (universal joint grease)	8	LA	52-54
8L-7692		Shield (trans. ext. rear oil seal)	1	LA	52-54
351681-S32		Nut (spring)-2-23/32" x 2-11/16" O. D. x grip fit for 1-3/4" diameter shaft	1	LA	52-54
01Y-7083		Ferrule (universal joint spider)	8	LA	52-54
01Y-7096		Snap ring (universal joint spider brg. retainer)	6or8	LA	52-54

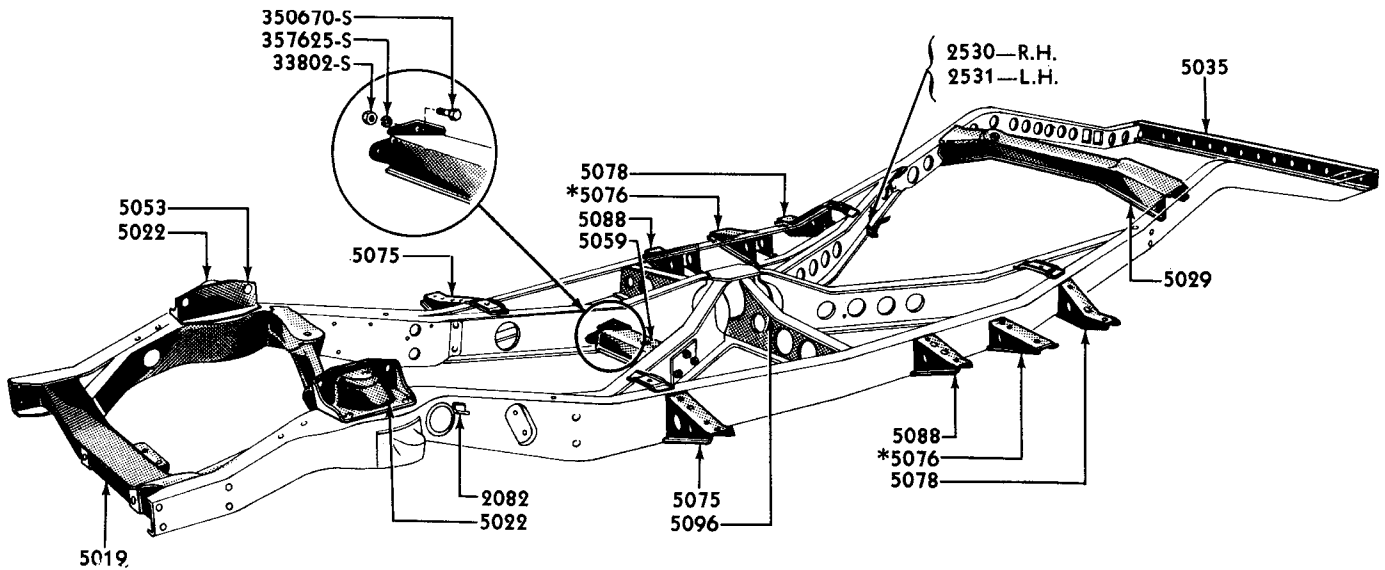
Frame

LA 5005-K	Frame assembly	1	LA73	52-53
LA 5005-L	Frame assembly	1	LA60	52-53
LA 5005-M	Frame assembly	1	LA76	52-53
LA 5005-S	Frame assembly	1	LA73	54
LA 5005-T	Frame assembly	1	LA60	54
LA 5005-U	Frame assembly	1	LA76	54

Lincoln Cosmopolitan and Capri

CHASSIS PARTS CATALOGUE

Frame—Continued



*USED ON 60 & 76 MODELS ONLY

PL-822

FRAME

Basic numbers only shown on illustration. Order by Part Numbers shown in list of parts.

FRAME CHART

PART NUMBER	CLASS	PART NAME	FRAME					
			LA-5005-K	LA-5005-L	LA-5005-M	LA-5005-S	LA-5005-T	LA-5005-U
			NUMBER REQUIRED					
LA 5019-A		Member assembly (frame cross)-front	1	1	1			
LA 5019-B		Member assembly (frame cross)-front				1	1	1
LA 5022-C		Bracket (suspension arm and shock mounting)-upper	2	2	2	2	2	2
LA 5029-A		Member assembly (frame cross)-rear shock absorber	1	1	1	1	1	1
LA 5035-B		Member assembly (frame cross)-rear	1	1	1	1	1	1
LA 5053-B		Reinforcement (upper suspension arm mounting bracket)	2	2	2	2	2	2
LA 5059-A		Bracket assembly (engine rear support)	1	1	1	1	1	1
		350670-S8 Bolt (hex-hd)-7/16"-20 x 7/8"-engine support bracket to frame cross member	6	6	6	6	6	6
		357625-S7 Lockwasher-7/16"	6	6	6	6	6	6
		33802-S8 Nut (hex)-7/16"-20	6	6	6	6	6	6
LA 5075-B		Bracket (frame to body)-front-8-11/32" overall length	2	2	2	2	2	2
LA 5076-B		Bracket (frame to body)-rear-intermediate-8-3/32" overall length		2	2		2	2
LA 5078-B		Bracket (frame to body)-rear-7-11/16" overall length	2	2	2	2	2	2
LA 5088-B		Bracket (frame to body)-center-6-13/32" overall length	2	2	2	2	2	2
		65041-S Rivet (round head pointed)-5/16" x 3/4"	as reqd	as reqd	as reqd	as reqd	as reqd	as reqd
		65042-S Rivet (round head pointed)-5/16" x 13/16"			8			8
		65043-S Rivet (round head pointed)-5/16" x 7/8"	6	6	6	6	6	6

Lincoln Cosmopolitan and Capri

CHASSIS PARTS CATALOGUE

PART NUMBER	PART NAME	NO. REQ'D	MODEL	YEAR
-------------	-----------	-----------	-------	------

Battery Clamp

BD 5165-A	Clamp assembly (battery)	1	LA	52-54
	BD-55163-A Clip (battery hold down)-inner	1	LA	52-54
	BD-55164-A Clip (battery hold down)-outer	1	LA	52-54
	353418-S2 Nut & retainer assy-5/16"-24	2	LA	52-54
	357759-S8 Screw (wing)-5/16"-24 x 1-51/64"	2	LA	52-54
	44724-S8 Washer (flat)-5/16"	2	LA	52-54

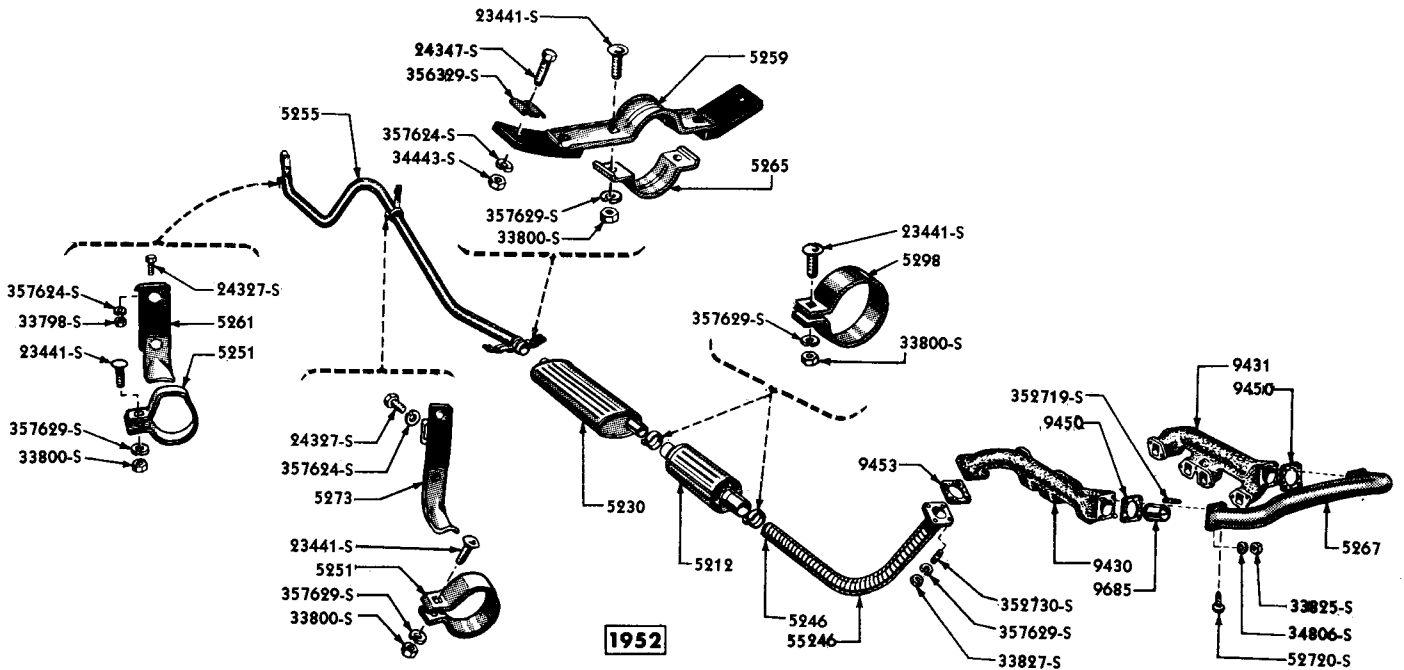
Muffler

LA 5212-E	Resonator assembly-front	1	LA	52
LA 5212-J	Resonator assembly-front	1	LA	53-54
LA 5230-E	Muffler assembly	1	LA	52
LA 5230-J	Muffler assembly	1	LA	53-54
LA 5246-A	Pipe assembly (muffler inlet)-curved-2-1/2" O. D.	1	LA	52
LA 5246-B	Pipe assembly (muffler inlet)-curved-2-1/4" O. D.	1	LA	53-54
	357629-S7 Lockwasher-3/8"-inlet pipe to exhaust manifold	4	LA	52-54
	33827-S8 Nut (hex)-3/8"-16	4	LA	52-54
	352730-S8 Stud-3/8"-16 & 3/8"-16 x 1-1/2"-inlet pipe to exhaust manifold	4	LA	52-54
	LA-55246-A Insulator (muffler inlet pipe)	1	LA	52-54
	LA-55248-B "U" bolt (muffler inlet resonator) front	5	LA	53-54
	357624-S7 Lockwasher-5/16"-front resonator to muffler	2	LA	53-54
	357624-S7 Lockwasher-5/16"-pipe to rear resonator	2	LA	53-54
	357624-S7 Lockwasher-5/16"-inlet pipe to front resonator	2	LA	53-54
	33798-S8 Nut (hex)-5/16"-24-front resonator to muffler	2	LA	53-54
	33798-S8 Nut (hex)-5/16"-24-pipe to rear resonator	2	LA	53-54
	33798-S8 Nut (hex)-5/16"-24-inlet pipe front resonator	2	LA	53-54
LA 5249-A	Pipe (muffler to rear resonator)	1	LA	53-54
	357624-S7 Lockwasher-5/16"	2	LA	53-54
	33798-S8 Nut (hex)-5/16"-24-muffler to rear resonator	2	LA	53-54
LA 5251-A	Clamp (muffler outlet pipe)-2" I. D.	2	LA	52
LA 5251-C	Clamp (muffler outlet pipe)-2-1/4" I. D.	1	LA	53-54
	23439-S8 Bolt (carriage)-5/16"-24 x 1-1/4"	1	LA	53-54
	23441-S7 Bolt (rd-hd)-3/8"-24 x 1-1/4"	2	LA	52
	357624-S7 Lockwasher-5/16"	1	LA	53-54
	357629-S7 Lockwasher-3/8"	2	LA	52
	33798-S7 Nut (hex)-5/16"-24	1	LA	53-54
	33800-S8 Nut (hex)-3/8"-24	2	LA	52

Lincoln Cosmopolitan and Capri

CHASSIS PARTS CATALOGUE

Muffler—Continued



PL-863

MUFFLER, RESONATOR AND INLET PIPE

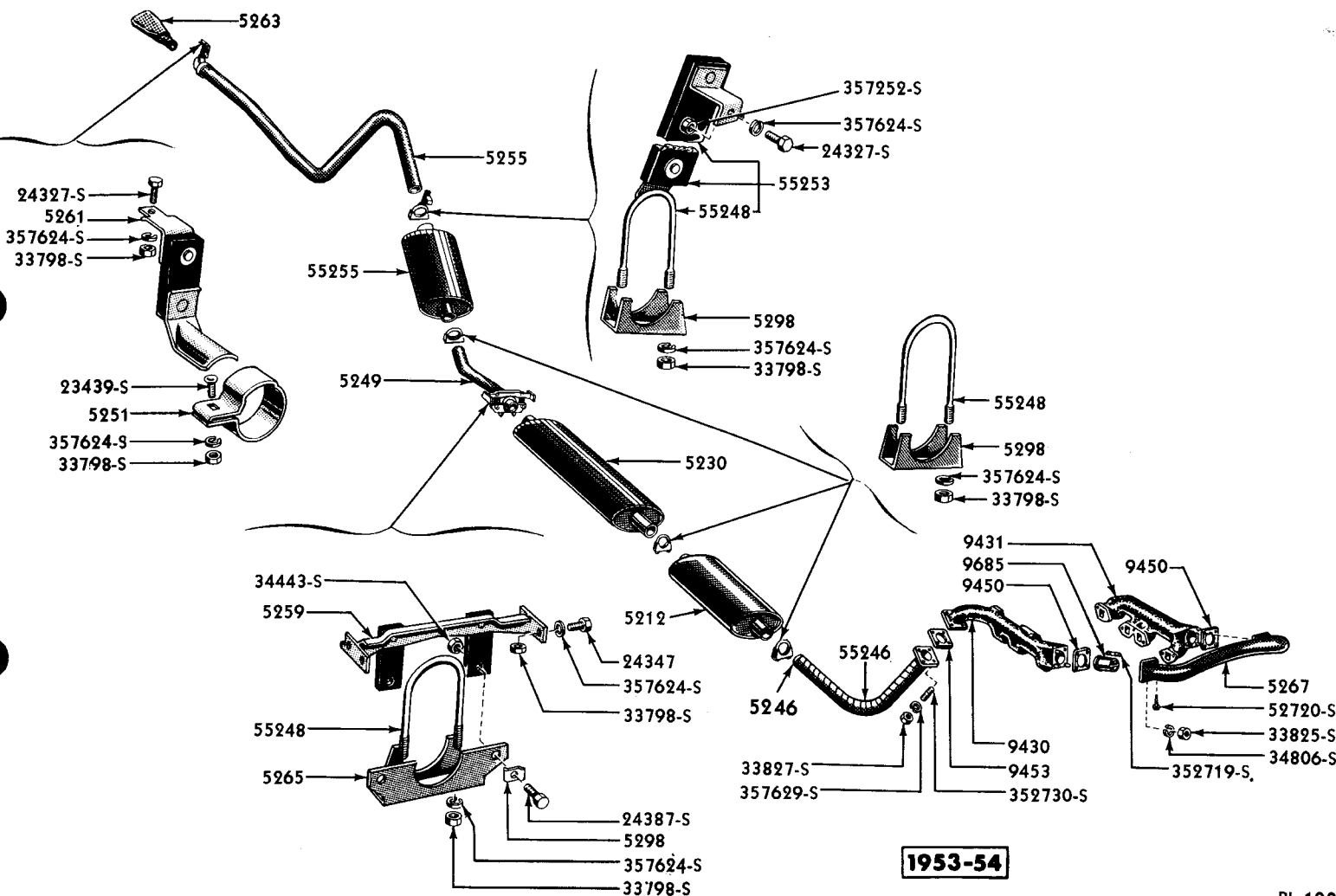
Basic numbers only shown on illustration. Order by Part Numbers shown in list of parts.

PART NUMBER	QUANTITY	PART NAME	NO. REQ'D	MODEL	YEAR
LA-55253-B		Bracket & insulator assembly (muffler outlet pipe)	1	LA	53
LA-55253-C		Bracket & insulator assy (muffler outlet pipe)	1	LA	54
24327-S7-8		Bolt (hex-hd)-5/16"-24 x 5/8"-bracket & insulator to frame	1	LA	53-54
357624-S7		Lockwasher-5/16"	3	LA	53-54
33798-S8		Nut (hex)-5/16"-24-outlet pipe to bracket & "U" bolt assy	2	LA	53-54
357252-S2		Nut (cage)-5/16"-24	1	LA	53-54
LA 5255-A		Pipe (muffler outlet)-89-29/64" approximate formed length	1	LA	52
LA 5255-B		Pipe (muffler outlet)-58-19/32" approximate formed length	1	LA	53
LA 5255-D		Pipe (muffler outlet)-52-11/32" approximate formed length	1	LA	54
LA-55255-A		Resonator assy (exhaust)-rear	1	LA	53-54

Lincoln Cosmopolitan and Capri

CHASSIS PARTS CATALOGUE

Muffler—Continued



PL-1003

MUFFLER, DOUBLE RESONATOR AND INLET PIPE

Basic numbers only shown on illustration. Order by Part Numbers shown in list of parts.

PART NUMBER	QTY	PART NAME	NO. REQ'D	MODEL	YEAR
LA 5259-A		Bracket & insulator assy (muffler outlet pipe)- upper front	1	LA	52
LA 5259-B		Bracket & insulator assy (muffler to rear resonator pipe)	1	LA	53-54
		24347-S8 Bolt (hex-hd)-5/16"-24 x 3/4"- bracket & insulator to frame	2	LA	52-54
		357624-S7 Lockwasher-5/16"	2	LA	52-54
		33798-S8 Nut (hex head)-5/16"-24	2	LA	53-54
		34443-S7-8 Nut (lock)-5/16"-24	2	LA	52
		356329-S Washer (rectangular)-1" x 1- 15/64"	2	LA	52

Lincoln Cosmopolitan and Capri

CHASSIS PARTS CATALOGUE

PART NUMBER	CLASS	PART NAME	NO. REQ'D	MODEL	YEAR 19__
Muffler—Continued					
LA 5261-B		Bracket & insulator assy ("S" type)-outlet pipe -rear	1	LA	52-53
LA 5261-D		Bracket & insulator assy ("U" type)-outlet pipe-rear	1	LA	54
		24327-S7-8 Bolt (hex head)-5/16"-24 x 5/8"-LA-5261-B to frame	1	LA	52-54
		357624-S7 Lockwasher-5/16"	1	LA	52-54
		33798-S8 Nut (hex)-5/16"-24	1	LA	52-54
LA 5263-C		Extension (muffler outlet pipe)-Black-10" long	1	LA	54
LA 5263-D		Extension (muffler outlet pipe)-chrome-10" long	1	LA	54
LA 5265-A		Clamp (muffler outlet pipe)-lower front	1	LA	52
LA 5265-B		Clamp (muffler to rear resonator pipe)	1	LA	53-54
		23441-S7 Bolt (rd-hd)-3/8"-24 x 1-1/4" clamp to bracket	2	LA	52
		24387-S7 Bolt (hex-hd)-5/16"-24 x 1"- bracket to clamp	2	LA	53-54
		357629-S7 Lockwasher-3/8"	2	LA	52
		33800-S8 Nut (hex)-3/8"-24	2	LA	52
		34443-S7-8 Nut (hex)-5/16"-24	2	LA	53-54
EAD 5267-C		Pipe assy (exhaust manifold crossover)-one (1) piece construction	1	LA	52
EAD 5267-D		Pipe assy (exhaust manifold crossover)-two (2) piece construction	1	LA	53-54
		◇EAD-55267-C Pipe & thermostat valve assy (exhaust manifold crossover)	1	LA60-73	53
		◇EAD-55272-A Shield assy (exhaust crossover pipe heat)-4" long x 2-31/32" wide	1	LA60-73	53
		◇B-8287-A Clamp assy-to attach crossover pipe heat shield	1	LA60-73	53
		34806-S7 Lockwasher-5/16"-crossover pipe to exhaust manifold	8	LA	52-54
		33825-S7 Nut (hex)-5/16"-18-crossover pipe to exhaust manifold	8	LA	52-54
		52720-S8 Screw (pan head cross recess tapping)-No. 8-15 x 3/8"- thermostat assy to exhaust crossover pipe	1	LA	52-54
		352719-S8 Stud-5/16"-18 & 5/16"-18 x 1-1/4"-crossover pipe to exhaust manifold	8	LA	52-54
LA 5273-B		Bracket & insulator assy (muffler outlet pipe)- intermediate	1	LA	52
		24327-S8 Bolt (hex-hd)-5/16"-24 x 5/8" -bracket to crossmember	1	LA	52
		357624-S7 Lockwasher-5/16"	1	LA	52
		357252-S2 Nut (cage)-5/16"-24	1	LA	52
LA 5298-B		Clamp assembly (muffler inlet pipe)-lower	2	LA	52
		23441-S7 Bolt (rd-hd)-3/8"-24 x 1-1/4"	2	LA	52
		357629-S7 Lockwasher-3/8"	2	LA	52
		33800-S8 Nut (hex)-3/8"-24	2	LA	52
LA 5298-C		Clamp (muffler and resonator)	4	LA	53-54
AB 5298-A		Plate (muffler pipe insulator)-upper front-clamping	2	LA	52-54

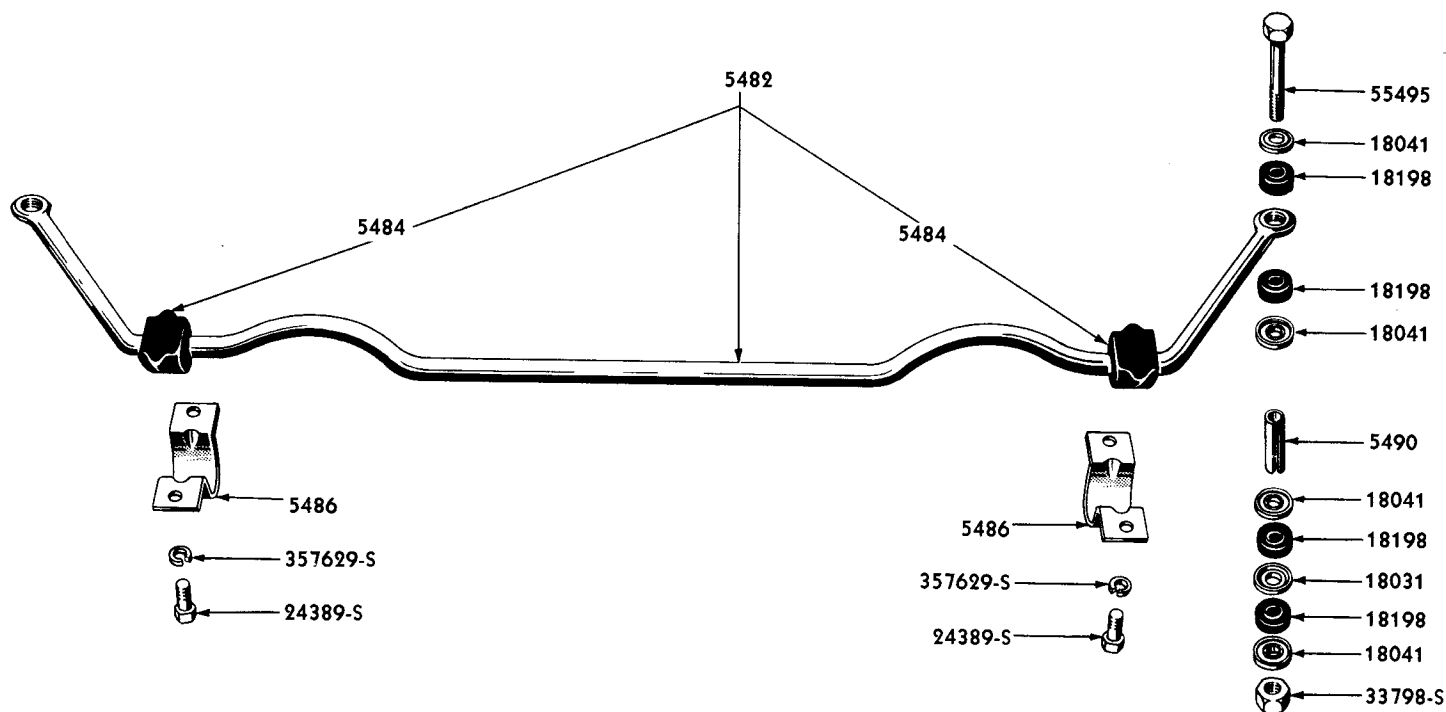
◇ Use with Air Conditioning - Refer to Air Conditioning Group

Lincoln Cosmopolitan and Capri

CHASSIS PARTS CATALOGUE

PART NUMBER	CLASS	PART NAME	NO. REQ'D	MODEL	YEAR 19__
Front Spring					
LA 5310-A		Spring (front)-identification markings-Pink paint stripe	2	LA except 76	52-54
LA 5310-C		Spring (front)-identification markings-Blue paint stripe	2	LA76	52-54
LA 5310-D		Spring (front)-heavy duty-identification markings Gray paint stripe	2	LA	52-54
OM 5334		Liner (rear spring clamp)-Rubber-cut to length	6	LA	52-54
† OM 5355		Shim (front spring)	2	LA	53-54
LA 5414-A		Insulator (front suspension spring)-lower	2	LA	52-54
8M 5415-A		Insulator (front suspension coil spring)-upper	2	LA	52-54

Front Stabilator



PL-687

FRONT STABILATOR

Basic numbers only shown on illustration. Order by Part Numbers shown in list of parts.

PART NUMBER	CLASS	PART NAME	NO. REQ'D	MODEL	YEAR 19__
LA 5482-A		Bar assy (front stabilizer)	1	LA	52-54
LA 5482-B		Bar assy (front stabilizer)-also serviced in heavy duty Kit HDK-66005-A & B	1	LA	53-54
8L 5484		Bushing (stabilator to frame)-Rubber	2	LA	52-54

† Use with Power Steering

Lincoln Cosmopolitan and Capri

CHASSIS PARTS CATALOGUE

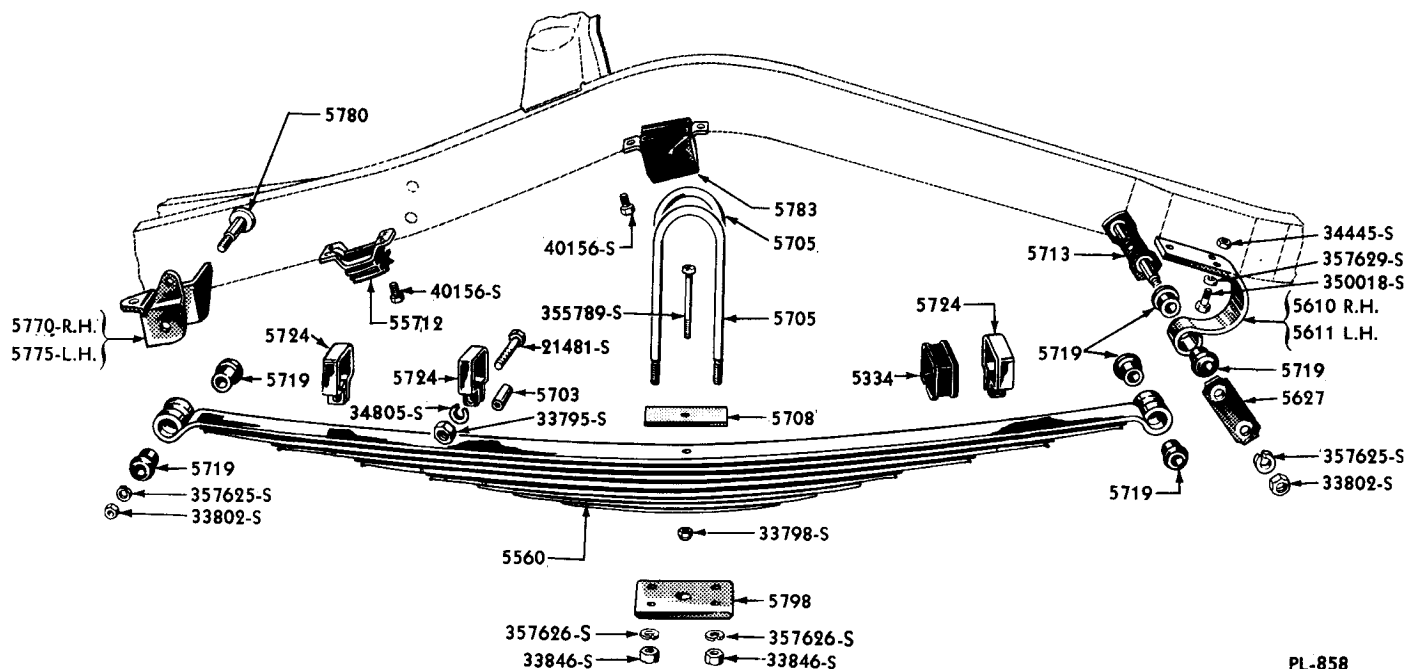
PART NUMBER	PART NAME	NO. REQ'D	MODEL	YEAR 19__
Front Stabilator—Continued				
8M 5486	Bracket (stabilator to frame)	2	LA	52-54
	24389-S8 Bolt (hex-hd)-3/8"-24 x 1"- stabilator bracket to frame	4	LA	52-54
	357629-S7 Lockwasher-3/8"	4	LA	52-54
LA 5490-A	Spacer (front stabilator bar)-35/64" O. D. x 27/64" I. D. x 2-29/64" long	2	LA	52-54
	8M-18031 Seat (front stabilizer insulator)- optional with OA-18031-A	2	LA	52-53
	AB-18031-A Seat (front stabilizer insulator)	2	LA	54
	OA-18031-A Seat (front stabilizer insulator)- optional with 8M-18031	2	LA	52-53
	8M-18041 Washer (front stabilizer insulator)	8	LA	52-53
	AB-18041-B Washer (front stabilizer insulator)	8	LA	54
	8M-18198 Insulator (front stabilizer bar to suspension lower arm)-Rubber	8	LA	52-53
	AB-18198-A Insulator (front stabilizer bar to suspension lower arm)-Rubber	8	LA	54
	LA-55495-A Bolt (stabilator link)-5/16"-24 x 4-55/64"	2	LA	52-54
	33798-S8 Nut (hex)-5/16"-24	2	LA	52-54
	HDK-55495-A Kit (stabilator link)-consists of the following (1) LA-5490-A Spacer (1) 8M-18031 Seat- optional with OA-18031-A (1) OA-18031-A Seat- (4) 8M-18041 Washer optional with 8M-18031 (4) 8M-18198 Insulator(1) LA-55495-A Bolt (1) 33798-S8 Nut	2	LA	52-53
	HDK-55495-B Kit (stabilator link)-consists of the following (1) LA-5490-A Spacer (1) AB-18031-A Seat (4) AB-18041-B Washer (4) AB-18198-A Insulator (1) LA-55495-A Bolt (1) 33798-S8 Nut	2	LA	54
Rear Spring, Hangers and Clips				
* LA 5560-A	Spring assy (rear)-standard-8 leaf-980 pound load	2	LA except 76	52-54
* LA 5560-B	Spring assy (rear)-heavy duty-9 leaf-1030 lb. load	2	LA	52-54
* LA 5560-C	Spring assy (rear)-standard-8 leaf-1030 pound load	2	LA76	52-54
	350321-S2 Bolt (special head-spring center)-5/16"-24 x 2-7/8"	2	LA	52-54
	351656-S2 Bolt (spec-hd spring center)- 5/16"-24 x 3-1/4"	2	LA	52-54
	357626-S7 Lockwasher-1/2"-Spring to rear axle	8	LA	52-54
	33798-S8 Nut (hex)-5/16"-24	2	LA	52-54
	33846-S8 Nut (hex)-1/2"-20-Spring to rear axle	8	LA	52-54
8M 5586	Insert assy (rear spring)-packaged 8 pieces to carton-amount necessary for one rear spring	16	LA	52-54

* Part number stamped on under side of bottom leaf

Lincoln Cosmopolitan and Capri

CHASSIS PARTS CATALOGUE

Rear Springs, Hangers and Clips—Continued



PL-858

REAR SPRINGS, HANGERS AND CLIPS

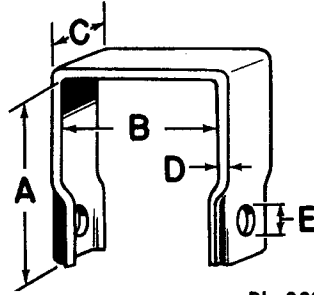
Basic numbers only shown on illustration. Order by Part Numbers shown in list of parts.

PART NUMBER	PART NAME	NO. REQ'D	MODEL	YEAR 19__
LA 5610-A	Hanger (rear spring shackle)-rear-R. H.	1	LA	52-54
LA 5611-A	Hanger (rear spring shackle)-rear-L. H.	1	LA	52-54
	350018-S2 Bolt (hex-hd)-3/8"-24 x 1"	6	LA	52-54
	357629-S7 Lockwasher-3/8"	6	LA	52-54
	34445-S7 Nut (hex)-3/8"-24	6	LA	52-54
OM 5627-B	Bar (rear spring shackle)-outer	2	LA	52-54
	357625-S7 Lockwasher-7/16"	4	LA	52-54
	33802-S8 Nut (hex)-7/16"-20	4	LA	52-54
HCK 5630-A	Kit (rear spring rear shackle & front bolt)-consists of the following (1) OM-5627-B Bar (1) OM-5713-B Shackle (6) 8M-5719 Bushing (1) 8M-5780-A Pin (3) 357625-S L/W (3) 33802-S8 Nut	2	LA	52-54
8A 5703	Spacer (spring clamp)-11/32" O. D. x 1" long-slotted	6	LA	52-54
8L 5705-F	Clip ("U" bolt rear spring)-1/2"-20 x 8-19/64" overall length	4	LA	52-53
8L 5705-G	Clip ("U" bolt rear spring)-1/2"-20 x 8-23/32" overall length	4	LA	52-54
LA 5705-A	Clip ("U" bolt rear spring)-1/2"-20 x 8-3/4" o/all length	4	LA	52
8M 5708	Plate (rear spring center bolt)	2	LA	52-54
OM 5713-B NS	Shackle & stud assy (rear spring)-serviced in Kit HCK-5630-A	2	LA	52-54
8M 5719	Bushing (rear spring shackle)	12	LA	52-54

Lincoln Cosmopolitan and Capri

CHASSIS PARTS CATALOGUE

Rear Springs, Hangers and Clips - Continued



PL-922

REAR SPRING OUTER CLAMP CHART

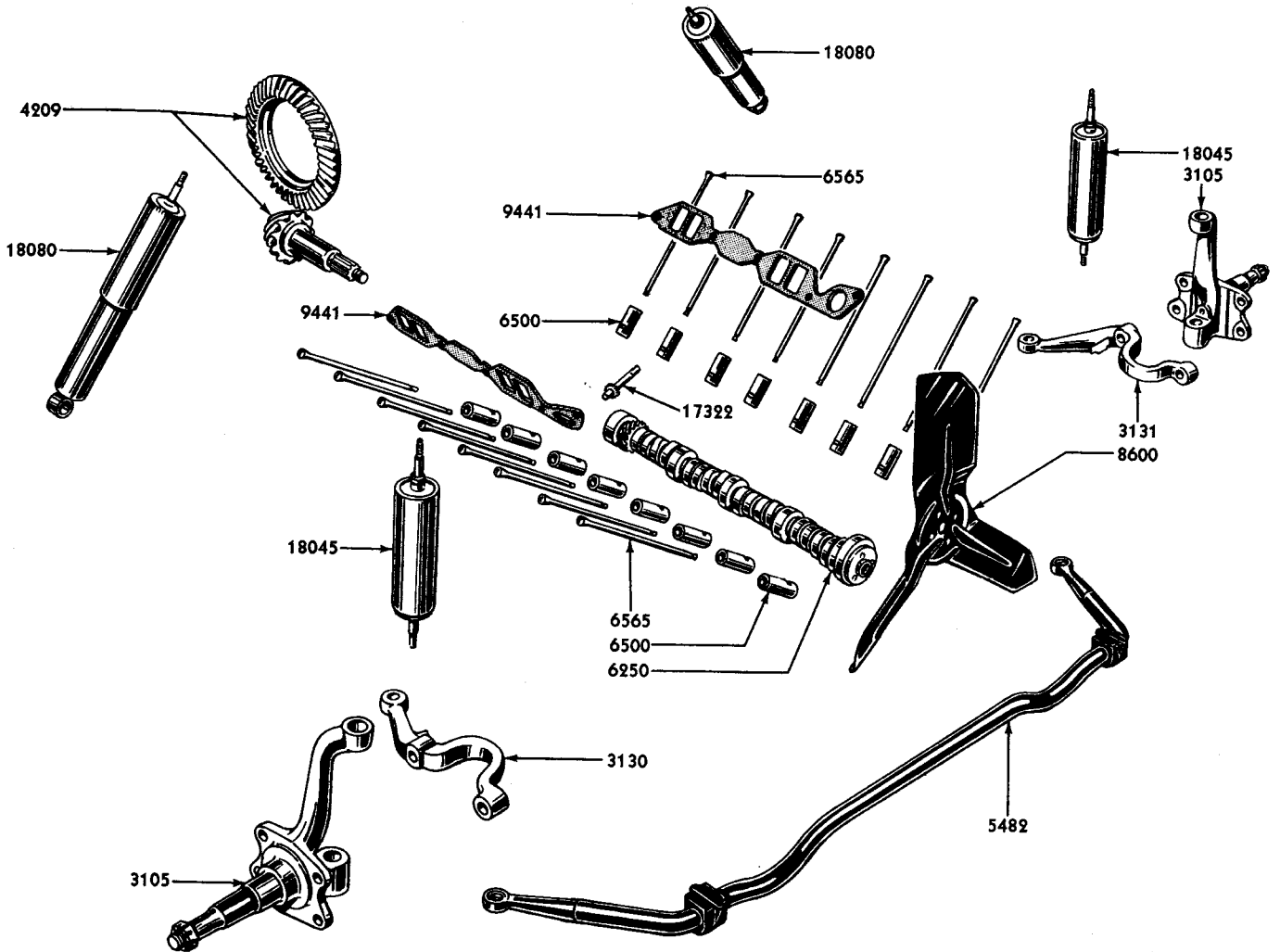
PART NUMBER	A	B	C	D	E	NO. REQ'D	MODEL	YEAR 19__
8A 5724-D	1-29/32"	2-3/16"	5/8"	3/16"	9/32"	4	LA	52-54
OM 5724-B	1-3/16"	2-3/16"	5/8"	3/32"	9/32"	4	LA	52-54
OM 5724-D	2-9/16"	2-3/16"	5/8"	3/32"	9/32"	2	LA	52-54
OM 5724-E	2-15/16"	2-3/16"	5/8"	3/32"	9/32"	2	LA	52-54

PART NUMBER	PART NAME	NO. REQ'D	MODEL	YEAR 19__
21481-S2	Bolt (hex-hd)-1/4"-20 x 1-3/4" -rear clamp to spring assy	6	LA	52-54
34805-S8	Lockwasher-1/4"	6	LA	52-54
33795-S7	Nut (hex)-1/4"-20	6	LA	52-54
LA 5770-C	Hanger assembly (rear spring)-front-R. H.	1	LA	52-54
LA 5775-C	Hanger assembly (rear spring)-front-L. H.	1	LA	52-54
357625-S7	Lockwasher-7/16"	2	LA	52-54
33802-S8	Nut (hex)-7/16"-20-hanger to rear spring	2	LA	52-54
8M 5780-A NS	Pin assy (rear spring front hanger)-serviced in HCK-5630-A Kit	2	LA	52-54
MA 5783-A	Bumper assembly (rear axle)	2	LA	52-54
MA-55712-A	Bumper assy (rear spring)-with 2" long x 2-19/64" wide rubber bumper	2	LA	52-54
40156-S8	Screw (hex-hd self tapping)- 5/16"-18 x 5/8"-bumper to frame	12	LA	52-54
LA 5798-A	Plate (rear spring "U" bolt)	2	LA	52-54

Lincoln Cosmopolitan and Capri

CHASSIS PARTS CATALOGUE

Cylinder and Engine Supports



HDK-66005-A

PL-952

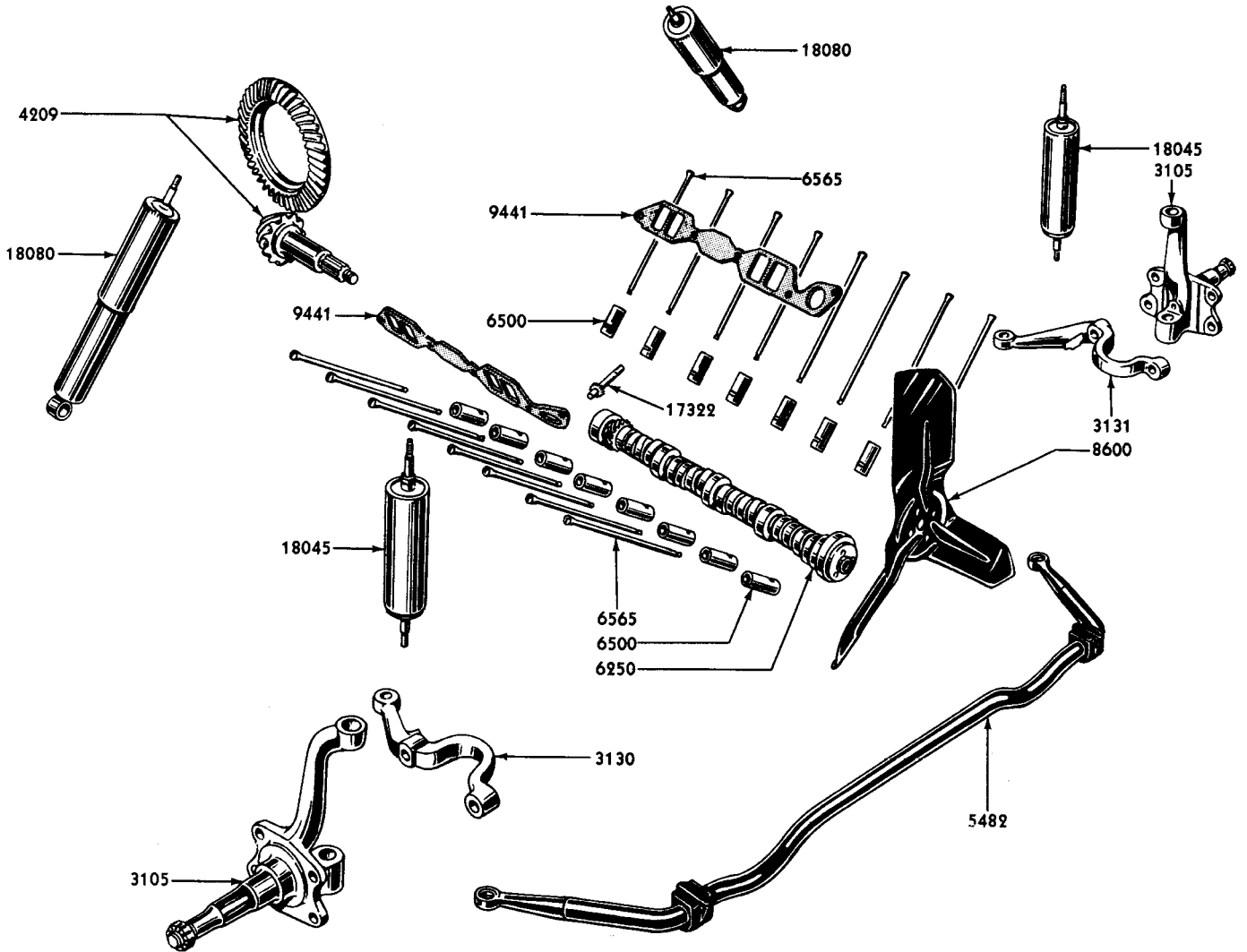
HEAVY DUTY KIT

Basic numbers only shown on illustration. Order by Part Numbers shown in list of parts.

Lincoln Cosmopolitan and Capri

CHASSIS PARTS CATALOGUE

Cylinder and Engine Supports—Continued



HDK-66005-B

PL-953

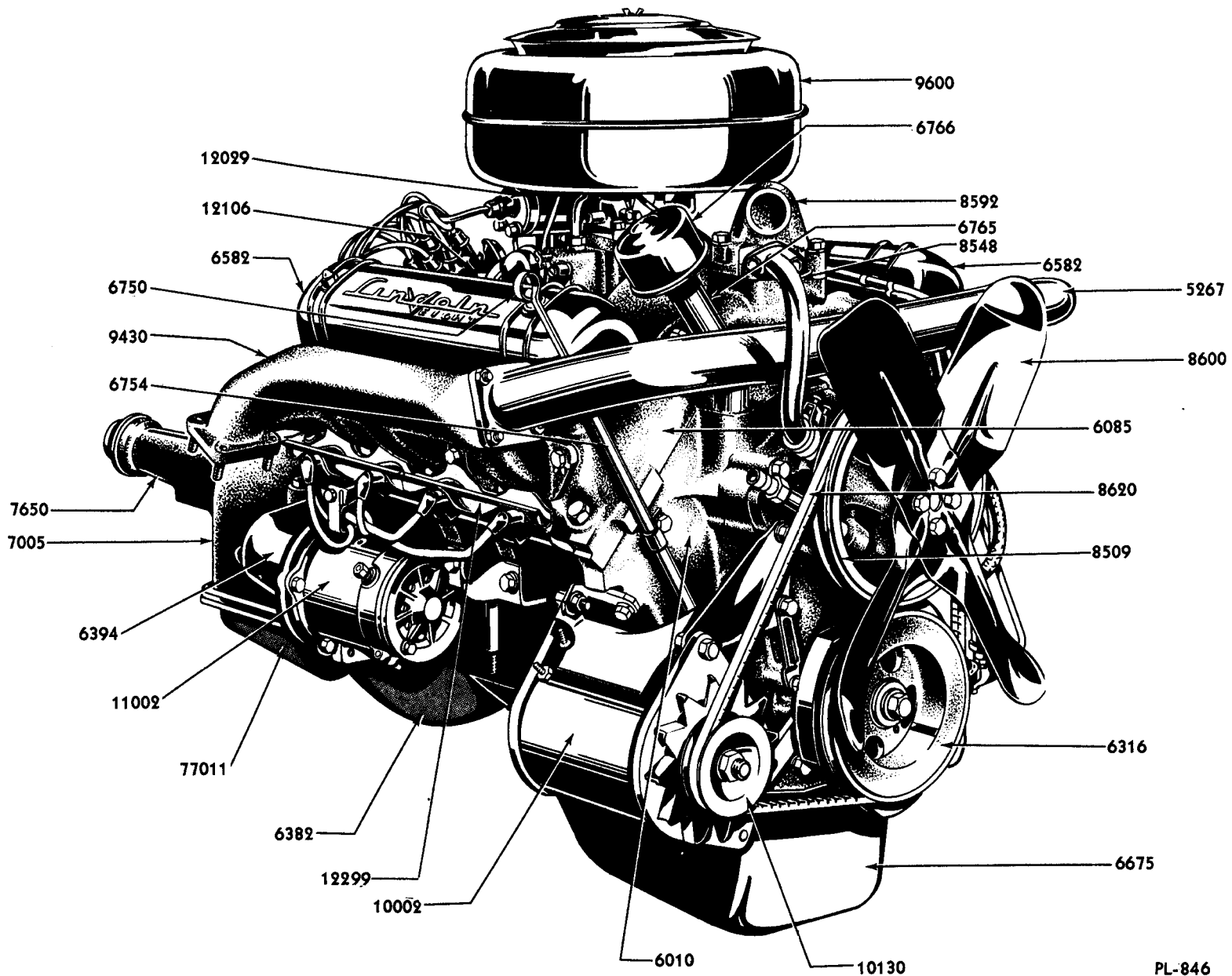
HEAVY DUTY KIT

Basic numbers only shown on illustration. Order by Part Numbers shown in list of parts.

Lincoln Continental and Capri

CHASSIS PARTS CATALOGUE

Cylinder and Engine Supports — Continued



PL-846

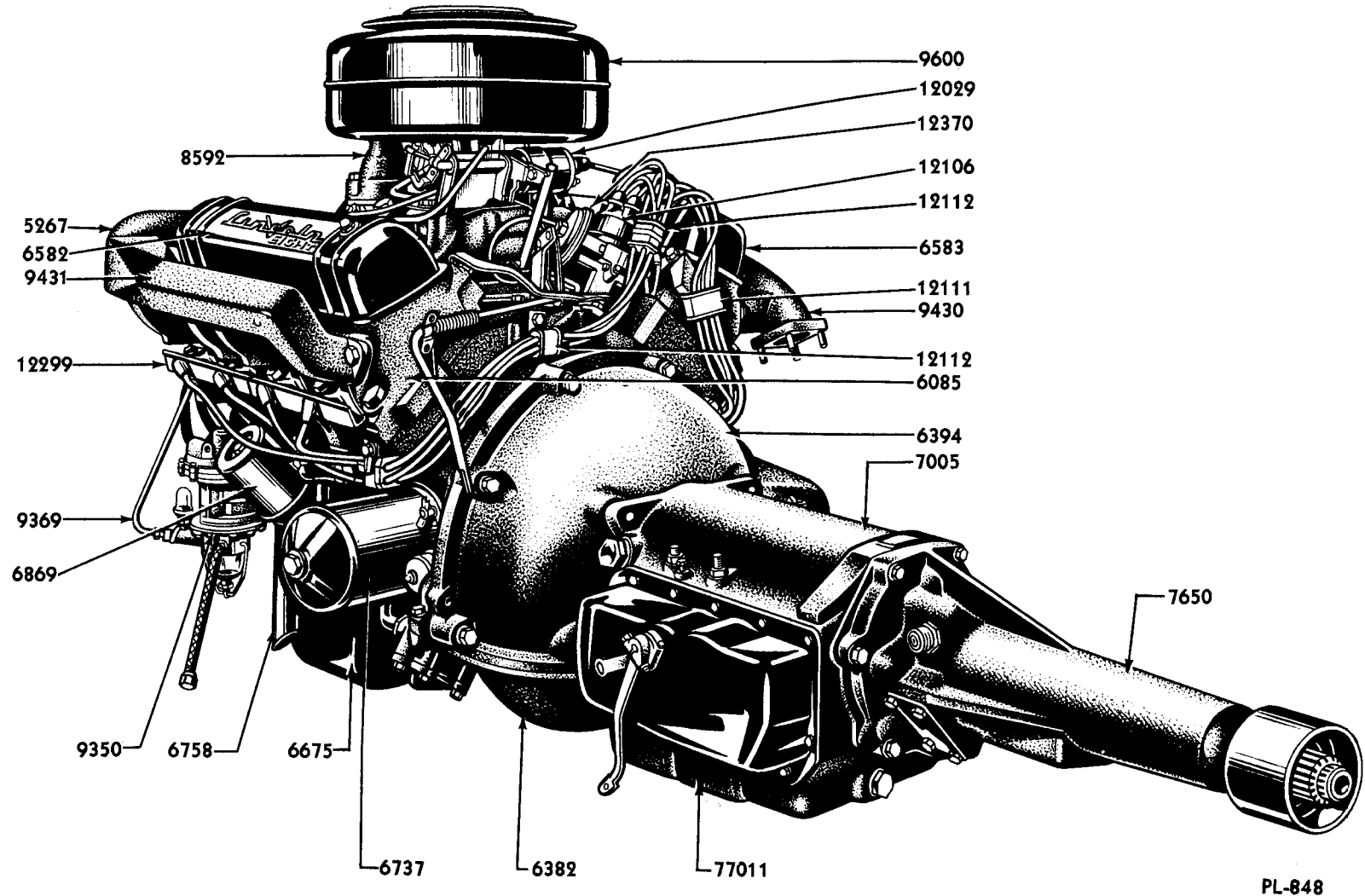
ENGINE (WITH EXTENSION)

Basic numbers only shown on illustration. Order by Part Numbers shown in list of parts.

Lincoln Continental and Capri

CHASSIS PARTS CATALOGUE

Cylinder and Engine Supports—Continued



ENGINE (WITH EXTENSION)

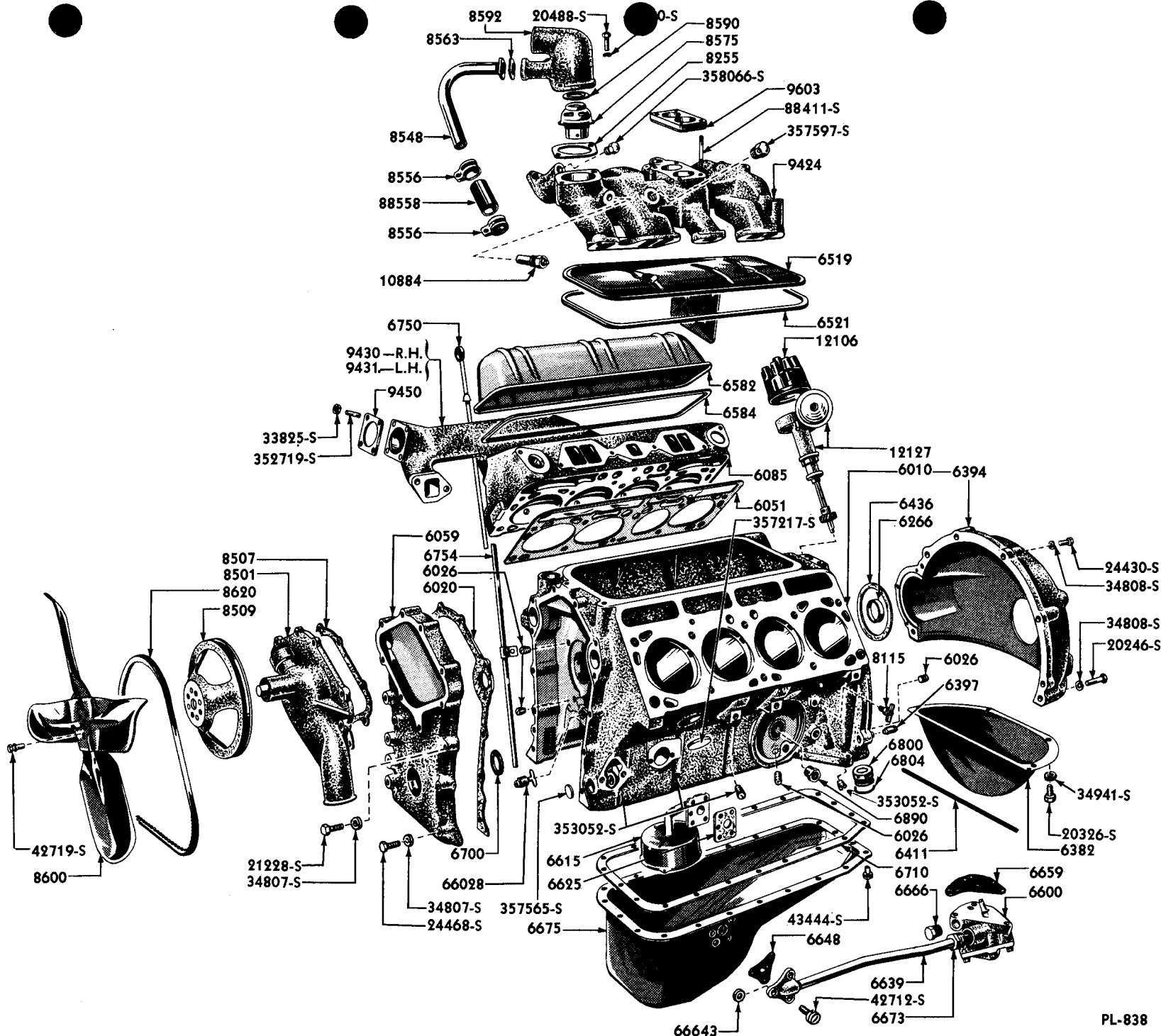
Basic numbers only shown on illustration. Order by Part Numbers shown in list of parts.

Lincoln Cosmopolitan and Capri

CHASSIS PARTS CATALOGUE

PART NUMBER	PART NAME	NO. REQ'D	MODEL	YEAR
Cylinder and Engine Supports—Continued				
HCK 6008-B	Kit (engine overhaul gasket)-consists of the following (1) EAD-6020-B Gasket (2) EAD-6051-B Gasket (1) EAD-6377-A Gasket (1) LA-6411-B Seal (1) EAD-6436-A Seal (1) EAD-6521-A Gasket (6) EAD-6570-C Seal (16) EAA-6571-A Seal (2) EAD-6584-B Gasket (1) EAD-6619-A Gasket (1) EAD-6625-B Gasket (1) EAD-6648-B Gasket (1) EAD-6659-A Gasket (1) B2Q-6643-B Seal (1) EAD-6668-B Ferrule (1) 8EL-6669 Gasket (1) EAA-6700-B Seal (2) EAD-6701-A Seal (2) EAD-6702-A Seal (1) EAD-6710-A Gasket (1) 86H-6734 Gasket (1) EAD-6870-A Gasket (1) EAD-6872-A Gasket (1) EAD-8255-A Gasket (1) EAD-8507-A Gasket (1) EAD-8563-B Gasket (1) EAQ-8590-C Gasket (1) EAD-9417-A Gasket (2) EAD-9441-A Gasket (2) EAD-9441-B Gasket (2) EAD-9450-A Gasket (1) LA-9453-A Gasket	1	LA	52-54
◆EAD 6009-D NS	Cylinder assembly-replaced by EAD-6009-E	1	LA	52
◆EAD 6009-E	Cylinder assembly	1	LA	53
◆EAD 6009-J	Cylinder assembly	1	LA	54
EAD 6010-D	Block assembly (cylinder)-includes LA-6394-C	1	LA	52-53
EAD 6010-F	Block assembly (cylinder)-includes LA-6394-C	1	LA	54
	9N-8115-B Cock assy (drain)-straight type	2	LA	52-54
	B2Q-6061-A Dowel (cyl. head to cyl. block)	4	LA	52-54
	43153-S Bolt (hex head)-9/16"-12 x 3-1/4"-bearing caps to cylinder block	10	LA	52-54
	87837-S Plug (drain)-1/4"-18-cylinder block oil pipe-tappet gallery lines-right rear only	1	LA	52-54
	87838-S8 Plug (drain)-3/8"-18-cylinder block main oil line gallery-rear outer	2	LA	52-54
	352996-S100 Plug (headless hex socket-dry seal)-1/4"-18 pipe thread-cyl. block oil pipe-tappet	1	LA	52-54
	352997-S100 Plug (headless hex socket-dry seal)-3/8"-18 pipe thread-cyl. block front lower left main oil line	1	LA	52-54
	353052-S5 Plug (slotted headless pipe)-1/8"-tappet gallery oil feed line	1	LA	52-54
	353052-S5 Plug (pipe)-1/8"-oil transfer feed lines	4	LA	52-54
	353055-S7 Plug (external head pipe)-1/4"-18 x 3/4"-cyl. block oil lines	1	LA	52-54
	357217-S Plug (expansion)-1-49/64"	4	LA	52-54
	357477-S Plug (expansion)-37/64"	1	LA	52-54
	357565-S Plug (expansion)-61/64"	1	LA	52-54

◆ Includes Crankshaft, Camshaft, Pistons, Pins, Rings, Connecting Rods, etc., less Cylinder Heads, Oil pan and Flywheel



CYLINDER BLOCK AND RELATED PARTS

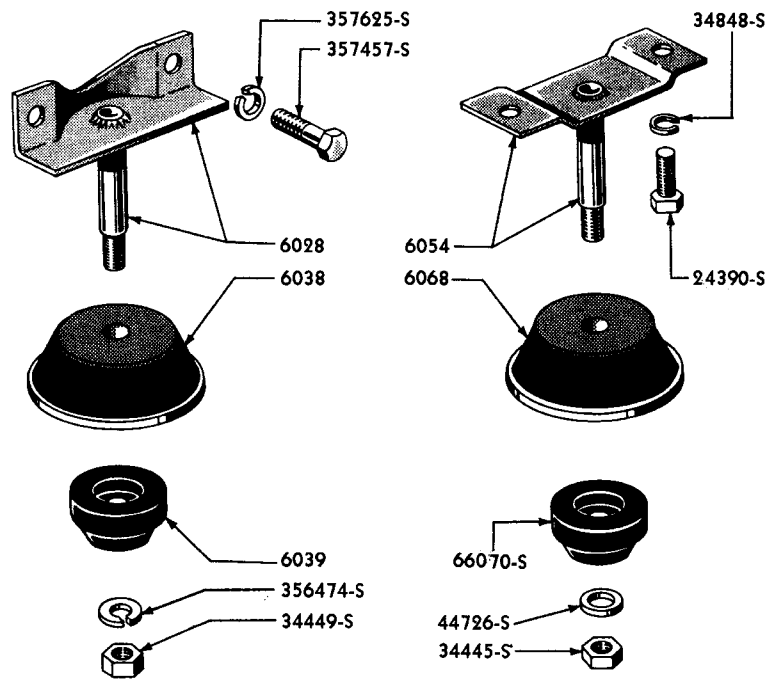
Basic numbers only shown on illustration. Order by Part Numbers shown in list of parts.

PL-838

Lincoln Cosmopolitan and Capri

CHASSIS PARTS CATALOGUE

PART NUMBER	PART NAME	NO. REQ'D	MODEL	YEAR
Cylinder and Engine Supports—Continued				
EAD 6020-A	Gasket (cylinder front cover)-also serviced in HCK-6008-B Kit	1	LA	52-53
EAD 6020-B	Gasket (cylinder front cover)-also serviced in HCK-6008-B Kit	1	LA	54
EAD 6023-C	Pointer (timing)	1	LA	52-54
18 6026-A	Plug (tapered thread)-1/4"-18	1 or 3	LA	52-54
	EAD-66028-A Plug assy (cyl. block oil line)-front-1/4"-18	2	LA	52-54



PL-679

ENGINE FRONT AND REAR SUPPORTS

Basic numbers only shown on illustration. Order by Part Numbers shown in list of parts.

PART NUMBER	PART NAME	NO. REQ'D	MODEL	YEAR
LA 6028-B	Bracket assy (engine front support)	2	LA	52-54
	357457-S Bolt (hex-hd)-7/16"-14 x 1"-bracket to engine	4	LA	52-54
	34449-S8 Locknut (hex)-1/2"-20-bracket to frame	2	LA	52-54
	357625-S7 Lockwasher-7/16"-bracket to frame	4	LA	52-54
	44726-S8 Washer (flat)-3/8"-bracket to frame	1	LA	52-54
	356474-S8 Washer (flat)-1" O. D. x 1/2" I. D. -bracket to frame	2	LA	52-54

Lincoln Cosmopolitan and Capri

CHASSIS PARTS CATALOGUE

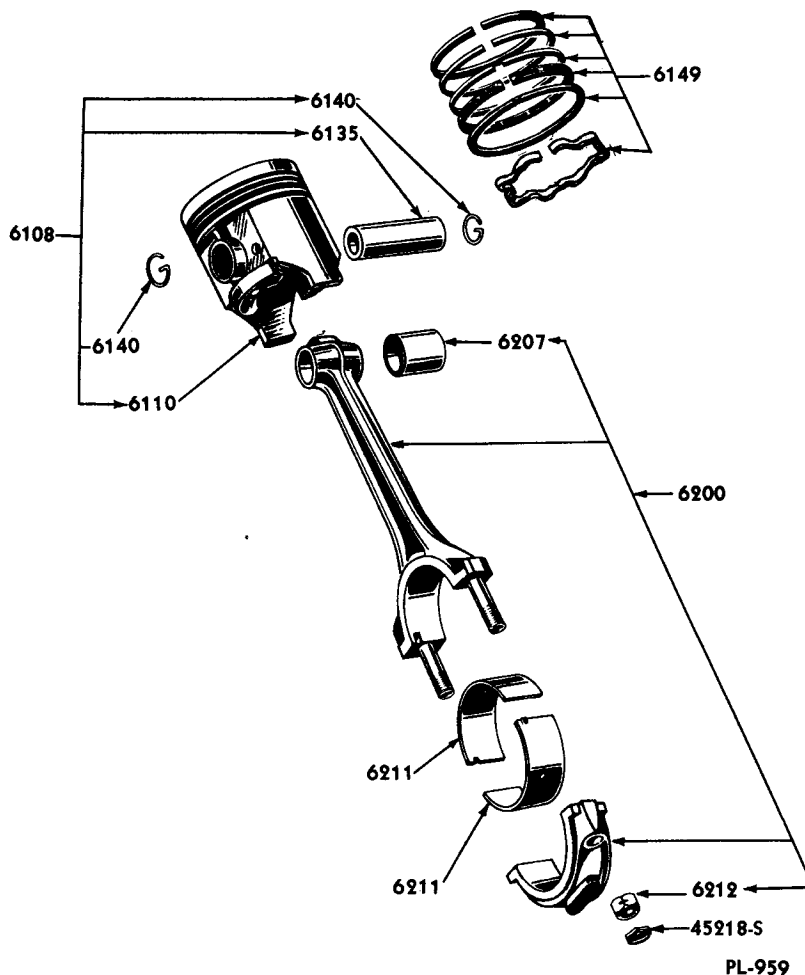
PART NUMBER	PART NAME	NO. REQ'D	MODEL	YEAR 19__
Cylinder and Engine Supports—Continued				
LA 6038-A	Insulator assy (engine front support)-upper	2	LA	52-53
LA 6038-B	Insulator assy (engine front support)-upper	2	LA	54
LA 6039-B	Insulator assy (engine front mount rebound)-lower	2	LA	52-54
EAD 6049-C	Head (cylinder)-includes 87652-S8	2	LA	52
EAD 6049-D	Head (cylinder)-includes 87652-S8	2	LA	53-54
EAD 6051-A NS	Gasket (cyl. head)-replaced by EAD-6051-B	2	LA	52
EAD 6051-B	Gasket (cyl. head)-also serviced in HCK-6008-B & HCK-6079-C	2	LA	52-54
LA 6054-A	Plate assy (engine rear support)-5-23/64" long x 2" wide	1	LA	52-54
	24390-S7 Bolt (hex-hd)-7/16"-14 x 1"-plate to transmission	2	LA	52-54
	34445-S8 Locknut (hex)-3/8"-24	1	LA	52-54
	34848-S8 Lockwasher -7/16"	2	LA	52-54
	44726-S8 Washer (flat)-3/8"	1	LA	52-54
EAD 6059-A	Cover (cylinder front)	1	LA	52-53
EAD 6059-B	Cover (cylinder front)	1	LA	54
	21228-S Bolt (hex-hd)-3/8"-16 x 1-7/8" cover to cylinder block	4	LA	52-54
	24468-S8 Bolt (hex-hd)-3/8"-16 x 1-1/4" -cover to cylinder block	3	LA	52-54
	34807-S8 Lockwasher-3/8"-cover to cylinder block	6	LA	52-54
HCK 6059-A	Kit (front cylinder cover gasket)-consists of the following (1) EAD-6020-B Gasket (1) EAA-6700-B Seal (1) EAD-8507-A Gasket	1	LA	52-54
B2Q 6061-A	Dowel (cyl. head to cy. block)-⊕EAD-66061-A	4	LA	52-54
EAD 6065-C	Bolt (cylinder head)-1/2"-13 x 2-1/2"-alternate with EAD-6065-D	10	LA	52-54
EAD 6065-D	Bolt (cylinder head)-1/2"-13 x 2-5/8"-alternate with EAD-6065-C	10	LA	52-54
	356474-S18 Washer (flat)-1/2"-used with EAD-6065-D	10	LA	52-54
EAD 6066-C	Bolt (cylinder head)-1/2"-13 x 4-1/4"-alternate with EAD-6066-D	10	LA	52-54
EAD 6066-D	Bolt (cylinder head)-1/2"-13 x 4-3/8"-alternate with EAD-6066-C	10	LA	52-54
	356474-S18 Washer (flat)-1/2"-used with EAD-6066-D	10	LA	52-54
LA 6068-A	Insulator assembly (engine rear mount)	1	LA	52-54
	LA-66070-A Insulator assy (engine rear mount rebound)	1	LA	52-54
HCK 6079-C	Kit (valve gasket set)-consists of the following (2) EAD-6051-B Gasket (1) EAD-6521-A Gasket (6) EAD-6570-C Seal (16) EAA-6571-A Seal (2) EAD-6584-B Gasket (1) EAD-8255-A Gasket (2) EAD-8563-B Gasket (1) EAQ-8590-C Gasket (2) EAD-9441-A Gasket (2) EAD-9441-B Gasket (2) EAD-9450-A Gasket	1	LA	52-54
EAD 6085-B	Head (cylinder)	2	LA	52
EAD 6085-C	Head (cylinder)	2	LA	53-54

Lincoln Cosmopolitan and Capri

CHASSIS PARTS CATALOGUE

PART NUMBER	PART NAME	NO. REQ'D	MODEL	YEAR
Cylinder and Engine Supports—Continued				
NS	87652-S8 Plug (tapered pipe thread)- 3/8"-18-used when hot water heater is not used- replaced by 358066-S8	2	LA	52-54
	351798-S Elbow-7/8"-18 tapped straight thread x 3/8"-18 pipe male thread-Brass	2	LA	52-54
	353063-S7 Plug (expansion)-1-1/4"	2	LA	52-54
	358066-S8 Plug (tapered pipe thread)- 3/8"-18-when hot water heater is not used	2	LA	52-54
	356474-S18 Washer (flat)-1/2" I. D. x 1" O. D. x 7/64" thick-cylinder head bolts to cylinder block- use with EAD-6065-D and EAD-6066-D	20	LA	52-54

Piston and Connecting Rod



PISTON AND CONNECTING ROD

Basic numbers only shown on illustration. Order by Part Numbers shown in list of parts.

Lincoln Cosmopolitan and Capri

CHASSIS PARTS CATALOGUE

PART NUMBER	PART NAME	NO. REQ'D	MODEL	YEAR 19__
Piston and Connecting Rod—Continued				
EAD 6108-A	Piston, pin & retainer set-Standard	8	LA	52-54
EAD 6108-B	Piston, pin & retainer set-.005" O/S	8	LA	52-54
EAD 6108-C	Piston, pin & retainer set-.020" O/S	8	LA	52-54
EAD 6108-D	Piston, pin & retainer set-.030" O/S	8	LA	52-54
EAD 6108-E	Piston, pin & retainer set-.040" O/S	8	LA	52-54
EAD 6135-B	Pin (piston)-Standard-marked with Green paint	8	LA	52-54
EAD 6135-C	Pin (piston)-.001" O/S-marked with Blue paint	8	LA	52-54
EAD 6135-D	Pin (piston)-.002" O/S-marked with Yellow paint	8	LA	52-54
EAA 6140-A	Retainer (piston pin)	16	LA	52-54
§HCK 6149-A	Kit (piston ring set)-Standard	1	LA	52-54
§HCK 6149-B	Kit (piston ring set)-.020" O/S	1	LA	52-54
§HCK 6149-C	Kit (piston ring set)-.030" O/S	1	LA	52-54
§HCK 6149-D	Kit (piston ring set)-.040" O/S	1	LA	52-54
EAD 6200-A	Rod assembly (connecting)	8	LA	52-54
EAD 6207-A	Bushing (connecting rod)	8	LA	52-54
EAD 6211-F NS	Bearing (conn. rod)-Std. -Red size .0750"/.0754", Blue size .0754"/.0758" wall thickness -replaced by EAD-6211-L or M	16	LA	52-54
EAD 6211-L	Bearing (conn. rod)-Std. -Red size-Lead Babbitt	16	LA	52-54
EAD 6211-M	Bearing (conn. rod)-Std. -Blue size-Lead Babbitt	16	LA	52-54
EAM 6211-C	Bearing (connecting rod)-.010" U/S	16	LA	52-54
EAM 6211-D	Bearing (connecting rod)-.020" U/S	16	LA	52-54
EAM 6211-E	Bearing (connecting rod)-.030" U/S	16	LA	52-54
EAM 6211-F	Bearing (connecting rod)-.040" U/S	16	LA	52-54
EAM 6211-G	Bearing (conn. rod)-Std. -Red size-Copper Lead	16	LA	54
EAM 6211-H	Bearing (conn. rod)-Std. -Blue size-Copper Lead	16	LA	54
7HA 6212	Nut (hex head slotted)-3/8"-24-connecting rod 45218-S8 Nut (stamped)-3/8"-24	16 16	LA LA	52-54 52-54
EAA 6214-B	Bolt (connecting rod)-3/8"-24 x 2-1/16"	16	LA	52-54

Camshaft and Crankshaft

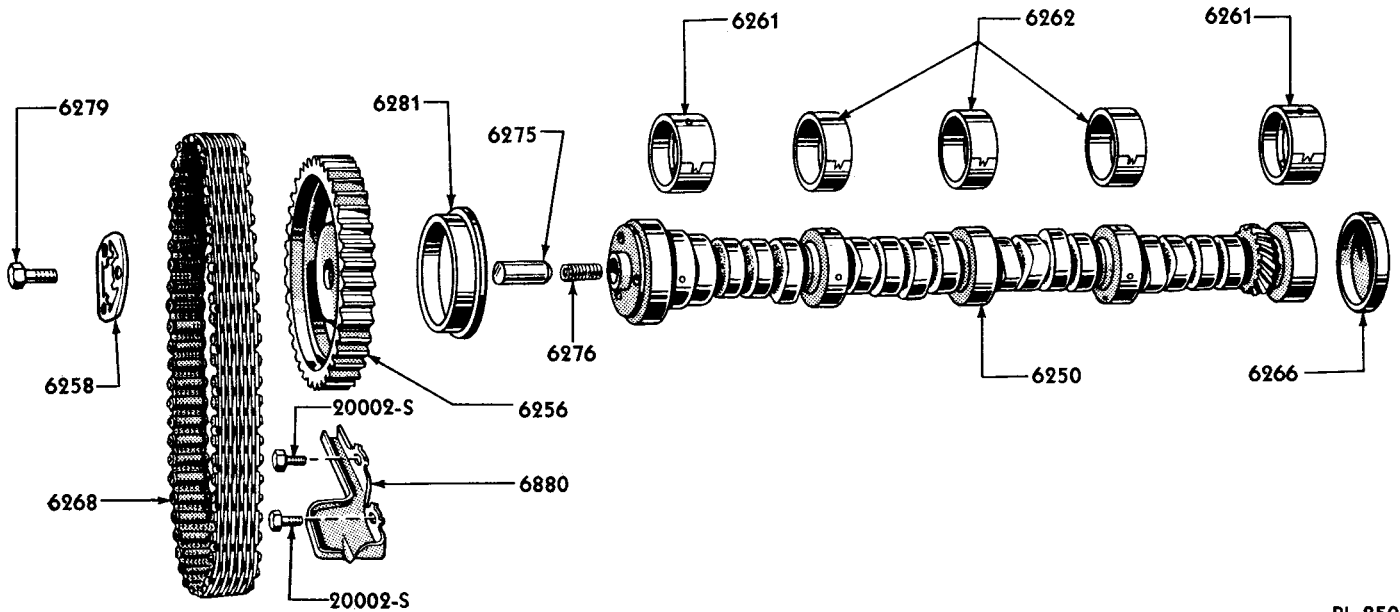
EAD 6250-D	Camshaft	1	LA	52-53
EAD 6250-E	Camshaft-Heavy Duty-also serviced in HDK-66005-A & B Kits	1	LA	53-54
EAD 6250-F	Camshaft	1	LA	54
EAD 6256-A	Sprocket (camshaft timing chain)	1	LA	52
EAD 6256-B	Sprocket (camshaft timing chain)	1	LA	52-54
EAD 6258-A	Ring (camshaft sprocket lock)	1	LA	52-54
EAD 6261-C	Bearing (camshaft front and rear)-Std. -reamed	2	LA	52-54
EAD 6261-D	Bearing (camshaft front and rear)-.015" U/S- reamed	2	LA	52-54
EAD 6266-A	Plug (camshaft rear bearing)-2-17/64" max. O. D.	1	LA	52-54
EAD 6268-A	Chain (timing)	1	LA	52-54

§ Basic No. 6149 contains the necessary compression rings, oil control rings, expanders & segments to re-ring one engine

Lincoln Cosmopolitan and Capri

CHASSIS PARTS CATALOGUE

Camshaft and Crankshaft—Continued



PL-850

CAMSHAFT AND RELATED PARTS

Basic numbers only shown on illustration. Order by Part Numbers shown in list of parts.

PART NUMBER	UNIT	PART NAME	NO. REQ'D	MODEL	YEAR
EAD 6275-B		Piston (camshaft thrust)-5/8" dia. x 1-19/64" long	1	LA	19_
EAD 6276-B		Spring (camshaft piston thrust)	1	LA	52-54
EAD 6279-A		Bolt (hex head)-3/8"-16 x 7/8"-camshaft sprocket	3	LA	52-54
EAD 6281-B		Bushing assy (camshaft fuel pump drive eccentric)-3" O. D. x 2-27/32" I. D. x 51/64" thick	1	LA	52-54
EAD 6303-C		Crankshaft	1	LA	52-54
		EAD-7609-A Retainer (clutch pilot bearing)-2-3/64" O. D. with 5/8" dia. hole	1	LA	52-54
		8L-7938 Bearing (trans. pilot)-Bronze	1	LA	52-54
EAD 6306-A		Sprocket (crankshaft)-3-1/32" O. D. x 1-21/64" I. D. -19 teeth	1	LA	52-54
		74175-S Key (woodruff)-5/32" x 5/8"-sprocket to crankshaft	1	LA	52-54
EAD 6316-B		Dampener assy (vibration)-with (6) timing marks	1	LA	52
EAD 6316-C	NS	Dampener assy (vibration)-replaced by EAD-6316-D	1	LA	53
EAD 6316-D		Dampener assy (vibration)-with (11) timing marks	1	LA	53-54
		20693-S Bolt (hex-hd)-5/8"-18 x 1-3/8"	1	LA	52
		20711-S Bolt (hex-hd)-5/8"-18 x 1-1/2"-dampener to crankshaft	1	LA	52
		20747-S7 Bolt (hex-hd)-5/8"-18 x 1-3/4"-vibration dampener to crankshaft	1	LA	53-54
		74151-S Key (woodruff)-1/4" x 7/8"	1	LA	52-54
		8EL-6378 Washer (plain special)-21/32" I. D. x 1-1/2" O. D. x 1/4" thick	1	LA	52-54

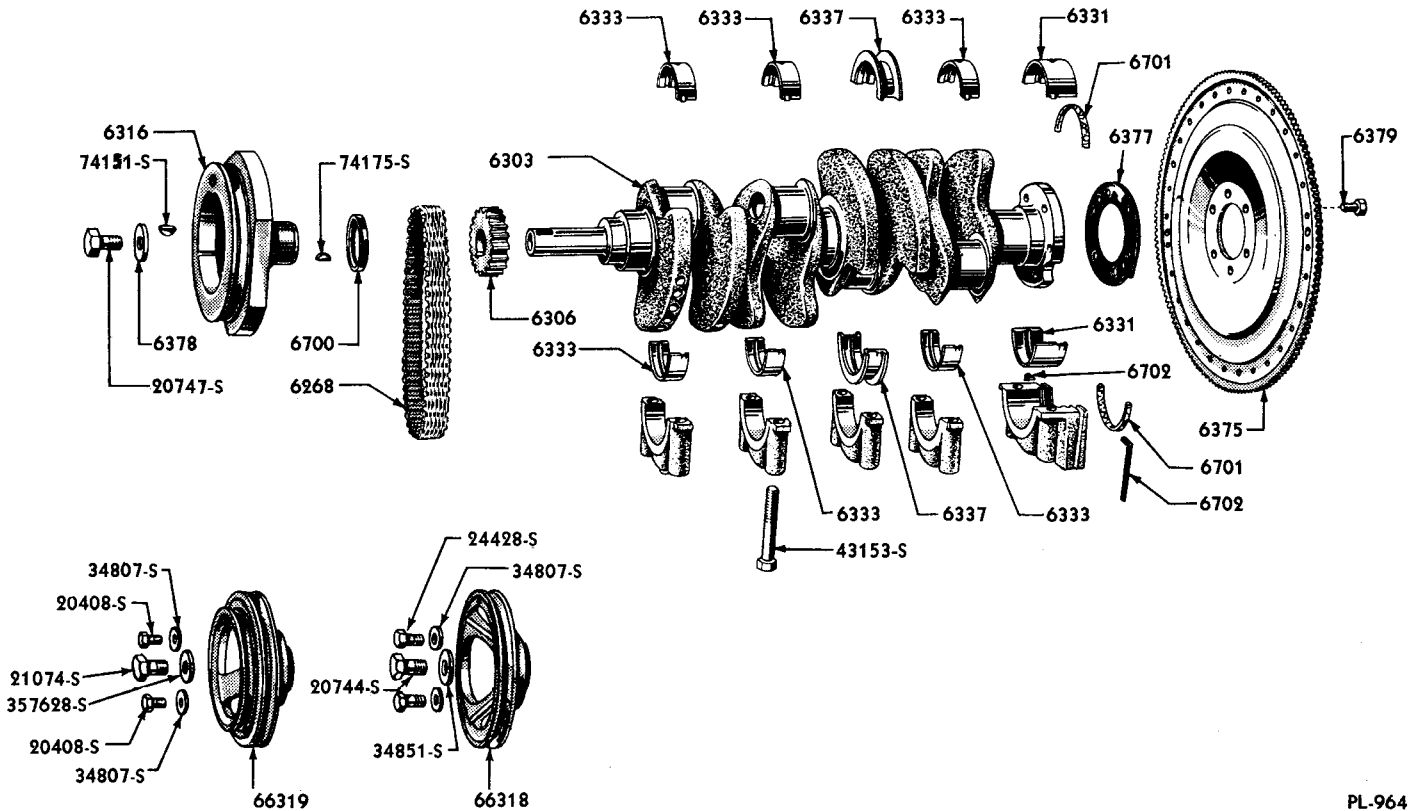
Lincoln Cosmopolitan and Capri

CHASSIS PARTS CATALOGUE

PART NUMBER	QUANTITY	PART NAME	NO. REQ'D	MODEL	YEAR
-------------	----------	-----------	-----------	-------	------

Camshaft and Crankshaft—Continued

EAD-66318-A		Pulley (vibration damper)-outer-Power Steering	1	LA	53-54
24428-S8		Bolt (hex-hd)-3/8"-16 x 1-1/4"-attaches EAD-66318-A to damper -Power Steering	2	LA	53-54
20774-S8		Bolt (hex-hd)-5/8"-18 x 2-1/8"-attaches EAD-66318-A to crankshaft	1	LA	53-54
34807-S8		Lockwasher-3/8"-use with 24428-S8	2	LA	53-54
34851-S7		Lockwasher-5/8"-use with 20774-S8	1	LA	53-54
EAD-66319-B		Pulley (crankshaft)-used with Air Condition-Power Steering	1	LA60-73	53
20408-S7		Bolt (hex-hd)-3/8"-16 x 1-1/8"-pulley to damper	2	LA60-73	53
34807-S8		Lockwasher-3/8"-pulley to damper	2	LA60-73	53
21074-S8		Bolt (hex-hd)-5/8"-18 x 2-1/8"-pulley to crankshaft	1	LA60-73	53
357628-S7		Lockwasher-5/8"-pulley to crankshaft	1	LA60-73	53



CRANKSHAFT, FLYWHEEL AND RELATED PARTS

Basic numbers only shown on illustration. Order by Part Numbers shown in list of parts.

Lincoln Cosmopolitan and Capri

CHASSIS PARTS CATALOGUE

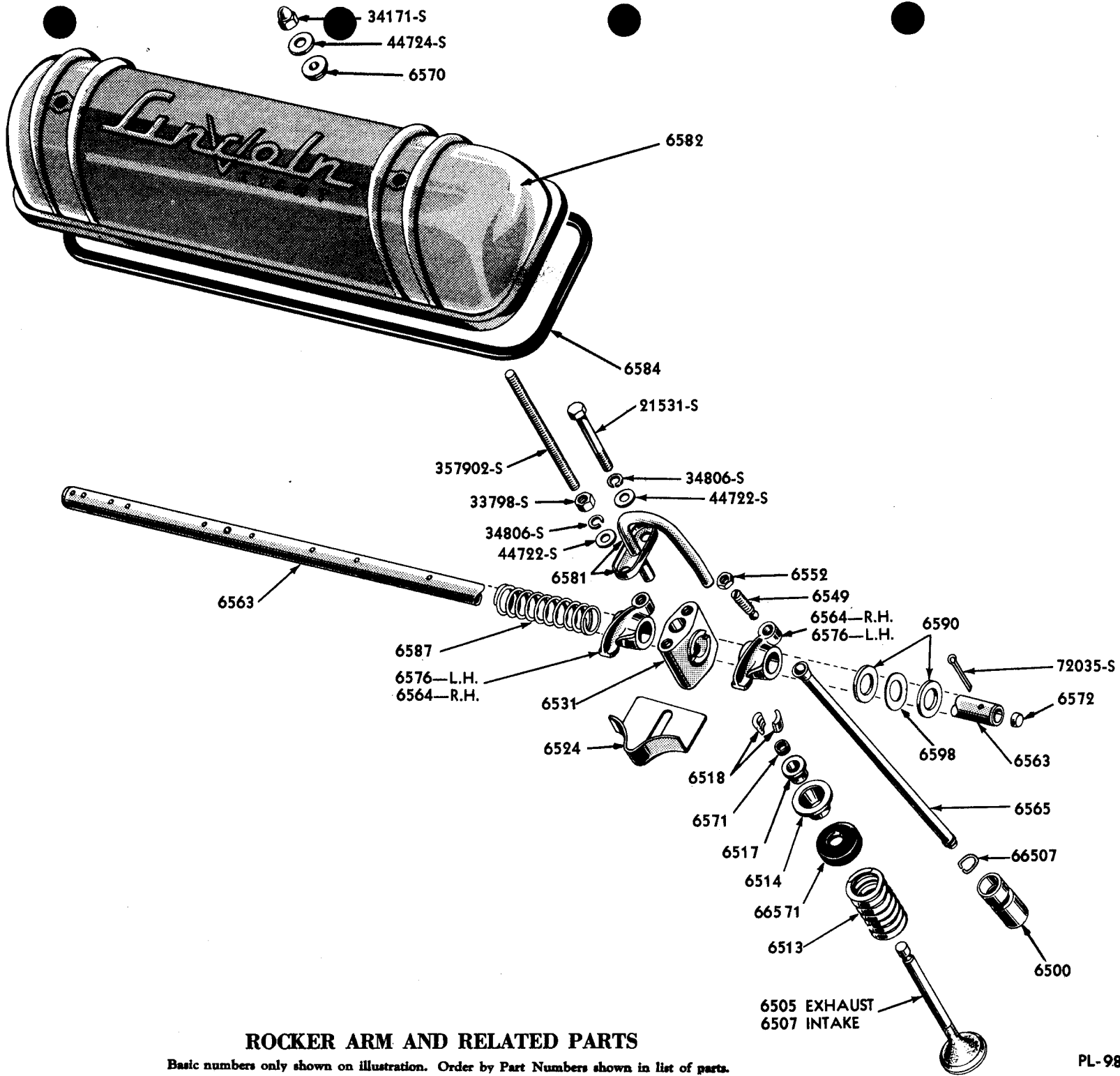
PART NUMBER	PART NAME	NO. REQ'D	MODEL	YEAR
-------------	-----------	-----------	-------	------

Camshaft and Crankshaft—Continued

EAD 6331-F NS	Bearing (rear main)-Std. -Red & Blue-Lead Babbitt -replaced by EAD-6331-L or M	2	LA	52-54
EAD 6331-L	Bearing (rear main)-Std. -Red size-Lead Babbitt	2	LA	52-54
EAD 6331-M	Bearing (rear main)-Std. -Blue size-Lead Babbitt	2	LA	52-54
EAM 6331-C	Bearing (rear main)-. 010" U/S	2	LA	52-54
EAM 6331-D	Bearing (rear main)-. 020" U/S	2	LA	52-54
EAM 6331-E	Bearing (rear main)-. 030" U/S	2	LA	52-54
EAM 6331-F	Bearing (rear main)-. 040" U/S	2	LA	52-54
EAM 6331-G	Bearing (rear main)-Std. -Red size-Copper Lead	2	LA	54
EAM 6331-H	Bearing (rear main)-Std. -Blue size-Copper Lead	2	LA	54
EAD 6333-F NS	Bearing (front & intermediate main)-Standard- replaced by EAD-6333-L or M	6	LA	52-54
EAD 6333-L	Bearing (front & intermediate main)-Std. -Red size- Lead Babbitt	6	LA	52-54
EAD 6333-M	Bearing (front & intermediate)-Std. -Blue size-Lead Babbitt	6	LA	52-54
EAM 6333-C	Bearing (front & intermediate main)-. 010" U/S	6	LA	52-54
EAM 6333-D	Bearing (front & intermediate main)-. 020" U/S	6	LA	52-54
EAM 6333-E	Bearing (front & intermediate main)-. 030" U/S	6	LA	52-54
EAM 6333-F	Bearing (front & intermediate main)-. 040" U/S	6	LA	52-54
EAM 6333-G	Bearing (front & intermediate main)-Std.-Red size- Copper Lead	6	LA	54
EAM 6333-H	Bearing (front & intermediate main)-Std.-Blue size -Copper Lead	6	LA	54
EAD 6337-F NS	Bearing (center main)-Standard-replaced by EAD-6337-L or M	2	LA	52-54
EAD 6337-L	Bearing (center main)-Std. -Red size-Lead Babbitt	2	LA	52-54
EAD 6337-M	Bearing (center main)-Std. -Blue size-Lead Babbitt	2	LA	52-54
EAM 6337-C	Bearing (center main)-. 010" U/S	2	LA	52-54
EAM 6337-D	Bearing (center main)-. 020" U/S	2	LA	52-54
EAM 6337-E	Bearing (center main)-. 030" U/S	2	LA	52-54
EAM 6337-F	Bearing (center main)-. 040" U/S	2	LA	52-54
EAM 6337-G	Bearing (center main)-Std.-Red size-Copper Lead	2	LA	54
EAM 6337-H	Bearing (center main)-Std. -Blue size-Copper Lead	2	LA	54

Flywheel and Valves

1L 6375-B	Flywheel assembly	1	LA	52-54
EAD 6375-D NS	Flywheel assembly-replaced by 1L-6375-B	1	LA	52-54
EAD 6377-A	Gasket (flywheel to crankshaft)-also serviced in HCK-6008-B Kit	1	LA	52-54
8EL 6378	Washer (plain special)-33/64" x 21/32" x 13/54"- vibration dampener to crankshaft	1	LA	52-54
8EL 6379	Bolt (flywheel to crankshaft)-7/16"-20 x 13/16"	6	LA	52-54
LA 6382-B	Cover (flywheel housing)-front-15-49/64" long from center lines of outside bolt holes	1	LA	52-54
	20326-S7 Bolt (hex-hd)-5/16"-18 x 5/8"- cover to flywheel hsg.	4	LA	52-54
	34941-S7 Lockwasher (external tooth)- 5/16"	4	LA	52-54
LA 6394-C	Housing (flywheel)-with trans. pilot hole reamed to size	1	LA	52-54
	20246-S8 Bolt (hex-hd)-7/16"-14 x 2-1/2" -flywheel hsg. to cyl. block	6	LA	52-54



ROCKER ARM AND RELATED PARTS

Basic numbers only shown on illustration. Order by Part Numbers shown in list of parts.

Lincoln Cosmopolitan and Capri

CHASSIS PARTS CATALOGUE

PART NUMBER	PART NAME	NO. REQ'D	MODEL	YEAR 19__
Flywheel and Valves—Continued				
EAD 6397-A	Dowel (cylinder block to flywheel housing)	2	LA	52-54
LA 6411-B	Seal (flywheel housing front cover)-16-25/64" over-all length-Rubber-also serviced in HCK-6008-B & HCK-6675-A Kits	1	LA	52-54
EAD 6436-A	Seal assy (starting motor to flywheel hsg.)-4-5/16" O. D. x 4-7/64" I. D. -Steel & Rubber-also serviced in HCK-6008-B Kit	1	LA	52-54
EAD 6500-C	Tappet assy (Hydraulic valve)-replaced by EAD-6500-D	16	LA	52-53
EAD 6500-D	Tappet assembly (valve)-Hydraulic	16	LA	52-54
EAM 6500-C	Tappet assy (valve)-Heavy Duty-also serviced in HDK-66005-A & B Kits	16	LA	53-54
	EAD-66507-A Snap ring (valve tappet)	16	LA	52-53
	EAD-66507-B Snap ring (valve tappet)	16	LA	54
EAD 6505-A	Valve (exhaust)-Standard	8	LA	52
EAD 6505-B	Valve (exhaust)-.003" O/S	as reqd	LA	52
EAD 6505-C	Valve (exhaust)-.015" O/S	as reqd	LA	52
EAD 6505-D	Valve (exhaust)-.030" O/S	as reqd	LA	52
EAD 6505-E	Valve (exhaust)-Standard	8	LA	53-54
EAD 6505-F	Valve (exhaust)-.003" O/S	as reqd	LA	53-54
EAD 6505-G	Valve (exhaust)-.015" O/S	as reqd	LA	53-54
EAD 6505-H	Valve (exhaust)-.030" O/S	as reqd	LA	53-54
*EBP 6507-E	Valve (intake)-Standard-with one slot	8	LA	52
*EBP 6507-F	Valve (intake)-.003" O/S-with one slot	as reqd	LA	52
*EBP 6507-G	Valve (intake)-.015" O/S-with one slot	as reqd	LA	52
*EBP 6507-H	Valve (intake)-.030" O/S-with one slot	as reqd	LA	52
EAM 6507-E	Valve (intake)-Std. -with two slots at end of stem	8	LA	52
EAM 6507-F	Valve (intake)-.003" O/S-with two slots at end of stem	as reqd	LA	52
EAM 6507-G	Valve (intake)-.015" O/S-"C" cast on head-with two slots at end of stem	as reqd	LA	52
EAM 6507-H	Valve (intake)-.030" O/S-"D" cast on head-with two slots at end of stem	as reqd	LA	52
EAD 6507-J	Valve (intake)-Standard	8	LA	53-54
EAD 6507-K	Valve (intake)-.003" O/S	as reqd	LA	53-54
EAD 6507-L	Valve (intake)-.015" O/S	as reqd	LA	53-54
EAD 6507-M	Valve (intake)-.030" O/S	as reqd	LA	53-54

* Use B4Q-6571-A when used in place of EAM-6507-E, F, G or H valves

Lincoln Cosmopolitan and Capri

CHASSIS PARTS CATALOGUE

PART NUMBER	PART NAME	NO. REQ'D	MODEL	YEAR
Flywheel and Valves—Continued				
EAD 6513-A	Spring (valve)-1" I. D. x 2-7/32" long-7 coils	16	LA	52-54
EAD 6514-A	Retainer (valve spring)-1-11/32" O. D. x 3/7/64" thick	16	LA	52-54
B3Q 6515-A	Spacer (valve spring)-.030" thick-⊕EAD-66514-A	as reqd	LA	52-54
EAA 6517-B	Sleeve (valve spring retainer)	16	LA	52-54
7HA 6518	Key (valve spring retainer)-11/32" I. D. x 1/2" O. D. x 3/8" thick	32	LA	52-54
EAD 6519-A	Cover assembly (valve push rod)	1	LA	52-53
EAD 6519-B	Cover assembly (valve push rod)	1	LA	52-54
	352435-S Bolt (hex-hd pointed)-5/16"-18 x 4-5/8"-cover to cyl. block	2	LA	52-54
	44724-S8 Washer (flat)-5/16"-cover to cylinder block	2	LA	52-54
EAD 6521-A	Gasket (valve push rod cover)-also serviced in HCK-6008-B & HCK-6079-C Kits	1	LA	52-54
EAD 6524-C	Baffle (valve spring oil)-3-3/32" long	8	LA	52-54
EAD 6531-A	Support (valve rocker arm shaft)-front	8	LA	52-54
	21531-S Bolt (hex head)-5/16"-18 x 2-1/2"-rocker arm support to cylinder heads	12	LA	52-54
	34826-S7 Lockwasher-5/16"-rocker arm support to cylinder heads	16	LA	52-54
	33798-S8 Nut (hex-hd)-5/16"-24-rocker arm support to cyl. heads	4	LA	52-54
	357902-S Stud-5/16"-18 & 5/16"-24 x 4-3/16"-rocker arm support to cover & cylinder heads	4	LA	52-54
	44722-S8 Washer (flat)-5/16"-rocker arm support to cyl. heads	12	LA	52-54
EAA 6549-B	Screw (valve rocker arm adjusting)-7/16"-20-with ball end	16	LA	52-54
EAD 6563-B	Shaft (valve rocker arm)-17-19/32" long	2	LA	52-54
	72035-S7 Cotter pin-1/8" x 1"-washer to rocker arm shaft	4	LA	52-54
EAD 6564-A	Arm (valve rocker)-R. H.	8	LA	52-54
	EAD-6576-A Arm (valve rocker)-L. H.	8	LA	52-54
EAD 6565-B	Rod (valve push)-9/32" dia. x 9-5/8" long-uniform oval type seat at lower end-replaced by EAD-6565-C	16	LA	52-53
EAA 6565-C	Rod (valve push)-Heavy Duty-also serviced in HDK-66005-A&B Kits	16	LA	53-54
EAD 6565-C	Rod (valve push)-with flat at lower end	16	LA	52-54
EAD 6570-C	Seal (valve rocker arm cover stud)-7/8" O. D. x 11/32" I. D. x 7/32" thick (2) valve push rod cover to cylinder block (4) rocker arm cover to cylinder block-also serviced in HCK-6008-B & HCK-6079-C Kits	6	LA	52-54

Lincoln Cosmopolitan and Capri

CHASSIS PARTS CATALOGUE

PART NUMBER	PART NAME	NO. REQ'D	MODEL	YEAR 19
Flywheel and Valves—Continued				
EAD 6570-C	Seal (oil reservoir cover)-use with Power Steering	1	LA	53-54
EAA 6571-A	Seal (valve stem)-27/64" O. D. x 9/32" I. D. x 5/64" thick-Rubber-intake & exhaust valves-also serviced in HCK-6008-B & HCK-6079-C	16	LA	52-54
B2Q 6571-A	Seal (intake valve stem)-lower-umbrella type with reinf. -@EAD-66571-A	8	LA	52-53
B4Q 6571-A	Seal (intake valve stem)-lower-umbrella type-without reinf. -@EAD-66571-B	8	LA	53-54
EAA 6572-A	Plug (valve rocker arm shaft)-17/32" O. D. x 13/64" thick	4	LA	52-54
EAD 6576-A	Arm (valve rocker)-L. H.	8	LA	52-54
	EAD-6564-A Arm (valve rocker)-R. H.	8	LA	52-54
EAD 6581-A	Tube assembly (valve rocker arm oil outlet)	2	LA	52-54
EAD 6582-A	Cover assembly (valve rocker arm)	2	LA	52
EAD 6582-B NS	Cover assy (valve rocker arm)-painted Black, Red & White lettering-replaced by EAD-6582-C	2	LA	52
EAD 6582-C	Cover assy (valve rocker arm)-painted Gold, Red & Black lettering	2	LA	53-54
	34171-S13 Nut (blind)-5/16"-24	4	LA	52-54
	44724-S8 Washer (flat)-5/16"	4	LA	52-54
EAD 6584-B	Gasket (valve rocker arm cover)-20-1/8" x 5-19/64" x 1/4" thick-also serviced in HCK-6008-B & HCK-6079-C Kits	2	LA	52-54
EAA 6587-A	Spring (valve rocker arm locating)-51/64" I. D. x 7/8" approximate free length	6	LA	52-54
EAA 6590-A	Washer (valve rocker arm shaft)-1-1/4" O. D. x 51/64" I. D. x 1/16" thick	8	LA	52-54
EAA 6598-A	Washer (valve rocker arm shaft spring)	4	LA	52-54

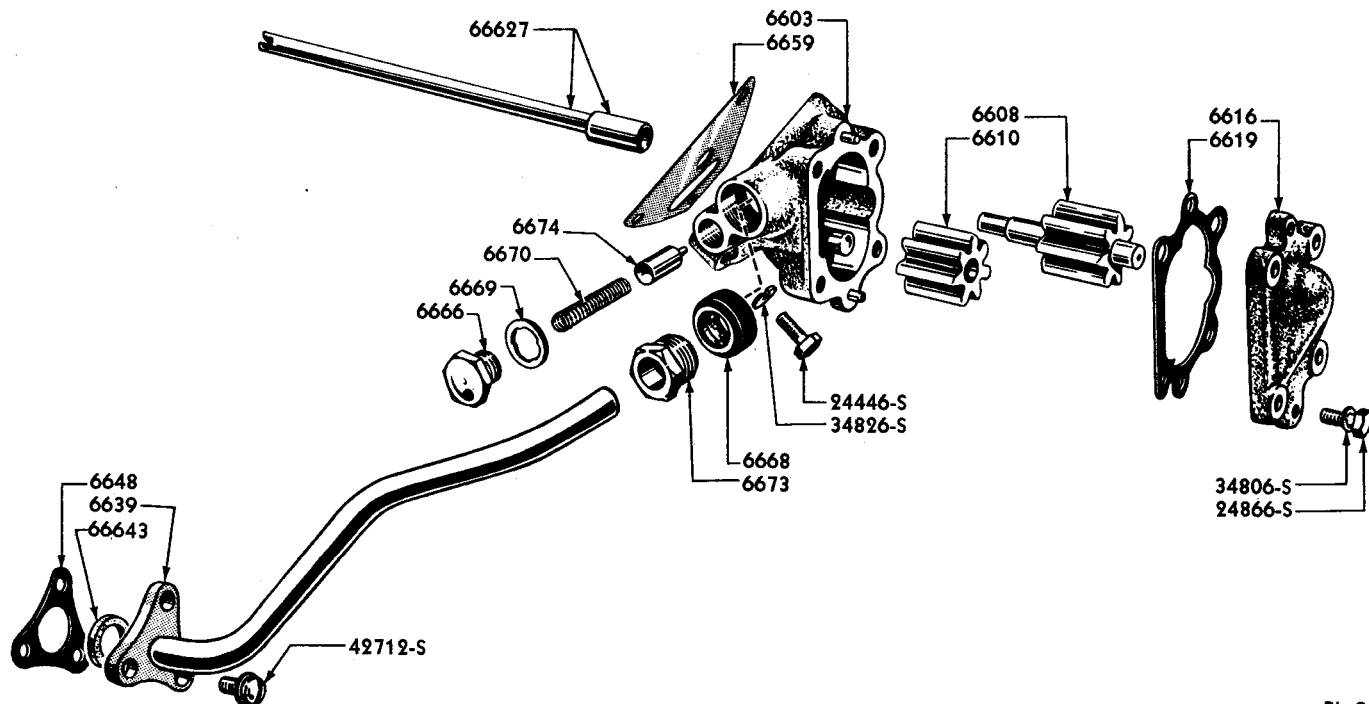
Oil Pump

EAD 6600-A	Pump assembly (oil)	1	LA	52-54
	24466-S7 Bolt (hex-hd)-5/16"-18 x 1-1/2" -oil pump to cylinder block	2	LA	52-54
	34826-S7 Lockwasher-5/16"-oil pump to cylinder block	2	LA	52-54
	42848-S8 Screw & L/W (hex-hd)-5/16-18 x 1-1/8"-oil pump to cyl. block	1	LA	52-54
B2Q 6600-A	Kit (oil pump replacement)-consists of the following (1) EBU-6600-A Pump assy (1) EAD-6670-A Spring-remove EBU-6670-A from EBU-6600-A and replace with EAD-6670-A for Lincoln	1	LA	52-54

Lincoln Cosmopolitan and Capri

CHASSIS PARTS CATALOGUE

Oil Pump—Continued



PL-941

OIL PUMP

Basic numbers only shown on illustration. Order by Part Numbers shown in list of parts.

PART NUMBER	DESCRIPTION	PART NAME	NO. REQ'D	MODEL	YEAR 19__
HCK 6600-A		Kit (oil pump gasket)-consists of the following (1) EAD-6619-A Gasket (1) EAD-6648-B Gasket (1) EAD-6659-A Gasket (1) EAD-6668-B Ferrule (1) 8EL-6669 Gasket	1	LA	52-54
EAD 6603-A		Body assembly (oil pump)	1	LA	52-54
EAD 6608-A		Gear assembly (oil pump drive)	1	LA	52-54
B2Q 6608-A		Shaft assy (oil pump)-intermediate -@EAD-66627-A	1	LA	52-54
EAD 6610-A		Gear (oil pump driven)-1-13/32" long-7 teeth	1	LA	52-54
EAD 6615-B		Cover assembly (oil pump screen)	1	LA	52-54
		42709-S8 Screw & L/W assy (fill-hd)- 5/16"-24 x 3/8"-cover to oil pan	2	LA	52-54
EAD 6616-A		Cover (oil pump)	1	LA	52-54
		42846-S8 Bolt (hex-hd)-5/16"-18 x 7/8"- cover to oil pump	4	LA	52-54
		34806-S7 Lockwasher-5/16"-cover to oil pump	4	LA	52-54
EAD 6619-A		Gasket (oil pump cover)-also serviced in HCK-6008-B & HCK-6600-A Kits	1	LA	52-54
41A 6623		Screen assembly (oil pump)	1	LA	52-54

Lincoln Cosmopolitan and Capri

CHASSIS PARTS CATALOGUE

PART NUMBER	PART NAME	NO. REQ'D	MODEL	YEAR
Oil Pump-Continued				
EAD 6625-B	Gasket (oil pump inlet tube flange)-inner-2-1/4" x 2-1/32" x 11/32" thick-also serviced in HCK-6008-B & HCK-6675-A Kits	1	LA	52-54
EAD 6628-A	Spring (oil pump screen)-5-1/2" long	1	LA	52-54
EAD 6639-A	Tube assembly (oil pan to oil pump)	1	LA	52
EAD 6639-B	Tube assembly (oil pan to oil pump)	1	LA	52-54
	42712-S8 Screw & L/W assy-5/16"-24 x 3/4"-tube to oil pan	3	LA	52-54
B2Q 6643-B	Seal (oil pump inlet tube)-⊕EAD-66643-B-also serviced in HCK-6008-B and HCK-6675-A Kits	1	LA	52-54
EAD 6648-B	Gasket (oil pan to oil pump tube flange)-triangular shaped with (3) 11/32" holes & (1) 1" hole-also serviced in HCK-6008-B, HCK-6600-A and HCK-6675-A Kits	1	LA	52-54
EAA 6659-A	Gasket (oil pump to block)-also serviced in HCK-6008-B and HCK-6600-A Kits	1	LA	52-54
EAA 6666-A	Nut (hex)-5/8"-18 x 1/2"-oil relief valve	1	LA	52-54
EAD 6668-B	Ferrule assy (oil pump inlet tube)-29/32" O. D. x 5/8" I. D. x 15/32" thick-also serviced in HCK-6008-B and HCK-6600-A Kits	1	LA	52-54
8EL 6669	Gasket (oil pump relief valve)-41/64" I. D. x 7/8" O. D. x 3/64" thick-also serviced in HCK-6008-B & HCK-6600-A Kits	1	LA	52-54
EAD 6670-A	Spring (oil pump relief valve)-3/8" diameter x 2-3/16" overall length-22 coils	1	LA	52-54
EAD 6673-A	Nut (oil pump inlet tube)-compression-1"-18	1	LA	52-54
EAD 6674-B	Plunger (oil pump relief valve)-1/2" maximum O. D. x 1-15/16" long	1	LA	52-54

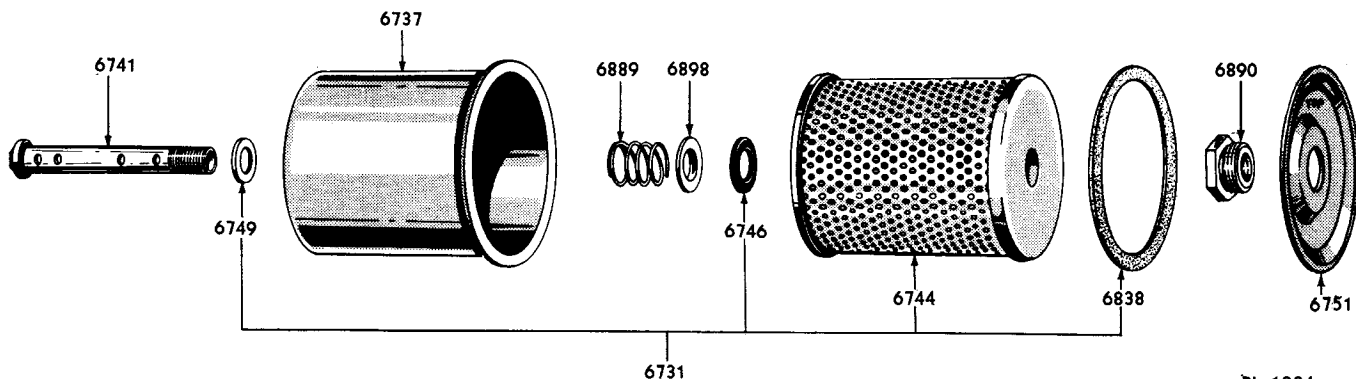
Oil Pan

EAD 6675-B	Pan assembly (oil)	1	LA	52-54
	20326-S7 Screw (hex-hd)-5/16"-18 x 5/8"-oil pan to cyl. block and front cover	21	LA	52-54
HCK 6675-A	Kit (engine gasket-lower)-consists of the following (1) LA-6411-B Seal (1) EAD-6625-B Gasket (1) EAD-6648-B Gasket (2) EAD-6701-A Seal (2) EAD-6702-A Seal (1) EAD-6710-A Gasket (1) 86H-6734 Gasket (1) EAD-9417-A Gasket (1) B2Q-6643-B Seal	1	LA	52-54
EAA 6700-B	Seal assy (crankshaft front oil)-2-9/16" O. D. x 1-53/64" I. D. x 5/16" thick-also serviced in HCK-6008-B and HCK-6781-A Kits	1	LA	52-54
EAD 6701-A	Seal (crankshaft rear oil)-5-1/2" long-also serviced in HCK-6008B, HCK-6675-A & HCK-6781-A Kits	2	LA	52-54
EAD 6702-A	Seal (crankshaft rear main bearing cap)-"L" shaped-3" long-also serviced in HCK-6008-B, HCK-6675-A and HCK-6781-A Kits	2	LA	52-54
EAD 6702-B	Seal (crankshaft rear main bearing cap)	2	LA	52-54
EAD 6710-A	Gasket (oil pan)-Cork-also serviced in HCK-6008-B, HCK-6675-A and HCK-6781-A Kits	1	LA	52-54
8HA 6730	Plug (oil pan drain)-7/8"-16	1	LA	52-54

Lincoln Cosmopolitan and Capri

CHASSIS PARTS CATALOGUE

Oil Filter



OIL FILTER AND RELATED PARTS

Basic numbers only shown on illustration. Order by Part Numbers shown in list of parts.

PART NUMBER	QTY	PART NAME	NO. REQ'D	MODEL	YEAR 19__
HCK 6731-A		Kit (oil filter element and gasket)-consists of the following (1) EAA-6744-A Element (1) EAA-6746-A Gasket (1) EAA-6749-A Gasket (1) EAA-6838-A Gasket	1	LA	52-54
86H 6734		Gasket (oil pan drain plug)-Copper with Asbestos-also serviced in HCK-6008-B, HCK-6675-A & HCK-6781-A Kits	1	LA	52-54
EAA 6737-B		Cover (oil filter)	1	LA	52-54
B2A 6721-A		Bracket (oil filter return tube)-⊕EAB-66721-A	1	LA	52-54
B2A 6741-A		Bolt and valve assy (oil filter center)- ⊕EAA-66741-C	1	LA	52-54
EAA 6744-A	NS	Element assy (oil filter)-serviced in HCK-6731-A Kit	1	LA	52-54
EAA 6746-A	NS	Gasket (oil filter element)-serviced in HCK-6731-A Kit	1	LA	52-54

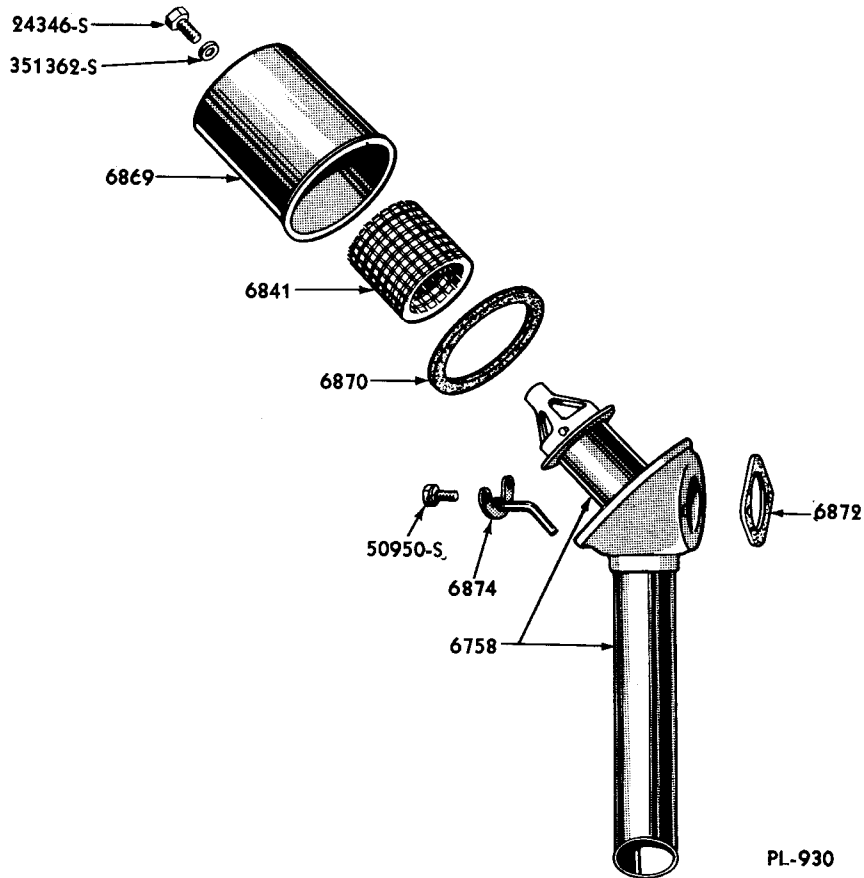
Oil Filler and Crankcase Ventilation

EAA 6749-A		Gasket (oil filter center bolt to cover)-Fibre-1-3/16" O. D. x 49/64" I. D. x 1/16" thick-also serviced in HCK-6731-A Kit	1	LA	52-54
EAD 6750-A		Indicator assembly (oil level)	1	LA	52-54
EAD 6750-C		Indicator assy (oil level)-use with Air Condition	1	LA60-73	53
B4A 6751-A		Diaphragm (oil filter)-EAA-6890-B must be used with B4A-6751-A	1	LA	53-54
EAD 6754-A		Tube assembly (oil level indicator)	1	LA	52-54
EAD 6754-C		Tube assembly (oil level indicator)-use with Air Condition	1	LA60-73	53

Lincoln Cosmopolitan and Capri

CHASSIS PARTS CATALOGUE

Oil Filler and Crankcase Ventilation—Continued



PL-930

CRANKCASE OIL FILLER AND BREATHER

Basic numbers only shown on illustration. Order by Part Numbers shown in list of parts.

PART NUMBER	QTY	PART NAME	NO. REQ'D	MODEL	YEAR
		20310-S8 Bolt (hex-hd)-5/16"-18 x 1/2"	1	LA	52-54
		20348-S8 Bolt (hex-hd)-3/8"-16 x 3/4"- tube to Air Condition air compressor	1	LA60-73	53
		34806-S7 Lockwasher-5/16"-tube brkt. to cylinder block	1	LA	52-54
		34807-S8 Lockwasher-3/8"	1	LA60-73	53
EAD 6758-A		Tube and adaptor assembly (crankcase ventilation)	1	LA	52-54
		50950-S8 Screw and L/W (fillister head)- 5/16"-18 x 3/4"-vent tube & adapter assy to cyl. block	2	LA	52-54
EAD 6765-B		Pipe (oil filler)	1	LA	52-54
EAD 6766-B		Cap assembly (oil filler)	1	LA	52-54
HCK 6781-A		Kit (oil pan gasket)-consists of the following (1) EAA-6700-B Seal (2) EAD-6701-A Seal (2) EAD-6702-A Seal (1) EAD-6710-A Gasket (1) 86H-6734 Gasket- also serviced in HCK-6008-B Kit	1	LA	52-54

Lincoln Cosmopolitan and Capri

CHASSIS PARTS CATALOGUE

PART NUMBER	SUBPTC	PART NAME	NO. REQ'D	MODEL	YEAR
Oil Filler and Crankcase Ventilation					
EAD 6800-A		Valve assy (oil anti-drain back)-when replacing EAD-6800-A with B4A-6751-A insert EAA-6890-B must also be used	1	LA	52-53
EAD 6804-A		Seal (oil anti-drain back valve)-Rubber-1/8" dia. section x 3/4" I. D.	1	LA	52-53
EAA 6838-A		Gasket (oil filter mounting)-also serviced in HCK-6731-A Kit	1	LA	52-54
EAD 6841-A		Screen assembly (crankcase ventilation)	1	LA	52-54
EAD 6869-A		Cover (crankcase ventilation)	1	LA	52-54
		24346-S8 Bolt (hex-hd)-5/16"-18 x 3/4"-cover to vent tube & adapter	1	LA	52-54
		351362-S2 Washer (flat)-5/16"-cover to vent. tube and adapter	1	LA	52-54
EAD 6870-A		Gasket (crankcase ventilation cover)-3-13/64" O. D. x 2 7/8" I. D. x 1/16" thick-also serviced in HCK-6008-B Kit	1	LA	52-54
EAD 6872-A		Gasket (crankcase ventilation adapter)-also serviced in HCK-6008-B Kit	1	LA	52-54
EAD 6874-A		Tube assembly (crankcase ventilation oil return)	1	LA	52-54
EAD 6880-B		Trough (timing chain lubrication)	1	LA	52-54
		20002-S Bolt (hex-hd)-5/16"-18 x 3/8"	2	LA	52-54
EAA 6889-A		Spring (oil filter element retaining)-7/8" I. D. x 19/32" long-6 coils	1	LA	52-53
EAA 6889-B		Spring (oil filter element retaining)	1	LA	54
EAA 6890-A		Insert (hex-hd)-3/4"-16 x 7/16"-oil filter mounting bolt	1	LA	52-54
EAA 6890-B		Insert (oil filter mounting bolt)-3/4"-16 female tapped hole x 1-1/16"-12 male thread	1	LA	52-54
EAA 6898-B		Retainer (oil filter element)-1-1/4" O. D. x 49/64" I. D. x 5/16" thick	1	LA	52-54

Lincoln Cosmopolitan and Capri

CHASSIS PARTS CATALOGUE

PART NUMBER	PART NAME	NO. REQ'D	MODEL	YEAR
Oil Filler and Crankcase Ventilation				
EAD 6800-A	Valve assy (oil anti-drain back)-when replacing EAD-6800-A with B4A-6751-A insert EAA-6890-B must also be used	1	LA	52-53
EAD 6804-A	Seal (oil anti-drain back valve)-Rubber-1/8" dia. section x 3/4" I. D.	1	LA	52-53
EAA 6838-A	Gasket (oil filter mounting)-also serviced in HCK-6731-A Kit	1	LA	52-54
EAD 6841-A	Screen assembly (crankcase ventilation)	1	LA	52-54
EAD 6869-A	Cover (crankcase ventilation)	1	LA	52-54
	24346-S8 Bolt (hex-hd)-5/16"-18 x 3/4"-cover to vent tube & adapter	1	LA	52-54
	351362-S2 Washer (flat)-5/16"-cover to vent. tube and adapter	1	LA	52-54
EAD 6870-A	Gasket (crankcase ventilation cover)-3-13/64" O. D. x 2 7/8" I. D. x 1/16" thick-also serviced in HCK-6008-B Kit	1	LA	52-54
EAD 6872-A	Gasket (crankcase ventilation adapter)-also serviced in HCK-6008-B Kit	1	LA	52-54
EAD 6874-A	Tube assembly (crankcase ventilation oil return)	1	LA	52-54
EAD 6880-B	Trough (timing chain lubrication)	1	LA	52-54
	20002-S Bolt (hex-hd)-5/16"-18 x 3/8"	2	LA	52-54
EAA 6889-A	Spring (oil filter element retaining)-7/8" I. D. x 19/32" long-6 coils	1	LA	52-53
EAA 6889-B	Spring (oil filter element retaining)	1	LA	54
EAA 6890-A	Insert (hex-hd)-3/4"-16 x 7/16"-oil filter mounting bolt	1	LA	52-54
EAA 6890-B	Insert (oil filter mounting bolt)-3/4"-16 female tapped hole x 1-1/16"-12 male thread	1	LA	52-54
EAA 6898-B	Retainer (oil filter element)-1-1/4" O. D. x 49/64" I. D. x 5/16" thick	1	LA	52-54

HYDRA-MATIC Transmission

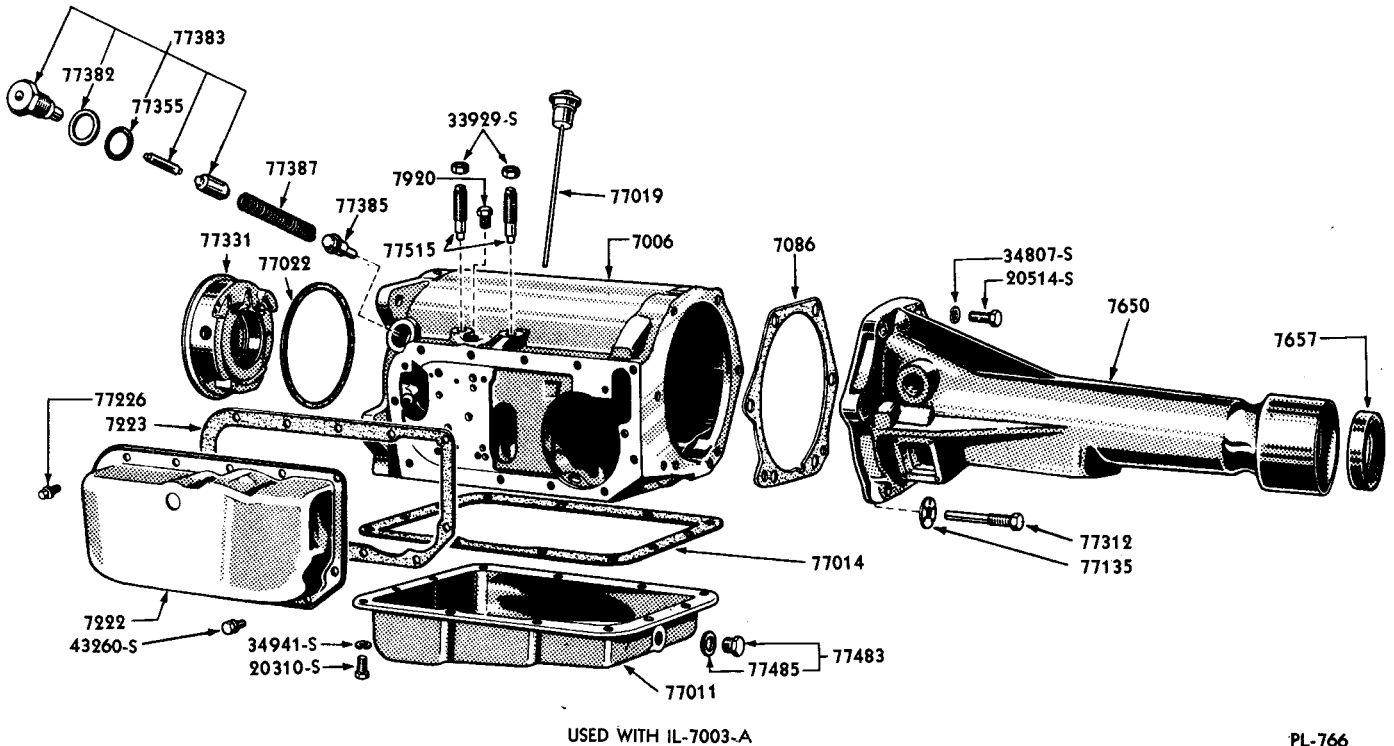
	8L-19582-A	Fluid for HYDRA-MATIC trans. - 55 gal. drum container	as reqd	LA	52-54
	8L-19582-D	Fluid for HYDRA-MATIC trans. - case-consists of (24) 1 quart can containers	as reqd	LA	52-54
1L 7003-A	NS	Transmission assy-less torus-Single Range-identification serial plate prefixed L-51-service details	1	LA	52
LA 7003-E		Transmission assy-less torus-Dual Range-identification serial plate prefixed L-52	1	LA	52
† LA 7003-F	NS	Transmission assy-less torus-Dual Range-identification serial plate prefixed LA-52-with daub of yellow paint on case-replaced by LA-7003-G	1	LA	53
LA 7003-G		Transmission assy-less torus-Dual Range-identification serial plate prefixed L-53	1	LA	52-53
LA 7003-H		Transmission assy-less torus-Dual Range-identification serial plate prefixed LA-53 with control valve assy LA-77201-E	1	LA	54

† Also used in late 1952-transmission plate serial prefix LA-52

Lincoln Cosmopolitan and Capri

CHASSIS PARTS CATALOGUE

HYDRA-MATIC Transmission—Continued



PL-766

TRANSMISSION CASE AND RELATED PARTS

Basic numbers only shown on illustration. Order by Part Numbers shown in list of parts.

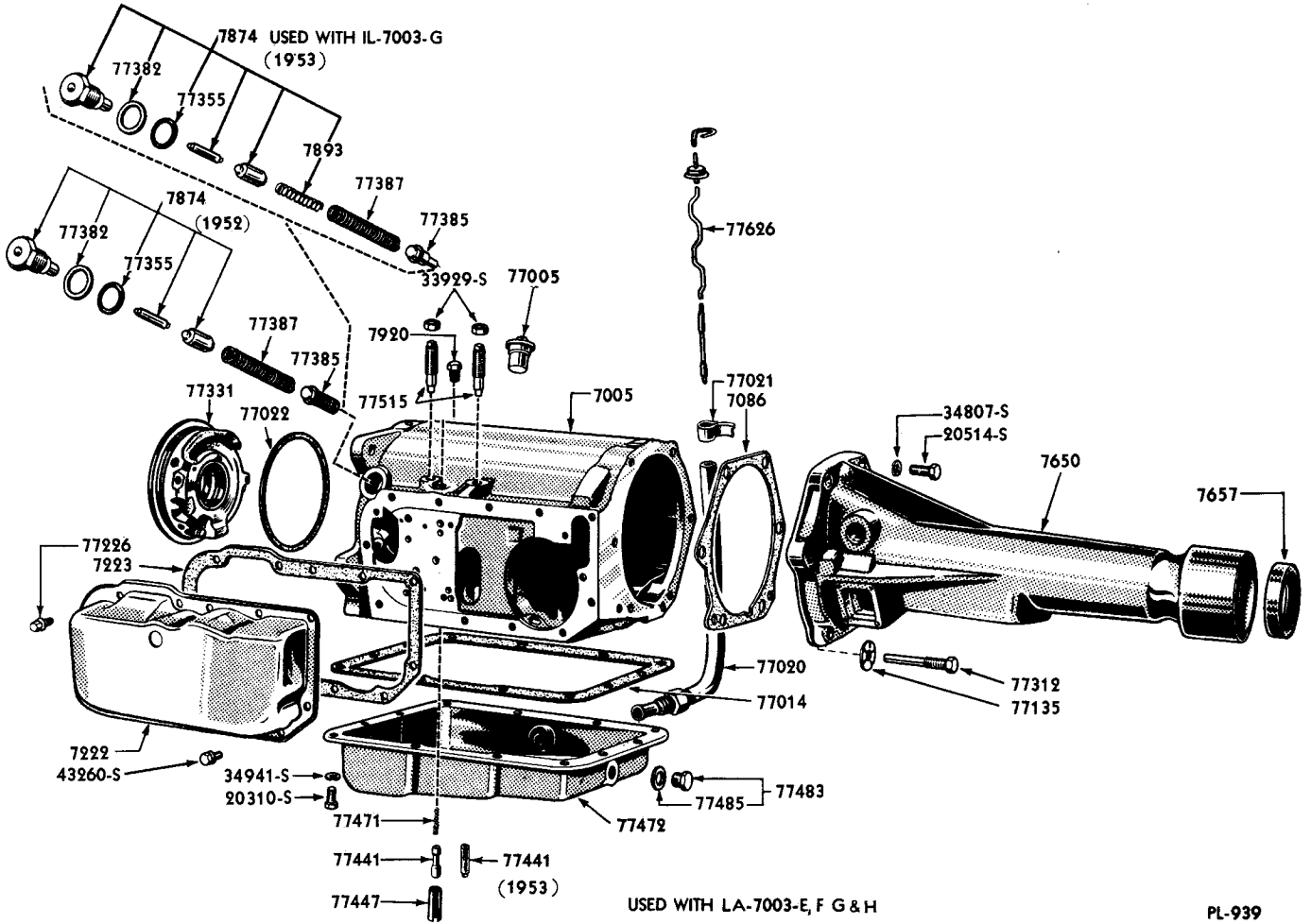
HYDRA-MATIC TRANSMISSION CHART

PART NUMBER	CLASS	PART NAME	HYDRA-MATIC TRANSMISSION					
			IL-7003-A	LA-7003-E	LA-7003-F	LA-7003-G	LA-7003-H	
			NUMBER REQUIRED					
LA 7005-A		Case assembly (transmission)		1	1			
LA 7005-B		Case assembly (transmission)				1		
LA 7005-C		Case assembly (transmission)					1	
1L 7006-A		Case (transmission)	1					
		8L-77008 Bolt (hex-hd)-1/2"-13 x 1-1/2"-trans. to flywheel housing	4	4	4	4	4	
		34809-S8 Lockwasher-1/2"-trans. to flywheel housing	4	4	4	4	4	
1L 7030-A		Snap ring (trans. output shaft bearing retaining)-2-37/64" O. D. x 2-17/64" I. D.	1	1	1	1	1	

Lincoln Cosmopolitan and Capri

CHASSIS PARTS CATALOGUE

HYDRA-MATIC Transmission—Continued



TRANSMISSION CASE AND RELATED PARTS

Basic numbers only shown on illustration. Order by Part Numbers shown in list of parts.

Lincoln Cosmopolitan and Capri

CHASSIS PARTS CATALOGUE

HYDRA-MATIC Transmission—Continued

HYDRA-MATIC TRANSMISSION CHART—CONTINUED

PART NUMBER	CLASS	PART NAME	HYDRA-MATIC TRANSMISSION				
			1L-7003-A	LA-7003-E	LA-7003-F	LA-7003-G	LA-7003-H
			NUMBER REQUIRED				
01Y 7039		Kit (universal joint)-consists of the following (4) 01Y-7074 Bearing (1) 01Y-7084 Spider (4) 01Y-7096 Snap ring	Refer to Drive Shaft & Universal Joint Group				
1L 7070-A		Spacer (trans. output shaft rear bearing)-1-9/16" O. D. x 1-25/64" I. D. x 1-5/16" thick	1	1	1	1	1
01T 7078-A		Seal (universal joint grease)	Refer to Drive Shaft & Universal Joint Group				
01Y 7083		Ferrule (universal joint spider)	Refer to Drive Shaft & Universal Joint Group				
1L 7086-A		Gasket (transmission extension)-Paper-8 holes	1	1	1	1	1
		HAK-7086-B Kit (transmission gasket)-consists of the following (1) 8L-7086-B Gasket (1) 1L-7086-A Gasket (1) 8L-7223-B Gasket (1) 1L-7223-A Gasket (1) LA-7223-A Gasket (1) 8L-7945 Gasket (1) 8L-77014 Gasket (1) 8L-77022 Gasket (1) 1L-77161-A Gasket (1) 8L-77346 Gasket (1) OL-77382 Gasket (1) LA-77457-A Gasket (1) LA-77480-A Gasket (1) 8L-77485 Gasket	1	1	1	1	1
01Y 7096		Snap ring (universal joint spider brkt. retaining)	Refer to Drive Shaft & Universal Joint Group				
	NS	LA-7202-A Plug (trans. control timing valve)-changed to LA-77206-A				1	
		1L-7222-A Cover (transmission case side)	1				
		LA-7222-B Cover (transmission case side)		1	1	1	1
		8L-77226 Bolt & washer assy (hex-hd)-1/4"-20 x 1/2"	5	5	5	5	5
		43260-S8 Bolt & washer assy (hex-hd)-1/4"-20 x 1/2"	7	7	7	7	7
		1L-7223-A Gasket (transmission case side cover)	1				
		LA-7223-A Gasket (transmission case side cover)		1	1	1	1
		8L-7285-C Lever (transmission outer shift)	1				
		LA-7285-B Lever (transmission outer shift)		1	1	1	1
		50191-S Bolt (cross recessed fillister head)-5/16"-24 x 1"-outer shift lever	1	1	1	1	1
		★LA-7325-B Rod assy (trans. manual shift)-Single Range	Refer to Accelerator Group				
		★LA-7325-D Rod assy (trans. manual shift)-Dual Range	Refer to Accelerator Group				
		★LA-7325-E Rod assy (trans. manual shift)-Dual Range	Refer to Accelerator Group				
		LA-7408-A Spring (front spring priming)-outer				1	
		LA-7417-A Valve (transmission front servo over-run control)-7/16" O. D. x approx. 1-9/64" free length		1	1		
		LA-7417-B Valve (transmission front servo over-run control)				1	1
		LA-7432-A Retainer (line exhaust valve spring)				1	1

★ Used with but not part of basic number 7003 assembly

Lincoln Cosmopolitan and Capri

CHASSIS PARTS CATALOGUE

HYDRA-MATIC Transmission—Continued

HYDRA-MATIC TRANSMISSION CHART—CONTINUED

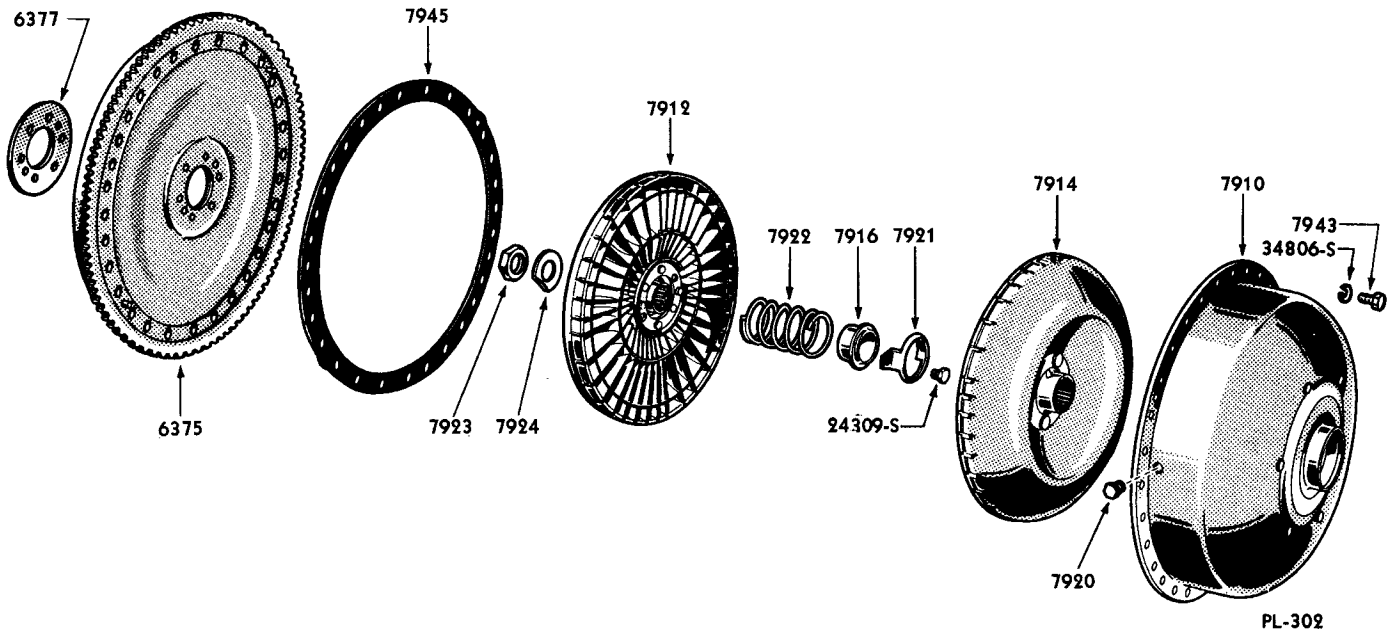
PART NUMBER	CLASS	PART NAME	HYDRA-MATIC TRANSMISSION						
			IL-7003-A	LA-7003-E	LA-7003-F	LA-7003-G	LA-7003-H		
			NUMBER REQUIRED						
		EAD-7609-A Retainer (clutch pilot bearing)		1	1	1	1	1	
		1L-7650-A Extension assembly (transmission)	1	1	1	1	1		
		20514-S7 Bolt (hex-hd)-3/8"-16 x 1-7/8"	5	5	5	5	5		
		34807-S8 Lockwasher-3/8"	5	5	5	5	5		
		★8L-7692 Shield (trans. ext. rear oil seal)-Steel	Refer to Drive Shaft & Universal Joint Group						
		★OL-7770 Pan assembly (trans. control linkage splash)	1						
	NS	★LA-7771-B Pan (trans. control linkage splash)-w/o Power Steering-replaced by LA-7771-D		1	1				
		★LA-7771-C Pan (trans. control linkage splash)-with Power Steering			1	1	1		
		★LA-7771-D Pan (trans. control linkage splash)-w/o Power Steering		1	1	1	1		
		20328-S Bolt (hex-hd)-3/8"-16 x 5/8"-linkage splash pan to frame	2	2	2	2			
		LA-7872-A Spring (transmission over-run control valve) -17/64" O.D. x 1-9/64" free length-16 coils		1	1				
		LA-7872-B Spring (transmission over-run control valve) -3/8" O.D. x 2-1/16" free length-19 coils				1	1		
		LA-7874-A Kit (transmission pressure regulator plug and gaskets)-consists of the following (1) OL-77355 Seal (1) OL-77382 Gasket (1) Plug assy (1) Plug (reverse booster) (1) Plug (T. V.) (1) LA-7893-A Spring		1	1				
		LA-7874-B Kit (transmission pressure regulator plug and gaskets)-consists of the following (1) OL-77355 Seal (1) OL-77382 Gasket (1) Plug assy (1) Plug (reverse booster) (1) Plug (T. V.) (1) LA-7893-A Spring				1	1		
		LA-7893-A Spring (regulator valve dampener)				1	1		
	NS	★8L-7910 Cover assy (transmission torus)-replaced by LA-7910-A	1						
		★LA-7910-A Cover assy (transmission torus)	1	1	1	1	1		
		★8L-7912 Torus assy (transmission driven)	1	1	1	1	1		
		★8L-7914 Torus assy (transmission assy driving)	1	1	1	1	1		
		★1L-7916-A Valve (transmission torus check)	1	1	1	1	1		
		8L-7917 Snap ring (torus retaining)	5	5	5	5	5		
		★LA-7919-A Lever (transmission throttle control outer)	1	1	1	1	1		
		★24385-S2 Bolt (hex-hd)-1/4"-28 x 1"-throttle control lever to transmission manual shaft	1	1	1	1	1		
		★8L-7920 Plug (hex-hd)-1/8" pipe-trans. torus cover	1	1	1	1	1		
		8L-7920 Plug (hex-hd)-1/8" pipe-transmission case	1	1	1	1	1		
		8L-7920 Plug (hex-hd)-1/8" pipe-transmission front servo	1	1	1	1	1		

★ Used with but not part of basic number 7003 assembly

Lincoln Cosmopolitan and Capri

CHASSIS PARTS CATALOGUE

HYDRA-MATIC Transmission—Continued



FLYWHEEL, TORUS MEMBERS AND COVER

Basic numbers only shown on illustration. Order by Part Numbers shown in list of parts.

HYDRA-MATIC TRANSMISSION CHART—CONTINUED

PART NUMBER	CLASS	PART NAME	HYDRA-MATIC TRANSMISSION					
			IL-7003-A	LA-7003-E	LA-7003-F	LA-7003-G	LA-7003-H	
			NUMBER REQUIRED					
★8L-7921		Retainer (transmission torus check valve)	1	1	1	1		
★24309-S8		Bolt (hex-hd)-1/4"-28 x 1/2"-transmission torus check valve retainer	2	2	2	2		
★8L-7922		Spring (trans. torus check valve)-1-37/64" I. D. x 3-17/32" free length	1	1	1	1	1	
★8L-7923		Nut (transmission main shaft)-hex-7/8"-16	1	1	1	1	1	
★8L-7924		Washer (trans. main shaft nut lock)	1	1	1	1	1	
★1L-7927-A		Snap ring (transmission driven torus)	1	1	1	1	1	
8L-7938		Bearing (trans. pilot)-Bronze-19/32" I. D. x 1-3/32" O. D. x 3/4" long	1	1	1	1	1	

★ Used with but not a part of basic number 7003 assembly

Lincoln Cosmopolitan and Capri

CHASSIS PARTS CATALOGUE

HYDRA-MATIC Transmission—Continued

HYDRA-MATIC TRANSMISSION CHART—CONTINUED

PART NUMBER	CLASS	PART NAME	HYDRA-MATIC TRANSMISSION					
			IL-7003-A	LA-7003-E	LA-7003-F	LA-7003-G	LA-7003-H	
			NUMBER REQUIRED					
8L-7942		Retainer (trans. pilot bearing)-Steel-39/64" I. D. x 1-37/64" O. D. x 7/32" deep	1					
★8L-7943		Bolt (hex-hd)-5/16"-24 x 45/64"-torus cover to	30	30	30	20	20	
★34806-S7		Lockwasher-5/16"-torus cover to flywheel assy	30	30	30	20	20	
357773-S		Screw & lockwasher assy (hex-hd)-5/16-24 x 45/64"-torus cover to flywheel	30	30	30	20	20	
★8L-7945		Gasket (flywheel to torus cover assembly)	1	1	1	1	1	
LA-77005-A		Breather and indicator assy (trans. oil)		1	1	1	1	
★8L-77008		Bolt (hex-hd)-1/2"-13 x 1-1/2"-flywheel housing to transmission	4	4	4	4	4	
★34809-S8		Lockwasher-1/2"-flywheel housing to trans.	4	4	4	4	4	
8L-77011		Pan assembly (transmission oil)	1					
20310-S8		Bolt (hex-hd)-5/16"-18 x 1/2"-oil pan to transmission case	12					
34941-S7		Lockwasher (external tooth)-5/16"	12					
8L-77014		Gasket (transmission oil pan)	1	1	1	1	1	
8L-77016		Screen assembly (transmission oil pump intake)- 6-3/4" x 6-3/4"	1					
LA-77016-A		Screen assy (transmission oil pump intake)- 6-43/64" x 4-15/16"		1	1	1	1	
8L-77017		Gear and shaft assy (transmission main drive)	1	1	1	1	1	
8L-77019		Indicator assy (transmission oil level)-located under front compartment floor pan	1					
8L-77020		Tube (transmission oil filler)-1-3/16" O. D. x 1-5/8" long-located under front compartment floor pan	1					
★LA-77020-A		Tube assy (trans. oil filler)-approx. 22-1/4" formed length-used with LA-77626-A-located under hood compartment at right front of dash		1	1	1	1	
★LA-77021-A		Clamp (transmission oil filler tube)-use with LA-77020-A		1	1	1	1	
8L-77022		Gasket (transmission case front cover)	1	1	1	1		
LA-77022-A		Seal (front pump)-"O" ring type-Rubber					1	
8L-77027		Sleeve assy (transmission oil supply to clutches)	1	1	1	1	1	

★ Used with but not a part of basic number 7003 assembly

Lincoln Cosmopolitan and Capri

CHASSIS PARTS CATALOGUE

HYDRA-MATIC Transmission—Continued

HYDRA-MATIC TRANSMISSION CHART—CONTINUED

PART NUMBER	CLASS	PART NAME	HYDRA-MATIC TRANSMISSION					
			1L-7003-A	LA-7003-E	LA-7003-F	LA-7003-G	LA-7003-H	
			NUMBER REQUIRED					
8L-77031		Plate (transmission center bearing cap lock)	1	1	1	1	1	
20246-S8		Bolt (hex-hd)-7/16"-14 x 2-1/2"-center bearing cap to case	2	2	2	2	2	
8L-77032-A		Washer (transmission main shaft thrust)-rear-.055"/.059" thick	as reqd	as reqd	as reqd	as reqd	as reqd	
8L-77032-B		Washer (transmission main shaft thrust)-rear-.063"/.067" thick	as reqd	as reqd	as reqd	as reqd	as reqd	
8L-77032-C		Washer (transmission main shaft thrust)-rear-.071"/.075" thick	as reqd	as reqd	as reqd	as reqd	as reqd	
8L-77032-D		Washer (transmission main shaft thrust)-rear-.079"/.083" thick	as reqd	as reqd	as reqd	as reqd	as reqd	
8L-77032-E		Washer (transmission main shaft thrust)-rear-.087"/.091" thick	as reqd	as reqd	as reqd	as reqd	as reqd	
8L-77032-F		Water (transmission main shaft thrust)-rear-.095"/.099" thick	as reqd	as reqd	as reqd	as reqd	as reqd	
8L-77032-G		Washer (transmission main shaft thrust)-rear-.103"/.107" thick	as reqd	as reqd	as reqd	as reqd	as reqd	
8L-77032-H		Washer (transmission main shaft thrust)-rear-.111"/.115" thick	as reqd	as reqd	as reqd	as reqd	as reqd	
1L-77061-A		Shaft assy (trans. output)-with approx. 45° spline end-integral speedometer driving gear	1	1	1	1	1	
8L-77069		Snap Ring (transmission output shaft center bearing retainer)	1	1	1	1	1	
8L-77072		Gear (rear internal)-before trans. #L51-9462	1					
1L-77072-A		Gear (rear internal)-starting with trans. #L51-9462	1	1	1	1	1	
8L-77077		Screw (fillister head)-No. 10-24 x 1"-rear internal gear to rear drum	2	2	2	2	2	
8L-77126		Screw & washer assy (fillister hd)-No. 10-24 x 1"-front valve body to inner valve body	3					
8L-77126		Screw & washer assy (fillister hd)-No. 10-24 x 1"-front valve body cover plate	2					
8L-77127		Screw & washer assy (fillister hd)-No. 10-24 x 7/16"-front valve body cover plate	1					
8L-77127		Screw & washer assy (fillister hd)-No. 10-24 x 7/16"-outer valve body front cover	3					
LA-77130-A		Governor assembly (transmission)		1	1	1	1	
24404-S		Bolt (hex-hd)-1/4"-20 x 1-1/8"		2	2	2	2	
34940-S2		Lockwasher (external tooth)-1/4"		2	2	2	2	
358498-S		Screw & washer assy (fill-hd)-No. 10-24 x 7/16"-governor bushing retainer to governor body		2	2	2	2	
8L-77135		Lock (transmission reverse anchor support bolt)	1	1	1	1	1	

Lincoln Cosmopolitan and Capri

CHASSIS PARTS CATALOGUE

HYDRA-MATIC Transmission—Continued

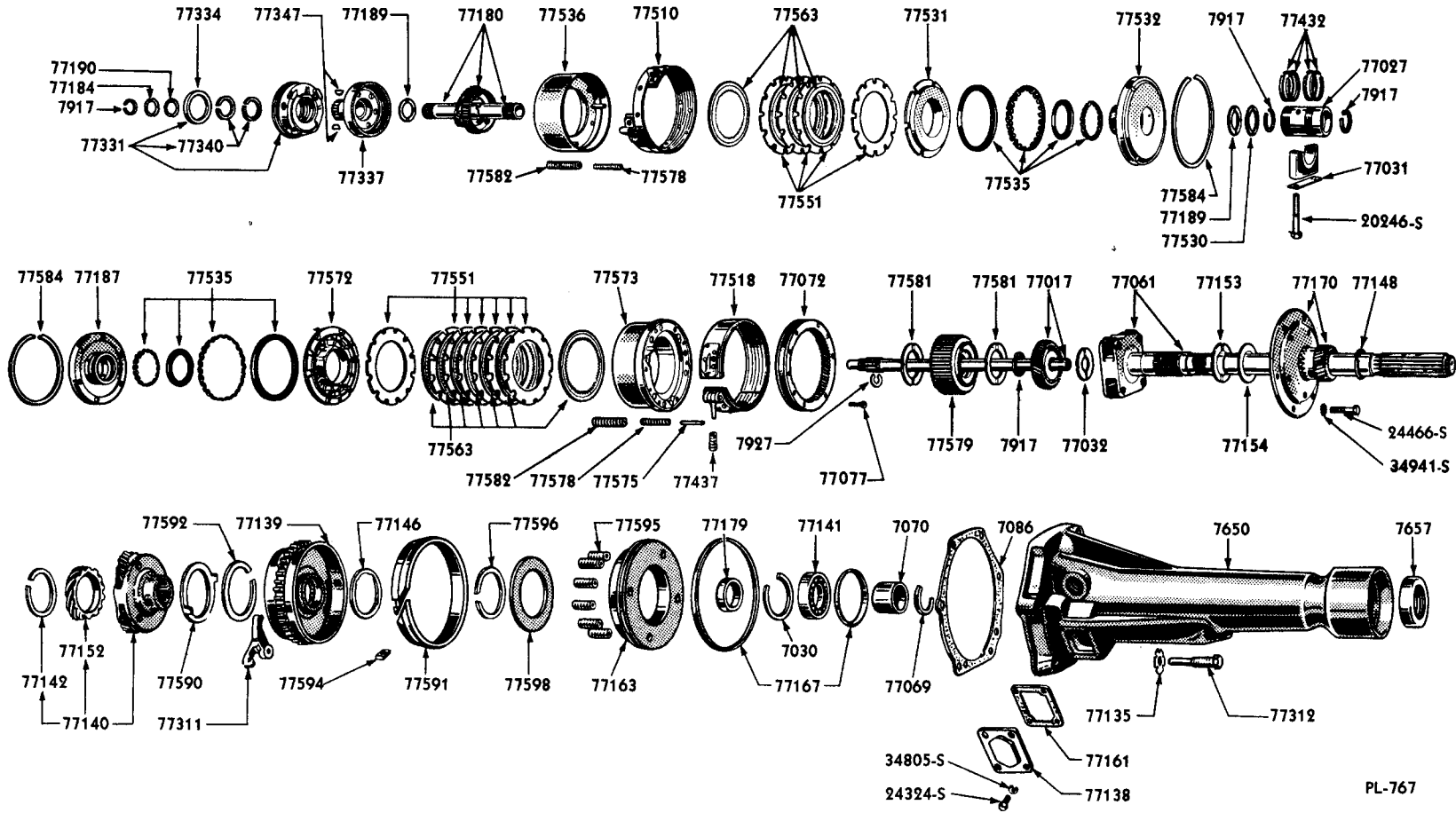
HYDRA-MATIC TRANSMISSION CHART—CONTINUED

PART NUMBER	CLASS	PART NAME	HYDRA-MATIC TRANSMISSION					
			1L-7003-A	LA-7003-E	LA-7003-F	LA-7003-G	LA-7003-H	
			NUMBER REQUIRED					
1L-77138-A		Cover (transmission extension housing access)	1	1	1	1	1	
24324-S7		Bolt (hex-hd)-1/4"-20 x 5/8"-cover to extension	4	4	4	4	4	
34805-S8		Lockwasher-1/4"-cover to extension	4	4	4	4	4	
1L-77139-A		Gear (transmission reverse internal)	1	1	1	1		
HEK-77139-A		Kit (trans. reverse internal gear, washer & spring)-consists of the following (1) LA-77139-A Gear (1) LA-77510-A Spring (1) LA-77590-A Washer					1	
1L-77140-A		Carrier assembly (transmission reverse planet)	1	1	1	1	1	
8L-77141		Bearing assy (transmission output shaft)	1	1	1	1	1	
8L-77142		Snap ring (trans. rear oil pump gear retaining)	3	3	3	3	3	
8L-77144		Bearing (needle)-.0770"/.0772" dia. -.745" overall length	57	76	76	76	76	
1L-77146-A		Washer (transmission reverse internal gear thrust)-3-1/4" O.D. x 2-9/16" I. D. x 3/32" thick	1	1	1	1	1	
8L-77148		Snap Ring (transmission reverse planet carrier retaining)-1.322"/1.342" I. D. x 1.572"/1.592" O. D. x .092"/.094" thick	1	1	1	1	1	
8L-77152		Gear (transmission rear oil pump drive)	1	1	1	1	1	
353060-S		Ball-3/16" dia. -pump driver gear	1	1	1	1	1	
8L-77153		Washer (trans. reverse sun gear thrust)-Bronze-1-11/16" I. D. -2-19/32" O. D. x .087"/.091" thick	1	1	1	1	1	
8L-77154		Washer (transmission reverse sun gear backing thrust)-Steel-1-1/2" I. D. -2-7/16" O. D. x .049"/.052" thick	1	1	1	1	1	
1L-77155-A		Spring (transmission reverse blocker piston)-5/16" O. D. x approx. 15/17" free length	1	1	1	1	1	
1L-77161-A		Gasket (trans. extension housing access cover)	1	1	1	1	1	
1L-77163-A		Piston assy (transmission reverse clutch)-alt. with LA-77163-A	1	1	1	1	1	
LA-77163-A		Piston assy (transmission reverse clutch)-alt. with 1L-77163-A	1	1	1	1	1	
1L-77164-A		Pin (transmission reverse blocker piston stop)-1/8" dia. x 1-5/16" long	1	1	1	1	1	
HBK-77167-A		Kit (transmission reverse clutch piston seals)-consists of the following (1) 1L-77167-A Seal-outer (1) 1L-77174-A Seal-inner	1	1	1	1	1	

Lincoln Continental and Capri

CHASSIS PARTS CATALOGUE

HYDRA-MATIC Transmission—Continued



TRANSMISSION FRONT, CENTER AND REAR UNITS
 Basic numbers only shown on illustration. Order by Part Numbers shown in list of parts.

Lincoln Cosmopolitan and Capri

CHASSIS PARTS CATALOGUE

HYDRA-MATIC Transmission—Continued

HYDRA-MATIC TRANSMISSION CHART—CONTINUED

PART NUMBER	CLASS	PART NAME	HYDRA-MATIC TRANSMISSION					
			1L-7003-A	LA-7003-E	LA-7003-F	LA-7003-G	LA-7003-H	
			NUMBER REQUIRED					
8L-77170		Gear & Flange assy (transmission reverse sun)	1	1	1	1	1	
24466-S7		Bolt (hex-hd)-5/16"-18 x 1-1/2"-reverse drive flange to trans. rear drum & pin assembly	6	6	6	6	6	
34941-S7		Lockwasher (external tooth)-5/16"-reverse drive flange to trans. rear drum & pin assy.	6	6	6	6	6	
34906-S8		Lockwasher (internal tooth)-5/16"	6	6	6	6	6	
1L-77179-A		Spacer (trans. reverse planet carrier)-1-11/16" O. D. x 1-25/64" I. D. x 23/64" thick	1	1	1	1	1	
OL-77180		Carrier assembly (trans. front planet)-complete	1					
LA-77180-A		Carrier assembly (trans. front planet)-complete		1	1	1	1	
8L-77184		Washer (trans. front planetary assy front backing)-Steel-1-11/32" I. D. x 1-13/16" O. D. x 3/32" thick	1	1	1	1	1	
1L-77187-A		Drum assembly (transmission rear clutch)	1	1	1	1	1	
8L-77189		Washer (trans. front clutch drum rear thrust)-Bronze-Grooved-1-3/8" I. D. x 1-29/32" O. D. x 3/32" thick	2	2	2	2	2	
8L-77190		Washer (trans. front planetary assy front thrust)-Bronze-1-13/32" I. D. x 1-53/64" O. D. x 3/32" thick	1	1	1	1	1	
1L-77201		Valve assembly (transmission oil control)	1					
LA-77201-A		Valve assembly (transmission oil control)		1				
LA-77201-B		Valve assembly (transmission oil control)			1			
LA-77201-C		Valve assembly (transmission oil control)-stamped "4" at end of 8L-77284				1		
LA-77201-D		Valve assembly (transmission oil control)-stamped "12" at end of 8L-77284				1		
LA-77201-E		Valve assembly (transmission oil control)					1	
21497-S		Bolt (hex-hd)-1/4"-20 x 2"-control valve assy to transmission case	4	4	4	4	4	
34803-S7		L/Washer-No. 10-use with 356746-S & 356747-S		5	5	5	5	
34940-S2		Lockwasher (external tooth)-1/4"-control valve assembly to transmission case	4	4	4	4	4	
351991-S		Screw & washer assy (fillister head)-No. 10-24 x 1-1/4"-front valve body to inner valve body			2	2	2	
351992-S		Screw & washer assy (fillister head)-No. 10-24 x 1-3/8"-front valve body to inner valve body			1	1	1	
352978-S		Screw & washer (fillister head)-No. 10-24 x 1-1/4"-front valve body to inner valve body		2	2	2	2	
353616-S		Screw & lockwasher assy (fillister head)-No. 10-24 x 3/8"- (3) Outer valve body frt. plate to outer valve body (3) Front valve body plate to front valve				6	6	
356746-S		Screw (fill-hd)-No. 10-24 x 3/4"-retainer to outer valve body		1	1	1	1	
356746-S		Screw (fillister head)-No. 10-24 x 3/4"-valve body rear cover to inner valve body		1	1	1		

Lincoln Cosmopolitan and Capri

CHASSIS PARTS CATALOGUE

HYDRA-MATIC Transmission—Continued

HYDRA-MATIC TRANSMISSION CHART—CONTINUED

PART NUMBER	CLASS	PART NAME	HYDRA-MATIC TRANSMISSION					
			1L-7003-A	LA-7003-E	LA-7003-F	LA-7003-G	LA-7003-H	
			NUMBER REQUIRED					
		356747-S Screw (fillister head)-No. 10-24 x 1"-valve body rear cover to inner valve body		1	1	1	1	
		356747-S Screw (fillister head)-No. 10-24 x 1"-front valve body to inner valve body		1	1	1	1	
		358496-S Screw & washer (flat head)-No. 10-24 x 7/16"-detent plug plate		2	2	2	2	
		358497-S Screw & washer (fillister head)-No. 10-24 x 5/8"-outer valve body to retainer		1	1	1	1	
		358498-S Screw & washer (fillister head)-No. 10-24 x 7/16"-timing valve body to inner valve body		2	2	2	2	
		358499-S Screw & washer (fillister head)-No. 10-24 x 1-1/8"-outer valve body to inner valve body		2	2	2	2	
		358499-S Screw & washer (fillister head)-No. 10-24 x 1-1/8"-retainer to outer valve body		1	1	1	1	
		LA-77202-A Retainer (trans. control valve detent plunger)		1	1	1	1	
		LA-77203-A Spring (transmission reverse exhaust valve)	1	1	1	1	1	
		LA-77203-A Spring (trans. control valve throttle oil ball)		1	1	1	1	
		357146-S Ball-7/32" dia. -transmission control valve-used with LA-77203-A		1	1	1	1	
		LA-77206-A Plug (transmission control timing valve)				1	1	
		LA-77207-A Pin (transmission control valve plug retainer) - 5/64" dia. x 15/16" long		1	1	1	1	
		1L-77208-A Spacer (trans. control valve detent plunger ret.) - 1-1/4" wide x 1-3/16" long-with (6) holes	1					
		8L-77211 Kit (transmission throttle shaft repair)-consists of the following (1) 72187-S7 Pin (1) 8L-77223 Seal (6) 351543-S Washer	1	1	1	1		
		HEK-77211-A Kit (transmission throttle shaft repair)-consists of the following (1) 72187-S7 Pin (1) LA-77223-A Seal (6) 351543-S Washer					1	
		8L-77226 Bolt & washer (hex head)-1/4"-20 x 1/2"-trans. side cover to case	5 or 12	5 or 12	5 or 12	5 or 12	5 or 12	
		43260-S8 Screw & washer assy (hex)-1/4"-20 x 1/2"-trans. side cover to case	7	7	7	7	7	
		8L-77231 Valve (trans. fourth to third speed down shift)	1					
		LA-77231-A Valve (trans. fourth to third speed down shift)		1	1			
	NS	LA-77231-B Valve (trans. fourth to third speed down shift)-part no. changed to LA-7417-A under different nomenclature		1	1			
		LA-77231-C Valve (trans. fourth to third speed down shift)				1	1	
		1L-77232-A Retainer (transmission fourth to third speed down shift valve)-with 17/32" inside loop diameter	1	1	1	1	1	

Lincoln Cosmopolitan and Capri

CHASSIS PARTS CATALOGUE

HYDRA-MATIC Transmission—Continued

HYDRA-MATIC TRANSMISSION CHART—CONTINUED

PART NUMBER	CLASS	PART NAME	HYDRA-MATIC TRANSMISSION						
			1L-7003-A	LA-7003-E	LA-7003-F	LA-7003-G	LA-7003-H		
			NUMBER REQUIRED						
1L-77234-A		Lever assy (transmission inside detent control)	1						
LA-77234-A		Lever assy (transmission inside detent control)		1	1	1	1		
LA-77271-A		Valve (trans. control valve by-pass)				1	1		
8L-77284		Lever assy (trans. inside throttle valve control)	1	1	1	1	1		
		72187-S7 Pin (grooved)-1/16" x 1/2" throttle valve control lever	1	1	1	1	1		
		351543-S Washer (flat)-5/16"-to remove throttle shaft	as reqd	as reqd	as reqd	as reqd	as reqd		
1L-77285-A		Retainer assembly (transmission detent plunger)	1						
		356746-S Screw (fillister head)-No. 10-24 x 3/4" retainer detent plunger to outer valve body	1						
		34803-S7 Lockwasher-No. 10-use with 356746-S	1						
1L-77294-A		Piston (transmission reverse shifter blocker)-11/16" O. D. x 7/8" long-slotted	1	1	1	1	1		
1L-77295-A		Bracket & crank assy (trans. reverse shifter)	1						
LA-77295-A		Bracket & crank assy (trans. reverse shifter)		1	1	1	1		
		352794-S Bolt (hex head)-5/16"-18 x 2-1/16"	2	2	2	2	2		
		34806-S7 Lockwasher-5/16"	2	1	1	1	1		
8L-77299		Roller (transmission reverse shifter crank)-5/16" I. D. x 3/4" O. D. x 1/4" thick	1	1	1	1	1		
1L-77311-A		Pawl (transmission parking)	1	1	1	1	1		
1L-77312-A		Screw (hex-hd dog point)-7/16"-20 x 3"-trans. parking pawl support	1	1	1	1	1		
1L-77313-A		Spring (transmission parking brake pawl return)-18 coils-1-3/4" long	1	1	1	1	1		
8L-77320		Plate (transmission oil pump inlet pipe bolt)	2						
LA-77320-A		Retainer (transmission blocker piston pin)		1	1	1	1		
8L-77321		Pipe assy (trans. front oil pump inlet)-with flange	1						
		24324-S7 Bolt (hex-hd)-1/4"-20 x 5/8"-intake pipe to front pump	2						
LA-77321-A		Pipe (transmission front oil pump inlet)-without flange		1	1	1	1		
1L-77325-B		Spring (transmission parking blocker piston)-11/32" O. D. x 1-1/32" approx. free length	1						
LA-77325-A		Spring (transmission parking blocker piston)-7/16" O. D. x 1-1/16" approx. free length		1	1	1	1		
		72886-S8 Pin (straight)3/32" x 1"-to retain spring to parking blocker		1	1	1	1		
1L-77327-B		Stop (transmission parking blocker piston spring)	1						
1L-77328-A		Piston (trans. parking blocker)-11/16" O. D. x 13/16" long	1						
LA-77328-A		Piston (trans. parking blocker)-11/16" O. D. x 63/64" long-slotted		1	1	1	1		

Lincoln Cosmopolitan and Capri

CHASSIS PARTS CATALOGUE

HYDRA-MATIC Transmission—Continued

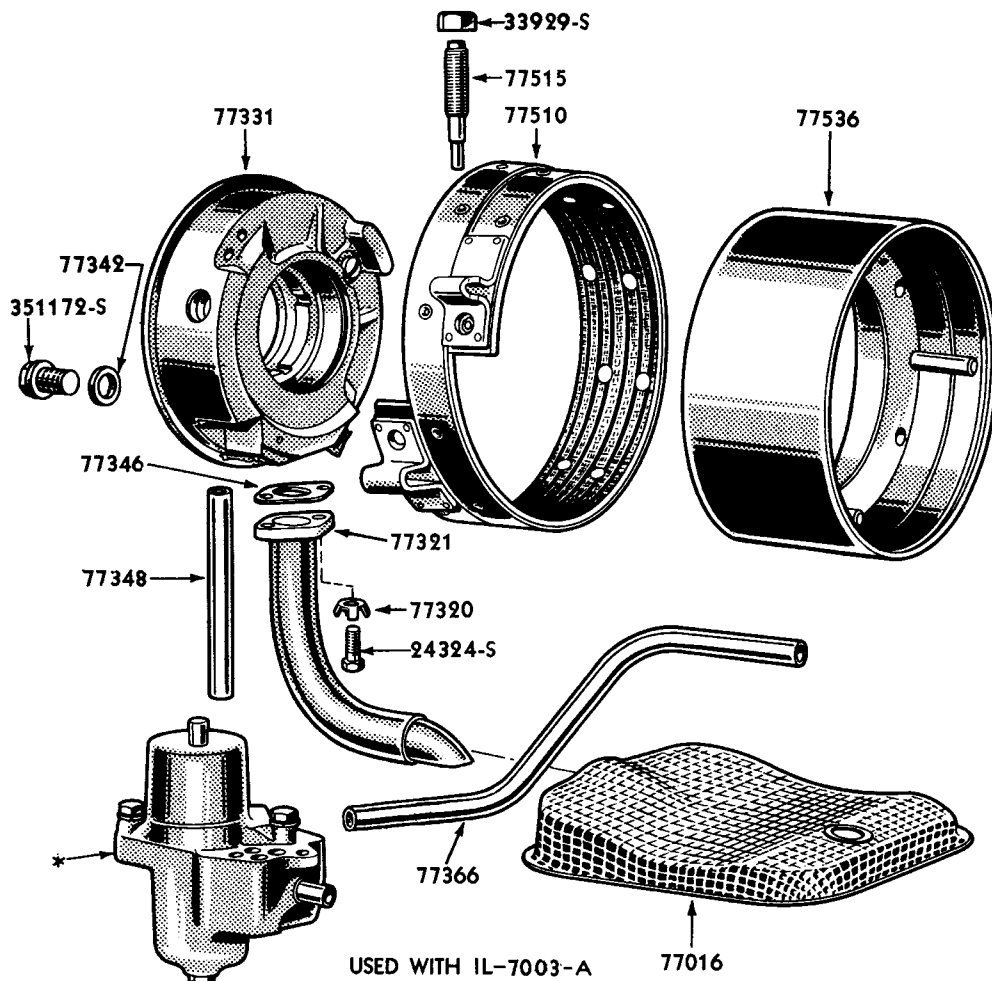
HYDRA-MATIC TRANSMISSION CHART—CONTINUED

PART NUMBER	CLASS	PART NAME	HYDRA-MATIC TRANSMISSION							
			IL-7003-A	LA-7003-E	LA-7003-F	LA-7003-G	LA-7003-H			
			NUMBER REQUIRED							
NS	LA-77328-B	Plug (over-run control valve spring)-changed to LA-7202-A then to LA-77206-A				1				
	HBK-77330-A	Kit (transmission front pump screws & washers)-consists of the following (3) 8L-77336 Washer (1) 1L-77339-A Bolt (3) 352792-S Bolt (1) 34805-S8 L/Washer	1							
	1L-77331-A	Pump assembly (transmission front oil)	1							
	LA-77331-A	Pump assembly (transmission front oil)-letter "S" stamped on face of cover		1	1	1	1			
	351772-S	Bolt (hex washer head)-5/16"-18 x 1/2"-pump assembly to transmission case	2	2	2	2	2			
	352980-S	Lockwasher (internal tooth)-1/4"-pump body to cover	4	4	4	4	4			
	73281-S	Pin (straight chamfer)-3/32" x 13/16"		1	1	1	1			
	352979-S	Screw (fillister head)-1/4"-20 x 1"-pump body to cover		4	4	4	4			
	LA-77332-A	Valve (transmission front oil pump relief)		1	1	1	1			
	1L-77333-A	Valve (trans. front pump by pass)-9/16" O. D. x 15/32" I. D. x 5/8" long	1							
	8L-77334	Seal (transmission front cover oil)	1							
	8L-77336	Washer (trans. front cover to pump screw)-Copper-17/64" I. D. -3/8" O. D. -1/32" thick-also serviced in HBK-77330-A Kit	3							
	OL-77337	Gear assembly (transmission front drive)	1							
	LA-77337-A	Gear assembly (transmission front drive)		1	1	1	1			
	8L-77340	Ring (trans. front oil pump seal)-2-3/8" O. D. x 3/32" thick	2							
	LA-77340-A	Ring (trans. front oil pump seal)-2-3/8" O. D. x 1/8" thick		1	1	1	1			
	8L-77342	Washer (trans. front pump locating)-Steel-21/64" I. D. x 1/2" O. D. x 3/32" thick	1	1	1	1	1			
	8L-77346	Gasket (transmission front pump intake pipe)	1							
	8L-77347	Key (Woodruff)-.188/.189" thick-transmission front pump drive	1	1	1	1	1			
	8L-77348	Pipe (transmission front oil pump delivery)-3-15/16" overall length	1	1	1	1	1			

Lincoln Cosmopolitan and Capri

CHASSIS PARTS CATALOGUE

HYDRA-MATIC Transmission—Continued



PL-855

TRANSMISSION FRONT OIL PUMP AND RELATED PARTS

Basic numbers only shown on illustration. Order by Part Numbers shown in list of parts.

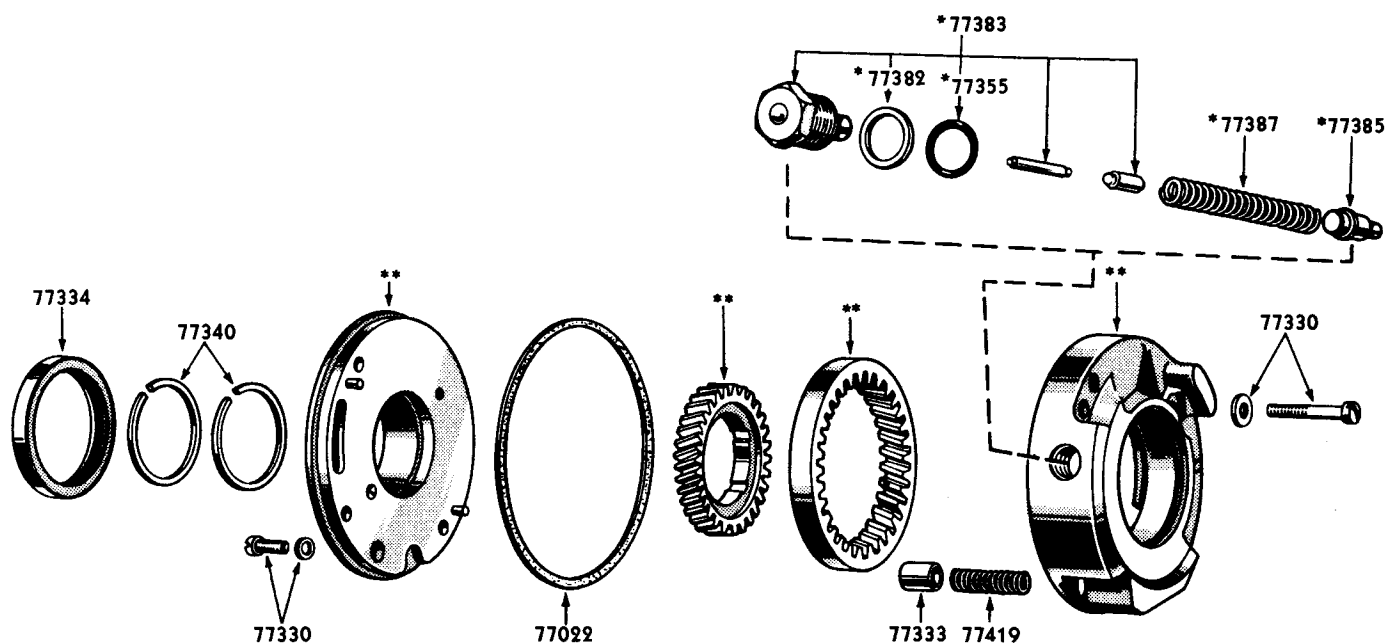
HYDRA-MATIC TRANSMISSION CHART—CONTINUED

PART NUMBER	CLASS	PART NAME	HYDRA-MATIC TRANSMISSION					
			IL-7003-A	LA-7003-E	LA-7003-F	LA-7003-G	LA-7003-H	
			NUMBER REQUIRED					
LA-77349-A		Spring (transmission front oil pump relief valve)		1	1	1	1	
8L-77351		Pump assembly (transmission rear oil)	1	1	1			
LA-77850-A		Pump assembly (rear oil)				1	1	
72869-S		Pin (straight)-3/16" x 7/8"-rear oil pump driven gear to shaft	1	1	1	1	1	

Lincoln Cosmopolitan and Capri

CHASSIS PARTS CATALOGUE

HYDRA-MATIC Transmission—Continued



*NOT INCLUDED IN BASIC NO.77331 ASSEMBLY

**SERVICED IN BASIC NO.77331 ASSEMBLY.

USED WITH IL-7003-A

PL-756

TRANSMISSION FRONT OIL PUMP ASSY

Basic numbers only shown on illustration. Order by Part Numbers shown in list of parts.

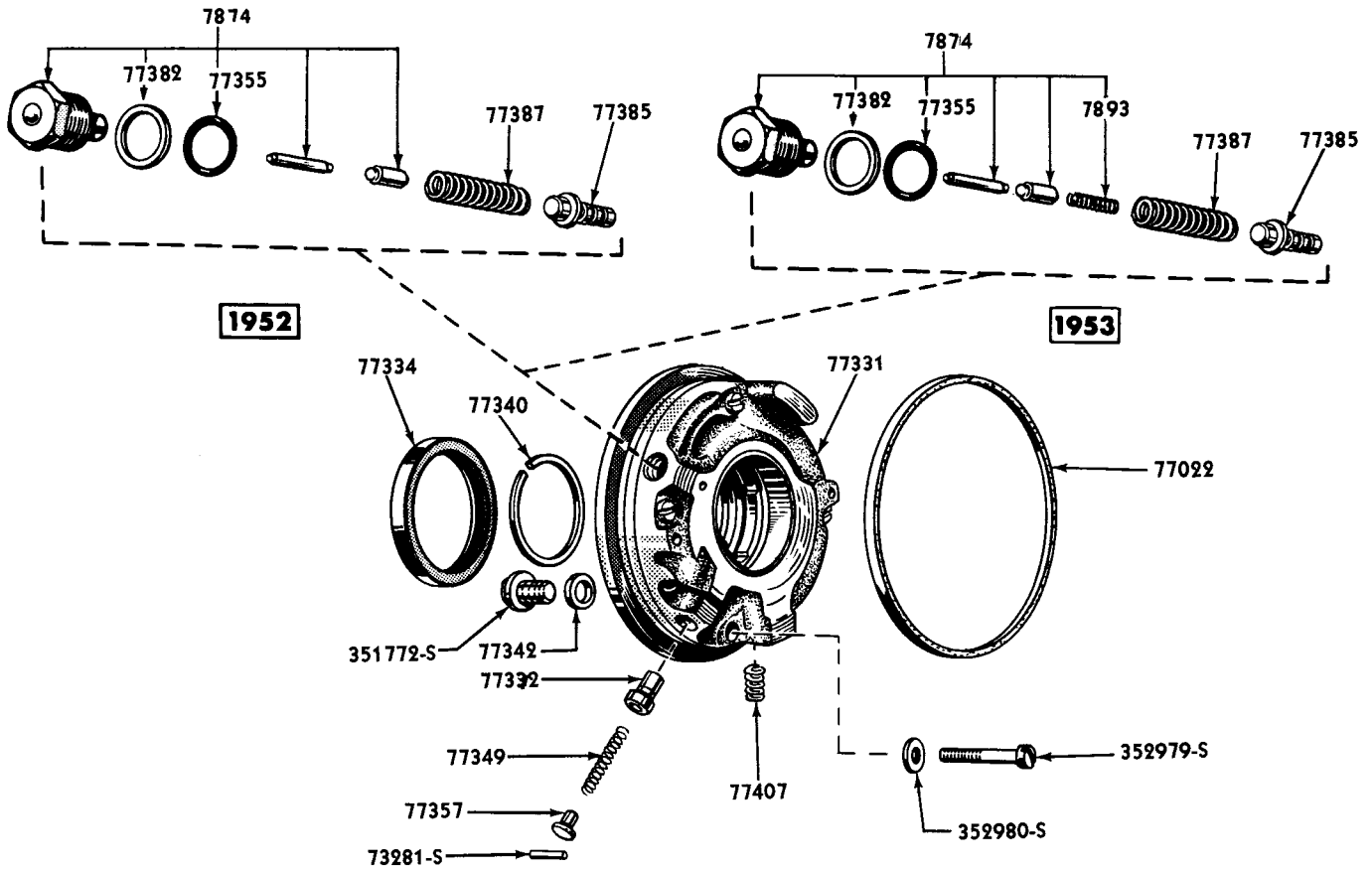
HYDRA-MATIC TRANSMISSION CHART—CONTINUED

PART NUMBER	CLASS	PART NAME	HYDRA-MATIC TRANSMISSION					
			IL-7003-A	LA-7003-E	LA-7003-F	LA-7003-G	LA-7003-H	
			NUMBER REQUIRED					
8L-77353		Cover (transmission rear oil pump)	1	1	1			
LA-77860-A		Cover (transmission rear oil pump)				1	1	
357589-S		Bolt (hex head self locking)-1/4"-20 x 5/8"-rear pump cover to rear pump body	4	4	4	4	4	
OL-77355		Seal (transmission pressure regulator to case)-Synthetic Rubber-51/64" I. D. x 9/64" thick	1	1	1	1	1	
LA-77355-A		Seal (transmission front pump intake pipe)-Synthetic Rubber-39/64" I. D. x 7/64" thick		1	1	1	1	
LA-77357-A		Guide (transmission front oil pump relief valve)		1	1	1	1	
73281-S		Pin (straight)-3/32" x 13/16"		1	1	1	1	

Lincoln Cosmopolitan and Capri

CHASSIS PARTS CATALOGUE

HYDRA-MATIC Transmission—Continued



USED WITH LA-7003-E FG & H

PL-931

TRANSMISSION FRONT OIL PUMP ASSY

Basic numbers only shown on illustration. Order by Part Numbers shown in list of parts.

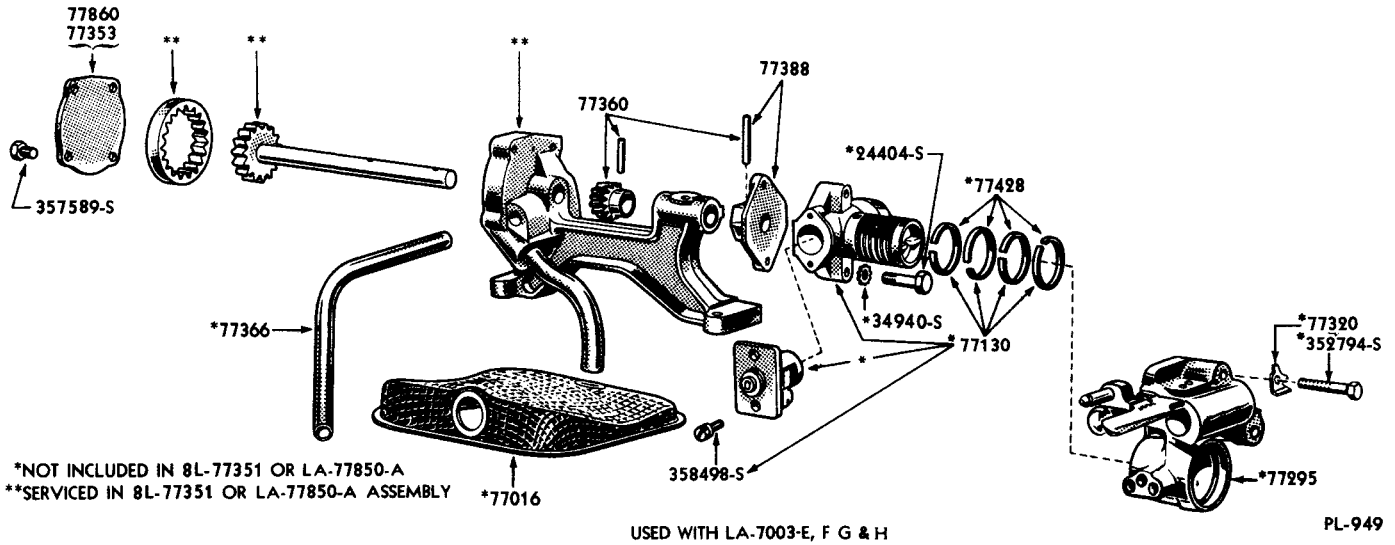
HYDRA-MATIC TRANSMISSION CHART—CONTINUED

PART NUMBER	CLASS	PART NAME	HYDRA-MATIC TRANSMISSION					
			IL-7003-A	LA-7003-E	LA-7003-F	LA-7003-G	LA-7003-H	
			NUMBER REQUIRED					
8L-77360		Kit (transmission rear oil pump driven gear)- consists of the following (1) 72869-S Pin (1) 72909-S Pin (1) 8L-77358 Gear	1	1	1	1	1	
72909-S2		Pin (straight)-3/16" x 1-1/4"-transmission governor drive shaft	1	1	1	1	1	
OL-77366		Pipe (transmission rear oil pump discharge)	1					
LA-77366-A		Pipe (transmission rear oil pump discharge)		1	1	1	1	

Lincoln Cosmopolitan and Capri

CHASSIS PARTS CATALOGUE

HYDRA-MATIC Transmission—Continued



PL-949

TRANSMISSION REAR OIL PUMP AND RELATED PARTS

Basic numbers only shown on illustration. Order by Part Numbers shown in list of parts.

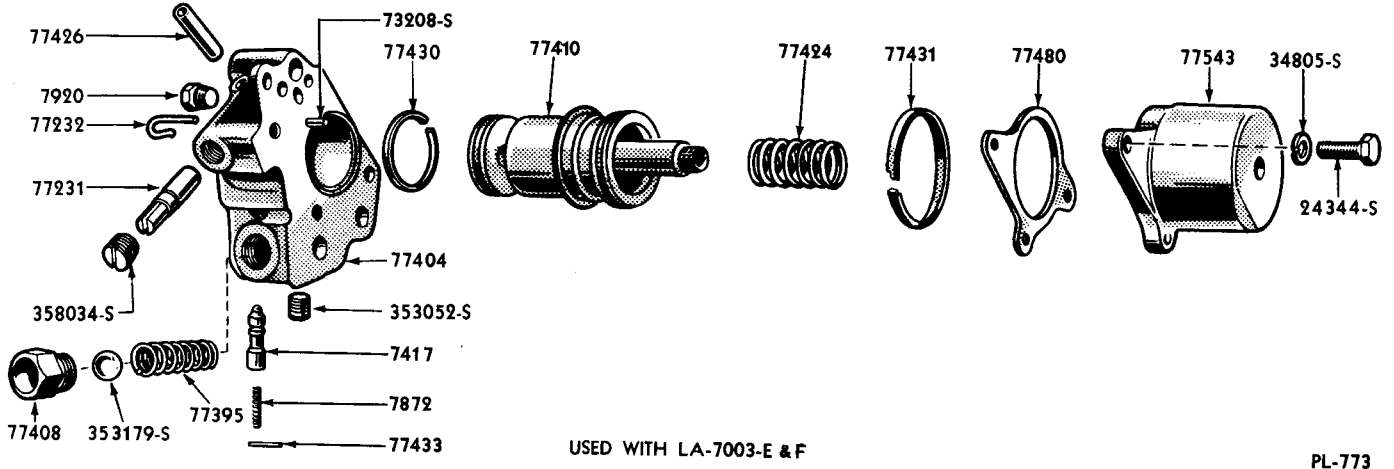
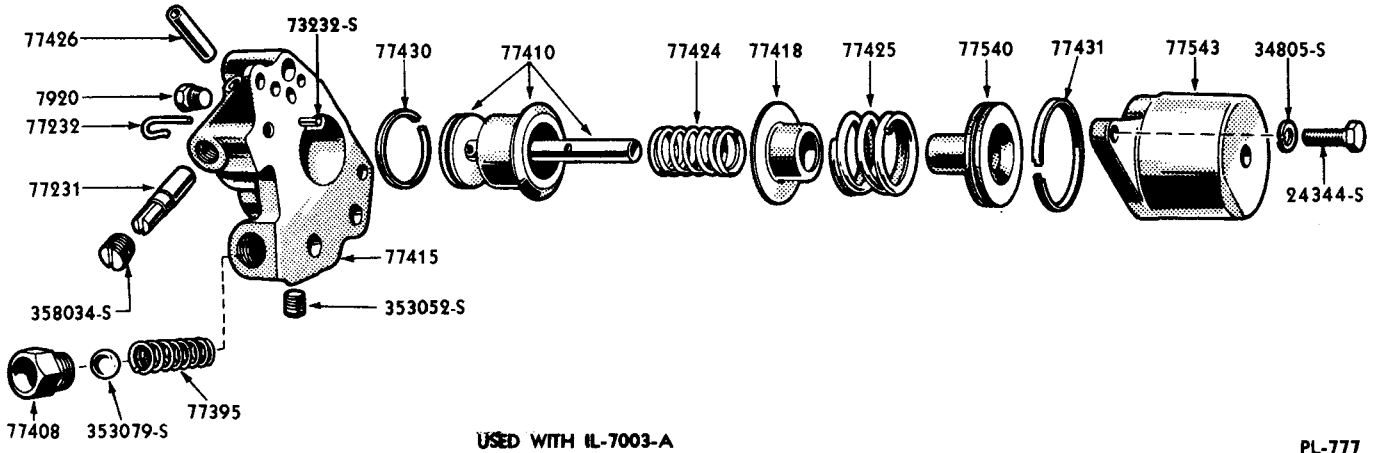
HYDRA-MATIC TRANSMISSION CHART—CONTINUED

PART NUMBER	CLASS	PART NAME	HYDRA-MATIC TRANSMISSION					
			1L-7003-A	LA-7003-E	LA-7003-F	LA-7003-G	LA-7003-H	
			NUMBER REQUIRED					
NS	1L-77384-A	Valve (trans. pressure regulator reverse booster)- 29/64" diameter x 7/8" long serviced in HBK-77383-A Kit	1					
	8L-77385	Valve (trans. front pump pressure regulator)	1					
	LA-77385-B	Valve (trans. front pump pressure regulator)		1	1	1	1	
	1L-77387-A	Spring (transmission oil pressure regulator)- 3/4" O. D. x approx. 2-21/32" free length	1					
	LA-77387-A	Spring (transmission oil pressure regulator)- 3/4" O. D. x approx. 2-11/64" free length		1	1	1	1	
	8L-77388	Kit (transmission governor drive flange)- consists of the following (1) 8L-77389-B Flange (1) 72909-S Pin	1	1	1	1	1	

Lincoln Cosmopolitan and Capri

CHASSIS PARTS CATALOGUE

HYDRA-MATIC Transmission—Continued



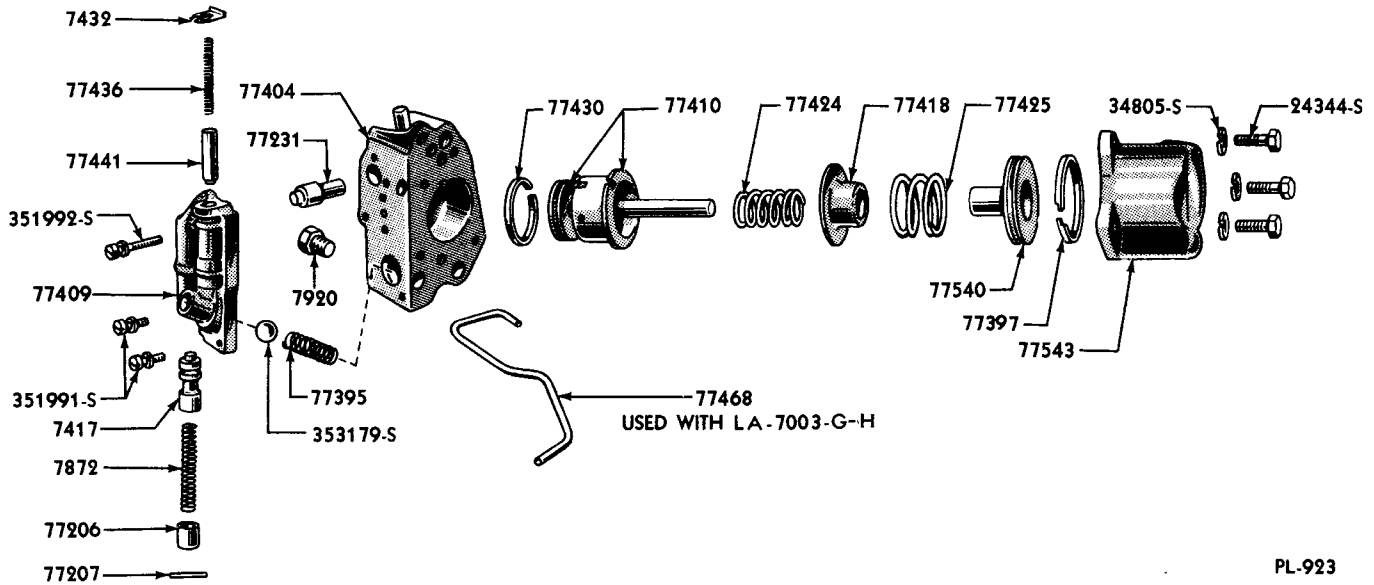
TRANSMISSION FRONT SERVO UNIT

Basic numbers only shown on illustration. Order by Part Numbers shown in list of parts.

Lincoln Cosmopolitan and Capri

CHASSIS PARTS CATALOGUE

HYDRA-MATIC Transmission—Continued



PL-923

TRANSMISSION FRONT SERVO UNIT

Basic numbers only shown on illustration. Order by Part Numbers shown in list of parts.

HYDRA-MATIC TRANSMISSION CHART—CONTINUED

PART NUMBER	CLASS	PART NAME	HYDRA-MATIC TRANSMISSION					
			1L-7003-A	LA-7003-E	LA-7003-F	LA-7003-G	LA-7003-H	
			NUMBER REQUIRED					
1L-77390-B		Governor assembly (transmission)-Cast Iron	1					
24404-S7		Bolt (hex head)-1/4"-20 x 1-1/8"	2					
34940-S2		Lockwasher-(external tooth)-1/4"	2					
8L-77391		Plunger and bushing assy (trans. governor high speed)	1					
358497-S		Screw & washer assy (fill-hd)-No. 10-24 x 5/8"- governor bushing retainer to governor body	2					
8L-77394		Stop (governor plunger)-with two 3/32" drilled holes	2	1	1			
OL-77395		Spring (transmission front servo check valve)	1	1	1	1	1	
OL-77397		Ring (trans. front servo band release piston oil)	1			1	1	
8L-77401		Pipe (trans. governor oil supply)-3-1/2" long	3	2	2	2	2	
LA-77401-A		Pipe (transmission governor oil supply)		1	1			
LA-77401-B		Pipe (transmission governor oil supply)				1	1	

Lincoln Cosmopolitan and Capri

CHASSIS PARTS CATALOGUE

HYDRA-MATIC Transmission—Continued

HYDRA-MATIC TRANSMISSION CHART—CONTINUED

PART NUMBER	CLASS	PART NAME	HYDRA-MATIC TRANSMISSION						
			IL-7003-A	LA-7003-E	LA-7003-F	LA-7003-G	LA-7003-H		
			NUMBER REQUIRED						
		LA-77404-A Body & pin assy (trans. front servo)-includes 73208-S Pin		1	1				
		LA-77404-B Body & pin assembly (transmission front servo)				1	1		
		LA-77407-A Spring (trans. front pump priming)-1/2" O. D. x approximately 9/16" free length		1	1	1			
		LA-77407-B Spring (trans. front pump priming)-inner-used with LA-7408-A					1		
		OL-77408 Adapter (trans. rear pump tube)-11/16"-18 x 1/2"	1						
		LA-77408-A Adapter (trans. rear pump tube)-11/16"-18 x 1/2"-with 1/8" dia. x 1/32" deep internal drilled hole		1	1				
		1L-77409-A2 Body assy (trans. front servo exhaust valve)-with exhaust valve	1						
		LA-77409-A Body assy (trans. front servo exhaust valve)-without exhaust valve				1	1		
		351991-S Screw and washer assembly (fill-hd)-No. 10-24 x 1-1/4"				3	3		
		351992-S Screw and washer assembly (fill-hd)-No. 10-24 x 1-3/8"				1	1		
		OL-77410 Piston assembly (transmission front servo)	1						
		LA-77410-A Piston assembly (transmission front servo)		1	1				
		★LA-77410-B Piston assembly (transmission front servo)		1	1				
		LA-77410-C Piston assembly (transmission front servo)				1			
		LA-77410-D Piston assembly (transmission front servo)						1	
		LA-77410 Piston assembly (transmission front servo)						1	
		OL-77415 Body (transmission front servo)	1						
NS		LA-77415-A Body (trans. front servo)-replaced by LA-77404-A		1	1				
		353179-S Ball-1/2" dia. -transmission front servo	1	1	1	1	1		
		353137-S Ball-1/2" dia. -transmission front servo	1	1	1	1	1		
		20228-S8 Bolt (hex-hd)-3/8"-16 x 2"-front servo to case	1	1	1	1	1		
		24388-S8 Bolt (hex head)-3/8"-16 x 1"	1	1	1	1	1		
		34807-S2 Lockwasher-3/8"	2	2	2	2	2		
		73208-S Pin (dowel)-1/8" x 5/16"-front servo piston		1	1	1	1		
		73232-S Pin (dowel)-1/8" x 1/2"-front servo piston	1						
		353052-S5 Plug (slotted headless pipe)-1/8" thread	1	1	1				
		358034-S Plug (slotted headless pipe)-1/4" thread	1	1	1				
		OL-77418 Retainer (trans. front servo release spring)-1-13/16" O. D.	1			1	1		
		1L-77419-A Spring (trans. front pump by pass valve)-27/64" O. D. -approximately 1-23/32" free length	1						
		8L-77424 Spring (trans. front servo retracting)-13/16" O. D. x approximately 1-33/64" free length	1			1	1		
		LA-77424-A Spring (trans. front servo retracting)-1-33/64" long-free length-use only with LA-77410-A		1	1				
		LA-77424-B Spring (trans. front servo retracting)-1-29/32" long-free length		1	1				

★ Use LA-77424-B with this unit

Lincoln Cosmopolitan and Capri

CHASSIS PARTS CATALOGUE

HYDRA-MATIC Transmission—Continued

HYDRA-MATIC TRANSMISSION CHART—CONTINUED

PART NUMBER	CLASS	PART NAME	HYDRA-MATIC TRANSMISSION						
			IL-7003-A	LA-7003-E	LA-7003-F	LA-7003-G	LA-7003-H		
			NUMBER REQUIRED						
8L-77425		Spring (trans. front servo booster)-1-11/32" O. D. x approximately 61/64" free length	1						
LA-77425-A		Spring (transmission front servo booster)				1	1		
8L-77426		Pipe (trans. servo oil transfer)-1-3/16" long	1	1	1	1	1		
LA-77427-A		Valve (trans. rear servo exhaust)-7/16" O. D. x 55/64" long		1	1				
LA-77427-B		Valve (trans. rear servo exhaust manual low oil)				1	1		
8L-77428-B		Ring (oil seal)-1-3/16" x 3/32"-trans. governor	5	4	4	4	4		
8L-77429-B		Ring (oil seal)-1-1/4" x 3/32"-trans. rear servo compensator piston	1						
8L-77430		Ring (oil seal)-1-5/16" x 3/32"-trans. front band apply piston	1						
LA-77430-A		Ring (oil seal)-1-7/16" x 3/32"-trans. front band apply piston		1	1	1	1		
8L-77431		Ring (oil seal)-1-5/8" x 3/32"-trans. front band release piston	1						
8L-77432-B		Ring (oil seal)-2" x 3/32"-trans. oil delivery sleeve	4	4	4	4	4		
LA-77433-A		Pin (trans. over-run control valve retainer spring)-3/32" dia. x 1" long		1	1				
8L-77434-B		Ring (oil seal)-1-11/16" x 3/32"-trans. rear servo booster piston-inner	1	1	1	1	1		
8L-77435-B		Ring (oil seal)-2-1/4" x 3/32"-trans. rear servo booster piston-outer	1	1	1	1	1		
LA-77436-A		Spring (transmission rear servo exhaust valve)-15/64" O. D. x 1-1/64" free length x 18 coils		1	1				
LA-77436-B		Spring (transmission rear servo exhaust valve)-15/64" O. D. x 61/64" free length x 19 coils				1	1		
LA-77437-A		Spring (trans. rear band release)-21/64" O. D. x approx. 1-7/64" free length		1	1	1	1		
8L-77438		Ring (oil seal)-2-3/8" x 3/32"-trans. rear servo accumulator	1	1	1	1	1		
LA-77441-A		Valve (transmission line exhaust)-1-37/64" overall length		1					
LA-77441-B		Valve (transmission line exhaust)-1" overall length		1	1				
LA-77441-C		Valve (transmission line exhaust)-1-13/64" overall length				1	1		
1L-77444-A		Body assembly (transmission rear servo)	1						
LA-77446-A		Body (transmission rear servo)		1	1				
LA-77446-B		Body (transmission rear servo)				1	1		

Lincoln Cosmopolitan and Capri

CHASSIS PARTS CATALOGUE

HYDRA-MATIC Transmission—Continued

HYDRA-MATIC TRANSMISSION CHART—CONTINUED

PART NUMBER	CLASS	PART NAME	HYDRA-MATIC TRANSMISSION					
			1L-7003-A	LA-7003-E	LA-7003-F	LA-7003-G	LA-7003-H	
			NUMBER REQUIRED					
		20228-S8 Bolt (hex-hd)-3/8"-16 x 2"-rear servo to case	2	2	2	2	2	
		34807-S8 Lockwasher-3/8"	2	2	2	2	2	
		LA-77447-A Sleeve (trans. line exhaust valve)-13/32" O. D. x 1-25/32" long		1	1			
		8L-77448 Kit (trans. rear servo check valve)-consists of the following (1) Rivet (flat head) (1) Valve (rear servo check)	1					
		LA-77448-A Kit (trans. rear servo check valve)-consists of the following (1) Rivet (flat head) (1) LA-77449-A Valve (rear servo check)		1	1			
		LA-77448-B Kit (trans. rear servo check valve)-consists of the following (1) Rivet (flat head)-1/8" x 3/8" (1) LA-77449-B Valve (rear servo check)				1	1	
		8L-77450 Spring (trans. rear servo pressure)-5/8" O. D. x approx. 1-15/64" free length	1	1	1	1	1	
		8L-77452 Retainer (transmission rear servo spring)	1	1	1	1	1	
		20220-S Bolt (hex head)-5/16"-18 x 2"-rear spring retainer to body	2	2	2	2	2	
		34806-S7 Lockwasher-5/16"	2	2	2	2	2	
		8L-77453 Spring (trans. rear servo compression)-1-29/32" O. D. x approx. 4-1/4" free length	1	1	1	1	1	
		1L-77454-A Body assembly (trans. rear servo accumulator)	1					
		LA-77454-A Body assembly (trans. rear servo accumulator)-with yellow dye marking on accumulator body		1	1			
		LA-77454-B Body assembly (rear servo accumulator)				1	1	
NS		1L-77455-A Spring (trans. rear servo)-1-5/64" O. D. x approx. 3-59/64" free length-serviced in HAK-77475-A Kit	1	1	1	1	1	
		LA-77457-A Gasket (transmission rear servo)		1	1	1	1	
		8L-77459 Spring (trans. rear servo booster)-6-1/4" coils -1-5/16" O. D. x approx. 1-17/32" free length	1	1	1	1	1	
		8L-77460 Piston and stem assembly (trans. rear servo accumulator)	1	1	1	1	1	
		8L-77465 Spring (transmission rear servo outer)	1	1	1			
		1L-77467-A Tube (trans. pressure regulator reverse oil) -"J" uniformly shaped	1	1	1			
		LA-77467-A Tube (trans. pressure regulator reverse oil) -"J" irregularly shaped		1	1			
		LA-77467-B Tube (trans. pressure regulator reverse oil)				1	1	

Lincoln Cosmopolitan and Capri

CHASSIS PARTS CATALOGUE

HYDRA-MATIC Transmission—Continued

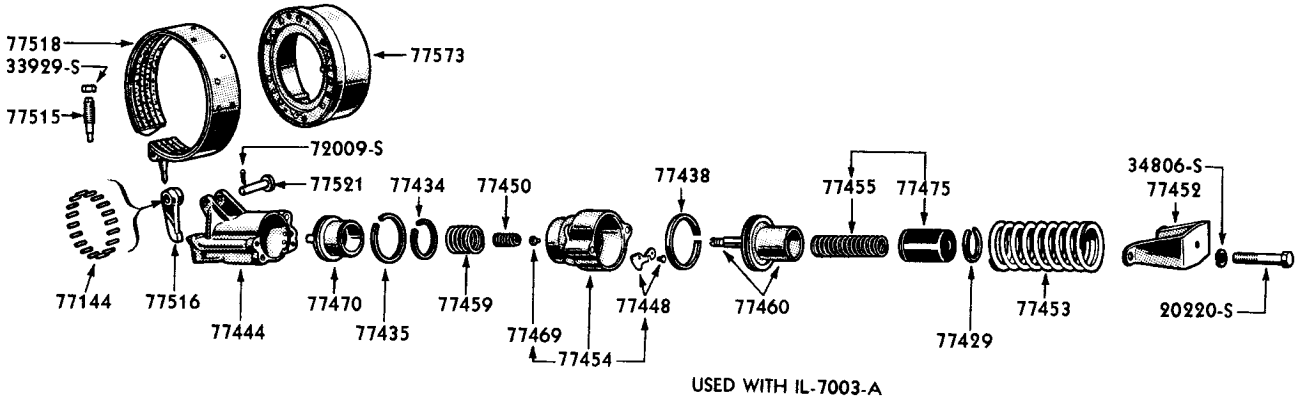
HYDRA-MATIC TRANSMISSION CHART—CONTINUED

PART NUMBER	CLASS	PART NAME	HYDRA-MATIC TRANSMISSION						
			1L-7003-A	LA-7003-E	LA-7003-F	LA-7003-G	LA-7003-H		
			NUMBER REQUIRED						
		LA-77468-A Pipe (rear servo compensator)				1	1		
		8L-77469 Plunger (trans. rear servo check valve) -3/8" O.D. large end x 3/8" overall length	1	1	1				
		LA-77469-A Plunger (trans. rear servo check valve) -31/64" O.D. large end x 3/8" overall length				1	1		
		8L-77470 Piston and stem assy (trans. rear servo booster)	1	1	1	1	1		
		LA-77471-A Spring (transmission line exhaust valve)		1	1	1	1		
		LA-77472-A Pan assembly (transmission oil)		1	1	1	1		
		20310-S8 Bolt (hex head)-5/16"-18 x 1/2"-oil pan to transmission case		12	12	12	12		
		34941-S7 Lockwasher (external tooth)-5/16"		12	12	12	12		
NS		1L-77475-A Piston (trans. rear servo compensator)- serviced in HAK-77475-A Kit	1	1	1	1	1		
		HAK-77475-A Kit (trans. rear servo compensator piston and spring)-consists of the following (1) 1L-77455-A Spring (1) 1L-77475-A Piston	1	1	1	1	1		
		LA-77480-A Gasket (trans. front servo body)		1	1				
		8L-77483 Plug and gasket assy (trans. oil pan drain)	1	1	1	1	1		
		8L-77485 Gasket (transmission oil pan drain plug)	1	1	1	1	1		
		8L-77510 Band assembly (transmission front)-riveted	1	1	1	1			
		LA-77510-A Band assembly (transmission front)-Bonded					1		
		8L-77515 Stop (transmission band anchor)	2	2	2	2	2		
		33939-S7 Nut (hex)-1/2"-20-trans. band anchor stop	2	2	2	2	2		
		8L-77516 Lever (transmission rear band actuating)	1	1	1	1	1		
		8L-77518 Band assy (trans. rear)-with band rivets	1						
		LA-77518-A Band assy (trans. rear)-without band rivets		1	1	1	1		
		1L-77521-A Pin (trans. rear band actuating lever)-3/8" dia. x 1-3/4" long clevis	1	1	1	1	1		
		72009-S Cotter pin-3/32" x 5/8"	1	1	1	1	1		
		8L-77530 Washer (trans. front clutch drum rear backing)- Steel-1-3/8" I.D. x 1-15/16" O.D. x 3/32" thick	1	1	1	1	1		
		8L-77531 Piston (transmission front clutch cylinder)	1	1	1	1	1		
		8L-77532 Drum assembly (transmission front clutch)	1	1	1	1	1		
		8L-77535 Kit (trans. clutch piston seal and expander)- consists of the following (1) Expander (piston oil seal)-inner (1) Expander (piston oil seal)-outer (1) Seal (piston)-2-7/8" diameter (1) Seal (piston)-5-1/8" diameter	2	2	2	2	2		
		8L-77536 Drum and pin assembly (transmission front)	1	1	1	1	1		
		OL-77540 Piston (trans. front band release)-1-1/8" overall length	1			1	1		

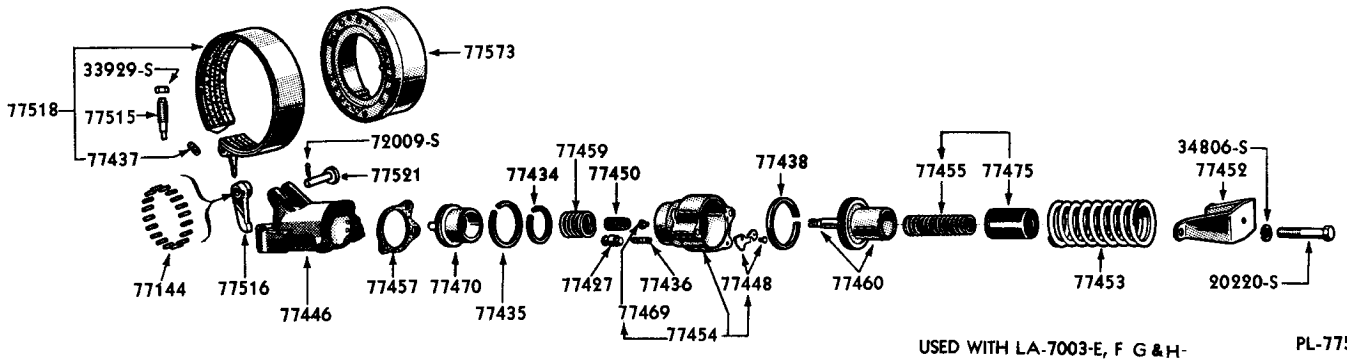
Lincoln Cosmopolitan and Capri

CHASSIS PARTS CATALOGUE

HYDRA-MATIC Transmission—Continued



PL-814



PL-775

TRANSMISSION REAR SERVO UNIT AND RELATED PARTS

Basic numbers only shown on illustration. Order by Part Numbers shown in list of parts.

HYDRA-MATIC TRANSMISSION CHART—CONTINUED

PART NUMBER	CLASS	PART NAME	HYDRA-MATIC TRANSMISSION				
			IL-7003-A	LA-7003-E	LA-7003-F	LA-7003-G	LA-7003-H
			NUMBER REQUIRED				
OL-77543		Cylinder (transmission front band release) -has (2) flanges with 9/32" dia. drilled hole	1				
LA-77543-A		Cylinder (transmission front band release) -has (2) flanges with 9/32" dia. drilled hole & (1) blank flange		1	1		
LA-77543-B		Cylinder (transmission front band release)-has (3) flanges with 9/32" dia. drilled hole				1	1
24344-S7		Bolt (hex head)-1/4"-20 x 3/4"	2	2	2	2	2
34805-S8		Lockwasher-1/4"	2	2	2	2	2

Lincoln Cosmopolitan and Capri

CHASSIS PARTS CATALOGUE

HYDRA-MATIC Transmission—Continued

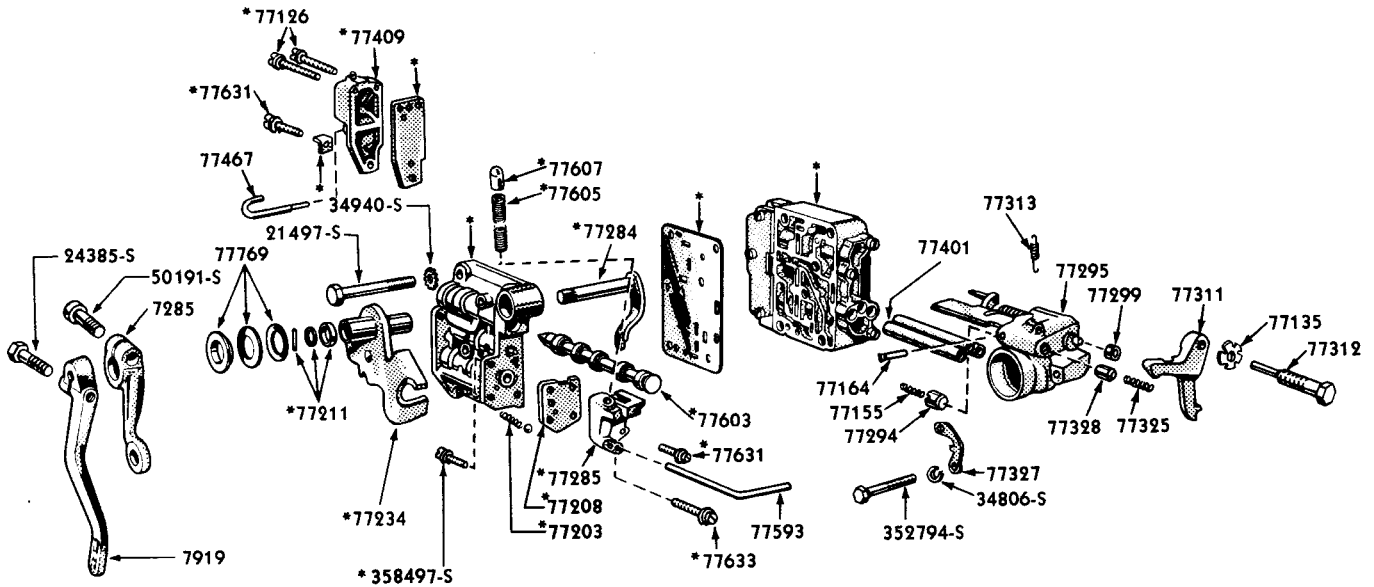
HYDRA-MATIC TRANSMISSION CHART—CONTINUED

PART NUMBER	CLASS	PART NAME	HYDRA-MATIC TRANSMISSION					
			1L-7003-A	LA-7003-E	LA-7003-F	LA-7003-G	LA-7003-H	
			NUMBER REQUIRED					
		8L-77551 Plate (transmission clutch driven)	11	12	12	12	12	
		8L-77563 Plate assembly (transmission clutch drive)	11	12	12	12	12	
		8L-77572 Piston (transmission rear clutch cylinder) -with (3) "U" shaped slots on outside diameter	1					
		LA-77572-A Piston (transmission rear clutch cylinder) -with (6) "U" shaped slots on outside diameter		1	1	1	1	
		1L-77573-A Drum and pin assembly (transmission rear)	1					
		LA-77573-A Drum and pin assembly (transmission rear)		1	1	1	1	
		8L-77575 Pin (transmission rear clutch spring guide)- .116"/.122" diameter x 1-5/8" long	6	6	6	6	6	
		8L-77578 Spring (transmission clutch release)-inner- 15/64" O. D. x approx. 2-15/64" free length	12	12	12	12	12	
		8L-77579 Hub (transmission rear clutch)	1					
		LA-77579-A Hub (transmission rear clutch)		1	1	1	1	
		8L-77581 Washer (transmission rear clutch hub thrust)- Bronze-Grooved-2-7/8" O. D. x 1-15/16" I. D. x .087"/.091" thick	2	2	2	2	2	
		8L-77582 Spring (transmission clutch release)-outer- 3/8" O. D. x 2-31/64" free length	12	12	12	12	12	
		8L-77584 Snap ring (transmission rear clutch cyl. ret.)- 6-3/8" O. D. x 5-7/8" I. D. x 3/32" thick	2	2	2	2	2	
		1L-77590-A Washer (transmission reverse clutch release spring retainer)-with (2) flanges 3-7/8" O. D. x 3-1/16" I. D.	1	1	1	1		
		LA-77590-A Washer (transmission reverse clutch reverse spring retainer)					1	
		1L-77591-A Cone (transmission reverse clutch stationary)- 6-13/16" O. D. x 29/32" wide	1	1	1	1	1	
		1L-77592-A Spring (transmission reverse clutch release)- 3-7/8" O. D. x 3-18" I. D.	1	1	1	1		
		LA-77593-A Spring (transmission reverse clutch release)					1	
		1L-77593-A Tube (transmission reverse clutch oil)-3/8" O. D. x 6-7/16" long-"L" shaped	1	1	1	1	1	
		1L-77594-A Key (trans. reverse clutch stationary cone)- 35/64" x 3/8" x 1/4"	1	1	1	1	1	
		1L-77595-A Spring (trans. reverse clutch piston release)- 15/32" O. D. x approx. 1-11/32" free length	6	6	6	6	6	
		1L-77596-A Snap ring (trans. reverse clutch piston spring retainer)-3-1/4" O. D. x 2-7/8" I. D. x 1/16" thick	1	1	1	1	1	
		1L-77598-A Retainer (trans. reverse clutch piston spring)- 4-1/4" O. D. x 3-5/32" I. D. x 5/64" thick	1	1	1	1	1	
		1L-77603-A Valve (trans. manual control)-5-13/64" o/all length	1					
		LA-77603-A Valve (trans. manual control)-4-5/64" o/all length		1	1	1	1	
		1L-77605-A Spring (trans. manual valve detent)-13/64" O. D. x approx. 1-21/64" free length	1	1	1	1	1	

Lincoln Cosmopolitan and Capri

CHASSIS PARTS CATALOGUE

HYDRA-MATIC Transmission—Continued



*INCLUDED IN IL-77201-A ASSEMBLY

USED WITH IL-7003-A

PL-853

TRANSMISSION OIL CONTROL VALVE AND RELATED PARTS

Basic numbers only shown on illustration. Order by Part Numbers shown in list of parts.

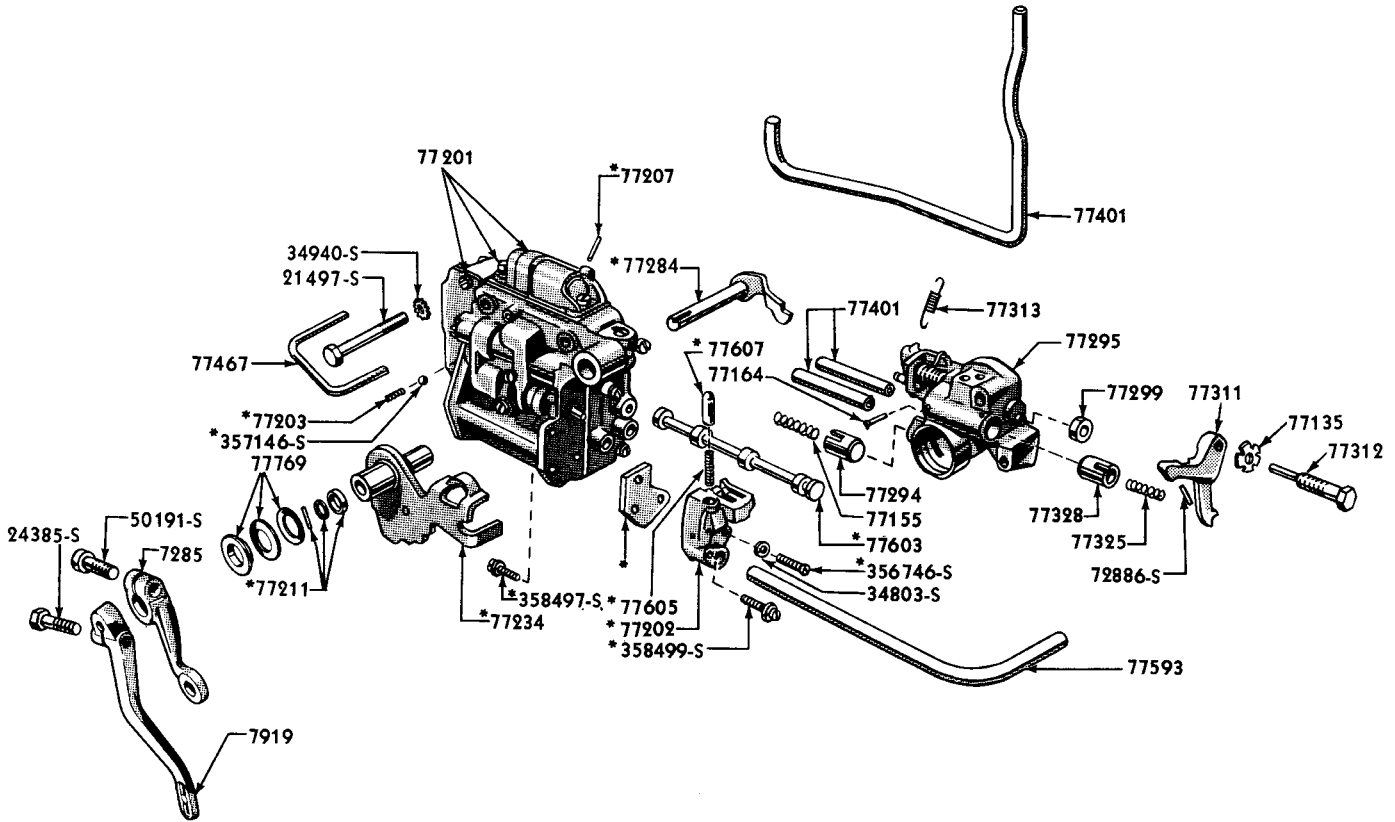
HYDRA-MATIC TRANSMISSION CHART—CONTINUED

PART NUMBER	CLASS	PART NAME	HYDRA-MATIC TRANSMISSION					
			IL-7003-A	LA-7003-E	LA-7003-F	LA-7003-G	LA-7003-H	
			NUMBER REQUIRED					
1L-77607-A		Plunger (trans. manual valve detent)-5/16" O. D. x 49/64" long	1	1	1	1	1	
LA-77626-A		Indicator assy (trans. oil level)-approx. 26-5/8" long-located under hood compt. at right front of dash		1	1	1	1	
8L-77631		Screw and washer assy (fillister head)-No. 10-24 x 3/4"-outer valve body to inner valve body	1					
8L-77631		Screw and washer assy (fillister head)-No. 10-24 x 3/4"-inner valve body rear cover	3					
8L-77632		Screw and washer assy (fillister head)-No. 10-24 x 5/8"-detent retainer to outer valve body	2					
8L-77632		Screw and washer assy (fillister head)-No. 10-24 x 5/8"-governor bushing retainer to body	2					

Lincoln Cosmopolitan and Capri

CHASSIS PARTS CATALOGUE

HYDRA-MATIC Transmission—Continued



*INCLUDED IN LA-77201-A ASSEMBLY

USED WITH LA-7003-E+F

PL-839

TRANSMISSION OIL CONTROL VALVE AND RELATED PARTS

Basic numbers only shown on illustration. Order by Part Numbers shown in list of parts.

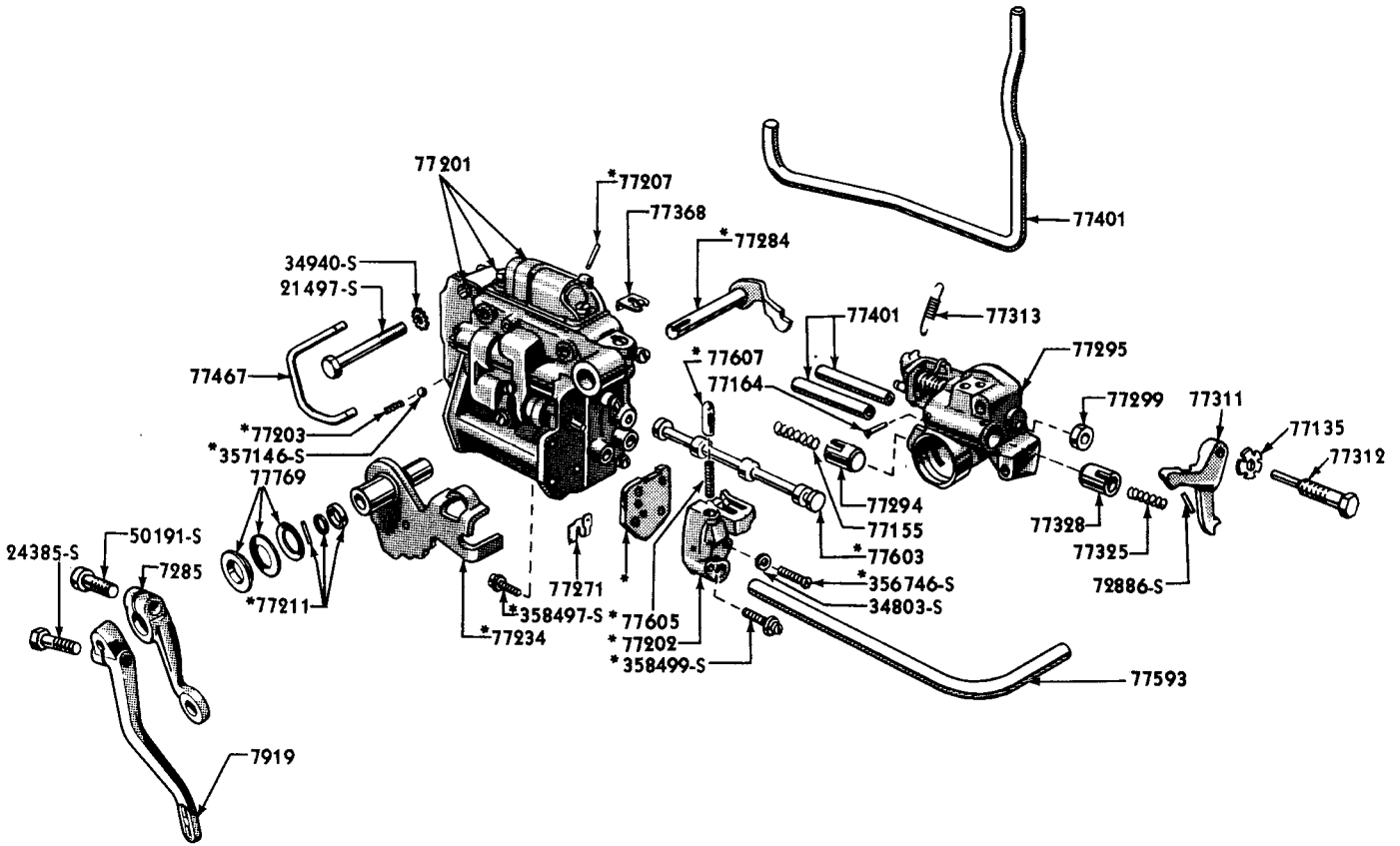
HYDRA-MATIC TRANSMISSION CHART—CONTINUED

PART NUMBER	CLASS	PART NAME	HYDRA-MATIC TRANSMISSION					
			IL-7003-A	LA-7003-E	LA-7003-F	LA-7003-G	LA-7003-H	
			NUMBER REQUIRED					
8L-77633		Screw and washer assy (fillister head)-No. 10-24 x 7/8"-outer valve body to inner valve body	2					
NS 1L-77745-A		Valve (trans. throttle pressure oil regulator)-5/16" minimum O.D. x 1" long-serviced in HBK-77383-A Kit	1					
8L-77769		Kit (trans. manual control shaft seal and washer)-consists of the following (1) Seal (manual shaft) (1) Washer (manual shaft seal)-inner (1) Washer (manual shaft seal)-outer	1	1	1	1	1	

Lincoln Cosmopolitan and Capri

CHASSIS PARTS CATALOGUE

HYDRA-MATIC Transmission—Continued



*INCLUDED IN LA-77201-C ASSEMBLY

USED WITH LA-7003-G-H

PL-976

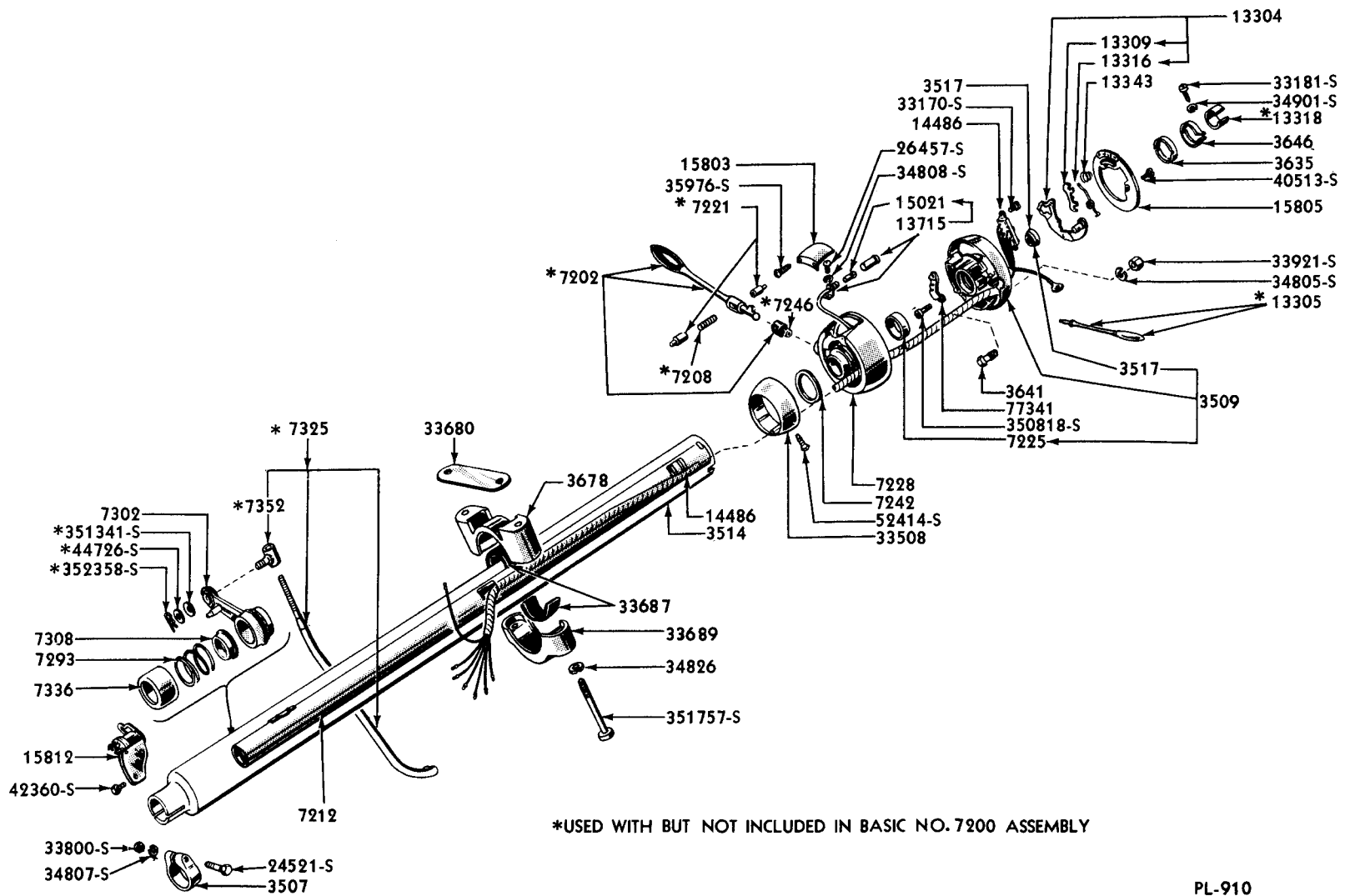
TRANSMISSION OIL CONTROL VALVE AND RELATED PARTS

Basic numbers only shown on illustration. Order by Part Numbers shown in list of parts.

HYDRA-MATIC TRANSMISSION CHART—CONTINUED

PART NUMBER	CLASS	PART NAME	HYDRA-MATIC TRANSMISSION						
			IL-7003-A	LA-7003-E	LA-7003-F	LA-7003-G	LA-7003-H		
			NUMBER REQUIRED						
LA-77850-A		Pump assembly (transmission oil rear)				1	1		
LA-77860-A		Cover (transmission rear oil pump)				1	1		
24366-S8		Bolt (hex-hd)-5/16"-18 x 7/8"-pump to transmission case				2	2		
24388-S8		Bolt (hex-hd)-3/8"-16 x 1"-pump to trans. case				1	1		
357589-S		Bolt (hex-hd)-1/4"-20 x 5/8"-cover to pump body				4	4		
34806-S7		Lockwasher-5/16"				2	2		

Steering Column Selector



*USED WITH BUT NOT INCLUDED IN BASIC NO. 7200 ASSEMBLY

PL-910

STEERING COLUMN GEAR SHIFT (FAB-7200-CA) AND RELATED PARTS

Basic numbers only shown on illustration. Order by Part Numbers shown in list of parts.

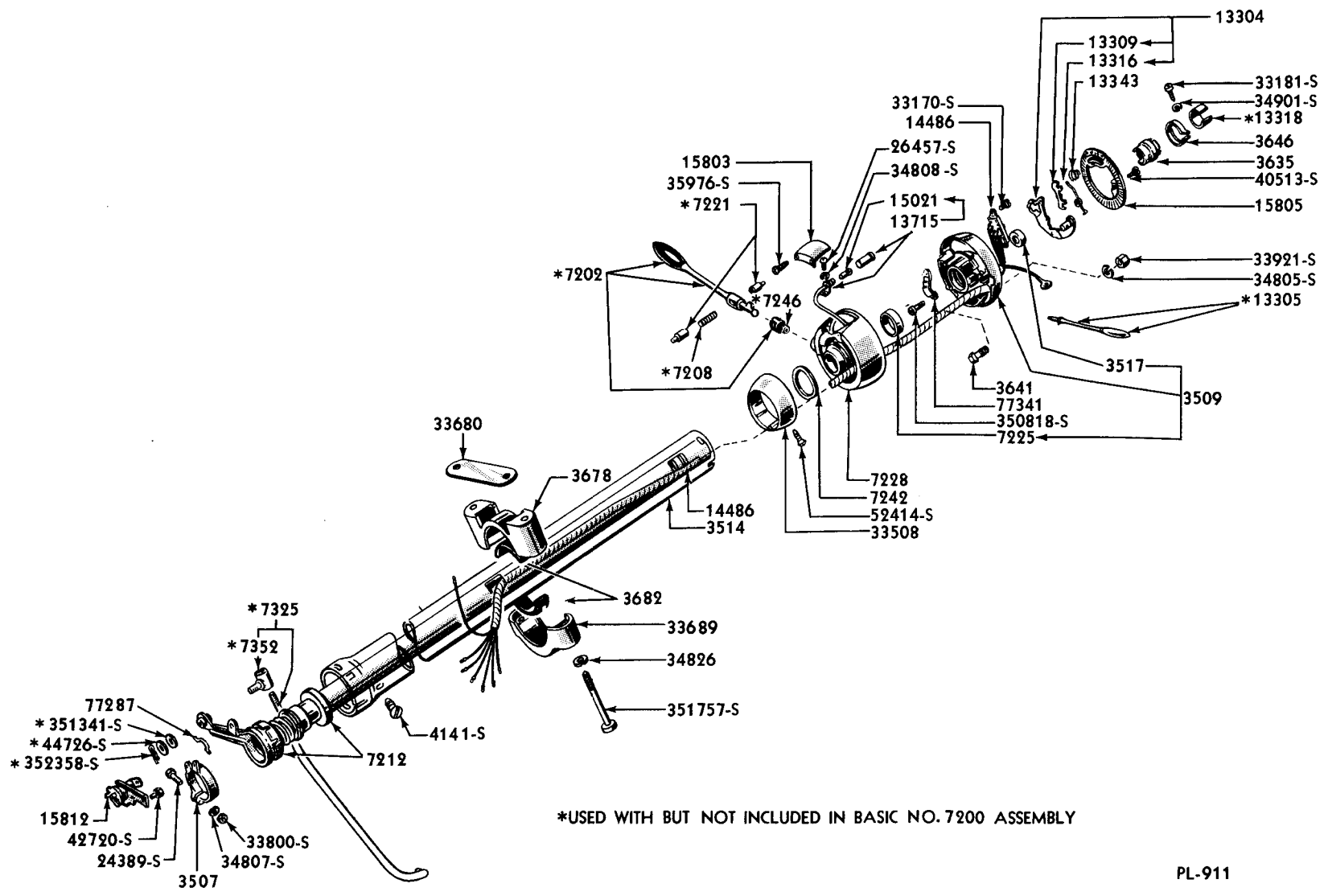
Lincoln Cosmopolitan and Capri

CHASSIS PARTS CATALOGUE

PART NUMBER	CLASS	PART NAME	NO. REQ'D	MODEL	YEAR
Steering Column Selector—Continued					
FAB 7200-AP NS		Gear shift assy (transmission)-in Prime-used with 1L-7003-A-service details	1	LA	52
FAB 7200-CA		Gear shift assy (transmission)-in Prime-used with Dual Range HYDRA-MATIC trans., LA-7003-E	1	LA	52
FAC 7200-AP		Selector assy (trans. control)-in Prime-Dual Range -not used with Power Steering	1	LA	53
FAD 7200-AP		Selector assy (trans. control)-in Prime-Dual Range -used with Power Steering	1	LA	53
FAE 7200-AP		Selector assy (trans. control)-in Prime-used with Power Steering	1	LA	54
FAE 7200-BP		Selector assy (trans. control)-in Prime-not used with Power Steering	1	LA	54

STEERING COLUMN GEAR SHIFT CHART

PART NUMBER	CLASS	PART NAME	STEERING COLUMN GEAR SHIFT						
			FAB-7200-AP	FAB-7200-CA	FAC-7200-AP	FAD-7200-AP	FAE-7200-AP	FAE-7200-BP	
			NUMBER REQUIRED						
NS	FAB-3509-A	Flange & bearing assy (steering column tube)-use FAB-3509-B, (1) FAB-77341-A & (2) 350818-S8	1						
	FAB-3509-B	Flange & bearing assy (steering column tube)-also use (1) FAB-77341-B & (2) 350818-S8		1	1				
	FAC-3509-A	Flange & bearing assy (steering column tube)				1	1	1	
	FAB-77341-A	Insert (trans. selector position)	1						
	FAB-77341-B	Insert (trans. selector position)		1	1	1	1	1	
	350818-S8	Screw (pan head cross recessed self tapping)-No. 10-32 x 3/8"-attaches insert to steering flange	2	2	2	2			
	33176-S13	Screw (pan head tapping)-No. 8-18 x 3/8"-attaches insert to steering flange					2	2	
	FAB-3514-AP	Tube assy (steering column)-in Prime-with 2-13/64" control selector shift slot opening	1	1	1				1
	FAC-3514-AP	Tube assembly (steering column)				1	1		
	21A-3517	Bearing assembly (steering column upper)	1	1	1				
	FAA-3517-A	Bushing (steering column)-upper				1	1	1	
	8M-3518	Sleeve (steering column brg.)-upper-tapered	1	1	1				
	8M-3520	Spring (steering column upper brg.)	1	1	1				
	8M-3635	Insulator (horn wire terminal)-Fibre	1	1	1				
	FAA-3635-A	Insulator (horn wire terminal)-Nylon				1	1	1	
	8M-3641-B	Bolt (steering column tube flange)	2	2	2	2	2	2	2
	34805-S8	Lockwasher (external tooth)-1/4"	2	2	2	2	2	2	2
	33921-S13	Nut (hex)-1/4"-28	2	2	2	2	2	2	2



STEERING COLUMN GEAR SHIFT (FAD-7200-AP) AND RELATED PARTS

Basic numbers only shown on illustration. Order by Part Numbers shown in list of parts.

PL-911

Lincoln Cosmopolitan and Capri

CHASSIS PARTS CATALOGUE

Steering Column Selector—Continued

STEERING COLUMN GEAR SHIFT CHART—CONTINUED

PART NUMBER	CLASS	PART NAME	STEERING COLUMN GEAR SHIFT					
			FAB-7200-AP	FAB-7200-CA	FAC-7200-AP	FAD-7200-AP	FAE-7200-AP	FAE-7200-BP
			NUMBER REQUIRED					
		8M-3646 Support (horn button wire contact)	1	1	1	1	1	1
		34901-S7 Lockwasher (internal tooth)-No. 6	1	1	1	1	1	1
		33181-S7 Screw (pan head self tapping)-No. 6-20 x 1/2"	1	1	1	1	1	1
		†FAB-3678-AP Bracket (steering column)-upper	1	1	1	1	1	1
	NS	†FAA-3682-A Insulator (steering column bracket)-part number changed to FAA-33687-A	2	2	2	2	2	2
		†34826-S Lockwasher -5/16"	2	2	2	2	2	2
		†351757-S Screw (fill-socket head)-5/16"-24 x 3"	2	2	2	2	2	2
†FAB 7202-A		Lever assy (trans. control selector)-Chrome lever and Black knob-approximately 10" overall length	1	1	1	1		
†FDD 7202-A		Lever assembly (trans. control selector)-Black-60C-73A					1	
†FDD 7202-B		Lever assembly (trans. control selector)-Off White-60A, 73B, 76A						1
		†1M-7246-A Insulator (trans. gear shift lever)-Rubber	1	1	1	1	1	1
† 01A 7208		Spring (trans. shift lever trunion)	1	1	1	1	1	1
FAB 7212-A		Tube assy (trans. control selector)-with one selector key near base of tube	1	1	1			1
FAC 7212-A		Tube assembly (trans. control selector)				1	1	
		41411-S8 Screw (oval head tapping)-No. 8-32 x 1/4" attaches bearing to FAC-7212-A				3	3	
† 01A 7221		Trunion (trans. shift lever)-attaches trans. control selector lever assembly to steering column	2	2	2	2	2	2
1L 7222-A		Cover (transmission case side)	Refer to HYDRA-MATIC Trans. Group					
LA 7222-B		Cover (transmission case side)	Refer to HYDRA-MATIC Trans. Group					
1L 7223-A		Gasket (transmission case side cover)	Refer to HYDRA-MATIC Trans. Group					
LA 7223-A		Gasket (transmission case side cover)	Refer to HYDRA-MATIC Trans. Group					
FAA 7225-A		Bearing (trans. gear shift lever socket)-1.44" I. D. x 2.62" O. D. x .37" wide	1	1	1	1	1	1
FAB 7228-AA	NS	Socket (trans. control selector lever)-painted-replaced by FAB-7228-AP	1	1	1	1	1	1
FAB 7228-AP		Socket (transmission control selector lever)-in Prime	1	1	1	1	1	1
		34802-S7 Lockwasher-No. 8-use with 26457-S7	1	1	1	1	1	1
		26457-S7 Screw (round head)-No. 8-32 x 1/4"-mask to lever socket	1	1	1	1	1	1
FAA 7242-A		Spring (gear shift anti vibrator)-1-39/64" I. D. x 1-15/16" O. D. x 1/32" thick convexed	1	1	1	1	1	1

† Used with but not part of the 7200 assembly

Lincoln Cosmopolitan and Capri

CHASSIS PARTS CATALOGUE

Steering Column Selector—Continued

STEERING COLUMN GEAR SHIFT CHART—CONTINUED

PART NUMBER	CLASS	PART NAME	STEERING COLUMN GEAR SHIFT						
			FAB-7200-AP	FAB-7200-CA	FAC-7200-AP	FAD-7200-AP	FAE-7200-AP	FAE-7200-BP	
			NUMBER REQUIRED						
† 1M 7246-A		Insulator (trans. gear shift lever)-Rubber-3/4" O. D. x 1-7/64" long	1	1	1	1	1	1	
8L 7285-C		Lever (trans. outer shifter)	Refer to HYDRA-MATIC Trans. Group						
LA 7285-B		Lever (trans. outer shifter)	Refer to HYDRA-MATIC Trans. Group						
FAA 7293-A		Spring (trans. gear shift selector)-1-17/32" O. D. x 1-13/32" long	1	1	1				1
FAA 7302-B		Lever and insulator assy (trans. control selector)-approx. 5-9/16" long	1						
FAB 7302-B2		Lever and insulator assy (trans. control selector)-approx. 5-15/16" long		1	1				1
		353035-S7 Fitting (lubricator)-1/4"-28 x 45° angle	1	1	1	1	1	1	
FAA 7308-A		Retainer (trans. gear shift selector spring)-1-19/32" O. D.	1	1	1				1
† LA 7325-B		Rod assembly (manual shift)-15-11/16" overall length	1						
† LA 7325-D	NS	Rod assembly (trans. manual shift)-replaced by LA-7325-E		1	1				
† LA 7325-E		Rod assembly (trans. manual shift)-used with Conventional & Power Steering		1	1	1	1	1	
		†352358-S Pin (self locking)-9/32" x 61/64"	2	2	2	2	2	2	
		†72009-S Pin (cotter)-3/32" x 5/8"	2	2	2	2	2	2	
		†351341-S7 Washer (spring)-5/16"	1	1	1	1	1	1	
		†44722-S8 Washer (flat)-5/16"	1	1	1	1	1	1	
		†44726-S8 Washer (flat)-3/8"	1	1	1	1	1	1	
		†351467-S Washer (spring)-3/8"	1	1	1	1	1	1	
FAA 7336-A		Spacer (trans. gear shift arm hub)	1	1	1				1
† 8M 7353		Sleeve (trans. gear shift rod adjustment)	1	1	1	1			
† AB 7353-A		Sleeve (trans. gear shift rod adjustment)	1	1	1	1	1	1	
		FAB-13304-A Plate assembly (turn signal switch)	1	1	1	1	1	1	
		†FAB-13305-A Handle & shank assembly (turn signal switch) -Black handle	1	1	1	1	1	1	
		†FDD-13305-A Handle & shank assembly (turn signal switch)- White handle					1	1	
		1M-13309-A Pawl (turn signal switch)	1	1	1	1	1	1	
		1M-13316-A Spring (turn signal switch pawl)	1	1	1	1	1	1	
		†1A-13318-A Cam (directional signal turn off)-assembled to steering wheel	1	1	1				
		†FAB-13318-A Cam (turn signal turn off)				1	1	1	
		1M-13343-A Spring (turn signal switch plate retainer)	1	1	1	1	1	1	
		OM-13348 Bracket assy (turn signal flasher mounting)	1	1					
		8L-13350-C Flasher assy (directional turn signal)-3 prong	1	1					
		FAA-13350-A Flasher assembly (directional turn signal)-2 prong			1	1	1	1	
		FAB-13351-A Bracket (turn signal flasher mounting)			1	1	1	1	
		FAB-13715-A Lamp assembly (trans. control selector)	1	1	1	1	1	1	
		26457-S7 Screw (rd-hd)-No. 8-32 x 1/4"-lamp to lever socket	1	1	1	1	1	1	
		34802-S7 Lockwasher-No. 8	1	1	1	1	1	1	

† Used with but not part of the 7200 assembly

Lincoln Cosmopolitan and Capri

CHASSIS PARTS CATALOGUE

Steering Column Selector—Continued

STEERING COLUMN GEAR SHIFT CHART—CONTINUED

PART NUMBER	CLASS	PART NAME	STEERING COLUMN GEAR SHIFT					
			FAB-7200-AP	FAB-7200-CA	FAC-7200-AP	FAD-7200-AP	FAE-7200-AP	FAE-7200-BP
			NUMBER REQUIRED					
		8M-14308 Wire assembly (horn ring)	1	1	1	1	1	1
		34901-S7 Lockwasher (internal tooth)-No. 6	1	1	1	1	1	1
		33181-S7 Screw (pan head tapping)-No. 6-20 x 1/2"	1	1	1	1	1	1
NS		FAA-14465-A Contact (horn blowing ring)-replaced by 8M-3646	1	1	1	1	1	1
		FAB-14486-A Switch and wiring assembly (turn signal)	1	1	1	1	1	1
		33170-S8 Screw (pan head self tapping)-No. 10-12 x 1/4"- attach switch to socket	2	2	2	2	2	2
		48-15021 Bulb (trans. gear shift indicator)	1	1	1	1	1	1
		FAA-15803-AP Housing (trans. gear shift indicator lamp)- in Prime	1	1	1	1	1	1
		35976-S13 Screw (flat head)-No. 6-32 x 3/8"	2	2	2	2	2	2
		FAB-15805-A Dial (trans. control selector)-with Single Range drive positions	1					
		FAB-15805-C Dial (trans. control selector)		1				
		FAC-15805-A Dial (trans. control selector)			1	1		
		FAD-15805-A Dial (trans. control selector)					1	1
		40513-S7 Screw (pan head self tapping)-No. 6-32 x 3/8"	2	2	2	2	2	2
		FAB-15812-A Switch assembly (trans. gear shift neutral)	1	1	1			1
		42360-S8 Screw (hex washer head)-No. 10-16 x 3/8"	2	2	2			2
		FAD-15812-A Switch assembly (trans. control selector)				1	1	
		42720-S8 Screw & lockwasher assembly (hex head)-No. 8-32 x 1/4"-switch to steering column tube				2	2	
		FAA-33508-A Ring (steering column tube trim)-Chrome plate	1	1	1	1	1	1
		52414-S13 Screw (oval head cross recess)-No. 10-16 x 1/2"	1	1	1	1	1	1
		BH-33515-A Retainer (steering column opening seal)-outer				1	1	1
		FAB-33680-A Anti squeak (strg. column saddle)-Fibre	1	1	1	1	1	1
		FAA-33687-A Insulator (steering column bracket)-Rubber	2	2	2	2	2	2
		‡FAB-33689-AP Clamp (steering column bracket)-lower	1	1	1	1	1	1
		FAA-77287-A Link (trans. control selector neutral switch)- use with FAD-15812-A				1	1	

PART NUMBER	PART NAME	NO. REQ'D	MODEL	YEAR 19__
LA 7417-A	Valve (transmission over run control)		Refer to HYDRA-MATIC Trans. Group	
LA 7417-B	Valve (transmission over run control)		Refer to HYDRA-MATIC Trans. Group	
LA 7432-A	Retainer (line exhaust valve spring)		Refer to HYDRA-MATIC Trans. Group	
EAD 7609-A	Retainer (clutch pilot bearing)		Refer to HYDRA-MATIC Trans. Group	
1L 7650-A	Extension assembly (transmission)		Refer to HYDRA-MATIC Trans. Group	
8L 7657-B	Oil seal assembly (transmission exterior rear)		Refer to HYDRA-MATIC Trans. Group	

‡ Used with but not part of the 7200 Assembly

Lincoln Cosmopolitan and Capri

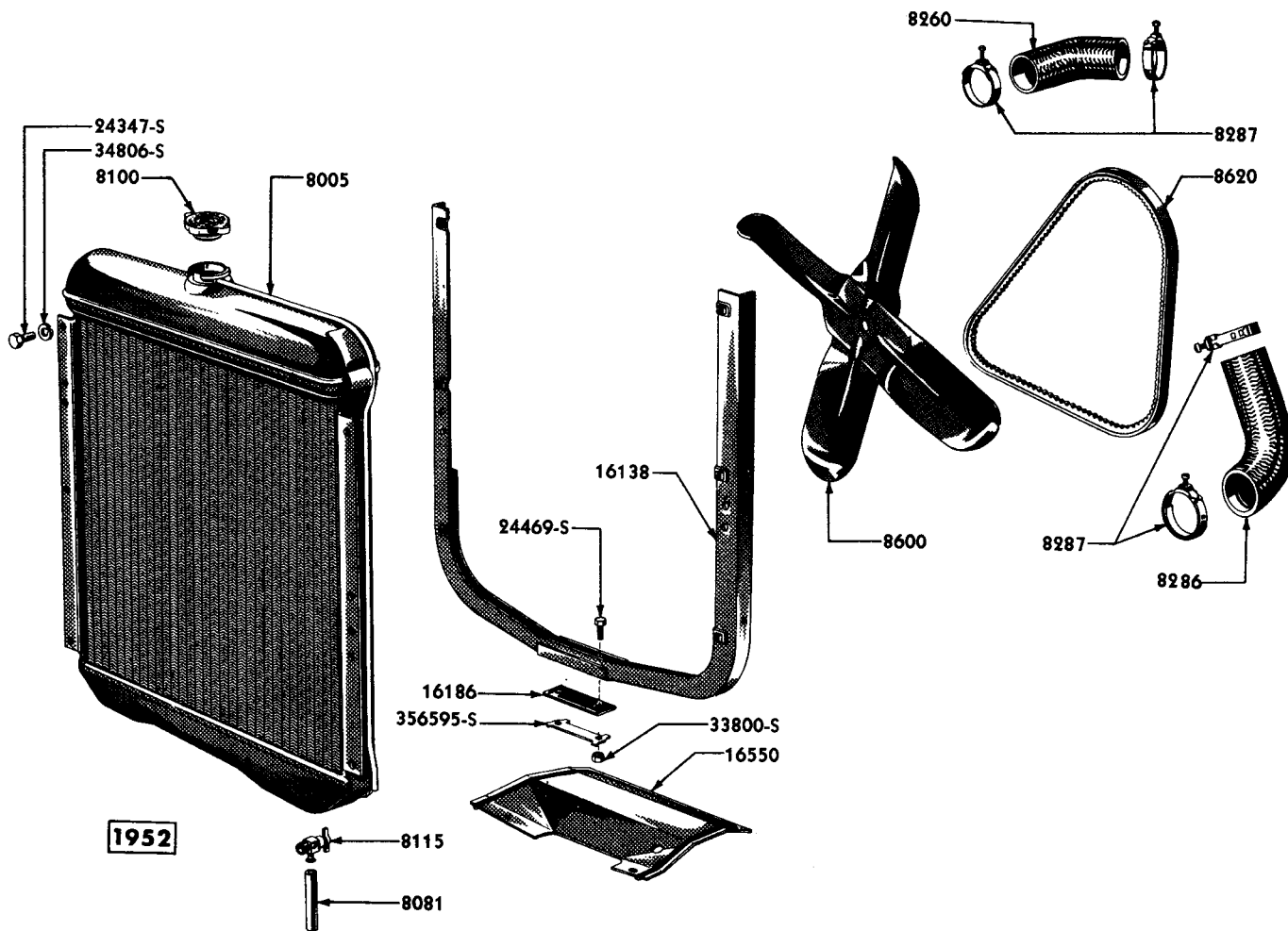
CHASSIS PARTS CATALOGUE

PART NUMBER	CASE	PART NAME	NO. REQ'D	MODEL	YEAR 19____
Steering Column Selector—Continued					
† 8L 7692		Shield (transmission ext. rear oil seal)-Steel		Refer to HYDRA-MATIC Trans. Group	
† OL 7770		Pan assembly (trans. control linkage splash)		Refer to HYDRA-MATIC Trans. Group	
† LA 7771-B	NS	Pan assembly (trans. control linkage splash)-used w/o Power Steering-replaced by LA-7771-D		Refer to HYDRA-MATIC Trans. Group	
† LA 7771-C		Pan (trans. control linkage splash)-used with Power Steering		Refer to HYDRA-MATIC Trans. Group	
† LA 7771-D		Pan assembly (trans. control linkage splash)-used w/o Power Steering		Refer to HYDRA-MATIC Trans. Group	
LA 7872-A		Spring (transmission over-run control valve)		Refer to HYDRA-MATIC Trans. Group	
LA 7872-B		Spring (transmission over-run control valve)		Refer to HYDRA-MATIC Trans. Group	
LA 7874-A		Kit (transmission pressure regulator)		Refer to HYDRA-MATIC Trans. Group	
LA 7893-A		Spring (regulator valve dampener)		Refer to HYDRA-MATIC Trans. Group	
† LA 7910-A		Cover assembly (transmission torus)		Refer to HYDRA-MATIC Trans. Group	
† 8L 7912		Torus assembly (transmission driven)		Refer to HYDRA-MATIC Trans. Group	
† 8L 7914		Torus assembly (transmission driving)		Refer to HYDRA-MATIC Trans. Group	
† 1L 7916-A		Valve (transmission torus check)		Refer to HYDRA-MATIC Trans. Group	
† 8L 7917		Snap ring (torus retaining)		Refer to HYDRA-MATIC Trans. Group	
† 8L 7919		Lever (transmission throttle control outer)		Refer to HYDRA-MATIC Trans. Group	
† LA 7919-A		Lever (transmission throttle control outer)		Refer to HYDRA-MATIC Trans. Group	
† 8L 7920		Plug (hex-hd)-1/8" pipe-transmission torus cover		Refer to HYDRA-MATIC Trans. Group	
8L 7920		Plug (hex-hd)-1/8" pipe-transmission case		Refer to HYDRA-MATIC Trans. Group	
8L 7920		Plug (hex-hd)-1/8" pipe-transmission front servo		Refer to HYDRA-MATIC Trans. Group	
† 8L 7921		Retainer (transmission torus check valve)		Refer to HYDRA-MATIC Trans. Group	
† 8L 7922		Spring (transmission torus check valve)		Refer to HYDRA-MATIC Trans. Group	
† 8L 7923		Nut (transmission main shaft)-hex-7/8"-16		Refer to HYDRA-MATIC Trans. Group	
† 8L 7924		Washer (trans. main shaft nut lock) flanged diameter-replaced by 8L-7924		Refer to HYDRA-MATIC Trans. Group	
† 1L 7927-A		Snap ring (transmission driven torus)		Refer to HYDRA-MATIC Trans. Group	
8L 7938		Bearing (transmission pilot)-Bronze		Refer to HYDRA-MATIC Trans. Group	
8L 7942		Retainer (transmission pilot bearing)		Refer to HYDRA-MATIC Trans. Group	
† 8L 7943		Bolt (hex-hd)-5/16"-24 x 45/64"-torus cover to flywheel assembly		Refer to HYDRA-MATIC Trans. Group	
† 8L 7945		Gasket (flywheel to torus cover assembly)		Refer to HYDRA-MATIC Trans. Group	
†		Used with but not part of basic number 7003 assembly			

Lincoln Cosmopolitan and Capri

CHASSIS PARTS CATALOGUE

Radiator



PL-699

RADIATOR AND RELATED PARTS

Basic numbers only shown on illustration. Order by Part Numbers shown in list of parts.

PART NUMBER	QTY	PART NAME	NO. REQ'D	MODEL	YEAR 19__
		8H-19546-A Rust inhibitor-pt. can		LA	52-54
		8H-19546-B Rust inhibitor-case of (12) pt. cans		LA	52-54
		8L-19558-A Radiator Stop Leak-10 oz. can		LA	52-54
		8L-19558-B Radiator Stop Leak-case of (12) 10 oz. cans		LA	52-54
LA 8005-A		Radiator assy-mounting plates with 10 holes 3/8" diameter	1	LA	52
		24347-S8 Bolt (hex-hd)-5/16"-24 x 3/4" -radiator to rad. support	6	LA	52
		34806-S7 Lockwasher-5/16"-radiator to radiator support	6	LA	52
		353418-S2 Nut (cage)-5/16"-24-radiator to radiator support	6	LA	52

Lincoln Cosmopolitan and Capri

CHASSIS PARTS CATALOGUE

PART NUMBER	CLAS	PART NAME	NO. REQ'D	MODEL	YEAR
Radiator-Continued					
LA 8005-C		Radiator assy-mounting plates with 4 holes 19/32" diameter-11-1/2 fins per inch	1	LA	53-54
LA 8005-F		Radiator assy-mounting plates with 4 holes 19/32" diameter-13 fins per inch-use with Air Conditioning only	1	LA60-73	53
		20367-S8 Bolt (hex-hd)-5/16"-24 x 7/8"-radiator to radiator support	4	LA	53-54
		352841-S Grommet (rubber)-radiator to radiator support	4	LA	53-54
		357624-S7 Lockwasher-5/16"-radiator to radiator support	4	LA	53-54
MA 8081-A	NS	Hose (radiator drain)-5/16" I. D. x 1/2" O. D. x 3" long-make from MA-8081-B	1	LA	52-54
MA 8081-B		Hose (radiator drain)-5/16" I. D. x 1/2" O. D. x 6-3/4" long	1	LA	52-54
LA 8100-A3		Cap assy (radiator)-stamped "14"-optional with LA-8100-A4	1	LA	52-54
LA 8100-A4		Cap assy (radiator)-stamped "13"-optional with LA-8100-A3	1	LA	52-54
9N 8115-B		Cock assy (cylinder block)-tee type	2	LA	52-54
8CM 8115-A		Cock assy (radiator drain)-wing type	1	LA	52-54
		352524-S Adapter-1/4" x 1/4" attached to drain cock-use with Air Conditioning only	1	LA60-73	53
BC 8128-A		Support (radiator air side inner deflector)	2	LA	53
BD 8128-A		Support (radiator air side inner deflector)	2	LA	52
BH 8128-A	NS	Support (radiator air side inner deflector)-make from BC-8128-A by adding 11/32" x 11/16" slot and 11/32" hole-use with Air Conditioning only	1	LA60-73	53
BH 8129-A	NS	Support (radiator air side inner deflector) make from BC-8128-A by adding 11/32" hole-use with Air Conditioning only	1	LA60-73	53
		43264-S8 Bolt and lockwasher (hex-hd)-5/16"-24 x 7/8"-support to fender apron & rad. support	6	LA	52-53
		353418-S2 Nut (cage)-5/16"-24-support fender apron and radiator support	6	LA	52-53
		44724-S8 Washer (flat)-5/16"-support fender apron & rad. support	6	LA	52-53
BD 8184-A		Gusset (radiator air deflector to fender)-R. H.	1	LA	52-54
BD 8185-A		Gusset (radiator air deflector to fender)-L. H.	1	LA	52-54
		43264-S8 Bolt & washer assy (hex)-5/16"-24 x 7/8"-gusset thru fender to apron & deflector	2	LA	52-54
		357261-S2 Retainer assy (nut)-5/16"-24-gusset thru fender to apron and deflector	2	LA	52-54

Lincoln Cosmopolitan and Capri

CHASSIS PARTS CATALOGUE

PART NUMBER	PART NAME	NO. REQ'D	MODEL	YEAR 19__
Radiator—Continued				
BD 8209-A	Shield assy (radiator splash)	1	LA	52
BH 8209-A	Shield assy (radiator splash)	1	LA	53
BH 8209-B	Shield assy. (radiator splash)-use with air conditioning only	1	LA60-73	53
BS 8209-A	Shield assy. (radiator splash)	1	LA	54
	24347-S8 Bolt (hex-hd)-5/16"-24 x 3/4"-shield to inner air deflector	2	LA	52-53
	24347-S8 Bolt (hex-hd)-5/16"-24 x 3/4" shield to fender apron and deflector	12	LA	54
	34806-S7 Lockwasher-5/16"-shield to inner air deflector	2	LA	52-53
	34806-S7 Lockwasher-5/16"-shield to fender apron & deflector	12	LA	54
	33798-S8 Nut (hex)-5/16"-24-shield to inner air deflector	2	LA	52-53
	33798-S8 Nut (hex)-5/16"-24-shield to fender apron & deflector	12	LA	54
	44724-S8 Washer (flat)-5/16"-shield to inner air deflector	2	LA	52-53
	44724-S8 Washer (flat)-5/16"-shield to fender apron and deflector	12	LA	54
	BH-88209-A Support (radiator splash shield to hoodlock support brace)-use with Air Conditioning only	1	LA60-73	53
	31498-S8 Screw (hex-hd self tap.)-No. 14-10 x 5/8"-support to brace to shield-used with Air Conditioning only	1	LA60-73	53
	BD 88210-A Filler (radiator splash shield bumper opening)-7-9/64" long	2	LA	52-53
	BD 88256-A Seal (radiator splash shield)-25-1/8" long	1	LA	52-54
	BC-88294-A Seal (radiator splash shield front center)-4" long	2	LA	52
BD 8216-C	Ornament assy (radiator grille opening)-with ribbed center ornament	1	LA	52
BH 8216-A	Ornament assy (radiator grille opening)	1	LA	53
8M 8219	Spacer (square)-ornament to fender	6	LA	52-54
EAD 8255-A	Gasket (water outlet connection)-2-13/32" I. D.	1	LA	52-54
LA 8260-A	Hose (radiator upper) 1-3/4" I. D. -formed	1	LA	52
LA 8260-B	Hose (radiator upper)-1-3/4" I. D. x 7-1/2" formed length	1	LA	53-54
LA 8260-C	Hose (radiator upper)-1-3/4" I. D. x 8-1/8" formed length-with Air Conditioning only	1	LA60-73	53

Lincoln Cosmopolitan and Capri

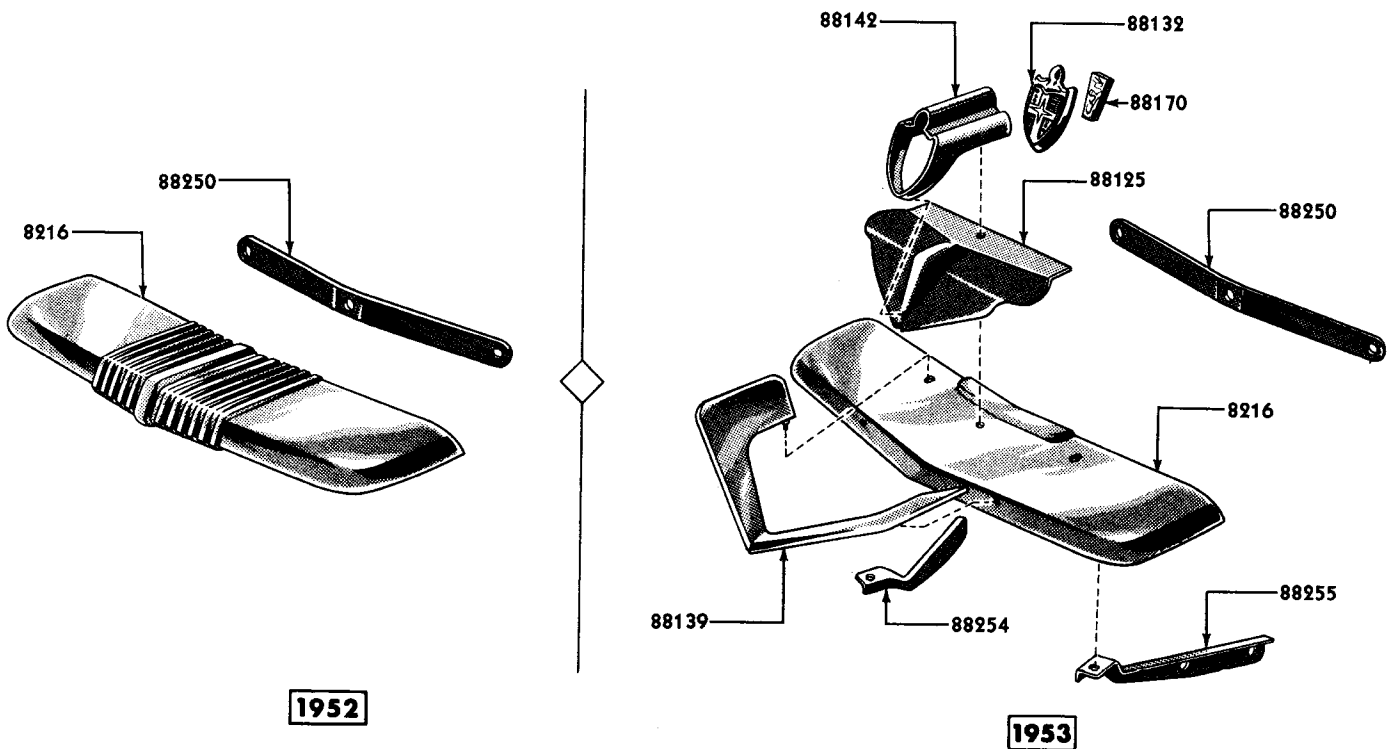
CHASSIS PARTS CATALOGUE

PART NUMBER	PART NAME	NO. REQ'D	MODEL	YEAR 19__
Radiator—Continued				
LA 8286-B	Hose (radiator)-lower-2" I. D.	1	LA	52
	LA 88277-A Hose assy. (radiator)-lower-2" I. D. -formed-includes spring insert	1	LA	53-54
	LA 88277-B Hose assy. (radiator lower)-2" I. D. x 7" x 5-21/32"-formed-includes spring insert-use with Air Conditioning only	1	LA60-73	53
B 8287-A	Clamp assy (exhaust cross over pipe heat shield)-2-1/8" diameter use with Air Conditioning only	1	LA60-73	53
8A 8287-A	Clamp assy. (hose)-adjustable-range of 1-1/2" to 2-3/4" I. D.	as reqd	LA	52-54
LA 8287-A NS	Clamp assy. (radiator hose)-lower-use 8A-8287-A for service	2	LA	52-53
LA 8287-B NS	Clamp assy. (radiator hose)-lower-use 8A-8287-A for service	2	LA	54
MA 8287-A NS	Clamp assy. (radiator hose)-upper-use 8A-8287-A for service	2	LA	54
BD 8308-B	Deflector (radiator air inner)-R. H. - 2 holes 3/8" dia. at small end	1	LA	52-54
BD 8309-B	Deflector (radiator air inner)-L. H. - 2 holes 3/8" dia. at small end	1	LA	52-54
	24347-S8 Bolt (hex hd)-5/16"-24 x 3/4"-defl. to rad. support	6	LA	52-54
	43264-S8 Bolt and lockwasher (hex-hd) -5/16"-24 x 7/8"-deflector to apron & radiator support	2	LA	52-54
	34806-S7 Lockwasher 5/16"-deflector to radiator support	6	LA	52-54
	33798-S8 Nut (hex)-5/16"-24-deflector to radiator support	6	LA	52-54
	44724-S8 Washer (flat)-5/16"-deflector	12	LA	52-54
BD 8326-A	Deflector assembly (radiator air side)-upper	1	LA	52
BH 8326-A	Deflector assembly (radiator air side)-upper	1	LA	53-54
BH 8326-B	Deflector assembly (radiator air side)-upper-extension with square ends-use with Air Conditioning only	1	LA60-73	53
	24327-S7 Bolt (hex-hd)-5/16"-24 x 5/8"-deflector to radiator support -used with Air Conditioning only	2	LA60-73	53
	24347-S8 Bolt & washer (hex-hd)-5/16"-24 x 3/4"-deflector to inner deflector	6	LA	52-54
	34806-S7 Lockwasher-5/16"-deflector to inner deflector	6	LA	52-54
	34941-S7 Lockwasher-5/16"-deflector to radiator support-used with Air Conditioning only	2	LA60-73	53
	33798-S8 Nut (hex)-5/16"-24-deflector to inner deflector	6	LA	52-54
	44724-S8 Washer (flat)-5/16"-deflector inner deflector	12	LA	52-54

Lincoln Cosmopolitan and Capri

CHASSIS PARTS CATALOGUE

Radiator Grille



1952

1953

PL-886

RADIATOR GRILLE AND RELATED PARTS

Basic numbers only shown on illustration. Order by Part Numbers shown in list of parts.

PART NUMBER	CLASS	PART NAME	NO. REQ'D	MODEL	YEAR
BD-8216-C		Ornament assy (radiator grille opening)-with ribbed center ornament)	1	LA	52
BH-8216-A		Ornament assy (radiator grille opening)	1	LA	53
42904-S8		Bolt & Lockwasher (hex head)-1/4"-28 x 5/8"-ornament to brace	3	LA	52-53
33796-S7		Nut (hex)-1/4"-28-ornament to brace	3	LA	52-53
44720-S8		Washer (flat)-1/4"-ornament to brace	3	LA	52-53
BH-88125-A		Plate assy (radiator grille opening medallion	1	LA	53
BH-88132-A		Medallion (radiator grille opening)	1	LA	53
BH-88139-A		Emblem assy (radiator grille opening)	1	LA	53

Lincoln Cosmopolitan and Capri

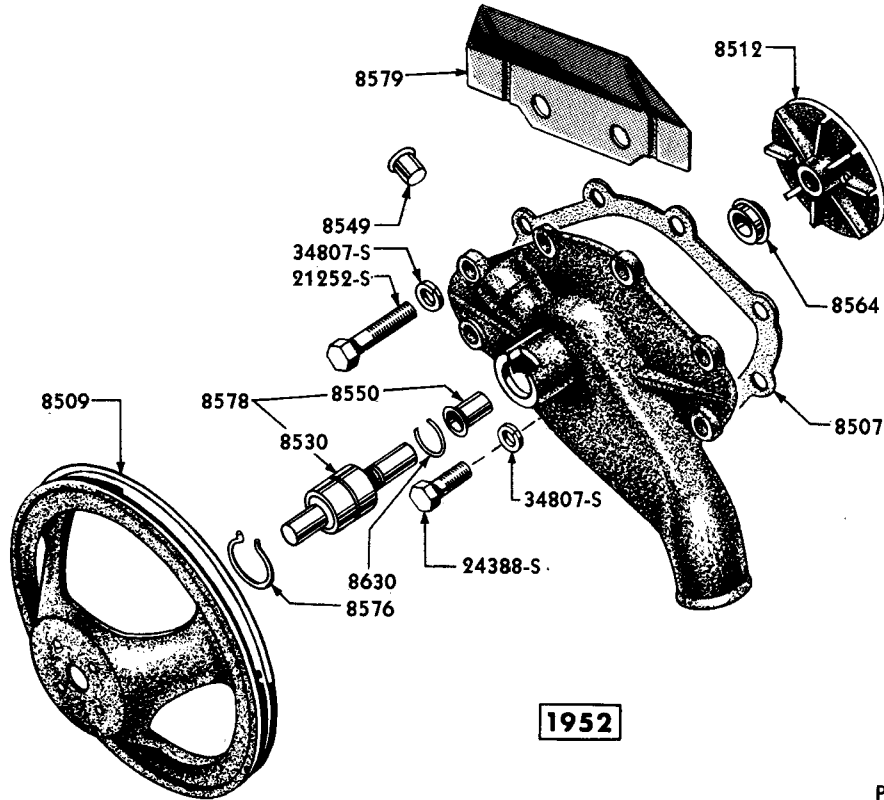
CHASSIS PARTS CATALOGUE

PART NUMBER	PART NAME	NO. REQ'D	MODEL	YEAR 19__
Radiator Grille—Continued				
34823-S2	Lockwasher (spring)-No. 10- emblem to ornament	2	LA	53
34053-S8	Nut (hex)-No. 10-24-emblem to ornament	2	LA	53
357171-S8	Screw and washer (hex head)- No. 10-24 x 5/16"-emblem to ornament and plate	3	LA	53
351600-S8	Washer (retainer cup)-emblem to ornament	2	LA	53
BH-88142-A	Retainer (radiator grille opening medallion)	1	LA	53
20405-S8	Bolt (hex-hd)-1/4"-28 x 1-1/8" -retainer to ornament	1	LA	53
42754-S8	Bolt and lockwasher (hex-hd)- 1/4"-28 x 1"-retainer to ornament	1	LA	53
43512-S8	Bolt and lockwasher (hex-hd) 1/4"-28 x 1"-retainer to ornament	1	LA	53
34805-S8	Lockwasher (spring)-1/4"- retainer to ornament	1	LA	53
34940-S2	Lockwasher (ext. tooth)-1/4"- retainer to ornament	1	LA	53
350786-S7-8	Nut (spring)-No. 12-retainer to ornament	1	LA	53
BH-88170-A	Pad (radiator grille opening medallion)	1	LA	53
BD-88250-A	Brace (radiator grille opening ornament)-15-1/8" long	1	LA	52-53
BH-88254-A	Bracket (radiator grille opening ornament)-R. H.	1	LA	53
BH-88255-A	Bracket (radiator grille opening ornament)-L. H.	1	LA	53
20324-S8	Bolt (hex-hd)-1/4"-20 x 5/8"- bracket to hood lock brace	4	LA	53
351765-S100	Clip assy-bracket to ornament	2	LA	53
34805-S8	Lockwasher (spring)-1/4"- bracket to hood lock brace	4	LA	53
34805-S8	Lockwasher (spring)-1/4"- bracket to ornament	2	LA	53
33795-S7	Nut (hex)-1/4"-20-bracket to hood lock brace	4	LA	53
33795-S7	Nut (hex)-1/4"-20-bracket to ornament	2	LA	53
44719-S8	Washer (flat)-1/4"-bracket to hood lock brace	4	LA	53

Lincoln Cosmopolitan and Capri

CHASSIS PARTS CATALOGUE

Water Pump



PL-676

WATER PUMP AND RELATED PARTS

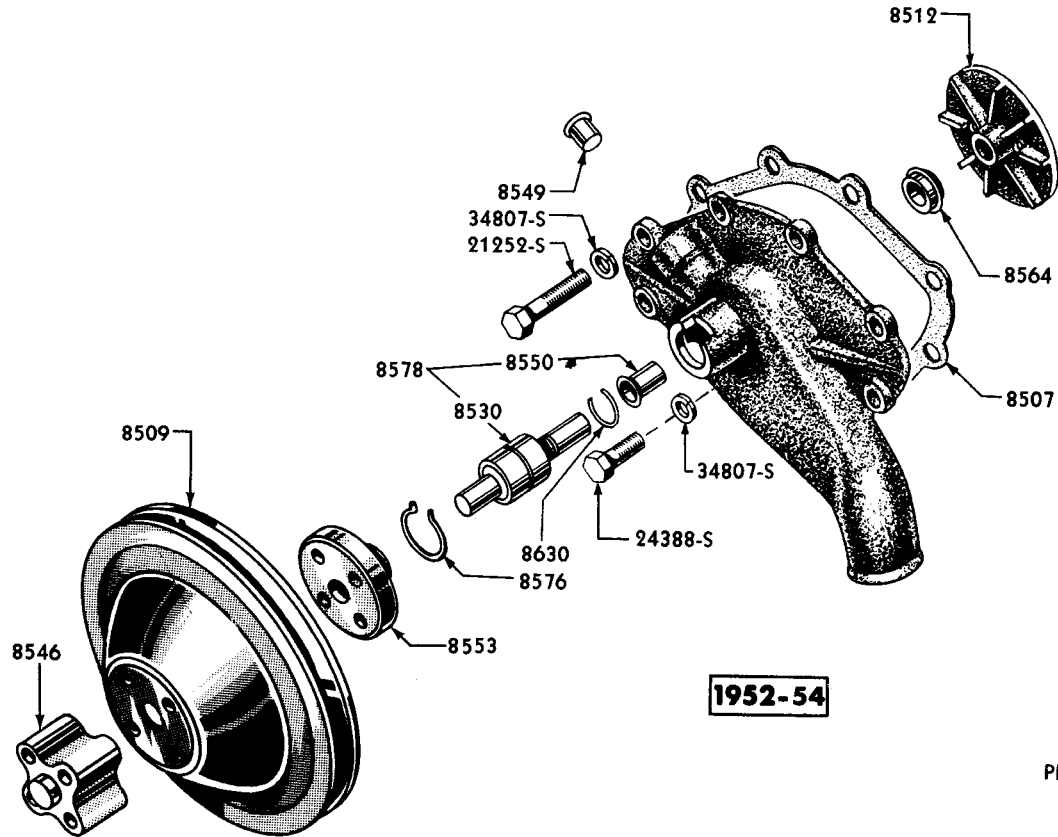
Basic numbers only shown on illustration. Order by Part Numbers shown in list of parts.

PART NUMBER	PART NAME	NO. REQ'D	MODEL	YEAR 19__
EAD 8501-F	Pump assembly (water)-less pulley and shield	1	LA	52
EAD-88502-B	Pump (water)-less pulley & spacer	1	LA	52-54
21252-S	Bolt (hex-hd)-3/8"-16 x 2-1/4" pump to cylinder block	6	LA	52-54
24388-S8	Bolt (hex head)-3/8"-16 x 1"- pump to cover	2	LA	52-54
34807-S2	Lockwasher-3/8"-pump to cover and cylinder block	8	LA	52-54
358066-S8	Plug (counter sunk head)-3/8"- water pump for cars less heater	2	LA	52-54
EAD 8507-A	Gasket (water pump)	1	LA	52-54
EAD 8509-C	Pulley (water pump)-Cast Iron-used with EAD-8501-F pump	1	LA	52
EAD 8509-E	Pulley (water pump)-Steel-used with EAD-88502-B pump	1	LA	52-54
EAD 8512-B	Impeller (water pump)-8 vane type	1	LA	52-54

Lincoln Cosmopolitan and Capri

CHASSIS PARTS CATALOGUE

Water Pump—Continued



PL-882

WATER PUMP AND RELATED PARTS

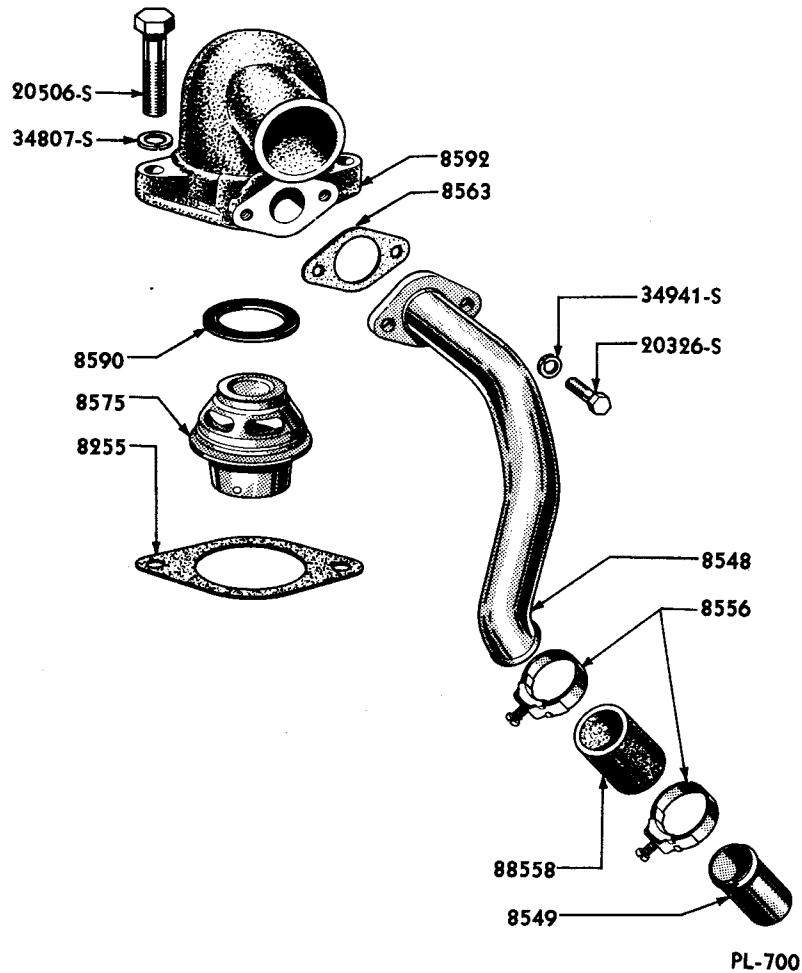
Basic numbers only shown on illustration. Order by Part Numbers shown in list of parts.

PART NUMBER	DESCRIPTION	NO. REQ'D	MODEL	YEAR
2GA 8530-A	Bearing assembly (water pump)	1	LA	52-54
8BA-8630-A	Snap ring (water pump bearing retainer)	1	LA	52-54
EAD 8546-B	Spacer (water pump pulley to fan)-used with EAD-8509-E pulley-63/64" long	1	LA	52-54
EAD 8546-C	Spacer (water pump pulley to fan)-1-5/8" long-use with Air Conditioning	1	LA60-73	53
EAD 8548-C	Tube assembly (water by-pass)	1	LA	52-54
EAD 8548-D	Tube assembly (water by-pass)-upper-use with air conditioning only	1	LA60-73	53
20326-S7	Bolt (hex-hd)-5/16"-18 x 5/8"-tube to water outlet connection	2	LA	52-54
34941-S7	Lockwasher-5/16"-tube to water outlet connection	2	LA	52-54
8EQ 8548-A	Hose (water by-pass tube)-3/4" I. D. x 1-3/16" O.D. x 15" length-used only for cutting lengths of EAD-88558-A	1	LA	52-54
NS EAD-88558-A	Connection (water by-pass)-1-13/32" length-cut from 8EQ-8548-A	1	LA	52-54

Lincoln Cosmopolitan and Capri

CHASSIS PARTS CATALOGUE

Water Pump—Continued



WATER CONNECTION & RELATED PARTS

Basic numbers only shown on illustration. Order by Part Numbers shown in list of parts.

PART NUMBER	PART NAME	NO. REQ'D	MODEL	YEAR
B2Q 8549-A	Tube (water by-pass)-lower-1-3/8" length- ⊕EAD-88549-A	1	LA	19 52-54
7HA 8550	Slinger (water pump shaft)	1	LA	52-54
EAA 8553-A	Hub (water pump pulley)-used with EAD-8509-E pulley	1	LA	52-53
EAA 8553-B	Hub (water pump pulley)-used with EAD-8509-E pulley	1	LA	54
EAD 8556-A	Clamp assy (water by-pass connection)-1-3/8" dia.	2	LA	52-54
EAD 8563-B	Gasket (water by-pass tube)	1	LA	52-54
7RA 8564-B	Seal assembly (water pump)	1	LA	52-54

Lincoln Cosmopolitan and Capri

CHASSIS PARTS CATALOGUE

PART NUMBER	CLASS	PART NAME	NO. REQ'D	MODEL	YEAR 19__
Water Pump—Continued					
HCK 8570-B		Kit (thermostat and gasket)-157° to 162° opening temperature-consists of the following (1) EAD-8575-B Thermostat (1) EAD-8590-B Gasket	1	LA	52-54
HEK 8570-A		Kit (thermostat and gasket)-168° to 173° opening temperature-consists of the following (1) EAD-8575-C Thermostat (1) EAD-8590-B Gasket	1	LA	52-54
EAD 8575-B		Thermostat assembly (water)-157° to 162° opening temperature	1	LA	52-54
EAD 8575-C		Thermostat assembly (water)-168° to 173° opening temperature	1	LA	52-54
OBA 8576-A		Snap ring (water pump bearing)	1	LA	52-54
EAD 8578-B		Bearing and slinger assembly (water pump)	1	LA	52-54
EAD 8579-A		Shield (fan and water pump belt)	1	LA	52
EAD 8590-B		Gasket (water thermostat)-1-13/16" I. D. x 2" O. D.	1	LA	52-54
B2Q 8591-A		Kit (water pump repair)-consists of the following (1) EAD-8507-A Gasket (1) EAD-8512-B Impeller (1) 2GA-8530-A Bearing (1) 7HA-8550 Slinger (1) 7RA-8564-B Seal (1) OBA-8576-A Snap Ring (1) 8BA-8630-A Snap Ring	1	LA	52-54
EAD 8592-D		Connection assembly (water outlet)	1	LA	52-54
		20506-S7 Bolt (hex-hd)-3/8"-16 x 1-3/4" -connection to intake manifold	2	LA	52-54
		34807-S2 Lockwasher-3/8"-connection to intake manifold	2	LA	52-54
		EAD-8255-A Gasket (water outlet connection)	1	LA	52-54

Lincoln Cosmopolitan and Capri

CHASSIS PARTS CATALOGUE

PART NUMBER	PART NAME	NO. REQ'D	MODEL	YEAR
Fan				
LA 8600-B	Blade assy (fan)-6 blades-use with Air Conditioning only	1	LA60-73	53
EAD 8600-A	Blade assembly (fan)-4 blade	1	LA	52-54
EAD 8600-B	Blade assy (fan)-3 blade-use with Heavy Duty Kit	1	LA	53-54
	20167-S8 Bolt (hex-hd)-5/16"-24 x 1-1/2" -blade to water pump pulley when EAD-8546-B spacer used	4	LA	52-54
	20326-S7 Bolt (hex-hd)-5/16"-18 x 5/8" blade to water pump pulley	4	LA	52
	21516-S8 Bolt (hex-hd)-5/16"-24 x 2-1/4"-blade to water pump pulley-used with Air Conditioning only	4	LA60-73	53
	34806-S7 Lockwasher-5/16"-blade to water pump pulley when EAD-8546-B spacer used	4	LA	52-54
	34941-S7 Lockwasher-5/16"-blade to water pump pulley	4	LA	52
	EAD-8546-B Spacer (water pump pulley to fan) -63/64" long-used with EAD-8509-E pulley	1	LA	52-54
	EAD-8546-C Spacer (water pump pulley to fan) -1-5/8" long-used with Air Conditioning only	1	LA60-73	53
EAD 8620-B	Belt (fan, generator and water pump)-45-1/2" long x 3/8" wide	1	LA	52-54
EAD 8620-D	Belt (fan, generator and water pump)-45-1/2" long x 15/32" wide-used with Air Conditioning only	1	LA60-73	53
8BA 8630-A	Snap ring (water pump shaft bearing retainer)	1	LA	52-54
EAD 8675-A	Bracket and pulley assy (compressor belt idler adjustment)-use with Air Conditioning only	1	LA60-73	53
	7RA-10094-A Bearing (idler bracket and pulley)	1	LA60-73	53
OM 8725	Clamp assy (air duct retainer)-round 4-3/16" I.D.	2	LA	52-54
OM 8725	Clamp assy (air conditioner blower hose)-round- 4-3/16" I.D.	2	LA60-73	53
FAA 8725-A	Clamp assy (heater air duct retainer)-3-3/16" x 3-9/16"	2	LA	52-54

Lincoln Cosmopolitan and Capri

CHASSIS PARTS CATALOGUE

PART NUMBER	C C A S S	PART NAME	NO. REQ'D	MODEL	YEAR 19__
Fuel Tank, Fuel Gauge and Oil Gauge					
LA 9002-F		Tank assy (fuel)-Terne Plated-uses non-vented cap	1	LA	52-53
LA 9002-H		Tank assembly (fuel)-with plastic filter	1	LA	54
LA 9002-J		Tank assembly (fuel)-with plastic filter	1	LA	54
‡ MA 9024-A		Grommet (fuel tank vent tube)-7/8" O. D. x 5/16" x 3/8" thick	1	LA	52
AB 9030-C		Cap assembly (fuel tank)-non-vented	1	LA	52-54
MA 9030-B		Cap assembly (fuel tank filler)-vented	1	LA	52
MA 9030-C		Cap assembly (fuel tank)-locking type	1	LA	52-54
OA 9077		Plug (fuel tank drain)-7/8"-20 thd. -use with LA-9002-C	1	LA	52
		OA-9388 Gasket (fuel tank drain plug)-use with LA-9002-C	1	LA	52
		353055-S7 Plug (extended head pipe)- 1/4"-18-drain	1	LA	52-54
BA 9080-B		Grommet (fuel tank filler)	1	LA	52-54
LA 9092-A		Strap assembly (fuel tank support)	2	LA	52-54
		34445-S8 Locknut-3/8"-24-strap to body	2	LA	52-54
		44726-S8 Washer (flat)-3/8" strap to body	2	LA	52-54
‡ MA 9107-A		Tube (fuel tank vent)-front-7" long	1	LA	52
		†LA-99048-B Tube assy (fuel tank vent)-upper- use with BC-99068-A	1	LA	52-53
		LA-99048-C Tube assy (fuel tank vent)-upper- use with LA-99068-A	1	LA	54
		MA-99053-A Bracket (fuel tank vent tube)	1	LA	52-54
		†BC 99068-A Grommet (fuel tank vent pipe)-in filler neck well	1	LA	52-53
		LA-99068-A Grommet (fuel tank vent pipe)-in filler neck well	1	LA	54
		34826-S7 Lockwasher-5/16"	2	LA	52-54
		33797-S7 Nut (hex)-5/16"-18-upper vent tube to lower qtr. panel ext.	2	LA	52-54
		40156-S8 Screw (hex-hd self tapping)- 5/16"-18 x 5/8"-bracket to vent tube hose to frame	2	LA	52-54
		41036-S8 Screw (hex-hd self tapping)- No. 10-32 x 3/8"-vent clip to vent tube bracket	1	LA	52-54
		42134-S8 Screw (hex washer head self tapping)-No. 10-12 x 5/8"- upper vent tube to rear floor qtr. panel extension	3	LA	52-54

‡ Double vent system

† Single vent system

Lincoln Cosmopolitan and Capri

CHASSIS PARTS CATALOGUE

PART NUMBER	SUB-C	PART NAME	NO. REQ'D	MODEL	YEAR
Fuel Tank, Fuel Gauge and Oil Gauge—Continued					
HDK 9155-A		Kit assy (fuel filter)-Carter-consists of the following (1) EAD-9155-A Filter assembly (fuel) (1) EAD-99301-A Pipe assy (filter to carb.) (1) EAD-99302-A Pipe assy (filter to pump) (1) 87382-S Fitting (1) 87533-S Connector	1	LA	52-53
		87533-S Connector (tube fitting)-filter to fuel pump tube to fuel pump	1	LA	52-53
		87382-S Fitting (tube)-5/16"-20 thread -filter to carb. tube to carb.	1	LA	52-53
‡ LA 9170-A	NS	Hose (fuel tank vent pipe)-6-1/4" long-cut to length from MA-9170-B	1	LA	52
† LA 9170-B	NS	Hose (fuel tank vent tube)-13-1/4" long-cut to length from MA-9170-B	1	LA	52-54
		356807-S100 Clip (vent tube hose to vent tube bracket)	1 or 2	LA	52-54
		41036-S8 Screw (hex-hd self tapping)-No. 10-32 x 3/8"	1 or 2	LA	52-54
‡ MA 9170-A	NS	Hose (fuel tank filler air relief)-2-1/2" long-replaced by MA-9170-B	2	LA	52
MA 9170-B		Hose (fuel tank vent tube)-14-7/8" long	1	LA	52-54
8M 9171-B		Clamp (fuel tank vent pipe hose)-self compressing spring wire type	as reqd	LA	52-54
FAA 9212-A		Terminal (fuel gage)-tank unit-5/16" wide & 1-3/8" long-use with FAB-9275-A	1	LA	54
8CM 9224-B		Adapter (carburetor fuel inlet)-27/32" o/all length-also serviced in HCK-9502-A & HDK-9502-A Kits	1	LA	52-54
EAD 9224-A		Adapter (carburetor fuel inlet)-3/8"-24 thread-1-3/16" long-also serviced in HDK-9502-A Kit	1	LA	53-54
8CM 9229		Gasket (carburetor fuel inlet adapter)-Hard Fibre-19/32" I. D. x 45/64" O. D. x 1/32" thick-also serviced in HCK-9502-A & HDK-9502-A Kits	1	LA	52-54
EAD 9229-A		Gasket (carburetor fuel inlet adapter)-used with EAD-9224-A-also serviced in HDK-9502-A Kit	2	LA	53-54
96H 9242		Ferrule (fuel line)-5/16" tubing-compression fitting	as reqd	LA	52-54

‡ Double vent system

Lincoln Cosmopolitan and Capri

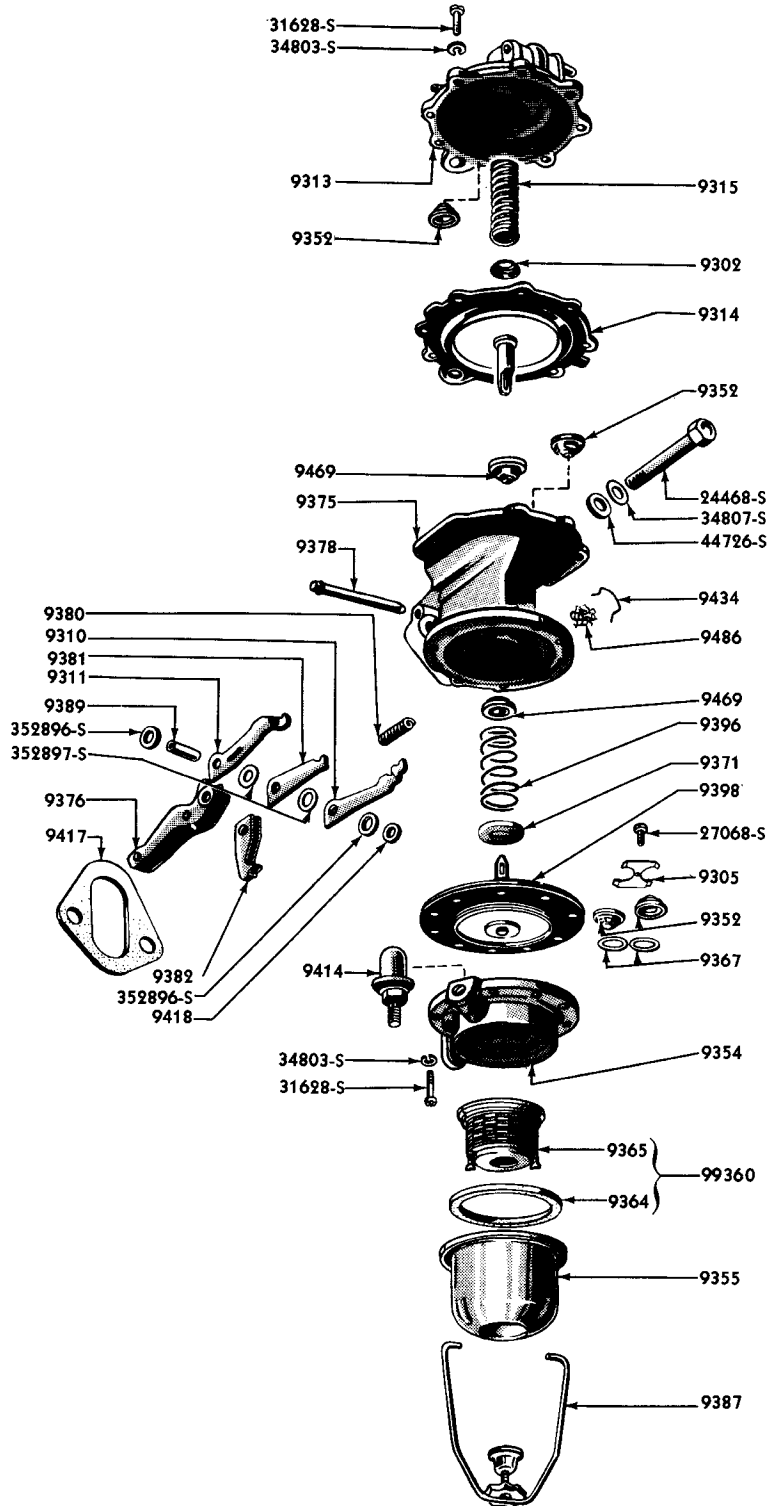
CHASSIS PARTS CATALOGUE

PART NUMBER	PART NAME	NO. REQ'D	MODEL	YEAR 19__
Fuel Tank, Fuel Gauge and Oil Gauge—Continued				
FAA 9272-A	Bar (instrument cluster bus)-o/all length 1-19/32"	1	LA	52-54
	34079-S7 Nut (hex)-No. 10-32	1	LA	52-54
FAA 9273-B	Indicator assy (oil pressure)-instrument group	1	LA	52-53
FAG 9273-A	Indicator assy (oil pressure)-instrument group	1	LA	54
FAB 9275-A	Gauge assy (fuel)-tank unit	1	LA	52-54
	31628-S7 Screw (fillister hd)-No. 10-32 x 5/8"-fuel tank gauge unit to fuel tank	6	LA	52-54
	50810-S8 Screw and washer assembly- (pan head cross recessed)- No. 10-32 x 1/2"-gauge assy to fuel tank	6	LA	52-54
	351270-S Washer (flat head)-No. 10	6	LA	52-54
FAA 9276-A	Gasket (fuel tank gauge unit flange)-Cork	1	LA	52-54
41A 9278	Gauge assy (oil pressure)-engine unit	1	LA	52-53
FAB 9278-A	Gauge assy (oil pressure)-engine unit	1	LA	54
	34802-S7 Lockwasher-No. 8	1	LA	52-54
	26457-S7 Screw (round head)-No. 8-32 x 1/4"	1	LA	52-54
FAA 9280-B	Indicator assembly (fuel level)-instrument cluster	1	LA	52-53
FAF 9280-A	Indicator assembly (fuel level)-instrument cluster	1	LA	54
	37611-S7 Screw (fillister head)-No. 8-32 x 1/4"-indicator to case	2	LA	52-54
LA 9282-B	Line assy (fuel tank to pump)	1	LA	52-54
	7RC-14197 Clip (fuel line to frame)-replaced by 7RA-14197-A	1	LA except 76	52-54
	7RA-14197-A Clip (fuel line to frame)	as reqd	LA	52-54
	353462-S32 Clip (tube)-fuel line to frame- 1-13/32" long-strap type	3	LA	52-54
	358360-S Clip (tube)-21/64" diameter	as reqd	LA	52-54
	40921-S8 Screw (hex washer head self- tapping)-1/4"-20 x 1/2"- clip to frame	3	LA	52-54
	40921-S8 Screw (hex washer head self- tapping)-1/4"-20 x 1/2"	9	LA	52-54
	358283-S Union (inverted flared tube)- 5/16"	1	LA	52-54
LA 9288-A	Hose assy (fuel pump to fuel tank tube)-flexible fabric	1	LA	52-54
B2A 9296-A	Clip (fuel and vacuum tubes)-⊕EAA-99356-A	1	LA	52
A8T 9302-A	Seat (vacuum pump diaphragm spring)-⊕7RA-99359	1	LA	52-54
A8T 9305-A	Retainer (fuel pump valve & gauge)-⊕7RA-99361	1	LA	52-54
	27068-S7 Screw (rd-hd)-No. 10-32 x 3/8"	1	LA	52-54
B1A 9308-A	Gasket (vacuum pump valve to body)-also serviced in B2Q-9349-A Kit-⊕1BA-99367-A	3	LA	52-54
B1Q 9310-A	Link (vac. pump rocker arm)-R. H. -also serviced in B2Q-9349-A Kit-⊕1EL-99380-A	1	LA	52-54
B1Q 9311-A	Link (vac. pump rocker arm)-L. H. -also serviced in B2Q-9349-A Kit-⊕1EL-99381-A	1	LA	52-54

Lincoln Cosmopolitan and Capri

CHASSIS PARTS CATALOGUE

Fuel Pump



PL-992

FUEL PUMP AND RELATED PARTS

Basic numbers only shown on illustration. Order by Part Numbers shown in list of parts.

Lincoln Cosmopolitan and Capri

CHASSIS PARTS CATALOGUE

PART NUMBER	PART NAME	NO. REQ'D	MODEL	YEAR
Fuel Pump—Continued				
	352896-S Washer (fuel & vacuum pump rocker arm link spacer)-.365" I. D. x 5/8" O. D.	2	LA	52-54
	352897-S Washer (fuel & vacuum pump rocker arm link spacer)-.3/8" I. D. x 11/16" O. D.	2	LA	52-54
B1Q 9313-A	Body (vacuum pump)-⊕1EL-99385-A	1	LA	52-54
	34803-S7 Lockwasher-No. 10	8	LA	52-54
	31628-S7 Screw (fillister hd)-No. 10-32x5/8"	8	LA	52-54
B1Q 9314-A	Diaphragm assy (vacuum pump)-also serviced in B2Q-9349-A Kit-⊕1EL-99390-A	1	LA	52-54
A8T 9315-A	Spring (vacuum pump diaphragm)-⊕7RA-99396-used with EAD-9350-C, D & E Pumps	1	LA	52-54
B2Q 9315-A	Spring (vacuum pump diaphragm)-also serviced in B2Q-9349-A Kit-⊕EAD-99396-A	1	LA	52
B2Q 9349-A	Kit (fuel and vacuum pump repair)-used with EAD-9350-A Pump-consists of the following (6) 1BA-9352-A Valve (1) EAA-9364-A Gasket (2) 49B-9367 Gasket (1) 7RA-9378 Pin (1) EAD-9380-A Spring (1) 49B-9381 Link (1) 7RA-9382 Spacer (1) 7RA-9389 Bushing (1) 8EL-9396 Spring (1) 49B-9397 Gasket (1) 1EL-9398-A Diaph. (1) EAD-9417-A Gasket (1) 49B-9418 Washer (2) 1BA-9468-A Retainer (2) 1BA-9469-A Seal (3) B1A-9308-A Gasket (1) B1Q-9310-A Link (1) B1Q-9311-A Link (1) B1Q-9314-A Diaph. (1) B2Q-9315-A Spring (2) 352896-S Washer	1	LA	52
*EAD 9350-A NS	Pump & vacuum booster assy (fuel)-replaced by EAD-9350-D	1	LA	52
*EAD 9350-C NS	Pump & vacuum booster assy (fuel)-with "L" shaped pipes for hose-replaced by EAD-9350-E	1	LA	52-53
EAD 9350-D	Pump & vacuum booster assy (fuel)-with straight pipes for hose	1	LA	52
EAD 9350-E	Pump & vacuum booster assy (fuel)-with magnetic type filter EAD-9365-C	1	LA	53-54
	EAD-17536-A Tube (vacuum pump to W/S wiper hose)-22-1/4" o/all formed length	1	LA	52
	EAD-17536-B Tube (vacuum pump to W/S wiper hose)-21-5/16" o/all formed length	1	LA	53-54
	06H-17543-C Hose (vacuum pump to intake manifold)-25 ft. roll	as reqd	LA	52-54
	358003-S Adapter-1/8"-27-W/S wiper tube to intake manifold	1	LA	52-54
	24468-S8 Bolt (hex-hd)-3/8"-16 x 1-1/2" pump to cylinder block	2	LA	52-54
	352971-S8 Clip (W/S wiper hose tube to fuel pump to carb. tube)	1	LA	53-54

* May be reworked into EAD-9350-E by using HCK-99360-B Kit

Lincoln Cosmopolitan and Capri

CHASSIS PARTS CATALOGUE

PART NUMBER	PART NAME	NO. REQ'D	MODEL	YEAR
Fuel Pump-Continued				
	352972-S8	Clip (W/S wiper hose tube to fuel pump to carburetor)	1 LA	54
	87972-S	Connector (inverted flared tube)-1/8"-27 pipe thread x 1/2"-20-attaches LA-9288-A to fuel pump	1 LA	52-54
	357518-S	Connector (hex-hd)-1/2"-14 male thread and 1/8"-27 female thread-W/S wiper tube to intake manifold	1 LA	52-54
	34807-S8	Lockwasher-3/8"-fuel pump to cylinder block	2 LA	52-54
	351072-S7	Nut (hex)-5/16"-24-fuel pump to carburetor tube assy	2 LA	52-54
	44726-S8	Washer (flat)-3/8"-fuel pump to cylinder block	2 LA	52-54
1BA 9352-A	Valve assembly (fuel pump)-also serviced in B2Q-9349-A Kit		6 LA	52-54
EAD 9354-A	Body assembly (fuel pump)		1 LA	52-54
	34803-S7	Lockwasher-No. 10	10 LA	52-54
	31628-S7	Screw (fillister head)-No. 10-32 x 5/8"	10 LA	52-54
EAA 9355-A	NS Bowl (fuel pump filter)-Glass-replaced by EAD-9355-A	1	LA	52
EAD 9355-A	Bowl (fuel pump filter)-Pressed Steel		1 LA	52-54
EAA 9364-A	Gasket (fuel pump bowl)-also serviced in B2Q-9349-A Kit		1 LA	52-54
49B 9367-A	Gasket (fuel pump valve to body)-also serviced in B2Q-9349-A Kit		2 LA	52-54
EAD 9369-B	Tube assy (fuel pump to carburetor)		1 LA	52
EAD 9369-D	Tube assy (fuel pump to carburetor)		1 LA	53-54
7RA 9371	Retainer (fuel pump diaphragm spring)		1 LA	52-54
1EL 9375-A	Body and oil seal assy (fuel pump)		1 LA	52-54
EAD 9376-A	Arm assy (fuel and vacuum pump rocker)		1 LA	52-54
7RA 9378	Pin (fuel and vacuum pump rocker)-also serviced in B2Q-9349-A Kit		1 LA	52-54
EAD 9380-A	Spring (fuel and vacuum pump rocker arm)-also serviced in B2Q-9349-A Kit		1 LA	52-54
49B 9381	Link (fuel pump)-also serviced in B2Q-9349-A Kit		1 LA	52-54
7RA 9382	Spacer (fuel & vacuum link & spring retainer)-also serviced in B2Q-9349-A Kit		1 LA	52-54
EAA 9387-A	Bail assy (fuel pump gas strainer)		1 LA	52-54
0A 9388	Gasket (fuel tank drain plug)		1 LA	52
7RA 9389	Bushing (fuel & vacuum pump rocker arm pin)-also serviced in B2Q-9349-A Kit		1 LA	52-54
8EL 9396	Spring (fuel pump diaphragm)-also serviced in B2Q-9349-A Kit		1 LA	52-54
1EL 9398-A	Diaphragm & pull rod assy (fuel pump)-also serviced in B2Q-9349-A Kit		1 LA	52-54

Lincoln Cosmopolitan and Capri

CHASSIS PARTS CATALOGUE

PART NUMBER	PART NAME	NO. REQ'D	MODEL	YEAR
Intake and Exhaust Manifolds				
EAD 9424-B	Manifold (intake)	1	LA	52
EAD 9424-E	Manifold (intake)-used with LA-9784-E	1	LA	52
EAD 9424-D	Manifold (intake)	1	LA	53-54
	20506-S7 Bolt (hex-hd)-3/8"-16 x 1-3/4"- intake man. to cyl. heads	4	LA	52-54
	24428-S8 Bolt (hex-hd)-3/8"-16 x 1-1/4"- intake man. to cyl. heads	6	LA	52-54
	357597-S7 Elbow (hex-hd)-1/2" pipe thd & 7/16"-24 straight thd- vacuum pump tube to intake manifold	1	LA	52-54
	34807-S8 Lockwasher-3/8"	6	LA	52-54
	358066-S Plug (hex-hd pipe)-3/8"-18- used with intake manifold when hot water heater is not used	1		52-54
	88411-S7 Stud-5/16"-18 & 5/16"-24 x 1-13/16"-carburetor to intake manifold	4	LA	52
	89126-S8 Stud-5/16"-18 & 5/16"-24 x 1-15/16"-carburetor to intake manifold	4	LA	53-54
	351385-S7 Washer (flat)-3/8"-intake manifold to cylinder head	6	LA	53-54
HCK 9424-A	Kit (manifold gasket-intake & exhaust)-consists of the following (2) EAD-9441-A Gasket (2) EAD-9450-A Gasket (1) LA-9453-A Gasket	1	LA	52
HDK 9424-A	Kit (manifold gasket-intake & exhaust)-consists of the following (2) EAD-9441-B Gasket (2) EAD-9450-A Gasket (1) LA-9453-A Gasket	1	LA	53-54
	96H-9242 Ferrule (inlet tube)-5/16" O.D. tube-tube to carburetor	1	LA	52-54
	358248-S Nut (compression fitting)- 1/2"-20-tube to carburetor	1	LA	52-54
	EAD-9820-B Tube (thermostatic choke control)-inlet	1	LA	52
	EAD-9820-C Tube (thermostatic choke control)-inlet	1	LA	53-54
	EAD-9864-A Nut (thermostatic choke control heat tube retaining)-7/8"-14	1	LA	52-54
	EBY-9864-A Nut (thermostatic choke control heat tube retaining)-slotted- also serviced in HCK-9502-A	1	LA	52-54
	EAD-9890-C Tube assy (thermostatic choke heat control)-2-3/4" long- Inconel Unit	1	LA	52-54

Lincoln Cosmopolitan and Capri

CHASSIS PARTS CATALOGUE

PART NUMBER	PART NAME	NO. REQ'D	MODEL	YEAR 19__
Intake and Exhaust Manifolds—Continued				
EAD 9430-B NS	Manifold (exhaust)-R. H. -replaced by EAD-9430-C	1	LA	52
EAD 9430-C	Manifold (exhaust)-R. H.	1	LA	52-54
EAD 9431-B	Manifold (exhaust)-L. H. -replaced by EAD-9431-C	1	LA	52
EAD 9431-C	Manifold (exhaust)-L. H.	1	LA	52-54
B2Q 9438-A	Spacer (exhaust manifold to cyl.hd)-⊕EAD-99437-A	7	LA	52-54
	20428-S7 Bolt (hex-hd)-3/8"-16 x 1-1/4" exhaust man. to cyl. heads	7	LA	52-54
	20540-S8 Bolt (hex-hd)-3/8"-16 x 2-3/8" exhaust man. to cyl. heads	7	LA	52-54
	24428-S8 Bolt (hex-hd)-3/8"-16 x 1-1/4" manifold to cyl. heads	6	LA	52-54
	34806-S7 Lockwasher-5/16"-crossover pipe to exhaust manifold	8	LA	52-54
	357629-S7 Lockwasher-3/8"-exhaust man. to muffler inlet pipe	4	LA	52-54
	33825-S7 Nut (hex)-5/16"-18-crossover pipe to exhaust manifold	8	LA	52-54
	33827-S7 Nut (hex)-3/8"-16-exhaust man. to muffler inlet pipe	4	LA	52-54
	352719-S8 Stud-5/16"-18 & 5/16"-18 x 1-1/4"-exhaust man. to crossover pipe	8	LA	52-54
	352730-S8 Stud-3/8"-16 & 3/8"-16 x 1-1/2"-exhaust man. to muffler inlet pipe	4	LA	52-54
	351385-S7 Washer (flat)-3/8"-exhaust man. to cyl. heads	14	LA	52-54
EAD 9441-A	Gasket (intake manifold to cylinder head)-also serviced in HCK-6008-B, HCK-6079-C & HCK-9424-A Kits	2	LA	52-53
EAD 9441-B	Gasket (intake manifold to cylinder head)-also serviced in HCK-6008-B, HCK-6079-C & HDK-9424-A Kits	2	LA	53-54
EAD 9441-Y	Gasket (intake manifold to cylinder head)-Heavy Duty-also serviced in HDK-66005-A & B Kits	2	LA	53-54
EAD 9446-A	Clamp (intake manifold to cylinder head)	4	LA	52-54
1CM 9447-A	Gasket (carburetor to intake manifold)-also serviced in HCK-9502-A Kit	1	LA	52
EAD 9447-A	Gasket (carb. to intake manifold)-also serviced in HDK-9502-A Kit	2	LA	53-54
A8Q 9447-A	Gasket (carburetor intake manifold)-⊕7EH-9603	1	LA	52
EAD 9450-A	Gasket (exhaust manifold crossover pipe)-also serviced in HCK-6008-B, HCK-6079-C, HCK-9424-A & HDK-9424-A Kits	2	LA	52-54
LA 9453-A	Gasket (exhaust manifold to muffler inlet pipe)-also serviced in HCK-6008-B, HCK-6079-C, HCK-9424-A & HDK-9424-A Kits	1	LA	52-54
1BA 9468-A	Retainer (fuel pump oil seal)-also serviced in B2Q-9349-A Kit	2	LA	52-54
1BA 9469-A	Oil seal (fuel pump diaphragm)-also serviced in B2Q-9349-A Kit	1	LA	52-54
1BA 9469-A	Oil seal (vacuum pump diaphragm)-also serviced in B2Q-9349-A Kit	1	LA	52-54
49B 9486	Hair (fuel pump body curled)	as reqd	LA	52-54

Lincoln Cosmopolitan and Capri

CHASSIS PARTS CATALOGUE

PART NUMBER	M.F.C.	PART NAME	NO. REQ'D	MODEL	YEAR 19__
Carburetor—Continued					
EBY 9501-A		Housing (carb. secondary throttle diaphragm)	1	LA	54
		353852-S Screw & washer assy (pan hd)- No. 8-32 x 7/16"	1	LA	54
HCK 9502-A		Kit (carburetor gasket)-consists of the following (1) 8CM-9229 Gasket (1) 1CM-9447-A Gasket (1) 8CM-9516 Gasket (1) 8CM-9569 Gasket (1) 8CM-9608 Gasket (1) 8MTH-9622 Seal (1) EAD-9853-B Gasket (1) EAD-9871-A Gasket (1) EAD-9909-A Gasket (1) 8CM-9945 Gasket (1) EAD-9985-A Gasket (1) EAD-99963-A Gasket (1) EAA-99571-A Gasket-all parts also serviced in HCK-9590-A & B Kits	1	LA	52
HDK 9502-A		Kit (carburetor gasket)-consists of the following (1) 8CM-9229 Gasket (2) EAD-9229-A Gasket (1) EAD-9447-A Gasket (1) 8CM-9516 Gasket (1) EAD-9535-A Ring (1) 8CM-9569 Gasket (1) 8CM-9608 Gasket (1) 8MTH-9622 Seal (1) EAD-9853-B Gasket (1) EAD-9871-A Gasket (1) 78-9909 Gasket (1) 8CM-9945 Gasket (1) EAD-9985-A Gasket (1) EAD-99502-A Seal- all parts also serviced in HDK- 9590- A & B Kits	1	LA	53-54
EBY 9503-A		Diaphragm assy (carb. secondary throttle)	1	LA	54
EAD 9510-D	NS	Carb. assy-jet size .061"-0 to 5,000 ft. altitude- with spark control valve-rep. by EAD-9510-L	1	LA	52
EAD 9510-E	NS	Carb. assy-jet size .059"-5,000 to 10,000 ft. altitude-use EAD-9533-B in place of EAD-9533-A to convert EAD-9510-D to EAD-9510-E	1	LA	52
EAD 9510-H	NS	Carburetor assembly-replaced by EAD-9510-M	1	LA	53
EAD 9510-L		Carburetor assembly-stamped or etched "2" on top of cover-includes EAD-99983-C	1	LA	52
†EAD 9510-K	NS	Carburetor assembly-stamped or etched "5" on top of cover-replaced by EAD-9510-M	1	LA	53
†EAD 9510-M		Carburetor assembly-stamped or etched "5" on top of cover-also includes HDK-9531-A Kit	1	LA	53
EAD 9510-N		Carburetor assy-with vacuum controlled secondary throttle	1	LA	53-54
		34806-S7 Lockwasher-5/16"-carburetor intake manifold	4	LA	52-53
		33798-S8 Nut (hex)-5/16"-24-carburetor to intake manifold	4	LA	52-53
		88411-S7 Stud-5/16"-18 and 5/16"-24 x 1-13/16"-carburetor to intake manifold	4	LA	52
		89126-S8 Stud-5/16"-18 & 5/16"-24 x 1-15/16"-carburetor to intake manifold	4	LA	53-54

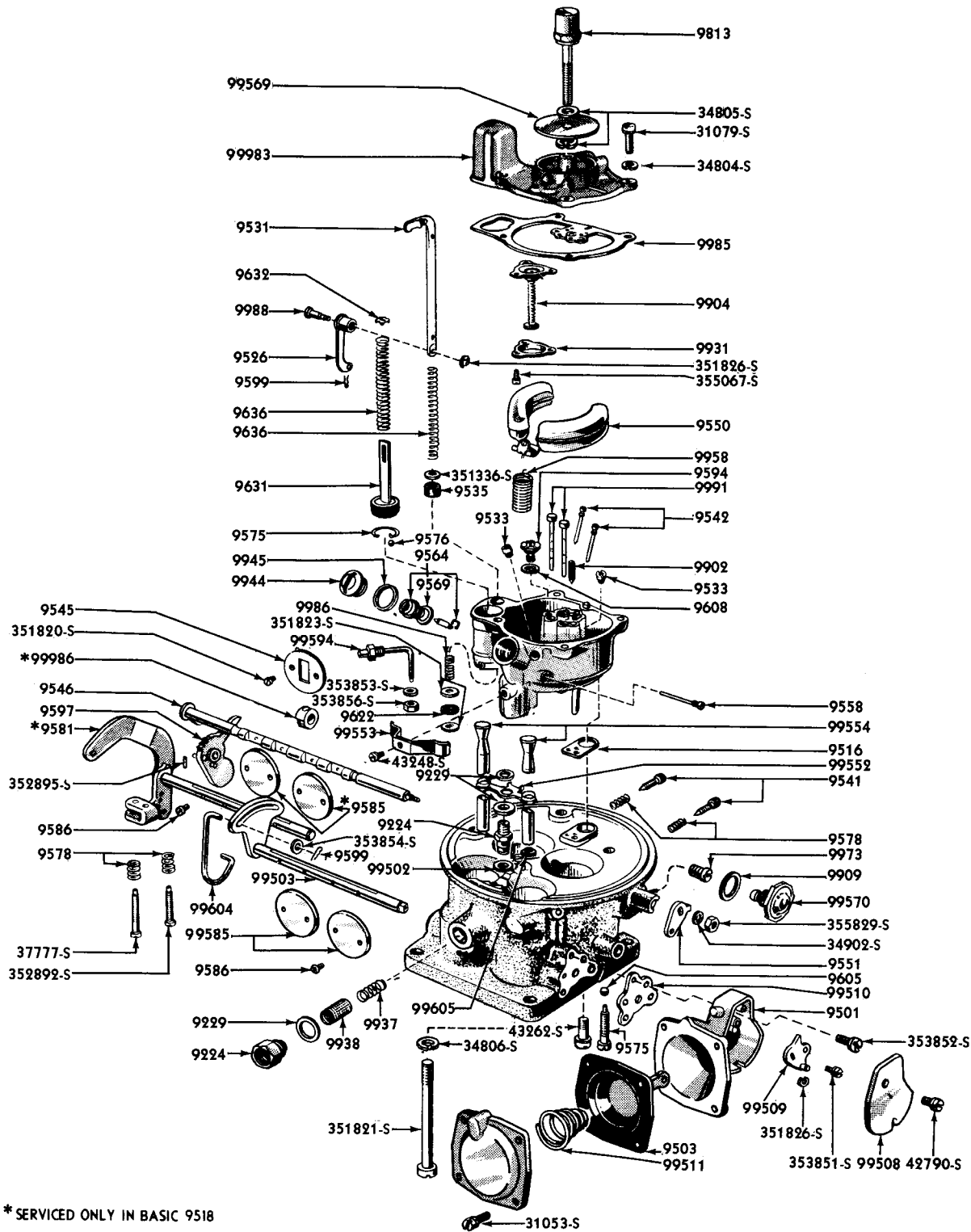
‡ May be reworked into EAD-9510-M by incorporating HDK-9531-A Kit

† Must be used with FAF-12127-A Distributor

Lincoln Cosmopolitan and Capri

CHASSIS PARTS CATALOGUE

Carburetor—Continued



* SERVICED ONLY IN BASIC 9518

PL-1017

CARBURETOR

Basic numbers only shown on illustration. Order by Part Numbers shown in list of parts.

Lincoln Cosmopolitan and Capri

CHASSIS PARTS CATALOGUE

Carburetor—Continued

CARBURETOR CHART

PART NUMBER	CLASS	PART NAME	CARBURETOR						
			EAD-9510-D	EAD-9510-H	EAD-9510-L	EAD-9510-K	EAD-9510-M	EAD-9510-N	
			NUMBER REQUIRED						
EAD 9512-A		Body and plugs assembly (carburetor main)	1		1				
EAD 9512-B		Body and plugs assembly (carburetor main)		1		1	1		
9512		Body and plugs assembly (carburetor main)							1
8CM 9516		Gasket (carburetor main body to throttle body)-also serviced in HCK-9502-A and HDK-9502-A Kits	1	1	1	1	1	1	1
EAD 9518-B		Body and shaft assembly (carburetor throttle)	1		1				
EAD 9518-C		Body and shaft assembly (carburetor throttle)		1		1			
9518		Body and shaft assembly (carburetor throttle)					1		
9518		Body and shaft assembly (carburetor throttle)							1
		43262-S8 Bolt & L/W assy (fillister head)-5/16-24 x 7/8" long-carb. throttle body to main body	2	1	2	1	1	1	1
		351821-S Bolt (fillister head)-5/16"-24 x 3-1/4"		1		1	1	1	1
		34806-S2 Lockwasher-5/16"		1		1	1	1	1
		EAD-9224-A Adapter (carburetor fuel inlet)-3/8"-24 thread-1-3/16" long-screws into EAD-9512-B		1		1	1	1	1
		8CM-9224-B Adapter (carburetor fuel inlet)	1	1	1	1	1	1	1
		EAD-9229-A Gasket (carburetor fuel inlet adapter)-Hard Fibre-1/2" I.D. x 1/32" thick-used with EAD-9224-A		2		2	2	2	2
		8CM-9229 Gasket (carburetor fuel inlet adapter)-Hard Fibre-also serviced in HCK-9502-A & HDK-9502-A Kits	1	1	1	1	1	1	1
EAD 9526-A		Link assembly (carburetor accelerator pump)-also serviced in HCK-9590-A & B Kits	1		1				
EAD 9526-B		Link assembly (carburetor accelerator pump)-also serviced in HDK-9590-A Kit		1		1			
EAD 9526-C		Link assembly (carburetor accelerator pump)					1	1	
		351826-S Washer ("C")					1	1	
EAD 9531-A		Rod (carburetor accelerator pump piston-operating)	1	1	1	1			
HCK 9531-A		Kit (carburetor pump rod repair)-consists of the following (1) 8CM-9986 Spring (1) 8MTH-9622 Seal (2) B2Q-9566-A Washer	1		1	1	1		
HDK 9531-A		Kit (carburetor external vent)-consists of the following (1) EAD-9526-C Link assy (1) EAD-9531-B Rod (1) EAD-9551-C Lever (1) EAD-9869-D Rod (1) EAD-9985-A Gasket (1) EAD-9988-C Stud (1) 351826-S Retainer (2) 352200-S Cotter Pin				1	1		
EAD 9531-B		Rod (carburetor accelerator pump piston operating)-hollow type with (2) drilled holes		1		1	1	1	

Lincoln Cosmopolitan and Capri

CHASSIS PARTS CATALOGUE

Carburetor—Continued

CARBURETOR CHART—CONTINUED

PART NUMBER	CLASS	PART NAME	CARBURETOR						
			EAD-9510-D	EAD-9510-H	EAD-9510-L	EAD-9510-K	EAD-9510-M	EAD-9510-N	
			NUMBER REQUIRED						
EAD 9533-A		Jet (carburetor main metering)-stamped "61"-0 to 5000 ft. altitude-also serviced in HCK-9590-A Kit	2		2				
EAD 9533-B		Jet (carburetor main metering)-stamped "59"-5000 to 10000 ft. alt.	2		2				
5GA 9533-C		Jet (carburetor main metering)-stamped "61"-0 to 5000 ft. altitude-also serviced in HDK-9590-A Kit		2		2	2		
5GA 9533-D		Jet (carburetor main metering)-stamped "59"-5000 to 10000 ft. alt.		2		2	2		
26H 9533-A		Jet (carburetor main metering)-stamped "57"-10, 000 ft. to 15, 000 ft. altitude		2		2	2		
1GA 9533-C		Jet (carburetor main metering)-stamped "60"							2
78 9535		Packing (carburetor accelerator pump operating rod)-Felt-. 25" I.D. x .38" O. D. x 19" thick	1		1				
		356366-S8 Washer (flat)-5/16" I. D. x 7/16" O. D. x 1/64" thick	1		1				
EAD 9535-A		Packing (carburetor accelerator pump piston operating rod)-also serviced in HDK-9502-A Kit		1		1	1	1	
		351336-S8 Washer (flat)		1		1	1	1	
78 9541-A		Needle (carburetor idle adjusting)-also serviced in HCK-9590-A Kit	2		2				
78 9541-B		Needle (carburetor idle adjusting)-also serviced in HDK-9590-A Kit		2		2	2	2	
8CM 9542	NS	Jet assembly (carburetor idling)-replaced by EAD-9542-A-also serviced in HCK-9590-A Kit	2		2				
EAD 9542-A		Jet assembly (carburetor idling) -also serviced in HDK-9590-B Kit	2	2	2	2	2	2	
EAD 9545-A		Plate (carburetor choke)	2		2				
		34800-S7 Lockwasher-No. 4	4		4				
		B2Q-9588-A Screw (carburetor choke plate)	4		4				
EAC 9545-A		Plate (carburetor choke)		2		2			
EAD 9545-B		Plate (carburetor choke)					2	2	
		351820-S Screw & lockwasher assembly (pan-hd)-No. 4-48 x 1/4"-choke plate		4		4	4	4	
EAD 9546-A		Shaft and lever assy (carburetor choke)	1		1				
EAD 9546-B		Shaft and lever assy (carburetor choke)		1		1	1	1	
		34902-S8 Lockwasher (internal tooth)-No. 8	1	1	1	1	1	1	
		355829-S7 Nut (hex)-No. 8-36	1	1	1	1	1	1	
		352892-S8B Screw (fill-hd)-dog point)-No. 10-32 x 7/8"-choke stop		1		1	1	1	
EAD 9549-A	NS	Screw (carburetor choke plate)-part no. changed to EAD-99549-A	4						
EBY 9550-A		Float assy (carburetor)							1
8CM 9550		Float assy (carburetor)-also serviced in 8CM-99525 Kit	1	1	1	1	1		
EAD 9551-A		Lever (carburetor choke shaft)	1		1				
EAD 9551-B		Lever (carburetor choke shaft)		1		1			
EAD 9551-C		Lever (carburetor choke shaft)					1		
EBY 9551-A		Lever (carburetor choke shaft)							1
		351826-S Washer ("C")-choke lever retainer		1		1	1	1	

Lincoln Cosmopolitan and Capri

CHASSIS PARTS CATALOGUE

Carburetor—Continued

CARBURETOR CHART—CONTINUED

PART NUMBER	CLASS	PART NAME	CARBURETOR					
			EAD-9510-D	EAD-9510-H	EAD-9510-L	EAD-9510-K	EAD-9510-M	EAD-9510-N
			NUMBER REQUIRED					
8CM 9558		Pin (carb. float hinge)-No. 10-32 x 1-15/32" long-also serviced in HCK-9590-A & B and HDK-9590-A & B	1	1	1	1	1	1
1CM 9564-A		Needle, seat, gasket assy (carb. float)-Steel needle-also serviced in HCK-9590-A & B Kits	1		1			
1CM 9564-B	NS	Needle, seat, gasket and wire clip assy (carb. float)-Nylon needle-replaced by 1CM-9564-A	1					
EAD 9564-A		Needle, seat, gasket and wire clip assy (carburetor float)-also serviced in HDK-9590-A & B Kits		1		1	1	1
B2Q 9566-A		Washer (accel. pump rod seal)-Brass-⊕EAM-99601-A-also serviced in HCK-9531-A Kit	2	2	2	2	2	2
8CM 9569		Gasket (carburetor float needle seat)-Fibre-also serviced in HCK-9502-A and HDK-9502-A Kits	1	1	1	1	1	1
78 9575		Retainer (carb. accel. pump check ball)-3/4" dia. -also serviced in HCK-9590-A & B Kits	1		1			
7HW 9575		Retainer (carb. accel. pump check valve spring)-also serviced in HDK-9590-A & B Kits		1		1	1	
1CM 9575-A		Retainer assembly (carburetor check valve)	1		1			
EAD 9575-A		Retainer (carburetor accelerator pump check valve)		1		1		
EAD 9575-B		Retainer (carburetor accelerator pump check valve)					1	1
78 9576		Ball (carburetor accelerator pump check)-1/8" diameter-also serviced in HCK-9590-A&B and HDK-9590-A&B Kits	1	1	1	1	1	1
EAA 9576-A		Valve (carburetor pump check)						1
40 9578		Spring (carburetor idle adjusting needle)-3/16" dia. x 1/2" wide-also serviced in HCK-9590-A&B and HDK-9590-A&B Kits	2	2	2	2	2	2
1GA 9578		Spring (throttle stop screw)-also serviced in HCK-9590-A&B and HDK-9590-A&B Kits	1	2	1	2	2	2
EAD 9581-A		Lever & shaft assembly (carburetor throttle)	1		1			
EAD 9581-B		Lever & shaft assembly (carburetor throttle)		1		1	1	
9581		Lever & shaft assy (carburetor throttle)						1
		34903-S8 Lockwasher (internal tooth)-No. 10-throttle shaft		1		1	1	
		351824-S Lockwasher (internal tooth)-throttle shaft-replaced by 34903-S8		1				
		34079-S Nut (hex)-No. 10-32-throttle shaft		1		1	1	
		37777-S18 Screw (fillister head dog point)-No. 10-32 x 1-3/8"-throttle adjusting		1		1	1	1
EAD 9585-A		Plate (carburetor throttle)	2		2			
EAD 9585-B		Plate (carburetor throttle)		2		2	2	2
		EAD-99585-A Plate (carburetor throttle secondary)		2		2	2	2
40 9586		Screw (carburetor throttle plate)-No. 6-32 x 5/16"-also serviced in HCK-9590-A&B and HDK-9590-A&B Kits	4	4	4	4	4	4
B2Q 9588-A		Screw (carburetor choke plate)-old no. EAD-9549-A-⊕EAD-99549-A	4		4			

Lincoln Cosmopolitan and Capri

CHASSIS PARTS CATALOGUE

Carburetor—Continued

CARBURETOR CHART—CONTINUED

PART NUMBER	CLASS	PART NAME	CARBURETOR						
			EAD-9510-D	EAD-9510-H	EAD-9510-L	EAD-9510-K	EAD-9510-M	EAD-9510-N	
			NUMBER REQUIRED						
HCK 9590-A	NS	Kit (carburetor repair)—consists of the following—replaced by HCK-9590-B Kit (1) HCK-9502-A Kit (1) EAD-9526-A Link (2) EAD-9533-A Jet (2) 78-9541-A Needle (2) EAD-9542-A Tube (1) 8CM-9558 Shaft (1) 1CM-9564-A Needle (1) 78-9575 Spring (1) 78-9576 Ball (2) 1GA-9578 Spring (2) 40-9578 Spring (4) 40-9586 Screw (1) EAD-9594-A Valve (1) 1GA-9599 Link (1) EAD-9631-A Piston (1) 8CM-9902 Needle (1) EAD-9904-A Diaphragm (1) 8CM-9958 Spring (2) EAM-9991-A Tube (1) B2A-9605-A Ball (1) A8Q-9938-A Screen (1) EAD-99570-A Valve (2) 352200-S Pin	1						
HCK 9590-B		Kit (carburetor repair)—consists of the following (1) HCK-9502-A Kit (1) EAD-9526-A Link (2) EAD-9533-A Jet (2) 78-9541-A Needle (2) EAD-9542-A Tube (1) 8CM-9558 Pin (1) 1CM-9564-A Needle (1) 78-9575 Retainer (1) 78-9576 Ball (1) 1GA-9578 Spring (2) 40-9578 Spring (4) 40-9586 Screw (1) 8EQ-9594 Valve (1) 1GA-9599 Link (1) EAD-9631-A Piston (1) 8CM-9902 Needle (1) EAD-9904-A Diaphragm (1) 8CM-9958 Spring (2) EAM-9991-A Tube (1) A8Q-9938-A Screen (1) B2A-9605-A Ball (1) EAD-99570-A Valve (2) 352200-S Cotter Pin	1		1				
HDK 9590-A	NS	Kit (carburetor repair)—consists of the following—replaced by HDK-9590-B Kit (1) HDK-9502-A Kit (1) EAD-9526-B Link (2) 5GA-9533-C Jet (2) 78-9541-B Needle (2) EAD-9542-A Tube (1) 8CM-9558 Pin (1) EAD-9564-A Valve & Seat (1) 7HW-9575 Spring (1) EAD-9575-A Retainer (1) 78-9576 Ball (2) 1GA-9578 Spring (2) 40-9578 Spring (8) 40-9586 Screw (1) EAD-9594-B Valve (1) 1GA-9599 Retainer (1) EAD-9631-B Piston (1) 8CM-9902 Valve (1) EAD-9904-A Diaph. & Stem (1) 8CM-9958 Spring (1) EAD-9973-A Valve (2) EAM-9991-A Tube (1) B2A-9605-A Valve (1) A8Q-9938-A Screen & Ret. (1) EAD-99570-A Valve (1) EAD-99594-A Jet (2) 352200-S Retainer (1) 351825-S Retainer		1					

Lincoln Cosmopolitan and Capri

CHASSIS PARTS CATALOGUE

Carburetor—Continued

CARBURETOR CHART—CONTINUED

PART NUMBER	CLASS	PART NAME	CARBURETOR							
			EAD-9510-D	EAD-9510-H	EAD-9510-L	EAD-9510-K	EAD-9510-M	EAD-9510-N		
			NUMBER REQUIRED							
HDK 9590-B		Kit (carburetor repair)-consists of the following (1) HDK-9502-A Kit (1) EAD-9526-B Link (2) 5GA-9533-C Jet (2) 78-9541-B Needle (2) EAD-9542-A Tube (1) 8CM-9558 Pin (1) EAD-9564-A Valve Seat (1) 7HW-9575 Retainer (1) 78-9576 Ball (2) 1GA-9578 Spring (2) 40-9578 Spring (8) 40-9586 Screw (1) EAD-9594-C Valve (1) 1GA-9599 Retainer (1) B2A-9605-A Valve (1) EAD-9631-B Piston (1) 8CM-9902 Valve (1) EAD-9904-B Diaph. & Stem (1) B8Q-9938-A Screen (1) 8CM-9958 Spring (1) EAD-9973-A Valve (2) EAM-9991-A Tube (1) 7RA-12388 Retainer (1) EAD-99570-B Valve (2) EAD-99594-A Jet (1) 351825-S Retainer (1) 352200-S Cotter Pin		1		1				
HDK 9590-C		Kit (carburetor repair)-consists of the following (1) HDK-9502-A Kit (1) EAD-9526-B Link (1) EAD-9526-C Link (2) 5GA-9533-C Jet (2) 78-9541-B Needle (2) EAD-9542-A Tube (1) 8CM-9558 Shaft (1) EAD-9564-A Valve Seat (1) 7HW-9575 Spring (1) 78-9576 Ball (2) 40-9578 Spring (2) 1GA-9578 Spring (8) 40-9586 Screw (1) EAD-9594-C Valve (1) 1GA-9599 Retainer (1) B2A-9605-A Valve (1) EAD-9631-B Piston (1) 8CM-9902 Valve (1) EAD-9904-B Diaph. & Stem (1) B8Q-9938-A Screen (1) 8CM-9958 Spring (1) EAD-9973-A Valve (2) EAM-9991-A Tube (1) 7RA-12388 Retainer (1) EAD-99570-B Valve (1) EAD-99594-A Jet (1) 351825-S Retainer (1) 352200-S Retainer (1) 351826-S Washer		1		1	1			
EAD 9594-A	NS	Jet assy (carburetor power)-replaced by 8EQ-9594	1							
8EQ 9594		Jet assy (carburetor power)-stamped "52"-also serviced in HCK-9590-A&B Kits	1		1					
EAD 9594-B	NS	Jet assy (carburetor power)-stamped "65"-replaced by EAD-9594-C		1						
EAD 9594-C		Jet assy (carburetor power)-stamped "140"-also serviced in HDK-9590-B Kit		1		1	1			
EAD 9594-D		Jet assy (carburetor power)-stamped "76"-for 5000 ft. to 10000 ft. alt. -Denver territory-used with 5GA-9533-D main metering jets stamped "59"					1			

Lincoln Cosmopolitan and Capri

CHASSIS PARTS CATALOGUE

Carburetor—Continued

CARBURETOR CHART—CONTINUED

PART NUMBER	CLASS	PART NAME	CARBURETOR								
			EAD-9510-D	EAD-9510-H	EAD-9510-L	EAD-9510-K	EAD-9510-M	EAD-9510-N			
			NUMBER REQUIRED								
9594		Jet assy (carburetor power)-stamped									
EAD 9597-A		Cam assembly (carburetor fast idle)	1	1	1	1	1	1			
EBY 9597-A		Cam assembly (carburetor fast idle)									1
		352895-S8 Pin (grooved)-1/16" dia. -fast idle cam retainer	1	1	1	1	1	1			
1GA 9599		Retainer (carburetor pump link)-also serviced in HCK-9590-A & B and HDK-9590-A&B Kits	1	1	1	1	1	1	1		
		B2A-9605-A Valve (carb. vacuum dist. ball check)-also serviced in HCK-9590-A&B & HDK-9590-A&B Kits-⊗EAA-99515-A	1	1	1	1	1	1	1		
		8CM-9608 Gasket (carburetor power jet)-also serviced in HCK-9502-A & HDK-9502-A Kits	1	1	1	1	1	1	1		
		8HMT-9622 Seal (carburetor throttle shaft)-Felt-also serviced in HCK-9531-A Kit	1	1	1	1	1	1	1		
		EAD-9631-A Piston assy (carburetor accelerator pump)-also serviced in HCK-9590-A&B Kits	1		1						
		EAD-9631-B Piston assy (carburetor accelerator pump)-also serviced in HDK-9590-A&B Kits		1		1	1	1	1		
		78-9632 Washer (carburetor accelerator pump piston return spring retainer)	1	1	1	1	1	1	1		
		78-9636 Spring (carburetor accelerator pump piston operating rod)-I. D. -22 coils	1		1						
		8CM-9636-B Spring (carburetor accelerator pump return rod)-upper-. 270" I. D. -22 coils-3-3/16" long	1	1	1	1	1	1	1		
		1GA-9636 Spring (carb. accel. pump piston operating rod)		1		1	1	1	1		
		B2Q-9813-A Screw (carb. air cleaner anchor)-⊗EAD-99575-A	1	1	1	1	1	1	1		
		★8CM-9842 Clamp (carburetor automatic choke thermostat housing)	3	3	3	3	3	3	3		
		★31061-S8 Screw (fillister head)-No. 8-32 x 7/16"	3	3	3	3	3	3	3		
		★EAD-9844-A Plate (carburetor automatic choke housing)	1	1	1	1	1	1	1		
		★37611-S7 Screw (fillister head)-No. 8-32 x 1/4"	1	1	1	1	1	1	1		
		★EAD-9848-A Cover and thermostat spring assy (carburetor automatic choke)-with arrow pointing counter-clockwise & mottled red & black bakelite cover	1	1	1	1	1	1			
		★EAD-9848-B Cover and thermostat spring assy (carburetor automatic choke)						1	1		
		★EAD-9849-A Housing & plug assy (carburetor automatic choke)	1	1	1	1	1	1			
		★EAD-9849-B Housing & plug assy (carburetor automatic choke)						1	1		
		★EAD-9850-A Control assembly (thermostatic choke)-complete	1	1	1	1					
		★EAD-9850-B Control assy (thermostatic choke)-complete						1	1		
		HEK-9850-A Kit (automatic choke installation)-consists of the following (1) EAD-9850-B Control assy (1) EAD-9853-B Gskt.						1	1		

★ Used with but not part of Carburetor

Lincoln Cosmopolitan and Capri

CHASSIS PARTS CATALOGUE

Carburetor—Continued

CARBURETOR CHART—CONTINUED

PART NUMBER	CLASS	PART NAME	CARBURETOR					
			EAD-9510-D	EAD-9510-H	EAD-9510-L	EAD-9510-K	EAD-9510-M	EAD-9510-N
			NUMBER REQUIRED					
		34805-S8 Lockwasher-1/4"	3	3	3	3	3	3
		357907-S Screw (fillister head)-1/4"-20 x 1-1/16"-control assembly to intake manifold	3	3	3	3	3	3
	NS	★EAD-9853-A Gasket (thermostatic choke housing)-to intake manifold-replaced by EAD-9853-B	1	1	1	1	1	
		★EAD-9853-B Gasket (thermostatic choke housing)-also serviced in HCK-9502-A Kit	1	1	1	1	1	1
		★EAD-9869-B Rod (automatic choke thermostat)-intake manifold to carburetor-4-5/16" long-bent top & bottom	1		1			
		★EAD-9869-C Rod (automatic choke thermostat)-intake manifold to carburetor		1		1		
		★EAD-9869-D Rod (automatic choke thermostat)-4-25/32" long-bend at one end					1	
		★EAD-9869-E Rod (automatic choke thermostat)-4-3/16" long-bend at one end					1	1
		★352200-S Cotter pin-3/64" x 3/8"-automatic choke thermostat rod	2	2	2	2	2	
		★EAD-9871-A Gasket (carburetor automatic choke piston hsg.)-also serviced in HCK-9502-A & HDK-9502-A Kits	1	1	1	1	1	1
		8CM-9902 Needle (carburetor pump discharge)-also serviced in HCK-9590-A&B and HDK-9590-A&B Kits	1	1	1	1	1	1
		EAD-9904-A Piston and stem assy (carburetor economizer)-also serviced in HCK-9590-A&B Kits	1		1			
		EAD-9904-B Piston and stem assy (carburetor economizer)-also serviced in HDK-9590-A&B Kits		1		1	1	1
		EAD-9909-A Gasket (carburetor spark control valve body)-also serviced in HCK-9502-A Kit	1		1			
		78-9909 Gasket (carburetor spark control valve body)-Felt-also serviced in HDK-9502-A Kit		1		1	1	1
		EAD-9927-A Lever and shaft assembly (carburetor throttle)	1		1			
		352892-S8B Screw (fillister head dog point)-No. 10-32 x 7/8" throttle adjusting	1		1			
		B2Q-9931-A Clamp (carburetor economizer body cover)-⊕EAD-99985-A	1	1	1	1	1	1
		355067-S7 Screw & L/W assy (fill-hd)-No. 8-32 x 5/16"	3	3	3	3	3	3
		A8Q-9937-A Spring (carburetor filter screen retainer)-⊕8CM-99527	1	1	1	1	1	1
		A8Q-9938-A Screen & retainer assy (carburetor filter)-also serviced in HCK-9590-A&B & HDK-9590-A&B Kits-⊕1CM-99522	1	1	1	1	1	1

★ Used with but not part of Carburetor

Lincoln Cosmopolitan and Capri

CHASSIS PARTS CATALOGUE

Carburetor—Continued

CARBURETOR CHART—CONTINUED

PART NUMBER	CLASS	PART NAME	CARBURETOR					
			EAD-9510-D	EAD-9510-H	EAD-9510-L	EAD-9510-K	EAD-9510-M	EAD-9510-N
			NUMBER REQUIRED					
		8CM-9944 Plug (carburetor float needle seat)	1	1	1	1	1	1
		8CM-9945 Gasket (carburetor float needle seat plug)-Fibre-also serviced in HCK-9502-A & HDK-9502-A Kits	1	1	1	1	1	1
		8CM-9958 Spring (carburetor float)-1/2" O. D. x 1-3/8" long-21 coils-also serviced in HCK-9590-A&B and HDK-9590-A&B Kits	1	1	1	1	1	1
		EAD-9973-A Jet (carburetor governor by-pass)-also serviced in HDK-9590-A & B Kits		1		1	1	
		9973 Jet (carburetor governor by-pass)						1
		EAD-9985-A Gasket (carburetor main body cover plate)-also serviced in HCK-9502-A and HDK-9502-A Kits	1	1	1	1	1	1
		8CM-9986 Spring (carburetor accelerator pump)-also serviced in HCK-9531-A Kit	1	1	1	1	1	1
		EAD-9988-B Stud (carb. accel. pump piston operating rod link)		1		1		
		EAD-9988-C Stud (carb. accel. pump piston operating rod link)					1	1
	NS	EAD-9991-A Tube assy (carb. main well)-same as EAM-9991-A	2					
		EAM-9991-A Tube assy (carburetor main well)-also serviced in HCK-9590-A&B and HDK-9590-A&B Kits	2	2	2	2	2	2
		EAD-99502-A "O" ring (carburetor inlet tube seal)-Rubber-use with EAD-9224-A-also serviced in HDK-9502-A		1		1	1	1
		EAD-99503-A Lever and shaft assy (carb. secondary throttle plate stop)		1		1	1	
		EBY-99503-A Lever & shaft assy (carburetor secondary throttle plate stop)						1
		355829-S8 Nut (hex)-No. 8-36-sec. throttle shaft						1
		34902-S2 Lockwasher (internal tooth)-No. 8						1
		351827-S Pin (grooved)-3/16" x 1" secondary lever stop		1		1	1	
		EAD-99504-A Spring (carburetor secondary throttle plate stop lever return)		1		1	1	
		EAD-99505-A Spacer (carburetor secondary throttle plate control lever)		1		1	1	
		EAD-99506-A Lever assy (carburetor secondary choke lock-out)		1		1	1	
		EAD-99507-A Lever assy (carburetor to dist. spark advance pull cable)		1		1	1	
		351828-S Pin (grooved)-1/8" x 1/2"-spark lever stop		1		1	1	
		351825-S Washer ("C")-spark lever retainer		1		1	1	
		EBY-99508-A Cover (carb. secondary throttle diaphragm)						1
		EBY-99509-A Lever assy (carb. secondary throttle diaphragm)						1
		353851-S Screw & washer assy (pan hd)-No. 6-32 x 5/16"						1
		EBY-99510-A Gasket (carb. secondary throttle diaphragm housing)						1
		EBY-99511-A Spring (carb. secondary throttle diaphragm return)						1

Lincoln Cosmopolitan and Capri

CHASSIS PARTS CATALOGUE

Carburetor—Continued

CARBURETOR CHART—CONTINUED

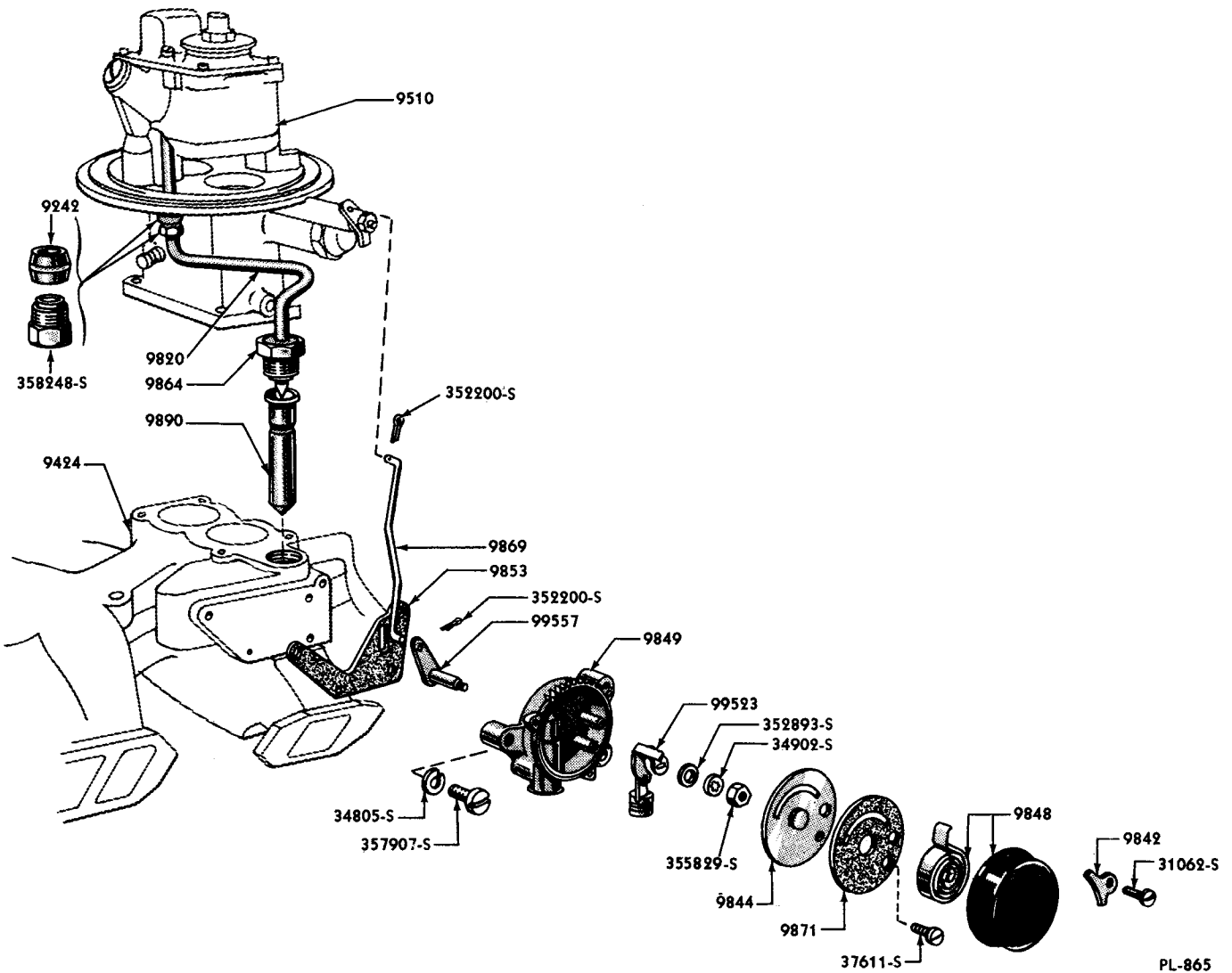
PART NUMBER	CLASS	PART NAME	CARBURETOR					
			EAD-9510-D	EAD-9510-H	EAD-9510-L	EAD-9510-K	EAD-9510-M	EAD-9510-N
			NUMBER REQUIRED					
		★EAD-99523-A Piston assembly (automatic choke)	1	1	1	1	1	1
		★34902-S8 Lockwasher (internal tooth)-No. 8	2	2	2	2	2	2
		★355829-S7 Nut (hex)-No. 8-36	1	1	1	1	1	1
		★352893-S8 Spacer (flat)-1/4" I. D. x 7/16" O. D. x 5/64" thick	1	1	1	1	1	1
		8CM-99525 Kit (carburetor float & float spring)-consists of the following (1) 8CM-9550 Float (1) 8CM-9958 Spring	1	1	1	1	1	
		99525 Kit (carburetor float & float spring)-consists of the following (1) 9550 Float (1) 8CM-9958 Spring						1
		EAD-99543-A Lever assy (carb. secondary throttle plate flood control)		1		1	1	
		EAD-99544-A Spring (carb. secondary throttle plate flood control lever return)		1		1	1	
		EAD-99545-A Bracket (carb. to dist. spark advance pull cable)		1		1	1	
		EAD-99546-A Clamp (carb. to dist. spark advance pull cable)		1		1	1	
		37611-S7 Screw (fillister head)-No. 8-32 x 1/4"		1		1	1	
	NS	EAD-99547-A Ball (carburetor pressure distributor)-Nylon-part number changed to EAA-99515-B	1	1				
		EAD-99552-A Bracket (carb. secondary venturi extension tube)		1		1	1	1
		EAD-99553-A Clamp (carb. secondary venturi extension tube)		1		1	1	
		EBY-99553-A Clamp (carb. secondary venturi extension tube)						1
		351822-S Washer (flat)-secondary venturi clamp screw		1		1	1	
		43248-S Screw and lockwasher assy (fillister head)-No. 8-32 x 3/8"		1		1	1	
		EAD-99554-A Venturi (carburetor secondary)		2		2	2	
		EBY-99554-A Venturi (carburetor secondary)						2
		EAD-99555-A Spring (carburetor secondary throttle rod)		1		1	1	
		★EAD-99557-A Shaft and lever assembly (choke housing)	1	1	1	1	1	1
		EAD-99569-A Washer (carburetor air bleeder screen)	1	1	1	1	1	1
		34845-S2 Lockwasher-1/4"			2	2	2	2

★ Used with but not part of Carburetor

Lincoln Cosmopolitan and Capri

CHASSIS PARTS CATALOGUE

Carburetor—Continued



CARBURETOR THERMOSTATIC CHOKE AND RELATED PARTS

Basic numbers only shown on illustration. Order by Part Numbers shown in list of parts.

Lincoln Cosmopolitan and Capri

CHASSIS PARTS CATALOGUE

Carburetor—Continued

CARBURETOR CHART—CONTINUED

PART NUMBER	CLASS	PART NAME	CARBURETOR						
			EAD-9510-D	EAD-9510-H	EAD-9510-L	EAD-9510-K	EAD-9510-M	EAD-9510-N	
			NUMBER REQUIRED						
		EAD-99570-A Valve assy (carburetor spark control)-stamped "25"-also serviced in HCK-9590-A&B	1		1			1	
		EAD-99570-B Valve assembly (carburetor control)-stamped "28"-also serviced in HDK-9590-B Kit		1		1	1		
		EAA-99571-A Gasket (carburetor spark control body screw)-also serviced in HCK-9502-A Kit	1						
		EAD-99585-A Plate (carburetor throttle secondary)		2		2	2	2	
		EAD-99591-A Spring (carburetor to distributor spark advance pull cable lever return)		1		1	1		
		EAD-99592-A Pin (carburetor to distributor spark advance pull cable lever pivot)		1		1	1		
		EAD-99594-A Tube assembly (carburetor idle secondary)-also serviced in HDK-9590-A&B Kits		2		2	2		
		99594 Tube assy (carburetor idle secondary)							2
		353856-S Nut (hex)-1/4"-32							2
		353853-S Washer (flat)-1/4" I. D. -Fibre							2
		EAD-99602-A Lever assy (carburetor secondary throttle control)		1		1	1		
		EAD-99604-A Rod assy (carburetor secondary throttle control)		1		1	1		
		EBY-99604-A Rod (secondary throttle control)							1
		353854-S8 Washer (flat)-1/8" I. D. -Steel							2
		7RA-12388 Retainer (secondary throttle control rod)-upper		1		1	1		
		352200-S Cotter pin-3/16" x 3/8"-lower		1		1	1		
		EAD-99605-A Spacer (carburetor main body to throttle body)		1		1	1	1	
		EAD-99962-A Body (carburetor spark control valve adapter)	1		1				
		EAD-99963-A Gasket (carburetor spark control valve body adapter)-also serviced in HCK-9502-A Kit	1		1				
		EAD-99964-A Screw (carburetor spark control valve body)	1		1				
NS		EAD-99965-A Gasket (carburetor spark control valve body screw)-replaced by EAA-99571-A	1		1				
NS		EAD-99983-A Cover and plugs assy (carburetor main body)-replaced by EAD-99983-C	1						
NS		EAD-99983-B Cover and plugs assy (carburetor main body)-replaced by EAD-99983-D		1					
		EAD-99983-C Cover and plugs assy (carburetor main body)-stamped or etched "2" on top of cover	1		1				
		EAD-99983-D Cover and plugs assy (carburetor main body)-stamped or etched "5" on top of cover		1		1	1		
		99983 Cover and plug assy (carburetor main body)							1
		34804-S8 Lockwasher-No. 12	4	4	4	4	4	4	4
		31079-S7 Screw (fillister head)-No. 12-24 x 5/8"	4	4	4	4	4	4	4
		EAD-99986-A Extension assembly (carburetor nozzle tube)	2	2	2	2	2	2	2

Lincoln Cosmopolitan and Capri

CHASSIS PARTS CATALOGUE

PART NUMBER	PART NAME	NO. REQ'D	MODEL	YEAR 19__
Air Cleaner				
EAD 9600-A	Air cleaner and silencer assy (carburetor)	1	LA	52
EAD 9600-B	Air cleaner and silencer assy (carburetor)- painted Black	1	LA	52-53
EAD 9600-C	Air cleaner and silencer assy (carburetor)- painted Gold	1	LA	52-54
	EAD-99629-A Stud (carb. air cleaner retaining)- with wing nut	1	LA	52-54
	EAD-99654 Gasket (air cleaner to carb.)- Treated Paper	1	LA	52-54
EAD 9603-A	Spacer (carburetor)	1	LA	53-54
	A8Q-9447-A Spacer (carburetor to intake manifold)-@7EH-9603	1	LA	52
B2A 9605-A	Valve (carburetor vacuum distributor ball check)- @EAA-99515-B	1	LA	52-53
8CM 9608	Gasket (carburetor power jet)-also serviced in HCK-9502-A & HDK-9502-A Kits	1	LA	52-54
8MTH 9622	Seal (carb. throttle shaft)-Felt-also supplied in HCK-9531-A Kit	1	LA	52-54
EAD 9631-A	Piston assy (carburetor accelerator pump)-also serviced in HCK-9590-A Kit	1	LA	52
EAD 9631-B	Piston assy (carburetor accelerator pump)-also serviced in HDK-9590-A Kit	1	LA	53-54
78 9632	Washer (carb. accel. pump piston return spring ret.)	1	LA	52-54
78 9636	Spring (carburetor accelerator pump piston return)- .330" I. D. -22 coils	1	LA	52
1GA 9636	Spring (carburetor accelerator pump piston return)	1	LA	53-54
8CM 9636-B	Spring (carb. accel. pump return)-upper-.270" I. D. -22 coils	1	LA	52-54
EAD 9685-A	Valve assy (exhaust thermostat)	1	LA	52-54

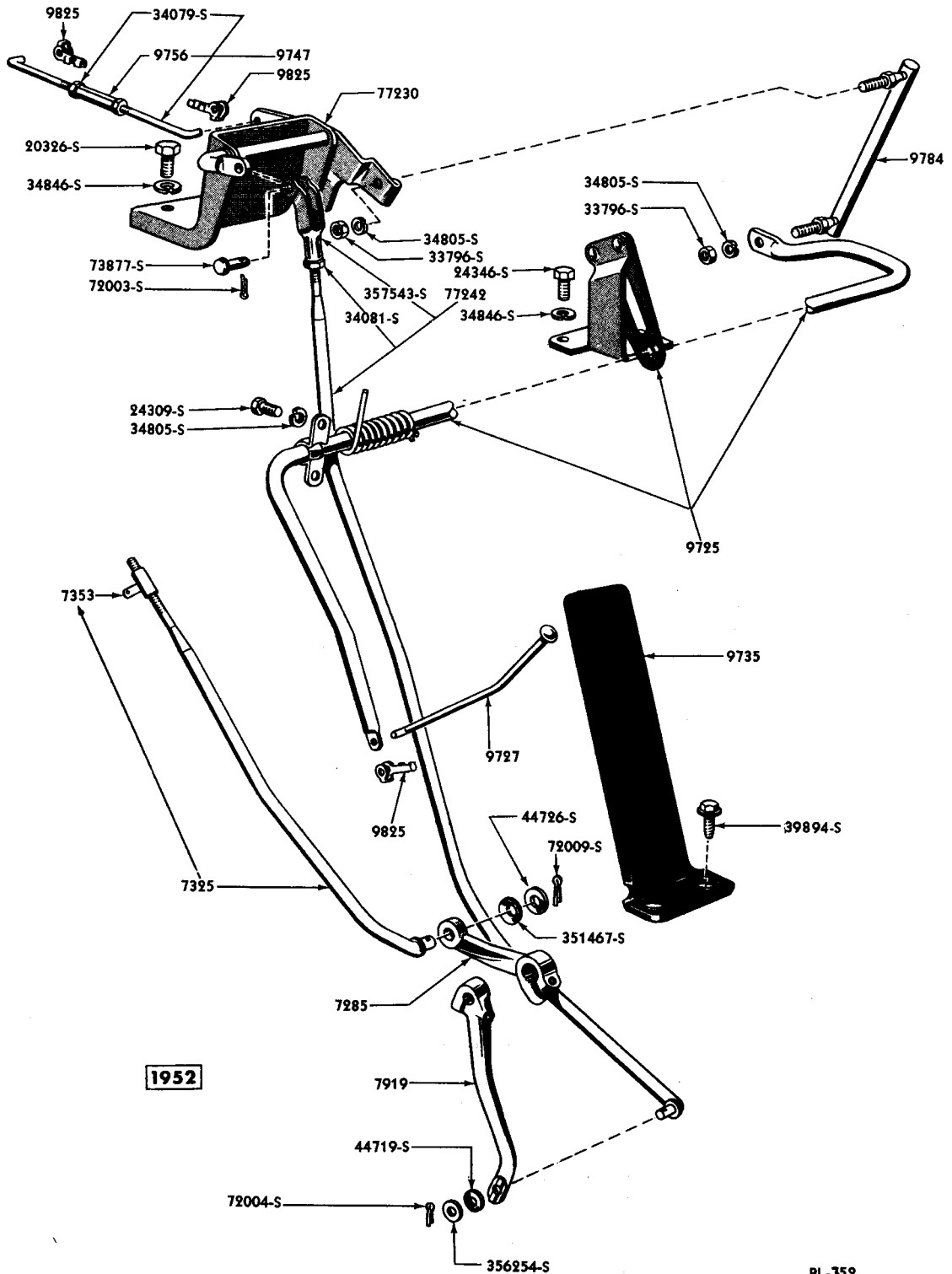
Accelerator

	LA-7325-B Rod assy (trans. manual shift)- 15-11/16" overall length- Single Range	1	LA	52
	LA-7325-E Rod assy (trans. manual shift)- use with Dual Range	1	LA	52-54
	8M-7353 Sleeve (trans. gear shift rod adjustment)	1	LA	52-53
	AB-7353-A Sleeve (trans. gear shift rod adjustment)	1	LA	52-54

Lincoln Cosmopolitan and Capri

CHASSIS PARTS CATALOGUE

Accelerator-Continued



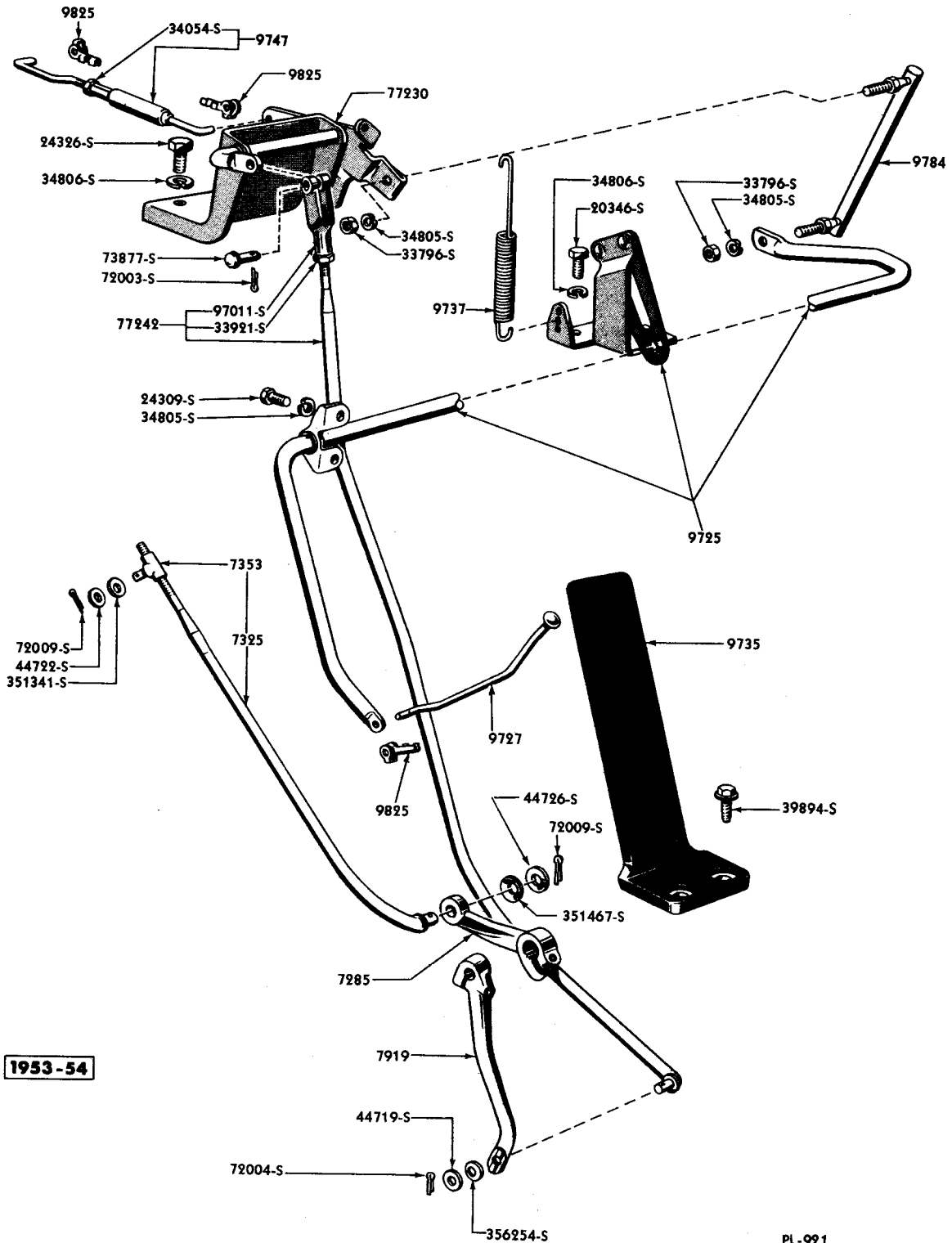
ACCELERATOR AND CONTROL LINKAGE

Basic numbers only shown on illustration. Order by Part Numbers shown in list of parts.

Lincoln Cosmopolitan and Capri

CHASSIS PARTS CATALOGUE

Accelerator—Continued



ACCELERATOR AND CONTROL LINKAGE

Basic numbers only shown on illustration. Order by Part Numbers shown in list of parts.

Lincoln Cosmopolitan and Capri

CHASSIS PARTS CATALOGUE

PART NUMBER	PART NAME	NO. REQ'D	MODEL	YEAR
Accelerator—Continued				
	72009-S Cotter pin 3/32" x 5/8"	1	LA	52-54
	352358-S Pin (self locking)-9/32" x 61/64"	1	LA	52-54
	44726-S8 Washer (flat)-3/8"	1	LA	52-54
	351467-S7 Washer (spring)-3/8"	1	LA	52-54
	351341-S7 Washer (spring)-5/16"	1	LA	52-54
	44722-S8 Washer (flat)-5/16"	1	LA	52-54
	LA-7285-B Lever (trans. outer shift)	1	LA	52-54
	LA-7919-A Lever (trans. throttle control outer)	1	LA	52-54
LA 9725-E	Shaft and bracket assy (accelerator)	1	LA	52
LA 9725-G	Shaft and bracket assy (accelerator)	1	LA	53-54
LA 9727-B	Rod (accel. pedal to shaft)-approx. 5-5/8" long	1	LA	52
LA 9727-C	Rod (accelerator pedal to shaft)	1	LA	53-54
	59A-9825 Clip (rod end clevis)-for 3/16" diameter rod	1	LA	52-54
MA 9735-B	Pedal assy (accel.)-1-3/4" wide	1	LA	52
LA 9735-A	Pedal assy (accelerator)-8-1/16" from hinge center to accelerator shaft hole	1	LA	53-54
	39894-S8 Screw (hex washer head self tapping)-1/4"-20 x 5/8"-pedal to floor pan	2	LA	52-54
LA 9737-C	Spring (accel. shaft retracting)-5-1/4" free length-40 coils	1	LA	53-54
LA 9747-D	Rod assy (carb. to trans. control shaft)-7-5/64" long-use with 1L-7003-A	1	LA	52
LA 9747-E	Rod assy (carb. to trans. control shaft)-use with LA-7003-E	1	LA	52
LA 9747-G	Rod assy (carb. to trans. control shaft)-use with LA-7003-F & G	1	LA	53
LA 9747-H	Rod assy (carburetor to trans. control shaft)-use with LA-7003-G & H	1	LA	53-54
	59A-9825-A Clip (rod end clevis)-rod assy to carburetor	as reqd	LA	52-54
	34079-S7 Nut (hex)-No. 10-32-carburetor to trans. control shaft rod assy	1	LA	52
	34054-S8 Nut (hex)-No. 12-24-carburetor to trans. control shaft rod assy	1	LA	53-54
06H 9756	Nut (accel. shaft to pedal adj.)-No. 10-32-used with LA-9747-D	1	LA	52

Lincoln Cosmopolitan and Capri

CHASSIS PARTS CATALOGUE

PART NUMBER	PART NAME	NO. REQ'D	MODEL	YEAR
Accelerator-Continued				
LA 9784-B	Rod assy (accel. shaft to trans. control shaft)-use with Single Range	1	LA	52
LA 9784-C	Rod assy (accel. shaft to trans. control shaft)-use with Dual Range	1	LA	52
LA 9784-E	Rod assy (accel. shaft to trans. control shaft)-use with EAD-9424-E only in 1952	1	LA	52-54
	34805-S8 Lockwasher-1/4"	2	LA	52-54
	33796-S7 Nut (hex)-1/4"-28	2	LA	52-54
NS	LA-77230-B Shaft assy (trans. control to accelerator)-use with 1L-7003-A-replaced by (1) of LA-77230-D also LA-9747-E & LA-9784-E	1	LA	52
NS	LA-77230-C Shaft assy (trans. control to accelerator)-used with LA-7003-E-replaced by (1) of LA-77230-D also LA-9747-E & LA-9784-E	1	LA	52
	LA-77230-D Shaft assy (trans. control to accelerator)-used with LA-7003-F & G	1	LA	53
	LA-77230-E Shaft assy (trans. control to accelerator)-used with LA-7003-G & H	1	LA	53-54
	20326-S7 Bolt (hex)-5/16"-18x5/8"-to attach accelerator shaft to intake manifold	2	LA	52-54
	24309-S8 Bolt (hex-hd)-1/4"-28x1/2"-accel. shaft assy to dash panel bracket	2	LA	52-54
	24346-S8 Bolt (hex-hd)-5/16"-18x3/4"-accel. shaft assy to engine assy	2	LA	52-54
	34806-S2 Lockwasher-5/16"-use with 20326-S7	2	LA	52-54
	356403-S8 Washer (flat)-3/8"	1	LA	52-54
	LA-77242-B Rod assy (trans. control shaft to trans.)-27-3/4" 0/all length-use with 1L-7003-A & LA-7003-E	1	LA	52
	LA-77242-C Rod assy (trans. control shaft to transmission)-use with LA-7003-F & G	1	LA	53
	LA-77242-D Rod assy (trans. control shaft to transmission)-use with LA-7003-G & H	1	LA	53-54
	73877-S7 Clevis pin-1/4" x 25/32"	1	LA	52-54
	97011-S7 Clevis (adjustable)-1/4"-28-straight	1	LA	53-54
	357543-S8 Clevis (adjustable)-1/4"-28	1	LA	52

Lincoln Cosmopolitan and Capri

CHASSIS PARTS CATALOGUE

PART NUMBER	PART NAME	NO. REQ'D	MODEL	YEAR
Accelerator-Continued				
	72003-S7 Cotter pin-1/16" x 1/2"	1	LA	52-54
	72004-S7 Cotter pin-3/32" x 1/2"	1	LA	52-54
	34805-S8 Lockwasher-1/4"-accel. shaft assy to dash panel brkt.	2	LA	52-54
	33921-S13 Nut (hex-jam)-1/4"-28	1	LA	52-54
	352358-S Pin (self locking)-9/32" x 61/64"	1	LA	52-54
	44719-S8 Washer (flat)-1/4"	1	LA	52-54
	356254-S2 Washer (spring)-1/4"	1	LA	52-54
B2Q 9813-A	Screw (carb. air cleaner anchor)-@EAD-99575-A	1	LA	52-53
EAD 9820-B	Tube (thermostatic choke control)-inlet-use with EAD-9510-D & L carburetors	1	LA	52
EAD 9820-C	Tube (thermostatic choke control)-inlet-use with EAD-9510-H, K & M carburetors	1	LA	53
EAD 9820-D	Tube (thermostatic choke control)-with secondary throttle vacuum control-use with EAD-9510-N carburetor	1	LA	54
	96H-9242 Ferrule (fuel line)-use with 358248-S	1	LA	53-54
	358248-S Nut (compression fitting)-1/2" -20-tube to carburetor	1	LA	52-54
59A 9825	Clip (rod end clevis)-R. H. -for 3/16" dia. rod	as reqd	LA	52-54
8CM 9842	Clamp (carb. automatic choke thermostat housing)	3	LA	52-54
EAD 9844-A	Plate (carburetor automatic choke housing)	1	LA	52-54
EAD 9848-A	Housing & thermostat assy (carb. automatic choke)	1	LA	52-53
EAD 9848-B	Housing & thermostat assy (carb. automatic choke)	1	LA	53-54
EAD 9849-A	Housing and plugs assy (carb. automatic choke)	1	LA	52-53
EAD 9849-B	Housing and plugs assy (carb. automatic choke)	1	LA	53-54
EAD 9850-A	Control assy (thermostatic choke)-right side of intake manifold	1	LA	52
EAD 9850-B	Control assy (thermostatic choke)-with (3) arrows on cover	1	LA	53-54
MEK 9850-A	Kit (automatic choke installation)	1	LA	53-54
EAD 9853-B	Gasket (thermostatic choke)-also serviced in HCK-9502-A & HDK-9502-A Kits	1	LA	52-54
EAD 9864-A	Nut (thermostatic choke control heat tube retaining) -7/8"-14-screws into intake manifold	1	LA	52-54
EBY 9864-A	Nut (thermostatic choke control heat tube retaining) -slotted	1	LA	52-54
EAD 9869-B	Rod (thermostatic choke lever)	1	LA	52
EAD 9869-C	Rod (thermostatic choke lever)-use with EAD-9551-B	1	LA	53-54
EAD 9869-D	Rod (thermostatic choke lever)-Heavy Duty	1	LA	53-54
EAD 9869-E	Rod (thermostatic choke lever)-use with EAD-9551-C	1	LA	53-54

Lincoln Cosmopolitan and Capri

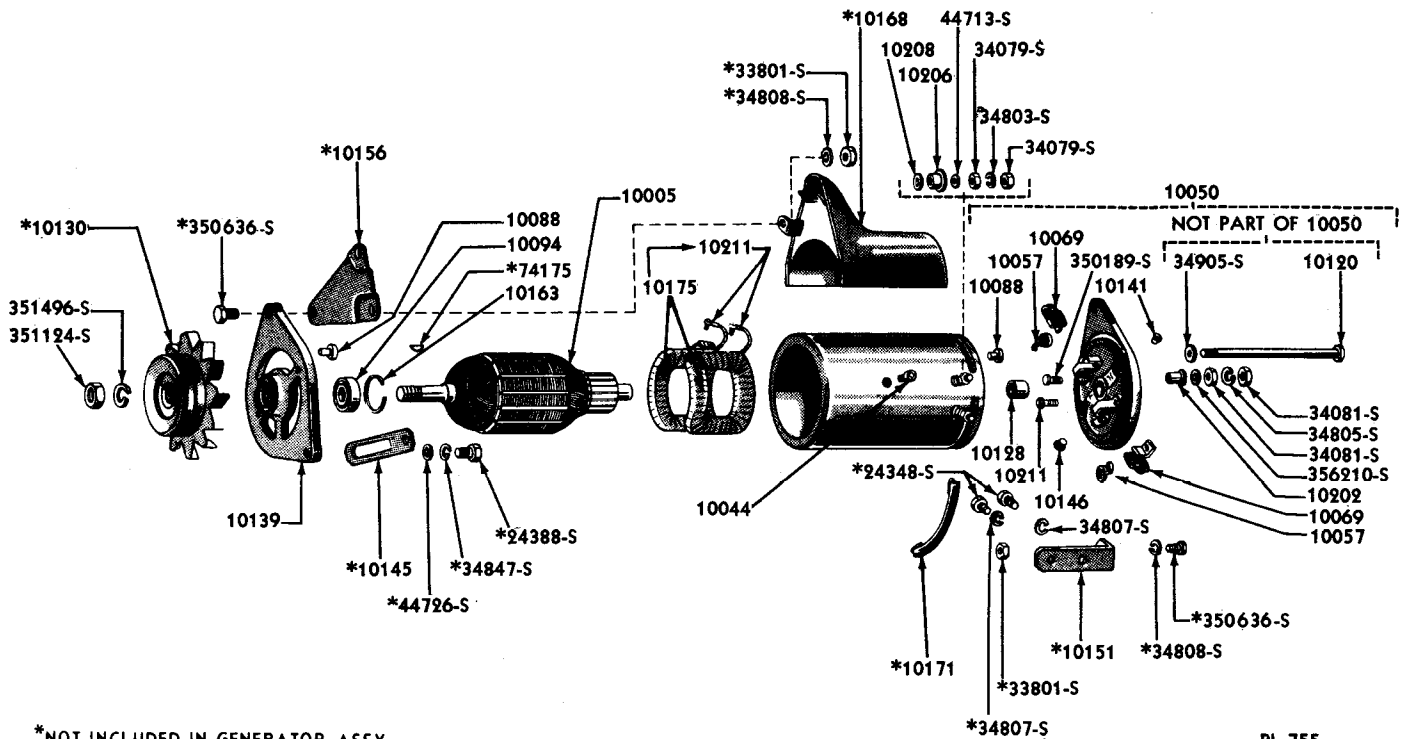
CHASSIS PARTS CATALOGUE

PART NUMBER	PART NAME	NO. REQ'D	MODEL	YEAR 19__
Accelerator-Continued				
EAD 9871-A	Gasket (carb. automatic choke piston housing)-also serviced in HCK-9502-A & HDK-9502-A Kits	1	LA	52-54
EAD 9890-C	Tube assy (thermostatic choke heat control)-2-3/4" long-(Inconel Unit)	1	LA	52-54
8CM 9902	Needle (carburetor accelerator pump discharge)-also serviced in HCK-9590-A & HDK-9590-A Kits	1	LA	52-54
EAD 9904-A	Diaphragm and stem assy (carb. economizer)-also serviced in HCK-9590-A Kit	1	LA	52
EAD 9904-B	Piston & stem assy (carburetor economizer)-also serviced in HDK-9590-A Kit	1	LA	53-54
EAD 9909-A	Gasket (carb. spark control valve body)-also serviced in HCK-9502-A Kit	1	LA	52
78 9909	Gasket (carb. spark control valve body)-also serviced in HDK-9502-A Kit	1	LA	53-54
EAD 9927-A	Lever and shaft assy (carburetor throttle)	1	LA	52
B2Q 9931-A	Clamp (carburetor economizer body cover)- ⊕EAD-99985-A	1	LA	52-54
A8Q 9937-A	Spring (carb. filter screen retainer)-⊕8CM-99527	1	LA	52-54
B8Q 9938-A	Screen & retainer assy (carb. filter)-⊕1CM-99522	1	LA	52-54
8CM 9944	Plug (carburetor float needle seat)	1	LA	52-54
8CM 9945	Gasket (carb. float needle seat plug)-also serviced in HCK-9502-A & HDK-9502-A Kits	1	LA	52-54
8CM 9958	Spring (carburetor float)-also serviced in HCK-9590-A & HDK-9590-A Kits	1	LA	52-54
EAD 9973-A	Jet (carburetor governor by-pass)-also serviced in HDK-9590-A Kit	1	LA	53-54
EAD 9985-A	Gasket (carburetor main body cover plate)-also serviced in HCK-9502-A & HDK-9502-A Kits	1	LA	52-54 *
8CM 9986	NS Spring (carburetor accelerator pump)-serviced in in HCK-9531-A Kit	1	LA	52-54
EAD 9988-A	Stud (carburetor pump operating rod)	1	LA	52
EAD 9988-B	Stud (carburetor pump operating rod)	1	LA	53
EAD 9988-C	Stud (carburetor pump operating rod)	1	LA	53-54
EAM 9991-A	Tube assembly (carburetor main well)-also serviced in HCK-9590-A & HDK-9590-A Kits	2	LA	52-54

Lincoln Cosmopolitan and Capri

CHASSIS PARTS CATALOGUE

Generator



GENERATOR

Basic numbers only shown on illustration. Order by Part Numbers shown in list of parts.

PART NUMBER	PART NAME	NO. REQ'D	MODEL	YEAR
FAB 10002-A	Generator assy (less pulley, bracket and bolt)-40 amps.	1	LA	52-53
FAD 10002-A	Generator assy (less pulley, bracket and bolt)-60 amps. -heavy duty	1	LA	52-54
FBB 10002-A	Generator assy (less pulley, bracket and bolt)-50 amps.	1	LA	54
	20313-S7 Bolt (hex head)-3/8"-24 x 1/2" -generator to top bracket	2	LA	52-54
	24349-S7-8 Bolt (hex head)-3/8"-24 x 3/4" -generator to top bracket	2	LA	53-54
	350636-S Bolt (hex-hd)-7/16"-14 x 1-3/8" -generator to gen. bracket	2	LA	52-54
	34807-S8 Lockwasher-3/8"-generator to brackets	4	LA	52-54
	34808-S8 Lockwasher-7/16"-generator to generator bracket	2	LA	52-54
	33801-S8 Nut (hex)-7/16"-14-generator to generator brackets	2	LA	52-54
	356369-S Washer (flat)-11/16"-shaft to generator front bearing	1	LA	52-54

Lincoln Cosmopolitan and Capri

CHASSIS PARTS CATALOGUE

PART NUMBER	CLASS	PART NAME	NO. REQ'D	MODEL	YEAR
Generator—Continued					
		FAC-10130-A Pulley (generator)-5-37/64" O. D. -use with FAB-10002-A and FBB-10002-A generator	1	LA	52-54
		FAF-10130-A Pulley (generator)-6-7/8" O. D. - use with FAD-10002-A generator	1	LA	52
		FAF-10130-B Pulley (generator)-6-7/8" O. D. - use with FAD-10002-A generator	1	LA	53-54
		74175-S Key (woodruff)-5/32" x 5/8"- pulley to armature shaft	1	LA	52-54
		351496-S Lockwasher-5/8"-pulley to armature shaft	1	LA	52-54
		351124-S Nut (hex)-11/16"-20-pulley to armature shaft	1	LA	52-54
		EAD-10145-A Arm (generator adjustment)	1	LA	52-54
		24388-S8 Bolt (hex head)-3/8"-16 x 1"- arm to gen. and cyl. cover	2	LA	52-54
		34847-S8 Lockwasher-3/8"-arm to gen.	1	LA	52-54
		47726-S8 Washer (flat)-3/8"-arm to gen.	1	LA	52-54
		EAD-10151-B Bracket (generator)-rear	1	LA	52-54
		24348-S8 Bolt (hex-hd)-3/8"-16 x 3/4"- bracket to cylinder block	2	LA	52-54
		34807-S8 Lockwasher-3/8"-bracket to cylinder block	2	LA	52-54
		EAD-10153-B Bracket (generator)-top-use with Air Conditioning only	1	LA60-73	53
		24428-S8 Bolt (hex-hd)-3/8"-16 x 1-1/4"-bracket to cylinder block	2	LA60-73	53
		34807-S8 Lockwasher-3/8"-bracket to cylinder block	2	LA60-73	53
		EAD-10156-A Bracket (generator)-front	1	LA	52-54
		21228-S Bolt (hex-hd)-3/8"-16 x 1-7/8"-bracket to cylinder block	2	LA	52-54
		34807-S8 Lockwasher-3/8"-bracket to cylinder block	2	LA	52-54
		FAA-10168-A Shield assy (generator splash)	1	LA	52-53
		FAA-10171-B Spring assy (gen. splash shield)	1	LA	52-53

GENERATOR CHART

PART NUMBER	CLASS	PART NAME	GENERATOR							
			FAB-10002-A		FAD-10002-A		FBB-10002-A			
			NUMBER REQUIRED							
8EH 10005		Armature assy (generator)	1							
FAA 10005-A		Armature assy (generator)			1					
FAB 10005-A		Armature assy (generator)					1			
8BA 10037-C		Connector assy (generator brush)			1					
B4A 10043-A		Kit (generator brush)-consists of the following (2) FAA-10069-A Brush assy	1		2		1			

Lincoln Cosmopolitan and Capri

CHASSIS PARTS CATALOGUE

Generator — Continued

GENERATOR CHART—CONTINUED

PART NUMBER	CLASS	PART NAME	GENERATOR												
			FAB-10002-A		FAD-10002-A		FBB-10002-A								
			NUMBER REQUIRED												
68 10044		Screw (generator pole piece)-7/16"-14 x 21/32"	2				2								
68 10044		Screw (starter pole piece)-7/16"-14 x 21/32"	Refer to Basic Number 11002												
99B 10044		Screw (generator pole piece)-7/16"-14 x 1-7/64"			8										
8BA 10048-B		Insulator (generator brush holder rivet)	1		2		1								
8BA 10048-B		Insulator (starter brush holder rivet end plate)-13/32" x 1/8"	Refer to Basic Number 11002												
FAA 10050-A		Plate and brush assy (generator rear end)	1												
FAB 10050-A		Plate and brush assy (generator rear end)			1										
FBC 10050-A		Plate and brush assy (generator rear end)					1								
		350189-S8 Bolt and lockwasher assy (fillister hd)-1/4"-28 x 3/8"-plate to brush holder	1		2		1								
		18-11069 Rivet (generator brush end plate)	2				2								
		34804-S8 Lockwasher-No. 12-plate to frame			4										
		31079-S7 Screw (fillister hd)-No. 12-24 x 5/8" plate to frame			4										
91A 10057		Spring (generator brush)	2		4		2								
FAA 10069-A	NS	Brush assy (generator)-55/64" x 1" x 19/64"-two wire type-serviced in B4A-10043-A Kit	2		4		2								
FAA 10087-A		Spring (generator bearing)-31/32" I. D. x 1-9/16" O. D.			1										
FAB 10087-A		Spring (generator bearing)-11/16" I. D. x 1-11/64" O. D.					1								
18 10088		Rivet (gen. frame locating)-1/8" x 5/32"	2		2		2								
18 10088		Rivet (starter motor frame locating)-1/8" x 5/32"	Refer to Basic Number 11002												
7RA 10094-A		Bearing (power steering pump rotor shaft)	Refer to Basic Number 33611												
7RA 10094-A		Bearing (generator front end plate)-21/32" I. D. x 1-37/64" O. D. x 15/32" wide-with Rubber bearing seal	1				1								
7RA 10094-A		Bearing (generator rear end plate)-21/32" I. D. x 1-37/64" O. D. x 15/32" wide-with Rubber bearing seal			1										
7RA 10094-A		Bearing (idler bracket and pulley)-21/32" I. D. x 1-37/64" O. D. x 15/32" wide-use with air-conditioning	Refer to Basic Number 8675												

Lincoln Cosmopolitan and Capri

CHASSIS PARTS CATALOGUE

Generator — Continued

GENERATOR CHART—CONTINUED

PART NUMBER	CLASS	PART NAME	GENERATOR																	
			FAB-10002-A		FAD-10002-A		FBB-10002-A													
			NUMBER REQUIRED																	
8BA 10094		Bearing (gen. front end plate)-25/32" I. D. x 2-3/64" O. D. x 19/32" wide			1															
		350189-S8 Bolt and lockwasher assy (fillister head) -1/4"-28 x 3/8"-brg. to armature shaft			1															
		353383-S Washer (flat)-1/4"-bearing to armature shaft			1															
FAA 10095-A		Bearing (generator rear end plate)-25/64" I. D. x 1-3/16" O. D. x 23/64" wide-with Nylon bearing seal						1												
FAA 10118-A		Cap (generator rear end plate)-25/64" height			1															
		42650-S7 Screw and washer assy (rd-hd)-No. 10-32 x 3/8"-cap to end plate			3															
8EL 10120		Bolt (hex-hd)-1/4"-20 x 7-23/64"-gen. thru	2					2												
		34905-S7 Washer (internal tooth) -1/4"-gen. thru bolt	2					2												
78 10128		Bearing (generator oilless)-rear end plate	1																	
FAC 10130-A		Pulley (generator)-5-37/64" O. D.	Refer to Basic Number 10002																	
FAF 10130-A		Pulley (generator)-6-7/8" O. D.	Refer to Basic Number 10002																	
FAF 10130-B		Pulley (generator)-6-7/8" O. D.	Refer to Basic Number 10002																	
OHA 10139-A		Plate (generator front end)	1					1												
8BA 10139		Plate (generator front end)			1															
OHA 10141-A		Cover assy (generator rear end plate oil hole)	1																	
B 10141-A		Cup (distributor oil)	Refer to Basic Number 12130																	
8BA 10142		Band (generator cover)			1															
		34079-S7 Nut (hex)-No. 10-32-generator cover band			1															
		27177-S7 Screw (round head)-No. 10-32 x 1-1/2"-generator cover band			1															
EAD 10145-A		Arm (generator adjustment)	Refer to Basic Number 10002																	
OHA 10146-B		Plug (generator rear end plate oil)	1																	
EAD 10151-B		Bracket (generator)-rear	Refer to Basic Number 10002																	
EAD 10153-B		Bracket (generator)-top-use with Air Conditioning only	Refer to Basic Number 10002																	
EAD 10156-A		Bracket (generator)-front	Refer to Basic Number 10002																	

Lincoln Cosmopolitan and Capri

CHASSIS PARTS CATALOGUE

Voltage Regulator—Continued

VOLTAGE REGULATOR CHART—CONTINUED

PART NUMBER	CLASS	PART NAME	VOLTAGE REGULATOR										
			8BA-10505-A		FAD-10505-A		FAJ-10505-A						
			NUMBER REQUIRED										
19B 10621		Bushing (cutout unit resistor insulating)	1										
19B 10623		Gasket (regulator cover to base)	1										
51A 10623		Gasket (regulator cover to base)			1		1						
		34902-S8 Lockwasher-No. 8-gasket & cover to base	2		2		2						
		41294-S8 Screw (fillister hd)-No. 8-32 x 3/8"-gasket & cover to base	2		2		2						
19B 10625		Wire (resistor to field terminal connector)	1										
19B 10649		Wire (regulator cover sealing)	1										
11AS 10653		Point (regulator unit contact)-fixed	2										
8A 10653		Point (reg. voltage limiter contact post)			1		1						

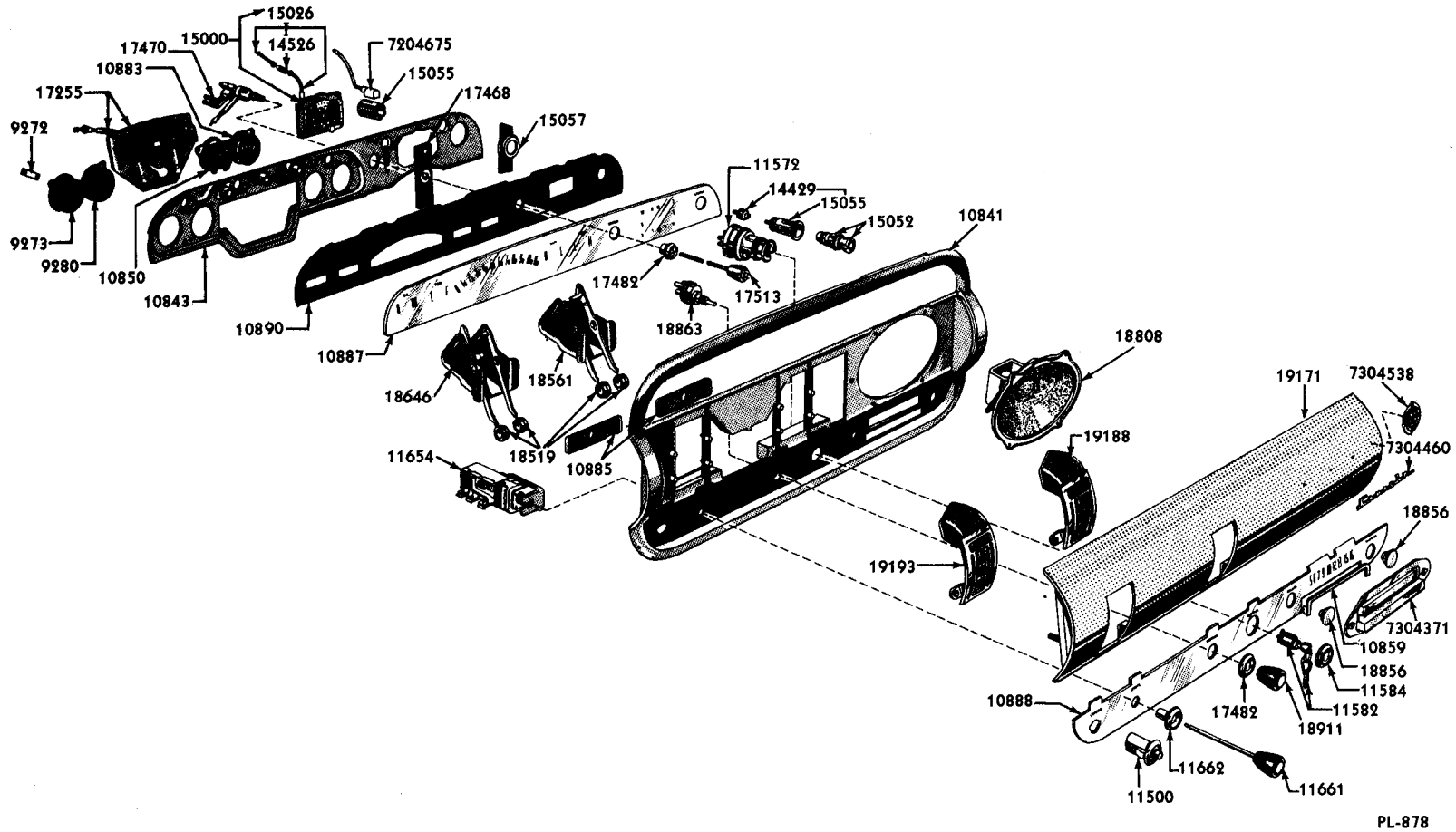
Battery

FAA 10655-E	Battery assy-63 plate-6 volt-110 amp. hour- 11-7/32" x 8-1/32" x 5-15/32"	1	LA	52-54
	BD-5165-A Clamp assy (battery)	1	LA	52-54
	BD-55163-A Clip (battery hold down)-inner	1	LA	52-54
	BD-55164-A Clip (battery hold down)-outer	1	LA	52-54
	357252-S2 Nut (cage)-5/16"-24-clip to battery clamp	2	LA	52-54
	357759-S8 Screw (wing)-5/16"-24 x 1- 13/16"-clip to battery clamp	2	LA	52-54
	44724-S8 Washer (flat)-5/16"-clip to battery clamp	2	LA	52-54
	BH-7301615-A Box assy (battery)	1	LA	52-54
	BD-7301619-B Cover assy (battery access)	1	LA	52-54
	BD-7301645-A Seal (battery access cover)	1	LA	52-54
	BD-7301662-A Shield assy (battery side)	1	LA	52-54
	BD-7301663-B Silencer (battery access cover)	1	LA	52-54

Lincoln Continental and Capri

CHASSIS PARTS CATALOGUE

Instrument Panel Indicators



PL-878

INSTRUMENT PANEL

Basic numbers only shown on illustration. Order by Part Numbers shown in list of parts.

Lincoln Cosmopolitan and Capri

CHASSIS PARTS CATALOGUE

PART NUMBER	PART NAME	NO. REQ'D	MODEL	YEAR 19__
Instrument Panel Indicators—Continued				
FAA-9272-A	Bar (instrument cluster bus)- 1-17/32" length	1	LA	52-54
FAA-9273-B	Indicator assy (oil pressure)- Dull Black background with White graduations-2-3/8"- between mounting holes	1	LA	52-53
FAG-9273-A	Indicator assy (oil pressure)- Gold background with White graduations-2-3/8" between mounting holes	1	LA	54
FAA-9280-B	Indicator assy (fuel level)-Dull Black background with White graduations-2-3/8" between mounting holes	1	LA	52-53
FAF-9280-A	Indicator assy (fuel level)-Gold background with white gradua- tions-2-3/8" between mounting holes	1	LA	54
FAA 10841-BP	Housing (instrument & control cluster)	1	LA	52-54
	34823-S2 Lockwasher-No. 10-cluster housing to instrument panel	11	LA	52-54
	34079-S7 Nut (hex)-No. 10-32-cluster housing to instrument panel	11	LA	52-54
	44713-S8 Washer (flat)-No. 10-cluster housing to instrument panel	11	LA	52-54
FAA 10843-C	Plate assy (instrument cluster back)-25-5/8" length	1	LA	52-54
	41294-S8 Screw (fillister head)-No. 8-32 x 3/8"-plate to instrument and control housing	15	LA	52-54
FAA 10850-B	Indicator assy (charge)-Black background with White graduations	1	LA	52-53
FAF 10850-A	Indicator assy (charge)-Gold background with White graduations	1	LA	54
FAA 10859-A	Bezel (instrument cluster radio push button)-5-1/8" length	1	LA	52-54
FAA 10883-B	Indicator assy (temperature)-Dull Black background with White graduations-2-3/8" between mounting holes	1	LA	52-53
FAG 10883-A	Indicator assy (temperature)-Gold background with White graduations-2-3/8" between mount. holes	1	LA	54
	37611-S7 Screw (fillister head)-No. 8-32 x 1/4"-indicator to cluster back plate	2	LA	52-54
FAA 10884-A	Bulb assembly (electric heat indicator)	1	LA	52-53
FAB 10884-A	Bulb assembly (electric heat indicator)	1	LA	54
FAA 10885-A	Plate (control lamp housing cover)-5-5/32" length	2	LA	52-54
	41294-S8 Screw (fillister head)-No. 8-32 x 3/8"-plate to instrument and control housing	3	LA	52-54

Lincoln Cosmopolitan and Capri

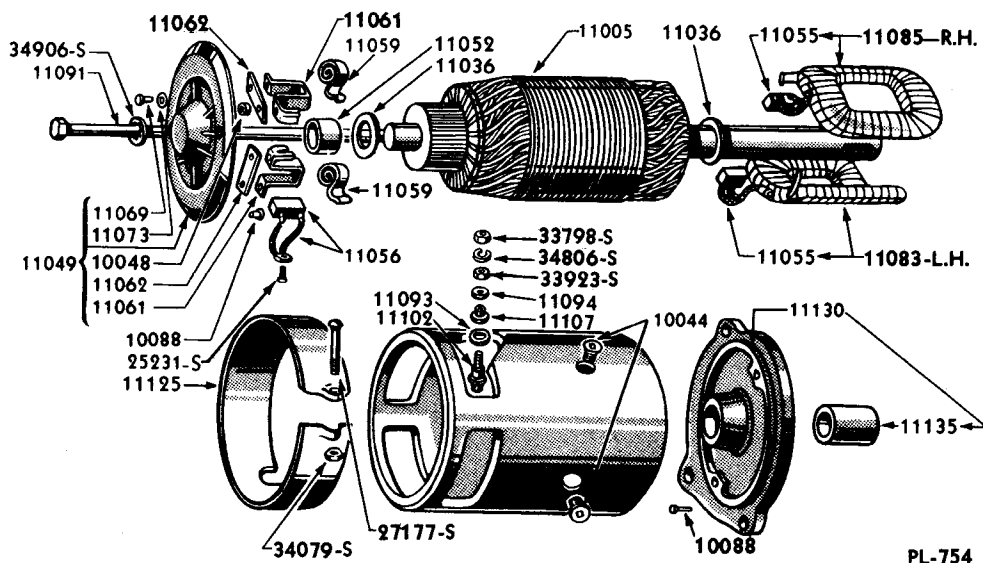
CHASSIS PARTS CATALOGUE

PART NUMBER	PART NAME	NO. REQ'D	MODEL	YEAR
Instrument Panel Indicators—Continued				
FAA 10887-E	Dial (instrument cluster main)-25-9/32" length	1	LA	52
FAE 10887-C	Dial (instrument cluster main)-25-9/32" length-for 120 mile range speedometer	1	LA	53-54
FAA 10888-C	Dial (instrument cluster auxiliary)-25-1/16" length	1	LA	52-54
FAA 10890-CP	Mask (instrument cluster)-25-5/16" length	1	LA	52-54
	78-13466 Bulb (clear)-1-1/2 C. P. -S. C. - instrument and control panel lights	10	LA	52-54
	B-13466 Bulb (clear)-3 C. P. -S. C. No. 63- map lamp	1	LA	52-54
	48-15021 Bulb (clear)-1 C. P. -S. C. -high beam indicator	1	LA	52-54
	48-15021 Bulb (clear)-1 C. P. -S. C. -turn signal indicator	2	LA	52-54
	FAD-18519-A Knob assy (heater, defroster and air control)-29/32" dia. -Gold capped	4	LA	52
	FAE-18519-AP Knob assy (heater, defroster and air control)-29/32" diameter- Chrome capped	4	LA	53-54
	353506-S33 Screw (set)-No. 8-32 x 3/8"- knob to control lever	4	LA	52-54
	FAA-18561-C Control assy (heater air reg.)-R.H.	1	LA	52-54
	FAA-18646-C Control assy (heater air reg.)-L.H.	1	LA	52-54
	34822-S7 Lockwasher-No. 8-control to instrument housing	8	LA	52-54
	34052-S7 Nut (hex)-No. 8-32-control to instrument housing	8	LA	52-54
	FAA-19171-B Panel assembly (heater control) -less control hsg. -with hole pattern	1	LA	52-53
	FAC-19171-AP Panel assy (heater control)-less control hsg. -with slot pattern	1	LA	54
	34823-S2 Lockwasher-No. 10-panel to control housing	2	LA	52-54
	34079-S7 Nut (hex)-No. 10-32-panel to control housing	2	LA	52-54
	FAA-19188-BP Housing assy (heater regulator control)-R. H.	1	LA	52-54
	FAA-19193-BP Housing assy (heater regulator control)-L. H.	1	LA	52-54
	41554-S7 Screw (pan head)-No. 8-32 x 3/8"-housing to heater control panel	6	LA	52-54

Lincoln Cosmopolitan and Capri

CHASSIS PARTS CATALOGUE

Starter and Starter Drive



STARTER

Basic numbers only shown on illustration. Order by Part Numbers shown in list of parts.

PART NUMBER	QUANTITY	PART NAME	NO. REQ'D	MODEL	YEAR
FAC 11002-B		Starter assembly-less drive and pin	1	LA	52-54
		68-10044 Screw (starter pole piece)-7/16"-14	4	LA	52-54
		355476-S2 Bolt (hex-hd)-5/16"-18 x 1"-starter to flywheel housing	3	LA	52-54
		34806-S7 Lockwasher-5/16"-starter to flywheel housing	3	LA	52-54
52 11005		Armature assembly (starter)	1	LA	52-54
18 11036		Washer (starter armature thrust)-21/32" I.D. x 1/8" O.D.	2	LA	52-54
18 11049		Plate, bushing and brush holder assy (starter brush end)	1	LA	52-54
		8BA-10048-B Insulator (starter brush holder rivet)	4	LA	52-54
		18-10088 Rivet (starter frame locating)-1/8" x 5/32"	2	LA	52-54
18 11052		Bearing (starter brush end plate)-5/8" I.D. x 3/4" O.D. x 9/16" wide	1	LA	52-54
18 11055	NS	Brush assy (starter)-serviced in Kit 18-11057	2	LA	52-54
18 11056	NS	Brush assy (starter ground)-serviced in Kit 18-11057	2	LA	52-54
		25231-S7 Screw (flat head)-No. 10-32 x 1/2"-starter brush attaching	2	LA	52-54
18 11057		Kit (starter brush)-consists of the following (2) 18-11055 Brush (2) 18-11056 Brush	1	LA	52-54

Lincoln Cosmopolitan and Capri

CHASSIS PARTS CATALOGUE

PART NUMBER	PART NAME	NO. REQ'D	MODEL	YEAR 19__
-------------	-----------	-----------	-------	--------------

Starter and Starter Drive — Continued

B 11059	Spring (starter brush)	4	LA	52-54
B 11062	Insulation (starter brush holder)	2	LA	52-54
18 11069	Rivet (starter brush end plate)-13/32" x 1/8"	8	LA	52-54
18 11069	Rivet (generator brush end plate)-13/32" x 1/8"	2	LA	52-54
18 11083	Coil assy (starter field)-left	1	LA	52-54
18 11085	Coil assy (starter field)-right	1	LA	52-54
FAA 11091-A	Bolt (hex head starter thru)	2	LA	52-54
	34906-S8 Washer (internal tooth)-5/16" motor thru bolt	2	LA	52-54
7RA 11093	Washer (starter field terminal)-45/64" O. D.	1	LA	52-54
18 11094-B	Washer (starter field terminal insulator)-21/64" I. D. x 25/32" O. D.	1	LA	52-54
7RA 11095	Washer (starter field terminal)-flat	1	LA	52-54
18 11102-B	Terminal (starter field)	1	LA	52-54
	33798-S8 Nut (hex)-5/16"-24-starter field terminal-lower	1	LA	52-54
	33923-S7 Nut (hex check)-5/16"-24-starter field terminal-lower	1	LA	52-54
18 11107-B	Insulator (starter terminal)	1	LA	52-54
1CM 11125-A	Band assy (starter cover)	1	LA	52-54
	34079-S7 Nut (hex)-No. 10-32-starter cover band	1	LA	52-54
	27177-S7 Screw (rd-hd)-No. 10-32 x 1-1/2"-starter cover band	1	LA	52-54
FAA 11130-B	Plate assy (starter rear end)	1	LA	52-54
1CM 11135-A	Bushing (starter rear end plate)-5/8" I. D. x 13/16" O. D. x 1-5/32"	1	LA	52-54
1CM 11350-C	Drive assy (starter)	1	LA	52-54
52 11365-B	Pin (starter drive pinion)	1	LA	52-54

Starter Switch

FAB 11450-B	Relay assy (starter motor)	1	LA	52-54
	31497-S8 Screw (hex washer head)-No. 14-10 x 1/2"-relay to frame side member	2	LA	52-54
FAA 11500-A	Switch assy (starter push button)-Black Plastic concave button	1	LA	52-53
FAA-11500-A	Switch assy (starter push button)-Black Plastic concave button	1	LA60C-73A	54
FAC 11500-A	Switch assy (starter push button)-Off White concave button	1	LA60A-73B-76A	54
FAA 11524-A	Wire assy (starter button feed)-6" long	1	LA	52-54

Lincoln Cosmopolitan and Capri

CHASSIS PARTS CATALOGUE

PART NUMBER	PART NAME	NO. REQ'D	MODEL	YEAR 19__
Ignition Switch				
FAA 11572-A	Switch assy (ignition)	1	LA	52-54
OL 11581	Spring (ignition switch retaining)	1	LA	52-54
BD 11582-B	Cylinder and keys assy (ignition switch lock)	1	LA	52-54
FAA 11584-A	Bezel (ignition switch)-1-1/16" O. D.	1	LA	52-54

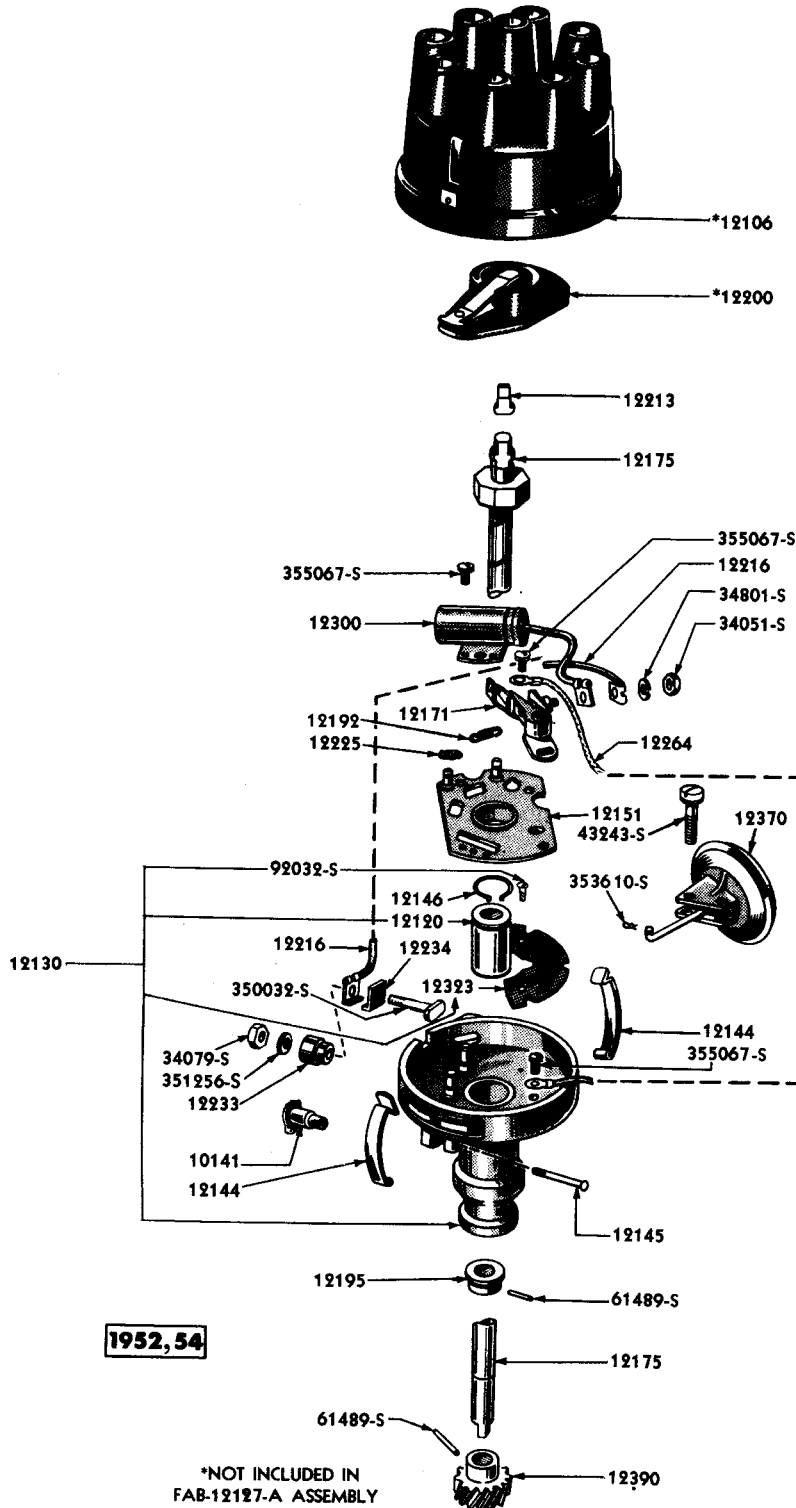
Lighting Switch				
FAA 11654-A	Switch assy (lighting control hand)-with ceramic resistor block	1	LA	52-54
	351230-S7 Lockwasher-No. 8-wiring to headlamp control switch	6	LA	52-54
	26457-S7 Screw (rd-hd)-No. 8-32 x 1/4" wiring to headlamp control switch	6	LA	52-54
FAA 11661-A	Knob and insert assy (headlamp control switch)-with four groove knob-Gold Capped	1	LA	52
FAE 11661-A	Knob and insert assy (headlamp control switch)-four groove knob-Chrome Capped	1	LA	53
FAF 11661-A	Knob and insert assy (headlamp control switch)-Black	1	LA60C-73A	54
FAF 11661-B	Knob and insert assy (headlamp control switch)-off white	1	LA60A-73B-76A	54
FAA 11662-A	Bezel (headlamp control switch)-1-1/16" diameter	1	LA	52-54

Ignition Coil				
8BA 12029	Coil assy (ignition)-6 volt	1	LA	52-54
	20310-S8 Bolt (hex head)-5/16"-18 x 1/2"-coil to engine	2	LA	52-54
	34941-S7 Lockwasher-5/16"-coil to engine	2	LA	52-54
	34079-S7 Nut (hex)-No. 10-32-coil to strap	1	LA	52-54
	27177-S7 Screw (rd-hd)-No. 10-32 x 1-1/2"-coil to strap	1	LA	52-54
7EH 12043	Strap (ignition coil) with (2) 23/64" mtg holes	1	LA	52-53
FAA 12044-A	Strap (ignition coil)- with (2) 19/32" slots	1	LA	54

Lincoln Cosmopolitan and Capri

CHASSIS PARTS CATALOGUE

Distributor, Circuit Breaker and Distributor Wiring



PL-696

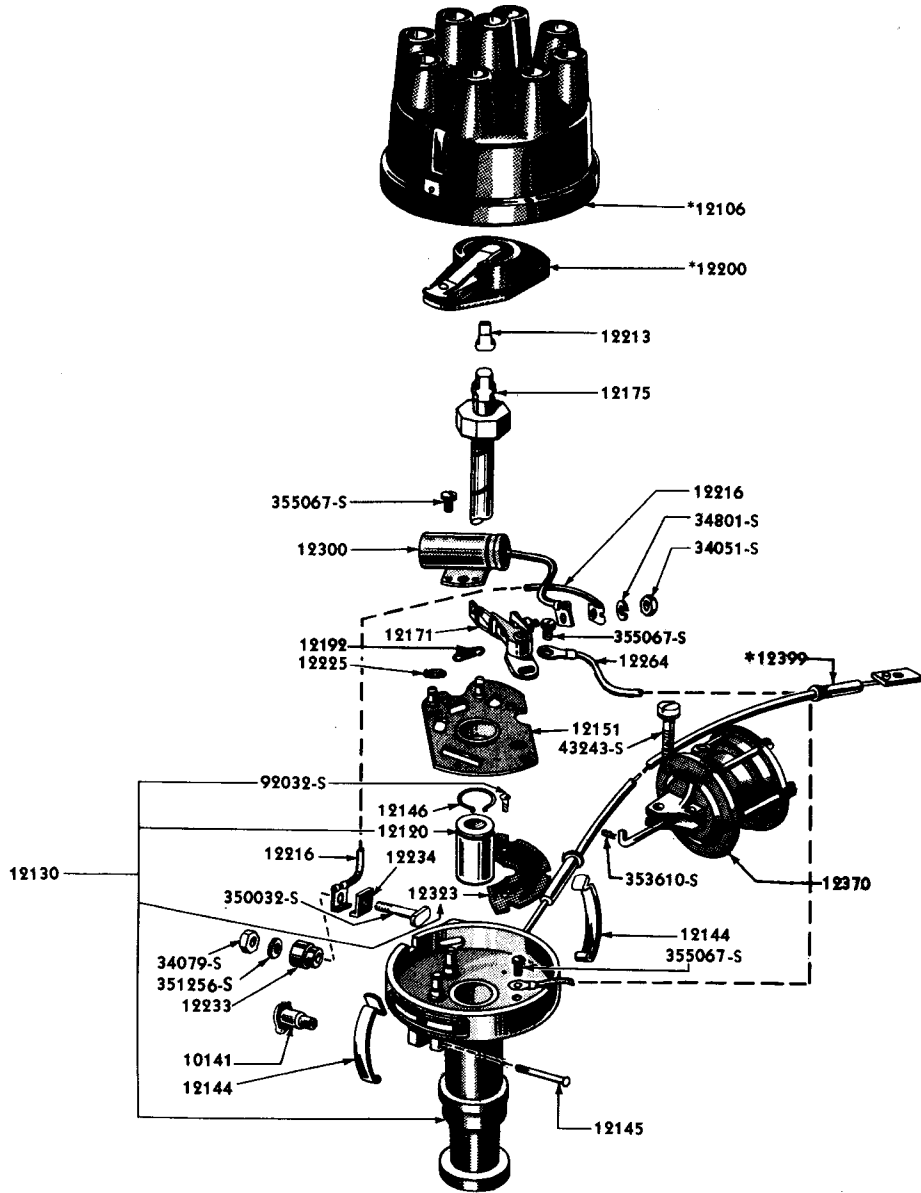
DISTRIBUTOR

Basic numbers only shown on illustration. Order by Part Numbers shown in list of parts.

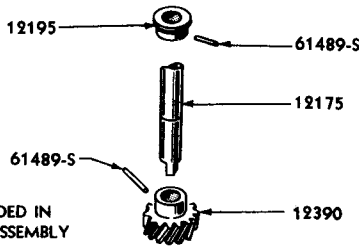
Lincoln Cosmopolitan and Capri

CHASSIS PARTS CATALOGUE

Distributor, Circuit Breaker and Distributor Wiring — Continued



1953



*NOT INCLUDED IN FAF-12127-A ASSEMBLY

PL-883

DISTRIBUTOR

Basic numbers only shown on illustration. Order by Part Numbers shown in list of parts.

Lincoln Cosmopolitan and Capri

CHASSIS PARTS CATALOGUE

PART NUMBER	PART NAME	NO. REQ'D	MODEL	YEAR 19__
Distributor, Circuit Breaker and Distributor Wiring — Continued				
FAB 12106-A	Housing assy (distributor terminal)	1	LA	52-54
FAA 12111-A	Bracket (ignition cable mounting)-R. H.	1	LA	52-54
	20328-S Bolt (hex head)-3/8"-16 x 5/8"-bracket to cylinder head	1	LA	52-54
	34807-S8 Lockwasher-3/8"-bracket to cylinder head	1	LA	52-54
FAA 12112-A	Bracket (ignition cable mounting)-L. H.	3	LA	52-54
	20326-S7 Bolt (hex head)-5/16"-18 x 5/8"-bracket to cyl. head	3	LA	52-54
	34941-S8 Washer (external tooth)-5/16"- bracket to cylinder head	3	LA	52-54
2N 12113	Insulator (distributor to spark plug wire)	8	LA	52-54
2N 12113	Insulator (distributor to coil)	2	LA	52-54
7RA 12120-A	Bushing (distributor base)-15/32" I. D. x 3/4" O. D. x 1-3/4" length	1	LA	52-54
FAB 12127-A	Distributor assy-less terminal housing and rotor- single diaphragm-2-29/32" dia. diaphragm hsg.	1	LA	52
FAF 12127-A	Distributor assy-less terminal housing and rotor -double diaphragm	1	LA	53
FAF 12127-B	Distributor assy-less terminal housing and rotor- single diaphragm-3-9/16" dia. diaphragm hsg.	1	LA	54
FAB 12130-A NS	Base, bushings, oiler and clamps assy (distributor) -serviced in FAB-12127-A & FAF-12127-B assy	1	LA	52, 54
FAB 12130-B NS	Base, bushings, oiler and clamps assy (distributor) -serviced in FAF-12127-A assy	1	LA	53
	B-10141-A Cup (distributor oil)	1	LA	52-54
7RA 12144	Clamp (distributor terminal housing)	2	LA	52-54
B 12145	Rivet (distributor cap clamps)	2	LA	52-54
7RA 12146	Retainer (distributor breaker plate)	1	LA	52-54
FAB 12151-A	Plate assy (distributor breaker)	1	LA	52, 54
FAC 12151-A	Plate assy (distributor breaker)	1	LA	53
FAB 12171-B	Point set (dist.)-Heavy Duty-consists of the following (1) Breaker arm assy (1) Contact point and bracket assy	1	LA	52-54
	355067-S7 Screw and lockwasher assy (fillister head)-No. 8-32 x 5/16"-arm and bracket to breaker plate	2	LA	52-54
FAB 12175-B	Shaft assy (distributor)	1	LA	52-54
8EQ 12192	Spring (distributor primary)	1	LA	52-53
7HA 12195	Collar (distributor shaft)	1	LA	52-54
	61489-S Rivet (solid button head)-1/8" x 13/16"-collar to shaft	1	LA	52-54

Lincoln Cosmopolitan and Capri

CHASSIS PARTS CATALOGUE

PART NUMBER	C L A S S	PART NAME	NO. REQ'D	MODEL	YEAR 19__
Distributor, Circuit Breaker and Distributor Wiring—Continued					
FAA 12200-B		Rotor assy (distributor)	1	LA	52-54
OBA 12213		Spring (distributor shaft)	1	LA	52-54
7RA 12216-D		Wire assy (distributor terminal primary)	1	LA	52-54
		34801-S7 Lockwasher-No. 6-primary wire assy to breaker arm and bracket assy	1	LA	52-54
		34051-S7 Nut (hex)-No. 6-32-primary wire to arm and bracket	1	LA	52-54
		34079-S7 Nut (hex)-No. 10-32-terminal screw to distributor base	1	LA	52-54
		350032-S Screw (spec-hd)-No. 10-32 x 27/32"-primary wire to base	1	LA	52-54
		351256-S7 Washer (flat)-No. 10-terminal screw to distributor base	1	LA	52-54
FAA 12225-A		Spring (distributor primary)-5-1/2 coils-21/32" free length	1	LA	54
FAB 12225-A		Spring (distributor diaphragm)-9 coils-19/32" free length	1	LA	52-54
EAD 12226-C		Tube (distributor vacuum)-primary	1	LA	52-53
EAD 12226-E		Tube (distributor vacuum)-primary	1	LA	54
EAD 12229-A		Tube (distributor vacuum)-secondary	1	LA	53-54
		351112-S Screw (compression sleeve)-3/8"-24 x 35/64"-tube to distributor and carburetor	2or4	LA	52-54
7RA 12233		Bushing (distributor primary terminal)	1	LA	52-54
7RA 12234		Insulator (distributor primary terminal)	1	LA	52-54
51A 12250-A		Circuit breaker assy (seat control)-2 way-30 amp- for cars without electric window regulators	1	LA except 76	52-54
		52781-S8 Screw (cross recess pan-hd. tapping)-No. 10-16 x 3/8"-circuit breaker to R. H. hood hinge pillar	2	LA except 76	52-54
FAA 12258-A		Circuit breaker and bracket assy (instrument panel) -with (1) each 15 amp and 30 amp circuit breakers	1	LA	52
FAA 12258-B		Circuit breaker and bracket assy (window and seat control)-with four (4) 30 amp circuit breakers	1	LA	52-54
FAB 12258-A		Circuit breaker, bracket and support assy (instrument panel)-with (1) each 15 amp and 30 amp circuit breakers	1	LA	53-54
		34823-S2 Lockwasher-No. 10-circuit breaker to instr. cluster	1	LA	53-54
		33893-S7 Nut (wing)-No. 10-32-circuit breaker to instr. cluster	1	LA	53-54
		40904-S8 Screw (hex-hd)-No. 8-32 x 3/8"-circuit breaker to instr. cluster	1	LA	53-54
		42360-S7 Screw (hex washer head)-No. 10-16 x 3/8"-circuit breaker to flasher bracket	2	LA	52
		42360-S7 Screw (hex washer head)-No. 10-16 x 3/8"-circuit breaker to cowl panel	2	LA	52-54

Lincoln Cosmopolitan and Capri

CHASSIS PARTS CATALOGUE

PART NUMBER	PART NAME	NO. REQ'D	MODEL	YEAR
Distributor, Circuit Breaker and Distributor Wiring-Continued				
HCK 12259-A	Kit (spark plug and coil high tension wire)-consists of the following (1) FAB-12282-A Wire (1) FAB-12283-B Wire (1) FAB-12284-B Wire (1) FAB-12285-A Wire (1) FAB-12286-B Wire (1) FAB-12287-B Wire (1) FAB-12295-A Wire (1) FAB-12296-A Wire (1) 8N-12298 Wire (10) 2N-12113 Insul.	1	LA	52-54
7RA 12264	Wire assy (distributor breaker ground)	1	LA	52-54
	355067-S7 Screw and lockwasher assy (fillister head)-No. 8-32 x 5/16"-wire to dist. base	1	LA	52-54
FAA 12270-A	Clamp (distributor)	1	LA	52-54
	42847-S8 Bolt and washer (hex-hd)-5/16"-18 x 1"-clamp to cylinder block	1	LA	52-54
FAB 12282-A	Wire assy (dist. to spark plug No. 5)-43-3/4" long	1	LA	52-54
FAB 12283-B	Wire assy (dist. to spark plug No. 2)-30-3/4" long	1	LA	52-54
FAB 12284-B	Wire assy (dist. to spark plug No. 3)-29-1/4" long	1	LA	52-54
FAB 12285-A	Wire assy (dist. to spark plug No. 6)-40-1/2" long	1	LA	52-54
FAB 12286-B	Wire assy (dist. to spark plug No. 1)-35-1/2" long	1	LA	52-54
FAB 12287-B	Wire assy (dist. to spark plug No. 4)-26" long	1	LA	52-54
FAA 12294-A	Bus assy (circuit breaker)-front seat back cigar lighter	1	LA	52-54
FAB 12295-A	Wire assy (dist. to spark plug No. 7)-33-3/4" long	1	LA	52-54
FAB 12296-A	Wire assy (dist. to spark plug No. 8)-35" long	1	LA	52-54
	FAA-18954-A Clamp (distributor wire)-strap-7" long	2	LA	52-54
FAA 12297-A	Grommet (ignition cable)-1-9/32" x 1-9/32" x 1-1/4"	3	LA	52-54
FAA 12297-B	Grommet (ignition cable)-1-9/32" x 1-9/32" x 2-1/4"	1	LA	52-54
FAA 12297-C	Grommet (ignition cable)-23/32" x 2-1/4" x 1-1/4"	2	LA	52-54
8N 12298	Wire assy (coil to dist.)-high tension-9-1/4" long-for cars without radio	1	LA	52-54
	1H-18811-A Suppressor assy-(radio)-coil to distributor for cars with radio	1	LA	52-54
EAD 12299-B	Shield (spark plug ignition wire)-7" long	4	LA	52-54
FAB 1300-A	Condenser assy (distributor)	1	LA	52-54
	34801-S7 Lockwasher-No. 6-condenser to breaker arm and bracket	1	LA	52-54
	34051-S7 Nut (hex)-No. 6-32-condenser to breaker arm and bracket	1	LA	52-54
	355067-S7 Screw and lockwasher assy (fillister hd)-No. 8-32 x 5/16"-condenser to breaker	1	LA	52-54

Lincoln Cosmopolitan and Capri

CHASSIS PARTS CATALOGUE

PART NUMBER	CLASSE	PART NAME	NO. REQ'D	MODEL	YEAR 19__
-------------	--------	-----------	-----------	-------	--------------

Distributor, Circuit Breaker and Distributor Wiring—Continued

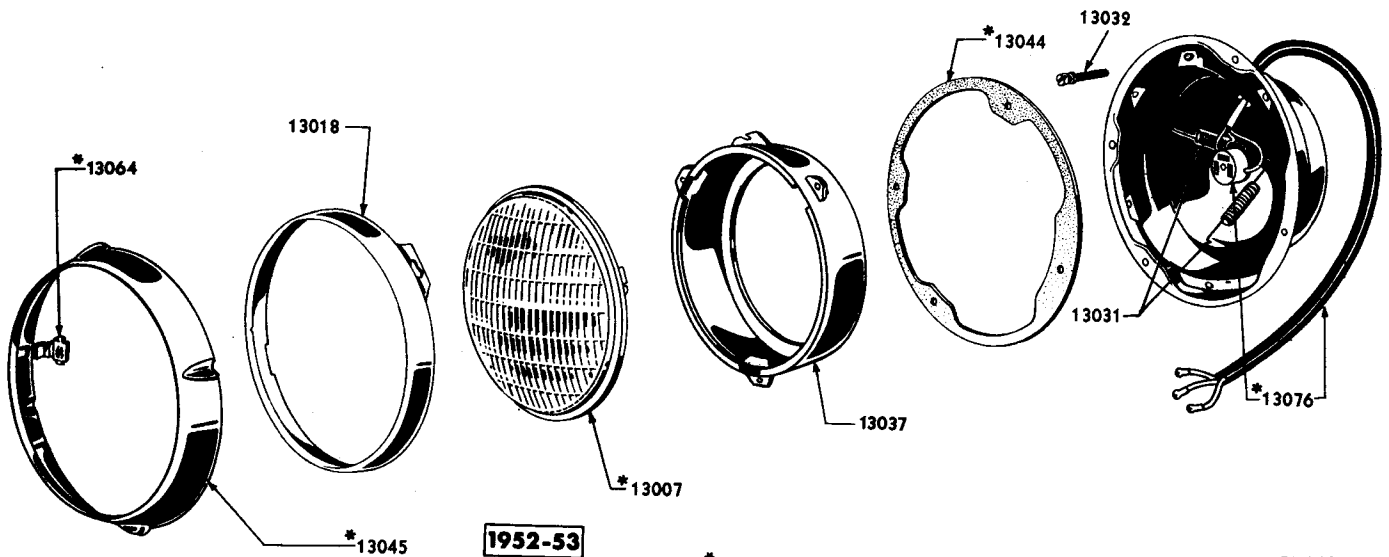
FAA 12361-A		Clamp (distributor to spark plug mounting bracket)	1	LA	52-54
FAB 12370-A		Diaphragm assy (distributor)-single-2-29/32" wide housing	1	LA	52
FAC 12370-A		Diaphragm assy (distributor)-Double	1	LA	53
FAD 12370-A		Diaphragm assy (distributor)-Single-3-9/16" wide housing	1	LA	54
		353610-S8 Retainer spring (diaphragm rod)-7/16" long	1	LA	52-54
		43243-S8 Screw and washer (pan hd)-No. 8-32 x 3/4"-diaphragm to base	2	LA	52-54
FAB 12390-C		Gear (distributor driven)	1	LA	52-54
		61480-S Rivet (solid button head)-1/8" x 13/16"-gear to shaft	1	LA	52-54
FAA 12399-A		Cable assy (distributor spark advance)	1	LA	53-54
		357162-S8 Screw (set)-No. 10-32 x 1/4"-cable to distributor	1	LA	53-54
6H 12405		Plug assy (spark)-H-10	8	LA	52-54
FAB 12405-A		Plug assy (spark)-H-12	8	LA	52-54
01A 12410-A		Gasket (spark plug)	8	LA	52-54

Lincoln Cosmopolitan and Capri

CHASSIS PARTS CATALOGUE

PART NUMBER	CLASS	PART NAME	NO. REQ'D	MODEL	YEAR
Distributor, Circuit Breaker and Distributor Wiring—Continued					
FAA 12361-A		Clamp (distributor to spark plug mounting bracket)	1	LA	52-54
FAB 12370-A		Diaphragm assy (distributor)-single-2-29/32" wide housing	1	LA	52
FAC 12370-A		Diaphragm assy (distributor)-Double	1	LA	53
FAD 12370-A		Diaphragm assy (distributor)-Single-3-9/16" wide housing	1	LA	54
		353610-S8 Retainer spring (diaphragm rod)-7/16" long	1	LA	52-54
		43243-S8 Screw and washer (pan hd)-No. 8-32 x 3/4"-diaphragm to base	2	LA	52-54
FAB 12390-C		Gear (distributor driven)	1	LA	52-54
		61480-S Rivet (solid button head)-1/8" x 13/16"-gear to shaft	1	LA	52-54
FAA 12399-A		Cable assy (distributor spark advance)	1	LA	53-54
		357162-S8 Screw (set)-No. 10-32 x 1/4"-cable to distributor	1	LA	53-54
6H 12405		Plug assy (spark)-H-10	8	LA	52-54
FAB 12405-A		Plug assy (spark)-H-12	8	LA	52-54
01A 12410-A		Gasket (spark plug)	8	LA	52-54

Headlamp



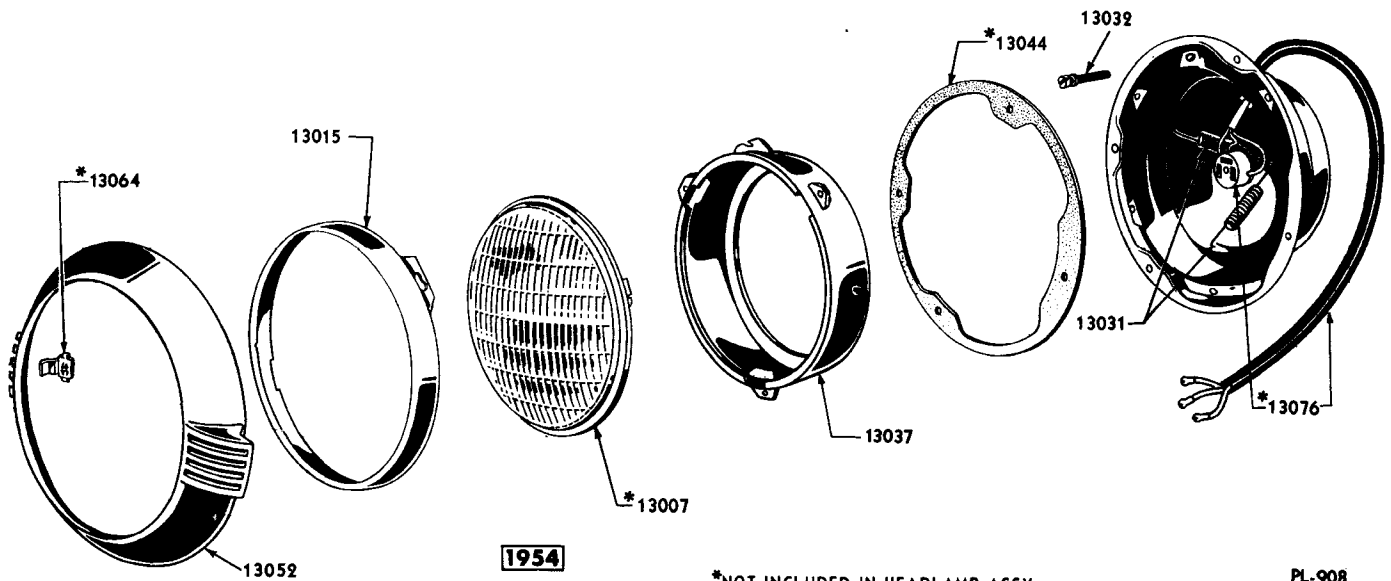
HEADLAMP AND RELATED PARTS

Basic numbers only shown on illustration. Order by Part Numbers shown in list of parts.

Lincoln Cosmopolitan and Capri

CHASSIS PARTS CATALOGUE

Headlamp—Continued



PL-908

HEADLAMP AND RELATED PARTS

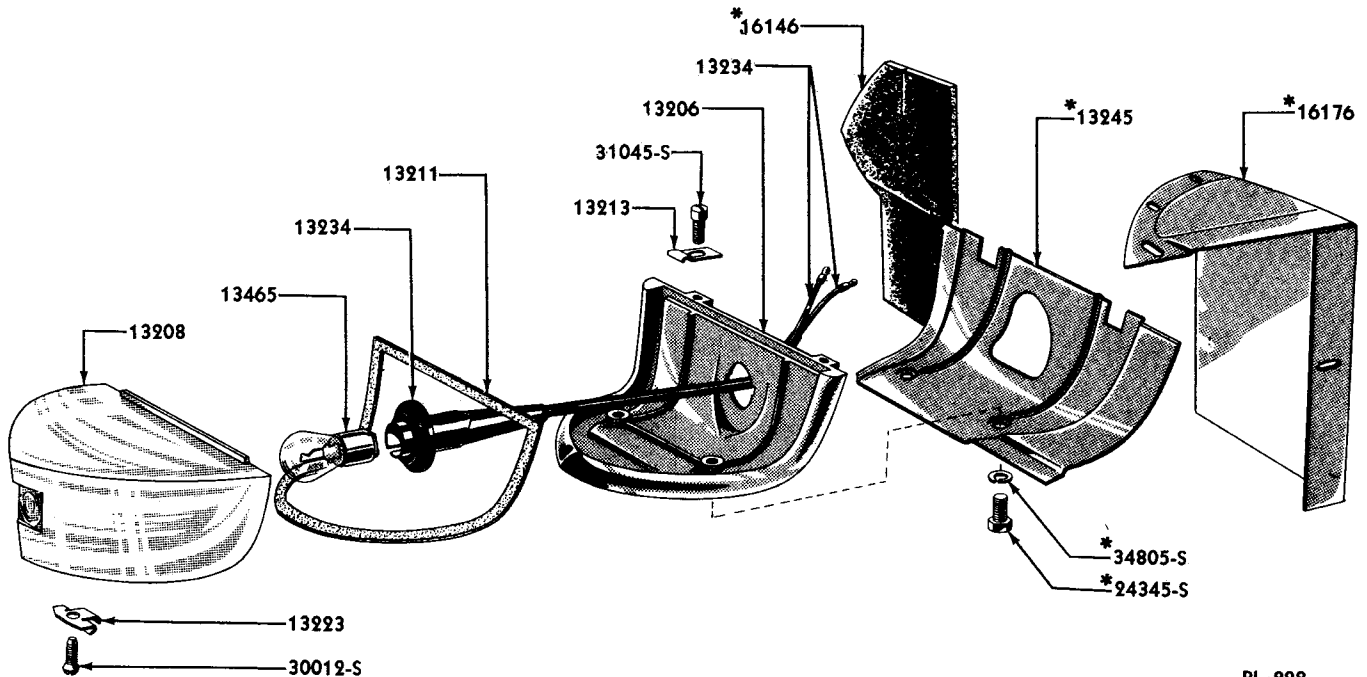
Basic numbers only shown on illustration. Order by Part Numbers shown in list of parts.

PART NUMBER	PART NAME	NO. REQ'D	MODEL	YEAR
09A 13007	Bulb assy (headlamp)-Sealed Beam	2	LA	52-54
FAC 13008-A	Headlamp assy-less bulb and wiring	2	LA	52-54
	32938-S7 Screw (pan head)-No. 10-12 x 5/8"-headlamp to fender	8	LA	52-54
	0L-11654 Switch assy (lighting control hand)	1	LA	52
	FAA-11654-A Switch assy (lighting control hand) -with ceramic resistor block	1	LA	53-54
	FAA-11661-A Knob and insert assy (headlamp control switch)-Gold capped	1	LA	52
	FAE-11661-A Knob and insert assy (headlamp control switch)-Chrome capped	1	LA	53
	FAF-11661-A Knob and insert assy (headlamp control switch)-Black	1	LA60C-73A	54
	FAF-11661-B Knob and insert assy (headlamp control switch)-Off White	1	LA60A-73B-76A	54
	FAA-11662-A Bezel (headlamp control switch)	1	LA	52-54
	8A-13532 Switch assy (foot dimmer)	1	LA	52-54
	8A-13535-B Cover (headlamp dimmer switch)	1	LA	52-54
11A 13015-A	Ring assy (headlamp bulb retaining)-stainless steel	2	LA	54
0A 13018-C	Ring (headlamp bulb retaining)-Copper Chrome	2	LA	52-53
	38018-S Screw (fillister hd)-No. 8-32 x 5/16"-ring to ball ring	6	LA	52-54
11A 13031	Spring (headlamp bulb ring)	4	LA	52-54
8A 13032	Screw (headlamp adjusting)-1/4"-20 x 1-21/64"	4	LA	52-54
FAA 13037-A	Ring (headlamp ball)	2	LA	52-54
FAA 13044-A	Gasket (headlamp to fender)-Rubber	2	LA	52-54
FAC 13045-A	Door (headlamp)	2	LA	52-53
FAB 13052-B	Door (headlamp)	2	LA	54
FAA 13064-A	Clip (headlamp door retainer spring)	8	LA	52-54
0A 13076	Wiring assy (headlamp leads)-2 bullet type and 1 eyelet type terminals	2	LA	52-54

Lincoln Cosmopolitan and Capri

CHASSIS PARTS CATALOGUE

Parking Lamp



1952-53

PL-828

*NOT INCLUDED IN PARKING LAMP ASSY

PARKING LAMP AND RELATED PARTS

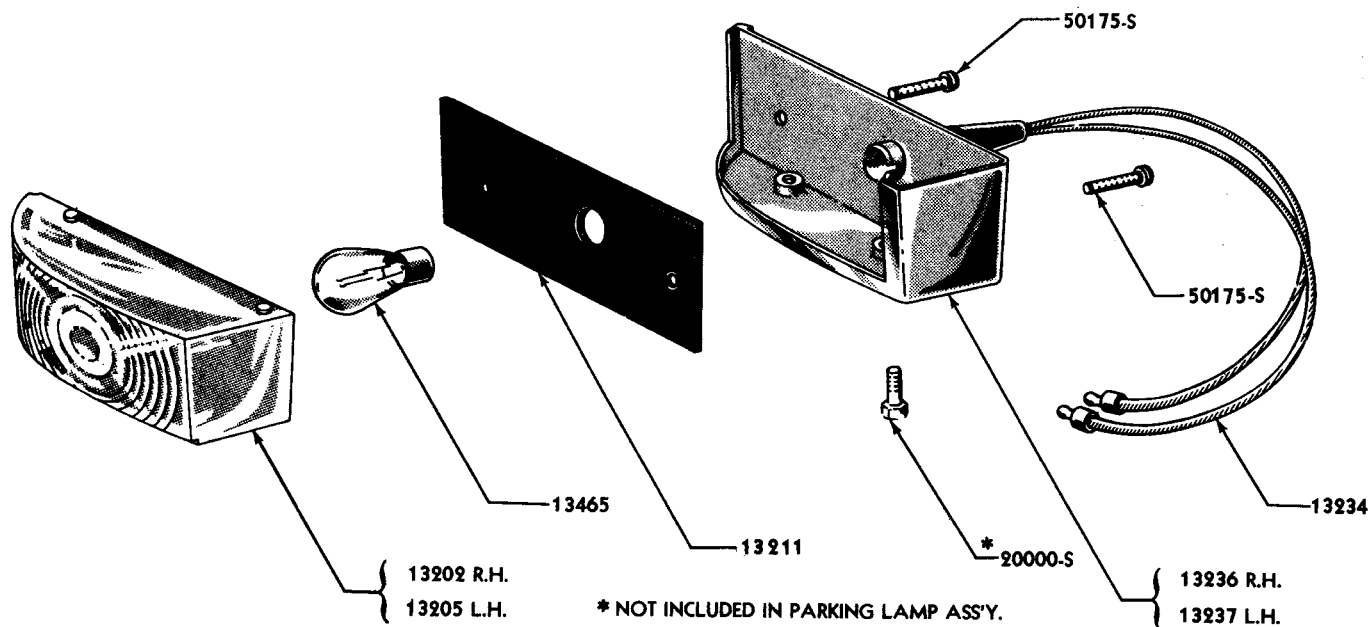
Basic numbers only shown on illustration. Order by Part Numbers shown in list of parts.

PART NUMBER	QTY	PART NAME	NO. REQ'D	MODEL	YEAR
FAC 13200-A		Lamp assy (parking)	2	LA	52-53
FAG 13200-A		Lamp assy (parking)-R. H.	1	LA	54
FAD 13201-A		Lamp assy (parking)-L. H.	1	LA	54
		20000-S7 Bolt (hex-hd)-1/4"-20 x 3/8" lamp to lower bumper	4	LA	54
		24345-S8 Bolt (hex-hd)-1/4"-28 x 3/4"- lamp to lower bumper	2	LA	52-53
		34805-S8 Lockwasher-1/4"-lamp to lower bumper	4	LA	52-53
		11A-13465 Bulb-21-3 C. P. -parking lamp	2	LA	52-54
		BD-16146-A Seal (parking lamp splash shield)	2	LA	52-53
		BD-16176-B Shield (parking lamp splash)-R. H.	1	LA	52-53
		BD-16177-B Shield (parking lamp splash)-L. H.	1	LA	52-53
		24344-S7 Bolt (hex-hd)-1/4"-20 x 3/4"- shield to deflector extension	2	LA	52-53
		24344-S7 Bolt (hex-hd)-1/4"-20 x 3/4"- shield to fender	4	LA	52-53
		34805-S8 Lockwasher-1/4"-shield to deflector extension	2	LA	52-53

Lincoln Cosmopolitan and Capri

CHASSIS PARTS CATALOGUE

Parking Lamp-Continued



1954

PL-974

PARKING LAMP AND RELATED PARTS

Basic numbers only shown on illustration. Order by Part Numbers shown in list of parts.

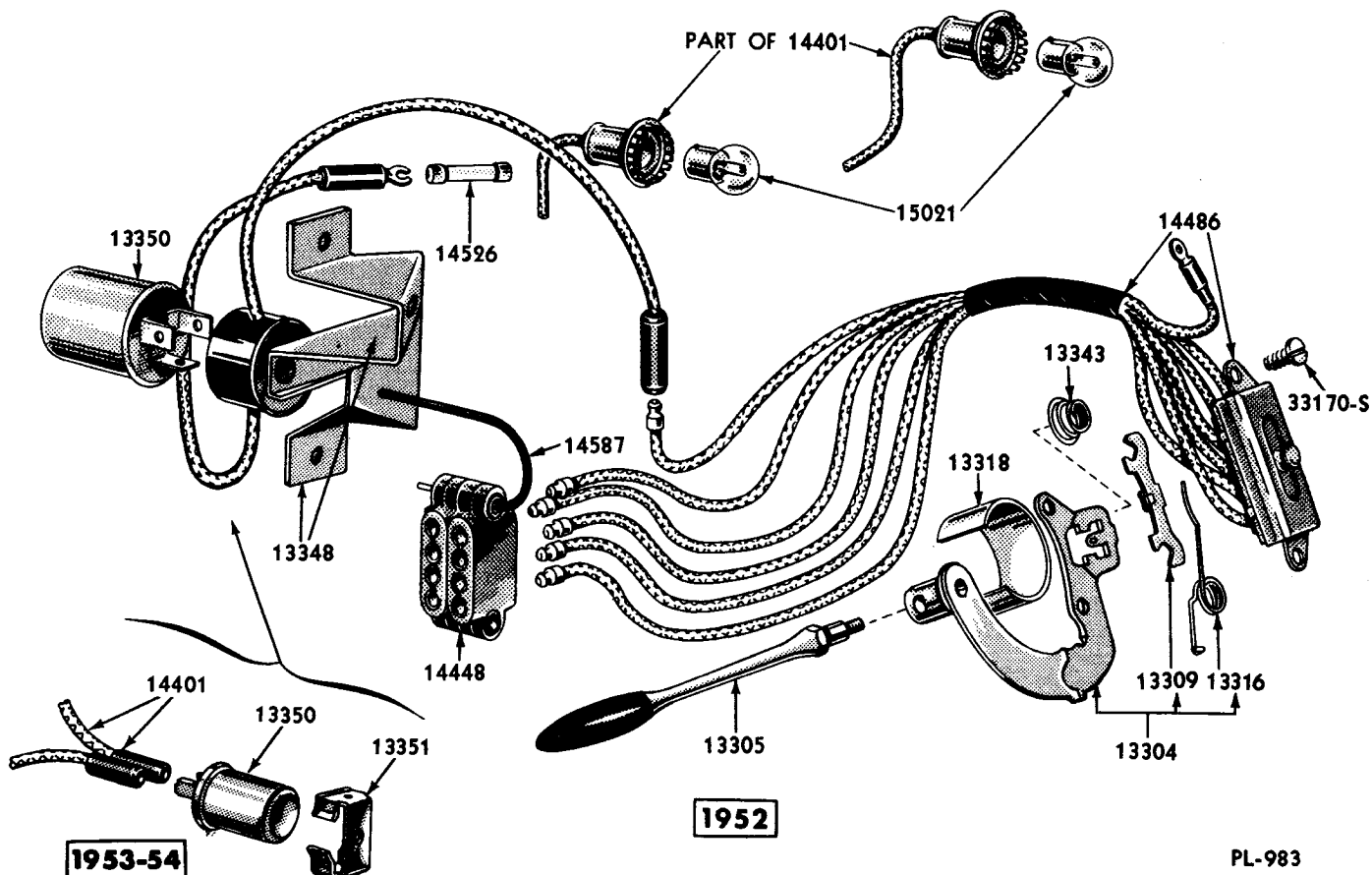
PART NUMBER	QTY	PART NAME	NO. REQ'D	MODEL	YEAR
		34805-S8 Lockwasher-1/4"-shield to fender	4	LA	52-53
		33795-S7 Nut (hex)-1/4"-20-shield to deflector extension	2	LA	52-53
		33795-S7 Nut (hex)-1/4"-20-shield to fender	4	LA	52-53
		44719-S8 Washer (flat)-1/4"-shield to deflector extension	4	LA	52-53
		44719-S8 Washer (flat)-1/4"-shield to fender	8	LA	52-53
FAA 13202-A		Lens assy (Parking lamp)-R. H. -"LPT-54"	1	LA	54
FAA 13205-A		Lens assy (Parking lamp)-L. H. -"LPT-54"	1	LA	54
FAC 13206-A		Body assy (parking lamp)	2	LA	52-53
FAC 13208-A		Lens (parking lamp)-"LPT-52"	2	LA	52-53
		30012-S13 Screw (oval head)-No. 8-32 x 1/2"-lens, gasket and ret. to lamp body	2	LA	52-53
		31045-S2 Screw (fillister head)-No. 8-32 x 3/8"-lens, gasket and clamp to lamp body	4	LA	52-53

Lincoln Cosmopolitan and Capri

CHASSIS PARTS CATALOGUE

PART NUMBER	PART NAME	NO. REQ'D	MODEL	YEAR
Parking Lamp — Continued				
FAC 13211-A	Gasket (parking lamp lens)	2	LA	52-53
FAH 13211-A	Gasket (parking lamp lens)	2	LA	54
FAA 13213-A	Clamp (parking lamp lens retainer)	2	LA	52-53
FAC 13223-A	Retainer (parking lamp lens)	2	LA	52-53
FAA 13234-C	Wiring and socket assy (parking lamp)-29-3/4" long	2	LA	52-53
FDD 13234-A	Wiring & socket assy (parking lamp)-29-3/4" long	2	LA	54
FAC 13236-A	Rim (parking lamp)-R. H.	1	LA	54
FAC 13237-A	Rim (parking lamp)-L. H.	1	LA	54
	50175-S Screw (cross recessed fillister hd)-No. 8-32 x 7/8"-rim to lens	4	LA	54
FAA 13245-A	Plate (parking lamp mounting)-R. H.	1	LA	52-53
FAA 13246-A	Plate (parking lamp mounting)-L. H.	1	LA	52-53

Directional Turn Signal



DIRECTIONAL TURN SIGNAL

Basic numbers only shown on illustration. Order by Part Numbers shown in list of parts.

Lincoln Cosmopolitan and Capri

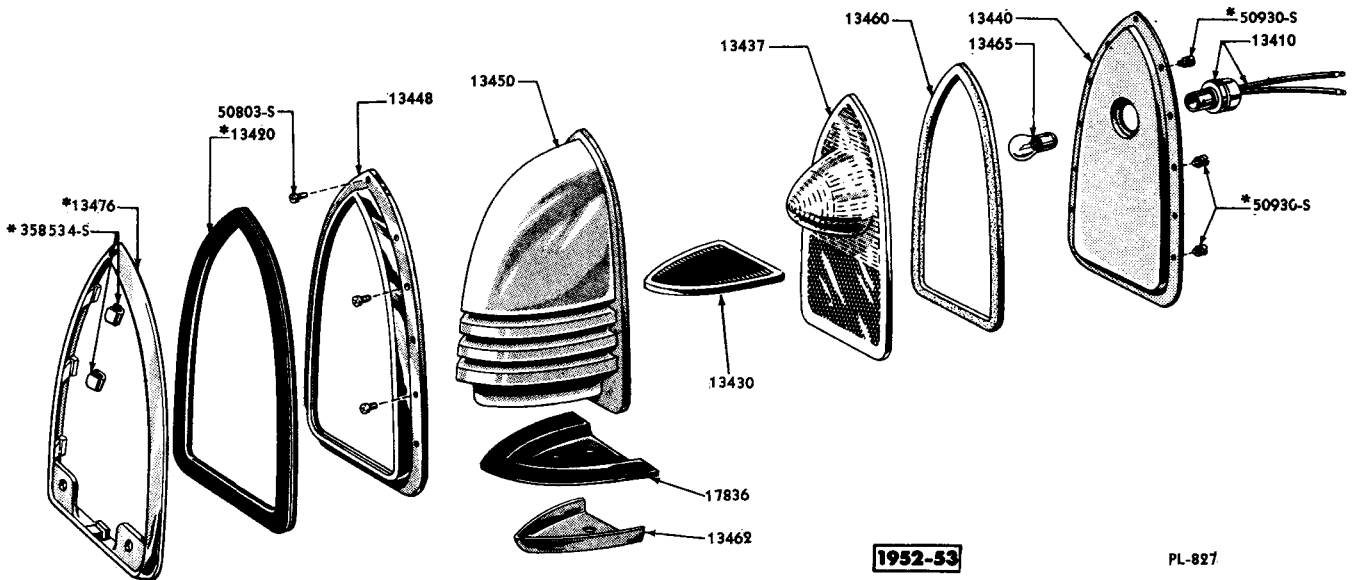
CHASSIS PARTS CATALOGUE

PART NUMBER	CLASS	PART NAME	NO. REQ'D	MODEL	YEAR 19__
Directional Turn Signal-Continued					
FAB 13304-A		Plate assy (turn signal switch)-hub overall length 13/16"	1	LA	52-54
		FAB-14486-A Switch and wiring (turn signal)	1	LA	52-54
	NS	8A-14526 Fuse (turn signal)-14 amp. - serviced in APA-14527-D Kit	1	LA	52-54
		48-15021 Bulb (turn signal)-1 C. P. -instr. panel	2	LA	52-54
FAB 13305-A		Handle and shank assy (turn signal switch)-Black Handle with threaded end-6-3/8"-overall length	1	LA	52-53
FAB 13305-A		Handle and shank assy (turn signal switch)-Black Handle with threaded end-6-3/8" overall length	1	LA60C-73A	54
FDD 13305-A		Handle and shank assy (turn signal switch)-White Handle with threaded end-6-3/8" overall length	1	LA60A-73B-76	54
1M 13309-A		Pawl (turn signal switch)-1-11/16" overall length	1	LA	52-54
1M 13316-A		Spring (turn signal switch pawl)-3-1/2" coils	1	LA	52-54
1A 13318-A		Cam (directional signal turn-off)-90° slit	1	LA	52-53
FAB 13318-A		Cam (directional signal turn-off)-120° slit-use with power steering	1	LA	53-54
1M 13343-A		Spring (turn signal switch plate retainer)	1	LA	52-54
0M 13348		Bracket assy (turn signal flasher)	1	LA	52
		34823-S2 Lockwasher-No. 10-bracket & panel to instr. cluster	1	LA	52
		33893-S7 Nut (wing)-No. 10-32-bracket & panel to instr. cluster	1	LA	52
		40904-S8 Screw (hex washer hd)-No. 8- 32 x 3/8"-bracket to instr. panel	2	LA	52
8L 13350-C		Flasher assy (directional turn signal)-3 prong	1	LA	52
FAA 13350-A1		Flasher assy (directional turn signal)-2 prong- square	1	LA	53-54
FAA 13350-A2		Flasher assy (directional turn signal)-2 prong-rd.	1	LA	53-54
FAB 13351-A		Bracket (turn signal flasher mounting)	1	LA	53-54
BA 13398-B		Bumper assy (rear license plate support)	2	LA	52-53
BH 13398-B		Bumper assy (rear license plate support)	2	LA	53-54

Lincoln Cosmopolitan and Capri

CHASSIS PARTS CATALOGUE

Rear Lamp



*NOT INCLUDED IN REAR LAMP ASSY

1952-53

PL-827

REAR LAMP AND RELATED PARTS

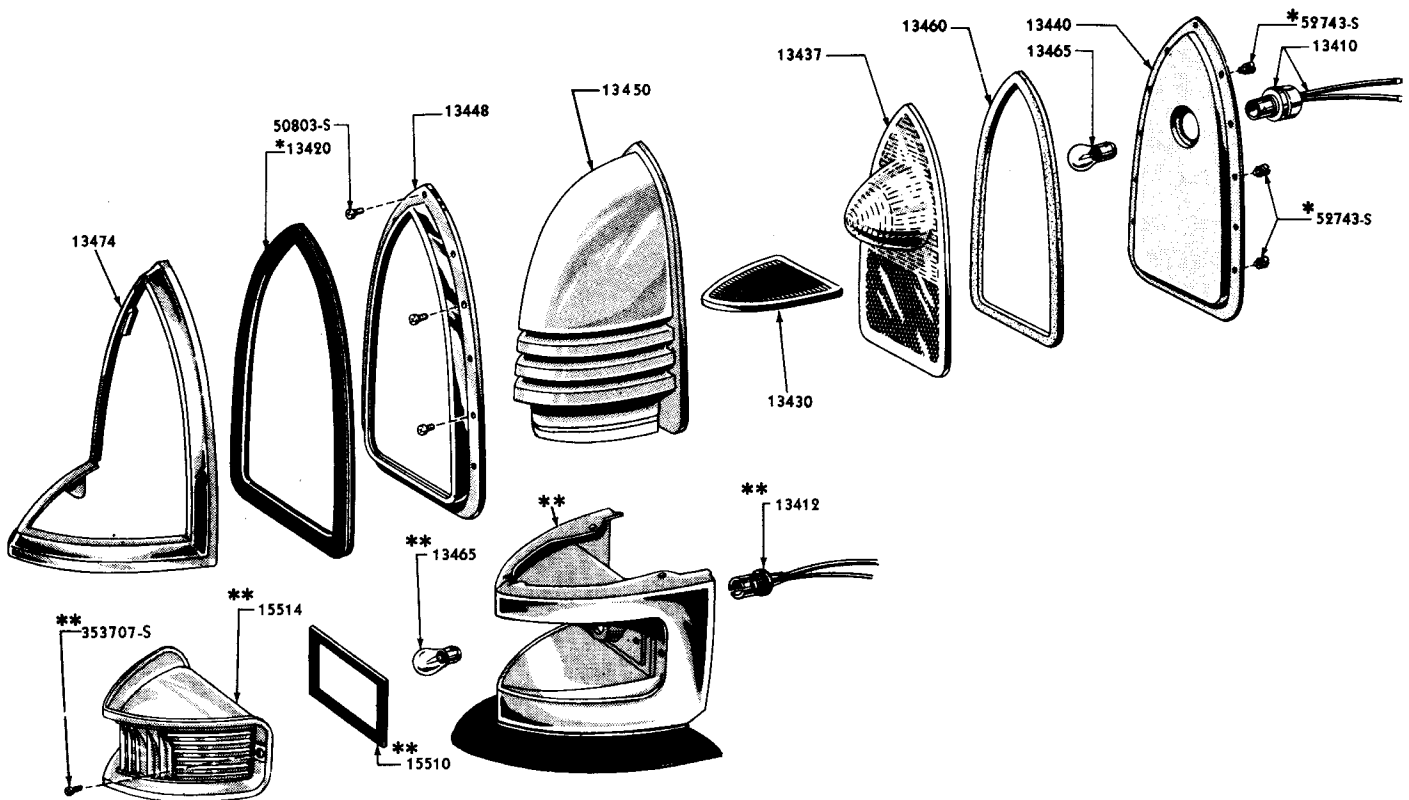
Basic numbers only shown on illustration. Order by Part Numbers shown in list of parts.

PART NUMBER	QTY	PART NAME	NO. REQ'D	MODEL	YEAR
FAC 13404-A		Lamp assy (rear)	2	LA	52-53
FAJ 13404-A		Lamp assy (rear)-less stone deflector and plate	2	LA	54
		50930-S8 Screw & L/W (fill. hd.)-No. 10-32 x 1/2"-lamp to car body	12	LA	52
		52743-S8 Screw & L/W (pan hd.)-No. 10-12 x 5/8"-lamp to car body	12	LA	53-54
		11A-13465 Bulb (offset pin base)-3-21 C. P. - rear lamp	2	LA	52-54
		1H-13516 Clamp (lamp mtg.)-upper-R. H.	1	LA73A	52-53
		1H-13517 Clamp (lamp mtg.)-upper-L. H.	1	LA73A	52-53
		FAC-15500-A Lamp assy (back up)	2	LA	54
		50930-S8 Screw & washer assy (cross recessed fillister hd)-No. 10-32 x 1/2"-lamp to quarter panel reinforcement	4	LA	54
		351218-S8 Washer (flat)-No. 10 I. D. x 3/4" O. D.-lamp to quarter panel reinforcement	4	LA	54
		FAB 15510-A Gasket (back up lamp)	2	LA	54
		FAB-15514-A Lens (back up lamp)-"LB-54"-V shaped-6-1/2" x 3" x 4-3/4"	2	LA	54
		353707-S13 Screw (fillister head)-No. 8-32 x 1/2"-lens to body	4	LA	54

Lincoln Cosmopolitan and Capri

CHASSIS PARTS CATALOGUE

Rear Lamp—Continued



* NOT INCLUDED IN REAR LAMP ASSY

** NOT INCLUDED IN REAR LAMP ASSY —
PART OF 15500 BACK UP LAMP

1934

PL-984

REAR LAMP AND RELATED PARTS

Basic numbers only shown on illustration. Order by Part Numbers shown in list of parts.

PART NUMBER	PART NAME	NO. REQ'D	MODEL	YEAR
7E8H 13410	Wiring and socket assy (rear lamp)	2	LA	19__
FDD 13412-A	Wiring and socket assy (back up lamp)-8-3/4" long	2	LA	52-54
BD 13419-C	Support assy (rear license plate)	1	LA	54
BH 13419-A	Support assy (rear license plate)-with support extension	1	LA	52-53 54
FAC 13420-C	Pad (rear lamp mounting)	2	LA	52-54
FAA 13423-A	Bracket (rear license lamp)	1	LA	52-54

Lincoln Cosmopolitan and Capri

CHASSIS PARTS CATALOGUE

PART NUMBER	PART NAME	NO. REQ'D	MODEL	YEAR
-------------	-----------	-----------	-------	------

Rear Lamp—Continued

FAA 13430-A	Partition (rear lamp lens)	2	LA	52-54
BD 13431-B	Hinge assy (rear license plate support)	1	LA	52-54
BA 13432-B	Pin (rear license plate support hinge)	1	LA	52-54
FAA 13437-A	Reflector (rear lamp)	2	LA	52-54
FAC 13440-A	Body (rear lamp)	2	LA	52-54
FAC 13448-A	Door (rear lamp)	2	LA	52-54
	50803-S8 Screw and washer (pan head cross recessed)-No. 8-32 x 3/8"-door to lamp body	12	LA	52-54
FAC 13450-A	Lens (rear lamp)-"LRST-52"-with (2) 13/64" dia. holes	2	LA	52-53
FAG 13450-A	Lens-(rear lamp)-"LRST-52"	2	LA	54
BA 13455-A	Spring (rear license plate support)	1	LA	52-54
FAB 13460-A	Gasket (rear lamp lens)	2	LA	52-54
FAB 13462-A	Plate (rear lamp lens)	2	LA	52-53
	52726-S8 Screw (pan hd cross recess)-No. 8-15 x 1/2"-plate to lens	4	LA	52-53
B 13465	Bulb (back up lamp)-21 C. P. -S. C.	2	LA	54
11A 13465	Bulb (offset pin base)-3-21 C. P.	as reqd	LA	52-54
1H 13465-A	Bulb (back up lamp)-32 C. P. -S. C.	2	LA	52-53
B 13466	Bulb (clear)-3 C. P. -S. C. -No. 63	as reqd	LA	52-54
78 13466	Bulb (clear)-1-1/2 C. P. -S. C.	as reqd	LA	52-54
BS 13474-A	Moulding assy (rear lamp)	2	LA	54
BD 13476-A	Moulding (rear lamp)	2	LA	52-53
	358534-S8 Clip (moulding)-moulding to quarter panel	14	LA	52-53
0A 13480	Switch assy (stop light)	1	LA	52-54

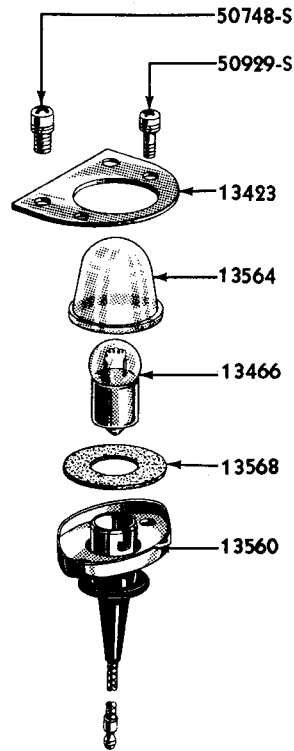
Luggage Compartment Lamp

1M 13506	Lamp assy (luggage compartment)	1	LA	52-54
	356687-S32 Clip (luggage compartment lamp wire to rib brace)	1	LA	52-54
	B-13466 Bulb (luggage compt.)-3 C.P.-S.C.	1	LA	52-54
	7RA-14197-B Clip (wiring)-luggage compt. lamp wire	1	LA	52-54
1H 13516	Clamp (rear lamp mounting)-upper-R. H.	1	LA73	52-53
1H 13517	Clamp (rear lamp mounting)-upper-L. H.	1	LA73	52-53
8A 13532	Switch assy (foot dimmer)	1	LA	52-54
	351230-S7 Lockwasher-No. 8-wiring to dimmer switch	3	LA	52-54
	352301-S8 Screw and lockwasher assy (pan hd cross recess)-1/4"-20 x 3/4"-switch to cover plate	2	LA	52-54
8A 13535-B	Cover (headlamp dimmer switch)	1	LA	52-54
	52727-S8 Screw (pan head cross recess)-No. 10-12 x 1/2"-cover to dash panel	3	LA	52-54
8M 13547	Lens and retainer (luggage compartment lamp)	1	LA	52-53

Lincoln Cosmopolitan and Capri

CHASSIS PARTS CATALOGUE

Rear License Lamp



PL-718 .

REAR LICENSE LAMP

Basic numbers only shown on illustration. Order by Part Numbers shown in list of parts.

PART NUMBER	QUANTITY	PART NAME	NO. REQ'D	MODEL	YEAR 19__
FAA 13550-A	NS	Lamp assy (license plate)-service details	1	LA	52-54
		50748-S8 Bolt and washer (fillister hd cross recess)-1/4"-28 x 3/8"-lamp to stone deflector	2	LA	52-54
		FAA-13423-A Bracket (rear license lamp)	1	LA	52-54
		50929-S8 Screw and washer (fillister hd cross recess)-No. 8-32 x 1/2"-bracket to lamp body	2	LA	52-54
		B-13466 Bulb (clear)-3 C. P. -S. C. No. 63-license plate lamp	1	LA	52-54
FAA 13560-A		Body and socket assy (rear license lamp)	1	LA	52-54
FAA 13564-A		Lens (license plate lamp)-"FL-52"	1	LA	52-54
FAA 13568-A		Gasket (rear license lamp lens)-45/64" I. D. x 1-13/32" O. D.	1	LA	52-54
BA 13596-C		Bracket (rear license plate)-side	2	LA	52-54
BA 13597-C		Bracket (rear license plate)-top	1	LA	52-54
		33795-S7 Nut (hex)-1/4" x 20-brackets to support	3	LA	52-54

Lincoln Cosmopolitan and Capri

CHASSIS PARTS CATALOGUE

PART NUMBER	PART NAME	NO. REQ'D	MODEL	YEAR 19__
Courtesy Lamp				
FAA 13706-A	Lamp assy (front seat courtesy)-R. H.	1	LA	52-54
FAA 13707-A	Lamp assy (courtesy)-quarter panel	2	LA76	52-54
FAB 13707-A	Lamp assy (front seat courtesy)-L. H.	1	LA	52-54
	52166-S8 Screw (rd-hd cross recess)- No. 6-18 x 3/8"-lamp to trim quarter panel	4	LA76	52-54
	B-13466 Bulb (clear)-3 C. P. -S. C. No. 63- front seat courtesy lamp	2	LA	52-54
	B-13466 Bulb (clear)-3 C. P. -S. C. No. 63- quarter panel-courtesy lamp	2	LA76	52-54
	FAA-14389-A Wire assy (courtesy lamp socket) -quarter panel	2	LA76	52-54
	34927-S7-8 Lockwasher-No. 12-lamp to seat cushion shield support	4	LA	52-54
	34054-S8 Nut (hex)-No. 12-24-lamp to seat cushion shield support	4	LA	52-54
	44716-S8 Washer (flat)-No. 10-lamp to seat cushion shield support	4	LA	52-54
FAA 13709-A	Body and socket (courtesy lamp)-quarter panel	2	LA76	52-54
OA 13713	Switch assy (courtesy lamp)-front door hinge pillar	2	LA	52-54
OA 13713	Switch assy (dome and roof rail lamps)-rear door hinge pillar	2	LA73	52-54
FAB 13715-A	Lamp assy (trans. control selector)	1	LA	52-54
	48-15021 Bulb (selector lamp)-1 C. P. -S. C.	1	LA	52-54
	34802-S7 Lockwasher-No. 8-lamp to control socket	1	LA	52-54
	26457-S7 Screw (round head)-No. 8-32 x 1/4"-lamp to control socket	1	LA	52-54
FAA 13717-A	Lens (front seat courtesy lamp)-R. H.	1	LA	52-54
FAA 13718-A	Door (front seat courtesy lamp)-R. H.	1	LA	52-54
FAA 13719-A	Door (front seat courtesy lamp)-L. H.	1	LA	52-54
FAB 13721-A	Socket (roof rail lamp)	2	LA60A	52-54
FAA 13722-A	Lens (front seat courtesy lamp)-L. H.	1	LA	52-54
FAA 13723-A	Door and lens assy (courtesy lamp)-quarter panel	2	LA76	52-54
40 13730	Bulb (map light)-6 C. P. -S. C.	1	LA	52-54
FAA 13730-A	Bulb (dome lamp)-15 C. P. -S. C.	1	LA60C-73A	52-54

Lincoln Cosmopolitan and Capri

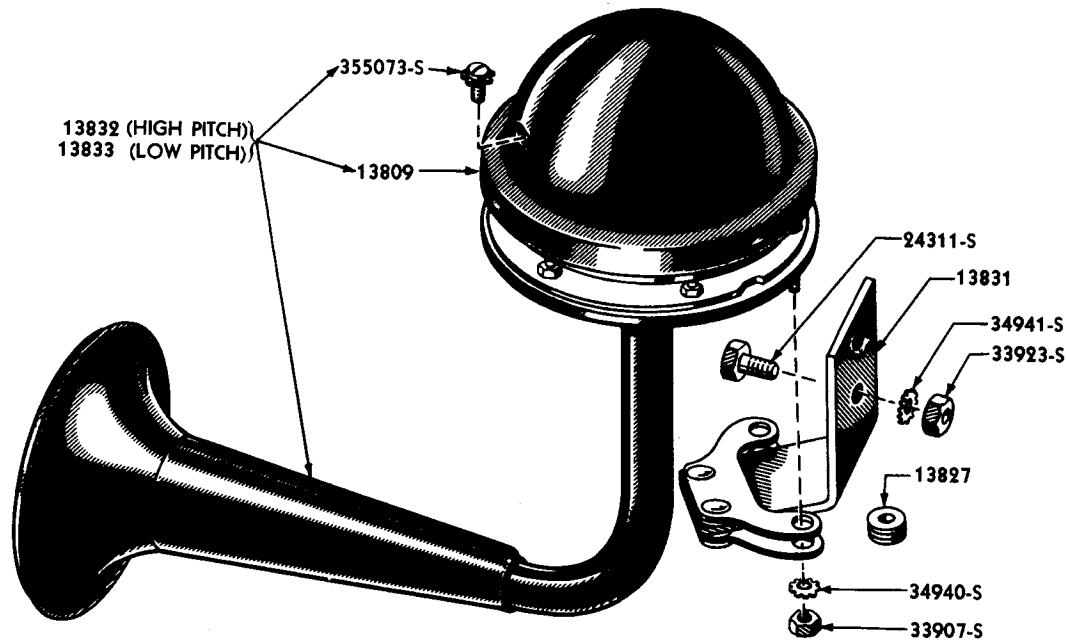
CHASSIS PARTS CATALOGUE

PART NUMBER	PART NAME	NO. REQ'D	MODEL	YEAR 19__
Map Lamp				
21C 13740	Switch assy (map lamp)	1	LA	52-54
	42649-S7-8 Screw and washer (rd-hd)-No. 8-32 x 3/8"-switch to instr. panel	2	LA	52-54
	B-13466 Bulb (clear)-3 C. P. -S. C. -No. 63-map lamp	1	LA	52-54
	FAA-13762-A Body & lens (map lamp)	1	LA	52-54
	42649-S7-8 Screw and washer (round head) -No. 8-32 x 3/8"-body and lens to instrument panel	2	LA	52-54
FAA 13740-A	Switch assy (instrument panel lamp)-with ceramic resistor block	1	LA	52-54
	34802-S7 Lockwasher-No. 8-instrument lamp switch to light switch	2	LA	52-54
	26457-S7 Screw (rd-hd)-No. 8-32 x 1/4"-instrument lamp switch to light switch	2	LA	52-54
Dome Lamp				
FAA 13745-A	Switch and escutcheon assy (dome lamp)-for dome or roof rail lamp	1	LA	52-54
NS	8A-14526 Fuse (dome or roof rail lamp)-14 amp.-located on instrument panel circuit breaker-serviced in APA-14527-D Kit	1	LA	52-54
	358429-S32 Clip (wiring)-switch and escutcheon to trim panel	2	LA	52-54
	52720-S8 Screw (pan head cross recess) -No. 8-15 x 3/8"-switch to pillar and quarter panel	2	LA	52-54
FAA 13762-A	Body and lens (map lamp)	1	LA	52-54
FAA 13778-A	Body assy (roof rail lamp)-Die Cast design-alternate with FAA-13778-B	2	LA73B	52-54
FAA 13778-B	Body assy (roof rail lamp)-Stamped design-alternate with FAA-13778-A	2	LA73B	52-54
FAA 13778-C	Body assy (roof rail lamp)	2	LA60A	52-54
	52726-S8 Screw (pan hd cross recess)-No. 8-15 x 1/2"-body to roof rail	4	LA60A-73B	52-54
	B-13466 Bulb (clear)-3 C. P. -S. C. No. 63-roof rail lamp	2	LA60A-73B	52-54
FAC 13783-A	Lens (roof rail lamp)-1-25/64" width x 4-25/32" top length x 5-3/4" bottom length	2	LA60A-73B	52-54
FAC 13783-B	Lens (dome lamp)-2-5/8" x 6-15/16"-rectangular	1	LA60-73A	52-54
FAA 13785-A	Terminal (oil gauge block unit)	1	LA	54
FAC 13787-B	Body (dome lamp)	1	LA60C-73A	52-54
	52720-S8 Screw (pan hd cross recess)-No. 8-15 x 3/8"-body to lamp support	2	LA60C-73A	52-54
	FAA-13730-A Bulb (dome lamp)-15 C. P. -S. C.	1	LA60C-73A	52-54
8A 13796-B	Wire assy (roof rail lamp socket)	2	LA60A	52-54
FAA 13796-A	Wire assy (roof rail lamp socket)-3-1/2" length	1	LA73B	52-54
B 13799	Bulb (engine compartment lamp)-15 C. P.	1	LA	52-54

Lincoln Cosmopolitan and Capri

CHASSIS PARTS CATALOGUE

Horn



PL-709

HORN AND RELATED PARTS

Basic numbers only shown on illustration. Order by Part Numbers shown in list of parts.

PART NUMBER	QUANTITY	PART NAME	NO. REQ'D	MODEL	YEAR 19__
OL 13809-A		Cover (horn motor)-Trumpet type horn	2	LA	52
51A 13827-A		Spacer (horn bracket)-15/64" thick-use with Air Conditioning only	4	LA	53
51A 13827-B		Spacer (horn bracket)-11/64" thick	4	LA	52-54
1C 13827-A		Spacer (horn bracket)-3/8" thick	4	LA	52-54
1C 13827-B		Spacer (horn bracket)-9/32" thick	4	LA	52-54
FAB 13830-A		Bracket assy (horn mounting)	2	LA	52
FAE 13830-C		Bracket assy (low pitch horn mounting)-use with Air Conditioning only	1	LA60-73	53
FAF 13830-B		Bracket assy (low pitch horn mounting)	1	LA	53-54
FAE 13831-B		Bracket assy (high pitch horn mounting)	1	LA	53-54
FAE 13831-C		Bracket assy (high pitch horn mounting)-use with Air Conditioning only	1	LA60-73	53
		24311-S8 Bolt (hex-hd)-5/16"-24 x 1/2"-bracket to apron and radiator support	4	LA	52
		24327-S7 Bolt (hex-hd)-5/16"-24 x 5/8"-bracket to apron and radiator support	4	LA	53-54
		24387-S7 Bolt (hex-hd)-5/16"-24 x 3/4"-bracket to hood lock support brace-use with Air Conditioning only	4	LA60-73	53

Lincoln Cosmopolitan and Capri

CHASSIS PARTS CATALOGUE

PART NUMBER	PART NAME	NO. REQ'D	MODEL	YEAR
Horn — Continued				
	34941-S7 Lockwasher-5/16"-bracket to apron & radiator support	4	LA	52-54
	34941-S7 Lockwasher-5/16"-bracket to hood lock support brace-used with Air Conditioning only	4	LA60-73	53
	33798-S8 Nut (hex)-5/16"-24-bracket to hood lock support brace-use with Air Conditioning only	4	LA60-73	53
	44724-S8 Washer (flat)-5/16"-bracket to hood lock support brace-used with Air Conditioning only	4	LA60-73	53
FAA 13832-A	Horn assy (high pitch)-6 volt-less bracket-trumpet type	1	LA	52
FAB 13832-F	Horn assy (high pitch)-less bracket-sea shell type-use with Air Conditioning only	1	LA60-73	53
FAE 13832-A	Horn assy (high pitch)-6 volt-with undetachable cover-less bracket-trumpet type	1	LA	53
FAE 13832-B	Horn assy (high pitch)-6 volt-with undetachable cover-less bracket-trumpet type	1	LA	54
FAA 13833-A	Horn assy (low pitch)-6 volt-less bracket-trumpet type	1	LA	52
FAC 13833-F	Horn assy (low pitch)-less bracket-sea shell type-use with Air Conditioning only	1	LA60-73	53
FAE 13833-A	Horn assy (low pitch)-6 volt-with undetachable cover-less bracket-trumpet type	1	LA	53
FAE 13833-B	Horn assy (low pitch)-6 volt-undetachable cover-less bracket-trumpet type	1	LA	54
	34940-S2 Lockwasher-1/4"-horn to brkt.	4	LA	52-54
	33907-S8 Nut (hex)-1/4"-28-horn to brkt.	4	LA	52-54
	355073-S7 Screw & lockwasher assy (pan head)-No. 8-32 x 5/16"-horn wire to horn motor	2	LA	52-54
FAA 13853-A	Relay and bracket assy (horn)-relay cover 15/16" x 1-13/16" x 1-5/16"	1	LA	52-54
	351230-S7 Lockwasher-No. 8-wiring to relay and bracket	3	LA	52-54
	26462-S7 Screw (rd-hd)-No. 8-32 x 5/16"-wiring to relay and bracket	3	LA	52-54
	31527-S7 Screw (hex washer hd)-No. 14-10 x 1/2"-relay and bracket to fender apron	2	LA	52-54

Lincoln Cosmopolitan and Capri

CHASSIS PARTS CATALOGUE

PART NUMBER	PART NAME	NO. REQ'D	MODEL	YEAR 19__
Wiring				
7RA 14197-A	Clip (fuel line)	as reqd	LA	52-54
7RA 14197-A	Clip (air conditioner temperature control cable to fender apron)	2	LA60-73	53
7RA 14197-B	Clip (electric wiring)	as reqd	LA	52-54
FAC 14300-B	Cable assy (battery to starter relay)-21-1/2" long	1	LA	52-53
FAC 14300-C	Cable assy (battery to starter relay)-21-1/2" long- includes bolt and nut	1	LA	54
	23017-S16 Bolt (square head)-5/16"-18 x 1-1/4"-cable to battery post	1	LA	52-54
	352874-S Grommet (battery to relay cable thru dash)	1	LA	52-54
	34806-S7 Lockwasher-5/16"-cable to starter relay	1	LA	52-54
	33797-S16 Nut (hex)-5/16"-18-cable to battery post	1	LA	52-54
	33798-S8 Nut (hex)-5/16"-24-cable to starter relay	1	LA	52-54
FAB 14301-B	Cable assy (battery to ground)-19-1/2" long	1	LA	52-53
FAB 14301-C	Cable assy (battery to ground)-19-1/2" long- includes bolt and nut	1	LA	54
	23017-S16 Bolt (square head)-5/16"-18 x 1-1/4"-cable to battery post	1	LA	52-54
	352874-S Grommet (battery to ground cable thru dash)	1	LA	52-54
	33797-S16 Nut (hex)-5/16"-18-cable to battery post	1	LA	52-54
8EQ 14302-B	Wiring assy (coil to distributor)-low tension-16" long	1	LA	52-54
	34803-S7 Lockwasher-No. 10-wiring to distributor	1	LA	52-54
	34903-S8 Lockwasher-No. 10-wire to ignition coil	1	LA	52-54
	34079-S7 Nut (hex)-No. 10-32-wiring to distributor and ignition coil	2	LA	52-54
8M 14303	Cable assy (dash to engine)-10" long	1	LA	52-53
FAA 14303-A	Cable assy (dash to engine)-7-1/2" long	1	LA	52-54
	20328-S Bolt (hex-hd)-3/8"-16 x 5/8"-cable to cylinder head	1	LA	52-54
	34807-S8 Lockwasher-3/8"-cable to cylinder head	1	LA	52-54
	31527-S7 Screw (hex washer hd)-No. 14-14 x 1/2"-cable to dash panel	1	LA	52-54

Lincoln Cosmopolitan and Capri

CHASSIS PARTS CATALOGUE

PART NUMBER	PART NAME	NO. REQ'D	MODEL	YEAR
Wiring — Continued				
FAA 14305-A	Wiring assy (generator to voltage regulator)-10 terminals	1	LA	52-54
FAA 14305-B	Wiring assy (generator to voltage regulator)-10 terminals-use with 60 amp. generator	1	LA	52-54
	356628-S Clip (wiring)-gen. wiring to generator mounting and radiator support	2	LA	52-54
	34803-S7 Lockwasher-No. 10-wiring to generator and relay	3	LA	52-54
	34805-S8 Lockwasher-1/4"-wiring to generator	1	LA	52-54
	33796-S7 Nut (hex)-1/4"-20-wiring to generator	1	LA	52-54
	34079-S7 Nut (hex)-No. 10-32-wiring to generator and relay	3	LA	52-54
8M 14308	Wire assy (horn ring)-29" long	1	LA	52-54
	34901-S7 Lockwasher-No. 6-wire to horn ring	1	LA	52-54
	33181-S7 Screw (pan head)-No. 6-20 x 1/2"-wire to horn ring	1	LA	52-54
OH 14309-E	Wire assy (ignition switch to heater switch)-13" long	1	LA	52-54
FAA 14309-B	Wire and fuse assy (ignition switch to heater switch)-19" long	1	LA	52-54
FAA 14322-A	Wire assy (oil pressure gage connector)-19-1/2" long	1	LA	52-53
FAC 14322-A	Wire assy (oil pressure gage connector)-19-1/4" long	1	LA	54
	352999-S32 Clip (wiring)-wiring to L. H. fender apron	1	LA	54
	356640-S2 Clip (wiring)-wiring to ign. cable mounting bracket	1	LA	52-54
	34802-S7 Lockwasher-No. 8-wiring to oil pressure gage	1	LA	52-54
	26457-S7 Screw (round head)-No. 8-32 x 1/4"-wiring to oil pressure gage	1	LA	52-54
FAC 14334-E	Wiring assy (dome lamp feed)-3 terminals-2 wires (1) 63-1/2" and (1) 37-1/2" long	1	LA60A	52-53
FAC 14334-G	Wiring assy (dome lamp feed)-7 terminals	1	LA73A	52-54
FAC 14334-H	Wiring assy (dome lamp feed)-9 terminals	1	LA73B	52-54
FAD 14334-B	Wiring assy (dome lamp feed)-3 terminals-2 wires (1) 63-1/2" and (1) 49-1/2" long	1	LA60A	54
FDC 14334-B	Wiring assy (dome lamp feed)-2 terminals-92-1/2" long	1	LA60C	52-54
	1A-14567-A Grommet (Rubber)-interior lamp feed wire through window regulator panel	1	LA60	54

Lincoln Cosmopolitan and Capri

CHASSIS PARTS CATALOGUE

PART NUMBER	PART NAME	NO. REQ'D	MODEL	YEAR 19__
Wiring—Continued				
FAA 14341-B	Wiring assy (rear seat cigar lighter feed)-55" long	1	LA60C-73	52-54
FAA 14350-C	Wiring assy (cigar lighter)-front seat back-84-1/2" long	1	LA60C-73	52-54
	352826-S8 Clip (wiring)-wiring to floor pan	1	LA60C-73	52-54
	34803-S7 Lockwasher-No. 10-wiring to circuit breaker	1	LA	52-54
	34903-S8 Lockwasher-No. 10-wiring to ignition coil	1	LA	52-54
	34802-S7 Lockwasher-No. 8-wiring to cigar lighter socket	2	LA60C-73	52-54
	34052-S7 Nut (hex)-No. 8-32 wiring to cigar lighter socket	2	LA60C-73	52-54
	34052-S7 Nut (hex)-No. 8-32-wiring to cigar lighter socket	1	LA	52-54
	34079-S7 Nut (hex)-No. 10-32-wiring to instrument cluster	5	LA	52-54
	34079-S7 Nut (hex)-No. 10-32-wiring to ignition switch	3	LA	52-54
	34079-S7 Nut (hex)-No. 10-32-wiring to ignition coil	1	LA	52-54
	34079-S7 Nut (hex)-No. 10-32-wiring to circuit breaker	1	LA	52-54
	52726-S8 Screw (pan head)-No. 8-15 x 1/2"-wiring clip to floor pan	1	LA60C-73	52-54
FAB 14351-A	Wire assy (top, seat and window control circuit breaker to starting motor relay)-21-1/2" long	1	LA76	52-54
FAB 14351-A	Wire assy (seat and window control circuit breaker to starting motor relay)-21-1/2" long	1	LA60-73	52-54
	34803-S7 Lockwasher-No. 10-wiring to circuit breaker	1	LA	52-54
	34079-S7 Nut (hex)-No. 10-32-wiring to circuit breaker	1	LA	52-54
FAB 14362-A	Wire assy (top control relay to circuit breaker)-109" long	1	LA76	52-54
	8M-18912 Grommet (top control relay to circuit breaker wire)	1	LA76	52-54
	358313-S32 Clip (wiring)-wire to cowl panel	1	LA76	52-54
	358350-S Clip (wiring)-wire to top lift bracket	1	LA76	52-54
	34803-S7 Lockwasher-No. 10-wire to circuit breaker	1	LA76	52-54
	34079-S7 Nut (hex)-No. 10-32-wire to circuit breaker	1	LA76	52-54
FAB 14369-A	Wire assy (roadlamp jumper)-27" long	1	LA	52-54
FAA 14372-B	Wiring assy (courtesy lamp instr. panel to seat)-60" long	1	LA60A-76	52-54
FAA 14376-C	Wiring assy (front seat courtesy lamps)-2 sockets plus terminal-for cars without electric seat regulators	1	LA	52-54
	352826-S8 Clip (wiring)-wiring to floor pan	1	LA	52-54
	52726-S8 Screw (pan head)-No. 8-15 x 1/2"-wiring clip to floor pan	1	LA	52-54

Lincoln Cosmopolitan and Capri

CHASSIS PARTS CATALOGUE

PART NUMBER	PART NAME	NO. REQ'D	MODEL	YEAR 19__
Wiring-Continued				
FAA 14389-A	Wire assy (courtesy lamp socket)	2	LA76	52-54
FAD 14401-C	Wiring assy (instrument panel and dash panel)	1	LA	52
FAD 14401-D	Wiring assy (instrument panel and dash panel)-used with 60 amp. heavy duty generator	1	LA	52
FAV 14401-A	Wiring assy (instrument panel and dash panel)	1	LA	53
FAV 14401-B	Wiring assy (instrument panel and dash panel)-used with 60 amp. heavy duty generator	1	LA	53
FAV 14401-C	Wiring assy (instrument panel and dash panel)	1	LA	53
FAV 14401-D	Wiring assy (instrument panel and dash panel)-used with 60 amp. heavy duty generator	1	LA	53
FDD 14401-A	Wiring assy (instrument panel and dash panel)	1	LA	54
FDD 14401-B	Wiring assy (instrument panel & dash panel)-used with 60 amp. heavy duty generator	1	LA	54
	352999-S32 Clip-wiring to R.H. & L.H. fender aprons	4	LA	54
	352999-S32 Clip-wiring to R.H. & L.H. cowl side panels	2	LA	54
	356640-S2 Clip (wiring to intake manifold)	1	LA	52-54
	356640-S2 Clip (wiring)-wiring to accel. mounting bolt	2	LA	52-54
	358313-S32 Clip (wiring)-wiring to splash shields	3	LA	52-53
	358313-S32 Clip (wiring)-wiring to fender apron	2	LA	52-53
	358313-S32 Clip (wiring)-wiring to cowl panel	2	LA	52-53
	34802-S7 Lockwasher-No. 8-wiring to cigar lighter socket	1	LA	52-54
	34803-S7 Lockwasher-No. 10-wiring to ignition switch	3	LA	52-54
	34803-S7 Lockwasher-No. 10-wiring to instrument cluster	5	LA	52-54
	34803-S7 Lockwasher-No. 10-wiring to circuit breaker & bracket	1	LA	54
	34903-S8 Lockwasher (interior tooth)-No.10-wiring to ignition coil	1	LA	54
	34803-S7 Lockwasher-No. 10-wiring to heater switch mtg. brkt.	1	LA	54
	34052-S7 Nut (hex)-No. 8-32 wiring to cigar lighter socket	1	LA	52-54
	34079-S7 Nut (hex)-No. 10-32-wiring to heater switch mounting brkt.	1	LA	54
	34079-S7 Nut (hex)-No. 10-32 wiring to ignition switch	3	LA	52-54
	34079-S7 Nut (hex)-No. 10-32-wiring to instrument cluster	5	LA	54
	34079-S7 Nut (hex)-No. 10-32-wiring to ignition coil	1	LA	54
	34079-S7 Nut (hex)-No. 10-32-wiring to circuit breaker & bracket	1	LA	54
	36800-S8 Screw (round head)-No. 10-32 x 3/8'-wiring to heater switch mounting bracket	1	LA	54
	44713-S8 Washer (flat)-No. 10-wiring to heater switch mtg. brkt.	1	LA	54

Lincoln Cosmopolitan and Capri

CHASSIS PARTS CATALOGUE

PART NUMBER	PART NAME	NO. REQ'D	MODEL	YEAR
Wiring—Continued				
FAC 14405-AB	Wiring assy (rear lamps)-34 terminals-used with electric windows	1	LA76	53
FAD 14405-A	Wiring assy (rear lamps)-20 terminals	1	LA73	52-54
FAD 14405-F	Wiring assy (rear lamps)-25 terminals	1	LA60A	52
FAD 14405-G	Wiring assy (rear lamps)-24 terminals	1	LA60C	52
FAD 14405-H	Wiring assy (rear lamps)-30 terminals	1	LA76	52-54
FAD 14405-J	Wiring assy (rear lamps)-25 terminals	1	LA60A	52-53
FBT 14405-A	Wiring assy (rear lamps)-27 terminals-use with Air Conditioning only	1	LA73	53
FBT 14405-B	Wiring assy (rear lamps)-33 terminals-use with Air Conitioning only	1	LA60	53
FBT 14405-C	Wiring assy (rear lamps)-26 terminals	1	LA60A	54
FBT 14405-D NS	Wiring assy (rear lamps)-21 terminals-use FBT-14405-C for service by eliminating extra leads	1	LA60C	52-54
	8M-14599 Clip (wiring to package tray)	1	LA	52-54
	8M-14599 Clip (wiring to wheel house flange)	1	LA76	54
	8M-14599 Clip (wiring to seat back support and brace)	2	LA76	54
	352999-S32 Clip (wiring)-wiring to L. H. cowl side panel	1	LA except 76	53-54
	356668-S32 Clip (wiring)-wiring to wheel housing flange	2	LA	52-54
	356668-S32 Clip (wiring)-wiring to seat riser flange	4	LA76	52-54
	356668-S32 Clip (wiring)-wiring to belt rail or back window frame	5	LA60-73	53
	356687-S32 Clip (wiring)-wiring to quarter pillar brace	2	LA60-76	52-54
	358315-S32 Clip (wiring)-wiring to L. H. cowl side panel	1	LA	53-54
	358350-S Clip (wiring)-wiring to floor bracket	1	LA60-76	52-54
	34802-S7 Lockwasher-No. 8-wiring to cigar lighter socket	2	LA60A-76	52-54
	34052-S7 Nut (hex)-No. 8-32-wiring to cigar lighter socket	2	LA60A-76	52-54
FAC 14406-B	Wiring assy (fuel gauge tank unit)-35" long-eyelet type	1	LA	52-53
FDD 14406-A	Wiring assy (fuel gauge tank unit)-35" long-snap on type	1	LA	54
	8M-14567 Grommet (fuel gauge tank wiring through rear floor pan)	1	LA	54
	8M-14599 Clip (wiring to frame and flange)	2	LA	52-54
	34802-S7 Lockwasher-No. 8-wiring to fuel gauge tank unit	1	LA	52-54
	26457-S7 Screw (round head)-No. 8-32 x 1/4"-wiring to fuel gage tank unit	1	LA	52-54

Lincoln Cosmopolitan and Capri

CHASSIS PARTS CATALOGUE

PART NUMBER	PART NAME	NO. REQ'D	MODEL	YEAR 19__
Wiring — Continued				
FAA 14411-A	Holder assy (fuse to air conditioner blower switch)	1	LA60-73	53
OM 14413-A	Switch, socket & wiring assy (glove compartment lamp)-1-31/64" long	1	LA	52-54
	78-13466 Bulb (clear)-1-1/2" C. P. -S. C. - glove compartment lamp	1	LA	52-54
FAC 14415-A	Wiring assy (license lamp connector)-4 terminals 43" long	1	LA	52-54
FAA 14429-A	Fuse assy (cigar lighter)	2or3	LA	52-54
FAB 14431-A	Cable assy (relay to starter)-10-1/2" long	1	LA	52-54
	33798-S8 Nut (hex)-5/16"-24-cable to starter and relay	2	LA	52-54
	34806-S7 Lockwasher-5/16"-cable to starter and relay	2	LA	52-54
FAB 14440-A	Wire assy (horn relay to horn)-14-1/2" long	1	LA	52-54
FAB 14440-B	Wire assy (horn relay to horn)-17-1/2" long-use with Air Conditioning only	1	LA60-73	53
FAB 14445-A	Wiring assy (R. H. to L. H. headlamp)-49" loom	1	LA	52-54
FAC 14445-A	Wiring assy (R. H. to L. H. headlamp)-42" loom-use with Air Conditioning only	1	LA60-73	53
	8M-14567 Grommet (instrument panel wiring through dash)	1	LA	52-54
0A 14448-A	Block assy (elect. wiring junction)-4 singles connector type-used with 4-way seat	1or2	LA	52-54
0L 14448	Block assy (elect. wiring junction)-2 singles-3 doubles connector type	1	LA	52-54
OM 14448	Block assy (elect. wiring junction)-4 singles-2 doubles connector type	1	LA	52-54
	40969-S8 Screw (hex washer head)-No. 8 -32 x 1"-junction block to R. H. air deflector	2	LA	52-54
	40969-S8 Screw (hex washer head)-No. 8 -32 x 1"-block to seat terminal mtg. bracket	2	LA	53-54
	40995-S8 Screw (hex washer head)-No. 8 -32 x 1-1/2"-junction block to L. H. air deflector	2	LA	52-54
B 14455	Sleeve (wire terminal insulating)	as reqd	LA	52-54
B 14463	Terminal (wire)-eyelet type	as reqd	LA	52-54
FAB 14476-A NS	Wiring assy (starter switch to transmission lock switch)-4 terminals-use FAD-14476-A for service by eliminating extra leads	1	LA	52
FAD 14476-A	Wiring assy (starter switch to transmission lock switch)-8 terminals	1	LA	52-54
FAB 14486-A	Switch and wiring assy (turn signal)	1	LA	52-54
	356668-S32 Clip (wiring)-switch & wiring to instrument panel	1	LA	52-54
	33170-S8 Screw (pan head self tapping)-No. 10-16 x 1/4"-switch to steering wheel flange	2	LA	52-54

Lincoln Cosmopolitan and Capri

CHASSIS PARTS CATALOGUE

PART NUMBER	QTY	PART NAME	NO. REQ'D	MODEL	YEAR 19__
Wiring — Continued					
B 14487		Connector and sleeve (bullet terminal)-single	as reqd	LA	52-54
59A 14487		Connector assy (bullet terminal)-double	as reqd	LA	52-54
FAA 14505-B		Switch and housing assy (window regitr.)-multiple	1	LA	52-54
FAA 14507-B		Switch and housing assy (window regulator)-single	3	LA	52-54
FAA 14512-A		Relay assy (window regulator control)	4	LA	52-54
FAA 14513-A		Bar (window regulator control switch bus)	1	LA	52-54
FAA 14523-A		Plate (window regulator single switch mounting)	2	LA	52-54
B 14526	NS	Fuse-20 amp. -replaced by B-14527 Kit	as reqd	LA	52-54
51A 14526	NS	Fuse-3 amp. -serviced in APA-14527-B Kit	as reqd	LA	52-54
5EH 14526		Fuse (cigar lighter)-30 amp.	1	LA	52-54
7RA 14526-A		Circuit breaker assy-15 amp.	as reqd	LA	52-54
8A 14526	NS	Fuse-14 amp. -serviced in APA-14527-D Kit	as reqd	LA	52-54
1A 14526		Circuit breaker assy-(top control)-40 amp.	1	LA76	52-54
1A 14526		Circuit breaker assy (seat and window control)-40 amp.-for cars with electric window regulators	1	LA60-73	52-54
B 14527		Kit (fuse)-20 amps-consists of the following (5) B-14526 Fuse	as reqd	LA	52-54
A0A 14527-A		Kit (fuse)-14 amps-consists of the following (5) 8A-14526 Fuse	as reqd	LA	52-54
A6A 14527-B		Kit (fuse)-3 amps-consists of the following (5) 51A-14526-B Fuse	as reqd	LA	52-54
FAA 14529-A		Switch assy (window regulator control single)	3	LA	52-54
FAA 14540-A		Switch assy (window regulator control multiple)	4	LA	52-54
FAA 14545-A		Switch assy (seat regulator control)-2 or 4 way seat	1or2	LA	53-54
FAA 14546-A		Relay assy (seat regulator control)-with straight battery terminal	1or2	LA	52-53
FAA 14547-A		Motor assy (horizontal seat regulator)-with 15" leads-used with two way seat control system	1	LA	52-54
FAB 14547-B NS		Motor assy (horizontal seat regulator)-with 9-1/2" leads used with two-way seat control system-use FAA-14547-A for service by eliminating 5-1/2" length from leads	1	LA	53-54
HEK 14547-A		Kit (motor installation)-used with 4-way seat-refer to electric motor group for components	1	LA	53-54

Lincoln Cosmopolitan and Capri

CHASSIS PARTS CATALOGUE

PART NUMBER	PART NAME	NO. REQ'D	MODEL	YEAR
Wiring—Continued				
FAA 14548-A	Casebolt (window regulator motor)-No. 8-32 x 3-21/32"	2	LA	52-54
FAA 14548-B	Casebolt (window regulator motor)-No. 10-32 x 4-17/32"	2	LA	52-54
FAA 14549-A	Motor assy (window regulator)-with bracket support-R. H.	2	LA	52-54
FAA 14553-A	Motor assy (window regulator)-with stud support	4	LA	52-54
FAA 14553-B	Motor assy (window regulator)-with bracket support-L. H.	2	LA	52-54
FAA 14554-A	Gasket (window regulator-single switch)	3	LA	52-54
FAA 14557-A	Studbolt (top regulator motor)-No. 10-32 x 5-1/16"	2	LA76	52-54
FAA 14558-A	Casebolt (air conditioner motor)-No. 10-32 x 3/8"	2	LA	53
FAA 14558-B	Casebolt (seat regulator motor)-No. 10-32 x 4-11/16"	2	LA	52-54
FAA 14558-C	Casebolt (seat regulator motor)-No. 8-32 x 4-7/32"	2	LA	53-54
FAA 14559-A	Clip (window regulator switch retaining)	4	LA	52-54
FAA 14559-A	Clip (seat regulator switch retaining)	4	LA	53-54
8M 14567	Grommet (fuel tank gage wire thru rear floor pan)-1-1/4" O. D. -with oblong hole	1	LA	52-54
8M 14567	Grommet (instrument panel wiring thru dash)-1-1/4" O. D. -with oblong hole	1	LA	52-54
1A 14567-A	Grommet (electric wiring)-Rubber-1-1/4" O. D. -with 9/64" diameter hole	as reqd	LA	52-53
1A 14567-A	Grommet (electric wiring)-Rubber-1-1/4" O. D. -with 9/64" diameter hole	1	LA60	54
FAA 14570-A	Clip (window regulator housing retainer)	3or4	LA	52-54
FAA 14575-A	Holder (air conditioner motor brush)-2 prong type	2	LA	53
FAA 14575-A	Holder (seat regulator motor brush)-2 prong type	2	LA	52-54
FAA 14575-A	Holder (window regulator motor brush)-2 prong type	2	LA	52-54
FAA 14575-B	Holder (air conditioner motor brush)-flat type	2	LA	53
FAA 14575-B	Holder (heater blower motor brush)-flat type	2	LA	52-54
FAA 14575-B	Holder (window regulator motor brush)-flat type	2	LA	52-54

Lincoln Cosmopolitan and Capri

CHASSIS PARTS CATALOGUE

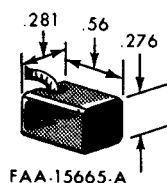
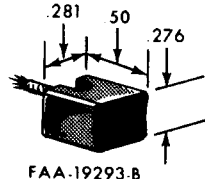
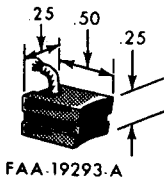
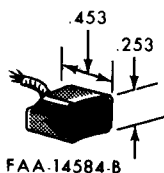
PART NUMBER	CLASS	PART NAME	NO. REQ'D	MODEL	YEAR 19__
Wiring — Continued					
FAA 14576-A		Spring (air conditioner motor brush holder retaining)-1-1/8" free length	2	LA	53
FAA 14576-A		Spring (seat regulator motor brush holder retaining)-1-1/8" free length	2	LA	52-54
FAA 14576-A		Spring (window regulator motor brush holder retaining)-1-1/8" free length	2	LA	52-54
FAA 14576-B		Spring (air conditioner motor brush holder retaining)-5/8" free length	2	LA	53
FAA 14576-B		Spring (heater blower motor brush holder retaining)-5/8" free length	2	LA	52-54
FAA 14580-A		Brush assy (air conditioner motor)-with 1-3/4" pigtail	2	LA	53
FAA 14580-A		Brush assy (seat regulator motor)-with 1-3/4" pigtail	2	LA	52-54
FAA 14580-A		Brush assy (window regulator motor)-with 1-3/4" pigtail	2	LA	52-54
FAA 14580-B		Brush assy (window regulator motor)-with 1-1/8" pigtail	2	LA	52-54
FAA 14584-B		Brush assy (seat regulator motor)-with 2-9/64" pigtail	1	LA	53-54
FAB 14585-A		Clip (cowl wiring to instrument panel)	1	LA	52-54
FAC 14585-A		Clip (cowl wiring to instrument panel)	1	LA	53-54
		52727-S8 Screw (pan hd cross recess)-No. 10-12 x 1/2"-clip to instrument panel	1	LA	52-54
B 14586		Clip (electric wiring)	as reqd	LA	52-54
FAA 14595-A		Spring (seat regulator motor brush retainer)-7/8"	2	LA	53-54
8M 14599		Clip (electric wiring and tubing)-spring type free length	as reqd	LA	52-54
1A 14603-B		Grommet (rear lamp wiring thru pillar)-Rubber	1	LA76	52-54
8A 14608		Retainer assy (grommet)-instrument panel wiring through dash	2	LA	52-54
8A 14608		Retainer assy (grommet)-antenna hose	1	LA	52-54
8A 14608		Retainer assy (grommet)-rear lamp wiring thru front pillar	1	LA	52-54
8A 14608		Retainer assy (grommet)-rear lamp wiring thru cowl panel	1	LA	54
8A 14608		Retainer assy (grommet)-top control wire to front pillar	1	LA76	52-54
8A 14608		Retainer assy (grommet)-air control thru cowl panel	1	LA	52-54
		31498-S8 Screw (hex washer hd)-No. 14-10 x 1/2"-retainer to grommet	14	LA	52-54
		31527-S7 Screw (hex washer hd)-No. 14-14 x 1/2"-retainer assy to cowl panel	4	LA	52-54

Lincoln Cosmopolitan and Capri

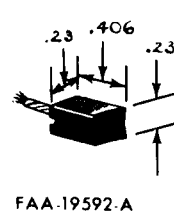
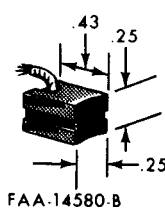
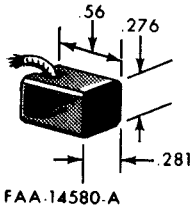
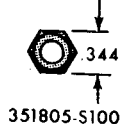
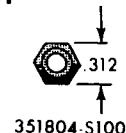
CHASSIS PARTS CATALOGUE

Electric Motors and Wiring

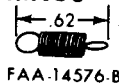
BRUSH ASSEMBLY



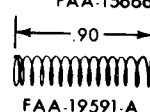
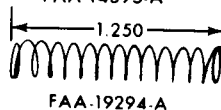
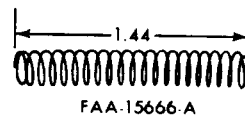
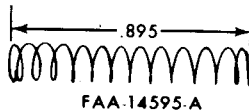
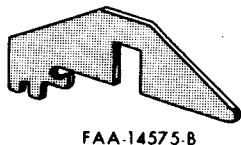
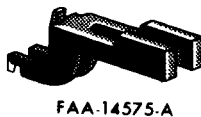
NUT



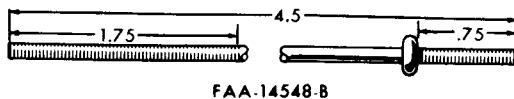
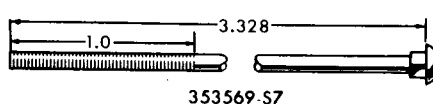
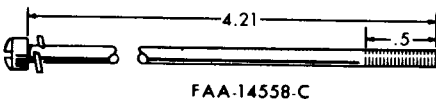
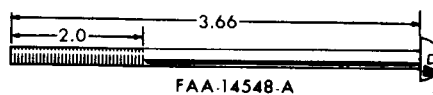
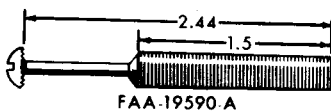
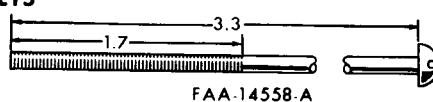
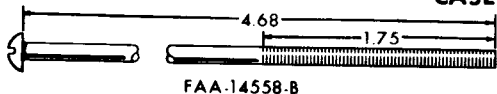
BRUSH HOLDER SPRINGS



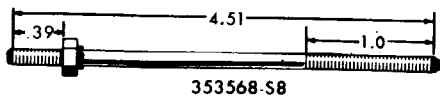
BRUSH HOLDERS



CASEBOLTS



STUDBOLT



PL-936

ELECTRIC MOTOR BOLTS, BRUSHES, NUTS AND SPRINGS

Basic numbers only shown on illustration. Order by Part Numbers shown in list of parts.

Lincoln Cosmopolitan and Capri

CHASSIS PARTS CATALOGUE

PART NUMBER	PART NAME	NO. REQ'D	MODEL	YEAR 19__
Electric Motors and Wiring — Continued				
FAA-14505-B	Switch and housing assy (window regulator)-multiple	1	LA	52-54
FAA-14507-A	Switch and housing assy (window regulator)-single	3	LA	52
FAA-14507-B	Switch and housing assy (window regulator)-single	3	LA	52-54
FAA-14512-A	Relay (window regulator control)	4	LA	52-54
20384-S2	Bolt (hex-hd)-1/4"-20 x 1"-relay to relay bracket	4or8	LA	52-54
34805-S8	Lockwasher-1/4"-20-relay to relay bracket	4or8	LA	52-54
33920-S	Nut (hex)-1/4"-20-relay to relay bracket	4or8	LA	52-54
42143-S8	Screw (hex washer head self tapping)-No. 14-10 x 3/4"-relay to quarter window guide and top pivot bracket support	4	LA60-76	54
44719-S8	Washer (flat)-1/4"-relay to relay bracket	4or8	LA	52-54
FAA-14513-A	Bar (window reg. control switch bus)	1	LA	52-54
FAA-14523-A	Plate (window reg. single switch mounting)	2	LA	52-54
1A-14526	Circuit breaker (top control)-40 amp.	1	LA76	52-54
1A-14526	Circuit breaker (window and seat control)-40 amp. -for cars with electric window regulators	1	LA60-73	52-54
31498-S8	Screw (hex washer hd)-No. 14-10 x 1/2"-circuit breaker to R. H. hood hinge bracket	2	LA	52-54
FAA-14529-A	Switch assy (window regulator control single)	3	LA	52-54
FAA-14540-A	Switch assy (window regulator control multiple)	4	LA	52-54
FAA-14545-A	Switch assy (seat reg. control)-used with two or four-way seat control system	1or2	LA	53-54
FAA-14546-A	Relay assy (seat reg. control)	1or2	LA	52-53
34805-S8	Lockwasher-1/4"-relay to brkt	2or4	LA	52-53
33795-S7	Nut (hex)-1/4"-20-relay to brkt	2or4	LA	52-53
50299-S13	Screw (round hd)-1/4"-20 x 7/8"-relay to bracket	2or4	LA	52-53
HEK-14547-A	Kit (motor installation)-used with 4-way seat-consists of the following (1) FAB-14547-D Motor (1) FAA-14593-A Wire (1) FAA-14593-B Wire	1	LA	53-54

Lincoln Cosmopolitan and Capri

CHASSIS PARTS CATALOGUE

PART NUMBER	INDEX	PART NAME	NO. REQ'D	MODEL	YEAR 19__
Electric Motors and Wiring — Continued					
		FAA-14547-A Motor assy (horizontal seat reg.)- with 15" leads-used with two- way seat control system	1	LA	52-54
	NS	FAB-14547-B Motor assy (horizontal seat reg.)- with 9-1/2" leads-used with two-way seat control system- use FAA-14547-A for service by eliminating 5-1/2" length from leads	1	LA	53-54
	NS	FAB-14547-D Motor assy (seat regulator)-used with 4-way seat-serviced in HEK-14547-A Kit	2	LA	53-54
		FAA-14548-A Casebolt (window regulator motor) -No. 8-32 x 3-21/32"	2	LA	52-54
		351803-S100 Nut (hex)-No. 8-32-casebolt to motor	2	LA	52-54
		FAA-14548-B Casebolt (window regulator motor) -No. 10-32 x 4-17/32"	2	LA	52-54
		351805-S100 Nut (hex)-No. 10-32-casebolt to motor	2	LA	52-54
		FAA-14549-A Motor assy (window reg.)-with bracket support-R. H.	2	LA	52-54
		FAA-14553-A Motor assy (window reg.)-with stud support	4	LA	52-54
		FAA-14553-B Motor assy (window reg.)-with bracket support-L. H.	2	LA	52-54
		356668-S32 Clip (leads to window regulator panel)	2	LA76	54
		34079-S7 Nut (hex)-No. 10-32-motor to window regulator	8	LA	52-54
		351804-S100 Nut (hex)-No. 10-32-case to motor	2	LA	52-54
		353568-S8 Stud-No. 10-32 x 4-33/64"- case to motor	2	LA	52-54
		356514-S8 Washer (countersunk)-25/64" I. D. x 11/16" O. D. -motor to window regulator	8	LA	54
		FAA-14557-A Studbolt (top regulator motor)-No. 10-32 x 5-1/16"	2	LA76	52-54
		351805-S100 Nut (hex)-No. 10-32-studbolt to motor	2	LA76	52-54
		FAA-14558-B Casebolt (seat regulator motor)- No. 10-32 x 4-11/16"	2	LA	52-54
		351804-S100 Nut (hex)-No. 10-32-casebolt to motor	2	LA	52-54
		FAA-14558-C Casebolt (seat regulator motor)- No. 8-32 x 4-7/32"	2	LA	53-54
		351803-S100 Nut (hex)-No. 8-32-casebolt to motor	2	LA	52-54

Lincoln Cosmopolitan and Capri

CHASSIS PARTS CATALOGUE

PART NUMBER	PART NAME	NO. REQ'D	MODEL	YEAR 19__
Electric Motors and Wiring—Continued				
	FAA-14559-A Clip (window reg. switch retaining)	4	LA	52-54
	FAA-14559-A Clip (seat reg. switch retaining)- used with four-way seat control system	4	LA	53-54
	FAA-14570-A Clip (window reg. housing retainer)	3 or 4	LA	52-54
	FAA-14575-A Holder (seat regulator motor brush)	2	LA	52-54
	FAA-14575-A Holder (window regulator motor brush)	2	LA	52-54
	FAA-14575-B Holder (window regulator motor brush)-flat type	2	LA	52-54
	FAA-14576-A Spring (seat regulator motor brush holder retaining)-1-1/8" free length	2	LA	52-54
	FAA-14576-A Spring (window regulator motor brush holder retaining)-1-1/8" free length	2	LA	52-54
	FAA-14576-B Spring (heater blower motor brush holder retaining)-5/8" free length	2	LA	52-54
	FAA-14580-A Brush assy (seat regulator motor) -with 1-3/4" pigtail	2	LA	52-54
	FAA-14580-A Brush assy (window regulator motor)-with 1-3/4" pigtail	2	LA	52-54
	FAA-14580-B Brush assy (window regulator motor)-with 1-1/8" pigtail	2	LA	52-54
	FAA-14584-B Brush assy (seat regulator motor) -with 2-9/64" pigtail	1	LA	53-54
NS	FAA-14593-A Wire (jumper)-2-3/4" long-Red- serviced in HEK-14547-A Kit	1	LA	53-54
NS	FAA-14593-B Wire (jumper)-2-3/4" long-Yellow -serviced in HEK-14547-A Kit	1	LA	53-54
	FAA-14595-A Spring (seat regulator motor brush retainer)-7/8" free length	2	LA	53-54
FAA 14616-A	Gasket (window regulator multiple switch)	1	LA	52-54
	FAA-14554-A Gasket (window reg. single switch)	3	LA	52-54
FAA 14630-B	Wiring assy (right front door window regulator)-9 terminals-46" loom	1	LA	52-54
FAA 14631-B	Wiring assy (left front door window regulator)-17 terminals-98" loom	1	LA	52-54
	353266-AS Clip (wiring)-wiring to top cowl panel	2	LA	52-54
	358315-S32 Clip (wiring)-wiring to side cowl panel	2	LA	54
	34803-S7 Lockwasher-No. 10-wiring to circuit breaker	2	LA	52-54
	34079-S7 Nut (hex)-No. 10-32-wiring to circuit breaker	2	LA	52-54
	31527-S7 Screw (hex washer head)-No. 14-14 x 1/2"-wiring to cowl panel	2	LA	52-54

Lincoln Cosmopolitan and Capri

CHASSIS PARTS CATALOGUE

PART NUMBER	PART NAME	NO. REQ'D	MODEL	YEAR
Electric Motors and Wiring — Continued				
FAA 14632-B	Wiring assy (right rear door window regulator)-9 terminals-102" loom	1	LA73	52-54
FAA 14633-B	Wiring assy (left rear door window regulator)-9 terminals-104" loom	1	LA73	52-54
	356687-S32 Clip (wiring)-wiring to window regulator bracket	2	LA73	54
	352999-S32 Clip (wiring)-wiring to cowl side panel	1	LA73	54
	34803-S7 Lockwasher-No. 10-wiring to circuit breaker	2	LA73	52-54
	34079-S7 Nut (hex)-No. 10-32-wiring to circuit breaker	2	LA73	52-54
	31527-S7 Screw (hex washer hd)-No. 14-14 x 1/2"-wiring to center pillar	2	LA73	52-54
FAA 14639-B	Wiring assy (front door window regulator switch)-6 terminals-15-1/2" loom	2	LA	52-54
FAA 14641-B	Wiring assy (rear door window regulator switch)-6 terminals-19" loom	2	LA73	52-54
	33796-S7 Nut (hex)-1/4"-28-wiring to inner panel	2	LA73	54
	34940-S2 Lockwasher-1/4"-wiring to inner panel	2	LA73	54
	355308-S7 Screw & lockwasher assembly (pan hd)-1/4"-28 x 5/16"-wiring to inner panel	2	LA73	54
FAA 14642-B	Wiring assy (seat regulator switch to relay)-6 terminals-35" loom	1	LA	52
FAC 14642-A	Wiring assy (electric seat reg. switch to relay)-22 terminals-used with four-way seat control system and includes front seat courtesy lamp wiring	1	LA	53-54
FAC 14642-B	Wiring assy (electric seat reg. switch to relay)-9 terminals-41"-loom-used with two-way seat control system and includes front seat courtesy lamp wiring	1	LA	53
FAC 14642-C	Wiring assy (electric seat regulator switch to relay)-7 terminals-55" loom-used with 2-way seat control system	1	LA	53-54
	7RA-14197-B Clip (wiring)-wiring to seat frame	5	LA	54
	356663-S2 Clip-seat switch to wiring to frame	3	LA	53
	52787-S15 Screw (cross recess pan head tapping)-No. 10-16 x 1/2"-wiring to seat frame	5	LA	54
FAA 14643-B	Wire assy (seat regulator relay feed)-85" long-for cars with electric window regulators	1	LA	52
FAA 14643-C	Wire assy (seat regulator relay feed)-103" long-for cars without electric window regulators	1	LA	52
FAC 14643-A NS	Wiring assy (electric seat regulator relay feed)-3 terminals-95" long-used with four-way seat control system for cars with electric window regulators-use FAC-14643-B for service by eliminating 18" length of wire	1	LA	53-54

Lincoln Cosmopolitan and Capri

CHASSIS PARTS CATALOGUE

PART NUMBER	CLASS	PART NAME	NO. REQ'D	MODEL	YEAR
Electric Motors and Wiring—Continued					
FAC 14643-B		Wiring assy (electric seat regulator relay feed)-3 terminals-113" long-used with four-way seat control system for cars without electric window regulators	1	LA	53-54
FAC 14643-C NS		Wire assy (electric seat regulator relay feed)-101" long-used with two-way seat control system for cars with electric window reg.-use FAC-14643-D for service by eliminating 18" length of wire	1	LA	53-54
FAC 14643-D		Wire assy (electric seat regulator relay feed)-119" long-used with two-way seat control system for cars without electric window regulators	1	LA	53-54
		356668-S32 Clip (wiring)-wire to dash pad	1	LA	52-54
		34803-S7 Lockwasher-No. 10-wire to circuit breaker	1	LA	52-54
		34079-S7 Nut (hex)-No. 10-32-wire to circuit breaker	1	LA	52-54
		52726-S13 Screw (cross recess pan head tapping)-No. 8-15 x 1/2"-wire to floor pan	1	LA	54
FAA 14644-C		Wiring assy (rear quarter window regulator)-14 terminals-244" loom	1	LA76	52
FAA 14644-F NS		Wiring assy (rear quarter window regulator)-12 terminals-244" loom-use FAC-14644-A for service by eliminating extra leads	1	LA60	52-54
FAC 14644-A		Wiring assy (rear quarter window regulator)-14 terminals-244" loom-with 5" top relay feed wire	1	LA76	53-54
		352999-S32 Clip (wiring)-wiring to cowl side panel	1	LA60	54
		356668-S32 Clip (wiring)-wiring to seat riser	4	LA60-76	52-54
		358350-S Clip (wiring)-wiring to top bracket bolt	1	LA60-76	52-54
		34803-S7 Lockwasher-No. 10-wiring to circuit breaker	2	LA60-76	52-54
		34079-S7 Nut (hex)-No. 10-32-wiring to circuit breaker	2	LA60-76	52-54
FAA 14645-B		Wiring assy (rear quarter window regulator switch)-7 terminals-24-1/2" loom	2	LA60-76	52-54
		356687-S32 Clip (wiring)-wiring to regulator panel	2	LA60	52-54
		356687-S32 Clip (wiring)-wiring to water shield	4	LA76	52-54
FAA 14646-B		Wire assy (top seat & window circuit breaker to window regulator circuit breaker)-21" long	1	LA	52-54
		34803-S7 Lockwasher-No. 10-wire to circuit breaker	1	LA	52-54
		34079-S7 Nut (hex)-No. 10-32-wire to circuit breaker	1	LA	52-54
FAA 14649-A		Clip (window regulator wiring to door hinge)	2	LA	52-53
FAB 14649-A		Clip (window regulator wiring to door hinge)	1	LA	54

Lincoln Cosmopolitan and Capri

CHASSIS PARTS CATALOGUE

PART NUMBER	CLAS	PART NAME	NO. REQ'D	MODEL	YEAR 19__
Electric Motors and Wiring—Continued					
FAA 14652-A		Bracket (seat regulator terminal block mounting)- for four-way seat control system	1	LA	53-54
		52787-S8 Screw (pan head)-No. 10-16 x 1/2"-bracket to cushion frame or seat frame	1or5	LA	53-54
FAB 14680-A		Switch and housing assy (seat regulator)-used with four-way seat control system	1	LA	53-54
		50398-S13 Screw (oval head)-No. 8-32 x 1/2"-housing to side shield	2	LA	53-54
FAB 14680-B		Switch and housing assy (seat regulator)-used with two-way seat control system	1	LA	52-54
		1H-7323604-B Spring (switch locking)	2	LA	52-54
		FAA-15664-B Motor assembly (top control)	1	LA76	52
		FAA-15664-C Motor assembly (top control)	1	LA76	53
		FAA-15665-A Brush assy (top control motor)- with 1-1/2" pigtail	2	LA76	52-54
		FAA-15666-A Spring (top control motor brush retaining)-1-1/2" free length	2	LA76	52-54
		FAA-15667-A Motor assembly (top control)-less brackets	1	LA76	54
		FAA-15668-B Switch assembly (top control)-2 terminal type	1	LA76	52-54
		FAA-15668-C Switch assembly (top control)-3 terminal type	1	LA76	52-53
		FAA-15669-A Bracket assy (motor mounting top control)-less grommet & spacer	2	LA76	54
		FAA-15672-A Relay assembly (top control)	1	LA76	52
		FAB-15672-A Relay assy (top and seat control)	2or3	LA	53-54
		34805-S8 Lockwasher-1/4"-relay to front seat adjuster relay	2or4	LA	53-54
		34903-S8 Lockwasher-No. 10-relay to mounting bracket	2	LA76	52-54
		33795-S7 Nut (hex)-1/4"-20-relay to front seat adjuster relay	2or4	LA	53-54
		34053-S8 Nut (hex)-No. 10-24-relay to mounting bracket	2	LA76	52-54
		50299-S13 Screw (cross recessed rd-hd)- 1/4"-20 x 7/8"-relay to front seat adjuster relay	2or4	LA	53-54
		44712-S8 Washer (flat)-No. 10-relay to mounting bracket	2	LA76	52-54
		FAB-15674-A Knob assembly (top control)	1	LA76	52-54
		FAA-15676-A Brkt. (top control switch mount.)	1	LA76	52-54
		33795-S7 Nut (hex)-1/2"-20-top control bracket to instrument panel	1	LA76	52-54
		352301-S8 Screw & lockwasher assy (pan head)-1/4"-20 x 5/8"-top control brkt. to instrument panel	1	LA76	52-54
		FAA-15677-A Bezel (top control knob)	1	LA76	52-54
		FAC-15678-A Switch assy (top control limit)- with 51-1/2" wire	1	LA76	52-53
		FAA-15679-A Insert (top control motor support spacer)	4	LA76	52-54

Lincoln Cosmopolitan and Capri

CHASSIS PARTS CATALOGUE

PART NUMBER	PART NAME	NO. REQ'D	MODEL	YEAR 19__
Clock				
FAA 15000-A	Clock assy (electric)-3-19/32" x 2-13/32"-Dull Black background with White graduations-square dial	1	LA	52-53
FAA 15000-B	Clock assy (electric)-3-19/32" x 2-13/32"-Dull Black background with White graduations-round dial	1	LA	53
FAE 15000-A	Clock assy (electric)-3-19/32" x 2-13/32"-Gold background with White graduations-round dial	1	LA	54
	37611-S7 Screw (fillister head)-No. 8-32 x 1/4"-clock to cluster back plate	4	LA	52-54
48 15021	Bulb (clear)-1 C. P. -S. C.	as reqd	LA	52-54
8L 15026	Wire assembly (electric clock)-6" long	1	LA	52-54
NS	51A-14526-B Fuse (clock)-3 amp. -serviced in APA-14527-B Kit	1	LA	52-54

Cigar Lighter

FAA 15052-A	Knob and element assy (instrument panel cigar lighter)-Gold capped	1	LA	52
FAF 15052-A	Knob and element assy (instrument panel cigar lighter)-Chrome capped	1	LA	53
FAG 15052-A	Knob and element assy (instrument panel cigar lighter)-Black	1	LA60c-73A	54
FAG 15052-B	Knob and element assy (instrument panel cigar lighter)-Off White	1	LA60A-73B-76A	54
	FAA-7362844-A Knob and element assy (front seat back cigar lighter)	1	LA60C-73	52-54
	FAA-7362844-A Knob and element assy (arm rest cigar lighter)	2	LA60A-76	52-53
FAD 15055-B	Socket and retainer assy (cigar lighter)	2or3	LA	52-54
	FAA-14429-A Fuse assembly (cigar lighter)	2or3	LA	52-54
	48-15021 Bulb (clear)-1 C. P. -S. C. -cigar lighter lamp	2or3	LA	52-54
	OL-7204675 Lamp assembly (cigar lighter)	2or3	LA	52-54
FAA 15057-C	Bracket (cigar lighter)-instrument panel	1	LA	52-54
FAA 15068-A	Bezel (instrument panel cigar lighter)	1	LA	53
FAA 15068-B	Bezel (instrument panel cigar lighter)	1	LA	54
FAA 15078-A	Knob and element assy (front seat back cigar lighter)	1	LA73B	54
FAA 15078-A	Knob and element assy (rear quarter panel cigar lighter)	2	LA60A-76A	54

Lincoln Cosmopolitan and Capri

CHASSIS PARTS CATALOGUE

PART NUMBER	PART NAME	NO. REQ'D	MODEL	YEAR 19____
Numerical List of 15,000 Miscellaneous Accessories				
FAB 15200-A	Roadlamp assembly-used with grille guards	2	LA	52-53
FDD 15200-A	Roadlamp assembly	2	LA	54
OM 15207	Retainer (roadlamp ring)	2	LA	54
FDD 15209-A	Bracket (roadlamp)	2	LA	54
FDD 15212-A	Prop (roadlamp mounting)	2	LA	54
OM 15214	Door (roadlamp)	2	LA	54
FAA 15214-A	Ring (roadlamp retainer)	2	LA	52-53
11A 15220-B	Bulb (roadlamp)-Sealed Beam-Clear	2	LA	52-54
1C 15224-A	Switch assembly (roadlamp)-pull type	1	LA	52-54
7EH 15227	Boot (roadlamp adjusting nut)	4	LA	52-53
OM 15229	Ring assembly (roadlamp unit retainer)	2	LA	54
FAA 15229-A	Adapter (roadlamp)	2	LA	52-53
5EH 15231	Spring (roadlamp adapter retainer)	6	LA	52-53
7EH 15233	Clip (roadlamp wiring loom)	3	LA	52-53
5EH 15239	Wire (roadlamp ground)-5" long	2	LA	52-53
7EH 15244	Wire assembly (roadlamp lead)-30-1/2" long	2	LA	52-54
FAB 15246-A	Wire assy (roadlamp switch to double connector)-69" long	1	LA	52-54
OM 15248	Wire assy (roadlamp switch to headlamp switch)-14-1/2" long	1	LA	52-54
FDD 15252-A	Shield (roadlamp anti-reflection)-R. H.	1	LA	54
FDD 15253-A	Shield (roadlamp anti-reflection)-L. H.	1	LA	54
BH 15254-A	Kit (roadlamp housing installation)	1	LA	53
BH 15256-A	Housing assembly (roadlamp)-R. H.	1	LA	53
BH 15257-A	Housing assembly (roadlamp)-L. H.	1	LA	53
FAB 15259-A	Knob assy (roadlamp switch)-Chrome capped	1	LA	53
FAB 15259-A	Knob assy (air conditioner switch)	2	LA60-73	53
FDD 15259-A	Knob assembly (roadlamp switch)-Black	1	LA60C-73A	54
FDD 15259-B	Knob assembly (roadlamp switch)-White	1	LA60A-73B-76	54
FAA 15268-A	Bezel (air conditioner switch)-7/16"-28	2	LA60-73	53
FAA 15268-A	Bezel (roadlamp switch)-7/16"-28	1	LA	52-54
BH 15270-A	Bracket (roadlamp housing)	2	LA	53
FDC 15301-A	Kit (spotlight and mirror installation)-4-3/4" O. D. lamp	1	LA	54
OL 15328	Door (spotlight lens)	1	LA	52-54
6A 15330	Bulb assy (spotlight)-4-13/32" O. D. -Sealed Beam	1	LA	52-54
8C 15330	Bulb assy (spotlight)-5-21/32" O. D. -Sealed Beam	1	LA	52-54
51A 15332	Switch assembly (spotlight)	1	LA	52-54
FAA 15342-A	Clip (spotlight wiring)	1	LA	52-54

Lincoln Cosmopolitan and Capri

CHASSIS PARTS CATALOGUE

PART NUMBER	PART NAME	NO. REQ'D	MODEL	YEAR 19__
Numerical List of 15,000 Miscellaneous Accessories				
HDK 15480-A	Kit (license plate frame window)-use in Nebraska, Rhode Island, Utah, Vermont and Delaware	1	LA	52-54
HDK 15480-B	Kit (license plate frame window)-used in Kansas, New Jersey, Pennsylvania, Texas, Kentucky & Maine	1	LA	52-54
HDK 15480-C	Kit (license plate frame window)-used in Alabama, Arizona, California, Colorado, Florida, Georgia, Missouri, Montana, New York, Oklahoma, South Carolina, Washington, Kentucky, Massachusetts, Minnesota and North Dakota	1	LA	52-54
HDK 15480-D	Kit (license plate frame window)-used in Nevada, and Tennessee	1	LA	52-54
HDK 15480-E	Kit (license plate frame window)-used in Arkansas, Indiana, Maryland, Mississippi, Virginia, Idaho, Ohio, Illinois, District of Columbia and S. Dakota	1	LA	52-54
HDK 15480-F	Kit (license plate frame window)-used in Iowa, Louisiana, N. Carolina, Oregon and West Virginia	1	LA	52-54
HDK 15480-G	Kit (license plate frame window)-used in Minnesota, Connecticut, New Hampshire, Illinois, Ohio, Delaware, Maine and Massachusetts	1	LA	52-54
HDK 15480-J	Kit (license plate frame window)-used in Wisconsin, Wyoming, Michigan, Indiana and New Mexico	1	LA	53-54
FAA 15500-B	Lamp assembly (back up)-door with 12 serrations	2	LA	52-53
FAC 15500-A	Lamp assembly (back up)	2	LA	54
1H 15510-A	Gasket (back up lamp)-3-1/32" O. D.	2	LA	52-53
FAB 15510-A	Gasket (back up lamp)-5" x 2-33/64" O. D.	2	LA	54
1H 15513-A	Door (back up lamp)-3-7/16" dia. -12 serrations	2	LA	52-53
1H 15514-A	Lens (back up lamp)-2-3/4" dia.	2	LA	52-53
FAB 15514-A	Lens (back up lamp)-"LB-54"- "V" shaped-6-1/2" x 3" x 4-3/4"	2	LA	54
FAA 15532-A	Spacer (back up lamp mtg.)-9/32" I. D. x 1/2" O. D.	2	LA	52-53
FAA 15533-B	Pad (back up lamp)-3-11/16" O. D.	2	LA	52-53
1H 15550-A	Lamp assembly (utility)-two bulb type	1	LA	52-54
HAK 15550-A	Kit (emergency utility lamp and case)-includes 1H-15550-A lamp	1	LA	52-54
FAA 15664-B	Motor assembly (top control)	1	LA76	52
FAA 15664-C	Motor assembly (top control)	1	LA76	53

Lincoln Cosmopolitan and Capri

CHASSIS PARTS CATALOGUE

PART NUMBER	PART NAME	NO. REQ'D	MODEL	YEAR 19__
Numerical List of 15,000 Miscellaneous Accessories				
FAA 15665-A	Brush assy (top control motor)-with 1-1/2" pigtail	2	LA76	52-54
FAA 15666-A	Spring (top control motor brush retaining)-1-1/2" free length	2	LA76	52-54
FAA 15667-A	Motor assembly (top control)-less brackets	1	LA76	54
FAA 15668-B	Switch assembly (top control)-2 terminal type	1	LA76	52-54
FAA 15668-C	Switch assembly (top control)-3 terminal type	1	LA76	52-53
FAA 15669-A	Bracket assembly (motor mounting top control)-less grommet and spacer	2	LA76	54
FAA 15672-A	Relay assembly (top control)	1	LA76	52
FAB 15672-A	Relay assembly (top control)-used for 4-way seat	2	LA	53-54
FAB 15672-A	Relay assembly (top control)	1	LA76	53-54
FAB 15672-A	Relay assembly (top control)-used for 2-way seat	1	LA	53-54
FAB 15674-A	Knob assembly (top control)	1	LA76	52-54
FAA 15676-A	Bracket (top control switch mounting)	1	LA76	52-54
FAA 15677-A	Bezel (top control knob)	1	LA76	52-54
FAC 15678-A	Switch assy (top control limit)-with 51-1/2" wire	1	LA76	52-53
FAA 15679-A	Insert (top control motor support spacer)	4	LA76	52-54
FAA 15803-AP	Housing (control selector indicator lamp)	1	LA	52-54
FAB 15805-A	Dial (transmission control selector)-for single range	1	LA	52
FAB 15805-C	Dial (transmission control selector)-for dual range -plain face with gold grooves	1	LA	52
FAC 15805-A	Dial (transmission control selector)-for dual range -with toothed face	1	LA	53
FAD 15805-A	Dial (transmission control selector)-for dual range -hacked face with gold grooves	1	LA	54
FAB 15812-A	Switch assembly (transmission gear shift neutral)	1	LA	52-54
FAD 15812-A	Switch assy (transmission control selector)-used with power steering	1	LA	53-54
FAA 15850-C	Lamp assy (hand brake signal)-disconnect type-20" lead off	1	LA	52-53
FDD 15850-B	Lamp assy (hand brake signal)-less flasher-12" lead off	1	LA	54
OH 15853	Bracket assembly (hand brake signal lamp)	1	LA	52-54
FAA 15858-A	Flasher (hand brake signal lamp)	1	LA	52-53

Lincoln Cosmopolitan and Capri

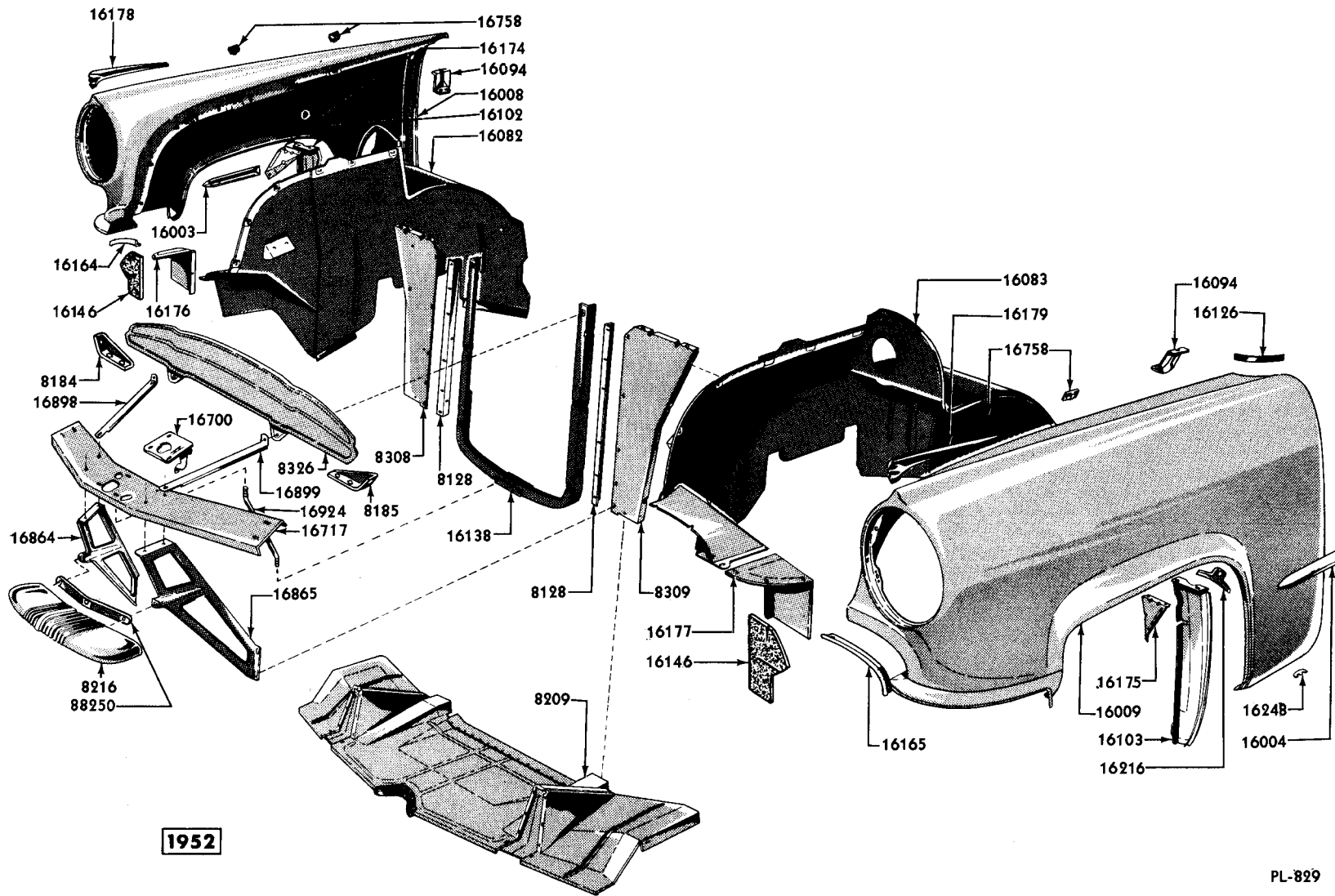
CHASSIS PARTS CATALOGUE

PART NUMBER	CLASS	PART NAME	NO. REQ'D	MODEL	YEAR 19__
Front Fender					
BD 16003-A		Moulding (front fender)-R. H. -13-5/8" long	1	LA	52-53
BS 16003-A		Moulding (front fender)-49-27/64" long	2	LA	54
BD 16004-A		Moulding (front fender)-L. H. -13-5/8" long	1	LA	52-53
		352262-S8 Clip assy (moulding)-moulding to front fender	2	LA	54
		352631-S8 Clip (moulding)-moulding to front fender	8	LA	54
		357786-S8 Clip (moulding)-moulding to front fender	2	LA	52-53
		34803-S7 Lockwasher-No. 10-moulding to front fender	2or4	LA	52-54
		34053-S8 Nut (hex)-No. 10-24-moulding to front fender	2or4	LA	52-54
		357527-S8 Retainer (moulding)-moulding front fender	4	LA	52-53
		44713-S8 Washer (flat)-No. 10-moulding to front fender	2or4	LA	52-54
BD 16008-A		Fender assy (front)-less cowl top and opening brace brackets-R. H.	1	LA	52-53
BS 16008-A		Fender assy (front)-less brackets and front end stone deflector-R. H.	1	LA	54
BD 16009-A		Fender assy (front)-less cowl top and opening brace brackets-L. H.	1	LA	52-53
BS 16009-A		Fender assy (front)-less brackets and front end stone deflector-L. H.	1	LA	54
		351724-S2 Bolt (hex-hd)-5/16"-24 x 3/4"-fender to pillar or cowl top panel	2	LA	52-54
		24347-S7-8 Bolt (hex hd)-5/16"-24 x 3/4"-fender to lower radiator air deflector	4	LA	54
		43264-S8 Bolt and washer (hex head)-5/16"-24 x 7/8"-fender to fender apron	5or6	LA	52-54
		43264-S8 Bolt and washer (hex head)-5/16"-24 x 7/8"-fender to upper radiator air deflector	5or6	LA	52-54
		353486-S8 Bolt and washer (hex head)-5/16"-24 x 1-1/8"-fender to rocker panel	4	LA	52-54
		34806-S7 Lockwasher-5/16"-fender to pillar or cowl side	2	LA	52-54
		34806-S7 Lockwasher-5/16"-fender to lower radiator air deflector	4	LA	54
		33798-S8 Nut (hex)-5/16"-24-fender to pillar or cowl side	2	LA	52-54
		33798-S8 Nut (hex)-5/16"-24-fender to lower radiator air deflector	4	LA	54
		357261-S2 Nut (retainer)-5/16"-24-fender to upper radiator air deflector	5or6	LA	52-54

Lincoln Continental and Capri

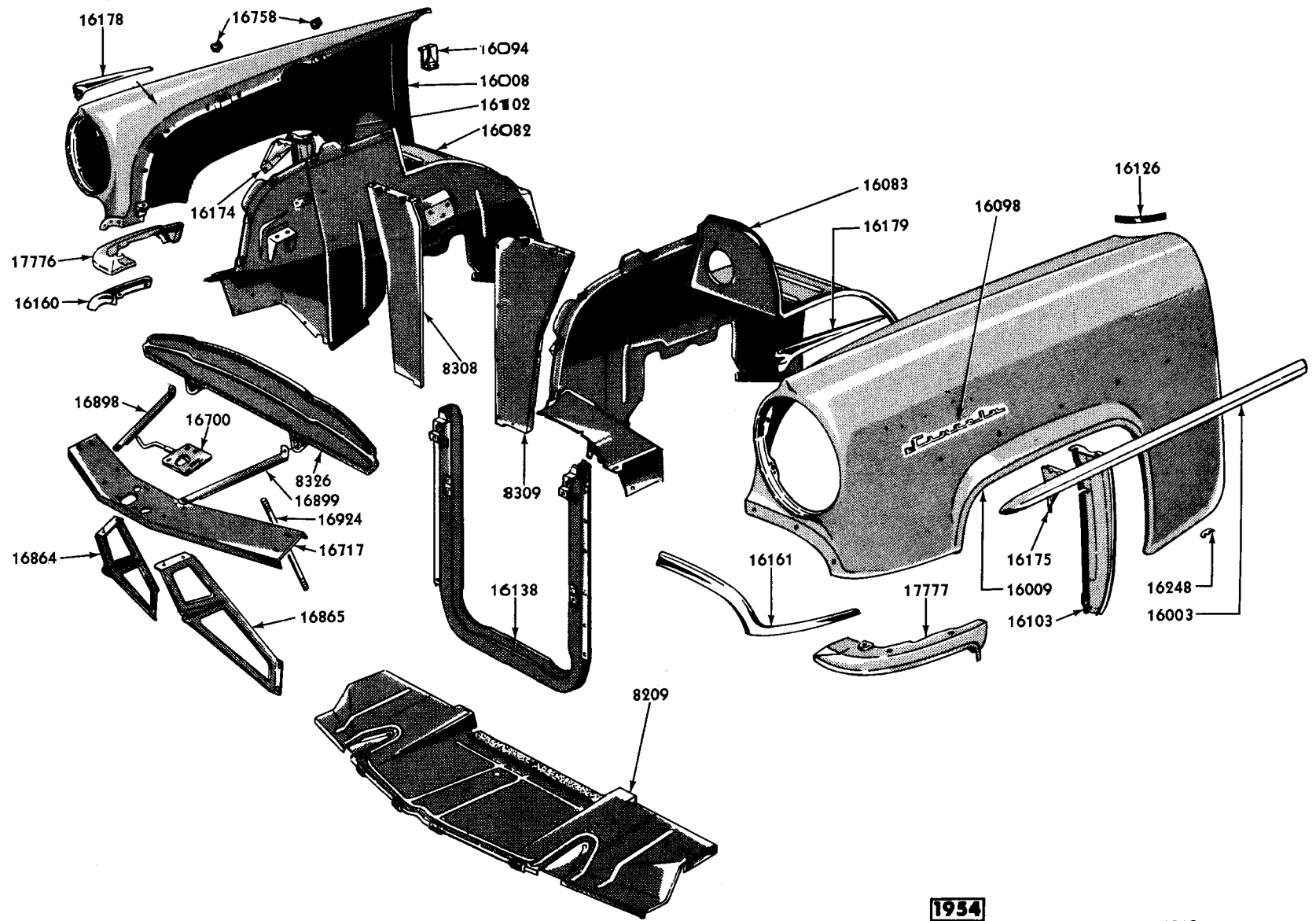
CHASSIS PARTS CATALOGUE

Front Fender—Continued



FRONT END AND RELATED PARTS

Basic numbers only shown on illustration. Order by Part Numbers shown in list of parts.



1954

PL-1012

FRONT END AND RELATED PARTS

Basic numbers only shown on illustration. Order by Part Numbers shown in list of parts.

Lincoln Cosmopolitan and Capri

CHASSIS PARTS CATALOGUE

PART NUMBER	PART NAME	NO. REQ'D	MODEL	YEAR 19__
Front Fender—Continued				
357261-S2	Nut (retainer)-5/16"-24-fender to fender apron	5or6	LA	52-54
357261-S2	Nut (retainer)-5/16"-24-fender to lower radiator air deflector	4	LA	54
357480-S32	Nut (spring)-5/16"-10-fender to pillar or cowl top panel	2	LA	52-54
42906-S8	Screw and lockwasher (hex-hd)-1/4"-20 x 3/4"-fender to spacer and cowl panel	4	LA	52-54
44720-S8	Washer (flat)-1/4"-fender to spacer and cowl panel	4	LA	52-54
44722-S8	Washer (flat)-5/16"-fender to pillar or cowl top panel	2	LA	52-54
44722-S8	Washer (flat)-5/16"-fender to lower radiator air deflector	4	LA	54
44724-S8	Washer (flat)-5/16"-fender to fender apron	5or6	LA	52-54
44724-S8	Washer (flat)-5/16"-fender to upper radiator air deflector	5or6	LA	52-54
44724-S8	Washer (flat)-5/16"-fender to rocker panel	4	LA	52-54
44725-S8	Washer (flat)-5/16"-fender to top panel	as reqd	LA	52-54
BD 16082-B	Apron and deflector assembly (front fender)-R. H.	1	LA	52
BH 16082-A	Apron and deflector assembly (front fender)-R. H.	1	LA	53
BS 16082-A	Apron and deflector assembly (front fender)-R. H.	1	LA	54
BD 16083-B	Apron and deflector assembly (front fender)-L. H.	1	LA	52
BH 16083-A	Apron and deflector assembly (front fender)-L. H.	1	LA	53
BS 16083-A	Apron and deflector assembly (front fender)-L. H.	1	LA	54
24347-S8	Bolt (hex-hd)-5/16"-24 x 3/4"-deflector to splash shield	6or8	LA	52-54
24347-S8	Bolt (hex-hd)-5/16"-24 x 3/4"-deflector to fender	2	LA	52-54
24347-S8	Bolt (hex-hd)-5/16"-24 x 3/4"-deflector extension to splash shield	4	LA	52-54
24347-S8	Bolt (hex-hd)-5/16"-24 x 3/4"-deflector to front bumper end stone deflector	2	LA	54
24347-S8	Bolt (hex-hd)-5/16"-24 x 3/4"-deflector to radiator air side inner support	6	LA	54
353486-S8	Bolt & washer (hex-hd)-5/16"-24 x 1-1/8"-apron to lower dash bracket	2	LA	52-54
353486-S8	Bolt & washer (hex-hd)-5/16"-24 x 1-1/8"-apron splash panel to upper dash panel bracket	4	LA	52-54
34806-S7	Lockwasher-5/16"-deflector to fender	2	LA	52-54
34806-S7	Lockwasher-5/16"-deflector to splash shield	6or8	LA	52-54
34806-S7	Lockwasher-5/16"-deflector extension to splash shield	4	LA	52-54

Lincoln and Lincoln Cosmopolitan

CHASSIS PARTS CATALOGUE

PART NUMBER	PART NAME	NO. REQ'D	MODEL	YEAR 19__
Front Fender—Continued				
34806-S7	Lockwasher-5/16"-deflector to front bumper end stone deflector	2	LA	54
34806-S7	Lockwasher-5/16"-deflector to radiator air side inner support	6	LA	54
33798-S8	Nut (hex)-5/16"-24-deflector to front bumper end stone deflector	2	LA	54
33798-S8	Nut (hex)-5/16"-24-deflector to fender	2	LA	54
33798-S8	Nut (hex)-5/16"-24-deflector to radiator air side inner support	6	LA	54
33798-S8	Nut (hex)-5/16"-24-deflector to splash shield	6or8	LA	52-54
33798-S8	Nut (hex)-5/16"-24-deflector extension to splash shield	4	LA	52-54
357256-S2	Nut (retainer)-5/16"-24-apron to lower dash bracket	2or4	LA	52-54
357256-S2	Nut (retainer)-5/16"-24-apron splash panel to upper dash panel bracket	4	LA	52-54
352285-S	Plug (bottom)-plug 1-1/2" hole L. H. apron	1	LA	54
44722-S8	Washer (flat)-5/16"-deflector to fender	2	LA	54
44722-S8	Washer (flat)-5/16"-deflector to frame-bumper end stone deflector	2	LA	54
44724-S8	Washer (flat)-5/16" deflector to radiator air side inner support	12	LA	54
44724-S8	Washer (flat)-5/16"-deflector to splash shield	6or8	LA	52-54
44724-S8	Washer (flat)-5/16"-deflector extension to splash shield	4	LA	52-54
44724-S8	Washer (flat)-5/16"-apron to lower dash bracket	2	LA	52-54
44724-S8	Washer (flat)-5/16"-apron splash panel to upper dash panel bracket	4	LA	52-54
BD 16088-A	Brace assembly (front fender opening)-rear-R. H.	1	LA	52
BD 16089-A	Brace assembly (front fender opening)-rear-L. H.	1	LA	52
BD 16094-A	Bracket (front fender to cowl)	2	LA	52-54
BD 16098-A	Plate (quarter panel name)-"Capri"-6" long	2	LA60A-73B-76A	52-54
BD 16098-B	Plate (quarter panel name)-"Cosmopolitan"-11" long	2	LA60C-73A	52-53
BS 16098-A	Plate (front fender name)-"Lincoln"-14-5/8" long	2	LA	54
353577-S8	Nut (sleeve)-1/8"-name plate to fender	10	LA	54
355891-S8	Nut (spring)-1/8"-plate to quarter panel and door	8	LA	52-54

Lincoln Cosmopolitan and Capri

CHASSIS PARTS CATALOGUE

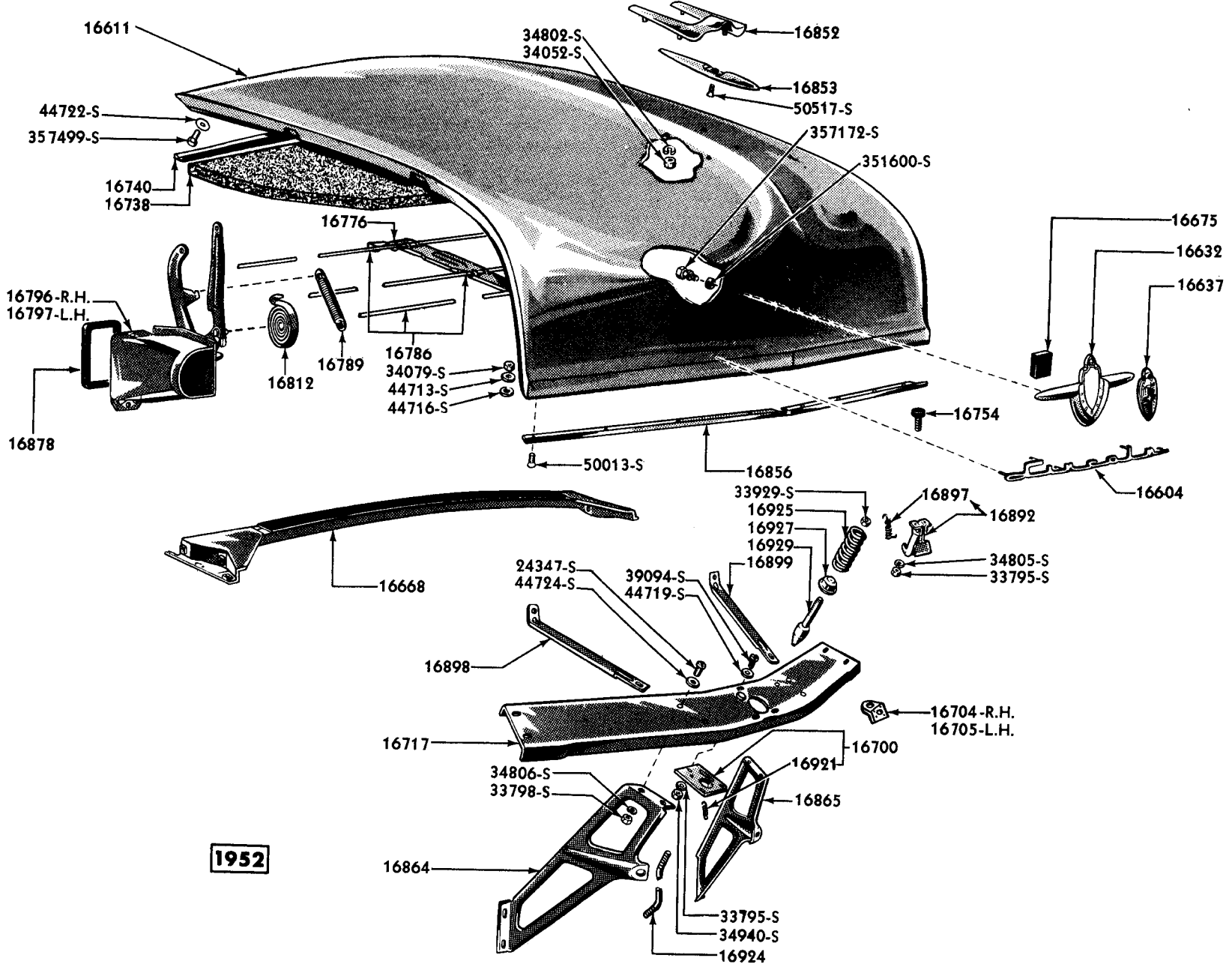
PART NUMBER	CLAS	PART NAME	NO. REQ'D	MODEL	YEAR 19__
Front Fender—Continued					
BD 16102-A		Shield (front fender splash rear)-R. H.	1	LA	52-54
BD 16103-A		Shield (front fender splash rear)-L. H.	1	LA	52-54
		353486-S8 Bolt & washer (hex-hd)-5/16"- 24 x 1-1/8"-shield to cowl panel extension	6	LA	52-54
		33798-S8 Nut (hex)-5/16"-24-shield to cowl panel extension	6	LA	52-54
		44722-S8 Washer (flat)-5/16"-shield to cowl panel extension	6	LA	52-54
BA 16110-A		Weatherstrip (front fender rear splash shield)- 19-1/2" long	2	LA	52-54
BD 16126-B		Seal (front fender to cowl)-6-1/2" long Plastic	2	LA	52-54
LA 16138-D		Support assy (front fender apron and radiator)	1	LA	52
LA 16138-G		Support assy (front fender apron and radiator)-with tie bar support bracket	1	LA	53
LA 16138-L		Support assy (front fender apron and radiator)-with inner air deflector support welded in position	1	LA	54
		24469-S7 Bolt (rd-hd carriage)-3/8"-24 x 1/2"-support to frame	2	LA	52-54
		33800-S8 Nut (hex)-3/8"-24-support to frame	2	LA	52-54
		356595-S Plate (rad. support locking)	1	LA	52-53
		357009-S8 Plate assy (rad. support locking)	1	LA	54
BD 16146-A		Seal (parking lamp splash shield)	2	LA	52-53
LA 16156-A		Bar (front fender apron and radiator support tie)	1	LA	53-54
		24327-S7-8 Bolt (hex-hd)-5/16"-24 x 5/8"- bar to apron and radiator support	2	LA	53-54
		357624-S7 Lockwasher-5/16"-bar to apron and radiator support	2	LA	53-54
BS 16160-A		Moulding assembly (front fender)-front-R. H.	1	LA	54
BS 16161-A		Moulding assembly (front fender)-front-L. H.	1	LA	54
		34903-S8 Lockwasher-No. 10-moulding to fender	6	LA	54
		34053-S8 Nut (hex)-No. 10-24-moulding to fender	6	LA	54
		351600-S8 Washer (cup)-No. 12-moulding to fender	6	LA	54
BD 16164-A		Moulding (front fender)-front-R. H.	1	LA	52-53
BD 16165-A		Moulding (front fender)-front-L. H.	1	LA	52-53
		34823-S2 Lockwasher-No. 10-moulding to fender	6	LA	52-53
		34079-S7 Nut (hex)-No. 10-32-moulding to fender	6	LA	52-53
		50013-S13 Screw (flat hd cross recessed)- No. 10-32 x 1/2"-moulding to fender	6	LA	52-53
		351331-S7 Washer (flat)-1/4"-moulding to fender	6	LA	52-53
BD 16170-A		Weatherstrip (front fender apron splash panel)-38" long	2	LA	52-54

Lincoln and Lincoln Cosmopolitan

CHASSIS PARTS CATALOGUE

PART NUMBER	PART NAME	NO. REQ'D	MODEL	YEAR 19__
Front Fender—Continued				
BD 16174-A	Brace (front fender opening)-rear-R. H.	1	LA	52-54
BD 16175-A	Brace (front fender opening)-rear-L. H.	1	LA	52-54
	24347-S8 Bolt (hex-hd)-5/16"-24 x 3/4"- brace to fender	2	LA	52-54
	353486-S8 Bolt & washer (hex)-5/16"-24 x 1-1/8"-brace to deflector	4	LA	54
	34806-S7 Lockwasher-5/16"-brace to fender	2	LA	52-54
	33798-S8 Nut (hex)-5/16"-24-brace to fender	2	LA	52-54
	357256-S2 Retainer assy (nut)-5/16"-24- brace to deflector	4	LA	54
	44724-S8 Washer (flat)-5/16"-brace to fender	2	LA	52-54
	44724-S8 Washer (flat)-5/16"-brace to deflector	4	LA	54
BD 16176-B	Shield (parking lamp splash)-R. H.	1	LA	52-53
BD 16177-B	Shield (parking lamp splash)-L. H.	1	LA	52-53
BD 16178-A	Ornament assembly (front fender)-R. H.	1	LA	52-54
BD 16179-A	Ornament assembly (front fender)-L. H.	1	LA	52-54
	8M-8219 Spacer (square)-ornament to fender	6	LA	52-54
	34823-S2 Lockwasher-No. 10-ornament to fender	6	LA	52-54
	34053-S8 Nut (hex)-No. 10-24-ornament to fender	6	LA	52-54
LA 16183-A	Extension (radiator and front fender apron support reinf.)-weld to LA-16138-G for Air Conditioning only	1	LA60-73	53
LA 16186-A	Pad (front fender apron and radiator support)	as reqd	LA	52-54
BD 16195-A	Spacer (fender bracket cowl)	as reqd	LA	52-54
BD 16216-A	Bracket (front fender opening brace)	2	LA	52-54
BD 16246-A	Seal (front fender to body pillar)-1-1/4" x 2-13/64" x 1/4" thick	2	LA	52-54
BA 16248-A	Spacer (front fender to rocker panel)	as reqd	LA	52-54
BD 16252-A	Weatherstrip (front fender apron to frame)-front- 7-3/4" long	2	LA	52-54
BA 16254-A	Weatherstrip (front fender apron to frame)-13-3/8" long	4	LA	54
BD 16254-A	Weatherstrip (front fender apron to frame)-rear- -12-13/16" long	2	LA	52-54
BD 16262-A	Weatherstrip (front fender apron to dash brace)-12" long	2	LA	52-54
BD 16296-A	Bracket (front fender apron to dash)-upper	2	LA	52-54
LA 13550-C	Shield (radiator splash)-with 5/8" x 1-1/4" slot for radiator drain hose	1	LA	52-54
	39909-S7 Screw (hex washer head)-5/16" -18 x 3/4"-shield to fender apron and radiator support	2	LA	52-54

Hood



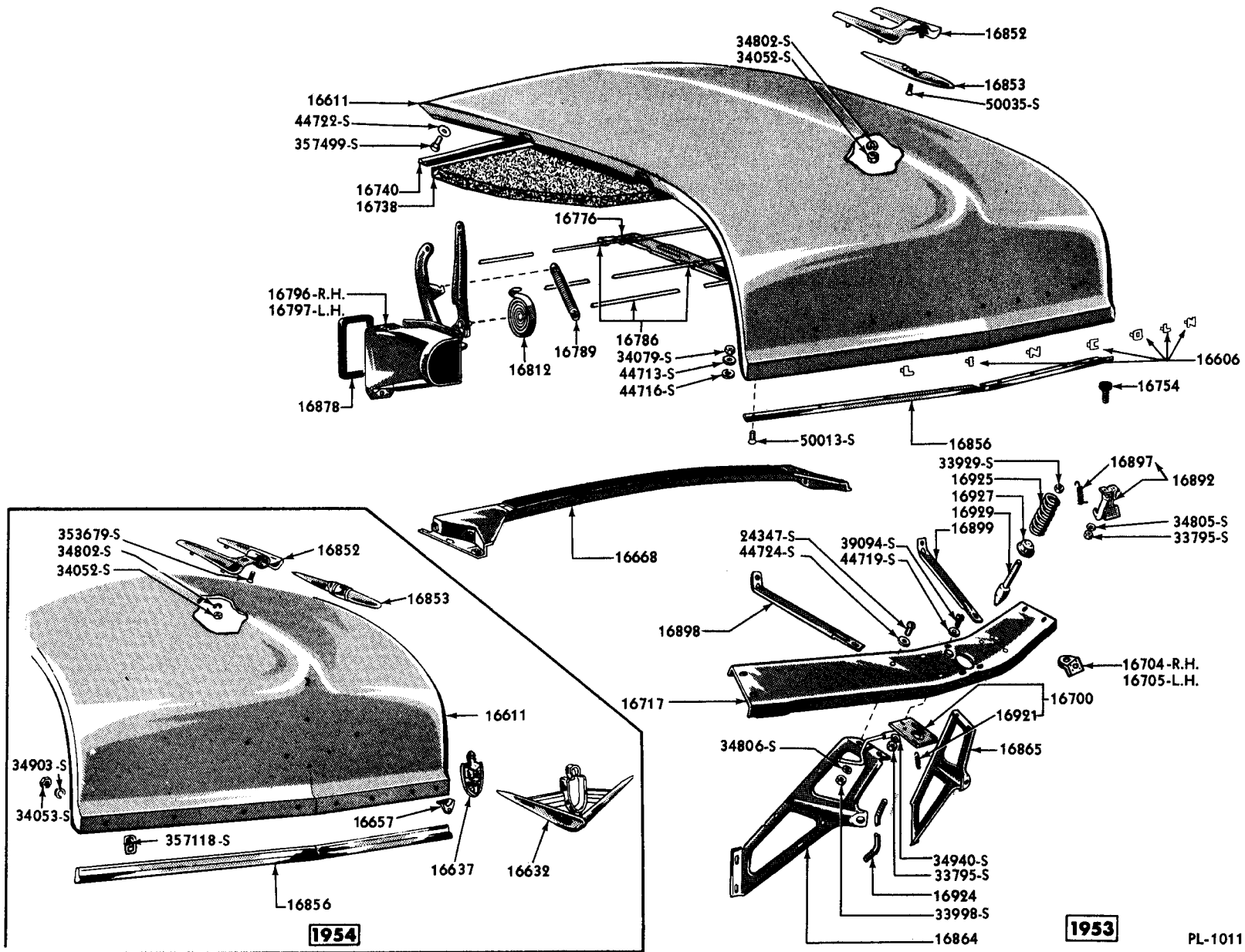
1952

HOOD AND RELATED PARTS

Basic numbers only shown on illustration. Order by Part Numbers shown in list of parts.

PL-834

Hood — Continued



1954

1953

PL-1011

HOOD AND RELATED PARTS

Basic numbers only shown on illustration. Order by Part Numbers shown in list of parts.

Lincoln and Lincoln Cosmopolitan

CHASSIS PARTS CATALOGUE

PART NUMBER	PART NAME	NO. REQ'D	MODEL	YEAR 19__
Hood—Continued				
BD 16604-A	Plate (hood name)-"Lincoln"-14" long	1	LA	52
	350786-AS7-8 Nut (spring)-1/8"-plate to hood	6	LA	52
BH 16606-A	Letter (hood front)-"L"	2	LA	53
BH 16606-B	Letter (hood front)-"T"	1	LA	53
BH 16606-C	Letter (hood front)-"N"	2	LA	53
BH 16606-D	Letter (hood front)-"C"	1	LA	53
BH 16606-E	Letter (hood front)-"O"	1	LA	53
BH 16611-B	Hood assembly-less ornaments	1	LA	52-54
	357499-S8 Bolt (hex-hd shoulder)-5/16"- 24 x 3/4"-hood to hood hinge brackets	4	LA	52-54
	356383-S7 Washer (spring)-5/16"-hood to hood hinge brackets	4	LA	52-54
	44722-S8 Washer (flat)-5/16"-hood to hood hinge brackets	4	LA	52-54
BD 16632-A	Retainer assembly (hood front ornament)	1	LA	52
BS 16632-A	Retainer assembly (hood front ornament)	1	LA	54
	34823-S2 Lockwasher-No. 10-retainer to hood	4	LA	52
	34903-S8 Lockwasher (external tooth)- No. 10-retainer to hood	5	LA	54
	34053-S8 Nut (hex)-No. 10-24-retainer to hood	4	LA	52
	34053-S8 Nut (hex)-No. 10-24-retainer to hood	5	LA	54
	357172-S8 Screw and washer (hex-hd)-No. 10-24 x 5/8"-retainer to hood	1	LA	52
	352775-S34 Stud (screw)-No. 10-24 x 1"- retainer to hood	4	LA	52
	44713-S8 Washer (flat)-No. 10-retainer to hood	4	LA	54
	351600-S8 Washer (cup)-No.12 (7/32" I. D. x 5/8" O.D.)-retainer to hood	5	LA	52
	351600-S8 Washer (cup)-No. 12 (7/32" I. D. x 5/8" O.D.)-retainer to hood	2	LA	54
BD 16637-B	Ornament (hood front)-Plastic	1	LA	52, 54
	34903-S8 Lockwasher (external tooth)- No. 10-ornament to retainer	1	LA	54
	34053-S8 Nut (hex)-10-24-ornament to retainer	1	LA	54
	351291-S7 Washer (flat)-No. 10-ornament to retainer	1	LA	54
BS 16657-A	Spring (hood ornament anti rattler)-with (1) 1/4" hole	1	LA	54
BD 16668-A	Reinforcement assembly (hood)-rear	1	LA	52-54
BD 16675-A	Pad (hood front ornament)-1-3/8" x 1-3/4"	1	LA	52

Lincoln and Lincoln Cosmopolitan

CHASSIS PARTS CATALOGUE

PART NUMBER	PART NAME	NO. REQ'D	MODEL	YEAR 19__
Hood—Continued				
BD 16700-A	Lock assy (hood)-with plate type trigger	1	LA	52
BH 16700-A	Lock assy (hood)-with rod type trigger-(3) 1/4" slots	1	LA	53
BS 16700-B	Lock assy (hood)-with rod type trigger-(2) 1/4" slots and (1) 7/16" slot	1	LA	54
	39094-S8 Bolt (pan head)-1/4"-20 x 3/4" -lock to lock plate support	2	LA	52-54
	34940-S7 Lockwasher-1/4"-lock to lock plate support	2	LA	52-54
	33795-S7 Nut (hex)-1/4"-20-lock to lock plate support	2	LA	52-54
	44719-S8 Washer (flat)-1/4"-lock to lock plate support	2	LA	52-54
BD 16704-A	Support assembly (hood front bumper)-R. H.	1	LA	52-54
BD 16705-A	Support assembly (hood front bumper)-L. H.	1	LA	52-54
BD 16717-A	Support (hood lock)-less (2) 7/32" holes	1	LA	52
BH 16717-A	Support (hood lock)	1	LA	53
BS 16717-A	Support (hood lock)-with (2) 3/8" holes on flange	1	LA	54
	24327-S7-8 Bolt (hex-hd)-5/16"-24 x 5/8"- support to fender apron and deflector	4	LA	52-54
	24347-S8 Bolt (hex-hd)-5/16"-24 x 3/4"- support to support brace	2	LA	52-54
	34806-S7 Lockwasher-5/16"-support to fender apron and deflector	4	LA	52-54
	34806-S7 Lockwasher-5/16"-support to support brace	2	LA	52-54
	33798-S8 Nut (hex)-5/16"-24-support to fender apron and deflector	4	LA	52-54
	33798-S8 Nut (hex)-5/16"-24-support to support brace	2	LA	52-54
	44724-S8 Washer (flat)-5/16"-support to fender apron and deflector	4	LA	52-54
BD 16738-B	Insulator (hood)-21-1/16" x 49-15/16"	1	LA	52-54
BA 16740-A	Pad (hood)-on cowl-51" long	1	LA	52-54
	351629-S28-A2B Nail (drive)-No. 6-pad to cowl panel	11	LA	52-54
BH 16749-A	Brace assy (hood lock support)-R. H. -use with Air Conditioning only	1	LA60-73	53
BH 16750-A	Brace assy (hood lock support)-L. H. -use with Air Condition only	1	LA60-73	53
BD 16754-A	Bumper (fender to hood)-55/64" diameter	4	LA	52-54
	33925-S7 Nut (hex)-3/8"-24-bumper to hood	6	LA	52-54
BA 16758-C	Bumper (fender to hood)-35/64" height	4	LA	52-54
BD 16776-A	Retainer (hood insulator)	1	LA	52-54
	42143-S8 Screw (hex washer hd)-No. 14-10 x 3/4"-retainer to hood reinforcement	2	LA	52-54

Lincoln and Lincoln Cosmopolitan

CHASSIS PARTS CATALOGUE

PART NUMBER	PART NAME	NO. REQ'D	MODEL	YEAR 19__
Hood—Continued				
BD 16786-A	Support (hood insulator)	3	LA	52-54
BA 16789-A	Spring (hood hinge tension)-6-3/4" free length	2	LA	52
BA 16789-B	Spring (hood hinge tension)-6-21/32" free length	2	LA	52-54
BD 16796-A	Hinge assembly (hood)-less springs-R. H.	1	LA	52-54
BD 16797-A	Hinge assembly (hood)-less springs-L. H.	1	LA	52-54
	42905-S8 Bolt and washer assy (hex-hd)- 5/16"-24 x 3/4"-hinge to dash panel	6	LA	52-54
	42905-S8 Bolt and washer assy (hex-hd)- 5/16"-24 x 3/4"-hinge to cowl top	2	LA	53-54
	42905-S8 Bolt and washer assy (hex-hd)- 5/16"-24 x 3/4"-hinge to cowl side panel	4	LA	53-54
	357499-S8 Bolt (hex-hd)-5/16"-24 x 3/4"- hinge front link to hood bracket	2	LA	52-54
	357499-S8 Bolt (hex-hd)-5/16"-24 x 3/4"- hinge rear link to hood brkt.	2	LA	52-54
	34144-S8 Nut (square head)-5/16"-24- hinge to hood bracket	2	LA	52-54
	44724-S8 Washer (flat)-5/16"-hinge to dash panel	6	LA	52-54
	44724-S8 Washer (flat)-5/16"-hinge to cowl top	2	LA	53-54
	44724-S8 Washer (flat)-5/16"-hinge to cowl side panel	4	LA	53-54
	44722-S8 Washer (flat)-5/16"-hinge rear link to hood bracket	2	LA	54
	44722-S8 Washer (flat)-5/16"-hinge front link to hood bracket	2	LA	54
	351360-S7 Washer (flat)-5/16"-hinge front link to hood bracket	2	LA	52-53
	351360-S7 Washer (flat)-5/16"-hinge rear link to hood bracket	2	LA	52-53
	356383-S7 Washer (3 wave)-29/64" I. D. x 3/4" O. D. -hinge link to hinge bracket	4	LA	52-54
BF 16812-A	Spring (hood hinge lock)-2-3/16"free position radius	2	LA	52-54
BD 16852-B	Wing assy (hood top ornament)	1	LA	52
BH 16852-A	Wing assy (hood top ornament)-with hole for ornament	1	LA	53-54
BD 16853-D	Ornament (hood top)-with (1) 9/32" dia. hole	1	LA	52
BH 16853-A	Ornament (hood top)	1	LA	53-54
	34802-S7 Lockwasher-No. 8-ornament to hood	4	LA	52-54
	34052-S7 Nut (hex)-No. 8-32-ornament to hood	4	LA	52-54
	50517-S13 Screw (pan hd)-1/4"-20 x 1/2" -ornament to wing	1	LA	52
	353679-S100 Screw (socket head)-#10-32 x 29/64" ornament to wing assy	1	LA	53-54
	44710-S8 Washer (flat)-No. 8-ornament to hood	4	LA	52-54

Lincoln and Lincoln Cosmopolitan

CHASSIS PARTS CATALOGUE

PART NUMBER	PART NAME	NO. REQ'D	MODEL	YEAR 19__
Hood—Continued				
BD 16856-A	Moulding (hood front)-lower-bolt on type	1	LA	52-53
BS 16856-A	Moulding (hood front)-lower-clip on type	1	LA	54
	357118-S8 Clip (moulding)-moulding to hood	8	LA	54
	34903-S8 Lockwasher-No. 10-moulding to hood	8	LA	54
	34053-S8 Nut (hex)-No. 10-24-moulding to hood	8	LA	54
	34079-S7 Nut (hex)-No. 10-32-moulding to hood	8	LA	52-53
	50013-S13 Screw (flat head cross recess)-No. 10-32 x 1/2"-moulding to hood	8	LA	52-53
	44713-S8 Washer (flat)-No. 10-moulding to hood	8	LA	52-53
	44716-S8 Washer (flat)-1/4"-moulding to hood	2	LA	52-53
	351377-S7 Washer (flat)-3/8"-moulding to hood	6	LA	52-53
BD 16864-A	Brace (hood lock support)-R. H. -with hole for ornament mtg.	1	LA	52
BH 16864-A	Brace (hood lock support)-R. H. -with (2) 11/32" dia holes for attaching grille ornament bracket-with hole for ornament mtg.	1	LA	53
BS 16864-A	Brace (hood lock support)-R. H.	1	LA	54
BD 16865-A	Brace (hood lock support)-L. H. -with hole for ornament mtg.	1	LA	52
BH 16865-A	Brace (hood lock support)-L. H. -with (2) 11/32" dia holes for attaching grille ornament bracket-with hole for ornament mtg.	1	LA	53
BS 16865-A	Brace (hood lock support)-L. H.	1	LA	54
	24387-S7 Bolt (hex-hd)-5/16"-24 x 1"-brace to air deflector support	4	LA	52-54
	34806-S7 Lockwasher-5/16"-brace to air deflector support	4	LA	52-54
	33798-S8 Nut (hex)-5/16"-24-brace to air deflector support	4	LA	52-54
	33796-S7 Nut (square)-1/4"-28-brace to ornament brace	3	LA	54
	42904-S8 Screw and washer assy (hex-hd)-1/4"-28 x 5/8"-brace to ornament brace	3	LA	54
	44720-S8 Washer (flat)-1/4"-brace to ornament brace	3	LA	54
	44724-S8 Washer (flat)-5/16"-brace to air deflector support	8	LA	52-54
BD 16878-A	Seal (hood hinge bracket to body)-Rubber-4-17/64" x 5-31/32"	2	LA	52-54

Lincoln and Lincoln Cosmopolitan

CHASSIS PARTS CATALOGUE

PART NUMBER	PART NAME	NO. REQ'D	MODEL	YEAR 19__
Hood — Continued				
BC 16892-A	Hook assy (hood auxiliary catch)-with 1" x 2-1/4" plate handle	1	LA	52
BH 16892-A	Hook assembly (hood auxiliary catch)-with rod type release handle	1	LA	53
BR 16892-A	Hook assy (hood auxiliary catch)-with 5/8" x 2-1/4" plate handle	1	LA	54
	34805-S8 Lockwasher-1/4"-hook to latch dowel support	2	LA	52-54
	33795-S7 Nut (hex)-1/4"-20-hook to latch dowel support	2	LA	52-54
BC 16897-A	Spring (hood auxiliary latch)-17-1/4 coils-1-1/8" long	1	LA	52-53
BH 16898-A	Brace (hood lock support to radiator support)-R. H. -11-35/64" formed length	1	LA	52-54
BH 16898-B	Brace (hood lock support to radiator support)-R. H. -4" formed length-use with Air Conditioning only	1	LA60-73	53
BH 16899-A	Brace (hood lock support to radiator support)-L. H. -11-35/64" formed length	1	LA	52-54
BH 16899-B	Brace (hood lock support to radiator support)-L. H. -4" formed length-use with Air Conditioning only	1	LA60-73	53
	24347-S8 Bolt (hex-hd)-5/16"-24 x 3/4"-brace to hood lock support brace	2	LA	52-54
	24347-S8 Bolt (hex-hd)-5/16"-24 x 3/4"-brace to condenser mtg.brkt. use with Air Conditioning	2	LA60-73	53
	43264-S8 Bolt & washer (hex-hd)-5/16"-24 x 7/8"-brace to apron and radiator support	2	LA	52-54
	34806-S7 Lockwasher-5/16"-brace to hood lock support brace	2	LA	52-54
	34806-S7 Lockwasher-5/16"-brace to condenser mtg. bracket-use with Air Conditioning	2	LA60-73	53
	33798-S8 Nut (hex)-5/16"-24-brace to hood lock support brace	2	LA	52-54
	44722-S8 Washer (flat)-5/16"-brace to hood lock support brace	2	LA	52-54
	44722-S8 Washer (flat)-5/16"-brace to condenser-use with Air Conditioning	2	LA60-73	53
7EH 16921	Spring (hood latch trigger)	1	LA	52-54
BD 16924-A	Brace (hood lock support to radiator support)-lower -20" formed length	1	LA	52

Lincoln and Lincoln Cosmopolitan

CHASSIS PARTS CATALOGUE

PART NUMBER	PART NAME	NO. REQ'D	MODEL	YEAR 19__
-------------	-----------	-----------	-------	--------------

Hood — Continued

BH 16924-A	Brace (hood lock support to radiator support)-lower -19-3/4" formed length	1	LA	53
BS 16924-A	Brace (hood lock support to radiator support)-lower -19-11/16" formed length	1	LA	54
	34807-S8 Lockwasher-3/8"-brace to lower radiator support to frame	1	LA	54
	34807-S8 Lockwasher-3/8"-brace to hood lock support	1	LA	52-54
	34807-S8 Lockwasher-3/8"-brace to apron and radiator support	1	LA	52-53
	33799-S7 Nut (hex)-3/8"-16-brace to lower radiator support to frame	2	LA	54
	33799-S7 Nut (hex)-3/8"-16-brace to apron and radiator support	1or2	LA	52-53
	33799-S7 Nut (hex)-3/8"-16-brace to hood lock support	1	LA	52-54
	34164-S7 Nut (blind)-3/8"-16-brace to hood lock support	1	LA	52-54
	44727-S8 Washer (flat)-3/8"-brace to lower radiator support to hood lock support	2	LA	54
BA 16925-A	Spring (hood lock)-7-1/2 coils	1	LA	52-54
16H 16927	Guide (hood lock spring)	1	LA	52-54
BA 16929-A	Dowel (hood lock)	1	LA	52-54
	33929-S7 Nut (hex check)-1/2"-20-dowel to dowel support	1	LA	52-54
BH 16961-A	Guide (hood lock lever)	1	LA	53-54
	42007-S8 Screw (hex-hd)-No. 10-12 x 1/2" -guide to hood lock support	2	LA	53-54

Tools

B 17005-A	Bag assembly (tool)	1	LA	52-54
AB 17035-A	Wrench (jack handle and wheel nut)	1	LA	52-54
LA 17080-A	Jack assy (bumper)-two leg crank type-with 3-3/4" lifting lip	1	LA	52-54

Speedometer

FAA 17255-C	Speedometer assy (miles)-with 12 graduations- -Black background	1	LA	52
FAF 17255-A	Speedometer assy (miles)-with 13 graduations- -Black background	1	LA	53
FAG 17255-A	Speedometer assy (miles)-with 13 graduations- -Gold background	1	LA	54
	353602-S8 Screw (hex-slotted head)-No. 8 -32 x 1/4"-speedometer to cluster back plate	6	LA	52-54
FAB 17260-B	Casing and shaft assy (speedometer)-58-5/8" long	1	LA	52
FAD 17260-A	Casing and shaft assy (speedometer)-57-1/8" long	1	LA	53-54
	B-14586 Clip-casing and shaft to frame	1	LA except 76	52-54
	7RA-14197-B Clip (wiring)-casing and shaft to brake pedal support	1or5	LA	54

Lincoln and Lincoln Cosmopolitan

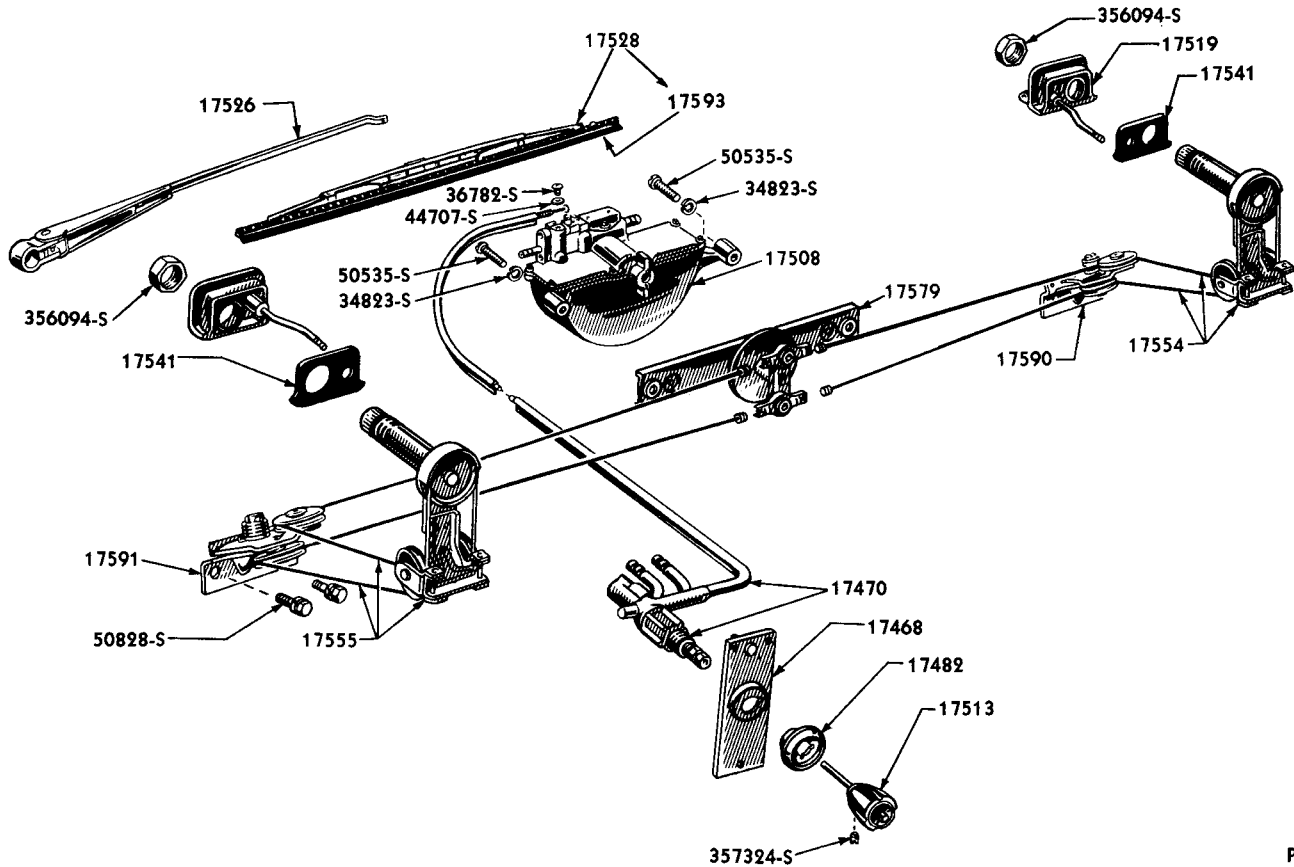
CHASSIS PARTS CATALOGUE

PART NUMBER	PART NAME	NO. REQ'D	MODEL	YEAR 19__
-------------	-----------	--------------	-------	--------------

Speedometer--Continued

	357859-S32 Clip (wire)-casing and shaft to frame	1 or 2	LA	52-54
	352961-S Grommet-7/32" x 7/8" x 7/16" -speedometer cable thru dash-Rubber	1	LA	52-54
FAB 17262-B	Shaft (speedometer cable)-58-5/8"-used with FAB-17260-B	1	LA	52
FAD 17262-A	Shaft (speedometer cable)-57-1/8" long-used with FAD-17260-A	1	LA	53-54
8L 17269	Adapter (speedometer drive)	1	LA	52-54
LA 17322-A	Gear assy (speedometer driven)-18 teeth-3.15 to 1 and 3.31 to 1 ratio rear axle	1	LA	52-54
LA 17322-B	Gear assy (speedometer driven)-22 teeth-3.92 to 1 and 4.27 to 1 ratio rear axle-heavy duty	1	LA	53-54
LA 17322-C	Gear assy (speedometer driven)-17 teeth-3.07 to 1 ratio rear axle	1	LA	52-53

Windshield Wiper



PL-710

WINDSHIELD WIPER AND RELATED PARTS

Basic numbers only shown on illustration. Order by Part Numbers shown in list of parts.

Lincoln and Lincoln Cosmopolitan

CHASSIS PARTS CATALOGUE

PART NUMBER	PART NAME	NO. REQ'D	MODEL	YEAR
Windshield Wiper—Continued				
FAA 17468-C	Bracket assy (W/S wiper control)-3-27/32" length	1	LA	52-54
OL 17470	Control assembly (W/S wiper)-26" long	1	LA	52-54
	352963-S Grommet (Rubber)-control thru cowl panel	1	LA	52-54
	26456-S13 Screw (round head)-No. 6-32 x 1/4"-control cable to wiper motor	1	LA	52-54
	44707-S8 Washer (flat)-No. 6-control cable to wiper motor	1	LA	52-54
FAA 17482-A	Bezel (W/S wiper and antenna control)-4 slot center-1-1/16" O. D.	2	LA	52-54
BD 17508-A	Motor assy (W/S wiper)-less drive-7-1/8" between mounting holes	1	LA	52-54
	34823-S2 Lockwasher-No. 10-motor to cowl top panel	2	LA	52-54
	50535-S8 Screw (pan hd cross recess)-No. 10-32 x 3/4"-motor to cowl top panel	2	LA	52-54
FAA 17513-A	Knob assembly (W/S wiper control)-Gold cap	1	LA	52
FAE 17513-A	Knob assembly (W/S wiper control)-Chrome cap	1	LA	53
FAF 17513-A	Knob assembly (W/S wiper control)-Black	1	LA60C-73A	54
FAF 17513-B	Knob assembly (W/S wiper control)-Off White	1	LA60A-73B-76	54
	357324-S8 Screw (headless set)-No. 8-36-knob button to knob spring	1	LA	52-54
BD 17519-B	Spacer assy (W/S wiper mounting)-outer-R. H. - 2-1/4" hose connection	1	LA	52-54
BD 17520-B	Spacer assy (W/S wiper mounting)-outer-L. H. - 2-1/4" hose connection	1	LA	52-54
OH 17526	Arm assembly (W/S wiper)-adjustable	2	LA	52-54
MAK 17528-D	Kit (W/S wiper arm and blade display)-consists of the following (4) MAK-17464-A Kit (universal arm) (2) OH-17526 Arm (universal) (6) 8H-17528-B Blade (11" long for curved glass) (12) MAK-17528-C Blade (11" long) (6) MAK-17528-E Blade (9" long) (2) 1H-17593 Insert	as reqd	LA	52-54
8H 17528-B	Blade assembly (W/S wiper)-11"	2	LA	52-54
	1H-17593 Insert (W/S wiper blade)	2	LA	52-54
BH 17528-A	Blade assembly (W/S wiper)-arctic type	2	LA	52-54
EAD 17536-A	Tube (vacuum pump to W/S wiper hose)-Steel-28-1/2" overall length	1	LA	52
EAD 17536-B	Tube (vacuum pump to W/S wiper hose)-Steel-36-1/8" overall length	1	LA	53-54
	B2A-9296-A Clip (fuel and vacuum tubes)-⊕EAA-99356-A	2	LA	52
	352971-S8 Clip (fuel and vacuum tubes)	2	LA	53-54

Lincoln and Lincoln Cosmopolitan

CHASSIS PARTS CATALOGUE

PART NUMBER	PART NAME	NO. REQ'D	MODEL	YEAR
Windshield Wiper—Continued				
BD 17541-A	Gasket (W/S wiper pivot shaft)-outer-Leather	2	LA	52-54
06H 17543-A NS	Hose (vacuum booster to intake manifold and W/S wiper tube)-8-1/2" long-cut from 06H-17543-C	2	LA	52
06H 17543-C	Hose (W/S wiper)-25 ft. roll	as reqd	LA	52-54
BD 17543-A NS	Hose (W/S wiper)-17" long-cut from 06H-17543-C	1	LA	52-54
BD 17554-A	Housing assy (W/S wiper pivot shaft)-R. H. -with 22-3/4" cable	1	LA	52-54
BD 17555-A	Housing assy (W/S wiper pivot shaft)-L. H. -with 22-3/4" cable	1	LA	52-54
	356094-S13 Nut (octagon)-5/8"-24-housing to cowl panel	2	LA	52-54
5EH 17578 NS	Hose (W/S wiper to manifold)-3-3/4" long-cut from 06H-17543-C	1 or 2	LA	53-54
BD 17579-A	Body assembly (W/S wiper auxiliary drive)	1	LA	52-54
	BD-17590-A Tensioner assy (cable drive W/S wiper)-R. H.	1	LA	52-54
	BD-17591-A Tensioner assy (cable drive W/S wiper)-L. H.	1	LA	52-54
	50828-S13 Bolt and washer (pan hd cross recess)-1/4"-20 x 3/4"-tensioner to cowl panel	4	LA	52-54

Windshield Washer

	8L-19550-A Solution (W/S washer)-6 oz.	as reqd	LA	52-54
	8L-19550-B Solution (W/S washer)-case-consists of (12)-6 oz. containers	as reqd	LA	52-54
	BD-18293-A Kit (automatic W/S washer installation)-Refer to Accessories Group for component parts	1	LA	52
	BH-18293-A Kit (automatic W/S washer installation)-Refer to Accessories Group for component parts	1	LA	53-54
OH 17580	Hose (W/S washer)-1/8" I. D. x 40" long	1	LA	52-54
51A 17587	Tee assembly (W/S washer)	1	LA	52-54
BD 17590-A	Tensioner assembly (cable drive W/S wiper)-R. H.	1	LA	52-54
BD 17591-A	Tensioner assembly (cable drive W/S wiper)-L. H.	1	LA	52-54
1H 17593	Insert (W/S wiper blade)	2	LA	52-54
1H 17615	Fitting (W/S washer)-"Y" type-Plastic-1/4" x 3/16" x 1/4"	1	LA	52-54
8M 17616	Cover and injector assy (W/S washer)	1	LA	52-53
BH 17616-A	Cover and injector assy (W/S washer)-with plastic pump	1	LA	53-54
8M 17618	Jar (W/S washer)-Glass	1	LA	52-54
OM 17642	Valve assembly (W/S washer pump)	1	LA	52-53
OM 17664	Pump assy (W/S washer)	1	LA	52-53
BD 17665-A	Nozzle assembly (W/S washer)	2	LA	53-54
51A 17666	Jet (W/S washer)	2	LA	52-53
BD 17673-A	Grommet (W/S washer hose)	2	LA	52-54

Lincoln and Lincoln Cosmopolitan

CHASSIS PARTS CATALOGUE

PART NUMBER	PART NAME	NO. REQ'D	MODEL	YEAR 19__
Rear View Mirror				
BC-18402-A	Kit (rear view mirror installation) -outside-refer to Accessories Group for component parts	1	LA	52-54
BH-18402-A	Kit (rear view mirror installation) -outside-inside control	1	LA	53-54
BD 17690-B	Arm (rear view mirror)-inside-1-27/32" long	1	LA60-76	52-54
BD 17690-F	Arm (rear view mirror)-inside-4-13/32" long	1	LA73	52-54
BD 17690-G	Arm (rear view mirror)-inside-3-5/32" long	1	LA73	52-54
	52376-S13 Screw (oval hd cross recess)- No. 8-15 x 1"-mirror to windshield header	4	LA	52-54
BD 17702-C	Mirror assembly (rear view)-inside-less arm	1	LA	52-54

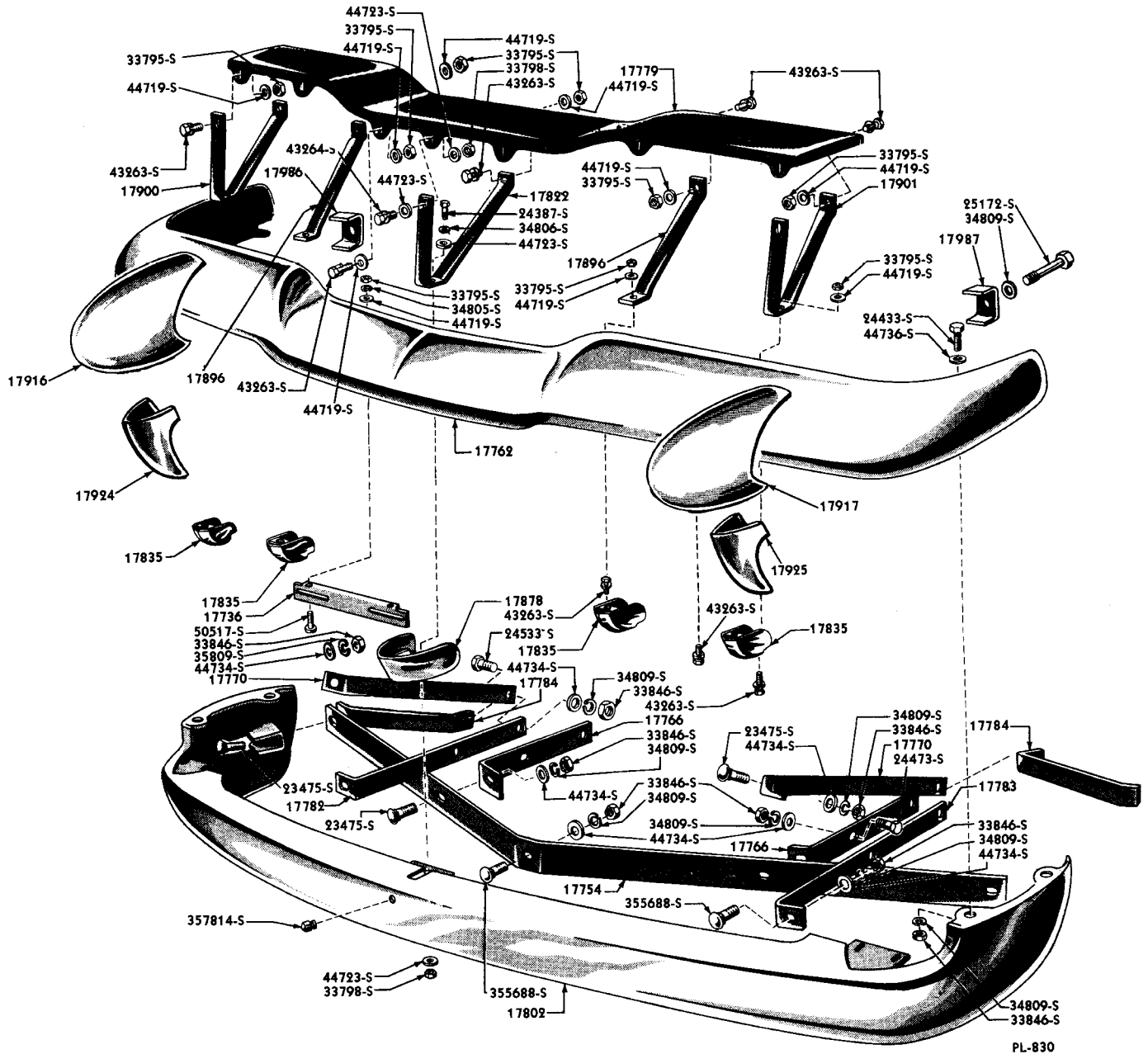
Front Bumper

BD 17736-A	Bracket (front bumper license plate mounting)- 13/16" extreme width of top side with two 5/16" x 5/8" slots	1	LA	52-53
BS 17736-A	Bracket (front license plate mounting)-1-1/8" extreme width of top side with two 5/16" holes	1	LA	54
	50517-S13 Bolt (pan hd cross recess)-1/4" -20 x 1/2"-bracket to impact bar	2	LA	52-53
	50527-S8 Bolt (cross recess pan hd)- 1/4"-20 x 5/8"-bracket to impact bar	2	LA	54
	34805-S8 Lockwasher-1/4"-bracket to impact bar	2	LA	52-54
	33795-S7 Nut (hex)-1/4"-20-bracket to impact bar	2	LA	52-54
	44719-S8 Washer (flat)-1/4"-bracket to impact bar	2	LA	52-53
BD 17754-A	Hanger (front bumper)-lower	1	LA	52-53
	23475-S8 Bolt (carriage)-1/2"-20 x 1-1/2"-hanger to bumper inner hanger	2	LA	52-53
	34809-S8 Lockwasher-1/2"-hanger to bumper inner hanger	2	LA	52-53
	33846-S8 Nut (hex-hd)-1/2"-20-hanger to bumper inner hanger	2	LA	52-53
	44734-S8 Washer (flat)-1/2"-hanger to bumper inner hanger	2	LA	52-53

Lincoln and Lincoln Cosmopolitan

CHASSIS PARTS CATALOGUE

Front Bumper — Continued



PL-830

1952-53

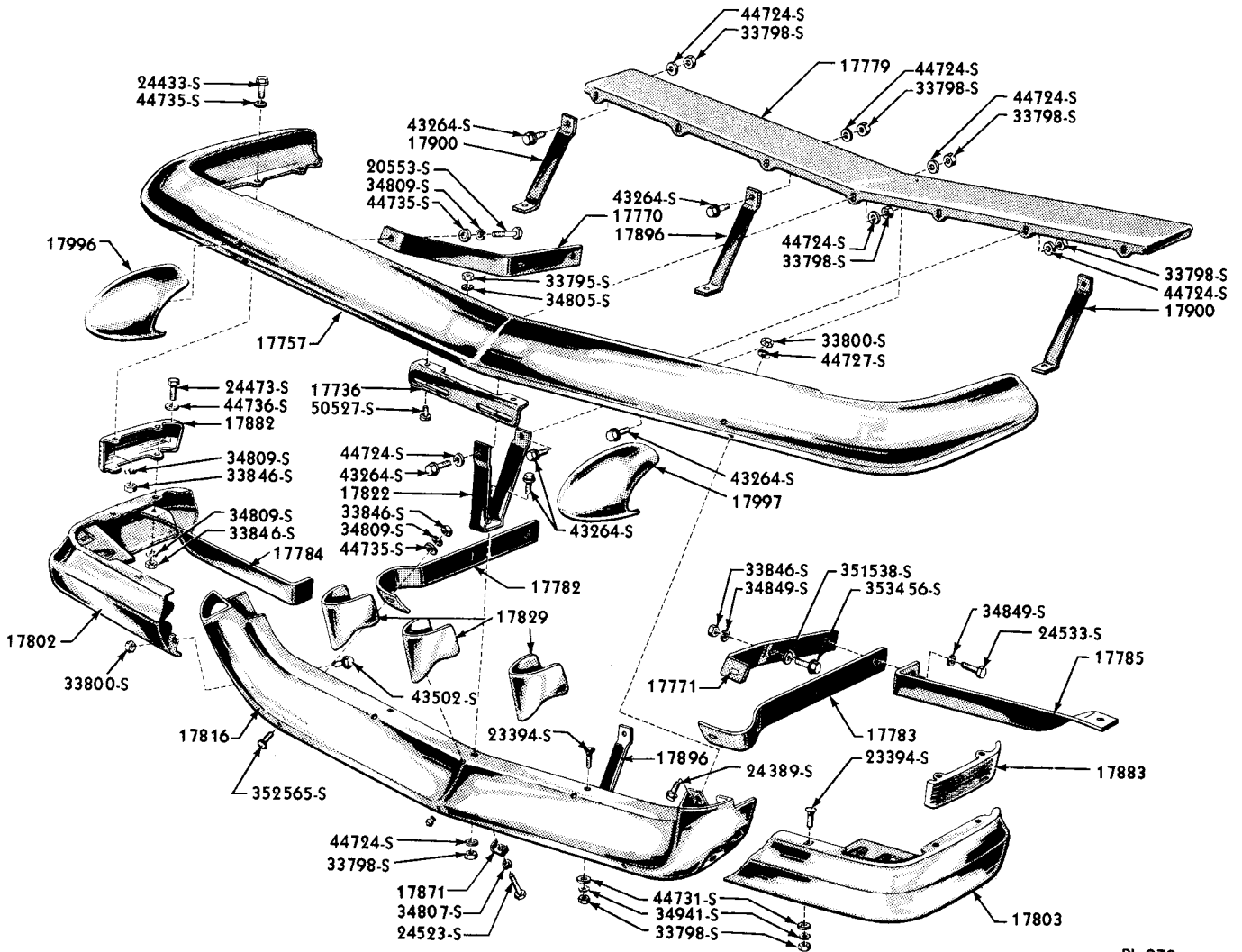
FRONT BUMPER AND RELATED PARTS

Basic numbers only shown on illustration. Order by Part Numbers shown in list of parts.

Lincoln and Lincoln Cosmopolitan

CHASSIS PARTS CATALOGUE

Front Bumper — Continued



PL-972

1954

FRONT BUMPER AND RELATED PARTS

Basic numbers only shown on illustration. Order by Part Numbers shown in list of parts.

Lincoln and Lincoln Cosmopolitan

CHASSIS PARTS CATALOGUE

PART NUMBER	PART NAME	NO. REQ'D	MODEL	YEAR 19
Front Bumper — Continued				
BS 17757-A	Bar (front bumper impact)-upper	1	LA	54
	24433-S7 Bolt (hex-hd)-1/2"-20 x 1-1/4" -bar to filler	4	LA	54
	24533-S8B Bolt (hex-hd)-1/2"-20 x 2-1/8" -bar to frame	2	LA	54
	353456-S8 Bolt (hex-hd)-1/2"-20 x 1-1/2" -bar to frame	2	LA	54
	34809-S8 Lockwasher-1/2"-bar to filler	4	LA	54
	34849-S2 Lockwasher-1/2"-bar to frame	4	LA	54
	33798-S8 Nut (hex)-5/16"-24-bar to stone deflector	6	LA	54
	33846-S8 Nut (hex)-1/2"-20-bar to frame	2	LA	54
	33846-S8 Nut (hex)-1/2"-20-bar to filler	4	LA	54
	43264-S8 Screw & washer (hex-hd)-5/16" -24 x 7/8"-bar to stone deflector	6	LA	54
	44724-S8 Washer (flat)-5/16"-bar to stone deflector	12	LA	54
	44735-S8 Washer (flat)-1/2"-bar to filler	4	LA	54
	351538-S7 Washer (flat)-3/4" I. D. x 1-3/8" O. D. -bar to frame	2	LA	54
8A 17758-B	Bolt (rear bumper bar to arm)-7/16"-20 x 1-1/2"	4	LA	54
BD 17762-C	Bar (front bumper impact)-upper	1	LA	52-53
	23505-S8 Bolt (carriage)-1/2"-20 x 1-3/4" -bar clip to lower hanger	2	LA	52-53
	24473-S7 Bolt (hex-hd)-1/2"-20 x 1-1/2" -bar to frame	4	LA	52-53
	24533-S8B Bolt (hex-hd)-1/2"-20 x 2-1/8" -bar to frame	2	LA	52-53
	353456-S8 Bolt (hex-hd)-1/2"-20 x 1-1/2" -bar to frame	2	LA	52-53
	34809-S8 Lockwasher-1/2"-bar clip to upper hanger	2	LA	52-53
	34849-S2 Lockwasher-1/2"-bar to frame	8	LA	52-53
	33846-S8 Nut (hex)-1/2"-20-bar to frame	4	LA	52-53
	33846-S8 Nut (hex)-1/2"-20-bar clip to upper hanger	2	LA	52-53
	44734-S8 Washer (flat)-1/2"-bar to frame upper hanger	6	LA	52-53
	44734-S8 Washer (flat)-1/2"-bar clip to upper hanger	2	LA	52-53
	351538-S7 Washer (flat)-3/4" I. D. x 1-3/8" O. D. -bar to frame	2	LA	52-53
BD 17766-A	Hanger (front bumper)-inner-bent-9-13/16" formed length	2	LA	52-53
BH 17766-A	Hanger (front bumper)-inner-straight-8-21/64" long	2	LA	53
BD 17770-A	Hanger (front bumper)-upper-15-7/8" formed length with 2 holes	2	LA	52-53
BS 17770-A	Hanger (front bumper)-upper-R. H. -18-3/4" formed length with 4 holes	1	LA	54

Lincoln and Lincoln Cosmopolitan

CHASSIS PARTS CATALOGUE

PART NUMBER	PART NAME	NO. REQ'D	MODEL	YEAR 19__
Front Bumper—Continued				
BS 17771-A	Hanger (front bumper)-upper-L. H. -18-3/4" formed length with 4 holes	1	LA	54
	20553-S8 Bolt (hex-hd)-1/2"-20 x 2-3/4" -hanger to guard	2	LA	54
	24533-S8 Bolt (hex-hd pointed)-1/2"-20 x 2-1/8"-hanger to frame	2	LA	54
	353456-S8 Bolt (hex-hd)-1/2"-20 x 1-1/2" -hanger to frame	2	LA	54
	34809-S8 Lockwasher-1/2"-hanger to guard	2	LA	54
	34849-S2 Lockwasher-1/2"-hanger to frame	4	LA	54
	33846-S8 Nut (hex)-1/2"-20-hanger to frame	2	LA	54
	44735-S8 Washer (flat)-1/2"-hanger to guard	2	LA	54
	351538-S7 Washer (flat)-3/4" I. D. x 1-3/8" O. D. -hanger to frame	2	LA	54
BS 17776-A	Deflector (front bumper stone end)-R. H.	1	LA	54
BS 17777-A	Deflector (front bumper stone end)-L. H.	1	LA	54
	357254-S2 Retainer (nut)-1/4"-28-deflector to fender	4	LA	54
	42904-S8 Screw & washer assy (hex-hd)-1/4"-28 x 5/8"-deflector to fender	4	LA	54
BD 17779-B	Deflector (front bumper stone)-center-55-13/64" overall length-curved	1	LA	52-53
BS 17779-A	Deflector (front bumper stone)-center-59-35/64" overall length-straight	1	LA	54
	43263-S8 Bolt & washer (hex-hd)-1/4"-20 x 5/8"-deflector to front bumper	6	LA	52-53
	43263-S8 Bolt & washer (hex-hd)-1/4"-20 x 5/8"-deflector to deflector outer brace	2	LA	52-53
	43263-S8 Bolt & washer (hex-hd)-1/4"-20 x 5/8"-deflector to deflector inner brace	2	LA	52-53
	33795-S7 Nut (hex-hd)-1/4"-20-deflector to front bumper	6	LA	52-53
	33795-S7 Nut (hex-hd)-1/4"-20-deflector to deflector outer brace	2	LA	52-53
	33795-S7 Nut (hex-hd)-1/4"-20-deflector to deflector inner brace	2	LA	52-53
	44719-S8 Washer (flat)-1/4"-deflector to front bumper	6	LA	52-53
	44719-S8 Washer (flat)-1/4"-deflector to deflector outer brace	4	LA	52-53
	44719-S8 Washer (flat)-1/4"-deflector to deflector inner brace	2	LA	52-53

Lincoln and Lincoln Cosmopolitan

CHASSIS PARTS CATALOGUE

PART NUMBER	PART NAME	NO. REQ'D	MODEL	YEAR 19__
Front Bumper—Continued				
BD 17782-A	Hanger (front bumper)-outer-R. H. -12-3/4" formed length	1	LA	52-53
BS 17782-A	Hanger (front bumper)-lower-R. H. -16-7/8" formed length	1	LA	54
BD 17783-A	Hanger (front bumper)-outer-L. H. -12-3/4" formed length	1	LA	52-53
BS 17783-A	Hanger (front bumper)-lower-L. H. -16-7/8" formed length	1	LA	54
BD 17784-A	Brace (front bumper end)-16-53/64" formed length-with center of slot 57/64" from end of brace	2	LA	52-53
BH 17784-A	Brace (front bumper end)-16-53/64" formed length-with center of slot 51/64" from end of brace	2	LA	53
BS 17784-A	Brace (front bumper end to frame)-R. H. -18-11/64" formed length	1	LA	54
BS 17785-A	Brace (front bumper end to frame)-L. H. -18-11/64" formed length	1	LA	54
	23475-S8 Bolt (carriage)-1/2"-20 x 1-1/2"-brace to lower bar	2	LA	53
	24533-S8B Bolt (hex-hd)-1/2"-20 x 2-1/8"-brace to frame	2	LA	54
	34809-S8 Lockwasher-1/2"-brace to lower bar	2	LA	53
	34849-S2 Lockwasher-1/2"-brace to frame	2	LA	54
	33846-S8 Nut (hex)-1/2"-20-brace to lower bar	2	LA	53
	44734-S8 Washer (flat)-1/2"-brace to lower bar	2	LA	53
	BD-17798-A Brace (front bumper upper arm)-R. H.	1	LA	52-53
	BD-17799-A Brace (front bumper upper arm)-L. H.	1	LA	52-53
	355688-S8 Bolt (carriage)-1/2"-20 x 1-1/2"-brace to outer arm to bar	2	LA	52-53
	34809-S8 Lockwasher-1/2"-brace to outer arm to bar	2	LA	52-53
	33846-S8 Nut (hex)-1/2"-20-brace to outer arm to bar	2	LA	53
	44734-S8 Washer (flat)-1/2"-brace to outer arm to bar	2	LA	53
	23475-S8 Bolt (carriage)-1/2"-20 x 1-1/2"-brace to upper arm to bar	2	LA	53
	34809-S8 Lockwasher-1/2"-brace to upper arm to bar	2	LA	53
	33846-S8 Nut (hex)-1/2"-20-brace to upper arm to bar	2	LA	53
	44734-S8 Washer (flat)-1/2"-brace to upper arm to bar	2	LA	53
	44734-S8 Washer (flat)-1/2"-bar to outer hanger	2	LA	52-53
	44734-S8 Washer (flat)-1/2"-bar clip to lower hanger	2	LA	52-53
	44734-S8 Washer (flat)-1/2"-bar center clip to lower hanger	1	LA	52-53

Lincoln Cosmopolitan and Capri

CHASSIS PARTS CATALOGUE

PART NUMBER	PART NAME	NO. REQ'D	MODEL	YEAR 19__
Front Bumper — Continued				
BD-17802-C	Bar (front bumper impact)-lower	1	LA	52-53
BH-17802-A	Bar assy (front bumper impact)- lower-less center clip and reinforcement	1	LA	53
BS-17802-A	Bar (front bumper impact)-lower- outer-R. H.	1	LA	54
BS-17803-A	Bar (front bumper impact)-lower- outer-L. H.	1	LA	54
23475-S8	Bolt (carriage)-1/2"-20 x 1-1/2"-bar clip to lower hanger	2	LA	52-53
24433-S7-8	Bolt (hex-hd)-1/4"-20 x 1-1/4" -bar to upper impact bar	4	LA	52-53
355688-S8	Bolt (carriage)-1/2"-20 x 1-1/2"-bar to outer hanger	2	LA	52-53
355688-S8	Bolt (carriage)-1/2"-20 x 1-1/2"-bar clip to outer hanger	2	LA	52-53
355688-S8	Bolt (carriage)-1/2"-20 x 1-1/2"-bar center clip to lower hanger	1	LA	52-53
357814-S	Bumper (rubber)-bar to license plate	1	LA	52-53
34809-S8	Lockwasher-1/2"-bar to upper impact bar	4	LA	52-53
34809-S8	Lockwasher-1/2"-bar to outer hanger	2	LA	52-53
34809-S8	Lockwasher-1/2"-bar clip to lower hanger	2	LA	52-53
34809-S8	Lockwasher-1/2"-bar clip to outer hanger	2	LA	52-53
34809-S8	Lockwasher-1/2"-bar center clip to lower hanger	1	LA	52-53
33846-S8	Nut (hex)-1/2"-20-bar to upper impact bar	4	LA	52-53
33846-S8	Nut (hex)-1/2"-20-bar to outer hanger	2	LA	52-53
33846-S8	Nut (hex)-1/2"-20-bar clip to outer hanger	2	LA	52-53
33846-S8	Nut (hex)-1/2"-20-bar center clip to lower hanger	1	LA	52-53
44734-S8	Washer (flat)-1/2"-bar clip to outer hanger	2	LA	52-53
44736-S8	Washer (flat)-1/2"-bar to upper impact bar	4	LA	52-53
BS-17816-A	Bar (front bumper lower impact)- center	1	LA	54
23394-S13	Bolt (carriage)-5/16"-24 x 7/8"-bar to intermediate and outer braces	4	LA	54
24523-S8	Bolt (hex-hd pointed)-3/8"-24 x 2"-lower impact bar center to vertical bar	3	LA	54

Lincoln and Lincoln Cosmopolitan

CHASSIS PARTS CATALOGUE

PART NUMBER	PART NAME	NO. REQ'D	MODEL	YEAR
Front Bumper — Continued				
43502-S8	Bolt & washer (hex-hd)-3/8"-24 x 3/4"-bar to outer impact bar	6	LA	54
24389-S8	Bolt (hex)-3/8"-24 x 1"-bar to to upper impact bar	4	LA	54
352565-S100	Bolt (carriage)-capped-1/2"-20 x 1-3/8"-bar to lower hanger	2	LA	54
34807-S8	Lockwasher-3/8"-lower impact bar center to vertical bar	3	LA	54
34809-S7	Lockwasher-1/2"-bar to lower hanger	2	LA	54
34941-S7	Lockwasher (external tooth)-5/16"-bar to intermediate and outer braces	4	LA	54
33798-S8	Nut (hex)-5/16"-24-bar to intermediate and outer braces	4	LA	54
33800-S8	Nut (hex)-3/8"-24-bar to outer impact bar	6	LA	54
33800-S8	Nut (hex)-3/8"-24-bar to upper impact bar	4	LA	54
33846-S8	Nut (hex)-1/2"-20-bar to lower hanger	2	LA	54
34283-S8	Nut (clinch)-3/8"-24-lower bar center to vertical bar	3	LA	54
44727-S8	Washer (flat)-3/8"-bar to upper impact bar	4	LA	54
44731-S7-8	Washer (flat)-5/16"-bar to intermediate and outer braces	4	LA	54
44735-S8	Washer (flat)-1/2"-bar to lower hanger	2	LA	54
BD-17822-C	Brace (front bumper impact bar to stone deflector)-with 5-59/64" opening	1	LA	52-53
BS-17822-A	Brace (front bumper impact bar to stone deflector)-center-with 4-23/32" opening	1	LA	54
24387-S7	Bolt (hex-hd)-5/16"-24 x 1"-brace to lower impact bar	1	LA	52-53
43263-S8	Bolt and washer(hex-hd)-1/4"-20 x 5/8"-brace to stone deflector	1	LA	52-53
43264-S8	Bolt & washer (hex-hd)-5/16"-24 x 7/8"-brace to stone deflector	2	LA	54
43264-S8	Bolt & washer (hex-hd)-5/16"-24 x 7/8"-brace to lower impact bar	1	LA	54
43264-S8	Bolt & washer (hex-hd)-5/16"-24 x 7/8"-brace to upper impact bar	1	LA	52-54
34806-S7	Lockwasher-5/16"-brace to lower impact bar	1	LA	52-53

Lincoln and Lincoln Cosmopolitan

CHASSIS PARTS CATALOGUE

PART NUMBER	PART NAME	NO. REQ'D	MODEL	YEAR
Front Bumper — Continued				
33795-S7	Nut (hex)-1/4"-20-brace to stone deflector	1	LA	52-53
33798-S8	Nut (hex)-5/16"-24-brace to stone deflector	2	LA	54
33798-S8	Nut (hex)-5/16"-24-brace to lower impact bar	1	LA	52-54
33798-S8	Nut (hex)-5/16"-24-brace to upper impact bar	1	LA	52-54
44719-S8	Washer (flat)-1/4"-brace to stone deflector	2	LA	52-53
44724-S8	Washer (flat)-5/16"-brace to stone deflector	3	LA	54
44724-S8	Washer (flat)-5/16"-brace to lower impact bar	1or2	LA	52-54
44724-S8	Washer (flat)-5/16"-brace to upper impact bar	2	LA	52-54
BS-17829-A	Bar assy (front bumper lower impact)-vertical	3	LA	54
BD-17835-A	Ornament (front bumper upper impact bar)	4	LA	52-53
43263-S8	Bolt and washer (hex-hd)-1/4"-20 x 5/8"-ornament to upper impact bar	4	LA	52-53
43263-S8	Bolt and washer (hex-hd)-1/4"-20 x 5/8"-ornament to stone deflector	4	LA	52-53
33795-S7	Nut (hex)-1/4"-20-ornament to stone deflector	4	LA	52-53
357227-S	Nut (retainer)-1/4"-20-ornament to upper impact bar	4	LA	52-53
44719-S8	Washer (flat)-1/4"-ornament to stone deflector	4	LA	52-53
BS-17871-A	Spacer (front bumper vertical impact bar bolt)	3	LA	54
BD-17878-A	Ornament (front bumper lower impact bar)	1	LA	52
BS-17882-A	Filler (front bumper upper to lower impact bar end)-R. H.	1	LA	54
BS-17883-A	Filler (front bumper upper to lower impact bar end)-L. H.	1	LA	54
24473-S7	Bolt (hex-hd)-1/2"-20 x 1-1/2"-Filler to lower impact bar	2	LA	54
34809-S8	Lockwasher -1/2"-Filler to lower impact bar	2	LA	54
33846-S8	Nut (hex)-1/2"-20-Filler to lower impact bar	2	LA	54
44736-S8	Washer (flat)-1/2"-Filler to lower impact bar	2	LA	54

Lincoln and Lincoln Cosmopolitan

CHASSIS PARTS CATALOGUE

PART NUMBER	PART NAME	NO. REQ'D	MODEL	YEAR
Front Bumper — Continued				
BC-17893-A	Brkt. (front bumper grille guard)	2	LA	52
BD-17896-A	Brace (front bumper upper ornament)-9" overall length	2	LA	52-53
BS-17896-A	Brace (front bumper impact bar to stone deflector)-intermediate-9-25/32" overall length	2	LA	54
43264-S8	Bolt & Washer (hex-hd)-5/16"-24 x 7/8"-brace to stone deflector	2	LA	54
33798-S8	Nut (hex)-5/16"-24-brace to stone deflector	2	LA	54
44724-S8	Washer (flat)-5/16"-brace to stone deflector	2	LA	54
BD-17900-B	Brace (front bumper upper ornament)-outer-with 5-25/32" opening-R. H.	1	LA	52-53
BS-17900-A	Brace (front bumper impact bar to stone deflector)-outer-9-5/32" overall length	2	LA	54
BD-17901-B	Brace (front bumper upper ornament)-outer-with 5-25/32" opening-L. H.	1	LA	52-53
43264-S8	Bolt & washer (hex-hd)-5/16"-24 x 7/8"-brace to stone deflector	2	LA	54
33798-S8	Nut (hex)-5/16"-24-brace to stone deflector	2	LA	54
44724-S8	Washer (flat)-5/16"-brace to stone deflector	2	LA	54
BC-17910-A	Ornament (front bumper grille guard)	2	LA	52
BD-17916-A	Guard assy (front bumper)-upper-R. H.	1	LA	52-53
BD-17917-A	Guard assy (front bumper)-upper-L. H.	1	LA	52-53
23475-S8	Bolt (rd-hd)-1/2"-20 x 1-1/2"-guard to lower guard	4	LA	52-53
25172-S8	Bolt (hex-hd)-1/2"-20 x 4-1/2"-guard to upper impact bar	2	LA	52-53
34809-S8	Lockwasher-1/2"-guard to lower guard	4	LA	52-53
33846-S8	Nut (hex)-1/2"-20-guard to lower guard	4	LA	52-53
44734-S8	Washer (flat)-1/2"-guard to lower guard	4	LA	52-53

Lincoln Cosmopolitan and Capri

CHASSIS PARTS CATALOGUE

PART NUMBER	PART NAME	NO. REQ'D	MODEL	YEAR 19__
Front Bumper — Continued				
BD-17924-A	Guard assy (front bumper)-lower-R. H.	1	LA	52-53
BD-17925-A	Guard assy (front bumper)-lower-L. H.	1	LA	52-53
20393-S	Bolt (hex-hd)-1/2"-20 x 1"-guard to lower impact bar	2	LA	52-53
34809-S8	Lockwasher-1/2"-guard to lower impact bar	2	LA	52-53
44735-S8	Washer (flat)-1/2"-guard to lower impact bar	2	LA	52-53
BD-17938-B	Guard assy (front bumper grille)-R. H.	1	LA	52
BD-17939-B	Guard assy (front bumper grille)-L. H.	1	LA	52
BD-17986-A	Plate (front bumper guard lower back)-R. H.	1	LA	52-53
BD-17987-A	Plate (front bumper guard lower back)-L. H.	1	LA	52-53
BS-17996-A	Guard assy (front bumper)-R. H.	1	LA	54
BS-17997-A	Guard assy (front bumper)-L. H.	1	LA	54
BD-18412-B	Kit (front bumper grille guard installation)-refer to Accessories Group for component parts	1	LA	52

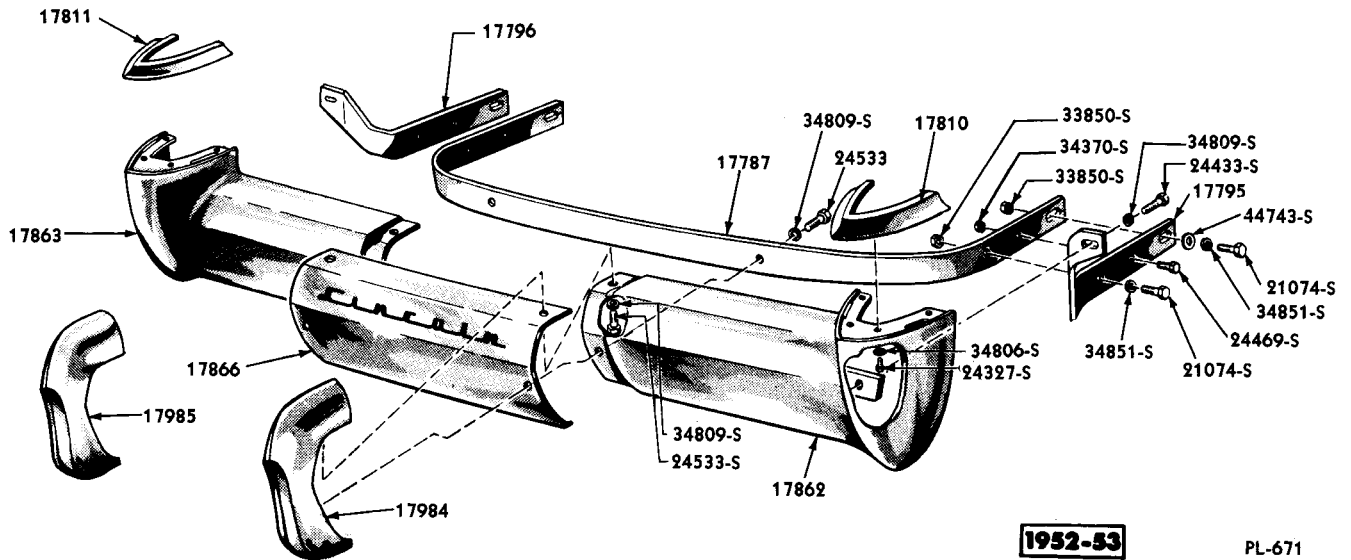
Rear Bumper

BD 17787-A	Hanger (rear bumper)-inner	1	LA	52-53
BS 17787-A	Hanger (rear bumper)-inner-with three 5/8" x 1" slots	1	LA	54
24533-S8B	Bolt (hex-hd)-1/2"-20 x 2-1/8"-hanger to rear bumper	2	LA	52-53
50056-S8	Bolt (flat head)-5/16"-24 x 1"-inner hanger to outer hanger	2	LA	54
34809-S8	Lockwasher-1/2"-hanger to rear bumper & guard	2or3	LA	52-54
34443-S7	Nut (lock)-5/16"-24-inner hanger to outer hanger	2	LA	54
33846-S8	Nut (hex)-1/2"-20-hanger to rear bumper	3	LA	54
BS 17789-A	Brace (rear bumper end)-R. H.	1	LA	54
BS 17793-A	Brace (rear bumper end)-L. H.	1	LA	54
BD 17795-A	Hanger (rear bumper)-outer-1-61/64" wide-R. H.	1	LA	52-53
BS 17795-A	Hanger (rear bumper)-outer-1-3/4" wide-R. H.	1	LA	54
BD 17796-A	Hanger (rear bumper)-outer-1-61/64" wide-L. H.	1	LA	52-53
BS 17796-A	Hanger (rear bumper)-outer-1-3/4" wide-L. H.	1	LA	54
21074-S8	Bolt (hex-hd)-5/8"-18 x 2-1/8"-hanger to frame	4	LA	52-54
24433-S7-8	Bolt (hex-hd)-1/2"-20 x 1-1/4"-hanger to rear bumper	2	LA	52-53

Lincoln Cosmopolitan and Capri

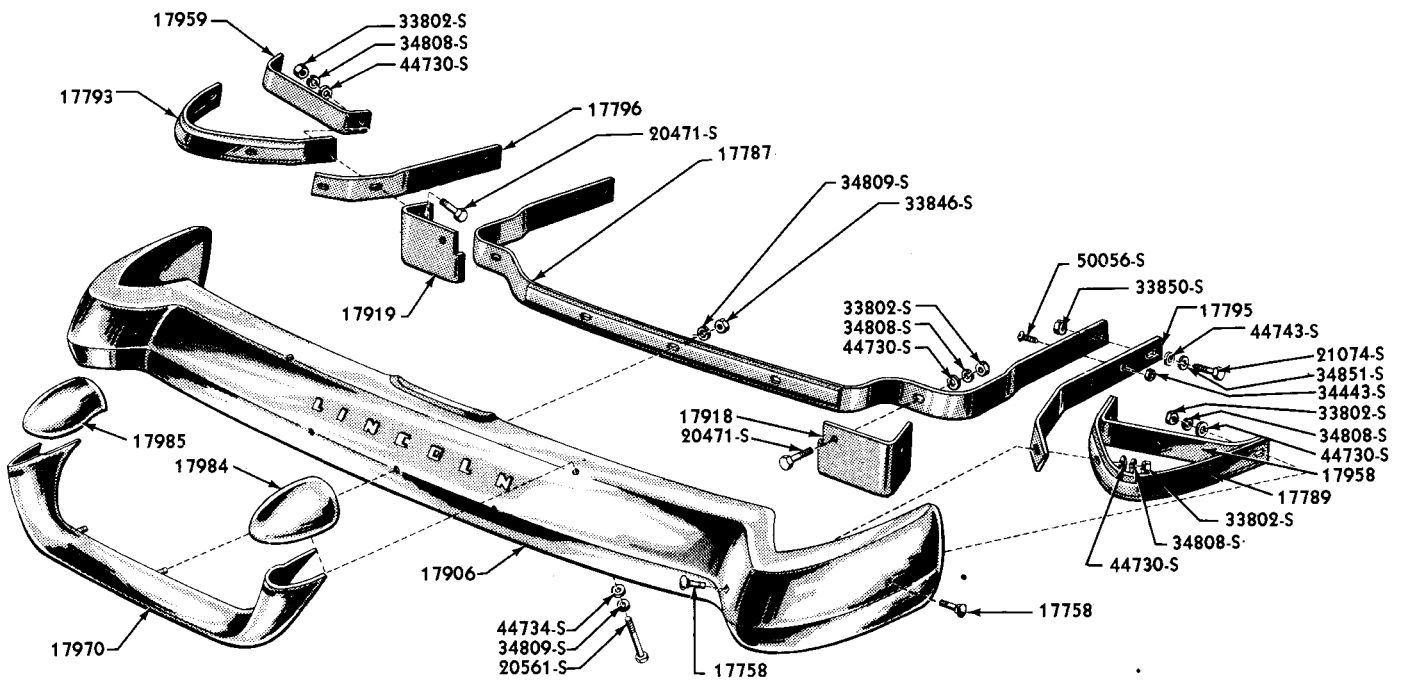
CHASSIS PARTS CATALOGUE

Rear Bumper — Continued



1952-53

PL-671



1954

PL-973

REAR BUMPER AND RELATED PARTS

Basic numbers only shown on illustration. Order by Part Numbers shown in list of parts.

Lincoln Cosmopolitan and Capri

CHASSIS PARTS CATALOGUE

PART NUMBER	PART NAME	NO. REQ'D	MODEL	YEAR 19__
Rear Bumper—Continued				
	25307-S8 Bolt (flat head)-3/8"-24 x 1-1/8"-hanger to inner hanger	2	LA	52-53
	34809-S8 Lockwasher-1/2"-hanger to rear bumper	2	LA	52-53
	34851-S7-8 Lockwasher-5/8"-hanger to frame	4	LA	52-54
	33850-S2 Nut (hex)-5/8"-18-hanger to frame	2or4	LA	52-54
	34369-S7-8 Nut (hex)-3/8"-16-hanger to inner hanger	2	LA	52-53
	44743-S8 Washer (flat)-5/8"-hanger to frame	2	LA	52-54
BD 17798-A	Brace (front bumper upper arm)-R. H.	1	LA	52-53
BD 17799-A	Brace (front bumper upper arm)-L. H.	1	LA	52-53
BD 17802-C	Bar (front bumper impact)-lower	1	LA	52-53
BH 17802-A	Bar assy (front bumper impact)-lower-less clip and reinforcement	1	LA	52-53
BS 17802-A	Bar assy (front bumper impact)-lower-outer-R. H.	1	LA	54
BS 17803-A	Bar assy (front bumper impact)-lower-outer-L. H.	1	LA	54
BD 17808-A	Deflector (rear bumper stone)-13-1/4" long	1	LA	52-53
BS 17808-A	Deflector (rear bumper stone)-lower-supports license lamp-14-1/16" long	1	LA	54
	50748-S8 Bolt and washer assy (cross recessed fill-hd)-1/4"-28 x 3/8"-deflector to license plate lamp	2	LA	54
	34054-S8 Nut (hex)-No. 12-24-deflector to lower back panel	2	LA	52-53
	34054-S8 Nut (hex)-No. 12-24-deflector to floor pan	2	LA	52-53
	42736-S8 Screw and washer (hex-hd)-No. 12-24 x 5/8"-deflector to lower back panel	2	LA	52-53
	42736-S8 Screw and washer (hex-hd)-No. 12-24 x 5/8"-deflector to floor pan	2	LA	52-53
BD 17810-A	Cap assy (rear bumper outer impact bar)-R. H.	1	LA	52-53
BD 17811-A	Cap assy (rear bumper outer impact bar)-L. H.	1	LA	52-53
	24327-S7-8 Bolt (hex-hd)-5/16"-24 x 5/8"-cap to bumper	8	LA	52-53
	34806-S7 Lockwasher-5/16"-cap to bumper	8	LA	52-53
BS 17816-A	Bar (front bumper lower impact)-center	1	LA	54
BD 17822-C	Brace (front bumper impact bar to stone deflector)-5-5/16" top span-1-1/4" wide	1	LA	52-53
BS 17822-A	Brace (front bumper impact bar to stone deflector)-center-4-23/32" opening	1	LA	54
BS 17829-A	Bar assy (front bumper lower impact)-vertical	3	LA	54
BR 17832-A	Seal (rear stone deflector)-Rubber-53" long	1	LA	54

Lincoln Cosmopolitan and Capri

CHASSIS PARTS CATALOGUE

PART NUMBER	PART NAME	NO. REQ'D	MODEL	YEAR 19__
Rear Bumper — Continued				
BD 17835-A	Ornament (front bumper upper impact bar)	4	LA	
FAB 17836-A	Deflector (rear fender stone)	2	LA	52-53
	357563-S8 Clip (Steel)-seal to stone deflector	6	LA	52-53
BD 17862-B	Bar (rear bumper impact)-outer-R. H.	1	LA	52-53
BD 17863-B	Bar (rear bumper impact)-outer-L. H.	1	LA	52-53
	24533-S8B Bolt (hex-hd)-1/2"-20 x 2-1/8"-bar to center impact bar	2	LA	52-53
	34809-S8 Lockwasher-1/2"-bar to center impact bar	2	LA	52-53
BD 17866-A	Bar (rear bumper center impact)	1	LA	52-53
BS 17871-A	Spacer (front bumper vertical impact bar bolt)	3	LA	54
BD 17878-A	Ornament (front bumper lower impact bar)	1	LA	52
BS 17882-A	Filler (front bumper upper to lower impact bar end)-R. H.	1	LA	54
BS 17883-A	Filler (front bumper upper to lower impact bar end)-L. H.	1	LA	54
BD 17888-B	Deflector (rear bumper stone)-lower	1	LA	52-54
	40156-S8 Bolt (hex-hd)-5/16"-18 x 5/8"-deflector to cross member	5	LA	52-54
	41178-S8 Screw (hex-hd)-No. 10-24 x 1/2"-deflector to quarter panel	4	LA	52-54
	44724-S8 Washer (flat)-5/16"-deflector to cross member	5	LA	52-54
BS 17890-A	Support (front stone deflector to radiator splash center)	1	LA	54
BC 17893-A	Bracket (front bumper grille guard)	2	LA	52
BD 17896-A	Brace (front bumper upper ornament)-9" overall length	2	LA	52-53
BS 17896-A	Brace (front bumper impact bar to stone deflector)-intermediate-9-25/32" overall length	2	LA	54
BD 17900-B	Brace (front bumper upper ornament)-outer-R. H. - with 5-25/32" opening	1	LA	52-53
BS 17900-A	Brace (front bumper impact bar to stone deflector)-outer-9-5/32" overall length	2	LA	54
BD 17901-B	Brace (front bumper upper ornament)-outer-L. H.	1	LA	52-53
BS 17906-A	Bar (rear bumper impact)	1	LA	54
	8A-17758-B Bolt-7/16"-20 x 1-1/2"-bar to arm, hanger and brace	4	LA	54
	20561-S8 Bolt (hex-hd)-1/2"-20 x 3-1/2"-bar to bumper guard	2	LA	54
	34808-S8 Lockwasher-7/16"-bar to end brace	2	LA	54
	34808-S8 Lockwasher-7/16"-bar to outer hanger	2	LA	54
	34809-S8 Lockwasher-1/2"-bar to bumper guard	2	LA	54
	33802-S8 Nut (hex)-7/16"-20-bar to end brace	2	LA	54

Lincoln Cosmopolitan and Capri

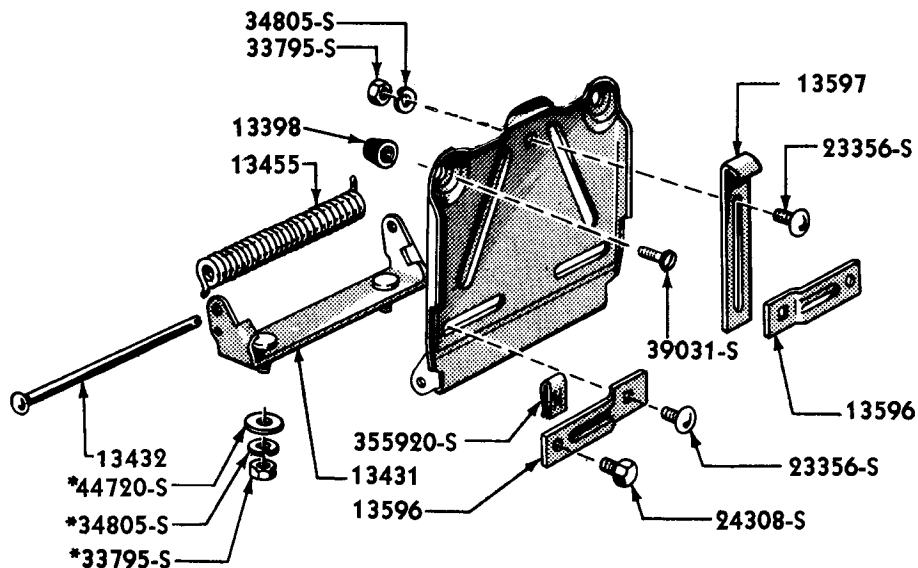
CHASSIS PARTS CATALOGUE

PART NUMBER	PART NAME	NO. REQ'D	MODEL	YEAR 19__
Rear Bumper — Continued				
	33802-S8 Nut (hex)-7/16"-20-bar to outer hanger	2	LA	54
	44730-S8 Washer (flat)-7/16"-bar to end brace	2	LA	54
	44730-S8 Washer (flat)-7/16"-bar to outer hanger	2	LA	54
	44734-S8 Washer (flat)-1/2"-bar to bumper guard	2	LA	54
BC 17910-A	Ornament (front bumper grille guard)	2	LA	52
BD 17916-A	Guard assy (front bumper)-upper-R. H.	1	LA	52-53
BD 17917-A	Guard assy (front bumper)-upper-L. H.	1	LA	52-53
BS 17918-A	Plate (rear bumper jack)-R. H.	1	LA	54
BS 17919-A	Plate (rear bumper jack)-L. H.	1	LA	54
	20471-S7 Bolt (hex-hd)-7/16"-20 x 1-1/2"-plate to inner hanger	2	LA	54
	20471-S7 Bolt (hex-hd)-7/16"-20 x 1-1/2"-plate to end brace	2	LA	54
	34808-S8 Lockwasher-7/16"-plate to inner hanger	2	LA	54
	34808-S8 Lockwasher-7/16"-plate to end brace	2	LA	54
	33802-S8 Nut (hex)-7/16"-20-plate to inner hanger	2	LA	54
	33802-S8 Nut (hex)-7/16"-20-plate to end brace	2	LA	54
	44730-S8 Washer (flat)-7/16"-plate to inner hanger	2	LA	54
	44730-S8 Washer (flat)-7/16"-plate to end brace	2	LA	54
BD 17924-A	Guard assy (front bumper)-lower-R. H.	1	LA	52-53
BD 17925-A	Guard assy (front bumper)-lower-L. H.	1	LA	52-53
BD 17938-B	Guard assy (front bumper grille)-R. H.	1	LA	52
BD 17939-B	Guard assy (front bumper grille)-L. H.	1	LA	52
BS 17958-A	Brace (rear bumper impact bar)-inner-R. H.	1	LA	54
BS 17959-A	Brace (rear bumper impact bar)-inner-L. H.	1	LA	54
BS 17970-A	Bar assy (rear bumper guard cross)	1	LA	54
BD 17984-B	Guard assy (rear bumper)-R. H. -attached with two bolts	1	LA	52-53
BS 17984-A	Guard assy (rear bumper)-R. H.	1	LA	54
BD 17985-B	Guard assy (rear bumper)-L. H. -attached with two bolts	1	LA	52-53
BS 17985-A	Guard assy (rear bumper)-L. H.	1	LA	54
BD 17986-A	Plate (front bumper guard lower back)-R. H.	1	LA	52-53
BD 17987-A	Plate (front bumper guard lower back)-L. H.	1	LA	52-53
BS 17996-A	Guard assy (front bumper)-R. H.	1	LA	54
BS 17997-A	Guard assy (front bumper)-L. H.	1	LA	54

Lincoln Cosmopolitan

CHASSIS PARTS CATALOGUE

Rear License Plate Support



*NOT PART OF 13419 ASSY

PM-608

REAR LICENSE PLATE SUPPORT

Basic numbers only shown on illustration. Order by Part Numbers shown in list of parts.

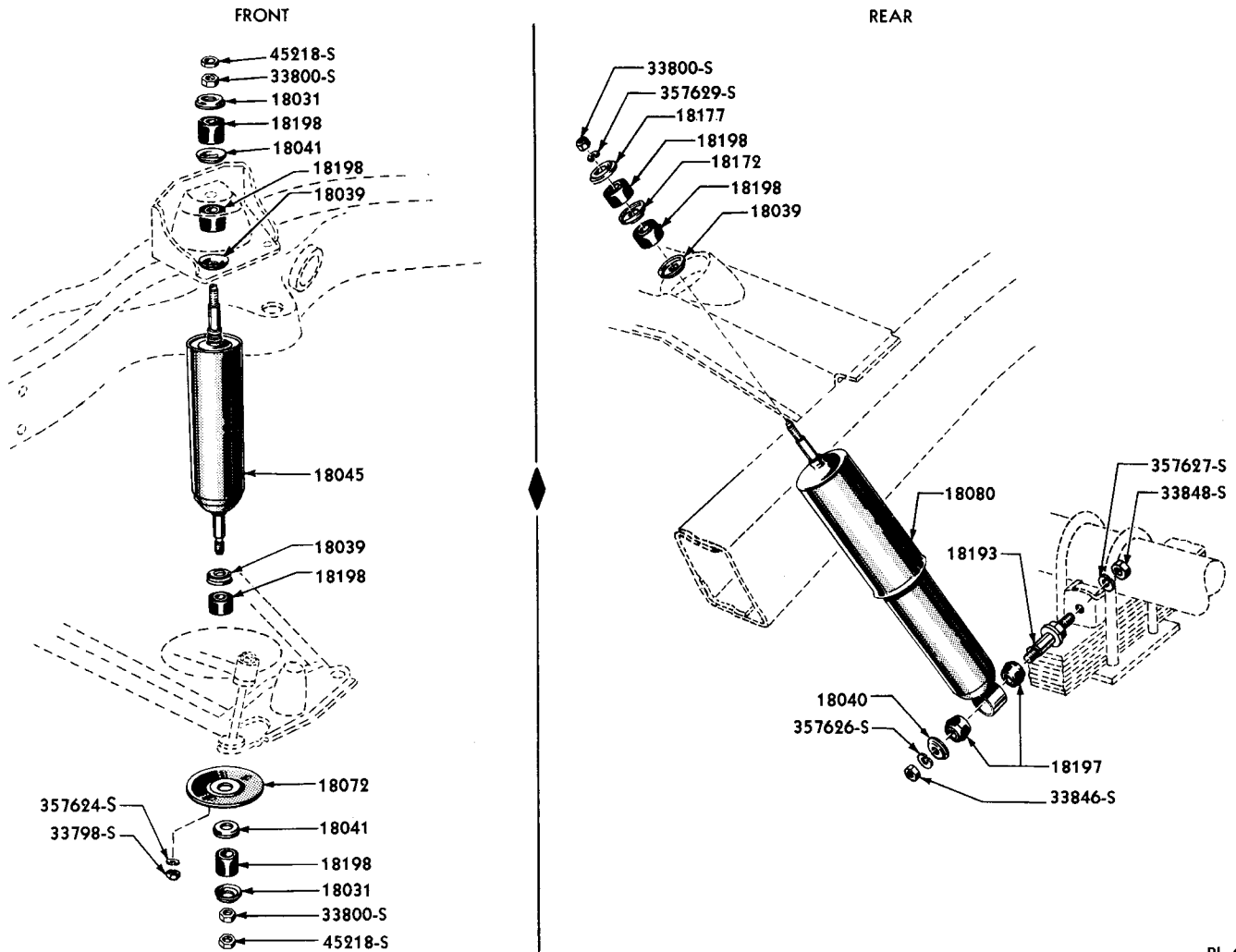
PART NUMBER	QTY	PART NAME	NO. REQ'D	MODEL	YEAR
BA-13398-B		Bumper assy (rear license plate support)	2	LA	52-54
34938-S8		Lockwasher-No. 8-bumper to support	2	LA	52-54
34052-S7		Nut (hex)-No. 8-32-bumper to support	2	LA	52-54
BD-13419-C		Support assy (rear license plate)	1	LA	52-54
24308-S7		Bolt (hex-hd)-1/4"-20 x 1/2"-license plate to support	2	LA	52-54
355920-S32		Nut (spring)-1/4"-20-license plate to support	2	LA	52-54
44720-S8		Washer (flat)-1/4"-license plate to support	2	LA	52-54
BD-13431-B		Hinge assy (rear license plate support)	1	LA	52-54
34805-S8		Lockwasher-1/4"-hinge to floor pan	2	LA	52-54
37795-S7		Nut (hex)-1/4"-20-hinge to floor pan	2	LA	52-54
44720-S8		Washer (flat)-1/4"-hinge to floor pan	2	LA	52-54
BA-13432-B		Pin (rear license plate support hinge)	1	LA	52-54
BA-13455-A		Spring (rear license plate support)	1	LA	52-54
BA-13596-C		Bracket (rear license plate)-side	2	LA	52-54

Lincoln Cosmopolitan and Capri

CHASSIS PARTS CATALOGUE

PART NUMBER	CLASS	PART NAME	NO. REQ'D	MODEL	YEAR 19__
Rear License Plate Support—Continued					
		23356-S7 Bolt (rd-hd)-1/4"-20 x 9/16" - brkt. to lic. plate support	2	LA	52-54
		34805-S8 Lockwasher -1/4"-bracket to license plate support	2	LA	52-54
		33795-S7 Nut (hex)-1/4"-20-bracket to license plate support	2	LA	52-54
		BA-13597-A Bracket (rear license plate)-top	1	LA	52-54
		23356-S7 Bolt (rd-hd)-1/4"-20 x 9/16" - brkt. to lic. plate support	1	LA	52-54
		34805-S8 Lockwasher-1/4"-bracket to license plate support	1	LA	52-54
		33795-S7 Nut (hex)-1/4"-20-bracket to license plate support	1	LA	52-54

Shock Absorber



SHOCK ABSORBERS AND RELATED PARTS

Basic numbers only shown on illustration. Order by Part Numbers shown in list of parts.

Lincoln Cosmopolitan and Capri

CHASSIS PARTS CATALOGUE

PART NUMBER	PART NAME	NO. REQ'D	MODEL	YEAR 19__
Shock Absorber-Continued				
	8L-19541-C Fluid (shock absorber)-consists of (12) 1 pint containers	as reqd	LA	52-54
8M 18031	Seat (front shock absorber insulator)-1-3/16" O.D. x 5/8" I.D. x 7/32" height-alternate with OA-18031-A	4	LA	52-53
8M 18031	Seat (front stabilizer insulator)-1-3/16" O.D. x 5/8" I.D. x 7/32" height-alternate with OA-18031-A	2	LA	52-53
OA 18031-A	Seat (front shock absorber insulator)-1-3/16" O.D. x 5/8" I.D. x 9/32" height-alternate with 8M-18031	4	LA	52-53
OA 18031-A	Seat (front stabilizer insulator)-1-3/16" O.D. x 5/8" I.D. x 9/32" height-alternate with 8M-18031	2	LA	52-53
AB 18031-A	Seat (front shock absorber insulator)-1-25/64" O.D. x 39/64" I.D. x 19/64" height	4	LA	54
AB 18031-A	Seat (front stabilizer insulator)-1-25/64" O.D. x 39/64" I.D. x 19/64" height	2	LA	54
51A 18039-A	Washer (rear shock absorber)-inner-1-1/4" O.D. x 5/8" I.D.	2	LA	52-54
8M 18039	Washer (rear shock absorber insulator)-inner-1-1/4" O.D. x 1/2" I.D.	2	LA	52-53
8M 18039	Washer (front shock absorber insulator)-inner-1-1/4" O.D. x 1/2" I.D.	4	LA	52-53
AB 18039-A	Washer (front shock absorber insulator)-inner-1-25/64" O.D. x 1/2" I.D. x 7/32" height	4	LA	54
AB 18039-A	Washer (rear shock absorber insulator)-inner-1-25/64" O.D. x 1/2" I.D. x 7/32" height	2	LA	54
51A 18040	Washer (rear shock absorber)-outer-1-1/4" O.D. x 17/32" I.D.	2	LA	52-54
8M 18041	Washer (front stabilizer)-1-1/4" O.D. x 13/32" I.D.	8	LA	52-53
AB 18041-B	Washer (front stabilizer)-1-25/64" O.D. x 25/64" I.D. x 7/32" height	8	LA	54
LA 18045-A	Shock absorber assy (front)	2	LA	52-53
LA 18045-B	Shock absorber assy (front)-used with Heavy Duty springs	2	LA	52-53
LA 18045-E	Shock absorber assy (front)-manimum Heavy Duty -also serviced in 66005 Kit	2	LA	53-54
LA 18045-F	Shock absorber assy (front)	2	LA	54
LA 18045-J	Shock absorber assy (front)-heavy duty	2	LA	54
	33800-S8 Nut (hex)-3/8"-24-shock absorber to mounting plate	2	LA	52-54
	33800-S8 Nut (hex)-3/8"-24-shock absorber to frame	2	LA	52-54
	45218-S8 Nut (hex stamped)-3/8"-24-shock absorber to mounting plate	2	LA	52-54
	45218-S8 Nut (hex stamped)-3/8"-24-shock absorber to frame	2	LA	52-54
8M 18072-B	Plate (front shock absorber mounting)-circular-3/16" height	2	LA	52-54
	357624-S7 Lockwasher-5/16"-plate to front suspension	4	LA	52-54

Lincoln Cosmopolitan and Capri

CHASSIS PARTS CATALOGUE

PART NUMBER	CLASS	PART NAME	NO. REQ'D	MODEL	YEAR 19__
Shock Absorber-Continued					
		33798-S8 Nut (hex)-5/16"-24-plate to front suspension	4	LA	52-54
LA 18080-A		Shock absorber assy (rear)	2	LA	52-53
LA 18080-B		Shock absorber assy (rear)-used with Heavy Duty springs	2	LA	52-53
LA 18080-E		Shock absorber assy (rear)-maximum Heavy Duty -also serviced in 66005 Kit	2	LA	53-54
LA 18080-F		Shock absorber assy (rear)	2	LA	54
LA 18080-J		Shock absorber assy (rear)-heavy duty	2	LA	54
		357626-S7 Lockwasher-1/2"-shock absorber to stud	2	LA	52-54
		357629-S7 Lockwasher-3/8"-shock absorber to cross member	2	LA	52-54
		33800-S8 Nut (hex)-3/8"-24-shock absorber to cross member	2	LA	52-54
		33846-S8 Nut (hex)-1/2"-20-shock absorber to stud	2	LA	52-54
		LA-18172-A Seat (rear shock absorber insulator)-1-3/16" O. D. x 5/8" I. D. x 5/16" height	2	LA	52-54
		LA-18177-A Washer (rear shock absorber insulator)-outer-1-5/16" O. D. x 13/32" I. D.	2	LA	52-54
		LA-18177-A Washer (front shock absorber insulator)-outer-1-5/16" O. D. x 13/32" I. D.	4	LA	52-54
		LA-18193-A Stud (rear shock absorber)-3-27/64" long	2	LA	52-54
		357627-S7 Lockwasher-9/16"-stud to axle spring seat	2	LA	52-54
		33848-S7 Nut (hex)-9/16"-18-stud to axle spring seat	2	LA	52-54
		HAK-18197-B Kit (rear shock absorber bushing) -consists of the following (2) 51A-18039-A Washer (2) AB-18039-A Washer (2) 51A-18040 Washer (4) 7RC-18198 Insultr.	1	LA	52-54
		51A-18197 Bushing (rear shock absorber insulator)	4	LA	52-53
		7RC-18198 Insulator (rear shock absorber)	4	LA	54
		8M-18198 Insulator (front shock absorber)	8	LA	52-53
		8M-18198 Insulator (rear shock absorber)	4	LA	52-53
		AB-18198-A Insulator (front shock absorber)-1-1/64" O. D. x 25/64" I. D. x 37/64" height	8	LA	54
		AB-18198-A Insulator (rear shock absorber)-1-1/64" O. D. x 25/64" I. D. x 37/64" height	4	LA	54
		HAK-18198-A Kit (front shock absorber bushing) -consists of the following (2) 8M-18031 Seat (4) 8M-18041 Washer (4) 8M-18198 Insulator (2) 45218-S8 Nut	2	LA	52-53
		HAK-18198-B Kit (front shock absorber bushing) -consist of the following (2) AB-18031-A Seat (4) AB-18041-B Washer (4) AB-18198-A Insulator (2) 45218-S8 Nut	2	LA	54

Lincoln Cosmopolitan and Capri

CHASSIS PARTS CATALOGUE

PART NUMBER	PART NAME	NO. REQ'D	MODEL	YEAR 19__
Numerical List of 18,000 Miscellaneous Accessories				
FAA 18148-B	Spotlight assy (utility hand)	1	LA	52-54
FAB 18151-B	Kit (spotlight installation)-6-3/16" O. D. lamp	1	LA	52-54
FAB 18151-C	Kit (spotlight installation)-5-1/8" O. D. lamp	1	LA	52-54
FAC 18154-A	Kit (spotlight bracket installation)-R. H.	1	LA60-76	52-54
FAC 18154-B	Kit (spotlight bracket installation)-R. H.	1	LA73	52-54
FAC 18155-A	Kit (spotlight bracket installation)-L. H.	1	LA60-76	52-54
FAC 18155-B	Kit (spotlight bracket installation)-L. H.	1	LA73	52-54
BD 18168-A	Kit (fuel filler lid lock installation)	1	LA	52
LA 18172-A	Seat (rear shock absorber insulator)-1-3/16" O. D. x 5/8" I. D. x 5/16" height	2	LA	52-54
LA 18177-A	Washer (rear shock absorber insulator)-outer- 1-5/16" O. D. x 13/32" I. D.	2	LA	52-54
LA 18177-A	Washer (front shock absorber insulator)-outer- 1-5/16" O. D. x 13/32" I. D.	4	LA	52-54
LA 18193-A	Stud (rear shock absorber)-3-27/64" length	2	LA	52-54
51A 18197	Bushing (rear shock absorber insulator)	4	LA	52-53
HAK 18197-B	Kit (rear shock absorber bushing)	1	LA	52-54
7RC 18198	Insulator (rear shock absorber)	4	LA	54
8M 18198	Insulator (front shock absorber)	8	LA	52-53
8M 18198	Insulator (rear shock absorber)	4	LA	52-53
8M 18198	Insulator (front stabilizer)	8	LA	52-53
AB 18198-A	Insulator (front shock absorber)-1-1/64" O. D. x 25/64" I. D. x 37/64" height	8	LA	54
AB 18198-A	Insulator (rear shock absorber)-1-1/64" O. D. x 25/64" I. D. x 37/64" height	4	LA	54
AB 18198-A	Insulator (front stabilizer)-1-1/64" O. D. x 25/64" I. D. x 37/64" height	8	LA	54
HAK 18198-A	Kit (front shock absorber bushing)	2	LA	52-53
HAK 18198-B	Kit (front shock absorber bushing)	2	LA	54
FAF 18207-A	Kit (roadlamp installation)-clear lens	1	LA	53
FDD 18207-B	Kit (roadlamp installation)	1	LA	54
FAA 18208-A	Kit (visor vanity mirror installation)-3-1/2" x 8-13/16"	1	LA	52-54
BS 18208-B	Kit (visor vanity mirror installation)-2-15/16" x 8-3/8"	1	LA	54
BD 18243-A	Kit (curb buffer moulding installation)	1	LA	52-54
BD 18246-A	Kit (window vents installation)	1	LA73	52-54
BH 18246-A	Kit (window vents installation)	1	LA60	52-54
OL 18259	Deflector assy (exhaust)	1	LA	52
LA 18259-C	Deflector assy (exhaust)-Chrome-fantail type	1	LA	53
BH 18261-A	Dispenser (tissue)	1	LA	52-54
FAA 18274-B	Kit (back up lamp installation)	1	LA	52-53
FAA 18288-A	Kit (cigar lighter and map lamp installation)	1	LA	52-54

Lincoln Cosmopolitan and Capri

CHASSIS PARTS CATALOGUE

PART NUMBER	PART NAME	NO. REQ'D	MODEL	YEAR 19__
Numerical List of 18,000 Miscellaneous Accessories—Continued				
BD 18293-A	Kit (automatic W/S washer installation)	1	LA	52
BH 18293-A	Kit (automatic W/S washer installation)-plastic pump	1	LA	53-54
HCK 18295-A	Kit (reading and vanity light installation)	1	LA	52-54
BH 18333-A	Kit (rear door safety lock installation)	1	LA73	53-54
BD 18342-A	Kit (traffic lamp reflector installation)-with "T" shaped arm	1	LA	52-54
BS 18342-A	Kit (traffic lamp reflector installation)-with "L" shaped arm	1	LA	54
HDK 18350-A	Kit (license plate frames)	1	LA	53-54
FAB 18375-A	Kit (engine compartment lamp installation)	1	LA	52
FAD 18375-A	Kit (engine compartment lamp installation)	1	LA	53-54
BD 18387-B	Kit (rear window wiper installation)	1	LA60-73	52-54
FAA 18397-A	Kit (rear window defroster installation)	1	LA except 76	52-54
BC 18402-A	Kit (rear view mirror installation)-outside	1	LA	52-54
BH 18402-A	Kit (rear view mirror installation)-outside-inside control	1	LA	53-54
FAA 18403-A	Kit (spotlight mirror installation)	1	LA	52-54
BD 18412-B	Kit (front bumper grille guard installation)	1	LA	52
BH 18437-A	Kit (door handle shield installation)	1	LA	53-54
FAF 18455-B	Heater and defroster (fresh air hot water)-Dual Unit	1	LA	53
FDD 18455-A	Heater and defroster (fresh air hot water)-Dual Unit	1	LA	54
FAA 18456-B	Blower assy (heater)-underseat-with two 15/32" attaching holes	1	LA	52-53
FAA 18456-E	Blower assy (heater)-defroster	1	LA	52-54
FAA 18456-F	Blower assy (heater)-underseat-with four 7/32" dia. attaching holes	1	LA	53-54
FAB 18457-A	Duct assy (heater inlet)	1	LA	52
FAA 18457-B	Duct assy (heater inlet)	1	LA	53
FDA 18457-A	Duct assy (heater inlet)-with Decalcomania	1	LA	54
FAA 18467-A	Heater assy (underseat)	1	LA	52-54
FAA 18471-A	Plenum chamber assy (heater)	1	LA	52
FAA 18471-B	Plenum chamber assy (heater)	1	LA	53-54
1M 18472-C	Hose (heater)-5/8" I. D. x 15/16" O. D. x 100' long	as reqd	LA	52-54
FDA 18472-A	Hose (heater)-5/8" I. D. x 15/16" O. D. x 100' long heat and oil resistant-with White stripe	as reqd	LA	54
FAA 18476-A	Core assy (heater)-2-1/2" x 9-5/8" x 6"	1	LA	52-54
FAB 18476-A	Core assy (underseat heater)-2-1/2" x 10-5/64" x 6"	1	LA	52-54

Lincoln Cosmopolitan and Capri

CHASSIS PARTS CATALOGUE

PART NUMBER	CHASSIS	PART NAME	NO. REQ'D	MODEL	YEAR 19__
Numerical List of 18,000 Miscellaneous Accessories—Continued					
FAA 18480-B		Outlet assy (heater defroster)	1	LA	52-54
8C 18481-A		Bracket (heater hose)	1	LA	52-54
FAC 18489-A		Connector (heater to blower air duct)-5-1/2" length	1	LA	52-54
FAA 18490-A		Nozzle assy (heater defroster)-Painted Steel-outlet opening-7/8" x 4-13/16"	2	LA	52-54
FAA 18495-C		Valve assy (heater water control)	1	LA	52-54
FAA 18502-C		Valve assy (heater temperature regulator)-2-1/2" x 3-23/32" mounting plate	1	LA	52
FAD 18502-A		Valve assy (heater temperature regulator)-2-1/2" x 3-23/32" mounting plate-includes spacer and seal	1	LA	53-54
FAA 18504-A		Wheel assy (heater underseat blower)-4-1/4" dia. -counter clockwise rotation	1	LA	52-54
FAB 18504-A		Wheel assy (heater defroster blower)-4-1/4" dia. -clockwise rotation	1	LA	52-54
FAB 18504-A		Wheel assy (air conditioner blower)-4-1/4" dia. -clockwise rotation	2	LA60-73	53
FAA 18518-C		Control assy (heater temperature)-70" long	1	LA	52-54
FAA 18518-D		Control assy (heater temperature)-18" long	1	LA	52-54
FAD 18519-A		Knob assy (heater, defroster and air control)-29/32" dia. -Gold capped	4	LA	52
FAE 18519-AP		Knob assy (heater, defroster and air control)-29/32" dia. -Chrome capped	4	LA	53-54
FAA 18527-B		Motor assy (heater underseat blower)	1	LA	52-53
FAA 18527-C		Motor assy (heater defroster blower)	1	LA	52-53
FAA 18527-D		Motor assy (heater underseat blower)	1	LA	54
FAA 18527-E		Motor assy (heater defroster blower)	1	LA	54
FAB 18527-B		Motor assy (air conditioner blower)	2	LA	53
FAA 18535-B		Bracket assy (heater blower mounting)	1	LA	52-54
FAA 18556-A		Hose (heater defroster)-3-1/2" long	1	LA	52-54
FAA 18556-B		Hose (heater defroster)-33-1/2" long	1	LA	52-54
FAA 18561-C		Control assy (heater air regulator)-R. H.	1	LA	52-54
A 18570		Bulb (utility lamp)-32 C. P. -S. C.	1	LA	52-54
FAA 18570-A		Gasket (heater to dash)-7-1/2" x 11-13/32"	1	LA	52-54
1C 18572-A		Clamp (heater hose)-stamped "1C-A2"	12	LA	52-54
1C 18572-A		Clamp (power brakes hose)-stamped "1C-A2"	8	LA	53-54
FAB 18578-C		Switch assy (underseat heater)	1	LA	52-54
FAB 18578-D		Switch assy (heater and defroster)	1	LA	52-54

Lincoln Cosmopolitan and Capri

CHASSIS PARTS CATALOGUE

PART NUMBER	PART NAME	NO. REQ'D	MODEL	YEAR 19__
Numerical List of 18,000 Miscellaneous Accessories—Continued				
FAA 18583-A	Gasket (heater blower motor mounting)-Rubber- 1-7/16" I.D. x 2-5/16" O.D.	2	LA	52-54
FAA 18583-A	Gasket (air conditioner blower motor mounting)- Rubber-1-7/16" I.D. x 2-5/16" O.D.	2	LA60-73	53
FAA 18584-B	Connector (heater blower duct to air valve)-4" dia. x 26" long	1	LA	52-54
FAA 18584-C	Connector (heater blower to air valve)-4" diameter x 4-3/4" long	1	LA	52-54
OA 18605	Grommet (heater blower motor mounting)	4	LA	52-54
OA 18605	Grommet (air conditioner blower motor mounting)	4	LA60-73	53
FAA 18618-A	Gasket (underseat heater core)-upper-6-3/16" x 8-1/8"	1	LA	52-54
FAB 18621-A	Pin (temperature regulator pivot)-use with Air Conditioning only	1	LA60-73	53
FAA 18631-A	Motor assembly (rear window defroster)	2	LA except 76	52-54
FAA 18632-A	Gasket (underseat heater core)-lower-6-3/16" x 8-1/8"-3 sides	1	LA	52-54
FAA 18640-A	Grille (rear window defroster)	2	LA except 76	52-54
FAA 18646-C	Control assy (heater air regulator)-L. H.	1	LA	52-54
FAA 18648-C	Hose (engine to heater water control valve)-7-5/8" overall length	1	LA	52
FAD 18648-A	Hose (engine to heater water control valve)-9-3/4" overall length	1	LA	53-54
FAA 18663-B	Tube assy (heater water outlet)-L. H. -28-7/8" overall length	1	LA	52
FAA 18663-C	Tube assy (heater water outlet)-L. H. -33-3/4" overall length	1	LA	53
FAA 18663-E	Tube assy (heater water outlet)-14-1/2" approx. formed length-used with Air Conditioning only	1	LA60-73	53
	353572-S Nipple-4-21/32" long-tube to water pump	1	LA60-73	53
FAA 18663-F	Tube assy (heater water outlet)-32-3/16" overall length	1	LA	54
FAA 18670-A	Case assembly (underseat heater)-upper	1	LA	52-54
FAA 18671-A	Case assembly (underseat heater)-lower	1	LA	52-54
FAA 18687-A	Gasket (underseat heater to floor)-3-7/16" x 5-27/32"	1	LA	52-54
FAA 18689-A	Gasket (underseat heater blower to duct)-3-45/64" x 5-1/8"-with two 3/8" diameter holes	1	LA	52-53
FAA 18689-B	Gasket (underseat heater blower to duct)-3-45/64" x 5-1/8"-with four 7/32" diameter holes	1	LA	53-54
FAA 18691-A	Gasket (underseat heater plenum chamber to floor)- 4-1/4" x 6-13/16"	1	LA	52-54

Lincoln Cosmopolitan and Capri

CHASSIS PARTS CATALOGUE

PART NUMBER	PART NAME	NO. REQ'D	MODEL	YEAR 19__
Numerical List of 18,000 Miscellaneous Accessories—Continued				
FAA 18696-A	Tube assy (heater water inlet)-L.H. -28-1/4" overall length	1	LA	52
FAA 18696-B	Tube assy (heater water outlet)-R. H. -28" overall length	1	LA	52-53
FAB 18696-A	Tube assy (heater water inlet)-L. H. -26-5/8" overall length	1	LA	53-54
FAB 18696-B	Tube assy (heater water inlet)-25-21/32" overall length-use with air conditioning only	1	LA60-73	53
	352335-S Elbow (female)-45°-tube to cylinder head	1	LA60-73	53
FAA 18699-A	Bezel (heater plenum chamber)-L. H.	1	LA	52-54
FAA 18714-A	Duct assembly (side cowl to panel opening)	1	LA	52-54
FAA 18720-A	Duct assy (heater to blower)-with two 3/8" dia. holes	1	LA	52-53
FAA 18720-B	Duct assy (heater to blower)-with four 7/32" dia. holes	1	LA	53-54
FAG 18805-A	Radio assembly (8 tube)-less antenna	1	LA	52-53
FDD 18805-A	Radio assembly (8 tube)-less antenna-Black buttons	1	LA60C-73A	54
FDD 18805-B	Radio assy (8 tube)-less antenna-White buttons	1	LA60A-73B-76	54
FAA 18808-C	Speaker assembly (radio)-front	1	LA	52-54
1H 18811-A	Suppressor assembly (radio)-ignition coil	1	LA	52-54
FAB 18812-A	Lead-in assy (radio antenna)-52-1/2" long-with spring contact prong	1	LA	52-54
FAA 18813-A	Antenna assy (radio)-vacuum-with 3 section rod	1	LA	52-54
FAA 18817-A	Knob assembly (radio volume control)-Gold capped	2	LA	52
FAE 18817-A	Knob assy (radio volume control)-Chrome capped	2	LA	53
FDD 18817-A	Knob assembly (radio volume control)-Black	2	LA60C-73A	54
FDD 18817-B	Knob assembly (radio volume control)-Off White	2	LA60A-73B-76	54
FAA 18830-A	Disc (radio tone and rear seat speaker volume control)	2	LA	52-54
5EH 18848	Tee (vacuum antenna)	1	LA	52-54
FAB 18850-A	Rod and cylinder assembly (radio antenna)	1	LA	52-54
FAA 18856-B	Button (radio knob opening plug)-used in cars w/o radio	2	LA	52-54
1H 18863	Valve assembly (radio antenna)-vacuum	1	LA	52-54
5EH 18865-B	Nut (vacuum antenna dome)	1	LA	52-54
FAE 18888-A	Support (radio receiver rear)	2	LA	52-54
FAA 18897-A	Insulator (vacuum antenna)	1	LA	52-54
FAA 18898-A	Gasket (vacuum antenna)	1	LA	52-54
FAA 18911-A	Knob (vacuum antenna control)-Gold capped	1	LA	52
FAB 18911-A	Knob (vacuum antenna control)-Chrome capped	1	LA	53
8M 18912	Grommet (air control)	1	LA	52-54
8M 18912	Grommet (antenna lead-in seal)	1	LA	52-54
8M 18912	Grommet (top control relay to circuit breaker wiring)	1	LA76	52-54
8M 18931-D	Hose (radio antenna)-25' roll	as reqd	LA	52-54
FAA 18939-A	Bracket (radio antenna)	1	LA	52-54
FAA 18954-A	Clamp (hose and wiring)-7" strap	as reqd	LA	52-54
8M 18966	Washer assembly (vacuum antenna)	1	LA	52-54
FAA 18971-A	Speaker assembly (radio rear seat)	1	LA	52-53
FDD 18971-A	Speaker assembly (radio rear seat)	1	LA	54
FAA 18976-AP	Grille assy (rear seat speaker)	1	LA	52-54
FAA 18991-A	Plate (radio tube cover)	1	LA	52-54

Lincoln Cosmopolitan and Capri

CHASSIS PARTS CATALOGUE

PART NUMBER	PART NAME	NO. REQ'D	MODEL	YEAR
Numerical List of 19,000 Miscellaneous Accessories				
BC 19136-A	Kit (rear compartment draft deflector installation)	1	LA60-73	52-54
FAA 19171-B	Panel assy (heater control)-less control housings-with hole pattern	1	LA	52-53
FAC 19171-AP	Panel assy (heater control)-less control housings-with slot pattern	1	LA	54
FAA 19188-BP	Housing assembly (heater regulator control)-R. H.	1	LA	52-54
FAA 19193-BP	Housing assembly (heater regulator control)-L. H.	1	LA	52-54
FAA 19203-A	Handle (heater defroster outlet door)	1	LA	54
BD 19246-A	Kit (curb signal installation)	1	LA	52-54
BH 19292-A	Kit (door edge guard installation)	1	LA73	53-54
BH 19292-B	Kit (door edge guard installation)	1	LA60-76	53-54
BH 19292-C	Kit (rear door edge guard installation)	1	LA73	53-54
FAA 19293-A	Brush assy (air conditioner motor)-with 1-1/8" pigtail	2	LA	53
FAA 19293-A	Brush assy (heater blower motor)-with 1-1/8" pigtail	2	LA	52-54
FAA 19293-B	Brush assy (heater blower motor)-with 1-5/16" pigtail	2	LA	52-54
FAA 19294-A	Spring (heater blower motor brush retaining)-1-1/4" free length	2	LA	52-54
BH 19301-A	Kit (front vent wind deflectors)	1	LA	53-54
HCCA 19502-A	Lacquer (touch-up)-Vassar Yellow-1/2 oz. tube		LA	52
HCCA 19502-B	Lacquer (touch-up)-Academy Blue-1/2 oz. tube		LA	52
HCCA 19502-C	Lacquer (touch-up)-Pebble Tan-1/2 oz. tube		LA	52
HCCA 19502-D	Lacquer (touch-up)-Coppertone-1/2 oz. tube		LA	52
HCCA 19502-E	Lacquer (touch-up)-Admiral Blue-1/2 oz. tube		LA	52
HCCA 19502-F	Lacquer (touch-up)-Saxon Gray-1/2 oz. tube		LA	52
HCCA 19502-G	Lacquer (touch-up)-Cinabar Red-1/2 oz. tube		LA	52
HCCA 19502-H	Lacquer (touch-up)-Fanfare Maroon-1/2 oz. tube		LA	52
HCCA 19502-K	Lacquer (touch-up)-Lakewood Green-1/2 oz. tube		LA	52
HCCA 19502-L	Lacquer (touch-up)-Hillcrest Green-1/2 oz. tube		LA	52
HCCA 19502-M	Lacquer (touch-up)-Black-1/2 oz. tube		LA	52-54
HCCA 19502-N	Lacquer (touch-up)-Newport Gray-1/2 oz. tube		LA	52
HDCA 19502-A	Lacquer (touch-up)-Crown Blue-1/2 oz. tube		LA	53
HDCA 19502-B	Lacquer (touch-up)-Majestic Maroon Metallic-1/2		LA	53-54
HDCA 19502-C	Lacquer (touch-up)-Kingsbury Gray Metallic-1/2 oz. tube		LA	53
HDCA 19502-D	Lacquer (touch-up)-Embassy Brown Metallic-1/2 oz. tube		LA	53-54
HDCA 19502-E	Lacquer (touch-up)-Castle Tan-1/2 oz. tube		LA	53
HDCA 19502-F	Lacquer (touch-up)-Colonial Blue-1/2 oz. tube		LA	53
HDCA 19502-G	Lacquer (touch-up)-Esquire Green-1/2 oz. tube		LA	53
HDCA 19502-H	Lacquer (touch-up)-Empire Green Metallic-1/2 oz. tube		LA	53-54
HDCA 19502-J	Lacquer (touch-up)-Oxford Gray-1/2 oz. tube		LA	53
HDCA 19502-K	Lacquer (touch-up)-Palace Green Metallic-1/2 oz. tube		LA	53-54
HDCA 19502-L	Lacquer (touch-up)-Regal Red-1/2 oz. tube		LA	53-54
HDCA 19502-M	Lacquer (touch-up)-Cavalier Yellow-1/2 oz. tube		LA	53

Lincoln Cosmopolitan and Capri

CHASSIS PARTS CATALOGUE

PART NUMBER	PART NAME	NO. REQ'D	MODEL	YEAR 19__
Numerical List of 19,000 Miscellaneous Accessories—Continued				
HDCA 19502-AA	Lacquer (touch-up)-Dark Gray Metallic-Interior-1/2 oz. tube		LA	53
HDCA 19502-AB	Lacquer (touch-up)-Dark Brown Metallic-Interior-1/2 oz. tube		LA	53
HDCA 19502-AC	Lacquer (touch-up)-Dark Green Metallic-Interior-1/2 oz. tube		LA	53
HDCA 19502-AD	Lacquer (touch-up)-Dark Blue Metallic-Interior-1/2 oz tube		LA	53
HDCA 19502-AE	Lacquer (touch-up)-Argent-Interior-1/2 oz. tube		LA	53
HDCA 19502-AF	Lacquer (touch-up)-Gold Tone-Interior-1/2 oz. tube		LA	53
HECA 19502-B	Lacquer (touch-up)-Ambassador Blue-Metallic-1/2 oz. tube		LA	54
HECA 19502-C	Lacquer (touch-up)-Wellington Gray-1/2 oz. tube		LA	54
HECA 19502-D	Lacquer (touch-up)-Cadet Gray-Metallic-1/2 oz. tube		LA	54
HECA 19502-E	Lacquer (touch-up)-Colony Tan-1/2 oz. tube		LA	54
HECA 19502-F	Lacquer (touch-up)-Columbia Blue-1/2 oz. tube		LA	54
HECA 19502-G	Lacquer (touch-up)-Canterbury Green-1/2 oz. tube		LA	54
HECA 19502-H	Lacquer (touch-up)-Premier Yellow-1/2 oz. tube		LA	54
BD 19512-A	Mitt (car washing)-Chenille		LA	52-54
1M 19514-A	Coating (chrome)-8 oz. can		LA	52-54
8L 19515-A	Undercoating (body)-Flash-53 gal. drum		LA	52-54
8L 19515-B	Undercoating (body)-53 gal. drum		LA	52-54
BD 19517-A	Cloth (dust)-wax treated		LA	52-54
8H 19520	Porcelainize cleaner (body)-liquid-case of (4) gals.		LA	52-54
8L 19520-A	Cleaner (body)-liquid-pt.		LA	52-54
8L 19520-D	Cleaner (body)-liquid-case of (12) pt. cans		LA	52-54
8L 19521-A	Cleaner (spot remover)-pt.		LA	52-54
8L 19521-B	Cleaner (spot remover)-gal.		LA	52-54
8L 19521-C	Cleaner (spot remover)-case of (12) pt. cans		LA	52-54
BH 19521-A	Cleaner (spot remover)-pt. can		LA	52-54
8L 19522-A	Cleaner (chrome)-pt.		LA	52-54
8L 19522-B	Cleaner (chrome)-case of (12) pt. cans		LA	52-54
8H 19523-A	Cleaner (white side wall tire)-13 oz. can		LA	52-54
8H 19523-B	Cleaner (white side wall tire)-case of (12) 13 oz. cans		LA	52-54
HACA 19523-A	Cleaner (white side wall tire)-16 oz. can		LA	52-54
HACA 19523-B	Cleaner (white side wall tire)-gal. can		LA	52-54
8L 19526-A	Cleaner (upholstery foam)-pt.		LA	52-54
8L 19526-C	Cleaner (upholstery foam)-case of (12) pt. cans		LA	52-54
8L 19528-A	Compound (body porcelainize)-liquid-8 oz. bottle		LA	52-54
8L 19528-C	Compound (body porcelainize)-liquid-case of (24) 8 oz. bottles		LA	52-54
8L 19529-A	Polish (body porcelainize)-cream-8 oz. bottle		LA	52-54
8L 19529-C	Polish (body porcelainize)-cream-case of (24) 8 oz. bottles		LA	52-54

Lincoln Cosmopolitan and Capri

CHASSIS PARTS CATALOGUE

PART NUMBER	PART NAME	NO. REQ'D	MODEL	YEAR 19__
Numerical List of 19,000 Miscellaneous Accessories—Continued				
HCK 19530-C	Kit (blue coral)-consists of the following (48) BD-19530-A Blue Coral (24) BD-19534-A Blue Coral (12) BD-19534-B Blue Coral (1) Background Display		LA	52-54
HCK 19530-D	Kit (blue coral)-consists of the following (24) BD-19530-A Blue Coral (24) BD-19534-A Blue Coral (1) Background Display		LA	52-54
8L 19530-A	Polish (body)-pt.		LA	52-54
8L 19530-C	Polish (body)-case of (12) pt. cans		LA	52-54
BD 19530-A	Polish (body)-Blue Coral-16.18 imperial oz.		LA	52-54
BD 19530-B	Polish (body)-Lectron-16 oz.		LA	52-54
8L 19534-A	Wax (body polishing)-8 oz. can		LA	52-54
8L 19534-B	Wax (body polishing)-case of (12) 8 oz. cans		LA	52-54
BD 19534-A	Wax (body)-Blue Coral-80 grams		LA	52-54
BD 19534-B	Wax (body)-Blue Coral-227 grams		LA	52-54
8L 19541-C	Fluid (shock absorber)-case-consists of (12) pt. cans		LA	52-54
HACA 19542-A	Fluid (brake)-heavy duty-pt.		LA	52-54
HACA 19542-B	Fluid (brake)-heavy duty-gallon		LA	52-54
HACA 19542-C	Fluid (brake)-heavy duty-case of (12) pt. cans		LA	52-54
HACA 19542-D	Fluid (brake)-heavy duty-case of (4) gal. cans		LA	52-54
HACA 19542-E	Fluid (brake)-heavy duty-5 gallon can		LA	52-54
8H 19544-A	Anti-freeze (permanent)-gal.		LA	52-54
8H 19544-C	Anti-freeze (permanent)-qt.		LA	52-54
8M 19544-A	Anti-freeze (type N)-gal.		LA	52-54
8M 19544-B	Anti-freeze (type N)-54 gal.		LA	52-54
8L 19545-A	Fluid (window regulator)-pt.		LA	52-54
8L 19545-B	Fluid (window regulator)-case of (12) pt. cans		LA	52-54
8H 19546-A	Inhibitor (cooling system rust)-pt.		LA	52-54
8H 19546-B	Inhibitor (cooling system rust)-case of (12) pt. cans		LA	52-54
8L 19550-A	Solution (W/S washer)-6 oz.		LA	52-54
8L 19550-B	Solution (W/S washer)-case of (12) 6 oz. cans		LA	52-54
8L 19552-A	Cement (rubber)-5 oz.		LA	52-54
8L 19552-B	Cement (rubber)-case of (12) 5 oz. tubes		LA	52-54
8M 19554-A	Sealer (compound)-16 oz.		LA	52-54
8M 19554-B	Sealer (compound)-case of (12) 16 oz. cans		LA	52-54
8L 19558-A	Radiator Stop Leak-10 oz.		LA	52-54
8L 19558-B	Radiator Stop Leak-case of (12) 10 oz. cans		LA	52-54

Lincoln Cosmopolitan and Capri

CHASSIS PARTS CATALOGUE

PART NUMBER	UNIT	PART NAME	NO. REQ'D	MODEL	YEAR 19__
-------------	------	-----------	-----------	-------	--------------

Numerical List of 19,000 Miscellaneous Accessories—Continued

8M 19560-A		Kit-caulking strips-case of (8) cartons		LA	52-54
8M 19560-B		Kit-caulking strip-carton (80 ft.)		LA	52-54
8L 19575-A		Grease (distributor)-4 oz.		LA	52-54
8L 19575-B		Grease (distributor)-case of (12) oz. tubes		LA	52-54
8L 19582-A		Fluid (HYDRA-MATIC transmission and power steering)-54 gal. drum		LA	52-54
8L 19582-B		Fluid (HYDRA-MATIC transmission and power steering)-5 gal. can		LA	52-54
8L 19582-C		Fluid (HYDRA-MATIC transmission and power steering)-1 qt. can		LA	52-54
8L 19582-D		Fluid (HYDRA-MATIC transmission and power steering)-case of (24) quart cans		LA	52-54
8L 19582-E		Fluid (Hydra and merc-o-matic transmission and power steering)-1 gal. can		LA	52-54
8L 19585-A		Grease (wheel bearing)-5 lb.		LA	52-54
8L 19585-B		Grease (wheel bearing)-case of (6) 5 lb. cans		LA	52-54
8L 19586-A		Lubriplate-2 oz. tube		LA	52-54
8L 19586-B		Lubriplate-used for libricating door bumpers, locks etc. -case of (12) 2 oz. tubes		LA	52-54
FAA 19590-A		Casebolt (rear window defroster motor)-No. 8-32 x 2-7/16"-for FAA-18631-A motor	2	LA	52-54
FAA 19591-A		Spring (rear window defroster motor brush ret.)-5/16" free length-for FAA-18631-A motor	2	LA	52-54
FAA 19592-A		Brush assy (rear window defroster motor)-with 5-1/4" pigtail-for FAA-18631-A motor	2	LA	52-54

Lincoln Cosmopolitan and Capri

CHASSIS PARTS CATALOGUE

PART NUMBER	CLASS	PART NAME	NO. REQ'D	MODEL	YEAR
Numerical List of 19,000 Miscellaneous Accessories—Continued					
8M 19560-A		Kit-caulking strips-case of (8) cartons		LA	52-54
8M 19560-B		Kit-caulking strip-carton (80 ft.)		LA	52-54
8L 19575-A		Grease (distributor)-4 oz.		LA	52-54
8L 19575-B		Grease (distributor)-case of (12) oz. tubes		LA	52-54
8L 19582-A		Fluid (HYDRA-MATIC transmission and power steering)-54 gal. drum		LA	52-54
8L 19582-B		Fluid (HYDRA-MATIC transmission and power steering)-5 gal. can		LA	52-54
8L 19582-C		Fluid (HYDRA-MATIC transmission and power steering)-1 qt. can		LA	52-54
8L 19582-D		Fluid (HYDRA-MATIC transmission and power steering)-case of (24) quart cans		LA	52-54
8L 19582-E		Fluid (Hydra and merc-o-matic transmission and power steering)-1 gal. can		LA	52-54
8L 19585-A		Grease (wheel bearing)-5 lb.		LA	52-54
8L 19585-B		Grease (wheel bearing)-case of (6) 5 lb. cans		LA	52-54
8L 19586-A		Lubriplate-2 oz. tube		LA	52-54
8L 19586-B		Lubriplate-used for libricating door bumpers, locks etc. -case of (12) 2 oz. tubes		LA	52-54
FAA 19590-A		Casebolt (rear window defroster motor)-No. 8-32 x 2-7/16"-for FAA-18631-A motor	2	LA	52-54
FAA 19591-A		Spring (rear window defroster motor brush ret.)-5/16" free length-for FAA-18631-A motor	2	LA	52-54
FAA 19592-A		Brush assy (rear window defroster motor)-with 5-1/4" pigtail-for FAA-18631-A motor	2	LA	52-54

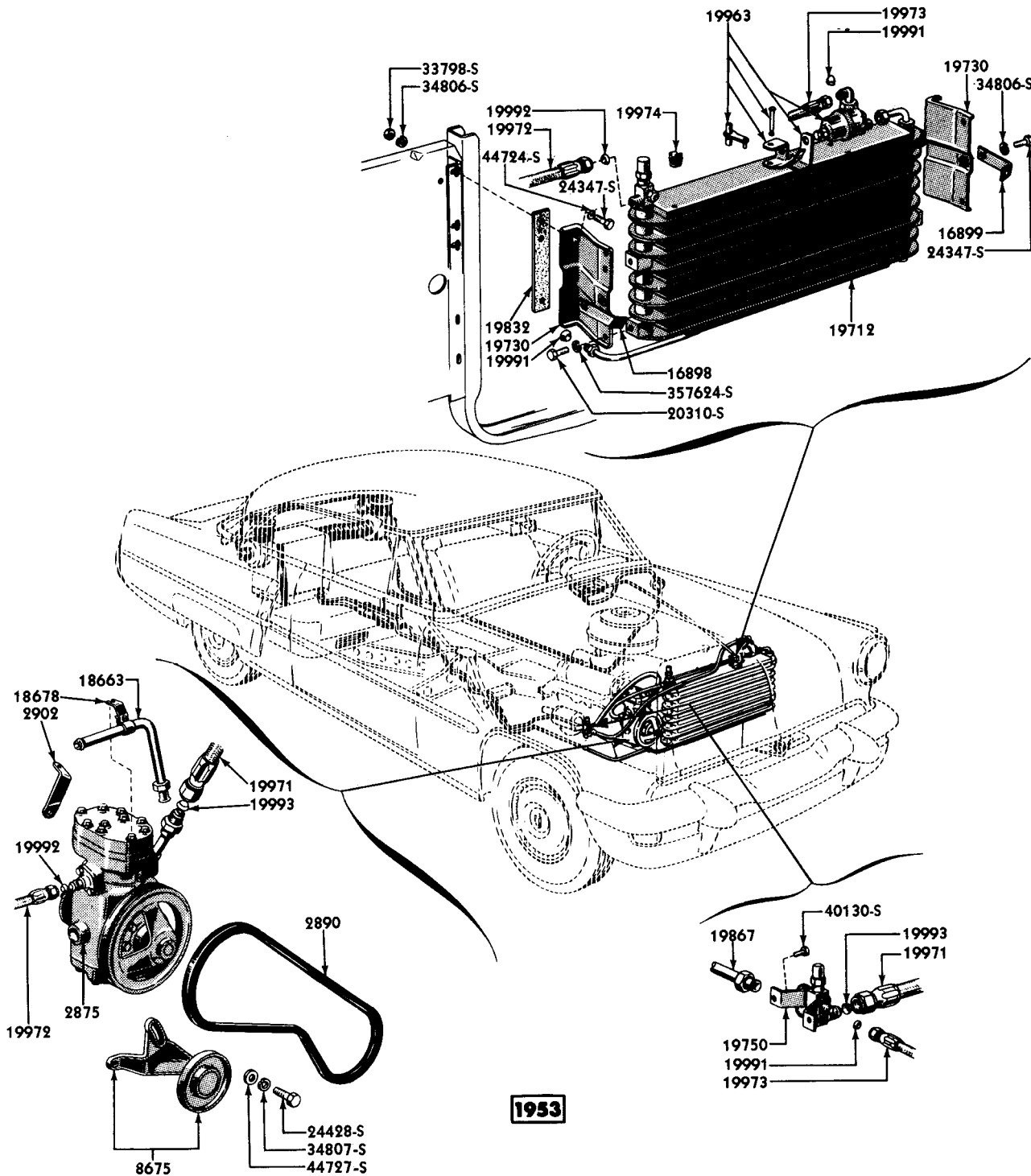
Air Conditioning

EAD-2875-B	Compressor assembly	1	LA60-73	53
20410-S8	Bolt (hex-hd)-7/16"-14 x 1-1/8" -comp. to generator brkt.	1	LA60-73	53
24428-S8	Bolt (hex)-3/8"-16 x 1-1/4"-compressor to cyl. block	2	LA60-73	53
34847-S8	Lockwasher-3/8"	2	LA60-73	53
EAD-2890-A	Belt (compressor)-48" circumference	1	LA60-73	53
EAD-2902-A	Bracket (compressor to intake manifold)	1	LA60-73	53
24428-S8	Bolt (hex)-3/8"-16 x 1-1/4"-bracket to cylinder head	1	LA60-73	53
EAD-6750-C	Indicator assembly (oil level)	1	LA60-73	53
EAD-6754-C	Tube assembly (oil level indicator)	1	LA60-73	53
20348-S8	Bolt (hex-hd)-3/8"-16 x 3/4"-tube to air compressor	1	LA60-73	53
34807-S8	Lockwasher-3/8"	1	LA60-73	53
LA-8005-F	Radiator assy-mounting plates with 4 holes 19/32" dia. -13 fins per inch	1	LA60-73	53
352524-S	Adapter-1/4" x 1/4"-attached to drain cock	1	LA60-73	53

Lincoln Cosmopolitan and Capri

CHASSIS PARTS CATALOGUE

Air Conditioning—Continued



PL-933

AIR CONDITIONING AND RELATED PARTS

Basic numbers only shown on illustration. Order by Part Numbers shown in list of parts.

Lincoln Cosmopolitan and Capri

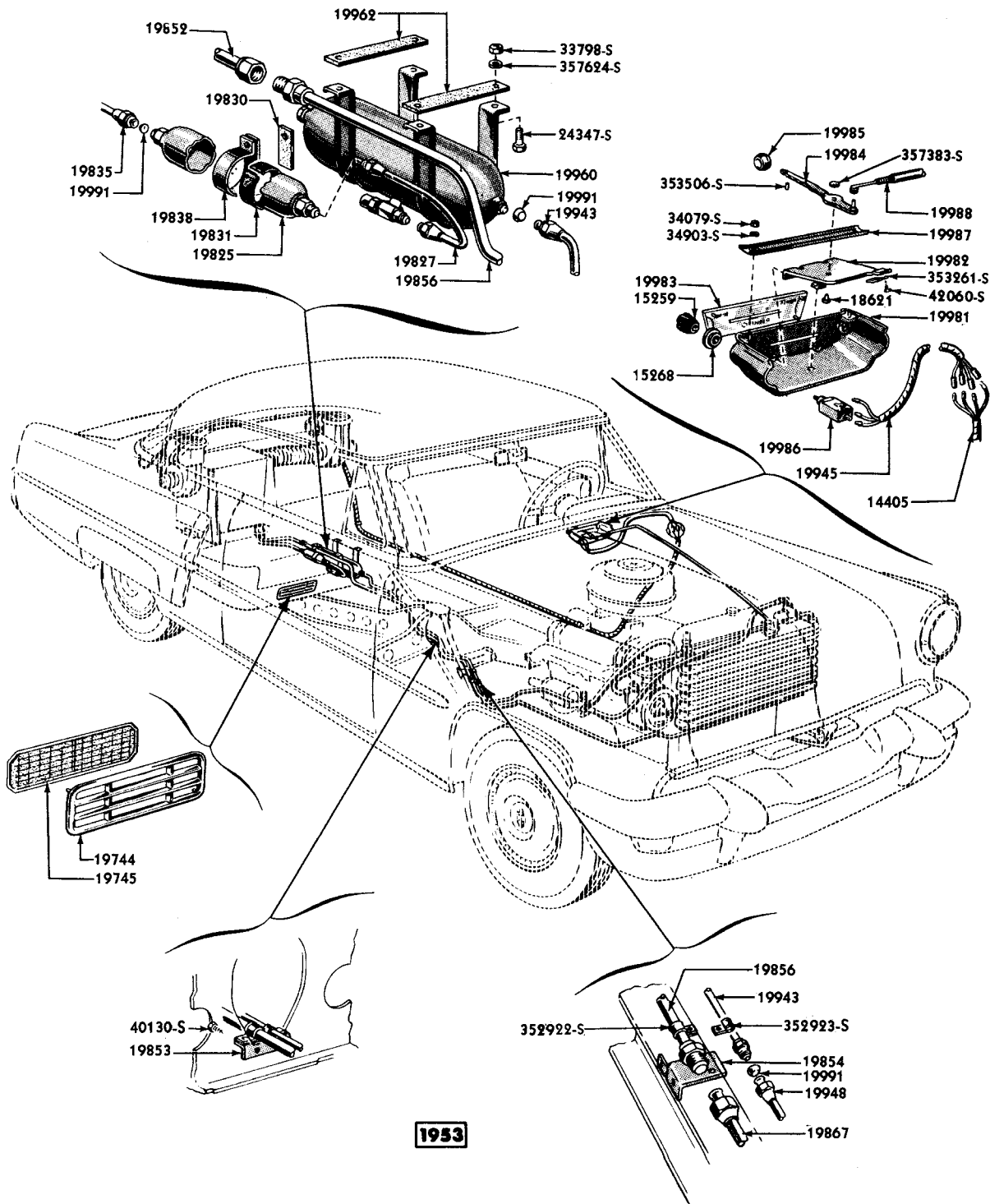
CHASSIS PARTS CATALOGUE

PART NUMBER	PART NAME	NO. REQ'D	MODEL	YEAR
Air Conditioning—Continued				
NS BH-8128-A	Support (radiator air side inner deflector)-make from BC-8128-A by adding 11/32" x 11/16" slot and 11/32" hole	1	LA60-73	53
NS BH-8129-A	Support (radiator air side inner deflector)-make from BC-8128-A by adding 11/32" hole	1	LA60-73	53
BC-8128-A	Support (radiator air side inner deflector)	2	LA60-73	53
BH-8209-B	Shield assembly (radiator splash)	1	LA60-73	53
LA-8260-C	Hose (radiator upper)-1-3/4" I. D. -formed	1	LA60-73	53
B-8287-A	Clamp assy (exhaust cross-over pipe heat shield)-2-1/8" dia.	1	LA60-73	53
BH-8326-B	Deflector assy (radiator air side) -extension with square ends-upper	1	LA60-73	53
24327-S7	Bolt (hex-hd)-5/16"-24 x 5/8"-deflector to radiator support	2	LA60-73	53
34941-S7	L/washer (external tooth)-5/16"-deflector to radiator support	2	LA60-73	53
EAD-8546-C	Spacer (water pump pulley to fan) -1-5/8" long	1	LA60-73	53
EAD-8548-D	Tube assy (water by pass)-upper	1	LA60-73	53
20326-S7	Bolt (hex-hd)-5/16"-18 x 5/8"-tube to water outlet connection	2	LA60-73	53
34941-S7	Lockwasher-5/16"-tube to water outlet connection	2	LA60-73	53
LA-8600-B	Blade assy (fan)-6 blade-18-1/4" diameter	1	LA60-73	53
21516-S8	Bolt (hex-hd)-5/16"-24 x 2-1/4"-blade to water pump pulley	4	LA60-73	53
34941-S2	L/washer (external tooth)-5/16"-blade to water pump pulley	4	LA60-73	53
EAD-8620-D	Belt (fan, generator & water pump)-45-1/2" long x 15/32" wide	1	LA60-73	53
EAD-8675-A	Bracket and pulley assy (compressor belt idler adj.)	1	LA60-73	53
24428-S	Bolt (hex-hd)-3/8"-16 x 1-1/4"-bracket to compressor	2	LA60-73	53
34807-S8	Lockwasher-3/8"-bracket to compressor	2	LA60-73	53
44727-S	Washer (flat)-3/8"-bracket to compressor	2	LA60-73	53
7RA-10094-A	Bearing (idler bracket and pulley) -21/32" I. D. x 1-37/64" O. D. x 15/32" wide	1	LA60-73	53
EAD-10153-B	Bracket (generator)-top	1	LA60-73	53
24428-S8	Bolt (hex-hd)-3/8"-16 x 1-1/4"-bracket to air compressor to cylinder block	1	LA60-73	53
34807-S8	Lockwasher-3/8"	1	LA60-73	53
51A-13827-A	Spacer (horn bracket)-15/64" thick	4	LA60-73	53

Lincoln Cosmopolitan and Capri

CHASSIS PARTS CATALOGUE

Air Conditioning—Continued



1953

PL-934

AIR CONDITIONING AND RELATED PARTS

Basic numbers only shown on illustration. Order by Part Numbers shown in list of parts.

Lincoln Cosmopolitan and Capri

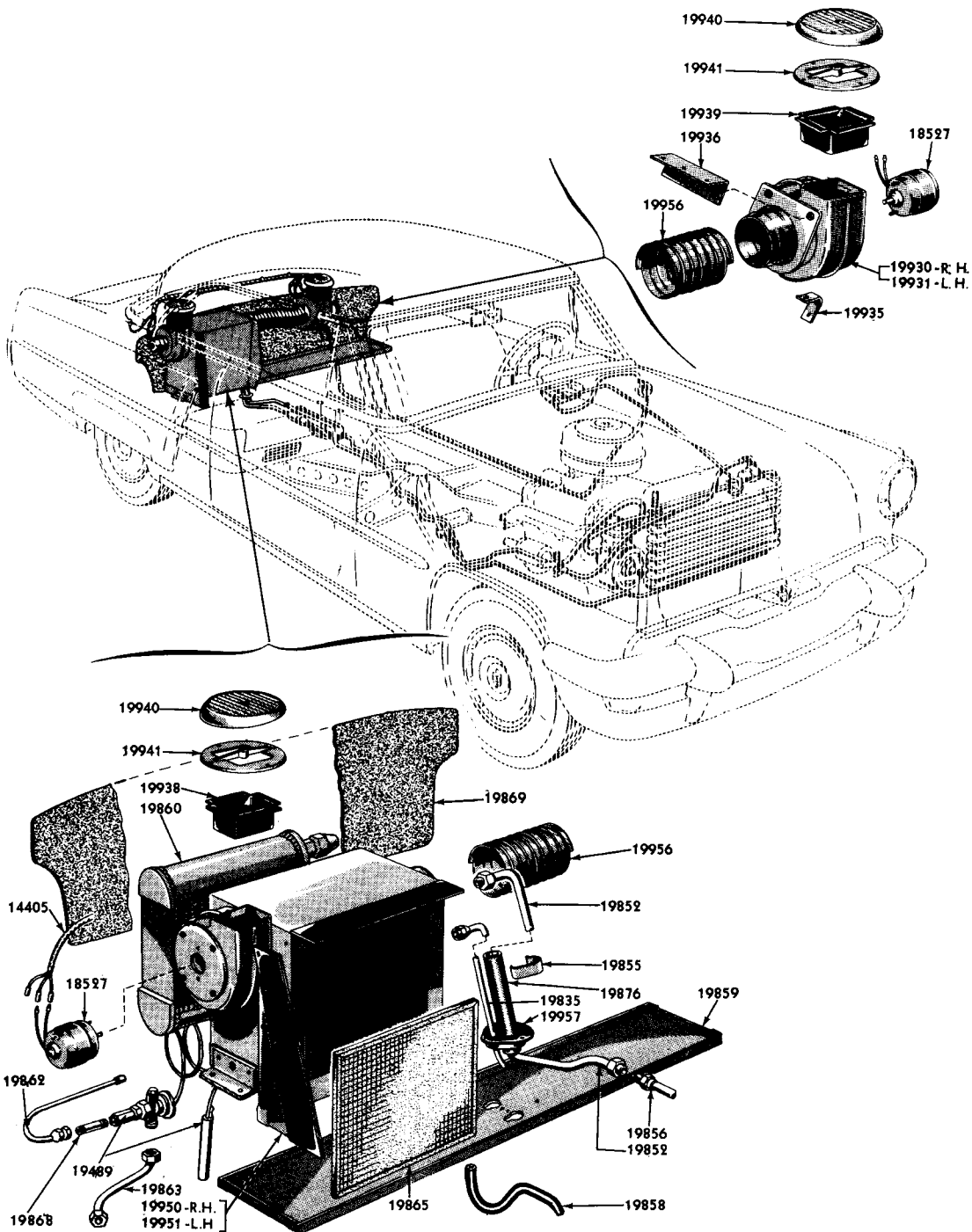
CHASSIS PARTS CATALOGUE

PART NUMBER	PART NAME	NO. REQ'D	MODEL	YEAR
Air Conditioning—Continued				
FAE-13830-C	Bracket assy (low pitch horn mtg.)	1	LA60-73	53
FAE-13831-C	Bracket assy (high pitch horn mounting)	1	LA60-73	53
24387-S7	Bolt (hex-hd)-5/16"-24 x 3/4"-bracket to hood lock support brace	4	LA60-73	53
34941-S7	Lockwasher (external tooth)-5/16"-bracket to hood lock support brace	4	LA60-73	53
33798-S8	Nut (hex)-5/16"-24-bracket to hood lock support brace	4	LA60-73	53
44724-S8	Washer (flat)-5/16"-bracket to hood lock support brace	4	LA60-73	53
FAB-13832-F	Horn assy (high pitch)-less brkt. -sea shell type	1	LA60-73	53
FAC-13833-F	Horn assy (low pitch)-less brkt. -sea shell type	1	LA60-73	53
FAA-14411-A	Holder assy (fuse to blower switch)	1	LA60-73	53
52743-S7	Screw & lockwasher assy (panhd. self tapping)-No. 10-12 x 5/8'-holder to brake pedal support	2	LA60-73	53
7RA-14197-A	Clip (temperature control cable to fender apron)	2	LA60-73	53
FBT-14405-A	Wiring assy (rear lamps)-27 terminals	1	LA73	53
FBT-14405-B	Wiring assy (rear lamps)-33 terminals	1	LA60	53
356668-S32	Clip (wiring)-wiring to belt rail or back window frame	5	LA60-73	53
358315-S32	Clip (wiring)-wiring to L. H. cowl side panel	1	LA60-73	53
FAB-14440-B	Wire assy (horn relay to horn)-17-1/2" long	1	LA60-73	53
FAC-14445-A	Wiring assy (R. H. to L. H. headlamp)-42" loom	1	LA60-73	53
FAB-15259-A	Knob assembly (switch)	2	LA60-73	53
FAA-15268-A	Bezel (switch)	2	LA60-73	53
BH-16082-A	Apron and deflector assy (front fender)-R. H.	1	LA60-73	53
BH-16083-A	Apron and deflector assy (front fender)-L. H.	1	LA60-73	53
LA-16138-G	Support assy (front fender apron and radiator)	1	LA60-73	53
LA-16183-A	Extension (radiator and front fender apron support reinforcement)-weld to LA-16138-G	1	LA60-73	53
BH-16717-A	Support (hood lock)	1	LA60-73	53
BH-16749-A	Brace assy (hood lock support)-R. H.	1	LA60-73	53
BH-16750-A	Brace assy (hood lock support)-L. H.	1	LA60-73	53

Lincoln Cosmopolitan and Capri

CHASSIS PARTS CATALOGUE

Air Conditioning—Continued



PL-943

1953

AIR CONDITIONING AND RELATED PARTS

Basic numbers only shown on illustration. Order by Part Numbers shown in list of parts.

Lincoln Cosmopolitan and Capri

CHASSIS PARTS CATALOGUE

PART NUMBER	CHASSIS	PART NAME	NO. REQ'D	MODEL	YEAR
Air Conditioning—Continued					
		BH-16898-B Brace (hood lock support to radiator support)-R. H. -4" formed length	1	LA60-73	53
		BH-16899-B Brace (hood lock support to radiator support)-L. H. -4" formed length	1	LA60-73	53
		24347-S8 Bolt (hex-hd)-5/16"-24 x 3/4"-brace to condenser mtg. brkt. and hood lock support brace	2	LA60-73	53
		34806-S7 Lockwasher-5/16"-brace to condenser mounting bracket	2	LA60-73	53
		34806-S7 Lockwasher-5/16"-brace to hood lock support brace	2	LA60-73	53
		33798-S8 Nut (hex)-5/16"-24-brace to hood lock support brace	2	LA60-73	53
		44722-S8 Washer (flat)-5/16"-brace to condenser	2	LA60-73	53
		44722-S8 Washer (flat)-5/16"-brace to hood lock support brace	2	LA60-73	53
		FAB-18504-A Wheel assy (blower)-4-1/4" dia. -clockwise rotation	2	LA60-73	53
		32917-S8 Screw (pan head tapping)-No. 10-12 x 3/8"-wheel and motor to housing	8	LA60-73	53
		FAB-18527-B Motor assy (blower)-Refer to Motor Group for Components	2	LA60-73	53
		FAA-14558-A Casebolt (motor)-No. 10-32 x 3-3/8"	2	LA	53
		FAA-14575-A Holder (motor brush)-2 prongs	2	LA	53
		FAA-14575-B Holder (motor brush)-flat type	2	LA	53
		FAA-14576-A Spring (motor brush holder retaining)-1-1/8" free length	2	LA	53
		FAA-14576-B Spring (motor brush holder retaining)-5/8" free length	2	LA	53
		FAA-14580-A Brush assy (motor)-with 1-3/4" pigtail	2	LA	53
		FAA-19293-A Brush assy (motor)-with 1-1/8" pigtail	2	LA	53
		351805-S100 Nut (hex)-No. 10-32-casebolt to motor	2	LA	53
		FAA-18583-A Gasket (blower motor mtg.)-Rubber -1-7/16" I. D. x 2-5/16" O. D.	2	LA60-73	53
		OA-18605 Grommet (blower motor mounting)	4	LA60-73	53
		BH-16924-A Brace (hood lock support to radiator support)-lower	1	LA60-73	53
		FAA-18663-E Tube assy (heater water outlet)-14-1/2" approx. formed length	1	LA60-73	53
		352334-S8 Elbow (female)-45°-tube to water pump	1	LA60-73	53
		353572-S Nipple-4-3/8" long-tube to water pump	1	LA60-73	53
	NS	FAA-18678-B Bracket (heater water outlet tube to compressor)-serviced in FAA-18663-E assembly	1	LA60-73	53
		353571-S7 Screw & lockwasher assy (pan-hd self tapping)-No. 10-32 x 1/2"-bracket to tube	1	LA60-73	53

Lincoln Cosmopolitan and Capri

CHASSIS PARTS CATALOGUE

PART NUMBER	PART NAME	NO. REQ'D	MODEL	YEAR
Air Conditioning—Continued				
FAB-18696-B	Tube assy (heater water inlet)- 25-21/32" overall length	1	LA60-73	53
352335-S	Elbow (female)-45°-tube to cylinder head	1	LA60-73	53
EAD-55267-C	Pipe and thermostat valve assy (exhaust manifold cross-over)	1	LA60-73	53
EAD-55272-A	Shield assy (exhaust cross-over pipe heat)-4" long x 2-31/32" wide	1	LA60-73	53
EAD-66319-B	Pulley (crankshaft)	1	LA60-73	53
20408-S7	Bolt (hex-hd)-3/8"-16 x 1-1/8" -pulley to dampener	2	LA60-73	53
21074-S8	Bolt (hex-hd)-5/8"-18 x 2-1/8" -pulley to crankshaft	1	LA60-73	53
34807-S8	Lockwasher-3/8"	2	LA60-73	53
357628-S7	Lockwasher-5/8"	1	LA60-73	53
BH-88209-A	Support (radiator splash shield to hoodlock support brace)	1	LA60-73	53
LA-88277-B	Hose assy (radiator)-lower-2" I. D. -formed-includes spring insert	1	LA60-73	53
LA 19712-A	Core assembly (condenser)	1	LA60-73	53
LA 19722-A NS	Support (modulating valve)-serviced in LA-19963-A assembly	1	LA60-73	53
LA 19730-A	Bracket assembly (condenser mounting)	2	LA60-73	53
20310-S8	Bolt (hex-hd)-5/16"-18 x 1/2" -bracket to condenser assy	4	LA60-73	53
24347-S8	Bolt (hex-hd)-5/16"-24 x 3/4" -bracket to air deflector	4	LA60-73	53
34806-S7	Lockwasher-5/16"-bracket to deflector	4	LA60-73	53
357624-S7	Lockwasher (special)-5/16" -bracket to condenser assy	4	LA60-73	53
33797-S7	Nut (hex)-5/16"-18-bracket to condenser assembly	4	LA60-73	53
33798-S8	Nut (hex)-5/16"-24-bracket to air deflector	4	LA60-73	53
44724-S8	Washer (flat)-5/16"-bracket to air deflector	4	LA60-73	53
BH 19744-A	Grille (air intake)	2	LA60-73	53
BD-7660650-A	Riser (rear seat front)	1	LA60-73	53
45037-S32	Nut (spring)-1/8" stud dia. - grille to rear seat riser and cushion	12	LA60-73	53
BH 19745-A	Screen (air intake)	2	LA60-73	53
LA 19750-B	Valve and bracket (compressor)-low pressure	1	LA60-73	53
40130-S8	Screw (hex-hd tap.)-5/16"-18 x 3/8"-brkt. to front fender apron	2	LA60-73	53
FAA 19760-A	Spring (temperature control lever)	1	LA60-73	53
AC 19825-A	Dehydrator assembly	1	LA60-73	53
LA 19827-A	Tube assy (receiver to dehydrator)-3/8" x 4-3/4" formed length-use with LA-19825-A dehydrator	1	LA60-73	53
LA 19827-B	Tube assy (receiver to dehydrator)-3/8" x 10" formed length-use with AC-19825-A dehydrator	1	LA60-73	53

Lincoln Cosmopolitan and Capri

CHASSIS PARTS CATALOGUE

PART NUMBER	PART NAME	NO. REQ'D	MODEL	YEAR
Air Conditioning—Continued				
LA 19830-A	Anti-squeak (dehydrator to receiver tank)-2-3/8" long	1	LA60-73	53
LA 19831-A	Anti-squeak (dehydrator to clamp)-6-1/4" long	1	LA60-73	53
LA 19832-A	Anti-squeak (mounting bracket to air deflector)-6-3/4" long	1	LA60-73	53
LA 19835-A	Tube assy (dehydrator to evaporator)-33-13/64" overall length	1	LA73	53
LA 19835-B	Tube assy (dehydrator to evaporator)-30-1/2" overall length	1	LA60	53
LA 19838-A	Clamp (dehydrator to receiver)-2" I. D. with 11/32" diameter hole	1	LA60-73	53
	24347-S8 Bolt (hex)-5/16"-24 x 3/4"-dehydrator to receiver tank	1	LA60-73	53
	357624-S7 Lockwasher (special)-5/16"-dehydrator to receiver tank	1	LA60-73	53
	33798-S8 Nut (hex)-5/16"-24-dehydrator to receiver tank	1	LA60-73	53
FAA 19849-A	Valve assembly (evaporator expansion)	1	LA60-73	53
LA 19852-A	Tube assy (evaporator to compressor shut off valve)-rear-26-29/32" overall length	1	LA60	53
LA 19852-B	Tube assy (evaporator to compressor shut off valve)-rear-24-27/32" overall length	1	LA73	53
LA 19853-A	Bracket (evaporator to compressor shut off valve tube)-rear-3" long	1	LA60-73	53
	40130-S8 Screw (hex-hd self tapping)-5/16"-18 x 3/8"-bracket to cross member assembly	2	LA60-73	53
LA 19854-A	Bracket (evaporator to compressor shut off valve tube)-center	1	LA60-73	53
	24347-S8 Bolt (hex)-5/16"-24 x 3/4"-bracket to cross member	2	LA60-73	53
	357624-S7 Lockwasher (special)-5/16"-bracket to cross member	2	LA60-73	53
	33798-S8 Nut (hex)-5/16"-24-bracket to cross member	2	LA60-73	53
LA 19855-A	Clip (evaporator to compressor shut off valve tube)-rear	2	LA60-73	53
LA 19856-B	Tube assy (evaporator to compressor shut off valve)-center	1	LA60-73	53
	352922-S Clamp-tube to receiver tank, frame and brackets	5	LA60-73	53
BH 19858-B	Hose (evaporator drain)	1	LA60-73	53
	358100-S32 Clip (evaporator drain hose to floor pan)	1	LA60-73	53
BH 19859-A	Pan assembly (evaporator drain)-(1) 2-1/2" dia. hole-7-3/16" from side of pan to center of hole	1	LA60	53
BH 19859-B	Pan assembly (evaporator drain)-(1) 2-1/2" dia. hole-2-5/64" from side of pan to center of hole	1	LA73	53
	42127-S8 Screw (hex washer head)-No. 10-12 x 1/2"-pan to rear floor pan	4	LA60-73	53
FAA 19860-A	Core assembly (evaporator)	1	LA60-73	53

Lincoln Cosmopolitan and Capri

CHASSIS PARTS CATALOGUE

PART NUMBER	PART NAME	NO. REQ'D	MODEL	YEAR
-------------	-----------	-----------	-------	------

Air Conditioning—Continued

FAA 19862-A	Tube assembly (evaporator inlet)	1	LA60-73	53
FAA 19863-A	Tube assembly (evaporator to expansion valve)	1	LA60-73	53
FAA 19864-A	Clip (evaporator expansion valve)	1	LA60-73	53
BH 19865-A	Filter assembly (evaporated)	1	LA60-73	53
FAA 19866-A	Bracket (evaporator expansion valve mounting)	1	LA60-73	53
LA 19867-A	Tube assy (evaporator to compressor shut off valve) -front-55" overall length	1	LA60-73	53
FAA 19868-A	Indicator assembly (evaporator)	1	LA60-73	53
BH 19869-A	Cover (evaporator trim)	1	LA60-73	53
	357903-S13 Screw (washer head cross recess)-No. 8-15 x 1/2"- cover to bracket and drain pan	5	LA60-73	53
LA 19876-A	Insulator (evaporator to compressor shut off valve tube)-rear	1	LA60-73	53
BH 19930-A NS	Housing assembly (blower)-R. H.	1	LA60-73	53
BH 19931-A NS	Housing assembly (blower)-L. H.	1	LA60-73	53
BH 19935-A	Bracket (blower to wheel house)-"U" shaped	1	LA60	53
BH 19935-B	Bracket (blower to wheel house)-"L" shaped	1	LA73	53
	32916-S8 Screw (pan head tapping)-No. 8-15 x 3/8"-bracket to blower housing	1	LA60-73	53
	42127-S8 Screw (hex washer head)-No. 10-12 x 1/2"-bracket to wheel house	1	LA60-73	53
BH 19936-A	Bracket (blower to package tray)-angle dimensions 2-3/16" x 2-1/16"	1	LA60	53
BH 19936-B	Bracket (blower to package tray)-angle dimensions 1-15/16" x 1-25/32"	1	LA73	53
	24308-S7 Bolt (hex-hd)-1/4"-20 x 1/2"- bracket to blower housing	2	LA60-73	53
	34805-S8 Lockwasher-1/4"-bracket to blower housing	2	LA60-73	53
	32916-S8 Screw (pan head tapping)-No. 8-15 x 3/8"-bracket to package tray	3	LA60-73	53
	44719-S8 Washer (flat)-1/4"-bracket to blower housing	2	LA60-73	53
BH 19938-A	Seal (blower to package tray air)-R.H.-3-19/32" I.D.	1	LA60-73	53
BH 19939-A	Seal (blower to package tray air)-L.H.-3-19/32" I.D.	1	LA60-73	53
BH 19940-AP	Register (package tray)	2	LA60-73	53
	352459-S8 Screw (shoulder pan head)- No. 8-32 x 9/16" -register to retainer	2	LA60-73	53
BH 19941-AP	Retainer (package tray register)	2	LA60-73	53
	32930-S8 Screw (pan head tapping)-No. 8-15 x 5/8"-retainer to package tray	8	LA60-73	53

Lincoln Cosmopolitan and Capri

CHASSIS PARTS CATALOGUE

PART NUMBER	PART NAME	NO. REQ'D	MODEL	YEAR 19__
Air Conditioning—Continued				
LA 19943-A	Tube assy (receiver tank)-rear-65-27/64" overall length	1	LA60-73	53
	352923-S Clamp-tube to frame and brackets	4	LA60-73	53
FAA 19944-A	Housing assy (evaporator)	1	LA60-73	53
FAA 19945-A	Wiring assy (blower switch feed)-44-1/2" loom	1	LA60-73	53
	FAA-18954-A Clamp (feed wire to panel wire)-7" strap	2	LA60-73	53
LA 19948-A	Tube assembly (receiver tank)-front	1	LA60-73	53
BH 19950-A	Plate assembly (evaporator to seat back)-R. H.	1	LA60-73	53
	32917-S7 Screw (pan head tapping)-No. 10-12 x 3/8"-plate to evaporator housing	3	LA60-73	53
BH 19951-A	Plate assembly (evaporator to seat back)-L. H.	1	LA60-73	53
	33892-S8 Nut (wing)-Forged-No. 10-24-plate to evaporator housing	3	LA60-73	53
BH 19956-A	Hose (blower to evaporator)-23-3/8" long	1	LA60	53
BH 19956-B NS	Hose (blower to evaporator)-19-7/8" long-cut to size from BH-19956-A	1	LA73	53
	OM-8725 Clamp assy (blower hose)-round-4-3/16" I. D.	2	LA60-73	53
BH 19957-A	Grommet (evaporator tube to floor)-1-11/32" I. D.	1	LA60-73	53
	52726-S13 Screw (pan head cross recess)-No. 8-15 x 1/2"-grommet to rear floor pan	2	LA60-73	53
	44710-S8 Washer (flat)-No. 8-grommet to rear floor pan	2	LA60-73	53
LA 19960-B	Tank assembly (receiver)	1	LA60-73	53
	24347-S8 Bolt (hex-hd)-5/16"-24 x 3/4"-tank to floor pan	4	LA60-73	53
	357624-S7 Lockwasher (special)-5/16"-tank to floor pan	4	LA60-73	53
	33798-S8 Nut (hex)-5/16"-24-tank to floor pan	4	LA60-73	53
BH 19962-A	Reinforcement (receiver tank to floor)-6-11/16" long	2	LA60-73	53
LA 19963-A	Valve and control assembly (modulator)	1	LA60-73	53
	40130-S7 Screw (hex-hd self tapping)-5/16"-18 x 3/8"-valve and control assy to condenser assembly	1	LA60-73	53
	44722-S8 Washer (flat)-5/16"-valve and control assy to condenser assembly	1	LA60-73	53
LA 19964-A NS	Valve assembly (modulator)-serviced in LA-19963-A assembly	1	LA60-73	53
LA 19965-A NS	Cam assembly (modulator valve manual control)-serviced in LA-19963-A assembly	1	LA60-73	53

Lincoln Cosmopolitan and Capri

CHASSIS PARTS CATALOGUE

PART NUMBER	CLASS	PART NAME	NO. REQ'D	MODEL	YEAR 19__
Air Conditioning—Continued					
LA 19969-A	NS	Bracket (modulator valve manual control)- serviced in LA-19963-A assembly	1	LA60-73	53
		352931-S8 Nut (hex)-9/16"-18-bracket to modulator valve-serviced in LA-19963-A assembly	1	LA60-73	53
LA 19970-A	NS	Shaft (modulator valve manual control)-serviced in LA-19963-A assembly	1	LA60-73	53
		356304-S7 Washer (special "C")-5/16"- shaft to bracket-serviced in LA-19963-A assembly	1	LA60-73	53
LA 19971-A		Hose assy (low pressure valve to compressor)-20" long	1	LA60-73	53
LA 19972-A		Hose assy (compressor to condenser inlet valve)- 19-1/2" long	1	LA60-73	53
LA 19973-B		Hose assy (front expansion valve to low pressure shut off valve)-34-7/16" long	1	LA60-73	53
LA 19974-B		Clip (condenser)	1	LA60-73	53
		40504-S7 Screw (pan hd self-tap.)-No. 12 -24 x 1/4"-clip to condenser	1	LA60-73	53
FAA 19981-AP		Panel (control)	1	LA60-73	53
FAA 19982-B		Bracket (control mounting)	1	LA60-73	53
		353261-S7 Clip-cable to bracket	1	LA60-73	53
		42060-S8 Screw (tapping slotted hex-hd)- No. 10-12 x 3/8"-clip to plate	1	LA60-73	53
FAA 19983-A		Plate (control name)	1	LA60-73	53
		350786-AS7 Nut (spring)-No. 12-name plate to control panel	4	LA60-73	53
FAA 19984-A		Lever assy (temperature control)	1	LA60-73	53
		FAB-18621-A Pin-lever to bracket	1	LA60-73	53
		357383-S32 Nut (spring)-lever to bracket	1	LA60-73	53
FAA 19985-AP		Knob (temperature control)	1	LA60-73	53
		353506-S33 Pin-control knob to arm	1	LA60-73	53
FAA 19986-A		Switch assembly (blower)	2	LA60-73	53
	NS	B-14526 Fuse (blower motor)-20 amp. - replaced by B-14527 Kit	2	LA60-73	53
FAA 19987-A		Reinforcement (control mounting)	1	LA60-73	53
		34903-S8 Lockwasher (internal tooth)- No. 10-reinforcement to instrument panel	2	LA60-73	53
		34079-S7 Nut (hex)-No. 10-32-reinforce- ment to instrument panel	2	LA60-73	53
FAA 19988-A		Control assembly (temperature)	1	LA60-73	53
LA 19991-A		Seat (modulating valve to low pressure valve hose)	4	LA60-73	53
LA 19992-A		Seat (high pressure valve to compressor hose)	2	LA60-73	53
LA 19993-A		Seat (low pressure valve to compressor hose)	2	LA60-73	53

Lincoln Cosmopolitan and Capri

CHASSIS PARTS CATALOGUE

PART NUMBER	PART NAME	NO. REQ'D	MODEL	YEAR
Numerical Listing of Chassis Five Digit Part Numbers				
HDK 22005-D	Kit (power brake conversion)	1	LA	53
HEK 22009-A	Kit (brake spring repair)	1	LA	54
HCK 22009-B	Kit (rear brake spring repair)	1	LA	52-53
HCK 22009-C	Kit (front brake spring repair)	1	LA	52-53
LA 22027-A	Bracket assy (brake booster mounting)	1	LA	53
LA 22027-B	Bracket assy (brake booster mounting)	1	LA	54
LA 22035-A	Gasket (brake booster mounting bracket)	1	LA	53-54
LA 22036-A	Adapter (brake master cylinder mounting)	1	LA	53-54
LA 22050-A	Spring (front wheel brake shoe adjusting cam)	2	LA	54
LA 22120-A	Adapter (brake booster mounting)	1	LA	53
LA 22120-B	Adapter (brake booster mounting)	1	LA	54
LA 22121-A	Gasket (brake master cylinder mounting adapter)	1	LA	52-54
LA 22139-A	Shield (brake master cylinder heat)	1	LA	52-54
LA 22139-B	Shield (brake master cylinder heat)-use with Power Brakes	1	LA	53-54
LA 22142-A	Insulator (brake master cylinder heat shield)	1	LA	53-54
LA 22157-A	Fitting (brake master cylinder reservoir)-7/8"-14 x 15/32"	1	LA	53-54
LA 22158-A	Plunger assy (brake master cylinder)	1	LA	53-54
LA 22159-A	Retainer (brake master cyl. plunger seal)-1-3/8" O. D.	1	LA	53-54
HDK 22160-B	Kit (gasket and seal repair)	1	LA	53-54
LA 22166-A	Cover assy (brake master cylinder reservoir)	1	LA	53-54
HDK 22167-B	Kit (piston packing)	1	LA	53-54
MA 22264-C	Hose assy (brake master cylinder to connector)- 16-3/4" long	1	LA	52-54
LA 22264-B	Hose assy (brake master cylinder to connector)- 25-3/8" long	1	LA	53-54
LA 22270-A	Tube (booster to reservoir)	1	LA	53-54
LA 22327-A	Retainer (brake booster body piston return spring)- 3-1/8" O. D.	1	LA	53-54
LA 22349-A	Tube assy (intake manifold to brake booster)	1	LA	53-54
LA 22350-A	Hose (brake reservoir outlet)-3-1/2" overall length	1	LA	53-54
LA 22358-A	Spring (brake booster body piston reaction)	1	LA	53-54
LA 22368-A	Body assy (brake booster check valve)	1	LA	53-54
LA 22370-A	Cover assy (brake booster check valve)	1	LA	53-54
LA 22371-A	Spring (brake booster check valve)	1	LA	53-54
LA 22380-A	Plate (brake booster body end)-6-3/4" O. D.	1	LA	53-54
LA 22382-A	Cover (brake booster air cleaner)	1	LA	53-54
LA 22393-A	Tube assy (brake booster body piston to hose)	1	LA	53-54
LA 22395-B	Plate (brake booster body piston)-front	1	LA	53-54
LA 22515-A	Bushing (brake master cylinder operating lever)- Nylon-1/2" I. D. x 9/16" O. D.	2	LA	53-54
LA 22519-A	Bracket (brake master cylinder operating lever)	1	LA	53-54
LA 22521-A	Bushing (brake pedal lever)-3/8" I. D. x 7/16" O. D. x 11/64" long	4	LA	53-54
LA 22907-A	Tube (brake reservoir to booster)-vacuum-23- 41/64" long	1	LA	53-54

Lincoln Cosmopolitan and Capri

CHASSIS PARTS CATALOGUE

PART NUMBER	PART NAME	NO. REQ'D	MODEL	YEAR 19__
Numerical Listing of Chassis Five Digit Part Numbers—Continued				
LA 33046-A	Joint assy (front suspension upper arm ball)	2	LA	52-54
LA 33055-A	Cover (front suspension upper arm ball joint dust)- 2" O. D. with oblong hole 57/64" across flats	2	LA	52-54
LA 33056-A	Shield (front suspension upper arm ball joint dust)- 1-13/16" O. D. x 47/64" I. D. x 15/32" thick	2	LA	52-54
LA 33057-B	Seal (front suspension upper arm ball joint dust)- Rubber-1-3/4" O. D. x 3/8" thick	4	LA	52-54
LA 33058-A	Retainer (front suspension upper arm ball joint dust seal)-1-3/4" O. D. x 47/64" I. D. x 23/64" thick	2	LA	52-54
LA 33059-A	Joint assy (front suspension lower arm ball)	2	LA	52-54
LA 33068-A	Cover (front suspension lower arm ball joint dust)- 2-1/8" O. D. x 57/64" I. D. x 15/32" thick	2	LA	52-54
LA 33069-A	Retainer (front suspension lower arm ball joint dust seal)-1-3/4" O. D. x 57/64" I. D. x 19/64" thick	2	LA	52-54
LA 33072-A	Bolt (front suspension upper arm mounting)-9/16"- 18 x 2-39/64"-to attach upper arm and shaft to upper bracket	4	LA	52-54
LA 33094-A	Washer (front suspension lower arm bushing compression)-rear	2	LA	52-54
FAA 33508-A	Ring (steering column tube trim)	1	LA	52-54
BH 33513-A	Retainer (steering column opening seal)-inner	1	LA	53-54
BH 33515-A	Retainer (steering column opening seal)-outer	1	LA	53-54
LA 33518-A	Spacer (steering gear shaft bearing)-1-1/2" O. D. x 3-7/16" long	1	LA	52-54
LA 33532-A	Body (power steering oil reservoir)-6-1/8" dia.	1	LA	53
AE 33532-A	Body (power steering oil reservoir)	1	LA	54
LA 33533-A	Cover assy (power steering oil reservoir)	1	LA	53
AE 33533-A	Cover assy (power steering oil reservoir)	1	LA	54
LA 33535-A	Gasket (power steering oil reservoir cover)-6-1/2" O. D. x 6-3/64" I. D. x 3/32" thick	1	LA	53
AE 33535-A	Gasket (power steering oil reservoir cover)	1	LA	54
LA 33536-A	Cap assy (power steering oil reservoir filler)	1	LA	53
AE 33536-A	Cap assy (power steering oil reservoir filler)	1	LA	54
LA 33538-A	Element assy (power steering oil reservoir filter)	1	LA	53
AE 33538-A	Element assy (power steering oil reservoir filter)	1	LA	54
LA 33539-A	Spring (power steering oil reservoir filter element retaining)-1-23/32" free length	1	LA	53
AE 33539-A	Spring (power steering oil reservoir filter element)	1	LA	54
LA 33540-A	Seat (power steering oil reservoir filter element retaining spring)-1-3/8" O. D.	1	LA	53
AE 33540-A	Seat (power steering oil reservoir filter element)	1	LA	54
LA 33541-A	Support (power steering oil reservoir filter element)-1-3/8" O. D.	1	LA	53

Lincoln Cosmopolitan and Capri

CHASSIS PARTS CATALOGUE

PART NUMBER	C A S S	PART NAME	NO. REQ'D	MODEL	YEAR 19__
Numerical Listing of Chassis Five Digit Part Numbers—Continued					
LA 33542-A		Body (power steering oil reservoir inlet orifice)	1	LA	53
AE 33542-A		Body (power steering oil reservoir inlet orifice)	1	LA	54
LA 33546-A		Kit (cylinder and rack assy)	1	LA	53-54
LA 33547-A		Ring (power steering oil reservoir orifice "O")- 47/64" I. D.	2	LA	53-54
LA 33549-A		Ring (power steering oil reservoir orifice "O")- 5/16" I. D.	1	LA	53-54
LA 33550-A		Insulator (power steering hose)-2-7/8" long	1	LA	53-54
LA 33551-A		Bearing assy (steering gear worm)-lower	1	LA	53-54
LA 33552-A		Retainer (power steering hose insulator)	1	LA	53-54
LA 33553-A		Reinforcement (power steering oil reservoir orifice)	1	LA	53-54
EAD 33554-A		Bracket (power steering pump adjusting)	1	LA	53-54
EAD 33556-A		Pulley (power steering pump)	1	LA	53-54
EAD 33557-A		Key (power steering pump pulley)-1/2" long	1	LA	53-54
EAD 33558-A		Belt (power steering pump pulley)	1	LA	53-54
EAD 33559-A		Support (power steering pump)	1	LA	53-54
LA 33560-B		Seal assy (steering gear worm oil)	1	LA	53-54
LA 33561-B		Cover assy (power steering gear hydraulic valve)	1	LA	53-54
LA 33562-A		Seal assy (power steering gear hydraulic valve)	1	LA	53
LA 33562-B		Seal assy (power steering gear hydraulic valve)	1	LA	54
LA 33564-A		Cylinder (steering gear power)	1	LA	53
LA 33564-B		Cylinder (steering gear power)	1	LA	53-54
LA 33565-A		Seal (steering gear power cylinder piston rod oil)	1	LA	53-54
LA 33566-A		Ring (steering gear power cylinder piston rod "O")	1	LA	53-54
LA 33567-A		Piston (steering gear power cylinder)	1	LA	53-54
HDK 33567-A		Kit (piston and ring repair)	1	LA	53-54
LA 33569-A		Ring (steering gear power cylinder piston)	2	LA	53-54
LA 33570-A		Ring (steering gear power cylinder adapter oil "O")	2	LA	53
LA 33570-B		Ring (steering gear power cyl. adapter oil-"O")- 3-11/32" I. D.	2	LA	53-54
HDK 33570-A		Kit (gasket and seal)	1	LA	53
HDK 33570-B		Kit (gasket and seal)	1	LA	53-54
LA 33571-B		Rack (steering gear power)	1	LA	53-54
LA 33572-A		Guide (steering gear ball return)	4	LA	53-54
LA 33573-A		Clamp (steering gear ball return guide)	1	LA	53-54
LA 33575-A		Tube assy (power steering bleed line)	1	LA	53-54
8L 33576		Bearing (steering gear shaft)-needle point rollers type	1	LA	52-54
LA 33577-B		Valve assy (power steering gear hydraulic)	1	LA	53-54
LA 33578-A		Valve assy (power steering check)	1	LA	53-54
LA 33579-A		Plunger (power steering hydraulic control valve)	10	LA	53
LA 33579-B		Plunger (power steering hydraulic control valve)	10	LA	54
LA 33580-A		Adapter assy (steering gear power cylinder)	1	LA	53-54
HDK 33580-B		Kit (adapter repair)	1	LA	53-54

Lincoln Cosmopolitan and Capri

CHASSIS PARTS CATALOGUE

PART NUMBER	PART NAME	NO. REQ'D	MODEL	YEAR
-------------	-----------	-----------	-------	------

Numerical Listing of Chassis Five Digit Part Numbers—Continued

LA 33582-B	Spring (power steering hydraulic control valve)	5	LA	53-54
LA 33583-A	Cover and guide assy (steering gear power rack)	1	LA	53-54
LA 33584-A	Cover (steering gear power rack)	1	LA	53-54
LA 33585-A	Guide (steering gear power rack)	1	LA	53-54
LA 33586-A	Bearing assy (power steering gear worm thrust)	2	LA	53-54
LA 33587-A	Seal (steering gear sector shaft grease)	1	LA	53-54
LA 33588-A	Hose assy (power steering return line)	1	LA	53
LA 33588-B	Hose assy (power steering return line)	1	LA	54
LA 33590-A	Stop (steering arm)-R. H.	1	LA	52-54
LA 33591-A	Stop (steering arm)-L. H.	1	LA	52-54
LA 33592-A	Valve assy (steering gear housing vent)	1	LA	53
LA 33592-B	Valve assy (steering gear housing vent)	1	LA	54
LA 33593-A	Washer (steering gear worm thrust bearing nut lock)	1	LA	53-54
LA 33594-A	Shim (steering gear power rack cover)	as reqd	LA	53-54
LA 33594-B	Shim (steering gear power rack cover)	as reqd	LA	53-54
LA 33595-A	Sleeve (power strg. pressure hose insulator)-Rubber-3" long	1	LA	53-54
LA 33600-A	Hose & sleeve assy (power steering pressure line)	1	LA	53-54
LA 33601-A	Gasket (steering gear power cylinder adapter)	1	LA	53-54
LA 33602-A	Fitting (steering gear power cylinder)	4	LA	53-54
LA 33603-B	Ring (power steering hydraulic control valve "O")	2	LA	53-54
LA 33604-A	Ring (steering gear power cylinder fitting "O")	1	LA	53-54
LA 33605-A	Ring (power steering hydraulic control valve fitting oil seal "O")	1	LA	53-54
LA 33606-A	Ring (steering gear power cylinder tube elbow oil seal "O")	8	LA	53-54
LA 33607-A	Pump assy (power steering)	1	LA	53
LA 33607-B	Pump assy (power steering)	1	LA	54
LA 33608-B	Cover assy (power steering pump housing)	1	LA	53-54
LA 33609-A	Valve assy (power steering pump)	1	LA	53
LA 33609-B	Valve assy (power steering pump)	1	LA	54
LA 33610-B	Housing assy (power steering pump)	1	LA	53-54
LA 33611-A	Shaft (power steering pump rotor)	1	LA	53-54
LA 33613-B	Spring (power steering pump relief valve)	1	LA	53-54
LA 33614-A	Fitting (power steering pump valve outlet)	1	LA	53-54
LA 33615-A	Plate (power steering pump valve orifice)	1	LA	53
LA 33616-A	Damper (power steering pump flow control valve)	1	LA	53
LA 33617-A	Gasket (power steering pump cover)	1	LA	53-54
LA 33618-A	Ring (power steering pump valve outlet fitting "O")	1	LA	53-54
LA 33619-A	Ring (power steering pump flow director "O")	1	LA	53-54
LA 33621-A	Retainer (power steering pump rotor shaft bearing)	1	LA	53-54
LA 33622-A	Bearing assy (power steering pump rotor shaft)	1	LA	53-54
LA 33623-A	Seal assy (power steering pump rotor shaft oil)	1	LA	53-54
LA 33624-A	Retainer (power strg. pump flow director "O" ring)	1	LA	53-54
LA 33625-B	Retainer (power steering oil reservoir orifice "O" ring)	1	LA	53-54
LA 33627-A	Retainer (power steering pump relief valve)	1	LA	53-54

Lincoln Cosmopolitan and Capri

CHASSIS PARTS CATALOGUE

PART NUMBER	PART NAME	NO. REQ'D	MODEL	YEAR 19__
Numerical Listing of Chassis Five Digit Part Numbers—Continued				
LA 33633-A	Pin (power steering pump rotor drive)	1	LA	53-54
LA 33635-A	Washer (power steering gear hydraulic control valve seal)	1	LA	53-54
LA 33636-A	Hose assy (power steering hydraulic control valve to power cylinder rod end)	1	LA	53-54
LA 33637-A	Hose assy (power steering hydraulic control valve to power head end)	1	LA	53-54
EAD 33638-B	Washer (power strg. pump adjusting bracket)	6	LA	53-54
EAD 33640-A	Insulator assy (power strg. pump)	3	LA	53-54
LA 33648-A	Locknut (steering gear power cylinder piston rod)	1	LA	53-54
FAA 33651-A	Retainer assy (horn blowing ring medallion)	1	LA	52-53
FAA 33671-A	Plate (horn ring pad retainer)-2-47/64" O. D. x 1-17/64" I. D.	1	LA	52-53
FAC 33671-A	Plate (horn ring pad retainer)	1	LA	53-54
FAB 33680-A	Anti-squeak (steering column saddle)-Fibre	1	LA	52-53
FAB 33689-AP	Clamp (steering column bracket)-lower	1	LA	52-54
BD 55163-A	Clip (battery hold down)-inner	1	LA	52-54
BD 55164-A	Clip (battery hold down)-outer	1	LA	52-54
LA 55246-A	Insulator (muffler inlet pipe)	1	LA	52-54
LA 55248-B	Bolt (muffler inlet resonator "U")-front	5	LA	53-54
LA 55253-B	Bracket and insulator assy (muffler outlet pipe)	1	LA	53
LA 55253-C	Bracket and insulator assy (muffler outlet pipe)	1	LA	54
LA 55255-A	Resonator assy (exhaust)-rear	1	LA	53-54
EAD 55267-C	Pipe and thermostat valve assy (exhaust manifold crossover)	1	LA60-73	53
EAD 55272-A	Shield assy (exhaust crossover pipe heat)	1	LA60-73	53
LA 55495-A	Bolt (stabilator link)-5/16"-24 x 5-41/64"-bar assy to lower arm assy	2	LA	52-54
HDK 55495-A	Kit (stabilator link)	2	LA	52-53
HDK 55495-B	Kit (stabilator link)	2	LA	54
MA 55712-A	Bumper assy (rear spring)	2	LA	52-54
HDK 66005-A	Kit (heavy duty detail)	1	LA	53
HDK 66005-B	Kit (heavy duty detail)	1	LA	53
EAD 66028-A	Plug assy (cylinder block oil line)-front-1/4"-18	2	LA	52-54
LA 66070-A	Insulator assy (engine rear mount rebound)	2	LA	52-54
EAD 66318-A	Pulley (power steering vibration damper)-outer	1	LA	53-54
EAD 66319-B	Pulley (power steering crankshaft)	1	LA60-73	53
EAD 66514-A	Spacer (valve spring)-.030 thick	as reqd	LA	52-53
LA 77005-A	Breather and indicator assy (transmission oil)	1	LA	52-54
8L 77008	Bolt (flywheel housing to transmission)	4	LA	52-54
8L 77011	Pan assy (transmission oil)	1	LA	52
8L 77014	Gasket (transmission oil pan)	1	LA	52-54
8L 77016	Screen assy (transmission oil pump intake)	1	LA	52
LA 77016-A	Screen assy (transmission oil pump intake)	1	LA	52-54
8L 77017	Gear and shaft assy (transmission main drive)	1	LA	52-54
8L 77019	Indicator assy (transmission oil level)	1	LA	52

Lincoln Cosmopolitan and Capri

CHASSIS PARTS CATALOGUE

PART NUMBER	PART NAME	NO. REQ'D	MODEL	YEAR 19__
Numerical Listing of Chassis Five Digit Part Numbers—Continued				
8L 77020	Tube (transmission oil filler)-1-3/16" O. D. x 1-5/8" long	1	LA	52
LA 77020-A	Tube assy (transmission oil filler)-22-1/4" formed length	1	LA	52-54
LA 77021-A	Clamp (transmission oil filler tube)	1	LA	52-54
8L 77022	Gasket (transmission case front cover)	1	LA	52-53
LA 77022-A	Seal (trans. front pump "O")	1	LA	54
8L 77027	Sleeve assy (transmission oil supply to clutches)	1	LA	52-54
8L 77031	Plate (transmission center bearing cap lock)	1	LA	52-54
8L 77032-A	Washer (trans. mainshaft thrust)-rear-.055"/.059" thick	as reqd	LA	52-54
8L 77032-B	Washer (trans. mainshaft thrust)-rear-.063"/.067" thick	as reqd	LA	52-54
8L 77032-C	Washer (trans. mainshaft thrust)-rear-.071"/.075" thick	as reqd	LA	52-54
8L 77032-D	Washer (trans. mainshaft thrust)-rear-.079"/.083" thick	as reqd	LA	52-54
8L 77032-E	Washer (trans. mainshaft thrust)-rear-.087"/.091" thick	as reqd	LA	52-54
8L 77032-F	Washer (trans. mainshaft thrust)-rear-.095"/.099" thick	as reqd	LA	52-54
8L 77032-G	Washer (trans. mainshaft thrust)-rear-.103"/.107" thick	as reqd	LA	52-54
8L 77032-H	Washer (trans. mainshaft thrust)-rear-.111"/.115" thick	as reqd	LA	52-54
1L 77061-A	Shaft assy (transmission output)	1	LA	52-54
8L 77069	Snap ring (transmission output shaft center bearing retainer)	1	LA	52-54
8L 77072	Gear (rear internal)	1	LA	52
1L 77072-A	Gear (rear internal)	1	LA	52-54
8L 77077	Screw (fillister head)-No. 10-24 x 1"	2	LA	52-54
8L 77126	Screw & washer assy (fillister hd)-No. 10-24 x 1"-front valve body	5	LA	52
8L 77127	Screw and washer assy (fillister head)-No. 10-24 x 7/16"-front valve body cover plate	4	LA	52
LA 77130-A	Governor assy (transmission)	1	LA	52-54
8L 77135	Lock (transmission reverse anchor support bolt)	1	LA	52-54
1L 77138-A	Cover (trans. extension housing access)	1	LA	52-54
1L 77139-A	Gear (transmission reverse internal)	1	LA	52-53
HEK 77139-A	Kit (trans. reverse internal gear)	1	LA	54
1L 77140-A	Carrier assy (transmission reverse planet)	1	LA	52-54
8L 77141	Bearing assy (transmission output shaft)	1	LA	52-54
8L 77142	Snap ring (trans. rear oil pump gear retaining)	1	LA	52-54
8L 77144	Bearing (needle)-servo actuating lever pin	18	LA	52-54
1L 77146-A	Washer (trans. reverse internal gear thrust)-3-1/4" O. D. x 2-9/16" I. D. x 3/32" thick	1	LA	52-54
8L 77148	Snap ring (trans. reverse planet carrier retaining)	1	LA	52-54
8L 77152	Gear (transmission rear oil pump drive)	1	LA	52-54
8L 77153	Washer (trans. reverse sun gear thrust)-Bronze-1-11/16" I. D. x 2-19/32" O. D. x .087"/.091" thick	1	LA	52-54
8L 77154	Washer (trans. reverse sun gear backing thrust)-Steel-1-1/2" I. D. x 2-7/16" O. D. x .049"/.052" thick	1	LA	52-54

Lincoln Cosmopolitan and Capri

CHASSIS PARTS CATALOGUE

PART NUMBER	PART NAME	NO. REQ'D	MODEL	YEAR
Numerical Listing of Chassis Five Digit Part Numbers—Continued				
1L 77155-A	Spring (trans. reverse blocker piston)-5/16" O.D. x 15/16" free length	1	LA	52-54
1L 77161-A	Gasket (trans. extension housing access cover)	1	LA	52-54
LA 77163-A	Piston (transmission reverse)	1	LA	52-54
1L 77163-A	Piston assy (transmission reverse clutch)	1	LA	52-54
1L 77164-A	Pin (trans. reverse blocker piston stop)-1/8" dia. x 1-5/16" long	1	LA	52-54
HBK 77167-A	Kit (trans. reverse clutch piston seal)	1	LA	52-54
8L 77170	Gear & flange assy (transmission reverse sun)	1	LA	52-54
1L 77179-A	Spacer (trans. reverse planet carrier)-1-11/16" O.D. x 1-25/64" I.D. x 23/64" thick	1	LA	52-54
0L 77180	Carrier assy (transmission front planet)-complete	1	LA	52
LA 77180-A	Carrier assy (trans. front planet)-complete	1	LA	52-54
8L 77184	Washer (trans. front planetary assy front backing)	1	LA	52-54
1L 77187-A	Drum assy (transmission rear clutch)	1	LA	52-54
8L 77189	Washer (trans. front clutch drum rear thrust)	2	LA	52-54
8L 77190	Washer (transmission front planetary assy front thrust)-Bronze-1-13/32" I.D. x 1-53/64" O.D. x .087"/.091" thick	1	LA	52-54
1L 77201-A	Valve assy (transmission oil control)	1	LA	52
LA 77201-A	Valve assy (transmission oil control)	1	LA	52
LA 77201-B	Valve assy (transmission oil control)	1	LA	53
LA 77201-C	Valve assy (transmission oil control)	1	LA	53
LA 77201-D	Valve assy (transmission oil control)	1	LA	53
LA 77201-E	Valve assy (transmission oil control)	1	LA	54
LA 77202-A	Retainer (transmission detent plunger)	1	LA	52-54
LA 77203-A	Spring (transmission reverse exhaust valve)	1	LA	52-54
LA 77206-A	Plug (transmission control timing valve)	1	LA	53
LA 77207-A	Pin (transmission control valve plug retainer)-5/64" dia. x 15/16" long	1	LA	52-53
1L 77208-A	Spacer (transmission control valve detent plunger retainer)	1	LA	52
8L 77211	Kit (transmission throttle shaft repair)	1	LA	52-53
HEK 77211-A	Kit (trans. throttle shaft repair)	1	LA	54
8L 77226	Bolt & washer assy (hex)-1/4"-20 x 1/2"-trans. side cover to case	5	LA	52-54
LA 77230-D	Shaft assy (transmission control to accelerator)	1	LA	52-53
LA 77230-E	Shaft assy (transmission control to accelerator)	1	LA	54
8L 77231	Valve (trans. fourth to third speed down shift)	1	LA	52
LA 77231-A	Valve (trans. fourth to third speed down shift)	1	LA	52-53
LA 77231-C	Valve (trans. fourth to third speed down shift)	1	LA	53-54
1L 77232-A	Retainer (transmission fourth to third speed down shift valve)	1	LA	52-54
1L 77234-A	Lever assy (transmission inside detent control)	1	LA	52
LA 77234-A	Lever assy (transmission inside detent control)	1	LA	52-54
LA 77242-B	Rod assembly (trans. control shaft to trans.)	1	LA	52
LA 77242-C	Rod assy (trans. control shaft to trans.)-27-3/4" overall length	1	LA	53
LA 77242-D	Rod assembly (trans. control shaft to trans.)	1	LA	54

Lincoln Cosmopolitan and Capri

CHASSIS PARTS CATALOGUE

PART NUMBER	PART NAME	NO. REQ'D	MODEL	YEAR
Numerical Listing of Chassis Five Digit Part Numbers—Continued				
LA 77271-A	Valve (transmission control valve by-pass)	1	LA	53-54
8L 77284	Lever (transmission inside throttle valve control)	1	LA	52-54
1L 77285-A	Retainer assembly (transmission detent plunger)	1	LA	52
FAA 77287-A	Link (transmission control selector neutral switch)	1	LA	53-54
1L 77294-A	Piston (transmission reverse shifter blocker)	1	LA	52-54
1L 77295-A	Bracket and crank assy (trans. reverse shifter)	1	LA	52
LA 77295-A	Bracket & crank assy (trans. reverse shifter)	1	LA	52-54
8L 77299	Roller (transmission reverse shifter crank)-5/16" I. D. x 3/4" O. D. x 1/4" thick	1	LA	52-54
1L 77311-A	Pawl (transmission parking)	1	LA	52-54
1L 77312-A	Bolt (hex-hd dog point)-7/16"-20 x 2-61/64"-trans. parking pawl support	1	LA	52-54
1L 77313-A	Spring (transmission parking brake pawl return)- 18 coils-1-3/4" length	1	LA	52-54
8L 77320	Plate (transmission oil pump inlet pipe bolt)	2	LA	52
LA 77320-A	Retainer (transmission blocker piston pin)	1	LA	52-54
8L 77321	Pipe assembly (transmission front oil pump inlet)	1	LA	52
LA 77321-A	Pipe (transmission front oil pump inlet)	1	LA	52-54
1L 77325-B	Spring (transmission parking blocker piston)-11/32" O. D. x 1/32" free length	1	LA	52
LA 77325-A	Spring (transmission parking blocker piston)	1	LA	52-54
1L 77327-B	Stop (transmission parking blocker piston spring)	1	LA	52
1L 77328-A	Piston (transmission parking blocker)-11/16" O. D. x 13/16" length	1	LA	52
LA 77328-A	Piston (transmission parking blocker)	1	LA	52-54
HBK 77330-A	Kit (transmission front pump screws and washers)	1	LA	52
1L 77331-A	Pump assembly (transmission front oil)	1	LA	52
LA 77331-A	Pump assembly (transmission front oil)	1	LA	52-54
LA 77332-A	Valve (transmission front oil pump relief)	1	LA	52-54
1L 77333-A	Valve (transmission front pump by pass)-9/16" O.D. x 15/32" I. D. x 5/8" length	1	LA	52
8L 77334	Seal (transmission front cover oil)	1	LA	52
8L 77336	Washer (transmission front cover to pump screw)- Copper-17/64" I. D. -3/8" O. D. -1/32" thick	3	LA	52
OL 77337	Gear assembly (transmission front drive)	1	LA	52
LA 77337-A	Gear assembly (transmission front drive)	1	LA	52-54
8L 77340	Ring (transmission front oil pump seal)	2	LA	52
LA 77340-A	Ring (transmission front oil pump seal)	1	LA	52-54
FAB 77341-A	Insert (transmission selector position)	1	LA	52
FAB 77341-B	Insert (trans. selector position)-for Dual Range transmission	1	LA	52-54
8L 77342	Washer (transmission front pump locating)-Steel- 21/64" I. D. x 1/2" O. D. x 3/32" thick	1	LA	52-54
8L 77346	Gasket (transmission front pump intake pipe)	1	LA	52
8L 77347	Key (woodruff)-.188/.189" thick-transmission front pump drive	1	LA	52-54
8L 77348	Pipe (trans. front oil pump delivery)-3-15/16" overall length	1	LA	52-54

Lincoln Cosmopolitan and Capri

CHASSIS PARTS CATALOGUE

PART NUMBER	PART NAME	NO. REQ'D	MODEL	YEAR 19__
Numerical Listing of Chassis Five Digit Part Numbers—Continued				
LA 77349-A	Spring (transmission front oil pump relief valve)	1	LA	
8L 77351	Pump assembly (transmission rear oil)	1	LA	52-54
8L 77353	Cover (transmission rear oil pump)	1	LA	52-53
				52-53
OL 77355	Seal (transmission pressure regulator to case)	1	LA	
LA 77355-A	Seal (transmission front pump intake pipe)	1	LA	52-54
LA 77357-A	Guide (transmission front oil pump relief valve)	1	LA	52-54
				52-54
8L 77360	Kit (transmission rear oil pump driven gear)	1	LA	
OL 77366	Pipe (transmission rear oil pump discharge)-8-3/8" developed length-less fittings	1	LA	52-54
				52
LA 77366-A	Pipe (transmission rear oil pump discharge)	1	LA	52-54
LA 77368-A	Retainer (transmission over-control valve spring)	1	LA	
OL 77382	Gasket (trans. pressure regulator to case)-Copper	1	LA	53-54
HBK 77383-A	Kit (trans. pressure regulator plug and gasket)	1	LA	52-54
				52
8L 77385	Valve (transmission front pump pressure regulator)	1	LA	
LA 77385-B	Valve (transmission front pump pressure regulator)	1	LA	52
1L 77387-A	Spring (transmission oil pressure regulator)-3/4" O. D. x 2-21/32" free length	1	LA	52-54
				52
LA 77387-A	Spring (transmission oil pressure regulator)	1	LA	52-54
8L 77388	Kit (transmission governor drive flange)	1	LA	52-54
1L 77390-B	Governor assembly (transmission)	1	LA	
8L 77391	Plunger & bushing assy (trans. governor high speed)	1	LA	52
8L 77394	Stop (governor plunger)	2	LA	52
OL 77395	Spring (transmission front servo check valve)	1	LA	52-53
OL 77397	Ring (trans. front servo band release piston oil)	1	LA	52-54
				52-54
8L 77401	Pipe (transmission governor oil supply)	2or3	LA	
LA 77401-A	Pipe (transmission governor oil supply)	1	LA	52-53
LA 77401-B	Pipe (trans. governor oil supply)	1	LA	52-53
LA 77404-A	Body assembly (transmission front servo)	1	LA	53-54
LA 77404-B	Body assembly (transmission front servo)	1	LA	52-53
LA 77407-A	Spring (transmission front pump primary)	1	LA	53-54
LA 77407-B	Spring (trans. front pump priming)	1	LA	52-53
OL 77408	Seat (transmission front servo rear pump tube)- 25/32" length	1	LA	54
				52
LA 77408-A	Seat (transmission rear pump check valve)	1	LA	
1L 77409-A	Body assy (transmission front servo exhaust valve)	1	LA	52-53
LA 77409-A	Body assembly (trans. front servo exhaust valve)	1	LA	52
				53-54
OL 77410	Piston assembly (transmission front servo)	1	LA	
LA 77410-A	Piston assembly (transmission front servo)	1	LA	52
LA 77410-B	Piston assembly (transmission front servo)	1	LA	52-53
LA 77410-C	Piston assembly (transmission front servo)	1	LA	52-53
LA 77410-D	Piston assy (trans. front servo)	1	LA	53
				54
OL 77415	Body (transmission front servo)	1	LA	
OL 77418	Retainer (transmission front servo release spring)- 1-13/16" diameter	1	LA	52
				52-54
1L 77419-A	Spring (transmission front pump by pass valve)- 27/64" O. D. x 1-23/32" free length	1	LA	
				52
8L 77424	Spring (transmission front servo retracting)-13/16" O. D. x 1-33/64" free length	1	LA	52-53

Lincoln Cosmopolitan and Capri

CHASSIS PARTS CATALOGUE

PART NUMBER	PART NAME	NO. REQ'D	MODEL	YEAR 19__
LA 77424-A	Spring (transmission front servo retracting)	1	LA	52-54
LA 77424-B	Spring (trans. front servo retracting)-1-29/32" free length	1	LA	52-53
8L 77425	Spring (transmission front servo booster)-1-11/32" O. D. x 61/64" free length	1	LA	52
LA 77425-A	Spring (transmission front servo booster)	1	LA	53-54
8L 77426	Pipe (transmission servo oil transfer)-1-3/16" long	1	LA	52-54
LA 77427-A	Valve (transmission rear servo exhaust)	1	LA	52-53
LA 77427-B	Valve (transmission rear servo exhaust)	1	LA	53-54
8L 77428-B	Ring (trans. governor oil seal)-1-3/16" x 3/32"	4or5	LA	52-54
8L 77429-B	Ring (oil seal)-1-1/4" x 3/32"	1	LA	52-54
8L 77430	Ring (oil seal)-1-5/16" x 3/32"	1	LA	52
LA 77430-A	Ring (oil seal)-1-7/16" x 3/32"	1	LA	52-54
8L 77431	Ring (oil seal)-1-5/8" x 3/32"	1	LA	52
8L 77432-B	Ring (oil seal)-2" x 3/32"	4	LA	52-54
LA 77433-A	Pin (trans. over run control valve retainer spring)- 3/32" dia. x 1" long	1	LA	52-53
8L 77434-B	Ring (oil seal)-1-11/16" x 3/32"	1	LA	52-54
8L 77435-B	Ring (oil seal)-2-1/4" x 3/32"	1	LA	52-54
LA 77436-A	Spring (transmission rear servo exhaust valve)	1	LA	52-53
LA 77436-B	Spring (transmission rear servo exhaust valve)	1	LA	53-54
LA 77437-A	Spring (rear band release)	1	LA	52-54
8L 77438	Ring (transmission rear servo accumulator oil seal)	1	LA	52-54
LA 77441-A	Valve (transmission line exhaust)	1	LA	52
LA 77441-B	Valve (transmission line exhaust)	1	LA	52-53
LA 77441-C	Valve (transmission line exhaust)	1	LA	53-54
1L 77444-A	Body assembly (transmission rear servo)	1	LA	52
LA 77446-A	Body (transmission rear servo)	1	LA	52-53
LA 77446-B	Body (transmission rear servo)	1	LA	53-54
LA 77447-A	Sleeve (transmission line exhaust valve)	1	LA	52-53
8L 77448	Kit (transmission rear servo check valve)	1	LA	52
LA 77448-A	Kit (transmission rear servo check valve)	1	LA	52-53
LA 77448-B	Kit (transmission rear servo check valve)	1	LA	53-54
8L 77450	Spring (trans. rear servo pressure)-5/8" O. D. x 1-15/64" free length	1	LA	52-54
8L 77452	Retainer (transmission rear servo spring)	1	LA	52-54
8L 77453	Spring (transmission rear servo tension)-1-29/32" O. D. x 4-1/4" free length	1	LA	52-54
1L 77454-A	Body assy (transmission rear servo accumulator)	1	LA	52
LA 77454-A	Body assy (transmission rear servo accumulator)	1	LA	52-53
LA 77454-B	Body assy (transmission rear servo accumulator)	1	LA	53-54
LA 77457-A	Gasket (transmission rear servo)	1	LA	52-54
8L 77459	Spring (transmission rear servo booster)	1	LA	52-54
8L 77460	Piston & stem assy (trans. rear servo accumulator)	1	LA	52-54
8L 77465	Spring (transmission rear servo-outer)	1	LA	52-53
1L 77467-A	Tube (transmission pressure regulator reverse oil)	1	LA	52-53
LA 77467-A	Tube (transmission pressure regulator reverse oil)	1	LA	52-53
LA 77467-B	Tube (transmission pressure regulator reverse oil)	1	LA	53-54

Lincoln Cosmopolitan and Capri

CHASSIS PARTS CATALOGUE

PART NUMBER	CLASS	PART NAME	NO. REQ'D	MODEL	YEAR
					19__
Numerical Listing of Chassis Five Digit Part Numbers—Continued					
LA 77468-A		Pipe (rear servo compensator)	1	LA	53-54
8L 77469		Plunger (transmission rear servo check valve)	1	LA	52-53
LA 77469-A		Plunger (transmission rear servo check valve)	1	LA	53-54
8L 77470		Piston and stem assy (trans. rear service booster)	1	LA	52-54
LA 77471-A		Spring (transmission line exhaust valve)	1	LA	52-54
LA 77472-A		Pan assembly (transmission oil)	1	LA	52-54
HAK 77475-A		Kit (trans. rear servo compensator piston & spring)	1	LA	52-54
LA 77480-A		Gasket (transmission front servo body)	1	LA	52-53
8L 77483		Plug assembly (transmission oil pan drain)	1	LA	52-54
8L 77485		Gasket (transmission oil pan drain plug)	1	LA	52-54
8L 77510		Band assembly (transmission front)	1	LA	52-53
LA 77510-A		Band assy (trans. front)	1	LA	54
8L 77515		Stop (transmission band anchor)	2	LA	52-54
8L 77516		Lever (transmission rear band actuating)	1	LA	52-54
8L 77518		Band assembly (transmission rear)	1	LA	52
LA 77518-A		Band assembly (transmission rear)	1	LA	52-54
1L 77521-A		Pin (transmission rear band actuating lever)-clevis -3/8" diameter x 1-3/4" length	1	LA	52-54
8L 77530		Washer (trans. front clutch drum rear backing)- Steel-1-3/8" I.D. x 1-15/16" O.D. x 3/32" thick	1	LA	52-54
8L 77531		Piston (transmission front clutch cylinder)	1	LA	52-54
8L 77532		Drum assembly (transmission front clutch)	1	LA	52-54
8L 77535		Kit (transmission clutch piston seal and expander)	2	LA	52-54
8L 77536		Drum and pin assembly (transmission front)	1	LA	52-54
OL 77540		Piston (transmission front band release)-1-3/4" dia.	1	LA	52-54
OL 77543		Cylinder (trans. front band release)-1-13/16" I.D. at base	1	LA	52
LA 77543-A		Cylinder (transmission front band release)	1	LA	52-53
LA 77543-B		Cylinder (transmission front band release)	1	LA	53-54
8L 77551		Plate (transmission clutch driven)	12	LA	52-54
8L 77563		Plate assembly (transmission clutch drive)	12	LA	52-54
8L 77572		Piston (transmission rear clutch cylinder)	1	LA	52
LA 77572-A		Piston (transmission rear clutch cylinder)	1	LA	52-54
1L 77573-A		Drum and pin assembly (transmission rear)	1	LA	52
LA 77573-A		Drum and pin assembly (transmission rear)	1	LA	52-54
8L 77575		Pin (transmission rear clutch spring guide)- .116"/.122" diameter x 1-5/8" long	6	LA	52-54
8L 77578		Spring (transmission clutch release)-inner-15/64" O. D. -approximately 2-15/64" free length	12	LA	52-54
8L 77579		Hub (transmission rear clutch)	1	LA	52
LA 77579-A		Hub (transmission rear clutch)	1	LA	52-54
8L 77581		Washer (transmission rear clutch hub thrust)	2	LA	52-54
8L 77582		Spring (transmission clutch release)-outer-3/8" O. D. x 2-31/64" free length	12	LA	52-54
8L 77584		Ring (transmission rear clutch cylinder retaining)	2	LA	52-54
1L 77590-A		Washer (transmission reverse clutch release spring retainer)-3-7/8" O. D. x 3-1/16" I. D.	1	LA	52-53
LA 77590-A		Washer (trans. reverse clutch release spring washer)	1	LA	54
1L 77591-A		Cone (transmission reverse clutch stationary)- 6-13/16" O. D. x 29/32" width	1	LA	52-54

Lincoln Cosmopolitan and Capri

CHASSIS PARTS CATALOGUE

PART NUMBER	PART NAME	NO. REQ'D	MODEL	YEAR 19__
Numerical Listing of Chassis Five Digit Part Numbers—Continued				
1L 77592-A	Spring (transmission reverse clutch release)- 3-7/8" O. D. x 3-1/8" I. D.	1	LA	52-53
LA 77592-A	Spring (trans. reverse clutch release)	1	LA	54
1L 77593-A	Tube (transmission reverse clutch oil)-3/8" O. D. x 6-7/16" length	1	LA	52-54
1L 77594-A	Key (transmission reverse clutch stationary cone)- 35/64" x 3/8" x 1/4"	1	LA	52-54
1L 77595-A	Spring (transmission reverse clutch piston release) -15/32" O. D. x 1-11/32" free length	6	LA	52-54
1L 77596-A	Snap ring (trans. reverse clutch piston spring retainer)-3-1/4" O.D. x 2-7/8" I.D. x 1/16" thick	1	LA	52-54
1L 77598-A	Retainer (trans. reverse clutch piston spring)- 4-1/4" O. D. x 3-5/32" I. D. x 5/64" thick	1	LA	52-54
1L 77603-A	Valve (trans. manual control)-5-13/64" length	1	LA	52
LA 77603-A	Valve (transmission manual control)	1	LA	52-54
1L 77605-A	Spring (transmission manual valve detent)-13/64" O. D. x 1-21/64" free length	1	LA	52-54
1L 77607-A	Plunger (transmission manual valve detent)-5/16" O. D. x 49/64" length	1	LA	52-54
LA 77626-A	Indicator assembly (trans. oil level)	1	LA	52-54
8L 77631	Screw and washer assy (fillister head)-No. 10-24 x 3/4"-outer valve body to inner valve body	4	LA	52
8L 77632	Screw and washer assy (fill-hd)-No. 10-24 x 5/8"	4	LA	52
8L 77633	Screw and washer assy (fillister head)-No. 10-24 x 7/8"-outer valve body to inner valve body	2	LA	52
8L 77769	Kit (trans. manual control shaft seal and washer)	1	LA	52-54
LA 77850-A	Pump assembly (transmission oil rear)	1	LA	53-54
LA 77860-A	Cover (transmission rear oil pump)	1	LA	53-54
BH 88125-A	Plate assembly (radiator grille opening medallion)	1	LA	53
BH 88132-A	Medallion (radiator grille opening)	1	LA	53
BH 88139-A	Emblem assembly (radiator grille opening)	1	LA	53
BH 88142-A	Retainer (radiator grille opening medallion)	1	LA	53
BH 88170-A	Pad (radiator grille opening medallion)	1	LA	53
BH 88209-A	Support (radiator splash shield to hood lock support brace)-use with air conditioning only	1	LA60-73	53
BD 88210-A	Filler (radiator splash shield bumper opening)- 7-9/64" long	2	LA	52-53
BD 88250-A	Brace (radiator grille opening ornament)-15-1/8" long	1	LA	52-53
BH 88254-A	Bracket (radiator grille opening ornament)-R. H.	1	LA	53
BH 88255-A	Bracket (radiator grille opening ornament)-L. H.	1	LA	53
BD 88256-A	Seal (radiator splash shield)-25-1/8" long	1	LA	52-54
LA 88277-A	Hose assy (radiator)-lower-2" I. D. -formed- includes spring insert	1	LA	53-54
LA 88277-B	Hose assy (radiator)-lower-2" I. D. -formed- includes spring insert-use with Air Conditioning only	1	LA60-73	53
BC 88294-A	Seal (radiator splash shield front center)-4" long	2	LA	52
EAD 88502-B	Pump assy (water)-less pulley and shield-use with EAD-8509-E Pulley	1	LA	52-54
EAD 88558-A NS	Connection (water by-pass)-1-13/32" long-cut from 8EQ-8548-A	1	LA	52-54

Lincoln Cosmopolitan and Capri

CHASSIS PARTS CATALOGUE

PART NUMBER	CLASS	PART NAME	NO. REQ'D	MODEL	YEAR 19__
Numerical Listing of Chassis Five Digit Part Numbers—Continued					
LA 99048-B		Tube assy (fuel tank vent)-upper-18-1/8" formed length	1	LA	52-53
LA 99048-C		Tube assembly (fuel tank vent)-upper	1	LA	54
MA 99053-A		Bracket (fuel tank vent tube)	1	LA	52-54
BC 99068-A		Grommet (fuel tank vent pipe)	1	LA	52-53
LA 99068-A		Grommet (fuel tank vent pipe)	1	LA	54
HCK 99360-B		Kit (fuel pump strainer)	1	LA	52-54
EAD 99365-A		Gasket (fuel pump filter bowl strainer)	1	LA	52-54
EAD 99502-A		Ring (carburetor inlet tube seal "O")	1	LA	53-54
EAD 99503-A		Lever & shaft assy (carburetor secondary throttle plate stop)	1	LA	53
EAD 99504-A		Spring (carburetor secondary throttle plate stop lever return)	1	LA	53
EAD 99505-A		Spacer (carburetor secondary throttle plate control lever)	1	LA	53
EAD 99506-A		Lever assy (carburetor secondary choke lock-out)	1	LA	53
EAD 99507-A		Lever assy (carburetor to distributor spark advance pull cable)	1	LA	53
EAD 99523-A		Piston assembly (automatic choke)	1	LA	52-54
8CM 99525		Kit (carburetor float and float spring)	1	LA	52-53
EAD 99543-A		Lever assy (carb. secondary throttle plate flood control return)	1	LA	53
EAD 99544-A		Spring (carburetor secondary throttle plate flood control lever return)	1	LA	53
EAD 99545-A		Bracket (carburetor to distributor spark advance pull cable)	1	LA	53
EAD 99546-A		Clamp (carburetor to distributor spark advance pull cable)	1	LA	53
EAD 99552-A		Bracket (carburetor secondary venturi ext. tube)	1	LA	53-54
EAD 99553-A		Clamp (carburetor secondary venturi ext. tube)	1	LA	53
EAD 99554-A		Venturi (carburetor secondary)	1	LA	53
EAD 99555-A		Spring (carburetor secondary throttle rod)	1	LA	53
EAD 99557-A		Shaft & lever assy (carburetor choke housing)	1	LA	52-54
EAD 99569-A		Washer (carburetor air bleed screen)	1	LA	52-54
EAD 99570-A		Valve assembly (carburetor spark control)	1	LA	52, 54
EAD 99570-B		Valve assembly (carburetor control)	1	LA	53
EAA 99571-A		Gasket (carburetor fuel inlet seat screw)	1	LA	52
EAD 99585-A		Plate (carburetor throttle)-secondary	2	LA	53-54
EAD 99591-A		Spring (carburetor to distributor spark advance pull cable lever)	1	LA	53-54
EAD 99592-A		Pin (carburetor to distributor spark advance pull cable lever pivot)	1	LA	53-54
EAD 99594-A		Tube assembly (carburetor idle)-secondary	1	LA	53-54
EAD 99602-A		Lever assy (carburetor secondary throttle control)	1	LA	53-54
EAD 99604-A		Rod assy (carburetor secondary throttle control)	1	LA	53-54
EAD 99605-A		Spacer (carburetor main body to throttle body)	1	LA	53-54
EAD 99629-A		Stud (carburetor air cleaner retaining)	1	LA	52-54
EAD 99654-A		Gasket (air cleaner to carburetor)	1	LA	52-54
EAD 99962-A		Body (carburetor spark control valve adapter)	1	LA	52
EAD 99963-A		Gasket (carb. spark control valve body adapter)	1	LA	52
EAD 99964-A		Screw (carburetor spark control valve body)	1	LA	52
EAD 99983-C		Cover and plugs assembly (carburetor main body)	1	LA	52
EAD 99983-D		Cover and plugs assembly (carburetor main body)	1	LA	53
EAD 99986-A		Extension (carburetor nozzle tube)	1	LA	52-54

Lincoln Cosmopolitan and Capri

CHASSIS PARTS CATALOGUE

★ Numerical List of Standard Parts

PART NUMBER	PART NAME	PART NUMBER	PART NAME
20000-S7	1/4"-20 x 3/8" Hex. head bolt	24344-S7	1/4"-20 x 3/4" Hex. head bolt-pointed
20002-S	5/16"-18 x 3/8" Hex. head bolt	24345-S8	1/4"-28 x 3/4" Hex. head bolt-pointed
20167-S8	5/16"-24 x 1-1/2" Hex. head bolt	24346-S7	5/16"-18 x 3/4" Hex. head bolt-pointed
20220-S	5/16"-18 x 2" Hex. head bolt	24347-S8	5/16"-24 x 3/4" Hex. head bolt-pointed
20228-S8	3/8"-16 x 2" Hex. head bolt	24348-S8	3/8"-16 x 3/4" Hex. head bolt-pointed
20246-S8	7/16"-14 x 2-1/2" Hex. head bolt	24349-S7	3/8"-24 x 3/4" Hex. head bolt-pointed
20310-S8	5/16"-18 x 1/2" Hex. head bolt	24366-S8	5/16"18 x 7/8" Hex. head bolt-pointed
20313-S7	3/8"-24 x 1/2" Hex. head bolt	24385-S2	1/4"-28 x 1" Hex. head bolt-pointed
20324-S8	1/4"-20 x 5/8" Hex. head bolt	24387-S7	5/16"-24 x 1" Hex. head bolt-pointed
20326-S7	5/16"-18 x 5/8" Hex. head bolt	24388-S8	3/8"-16 x 1" Hex. head bolt-pointed
20328-S	3/8"-16 x 5/8" Hex. head bolt	24389-S8	3/8"-24 x 1" Hex. head bolt-pointed
20348-S8	3/8"-16 x 3/4" Hex. head bolt	24390-S7	7/16"-14 x 1" Hex. head bolt-pointed
20349-S8	3/8"-24 x 3/4" Hex. head bolt	24404-S7	1/4"-20 x 1-1/8" Hex. head bolt-pointed
20367-S8	5/16"-24 x 7/8" Hex. head bolt	24426-S8	5/16"-18 x 1-1/4" Hex. head bolt-pointed
20384-S2	1/4"-20 x 1" Hex. head bolt	24427-S7	5/16"-24 x 1-1/4" Hex. head bolt-pointed
20393-S	1/2"-20 x 1" Hex. head bolt	24428-S8	3/8"-16 x 1-1/4" Hex. head bolt-pointed
20405-S8	1/4"-28 x 1-1/8" Hex. head bolt	24430-S8	7/16"-14 x 1-1/4" Hex. head bolt-pointed
20408-S7	3/8"-16 x 1-1/8" Hex. head bolt	24433-S7	1/2"-20 x 1-1/4" Hex. head bolt-pointed
20410-S8	7/16"-14 x 1-1/8" Hex. head bolt	24453-S8	1/2"-20 x 1-3/8" Hex. head bolt-pointed
20427-S8	5/16"-24 x 1/4" Hex. head bolt	24466-S7	5/16"-18 x 1-1/2" Hex. head bolt-pointed
20428-S8	3/8"-16 x 1-1/4" Hex. head bolt	24468-S8	3/8"-16 x 1-1/2" Hex. head bolt-pointed
20471-S7	7/16"-20 x 1-1/2" Hex. head bolt	24469-S7	3/8"-24 x 1-1/2" Hex. head bolt-pointed
20484-S	1/4"-20 x 1-5/8" Hex. head bolt	24473-S7	1/2"-20 x 1-1/2" Hex. head bolt-pointed
20506-S7	3/8"-16 x 1-3/4" Hex. head bolt	24521-S7	5/16"-24 x 2" Hex. head bolt-pointed
20514-S7	3/8"-16 x 1-7/8" Hex. head bolt	24533-S8B	1/2"-20 x 2-1/8" Hex. head bolt-pointed
20540-S8	3/8"-16 x 2-3/8" Hex. head bolt	25172-S8	1/2"-20 x 4-1/2" Hex. head bolt-pointed
20553-S8	1/2"-20 x 2-3/4" Hex. head bolt	25231-S7	No. 10-32 x 1/2" Flat head machine screw
20561-S8	1/2"-20 x 3-1/2" Hex. head bolt	25307-S8B	3/8"-24 x 1-1/8" Flat head machine bolt
20693-S	5/8"-18 x 1-3/8" Hex. head bolt	26455-S8	No. 4-40 x 1/4" Round hd. screw
20711-S	5/8"-18 x 1-1/2" Hex. head bolt	26456-S13	No. 6-32 x 1/4" Round head machine screw
20747-S7	5/8"-18 x 1-3/4" Hex. head bolt	26457-S7	No. 8-32 x 1/4" Round head machine screw
20774-S8	5/8"-18 x 2-1/8" Hex. head bolt	26462-S7	No. 8-32 x 5/16" Round head machine screw
21074-S8	5/8"-18 x 2-1/8" Hex. head bolt-wire size	27068-S7	No. 10-32 x 3/8" Round head machine screw
21228-S	3/8"-16 x 1-7/8" Hex. head bolt-wire size	27131-S7	1/4"-28 x 7/8" Round head machine screw
21252-S	3/8"-16 x 2-1/4" Hex. head bolt-wire size	27177-S7	No. 10-32 x 1-1/2" Rd-hd machine screw
21292-S8	3/8"-16 x 3" Hex. head bolt-wire size	29546-S13	No. 6-32 x 5/16" Oval head machine screw
21481-S2	1/4"-20 x 1-3/4" Hex. head bolt-wire size	30012-S13	No. 8-32 x 1/2" Oval head machine screw
21497-S	1/4"-20 x 2" Hex. head bolt-wire size	31045-S2	No. 8-32 x 3/8" Fillister-hd mach. screw
21516-S8	5/16"-24 x 2-1/4" Hex. head bolt	31061-S8	No. 8-32 x 1/2" Fillister-hd mach. screw
21531-S	5/16"-18 x 2-1/2" Hex. head bolt-wire size	31079-S7	No. 12-24 x 5/8" Fillister-hd mach. screw
21549-S8	3/8"-16 x 2-3/4" Hex. head bolt	31304-S8	No. 8-32 x 1/4" Fillister-hd mach. screw
21589-S8	3/8"-16 x 4" Hex. head bolt	31497-S7	No. 14-10 x 1/2" Hex. washer-head self tapping screw
21590-S8	3/8"-24 x 4" Hex. head bolt-wire size	31498-S8	No. 14-10 x 5/8" Hex. washer-head self tapping screw
23017-S16	5/16"-18 x 1-1/4" Square head bolt	31527-S7	No. 14-14 x 1/2" Hex. washer-head self tapping screw
23356-S7	1/4"-20 x 9/16" Round head carriage bolt	31628-S7	No. 10-32 x 5/8" Fillister-hd. mach. screw
23394-S13	5/16"-24 x 7/8 Carriage bolt	32858-S2	No. 8-15 x 3/8" Pan head self tap. screw
23406-S8	1/4"-20 x 1" Round head carriage bolt	32859-S13	No. 10-12 x 1/2" Round head machine screw
23439-S8	5/16"-24 x 1-1/4" Round head carriage bolt	32923-S7	No. 8-15 x 1/2" Pan head self tap. screw
23441-S7	3/8"-24 x 1-1/4" Round head carriage bolt	32923-S7	No. 8-15 x 1/2" Pan head self tap. screw
23445-S8	1/2"-20 x 1-1/2" Round hd. carriage bolt	32924-S7	No. 10-12 x 1/2" Pan head self tap. screw
23475-S8	1/2"-20 x 1-1/2" Round head carriage bolt	32938-S7	No. 10-12 x 3/4" Pan head self tap. screw
23505-S8	1/2"-20 x 1-3/4" Round head carriage bolt	32996-S13	No. 10-12 x 5/8" Ovalhead machine screw
24308-S7	1/4"-20 x 1/2" Hex. head bolt-pointed	33170-S7	No. 10-16 x 1/4" Pan head self tap. screw
24309-S8	1/4"-28 x 1/2" Hex. head bolt-pointed	33176-S13	No. 8-18 x 3/8" Pan head self tap. screw
24311-S8	5/16"-24 x 1/2" Hex. head bolt-pointed		
24324-S7	1/4"-20 x 5/8" Hex. head bolt-pointed		
24327-S7	5/16"-24 x 5/8" Hex. head bolt-pointed		

★ For additional information refer to Lincoln-Mercury Standard Parts Catalogue Form LM-3733

Lincoln Cosmopolitan and Capri

CHASSIS PARTS CATALOGUE

★ Numerical List of Standard Parts—Continued

PART NUMBER	PART NAME	PART NUMBER	PART NAME
33181-S7	No. 6-20 x 1/2" Pan head self tap. screw	34825-S8	1/4" Lockwasher
33183-S8	No. 8-15 x 1/2" Pan head tap. screw	34826-S7	5/16" Lockwasher-light
33444-S2	No. 10-16 x 1/2" Pan head self tap. screw	34846-S2	5/16" Lockwasher-heavy
33795-S7	1/4"-20 Hex. nut-regular	34847-S8	3/8" Lockwasher
33796-S7	1/4"-28 Hex. nut-regular	34848-S8	7/16" Lockwasher
33797-S7	5/16"-18 Hex. nut-regular	34849-S2	1/2" Lockwasher-heavy
33797-S16	5/16"-18 Hex. nut-regular	34851-S7	5/8" Lockwasher-heavy
33798-S8	5/16"-24 Hex. nut-regular	34901-S7	No. 6 Internal tooth lockwasher
33799-S7	3/8"-16 Hex. nut-regular	34902-S8	No. 8 Internal tooth lockwasher
33800-S8	3/8"-24 Hex. nut-regular	34903-S8	No. 10 Internal tooth lockwasher
33801-S8	7/16"-14 Hex. nut-regular	34905-S7	1/4" Internal tooth lockwasher
33802-S8	7/16"-20 Hex. nut-regular	34906-S8	5/16" Internal tooth lockwasher
33825-S7	5/16" Hex. nut-regular (brass)	34922-S	1/2" Internal tooth lockwasher
33827-S8	3/8"-16 Hex. nut-regular (brass)	34927-S7	No. 12 External tooth lockwasher
33846-S8	1/2"-20 Hex. nut-regular	34938-S8	No. 8 External tooth lockwasher
33848-S7	9/16"-18 Hex. nut-regular	34940-S2	1/4" External tooth lockwasher
33850-S2	5/8"-18 Hex. nut-regular	34941-S7	5/16" External tooth lockwasher
33870-S	9/16"-18 Hex. nut-regular	36800-S	No. 10-32 x 3/8" Round head screw
33893-S7	No. 10-32 Wing nut	37611-S7	No. 8-32 x 1/4" Fillister head machine screw-pointed
33907-S8	1/4"-28 Hex. nut-regular	37777-S18	No. 10-32 x 1-3/8" Fillister head screw
33920-S	1/4"-20 Hex. check nut	38018-S	No. 8-32 x 15/16" Fillister head screw
33921-S13	1/4"-28 Hex. check nut	39032-S8	No. 10-32 x 3/8" Pan head screw
33923-S7	5/16"-24 Hex. check nut	39094-S8	1/4"-20 x 3/4" Pan head machine screw
33925-S7	3/8"-24 Hex. check nut	39894-S8	1/4"-20 x 5/8" Hex. washer head self tapping screw
33929-S7	1/2"-20 Hex. check nut	40130-S8	5/16"-18 x 3/8" Hex. -hd self tap. screw
33939-S7	1/2"-20 Hex. nut-regular	40156-S8	5/16"-18 x 5/8" Hex. -hd self tap. screw
33947-S2	5/8"-18 Hex. nut-regular	40254-S2	No. 8-32 x 3/8" Fillister-hd self tapping
34032-S7	1/2"-20 Castle nut	40513-S7	No. 6-32 x 3/8" Pan head self tap. screw
34033-S18	9/16"-18 Castle Nut	40542-S8	No. 10-32 x 5/8" Pan head screw
34034-S18	5/8"-18 Castle nut	40631-S8	No. 8-32 x 1/4" Round head self tap. screw
34051-S7	No. 6-32 Hex. common nut	40904-S8	No. 8-32 x 3/8" Hex. washer-head self tapping screw
34052-S7	No. 8-32 Hex. common nut	40921-S8	1/4"-20 x 1/2" Hex. washer-head self tapping screw
34053-S8	No. 10-24 Hex. common nut	40923-S2	5/16"-18 x 1/2" Hex. washer-head self tapping screw
34054-S8	No. 12-24 Hex. common nut	40969-S8	No. 8-32 x 1" Hex. washer-head self tapping screw
34097-S7	No. 10-32 Hex. common nut	40995-S8	No. 8-32 x 1-1/2" Hex. washer-head self tapping screw
34144-S8	5/16"-24 Square nut	41036-S8	No. 10-32 x 3/8" Hex. -hd self tap. screw
34164-S7	3/8"-16 Blind nut	41170-S8	5/16"-18 x 3/8" Hex. -hd self tap. screw
34171-S13	5/16"-24 Blind nut	41178-S8	No. 10-24 x 1/2" Hex. -hd self tap. screw
34369-S7	3/8"-16 Free running locknut	41281-S8	No. 8-32 x 1/4" Fillister-head self tapping screw
34420-S8	3/8"-24 Prevailing torque locknut	41294-S8	No. 8-32 x 3/8" Fillister-head self tapping screw
34424-S7	1/2"-20 Prevailing torque locknut	41554-S7	No. 8-32 x 3/8" Pan head self tap. screw
34443-S7	5/16"-24 Prevailing torque locknut	42007-S8	No. 10-12 x 1/2" Hex. -hd self tap. screw
34445-S7	3/8"-24 Prevailing torque locknut	42037-S8	No. 10-20 x 1-1/4" Hex. -hd self tap. screw
34449-S7	1/2"-20 Prevailing torque locknut	42066-S8	No. 8-15 x 1/2" slotted hex. -hd self tap. screw
34800-S7	No. 4 lockwasher-medium	42134-S8	No. 10-12 x 5/8" Hex. washer hd self tapping screw
34801-S7	No. 6 lockwasher-medium	42143-S8	No. 14-10 x 3/4" Hex. washer head self tapping screw
34802-S7	No. 8 lockwasher-medium		
34803-S7	No. 10 Lockwasher-medium		
34804-S8	No. 12 Lockwasher-medium		
34805-S8	1/4" Lockwasher-medium		
34806-S7	5/16" Lockwasher-medium		
34807-S8	3/8" Lockwasher-medium		
34808-S8	7/16" Lockwasher-medium		
34809-S8	1/2" lockwasher-medium		
34814-S	7/8" Lockwasher-medium		
34822-S7	No. 8 Lockwasher-light		
34823-S2	No. 10 Lockwasher-light		

★ For additional information refer to Lincoln-Mercury Standard Parts Catalogue Form LM-3733

Lincoln Cosmopolitan and Capri

CHASSIS PARTS CATALOGUE

*Numerical List of Standard Parts—Continued

PART NUMBER	PART NAME	PART NUMBER	PART NAME
42360-S7	No. 10-16 x 3/8" Hex. washer head self tapping screw	50527-S8	1/4"-20 x 5/8" Cross rec. pan-hd screw
42472-S2	No. 8-18 x 1/4" Hex. -hd self tap. screw	50535-S8	No. 10-32 x 3/4" Cross rec. pan-hd mach. screw
42649-S7	No. 8-32 x 3/8" Rd.-hd. screw and L/W assy	50638-S8	No. 10-32 x 1/2" Cross rec. pan-hd screw & washer assy
42650-S7	No. 10-32 x 3/8" Round-hd screw & L/W assy	50648-S8	1/4"-20 x 1/2" Round-hd. screw & washer assy
42709-S8	5/16"-24 x 3/8" Fill-hd Screw & L/W assy	50748-S8	1/4"-28 x 3/8" Cross rec. fill-hd screw and washer assy
42712-S8	5/16"-24 x 3/4" Fill-hd screw & L/W assy	50803-S8	No. 8-32 x 3/8" Cross rec. pan-hd screw and washer assy
42736-S8	No. 12-24 x 5/8" Hex. -hd screw & L/W assy	50810-S8	No. 10-32 x 1/2" Cross rec. pan-hd screw and L/W assy
42754-S8	1/4"-28 x 1" Hex. head L/W assy	50828-S13	1/4"-20 x 3/4" Cross rec. pan-hd screw and washer assy
42802-S8	No. 10-32 x 3/8" Pan-hd screw & L/W assy	50929-S8	No. 8-32 x 1/2" Cross rec. fill-hd screw and washer assy
42846-S8	5/16"-18 x 7/8" Hex. -hd. screw & L/W assy	50930-S8	No. 10-32 x 1/2" Cross rec. fill-hd screw and washer assy
42847-S8	5/16"-18 x 1" Hex. -hd L/W assy	50950-S8	5/16"-18 x 3/4" Cross rec. fill-hd screw and washer assy
42848-S8	5/16"-18 x 1-1/8" Hex. -hd screw L/W assy	51754-S8	No. 6-32 x 3/8" Cross recessed pan head self tapping screw
42904-S8	1/4"-28 x 5/8" Hex. -hd screw & L/W assy	52166-S8	No. 6-18 x 3/8" Rd. -hd. cross rec. self tapping screw
42905-S8	5/16"-24 x 3/4" Hex. -hd bolt & L/W assy	52344-S2	No. 8-15 x 1/2" Oval-hd cross rec. screw self tapping
42906-S8	1/4"-20 x 3/4" Hex. -hd L/W assy	52376-S13	No. 8-15 x 1" Cross rec. oval-hd self tapping screw
43012-S	3/8"-16 x 2-3/4" Hex. -hd self locking bolt	52414-S13	No. 10-16 x 1/2" Cross rec. oval-hd self tapping screw
43153-S	9/16"-12 x 3/4" Hex. -hd bolt-self lock.	52720-S8	No. 8-15 x 3/8" Cross rec. pan-head self tapping screw
43232-S8	No. 10-32 x 1/2" Round-hd Screw & L/W assy	52721-S8	No. 10-12 x 3/8" Cross recessed pan-hd self tap. screw
43243-S8	No. 8-32 x 3/4" Pan-hd screw and L/W assy	52726-S8	No. 8-15 x 1/2" Cross rec. pan-hd self tapping screw
43260-S8	1/4"-20 x 1/2" Hex. -hd bolt and L/W assy	52726-S13	No. 8-15 x 1/2" Cross rec. pan-hd self tapping screw
43262-S8	5/16"-24 x 7/8" Fill-hd bolt and L/W assy	52727-S8	No. 10-12 x 1/2" Cross rec. pan-hd self tapping screw
43263-S8	1/4"-20 x 5/8" Hex. -hd bolt and L/W assy	52743-S8	No. 10-12 x 5/8" Pan-hd screw & washer assy
43264-S8	5/16"-24 x 7/8" Hex. -hd bolt and L/W assy	52781-S8	No. 10-16 x 3/8" Pan-hd cr. rec. tap. screw
43502-S8	3/8"-24 x 3/4" Hex. -hd. bolt & washer assy	52787-S15	No. 10-16 x 1/2" Pan-hd self tapping screw
43512-S8	1/4"-28 x 1" Hex. -hd bolt and L/W assy	61489-S	1/8" x 13/16" Button head solid rivet
44707-S8	No. 6 (3/64" x 3/8")-Flat washer	63427-S8	3/16 x 1" Oval-head rivet
44710-S8	No. 8 (3/64" x 7/16") Flat washer	65041-S	5/16" x 3/4" Round head rivet pointed
44712-S8	No. 10 Flat washer	65042-S	5/16" x 13/16" Round head rivet pointed
44713-S8	No. 10 (3/64" x 1/2") Flat washer	65043-S	5/16" x 7/8" Round head rivet pointed
44716-S8	No. 10 (3/64" x 9/16") Flat washer	72003-S7	1/16" x 1/2" Cotter pin
44719-S8	1/4" (1/16" x 5/8") Flat washer	72004-S7	3/32" x 1/2" Cotter pin
44720-S8	1/4" (1/16" x 3/4") Flat washer	72009-S	3/32" x 5/8" Cotter pin
44722-S8	5/16" (1/16" x 11/16") Flat washer	72035-S7	1/8" x 1" Cotter pin
44724-S8	5/16" (3/32" x 7/8") Flat washer	72054-S	5/32" x 1-1/4" Cotter pin
44725-S8	5/16" (1/16" x 3/4") Flat washer	72089-S	1/8" x 1-3/4" Cotter pin
44726-S8	3/8" (1/16" x 13/16") Flat washer	72187-S7	1/16" x 1/2" Grooved pin
44727-S8	3/8" Flat washer		
44728-S8	3/8" (3/32" x 1") Flat washer		
44730-S8	7/16" Flat washer		
44731-S7	5/16" Flat washer		
44734-S8	1/2" (3/32" x 1-1/16") Flat washer		
44735-S8	1/2" (3/32" x 1-1/4") Flat washer		
44736-S8	1/2" (1/8" x 1-3/8") Flat washer		
44743-S8	5/8" (9/64" x 1-1/2") Flat washer		
45218-S8	3/8"-24 Hex. stamped nut		
50013-S13	No. 10-32 x 1/2" Cross rec. flat-hd mach. screw		
50056-S8	5/16"-24 x 1" Flat-head bolt		
50175-S	No. 8-32 x 7/8" Fillister-hd. cr. rec. screw		
50191-S	5/16"-24 x 1" Cross rec. fill-hd bolt		
50299-S13	1/4"-20 x 7/8" Round head screw		
50398-S13	No. 8-32 x 1/2" Oval-head screw		
50501-S8	No. 6-32 x 1/4" Cross rec. pan-hd mach. screw		
50517-S13	1/4"-20 x 1/2" Cross rec. pan-hd mach. screw		

★ For additional information refer to Lincoln-Mercury Standard Parts Catalogue Form LM-3733

Lincoln Cosmopolitan and Capri

CHASSIS PARTS CATALOGUE

* Numerical List of Standard Parts—Continued

PART NUMBER	PART NAME	PART NUMBER	PART NAME
72869-S	3/16" x 7/8" Straight pin	87652-S8	3/8" x 18" Plug
72886-S8	3/32" x 1" Straight pin	87837-S	1/4" x 18" Plug
72909-S2	3/16" x 1-1/4" Straight pin	87838-S8	3/8" x 18" Plug
73208-S	1/8" x 5/16" Dowel pin	87901-S8	1/8"-27 x 3/4" Lubricator fitting
73232-S	1/8" x 1/2" Dowel pin	87907-S8	1/4"-28 x 1/2" Lubricator fitting
73281-S	3/32" x 3/16" Straight chamfered pin	87918-S8	1/8"-27 x 90° Lubricator fitting
73877-S7	1/4" x 25/32" Clevis pin	87924-S8	1/4"-28 x 90° Lubricator fitting
73880-S8	5/16" x 13/16" Clevis pin	87942-S8	3/8"-24 Tube fitting
73889-S7	3/8" x 7/8" Clevis pin	87947-S7	3/4"-Connector nut
74151-S	7/8" x 1/4" Woodruff key	87972-S	1/8"-27 & 1/2"-20 Connector
74172-S	1/8" x 1/2" Woodruff key	88411-S7	5/16"-18 & 5/16"-24 x 1-3/4" Stud
74175-S	5/32" x 5/8" Woodruff key	89126-S8	5/16"-18 x 5/16"-24 x 1-15/16" Stud
87382-S	5/16"-20 Tube fitting	92039-S	#6-7 x 1/4" Round-hd. drive screw
87533-S	Connector	97011-S7	1/4"-28 Clevis pin

* Numerical List of Special Bolts, Pins, Washers, etc.

PART NUMBER	PART NAME	PART NUMBER	PART NAME
350018-S2	3/8"-24 x 1" Hex. head bolt	351640-S32	1/4" Spring nut-round
350032-S	No. 10-32 x 27/32" Special head screw	351656-S2	5/16"-24 x 3-1/4" Round head tie bolt
350136-S7	No. 10-32 x 3/8" Hex. head bolt	351681-S32	2-23/32" x 2-11/16" O.D. Spring nut for 1-3/4" O.D. shaft
350189-S7	1/4"-28 x 3/8" Pan-hd screw & L/W assy	351698-S	1"-16 Hex. nut
350321-S2	5/16"-24 x 2-7/8" Spec. head bolt	351724-S2	5/16"-10 x 3/4" Hex. head bolt
350636-S	7/16"-14 x 1-3/8" Hex. head bolt	351757-S8	5/16"-24 x 3" Fillister socket head screw
350670-S8	7/16"-20 x 7/8" Hex. head bolt	351765-S100	Clip assy
350708-S8	1/2"-20 x 2-37/64" Hex. head bolt	351768-S8	7/16"-20 x 1-19/64" Hex. head bolt
350711-S8	3/8"-24 x 2" Hex. head bolt	351772-S	5/16"-18 x 1/2" Hex. washer head bolt
350786-AS7	1/8" Spring nut	351784-S	1/4" Flared tube union
350818-S8	No. 10-32 x 3/8" Pan-hd cross rec. screw	351788-S8	5/8"-18-1-1/4" Fitting
350867-S	No. 10-32 Hex. nut	351789-S	41/64" I.D. x 7/8" Flat washer
350997-S	5/16"-18 x 9/16" Hex. head screw	351791-S8	5/8"-18 x 1-3/4" Special lub. fitting
351059-S7	1/2"-20 (7/16" x 3/4") Slotted hex. nut	351792	5/8"-18 x 1" Special Hex. head bolt
351072-S7	5/16"-24 Hex. nut	351798-S	Elbow
351112-S	3/8"-24 Hex. compression nut	351799-S8	Nipple
351124-S	43/64"-20 (17/64" x 15/16") Hex. nut	351803-S100	No. 8-32 Hex. nut
351126-S	3/4"-16 (17/64" x 15/16") Hex. nut	351804-S100	No. 10-32 Hex. nut
351153-S	7/8"-14 Hex. nut	351805-S100	No. 10-32 Hex. nut
351230-S7	No. 8 Internal washer	351820-S	No. 4-48 x 1/4" Pan-hd screw & L/W assy
351256-S7	No. 10 Flat washer	351821-S	5/16"-24 x 3-1/4" Fillister-hd bolt
351270-BS	No. 10 Flat washer (lead)	351825-S	Washer "C"
351291-S7	No. 10 Flat washer	351826-S	Washer "C"
351331-S7	1/4" Flat washer	351827-S	3/16" x 1" Grooved pin
351341-S7	5/16" Spring washer	351828-S	1/8" x 1/2" Grooved pin
351360-S7	5/16" Flat washer	351882-S	11/64" Flat washer
351362-S2	5/16" Flat washer	351939-S	Rivet
351377-S7	3/8" Flat washer	351989-S8	7/16"-14 x 4-5/8" Hex. -hd bolt
351385-S7	3/8" Flat washer	351991-S	No. 10-24 x 1-1/4" Fillister-hd screw & washer assy
351428-S7	7/16" Flat washer	351992-S	No. 10-24 x 1-3/8" Fillister-hd screw & washer assy
351487-S	3/8" Spring washer	352115-S32	25/64" I.D. x 1-1/8" O.D. Flat washer
351496-S	5/8" Lockwasher	352200-S	3/64" x 3/8" Cotter pin
351509-S7	5/8" Lockwasher-heavy	352223-S32	Clip
351538-S7	3/4" I.D. x 1-3/8" O.D. Flat washer	352251-S	Clip
351543-S	5/16" Flat washer		
351600-S8	1/2" Cup washer		
351629-S28A2B	No. 6 x 1/2" Binding head drive nail		

* For additional information refer to Lincoln-Mercury Standard Parts Catalogue Form LM-3733

Lincoln Cosmopolitan and Capri

CHASSIS PARTS CATALOGUE

* Numerical List of Special Bolts, Pins, Washers, etc.—Continued

PART NUMBER	PART NAME	PART NUMBER	PART NAME
352262-S8	Mldg. clip assy	353080-S	3/16" diameter Steel ball
352285-S	1-1/2" Button plug	353087-S	Bushing
352301-S8	1/4"-20 x 3/4" Cross rec. pan-hd screw and lockwasher assy	353110-S	9/32" diameter Steel ball
352334-S8	Nipple	353117-S8	7/16"-20 x 2" Carriage bolt-hex. hd
352335-S	45° Elbow	353137-S	1/2" diameter ball
352358-S	9/32" x 61/64" Self locking pin	353179-S	1/2" diameter ball
352435-S	5/16"-18 x 4-5/8" Hex. head bolt	353266-AS	Wiring clip
352443-S13	No. 8-32 x 39/64" Oval-hd shoulder screw (brass)	353383-S	1/4" Flat washer
352518-S	1/4"-28 x 5/16" Screw and washer assy	353418-S2	5/16"-24 Nut and retainer assy
352524-S	1/4" x 1/4" Adapter	353431-S8	7/16"-14 x 4-3/8" Hex. head bolt
352525-S8	No. 8-32 x 3/8" Fill-hd self tapping screw	353456-S8	1/2"-20 x 1-1/2" Hex. head bolt
352526-S8	No. 8-32 x 1/2" Fill-hd tapping screw	353462-S32	Cable clip
352527-S8	No. 8-15 x 1/2" Round-hd screw	353486-S8	5/16"-24 x 1-1/8" Hex. head bolt & washer
352528-S8	No. 10-24 x 7/16" long self tapping screw	353506-S33	No. 8-32 x 3/8" Set screw
352529-S8	No. 11 Flat washer	353568-S8	#10-32 x 4-33/64" Stud
352530-S8	No. 19 Flat washer	353569-S7	#10-32 x 3-21/64" Carriage bolt
352565-S100	1/2"-20 x 1-3/8" Carriage bolt	353572-S	4-12/32" Nipple
352601-S8	5/16"-24 x 1-1/16" Hex. head bolt	353577-S8	1/8" Sleeve nut
352602-S8	3/8" x 1-1/16" Clevis pin	353596-S	7/16"-20 x 7/8" Hex. head bolt
352631-S8	Mldg. clip	353602-S8	No. 8-32 x 1/4" Slotted hex. head screw
352639-S8	90° Universal elbow	353610-S8	7/16" Retainer spring
352640-S8	90° Universal elbow	353616-S	No. 10-24 x 3/8" Fill. hd screw & L/W assy
352644-S	3/8"-16 x 11/16" Socket head screw	353679-S100	No. 10-32 x 29/64" Socket head screw
352695-S8	5/16"-24 x 2-5/8" Stud	353707-S13	No. 8-32 x 1/2" Cross rec. fillister hd shoulder screw
352719-S8	5/16"-18 & 5/16"-18 x 1-1/4" Stud	353784-S13	No. 6-32 x 1" Cross rec. oval hd. screw
352730-S8	3/8"-16 & 3/8"-16 x 1-1/2" Stud	353846-S8	5/16" Flat Washer
352775-S34	No. 10-24 x 1" Screw Stud	353864-S7	5/16"-18 x 7/8" Hex. hd screw & L/W assy
352794-S	5/16"-18 x 2-1/16" Hex. head bolt	355067-S7	No. 8-32 x 5/16"-Fill-hd screw & L/W assy
352826-S8	Wiring clip	355073-S7	No. 8-32 x 5/16" Pan-hd screw & L/W assy
352841-S	Rubber grommet	355083-S13	No. 8-32 x 5/8" Cross recessed oval head machine screw
352874-S	Grommet	355146-S7	No. 10-32 x 3/8" Pan-hd screw & washer assy
352892-S8B	No. 10-32 x 1-1/8" Fill-hd screw-dog pt.	355308-S7	1/4"-28 x 5/16" Pan-head screw & L/W assy
352893-S8	1/4" I. D. x 7/16" O. D. x 5/64" Spacer	355312-S34	1/4"-28 x 3/8" Set screw
352895-S8	1/16" diameter groove pin	355476-S2	5/16"-18 x 1" Hex. head bolt L/W assy
352896-S	3/8" I. D. x 5/8" O. D. Flat washer	355688-S8	1/2"-20 x 1-1/2" Carriage bolt
352897-S	3/8" I. D. x 11/16" O. D. Flat washer	355765-S	1/2"-13 x 2-1/4" Hex. head bolt
352917-S	7/16" I. D. x 1" O. D. Flat washer	355829-S7	No. 8-36 (1/8" x 5/16") Hex. nut
352918-S	21/32" I. D. x 1" O. D. Flat washer	355891-S8	1/8" Spring nut
352961-S	7/32" I. D. x 7/8" O. D. x 7/16" Grommet	355920-S32	1/4" Spring nut-"U" shape
352963-S	1/4" I. D. x 3/4" O. D. x 7/16" Grommet	355960-S	5/16"-24 Grommet nut
352971-S8	Clip	356080-S32	1/2"-20 Spring nut
352972-S8	Clip	356094-S13	5/8"-24 (3/16" x 3/4") Octogan nut
352978-S	No. 10-24 x 1-1/4" Fill-hd screw & washer	356210-S8	1/4" Flat washer
352979-S	1/4"-20 x 1" Fillister head screw	356216-S7	Retainer-terminal
352980-S	1/4" Internal tooth lockwasher	356254-S2	1/4" Spring washer
352989	5/8" x 5/8" x 1/2" Tee Assy. -tubing	356329-S	21/64" (1" x 1-15/64") Rectangular washer
352996-S100	1/4"-18 Pipe thread plug	356363-S7	3/8" I. D. x 9/16" O. D. Spring washer
352997-S100	3/8"-18 Pipe thread plug	356366-S8	5/16" x 7/16" Flat washer
352999-S32	Clip-wiring	356369-S	11/16" Flat washer
353035-S7	45° Lubricator fitting	356383-S7	7/16" Spring washer-three wave
353051-S	3/4" x 15/16" Sq. extended-hd pipe plug	356474-S8	1/2" Flat washer
353052-S5	1/8" Round headless slotted pipe plug	356474-S18	1/2" Flat washer
353055-S7	1/4"-18 Square extended head pipe plug	356500-S8	11/32" I. D. x 1" O. D. Flat washer
353063-S7	1-1/4" Expansion plug		

* For additional information refer to Lincoln-Mercury Standard Parts Catalogue Form LM-3733

Lincoln Cosmopolitan and Capri

CHASSIS PARTS CATALOGUE

★ Numerical List of Special Bolts, Pins, Washers, etc.—Continued

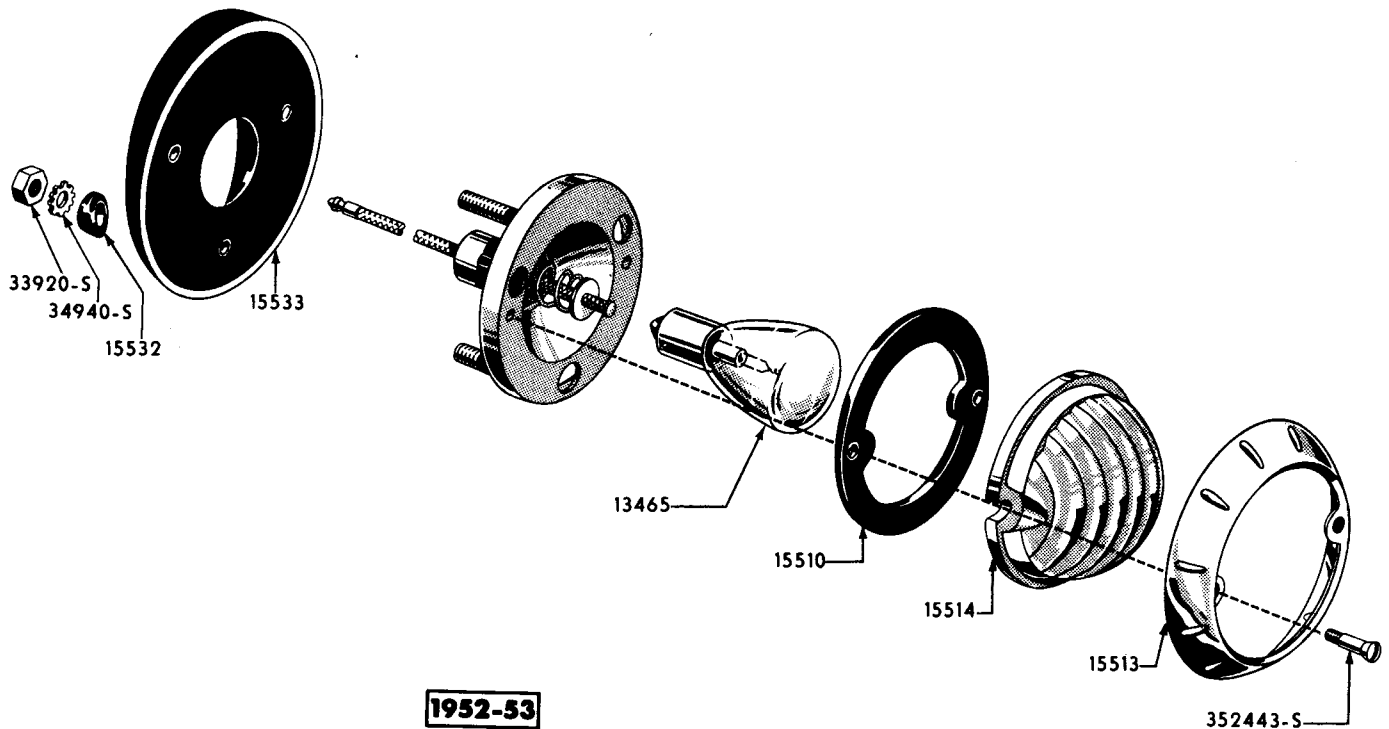
PART NUMBER	PART NAME	PART NUMBER	PART NAME
356504-S	3/4" Flat washer	357589-S	1/4"-20 x 5/8" Hex. hd. self locking bolt
356514-S8	25/64" I.D. x 11/16" O.D. Counter-sunk washer	357597-S	7/16"-24 Elbow
356595-S	Locking plate-3" bolt centers	357601-S32	Tube clip
356597-S	Locking plate-1-13/16" bolt centers	357624-S7	5/16" Lockwasher
356628-S	Wiring clip	357625-S7	7/16" Lockwasher
356640-S2	21/64" Hole (9/16" x 1-3/8") Clip "J" type	357626-S7	1/2" Lockwasher
356663-S2	Clip	357627-S7	9/16" Lockwasher
356668-S32	3/8" x 15/32" x 31/32" Special-clip	357628-S7	5/8" Lockwasher
356687-S32	9/32" x 7/16" x 13/16" Special clip	357629-S7	3/8" Lockwasher
356746-S	No. 10-24 x 3/4" Fillister-hd. mach. screw	357632-S	Brass elbow
356747-S	No. 10-24 x 1" Fillister-hd mach. screw	357639-S	1/2" x 7/16"-24 x 3/4"-18 elbow
356807-S100	Clip	357648-S8	5/16" x 3/4" Dowel pin
357009-S	Locking plate assy	357649-S8	3/8"-16 x 1-3/4" Hex-hd screw & washer assy
357118-S8	Mldg. clip	357658-S32	Clip
357146-S	7/32" diameter Steel ball	357759-S8	5/16"-24 x 1" Wing screw
357162-S8	No. 10-32 x 1/4" Set screw	357773-S	5/16"-24 x 45/64" Hex. head screw and lockwasher assy
357164-S8	1/2"-20 x 2-13/32" Hex. head bolt	357786-S8	Moulding clip
357171-S8	No. 10-24 x 5/16" Hex. head screw & washer	357814-S	Rubber bumper
357172-S8	No. 10-24 x 1/2" Hex. -hd screw & L/W assy	357859-S32	Clip
357217-S	1-1/4" Expansion plug	357867-S8	3/8"-16 x 3" Hex. head bolt
357227-S	1/4"-20 Nut and retainer assy	357902-S	5/16"-18 & 5/16"-24 x 4-3/16" Stud
357228-S	15/64" x 1-7/16" Pin	358003-S	1/8"-27 Adapter
357252-S2	5/16"-24 Nut and retainer assy	358032-S8	85° Lubricator fitting
357254-S2	1/4" Retainer nut	358034-S	1/4" Slotted headless pipe plug
357256-S2	5/16"-24 Nut and retainer assy	358048-S	3/4"-14 Square socket head pipe plug
357261-S2	5/16"-24 Nut & retainer assy	358066-S8	3/8"-18 Hex. head pipe plug
357324-S8	No. 8-36 x 11/64" Headless set screw	358248-S	1/2"-20 Hex. compression nut
357331-S32	3/16" Tube clip	358283-S	1/2"-20 Union
357457-S	No. 7/16"-14 x 1-1/16" Hex. head bolt	358313-S32	Clip
357477-S	9/16" Expansion plug	358315-S32	Clip-wiring
357480-S32	5/16"-10 Spring nut-"U" shape	358349-S32	3/16" dia. (3/4" x 1-27/32") Clip
357498-S	3/4"-16 Slotted hex. nut	358350-S	11/32" Hole (5/8" x 1-3/4") Clip "J" shape
357499-S8	5/16"-24 x 3/4" Hex. head shoulder bolt	358360-S	21/64" diameter Tube clip
357513-S32	Wiring clip	358429-S32	Wiring clip
357518-S	1/2"-14 Hex. head connector	358496-S	No. 10-24 x 7/16" Flat-hd screw and washer
357527-S8	Moulding retainer	358497-S	No. 10-24 x 5/8" Fill-hd screw & L/W assy
357543-S8	1/4"-28 Clevis-adjustable	358498-S	No. 10-24 x 7/16" Fill-hd screw & L/W assy
357563-S8	Steel clip	358499-S	No. 10-24 x 1-1/8" Fill-hd screw & L/W assy
357565-S	15/16" Expansion plug	358534-S8	Mldg. clip

Lincoln Cosmopolitan and Capri

CHASSIS PARTS CATALOGUE

Accessories

Back Up Lamp



PL-716

BACK UP LAMP

Basic numbers only shown on illustration. Order by Part Numbers shown in list of parts.

PART NUMBER	PART NAME	NO. REQ'D	MODEL	YEAR 19__
FAA 18274-B	Kit (back up lamp installation)-consists of the following (2) FAA-15500-B Lamp	1	LA	52-53
FAA-18954-A	Clamp (back up lamp wiring)-7" strap	2	LA	52-53
1H 13465-A	Bulb (back up lamp)-32 C. P. -S. C.	2	LA	52-53
FAA 15500-B	Lamp assy (back up)-door with 12 serrations	2	LA	52-53
	34940-S2 Lockwasher-1/4"-lamp to deck lid	6	LA	52-53
	33920-S Nut (hex)-1/4"-20-lamp to deck lid	6	LA	52-53
1H 15510-A	Gasket (back up lamp)-3-1/32" O. D.	2	LA	52-53
1H 15513-A	Door (back up lamp)-3-7/64" dia. -12 serrations	2	LA	52-53
	352443-S13 Screw (oval head)-No. 8-32 x 39/64"-door to lamp body-use with 1H-15513-A	4	LA	52-53
1H 15514-A	Lens (back up lamp)-2-3/4" diameter	2	LA	52-53
FAA 15532-A	Spacer (back up lamp mount.)-9/32" I. D. x 1/2" O. D.	1	LA	52-53
FAA 15533-B	Pad (back up lamp)-3-11/16" O. D.	2	LA	52-53

Lincoln Cosmopolitan and Capri

CHASSIS PARTS CATALOGUE

PART NUMBER	PART NAME	NO. REQ'D	MODEL	YEAR 19__
-------------	-----------	-----------	-------	--------------

Accessories—Continued

Bumper Grille Guard

BD 18412-B	Kit (front bumper grille guard installation)- consists of the following (2) BC-17893-A Bracket (2) BC-17910-A Ornament (1) BD-17938-B Guard (1) BD-17939-B Guard (2) 24349-S7-8 Bolt (2) 24389-S8 Bolt (2) 24453-S8 Bolt (6) 33800-S8 Nut (2) 33846-S8 Nut (6) 34807-S2 Washer (2) 34809-S8 Washer (6) 43232-S8 Screw & Washer (4) 44726-S8 Washer (2) 44731-S8 Washer	1	LA	52
BC 17893-A	Bracket (front bumper grille guard)	2	LA	52
BC 17910-A	Ornament (front bumper grille guard)	2	LA	52
	43232-S8 Screw and washer (hex-hd)- No. 10-32 x 1/2"-ornament to guard	6	LA	52
BD 17938-B	Guard assy (front bumper grille)-R. H.	1	LA	52
BD 17939-B	Guard assy (front bumper grille)-L. H.	1	LA	52
	24389-S8 Bolt (hex-hd)-3/8"-24 x 1"- guard to impact bar	2	LA	52
	24453-S8 Bolt (hex-hd)-1/2"-20 x 1- 3/8"-guard to impact bar	2	LA	52
	24349-S7-8 Bolt (hex-hd)-3/8"-24 x 3/4"- guard to impact bar	2	LA	52
	34807-S2 Lockwasher-3/8"-guard to impact bar	6	LA	52
	34809-S8 Lockwasher-1/2"-guard to impact bar	2	LA	52
	33800-S8 Nut (hex)-3/8"-24-guard to impact bar	6	LA	52
	33846-S8 Nut (hex)-1/2"-20-guard to impact bar	2	LA	52
	44726-S8 Washer (flat)-3/8"-guard to impact bar	4	LA	52
	44734-S8 Washer (flat)-1/2"-guard to impact bar	2	LA	52

Cigar Lighter and Map Lamp

FAA 18288-A	Kit (cigar lighter and map lamp installation)- consists of the following (1) FAA-15050-A Lighter & Lamp	1	LA	52-54
FAA 15050-A NS	Cigar lighter and map lamp assy-serviced in FAA-18288-A Kit	1	LA	52-54

Curb Buffer

BD 18243-A	Kit (curb buffer moulding installation)-consist of the following (2) BD-7310176-A Moulding (14) OL-7210198 Retainer	1	LA	52-54
	BD-7310176-A Moulding (body rocker panel curb buffer)	2	LA	52-54
	OL-7210198 Retainer (body rocker panel curb buffer moulding)	14	LA	52-54

Lincoln Cosmopolitan and Capri

CHASSIS PARTS CATALOGUE

PART NUMBER	PART NAME	NO. REQ'D	MODEL	YEAR
-------------	-----------	-----------	-------	------

Accessories—Continued

Curb Signal

BD 19246-A	Kit (curb signal installation)	1	LA	52-54
------------	--------------------------------	---	----	-------

Door Edge Guard

BH 19292-A	Kit (front door edge guard installation)-consists of the following (1) BH-7320940-A Moulding (1) BH-7320941-A Moulding	1	LA73	53-54
BH 19292-B	Kit (front door edge guard installation)-consists of the following (1) BH-7620940-A Moulding (1) BH-7620941-A Moulding	1	LA60-76	53-54
BH 19292-C	Kit (front and rear door edge guard installation)-consists of the following (1) BH-7320940-A Moulding (1) BH-7320941-A Moulding (1) BH-7325510-A Moulding (1) BH-7325511-A Moulding	1	LA73	53-54
NS	BH-7320940-A Moulding (front door outside rear edge)-R. H. -serviced in BH-19292-A & BH-19292-C Kits	1	LA73	53-54
NS	BH-7620940-A Moulding (front door outside rear edge)-R. H. -serviced in BH-19292-B Kit	1	LA60-76	53-54
NS	BH-7320941-A Moulding (front door outside rear edge)-L. H. -serviced in BH-19292-A & BH-19292-C Kits	1	LA73	53-54
NS	BH-7620941-B Moulding (front door outside rear edge)-L. H. -serviced in BH-19292-B Kit	1	LA60-76	53-54
NS	BH-7325510-A Moulding (rear door outside rear edge)-R. H. -serviced in BH-19292-C Kit	1	LA73	53-54
NS	BH-7325511-A Moulding (rear door outside rear edge)-L. H. -serviced in BH-19292-C Kit	1	LA73	53-54

Door Handle Shield

BH 18437-A	Kit (door handle shield installation)-consists of the following (1) BH-7322414-A Shield (1) BH-7322415-A Shield	1	LA	53-54
NS	BH-7322414-A Shield (door handle)-R. H. -serviced in BH-18437-A Kit	1	LA	53-54
NS	BH-7322415-A Shield (door handle)-L. H. -serviced in BH-18437-A Kit	1	LA	53-54

Lincoln Cosmopolitan and Capri

CHASSIS PARTS CATALOGUE

PART NUMBER	CLASS	PART NAME	NO. REQ'D	MODEL	YEAR
-------------	-------	-----------	-----------	-------	------

Accessories — Continued

Engine Compartment Lamp

FAB 18375-A		Kit (engine compartment lamp installation)-consists of the following (1) FAB-15702-A Lamp (3) FAA-18954-A Clamp (2) 34903-S8 Washer(2) 40542-S8 Screw	1	LA	52
FAD 18375-A		Kit (engine compartment lamp installation)-consists of the following (1) FAD-15702-A Lamp (2) FAA-18954-A Clamp (2) 32924-S7 Screw (2) 34903-S8 Washer	1	LA	53-54
FAB 15702-A NS		Lamp (engine compartment)-with 44" wire-serviced in FAB-18375-A Kit	1	LA	52
FAD 15702-A NS		Lamp (engine compartment)-with 58" wire-serviced in FAD-18375-A Kit	1	LA	53-54
		32924-S7 Screw (pan head)-No. 10-12 x 1/2"-lamp attaching	2	LA	53-54
		40542-S8 Screw (pan head)-No. 10-32 x 5/8"-lamp attaching	2	LA	52
		34903-S8 Washer (internal tooth)-No. 10-lamp attaching	2	LA	52-54
		B-13799 Bulb (engine compartment lamp)-15 C. P.	1	LA	52-54
FAA 18954-A		Clamp (engine compartment wire)-7" strap	2-3	LA	52-54

Exhaust Deflector

LA 5623-D		Deflector assy (exhaust)-Chrome flat outlet-9-31/32" long	1	LA	54
OL 18259		Deflector assy (exhaust)	1	LA	52
LA 18259-C		Deflector assy (exhaust)-Chrome-fantail type-6-7/32" long	1	LA	53

Front Vent Wind Deflector

BH 19301-A		Kit (front vent wind deflectors)	1	LA	53-54
------------	--	----------------------------------	---	----	-------

Fuel Tank Filler Lid Lock

BD 18168-A		Kit (gas filler lid lock installation)-consists of the following (1) BD-9147-A Bumper (1) BD-9149-A Spacer (1) BD-18277-A Lock (1) 23406-S8 Bolt (1) 33795-S7 Nut (1) 34825-S7 Washer	1	LA	52
BD 18277-A NS		Lock (fuel tank filler)-serviced in BD-18168-A Kit	1	LA	52
		23406-S8 Bolt (round head)-1/4"-20 x 1"-lock to license plate bracket	1	LA	52
		34825-S8 Lockwasher-1/4"-lock to license plate bracket	1	LA	52
		33795-S8 Nut (hex)-1/4"-20-lock to license plate bracket	1	LA	52
	NS	BD-9147-A Bumper (fuel tank filler lock)-serviced in BD-18168-A Kit	1	LA	52
	NS	BD-9149-A Spacer (fuel tank filler lock)-serviced in BD-18168-A Kit	1	LA	52

Lincoln Cosmopolitan and Capri

CHASSIS PARTS CATALOGUE

PART NUMBER	CLASS	PART NAME	NO. REQ'D	MODEL	YEAR
					19__

Accessories - Continued

Fuel Tank Locking Cap

MA 9030-C		Cap assy (fuel tank locking)-includes lock and keys	1	LA	53-54
-----------	--	---	---	----	-------

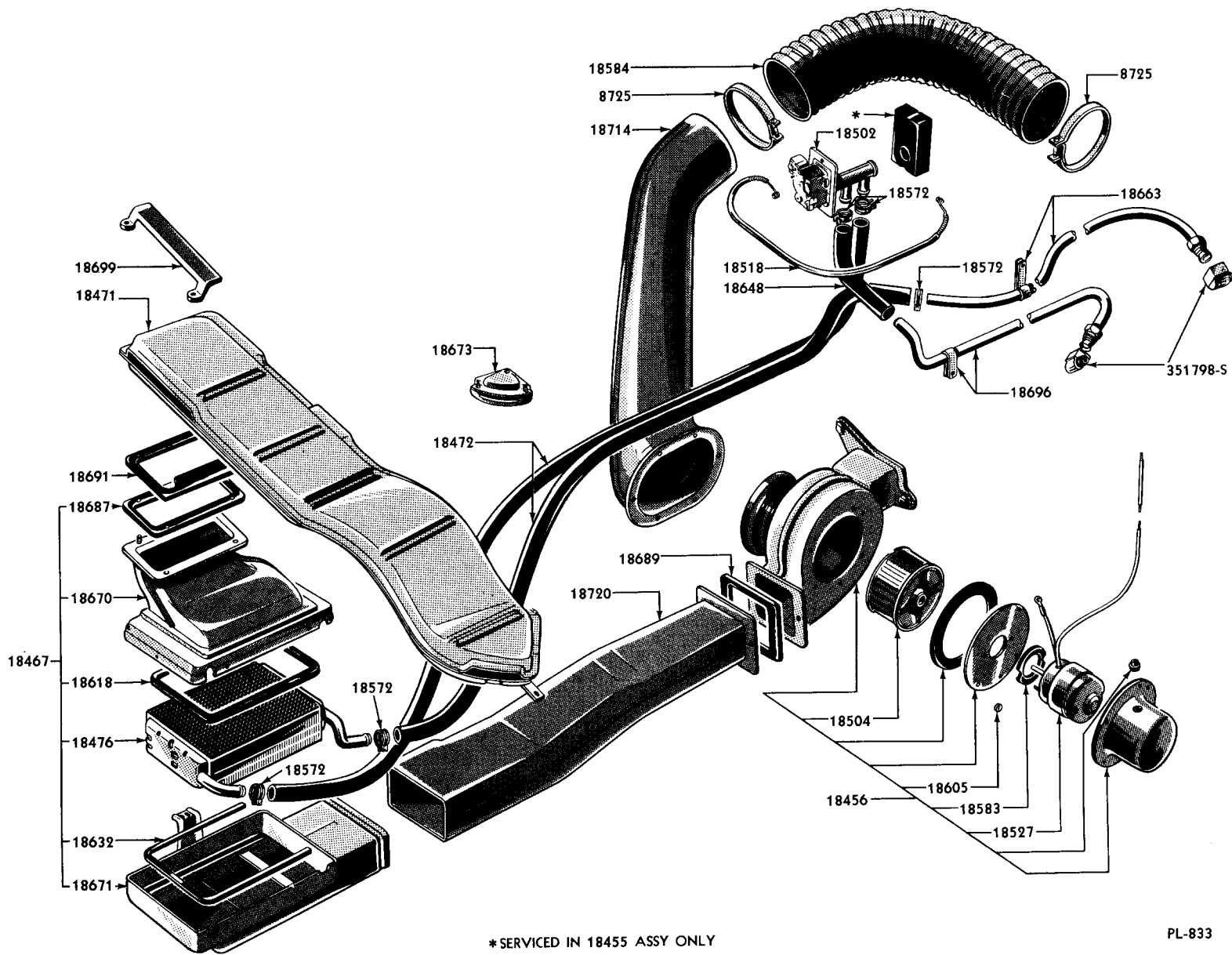
Hot Water Heater

FAA 18455-B NS		Heater and defroster (fresh air hot water)-Dual Unit	1	LA	52
FAF 18455-A NS		Heater and defroster (fresh air hot water)-Dual Unit	1	LA	53
FAF 18455-B		Heater and defroster (fresh air hot water)-Dual Unit	1	LA	53
FDD 18455-A		Heater and defroster (fresh air hot water)-Dual Unit	1	LA	54
FAA 18456-B		Blower assy (heater)-underseat-with two 15/32" diameter attaching holes	1	LA	52-53
FAA 18456-E		Blower assy (heater)-defroster	1	LA	52-54
FAA 18456-F		Blower assy (heater)-underseat-with four 7/32" diameter holes	1	LA	53-54
		FAA-8725-A Clamp assy (heater air duct ret.)-3-3/16" x 3-9/16"	2	LA	52-54
FAB 18457-A		Duct assy (heater inlet)	1	LA	52
FAA 18457-B		Duct assy (heater inlet)	1	LA	53
FDA 18457-A		Duct assy (heater inlet)-with Decalcomania	1	LA	54
FAA 18467-A		Heater assy (underseat)	1	LA	52-54
FAA 18471-A		Plenum chamber assy (heater)	1	LA	52
FAA 18471-B		Plenum chamber assy (heater)	1	LA	53-54
1A 18472-C NS		Hose (heater)-underseat heater to outlet tube-47" length-cut from 1M-18472-C	1	LA	53-54
1M 18472-C		Hose (heater)-5/8" I. D. x 15/16" O. D. x 100' long	as reqd	LA	52-54
1W 18472-B NS		Hose (heater)-temperature valve to underseat heater inlet tube-70" length-cut from 1M-18472-C	1	LA	54
FAA 18472-D NS		Hose (heater)-underseat heater to outlet tube-43" length-cut from 1M-18472-C	1	LA	52
FAA 18472-E NS		Hose (heater)-engine to water control valve-9-1/2" length-cut from 1M-18472-C	1	LA	52-53
FAA 18472-F NS		Hose (heater)-control valve to heater core-21-1/2" length-cut from 1M-18472-C	1	LA	52-54
FAA 18472-G NS		Hose (heater)-heater to engine-40" length-cut from 1M-18472-C	1	LA	52-54
FDA 18572-A		Hose (heater)-5/8" I. D. x 15/16" O. D. x 100' long -heat and oil resistant-with white stripe	as reqd	LA	54
FDD 18472-A NS		Hose (heater)-engine to heater water control valve-cut from FDA-18472-A	1	LA	54
		351799-S8 Nipple (Steel)-hose to water pump	1	LA	52-54
FAA 18476-A		Core assy (heater)-2-1/2" x 9-5/8" x 6"	1	LA	52-54
FAB 18476-A		Core assy (underseat heater)-2-1/2" x 10-5/64" x 6"	1	LA	52-54

Lincoln Cosmopolitan and Capri

CHASSIS PARTS CATALOGUE

PART NUMBER	C P A S S	PART NAME	NO. REQ'D	MODEL	YEAR 19__
Accessories—Continued					
Hot Water Heater—Continued					
FAA 18480-B		Outlet assy (heater defroster)	1	LA	52-54
8C 18481-A		Bracket (heater hose)	1	LA	52-54
FAC 18489-A		Connector (heater to blower air duct)-5-1/2" length	1	LA	52-54
FAA 18490-A		Nozzle assy (heater defroster)-Painted Steel-outlet opening-7/8" x 4-13/16"	2	LA	52-54
FAA 18495-C		Valve assy (heater water control)	1	LA	52-54
FAA 18502-C		Valve assy (heater temperature regulator)-2-1/2" x 3-23/32" mounting plate	1	LA	52
FAD 18502-A		Valve assy (heater temperature regulator)-2-1/2" x 3-23/32" mounting plate-includes spacer & seal	1	LA	53-54
		42037-S8 Screw (hex-hd)-No. 10-12 x 1-1/4"-valve to dash	2	LA	52-54
FAA 18504-A		Wheel assy (heater underseat blower)-4-1/4" dia. -counter clockwise rotation	1	LA	52-54
FAB 18504-A		Wheel assy (heater defroster blower)-4-1/4" dia. -clockwise rotation	1	LA	52-54
		355312-S34 Screw (set)-1/4"-28 x 3/8"-wheel to shaft	1	LA	52-53
FAA 18518-C		Control assy (heater temperature)-70" long	1	LA	52-54
FAA 18518-D		Control assy (heater temperature)-18" long	1	LA	52-54
		350136-S7 Bolt (hex-hd)-No. 10-32 x 3/8"-control to regulator	2	LA	52-54
FAA 18527-B		Motor assy (heater underseat blower)	1	LA	52-53
FAA 18527-C		Motor assy (heater defroster blower)	1	LA	52-53
FAA 18527-D		Motor assy (heater underseat blower)	1	LA	54
FAA 18527-E		Motor assy (heater defroster blower)	1	LA	54
		FAA-14575-B Holder (heater blower motor brush)	2	LA	52-54
		FAA-14576-B Spring (heater blower motor brush holder retaining)-5/8" free length	2	LA	52-54
		FAA-19293-A Brush assy (heater blower motor) -with 1-1/8" pigtail	2	LA	52-54
		FAA-19293-B Brush assy (heater blower motor) -with 1-5/16" pigtail	2	LA	52-54
		FAA-19294-A Spring (heater blower motor brush retaining)-1-1/4" free length	2	LA	52-54
		353569-S7 Bolt (carriage)-No. 10-32 x 3-21/64"-case to motor	2	LA	52-54
		351804-S100 Nut (hex)-No. 10-32-case to motor	2	LA	52-54
FAA 18535-B		Bracket assy (heater blower mounting)	1	LA	52-54
FAA 18556-A		Hose (heater defroster)-3-1/2" long	1	LA	52-54
FAA 18556-B		Hose (heater defroster)-33-1/2" long	1	LA	52-54
		42007-S8 Screw (hex-hd)-No. 10-12 x 1/2"-hose to heater defroster	2	LA	52-54



PL-833

HEATER (UNDERSEAT SECTION)

Basic numbers only shown on illustration. Order by Part Numbers shown in list of parts.

Lincoln Cosmopolitan and Capri

CHASSIS PARTS CATALOGUE

PART NUMBER	PART NAME	NO. REQ'D	MODEL	YEAR
-------------	-----------	-----------	-------	------

Accessories—Continued

Hot Water Heater—Continued

FAA 18570-A	Gasket (heater to dash)-7-1/2" x 11-13/32"	1	LA	52-54
1C 18572-A	Clamp (hot water heater hose)-stamped "1C-A2"	12	LA	52-54
FAB 18578-C	Switch assy (underseat heater)	1	LA	52-54
FAB 18578-D	Switch assy (heater and defroster)	1	LA	52-54
	OH-14309-E Wire assy (ignition switch to heater switch)-13" long	1	LA	52-54
	FAA-14309-B Wire and fuse assy (ignition switch to heater switch)-19" long	1	LA	52-54
NS	B-14526 Fuse (heater blower motor)-20 amp.-replaced by B-14527 Kit	2	LA	52-54
FAA 18583-A	Gasket (heater blower motor mounting)-Rubber - 1-7/16" I. D. x 2-5/16" O. D.	2	LA	52-54
FAA 18584-B	Connector (heater blower duct to air valve)-4" dia. x 26" length	1	LA	52-54
FAA 18584-C	Connector (heater blower to air valve)-4" diameter x 4-3/4" length	1	LA	52-54
	OM-8725 Clamp (air duct retainer)-round-4-3/16" I. D.	2	LA	52-54
OA 18605	Grommet (heater blower motor mounting)	4	LA	52-54
FAA 18618-A	Gasket (underseat heater core)-upper-6-3/16" x 8-1/8"	1	LA	52-54
FAA 18632-A	Gasket (underseat heater core)-lower-6-3/16" x 8-1/8"-3 sides	1	LA	52-54
FAA 18648-C	Hose (engine to heater water control valve)-7-5/8" overall length	1	LA	52
FAD 18648-A	Hose (engine to heater water control valve)-9-3/4" overall length	1	LA	53-54
FAA 18663-B	Tube assy (heater water outlet)-L. H. -28-7/8" overall length	1	LA	52
FAA 18663-C	Tube assy (heater water outlet)-L. H. -33-3/4" overall length	1	LA	53
FAA 18663-E	Tube assy (heater water outlet)-14-1/2" approx. formed length-use with Air Conditioning only	1	LA60-73	53
FAA 18663-F	Tube assy (heater water outlet)-32-3/16" overall length	1	LA	54
	351798-S Elbow (Brass)-tube to water pump	1	LA	52
	357632-S Elbow (Brass)-tube to water pump	1	LA	53-54
	352334-S8 Nipple (female)-45°-tube to water pump-use with Air Conditioning only	1	LA60-73	53
FAA 18670-A	Case assy (underseat heater)-upper	1	LA	52-54
FAA 18671-A	Case assy (underseat heater)-lower	1	LA	52-54
FAA 18673-A NS	Bezel (heater plenum chamber)-R. H.-serviced in FAA-18455-B, FAF-18455-A and FAF-18455-B	1	LA	52-54

Lincoln Cosmopolitan and Capri

CHASSIS PARTS CATALOGUE

PART NUMBER	PART NAME	NO. REQ'D	MODEL	YEAR
-------------	-----------	-----------	-------	------

Accessories — Continued

Hot Water Heater — Continued

FAA 18687-A	Gasket (underseat heater to floor)-3-7/16" x 5-27/32"	1	LA	52-54
FAA 18689-A	Gasket (underseat heater blower to duct)-3-45/64" x 5-1/8"-with two 3/8" dia. holes	1	LA	52-53
FAA 18689-B	Gasket (underseat heater blower to duct)-3-45/64" x 5-1/8"-with four 7/32" dia. holes	1	LA	53-54
FAA 18691-A	Gasket (underseat heater plenum chamber to floor) -4-1/4" x 6-13/16"	1	LA	52-54
FAA 18696-A	Tube assy (heater water inlet)-L. H. -28-1/4" overall length	1	LA	52
FAA 18696-B	Tube assy (heater water outlet)-R. H. -28" overall length	1	LA	52-53
FAB 18696-A	Tube assy (heater water inlet)-L. H. -26-5/8" overall length	1	LA	53-54
FAB 18696-B	Tube assy (heater water inlet)-25-21/32" overall length-use with air conditioning	1	LA60-73	53
FAB 18696-B	Tube assy (heater water inlet)-25-21/32" overall length	1	LA	54
	351798-S Elbow (Brass)-tube to engine	2	LA	52-54
	352335-S Elbow (female)-45°-tube to cylinder head-use with Air Conditioning only	1	LA60-73	53
FAA 18699-A	Bezel (heater plenum chamber)-L. H.	1	LA	52-54
FAA 18714-A	Duct assy (side cowl to panel opening)	1	LA	52-54
FAA 18720-A	Duct assy (heater to blower)-with two 3/8" dia. holes	1	LA	52-53
FAA 18720-B	Duct assy (heater to blower)-with four 7/32" dia. holes	1	LA	53-54
FAA 19203-A	Handle (heater defroster outlet door)	1	LA	52-54

License Plate Frames

HDK 18350-A	Kit (license plate frame)-consists of the following (2) BH-18350-A Frame Kit	1	LA	53-54
BH 18350-A NS	Kit (license plate frame)-serviced in HDK-18350-A Kit	1or2	LA	53-54

License Plate Frame Windows

HDK 15480-A	Kit (license plate frame window)-used in Nebraska, Rhode Island, Utah, Vermont and Delaware-consists of the following (2) BH-15480-A Window	1	LA	52-54
BH 15480-A NS	Window assy (license plate frame)-5" x 9-15/16" window opening-serviced in HDK-15480-A Kit	1or2	LA	52-54
HDK 15480-B	Kit (license plate frame window)-used in Kansas, New Jersey, Pennsylvania, Texas, Kentucky and Maine-consists of the following (2) BH-15480-B Window	1	LA	52-54

Lincoln Cosmopolitan and Capri

CHASSIS PARTS CATALOGUE

PART NUMBER	PART NAME	NO. REQ'D	MODEL	YEAR 19__
Accessories—Continued				
License Plate Frame Windows—Continued				
BH 15480-B NS	Window assy (license plate frame)-5-7/16" x 9-15/16" window opening-serviced in HDK-15480-B Kit	1or2	LA	52-54
HDK 15480-C	Kit (license plate frame window)-used in Alabama, Arizona, California, Colorado, Florida, Georgia, Missouri, Montana, New York, Oklahoma, South Carolina, Washington, Kentucky, Massachusetts, Minnesota and North Dakota-consists of the following (2) BH-15480-C Window	1	LA	52-54
BH 15480-C NS	Window assy (license plate frame)-5" x 11-15/16" window opening-serviced in HDK-15480-C Kit	1or2	LA	52-54
HDK 15480-D	Kit (license plate frame window)-used in Nevada, and Tennessee-consists of the following (2) BH-15480-D Window	1	LA	52-54
BH 15480-D NS	Window assembly (license plate frame)-4-1/4" x 9-15/16" window opening-serviced in HDK-15480-D Kit	1or2	LA	52-54
HDK 15480-E	Kit (license plate frame window)-used in Arkansas, Indiana, Maryland, Mississippi, Virginia, Idaho, Ohio, Illinois, District of Columbia and South Dakota-consists of the following (2) BH-15480-E Window	1	LA	52-54
BH 15480-E NS	Window assembly (license plate frame)-5-1/4" x 10-15/16" window opening-serviced in HDK-15480-E Kit	1or2	LA	52-54
HDK 15480-F	Kit (license plate frame window)-used in Iowa, Louisiana, North Carolina, Oregon and West Virginia-consists of the following (2) BH-15480-F Window	1	LA	52-54
BH 15480-F NS	Window assy (license plate frame)-4-1/16" x 11-1/16" window opening-serviced in HDK-15480-F Kit	1or2	LA	52-54
HDK 15480-G	Kit (license plate frame window)-used in Connecticut, New Hampshire, Illinois, Ohio, Delaware, Maine, Massachusetts and Minnesota-consists of the following (2) BH-15480-G Window	1	LA	52-54
BH 15480-G NS	Window assy (license plate frame)-5-1/4" x 8-3/4" window opening-serviced in HDK-15480-G Kit	1or2	LA	52-54
HDK 15480-J	Kit (license plate frame window)-used in Wisconsin, Wyoming, Michigan, Indiana and New Mexico-consists of the following (2) BH-15480-J Window	1	LA	52-54
BH 15480-J NS	Window assy (license plate frame)-all clear window -serviced in HDK-15480-J Kit	1or2	LA	52-54

Lincoln Cosmopolitan and Capri

CHASSIS PARTS CATALOGUE

PART NUMBER	PART NAME	NO. REQ'D	MODEL	YEAR
-------------	-----------	-----------	-------	------

Accessories—Continued

Radio

FAG 18805-A	Radio assembly (8 tube)-less antenna	1	LA	52-53
FDD 18805-A	Radio assy (8 tube)-less antenna-Black buttons	1	LA60C-73A	54
FDD 18805-B	Radio assy (8 tube)-less antenna-White buttons	1	LA60A-73B-76	54
	78-13466 Bulb (clear)-1-1/2 C. P. -S. C. -radio	2	LA	52-54
NS	8A-14526 Fuse-14 amp. -radio-serviced in AOA-14527-A Kit	1	LA	52-54
	32923-S7 Screw (pan-hd)-No.8-15 x 1/2" -radio band strap to cowl	1	LA	52-54
	40631-S8 Screw (rd-hd)-No. 8-32 x 1/4" -lead in to rod and cylinder	2	LA	52-54
FAA 18808-C	Speaker assembly (radio)-front	1	LA	52-54
1H 18811-A	Suppressor assembly (radio)-ignition coil	1	LA	52-54
FAB 18812-A	Lead-in assy (radio antenna)-52-1/2" long-with spring contact prong	1	LA	52-54
FAA 18813-A	Antenna assy (radio)-vacuum-with 3 section rod	1	LA	52-54
FAA 18817-A	Knob assy (radio volume control)-Gold capped	2	LA	52
FAE 18817-A	Knob assy (radio volume control)-Chrome capped	2	LA	53
FDD 18817-A	Knob assembly (radio volume control)-Black	2	LA60C-73A	54
FDD 18817-B	Knob assy (radio volume control)-Off White	2	LA60A-73B-76	54
FAA 18830-A	Disc (radio tone and rear seat speaker volume control)	2	LA	52-54
5EH 18848	Tee (vacuum antenna)	1	LA	52-54
FAB 18850-A	Rod and cylinder assembly (radio antenna)	1	LA	52-54
FAA 18856-B	Button (radio knob opening plug)-used in cars w/o radio	2	LA	52-54
	FAA-7304371-A Plate (radio opening cover)-used in cars without radio	1	LA	52-54
	33444-S2 Screw (pan head)-No. 10-16 x 1/2"-used in cars w/o radio	2	LA	52-54
1H 18863	Valve assembly (radio antenna)-vacuum	1	LA	52-54
5EH 18865-B	Nut (vacuum antenna dome)	1	LA	52-54
FAE 18888-A	Support (radio receiver rear)	2	LA	52-54
	34940-S2 Lockwasher-1/4"-support to instr. panel & radio chassis	4	LA	52-54
	33795-S7 Nut (hex)-1/4"-20-support to instr. panel & radio chassis	4	LA	52-54
FAA 18897-A	Insulator (radio antenna)	1	LA	52-54
FAA 18898-A	Gasket (radio antenna)	1	LA	52-54
FAA 18911-A	Knob (vacuum antenna control)-Gold capped	1	LA	52
FAB 18911-A	Knob (vacuum antenna control)-Chrome capped	1	LA	53
	FAA-17482-A Bezel (radio antenna control)-4 slot center-1-1/16" O. D.	1	LA	52-53
	1A-7029074 Seal (antenna control knob)-used when radio not installed	1	LA	52-53

Lincoln Cosmopolitan and Capri

CHASSIS PARTS CATALOGUE

PART NUMBER	PART NAME	NO. REQ'D	MODEL	YEAR
-------------	-----------	-----------	-------	------

Accessories—Continued

Radio—Continued

8M 18931-D	Hose (radio antenna)-25 ft. roll	as reqd	LA	52-54
OH 18931-A NS	Hose (radio antenna)-38" long-make from 8M-18931-D	1	LA	52-54
OH 18931-B NS	Hose (radio antenna)-71-1/2" long-make from 8M-18931-D	1	LA	52-54
OL 18931-B NS	Hose (radio antenna)-58" long-make from 8M-18931-D	1	LA	52-54
FAA 18939-A	Bracket (radio antenna)	1	LA	52-54
	24308-S7 Bolt (hex-hd)-1/4"-20 x 1/2"-bracket to antenna and cowl flange	2	LA	52-54
	34905-S7 Washer (internal tooth)-1/4"-brkt.to antenna & cowl flange	2	LA	52-54
FAA 18954-A	Clamp (radio antenna hose)-7" strap	1	LA	52-54
8M 18966	Washer assembly (vacuum antenna)	1	LA	52-54
FAA 18971-A	Speaker assembly (radio rear seat)	1	LA	52-53
FDD 18971-A	Speaker assembly (radio rear seat)	1	LA	54
FAA 18976-AP	Grille assy (rear seat speaker)	1	LA	52-54
FAA 18991-A	Plate (radio tube cover)	1	LA	52-54

Reading and Vanity Light

HCK 18295-A	Kit (reading and vanity light installation)-consists of the following (1) FAA-18208-A Kit (mirror) (1) FAB-18295-B Kit (map light)	1	LA	52-54
FAA 18208-A	Kit (visor vanity mirror installation)	1	LA	52-54
FAB 18295-B NS	Kit (visor mounted map light installation)-serviced in HCK-18295-A Kit	1	LA	52-54

Rear Compartment Draft Deflector

BC 19136-A	Kit (rear compartment draft deflector installation)	1	LA60-73	52-54
------------	---	---	---------	-------

Rear Door Safety Lock

BH 18333-A	Kit (rear door safety lock installation)	1	LA73	53-54
NS	BH-7326436-A Lock assy (rear door safety)-serviced in BH-18333-A Kit	1	LA73	53-54

Rear View Mirror (Outside)

BC 18402-A	Kit (rear view mirror installation)-outside-consists of the following (1) BC-17682-A Mirror (1) Plate (1) Stud (2) 52721-S8 Screw	1	LA	52-54
BH 18402-A	Kit (rear view mirror installation)-outside-inside control	1	LA	53-54
BC 17682-A NS	Mirror (rear view mirror)-serviced in BC-18402-A Kit	1	LA	52-54

Lincoln Cosmopolitan and Capri

CHASSIS PARTS CATALOGUE

PART NUMBER	PART NAME	NO. REQ'D	MODEL	YEAR 19__
-------------	-----------	-----------	-------	--------------

Accessories—Continued

Rear Window Defroster

FAA 18397-A	Kit (rear window defroster installation)-consists of the following (2) FAA-18630-A Defroster (2) FAA-18640-A Grille	1	LA except 76	52-54
FAA 18630-A NS	Defroster assembly (rear window)-serviced in FAA-18397-A Kit	2	LA except 76	52-54
FAA 18631-A	Motor assembly (rear window defroster)	2	LA except 76	52-54
	FAA-19590-A Casebolt (rear window defroster motor)-No. 8-32 x 2-7/16"	2	LA	52-54
	351803-S100 Nut (hex)-No. 8-32-casebolt to motor	2	LA	52-54
	FAA-19591-A Spring (rear window defroster motor brush retainer)-5/16" free length	2	LA	52-54
	FAA-19592-A Brushassy (rear window defroster motor)-with 5-1/4" pigtail	2	LA	52-54
FAA 18640-A	Grille (rear window defroster)	2	LA except 76	52-54

Rear Window Wiper

BD 18387-B	Kit (rear window wiper installation)	1	LA60-73	52-54
------------	--------------------------------------	---	---------	-------

Roadlamp

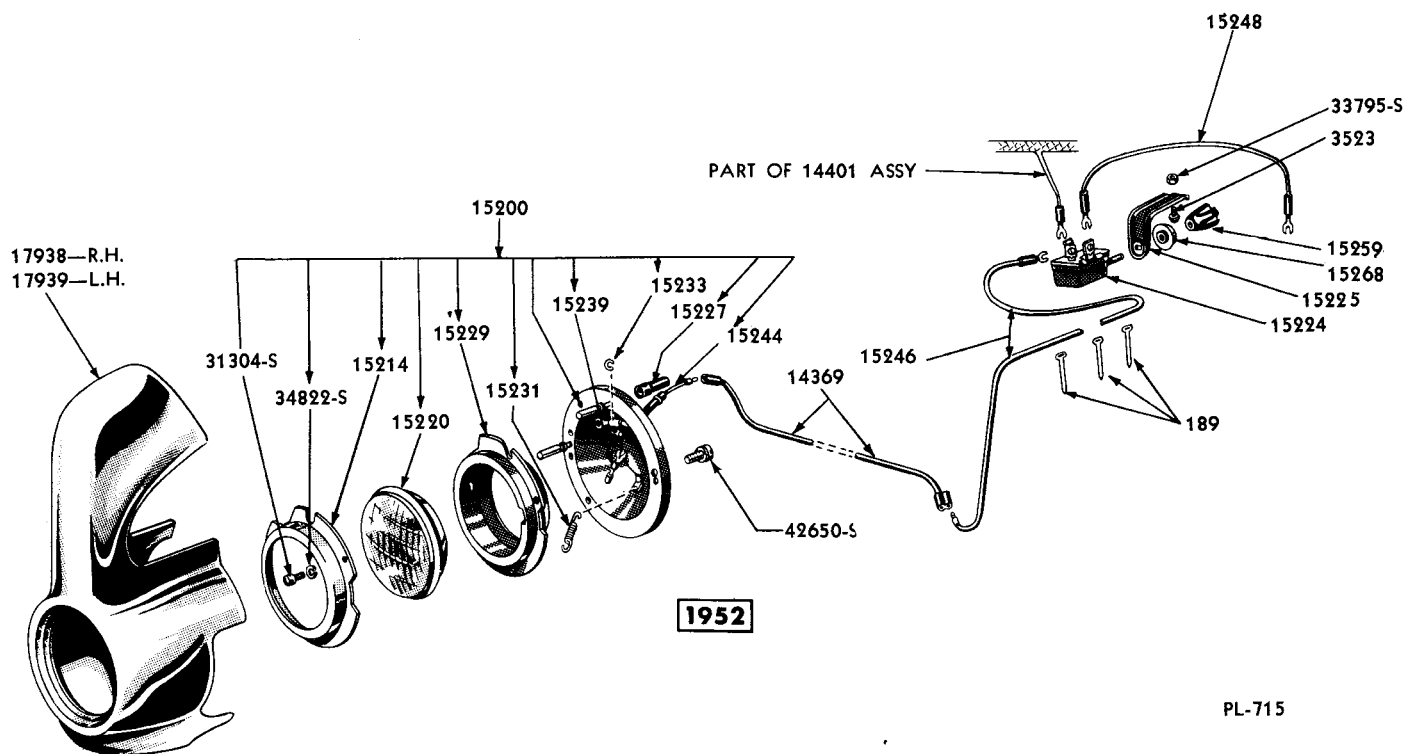
FAF 18207-A	Kit (roadlamp installation)-clear lens-consists of following (1) FAB-14369-A Wire (2) FAB-15200-A Lamp (1) 1C-15224-A Switch (1) FAB-15225-A Bracket (1) FAA-15237-A Wire (1) FAB-15246-A Wire (1) OM-15248 Wire (1) FAB-15259-A Knob (1) FAA-15268-A Bezel (1) 33795-S7 Nut (1) 352301-S8 Screw (2) 356640-S2 Clip (1) 356668-S32 Clip (2) 357513-S32 Clip	1	LA	53
FDD 18207-B	Kit (roadlamp installation)-consists of the following (1) FAB-14369-A Wire (2) FDD-15200-A Lamp (2) FDD-15209-A Bracket (2) FDD-15212-A Prop (1) 1C-15224-A Switch (1) FAB-15225-A Bracket (1) FAA-15237-A Wire (1) FAB-15246-A Wire (1) OM-15248 Wire (1) FDD-15252-A Shield (1) FDD-15253-A Shield (1) FDD-15259-A Knob (1) FDD-15259-B Knob (1) FAA-15268-A Bezel (2) FDD-15282-A Defl'r. (1) FDD-15283-A Reinf. (1) FDD-15284-A Reinf. (1) 33795-S8 Nut (2) 34671-S8 Nut (2) 34808-S7 L/W (8) 42472-S2 Screw (1) 50648-S8 Screw & Washer (2) 356640-S2 Clip (2) 357513-S32 Clip	1	LA	54
FAB 14369-A	Wire assembly (roadlamp jumper)-27" long	1	LA	52-54
	356640-S2 Clip (wiring)-wire to front bumper & stone deflector	2	LA	53-54
	357513-S32 Clip (wiring)-wire to front bumper	2	LA	54

Lincoln Cosmopolitan and Capri

CHASSIS PARTS CATALOGUE

Accessories — Continued

Roadlamp—Continued



ROADLAMP AND RELATED PARTS

Basic numbers only shown on illustration. Order by Part Numbers shown in list of parts.

PART NUMBER	CLASS	PART NAME	NO. REQ'D	MODEL	YEAR 19__
FAB 15200-A		Roadlamp assy-clear lens-used with grille guards	2	LA	52-53
		42650-S7 Screw & washer (rd-hd)-No. 10 -32 x 3/8"-lamp to bumper guard	6	LA	52-53
FDD 15200-A		Roadlamp assembly	2	LA	54
OM 15207		Retainer (roadlamp ring)	2	LA	54
FDD 15209-A		Bracket (roadlamp)	2	LA	54
		34808-S7 Lockwasher-7/16"-lamp to bracket	2	LA	54
		34671-S8 Nut (hex)-7/16"-20-lamp to bracket	2	LA	54
FDD 15212-A		Prop (roadlamp mounting)	2	LA	54
OM 15214		Door (roadlamp)	2	LA	54
		30084-S13 Screw (oval hd)-No. 8-32 x 1-1/8"-door to body	1	LA	54
FAA 15214-A		Ring (roadlamp retainer)	2	LA	52-53
		34822-S7 Lockwasher-No. 8-ring to lamp adapter	6	LA	52-53
		31304-S8 Screw (fillister hd)-No. 8-32 x 1/4"-ring to lamp adapter	6	LA	52-53
11A 15220-B		Bulb (roadlamp)-Sealed Beam-Clear	2	LA	52-54

Lincoln Cosmopolitan and Capri

CHASSIS PARTS CATALOGUE

PART NUMBER	PART NAME	NO. REQ'D	MODEL	YEAR
-------------	-----------	-----------	-------	------

Accessories — Continued

Roadlamp—Continued

1C 15224-A	Switch (roadlamp)-pull type	1	LA	52-54
	351230-S7 Lockwasher-No. 8-wiring to switch	3	LA	52-54
	26457-S7 Screw (round head)-No. 8-32 x 3/16"-wiring to switch	3	LA	52-54
FAB 15225-A NS	Bracket (roadlamp switch)-serviced in FAF-18207-A and FDD-18207-B Kits	1	LA	52-54
	50648-S8 Bolt & washer assy (rd-hd)-1/4"-20 x 1/2"-bracket to instrument panel	1	LA	54
	352301-S8 Bolt and washer (pan head)-1/4"-20 x 3/4"-bracket to instrument panel	1	LA	52-53
	33795-S8 Nut (hex)-1/4"-20-bracket to instrument panel	1	LA	52-54
7EH 15227	Boot (roadlamp adjusting nut)	4	LA	52-53
OM 15229	Ring assembly (roadlamp unit retainer)	2	LA	54
	26455-S8 Screw (rd-hd)-No. 4-40 x 1/4"-ring to retainer	4	LA	54
FAA 15229-A	Adapter (roadlamp)	2	LA	52-53
5EH 15231	Spring (roadlamp adapter retainer)	6	LA	52-53
7EH 15233	Clip (roadlamp wiring loom)	3	LA	52-53
FAA 15237-A NS	Wire assembly (roadlamp feed)-serviced in FAF-18207-A and FDD-18207-B Kits	1	LA	53-54
5EH 15239	Wire (roadlamp ground)-5" long	2	LA	52-53
7EH 15244	Wire assembly (roadlamp lead)-30-1/2" long	2	LA	52-54
	357513-S32 Clip (wiring)-wire to front stone deflector	2	LA	53-54
FAB 15246-A	Wire assy (roadlamp switch to double connector)-69" long	1	LA	52-54
	356668-S32 Clip (wiring)-wire to dash panel	1	LA	53-54
OM 15248	Wire assy (roadlamp switch to headlamp switch)-14-1/2" long	1	LA	52-54
FDD 15252-A	Shield (roadlamp anti-reflection)-R. H.	1	LA	54
FDD 15253-A	Shield (roadlamp anti-reflection)-L. H.	1	LA	54
FAB 15259-A	Knob assembly (roadlamp switch)-Chrome capped	1	LA	53
FDD 15259-A	Knob assembly (roadlamp switch)-Black	1	LA60C-73A	54
FDD 15259-B	Knob assembly (roadlamp switch)-White	1	LA60A-73B-76	54
FAA 15268-A	Bezel (roadlamp switch)-2 slot center	1	LA	52-54
FDD 15282-A NS	Deflector (roadlamp stone)-serviced in FDD-18207-B Kit	2	LA	54
FDD 15283-A NS	Reinforcement (roadlamp stone deflector)-R. H.-serviced in FDD-18270-B Kit	1	LA	54
FDD 15284-A NS	Reinforcement (roadlamp stone deflector)-L. H.-serviced in FDD-18207-B Kit	1	LA	54
	42472-S2 Screw (self tapping hex head)-No. 8-18 x 1/4"-deflector & reinforcement to radiator splash shield	8	LA	54
FAA 18954-A	Clamp (roadlamp wire to hood)-7" strap	3	LA	52

Lincoln Cosmopolitan and Capri

CHASSIS PARTS CATALOGUE

PART NUMBER	PART NAME	NO. REQ'D	MODEL	YEAR
-------------	-----------	-----------	-------	------

Accessories - Continued

Roadlamp Housing

BH 15254-A	Kit (roadlamp housing installation)-consists of the following (1) BH-15256-A Housing (1) BH-15257-A Housing (2) BH-15270-A Bracket (2) 20349-S8 Bolt (2) 23445-S8 Bolt (4) 33800-S8 Nut (2) 33846-S8 Nut (4) 34807-S7 L/W (2) 34809-S7 L/W (2) 44734-S8 Washer (6) 50638-S8 Screw & Washer	1	LA	53
BH 15256-A	Housing assembly (roadlamp)-R. H.	1	LA	53
BH 15257-A	Housing assembly (roadlamp)-L. H.	1	LA	53
	23445-S8 Bolt (rd-hd)-1/2"-20 x 1-1/2"-housing to upper impact bar	2	LA	53
	34809-S7 Lockwasher-1/2"-housing to upper impact bar	2	LA	53
	33846-S8 Nut (hex)-1/2"-20-housing to upper impact bar	2	LA	53
	44734-S8 Washer (flat)-1/2"-housing to upper impact bar	2	LA	53
BH 15270-A	Bracket (roadlamp housing)	2	LA	53
	20349-S8 Bolt (hex head)-3/8"-24 x 3/4"-bracket to lower impact bar	2	LA	53
	34807-S7 Lockwasher-3/8"-bracket to roadlamp housing & lower impact bar	4	LA	53
	33800-S8 Nut (hex)-3/8"-24-bracket to roadlamp housing & lower impact bar	4	LA	53
	50638-S8 Screw and washer assy (cross recess rd-hd)-No. 10-32 x 1/2"-lamp to housing	6	LA	53

Spotlight

FDC 15301-A	Kit (spotlight & mirror installation)-consists of the following (1) FDC-15300-A Spotlight(1) FAA-15342-A Clip	1	LA	54
FAA 18148-B	Spotlight assembly (utility hand)	1	LA	52-54
FAB 18151-B	Kit (spotlight installation)-consists of the following (1) FAB-15300-B Light (1) FAA-15342-A Clip	1	LA	52-54
FAB 18151-C	Kit (spotlight installation)-consists of the following (1) FAB-15300-C Light (1) FAA-15342-A Clip	1	LA	52-54
FAC 18154-A	Kit (spotlight bracket installation)-R. H. -consists of the following (1) FAC-15320-A Bracket (1) FAC-15324-A Gasket (1) 8A-15325 Bracket (1) 32859-S13 Screw (2) 32996-S13 Screw	1	LA60-76	52-54

Lincoln Cosmopolitan and Capri

CHASSIS PARTS CATALOGUE

PART NUMBER	PART NAME	NO. REQ'D	MODEL	YEAR 19__
Accessories — Continued				
Spotlight—Continued				
FAC 18154-B	Kit (spotlight bracket installation)-R. H. -consists of the following (1) FAA-15319-A Gasket (1) FAC-15320-B Bracket (1) FAC-15322-A Bracket (1) FAC-15324-B Gasket (1) FAA-15327-A Gasket (4) 32996-S13 Screw	1	LA73	52-54
FAC 18155-A	Kit (spotlight bracket installation)-L. H. -consists of the following (1) FAC-15321-A Bracket (1) FAC-15324-A Gasket (1) 8A-15325 Bracket (1) 32859-S13 Screw (2) 32996-S13 Screw	1	LA60-76	52-54
FAC 18155-B	Kit (spotlight bracket installation)-L. H. -consists of the following (1) FAA-15319-A Gasket (1) FAC-15321-B Bracket (1) FAA-15323-A Bracket (1) FAC-15324-B Gasket (1) FAA-15327-A Gasket (4) 32996-S13 Screw	1	LA73	52-54
8A 14526 NS	Fuse (spotlight)-14 amp-serviced in APA-14527-D Kit	1	LA	52-54
FAB 15300-B NS	Light assembly (spot)-6-3/16" O. D. -serviced in FAB-18151-B Kit	1	LA	52-54
FAB 15300-C NS	Light assembly (spot)-5-1/8" O. D. -serviced in FAB-18151-C Kit	1	LA	52-54
FDC 15300-A NS	Light assembly (spot)-4-3/4" O. D. -serviced in FDC-15301-A Kit	1	LA	54
FAA 15319-A NS	Gasket (spotlight inside bracket to shaft)-serviced in FAC-18154-B and FAC-18155-B Kits	1	LA73	52-54
FAC 15320-A NS	Bracket (spotlight)-outer-R. H. -serviced in FAC-18154-A Kit	1	LA60-76	52-54
FAC 15320-B NS	Bracket (spotlight)-outer-R. H. -serviced in FAC-18154-B Kit	1	LA73	52-54
FAC 15321-A NS	Bracket (spotlight)-outer-L. H. -serviced in FAC-18155-A Kit	1	LA60-76	52-54
FAC 15321-B NS	Bracket (spotlight)-outer-L. H. -serviced in FAC-18155-B Kit	1	LA73	52-54
	32859-S13 Screw (rd-hd)-No. 10-12 x 1/2" -bracket to body	1	LA60-76	52-54
	32996-S13 Screw (oval head)-No. 10-12 x 5/8"-bracket to body	2or4	LA	52-54
FAA 15322-A NS	Bracket (spotlight)-inner-R. H. -serviced in FAC-18154-B Kit	1	LA73	52-54
FAA 15323-A NS	Bracket (spotlight)-inner-L. H. -serviced in FAC-18155-B Kit	1	LA73	52-54
FAC 15324-A NS	Gasket (spotlight bracket)-outer-serviced in FAC-18154-A and FAC-18155-A Kits	1	LA60-76	52-54
FAC 15324-B NS	Gasket (spotlight bracket)-outer-serviced in FAC-18154-B and FAC-18155-B Kits	1	LA73	52-54
8A 15325 NS	Bracket (spotlight)-inner-serviced in FAC-18154-A and FAC-18155-A Kits	1	LA60-76	52-54
FAA 15327-A NS	Gasket (spotlight bracket)-inner-serviced in FAC-18154-B and FAC-18155-B Kits	1	LA73	52-54

Lincoln Cosmopolitan and Capri

CHASSIS PARTS CATALOGUE

PART NUMBER	QUANTITY	PART NAME	NO. REQ'D	MODEL	YEAR
-------------	----------	-----------	-----------	-------	------

Accessories—Continued

Spotlight—Continued

OL 15328		Door (spotlight lens)	1	LA	52-54
		355083-S13 Screw (oval hd cross recessed) -No. 8-32 x 5/8"-door to lamp	1	LA	52-54
6A 15330		Bulb assy (spotlight)-4-13/32" O. D. -Sealed Beam	1	LA	52-54
8C 15330		Bulb assy (spotlight)-5-21/32" O. D. -Sealed Beam	1	LA	52-54
51A 15332		Switch assy (spotlight)	1	LA	52-54
		29546-S13 Screw (oval head)-No. 6-32 x 5/16"-switch to spotlight	1	LA	52-54
FAA 15342-A		Clip (spotlight wiring)	1	LA	52-54

Spotlight Mirror

FAA 18403-A		Kit (spotlight mirror installation)-consists of the following (1) FAA-15311-B Mirror (1) 34079-S7 Nut (1) 34804-S8 Washer	1	LA	52-54
FAA 15311-B NS		Mirror assy (spotlight)-serviced in FAA-18403-A Kit	1	LA	52-54
		34804-S8 Lockwasher-No. 10-mirror to spotlight	1	LA	52-54
		34079-S7 Nut (hex)-No. 10-32-mirror to spotlight	1	LA	52-54

Tissue Dispenser

BH 18261-A		Dispenser (tissue)	1	LA	52-54
------------	--	--------------------	---	----	-------

Traffic Lamp Reflector

BD 18342-A		Kit (traffic lamp reflector installation)-with "T" shaped arm-consists of the following (1) BC-15100-A Reflector (1) BC-15104-A Pad (2) 52344-S2 Screw	1	LA	52-54
BS 18342-A		Kit (traffic lamp reflector installation)-with "L" shaped arm-consists of the following (1) BS-15100-A Reflector (1) BS-15105-A Clevis (1) 52376-S13 Screw (1) 353784-S13 Screw	1	LA	54
BC 15100-A NS		Reflector assembly (traffic lamp)-serviced in BD-18342-A Kit	1	LA	52-54
BS 15100-A NS		Reflector assembly (traffic lamp)-serviced in BS-18342-A Kit	1	LA	54
		52344-S2 Screw (oval hd cross recessed) -No. 8-15 x 1/2"-reflector to panel	2	LA	52-54
		353784-S13 Screw (oval hd cross recessed) -No. 6-32 x 1"-reflector to clevis	1	LA	54
BC 15104-A NS		Pad (traffic reflector mounting)-serviced in BD-18342-A Kit	1	LA	52-54
BS 15105-A NS		Clevis (traffic reflector mounting)-serviced in BS-18342-A Kit	1	LA	54
		52376-S13 Screw (oval hd cross recessed) -No. 8-15 x 1"-clevis to W/S garnish moulding	1	LA	54

Lincoln Cosmopolitan and Capri

CHASSIS PARTS CATALOGUE

PART NUMBER	PART NAME	NO. REQ'D	MODEL	YEAR
-------------	-----------	-----------	-------	------

Accessories—Continued

Utility Lamp

1H 15550-A	Lamp assembly (utility)-two bulb type	1	LA	52-54
	B-13466 Bulb (utility lamp)-3 C. P. -S. C. - No. 63	1	LA	52-54
	A-18570 Bulb (utility lamp)-32 C. P. -S. C.	1	LA	52-54
HAK 15550-A	Kit (emergency utility lamp and case)-includes 1H-15550-A lamp	1	LA	52-54

Vanity Mirror

FAA 18208-A	Kit (visor vanity mirror installation)-consists of the following (1) OH-13757 Mirror (2) OH-13814 Screw (2) OH-13816 Nut (4) OH-13817 Washer	1	LA	52-54
BS 18208-B	Kit (visor vanity mirror installation)-consists of the following (2) OH-13814 Screw (2) OH-13816 Nut (4) OH-13817 Washer (1) BS-18247-B Mirror	1	LA	54
OH 13757	NS Mirror (visor vanity)-3-1/2" x 8-13/16"-serviced in FAA-18208-A Kit	1	LA	52-54
OH 13814	NS Screw (mirror to visor)-serviced in FAA-18208-A and BS-18208-B Kits	2	LA	52-54
OH 13816	NS Nut (mirror to visor)-serviced in FAA-18208-A and BS-18208-B Kits	2	LA	52-54
OH 13817	NS Washer (mirror to visor)-serviced in FAA-18208-A and BS-18208-B Kits	4	LA	52-54
BS 18247-B	NS Mirror (visor vanity)-2-15/16" x 8-3/8"-serviced in BS-18208-B Kit	1	LA	54

Window Vents

BD 18246-A	Kit (window vents installation)	1	LA73	52-54
BH 18246-A	Kit (window vents installation)	1	LA60	52-54
NS	BD-7322862-A Shade (front door window)-R. H. - serviced in BD-18246-A Kit	1	LA73	52-54
NS	BD-7322863-A Shade (front door window)-L. H. - serviced in BD-18246-A Kit	1	LA73	52-54
NS	BD-7327532-A Shade (rear door window)-R. H. - serviced in BD-18246-A Kit	1	LA73	52-54
NS	BD-7327533-A Shade (rear door window)-L. H. - serviced in BD-18246-A Kit	1	LA73	52-54
NS	BH-6022862-A Shade (door window)-R. H. - serviced in BH-18246-A	1	LA60	52-54
NS	BH-6022863-A Shade (door window)-L. H. - serviced in BH-18246-A	1	LA60	52-54

Lincoln Cosmopolitan and Capri

CHASSIS PARTS CATALOGUE

PART NUMBER	SUB P/C	PART NAME	NO. REQ'D	MODEL	YEAR
-------------	---------	-----------	-----------	-------	------

Accessories - Continued

Windshield Washer

BD 18293-A		Kit (automatic W/S washer installation)-consists of the following (3) 51A-17410 Clamp (1) OM-17574 Reservoir (1) OH-17580 Hose (1) BD-17582-A Hose (1) BD-17583-A Hose (1) 51A-17587 Tee (1) 1H-17615 Fitting (2) 51A-17666 Jet (3) 33183-S8 Screw (3) 34079-S7 Nut (3) 34823-S2 Washer (3) 39032-S8 Washer	1	LA	52
BH 18293-A		Kit (automatic W/S washer installation)-consists of the following (1) 51A-17410 Clamp (1) BH-17574-A Reservoir (1) OH-17580 Hose (1) BD-17582-A Hose (1) BH-17583-A Hose (1) 51A-17587 Tee (1) 1H-17615 Fitting (2) BH-17665-A Nozzle (5) 42066-S8 Screw	1	LA	53-54
51A 17410	NS	Clamp (hose)-serviced in BD-18293-A and BH-18293-A Kits	1 or 3	LA	52-54
		42066-S8 Screw (self tapping slotted hex-hd)-No. 8-15 x 1/2"-clamp to dash panel	1	LA	53-54
OM 17574	NS	Reservoir and injector assy (W/S washer)-serviced in BD-18293-A Kit	1	LA	52
BH 17574-A	NS	Reservoir and injector assy (W/S washer)-serviced in BH-18293-A Kit	1	LA	53-54
		39032-S8 Screw (pan-hd)-No. 10-32 x 3/8"-reservoir to fender apron	3	LA	52
		42066-S8 Screw (self tapping slotted hex-hd)-No. 8-15 x 1/2"-reservoir & injector to dash panel	4	LA	53-54
		34823-S2 Lockwasher-No. 10-reservoir to fender apron	3	LA	52
		34079-S7 Nut (hex)-No. 10-32-reservoir to fender apron	3	LA	52
OH 17580		Hose (W/S washer)-1/8" I. D. x 40" long	1	LA	52-54
BD 17582-A	NS	Hose (W/S washer)-5/32" I. D. x 40" long-serviced in BD-18293-A and BH-18293-A Kits	1	LA	52-54

Lincoln Cosmopolitan and Capri

CHASSIS PARTS CATALOGUE

PART NUMBER	PART NAME	NO. REQ'D	MODEL	YEAR
Miscellaneous Kits				
HCK 2001-A	Kit (front brake shoe and lining)-Standard-consists of the following (2) LA-2018-B Shoe and lining (primary) (2) LA-2019-B Shoe and lining (secondary)	1	LA	52-53
HCK 2001-B	Kit (front brake shoe and lining)-.030" O/S-consists of the following (2) LA-2018-C Shoe and lining (primary) (2) LA-2019-C Shoe and lining (secondary)	1	LA	52-53
HEK 2001-A	Kit (front brake shoe & lining)-Standard-consists of the following (2) LA-2018-E Shoe & lining-(primary) (2) LA-2019-H Shoe & lining-(secondary)	1	LA	54
HEK 2001-B	Kit (front brakes shoe & lining)-.030" O/S-consists of the following (2) LA-2018-F Shoe & lining-(primary) (2) LA-2019-J Shoe & lining-(secondary)	1	LA	54
B2A 2004-A	Kit (brake master cylinder repair)-consists of the following (2) 91T-2154-A Gasket (1) 8M-2167 Gasket (1) AB-2169-B Piston (1) 51A-2173 Cup (1) 51A-2174 Snap ring (1) CPA-2178-B Valve (1) 0A-2180 Boot	1	LA	52-54
HCK 2007-A	Kit (front brake lining)-Standard-consists of the following (2) LA-2021-B Lining (primary) (2) LA-2022-B Lining (secondary) (44) 351939-S Rivet	1	LA	52-53
HCK 2007-B	Kit (front brake lining)-.030" O/S-consists of the following (2) LA-2021-C Lining (primary) (2) LA-2022-C Lining (secondary) (44) 351939-S Rivet	1	LA	52-53
HEK 2007-A	Kit (front brake lining)-Standard-consists of the following (2) LA-2021-F Lining (primary) (2) LA-2022-F Lining (secondary) (44) 351939-S Rivet	1	LA	54
HEK 2007-B	Kit (front brake lining)-.030" O/S-consists of the following (2) LA-2021-G Lining (primary) (2) LA-2022-G Lining (secondary) (44) 351939-S Rivet	1	LA	54
8L 2128	Kit (rear wheel brake cylinder repair)-consists of the following (2) 8L-2201 Cup (2) 96H-2206 Boot	1	LA	52-54
A9A 2178-A	Kit (master brake cylinder valve)-consists of the following (1) AB-2178-A Valve (1) A9A-2179-A Seal	1	LA	52-54

Lincoln Cosmopolitan and Capri

CHASSIS PARTS CATALOGUE

PART NUMBER	PART NAME	NO. REQ'D	MODEL	YEAR
Miscellaneous Kits - Continued				
HCK 2200-A	Kit (rear brake shoe and lining)-Standard-consists of the following (2) LA-2218-B Shoe and lining (primary) (2) OM-2019-B Shoe and lining (secondary)	1	LA	52-53
HCK 2200-B	Kit (rear brake shoe and lining)-.030" O/S-consists of the following (2) MA-2019-C Shoe and lining (secondary) (2) LA-2218-C Shoe and lining (primary)	1	LA	52-53
HEK 2200-A	Kit (rear brake shoe and lining)-Standard-consists of the following (2) LA-2218-E Shoe and lining (primary) (2) LA-2219-C Shoe and lining (secondary)	1	LA	54
HEK 2200-B	Kit (rear brake shoe and lining)-.030" O/S-consists of the following (2) LA-2218-F Shoe and lining (primary) (2) LA-2219-D Shoe and lining (secondary)	1	LA	54
RM 2221	Kit (front wheel brake cylinder repair)-consists of the following (2) 91A-2202 Cup (2) OM-2207-A Boot	1	LA	52-54
HCK 2222-A	Kit (rear brake lining)-Standard-consists of the following (2) OM-2022-B Lining (secondary) (2) LA-2284-B Lining (primary) (44) 351939-S Rivet	1	LA	52-53
HCK 2222-B	Kit (rear brake lining)-.030" O/S-consists of the following (2) MA-2022-C Lining (secondary) (2) LA-2284-C Lining (primary) (44) 351939-S Rivet	1	LA	52-53
HEK 2222-A	Kit (rear brake lining)-Standard-consists of the following (2) LA-2284-F Lining (primary) (2) LA-2285-C Lining (secondary) (44) 351939-S Rivet	1	LA	54
HEK 2222-B	Kit (rear brake lining)-.030" O/S-consists of the following (2) LA-2284-G Lining (primary) (2) LA-2285-D Lining (secondary) (44) 351939-S Rivet	1	LA	54
HCK 3047-A	Kit (front suspension upper shaft)-consists of the following (1) LA-3056-C Shaft (2) LA-3068-A Bushing (2) B4A-3091-A Washer (2) 33850-S Nut (2) 357628-S7 Washer	2	LA	52-53

Lincoln Cosmopolitan and Capri

CHASSIS PARTS CATALOGUE

PART NUMBER	PART NAME	NO. REQ'D	MODEL	YEAR
Miscellaneous Kits—Continued				
HCK 3047-B	Kit (front suspension upper shaft)-consists of the following (1) LA-3056-D Shaft (1) LA-3068-A Bushing (1) B4A-3087-B Bushing (1) B4A-3090-A Washer (2) B4A-3091-A Washer (2) 33850-S8 Nut (2) 357628-S8 Lockwasher	2	LA	54
HCK 3049-B	Kit (front suspension arm joint)-upper-consists of the following (1) LA-33046-A Joint (1) LA-33055-A Cover (1) LA-33056-A Shield (1) LA-33057-B Seal (1) LA-33058-A Retainer (1) 34033-S18 Nut (1) 72035-S8 Pin	2	LA	52-54
HCK 3050-B	Kit (front suspension arm joint)-lower-consists of the following (1) LA-33057-B Seal (1) LA-33059-A Joint (1) LA-33068-A Cover (1) LA-33069-A Retainer (1) 34034-S18 Nut (1) 72054-S Pin	2	LA	52-54
HDK 3055-A	Kit (front suspension lower arm rear mounting)-consists of the following (2) LA-3054-A Shim (2) LA-3054-B Shim (1) LA-3055-A Bolt (1) LA-3069-A Bushing (1) LA-3085-A Seal (1) B4A-3091-A Washer (1) 33850-S2 Nut (1) 357628-S7 L/W	2	LA	52-54
HDK 3057-A	Kit (front suspension lower arm front mounting)-consists of the following (2) LA-3054-A Shim (2) LA-3054-B Shim (1) LA-3057-A Bolt (1) LA-3069-A Bushing (1) B4A-3091-A Washer (1) 33850-S2 Nut (1) 357628-S7 Lockwasher	2	LA	52-54
HCK 3270-A	Kit (spindle connecting rod)-consists of the following (1) LA-3289-A End (1) 8M-3332 Seal (1) 72035-S7 Cotter pin (1) 87924-S8 Fitting (1) 351059-S8 Nut	2	LA	52-54
HCK 3312-A	Kit (drag link ball stud repair)-consists of the following (2) LA-3320-A Seat (2) LA-3326-A Seat (2) LA-3327-A Spring (1) LA-3328-B Plug (1) 72089-S Cotter pin (1) 87918-S8 Fitting	1	LA	52-54
HCK 3352-A	Kit (steering idler arm)-consists of the following (1) LA-3355-A Arm (2) MA-3356-A Bushing (2) 8M-3359 Seal (2) 87918-S8 Fitting	1	LA	52-54
HCK 5630-A	Kit (rear spring rear shackle and front bolt)-consists of the following (1) 0M-5627-B Bar (1) 0M-5713-B Shackle (6) 8M-5719 Bushing (1) 8M-5780-A Pin (3) 33802-S8 Nut (3) 357625-S L/W	2	LA	52-54

Lincoln Cosmopolitan and Capri

CHASSIS PARTS CATALOGUE

PART NUMBER	PART NAME	NO. REQ'D	MODEL	YEAR
Miscellaneous Kits—Continued				
HCK-6008-B	Kit (engine overhaul gasket)-consists of the following (1) EAD-6020-B Gasket (2) EAD-6051-B Gasket (1) EAD-6377-A Gasket (1) LA-6411-B Seal (1) EAD-6436-A Seal (1) EAD-6521-A Gasket (6) EAD-6570-C Seal (16) EAA-6571-A Seal (2) EAD-6584-B Gasket (1) EAD-6619-A Gasket (1) EAD-6625-B Gasket (1) B2Q-6643-B Gasket (1) EAD-6648-B Gasket (1) EAD-6659-A Gasket (1) EAD-6668-B Ferrule(1) 8EL-6669 Gasket (1) EAA-6700-B Seal (2) EAD-6701-A Seal (2) EAD-6702-A Seal (1) EAD-6710-A Gasket (1) 86H-6734 Gasket (1) EAD-6870-A Gasket (1) EAD-6872-A Gasket (1) EAD-8255-A Gasket (1) EAD-8507-A Gasket (1) EAD-8563-B Gasket (1) EAQ-8590-C Gasket (1) EAD-9417-A Gasket (2) EAD-9441-A Gasket (2) EAD-9441-B Gasket (2) EAD-9450-A Gasket (1) LA-9453-A Gasket	1	LA	52-54
HCK-6059-B	Kit (front cylinder cover gasket)-consists of the following (1) EAD-6020-B Gasket (1) EAA-6700-B Seal (1) EAD-8507-A Gasket	1	LA	52-54
HCK 6079-C	Kit (valve grind gasket)-consists of the following (2) EAD-6051-B Gasket (1) EAD-6521-A Gasket (6) EAD-6570-C Seal (16) EAA-6571-A Seal (2) EAD-6584-B Gasket (1) EAD-8255-A Gasket (1) EAD-8563-B Gasket (1) EAQ-8590-C Gasket (2) EAD-9441-A Gasket (2) EAD-9441-B Gasket (1) EAD-9450-A Gasket	1	LA	52-54
HCK 6600-A	Kit (oil pump gaskets)-consists of the following (1) EAD-6619-A Gasket (1) EAD-6648-B Gasket (1) EAD-6659-A Gasket (1) EAD-6668-B Ferrule (1) 8EL-6669 Gasket	1	LA	52-54
B2Q 6600-A	Kit (oil pump replacement)-consists of the following (1) EBU-6600-A Oil Pump (1) EAD-6670-A Spring	1	LA	52-54
HCK 6675-A	Kit (engine gasket lower)-consists of the following (1) LA-6411-B Seal (1) EAD-6625-B Gasket (1) B2Q-6643-B Seal (1) EAD-6648-B Gasket (2) EAD-6701-A Seal (2) EAD-6702-A Seal (1) EAD-6710-A Gasket (1) 86H-6734-A Gasket (1) EAD-9417-A Gasket	1	LA	52-54
HCK 6731-A	Kit (oil filter element and gasket)-consists of the following (1) EAA-6744-A Element (1) EAA-6746-A Gasket (1) EAA-6749-A Gasket (1) EAA-6838-A Gasket	1	LA	52-54
01Y 7039	Kit (universal joint)-consists of the following (4) 01Y-7074 Bearing (1) 01Y-7084 Spider (4) 01Y-7096 Snap ring	2	LA	52-54

Lincoln Cosmopolitan and Capri

CHASSIS PARTS CATALOGUE

PART NUMBER	PART NAME	NO. REQ'D	MODEL	YEAR
Miscellaneous Kits—Continued				
HAK 7086-B	Kit (hydra-matic transmission gasket)-consists of the following (1) 8L-7086-B Gasket (1) 1L-7086-A Gasket (1) 8L-7223-B Gasket (1) 1L-7223-A Gasket (1) LA-7223-A Gasket (1) 8L-7945 Gasket (1) 8L-77014 Gasket (1) 8L-77022 Gasket (1) 1L-77161-A Gasket (1) 8L-77346 Gasket (1) OL-77382 Gasket (1) LA-77457-A Gasket (1) LA-77480-A Gasket (1) 8L-77485 Gasket	1	LA	52-54
HCK 8570-B	Kit (thermostat and gasket)-157° to 162° opening temperature-consists of the following (1) EAD-8575-B Thermostat (1) EAD-8590-B Gasket	1	LA	52-54
HEK 8570-A	Kit (thermostat and gasket)-168° to 173° opening temperature-consists of the following (1) EAD-8575-C Thermostat (1) EAD-8590-B Gasket	1	LA	52-54
B2Q 8591-A	Kit (water pump repair)-consists of the following (1) EAD-8507-A Gasket (1) EAD-8512-B Impeller (1) 2GA-8530-A Bearing (1) 7HA-8550 Slinger (1) 7RA-8564-B Seal (1) OBA-8576-A Retainer (1) 8BA-8630-A Snap Ring	1	LA	52-54
HDK 9155-A	Kit (fuel filter)-consists of the following (1) EAD-9155-A Filter (1) EAD-99301-A Tube (1) EAD-99302-A Tube (1) 87382-S Fitting (1) 87533-S Connector	1	LA	52-53
B2Q 9349-A	Kit (fuel and vacuum pump repair)-used with EAD-9350-A pump-consists of the following (3) B1A-9308-A Gasket (1) B1Q-9310-A Link (1) B1Q-9311-A Link (1) B1Q-9314-A Diaph. (1) B2Q-9315-A Spring (6) 1BA-9352-A Valve (1) EAA-9364-A Gasket (2) 49B-9367 Gasket (1) 7RA-9378 Pin (1) EAD-9380-A Spring (1) 49B-9381 Link (1) 7RA-9382 Spacer (1) 7RA-9389 Bushing (1) 8EL-9396 Spring (1) 49B-9397 Gasket (1) 1EL-9398-A Diaph. (1) EAD-9417-A Gasket (1) 49B-9418 Washer (2) 1BA-9468-A Retainer(2) 1BA-9469-A Seal (2) 352896-S Washer	1	LA	52
HCK 9424-A	Kit (manifold gasket-intake and exhaust)-consists of the following (2) EAD-9441-A Gasket (2) EAD-9450-A Gasket (1) LA-9453-A Gasket	1	LA	52
HDK 9424-A	Kit (manifold gasket-intake and exhaust)-consists of the following (2) EAD-9450-A Gasket (2) EAD-9441-B Gasket (1) LA-9453-A Gasket	1	LA	53-54

Lincoln Cosmopolitan and Capri

CHASSIS PARTS CATALOGUE

PART NUMBER	PART NAME	NO. REQ'D	MODEL	YEAR 19__
Miscellaneous Kits—Continued				
HDK 9502-A	Kit (carburetor gasket)-consists of the following (1) 8CM-9229 Gasket (2) EAD-9229-A Gasket (1) EAD-9447-A Gasket (1) 8CM-9516 Gasket (1) EAD-9535-A Ring (1) 8CM-9569 Gasket (1) 8CM-9608 Gasket (1) 8MTH-9622 Seal (1) EAD-9871-A Gasket (1) EAD-9853-B Gasket (1) 78-9909 Gasket (1) 8CM-9945 Gasket (1) EAD-9985-A Gasket (1) EAD-99502-A Seal	1	LA	53-54
HCK 9502-A	Kit (carburetor gasket)-consists of the following (1) 8CM-9229 Gasket (1) 1CM-9447-A Gasket (1) 8CM-9516 Gasket (1) 8CM-9569 Gasket (1) 8CM-9608 Gasket (1) 8MTH-9622 Seal (1) EAD-9853-A Gasket (1) EAD-9871-A Gasket (1) EAD-9909-A Gasket (1) 8CM-9945 Gasket (1) EAD-9985-A Gasket (1) EAA-99571-A Gasket (1) EAD-99963-A Gasket	1	LA	52
HCK 9531-A	Kit (carburetor pump rod repair)-consists of the following (1) 8MTH-9622 Pump (rod seal) (1) 8CM-9986 Pump (rod seal spring) (2) EAM-99601-A Pump (rod seal washer)	1	LA	52-53
HDK 9531-A	Kit (carburetor external vent)-consists of the following (1) EAD-9526-C Link (1) EAD-9531-B Rod (1) EAD-9551-C Lever (1) EAD-9869-D Rod (1) EAD-9985-A Gasket (1) EAD-9988-C Stud (1) 351826-S Retainer (2) 352200-S C/Pin (1) Instruction Sheet	1	LA	53
HCK 9590-B	Kit (carburetor repair)-consists of the following (1) HCK-9502-A Kit (1) EAD-9526-A Link (2) EAD-9533-A Jet (2) 78-9541 Needle (2) EAD-9542 Tube (1) 8CM-9558 Shaft (1) 1CM-9564-B Needle (1) 78-9575 Spring (1) 78-9576 Ball (2) 1GA-9578 Spring (2) 40-9578 Spring (4) 40-9586 Screw (1) 8EQ-9594-A Valve (1) 1GA-9599 Link (1) EAD-9631-A Piston (1) 8CM-9902 Needle (1) EAD-9904-A Diaph. (1) 8CM-9958 Spring (2) EAM-9991-A Tube (1) EAA-99515-B Ball (1) 1CM-99522 Screen (1) EAD-99547-A Ball (1) EAD-99570-A Valve (2) 352200-S Pin	1	LA	52

Lincoln Cosmopolitan and Capri

CHASSIS PARTS CATALOGUE

PART NUMBER	PART NAME	NO. REQ'D	MODEL	YEAR 19__
Miscellaneous Kits—Continued				
HDK 9590-B	Kit (carburetor repair)-consists of the following (1) HDK-9502-A Kit (1) EAD-9526-B Link (1) EAD-9526-C Link (2) 5GA-9533-C Jet (2) 78-9541-B Needle (2) EAD-9542-A Tube (1) 8CM-9558 Pin (1) EAD-9564-A Valve (1) 7HW-9575 Retainer(1) 78-9576 Ball (2) 40-9578 Spring (2) 1GA-9578 Spring (8) 40-9586 Screw (1) EAD-9594-C Valve (1) 1GA-9599 Retainer(1) B2A-9605-A Valve (1) EAD-9631-B Piston (1) 8CM-9902 Valve (1) EAD-9904-B Diaph. (1) B8Q-9938-A Screw (1) 8CM-9958 Spring (1) EAD-9973-A Valve (2) EAM-9991-A Tube (1) 7RA-12388 Retainer (1) EAD-99570-B Valve (2) EAD-99594-A Jet (1) 352200-S Retainer(1) 381825-S Retainer	1	LA	53
HEK 9850-A	Kit (automatic choke)-consists of the following (1) EAD-9850-B Control (1) EAD-9853-B Gasket	1	LA	52-54
B4A 10043	Kit (generator brush)-consists of the following (2) FAA-10069-A Brush assy	1	LA	52-54
18 11057	Kit (starter brush)-consists of the following (2) 18-11055 Brush (2) 18-11056 Brush	1	LA	52-54
HCK 12259-A	Kit (spark plug and coil high tension wire)-consists of the following (1) FAB-12282-A Wire (1) FAB-12283-B Wire (1) FAB-12284-B Wire (1) FAB-12285-A Wire (1) FAB-12286-B Wire (1) FAB-12287-B Wire (1) FAB-12295-A Wire (1) FAB-12296-A Wire (1) 8N-12298 Wire (10) 2N-12113 Insulator	1	LA	52-54
HEK 14547-A	Kit (motor and wire)-used on 4 way seat-consists of the following (1) FAB-14547-D Motor (1) FAA-14593-A Wire (1) FAA-14593-B Wire	1	LA	53-54
HAK 18197-B	Kit (rear shock absorber bushing)-consists of the following (2) 51A-18039-A Washer (2) AB-18039-A Washer (2) 51A-18040 Washer (4) 7RC-18198 Bushing	1	LA	52-54
HAK 18198-A	Kit (front shock absorber bushing)-consists of the following (2) 8M-18031 Seat (4) 8M-18041 Washer (4) 8M-18198 Insulator(2) 45218-S8 Nut	1	LA	52-53
HAK 18198-B	Kit (front shock absorber bushing)-consists of the following (2) AB-18031-A Seat (4) AB-18041-B Washer (4) AB-18198-A Insulator(2) 45218-S8 Nut	1	LA	52-53

Lincoln Cosmopolitan and Capri

CHASSIS PARTS CATALOGUE

PART NUMBER	CLASS	PART NAME	NO. REQ'D	MODEL	YEAR
Miscellaneous Kits—Continued					
HDK 22005-D		Kit (power brake conversion)-consists of the following (1) LA-2005-B Booster (1) LA-2063-B Resvr. (1) LA-2076-A Fitting (2) 91T-2154-A Gasket (1) 91T-2276 Bolt (2) 91A-2279 Clip (1) LA-2455-G Pedal (2) LA-2466-A Link (1) LA-2482-B Shaft (1) LA-2514-A Lever (1) 59T-4090-ME Hose (6) 1C-18572-A Clamp (1) LA-22027-B Bracket (1) LA-22035-A Gasket (1) LA-22097-A Hose (1) LA-22120-B Adapter (1) LA-22121-A Gasket (1) LA-22139-B Shield (1) LA-22142-A Insulator (1) LA-22259-A Tube (1) LA-22264-B Hose (1) LA-22349-A Tube (1) LA-22350-A Hose (2) LA-22515-A Bushing (1) LA-22519-A Bracket (4) LA-22521-A Bushing (1) 20326-S7 Bolt (4) 24347-S8 Bolt (8) 24387-S7 Bolt (1) 31527-S7 Screw (1) 32858-S2 Screw (4) 33798-S8 Nut (1) 33802-S8 Nut (1) 34053-S8 Nut (9) 34806-S7 L/W (6) 40130-S8 Screw (2) 72035-S7-8 C/Pin (1) 351022-S2 Nut (1) 352601-S8 Bolt (2) 352602-S8 Pin (2) 356363-S7 Washer (1) 356746-S Screw (1) 357601-S32 Clip (1) 357639-S Elbow (1) 357658-S32 Clip	1	LA	53
HCK 22009-B		Kit (rear brake spring repair)-consists of the following (4) 8M-2035 Spring (8) 6H-2066 Cup (4) H-2068 Spring (4) 8A-2069-A Pin (2) H-2092 Plate/or (2) 8A-2092 Plate	1	LA	52-53
HCK 22009-C		Kit (front brake spring repair)-consists of the following (4) 8M-2035 Spring (8) 6H-2066 Cup (4) H-2068 Spring (4) LA-2069-A Pin (2) H-2092 Plate/or (2) 8A-2092 Plate	1	LA	52-53
HEK 22009-A		Kit (brake spring repair)-consists of the following (8) 96H-2036 Spring (16) 6H-2066 Cups (8) H-2068 Spring (4) 8L-2069 Pin (4) LA-2069 Pin (4) H-2092 Plate (4) 8A-2092 Plate	1	LA	54
HDK 22160-B		Kit (gasket and seal repair)-consists of the following (1) LA-2152-A Gasket (1) 91A-2167 Gasket (1) LA-2178-B Valve (1) LA-2180-A Boot (1) LA-2384-A Seal (1) 59T-2437 Seal (1) LA-2440-A Collar (1) TFAF-2493-A Seal (1) LA-22160-A Seal (1) LA-22161-A Washer (1) LA-22162-A Ring (1) LA-22163-A Gasket (1) LA-22164-A Spring (1) LA-22165-A Retainer (1) LA-22354-A Stem (1) LA-22359-A Screen (1) LA-22360-A Washer (1) LA-22362-A Ring (1) LA-22372-B Ball (1) LA-22376-A Gasket (1) LA-22377-A Gasket (1) LA-22378-A Gasket (1) LA-22379-A Gasket (1) LA-22383-A Washer (1) LA-22384-A Gasket (1) LA-22493-A Gasket	1	LA	53-54

Lincoln Cosmopolitan and Capri

CHASSIS PARTS CATALOGUE

PART NUMBER	PART NAME	NO. REQ'D	MODEL	YEAR 19__
Miscellaneous Kits—Continued				
HDK 22167-B	Kit (piston packing)-consists of the following (1) 59T-2348 Wick (1) LA-2356-A Packing (1) LA-2357-A Ring (1) LA-22167-A Gasket (1) LA-22356-B Diaph. (1) LA-22365-A Gasket (1) LA-22381-A Hose	1	LA	53
HEK 22167-A	Kit (piston packing)-consists of the following (1) 59T-2348 Wick (1) LA-2356-A Packing (1) LA-2357-A Ring (1) LA-22167-A Gasket (1) LA-22356-C Diaph. (1) LA-22365-A Gasket (1) LA-22381-A Hose	1	LA	54
HDK 33547-A	Kit (power steering ring and gasket pump)-consists of the following (2) LA-33547-A Ring (2) LA-33549-A Ring (1) LA-33617-A Gasket (1) LA-33618-A Ring (1) LA-33619-A Ring (3) 351789-S Washer	1	LA	53-54
HDK 33567-A	Kit (piston and ring repair)-consists of the following (1) LA-33567-A Piston (2) LA-33569-A Ring	1	LA	53-54
HDK 55495-B	Kit (stabilator link)-consists of the following (1) LA-5490-A Spacer (1) AB-18031-A Seat (4) AB-18041-B Washer (4) AB-18198-A Insulator (1) LA-55495-A Bolt (1) 33798-S8 Nut	2	LA	52-54
HBK 77167-A	Kit (transmission reverse clutch piston seal)-consists of the following (1) 1L-77167-A Seal (1) 1L-77174-A Seal	1	LA	52-54
8L 77211	Kit (transmission throttle shaft repair)-consists of the following (1) 8L-77223 Seal (1) 72187-S7 Pin (1) 351543-S Washer	1	LA	52-54
HBK 77330-A	Kit (transmission front pump screws and washer)-consists of the following (3) 8L-77336 Washer (1) 1L-77339-A Bolt (1) 34805-S8 Washer (3) 352792-S Bolt	1	LA	52
8L 77360	Kit (transmission rear oil pump driven gear)-consists of the following (1) 72869-S Pin (1) 72909-S Pin (1) 8L-77358 Gear	1	LA	52-54
HBK 77383-A	Kit (transmission pressure regulator plug and gasket)-consists of the following (1) OL-77355 Seal (1) OL-77382 Gasket (1) 1L-77383-A Plug (1) 1L-77384-A Valve (1) 1L-77745-A Valve	1	LA	52
8L 77388	Kit (transmission governor drive flange)-consists of the following (1) 72909-S Pin (1) 8L-77389-B Flange	1	LA	52-54

Lincoln Cosmopolitan and Capri

CHASSIS PARTS CATALOGUE

PART NUMBER	PART NAME	NO. REQ'D	MODEL	YEAR
Miscellaneous Kits—Continued				
8L 77448	Kit (transmission rear servo check valve)-consists of the following (1) Rivet (flat head) (1) Valve (rear servo check)	1	LA	52
LA 77448-A	Kit (transmission rear servo check valve)-consists of the following (1) Rivet (flat head) (1) LA-77449-A Valve (rear servo check)	1	LA	52-53
LA 77448-B	Kit (transmission rear servo check valve)-consists of the following (1) LA-77449-B Valve (1) Rivet (flat hd)	1	LA	53-54
HDK 33570-A	Kit (gasket & seal)-consists of the following (1) LA-3581-A Gasket (1) LA-3593-A Gasket (2) LA-33570-A Seal (1) LA-33587-A Seal (1) LA-33601-A Gasket (2) LA-33603-B Seal (1) LA-33604-A Seal (1) LA-33605-A Seal (8) LA-33606-A Seal	1	LA	53-54
HDK 33580-B	Kit (adapter repair)-consists of the following (2) LA-33570-A Seal (1) LA-33580-A Adapter	1	LA	53-54
HAK 77475-A	Kit (transmission rear servo compensator piston and spring)-consists of the following (1) 1L-77455-A Spring (1) 1L-77475-A Piston	1	LA	52-54
8L 77535	Kit (transmission clutch piston seal and expander)-consists of the following (1) Expander (piston oil seal)-inner (1) Expander (piston oil seal)-outer (1) Seal (piston)-2-7/8" diameter (1) Seal (piston)-5-1/8" diameter	2	LA	52-54
8L 77769	Kit (transmission manual control shaft seal and washer)-consists of the following (1) Washer (manual shaft seal)-inner (1) Washer (manual shaft seal)-outer (1) Seal (manual shaft)	1	LA	52-54
HCK 99360-B	Kit (fuel pump strainer)-consists of the following (1) EAA-9364-A Gasket (1) EAD-9365-C Strainer	1	LA	52-54
8CM 99525	Kit (carburetor float and float spring)-consists of the following (1) 8CM-9550 Float (1) 8CM-9958 Spring	1	LA	52-53