

• **LINCOLN**
CONTINENTAL
 • **MERCURY**
 • **METEOR**
 • **COMET**

1960-64
MASTER
PARTS
CATALOG

GROUP
1,000
THRU
15,000

COPYRIGHT 1964
 FORD MOTOR COMPANY
 DEARBORN, MICHIGAN
 ALL RIGHTS RESERVED

Revised November, 1964
 Form No.  LM-8281-C-64

LITHO IN U.S.A.

<i>group</i>	<i>Quick Reference Index</i>	<i>page</i>
1000	WHEELS, HUBS AND DRUMS	1
2000	BRAKES	13
3000	FRONT SUSPENSION AND STEERING	83
4000	REAR AXLE AND DRIVE	175
5000	FRAME, EXHAUST, & REAR SPRINGS	209
6000	ENGINE	277
7000	TRANSMISSION AND CLUTCH	419
8000	COOLING SYSTEM	583
9000	FUEL SYSTEM CARBURETOR—FUEL PUMP FUEL TANK—MANIFOLDS AIR CLEANER ACCEL. LINKAGE & SPEED CONTROL	663
10000 THRU 15000	ELECTRICAL CHASSIS—BODY ENGINE—LAMPS	935

GENERAL INFORMATION

This Parts Catalog containing service replacement parts information for the 1960-64 Mercury, 1962-63 Meteor, 1960-64 Comet and 1960-64 Lincoln-Continental has been developed for your convenience in locating, identifying and ordering service replacement parts.

Best results in the use of this parts catalog will be obtained by thoroughly reviewing the instructions and arrangement of information explained in detail on the following pages.

PARTS INFORMATION

The information contained in this Parts Catalog is arranged in basic Group sequence and includes the following:

1. Basic Group.
2. Part Number.
3. Part Name, including description and dimensions necessary for proper identification of parts.
4. Quantity used per vehicle.
5. Application — by Model, Engine Cubic Inch Displacement, Transmission Type, etc.
6. Vehicle Code.
7. Year Part is used.

VEHICLE APPLICATION CODES

The service part vehicle application identified by vehicle codes listed in the "Vehicle Code" column of the catalog text pages are interpreted as follows:

A—1960-64	Mercury
B—1962-63	Meteor
C—1960-64	Comet
D—1960-64	Lincoln-Continental

HOW TO LOCATE PARTS

Parts are listed in numerical sequence according to their basic group, excepting instances where part functions agree and basic part numbers differ. These particular parts have been cataloged according to function, and appear in a group headed by the latest basic number released for a specific function. To assist you in locating information pertinent to these items, cross-reference groups have been inserted in numerical sequence in the catalog text. The use of these groups is defined in the paragraph below headed "Numerical Cross Reference Groups."

—NOTE—

All carburetor assemblies and component service parts are presented in chart form. Refer to page 687 titled "Carburetor Charts General Information" for details.

The basic part number relates the part to an area of the vehicle and to a specific application within that area. Body parts, seven digit numbers, are in sequence according to the last five (5) digits.

Example: 5827846

If the basic number is known, the complete part number for a specific vehicle can be quickly located by referring to the basic part number group according to its numerical order.

If the basic number is not shown, the part can be located under its Noun Name in the Alphabetical Index.

Basic numbers may also be located in the illustrations of various areas of the vehicle. Illustrations precede the group to which they apply.

EXPANDED PART NUMBERS

Ford Motor Company has used two different systems to expand basic number series that are exhausted.

The first system, introduced in 1949, was the addition of a numerical digit to the front of the basic number.

Examples: 22000 33000 44000 55000
66000 77000 88000 99000

These parts actually belong in the basic number groups indicated by the last four (4) digits and that is where they appear in the catalog.

The Basic Part Number Group is listed as 2-2000, 3-3000, 4-4000, etc., and follow regular four (4) digit Basic Part Number Groups in numerical sequence. The second expansion system was introduced with some of the 1959 model parts and was in full effect with 1960 model parts. This system superseded the first system which will be discontinued. Under this new method basic number series are expanded by the addition of an alphabetical character between the Group and Detail portions of the basic part numbers.

Examples: 7A100, 16A573, 57432A06, etc. This expansion character will also be disregarded in the parts catalog and the parts will be listed in sequence according to the numerical portion of the basic number.

For instance, basic part number 7A100 will follow basic number 7100.

PART NUMBERS ASSIGNED BY THE L-M AND FORD PARTS AND ACCESSORIES DEPARTMENT

Parts and Accessories Part Numbers are assigned to convert Engineering Part Numbers to a basic number that may be more easily located according to the parts function. Parts and Accessories Part Numbers appear in numerical sequence throughout this catalog in the conventional part number column.

PARTS HAVE MULTIPLE FUNCTIONS

Parts may have multiple functions or operations. When this occurs, the various functions will be described in the description column immediately following the part number. All applications will also appear in the Alphabetical Index.

ILLUSTRATIONS

Illustrations show the construction of individual parts as well as assemblies. Wherever possible, the exact shape or detail is indicated. In some cases, illustrations cover "typical" constructions and will be so designated. The purpose of typical illustrations is to identify parts performing the same or similar functions. Parts are identified on each illustration by Basic Part Number Group. Parts that are not identified by a Basic Part Number Group are designated by a symbol which is explained by a footnote on the illustration. Standard parts are identified by the standard part number.

Illustrations which were originally developed for, or used in the 1963 or 1964 loose leaf catalogs will indicate not serviced parts with a star (★). Part numbers that are serviced in a kit or assembly but not serviced separately will not be called out with a basic group number or star (★).

ALPHABETICAL INDEX

Reference to any part by Noun Name is provided in the Alphabetical Index. This index is an alphabetical listing of all parts showing Noun Name cross referenced to the Basic Number Group.

STANDARD PARTS

Standard Parts in this catalog are listed immediately following the parts with which they are used and are referenced to the major part with which they are used by a small letter. This letter appears in brackets () in the "Description, Size, Etc." column following the major part number, and in the "Model Or Engine Cubic Inch Displacement" column following the standard part number. Thus, all standard parts coded with an (a) are used with the major parts coded with an (a).

Conventional Standard Parts have no prefix but carry the suffix "S" followed by numbers which designate the finish. They are not assigned a Basic Part Number Group.

The following chart defines standard part suffix codes in respect to finish.

SUFFIX	FINISH	SUFFIX	FINISH
S	Plain	S28	Sterile coating
S2	Raven finish, oil or waxed	S29	Clear enamel over bright zinc
S3	Black paint	S30	Gold tinted enamel over bright zinc
S4	Raven finish & black paint	S31	Cadmium with zinc
S5	Copper plate	S32	Phosphate coat and paint
S6	Nickel plate	S33	Case hardened raven finish
S7	Cadmium plate	S34	Case hardened cadmium finish
S8	Zinc plate	S35	Zinc plate
S8B	Zinc plate	S36	Zinc plate and dichromate
S10	Tinned	S37	Chrome plated
S12	Lacquer to match trim	S38	Raven finish without oil or wax
S13	Chrome plated	S39	Cadmium plated
S14	Nickel plate-Butler finish	S40	Zinc plate
S15	Oxidized	S41	Pre-galvanized coat
S16	Lead	S42	Zinc or Cadmium plate—black
S18	Case hardened	S91	O-Ring material—oil resistant
S19	Brass plate	S92	O-Ring material—gasoline resistant
S20	Cement coated	S93	O-Ring material—non-mineral oil resistant
S21	Lacquer for identification	S94	O-Ring material—transmission fluid resistant
S22	Chrome plate-Butler finish	S100	Special
S23	Rustless steel-head polished		
S24	Hot tin coated		
S26	Cadmium or zinc plated and enamel		

ORDERING PARTS FOR SERVICE

When ordering service replacement parts, always give the complete part number (not Basic Part Number) and part name. After this has been determined, refer to the Master Price and Reference List, Form MD-4230, for current "service" status of selected parts. If the parts do not appear in Form MD-4230, refer to the Obsolete-Superseded-Interchangeable Catalog, Form Number MD-8235.

Instructions for the use of Stock Order Pads and Order Forms are printed therein. When ordering Soft Trim Items, always follow this procedure:

1. Refer to the Soft Trim Section of the Master Price and Reference List, Form MD-4230 for part numbers desired.
2. Use Form FD-419-L, Dealers' Parts Order.
3. Furnish all necessary Patent Plate data.
4. Attach a piece of trim material to the order form.

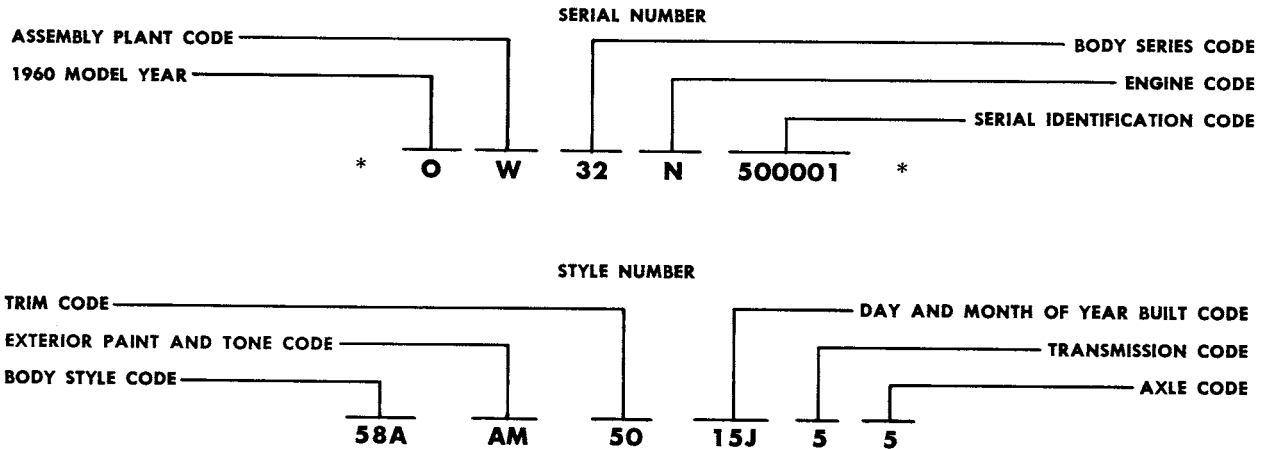
Right Hand (R.H.) and Left Hand (L.H.) parts are so designated from the driver's position when seated in the car.

TYPICAL 1960 PATENT PLATE INFORMATION

The Patent Plate is riveted to the front body pillar between the front door hinges. The Patent Plate includes information relative to the type of engine, axle, transmission, trim (exterior and interior), and body style of the vehicle. It also includes the date (day, month and year) and place of manufacture.

★ When a numerical suffix is placed after the trim code, the Deviation Trim Set is not serviced, and if an alphabetical suffix is placed after the trim code the Deviation Trim Set is to be serviced.

PATENT PLATE DIAGRAM



SERIAL NUMBER MADE IN USA BY **MERCURY** REG. U.S. PAT. OFF.
FORD MOTOR COMPANY

* OW32N 500001 *

BODY	COLOR	TRIM	DATE	TR	AX
58A	AM	50	15J	5	5

THIS VEHICLE IS CONSTRUCTED UNDER UNITED STATES LETTERS PATENTS

2 590 719	2 683 578	2 726 894	2 789 621
2 612 829	2 685 211	2 735 673	2 793 532
2 617 681	2 688 258	2 773 396	2 810 447
2 677 572	2 698 012	2 782 722	

OTHER PATENTS PENDING

★ NS-TRIM CODE
22-I

★ SERVICED TRIM CODE
22-A

THE FOLLOWING DEFINES THE VARIOUS CODES USED ON THE PATENT PLATE:

ASSEMBLY PLANT CODES

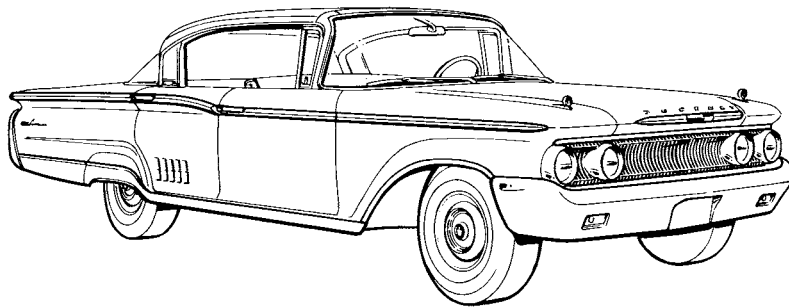
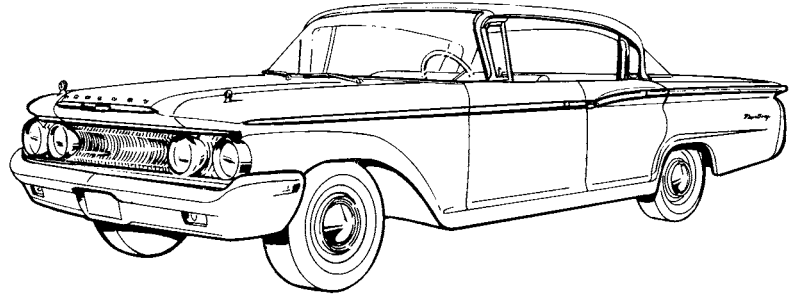
CODE	ASSEMBLY PLANT	CODE	ASSEMBLY PLANT
H	Lorain	W	Wayne
J	Los Angeles	Y	Wixom
K	Kansas City	Z	St. Louis
T	Metuchen		

SOFT TRIM SCHEME CODES

REFER TO: The Master Price
& Reference List,
Form MD-4230

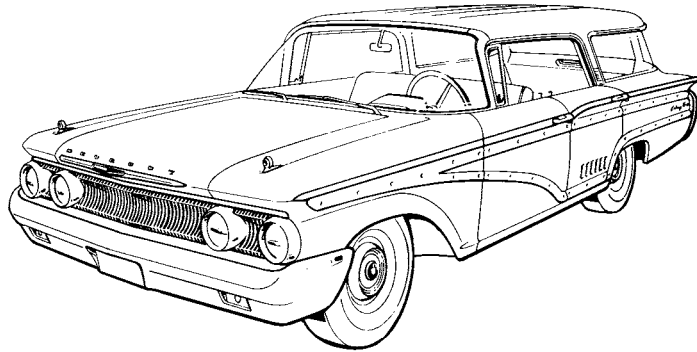
1960 MERCURY MODEL IDENTIFICATION

MONTEREY
2-DOOR OR 4-DOOR



PARKLANE
OR MONTCLAIR
2-DOOR OR 4-DOOR

COLONY PARK
OR COMMUTER



BODY CODE	BODY STYLE	BODY CODE	BODY STYLE
57A	Monterey 4-Door Phaeton Sedan	63F	Parklane 2-Door Phaeton Coupe
57B	Montclair 4-Door Phaeton Sedan	64A	Monterey 2-Door Sedan
57F	Parklane 4-Door Phaeton Sedan	76A	Monterey 2-Door Convertible
58A	Monterey 4-Door Sedan	76D	Parklane 2-Door Convertible
58B	Montclair 4-Door Sedan	77A	Commuter 4-Door Station Wagon (6 or 8-Passenger)
63A	Monterey 2-Door Phaeton Coupe	77B	Colony Park 4-Door Station Wagon (6 or 8-Passenger)
63B	Montclair 2-Door Phaeton Coupe		

1960 MERCURY PATENT PLATE INFORMATION

The following breakdown of Codes will appear on the Patent Plate according to the build-up of each vehicle.

ENGINE CODES

CODE	TYPE OF ENGINE
M	430 C.I.D. 8 Cyl. 2-V Carburetor
N	383 C.I.D. 8 Cyl. 2-V Carburetor
P	312 C.I.D. 8 Cyl. 2-V Carburetor

AXLE CODES

CODE	TYPE OF AXLE
1	3.56:1 For S/T, 312 C.I.D.
3	3.10:1 For A/T, S/R, 312 C.I.D.
5	2.71:1 For A/T, D/R, 383 C.I.D.
6	2.91:1 For A/T, S/R, 383 C.I.D.
7	2.71:1 For A/T, D/R, 430 C.I.D.
8	2.91:1 For A/T, S/R, 430 C.I.D.

BODY STYLE CODES

STYLE CODE	SERIES CODE	BODY STYLE
57A	34	Monterey Phaeton Sedan (4-Door Hardtop)
58A	32	Monterey 4-Door Sedan
63A	33	Monterey Phaeton Coupe (2-Door Hardtop)
64A	31	Monterey 2-Door Sedan
76A	35	Monterey 2-Door Convertible
57B	44	Montclair Phaeton Sedan (4-Door Hardtop)
58B	42	Montclair 4-Door Sedan
63B	43	Montclair Phaeton Coupe (2-Door Hardtop)
57F	54	Park Lane Phaeton Sedan (4-Door Hardtop)
63F	53	Park Lane Phaeton Coupe (2-Door Hardtop)
76D	55	Park Lane 2-Door Convertible
77A	37	Commuter 4-Door Station Wagon (6 or 8-Passenger)
77B	57	Colony Park 4-Door Station Wagon (6 or 8-Passenger)

TRANSMISSION CODES

CODE	TYPE OF TRANSMISSION
1	Standard Transmission
3	PBM Automatic Transmission S/R
4	PBL Automatic Transmission D/R
5	PBL Automatic Transmission S/R
6	PBB Automatic Transmission D/R
7	PBB Automatic Transmission S/R

VEHICLE DATE CODES

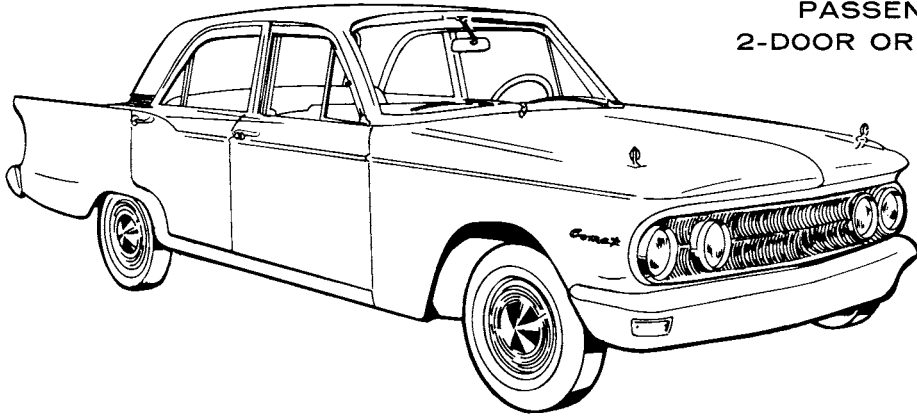
CODE	MONTH
A	January
B	February
C	March
D	April
E	May
F	June
G	July
H	August
J	September
K	October
L	November
M	December

Day of month precedes month Code Letter

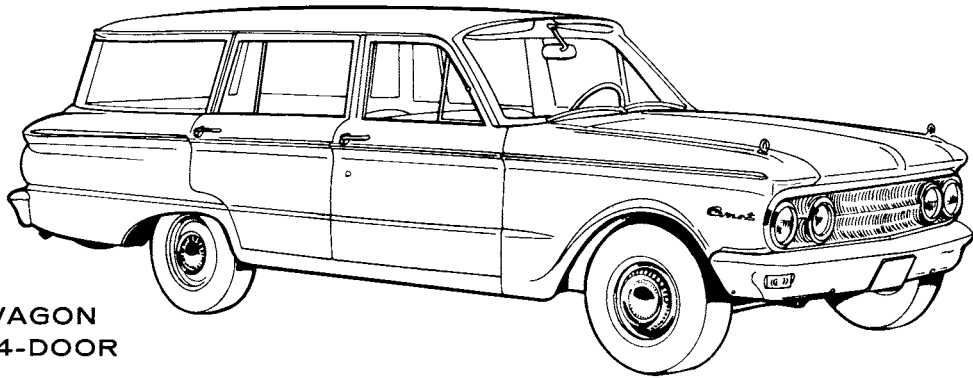
EXTERIOR PAINT CODES

CODE	COLOR	SPEC. NBR.
A	Tuxedo Black	M30J-1724
M	Sultana White	M30J-524
T	Valley Green Metallic (Medium)	M30J-1273
F	Inlet Blue (Light)	M30J-1226
E	Cote D'Azur Blue Metallic (Medium)	M30J-1225
J	Signal Red	M30J-1232
Z	Cloud Silver Metallic	M30J-1287
R	Sun Haze Yellow	M30J-1275
N	Polynesian Beige	M30J-1249
H	Javelin Bronze Metallic (Medium)	M30J-1230
U	Mountain Rose Metallic	M30J-1266
V	Summer Rose (Light)	M30J-1265
X	Tucson Turquoise Metallic (Light)	M30J-1271
D	Aztec Turquoise Metallic (Medium)	M30J-1070
B	Marine Blue Metallic (Dark)	M30J-1270

1960 COMET MODEL IDENTIFICATION



PASSENGER
2-DOOR OR 4-DOOR



STATION WAGON
2-DOOR OR 4-DOOR

BODY CODE	BODY STYLE
54A	4-Door Sedan
59A	2-Door Station Wagon
62A	2-Door Sedan
71A	4-Door Station Wagon

1960 COMET PATENT PLATE INFORMATION

The following breakdown of codes will appear on the Patent Plate according to the build-up of each vehicle

BODY STYLE CODES

SERIES CODE	BODY CODE	BODY STYLE
01	62A	2-Door Sedan
02	54A	4-Door Sedan
06	59A	2-Door Station Wagon
07	71A	4-Door Station Wagon

VEHICLE DATA CODES

CODE	*CODE	MONTH
A	N	January
B	P	February
C	Q	March
D	R	April
E	S	May
F	T	June
G	U	July
H	V	August
J	W	September
K	X	October
L	Y	November
M	Z	December

*To be used if 1960 models exceed 12 months

EXTERIOR PAINT CODES

CODE	COLOR	SPEC. NBR.
A	Tuxedo Velvet	M30J-1724
C	Crystal Turquoise	M30J-1139
E	Cote D'Azure Blue Metallic	M30J-1225
F	Inlet Blue	M30J-1226
H	Javelin Bronze Metallic	M30J-1230
J	Signal Red	M30J-1232
K	Twilight Turquoise Metallic	M30J-1233
M	Sultana White	M30J-1238
T	Valley Green Met.	M30J-1273
W	Cameo Green	M30J-1274
Z	Cloud Silver Metallic	M30J-1287

REAR AXLE CODES

CODE	RATIO
1	3.56:1
2	3.89:1
3	3.10:1
J	3.50:1

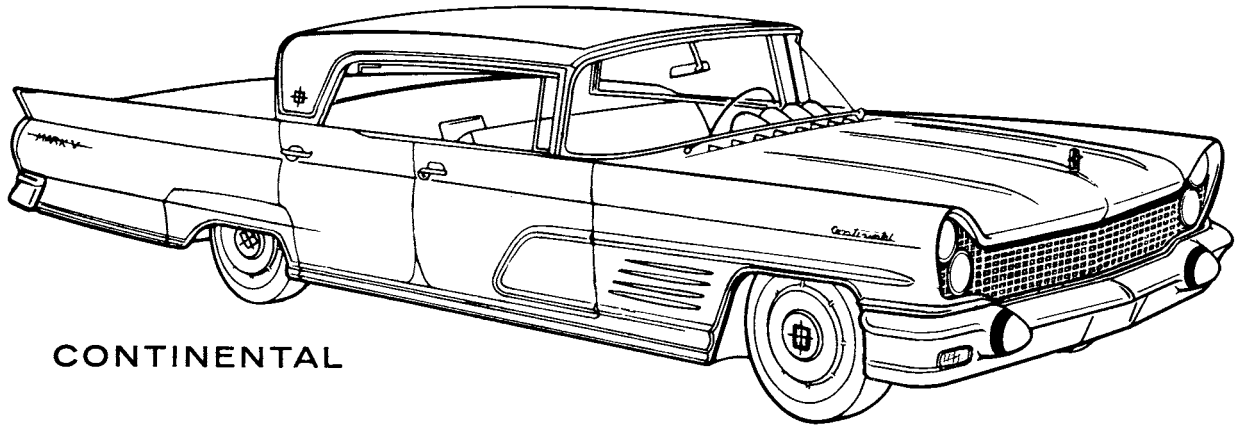
TRANSMISSION CODES

CODE	TRANSMISSION TYPE
1	Standard
3	Automatic (Single Range)

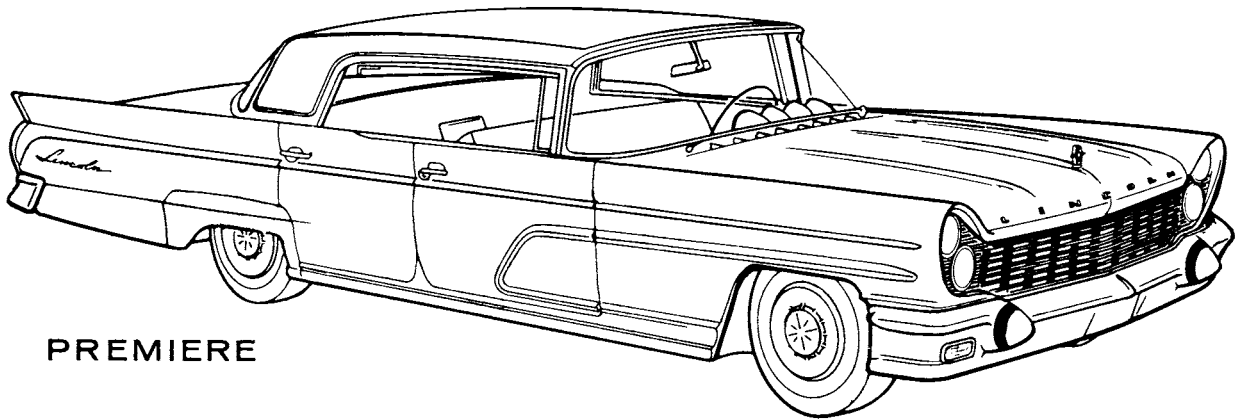
ENGINE CODES

CODE	ENGINE TYPE
S	6 Cyl. OHV 144 Cubic Inch
D	6 Cyl. OHV 144 Cubic Inch Low Compression (84 Octane)

1960 LINCOLN MODEL IDENTIFICATION



CONTINENTAL



PREMIERE

BODY CODE	BODY STYLE	BODY CODE	BODY STYLE
53A	LINCOLN 4-DOOR SEDAN	63A	LINCOLN 2-DOOR COUPE
53B	PREMIERE 4-DOOR SEDAN	63B	PREMIERE 2-DOOR COUPE
54A	CONTINENTAL 4-DOOR SEDAN	65A	CONTINENTAL 2-DOOR COUPE
57A	LINCOLN 4-DOOR LANDAU	68A	CONTINENTAL 2-DOOR CONVERTIBLE
57B	PREMIERE 4-DOOR LANDAU	75A	CONTINENTAL 4-DOOR LANDAU

1960 LINCOLN PATENT PLATE INFORMATION

BODY STYLE CODES

BODY CODE	SERIES CODE	BODY STYLE
57A	62	Lincoln 4-Door Landau
63A	63	Lincoln 2-Door Coupe
53A	64	Lincoln 4-Door Sedan
53B	72	Premiere 4-Door Sedan
63B	73	Premiere 2-Door Coupe
57B	74	Premiere 4-Door Landau
54A	82	Continental 4-Door Sedan
65A	83	Continental 2-Door Coupe
75A	84	Continental 4-Door Landau
68A	85	Continental 2-Door Convertible

ENGINE CODE

CODE	ENGINE TYPE
H	430 C.I.D. 8 CYL.-2V

TRANSMISSION CODE

CODE	TRANSMISSION TYPE
4	AUTOMATIC DUAL RANGE

REAR AXLE CODE

NON-LOCKING DIFF.	RATIO	LOCKING DIFF.
7	2.89:1	G

EXTERIOR PAINT CODES

(A "No Punch" in the paint color space indicates Special Paint)

CODE LETTER	COLOR NAME	SPEC. NUMBER
A	Presidential Black	(M-30J-1724)
B	Marine Blue Poly	(M-30J-1270)
D	Sapphire Poly	(M-30J-1070)
E	Electric Blue Poly	(M-30J-1269)
F	Blue Crystal	(M-30J-1226)
G	Tawney Beige	(M-30J-1262)
I	Pale Turquoise	(M-30J-1271)
J	Cherokee Red	(M-30J-1232)
L	Gold Dust Poly	(M-30J-1276)
M	Polaris White	(M-30J-1238)
N	Platinum	(M-30J-921)
Q	Copper Poly	(M-30J-824)
R	Pastel Yellow	(M-30J-1275)
S	Deerfield Green Poly	(M-30J-1272)
T	Terre Veree Green Poly	(M-30J-1273)
U	Metallic Rose Glow Poly	(M-30J-1266)
V	Twilight Pink	(M-30J-1265)
W	Killarney Green	(M-30J-1274)
X	Maple Leaf Poly	(M-30J-1264)
Y	Spartan Gray Poly	(M-30J-1267)
Z	Silver Poly	(M-30J-1287)

VEHICLE DATE CODES

CODE	*CODE	MONTH
A	N	January
B	P	February
C	Q	March
D	R	April
E	S	May
F	T	June
G	U	July
H	V	August
J	W	September
K	X	October
L	Y	November
M	Z	December

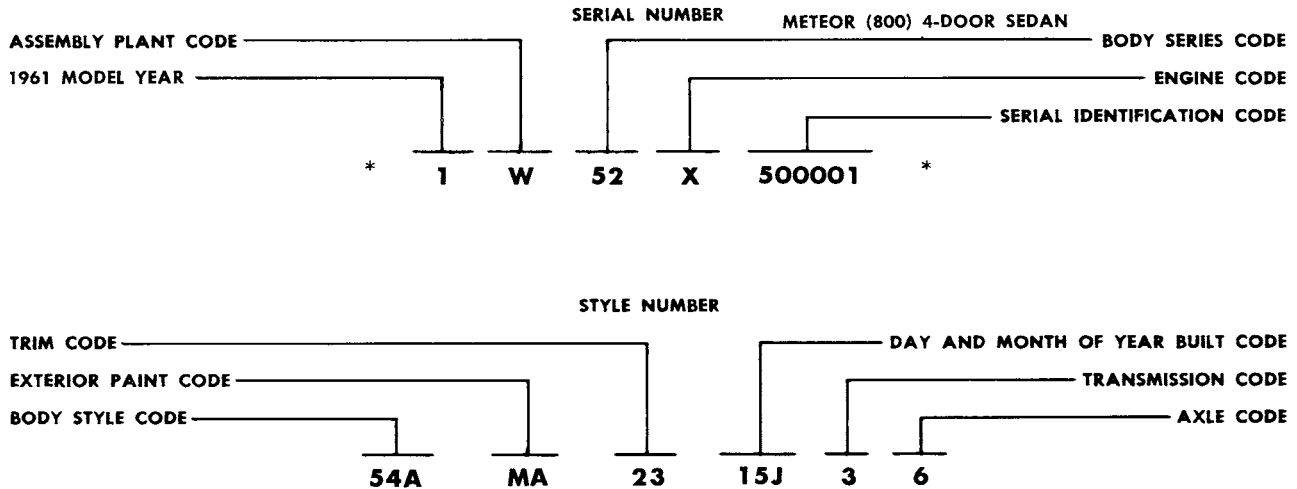
*To be used if 1960 model exceeds 12 months.

TYPICAL 1961 PATENT PLATE INFORMATION

The Patent Plate is riveted to the front body pillar between the front door hinges on the Lincoln and Mercury. The Comet Patent Plate is riveted to the left front door below the door lock. The Patent Plate includes information relative to the type of engine, axle, transmission, trim (exterior and interior), and body style of the vehicle. It also includes the date (day, month and year) and place of manufacture.

★ When a numerical suffix is placed after the trim code, the Deviation Trim Set is *not* serviced, and if an alphabetical suffix is placed after the trim code the Deviation Trim Set is to be serviced.

PATENT PLATE DIAGRAM



SERIAL NUMBER MADE IN USA BY **MERCURY** REG. U.S. PAT. OFF.
FORD MOTOR COMPANY

* 1W52X 500001 *

BODY	COLOR	TRIM	DATE	TR	AX
54A	MA	23	15J	3	6

THIS VEHICLE IS CONSTRUCTED UNDER UNITED STATES LETTERS PATENTS

2 590 719	2 683 578	2 726 894	2 789 621
2 612 829	2 685 211	2 735 673	2 793 532
2 617 681	2 688 258	2 773 396	2 810 447
2 677 572	2 698 012	2 782 722	

OTHER PATENTS PENDING

★NS TRIM CODE
23-1

★SERVICED TRIM CODE
23-A

THE FOLLOWING DEFINES THE VARIOUS CODES USED ON THE PATENT PLATE.

ASSEMBLY PLANT CODES

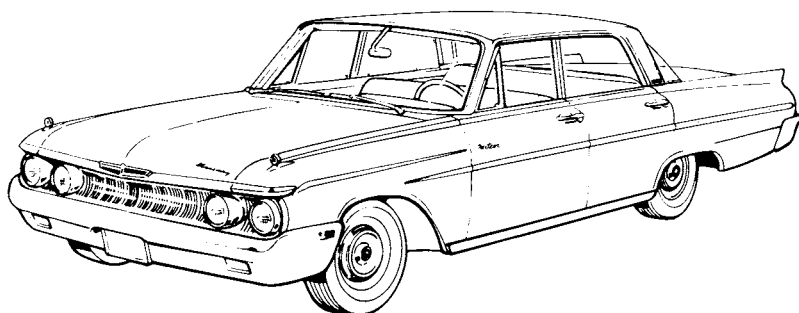
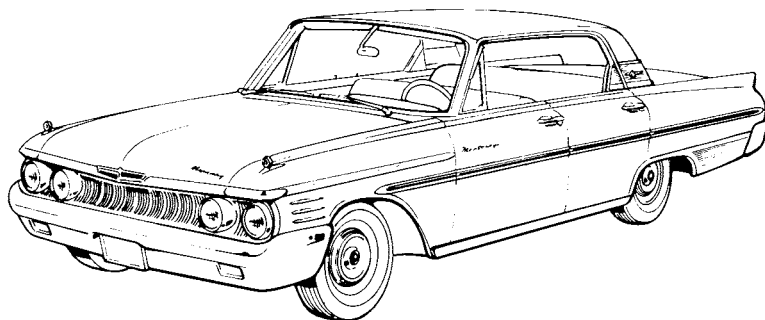
CODE	ASSEMBLY PLANT	CODE	ASSEMBLY PLANT
E	Mahwah	W	Wayne
H	Lorain	Y	Wixom
J	Los Angeles	Z	St. Louis
K	Kansas City		
R	San Jose		

SOFT TRIM SCHEME CODES

REFER TO: The Master Price & Reference List,
Form MD-4230

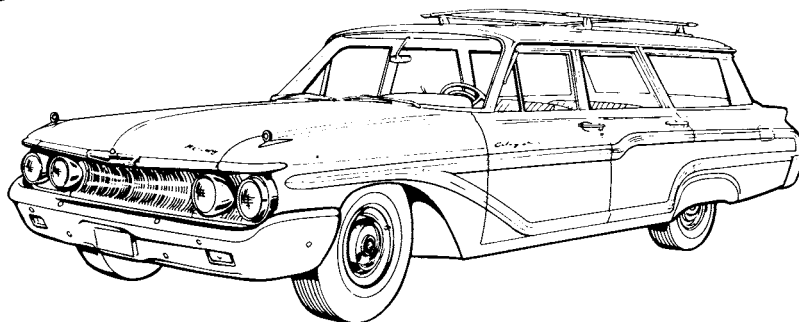
1961 MERCURY MODEL IDENTIFICATION

**MONTEREY
2-DOOR OR 4-DOOR**



**METEOR
2-DOOR OR 4-DOOR**

**COLONY PARK
OR COMMUTER**



BODY CODE	BODY STYLE	BODY CODE	BODY STYLE
54A	Meteor (800) 4-Door Sedan	75A	Meteor (800) 4-Door Hardtop
54B	Monterey 4-Door Sedan	75B	Monterey 4-Door Hardtop
58A	Meteor (600) 4-Door Sedan	76A	Monterey 2-Door Convertible
62A	Meteor (800) 2-Door Sedan	71A	Commuter 4-Door Sta. Wagon (6 or 9 Passenger)
64A	Meteor (600) 2-Door Sedan	71B	Colony Park 4-Door Sta. Wagon (6 or 9 Passenger)
65A	Meteor (800) 2-Door Hardtop		
65B	Monterey 2-Door Hardtop		

1961 MERCURY PATENT PLATE INFORMATION

The following breakdown of Codes will appear on the Patent Plate according to the build-up of each vehicle.

EXTERIOR PAINT CODES

(A "No Punch" in Paint Code space designates special paint)

CODE	COLOR	SPEC. NBR.
A	Presidential Black	M30J-1724
C	Turquoise Mist	M30J-1139
D	Blue Haze	M30J-1361
E	Saxon Green Metallic	M30J-1364
F	Sunburst Yellow	M30J-1366
G	Tawny Beige	M30J-1262
H	Empress Blue Metallic	M30J-1367
J	Signal Red	M30J-1232
L	Gold Dust Metallic	M30J-1276
M	Sultana White	M30J-1238
Q	Sheffield Gray Metallic	M30J-1371
R	Columbia Blue Haze	M30J-1372
S	Green Frost	M30J-1373
V	Summer Rose	M30J-1265
W	Regency Turquoise Metallic	M30J-1385

BODY STYLE CODES

STYLE CODE	SERIES CODE	BODY STYLE
54A	52	Meteor 4-Door Sedan (800)
54B	62	Monterey 4-Door Sedan
58A	42	Meteor 4-Door Sedan (600)
62A	51	Meteor 2-Door Sedan (800)
64A	41	Meteor 2-Door Sedan (600)
65A	57	Meteor 2-Door Hardtop (800)
65B	67	Monterey 2-Door Hardtop
75A	54	Meteor 4-Door Hardtop (800)
75B	64	Monterey 4-Door Hardtop
76A	65	Monterey Convertible
71A	74	Commuter 4-Door (6 or 9 Passenger)
71B	76	Colony Park 4-Door (6 or 9 Passenger)

VEHICLE DATE CODES

CODE	*CODE	MONTH
A	N	January
B	P	February
C	Q	March
D	R	April
E	S	May
F	T	June
G	U	July
H	V	August
J	W	September
K	X	October
L	Y	November
M	Z	December

*2 Year Code Letters To Be Used if 1961 Models Exceed 12 Months.

AXLE CODES

NON-LOCKING DIFF.	RATIO	LOCKING DIFF.
1	3.56:1	A
2	3.89:1	B
3	3.10:1	C
6	3.00:1	F
8	2.91:1	—

ENGINE CODES

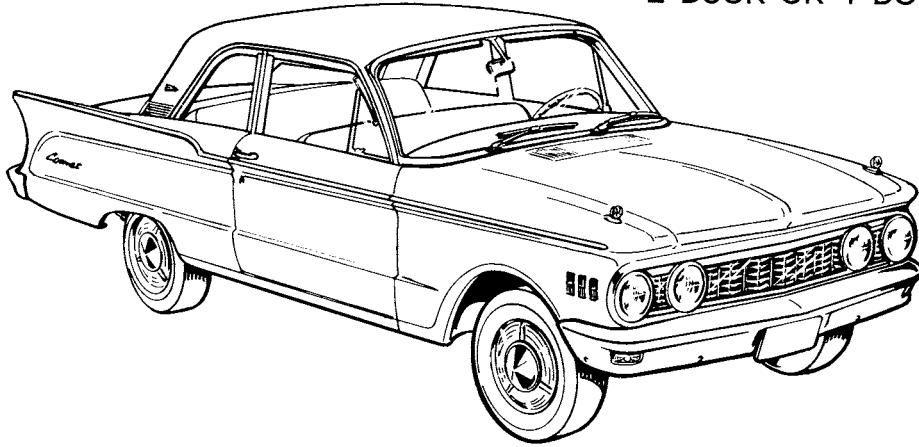
CODE	ENGINE TYPE
V	223—C.I.D. 6 Cyl., 1-V Carb.
W	292—C.I.D. 8 Cyl., 2-V Carb.
X	352—C.I.D. 8 Cyl., 2-V Carb.
Z	390—C.I.D. 8 Cyl., 4-V Carb.
T	292—C.I.D. 8 Cyl., 2-V Carb. (Low Comp. 84 Oct.)
R	390—C.I.D. 8 Cyl., 4-V Carb. (Low Comp. 84 Oct.)

TRANSMISSION CODES

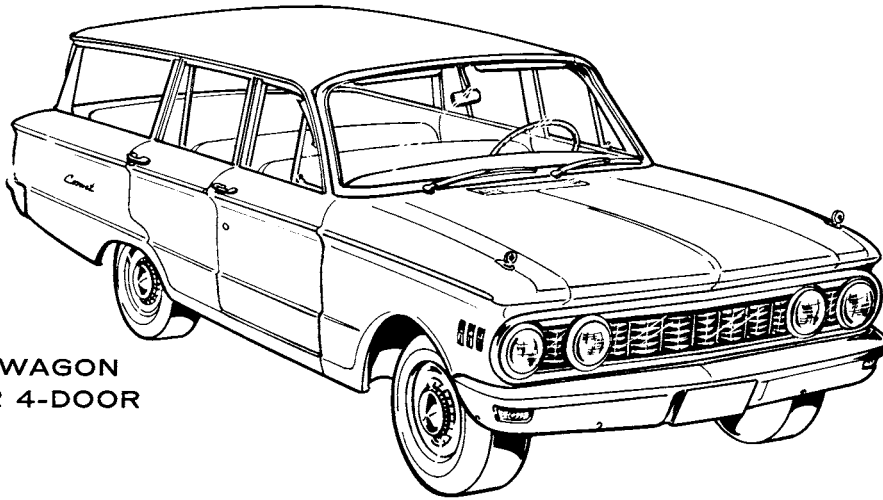
CODE	TRANSMISSION TYPE
1	Standard (S/T)
2	Overdrive (O/D)
3	Two Speed Automatic (2/S)
4	Dual Range Automatic (D/R)
C	Single Range Automatic (S/R)

1961 COMET MODEL IDENTIFICATION

PASSENGER
2-DOOR OR 4-DOOR



STATION WAGON
2-DOOR OR 4-DOOR



BODY CODE	BODY STYLE
54A	4-Door Sedan
59A	2-Door Station Wagon
62A	2-Door Sedan
71A	4-Door Station Wagon
62A	2-Door Sedan (S-22)

1961 COMET PATENT PLATE INFORMATION

The following breakdown of Codes will appear on the Patent Plate according to the build-up of each vehicle.

BODY STYLE CODES

BODY CODE	SERIES CODE	BODY STYLE
62A	11	2-Door Sedan
54A	12	4-Door Sedan
62A	17	2-Door Sedan (S-22)
59A	21	2-Door Station Wagon
71A	22	4-Door Station Wagon

VEHICLE DATE CODES

CODE	*CODE	MONTH
A	N	January
B	P	February
C	Q	March
D	R	April
E	S	May
F	T	June
G	U	July
H	V	August
J	W	September
K	X	October
L	Y	November
M	Z	December

*2 year code letters to be used if 1961 models exceed 12 months

ENGINE CODES

CODE	ENGINE TYPE
S	6 Cyl. OHV 144 C.I.D.
D	6 Cyl. OHV 144 C.I.D. (Comp. 84 Octane)
E	6 Cyl. 170 C.I.D. (Low Comp. 84 Octane)
U	6 Cyl. OHV 170 C.I.D.

EXTERIOR PAINT CODES

(A "No Punch" In Paint Code Space Designates Special Paint)

CODE	COLOR	SPEC. NBR.
A	Presidential Black	M30J-1724
C#	Turquoise Mist	M30J-1139
D	Blue Haze	M30J-1361
E*	Saxon Green Metallic	M30J-1364
H	Empress Blue Metallic	M30J-1367
J	Signal Red	M30J-1232
K#	Golden Bronze Metallic	M30J-1369
M	Sultana White	M30J-1238
Q	Sheffield Gray Metallic	M30J-1371
R	Columbia Blue Metallic	M30J-1372
S*	Green Frost	M30J-1373
W	Regency Turquoise Metallic	M30J-1385

(All Colors Used On All Models Except As Noted)

*Use On All Models Except 62A (S-22)

Used on Model 62A (S-22) Only

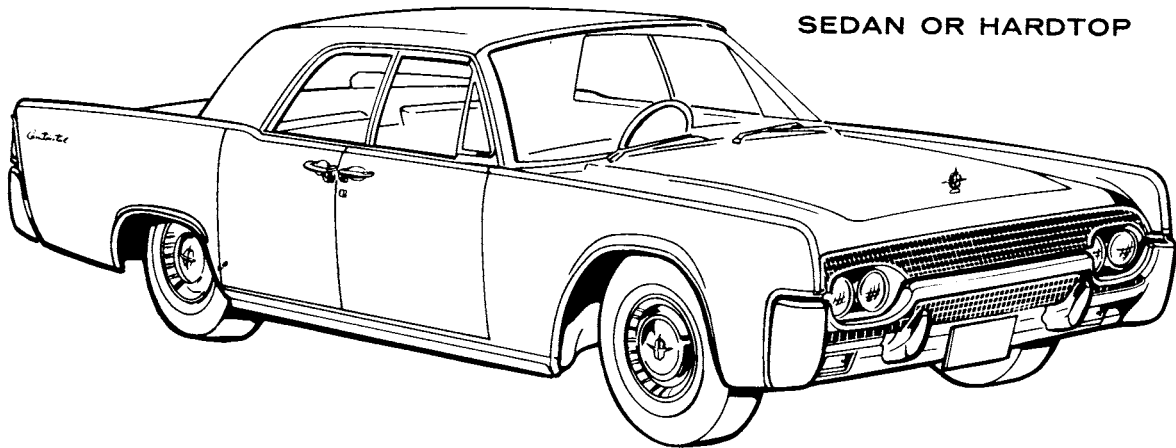
TRANSMISSION CODES

CODE	TRANSMISSION TYPE
1	Standard
3	Automatic

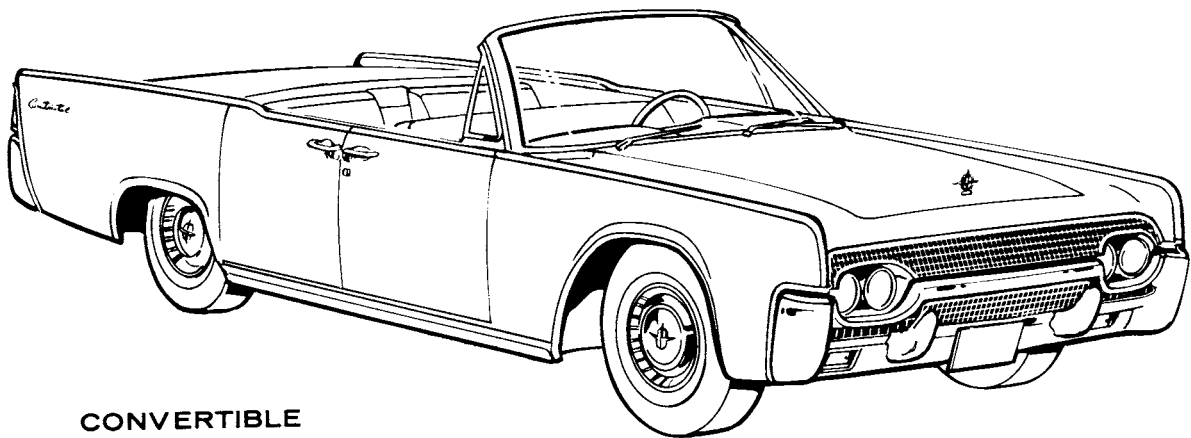
REAR AXLE CODES

CODE	RATIO
3	3.10:1
4	4.00:1
5	3.20:1
J	3.50:1

1961 LINCOLN CONTINENTAL MODEL IDENTIFICATION



SEDAN OR HARDTOP



CONVERTIBLE

BODY CODE	BODY STYLE
53A	Lincoln Continental 4-Door Sedan
74A	Lincoln Continental 4-Door Convertible

1961 LINCOLN CONTINENTAL PATENT PLATE INFORMATION

The following breakdown of Codes will appear on the Patent Plate according to the build-up of each vehicle

BODY STYLE CODES

BODY CODE	SERIES CODE	BODY STYLE
53A	82	Lincoln Continental 4-Door Sedan
57C	84	Lincoln Continental 4-Door Hardtop
74A	86	Lincoln Continental 4-Door Convertible

TRANSMISSION CODE

CODE	TRANSMISSION TYPE
4	AUTOMATIC DUAL RANGE

REAR AXLE CODE

NON-LOCKING DIFF.	RATIO	LOCKING DIFF.
7	2.89:1	G

VEHICLE DATE CODES

CODE	*CODE	MONTH
A	N	January
B	P	February
C	Q	March
D	R	April
E	S	May
F	T	June
G	U	July
H	V	August
J	W	September
K	X	October
L	Y	November
M	Z	December

**To be used if 1961 model exceeds 12 months.*

EXTERIOR PAINT CODES

(A "No Punch" in the paint color space indicates Special Paint)

CODE	COLOR	SPEC. NBR.
A	Presidential Black	M-30J-1724
B	Royal Red Metallic	M-30J-1368
C	Turquoise Mist	M-30J-1139
D	Blue Haze	M-30J-1361
E	Saxon Green Metallic	M-30J-1364
F	Sunburst Yellow	M-30J-1366
H	Empress Blue Metallic	M-30J-1367
K	Crystal Green	M-30J-1430
M	Sultana White	M-30J-1238
N	Platinum	M-30J-921
I	Green Velvet Metallic	M-30J-1426
P	Executive Gray Metallic	M-30J-1370
Q	Sheffield Gray Metallic	M-30J-1371
R	Columbia Blue Haze	M-30J-1372
T	Honey Beige	M-30J-1383
U	Rose Glow Metallic	M-30J-1266
V	Summer Rose	M-30J-1265
W	Regency Turquoise Metallic	M-30J-1385
X	Black Cherry	M-30J-1444
Y	Briar Brown Metallic	M-30J-1425
Z	Desert Frost	M-30J-1427

ENGINE CODE

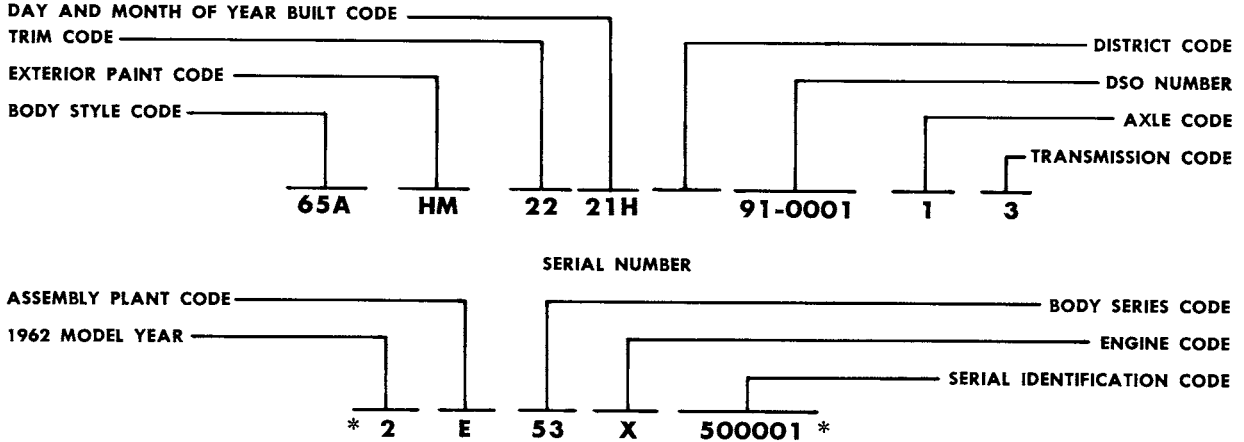
CODE	ENGINE TYPE
H	430 C.I.D. 8 CYL.-2V
K	430 C.I.D. 8 CYL.-2V-LOW COMP. 84 OCTANE

TYPICAL 1962 PATENT PLATE INFORMATION

The Patent Plate is riveted to the front body pillar between the front door hinges on the Lincoln and Mercury. The Comet Patent Plate is riveted to the left front door below the door lock. The Patent Plate includes information relative to the type of engine, axle, transmission, trim (exterior and interior), and body style of the vehicle. It also includes the date (day, month and year), place manufactured, and the code number of the district ordering the unit.

★ When a numerical suffix is placed after the trim code (see patent plate illustration), the Deviation Trim Set is not serviced, and if an alphabetical suffix is placed after the trim code the Deviation Trim Set is to be serviced.

PATENT PLATE DIAGRAM



BODY	COLOR	TRIM	DATE	DSO	AXLE	TRANS
65A	HM	22	21H	91-0001	1	3

MADE IN U.S.A. BY FORD MOTOR COMPANY

SERIAL NUMBER
2E53X500001

Mercury
MONTEREY

THIS VEHICLE IS CONSTRUCTED UNDER UNITED STATES LETTER PATENTS

2 590 719	2 698 012	2 789 621	2 906 140	2 932 291
2 612 829	2 726 894	2 793 532	2 908 262	2 947 373
2 617 681	2 735 673	2 810 447	2 923 830	2 973 670
2 677 572	2 773 396	2 876 759	2 925 159	2 975 775
2 683 578	2 782 722	2 886 341	2 929 652	

OTHER PATENTS PENDING

★
NS TRIM CODE
22 1

★
SERVICED TRIM CODE
22 A

THE FOLLOWING DEFINES THE VARIOUS CODES USED ON THE PATENT PLATE:

ASSEMBLY PLANT CODES

CODE	ASSEMBLY PLANT	CODE	ASSEMBLY PLANT
E	Mahwah	R	San Jose
F	Dearborn	T	Metuchen
H	Lorain	W	Wayne
J	Los Angeles	Y	Wixom
K	Kansas City	Z	St. Louis

SOFT TRIM SCHEME CODES

REFER TO: The Master Price & Reference List
Form MD-4230

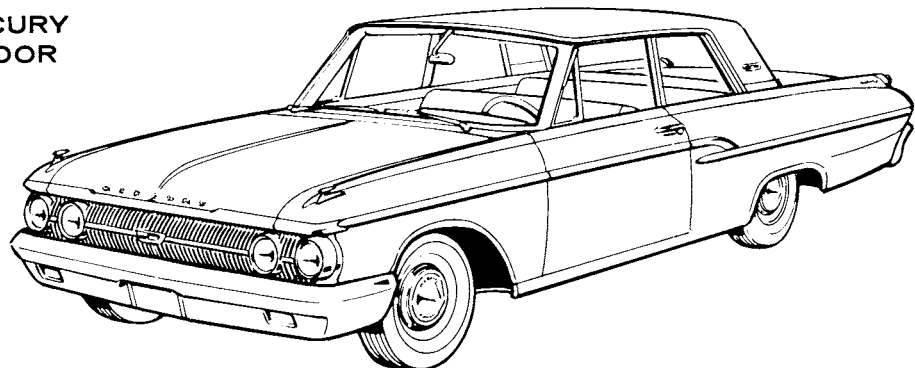
DISTRICT CODE

Effective February 1962 the Code Number of the District ordering the unit will be reflected in the DSO space on all units.

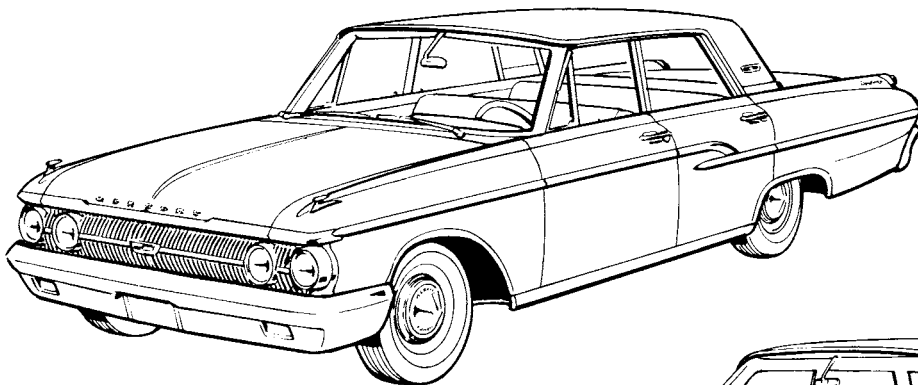
Refer to: The Master Price & Reference List Form MD-4230 for District Reference Number.

1962 MERCURY MODEL IDENTIFICATION

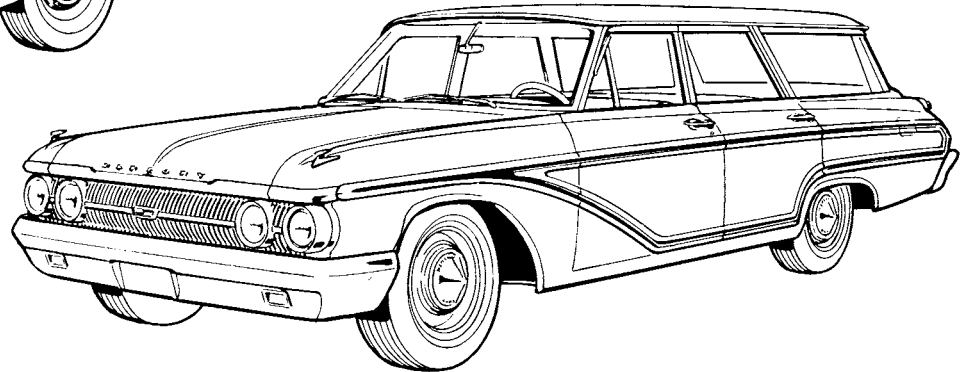
MERCURY
2-DOOR



MERCURY
4-DOOR



COLONY PARK
OR
COMMUTER



BODY CODE	BODY STYLE	BODY CODE	BODY STYLE
54A	4-Door Sedan	71A	4-Door Commuter Station Wagon (6-Passenger)
54B	4-Door Sedan—Custom	71B	4-Door Colony Park Station Wagon (6 Passenger)
62A	2-Door Sedan	71C	4-Door Commuter Station Wagon (9 Passenger)
65A	2-Door Sedan Hardtop	71D	4-Door Colony Park Station Wagon (9 Passenger)
65B	2-Door Sedan Hardtop—Custom		
65C	2-Door "S-55" Hardtop		
75A	4-Door Sedan Hardtop		
75B	4-Door Sedan Hardtop—Custom		
76A	2-Door Convertible		
76B	2-Door "S-55" Convertible		

1962 MERCURY PATENT PLATE INFORMATION

The following breakdown of Codes will appear on the Patent Plate according to the build-up of each vehicle.

EXTERIOR PAINT CODES

(A "No Punch" In Paint Code Space Designates Special Paint)

CODE	COLOR	SPEC. NBR.
A	Presidential Black	M30J—1724
B	Medium Turquoise	M30J—1613
D	Ocean Turquoise	M30J—1451
E	Pacific Blue Metallic	M30J—1448
F	Sea Blue	M30J—1449
H	Blue Satin	M30J—1447
I	Castilian Gold	M30J—1459
J	Carnival Red	M30J—1515
K	Light Aqua	M30J—1452
L	Teaberry	M30J—1458
M	Sultana White	M30J—1238
P	Scotch Green	M30J—1454
Q	Sheffield Gray Metallic	M30J—1371
R	Jamaica Yellow	M30J—1456
T	Champagne	M30J—1543
U	Velvet Turquoise	M30J—1450
X	Black Cherry	M30J—1444
Z	Desert Frost	M30J—1427

TRANSMISSION CODES

CODE	TRANSMISSION TYPE
1	Standard (3-Speed) (S/T)
2	Overdrive (O/D)
3	Two Speed Automatic (2/S)
4	Dual Range Automatic (D/R)
5	Standard (4-Speed) (4/S)

ENGINE CODES

CODE	ENGINE TYPE
V	223—C.I.D. 6 Cyl., 1-V Carb.
W	292—C.I.D. 8 Cyl., 2-V Carb.
X	352—C.I.D. 8 Cyl., 2-V Carb.
Z	390—C.I.D. 8 Cyl., 4-V Carb.
P	390—C.I.D. 8 Cyl., 4-V Carb. Interceptor RPO
T	292—C.I.D. 8 Cyl., 2-V Carb. (Low Comp. 84 Oct.)
R	390—C.I.D. 8 Cyl., 4-V Carb. (Low Comp. 84 Oct.)
B	406—C.I.D. 8 Cyl., 4-V Carb.
G	406—C.I.D. 8 Cyl., 6-V Carb.

BODY STYLE CODES

BODY CODE	SERIES CODE	BODY STYLE
54A	52	4-Door Sedan—C/P
54B	62	4-Door Sedan—Custom—C/P
62A	51	2-Door Sedan
65A	53	2-Door Hardtop
65B	63	2-Door Hardtop—Custom
65C	67	2-Door "S-55" Hardtop
75A	54	4-Door Hardtop
75B	64	4-Door Hardtop—Custom
76A	65	2-Door Convertible
76B	69	2-Door "S-55" Convertible
71A	72	4-Door Commuter Station Wagon (6 Passenger)
71B	76	4-Door Colony Park Station Wagon—Custom (6 Passenger)
71C	72	4-Door Commuter Station Wagon (9 Passenger)
71D	76	4-Door Colony Park Station Wagon—Custom (9 Passenger)

REAR AXLE CODES

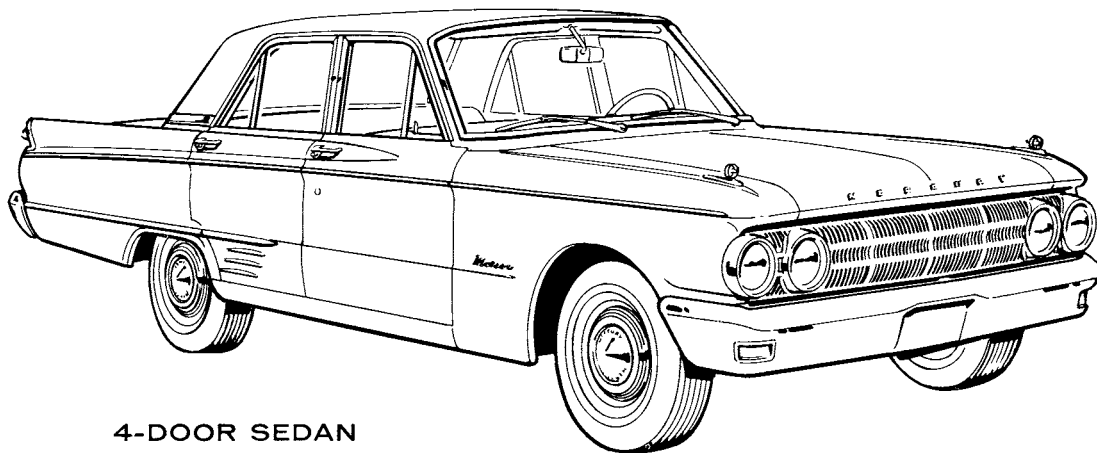
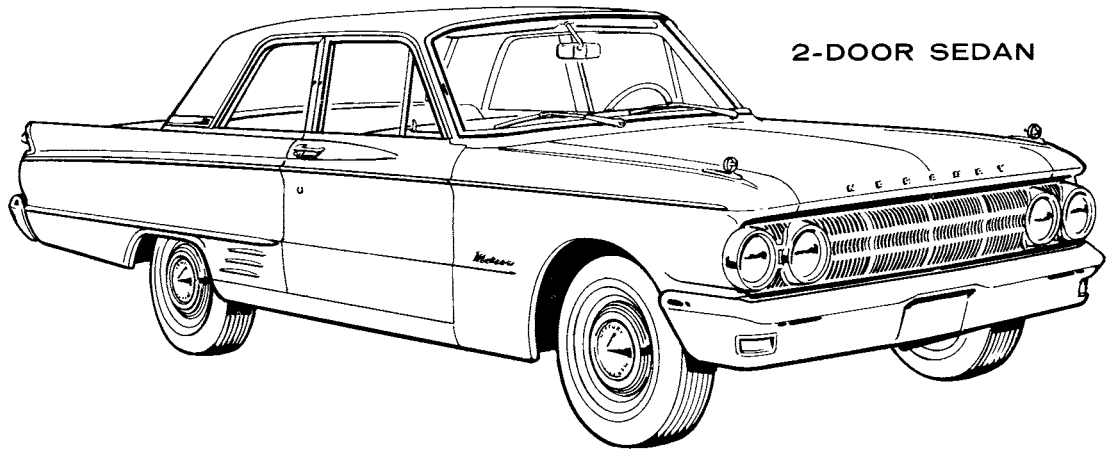
NON-LOCKING DIFF.	RATIO	LOCKING DIFF.
1	3.00:1	A
5	3.50:1	
6	3.56:1	B
7	3.80:1	
8	3.89:1	F

VEHICLE DATE CODES

CODE	*CODE	MONTH
A	N	January
B	P	February
C	Q	March
D	R	April
E	S	May
F	T	June
G	U	July
H	V	August
J	W	September
K	X	October
L	Y	November
M	Z	December

*2 Year Code Letters To Be Used if 1962 Models Exceed 12 Months.

1962 METEOR MODEL IDENTIFICATION



BODY CODE	BODY STYLE
54A	4-Door Sedan
54B	4-Door Sedan—Custom
62A	2-Door Sedan
62B	2-Door Sedan—Custom
62C	2-Door Sedan—(S-33)

1962 METEOR PATENT PLATE INFORMATION

The following breakdown of Codes will appear on the Patent Plate according to the build-up of each vehicle.

BODY STYLE CODES

STYLE CODE	SERIES CODE	BODY STYLE
54A	32	4 Door Sedan
54B	42	4 Door Sedan—Custom
62A	31	2 Door Sedan
62B	41	2 Door Sedan—Custom
62C	47	2 Door Sedan—(S-33)

ENGINE CODES

CODE	ENGINE TYPE
U	6 CYL. OHV 170 C.I.D. 1V
E	6 CYL. OHV 170 C.I.D. 1V (Low Comp.)
L	8 CYL. OHV 221 C.I.D. 2-V
C	8 CYL. OHV 221 C.I.D. 2-V (Low Comp.)
F	8 CYL. OHV 260 C.I.D. 2V

TRANSMISSION CODES

CODE	TRANSMISSION TYPE
1	Standard
2	Overdrive
3	Automatic

REAR AXLE CODES

CODE	RATIO
1	3.00:1
4	3.25:1
5	3.50:1

EXTERIOR PAINT CODES

(A "No Punch" In Paint Code Space Designates Special Paint)

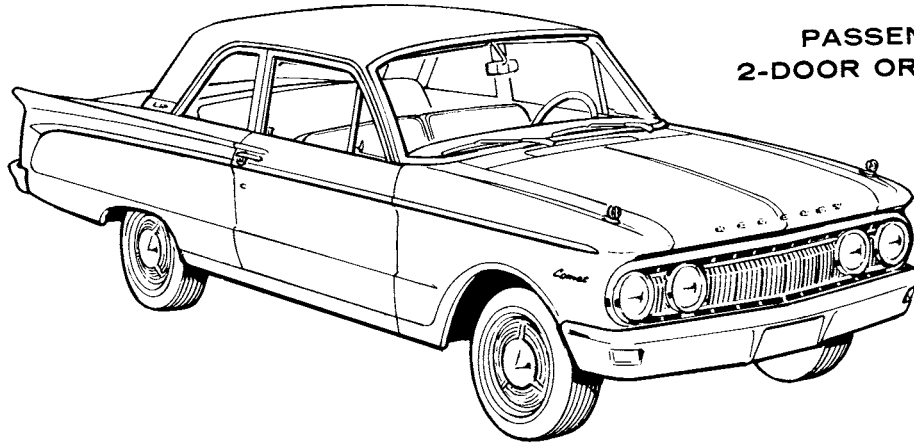
CODE	COLOR	SPEC. NBR.
A	Presidential Black	M30J-1724
B	Medium Turquoise	M30J-1613
D	Ocean Turquoise Metallic	M30J-1451
E	Pacific Blue Metallic	M30J-1448
F	Sea Blue	M30J-1449
J	Carnival Red	M30J-1515
K	Light Aqua	M30J-1452
H	Blue Satin Metallic	M30J-1447
I	Castilian Gold	M30J-1459
M	Sultana White	M30J-1238
P	Scotch Green	M30J-1454
Q	Sheffield Gray Metallic	M30J-1371
R	Jamaica Yellow	M30J-1456
T	Champagne	M30J-1543
X	Black Cherry Metallic	M30J-1444
Z	Desert Frost Metallic	M30J-1427

VEHICLE DATE CODES

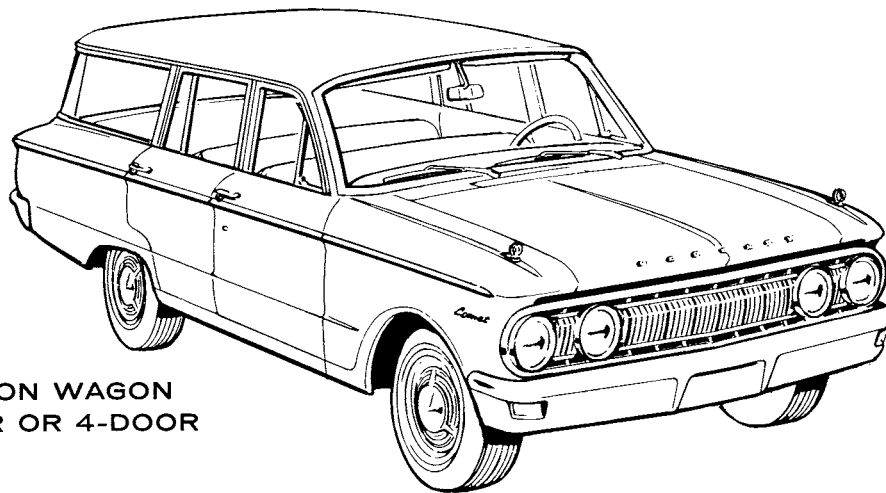
CODE	*CODE	MONTH
A	N	January
B	P	February
C	Q	March
D	R	April
E	S	May
F	T	June
G	U	July
H	V	August
J	W	September
K	X	October
L	Y	November
M	Z	December

*2 year code letters to be used if 1962 models exceed 12 months

1962 COMET MODEL IDENTIFICATION



PASSENGER
2-DOOR OR 4-DOOR



STATION WAGON
2-DOOR OR 4-DOOR

BODY CODE	BODY STYLE
54A	4-Door Sedan
54B	4-Door Sedan—Custom
62A	2-Door Sedan
62B	2-Door Sedan—Custom
62C	2-Door Sedan—Special (S-22)
59A	2-Door Station Wagon
59B	2-Door Station Wagon—Custom
71A	4-Door Station Wagon
71B	4-Door Station Wagon—Custom
71C	4-Door Station Wagon—Villager
71D	4-Door Station Wagon—Villager Bucket Seat

1962 COMET PATENT PLATE INFORMATION

The following breakdown of Codes will appear on the Patent Plate according to the build-up of each vehicle.

BODY STYLE CODES

BODY CODE	SERIES CODE	BODY STYLE
54A	02	4 Door Sedan—C/P
54B	12	4 Door Sedan—Custom—C/P
62A	01	2 Door Sedan—C/P
62B	11	2 Door Sedan—Custom—C/P
62C	17	2 Door Sedan—Special (S-22)
59A	21	2 Door Station Wagon
59B	23	2 Door Station Wagon—Custom
71A	22	4 Door Station Wagon
71B	24	4 Door Station Wagon—Custom
71C	26	4 Door Station Wagon—Villager
71D	26	4 Door Station Wagon—Villager Bucket Seat

ENGINE CODES

CODE	ENGINE TYPE
S	6 CYL. OHV 144 C.I.D.
D	6 CYL. OHV 144 C.I.D. (Low Comp.)
E	6 CYL. OHV 170 C.I.D. (Low Comp.)
U	6 CYL. OHV 170 C.I.D.

TRANSMISSION CODES

CODE	TRANSMISSION TYPE
1	Standard
3	Automatic

REAR AXLE CODES

CODE	RATIO
3	3.20:1
5	3.50:1
9	4.00:1

EXTERIOR PAINT CODES

(A "No Punch" In Paint Code Space Designates Special Paint)

CODE	COLOR	SPEC. NBR.
A	Presidential Black	M30J-1724
B	Medium Turquoise	M30J-1613
D	Ocean Turquoise Metallic	M30J-1451
E	Pacific Blue Metallic	M30J-1448
F	Sea Blue	M30J-1449
J	Carnival Red	M30J-1515
K	Light Aqua	M30J-1452
H	Blue Satin Metallic	M30J-1447
I	Castilian Gold	M30J-1459
M	Sultana White	M30J-1238
P	Scotch Green	M30J-1454
Q	Sheffield Gray Metallic	M30J-1371
R	Jamaica Yellow	M30J-1456
T	Champagne	M30J-1543
X	Black Cherry Metallic	M30J-1444
Z	Desert Frost Metallic	M30J-1427

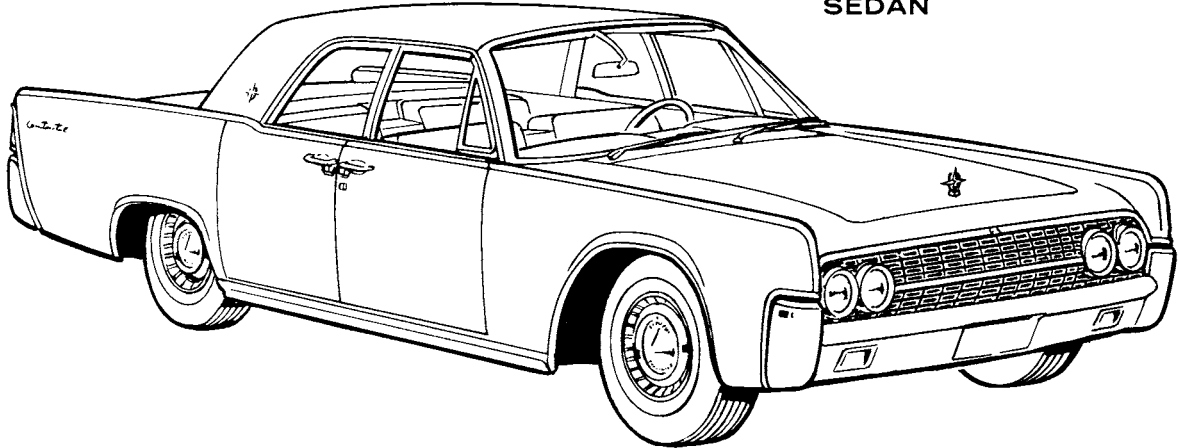
VEHICLE DATE CODES

CODE	*CODE	MONTH
A	N	January
B	P	February
C	Q	March
D	R	April
E	S	May
F	T	June
G	U	July
H	V	August
J	W	September
K	X	October
L	Y	November
M	Z	December

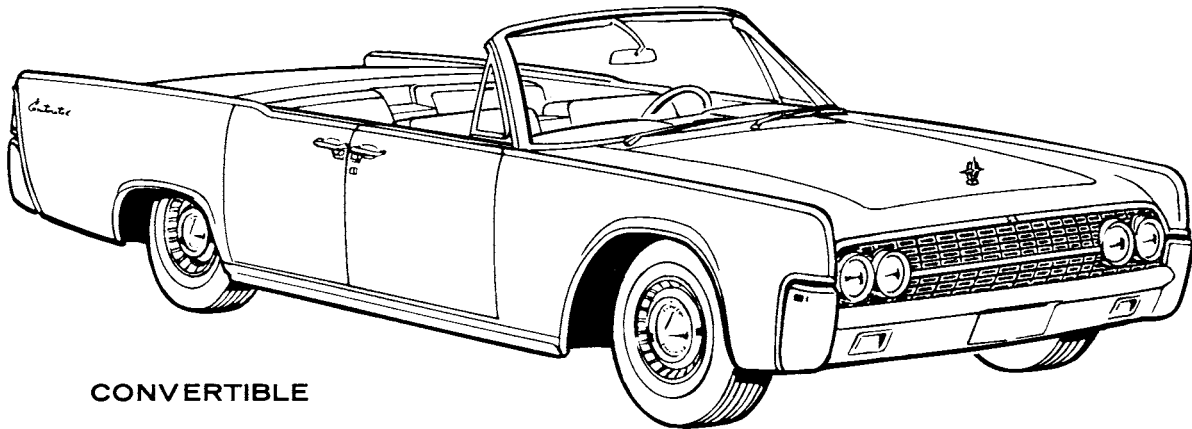
*2 year code letters to be used if 1962 models exceed 12 months

1962 LINCOLN CONTINENTAL MODEL IDENTIFICATION

SEDAN



CONVERTIBLE



BODY CODE	BODY STYLE
53	Lincoln Continental 4-Door Sedan
74	Lincoln Continental 4-Door Convertible

1962 LINCOLN CONTINENTAL PATENT PLATE INFORMATION

The following breakdown of Codes will appear on the Patent Plate according to the build-up of each vehicle

BODY STYLE CODES

BODY CODE	SERIES CODE	BODY STYLE
53A	82	Lincoln Continental 4-Door Sedan
74A	86	Lincoln Continental 4-Door Convertible

TRANSMISSION CODE

CODE	TRANSMISSION TYPE
4	AUTOMATIC DUAL RANGE

REAR AXLE CODE

NON-LOCKING DIFF.	RATIO	LOCKING DIFF.
I	2:89:1	A

VEHICLE DATE CODES

CODE	*CODE	MONTH
A	N	January
B	P	February
C	Q	March
D	R	April
E	S	May
F	T	June
G	U	July
H	V	August
J	W	September
K	X	October
L	Y	November
M	Z	December

**To be used if 1962 model exceeds 12 months*

EXTERIOR PAINT CODES

(A "No Punch" in the paint color space indicates Special Paint)

CODE	COLOR	SPEC. NBR.
A	Presidential Black	M30J-1724
B	Royal Red	M30J-1368
C	Oxford Gray	M30J-1445
D	Riviera Turquoise	M30J-1070
E	Bermuda Blue	M30J-1269
F	Powder Blue	M30J-1226
G	Silver Mink	M30J-1446
H	Nocturne Blue	M30J-1544
I	Castilian Gold	M30J-1459
L	Teaberry	M30J-1458
M	Sultana White	M30J-1238
N	Platinum	M30J-921
P	Scotch Green	M30J-1454
R	Jamaica Yellow	M30J-1456
S	Highlander Green	M30J-1453
T	Champagne	M30J-1543
U	Velvet Turquoise	M30J-1450
V	Chestnut	M30J-1470
X	Black Cherry	M30J-1444
Z	Desert Frost	M30J-1427

ENGINE CODE

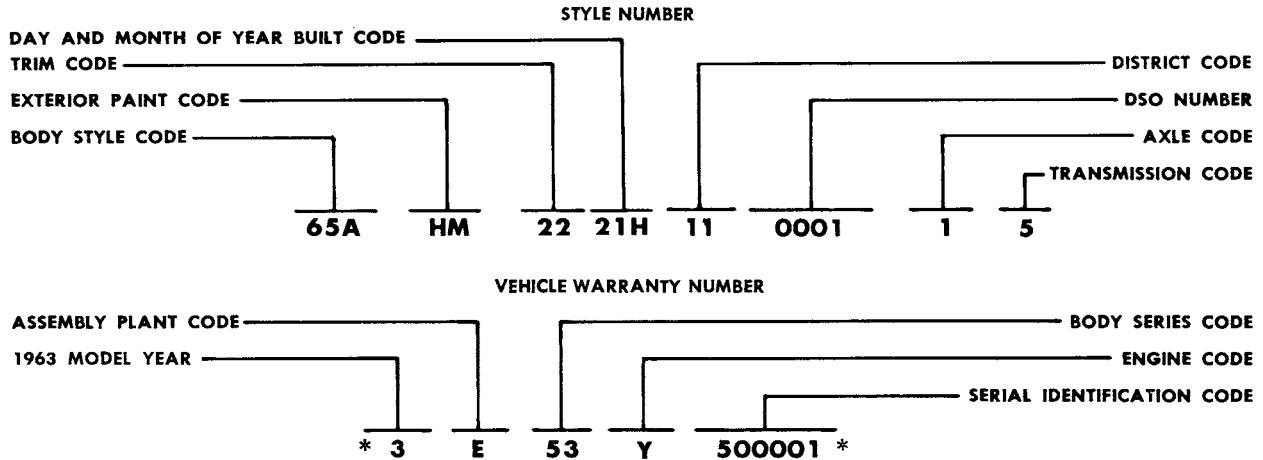
CODE	ENGINE TYPE
H	430 C.I.D. 8 CYL.-2V
K	430 C.I.D. 8 CYL.-2V-LOW COM- PRESSION 84 OCTANE

TYPICAL 1963 WARRANTY PLATE INFORMATION

The Warranty Plate is riveted to the left front door below the door lock. The Warranty Plate includes information relative to the type of engine, axle, transmission, trim (exterior and interior), and body style of the vehicle. It also includes the date (day, month and year) and place of manufacture.

★When a numerical suffix is placed after the trim code (see Warranty Plate illustration), the Deviation Trim Set is *not* serviced, and if an alphabetical suffix is placed after the trim code the Deviation Trim Set is to be serviced.

WARRANTY PLATE DIAGRAM



★
NS TRIM CODE
22 1

★
SERVICED TRIM CODE
22 A

ASSEMBLY PLANT CODES

CODE	ASSEMBLY PLT.	CODE	ASSEMBLY PLT.
E	Mahwah	R	San Jose
F	Dearborn	T	Metuchen
H	Lorain	W	Wayne
J	Los Angeles	Y	Wixom
K	Kansas City	Z	St. Louis

SOFT TRIM SCHEME CODES

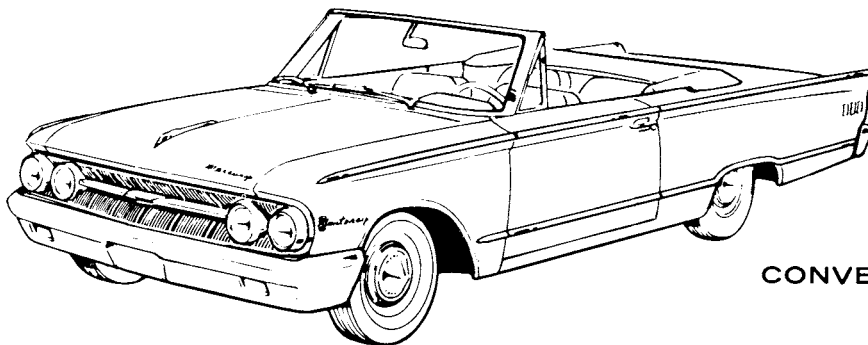
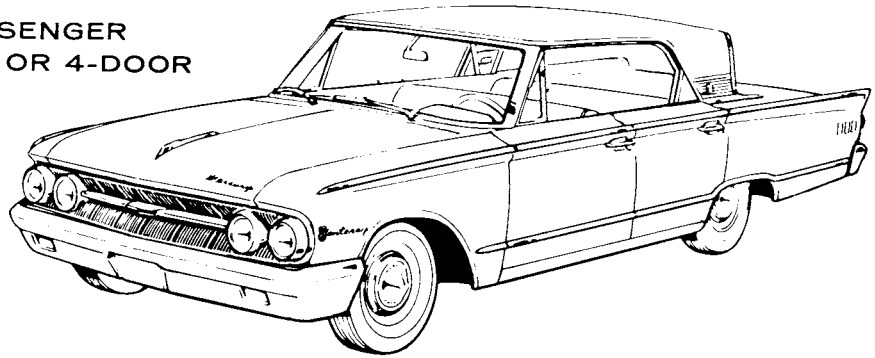
REFER TO: The Master Price & Reference List,
Form MD-4230

DISTRICT CODES

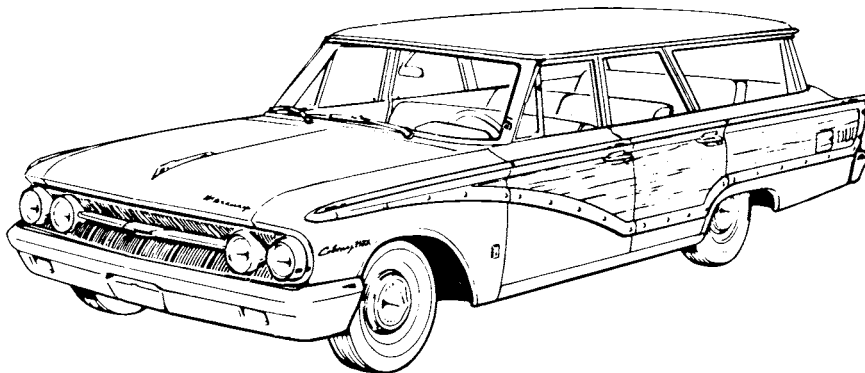
Refer to: Soft Trim Section of Master Price & Reference List Form MD-4230.

1963 MERCURY MODEL IDENTIFICATION

PASSENGER
2-DOOR OR 4-DOOR



CONVERTIBLE



STATION WAGON

BODY CODE	BODY STYLE	BODY CODE	BODY STYLE
54A	4-Door Sedan	71B	4-Door Colony Park Station Wagon (6 Passenger)
54B	4-Door Sedan—Custom	71D	4-Door Colony Park Station Wagon (9 Passenger)
62A	2-Door Sedan	75A	4-Door Sedan Hardtop
63B	2-Door Fastback Hardtop—Custom	75B	4-Door Sedan Hardtop—Custom
63C	2-Door "S-55" Fastback Hardtop	75C	4-Door "S-55" Hardtop
65A	2-Door Sedan Hardtop	76A	2-Door Convertible
65B	2-Door Sedan Hardtop—Custom	76B	2-Door "S-55" Convertible
65C	2-Door "S-55" Hardtop		

1963 MERCURY WARRANTY PLATE INFORMATION

The following breakdown of Codes will appear on the Warranty Plate according to the build-up of each vehicle.

EXTERIOR PAINT CODES

(A "No Punch" In Paint Code Space Designates Special Paint)

CODE	COLOR	*SPEC. NBR.
A	Presidential Black	M30J-1724
B	Peacock Turquoise	M30J-1613
D	Ocean Turquoise	M30J-1451
E	Pacific Blue Metallic	M30J-1448
H	Blue Satin	M30J-1447
I	Castilian Gold	M30J-1459
J	Carnival Red	M30J-1515
M	Sultana White	M30J-1238
P	Scotch Green	M30J-1454
R	Jamaica Yellow	M30J-1456
T	Champagne	M30J-1543
W	Pink Frost	M30J-1555
X	Black Cherry	M30J-1444
Y	Cascade Blue	M30J-1553
Z	Desert Frost	M30J-1427

*M-32J Acrylic Enamel is Alternate with M-30J Enamel

TRANSMISSION CODES

CODE	TRANSMISSION TYPE
1	Standard (3-Speed) (3/S)
4	Dual Range Automatic (D/R)
5	Standard (4-Speed) (4/S)

ENGINE CODES

CODE	ENGINE TYPE
Y	8 Cyl.—390 C.I.D., 2-V Carb.
Z	8 Cyl.—390 C.I.D., 4-V Carb.
P	8 Cyl.—390 C.I.D., 4-V Carb. Interceptor
9	8 Cyl.—390 C.I.D., 4-V Carb. (Low Comp.)
B	8 Cyl.—406 C.I.D., 4-V Carb.
G	8 Cyl.—406 C.I.D., 6-V Carb.
Q	8 Cyl.—427 C.I.D., 4-V Carb.
R	8 Cyl.—427 C.I.D., 8-V Carb.

BODY STYLE CODES

BODY CODE	SERIES CODE	BODY STYLE
54A	52	4-Door Sedan—C/P
54B	62	4-Door Sedan—Custom—C/P
62A	51	2-Door Sedan
63B	66	2-Door Fastback Hardtop—Custom
63C	68	2-Door "S-55" Fastback Hardtop
65A	53	2-Door Hardtop
65B	63	2-Door Hardtop—Custom
65C	67	2-Door "S-55" Hardtop
75A	54	4-Door Hardtop
75B	64	4-Door Hardtop—Custom
75C	60	4-Door "S-55" Hardtop
76A	65	2-Door Convertible
76B	69	2-Door "S-55" Convertible
71B	76	4-Door Colony Park Station Wagon—Custom (6 Passenger)
71D	76	4-Door Colony Park Station Wagon—Custom (9 Passenger)

REAR AXLE CODES

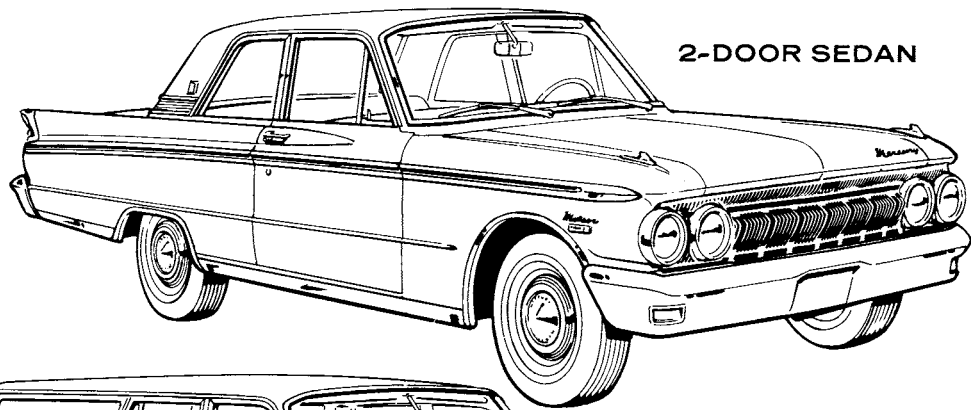
NON-LOCKING DIFF.	RATIO	LOCKING DIFF.
1	3.00:1	A
5	3.50:1	E
8	3.89:1	H
9	4.11:1	I

VEHICLE DATE CODES

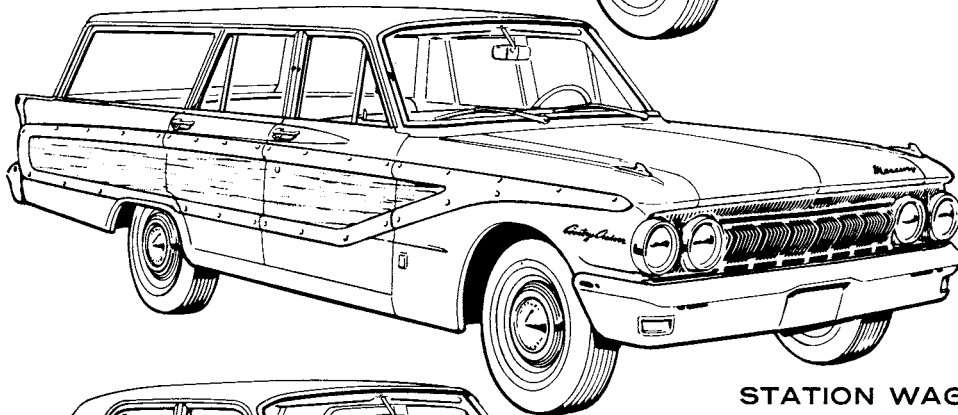
CODE	*CODE	MONTH
A	N	January
B	P	February
C	Q	March
D	R	April
E	S	May
F	T	June
G	U	July
H	V	August
J	W	September
K	X	October
L	Y	November
M	Z	December

*2 Year Code Letters To Be Used if 1963 Models Exceed 12 Months.

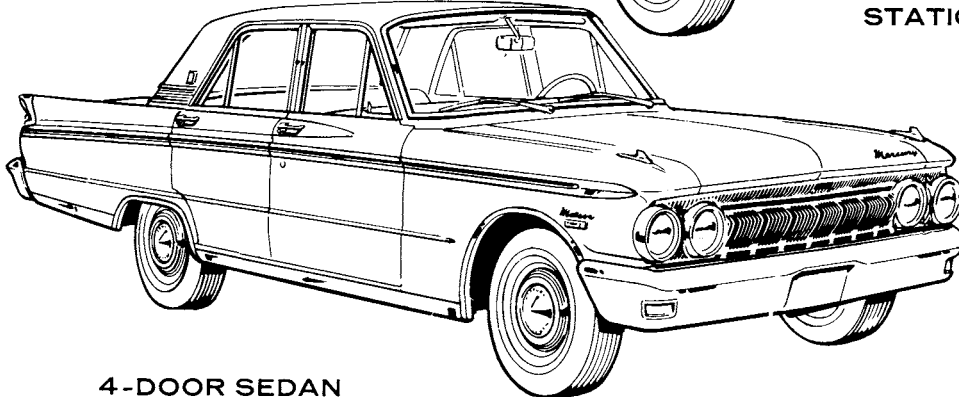
1963 METEOR MODEL IDENTIFICATION



2-DOOR SEDAN



STATION WAGON



4-DOOR SEDAN

BODY CODE	BODY STYLE	BODY CODE	BODY STYLE
54A	4-Door Sedan	71B	4-Door Station Wagon—6 Passenger
54B	4-Door Sedan—Custom	71C	4-Door Station Wagon—8 Passenger
62A	2-Door Sedan	71D	4-Door Station Wagon—Country Cruiser—6 Passenger
62B	2-Door Sedan—Custom	71E	4-Door Station Wagon—Custom—6 Passenger
65A	2-Door Hardtop—Custom	71F	4-Door Station Wagon—Country Cruiser—8 Passenger
65B	2-Door "S33" Hardtop—Custom		
71A	4-Door Station Wagon—Custom—8 Passenger		

1963 METEOR WARRANTY PLATE INFORMATION

The following breakdown of Codes will appear on the Warranty Plate according to the build-up of each vehicle.

BODY STYLE CODES

BODY CODE	SERIES CODE	BODY STYLE
54A	32	4 Door Sedan
54B	42	4 Door Sedan—Custom
62A	31	2 Door Sedan
62B	41	2 Door Sedan—Custom
65A	43	2 Door Hardtop—Custom
65B	47	2 Door "S-33" Hardtop—Custom
71A	48	4 Door Station Wagon— Custom (8 Passenger)
71B	38	4 Door Station Wagon (6 Pass.)
71C	38	4 Door Station Wagon (8 Pass.)
71D	49	4 Door Station Wagon— Country Cruiser (6 Passenger)
71E	48	4 Door Station Wagon— Custom (6 Passenger)
71F	49	4 Door Station Wagon— Country Cruiser (8 Passenger)

ENGINE CODES

CODE	ENGINE TYPE
U	6 CYL.—170 C.I.D., 1-V CARB.
4	6 CYL.—170 C.I.D., 1-V CARB. (Low Comp.)
T	6 CYL.—200 C.I.D., 1-V CARB.
L	8 CYL.—221 C.I.D., 2-4 CARB.
3	8 CYL.—221 C.I.D., 2-V CARB. (Low Comp.)
F	8 CYL.—260 C.I.D., 2-V CARB.
8	8 CYL.—260 C.I.D., 2-V CARB. (Low Comp.)

TRANSMISSION CODES

CODE	TRANSMISSION TYPE
1	Standard (3 Speed) (3/S)
2	Overdrive (O/D)
3	Automatic (2 Speed) (2/S)
5	Standard (4 Speed) (4/S)

REAR AXLE CODES

CODE	RATIO
1	3.00:1
4	3.25:1
5	3.50:1
7	3.80:1

EXTERIOR PAINT CODES

(A "No Punch" In Paint Code Space Designates Special Paint)

CODE	COLOR	*SPEC. NBR.
A	Presidential Black	M30J-1724
B	Peacock Turquoise	M30J-1613
D	Ocean Turquoise Metallic	M30J-1451
E	Pacific Blue Metallic	M30J-1448
F	Sea Blue	M30J-1449
J	Carnival Red	M30J-1515
K	Light Aqua	M30J-1452
H	Blue Satin Metallic	M30J-1447
I	Castilian Gold	M30J-1459
M	Sultana White	M30J-1238
P	Scotch Green	M30J-1454
Q	Sheffield Gray Metallic	M30J-1371
R	Jamaica Yellow	M30J-1456
T	Champagne	M30J-1543
W	Pink Frost	M30J-1555
X	Black Cherry Metallic	M30J-1444
Y	Cascade Blue	M30J-1553
Z	Desert Frost Metallic	M30J-1427

*M-32J Acrylic Enamel is alternate with M-30J Enamel

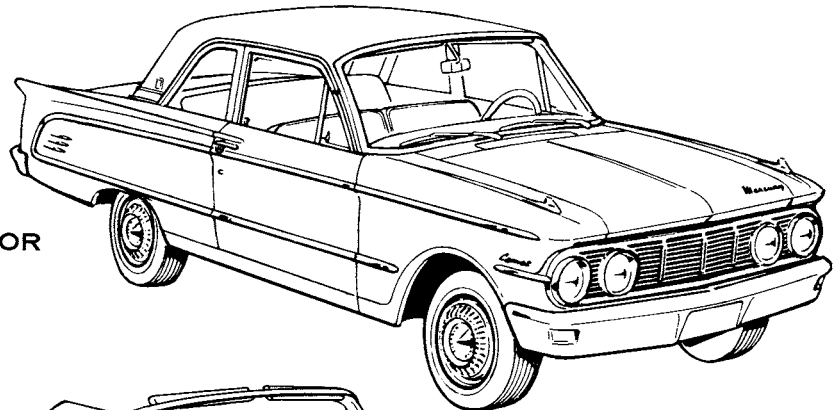
VEHICLE DATE CODE

CODE	*CODE	MONTH
A	N	January
B	P	February
C	Q	March
D	R	April
E	S	May
F	T	June
G	U	July
H	V	August
J	W	September
K	X	October
L	Y	November
M	Z	December

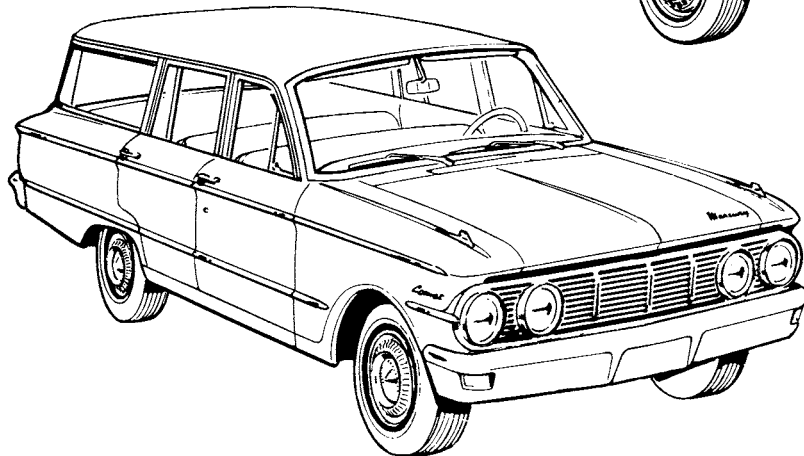
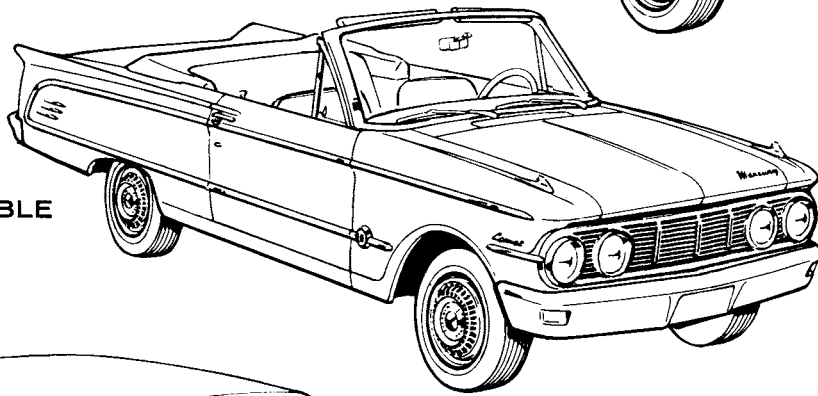
*2 year code letters to be used if 1963 models exceed 12 months

1963 COMET MODEL IDENTIFICATION

**PASSENGER
2-DOOR OR 4-DOOR**



CONVERTIBLE



**STATION WAGON
2-DOOR OR 4-DOOR**

BODY CODE	BODY STYLE	BODY CODE	BODY STYLE
54A	4-Door Sedan	59A	2-Door Station Wagon
54B	4-Door Sedan—Custom	59B	2-Door Station Wagon—Custom
62A	2-Door Sedan	71A	4-Door Station Wagon
62B	2-Door Sedan—Custom	71B	4-Door Station Wagon—Custom
62C	2-Door "S-22" Sedan	71C	4-Door Station Wagon—Villager
63B	2-Door Hardtop	71D	4-Door Station Wagon—Villager Bucket Seat
63C	2-Door "S-22" Hardtop		
76A	2-Door Convertible		
76B	2-Door "S-22" Convertible		

1963 COMET WARRANTY PLATE INFORMATION

The following breakdown of Codes will appear on the Warranty Plate according to the build-up of each vehicle.

BODY STYLE CODES

BODY CODE	SERIES CODE	BODY STYLE
54A	02	4 Door Sedan
54B	12	4 Door Sedan—Custom
59A	21	2 Door Station Wagon
59B	23	2 Door Station Wagon—Custom
62A	01	2 Door Sedan
62B	11	2 Door Sedan—Custom
62C	17	2 Door "S-22" Sedan
63B	17	2 Door Hardtop
63C	17	2 Door "S-22" Hardtop
71A	22	2 Door Station Wagon
71B	24	2 Door Station Wagon—Custom
71C	26	4 Door Station Wagon—Villager
71D	26	4 Door Station Wagon—Villager Bucket Seat
76A	15	2 Door Convertible
76B	15	2 Door "S-22" Convertible

ENGINE CODES

CODE	ENGINE TYPE
S	6 CYL.—144 C.I.D., 1-V CARB.
2	6 CYL.—144 C.I.D., 1-V CARB. (Low Comp.)
U	6 CYL.—170 C.I.D., 1-V CARB.
4	6 CYL.—170 C.I.D., 1-V CARB. (Low Comp.)
F	8 CYL.—260 C.I.D., 2-V CARB.

TRANSMISSION CODES

CODE	TRANSMISSION TYPE
1	Standard (3-Speed) (3/S)
3	Automatic (2-Speed) (2/S)
5	Standard (4-Speed) (4/S)

REAR AXLE CODES

CODE	RATIO	CODE	RATIO
1	3.00:1	5	3.50:1
2	3.10:1	7	3.80:1
3	3.20:1	9	4.00:1
4	3.25:1		

EXTERIOR PAINT CODES

(A "No Punch" in Paint Code Space Designates Special Paint)

CODE	COLOR	*SPEC. NBR.
A	Presidential Black	M30J-1724
B	Peacock Turquoise	M30J-1613
D	Ocean Turquoise Metallic	M30J-1451
E	Pacific Blue Metallic	M30J-1448
J	Carnival Red	M30J-1515
H	Blue Satin Metallic	M30J-1447
I	Castilian Gold	M30J-1459
M	Sultana White	M30J-1238
P	Scotch Green	M30J-1454
T	Champagne	M30J-1543
W	Pink Frost	M30J-1555
X	Black Cherry Metallic	M30J-1444
Y	Cascade Blue	M30J-1553
Z	Desert Frost Metallic	M30J-1427

*M-32J Acrylic Enamel is alternate with M-30J Enamel.

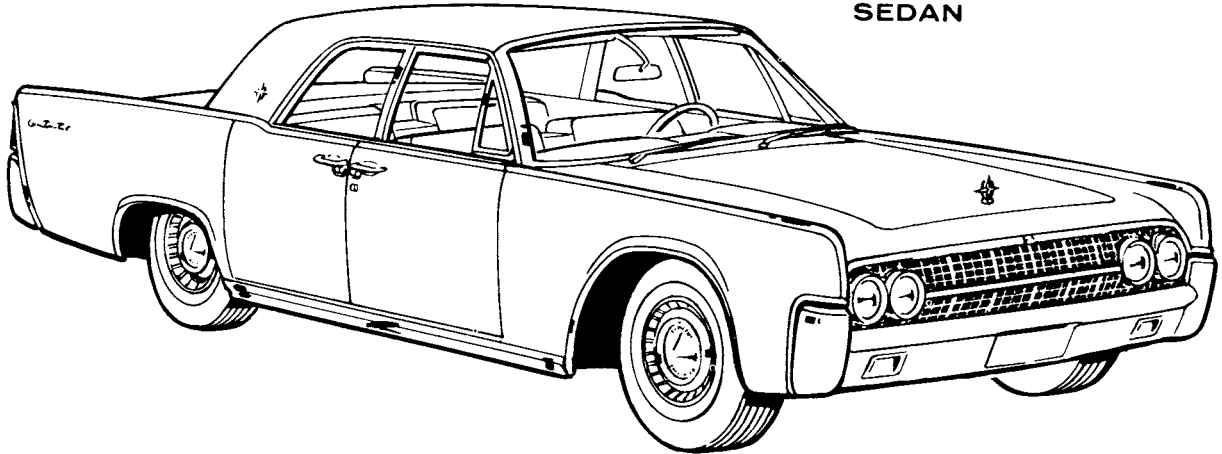
VEHICLE DATE CODES

CODE	*CODE	MONTH
A	N	January
B	P	February
C	Q	March
D	R	April
E	S	May
F	T	June
G	U	July
H	V	August
J	W	September
K	X	October
L	Y	November
M	Z	December

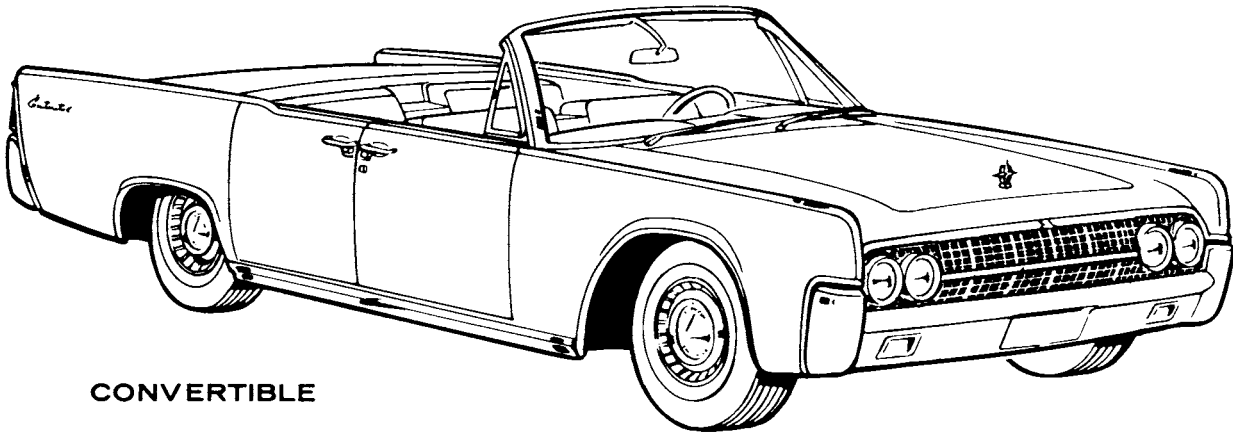
*2 year code letters to be used if 1963 models exceed 12 months

1963 LINCOLN CONTINENTAL MODEL IDENTIFICATION

SEDAN



CONVERTIBLE



BODY CODE	BODY STYLE
53	Lincoln Continental 4-Door Sedan
74	Lincoln Continental 4-Door Convertible

1963 LINCOLN CONTINENTAL WARRANTY PLATE INFORMATION

The following breakdown of Codes will appear on the Warranty Plate:
according to the build-up of each vehicle

BODY STYLE CODES

BODY CODE	SERIES CODE	BODY STYLE
53	82	Lincoln Continental 4-Door Sedan
74	86	Lincoln Continental 4-Door Convertible

TRANSMISSION CODE

CODE	TRANSMISSION TYPE
4	AUTOMATIC DUAL RANGE

REAR AXLE CODE

NON-LOCKING DIFF.	RATIO	LOCKING DIFF.
I	2:89:1	A

VEHICLE DATE CODES

CODE	*CODE	MONTH
A	N	January
B	P	February
C	Q	March
D	R	April
E	S	May
F	T	June
G	U	July
H	V	August
J	W	September
K	X	October
L	Y	November
M	Z	December

**To be used if 1963 model exceeds 12 months*

EXTERIOR PAINT CODES

(A "No Punch" in the paint color space indicates Special Paint)

CODE	COLOR	*SPEC. NBR.
A	Black Satin	M30J-1724
C	Oxford Gray	M30J-1445
D	Riviera Turquoise	M30J-1070
E	Bermuda Blue	M30J-1269
G	Silver Mink	M30J-1446
H	Nocturne Blue	M30J-1544
I	Polynesian Gold	M30J-1459
L	Teaberry	M30J-1458
M	Ermine White	M30J-1238
N	Platinum	M30J-921
O	Inverness Green	M30J-1554
P	Scotch Green	M30J-1454
Q	Spanish Red	M30J-1552
R	Premier Yellow	M30J-1456
S	Highlander Green	M30J-1453
T	Nassau Beige	M30J-1543
W	Rose Metallic	M30J-1555
X	Burgundy Frost	M30J-1444
Z	Autumn Frost	M30J-1427

**M-32J Acrylic Enamel is alternate with M-30J Enamel*

ENGINE CODE

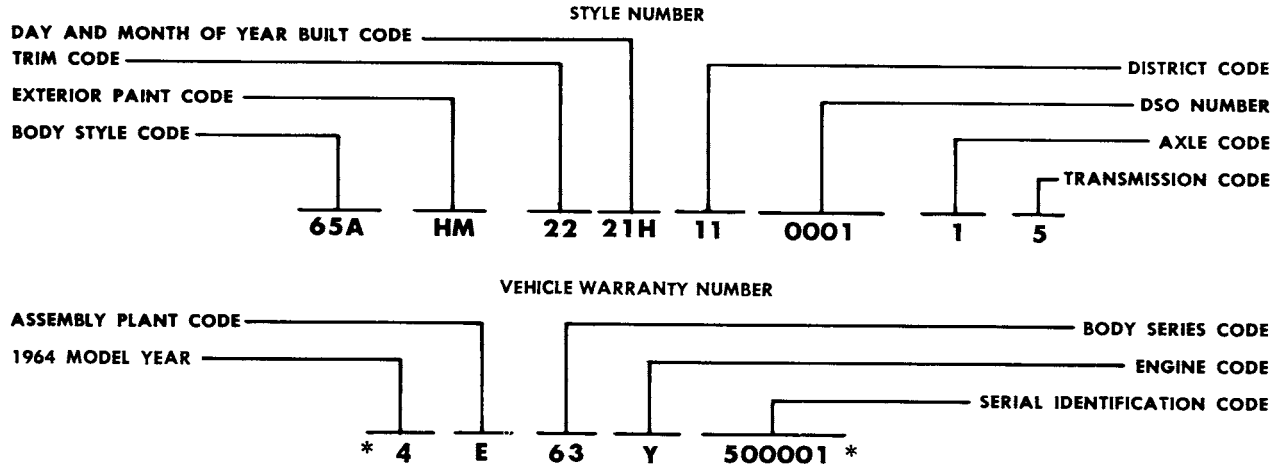
CODE	ENGINE TYPE
N	430 C.I.D. 8 CYL.-4-V CARB.
7	430 C.I.D. 8 CYL.-4-V CARB. LOW COMPRESSION

TYPICAL 1964 WARRANTY PLATE INFORMATION

The Warranty Plate is riveted to the left front door below the door lock. The Warranty Plate includes information relative to the type of engine, axle, transmission, trim (exterior and interior), and body style of the vehicle. It also includes the date (day, month and year) and place of manufacture.

★When a numerical suffix is placed after the trim code (see Warranty Plate illustration), the Deviation Trim Set is not serviced, and if an alphabetical suffix is placed after the trim code the Deviation Trim Set is to be serviced.

WARRANTY PLATE DIAGRAM



★
NS TRIM CODE
22 1

★
SERVICED TRIM CODE
22 A

ASSEMBLY PLANT CODES

CODE	ASSEMBLY PLT.	CODE	ASSEMBLY PLT.
E	Mahwah	R	San Jose
F	Dearborn	T	Metuchen
H	Lorain	W	Wayne
J	Los Angeles	Y	Wixom
K	Kansas City	Z	St. Louis

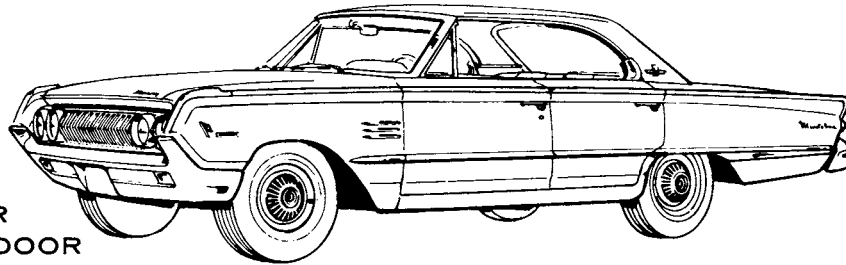
SOFT TRIM SCHEME CODES

REFER TO: The Master Price & Reference List,
Form MD-4230

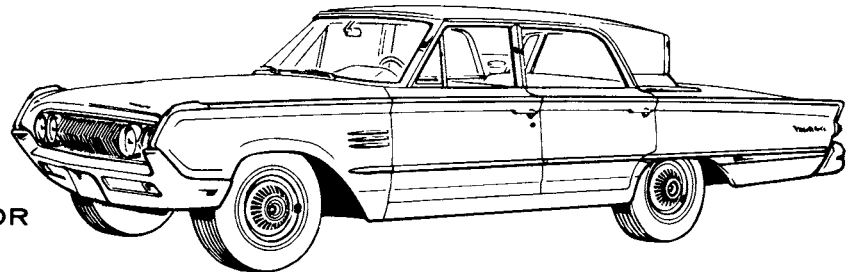
DISTRICT CODES

Refer to: Soft Trim Section of Master Price & Reference List Form MD-4230.

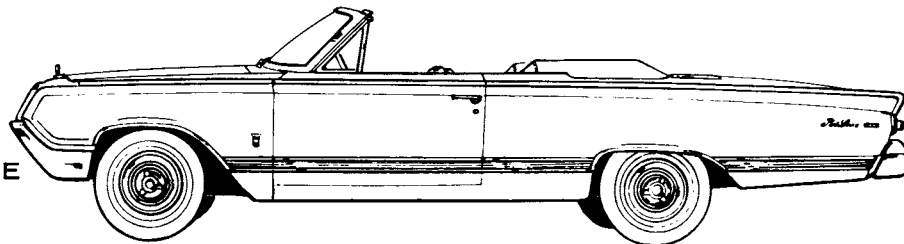
1964 MERCURY MODEL IDENTIFICATION



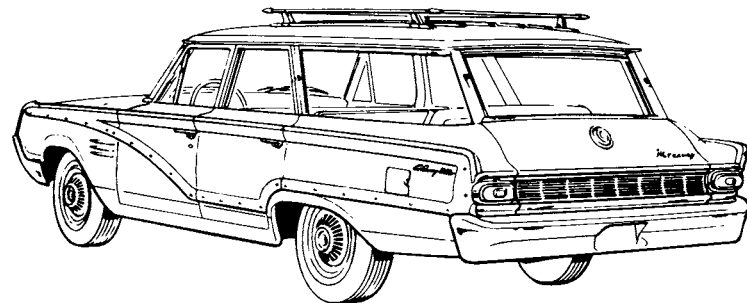
MARAUDER
2-DOOR OR 4-DOOR



PASSENGER
2-DOOR OR 4-DOOR



CONVERTIBLE
2-DOOR



STATION WAGON
4-DOOR

BODY CODE	BODY STYLE CODES	BODY CODE	BODY STYLE CODES
54A	4-Door Sedan (Monterey)	65A	2-Door Hardtop—Monterey
54B	4-Door Sedan (Montclair)	65B	2-Door Hardtop—Montclair
54F	4-Door Sedan (Parklane)	65C	2-Door Hardtop—Parklane (Bucket Seat)
57A	4-Door Hardtop-Fastback—Monterey	65F	2-Door Hardtop—Parklane
57C	4-Door Hardtop-Fastback—Parklane Marauder (Bucket Seat)	71A	4-Door—Commuter Station Wagon (6 passenger)
57D	4-Door Hardtop-Fastback—Montclair Marauder	71B	4-Door—Colony Park Station Wagon (6 passenger)
57F	4-Door Hardtop-Fastback—Parklane Marauder	71C	4-Door—Commuter Station Wagon (9 passenger)
62A	2-Door Sedan Monterey	71D	4-Door—Colony Park Station Wagon (9 passenger)
63A	2-Door Hardtop-Fastback—Monterey	75F	4-Door Hardtop—Parklane
63C	2-Door Hardtop-Fastback—Parklane Marauder (Bucket Seat)	76A	2-Door Convertible—Monterey
63D	2-Door Hardtop-Fastback—Montclair Marauder	76C	2-Door Convertible—Parklane (Bucket Seat)
63F	2-Door Hardtop-Fastback—Parklane Marauder	76F	2-Door Convertible—Parklane

1964 MERCURY WARRANTY PLATE INFORMATION

The following breakdown of Codes will appear on the Warranty Plate according to the build-up of each vehicle.

EXTERIOR PAINT CODES

(A "No Punch" In Paint Code Space Designates Special Paint)

CODE	COLOR	*SPEC. NBR.
A	Onyx	M30J-1724
B	Peacock	M30J-1638
D	Silver Turquoise	M30J-1625
F	Pacific Blue	M30J-1622
G	Palomino	M30J-1636
I	Aztec Gold	M30J-1635
J	Carnival Red	M30J-1515
K	Anniversary Silver	M30J-1621
L	Bittersweet	M30J-1637
M	Polar White	M30J-1619
P	Pecan Frost	M30J-1738
R	Yellow Mist	M30J-1633
T	Fawn	M30J-1631
V	Maize	M30J-1729
W	Pink Frost	M30J-1555
X	Burgundy	M30J-1632
Y	Glacier Blue	M30J-1623
Z	Platinum Beige	M30J-1630

*M-32J Acrylic Enamel is Alternate with M-30J Enamel

TRANSMISSION CODES

CODE	TRANSMISSION TYPE
1	Standard (3-speed) (3/S)
2	Standard (3-Speed) O/D (O/D)
4	Dual Range Automatic (D/R)
5	Standard (4-Speed) (4/S)

ENGINE CODES

CODE	ENGINE TYPE
Y	8 Cyl.—390 C.I.D., 2-V Carb. (Regular)
H	8 Cyl.—390 C.I.D., 2-V Carb. (Special)
Z	8 Cyl.—390 C.I.D., 4-V Carb.
P	8 Cyl.—390 C.I.D., 4-V Carb. Police Special
P	8 Cyl.—390 C.I.D., 4-V Carb. (Interceptor) (Identified by Chrome Dress-up)
9	8 Cyl.—390 C.I.D., 4-V Carb. (Low Comp.)
M	8 Cyl.—396 C.I.D., 4-V Carb.
Q	8 Cyl.—427 C.I.D., 4-V Carb.
R	8 Cyl.—427 C.I.D., 8-V Carb.

BODY STYLE CODES

BODY CODE	SERIES CODE	BODY STYLE CODES
54A	42	4-Door Sedan (Monterey)
54B	52	4-Door Sedan (Montclair)
54F	62	4-Door Sedan (Parklane)
57A	48	4-Door Hardtop-Fastback—Monterey
57C	68	4-Door Hardtop-Fastback—Parklane Marauder
57D	58	4-Door Hardtop-Fastback—Montclair Marauder
57F	68	4-Door Hardtop-Fastback—Parklane Marauder
62A	41	2-Door Sedan—Monterey
63A	47	2-Door Hardtop-Fastback—Monterey
63C	67	2-Door Hardtop-Fastback—Parklane Marauder (Bucket Seat)
63D	57	2-Door Hardtop-Fastback—Montclair Marauder
63F	67	2-Door Hardtop-Fastback—Parklane Marauder
65A	43	2-Door Hardtop—Monterey
65B	53	2-Door Hardtop—Montclair
65C	63	2-Door Hardtop—Parklane (Bucket Seat)
65F	63	2-Door Hardtop—Parklane
71A	72	4-Door—Commuter Station Wagon (6 passenger)
71B	76	4-Door—Colony Park Station Wagon (6 passenger)
71C	72	4-Door—Commuter Station Wagon (9 passenger)
71D	76	4-Door—Colony Park Station Wagon (9 passenger)
75F	64	4-Door Hardtop—Parklane
76A	45	2-Door Convertible—Monterey
76C	65	2-Door Convertible—Parklane (Bucket Seat)
76F	65	2-Door Convertible—Parklane

REAR AXLE CODES

NON-LOCKING DIFF.	RATIO	LOCKING DIFF.
1	3.00:1	NOTE: Equi Lock Ratio's are identified by the comparable alphabetical equivalent of the numeric used on the regular Axle Ratio's i.e., 1=A, 5=E, Etc.
4	3.25 to 1	
5	3.50:1	
8	3.89:1	
9	4.11:1	

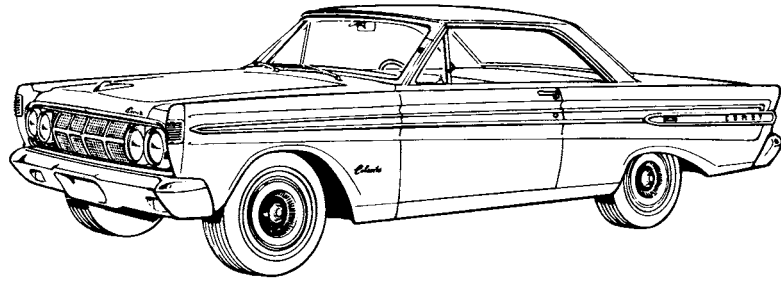
VEHICLE DATE CODES

CODE	*CODE	MONTH
A	N	January
B	P	February
C	Q	March
D	R	April
E	S	May
F	T	June
G	U	July
H	V	August
J	W	September
K	X	October
L	Y	November
M	Z	December

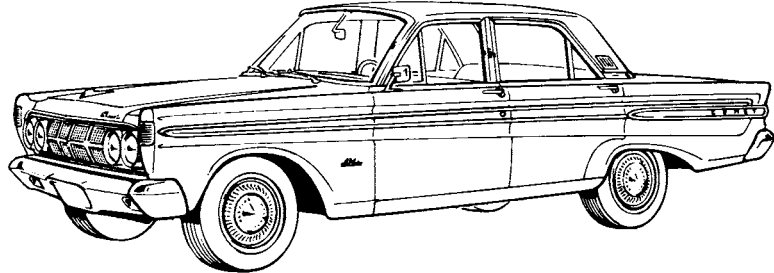
*2 Year Code Letters To Be Used if 1964 Models Exceed 12 Months.

1964 COMET MODEL IDENTIFICATION

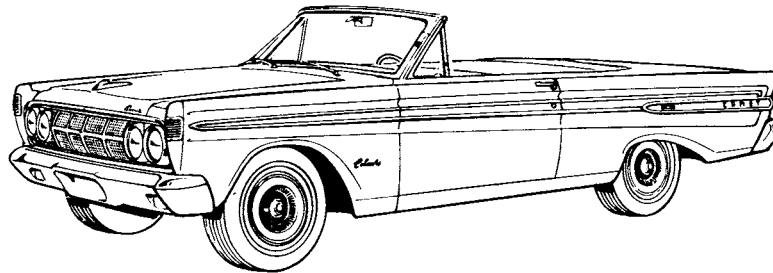
HARDTOP
2-DOOR



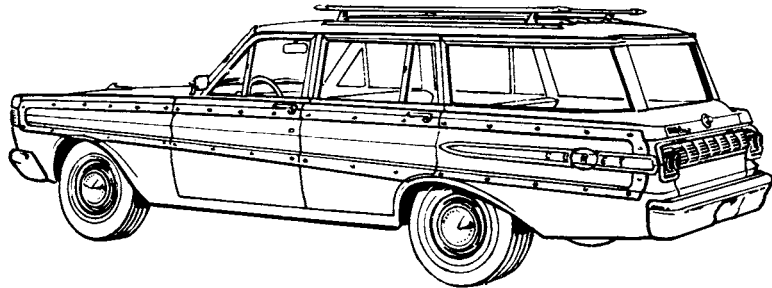
PASSENGER
2-DOOR OR 4-DOOR



CONVERTIBLE



STATION WAGON
4-DOOR



BODY CODE	BODY STYLE	BODY CODE	BODY STYLE
54A	4-Door Sedan—202	63C	2-Door Hardtop—Caliente (Bucket Seat)
54B	4-Door Sedan—404	63D	2-Door Hardtop—Caliente
54C	4-Door Sedan—Caliente (Bucket Seat)	71A	4-Door Station Wagon—202
54D	4-Door Sedan—Caliente	71B	4-Door Station Wagon—404
62A	2-Door Sedan—202	71C	4-Door Station Wagon—404 (Wood Rail)
62B	2-Door Sedan—404	76B	2-Door Convertible—Caliente (Bucket Seat)
62C	2-Door Sedan—404 (Bucket Seat)	76D	2-Door Convertible—Caliente

1964 COMET WARRANTY PLATE INFORMATION

The following breakdown of Codes will appear on the Warranty Plate according to the build-up of each vehicle.

BODY STYLE CODES

BODY CODE	SERIES CODE	BODY STYLE
54A	02	4-Door Sedan—202
54B	12	4-Door Sedan—404
54C	22	4-Door Sedan—Caliente (Bucket Seat)
54D	22	4-Door Sedan—Caliente
62A	01	2-Door Sedan—202
62B	11	2-Door Sedan—404
62C	11	2-Door Sedan—404 (Bucket Seat)
63C	23	2-Door Hardtop—Caliente (Bucket Seat)
63D	23	2-Door Hardtop—Caliente
63E	27	2-Door Hardtop—Cyclone (Bucket Seats)
71A	32	4-Door Station Wagon—202
71B	34	4-Door Station Wagon—404
71C	36	4-Door Station Wagon—404 (Wood Rail)
76B	25	2-Door Convertible—Caliente (Bucket Seat)
76D	25	2-Door Convertible—Caliente

ENGINE CODES

CODE	ENGINE TYPE
U	6 CYL.—170 C.I.D., 1-V CARB.
4	6 CYL.—170 C.I.D., 1-V CARB. (Low Comp.)
T	6 CYL.—200 C.I.D., 1V CARB.
F	8 CYL.—260 C.I.D., 2-V CARB.
6	8 CYL.—260 C.I.D., 2V CARB. (Low Comp.)
D	8 CYL.—289 C.I.D., 4V CARB. (Special Performance) (Identified by Transistorized Ignition System)
K	8 CYL.—289 C.I.D., 4V CARB. (Cyclone) (Identified by Chrome Dress-up)

REAR AXLE CODES

CODE	RATIO	CODE	RATIO
1	3.00:1	5	3.50:1
3	3.20:1	6	2.80:1
4	3.25:1		

NOTE: Equa Lock Ratios are identified by the comparable alphabetical equivalent of the numeric used on the regular Axle Ratios i.e., 1=A, 5=E, etc.

TRANSMISSION CODES

CODE	TRANSMISSION TYPE
1	Standard (3-Speed) (3/S)
3	Automatic (2-Speed) (2/S)
5	Standard (4-Speed) (4/S)
6	Automatic (3-Speed) (D/R)—(XP)

EXTERIOR PAINT CODES

(A "No Punch" In Paint Code Space Designates Special Paint)

CODE	COLOR	*SPEC. NBR.
A	Onyx	M30J-1724
B	Peacock	M30J-1638
D	Silver Turquoise	M30J-1625
F	Pacific Blue	M30J-1622
G	Palomino	M30J-1636
J	Carnival Red	M30J-1515
K	Anniversary Silver	M30J-1621
M	Polar White	M30J-1619
R	Yellow Mist	M30J-1633
T	Fawn	M30J-1631
X	Burgundy	M30J-1632
Y	Glacier Blue	M30J-1623
Z	Platinum Beige	M30J-1630

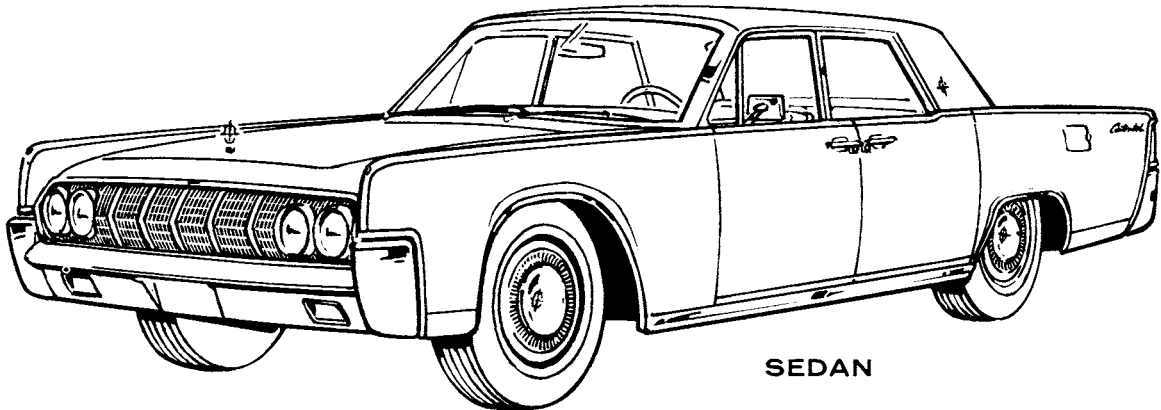
*M-32J Acrylic Enamel is alternate with M-30J Enamel.

VEHICLE DATE CODES

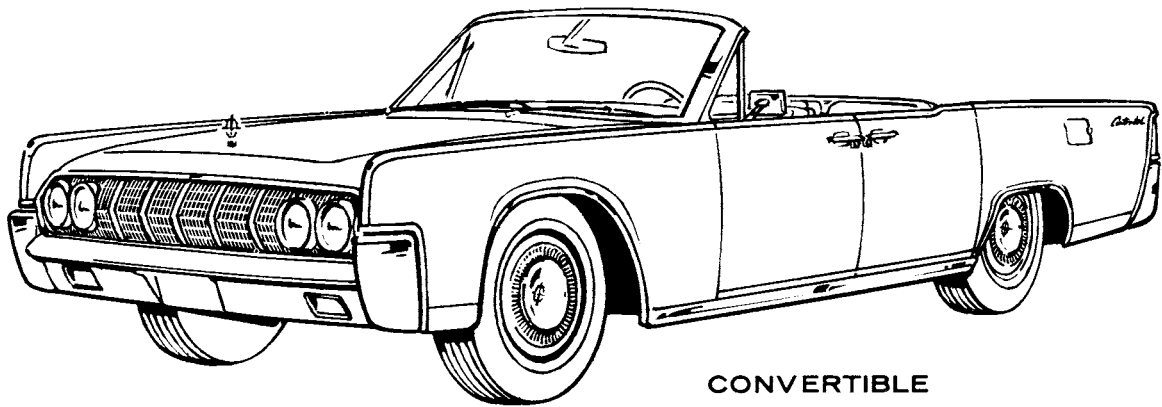
CODE	*CODE	MONTH
A	N	January
B	P	February
C	Q	March
D	R	April
E	S	May
F	T	June
G	U	July
H	V	August
J	W	September
K	X	October
L	Y	November
M	Z	December

*2 year code letters to be used if 1964 models exceed 12 months

1964 LINCOLN CONTINENTAL MODEL IDENTIFICATION



SEDAN



CONVERTIBLE

BODY CODE	BODY STYLE
53A	Lincoln Continental 4-Door Sedan
74A	Lincoln Continental 4-Door Convertible

1964 LINCOLN CONTINENTAL WARRANTY PLATE INFORMATION

The following breakdown of Codes will appear on the Warranty Plate:
according to the build-up of each vehicle

BODY STYLE CODES

BODY CODE	SERIES CODE	BODY STYLE
53A	82	Lincoln Continental 4-Door Sedan
74A	86	Lincoln Continental 4-Door Convertible

TRANSMISSION CODE

CODE	TRANSMISSION TYPE
4	AUTOMATIC DUAL RANGE

REAR AXLE CODE

NON-LOCKING DIFF.	RATIO	LOCKING DIFF.
1	2.89:1	NOTE: Equal Lock Ratios are identified by the comparable alphabetical equivalent of the numeric used on the regular Axle Ratios i.e., 1=A, 5=E, etc.
3	3.11:1	

VEHICLE DATE CODES

CODE	*CODE	MONTH
A	N	January
B	P	February
C	Q	March
D	R	April
E	S	May
F	T	June
G	U	July
H	V	August
J	W	September
K	X	October
L	Y	November
M	Z	December

**To be used if 1964 model exceeds 12 months*

EXTERIOR PAINT CODES

(A "No Punch" in the paint color space indicates Special Paint)

CODE	COLOR	*SPEC. NBR.
A	Black Satin	M32J-1724
C	Princeton Gray	M32J-1620
E	Silver Blue	M32J-1446
F	Powder Blue	M32J-1226
G	Buckskin	M32J-1636
H	Nocturne Blue	M32J-1544
J	Fiesta Red	M32J-1515
M	Arctic White	M32J-1619
N	Platinum	M32J- 921
O	Silver Green	M32J-1629
P	Burnish Bronze	M32J-1738
Q	Huron Blue	M32J-1624
R	Encino Yellow	M32J-1633
S	Highlander Green	M32J-1453
T	Desert Sand	M32J-1631
U	Regal Turquoise	M32J-1070
W	Rose	M32J-1555
X	Royal Maroon	M32J-1632
Z	Silver Sand	M32J-1630

ENGINE CODE

CODE	ENGINE TYPE
N	8 CYL. 430 C.I.D.—4-V CARB.
7	8 CYL. 430 C.I.D.—4-V CARB. LOW COMPRESSION

ABBREVIATIONS

accel.	accelerator	c/pin	cotter pin
A/cond. or A/C	air conditioner	c/shaft	crankshaft
adj.	adjusting	cyl.	cylinder
alum.	aluminum	D/A	double action
AM	amplitude modulation	D. C.	double contact
amp.	ampere	def.	defroster
approx.	approximately	defl.	deflector
AR	as required	dia.	diameter
assy.	assembly	diaph.	diaphragm
A/T	automatic transmission	diff.	differential
auto.	automatic	dist.	distributor
aux.	auxiliary	dr.	door
b. hd.	button head	D/R	dual range transmission
brg.	bearing	econ.	economizer
brkt.	bracket	elect.	electric
bshg.	bushing	emer.	emergency
B/U lamp	back-up lamp	equip.	equipment
bump.	bumper	exh.	exhaust
cap.	capacity	ext.	extension
carb.	carburetor	ext.	external
C. I.	cast iron	fill. hd.	fillister head
C. I. D.	engine cubic inch displacement	fl. hd.	flat head
comm.	commercial	FM	frequency modulation
comp.	compression	fr. or frt.	front
compt.	compartment	ft.	foot or feet
conn.	connecting	ga.	gauge
contr.	connector	gal.	gallon
coup. or cplg.	coupling	gen.	generator
C. P.	candle power	gov.	governor
c/p	concealed pillar	grmt.	grommet

ABBREVIATIONS - Continued

ret.retainer	S/W or sta.wagon	...station wagon
R. H. or Rright hand	tap.tapping
R. H. D.right hand drive	T'birdThunderbird
RPMrevolutions per minute	temp.temperature
R. P. O.regular production option	thrd. or thd.thread
rr.rear	trans.transmission
S. A.service in assembly	univ.universal
S/Asingle action	univ./jt.universal joint
S. C.single contact	U/Sundersize
S. D.service details	VV-belt
sec.secondary	vac.vacuum
spdl.spindle	ventventilator
spec.special	w/with
spec. hd.special head	w/owithout
sprg.spring	W/Swindshield
sq.square	wshr.washer
sq. hd.square head	2/Stwo speed transmission
S/Rsingle range transmission	3/Sthree speed transmission
S/Tstandard transmission	4/Sfour speed transmission
std.standard	1Vone venturi
strg.steering	2Vtwo venturi
supp.support	4Vfour venturi
susp.suspension	6Vsix venturi

Alphabetical Index

Part Name	Group Number	Part Name	Group Number
A			
ACCELERATOR CONTROL KIT	9B843	ARM-STEERING IDLER	3355
ACTUATOR & HOUSING ASSEMBLY-SPEED CONTROL	9A889	ARM-STEERING PITMAN	3590
ACTUATOR ASSEMBLY-SPEED CONTROL	9A825	ARM-STEERING SPINDLE	3130-1
ACTUATOR-BACK-UP LAMP SWITCH	15540	ARM-TRANSMISSION GEARSHIFT	7302-3
ACTUATOR-LUGGAGE COMPARTMENT DOOR OPEN LIMIT SWITCH	13A730-1	ARM-VALVE ROCKER	6564
ACTUATOR-LUGGAGE COMPARTMENT DOOR CLOSE LIMIT SWITCH R.H.	13A746	ARMATURE & BEARING-GENERATOR	10027
ACTUATOR-POWER STEERING VALVE	3812	ARMATURE-GENERATOR	10005
ACTUATOR-TOP CONTROL LOCK LIMIT SWITCH	15B656	ARMATURE-STARTER	11005
ACTUATOR-TRANSMISSION NEUTRAL SWITCH PIN	7B097	ARRESTOR-CRANKCASE VENTILATION FLAME	6A827
ADAPTOR-A/COND. COMPRESSOR	2A879	AUTOMATIC HEADLAMP DIMMER KIT	13A016
ADAPTOR-CARBURETOR AIR CLEANER TO CARBURETOR	9A621	AXLE-REAR-LESS WHEELS, HUBS, DRUMS, BRAKES	4006
ADAPTOR-CARBURETOR FUEL INLET	9A520	AXLE SHAFTS	
ADAPTOR-CIGAR LIGHTER SOCKET	15063	B	
ADAPTOR-CRANKCASE VENTILATION	6A665	BACK-UP LAMP KIT	15499
ADAPTOR-CRANKSHAFT PULLEY	6A329	BACK-UP LAMP SWITCH KIT	15A490
ADAPTOR-FUSE JUNCTION BOX TO BATTERY CABLE	14A092	BAFFLE ASSEMBLY-OIL INDICATOR WARNING LAMP	10A990
ADAPTOR-LIGHTING SWITCH TO NUT	11A653	BAFFLE-CARBURETOR FLOAT BOWL	9A517
ADAPTOR-LUGGAGE COMPARTMENT DOOR CLOSE LIMIT SWITCH	13B714	BAFFLE-CARBURETOR METERING BODY VENT PRIMARY	9553
ADAPTOR-OIL FILTER	6881	BAFFLE-CONVERTER HOUSING	7978
ADAPTOR-POWER STEERING PUMP TO RESERVOIR INLET	3670	BAFFLE-CRANKCASE VENTILATION	6A630
ADAPTOR-THERMOSTATIC CHOKE CONTROL-INLET TUBE	9C786	BAFFLE-HIGH BEAM LAMP	10B892
ADAPTOR-TRANSMISSION EXTENSION	7C386	BAFFLE-INSTRUMENT CONTROL HOUSING LIGHT	10976
ADAPTOR-TRANSMISSION OVERDRIVE	7660	BAFFLE-POWER STEERING OIL RESERVOIR OUTLET	3A703
ADAPTOR-WATER TEMPERATURE INDICATOR	10911	BAFFLE-TRANSMISSION CONTROL SELECTOR INDICATOR	7B349
ADJUSTER-POWER STEERING CONTROL VALVE SLEEVE LOCKNUT	3821	DIAL LIGHT	
ADJUSTER-POWER STEERING CONTROL VALVE SPOOL	3B700	BAFFLE-TRANSMISSION MAIN DRIVE GEAR OIL	7040
ADJUSTER-STEERING GEAR WORM THRUST BEARING	3A670	BAFFLE-TRANSMISSION MAIN SHAFT OIL	7668
ALTERNATOR	10346	BAFFLE-VALVE PUSH ROD VENTILATION	6A669
AMPLIFIER & WIRING HARNESS-HEADLAMP DIMMER	13A018	BAFFLE-VALVE SPRING OIL	6524
AMPLIFIER-IGNITION CURRENT	12A027	BAFFLE-WHEEL BRAKE GREASE	2240
ANTI-RATTLER-RADIATOR SUPPORT CROSS BAR	8A031	BAIL-FUEL PUMP STRAINER	9387
ARM-A/COND. COMPRESSOR BELT ADJUSTMENT	2A942	BALL & CAGE-STEERING GEAR WORM THRUST BEARING	3571
ARM & BRACKET-STEERING IDLER	3A034	BALL-CLUTCH RELEASE EQUALIZER SHAFT	7543
ARM & BUSHING-STEERING IDLER	3A734	BALL-STEERING GEAR WORM	3647
ARM-FRONT SUSPENSION-LOWER	3078-9	BALL STUD-CARBURETOR THROTTLE LEVER	9681
ARM-FRONT SUSPENSION-LOWER LEFT	3051	BAND-GENERATOR	10142
ARM-FRONT SUSPENSION-UPPER	3082-3	BAND-STARTER COVER	11126
ARM-FUEL PUMP ROCKER	9376	BAND-TRANSMISSION-FRONT	7A162
ARM-GENERATOR BRUSH	10040	BAND-TRANSMISSION-REAR	7A176
ARM-GENERATOR OR ALTERNATOR BELT ADJUSTMENT	10145	BAR ASSEMBLY-FRONT STABILIZER	5482
ARM-SPEED CONTROL-THROTTLE	9A810	BAR-CLUTCH RELEASE EQUALIZER	7A521
		BAR-CLUTCH RELEASE EQUALIZER	7528
		BAR-RADIATOR GRILLE-CENTER	8418
		BAR-RADIATOR GRILLE-OUTER	8363
		BAR-RADIATOR GRILLE-VERTICAL	8164
		BAR-RADIATOR SUPPORT CROSS	8A027

Alphabetical Index—Continued

Part Name	Group Number	Part Name	Group Number
BAR-REAR SPRING SHACKLE-INNER	5626	BELLCRANK-TRANSMISSION CONTROL TO ACCELERATOR SHAFT	7A188
BAR-REAR SPRING SHACKLE-OUTER	5627	BELT DRIVEN POWER STEERING PUMP ROLLER KIT	3A711
BATTERY-LESS ELECTROLYTE	10653	BELT-GENERATOR OR ALTERNATOR & WATER PUMP	8620
BATTERY-WITH ELECTROLYTE	10654-5		
BEARING-A/COND.COMPRESSOR BELT IDLER PULLEY	2873	BEZEL & RETAINER-CIGAR LIGHTER	15A051
		BEZEL ASSEMBLY-OIL TEMPERATURE WARNING INDICATOR	10B949
BEARING-ACCELERATOR SHAFT	9762	BEZEL-BACK WINDOW REGULATOR CONTROL SWITCH	14A122
BEARING-A/COND.COMPRESSOR PULLEY	2990	BEZEL-CIGAR LIGHTER	15058
BEARING-ALTERNATOR	10A303-4		
BEARING-CAMSHAFT-CENTER	6262	BEZEL-CIGAR LIGHTER	15053
BEARING-CAMSHAFT-FRONT	6261	BEZEL-FRONT FENDER HEADLAMP	13048-9
		BEZEL-FUEL & TEMPERATURE INDICATOR	9A283
BEARING-CAMSHAFT-FRONT INTERMEDIATE	6267	BEZEL-IGNITION SWITCH	11584
BEARING-CAMSHAFT-REAR	6263	BEZEL-INSTRUMENT CLUSTER	10A856-7
BEARING-CAMSHAFT-REAR INTERMEDIATE	6270		
BEARING-CARBURETOR CHOKE SHAFT	9992	BEZEL-INSTRUMENT CLUSTER	10876
BEARING-CLUTCH PEDAL SHAFT	7551	BEZEL-INSTRUMENT CLUSTER-CENTER	10A994
		BEZEL-INSTRUMENT CLUSTER CONTROL	10852
BEARING-CLUTCH PILOT	7600	BEZEL-INSTRUMENT CLUSTER CONTROL	10A876
BEARING-CLUTCH RELEASE	7580	BEZEL-INSTRUMENT CLUSTER CONTROL POD	10A868-9
BEARING-CONNECTING ROD	6211		
BEARING-CRANKSHAFT MAIN-CENTER	6337	BEZEL-INSTRUMENT CLUSTER CONTROL SWITCHES	11875
BEARING-CRANKSHAFT MAIN-FRONT & REAR	6333	BEZEL-LIGHTING SWITCH	11A656
		BEZEL-PARKING BRAKE WARNING LAMP	10A840
BEARING-CRANKSHAFT MAIN-REAR INTERMEDIATE	6342	BEZEL-READING LAMP	13742
BEARING-DRIVESHAFT ROLLER SPLINE	4789	BEZEL-SEAT REGULATOR CONTROL SWITCH	14B690
BEARING-GENERATOR OR ALTERNATOR	10094-5		
BEARING-POWER STEERING CONTROL VALVE SLEEVE	3B673	BEZEL-SEAT REGULATOR CONTROL SWITCH	14A706
BEARING-REAR AXLE DRIVE PINION GEAR PILOT	4625	BEZEL-SPEED CONTROL ACTUATOR	9A847
		BLADE-FAN	8600
BEARING-REAR WHEEL	1225	BLOCK-CYLINDER	6010
BEARING-STARTER BRUSH END PLATE	11052	BLOCK-HEADLAMP SWITCH JUNCTION	11A648
BEARING-STARTER REAR END PLATE	11135		
BEARING-STEERING COLUMN RELEASE CAM	3D581	BLOCK-HEADLAMP SWITCH JUNCTION	11A647
BEARING-STEERING COLUMN TO TRACK LOWER BRACKET	3C728	BLOCK-JUNCTION	14448
		BLOCK-TERMINAL	14A725
BEARING-STEERING COLUMN-UPPER	3517	BLOCK-TRANSMISSION CONTROL SELECTOR NEUTRAL SWITCH TERMINAL	7A217
BEARING-STEERING GEAR SECTOR SHAFT	3576		
BEARING-TRANSMISSION COUNTERSHAFT GEAR	7121	BODY & PLUGS ASSEMBLY-FUEL PUMP	9343
BEARING-TRANSMISSION LONG PLANET GEAR	7185	BODY & PLUGS-CARBURETOR MAIN	9512
BEARING-TRANSMISSION MAIN DRIVE GEAR	7025	BODY & PLUGS-CARBURETOR MAIN METERING-PRIMARY	9A511
		BODY & SHAFT-CARBURETOR THROTTLE	9518
BEARING-TRANSMISSION MAIN SHAFT	7065	BODY & SOCKET-BACK-UP LAMP	15A497-8
BEARING-TRANSMISSION PARKING LINKAGE NEEDLE	7507		
BEARING-TRANSMISSION PARKING PAWL	7320	BODY & SOCKET-REAR LICENSE LAMP	13560
BEARING-TRANSMISSION REAR SERVO LEVER NEEDLE	7406	BODY & SWITCH-CARGO OR DOME LAMP	13749
BEARING-TRANSMISSION REAR SUN GEAR THRUST-FRONT	7503	BODY & SWITCH-COURTESY LAMP	13A781-2
		BODY ASSEMBLY-TURN SIGNAL INDICATOR LAMP	13A327
BEARING-TRANSMISSION SECOND & THIRD GEAR THRUST	7120	BODY-BACK-UP LAMP	15515
BEARING-TRANSMISSION SHIFT TUBE	7347		
BEARING-TRANSMISSION SHORT PLANET GEAR	7A240	BODY-BRAKE BOOSTER	2366
BEARING-WATER PUMP	8530	BODY-BRAKE MASTER CYLINDER	2155
BELLCRANK & BRACKET-SPEED CONTROL	9B711	BODY-CARBURETOR AIR CLEANER	9609
		BODY-CARBURETOR MAIN METERING-SECONDARY	9A513
BELLCRANK-CARBURETOR ACCELERATOR	9732		

Alphabetical Index—Continued

Part Name	Group Number	Part Name	Group Number
BODY-COURTESY LAMP	13A744	BOOSTER-BRAKE VACUUM	2005
BODY-FUEL PUMP PULSATOR	9372	BOOT-ACCELERATOR SHAFT	9A873
BODY-INTERIOR LAMPS	13786-7	BOOT & INSULATOR-POWER STEERING PISTON KIT	3C651
BODY-PARKING LAMP	13206-7	BOOT-BRAKE BOOSTER PUSH ROD	2A477
BODY-REAR LAMP	13440	BOOT-BRAKE MASTER CYLINDER	2180
BODY-TRANSMISSION FRONT SERVO	7A094	BOOT-BRAKE WHEEL CYLINDER	2206-7
BODY-TRANSMISSION GOVERNOR	7C063	BOOT-COURTESY LAMP SWITCH	13A759
BODY-TRANSMISSION REAR SERVO	7B172	BOOT-TRANSMISSION GEARSHIFT	7277
BODY WITH SOCKET & WIRE-REAR LAMP	13434-5	BOWL & PLUGS-CARBURETOR FLOAT-PRIMARY	9A507
BOLT & RETAINER-REAR SPRING FRONT HANGER	5833	BOWL & PLUGS-CARBURETOR FLOAT-SECONDARY	9A508
BOLT-ALTERNATOR THRU	10A396	BOWL-FUEL FILTER	9355
BOLT ASSEMBLY-ENGINE TO FRAME MOUNTING	6A064	BRACE-A/COND. COMPRESSOR	2888
BOLT-BATTERY CLAMP	10756	BRACE-A/COND.COMPRESSOR-LOWER	2889
BOLT-BRAKE BOOSTER VACUUM HOSE CONNECTOR	2A412	BRACE-BATTERY	10769
BOLT-CONNECTING ROD	6214	BRACE-BATTERY HOLD DOWN CLAMP	10741
BOLT-CONVERTER TO ENGINE	6065	BRACE-BATTERY SUPPORT-FRONT	10798
BOLT-CRANKSHAFT-REAR SEAL RETAINER	6350	BRACE-CARBURETOR AIR CLEANER	9663
BOLT-CRANKSHAFT VIBRATION DAMPER	6A340	BRACE-FRONT SUSPENSION HOUSING TO COWL TOP	3A200-1
BOLT-CYLINDER HEAD	6065	BRACE KIT-RADIATOR SUPPORT TO COWL TOP	12820
BOLT-ENGINE FRONT SUPPORT INSULATOR	6047	BRACE-RADIATOR GRILLE UPPER SUPPORT TO FRONT FENDER APRON	8340-1
BOLT-FLYWHEEL TO CRANKSHAFT	6379	BRACE-RADIATOR SUPPORT TO COWL TOP	12820
BOLT-FRONT SUSPENSION LOWER ARM BALL JOINT SOCKET	3A486	BRACE-SPEED CONTROL	9A816
BOLT-FRONT SUSPENSION LOWER ARM MOUNTING-FRONT	3057	BRACE-STEERING COLUMN	3C557
BOLT-FRONT SUSPENSION LOWER ARM REAR MOUNTING	3055	BRACE-STEERING COLUMN TRACK INNER	3C762
BOLT-FRONT SUSPENSION LOWER ARM TO SHACKLE MOUNTING	3A263	BRACKET-ACCELERATOR BELLCRANK TO INTAKE MANIFOLD	9A726
BOLT-FRONT SUSPENSION UPPER ARM MOUNTING	3A358	BRACKET-ACCELERATOR SHAFT	9723
BOLT-FUEL TANK STRAP	9A010	BRACKET-ACCELERATOR SHAFT RETRACTING SPRING	9763
BOLT-FUSE JUNCTION PANEL BOX COVER	14A187	BRACKET-ACCELERATOR TO RETRACTING SPRING	9741
BOLT-GENERATOR THRU	10120	BRACKET-A/COND. COMPRESSOR ADJUSTING	2883
BOLT-MAIN BEARING CAP TO BLOCK	6345	BRACKET-A/COND. COMPRESSOR MOUNTING	2882
BOLT-MASTER CYLINDER LINK ROD ECCENTRIC	2462	BRACKET-A/COND. COMPRESSOR SUPPORT	2902
BOLT-OIL PUMP MOUNTING	6638	BRACKET-ALTERNATOR ADJUSTING	10159
BOLT-POWER STEERING CONTROL VALVE SPOOL	3698	BRACKET-ALTERNATOR OR GENERATOR MOUNTING FRONT	10156
BOLT-POWER STEERING OIL FILTER ELEMENT SUPPORT	3601	BRACKET-ALTERNATOR RECTIFIER MOUNTING	10309
BOLT-REAR AXLE HOUSING	2248	BRACKET-ALTERNATOR REGULATOR MOUNTING	10337
BOLT-REAR AXLE HOUSING CARRIER	4347	BRACKET & ACTUATOR-TOP CONTROL ERECT SWITCH MOUNTING	158664
BOLT-REAR BRAKE CYLINDER CONNECTION	2276	BRACKET & CONNECTOR-CRANKCASE VENTILATION	6A706
BOLT-RING GEAR TO DIFFERENTIAL CASE	4216	BRACKET & END PLATE-BRAKE BOOSTER	2A017
BOLT-SPARE WHEEL LOCK	1440	BRACKET & GUSSET ASSEMBLY-FRONT SUSPENSION	3A473-4
BOLT-SPARE WHEEL MOUNTING	1448	BRACKET & INSULATOR	5B223-4
BOLT-STARTER THRU	11091	BRACKET & INSULATOR-MUFFLER INLET PIPE	5A249
BOLT-STEERING COLUMN TUBE FLANGE	3641	BRACKET & INSULATOR-MUFFLER OUTLET PIPE	5A246
BOLT-TRANSMISSION OVERRUNNING CLUTCH CASE	7D167	BRACKET & INSULATOR-MUFFLER SUPPORT	5A203
BOLT-TRANSMISSION REAR SERVO TO CASE	7420	BRACKET & LEVER-CLUTCH RELEASE EQUALIZER FRAME	7490
BOLT-VALVE ROCKER ARM SHAFT SUPPORT	6A527	BRACKET ASSEMBLY-FUEL FILTER	9180
BOLT-WHEEL HUB	1107		

Alphabetical Index—Continued

Part Name	Group Number	Part Name	Group Number
BRACKET ASSEMBLY-HEADLAMP SWITCH	11A668	BRACKET-FUEL FILTER TUBE SUPPORT	9180
BRACKET ASSEMBLY-LOWER ARM MOUNTING	3A031-2	BRACKET-FUEL TANK FILLER PIPE	9040
BRACKET ASSEMBLY SPOTLAMP KIT	15314-5	BRACKET-FUEL TANK SUPPORT FRONT	9068
BRACKET-BACK-UP LAMP MOUNTING	15A507	BRACKET-FUEL TANK SUPPORT REAR	9046
BRACKET-BACK-UP LAMP SWITCH ADJUSTING	15A518	BRACKET-FUSE JUNCTION PANEL MOUNTING	14A254
BRACKET-BACK-UP LAMP SWITCH MOUNTING	15517	BRACKET-GENERATOR & ALTERNATOR MOUNTING	10A313
BRACKET-BACK-UP LAMPS	13322	BRACKET-GENERATOR OR ALTERNATOR MOUNTING	10151
BRACKET-BATTERY SUPPORT-INNER	10765	BRACKET-GENERATOR REGULATOR MOUNTING	10504
BRACKET-BELT IDLER PULLEY	8680	BRACKET-GENERATOR SHIELD	10180
BRACKET-BRAKE BOOSTER	2031-2	BRACKET-HEADLAMP ADJUSTING NUT	13021
BRACKET-BRAKE BOOSTER MOUNTING	2A248	BRACKET-HEADLAMP HOUSING SUPPORT	13A088
BRACKET-BRAKE HOSE-FRONT	2082	BRACKET-HORN MOUNTING	13830-1
BRACKET-BRAKE HOSE-REAR	2073	BRACKET-IDLE SPEED-UP VALVE	9B759
BRACKET-BRAKE LINE SUPPORT	2A051	BRACKET-IGNITION CABLE MOUNTING	12111-2
BRACKET-BRAKE PEDAL BUMPER	2472	BRACKET-LUGGAGE COMPARTMENT DOOR OPEN LIMIT SWITCH MOUNTING	15651
BRACKET-CARBURETOR CHOKE CONTROL	9796	BRACKET-LUGGAGE COMPARTMENT LAMP SWITCH	13551
BRACKET-CARBURETOR DASHPOT MOUNTING	9B550	BRACKET-MUFFLER HANGER	5260
BRACKET-CARBURETOR IDLE SPEED-UP CONTROL	9D548	BRACKET-MUFFLER HANGER TO REAR SHOCK ABSORBER BRACKET	5277
BRACKET-CARBURETOR THROTTLE CONTROL MOUNTING	9677	BRACKET-MUFFLER INLET PIPE CLAMP	5261
BRACKET-CARBURETOR THROTTLE CONTROL SHAFT	9782	BRACKET-MUFFLER INLET PIPE HANGER	5291
BRACKET-CARBURETOR THROTTLE RETURN SPRING	9B728	BRACKET-MUFFLER OUTLET PIPE HANGER	5A251
BRACKET-CENTER RADIATOR GRILLE MOUNTING	8A280	BRACKET-MUFFLER SUPPORT	5A204-5
BRACKET-CIRCUIT BREAKER MOUNTING	14A066	BRACKET-PARKING BRAKE CABLE EQUALIZER	2A602
BRACKET-CLUTCH PEDAL BUMPER	7A530	BRACKET-PARKING BRAKE CABLE GUIDE	2769
BRACKET-CLUTCH RELEASE EQUALIZER-ENGINE	7A572	BRACKET-PARKING BRAKE CABLE SUPPORT	2649
BRACKET-CLUTCH RELEASE EQUALIZER-FRAME	7507	BRACKET-PARKING BRAKE CABLE TO DASH	2857
BRACKET-CLUTCH RELEASE LEVER	7522	BRACKET-PARKING BRAKE CABLE-REAR	2530-1
BRACKET-CLUTCH RELEASE LEVER RETRACTING SPRING	7B529	BRACKET-PARKING BRAKE EQUALIZER	2631
BRACKET-CLUTCH RELEASE LEVER RETRACTING SPRING	7542	BRACKET-PARKING LAMP MOUNTING	13256
BRACKET-ENGINE FRONT MOUNTING	6030-1	BRACKET-POWER STEERING CYLINDER MOUNTING	3A652
BRACKET-ENGINE FRONT SUPPORT	6028-9	BRACKET-POWER STEERING HOSE	3C510
BRACKET-ENGINE FRONT SUPPORT INSULATOR	6046	BRACKET-POWER STEERING HOSE INSULATOR	3A611
BRACKET-ENGINE REAR SUPPORT MOUNTING	6120	BRACKET-POWER STEERING PUMP ADJUSTING	3A732
BRACKET-ENGINE TO FRAME MOUNTING BOLT-INNER	6B031	BRACKET-POWER STEERING PUMP SUPPORT TO EXHAUST MANIFOLD	3562
BRACKET-ENGINE TO FRAME MOUNTING BOLT-OUTER	6A047	BRACKET-RADIATOR GRILLE MOUNTING	8A278-9
BRACKET-FAN SHROUD TO SUPPORT	8149	BRACKET-RADIATOR GRILLE MOUNTING-CENTER	8A036
BRACKET-FRAME NO. 3 CROSSMEMBER SUPPORTING	5A000	BRACKET-RADIATOR GRILLE-INNER	8A123
BRACKET-FRAME TO BODY FRONT-OUTER	5075-6	BRACKET-RADIATOR GRILLE-OUTER	8A153-4
BRACKET-FRAME TO BODY-INNER	5A029	BRACKET-RADIATOR SPLASH SHIELD TO FRONT BUMPER	8A116
BRACKET-FRAME TO BODY-OUTER	5080-1	BRACKET-RADIATOR SUPPLY TANK SUPPORT	8A082
BRACKET-FRAME TO BODY-REAR	5078	BRACKET-RADIATOR SUPPORT-LOWER	8052
BRACKET-FRONT DOOR COURTESY LAMP	13763	BRACKET-RADIATOR SUPPORT-UPPER	8A193
BRACKET-FRONT SUSPENSION BUMPER	3382-3	BRACKET-RADIATOR SUPPORT-UPPER	8233
BRACKET-FRONT SUSPENSION HOUSING TO COWL TOP	3A204-5	BRACKET-RADIATOR UPPER GRILLE SUPPORT MOUNTING CENTER	8A487
BRACKET-FRONT SUSPENSION LOWER ARM MOUNTING FRONT	3A420-1		
BRACKET-FRONT SUSPENSION LOWER ARM STRUT MOUNTING	3486-7		

Alphabetical Index—Continued

Part Name	Group Number	Part Name	Group Number
BRACKET-REAR AXLE BUMPER	4731	BRAKE BOOSTER GASKET & SEAL REPAIR KIT	2A154
BRACKET-REAR AXLE DIFFERENTIAL BUMPER	4905	BRAKE LINING KIT	2007
BRACKET-REAR AXLE DRIVE PINION BUMPER	4298	BRAKE SHOE ANCHOR PIN KIT	2A423
BRACKET-REAR ENGINE SUPPORT MOUNTING	6A041		
BRACKET-REAR LICENSE LAMP	13423	BRAKE SHOE & LINING KIT	2001
		BRAKE SHOE HOLD DOWN KIT	2A094
BRACKET-REAR SPRING BUMPER	5995	BRAKE SPRING-REPAIR KIT	2A225
BRACKET-REAR SPRING BUMPER	5771	BRUSH & SPRING ASSEMBLY-ALTERNATOR	10347
BRACKET-REAR SPRING-FRONT	5863-4	BRUSH ASSEMBLY-HORN BLOWING RING	13A824
BRACKET-REAR SPRING FRONT SHACKLE	5785		
BRACKET-REAR SPRING-REAR	5990-1	BRUSH-GENERATOR	10069
		BRUSH-HORN BLOWING RING CONTACT	13A821
BRACKET-REAR WINDOW REGULATOR CONTROL SWITCH	14A125	BRUSH-STEERING COLUMN RELEASE CONTACT	3D572
MOUNTING		BULB-ELECTRIC HEAT INDICATOR	10884
BRACKET-RESONATOR SUPPORT	5B267	BULB-HEADLAMP	13007
BRACKET-SEAT REGULATOR	14A705		
BRACKET-SEAT REGULATOR CONTROL	14B691	BULB-SPOTLIGHT	15330
		BULBS	13465-6
BRACKET-SEAT REGULATOR MOTOR RELAY MOUNTING	14A704	BUMPER ASSEMBLY-STEERING COLUMN INSTRUMENT	3D645
BRACKET-SPEED CONTROL	9A812	PANEL OPENING COVER	
BRACKET-SPEED CONTROL ACTUATOR CABLE	9B736	BUMPER-BRAKE BOOSTER BODY PISTON	2A151
BRACKET-SPEED CONTROL RELEASE SWITCH MOUNTING	9A838		
BRACKET-STABILIZER BAR INSULATOR TO CLAMP	5496	BUMPER-BRAKE BOOSTER CONTROL VALVE	2298
		BUMPER-BRAKE BOOSTER MASTER CYLINDER PLUNGER	2300
BRACKET-STABILIZER TO FRAME	5486	BUMPER-BRAKE BOOSTER PUSH ROD	2A366
BRACKET-STEERING COLUMN	3676-8	BUMPER-FRONT SUSPENSION	3019-20
BRACKET-STEERING COLUMN INSTRUMENT PANEL	3D555	BUMPER-PEDAL	7583
OPENING COVER LEVER			
BRACKET-STEERING COLUMN LOCKING ACTUATOR	3B649	BUMPER-POWER STEERING CONTROL VALVE SPOOL STOP	3C562
		BUMPER-REAR AXLE	4730
BRACKET-STEERING COLUMN LOWER	3B745	BUMPER-REAR AXLE	5790
BRACKET-STEERING IDLER ARM MOUNTING	3350-1	BUMPER-REAR SPRING FRONT SHACKLE	5913
BRACKET-TOP CONTROL LIMIT SWITCH MOUNTING	15A680	BUMPER-STEERING COLUMN INSTRUMENT PANEL OPENING	3D549
BRACKET-TOP CONTROL SWITCH MOUNTING	15676	COVER DOOR	
BRACKET-TRANSMISSION CONTROL SELECTOR INDICATOR	7B057		
MOUNTING		BUMPER-STEERING COLUMN LOCKING LEVER	3B151
		BUMPER-STEERING COLUMN TRACK STOP BRACKET	3C726
BRACKET-TRANSMISSION CONTROL TO ACCELERATOR	7C195	BUMPER-STEERING CONNECTING LINK BALL STUD SEAT	3327
SHAFT STABILIZER		BUS BAR-BATTERY FEED	14A033
BRACKET-TRANSMISSION LINKAGE ADJUSTMENT GAUGE	7A455	BUS BAR-STARTER RELAY TO TERMINAL	11527
BRACKET-TRANSMISSION OIL COOLER TUBE	7B147		
BRACKET-TRANSMISSION OVERDRIVE CONTROL	7A653	BUS BAR-TOP CONTROL RELAY	15A687
		BUS BAR-WINDOW REGULATOR CONTROL SWITCH	14513
BRACKET-TRANSMISSION SHIFT BELLCRANK	7C431	BUSHING-ACCELERATOR SHAFT	9A763
BRACKET-TRANSMISSION SHIFT TUBE	7318	BUSHING-ACCELERATOR SHAFT TO BELLCRANK ROD	9A856
BRACKET-TRANSMISSION SHIFT TUBE-NEUTRAL SWITCH	7B212	BUSHING-ALTERNATOR INSULATOR	10321
ACTUATING PIN LEVER			
BRACKET-TURN SIGNAL FLASHER	13351	BUSHING-ALTERNATOR RECTIFIER INSULATOR	10A381
		BUSHING-ALTERNATOR TERMINAL	10390
BRACKET-UPPER BACK FINISH PANEL LIMIT SWITCH	15A698	BUSHING&INSULATOR-GEARSHIFT SELECTOR ARM	7343
MOUNTING		KIT	
BRACKET-UPPER BACK PANEL LIMIT SWITCH ACTUATOR	15A692	BUSHING-BRAKE BOOSTER LOWER	2A150
BRACKET-UPPER RADIATOR GRILLE MOUNTING	8A170-1		
BRACKET-VALVE ROCKER ARM OIL OUTLET TUBE	6575	BUSHING-BRAKE BOOSTER PISTON GUIDE	2B014
		BUSHING-BRAKE BOOSTER PLUNGER GUIDE	2A386
BRACKET-WIRING HARNESS MOUNTING	14A004	BUSHING-BRAKE BOOSTER PUSH ROD	2A367
BRACKET-WIRING SHIELD	14A224	BUSHING-BRAKE MASTER CYLINDER PUSH ROD	2474

Alphabetical Index—Continued

Part Name	Group Number	Part Name	Group Number
BUSHING-BRAKE PEDAL	2461	BUTTON-CAMSHAFT THRUST	6298
BUSHING-BRAKE PEDAL LEVER	2521	BUTTON-SPEED CONTROL ACTUATOR-PUSH	9A835
BUSHING-CARBURETOR ACCELERATOR PUMP OVERTRAVEL SPRING	9F569	BUTTON-STEERING COLUMN TO TRACK	3B644
BUSHING-CARBURETOR SECONDARY THROTTLE DIAPHRAGM LEVER	9B508	BUTTON-TRANSMISSION SHIFT LEVER RELEASE	7C488
BUSHING-CLUTCH LEVER SHAFT TUBE	7A578	C	
BUSHING-CLUTCH PEDAL RELEASE LEVER ROD	7526	CABLE & CONDUIT ASSEMBLY-SPEED CONTROL	9A820
BUSHING-CONNECTING ROD	6207	CABLE & CONDUIT-PARKING BRAKE-FRONT	2853
BUSHING-DISTRIBUTOR BASE	12120	CABLE & CONDUIT-PARKING BRAKE-REAR	2A635
BUSHING-ECCENTRIC CAMSHAFT FUEL PUMP DRIVE	6281	CABLE ASSEMBLY-CLOCK	15A009
BUSHING-ENGINE TO FRAME MOUNTING BOLTS	6A049	CABLE ASSEMBLY-SPEED CONTROL ACTUATOR	9A826
BUSHING-EXHAUST CONTROL VALVE	9462	CABLE-BATTERY	14300-1
BUSHING-FRONT SPRING LOWER SEAT	5A305	CABLE-BRAKE SHOE ADJUSTING LEVER	2A178
BUSHING-FRONT SUSPENSION LOWER ARM MOUNTING SHAFT	3069	CABLE-DASH TO ENGINE GROUND	14303
BUSHING-FRONT SUSPENSION UPPER ARM INNER SHAFT	3068	CABLE-GENERATOR ARMATURE TERMINAL TO BRUSH HOLDER	10215
BUSHING-FUEL PUMP ROCKER ARM	9389	CABLE-STARTER RELAY TO STARTER	14431
BUSHING-GENERATOR ARMATURE	10104	CAGE-TRANSMISSION OVERDRIVE PINION	7673
BUSHING-HORN BLOWING RING	3A761	CAM & SHAFT-TRANSMISSION SHIFTER	7280-2
BUSHING-POWER LEVER TO MOUNTING BOLT	2471	CAM-CARBURETOR ACCELERATOR PUMP DIAPHRAGM OPERATING	9526
BUSHING-POWER STEERING CONTROL VALVE SLEEVE END	3709	CAM-CARBURETOR FAST IDLE	9597
BUSHING-POWER STEERING CONTROL VALVE SPOOL	3A519	CAM-DISTRIBUTOR	12210
BUSHING-POWER STEERING CYLINDER MOUNTING	3644	CAM ROLLER & CAGE-TRANSMISSION OVERDRIVE FREE WHEEL	7675
BUSHING-POWER STEERING CYLINDER PISTON ROD	3A751	CAM-TURN SIGNAL TURN-OFF	13318
BUSHING-REAR SPRING	5781	CAMSHAFT	6250
BUSHING-REAR SPRING REAR SHACKLE-UPPER	5A546	CAMSHAFT BEARING KIT	6A251
BUSHING-STARTER FIELD TERMINAL INSULATOR	11107	CAMSHAFT HIGH PERFORMANCE KIT	6A257
BUSHING-STEERING COLUMN OPENING COVER PIVOT	3D502	CAMSHAFT THRUST BUTTON & SPRING KIT	6295
BUSHING-STEERING COLUMN RELEASE CONTROL VALVE	3D576	CAP-A/COND. BELT IDLER PULLEY	2894
BUSHING-STEERING IDLER ARM	3356-B	CAP-ALTERNATOR DUST	10325
BUSHING-STEERING SHAFT	3C773	CAP & SHIELD-TRANSMISSION CONTROL SELECTOR LAMP	15A803
BUSHING-TRANSMISSION CASE	7025	CAP-BRAKE MASTER CYLINDER FILLER	2162
BUSHING-TRANSMISSION EXTENSION	7A034	CAP-CARBURETOR AIR CLEANER ADAPTOR	9C639
BUSHING-TRANSMISSION FRONT OIL PUMP	7B258	CAP-FRONT HUB GREASE	1131
BUSHING-TRANSMISSION FRONT PUMP DRIVE GEAR	7B259	CAP-FUEL TANK FILLER	9030
BUSHING-TRANSMISSION GEARSHIFT LEVER SHAFT	7A133	CAP-HEATER OUTLET IN WATER OUTLET CONNECTION	8A500
BUSHING-TRANSMISSION INPUT SHAFT	7120	CAP-INSTRUMENT CLUSTER CONTROL ROD	10A916
BUSHING-TRANSMISSION KICK DOWN CONTROL SHAFT TO TRANSMISSION ROD	7A440	CAP-OIL FILLER	6766
BUSHING-TRANSMISSION LOW & REVERSE GEARSHIFT INTERLOCK	7C320	CAP-POWER STEERING CONTROL VALVE SPOOL CENTERING SPRING	3C705
BUSHING-TRANSMISSION REAR BRAKE DRUM SUPPORT	7B257	CAP-POWER STEERING CONTROL VALVE SPOOL ADJUSTING	3708
BUSHING-TRANSMISSION REAR CLUTCH SUN GEAR-REAR	7B262	CAP-POWER STEERING CYLINDER	3A745
BUSHING-TRANSMISSION REAR OIL PUMP BODY	7B260	CAP-POWER STEERING OIL RESERVOIR FILLER	3A006
BUSHING-TRANSMISSION SHIFT ARM INSULATOR	7343	CAP-RADIATOR	8100
BUSHING-TRANSMISSION SHIFT TUBE	7335		
BUSHING-WINDOW REGULATOR SWITCH LEVER PIVOT PIN-REAR DOORS	14A141		

Alphabetical Index—Continued

Part Name	Group Number	Part Name	Group Number
CAP-TRANSMISSION LINKAGE ADJUSTMENT GAUGE VALVE	7B008	CLAMP-MUFFLER OUTLET PIPE	5260
CAP-TRANSMISSION SHIFT TUBE BRACKET	7B389	CLAMP-MUFFLER OUTLET PIPE-FRONT	5265
CAP-UNIVERSAL JOINT BOLT	4A074		
CAP-WHEEL HUB	1130	CLAMP-MULTIPLE LUBRICATOR RESERVOIR TO PUMP HOSE	14913
CAPACITOR ASSEMBLY-ALTERNATOR	10A380	CLAMP-PARKING BRAKE CABLE	2596
		CLAMP-POWER STEERING CONTROL VALVE BALL STUD SLEEVE	3739
CARBURETOR ASSEMBLY	9510		
CARBURETOR BOOSTER VENTURI SUPPORT KIT	9A523	CLAMP-POWER STEERING CONTROL VALVE DUST COVER	3A728
CARBURETOR CHOKE SHAFT & LEVER KIT	9546	CLAMP-POWER STEERING CYLINDER PISTON ROD BOOT	3C755
CARBURETOR FAST IDLE AUTOMATIC KIT	9A567	CLAMP-POWER STEERING HOSE	3C750
CARBURETOR GASKET KIT	9502	CLAMP-RADIATOR HOSE-UNIVERSAL	8287
		CLAMP-RADIO ANTENNA MOUNTING	15109
CARBURETOR IDLE SPEED-UP CONTROL REPAIR KIT	9E518		
CARBURETOR MAIN METERING ROD & JET KIT	9C514	CLAMP-REAR SPRING	5724
CARBURETOR REPAIR KIT	9590	CLAMP-SPINDLE CONNECTING ROD	3287
CARBURETOR THROTTLE LEVER & SHAFT KIT	9581	CLAMP-STEERING COLUMN BRACKET	3668
CARBURETOR TUNE-UP KIT	9A586	CLAMP-STEERING COLUMN SHROUD	3B612
		CLAMP-STEERING GEAR BALL RETURN GUIDE	3544
CARRIER-BELT DRIVEN POWER STEERING PUMP	3B561		
CARRIER-REAR AXLE DIFFERENTIAL	4141	CLAMP-TRANSMISSION OIL COOLER FILTER	7B253
CASE ASSEMBLY-REAR AXLE DIFFERENTIAL GEAR-POWER LOCK	4213	CLAMP-TRANSMISSION OIL FILLER TUBE	7A229
CASE-REAR AXLE DIFFERENTIAL GEAR	4204-5	CLAMP-TRANSMISSION VIBRATION DAMPENER	4944
		CLAMP-WATER BY-PASS HOSE	8556
CASE-TRANSMISSION	7005-6	CLEANER ASSEMBLY-CARBURETOR AIR	9600
CHAIN-FUEL TANK FILLER CAP RETAINING	9133		
CHAIN-TIMING	6268	CLEVIS-PARKING BRAKE CABLE EQUALIZER	2289
CHAMBER ASSEMBLY-THERMOSTATIC CHOKE HEAT	9890	CLEVIS-TRANSMISSION MANUAL SHIFT ROD	7354
CIRCUIT BREAKER AND/OR FUSES	14526	CLIP-ACCELERATOR SHAFT TO TRANSMISSION CONTROL SHAFT ROD	9B776
		CLIP-ALTERNATOR ROTOR	10319
CLAMP-A/COND. MUFFLER	2999		
CLAMP & INSULATOR-MUFFLER OUTLET PIPE	5B203	CLIP-BRAKE LINE	2244
CLAMP ASSEMBLY-POWER STEERING HOSE	3A762	CLIP-BRAKE PUSH ROD TO OPERATING LEVER-ANTI RATTLE	2525
CLAMP-BATTERY HOLD DOWN	10718		
CLAMP-BRAKE RESERVOIR OUTLET HOSE TO BOOSTER	2252	CLIP-BRAKE TUBE TO REAR AXLE	2A351
		CLIP-CARBURETOR PUMP ROD TO THROTTLE SHAFT	9565
CLAMP-CARBURETOR AIR CLEANER	9628		
CLAMP-CARBURETOR AIR VENT PUSH ROD	9565	CLIP-CARBURETOR THROTTLE CONTROL SHAFT	9718
CLAMP-CARBURETOR CHOKE BRACKET	9792	CLIP-FUEL AND/OR VACUUM TUBE	9A317
CLAMP-CARBURETOR FLOAT BOWL RETAINER	9809	CLIP-FUEL FILTER BRACKET	9B281
CLAMP-CARBURETOR THERMOSTATIC CHOKE HOUSING	9842	CLIP-FUEL LINE TO DASH	9296
		CLIP-FUEL TUBE SUPPORT BRACKET & TUBE RETAINING	9C324
CLAMP-DISTRIBUTOR	12270		
CLAMP-DISTRIBUTOR TERMINAL HOUSING	12144	CLIP-FUSE PANEL WIRING	14A173
CLAMP-DISTRIBUTOR TO SPARK PLUG WIRING MOUNTING BRACKET	12361	CLIP-INSTRUMENT CLUSTER BEZEL	10920
CLAMP-FUEL TANK FILLER HOSE	8287	CLIP-PARKING BRAKE CABLE	2860
		CLIP-PARKING BRAKE CABLE-SPRING LOCK	2814
CLAMP FUEL TANK FILLER NECK HOSE	9A064	CLIP-ROD END CLEVIS	9825-6
CLAMP-FUEL TANK VENT EXPANSION TANK	9A093		
CLAMP-FUEL TANK VENT TUBE HOSE	9171	CLIP-TRANSMISSION CONTROL LOWER VALVE BODY	7A435
CLAMP-INTAKE & EXHAUST MANIFOLD	9443	CLIP-TRANSMISSION CONTROL SELECTOR DIAL RETAINING	7D340
CLAMP-INTAKE MANIFOLD TO CYLINDER HEAD	9446		
		CLIP-TRANSMISSION LINE PRESSURE LINKAGE	7B007
CLAMP-MUFFLER INLET & OUTLET PIPE	5A231	CLIP-TRANSMISSION OIL PAN SCREEN RETAINING	7A097
CLAMP-MUFFLER INLET PIPE	5270		
CLAMP-MUFFLER OUTLET	5A272	CLIP-TRANSMISSION OIL TUBE	7C008

Alphabetical Index—Continued

Part Name	Group Number	Part Name	Group Number
CLIP-TRANSMISSION VACUUM TUBE	7C072	CONTROL-CARBURETOR MANUAL CHOKE	9700
CLIP-WINDOW & SEAT REGULATOR HOUSING RETAINER	14570	CONTROL-PARKING BRAKE	2780
CLIP-WINDOW & SEAT REGULATOR SWITCH RETAINING	14559	CONTROL-PARKING BRAKE RELEASE	2A658
CLIP-WIRING LUGGAGE COMPARTMENT LAMP TO DOOR	14197	CONTROL-TRANSMISSION MAIN	7A100
CLOCK ELECTRIC KIT	15A000	CONTROL-TRANSMISSION OVERDRIVE	7A650
CLOCK-ELECTRIC WIND	15000	CONVERTER ASSEMBLY-TRANSMISSION	7902
CLUTCH ASSEMBLY-A/COND. COMPRESSOR	2884	CORE-SPEED CONTROL	9A821
CLUTCH-FAN	8A616	CORE-TRANSMISSION LINKAGE ADJUSTMENT GAUGE	7A494
CLUTCH PRESSURE PLATE & DISC HEAVY DUTY KIT	7A537	VALVE	
CLUTCH-TRANSMISSION PLANETARY	7A089	COUNTERSHAFT-TRANSMISSION	7111
COIL-GENERATOR FIELD-COMplete	10175	COUNTERWEIGHT-CRANKSHAFT	6A360
COIL-IGNITION	12029	COURTESY LAMP KIT	13A708
COIL-STARTER FIELD	11082-5	COVER AND/OR SPRING-CARBURETOR THERMOSTATIC	9848
COLLAR-BRAKE BOOSTER PUSH ROD	2440	CHOKE	
COLLAR-DISTRIBUTOR SHAFT	12195	COVER & TUBE-BRAKE BOOSTER AIR CLEANER	2A018
COLLAR-GENERATOR SHAFT	10255	COVER-BALLAST RESISTOR MOUNTING PLATE	14A276
COLLAR-SPEED CONTROL ACTUATOR KNOB	9A834	COVER-BATTERY TERMINAL INSULATOR	14277
COMPENSATOR ADJUSTMENT KIT	7B023	COVER-BRAKE ADJUSTING HOLE	2092
COMPENSATOR-CARBURETOR HOT IDLE	9B532	COVER-BRAKE BOOSTER AIR CLEANER	2A347
CONDENSER-DISTRIBUTOR	12300	COVER-BRAKE MASTER CYLINDER RESERVOIR	2166
CONDUCTOR-FUEL & TEMPERATURE INDICATOR-PRINTED	9A287	COVER-BRUSH SPRING	10A340
CIRCUIT		COVER-CARBURETOR ACCÉLERATOR PUMP	9528
CONDUCTOR-INSTRUMENT PANEL CLUSTER FEED	10A896-7	COVER-CARBURETOR AIR CLEANER	9661
CONE & ROLLER-FRONT WHEEL BEARING-INNER	1201	COVER-CARBURETOR BOOSTER VENTURI SUPPORT	9B558
CONE & ROLLER-FRONT WHEEL BEARING-OUTER	1216	COVER-CARBURETOR DASHPOT	9E511
CONE & ROLLER-REAR AXLE DIFFERENTIAL BEARING	4221	COVER-CARBURETOR ECONOMIZER VALVE	9930
CONE & ROLLER-REAR AXLE DRIVE PINION	4621	COVER-CARBURETOR SECONDARY THROTTLE DIAPHRAGM	9507
CONNECTION-WATER BY-PASS	8597	COVER-CARBURETOR VACUUM PISTON	9928
CONNECTION-WATER OUTLET	8594	COVER-CONVERTER HOUSING	7985-6
CONNECTOR-AUTOMATIC HEADLAMP DIMMER	14005	COVER-CONVERTER HOUSING AIR INTAKE	7A816
CONNECTOR & BRACKET-CRANKCASE VENTILATION TUBE	6A703	COVER-CRANKCASE VENTILATION	6869
CONNECTOR-BRAKE BOOSTER VACUUM HOSE	2A411	COVER-CROSS LINK DUST	3333
CONNECTOR-CARBURETOR AIR CLEANER TO CHOKE	9C704	COVER-CYLINDER FRONT	6019
CONTROL		COVER-DISTRIBUTOR BREAKER	12239
CONNECTOR-CARBURETOR TO MANIFOLD SPACER TUBE	9C525	COVER-DRAG LINK BALL STUD DUST	3A171
CONNECTOR-ENGINE TO TRANSMISSION VACUUM TUBE	7B086-7	COVER-FLYWHEEL HOUSING	6366
CONNECTOR-IDLE SPEED-UP VALVE TUBE	9B761	COVER-FRONT SUSPENSION HOUSING ADJUSTMENT	3B132
CONNECTOR-MASTER CYLINDER TO REAR HOSE	2A281	OPENING	
CONNECTOR-RADIO CABLE TERMINAL	14466	COVER-FRONT SUSPENSION LOWER ARM BALL JOINT	3362
CONNECTOR-TRANSMISSION OIL TUBE	7D273	DUST	
CONNECTOR-VACUUM PUMP OUTLET	9A395	COVER-FUEL & TEMPERATURE INDICATOR	9A296
CONNECTOR-VOLTAGE REGULATOR	10A730	COVER-FUEL PUMP DIAPHRAGM PULSATOR	9A359
CONNECTOR-WIRE	14487-8	COVER-FUSE JUNCTION PANEL BOX	14A175
CONTROL ASSEMBLY-CARBURETOR IDLE	9C529	COVER-GENERATOR REGULATOR TERMINAL	10A555
SPEED-UP CONTROL		COVER-HEADLAMP DIMMER SWITCH	13535
CONTROL ASSEMBLY-CARBURETOR THERMOSTATIC CHOKE	9850	COVER-INSTRUMENT CLUSTER	10A870
CONTROL ASSEMBLY-CARBURETOR THROTTLE-LOCKING	9775	COVER-INSTRUMENT CLUSTER ODOMETER	10A872
TYPE		COVER-INSTRUMENT CLUSTER OPENING	10A894

Alphabetical Index—Continued

Part Name	Group Number	Part Name	Group Number
COVER-INSTRUMENT CLUSTER TRIM	11823	CUP-FRONT WHEEL BEARING-INNER	1202
COVER-INSTRUMENT PANEL CHOKE CONTROL OPENING	10A941	CUP-FRONT WHEEL BEARING-OUTER	1217
COVER-INSTRUMENT PANEL CIGAR LIGHTER	15067		
COVER-OIL PUMP	6616	CUP-HORN RING CONTACT	13A815
COVER-POWER STEERING CONTROL VALVE DUST	3A729	CUP-REAR AXLE DIFFERENTIAL BEARING	4222
		CUP-REAR AXLE DRIVE PINION BEARING	4616
COVER-POWER STEERING OIL RESERVOIR	3A582	CUP-STEERING GEAR WORM THRUST BEARING	3552
COVER-POWER STEERING PUMP HOUSING	3A698	CUP-WHEEL BRAKE CYLINDER PISTON	2201-2
COVER-RADIATOR GRILLE LOWER PANEL MOULDING	8A055		
COVER-RADIATOR GRILLE UPPER PANEL MOULDING	8A340	CYLINDER & BALL STUD-POWER STEERING	3A540
JOINT		CYLINDER FRONT COVER KIT	6019
		CYLINDER HEAD & VALVE HIGH PERFORMANCE KIT	6C056
COVER-RADIATOR SUPPORT UPPER ACCESS	8A371-2	CYLINDER-BRAKE MASTER	2140
COVER-REAR AXLE CARRIER	4033	CYLINDER-IGNITION LOCK	11582
COVER-SPARE TIRE	1465		
COVER-SPEED CONTROL ACTUATOR CABLE	9A829	CYLINDER-TRANSMISSION FRONT CLUTCH	7A360
COVER-SPINDLE CONNECTING ROD END BALL STUD-DUST	3332	CYLINDER-WHEEL BRAKE	2061-2
COVER-STARTER PINION	6677	D	
COVER-STARTER PLUNGER	11060		
COVER-STEERING COLUMN INSTRUMENT PANEL OPENING	3D505	DAMPENER-TRANSMISSION VIBRATION	4980
COVER-STEERING COLUMN INSTRUMENT PANEL OPENING	3C775	DAMPER-TIMING CHAIN VIBRATION	6284
LOWER		DAMPER-TRANSMISSION SHIFT TUBE VIBRATION	7205
		DASHPOT-CARBURETOR	9B549
COVER-STEERING COLUMN LOWER SHROUD	3A731	DEFLECTOR-FUSE JUNCTION PANEL BOX FUSE	14A188
COVER-STEERING COLUMN OPENING	3A673		
COVER-STEERING COLUMN WIRE ACCESS	3B742	DEFLECTOR-MUFFLER HEAT	5294
COVER-STEERING GEAR HOUSING	3580	DEFLECTOR-RADIATOR AIR SIDE-WITH WEATHERSTRIP	8104-5
COVER-THERMOSTATIC CHOKE HEAT SUPPLY	9A705	DEFLECTOR-RADIATOR AIR UPPER	8327
		DEFLECTOR-REAR AXLE DRIVE PINION OIL SEAL DUST	4859
COVER-TRANSMISSION CONTROL SELECTOR INDICATOR	7B348	DEFLECTOR-THERMOSTATIC CHOKE CONTROL-AIR INTAKE	9492
COVER-TRANSMISSION FRONT SERVO	7A161		
COVER-TRANSMISSION GOVERNOR INSPECTION	7138	DETENT-TRANSMISSION CLUTCH HUB SLEEVE-	7A044
COVER-TRANSMISSION GOVERNOR VALVE BODY	7A301	INTERMEDIATE & HIGH	
COVER-TRANSMISSION OIL PRESSURE REGULATOR BODY	7A141	DIAL-FUEL & TEMPERATURE INDICATOR	9B313
		DIAL-TRANSMISSION CONTROL SELECTOR	7A213
COVER-TRANSMISSION REAR BAND SERVO	7B173	DIAPHRAGM-BRAKE BOOSTER BODY	2A365
COVER-TRANSMISSION REAR OIL PUMP	7A152		
COVER-TURN SIGNAL SWITCH WIRING	13376	DIAPHRAGM-BRAKE BOOSTER CONTROL VALVE	2391
COVER-VALVE PUSH ROD	6519	DIAPHRAGM-BRAKE BOOSTER POPPET	2296
COVER-VALVE ROCKER ARM	6582-3	DIAPHRAGM-CARBURETOR ACCELERATOR PUMP	9B559
		DIAPHRAGM-CARBURETOR SECONDARY THROTTLE	9503
COVER-VALVE ROCKER ARM SUPPORT-OIL PASSAGE	6A508	DIAPHRAGM-DISTRIBUTOR	12370
COVER-WATER PUMP	8508		
CRANKCASE OIL COOLER KIT	6A642	DIAPHRAGM-FUEL PUMP	9398
CRANKCASE VENTILATION-POSITIVE-HIGH PERFORMANCE	6A603	DIAPHRAGM-FUEL PUMP PULSATOR	9A358
KIT		DIAPHRAGM-TRANSMISSION THROTTLE VALVE CONTROL	7A377
		DIAPHRAGM-VACUUM PUMP	9314
CRANKSHAFT	6303	DIFFERENTIAL PINION SHAFT KIT	4211
CROSSMEMBER-FRAME-FRONT	5019		
CROSSMEMBER-FRAME-NO.2	5025-6	DIFFERENTIAL SIDE GEAR KIT	4236
CROSSMEMBER-FRAME-NO.3	5027	DIODE ASSEMBLY-ALTERNATOR NEGATIVE	10378
CROSSMEMBER-FRAME-NO.4	5029	DIODE ASSEMBLY-ALTERNATOR POSITIVE	10374
		DISC & HUB-A/COND. COMPRESSOR CLUTCH	2909
CROSSMEMBER-FRAME REAR	5035	DISC-BRAKE BOOSTER CONTROL VALVE	2414
CUP-BRAKE SHOE HOLD DOWN	2066		
CUP-CARBURETOR PUMP PISTON	9572	DISC-CLUTCH	7550

Alphabetical Index—Continued

Part Name	Group Number	Part Name	Group Number
DISPOSABLE TYPE OIL FILTER ADAPTOR KIT	6882	EXTENSION-RADIATOR GRILLE	8224-5
DISTRIBUTOR-LESS TERMINAL HOUSING & ROTOR	12127	EXTENSION-STEERING COLUMN INSTRUMENT PANEL	3D548
DISTRIBUTOR REPAIR KIT	12000	OPENING COVER	
DISTRIBUTOR & SPARK PLUG WIRES KIT	12050	EXTENSION-STEERING COLUMN TUBE FLANGE	3790
DIVERTER-WATER INLET	8526-7	EXTENSION-TIRE VALVE	1705
DOME-FUEL PUMP AIR	9414	EXTENSION-TRANSMISSION	7A039
DOOR-COURTESY LAMP	13728	F	
DOOR-HEADLAMP	13064	FAN-ALTERNATOR	10A310
DOOR-INTERIOR LAMPS	13788	FAN-PULLEY-COOLING VANES	10131
DOOR-PARKING LAMP	13210	FELT-BRAKE BOOSTER EXPANDER RING	2348
DOOR-READING LAMP	13A703-4	FELT-DISTRIBUTOR CAM LUBRICANT	12A055
DOOR-REAR LAMP LENS	13489	FERRULE-FUEL LINE	9242
DOOR-REAR LICENSE LAMP	13566	FIELD-A/COND. COMPRESSOR	2987
DOWEL-CYLINDER BLOCK TO FLYWHEEL HOUSING	6397	FILLER-CARBURETOR ACCELERATOR PUMP CAVITY	9F565
DOWEL-CYLINDER HEAD TO CYLINDER BLOCK	6A008	FILTER-BRAKE BOOSTER AIR CLEANER	2A346
DRAG LINK BALL STUD REPAIR KIT	3A533	FILTER-FUEL	9155
DRAIN COCK-RADIATOR & CYLINDER BLOCK	8115	FILTER-INSTRUMENT CLUSTER LIGHT	10B870
DRIVE-STARTER	11350	FILTER-OIL	6731
DRIVESHAFT	4602	FILTER-THERMOSTATIC CHOKE	9C791
DRUM & SUN GEAR-TRANSMISSION FRONT BRAKE	7A626	FILTER-TRANSMISSION OIL COOLER	7B155
DRUM-REAR WHEEL BRAKE	1126	FILTER-VALVE PUSH ROD COVER VENTILATION	6A631
DRUM-TRANSMISSION REAR BRAKE	7165	FINGER-TRANSMISSION SHIFT CONTROL	7C124
DUCT & VALVE-CARBURETOR AIR CLEANER AIR	9A626	FITTING-BRAKE LINE	2074-5
DUCT-CARBURETOR AIR CLEANER-OUTER	9689	FITTING-BRAKE MASTER CYLINDER OUTLET	2076
E		FITTING-BRAKE MASTER CYLINDER RESERVOIR	2157
ECCENTRIC-CAMSHAFT FUEL PUMP DRIVE	6287	FITTING-FUEL PUMP INLET	9241
ECCENTRIC-VALVE ROCKER ARM	6A512	FITTING-INTAKE MANIFOLD TO CARBURETOR SPACER	9A455
ECONOMIZER-CARBURETOR	9A565	CONNECTION	
ELEMENT-CARBURETOR AIR CLEANER	9601	FITTING-OIL PRESSURE SENDER	9B339
ELEMENT-CIGAR LIGHTER	15054	FITTING-TRANSMISSION CASE OIL FILLER	7631
ELEMENT-CRANKCASE VENTILATION OIL SEPARATOR	6A631	FLANGE & INSULATOR-STEERING GEAR	3A525
ELEMENT-POWER STEERING OIL RESERVOIR FILTER	3837	FLANGE-FUEL TANK FILLER OUTER	9039
EMBLEM-STEERING WHEEL HUB	3649	FLANGE-MUFFLER INLET PIPE	5269
END-CARBURETOR THROTTLE SYNCHRONIZER ROD	9767	FLANGE-STARTER COIL RETAINER	11106
END-STEERING SPINDLE ARM CONNECTING ROD	3A130-1	FLANGE-STEERING COLUMN TUBE	3511
ENGINE CONVERSION HIGH PERFORMANCE KIT	6A044	FLANGE-STEERING SHAFT-LOWER	3459
ENGINE COOLANT HEATER KIT	8B152	FLANGE-UNIVERSAL JOINT-AXLE END	4851
ENGINE-CYLINDER BLOCK & CRANKSHAFT	6009	FLASHER-OIL TEMPERATURE INDICATOR	9E296
ENGINE DRESS-UP KIT	6980	FLASHER-TURN SIGNAL	13350
EQUALIZER-PARKING BRAKE CABLE	2768	FLOAT & LEVER-CARBURETOR	9550
EXPANDER RING-BRAKE BOOSTER	2A019	FLYWHEEL	6375
EXPORT LOW OCTANE FUEL ADAPTOR KIT	6A058	FORK & RAIL-TRANSMISSION OVERDRIVE SHIFT	7680
EXTENSION-ENGINE REAR MOUNTING MEMBER-FRONT	6B037-8	FORK-TRANSMISSION GEARSHIFTER	7230-1
EXTENSION-FRONT SUSPENSION LOWER ARM	3A477-8	FOUR 2V WEBER CARBURETORS KIT	6B068
EXTENSION-LOWER RADIATOR GRILLE	8A250-1	FRAME	5005
EXTENSION-MUFFLER INLET PIPE	5A212-3		

Alphabetical Index—Continued

Part Name	Group Number	Part Name	Group Number
FRONT STABILIZER KIT	5A486	GASKET-CARBURETOR FUEL INLET FITTING	9827
FRONT STABILIZER LINK KIT	5A484	GASKET-CARBURETOR FUEL INLET SEAT SCREW	9945
FRONT SUSPENSION LOWER ARM MOUNTING—FRONT KIT	3057	GASKET-CARBURETOR HOT IDLE COMPENSATOR	9B567
FRONT SUSPENSION LOWER ARM REAR MOUNTING BOLT KIT	3055	GASKET-CARBURETOR IDLE SPEED-UP CONTROL SOLENOID	9C533
FRONT SUSPENSION LOWER ARM SHACKLE KIT	3B029	GASKET-CARBURETOR MAIN BODY TO THROTTLE BODY	9516
FRONT SUSPENSION LOWER ARM STRUT BUSHING & WASHER KIT	3A187	GASKET-CARBURETOR MAIN METERING BODY	9A518
FRONT SUSPENSION LOWER BALL JOINT DUST SEAL REPAIR KIT	3B035	GASKET-CARBURETOR NEEDLE VALVE & SEAT	9569
FRONT SUSPENSION LOWER CONTROL ARM MOUNTING KIT	3048	GASKET-CARBURETOR PUMP DISCHARGE JET	9580
FRONT SUSPENSION SPINDLE SUPPORT LOWER KIT	3050	GASKET-CARBURETOR SPACER WATER INLET	9D560
FRONT SUSPENSION SPINDLE SUPPORT UPPER KIT	3049	GASKET-CARBURETOR SPARK CONTROL VALVE	9A588
FRONT SUSPENSION UPPER ARM INNER SHAFT KIT	3047	GASKET-CARBURETOR THERMOSTATIC CHOKE COVER TO CHOKE HOUSING & PLUGS	9871
FRONT WHEEL BRAKE CYLINDER REPAIR KIT	2221	GASKET-CARBURETOR THERMOSTATIC CHOKE HOUSING & PLUGS TO CARBURETOR	9853
FUEL AND/OR VACUUM PUMP REPAIR KIT	9349	GASKET-CARBURETOR THERMOSTATIC CHOKE HOUSING CAP	98866
FUEL PUMP FILTER BOWL SCREEN KIT	9A344	GASKET-CARBURETOR TO INTAKE MANIFOLD	9447
FULCRUM-CLUTCH RELEASE LEVER	7547	GASKET-CARBURETOR VACUUM PISTON	9B565
FUSE	13331	GASKET-CARBURETOR VENTURI	9A536
FUSE-CIGAR LIGHTER	14429	GASKET-CONVERTER HOUSING LOWER COVER	7989
G		GASKET-CONVERTER HOUSING TO CASE	7A800
GASKET-A/COND. COMPRESSOR CYLINDER HEAD	2945	GASKET-CRANKCASE VENTILATION ADAPTOR	6872
GASKET-A/COND. COMPRESSOR VALVE PLATE	2992	GASKET-CRANKCASE VENTILATION COVER	6870
GASKET-A/COND. EVAPORATOR TEMPERATURE CONTROL THERMOSTAT COVER	14167	GASKET-CYLINDER FRONT COVER	6020
GASKET & SEAL SET-INTAKE MANIFOLD	9433	GASKET-CYLINDER FRONT COVER ADAPTOR	6058
GASKET-BACK-UP LAMP LENS	15510	GASKET-CYLINDER HEAD	6051
GASKET-BRAKE BOOSTER BODY TO MASTER CYLINDER	2493	GASKET-CYLINDER INLET & OUTLET	2152
GASKET-BRAKE BOOSTER END PLATE	2493	GASKET-DEFROSTER NOZZLE TO REGISTER-R.H.	14991
GASKET-BRAKE BOOSTER TUBE BRACE	2A348	GASKET-DISTRIBUTOR DIAPHRAGM VACUUM CONNECTION	12320
GASKET-BRAKE LINE CONNECTOR	2149	GASKET-DOME LAMP LENS	13958
GASKET-BRAKE MASTER CYLINDER FILLER CAP	2167	GASKET-DRIVE PINION OIL SEAL	4671
GASKET-BRAKE MASTER CYLINDER RESERVOIR COVER	2163	GASKET-EXHAUST MANIFOLD TO CYLINDER HEAD	9448
GASKET-CARBURETOR AIR CLEANER-BOTTOM	9654	GASKET-EXHAUST MANIFOLD TO INLET PIPE	9450
GASKET-CARBURETOR AIR CLEANER-INTERNAL	9673	GASKET-FLYWHEEL HOUSING COVER	6435
GASKET-CARBURETOR AIR CLEANER TO CARBURETOR ADAPTOR	9A620	GASKET-FRONT WHEEL BACKING PLATE TO SPINDLE	2044
GASKET-CARBURETOR BOOSTER VENTURI SUPPORT	9A587	GASKET-FRONT WHEEL BRAKE GREASE BAFFLE	1193
GASKET-CARBURETOR BOOSTER VENTURI SUPPORT COVER	9B568	GASKET-FRONT WHEEL BRAKE GREASE BAFFLE	2026
GASKET-CARBURETOR CHOKE HOUSING COVER SCREW	9B875	GASKET-FUEL PUMP FILTER BOWL	9364
GASKET-CARBURETOR ECONOMIZER BODY	9A588	GASKET-FUEL PUMP MOUNTING	9417
GASKET-CARBURETOR ECONOMIZER COVER	9563	GASKET-FUEL PUMP PULL ROD OIL SEAL	9408
GASKET-CARBURETOR FLOAT BOWL AND/OR RETAINER	9561	GASKET-FUEL TANK FILLER CAP	9035
GASKET-CARBURETOR FLOAT BOWL SCREW	9592	GASKET-FUEL TANK FILLER TO QUARTER PANEL	9076
GASKET-CARBURETOR FUEL INLET ADAPTOR AND/OR STRAINER	9229	GASKET-FUEL TANK SENDER	9276
		GASKET-FUSE JUNCTION PANEL BOX COVER	14A077
		GASKET-FUSE JUNCTION PANEL BOX MOUNTING	14A079
		GASKET-HEADLAMP DIMMER CONTROL	13A020
		GASKET-HEADLAMP MOUNTING	13044
		GASKET-HEATER CASE TO SIDE COWL PANEL	15996

Alphabetical Index—Continued

Part Name	Group Number	Part Name	Group Number
GASKET-HEATER SIDE COWL DUCT	15994	GASKET-TURN SIGNAL INDICATOR LAMP BAFFLE	13A348
GASKET-INSTRUMENT CLUSTER	10875	GASKET-VACUUM PUMP VALVE TO BODY	9367
GASKET-INSTRUMENT CLUSTER ANTI-SQUEAK	10989		
GASKET-INSTRUMENT CLUSTER BEZEL	10856	GASKET-VALVE PUSH ROD COVER	6521
GASKET-INSTRUMENT CLUSTER RADIO DUST	10A949	GASKET-VALVE ROCKER ARM COVER	6584
		GASKET-WATER BY-PASS TUBE	8563
GASKET-INTAKE MANIFOLD TO CYLINDER BLOCK	9461	GASKET-WATER OUTLET CONNECTION	8255
GASKET-INTAKE MANIFOLD TO CYLINDER HEAD	9439-41	GASKET-WATER PUMP COVER	8513
GASKET-INTERIOR LAMPS	13790		
GASKET-MULTIPLE WINDOW REGULATOR SWITCH	14616	GASKET-WATER PUMP OUTLET	8507
GASKET-OIL FILTER ADAPTOR TO CYLINDER BLOCK	6A636	GASKET-WINDOW REGULATOR SWITCH HOUSING-SINGLE	14A230
		GEAR-DIFFERENTIAL SIDE	4236
GASKET-OIL PAN	6710	GEAR-DISTRIBUTOR DRIVEN	12390
GASKET-OIL PAN DRAIN PLUG	6734	GEAR-FLYWHEEL STARTING RING	6384
GASKET-OIL PUMP COVER	6619		
GASKET-OIL PUMP COVER TO INLET TUBE FLANGE	6626	GEAR-STEERING	3504
GASKET-OIL PUMP RELIEF VALVE	6669	GEAR-TRANSMISSION COUNTERSHAFT	7113
		GEAR-TRANSMISSION FRONT CLUTCH	7A399
GASKET-OIL PUMP TO BLOCK	6659	GEAR-TRANSMISSION FRONT CLUTCH SUN	7A182
GASKET-PARKING LAMP LENS	13211	GEAR-TRANSMISSION INTERMEDIATE	7102-3
GASKET-POWER STEERING CONTROL VALVE BODY	3A740		
GASKET-POWER STEERING OIL RESERVOIR COVER	3A642	GEAR-TRANSMISSION LOW & REVERSE SLIDING	7100
GASKET-POWER STEERING OIL RESERVOIR FILLER CAP	3C675	GEAR-TRANSMISSION LOW CONSTANT MESH	7A029
		GEAR-TRANSMISSION MAIN DRIVE	7017
GASKET-POWER STEERING RESERVOIR COVER BOLT	3C719	GEAR-TRANSMISSION OUTPUT SHAFT PARKING	7A233
GASKET-REAR AXLE CARRIER HOUSING AND/OR COVER	4035-6	GEAR-TRANSMISSION OUTPUT SHAFT RING-INTERNAL	7A153
GASKET-REAR LAMP LENS	13461		
GASKET-REAR LAMP REFLECTOR	13623	GEAR-TRANSMISSION OVERDRIVE GOVERNOR DRIVEN	6922
GASKET-REAR LAMP WATER SEAL	13453	GEAR-TRANSMISSION OVERDRIVE RING	7653
		GEAR-TRANSMISSION OVERDRIVE SUN	7670
GASKET-REAR LICENSE LAMP LENS	13568	GEAR-TRANSMISSION PLANET	7181
GASKET-REAR LICENSE LAMP SOCKET	13668	GEAR-TRANSMISSION REAR SUN	7A348
GASKET-REAR WHEEL BEARING RETAINER	1001		
GASKET-RESONATOR INLET PIPE	5B266	GEAR-TRANSMISSION REVERSE IDLER	7141
GASKET SET-ENGINE OIL PAN	6781	GEAR-TRANSMISSION THIRD SPEED	7B340
		GENERATOR-LESS PULLEY	10002
GASKET SET-ENGINE OVERHAUL	6008	GOVERNOR-TRANSMISSION	7C053
GASKET SET-ENGINE VALVE GRIND	6079	GOVERNOR-TRANSMISSION OVERDRIVE	6919
GASKET-STARTER PLUNGER COVER	11065		
GASKET-STEERING GEAR HOUSING COVER	3581	GRILLE-RADIATOR	8200
GASKET-TAILGATE LIMIT SWITCH	14A010	GROMMET-FUEL TANK FILLER PIPE	9080
		GROMMET-FUEL TANK VENT TUBE	9069
GASKET-THERMOSTATIC CHOKE HEAT SUPPLY COVER	9903	GROMMET-STEERING COLUMN RELEASE CONTROL VALVE	3D577
GASKET-TRANSMISSION EXTENSION	7086	GROMMET-STEERING COLUMN TO DASH	3512
GASKET-TRANSMISSION FRONT OIL PUMP	7A136		
GASKET-TRANSMISSION GEARSHIFTER HOUSING	7223	GROMMET-STEERING COLUMN TUBE OPENING	3A640
GASKET-TRANSMISSION GOVERNOR INSPECTION COVER	7B391	GROMMET-TOP CONTROL WIRING	15B669
		GROMMET-WIRING AT PACKAGE TRAY	14603
GASKET-TRANSMISSION MAIN DRIVE GEAR BEARING RETAINER	7051	GUARD-BRAKE MASTER CYLINDER PUSH ROD	2A021
GASKET-TRANSMISSION OIL PAN	7A191	GUARD-FAN	8A611
GASKET-TRANSMISSION OVERDRIVE HOUSING ADAPTOR	7661		
GASKET-TRANSMISSION REAR OIL PUMP TO CASE	7A222	GUARD-FUEL TANK	9099
		GUIDE-BRAKE BOOSTER BODY PISTON	2B130
GASKET-TRANSMISSION THROTTLE VALVE DIAPHRAGM	7B426	GUIDE-BRAKE SHOE ADJUSTING LEVER CABLE	2A179
GASKET-TRANSMISSION VALVE BODY SEPARATOR PLATE	7D100	GUIDE-PARKING BRAKE CABLE	2A697
GASKET-TRANSMISSION VIBRATION DAMPENER COVER	4942	GUIDE-STEERING GEAR BALL RETURN	3523
		GUIDE-TRANSMISSION OVERDRIVE SHIFT RAIL	7730

Alphabetical Index—Continued

Part Name	Group Number	Part Name	Group Number
GUSSET-FRONT CROSSMEMBER TO FRAME	5123-4	HOSE-POWER STEERING CONTROL VALVE TO CYLINDER	3A714
H		HOSE-POWER STEERING PRESSURE LINE	3A719
HANDLE & SHANK-TURN SIGNAL SWITCH	13305	HOSE-POWER STEERING RETURN LINE	3A713
HANDLE-PARKING BRAKE RELEASE	2760	HOSE-RADIATOR	8333
HANDLE-TRANSMISSION OVERDRIVE CONTROL	7D131	HOSE-RADIATOR OR SUPPLY TANK OVERFLOW TUBE	8A213
HANGER & BRACKET-ENGINE TO ACCELERATOR SHAFT	9822	CONNECTING	
HANGER-REAR SPRING	5775	HOSE-RADIATOR-LOWER	8286
HEAD-A/COND. COMPRESSOR CYLINDER	2995	HOSE-RADIATOR-UPPER	8260
HEAD-CYLINDER	6049	HOSE-REAR AXLE HOUSING VENT	4A001
HEADLAMP DIMMER CONTROL-SENSOR & AMPLIFIER KIT	13177	HOSE-REAR FUEL TUBE TO FRONT FUEL TUBE	9327
HEADLAMP-LESS WIRING	13008	HOSE-RESERVOIR TO POWER STEERING PUMP	3A579
HINGE-SPARE WHEEL CARRIER-ACCESSORY	1394	HOSE-STEERING COLUMN RELEASE MOTOR	3D539
HOLDER-A/COND. COMPRESSOR CLUTCH BRUSH	2979	HOSE-STEERING COLUMN RELEASE VALVE	3D537
HOLDER-ALTERNATOR BRUSH	10351	HOSE-STEERING COLUMN RESERVOIR & RELEASE SUPPLY	3D584-5
HOLDER-ALTERNATOR BRUSH	10320	HOSE-TRANSMISSION OIL COOLER	7B093
HOLDER ASSEMBLY-FUSE	14417	HOT ROD LAKE PIPES KIT	5C246
HOOD ASSEMBLY-INSTRUMENT CLUSTER	10862	HOUSING & COVER-INSTRUMENT CLUSTER	10A871
HOOD-INSTRUMENT CLUSTER	10864	HOUSING & END PLATE-BRAKE BOOSTER	2329
HORN	13832-3	HOUSING & PLUGS-CARBURETOR SECONDARY THROTTLE	9501
HORN BRUSH & INSULATOR-REPAIR KIT	13A821	HOUSING & PLUGS-CARBURETOR THERMOSTATIC CHOKE	9849
HORN-CARBURETOR AIR-LESS SHAFT	9524	HOUSING & SPOOL-POWER STEERING CONTROL VALVE	3B731
HOSE-BRAKE	2078	HOUSING & TRIM-INSTRUMENT CLUSTER CONTROL	10A981-2
HOSE-BRAKE CHECK VALVE TO INTAKE MANIFOLD	2A046	HOUSING-ALTERNATOR-FRONT	10333
HOSE-BRAKE RESERVOIR TO BOOSTER	2A028	HOUSING-ALTERNATOR-REAR	10334
HOSE-BULK	4090	HOUSING ASSEMBLY-CARBURETOR THERMOSTATIC CHOKE	9A575
HOSE-CARBURETOR CHOKE HEAT SUPPLY	9B860	HOUSING ASSEMBLY-HEADLAMP	13099
HOSE CLAMP-RADIATOR	8287	HOUSING-BACK-UP LAMP WIRE HARNESS	15A504
HOSE-CRANKCASE VENTILATION	6853	HOUSING-CONVERTER	7976
HOSE-CRANKCASE VENTILATION TUBE	6A664	HOUSING-DISTRIBUTOR TERMINAL	12106
HOSE-ENGINE TO RADIATOR SUPPLY TANK	8063	HOUSING-FLYWHEEL	6392-4
HOSE-FUEL BLOCK TO CARBURETOR	9D281	HOUSING-IGNITION LAMP SOCKET	11604
HOSE-FUEL FILTER TO CARBURETOR	9C508	HOUSING-INSTRUMENT CLUSTER	10838
HOSE-FUEL PUMP TO FUEL LINE	9288	HOUSING-POWER STEERING PUMP	3A643
HOSE-FUEL RETURN	9C327	HOUSING-REAR AXLE	4010
HOSE-FUEL TANK FILLER	9047	HOUSING-SEAT REGULATOR CONTROL SWITCH	14B693
HOSE-FUEL TANK OVERFLOW	9A129	HOUSING-SPEED CONTROL ACTUATOR-DIAL	9A827
HOSE-FUEL TANK VENT EXPANSION TANK	9A092	HOUSING-SPEEDOMETER	10A945
HOSE-FUEL TANK VENT TUBE	9324	HOUSING-STEERING GEAR	3548
HOSE-FUEL TUBE TO FUEL FILTER	9C323	HOUSING-TRANSMISSION CONTROL SELECTOR	7A306
HOSE-FUEL TUBE-FRONT OR REAR	9324	HOUSING-TRANSMISSION CONTROL SELECTOR INDICATOR	15800
HOSE-FUEL TUBE-INTERMEDIATE	9C275	LAMP	
HOSE-FUEL TUBE-REAR	9327	HOUSING-TRANSMISSION GEARSHIFTER	7222
HOSE-FUEL VAPOR SEPARATOR TO FUEL TANK-FRONT OR REAR	9C285	HOUSING-WINDOW REGULATOR MULTIPLE SWITCH	14527
HOSE-FUEL VAPOR SEPARATOR TO FUEL TANK-REAR	9C287	HOUSING-WINDOW REGULATOR SINGLE SWITCH	14528
HOSE-HOT WATER SPACER-CARBURETOR SPACER TO BY-PASS	9E522	HUB & DRUM-FRONT WHEEL	1102
		HUB & LEVER-CLUTCH RELEASE EQUALIZER	7A510
		HUB-CLUTCH RELEASE BEARING	7561
		HUB-HORN BLOWING RING	13A829

Alphabetical Index—Continued

Part Name	Group Number	Part Name	Group Number
HUB-REAR AXLE DIFFERENTIAL GEAR CLUTCH	4946	INSULATOR-GENERATOR TERMINAL	10202
HUB-STEERING WHEEL	3612	INSULATOR-HORN BLOWING RING	13A816
HUB-TRANSMISSION CLUTCH	78067	INSULATOR-HORN BLOWING RING BRUSH	13A822
		INSULATOR-NON-METALLIC CONDUIT	14A240
HUB-TRANSMISSION OUTPUT SHAFT	7D164	INSULATOR-PARKING BRAKE EQUALIZER	2A743
HUB-WATER PUMP PULLEY	8553		
I		INSULATOR-POWER STEERING HOSE	3A609
		INSULATOR-POWER STEERING PISTON ROD	3642
		INSULATOR-POWER STEERING PUMP	3640
		INSULATOR-POWER STEERING PUMP-FRONT	3A584
		INSULATOR-POWER STEERING PUMP-REAR	3A577
IGNITION CABLE-HIGH TENSION	12A024		
IMPELLER-WATER PUMP	8512	INSULATOR-RADIATOR SUPPORT	8125
INDICATOR-CHARGE	10670	INSULATOR-REAR SPRING CENTER MOUNTING	5741
INDICATOR-FUEL LEVEL	9280	INSULATOR-STABILIZER BAR LINK	5490
INDICATOR-OIL LEVEL	6750	INSULATOR-STABILIZER BAR TO FRAME	5493
		INSULATOR-STARTER SWITCH	11068
INDICATOR-OIL PRESSURE	9273		
INDICATOR-STEERING COLUMN POSITION	3D610	INSULATOR-STARTER SWITCH SPRING	11181
INDICATOR-TEMPERATURE	10883	INSULATOR-STEERING COLUMN BRACKET	3682
INDICATOR-TRANSMISSION CONTROL SELECTOR	7A110	INSULATOR-STEERING COLUMN TUBE-LOWER FLANGE	3B564
INDICATOR-TRANSMISSION OIL LEVEL	7A020	INSULATOR-STEERING GEAR	3C716
		INSULATOR-THERMOSTATIC CHOKE CONTROL OUTLET	9865
INSERT-BELT DRIVEN POWER STEERING PUMP CAM	3B585	TUBE	
INSERT-LIGHTING SWITCH KNOB	11663		
INSERT-OIL FILTER MOUNTING BOLT	6890	INSULATOR-TOP CONTROL CIRCUIT BREAKER STUD	15A691
INSERT-REAR SPRING	5586	INSULATOR-TRANSMISSION CONTROL SELECTOR NEUTRAL	7A022
INSERT-STEERING SHAFT COUPLING	3459	SWITCH	
		INSULATOR-TRANSMISSION SHIFT ARM	7341
INSERT-THERMOSTATIC CHOKE CONTROL	9A714	INSULATOR-TRANSMISSION SHIFT LEVER	7246
INSERT-TRANSMISSION CONTROL SELECTOR POSITION	7A216		
INSULATOR-ACCELERATOR SHAFT	9B720	INSULATOR-WINDOW REGULATOR SWITCH	14A016
INSULATOR-ACCELERATOR SHAFT TO DASH BRACKET	9B862	INSULATOR & WIRE-HORN CONTACT	13A827
INSULATOR-A/COND.COMPRESSOR MOUNTING	2A894-5	INTERLOCK-TRANSMISSION GEARSHIFT CONTROL LEVER	7C318
INSULATOR-ALTERNATOR DIODE PLATE	10A383	J	
INSULATOR-ALTERNATOR TERMINAL	10329		
INSULATOR-BATTERY HOLD DOWN CLAMP	10774	JET-CARBURETOR METERING	9533
INSULATOR-BRAKE PEDAL HUB SPRING	2481	JEWEL-DOOR LOCK SWITCH	10B913
INSULATOR-BRAKE SHOE ADJUSTING SCREW	2A482	JEWEL-INDICATOR WARNING LAMP	10A936-7
		JEWEL-OPEN DOOR INDICATOR WARNING LAMP	10A880
INSULATOR-CHARGE INDICATOR	10A758		
INSULATOR-CLUTCH PEDAL ASSIST SPRING	7A630	JEWEL-TURN SIGNAL INDICATOR LAMP	13340
INSULATOR-CLUTCH RELEASE IDLER LEVER	7A641	JOINT-FRONT SUSPENSION LOWER ARM BALL	3395
INSULATOR-DISTRIBUTOR TO SPARK PLUG WIRE	12113	JOINT-FRONT SUSPENSION UPPER ARM BALL	3263
INSULATOR-ENGINE FRONT SUPPORT	6038	JOINT-SPEED CONTROL SWIVEL BALL	9B701
		JOINT-TRANSMISSION SHIFT CONTROL ROD	7A134
INSULATOR-ENGINE FRONT SUPPORT-REBOUND	6039		
INSULATOR-ENGINE REAR SUPPORT	6068	JUMPER-BRUSH SPRING	10A342
INSULATOR-ENGINE REAR SUPPORT REBOUND	6A061		
INSULATOR-ENGINE REAR SUPPORT-LOWER	6A038	K	
INSULATOR-ENGINE REAR SUPPORT-UPPER	6A037		
		KEY-VALVE SPRING RETAINER	6518
INSULATOR-FRONT SPRING	5415		
INSULATOR-FRONT SUSPENSION LOWER ARM STRUT	3470	KIT-ACCELERATOR CONTROL	9B843
INSULATOR-FUEL TANK	9240	KIT-AUTOMATIC HEADLAMP DIMMER	13A016
INSULATOR-GENERATOR END PLATE	10208		
INSULATOR-GENERATOR FRAME TO OUTER COIL	10206		

Alphabetical Index—Continued

Part Name	Group Number	Part Name	Group Number
KIT-BACK-UP LAMP	15499	KIT-FRONT SUSPENSION LOWER ARM MOUNTING-FRONT	3057
KIT-BACK-UP LAMP SWITCH	15A490	KIT-FRONT SUSPENSION LOWER ARM REAR MOUNTING	3055
KIT-BELT DRIVEN POWER STEERING PUMP ROLLER	3A711	BOLT	
		KIT-FRONT SUSPENSION LOWER ARM SHACKLE	3B029
KIT-BOOT & INSULATOR-POWER STEERING PISTON	3C651	KIT-FRONT SUSPENSION LOWER ARM STRUT BUSHING &	3A187
KIT-BRACKET ASSEMBLY SPOTLAMP	15314-5	WASHER	
KIT-BRAKE BOOSTER GASKET & SEAL REPAIR	2A154		
KIT-BRAKE LINING	2007	KIT-FRONT SUSPENSION LOWER BALL JOINT DUST	3B035
KIT-BRAKE SHOE & LINING	2001	SEAL-REPAIR	
		KIT-FRONT SUSPENSION LOWER CONTROL ARM MOUNTING	3048
KIT-BRAKE SHOE ANCHOR PIN	2A423	KIT-FRONT SUSPENSION SPINDLE SUPPORT-LOWER	3050
KIT-BRAKE SHOE HOLD DOWN	2A094	KIT-FRONT SUSPENSION SPINDLE SUPPORT-UPPER	3049
KIT BRAKE SPRING REPAIR	2A225		
KIT-BUSHING&INSULATOR-GEARSHIFT SELECTOR	7343	KIT-FRONT SUSPENSION UPPER ARM INNER SHAFT	3047
ARM		KIT-FRONT WHEEL BRAKE CYLINDER REPAIR	2221
		KIT-FUEL AND/OR VACUUM PUMP REPAIR	9349
KIT-CAMSHAFT BEARING	6A251	KIT-FUEL PUMP FILTER BOWL SCREEN	9A344
KIT-CAMSHAFT HIGH PERFORMANCE	6A257	KIT-HEADLAMP DIMMER CONTROL-SENSOR & AMPLIFIER	13177
KIT-CAMSHAFT THRUST BUTTON & SPRING	6295		
KIT-CARBURETOR BOOSTER VENTURI SUPPORT	9A523	KIT-HORN BRUSH & INSULATOR REPAIR	13A821
KIT-CARBURETOR CHOKE SHAFT & LEVER	9546	KIT-HOT ROD LAKE PIPES	5C246
		KIT-LOCKING DIFFERENTIAL	4880
KIT-CARBURETOR FAST IDLE-AUTOMATIC	9A567	KIT-MAIN CONTROL REGULATOR REPAIR	7A135
KIT-CARBURETOR GASKET	9502	KIT-MASTER CYLINDER REPAIR	2004
KIT-CARBURETOR IDLE SPEED-UP CONTROL REPAIR	9E518		
KIT-CARBURETOR MAIN METERING ROD & JET	9C514	KIT-MOTOR-WINDOW REGULATOR	14553
KIT-CARBURETOR REPAIR	9590	KIT-MUFFLER OUTLET PIPE-SUPPORT	5277
		KIT-OIL PUMP GASKET	6600
KIT-CARBURETOR THROTTLE LEVER & SHAFT	9581	KIT-OIL PUMP INSTALLATION	6600
KIT-CARBURETOR TUNE-UP	9A586	KIT-PARKING BRAKE WARNING LIGHT	15A852
KIT-CLOCK ELECTRIC	15A000		
KIT-CLUTCH PRESSURE PLATE & DISC-HEAVY DUTY	7A537	KIT-PISTON PACKING POWER BRAKES	2A200
KIT-COMPENSATOR ADJUSTMENT	7B023	KIT-PISTON RING-PARTIAL RE-RING	6148
		KIT-PISTON RING SET-COMplete ENGINE RE-RING	6149
KIT-COMPETITION OIL PAN	6675	KIT-POWER BRAKE	2A091
KIT-COURTESY LAMP	13A708	KIT-POWER BRAKE BOOSTER MAJOR REPAIR	2309
KIT-CRANKCASE OIL COOLER	6A642		
KIT-CRANKCASE VENTILATION-POSITIVE-HIGH	6A603	KIT-POWER STEERING CONTROL VALVE CENTERING	3A675
PERFORMANCE		SPRING-REPAIR	
		KIT-POWER STEERING CONTROL VALVE REPAIR	3A650
KIT-CYLINDER FRONT COVER	6019	KIT-POWER STEERING CYLINDER END MOUNTING	3C589
KIT-CYLINDER HEAD & VALVE HIGH PERFORMANCE	6C056	BUSHING	
KIT-DIFFERENTIAL PINION SHAFT	4211		
KIT-DIFFERENTIAL SIDE GEAR	4236	KIT-POWER STEERING CYLINDER SEAL	3A764
KIT-DISPOSABLE TYPE OIL FILTER ADAPTOR	6882	KIT-POWER STEERING LINKAGE-CONVERSION	3A634
		KIT-POWER STEERING PISTON ROD END BUSHING	3C590
KIT-DISTRIBUTOR & SPARK PLUG WIRES	12050	KIT-POWER STEERING PUMP & SUPPORT BRACKET	3A635
KIT-DISTRIBUTOR REPAIR	12000	ADAPTOR	
KIT-DRAG LINK BALL STUD REPAIR	3A533		
KIT-ENGINE CONVERSION HIGH PERFORMANCE	6A044	KIT-POWER STEERING PUMP & SUPPORT BRACKET-	3A635
KIT-ENGINE COOLANT HEATER	8B152	CONVERSION	
		KIT-POWER STEERING PUMP CONVERSION	3C618
KIT-ENGINE DRESS-UP	6980	KIT-POWER STEERING PUMP-SEAL	3B584
KIT-EXPORT LOW OCTANE FUEL ADAPTOR	6A058	KIT-REAR AXLE DIFFERENTIAL PINION	4215
KIT-FOUR 2V WEBER CARBURETORS	6B068		
KIT-FRONT STABILIZER	5A486	KIT-REAR AXLE PINION BEARING SHIM	4663
KIT-FRONT STABILIZER LINK	5A484	KIT-REAR SPRING LINER	5834

Alphabetical Index—Continued

Part Name	Group Number	Part Name	Group Number
KIT-REAR WHEEL BRAKE CYLINDER REPAIR	2128	LAMP ASSEMBLY-TURN SIGNAL INDICATOR	13A355-6
KIT-RING GEAR & PINION	4209	LAMP-BACK-UP	15500-1
KIT-ROCKER ARM COVER GASKET & SEAL	6A506	LAMP-CIGAR LIGHTER	15076
KIT-ROCKER ARM ECCENTRIC	6A521	LAMP-COURTESY	13707
KIT-SHAFT & CARRIER & SUN GEAR	7A048	LAMP-INTERIOR	13776-7
KIT-SILENT BLOCK BUSHING INSTALLATION	5781	LAMP-PARKING	13200-1
KIT-SINGLE 4V INDUCTION HIGH PERFORMANCE	6B068	LAMP-READING-LESS BEZEL	13A701-2
KIT-SPACER & BRUSH ASSEMBLY-ALTERNATOR	10347	LAMP-REAR LICENSE	13550
KIT-SPARK PLUG & COIL HIGH TENSION WIRES	12259	LAMP-TRANSMISSION CONTROL SELECTOR	15A801
KIT-SPEED CONTROL	9A818	LEAF-REAR SPRING NO. 1	5564
KIT-SPOTLAMP&BRACKET	15312-3	LEAF-REAR SPRING NO. 2	5565
KIT-SPRING REAR SHACKLE & FRONT BOLT	5630	LENS & PLATE-DOME LAMP	13A747
KIT-STARTER BRUSH	11057	LENS & RIM-COURTESY LAMP	13716
KIT-STARTER MOTOR CONTACT POINTS	11134	LENS-BACK-UP LAMP	15514
KIT-STEERING IDLER ARM	3352	LENS-COURTESY LAMP	13734
KIT-STEERING SECTOR ADJUSTER SHIM	3A657	LENS-INSTRUMENT CLUSTER HEADLAMP SWITCH	10A909
KIT-THREE 2V INDUCTION HIGH PERFORMANCE	6B068	LENS-INSTRUMENT CLUSTER-MAIN	10887
KIT-TORSION BAR POWER STEERING GEAR SEAL & GASKET	3C538	LENS-INSTRUMENT CLUSTER WINDSHIELD WIPER SWITCH	10A908
KIT-TRANSMISSION GASKET & SEAL	7153	LENS-INTERIOR LAMPS	13783
KIT-TRANSMISSION OIL PRESSURE REGULATOR VALVE SPRING & RETAINER	7B025	LENS-PARKING BRAKE RELEASE CONTROL	2A659
KIT-TRANSMISSION REGULATOR & COMPENSATOR VALVE SPRING	7B023	LENS-PARKING LAMP	13208-9
KIT-TRANSMISSION REVERSE ENGAGEMENT	7D239	LENS-READING LAMP	13743
KIT-TRANSMISSION SMALL PARTS REPAIR	7B331	LENS-REAR LAMP OPTIC	13463
KIT-TWO 4V INDUCTION HIGH PERFORMANCE	6B068	LENS-REAR LAMPS	13450-1
KIT-UNIVERSAL JOINT	4635	LENS-REAR LICENSE LAMP	13564
KIT-VALVE ROCKER ARM COVER	6A547	LEVER & BUSHING-BRAKE BOOSTER	2A016
KIT-WATER PUMP REPAIR	8591	LEVER & BUSHING-CARBURETOR THERMOSTATIC CHOKE	9A757
KIT-WIRE TERMINAL	14294	LEVER & LINK-CARBURETOR THERMOSTATIC CHOKE	9B547
KNOB & ELEMENT-CIGAR LIGHTER	15052	LEVER & SHAFT-CARBURETOR CHOKE	9546
KNOB & INSERT-LIGHTING SWITCH	11661	LEVER & SHAFT-CARBURETOR THROTTLE	9581
KNOB ASSEMBLY-SPEED CONTROL ACTUATOR	9A832	LEVER-ACCELERATOR PEDAL	9A709
KNOB-CIGAR LIGHTER	15064	LEVER-ACCELERATOR SHAFT	9761
KNOB-CONTROL INSTRUMENT PANEL	15674	LEVER ASSEMBLY-PARKING BRAKE EQUALIZER	2A606
KNOB-LIGHTING SWITCH	11666	LEVER-BRAKE BOOSTER	2431
KNOB-SEAT REGULATOR CONTROL SWITCH	14710	LEVER-BRAKE MASTER CYLINDER OPERATING	2514
KNOB-SEAT REGULATOR CONTROL SWITCH-TILT	14711	LEVER-BRAKE SHOE ADJUSTING	2A176-7
KNOB-TRANSMISSION SHIFT LEVER	7213	LEVER-CARBURETOR ACCELERATOR PUMP	9583
L		LEVER-CARBURETOR ACCELERATOR PUMP OVERTRAVEL	9919
LAMP & WIRE-GLOVE COMPARTMENT	14412	LEVER-CARBURETOR ACCELERATOR PUMP PISTON OPERATING	9A506
LAMP & WIRING-PARKING BRAKE WARNING	10A841	LEVER-CARBURETOR BELLCRANK ADJUSTING	9A535
LAMP ASSEMBLY-CIGAR LIGHTER	15072	LEVER-CARBURETOR CHOKE	9548
LAMP ASSEMBLY-LUGGAGE COMPARTMENT	13A756	LEVER-CARBURETOR CHOKE COUNTERSHAFT OPERATING	9A514
LAMP ASSEMBLY-REAR	13404-5	LEVER-CARBURETOR CHOKE SHAFT	9A535
		LEVER-CARBURETOR DASHPOT-INNER	9835
		LEVER-CARBURETOR DASHPOT OPERATING	9802
		LEVER-CARBURETOR DASHPOT-OUTER	9836

Alphabetical Index—Continued

Part Name	Group Number	Part Name	Group Number
LEVER-CARBURETOR FAST IDLE ADJUSTING	9538	LINK-BRAKE SHOE CONNECTING	2042
LEVER-CARBURETOR FAST IDLE CAM OPERATING	9548	LINK-CARBURETOR DASHPOT	9D593
LEVER-CARBURETOR FAST IDLE PICK-UP CAM & CHOKE UNLOADER	9B562	LINK-CLUTCH PEDAL ASSIST SPRING	7592
LEVER-CARBURETOR FLOAT BOWL VENT ACTUATING	9D585	LINK-FUEL PUMP ROCKER ARM	9381
LEVER-CARBURETOR IDLE SPEED-UP CONTROL	9D549	LINK-PARKING BRAKE CABLE CONNECTION	2861
LEVER-CARBURETOR SECONDARY THROTTLE OPERATING	9A535	LINK-SPEED CONTROL-THREADED	9A811
LEVER-CARBURETOR SECONDARY THROTTLE OVERRIDE	9C505	LINK-STEERING CONNECTING	3304
LEVER-CARBURETOR SECONDARY THROTTLE STOP	9A537	LINK-STEERING PITMAN ARM TO SPINDLE CONNECTING ROD	3B163
LEVER-CARBURETOR THERMOSTATIC CHOKE HOUSING	9D541	LINK-TRANSMISSION CONTROL SHAFT ROD ADJUSTING	7B108
LEVER-CARBURETOR THERMOSTATIC CHOKE SHAFT	9A876	LINK-TRANSMISSION PARKING PAWL TOGGLE	7316
LEVER-CARBURETOR THROTTLE SHAFT AND/OR DIAPHRAGM-SECONDARY	9583	LINK-VACUUM PUMP ROCKER ARM	9310
LEVER-CLUTCH RELEASE	7515	LOCATOR-FRONT SPRING	5A317
LEVER-IDLE SPEED-UP VALVE	9B864	LOCATOR-STEERING COLUMN TRACK	3C734
LEVER-PARKING BRAKE EQUALIZER	2A605	LOCK ASSEMBLY-SPARE WHEEL	1386
LEVER-PARKING BRAKE OPERATING	2A637-8	LOCK-CARBURETOR FUEL INLET SEAT	9C528
LEVER-STARTER DRIVE	11067	LOCK-DIFFERENTIAL BEARING ADJUSTING NUT	4143
LEVER-STEERING COLUMN LOCKING	3B661	LOCKING DIFFERENTIAL KIT	4880
LEVER-TRANSMISSION DOWNSHIFT CONTROL-INNER	7283	LUBRICATOR-REAR AXLE DIFFERENTIAL	4159
LEVER-TRANSMISSION FRONT BAND ACTUATING	7330	M	
LEVER-TRANSMISSION GEARSHIFTER INTERMEDIATE & HIGH	7285	MAGNET-CARBURETOR CHOKE PLATE	9E585
LEVER-TRANSMISSION GEARSHIFTER-LOW & REVERSE	7290	MAIN CONTROL REGULATOR REPAIR KIT	7A135
LEVER-TRANSMISSION LOW & REVERSE GEARSHIFT INTERLOCK	7C173	MANIFOLD & CHECK VALVE-BRAKE BOOSTER	2A411
LEVER-TRANSMISSION MANUAL CONTROL	7A256	MANIFOLD & THERMOSTAT-EXHAUST	9426
LEVER-TRANSMISSION MANUAL VALVE DETENT	7A115	MANIFOLD-EXHAUST	9430-1
LEVER-TRANSMISSION PARKING PAWL TOGGLE	7A121	MANIFOLD-INTAKE	9424-5
LEVER-TRANSMISSION PARKING PAWL TOGGLE-OPERATING	7A117	MASK-FUEL & TEMPERATURE INDICATOR	9313
LEVER-TRANSMISSION PARKING PAWL TORSION SPRING	7B470	MASK-INSTRUMENT CLUSTER	10890
LEVER-TRANSMISSION REAR BAND ACTUATING	7A169	MASK-TRANSMISSION CONTROL SELECTOR INDICATOR DIAL	7B052
LEVER-TRANSMISSION SHIFT	7210	MASTER CYLINDER REPAIR KIT	2004
LEVER-TRANSMISSION SHIFT BELLCRANK	7A025	MEDALLION-INSTRUMENT CLUSTER	10952
LEVER-TRANSMISSION THROTTLE CONTROL-OUTER	7A259	MEDALLION OR EMBLEM-RADIATOR GRILLE	8A223
LEVER-WINDOW MASTER CONTROL	14A232	MEMBER-ENGINE MOUNTING REAR	6A087-8
LEVER-WINDOW REGULATOR LIMIT	14A136-7	MIRROR-SPOTLAMP	15311
LINER-CARBURETOR THERMOSTATIC CHOKE LEVER BUSHING	9A756	MOTOR-CONVERTIBLE TOP LOCK & LUGGAGE COMPARTMENT DOOR LOCK	15690
LINER-REAR SPRING	5983-5	MOTOR-SEAT REGULATOR CONTROL	14547
LINER-REAR SPRING CLAMP	5334	MOTOR-STEERING COLUMN RELEASE	3D538
LINER-REAR SPRING LEAF	5624	MOTOR-UPPER BACK FINISH PANEL ACTUATING & TOP LOCK	158659
LINK-ACCELERATOR BELLCRANK TO CARBURETOR	9A716	MOTOR-WINDOW REGULATOR	14553
LINK AND/OR ARM-CARBURETOR ACCELERATOR PUMP	9529	MOTOR-WINDOW REGULATOR KIT	14553
LINK-BRAKE MASTER CYLINDER PUSH ROD	2A022	MOULDING-CARBURETOR AIR CLEANER AIR DUCT	9B685
LINK-BRAKE PEDAL LEVER TO MASTER CYLINDER OPERATING LEVER	2466	MOULDING-RADIATOR GRILLE LOWER PANEL	8A054
		MOULDING-RADIATOR GRILLE LOWER PANEL	8368

Alphabetical Index—Continued

Part Name	Group Number	Part Name	Group Number
MOULDING-RADIATOR GRILLE OPENING CENTER PANEL	8A156-7	O RING-TRANSMISSION REAR PUMP PRESSURE PORT	7863
MOULDING-RADIATOR GRILLE OPENING PANEL	8A317-8	O RING-TRANSMISSION THROTTLE CONTROL SHAFT OIL	7265
MUFFLER	5230		
MUFFLER & TUBE-A/COND. COMPRESSOR	2997	OIL CUP-GENERATOR REAR END PLATE	10141
MUFFLER OUTLET PIPE SUPPORT KIT	5277	OIL PAN COMPETITION KIT	6675
		OIL PUMP GASKET KIT	6600
N		OIL PUMP INSTALLATION-KIT	6600
		OILER-DISTRIBUTOR BASE	12135
NEEDLE-CARBURETOR IDLE ADJUSTING	9541		
NOZZLE AND/OR SCREW-CARBURETOR PUMP DISCHARGE	9577	ORIFICE-POWER STEERING PRESSURE LINE HOSE	3A700
		P	
NUT-ACCELERATOR SHAFT TO BELLCRANK ROD	9A857		
NUT-BACK WINDOW REGULATOR CONTROL SWITCH	14A124	PACKING-BRAKE BOOSTER BODY PISTON	2356
NUT-BRAKE ADJUSTING SCREW	2047		
NUT-BRAKE TUBE	2133	PAD-BACK-UP LAMP MOUNTING	15533
NUT-CARBURETOR CHOKE PLATE ADJUSTING	9D564	PAD-BRAKE PEDAL	2454
		PAD-FRONT FENDER APRON & RADIATOR SUPPORT	8124
NUT-CONNECTING ROD CAP	6212	PAD-HORN BLOWING PRESSURE	13A820
NUT-FRONT SUSPENSION UPPER ARM MOUNTING BOLT	3B023	PAD-HORN BLOWING RING INSULATOR	13A834
NUT-FUEL PUMP MANUAL CONTROL	9A389		
NUT-GENERATOR PULLEY	10254	PAD-HORN BLOWING RING SHOCK	13A813
NUT-HEADLAMP ADJUSTING	13181	PAD-PARKING BRAKE PEDAL	2A647
		PAD-RADIATOR GRILLE TO FRONT FENDER	8A255
NUT-LIGHTING SWITCH	11650	PAD-REAR LAMP MOUNTING	13420-1
NUT-OIL PAN TO OIL PUMP TUBE	6673	PAD-REAR LAMP WATER SEAL LOWER	13323
NUT-PARKING BRAKE EQUALIZER LEVER	2091		
NUT-SEAT REGULATOR CONTROL SWITCH BEZEL	14695	PAD-SEAT REGULATOR SWITCH	14B708
NUT-SPARE WHEEL MOUNTING BOLT	1462	PAD-STEERING COLUMN LOCKING BRACKET	3D560
		PAN-OIL	6675
NUT-SPEED CONTROL ACTUATOR	9A836	PAN-TRANSMISSION CONVERTER	7987
NUT-SPEED CONTROL CABLE CLAMPING	9A823	PAN-TRANSMISSION OIL	7A194
NUT-STEERING GEAR WORM THRUST BEARING-LOCK	3707		
NUT-TOP CONTROL	15A670	PANEL & BOX-FUSE JUNCTION	14A072
NUT-TOP CONTROL SWITCH MOUNTING	15B663	PANEL-FUSE JUNCTION	14A067-8
		PANEL-RADIATOR GRILLE-LOWER	8188
NUT-TRANSMISSION GEARSHIFT LEVER BALL LOCK	7C404	PANEL-RADIATOR GRILLE OPENING	8190
NUT-TRANSMISSION OVERDRIVE CONTROL	7A227	PANEL-TOP CONTROL RELAY MOUNTING	15A685
NUT-VALVE ROCKER ARM ADJUSTING SCREW	6552		
NUT-VALVE ROCKER ARM BOLT	6A529	PARKING BRAKE WARNING LIGHT KIT	15A852
NUT-WHEEL BOLT	1012	PAWL & ROD-TRANSMISSION CONTROL SELECTOR LOCKING LEVER	7C441
O		PAWL-TRANSMISSION OVERDRIVE STATIONARY GEAR	7690
		PAWL-TRANSMISSION PARKING	7A441
O RING-CARBURETOR FUEL VALVE INLET SEAT	9609	PAWL-TURN SIGNAL SWITCH	13309
O RING-POWER STEERING OIL RESERVOIR ORIFICE	3547	PEDAL-ACCELERATOR	9735
		PEDAL-BRAKE	2455
O RING-POWER STEERING PUMP VALVE OUTLET FITTING	3618	PEDAL-CLUTCH	7519
O RING-PRESSURE INLET SEAT	3B699	PIN-ACCELERATOR BELLCRANK	9B721
O RING-REAR AXLE DRIVE PINION BEARING RETAINER	4669		
O RING-TRANSMISSION FRONT SERVO RELEASE PISTON	7C098	PIN-ACCELERATOR TO PEDAL	9727
O RING-TRANSMISSION OVERDRIVE GOVERNOR	6927	PIN-BRAKE BOOSTER LEVER PIVOT	2A020
		PIN-BRAKE SHOE HOLD DOWN SPRING	2069
O RING-TRANSMISSION REAR CLUTCH PISTON-INNER	7C099	PIN-CARBURETOR ACCELERATOR OVERTRAVEL SPRING	9C711
O RING-TRANSMISSION REAR PUMP INLET TUBE	7C329	PIN-CARBURETOR ACCELERATOR PISTON PUMP OPERATING LEVER	9B566
O RING-TRANSMISSION REAR PUMP OIL OUTLET TUBE	7868		

Alphabetical Index—Continued

Part Name	Group Number	Part Name	Group Number
PIN-CARBURETOR AIR CLEANER RETAINER	9C631	PISTON-CARBURETOR VACUUM	9B513
PIN-CARBURETOR CHOKE PLATE DISTRIBUTION	9551	PISTON-FAN CLUTCH CONTROL	8A640
PIN-CARBURETOR FAST IDLE ADJUSTING LEVER	9579	PISTON PACKING POWER BRAKES KIT	2A200
PIN-CARBURETOR THERMOSTATIC CHOKE PISTON	9B768		
PIN-CRANKSHAFT REAR OIL SEAL	6A302	PISTON,PIN & RETAINER SET	6108
		PISTON PLATE-BRAKE BOOSTER BODY-REAR	2395
PIN-FRONT WHEEL BRAKE SHOE ANCHOR	2027	PISTON RING-PARTIAL RE-RING KIT	6148
PIN-FUEL PUMP ROCKER ARM	9378	PISTON RING SET-COMplete ENGINE RE-RING KIT	6149
PIN-HAND BRAKE HANDLE LOCKING	2819	PISTON-TRANSMISSION FRONT CLUTCH	7A262
PIN-INSTRUMENT CLUSTER HOUSING RETAINER	12429		
PIN-PARKING BRAKE LEVER	2107	PISTON-TRANSMISSION FRONT SERVO	7A260
		PISTON-TRANSMISSION REAR CLUTCH	7514
PIN-PISTON	6135	PISTON-TRANSMISSION REAR SERVO	7A266
PIN-POWER STEERING PUMP ROTOR DRIVE	3633	PISTON-WHEEL BRAKE CYLINDER	2194-7
PIN-SEAT REGULATOR CONTROL KNOB PIVOT	148694	PIVOT-CLUTCH RELEASE EQUALIZER SHAFT BALL INNER	7A531
PIN-STARTER DRIVE PINION	11365		
PIN-STEERING COLUMN INSTRUMENT PANEL OPENING COVER HINGE	3D551	PIVOT-STEERING COLUMN	3B650
		PLANET ASSEMBLY-TRANSMISSION	7A398
PIN-STEERING COLUMN OPENING COVER LEVER ACTUATING	3D557	PLATE & COVER-CLUTCH PRESSURE	7563
		PLATE & DIODE-ALTERNATOR NEGATIVE	10377
PIN-STEERING COLUMN TO TRACK LOWER BRACKET	3C727	PLATE & DIODE-ALTERNATOR POSITIVE	10373
PIN-TRANSMISSION BAND ACTUATING LEVER SHAFT	7356		
PIN-TRANSMISSION CASE DOWEL	7033	PLATE & INSERT-ALTERNATOR REAR	10362
		PLATE & INSULATOR-STEERING COLUMN RELEASE CONTACT	3D569
PIN-TRANSMISSION COMPENSATOR SPRING ADJUSTING	7D254	PLATE & TROUGH-TRANSMISSION OVERDRIVE COVER	7665
PIN-TRANSMISSION COMPENSATOR VALVE ACTUATING	7718	PLATE-ACCELERATOR SHAFT EQUALIZER BRACKET	9A853
PIN-TRANSMISSION FRONT BAND ANCHOR	7377		
PIN-TRANSMISSION FRONT SERVO PISTON GUIDE	7A163	PLATE ASSEMBLY-BALLAST RESISTOR MOUNTING	14A275
PIN-TRANSMISSION GEARSHIFT LEVER	7A111	PLATE-BALLAST RESISTOR MOUNTING	14A274
		PLATE-BRAKE BACKING	2012-5
PIN-TRANSMISSION GEARSHIFT TUBE	7337	PLATE-BRAKE BOOSTER BODY END	2380
PIN-TRANSMISSION PARKING PAWL SUPPORT	7312	PLATE-BRAKE BOOSTER BODY PISTON	2A158
PIN-TRANSMISSION PARKING PAWL TOGGLE LEVER	7A244		
PIN-TRANSMISSION PARKING PAWL TOGGLE LEVER SUPPORT	7A295	PLATE-BRAKE BOOSTER DIAPHRAGM	2304
		PLATE-BRAKE BOOSTER PUSH ROD LOCATING	2A476
PIN-TRANSMISSION PARKING PAWL TOGGLE LINK	7318	PLATE-BRAKE PEDAL PAD	2453
PIN-TRANSMISSION PARKING PAWL TOGGLE OPERATING LEVER SUPPORT	7A119	PLATE-BRAKE SHOE ANCHOR PIN GUIDE	2028
		PLATE-CAMSHAFT FUEL PUMP DRIVE ECCENTRIC WEAR	6290
PIN-TRANSMISSION PARKING PAWL TORSION LEVER SUPPORT	7308		
		PLATE-CAMSHAFT THRUST	6269
PIN-TRANSMISSION SHIFTER INTERLOCK	7235	PLATE-CARBURETOR AIR DISTRIBUTION	9F553
PIN-WINDOW REGULATOR MASTER SWITCH LEVER PIVOT	14606	PLATE-CARBURETOR CHOKE	9545
PINION-DIFFERENTIAL	4215	PLATE-CARBURETOR METERING BODY-SECONDARY	9514
PIPE & INSULATOR-RESONATOR INLET	5218	PLATE-CARBURETOR SECONDARY THROTTLE LOCKOUT	9C506
PIPE-EXHAUST CROSSOVER	5A255		
		PLATE-CARBURETOR THERMOSTATIC CHOKE HOUSING	9A539
PIPE-FUEL TANK FILLER	9034	PLATE-CARBURETOR THROTTLE	9585
PIPE-MUFFLER INLET	5245-6	PLATE-DISTRIBUTOR BREAKER	12151-2
PIPE-MUFFLER OUTLET	5255	PLATE-ENGINE FRONT SUPPORT INSULATOR-ADAPTOR	6B072
PIPE-OIL FILLER	6763	PLATE-ENGINE REAR COVER	7007
PISTON & PIN SET	6108-9		
		PLATE-ENGINE REAR SUPPORT	6062
PISTON-CARBURETOR ACCELERATOR PUMP	9B544	PLATE-FLYWHEEL REINFORCING	6A366
PISTON-CARBURETOR THERMOSTATIC CHOKE	9840	PLATE-FRONT SUSPENSION UPPER ARM MOUNTING	3A009
		PLATE-FUEL & TEMPERATURE INDICATOR MOUNTING	9A285
		PLATE-FUEL & TEMPERATURE INDICATOR MOUNTING	9A286

Alphabetical Index—Continued

Part Name	Group Number	Part Name	Group Number
PLATE-FUEL LEVEL INDICATOR BACK	9302	PLATE-TRANSMISSION CONTROL VALVE BODY-REAR	7A393
PLATE-GENERATOR FRONT	10139	PLATE-TRANSMISSION FRONT CLUTCH PRESSURE	7B066
PLATE-GENERATOR FRONT BEARING RETAINER	10098		
PLATE-GENERATOR REAR-LESS SPACER	10050	PLATE-TRANSMISSION GEARSHIFT LEVER OPENING	7C309
PLATE-HEADLAMP MOUNTING	13A008-9	COVER	
		PLATE-TRANSMISSION LOWER VALVE BODY RIGHT-REAR	7750
PLATE-HORN BLOWING RING CONTACT	13A808	PLATE-TRANSMISSION OIL PRESSURE REGULATOR BODY	7A142
PLATE-HORN BLOWING RING GROUND	13A828	SEPARATING	
PLATE-HORN BLOWING RING INDEX	13A809		
PLATE-HORN RELAY MOUNTING	13A846	PLATE-TRANSMISSION REAR CLUTCH PRESSURE	7B437
PLATE-HORN SWITCH BRUSH	13A823	PLATE-TURN SIGNAL SWITCH	13304
		PLATE-VACUUM PUMP LOCK	6616
PLATE-INSTRUMENT CLUSTER BACK	10843	PLATE-WINDOW ACTUATOR STRIKER SWITCH	14A235-6
PLATE-INSTRUMENT CLUSTER CONTROL HOUSING-BACK	10A986-7	PLATE-WINDOW REGULATOR LIMIT SWITCH MOUNTING-	14A170-1
PLATE-INSTRUMENT CLUSTER CONTROL MOUNTING	10A860	REAR DOORS	
PLATE-INSTRUMENT CLUSTER HOUSING OPENING	10A862		
PLATE-INSTRUMENT CLUSTER MOUNTING-UPPER CENTER	10A988	PLATE-WINDOW REGULATOR MULTIPLE SWITCH COVER	14A021
		PLATE-WINDOW REGULATOR MULTIPLE SWITCH MOUNTING	14524
PLATE-INSTRUMENT CLUSTER TRIM	10A861	PLATE-WINDOW REGULATOR SINGLE SWITCH COVER	14A020
PLATE-LOWER BACK PANEL BACK-UP LAMP OPENING	15A513-4	PLATE-WINDOW REGULATOR SINGLE SWITCH MOUNTING	14523
COVER		PLUG-CAMSHAFT REAR BEARING	6266
PLATE-MUFFLER INLET PIPE HANGER-MOUNTING	5A208		
PLATE-MUFFLER MOUNTING	5B236	PLUG-CARBURETOR FUEL LEVEL CHECK	9562
		PLUG-CROSS LINK	3328
PLATE-PARKING BRAKE CABLE CLIP	2A693	PLUG-CYLINDER BLOCK	6026
PLATE-POWER STEERING CONTROL VALVE CAP ADAPTOR	3712	PLUG-CYLINDER HEAD	6052
PLATE-POWER STEERING PUMP PRESSURE	3A645	PLUG-DISTRIBUTOR PASSAGE	12145
PLATE-RADIATOR SUPPORT COWL TOP	12901		
PLATE-REAR AXLE DIFFERENTIAL CLUTCH	4945	PLUG-FRAME STONE DEFLECTOR	5A003
		PLUG-FUEL PUMP ROCKER ARM PIN HOLES	9A360
PLATE-REAR AXLE DIFFERENTIAL GEAR CLUTCH	4947	PLUG-INTAKE MANIFOLD	9A450
PLATE-REAR SPRING FRONT SHACKLE MOUNTING	5A532-5	PLUG-OIL PAN DRAIN	6730
PLATE-REAR SPRING U BOLT	5798-9	PLUG-OIL PUMP RELIEF VALVE	6666
PLATE-RESONATOR MOUNTING	5B262		
PLATE-SPARE WHEEL COVER	1350	PLUG-POWER STEERING CONTROL VALVE	3B740
		PLUG-POWER STEERING CONTROL VALVE REACTION	3A512
PLATE-SPARE WHEEL MOUNTING	1446	SPRING-SLEEVE END	
PLATE-SPEED CONTROL ACTUATOR HOUSING-COVER	9A828	PLUG-POWER STEERING CONTROL VALVE REACTION	3A513
PLATE-SPEED CONTROL ACTUATOR MOUNTING	9A890	SPRING-CAP END	
PLATE-SPEED CONTROL ACTUATOR MOUNTING	9A891		
PLATE-STARTER BRUSH END	11049	PLUG-POWER STEERING GEAR HOUSING	3B730
		PLUG-POWER STEERING PUMP FLOW CONTROL VALVE	3B591
PLATE-STARTER REAR END	11130	PLUG-STEERING GEAR OIL FILLER	3538
PLATE-STEERING COLUMN OPENING COVER	3B634	PLUG-TRANSMISSION FRONT PUMP PRESSURE	7D274
PLATE-STEERING COLUMN OPENING COVER	3B633-4	PLUG-VALVE ROCKER ARM SHAFT	6572
PLATE-TEMPERATURE INDICATOR BACK	9304		
PLATE-TRANSMISSION CLUTCH-EXTERNAL SPLINE	7B442	PLUNGER-BRAKE BOOSTER	2A385
		PLUNGER-BRAKE MASTER CYLINDER	2A345
PLATE-TRANSMISSION CLUTCH-INTERNAL SPLINE	7B164	PLUNGER-CARBURETOR DASHPOT	9800
PLATE-TRANSMISSION CONTROL LOWER VALVE BODY	7729	PLUNGER-OIL PUMP RELIEF VALVE	6674
SIDE		PLUNGER-TRANSMISSION CONTROL SELECTOR LEVER	7361
PLATE-TRANSMISSION CONTROL LOWER VALVE BODY END	7014		
PLATE-TRANSMISSION CONTROL SELECTOR LEVER GUIDE	7C449	PLUNGER-TRANSMISSION MANUAL VALVE DETENT	7607
		POINT SET-DISTRIBUTOR	12171
PLATE-TRANSMISSION CONTROL VALVE BODY	7A008	POINTER-TIMING	6023
SEPARATING		POPPET-BRAKE BOOSTER DIAPHRAGM	2301
PLATE-TRANSMISSION CONTROL VALVE BODY-FRONT	7A396	POWER BRAKE BOOSTER MAJOR REPAIR KIT	2309

Alphabetical Index—Continued

Part Name	Group Number	Part Name	Group Number
POWER BRAKE KIT	2A091	RAIL-TRANSMISSION SHIFTER	7240-1
POWER JET BODY & MAIN WELL-CARBURETOR	9594	REAR AXLE DIFFERENTIAL PINION KIT	4215
POWER STEERING CONTROL VALVE CENTERING SPRING REPAIR KIT	3A675	REAR AXLE PINION BEARING SHIM KIT	4663
POWER STEERING CONTROL VALVE REPAIR KIT	3A650	REAR SPRING LINER KIT	5834
POWER STEERING CYLINDER END MOUNTING BUSHING KIT	3C589	REAR WHEEL BRAKE CYLINDER REPAIR KIT	2128
POWER STEERING CYLINDER SEAL KIT	3A764	RECTIFIER ASSEMBLY-ALTERNATOR	10304
POWER STEERING LINKAGE CONVERSION KIT	3A634	REFLECTOR-INSTRUMENT PANEL ASH RECEPTACLE LAMP	13A770
POWER STEERING PISTON ROD END BUSHING KIT	3C590	REFLECTOR-REAR LAMP	13437
POWER STEERING PUMP & SUPPORT BRACKET CONVERSION KIT	3A635	REGULATOR-ALTERNATOR	10316
POWER STEERING PUMP & SUPPORT BRACKET ADAPTOR KIT	3A635	REGULATOR ASSEMBLY-SPEED CONTROL	9A819
POWER STEERING PUMP CONVERSION KIT	3C618	REGULATOR-GENERATOR	10505
POWER STEERING PUMP SEAL KIT	3B584	REGULATOR-INSTRUMENT CLUSTER VOLTAGE	10804
PRISM-TRANSMISSION CONTROL SELECTOR DIAL POSITION	7A028	REGULATOR-TRANSMISSION OIL PRESSURE	7A139
PULLEY-A/COND.BELT IDLER ADJUSTING	2884	REINFORCEMENT-ENGINE REAR MOUNTING MEMBER EXTENSION	6B081
PULLEY-ALTERNATOR	10344	REINFORCEMENT-ENGINE REAR SUPPORT	6A042
PULLEY & BRACKET ASSEMBLY-BELT IDLER	8678	REINFORCEMENT-FLEXIBLE COUPLING STEERING	3B629
PULLEY & DAMPER-CRANKSHAFT VIBRATION	6312	REINFORCEMENT-FRONT STABILIZER BAR MOUNTING BRACKET	5A483
PULLEY-BELT IDLER	8679	REINFORCEMENT-FRONT SUSPENSION HOUSING SPRING SEAT	3A072
PULLEY-GENERATOR	10130	REINFORCEMENT-FRONT SUSPENSION LOWER ARM BUSHING	3A492
PULLEY-PARKING BRAKE CABLE	2804	REINFORCEMENT-GRILLE OPENING PANEL-UPPER	8A284
PULLEY-POWER STEERING PUMP	3A733	REINFORCEMENT-MUFFLER OUTLET PIPE BRACKET-MOUNTING BOLT	5A224
PULLEY-VIBRATION DAMPER-OUTER	6A312	REINFORCEMENT-OIL PAN FLANGE	6A674
PULLEY-WATER PUMP	8509	REINFORCEMENT-POWER STEERING OIL RESERVOIR ORIFICE	3B563
PUMP-FUEL AND/OR VACUUM	9350	REINFORCEMENT-RADIATOR SUPPORT-FRONT UPPER	8A349-50
PUMP-OIL	6600	REINFORCEMENT-RADIATOR SUPPORT-REAR UPPER	8A347-8
PUMP-POWER STEERING	3A674	REINFORCEMENT-REAR SPRING FRONT HANGER BRACKET	5916-7
PUMP-TRANSMISSION OIL-FRONT	7A103	REINFORCEMENT-REAR SPRING FRONT HANGER BRACKET REAR	5A624-5
PUMP-TRANSMISSION OIL-REAR	7A149	REINFORCEMENT-REAR SPRING REAR HANGER BRACKET	5918-9
PUMP-VACUUM-OIL & VACUUM PUMP	6713	REINFORCEMENT-STEERING COLUMN BRACKET	3B743
PUMP-WATER	8501	REINFORCEMENT-TRANSMISSION LOWER VALVE BODY-PLATE	7C056
		REINFORCEMENT-VALVE ROCKER ARM COVER FLANGE	6A523
R		RELAY & BRACKET-HORN	13853
RACE-TRANSMISSION FRONT CLUTCH SUN GEAR THRUST BEARING-REAR	7549	RELAY ASSEMBLY-WARNING LAMP	10B840
RACE-TRANSMISSION OUTPUT SHAFT THRUST BEARING	7A387	RELAY-AUTOMATIC HEADLAMP DIMMER	13A025
RACE-TRANSMISSION OVERRUNNING CLUTCH INNER	7D171	RELAY-DOOR LOCK CONTROL	14A093
RACE-TRANSMISSION OVERRUNNING CLUTCH OUTER	7B456	RELAY-DOOR OPEN WARNING	14A208
RACE-TRANSMISSION REAR SUN GEAR THRUST BEARING	7504	RELAY-IGNITION CURRENT AMPLIFIER	12A042
RACE-TRANSMISSION SUN GEAR THRUST BEARING	7D235-6	RELAY-INSTRUMENT WARNING SIGNAL	10A968
RACK & WORM ASSEMBLY-STEERING GEAR	3524	RELAY-INTERIOR LAMP	13A777
RADIATOR	8005	RELAY-SEAT REGULATOR CONTROL	14A707
RADIATOR SUPPORT TO COWL TOP BRACE KIT	12820		

Alphabetical Index—Continued

Part Name	Group Number	Part Name	Group Number
RELAY-STARTER	11450	RETAINER-DOME LAMP LENS	13784
RELAY-TOP CONTROL MOTOR	15672	RETAINER-DOME LAMP OR CARGO LAMP WIRING	13198
RELAY-TOP CONTROL-NEUTRAL	15A688	RETAINER-ENGINE REAR SUPPORT	6054
RELAY-TRANSMISSION OVERDRIVE	7A651	RETAINER-ENGINE REAR SUPPORT MOUNTING BRACKET	6A039
RELAY-WINDOW REGULATOR CONTROL	14512	INSULATOR	
RELAY-WINDOW REGULATOR MOTOR ARMATURE EXCITATION	14A154	RETAINER-ENGINE REAR SUPPORT MOUNTING BRACKET INSULATOR-LOWER	6A032
RELAY-WINDOW REGULATOR MOTOR-CURRENT LIMITER	14A153	RETAINER-FRONT SUSPENSION LOWER ARM BALL JOINT DUST SEAL	3A027
RELAY-WINDOW REGULATOR-SAFETY	14677	RETAINER-FRONT WHEEL HUB GREASE	1190
RESERVOIR & TUBE-POWER STEERING PUMP	3A697	RETAINER-FUEL & TEMPERATURE INDICATOR BEZEL	9C272
RESERVOIR-BRAKE BOOSTER	2063	RETAINER-FUEL PUMP CAM LEVER SPRING	9B354
RESERVOIR-STEERING COLUMN	3D578	RETAINER-FUEL PUMP DIAPHRAGM SPRING	9371
RESISTOR & BRACKET-IGNITION BALLAST	12A046	RETAINER-FUEL PUMP OIL SEAL	9A392
RESISTOR-IGNITION COIL	12250	RETAINER-FUEL TANK FILLER PIPE SEAL	9008
RESISTOR-LIGHTING SWITCH	11691	RETAINER-FUSE JUNCTION PANEL	14A218
RESONATOR	5212	RETAINER-GROMMET WIRE THRU DASH	14608
RETAINER & BEARING CUP-REAR AXLE DRIVE PINION GEAR	4614	RETAINER-HEADLAMP DOOR	13062
RETAINER-AIR CLEANER TO CARBURETOR	9B672	RETAINER-HEADLAMP JUNCTION BLOCK	13A060
RETAINER-ALTERNATOR	10323	RETAINER-HORN BLOWING RING MEDALLION	13A810
RETAINER-ALTERNATOR FRONT BEARING	10A355	RETAINER-LOWER GRILLE PANEL MOULDING COVER	8A063
RETAINER-BRAKE BOOSTER BODY PISTON GUIDE	2B131	RETAINER-MAP LAMP SOCKET	15A652
RETAINER-BRAKE BOOSTER BODY PISTON RETURN SPRING	2327	RETAINER-OIL SEPARATOR ELEMENT-CRANKCASE VENTILATION	6A633
RETAINER-BRAKE BOOSTER DIAPHRAGM POPPET	2297	RETAINER-PARKING BRAKE CABLE REAR	2A709
RETAINER-BRAKE BOOSTER FULCRUM LEVER	2A370	RETAINER-PARKING BRAKE EQUALIZER LEVER	2A613
RETAINER-BRAKE BOOSTER PISTON FELT	2429	RETAINER-PARKING BRAKE EQUALIZER LEVER RELEASE SPRING	2A616
RETAINER-BRAKE BOOSTER PUSH ROD SPRING	2A372	RETAINER-PISTON PIN	6140
RETAINER-BRAKE MASTER CYLINDER COMPENSATING PORT SPRING	2165	RETAINER-POWER STEERING CYLINDER STUD SEAL	3D507
RETAINER-BRAKE MASTER CYLINDER PLUNGER SEAL	2159	RETAINER-POWER STEERING HOSE INSULATOR	3A610
RETAINER-CARBURETOR CHOKE SHAFT	9B527	RETAINER-POWER STEERING OIL RESERVOIR FILTER SPRING	3B756
RETAINER-CARBURETOR FAST IDLE ROD SEAL	9A576	RETAINER-POWER STEERING PUMP RELIEF VALVE	3C742
RETAINER-CARBURETOR FLOAT BOWL	9808	RETAINER-RADIATOR SUPPORT TO COWL TOP BRACE	12748
RETAINER-CARBURETOR FLOAT LEVER SHAFT	9B546	RETAINER-RATCHET BAR LOCKING SPRING	2786
RETAINER-CARBURETOR FLOAT SPRING	9552	RETAINER-REAR AXLE DRIVE PINION PILOT BEARING	4627
RETAINER-CARBURETOR PUMP OPERATING LEVER	9568	RETAINER-REAR LAMP REFLECTOR	13456
RETAINER-CARBURETOR VALVE	9575	RETAINER-REAR PARKING BRAKE LEVER PIN	2106
RETAINER-CLUTCH PEDAL ASSIST SPRING	7540	RETAINER-REAR SPRING CENTER MOUNTING INSULATOR	5736
RETAINER-CLUTCH PEDAL ROD SEAL	7B507	RETAINER-REAR SPRING CENTER MOUNTING INSULATOR LOWER	5A538
RETAINER-CLUTCH PEDAL STOP LEVER PIN	7618	RETAINER-REAR WHEEL BEARING-INNER	1180
RETAINER-CLUTCH RELEASE EQUALIZER BAR RETAINING SPRING	7639	RETAINER-REAR WHEEL BEARING-OUTER	4020
RETAINER-CLUTCH RELEASE EQUALIZER SHAFT BEARING	7A629	RETAINER-SPEED CONTROL ACTUATOR-PUSH BUTTON	9A897
RETAINER-CRANKSHAFT REAR SEAL	6335	RETAINER-STARTER MOTOR DRIVE RING	11223
RETAINER-DIAPHRAGM ROD	12388	RETAINER-STEERING COLUMN LOCKING LEVER SPRING	3C733
RETAINER-DISTRIBUTOR BREAKER PLATE	12146	RETAINER-STEERING COLUMN TRACK BEARING	3D561
RETAINER-DISTRIBUTOR CAM	12177		

Alphabetical Index—Continued

Part Name	Group Number	Part Name	Group Number
RETAINER—STEERING COLUMN TUBE OPENING GROMMET	3B707	RETAINER—TRANSMISSION THROTTLE PRESSURE BOOSTER VALVE PLUG	7B428
RETAINER—STEERING SHAFT UPPER BEARING	3B610	RETAINER—TURN SIGNAL CONTROL ARM	13347
RETAINER—STEERING WHEEL HUB CAP	3657	RETAINER—TURN SIGNAL FLASHER	13A367
RETAINER—THERMOSTATIC CHOKE CONTROL INSERT	9A715	RETAINER—VALVE ROCKER ARM ECCENTRIC SPRING	6A520
RETAINER—TRANSMISSION CLUTCH PISTON SPRING	7A527		
RETAINER—TRANSMISSION COMPENSATOR VALVE—INNER SPRING	7714	RETAINER—VALVE SPRING	6514
RETAINER—TRANSMISSION CONTROL SELECTOR RETRACTING SPRING	7C230	RETAINER—WIRING GROMMET	14613
RETAINER—TRANSMISSION CONTROL SELECTOR INDICATOR LAMP HOUSING	15815	RETAINER—WIRING HARNESS	14A163
		RIM—BRAKE PEDAL PAD	2A231
RETAINER—TRANSMISSION CONTROL SELECTOR DIAL	7344	RING—A/COND. COMPRESSOR CLUTCH—SLIP	2980
RETAINER—TRANSMISSION CONTROL SELECTOR LEVER PLUNGER	7A347	RING—ALTERNATOR ROTOR STOP	10370
RETAINER—TRANSMISSION CONTROL SELECTOR LEVER GUIDE PLATE	7C448	RING & GEAR ASSEMBLY—TRANSMISSION OVERDRIVE BALK	7662
		RING ASSEMBLY—ALTERNATOR ROTOR SLIP	10328
RETAINER—TRANSMISSION CONTROL SELECTOR LOCKING LEVER PAWL	7C443	RING—BRAKE BOOSTER PLUNGER CUSHION	2A371
RETAINER—TRANSMISSION COUNTERSHAFT & REVERSE IDLER SHAFT	7155	RING—BRAKE VACUUM BOOSTER BELLOWS WEAR	2B074
RETAINER—TRANSMISSION FRONT BAND ACTUATING LEVER SHAFT	7A155	RING—CAMSHAFT SPROCKET LOCK	6258
		RING—FUEL TANK FILLER CAP RETAINING CHAIN	9125
RETAINER—TRANSMISSION FRONT OIL PUMP BALL PRESSURE SPRING	7A223	RING—FUEL TANK SENDER RETAINER LOCKING	9A307
RETAINER—TRANSMISSION FRONT SERVO RELEASE PISTON	7A269	RING GEAR & PINION KIT	4209
RETAINER—TRANSMISSION GEARSHIFT LEVER	7348		
RETAINER—TRANSMISSION GEARSHIFT LEVER BOOT	7262	RING—GENERATOR BEARING STOP	10163
RETAINER—TRANSMISSION GEARSHIFT TUBE PIN	7B163	RING—HEADLAMP ADJUSTING	13118-9
RETAINER—TRANSMISSION GOVERNOR SECONDARY VALVE SPRING	7D218	RING—HEADLAMP BULB RETAINING	13015
RETAINER—TRANSMISSION KICK DOWN CONTROL LEVER RETRACTING SPRING	7C176	RING—HORN BLOWING	13A805
		RING—OIL PUMP INTERMEDIATE SHAFT RETAINER	6629
RETAINER—TRANSMISSION MAIN DRIVE GEAR BEARING	7050		
RETAINER—TRANSMISSION MAIN OIL PRESSURE REGULATOR VALVE	7A478	RING—POWER STEERING CYLINDER CAP RETAINING	3A746
RETAINER—TRANSMISSION OIL PRESSURE REGULATOR LUBE RELIEF VALVE SEAT	7B217	RING—POWER STEERING PUMP VANE	3A644
		RING—POWER STEERING VALVE RETAINING	3757
RETAINER—TRANSMISSION OUTPUT SHAFT BEARING	7085	RING—SPARE WHEEL COVER	1351
RETAINER—TRANSMISSION OVERDRIVE FREE WHEEL CAM	7676	RING—STEERING COLUMN TUBE TRIM	3B751
RETAINER—TRANSMISSION OVERDRIVE WHEEL CAGE	7674		
RETAINER—TRANSMISSION OVERRUNNING CLUTCH SPRING	7D191	RING—TRANSMISSION FRONT CLUTCH PISTON SPRING PRESSURE	7563
RETAINER—TRANSMISSION PARKING PAWL TOGGLE RETURN SPRING	7323	RING—TRANSMISSION GEARSHIFT LEVER BOOT	7D152
		RING—TRANSMISSION OVERDRIVE MAIN SHAFT BEARING SNAP	7656
RETAINER—TRANSMISSION PARKING PAWL TOGGLE LEVER SUPPORT PIN	7326		
RETAINER—TRANSMISSION PLANET GEAR SHAFT	7183	RING—TRANSMISSION SYNCHRONIZER BLOCKING	7107
RETAINER—TRANSMISSION PLANET GEAR SHAFT	7C377	RIVET—DISTRIBUTOR CAP CLAMP	12145
RETAINER—TRANSMISSION REAR SERVO PISTON SPRING	7B264	RIVET—GENERATOR & STARTER LOCKING	10088
		ROCKER ARM COVER GASKET & SEAL KIT	6A506
		ROCKER ARM ECCENTRIC KIT	6A521
		ROD—ACCELERATOR BELLCRANK TO CARBURETOR	9772
		ROD—ACCELERATOR LEVER TO ACCELERATOR SHAFT	9A731
		ROD—ACCELERATOR PEDAL TO SHAFT	9727
		ROD—ACCELERATOR SHAFT TO BELLCRANK	9A702
		ROD—ACCELERATOR SHAFT TO SPEED CONTROL SHAFT	9B704
		ROD—ACCELERATOR SHAFT TO TRANSMISSION CONTROL SHAFT	9784
		ROD & BALL STUD—STEERING SPINDLE ARM	3280-1

Alphabetical Index—Continued

Part Name	Group Number	Part Name	Group Number
ROD-BRAKE BOOSTER PUSH	2377	ROTOR-ALTERNATOR	10335
ROD-BRAKE MASTER CYLINDER PUSH	2143	ROTOR-DISTRIBUTOR	12200
ROD-CARBURETOR ACCELERATOR PUMP LINK TO THROTTLE LEVER	9B542	ROTOR-LIGHTING SWITCH	11A645
ROD-CARBURETOR ACCELERATOR PUMP LINK TO VENT LEVER		ROTOR-POWER STEERING PUMP	3692
ROD-CARBURETOR CHOKE CONTROL	9A599	ROTOR-TRANSMISSION FRONT OIL PUMP	7A146
ROD-CARBURETOR CHOKE SHAFT	9598	ROTOR-TRANSMISSION REAR OIL PUMP	7A497
ROD-CARBURETOR CHOKE SHAFT	9A766	S	
ROD-CARBURETOR DASHPOT CONNECTING	9A527	SCOOP-DIFFERENTIAL CASE OIL	4A050
ROD-CARBURETOR FAST IDLE CAM	9598	SCRAPER-POWER STEERING CYLINDER	3A753
ROD-CARBURETOR METERING	9A526	SCREEN & COVER-OIL PUMP	6622
ROD-CARBURETOR PUMP CONNECTOR	9531	SCREEN-CARBURETOR FILTER	9526
ROD-CARBURETOR SECONDARY DIAPHRAGM CONTROL	9596	SCREEN-CARBURETOR FILTER	9938
ROD-CARBURETOR SECONDARY THROTTLE CONTROL	9C504	SCREEN-CONVERTER HOUSING AIR INTAKE	7A805
ROD-CARBURETOR TO TRANSMISSION CONTROL SHAFT	9747	SCREEN-TRANSMISSION OIL PAN	7A098
ROD-CARBURETOR TO TRANSMISSION CONTROL SHAFT	9A735	SCREW-BRAKE ADJUSTING	2041
ROD-CARBURETOR TO TRANSMISSION KICKDOWN CONTROL SHAFT	9A734	SCREW-BRAKE BOOSTER ATMOSPHERIC POPPET VALVE SILENCER	2509
ROD-CLUTCH RELEASE LEVER	7521	SCREW-BRAKE WHEEL CYLINDER BLEEDER	2208
ROD-CONNECTING	6200	SCREW-CARBURETOR ACCELERATOR PUMP ARM	9B566
ROD-FUEL PUMP PUSH	9400	SCREW-CARBURETOR BOOSTER VENTURI SUPPORT	9B553
ROD-PARKING BRAKE EQUALIZER	2628	SCREW-CARBURETOR CHOKE PLATE	9A767
ROD-POWER STEERING PISTON	3A545	SCREW-CARBURETOR DASHPOT	9B502
ROD-SPEED CONTROL REGULATOR	9B703	SCREW-CARBURETOR DISCHARGE NOZZLE	9574
ROD-SPEED CONTROL TO CONTROL SHAFT	9B718	SCREW-CARBURETOR FAST IDLE ADJUSTING	9B538
ROD-THROTTLE	9B841-2	SCREW-CARBURETOR FUEL INLET	9828
ROD-TRANSMISSION CONTROL SHAFT TO ACCELERATOR BELLCRANK	7A373	SCREW-CARBURETOR IDLE AIR ADJUSTING	9541
ROD-TRANSMISSION CONTROL SHAFT TO TRANSMISSION	7A186-7	SCREW-CARBURETOR PRIMARY AIR BLEED	9B553
ROD-TRANSMISSION MANUAL CONTROL EQUALIZER SHAFT	7B189	SCREW-CARBURETOR THERMOSTATIC CHOKE HOUSING ADAPTOR	9B874
ROD-TRANSMISSION MANUAL SHIFT	7325-8	SCREW-CARBURETOR THROTTLE PLATE	9586
ROD-TRANSMISSION PARKING PAWL TOGGLE OPERATING LEVER	7A232	SCREW-HEADLAMP ADJUSTING	13032
ROD-TRANSMISSION PARKING PAWL TORSION LEVER	7322	SCREW-POLE PIECE	10044
ROD-TRANSMISSION REAR SERVO PISTON	7409	SCREW-STARTER POLE PIECE	11415
ROD-TRANSMISSION REVERSE GEARSHIFT	7B112	SCREW-STEERING GEAR ADJUSTING	3577
ROD-TRANSMISSION THROTTLE CONTROL VALVE	7A380	SCREW-TRANSMISSION PLANETARY SUPPORT LOCATING	7A291
ROD-TRANSMISSION TO BELLCRANK LEVER	7A024	SCREW-VALVE ROCKER ARM ADJUSTING	6549
ROD-VALVE PUSH	6565	SEAL-ACCELERATOR LEVER TO ACCELERATOR SHAFT ROD	9B710
ROLLER-BELT DRIVEN POWER STEERING PUMP	3684	SEAL-ACCELERATOR PEDAL ROD	9793
ROLLER-TRANSMISSION INPUT SHAFT PILOT BEARING	7118	SEAL-ARM BALL JOINT-DUST	3A105
ROLLER-TRANSMISSION OVERRUNNING CLUTCH	7190	SEAL-BRAKE BOOSTER BODY PISTON	2372
ROLLER-TRANSMISSION PLANETARY CLUTCH	7C366	SEAL-BRAKE BOOSTER PUSH ROD	2384
ROLLER-TRANSMISSION REAR CLUTCH SUN GEAR FRONT BEARING	7C458	SEAL-BRAKE BOOSTER PUSH ROD TO PISTON	2411
ROLLER-TRANSMISSION REVERSE IDLER GEAR BEARING	7D271	SEAL-BRAKE BOOSTER PUSH ROD TO PISTON	2A319
ROTOR & SHAFT-OIL PUMP DRIVE	6608	SEAL-BRAKE BOOSTER SLAVE CYLINDER END BODY	2437
		SEAL-BRAKE MASTER CYLINDER PLUNGER	2160
		SEAL-BRAKE VACUUM BOOSTER CHECK VALVE	2B073

Alphabetical Index—Continued

Part Name	Group Number	Part Name	Group Number
SEAL-CARBURETOR ACCELERATOR PUMP PLUNGER	98563	SEAL-STEERING GEAR HOUSING OIL	3591
SEAL-CARBURETOR AIR HORN	9C527	SEAL-STEERING GEAR SHAFT-DUST	38631
SEAL-CARBURETOR FAST IDLE ROD	9B501	SEAL-STEERING GEAR SHAFT-OIL	3738
SEAL-CARBURETOR IDLE ADJUSTING NEEDLE	9634	SEAL-STEERING IDLER ARM	3197
SEAL-CARBURETOR THERMOSTATIC CHOKE SHAFT	9A877	SEAL-STEERING IDLER ARM	3359
SEAL-CLUTCH PEDAL ROD	7A533	SEAL-TRANSMISSION CLUTCH PISTON OIL-OUTER	7A548
SEAL-CRANKSHAFT FRONT OIL	6700	SEAL-TRANSMISSION EXTENSION-OIL	7052
SEAL-CRANKSHAFT REAR MAIN BEARING CAP	6336	SEAL-TRANSMISSION FRONT CLUTCH CYLINDER OIL	7C328
SEAL-CRANKSHAFT REAR OIL	6701	SEAL-TRANSMISSION FRONT CLUTCH SUN GEAR OIL- INTERMEDIATE	7C169
SEAL-DISTRIBUTOR BASE TO CYLINDER BLOCK	12143	SEAL-TRANSMISSION FRONT CLUTCH SUN GEAR OIL- FRONT	7542
SEAL-DRIVESHAFT STUD YOKE CENTERING BALL	4790	SEAL-TRANSMISSION FRONT CLUTCH SUN GEAR OIL- REAR	7543
SEAL-ENGINE REAR COVER PLATE	6424	SEAL-TRANSMISSION FRONT PUMP OIL	7A248
SEAL-FAN SHROUD-UPPER	8A623	SEAL-TRANSMISSION FRONT SERVO COVER TO CASE	7357
SEAL-FLYWHEEL HOUSING COVER	6411	SEAL-TRANSMISSION FRONT SERVO PISTON-OIL	7A294
SEAL-FUEL & VACUUM PUMP OIL	9A393	SEAL-TRANSMISSION FRONT SERVO PISTON RETAINER- OIL	7C050
SEAL-FUEL TANK FILLER NECK TO REAR FLOOR PAN	9136	SEAL-TRANSMISSION FRONT SERVO RELEASE PISTON	7A293
SEAL-FUEL TANK FILLER PIPE	9072	SEAL-TRANSMISSION FRONT SERVO RETAINER ACCUMULATOR	7375
SEAL-HEADLAMP MOUNTING PANEL	13A061-2	SEAL-TRANSMISSION MAIN DRIVE GEAR OIL	7A283
SEAL-HEATER CORE TO SUPPORT REINFORCEMENT	15975	SEAL-TRANSMISSION MAIN SHAFT OIL	7A011
SEAL-INSTRUMENT CLUSTER DUST	10A939	SEAL-TRANSMISSION MANUAL CONTROL LEVER OIL	7B498
SEAL-INTAKE MANIFOLD TO CYLINDER BLOCK-FRONT	9A425	SEAL-TRANSMISSION OIL DISTRIBUTOR SLEEVE-OIL	7883
SEAL-INTAKE MANIFOLD TO CYLINDER BLOCK-REAR	9A424	SEAL-TRANSMISSION OIL FILLER TUBE	7D285
SEAL-OIL PAN-FRONT	6722	SEAL-TRANSMISSION OVERDRIVE PAWL OPERATING ROD OIL	7693
SEAL-OIL PAN-REAR	6723	SEAL-TRANSMISSION REAR CLUTCH PISTON OIL-OUTER	7C051
SEAL-OIL PAN TO OIL PUMP TUBE	6698	SEAL-TRANSMISSION REAR SERVO COVER TO CASE	7407
SEAL-OIL PUMP INTERMEDIATE SHAFT	6A001	SEAL-TRANSMISSION SHIFTER SHAFT-OIL	7288
SEAL-POWER STEERING CONTROL VALVE ADJUSTER	3B699	SEAL-VALVE PUSH ROD COVER VENTILATION TUBE	6769
SEAL-POWER STEERING CONTROL VALVE SPOOL-CAP END	3C513	SEAL-VALVE ROCKER ARM COVER STUD	6570
SEAL-POWER STEERING CONTROL VALVE SPOOL CENTERING SPRING CAP	3C706	SEAL-VALVE ROCKER ARM OIL INLET TUBE	6594
SEAL-POWER STEERING CONTROL VALVE SPOOL SLEEVE END	3697	SEAL-VALVE STEM	6571
SEAL-POWER STEERING CYLINDER CAP	3B737	SEAL-WATER PUMP	8564
SEAL-POWER STEERING CYLINDER PISTON ROD INNER	3656	SEAT & BUSHING-FRONT SUSPENSION UPPER ARM SPRING-LOWER	3388
SEAL-POWER STEERING CYLINDER PISTON ROD OUTER	3A752	SEAT ASSEMBLY-FRONT SPRING	5A306
SEAL-POWER STEERING CYLINDER STUD	3C636	SEAT-CARBURETOR AIR CLEANER ELEMENT	98608
SEAL-POWER STEERING GEAR CONTROL VALVE SLEEVE	3817	SEAT-FRAME FRONT SPRING	5420
SEAL-POWER STEERING GEAR PISTON	3805	SEAT-PARKING BRAKE EQUALIZER LEVER RETRACTING SPRING	2A708
SEAL-POWER STEERING PUMP ROTOR SHAFT OIL	3B592	SEAT-POWER STEERING OIL RESERVOIR FILTER	3B754
SEAL-POWER STEERING PUMP TO CYLINDER FRONT COVER	3A583	RETAINING SPRING	
SEAL-RADIATOR LOWER	8349	SEAT-STEERING CONNECTING LINK EXTENSION BALL STUD	3320
SEAL-RADIATOR-UPPER	8A397		
SEAL-REAR AXLE DRIVE PINION OIL	4676		
SEAL-REAR LAMP	13A495		
SEAL-REAR WHEEL BEARING INNER OIL	1177		
SEAL-STARTER MOTOR TO FLYWHEEL HOUSING	6436		
SEAL-STEERING COLUMN OPENING	3513		

Alphabetical Index—Continued

Part Name	Group Number	Part Name	Group Number
SEAT-TRANSMISSION OIL PRESSURE REGULATOR LUBE RELIEF VALVE	7A144	SHAFT-TRANSMISSION REVERSE IDLER GEAR	7140
SEAT-TRANSMISSION OIL PRESSURE REGULATOR VALVE SPRING	7C062	SHAFT, VALVE & WEIGHT ASSEMBLY-CARBURETOR AUXILIARY THROTTLE	9A534
SEAT-TRANSMISSION REAR CLUTCH PISTON SPRING	7516	SHAFT-VALVE ROCKER ARM	6563
SEAT-TRANSMISSION REAR PUMP CHECK VALVE	7A129	SHELL-TRANSMISSION INPUT	7D064
SEAT-TRANSMISSION REAR SERVO PISTON ROD	7418	SHIELD-ALTERNATOR REGULATOR	10A506
SEAT-VACUUM PUMP DIAPHRAGM SPRING	9302	SHIELD-BATTERY HEAT	10757
SEAT-VALVE ROCKER ARM FULCRUM	6A528	SHIELD-BRAKE LINE FRONT	2A337
SEAT-VALVE SPRING	6A536	SHIELD-CARBURETOR THERMOSTATIC CHOKE	9861
SENDER-FUEL TANK	9275	SHIELD-CIGAR LIGHTER WATER	15A052
SENSOR-HEADLAMP DIMMER	13A019	SHIELD-CLUTCH RELEASE LEVER DUST	7513
SEPARATOR-IGNITION WIRES	12297	SHIELD-ENGINE COMPARTMENT WIRE HARNESS	14A088
SHACKLE-FRONT SUSPENSION LOWER ARM HANGER	3A269	SHIELD-ENGINE FRONT SUPPORT INSULATOR	6035
SHACKLE-REAR SPRING	5776	SHIELD-ENGINE MOUNTING HEAT	6C038
SHACKLE-REAR SPRING FRONT	5A530-1	SHIELD-EXHAUST MANIFOLD AUTOMATIC CHOKE-SPLASH	9A456
SHAFT & BEARING -REAR AXLE	4234-5	SHIELD-FAN BELT IDLER PULLEY BEARING-DUST	8687
SHAFT & BRACKET-ACCELERATOR	9725	SHIELD-FRONT SUSPENSION LOWER ARM BALL JOINT COVER	3A078
SHAFT & BRACKET-SPEED CONTROL	9B706	SHIELD-FRONT SUSPENSION UPPER ARM BALL JOINT DUST	3055
SHAFT & CARRIER & SUN GEAR KIT	7A048	SHIELD-FUEL PUMP	9A396
SHAFT & CARRIER-TRANSMISSION OUTPUT	7A048	SHIELD-FUEL TANK FILLER PIPE	9A097
SHAFT & COUNTERWEIGHT-EXHAUST CONTROL VALVE	9A430	SHIELD-GENERATOR OR ALTERNATOR SPLASH	10170
SHAFT & LEVER-CARBURETOR THERMOSTATIC CHOKE HOUSING	9A753	SHIELD-MUFFLER SPLASH	5B241-2
SHAFT-ACCELERATOR SHAFT TO CARBURETOR	9A729	SHIELD-RADIATOR SPLASH	8209
SHAFT AND/OR PIN-CARBURETOR FLOAT LEVER	9558	SHIELD-RADIATOR SPLASH	8A095
SHAFT & TORSION BAR-STEERING GEAR	3B669	SHIELD-REAR LICENSE LAMP	13508
SHAFT-BRAKE PEDAL	2478	SHIELD-SPEED CONTROL ACTUATOR CABLE DUST	9A831
SHAFT-CARBURETOR CHOKE	9547	SHIELD-THERMOSTATIC CHOKE HEAT TUBE-INLET	9A745
SHAFT-CARBURETOR THROTTLE-SECONDARY	9A592	SHIELD-TRANSMISSION CONTROL LINKAGE SPLASH	7A349
SHAFT-CLUTCH & BRAKE PEDAL PIVOT	7506	SHIELD-TRANSMISSION EXTENSION OIL SEAL-DIRT	7A376
SHAFT-DIFFERENTIAL PINION	4211	SHIELD-UPPER ARM BUSHING	3A257
SHAFT-DISTRIBUTOR	12175	SHIELD-WINDOW REGULATOR CONTROL SWITCH	14A244
SHAFT-FRONT SEAT ADJUSTING REGULATOR SOLENOID	14A721	SHIELD-WIRING	14A099
SHAFT-FRONT SUSPENSION UPPER ARM-INNER	3056	SHIM-CRANKSHAFT VIBRATION DAMPER	6301
SHAFT-OIL PUMP INTERMEDIATE	6A618	SHIM-DRIVE PINION FRONT BEARING ADJUSTING	4672
SHAFT-POWER STEERING PUMP ROTOR	3B559	SHIM-DRIVING PINION REAR BEARING ADJUSTING	4109
SHAFT-STEERING GEAR	3525	SHIM-FRONT SPRING	5355
SHAFT-STEERING GEAR SECTOR	3575	SHIM-FRONT SUSPENSION LOWER ARM FRONT MOUNTING BOLT	3054
SHAFT-TRANSMISSION CONTROL TO ACCELERATOR	7A185	SHIM-FRONT SUSPENSION UPPER ARM MOUNTING	3043
SHAFT-TRANSMISSION FRONT BAND ACTUATING LEVER	7A165	SHIM OR ADJUSTER-REAR AXLE DIFFERENTIAL BEARING	4067
SHAFT-TRANSMISSION-INPUT	7015	SHIM-RADIATOR BOTTOM SUPPORT	8126
SHAFT-TRANSMISSION MANUAL CONTROL EQUALIZER	7B184	SHIM-REAR SPRING	5727
SHAFT-TRANSMISSION OUTPUT	7060-1	SHROUD & GROMMET-STEERING COLUMN-LOWER	3533
SHAFT-TRANSMISSION OVERDRIVE CONTROL	7A658	SHROUD & TUBE ASSEMBLY-CARBURETOR AIR CLEANER AIR DUCT	9A603
SHAFT-TRANSMISSION OVERDRIVE MAIN	7749	SHROUD-CARBURETOR AIR CLEANER DUCT	9A676
SHAFT-TRANSMISSION PLANET GEAR	7176		
SHAFT-TRANSMISSION REAR BAND ACTUATING LEVER	7A171		

Alphabetical Index—Continued

Part Name	Group Number	Part Name	Group Number
SHROUD-FAN	8146-8	SNAP RING-TRANSMISSION CLUTCH CYLINDER	7567
SHROUD-STEERING COLUMN	3530	SNAP RING-TRANSMISSION CLUTCH PLATE RETAINER	7523
SHROUD-TRANSMISSION CONTROL SELECTOR INDICATOR LAMP	15A811	SNAP RING-TRANSMISSION DRIVE GEAR BEARING RETAINING	7026
SILENCER-BRAKE BOOSTER PUSH ROD	2A383	SNAP RING-TRANSMISSION FRONT OIL PUMP BALL CHECK VALVE SPRING	7822
SILENT BLOCK BUSHING INSTALLATION KIT	5781	SNAP RING-TRANSMISSION FRONT SERVO PISTON RETAINER	7366
SINGLE 4V INDUCTION HIGH PERFORMANCE KIT	6B068	SNAP RING-TRANSMISSION GOVERNOR RETAINING	7136
SLEEVE-ALTERNATOR TERMINAL SPACER	10A379	SNAP RING-TRANSMISSION MAIN DRIVE GEAR BEARING TO SHAFT	7064
SLEEVE ASSEMBLY-POWER STEERING CONTROL VALVE	3B671	SNAP RING-TRANSMISSION OUTPUT SHAFT RING GEAR RETAINER	7C122
SLEEVE-CARBURETOR PUSH ROD	9934	SNAP RING-TRANSMISSION OVERDRIVE COVER PLATE	7666
SLEEVE-CLUTCH RELEASE IDLER LEVER SWIVEL	7B515	SNAP RING-TRANSMISSION OVERDRIVE RING GEAR	7654
SLEEVE-DRAG LINK ADJUSTING	3310	SNAP RING-TRANSMISSION OVERDRIVE SHIFT RAIL	7683
SLEEVE-FUEL HOSE INSULATING	9C32B	SNAP RING-TRANSMISSION PLANETARY CLUTCH	7A577
SLEEVE-FUEL TANK VENT TUBE	9A034	SNAP RING-TRANSMISSION REAR CLUTCH PISTON SPRING RETAINER	7517
SLEEVE-INTAKE MANIFOLD	9471	SNAP RING-TRANSMISSION REAR SERVO PISTON RETAINER	7417
SLEEVE-POWER STEERING CONTROL VALVE BALL STUD	3A755	SNAP RING-TRANSMISSION SPEEDOMETER GEAR RETAINING	7059
SLEEVE-RADIO ANTENNA MOUNTING BRACKET	15102	SNAP RING-TRANSMISSION SPEEDOMETER GEAR RETAINING	7667
SLEEVE-STARTER COIL RETAINING	11105	SNAP RING-TRANSMISSION THIRD & FOURTH SYNCHRONIZER HUB	7059
SLEEVE-STEERING COLUMN UPPER BEARING	3518	SNAP RING-UNIVERSAL JOINT SPIDER BEARING RETAINER	4891
SLEEVE-STEERING WHEEL HUB	3719	SNAP RING-WATER PUMP HOUSING	8576
SLEEVE-TRANSMISSION CLUTCH & GOVERNOR OIL DISTRIBUTOR	7A168	SNUBBER-FRONT SUSPENSION LOWER ARM MOUNTING BOLT	3A264
SLEEVE-TRANSMISSION FIRST SPEED GEAR	7C115	SOCKET & RETAINER-CIGAR LIGHTER	15055
SLEEVE-TRANSMISSION GEARSHIFT CONNECTING ROD ADJUSTMENT	7353	SOCKET & WIRE-BACK-UP LAMP	15536
SLEEVE-TRANSMISSION PARKING PAWL TORSION LEVER SUPPORT	7014	SOCKET & WIRE-COURTESY LAMPS	13A444
SLEEVE-TRANSMISSION SHIFTER INTERLOCK	7233	SOCKET & WIRE-ELECTRIC CLOCK	15026
SLEEVE-TRANSMISSION SHIFT LEVER SUPPORT	7335	SOCKET & WIRE-INSTRUMENT PANEL LAMPS	13621
SLEEVE-VALVE SPRING RETAINER	6517	SOCKET & WIRE-INTERIOR LAMPS	13412
SLEEVE-WIRING CONNECTOR	14489	SOCKET & WIRE-MAP LAMP	13757
SLEEVE-GENERATOR FIELD COIL LEAD INSULATING	10195	SOCKET & WIRE-REAR LAMPS	13410
SLIDE-TRANSMISSION CONTROL ASSEMBLY	7C444	SOCKET & WIRE-SPEED CONTROL LAMP	9B719
SLIDE-TRANSMISSION LOW & REVERSE GEARSHIFT INTERLOCK	7C400	SOCKET & WIRING-DOME LAMP OR CARGO LAMP	13A719
SLIDE-WINDSHIELD WIPER MOTOR CONTROL	12738	SOCKET & WIRING-READING LAMP	13750
SLINGER-CRANKSHAFT OIL	6310	SOCKET-BRAKE ADJUSTING SCREW	2048
SLINGER-DRIVE PINION SHAFT OIL	4670	SOCKET-CLUTCH RELEASE EQUALIZER BALL	7517
SLINGER-DRIVESHAFT STUD YOKE	4791	SOCKET-INSTRUMENT PANEL LAMP	13711
SLINGER-GENERATOR ARMATURE BEARING OIL	10085	SOCKET-LUGGAGE COMPARTMENT & COURTESY LAMPS	13548
SLINGER-WATER PUMP SHAFT	8550	SOCKET-POWER STEERING CONTROL VALVE BALL STUD	3A754
SNAP RING	3326		
SNAP RING-BRAKE BOOSTER PISTON GUIDE BUSHING	2A368		
SNAP RING-BRAKE MASTER CYLINDER PISTON	7821		
SNAP RING-BRAKE MASTER CYLINDER PLUNGER RETAINING	2162		
SNAP RING-FAN	8630		
SNAP RING-STARTER MOTOR DRIVE	11222		

Alphabetical Index—Continued

Part Name	Group Number	Part Name	Group Number
SOCKET-TRANSMISSION SHIFT LEVER	7228	SPACER-POWER STEERING CONTROL VALVE SLEEVE END BUSHING	3A658
SOLENOID & CLAMP-SEAT REGULATOR CONTROL	14A719-20	SPACER-POWER STEERING CONTROL VALVE SPOOL CENTERING SPRING	3707
SOLENOID-CARBURETOR IDLE SPEED-UP CONTROL	9C532	SPACER-POWER STEERING PISTON ROD INSULATOR	3652
SOLENOID-ELECTRIC DOOR LOCK	14021	SPACER-POWER STEERING PUMP ADJUSTING BRACKET	3D600
SOLENOID-LUGGAGE COMPARTMENT ELECTRIC DOOR LOCK	14030	SPACER-RADIATOR	8A045
SOLENOID-SEAT REGULATOR CONTROL	14A700	SPACER-REAR AXLE DIFFERENTIAL BUMPER BRACKET MOUNTING	4956
SOLENOID-TRANSMISSION OVERDRIVE GEARSHIFT	6916	SPACER-REAR AXLE DRIVE PINION BEARING	4662
SPACER-A/COND. COMPRESSOR MOUNTING BRACKET	2887	SPACER-REAR SPRING CENTER BOLT	5A537
SPACER-ALTERNATOR BRACKET	10A370	SPACER-REAR SPRING CENTER MOUNTING	5598
SPACER-ALTERNATOR DIODE PLATE	10A363	SPACER-STABILIZER BAR	5490
SPACER-ALTERNATOR PULLEY	10A344	SPACER-STEERING COLUMN BRACE	3558
SPACER-ALTERNATOR RECTIFIER INSULATOR	10A382	SPACER-STEERING COLUMN COVER	3C549
SPACER-ALTERNATOR ROTOR	10A344	SPACER-STEERING COLUMN UPPER BEARING SPRING	3B703
SPACER & BRUSH ASSEMBLY ALTERNATOR KIT	10347	SPACER-STEERING GEAR HOUSING SEAL	3C703
SPACER-BACK WINDOW REGULATOR CONTROL SWITCH	14A123	SPACER-STEERING SHAFT COUPLING	3C760
SPACER-BODY BOLT	5A076	SPACER-TOP CONTROL RELAY PANEL MOUNTING	15A686
SPACER-BRAKE PEDAL	2A188	SPACER-TRANSMISSION COMPENSATOR VALVE	7B425
SPACER-CAMSHAFT FUEL PUMP DRIVE ECCENTRIC	6291	SPACER-TRANSMISSION COUNTERSHAFT GEAR	7125
SPACER-CAMSHAFT FUEL PUMP ECCENTRIC	6290	SPACER-TRANSMISSION COUNTERSHAFT GEAR BEARING	7115
SPACER-CAMSHAFT SPROCKET	6265	SPACER-TRANSMISSION GEARSHIFT CONNECTING ROD ADJUSTMENT	7323
SPACER-CARBURETOR FAST IDLE CAM PICK-UP LEVER	9B554	SPACER-TRANSMISSION LOW OIL PRESSURE REGULATOR VALVE	7470
SPACER-CARBURETOR THERMOSTATIC CHOKE SHAFT	9812	SPACER-TRANSMISSION PLANET GEAR BEARING	7186
SPACER-CARBURETOR TO INTAKE MANIFOLD	9A589	SPACER-TRANSMISSION REAR SERVO	7D300
SPACER-CIGAR LIGHTER WATER SHIELD	15A054	SPACER-TRANSMISSION SHIFT ARM HUB	7336
SPACER-COMPRESSOR MOUNTING BRACKET	10248	SPACER-TRANSMISSION SHIFT LEVER SOCKET	7B169
SPACER-CRANKSHAFT DAMPER	6359	SPACER-TRANSMISSION SHORT PLANET GEAR	7182
SPACER-CRANKSHAFT MAIN BEARING CAP	6A354	SPACER-VALVE SPRING	6515
SPACER-DEFLECTOR MUFFLER HEAT FRONT	5A227	SPACER-WATER PUMP-FRONT	8A501
SPACER-ENGINE FRONT SUPPORT-INSULATOR	6A027	SPACER-WATER PUMP PULLEY TO FAN	8546
SPACER-ENGINE REAR SUPPORT MOUNTING	6B020	SPACER-WHEEL APPLIQUE	1188
SPACER-ENGINE TO FRAME MOUNTING BOLT	6A046	SPACER-WHEEL BRAKE SHOE RETRACTING SPRING	2A352
SPACER-EXPORT CYLINDER HEAD	6A017	SPARK PLUG	12405
SPACER-FAN SHROUD	8A621	SPARK PLUG & COIL HIGH TENSION WIRES KIT	12259
SPACER-FRONT SUSPENSION LOWER ARM EXTENSION INSULATOR	3433	SPEED CONTROL KIT	9A818
SPACER-FRONT SUSPENSION LOWER ARM-FRONT	3099	SPINDLE-FRONT WHEEL	3102-8
SPACER-FRONT SUSPENSION LOWER ARM STRUT INSULATOR	3473	SPINNER ASSEMBLY-WHEEL COVER	1035
SPACER-FRONT SUSPENSION UPPER ARM MOUNTING	3035	SPOTLAMP&BRACKET KIT	15312-3
SPACER-FUEL PUMP LINK & SPRING RETAINER	9382	SPRING-ACCELERATOR EQUALIZER	9736
SPACER-GENERATOR BRACKET SUPPORT	10259	SPRING-ACCELERATOR SHAFT RETRACTING	9737
SPACER-GENERATOR MOUNTING BRACKET	10148	SPRING-ALTERNATOR BRUSH	10349
SPACER-HORN BRACKET SPRING	13827	SPRING & RETAINER-MASTER CYLINDER RETURN	2145
SPACER-IGNITION AMPLIFIER MOUNTING	11A587	SPRING & SHAFT-CARBURETOR AIR CLEANER AIR DUCT	9670
SPACER-INTAKE MANIFOLD TO CYLINDER HEAD	9A432	SPRING-BRAKE ADJUSTING SCREW	2049
SPACER INTAKE MANIFOLD TO CYLINDER HEAD	9441-3		
SPACER-LOWER ARM MOUNTING	3A230		
SPACER-LOWER GRILLE MOUNTING	8A253		

Alphabetical Index—Continued

Part Name	Group Number	Part Name	Group Number
SPRING-BRAKE BOOSTER BODY PISTON RETURN	2361	SPRING-CIGAR LIGHTER RETAINER	15061
SPRING-BRAKE BOOSTER CONTROL VALVE RETURN	2A157	SPRING-CLUTCH PEDAL LEVER ASSIST	7534
SPRING-BRAKE BOOSTER VACUUM VALVE POPPET RETURN	2441	SPRING-CLUTCH RELEASE EQUALIZER BAR RETAINING	7545
SPRING-BRAKE DRUM SILENCER	1140	SPRING-CLUTCH RELEASE LEVER ANTI-RATTLE	7562
SPRING-BRAKE MASTER CYLINDER COMPENSATING PORT	2164	SPRING-CLUTCH RELEASE LEVER RETRACTING	7523
SPRING-BRAKE MASTER CYLINDER OUTLET VALVE	2183	SPRING-CROSS LINK	3327
SPRING-BRAKE PEDAL ANTI-RATTLE	2A053	SPRING-DISTRIBUTOR DIAPHRAGM	12192
SPRING-BRAKE PEDAL RETRACTING	2472	SPRING-DISTRIBUTOR SHAFT	12213
SPRING-BRAKE SHOE HOLD DOWN	2068	SPRING-DISTRIBUTOR WEIGHT	12191-2
SPRING-BRAKE SHOE RETRACTING	2035-6	SPRING-DRIVESHAFT CENTERING SOCKET RACE BALL	4A073
SPRING-CAMSHAFT THRUST	6297	SPRING-ENGINE REAR SUPPORT LEAF	6B056
SPRING-CARBURETOR ACCELERATOR PUMP DIAPHRAGM RETURN	9936	SPRING-EXHAUST CONTROL VALVE	9449
SPRING-CARBURETOR ACCELERATOR PUMP LEVER ADJUSTING SCREW	9571	SPRING-EXHAUST CONTROL VALVE	9467
SPRING-CARBURETOR ACCELERATOR PUMP OVERTRAVEL	9A538	SPRING-FRONT	5310
SPRING-CARBURETOR ACCELERATOR PUMP PISTON OPERATING LEVER	9B564	SPRING-FRONT SUSPENSION LOWER ARM STRUT MOUNTING	3A482
SPRING-CARBURETOR ACCELERATOR PUMP PISTON RETURN	9B545	SPRING-FUEL PUMP DIAPHRAGM	9396
SPRING-CARBURETOR AIR CLEANER AIR DUCT INTAKE VALVE PLATE	9B684	SPRING-FUEL PUMP ROCKER ARM	9380
SPRING-CARBURETOR BY-PASS IDLE AIR ADJUSTMENT	9578	SPRING-FUSE HOLDER	14434
SPRING-CARBURETOR CHOKE LEVER	9C513	SPRING-GENERATOR BRUSH	10057
SPRING-CARBURETOR DASHPOT PLUNGER RETURN	9589	SPRING-HEADLAMP RING	13031
SPRING-CARBURETOR FAST IDLE CAM	9B569	SPRING-HORN BLOWING RING	13A807
SPRING-CARBURETOR FAST IDLE CAM LEVER ADJUSTING SCREW	9578	SPRING-IGNITION SWITCH RETAINING	11581
SPRING-CARBURETOR FLOAT	9A519	SPRING-INSTRUMENT CLUSTER HOOD RETAINING	10A878
SPRING-CARBURETOR FLOAT DAMPNER	9F570-1	SPRING-LIGHTING SWITCH ROTOR	11A646
SPRING-CARBURETOR IDLE ADJUSTING NEEDLE	9578	SPRING-OIL PUMP RELIEF VALVE	6670
SPRING-CARBURETOR IDLE SPEED-UP CONTROL ACTUATING	9C531	SPRING-OIL TEMPERATURE WARNING INDICATOR	10A848
SPRING-CARBURETOR METERING ROD	9587	SPRING-OUTSIDE REAR VIEW MIRROR CONTROL ARM RETAINING	14831
SPRING-CARBURETOR PUMP CHAMBER VENT OPERATING ROD	9560	SPRING-PARKING BRAKE CABLE POSITIONING	2745
SPRING-CARBURETOR PUSH ROD PLUNGER	9935	SPRING-PARKING BRAKE EQUALIZER LEVER RETRACTING	2A651
SPRING-CARBURETOR SECONDARY THROTTLE DIAPHRAGM RETURN	9B504	SPRING-PARKING BRAKE RELEASE	2634
SPRING-CARBURETOR SECONDARY THROTTLE OVERRIDE	9B561	SPRING-PARKING BRAKE RELEASE CONTROL	2A660
SPRING-CARBURETOR SECONDARY VACUUM CONTROL VALVE	9578	SPRING-PARKING BRAKE RETRACTING	2456
SPRING-CARBURETOR THERMOSTATIC CHOKE	9A590	SPRING-PARKING BRAKE STRUT TO SHOE	2A601
SPRING-CARBURETOR THROTTLE RETURN	9A538	SPRING-POWER STEERING CONTROL VALVE	3A594
SPRING-CARBURETOR THROTTLE STOP SCREW	9578	SPRING-POWER STEERING CONTROL VALVE REACTION	3756
SPRING-CARBURETOR TO TRANSMISSION KICK DOWN CONTROL ROD	7B252	SPRING-POWER STEERING CONTROL VALVE SPOOL CENTERING	3704
SPRING-CARBURETOR VACUUM PISTON	9B548	SPRING-POWER STEERING HOSE	3C697
		SPRING-POWER STEERING OIL RESERVOIR FILTER ELEMENT RETAINING	3B688
		SPRING-POWER STEERING PUMP FLOW CONTROL VALVE	3A570
		SPRING-POWER STEERING PUMP RELIEF VALVE	3B608
		SPRING-RATCHET BAR LOCKING	2788
		SPRING-REACTION LIMITING LINKAGE POWER STEERING	3C563
		SPRING-REAR	5560
		SPRING-REAR AXLE DIFFERENTIAL CLUTCH	4214

Alphabetical Index—Continued

Part Name	Group Number	Part Name	Group Number
SPRING REAR SHACKLE & FRONT BOLT KIT	5630	SPRING-TRANSMISSION OVERRUNNING CLUTCH	7D170
SPRING-SEAT REGULATOR CONTROL KNOB	13703	SPRING-TRANSMISSION PARKING PAWL TOGGLE RETURN	7314
SPRING-SPEED CONTROL REGULATOR ARM TENSION	9B702		
SPRING-STARTER BRUSH	11059	SPRING-TRANSMISSION PARKING PAWL TORSION	7A180
		SPRING-TRANSMISSION PUMP CHECK VALVE	7A205
SPRING-STARTER CONTACT	11116	SPRING-TRANSMISSION REAR CLUTCH PISTON	7A480
SPRING-STARTER PLUNGER RETURN	11103	SPRING-TRANSMISSION REAR OIL PUMP SLIPPER	7A499
SPRING-STEERING COLUMN BALANCE	3A505	SPRING-TRANSMISSION REAR SERVO ACCUMULATOR	7369
SPRING-STEERING COLUMN INSTRUMENT PANEL OPENING COVER	3D514		
		SPRING-TRANSMISSION REAR SERVO PISTON	7415
SPRING-STEERING COLUMN LOCKING LEVER	3B664	SPRING-TRANSMISSION SHIFT LEVER BUTTON RETURN	7C491
SPRING-STEERING COLUMN OPENING COVER RETURN	3D503	SPRING-TRANSMISSION SHIFT LEVER PARK POSITION LOCK	7C490
SPRING-STEERING COLUMN TO TRACK LOWER BRACKET	3C730		
SPRING-STEERING COLUMN UPPER BEARING	3520	SPRING-TRANSMISSION SHIFTER INTERLOCK	7234
SPRING-TRANSMISSION CLUTCH PISTON DISTRIBUTOR	7A272		
		SPRING-TRANSMISSION SHIFT LEVER TRUNNION	7208
SPRING-TRANSMISSION COMPENSATOR SPRING ADJUSTING	7D255	SPRING-TRANSMISSION SYNCHRONIZER RETAINING	7109
SPRING-TRANSMISSION COMPENSATOR VALVE	7A496	SPRING-TRANSMISSION THROTTLE CONTROL LEVER-INNER	7B423
SPRING-TRANSMISSION CONTROL BELLCRANK	7245	SPRING-TRANSMISSION THROTTLE MODULATOR VALVE	7A286
SPRING-TRANSMISSION CONTROL FIRST & SECOND SHIFT VALVE	7A288		
		SPRING-TURN SIGNAL CONTROL ARM TENSION	13346
SPRING-TRANSMISSION CONTROL ROD ANTI-RATTLE	7C331	SPRING-TURN SIGNAL SWITCH PAWL	13316
SPRING-TRANSMISSION CONTROL SELECTOR LEVER	7B071	SPRING-TURN SIGNAL SWITCH PLATE RETAINER	13343
SPRING-TRANSMISSION CONTROL SELECTOR STOP	7293	SPRING-VACUUM PUMP DIAPHRAGM	9315
SPRING-TRANSMISSION CONTROL SELECTOR TUBE RETRACTING	7227	SPRING-VALVE	6513
SPRING-TRANSMISSION FRONT BAND SERVO PISTON RETRACTING	7A003	SPRING-VALVE ROCKER ARM ECCENTRIC	6A501
SPRING-TRANSMISSION FRONT CLUTCH PISTON DISC	7B070	SPRING-VALVE ROCKER ARM ECCENTRIC SEPARATING	6A530
SPRING-TRANSMISSION FRONT OIL PUMP BALL CHECK VALVE	7824	SPRING-VALVE ROCKER ARM LOCATING	6587
		SPRING-WHEEL BRAKE CYLINDER PISTON RETURN	2204-5
SPRING-TRANSMISSION FRONT OIL PUMP BALL PRESSURE	7A006	SPRING-WINDOW REGULATOR LEVER-REAR DOORS	14A134-5
SPRING-TRANSMISSION FRONT OIL PUMP SLIPPER	7A498		
SPRING-TRANSMISSION GEARSHIFT ANTI-VIBRATOR	7242	SPROCKET-CAMSHAFT TIMING CHAIN	6256
SPRING-TRANSMISSION KICK DOWN CONTROL LEVER	7B146	SPROCKET-CRANKSHAFT	6306
		STARTER	11002
SPRING-TRANSMISSION KICK DOWN CONTROL LEVER	7B192	STARTER BRUSH KIT	11057
SPRING-TRANSMISSION LOW OIL PRESSURE REGULATOR VALVE	7D160	STARTER MOTOR CONTACT POINTS KIT	11134
SPRING-TRANSMISSION LOW OIL PRESSURE REGULATOR VALVE	7465		
		STATOR & COIL ASSEMBLY-ALTERNATOR	10336
SPRING-TRANSMISSION MAIN OIL PRESSURE REGULATOR VALVE	7A270	STATOR & TERMINAL-ALTERNATOR	10A347
SPRING-TRANSMISSION MANUAL CONTROL EQUALIZER SHAFT	7B204	STATOR, RECTIFIER & REAR HOUSING-ALTERNATOR	10A388
SPRING-TRANSMISSION MANUAL VALVE DETENT LEVER	7A261	STEERING IDLER ARM KIT	3352
		STEERING SECTOR ADJUSTER SHIM KIT	3A657
SPRING-TRANSMISSION OIL PRESSURE REGULATOR LUBE RELIEF VALVE	7A145		
SPRING-TRANSMISSION OVERDRIVE RETRACTOR	7685	STEM-BRAKE MASTER CYLINDER COMPENSATING PORT VALVE	2354
		STICK-POWER STEERING RESERVOIR OIL LEVEL DIP	3A586
		STOP-ALTERNATOR ROTOR	10A360
		STOP-BRAKE BOOSTER CONTROL VALVE PISTON	2B132
		STOP-CARBURETOR THROTTLE CONTROL WIRE	9A713
		STOP-DISTRIBUTOR VACUUM ADVANCE	12202
		STOP-POWER STEERING CONTROL VALVE SPOOL TRAVEL REGULATOR	3C560
		STOP-SPARE WHEEL	1439
		STOP-STEERING ARM	3A706-7

Alphabetical Index—Continued

Part Name	Group Number	Part Name	Group Number
STOP-TRANSMISSION COMPENSATOR VALVE SPRING-OUTER	7A101	SUPPORT-TRANSMISSION GEARSHIFT LEVER	7416
STOP-TRANSMISSION FRONT BAND ADJUSTING	7380	SUPPORT-TRANSMISSION PARKING LEVER	7D166
STOP-TRANSMISSION REAR BAND ADJUSTING	7A178	SUPPORT-TRANSMISSION PLANETARY	7A130
STOP-TRANSMISSION THROTTLE VALVE	78429	SUPPORT-UPPER RADIATOR GRILLE-CENTER	8A218
STRAINER AND/OR SCREEN-FUEL PUMP FILTER BOWL	9365	SUPPORT-VALVE ROCKER ARM SHAFT	6531
STRAP-ENGINE REAR SUPPORT-REBOUND	68066	SUPPRESSOR-IGNITION COIL TO DISTRIBUTOR	12298
STRAP-FUEL TANK SUPPORT	9092	SWITCH & BRACKET-PARKING BRAKE SIGNAL	15A851
STRAP-HORN BLOWING RING GROUND	12649	SWITCH & BRACKET-TAILGATE WINDOW LIMIT	14A011
STRAP-IGNITION COIL	12043-4	SWITCH & BRACKET-WINDOW REGULATOR-TAILGATE	14278
STRAP-RADIATOR SUPPLY TANK	8A083	SWITCH & MOUNTING PLATE-TURN SIGNAL CONTROL	13341
STRUT-FRAME TO RADIATOR SUPPORT	8A012-3	SWITCH & PLATE ASSEMBLY-FRONT DOOR LOCK	14028
STRUT-FRONT SUSPENSION LOWER ARM	3468	VACUUM CONTROL	
STRUT-PARKING BRAKE	2A642	SWITCH & PLATE-COURTESY LAMP	13A790-1
STRUT-TRANSMISSION FRONT BAND	7A157-8	SWITCH & PLATE-WINDOW TRAVEL LIMIT-REAR DOORS	14A133
STRUT-TRANSMISSION REAR BAND ACTUATING	7A172	SWITCH & WIRE-GLOVE COMPARTMENT LAMP	14413
STRUT-TRANSMISSION REAR BAND ANCHOR	7A175	SWITCH & WIRE-WINDOW ACTUATOR STRIKER-REAR DOORS	14A155
STUD-A/COND.COMPRESSOR MOUNTING	2A893	SWITCH & WIRE-WINDOW ACTUATOR-REAR DOORS	14A157
STUD & HEAD-REAR SPRING FRONT HANGER	5904	SWITCH & WIRE-WINDOW RETURN CUT-OFF-REAR DOORS	14A132
STUD & WASHER-REAR SPRING FRONT HANGER	5780	SWITCH & WIRING-LUGGAGE COMPARTMENT DOOR CLOSED LIMIT	13A729
STUD-GENERATOR MOUNTING BRACKET	10282	SWITCH & WIRING-LUGGAGE COMPARTMENT DOOR OPEN LIMIT	13A727
STUD-SPRING LOADED CROSS LINK	3311	SWITCH & WIRING-WINDOW REGULATOR	14632-3
STUD-STABILIZER LINK	5495	SWITCH ASSEMBLY-MAP LAMP	13764
STUD-TRANSMISSION LOW & REVERSE GEARSHIFT INTERLOCK	7C174	SWITCH ASSEMBLY-SPEED CONTROL-RELEASE	9A837
STUD-TRANSMISSION MANUAL CONTROL EQUALIZER SHAFT-BALL	7B188	SWITCH-BACK-UP LAMP	15520
STUD-TRANSMISSION SHIFT BELLCRANK TO CONVERTER HOUSING	7A026	SWITCH-CONVERTIBLE TOP ERECT LIMIT	15822
SUPPORT-A/COND. COMPRESSOR	2978	SWITCH-DOOR LOCKS	14028
SUPPORT-A/COND. COMPRESSOR MOUNTING BRACKET	2932	SWITCH-DOOR OPEN WARNING LAMP	14018
SUPPORT-A/COND. COMPRESSOR MOUNTING BRACKET	2903	SWITCH-HEADLAMP DIMMER	13A024
SUPPORT ASSEMBLY-BATTERY TRAY	10762	SWITCH-IGNITION	11572
SUPPORT BRACKET & INSULATOR-MUFFLER OUTLET PIPE	5273	SWITCH-INTERIOR LAMPS	13713
SUPPORT-CARBURETOR BOOSTER VENTURI	9A523	SWITCH-LIGHTING	11654
SUPPORT-ENGINE REAR	6A023	SWITCH-LUGGAGE COMPARTMENT DOOR OPEN LIMIT	14766
SUPPORT-FRAME ENGINE REAR	5059	SWITCH-OIL PRESSURE SENDER	9278
SUPPORT-FRONT SUSPENSION BUMPER BRACKET	3B170-1	SWITCH-OIL TEMPERATURE WARNING	10B921
SUPPORT-HEATER CORE	15977	SWITCH-SEAT REGULATOR CONTROL	14A701
SUPPORT-PARKING BRAKE CABLE FRONT	2A617	SWITCH-SEAT REGULATOR CONTROL-FRONT	14A724
SUPPORT-PARKING BRAKE CONTROL	2A707	SWITCH-SEAT TILT CONTROL-6-WAY SEAT	14B696-7
SUPPORT-POWER STEERING OIL RESERVOIR FILTER ELEMENT	3C677	SWITCH-STOPLIGHT	13480
SUPPORT-POWER STEERING PUMP	3C511	SWITCH-TOP CONTROL & RETRACTABLE BACK WINDOW CONTROL	15668
SUPPORT-RADIATOR GRILLE	8182-3	SWITCH-TOP CONTROL & TOP LOCK-LIMIT	15678
SUPPORT-RADIATOR GRILLE-UPPER	8406	SWITCH-TOP CONTROL ERECT LIMIT	15A672
SUPPORT-STARTER CABLE	14550	SWITCH-TOP CONTROL FRONT LOCK LIMIT	15715
SUPPORT-TRANSMISSION CONVERTER STATOR	7A108	SWITCH-TOP RETRACT & UPPER BACK FINISH PANEL RETRACT & ERECT	15A678

Alphabetical Index—Continued

Part Name	Group Number	Part Name	Group Number
SWITCH-TRANSMISSION CONTROL SELECTOR NEUTRAL	7A247	TUBE-BRAKE	2263-4
SWITCH-TRANSMISSION OVERDRIVE ACCELERATOR KICKDOWN	7A652	TUBE-BRAKE & FUEL LINE	2269
SWITCH-UPPER BACK PANEL LIMIT	15A674	TUBE-BRAKE BOOSTER INLET	2352
SWITCH-WINDOW MASTER CONTROL	14540	TUBE-BRAKE MASTER CYLINDER TO CONNECTOR	2A040
		TUBE-BRAKE MASTER CYLINDER TO CONNECTOR	2264
SWITCH-WINDOW REGULATOR CONTROL-SINGLE	14717	TUBE-CARBURETOR BALANCE	9A501
SWITCH-WINDOW REGULATOR MOTOR CURRENT LIMITER	14A178	TUBE-CARBURETOR FLOAT BOWL CONNECTING	9534
RELAY BY-PASS-REAR DOORS		TUBE-CARBURETOR FUEL SUPPLY	9D280
SWIVEL-SPEED CONTROL	9A815		
SYNCHRONIZER-TRANSMISSION	7124	TUBE-CARBURETOR IDLE	9544
		TUBE-CARBURETOR SECONDARY THROTTLE BALANCE	9A501
		TUBE-CARBURETOR SECONDARY THROTTLE CONTROL VACUUM	9997
		TUBE-CARBURETOR SPACER TO WATER PUMP	9C524
		TUBE-CARBURETOR THERMOSTATIC CHOKE CONTROL- INLET	9820
TAB-EXHAUST MANIFOLD MOUNTING BOLT LOCKING	9A447	TUBE-CARBURETOR THERMOSTATIC CHOKE CONTROL- OUTLET	9819
TANK ASSEMBLY-FUEL VENT EXPANSION	9A091	TUBE-CRANKCASE VENTILATION	6758
TANK-FUEL	9002		
TANK-RADIATOR SUPPLY	8A080	TUBE-DISTRIBUTOR VACUUM	12226
TAPPET-VALVE LIFTER	6500	TUBE-ENGINE TO TRANSMISSION-VACUUM	7B094-5
TERMINAL-DISTRIBUTOR WIRE	14466	TUBE-FUEL FILTER TO CARBURETOR	9A274
TERMINAL-FLAG EYELET	14464	TUBE-FUEL FILTER TO FUEL PUMP	9B273
		TUBE-FUEL FRONT	9A318
TERMINAL-FUSE HOLDER	14A034		
TERMINAL-GENERATOR SCREW	10211	TUBE-FUEL PUMP TO CARBURETOR	9369
TERMINAL-STARTER FIELD	11102	TUBE-FUEL-REAR	9282
TERMINAL-WINDOW REGULATOR SWITCH	14733	TUBE-FUEL RETURN TO TANK	9A337
TERMINAL-WIRE	14474	TUBE-FUEL TANK TO PUMP	9282
		TUBE-FUEL TANK TO PUMP	9A323
THERMOSTAT-CARBURETOR AIR CLEANER AIR DUCT	9B650		
THERMOSTAT-WATER	8575	TUBE-FUEL TANK TO PUMP-FRONT	9248
THREE 2V INDUCTION HIGH PERFORMANCE KIT	6B068	TUBE-FUEL TANK TO PUMP-FRONT	9291
TORSION BAR POWER STEERING GEAR SEAL & GASKET KIT	3C538	TUBE-FUEL TANK TO PUMP-REAR	9A084
		TUBE-FUEL TANK VENT	9049
TRACK & GUIDE-STEERING COLUMN	3C571	TUBE-FUEL TANK VENT	9101
TRACK-STEERING COLUMN INSTRUMENT PANEL OPENING COVER	3C776		
TRANSMISSION GASKET & SEAL KIT	7153	TUBE-FUEL VAPOR SEPARATOR TO FUEL TANK-FRONT	9C288
TRANSMISSION OIL PRESSURE REGULATOR VALVE SPRING & RETAINER KIT	7B025	TUBE-FUEL VAPOR SEPARATOR TO FUEL TANK-REAR	9C289
		TUBE-INTAKE MANIFOLD TO CHECK VALVE	2569
TRANSMISSION REGULATOR & COMPENSATOR VALVE SPRING KIT	7B023	TUBE-OIL LEVEL INDICATOR	6754
TRANSMISSION REVERSE ENGAGEMENT KIT	7D239	TUBE-POWER STEERING PRESSURE TO PUMP	3836
TRANSMISSION SMALL PARTS REPAIR KIT	7B331		
TRAY ASSEMBLY-BATTERY	10732	TUBE-POWER STEERING PUMP INLET	3A580
		TUBE-POWER STEERING RETURN LINE	3807
TRIM-STEERING COLUMN OPENING COVER	3C507	TUBE-POWER STEERING RETURN LINE HOSE TO CONTROL VALVE	3A575
TRUNNION-CARBURETOR THROTTLE LEVER	9C760	TUBE-STEERING COLUMN	3514
TRUNNION-PARKING BRAKE EQUALIZER	2A690		
TRUNNION-TRANSMISSION GEARSHIFT LEVER	7B125	TUBE-TRANSMISSION BREATHER	7A246
TUBE & FLANGE-CARBURETOR AIR CLEANER AIR INTAKE	9A690	TUBE-TRANSMISSION CLUTCH & GOVERNOR OIL-FRONT	7A173
		TUBE-TRANSMISSION CLUTCH & GOVERNOR OIL- INTERMEDIATE	7A170
TUBE ASSEMBLY-POWER STEERING PUMP TO IDLE SPEED-UP VALVE	9B758	TUBE-TRANSMISSION CLUTCH & GOVERNOR OIL-REAR	7A174

Alphabetical Index—Continued

Part Name	Group Number	Part Name	Group Number
TUBE-TRANSMISSION COMPENSATOR PRESSURE OIL	7A206	VALVE-BRAKE BOOSTER BODY PISTON	2395
TUBE-TRANSMISSION FRONT BAND OIL PRESSURE APPLY	7A211	VALVE-BRAKE BOOSTER CHECK	2A185
TUBE-TRANSMISSION FRONT BAND OIL PRESSURE RELEASE	7A212	VALVE-BRAKE BOOSTER CHECK	2365
TUBE-TRANSMISSION FRONT SERVO OIL	7379	VALVE-BRAKE BOOSTER CONTROL	2A238
TUBE-TRANSMISSION LINE PRESSURE LINKAGE ADJUSTMENT	7A454	VALVE-BRAKE MASTER CYLINDER OUTLET CHECK	2178
TUBE-TRANSMISSION LUBRICATING OIL	7A208	VALVE-CARBURETOR FLOAT BOWL VENT	9557
TUBE-TRANSMISSION MAIN PRESSURE OIL	7469	VALVE-CARBURETOR FLOAT BOWL VENT	9D583
TUBE-TRANSMISSION OIL CONTROL BODY TO CASE	7A209	VALVE-CARBURETOR PUMP CHECK	9A541
TUBE-TRANSMISSION OIL COOLER BY-PASS	7A254	VALVE-CARBURETOR SPARK CONTROL	9B572
TUBE-TRANSMISSION OIL COOLER DISCHARGE TO SUMP	7884	VALVE-CRANKCASE VENTILATION REGULATOR	6A666
TUBE-TRANSMISSION OIL COOLER-INLET AND/OR OUTLET	7A030-1	VALVE-EXHAUST	6505
TUBE-TRANSMISSION OIL FILLER	7A228	VALVE-EXHAUST CONTROL	9A427
TUBE-TRANSMISSION REAR BAND OIL	7A210	VALVE-FUEL AND/OR VACUUM PUMP	9352
TUBE-TRANSMISSION REAR PUMP OIL INLET	7A160	VALVE-INTAKE	6507
TUBE-TRANSMISSION REAR PUMP OIL OUTLET	7A204	VALVE-POWER STEERING CONTROL VALVE RETURN PORT RELIEF	3710
TUBE-TRANSMISSION REAR SERVO PISTON GUIDE	7408	VALVE-POWER STEERING GEAR HYDRAULIC CONTROL	3A730
TUBE-TRANSMISSION SHIFT	7212	VALVE-POWER STEERING PUMP	3A561
TUBE-VACUUM PUMP TO BLOCK	6634	VALVE ROCKER ARM COVER KIT	6A547
TUBE-VACUUM PUMP TO INTAKE MANIFOLD	9413	VALVE-STEERING COLUMN RELEASE	3D536
TUBE-VALVE PUSH ROD COVER VENTILATION-UPPER	6499	VALVE-TOP CONTROL SOLENOID	15A682
TUBE-VALVE ROCKER ARM SHAFT OIL-INLET	6580	VALVE-TRANSMISSION CONTROL OIL PRESSURE	7A271
TUBE-VALVE ROCKER ARM SHAFT OIL-OUTLET	6588	VALVE-TRANSMISSION FRONT PUMP CHECK	7A202
TUBE-WATER BY-PASS	8555	VALVE-TRANSMISSION LUBE CONNECTOR	7D174
TUBING-PARKING BRAKE CABLE GUIDE	2A685	VALVE-TRANSMISSION MAIN OIL PRESSURE REGULATOR	7A135
TWO 4V INDUCTION HIGH PERFORMANCE KIT	6B068	VALVE-TRANSMISSION MANUAL CONTROL	7C414
		VALVE-TRANSMISSION REAR PUMP CHECK	7A127
		VALVE-TRANSMISSION REAR SERVO CHECK	7658
U		VALVE-VACUUM PUMP CHECK	9328
U BOLT-MUFFLER & RESONATOR, INLET, OUTLET & CROSSOVER PIPE	5A239	VANE-POWER STEERING PUMP	3695
U BOLT-REAR SPRING	5705	VENT-REAR AXLE HOUSING	4022
U BOLT-UNIVERSAL JOINT	4529	VENT-TRANSMISSION CASE	7034
UNIVERSAL CLAMP-RADIATOR HOSE	8287		
UNIVERSAL JOINT KIT	4635	W	
		WASHER-BRAKE BOOSTER PUSH ROD SEAL	2385
		WASHER-BRAKE MASTER CYLINDER PLUNGER SEAL BACK	2161
V		WASHER-CAMSHAFT SPROCKET	6278
VALVE AND/OR NEEDLE-CARBURETOR ACCELERATOR PUMP DISCHARGE	9A516	WASHER-CARBURETOR CHOKE ROD SEAL	9C771
VALVE AND/OR WEIGHT-CARBURETOR ACCELERATOR PUMP DISCHARGE	9B511	WASHER-CARBURETOR PUMP SPRING	9B551
VALVE & SEAT-CARBURETOR FUEL INLET	9564	WASHER-CRANKSHAFT DAMPER	6378
VALVE ASSEMBLY-CARBURETOR IDLE SPEED-UP CONTROL	9C530	WASHER-DIFFERENTIAL PINION THRUST	4230
VALVE ASSEMBLY-FUEL PUMP THERMOSTATIC	9A405	WASHER-DIFFERENTIAL SIDE GEAR THRUST	4228
VALVE ASSEMBLY-IDLE SPEED-UP	9B756	WASHER-DISTRIBUTOR SHAFT THRUST	12179
		WASHER-FRONT SUSPENSION LOWER ARM EXTENSION INSULATOR OUTER	3434
		WASHER-FRONT SUSPENSION LOWER ARM FRONT SHAFT	3B147

Alphabetical Index—Continued

Part Name	Group Number	Part Name	Group Number
WASHER-FRONT SUSPENSION UPPER ARM BUSHING	3042	WIRE & SOCKET-ASH RECEPTACLE LAMP	13A726
WASHER-FRONT WHEEL OUTER BEARING RETAINER	1195	WIRE ASSEMBLY-GENERATOR REGULATOR JUMPER	10A538
WASHER-FUEL PUMP ROCKER ARM PIN	9418		
WASHER-POWER STEERING CONTROL VALVE CENTERING SPRING	3799	WIRE-CARGO LAMP GROUND	13A700
		WIRE-CIGAR LIGHTER GROUND	14343
WASHER-POWER STEERING IDLER ARM	3A758	WIRE-CONVERTIBLE TOP LATCH MOTOR GROUND	14720
WASHER-POWER STEERING PISTON ROD INSULATOR-OUTER	3643	WIRE-CONVERTIBLE TOP LATCH MOTOR GROUND JUMPER	14722
		WIRE-COURTESY LAMP SOCKET	14389
WASHER-REAR AXLE DIFFERENTIAL DRIVE PINION GEAR THRUST	4637		
		WIRE-DISTRIBUTOR BREAKER GROUND	12264
		WIRE-DISTRIBUTOR TERMINAL-PRIMARY	12216
		WIRE-DISTRIBUTOR TO SPARK PLUG	12286
WASHER-STARTER ARMATURE THRUST	11036	WIRE-FUEL TANK SENDER	14406
WASHER-STARTER FIELD TERMINAL	11093	WIRE-INTERIOR LAMP SOCKET	13796
WASHER-STARTER FIELD TERMINAL INSULATING	11094		
WASHER-STARTER FIELD TERMINAL SCREW	11095	WIRE-OIL PRESSURE GAUGE CONNECTOR	14322
WASHER-STEERING COLUMN SOCKET THRUST	3C708	WIRE-REAR LICENSE LAMP SOCKET	13A428
		WIRE-SEAT CONTROL CIRCUIT BREAKER TO SWITCH	14B706
WASHER-STEERING SHAFT COUPLING BOLT	3C660	WIRE-STEERING SHAFT GROUND	3B710
WASHER-TRANSMISSION CLUTCH CYLINDER THRUST	7A533	WIRE-TERMINAL	14294
WASHER-TRANSMISSION COUNTERSHAFT GEAR THRUST	7119		
WASHER-TRANSMISSION FIRST SPEED GEAR THRUST	7071	WIRE TERMINAL KIT	14294
WASHER-TRANSMISSION FRONT CLUTCH HUB THRUST	7577	WIRE-WINDOW REGULATOR SAFETY RELAY FIELD	14A287
		WIRING ASSEMBLY-CARBURETOR IDLE SPEED-UP SOLENOID-EXTENSION	9D555
WASHER-TRANSMISSION FRONT CLUTCH SUN GEAR THRUST-REAR	7C096	WIRING ASSEMBLY-GLOVE COMPARTMENT LAMP FEED	13A721
WASHER-TRANSMISSION FRONT CLUTCH SUN GEAR THRUST-FRONT	7545		
WASHER-TRANSMISSION FRONT PUMP SUPPORT THRUST	7D014	WIRING ASSEMBLY-PARKING BRAKE WARNING LAMP	15A850
		WIRING ASSEMBLY-SPEED CONTROL	9A839-40
WASHER-TRANSMISSION INPUT SHAFT THRUST	7019	WIRING-A/COND. COMPRESSOR CLUTCH TO DASH PANEL	2951
WASHER-TRANSMISSION INPUT SHELL THRUST	7D066	WIRING-ASH RECEPTACLE LAMP FEED	14A012
WASHER-TRANSMISSION OUTPUT SHAFT THRUST	7B368	WIRING-BACK WINDOW REGULATOR-FEED	14683
WASHER-TRANSMISSION PLANET GEAR BEARING	7D333		
WASHER-TRANSMISSION PLANET GEAR THRUST	7A242	WIRING-BACK-UP LAMP SWITCH TO BACK-UP LAMP	15506
		WIRING-BACK-UP LAMP SWITCH TO REAR LAMP FEED	15525
WASHER-TRANSMISSION REAR CLUTCH SUN GEAR COUNTERTHRUST	7524	WIRING-BODY MAIN	14A005
		WIRING-CARGO LAMP	13A710
WASHER-TRANSMISSION REAR CLUTCH SUN GEAR THRUST	7A166	WIRING-CHARGE INDICATOR	10A665
WASHER-TRANSMISSION REAR DRUM TO CASE THRUST	7D072		
WASHER-TRANSMISSION REVERSE IDLER GEAR THRUST	7149	WIRING-CHARGE INDICATOR	10958
		WIRING-CIGAR LIGHTER FEED-REAR DOOR OR QUARTER	15A041
WASHER-UPPER ARM REAR BUSHING	3A276	WIRING-CIRCUIT BREAKER IN POWER BOX TO JUNCTION BLOCK	15A666
WASHER-VALVE ROCKER ARM SHAFT	6590		
WASHER-VALVE ROCKER ARM SHAFT SPRING	6598	WIRING-CIRCUIT BREAKER TO LUGGAGE COMPARTMENT LOCK SWITCH	14A008
WASHER-WINDSHIELD WIPER PIVOT SHAFT TO COWL TOP	14813		
WATER PUMP REPAIR KIT	8591	WIRING-CONVERTIBLE TOP LATCH LIMIT SWITCH	14719
		WIRING-CONVERTIBLE TOP LATCH MOTOR FEED	15A665
WEBBING-EXHAUST BRACKET-REPAIR	8124	WIRING-CONVERTIBLE TOP LATCH MOTOR FEED JUMPER	14721
WEDGE-REAR AXLE-ADJUSTING	5A313	WIRING-COURTESY LAMP SWITCH-EXTENSION	13A724
WEDGE-TRANSMISSION LOW & REVERSE GEARSHIFT INTERLOCK	7C175	WIRING-DASH PANEL TO ENGINE	14398
WEIGHT-DISTRIBUTOR	12188		
		WIRING-DASH PANEL TO ENGINE GAUGE FEED	14289
WHEEL	1007	WIRING-DASH PANEL TO HEAD LAMP JUNCTION	14290
WHEEL-STEERING	3600	WIRING-DOOR LOCK WARNING LAMP	10A911
WIRE	14296	WIRING-ELECTRIC BACK WINDOW REGULATOR	14687
		WIRING-ELECTRIC SEAT REGULATOR-RELAY FEED	14A698

Alphabetical Index—Continued

Part Name	Group Number	Part Name	Group Number
WIRING-ELECTRIC SEAT REGULATOR SWITCH TO RELAY	14A697	WIRING-WINDOW REGULATOR SAFETY RELAY TO	14084
WIRING-ELECTRIC WINDOW REGULATOR-FRONT DOORS	14630-1	IGNITION SWITCH	
WIRING-ELECTRIC WINDOW REGULATOR MOTOR JUMPER	14663		
WIRING-ELECTRIC WINDOW REGULATOR-REAR DOORS	14632-3	WIRING-WINDOW REGULATOR SAFETY RELAY TO CIRCUIT	14678
WIRING-ELECTRIC WINDOW REGULATOR-REAR QUARTER	14644	BREAKER	
		WIRING-WINDOW REGULATOR SAFETY RELAY TO WINDOW	14A200
WIRING-FRONT DOOR COURTESY LAMP FEED	13A769	REGULATOR SWITCH	
WIRING-FRONT DOOR ELECTRIC LOCK	14024-5	WIRING-WINDOW REGULATOR SAFETY RELAY TO WINDOW	14678
WIRING-FUSE JUNCTION PANEL	14A080	REGULATOR SWITCH	
WIRING-GENERATOR REGULATOR EXTENSION	14A223		
WIRING-GENERATOR TO GENERATOR REGULATOR	14305	WIRING-WINDOW REGULATOR SWITCH-FEED	14A027
		WRAP-CARBURETOR AIR CLEANER ELEMENT	98630
WIRING-HEADLAMP DIMMER SWITCH TO AMPLIFIER	13A090	WRENCH-SPARE WHEEL LOCK BOLT	1A379
WIRING-HEADLAMP LEADS	13076		
WIRING-HORN RELAY TO HORN	13A804	Y	
WIRING-IGNITION SWITCH TO WINDOW REGULATOR	14785		
SAFETY SWITCH		YOKE & PLUG-UNIVERSAL JOINT SLIP	4841
		YOKE-DRIVESHAFT CENTER	4784
WIRING-INSTRUMENT WARNING SIGNAL RELAY	14624	YOKE-DRIVESHAFT CENTERING-SOCKET	4782
WIRING-INTERIOR LAMPS	13A709	YOKE-DRIVESHAFT ROLLER SPLINE-SLIP	4778
WIRING-LOWER INSTRUMENT PANEL FEED	14A312		
WIRING-LUGGAGE COMPARTMENT	14276		
WIRING-LUGGAGE COMPARTMENT LAMP	13549		
WIRING-LUGGAGE COMPARTMENT LOCK SWITCH TO	14794		
SOLENOID			
WIRING-LUGGAGE COMPARTMENT-JUMPER	14A227		
WIRING MAIN-INSTRUMENT PANEL TO DASH	14401		
WIRING-OIL TEMPERATURE INDICATOR	9E295		
WIRING-PARKING LAMP EXTENSION	13A214		
WIRING-REAR DOOR ELECTRIC LOCK	14026-7		
WIRING-REAR DOOR OPEN WARNING LAMP	14A209-10		
WIRING-REAR LAMPS	14405		
WIRING-RELAY FEED	14A303		
WIRING-SEAT REGULATOR SWITCH TO RELAY EXTENSION	14B705		
WIRING-STARTER CIRCUIT JUMPER	12638		
WIRING-STARTER RELAY TO CIRCUIT BREAKER	11388		
WIRING-STARTER RELAY TO GENERATOR REGULATOR	14411		
WIRING-TOP CONTROL	15A659		
WIRING-TOP CONTROL CIRCUIT BREAKER TO TOP	15A669		
CONTROL SWITCH			
WIRING-TOP CONTROL FEED JUMPER	15A690		
WIRING-TOP CONTROL RELAY TO CIRCUIT BREAKER	15A668		
WIRING-TOP CONTROL ROOF LOCK	15B667		
WIRING-TOP CONTROL ROOF LOCK LIMIT SWITCH	15B668		
JUMPER			
WIRING-TOP CONTROL ROOF LOCK LIMIT SWITCH	15B662		
WIRING-TOP CONTROL SWITCH	15A657		
WIRING-TRANSISTERIZED IGNITION SYSTEM	12071		
WIRING-TRANSMISSION CONTROL SELECTOR NEUTRAL	7C078		
SWITCH			
WIRING-TRANSMISSION OVERDRIVE SOLENOID TO RELAY	7A200		

Illustration Index

TITLE	VEHICLE CODE AND PAGE NO.				TITLE	VEHICLE CODE AND PAGE NO.			
	A	B	C	D		A	B	C	D
A									
Accelerator & Control Linkage				852	Air Cleaner & Related Parts - 144,170 C.I.D.		833	833	834
Accelerator & Control Linkage - D/R - 292,352,390 C.I.D.	843				Air Cleaner & Related Parts - 144,170,200 C.I.D.		835	835	
Accelerator & Control Linkage - D/R - 390 C.I.D.	844				Air Cleaner & Related Parts - 221,260 C.I.D.		834		
Accelerator & Control Linkage - S/R - 292,352 C.I.D.	842				Air Cleaner & Related Parts - 221,260,289 C.I.D.		835	835	
Accelerator & Control Linkage - S/T, O/D, & 2/S - 223 C.I.D.	841				Air Cleaner & Related Parts - 223 C.I.D.	831			
Accelerator & Control Linkage - S/T & A/T - 260,289 C.I.D.			850		Air Cleaner & Related Parts - 289-4V - Special Performance, 390-4V - Police Special, 406-4V,427-4V C.I.D.	832		832	
Accelerator & Control Linkage - S/T - 312 C.I.D.	838				Air Cleaner & Related Parts - 292,352,390 C.I.D.	830			
Accelerator & Control Linkage - 2/S - 292,352 C.I.D.	840				Air Cleaner & Related Parts - 312 C.I.D.	830			
Accelerator, Control Linkage & Trans. Control Pressure Tube				851	Air Cleaner & Related Parts - 390 C.I.D. Except Police Special	831			
Accelerator, Control Linkage & Transmission Control Pressure Tube - A/T - 312,383,430 C.I.D.	839				Air Cleaner & Related Parts - 406-6V C.I.D.	832			
Accelerator Linkage - A/T - 144,170 C.I.D.			848		Air Cleaner & Related Parts - 427-8V C.I.D.	833			
Accelerator Linkage - S/T - 144,170 C.I.D.			847		Alternator	966			966
Accelerator Linkage - S/T - 144,170,200 C.I.D.			849		Automatic Headlamp Dimmer				1019
Accelerator Linkage - S/T & A/T - 170,200 C.I.D.		845			Automatic Transmission Case & Related Parts - D/R	420		421	420
Accelerator Linkage - S/T & A/T - 221,260 C.I.D.		846			Automatic Transmission Case & Related Parts - S/R & D/R	419			
Accelerator Linkage - S/T & A/T - 260 C.I.D.			850		Automatic Transmission Case & Related Parts - 2/S	422	423	423	
Accelerator Linkage - S/T - 292,352,390,427 C.I.D.	840				Automatic Transmission Gear Train - D/R	425		427	426
Accelerator Linkage - 2/S - 144,170,200 C.I.D.			849		Automatic Transmission Gear Train - S/R	426			
Accelerator Linkage, Manifolds & Related Parts - 406-6V C.I.D.	853				Automatic Transmission Gear Train - 2/S	424			
Accelerator Linkage, Manifolds & Related Parts - 427-8V C.I.D.	854				Automatic Transmission Oil Cooler Lines & Fittings	428	429	429	
Air Cleaner & Related Parts				836	Automatic Trans. Oil Cooler Lines & Fittings - 2/S	441			443
						442			
							442	442	

Illustration Index - Continued

TITLE	VEHICLE CODE AND PAGE NO.				TITLE	VEHICLE CODE AND PAGE NO.			
	A	B	C	D		A	B	C	D
B									
Back Window - Station Wagon - Electrical	1051	1053	1054		Carburetor - Holley-1V - 144,170 C.I.D.		676	676	
Back-up Lamp	1012	1012	1014	1015	Carburetor Less Automatic Choke - Holley-1V 144,223 C.I.D.	665		665	
Back-up Lamp Wiring - Passenger		1013	1013		Carburetor Throttle Control & Related Parts	837			
Back-up Lamps - Except Station Wagon			1014		Carburetor with Automatic Choke - Holley-1V - 144,170 C.I.D.			678	
Battery Carrier	990		990		Cigar Lighter & Lamp - Door Arm Rest				1065
Body & Socket Courtesy Lamp				1068	Clutch, Clutch Pedal & Related Parts	455	457	458	
Brake & Clutch Pedal		36			Console Lamp & Wiring	456			1066
Brake & Clutch Pedal - S/T			35		Convertible Top Electrical Mechanism				1049
Brake Pedal - A/T			35		Convertible Top Robot Locking Mechanism				1050
Brake System	30	32	33	34	Courtesy & Warning Lamp - Front Doors	1062			1057
Brake Wheel Cylinders	31		22	22	Courtesy, Glove Compartment & Ash Receptacle Lamps	1058			
Brakes	12	14	15	18	Courtesy, Glove Compartment & Dome Lamps			1031	
Brakes - 6 Cylinder Engines	13	15	16	19	Courtesy Lamp	1057			1068
			17		Courtesy Lamp-Arm Rest				1066
					Courtesy Lamp - Front & Rear Door Arm Rest				
C									
Camshaft - 144,170, 200 C.I.D.		305	305		Courtesy Lamp Group			1063	
Camshaft - 221,260, 289 C.I.D.		305	305		Courtesy Lamp, Quarter Arm Rest - Model 76	1058			
Camshaft - 223 C.I.D.	302				Courtesy Light Door Switches				1067
Camshaft - 292,312 C.I.D.	303				Crankshaft & Flywheel - 144,170,200 C.I.D.		301	301	
Camshaft - 352,390 C.I.D.	304				Crankshaft & Flywheel - 221,260,289 C.I.D.		302	302	
Camshaft - 383,430 C.I.D.	303				Crankshaft & Flywheel - 223 C.I.D.	299			
Camshaft - 390,406 C.I.D.	304				Crankshaft & Flywheel - 292,312 C.I.D.	298			
Camshaft - 430 C.I.D.				306	Crankshaft & Flywheel - 352,390,406 C.I.D.	300			
Carburetor - Carter-2V	664			664	Crankshaft & Flywheel - 383,430 C.I.D.	298			
				679	Crankshaft & Flywheel - 430 C.I.D.				299
				680	Cylinder Block - 144,170 C.I.D.		291	291	
Carburetor - Carter-4V-430 C.I.D.					Cylinder Block - 144,170, 200 C.I.D.		292	292	
Carburetor - Ford-1V - 144,170,200 C.I.D.		677	677		Cylinder Block - 221,260, 289 C.I.D.		293	293	
Carburetor - Ford-2V - 221,260,292,352,383 C.I.D.	666	666							
Carburetor - Ford-2V - 221,260,390 C.I.D.	667	667	667						
Carburetor - Ford-2V - 260,390 C.I.D.	668	668	668						
Carburetor - Ford-2V - 289,390 C.I.D.	669		669						
Carburetor - Ford-4V - 289,390 C.I.D.	670		670						
Carburetor - Ford-4V - 390 C.I.D.	674		674						
Carburetor - Ford-4V - 390 C.I.D.	671		673						
	672								
	673								
Carburetor - Holley - 312-2V,406-6V C.I.D.	663								
Carburetor - Holley - 406-4V,427-4V,8V C.I.D.	675								

Illustration Index - Continued

TITLE	VEHICLE CODE AND PAGE NO.			
	A	B	C	D
Cylinder Block - 223 C.I.D.	288			
Cylinder Block - 292,312 C.I.D.	286			
Cylinder Block - 352,390 C.I.D.	287			
Cylinder Block - 383,430 C.I.D.	289			289
Cylinder Block - 390,406 C.I.D.	290			
Cylinder Block - 430 C.I.D.				294
Cylinder Block, Plugs & Thermostats - 383, 430 C.I.D.	295			
Cylinder Block, Plugs & Thermostats - 430 C.I.D.				296
Cylinder Head & Valves - 430 C.I.D.				308
Cylinder Head, Valves & Exhaust Manifolds - 221,260,289 C.I.D.		307 826	307 826	
Cylinder Head, Valves & Exhaust Manifolds - 292,312,383,430 C.I.D.	307 825			

D

Deck Lid & Upper Back Finish Panel Electrical Mechanism - Model 74A				1033
Distributor - 144,170, 223 C.I.D.	968	968	968	
Distributor - Conventional System - 8 Cylinder	969		969	969
Distributor - Except 223 C.I.D.	967			967
Distributor - 6 Cylinder			971	
Distributor - Transistorized System - 8 Cylinder	970			970
Dome & Roof Side Lamps - All Models Except 63,76	1060			
Dome Lamp	1059 1060	1032	1032	1069
Door & Quarter Window Electrical System	1039 1040			
Driveshaft	179	179	179	181 182
Driveshaft & Vibration Dampener				180

E

Electric Window & Dash Panel Wiring				1042
Emission Reduction System - 6 Cylinder Engines			327	

TITLE	VEHICLE CODE AND PAGE NO.			
	A	B	C	D
Emission Reduction System - 8 Cylinder Engines			327	
Emission Reduction System - 170,200 C.I.D. Engines			328	
Emission Reduction System - 390 C.I.D. Engine	325			
Emission Reduction System - 427 C.I.D. Engine	326			
Emission Reduction Systems	321 322	324	324	323 324
Engine - 144,170 C.I.D.		282 284	282 284	
Engine - 221,260 C.I.D.			283	
Engine - 221,260,289 C.I.D.			285	285
Engine - 223 C.I.D.	279			
Engine - 292 C.I.D.	280			
Engine - 312 C.I.D.	278			
Engine - 352,390 C.I.D.	278			
Engine - 390 C.I.D.	281			
Engine - 406 C.I.D.	281			
Engine - 430 C.I.D.	277			277
Engine Compartment Wiring	975 981 982			987 988 989
Engine Compartment Wiring - 8 Cylinder			987	
Engine Compartment Wiring - 144,170 C.I.D.			980 985 986	
Engine Compartment Wiring - 170 C.I.D.		985		
Engine Compartment Wiring - 170,221, 260 C.I.D.		984		
Engine Compartment Wiring - 221,260 C.I.D.		984		
Engine Compartment Wiring - 223 C.I.D.	978			
Engine Compartment Wiring - 292,352,390 C.I.D.	979			
Engine Compartment Wiring - 383,430 C.I.D.	977			
Engine Compartment Wiring To Horn Relay Mounting Panel				1021
Engine Supports				335 336 337
Engine Supports - 312,383,430 C.I.D.	328			
Engine Supports - Front - 170,221,260 C.I.D.		334		
Engine Supports - Front - 223,292,352,390 C.I.D.	330			
Engine Supports - Front & Rear - 144,170 C.I.D.			333	
Engine Supports - Front & Rear - 144,170,200 C.I.D.			332	

Illustration Index - Continued

TITLE	VEHICLE CODE AND PAGE NO.				TITLE	VEHICLE CODE AND PAGE NO.			
	A	B	C	D		A	B	C	D
Engine Supports - Front & Rear - 260 C.I.D.			331		Fuel & Oil Indicator - Instrument Panel	810	810	811	812
Engine Supports - Front & Rear - 390,427 C.I.D.	331				Fuel & Vacuum Pump - 144,170,223,292 C.I.D.	815		815	
Engine Supports - Front & Rear - 390, 406, 427 C.I.D.	330				Fuel & Vacuum Pump - 292,352,390 C.I.D.	816			
Engine Supports - Rear - 170,221,260 C.I.D.		332			Fuel Filter - 170,221,260,292,352,390 C.I.D.	824	824		
Engine Supports - Rear - 223,292,352,390 C.I.D.	329				Fuel Filter - 289-4V Special Performance, 390,427 C.I.D.	824		824	
Engine Wiring - 144, 170,223 C.I.D.	977		977		Fuel Level Indicator & Related Parts				811
Engine Wiring - 292, 312 C.I.D.	973				Fuel Pump - 144,170,221,260 C.I.D.		818	818	
Engine Wiring - 352,390 C.I.D.	972				Fuel Pump - 144,170,223,292,312 C.I.D.	813		813	
Engine Wiring - 383,430 C.I.D.	972				Fuel Pump - 170 C.I.D.		823		
Engine Wiring - 390 C.I.D.	980				Fuel Pump - 223 C.I.D.	818			
Engine Wiring - 427 C.I.D.	974				Fuel Pump - 292, 352,390 C.I.D.	817			
	983				Fuel Pump - 406,427 C.I.D.	822			
Engine Wiring - 430 C.I.D.				976	Fuel Pump & Filter				820
Exhaust System		219	221	224	Fuel Pump & Filter - 144,170,200 C.I.D.		823	823	
		220		225	Fuel Pump & Filter - 221-2V,260,289 except Special Performance,292,352,390 C.I.D.	819	819	819	
				226	Fuel Pump & Filter - 383,430 C.I.D.	814			
Exhaust System - 144,170,200 C.I.D. Engines			222		Fuel Pump & Filter - 430 C.I.D.				821
Exhaust System - 260,289 C.I.D. Engines			223		Fuel System	797	801	803	806
Exhaust System - Convertible	211					798	802	804	807
Exhaust System - Dual	213					800		805	808
	215				Fuel System - 390-4V C.I.D.	799			
	217				Fuel Tank Gauge & Related Parts				809
	218				Fuel Tank Sender	809	809	809	
Exhaust System - except Convertible	210				Fuse Panel & Box				1020
Exhaust System - Single	212								1021
	214								
	216								
F									
Frame	208				G				
Frame - Convertible	209				Generator	963	964	964	965
Frame - Standard	209				Glove Compartment & Ash Receptacle Lamp	1029			
Front & Rear Door Electric Locking Mechanism				1056	Glove Compartment Lamp				1030
Front Door Courtesy Lamp			1062		H				
Front Servo				436	Headlamp & Grille	993			
Front Servo - D/R	434		435	434	Headlamp & Parking Lamp			995	
Front Servo - S/R	434				Headlamps	991	993	994	996
Front Servo - 2/S	437	437	437			992	994	995	997
Front Suspension	83	87	88	91					
	84		89	92					
	85		90						
	86								

Illustration Index - Continued

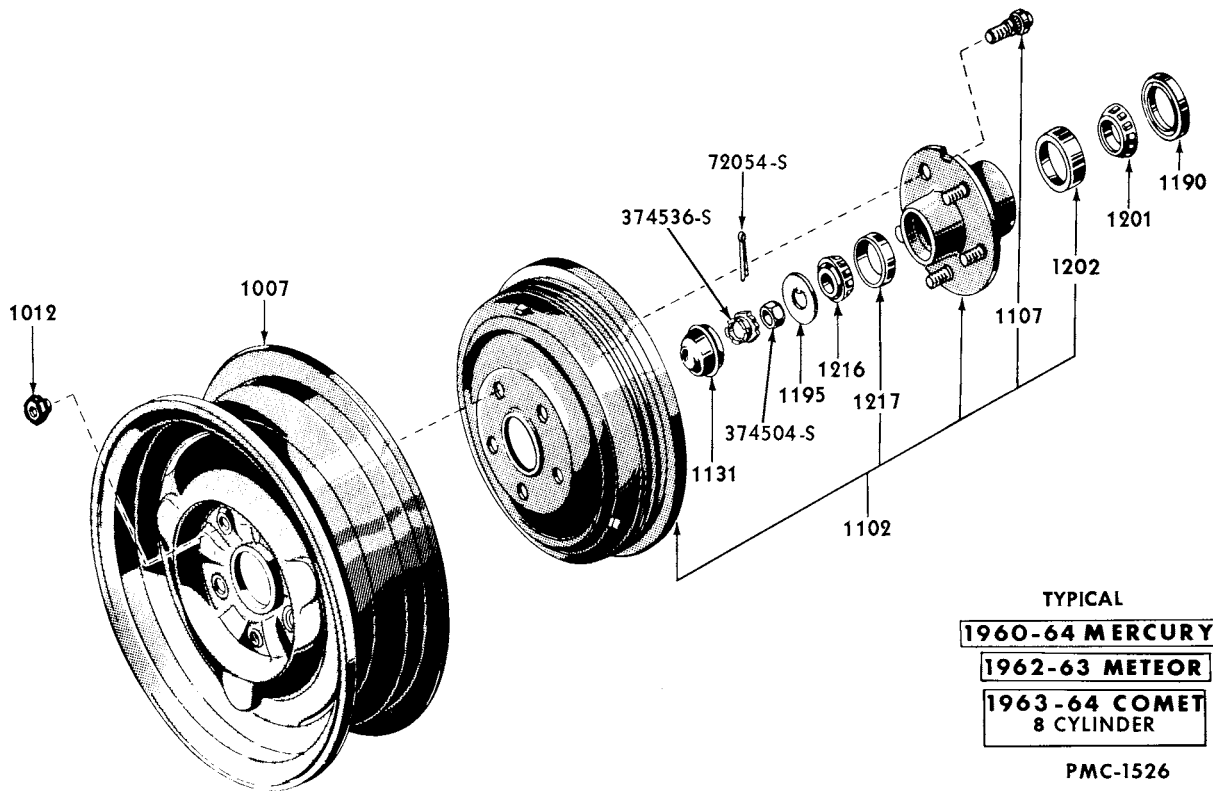
TITLE	VEHICLE CODE AND PAGE NO.				TITLE	VEHICLE CODE AND PAGE NO.			
	A	B	C	D		A	B	C	D
I									
Instrument Cluster	935	938	939	942	Manifolds - 223 C.I.D.	297			
	936		940	945		827			
	937		941	946	Manual Control Levers - D/R	439		439	440
Instrument Cluster - Lower				944	Manual Control Levers - S/R & D/R	438			438
Instrument Cluster - Upper				943	Manual Control Levers - 2/S	440	440	440	
Instrument Cluster Wiring	953	956	956	957	Manual Steering Linkage	99	101		
	954		957	958		100			
	955				Manual Steering Linkage - 6 Cylinder Engines			102	
Instrument Controls	947	951	949	952	Manual Steering Linkage - 8 Cylinder Engines			103	
	948		950		Manual Throttle Control - Locking Type	837	837	837	
			951		Master Cylinder	23	23	23	
Instrument Panel Wiring				959	N				
Intake & Exhaust Manifolds & Related Parts - 144, 170, 200 C.I.D.		828	828		Non-emission Reduction System - 427 C.I.D.	325			
Intake & Exhaust Manifolds & Related Parts - 221, 260, 289 C.I.D.		829	829		O				
Intake & Exhaust Manifolds & Related Parts - 390, 427 C.I.D.	828				Oil & Vacuum Pump - 430 C.I.D.				320
Intake & Exhaust Manifolds & Related Parts - 430-4V C.I.D.				829	Oil Pressure Regulator - D/R	432			432
Intake Manifold & Water Connections - 221, 260 C.I.D.		603	603		Oil Pump - 144, 170, 200 C.I.D.		319	319	
		826	826		Oil Pump - 292, 312 C.I.D.	317			
Intake Manifold & Water Connections - 260, 289 C.I.D.			604		Oil Pump - 352, 390, 406 C.I.D.	317			
Interior Lamps				1064	Oil Pump - 430 C.I.D.	320			320
L					Oil Pump & Pan - 221, 260, 289 C.I.D.		318	318	
License Lamp	1016		1017		Oil Pump & Pan - 223 C.I.D.	318			
License Lamp - Passenger	1017				Overdrive Trans.	452	452		
License Lamp - Station Wagon	1016				P				
Luggage Compartment Door Electrical Locking Mechanism				1036	Parking Brake	36			37
Luggage Compartment Lamp	1034			1037					38
	1035			1038	Parking Brake - Vacuum Release				37
Luggage Compartment Lamp - Models All Except 63B, C, 71	1034				Parking Lamp Wiring			1019	
Luggage Compartment Lamp - Models 63B, C, 71	1035				Parking Lamps	998	998	999	999
M								1000	
Main Control Valve - D/R	430		431	430	Piston & Connecting Rod - 144, 170, 200 C.I.D.		310	310	
Main Control Valve - S/R	430				Piston & Connecting Rod - 221, 260, 289 C.I.D.		310	310	
Main Control Valve - 2/S	432	432	432		Piston & Connecting Rod - 223, 292, 312, 352 C.I.D.	308			
					Piston & Connecting Rod - 383, 430 C.I.D.	309			
					Piston & Connecting Rod - 390, 406 C.I.D.	309			

Illustration Index - Continued

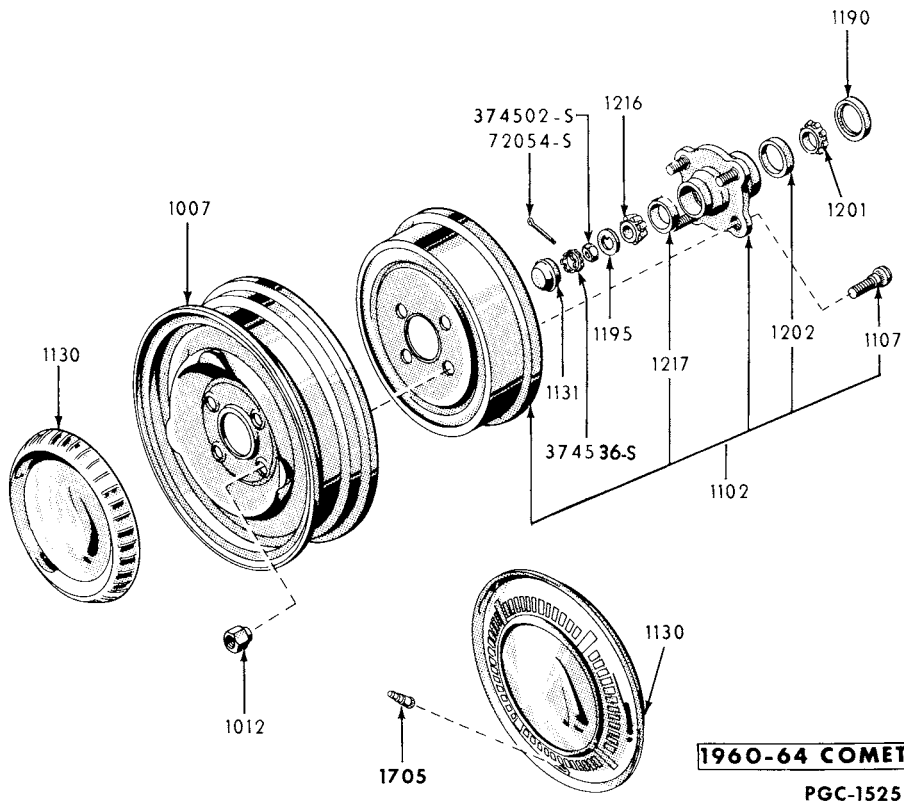
TITLE	VEHICLE CODE AND PAGE NO.				TITLE	VEHICLE CODE AND PAGE NO.			
	A	B	C	D		A	B	C	D
Piston & Connecting Rod - 430 C.I.D.				311	Radiator Grille & Related Parts	582 583 584	585	584 585 586	587 588 589 590 591
Power Booster Fan & Related Parts	604			604	Reading Lamp				1065
Power Booster Fan & Related Parts - 390 C.I.D.	605				Rear Axle	175	176	176	178
Power Booster Fan & Related Parts - 430 C.I.D.				605	Rear Axle - 170,200 C.I.D. Engines			177	
Power Brake Booster	24		29	27	Rear Lamp	1000 1001 1002 1003	1005	1006 1007	1010 1011
Power Brake Booster & Master Cylinder				28	Rear Lamp - Passenger	1004		1008 1009	1011
Power Brake Booster - Self-contained Reservoir	25 26	25 26			Rear Lamp - S22			1008	
Power Steering Control Valve	113 114	114	114		Rear Lamp - Station Wagon	1003 1004	1006	1009	
Power Steering Gear				97 98	Rear License Plate Lamp				1018
Power Steering Linkage	106 107	108	109		Rear Servo				437
Power Steering Linkage - Belt Driven Pump	105				Rear Servo - D/R			436	
Power Steering Linkage - Crankshaft Driven Pump	104				Rear Servo - S/R & D/R	435			435
Power Steering Pump				118	Rear Servo - 2/S	438	438	438	
Power Steering Pump - Crankshaft Driven	117			117	Rear Suspension	229 230	231	232 233	234 235 236
Power Steering Pump Reservoir	118			118	Roof Side Lamp	1061			
Power Steering Pump, Reservoir & Pulley	115 116	116	116		Roof Side Lamp - Model 63	1061			
Power Steering System				110 111 112	S				
Power Window Regulator Wiring & Controls	1041			1043 1044 1045	Shift Mechanism - D/R - Console Models	466			
R					Shifter Interlock Linkage - O/D		454		
Radiator & Related Parts	593			595 596 597 598	Speed Control	855 856 857			861
Radiator & Related Parts - 144, 170, 200 C.I.D.			593		Speed Control - 430 C.I.D.				860
Radiator & Related Parts - 170, 200, 221, 260, 289 C.I.D.		594	594		Speed Control Unit				858 859
Radiator & Related Parts - 223 C.I.D.	592				Stabilizer Bar	227	228	228	229
Radiator & Related Parts - 292, 352, 390, 406, 427 C.I.D.	592				Standard Trans. - 3/S	444	444		
Radiator & Related Parts - 312, 383, 430 C.I.D.	591				Standard Transmission - 3/S - 6 Cylinder Engines		445	445	
					Standard Transmission - 3/S - 8 Cylinder Engines	446	446	446	
					Standard Trans. - 4/S - Ford Design	451		451	
					Standard Trans. Case, Extension Housing & Shift Mechanism - 4/S - Dagenham Design			449	
					Standard Trans. Case, Extension Housing & Shift Mechanism - 4/S - Warner Design	447	447	447	

Illustration Index - Continued

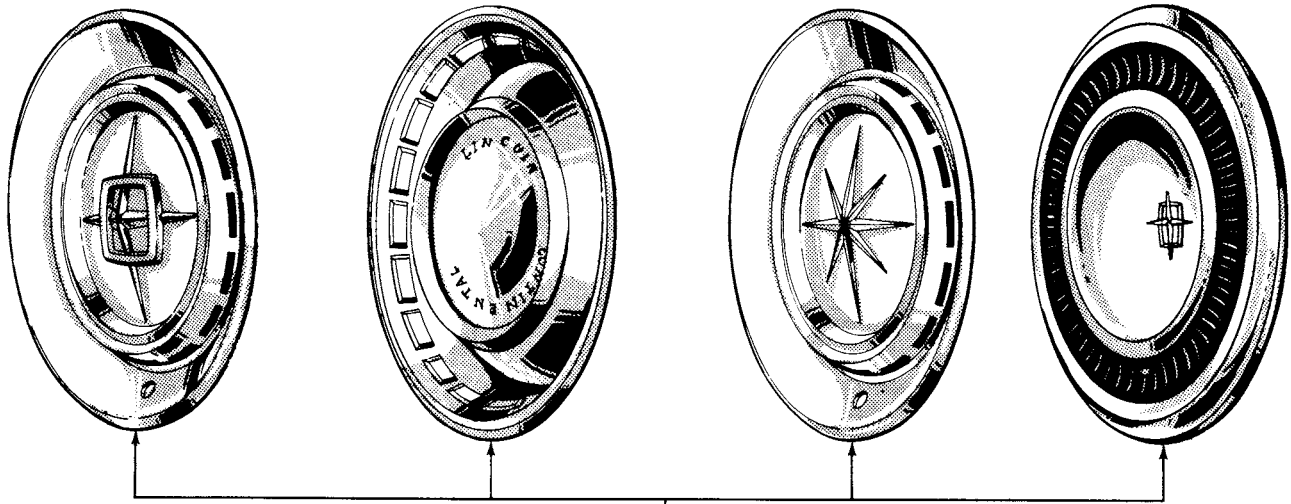
TITLE	VEHICLE CODE AND PAGE NO.				TITLE	VEHICLE CODE AND PAGE NO.			
	A	B	C	D		A	B	C	D
Standard Trans. Gear Train - 4/S - Dagenham Design			450		V				
Standard Trans. Gear Train - 4/S - Warner Design	448	448	448		Vacuum Throttle Valve, Lines & Fittings	433	433	433	433
Standard Trans. Shifter Assembly - 3/S	453				Valves, Push Rods & Rocker Arm Cover - 144,170,200 C.I.D.		315	315	
Standard Trans. Shifter Interlock Linkage - 3/S	453	453			Valves, Push Rods & Rocker Arm Cover - 221,260,289 C.I.D.		314	314	
Starter	960	961	961	961 962	Valves, Push Rods & Rocker Arm Cover - 223 C.I.D.	313			
Steering Column & Shift Mechanism - A/T	459				Valve, Push Rods & Rocker Arm Cover - 260,289 C.I.D.			316	
Steering Column & Shift Mechanism - A/T - Except Models 58,64	461				Valves, Push Rods & Rocker Arm Cover, 292,312 C.I.D.	312			
Steering Column & Shift Mechanism - A/T - Models 58,64	460				Valves, Push Rods & Rocker Arm Cover - 352,390 C.I.D.	314			
Steering Column & Shift Mechanism - D/R			473	477 478	Valves, Push Rods & Rocker Arm Cover - 383,430 C.I.D.	316			316
Steering Column & Shift Mechanism - 2/S		471	474		Valves, Push Rods & Rocker Arm Cover - 390,406 C.I.D.	314			
Steering Column & Shift Mechanism - 3/S	467 468 470	472	475						
Steering Column & Shift Mechanism - 3/S - Except Models 58,64	469				W				
Steering Column & Shift Mechanism - Fixed - D/R	462			479	Water Connections				603
Steering Column & Shift Mechanism - Movable - D/R	463 464			480	Water Connections - 312 C.I.D.	602			
Steering Column - Console & Floor Shift Models	465				Water Connections - 383,430 C.I.D.	602			602
Steering Column - Floor Shift Models			476		Water Pump - 144,170,200 C.I.D.		601	601	
Steering Column Installation - Movable				481	Water Pump - 221,260,289 C.I.D.		601	601	
Steering Gear	93 94	95	96		Water Pump - 223 C.I.D.	599			
Steering Wheel & Horn Ring	1022 1023 1024		1025 1026	1027 1028	Water Pump - 292,312 C.I.D.	599			
					Water Pump - 383,430 C.I.D.	600			600
					Water Pump - 390,352,406,427 C.I.D.	600			
					Wheel Covers	3		3	
					Wheel, Covers and Related Parts				2
					Wheel, Hub, Drum and Related Parts	1	1	1	
					Wheel, Hub, Drum and Related Parts - 6 Cylinder Engines			1	
					Wiring & Lamp Assembly	1029	1029	1029	



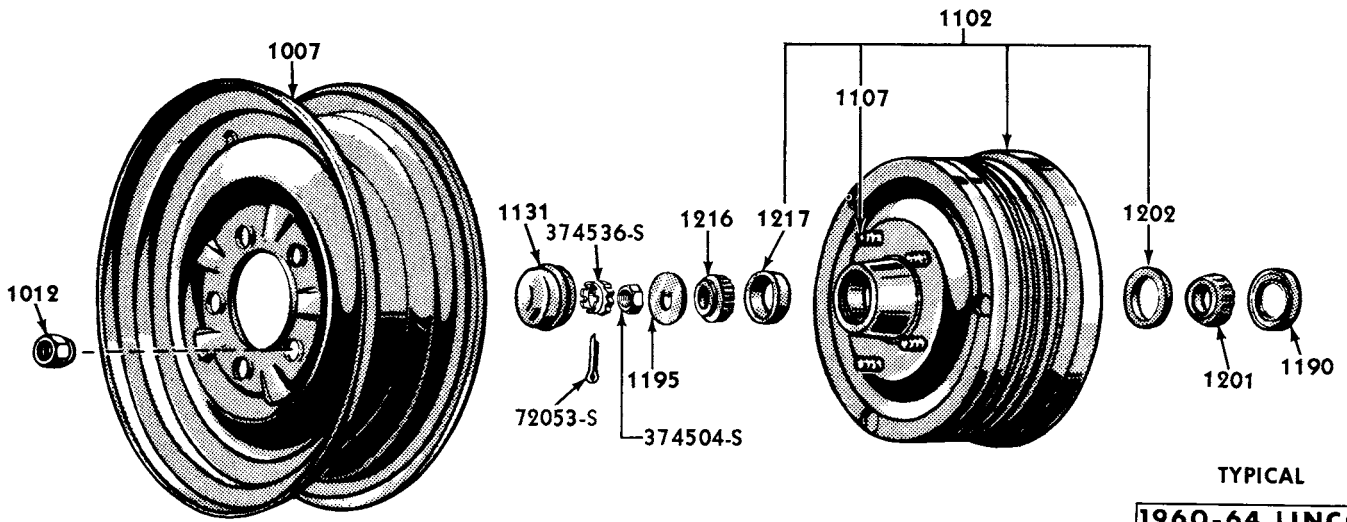
WHEEL, HUB, DRUM and RELATED PARTS



WHEEL, HUB, DRUM and RELATED PARTS - 6 CYLINDER ENGINES



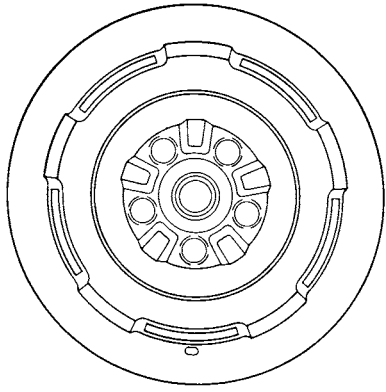
1130



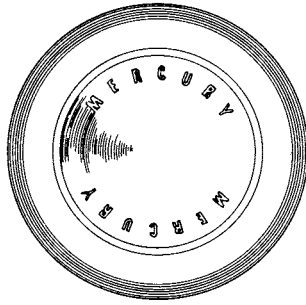
1960-64 LINCOLN

PLC-1620

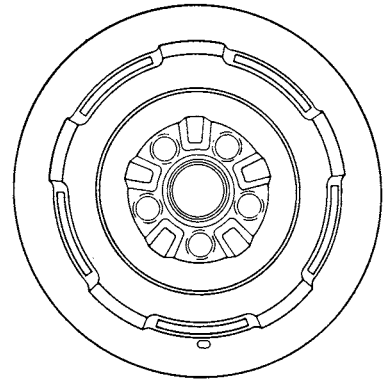
WHEEL, COVER and RELATED PARTS



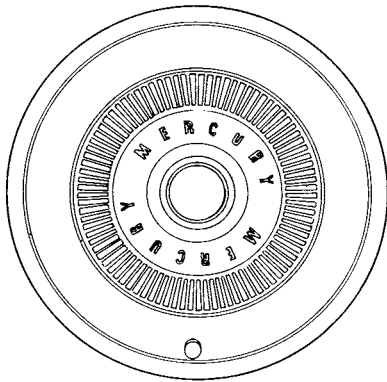
A



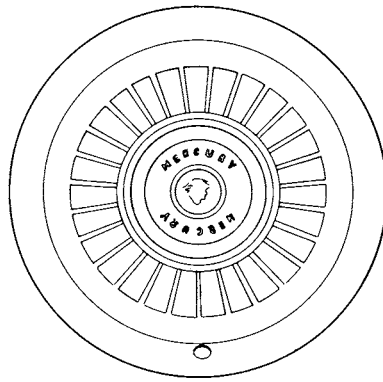
B



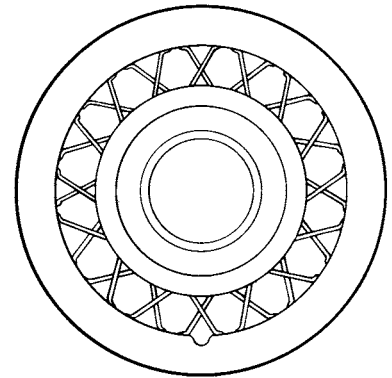
C



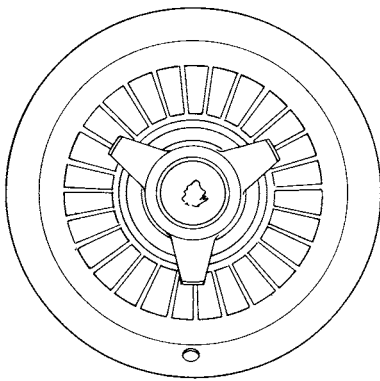
D



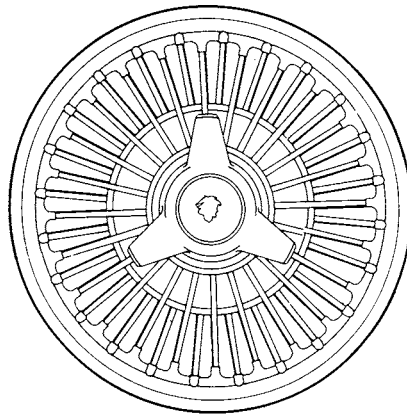
E



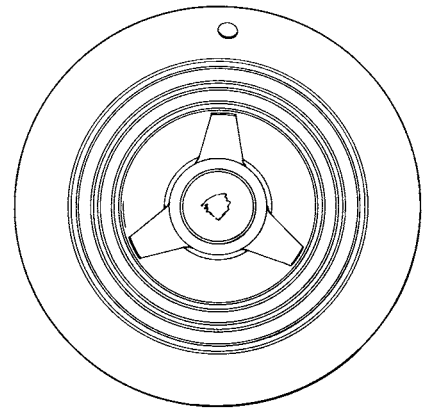
I



F



G



H

REFER WHEEL COVER CODE TO 1130 GROUP

1964 MERCURY

1964 COMET

PMC-1621

WHEEL COVERS

Wheels, Hubs and Drums

GROUP AND PART NUMBER	DESCRIPTION, SIZE, ETC.	NO. REQ'D	MODEL OR ENGINE CUBIC INCH DISPLACEMENT	VEHICLE CODE	YEAR 19
1001 GASKET (REAR WHEEL BEARING RETAINER)					
C1AZ 1001-B	Backing plate - heavy duty - use with large wheel bearing	2	All	A	61/63
	Backing plate - use with fade resistant lining	2	All	A	64
	Backing plate - standard - model 71	2	All	A	64
C5AZ 1001-A	Heavy duty - use with large wheel bearing	2	406	A	62
	Use with fade resistant lining	2	All	A	63
	Standard - model 71	2	All	A	64
		4	All	D	60
A8AZ 1001-A	Standard - use with small wheel bearing - ☆ except 406 C.I.D. engine	2	All☆	A	61/63
	All models except 71	2	All	A	64
		2	All	B	62/63
		2	260, 289	C	63/64
C1AZ 1001-A	Backing plate - standard - use with small wheel bearing	2	All	A	61/63
	Backing plate - all models except 71	2	All	A	64
	Backing plate	2	All	B	63
	Backing plate	2	260, 289	C	63/64
C2OZ 1001-A	Backing plate	2	All	B	62
CODD 1001-A		2	144, 170	C	60/62
C3DZ 1001-A		2	144, 170, 200	C	63/64
CODZ 1001-A	Backing plate	2	144, 170, 200	C	60/64
C1VV 1001-B		4	All	D	61/64

1007 WHEEL					
B9MM 1007-C	14" x 6.00"	5	All	A	60
COAA 1007-N	15" x 5.00" - for Police Special	5	All	A	61
C2AZ 1007-A	14" x 5.50" - standard - all models except 71	5	All	A	61/64
C1AZ 1007-A	15" x 5.50" - "K" rim - heavy duty - all models except 71	5	All	A	62/64
	Standard - model 71	5	All	A	64
C3AZ 1007-A	14" x 6.00" - heavy duty - all models except 71	5	All	A	62/64
	Standard - model 71	5	All	A	61/64
C4GY 1007-B	14" x 5.00" - with 5 bolt holes	5	260, 289	C	63/64
		5	All	B	62/63
CODD 1007-K	13" x 4.50" - with 4 bolt holes	5	144, 170	C	60/63
C2OZ 1007-B	13" x 4.50" - with 5 bolt holes	5	260	C	63
C4GY 1007-A	14" x 4.50" - with 4 bolt holes	5	170, 200	C	64
COLL 1007-A	14" x 6.00" - "K" rim	5	All	D	60
C1VV 1007-C	14" x 6.00" - "K" rim	5	All	D	61/63
C4VY 1007-A	15" x 6.00" - "K" rim	5	All	D	64

1012 NUT (WHEEL BOLT)					
B 1012	1/2"-20	AR	All except 63E	A B C D	60/64
C4GY 1012-A	1/2"-20 - chrome	20	63E	C	64

1035 SPINNER ASSEMBLY (WHEEL COVER)					
C4MY 1035-A	Use as replacement part on all spinner type wheel covers except simulated wire wheel -	4	All	A	64

Package also includes -

(1) C3MA-1A048-A retainer (3) 373146-S39 screw and washer assy.

1069 REFER TO GROUP 4020					
---------------------------------	--	--	--	--	--

Wheels, Hubs and Drums

GROUP AND PART NUMBER	DESCRIPTION, SIZE, ETC.	NO. REQ'D	MODEL OR ENGINE CUBIC INCH DISPLACEMENT	VEHICLE CODE	YEAR 19__
1102 HUB & DRUM (FRONT WHEEL)					
MG 1102-D		2	57A, 58A, 63A, 64A, 77	A	60
MH 1102-B		2	57B, F, 58B, 63B, F, 76A, D	A	60
C1AA 1102-A	Standard - all models except 71	2	All	A	61
C3AZ 1102-C	11" x 3" - heavy duty - all models except 71 (c, d, f)	2	All	A	61/64
	Standard - model 71	2	All	A	61/64
C2MY 1102-A	11" x 2-1/2" - all models except 71	2	All	A	62
C3AZ 1102-D	11" x 2-1/2" - standard - all models except 71 (c, d, f)	2	All	A	63/64
C2OZ 1102-A	10" x 2-1/2" - heavy duty	2	All	B	62
	Standard - model 71	2	All	B	63
	Heavy duty - all models except 71	2	All	B	63
	Use on vehicles built prior to 6-3-63				
C3OZ 1102-B	10 x 2" - standard - model 71	2	All	B	63
	Heavy duty - all models except 71	2	All	B	63
	Use on vehicles built after 6-2-63				
C2OZ 1102-B	10" x 2-1/4" - standard	2	All	B	62
	Standard - for all models built prior to 6-3-36 except 71	2	All	B	63
C3OZ 1102-A	10" x 2-1/4" - standard - for all models built after 6-2-63 except 71	2	All	B	63
	(c, d, f)	2	260, 289	C	63/64
C1DZ 1102-A	(c, d, e)	2	144, 170, 200	C	60/64
COLL 1102-A	Use on vehicles built prior to 11-23-59	(a) 2	All	D	60
COLL 1102-B	Use on vehicles built after 11-22-59	2	All	D	60
C1VY 1102-A	(b)	2	74	D	61/62
C2VY 1102-A	(b)	2	53	D	61/62
C3VY 1102-A	(b, d, f, g)	2	All	D	63/64
72054-S	Pin-5/32" x 1-1/4"-attach hub and drum assy. to front wheel spindle	2	a, c		
72089-S	Cotter pin-1/8" x 1-1/8"	2	b, g		
354573-S	Nut-slotted hex. -3/4"-16-to front wheel spindle	2	a, b		
374502-S	Nut-hex. lock-5/18"-18	2	e		
374504-S	Nut-slotted hex. -3/4"-16-to front wheel spindle	2	f		
374536-S	Retainer -lock-49/64	2	d		
1107 BOLT (WHEEL HUB)					
C3OZ 1107-A	1/2"-20 x 1-9/16" - serration diameter .636"	AR	All	A B C	63/64
C1AZ 1107-A	1/2"-20 x 1-15/32"-O/S serrations diameter .6365"	AR	All	A B C D	60/63
		AR	All	D	64
A9AZ 1107-A	1/2"-20 x 1-1/2" - serration diameter .6230"	AR	All	A B C D	60/64
LA 1107-A	1/2" - 20 x 1-19/64" - rear wheels	10	All	D	60
1126 DRUM (REAR WHEEL BRAKE)					
MG 1126-B		2	All	A	60
C3AZ 1126-A	11" x 2-1/2"	2	All	A	61/64
C2OZ 1126-A	10" x 1-3/4" - standard	2	All	B	62
C2OZ 1126-B	10" x 2" - heavy duty	2	All	B	62
	Heavy duty - for all models except 71	2	All	B	63
C3OZ 1126-A	10" x 2-1/2" - standard - for model 71	2	All	B	63
C3OZ 1126-B	10" x 1-3/4" - standard - for all models except 71	2	All	B	63
		2	260, 289	C	63/64
CODZ 1126-A	For models 54, 62, 63	2	144, 170, 200	C	60/64
CODZ 1126-B	For all models except 54, 62, 63	2	144, 170, 200	C	60/64
COLL 1126-A	Use on vehicles built prior to 11-23-59	(a) 2	All	D	60
COLL 1126-B	Use on vehicles built after 11-22-59	(a) 2	All	D	60
C2VY 1126-A	(a)	2	All	D	61/62
C3VY 1126-A	(a)	2	All	D	63/64
356080-S	Nut-push-on spring-1/2" x 20-attach drum to rear axle	6	a		

Wheels, Hubs and Drums

GROUP AND PART NUMBER	DESCRIPTION, SIZE, ETC.	NO. REQ'D	MODEL OR ENGINE CUBIC INCH DISPLACEMENT	VEHICLE CODE	YEAR 19__
1130	CAP (WHEEL HUB)				
	Illus. Code				
COMY 1130-B	With emblem and Mercury head	4	All	A	60
MC 1130-D	Use for Police Cars	4	All	A	60
C1MM 1130-B	Standard	4	57A, 58A, 63A, 64A, 76A, 77A	A	60
		4	54A, 58A, 62A, 64A, 65A, 71A, 75A	A	61
C1MY 1130-A	Full wheel cover - polished circles with emblem and Mercury head	4	54B, 65B, 71B, 75B, 76A	A	61
C4AZ 1130-J	I Wire wheel cover - also serviced in C4AZ-1130-G kit - use with 15" wheels	4	All	A	61/64
C4AZ 1130-G	I Wire wheel cover - use with 15" wheels	1	All	A	61/64
	Kit consists of the following -				
	(4) C4AZ-1130-J wheel cover				
	(4) valve extensions				
C2MY 1130-A	Full wheel cover with WHITE lettering - also serviced in C2MM-1130-A package	4	All except 65C, 76B	A	62
C2MM 1130-A	Full wheel cover with WHITE lettering	1	All except 65C, 76B	A	62
	Package includes -				
	(4) C2MY-1130-A wheel cover				
C2MY 1130-B	Full wheel cover with opaque finish applique - use with 14" wheels only	4	65C, 75C, 76B	A	62/63
C3MY 1130-C	Full wheel cover with bright finish applique - use with 14" wheels only	4	65C, 75C, 76B	A	62/63
C3MY 1130-B	Full wheel cover - with BLACK lettering - also serviced in C3MY-1130-A package - use with 14" wheels only	4	All	A	62/63
C3MY 1130-A	Full wheel cover - with BLACK lettering - use with 14" wheels only	1	All	A	62/63
	Package includes -				
	(4) C3MY-1130-B wheel cover				
C3MY 1130-D	Full wheel cover - includes spinner - use with 15" wheels only	4	All	A	63
C4MY 1130-B	E Full wheel cover with medallion - also serviced in C4MY-1130-A package - use with 14" wheels	4	All	A	64
C4MY 1130-A	E Full wheel cover with medallion - use with 14" wheels	1	All	A	64
	Package includes -				
	(4) C4MY-1130-B wheel cover				
C4MY 1130-D	F Full wheel cover with spinner - also serviced in C4MY-1130-C package - use with 14" wheels	4	All	A	64
C4MY 1130-C	F Full wheel cover with spinner - use with 14" wheels	1	All	A	64
	Package includes -				
	(4) C4MY-1130-D wheel cover				
C4MY 1130-F	H Full wheel cover with spinner - use with 15" wheels	4	All	A	64
C4MY 1130-J	G Simulated wire wheel with spinner - also serviced in C4MY-1130-H package - use with 14" wheels	4	All	A	64
C4MY 1130-H	G Simulated wire wheel with spinner - use with 14" wheels	1	All	A	64
	Package includes -				
	(4) C4MY-1130-J wheel cover				

CONTINUED ON NEXT PAGE

Wheels, Hubs and Drums

GROUP AND PART NUMBER	DESCRIPTION, SIZE, ETC.	NO. REQ'D	MODEL OR ENGINE CUBIC INCH DISPLACEMENT	VEHICLE CODE	YEAR 19__
1130	CAP (WHEEL HUB) CONTINUED				
	Illus. Code				
C4AZ 1130-H	I Wire wheel cover - also serviced in C4AZ-1130-F kit - use with 14" wheels	4	All	A B C	60/64
C4AZ 1130-F	I Wire wheel cover - use with 14" wheels	1	All	A B C	60/64
	Kit consists of the following - (4) C4AZ-1130-H wheel cover (4) valve extensions				
C2MA 1130-A	B Standard - inscribed "MERCURY" Use with 14" or 15" wheels	4	All except 65C, 75C, 76B	A	62/63
		4	All except 62C, 65B	B	62/63
		4	260	C	63
	Use with 14" wheels	4	All	A C	64
C2YY 1130-B	Full wheel cover with WHITE lettering	4	All except 62C	B	62
C2YY 1130-C	Full wheel cover with opaque finish applique	4	62C(S-33), 65B	B	62/63
C3YY 1130-C	Full wheel cover - with bright finish applique - use with 14" wheels	4	62C(S-33), 65B	B	62/63
		4	62C, 63C, 71D, 76B	C	63
C3YY 1130-B	Full wheel cover - with BLACK lettering - use with 14" wheels	4	All except 65B	B C	63
C1KK 1130-A	Standard	4	All except 62A(S-22), 62C	C	60/62
C1KY 1130-A	Full wheel cover - with bright finish	4	All	C	60/62
C3GY 1130-C	Full wheel cover - with brushed satin finish - also serviced in C3GY-1130-B package - use with 13" wheels	4	All	C	60/63
C3GY 1130-B	Full wheel cover - with brushed satin finish - use with 13" wheels	1	All	C	60/63
	Package includes - (4) C3GY-1130-C wheel cover				
C4OZ 1130-H	Wire wheel cover - also serviced in C4OZ-1130-T kit - use with 13" wheels	4	All	C	60/63
C4OZ 1130-T	Wire wheel cover - use with 13" wheels	1	All	C	60/63
	Kit consists of the following - (4) C4OZ-1130-H wheel cover (4) valve extensions				
C1GG 1130-B	Full wheel cover - with spun satin finish in center	4	62A(S-22), 62C	C	61/62
C3GY 1130-A	Full wheel cover - with opaque finish applique	4	62C, 76B	C	63
C3GY 1130-D	Full wheel cover - with bright finish applique - use with 13" wheels	4	62C, 76B	C	63
C3GY 1130-E	B Standard - except console models Standard - use with 13" wheels	4	144, 170	C	63
		4	170, 200	C	64
C4GY 1130-B	D Full wheel cover - also serviced in C4GY-1130-A package - use with 14" wheels	4	All	C	64
C4GY 1130-A	D Full wheel cover - use with 14" wheels	1	All	C	64
	Package includes - (4) C4GY-1130-B wheel cover				
C4GY 1130-C	A Full wheel cover - front - use with 14" wheels	2	63E	C	64
C4GY 1130-D	C Full wheel cover - rear - use with 14" wheels	2	63E	C	64
COLY 1130-A	Full wheel cover - satin finish with Star emblem	4	53, 57, 63	D	60
COLY 1130-B	Full wheel cover - satin finish with Lincoln Continental emblem	4	54, 65, 68, 75	D	60
C1VV 1130-C	Full wheel cover - with depressed emblem in chrome	4	All	D	61
C2VA 1130-A	Full wheel cover - with WHITE lettering	4	All	D	62/63
C4VY 1130-A	Full wheel cover	4	All	D	64

Wheels, Hubs and Drums

GROUP AND PART NUMBER	DESCRIPTION, SIZE, ETC.	NO. REQ'D	MODEL OR ENGINE CUBIC INCH DISPLACEMENT	VEHICLE CODE	YEAR 19__
1131 CAP (FRONT HUB GREASE)					
MK 1131-A		2	57B, F, 58B, 63B, F, 76	A	60
B5A 1131-A		2	All except 57B, F, 58B, 63B, F, 76	A	60
		2	All	A B	61/64
		2	260, 289	C	63/64
C3DZ 1131-A		2	144, 170, 200	C	60/64
LF 1131-A		2	All	D	60/64
1140 SPRING (BRAKE DRUM SILENCER)					
B7A 1140-A	32" overall length	AR	All	A B	61/64
		AR	All	D	60/64
1177 SEAL (REAR WHEEL BEARING INNER OIL)					
B7A 1177-B	Standard - use with small wheel bearing - ☆ except 406, 427 C. I. D. engines	2	All☆	A	61/63
C1AA 1177-A		2	406, 427	A	63/64
B7A 1177-A	Standard	2	All	A	60
	Heavy duty - use with large wheel bearing	2	All	A	61/63
		2	390	A	64
		2	All	D	60
C2OW 1177-A	2.565" O. D.	2	All	B	62/63
C4OZ 1177-A	2.264" O. D.	2	All	B	62/63
CODW 1177-A	2-1/32" O. D. - use to seal 1-11/64" diameter shaft	2	144, 170	C	60/63
CODW 1177-B	2-1/32" O. D. - use to seal 1-5/16" diameter shaft - use on vehicles built prior to 5-15-61	2	144, 170	C	60/61
C1DZ 1177-A	2-1/16" O. D. - use to seal 1-11/32" diameter shaft - use on vehicles built after 5-14-61	2	144, 170, 200	C	61/64
C1UW 1177-A		2	260, 289	C	63/64
C1VV 1177-C		2	All	D	61/64
1180 RETAINER (REAR WHEEL BEARING) INNER					
B9AW 1180-A	Standard - ☆ except 406 C. I. D. engine	2	All☆	A B	61/63
		2	260, 289	C	64
B9AW 1180-B	Standard	2	All	A	60&64
	Heavy duty	2	All	A B	61/63
		2	All	D	60
CODW 1180-A	1-11/64" I. D.	2	All	C	60/63
CODW 1180-B	1-21/64" I. D.	2	All	C	60/63
		2	170, 200	C	64
C1VV 1180-A		2	All	D	61/64
1188 SPACER (WHEEL APPLIQUE)					
COMM 1188-B		AR	All	A	60/61
1190 RETAINER (FRONT WHEEL HUB GREASE)					
C5SZ 1190-A		2	57B, F, 58B, 63B, F, 76	A	60
B5A 1190-A		2	57A, 58A, 63A, 64A, 77	A	60
		2	All	A B	61/64
		2	260, 289	C	63/64
C1DZ 1190-A		2	144, 170, 200	C	60/64
LF 1190-A		2	All	D	60
C1VV 1190-A		2	All	D	61/64
1193 GASKET (FRONT WHEEL BRAKE GREASE BAFFLE)					
B4A 1193-A		2	All	D	61/64

Wheels, Hubs and Drums

GROUP AND PART NUMBER	DESCRIPTION, SIZE, ETC.	NO. REQ'D	MODEL OR ENGINE CUBIC INCH DISPLACEMENT	VEHICLE CODE	YEAR 19__
1195 WASHER (FRONT WHEEL OUTER BEARING RETAINER)					
B5A 1195-A	3/4" I.D. x 1-21/32" O.D. x 3/32" thick with lug for keyway	2	All	A	60/61
		2	All	D	60/64
C2AZ 1195-A		2	All	A B	62/64
		2	260, 289	C	63/64
C1DD 1195-A		2	144, 170, 200	C	60/64
1201 CONE & ROLLER (FRONT WHEEL BEARING) INNER					
B7C 1201-A		2	57B, F, 58B, 63B, F, 76	A	60
		2	All	D	60/64
B5A 1201-A		2	57A, 58A, 63A, 64A, 77	A	60
		2	All	A B	61/64
		2	260, 289	C	63/64
CODD 1201-A		2	144, 170, 200	C	60/64
1202 CUP (FRONT WHEEL BEARING) INNER					
B7C 1202-A		2	57B, F, 58B, 63B, F, 76	A	60
		2	All	D	60/64
B5A 1202-A		2	57A, 58A, 63A, 64A, 77	A	60
		2	All	A B	61/64
		2	260, 289	C	63/64
CODD 1202-A		2	144, 170, 200	C	60/64
1216 CONE & ROLLER (FRONT WHEEL BEARING) OUTER					
LF 1216-A		2	57B, F, 58B, 63B, F, 76	A	60
		2	All	D	60/64
B5A 1216-A		2	57A, 58A, 63A, 64A, 77	A	60
		2	All	A B	61/64
		2	260, 289	C	63/64
CODD 1216-A		2	144, 170, 200	C	60/64
1217 CUP (FRONT WHEEL BEARING) OUTER					
LF 1217-A		2	57B, F, 58B, 63B, F, 76	A	60
		2	All	D	60/64
B5A 1217-A		2	57A, 58A, 63A, 64A, 77	A	60
		2	All	A B	61/64
		2	260, 289	C	63/64
CODD 1217-A		2	144, 170, 200	C	60/64
1225 BEARING (REAR WHEEL)					
C1SZ 1225-B	Heavy duty - 1-17/32" I.D. x 3-5/32" O.D.	2	All	A	60/63
		2	390, 427	A	64
		2	430	D	60
Package also includes -					
(1) B9AW-1180-B retainer					
B7AZ 1225-A	Standard - 1-3/8" I.D. x 2-53/64" O.D. - ☆ except 406, 427 C.I.D. engines	2	All☆	A B	61/63
		2	260, 289	C	63/64
Package also includes -					
(1) B9AW-1180-A retainer					
CODZ 1225-A	1-3/16" I.D. x 2-7/16" O.D.	2	144, 170	C	60/63
Package also includes -					
(1) B9AW-1180-A retainer					
CODZ 1225-C	1-21/64" I.D. x 2-43/64" O.D.	2	144, 170, 200	C	60/64
Package also includes -					
(1) B9AW-1180-B retainer					
C1VY 1225-A		2	All	D	61/64

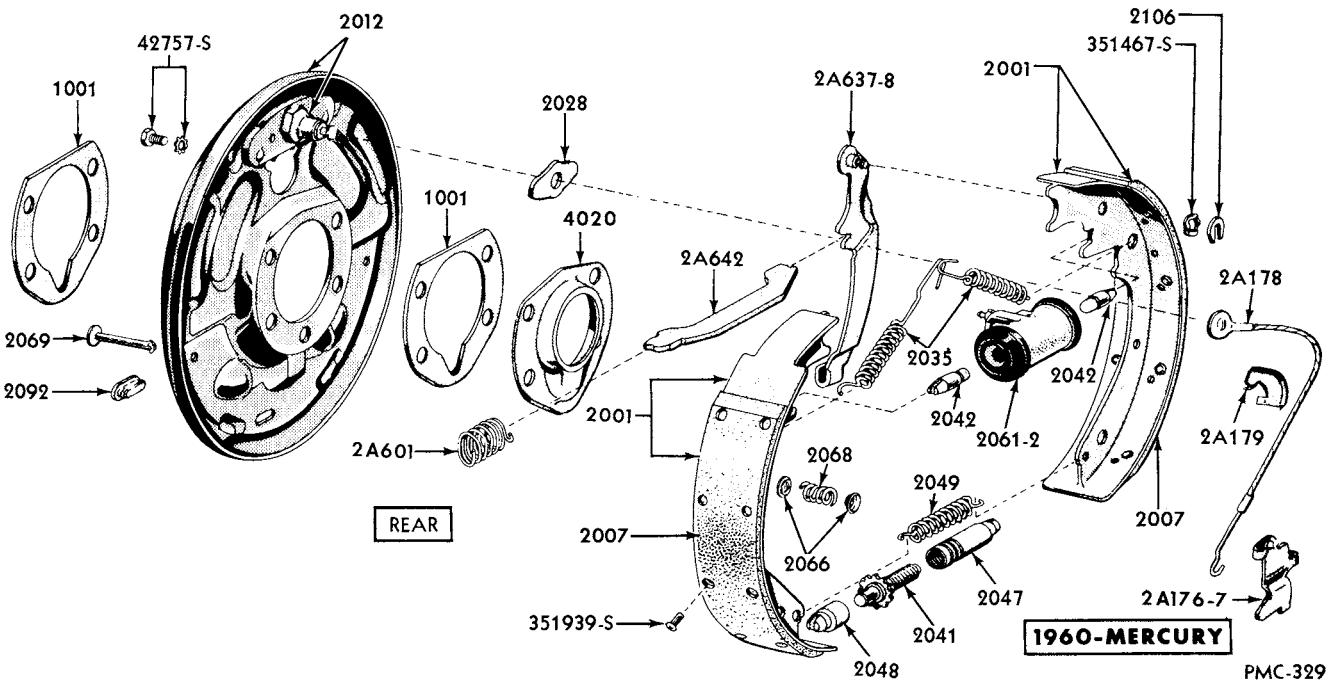
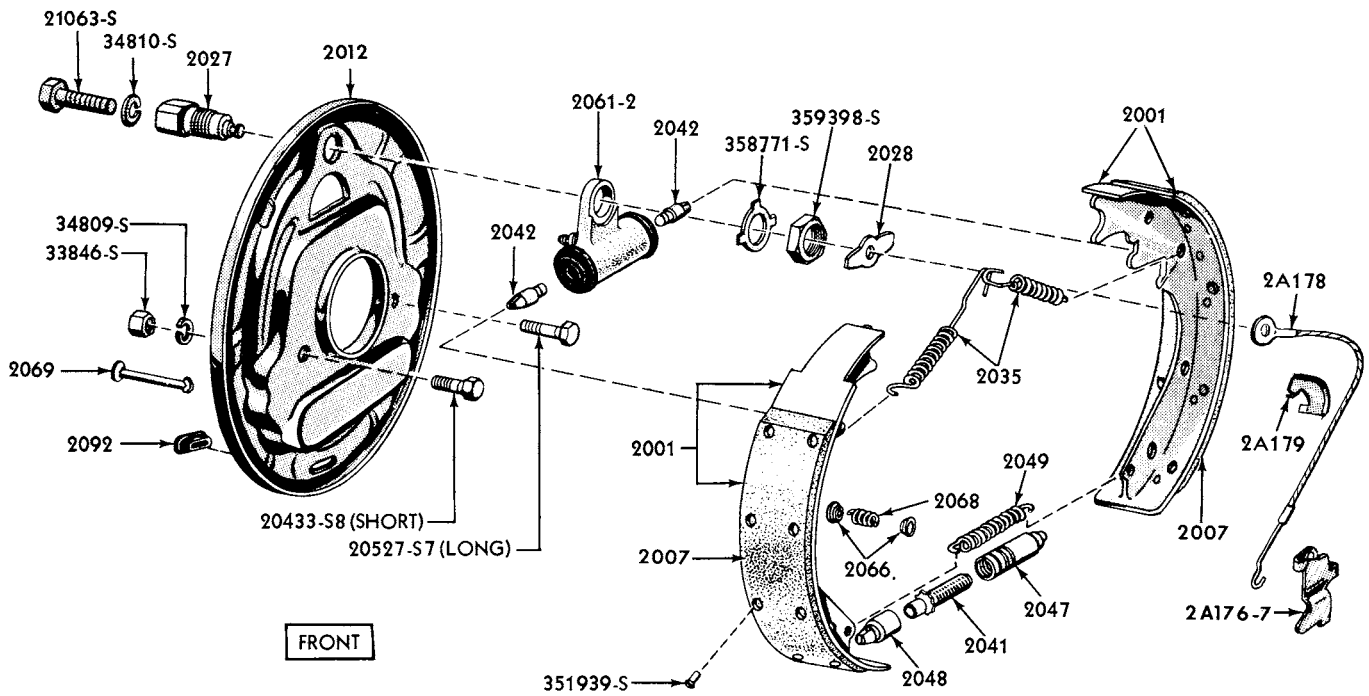
Wheels, Hubs and Drums

GROUP AND PART NUMBER	DESCRIPTION, SIZE, ETC.	NO. REQ'D	MODEL OR ENGINE CUBIC INCH DISPLACEMENT	VEHICLE CODE	YEAR 19__
1350 PLATE (SPARE WHEEL COVER)					
BAE 1350-A	Use with closed type spare wheel carrier	1	All except 77	A	60
BAE 1350-B	Use with open type spare wheel carrier	1	All except 77	A	60
1351 RING (SPARE WHEEL COVER)					
B8A 1351-A	Rustless steel	1	All except 77	A	60
B8A 1351-B	Prime	1	All except 77	A	60
1A379 WRENCH (SPARE WHEEL LOCK BOLT)					
C1AB 1A379-A	Also serviced in C1AZ-1386-B and C	1	All	A	61/62
1382 REFER TO GROUP 1448					
1386 LOCK ASSEMBLY (SPARE WHEEL)					
C1AZ 1386-A	Consists of lock and keys only - also serviced in C1AZ-1386-B and C	1	All	A	61/62
C1AZ 1386-B		1	All except 71	A	61/62
Consists of the following -					
(1) C1AB-1A379-A	wrench	(1) C1AZ-1386-A	lock and keys	(1) C1AB-1440-A	bolt
C1AZ 1386-C		1	71	A	61/62
Consists of the following -					
(1) C1AB-1A379-A	wrench	(1) C1AZ-1386-A	lock and keys	(1) C1AB-1440-B	bolt
C3OZ 1386-A		1	71	B	63
1394 HINGE (SPARE WHEEL CARRIER) ACCESSORY					
COMB 1394-A		1	All except 77	A	60
1439 STOP (SPARE WHEEL)					
BAK 1439-A		2	68	D	60
1440 BOLT (SPARE WHEEL LOCK)					
C1AB 1440-A	Also serviced in C1AZ-1386-B	1	All except 71	A	61/62
C1AB 1440-B	Also serviced in C1AZ-1386-C	1	71	A	61/62
1446 PLATE (SPARE WHEEL MOUNTING)					
BAK 1446-A	Clamp	1	All	D	60
1448 BOLT (SPARE WHEEL MOUNTING)					
B9MY 1448-A		1	77	A	60
PB9M 1448-B		1	All except 77	A	60
COAB 1448-C		1	71	A	61/62
		1	54B, 65B, 65C, 71B,D,75B,C	A	63
		1	54A, B, F, 65, 71, 75	A	64
B7A 1448-A		1	All except 71	A	61/62
		1	54A, 62A, 63A, B, C, 65A, 75A, 76A, B	A	63
		1	57D, F, 63A, C, D, 76	A	64
		1	All except 71	B	62/63
C3OZ 1448-A	3/8" x 16 x 2.87"	1	71	B	63
CODZ 1448-A		1	59, 71	C	60/63
	23796-S8 3/8"-16 x 7-1/2"	1	All except 59, 71	C	60/64
CODZ 1448-B	3/8"-16 x 3-3/4" - includes plate	1	71	C	64
CODZ 1448-C	3/8"-16 x 5-1/2"	1	71	C	64
BAK 1448-C		1	All except 68	D	60
BAK 1448-D		1	68	D	60
C1VB 1382-B	Use on vehicles with 9.00 x 14 tires	1	All	D	61
C1VY 1448-A	Use on vehicles with 9.50 x 14 tires	1	All	D	61
		1	All	D	62/63
C4SZ 1448-A		1	All	D	64

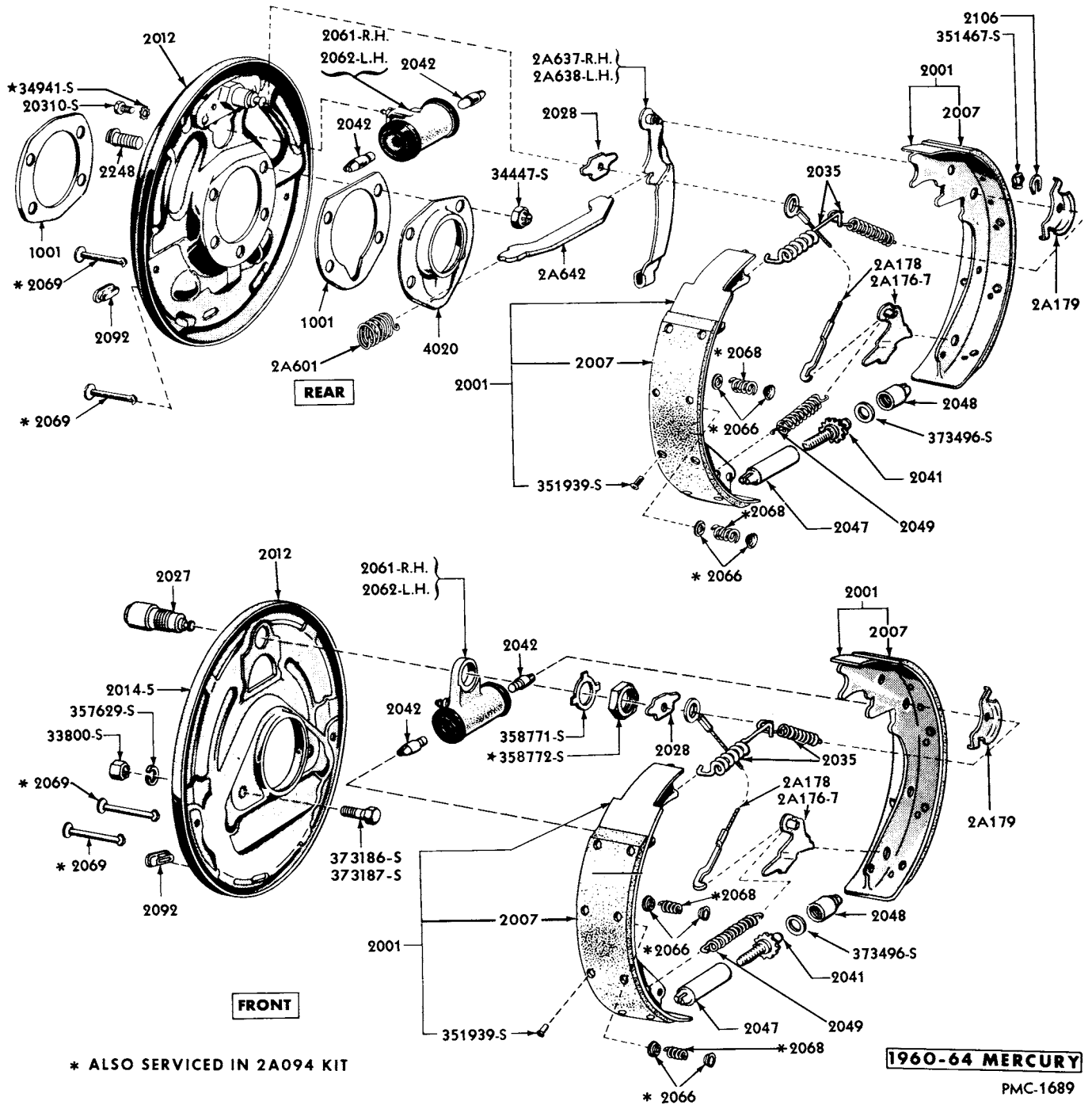
Wheels, Hubs and Drums

GROUP AND PART NUMBER	DESCRIPTION, SIZE, ETC.	NO. REQ'D	MODEL OR ENGINE CUBIC INCH DISPLACEMENT	VEHICLE CODE	YEAR 19_____
1462 NUT (SPARE WHEEL MOUNTING BOLT)					
B9AZ 1462-A	Wing nut - 3/8"-16	1	All	A	D 60
		1	All		C 60/64
		1	All		D 64
1465 COVER (SPARE TIRE)					
COMB 1465-A		1	All except 77	A	60
1705 EXTENSION (TIRE VALVE)					
C4AZ 1705-A	Use with simulated wire wheel covers	4	All	A	64
B7AZ 1705-A	1-1/4" long - use with full wheel covers	4	All	A C D	64
CODD 1705-A	Use with full wheel cover - 1/2" long	4	All		C 60/63
	For model 63E	4	All		C 64

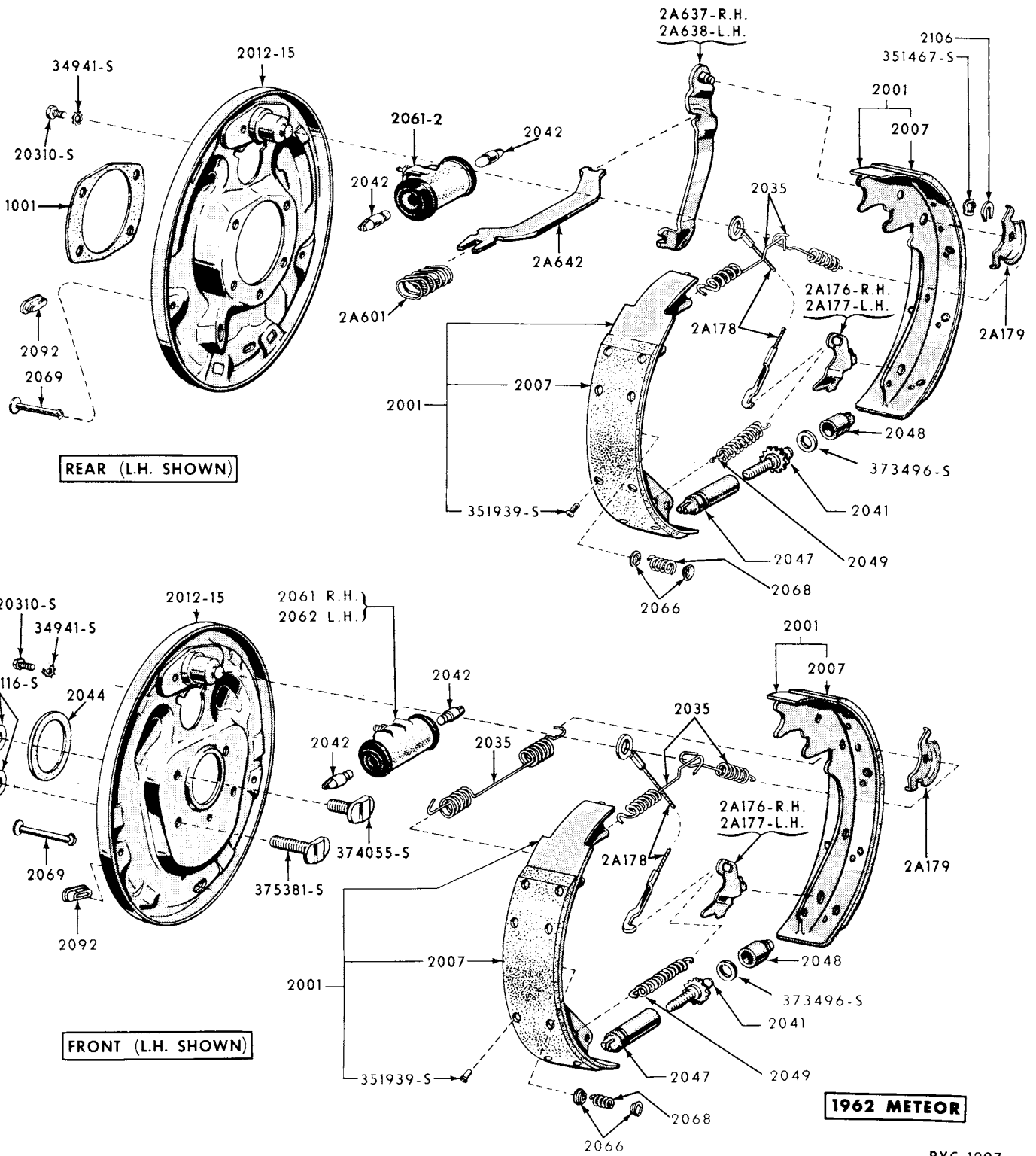
MEMO



BRAKES

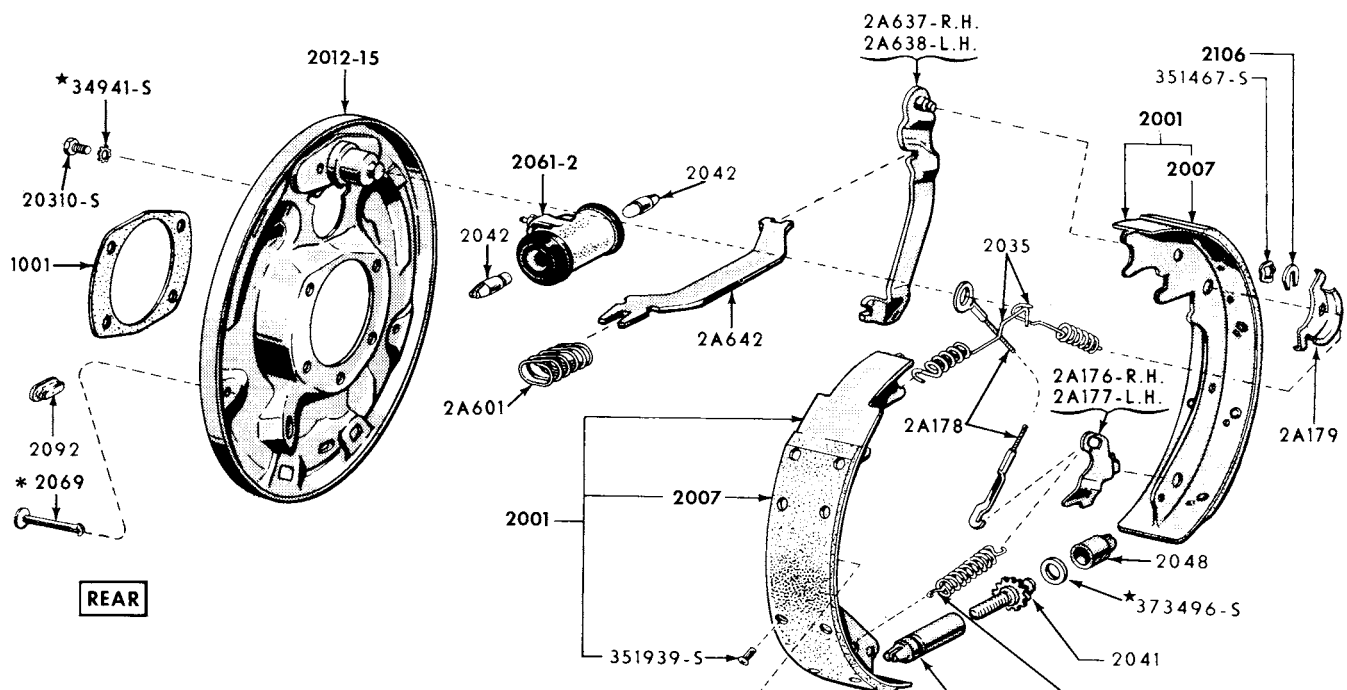


BRAKES

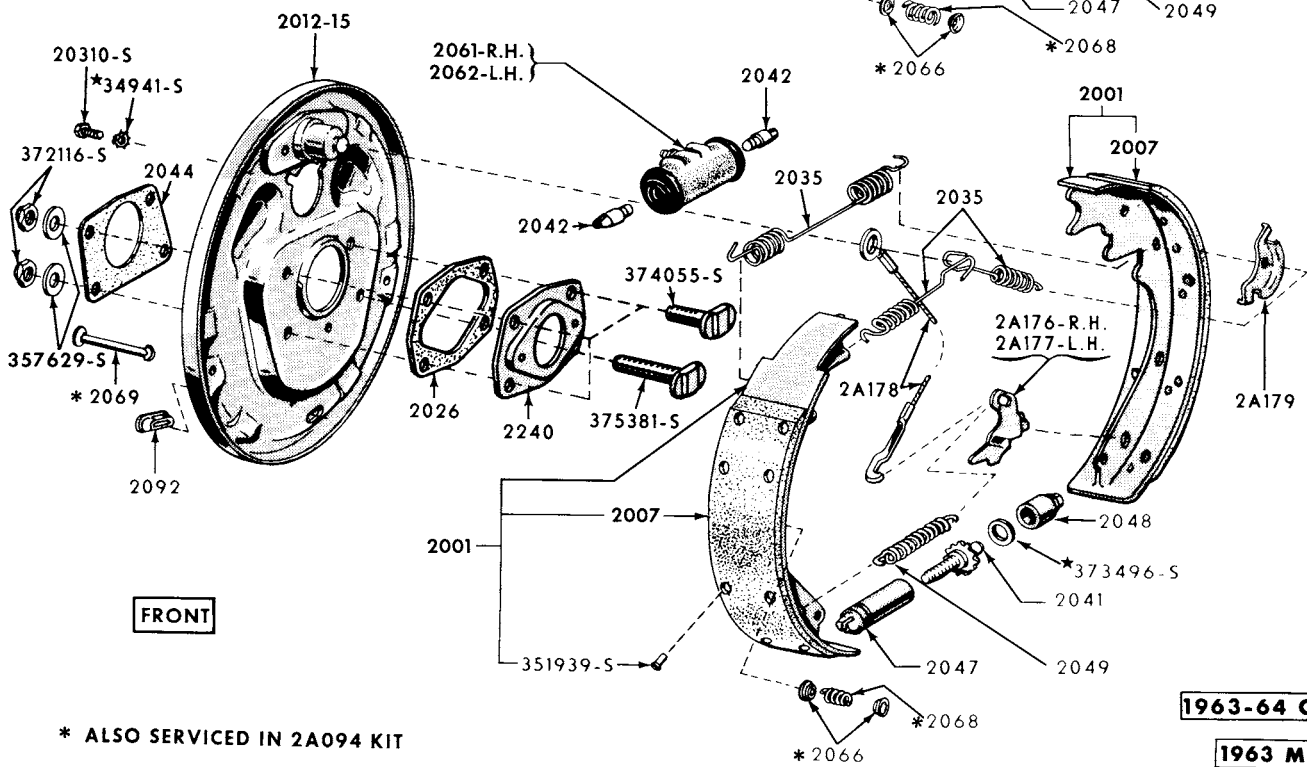


PYC-1297

BRAKES



REAR



FRONT

* ALSO SERVICED IN 2A094 KIT

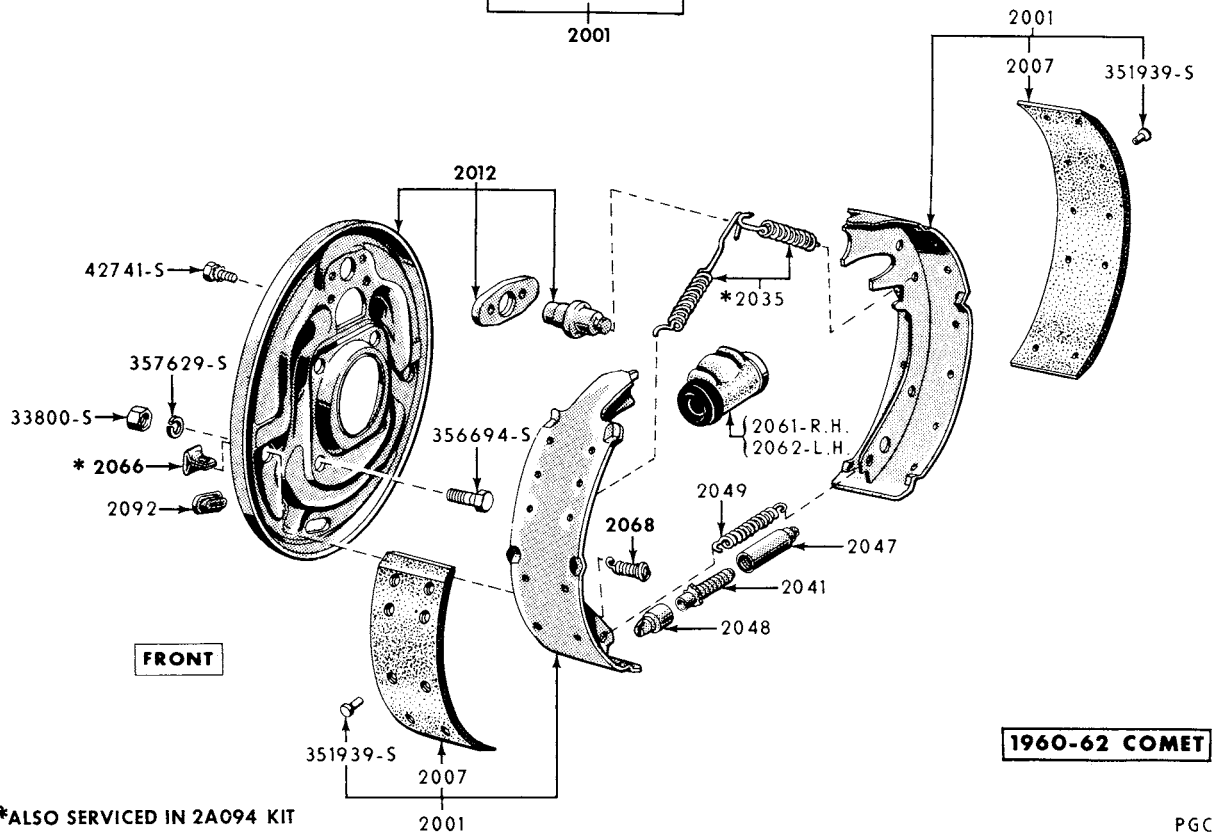
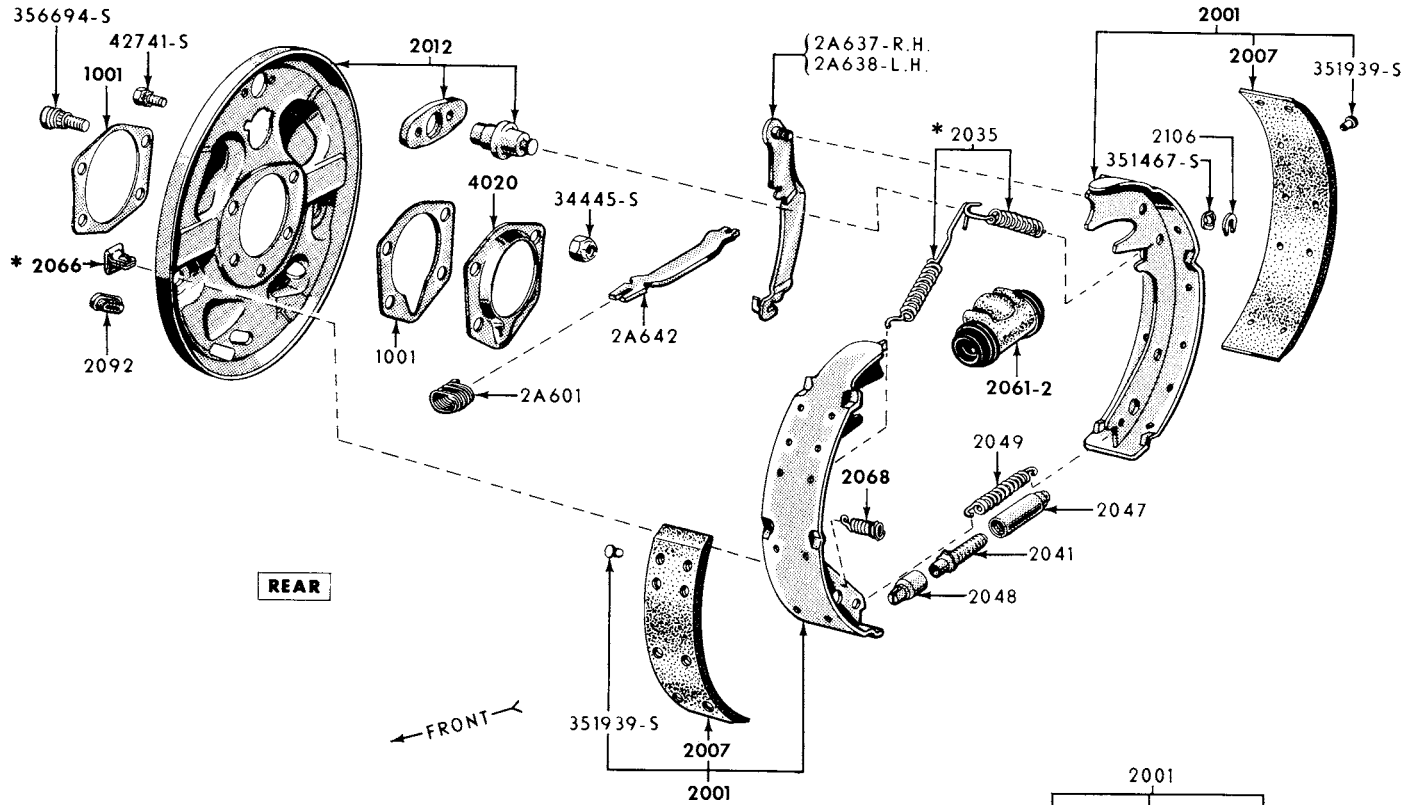
1963-64 COMET

1963 METEOR

PYC-1480

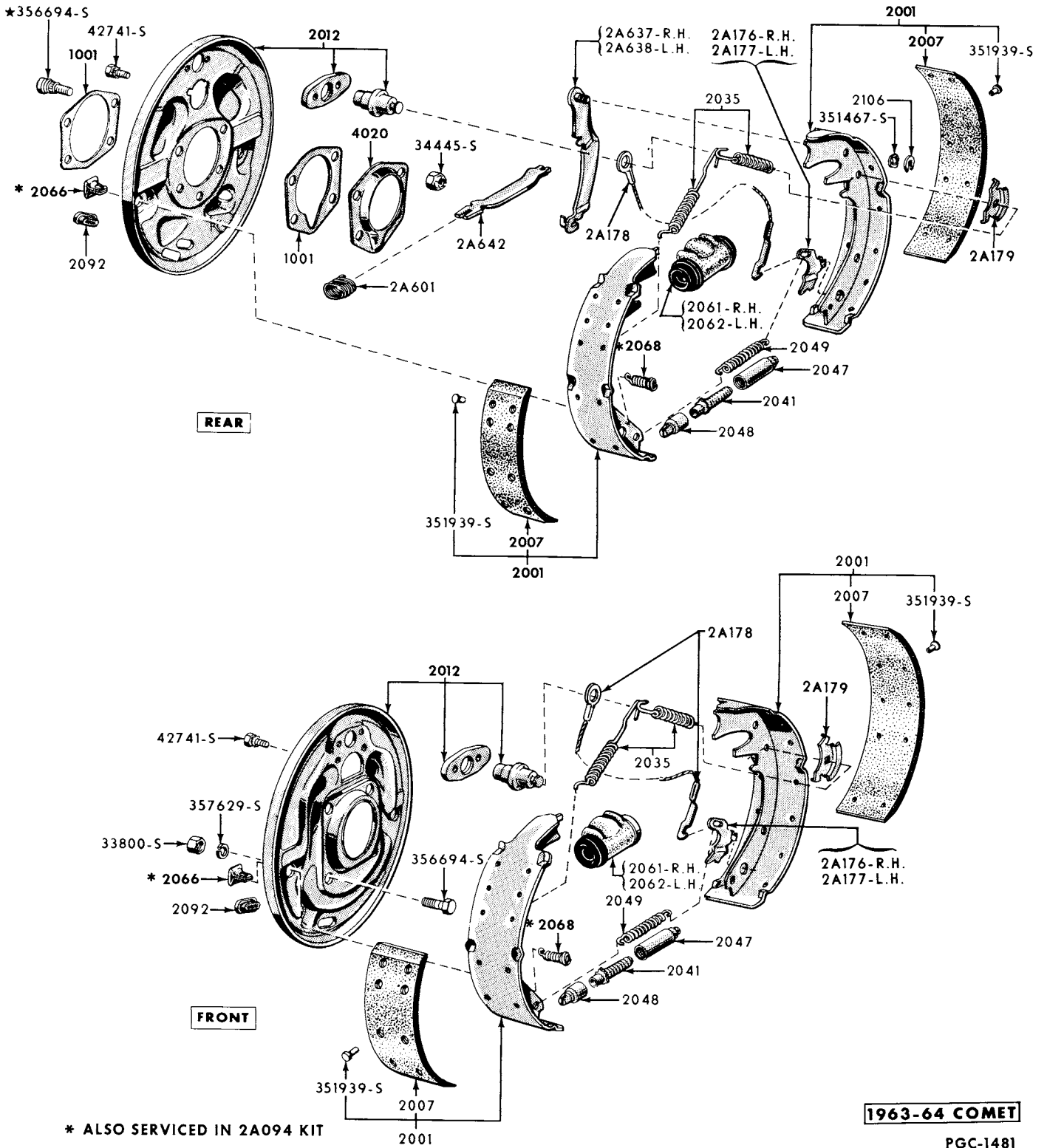
1963 - 64 COMET 8 CYLINDER

BRAKES

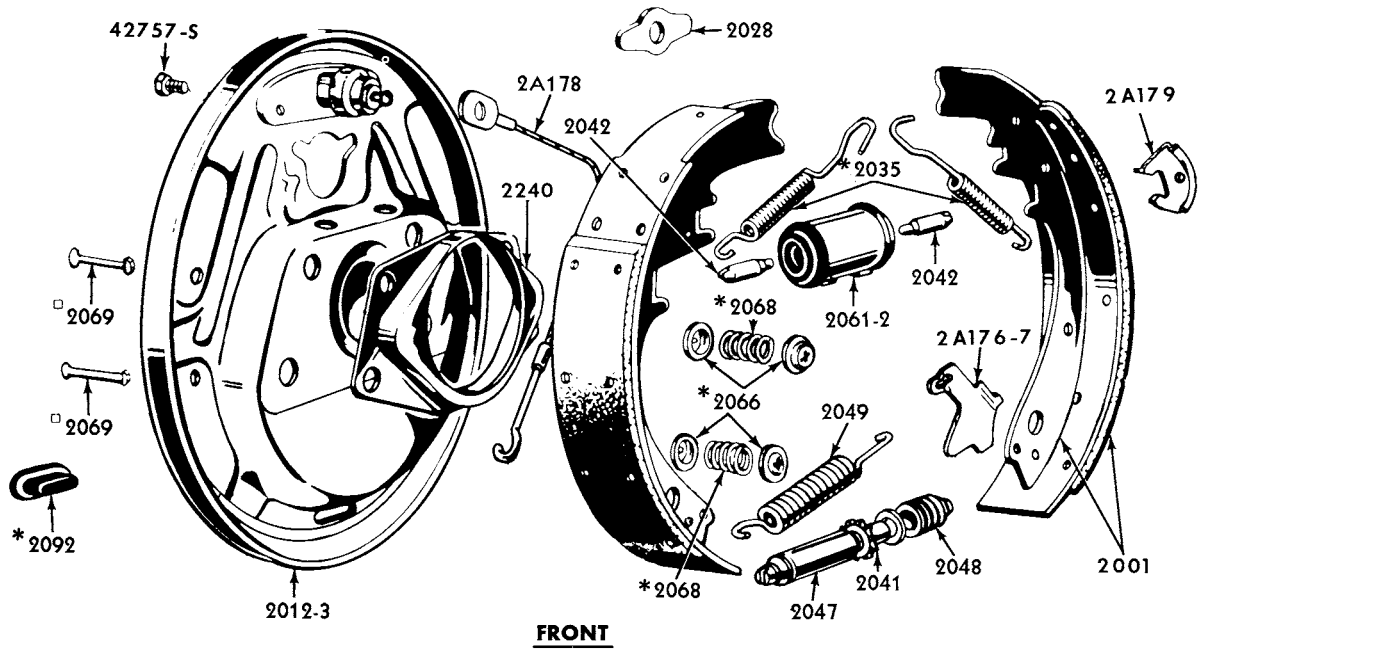


PGC-971

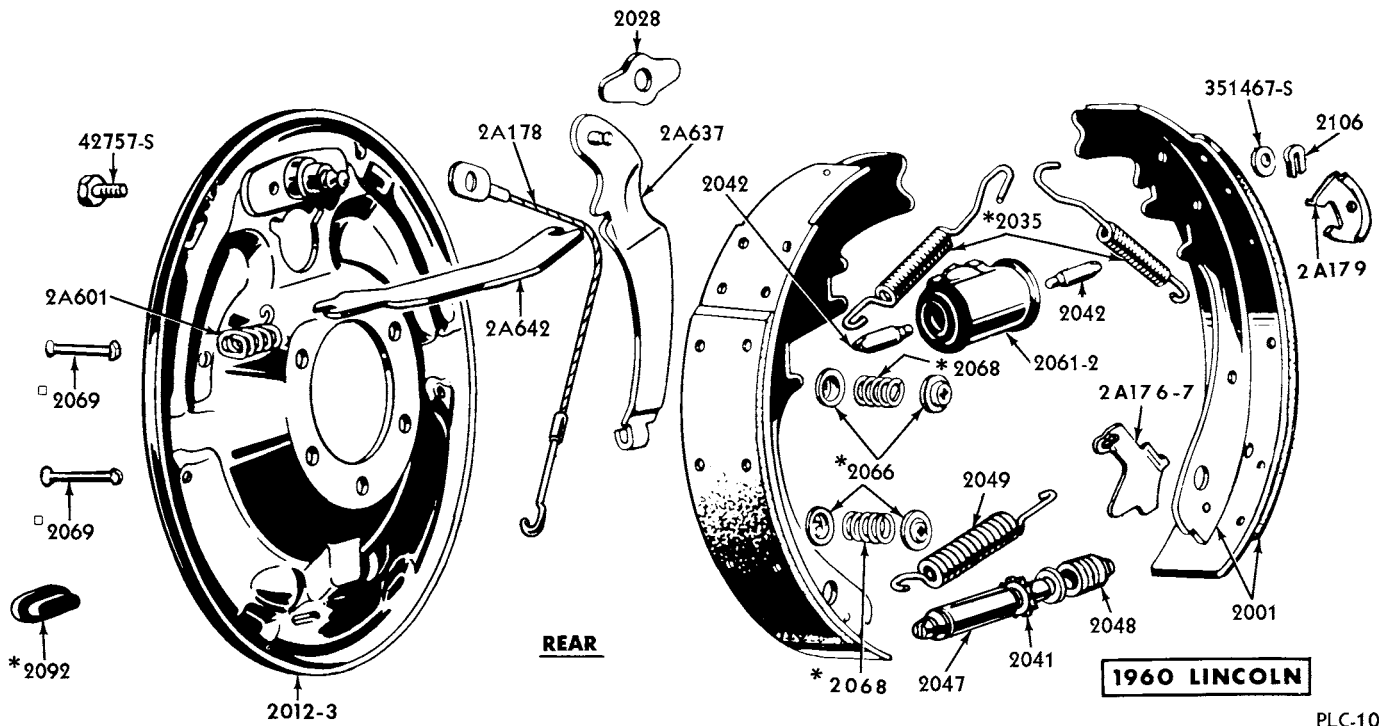
BRAKES



BRAKES - 6 CYLINDER ENGINES



FRONT



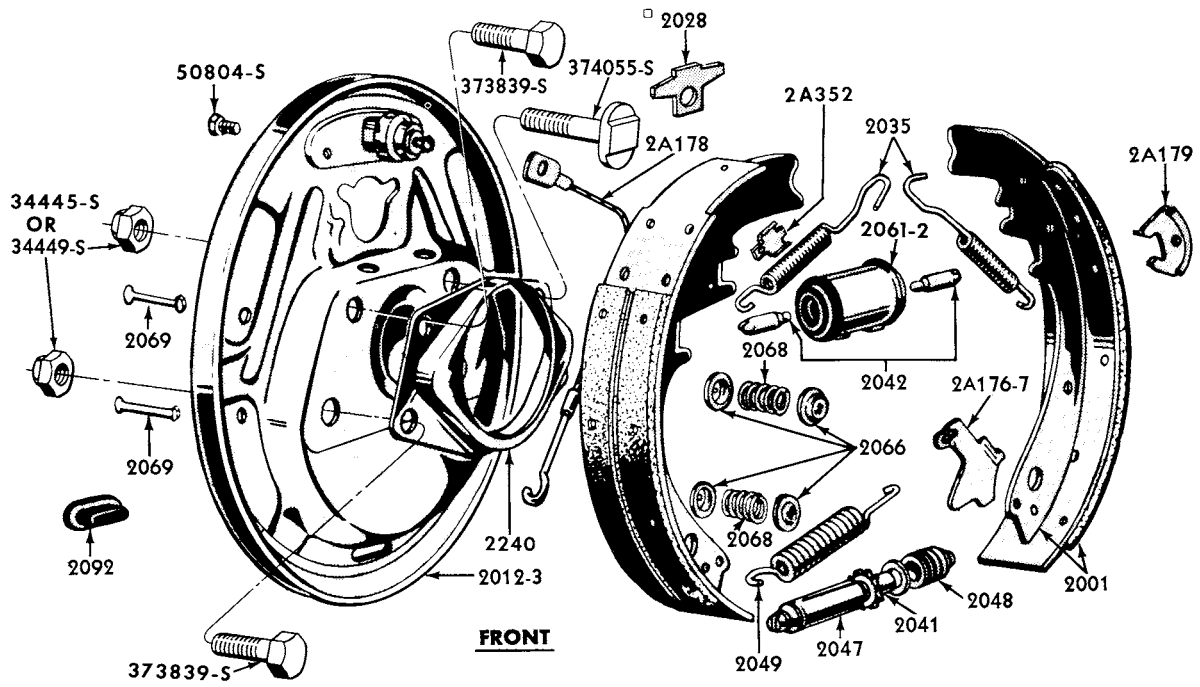
REAR

1960 LINCOLN

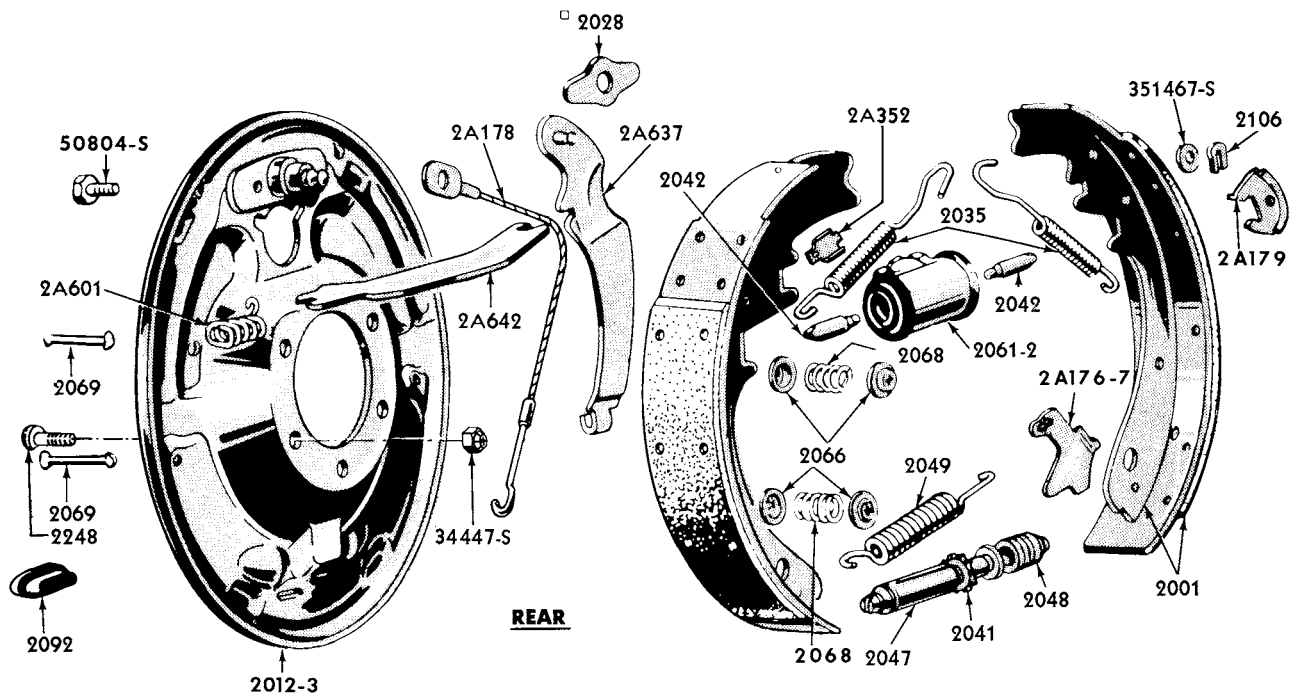
PLC-1010

* ALSO SERVICED IN 2A225 KIT □ SERVICED IN 2A225 KIT ONLY

BRAKES



FRONT



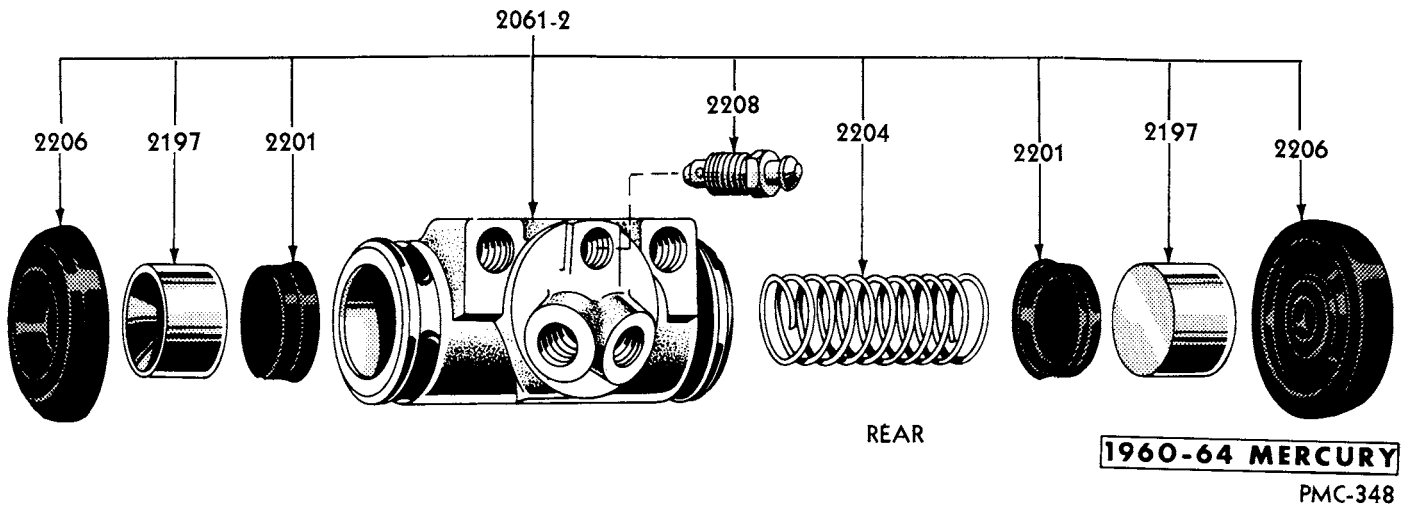
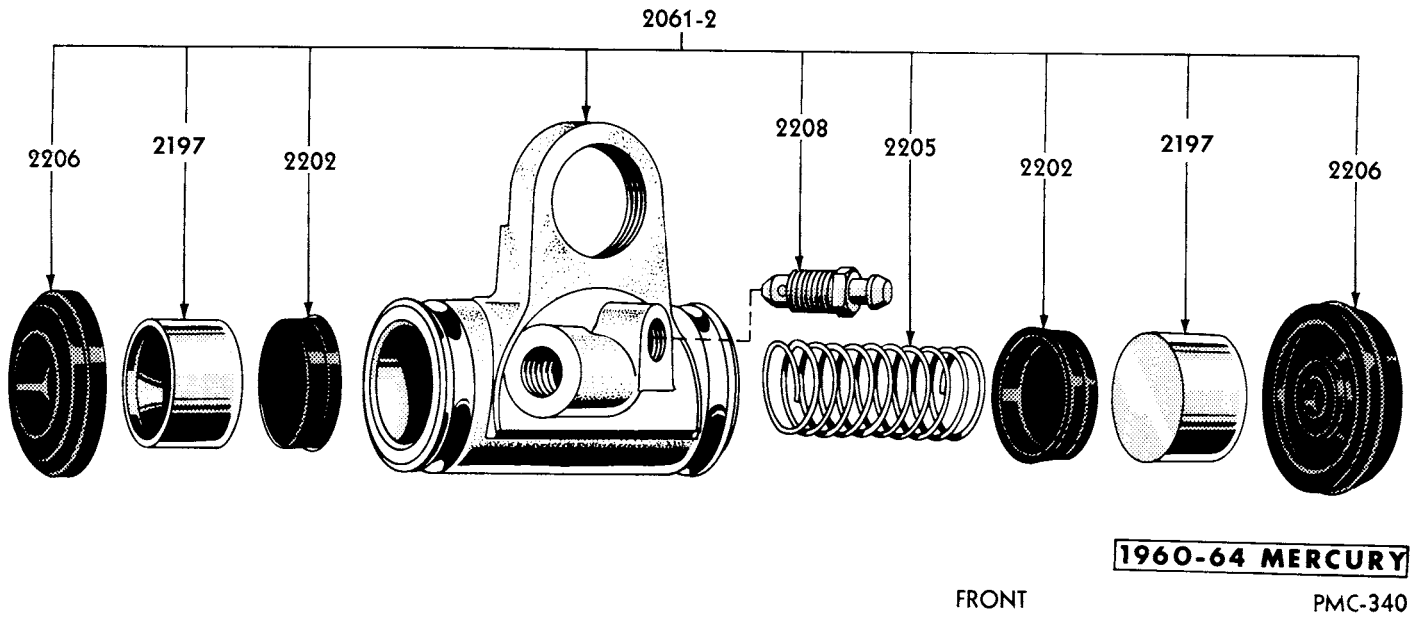
REAR

□ SERVICED IN 2A423 KIT

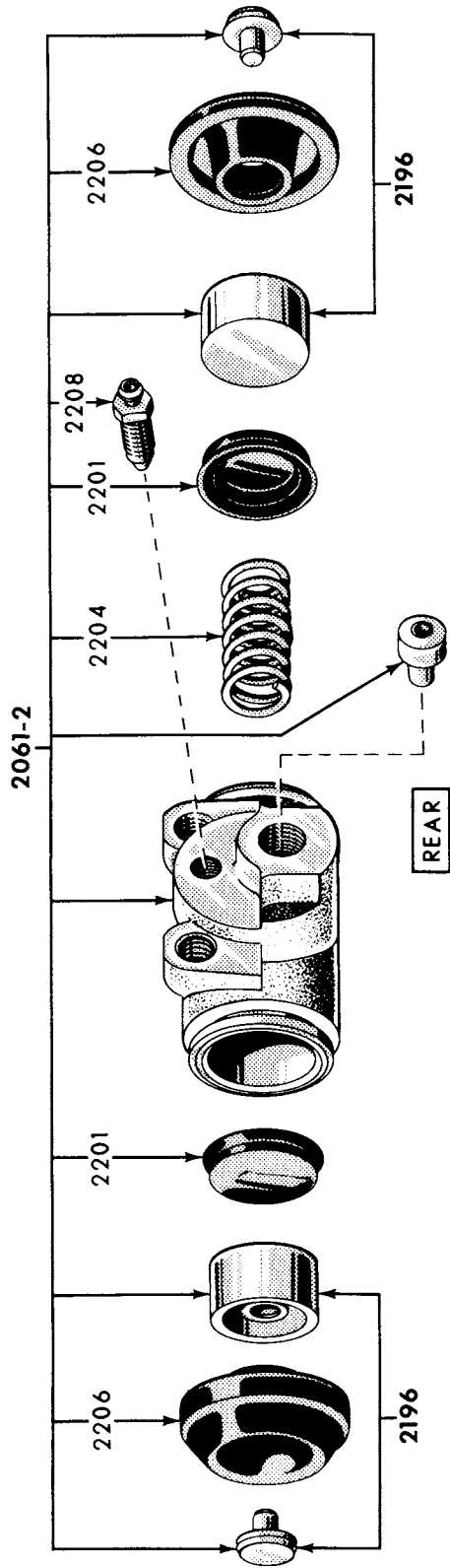
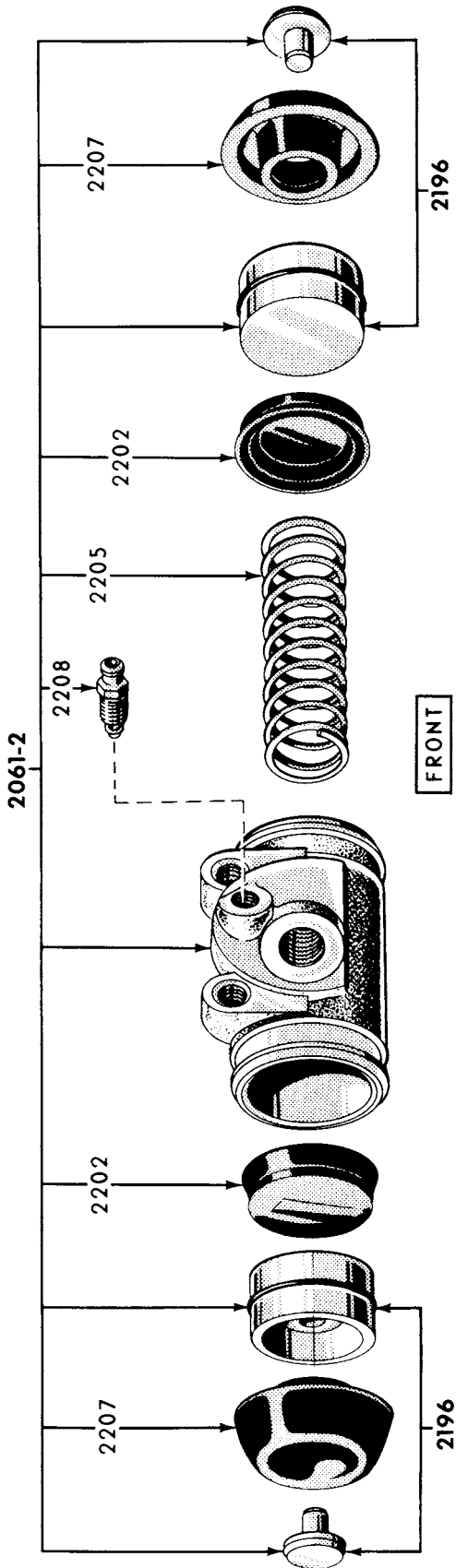
1961-64 LINCOLN

PLC-1151

BRAKES

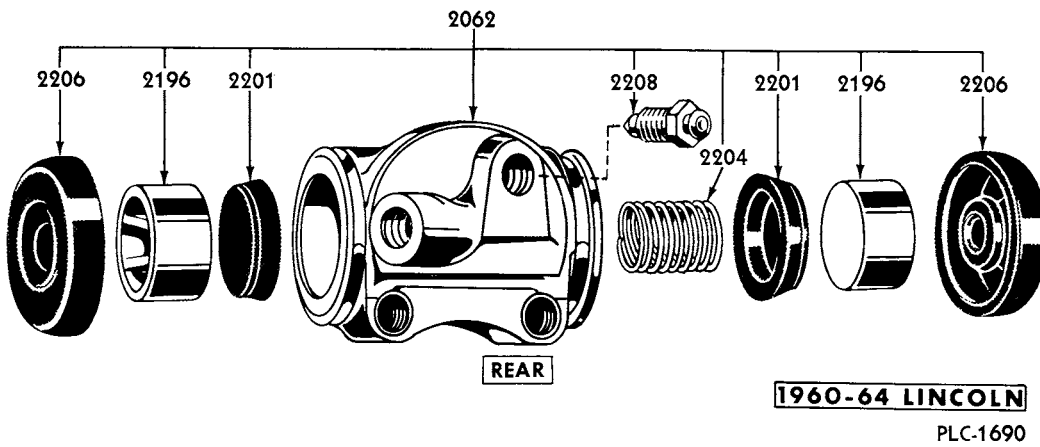
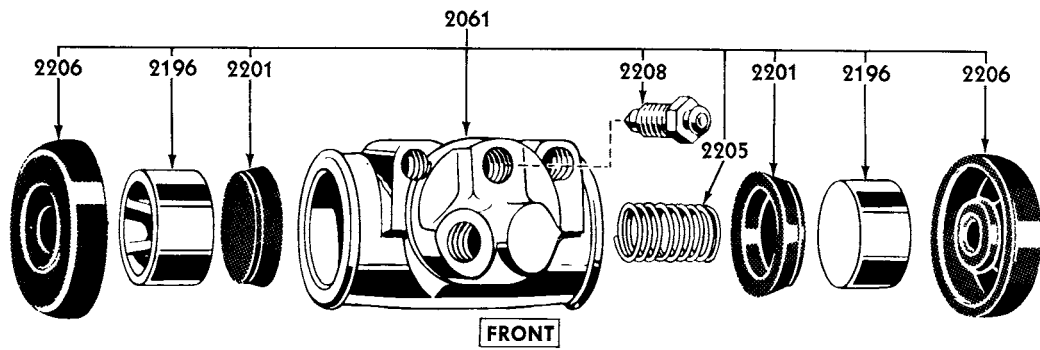
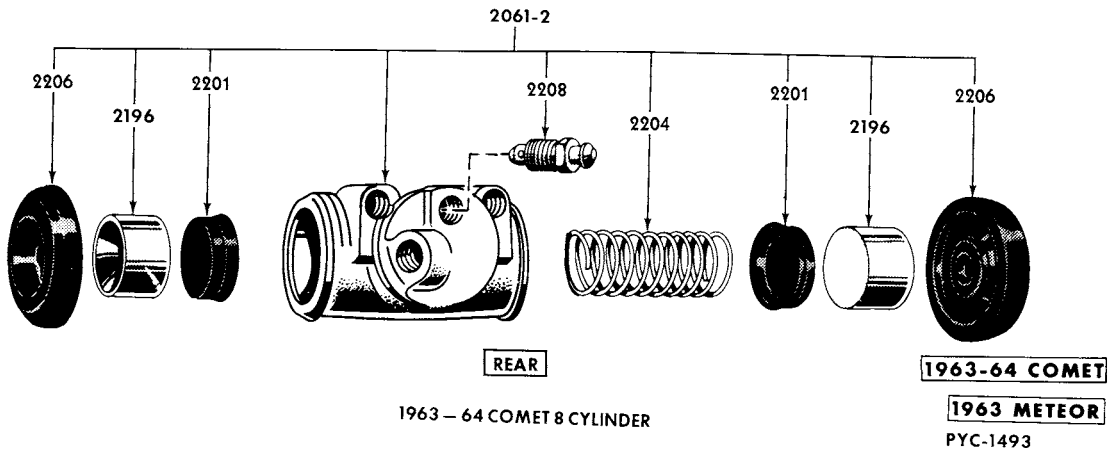
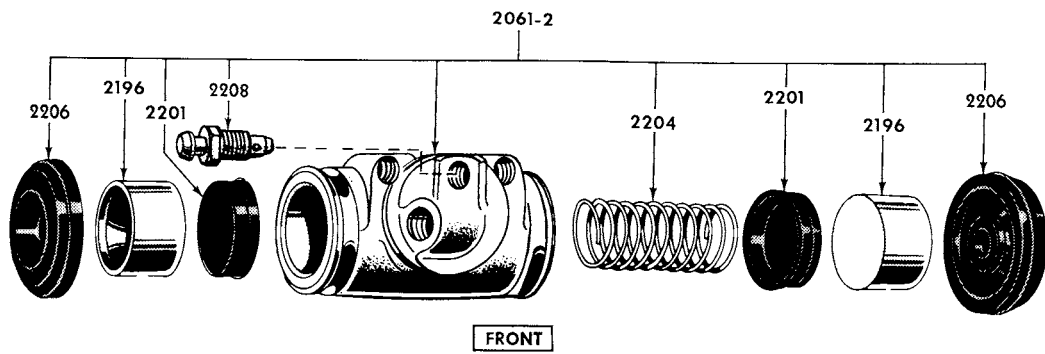


BRAKE WHEEL CYLINDERS

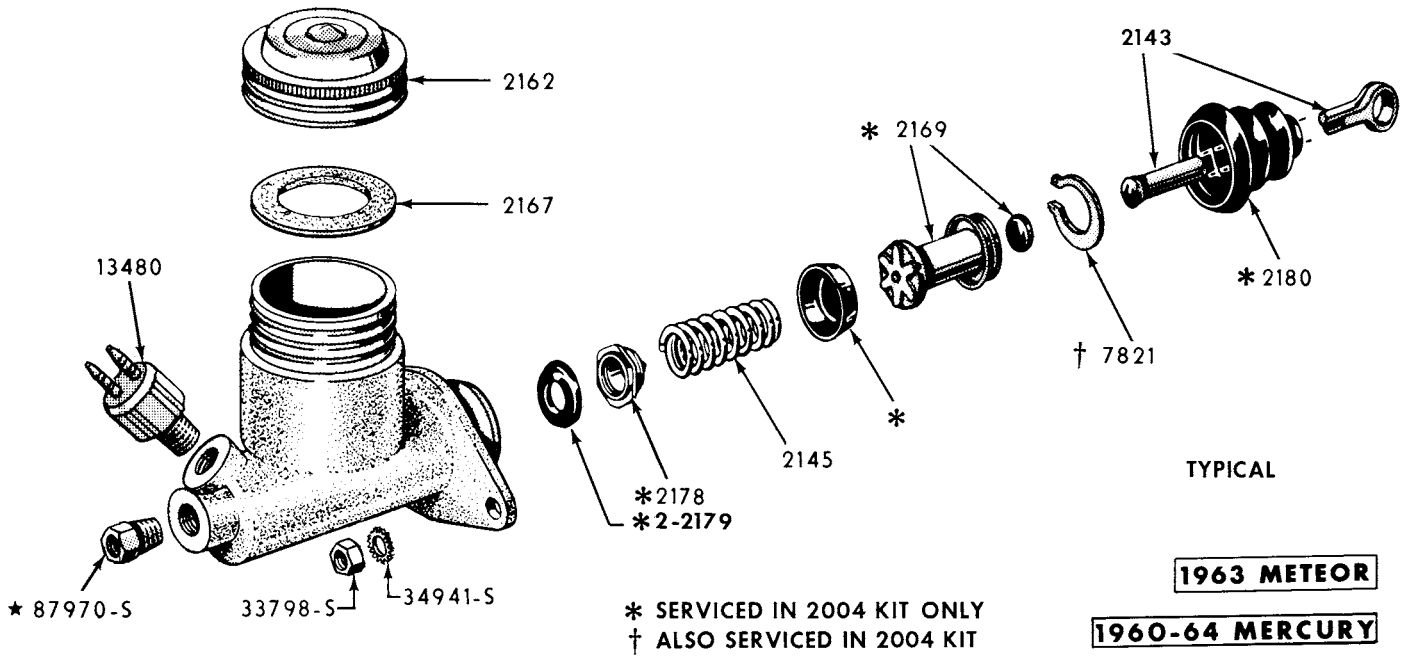


1960-64 COMET
PGC-1528

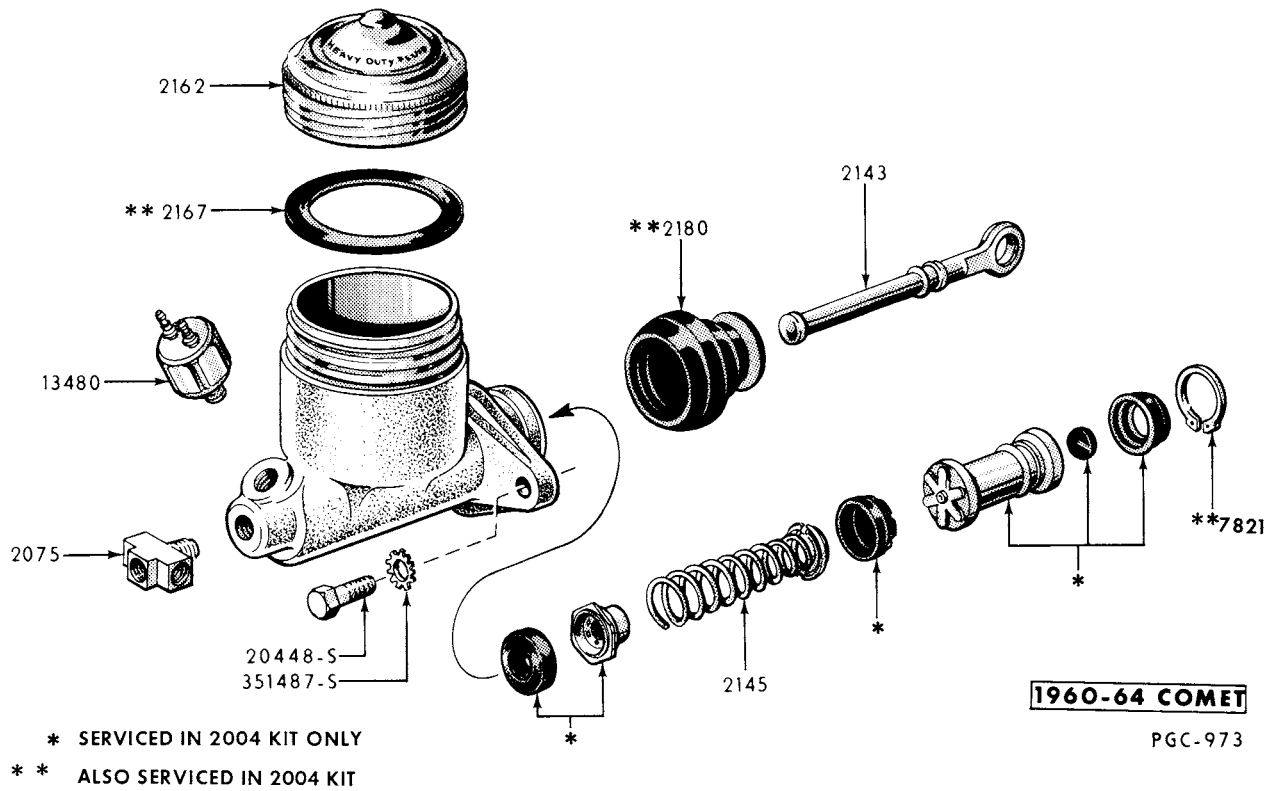
BRAKE WHEEL CYLINDERS



BRAKE WHEEL CYLINDERS

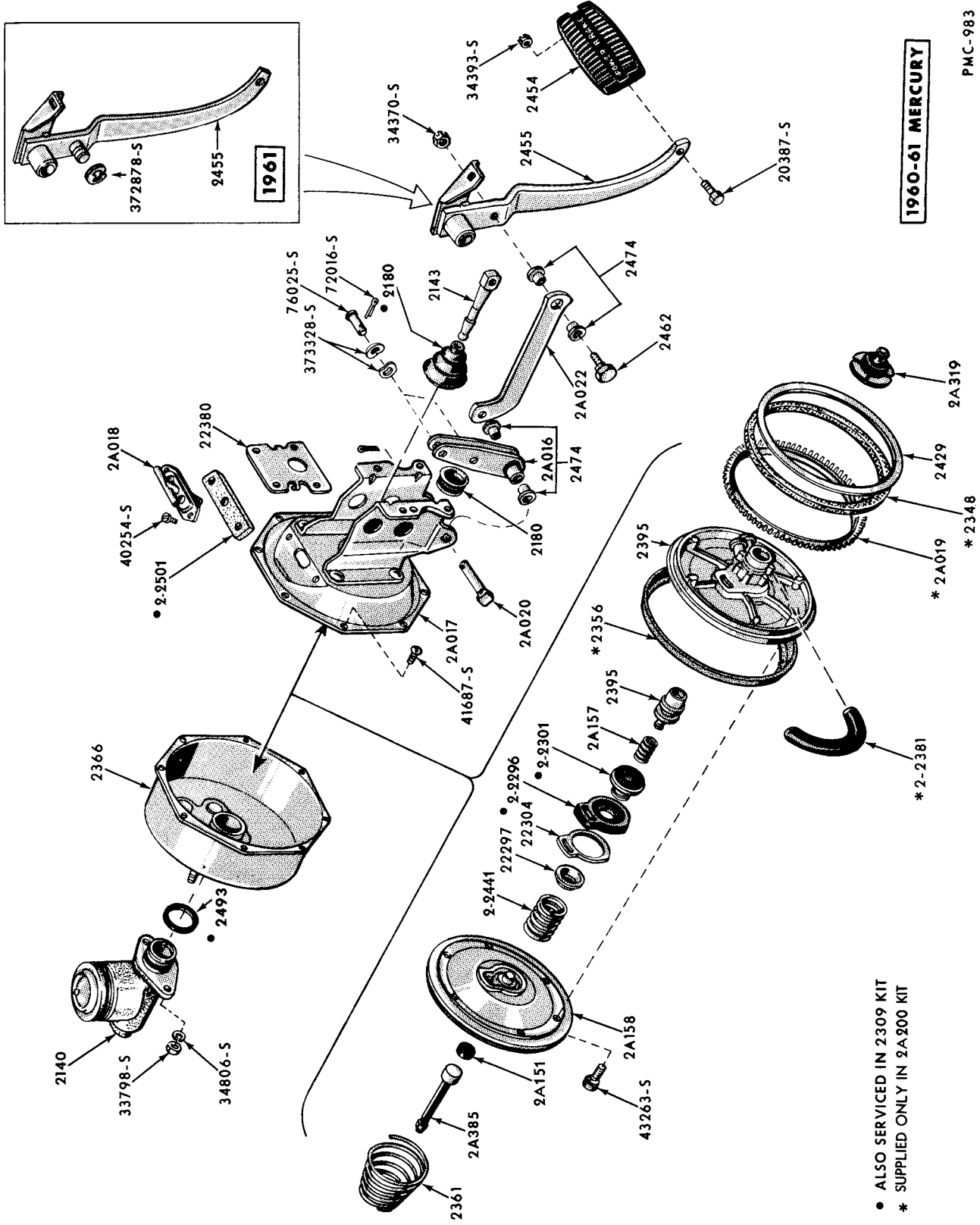


PEC-864



PGC-973

MASTER CYLINDER

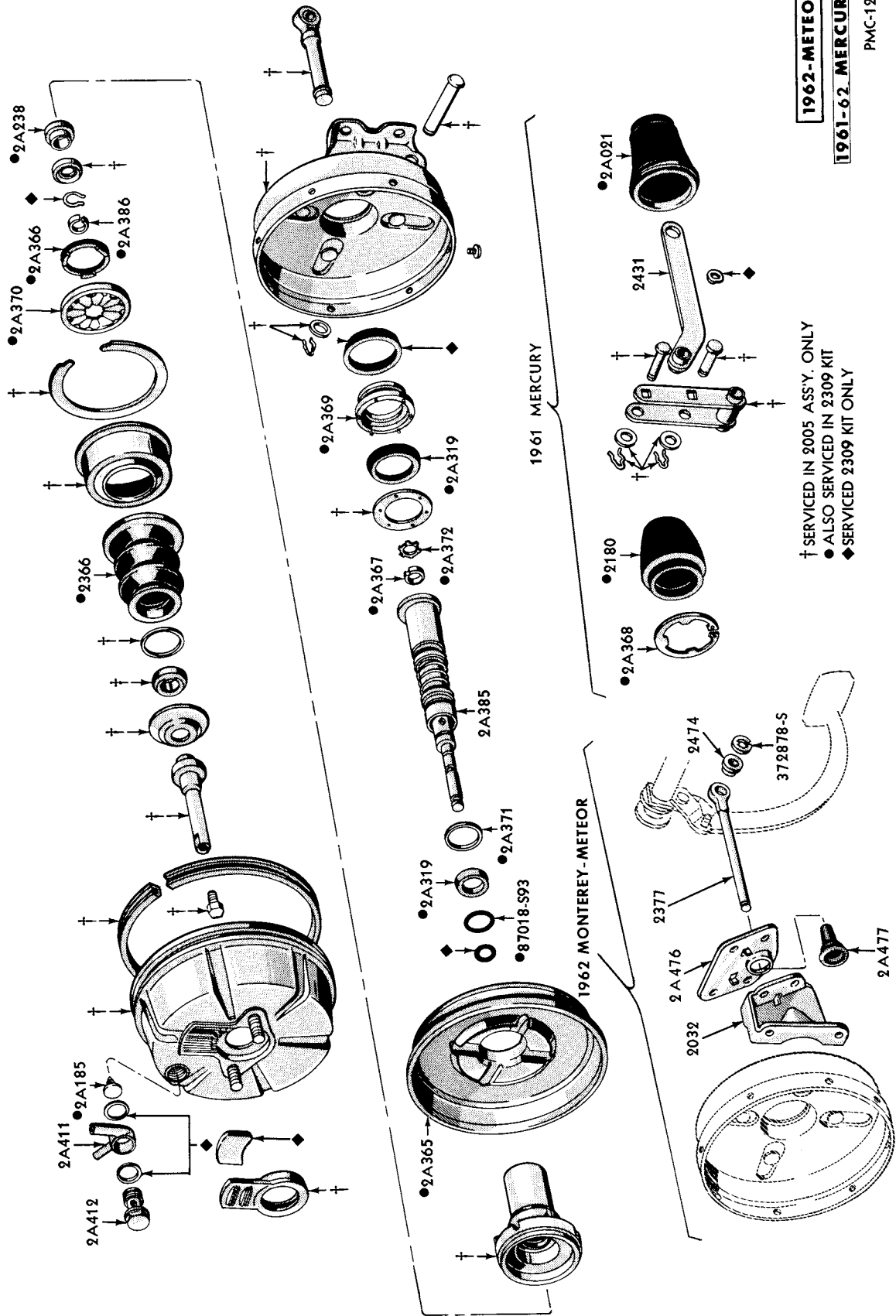


1960-61 MERCURY

PMC-983

POWER BRAKE BOOSTER

- ALSO SERVICED IN 2309 KIT
- * SUPPLIED ONLY IN 2A200 KIT



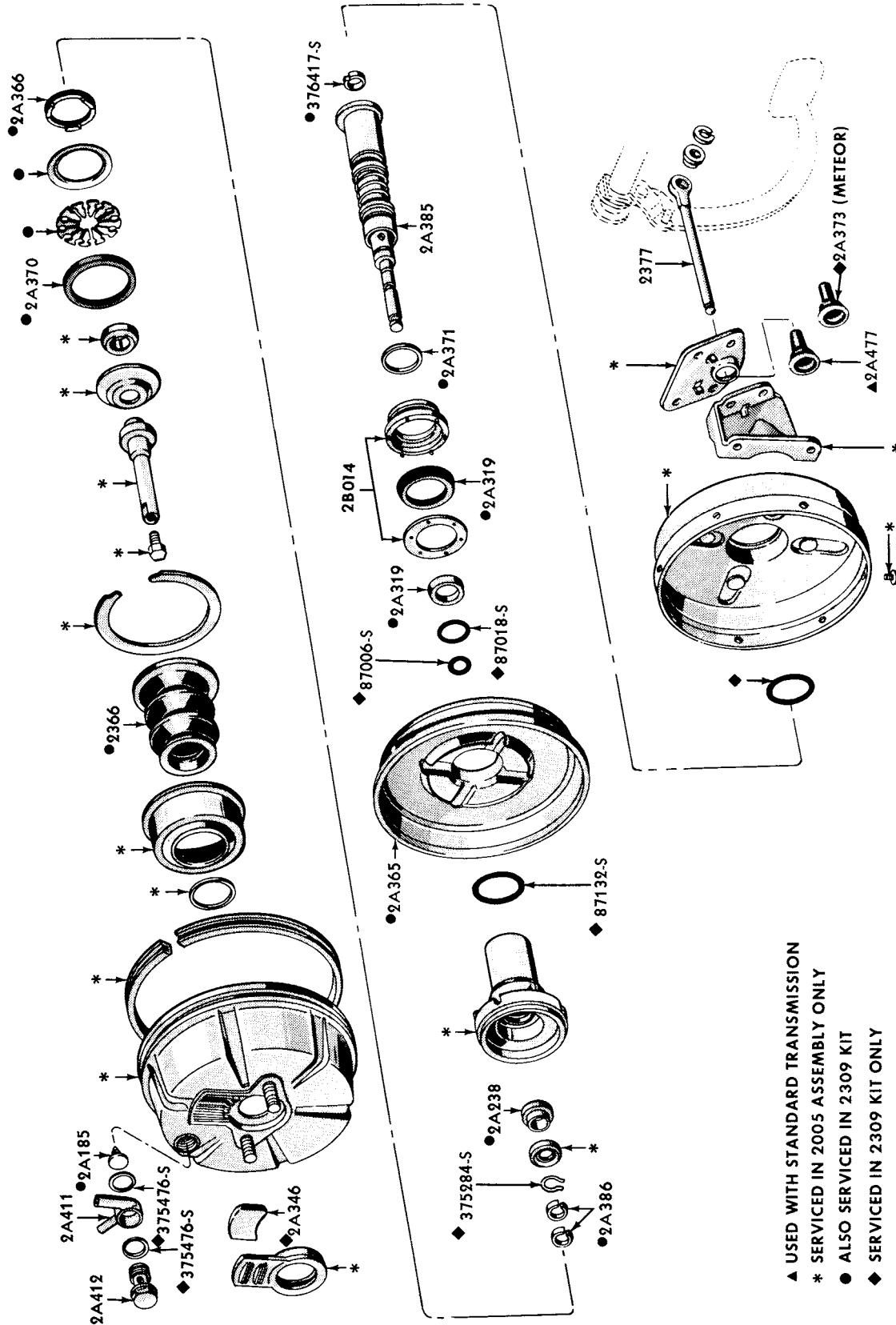
1962-METEOR

1961-62 MERCURY

PMC-1209

† SERVICED IN 2005 ASSY. ONLY
 ● ALSO SERVICED IN 2309 KIT
 ◆ SERVICED 2309 KIT ONLY

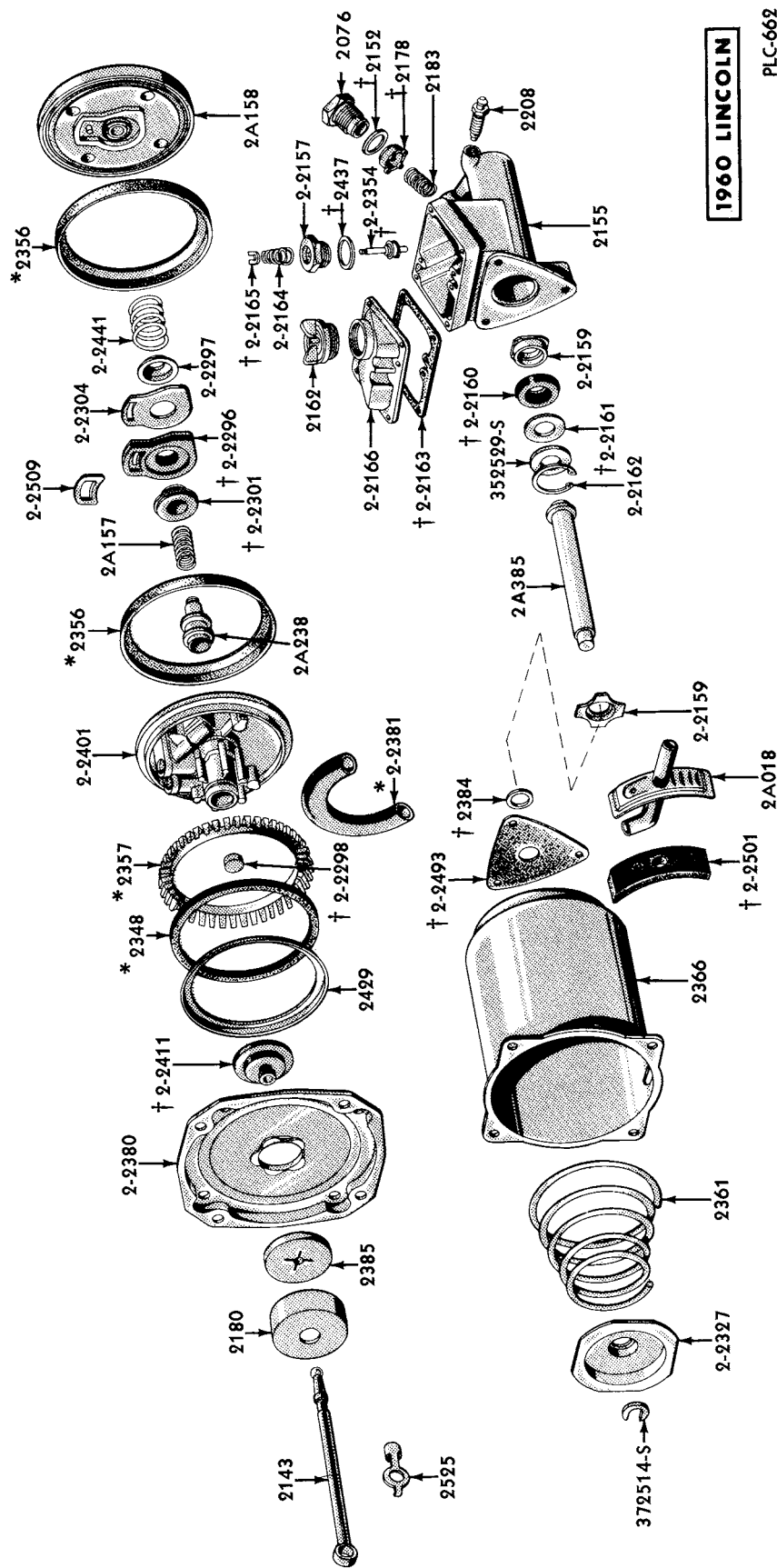
POWER BRAKE BOOSTER - SELF CONTAINED RESERVOIR



- ▲ USED WITH STANDARD TRANSMISSION
- * SERVICED IN 2005 ASSEMBLY ONLY
- ALSO SERVICED IN 2309 KIT
- ◆ SERVICED IN 2309 KIT ONLY

1963 METEOR
 1963 MERCURY
 PMC-1503

POWER BRAKE BOOSTER-SELF CONTAINED RESERVOIR

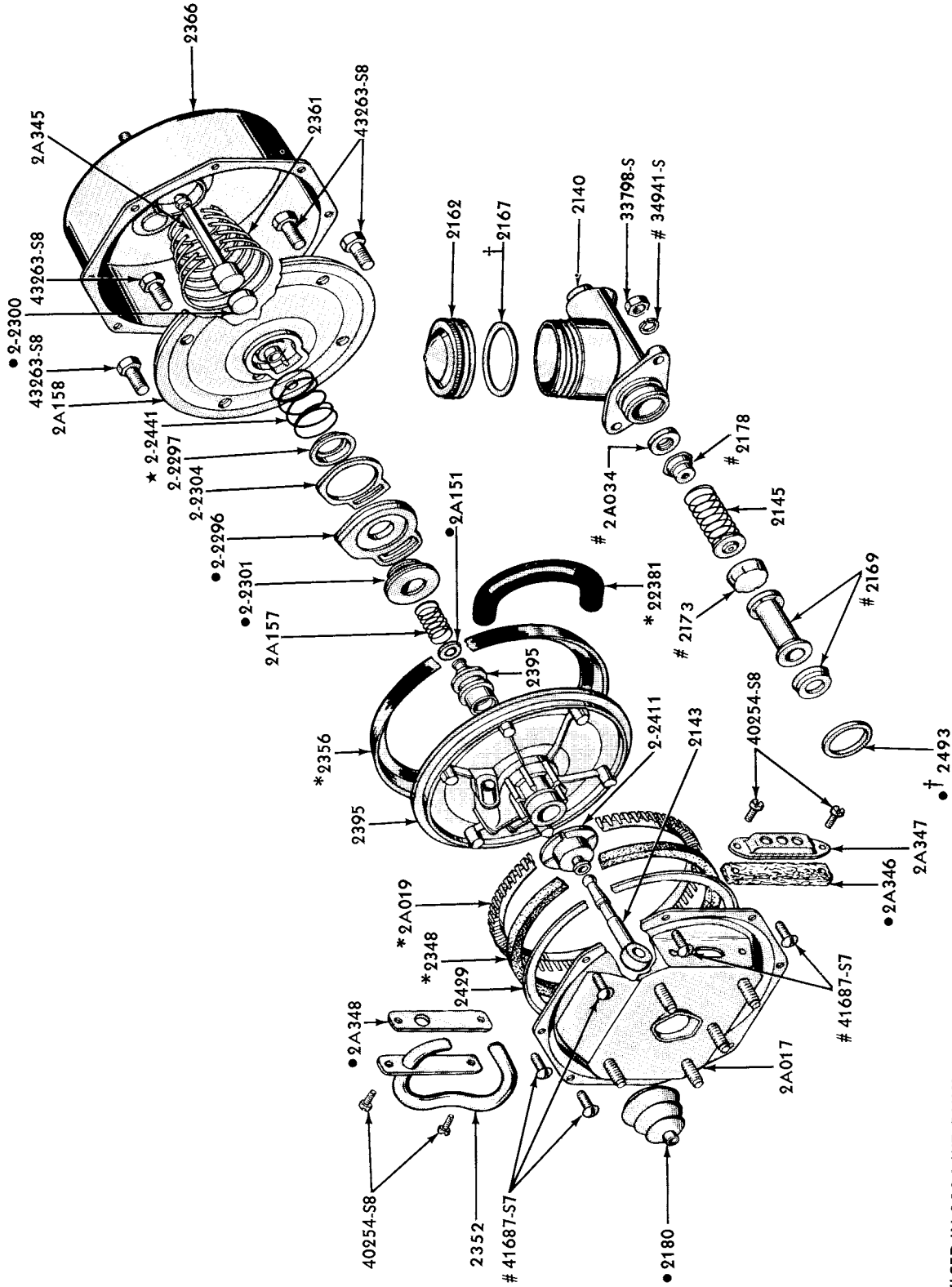


1960 LINCOLN

PLC-662

† ALSO SERVICED IN 2A154 KIT
 * SERVICED IN 2A200 KIT ONLY

POWER BRAKE BOOSTER

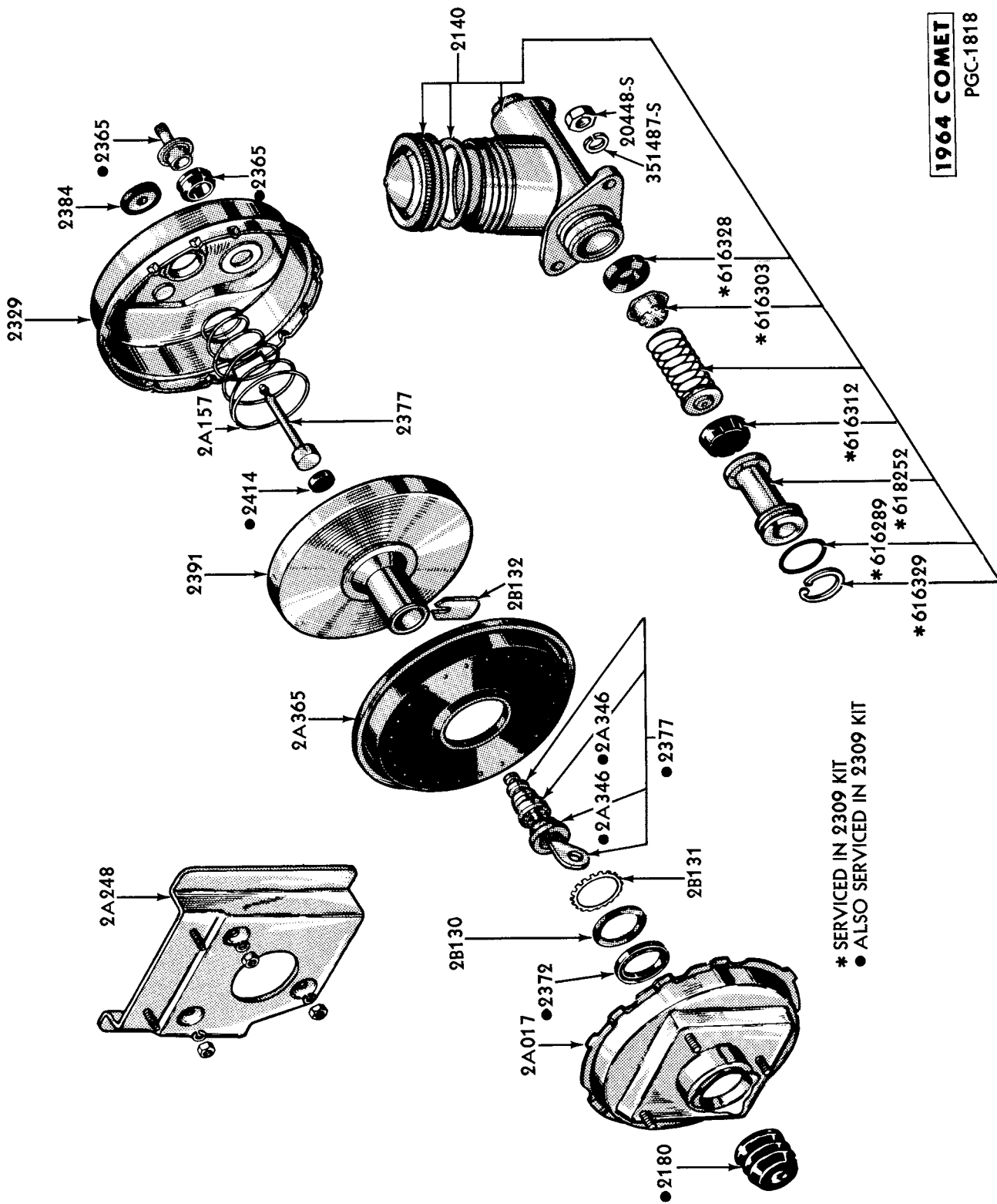


1960-64 LINCOLN

PLC-1152

POWER BRAKE BOOSTER and MASTER CYLINDER

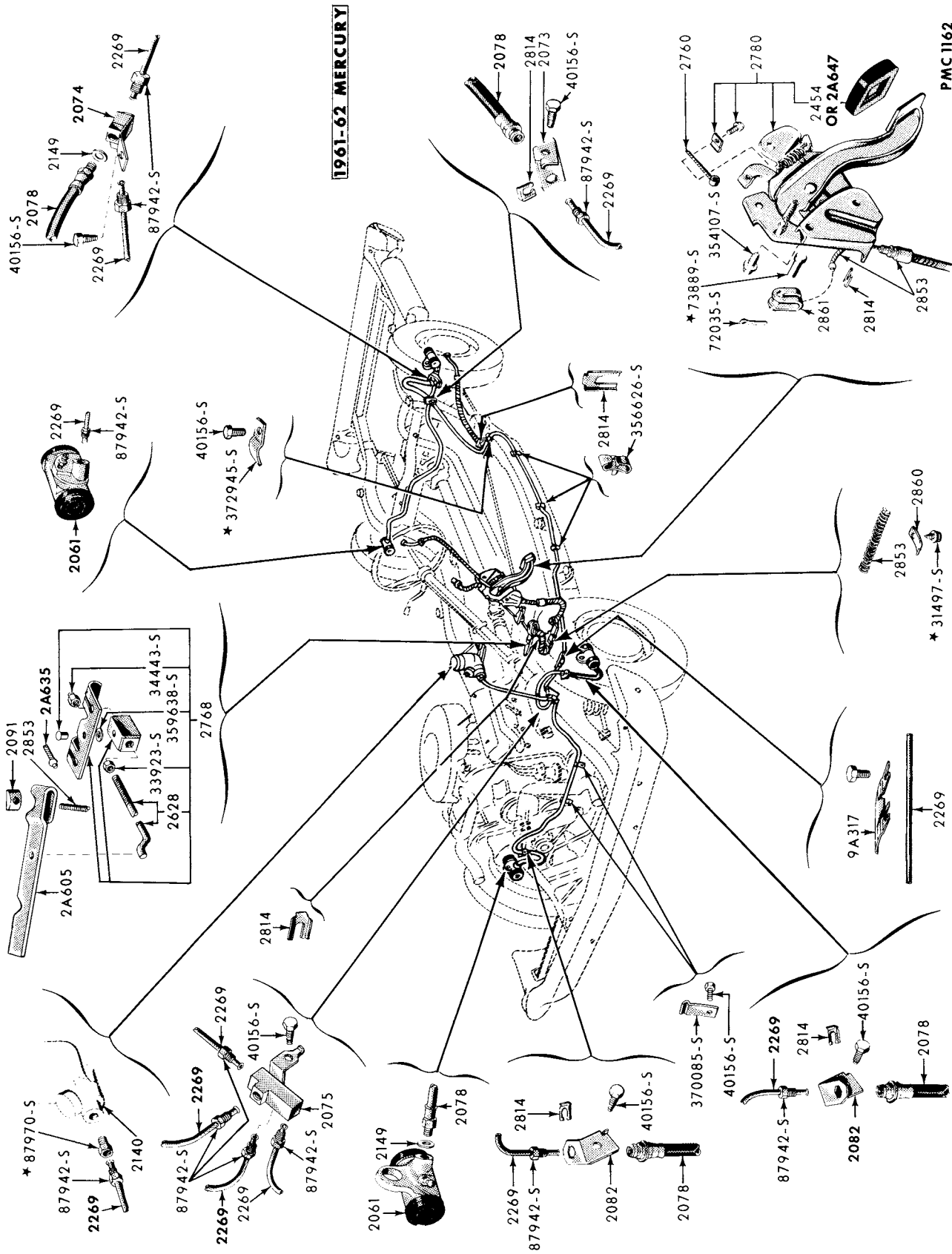
- # SERVICED IN 2004 KIT ONLY
- † ALSO SERVICED IN 2004 KIT
- * SERVICED IN 2A200 KIT ONLY
- ALSO SERVICED 2A154 KIT



1964 COMET
 PGC-1818

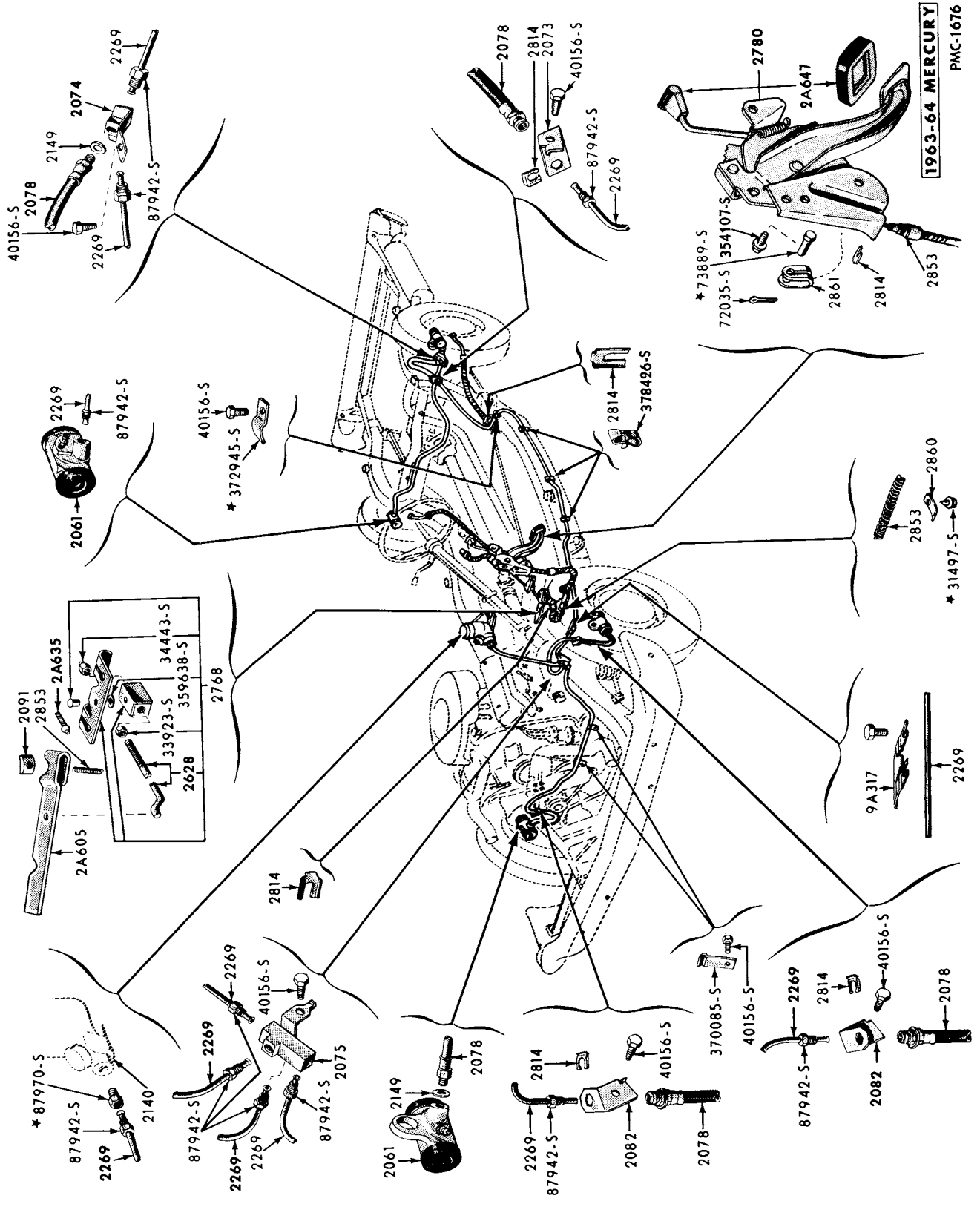
* SERVICED IN 2309 KIT
 ● ALSO SERVICED IN 2309 KIT

POWER BRAKE BOOSTER



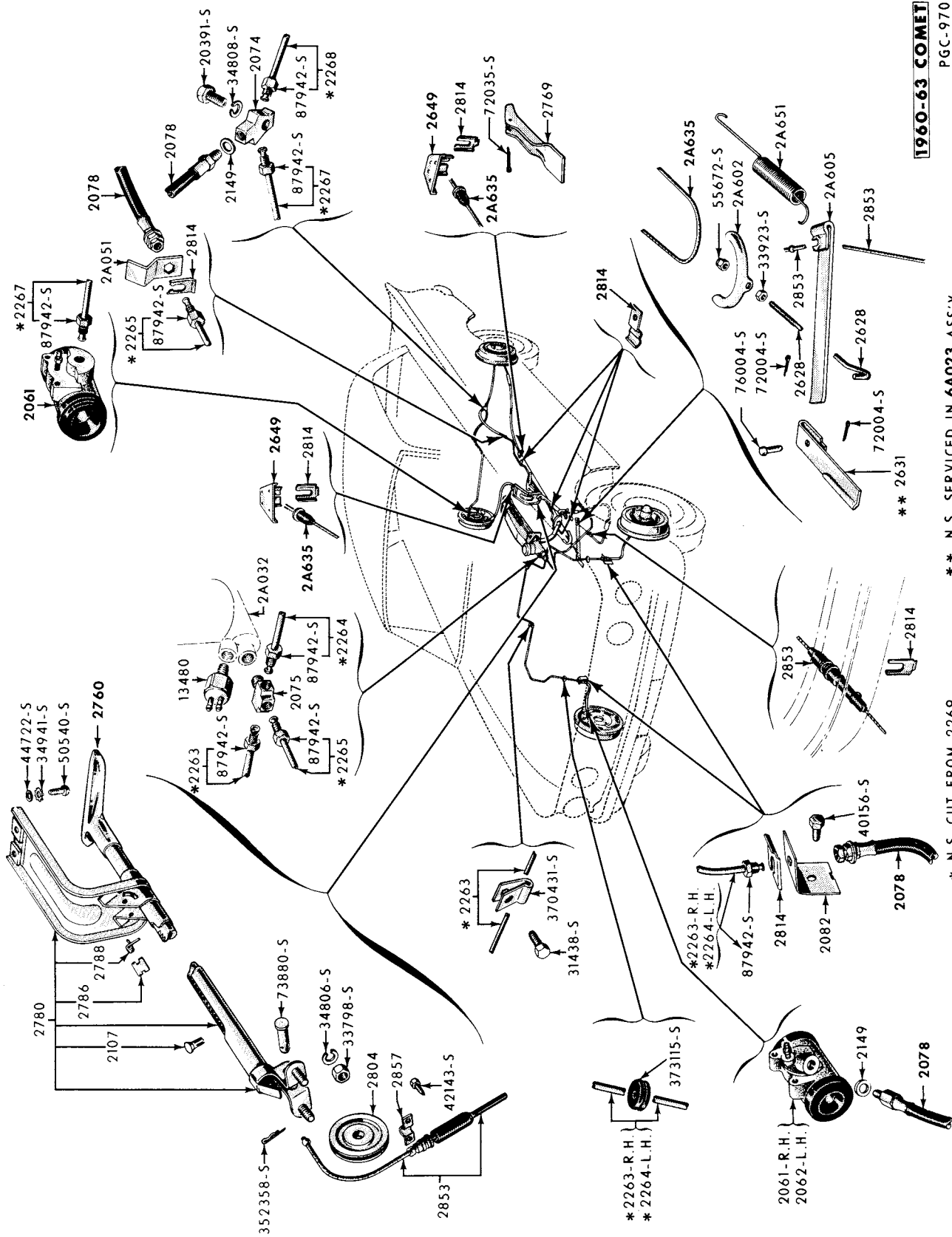
1961-62 MERCURY

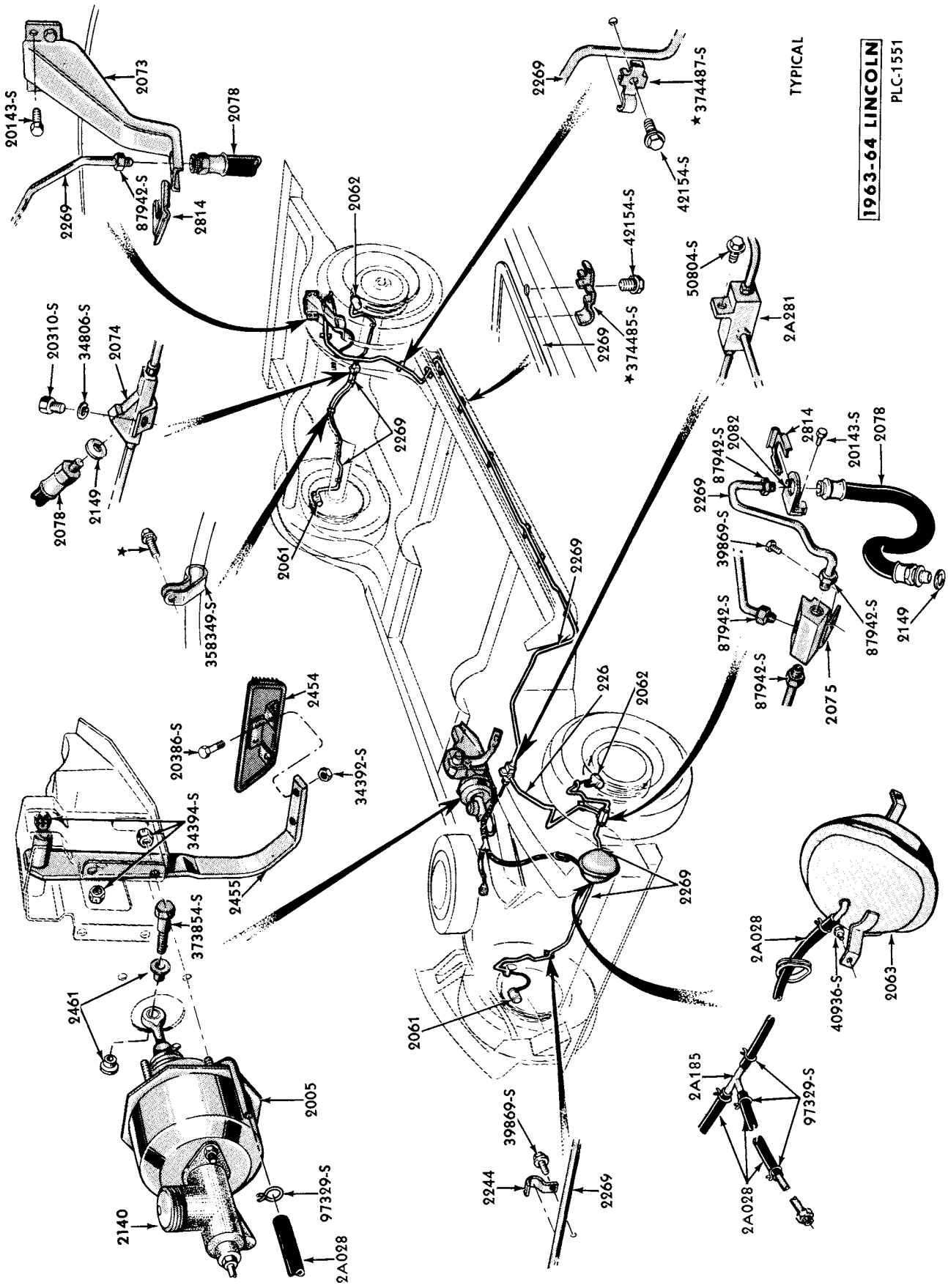
BRAKE SYSTEM



1963-64 MERCURY
 PMC-1676

BRAKE SYSTEM



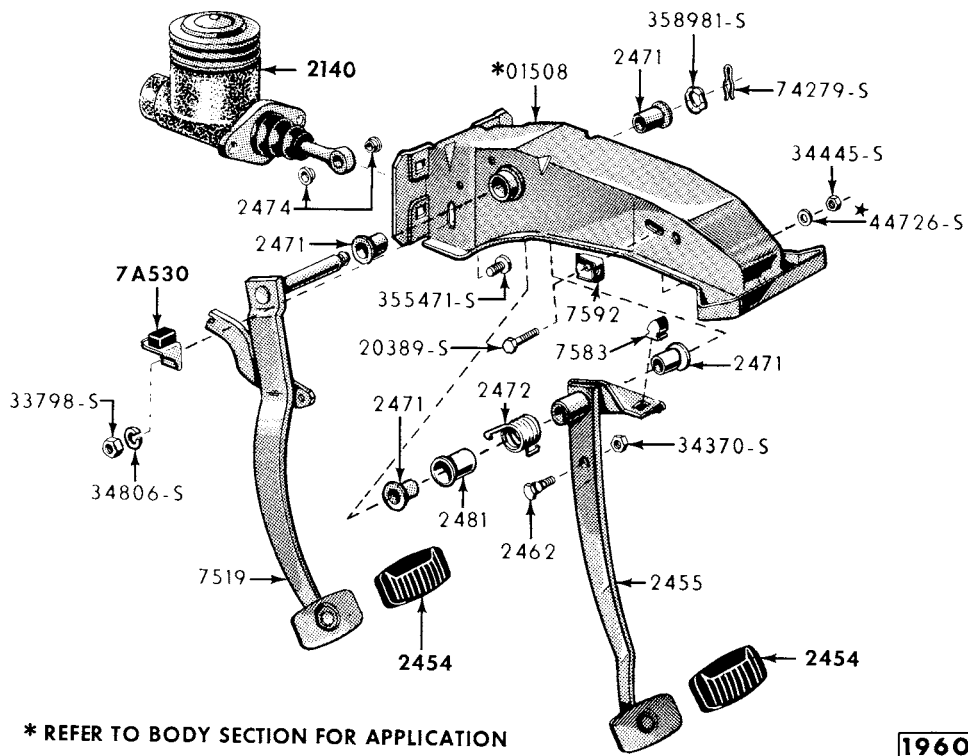


TYPICAL

1963-64 LINCOLN

PLC-1551

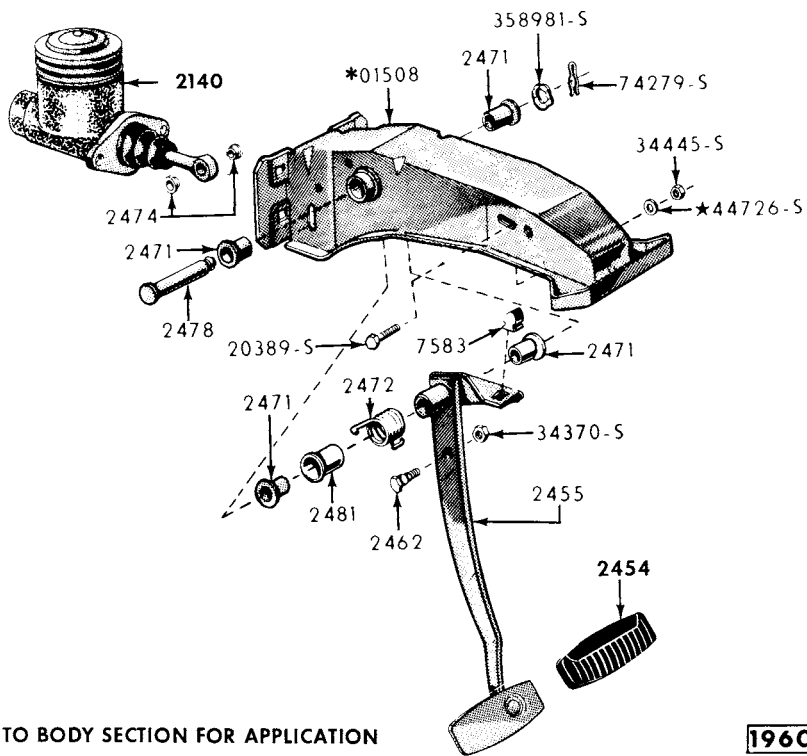
BRAKE SYSTEM



1960-64 COMET

PGC-974

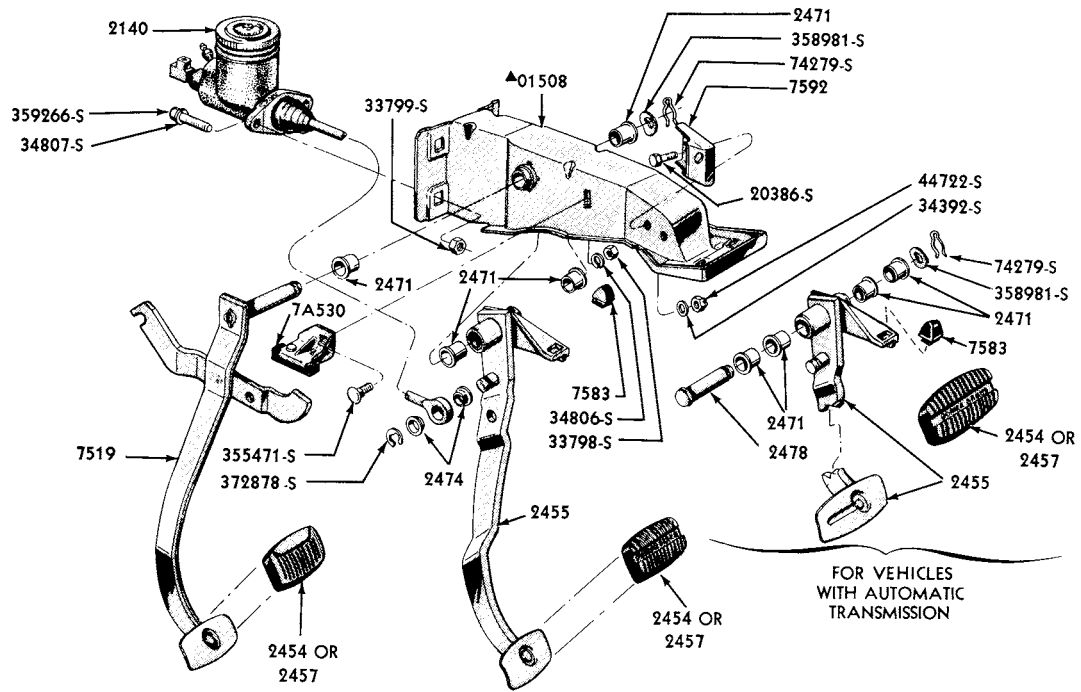
BRAKE & CLUTCH PEDAL - S/T



1960-64 COMET

PGC-975

BRAKE PEDAL - A/T

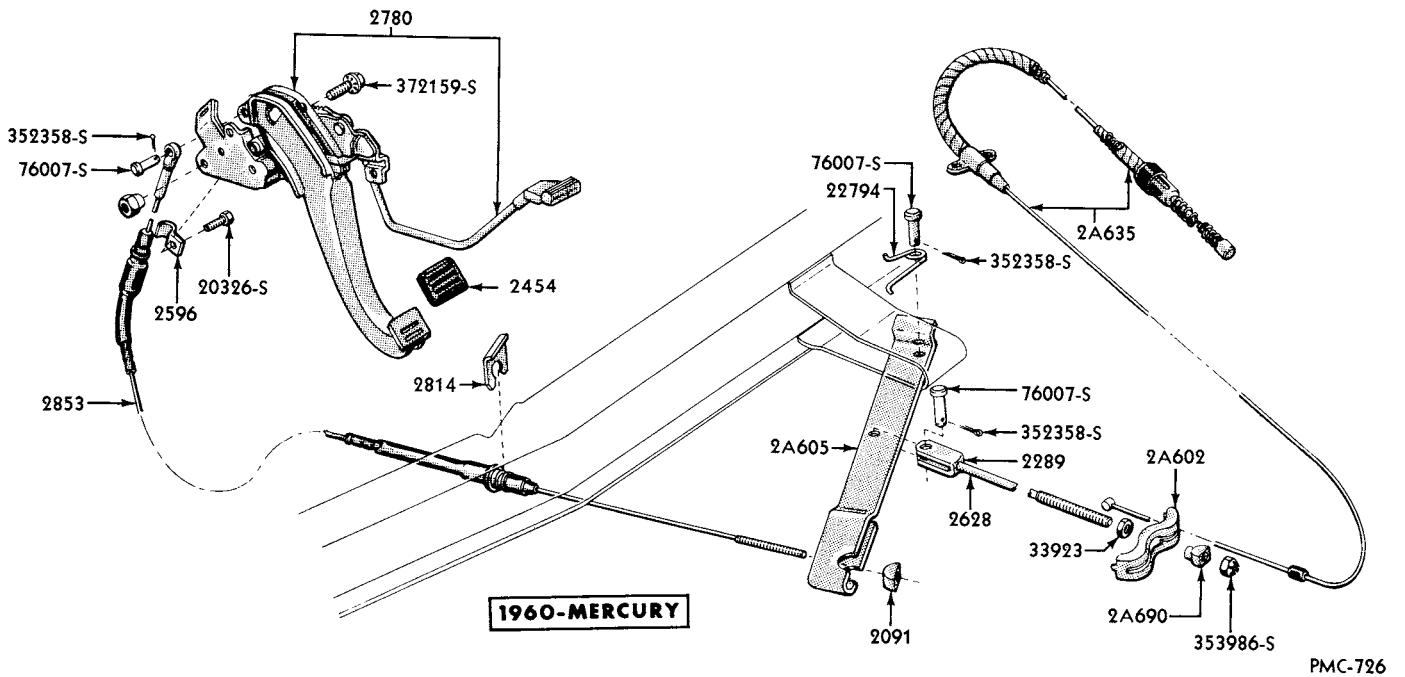


▲REFER TO BODY GROUP NUMBER

1962-63 METEOR

PYC-1366

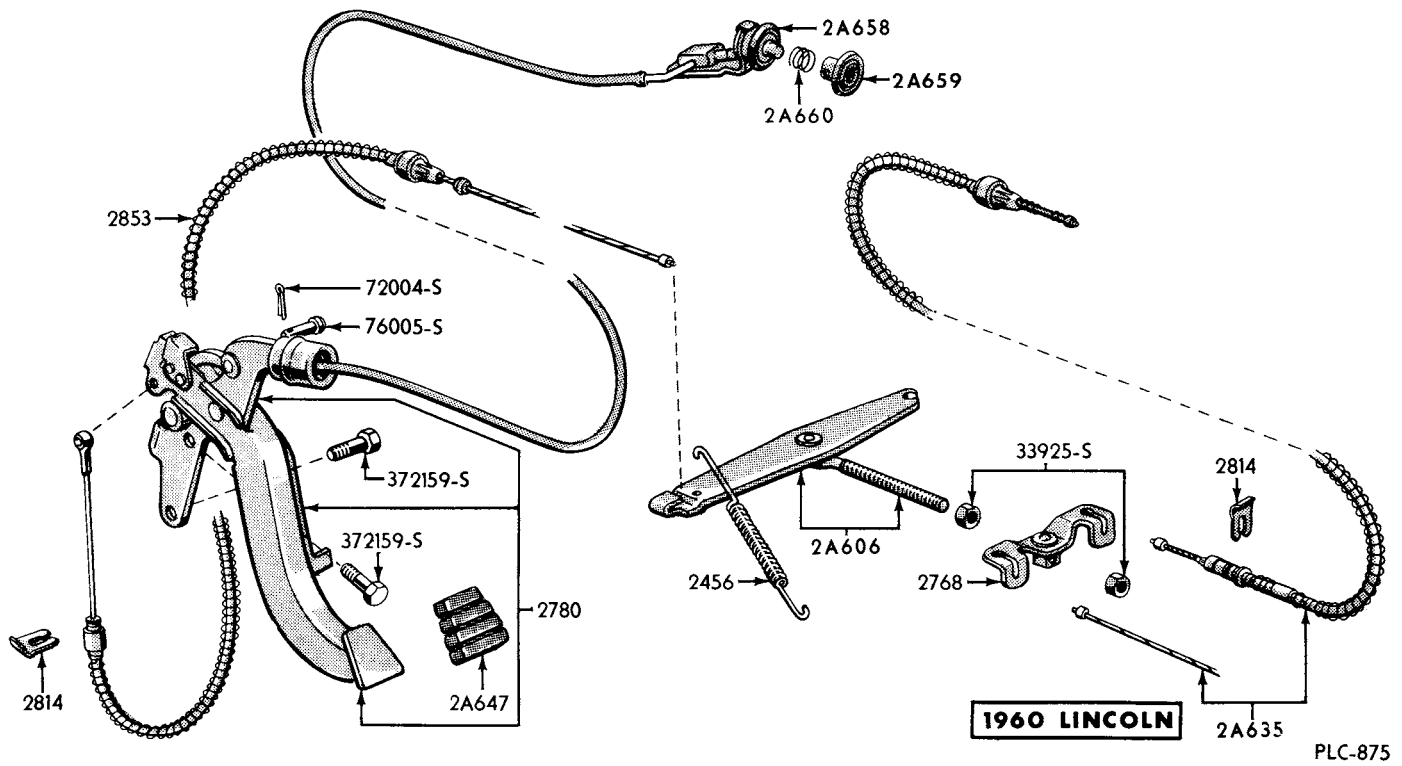
BRAKE and CLUTCH PEDAL



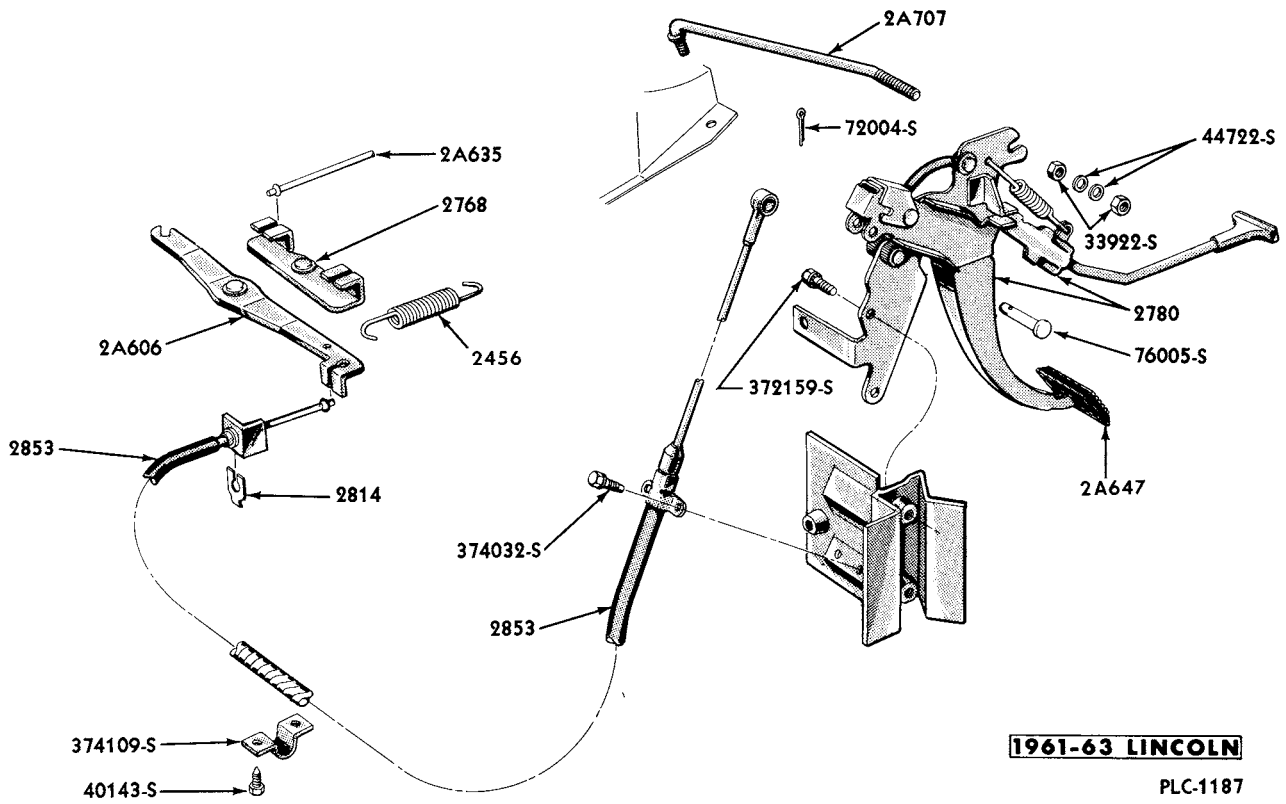
1960-MERCURY

PMC-726

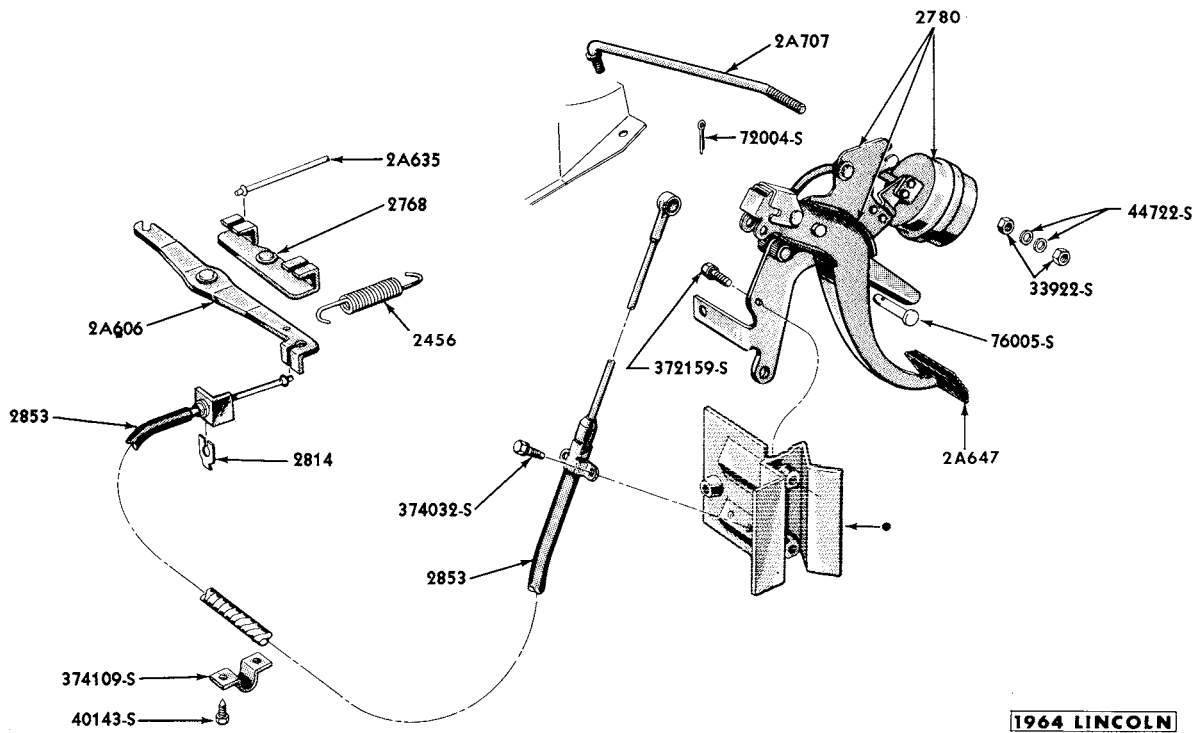
PARKING BRAKE



PARKING BRAKE - VACUUM RELEASE



PARKING BRAKE



1964 LINCOLN
PLC-1675

PARKING BRAKE

Brakes

GROUP AND PART NUMBER	DESCRIPTION, SIZE, ETC.	NO. REQ'D	MODEL OR ENGINE CUBIC INCH DISPLACEMENT	VEHICLE CODE	YEAR 19__
2001 KIT (BRAKE SHOE & LINING)					
COMY 2001-E	Front wheel standard 3" wide -	1	All	A	60
Consists of the following -					
(2) COMM-2018-J	shoe & lining - primary	(2)	COMM-2019-E	shoe & lining - secondary	
COMY 2001-F	Front wheel .030" O/S 3" wide -	1	All	A	60
Consists of the following -					
(2) COMM-2018-H	shoe & lining - primary	(2)	COMM-2019-D	shoe & lining - secondary	
COMY 2200-E	Rear wheel standard 2-1/2" wide -	1	All	A	60
Consists of the following -					
(2) COMM-2218-J	shoe & lining - primary	(2)	COMM-2219-E	shoe & lining - secondary	
COMY 2200-F	Rear wheel .030" O/S 2-1/2" wide -	1	All	A	60
Consists of the following -					
(2) COMM-2218-H	shoe & lining - primary	(2)	COMM-2219-F	shoe & lining - secondary	
C2AZ 2001-C	Front - standard - 3" wide - fade resistant	1	All	A	61/62
Consists of the following -					
(2) C1AA-2018-V	shoe & lining - primary	(2)	C1AA-2019-V	shoe & lining - secondary	
C2AZ 2001-D	Front - standard 3" wide	1	71	A	61/62
Consists of the following -					
(2) C1MM-2018-B	shoe & lining - primary	(2)	C1MM-2019-B	shoe & lining - secondary	
C2AZ 2200-B	Front and rear - standard 2-1/2" wide - ☆ Use for rear only on model 71	1or2	All☆	A	61/62
Consists of the following -					
(2) C1MM-2018-A	shoe & lining - primary	(2)	C1MM-2019-A	shoe & lining - secondary	
C3AZ 2200-C	Rear - standard - 2-1/2" wide - fade resistant	1	All	A	61/64
Consists of the following -					
(2) C3AA-2018-U	shoe & lining - primary	(2)	C3AA-2219-H	shoe & lining - secondary	
C3AZ 2001-C	Front - standard - 3" wide - fade resistant	1	All	A	63/64
Consists of the following -					
(2) C3AA-2018-S	shoe & lining - primary	(2)	C3AA-2019-T	shoe & lining - secondary	
C3AZ 2001-D	Front - standard - 3" wide	1	71	A	63/64
Consists of the following -					
(2) C3AA-2018-T	shoe & lining - primary	(2)	C3AA-2019-AB	shoe & lining - secondary	
C3AZ 2200-B	Front - standard - 2-1/2" wide	1	All except 71	A	63/64
	Rear	1	All	A	63/64
Consists of the following -					
(2) C3MA-2018-B	shoe & lining - primary	(2)	C3MA-2019-A	shoe & lining - secondary	
C2OZ 2001-A	Front - standard - 2-1/4" wide	1	All	B	62
Consists of the following -					
(2) C2OA-2018-E	shoe & lining - primary	(2)	C2OA-2019-E	shoe & lining - secondary	
C2OZ 2200-A	Rear - standard - 1-3/4" wide	1	All	B	62
Consists of the following -					
(2) C2OA-2218-D	shoe & lining - primary	(2)	C2OA-2219-D	shoe & lining - secondary	
C2OZ 2001-D	Front - standard - 2-1/2" wide - fade resistant	1	All except 71	B	62/63
Consists of the following -					
(2) C2OA-2018-L	shoe & lining - primary	(2)	C2OA-2019-L	shoe & lining - secondary	

CONTINUED ON NEXT PAGE

Brakes

GROUP AND PART NUMBER	DESCRIPTION, SIZE, ETC.	NO. REQ'D	MODEL OR ENGINE CUBIC INCH DISPLACEMENT	VEHICLE CODE	YEAR 19__
2001 KIT (BRAKE SHOE & LINING) CONTINUED					
C2OZ 2200-C	Rear - standard - 2" wide - fade resistant	1	All	B	62/63
Consists of the following -					
(2) C2OA-2218-H	shoe & lining - primary	(2)	C2OA-2219-H	shoe & lining - secondary	
C3OZ 2001-D	Front and rear - standard - 2-1/2" wide	2	71	B	63
Consists of the following -					
(2) C3OA-2018-K	shoe & lining - primary	(2)	C3OA-2219-K	shoe & lining - secondary	
C3OZ 2001-C	Front - standard - 2-1/4" wide	1	All except 71	B	63
	Use with 260, 289 C.I.D. engines	1	All	C	63/64
Consists of the following -					
(2) C2OA-2018-S	shoe & lining - primary	(2)	C2OA-2019-E	shoe & lining - secondary	
C3OZ 2200-A	Rear - standard - 1-3/4" wide	1	All except 71	B	63
	Use with 260, 289 C.I.D. engines	1	All	C	63/64
Consists of the following -					
(2) C2OA-2218-L	shoe & lining - primary	(2)	C2OA-2219-D	shoe & lining - secondary	
C2DZ 2001-A	Front - standard - 2-1/4" wide	2	All☆	C	60/62
	☆ Use on rear for models 59, 71				
Consists of the following -					
(2) C2DA-2018-D or F	shoe & lining-prim.	(2)	C2DA-2019-D or F	shoe & lining-sec.	(6) C2DZ-2A482-A
					insulator
C1DZ 2200-A	Rear - standard - 1-1/2" wide	1	54, 62	C	60/62
Consists of the following -					
(2) C1DD-2218-D	shoe & lining - primary	(2)	C1DD-2219-D	shoe & lining - secondary	
C3DZ 2001-A	Front - standard - 2-1/4" wide	1	All	C	63/64
	Rear	1	59, 71, 76	C	63/64
	Use with 144, 170 and 200 C.I.D. engines on vehicles built prior to 2-3-64				
Consists of the following -					
(2) C2DA-2018-F	shoe & lining - primary	(2)	C3DA-2019-F	shoe & lining - secondary	
C4DZ 2001-A	Front - standard - 2-1/4" wide	1	All	C	64
	Rear	1	71, 76	C	64
	Use with 170, 200 C.I.D. engines on vehicles built after 2-2-64				
Consists of the following -					
(2) C4DA-2018-B	shoe & lining - primary	(2)	C4DA-2019-B	shoe & lining - secondary	
C3DZ 2200-A	Rear - standard - 1-1/2" wide	1	54, 62	C	63
		1	54, 62, 63	C	64
	Use with 144, 170 and 200 C.I.D. engines on vehicles built prior to 2-3-64				
Consists of the following -					
(2) C2DA-2218-F	shoe & lining - primary	(2)	C3DA-2219-F	shoe & lining - secondary	
C4DZ 2200-A	Rear - standard - 1-1/2"	1	54, 62, 63	C	64
	Use with 170, 200 C.I.D. engines on vehicles built after 2-2-64				
Consists of the following -					
(2) C4DA-2218-B	shoe & lining - primary	(2)	C4DA-2219-B	shoe & lining - secondary	
COLY 2001-C	Front and rear - standard axle set	2	All	D	60
Consists of the following -					
(2) COLL-2018-F	shoe & lining - primary	(2)	COLL-2019-F	shoe & lining - secondary	
COLY 2001-D	Front and rear - .030" O/S - axle set	2	All	D	60
Consists of the following -					
(2) COLL-2018-G	shoe & lining - primary	(2)	COLL-2019-G	shoe & lining - secondary	

CONTINUED ON NEXT PAGE

Brakes

GROUP AND PART NUMBER	DESCRIPTION, SIZE, ETC.	NO. REQ'D	MODEL OR ENGINE CUBIC INCH DISPLACEMENT	VEHICLE CODE	YEAR 19__
2001 KIT (BRAKE SHOE & LINING) CONTINUED					
C1VY 2001-E	Front and rear - standard	2	All	D	61/62
Consists of the following -					
(2) C2VA-2018-A	shoe & lining - primary	(2)	C2VA-2019-A	shoe & lining - secondary	
C1VY 2001-F	Front and rear - .030" O/S	2	All	D	61/62
Consists of the following -					
(2) C2VA-2018-B	shoe & lining - primary	(2)	C2VA-2019-B	shoe & lining - secondary	
C3SZ 2001-D	Front and rear - standard	2	All	D	63/64
Consists of the following -					
(2) C4SA-2018-C	shoe & lining - primary	(2)	C3VA-2019-F	shoe & lining - secondary	
2004 KIT (MASTER CYLINDER REPAIR)					
COAZ 2004-C	2 bolt master cylinder power brakes	1	All	A B	60/62
Consists of the following -					
(1) COAA-2169-A	piston	(1)	AJ-2178-A	valve	(1) C1TT-7821-A snap ring
(1) FAA-2173-A	cup	(1)	B9MM-2493-A	gasket	(1) AJ-22179-A seat
(1) 51A-2174-A	snap ring				
COAZ 2004-A	Standard brakes	1	All	A B	62
Consists of the following -					
(1) FAA-2169-A	piston	(1)	AJ-2178-A	valve	(1) TAAK-7821-A snap ring
(1) FAA-2173-A	cup	(1)	OA-2180	boot	(1) AJ-22179-A seat
(1) 51A-2174-A	snap ring				
C3AZ 2004-B	2 bolt master cylinder power brakes -	1	All	A B	63
Consists of the following -					
(1) C3AA-2169-B	piston	(1)	C3AA-2178-A	check valve	(1) AJ-22179-A seat
(1) C2AA-2173-A	cup	(1)	C1TT-7821-A	snap ring	
COMY 2004-A	Standard brakes	1	All	A	60/61
Consists of the following -					
(2) 91T-2154-A	gasket-4 mounting hole cylinder	(1)	FAA-2169-A	piston	(1) TAAK-7821-A snap ring - 2 mounting hole cylinder
(1) 8M-2167-A	gasket-4 mounting hole cylinder	(1)	51A-2174-A	snap ring	
(1) COAA-2167-B	gasket-2 mounting hole cylinder	(1)	AJ-2178-A	valve	(1) AJ-22179-A seal
		(1)	OA-2180	boot	
C1SZ 2004-A	Power brakes	1	All	A C	64
Consists of the following -					
(1) C1VV-2A034-A	seat	(1)	C1VV-2173-A	cup	(1) 97421-S ring
(1) C1SS-2169-A	piston	(1)	C1VV-2178-A	valve	
C4AZ 2004-A	Standard brakes	1	All	A C	64
Consists of the following -					
(1) C3AA-2169-A	piston	(1)	C3AA-2178-A	valve	(1) C1TT-7821-A snap ring
(1) C2AA-2173-A	cup	(1)	OA-2180	boot	
C3AZ 2004-A	Standard brakes -	1	All	A B C	63
Consists of the following -					
(1) C3AA-2169-A	piston	(1)	C3AA-2178-A	valve	(1) C1TT-7821-A snap ring
(1) C2AA-2173-A	cup	(1)	OA-2180	boot	(1) AJ-22179-A seat
C1VY 2004-A		1	All	D	61/64
Consists of the following -					
(1) C1VY-2A034-A	seat	(1)	C1VV-2173-A	cup	(1) B9MM-2493-A seal
(1) COAA-2167-B	gasket	(1)	C1VV-2178-A	valve	(1) 97421-S ring
(1) C1VV-2169-A	piston				

Brakes

GROUP AND PART NUMBER	DESCRIPTION, SIZE, ETC.	NO. REQ'D	MODEL OR ENGINE CUBIC INCH DISPLACEMENT	VEHICLE CODE	YEAR 19__
2005 BOOSTER (BRAKE VACUUM)					
COMM 2005-A		(a) 1	All	A	60
C1AZ 2005-A	Less master cylinder and reservoir	1	All	A	61
C3AZ 2005-A	Less master cylinder - includes reservoir - straight mounting bracket type	1	All	A	61/63
C2AZ 2005-F	Less master cylinder - includes reservoir - slanted mounting bracket type - standard transmission for dealer installation only - production installed power brakes standard and automatic transmissions	1	All	A	62/63
C4AZ 2005-A	Includes linkage - less master cylinder - includes reservoir - vertical mounting bracket type	1	All	A	64
C2OZ 2005-C	Less master cylinder - includes reservoir - slanted mounting bracket type	1	All	B	62
C3OZ 2005-A	Less master cylinder - includes reservoir - slanted mounting bracket type	1	All	B	63
C4DZ 2005-A	Less master cylinder	1	All	C	64
COLL 2005-A	Power brakes - 5-1/4" diameter booster	1	All	D	60
C1VY 2005-A	Less master cylinder and linkage	1	All	D	61/63
C4VY 2005-A	Less master cylinder and linkage	1	All	D	64
358437-S2	Screw-hex. washer hd. -5/16"-24	1	a		
2007 KIT (BRAKE LINING)					
COMY 2007-E	Front wheel - standard - 3" wide	1	All	A	60
Consists of the following -					
(2) COMM-2021-M	lining - primary	(2) COMM-2022-E	lining - secondary	(52) 351939-S (52) 351940-S	rivet-alternate w/ rivet
COMY 2007-F	Front wheel - .030" O/S - 3" wide	1	All	A	60
Consists of the following -					
(2) COMM-2021-N	lining - primary	(2) COMM-2022-D	lining - secondary	(52) 351939-S (52) 351940-S	rivet-alternate w/ rivet
COMY 2222-E	Rear wheel - standard - 2-1/2" wide	1	All	A	60
Consists of the following -					
(2) COMM-2284-L	lining - primary	(2) COMM-2285-E	lining - secondary	(52) 351939-S (52) 351940-S	rivet-alternate w/ rivet
COMY 2222-F	Rear wheel - .030" O/S - 2-1/2" wide	1	All	A	60
Consists of the following -					
(2) COMM-2284-M	lining - primary	(2) COMM-2285-D	lining - secondary	(52) 351939-S (52) 351940-S	rivet-alternate w/ rivet
C2AZ 2007-E	Rear - standard - 2-1/2" wide - fade resistant	1	All	A	61/62
Consists of the following -					
(2) C1AA-2021-Z	lining - primary	(2) C1AA-2285-N	lining - secondary	(45) 351939-S	rivet
C2AZ 2007-B	Front - standard - 3" wide - fade resistant	1	All except 71	A	61/62
		1	All	A	63/64
Consists of the following -					
(2) C1AA-2021-AF	lining - primary	(2) C1AA-2022-N	lining - secondary	(45) 351939-S	rivet
C2AZ 2007-C	Front - standard - 3" wide -	1	71	A	61/64
Consists of the following -					
(2) C1AA-2021-AC	lining - primary	(2) C1SS-2022-G	lining - secondary	(50) 351939-S	rivet
C2AZ 2007-D	Front and rear - standard - 2-1/2" wide	1 or 2	All*	A	61/62
	Front	1	All except 71	A	63/64
	Rear	1	All	A	63/64
	* Use for rear only on model 71				
Consists of the following -					
(2) C1MM-2021-B	lining - primary	(2) C1SS-2285-E	lining - secondary	(50) 351939-S	rivet

CONTINUED ON NEXT PAGE

Brakes

GROUP AND PART NUMBER	DESCRIPTION, SIZE, ETC.	NO. REQ'D	MODEL OR ENGINE CUBIC INCH DISPLACEMENT	VEHICLE CODE	YEAR 19__
2007 KIT (BRAKE LINING) CONTINUED					
C3MY 2007-A	Front and rear - .030" O/S - 2-1/2" wide	1 or 2	All☆	A	61
	Front	1	All except 71	A	63/64
	Rear	1	All	A	63/64
	☆ Used for rear only on model 71				
Consists of the following -					
(2) C1SS-2284-B	lining - primary (2) C3AZ-2022-E		lining - secondary (45) 351939-S	rivet	
C3MY 2007-B	Front - .030" O/S - 3" wide - fade resistant	1	All	A	61/64
Consists of the following -					
(2) C3AZ-2021-B	lining - primary (2) C3AZ-2022-D		lining - secondary (45) 351939-S	rivet	
C3MY 2007-C	Front - .030" O/S - 3" wide	1	71	A	61/64
Consists of the following -					
(2) C1SS-2021-J	lining - primary (2) C3AZ-2022-C		lining - secondary (45) 351939-S	rivet	
C3MY 2222-A	Rear - .030" O/S - 2-1/2" wide - fade resistant	1	All	A	61/64
Consists of the following -					
(2) C3AZ-2021-C	lining - primary (2) C3AZ-2285-C		lining - secondary (45) 351939-S	rivet	
C3AZ 2007-C	Rear - standard - 2-1/2" wide - fade resistant	1	All	A	63/64
Consists of the following -					
(2) C1AA-2021-Z	lining - primary (2) C3AA-2285-C		lining - secondary (45) 351939-S	rivet	
C2OZ 2007-A	Front - standard - 2-1/4" wide	1	All	B	62
Consists of the following -					
(2) C2OZ-2021-A	lining - primary (2) C2OZ-2022-A		lining - secondary (45) 351939-S	rivet	
C2OZ 2007-B	Rear - standard - 1-3/4" wide	1	All	B	62
Consists of the following -					
(2) C2OZ-2284-A	lining - primary (2) C2OZ-2285-A		lining - secondary (45) 351939-S	rivet	
C2YY 2007-A	Front - .030" O/S - 2-1/4" wide	1	All	B	62
Consists of the following -					
(2) C2OZ-2021-B	lining - primary (2) C2OZ-2022-B		lining - secondary (45) 351939-S	rivet	
C2YY 2007-B	Rear - .030" O/S - 1-3/4" wide	1	All	B	62
Consists of the following -					
(2) C2OZ-2284-B	lining - primary (2) C2OZ-2285-B		lining - secondary (45) 351939-S	rivet	
C2YY 2007-C	Front - standard - .030" O/S - 2-1/2" wide - fade resistant	1	All	B	62
Consists of the following -					
(2) C2OZ-2021-F	lining - primary (2) C2OZ-2022-F		lining - secondary (45) 351939-S	rivet	
C2YY 2007-D	Rear - standard - .030" O/S - 2" wide - fade resistant	1	All	B	62
Consists of the following -					
(2) C2OZ-2284-F	lining - primary (2) C2OZ-2285-F		lining - secondary (45) 351939-S	rivet	
C2OZ 2007-C	Front - standard - 2-1/2" wide - fade resistant	1	All except 71	B	62/63
Consists of the following -					
(2) C2OZ-2021-E	lining - primary (2) C2OZ-2022-E		lining - secondary (45) 351939-S	rivet	
C2OZ 2007-D	Rear - standard - 2" wide - fade resistant	1	All except 71	B	62/63
Consists of the following -					
(2) C2OZ-2284-E	lining - primary (2) C2OZ-2285-E		lining - secondary (45) 351939-S	rivet	
C3OZ 2007-C	Front and rear - standard - 2-1/2" wide	2	71	B	63
Consists of the following -					
(2) C3OA-2021-S	lining - primary (2) C3OA-2285-B		lining - secondary (45) 351939-S	rivet	

CONTINUED ON NEXT PAGE

Brakes

GROUP AND PART NUMBER	DESCRIPTION, SIZE, ETC.	NO. REQ'D	MODEL OR ENGINE CUBIC INCH DISPLACEMENT	VEHICLE CODE	YEAR 19__
2007 KIT (BRAKE LINING) CONTINUED					
C3OZ 2007-A	Front - standard - 2-1/4" wide	1	All except 71	B	63
	Front - use with 260, 289 C. I. D. engines	1	All	C	63/64
	Consists of the following -				
(2) C2OZ-2021-AB	lining - primary (2) C2OZ-2022-H		lining - secondary (45) 351939-S		rivet
C3OZ 2007-B	Rear - standard - 1-3/4" wide	1	All except 71	B	63
	Rear - use with 260, 289 C. I. D. engines	1	All	C	63/64
	Consists of the following -				
(2) C2OZ-2284-AB	lining - primary (2) C2OZ-2285-H		lining - secondary (45) 351939-S		rivet
C1GY 2007-A	Front - .030" O/S - 2-1/4" wide	1	All☆	C	60/62
	☆ Also use on rear for models 59 and 71				
	Consists of the following -				
(2) C1DD-2021-D	lining - primary (2) C1DD-2022-D		lining - secondary (45) 351939-S		rivet
C2DZ 2007-A	Front - standard - 2-1/4" wide	1	All☆	C	60/62
	☆ Also use on rear for models 59, 71				
	Consists of the following -				
(2) C1DD-2021-E	lining - primary (6) C2DZ-2A482-A		insulator (45) 351939-S		rivet
(2) C1DD-2022-E	lining - secondary				
C2DZ 2007-B	Rear - standard - 1-1/2" wide	1	54,62	C	60/62
	Consists of the following -				
(2) C1DD-2284-E	lining - primary (2) C1DD-2285-E		lining - secondary (45) 351939-S		rivet
C2GY 2222-A	Rear - .030" O/S - 1-1/2" wide	1	54,62	C	60/62
		1	All except 59,71,76☆	C	63/64
	☆ Use with 144, 170, 200 C. I. D. engines				
	Consists of the following -				
(2) C2DZ-2284-A	lining - primary (2) C2DZ-2285-A		lining - secondary (45) 351939-S		rivet
C2GY 2007-A	Front - .030" O/S - 2-1/4" wide	1	All	C	63/64
	Rear	1	59, 71, 76	C	63/64
	Use with 144, 170 and 200 C. I. D. engines				
	Consists of the following -				
(2) C2DZ-2021-A	lining - primary (2) C3DZ-2022-A		lining - secondary (45) 351939-S		rivet
C3DZ 2007-A	Front - standard - 2-1/4" wide	1	All	C	63/64
	Rear	1	59, 71, 76	C	63/64
	Use with 144, 170 and 200 C. I. D. engines				
	Consists of the following -				
(2) C1DD-2021-F	lining - primary (2) C3DA-2022-E		lining - secondary (45) 351939-S		rivet
C3DZ 2007-B	Rear - standard - 1-1/2" wide	1	54,62	C	63
	Rear	1	54, 62, 63	C	64
	Use with 144, 170 and 200 C. I. D. engines				
	Consists of the following -				
(2) C1DD-2284-F	lining - primary (2) C3DA-2285-E		lining - secondary (45) 351939-S		rivet
COLY 2007-C	Front and rear - standard axle set	2	All	D	60
	Consists of the following -				
(2) COLL-2021-J	lining - brake shoe - (2) COLL-2022-J		lining - brake shoe - (52) 351939-S		rivet
	primary		secondary		
COLY 2007-D	Front and rear - .030" O/S - axle set	2	All	D	60
	Consists of the following -				
(2) COLL-2021-G	lining - brake shoe - (2) COLL-2022-G		lining - brake shoe - (52) 351939-S		rivet
	primary		secondary		

CONTINUED ON NEXT PAGE

Brakes

GROUP AND PART NUMBER	DESCRIPTION, SIZE, ETC.	NO. REQ'D	MODEL OR ENGINE CUBIC INCH DISPLACEMENT	VEHICLE CODE	YEAR 19__
2007 KIT (BRAKE LINING) CONTINUED					
C1VY 2007-C	Front and rear - standard	2	All	D	61/62
Consists of the following -					
(2) C2VA-2021-C	lining - primary (2) C2VA-2022-C		lining - secondary (40) 375991-S	rivet	
C1VY 2007-D	Front and rear - .030" O/S	2	All	D	61/62
Consists of the following -					
(2) C2VA-2021-B	lining - primary (2) C2VA-2022-B		lining - secondary (40) 375991-S	rivet	
C3SZ 2007-C	Front and rear - standard	2	All	D	63/64
Consists of the following -					
(2) C3VA-2021-E	lining - primary (2) C3VA-2022-E		lining - secondary (45) 375991-S	rivet	
C3VY 2007-B	Front and rear - .030" O/S	2	All	D	63/64
Consists of the following -					
(2) C3VA-2021-F	lining - primary (2) C3VA-2022-F		lining - secondary (45) 375991-S	rivet	
2012-5 PLATE (BRAKE BACKING)					
COMM 2014-A	R. H. - front	1	All	A	60
COMM 2015-A	L. H. - front	1	All	A	60
COMM 2211-E	R. H. - rear	1	All	A	60
COMM 2212-E	L. H. - rear	1	All	A	60
C1AA 2211-G	R. H. - rear - use with standard lining - small bearing	1	All	A	61/62
C1AA 2212-G	L. H. - rear - use with standard lining - small bearing	1	All	A	61/62
C1AA 2014-A	R. H. - front - use with standard lining	(a) 1	71	A	61/64
	R. H. - use with fade resistant lining	1	All except 71	A	61/64
	Use on vehicles built prior to 3-10-64				
C1AA 2015-A	L. H. - front - use with standard lining	(a) 1	71	A	61/64
	L. H. - use with fade resistant lining	1	All except 71	A	61/64
	Use on vehicles built prior to 3-10-64				
C1AZ 2012-A	R. H. - front - use with standard lining	(f) 1	71	A	64
	R. H. - use with fade resistant lining	1	All except 71	A	64
	Use on vehicles built after 3-9-64				
C1AZ 2013-A	L. H. - front - use with standard lining	(f) 1	71	A	64
	L. H. - use with fade resistant lining	1	All except 71	A	64
	Use on vehicles built after 3-9-64				
C1AA 2014-B	R. H. - front - use with standard lining - use on vehicles built prior to 3-10-64	(a) 1	All except 71	A	61/64
C1AA 2015-B	L. H. - front - use with standard lining - use on vehicles built prior to 3-10-64	(a) 1	All except 71	A	61/64
C1AZ 2012-B	R. H. - front - use with standard lining - use on vehicles built after 3-9-64	(f) 1	All except 71	A	64
C1AZ 2013-B	L. H. - front - use with standard lining - use on vehicles built after 3-9-64	(f) 1	All except 71	A	64
C1AA 2211-H	R. H. - rear - use with heavy duty rear axle	1	71	A	61/62
	Use with fade resistant lining or with large wheel bearing	(b) 1	All	A	63/64
C1AA 2212-H	L. H. - rear - use with heavy duty rear axle	1	71	A	61/62
	Use with fade resistant lining or with large wheel bearing	(b) 1	All	A	63/64
CONTINUED ON NEXT PAGE					

Brakes

GROUP AND PART NUMBER	DESCRIPTION, SIZE, ETC.	NO. REQ'D	MODEL OR ENGINE CUBIC INCH DISPLACEMENT	VEHICLE CODE	YEAR 19__
2012-5 PLATE (BRAKE BACKING) CONTINUED					
C2OZ 2211-E	R. H. - rear - use with 1-3/4" standard lining	1	All	B	62
C2OZ 2212-D	L. H. - rear - use with 1-3/4" standard lining	1	All	B	62
C2OZ 2211-C	R. H. - rear - use with 2" fade resistant lining	1	All	B	62
C2OZ 2212-C	L. H. - rear - use with 2" fade resistant lining	1	All	B	62
C2OZ 2211-G	R. H. - rear - use with 2" fade resistant lining and 2.84" flange diameter	1	All except 71	B	62/63
C2OZ 2212-F	L. H. - rear - Use with 2" fade resistant lining and 2.84" flange diameter	1	All except 71	B	62/63
C3OZ 2012-A	R. H. - front - use with 2-1/2" fade resistant lining	1	All except 71	B	62/63
	R. H. - front - standard lining	1	71	B	63
C3OZ 2013-C	L. H. - front - use with 2-1/2" fade resistant lining	1	All except 71	B	62/63
	L. H. - front - standard lining	1	71	B	63
C3OZ 2211-A	R. H. - rear - use with 2-1/2" standard lining	1	71	B	63
C3OZ 2212-A	L. H. - rear - use with 2-1/2" standard lining	1	71	B	63
C2OZ 2211-F	R. H. - rear - use with 1-3/4" standard lining and 2.84" flange diameter	1	All except 71	B	62/63
	Use with 260, 289 C.I.D. engines (b)	1	All	C	63/64
C2OZ 2212-E	L. H. - rear - use with 1-3/4" standard lining and 2.84" flange diameter	1	All except 71	B	62/63
	Use with 260, 289 C.I.D. engines	1	All	C	63/64
C3OZ 2012-B	R. H. - front - use with 2-1/4" standard lining	1	All except 71	B	62/63
	Use with 260, 289 C.I.D. engine (b)	2	All	C	63/64
C3OZ 2013-B	L. H. - front - use with 2-1/4" standard lining	1	All except 71	B	62/63
	Use with 260, 289 C.I.D. engines (b)	2	All	C	63/64
CODZ 2014-A	Front - includes anchor pin	2	All	C	60/62
CODD 2211-C	R. H. - rear	1	54, 62	C	60/62
CODD 2212-C	L. H. - rear	1	54, 62	C	60/62
CODD 2211-D	R. H. - rear	1	59, 71	C	60/62
CODD 2212-D	L. H. - rear	1	59, 71	C	60/62
C3DZ 2012-A	R. H. - front - includes anchor pin - use with 144, 170 and 200 C.I.D. engines on vehicles built prior to 2-3-64 (d, e, f)	1	All	C	63/64
C3DZ 2013-A	L. H. - front - includes anchor pin - use with 144, 170 and 200 C.I.D. engines on vehicles built prior to 2-3-64 (d, e, f)	1	All	C	63/64
C4DZ 2012-A	R. H. - front - includes anchor pin - use with 170, 200 C.I.D. engines on vehicles built after 2-2-64 (d, e, f)	1	All	C	64
C4DZ 2013-A	L. H. - front - includes anchor pin - use with 170, 200 C.I.D. engines on vehicles built after 2-2-64 (d, e, f)	1	All	C	64
C3DZ 2211-C	R. H. - rear - 9" x 1-1/2" - use with 144, 170 C. I. D. engines- use on vehicles built prior to 2-15-63	1	54, 62	C	63
C3DZ 2212-C	L. H. - rear - 9" x 1-1/2" - use with 144, 170 C. I. D. engines- use on vehicles built prior to 2-15-63	1	54, 62	C	63

CONTINUED ON NEXT PAGE

Brakes

GROUP AND PART NUMBER	DESCRIPTION, SIZE, ETC.	NO. REQ'D	MODEL OR ENGINE CUBIC INCH DISPLACEMENT	VEHICLE CODE	YEAR 19__
2012-5 PLATE (BRAKE BACKING) CONTINUED					
C3DZ 2211-D	R. H. - rear - 9" x 1-1/2" - use on vehicles built after 2-14-63 - use with 144, 170 C. I. D. engines Use with 170, 200 C. I. D. engines on vehicles (b) built prior to 2-3-64	1	54, 62	C	63
		1	54, 62 63	C	64
C3DZ 2212-D	L. H. - rear - 9" x 1-1/2" - use on vehicles built after 2-14-63 - use with 144, 170 C. I. D. engines Use with 170, 200 C. I. D. engines on vehicles (b) built prior to 2-3-64	1	54, 62	C	63
		1	54, 62, 63	C	64
C4DZ 2211-A	R. H. - rear - 9" x 1-1/2" - use with 170, 200 C. I. D. engines on vehicles built after 2-2-64	(b) 1	54, 62, 63	C	64
C4DZ 2212-A	L. H. - rear - 9" x 1-1/2" - use with 170, 200 C. I. D. engines on vehicles built after 2-2-64	(b) 1	54, 62, 63	C	64
C3DZ 2211-B	R. H. - rear 9" x 2-1/4" - use with 144, 170 (c, d, e) and 200 C. I. D. engines on vehicles built prior to 2-3-64	1	59, 71, 76	C	63/64
C3DZ 2212-B	L. H. - rear 9" x 2-1/4" - use with 144, 170 (c, d, e) and 200 C. I. D. engines on vehicles built prior to 2-3-64	1	59, 71, 76	C	63/64
C4DZ 2211-B	R. H. - rear - 9" x 2-1/4" - use with 170, 200 C. I. D. engines on vehicles built after 2-2-64	(b) 1	71, 76	C	64
C4DZ 2212-B	L. H. - rear - 9" x 2-1/4" - use with 170, 200 C. I. D. engines on vehicles built after 2-2-64	(b) 1	71, 76	C	64
COLL 2012-A	R. H. - front	1	All	D	60
COLL 2013-A	L. H. - front	1	All	D	60
COLL 2211-A	R. H. - rear	1	All	D	60
COLL 2212-A	L. H. - rear	1	All	D	60
C1VV 2012-C	R. H. - front	1	All	D	61/62
C1VV 2013-C	L. H. - front	1	All	D	61/62
C1VV 2211-D	R. H. - rear	1	All	D	61/62
C1VV 2212-D	L. H. - rear	1	All	D	61/62
C3SZ 2012-A	R. H. - front	(c, g, h) 1	All	D	63/64
C3SZ 2013-A	L. H. - front	(c, g, h) 1	All	D	63/64
C3VY 2211-A	R. H. - rear	(g) 1	All	D	63/64
C3VY 2212-A	L. H. - rear	(g) 1	All	D	63/64
20310-S	Bolt-hex. hd. -5/16"-18-1/2"	AR	b		
33800-S	Nut-light hex. -3/8" x 24	AR	a, f		
34445-S	Nut-hex. lock-3/8" x 24	AR	c		
34449-S	Nut-lock-1/2"-20	AR	h		
34941-S	NS-washer-lock tooth	AR	b		
42741-S	Screw and external tooth washer	4	d		
50804-S	Screw and washer-pan hd. -10 x 32 x 3/8"	AR	g		
356694-S	NS-bolt-special hd. -3/8"-24 x 3/16"	20	e		
357629-S	Washer-lock-3/8"	AR	a, d		
373186-S	Bolt-hex. hd. -3/8"-24 x 1.12"	2	a		
373187-S	Bolt-hex. hd. -3/8"-24 x 1.75"	2	a		
373839-S	Bolt-serrated hex. hd. -1/2"-20 x 1.38"	AR	h		
374055-S	Bolt-T-hd. -3/8"-24 x 17"	AR	h		
2B014 BUSHING (BRAKE BOOSTER PISTON GUIDE)					
C4AZ 2B014-A		1	All	A	64
C3TZ 2B014-A	Also serviced in 2309 kit	1	All	A B	61/63
2A016 LEVER & BUSHING (BRAKE BOOSTER)					
COMM 2A016-A	Power brakes	1	All	A	60
C1SS 2A016-A	Power brakes	1	All	A	61

Brakes

GROUP AND PART NUMBER	DESCRIPTION, SIZE, ETC.	NO. REQ'D	MODEL OR ENGINE CUBIC INCH DISPLACEMENT	VEHICLE CODE	YEAR 19__
2A017 BRACKET & END PLATE (BRAKE BOOSTER)					
COMM 2A017-A	Power brakes	1	All	A	60
C1AA 2A017-A	Power brakes	1	All	A	61
C4DZ 2A017-A	Power brakes	1	All	C	64
C1VV 2A017-A	Power brakes	1	All	D	61/63
	NS-serviced in booster brake assembly only	1	All	D	64
2A018 COVER & TUBE (BRAKE BOOSTER AIR CLEANER)					
B9MM 2A018-A	Power brakes	1	All	A	60
B9AA 2A018-A	Power brakes	1	All	A	61
B9LL 2A018-A	Power brakes - 5-1/4" diameter booster	1	All	D	60
2A019 EXPANDER RING (BRAKE BOOSTER)					
	NS-serviced in 2A200 kit	1	All	A	60/61
2A020 PIN (BRAKE BOOSTER LEVER PIVOT)					
B9MM 2A020-B	Power brakes	1	All	A	60/61
2A021 GUARD (BRAKE MASTER CYLINDER PUSH ROD)					
B9MM 2A021-A	Power brakes	1	All	A	60
COAA 2A021-A	Power brakes - also serviced in 2309 kit	1	All	A	61/64
2A022 LINK (BRAKE MASTER CYLINDER PUSH ROD)					
COMM 2A022-A	Power brakes	1	All	A	60
COAA 2A022-A	Power brakes (a)	1	All	A	61
372878-S7	Retainer	1	a		
2026 GASKET (FRONT WHEEL BRAKE GREASE BAFFLE)					
C2OA 2026-A	Use with 260, 289 C. I. D. engines	2	All	B	62/63
		2	All	C	63/64
2027 PIN (FRONT WHEEL BRAKE SHOE ANCHOR)					
COMM 2027-B		2	All	A	60
		2	71	A	61
C1AA 2027-B		2	All except 71	A	61
COAA 2027-C	Heavy duty brakes	2	All	A	61/62
C2AZ 2027-A	Standard lining - use on vehicles built prior to 3-10-64 (a)	2	All except 71	A	62/64
C2AZ 2027-D	Standard lining - use on vehicles built after 3-9-64 (a)	2	All except 71	A	64
C2AZ 2027-B	Fade resistant lining - use on vehicles built prior to 3-10-64 (a) ☆ Standard lining on model 71	2	All☆	A	62/64
C2AZ 2027-E	Fade resistant lining - use on vehicles built after 3-9-64 (a) ☆ Standard lining on model 71	2	All☆	A	64
358771-S	Washer-lock-61/64"	2	a		
358772-S	NS-nut-hex. -15/16"-16	2	a		
2028 PLATE (BRAKE SHOE ANCHOR PIN GUIDE)					
COMM 2028-A		4 (a)	All	A	60/64
		4	All	D	60
	NS-serviced in C1VY-2A423-A kit	AR	All	D	61/62
42757-S8	Screw and washer assy. -hex. hd. -5/16"-18 x 1/2"-front brake cylinder assy. to front brake backing plate assy.	4	a		

Brakes

GROUP AND PART NUMBER	DESCRIPTION, SIZE, ETC.	NO. REQ'D	MODEL OR ENGINE CUBIC INCH DISPLACEMENT	VEHICLE CODE	YEAR 19__
2A028 HOSE (BRAKE RESERVOIR TO BOOSTER)					
COMM 2A028-A		1	All	A	60
	3/16" O. D. x 15/32" I. D. x 50" long	1	All	D	60/61
	NS-cut 28" from COMM-2A028-A	1	All	D	62/64
2031-2 BRACKET (BRAKE BOOSTER)					
C2AZ 2031-A	R. H. - use with standard transmission	1	All	A	62
C2AZ 2032-A	L. H. - use with standard transmission	1	All	A	62
2035-6 SPRING (BRAKE SHOE RETRACTING)					
COMM 2035-A	Front and rear - secondary shoe - also serviced in 2A225 kit	4	All	A	60/64
COMM 2036-A	Front and rear - primary shoe - also serviced in 2A225 kit	4	All	A	60/64
B7A 2035-A	Front - 7-3/4" free length ☆ Heavy duty except models 58A and 64A Standard on models 58A and 64A	2	All☆	A	61
C3AZ 2035-A	Front - standard lining	2	71	A	63/64
	Front - fade resistant lining	2	All except 71	A	63/64
B5A 2035-A	Front and rear - 4-1/2" free length	4	All☆	A	61
	Rear - also serviced in 2A225 kit	4	All	D	60
	☆ Heavy duty except models 58A and 64A Standard on models 58A and 64A				
C2OZ 2035-A	Front and rear - use on secondary side	4	All except 71	B	62/63
	Use with 260, 289 C. I. D. engines	4	All	C	63/64
C2OZ 2035-C	Front and rear - use on primary side	4	All except 71	B	62/63
	Use with 260, 289 C. I. D. engines	4	All	C	63/64
C2OZ 2035-D	Front - top	2	All	B	62/63
	Use with 260, 289 C. I. D. engines	2	All	C	63/64
C3DZ 2035-A	Front and rear	8	All	C	60/62
	Front - use with 144, 170 and 200 C. I. D. engines	4	All	C	63/64
	Rear - use with 144, 170 and 200 C. I. D. engines	4	59, 71, 76	C	63/64
C3DZ 2296-A	Rear wheel - use with 144, 170 C. I. D. engines	4	54, 62	C	63
	Use with 170, 200 C. I. D. engines	4	54, 62, 63	C	64
C1VV 2035-A	Front	4	All	D	60/62
C1VV 2296-A	Rear	4	All	D	61/62
C3SZ 2035-A	Front	4	All	D	63/64
C3SZ 2296-A	Rear	4	All	D	63/64
2A038 REFER TO GROUP 2063					
2A040 TUBE (BRAKE MASTER CYLINDER TO CONNECTOR)					
C2YY 2A040-A	Power brakes	1	All	B	62/63
2041 SCREW (BRAKE ADJUSTING)					
C1VV 2041-A	R. H. - front and rear	(a) 2	All	A	60/64
		2	All	D	60/62
C1AZ 2041-B	L. H. - front and rear	(a) 2	All	A	60/64
		2	All	D	60/62
C2OZ 2041-A	R. H. - front and rear	2	All	B	62/63
		2	All	C	63/64
C2OZ 2041-B	L. H. - front and rear	2	All	B	62/63
		2	All	C	63/64
C2DZ 2041-A	Front and rear	4	All	C	60/62
C3SZ 2041-A	R. H. - front and rear	2	All	D	63/64
C3SZ 2041-B	L. H. - front and rear	2	All	D	63/64
373496-S	Washer-flat-thrust-7/16"-between adjusting screw and socket	AR	a		

Brakes

GROUP AND PART NUMBER	DESCRIPTION, SIZE, ETC.	NO. REQ'D	MODEL OR ENGINE CUBIC INCH DISPLACEMENT	VEHICLE CODE	YEAR 19__
2042 LINK (BRAKE SHOE CONNECTING)					
B7A 2042-A	Front and rear	8	All	A B	60/64
	Use with 260, 289 C.I.D. engines	8	All	C	63/64
		8	All	D	60/62
C3SZ 2042-A	Front and rear	8	All	D	63/64
2044 GASKET (FRONT WHEEL BACKING PLATE TO SPINDLE)					
B7A 2044-A		2	All	A	61
C2AZ 2044-A	Use on vehicles built prior to 3-10-64	2	All	A	62/64
C2AZ 2044-B	Use on vehicles built after 3-9-64	2	All	A	64
C2OZ 2044-A		2	All	B	62/63
	Use with 260, 289 C.I.D. engines	2	All	C	63/64
C3DZ 2044-A	Use with 144, 170 C.I.D. engines	2	All	C	63
C4DZ 2044-A	2.38" I.D. - use with 170, 200 C.I.D. engines	2	All	C	64
C1VV 2044-A		2	All	D	61/64
2A046 HOSE (BRAKE CHECK VALVE TO INTAKE MANIFOLD)					
	NS-cut 17" from B9MY-2A028-B	1	All	D	62/64
2047 NUT (BRAKE ADJUSTING SCREW)					
C1VV 2047-A	R. H.	2	All	A	60/61
	Use with front and rear brakes on vehicles built prior to 6-15-62 - use rear only on vehicles built after 6-14-62	AR	All	A	62
		2	All	D	60/62
C1AZ 2047-A	L. H.	2	All	A	60/61
	Use with front and rear brakes on vehicles built prior to 6-15-62 - use rear only on vehicles built after 6-14-62	AR	All	A	62
		2	All	D	60/62
C2AZ 2047-A	R. H. - use with front brakes only on vehicles built after 6-14-62	1	All	A	62
	Front and rear	2	All	A	63/64
C2AZ 2047-B	L. H. - use with front brakes only on vehicles built after 6-14-62	1	All	A	62
	Front and rear	2	All	A	63/64
C2OZ 2047-A	R. H. - front and rear	2	All	B	62/63
	Use with 260, 289 C.I.D. engines	2	All	C	63/64
C2OZ 2047-B	L. H. - front and rear	2	All	B	62/63
	Use with 260, 289 C.I.D. engines	2	All	C	63/64
C1DD 2047-A	Front and rear	4	All	C	60/62
C3DZ 2047-A	R. H. - front and rear - use with 144, 170 and 200 C.I.D. engines	2	All	C	63/64
C3DZ 2047-B	L. H. - front and rear - use with 144, 170 and 200 C.I.D. engines	2	All	C	63/64
C3SZ 2047-A	R. H. - front and rear	2	All	D	63/64
C3SZ 2047-B	L. H. - front and rear	2	All	D	63/64
2048 SOCKET (BRAKE ADJUSTING SCREW)					
C1VV 2048-A	Front and rear	4	All	A D	60/64
C2OZ 2048-A	Front and rear	4	All	B	62
C3OZ 2048-A	Front and rear	4	All	B	63
	Front and rear - use with 260, 289 C.I.D. engines	(a) 4	All	C	63/64
C2DZ 2048-A	Front	2	All	C	60/62
	Rear	AR	All	C	60/62
C3DZ 2048-B	Front and rear - use with 144, 170 and 200 C.I.D. engines	4	All	C	63/64
373496-S	Washer-flat-7/16"	4	a		

Brakes

GROUP AND PART NUMBER	DESCRIPTION, SIZE, ETC.	NO. REQ'D	MODEL OR ENGINE CUBIC INCH DISPLACEMENT	VEHICLE CODE	YEAR 19__
2049 SPRING (BRAKE ADJUSTING SCREW)					
H 2049	Front and rear * Heavy duty on all models except 58A and 64A Standard on models 58A and 64A	4	All*	A	61
COMM 2049-A	Front and rear	4	All except 58A, 64A	A D	60
C1SS 2049-A	Front and rear	AR	All	A B D	61/62
	Front and rear	4	All	A B	63/64
	Use with 260, 289 C. I. D. engines	4	All	C	63/64
8A 2049	Front and rear	4	All	C	60/62
C3DZ 2049-B	Front and rear - use with 144, 170 and 200 C. I. D. engines	4	All	C	63/64
C3SZ 2049-A	Front and rear	4	All	D	63/64
2A051 BRACKET (BRAKE LINE SUPPORT)					
C3DZ 2A051-B		1	59, 71	C	60/64
C3GY 2A051-A		1	54, 62, 76	C	60/63
		1	54A, B, 62, 63, 76	C	64
2A053 SPRING (BRAKE PEDAL ANTI-RATTLE)					
B9MM 2A053-A	Power brakes	1	All	A	60
2061-2 CYLINDER (WHEEL BRAKE)					
COMM 2061-A	R. H. - front	1	All	A	60
COMM 2062-A	L. H. - front	1	All	A	60
MK 2261-A	R. H. - rear brake	1	All	A	60
MK 2262-A	L. H. - rear brake	1	All	A	60
C3AZ 2261-B	R. H. - rear - 7/8" diameter - fade resistant lining	1	All	A	61/62
C3AZ 2262-B	L. H. - rear - 7/8" diameter - fade resistant lining	1	All	A	61/62
C3AZ 2061-A	R. H. - front - 1-3/32" diameter	1	All	A	61/64
C3AZ 2062-A	L. H. - front - 1-3/32" diameter	1	All	A	61/64
C3AZ 2261-A	R. H. - rear - 15/16" diameter	1	All	A	63/64
C3AZ 2262-A	L. H. - rear - 15/16" diameter	1	All	A	63/64
C2VY 2261-A	R. H. - rear - 15/16" diameter opening	(a) 1	All	A	61/62
		1	All	D	60/64
C2VY 2262-A	L. H. - rear - 15/16" diameter opening	(a) 1	All	A	61/62
		1	All	D	60/64
C2OZ 2061-C	R. H. - front - 1-1/8" diameter - standard lining - use with fade resistant lining on vehicles built prior to 2-15-62	1	All	B	62
C2OZ 2062-C	L. H. - front - 1-1/8" diameter - standard lining - use with fade resistant lining on vehicles built prior to 2-15-62	1	All	B	62
C3OZ 2061-C	R. H. - front - 1-1/16" diameter - use with fade resistant lining on vehicles built after 2-14-62	1	All except 71	B	62/63
C3OZ 2062-C	L. H. - front - 1-1/16" diameter - use with fade resistant lining on vehicles built after 2-14-62	1	All except 71	B	62/63
C3OZ 2261-B	R. H. - rear - 29/32" diameter - standard lining - use with fade resistant lining on vehicles built prior to 2-15-62	1	All	B	62
	Use with 260 C. I. D. engine built prior to 5-15-63	1	All	B	63
	Use with 260, 289 C. I. D. engines built after 5-14-63	1	All	C	63
		1	All except 59, 71	C	63/64
C3OZ 2262-B	L. H. - rear - 29/32" diameter - standard lining - use with fade resistant lining on vehicles built prior to 2-15-62	1	All	B	62
	Use with 260 C. I. D. engine built prior to 5-15-63	1	All	B	63
	Use with 260, 289 C. I. D. engines built after 5-14-63	1	All	C	63
		1	All except 59, 71	C	63/64

CONTINUED ON NEXT PAGE

Brakes

GROUP AND PART NUMBER	DESCRIPTION, SIZE, ETC.	NO. REQ'D	MODEL OR ENGINE CUBIC INCH DISPLACEMENT	VEHICLE CODE	YEAR 19____
2061-2 CYLINDER (WHEEL BRAKE) CONTINUED					
C2OZ 2261-C	R. H. - rear - 27/32" diameter - use with fade resistant lining on vehicles built after 2-14-62	1	All	B	62
C2OZ 2262-C	L. H. - rear - 27/32" diameter - use with fade resistant lining on vehicles built after 2-14-62	1	All	B	62
C3OZ 2261-C	R. H. - rear - 27/32" diameter - fade resistant lining	1	All except 71	B	63
C3OZ 2262-C	L. H. - rear - 27/32" diameter - fade resistant lining	1	All except 71	B	63
C3OZ 2061-B	R. H. - front - 1-1/8" diameter - standard lining Use with 260 and 289 C.I.D. engines	1 1	All All	B C	63 63/64
C3OZ 2062-B	L. H. - front - 1-1/8" diameter - standard lining Use with 260 and 289 C.I.D. engines	1 1	All All	B C	63 63/64
CODD 2261-B	Rear	2	54, 62	C	60/62
CODD 2261-D	Rear	2	59, 71	C	60/62
C3DZ 2061-A	R. H. - front - use with 144, 170 and 200 C.I.D. engines	1	All	C	60/64
C3DZ 2062-A	L. H. - front - use with 144, 170 and 200 C.I.D. engines	1	All	C	60/64
C3DZ 2261-A	Rear - use with 144 and 170 C.I.D. engines Use with 170 and 200 C.I.D. engines	2 2	54, 62 54, 62, 63	C C	63 64
C3DZ 2261-B	Rear - use with 144 and 170 C.I.D. engines Use with 170 and 200 C.I.D. engines	2 2	All except 54, 62 71, 76	C C	63 64
C3OZ 2261-A	R. H. - rear - 15/16" diameter - use with 260 and 289 C.I.D. engines built after 5-14-63	1	59, 71	C	63/64
C3OZ 2262-A	L. H. - rear - 15/16" diameter - use with 260 and 289 C.I.D. engines built after 5-14-63	1	59, 71	C	63/64
COLL 2061-A	R. H. - front - 1-3/32" diameter opening (a)	1	All	D	60
COLL 2062-A	L. H. - front - 1-3/32" diameter opening (a)	1	All	D	60
C2VY 2061-A	R. H. - front - 1-3/32" diameter opening	1	All	D	61/64
C2VY 2062-A	L. H. - front - 1-3/32" diameter opening	1	All	D	61/64
42757-S2	Screw and washer assy. - hex. hd. - 5/16"-18 x 1/2"-req'd. to attach cylinder assy. to plate assy.	4	a		
2063 RESERVOIR (BRAKE BOOSTER)					
COMM 2063-B	Power brakes	1	All	A	60
CIAA 2A038-B	Power brakes	1	All	A	61
LF 2063-B	Vacuum (a)	1	All	D	60
C1VV 2063-A		1	All	D	61
C2VY 2063-A		1	All	D	62/64
354107-S2	Screw-hex. washer hd. - 5/16"-24 x 3/4" (1) req'd. - to attach reservoir assy. to front face of torque box upper (2) req'd. - to attach reservoir assy. to fender apron	3	a		
2066 CUP (BRAKE SHOE HOLD DOWN)					
CODD 2066-A	Front and rear - also serviced in 2A094 kit - use with 144, 170 and 200 C.I.D. engines on vehicles built prior to 2-3-64	16	All	C	60/64
B7A 2066-A	Front and rear - also serviced in 2A094 and 2A225 kits Use with 260, 289 C.I.D. engines Use with 170, 200 C.I.D. engines on vehicles built after 2-2-64	32 16 16 16	All All All All	A D B C C	60/64 62/63 63/64 64

Brakes

GROUP AND PART NUMBER	DESCRIPTION, SIZE, ETC.	NO. REQ'D	MODEL OR ENGINE CUBIC INCH DISPLACEMENT	VEHICLE CODE	YEAR 19__
2068 SPRING (BRAKE SHOE HOLD DOWN)					
COMM 2068-C	Also serviced in 2A225 kit	8	All	A	60
C1SS 2068-A	Also serviced in 2A094 kit	12	All	A	61
	(4) req'd. - for front upper	8	All	A	62/64
	(8) req'd. - for rear lower and upper	8	All	A	62/64
	(4) req'd. - for upper front	8	All	A	62/64
	(4) req'd. - for upper rear	8	All	A	62/64
		16	All	D	60
TDA A 2068-A	Front - lower - also serviced in 2A094 kit	2	All	A	61/62
	Use with secondary shoe - front and rear	4	All	B	62/63
	Use with secondary shoe with 260, 289 C. I. D. engines - front and rear	4	All	C	63/64
H 2068	Also serviced in 2A094 kit	8	All	A	62/64
	(4) req'd. - for lower front	4	All	B	62/63
	(4) req'd. - for lower rear	4	All	B	62/63
	Front and rear - use with primary shoe	4	All	C	63/64
	Front and rear - use with primary shoe with 260, 289 C. I. D. engines	4	All	C	63/64
CODD 2068-A	Front and rear - also serviced in 2A094 kit	16	All	C	60/62
	Use with 144, 170 and 200 C. I. D. engines on vehicles built prior to 2-3-64	8	All	C	63/64
C4DZ 2068-A	Front - color code GRAY - use with primary shoe - .80" long x .73" O. D. - also serviced in 2A094 kit - use with 170, 200 C. I. D. engines on vehicles built after 2-2-64	4	All	C	64
C4DZ 2068-B	Front - color code BRONZE - use with secondary shoe - .89" long x .73" O. D. - also serviced in 2A094 kit - use with 170, 200 C. I. D. engines on vehicles built after 2-2-64	4	All	C	64
C3VY 2068-A	Front	16	All	D	61/63
	Front and rear	16	All	D	64
2069 PIN (BRAKE SHOE HOLD DOWN SPRING)					
B8E 2069-A	Front - also serviced in 2A094 kit	AR	All☆	A	61/64
	☆ Standard lining on model 71				
	☆ Fade resistant lining on all except model 71				
	Front and rear	16	All	D	61/64
B7A 2069-A	Rear brake - also serviced in 2A094 kit	8	All	A	62/63
	☆(8) req'd. - front - standard lining - all except model 71	16	All☆	A	64
	(8) req'd. - rear - standard lining				
	Front - standard and fade resistant linings	4	All	B	62/63
	Rear - fade resistant linings	4	All	B	62/63
	Front - use with 260, 289 C. I. D. engines	4	All	C	63/64
8A 2069-A	Rear - standard linings - also serviced in 2A094 kit	4	All except 71	B	62/63
	Rear - use with 260, 289 C. I. D. engines	4	All	C	63/64
	Front and rear - use with 170, 200 C. I. D. engines on vehicles built after 2-2-64	8	All	C	64
2073 BRACKET (BRAKE HOSE) REAR					
PB9M 2073-A		1	All	A	60
COAA 2073-B		1	All	A	61/64
C2OZ 2073-A		1	All except 71	B	62/63
C3OZ 2073-B		1	71	B	63
C1VV 2073-A		1	All	D	61/63

Brakes

GROUP AND PART NUMBER	DESCRIPTION, SIZE, ETC.	NO. REQ'D	MODEL OR ENGINE CUBIC INCH DISPLACEMENT	VEHICLE CODE	YEAR 19__
2B073 SEAL (BRAKE VACUUM BOOSTER CHECK VALVE)					
C3TZ 2B073-A	Power brakes	1	All	A	64
2074-5 FITTING (BRAKE LINE)					
PB9M 22076-A	Front wheel brake tube	1	All	A	60
B8A 2075-A	Front	1	All	A	61/62
COAZ 2074-A	Rear	(b) 1	All	A	61/64
C1AA 2075-A	Front	1	All	A	63/64
8A 2074	Rear	1	All	A	60
		1	All	C	60/63
C2OZ 2074-A	Rear	1	All except 71	B	62/63
C2OZ 2075-A	Front	1	All	B	62/63
C3OZ 2074-A	Rear	1	71	B	63
CODD 2075-A	Front	1	All	C	60/63
C4DZ 2074-A	Rear	1	All	C	64
C4DZ 2075-A	Front - standard brakes	1	All	C	64
C4GY 2075-A	Front - with bridge - power brakes	1	All	C	64
B9LL 2074-A	Rear	(a) 1	All	D	60
LF 2075-B	Front	(a) 1	All	D	60
C1VV 2074-B	Rear	1	All	D	61/63
C1VV 2075-A	Front	1	All	D	61/64
C4VY 2074-A	Rear - includes connector	1	All	D	64
	34783-S Lockwasher-7/16"-connector to axle assy.	1	a		
	39881-S Screw-tap-1/4"-20 x 1/2"-connector to fender apron L.H.	1	a		
	378426-S Clip	AR	b		
2B074 RING (BRAKE VACUUM BOOSTER BELLOWS WEAR)					
C3TZ 2B074-A	Power brakes	1	All	A	64
2076 FITTING (BRAKE MASTER CYLINDER OUTLET)					
B8S 2076-A	Has (2) holes - use with power brakes	1	All	D	60
2-2076 REFER TO GROUP 2074-5					
2078 HOSE (BRAKE)					
B4AZ 2078-A	Front and rear	3	All	A	60
B9A 2078-A	Front	2	All	A	61/64
AJ 2282-C	Rear	1	All	A	61/64
C2OZ 2078-A	Front	2	All	B	62/63
C2OZ 2282-A	Rear	1	All	B	62/63
B7AZ 2078-A	Front and rear	3	All	C	60/64
	Front	2	All	D	61/64
8A 2078	Rear	1	All	D	60
LF 2078-B	Front	2	All	D	60
C2VY 2282-A	Rear - for 1964 refer to group 2074	1	All	D	61/63
2082 BRACKET (BRAKE HOSE) FRONT					
B9MM 2082-B	R. H.	1	All	A	60
B9MY 2082-A	L. H.	1	All	A	60
COAA 2082-B	R. H.	1	All	A	61/64
COAZ 2082-A	L. H.	1	All	A	61/64
C1SS 2082-C		2	All	B	62/63
CODD 2082-A		(a) 2	All	C	60/64
C1VV 2082-C		2	All	D	61
C2VY 2082-A		2	All	D	62/64
	40953-S Bolt-1/4"-20 x 3/4"	AR	a		
	358360-S Clip	AR	a		

Brakes

GROUP AND PART NUMBER	DESCRIPTION, SIZE, ETC.	NO. REQ'D	MODEL OR ENGINE CUBIC INCH DISPLACEMENT	VEHICLE CODE	YEAR 19__
2091 NUT (PARKING BRAKE EQUALIZER LEVER)					
8A 2091	5/16"-24 - lever to front cable assembly	1	All	A	60/64
2A091 KIT (POWER BRAKE)					
C3AZ 2A091-A		1	All	A	63
C4AZ 2A091-A		1	All	A	64
C3OZ 2A091-A		1	All	B	63
C4DZ 2A091-A	Use on models with automatic transmission	1	All	C	64
2092 COVER (BRAKE ADJUSTING HOLE)					
8A 2092	Front and rear - also serviced in 2A225 kit	4	All	A B C D	60/64
2A094 KIT (BRAKE SHOE HOLD DOWN)					
C1AZ 2A094-B	Rear	2	All	A	61
Consists of the following -					
(8) B7A-2066-A	cup	(4) C1SS-2068-A	spring - hold down	(4) B7A-2069-A	pin
C1AZ 2A094-C	Front	1	71	A	61
Consists of the following -					
(8) B7A-2066-A	cup	(2) TDAA-2068-A	spring - lower	(4) B8E-2069-A	pin
(2) C1SS-2068-A	spring - upper				
C1AZ 2A094-D	Front	1	All except 71	A	61
Consists of the following -					
(8) B7A-2066-A	cup	(2) TDAA-2068-A	spring - lower	(4) B7A-2069-A	pin
(2) C1SS-2068-A	spring - upper				
C2AZ 2A094-B	Front - standard linings	2	71	A	62/64
	Front - fade resistant linings	2	All except 71	A	62/64
Consists of the following -					
(4) B7A-2066-A	cup	(1) C1SS-2068-A	spring - upper	(2) B8E-2069-A	pin
(1) H-2068	spring - lower				
C2AZ 2A094-C	Front and rear - standard linings	4	All except 71	A	62/64
	Rear - standard linings	2	71	A	62/64
	Rear - fade resistant linings	2	All except 71	A	62/64
Consists of the following -					
(4) B7A-2066-A	cup	(1) C1SS-2068-A	spring - upper	(2) B7A-2069-A	pin
(1) H-2068	spring - lower				
B5AZ 2A094-A	Rear - heavy duty brakes	2	All	B	62
Consists of the following -					
(4) B7A-2066-A	cup	(2) H-2068	spring	(2) B7A-2069-A	pin
C3OZ 2A094-A	Rear - standard linings	2	71	B	63
Consists of the following -					
(4) B7A-2066-A	cup	(1) TDAA-2068-A	spring - secondary	(2) B7T-2069-A	pin
(1) H-2068	spring - primary				
C2OZ 2A094-D	Rear - standard linings	2	All except 71	B	62/63
	Use with 260, 289 C. I. D. engines	2	All	C	63/64
Consists of the following -					
(4) B7A-2066-A	cup	(1) TDAA-2068-A	spring - secondary	(2) 8A-2069-A	pin
(1) H-2068	spring - primary				
C2OZ 2A094-E	Front - standard linings	2	All	B	62/63
	Front and rear - fade resistant linings	4	All except 71	B	63
	Front - standard linings - use with 260, 289 C. I. D. engines	2	All	C	63/64
Consists of the following -					
(4) B7A-2066-A	cup	(1) TDAA-2068-A	spring - secondary	(2) B7A-2069-C	pin
(1) H-2068	spring - primary				

CONTINUED ON NEXT PAGE

Brakes

GROUP AND PART NUMBER	DESCRIPTION, SIZE, ETC.	NO. REQ'D	MODEL OR ENGINE CUBIC INCH DISPLACEMENT	VEHICLE CODE	YEAR 19__
2A094 KIT (BRAKE SHOE HOLD DOWN) CONTINUED					
CODZ 2A094-A	Front and rear - use with 144, 170 and 200 C. I. D. engines on vehicles built prior to 2-3-64	2	All	C	60/64
Consists of the following -					
(4) CODD-2066-A	retainer		(4) CODD-2068-A	spring	
C4DZ 2A094-A	Front and rear - use with 170, 200 C. I. D. engines on vehicles built after 2-2-64	4	All	C	64
Consists of the following -					
(2) B7A-2066-A	retainer		(1) C4DZ-2068-B	spring	
(1) C4DZ-2068-A	spring		(2) 8A-2069-A	pin	
2106 RETAINER (REAR PARKING BRAKE LEVER PIN)					
91A 2106		2	All	A B C D	60/64
2107 PIN (PARKING BRAKE LEVER)					
AJ 2107-A		1	All except 76	B C	60/63
		1	All	C	64
2128 KIT (REAR WHEEL BRAKE CYLINDER REPAIR)					
COMY 2128-A		2	All	A	60
Consists of the following -					
(2) COMM-2201-A	cup		(2) 96H-2206	boot	
C3AZ 2128-A	7/8" - use with fade resistant linings	2	All	A	61
Consists of the following -					
(2) C3AA-2201-A	cup		(2) 96H-2206	boot	
COLY 2128-A		2	All	A	61/62
Consists of the following -					
(2) C2VY-2201-A	cup		(2) 96H-2206	boot	
C3OZ 2128-A	15/16" diameter	2	All	A D	63/64
	Use with 260, 289 C. I. D. engine built after 5-14-63	2	71	B	63
		2	59, 71	C	63/64
Consists of the following -					
(2) C3OZ-2201-B	cup		(2) 96H-2206	boot	
C3OZ 2128-C	27/32" diameter	2	All except 71	B	63
Consists of the following -					
(2) C3OZ-2201-F	cup		(2) 96H-2206	boot	
C3OZ 2128-B	29/32" diameter - standard linings	2	All	B	62
	Use with fade resistant linings on vehicles built prior to 2-15-62	2	All	B	62
	Use with 260 C. I. D. engine built prior to 5-15-63	2	All except 71	B	63
	Use with 260, 289 C. I. D. engines built after 5-14-63	2	All	C	63
		2	All except 59, 71	C	63/64
Consists of the following -					
(2) C3OZ-2201-E	cup		(2) 96H-2206	boot	
C2OZ 2128-C	27/32" - use with fade resistant linings on vehicles built after 2-14-62	2	All	B	62
Consists of the following -					
(2) C2OZ-2201-E	cup		(2) 96H-2206	boot	
CODZ 2128-A	Use with 144, 170 C. I. D. engines	2	54, 62	C	60/63
	Use with 170, 200 C. I. D. engines	2	54, 62, 63	C	64
Consists of the following -					
(2) CODD-2201-A	cup		(2) CODD-2206-A	boot	

CONTINUED ON NEXT PAGE

Brakes

GROUP AND PART NUMBER	DESCRIPTION, SIZE, ETC.	NO. REQ'D	MODEL OR ENGINE CUBIC INCH DISPLACEMENT	VEHICLE CODE	YEAR 19__
2128 KIT (REAR WHEEL BRAKE CYLINDER REPAIR) CONTINUED					
CODZ 2128-B	Use with 144, 170 and 200 C.I.D. engines	2	59, 71, 76	C	60/64
Consists of the following -					
(2) CODD-2202-B	cup (2) CODD-2206-A boot				
COLY 2128-A		2	All	D	60/62
Consists of the following -					
(2) C2VY-2201-A	cup (2) 96H-2206 boot				
2B130 GUIDE (BRAKE BOOSTER BODY PISTON)					
C4DZ 2B130-A	Power brakes - 1.52" I.D. x 2.00" O.D	1	All	C	64
2B131 RETAINER (BRAKE BOOSTER BODY PISTON GUIDE)					
C4DZ 2B131-A	Power brakes - 1.61" I.D.	1	All	C	64
2B132 STOP (BRAKE BOOSTER CONTROL VALVE PISTON)					
C4DZ 2B132-A	Power brakes	1	All	C	64
2133 NUT (BRAKE TUBE)					
AD 2133-A		1	All	A	60/64
2140 CYLINDER (BRAKE MASTER)					
COAZ 2140-B	Power brakes - 1" diameter	1	All	A	60/61
C3AZ 2140-A	Power brakes - less push rod - 1" diameter	1	All	A	63
C2AZ 2140-A	Power brakes - less push rod	1	All	A B	62
C1SZ 2140-A	Power brakes - less push rod - 1" diameter	1	All	A C	64
C3AZ 2140-B	Standard brakes - less push rod - 1" diameter - (a) use on vehicles built prior to 12-10-63	1	All	A B C	60/64
C4AZ 2140-B	Standard brakes - less push rod - 1" diameter - (b) use on vehicles built after 12-9-63	1	All	A C	64
C3OZ 2140-A	Power brakes - less push rod - 1" diameter	1	All	B	63
C1VY 2140-B	Less push rod	1	All	D	61/64
	20448-S Bolt-hex. hd. -3/8"-16 x 1-3/8"	2	b		
	33798-S Nut-hex. lock-5/16"-24	2	a		
	34941-S NS-washer-external tooth lock-5/16"	2	a		
	87970-S NS-fitting-flared tube-3/16"-24	1	a		
	351487-S Washer-external tooth lock-3/8"	2	b		
2143 ROD (BRAKE MASTER CYLINDER PUSH)					
B9MM 22145-A	Standard brakes (a)	1	All	A	60
B9MM 2143-A	Power brakes	1	All	A	60/61
C4AZ 2143-A	Standard brakes - 6" long	1	All	A	64
COAZ 2143-A	Standard brakes	1	All	A B	61/63
CODD 2143-A		1	All	C	60/64
B9LL 2143-A	Power brakes - use with 5-1/4" diameter booster	1	All	D	60
C1VV 2143-A		1	All	D	61/63
C4VY 2143-A		1	All	D	64
	34420-S8 Nut-lock-3/8"-24	1	a		
2145 SPRING & RETAINER (MASTER CYLINDER RETURN)					
8A 2145-A	Standard brakes	1	All	A B C	60/62
C3AZ 2145-A	Use on vehicles built prior to 12-10-63	1	All	A B C	63/64
C4AZ 2145-A	Use on vehicles built after 12-9-63	1	All	A C	64
C1VV 2145-A		1	All	D	61/63
2-2145 REFER TO GROUP 2143					

Brakes

GROUP AND PART NUMBER	DESCRIPTION, SIZE, ETC.	NO. REQ'D	MODEL OR ENGINE CUBIC INCH DISPLACEMENT	VEHICLE CODE	YEAR 19__
2149 GASKET (BRAKE LINE CONNECTOR)					
8M 2149	Copper - 25/64" I.D. x 5/8" O.D. x 1/16" thick (2) req'd. - to attach hose assembly to cylinder assembly (1) req'd. - to attach hose assembly to connector (1) req'd. - for master cylinder outlet fitting gasket on 1960-61 Comet vehicles only	3	All	A B C D	60/64
2A150 BUSHING (BRAKE BOOSTER LOWER)					
B9MM 2A150-A	Power brakes	2	All	A	60/61
2A151 BUMPER (BRAKE BOOSTER BODY PISTON)					
B9MM 2A151-A	Power brakes - also serviced in 2A154 kit	1	All	A	60/61
		1	All	D	61/64
2152 GASKET (CYLINDER INLET & OUTLET)					
LA 2152-A	Master cylinder outlet - 7/8" I.D. x 1-1/16" O.D. - also serviced in 2A154 kit - use with power brakes	1	All	D	60
91T 2154-A	Front - 1/2" I.D. x 45/64" O.D. outlet fitting	2	All	D	60/61
2154 REFER TO GROUP 2152					
2A154 KIT (BRAKE BOOSTER GASKET & SEAL REPAIR)					
COLY 2A154-A	Power brakes	1	All	D	60
Consists of the following -					
(1) LA-2152-A	seal	(1) LA-22163-A	gasket	(1) LA-22354-A	stem
(1) LE-2178-A	valve	(1) LA-22165-A	retainer	(1) MG-22411-A	seal
(1) B9KK-2384-A	seal	(1) B9MM-22296-A	diaphragm	(1) LD-22493-A	gasket
(1) 59T-2437-A	seal	(1) B9KK-22298-A	bumper	(1) B9LL-22501-A	filter
(1) LA-22160-A	cup	(1) MG-22301-A	poppet	(1) 4050158	seal
(1) LA-22161-A	washer				
C1VY 2A154-A	Power brakes	1	All	D	61/64
Consists of the following -					
(1) B9MM-2A151-A	bumper	(1) C1VV-2A346-A	filter	(1) B9MM-22296-A	diaphragm
(1) B9MM-2180-A	boot	(1) C1VV-2A348-A	gasket	(1) B9MM-22300-A	bumper
(1) B9AZ-2A319-A	seal	(1) B9MM-2493-A	gasket	(1) B9MM-22301-A	poppet
2155 BODY (BRAKE MASTER CYLINDER)					
LF 2155-A	Use with power brakes	1	All	D	60
2-2157 FITTING (BRAKE MASTER CYLINDER RESERVOIR)					
LA 22157-A	7/8"-14 x 15/32" - use with power brakes	1	All	D	60
2A157 SPRING (BRAKE BOOSTER CONTROL VALVE RETURN)					
C2AZ 2A157-A	Self-contained reservoir - also serviced in 2309 kit	1	All	A B	61/64
B9AA 2A157-A	Power brakes	1	All	A	60/61
		1	All	D	61/64
C4DZ 2A157-A	Power brakes	1	All	C	64
B9LY 2A157-A	Power brakes - use with 5-1/4" diameter booster	1	All	D	60
2A158 PLATE (BRAKE BOOSTER BODY PISTON)					
B9AA 2A158-A	Front - power brakes	1	All	A	60
C1AA 2A158-A	Front - power brakes	1	All	A	61
		1	All	D	61/64
COLL 2A158-A	Front - power brakes - use with 5-1/4" diameter booster	1	All	D	60

Brakes

GROUP AND PART NUMBER	DESCRIPTION, SIZE, ETC.	NO. REQ'D	MODEL OR ENGINE CUBIC INCH DISPLACEMENT	VEHICLE CODE	YEAR 19__
2-2159 RETAINER (BRAKE MASTER CYLINDER PLUNGER SEAL)					
B9KK 22159-A	Power brakes - use with 5-1/4" diameter booster - plastic	1	All	D	60
B9KK 22159-B	Power brakes - use with 5-1/4" diameter booster - bronze	1	All	D	60
2-2160 SEAL (BRAKE MASTER CYLINDER PLUNGER)					
LA 22160-A	Power brakes - use with 5-1/4" diameter booster - also serviced in 2A154 kit	1	All	D	60
2-2161 WASHER (BRAKE MASTER CYLINDER PLUNGER SEAL BACK)					
LA 22161-A	Also serviced in 2A154 kit - use with power brakes	1	All	D	60
2162 CAP (BRAKE MASTER CYLINDER FILLER)					
C2SZ 2162-A	Chrome	1	406, 427	A	63
	Also serviced in C4AZ-6980-A engine dress-up kit	1	390-2V, 390-4V, 427	A	64
C5ZZ 2162-A	(2) mounting hole master cylinder - 2.87" O.D. x 1.34" high	1	All	A B	60/63
		1	390	A	64
		1	All	C	60/64
		1	All	D	61/64
B9LY 2162-A	Power brakes - use with 5-1/4" diameter booster	1	All	D	60
2-2162 SNAP RING (BRAKE MASTER CYLINDER PLUNGER RETAINING)					
LA 22162-A	Use with power brakes	1	All	D	60
2-2163 GASKET (BRAKE MASTER CYLINDER RESERVOIR COVER)					
LA 22163-A	Neoprene - also serviced in 2A154 kit - use with power brakes	1	All	D	60
2-2164 SPRING (BRAKE MASTER CYLINDER COMPENSATING PORT)					
LA 22164-A	Use with power brakes	1	All	D	60
2-2165 RETAINER (BRAKE MASTER CYLINDER COMPENSATING PORT SPRING)					
LA 22165-A	Also serviced in 2A154 kit - use with powerbrakes	1	All	D	60
2-2166 COVER (BRAKE MASTER CYLINDER RESERVOIR)					
LF 22166-A	Use with power brakes	1	All	D	60
2167 GASKET (BRAKE MASTER CYLINDER FILLER CAP)					
C5ZZ 2167-A	Rubber - 2.87" O.D.	1	All	A B C	60/64
		1	All	D	61
		1	All	D	63/64
2A175 REFER TO GROUP 2240					
2A176-7 LEVER (BRAKE SHOE ADJUSTING)					
COLL 2A176-A	R. H. - front and rear - automatic brake adjuster	2	All	A B D	60/64
	Use with 260, 289 C.I.D. engines	2	All	C	63/64
COLL 2A177-A	L. H. - front and rear - automatic brake adjuster	2	All	A B D	60/64
	Use with 260, 289 C.I.D. engines	2	All	C	63/64
C3DZ 2A176-B	R.H. - front and rear - use with 144,170,200 C.I.D. engines	2	All	C	63/64
C3DZ 2A177-B	L.H. - front and rear - use with 144,170,200 C.I.D. engines	2	All	C	63/64

Brakes

GROUP AND PART NUMBER	DESCRIPTION, SIZE, ETC.	NO. REQ'D	MODEL OR ENGINE CUBIC INCH DISPLACEMENT	VEHICLE CODE	YEAR 19__
2178 VALVE (BRAKE MASTER CYLINDER OUTLET CHECK)					
B9KK 2178-A	Power brakes - use with 5-1/4" diameter booster	1	All	D	60
2A178 CABLE (BRAKE SHOE ADJUSTING LEVER)					
C1SS 2A178-A	Automatic brake adjuster	4	All	A	60/64
		4	All	D	60/62
C2OZ 2A178-A	Automatic brake adjuster	4	All	B	62/63
	Use with 260, 289 C. I. D. engines	4	All	C	63/64
C3DZ 2A178-A	Automatic brake adjuster - use with 144, 170 and 200 C. I. D. engines	4	All	C	63/64
C3SZ 2A178-A	Automatic brake adjuster	4	All	D	63/64
2A179 GUIDE (BRAKE SHOE ADJUSTING LEVER CABLE)					
C1SS 2A179-A	Automatic brake adjuster (a)	4	All	A B D	60/64
	Use with 260 C. I. D. engine	4	All	C	63
		4	All	C	64
351467-S	Washer-.38" I. D. x .78" O. D.	4	a		
2180 BOOT (BRAKE MASTER CYLINDER)					
C1AA 2180-A	Power brakes - self-contained reservoir - also serviced in 2309 kit	1	All	A B	61/63
B9MM 2180-A	Power brakes - also serviced in 2A154 kit	1	All	A	60/61
		1	All	D	61/64
OA 2180	Standard brakes - also serviced in 2004 kit	1	All	A B C	60/64
C4DZ 2180-A	Power brakes - also serviced in 2309 kit	1	All	C	64
PB8L 2180-A	Power brakes	1	All	D	60
2183 SPRING (BRAKE MASTER CYLINDER OUTLET VALVE)					
LA 2183-A	15/32" diameter - use with power brakes	1	All	D	60
2A185 VALVE (BRAKE BOOSTER CHECK)					
B9AZ 2A185-A	Power brakes	1	All	A	60
C1SS 2A185-A	Power brakes	1	All	A	61
C1AA 2A185-A	Power brakes - self-contained reservoir - also serviced in 2309 kit	1	All	A B	61/64
B9LY 2A185-A		1	All	D	60/64
2A188 SPACER (BRAKE PEDAL)					
B8LY 2A188-A	3/8" I. D. x 5/8" O. D. x 3-51/64" long	2	All	D	60/62
		1	All	D	63/64
2194-7 PISTON (WHEEL BRAKE CYLINDER)					
B9MM 2197-A	Rear - 29/32" diameter	4	All	A	60
8A 2197-A	Rear - 7/8" diameter	4	All	A	61
AJ 2196-A	Front - 1-1/8" diameter	4	All	A	60
	Front with standard linings	4	All	B	62
	Front - use with fade resistant linings on vehicles built prior to 2-15-62	4	All	B	62
8C 2196-A	Front - 1-1/16" diameter - use with fade resistant linings on vehicles built after 2-14-62	4	All	B	62
COLL 2196-A	Front - 1-3/32" diameter	4	All	A	61/64
		4	All	D	60/64
C3OZ 2196-D	Rear - 15/16" diameter	4	All	A D	60/64
	Rear - standard linings	4	71	B	63
	Use with 260, 289 C. I. D. engines built after 5-14-63	4	59, 71	C	63/64
CONTINUED ON NEXT PAGE					

Brakes

GROUP AND PART NUMBER	DESCRIPTION, SIZE, ETC.	NO. REQ'D	MODEL OR ENGINE CUBIC INCH DISPLACEMENT	VEHICLE CODE	YEAR 19__
2194-7 PISTON (WHEEL BRAKE CYLINDER) CONTINUED					
B9S 2197-A	Rear - 29/32" diameter - standard linings Use with fade resistant linings on vehicles built prior to 2-15-62	4	All	B	62
C3OZ 2196-E	Rear - 27/32" diameter - use with fade resistant linings on vehicles built after 2-14-62	4	All	B	62
		4	All except 71	B	63
C3OZ 2196-B	Front - 1-1/16" diameter - fade resistant linings	4	All except 71	B	63
C3OZ 2196-A	Front - 1-1/8" diameter - standard linings Use with 260 and 289 C.I.D. engines	4	All	B	63
		4	All	C	63/64
C3OZ 2196-C	Rear - 29/32" diameter - standard linings Use with 260 C.I.D. engine built prior to 5-15-63 Use with 260, 289 C.I.D. engines built after 5-14-63	4	All except 71	B	63
		4	All	C	63
		4	All except 59, 71	C	63/64
CODD 2194-A	Front - use on vehicles built prior to 3-1-62	4	All	C	60/62
C2DZ 2196-A	Front - use on vehicles built after 2-28-62 Use with 144, 170 and 200 C.I.D. engines	4	All	C	62
		4	All	C	63/64
CODD 2194-C	Rear - use with 144, 170, 200 C.I.D. engines	4	59, 71, 76	C	60/64
CODD 2195-A	Rear - use with 144 and 170 C.I.D. engines Use with 170, 200 C.I.D. engines	4	54, 62	C	60/63
		4	54, 62, 63	C	64

2200 REFER TO GROUP 2001

2A200 KIT (PISTON PACKING POWER BRAKES)					
B9AZ 2A200-A		1	All	A	60/61
		1	All	D	61/64
Consists of the following -					
(1) B9MM-2A019-A	expander	(1) B9MM-2356-A	packing	(1) B9MM-22381-A	hose
(1) TBAD-2348-A	felt				
MHK 22356-A	Power brakes - use with 5-1/4" diameter booster -	1	All	D	60
Consists of the following -					
(1) MG-2348-A	felt	(1) MG-2357-A	ring	(1) MG-22381-A	hose
(1) MC-2356-A	packing				

2201-2 CUP (WHEEL BRAKE CYLINDER PISTON)					
COMM 2201-A	Rear - also serviced in 2128 kit	4	All	A	60
COMM 2202-A	Front - also serviced in 2221 kit	4	All	A	60
C3AZ 2201-B	Rear - 7/8" diameter - also serviced in 2128 kit - heavy duty	4	All	A	61
COLL 2202-A	Front - 1-3/32" diameter - also serviced in 2221 kit	4	All	A	61
		4	All	D	60/61
C2VY 2201-A	Rear - 15/16" diameter - also serviced in 2128 kit	4	All	A D	62
C3AZ 2201-A	Front - 1-3/32" diameter - also serviced in 2221 kit	4	All	A D	62/64
C3OZ 2201-B	Rear - 15/16" diameter - also serviced in 2128 kit Standard lining Use with 260, 289 C.I.D. engines built after 5-14-63	4	All	A D	63/64
		4	All	A	61
		4	71	B	63
		4	59, 71	C	63/64
		4	All	D	60/61
C2OZ 2201-A	Front - also serviced in 2221 kit - standard lining Front - 1-1/8" diameter - use with fade resistant lining on vehicles built prior to 2-15-62	4	All	B	62
		4	All	B	62

CONTINUED ON NEXT PAGE

Brakes

GROUP AND PART NUMBER	DESCRIPTION, SIZE, ETC.	NO. REQ'D	MODEL OR ENGINE CUBIC INCH DISPLACEMENT	VEHICLE CODE	YEAR 19__
2201-2 CUP (WHEEL BRAKE CYLINDER PISTON) CONTINUED					
C1DD 2202-A	Front - also serviced in 2221 kit	4	All	C	60/62
	Front - 1-1/16" diameter - use with fade resistant lining on vehicles built after 2-14-62	4	All	B	62
C2OZ 2201-C	Rear - also serviced in 2128 kit - standard lining	4	All	B	62
	Rear - 29/32" diameter - use with fade resistant lining on vehicles built prior to 2-15-62	4	All	B	62
C2OZ 2201-E	Rear - 27/32" diameter - use with fade resistant lining on vehicles built after 2-14-62 - also serviced in 2128 kit	4	All	B	62
C3OZ 2201-A	Front - 1-3/32" diameter - standard lining	4	71	B	63
C3OZ 2201-F	Rear - 27/32" diameter - use with fade resistant lining - also serviced in 2128 kit	4	All except 71	B	63
C3OZ 2201-C	Front - 1-1/8" diameter - use with standard lining - also serviced in 2221 kit	4	All	B	63
C3OZ 2201-D	Use with 260 and 289 C.I.D. engines	4	All	C	63/64
	Front - 1-1/16" diameter - use with fade resistant lining - also serviced in 2221 kit	4	All except 71	B	63
C3OZ 2201-E	Front - use with 144, 170 and 200 C.I.D. engines	4	All	C	63/64
	Rear - 29/32" diameter - use with standard lining - also serviced in 2128 kit	4	All except 71	B	63
C3OZ 2201-E	Use with 260 C.I.D. engine built prior to 5-15-63	4	All	C	63
	Use with 260, 289 C.I.D. engines built after 5-14-63	4	All except 59, 71	C	63/64
C3OZ 2201-E	Rear - also serviced in 2128 kit - use with 144, 170 C.I.D. engines	4	54, 62	C	60/63
	Use with 170, 200 C.I.D. engines	4	54, 62, 63	C	64
C3OZ 2201-E	Rear - also serviced in 2128 kit	4	59, 71, 76	C	60/63
	Use with 170 and 200 C.I.D. engines	4	71, 76	C	64
2204-5 SPRING (WHEEL BRAKE CYLINDER PISTON RETURN)					
AOA 2204-A	Rear wheel - 1"	2	All	A B D	60/64
	Use with 144, 170 and 200 C.I.D. engines	2	59, 71, 76	C	60/64
	Use with 260 and 289 C.I.D. engines	2	All	C	63/64
AOA 2205-A	Front wheel - 1-1/8"	2	All	A B C D	60/62
		2	All	A C D	63/64
C2OZ 2204-A	Front	2	All	B	62/63
	Use with 260 and 289 C.I.D. engines	2	All	C	63/64
C3OZ 2204-A	Rear - use with 144 and 170 C.I.D. engines	2	54, 62	C	60/63
	Use with 170 and 200 C.I.D. engines	2	54, 62, 63	C	64
2206-7 BOOT (BRAKE WHEEL CYLINDER)					
96H 2206	Front and rear - also serviced in 2128 and 2221 kits	8	All	A B D	60/64
	Use with 260 and 289 C.I.D. engines	8	All	C	64
C3OZ 2206-A	Rear - also serviced in 2128 kit	4	71	C	60
		4	All	C	61/63
	Use with 170 and 200 C.I.D. engines	4	All	C	64
C3OZ 2207-A	Front - also serviced in 2221 kit	4	All	C	60/63
	Use with 170 and 200 C.I.D. engines	4	All	C	64
	Rear	4	54, 62	C	60
2208 SCREW (BRAKE WHEEL CYLINDER BLEEDER)					
8M 2208	Front and rear - 3/8"-24 x 1-3/16" overall length	4	All	A D	60/64
	Master cylinder bleeder with power brakes	1	All	A B	62/64
CODZ 2208-A	Front and rear	4	All	B C	60/64

Brakes

GROUP AND PART NUMBER	DESCRIPTION, SIZE, ETC.	NO. REQ'D	MODEL OR ENGINE CUBIC INCH DISPLACEMENT	VEHICLE CODE	YEAR 19__
2211-2	REFER TO GROUP 2012-5				
2221	KIT (FRONT WHEEL BRAKE CYLINDER REPAIR)				
COMY 2221-A	1-1/8" diameter -	2	All	A	60
Consists of the following -					
(2) COMM-2202-A	cup (2) 96H-2206 boot				
COLY 2221-A	1-3/32" diameter -	2	All	A	61
		2	All	D	60/61
Consists of the following -					
(2) COLL-2202-A	cup (2) OM-2207-A boot				
C3AZ 2221-A	1-3/32" diameter -	2	All	A D	62/64
Consists of the following -					
(2) C3AZ-2201-A	cup (2) 96H-2206 boot				
C2OZ 2221-B	1-1/8" diameter - standard linings	2	All	B	62
	Use with fade resistant linings on vehicles built prior to 2-15-62	2	All	B	62
Consists of the following -					
(2) C2OZ-2201-A	cup (2) 96H-2206 boot (2) B8E-2207-A boot				
C3OZ 2221-C	1-1/16" diameter - use with fade resistant linings on vehicles built after 2-14-62	2	All except 71	B	62/63
Consists of the following -					
(2) C3OZ-2201-D	cup (2) 96H-2206 boot				
C3OZ 2221-B	1-1/8" diameter - standard linings	2	All	B	63
	Use with 260 and 289 C.I.D. engines	2	All	C	63/64
Consists of the following -					
(2) C3OZ-2201-C	cup (2) 96H-2206 boot				
C1DZ 2221-A	Use with 144, 170 and 200 C.I.D. engines	2	All	C	60/64
Consists of the following -					
(2) C3OZ-2201-D	cup (2) CODD-2207-A boot				
2222	REFER TO GROUP 2007				
2A225	KIT (BRAKE SPRING REPAIR)				
COMY 2A225-A		1	All	A	60
Consists of the following -					
(2) COMM-2035-A	spring (8) COMM-2068-C spring (8) MG-2069-A pin - front cover				
(2) COMM-2036-A	spring (8) LA-2069-A pin - rear (2) 8A-2092 cover				
(16) B7A-2066-A	cup				
COLY 2A225-A	Axle set	1	All	D	60
Consists of the following -					
(4) B5A-2035-A	spring - rear (16) B7A-2066-A cup (8) LF-2069-A pin				
(4) COLL-2035-A	spring - front (8) COLL-2068-A spring (2) 8A-2092 cover				
2A231	RIM (BRAKE PEDAL PAD)				
C1MM 2A231-A	Power brakes - use with 2454 brake pedal pad Automatic transmission	1	All	A	61/62
		1	All except 65C, 75C, 76B	A	63
		1	All except 57C, 63C, 65C, 75C, 76B	A	64
2A238	VALVE (BRAKE BOOSTER CONTROL)				
C4AZ 2A238-A	Self-contained reservoir	1	All	A	64
C1AA 2A238-A	Self-contained reservoir - also serviced in 2309 kit	1	All	A B	61/63
COLL 2A238-B		1	All	D	60

Brakes

GROUP AND PART NUMBER	DESCRIPTION, SIZE, ETC.	NO. REQ'D	MODEL OR ENGINE CUBIC INCH DISPLACEMENT	VEHICLE CODE	YEAR 19_____
2240 BAFFLE (WHEEL BRAKE GREASE)					
C2OZ 2240-A	Front	2	All	B	62/63
	Use with 260 and 289 C.I.D. engines (a, c)	2	All	C	63/64
B8LY 2A175-A	Front	2	All	D	60
C1AZ 2240-A	Front (b, c)	2	All	D	61/64
34449-S	Nut-lock-1/2"-20	AR	b		
357629-S	Washer-lock-3/8"	AR	a		
372116-S	Nut-hex.lock-3/8"-24	AR	c		
373839-S	Bolt-serrated-hex.hd.-1/2"-20 x 1.38"	AR	b		
374055-S	Bolt-T-hd.-3/8"-24 x 1.19"	AR	c		
375381-S	Bolt-T-hd.-3/8"-24 x 2.18"	AR	a		
2244 CLIP (BRAKE LINE)					
8M 2244	Attaches 2267 tube to rear axle	3	All	A	60
	(a)	4	All	D	60/64
354900-S8	Front brake-R. H. to frame assy. and rear brakes to tube assy.	4	a		
2248 BOLT (REAR AXLE HOUSING)					
C2AZ 2248-A	Use with large wheel bearing	8	All	A	60/63
	Backing plate - use with fade resistant lining - ☆Standard linings on model 71	(a) 8	All☆	A	64
	Use with standard and P/L differential	8	All	D	60
C1VV 2248-B	.43" x 20 x 1.09" (a)	8	All	D	61/64
34447-S	Nut-hex.lock-7/16" x 20	8	a		
2A248 BRACKET (BRAKE BOOSTER MOUNTING)					
C4DZ 2A248-A	Power brakes	1	All	C	64
2-2252 CLAMP (BRAKE RESERVOIR OUTLET HOSE TO BOOSTER)					
AD 22252-A	(1) hose brake reservoir to booster tube and tube brake reservoir to booster	AR	All	A	60
	(1) hose brake reservoir to booster tube and booster assembly brake				
	Also used on P/S	4	All	D	60
2261-2 REFER TO GROUP 2061-2					
2263-4 TUBE (BRAKE)					
	NS-R.H. - front wheel brake - 3/16" O.D. x 47" long - cut from 8C-2269-B	1	All	A	60
	NS-L.H. - front wheel brake - 3/16" O.D. x 12-1/2" long - cut from 8C-2269-B	1	All	A	60
	NS-rear brake tube connector to rear hose - 3/16" O.D. x 122" long - cut from 8C-2269-B	1	All	A	60
	NS-R.H. - rear wheel brake - 3/16" O.D. x 49" long - cut from 8C-2269-B	1	All	A	60
	NS-L.H. - rear wheel brake - 3/16" O.D. x 15-1/4" long - cut from 8C-2269-B	1	All	A	60
	NS-R.H. - master cylinder to front wheel brake - power brakes - 3/16" O.D. x 65" long - cut from 8C-2269-B (a)	1	All	D	60
	NS-rear brake tube connector to rear hose - 3/16" O.D. x 196" long - cut from 8C-2269-B	1	All	D	60
CONTINUED ON NEXT PAGE					

Brakes

GROUP AND PART NUMBER	DESCRIPTION, SIZE, ETC.	NO. REQ'D	MODEL OR ENGINE CUBIC INCH DISPLACEMENT	VEHICLE CODE	YEAR 19__
2263-4 TUBE (BRAKE) CONTINUED					
	NS-R.H. - rear wheel brake 3/16" O.D. x 43" long - cut from 8C-2269-B	1	All	D	60
	NS-L.H. - rear wheel brake 3/16" O.D. x 19" long - cut from 8C-2269-B	1	All	D	60
	NS-L.H. - front - 3/16" O.D. x 13" long - cut from 8C-2269-B	1	All	D	61
39881-S8	Screw-tap. - 1/4"-20 x 1/2"	1	a		
87942-S36	Nut-tube fitting-3/8"-24 (1) req'd. - to attach tube assy. to connector (1) req'd. - to attach tube assy. to hose assy.	1	a		
358277-S	Grommet-anti-rattle-for tube assy.	1	a		
2-2264 TUBE (BRAKE MASTER CYLINDER TO CONNECTOR)					
	NS-standard brakes - 3/16" x 20" - cut from 8C-2269-B	1	All except 57F, 63F, 76D	A	60
	NS-power brakes - 3/16" x 18" long - cut from 8C-2269-B	1	All	A	60
	NS-master cylinder to connector - 3/16" O.D. x 20" long - cut from 8C-2269-B	1	All	D	60
2269 TUBE (BRAKE & FUEL LINE)					
8C 2269-A	5/16" O.D. - 25 ft. roll - steel	AR	All	A B C D	60/64
8C 2269-B	3/16" O.D. - 25 ft. roll - steel	AR	All	A B C D	60/64
8QH 2269-A	3/8" O.D. - 25 ft. roll - copper	AR	All	A B C D	60/64
8QH 2269-B	1/2" O.D. - 25 ft. roll - copper	AR	All	A B C D	60/64
91A 2269	1/4" O.D. - 25 ft. roll - steel	AR	All	A B C D	60/64
B7Q 2269-A	3/8" O.D. - 25 ft. roll - steel	AR	All	A B C D	60/64
8QH 2269-C	5/8" O.D. - 15 ft. roll - copper	AR	All	A C D	64
2276 BOLT (REAR BRAKE CYLINDER CONNECTION)					
91T 2276	1/2"-20 x 1-1/8"	1	All	D	60
2A281 CONNECTOR (MASTER CYLINDER TO REAR HOSE)					
C1VV 2A281-A		1	All	D	61/64
2282	REFER TO GROUP 2078				
2289 CLEVIS (PARKING BRAKE CABLE EQUALIZER)					
MK 2289-A		1	All	A	60
2296	REFER TO GROUP 2035-6				
2-2296 DIAPHRAGM (BRAKE BOOSTER POPPET)					
B9MM 22296-A	Also serviced in 2A154 kit	1	All	A	60/61
	Power brakes	1	All	D	60/64
2-2297 RETAINER (BRAKE BOOSTER DIAPHRAGM POPPET)					
MG 22297-A		1	All	A	60/61
	Power brakes	1	All	D	60/64
2-2298 BUMPER (BRAKE BOOSTER CONTROL VALVE)					
B9KK 22298-A	Power brakes	1	All	D	60
2-2300 BUMPER (BRAKE BOOSTER MASTER CYLINDER PLUNGER)					
B9MM 22300-A	Also serviced in 2A154 kit	1	All	A	60/61
		1	All	D	61/64

Brakes

GROUP AND PART NUMBER	DESCRIPTION, SIZE, ETC.	NO. REQ'D	MODEL OR ENGINE CUBIC INCH DISPLACEMENT	VEHICLE CODE	YEAR 19__
2-2301 POPPET (BRAKE BOOSTER DIAPHRAGM)					
B9MM 22301-A	Also serviced in 2A154 kit	1	All	A	60/61
		1	All	D	61/64
MG 22301-A	Power brakes - also serviced in 2A154 kit	1	All	D	60
2-2304 PLATE (BRAKE BOOSTER DIAPHRAGM)					
MG 22304-A	Power brakes	1	All	A	60/61
		1	All	D	60/64
2309 KIT (POWER BRAKE BOOSTER MAJOR REPAIR)					
COAZ 2309-A	Use with all boosters except self-contained reservoir type	1	All	A	60/61
Consists of the following -					
(1) 8A-2145-A	spring and retainer	(1) B9MM-2180-A	boot - valve rod	(1) B9MM-22300-A	disc - reaction poppet
(1) COAA-2167-B	gasket - filler cap	(1) B9MM-2493-A	gasket - master cyl.	(1) B9MM-22301-A	poppet
(1) COAA-2169-A	piston - master cyl.	(1) TAAK-7821-A	retainer	(1) B9MM-22411-A	seal - valve rod
(1) FAA-2173-A	cup - primary	(1) AJ-22179-A	seat - check valve	(1) B9MM-22501-A	filter - air cleaner
(1) AJ-2178-A	check valve	(1) B9MM-22296-A	diaphragm - poppet		
C4AZ 2309-A	Self contained reservoir	1	All	A	64
Consists of the following -					
(1) C4AA-2B013-A	man. assy.	(1) C1AA-2A319-B	block vee	(2) C3TA-2A386-A	bushing
(1) COAA-2A021-A	boot	(1) C3TA-2A346-A	air filter	(2) C4AA-2525-A	clip
(1) C3TA-2B073-A	grommet	(1) C4AA-2A365-A	diaph. assy.	(1) C4AA-2525-B	clip
(1) C3TA-2B074-A	bellows protector	(1) C4AA-2366-A	bellows	(1) 87006-S93	"o" ring
(1) C3AA-2A157-A	spring	(1) C4AA-2A366-A	reaction ring (orange)	(1) 87018-S93	"o" ring
(1) C1AA-2180-A	boot	☆ (1) C4SZ-2A366-A	reaction ring (yellow)	(1) 87061-S93	"o" ring
(1) C1AA-2A238-A	valve assy.	(1) C4AA-2A369-A	adaptor assy.	(1) 375284-S	ret. load ring
(1) C1AA-2A319-A	block vee	(1) C1AA-2A370-A	retainer	(1) 376417-S	ret. push rod
☆ Not used on 1964 Mercury					
C2OZ 2309-C	Self-contained reservoir	1	All	A B	61/63
Consists of the following -					
(1) C3TZ-2B014-A	bushing assembly	(1) C1AA-2A365-A	diaphragm	(2) C1AA-2A386-A	bushing
(1) COAA-2A021-A	boot (Mercury)	(1) C2AZ-2366-A	bellows	(1) C2AZ-2525-A	clip (Mercury)
(1) C2AZ-2A157-A	spring	(1) C1AA-2A366-A	bumper	(2) C2AZ-2525-B	clip (Mercury)
(1) C1AA-2180-A	boot	(1) C1AA-2A367-A	bushing	(1) 87006-S93	seal "o" ring
(1) C1AA-2A185-A	valve - check	(1) C1AA-2A368-A	snap ring	(1) 87018-S93	seal "o" ring
(1) C1AA-2A238-A	valve assembly	(1) C1AA-2A370-A	retainer	(1) 87132-S93	seal "o" ring
(1) C1AA-2A319-A	seal - outer	(1) C1AA-2A371-A	ring	(1) 375284-S	retainer - ring
(1) C1AA-2A319-B	seal - inner	(1) C1AA-2A372-A	retainer	(2) 375476-S	washer-flat-7/8"
(1) C1AA-2A346-A	filter	(1) C2OA-2A373-B	boot (Meteor)		
C4GY 2309-A	Self-contained reservoir	1	All	C	64
Consists of the following -					
(1) C4DZ-2180-A	guard valve body	(1) C4DZ-2377-A	valve rod and plunger assy.	(1)	check valve assy.
	boot			(1)	seat check valve
(1) C4DZ-2365-A	check valve assy.	(1) C4DZ-2384-A	plate & seal assy.	(1)	piston & seal assy.
(1) C4DZ-2365-B	grommet-check valve	(1) C4DZ-2414-A	disc-reaction	(1)	piston retainer
	valve		primary cup and ring assembly	(1)	snap ring-piston stop
(1) C4DZ-2372-A	seal-shell				
2A319 SEAL (BRAKE BOOSTER PUSH ROD TO PISTON)					
C1AA 2A319-A	Outer - self-contained reservoir - also serviced in 2309 kit	1	All	A B	61/64
C1AA 2A319-B	Inner - self-contained reservoir - also serviced in 2309 kit	1	All	A B	61/64
B9AZ 2A319-A	Power assist - also serviced in 2A154 kit	1	All	A	60/61
		1	All	D	63/64

Brakes

GROUP AND PART NUMBER	DESCRIPTION, SIZE, ETC.	NO. REQ'D	MODEL OR ENGINE CUBIC INCH DISPLACEMENT	VEHICLE CODE	YEAR 19_____
2-2327 RETAINER (BRAKE BOOSTER BODY PISTON RETURN SPRING)					
B9KK 22327-A	Power brakes - use with 5-1/4" diameter booster	1	All	D	60
2329 HOUSING & END PLATE (BRAKE BOOSTER)					
C4DZ 2329-A	Power brakes	1	All	C	64
2A337 SHIELD (BRAKE LINE FRONT)					
C1VB 2A337-B		1	All	D	61/64
2A345 PLUNGER (BRAKE MASTER CYLINDER)					
C1VV 2A345-A		1	All	D	61/64
2A346 FILTER (BRAKE BOOSTER AIR CLEANER)					
B9MM 22501-A	Also serviced in 2A154 kit	1	All	A	60/61
C3TZ 2A346-A	Power brakes	1	All	A	64
C4DZ 2A346-A	Power brakes - .875" I. D. x 1.43" O. D. - also serviced in C4DZ-2377-A	1	All	C	64
C4DZ 2A346-B	Power brakes - .25" I. D. x 2.03" O. D. - brake booster push rod	1	All	C	64
B9LL 22501-A	Also serviced in 2A154 kit	1	All	D	60
C1VV 2A346-A	Also serviced in 2A154 kit	1	All	D	61/64
2A347 COVER (BRAKE BOOSTER AIR CLEANER)					
C1VV 2A347-A		1	All	D	61/64
2348 FELT (BRAKE BOOSTER EXPANDER RING)					
	NS-serviced in 2A200 kit	1	All	A	60/61
	NS-serviced in 2A200 kit	1	All	D	60/64
2A348 GASKET (BRAKE BOOSTER TUBE BRACE)					
C1VV 2A348-A	Also serviced in 2A154 kit	1	All	D	61/64
2A351 CLIP (BRAKE TUBE TO REAR AXLE)					
C1VV 2A351-A		4	All	D	61/64
2352 TUBE (BRAKE BOOSTER INLET)					
C1VV 2352-A		1	All	D	61/64
2A352 SPACER (WHEEL BRAKE SHOE RETRACTING SPRING)					
C1VV 2A352-A	Front and rear	AR	All	D	61/62
	Front	4	All	D	63/64
2-2354 STEM (BRAKE MASTER CYLINDER COMPENSATING PORT VALVE)					
LA 22354-A	Also serviced in 2A154 kit - use with powerbrakes	1	All	D	60
2356 PACKING (BRAKE BOOSTER BODY PISTON)					
	NS-serviced in 2A200 kit	1	All	D	60
2-2356 REFER TO GROUP 2A200					
2361 SPRING (BRAKE BOOSTER BODY PISTON RETURN)					
B9MM 2361-A	Power brakes	1	All	A	60/61
		1	All	D	61/64
MG 2361-A	Power brakes - use with 5-1/4" diameter booster	1	All	D	60

Brakes

GROUP AND PART NUMBER	DESCRIPTION, SIZE, ETC.	NO. REQ'D	MODEL OR ENGINE CUBIC INCH DISPLACEMENT	VEHICLE CODE	YEAR 19__
2365 VALVE (BRAKE BOOSTER CHECK)					
C4DZ 2365-A	Power brakes - 1.62" long - also serviced in 2309 kit	1	All	C	64
C4DZ 2365-B	Grommet rubber - power brakes - .86" I.D. x 1.29" O.D. - also serviced in 2309 kit	1	All	C	64
2A365 DIAPHRAGM (BRAKE BOOSTER BODY)					
C4AZ 2A365-A	Self-contained reservoir	1	All	A	64
C1AA 2A365-A	Self-contained reservoir - also serviced in 2309 kit	1	All	A B	61/63
C4DZ 2A365-A	Power brakes - 2.50" I.D. x 6.25" O.D.	1	All	C	64
2366 BODY (BRAKE BOOSTER)					
C4AZ 2366-A	Bellows - internal	1	All	A	64
C2AZ 2366-A	Bellows - self-contained reservoir - also serviced in 2309 kit	1	All	A B	61/63
C1VV 2366-A	Power assist	1	All	A	60/61
		1	All	D	61/64
B9LL 2366-A	Power brakes - use with 5-1/4" diameter booster	1	All	D	60
2A366 BUMPER (BRAKE BOOSTER PUSH ROD)					
C4AZ 2A366-A	Self-contained reservoir - color code ORANGE	1	All	A	64
C1AA 2A366-A	Self-contained reservoir - also serviced in 2309 kit	1	All	A B	61/63
2A367 BUSHING (BRAKE BOOSTER PUSH ROD)					
C1AA 2A367-A	Self-contained reservoir - also serviced in 2309 kit	1	All	A	61
2A368 SNAP RING (BRAKE BOOSTER PISTON GUIDE BUSHING)					
C1AA 2A368-A	Self-contained reservoir - also serviced in 2309 kit	2	All	A B	61/64
2A370 RETAINER (BRAKE BOOSTER FULCRUM LEVER)					
C1AA 2A370-A	Self-contained reservoir - also serviced in 2309 kit	1	All	A B	61/63
2A371 RING (BRAKE BOOSTER PLUNGER CUSHION)					
C1AA 2A371-A	Self-contained reservoir - also serviced in 2309 kit	1	All	A B	61/63
2372 SEAL (BRAKE BOOSTER BODY PISTON)					
C4DZ 2372-A	Power brakes - 1.56" I.D. x 2.00" O.D. - also serviced in 2309 kit	1	All	C	64
2A372 RETAINER (BRAKE BOOSTER PUSH ROD SPRING)					
C1AA 2A372-A	Self-contained reservoir	1	All	A	61
376417-S	Self-contained reservoir	1	All	A B	62/64
2377 ROD (BRAKE BOOSTER PUSH)					
C2AZ 2377-A	Power brakes - automatic transmission	1	All	A	62
	Power brakes - all transmissions	1	All	A	63
C2AZ 2377-C	Power brakes - standard transmission	1	All	A	62
C2OZ 2377-A	Power brakes	1	All	B	62/63
C4DZ 2377-A	Power brakes - also serviced in 2309 kit	1	All	C	64
Package also includes -					
(1) C4DZ-2A346-A	filter	(1) C4DZ-2A346-B	filter		
C4DZ 2377-B	Power brakes - 3.88" long	1	All	C	64
2-2380 PLATE (BRAKE BOOSTER BODY END)					
B9MM 22380-A		1	All	A	60
B9LL 22380-A	Power brakes - use with 5-1/4" diameter booster	1	All	D	60
2A383 SILENCER (BRAKE BOOSTER PUSH ROD)					
C1VV 2A383-A		1	All	D	61/64

Brakes

GROUP AND PART NUMBER	DESCRIPTION, SIZE, ETC.	NO. REQ'D	MODEL OR ENGINE CUBIC INCH DISPLACEMENT	VEHICLE CODE	YEAR 19__
2384 SEAL (BRAKE BOOSTER PUSH ROD)					
C4DZ 2384-A	Power brakes - also serviced in 2309 kit	1	All	C	64
B9KK 2384-A	Power brakes - use with 5-1/4" diameter booster - also serviced in 2A154 kit	1	All	D	60
2385 WASHER (BRAKE BOOSTER PUSH ROD SEAL)					
LF 2385-A		1	All	D	60
2A385 PLUNGER (BRAKE BOOSTER)					
B9AZ 2A385-A	Power brakes - power assist	1	All	A	60/61
C1AZ 2A385-A	Use with self-contained reservoir booster	1	All	A	61
C4AZ 2A385-A	Use with self-contained reservoir booster	1	All	A	64
C2AZ 2A385-A	Use with self-contained reservoir booster	1	All	A B	62/63
B9KY 2A385-A	Power brakes - use with 5-1/4" diameter booster - use in master cylinder	1	All	D	60
2A386 BUSHING (BRAKE BOOSTER PLUNGER GUIDE)					
C1AA 2A386-A	Use with self-contained reservoir booster - also serviced in 2309 kit	2	All	A B	61/64
2391 DIAPHRAGM (BRAKE BOOSTER CONTROL VALVE)					
C4DZ 2391-A	Power brakes	1	All	C	64
2395 PISTON PLATE (BRAKE BOOSTER BODY) REAR					
B9MM 2395-A		1	All	A	60/61
		1	All	D	61/64
MG 22401-A	Rear - power brakes - use with 5-1/4" diameter booster	1	All	D	60
2395 VALVE (BRAKE BOOSTER BODY PISTON)					
COMM 2395-A		1	All	A	60
C1AA 2395-A		1	All	A	61
C1VV 2395-A		1	All	D	61/64
2-2401 REFER TO GROUP 2395					
2-2411 SEAL (BRAKE BOOSTER PUSH ROD TO PISTON)					
MG 22411-A	Power brakes - use with 5-1/4" diameter booster - also serviced in 2A154 kit	1	All	D	60
2A411 CONNECTOR (BRAKE BOOSTER VACUUM HOSE)					
C1AA 2A411-A	Self-contained reservoir	1	All	A B	61/63
C2OZ 2A411-A	Power brakes	1	All	B	62/63
2A411 MANIFOLD & CHECK VALVE (BRAKE BOOSTER)					
C4AZ 2A411-A	Self-contained reservoir - with (2) fittings, use with automatic transmission	1	All	A	64
2A412 BOLT (BRAKE BOOSTER VACUUM HOSE CONNECTOR)					
C1AA 2A412-A	Self-contained reservoir (a)	1	All	A B	61/63
375476-S	NS-washer-7/8" I.D. paper-improvise	2	a		
2414 DISC (BRAKE BOOSTER CONTROL VALVE)					
C4DZ 2414-A	Power brakes - also serviced in 2309 kit	1	All	C	64
2A423 KIT (BRAKE SHOE ANCHOR PIN)					
C1VY 2A423-A		2	All	D	61/64
Consists of the following -					
(2) C1VV-2028-A	plate		(2) C1VV-2A413-A	spring	

Brakes

GROUP AND PART NUMBER	DESCRIPTION, SIZE, ETC.	NO. REQ'D	MODEL OR ENGINE CUBIC INCH DISPLACEMENT	VEHICLE CODE	YEAR 19__
2429 RETAINER (BRAKE BOOSTER PISTON FELT)					
B9MM 2429-A		1	All	A	60/61
		1	All	D	61/64
MG 2429-A	Power brakes - use with 5-1/4" diameter booster	1	All	D	60
2431 LEVER (BRAKE BOOSTER)					
C1AA 2431-B	Power brakes - self-contained reservoir	1	All	A	61/62
2437 SEAL (BRAKE BOOSTER SLAVE CYLINDER END BODY)					
59T 2437	55/64" I.D. x 1-1/64" O.D. - serviced in 2A154 kit - use with power brakes	1	All	D	60
2440 COLLAR (BRAKE BOOSTER PUSH ROD)					
LA 2440-A		1	All	D	60
2-2441 SPRING (BRAKE BOOSTER VACUUM VALVE POPPET RETURN)					
B9MM 22441-A	Power brakes - use with 5-1/4" diameter booster	1	All	A D	60
	NS-dealer improvise	1	All	D	64
2453 PLATE (BRAKE PEDAL PAD)					
B7A 2453-A	Standard brakes and standard transmission	1	All except 65C, 75C, 76B	A	61/63
		1	All except 54C, 57C, 63C, 65C, 75C, 76C	A	64
C2AZ 2453-A	Standard transmission	1	65C, 75C, 76B	A	62/63
	Use on all console mounted transmissions - and all standard transmissions and power brakes without console mount	1	All	A	64
2454 PAD (BRAKE PEDAL)					
B9MY 2454-A	Rubber (1) req'd. - for brake pedal and clutch pedal - use with standard transmission (1) req'd. - for parking brake pedal	3	All	A	60
B9MY 2454-B	Rubber - use with parking brake control only	1	All	A	60
PB9M 2454-A	Use for standard brakes with automatic transmission	1	All	A	60
PB9M 2454-B	Use with automatic transmission and power brakes	1	All	A	60
C1MM 2454-B	Use with automatic transmission - refer to 2A231 for rim with "Power Brake" name plate	1	All except 65C, 75C, 76B	A	61/63
C1MY 2454-A	Use with standard brakes and transmission - for brake and clutch pedal Use for brake pedal	2	All except 65C, 76B	A	61/62
		1	All except 65C, 75C, 76B	A	63
C2AZ 2454-A	Standard transmission - includes plate Includes plate - use on all console mounted with standard transmission and power brakes	1	65C, 75C, 76B	A	62/63
		1	All	A	64
C2AZ 2454-B	Automatic transmission - includes plate Use on all console mounted models and all (‡) except console mounted with automatic transmission and power brakes	1	65C, 75C, 76B	A	62/63
		1	All	A	64
C2AZ 2457-A	Standard transmission - use as brake and clutch pedal pad Use on console mounted transmissions and all except console mounted with standard transmissions and power brakes - use as brake and clutch pedal pad	2	65C, 75C, 76B	A	62/63
		2	All	A	64

CONTINUED ON NEXT PAGE

Brakes

GROUP AND PART NUMBER	DESCRIPTION, SIZE, ETC.	NO. REQ'D	MODEL OR ENGINE CUBIC INCH DISPLACEMENT	VEHICLE CODE	YEAR 19__
2454 PAD (BRAKE PEDAL) CONTINUED					
C3MY 2454-A	Use with automatic transmission and movable steering column	1	All except 65C, 75C, 76B	A	63
C3MY 2454-B	Use with regular three speed and four speed standard transmission - use as clutch pedal only	1	All except 65C, 76B	A	63
C3AZ 2454-C	Use with automatic transmission and movable steering column	1	65C, 75C, 76B	A	63
	Power brakes	(‡) 1	All	A	64
AB 2454-B	Use with automatic transmission and power brakes except with movable steering column or console mount	(‡) 1	All	A	64
B9A 2454-A	Parking brake	1	All	A	64
C3AZ 2454-B	Use with movable steering column with automatic transmission and standard brakes	1	All	A	64
B7A 2457-A	Standard transmission - use as brake and clutch pedal pad	2 2	All All	B C A	60/64 64
C2OZ 2454-A	Power brakes - standard and o/drive transmission	1	All	B	62/63
CODD 2457-A	With automatic transmission	1	All	B C	60/64
C2OZ 2454-B	Power brakes - automatic transmission	1	All	B	62/63
	Power brakes	1	All	C	64
B9L 2454-A	BLACK	1	All	D	60
C1VV 2454-C		1	All	D	61/64
	‡ For rim refer to 2A231 group				
2455 PEDAL (BRAKE)					
COMM 2455-A	Automatic transmission	1	All	A	60
COMM 2455-B	Standard transmission	1	All	A	60
C1AA 2455-A	Use with vertical type booster 1961 - for standard and power brakes 1962 - for standard brakes and dealer installed power brakes with automatic transmission	(a) 1	All	A	61/62
C2AZ 2455-B	Power brake - use with tilted type booster	1	All	A	62
C3AZ 2455-A	Use with movable steering column	1	All	A	63
C3AZ 2455-C	Not used on vehicles equipped with movable steering column	(a) 1	All	A	63
C4AZ 2455-A	Use with movable steering column	1	All	A	64
C4AZ 2455-B	Not used on vehicles equipped with movable steering column	(a) 1	All	A	64
C2OZ 2455-A	Standard and o/drive transmission	1	All	B	62
C2OZ 2455-B	Automatic transmission	1	All	B	62
C3OZ 2455-B	Automatic transmission	1	All	B	63
C3OZ 2455-C	Standard and o/drive transmission	1	All	B	63
C2DZ 2455-A	Standard transmission	1	All	C	60/63
C1DZ 2455-B	Automatic transmission	1	All	C	60/63
C4DZ 2455-A	Standard transmission	1	All	C	64
C4DZ 2455-B	Automatic transmission	1	All	C	64
LF 2455-B		(b) 1	All	D	60
C1VV 2455-C	Use on models without insulator between steering gear and side rail	1	All	D	61/62
C2VY 2455-A		1	All	D	63
C4VY 2455-A		1	All	D	64
34370-S	Nut-light hex. -3/8"-24-lock pedal assy. to brake pedal support	2	b		
45585-S	Bolt-hex. -3/8"-24 x 4-1/2"-pedal assy. to brake pedal support	2	b		
74279-S	Retainer-pedal to link	1	a		

Brakes

GROUP AND PART NUMBER	DESCRIPTION, SIZE, ETC.	NO. REQ'D	MODEL OR ENGINE CUBIC INCH DISPLACEMENT	VEHICLE CODE	YEAR 19_____
2456 SPRING (PARKING BRAKE RETRACTING)					
8A 2456-B	8" free length - 34 coils	1	All	D	60
CIVV 2456-A		1	All	D	61/64
2457 REFER TO GROUP 2454					
2461 BUSHING (BRAKE PEDAL)					
AB 2461-B	Nylon - 11/16" O. D. x 1-59/64" long - standard and power brakes	1	All	A	60
LF 2461-A	5/8" I.D. x 11/16" O.D. nylon	4	All	D	60
CIVV 2461-B		2	All	D	61/64
2462 BOLT (MASTER CYLINDER LINK ROD ECCENTRIC)					
COTT 2462-A	3/8" -24 x 1-3/16" long - standard and power brakes	1	All	A	60
B7C 2462-A	Use on vehicles built prior to 7-15-63	1	All	C	60/63
		1	All	B	62/63
2466 LINK (BRAKE PEDAL LEVER TO MASTER CYLINDER OPERATING LEVER)					
COLL 2466-A	(a)	2	All	D	60/61
72009-S2	Cotter pin-3/32" x 5/8"-use with power brakes- (1) req'd. - to attach link to pedal assy. (1) req'd. - to attach link to lever assy.	2	a		
370143-S100	Clevis pin-3/8" x 1-3/32" - (1) req'd. - to attach link to pedal assy. (1) req'd. - to attach link to lever assy.	2	a		
2471 BUSHING (POWER LEVER TO MOUNTING BOLT)					
B7AZ 2471-A	Nylon	(a)	4	All	A B
			4	All	C
74279-S	Pin-dowel-3/8" x 3/4"	1	a		61/64
358981-S	Washer-spring-41/64"	1	a		60/64
2472 SPRING (BRAKE PEDAL RETRACTING)					
AB 2472-D		1	All	A	60
CODD 2472-A	Not required on vehicles built after 11-27-61	1	All	C	60/62
2-2472 BRACKET (BRAKE PEDAL BUMPER)					
B9M 22472-A	Standard brakes	1	All	A	60
2474 BUSHING (BRAKE MASTER CYLINDER PUSH ROD)					
B2A 2474-A	Nylon	2	All	A B C	60/64
		2	All	D	64
2A476 PLATE (BRAKE BOOSTER PUSH ROD LOCATING)					
C2AZ 2A476-A	Use with standard transmission and power brakes	1	All	A	62
2A477 BOOT (BRAKE BOOSTER PUSH ROD)					
C2AZ 2A477-A	Use with standard transmission	1	All	A	62
		1	All	B	63
2478 SHAFT (BRAKE PEDAL)					
MC 2478-A	Use with automatic transmission	(a)	1	All	A
B7A 2478-A	Use with automatic transmission	1	All	A B	60
		1	All	C	61/64
34671-S8	Nut-hex. -7/16"-20	1	a		60/64
34783-S7	Lockwasher-spring-7/16"-brake pedal shaft to pedal support assy.	1	a		

Brakes

GROUP AND PART NUMBER	DESCRIPTION, SIZE, ETC.	NO. REQ'D	MODEL OR ENGINE CUBIC INCH DISPLACEMENT	VEHICLE CODE	YEAR 19__
2481 INSULATOR (BRAKE PEDAL HUB SPRING)					
B5A 2481-A	Nylon	1	All	A	60/61
		1	All	C	60/63
2A482 INSULATOR (BRAKE SHOE ADJUSTING SCREW)					
C2DZ 2A482-A		AR	All	C	60/62
2493 GASKET (BRAKE BOOSTER END PLATE)					
B9MM 2493-A	1-11/32" I.D. x 1-19/32" O.D. - also serviced in 2A154 and 2004 kits	1	All	A	60/61
		1	All	D	61/64
2-2493 GASKET (BRAKE BOOSTER BODY TO MASTER CYLINDER)					
LD 22493-A	Also serviced in 2A154 kit - use with power brakes	1	All	D	60
2-2501 REFER TO GROUP 2A346					
2-2509 SCREW (BRAKE BOOSTER ATMOSPHERIC POPPET VALVE) SILENCER					
B9LL 22509-A	Power brakes	1	All	D	60/64
2514 LEVER (BRAKE MASTER CYLINDER OPERATING)					
LF 2514-A	(a)	1	All	D	60
359588-S	Nut-hex. -5/16"-24-self-lock lever assy. to booster assy.	1	a		
359589-S	Bolt-5/16"-24-shoulder lever assy. to booster assy.	1	a		
2-2521 BUSHING (BRAKE PEDAL LEVER)					
LA 22521-A	3/8" I.D. x 7/16" O.D. x 11/64" long - use with power brakes	4	All	D	60
2525 CLIP (BRAKE PUSH ROD TO OPERATING LEVER) ANTI-RATTLE					
C2AZ 2525-A	Located at top of lever - also serviced in 2309 kit	1	All	A	62/63
C2AZ 2525-B	Located at center and bottom of lever - also serviced in 2309 kit	2	All	A	62/63
C4AZ 2525-A	Power brakes - without tab	1	All	A	64
C4AZ 2525-B	Power brakes - with tab	1	All	A	64
MC 2525-B		1	All	D	60
2530-1 BRACKET (PARKING BRAKE CABLE) REAR					
COAA 2530-C	R. H.	1	76A	A	61/62
COAA 2531-C	L. H.	1	76A	A	61/62
C1AA 2530-A	R. H.	1	All except 76A	A	61/62
C1AA 2531-A	L. H.	1	All except 76A	A	61/62
C3AZ 2530-A	R. H.	1	All except 76A	A	63
		1	All except 76	A	64
C3AZ 2531-B	L. H.	1	All except 76A	A	63
		1	All except 76	A	64
C3AZ 2530-B	R. H. and L. H.	2	76A	A	63
		2	76	A	64
COLB 2530-A		2	All	D	60
2569 TUBE (INTAKE MANIFOLD TO CHECK VALVE)					
COLL 2569-A		1	All	D	60
C1VV 2569-A		1	All	D	61/62
C3VY 2569-A		1	All	D	63/64
2596 CLAMP (PARKING BRAKE CABLE)					
B9MM 2596-C		1	All	A	60

Brakes

GROUP AND PART NUMBER	DESCRIPTION, SIZE, ETC.	NO. REQ'D	MODEL OR ENGINE CUBIC INCH DISPLACEMENT	VEHICLE CODE	YEAR 19__
2A601 SPRING (PARKING BRAKE STRUT TO SHOE)					
B9MM 2A601-A	1-1/4" overall free length - oblong shape	2	All	A	60/62
		2	All	D	60/63
C2OZ 2A601-A	Use with 260 and 289 C.I.D. engines	2	All	B	62/63
		2	All	A	63/64
		2	All	C	63/64
		2	All	D	64
CODD 2A601-A	Use with 144, 170 and 200 C.I.D. engines	2	All	C	60/64
2A602 BRACKET (PARKING BRAKE CABLE EQUALIZER)					
B8MY 2A602-A		1	All	A	60
CODD 2A602-A		1	All	B C	60/64
2A605 LEVER (PARKING BRAKE EQUALIZER)					
B9MY 2A605-A		1	All	A	60
COAA 2A605-A		1	All	A	61/64
C2OZ 2A605-A		1	All	B	62/63
CODD 2A605-E	Use on vehicles built prior to 5-1-61	1	All	C	60/61
C1DD 2A605-A	Use on vehicles built after 4-30-61	1	All except 76	C	61/64
C3DZ 2A605-A		1	76	C	63
C3DZ 2A605-B		1	76	C	64
2A606 LEVER ASSEMBLY (PARKING BRAKE EQUALIZER)					
COLL 2A606-C		1	All	D	60
C1VV 2A606-B		1	All	D	61/63
C4VY 2A606-A		1	All	D	64
2A613 RETAINER (PARKING BRAKE EQUALIZER LEVER)					
COLB 2A613-B		1	All	D	60
2A616 RETAINER (PARKING BRAKE EQUALIZER LEVER RELEASE SPRING)					
COLB 2A616-A		1	All	D	60
2A617 SUPPORT (PARKING BRAKE CABLE FRONT)					
COLB 2A617-A		1	All	D	60
2628 ROD (PARKING BRAKE EQUALIZER)					
PB9M 2628-A		1	All	A	60
B7A 2628-B		1	All	A	61/64
		1	All	B C	60/64
2631 BRACKET (PARKING BRAKE EQUALIZER)					
B9M 2631-A		1	All except 76	A	60
PB9M 2631-A		1	76	A	60
COA 2631-A		1	76	A	61/62
COA 2631-B		1	All except 76	A	61/62
C3AZ 2631-A		1	All except 76	A	63/64
C3AZ 2631-B		1	76	A	63/64
C2OZ 2631-B		1	All	B	62
C3OZ 2631-A		1	All	B	63
	NS-serviced in 6A023 assembly	1	All	C	60/62
2634 SPRING (PARKING BRAKE RELEASE)					
B9AA 2634-A	Use on vehicles equipped with Mt. Clements control	1	All	A	61/62
		1	All	A	63/64
C3AZ 2634-A	Use on vehicles equipped with Ryerson & Haynes control	1	All	A	63

Brakes

GROUP AND PART NUMBER	DESCRIPTION, SIZE, ETC.	NO. REQ'D	MODEL OR ENGINE CUBIC INCH DISPLACEMENT	VEHICLE CODE	YEAR 19__
2A635 CABLE & CONDUIT (PARKING BRAKE) REAR					
COMM 2A635-B	89-3/4" long	2	All	A	60
COAZ 2A635-A		2	All except 58, 64, 71	A	61
COKY 2A635-A		2	58, 64, 71	A	61
C2AZ 2A635-A	Use with 406 C.I.D. engine	1	All	A	62
C2MY 2A635-A	Except 406 C.I.D. engine	2	All	A	62
C3MY 2A635-B	Use on vehicles built prior to 6-17-63	2	All	A	63
C3AZ 2A635-B	Use on vehicles built after 6-16-63	2	All	A	63/64
C2OZ 2A635-A		2	All	B	62
		1	All	B	63
COGY 2A635-A	173" long - use on vehicles built prior to 5-1-61	1	54, 62	C	60/61
C1GY 2A635-A	Use on vehicles built after 4-30-61	1	54, 62	C	61/62
C1DZ 2A635-A	166-1/2" long - use on vehicles built prior to 5-1-61	1	59, 71	C	60/61
C1DZ 2A635-B	Use on vehicles built after 4-30-61	1	59, 71	C	61/62
C3DZ 2A635-B	Use with 260 C.I.D. engine	1	59, 71	C	63
C3DZ 2A635-D	Use with 144 and 170 C.I.D. engines	1	59, 71	C	63
C3GY 2A635-A	Use with 144 and 170 C.I.D. engines	1	76	C	63
C3GY 2A635-B	Use with 260 and 289 C.I.D. engines	1	76	C	63/64
C3GY 2A635-C	Use with 260 C.I.D. engine	1	54, 62	C	63
	Use with 260 and 289 C.I.D. engines	1	54, 62, 63	C	64
C3GY 2A635-D	Use with 144 and 170 C.I.D. engines	1	54, 62	C	63
	Use with 170 and 200 C.I.D. engines	1	54, 62, 63	C	64
C3GY 2A635-E	Use with 170 and 200 C.I.D. engines	1	76	C	64
C4DZ 2A635-A	Use with 170 and 200 C.I.D. engines	1	71	C	64
C4DZ 2A635-C	Use with 260 and 289 C.I.D. engines	1	71	C	64
COLY 2A635-A	94-1/2" approximate overall length (a)	2	All	D	60
C1VV 2A635-C		2	All	D	61
C2VY 2A635-A		2	All	D	62
C3VY 2A635-A		2	All	D	63
C4VY 2A635-A		2	All	D	64
40143-S	Screw-self-tap. -5/16"-18 x 1/2" (4) req'd. - to attach cable and conduit assy. to trailing arm assy. - L.H. and R.H. (2) req'd. - to attach cable and conduit assy. to front of torque box-L.H.	6	a		
2A637-8 LEVER (PARKING BRAKE OPERATING)					
B7MY 2A637-A	R. H. (a)	1	All	A	60
		1	All	D	60/61
B7MY 2A638-A	L. H. (a)	1	All	A	60
		1	All	D	60/61
C1SS 2A637-A	R. H.	1	All	A	61
		1	All	D	62
C1SS 2A638-A	L. H.	1	All	A	61
		1	All	D	62
C3SZ 2A637-A	R. H.	1	All	A	63/64
C3SZ 2A638-A	L. H.	1	All	A	63/64
C2OA 2A637-A	R. H.	1	All	B	62/63
	Use with 260 and 289 C.I.D. engines	1	All	C	63/64
C2OA 2A638-A	L. H.	1	All	B	62/63
	Use with 260 and 289 C.I.D. engines	1	All	C	63/64
C1DD 2A637-A	R. H.	1	All	C	60/62
C1DD 2A638-A	L. H.	1	All	C	60/62
C3DZ 2A637-A	R. H. - use with 144, 170 and 200 C.I.D. engines	1	All	C	63/64
C3DZ 2A638-A	L. H. - use with 144, 170 and 200 C.I.D. engines	1	All	C	63/64
351467-S	Washer-spring-3/8" I.D. x 25/32" O.D.-req'd. as anti-rattle lever assy. to shoe and lining assy.	1	a		

Brakes

GROUP AND PART NUMBER	DESCRIPTION, SIZE, ETC.	NO. REQ'D	MODEL OR ENGINE CUBIC INCH DISPLACEMENT	VEHICLE CODE	YEAR 19__
2A642 STRUT (PARKING BRAKE)					
COMM 2A642-A		2	All	A	60
CISS 2A642-B		1	All	A	61/62
C3AZ 2A642-A	Rear	2	All	A	63/64
C2OZ 2A642-A	6-7/8" long Use with 260 and 289 C.I.D. engines	2	All	B	62/63
C1DD 2A642-A		2	All	C	64
	Use with 170 and 200 C.I.D. engines	2	All	C	60/63
COLL 2A642-A		2	All	C	64
C3SZ 2A642-A		2	All	D	60/62
		2	All	D	63/64
2A647 PAD (PARKING BRAKE PEDAL)					
C1MM 2A647-A		1	All	A	61/63
B9LL 2A647-A		1	All	D	60
C1VY 2A647-A		1	All	D	61/64
2649 BRACKET (PARKING BRAKE CABLE SUPPORT)					
C2OZ 2649-A	R. H.	1	All	B	62
C2OZ 2649-B	L. H.	1	All	B	62
C2OZ 2649-C	R. H.	1	All	B	63
C2OZ 2649-D	L. H.	1	All	B	63
CODZ 2649-A		2	All except 76	C	60/64
B8LY 2649-A		1	All	D	60
2A651 SPRING (PARKING BRAKE EQUALIZER LEVER RETRACTING)					
MK 22794-A		1	All	A	60
C3MY 2A651-A		1	All	A	63/64
C2OZ 2A651-A		1	All	B	62/63
CODD 2A651-C	Use on vehicles built prior to 5-1-61	1	All	C	60/61
C1DD 2A651-A	Use on vehicles built after 4-30-61	1	All except 76	C	61/64
C3DZ 2A651-A		1	76	C	63
C3DZ 2A651-B		1	76	C	64
2A658 CONTROL (PARKING BRAKE RELEASE)					
COLF 2A658-A		1	All	D	60
2A659 LENS (PARKING BRAKE RELEASE CONTROL)					
COLF 2A659-A		1	All	D	60
2A660 SPRING (PARKING BRAKE RELEASE CONTROL)					
COLF 2A660-A		1	All	D	60
2A685 TUBING (PARKING BRAKE CABLE GUIDE)					
C1VB 2A685-A	1.44" diameter x 8" long	1	All	D	61/64
2A690 TRUNNION (PARKING BRAKE EQUALIZER)					
B8MY 2A690-A		1	All	A	60
2A693 PLATE (PARKING BRAKE CABLE CLIP)					
C1VV 2A693-A		2	All	D	61/64
2A697 GUIDE (PARKING BRAKE CABLE)					
B9MY 2A697-A		1	All except 76	A	60
2A707 SUPPORT (PARKING BRAKE CONTROL)					
C1VV 2A707-A		1	All	D	61/63
C4VY 2A707-A		1	All	D	64
2A708 SEAT (PARKING BRAKE EQUALIZER LEVER RETRACTING SPRING)					
C1SS 2A708-A		1	All	A	63/64

Brakes

GROUP AND PART NUMBER	DESCRIPTION, SIZE, ETC.	NO. REQ'D	MODEL OR ENGINE CUBIC INCH DISPLACEMENT	VEHICLE CODE	YEAR 19__
2A709 RETAINER (PARKING BRAKE CABLE REAR)					
C1VV 2A709-A	Use on vehicles built prior to 5-1-64	2	All	D	61/64
2A743 INSULATOR (PARKING BRAKE EQUALIZER)					
C1VY 2A743-A		1	All	D	61/64
2745 SPRING (PARKING BRAKE CABLE POSITIONING)					
C4VY 2745-A		2	All	D	64
2760 HANDLE (PARKING BRAKE RELEASE)					
C1MF 2760-C		1	54B,63,65B,71B,75B,76	A	61
COAF 2760-C		1	All except 54B,63,65B,71B, 75B, 76	A	61
C2MY 2760-A		1	All	A	62
CODZ 2760-A	Includes CODZ-2819-A pin	1	All	B C	60/64
2768 EQUALIZER (PARKING BRAKE CABLE)					
COAZ 2768-A		1	All	A	61/64
COLL 2768-A		1	All	D	60
C1VV 2768-C		1	All	D	61/63
C4VY 2768-A		1	All	D	64
2769 BRACKET (PARKING BRAKE CABLE GUIDE)					
CODB 2769-A		2	All	C	60
C1DB 2769-A		2	All	C	61/63
2780 CONTROL (PARKING BRAKE)					
B9MM 2780-C		(a) 1	All	A	60
C1MM 2780-C		1	All	A	61/62
C3MY 2780-A	Includes brake release arm and knob	1	All	A	63
C4MY 2780-A	Includes brake release arm and knob - not used with a/cond.	1	All	A	64
C4MY 2780-B	Includes brake release arm and knob - use with a/cond.	1	All	A	64
C2OZ 2780-A		1	All	B	62/63
CODD 2780-C		1	All	C	60/64
COLL 2780-A	Vacuum release	(b) 1	All	D	60
C1VV 2780-E		1	All	D	61/63
C4VY 2780-A	Refer to 7A247 for neutral switch	(c) 1	All	D	64
20347-S8	Bolt-hex. hd. -5/16"-24 x 3/4"-control assy. parking brake to dash	4	a		
20369-S2	Bolt-hex. -3/8"-24 x 7/8"-control assy. to body cowl side	3	b		
33922-S	Nut-hex. jam hd. -5/16"-18	2	c		
34781-S7	Lockwasher-spring-5/16"-control assy. parking brake to dash	4	a		
34807-S2	Lockwasher-spring-3/8"-control assy. to body cowl side	3	b		
44722-S	Washer-flat-5/16"	2	c		
72004-S	Cotter pin-3/32" x 1/2"-req'd. to attach cable and conduit assy. to control assy.	1	b,c		
76005-S2	Clevis pin-5/16" x 13/16"-cable and conduit assy. to control assy.	1	b,c		
372159-S	Screw-hex. washer-3/8"-24 x 1.00"	3	c		
2786 RETAINER (RATCHET BAR LOCKING SPRING)					
OM 2786		1	All	B C	60/64

Brakes

GROUP AND PART NUMBER	DESCRIPTION, SIZE, ETC.	NO. REQ'D	MODEL OR ENGINE CUBIC INCH DISPLACEMENT	VEHICLE CODE	YEAR 19__
2788 SPRING (RATCHET BAR LOCKING)					
C1AZ 2788-A		1	All	A	61/64
OM 2788	Outer	1	All	B C	60/64
2-2794 REFER TO GROUP 2A651					
2804 PULLEY (PARKING BRAKE CABLE)					
OM 2804		1	All	B C	60/64
2814 CLIP (PARKING BRAKE CABLE) SPRING LOCK					
MG 2814-A	(2) req'd. - to attach front wheel brake hose to hose bracket (1) req'd. - to attach rear wheel brake hose to frame	3	All	A	60
PB9M 2814-A		2	76	A	60
MC 2814-A	1-3/8" long x 1" wide	AR	All	A D	60/64
		AR	All	C	61
78 2814-A	Brake hose to frame bracket Front and rear	AR	All	B C D	60/63
		3	All	A C D	64
8M 2814	Cable to frame and cable to control	AR	All	B C	60/63
2819 PIN (HAND BRAKE HANDLE LOCKING)					
CODZ 2819-A	Also serviced in CODZ-2760-A assembly	1	All	B C	60/64
2853 CABLE & CONDUIT (PARKING BRAKE) FRONT					
B9MM 2853-C	52" long (a)	1	All	A	60
C2AA 2853-A		1	All	A	61/62
C3AZ 2853-A		1	All	A	63/64
C3OZ 2853-A		1	All	B	62/63
C1DD 2853-B	44" long - use on vehicles built prior to 5-1-61	1	All	C	60/61
C1DD 2853-C	Use on vehicles built after 4-30-61	1	All	C	61/62
C3DZ 2853-C		1	76	C	63
C3DZ 2853-B		1	All except 76	C	63/64
C4DZ 2853-A		1	76	C	64
COLL 2853-A	54-1/2" approximate overall length (b)	1	All	D	60
C1VV 2853-B	58" long (c)	1	All	D	61/64
40143-S	Screw-self-tap. -5/16"-18 x 1/2" - (4) req'd. - to attach cable and conduit to trailing arm assy. (2) req'd. - to attach cable and conduit assy. to front of torque box-L.H.	6	b,c		
72004-S	Cotter pin-3/32" x 1/2"-cable and conduit assy. to control assy.	1	b		
72035-S7	Cotter pin-1/8" x 1"-cable and conduit assy. parking brake front to control assy.	1	a		
76005-S2	Clevis pin-5/16" x 13/16"-cable and conduit assy. to control assy.	1	b		
351767-S8	Clip-cable and conduit assy. parking brake front to dash panel	1	a		
374032-S	NS-screw-hex. washer hd. -5/16"-18 x .75"	1	c		
374109-S	NS-clip to attach cable and conduit parking brake rear to plate assy.	1	c		
2857 BRACKET (PARKING BRAKE CABLE TO DASH)					
B5A 2857-A		1	All	C	60/64

Air Conditioning

GROUP AND PART NUMBER	DESCRIPTION, SIZE, ETC.	NO. REQ'D	MODEL OR ENGINE CUBIC INCH DISPLACEMENT	VEHICLE CODE	YEAR 19__
2860 CLIP (PARKING BRAKE CABLE)					
COAA 2860-A	Use to attach parking brake cable to dash panel	2	All	A	61/64
LA 2860-A	Spring lock	2	All except 76	A	60
	1-1/2" long with (2) 23/64" holes	3	All	D	60
2861 LINK (PARKING BRAKE CABLE CONNECTION)					
B9A 2861-A		1	All	A	61
C3AZ 2861-A		1	All	A	62/64
2873 BEARING (AIR CONDITIONER COMPRESSOR BELT IDLER PULLEY)					
C4AZ 2990-A	Idler - also serviced in C4AZ-8678-A pulley assembly	1	All	A	63/64
B8QH 2873-A	Also serviced in C2OZ-8678-A assembly	1	170	B	62
C3OZ 2873-A	Also serviced in C3OZ-8678-A assembly	1	170	B	63
2A879 ADAPTOR (AIR CONDITIONER COMPRESSOR)					
C1VE 2A879-A	(a)	1	All	D	61/64
20348-S	Bolt-3/8"-16 x 3/8"	1	a		
33798-S	Nut-light hex. -5/16"-24	2	a		
34806-S	Washer-lock-5/16"	2	a		
34807-S	Washer-lock-3/8"	1	a		
44722-S	Washer-flat-7/16"	2	a		
2882 BRACKET (AIR CONDITIONER COMPRESSOR MOUNTING)					
B9AE 2882-A		1	292, 312	A	60/62
C2SZ 2882-A		1	352, 390	A	61/62
		1	All	A	63
	For Economy a/cond.	1	All	A	64
C4AZ 2882-A	For Deluxe a/cond. (d)	1	All	A	64
C1VE 2882-A	Use with crankshaft driven P/S only	1	383, 430	A	60
	(a)	1	All	D	60/64
	NS-serviced in 19700 kit	1	170	B	62
C2OZ 2882-B		1	221, 260	B	62
C3OZ 2882-A		1	170	B	63
C3AZ 2882-A		1	260, 289	B C	63/64
CODE 2882-A		1	All	C	60/62
	Use when dehydrator and receiver tank are mounted on R. H. fender	1	144, 170	C	63
C3DZ 2882-A	Use when dehydrator and receiver tank are mounted on condenser assembly	1	144, 170	C	63
	Use with 6.00" dia. a/cond. compressor clutch	1	170, 200	C	64
C4DZ 2882-A	Use with 6.70" diameter a/cond. compressor clutch - use on vehicles built after 3-2-64 (b)	1	170, 200	C	64
20388-S	Bolt-3/8"-16 x 1.00"	2	b		
20508-S	Bolt-hex. hd. -7/16"-14 x 1-3/4"	2	a		
33799-S	Nut-hex. -3/16" x 16	2	b		
34806-S	Lockwasher-5/16"	2	c		
34807-S	Washer-lock-3/8"	2	b		
34828-S	NS-bolt-hex. hd. -5/16"-18 x 2.00"	1	b		
34848-S	Washer-lock-spring-7/16"	2	a		
34944-S	NS-washer-lock-external tooth-1/2"	2	a		
35908-S	Screw and washer-3/8"-16 x .87"	5	c		
42996-S	Bolt-5/16"-18 x 3-3/4"	2	c		
42997-S	NS-bolt-hex. hd. self-locking-3/8"-16 x 7/8"	2	b		
42998-S	Bolt-hex. hd. -self-tap. -3/8"-16 x 1.00"	2	d		
43530-S	Screw and washer-hex. hd. -3/8"-16 x 1-1/2"	4	a		
351385-S	Washer-flat-3/8"	2	d		
354149-S	Washer-flat. .45" I. D. x 1.00" O. D.	2	a		
356309-S	Washer-internal and external tooth lock-5/16"	1	b		

Air Conditioning

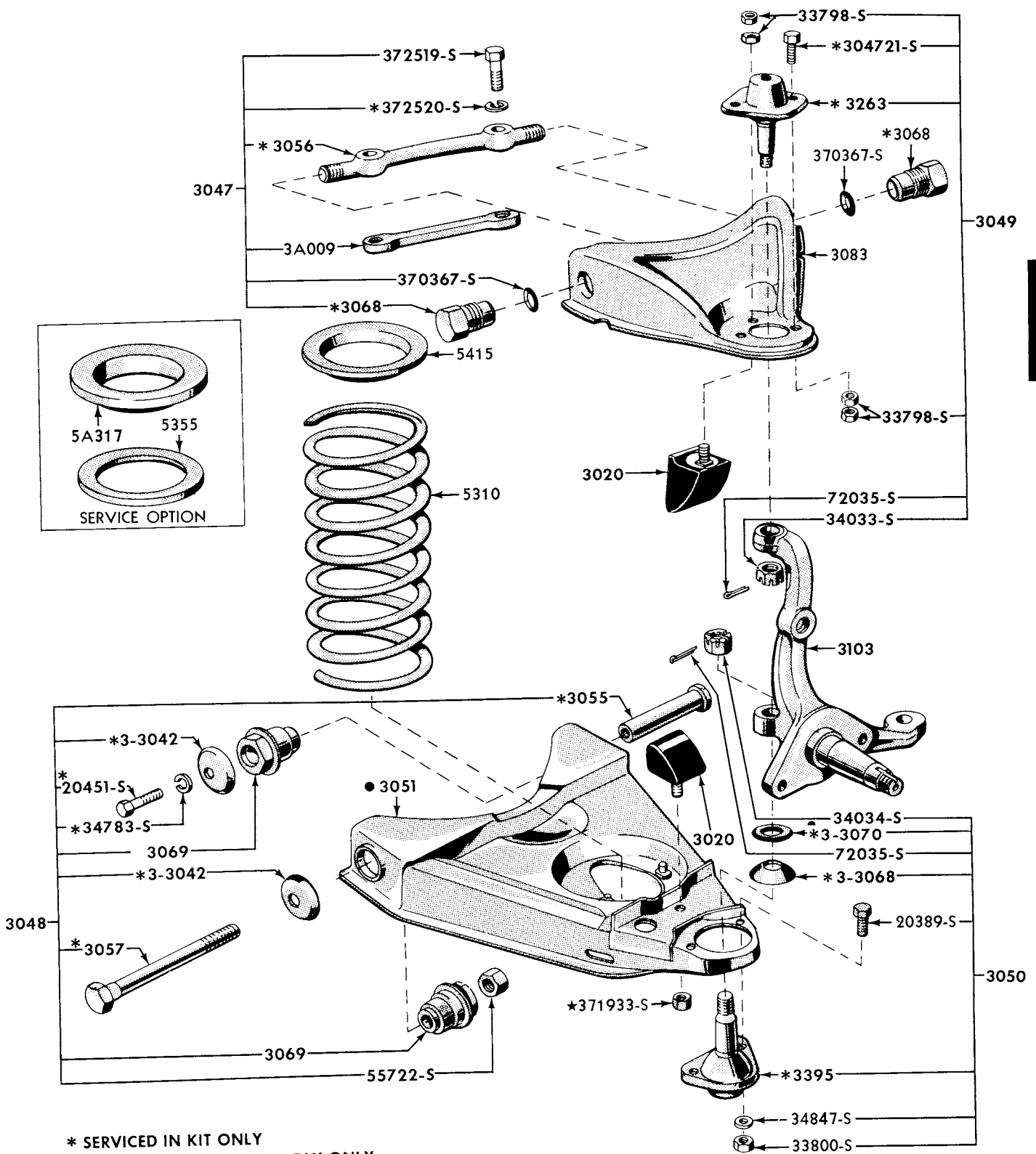
GROUP AND PART NUMBER	DESCRIPTION, SIZE, ETC.	NO. REQ'D	MODEL OR ENGINE CUBIC INCH DISPLACEMENT	VEHICLE CODE	YEAR 19__
2883 BRACKET (AIR CONDITIONER COMPRESSOR ADJUSTING)					
CODE 2883-A	Eaton	1	All	C	60/62
2884 CLUTCH ASSEMBLY (AIR CONDITIONER COMPRESSOR)					
COAZ 2884-B	Eaton	1	292, 312	A	60/62
COAZ 2884-F	Warner	1	292	A	61/62
C2AZ 2983-A	Warner - less COAE-2987-A field assembly	1	223, 352, 390	A	61/62
C2AZ 2884-A	Eaton	1	223, 352, 390	A	61/62
		(a) 1	All	A	63/64
C2AZ 2884-C	Warner - includes COAE-2987-A field assembly and (1) COAE-2988-A pilot bushing to facilitate installation	1	223, 352, 390	A	62
C2VY 2884-A	Eaton Note - part COAE-2979-A - holder required when replacing Warner clutch with Eaton clutch	1	383, 430	A D	60
		1	430		60/64
C2OZ 2884-A	Eaton	1	All	B	62
C3AZ 2884-A	Eaton	1	All	B	63
		(a) 1	260, 289	C	63/64
C3AZ 2884-B	Warner - less C3SZ-2987-A field assembly	1	All	B	63
		(b) 1	260, 289	C	63/64
C3DZ 2884-A	Eaton - 6.70" diameter Eaton - use with hang-on a/cond. units with single belt a/cond. clutch drive	1	All	C	60/62
		1	144, 170	C	63
C3DZ 2884-B	Eaton - use with hang-on a/cond. units with dual belt a/cond. clutch drive - 6.00" diameter	(a) 1	144, 170, 200	C	63/64
C4DZ 2884-A	Eaton - 6.70" diameter - dual belt sheave - use on vehicles built after 3-2-64	(b) 1	170, 200	C	64
C4OZ 2884-A	Pitts-use with Pitts field assembly - C4AZ-2987-A	1	260, 289	C	64
20312-S	Bolt-hex. hd. -3/8"-16 x 1/2"	1	a		
358605-S	Washer-flat-1/4"	1	a, b		
358606-S	Bolt-hex. hd. self-locking-5/16"-24 x 1.00"	1	a		
373293-S	Screw and washer-hex. hd. -3/8"-16 x 1.00"	1	a		
373296-S	Bolt-hex. hd. self-locking-5/16"-24 x 1.50"	1	b		
2884 PULLEY (AIR CONDITIONER BELT IDLER ADJUSTING)					
C3OZ 2884-A	Also serviced in C3OZ-8678-A assembly	(a) 1	170	B	62/63
300936-S8	Bolt-3/8"-16 x 4-1/2" long		a		
2887 SPACER (AIR CONDITIONER COMPRESSOR MOUNTING BRACKET)					
EDB 2887-A	Use with P/S	2	312	A	60
B9ME 2887-A	Use between compressor mounting bracket and P/S support when P/S is not installed	2	292, 312	A	60/62
C4AZ 2887-B	For Deluxe a/cond. - mounted between L. H. exhaust manifold and a/cond. compressor rear brace C4AZ-2889-A - not required with C4SZ-2902-A bracket	1	All	A	64
EDG 2887-A	Use with crankshaft driven P/S	1	383, 430	A D	60
		1	All		60/64
C2OZ 2887-A	Use with P/S - 11/16"	1	221, 260	B	62
C2OZ 2887-B	Use with P/S - 29/32" NS-improvise locally - 1/2" I.D. x 3/4" O.D. x 1-1/8" long	2	221, 260	B	62
		1	All	C	60/62

Air Conditioning

GROUP AND PART NUMBER	DESCRIPTION, SIZE, ETC.	NO. REQ'D	MODEL OR ENGINE CUBIC INCH DISPLACEMENT	VEHICLE CODE	YEAR 19__
2888 BRACE (AIR CONDITIONER COMPRESSOR)					
C4SZ 2888-A		1	390,427	A	64
CODE 2888-A	Front - Eaton	1	All	C	60/62
C4DZ 2888-A	Use with 6.70" diameter a/cond. compressor clutch - use on vehicles built after 3-2-64 (b)	1	170,200	C	64
C1VE 2888-A	(a)	1	All	D	61/64
33800-S	Nut-hex. -3/8"-24	1	b		
34807-S	Washer-lock-3/8"	1	b		
359080-S	Screw and washer-hex. hd. -3/8"-16 x 1-1/2"	3	a		
372505-S	Washer-flat-3/8"	3	a		
2889 BRACE (AIR CONDITIONER COMPRESSOR) LOWER					
C4AZ 2889-A	Rear - 16" long - for Deluxe a/cond. - mounted at L. H. exhaust manifold and at a/cond. compressor	1	All	A	64
C4SZ 2902-A	Rear - for Deluxe a/cond. - 7" long - mounted at intake manifold and at a/cond. compressor (a)	1	All	A	64
C3DZ 2889-A	Use when dehydrator and receiver tank are mounted on condenser assembly	1	144,170	C	63
	Use with 6.00' dia. a/cond. compressor clutch	1	170,200	C	64
C4DZ 2889-A	Use with 6.70" diameter a/cond. compressor clutch - use on vehicles built after 3-2-64	1	170,200	C	64
352981-S	Washer-flat-3/8"	2	a		
373293-S	Screw and washer-hex. hd. -3/8"-16 x 1.00"	2	a		
2A893 STUD (AIR CONDITIONER COMPRESSOR MOUNTING)					
C2OZ 2A893-B	Use to attach compressor to compressor mounting bracket	4	221,260	B	62
2894 CAP (AIR CONDITIONER BELT IDLER PULLEY)					
B8QH 2894-A	Also serviced in C2OZ-8678-A assembly	1	170	B	62/63
2A894-5 INSULATOR (AIR CONDITIONER COMPRESSOR MOUNTING)					
C2OZ 2A894-A	Upper	4	221,260	B	62
C2OZ 2A895-A	Lower	4	221,260	B	62
2902 BRACKET (AIR CONDITIONER COMPRESSOR SUPPORT)					
CODE 2902-A	Eaton	1	All	C	60/62
2902 REFER TO GROUP 2889					
2-2903 SUPPORT (AIR CONDITIONER COMPRESSOR MOUNTING BRACKET)					
B9ME 22903-A	Use with crankshaft driven P/S	1	383,430	A	60
	(a)	1	All	D	60/64
20410-S	Bolt-hex. hd. -7/16"-24 x 1-1/2"	3	a		
34808-S	Washer-lock-7/16"	3	a		
2909 DISC & HUB (AIR CONDITIONER COMPRESSOR CLUTCH)					
COAE 2909-A	Eaton	1	All	A D	60/61
2-2932 SUPPORT (AIR CONDITIONER COMPRESSOR MOUNTING BRACKET)					
EDG 22932-B	Use with alternator only	1	383,430	A	60
2A942 ARM (AIR CONDITIONER COMPRESSOR BELT ADJUSTMENT)					
C4DZ 2A942-A	Use with 6.70" diameter a/cond. compressor clutch - use on vehicles built after 3-2-64 (a)	1	170,200	C	64
20408-S	Bolt-3/8"-16 x 1-1/8"	1	a		
34057-S	Nut-hex. -3/8"-16	1	a		
34807-S	Washer-lock-3/8"	1	a		
91964-S	NS-screw-sq. hd. dog pt. set-3/8"-16 x 3.00"	1	a		

Air Conditioning

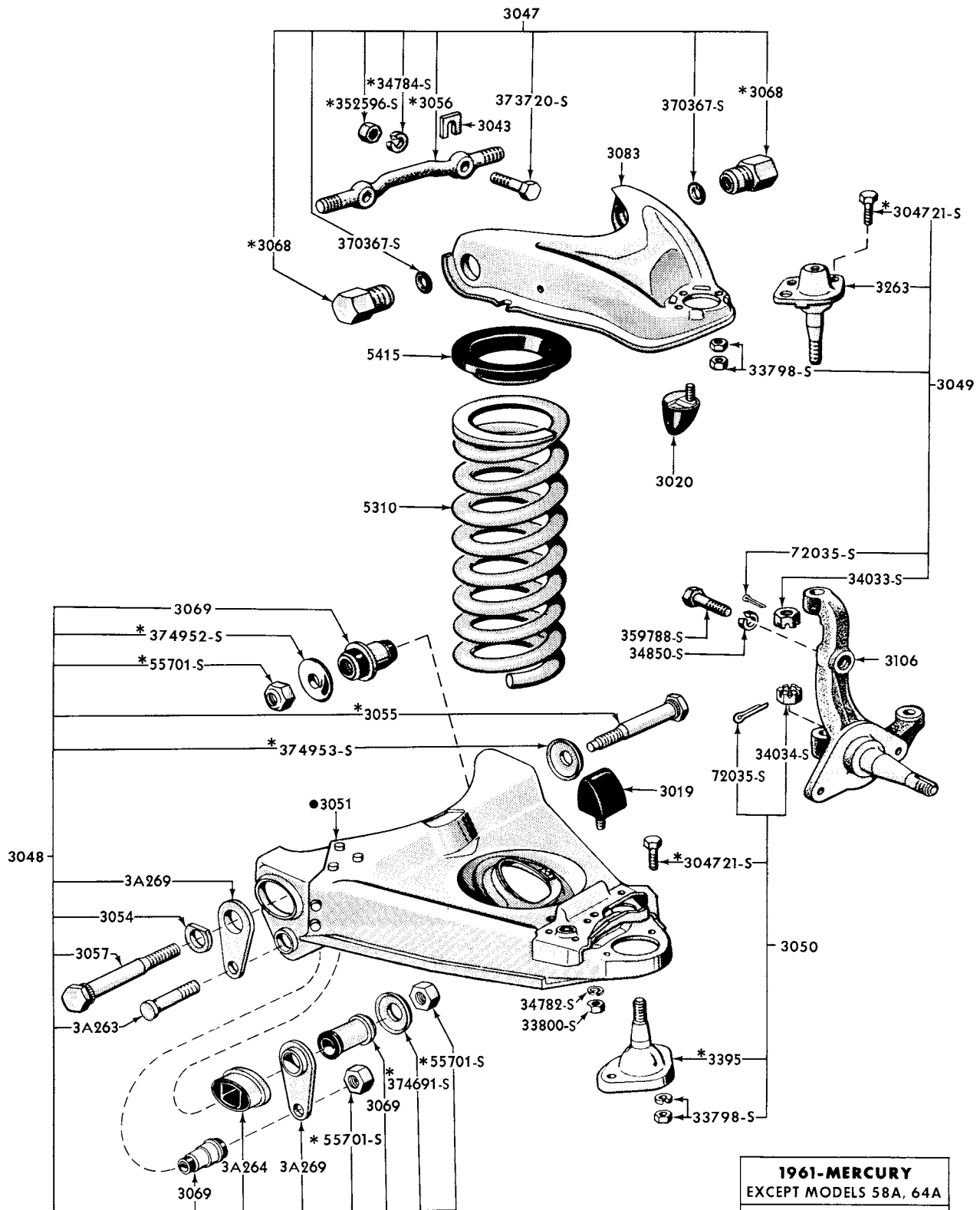
GROUP AND PART NUMBER	DESCRIPTION, SIZE, ETC.	NO. REQ'D	MODEL OR ENGINE CUBIC INCH DISPLACEMENT	VEHICLE CODE	YEAR 19__
2945 GASKET (AIR CONDITIONER COMPRESSOR CYLINDER HEAD)					
	NS-serviced in 19B684 kit	1	All	A C D	60/62
2951 WIRING (AIR CONDITIONER COMPRESSOR CLUTCH TO DASH PANEL)					
B9FM 2951-A		1	All	A	60
2978 SUPPORT (AIR CONDITIONER COMPRESSOR)					
CODE 2978-A	Eaton	1	All	C	60/62
2979 HOLDER (AIR CONDITIONER COMPRESSOR CLUTCH BRUSH)					
COAE 2979-A	Eaton	1	All	A B C D	60/62
C3SZ 2979-A	Eaton (a)	1	All	A B C D	63/64
	20312-S Bolt-hex. hd. -3/8"-16 x 1/2"	1	a		
	373293-S Screw and washer-hex. hd. -3/8"-16 x 1.00"	1	a		
2980 RING (AIR CONDITIONER COMPRESSOR CLUTCH) SLIP					
B9ME 2980-A	Eaton	1	All	A D	60/61
2983 REFER TO GROUP 2884					
2987 FIELD (AIR CONDITIONER COMPRESSOR)					
COAE 2987-A	Use with Warner clutch - includes (1) COAE-2988-A pilot bushing to facilitate installation	1	All	A D	61
		1	223, 292, 352, 390	A	62
C3SZ 2987-A	Use with Warner clutch	1	All	B	63
	Includes (1) COAE-2988-A pilot bushing to facilitate installation (a)	1	260, 289	C	63/64
		1	All	D	63
C4AZ 2987-A	Pitts - use with Pitts clutch - C4OZ-2884-A	1	260, 289	C	64
	20344-S Bolt-hex. hd. -1/4"-20 x 3/4"	1	a		
	34940-S Washer-external tooth lock-1/4"	1	a		
2990 BEARING (AIR CONDITIONER COMPRESSOR PULLEY)					
B9ME 2990-A	Eaton and Warner - 2.16" O.D. x 1.18" I.D. x .906" thick	1	All	A B C D	60/64
2990 REFER TO GROUP 2873					
2992 GASKET (AIR CONDITIONER COMPRESSOR VALVE PLATE)					
	NS-serviced in 19B684 kit	1	All	A C	60/62
2995 HEAD (AIR CONDITIONER COMPRESSOR CYLINDER)					
COAE 2995-A	Aluminum - use on Tecumseh compressor	1	All	A B	61/62
		1	All	C	60/62
C3GY 2995-A	Use on Tecumseh compressor	1	All	A B C	63/64
C1AE 2995-A	Aluminum - use on York compressor with bolt down type fittings	1	All	A B C	60/62
		1	All	D	60/61
C2SZ 2995-A	Aluminum - use on York compressor with threaded type fittings	1	All	D	61/64
		1	All	A B C	63/64
2997 MUFFLER & TUBE (AIR CONDITIONER COMPRESSOR)					
B9MF 2997-B		1	383, 430	A	60
COMF 2997-A	For hang-on a/cond.	1	312	A	60
B9LF 2997-B		1	All	D	60
C1VY 2997-A		1	All	D	61/64
2999 CLAMP (AIR CONDITIONER MUFFLER)					
B9MF 2999-B		1	383, 430	A	60



1960-MERCURY

PMC-612

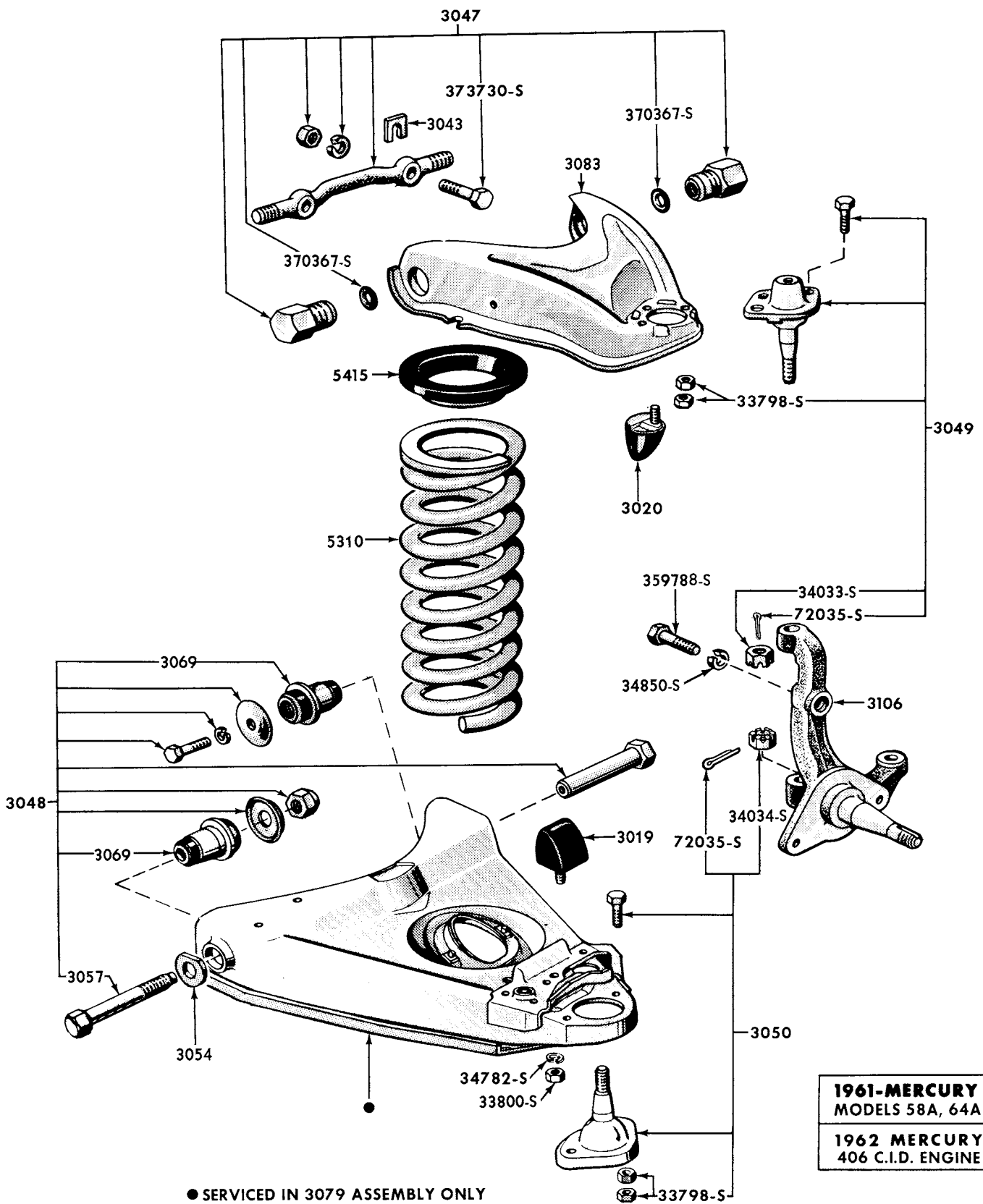
FRONT SUSPENSION



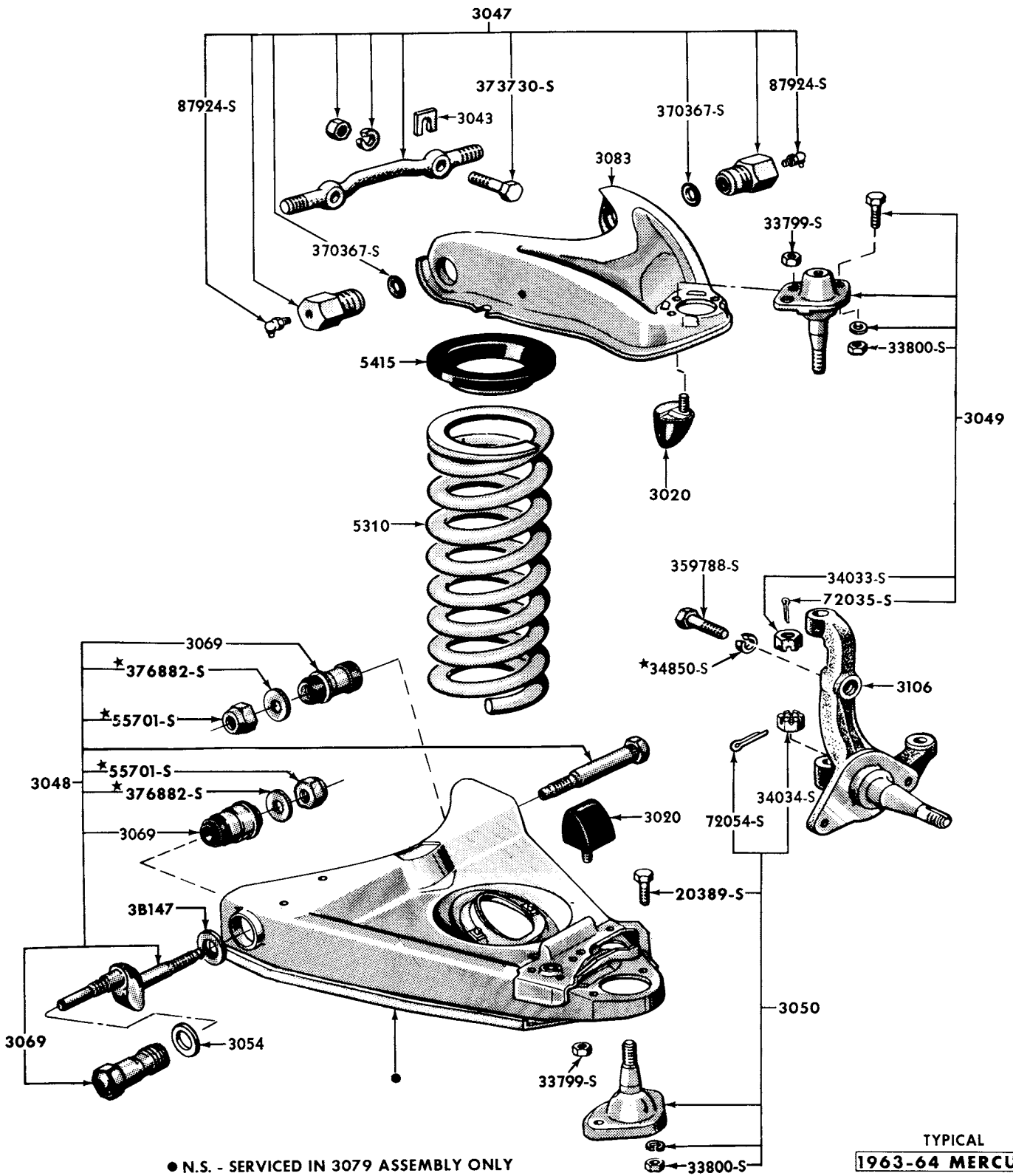
* SERVICED IN KIT ONLY
● SERVICED IN 3A266 ASSEMBLY ONLY

PMC-1176

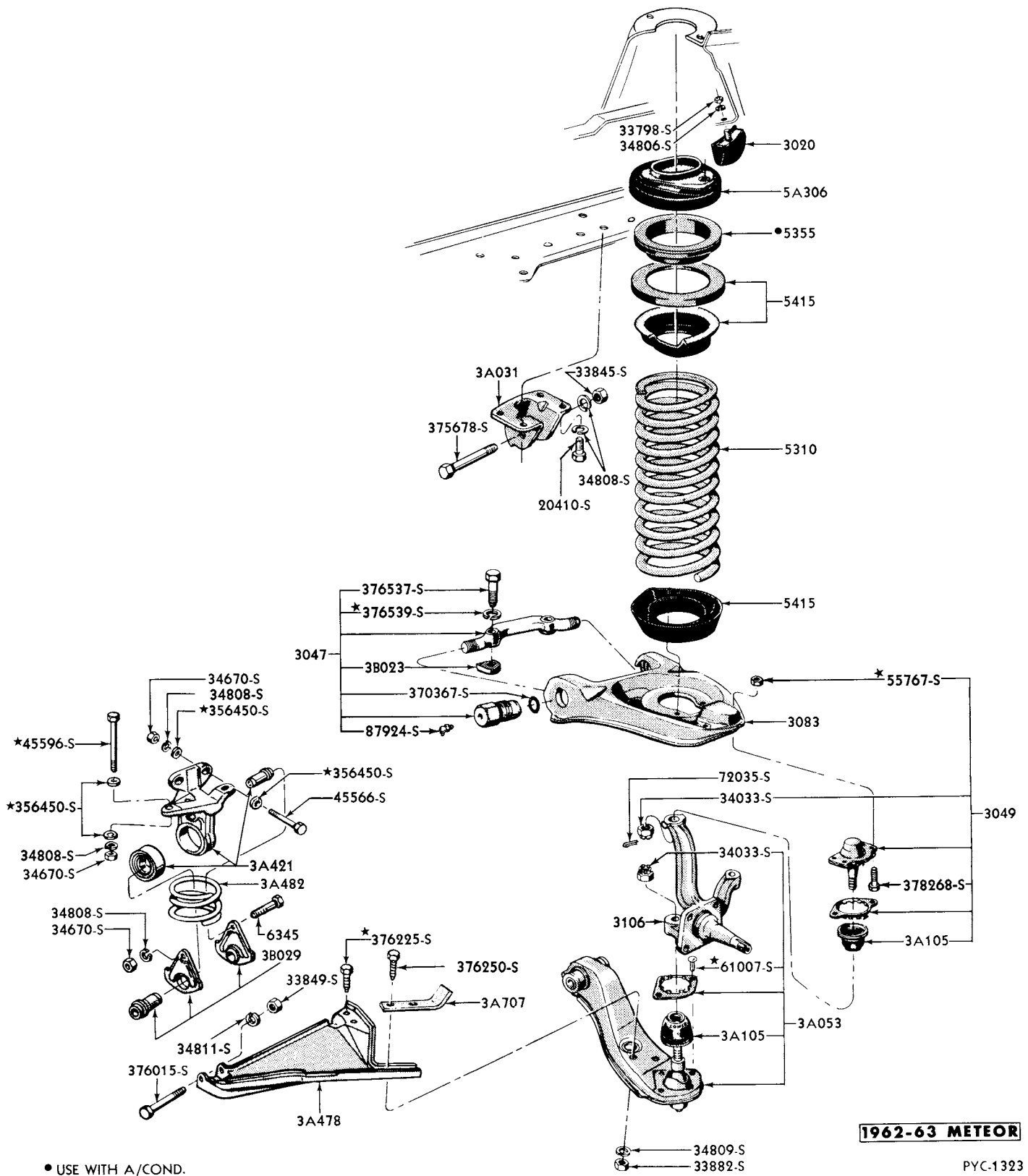
FRONT SUSPENSION



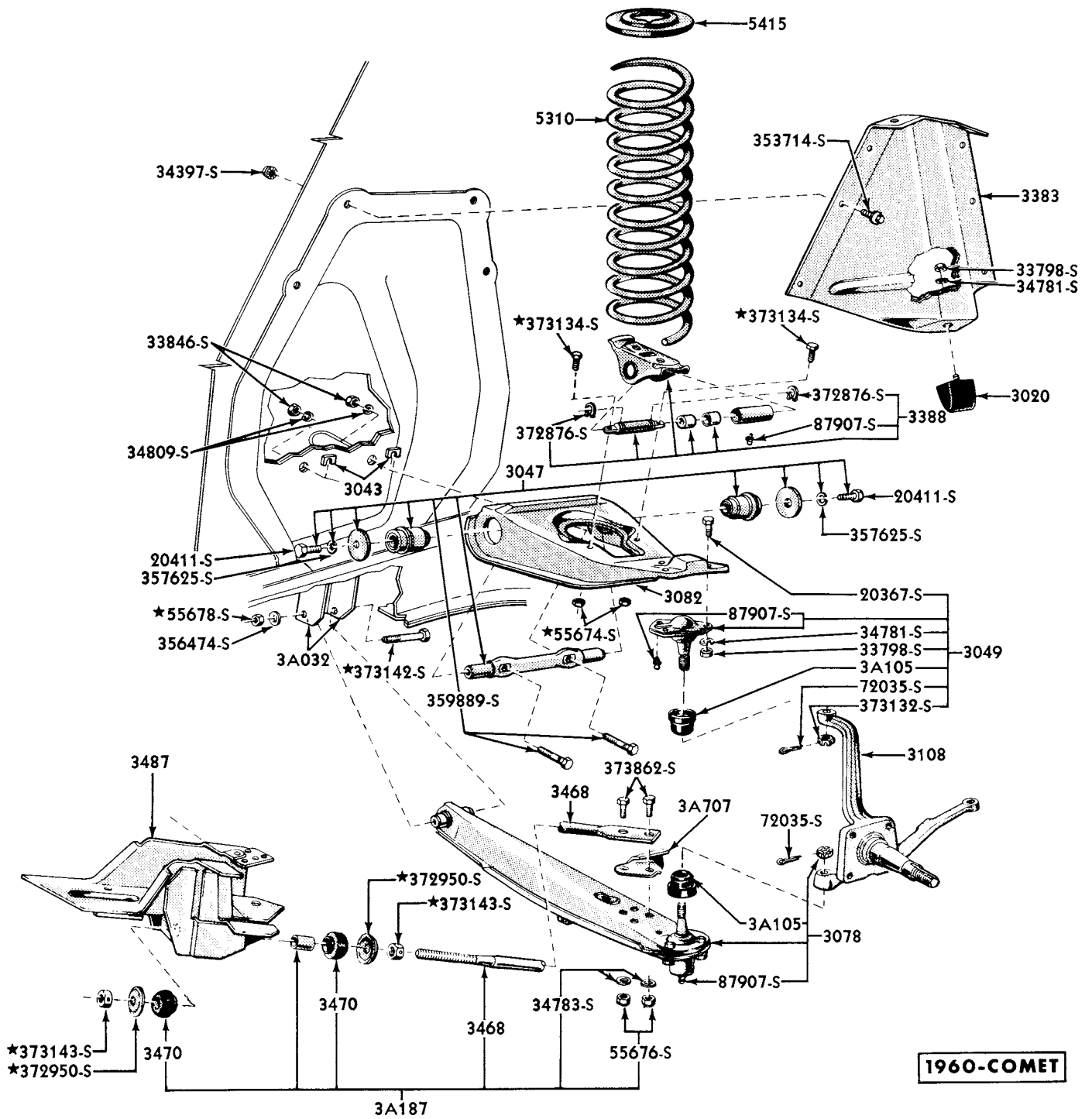
FRONT SUSPENSION



FRONT SUSPENSION



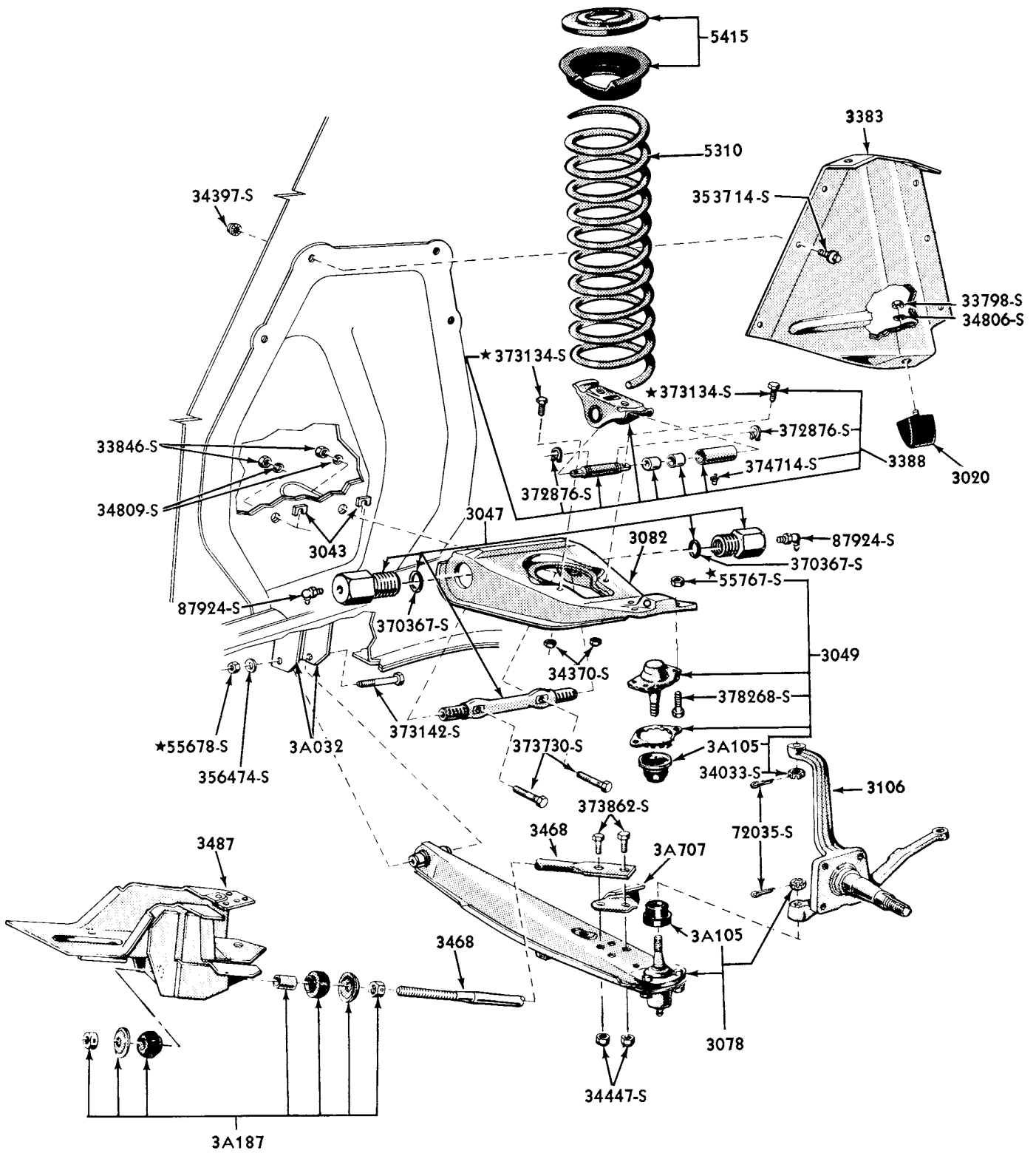
FRONT SUSPENSION



1960-COMET

PGC-987

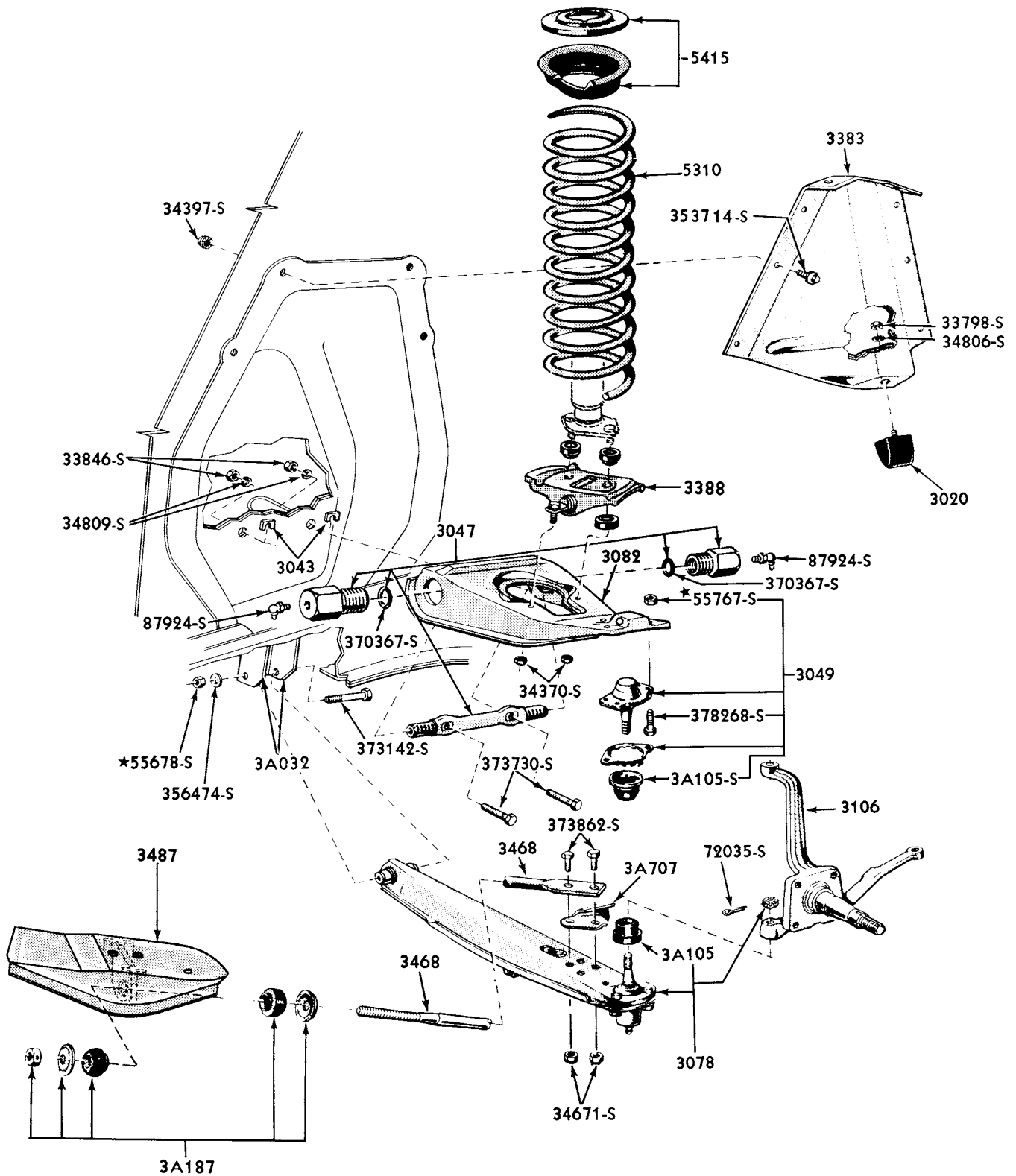
FRONT SUSPENSION



1961-62 COMET

PGC 1455

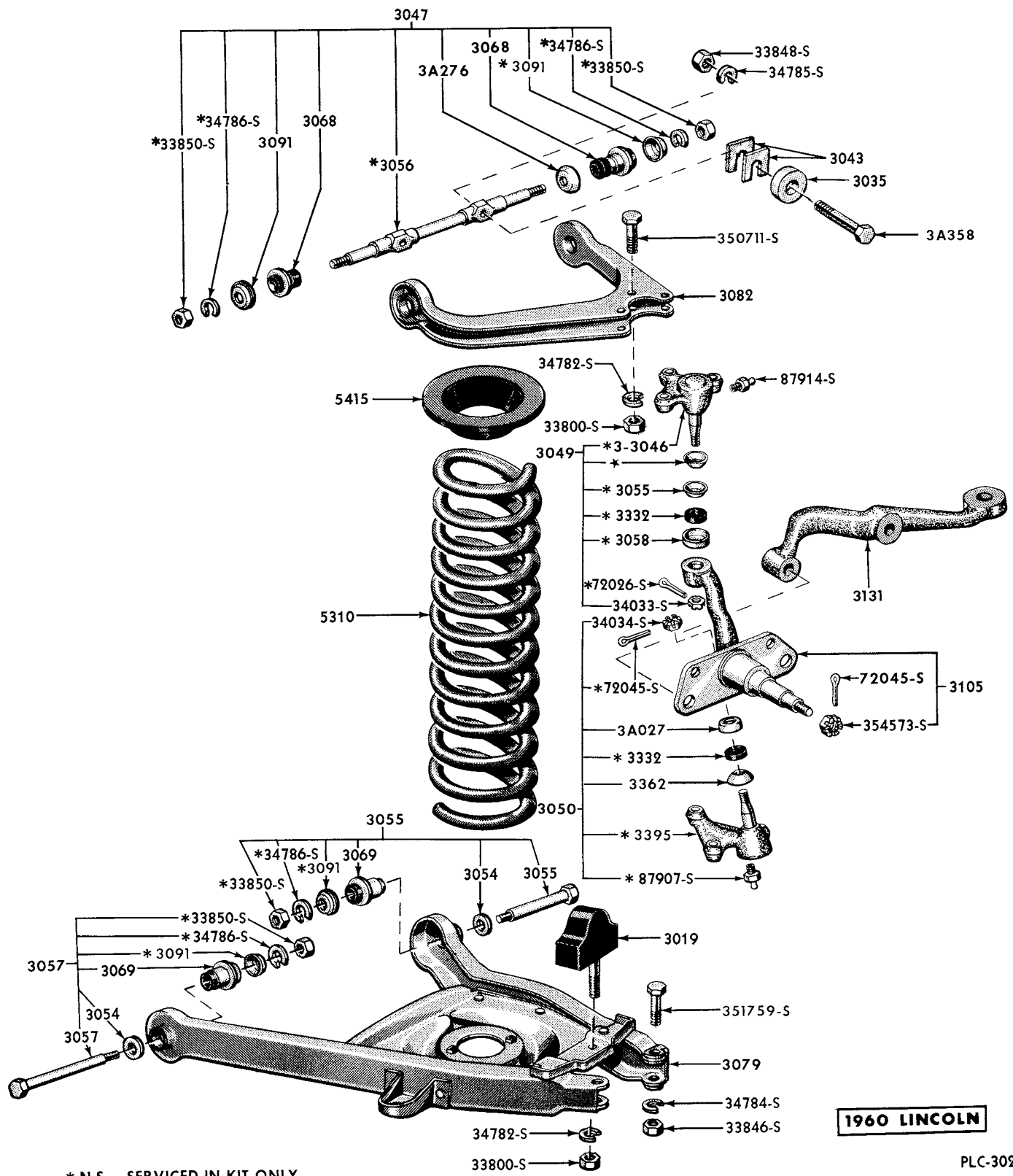
FRONT SUSPENSION



1963-64 COMET

PGC 1743

FRONT SUSPENSION

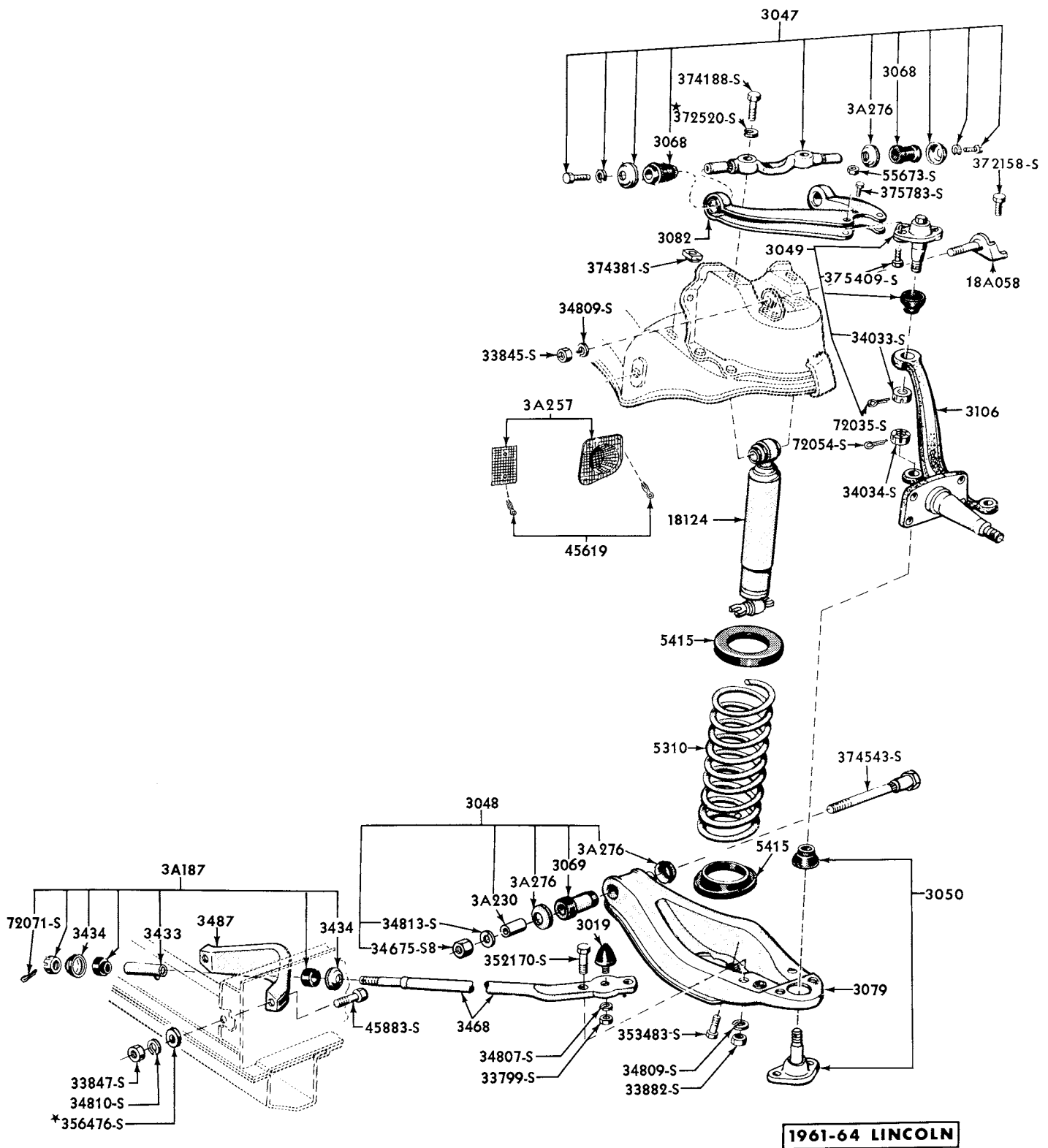


1960 LINCOLN

* N.S. - SERVICED IN KIT ONLY

PLC-302

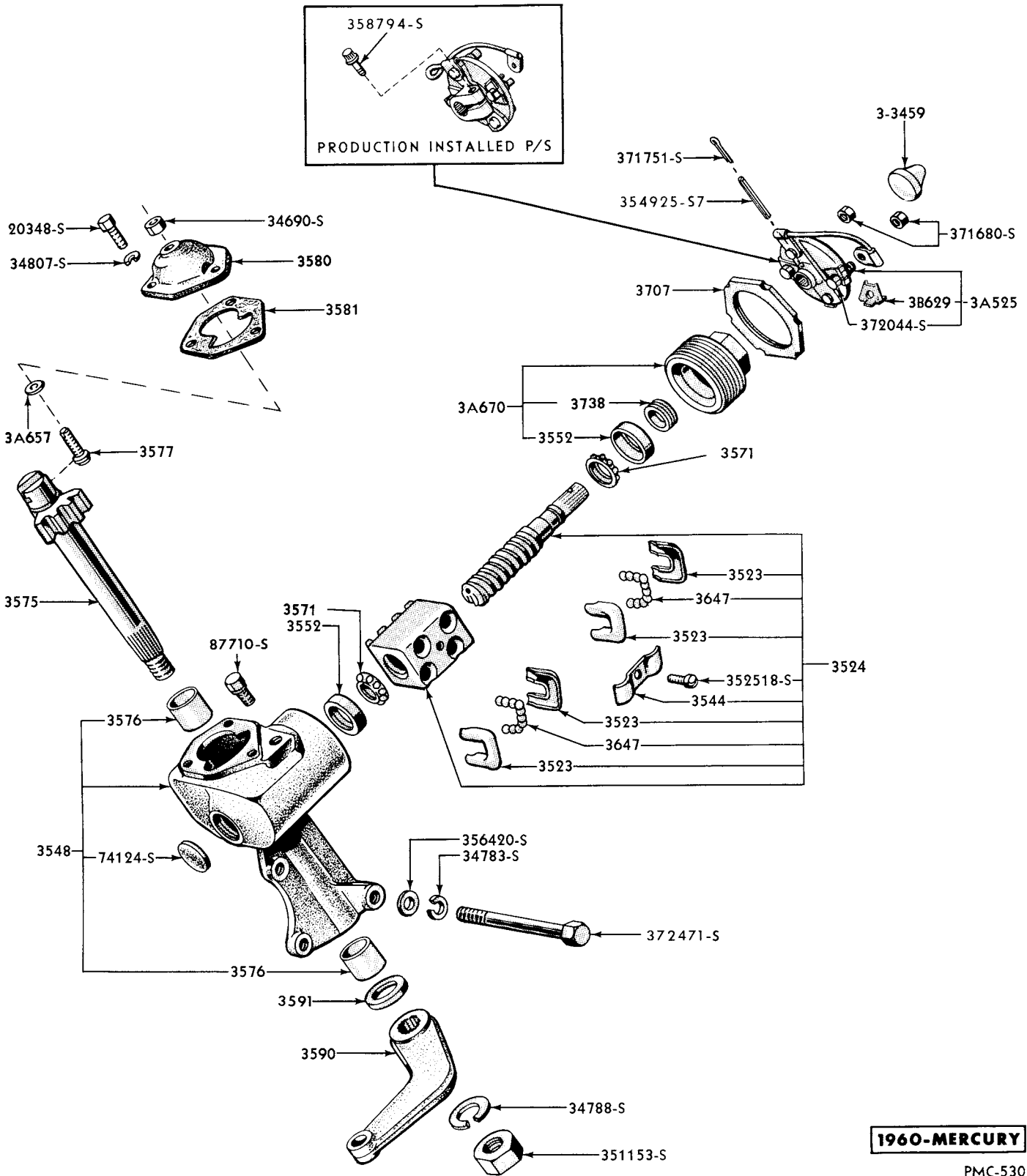
FRONT SUSPENSION



1961-64 LINCOLN

PLC-1153

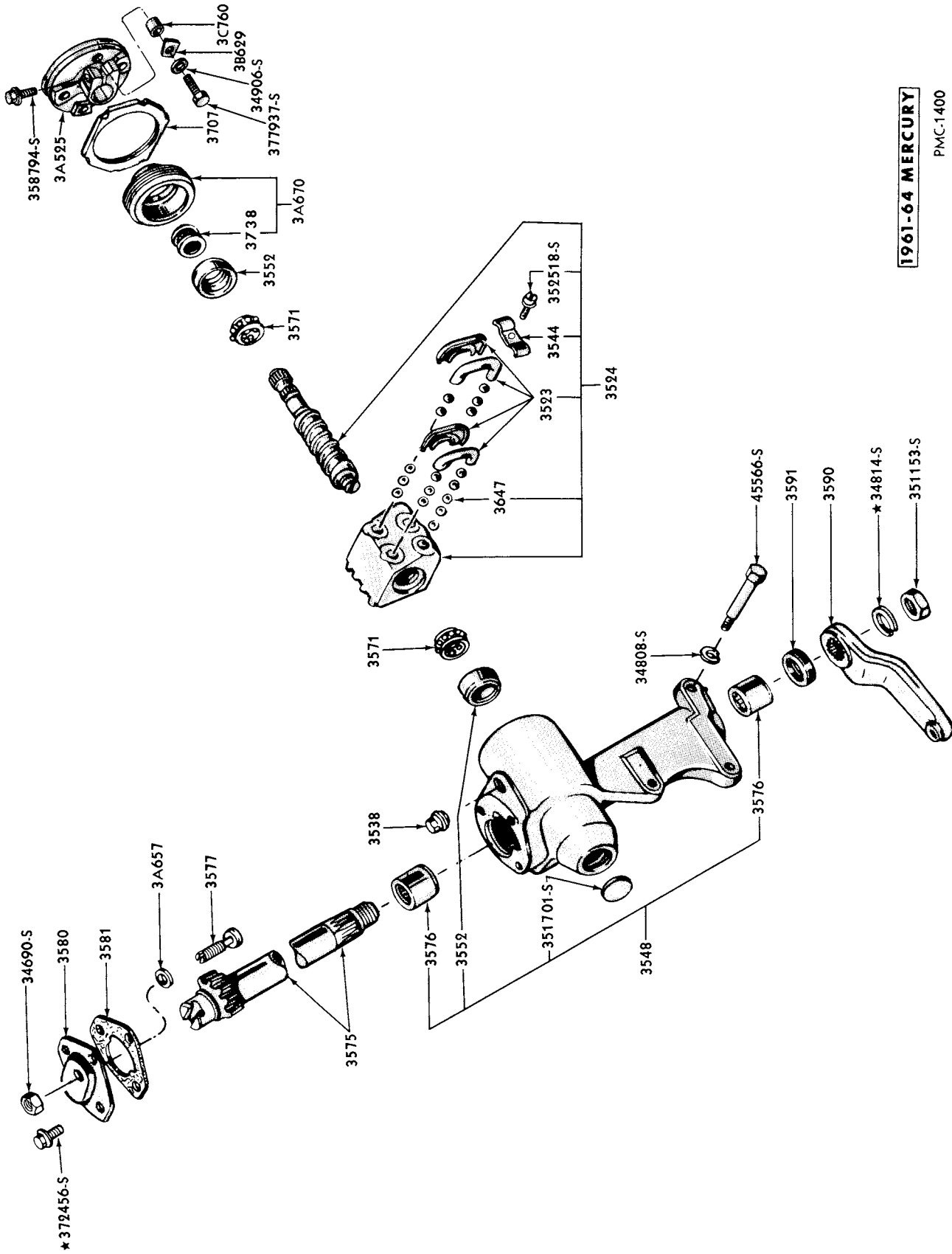
FRONT SUSPENSION



1960-MERCURY

PMC-530

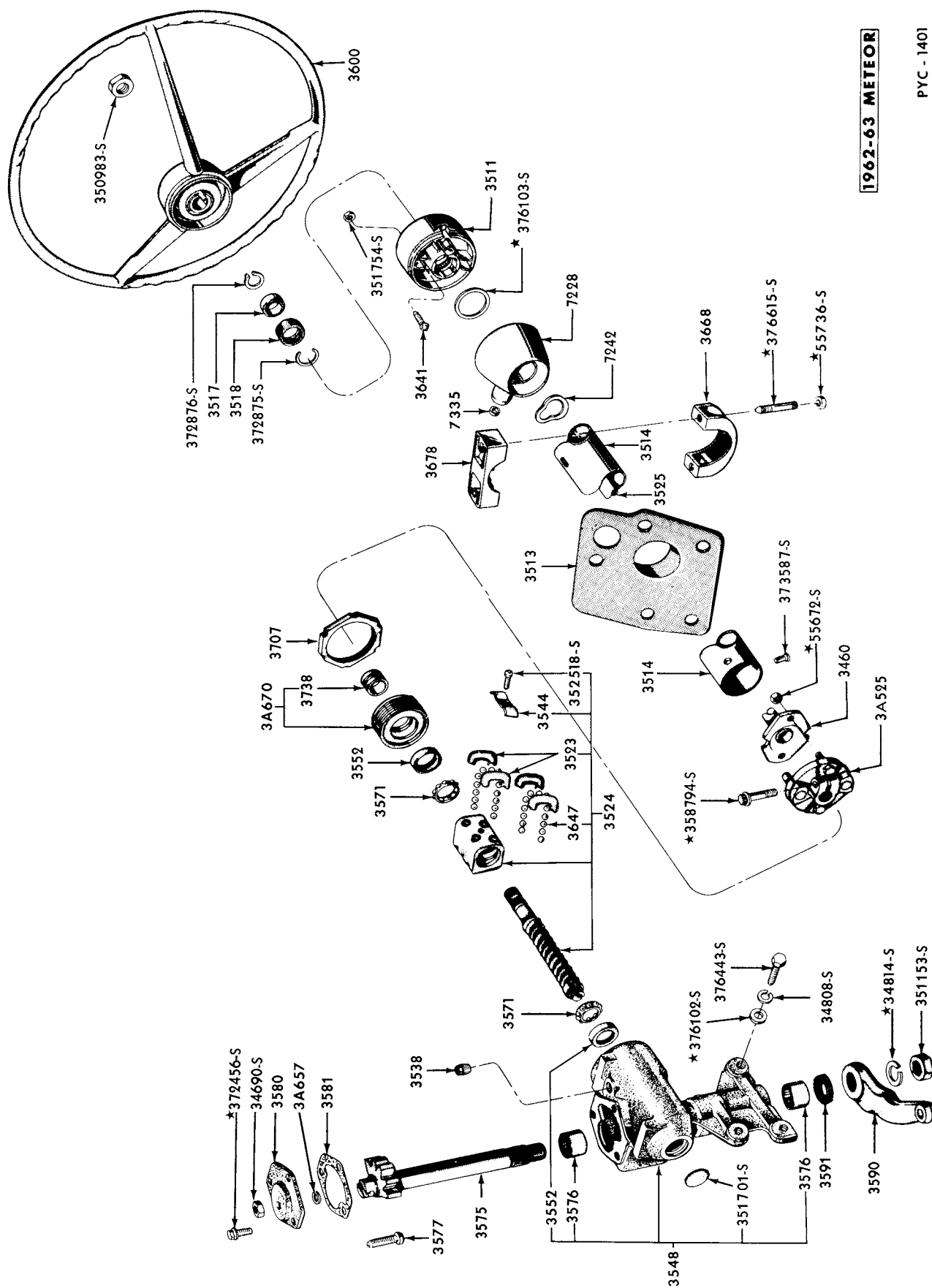
STEERING GEAR



1961-64 MERCURY

PMC-1400

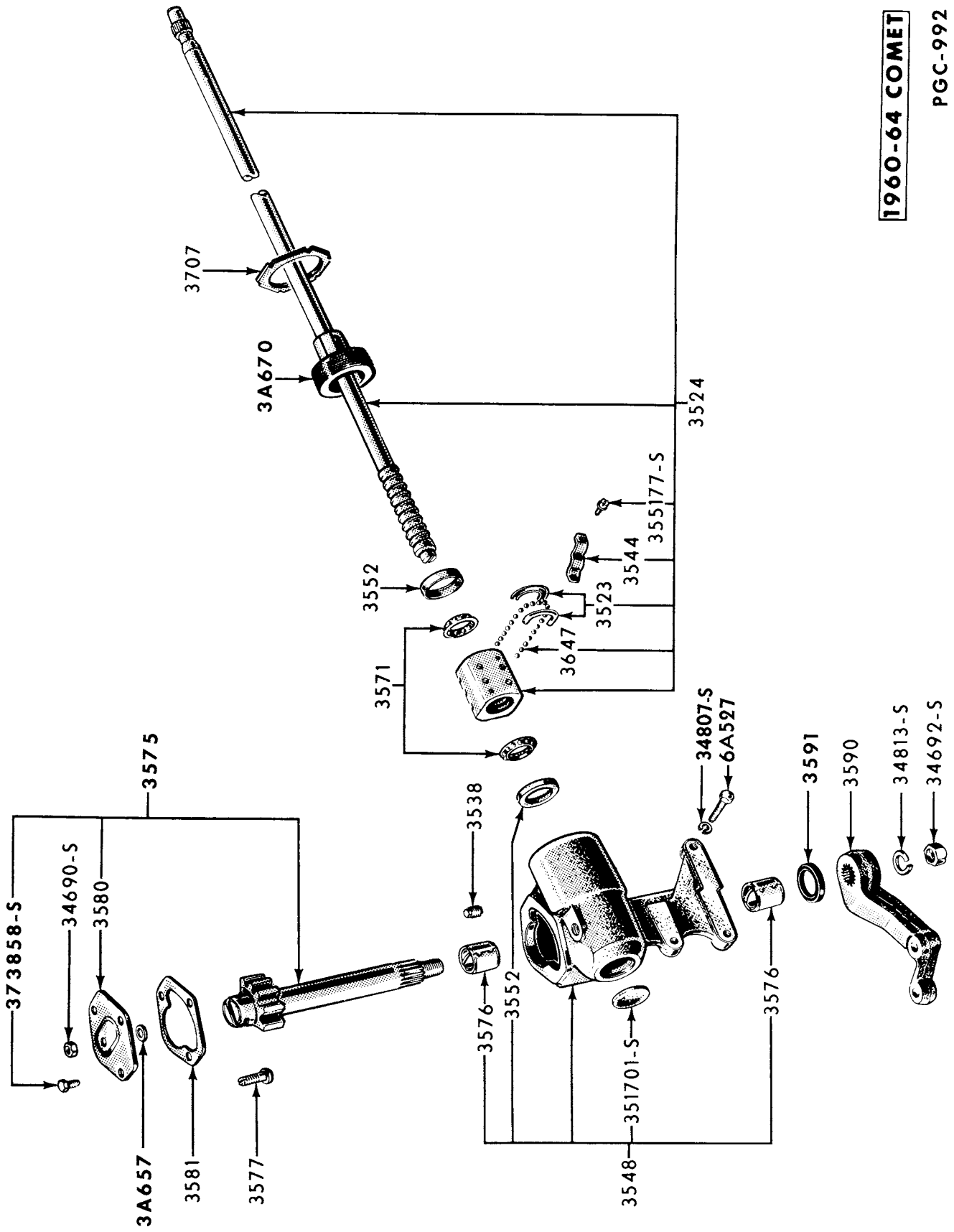
STEERING GEAR



1962-63 METEOR

PYC - 1401

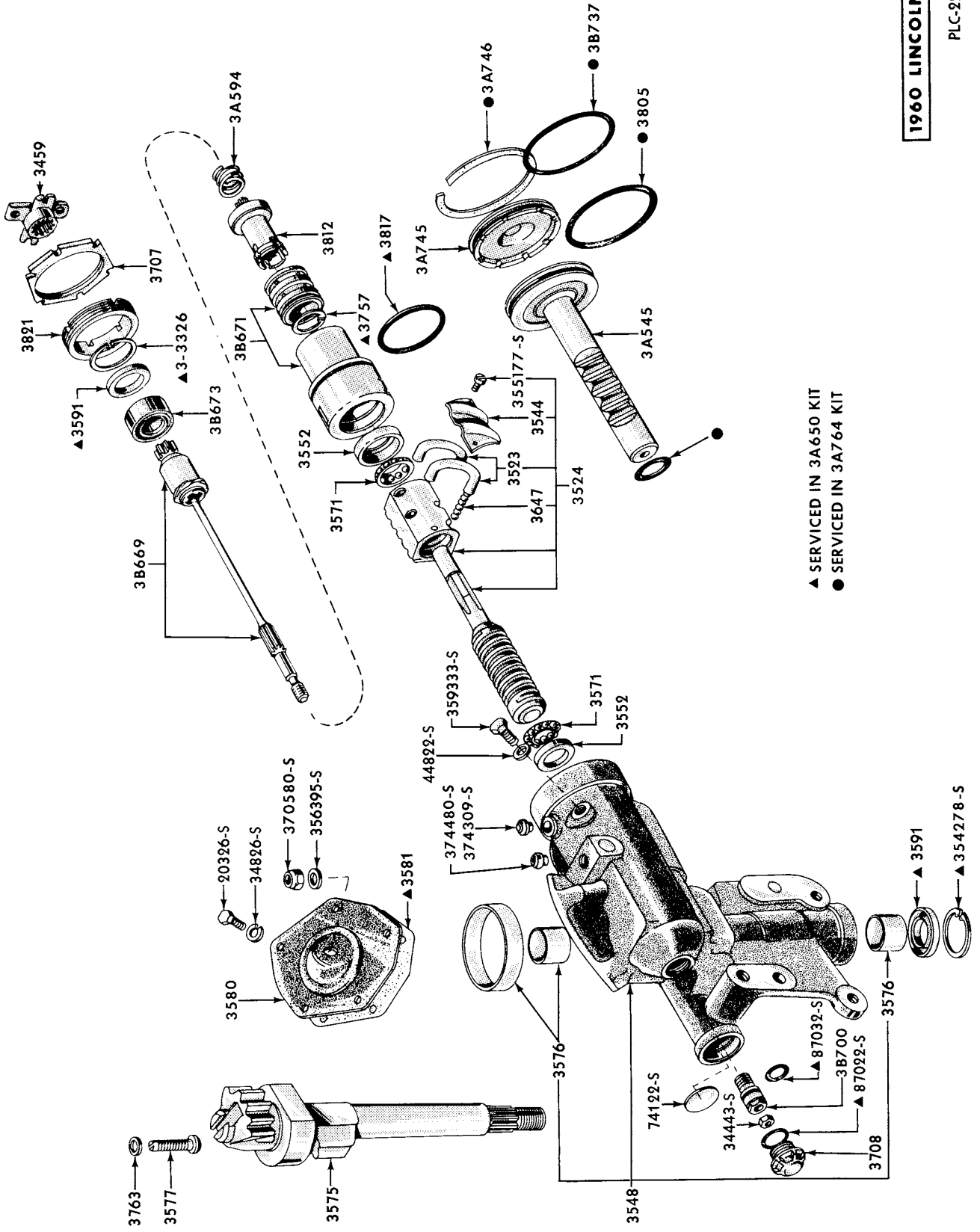
STEERING GEAR



1960-64 COMET

PGC-992

STEERING GEAR

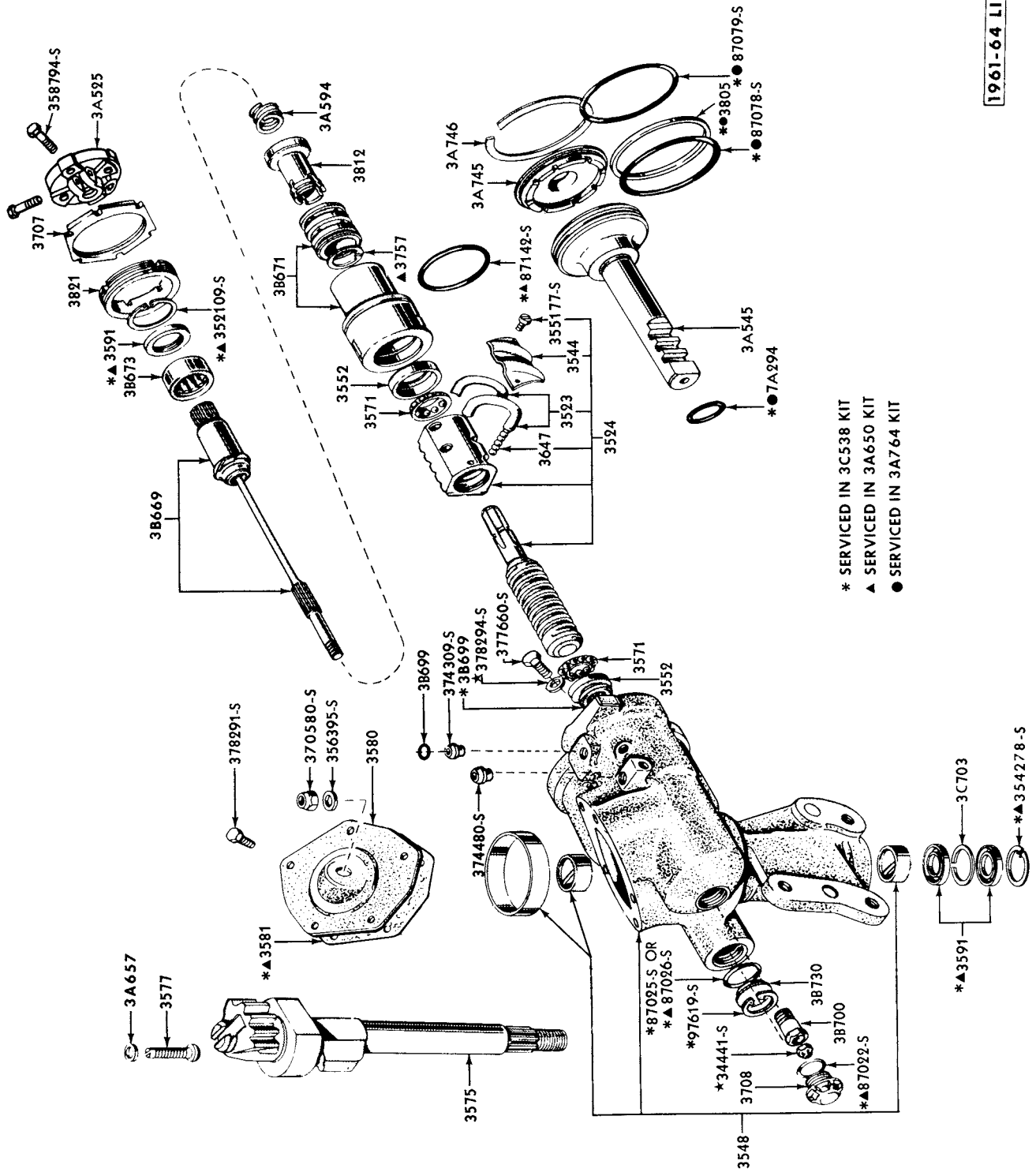


- ▲ SERVICED IN 3A650 KIT
- SERVICED IN 3A764 KIT

1960 LINCOLN

PLC-220

POWER STEERING GEAR

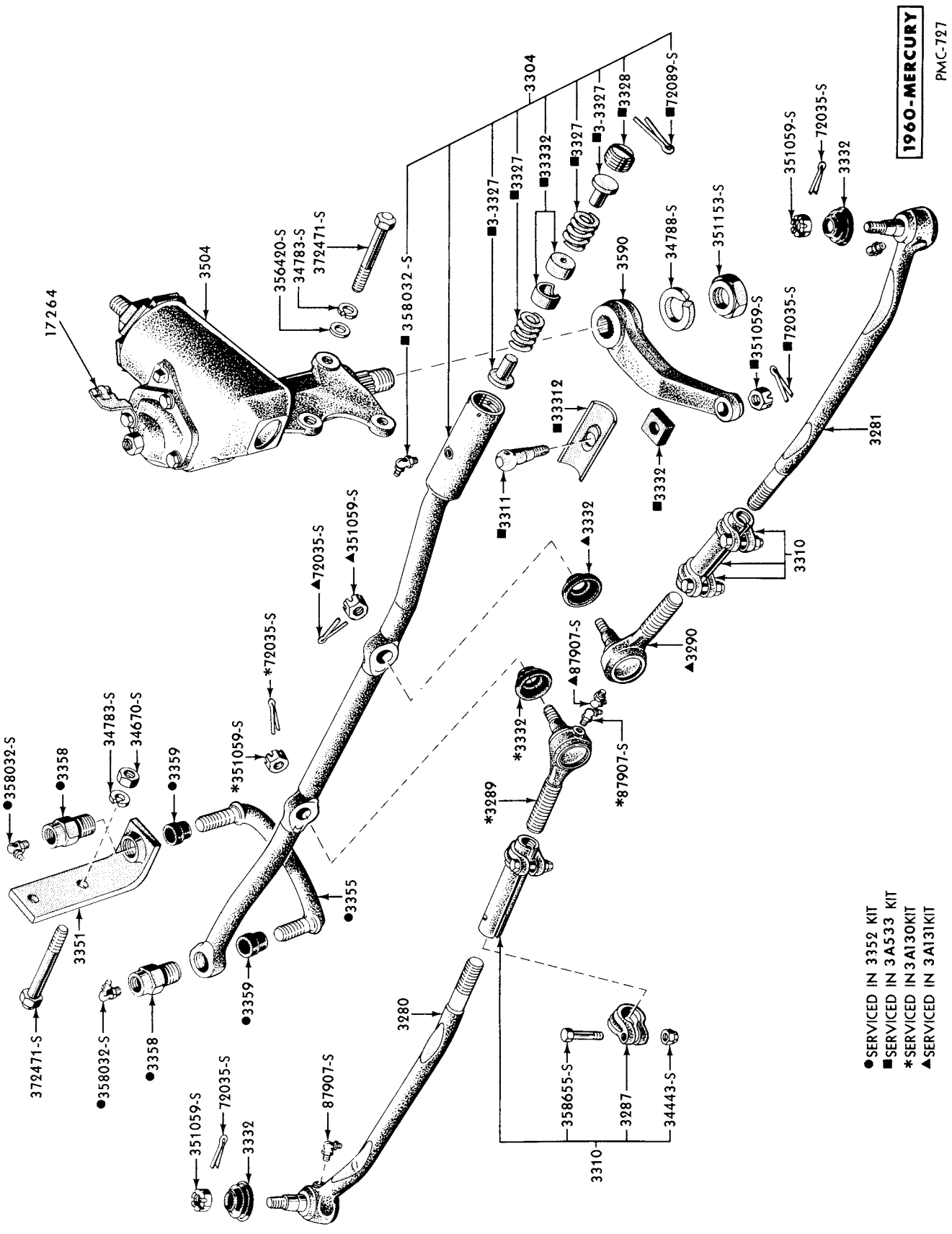


- * SERVICED IN 3C538 KIT
- ▲ SERVICED IN 3A650 KIT
- SERVICED IN 3A764 KIT

1961-64 LINCOLN

PLC-1147

POWER STEERING GEAR

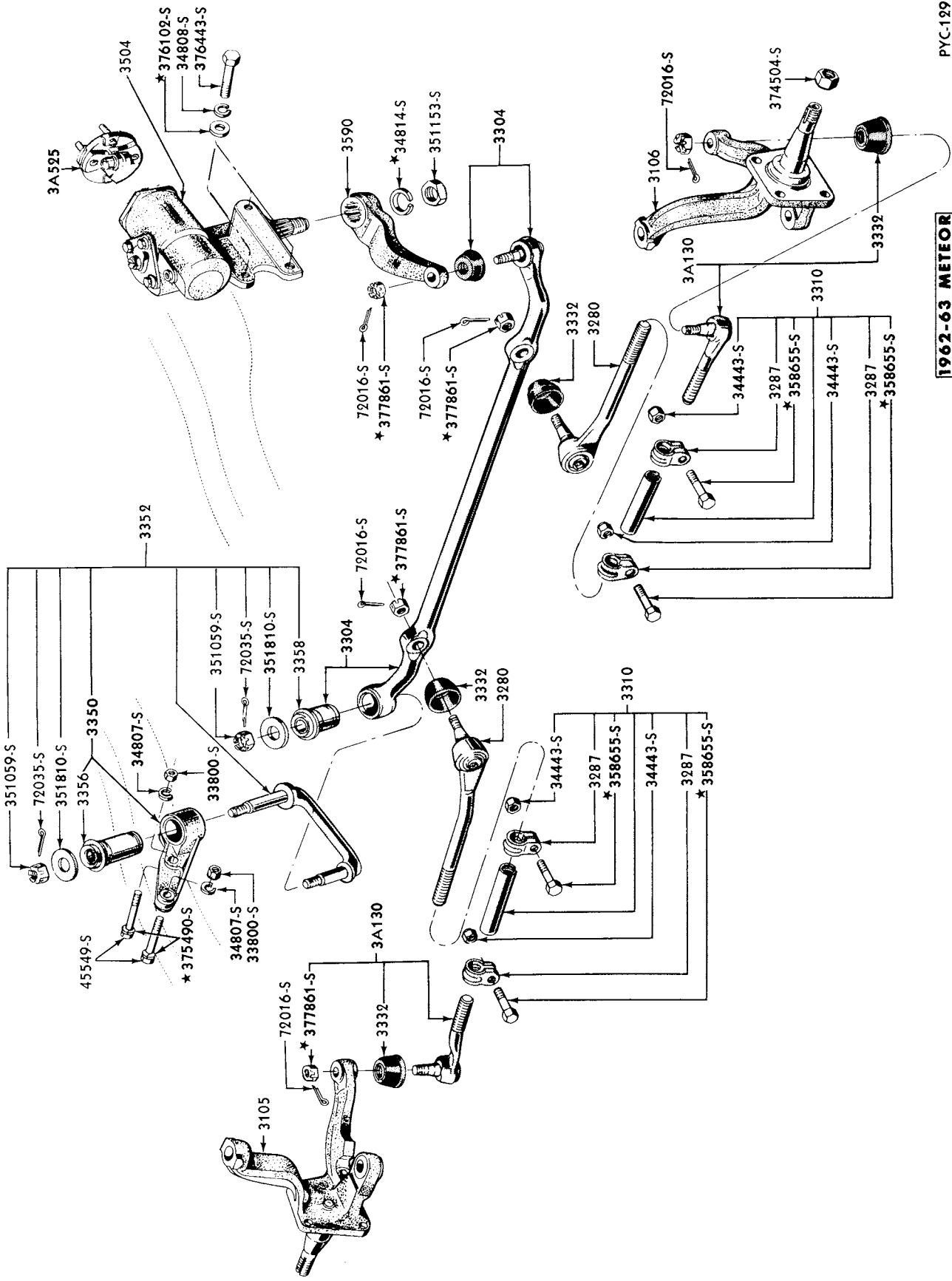


1960-MERCURY

PMC-797

MANUAL STEERING LINKAGE

- SERVICED IN 3352 KIT
- SERVICED IN 3A533 KIT
- * SERVICED IN 3A130KIT
- ▲ SERVICED IN 3A131KIT



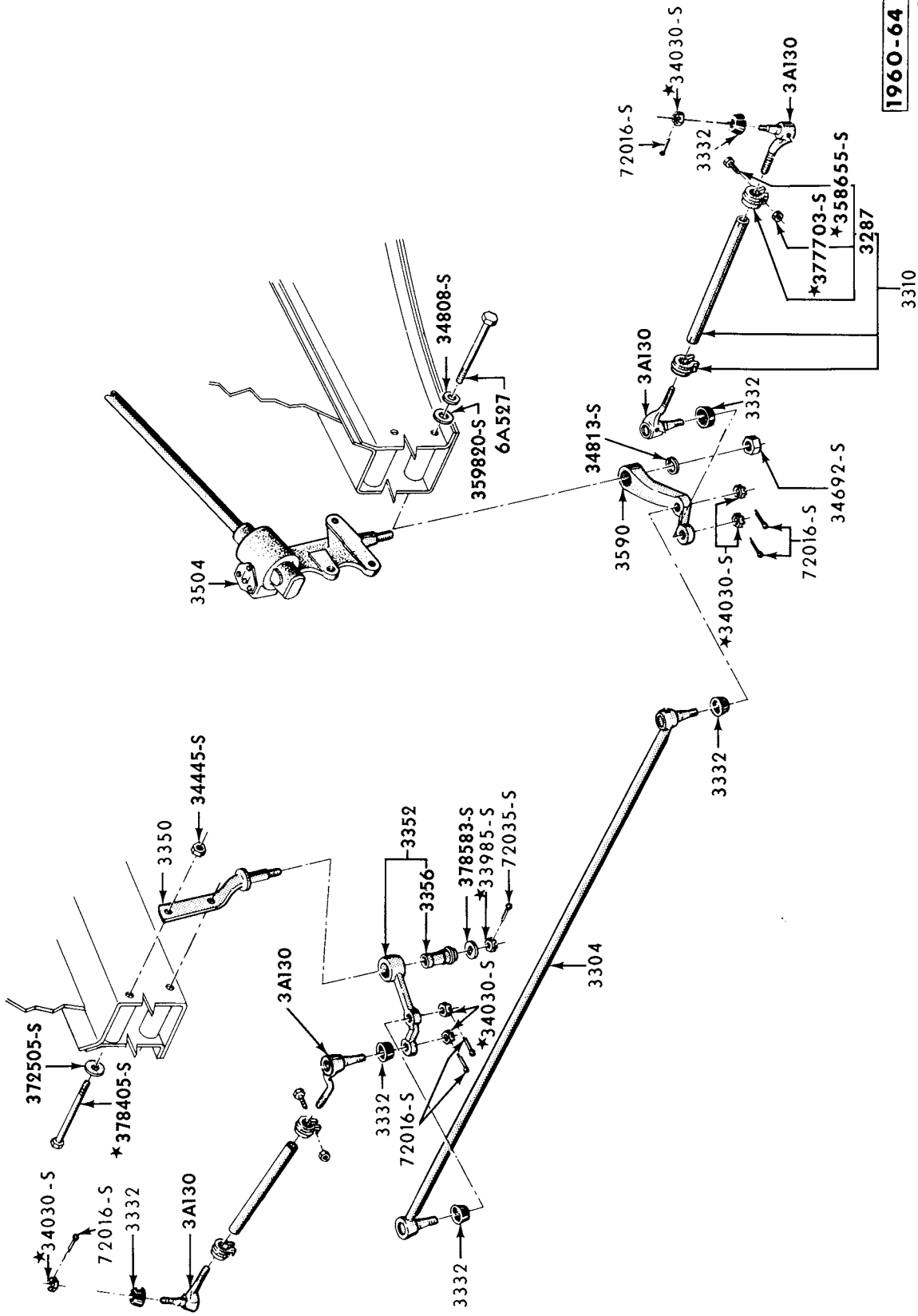
1962-63 METEOR

PYC-1995

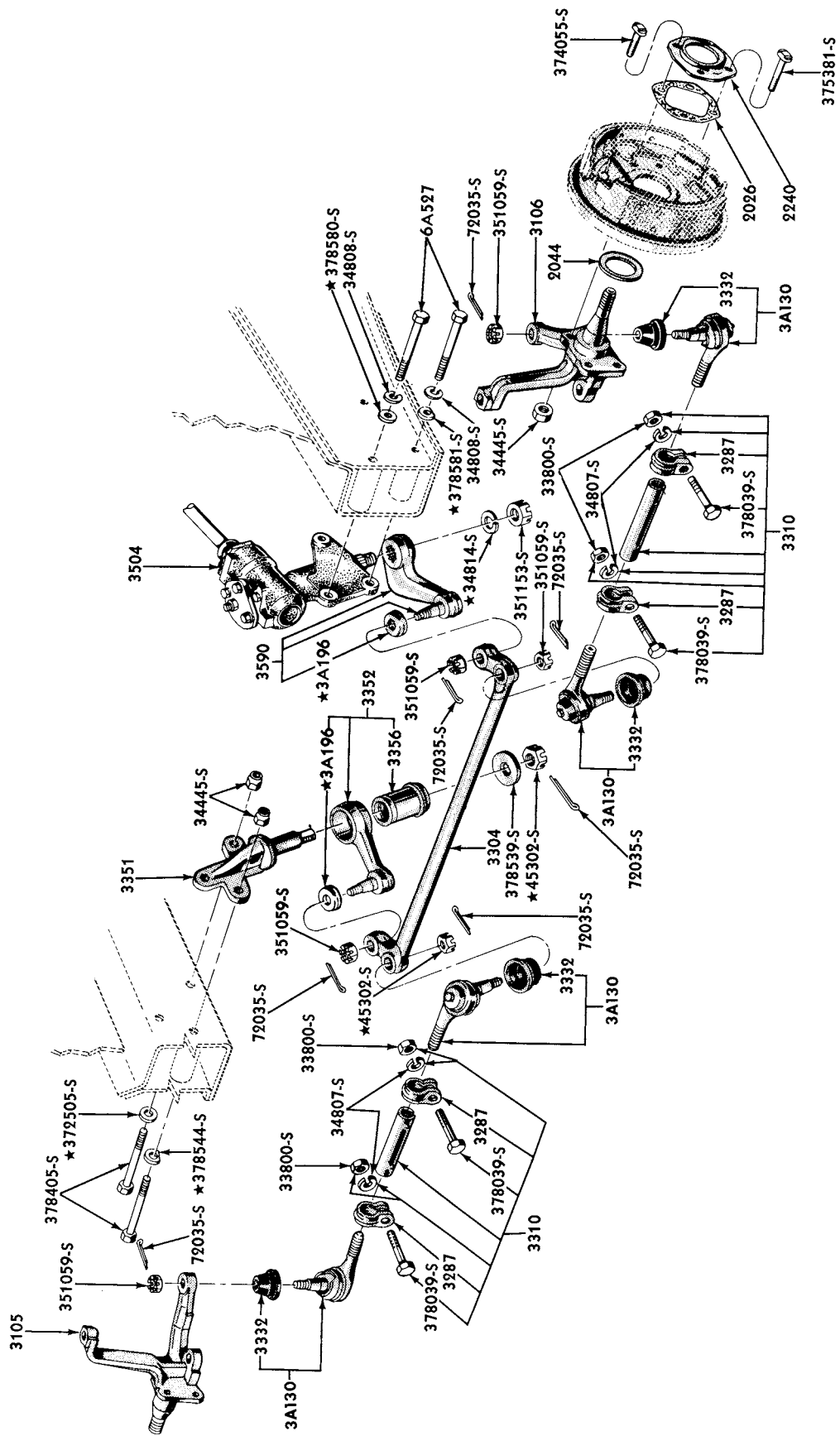
MANUAL STEERING LINKAGE

1960-64 COMET

PGC-988

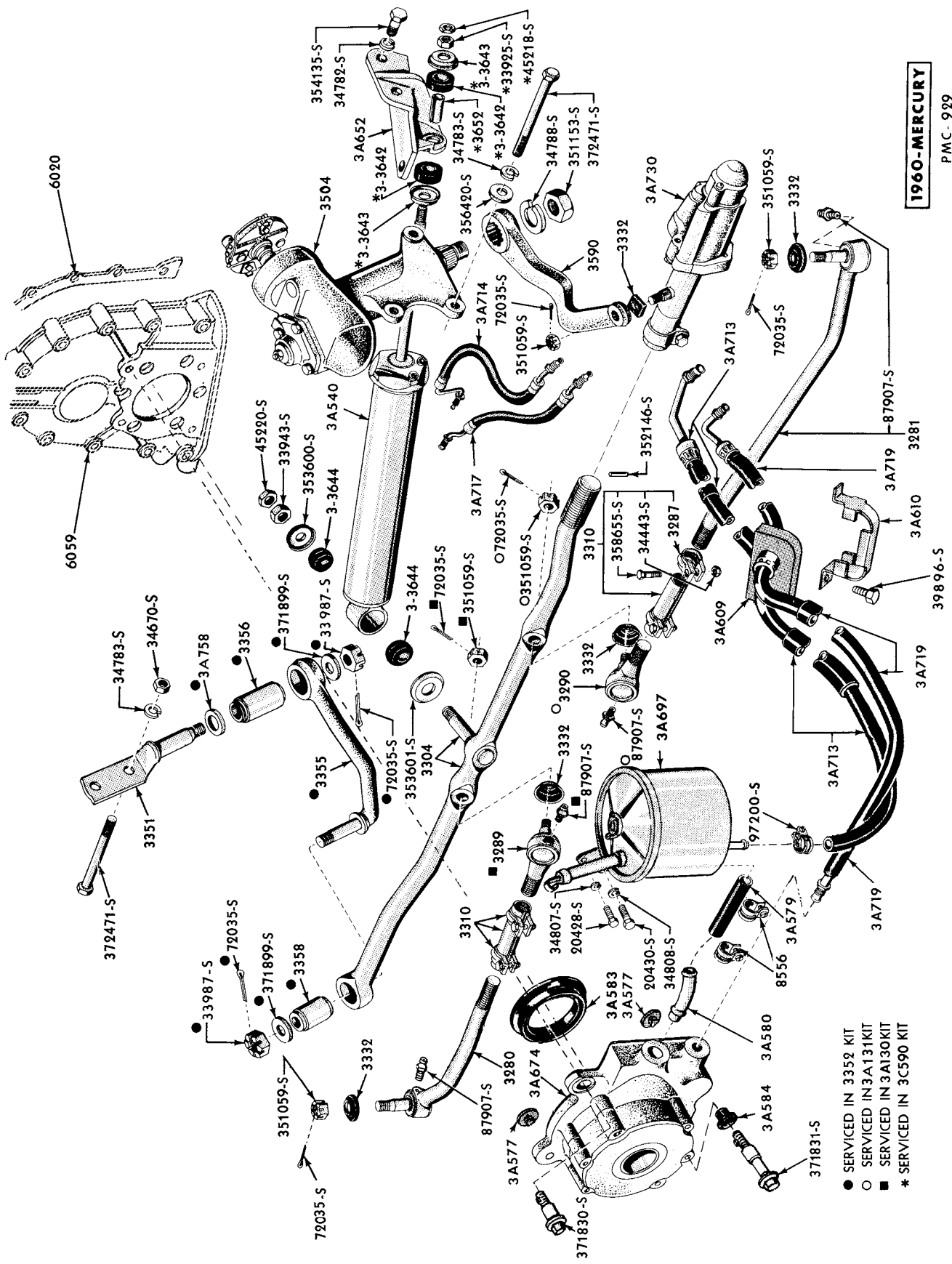


MANUAL STEERING LINKAGE-6 CYLINDER ENGINES



1963-64 COMET
PGC-1792

MANUAL STEERING LINKAGE - 8 CYLINDER ENGINES

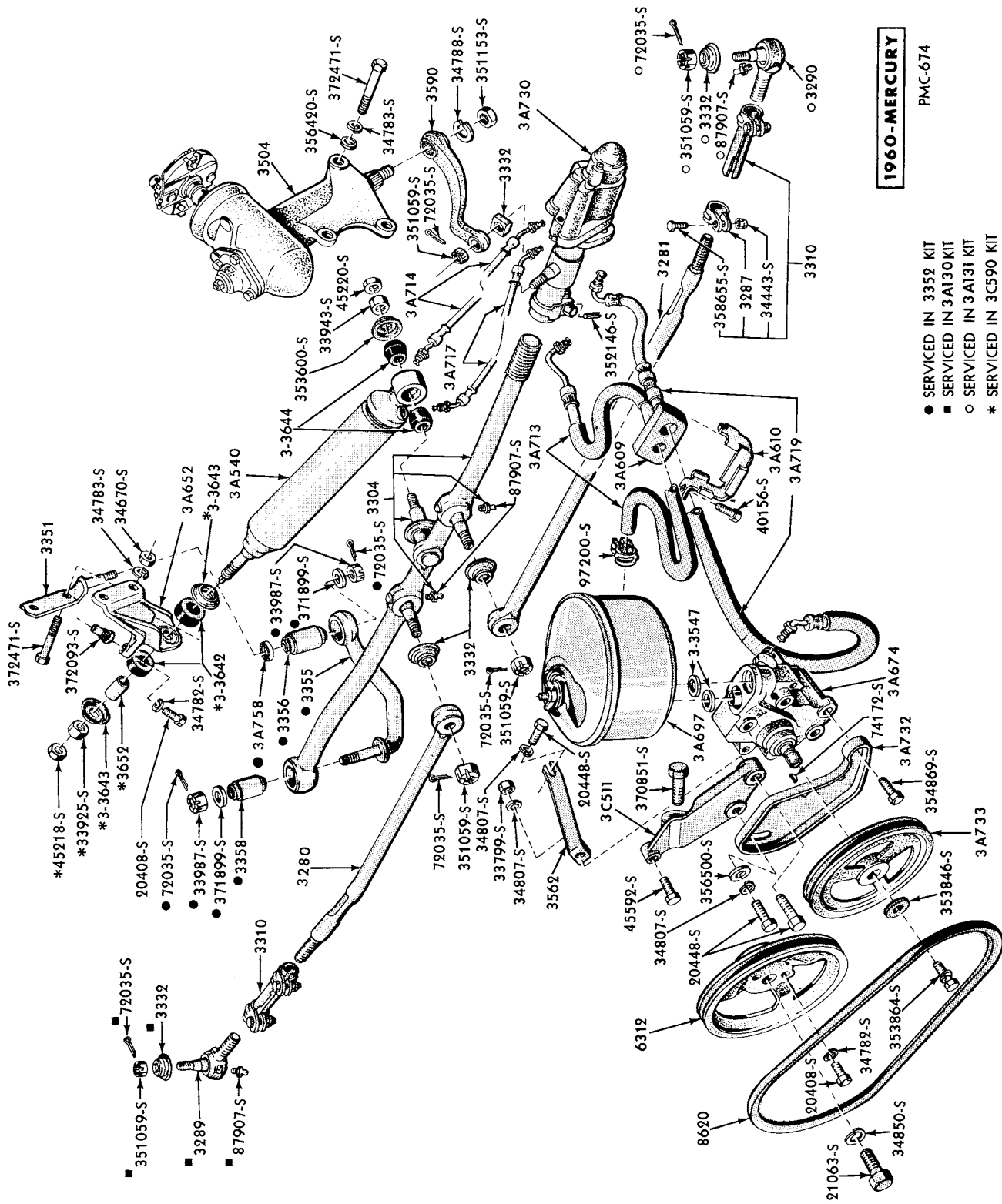


1960-MERCURY

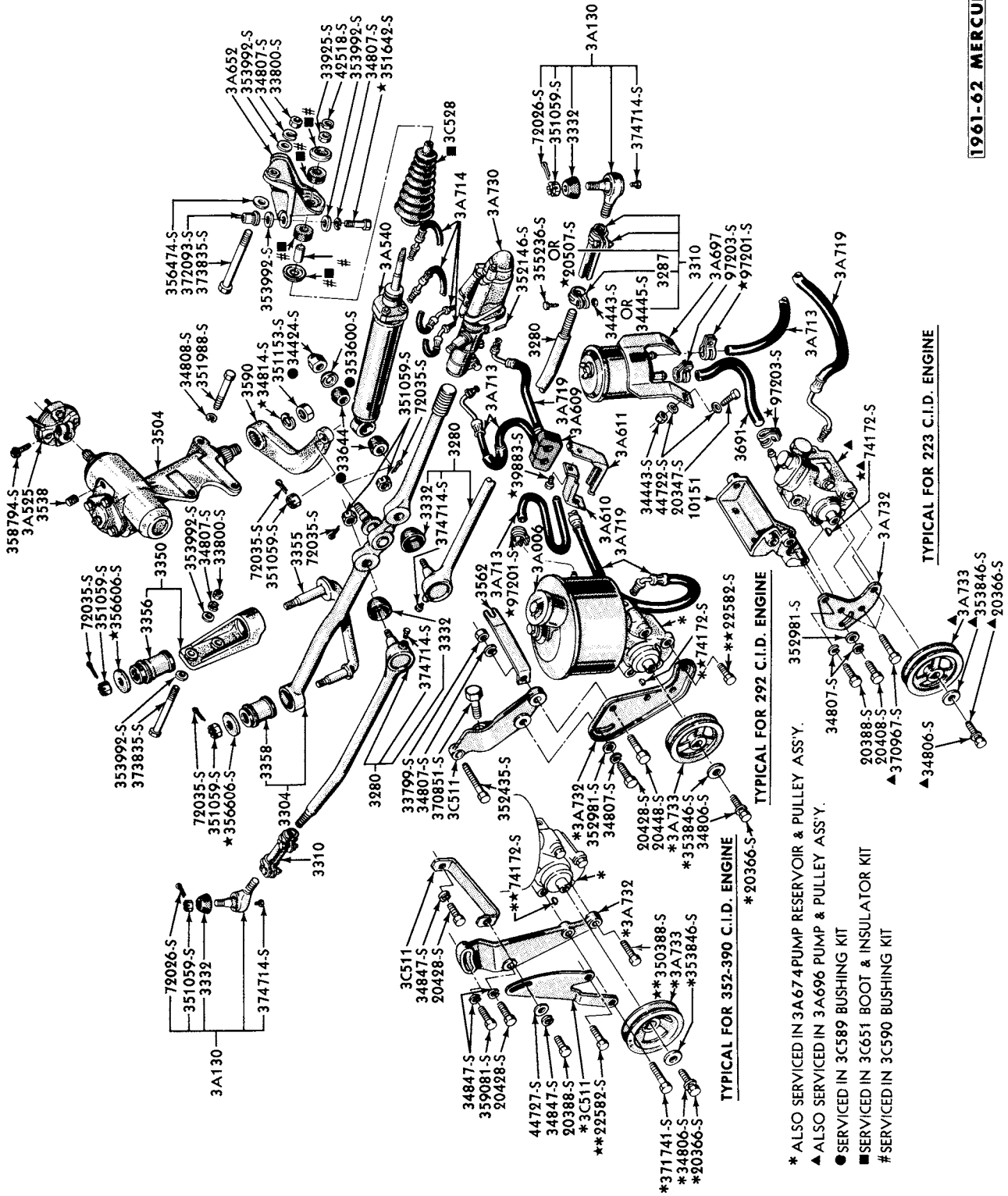
PMC - 999

POWER STEERING LINKAGE - CRANKSHAFT DRIVEN PUMP

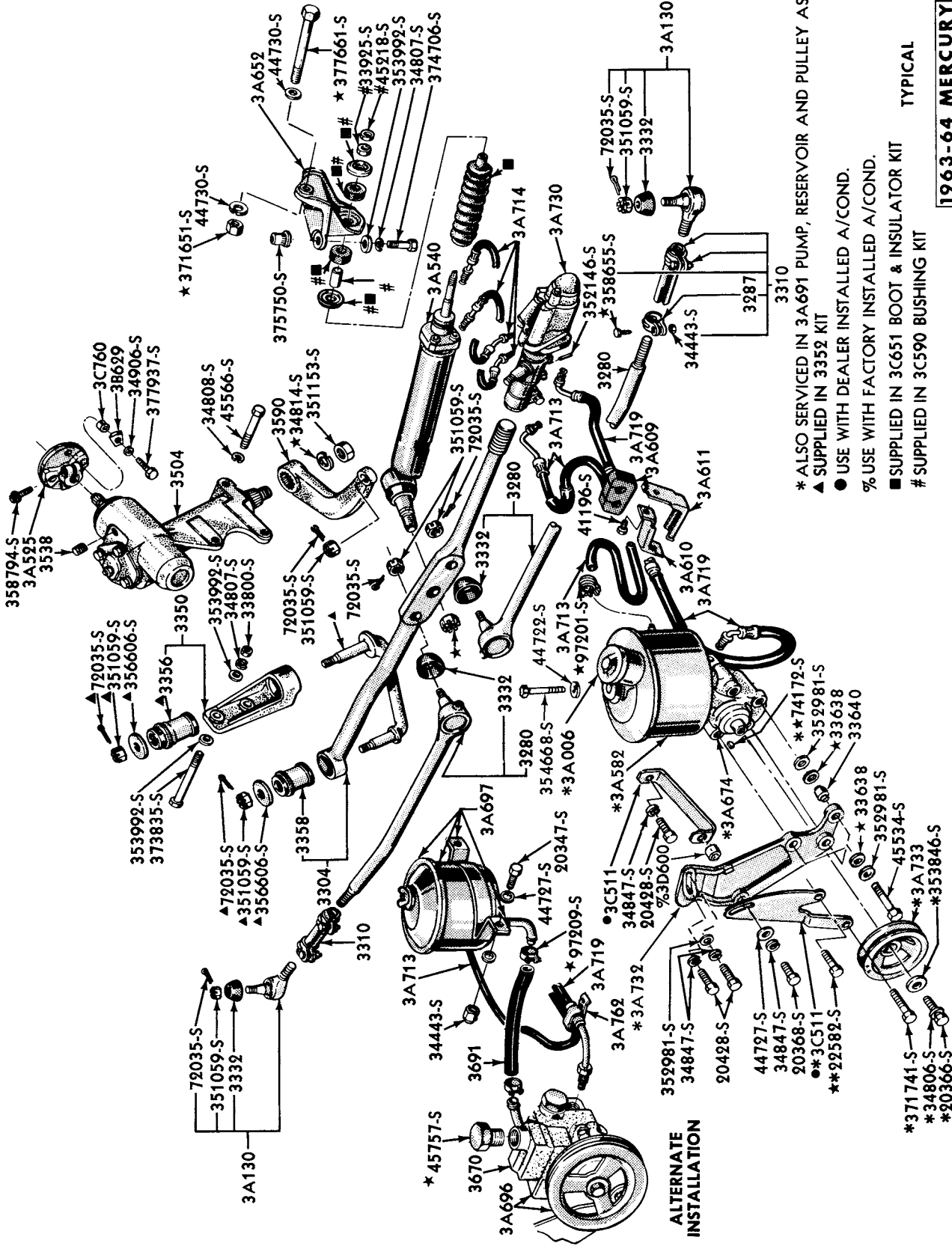
- SERVICED IN 3352 KIT
- SERVICED IN 3A131KIT
- SERVICED IN 3A130KIT
- * SERVICED IN 3C590 KIT



POWER STEERING LINKAGE - BELT DRIVEN PUMP



POWER STEERING LINKAGE

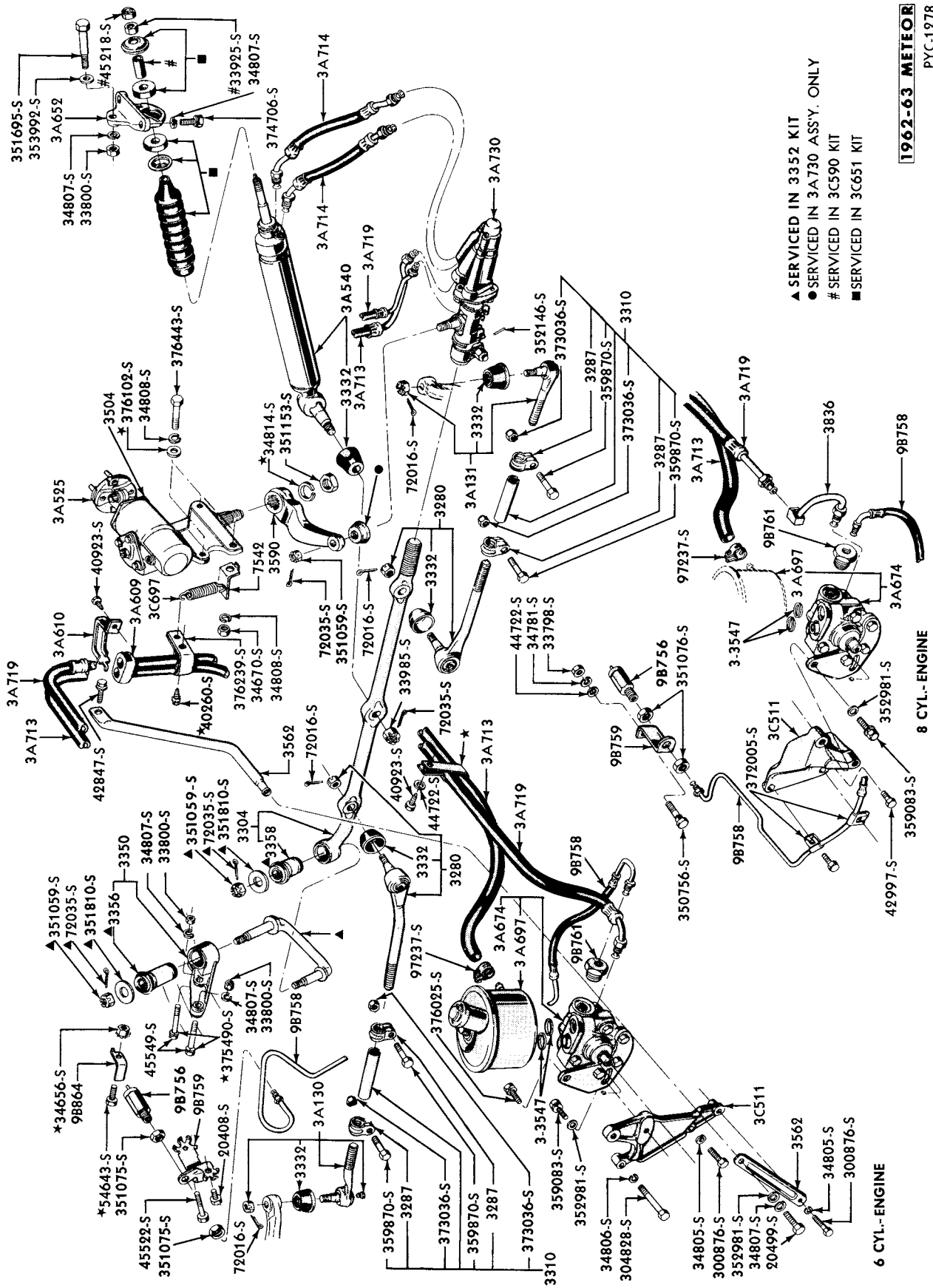


- * ALSO SERVICED IN 3A691 PUMP, RESERVOIR AND PULLEY ASSY.
- ▲ SUPPLIED IN 3352 KIT
- USE WITH DEALER INSTALLED A/COND.
- % USE WITH FACTORY INSTALLED A/COND.
- SUPPLIED IN 3C651 BOOT & INSULATOR KIT
- # SUPPLIED IN 3C590 BUSHING KIT

1963-64 MERCURY
PMC-1459

TYPICAL

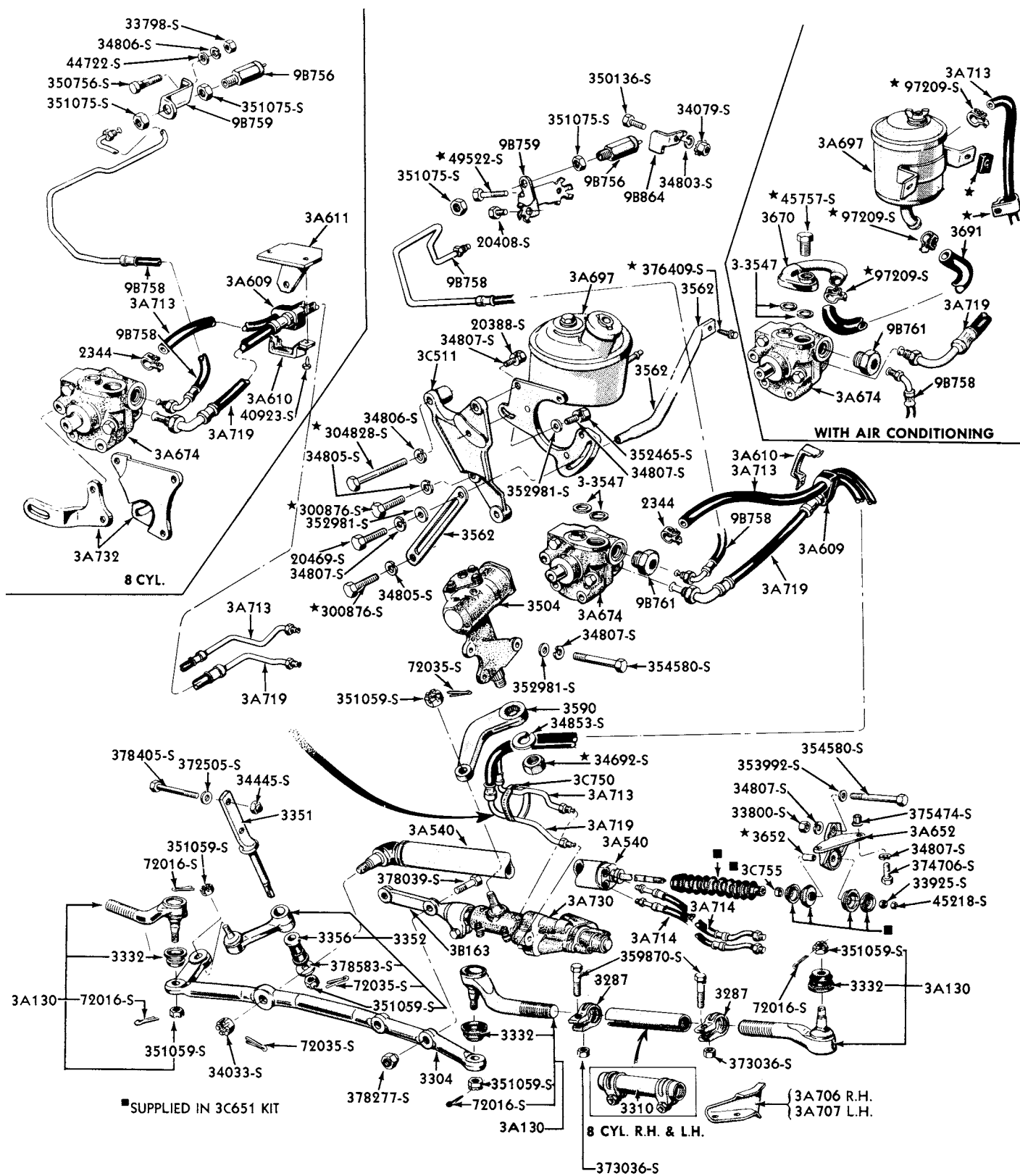
POWER STEERING LINKAGE



- ▲ SERVICED IN 3352 KIT
- SERVICED IN 3A730 ASSY. ONLY
- # SERVICED IN 3C590 KIT
- SERVICED IN 3C651 KIT

1962-63 METEOR
PYC-1278

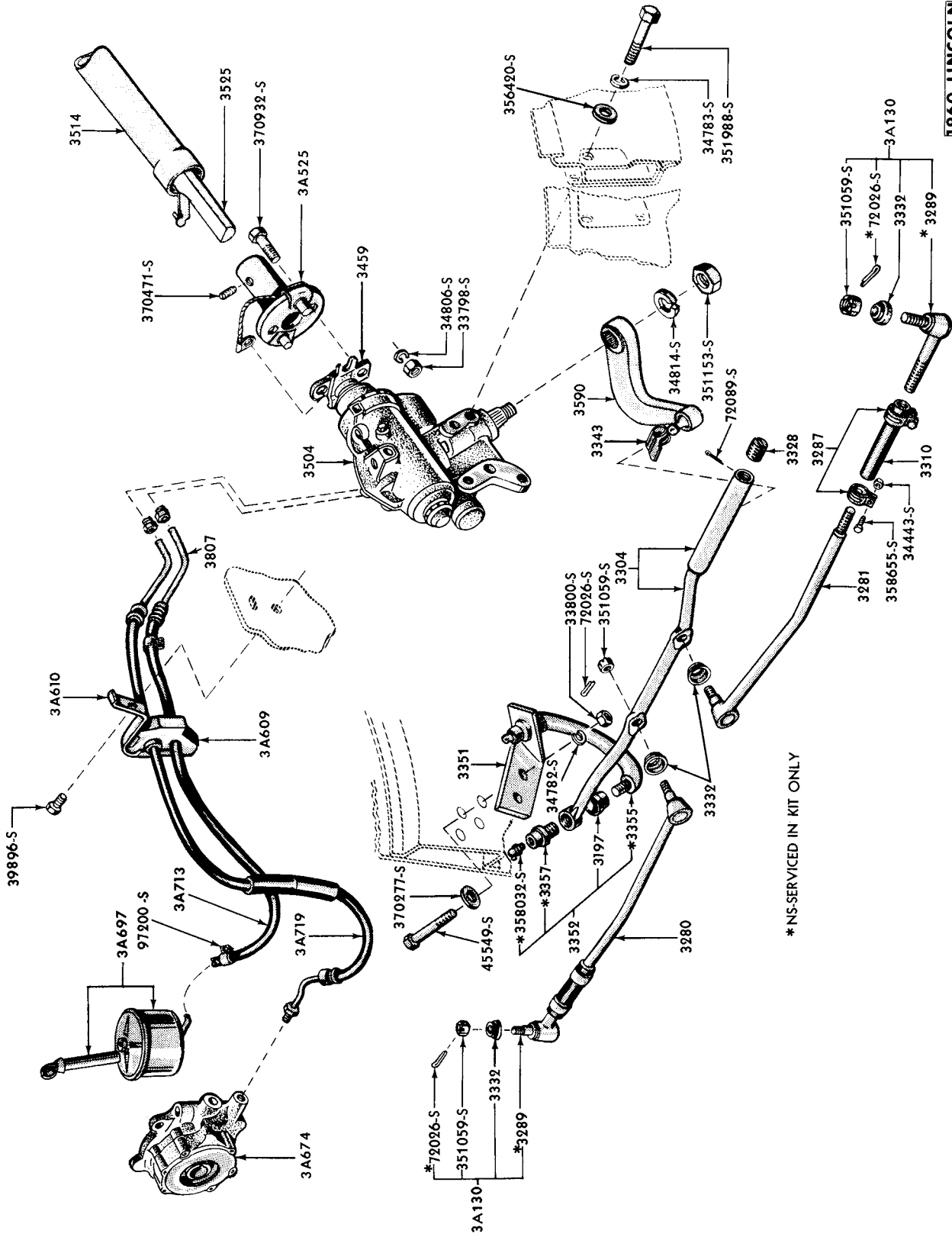
POWER STEERING LINKAGE



1963-64 COMET

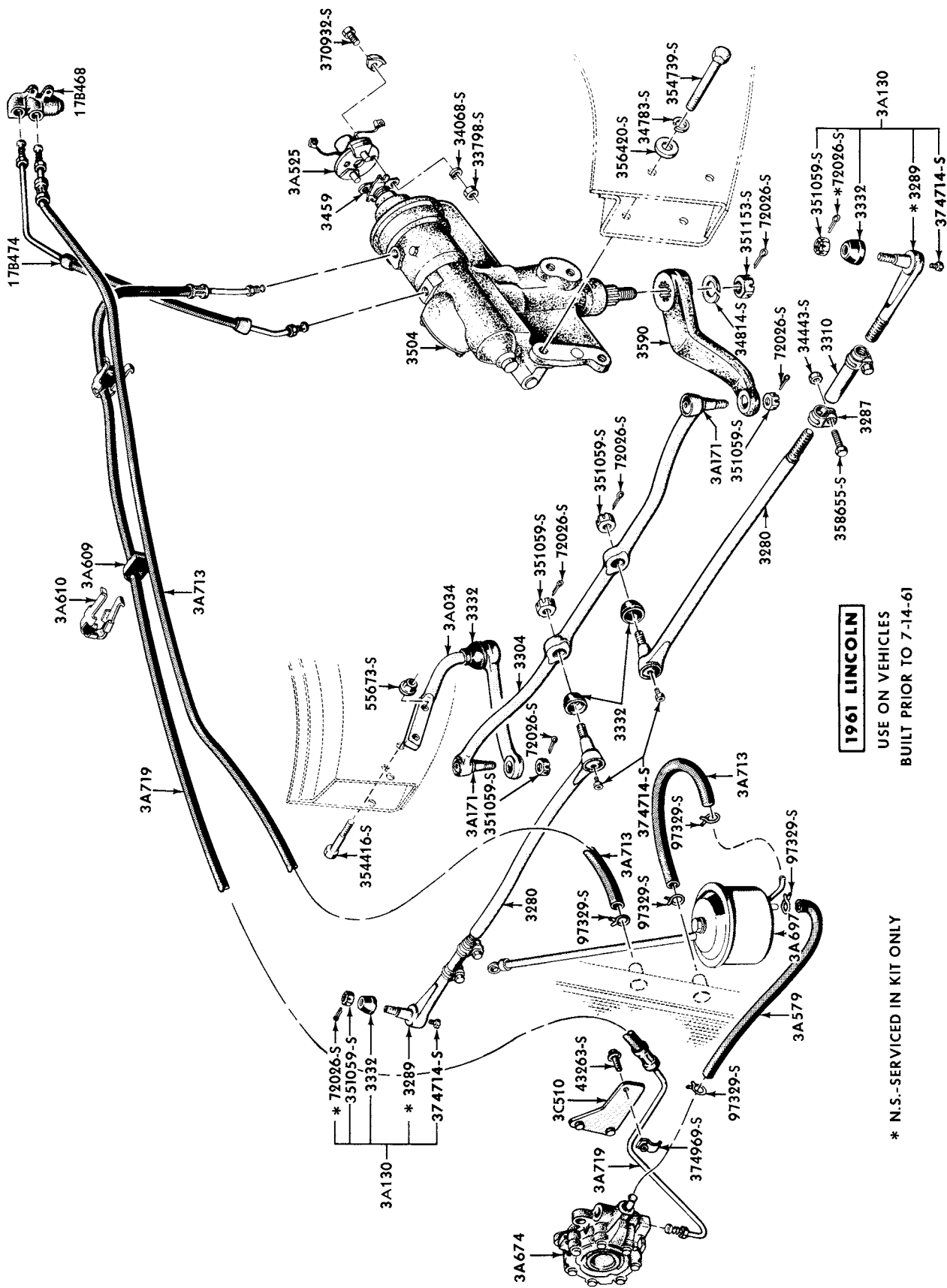
PGC-1568

POWER STEERING LINKAGE



* NS-SERVICED IN KIT ONLY

POWER STEERING SYSTEM



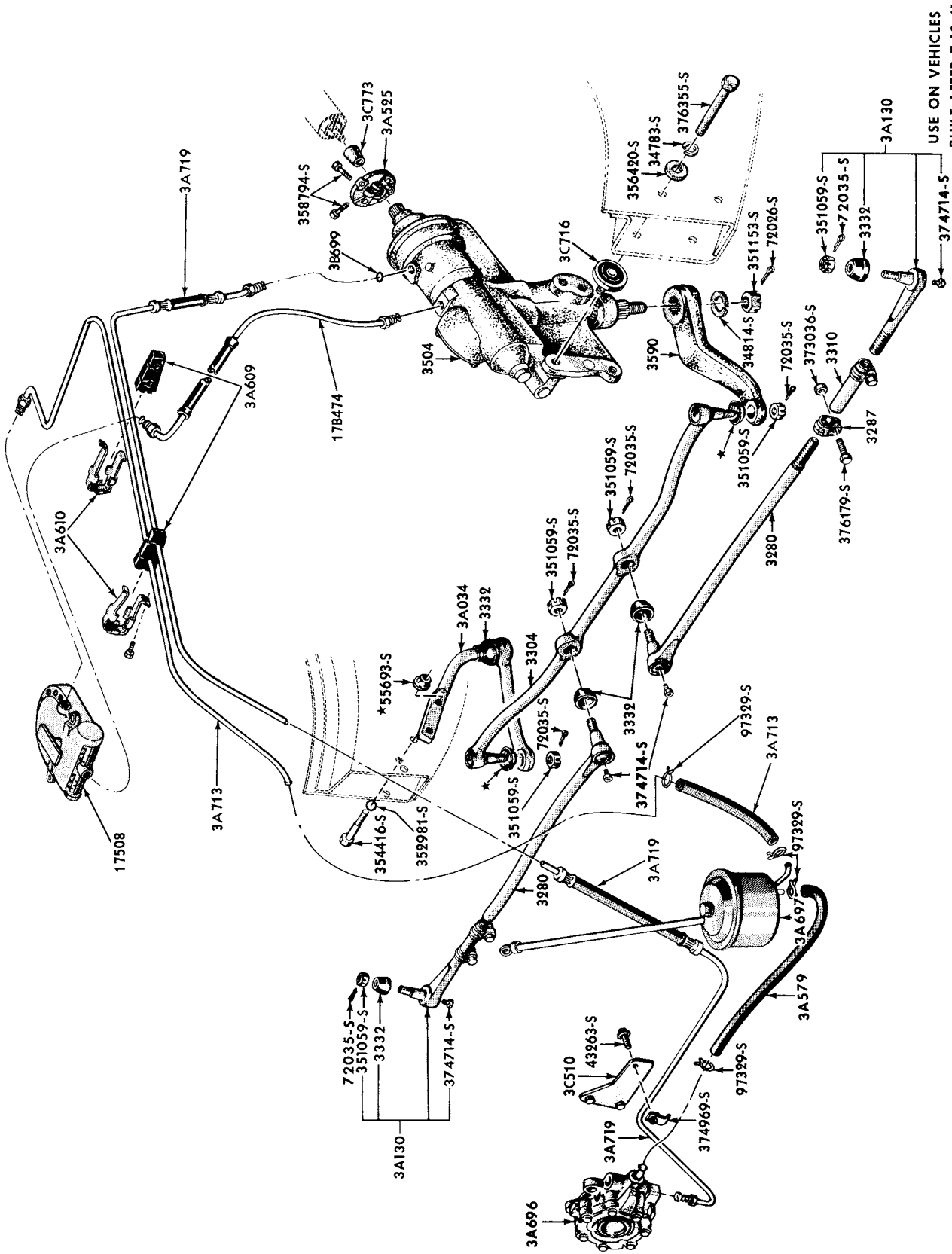
1961 LINCOLN

USE ON VEHICLES
BUILT PRIOR TO 7-14-61

* N.S.-SERVICED IN KIT ONLY

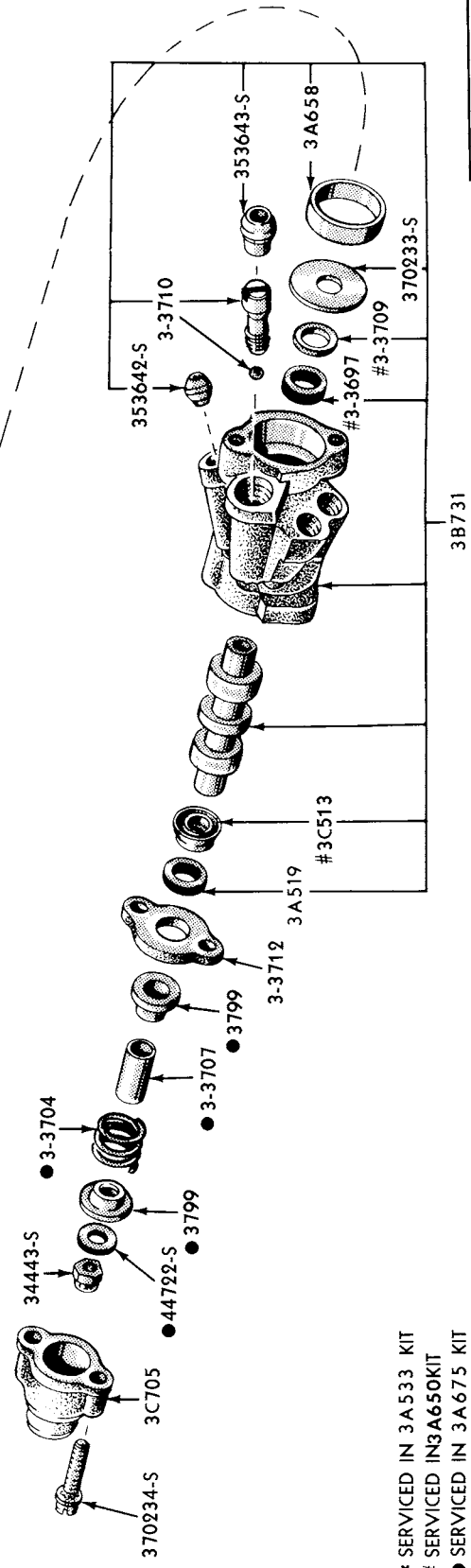
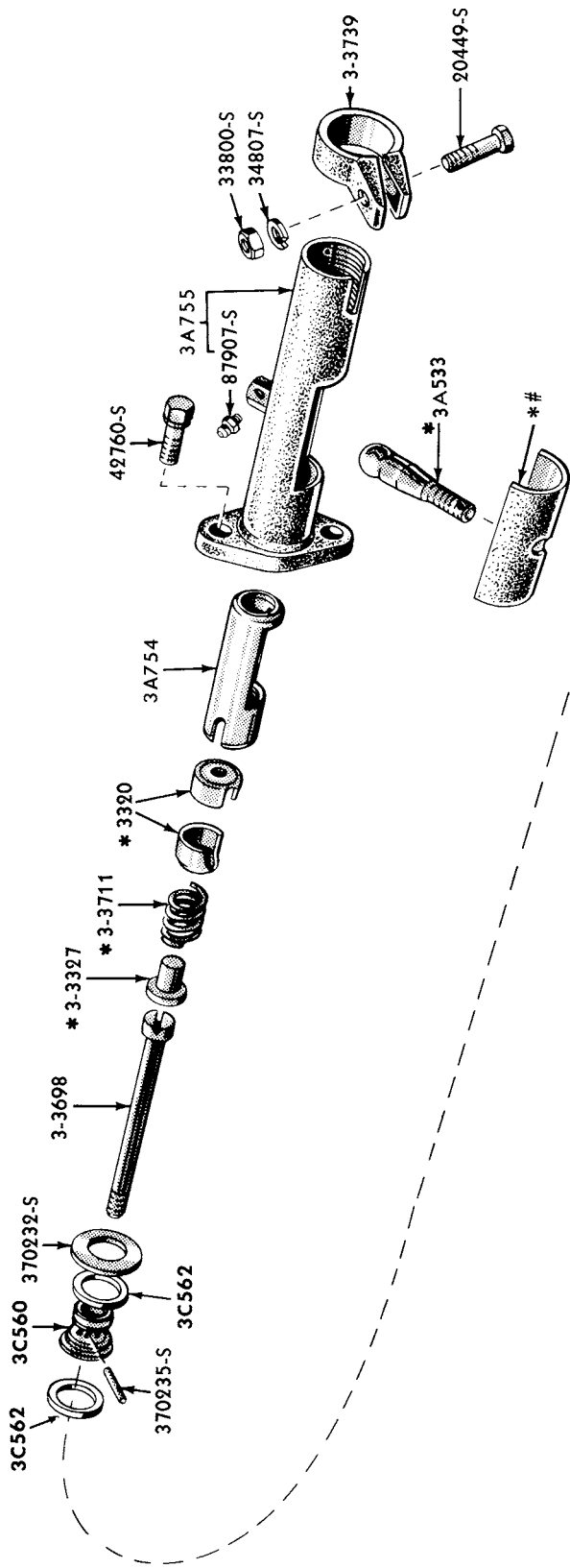
PLC-1148

POWER STEERING SYSTEM



USE ON VEHICLES
 BUILT AFTER 7-13-61
1961-64 LINCOLN
 PLC-1358

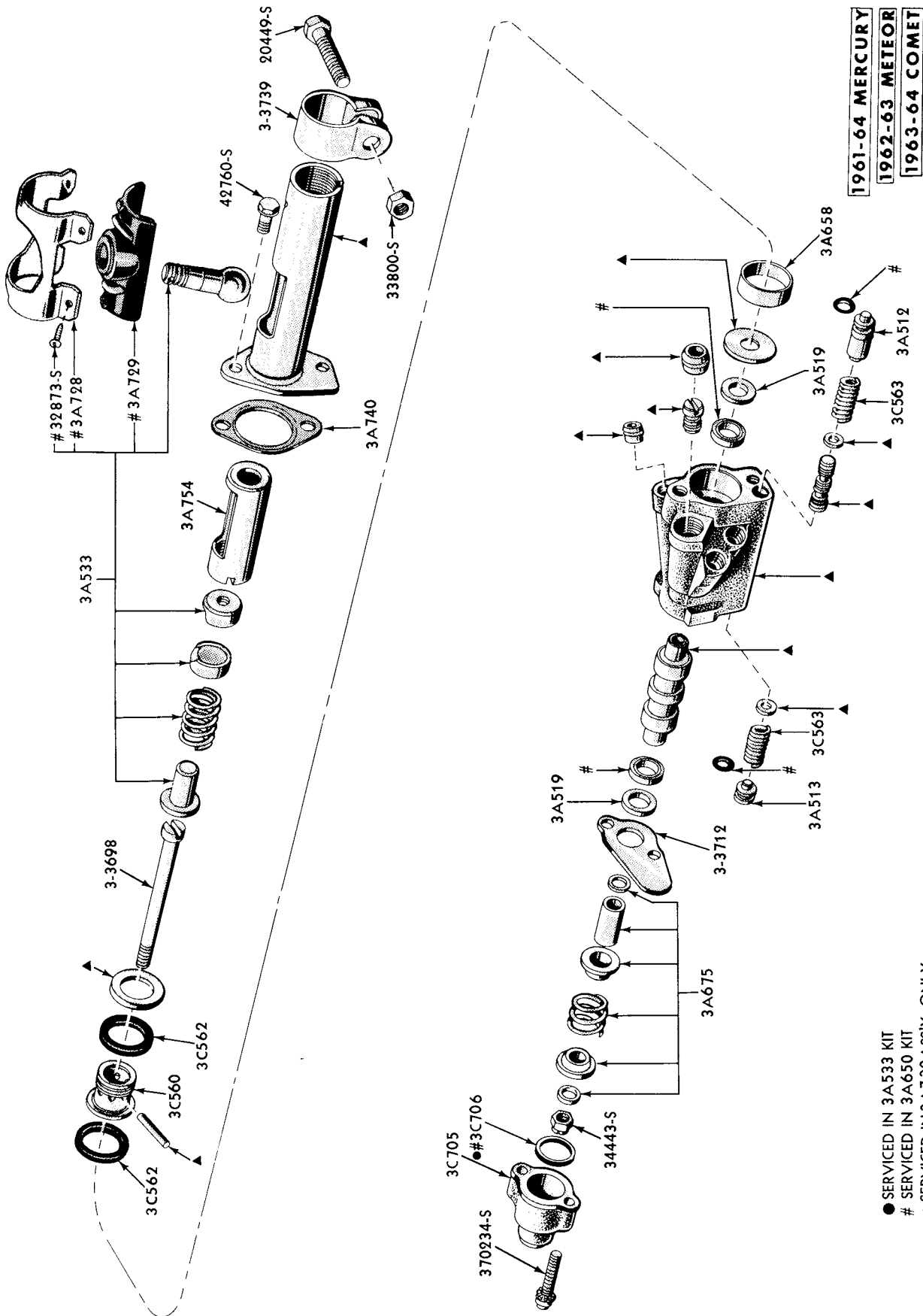
POWER STEERING SYSTEM



- * SERVICED IN 3A533 KIT
- # SERVICED IN 3A650KIT
- SERVICED IN 3A675 KIT

1960-MERCURY
PMC-1096

POWER STEERING CONTROL VALVE

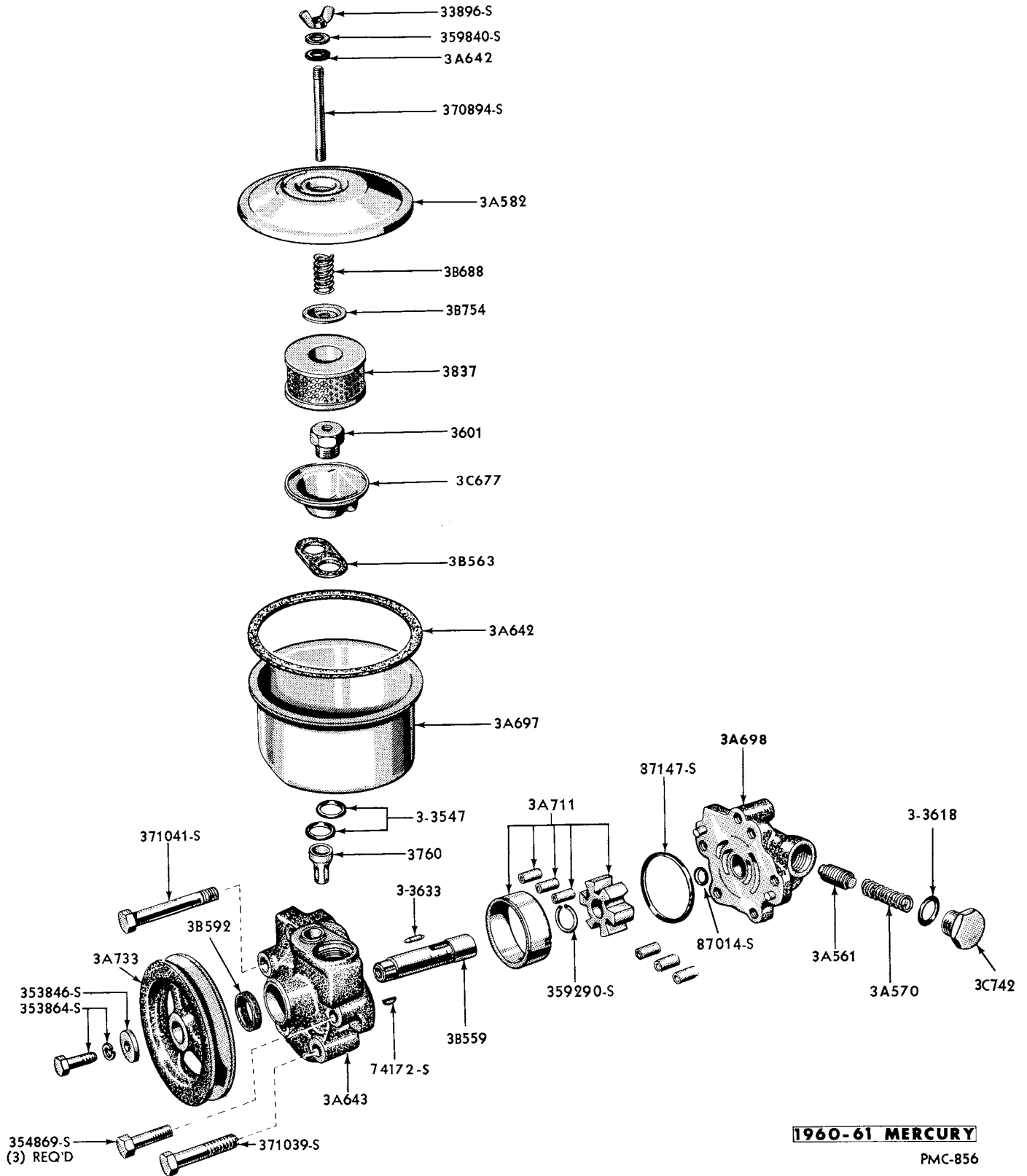


1961-64 MERCURY
 1962-63 METEOR
 1963-64 COMET

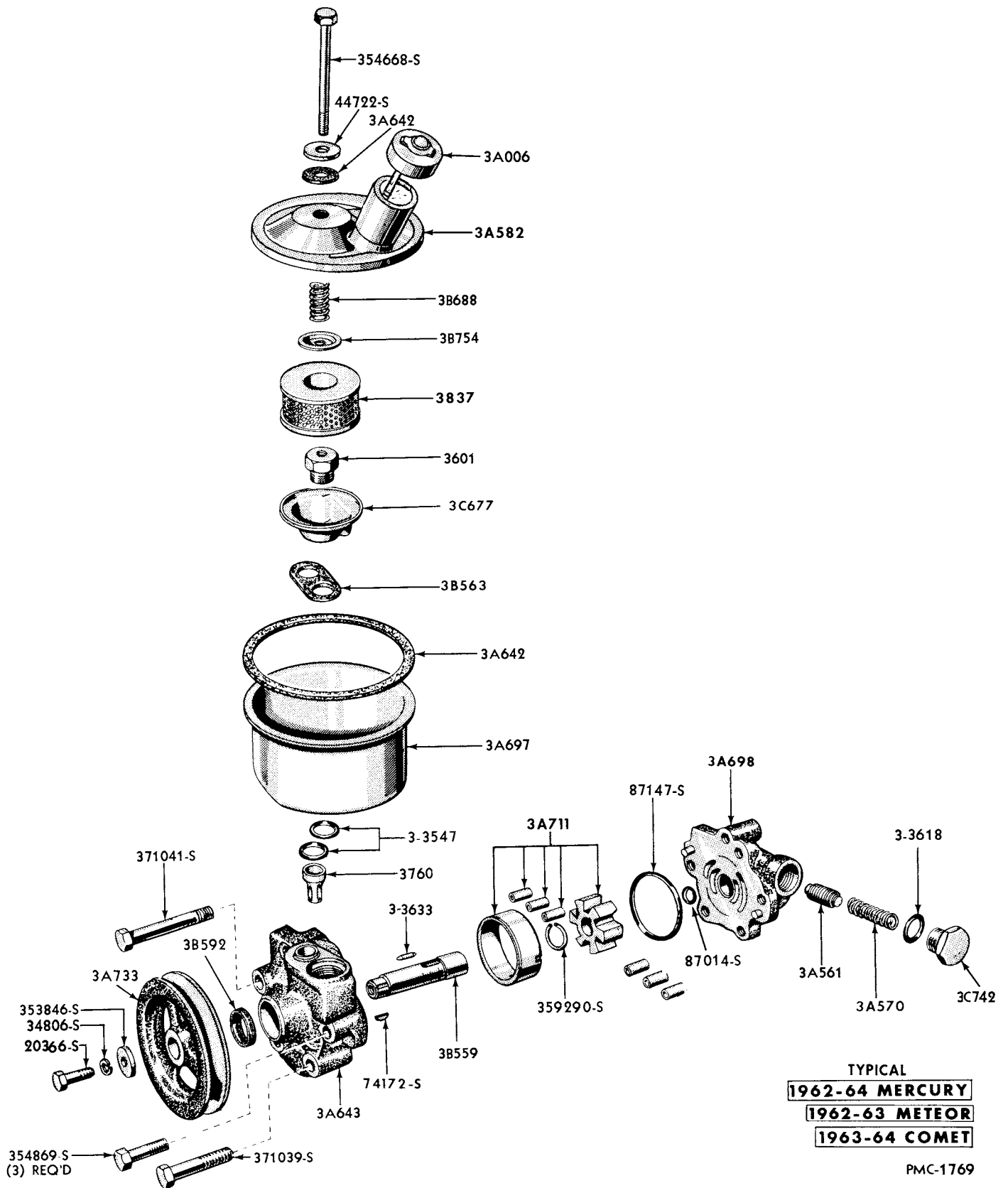
PMC-1097

POWER STEERING CONTROL VALVE

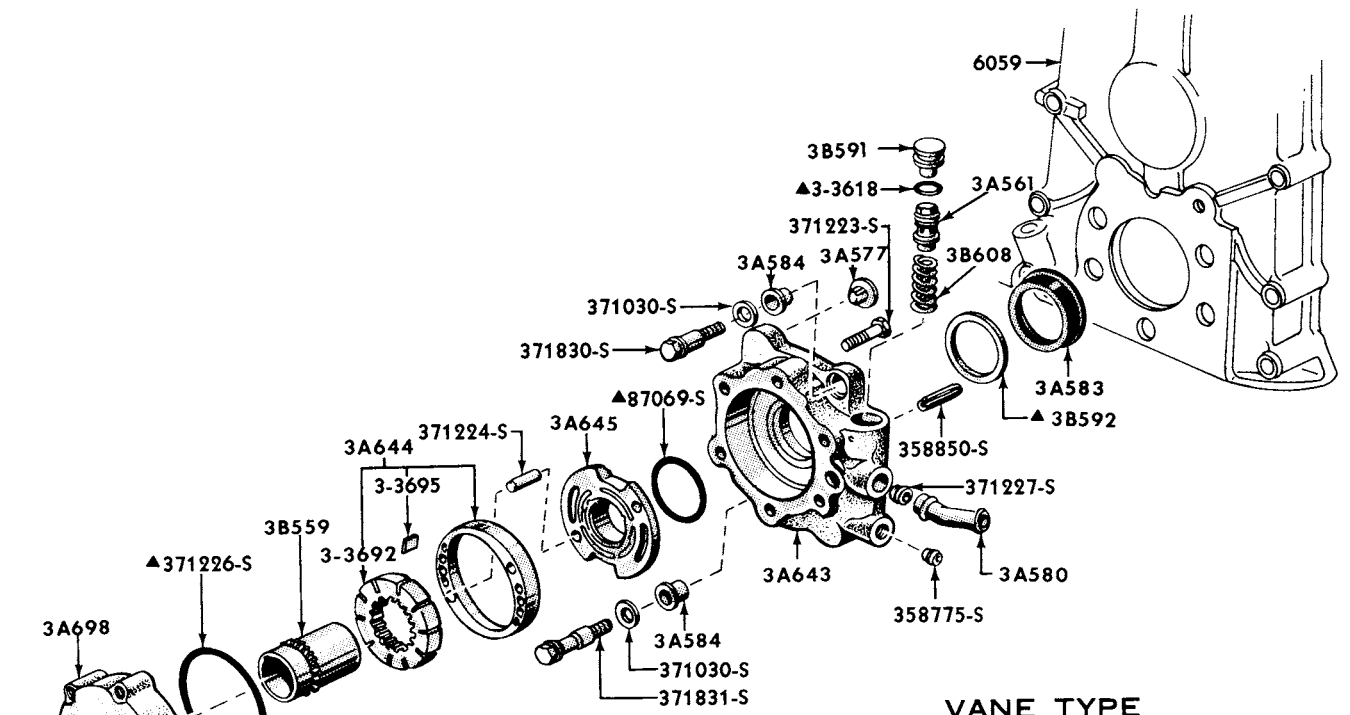
- SERVICED IN 3A533 KIT
- # SERVICED IN 3A650 KIT
- ▲ SERVICED IN 3A730 ASS'Y. ONLY



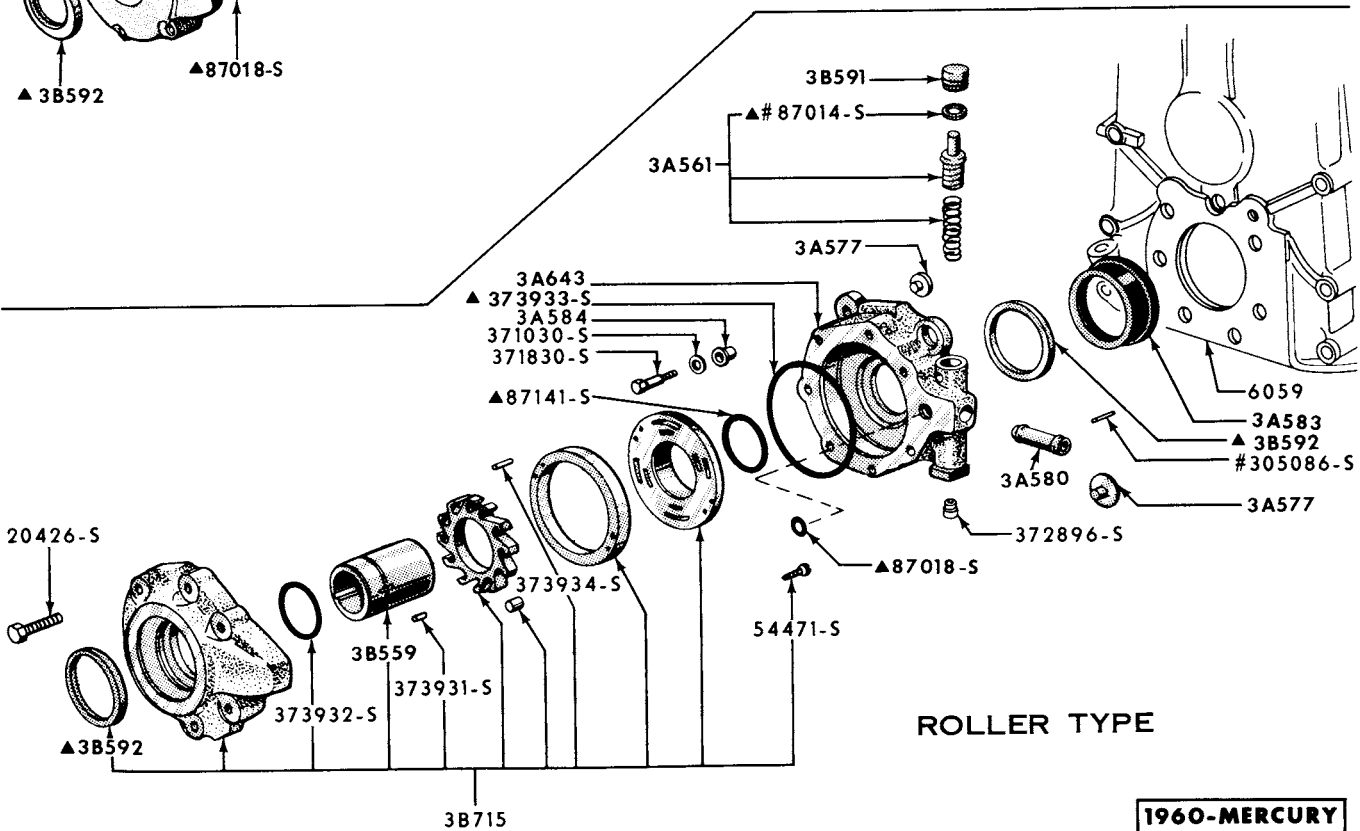
POWER STEERING PUMP, RESERVOIR and PULLEY



POWER STEERING PUMP, RESERVOIR and PULLEY



VANE TYPE



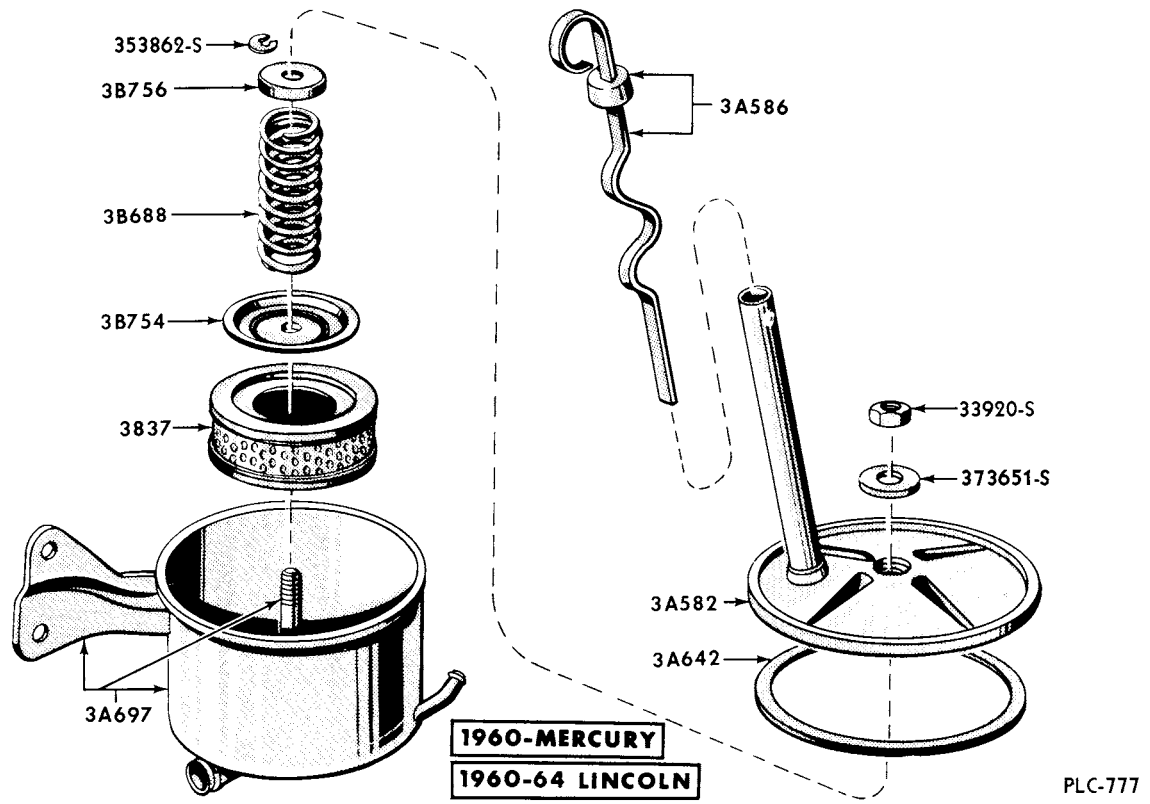
ROLLER TYPE

ALSO SERVICED IN 3A561 KIT
 ▲ ALSO SERVICED IN 3B728 KIT

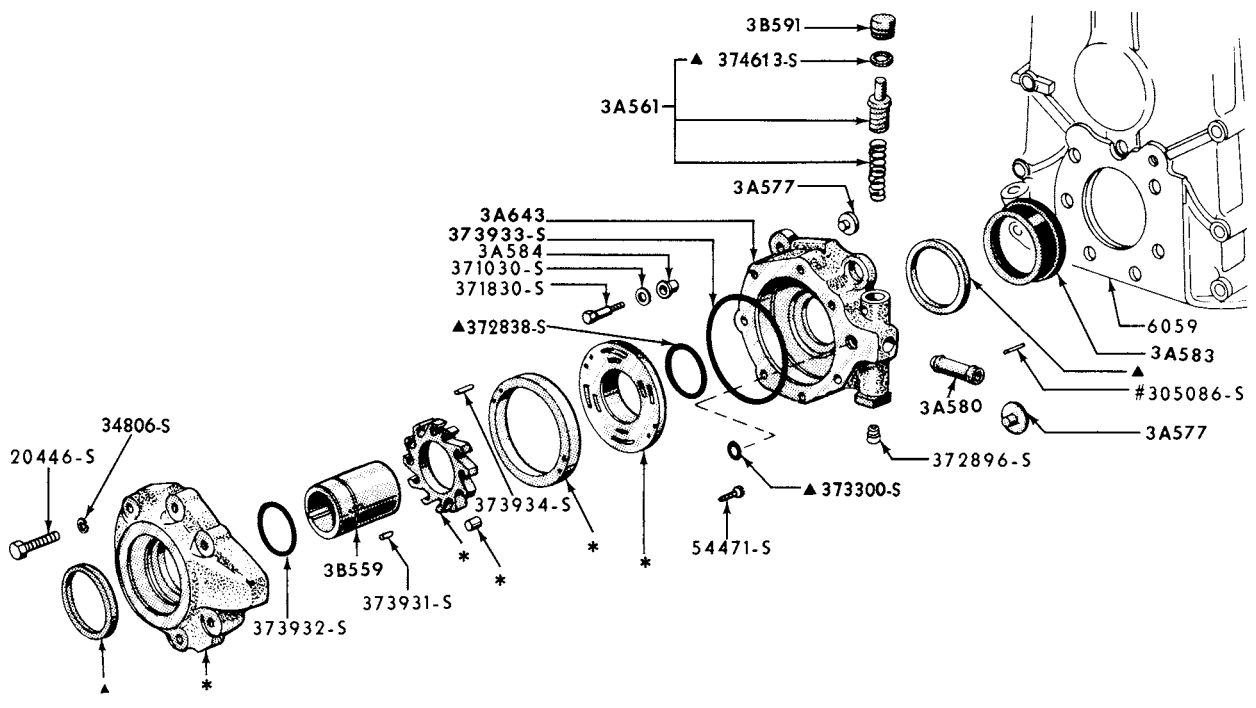
1960-MERCURY
1960-62 LINCOLN

PLC-1014

POWER STEERING PUMP - CRANKSHAFT DRIVEN



POWER STEERING PUMP RESERVOIR



- * SERVICED IN 3A674 ASSEMBLY ONLY
- # ALSO SERVICED IN 3A561 KIT
- ▲ ALSO SERVICED IN 3B728 KIT

1963-64 LINCOLN
PLC-1473

POWER STEERING PUMP

Front Suspension and Steering

GROUP AND PART NUMBER	DESCRIPTION, SIZE, ETC.	NO. REQ'D	MODEL OR ENGINE CUBIC INCH DISPLACEMENT	VEHICLE CODE	YEAR 19__
3A006 CAP (POWER STEERING OIL RESERVOIR FILLER)					
C1AA 3A006-A	For models 58A, 64A ★ Meteor only	1 1	292, 352, 390 170★, 221, 260, 289, 292, 352, 390	A A B C	61 62/64
3A009 PLATE (FRONT SUSPENSION UPPER ARM MOUNTING)					
B9MY 3A009-B	Also serviced in 3047 kit	2	All	A	60
3019-20 BUMPER (FRONT SUSPENSION)					
B7MY 3020-A	Upper arm (a)	2	All	A	60
B9MM 3019-A	R. H. - lower arm - for all models except 58A, 64A (a)	1	223, 292, 352, 390	A	60/62
B9MM 3020-A	L. H. - lower arm - for all models except 58A, 64A (a)	1	223, 292, 352, 390	A	60/62
B8A 3019-A	Lower arm - for models 58A, 64A (b)	2 2	All 406	A A	61 62
COAZ 3020-A	Upper arm - for models 58A, 64A (b)	2 2	All 406	A A	61 62
C1MY 3020-A	Upper arm - for all models except 58A, 64A (b)	2	223, 292, 352, 390	A	61/62
C3AZ 3020-A	Lower arm (a)	2	All	A	63
		(e)	All	A	64
C3AZ 3020-B	Upper arm (a)	2	All	A	63
		(b)	All	A	64
C2OZ 3020-B		2	All	B	62
C3OZ 3020-A		(b)	All	B	63
CODZ 3020-A		2	All	C	60/62
C3DZ 3020-A		(b)	144, 170, 200	C	63/64
C3DZ 3020-B		(b)	260, 289	C	63/64
LF 3019-A		(c)	All	D	60
C1VV 3019-C	Lower arm (a, d)	2	All	D	61/64
33798-S7-8	Nut-5/16"-24-bumper assy. to arm	2	b		
33799-S7	Nut-3/8"-16	2	a		
33800-S8	Nut-hex. hd. -3/8"-24-to attach bumper assy.	2	c		
34782-S8	Lockwasher-3/8"-to attach bumper assy.	2	c		
34806-S7	Lockwasher-5/16"	2	b		
34807-S8	Lockwasher-3/8"	2	d		
370208-S8	Bolt-swage hd. -3/8"-24 x 2"-to attach bumper assy.	2	c		
371933-S	Nut-hex. lock-3/8"-16-attach bumper to lower arm	2	e		
3B023 NUT (FRONT SUSPENSION UPPER ARM MOUNTING BOLT)					
C2OZ 3B023-A	Also serviced in 3047 kit	4	All	B	62/63
3A027 RETAINER (FRONT SUSPENSION LOWER ARM BALL JOINT DUST SEAL)					
B2LY 3A027-A	Also serviced in 3050 kit	2	All	D	60
3B029 KIT (FRONT SUSPENSION LOWER ARM SHACKLE)					
C2YY 3B029-A	(a)	2	All	B	62/63
Consists of the following -					
(1) C2YA-3069-B	bushing	(1) C2YA-3A267-A	shackle	(1) C2YA-3A268-A	shackle
C1DE 6345-A	Bolt-hex. hd. -7/16"-14 x 2-45/64"	1	a		
34670-S8	Nut-hex. -7/16"-14	1	a		
34808-S8	Lockwasher-7/16"	1	a		
3A031-2 BRACKET ASSEMBLY (LOWER ARM MOUNTING)					
C2OZ 3A031-A		2	All	B	62/63
C2OZ 3A031-B	R. H. - attaches to front fender apron	1	All	B	62/63
C2OZ 3A032-A	L. H. - attaches to front fender apron	1	All	B	62/63
CODB 3A031-B	R. H.	1	All	C	60/63
CODB 3A032-B	L. H.	1	All	C	60/63
C5DZ 3A031-A	R. H.	1	All	C	64
C5DZ 3A032-A	L. H.	1	All	C	64

Front Suspension and Steering

GROUP AND PART NUMBER	DESCRIPTION, SIZE, ETC.	NO. REQ'D	MODEL OR ENGINE CUBIC INCH DISPLACEMENT	VEHICLE CODE	YEAR 19__
3A034 ARM & BRACKET (STEERING IDLER)					
C1VY 3A034-A		(a) 1	All		D 61/64
55693-S8	NS-nut-hex. lock-3/8"-16	2	a		
352981-S	Washer-flat-3/8"	2	a		
354416-S8	Bolt-hex. hd. -3/8"-16 x 4-1/8"	2	a		
3035 SPACER (FRONT SUSPENSION UPPER ARM MOUNTING)					
LF 3035-A		4	All		D 60
3B035 KIT (FRONT SUSPENSION LOWER BALL JOINT DUST SEAL - REPAIR)					
C2DZ 3B035-A		2	All	C	62
Consists of the following -					
(1) C2OA-3A027-D	retainer	(3) 33798-S	nut	(1) 72053-S	cotter pin
(1) C2DZ-3A105-B	seal assembly	(3) 34781-S	washer	(3) 376323-S	bolt
3-3042 WASHER (FRONT SUSPENSION UPPER ARM BUSHING)					
	NS-use to attach front of lower arm to front crossmember - serviced in 3048 kit	2	All	A	60
		2	58A, 64A	A	61
	NS-use to attach rear of lower arm to No. 2 crossmember - serviced in 3048 kit	2	All	A	60
		2	58A, 64A	A	61
	Serviced in 3047 kit	2	All	C	60
3B042 REFER TO GROUP 3332					
3043 SHIM (FRONT SUSPENSION UPPER ARM MOUNTING)					
COAA 3043-A	.113"-.123" thick - also use as window frame and fender spacer	AR	All	A	61/64
		AR	All	C	60/64
COAA 3043-B	.027"-.033" thick	AR	All	A	61/64
		AR	All	C	60/64
CIAA 3043-A	.013" - .017" thick	AR	All	A	61/64
		AR	All	C	60/64
LA 3043-A	1/32" thick Use at front bumper impact bar	AR	All	D	60
		AR	All	A	64
LA 3043-B	1/8" thick Use at front bumper impact bar	AR	All	D	60
		AR	All	A	64
LA 3043-C	1/64" thick Use at front bumper impact bar	AR	All	D	60
		AR	All	A	64
LA 3043-D	1/16" thick Use at front bumper impact bar	AR	All	D	60
		AR	All	A	64
3047 KIT (FRONT SUSPENSION UPPER ARM INNER SHAFT)					
B9MY 3047-A		2	All	A	60
Consists of the following -					
(1) B9MY-3A009-B	plate	(2) 87924-S7	fitting	(2) 372519-S	bolt
(1) B9MM-3056-B	shaft	(2) 370367-S100	seal	(2) 372520-S	washer
(2) C1AA-3068-A	bushing				
COAZ 3047-A		2	All	A	61/63
	Use with standard suspension	2	All	A	64
Consists of the following -					
(1) COAA-3056-A	shaft	(2) 87924-S7	fitting	(2) 370367-S100	seal
(2) C1AA-3068-A	bushing	(2) 352596-S7	nut	(2) 373730-S2	bolt
(2) 34784-S7	washer				
C3OZ 3047-B		2	All	B	62/63
Consists of the following -					
(2) C2OZ-3B023-A	nut	(2) 87924-S7	fitting	(2) 376537-S8	bolt
(1) C3OA-3056-B	shaft	(2) 370367-S100	ring	(2) 376539-S7	washer
(2) C3OA-3068-B	bushing				

CONTINUED ON NEXT PAGE

Front Suspension and Steering

GROUP AND PART NUMBER	DESCRIPTION, SIZE, ETC.	NO. REQ'D	MODEL OR ENGINE CUBIC INCH DISPLACEMENT	VEHICLE CODE	YEAR 19____
3047 KIT (FRONT SUSPENSION UPPER ARM INNER SHAFT) CONTINUED					
CODZ 3047-A		2	All	C	60
Consists of the following -					
(1) CODD-3056-A	shaft	(2) AJ-33042-B	washer	(2) 34783-S7	washer
(2) CODD-3068-A	bushing	(2) 20411-S8	bolt	(2) 373730-S2	bolt
C3DZ 3047-A		2	All	C	61/64
Consists of the following -					
(1) C3DA-3056-A	shaft	(2) 87924-S7	fitting	(2) 370367-S100	"o" ring
(2) C3OA-3068-D	bushing				
HJK 3047-A		2	All	D	60
Consists of the following -					
(1) LF-3056-A	shaft	(2) B4A-3091-A	washer	(2) 33850-S8	nut
(1) COLL-3068-A	bushing	(1) C1VV-3A276-A	washer	(2) 34786-S8	washer
(1) COLL-3A086-A	bushing				
C1VY 3047-A		2	All	D	61/64
Consists of the following -					
(1) C2VA-3056-A	shaft	(2) C1VV-3A275-A	washer	(2) 374541-S7	washer
(1) C1VV-3068-B	bushing	(1) C1VV-3A276-A	washer	(2) 374542-S8	bolt
(1) C1VV-3A086-B	bushing				
3048 KIT (FRONT SUSPENSION LOWER CONTROL ARM MOUNTING)					
59MK 3048-B		2	All	A	60
Consists of the following -					
(1) AJ-3055-A	bolt	(1) COAA-3069-B	bushing	(1) 20451-S8	bolt
(1) MK-3057-B	bolt	(1) AJ-33042-B	washer	(1) 34783-S7	lockwasher
(1) MK-3061-A	spacer	(1) MG-33042-A	washer	(1) 55722-S	nut
(1) COAA-3069-A	bushing				
C1AZ 3048-A	For models 58A, 64A	2	All	A	61
		2	406	A	62
Consists of the following -					
(1) AJ-3055-A	bolt	(1) C1AA-3069-A	bushing	(1) 20451-S8	bolt
(1) C1AA-3057-A	bolt	(1) AJ-33042-B	washer	(1) 34783-S7	lockwasher
(1) COAA-3069-A	bushing	(1) MG-33042-A	washer	(1) 55701-S8	nut
C1MY 3048-A	For all models except 58A, 64A	2	All	A	61
		2	223, 292, 352, 390	A	62
Consists of the following -					
(2) C1MM-3054-A	shim	(1) C1MM-3069-D	bushing	(1) C1MM-3A269-D	shackle
(2) C1MM-3054-B	shim	(1) C1MY-3069-A	bushing	(2) 55701-S8	nut
(1) C1MM-3055-B	bolt	(1) C1MM-3A263-A	bolt	(1) 374691-S	washer
(1) C1MM-3057-B	bolt	(1) C2MA-3A264-B	snubber	(1) 374952-S	washer
(1) C1MM-3069-C	bushing	(1) C1MM-3A269-C	shackle	(1) 374953-S	washer
C3AZ 3048-A		2	All	A	63
	Use with standard suspension	2	All	A	64
Consists of the following -					
(1) C1MM-3055-B	bolt	(1) C3AZ-3069-G	bushing	(2) 55701-S8	nut
(1) C3AZ-3057-A	shaft	(1) C3AZ-3069-H	bushing	(2) 376882-S	washer
(1) C3AZ-3069-C	bushing				
C4AZ 3048-A	Use with heavy duty suspension	2	All	A	64
Consists of the following -					
(1) C1MM-3055-B	bolt	(2) C4AA-3B172-A	adaptor	(1) MG-33042-A	washer
(1) C4AA-3057-A	bolt	(1) C4AA-3B173-A	adaptor	(1) 55701-S8	nut
(1) C3AZ-3069-J	bushing	(1) C4AA-3B174-A	adaptor	(1) 376882-S	washer
(1) C3AZ-3069-K	bushing				
C1VY 3048-A		2	All	D	64
Consists of the following -					
(1) C1VV-3069-B	bushing	(2) C1VV-3A276-A	washer	(1) 34813-S7	washer
(1) C1VV-3A230-B	spacer	(1) 34675-S8	nut	(1) 374543-S	bolt

Front Suspension and Steering

GROUP AND PART NUMBER	DESCRIPTION, SIZE, ETC.	NO. REQ'D	MODEL OR ENGINE CUBIC INCH DISPLACEMENT	VEHICLE CODE	YEAR 19__
3049 KIT (FRONT SUSPENSION SPINDLE SUPPORT) UPPER					
C1AZ 3049-A		2	All	A	60/64
Consists of the following -					
(1) C1AA-3263-D	joint assembly	(2) 33800-S	nut	(2) 34807-S	washer
(2) 20389-S	bolt	(1) 34033-S	nut	(1) 72035-S	cotter pin
C2OZ 3049-C	R. H. - assembly	(a)	1	All	B
C2OZ 3049-D	L. H. - assembly	(a)	1	All	B
C1DZ 3049-A		2	All	C	60/62
Consists of the following -					
(1) C1DD-3A105-A	seal	(3) 33798-S	nut	(1) 72035-S	cotter pin
(1) C1DD-3263-A	joint	(3) 34781-S	washer	(1) 373132-S	nut
(3) 20367-S	bolt				
C3DZ 3049-A	Assembly	(a)	2	All	C
HJK 3049-A		2	All	D	60
Consists of the following -					
(1) B6A-3055-A	shield	(1) LF-33046-A	joint	(1) 34033-S8	nut
(1) B6A-3058-A	retainer	(1) LA-33055-A	cover	(1) 72026-S8	cotter pin
(1) B6A-3332-A	seal				
C1VY 3049-A	R. H.	(a)	1	All	D
Consists of the following -					
(1) C3VA-3263-A	joint	(1) 34033-S8	nut	(2) 375409-S8	bolt
(1) C1AA-3303-A	cover	(2) 55673-S8	nut	(1) 375783-S8	screw
(1) C1AA-3467-B	shield				
C1VY 3049-B	L. H.	(a)	1	All	D
Consists of the following -					
(1) C3VA-3A227-A	joint	(1) 34033-S8	nut	(2) 375409-S8	bolt
(1) C1AA-3303-A	cover	(2) 55673-S8	nut	(1) 375783-S8	screw
(1) C1AA-3467-B	shield				
72035-S	Cotter pin-1/8"-1"	AR	a		
3050 KIT (FRONT SUSPENSION SPINDLE SUPPORT) LOWER					
C1AZ 3050-B		2	All	A	60/64
Consists of the following -					
(1) C1AA-3395-D	joint	(2) 33800-S	nut	(1) 72035-S	cotter pin
(2) 20389-S	bolt	(2) 34807-S	washer		
COLY 3050-B		2	All	D	60
Consists of the following -					
(1) B2LY-3A027-A	retainer	(1) B2LY-3362-A	cover	(1) 34034-S8	nut
(2) B6A-3332-A	seal	(1) B8LL-3395-A	joint	(1) 72045-S8	cotter pin
C1VY 3050-A		(a)	2	All	D
Consists of the following -					
(1) C1VV-3A078-B	shield	(1) 34034-S8	nut	(1) 72045-S8	cotter pin
(1) C3VA-3395-A	joint				
20428-S	Bolt-3/8"-16 x 1-1/4"	2	a		
33799-S	Nut-3/8"-16	2	a		
34807-S	Lockwasher-3/8"	2	a		
3051 ARM (FRONT SUSPENSION - LOWER LEFT)					
	NS-serviced in 3079 assembly	1	All	A	60/62
3A052-3 REFER TO GROUP 3078-9					
3054 SHIM (FRONT SUSPENSION LOWER ARM FRONT MOUNTING BOLT)					
MK 3054-A	.060" thick	AR	All	A	60
	For models 58A, 64A	AR	All	A	61
	Use with heavy duty suspension	AR	406	A	62
		AR	All	A	64
CONTINUED ON NEXT PAGE					

Front Suspension and Steering

GROUP AND PART NUMBER	DESCRIPTION, SIZE, ETC.	NO. REQ'D	MODEL OR ENGINE CUBIC INCH DISPLACEMENT	VEHICLE CODE	YEAR 19__
3054 SHIM (FRONT SUSPENSION LOWER ARM FRONT MOUNTING BOLT) CONTINUED					
C1MM 3054-A	.060" thick - for all models except 58A, 64A	AR	All	A	61
		AR	223, 292, 352, 390	A	62
C1MM 3054-B	.118" thick - for all models except 58A, 64A	AR	All	A	61
		AR	223, 292, 352, 390	A	62
C3AZ 3054-A	.118" thick Use with standard suspension	AR	All	A	63
		AR	All	A	64
C3AZ 3054-B	.030" thick Use with standard suspension	AR	All	A	63
		AR	All	A	64
LA 3054-A	.060" thick - also serviced in 3055 and 3057 kits	AR	All		D 60
3055 BOLT (FRONT SUSPENSION LOWER ARM REAR MOUNTING)					
	NS-serviced in 3048 kit	2	All	A	60/62
LF 3055-A	5/8"-18 x 6-1/8" - also serviced in 3055 kit (a)	2	All		D 60
33850-S8	Nut-hex. -5/8"-18-linkage to body front crossmember	8	a		
34786-S8	Lockwasher-5/8"-linkage to body front crossmember	8	a		
3055 SHIELD (FRONT SUSPENSION UPPER ARM BALL JOINT DUST)					
	NS-serviced in 3049 kit	2	All		D 61
3055 KIT (FRONT SUSPENSION LOWER ARM REAR MOUNTING BOLT)					
HJK 3055-A		2	All		D 60
Consists of the following -					
(2) LA-3054-A	shim	(1) COAA-3069-A	bushing	(1) 33850-S	nut
(2) LA-3054-B	shim	(1) B4A-3091-A	washer	(1) 34786-S8	washer
(1) LF-3055-A	bolt				
3056 SHAFT (FRONT SUSPENSION UPPER ARM) INNER					
	NS-serviced in 3047 kit	2	All	A C	60/62
	NS-serviced in 3047 kit	2	All		D 60
3057 BOLT (FRONT SUSPENSION LOWER ARM MOUNTING) FRONT					
	NS-serviced in 3048 kit	2	All	A	60
C1AA 3057-A	Shoulder bolt - 7-3/8" long - for models 58A, 64A	2	All	A	61
C1AA 3057-B	Straight bolt - 7-1/2" long - for models 58A, 64A with heavy duty generator	2	292, 352, 390	A	61
C1MM 3057-B	For all models except 58A, 64A	2	All	A	61
		2	223, 292, 352, 390	A	62
LF 3057-A	5/8"-18 x 6-5/8" - also serviced in 3057 kit (a)	2	All		D 60
33850-S8	Nut-hex. -5/8"-18-linkage to body front crossmember	8	a		
34786-S8	Lockwasher 5/8"-linkage to body front crossmember	8	a		
3057 KIT (FRONT SUSPENSION LOWER ARM MOUNTING) FRONT					
HJK 3057-B		2	All		D 60
Consists of the following -					
(2) LA-3054-A	shim	(1) COAA-3069-A	bushing	(1) 33850-S8	nut
(2) LA-3054-B	shim	(1) B4A-3091-A	washer	(1) 34786-S8	washer
(1) LF-3057-A	bolt				
3068 BUSHING (FRONT SUSPENSION UPPER ARM INNER SHAFT)					
	NS-serviced in 3047 kit	4	All	A C	60/62
C1VV 3068-B	Front - also serviced in 3047 kit	2	All		D 60/64
C1VV 3A086-B	Rear - also serviced in 3047 kit	2	All		D 60/64

Front Suspension and Steering

GROUP AND PART NUMBER	DESCRIPTION, SIZE, ETC.	NO. REQ'D	MODEL OR ENGINE CUBIC INCH DISPLACEMENT	VEHICLE CODE	YEAR 19__
3069 BUSHING (FRONT SUSPENSION LOWER ARM MOUNTING SHAFT)					
COAA 3069-B	Front - 5/16" I.D. - also serviced in 3048 kit (b)	2	All	A	60
C1AA 3069-A	Front - also serviced in 3048 kit - for models 58A, 64A	2	All	A	61
		2	406	A	62
C1MM 3069-C	Upper front - for all models except 58A, 64A	2	223, 292, 352, 390	A	61/62
C1MM 3069-D	Lower front - for all models except 58A, 64A	2	223, 292, 352, 390	A	61/62
C3AZ 3069-D	Rear - for all models except 58A, 64A	2	223, 292, 352, 390	A	61/62
C3AZ 3069-A	Front inner - all except Police Special - also serviced in 3048 kit	2	All	A	63
C3AZ 3069-C	Front outer - also serviced in 3048 kit	2	All	A	63
	Use with standard suspension	2	All	A	64
C3AZ 3069-E	Front inner - 7/8" I.D. - use with heavy duty suspension - also serviced in 3048 kit	2	All	A	63/64
C3AZ 3069-F	Rear - 5/8" I.D. - use with heavy duty suspension - also serviced in 3048 kit	2	All	A	63/64
C3AZ 3069-G	Rear - 7/8" I.D. x 2-9/16" long - use with standard suspension - all except Police Special - also serviced in 3048 kit	2	All	A	63/64
C3AZ 3069-H	Front inner - 3/4" I.D. x 2-3/4" long - use with standard suspension - also serviced in 3048 kit	2	All	A	64
COAA 3069-A	Rear - 7/8" I.D. - also serviced in 3048 kit (a)	2	All	A	60
	For models 58A, 64A	2	All	A	61
		2	406	A	62
		4	All	D	60
C1VV 3069-B	Also serviced in 3048 kit	2	All	D	61/64
20451-S	Bolt-hex. hd. -7/16"-20 x 1-3/8" long-attach bushing to mounting bolt	2	a		
34783-S8	Washer-spring lock-7/16"-attach bushing to mounting bolt	2	a		
55722-S	Nut-hex. lock-5/16"-18-attach bushing to mounting bolt	2	b		
3A072 REINFORCEMENT (FRONT SUSPENSION HOUSING SPRING SEAT)					
C4DZ 3A072-A		2	All	C	60/63
C4DZ 3A072-B		2	All	C	64
3078-9 ARM (FRONT SUSPENSION) LOWER					
B7MY 3078-A	R. H. - includes bushings and joint	1	All	A	60
B7MY 3079-A	L. H. - includes bushings and joint	1	All	A	60
C2AZ 3078-B	R. H. - for models 58A, 64A	1	All	A	61
	R. H. - also use (1) C1AZ-3A492-A	1	406	A	62
C2AZ 3079-B	L. H. - for models 58A, 64A	1	All	A	61
	L. H. - also use (1) C1AZ-3A492-A	1	406	A	62
C2MY 3A265-A	R. H. - for all models except 58A, 64A	1	All	A	61
		1	223, 292, 352, 390	A	62
C2MY 3A266-A	L. H. - for all models except 58A, 64A	1	All	A	61
		1	223, 292, 352, 390	A	62
C3AZ 3078-A	R. H. - includes bushing and joint - except Police Special	1	All	A	63
C3AZ 3079-A	L. H. - includes bushing and joint - except Police Special	1	All	A	63
C3AZ 3078-B	R. H. - includes bushing and joint - for Police Special	1	All	A	63
CONTINUED ON NEXT PAGE					

Front Suspension and Steering

GROUP AND PART NUMBER	DESCRIPTION, SIZE, ETC.	NO. REQ'D	MODEL OR ENGINE CUBIC INCH DISPLACEMENT	VEHICLE CODE	YEAR 19__
3078-9 ARM (FRONT SUSPENSION) LOWER (CONTINUED)					
C3AZ 3078-E	R. H. - use with heavy duty suspension - includes bushing and joint	1	All	A	64
C3AZ 3079-E	L. H. - includes bushing and joint - for Police Special or heavy duty suspension	1	All	A	63/64
C3AZ 3078-D	R. H. - use with standard suspension - includes bushing and joint	1	All	A	64
C3AZ 3079-D	L. H. - use with standard suspension - includes bushing and joint	1	All	A	64
C2YY 3A052-A	R. H. - includes bushing and joint	1	All	B	62
C3YY 3A052-A	R. H. - includes bushing and joint	1	All	B	63
C3YY 3A053-A	L. H. - includes bushing and joint	1	All	B	62/63
C1DZ 3078-B	Use on vehicles built prior to 11-1-61	(b) 2	All	C	60/62
C2DZ 3078-B	Use on vehicles built after 10-31-61	(b) 2	All	C	62
C4DZ 3078-A	Includes bushing and joint	(b) 2	All	C	63/64
COLL 3078-A	R. H. - less ball joint	(a,b) 1	All	D	60
COLL 3079-A	L. H. - less ball joint	(a,b) 1	All	D	60
C1VV 3078-E	R. H. - less ball joint	(b) 1	All	D	61
C1VV 3079-E	L. H. - less ball joint	(b) 1	All	D	61
C2VY 3078-A	R. H. - assembly includes ball joint	(b) 1	All	D	61/64
C2VY 3079-A	L. H. - assembly includes ball joint	(b) 1	All	D	61/64
33846-S8	Nut-hex. -1/2"-20-lower arm ball to joint and arm stop to lower arm	4	a		
34784-S8	Lockwasher-1/2"-lower arm ball joint and arm stop to lower arm	4	a		
351759-S8	Bolt-hex. hd. -1/2"-20 x 2-3/8"-lower arm ball joint and arm stop to lower arm	4	a		
357626-S7	Lockwasher-special-lower arm ball joint and arm stop to lower arm	4	a		
373142-S8	Bolt-hex. hd. -1/2"-20 x 3-1/4"	AR	b		
3A078 SHIELD (FRONT SUSPENSION LOWER ARM BALL JOINT COVER)					
	NS-serviced in 3050 kit	2	All	D	61/62
3082-3 ARM (FRONT SUSPENSION) UPPER					
COMM 3082-A	R. H.	1	All	A	60
COMM 3083-A	L. H.	1	All	A	60
C3AZ 3082-A	R. H.	1	All	A	61/64
C3AZ 3083-A	L. H.	1	All	A	61/64
C2OZ 3082-B	R. H.	1	All	B	62
C3OZ 3082-A	R. H. - assembly includes shaft and joint	1	All	B	63
C3OZ 3083-A	L. H. - assembly includes shaft and joint	1	All	B	62/63
C1DZ 3082-B	Assembly includes shaft and joint	2	All	C	60/62
C3DZ 3082-B	Assembly includes shaft and joint	2	All	C	63
C4DZ 3082-A	Assembly includes shaft and joint	2	All	C	64
LF 3082-A		(a) 2	All	D	60
C1VV 3082-B		2	All	D	61/64
33800-S8	Nut-hex. -3/8"-24-upper arm ball joint to upper arm	6	a		
34782-S8	Lockwasher-3/8"-upper arm ball joint to upper arm	6	a		
350711-S8	Bolt-hex. hd. -3/8"-24 x 2"-upper arm ball joint to upper arm	6	a		
3A086 REFER TO GROUP 3068					
3099 SPACER (FRONT SUSPENSION LOWER ARM) FRONT					
C1AA 3099-A	For models 58A, 64A	2	292, 352, 390	A	61
		2	406	A	62

Front Suspension and Steering

GROUP AND PART NUMBER	DESCRIPTION, SIZE, ETC.	NO. REQ'D	MODEL OR ENGINE CUBIC INCH DISPLACEMENT	VEHICLE CODE	YEAR 19__
3102-8 SPINDLE (FRONT WHEEL)					
B9MM 3102-A	R. H. - except Police Special	1	57A, 58A, 63A, 64A, 77	A	60
B9MM 3103-A	L. H. - except Police Special	1	57A, 58A, 63A, 64A, 77	A	60
B9MM 3102-B	R. H. - for Police Special	1	57B, F, 58, 63, 64, 76, 77	A	60
B9MM 3103-B	L. H. - for Police Special	1	57B, F, 58, 63, 64, 76, 77	A	60
C2AZ 3105-A	R. H.	1	All	A	61/63
		1	390	A	64
C2AZ 3106-A	L. H.	1	All	A	61/63
		1	390	A	64
COAZ 3102-A	R. H.	1	427	A	64
COAZ 3103-A	L. H.	1	427	A	64
C3OZ 3105-A	R. H.	1	All	B	62/63
C3OZ 3106-A	L. H.	1	All	B	62/63
C1DD 3107-A	R. H. - use on vehicles built prior to 11-1-61	1	All	C	60/62
C1DD 3108-A	L. H. - use on vehicles built prior to 11-1-61	1	All	C	60/62
C2DZ 3105-B	R. H. - use on vehicles built after 10-31-61	1	All	C	62
C2DZ 3106-B	L. H. - use on vehicles built after 10-31-61	1	All	C	62
C3DZ 3105-A	R. H.	1	144, 170, 200	C	63/64
C3DZ 3106-A	L. H.	1	144, 170, 200	C	63/64
C3DZ 3105-B	R. H.	1	260, 289	C	63/64
C3DZ 3106-B	L. H.	1	260, 289	C	63/64
PB9L 3105-A	Includes spindle nut	(a) 2	All	D	60
C2VY 3105-A	R. H.	(b) 1	All	D	61/62
C1VV 3106-D	L. H.	(b) 1	All	D	61
C2VY 3106-A	L. H.	(b) 1	All	D	62
C3VY 3105-A	R. H.	(b) 1	All	D	63/64
C3VY 3106-A	L. H.	(b) 1	All	D	63/64
34033-S18	Nut-hex. -slotted-9/16"-18-attach front wheel spindle assy. to arm and shaft assy. front suspension upper	2	a		
34034-S18	Nut-slotted-5/8"-18-to front wheel spindle assy.	2	a		
72026-S8	Cotter pin-1/8" x 7/8"-to attach front wheel spindle assy. to arm and shaft assy. front suspension-upper	2	a		
72045-S8	Cotter pin-5/32" x 1-1/8" (2) req'd. - to attach hub and brake drum assy. to front wheel (2) req'd. - to attach spindle assy. to arm bushing and joint assy. front suspension lower	4	a		
354573-S	Nut-hex. -slotted-3/4"-16-to attach hub and brake drum assy. to front wheel spindle assy.	2	a		
374504-S	Nut-3/4" - 16	1	b		
374536-S	Retainer	1	b		
3A105 SEAL (ARM BALL JOINT) DUST					
C2OZ 3A105-B	Upper - also serviced in 3049 kit	2	All	B	62/63
		2	All	C	63/64
C2OZ 3A105-C	Lower	2	All	B	62/63
		2	All	C	63/64
C1DD 3A105-A	Upper- also serviced in 3049 kit Lower - use on vehicles built prior to 11-1-61	2	All	C	60/62
		2	All	C	60/62
C2DZ 3A105-B	Lower - use on vehicles built after 10-31-61 - also serviced in 3B035 kit	2	All	C	62
3130-1 ARM (STEERING SPINDLE)					
LF 3130-A	R. H.	1	All	D	60
LF 3131-A	L. H.	1	All	D	60

Front Suspension and Steering

GROUP AND PART NUMBER	DESCRIPTION, SIZE, ETC.	NO. REQ'D	MODEL OR ENGINE CUBIC INCH DISPLACEMENT	VEHICLE CODE	YEAR 19__
3A130-1 END (STEERING SPINDLE ARM CONNECTING ROD)					
B8MY 3A130-A	R. H. - use with manual steering - Use with P/S -	1	All	A	60
		1	383, 430	A	60
Kit - consists of the following -					
(1) PB9M-3289-A	end	(1) 72035-S8	cotter pin	(1) 351059-S8	nut
(1) 8M-3332	seal	(2) 87907-S8	fitting		
B9MY 3A131-A	L. H. - use with manual steering - Use with P/S -	1	All	A	60
		1	383, 430	A	60
Kit - consists of the following -					
(1) PB9M-3290-A	end	(1) 72035-S8	cotter pin	(1) 351059-S8	nut
(1) 8M-3332	seal	(2) 87907-S8	fitting		
A9MY 3A131-A	Use with P/S -	2	312	A	60
Kit - consists of the following -					
(1) MK-3290-A	end assembly	(1) 72035-S8	cotter pin	(1) 87924-S8	fitting
(1) 8M-3332	seal	(1) 87907-S	fitting	(1) 351059-S	nut
C1AZ 3A130-B	Use with P/S	2	All	A	61
C1AZ 3A130-A	Use with manual steering	2	All	A	61
	Use with manual or P/S	2	All	A	62
C3AZ 3A130-A		2	All	A	63
		2	390	A	64
C1AA 3289-D		2	427	A	64
C3OZ 3A130-A	Use with manual steering	2	All	B	62/63
C3OZ 3A130-B	R. H. - use with P/S	1	All	B	62/63
C2OZ 3A131-A	L. H. - use with P/S	1	All	B	62
C3OZ 3A131-A	L. H. - use with P/S	1	All	B	63
CODZ 3A130-A	Outer	2	All	C	60/62
CODZ 3A131-A	Inner	2	All	C	60/62
C3DZ 3A130-D	Outer - use with manual steering	2	144, 170, 200	C	63/64
C3DZ 3A130-E	Inner - use with manual steering	2	144, 170, 200	C	63/64
C3DZ 3A130-G	R. H. - outer	1	260	C	63
	Outer - use with manual steering	2	260, 289	C	64
	R. H. - outer - use with P/S	1	260, 289	C	64
C3DZ 3A130-J	L. H. - outer	1	260	C	63
	L. H. - outer - use with P/S	1	260, 289	C	64
C3DZ 3A130-H	Inner - use with manual steering	2	260, 289	C	63/64
	R. H. - inner - use with P/S	1	260, 289	C	63/64
C3DZ 3A131-F	L. H. - inner - use with P/S	1	260, 289	C	63/64
C4DZ 3A130-A	R. H. - inner - use with P/S	1	170, 200	C	64
C4DZ 3A131-A	L. H. - inner - use with P/S	1	170, 200	C	64
C4DZ 3A130-B	R. H. - outer - use with P/S	1	170, 200	C	64
C4DZ 3A131-B	L. H. - outer - use with P/S	1	170, 200	C	64
B8LY 3A130-A		2	All	D	60
Kit - consists of the following -					
(1) LF-3289-A	end	(1) 72026-S	cotter pin	(1) 351059-S8	nut
(1) 8M-3332	seal	(1) 87924-S8	fitting		
C1VY 3A130-A	Use with 11/16" I.D. adjusting sleeve	2	All	D	61
C1VY 3A130-B	Use with 3/4" I.D. adjusting sleeve	2	All	D	61/64
3B132 COVER (FRONT SUSPENSION HOUSING ADJUSTMENT OPENING)					
C2OZ 3B132-A		4	All	B	62
3B147 WASHER (FRONT SUSPENSION LOWER ARM FRONT SHAFT)					
C3AZ 3B147-A		2	All	A	63/64
3B151 BUMPER (STEERING COLUMN LOCKING LEVER)					
C3AZ 3B151-A	Use with movable column	1	All	A	63/64
3B163 LINK (STEERING PITMAN ARM TO SPINDLE CONNECTING ROD)					
C3DZ 3B163-B	Use with P/S	1	All	C	63/64

Front Suspension and Steering

GROUP AND PART NUMBER	DESCRIPTION, SIZE, ETC.	NO. REQ'D	MODEL OR ENGINE CUBIC INCH DISPLACEMENT	VEHICLE CODE	YEAR 19__
3B170-1 SUPPORT (FRONT SUSPENSION BUMPER BRACKET)					
C3DZ 3B170-A	R. H.	1	260	C	63
C3DZ 3B171-A	L. H.	1	260	C	63
3A171 COVER (DRAG LINK BALL STUD DUST)					
C1AA 3A171-A		1	All	A	61/62
		2	All	D	61/62
3A187 KIT (FRONT SUSPENSION LOWER ARM STRUT BUSHING & WASHER)					
CODZ 3468-B		2	All	C	60
Consists of the following -					
(1) CODD-3468-F	strut	(1) CODD-3473-B	spacer	(2) 55676-S8	nut
(2) CODD-3470-B	insulator	(2) 34783-S	washer	(2) 373862-S8	bolt
C1DZ 3468-B	Use on vehicles built prior to 11-1-61		2	All	C 61/62
Consists of the following -					
(2) C1DD-3470-B	insulator	(2) 55676-S8	nut	(2) 374790-S	washer
(1) C1DD-3473-B	spacer	(2) 373143-S	nut	(2) 376080-S8	bolt
(2) 34783-S7	washer				
C2DZ 3A187-A	Use on vehicles built after 10-31-61		2	All	C 62/63
Consists of the following -					
(2) C2DA-3470-B	insulator	(2) 376074-S	nut	(2) 376076-S	washer
(1) C2DA-3473-A	spacer				
C4DZ 3A187-A		2	All	C	64
Consists of the following -					
(1) C4DA-3A140-B	insulator - front	(1) C4DA-3A142-A	washer - outer	(1) 34426-S8	nut
(1) C4DA-3A141-A	washer - inner	(1) C4DA-3A225-B	insulator - outer		
C2SZ 3A187-A		2	All	D	61/64
Consists of the following -					
(1) C2SA-3A183-B	insulator	(1) C1VV-3433-B	spacer	(1) 45301-S8	nut
(1) C2SZ-3A184-B	insulator	(2) C1VV-3434-B	washer	(1) 72071-S	cotter pin
3197 SEAL (STEERING IDLER ARM)					
LD 3197-A	Also serviced in 3352 kit	2	All	D	60
3A200-1 BRACE (FRONT SUSPENSION HOUSING TO COWL TOP)					
C1VB 3A200-A	R. H.	1	All	D	61/64
C1VB 3A201-A	L. H.	1	All	D	61/64
3A204-5 BRACKET (FRONT SUSPENSION HOUSING TO COWL TOP)					
C1VB 3A204-A		2	All	D	61/63
C4VY 3A204-A	R. H.	1	All	D	64
C4VY 3A205-A	L. H.	1	All	D	64
3A230 SPACER (LOWER ARM MOUNTING)					
C1VV 3A230-B	Also serviced in 3048 kit	2	All	D	61/64
3A257 SHIELD (UPPER ARM BUSHING)					
C1VV 3A257-D	Front	2	All	D	61/63
C1VV 3A373-A	R. H. - rear	1	All	D	61/64
C1VV 3A374-A	L. H. - rear	1	All	D	61/64
C1VY 3A257-A	Front	2	All	D	64
3263 JOINT (FRONT SUSPENSION UPPER ARM BALL)					
	NS-serviced in 3049 kit only	2	All	A B C	60/62
3A263 BOLT (FRONT SUSPENSION LOWER ARM TO SHACKLE MOUNTING)					
C1MM 3A263-A	For all models except 58A, 64A - also serviced in 3048 kit	2	All	A	61/62

Front Suspension and Steering

GROUP AND PART NUMBER	DESCRIPTION, SIZE, ETC.	NO. REQ'D	MODEL OR ENGINE CUBIC INCH DISPLACEMENT	VEHICLE CODE	YEAR 19__
3A264 SNUBBER (FRONT SUSPENSION LOWER ARM MOUNTING BOLT)					
C2MA 3A264-A	Also serviced in 3048 kit	2	All except 58A, 64A	A	61/62
3A265-6 REFER TO GROUP 3078-9					
3A269 SHACKLE (FRONT SUSPENSION LOWER ARM HANGER)					
C1MM 3A269-C	Rear - for all models except 58A, 64A	2	All	A	61/62
C1MM 3A269-D	Front - for all models except 58A, 64A	2	All	A	61/62
3A276 WASHER (UPPER ARM REAR BUSHING)					
C1VV 3A276-A	Inner - also serviced in 3047 kit Also serviced in 3048 kit - use with lower arm bushing	2	All	D	60/64
		4	All	D	61/64
3280-1 ROD & BALL STUD (STEERING SPINDLE ARM)					
B9MM 3280-B	R. H. - use with manual steering Use with P/S	(b) 1	All	A	60
		1	383, 430	A	60
B9MM 3281-B	L. H. - use with manual steering Use with P/S	(b) 1	All	A	60
		1	383, 430	A	60
B9MY 3280-A	Use with P/S	(a) 2	312	A	60
C2AA 3280-A	For models 58A, 64A with P/S	2	All	A	61
C1AA 3280-B	Use with manual steering	2	All	A	61/62
C2MA 3280-A	R. H. - use with P/S - all except models 58A, 64A	1	All	A	61/62
C2MA 3281-A	L. H. - use with P/S - all except models 58A, 64A	1	All	A	61/62
C3AZ 3280-A	Use with manual steering	(d) 2	All	A	63
		2	390	A	64
C3AZ 3280-B	Use with P/S	(d) 2	All	A	63/64
COAA 3280-C	Use with manual steering	2	427	A	64
C3OZ 3280-A	Use with manual steering	(e) 2	All	B	62/63
C3OZ 3280-B	Use with P/S	(e) 2	All	B	62/63
LF 3280-A	R. H.	(c) 1	All	D	60
LF 3281-A	L. H.	(c) 1	All	D	60
C1VV 3280-E	1 1/16" O.D. rod end	2	All	D	61
C1VY 3280-F	3/4" O.D. rod end	(d) 2	All	D	61/64
72016-S	Cotter pin-3/32"-3/4"	2	e		
72026-S	Cotter pin-1/8" x 7/8"-rod assy. to steering connecting link and bracket assy. and spindle arm	4	c		
72035-S	Cotter pin-1/8"-1	2	a, d		
87907-S8	Fitting-lubricator-1/4"-28	2	b		
87924-S8	Fitting-lubricator-1/4"-28-steering spindle arm connecting rod and end assy.	4	c		
351059-S8	Nut-hex. -slotted-1/2"-20-rod assy. to steering connecting link and bracket assy. and spindle arm	4	a, c		
3287 CLAMP (SPINDLE CONNECTING ROD)					
51 3287		4	427	A	64
B7A 3287-A	Use with manual steering and P/S For models 58A, 64A with manual steering Use with manual steering Use on vehicles built prior to 12-1-60	(a) 4	All	A	60 & 63
		4	All	A	61
		4	All	A	62
		4	390	A	64
		4	All	D	60/61
C2VY 3287-A	Use on vehicles built after 11-30-60	4	All	D	61/64

(1) nut

(1) bolt

CONTINUED ON NEXT PAGE

Front Suspension and Steering

GROUP AND PART NUMBER	DESCRIPTION, SIZE, ETC.	NO. REQ'D	MODEL OR ENGINE CUBIC INCH DISPLACEMENT	VEHICLE CODE	YEAR 19__
3287 CLAMP (SPINDLE CONNECTING ROD) CONTINUED					
C1MM 3287-A	For all models except 58A, 64A with manual steering (b, c)	4	All	A	61
	Use with P/S	4	All	A	62
	Use with P/S	4	All	B	62/63
	Use with P/S	4	260	C	63
	☆ Except manual steering	4	170 [☆] , 200 [☆] , 260, 289	C	64
C2OZ 3287-A	Use with manual steering (a)	4	All	B	62/63
CODD 3287-A	Also serviced in 3310 kit	2	144, 170	C	60/62
C3DZ 3287-A	Use with manual steering	1	144, 170, 200	C	63/64
Package consists of the following -					
(4) C3DA-3287-A	clamp	(4) 358655-S	bolt	(4) 377703-S	nut
34443-S	Nut-hex. lock-5/16"-24-attach clamp to sleeve and connecting rod	4	a		
358655-S	NS-bolt-hex. hd.-5/16"-24 x 1-3/8" long - attach clamp and sleeve to connecting rod	4	a		
359870-S	Bolt-hex. hd. -3/8"-24 x 1-3/4"	4	b		
373036-S	Nut-hex. lock-3/8"-24	4	c		
3289 REFER TO GROUP 3A130-1					
3304 LINK (STEERING CONNECTING)					
B9MY 3304-A	Use with manual steering (b)	1	312	A	60
B9MM 3304-B	Use with P/S (a)	1	312	A	60
B9MY 3304-B	Use with manual steering (b)	1	383, 430	A	60
B9MM 3304-A	Use with P/S	1	383, 430	A	60
C1AA 3304-F	Use with manual steering	1	All	A	61/62
C1AA 3304-G	Use with P/S	1	All	A	61/62
C3AZ 3304-C	Use with manual steering	1	All	A	63
		1	390	A	64
C3AZ 3304-A	Use with P/S	1	All	A	63/64
COAA 3304-D	Use with manual steering	1	427	A	64
C2OZ 3304-B	Use with P/S	1	All	B	62
C3OZ 3304-B	Use with manual steering	1	All	B	62/63
C3OZ 3304-A	Use with P/S	1	All	B	63
CODD 3304-C		1	All	C	60/62
C3DZ 3304-B	Use with manual steering with 3575 sector shaft 1" in diameter	1	260	C	63
C3DZ 3304-G	Use with manual steering with 3575 sector shaft 1-1/8" in diameter	1	260	C	63
C3DZ 3304-E	Use with manual steering	1	144, 170, 200	C	63/64
C3DZ 3304-K	Use with P/S with 3575 sector shaft 1" in diameter	1	260, 289	C	63/64
C3DZ 3304-J	Use with manual steering with 3575 sector shaft 1-1/8" in diameter	1	260, 289	C	64
C4DZ 3304-A	Use with P/S	1	170, 200	C	64
LF 3304-B		(b) 1	All	D	60
C1VY 3304-A		1	All	D	61/62
C3VY 3304-A		1	All	D	63/64
87907-S8	Fitting-lubricator-1/4"-28	2	a		
358032-S8	Fitting-85 [°] -special thread	AR	b		
3310 SLEEVE (DRAG LINK ADJUSTING)					
C3AZ 3310-A		2	All	A	63
		2	390	A	64
AG 3310-A		2	427	A	64
CONTINUED ON NEXT PAGE					

Front Suspension and Steering

GROUP AND PART NUMBER	DESCRIPTION, SIZE, ETC.	NO. REQ'D	MODEL OR ENGINE CUBIC INCH DISPLACEMENT	VEHICLE CODE	YEAR 19____
3310 SLEEVE (DRAG LINK ADJUSTING) CONTINUED					
C2AA 3310-B	Use with manual steering and P/S	2	All	A	62
	Use with P/S	2	All	B	63
C1MM 3310-A	Use with P/S	2	All	A	61
		2	170, 200	C	64
	Use with manual steering and P/S	2	260, 289	C	63/64
COAA 3310-A		2	All	A	60
	For models 58A, 64A with manual steering	2	All	A	61
	Use on vehicles built prior to 12-1-60	2	All	D	60/61
C2VY 3310-A	Use on vehicles built after 11-30-60	2	All	D	61/64
Package also includes -					
(2) nuts		(2) bolts			
C2OZ 3310-A	Use with manual steering and P/S	2	All	B	62
	Use with manual steering	2	All	B	63
C3DZ 3310-A	Use with manual steering	2	144, 170, 200	C	60/64
Package also includes -					
(2) clamps		(2) nuts		(2) bolts	
3311 STUD (SPRING LOADED CROSS LINK)					
	NS-serviced in 3A533 kit	1	All	A	60/61
3320 SEAT (STEERING CONNECTING LINK EXTENSION BALL STUD)					
	NS-serviced in 3A533 kit	2	All	A	60/61
3323 REFER TO GROUP 3590					
3-3326 SNAP RING					
B8E 33326-A	Also serviced in 3A650 kit	1	All	D	60
3327 SPRING (CROSS LINK)					
	NS-serviced in 3A533 kit	2	All	A	60
3-3327 BUMPER (STEERING CONNECTING LINK BALL STUD SEAT)					
	NS-serviced in 3A533 kit	2	All	A	60/61
3328 PLUG (CROSS LINK)					
	NS-serviced in 3A533 kit	(a) 1	All	A D	60
72089-S	Cotter pin-1/8" x 1-3/4"	1	a		
3332 COVER (SPINDLE CONNECTING ROD END BALL STUD) DUST					
B2A 3332-A	Pitman arm to drag link	1	All	A	60
8M 3332	Tie rod - also serviced in 3A130-1 kit	4	All	A	60
		5	All	D	60
C1AA 3332-B	Pitman arm to drag link	1	All	A	61
	Idler arm and bracket	1	All	D	61
C1AA 3332-C	Tie rod end - also serviced in 3A130 assembly	AR	All	A D	61/64
C1VY 3332-A	Pitman arm to drag link	1	All	A	62
	Idler arm and bracket	1	All	D	62/64
C2OZ 3332-A	P/S cylinder stud	1	All	B	62/63
C2OZ 3332-B	Tie rod ends	2	All	B	62/63
C2OZ 3332-C	Tie rod to drag link	2	All	B	62/63
CODD 3332-A		6	All	C	60/62
C3DZ 3332-A	Tie rod ends	4	All	C	63
C3DZ 3B042-A	Drag link ends - manual steering	2	144, 170, 200	C	63/64
C3SZ 3332-A	Tie rod ends	4	All	C	64
3333 COVER (CROSS LINK DUST)					
	NS-steering pitman arm to connecting link and bracket - serviced in 3A533 kit	1	All	A	60

Front Suspension and Steering

GROUP AND PART NUMBER	DESCRIPTION, SIZE, ETC.	NO. REQ'D	MODEL OR ENGINE CUBIC INCH DISPLACEMENT	VEHICLE CODE	YEAR 19__
3350-1 BRACKET (STEERING IDLER ARM MOUNTING)					
MK 3351-A	Use with manual steering (a)	1	All	A	60
PB9M 3351-A	Use with P/S (a)	1	All	A	60
C1AA 3350-C	Use with manual and P/S	1	All	A	61/62
C3AZ 3350-A	Assembly includes bushing (g, f)	1	All	A	63
		1	390	A	64
COAA 3351-A		1	427	A	64
C2OA 3350-A	Assembly includes bushing (c, f)	1	All	B	62/63
C3DZ 3351-A	Also serviced in 3350 kit (d)	1	144, 170, 200	C	63/64
C3DZ 3351-B		1	260, 289	C	63/64
CODZ 3350-B		1	144, 170, 200	C	60/64
Kit - consists of the following -					
(1) C3DZ-3351-A	bracket	(1) C3DZ-3352-L	arm		
LF 3351-A		(b)	All	D	60
33800-S	Nut-hex. -3/8"-24	2	b, f		
34445-S	Nut-hex. lock-3/8"-24	AR	d		
34670-S8	Nut-hex. -7/16"-14-attach bracket to frame	2	a		
34782-S7	Lockwasher-3/8" (2) req'd. - to attach bracket to body (2) req'd. - to attach idler arm support to frame	4	b		
34783-S7	Washer-lock-7/16"-attach bracket to frame	2	a		
34807-S	Lockwasher-3/8"	2	f		
45549-S8	Bolt-hex. hd. -3/8"-24 x 3-1/2"	2	b, c		
353992-S	Washer-flat-3/8"	2	g		
372471-S8	Bolt-hex. hd. -7/16"-14 x 4-1/16" long-attach bracket to frame	2	a		
372505-S	Washer-flat-3/8"	2	d		
373835-S	Bolt-hex. hd. -3/8"-24 x 4-1/4"	2	g		
375490-S	NS-washer-flat-3/8"	2	c		
378405-S	Bolt-hex. hd. -3/8"-24 x 3-1/2"	AR	d		
378544-S	NS-washer-spec. flat-3/8"	1	e		
3352 KIT (STEERING IDLER ARM)					
59MK 3352-A	Use with P/S	1	All	A	60
Consists of the following -					
(1) PB9M-3355-A	arm	(1) COMM-3A758-A	washer	(2) 72035-S	cotter pin
(1) MJ-3356-A	bushing	(2) 33987-S8	nut	(2) 371899-S	washer
(1) MA-3358-A	bushing				
59MK 3352-B	Use with manual steering	1	All	A	60
Consists of the following -					
(1) PB9M-3355-B	arm	(2) 8M-3359	seal	(2) 358032-S8	fitting
(2) MB-3356-A	bushing				
C2AZ 3352-A	Use with manual steering	1	All	A	61/62
Consists of the following -					
(1) C2AA-3355-A	arm	(1) C3AZ-3358-A	bushing	(2) 351059-S8	nut
(1) C1AA-3356-A	bushing	(2) 72026-S	cotter pin	(2) 356606-S8	washer
C2AZ 3352-B	Use with P/S	1	All	A	61/62
Consists of the following -					
(1) C2AA-3355-B	arm	(1) C3AZ-3358-A	bushing	(2) 351059-S8	nut
(1) C1AA-3356-A	bushing	(2) 72026-S	cotter pin	(2) 356606-S8	washer
C3AZ 3352-A	Use with P/S	1	All	A	63/64
Consists of the following -					
(1) C3AA-3355-A	arm	(1) C3AZ-3358-A	bushing	(2) 351059-S8	nut
(1) C3AZ-3356-A	bushing	(2) 72026-S	cotter pin	(2) 356606-S8	washer

CONTINUED ON NEXT PAGE

Front Suspension and Steering

GROUP AND PART NUMBER	DESCRIPTION, SIZE, ETC.	NO. REQ'D	MODEL OR ENGINE CUBIC INCH DISPLACEMENT	VEHICLE CODE	YEAR 19____
3352 KIT (STEERING IDLER ARM) CONTINUED					
C3AZ 3352-B	Use with manual steering	1	All	A	63
		1	390	A	64
Consists of the following -					
(1) C3AA-3355-B	arm	(1) C3AZ-3358-A	bushing	(2) 351059-S8	nut
(1) C3AZ-3356-A	bushing	(2) 72026-S	cotter pin	(2) 356606-S8	washer
C2OZ 3352-A	Use with manual steering	1	All	B	62/63
Consists of the following -					
(1) C2OA-3355-C	arm	(1) C3AZ-3358-A	bushing	(2) 351059-S8	nut
(1) C3AZ-3356-A	bushing	(2) 72035-S	cotter pin	(2) 375569-S8	washer
C2OZ 3352-B	Use with P/S	1	All	B	62/63
Consists of the following -					
(1) C3OA-3355-A	arm	(1) C3AZ-3358-A	bushing	(2) 351059-S8	nut
(1) C3AZ-3356-A	bushing	(2) 72035-S	cotter pin	(2) 375569-S8	washer
CODZ 3352-B		1	All	C	60/62
Consists of the following -					
(1) CODD-3A734-A	arm and bushing	(1) 72035-S8	cotter pin	(1) 373307-S	washer
(1) 33985-S8	nut				
C3DZ 3352-F	Use on vehicles built prior to 5-23-63	(b)	1 260	C	63
Consists of the following -					
(1) C3DA-3A734-H	arm and bushing	(1) 72035-S8	cotter pin	(1) 351059-S8	nut
C3DZ 3352-G	Use with manual steering on vehicles built after 5-22-63	(b)	1 260	C	63
Consists of the following -					
(1) C3DA-3A734-L	arm and bushing	(1) 72035-S8	cotter pin	(1) 351059-S8	nut
C3DZ 3352-H	Use with P/S on vehicles built after 5-22-63	(b)	1 260	C	63
Consists of the following -					
(1) C3DZ-3A734-J	arm and bushing	(1) 72035-S8	cotter pin	(1) 351059-S8	nut
C3DZ 3352-L	Use with manual steering - assembly includes arm and bushing - also serviced in 3350 kit	(a)	1 144, 170, 200	C	63/64
C4DZ 3352-A	Use with P/S - assembly includes arm and bushing		1 170, 200	C	64
C3DZ 3352-J	Use with manual steering		1 260, 289	C	64
Consists of the following -					
(1) C4DA-3A734-A	arm & bushing	(1) 72035-S8	cotter pin	(1) 351059-S8	nut
C3DZ 3352-K	Use with P/S		1 260, 289	C	64
Consists of the following -					
(1) C4DA-3A734-B	arm & bushing	(1) 72035-S8	cotter pin	(1) 351059-S8	nut
HKK 3352-B		1	All	D	60
Consists of the following -					
(2) LD-3197-A	seal	(2) LF-3357-A	bushing	(2) 358032-S8	fitting
(1) LF-3355-A	arm				
33985-S	NS-nut-slotted hex. -9/16"-18		1 a		
72035-S	Cotter pin-1/8"-1"		1 a		
378583-S	Washer-flat-7/16"		1 a		
378539-S	Washer-flat-5/8"		1 b		
3355 ARM (STEERING IDLER)					
COAA 3355-A		1	427	A	64
	NS-serviced in 3352 kit	1	All	A	60/62
		1	All	D	60
3356-8 BUSHING (STEERING IDLER ARM)					
MA 3358-A	Lower - use with P/S - also serviced in 3352 kit	1	All	A	60
	NS-upper - serviced in 3352 kit	(a)	2 All	A	60
LF 3357-A		2	427	A	64
C3AZ 3356-A	Upper - also serviced in 3352 kit	1	All	A B	61/63
		1	390	A	64

CONTINUED ON NEXT PAGE

Front Suspension and Steering

GROUP AND PART NUMBER	DESCRIPTION, SIZE, ETC.	NO. REQ'D	MODEL OR ENGINE CUBIC INCH DISPLACEMENT	VEHICLE CODE	YEAR 19__
3356-8 BUSHING (STEERING IDLER ARM) CONTINUED					
C3AZ 3358-A	Lower - also serviced in 3352 kit	1	All	A B	61/63
		1	390	A	64
CODD 3356-A		1	All	C	60/62
C3DZ 3356-A	Also serviced in 3352 assembly	1	144, 170	C	63
	Use with P/S	1	170, 200	C	64
C3DZ 3356-C	Upper - use on vehicles with 1-7/16" diameter bushing - also serviced in 3352 assembly	1	260	C	63
	Use with manual steering	1	260, 289	C	64
C3DZ 3356-D	Upper - use on vehicles with 1-5/8" diameter bushing - also serviced in 3352 assembly	1	260	C	63
	Use with P/S	1	260, 289	C	64
C5ZZ 3356-A	Use with manual steering	1	170, 200	C	64
	NS-serviced in 3352 kit	2	All	D	60
358032-S8	Fitting-80° -special thread	2	a		
3A358 BOLT (FRONT SUSPENSION UPPER ARM MOUNTING)					
B9TZ 3A358-A	9/16"-18 x 27/32" (a)	4	All	D	60
33848-S7	Nut-hex. -9/16"-18-req'd. to attach linkage assy. -front suspension to body upper mounting bracket assy.	4	a		
34785-S8	Washer-lock-9/16"-req'd. to attach linkage assy. -front suspension to body upper mounting bracket assy.	4	a		
3359 SEAL (STEERING IDLER ARM)					
8M 3359	Use with manual steering - also serviced in 3352 kit	2	All	A	60
3362 COVER (FRONT SUSPENSION LOWER ARM BALL JOINT DUST)					
B2LY 3362-A	Also serviced in 3050 kit	2	All	D	60
3A373-4 REFER TO GROUP 3A257					
3382-3 BRACKET (FRONT SUSPENSION BUMPER)					
COAZ 3382-A		2	All	A	61/64
C2OZ 3382-B	R. H.	1	All	B	62/63
C2OZ 3383-B	L. H.	1	All	B	62/63
C3DZ 3382-B	R. H.	1	All	C	60/64
C3DZ 3383-B	L. H.	1	All	C	60/64
3388 SEAT & BUSHING (FRONT SUSPENSION UPPER ARM SPRING) LOWER					
C1DD 3388-B		2	All	C	60/62
C3DZ 3388-A	(a)	2	All	C	63
C4DZ 3388-A		2	All	C	64
34370-S8	Nut-hex. lock-3/8"-24	4	a		
3395 JOINT (FRONT SUSPENSION LOWER ARM BALL)					
	NS-serviced in 3050 kit	2	All	A D	60/62
3A420-1 BRACKET (FRONT SUSPENSION LOWER ARM MOUNTING FRONT)					
C2YY 3A420-A	R. H. (a)	1	All	B	62
C2YY 3A421-A	L. H. (a)	1	All	B	62
C3YY 3A420-A	R. H. (b)	1	All	B	63
C3YY 3A421-A	L. H. (b)	1	All	B	63
C1DE 6345-A	Bolt-7/16"-14 x 2.70" long	AR	a		
CONTINUED ON NEXT PAGE					

Front Suspension and Steering

GROUP AND PART NUMBER	DESCRIPTION, SIZE, ETC.	NO. REQ'D	MODEL OR ENGINE CUBIC INCH DISPLACEMENT	VEHICLE CODE	YEAR 19__
3A420-1 BRACKET (FRONT SUSPENSION LOWER ARM MOUNTING FRONT) CONTINUED					
34670-S8	Nut-hex. -7/16"-14	6	b		
34808-S8	Lockwasher-7/16"	6	b		
45566-S8	Bolt-hex. hd. -7/16"-14 x 4"	2	b		
45596-S8	NS-bolt-hex. hd. -7/16"-14 x 4-3/4"	4	b		
356450-S7	NS-washer-flat-7/16"	12	b		
3433 SPACER (FRONT SUSPENSION LOWER ARM EXTENSION INSULATOR)					
C1VV 3433-B	3/4" I.D. x 2-41/64" long steel tube - also serviced in 3A187 kit	2	All	D	61/64
3434 WASHER (FRONT SUSPENSION LOWER ARM EXTENSION INSULATOR OUTER)					
C1VV 3434-B	Also serviced in 3A187 kit	4	All	D	61/64
3459 FLANGE (STEERING SHAFT) LOWER					
LF 3459-B	For steering column upper thrust bearing spring - refer to group 12246 (a)	1	All	D	60/62
354925-S7	Pin-spring-3/16" x 1-1/8"-req'd. to attach flange lower to worm shaft	1	a		
3-3459 INSERT (STEERING SHAFT COUPLING)					
PB9M 33459-A		1	All	A	60
3460 REFER TO GROUP 3525					
3468 STRUT (FRONT SUSPENSION LOWER ARM)					
CODD 3468-F	Use on vehicles built prior to 11-1-61 - also serviced in 3A187 kit	2	All	C	60/62
C2DZ 3468-A	Use on vehicles built after 10-31-61 (a, b)	2	All	C	62
		2	144, 170	C	63
C3DZ 3468-A	(a, c)	2	260	C	63
C4DZ 3468-B		2	170, 200	C	64
C4DZ 3468-A		2	260, 289	C	64
C1VV 3468-B	(d)	2	All	D	61/64
33882-S8	Nut-hex. -1/2"-20	4	d		
34447-S2	Nut-hex. lock-7/16"-20	4	b		
34671-S8	Nut-hex-7/16"-20	4	c		
34809-S8	Lockwasher-1/2"	4	d		
352170-S8	Bolt-hex. hd. -1/2"-20 x 1-9/16"	4	d		
373862-S	Bolt-hex. hd. -7/16"-20 x 1-5/16"	4	a		
3468 REFER TO GROUP 3A187					
3470 INSULATOR (FRONT SUSPENSION LOWER ARM STRUT)					
CODD 3470-B	Also serviced in 3A187 kit	4	All	C	60/61
	NS-serviced in 3A187 kit	4	All	C	63
3473 SPACER (FRONT SUSPENSION LOWER ARM STRUT INSULATOR)					
	NS-serviced in 3A187 kit	2	All	C	60/61
	NS-serviced in 3A187 kit	2	All	C	63
3A473-4 BRACKET & GUSSET ASSEMBLY (FRONT SUSPENSION)					
C2YY 3A473-A	R. H.	1	All	B	62/63
C2YY 3A474-A	L. H.	1	All	B	62/63
3A477-8 EXTENSION (FRONT SUSPENSION LOWER ARM)					
C2YY 3A477-B	R. H.	1	All	B	62/63
C2YY 3A478-B	L. H.	1	All	B	62/63

Front Suspension and Steering

GROUP AND PART NUMBER	DESCRIPTION, SIZE, ETC.	NO. REQ'D	MODEL OR ENGINE CUBIC INCH DISPLACEMENT	VEHICLE CODE	YEAR 19__
3A482 SPRING (FRONT SUSPENSION LOWER ARM STRUT MOUNTING)					
C3YY 3A482-A		2	All	B	62/63
3486-7 BRACKET (FRONT SUSPENSION LOWER ARM STRUT MOUNTING)					
C1DZ 3486-A	R. H. - use on vehicles built prior to 11-1-61	1	All	C	60/62
C1DZ 3487-A	L. H. - use on vehicles built prior to 11-1-61	1	All	C	60/62
C3DZ 3486-A	R. H. - use on vehicles built after 10-31-61	1	All	C	62
C3DZ 3487-A	L. H. - use on vehicles built after 10-31-61	1	All	C	62
C3DZ 3486-B	R. H.	1	All	C	63/64
C3DZ 3487-B	L. H.	1	All	C	63/64
C1VY 3486-A	R. H.	1	All	D	61/64
C1VY 3487-A	L. H.	1	All	D	61/64
3A486 BOLT (FRONT SUSPENSION LOWER ARM BALL JOINT SOCKET)					
C2DZ 3A486-A	1/4"-28 x .82"	6	All	C	60/64
3A492 REINFORCEMENT (FRONT SUSPENSION LOWER ARM BUSHING)					
C1AZ 3A492-A		2	406	A	62
3D502 BUSHING (STEERING COLUMN OPENING COVER PIVOT)					
C4VY 3D502-A	Use with movable column	2	All	D	64
3D503 SPRING (STEERING COLUMN OPENING COVER RETURN)					
C4VY 3D503-A	Use with movable column	2	All	D	64
3504 GEAR (STEERING)					
B9MY 3504-A	Use with production installed P/S - coded YELLOW - includes flange (a)	1	All	A	60
B9RM 3504-A	Use with manual steering and service installed P/S - coded WHITE (a)	1	All	A	60
COMY 3504-A	Use with manual steering and service installed P/S - includes flange	1	All	A	60
C1AR 3504-F	Use with manual steering and service installed P/S on models 58A, 64A built prior to 9-16-60 - coded ORANGE and YELLOW	1	All	A	61
C1AR 3504-G	Use with production installed P/S on models 58A, 64A built prior to 9-16-60 - coded ORANGE and WHITE	1	All	A	61
C1MR 3504-F	Use with production installed P/S on models 58A, 64A built between 9-15-60 and 10-16-60 - coded BLUE and WHITE	1	All	A	61
C2AZ 3504-A	Use with manual steering on all models except 58A, 64A built prior to 9-16-60 - coded YELLOW	1	All	A	61
	Use with manual steering on all models built after 9-15-60	1	All	A	61/62
C2AZ 3504-B	Use with P/S on all models except 58A, 64A built prior to 10-16-60 - coded WHITE	1	All	A	61
	Use with P/S on all models built after 10-15-60	1	All	A	61/62
C3AZ 3504-A	Use with manual steering	1	All	A	63
C3AZ 3504-B	Use with P/S	1	HCA-BL	A	63/64
C3AZ 3504-C	Use with manual steering	1	HCA-BX	A	64
C2OZ 3504-D	Use with P/S	1	All	B	62
C2OZ 3504-C	Use with manual steering	1	All	B	62
	Use with manual and P/S	1	All	B	63
CODD 3504-B	Use with steering with slotted worm bearing adjuster - less tube and flange	1	All	C	60

CONTINUED ON NEXT PAGE

Front Suspension and Steering

GROUP AND PART NUMBER	DESCRIPTION, SIZE, ETC.	NO. REQ'D	MODEL OR ENGINE CUBIC INCH DISPLACEMENT	VEHICLE CODE	YEAR 19__
3504 GEAR (STEERING) CONTINUED					
C2DZ 3504-A	Use with steering with hexagon worm bearing adjuster - less tube and flange	1	All	C	60/62
C3DZ 3504-D	Less tube and flange - use with 3575 sector shaft 1" in diameter	1	144, 170	C	60/62
	☆ With 3575 sector shaft 1" in diameter except 8 cylinder with sector shaft having slot at pitman arm end	1	All☆	C	63
C3DZ 3504-G	Less tube and flange - use with 3575 sector shaft 1" in diameter having slot at pitman arm end	1	260	C	63
C3DZ 3504-E	Less tube and flange - use with 3575 sector shaft 1-1/8" in diameter	1	260	C	63
C4DZ 3504-A	Use with 3575 sector shaft 1" in diameter	1	HCC-AM	C	64
C4DZ 3504-B	Use with 3575 sector shaft 1-1/8" in diameter	1	HCC-AP	C	64
COLY 3504-D	Less tube and flange	(c) 1	All	D	60
C3VY 3504-C	Less tube and flange	(b) 1	All	D	61 & 63
C2SZ 3504-K	Less tube and flange	1	All	D	62
C4VY 3504-A		1	HAA-BF	D	64
21464-S8	Bolt-hex. -7/16"-14 x 3-3/8"-attach gear assy. to under body	3	c		
34783-S7	Washer-spring lock-7/16"-attach steering gear to frame	3	a, b, c		
87710-S	Plug-filler-3/8"-18	1	a		
356420-S	Washer-special flat-7/16" I.D. x 1" O.D. -attach steering gear to frame	3	a		
372471-S	Bolt-hex. hd. -7/16"-14 x 4-1/16" long-attach steering gear to frame	3	a		
3A505 SPRING (STEERING COLUMN BALANCE)					
C4VY 3A505-A	Use with movable column	1	All	D	64
3D505 COVER (STEERING COLUMN INSTRUMENT PANEL OPENING)					
C4VY 3D505-A	Use with fixed column	1	All	D	64
C4VY 3D505-B	Use with movable column	1	All	D	64
3506 REFER TO GROUP 3668					
3C507 TRIM (STEERING COLUMN OPENING COVER)					
C1MF 3C507-AP	For all models except 58A, 64A	1	All	A	61
C2MF 3C507-AP	For all vehicles with automatic transmission	1	All	A	62
C2MY 3C507-A	For all vehicles with standard transmission	1	All	A	62
3D507 RETAINER (POWER STEERING CYLINDER STUD SEAL)					
C3DZ 3D507-A		1	All	C	63/64
3509 REFER TO GROUP 3511 OR 3514					
3C510 BRACKET (POWER STEERING HOSE)					
C1VE 3C510-A		1	All	D	61/64
3511 FLANGE (STEERING COLUMN TUBE)					
PB9M 3511-A	Use with standard transmission	1	All	A	60
PB9M 3511-B	Use with automatic transmission	1	All	A	60
B8A 3511-A	For models 58A, 64A with automatic transmission	1	All	A	61
C1MF 3511-CP	For all models except 58A, 64A	1	All	A	61
	Use with steering column mounted shift lever	1	All	A	62
C2AZ 3511-A	Use with floor mounted shift lever	1	All	A	62
CONTINUED ON NEXT PAGE					

Front Suspension and Steering

GROUP AND PART NUMBER	DESCRIPTION, SIZE, ETC.	NO. REQ'D	MODEL OR ENGINE CUBIC INCH DISPLACEMENT	VEHICLE CODE	YEAR 19__
3511 FLANGE (STEERING COLUMN TUBE) CONTINUED					
C3AZ 3511-A	Use with standard transmission	1	All except 63C, 65C, 75C, 76B	A	63
C3AZ 3511-B	Use with automatic transmission	1	All except 63C, 65C, 75C, 76B	A	63
	Use with automatic transmission and steering column shift	1	All	A	64
C4AZ 3511-A	Use with all except automatic transmission with steering column shift	1	All	A	64
C2OZ 3511-C	Use on vehicles built prior to 3-26-62 with automatic transmission	1	All	B	62
C2OZ 3511-D	Use on vehicles built after 3-25-62 with automatic transmission	1	All	B	62/63
C2OZ 3511-B	Use with standard transmission	1	All	B	62/63
C1DD 3511-AP	Use with standard transmission	1	All	C	60/62
C1DD 3511-BP	Use with automatic transmission - less bearing	1	All	C	60/62
C1DD 3509-AP	Use on vehicles built after 1-1-61 with standard transmission - assembly includes bearing	1	All	C	61/62
C1DD 3509-BP	Use on vehicles built after 1-1-61 with automatic transmission - assembly includes bearing	1	All	C	61/62
C2DZ 3509-A	Use with floor mounted shift lever	1	All	C	62
C3DZ 3509-A	Assembly includes 3514 tube - use with four speed standard transmission	1	All	C	63
C3DZ 3511-A	Use with automatic transmission	1	All	C	63/64
C3DZ 3511-B	Use with three speed standard transmission	1	All	C	63/64
C4DZ 3509-A	Use with four speed standard transmission	1	All	C	64
FFC 3511-BE		(a) 1	All	D	60
C1VF 3511-A(21)	BLACK	1	All	D	61
C2VY 3511-A	BLACK	1	All	D	62/63
C4VY 3511-A		1	All	D	64
351754-S33	Nut-hex. -lock-1/4"-28-attaches flange to steering column tube	2	a		
3C511 SUPPORT (POWER STEERING PUMP)					
B8AZ 3C511-A	Use as a/cond. compressor mounting bracket support on vehicles without P/S	(a) 1	312	A	60
		1	All	A	60 & 62
		1	292	A	61/62
B8AZ 3C511-B	Adjusting bracket - use with a/cond.	1	352, 390	A	61/64
B8AZ 3C511-C	Support bracket - use with a/cond.	1	352, 390	A	61/64
C2OZ 3C511-B		1	221, 260	B	62
C3OZ 3C511-A	Also use as idler support on vehicles with a/cond.	1	170, 200	B C	62/64
C4DZ 3C511-A	Use without a/cond.	1	170, 200	C	64
45592-S8	Bolt-hex. hd. -5/16"-18 x 3-3/4" long - attach support to cylinder front cover	1	a		
370851-S8	Bolt-hex. hd. -5/8"-18 x 1-1/8" long-attach support to water pump	1	a		
3512 GROMMET (STEERING COLUMN TO DASH)					
B9S 3512-A		1	All	A	60
C4AZ 3512-A	Use with fixed column	1	All	A	64
B5S 3512-A		1	All	C	60/64
BAK 3512-A		1	All	D	60
3A512 PLUG (POWER STEERING CONTROL VALVE REACTION SPRING - SLEEVE END)					
B9M 3A512-A		1	383, 430	A	60
		1	All	A	61/64
		1	All	B C	63/64

Front Suspension and Steering

GROUP AND PART NUMBER	DESCRIPTION, SIZE, ETC.	NO. REQ'D	MODEL OR ENGINE CUBIC INCH DISPLACEMENT	VEHICLE CODE	YEAR 19__
3513 SEAL (STEERING COLUMN OPENING)					
COAB 3513-B	For models 58A, 64A add necessary holes for standard transmission	1	All	A	61
C3AZ 3513-A	Use with movable column	1	All	A	63
C4AZ 3513-A	Use with movable column	1	All	A	64
C2OZ 3513-A	NS-improvise locally	1	All	B	62/63
		1	All	C	60
C1DD 3513-B		1	All	C	61/63
C4DZ 3513-A		1	All	C	64
C1VF 3513-A		1	All	D	61/62
C2VY 3513-A		1	All	D	63
C4VY 3513-A	Use with fixed column	1	All	D	64
C4VY 3513-B	Use with movable column	1	All	D	64
3A513 PLUG (POWER STEERING CONTROL VALVE REACTION SPRING - CAP END)					
B9M 3A513-A		(a) 1	383, 430	A	60
		1	All	A	61/64
		1	All	B C	63/64
87008-S93	"O" ring - seal	2	a		
3C513 SEAL (POWER STEERING CONTROL VALVE SPOOL - CAP END)					
	NS-use with crankshaft driven P/S - serviced in 3A650 kit	1	All	A	60
	NS-use with belt driven P/S - serviced in 3A650 kit	1	All	A	60/63
3514 TUBE (STEERING COLUMN)					
B9MF 3514-BP	Use with automatic transmission	1	All	A	60
B9MF 3514-CP	Use with standard transmission	1	All	A	60
C1MF 3514-HP	For all models with standard transmission except 58A, 64A	1	All	A	61
C2AZ 3514-BP	Use with single range automatic transmission - for models 58A, 64A	1	All	A	61
C2AZ 3514-CP	Use with dual range automatic transmission - for models 58A, 64A	1	All	A	61
C1MF 3514-JP	For all models with automatic transmission except 58A, 64A	1	All	A	61
	Use with automatic transmission with steering column mounted shift lever	1	All	A	62
C2AZ 3514-DP	Use with standard transmission - for models 58A, 64A	1	All	A	61
	Use with standard transmission with steering column mounted shift lever	1	All	A	62
C2AZ 3514-FP	Use with all transmissions with floor mounted shift lever	1	All	A	62
C3AZ 3514-A	Use with standard transmission and fixed column	1	All except 63C, 65C, 75C, 76B	A	63
C3AZ 3514-B	Use with automatic transmission and fixed column	1	All except 63C, 65C, 75C, 76B	A	63
C3AZ 3514-J	Use with automatic transmissions and movable column	1	All except 63C, 65C, 75C, 76B	A	63
C3AZ 3514-F	Use with automatic transmissions and movable column	1	63C, 65C, 75C, 76B	A	63
C3AZ 3514-E	Use with all transmissions and fixed column	1	63C, 65C, 75C, 76B	A	63
C4AZ 3514-J	Use with automatic transmission and steering column shift - fixed column	1	All	A	64
C4AZ 3514-F	Use with automatic transmission and steering column shift - movable column	1	All	A	64
C4AZ 3514-C	Use with three speed standard transmission and steering column shift - fixed column	1	All	A	64
C4AZ 3514-D	Use with console and floor shift - fixed column	1	All	A	64

CONTINUED ON NEXT PAGE

Front Suspension and Steering

GROUP AND PART NUMBER	DESCRIPTION, SIZE, ETC.	NO. REQ'D	MODEL OR ENGINE CUBIC INCH DISPLACEMENT	VEHICLE CODE	YEAR 19__
3514 TUBE (STEERING COLUMN) CONTINUED					
C3OZ 3514-A	Use with automatic transmission	1	All	B	62
C3OZ 3514-B	Use with standard transmission	1	All	B	62
C3OZ 3514-D	Use with automatic transmission	1	All	B	63
C3OZ 3514-E	Use with three speed standard transmission	1	All	B	63
C3OZ 3514-C	Use with four speed standard transmission	1	221, 260	B	63
CODF 3514-AP	Use with steering with hexagon worm bearing adjuster on vehicles equipped with standard transmission	1	All	C	60
CODF 3514-CP	Use with steering with slotted worm bearing adjuster on vehicles equipped with standard transmission	1	All	C	60
CODF 3514-DP	Use with steering with slotted worm bearing adjuster on vehicles equipped with automatic transmission	1	All	C	60
CODF 3514-BP	Use with steering with hexagon worm bearing adjuster on vehicles equipped with automatic transmission	1	All	C	60/62
C1DD 3514-AP	Use with standard transmission	1	All	C	61
C2DZ 3514-A	Use with standard transmission	1	All	C	62
C3GY 3514-A	Use with automatic transmission	1	All	C	63
C3DZ 3514-A	Use with three speed standard transmission	1	All	C	63
C3DZ 3509-A	Assembly includes 3511 flange - use with four speed standard transmission	1	All	C	63
C4DZ 3514-B	Use with automatic transmission	1	All	C	64
C4DZ 3514-A	Use with three speed standard transmission	1	All	C	64
COLF 3514-A		1	All	D	60
C1VF 3514D(211)	BLACK	1	All	D	61/62
C2VY 3514-A		1	All	D	63
C4VY 3514-A	Use with fixed column	1	All	D	64
C4VY 3514-B	Use with movable column	1	All	D	64
3D514 SPRING (STEERING COLUMN INSTRUMENT PANEL OPENING COVER)					
C4MY 3D514-A	Use with movable column and Deluxe a/cond.	1	All	A	64
3517 BEARING (STEERING COLUMN) UPPER					
FFC 3517-B	Use on vehicles built prior to 10-20-59	(a) 1	All	A	60
C1AA 3517-A	Use on vehicles built after 10-19-59	(b) 1	All	A B	60/62
		1	All	D	60/62
C1AA 3839-C	Assembly includes retainer	1	58A, 64A	A	61
	Use with standard transmission	1	All	A	62
C4AZ 3517-A	Also serviced in 3525 assembly	1	All	A	64
C3AZ 3517-A		1	All	A B D	63
B8S 3517-A		1	All	C	60/62
C3DZ 3517-A		1	All	C	63/64
C4SZ 3517-A		1	All	D	64
354206-S	Pin-spring-7/64" x 1"-attach upper bearing to steering gear shaft	1	b		
372024-S	Pin-spring-1/8" x .94"-retain bearing in position on shaft	1	a		
3518 SLEEVE (STEERING COLUMN UPPER BEARING)					
C1SZ 3518-B		1	All	A	60/64
		1	All	B D	60/63
B1AZ 3518-A		1	All	C	60/61
C4VY 3518-A		1	All	D	64

Front Suspension and Steering

GROUP AND PART NUMBER	DESCRIPTION, SIZE, ETC.	NO. REQ'D	MODEL OR ENGINE CUBIC INCH DISPLACEMENT	VEHICLE CODE	YEAR 19__
3A519 BUSHING (POWER STEERING CONTROL VALVE SPOOL)					
B9MM 3A519-B		1	312	A	60
B9MM 3A519-C		1	383, 430	A	60
	Use on vehicles built prior to 2-15-62	1	All	A	61/62
C2AZ 3A519-A	.573" I.D. - use on vehicles built after 2-14-62	1	All	A	62/64
C2OZ 3A519-A	.510" I.D.	1	383, 430	A	60
		2	All	A B C	61/64
3520 SPRING (STEERING COLUMN UPPER BEARING)					
C4AZ 3520-A	Also serviced in 3525 assembly	1	All	A	64
CODF 3520-A		1	All	C	60/62
C3DZ 3520-A		1	All	C	63/64
C4VY 3520-A		1	All	D	64
3523 GUIDE (STEERING GEAR BALL RETURN)					
WAT 3523-A	Use with manual steering and service installed P/S	4	All	A	60
C5AZ 3523-B	Use with manual steering	4	HCA-BW, BX	A	61/64
B8A 3523-A	Use with production installed P/S	4	All	A	60
	Use with steering with slotted worm bearing adjuster	4	All	A B	61/64
		4	All	C	60
CODR 3523-A	Use with steering with hexagon worm bearing adjuster	4	All	C	60/64
WAN 3523-A		(a) 4	All	D	60/64
358867-S	Screw-set-5/8"-18	1	a		
3524 RACK & WORM ASSEMBLY (STEERING GEAR)					
B9MY 3524-A	Use with manual steering and service installed P/S with 3504 gear assembly coded WHITE	1	All	A	60
B9MY 3524-B	Use with production installed P/S with 3504 gear assembly coded YELLOW	1	All	A	60
COMY 3524-A	Use with manual steering and service installed P/S with 3504 gear assembly not color coded	1	All	A	60
COAZ 3524-A	Use with production installed P/S on models 58A, 64A with 3504 gear assembly coded ORANGE and WHITE	1	All	A	61
C1MZ 3524-B	Use with manual steering and service installed P/S on vehicles built prior to 10-16-60 with 3504 gear assembly coded YELLOW	1	All	A	61
C3AZ 3524-C	Use with manual steering	1	All	A	61/63
C5TZ 3524-B	Use with manual steering	1	All	A	64
C3AZ 3524-B	Use with P/S	1	All	A	61/64
	Use with manual steering and P/S	1	All	B	62/63
CODZ 3524-B	Use with steering with slotted worm bearing adjuster	1	All	C	60
CODZ 3524-A	Use with steering with hexagon worm bearing adjuster	1	All	C	60/63
C4DZ 3524-A	Includes steering gear shaft	1	All	C	64
COLY 3524-A	With 9/16"-24 spool adjusting thread	1	All	D	60
COLR 3524-A	With 1/2"-28 spool adjusting thread	1	All	D	60/64
3524 REFER TO GROUP 3525					
3525 SHAFT (STEERING GEAR)					
COMF 3460-A	Without hole for spring pin at spline end of shaft	(a) 1	All	A	60
PB9M 3460-A	With hole for spring pin at spline end of shaft	(a, b) 1	All	A	60
CONTINUED ON NEXT PAGE					

Front Suspension and Steering

GROUP AND PART NUMBER	DESCRIPTION, SIZE, ETC.	NO. REQ'D	MODEL OR ENGINE CUBIC INCH DISPLACEMENT	VEHICLE CODE	YEAR 19____
3525 SHAFT (STEERING GEAR) CONTINUED					
C1AZ 3460-A	For models 58A, 64A (c)	1	All	A	61
	For all models with standard transmission	1	All	A	62
C1MM 3460-A	For all models except 58A, 64A	1	All	A	61
	For all models with automatic transmission or with floor mounted shift lever	1	All	A	62
C3AZ 3460-A	Use with fixed column	1	All	A	63
C3AZ 3524-A	Use with movable column	1	All	A	63
C4AZ 3460-A	Use with fixed column (Δ)	1	All	A	64
C4AZ 3524-A	Use with movable column and automatic transmission (Δ)	1	All	A	64
Δ Package also includes -					
(1) C4AZ-3517-A	bearing	(1) 97565-S	ring	(1) 350983-S	nut
(1) C4AZ-3520-A	spring				
C2OZ 3460-A		1	All	B	62/63
B9LF 3525-A		1	All	D	60
C1VF 3525-A	Use on vehicles built prior to 6-1-62	1	All	D	61/62
C2VY 3525-A	Use on vehicles built after 5-31-62	1	All	D	62
C3VY 3525-A		1	All	D	63
C4VY 3525-A	Use with fixed column	1	All	D	64
C4VY 3525-B	Use with movable column	1	All	D	64
371680-S	Nut-hex.lock-5/16"-24-attach shaft and flange to steering gear	2	a		
372024-S2	Pin-spring-1/8" x .94"-retain bearing in position on shaft	1	b		
372044-S8	Bolt-hex.shoulder-5/16"-24 x 1"-attach shaft and flange to steering gear	2	a		
372875-S	Ring bearing retaining	1	c		
372876-S	Ring bearing retaining	1	c		
3A525 FLANGE & INSULATOR (STEERING GEAR)					
B9MM 3A525-B	Use with manual steering and service installed P/S (b)	1	All	A	60
B9MM 3A525-A	Use with production installed P/S (a)	1	All	A	60
C3AZ 3A525-B	Use with manual steering and fixed column	1	All	A	63/64
C3AZ 3A525-A	Use with P/S and fixed column	1	All	A	63/64
C3AZ 3A525-C	Use with movable column	1	All	A	63/64
C2AZ 3A525-A	Use with manual steering and service installed P/S	1	All	A	61/62
		1	All	B	62/63
C2AZ 3A525-B	Use with production installed P/S	1	All	A	61/62
		1	All	B	62/63
B8LY 3A525-A		(c) 1	All	D	60
C1VY 3A525-A	Use on vehicles built prior to 6-1-62 (d)	1	All	D	61/62
C2VY 3A525-A	Use on vehicles built after 5-31-62	1	All	D	62
C4SZ 3A525-A		1	All	D	63/64
33798-S8	Nut-hex.hd.-5/16"-24-attach flange and insulator assy.steering to steering gear assy.	2	c		
34806-S8	Lockwasher-5/16"-attach flange and insulator assy. steering to steering gear assy.	2	c,d		
354925-S7	Pin-roll-3/16" x 1-1/8" long-attach flange to shaft	1	b		
358794-S	Bolt-(12) pt.hd.-3/8"-24 x 1.22"-attach flange to shaft	1	a		
370471-S	Screw-set-3/8"-16 x 3/8"-attach flange and insulator assy. to steering	1	c		
370932-S8	Bolt-hex.hd.-shoulder-5/16"-24-attach flange insulator assy. steering to steering gear assy.	2	c,d		
371751-S7	Pin-cotter-3/32" x 1-3/4" long-attach flange to shaft	1	b		

Front Suspension and Steering

GROUP AND PART NUMBER	DESCRIPTION, SIZE, ETC.	NO. REQ'D	MODEL OR ENGINE CUBIC INCH DISPLACEMENT	VEHICLE CODE	YEAR 19__
3530 SHROUD (STEERING COLUMN)					
B9MF 3530-AP	Upper	(a) 1	All	A	60
C1MF 3530-DP	For all models except 58A, 64A	1	All	A	61
C2AZ 3530-AP	For models 65C, 76B	1	All	A	62
C2MY 3530-A	For all models except 65C, 76B	1	All	A	62
COLF 3530-A(140)	Upper	1	All		D 60
C1VF 3530-A(211)	Upper - BLACK	1	All		D 61/63
370215-S8	Screw-pan hd. -No. 10-24 x 1/2"-attach shroud to steering column tube	1-2	a		
3533 SHROUD & GROMMET (STEERING COLUMN) LOWER					
COLF 3533-B(140)		(a) 1	All		D 60
42021-S	Screw-hex. -No. 10-12 x 3/4"-shroud to steering column	1	a		
3A533 KIT (DRAG LINK BALL STUD REPAIR)					
B2AZ 3A533-A	Use with manual steering	1	All	A	60
Consists of the following -					
(1) AB-3311-C	stud	(1) B2A-3333-A	cover	(1) 72089-S	cotter pin
(2) AB-3327-B	spring	(2) AB-33327-A	bumper	(1) 351059-S	nut
(1) AB-3328-B	plug	(2) AB-33332-A	seat	(1) 358032-S8	fitting
(1) B2A-3332-A	seal	(1) 72035-S7	pin		
C2AZ 3A533-A	Use with P/S	1	All	A B	60/64
		1	All	C	63/64
Consists of the following -					
(2) AJ-3320-A	seat	(1) C2AZ-3A728-A	clamp	(1) AJ-33711-A	spring
(1) COAA-3A533-A	stud	(1) C2AZ-3A729-A	cover	(2) 33119-S8	screw
(1) C2AZ-3C706-A	seal	(1) AJ-33327-A	bumper		
B2LY 3A533-A		1	All		D 60
Consists of the following -					
(2) LA-3320-A	seat	(2) LA-3327-A	spring	(1) 72089-S	cotter pin
(2) LA-3326-A	seat	(1) LA-3328-B	plug	(1) 87918-S8	fitting
3D536 VALVE (STEERING COLUMN RELEASE)					
C4VY 3D536-C	Use with movable column	1	All		D 64
3D537 HOSE (STEERING COLUMN RELEASE VALVE)					
	NS-use with movable column - 1-1/2" long - cut from B7MY-17A605-B	AR	All		D 64
3538 PLUG (STEERING GEAR OIL FILLER)					
B6A 3538-A		1	All	A B	62 & 64
		1	All except 63C, 65C, 75C, 76B	A B	63
B8E 3538-A		1	All	A	61
		1	All	C	60/64
3-3538	REFER TO GROUP 3837				
3C538 KIT (TORSION BAR POWER STEERING GEAR SEAL & GASKET)					
C1VY 3C538-A		1	All		D 61/64
Consists of the following -					
(1) C1SZ-3581-A	gasket	(1) C1AZ-7A294-A	"o" ring	(1) 87079-S94	seal
(1) C2SZ-3581-A	gasket	(1) 87022-S94	"o" ring	(1) 87142-S94	"o" ring
(1) C2SZ-3591-A	seal	(1) 87025-S94	"o" ring	(1) 97619-S	snap ring
(1) C3SZ-3591-A	seal	(1) 87026-S94	"o" ring	(1) 352109-S7	snap ring
(1) COLR-3B699-A	seal	(1) 87078-S94	"o" ring	(1) 354278-S7	snap ring
(1) C1VR-3805-A	seal				

Front Suspension and Steering

GROUP AND PART NUMBER	DESCRIPTION, SIZE, ETC.	NO. REQ'D	MODEL OR ENGINE CUBIC INCH DISPLACEMENT	VEHICLE CODE	YEAR 19__
3D538 MOTOR (STEERING COLUMN RELEASE)					
C4VY 3D538-A	Use with movable column	1	All	D	64
3D539 HOSE (STEERING COLUMN RELEASE MOTOR)					
C4VY 3D539-A	Use with movable column	1	All	D	64
3A540 CYLINDER & BALL STUD (POWER STEERING)					
COMM 3A540-A		(a) 1	312	A	60
COMM 3A540-B		(a) 1	383, 430	A	60
C2AA 3A540-A		1	All	A	61/62
C3AZ 3A540-A		1	All	A	63/64
C2OZ 3A540-A		1	All	B	62/63
C3DZ 3A540-A		1	260, 289	C	63/64
C3DZ 3A540-B		1	170, 200	C	64
33925-S7	Nut-light hex. jam-3/8"-24-attach cylinder to mounting bracket	1	a		
33943-S8	Nut-hex. -1/2"-20-attach cylinder to connecting link	1	a		
45218-S8	Nut-stamped-3/8"-24-attach cylinder to mounting bracket	1	a		
45220-S7	Nut-stamped-1/2"-20-attach cylinder to connecting link	1	a		
353600-S8	Washer-cup-attach cylinder to connecting link	1	a		
3A543 REFER TO GROUP 3668					
3544 CLAMP (STEERING GEAR BALL RETURN GUIDE)					
C5AZ 3544-A	Use with manual steering	1	HCA-BW, BX, HCD-A	A	61/63
C5AZ 3544-B	Use with manual steering	1	HCA-BW, BX, HCD-A	A	64
B8A 3544-A	Use with steering with slotted worm bearing adjuster	(a) 1	All	A B	60/64
		1	All	C	60
CODR 3544-A	Use with steering with hexagon worm bearing adjuster	1	All	C	60/64
WAN 3544-B		(b) 1	All	D	60/64
352518-S	Screw and washer-fill. hd. -1/4"-28 x 5/16" long-attach clamp to rack	1	a		
355177-S	Screw and washer-fill. hd. -No. 10-32 x 5/16"	2	b		
3A545 ROD (POWER STEERING PISTON)					
COLR 3A545-A	7-3/16" long with 4 rack teeth	1	All	D	60
C1VR 3A545-B	5-21/32" long with 2 rack teeth	1	All	D	60/64
3-3547 "O" RING (POWER STEERING OIL RESERVOIR ORIFICE)					
B5A 33547-A	Also serviced in 3B584 or 3B728 kits	AR	All	A B	60/63
		2	390	A	64
		2	All	C	63
		1	170, 200	C	64
		2	260, 289	C	64
3548 HOUSING (STEERING GEAR)					
MG 3548-A	Use with production installed P/S	(a) 1	All	A	60
PB9M 3548-A	Use with manual steering and service installed P/S	(a) 1	All	A	60
C1AR 3548-B	Use to replace housings coded BLUE and WHITE or BLUE and YELLOW	1	All	A	61

CONTINUED ON NEXT PAGE

Front Suspension and Steering

GROUP AND PART NUMBER	DESCRIPTION, SIZE, ETC.	NO. REQ'D	MODEL OR ENGINE CUBIC INCH DISPLACEMENT	VEHICLE CODE	YEAR 19.....
3548 HOUSING (STEERING GEAR) CONTINUED					
C1AR 3548-C	Use to replace housings coded ORANGE and WHITE or ORANGE and YELLOW	1	All	A	61
C1AZ 3548-A	Use to replace housings coded WHITE or YELLOW	1	All	A	61/62
C3AZ 3548-A	Use with 3504 gear assembly coded HCA-AX or AY	1	All	A	63/64
C2OZ 3548-C		1	All	B	62
C2OZ 3548-D		1	All	B	63
CODZ 3548-A	Use with steering with slotted worm bearing adjuster	1	All	C	60
C3DZ 3548-A	1" sector shaft	1	All	C	60/62
C3DZ 3548-B	Use with 3575 sector shaft 1-1/8" in diameter	1	260	C	63
C3DZ 3548-E	Use with 3575 sector shaft 1" in diameter	1	All	C	63/64
C3DZ 3548-D	Use with 3575 sector shaft 1-1/8" in diameter	1	260, 289	C	64
COLR 3548-B	No part number stamped on housing (b)	1	All	D	60
COLY 3548-C	Use with housing stamped COLR-3504-J, L, M or N (b)	1	All	D	60
C3SZ 3548-A		(c) 1	All	D	61/62
C1SZ 3548-A		1	All	D	63/64
Package also includes -					
(1) C4SZ-3B730-A	plug	(1) 87025-S94	"o" ring		
74122-S	Expansion plug req'd. as P/S assy. oil seal	1	b		
74124-S	Plug-expansion-1-7/16" dia.	1	a		
87710-S	Plug-filler-3/8"-18	1	a		
353642-S	Seat-oil intake tube-1/4"	1	b		
374309-S	Seat-oil intake tube - 5/16"	1	c		
374480-S	Seat-oil outlet tube - 3/8"	1	b,c		
3D548 EXTENSION (STEERING COLUMN INSTRUMENT PANEL OPENING COVER)					
C4MY 3D548-A	Use with movable column and Deluxe a/cond.	1	All	A	64
3C549 SPACER (STEERING COLUMN COVER)					
C1MF 3C549-AP		1	54A, 62A, 65A, 71A, 75A	A	61
3D549 BUMPER (STEERING COLUMN INSTRUMENT PANEL OPENING COVER DOOR)					
C4MY 3D549-B	Use with movable column and Deluxe a/cond.	1	All	A	64
3D551 PIN (STEERING COLUMN INSTRUMENT PANEL OPENING COVER HINGE)					
C4MY 3D551-A	Use with movable column and Deluxe a/cond.	2	All	A	64
3552 CUP (STEERING GEAR WORM THRUST BEARING)					
WAT 3552-A	Use with manual steering and service installed P/S	2	All	A	60
C2AZ 3552-A	Use with production installed P/S	2	All	A	60
		2	All	A	61/64
	Use with manual and P/S	2	All	B C	60/64
		1	All	D	60/64
C2SZ 3614-A	Lower	1	All	D	60/64
3D555 BRACKET (STEERING COLUMN INSTRUMENT PANEL OPENING COVER LEVER)					
C4MY 3D555-B	Use with movable column and Deluxe a/cond.	1	All	A	64
3C557 BRACE (STEERING COLUMN)					
C3AZ 3C557-A	Outer - use with movable column	1	All	A	63
C3AZ 3C557-C	Use with movable column	1	All	A	63
C4AZ 3C557-A	Use with movable column	1	All	A	64
C4AZ 3C557-B	Outer - use with movable column	1	All	A	64
C4VY 3C557-A		1	All	D	64

Front Suspension and Steering

GROUP AND PART NUMBER	DESCRIPTION, SIZE, ETC.	NO. REQ'D	MODEL OR ENGINE CUBIC INCH DISPLACEMENT	VEHICLE CODE	YEAR 19__
3D557 PIN (STEERING COLUMN OPENING COVER LEVER ACTUATING)					
C4MY 3D557-A	Use with movable column and Deluxe a/cond.	1	All	A	64
3558 SPACER (STEERING COLUMN BRACE)					
C4VY 3558-A		2	All	D	64
3B559 SHAFT (POWER STEERING PUMP ROTOR)					
B8MY 3B559-A	Use with vane type crankshaft driven P/S pump (a)	1	All	A D	60
COME 3B559-A	Use with roller type crankshaft driven P/S pump	1	All	A	60
		1	All	D	60/64
C2AZ 3B559-A	Use with belt driven P/S pump	1	All	A B C	60/64
74151-S	Key-retain rotor shaft to crankshaft	1	a		
3C560 STOP (POWER STEERING CONTROL VALVE SPOOL TRAVEL REGULATOR)					
B7AZ 3C560-A	Use with linkage type P/S	1	All	A	60
C1AA 3C560-A	Use with linkage type P/S	1	All	A B C	61/64
3D560 PAD (STEERING COLUMN LOCKING BRACKET)					
C4AZ 3D560-A	Use with movable column	1	All	A	64
3A561 VALVE (POWER STEERING PUMP)					
COAA 3A561-A		1	312	A	60
COMY 3A561-B	Use with roller type crankshaft driven P/S pump	1	383,430	A	60
Kit - consists of the following -					
(1) COME-3A561-B valve		(1) 87014-S91	"o" ring	(1) 305086-S	roll pin
(1) COME-3A570-A spring					
C1AA 3A561-A		1	352,390	A	61/64
		1	All	B	62
B8MY 3A561-A	Use with vane type crankshaft driven P/S pump	1	383,430	A D	60
C1SS 3A561-A		1	223,292	A	61/62
		1	All	B C	63/64
COMY 3A561-A	Use with roller type crankshaft driven P/S pump	1	All	D	60
Kit - consists of the following -					
(1) COME-3A561-A valve		(1) 87014-S	"o" ring	(1) 305086-S	roll pin
(1) COME-3A570-A spring					
C1VY 3A561-A		1	All	D	61/64
Kit - consists of the following -					
(1) C1VE-3A561-A valve		(1) 87014-S	"o" ring	(1) 305086-S	roll pin
(1) C1VE-3A570-A spring					
3B561 CARRIER (BELT DRIVEN POWER STEERING PUMP)					
	NS-serviced in 3A711 kit	1	All	A	60/61
3D561 RETAINER (STEERING COLUMN TRACK BEARING)					
C4AZ 3D561-A	Use with movable column	2	All	A	64
3562 BRACKET (POWER STEERING PUMP SUPPORT TO EXHAUST MANIFOLD)					
B8A 3562-B		1	292,312	A	60/62
C2OZ 3562-A	8" long - lower - use with automatic transmission	1	170,200	B	62/63
		1	170,200	C	64
C3OZ 3562-A	18-1/2" long - upper - use with automatic transmission	1	170,200	B	62/63
		1	170,200	C	63/64
C5ZZ 3562-A	8-1/2" long	1	170,200	C	64
C5ZZ 3562-B	18" long	1	170,200	C	64
20448-S	Bolt-hex. hd. -3/8"-16 x 1-3/8"-attach bracket to exhaust manifold	1	a		
34807-S8	Washer-spring lock-3/8"-attach bracket to exhaust manifold	1	a		

Front Suspension and Steering

GROUP AND PART NUMBER	DESCRIPTION, SIZE, ETC.	NO. REQ'D	MODEL OR ENGINE CUBIC INCH DISPLACEMENT	VEHICLE CODE	YEAR 19__
3C562 BUMPER (POWER STEERING CONTROL VALVE SPOOL STOP)					
B7MY 3C562-A		2	312	A	60
C1AA 3C562-A		2	All except 312	A	60/64
C2OZ 3C562-A		2	All	B	62/63
		2	All	C	63/64
3B563 REINFORCEMENT (POWER STEERING OIL RESERVOIR ORIFICE)					
B5AZ 3B563-A		1	312	A	60
	For models 58A, 64A	1	292, 352, 390	A	61
		1	221, 260, 292, 352, 390	A B C	62/63
		1	All	A C	64
3C563 SPRING (REACTION LIMITING LINKAGE POWER STEERING)					
C1AA 3C563-A		2	All	A	61/62
		2	All	B	63
C3AZ 3C563-A		2	All	A C	63/64
3B564 INSULATOR (STEERING COLUMN TUBE - LOWER FLANGE)					
C3DZ 3B564-A		1	All	C	60/64
3D569 PLATE & INSULATOR (STEERING COLUMN RELEASE CONTACT)					
C4VY 3D569-A	Use with movable column	1	All	D	64
3A570 SPRING (POWER STEERING PUMP FLOW CONTROL VALVE)					
B8AZ 3A570-A	Use with belt driven P/S pump	1	All	A B	60/64
		1	All	C	63/64
3571 BALL & CAGE (STEERING GEAR WORM THRUST BEARING)					
B8MY 3571-A	Use with manual steering and service installed P/S	2	All	A	60
C2AZ 3571-A	Use with production installed P/S	2	All	A	60
	Use with manual and P/S	2	All	A	61/62
		2	All	A	63/64
		2	All	B C D	60/64
3C571 TRACK & GUIDE (STEERING COLUMN)					
C3AZ 3C571-A	Guide	2	All	A	63
	Use with movable column	2	All	A	64
C3AZ 3C571-C	Track assembly	1	All	A	63
C4AZ 3C571-A	Track assembly - use with movable column	1	All	A	64
C4VY 3C571-C	Track assembly - use with movable column	1	All	D	64
3D572 BRUSH (STEERING COLUMN RELEASE CONTACT)					
C4VY 3D572-C	Use with movable column	1	All	D	64
3575 SHAFT (STEERING GEAR SECTOR)					
PB9M 3575-A	Use with manual steering and service installed P/S	1	All	A	60
C1AZ 3575-A	Use with manual steering and service installed P/S with 3504 gear assembly coded YELLOW	1	All	A	61/62
	Use with manual steering	1	All	A	63/64
C1AZ 3575-B	Use with production installed P/S with 3504 gear assemblies coded WHITE or BLUE and WHITE or BLUE and YELLOW	1	All	A	61/62
	Use with P/S	1	All	A	63/64
MC 3575-A	Use with production installed P/S	1	All	A	60
	Use with 3504 gear assemblies coded ORANGE and WHITE or ORANGE and YELLOW	1	All	A	61
	Use with steering with slotted worm bearing adjuster	1	All	C	60

CONTINUED ON NEXT PAGE

Front Suspension and Steering

GROUP AND PART NUMBER	DESCRIPTION, SIZE, ETC.	NO. REQ'D	MODEL OR ENGINE CUBIC INCH DISPLACEMENT	VEHICLE CODE	YEAR 19__
3575 SHAFT (STEERING GEAR SECTOR) CONTINUED					
C2OZ 3575-B		1	All	B	62/63
C3DZ 3575-A	1" diameter - ☆except 8 cylinder with sector shaft having slot at pitman arm end	1	All☆	C	60/63
C3DZ 3575-D	1" diameter with slot at pitman arm end	1	260	C	63
C3DZ 3575-C	1-1/8" diameter	1	260	C	63
C3DZ 3575-F	1" diameter	1	All	C	64
C3DZ 3575-E	1-1/8" diameter	1	All	C	64
COLY 3575-A	Diameter of bearing surfaces - 1.247"	1	All	D	60
C3SZ 3575-A	Diameter of bearing surfaces - 1.250"	1	All	D	60/64
3A575 TUBE (POWER STEERING RETURN LINE HOSE TO CONTROL VALVE)					
COAA 3A575-B	7" long - for models 58A, 64A	1	All	A	61
3576 BEARING (STEERING GEAR SECTOR SHAFT)					
B8A 3576-A	Use with steering with slotted worm bearing adjuster	2	All	A	60
		2	All	C	60
C1AZ 3576-A	Use on vehicles built prior to 9-16-60	2	All	A	61
C1AZ 3576-B	Upper and lower - use on vehicles built after 9-15-60	2	All	A B	61/64
	Upper and/or lower - caged roller bearing without flange - use with 3575 sector shaft 1-1/8" in diameter	AR	All	C	63/64
CODR 3576-A	Use with steering with hexagon worm bearing adjuster	2	All	C	60/62
	Use with 3575 sector shaft 1" in diameter - bronze bushing type	2	All	C	63
C3DZ 3576-A	Upper and/or lower - caged roller bearing without flange - use with 3575 sector shaft 1" in diameter	AR	All	C	60/64
C4DZ 3576-A	Upper - caged roller bearing with flange - use with 3575 sector shaft 1" in diameter	1	All	C	60/64
C4DZ 3576-B	Upper - caged roller bearing with flange - use with 3575 sector shaft 1-1/8" in diameter	1	All	C	63/64
C2SZ 3C753-A	Bronze bushing type - upper - use on all except replacement gears with snap ring and cap in small end of piston bore	1	All	D	60
WAN 3576-B	Bronze bushing type - center and lower - use on all except replacement gears with snap ring and cap in small end of piston bore	2	All	D	60
C1VY 3576-A	Caged roller type - center	1	All	D	61/62
	Lower - use on vehicles built prior to 6-1-61	1	All	D	61
3D576 BUSHING (STEERING COLUMN RELEASE CONTROL VALVE)					
C4VY 3D576-A	Use with movable column	2	All	D	64
3577 SCREW (STEERING GEAR ADJUSTING)					
B8A 3577-A	Use with production installed P/S	(b)	1	All	A B
	Use with manual steering		1	All	C
B8AZ 3577-A		(b)	1	All	A B C
WAN 3577-A		(a)	1	All	D
34690-S8	Nut-hex. check-adjusting-7/16"		1	b	
356395-S	Washer-special-46" I.D. x .725" O.D. x .06" thick		1	a	
370580-S	Nut-hex. hd. -7/16"-20-teflon insert		1	a	

Front Suspension and Steering

GROUP AND PART NUMBER	DESCRIPTION, SIZE, ETC.	NO. REQ'D	MODEL OR ENGINE CUBIC INCH DISPLACEMENT	VEHICLE CODE	YEAR 19__
3A577 INSULATOR (POWER STEERING PUMP) REAR					
B9ME 3A577-A		2	383, 430	A D	60/64
3D577 GROMMET (STEERING COLUMN RELEASE CONTROL VALVE)					
C4VY 3D577-A	Use with movable column	2	All	D	64
3D578 RESERVOIR (STEERING COLUMN)					
C4VY 3D578-A	Use with movable column	1	All	D	64
3A579 HOSE (RESERVOIR TO POWER STEERING PUMP)					
B9C 3691-A	Cut to size	1	223	A	61/62
	Use with a/cond. - cut to size	1	221, 260	B	62/63
	NS-cut from B3Q-4090-B	AR	All	A C	63
		AR	260, 289, 390	A C	64
C1VE 3A579-A	Cut to size for Mercury	1	383, 430	A D	60/64
3580 COVER (STEERING GEAR HOUSING)					
PB9M 3583-A	Use with manual steering and service installed P/S (a)	1	All	A	60
CIAR 3580-A	Use with 3504 gear assemblies coded ORANGE and WHITE or ORANGE and YELLOW	1	All	A	61
C3AZ 3580-A	Use with 3504 gear assemblies coded BLUE and WHITE or BLUE and YELLOW or WHITE or YELLOW	1	All	A B	61/62
		1	All	A B	63/64
MC 3583-A	Use with production installed P/S (a)	1	All	A	60
	Use with steering with slotted worm bearing adjuster	1	All	C	60
CODR 3580-A	Use with steering with hexagon worm bearing adjuster	1	All	C	60
C1DZ 3580-A		1	All	C	61/64
C1VR 3580-A	Cast iron (b)	1	All	D	60/64
	20348-S8 Bolt-hex. hd. -3/8"-16 x 3/4" long-cover to steering gear housing	3	a		
	34807-S8 Washer-lock-3/8"-cover to steering gear housing	3	a		
	378291-S Screw and washer assy. -hex. hd. -5/16"-18 x 7/8"-attach steering gear housing cover to housing assy.	5	b		
3A580 TUBE (POWER STEERING PUMP INLET)					
B9ME 3A580-A		1	383, 430	A D	60/64
3581 GASKET (STEERING GEAR HOUSING COVER)					
WAT 3581-A	Use with manual steering and service installed P/S	1	All	A	60
CIAR 3581-A	Use with 3504 gear assemblies coded ORANGE and WHITE or ORANGE and YELLOW	1	All	A	61
C3AZ 3581-A		1	All	A	64
B8A 3581-A	Use with production installed P/S	1	All	A	60
	Use with 3504 gear assemblies coded BLUE and WHITE - BLUE and YELLOW - WHITE - YELLOW	1	All	A B	61/62
	Use with steering with slotted worm bearing adjuster	1	All	C	60
		1	All	A B	63

CONTINUED ON NEXT PAGE

Front Suspension and Steering

GROUP AND PART NUMBER	DESCRIPTION, SIZE, ETC.	NO REQ'D	MODEL OR ENGINE CUBIC INCH DISPLACEMENT	VEHICLE CODE	YEAR 19__
3581 GASKET (STEERING GEAR HOUSING COVER) CONTINUED					
C3DZ 3581-A	Use with steering with hexagon worm bearing adjuster	1	All	C	60/64
C1SZ 3581-A	Fibre - use with stamped steel cover - also serviced in 3A650 kit	1	All	D	60
C2SZ 3581-A	Steel - use with cast iron cover	1	All	D	60/64
3D581 BEARING (STEERING COLUMN RELEASE CAM)					
C4VY 3D581-A	Use with movable column	1	All	D	64
3A582 COVER (POWER STEERING OIL RESERVOIR)					
COSS 3A582-A	For models 58A, 64A with a/cond.	1	292, 352, 390	A	61
B9MY 3A582-A	(a)	1	383, 430	A D	60
COAA 3A582-A	(b)	1	312	A	60
	For models 58A, 64A without a/cond.	1	292, 352, 390	A	61
	Use with pump mounted reservoir	1	221, 260, 292, 352, 390	A B	62/64
		1	260, 289	C	64
C1AA 3A582-A		1	223	A	61/62
	Use with fender mounted reservoir	1	221, 260, 289, 390	A B C	63/64
C1VY 3A582-A		1	All	D	61/64
33896-S8	Wing nut-5/16"-18-secure cover to reservoir	1	b		
33920-S8	Nut-hex. jam-1/4"-20-secure cover to reservoir	1	a		
359840-S8	Washer-flat-5/16"-secure cover to reservoir	1	b		
370894-S8	Stud-5/16"-18 x 3-7/8" long-threaded on both ends-secure cover to reservoir	1	b		
372641-S	Washer-7/8" O.D. x 9/32" I.D. -secure cover to reservoir	1	a		
3583 REFER TO GROUP 3580					
3A583 SEAL (POWER STEERING PUMP TO CYLINDER FRONT COVER)					
B9ME 3A583-A	Also serviced in 6008 kit	1	383, 430	A D	60/64
3A584 INSULATOR (POWER STEERING PUMP) FRONT					
B9ME 3A584-A		2	383, 430	A D	60/64
3B584 KIT (POWER STEERING PUMP) SEAL					
B8MY 3B728-A	Use with vane type crankshaft driven P/S pump	1	383, 430	A D	60
Consists of the following -					
(2) B8MY-3B592-A	seal	(1) 87018-S91	"o" ring	(1) 371226-S91	"o" ring
(1) MG-33618-A	"o" ring	(1) 87069-S91	"o" ring		
C1VY 3B728-A	Use with roller type crankshaft driven P/S pump	1	383, 430	A D	60/64
Consists of the following -					
(2) C1VE-3B592-A	seal	(1) 373300-S100	seal	(1) 373933-S 100	seal
(1) 372838-S100	seal	(1) 374613-S100	seal		
C2SZ 3B584-A	Belt driven P/S	1	312	A	60
		1	58A, 64A	A	61
		1	All	A B C	62/64
Consists of the following -					
(1) C2SZ-3B592-A	seal	(2) B5A-33547-A	"o" ring	(1) 87014-S91	"o" ring
(1) COAA-3A642-A	gasket	(1) B7A-33617-A	gasket	(1) 87147-S91	"o" ring
(1) COAA-3A642-B	gasket	(1) LA-33618-A	"o" ring	(1) 372144-S	washer-1/4"
(1) EAA-6589-B	seal	(1) B7A-33619-A	"o" ring		
3D584-5 HOSE (STEERING COLUMN RESERVOIR & RELEASE SUPPLY)					
	NS-use with movable column - cut from B7MY-17A605-B	AR	All	D	64

Front Suspension and Steering

GROUP AND PART NUMBER	DESCRIPTION, SIZE, ETC.	NO. REQ'D	MODEL OR ENGINE CUBIC INCH DISPLACEMENT	VEHICLE CODE	YEAR 19__
3B585	INSERT (BELT DRIVEN POWER STEERING PUMP CAM)				
	NS-serviced in 3A711 kit	1	All	A	60/61
3A586	STICK (POWER STEERING RESERVOIR OIL LEVEL DIP)				
COME 3A586-A		1	383, 430	A D	60
C1VE 3A586-A		1	All	D	61/64
3C589	KIT (POWER STEERING CYLINDER END MOUNTING BUSHING)				
C1AZ 3C589-A		1	All	A	61/64
	Consists of the following -				
(2) B9MM-33644-A	bushing	(1) 34424-S8	nut	(1) 353600-S8	washer
3590	ARM (STEERING PITMAN)				
PB9M 3590-B	Use with manual steering on vehicles built prior to 5-17-60	(a) 1	312	A	60
COMM 3590-A	Use with manual steering on vehicles built after 5-16-60	1	312	A	60
PB9M 3590-A	Use with manual steering on vehicles built prior to 5-17-60	(a) 1	383, 430	A	60
COMM 3590-B	Use with manual steering on vehicles built after 5-16-60	1	383, 430	A	60
PB9M 3590-C	Use with production installed P/S	(a) 1	All	A	60
PB9M 3590-D	Use with service installed P/S	(a) 1	All	A	60
C1AA 3590-A	Use with manual steering with 3504 gear assembly coded ORANGE and YELLOW	1	All	A	61
C1MM 3590-C	Use with production and service installed P/S with 3504 gear assembly coded ORANGE and WHITE	1	All	A	61
COAA 3590-A	Use with manual steering with 3504 gear assembly coded BLUE and YELLOW or YELLOW	1	All	A	61/62
C1AA 3590-B	Use with production and service installed P/S with 3504 gear assembly coded WHITE	1	All	A	61/62
C3AZ 3590-B	Use with manual steering	1	All	A	63
		1	390	A	64
C3AZ 3590-A	Use with P/S	1	All	A	63/64
COAA 3590-D	Use with manual steering	1	427	A	64
C3OZ 3590-C	Use with manual steering	1	All	B	62/63
C2OZ 3590-B	Use with P/S	1	All	B	62/63
CODD 3590-C	Use with steering with slotted worm bearing adjuster	1	All	C	60
CODD 3590-B	Use with steering with hexagon worm bearing adjuster	1	All	C	60/62
	Use with manual steering	1	144, 170, 200	C	63/64
C3DZ 3590-A	Use with manual steering with 3575 sector shaft 1" in diameter	1	260, 289	C	63/64
C3DZ 3590-H	Use with manual steering with 3575 sector shaft 1-1/8" in diameter	1	260, 289	C	63/64
C3DZ 3590-C	Use with P/S with 3575 sector shaft 1" in diameter	1	260, 289	C	63/64
C3DZ 3590-F	Use with P/S with 3575 sector shaft 1-1/8" in dia.	1	260, 289	C	63/64
C4DZ 3590-A	Use with P/S	1	170, 200	C	64
LF 3590-A		(b) 1	All	D	60
C1VV 3323-A		(b) 1	All	D	61/64
34788-S7	Washer-lock-7/8"-attach pitman arm to sector shaft	1	a		
34814-S7	Lockwasher-7/8"-attach steering gear arm assy. to gear assy.	1	b		
72035-S7	Pin-cotter-1/8" x 1"-attach pitman arm to control valve	1	a		
351059-S8	Nut-slotted hd. -1/2"-20-attach pitman arm to control valve	1	a		
351153-S	Nut-hex.-7/8"-14-attach pitman arm to sector shaft	1	a, b		

Front Suspension and Steering

GROUP AND PART NUMBER	DESCRIPTION, SIZE, ETC.	NO. REQ'D	MODEL OR ENGINE CUBIC INCH DISPLACEMENT	VEHICLE CODE	YEAR 19__
3C590 KIT (POWER STEERING PISTON ROD END BUSHING)					
B7AZ 3C590-A		1	All	A	60
Consists of the following -					
(1) AJ-3652-A	spacer	(2) AJ-33643-A	washer	(1) 45218-S8	nut
(2) AB-33642-B	insulator	(1) 33925-S8	nut		
C1AZ 3C590-A		1	All	A B	61/64
Consists of the following -					
(2) C1AA-3A344-A	insulator	(1) AJ-3652-A	spacer	(1) 45218-S8	locknut
(2) C3AA-3A345-A	washer - outer	(1) 33925-S8	nut		
3591 SEAL (STEERING GEAR HOUSING OIL)					
B9AZ 3591-A	Use with production installed P/S	1	All	A	60
	Use with 3504 gear assemblies coded ORANGE and WHITE or ORANGE and YELLOW	1	All	A	61
	Use with steering with slotted worm bearing adjuster	1	All	C	60
C3AZ 3591-A	Use with manual steering and service installed P/S	1	All	A	60
	Use with 3504 gear assemblies coded BLUE and WHITE or BLUE and YELLOW or WHITE or YELLOW	1	All	A	61
	Use with 3575 sector shaft 1-1/8" in diameter	1	All	A B	62/64
		1	260	C	63
		1	All	C	64
CODR 3591-A	Use with steering with hexagon worm bearing adjuster	1	All	C	60/62
	Use with 3575 sector shaft 1" in diameter	1	All	C	63/64
WAN 3591-B	Use with 1" O.D. steering gear shaft - also serviced in 3A650 kit	(a) 1	All	D	60
C2SZ 3591-A	Use with sector shaft - also serviced in 3A650 kit	(b) AR	All	D	60/64
C3SZ 3591-A	Use as worm shaft seal - use with 7/8" O.D. steering gear shaft	(c) 1	All	D	60/64
B8E 33326-A	Snap ring-1-5/8" free dia. x .050" thick	1	a		
	352109-S7 Snap ring - 1-3/4" free dia. x .062" thick	1	c		
	354278-S7 Snap ring-1-5/8" free dia. x .067" thick	1	b		
3B591 PLUG (POWER STEERING PUMP FLOW CONTROL VALVE)					
B7MY 3B591-A	Use with vane type crankshaft driven P/S pump	(a) 1	383, 430	A D	60
COME 3B591-A	Use with roller type crankshaft driven P/S pump	1	383, 430	A D	60/64
	358850-S Pin-roll-5/32" x 1-1/8"-retain plug in housing	1	a		
3B592 SEAL (POWER STEERING PUMP ROTOR SHAFT OIL)					
B8MY 3B592-A	Use with vane type crankshaft driven P/S pump - also serviced in 3B728 kit	2	383, 430	A D	60
	NS-use with roller type crankshaft driven P/S pump - serviced in 3B728 kit	2	383, 430	A D	60/62
C2SZ 3B592-A	Also serviced in 3B584 kit	1	All	A B C	60/64
3A594 SPRING (POWER STEERING CONTROL VALVE)					
C2SZ 3A594-A		1	All	D	60/64
3600 WHEEL (STEERING)					
COMF 3600-A(048)	WHITE	1	All	A	60
COMF 3600-A(153)	TURQUOISE	1	All	A	60
COMF 3600-A(154)	ROSE	1	All	A	60
COMF 3600-A(183)	BLUE	1	All	A	60
CONTINUED ON NEXT PAGE					

Front Suspension and Steering

GROUP AND PART NUMBER	DESCRIPTION, SIZE, ETC.	NO. REQ'D	MODEL OR ENGINE CUBIC INCH DISPLACEMENT	VEHICLE CODE	YEAR 19.....
3600 WHEEL (STEERING) CONTINUED					
COMF 3600-A(201)	GRAY	1	All	A	60
COMF 3600-A(204)	RED	1	All	A	60
COMF 3600-A(208)	BRONZE	1	All	A	60
COMF 3600-A(211)	BLACK	1	All	A	60
C1AA 3600-E(220)	BLUE METALLIC	1	58A, 64A	A	61
C1AA 3600-E(223)	GREEN METALLIC	1	58A, 64A	A	61
C1AA 3600-E(224)	TURQUOISE METALLIC	1	58A, 64A	A	61
C1AA 3600-E(229)	RAVEN BLACK	1	58A, 64A	A	61
C1AA 3600-E(268)	GOLD	1	58A, 64A	A	61
C1AA 3600-E(269)	RED	1	58A, 64A	A	61
C1MF 3600-A(268)	GOLD	1	All except 58A, 64A	A	61
C1MF 3600-A(229)	BLACK	1	All except 58A, 64A	A	61
	Automatic transmission	1	All	A	62
	Standard transmission	1	65C, 76B	A	62
C1MF 3600-A(269)	RED	1	All except 58A, 64A	A	61
	Automatic transmission	1	All	A	62
	Standard transmission	1	65C, 76B	A	62
C1MY 3600-A	MEDIUM BLUE METALLIC	1	All except 58A, 64A	A	61
	Automatic transmission	1	All except 65C, 76B	A	62
C1MY 3600-B	MEDIUM BEIGE METALLIC	1	All except 58A, 64A	A	61
	Automatic transmission	1	All except 65C, 76B	A	62
C1MY 3600-C	MEDIUM GREEN METALLIC	1	All	A	61
	Automatic transmission	1	All except 65C, 76B	A	62
C1MY 3600-D	MEDIUM TURQUOISE METALLIC	1	All	A	61
	Automatic transmission	1	All except 65C, 76B	A	62
C2AY 3600-B	BLUE	1	65C, 76B	A	62
C2AY 3600-C	BEIGE	1	65C, 76B	A	62
C2AY 3600-D	TURQUOISE	1	65C, 76B	A	62
C2AZ 3600-R	GOLD	1	65C, 76B	A	62
C2AZ 3600-A	RAVEN BLACK - standard transmission	1	All except 65C, 76B	A	62
C2AZ 3600-B	MEDIUM BLUE - standard transmission	1	All except 65C, 76B	A	62
C2AZ 3600-D	MEDIUM BEIGE METALLIC - standard transmission	1	All except 65C, 76B	A	62
C2AZ 3600-F	MEDIUM GREEN METALLIC - standard transmission	1	All except 65C, 76B	A	62
C2AZ 3600-G	RED - standard transmission	1	All except 65C, 76B	A	62
C2AZ 3600-H	MEDIUM TURQUOISE METALLIC - standard transmission	1	All except 65C, 76B	A	62
C3AY 3600-D	MEDIUM and LIGHT BLUE METALLIC - 17"	1	63C, 65C, 75C, 76B	A	63
C3AY 3600-E	MEDIUM and LIGHT BEIGE METALLIC - 17"	1	63C, 65C, 75C, 76B	A	63
C3AY 3600-F	MEDIUM and LIGHT TURQUOISE METALLIC - 17"	1	63C, 65C, 75C, 76B	A	63
C3AZ 3600-A	BLACK - 17"	1	All	A	63
C3AZ 3600-B	MEDIUM BLUE METALLIC - 17"	1	All except 63C, 65C, 75C, 76B	A	63
C3AZ 3600-D	RED - 17"	1	All	A	63
C3AZ 3600-E	MEDIUM GOLD METALLIC - 17"	1	All except 63C, 65C, 71B, 75C, 76B	A	63
C3AZ 3600-F	MEDIUM TURQUOISE METALLIC - 17"	1	All except 63C, 65C, 75C, 76B	A	63
C3AZ 3600-G	MEDIUM ROSE METALLIC - 17"	1	54B, 65B, 75B, 76A	A	63
C3AZ 3600-H	MEDIUM GREEN METALLIC - 17"	1	All except 63C, 65C, 71, 75C, 76	A	63
C3AZ 3600-J	MEDIUM BEIGE METALLIC - 17"	1	All except 63C, 65C, 75C, 76B	A	63
C3AZ 3600-N	MEDIUM ROSE METALLIC and WHITE - 17"	1	63C, 65C, 75C, 76B	A	63
C3AZ 3600-S	MEDIUM GOLD METALLIC and WHITE - 17"	1	63C, 65C, 75C, 76B	A	63
C3MY 3600-A	BLACK and WHITE - 16"	1	All	A	63
C3MY 3600-B	LIGHT and MEDIUM BLUE - 16"	1	All	A	63
C3MY 3600-C	MEDIUM BEIGE and WHITE - 16"	1	All	A	63

CONTINUED ON NEXT PAGE

Front Suspension and Steering

GROUP AND PART NUMBER	DESCRIPTION, SIZE, ETC.	NO. REQ'D	MODEL OR ENGINE CUBIC INCH DISPLACEMENT	VEHICLE CODE	YEAR 19__
3600 WHEEL (STEERING) CONTINUED					
C3MY 3600-D	LIGHT and MEDIUM GREEN - 16"	1	All	A	63
C3MY 3600-E	RED and WHITE - 16"	1	All	A	63
C3MY 3600-G	MEDIUM GOLD and WHITE - 16"	1	All	A	63
C3MY 3600-H	MEDIUM ROSE and WHITE - 16"	1	All	A	63
C3MY 3600-W	MEDIUM GOLD and CLEAR - 16-1/2"	1	All	A	63
C3MY 3600-X	MEDIUM ROSE and CLEAR - 16-1/2"	1	All	A	63
C4MY 3600-S	RED and CLEAR - 16-1/2"	1	All	A	63
C4MY 3600-T	MEDIUM BEIGE and CLEAR - 16-1/2"	1	All	A	63
C4MY 3600-U	MEDIUM BLUE and CLEAR - 16-1/2"	1	All	A	63
C4MY 3600-V	MEDIUM TURQUOISE and CLEAR - 16-1/2"	1	All	A	63
C4MY 3600-P	MEDIUM TURQUOISE and CLEAR - 16"	1	All	A	63/64
C4MY 3600-R	BLACK and CLEAR - 16-1/2"	1	All	A	63/64
C3AZ 3600-BA	BLACK - 17"	1	All	A	64
C3AZ 3600-BB	BLUE METALLIC - 17"	1	All	A	64
C3AZ 3600-BC	RED - 17"	1	All	A	64
C4AZ 3600-A	MEDIUM TURQUOISE METALLIC - 17"	1	All	A	64
C4AZ 3600-B	MEDIUM PALOMINO METALLIC - 17"	1	All	A	64
C4AZ 3600-C	MEDIUM BEIGE METALLIC - 17"	1	All	A	64
C4AZ 3600-D	MEDIUM SILVER MINK METALLIC - 17"	1	All	A	64
C4MY 3600-H	BLACK and CLEAR - 16"	1	All	A	64
C4MY 3600-J	RED and CLEAR - 16"	1	All	A	64
C4MY 3600-K	MEDIUM BLUE and CLEAR - 16"	1	All	A	64
C4MY 3600-L	MEDIUM BEIGE and CLEAR - 16"	1	All	A	64
C4MY 3600-M	MEDIUM PALOMINO and CLEAR - 16"	1	All	A	64
C4MY 3600-N	MEDIUM SILVER MINK and CLEAR - 16"	1	All	A	64
C2OY 3600-A	WHITE	1	All	B	62
C2OZ 3600-A	MEDIUM BLUE METALLIC	1	All	B	62
C2OZ 3600-B	MEDIUM BEIGE METALLIC	1	All	B	62
C2OZ 3600-F	MEDIUM TURQUOISE METALLIC	1	All	B	62
C2OZ 3600-E	RED	1	All	B	62/63
C2OZ 3600-G	BLACK	1	All	B	63
C3OZ 3600-B	MEDIUM BEIGE METALLIC	1	All	B	63
C3OZ 3600-C	MEDIUM GREEN METALLIC	1	All	B	63
C3OZ 3600-D	MEDIUM TURQUOISE METALLIC	1	All	B	63
C3OZ 3600-E	MEDIUM GOLD METALLIC	1	All	B	63
C4OZ 3600-B	MEDIUM BLUE METALLIC	1	All	B	63
CODZ 3600-A	BLACK	1	All except 62A(S-22)	C	60/62
CODZ 3600-B	WHITE	1	All except 62A(S-22)	C	60/62
FEW 3600-D(613)	WHITE wheel with BLACK grips	1	62A(S-22), 62C	C	61/62
FEW 3600-D(615)	LIGHT BROWN wheel with MEDIUM BROWN grips	1	62A(S-22), 62C	C	61/62
FEW 3600-D(616)	WHITE wheel with RED grips	1	62A(S-22), 62C	C	61/62
C1GY 3600-A	LIGHT BLUE wheel with DARK BLUE grips	1	62A(S-22), 62C	C	61/62
C1GY 3600-B	LIGHT TURQUOISE wheel with DARK TURQUOISE grips	1	62A(S-22), 62C	C	61/62
C3DZ 3600-A	BLACK	1	All	C	63
C3DZ 3600-B	WHITE	1	All	C	63
C3DZ 3600-C	BLUE	1	All	C	63
C3DZ 3600-D	RED	1	All	C	63
C3DZ 3600-E	BEIGE	1	All	C	63
C3DZ 3600-F	TURQUOISE	1	All	C	63
C3DZ 3600-G	GOLD	1	All	C	63
C3DZ 3600-J	WOOD GRAIN - 3 spokes	1	63E	C	64
C4GY 3600-A	WOOD GRAIN - 2 spokes	1	54C, D, 63C, D, 76B, D	C	64
C4GY 3600-B	MEDIUM BEIGE METALLIC	1	All except 54C, D, 63C, D, 76B, D	C	64

CONTINUED ON NEXT PAGE

Front Suspension and Steering

GROUP AND PART NUMBER	DESCRIPTION, SIZE, ETC.	NO. REQ'D	MODEL OR ENGINE CUBIC INCH DISPLACEMENT	VEHICLE CODE	YEAR 19__
3600 WHEEL (STEERING) CONTINUED					
C4GY 3600-C	MEDIUM TURQUOISE METALLIC	1	All except 54C, D, 63C, D, 76B, D	C	64
C4GY 3600-D	PALOMINO	1	All except 54C, D, 63C, D, 76B, D	C	64
C4GY 3600-E	BLACK	1	All except 54C, D, 63C, D, 76B, D	C	64
C4GY 3600-F	RED	1	All except 54C, D, 63C, D, 76B, D	C	64
C4GY 3600-G	MEDIUM BLUE METALLIC	1	All except 54C, D, 63C, D, 76B, D	C	64
COLF 3600-B(001)	BLACK	1	All	D	60
COLF 3600-B(019)	GRAY	1	All	D	60
COLF 3600-B(151)	GOLD	1	All	D	60
COLF 3600-B(153)	TURQUOISE	1	All	D	60
COLF 3600-B(154)	ROSE	1	All	D	60
COLF 3600-B(156)	COPPER	1	All	D	60
COLF 3600-B(190)	BLUE	1	All	D	60
COLF 3600-B(191)	GREEN	1	All	D	60
COLF 3600-B(192)	RED	1	All	D	60
C1VV 3600-A(02)	BLUE - (3) hole mounting	1	All	D	61
C1VV 3600-A(03)	BEIGE - (3) hole mounting	1	All	D	61
C1VV 3600-A(04)	GREEN - (3) hole mounting	1	All	D	61
C1VV 3600-A(05)	RED - (3) hole mounting	1	All	D	61
C1VV 3600-A(06)	TURQUOISE - (3) hole mounting	1	All	D	61
C1VV 3600-A(07)	WOOD GRAIN (3) hole mounting	1	All	D	61
C1VV 3600-B(02)	BLUE - (4) hole mounting	1	All	D	61
C1VV 3600-B(03)	BEIGE - (4) hole mounting	1	All	D	61
C1VV 3600-B(04)	GREEN - (4) hole mounting	1	All	D	61
C1VV 3600-B(05)	RED - (4) hole mounting	1	All	D	61
C1VV 3600-B(06)	TURQUOISE - (4) hole mounting	1	All	D	61
C1VV 3600-B(07)	WOOD GRAIN - (4) hole mounting	1	All	D	61
C2VY 3600-A	BLACK	1	All	D	61/63
C2VY 3600-B	BLUE	1	All	D	62
C2VY 3600-C	BEIGE	1	All	D	62
C2VY 3600-D	GREEN	1	All	D	62
C2VY 3600-F	SILVER BLUE	1	All	D	62
C2VY 3600-G	TURQUOISE	1	All	D	62
C2VY 3600-E	RED	1	All	D	62/63
C2VY 3600-H	WOOD GRAIN	1	All	D	62/63
C3VY 3600-B	MEDIUM ROSE BEIGE	1	All	D	63
C3VY 3600-C	MEDIUM BLUE	1	All	D	63
C3VY 3600-D	MEDIUM BEIGE	1	All	D	63
C3VY 3600-E	MEDIUM GREEN	1	All	D	63
C3VY 3600-F	MEDIUM SILVER BLUE	1	All	D	63
C3VY 3600-G	MEDIUM TURQUOISE	1	All	D	63
C3VY 3600-H	GOLD	1	All	D	63
C4VY 3600-A	BLACK	1	All	D	64
C4VY 3600-B	LIGHT and BLACK BLUE	1	All	D	64
C4VY 3600-C	LIGHT and BLACK BEIGE	1	All	D	64
C4VY 3600-D	BURGUNDY	1	All	D	64
C4VY 3600-E	LIGHT PALOMINO and BLACK BEIGE	1	All	D	64
C4VY 3600-F	RED	1	All	D	64
C4VY 3600-G	LIGHT and BLACK SILVER MINK	1	All	D	64
C4VY 3600-H	LIGHT and BLACK TURQUOISE	1	All	D	64
C4VY 3600-J	LIGHT and BLACK ROSE	1	All	D	64
C4VY 3600-K	BLACK and WHITE	1	All	D	64
3D600 SPACER (POWER STEERING PUMP ADJUSTING BRACKET)					
C4AZ 3D600-A	Use with factory installed a/cond.	1	All	A	64

Front Suspension and Steering

GROUP AND PART NUMBER	DESCRIPTION, SIZE, ETC.	NO. REQ'D	MODEL OR ENGINE CUBIC INCH DISPLACEMENT	VEHICLE CODE	YEAR 19__
3601 BOLT (POWER STEERING OIL FILTER ELEMENT SUPPORT)					
B4A 3601-A	Use with belt driven P/S pump	1	All	A B C	60/64
3B608 SPRING (POWER STEERING PUMP RELIEF VALVE)					
B7MY 3B608-A	Use with vane type crankshaft driven P/S pump	1	383, 430	A D	60
	NS-use with roller type crankshaft driven P/S pump - serviced in 3A561 kit only	1	383, 430	A D	60/61
3A609 INSULATOR (POWER STEERING HOSE)					
B9MY 3A609-A	With (1) 5/8" and (1) 3/4" hole	1	All	A	60
C1AA 3A609-A		1	All	A	61/64
C2OZ 3A609-A		1	All	B	62/63
		1	All	C	63/64
B8LY 3A609-A		1	All	D	60
C1VV 3A609-D		2	All	D	61/62
C2VY 3A609-B	Use to attach 3A719 hose to 3C510 bracket	2	All	D	62/64
3A610 RETAINER (POWER STEERING HOSE INSULATOR)					
B9MY 3A610-A		(a) 1	All	A	60
COAA 3A610-A		1	All	A	61/64
C2OZ 3A610-A		1	All	B	62/63
C3DZ 3A610-B		1	260	C	63
C3DZ 3A610-A		1	All	C	64
COLL 3A610-A		(b) 1	All	D	60
C1VV 3A610-C	Rear	(b) 1	All	D	61/62
C1VV 3A610-D		(b) 2	All	D	61/64
39896-S8	Screw-washer hd. -self-tap. -5/16"-18 x 5/8"-retainer to frame	AR	a, b		
40146-S8	Screw-self-tap. -5/16"-18 x 1/2"-retainer to crossmember with belt driven P/S	1	a		
3B610 RETAINER (STEERING SHAFT UPPER BEARING)					
COMY 3B610-A		1	All	A	60
C1MF 3B610-A		1	All except 58A, 64A	A	61/62
C2OA 3B610-A		1	All except 63C, 65C, 75C, 76B	A	63
		1	All	B	62/63
		1	All	A C D	64
B8LY 3B610-B		(a) 1	All	D	60
C1VF 3B610-A		1	All	D	61/63
51750-S8	Screw-pan hd. cr. rec. tap. -No. 6-21/64" x 1/4"-attach upper bearing retainer to flange	3	a		
3D610 INDICATOR (STEERING COLUMN POSITION)					
C4VY 3D610-A	Use with movable column	1	All	D	64
3A611 BRACKET (POWER STEERING HOSE INSULATOR)					
COAA 3A611-A		1	All	A	61/64
C3DZ 3A611-C		1	260, 289	C	63/64
C3DZ 3A611-B		1	170, 200	C	64
3612 HUB (STEERING WHEEL)					
C1VV 3612-AP		1	All	D	61/63
3B612 CLAMP (STEERING COLUMN SHROUD)					
B6LY 3B612-A		(a) 1	All	D	60
50870-S8	Screw and washer assy. -rd. hd. cr. rec. - No. 10-32 x 1/2"-attach shroud clamp to upper shroud and grommet	2	a		
3614 REFER TO GROUP 3552					

Front Suspension and Steering

GROUP AND PART NUMBER	DESCRIPTION, SIZE, ETC.	NO. REQ'D	MODEL OR ENGINE CUBIC INCH DISPLACEMENT	VEHICLE CODE	YEAR 19__
3-3618 "O" RING (POWER STEERING PUMP VALVE OUTLET FITTING)					
MG 33618-A	Also serviced in 3B728 kit	1	383, 430	A D	60
LA 33618-A	Also serviced in 3B584 and 3B728 kits	1	312	A	60
		1	170, 221, 260	B	62/63
		1	All	C	63/64
3C618 KIT (POWER STEERING PUMP CONVERSION)					
B8MY 3C618-A	Use to convert from vane type crankshaft driven P/S pump to roller type crankshaft driven P/S pump - use on vehicles built prior to 2-2-60	1	All	A	60
Consists of the following -					
(2) B9ME-3A577-A	insulator - rear	(2) B9ME-3A584-A	insulator - front	(4) B8E-8507-A	gasket
(1) C1VE-3A579-A	hose - reservoir	(1) COMM-3A719-A	hose - pressure	(2) 372816-S	plug
(1) B9ME-3A583-A	seal	(2) B8ME-8A501-A	spacer - water pump		
3623 REFER TO GROUP 13A800-5					
3-3627 REFER TO GROUP 3C742					
3B629 REINFORCEMENT (FLEXIBLE COUPLING STEERING)					
B9MY 3B629-A		4	All	A	60
C3AZ 3B629-A		2	All	A	63/64
3B631 SEAL (STEERING GEAR SHAFT) DUST					
B9MY 3B631-A		1	All	A	60
B8LY 3B631-A		1	All	D	60/62
3-3633 PIN (POWER STEERING PUMP ROTOR DRIVE)					
LA 33633-A	Use with belt driven P/S pump	1	All	A B C	60/64
3B633-4 PLATE (STEERING COLUMN OPENING COVER)					
C4AZ 3B634-A	Use with movable column	1	All	A	64
C4VY 3B633-A	Use with movable column	1	All	D	64
3A634 KIT (POWER STEERING LINKAGE) CONVERSION					
C3AZ 3A634-A		1	390	A	63/64
C3OZ 3A634-B		1	All	B	63
C3DZ 3A634-C	Use with 3575 sector shaft 1" in diameter	1	260	C	63
C3DZ 3A634-F	Use with 3575 sector shaft 1-1/8" in diameter	1	260, 289	C	63/64
C4DZ 3A634-B		1	170, 200	C	64
3B634 PLATE (STEERING COLUMN OPENING COVER)					
C3AZ 3B634-A	Use with movable column	1	All	A	63
3A635 KIT (POWER STEERING PUMP & SUPPORT BRACKET) CONVERSION					
C3AZ 3A635-G	Also use (1) 3A635 adaptor kit for vehicles with a/cond.	1	390	A	63/64
C3OZ 3A635-D		1	170, 200	B	63
C3OZ 3A635-F	Also use (1) 3A635 adaptor kit for vehicles with a/cond.	1	221, 260	B	63
C3DZ 3A635-B	Also use (1) 3A635 adaptor kit for vehicles with a/cond.	1	260	C	63/64
C4DZ 3A635-C	Also use (1) 3A635 adaptor kit for vehicles with a/cond. - do not use on vehicles with 6" diameter compressor clutch	1	170, 200	C	64
C3DZ 3A635-E	Also use (1) 3A635 adaptor kit for vehicles with a/cond.	1	289	C	64

Front Suspension and Steering

GROUP AND PART NUMBER	DESCRIPTION, SIZE, ETC.	NO. REQ'D	MODEL OR ENGINE CUBIC INCH DISPLACEMENT	VEHICLE CODE	YEAR 19__
3A635 KIT (POWER STEERING PUMP & SUPPORT BRACKET ADAPTOR)					
C4AZ 3A635-C	Use with 3A635 conversion kit for vehicles with factory installed a/cond.	1	390	A	64
C4AZ 3A635-D	Use with 3A635 conversion kit for vehicles with dealer installed a/cond.	1	390	A	64
C3OZ 3A635-E	Use with 3A635 conversion kit for vehicles with a/cond.	1	221, 260	B	63
C3DZ 3A635-C	Use with 3A635 conversion kit for vehicles with a/cond.	1	260, 289	C	63/64
C4DZ 3A635-E	Use on vehicles built prior to 3-2-64 with 6.70" diameter a/cond. compressor clutch	1	170, 200	C	64
C4DZ 3A635-D	Use on vehicles built after 3-1-64 with 6.70" diameter a/cond. compressor clutch	1	170, 200	C	64
3C636 SEAL (POWER STEERING CYLINDER STUD)					
C3AZ 3C636-A		1	All	A	63/64
C3DZ 3C636-A		1	All	C	63/64
3-3640 INSULATOR (POWER STEERING PUMP)					
EAD 33640-A		3	All	A	64
3A640 GROMMET (STEERING COLUMN TUBE OPENING)					
COMF 3A640-A(048)	Use with standard transmission - WHITE	1	All	A	60
COMF 3A640-A(183)	Use with standard transmission - BLUE	1	All	A	60
COMF 3A640-A(203)	Use with standard transmission - BRONZE	1	All	A	60
COMF 3A640-B	Use with automatic transmission	1	All	A	60
C1MF 3A640-B	Automatic transmission	1	All except 58A, 64A	A	61
		1	All	A	62
		1	65C, 76B	A	62
3641 BOLT (STEERING COLUMN TUBE FLANGE)					
8M 3641-B	1/4" - 28 x 3/4"	2	All	A B C D	60/64
3-3642 INSULATOR (POWER STEERING PISTON ROD)					
	NS-serviced in 3C590 kit	2	All	A	60/61
3A642 GASKET (POWER STEERING OIL RESERVOIR COVER)					
COME 3A642-A		1	383, 430	A D	60/64
COAA 3A642-A	1-1/4" O.D. x 3/8" I.D. - use under cover washer for vehicles with fender mounted reservoir	1	312, 390	A	60 & 63
		1	221, 260, 289	B C	62/64
COAA 3A642-B	Use with pump mounted reservoir - also serviced in 3B584 kit	1	221, 260, 292, 352, 390	A B	61/62
		1	All	A B C	63/64
COAA 3A642-C	Use with fender mounted reservoir	1	170, 223	A B	61/62
		1	221, 260, 390	A B C	63
		1	All	A C	64
3-3643 WASHER (POWER STEERING PISTON ROD INSULATOR) OUTER					
	NS-serviced in 3C590 kit	2	All	A	60/61
3A643 HOUSING (POWER STEERING PUMP)					
B9ME 3A643-A	Use with vane type crankshaft driven P/S pump (a)	1	383, 430	A D	60
C1VE 3A643-A	Use with roller type crankshaft driven P/S pump	1	383, 430	A D	60
		1	All	D	61/64
C2SZ 3A643-A	Use with belt driven P/S	1	All	A B C	60/64
87018-S91	Seal-"o" ring-11/16" O.D. -housing and cover oil inlet port	1	a		

CONTINUED ON NEXT PAGE

Front Suspension and Steering

GROUP AND PART NUMBER	DESCRIPTION, SIZE, ETC.	NO. REQ'D	MODEL OR ENGINE CUBIC INCH DISPLACEMENT	VEHICLE CODE	YEAR 19__
3A643 HOUSING (POWER STEERING PUMP) CONTINUED					
87067-S91	Seal-"o" ring-1-7/8" O.D. -housing to pressure plate	1	a		
358775-S	Seat-tube-3/8"-pump outlet	1	a		
371223-S	Bolt-hex. hd. -5/16"-18 x 1-3/4" long-attach cover to pump housing	6	a		
371227-S	Seat-tube-5/8"-pump inlet	1	a		
3-3644 BUSHING (POWER STEERING CYLINDER MOUNTING)					
	NS-serviced in 3C589 kit only (a)	2	All	A	60/61
353601-S8	Washer-cup-bushing to stud cylinder to cross link	1	a		
3A644 RING (POWER STEERING PUMP VANE)					
B9ME 3A644-A	Use with vane type crankshaft driven P/S pump (a)	1	383,430	A D	60
371244-S	Pin-straight-3/16" x 7/8" long-ring to pressure plate	1	a		
3B644 BUTTON (STEERING COLUMN TO TRACK)					
C3AZ 3B644-A	Use with movable column	2	All	A	63/64
3A645 PLATE (POWER STEERING PUMP PRESSURE)					
B9ME 3A645-A	Use with vane type crankshaft driven P/S pump (a)	1	383,430	A D	60
371244-S	Pin-straight-3/16" x 7/8" long-pressure plate to ring	1	a		
3D645 BUMPER ASSEMBLY (STEERING COLUMN INSTRUMENT PANEL OPENING COVER)					
C4MY 3D645-A	Use with movable column and Deluxe a/cond.	1	All	A	64
3647 BALL (STEERING GEAR WORM)					
MJK 3647-A	Kit consists of (60) balls	1	All	A	60
B8A 3647-B	Kit consists of (54) balls	1	All	A B	61/64
	Use on steering with slotted worm bearing adjuster	1	All	C	60
CODR 3647-A	Use on steering with hexagon worm bearing adjuster	62	All	C	60/64
HJK 3647-E	Kit consists of (62) WAN-3647-E balls - .25016" diameter	1	All	D	60/64
3649 EMBLEM (STEERING WHEEL HUB)					
C3MY 3649-A		1	All	A	63
C4MY 3649-B	Use with manual steering	1	390	A	64
C4MY 3649-C	Use with manual steering	1	427	A	64
	Use with P/S	1	All	A	64
C2GA 3649-A	COMET	1	All	C	60/62
3B649 BRACKET (STEERING COLUMN LOCKING ACTUATOR)					
C3AZ 3B649-B	Use with movable column	1	All	A	63
C4AZ 3B649-A	Use with movable column	1	All	A	64
3A650 KIT (POWER STEERING CONTROL VALVE REPAIR)					
COMY 3A650-A		1	312	A	60
Consists of the following -					
(1) B9MM-3A519-B	bushing	(1) COMM-3A729-A	cover	(1) B9MM-33703-C	seal
(1) COMM-3A728-A	clamp	(1) AF-33656-A	seal	(2) 32873-S7	screw

CONTINUED ON NEXT PAGE

Front Suspension and Steering

GROUP AND PART NUMBER	DESCRIPTION, SIZE, ETC.	NO. REQ'D	MODEL OR ENGINE CUBIC INCH DISPLACEMENT	VEHICLE CODE	YEAR 19__
3A650 KIT (POWER STEERING CONTROL VALVE REPAIR) CONTINUED					
C2AZ 3A650-B		1	All	A B C	60/64
Consists of the following -					
(2) B4A-2428-A	"o" ring	(1) C2AZ-3C706-A	seal	(1) B9MM-33697-B	seal
(1) C2AA-3C513-A	seal	(1) C2AZ-3A728-A	clamp	(2) 32873-S7	screw
(1) C2OA-3C513-A	seal	(1) C2AZ-3A729-A	cover	(1) I.S. -987	installation sketch
COLY 3A650-A		1	All	D	60
Consists of the following -					
(1) C1SZ-3581-A	gasket	(1) WAN-3757-A	ring	(1) 87022-S94	seal
(1) WAN-3591-B	seal	(1) B8E-3817-A	seal	(1) 87032-S94	seal
(1) C2SZ-3591-A	seal	(1) B8E-33326-A	ring	(1) 354278-S7	ring
C1VY 3A650-A		1	All	D	61/64
Consists of the following -					
(1) C1SZ-3581-A	gasket	(1) WAN-3757-A	ring	(1) 87026-S94	"o" ring
(1) COLR-3591-A	seal	(1) B8E-3817-A	seal	(1) 352109-S7	ring
(1) C1VR-3591-A	seal	(1) 87022-S94	"o" ring	(1) 354278-S	ring
3B650 PIVOT (STEERING COLUMN)					
C3AZ 3B650-A	Use with movable column	1	All	A	63
C4AZ 3B650-A	Use with movable column	1	All	A	64
C4VY 3B650-A	Use with movable column	1	All	D	64
3C651 KIT (BOOT & INSULATOR - POWER STEERING PISTON)					
C1AZ 3C651-A		1	All	A	61/62
		1	All	B	62/63
Consists of the following -					
(2) C1AA-3A344-A	insulator	(2) C3AA-3A345-A	washer	(1) C1AA-3C528-B	boot
C3AZ 3C651-A		1	All	A C	63/64
Consists of the following -					
(2) C1AA-3A344-A	insulator	(1) C3AA-3C528-A	boot	(1) C3AZ-3C755-A	clamp
(2) C3AA-3A345-A	washer				
3652 SPACER (POWER STEERING PISTON ROD INSULATOR)					
	NS-serviced in 3C590 kit	1	All	A	60/61
3A652 BRACKET (POWER STEERING CYLINDER MOUNTING)					
B9MY 3A652-B		(a)	1 312	A	60
B9MY 3A652-A		(a, b)	1 383, 430	A	60
C1AA 3A652-B		1	All	A	61/62
C3AZ 3A652-A		1	All	A	63/64
C2OZ 3A652-A		1	All	B	62/63
C3DZ 3A652-A		1	All	C	63/64
20408-S7	Bolt-hex. hd. -3/8"-16 x 1-1/8" long-attach bracket to frame	2	a		
34670-S8	Nut-hex. -7/16"-14-attach bracket to frame	2	a		
34782-S7	Washer-lock-3/8"-attach bracket to frame	2	a		
34783-S7	Washer-lock-7/16"-attach bracket to frame	2	a		
354135-S8	Bolt-hex. hd. -3/8"-16 x 1-1/8"-attach bracket to frame	2	b		
372093-S8	Nut-rivet type-attach bracket to frame	2	a		
372471-S8	Bolt-hex. hd. -7/16"-14 x 4-1/16" long-attach bracket to frame	2	a		
3-3656 SEAL (POWER STEERING CYLINDER PISTON ROD INNER)					
	NS-serviced in 3A650 and 3A764 kits	1	All	A	60/61

Front Suspension and Steering

GROUP AND PART NUMBER	DESCRIPTION, SIZE, ETC.	NO. REQ'D	MODEL OR ENGINE CUBIC INCH DISPLACEMENT	VEHICLE CODE	YEAR 19__
3657 RETAINER (STEERING WHEEL HUB CAP)					
FEK 3657-B		1	62A(S-22), 62C	C	61/62
COLF 3657-A		2	All	D	60
C1VF 3657-B		1	All	D	61/63
3A657 KIT (STEERING SECTOR ADJUSTER SHIM)					
B8AZ 3A657-A		1	All	A B C D	60/64
Consists of the following -					
(1) AJ-3763-A	shim (.063" thick)	(1) AJ-3763-C	shim (.069" thick)	(1) AJ-3763-D	shim (.065" thick)
(1) AJ-3763-B	shim (.067" thick)				
3A658 SPACER (POWER STEERING CONTROL VALVE SLEEVE END BUSHING)					
COAA 3A658-A	(a)	1	All	A	60
C1AA 3A658-A		1	All	A B C	61/64
370232-S	Washer-flat-5/8"-spacer seat	1	a		
3B659 REFER TO GROUP 3676-8					
3660 REFER TO GROUP 13A800-5					
3C660 WASHER (STEERING SHAFT COUPLING BOLT)					
C1AZ 3C660-A		1-2	All	A B	60/62
C3OZ 3C660-A		1	All except 63C, 65C, 75C, 76B	A B	63
	Use with steering column shift	1	All	A	64
3B661 LEVER (STEERING COLUMN LOCKING)					
C3AZ 3B661-B	Use with movable column	1	All	A	63
C4AZ 3B661-A	Use with movable column	1	All	A	64
3B664 SPRING (STEERING COLUMN LOCKING LEVER)					
C3AZ 3B664-A	Use with movable column	1	All	A	63/64
3668 CLAMP (STEERING COLUMN BRACKET)					
C1AA 3668-A	For models 58A, 64A	1	All	A	61
	Use with standard transmission	1	All	A	62
C2OZ 3506-A	Use on vehicles built prior to 6-4-62	1	All	B	62
C2OZ 3506-B		1	All except 63C, 65C, 75C, 76B	A	63
	Use on vehicles built after 6-3-62	1	All	B	62/63
CODF 3668-BP		1	All	C	60/64
B9LY 3A543-A		1	All	D	60
C1VF 3668-A		1	All	D	61/63
3B669 SHAFT & TORSION BAR (STEERING GEAR)					
COLY 3B669-A	1" diameter seal journal - .230" diameter torsion bar	(a) 1	All		D 60
C2SZ 3B669-K	7/8" diameter seal journal - .200" diameter torsion bar	(b) 1	All		D 60/62
C2SZ 3B669-M		(b) 1	All		D 60/62
Kit consists of the following -					
(1) C2SZ-3B669-K	shaft & torsion bar	(1) C2SZ-3B673-A	bearing		
C2SZ 3B669-D	1.1260"/1.1263" O.D. - stamped "A"	1	All		D 61/63
C2SZ 3B669-E	1.1264"/1.1268" O.D. - stamped "B"	1	All		D 61/63
C2SZ 3B669-F	1.1269"/1.1272" O.D. - stamped "C"	1	All		D 61/63
C3VY 3B669-A	Use with side arm clamp type coupling - also use (1) C2SZ-3B673-A bearing with C3VY-3504-A gear assembly - also serviced in 3B671 kit	1	All		D 63/64
34441-S	Nut-1/4"-28-to lock control valve spool	1	b		
34443-S	Nut-5/16"-24-to lock control valve spool	1	a		

Front Suspension and Steering

GROUP AND PART NUMBER	DESCRIPTION, SIZE, ETC.	NO. REQ'D	MODEL OR ENGINE CUBIC INCH DISPLACEMENT	VEHICLE CODE	YEAR 19__
3670 ADAPTOR (POWER STEERING PUMP TO RESERVOIR INLET)					
B7A 3670-A		1	223	A	61/62
C3AZ 3670-B	Use with fender mounted reservoir	1	390	A	63
	Use with dealer installed a/cond.	1	All	A	64
C3AZ 3670-A	Use with factory installed a/cond.	1	All	A	64
	Use with fender mounted reservoir	1	260	C	63
	Use with a/cond.	1	260, 289	C	64
C2OZ 3670-A	Use with a/cond.	1	221, 260	B	62
C3OZ 3670-A	Use with fender mounted reservoir	1	221, 260	B	63
3A670 ADJUSTER (STEERING GEAR WORM THRUST BEARING)					
B9MY 3A670-A	Use with production installed P/S	1	All	A	60
B9MY 3A670-B	Use with manual steering and service installed P/S	1	All	A	60
C1MR 3A670-A	Use with 3504 gear assemblies coded	1	All	A	61
	ORANGE and YELLOW or ORANGE and WHITE or BLUE and YELLOW or BLUE and WHITE				
C3AZ 3A670-A	Use with 3504 gear assemblies coded	1	All	A	61
	WHITE or YELLOW	1	All	A B	62/64
CODZ 3A670-A	Slotted	1	All	C	60
CODZ 3A670-B	Hexagon	1	All	C	60/62
C3DZ 3A670-C		1	All	C	63/64
3B671 SLEEVE ASSEMBLY (POWER STEERING CONTROL VALVE)					
B8LY 3B708-A	(a)	1	All	D	60
C2SZ 3B671-F	Use with pin lock type coupling	1	All	D	60/62
	Kit - consists of the following -				
(1) C2VR-3B669-D	shaft		(1) C2VR-3B708-D sleeve		
C2SZ 3B671-A	1.1264"/1.1269" I.D. - stamped "A" - use on vehicles built prior to 9-25-62	1	All	D	61/63
C2SZ 3B671-D	Use with double row ball bearing on vehicles built prior to 9-25-62	1	All	D	61/63
C3VY 3B671-A	Use with double row ball bearing on vehicles built after 9-24-62	1	All	D	63/64
Kit - consists of the following -					
(1) C3VY-3B669-A	shaft and torsion bar		(1) C2VR-3B708-D sleeve assembly		
87142-S	"O" ring-serviced in 3C538 kit	1	a		
377660-S	Bolt-hex. hd. -5/16"-18 x 1/2"-sleeve alignment	1	a		
378294-S	Washer-brass-flat-5/16" I.D. x 1/16" thick-sleeve alignment bolt-NS improvise	1	a		
3A673 COVER (STEERING COLUMN OPENING)					
C1AF 3A673-AP	Use with automatic transmission	1	58A, 64A	A	61
C1AF 3A673-BP	Use with standard transmission	1	58A, 64A	A	61
C1MF 3A673-BP		1	All except 58A, 64A, 71C	A	61
		1	65C, 76B	A	62
C2MF 3A673-BP	Use with automatic transmission	1	All except 65C, 76B	A	62
C2MY 3A673-A	Use with standard transmission	1	All except 65C, 76B	A	62
C3AZ 3A673-B	Use with movable column	1	All	A	63
C4AZ 3A673-A	Use with movable column	1	All	A	64
C4VY 3A673-A	Use with fixed column	1	All	D	64
3B673 BEARING (POWER STEERING CONTROL VALVE SLEEVE)					
B8LY 3B673-A	Needle type	1	All	D	60
C1VR 3B673-A	Needle type	1	All	D	61/62
C2SZ 3B673-A	Double row ball bearing type - when changing	1	All	D	63/64
	needle bearing type to ball bearing type also use (1) C2SZ-3B669-K shaft - also serviced in 3B669 kit	1	All	D	63/64

Front Suspension and Steering

GROUP AND PART NUMBER	DESCRIPTION, SIZE, ETC.	NO. REQ'D	MODEL OR ENGINE CUBIC INCH DISPLACEMENT	VEHICLE CODE	YEAR 19__
3A674 PUMP (POWER STEERING)					
B9MM 3A674-A		1	312	A	60
B8MY 3A674-A	Roller type - crankshaft driven - also refer to group 8A501 (a)	1	383,430	A	60
C1AA 3A691-V	With reservoir and pulley - use on vehicles built prior to 3-28-61 without a/cond.	1	292	A	61
C2AZ 3A691-H	With reservoir and pulley - use on vehicles built after 3-27-61 without a/cond.	1	292	A	61/62
C2AZ 3A696-C	With pulley	1	223	A	61/62
C2AZ 3A691-F	With reservoir and pulley - use with a/cond.	1	292	A	62
C2AZ 3A691-E	With reservoir and pulley - use with a/cond.	1	352,390	A	61/63
C2AZ 3A691-G	With reservoir and pulley - use without a/cond.	1	352,390	A	62/63
C2AZ 3A674-A	Use on vehicles built prior to 1-2-62 without a/cond.	1	352,390	A	61/62
	Use without a/cond. - also use (1) 3790 adaptor when reservoir is fender mounted	1	All	A	63/64
C3AZ 3A696-C	With pulley - use without a/cond.	1	All	A	63
C3AZ 3A696-D	With pulley - use with a/cond.	1	All	A	63
	Use with heavy duty alternator less a/cond.	1	All	A	64
C4AZ 3A691-A	With reservoir and pulley - use without a/cond.	1	All	A	64
C4AZ 3A696-A	With pulley - use with a/cond.	1	All	A	64
COAZ 3A674-B	For models 58A, 64A	1	292, 352, 390	A	61
	Use without a/cond.	1	221,260	B	62
C2OZ 3A691-E	With reservoir and pulley	1	170	B	62/63
C2OZ 3A696-E	With pulley - use with a/cond.	1	221,260	B	62
C2OZ 3A691-F	With reservoir and pulley - use on vehicles built prior to 5-1-62 without a/cond.	1	221,260	B	62
C3AZ 3A674-A	Use on vehicles built after 4-30-62 without a/cond.	1	221,260	B	62
	Also use (1) 3790 adaptor when reservoir is fender mounted	1	221,260	B C	63
C3OZ 3A696-B	With pulley - use with a/cond.	1	221,260	B	63
C2OZ 3A674-A		1	170,200	B	63
		1	170,200	C	64
C3DZ 3A691-A	With reservoir and pulley - use without a/cond.	1	260	C	63
C4DZ 3A691-B	With reservoir and pulley - use on vehicles built prior to 3-2-64 without a/cond. and on vehicles built after 3-1-64 with a/cond.	1	170,200	C	64
C4DZ 3A691-C	With reservoir and pulley - use on vehicles built prior to 3-2-64 with a/cond. and on vehicles built after 3-1-64 without a/cond.	1	170,200	C	64
C4DZ 3A691-A	With reservoir and pulley - use without a/cond.	1	260,289	C	64
B9LY 3A674-A	Roller type - also refer to group 8A501	1	430	D	60
C1VY 3A674-A	Roller type	1	430	D	61/64
371030-S8B	Washer-flat-7/16"-with P/S pump-attaching bolts	2	a		
371830-S8B	Bolt-hex. -5/16"-18 x 1-3/8"-attach P/S pump to cylinder front cover	2	a		
372816-S	Plug-screw-5/16"-18 x 1/2"-use to plug (2) extra pump mounting holes in cylinder front cover	2	a		

3A675 KIT (POWER STEERING CONTROL VALVE CENTERING SPRING) REPAIR

B9MY 3A675-B		1	312	A	60
Consists of the following -					
(2) B9M-3799-A	washer	(1) AJ-33707-A	spacer	(1) 44722-S8	washer
(1) B9MM-33704-B	spring				

CONTINUED ON NEXT PAGE

Front Suspension and Steering

GROUP AND PART NUMBER	DESCRIPTION, SIZE, ETC.	NO. REQ'D	MODEL OR ENGINE CUBIC INCH DISPLACEMENT	VEHICLE CODE	YEAR 19__
3A675 KIT (POWER STEERING CONTROL VALVE CENTERING SPRING) REPAIR (CONTINUED)					
B9MY 3A675-A		1	383, 430	A	60
Consists of the following -					
(2) B9M-3799-A	washer		(1) AJ-33707-A spacer		(2) 372300-S washer
(1) B9M-33704-A	spring				
C1AZ 3A675-A		1	All	A	61/62
Consists of the following -					
(1) C1AA-3A594-A	spring		(1) AJ-33707-B spacer		(2) 372300-S washer
(2) B9M-3799-A	washer				
C3AZ 3A675-A		1	All	A	63/64
Consists of the following -					
(1) C3AA-3A594-A	spring		(2) B9M-3799-A washer		(2) 372300-S washer
(1) C2AZ-3C706-A	"o" ring		(1) AJ-33707-B spacer		
C3OZ 3A675-A	For valves with spring coded BROWN or WHITE	1	All	B	63
Consists of the following -					
(1) C3DA-3A594-A	spring		(2) B9M-3799-A washer		(2) 372300-S washer
(1) C2AZ-3C706-A	seal		(1) AJ-33707-B spacer		
C3DZ 3A675-A	For valves with spring coded BLUE	1	All	B	62/63
Consists of the following -					
(1) C3DA-3A594-B	spring		(2) B9M-3799-A washer		(2) 372300-S washer
(1) C2AZ-3C706-A	seal		(1) AJ-33707-B spacer	C	63/64
3C675 GASKET (POWER STEERING OIL RESERVOIR FILLER CAP)					
C1AA 3C675-A		1	All	A C	61/64
3676-8 BRACKET (STEERING COLUMN)					
PB9M 3678-A		1	All	A	60
C1AA 3676-A	For models 58A, 64A	1	All	A	61
	Use with standard transmission	1	All	A	62
C3AZ 3678-B	Upper - use with movable column	1	All	A	63
C3AZ 3B659-A	Lower - use with movable column	1	All	A	63
C3AZ 3678-A		1	All except 63C, 65C, 75C, 76B	A	63
C4AZ 3678-A	Use with fixed column	1	All	A	64
C4AZ 3678-B	Upper - use with movable column	1	All	A	64
C2OZ 3678-B		1	All	B	62/63
CODF 3676-AP		1	All	C	60/64
B9LF 3676-A		1	All	D	60
C1VF 3678-A		1	All	D	61/63
C4VY 3676-B	R. H. - use with fixed column	1	All	D	64
C4VY 3676-A	L. H. - outer - use with fixed column	1	All	D	64
C4VY 3678-A	L. H. - inner	1	All	D	64
C4VY 3B718-A	L. H. - outer - use with movable column	1	All	D	64
C4VY 3B718-B	Upper - use with movable column	1	All	D	64
3C677 SUPPORT (POWER STEERING OIL RESERVOIR FILTER ELEMENT)					
C2AZ 3C677-A		1	223	A	62
B8SZ 3C677-A		1	312	A	60
		1	170, 221, 260, 292, 352, 390	A B C	62/64
3682 INSULATOR (STEERING COLUMN BRACKET)					
C1VF 3682-A		2	All	D	61/63
3-3684 ROLLER (BELT DRIVEN POWER STEERING PUMP)					
	NS-serviced in 3A711 kit	6	All	A	60/61
3685 REFER TO GROUP 22053					

Front Suspension and Steering

GROUP AND PART NUMBER	DESCRIPTION, SIZE, ETC.	NO. REQ'D	MODEL OR ENGINE CUBIC INCH DISPLACEMENT	VEHICLE CODE	YEAR 19__
3B688 SPRING (POWER STEERING OIL RESERVOIR FILTER ELEMENT RETAINING)					
B8AZ 3B688-A		1	312	A	60
C1VE 3B688-A		1	383, 430	A D	60/64
C2SZ 3B688-A	For vehicles without a/cond.	1	All	A	62
	Use with or without a/cond.	1	All	A	63/64
	Use without a/cond.	1	All	B C	62/64
C2SZ 3B688-B	For vehicles with a/cond.	1	223	A	62
		1	221, 260, 289	B C	62/64
3689 REFER TO GROUP 43507					
3691 REFER TO GROUP 3A579					
3A691 REFER TO GROUP 3A674					
3-3692 ROTOR (POWER STEERING PUMP)					
PB8M 33692-A	Use with vane type crankshaft driven P/S pump - also serviced in 3A644 kit	1	383, 430	A D	60
3-3695 VANE (POWER STEERING PUMP)					
PB8M 33695-A	Use with vane type crankshaft driven P/S pump - also serviced in 3A644 kit	10	383, 430	A D	60
3A696 REFER TO GROUP 3A674					
3-3697 SEAL (POWER STEERING CONTROL VALVE SPOOL SLEEVE END)					
	NS-serviced in 3A650 kit	1	All	A	60/61
3A697 RESERVOIR & TUBE (POWER STEERING PUMP)					
B8MY 3A697-A	(a)	1	383, 430	A	60
C1AA 3A699-A	Body	1	223	A	61/62
C2AZ 3A697-A	Fender mounted	1	223	A	61/62
C3AZ 3A697-E	Pump mounted - use without a/cond. on vehicles built prior to 11-15-62	1	All	A	63/64
C3AZ 3A699-A	Fender mounted - use with a/cond. and on vehicles built after 11-14-62 without a/cond.	1	All	A	63/64
C4AZ 3A697-A	Fender mounted - assembly includes cover - use with dealer installed a/cond.	1	All	A	64
C4AZ 3A697-B	Fender mounted - assembly includes cover - use with factory installed a/cond.	1	All	A	64
C2AZ 3A697-B	Pump mounted	1	221, 260, 292, 312, 352, 390	A B	60/62
COAA 3A699-A	Body	1	All	B	62
C2OZ 3A697-B	Use with a/cond.	1	221, 260	B	62
C3OZ 3A697-C	Fender mounted - use with a/cond.	1	221, 260, 289	B C	63/64
C3OZ 3A697-A	Pump mounted - use without a/cond.	1	All	B C	63/64
C3DZ 3A697-A	Fender mounted - assembly includes cover - use with a/cond.	1	260, 289	C	63/64
B9LY 3A697-A		1	All	D	60
C1VY 3A697-A		1	All	D	61/64
34808-S7	Washer-lock-7/16"-use with 354484-S8 to attach P/S reservoir to engine	2	a		
354484-S8	Bolt-hex-7/16"-14 x 1-1/4"-use to attach P/S reservoir to engine	2	a		
3C697 SPRING (POWER STEERING HOSE)					
C2OZ 3C697-A	Use to attach hose to fender apron	1	All	B	62/63

Front Suspension and Steering

GROUP AND PART NUMBER	DESCRIPTION, SIZE, ETC.	NO. REQ'D	MODEL OR ENGINE CUBIC INCH DISPLACEMENT	VEHICLE CODE	YEAR 19__
3-3698 BOLT (POWER STEERING CONTROL VALVE SPOOL)					
AC 33698-A	(a)	1	All	A B C	60/64
34443-S8	Nut-hex. lock-5/16"-24-threaded end of bolt	1	a		
370235-S	Pin-1/8" x 1"long-retain bolt to stop	1	a		
3A698 COVER (POWER STEERING PUMP HOUSING)					
B9MM 3A698-A	(b)	1	312, 383, 430	A	60
COAA 3A698-A		1	All	A	61/64
		1	All	B	62
B9MY 3A698-B	Use with vane type crankshaft driven P/S pump (a)	1	383, 430	A D	60
C3OZ 3A698-A		1	All	B C	63/64
87014-S91	Seal-"o" ring-9/16" I.D. -pump flow director	1	b		
87147-S91	Seal-"o" ring-2-5/8" I.D. -cover to pump housing	1	b		
371223-S	Bolt-hex. hd. -5/16"-18 x 1-3/4" long-attach cover to pump housing	6	a		
371226-S91	Seal-"o" ring-4-5/16" I.D. -cover to pump housing	1	a		
3A699 REFER TO GROUP 3A697					
3B699 SEAL (POWER STEERING CONTROL VALVE ADJUSTER)					
B3Q 17383-A		1	All	D	60
COLR 3B699-A	Also serviced in 3C538 kit	1	All	D	61/64
3B699 "O" RING (PRESSURE INLET SEAT)					
C2AZ 3B699-A	Use at pressure inlet seat on 3504 gear assemblies coded GREEN	1	All	D	62
		1	All	D	63/64
3A700 ORIFICE (POWER STEERING PRESSURE LINE HOSE)					
C1SS 3A700-A	Use with belt driven P/S	1	312	A	60
COAA 3A700-A		1	All	A B	61/64
		1	All	C	63/64
3B700 ADJUSTER (POWER STEERING CONTROL VALVE SPOOL)					
B8LY 3B700-A	(a)	1	All	D	60
COLR 3B700-A	(a)	1	All	D	61/64
34443-S	Nut-5/16"-24-light thick lock req'd. to lock steering gear control valve spool adjuster in position	1	a		
3A703 BAFFLE (POWER STEERING OIL RESERVOIR OUTLET)					
COAA 3A703-A	Use with belt driven P/S	1	All	A	60/61
		1	All	B	62
3B703 SPACER (STEERING COLUMN UPPER BEARING SPRING)					
C4SZ 3B703-A		1	All	D	64
3C703 SPACER (STEERING GEAR HOUSING SEAL)					
C2SZ 3C703-A	Use with 53/64" O.D. sector shaft seal	1	All	D	60/64
3-3704 SPRING (POWER STEERING CONTROL VALVE SPOOL CENTERING)					
	NS-serviced in 3A675 kit only	1	All	A	60/61
3-3705 REFER TO GROUP 3C705					

Front Suspension and Steering

GROUP AND PART NUMBER	DESCRIPTION, SIZE, ETC.	NO. REQ'D	MODEL OR ENGINE CUBIC INCH DISPLACEMENT	VEHICLE CODE	YEAR 19__
3C705 CAP (POWER STEERING CONTROL VALVE SPOOL CENTERING SPRING)					
AC 33705-A	Use on vehicles built prior to 2-16-62 (a)	1	All	A	60/62
C2AZ 3C705-A	Use on vehicles built after 2-15-62	1	All	A	62/64
		1	All	B C	62/64
370234-S	Screw and washer-fill. hd. -1/4"-20 x 1-1/2"-use to attach cap to valve housing	2	a		
3A706-7 STOP (STEERING ARM)					
C2YY 3A706-A	R. H.	1	All	B	62/63
C2YY 3A707-A	L. H.	1	All	B	62/63
CODD 3A706-C	R. H. - use on vehicles built prior to 11-1-61	1	All	C	60/62
CODD 3A707-C	L. H. - use on vehicles built prior to 11-1-61	1	All	C	60/62
C2DZ 3A706-A	R. H. - use on vehicles built after 10-31-61	1	All	C	62
	Use with manual steering	1	All	C	63/64
C2DZ 3A707-A	L. H. - use on vehicles built after 10-31-61	1	All	C	62
	Use with manual steering	1	All	C	63/64
C3DZ 3A706-B	R. H. - use with P/S	1	170, 200	C	64
C3DZ 3A707-B	L. H. - use with P/S	1	170, 200	C	64
3C706 SEAL (POWER STEERING CONTROL VALVE SPOOL CENTERING SPRING CAP)					
C2AZ 3C706-A	Also serviced in 3A533, 3A650 and 3A675 kits	1	All	A B C	62/64
3707 NUT (STEERING GEAR WORM THRUST BEARING) LOCK					
WAT 3707-A	Use with manual steering and service installed P/S	1	All	A	60
B8A 3707-A	Use with production installed P/S	1	All	A	60
	Use with steering with slotted worm bearing adjuster	1	All	A B	61/64
		1	All	C	60
		1	All	D	60/64
CODR 3707-A	Use with steering with hexagon worm bearing adjuster	1	All	C	60/62
C3DZ 3707-A		1	All	C	63/64
3-3707 SPACER (POWER STEERING CONTROL VALVE SPOOL CENTERING SPRING)					
	NS-serviced in 3A675 kit	1	All	A	60/61
3B707 RETAINER (STEERING COLUMN TUBE OPENING GROMMET)					
C2AZ 3B707-A	Use with automatic transmission	1	All	A	62
	Use with standard transmission	1	65C, 76B	A	62
3708 CAP (POWER STEERING CONTROL VALVE SPOOL ADJUSTING)					
C3SZ 3708-A		1	All	D	60/64
3B708 REFER TO GROUP 3B671					
3C708 WASHER (STEERING COLUMN SOCKET THRUST)					
C3AZ 3C708-A	Use with automatic transmission	1	All except 63C, 65C, 75C, 76B	A	63
	Use with automatic transmission and steering column shift	1	All	A D	64
3-3709 BUSHING (POWER STEERING CONTROL VALVE SLEEVE END)					
AJ 33709-A		1	312	A	60
3-3710 VALVE (POWER STEERING CONTROL VALVE RETURN PORT RELIEF)					
AC 33710-A		1	All	A	60
3B710 WIRE (STEERING SHAFT GROUND)					
	NS-use with movable column - cut 4-9/10" from B6A-14296-C	1	All	A	63/64

Front Suspension and Steering

GROUP AND PART NUMBER	DESCRIPTION, SIZE, ETC.	NO. REQ'D	MODEL OR ENGINE CUBIC INCH DISPLACEMENT	VEHICLE CODE	YEAR 19__
3A711 KIT (BELT DRIVEN POWER STEERING PUMP ROLLER)					
B9MY 3A711-A		1	All	A B C	60/64
Consists of the following -					
(1) COAA-3B561-A	carrier		(1) COAA-3B585-A insert		
			(6) KD-33684-A	roller	
3-3712 PLATE (POWER STEERING CONTROL VALVE CAP ADAPTOR)					
B9MM 33712-B	Use with belt driven P/S pump	1	312	A	60
B9M 33712-A	Use with linkage type steering	1	All	A	60/62
		1	All	A B C	63/64
3A713 HOSE (POWER STEERING RETURN LINE)					
B9MY 3A713-A		1	All	A	60
C1AA 3A713-D		1	All	A	61/62
C3AZ 3A713-C		1	All	A	63/64
C2OZ 3A713-A	Use on vehicles built prior to 6-15-62	1	170	B	62
C2OZ 3A713-E	Use on vehicles built after 6-14-62	1	170	B	62
C2OZ 3A713-B	Use without a/cond. on vehicles built prior to 6-15-62	1	221, 260	B	62
C2OZ 3A713-D	Use without a/cond. on vehicles built after 6-14-62	1	221, 260	B	62
C2OZ 3A713-F	Use with a/cond.	1	221, 260	B	62
C3OZ 3A713-B		1	170, 200	B	63
C3OZ 3A713-C	Use with a/cond.	1	221, 260	B	63
C3OZ 3A713-A	Use without a/cond.	1	221, 260	B	63
C3DZ 3A713-D	Use "as is" on vehicles with a/cond. - remove 9" from hose end for vehicles without a/cond.	1	260, 289	C	63/64
COLL 3A713-B		1	All	D	60
C1VV 3A713-C	Upper	1	All	D	61
C1VY 3A713-A	Lower - rubber	1	All	D	61/64
C2VY 3A713-B	Upper - steel tubing	1	All	D	62/63
C4VY 3A713-A	Upper - steel tubing	1	All	D	64
3A714 HOSE (POWER STEERING CONTROL VALVE TO CYLINDER)					
COMM 3A714-A	Rear hose - 17.10" long	1	312	A	60
COMM 3A717-B	Front hose - 17.12" long	1	312	A	60
COMM 3A717-A	Front hose - 8-1/4" long - use on vehicles built prior to 11-9-59	1	383, 430	A	60
COMM 3A714-C	Front hose - 8-1/4" long - use on vehicles built after 11-8-59	1	383, 430	A	60
COMM 3A717-C	Rear hose - 9" long	1	383, 430	A	60
C1AA 3A714-A		2	All	A	61/62
C3AZ 3A714-A	Head end	1	All	A	63/64
C3AZ 3A717-A	Rod end	1	All	A	63/64
C2OZ 3A714-A	Head end - front	1	All	B	62/63
C2OZ 3A717-A	Rod end - rear	1	All	B	62/63
C3DZ 3A714-B	Head end	1	260, 289	C	63/64
C3DZ 3A717-B	Rod end	1	260, 289	C	63/64
C3DZ 3A714-A	Head end	1	170, 200	C	64
C3DZ 3A717-A	Rod end	1	170, 200	C	64
3C716 INSULATOR (STEERING GEAR)					
C3SZ 3C716-B		3	All	D	63/64
3A717	REFER TO GROUP 3A714				
3B718	REFER TO GROUP 3676-8				

Front Suspension and Steering

GROUP AND PART NUMBER	DESCRIPTION, SIZE, ETC.	NO. REQ'D	MODEL OR ENGINE CUBIC INCH DISPLACEMENT	VEHICLE CODE	YEAR 19__
3-3719 SLEEVE (STEERING WHEEL HUB)					
FEK 33719-A		1	62A(S-22), 62C	C	61/62
3A719 HOSE (POWER STEERING PRESSURE LINE)					
B9MY 3A719-B		1	312	A	60
B9MY 3A719-C	For outlet on side of pump	1	383, 430	A	60
COMM 3A719-A	For outlet on bottom of pump	1	383, 430	A	60
C1AA 3A719-C		1	223	A	61/62
C1AA 3A719-D		1	292, 352, 390	A	61/62
C3AZ 3A719-C		1	All	A	63
	Use without a/cond.	1	All	A	64
C4AZ 3A719-B	Use with factory installed a/cond.	1	All	A	64
C2OZ 3A719-B	Use on vehicles built prior to 6-15-62	1	170	B	62
C2OZ 3A719-D	Use on vehicles built after 6-14-62	1	170	B	62
C2OZ 3A719-A	Use on vehicles built prior to 6-15-62	1	221, 260	B	62
C2OZ 3A719-C	Use on vehicles built after 6-14-62	1	221, 260	B	62
C3OZ 3A719-A	Use without a/cond.	1	221, 260	B	63
C3OZ 3A719-C	Use with a/cond.	1	221, 260	B	63
C3OZ 3A719-B		1	170, 200	B	63
C3DZ 3A719-B		1	260, 289	C	63/64
C3DZ 3A719-A	Use without a/cond. - right angle on short tube end	1	170, 200	C	64
C4DZ 3A719-A	Use without a/cond. - acute angle on short tube end	1	170, 200	C	64
B9LY 3A719-A	Use with vane type crankshaft driven P/S pump	1	All	D	60
COLY 3A719-A	Use with roller type crankshaft driven P/S pump	1	All	D	60
C2VY 3A719-B		1	All	D	61/64
3C719 GASKET (POWER STEERING RESERVOIR COVER BOLT)					
C2SZ 3C719-A	(1) also used with filter	AR	All	A B C	62/64
3C726 BUMPER (STEERING COLUMN TRACK STOP BRACKET)					
C3AZ 3C726-A	Use with movable column	2	All	A	63/64
3C727 PIN (STEERING COLUMN TO TRACK LOWER BRACKET)					
C3AZ 3C727-A	Use with movable column	2	All	A	63
3A728 CLAMP (POWER STEERING CONTROL VALVE DUST COVER)					
COMM 3A728-A	Also serviced in 3A650 kit - use on vehicles built prior to 2-15-62	1	All	A	60/62
C2AZ 3A728-A	Also serviced in 3A533 and 3A650 kits - use on vehicles built after 2-14-62	1	All	A	62/64
		1	All	B C	62/64
3B728 REFER TO GROUP 3B584					
3C728 BEARING (STEERING COLUMN TO TRACK LOWER BRACKET)					
C3AZ 3C728-A	Use with movable column	2	All	A	63
C4AZ 3C728-A	Use with movable column	2	All	A	64
3A729 COVER (POWER STEERING CONTROL VALVE DUST)					
COMM 3A729-A	Use on vehicles built prior to 2-15-62 - also serviced in 3A650 kit	1	All	A	60/62
C2AZ 3A729-A	Use on vehicles built after 2-14-62 - also serviced in 3A533 and 3A650 kits	1	All	A	62/64
		1	All	B C	62/64

Front Suspension and Steering

GROUP AND PART NUMBER	DESCRIPTION, SIZE, ETC.	NO. REQ'D	MODEL OR ENGINE CUBIC INCH DISPLACEMENT	VEHICLE CODE	YEAR 19__
3A730 VALVE (POWER STEERING GEAR HYDRAULIC CONTROL)					
COMM 3A730-F		1	312	A	60
COMM 3A730-E		1	383, 430	A	60
C2AZ 3A730-A		1	All	A	61/62
C3AZ 3A730-A		1	All	A	63/64
C3OZ 3A730-A		1	All	B	62/63
C3DZ 3A730-B		1	All	C	63/64
3B730 PLUG (POWER STEERING GEAR HOUSING)					
C1VR 3B730-A	1.224" O.D. - use on vehicles built prior to 11-13-63 (b)	1	All	D	61/64
C4SZ 3B730-A	1.193" O.D. - use with C1SZ-3548-A replacement housing (a)	1	All	D	61/63
	Use on vehicles built after 11-17-63	1	All	D	64
87025-S94	"O" ring-seal-1-3/64" dia. -use in housings with brass tag stamped "HAA-BF, BH, BJ"	1	a		
87026-S94	NS-"o" ring-seal-1-1/8" dia. -serviced in 3C538 and 3A650 kits only	1	b		
3C730 SPRING (STEERING COLUMN TO TRACK LOWER BRACKET)					
C3AZ 3C730-A	Use with movable column	2	All	A	63
3A731 COVER (STEERING COLUMN LOWER SHROUD)					
COLF 3A731-A(140)	BLACK	1	All	D	60
3B731 HOUSING & SPOOL (POWER STEERING CONTROL VALVE)					
COMM 3B731-B		1	312	A	60
COMM 3B731-A		1	383, 430	A	60
	NS-part of 3A730	1	All	A	61/62
3A732 BRACKET (POWER STEERING PUMP ADJUSTING)					
B7AZ 3A732-A	Use with a/cond. (a)	1	312	A	60
B8AZ 3A732-B	Use without a/cond. (a)	1	292, 312	A	60/62
COAE 3A732-A	Use with a/cond.	1	292	A	61/62
B8AZ 3A732-A		1	352, 390	A	61/63
	Use with dealer installed a/cond.	1	All	A	64
C4AZ 3A732-A	Use without a/cond.	1	All	A	64
C4AZ 3A732-B	Use with factory installed a/cond.	1	All	A	64
B7AZ 3A732-B		1	223	A	61/62
	Use with a/cond.	1	221, 260	B	63
C2OZ 3A732-B	Use without a/cond.	1	221, 260	B	62
C2OZ 3A732-C	Use with a/cond.	1	221, 260	B	62
C3OZ 3A732-B	Rear - use without a/cond.	1	221, 260	B	63
C2OZ 3A732-A		1	170, 200	B	62/63
		1	170, 200	C	64
C3OZ 3A732-A	Front - use without a/cond.	1	221, 260	B	63
	Front	1	260, 289	C	64
C3AZ 3A732-A	Rear - use without a/cond.	1	260	C	63
C3OZ 3A732-C	Rear	1	260, 289	C	64
20448-S	Bolt-hex. hd. -3/8"-16 x 3/8"-attach bracket to pump support	2	a		
33799-S7	Nut-hex. -3/8"-16-attach bracket to support and exhaust manifold bracket	1	a		
34807-S8	Washer-spring lock-3/8"-attach bracket to pump support	2	a		
354869-S8	Bolt-hex. hd. -3/8"-16 x 2"-attach bracket to P/S pump	1	a		
356500-S8	Washer-flat-13/32" I. D. x 1" O. D. -attach bracket to pump support	2	a		

Front Suspension and Steering

GROUP AND PART NUMBER	DESCRIPTION, SIZE, ETC.	NO. REQ'D	MODEL OR ENGINE CUBIC INCH DISPLACEMENT	VEHICLE CODE	YEAR 19__
3A733 PULLEY (POWER STEERING PUMP)					
B9MY 3A733-A	Use without a/cond. (a)	1	312	A	60
B9MY 3A733-B	Use with a/cond.	1	312	A	60
COAE 3A733-A	Use with a/cond.	1	292, 352, 390	A	61/63
	Use with dealer installed a/cond.	1	All	A	64
C4AZ 3A733-A	Use without a/cond.	1	All	A	64
C4AZ 3A733-B	Use with factory installed a/cond.	1	All	A	64
C1SE 3A733-B	Use without a/cond.	1	All	A	61/63
		1	221, 260, 289	B C	63/64
C2OZ 3A733-B		1	221, 260	B	62
C2OZ 3A733-A		1	170, 200	B	62/63
	Use without a/cond.	1	170, 200	C	64
C3DZ 3A733-A	Use with a/cond.	1	170, 200	C	64
	74172-S Key-Woodruff-1/8" x 1/2"-attach pulley to P/S pump shaft	1	a		
	353846-S8 Washer-flat-5/16"-attach pulley to P/S pump shaft	1	a		
	353864-S7 Screw and washer-hex. hd. -5/16"-18 x 7/8" long-attach pulley to P/S pump shaft	1	a		
3C733 RETAINER (STEERING COLUMN LOCKING LEVER SPRING)					
C3AZ 3C733-A	Use with movable column	1	All	A	63/64
3A734 ARM & BUSHING (STEERING IDLER)					
	NS-serviced in 3352 kit	1	All	C	60/61
3C734 LOCATOR (STEERING COLUMN TRACK)					
C4AZ 3C734-A	Use to install movable column	1	All	A	64
3B737 SEAL (POWER STEERING CYLINDER CAP)					
C1SZ 3B737-A	Also serviced in 3A764 kit	1	All	D	60/62
3738 SEAL (STEERING GEAR SHAFT) OIL					
PB9M 3738-A	Use with manual steering and service installed P/S	1	All	A	60
C1AR 3738-B		1	All	A	61
B5S 3738-A		1	All	A B	62/64
3-3739 CLAMP (POWER STEERING CONTROL VALVE BALL STUD SLEEVE)					
B7A 33739-A		1	All	A	60/64
		1	All	B C	63/64
	20449-S Bolt-hex. hd. -3/8"-24 x 1-3/8"-secure clamp to sleeve	1	a		
	33800-S8 Nut-hex. -3/8"-24-secure clamp to sleeve	1	a		
	34807-S8 Washer-lock-3/8"-secure clamp to sleeve	1	a		
3A740 GASKET (POWER STEERING CONTROL VALVE BODY)					
C1AA 3A740-B		1	All	A B	60/64
		1	All	C	63/64
3B740 PLUG (POWER STEERING CONTROL VALVE)					
C1AA 3B740-B		1	All	A	61/64
		1	All	B C	63/64
3B742 COVER (STEERING COLUMN WIRE ACCESS)					
C1VF 3B742-A(211)	BLACK	1	All	D	61/63
3C742 RETAINER (POWER STEERING PUMP RELIEF VALVE)					
B8E 33627-A	Use with belt driven P/S pump	1	All	A	60/64
		1	All	B	62
C3OZ 3C742-A		1	All	B C	63/64

Front Suspension and Steering

GROUP AND PART NUMBER	DESCRIPTION, SIZE, ETC.	NO. REQ'D	MODEL OR ENGINE CUBIC INCH DISPLACEMENT	VEHICLE CODE	YEAR 19__
3B743 REINFORCEMENT (STEERING COLUMN BRACKET)					
C1AA 3B743-A		1	58A, 64A	A	61
C4AZ 3B743-A	Use with fixed column	1	All	A	64
3A745 CAP (POWER STEERING CYLINDER)					
C3SZ 3A745-A		1	All	D	60/64
3B745 BRACKET (STEERING COLUMN LOWER)					
C1VV 3B745-B		1	All	D	61/62
C2VY 3B745-A		1	All	D	63
3A746 RING (POWER STEERING CYLINDER CAP RETAINING)					
COLR 3A746-A		1	All	D	60
C1VR 3A746-A	Use on vehicles built prior to 8-7-62	1	All	D	61/62
C2VZ 3A746-A	Use on vehicles built after 8-6-62	1	All	D	62/64
3C750 CLAMP (POWER STEERING HOSE)					
C3DZ 3C750-B		1	All	C	63/64
		1	All	A	64
C3DZ 3C750-A		1	All	B	63
3A751 BUSHING (POWER STEERING CYLINDER PISTON ROD)					
	NS-serviced in 3A764 kit	1	All	A	60/61
3B751 RING (STEERING COLUMN TUBE TRIM)					
COLF 3B751-A		1	All	D	60
3A752 SEAL (POWER STEERING CYLINDER PISTON ROD OUTER)					
	NS-serviced in 3A764 kit	1	All	A	60/61
3A753 SCRAPER (POWER STEERING CYLINDER)					
	NS-serviced in 3A764 kit	1	All	A	60/61
3C753 REFER TO GROUP 3576					
3A754 SOCKET (POWER STEERING CONTROL VALVE BALL STUD)					
COAA 3A754-A		1	All	A	60
C1AA 3A754-C		1	All	A B C	61/64
3B754 SEAT (POWER STEERING OIL RESERVOIR FILTER RETAINING SPRING)					
C1VE 3B754-A		1	383,430	A	60
		1	All	D	60/64
B4AZ 3B754-A		1	312	A	60
		1	All	A B C	62/64
3A755 SLEEVE (POWER STEERING CONTROL VALVE BALL STUD)					
COMM 3A755-A		(a) 1	312	A	60
COMM 3A755-B		(a) 1	383,430	A	60
	NS-part of 3A730	1	All	A	61/62
42760-S8	Screw and washer-hex. hd. -5/16"-18 x 7/8"-attach sleeve to housing	2	a		
87908-S	Fitting-lub-1/4"-28 x 11/16" long	1	a		
370233-S	Washer-flat-7/8"-use as spacer between sleeve and valve and ball stud	1	a		
3C755 CLAMP (POWER STEERING CYLINDER PISTON ROD BOOT)					
C3AZ 3C755-A	Also serviced in 3C651 kit	1	All	A B C	63/64

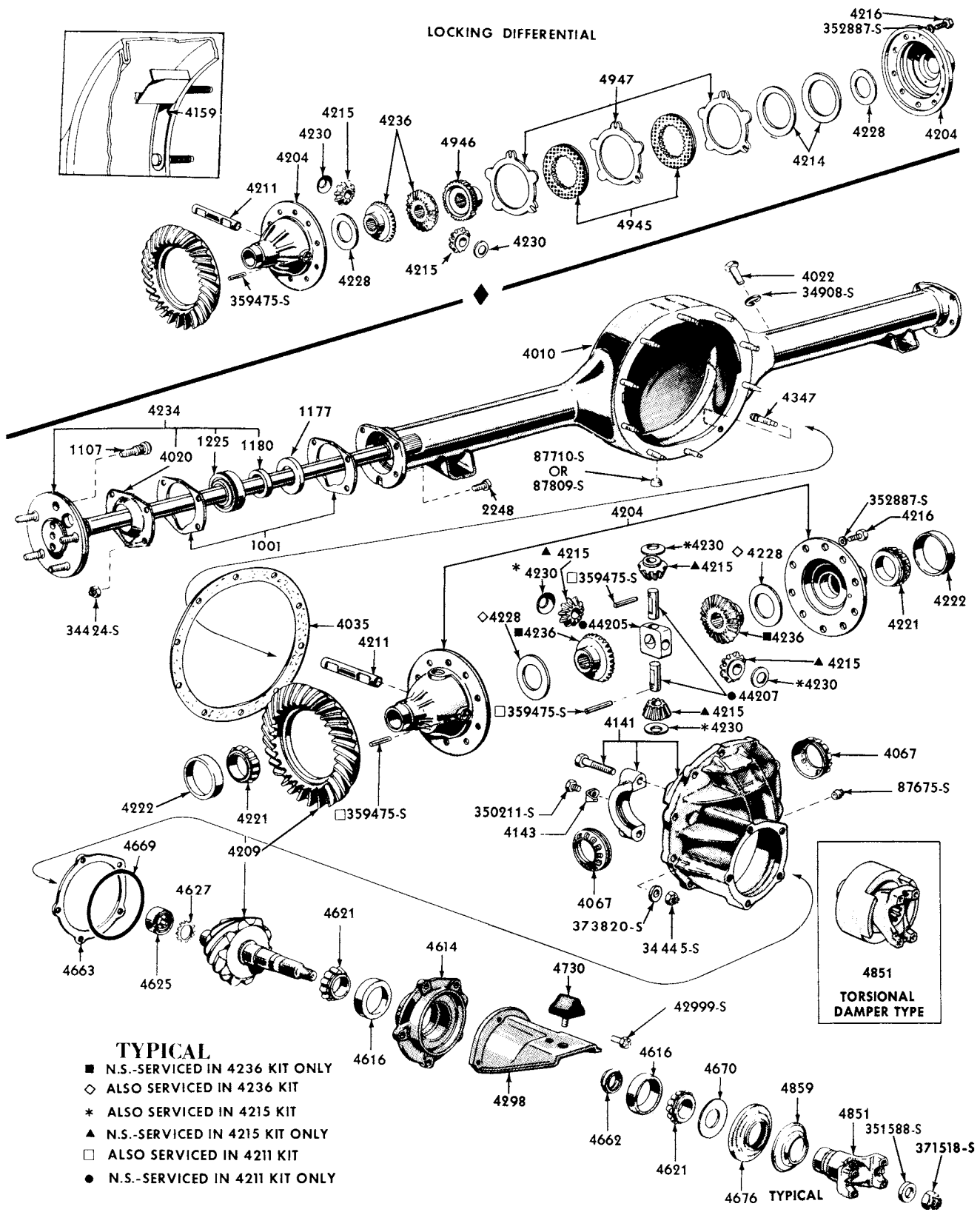
Front Suspension and Steering

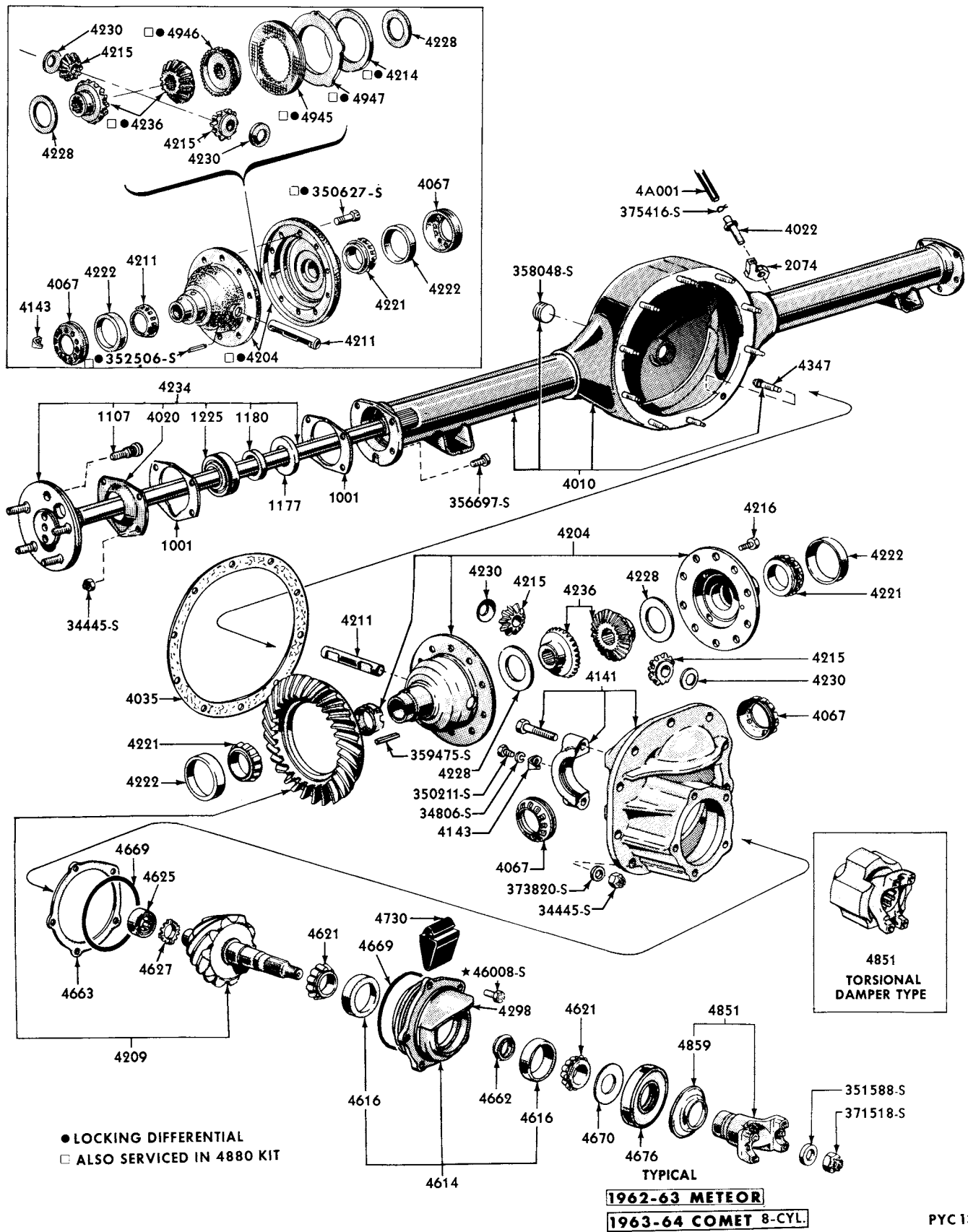
GROUP AND PART NUMBER	DESCRIPTION, SIZE, ETC.	NO. REQ'D	MODEL OR ENGINE CUBIC INCH DISPLACEMENT	VEHICLE CODE	YEAR 19__
3-3756 SPRING (POWER STEERING CONTROL VALVE REACTION)					
B9M 33756-A		(a) 2	383, 430	A	60
372299-S	Washer-flat-No.6-use as spring seat	2	a		
3B756 RETAINER (POWER STEERING OIL RESERVOIR FILTER SPRING)					
C1VE 3B756-A		(a) 1	383, 430	A D	60/64
353862-S	"C" washer-secure retainer to stud	1	a		
3757 RING (POWER STEERING VALVE RETAINING)					
WAN 3757-A	Also serviced in 3A650 kit	1	All	D	60/64
3A758 WASHER (POWER STEERING IDLER ARM)					
	NS-serviced in 3352 kit	1	All	A	60
3760 VENTURI (POWER STEERING OIL RESERVOIR PUMP)					
AF 3760-A		1	312	A	60
		1	All	A	64
3C760 SPACER (STEERING SHAFT COUPLING)					
C3AZ 3C760-A		2	All	A	63/64
3A761 BUSHING (HORN BLOWING RING)					
COLF 3A761-A		4	All	D	60
3A762 CLAMP ASSEMBLY (POWER STEERING HOSE)					
C3AZ 3A762-A		1	All	A	63
	Use with heavy duty alternator less a/cond.	1	All	A	64
3C762 BRACE (STEERING COLUMN TRACK INNER)					
C3AZ 3C762-A	Use with movable column	1	All	A	63
C4AZ 3C762-A	Use with movable column	1	All	A	64
3A764 KIT (POWER STEERING CYLINDER SEAL)					
C1AZ 3A764-A		1	All	A B C	60/64
	Consists of the following -				
(1) C1AA-3C561-A	spacer	(1) C1AA-3A752-A	seal	(2) AJ-33656-A	seal
(1) C1AA-3A751-A	bushing	(1) COAA-3A753-A	spacer	(1) 371033-S	ring
B8LY 3A764-A Use on vehicles built prior to 10-3-59					
	Consists of the following -				
(1) NCA-999-A	"o" ring	(1) B8LY-3A746-A	ring	(1) WAN-3805-B	seal
(1) C1SZ-3B737-A	seal				
COLY 3A764-A Use on vehicles built after 10-2-59					
	Consists of the following -				
(1) NCA-999-A	"o" ring	(1) COLR-3A746-A	ring	(1) WAN-3805-B	seal
(1) C1SZ-3B737-A	seal				
C1VY 3A764-A					
	Consists of the following -				
(1) NCA-999-A	"o" ring	(1) C1VR-3A746-A	ring	(1) C1VR-3805-A	seal
(1) C1SZ-3B737-A	seal				
COSZ 3A764-A					
	Consists of the following -				
(1) C1VR-3805-A	seal	(1) 87078-S94	"o" ring	(1) 87079-S94	ring
(1) C1AZ-7A294-A	seal				
3C773 BUSHING (STEERING SHAFT)					
C3SZ 3C773-A		1	All	D	63
C3SZ 3C773-B	2" long - cone shaped	1	All	D	63/64

Front Suspension and Steering

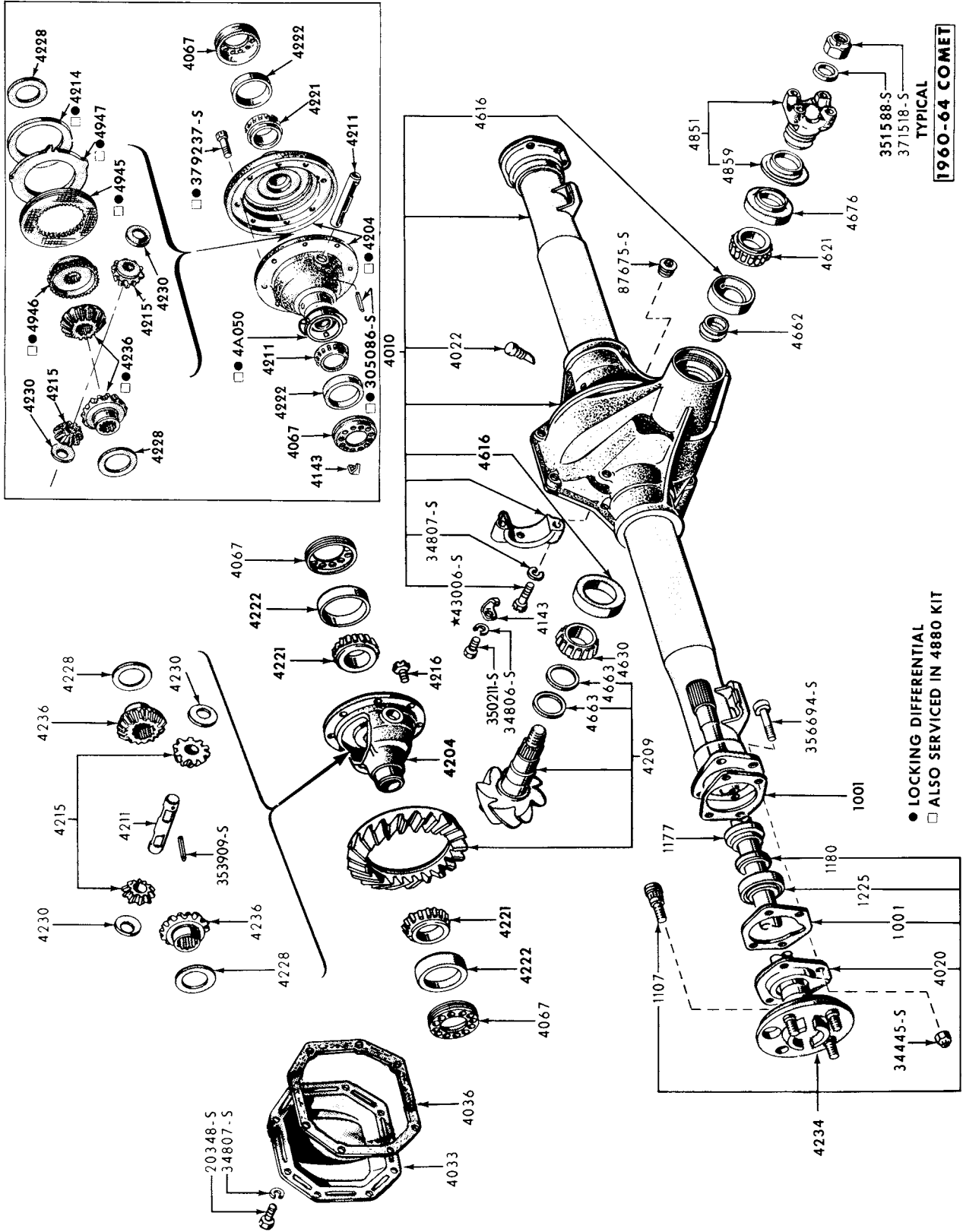
GROUP AND PART NUMBER	DESCRIPTION, SIZE, ETC.	NO. REQ'D	MODEL OR ENGINE CUBIC INCH DISPLACEMENT	VEHICLE CODE	YEAR 19__
3C775 COVER (STEERING COLUMN INSTRUMENT PANEL OPENING - LOWER)					
C4VY 3C775-A	Use with movable column	1	All	D	64
3C776 TRACK (STEERING COLUMN INSTRUMENT PANEL OPENING COVER)					
C4VY 3C776-A	Use with movable column	1	All	D	64
3790 EXTENSION (STEERING COLUMN TUBE FLANGE)					
PB9M 3790-AP	Use with standard transmission	1	All	A	60
C3DZ 3790-A	Use with four speed transmission	1	57C, 63C, 65C, 75C, 76B, C	A	63/64
		1	All	C	62/64
3799 WASHER (POWER STEERING CONTROL VALVE CENTERING SPRING)					
	NS-serviced in 3A675 kit	2	All	A	60/61
3805 SEAL (POWER STEERING GEAR PISTON)					
	NS-serviced in 3C538 and 3A764 kits	1	All	D	60/62
3807 TUBE (POWER STEERING RETURN LINE)					
LF 3807-A	3" long - "L" shaped with fitting on one end	1	All	D	60
3812 ACTUATOR (POWER STEERING VALVE)					
B8LY 3812-A		1	All	D	60/64
3817 SEAL (POWER STEERING GEAR CONTROL VALVE SLEEVE)					
	NS-serviced in 3A650 kit	1	All	D	60/61
3821 ADJUSTER (POWER STEERING CONTROL VALVE SLEEVE LOCK NUT)					
WAN 3821-A		1	All	D	60/61
C1SZ 3821-A		1	All	D	62/64
3836 TUBE (POWER STEERING PRESSURE TO PUMP)					
C2OZ 3836-A		1	221, 260	B	62/63
3837 ELEMENT (POWER STEERING OIL RESERVOIR FILTER)					
PB8M 3837-A		1	383, 430	A	D 60/64
B7A 33538-A		1	312	A	60
		1	All	A B C	62/64
3839	REFER TO GROUP 3517				

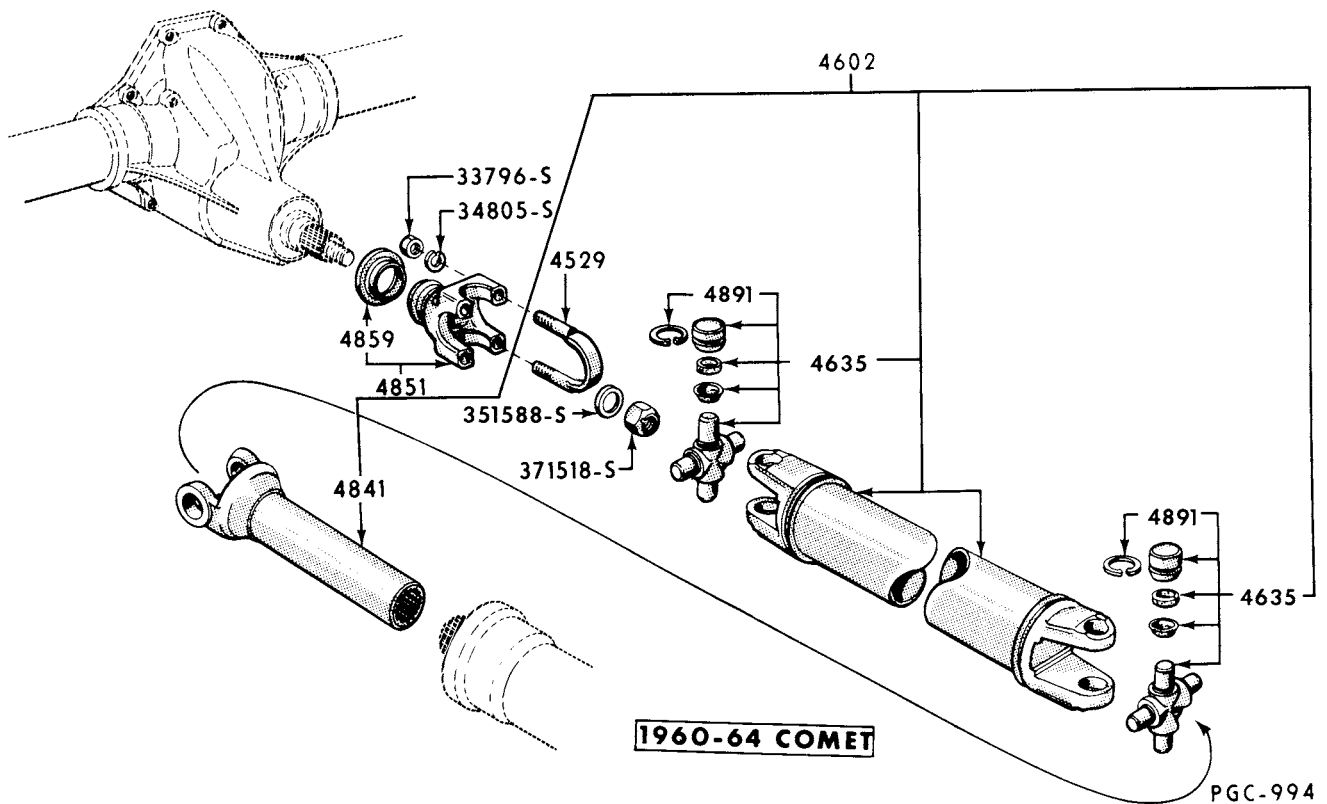
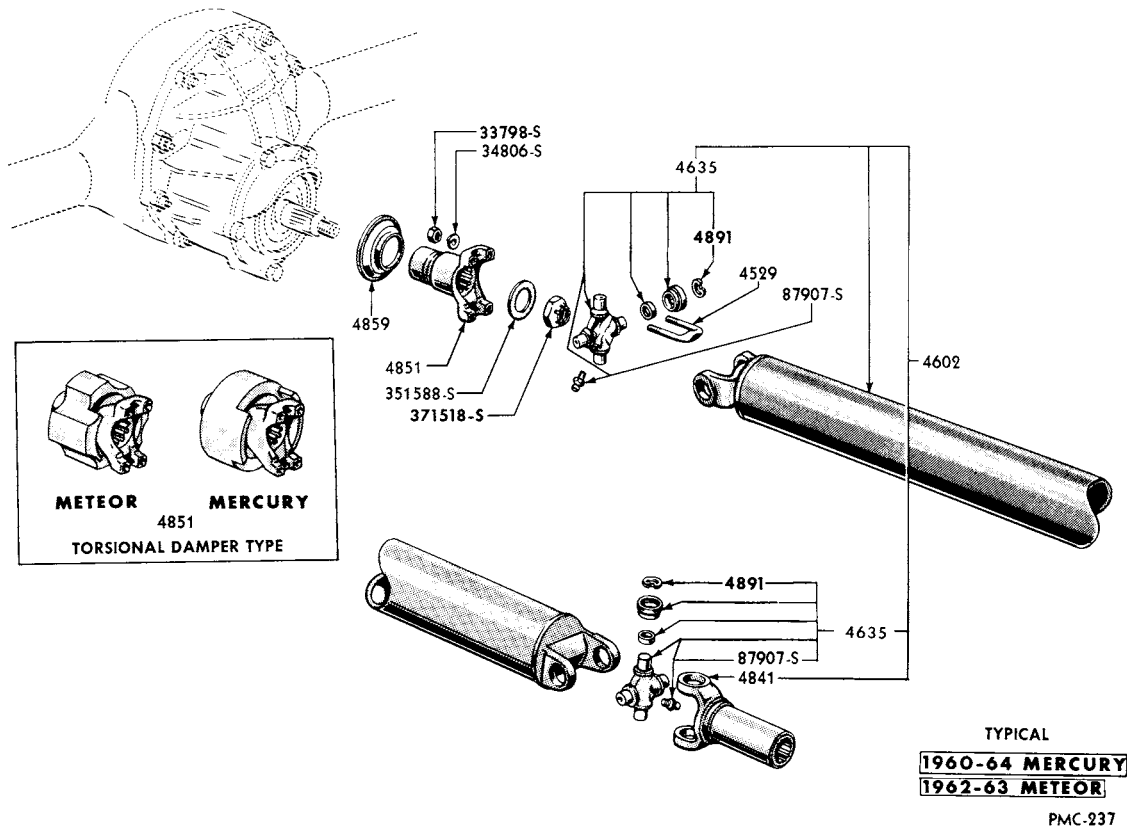
MEMO



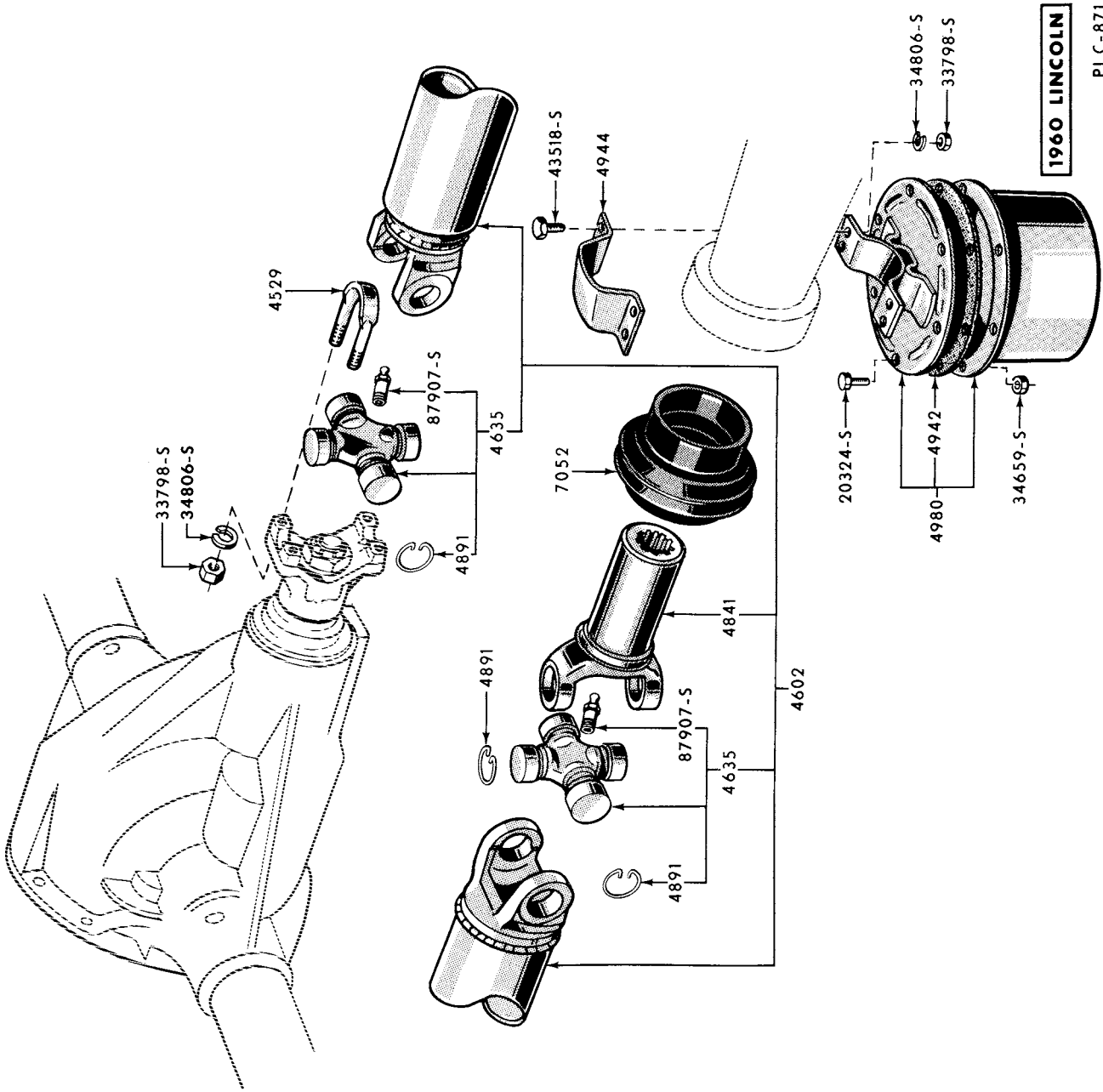


REAR AXLE





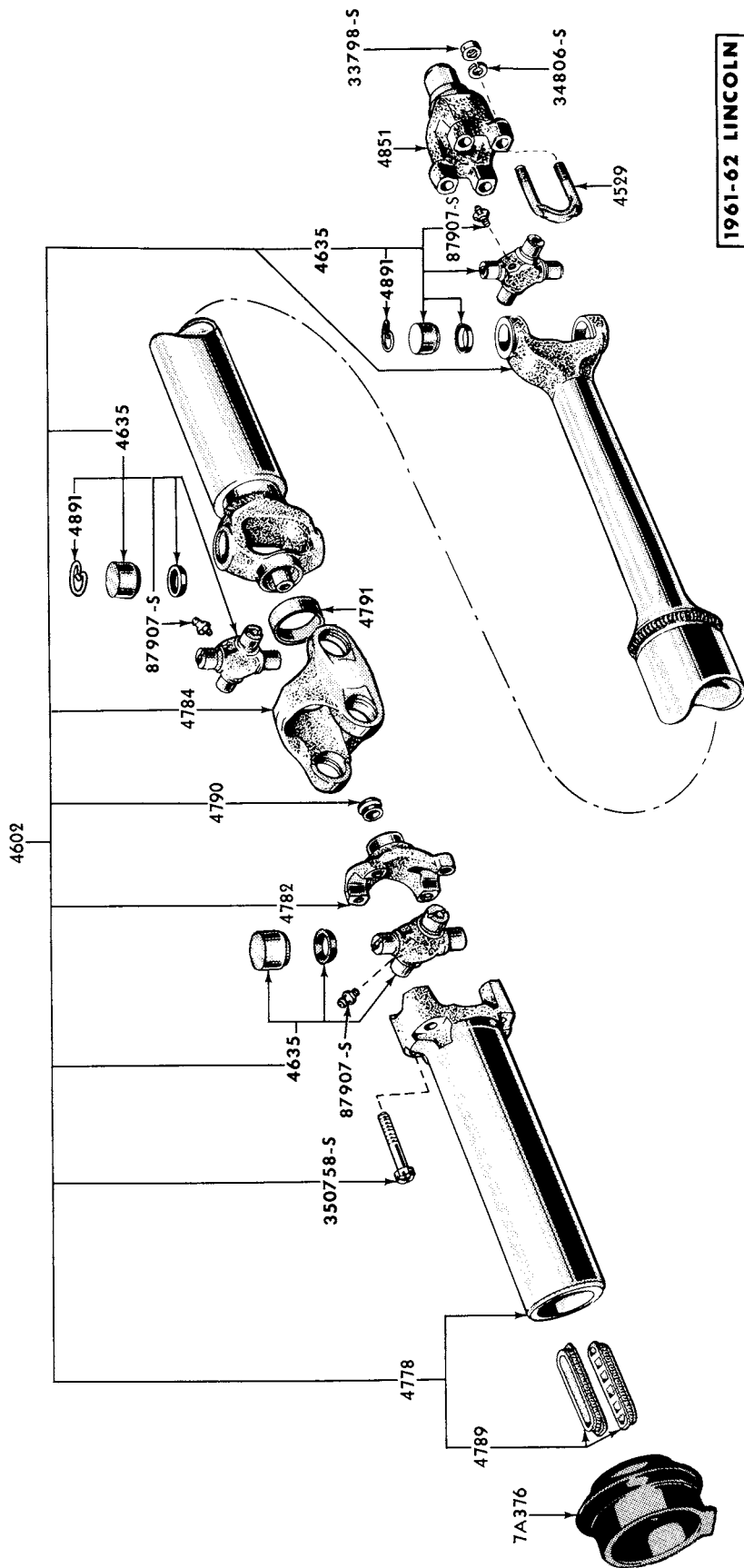
DRIVESHAFT



1960 LINCOLN

PLC-871

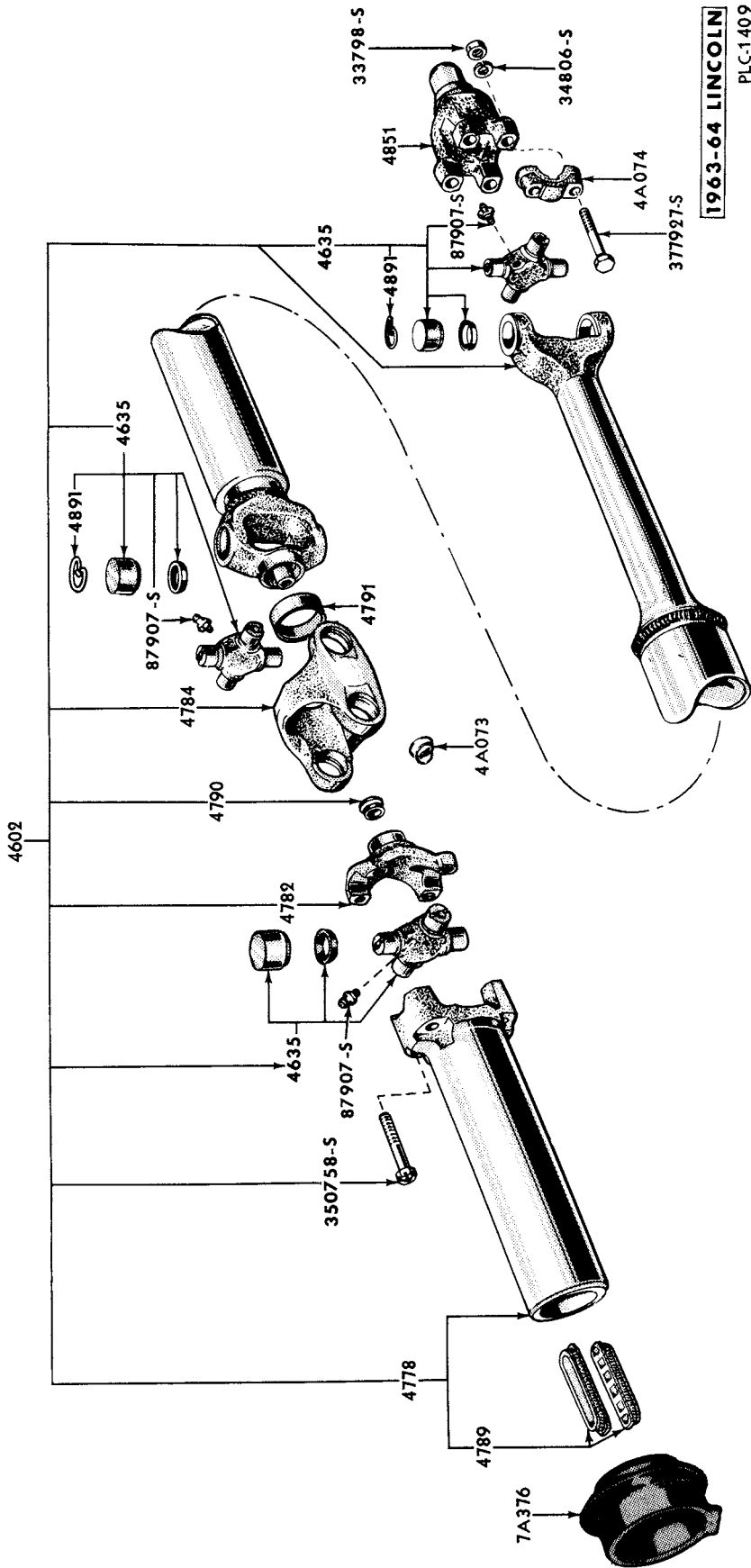
DRIVESHAFT and VIBRATION DAMPENER



1961-62 LINCOLN

PLC-1169

DRIVESHAFT



DRIVESHAFT

Rear Axle

GROUP AND PART NUMBER	DESCRIPTION, SIZE, ETC.	NO. REQ'D	MODEL OR ENGINE CUBIC INCH DISPLACEMENT	VEHICLE CODE	YEAR 19____
4A001 HOSE (REAR AXLE HOUSING VENT)					
	NS-1/4" I.D. x 15/32" O.D. x 24-5/8" long - cut from A9A-17543-C	1	All	B	62
4006 AXLE (REAR) LESS WHEELS, HUBS, DRUMS, BRAKES & AXLE SHAFTS					
COLL 4006-J	Standard differential	1	All	D	60
COLL 4006-K	Cone type P/L differential	1	All	D	60
C1VV 4006-U	Standard differential - use on vehicles built prior to 6-14-61	1	All	D	61
C1VV 4006-V	Cone type P/L differential	1	All	D	61
C1VY 4006-A	Standard differential - use on vehicles built after 6-13-61	1	All	D	61/62
C1VV 4006-Y	Disc type P/L differential	1	All	D	62
C3VY 4006-A	2.89 to 1 standard differential	1	All	D	63
C3VY 4006-B	2.89 to 1 disc type P/L differential	1	All	D	63
C3VY 4006-C	3.11 to 1 disc type P/L differential	1	All	D	63
C3VY 4006-D	3.11 to 1 standard differential	1	All	D	63
C3VY 4006-E	2.89 to 1 standard differential - when used to replace C3VY-4006-A kit C4VY-4022-B remote control vent must be installed	1	All	D	63
C3VY 4006-F	2.89 to 1 disc type P/L differential - when used to replace C3VY-4006-B kit C4VY-4022-B remote control vent must be installed	1	All	D	63
C3VY 4006-G	3.11 to 1 standard differential - when used to replace C3VY-4006-D kit C4VY-4022-B must be installed	1	All	D	63
C3VY 4006-H	3.11 to 1 disc type P/L differential - when used to replace C3VY-4006-C kit C4VY-4022-B must be installed	1	All	D	63
C4VY 4006-F	2.89 to 1 disc type P/L differential	1	All	D	64
C4VY 4006-H	3.11 to 1 disc type P/L differential	1	All	D	64
C4VY 4006-J	2.89 to 1 standard differential	1	All	D	64
C4VY 4006-K	3.11 to 1 standard differential	1	All	D	64
4010 HOUSING (REAR AXLE)					
COMW 4010-A		(a) 1	All	A	60
C1MW 4010-D	Use with heavy duty standard and heavy duty locking differential - axle shaft has 1-17/32" O.D. on 1225 wheel bearing surface and uses bearing with 1-17/32" I.D. and 3-5/32" O.D.	1	All except 58A, 64A	A	61
C2AZ 4010-B	Use with heavy duty standard and heavy duty locking differential - axle shaft has 1-17/32" O.D. on 1225 wheel bearing surface and uses bearing with 1-17/32" I.D. and 3-5/32" O.D.	1	58A, 64A	A	61
C2MY 4010-C	Use with light duty standard and light duty locking differential - rear wheel bearing bore diameter 2-27/32"	1	All except 58A, 64A	A	61/62
C2AZ 4010-D	Small wheel bearing	1	All	A	61/63
C2MY 4010-D	Use with heavy duty standard and heavy duty locking differential - rear wheel bearing bore diameter 3-5/32"	1	All	A	62
C2AZ 4010-C	Large wheel bearing - use on vehicles built prior to 1-17-63	1	All	A	63
C3AZ 4010-G	Large wheel bearing - use on vehicles built after 1-16-63	1	All	A	63
		1	All	A	64
CONTINUED ON NEXT PAGE					

Rear Axle

GROUP AND PART NUMBER	DESCRIPTION, SIZE, ETC.	NO. REQ'D	MODEL OR ENGINE CUBIC INCH DISPLACEMENT	VEHICLE CODE	YEAR 19__
4010 HOUSING (REAR AXLE) CONTINUED					
C2OZ 4010-B	Use on vehicles built prior to 3-1-62	1	All	B	62
C2OZ 4010-D	Use on vehicles built after 2-28-62	1	All	B	62
	Use on vehicles built prior to 1-17-63	1	All	B	63
C3OZ 4010-A	Use on vehicles built after 1-16-63	1	All	B	63
CODZ 4010-B	For all models except 59, 71	1	144	C	60/62
C1DZ 4010-C	For models 59, 71 use (2) C1DZ-1177-A oil seals when replacing CODZ-4010-A with C1DZ-4010-C	1	144	C	60/62
C2DZ 4010-D	For models 59, 71	1	170	C	61/62
C2DZ 4010-A	For all models except 59, 71 built prior to 5-1-62	1	170	C	61/62
C2DZ 4010-C	For all models except 59, 71 built after 4-30-62	1	170	C	62
C3DZ 4010-C	For models 59, 71, 76 - use with 7" ring gear on vehicles built prior to 1-17-63	1	144	C	63
C3DZ 4010-E	For models 54, 62 - use with 6-3/4" ring gear on vehicles built prior to 1-17-63	1	144	C	63
C3DZ 4010-G	Large wheel bearing - all models - use with 7" ring gear and 3.50 or 4.00 to 1 ratio on vehicles built after 1-16-63	1	144	C	63
C3DZ 4010-B	For models 54, 62 - use with 7-1/4" ring gear on vehicles built prior to 1-17-63	1	170	C	63
C3DZ 4010-D	For models 59, 71, 76 - use with 7-1/4" ring gear on models built prior to 1-17-63	1	170	C	63
C3DZ 4010-H	Large wheel bearing - all models - use with 7-1/4" ring gear and 3.20 or 3.50 to 1 ratio on vehicles built after 1-16-63	1	170	C	63
C3DZ 4010-A	All models	1	260	C	63
C4DZ 4010-E	Includes carrier - use with 7-1/4" ring gear (‡)	1	170, 200	C	64
C4DZ 4010-D	NS - 9/1/64 RB C4DZ-4010-F				
C4DZ 4010-F	Without carrier - use with locking differential (‡)	1	260, 289	C	64
‡ Package also includes -					
(1) 378511-S clamp					
C4DZ 4010-A	Use with standard differential only	1	260, 289	C	64
COLL 4010-C	(a, b)	1	All	D	60
C1VV 4010-B		1	All	D	61/62
C3VY 4010-A	Use on vehicles not equipped with Hybrid axle, remote control vent or shock absorbers mounted on rear axle housing	1	All	D	63
C4VY 4010-B	Use on vehicles equipped with Hybrid axle, remote control vent and shock absorbers mounted on rear axle housing	1	All	D	63/64
355765-S	Screw-hex. hd. -1/2"-13 x 2-1/4"-req'd. to attach bearing cap to housing assy.	4	b		
358048-S	Plug-3/4" special pipe-req'd. as drain plug for housing assy.	1	a		
4020 RETAINER (REAR WHEEL BEARING) OUTER					
A8AZ 4020-A	Use with heavy duty rear axle shaft - axle shaft has 1-17/32" O.D. on 1225 wheel bearing surface and uses bearing with 1-17/32" I.D. and 3-5/32" O.D.	2	All	A	60/64
		2	All	D	60
COAW 4020-B	Use with light duty rear axle shaft - axle shaft has 1-3/8" O.D. on 1225 wheel bearing surface uses bearing with 1-3/8" I.D. and 2-27/32" O.D.	2	All	A	61/62
		2	All	B	62/63
		AR	260, 289	C	63/64
CODW 4020-A		2	All	C	60/62
C3DZ 4020-A		2	144, 170, 200	C	63/64
C1VV 1069-B		2	All	D	61/64

Rear Axle

GROUP AND PART NUMBER	DESCRIPTION, SIZE, ETC.	NO. REQ'D	MODEL OR ENGINE CUBIC INCH DISPLACEMENT	VEHICLE CODE	YEAR 19__
4022 VENT (REAR AXLE HOUSING)					
B9M 4022-A	Also use to attach rear brake line fitting (2074) to axle	1	All	A	60
B8A 4022-A		1	All	A	61
C2AZ 4022-A		1	All	A	62/64
C2OZ 4022-A		1	All	B	62/63
		1	All	C	63/64
CODD 4022-A		1	All	C	60/61
C4VY 4022-A		1	All	D	64
4033 COVER (REAR AXLE CARRIER)					
C1DW 4033-A		1	All	C	60/64
A9LY 4033-A		(a) 1	All	D	60/64
20328-S	Bolt-hex. hd. -3/8"-16 x 5/8"-attach cover to housing assy.	9	a		
34807-S	Lockwasher-3/8"-attach cover to housing assy.	9	a		
353051-S	Plug-filler hole in axle carrier cover	1	a		
4035-6 GASKET (REAR AXLE CARRIER HOUSING AND/OR COVER)					
B7A 4035-A	Carrier to housing	1	All	A	60/64
C2OW 4035-A	Carrier to housing	1	170, 221, 260	B C	62/63
		1	260, 289	C	64
C1DZ 4036-A	Cover	1	All	C	60/63
		1	170, 200	C	64
C1VV 4035-A	Cover	1	All	D	60/64
4A050 SCOOP (DIFFERENTIAL CASE OIL)					
C4DZ 4A050-A	Use with 3-plate locking differential	1	170, 200	C	64
4067 SHIM OR ADJUSTER (REAR AXLE DIFFERENTIAL BEARING)					
B9MW 4067-A		2	383, 390, 406, 427, 430	A	60/64
B7A 4067-A		2	223, 292, 312, 352	A	60/62
		2	All	B	62/63
		2	260, 289	C	63/64
CODW 4067-B		2	144, 170, 200	C	60/64
8L 4067-A	.003" thick	AR	All	D	60/64
8L 4067-B	.005" thick	AR	All	D	60/64
8L 4067-C	.010" thick	AR	All	D	60/64
8L 4067-D	.030" thick	AR	All	D	60/64
4A073 SPRING (DRIVESHAFT CENTERING SOCKET RACE BALL)					
C3VY 4A073-A		1	All	D	63/64
4A074 CAP (UNIVERSAL JOINT BOLT)					
C3VY 4A074-A		(a) 2	All	D	63/64
33798-S	Nut-5/16"-24	4	a		
34806-S	Washer-5/16"	4	a		
377927-S	Bolt-5/16"-24 x 1-7/8" long	4	a		
4090 HOSE (BULK)					
B4C 4090-A	3/8" I. D. x 25 ft. roll	AR	292	A	61
		AR	170, 200	B C	63/64
B3T 4090-B	1/2" I. D. x 3/4" O. D. x 25 ft. roll	AR	All	A B C D	61/64
B3Q 4090-B	3/4" I. D. x 10 ft. roll	AR	All	A B C	62/64
		AR	All	D	63/64
	NS-for automatic cycling lubricator pump to vacuum tee 65" long - cut from BAE-17580-J	1	All	D	60

Rear Axle

GROUP AND PART NUMBER	DESCRIPTION, SIZE, ETC.	NO. REQ'D	MODEL OR ENGINE CUBIC INCH DISPLACEMENT	VEHICLE CODE	YEAR 19__	
4109 SHIM (DRIVING PINION REAR BEARING ADJUSTING)						
8L 4109-A	.003" thick	AR	All	D	60/64	
8L 4109-B	.005" thick	AR	All	D	60/64	
8L 4109-C	.010" thick	AR	All	D	60/64	
4137 REFER TO GROUP 5A313						
4141 CARRIER (REAR AXLE DIFFERENTIAL)						
COAZ 4141-A	(a)	1	223, 292, 312, 352	A	60/63	
C2AZ 4141-B	(a)	1	383, 390, 406, 427, 430	A	60/64	
C2OZ 4141-B	(a)	1	All	B	62/63	
		1	260, 289	C	63/64	
34445-S8	Nut-lock-3/8"-24-attach carrier to housing	10	a			
87675-S	Plug-filler-1/2"-14	1	a			
373820-S	Washer-flat-3/8"-use to seal carrier on (5) bottom studs only of housing	5	a			
4143 LOCK (DIFFERENTIAL BEARING ADJUSTING NUT)						
8A 4143	(a)	2	All	A B	60/64	
		2	260, 289	C	63/64	
CODW 4143-B		2	144, 170, 200	C	60/64	
350211-S	Bolt-hex. hd. -5/16"-18 x 7/16"-differential bearing adjusting nut lock to axle differential bearing cap	2	a			
4159 LUBRICATOR (REAR AXLE DIFFERENTIAL)						
B9A 4159-A	Use with locking differential - also serviced in 4880 kit	1	All	A	61/64	
C4OZ 4159-A	Use with locking differential - also serviced in 4880 kit	1	260, 289	C	64	
4204-5 CASE (REAR AXLE DIFFERENTIAL GEAR)						
C2AZ 4204-B	Use on vehicles with standard differential with (2) pinion gears - also use (2) additional C2OW-4228-A washers when replacing B7A-4204-B with C2AZ-4204-B	(a)	1	223, 292, 312, 352	A	60/62
C2AZ 4204-C	Use on vehicles with standard differential with (2) pinion gears - 7/16" bolt holes	(a)	1	383, 390, 430	A	60/63
		1	All	A	64	
C2AZ 4204-E	Use on vehicles with locking differential	(d)	1	223, 292, 352	A	61/62
C3AZ 4204-B	Use to convert to 4 pinion standard differential with differential bearing surfaces of 1.628" O. D.		1	All	A	61/62
C2AZ 4204-D	Use on vehicles with 4 pinion standard differential having differential bearing journal diameters of 1.784"		1	All	A	62/63
Package also includes -						
(2) C2OW-4228-A	washer	(1) I. S. - 595	instruction sheet			
C2AZ 4204-F	Use on vehicles with standard differential with (4) pinion gears - 1/2" bolt holes	(c)	1	406, 427	A	62/63
		1	All	A	64	
C2AZ 4204-A	Use with 5-plate locking differential - also serviced in 4880 kit		1	All	A	63/64
Package also includes -						
	(2) C2OW-4228-A	washer				

CONTINUED ON NEXT PAGE

Rear Axle

GROUP AND PART NUMBER	DESCRIPTION, SIZE, ETC.	NO. REQ'D	MODEL OR ENGINE CUBIC INCH DISPLACEMENT	VEHICLE CODE	YEAR 19__
4204-5 CASE (REAR AXLE DIFFERENTIAL GEAR) CONTINUED					
C2AZ 4204-G	Standard differential with (4) pinion gears - 7/16" bolt holes - use on vehicles having differential bearing journals of 1.784" diameter Package also includes - (2) C2OW-4228-A washer	1	All	A	64
C4AZ 4204-B	Use on vehicles built after 1-8-64 with (2) pinion gears and (7) plate locking differential having differential bearing journals of 1.784" diameter	1	All	A	64
C2OZ 4204-B	(a)	1	All	B	62/63
	Standard differential	1	260, 289	C	63/64
CODW 4205-G	Use on all vehicles with 3.10 to 1 ratio and on models 54, 62 with 3.56 to 1 ratio built prior to 3-1-60 Use on all vehicles with 23 spline axle shaft and 3.10 to 1 ratio	1	All	C	60
	(b)	1	All	C	61
CODW 4205-J	Use on all vehicles except 3.10 to 1 ratio and on models 54, 62 with 3.56 to 1 ratio built after 2-29-60 Use on all vehicles with 23 spline axle shaft except 3.10 to 1 ratio	1	All	C	60
	(b)	1	All	C	61
C1DW 4204-A	Use on all vehicles with 24 spline axle shaft and 3.10 to 1 ratio	1	144	C	61
C1DW 4204-B	Use on all vehicles with 24 spline axle shaft except 3.10 to 1 ratio	1	All	C	61/62
	(b)	1	144, 170	C	63
	(b)	1	170, 200	C	64
C4DZ 4204-A	Use with (3) plate locking differential	1	170, 200	C	64
C4OZ 4204-A	Use with locking differential	1	260, 289	C	64
8L 4205-B	Standard differential - serviced in 4213 assembly only for cone type P/L differential	1	All	D	60
C1VY 4204-A	Disc type P/L differential - use on vehicles not equipped with Hybrid axle, remote control vent or shock absorbers mounted on rear axle housing	1	All	D	60/63
C1VY 4205-A	Standard differential - use on vehicles not equipped with Hybrid axle, remote control vent or shock absorbers mounted on rear axle housing	1	All	D	61/63
C4VY 4204-A	Disc type P/L differential - use on vehicles equipped with Hybrid axle, remote control vent and shock absorbers mounted on rear axle housing	1	All	D	63/64
C4VY 4205-A	Standard differential - serviced in 4213 assembly only for P/L differential - use on vehicles equipped with Hybrid axle, remote control vent and shock absorbers mounted on rear axle housing	1	All	D	63/64
305086-S	Pin-spring-3/16" x 1-1/8" long-case to pinion shaft	1	h		
350627-S	Bolt-hex. locking-7/16"-20 x 1-13/64" long-attach case to ring gear	10	d		
352506-S	Pin-spring-1/4" x 1-1/2" long-case to pinion shaft	1	i		
353596-S	Bolt-hex. hd. -7/16"-20 x 7/8"	12	e		
372487-S	Bolt-hex. lock-7/16"-20 x 15/16"-attach case to ring gear	10	a		
CONTINUED ON NEXT PAGE					

Rear Axle

GROUP AND PART NUMBER	DESCRIPTION, SIZE, ETC.	NO. REQ'D	MODEL OR ENGINE CUBIC INCH DISPLACEMENT	VEHICLE CODE	YEAR 19__
4204-5 CASE (REAR AXLE DIFFERENTIAL GEAR) CONTINUED					
372768-S	Bolt-hex. locking-3/8"-24 x 3/4"-attach case to ring gear	8	b		
375777-S	Bolt-hex. hd. -3/8"-16 x 2-29/32"	8	f		
376794-S	Bolt-hex. locking-1/2"-20 x 1"-attach case to ring gear	10	c		
379237-S	Bolt-hex. hd. locking-slotted-1/8"-24 x 1-11/64" long	8	h		
4209 KIT (RING GEAR & PINION)					
	NS-2.71 to 1 - use COAZ-4209-A	1	All	A	60
	NS-2.91 to 1 - use COAZ-4209-A	1	All	A	60/61
COAZ 4209-A	NS - 7/1/64 RB COAZ-4209-B				
COAZ 4209-B	3.00 to 1 - when replacing ring gears with 1/2" holes use (1) package C3AZ-4216-A shoulder bolt - 7/16"-20 x .94"	1	All except 406, 427	A	60/63
	Consists of the following -	1	390, 427	A	64
(1) ring gear	39 teeth (9" dia. - 7/16" bolt holes	(1) pinion	13 teeth	(1) nut	375646-S2
		(1 each) shim	WAA-4663-A thru AA		
B7AZ 4209-D	3.50 to 1 - when replacing ring gears with 1/2" holes use (1) package C3AZ-4216-A shoulder bolt - 7/16"-20 x .94" - ☆ use 5-1/2" pints lubricant C2AZ-19580-D with 427 C. I. D. engine	1	All	A	60/61
		1	390	A	62/64
		1	427☆	A	64
	Consists of the following -				
(1) ring gear	35 teeth (9" dia. - 7/16" bolt holes)	(1) pinion	10 teeth	(1) nut	375646-S
		(each) shim	WAA-4663-A thru AA		
	NS-3.10 to 1 - use COAZ-4209-A	1	All	A	61
B7A 4209-E	NS - 8/1/64 RB B7AZ-4209-E				
B7AZ 4209-E	3.89 to 1 - when replacing ring gears with 1/2" holes use (1) package - C3AZ-4216-A shoulder bolt - 7/16"-20 x .94" ☆ Use 5-1/2 pints C2AZ-19580-D with 406 and 427 C. I. D. engines	1	All☆	A	61/64
	Consists of the following -				
(1) ring gear	35 teeth (9" dia. - 7/16" bolt holes)	(1) pinion	9 teeth	(1 each) shim	WAA-4663-A thru AA
				(1) nut	375646-S2
C2AZ 4209-M	3.50 to 1	1	390	A	62/63
	Consists of the following -				
(1) ring gear	35 teeth (9" dia.)	(1) shim kit	MGK-4663-A	(5) pts. lubricant	
(1) pinion	10 teeth	(1) nut	375646-S2		
C2AZ 4209-N	3.00 to 1	1	390	A	62/63
	Consists of the following -				
(1) ring gear	39 teeth (9" dia.)	(1) shim kit	MGK-4663-A	(5) pts. lubricant	
(1) pinion	13 teeth	(1) nut	375646-S		
C2AZ 4209-J	3.00 to 1	1	406, 427	A	62/63
	Consists of the following -				
(1) ring gear	39 teeth (9" dia.)	(1) shim kit	MGK-4663-A	(1) nut	375646-S2
(1) pinion	13 teeth	(1) gal. lubricant	C2AZ-19580-D		
C2AZ 4209-K	3.50 to 1	1	406, 427	A	62/63
	Consists of the following -				
(1) ring gear	35 teeth (9" dia.)	(1) shim kit	MGK-4663-A	(1) nut	375646-S2
(1) pinion	10 teeth	(1) gal. lubricant	C2AZ-19580-D		

CONTINUED ON NEXT PAGE

Rear Axle

GROUP AND PART NUMBER	DESCRIPTION, SIZE, ETC.	NO. REQ'D	MODEL OR ENGINE CUBIC INCH DISPLACEMENT	VEHICLE CODE	YEAR 19__
4209 KIT (REAR GEAR & PINION) CONTINUED					
C3AZ 4209-A	3. 25 to 1 - ☆ use 5-1/2 pints C2AZ-19580-D lubricant when vehicles are equipped with 406 or 427 C. I. D. engines	1	All☆	A	62/63
Consists of the following -					
(1) ring gear	39 teeth (8-3/4" dia.) (1 each) shim		WAA-4663-A thru AA (1) nut		375646-S
(1) pinion	12 teeth				
B7AZ 4209-C	4. 11 to 1 - when replacing ring gears with 1/2" holes use (1) package C3AZ-4216-A shoulder bolt - 7/16"-20 x .94" - ☆ use 5-1/2" pints lubricant C2AZ-19580-D with 406, 427 C. I. D. engines	1	390, 427 406☆	A A	62/64 62
Consists of the following -					
(1) ring gear	37 teeth (9" dia. - 7/16" bolt holes)	(1) pinion	9 teeth	(1 each) shim (1) nut	WAA-4663-A thru AA 375646-S
C3AZ 4209-F	4. 44 to 1	1	406, 427	A	62/64
Consists of the following -					
(1) ring gear	40 teeth (9" dia. - 7/16" bolt holes)	(1) pinion	9 teeth	(1) nut	375646-S2
		(1 each) shim	WAA-4663-A thru AA (5-1/2 pts.)		C2AZ-19580-D
C3UZ 4209-A	4. 57 to 1 - use 5-1/2 pints C2AZ-19580-D lubricant	1	406, 427	A	62/64
Consists of the following -					
(1) ring gear	32 teeth (9" dia. - 7/16" bolt holes)	(1) pinion	7 teeth		
C4AZ 4209-A	3. 10 to 1	1	406, 427	A	62/64
Consists of the following -					
(1) ring gear	31 teeth (9" dia. - 7/16" bolt holes)	(1) pinion	10 teeth	(5-1/2) pts.	C2AZ-19580-D
		(1 each) shim	WAA-4663-A thru AA (1) nut		375646-S2
C4AZ 4209-B	3. 40 to 1	1	406, 427	A	62/64
Consists of the following -					
(1) ring gear	34 teeth (9" dia. - 7/16" bolt holes)	(1) pinion	10 teeth	(5-1/2) pts.	C2AZ-19580-D
		(1 each) shim	WAA-4663-A thru AA (1) nut		375646-S2
C4AZ 4209-C	4. 33 to 1	1	406, 427	A	62/64
Consists of the following -					
(1) ring gear	39 teeth (9" dia. - 7/16" bolt holes)	(1) pinion	9 teeth	(5-1/2) pts.	C2AZ-19580-D
		(1 each) shim	WAA-4663-A thru AA (1) nut		375646-S
C4AZ 4209-E	4. 71 to 1	1	406, 427	A	62/64
Consists of the following -					
(1) ring gear	33 teeth (9" dia. - 7/16" bolt holes)	(1) pinion	7 teeth	(5-1/2) pts.	C2AZ-19580-D
		(1 each) shim	WAA-4663-A thru AA (1) nut		375646-S2
C4AZ 4209-F	4. 86 to 1	1	406, 427	A	62/64
Consists of the following -					
(1) ring gear	34 teeth (9" dia. - 7/16" bolt holes)	(1) pinion	7 teeth	(5-1/2) pts.	C2AZ-19580-D
(5-1/2 pts.)	C2AZ-19580-D	(1 each) shim	WAA-4663-A thru AA (1) nut		375646-S2
C4AZ 4209-G	5. 14 to 1	1	406, 427	A	62/64
Consists of the following -					
(1) ring gear	36 teeth (9" dia. - 7/16" bolt holes)	(1) pinion	7 teeth	(5-1/2) pts.	C2AZ-19580-D
		(1 each) shim	WAA-4663-A thru AA (1) nut		375646-S2
C4AZ 4209-H	5. 43 to 1	1	406, 427	A	62/64
Consists of the following -					
(1) ring gear	38 teeth (9" dia. - 7/16" bolts holes)	(1) pinion	7 teeth	(5-1/2) pts.	C2AZ-19580-D
		(1 each) shim	WAA-4663-A thru AA (1) nut		375646-S2

CONTINUED ON NEXT PAGE

Rear Axle

GROUP AND PART NUMBER	DESCRIPTION, SIZE, ETC.	NO. REQ'D	MODEL OR ENGINE CUBIC INCH DISPLACEMENT	VEHICLE CODE	YEAR 19__
4209 KIT (RING GEAR & PINION) CONTINUED					
C4AZ 4209-J	5.67 to 1	1	406, 427	A	62/64
Consists of the following -					
(1) ring gear	34 teeth (9" dia. - 7/16" bolt holes)	(1) pinion (1 each) shim	6 teeth WAA-4663-A thru AA	(5-1/2) pts. (1) nut	C2AZ-19580-D 375646-S2
C2AZ 4209-L	4.11 to 1	1	406, 427	A	63
Consists of the following -					
(1) ring gear	37 teeth (9" dia.)	(1) shim kit	MGK-4663-A	(1) nut	375646-S2
(1) pinion	9 teeth	(1) gal. lubricant	C2AZ-19580-D		
B8A 4209-F	NS - 10/1/64 RB B8AZ-4209-A				
B8AZ 4209-A	3.25 to 1	1	All	A	63/64
Consists of the following -					
(1) ring gear	39 teeth (9" dia. - 7/16" bolt holes)	(1) pinion	12 teeth WAA-4663-A thru AA	(1) nut	375646-S
C3OZ 4209-A	3.80 to 1	1	71	B	63
Consists of the following -					
(1) ring gear	38 teeth (8" dia.)	(1) spacer	C2OW-4662-A	(1) gal. lubricant	C2AZ-19580-D
(1) pinion	10 teeth	(1) shim kit	C2YY-4663-A	(1) nut	375646-S
C4OZ 4209-B	3.00 to 1	1	All	B	62/63
		1	260, 289	C	64
Consists of the following -					
(1) ring gear	39 teeth (8" dia.)	(1) spacer	C2OW-4662-A	(1) nut	375646-S2
(1) pinion	13 teeth	(1) shim kit	C2YY-4663-A		
C4DZ 4209-A	3.25 to 1	1	All	B	62/63
		1	260, 289	C	63/64
Consists of the following -					
(1) ring gear	39 teeth (8" dia.)	(1) spacer	C2OW-4662-A	(1) nut	375646-S2
(1) pinion	12 teeth	(1) shim kit	C2YY-4663-A		
C4OZ 4209-C	3.50 to 1	1	All	B	62/63
		1	260, 289	C	64
Consists of the following -					
(1) ring gear	35 teeth (8" dia.)	(1) spacer	C2OW-4662-A	(1) nut	375646-S2
(1) pinion	10 teeth	(1) shim kit	C2YY-4663-A		
CODZ 4209-A	3.10 to 1	1	54, 62	C	60
Use on vehicles built prior to 2-22-60					
Consists of the following -					
(1) ring gear	31 teeth (6-3/4" dia.)	(1) pinion	10 teeth	(1) shim kit	C1KY-4663-A
C1DZ 4209-N	3.50 to 1	1	All	C	60
Use on vehicles built prior to 2-22-60					
Consists of the following -					
(1) ring gear	35 teeth (6-3/4" dia.)	(1) pinion	10 teeth	(1) shim kit	CODW-4663-B thru AV
	NS-3.56 to 1 - use C1DZ-4209-L on vehicles built after 2-21-60				C 60
C1DZ 4209-J	3.10 to 1	1	144	C	60/61
Consists of the following -					
(1) ring gear	31 teeth (6-3/4" dia.)	(1) spacer	C3DZ-4662-A	(1) nut	371518-S
(1) pinion	10 teeth	(1) shim kit	CODW-4663-AB thru AV		

CONTINUED ON NEXT PAGE

Rear Axle

GROUP AND PART NUMBER	DESCRIPTION, SIZE, ETC.	NO. REQ'D	MODEL OR ENGINE CUBIC INCH DISPLACEMENT	VEHICLE CODE	YEAR 19__
4209 KIT (RING GEAR & PINION) CONTINUED					
C1DZ 4209-L	3.50 to 1 Consists of the following - (1) ring gear 35 teeth (6-3/4" dia.) (1) spacer (1) pinion 10 teeth (1) shim kit	1	144	C	60/63
C1DZ 4209-M	3.50 to 1 Consists of the following - (1) ring gear 35 teeth (7" dia.) (1) spacer (1) pinion 10 teeth (1) shim kit	1	144	C	60/63
C1UZ 4209-B	4.00 to 1 Consists of the following - (1) ring gear 36 teeth (7" dia.) (1) spacer (1) pinion 9 teeth (1) shim kit	1	144	C	60/63
C1DZ 4209-E	3.20 to 1 Consists of the following - (1) ring gear 32 teeth (7-1/4" dia.) (1) spacer (1) pinion 10 teeth (1) shim kit	1	170,200	C	61/64
C1DZ 4209-G	3.50 to 1 Consists of the following - (1) ring gear 35 teeth (7-1/4" dia.) (1) spacer (1) pinion 10 teeth (1) shim kit	1	170,200	C	61/64
C4OZ 4209-A	2.80 to 1 Consists of the following - (1) ring gear 42 teeth (7-3/4" dia.) (1) spacer (1) pinion 15 teeth (1) shim kit	1	260,289	C	64
LF 4209-D	2.89 to 1 - use on vehicles not equipped with Hybrid axle, remote control vent or shock absorbers mounted on rear axle housing Consists of the following - (1) ring gear 55 teeth (1) pinion 19 teeth (1) drive pinion nut	(a) 1	All	D	60/63
LF 4209-C	3.11 to 1 - use on vehicles not equipped with Hybrid axle, remote control vent or shock absorbers mounted on rear axle housing Consists of the following - (1) ring gear 59 teeth (1) pinion 19 teeth (1) drive pinion nut	(a) 1	All	D	63
C4VY 4209-A	2.89 to 1 - use on vehicles equipped with Hybrid axle, remote control vent and shock absorbers mounted on rear axle housing Consists of the following - (1) ring gear 55 teeth (1) pinion 19 teeth (1) drive pinion nut	(a) 1	All	D	63/64
C4VY 4209-B	3.11 to 1 - use on vehicles equipped with Hybrid axle, remote control vent and shock absorbers mounted on rear axle housing Consists of the following - (1) ring gear 59 teeth (1) pinion 19 teeth (1) drive pinion nut	(a) 1	All	D	63/64
356596-S	Bolt-hex. hd. -7/16"-20 x 27/32"-attach ring gear to differential gear case	12	a		

Rear Axle

GROUP AND PART NUMBER	DESCRIPTION, SIZE, ETC.	NO. REQ'D	MODEL OR ENGINE CUBIC INCH DISPLACEMENT	VEHICLE CODE	YEAR 19__
4211 SHAFT (DIFFERENTIAL PINION)					
B7A 4211-A		(b) 1	All	A B	60/64
		1	260, 289	C	63/64
CODW 4211-C		1	144, 170, 200	C	60/64
8L 4211	Standard differential - use on vehicles not equipped with Hybrid axle, remote control vent or shock absorbers mounted on rear axle housing	(a) 1	All	D	60/63
B9TT 4211-B	Disc type P/L differential	2	All	D	60/64
C4VY 4211-A	Standard differential - serviced in 4213 assembly only for P/L differential - use on vehicles equipped with Hybrid axle, remote control vent and shock absorbers mounted on rear axle housing	(a) 1	All	D	63/64
353698-S	Pin-lock-7/32" x 1-1/2"	1	a		
359475-S	Pin-1/4" x 1-3/4"-axle differential pinion shaft lock pin	1-3	b		
4211 KIT (DIFFERENTIAL PINION SHAFT)					
C1AZ 4211-A	Standard differential with (4) pinion gears	1	All	A	61/64
Consists of the following -					
(1) WAB-44205-A	seat	(2) WAB-44207-A	shaft	(3) 359475-S	pin
4213 CASE ASSEMBLY (REAR AXLE DIFFERENTIAL GEAR) POWER LOCK					
C1VY 4213-A	This is the only part necessary to convert from a standard to a disc type P/L differential - use on vehicles not equipped with Hybrid axle, remote control vent or shock absorbers mounted on rear axle housing	1	All	D	60/63
C4VY 4213-A	This is the only part necessary to convert from a standard to a disc type P/L differential - use on vehicles equipped with Hybrid axle, remote control vent and shock absorbers mounted on rear axle housing	1	All	D	63/64
4214 SPRING (REAR AXLE DIFFERENTIAL CLUTCH)					
B9A 4214-A	Use with (5)plate locking differential - also serviced in 4880 kit	2	All	A	61/64
C4AZ 4214-A	Use with (7)plate locking differential	1	All	A	64
	Use with locking differential	1	260, 289	C	64
C4DZ 4214-A	Use with (3) plate locking differential	1	170, 200	C	64
C1TT 4214-A	Disc type P/L differential - (4) external ears equally spaced	2	All	D	60/64
C1VY 4214-A	Disc type P/L differential - internal splines	2	All	D	60/64
4215 KIT (REAR AXLE DIFFERENTIAL PINION)					
B7A 4215-B	Use on vehicles built prior to 12-19-60	1	All	A	60/61
Consists of the following -					
(2) WAA-4215-C	gear	(2) B7A-4230-A	washer		
C1AZ 4215-B	Standard differential - use on vehicles built after 12-18-60	1-2	All	A B	61/64
Consists of the following -					
(2) C1AW-4215-B	gear	(2) B7A-4230-A	washer		
C1AZ 4215-C	Use with locking differential	1	390	A	63/64
	☆ Except Special Performance	1	260, 289☆	C	64
Consists of the following -					
(2) C1AW-4215-C	gear	(2) WAA-4230-A	washer		

CONTINUED ON NEXT PAGE

Rear Axle

GROUP AND PART NUMBER	DESCRIPTION, SIZE, ETC.	NO. REQ'D	MODEL OR ENGINE CUBIC INCH DISPLACEMENT	VEHICLE CODE	YEAR 19__
4215 KIT (REAR AXLE DIFFERENTIAL PINION) CONTINUED					
CODZ 4215-B	Use with (1) piece differential case Consists of the following -	1	All	C	60/61
(2) CODW-4215-B	gear				
(2) CODW-4230-A	washer				
CODZ 4215-C	Use with (2) piece differential case Consists of the following -	1	All	C	60/63
		1	170,200	C	64
(2) CODW-4215-C	gear				
(2) CODW-4230-C	washer				
8M 4215	Standard differential - serviced in 4213 assembly only for cone type P/L differential	2	All	D	60
4215 PINION (DIFFERENTIAL)					
B9TZ 4215-B	Disc type P/L differential	4	All	D	60/64
C1VV 4215-A	Standard differential - use on vehicles not equipped with Hybrid axle, remote control vent or shock absorbers mounted on rear axle housing	2	All	D	61/63
C4VY 4215-B	Standard differential - serviced in 4213 assembly only for P/L differential - use on vehicles equipped with Hybrid axle, remote control vent and shock absorbers mounted on rear axle housing	2	All	D	63/64
4216 BOLT (RING GEAR TO DIFFERENTIAL CASE)					
C3AZ 4216-A	7/16"-20 x .94"- hex. hd. - special step	10	390,406,427	A	62/64
350627-S	7/16"-20 x 1.20"-hex. hd. -use with locking differential	10	390	A	63/64
352887-S	Washer-1/2"-use with ring gears having 1/2" bolt holes	10	390,427	A	64
376749-S	Bolt-1/2"-20 x .98"-hex.locking-use with ring gears having 1/2" bolt holes	10	390,427	A	64
372487-S	7/16"-20 x .94"-hex. hd. -use with standard differential - ☆ except Comet 170 C.I.D. engine	10	390,427	A	63/64
		10	170★,221,260	B C	63
		10	260,289	C	64
372768-S	3/8"-24 x .75"-hex. hd.	8	144,170,200	C	63/64
353596-S	7/16"-20 x 27/32"-hex. hd.	12	All	D	63/64
4221 CONE & ROLLER (REAR AXLE DIFFERENTIAL BEARING)					
B7A 4221-B		2	383,390,406,427,430	A	60/64
B7A 4221-A		2	223,292,312,352	A	60/62
		2	All	B	62/63
		2	260,289	C	63/64
B7C 1201-A	Use on vehicles with 23 spline axle shaft	2	All	C	60/61
C1UW 4221-A	Use on vehicles with 24 spline axle shaft	2	All	C	61/62
		2	144,170,200	C	63/64
B7T 1201-A		2	All	D	60/64
4222 CUP (REAR AXLE DIFFERENTIAL BEARING)					
B7A 4222-B		2	383,390,406,430	A	60/62
		2	All	A	63/64
B7A 4222-A		2	223,292,312,352	A	60/62
		2	All	B	62/63
		2	260,289	C	63/64
B7C 1202-A	Use on vehicles with 23 spline axle shaft	2	All	C	60/61
C1UW 4222-A	Use on vehicles with 24 spline axle shaft	2	All	C	61/62
		2	144,170,200	C	63/64
8L 4222		2	All	D	60/64

Rear Axle

GROUP AND PART NUMBER	DESCRIPTION, SIZE, ETC.	NO. REQ'D	MODEL OR ENGINE CUBIC INCH DISPLACEMENT	VEHICLE CODE	YEAR 19__
4228 WASHER (DIFFERENTIAL SIDE GEAR THRUST)					
C2OW 4228-A		2-4 2	All 260, 289	A B C	60/64 63/64
CODW 4228-A	Also serviced in 4236 kit	2 2	All 144, 170, 200	C C	60/62 63/64
C1VY 4228-A	Standard differential - none used with disc type P/L differential	2	All	D	60/64
4230 WASHER (DIFFERENTIAL PINION THRUST)					
B7A 4230-A	Also serviced in 4215 kit	2-4 2	All 260, 289	A B C	60/64 63/64
CODW 4230-A	Also serviced in 4215 kit Use on models 54, 62 with 3.56 to 1 ratio built prior to 3-1-60 Use on all models with 3.10 to 1 ratio	2 2	All All	C C	60 60/61
CODW 4230-C	Also serviced in 4215 kit Use on models 54, 62 with 3.56 to 1 ratio built after 2-29-60 Use on models 59, 71 Use on all models except 3.10 to 1 ratio	2 2 2 2	All All All 144, 170, 200	C C C C	60 60 61/62 63/64
8M 4230	Standard differential - serviced in 4213 assembly only for P/L differential - use on vehicles not equipped with Hybrid axle, remote control vent or shock absorbers mounted on rear axle housing	2	All	D	60/63
B5D 4230-A	Standard differential - serviced in 4213 assembly only for P/L differential - use on vehicles equipped with Hybrid axle, remote control vent and shock absorbers mounted on rear axle housing	2	All	D	63/64
4234-5 SHAFT & BEARING (REAR AXLE)					
COMW 4234-A	R. H.	(a) 1	All	A	60
COMY 4235-A	L. H.	(a) 1	All	A	60
COAZ 4234-A	R. H. - standard duty - with B7A-1225-A bearing	1	All	A	61/63
COAZ 4235-A	L. H. - standard duty - with B7A-1225-A bearing	1	All	A	61/63
C2SZ 4234-A	R. H. - 28 splines - heavy duty with CISZ-1225-B bearing	1	All	A	61/64
C2SZ 4234-B	L. H. - 28 splines - heavy duty with CISZ-1225-B bearing	1	All	A	61/64
C3AZ 4234-A	R. H. - 31 splines	1	427	A	64
C3AZ 4234-B	L. H. - 31 splines	1	427	A	64
C2OZ 4234-A	R. H. - 28 splines	1 1	All 260, 289	B C	62/63 64
C2OZ 4235-A	L. H. - 28 splines	1 1	All 260, 289	B C	62/63 64
CODW 4234-B	R. H. - 23 splines	1	59, 71	C	60/61
CODZ 4235-B	L. H. - 23 splines	1	59, 71	C	60/61
CODW 4234-C	R. H. - 23 splines	1	All except 59, 71	C	60/61
CODZ 4235-A	L. H. - 23 splines	1	All except 59, 71	C	60/61
C1DW 4234-A	R. H. - 24 splines	1	59, 71	C	61/62
C1DZ 4234-A	L. H. - 24 splines	1	59, 71	C	61/62
C1DW 4234-B	R. H. - 24 splines	1	All except 59, 71	C	61/62
C1DZ 4234-B	L. H. - 24 splines	1	All except 59, 71	C	61/62
C3DZ 4234-D	R. H. - 24 splines with CODZ-1225-A bearing	1	144, 170	C	63
C3DZ 4234-C	L. H. - 24 splines with CODZ-1225-A bearing	1	144, 170	C	63

CONTINUED ON NEXT PAGE

Rear Axle

GROUP AND PART NUMBER	DESCRIPTION, SIZE, ETC.	NO. REQ'D	MODEL OR ENGINE CUBIC INCH DISPLACEMENT	VEHICLE CODE	YEAR 19__
4234-5 SHAFT & BEARING (REAR AXLE) CONTINUED					
C3DZ 4234-E	R. H. - 24 splines with CODZ-1225-C bearing	1	144,170	C	63
C3DZ 4234-F	L. H. - 24 splines with CODZ-1225-C bearing	1	144,170	C	63
C3DZ 4234-A	R. H. - 28 splines	1	260	C	63
C3DZ 4234-B	L. H. - 28 splines	1	260	C	63
C4DZ 4234-A	R. H. - 24 splines	1	170,200	C	64
C4DZ 4234-B	L. H. - 24 splines	1	170,200	C	64
LF 4234-C	R. H.	1	All	D	60
B8LY 4235-A	L. H.	1	All	D	60
C1VV 4234-D		2	All	D	61
C2VY 4234-A		2	All	D	62/64
34424-S7	Nut-lock-1/2"-20-attach shaft to axle	4	a		

4236 GEAR (DIFFERENTIAL SIDE)					
B9A 4236-B	Use with locking differential on vehicles built prior to 12-19-60	1	All	A	61
C2AZ 4236-B	Use with locking differential on vehicles built after 12-18-60 - also serviced in 4880 kit	1	All	A	61/64
C4DZ 4236-A	16 teeth - 24 spline - with hub - use with (3) plate locking differential	1	260, 289	C	64
C4DZ 4236-B	16 teeth - 24 spline - without hub - use with (3) plate locking differential	1	170,200	C	64
8L 4236	Standard differential - serviced in 4213 assembly only for cone type P/L differential	2	All	D	60
C1VY 4236-B	Disc type P/L differential	2	All	D	60/64
C1VV 4236-A	Standard differential - to be used as a replacement gear on axles with less than 1000 miles or when replacing 4205 case - use on vehicles not equipped with Hybrid axle, remote control vent or shock absorbers mounted on rear axle housing	2	All	D	61/63
C1VY 4236-A	Standard differential - <u>do not</u> use as a replacement gear on axles with less than 1000 miles or when replacing 4205 - use on vehicles not equipped with Hybrid axle, remote control vent or shock absorbers mounted on rear axle housing	2	All	D	61/63
C4VY 4236-B	Standard differential - use on vehicles equipped with Hybrid axle, remote control vent and shock absorbers mounted on rear axle housing	2	All	D	63/64

4236 KIT (DIFFERENTIAL SIDE GEAR)					
B7A 4236-B	Use on vehicles built prior to 12-19-60	1	All	A	60/61
Consists of the following -					
(2) B7A-4228-A	washer	(2) WAA-4236-C	gear		
C4AZ 4236-A	Use with 31 spline heavy duty axle	1	427	A	64
Consists of the following					
Δ(2) C4AW-4236-A	side gear	(2) C2OW-4228-A	washer		
Δ Not serviced separately					
C2AZ 4236-A	Use on vehicles built after 12-18-60	1	All	A B	61/63
	Use (1) C2AW-4236-A and (1) C2AZ-4236-B if vehicle is equipped with locking differential - ☆ except 31 spline heavy duty axle	1	All☆	A	64
		1	260, 289	C	64
Consists of the following -					
(2) C2OW-4228-A	washer	(2) C2AW-4236-A	gear		

CONTINUED ON NEXT PAGE

Rear Axle

GROUP AND PART NUMBER	DESCRIPTION, SIZE, ETC.	NO. REQ'D	MODEL OR ENGINE CUBIC INCH DISPLACEMENT	VEHICLE CODE	YEAR 19__
4236 KIT (DIFFERENTIAL SIDE GEAR) CONTINUED					
CODZ 4236-B	Use on models 54, 62 with 3.56 to 1 ratio built prior to 3-1-60	1	All	C	60
	Use on all models with 23 spline axle shaft and 3.10 to 1 ratio	1	All	C	60/61
Consists of the following -					
(2) CODW-4228-A	washer		(2) CODW-4236-B	gear	
CODZ 4236-C	Use on models 59, 71	1	All	C	60
	Use on models 54, 62 with 3.56 to 1 ratio built after 2-29-60	1	All	C	60
	Use on all models with 23 spline axle shaft except 3.10 to 1 ratio	1	All	C	61
Consists of the following -					
(2) CODW-4228-A	washer		(2) CODW-4236-C	gear	
C1DZ 4236-A	Use on all models with 24 spline axle shaft and 3.10 to 1 ratio	1	All	C	61
Consists of the following -					
(2) CODW-4228-A	washer		(2) C1DW-4236-A	gear	
C1DZ 4236-B	Use on all models with 24 spline axle shaft except 3.10 to 1 ratio	1	All	C	61
		1	All	C	62/64
Consists of the following -					
(2) CODW-4228-A	washer		(2) C1DW-4236-C	gear	
4298 BRACKET (REAR AXLE DRIVE PINION BUMPER)					
COAW 4298-A	Use on vehicles built prior to 6-17-63	1	All	A	61/62
	Use with automatic transmission on vehicles built after 6-16-63	1	390, 406	A	63
		1	390-2V	A	63/64
C3AZ 4298-A	Use with standard transmission on vehicles built after 6-2-63	1	427	A	63
	Use on vehicles built after 6-2-63	1	390-2V	A	63
		1	390-4V	A	63
C3AZ 4298-B	Use with standard transmission	1	390-2V	A	64
	Use with standard and automatic transmissions	1	390-4V, 427	A	64
C3OZ 4298-A	Use with standard transmission only	1	260	B	63
4347 BOLT (REAR AXLE HOUSING CARRIER)					
C1AW 4347-A		10	All	A B	60/64
		10	260, 289	C	63/64
4529 "U" BOLT (UNIVERSAL JOINT)					
C1AA 4529-A		2	All	A B	61/63
C1AZ 4529-A	Driveshaft to rear axle	(c) 2	260, 289, 390, 427	A C	64
O1Y 4529	Driveshaft to rear axle	(a) 2	All	A	60
		2	All	D	60/62
CODD 4529-A		(b) 2	All	C	60/63
		(b) 2	170, 200	C	64
33796-S	Nut-hex. -1/4"-28	4	b		
33798-S8	Nut-hex. -5/16"-24-"U"-bolt to flange	4	a		
34805-S	Lockwasher-1/4"	4	b		
34806-S7	Washer-lock-5/16"-24-"U"-bolt to flange	4	a, c		
351089-S	Nut-hex. -5/16"-24-"U" bolt to flange	4	c		

Rear Axle

GROUP AND PART NUMBER	DESCRIPTION, SIZE, ETC.	NO. REQ'D	MODEL OR ENGINE CUBIC INCH DISPLACEMENT	VEHICLE CODE	YEAR 19__
4602 DRIVESHAFT					
B9M 4602-D	Standard transmission - 56-3/4" long - center to center of yoke holes - GREEN	1	312	A	60
B9M 4602-E	Automatic transmission - 61-5/64" long - center to center of yoke holes - WHITE	1	PBM	A	60
B9MM 4602-S	Automatic transmission - 58" long - center to center of yoke holes - PINK	1	PBB	A	60
	Standard transmission	1	430	A	60
B9MM 4602-U	Automatic transmission - 62" long - center to center of yoke holes - BROWN	1	PBL	A	60
C1MM 4602-H	Standard and o/drive transmissions - 57-5/8" long - center to center of yoke holes - SILVER	1	223	A	61
	Standard transmission	1	292	A	61
C3MY 4602-C	All transmissions - 3" diameter - 57-27/64" long - YELLOW and RED	1	All except PCE	A	61/62
	Standard transmission - use on vehicles built prior to 6-17-63	1	390, 406	A	63
C3MY 4602-D	Automatic transmission - 3" diameter - 57-19/64" long - YELLOW and GREEN STRIPE	1	PCE	A	61/62
	Automatic transmission	1	390-2V, 390-4V☆	A	63
	☆use on vehicles built prior to 6-17-63	1	390-2V	A	64
C2MY 4602-A	Standard transmission - 2-3/4" diameter - 57-5/8" long - SILVER and BLUE - use on vehicles built prior to 11-20-61	1	223, 292	A	62
C2MY 4602-D	Standard transmission - 2-3/4" diameter - 57-1/2" long - (2) SILVER and BLUE bands - use on vehicles built after 11-19-61	1	223, 292	A	62
C3MY 4602-F	Four speed transmission - 3" diameter - 58-3/16" long - use on vehicles built prior to 6-17-63 with WCN-AX, BX, CX stamped on axle identification tag	1	427	A	63
C3MY 4602-G	Standard transmission - 3" diameter - 57-3/16" long - YELLOW and RED STRIPE - use on vehicles built after 6-16-63	1	390, 427	A	63/64
C3MY 4602-H	Automatic transmission - 3" diameter - 57-3/16" long - (3) YELLOW stripes - use on vehicles built after 6-16-63	1	390-4V	A	63/64
	Standard transmission with o/drive	1	390	A	63/64
C2YY 4602-A	All transmissions - 3" diameter - 59" long - (1) YELLOW or (2) PINK bands	1	All	B	62
C3YY 4602-A	Three speed and automatic transmissions - model 71 - 3" diameter - 58" long - PINK and ORANGE	1	170, 221	B	63
	Automatic transmission - model 71	1	260	B	63
C3YY 4602-C	Three speed and automatic transmissions - all models except 71 - 3" diameter - 59" long - PINK	1	170, 221	B	63
	Automatic transmission - all models except 71	1	260	B	63
C3AZ 4602-G	Four speed transmission - model 71 - 3" diameter - 56-5/8" long	1	221, 260	B	63
C3MY 4602-E	Four speed transmission - all models except 71 - 3" diameter - 57-5/8" long - (2) YELLOW stripes	1	221, 260	B	63
C3YY 4602-D	Standard transmissions - model 71 - with torsional damper type flange - 3" diameter - 57-3/8" long - PINK and YELLOW	1	260	B	63
C3YY 4602-E	Standard transmissions - all models except 71 - with torsional damper type flange - 3" diameter - 58-3/8" long - PINK and WHITE	1	260	B	63
CONTINUED ON NEXT PAGE					

Rear Axle

GROUP AND PART NUMBER	DESCRIPTION, SIZE, ETC.	NO. REQ'D	MODEL OR ENGINE CUBIC INCH DISPLACEMENT	VEHICLE CODE	YEAR 19__
4602 DRIVESHAFT (CONTINUED)					
C3DZ 4602-B	All transmissions - 2-3/4" diameter - 55-31/64" long - (1) chrome YELLOW band - for models 59,71	1	144	C	60/62
	All except four speed transmissions for models 59, 71	1	144	C	63
C3GY 4602-B	All transmissions - 2-3/4" diameter - 57-29/32" long - (1) BLACK stripe band - for all models except 59, 71	1	144, 170	C	60/62
	All transmissions - for all models except 59, 71	1	144	C	63
C3DZ 4602-A	All transmissions - 2-3/4" diameter - 54-19/32" long - (2) chrome YELLOW STRIPES - for models 59, 71	1	170	C	61/62
	All except four speed transmissions - for models 59, 71	1	170, 200	C	64
	All except four speed transmissions - for models 59, 71	1	170	C	63
C3GY 4602-A	All transmissions - all models except 59, 71 - 57" long - (2) BLACK stripes	1	170, 200	C	61/64
C2DZ 4602-A	Four speed transmissions - 2-1/2" diameter - 53-21/64" long - (3) WHITE BANDS - for models 59, 71	1	144	C	62
C2DZ 4602-B	Four speed transmission - 2-1/2" diameter - 52-1/2" long - (3) BLACK bands - for models 59, 71	1	170	C	62
C3DZ 4602-D	Four speed transmission - models 59, 71 - 2-1/2" diameter - 53-25/64" long - (3) WHITE stripes	1	144	C	63
C3DZ 4602-C	Four speed transmission - models 59, 71 - 2-1/2" diameter - 52-19/32" long - (3) BLACK stripes	1	170	C	63
C3GY 4602-D	Automatic transmission - all models except 59, 71 - 2-3/4" diameter - 56-53/64" long	1	260	C	63
C3DZ 4602-G	All transmissions - models 59, 71 - 52-23/64" long x 2-3/4" diameter - ORANGE and SILVER stripe	1	260	C	63
	Standard transmission - model 71	1	260, 289	C	64
C3GY 4602-E	Standard transmissions - all models except 59, 71 - 56-27/32" long x 2-3/4" diameter	1	260, 289	C	63/64
C4GY 4602-A	Dual range automatic transmission - all models except 71 - 57-3/16" long x 2-3/4" diameter - (2) PINK STRIPES	1	260, 289	C	64
C4GY 4602-B	Dual range automatic transmission - model 71 - 52-3/4" long x 2-3/4" diameter	1	260, 289	C	64
COLL 4602-B		1	All	D	60
C1VY 4602-C	Roller spline	1	All	D	61/62
C3VY 4602-A	(1) GREEN stripe	1	All	D	63
C4VY 4602-A		1	All	D	64
4614 RETAINER & BEARING CUP (REAR AXLE DRIVE PINION GEAR)					
C2AZ 4614-A		1	All	A	60/63
	☆ All except vehicles built after 4-5-64 equipped with 390 C.I.D. engines and standard transmission	1	390☆	A	64
	☆ Except 31 spline heavy duty axle	1	427☆	A	64
C3AZ 4614-A	Use with 31 spline heavy duty axle	1	427	A	63/64
	☆ Use on vehicles equipped with standard transmissions built after 5-10-64	1	390☆	A	64
C2OZ 4614-B	Not used with torsional type damper flange	1	All	B	62/63
		1	260, 289	C	64
C3OZ 4614-A	Use with standard transmission with torsional damper type flange	1	260	B	63
		1	260	C	63

Rear Axle

GROUP AND PART NUMBER	DESCRIPTION, SIZE, ETC.	NO. REQ'D	MODEL OR ENGINE CUBIC INCH DISPLACEMENT	VEHICLE CODE	YEAR 19__
4616 CUP (REAR AXLE DRIVE PINION BEARING)					
B7A 4616-A	Front and rear	2	All	A	60/63
	Front and rear ☆ Use on all vehicles equipped with 390 C.I.D. engines and automatic transmissions - also on vehicles built prior to 5-11-64 equipped with 390 C.I.D. engines with standard transmissions	2	390☆	A	64
	Front ☆ Use on vehicles built after 5-10-64 equipped with 390 C.I.D. engines and standard transmissions	1	390☆	A	64
	☆ Use with heavy duty axle except 31 spline	1	427☆	A	64
TBAA 4616-A	Rear - use with 31 spline heavy duty axle	1	427	A	64
	Rear ☆ Use on vehicles built after 5-10-64 equipped with 390 C.I.D. engines and standard transmissions	1	390☆	A	64
	Rear	1	170,200	C	61/64
CODW 4616-A	Front and rear	2	All	B	62/63
	Front	1	144,170,200	C	60/64
	Front and rear	2	260,289	C	63/64
CODW 4628-A	Rear	1	144	C	60/63
8A 4616	Front - use on vehicles not equipped with Hybrid axle, remote control vent or shock absorbers mounted on rear axle housing	1	All	D	60/63
8L 4628	Rear	1	All	D	60/64
B5A 4616-B	Front - use on vehicles equipped with Hybrid axle, remote control vent and shock absorbers mounted on rear axle housing	1	All	D	63/64
4621 CONE & ROLLER (REAR AXLE DRIVE PINION)					
B7A 4621-A	Front and rear	2	All	A	60/63
	Front and rear ☆ Use on all vehicles equipped with 390 C.I.D. engines and automatic transmissions - also on vehicles built prior to 5-11-64 equipped with 390 C.I.D. engines with standard transmissions	1	390☆	A	64
	Front ☆ Use on vehicles built after 5-10-64 equipped with 390 C.I.D. engines and standard transmissions	1	390☆	A	64
	☆ Use with heavy duty axle except 31 spline	1	427☆	A	64
TBAA 4621-A	Rear - use with 31 spline heavy duty axle	1	427	A	64
	Rear ☆ Use on vehicles built after 5-10-64 equipped with 390 C.I.D. engines and standard transmissions	1	390☆	A	64
CODW 4621-A	Front and rear	2	All	B	62/63
	Front	1	144,170,200	C	60/64
	Front and rear	2	260,289	C	63/64
CODW 4630-A	Rear	1	144	C	60/63
C1DZ 4630-A	Rear	1	170,200	C	61/64

CONTINUED ON NEXT PAGE

Rear Axle

GROUP AND PART NUMBER	DESCRIPTION, SIZE, ETC.	NO. REQ'D	MODEL OR ENGINE CUBIC INCH DISPLACEMENT	VEHICLE CODE	YEAR 19__
4621 CONE & ROLLER (REAR AXLE DRIVE PINION) CONTINUED					
8M 4621	Front - use on vehicles not equipped with Hybrid axle, remote control vent and shock absorbers mounted on rear axle housing	1	All	D	60/63
8L 4630	Rear	1	All	D	60/64
B5A 4621-B	Front - use on vehicles equipped with Hybrid axle, remote control vent and shock absorbers mounted on rear axle housing	1	All	D	63/64
4625 BEARING (REAR AXLE DRIVE PINION GEAR PILOT)					
B7A 4625-A	Use on vehicles built prior to 4-2-62	1	All	A	60/62
C2AZ 4625-A	Use on vehicles built after 4-1-62	1	All	A	62/64
C2OZ 4625-B		1	All	B	62/63
		1	260, 289	C	63/64
4627 RETAINER (REAR AXLE DRIVE PINION PILOT BEARING)					
B7AZ 4627-A		1	All	A	60/64
C2OZ 4627-A		1	All	B	62/63
		1	260, 289	C	63/64
4628	REFER TO GROUP 4616				
4630	REFER TO GROUP 4621				
4635 KIT (UNIVERSAL JOINT)					
C3AZ 4635-G	Front - 3-5/8" span - use on vehicles built after 6-16-63	1	All	A	63/64
C3AZ 4635-H	Rear - 3-5/8" span - use on vehicles built after 6-16-63	1	All	A	63/64
C3AZ 4635-E	Front - 3-15/32" span - use on all 63 vehicles built prior to 6-17-63 and on all 63 vehicles built after 6-16-63 equipped with 390-2V engine and PCE transmission	1	All	A	61/63
		1	All	A	64
		1	All	B	62/63
C3AZ 4635-F	Rear - 3-15/32" span - use on all 63 vehicles built prior to 6-17-63 and on all 63 vehicles built after 6-16-63 equipped with 390-2V engine and PCE transmission	1	All	A	61/63
		1	All	A	64
		1	All	B	62/63
A9LY 4635-A	Front and rear	2	312	A	60
	Front	1	383, 430	A	D 60
C1TZ 4635-B	Rear	1	383, 430	A	60
		2	430	D	60/62
CODZ 4635-A		2	All	C	60/62
Consists of the following -					
(4) MB-4712-A	bearing	(1) CODD-4758-A	spider	(4) A8AZ-4891-A	ring
C3AZ 4635-C	Front	1	260, 289	C	63/64
C3AZ 4635-D	Rear	1	260, 289	C	63/64
C3DZ 4635-A		2	144, 170, 200	C	63/64
Consists of the following -					
(4) MB-4712-A	bearing	(4) A8AZ-4891-A	ring	(1) 374714-S	plug
(1) C3DA-4758-C	spider				
C1VV 4997-A	Front	2	All	D	61/62
C3VY 4997-A	Front and rear	3	All	D	63
C4SZ 4635-A	Front and rear	3	All	D	64
Consists of the following -					
(1) C3AA-4705-E	spider	(4) C3AA-4891-A1	ring	(1) 353043-S	fitting
(4) C3AA-4712-G	bearing assembly				

Rear Axle

GROUP AND PART NUMBER	DESCRIPTION, SIZE, ETC.	NO. REQ'D	MODEL OR ENGINE CUBIC INCH DISPLACEMENT	VEHICLE CODE	YEAR 19__
4637 WASHER (REAR AXLE DIFFERENTIAL DRIVE PINION GEAR THRUST)					
TBAA 4637-A	.77"/.78" I.D. x 1.50" O.D. x .125" thick - use on vehicles equipped with Hybrid axle, remote control and shock absorbers mounted on rear axle housing	1	All	D	63/64
4662 SPACER (REAR AXLE DRIVE PINION BEARING)					
B7A 4662-A	☆ Use on vehicles built after 5-10-64 equipped with automatic transmissions	1	All 390☆	A A	60/63 64
C4AZ 4662-A	.466" thick ☆ Use on vehicles built after 5-10-64 equipped with standard transmissions	1 1	427 390☆	A A	64 64
C4AZ 4662-B	.468" thick ☆ Use on vehicles built after 5-10-64 equipped with standard transmissions	1 1	427 390☆	A A	64 64
C4AZ 4662-C	.470" thick ☆ Use on vehicles built after 5-10-64 equipped with standard transmissions	1 1	427 390☆	A A	64 64
C4AZ 4662-D	.472" thick ☆ Use on vehicles built after 5-10-64 equipped with standard transmissions	1 1	427 390☆	A A	64 64
C4AZ 4662-E	.474" thick ☆ Use on vehicles built after 5-10-64 equipped with standard transmissions	1 1	427 390☆	A A	64 64
C4AZ 4662-F	.476" thick ☆ Use on vehicles built after 5-10-64 equipped with standard transmissions	1 1	427 390☆	A A	64 64
C4AZ 4662-L	.477" thick ☆ Use on vehicles built after 5-10-64 equipped with standard transmissions	1 1	427 390☆	A A	64 64
C4AZ 4662-G	.478" thick ☆ Use on vehicles built after 5-10-64 equipped with standard transmissions	1 1	427 390☆	A A	64 64
C4AZ 4662-M	.479" thick ☆ Use on vehicles built after 5-10-64 equipped with standard transmissions	1 1	427 390☆	A A	64 64
C4AZ 4662-H	.480" thick ☆ Use on vehicles built after 5-10-64 equipped with standard transmissions	1 1	427 390☆	A A	64 64
C4AZ 4662-N	.481" thick ☆ Use on vehicles built after 5-10-64 equipped with standard transmissions	1 1	427 390☆	A A	64 64
C4AZ 4662-J	.482" thick ☆ Use on vehicles built after 5-10-64 equipped with standard transmissions	1 1	427 390☆	A A	64 64
C4AZ 4662-P	.483" thick ☆ Use on vehicles built after 5-10-64 equipped with standard transmissions	1 1	427 390☆	A A	64 64
C4AZ 4662-K	.484" thick ☆ Use on vehicles built after 5-10-64 equipped with standard transmissions	1 1	427 390☆	A A	64 64
C4AZ 4662-R	.485" thick ☆ Use on vehicles built after 5-10-64 equipped with standard transmissions	1 1	427 390☆	A A	64 64
CONTINUED ON NEXT PAGE					

Rear Axle

GROUP AND PART NUMBER	DESCRIPTION, SIZE, ETC.	NO. REQ'D	MODEL OR ENGINE CUBIC INCH DISPLACEMENT	VEHICLE CODE	YEAR 19__
4662 SPACER (REAR AXLE DRIVE PINION BEARING) CONTINUED					
C2OW 4662-A		1	All	B	62/63
		1	260, 289	C	63/64
C1DW 4662-E	Use on vehicles with 3.435" mounting distance prior to 2-22-60	1	All	C	60
C1DW 4662-F	Use on vehicles with 3.560" mounting distance after 2-21-60	1	All	C	60
C3DZ 4662-A		1	144	C	61/63
C3DZ 4662-B		1	170, 200	C	61/64
4663 KIT (REAR AXLE PINION BEARING SHIM)					
MGK 4663-A	Consists of (1) each WAA-4663-A thru M shims - also serviced in 4209 kit	1	All	A	60/64
C1KY 4663-A	Consists of (1) each CODW-4663-AB through AV shims - also serviced in 4209 kit	1	144, 170, 200	C	60/64
		1	170	B	62
C2YY 4663-A	Consists of (1) each C2OW-4663-AA thru AZ shims - also serviced in 4209 kit	1	221, 260	B	62
		1	All	B	63
		1	260, 289	C	63/64
CODW 4663-BB	Use when replacing early production rear axle housing with late production housing	1	All	C	60
4669 "O" RING (REAR AXLE DRIVE PINION BEARING RETAINER)					
B7A 4669-A		1	All	A	60/64
C2OZ 4669-A	4" I.D.	1	221, 260, 289	B C	62/64
4670 SLINGER (DRIVE PINION SHAFT OIL)					
C3AZ 4670-A		1	All	A	60/64
C3OZ 4670-A		1	221, 260, 289	B C	62/64
8M 4670	Use on vehicles not equipped with Hybrid axle, remote control vent or shock absorbers mounted on rear axle housing	1	All	D	60/63
C4VY 4670-A	Use on vehicles equipped with Hybrid axle, remote control vent and shock absorbers mounted on rear axle housing	1	All	D	63/64
4671 GASKET (DRIVE PINION OIL SEAL)					
8M 4671		1	All	D	60/64
4672 SHIM (DRIVE PINION FRONT BEARING ADJUSTING)					
8M 4672-A	.003" thick - use on vehicles not equipped with Hybrid axle, remote control vent or shock absorbers mounted on rear axle housing	AR	All	D	60/63
8M 4672-C	.010" thick - use on vehicles not equipped with Hybrid axle, remote control vent or shock absorbers mounted on rear axle housing	AR	All	D	60/63
8M 4672-D	.030" thick - use on vehicles not equipped with Hybrid axle, remote control vent or shock absorbers mounted on rear axle housing	AR	All	D	60/63
B5D 4672-A	.003" thick - use on vehicles equipped with Hybrid axle, remote control vent and shock absorbers mounted on rear axle housing	AR	All	D	63/64
C4VY 4672-C	.010" thick - use on vehicles equipped with Hybrid axle, remote control vent and shock absorbers mounted on rear axle housing	AR	All	D	63/64
C4VY 4672-D	.030" thick - use on vehicles equipped with Hybrid axle, remote control vent and shock absorbers mounted on rear axle housing	AR	All	D	63/64

Rear Axle

GROUP AND PART NUMBER	DESCRIPTION, SIZE, ETC.	NO. REQ'D	MODEL OR ENGINE CUBIC INCH DISPLACEMENT	VEHICLE CODE	YEAR 19__
4676 SEAL (REAR AXLE DRIVE PINION OIL)					
B8A 4676-B	Use on vehicles built prior to 4-27-62	1	All	A	60/62
C2AZ 4676-A	Use on vehicles built after 4-26-62	1	All	A	62 & 64
		1	390, 406	A	63
C3AZ 4676-A		1	427	A	63/64
C2OZ 4676-A		1	All	B	62/63
		1	260, 289	C	63/64
CODW 4676-A		1	144, 170, 200	C	60/64
LF 4676-A	Use on vehicles not equipped with Hybrid axle, remote control vent or shock absorbers mounted on rear axle housing	1	All	D	60/63
C4VY 4676-A	NS - 9/1/64 RB C4VY-4676-C				
C4VY 4676-C	Use on vehicles equipped with Hybrid axle, remote control vent and shock absorbers mounted on rear axle housing	1	All	D	63/64
4730 BUMPER (REAR AXLE)					
B9MY 4730-A	Rubber	2	All	A	60
B9MY 4730-B	Spring bumper	2	All	A	60
C1AZ 4730-A	Differential carrier	1	All	A	61/62
C3AZ 4730-A	NS - 10/1/64 RB C4AZ-4730-A				
C4AZ 4730-A	Differential carrier bumper	1	390, 406	A	63
C3AZ 4730-B	Differential carrier bumper	1	427	A	63
		1	All	A	64
C3MY 4730-A	Spring bumper	2	All except 71	A	63/64
C3MY 4730-B	Spring bumper	2	71	A	63/64
C1VV 4730-B	Rubber	2	All	A	61
	Spring bumper	2	All except 71	A	62
		2	All	D	61/64
C2OZ 4730-B	Spring bumper	2	All	B	62/63
C3OZ 4730-A	Differential carrier bumper ☆Except 260 C. I. D. engine with three speed standard transmission	1	All☆	B	62/63
C3OZ 4730-B	Differential carrier bumper - use with standard transmission	1	260	B	63
CODD 4730-B	☆ Except model 71	3	144, 170	C	60/63
		AR	170, 200, 260☆, 289☆	C	64
C3DZ 4730-A	Spring bumper Model 71	2	260	C	63
		2	260, 289	C	64
C3DZ 4730-B	Differential carrier bumper	1	260, 289	C	63/64
B6LY 4730-A	Differential carrier bumper	1	All	D	60
B8LY 4730-A		(a) 2	All	D	60
COLY 4730-A	Spring bumper	2	All	D	60
C1VY 4730-A	Differential carrier bumper	1	All	D	61/64
20366-S8	Bolt-hex. hd. -5/16"-18 x 7/8"-attach bumper assy. rear axle to underbody	4	a		
34781-S8	Washer-lock-5/16"-attach bumper assy. rear axle to underbody	4	a		
4731 BRACKET (REAR AXLE BUMPER)					
B9KY 4731-A		(a) 2	All	A	61/64
C2OZ 4731-A	☆Except 260 C. I. D. engine with standard transmission	1	All	B	62
		1	All☆	B	63
C3OZ 4731-A	Use with standard transmission	1	260	B	63

CONTINUED ON NEXT PAGE

Rear Axle

GROUP AND PART NUMBER	DESCRIPTION, SIZE, ETC.	NO. REQ'D	MODEL OR ENGINE CUBIC INCH DISPLACEMENT	VEHICLE CODE	YEAR 19__
4731 BRACKET (REAR AXLE BUMPER) CONTINUED					
COGY 4731-A	R. H.	1	All except 59, 71	C	60/62
COGY 4731-B	L. H.	1	All except 59, 71	C	60/62
C3DZ 4731-E		2	260	C	63
C4DZ 4731-A	No color code - ☆ model 71 only	2	170☆, 200☆, 260, 289	C	64
C4DZ 4731-B	Use on L. H. side only - color code YELLOW	1	All	C	64
C4VY 4731-A	Spring bumper	2	All	D	61/64
40143-S	Screw-self-tap. -5/16"-18-1/2"-attach bracket to frame	4	a		
4778 YOKE (DRIVESHAFT ROLLER SPLINE) SLIP					
C2VY 4778-A		1	All	D	61/62
C3VY 4778-A		1	All	D	63/64
4782 YOKE (DRIVESHAFT CENTERING) SOCKET					
C1VV 4782-B		1	All	D	61/62
C3VY 4782-A		1	All	D	63/64
350758-S	Bolt-hex. hd. -5/16"-24 x 1-3/4"	4	a		
4784 YOKE (DRIVESHAFT CENTER)					
C1VV 4784-A		1	All	D	61/62
C3VY 4784-A		1	All	D	63/64
4789 BEARING (DRIVESHAFT ROLLER SPLINE)					
C1VV 4789-D		2	All	D	61/62
C3VY 4789-A		2	All	D	63/64
4790 SEAL (DRIVESHAFT STUD YOKE CENTERING BALL)					
C1VV 4790-B		1	All	D	61/62
C3VY 4790-A		1	All	D	63/64
4791 SLINGER (DRIVESHAFT STUD YOKE)					
C1VV 4791-A		1	All	D	61/62
C3VY 4791-A		1	All	D	63/64
4841 YOKE & PLUG (UNIVERSAL JOINT SLIP)					
MK 4841-B	Standard transmission	1	All	A	60
B9AA 4841-A	Use on driveshaft with 2-3/4" outside diameter with 28 teeth on splined end	1	223,292,352	A	61
C1MM 4841-G	Use on driveshaft with 3" outside diameter with 28 teeth on splined end	1	223,292,352	A	61/62
	Standard transmission - 28 spline	1	390	A	63
C1MM 4841-E	Use on driveshaft with 3" outside diameter with 31 teeth on splined end	1	390	A	61/62
	Automatic transmission - 31 spline	1	390	A	63
C2MY 4841-A	Use on driveshaft with 2-3/4" outside diameter with 28 teeth on splined end	1	223, 292, 352	A	62
C3AZ 4841-C	Standard transmission - 28 spline - use on vehicles built prior to 6-3-63	1	390,406	A	63
C3AZ 4841-E	Four speed transmission - 28 spline - use on vehicles built prior to 6-3-63	1	427	A	63
C3AZ 4841-G	Standard transmission - 28 spline - use on vehicles built after 6-2-63	1	390,427	A	63/64
C3AZ 4841-A	Automatic transmission - 31 spline	1	All	A	D 60
	Automatic transmission - 31 spline - use on vehicles built prior to 6-3-63	1	390	A	63
	Automatic transmission - 31 spline	1	390-2V	A	64
CONTINUED ON NEXT PAGE					

Rear Axle

GROUP AND PART NUMBER	DESCRIPTION, SIZE, ETC.	NO. REQ'D	MODEL OR ENGINE CUBIC INCH DISPLACEMENT	VEHICLE CODE	YEAR 19__
4841 YOKE & PLUG (UNIVERSAL JOINT SLIP) CONTINUED					
C3AZ 4841-F	Automatic transmission - 31 spline - use on vehicles built after 6-2-63	1	390	A	63
	Automatic transmission - 31 spline	1	390-4V	A	64
KD 4841-A	Automatic transmission	1	All	A D	60
C2YY 4841-A	All transmissions	1	All	B	62
	Three speed and automatic transmissions	1	All	B	63
	All transmissions	1	260	C	63
	All transmissions except dual range	1	260,289	C	64
C3AZ 4841-D	Four speed transmission	1	221,260	B	63
	Dual range - automatic transmission	1	260,289	C	64
C1DD 4841-D	All transmissions	1	144,170,200	C	60/64
4851 FLANGE (UNIVERSAL JOINT) AXLE END					
C3TZ 4851-A		(a) 1	312	A	60
C3SZ 4851-A	3.316" across bolt holes x 4.06" long	1	383,430	A	60
	Four speed standard transmission - use only on vehicles with WCN-AX, BX, CX stamped on axle identification tag	1	427	A	63
C3AZ 4851-F	With damper - 3.316" across bolt holes - length 5.060" - use with standard transmission on vehicles built prior to 5-11-64	1	390	A	63/64
C4AZ 4851-B	With damper - 3.316" across bolt holes - length 4.780" - use with standard transmission on vehicles built after 5-10-64	1	390	A	64
C1AW 4851-A	NS - 7/1/64 RB C3AZ 4851-A				
C2AZ 4851-A	NS - 10/1/64 RB C3AZ-4851-A				
C3AZ 4851-A	2.968" across bolt holes - automatic transmission	1	390-2V, 390-4V	A	63/64
	Four speed standard transmission	1	406	A	63
C3AZ 4851-G	3.316" across bolt holes x 5.060" long - automatic transmission	1	390-4V☆	A	63/64
	Use on vehicles built prior to 3-9-64	1	427	A	63/64
C3AZ 4851-D	5-1/2 pounds torsional damper - 2.968" across bolt holes - standard transmission	1	390	A	63/64
C3AZ 4851-H	Use with 31 spline heavy duty axle	1	427	A	63/64
C4AZ 4851-A	Use on vehicles built after 3-8-64	1	427	A	64
C3OZ 4851-B	Torsional damper type - three speed standard transmission	1	260	B	63
C3OZ 4851-C	Non-damper type - three speed standard transmission	1	260	B	63
C3OZ 4851-A	☆ Except 260 C. I. D. engine with three speed standard transmission	1	All☆	B	62/63
		1	260,289	C	63/64
C2DW 4851-A		(a) 1	144,170,200	C	60/64
B9LL 4851-A		(b) 1	All	D	60/62
C3VY 4851-A	Use on vehicles not equipped with Hybrid axle, remote vent or shock absorbers mounted on rear axle housing	1	All	D	63
C4VY 4851-B	Use on vehicles equipped with Hybrid axle, remote control vent and shock absorbers mounted on rear axle housing	1	All	D	63/64
351126-S	Nut-hex. hd. -3/4"-16-joint assy. to driving pinion	1	b		
351588-S	Washer-flat-3/4" I. D. x 1-5/16" O. D. x 7/32"	1	a		
356504-S	Washer-flat-25/32" I. D. x 5/32" O. D. x 1/8" thick-flange to pinion	1	b		
371518-S	Nut-hex. hd. -3/4"-20-attach flange to pinion gear shaft	1	a		

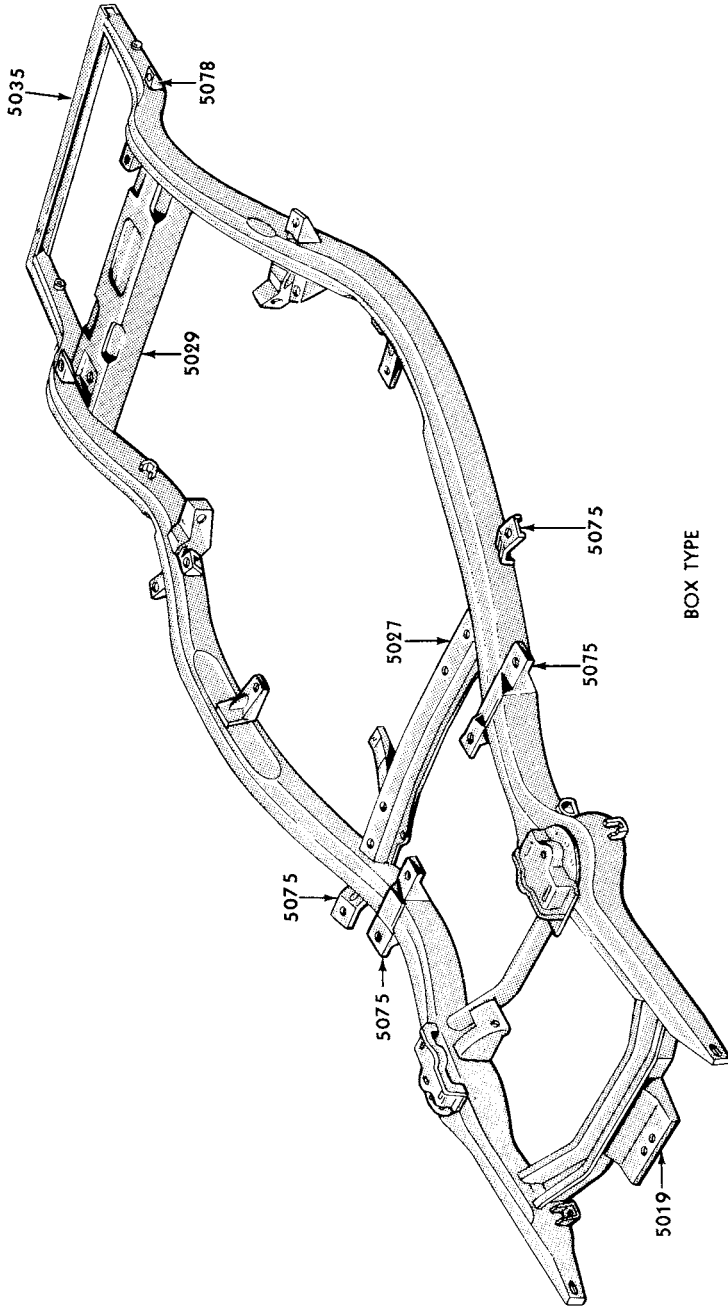
Rear Axle

GROUP AND PART NUMBER	DESCRIPTION, SIZE, ETC.	NO. REQ'D	MODEL OR ENGINE CUBIC INCH DISPLACEMENT	VEHICLE CODE	YEAR 19__
4859 DEFLECTOR (REAR AXLE DRIVE PINION OIL SEAL DUST)					
B8A 4859-A		1	All	A	60/62
C3AZ 4859-A		1	All	A	63/64
C2OW 4859-C		1	All	B	62
C3OZ 4859-A		1	All	B	63
C2DW 4859-A		1	260, 289	C	63/64
C2DW 4859-A		1	144, 170, 200	C	60/64
B9LL 4859-A	Use on vehicles not equipped with Hybrid axle, remote control vent or shock absorbers mounted on rear axle housing	1	All	D	60/63
C4VY 4859-A	Use on vehicles equipped with Hybrid axle, remote control vent and shock absorbers mounted on rear axle housing	1	All	D	63/64
4880 KIT (LOCKING DIFFERENTIAL)					
C1AZ 4880-A		1	292, 352	A	61/62
Consists of the following -					
(1) B9A-4159-A	lubricator	(1) C1AW-4236-D	gear	(3) B9AZ-4947-A	plate
(1) C1AW-4204-L	case	(2) B9AZ-4945-A	plate	(1) 352506-S	pin
(2) B9A-4214-A	spring	(1) C1AW-4946-A	hub	(10) 371246-S	bolt
C1AZ 4880-B	Use with (2) pinion differential having differential bearing journal diameters of 1.784"	1	390	A	63/64
Consists of the following -					
(1) B9A-4159-A	lubricator	(1) C2AZ-4236-B	gear	(1) 4121	identification tag
(1) C4AZ-4204-B	case	(3) B9AZ-4945-A	plate	(1) 352506-S	pin
(1) C4AZ-4214-A	spring	(1) C4AZ-4946-A	hub	(10) 371246-S	bolt
(1) C2AW-4236-A	gear	(4) B9AZ-4947-A	plate		
C1SZ 4880-B	Use with (2) and (4) pinion differential having differential bearing journals of 1.784" diameter	1	390	A	63/64
Consists of the following -					
(1) B9A-4159-A	lubricator	(2) B9AZ-4945-A	plate	(10) 371246-S	bolt
(1) C2AZ-4204-A	case & washers	(1) C1AW-4946-A	hub	(1) I.S. -606	instruction sheet
(2) B9A-4214-A	spring	(3) B9AZ-4947-A	plate	(1) 4121	identification
(1) C2AZ-4236-B	gear	(1) 352506-S	pin		stamped "L"
C3AZ 4880-A	Accessory - use with heavy duty 31 spline axle shafts	1	427-4V, 427-8V	A	63/64
C4DZ 4880-A		1	170, 200	C	64
Consists of the following -					
(1) C4DZ-4204-A	case	(1) C4DZ-4236-B	gear	(4) C4DZ-4947-A	plate
(1) C4DZ-4214-A	spring	(3) C4DZ-4945-A	plate	(1) 305086-S	pin
(1) C4DZ-4236-A	gear	(1) C4DZ-4946-A	hub	(8) 379237-S	bolt
C4OZ 4880-A		1	260, 289	C	64
Consists of the following -					
(1) C4OZ-4159-A	lubricator	(1) C2AZ-4236-B	gear	(4) B9AZ-4947-A	plate
(1) C4OZ-4204-A	case	(2) B9AZ-4945-A	plate	(1) 352506-S	pin
(1) C4AZ-4214-A	spring	(1) C4AW-4946-A	hub	(10) 371246-S	bolt
(1) C2AW-4236-A	gear				
4891 SNAP RING (UNIVERSAL JOINT SPIDER BEARING RETAINER)					
C3AZ 4891-A		6	All	A	60/62
		6	390, 406	A	63
		6	All	B D	60/63
		6	260, 289, 390, 427	A C	64
A8AZ 4891-A	Also serviced in 4635 kit	6	144, 170, 200	C	60/64

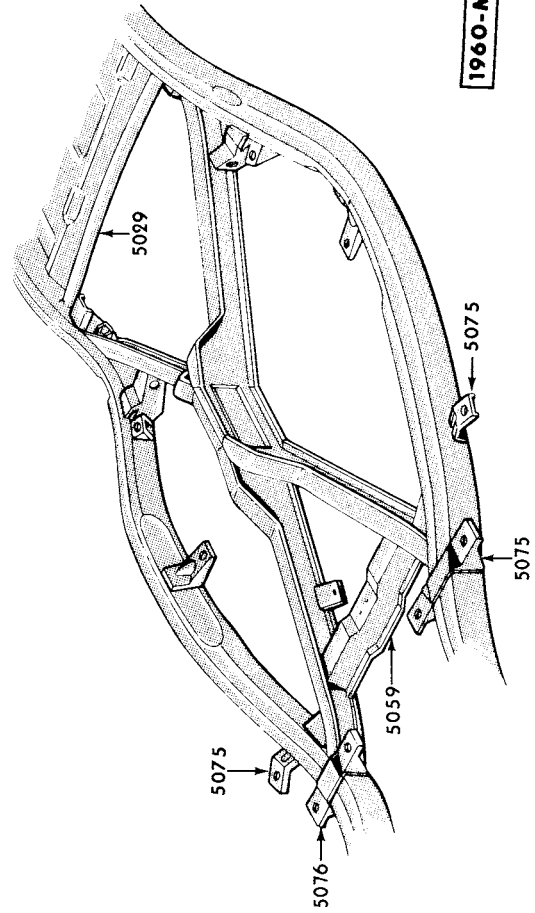
Rear Axle

GROUP AND PART NUMBER	DESCRIPTION, SIZE, ETC.	NO. REQ'D	MODEL OR ENGINE CUBIC INCH DISPLACEMENT	VEHICLE CODE	YEAR 19__
4905 BRACKET (REAR AXLE DIFFERENTIAL BUMPER)					
C1VV 4905-C		1	All	D	61/64
4942 GASKET (TRANSMISSION VIBRATION DAMPENER COVER)					
COLL 4942-A		1	All	D	60
4944 CLAMP (TRANSMISSION VIBRATION DAMPENER)					
COLL 4944-A	"U" shaped	1	All	D	60
COLL 4944-B	Round shaped	1	All	D	60
4945 PLATE (REAR AXLE DIFFERENTIAL CLUTCH)					
B9AZ 4945-A	Use with locking differential - also serviced in 4880 kit	AR 2	All 260, 289	A C	61/64 64
C4DZ 4945-A	Use with (3) plate locking differential	3	170, 200	C	64
B9TT 4945-B	Disc type P/L differential - internal splines	2	All	D	60/64
4946 HUB (REAR AXLE DIFFERENTIAL GEAR CLUTCH)					
C1AW 4946-A	Use with (5) plate locking differential - also serviced in 4880 kit	1	All	A	61/64
C4AZ 4946-A	Use with (7) plate locking differential - also serviced in 4880 kit	1	All	A	64
	Use with locking differential	1	260, 289	C	64
C4DZ 4946-A	Use with (3) plate locking differential	1	170, 200	C	64
C1VY 4946-A	Disc type P/L differential	2	All	D	60/64
4947 PLATE (REAR AXLE DIFFERENTIAL GEAR CLUTCH)					
B9AZ 4947-A	Use with locking differential - also serviced in 4880 kit	AR 4	All 260, 289	A C	61/64 64
C4DZ 4947-A	Use with (3) plate locking differential	4	170, 200	C	64
B9TZ 4947-B	Disc type P/L differential - (4) external ears equally spaced	4	All	D	60/64
4956 SPACER (REAR AXLE DIFFERENTIAL BUMPER BRACKET MOUNTING)					
C1VV 4956-B		2	All	D	61/64
4980 DAMPENER (TRANSMISSION VIBRATION)					
COLL 4980-C		1	All	D	60
4997 REFER TO GROUP 4635					

MEMO



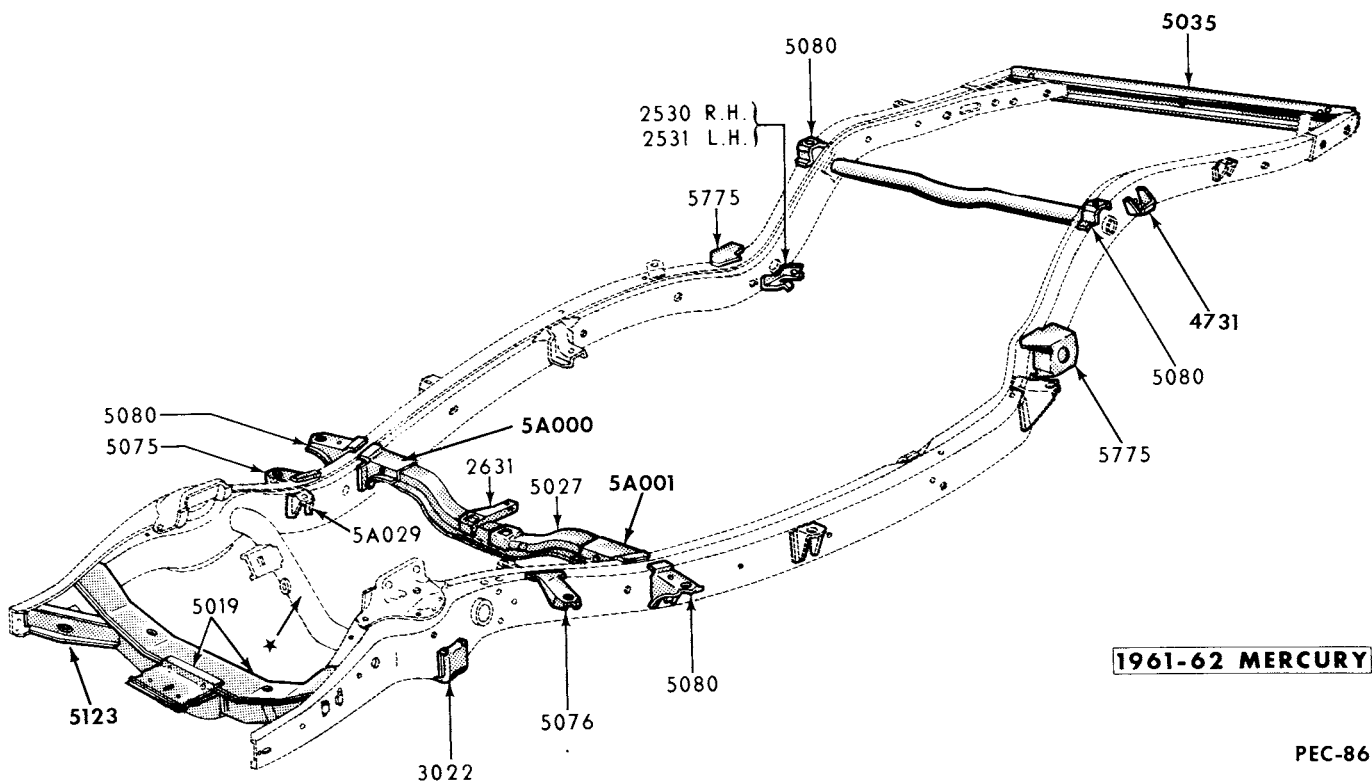
BOX TYPE



FRAME

1960-MERCURY

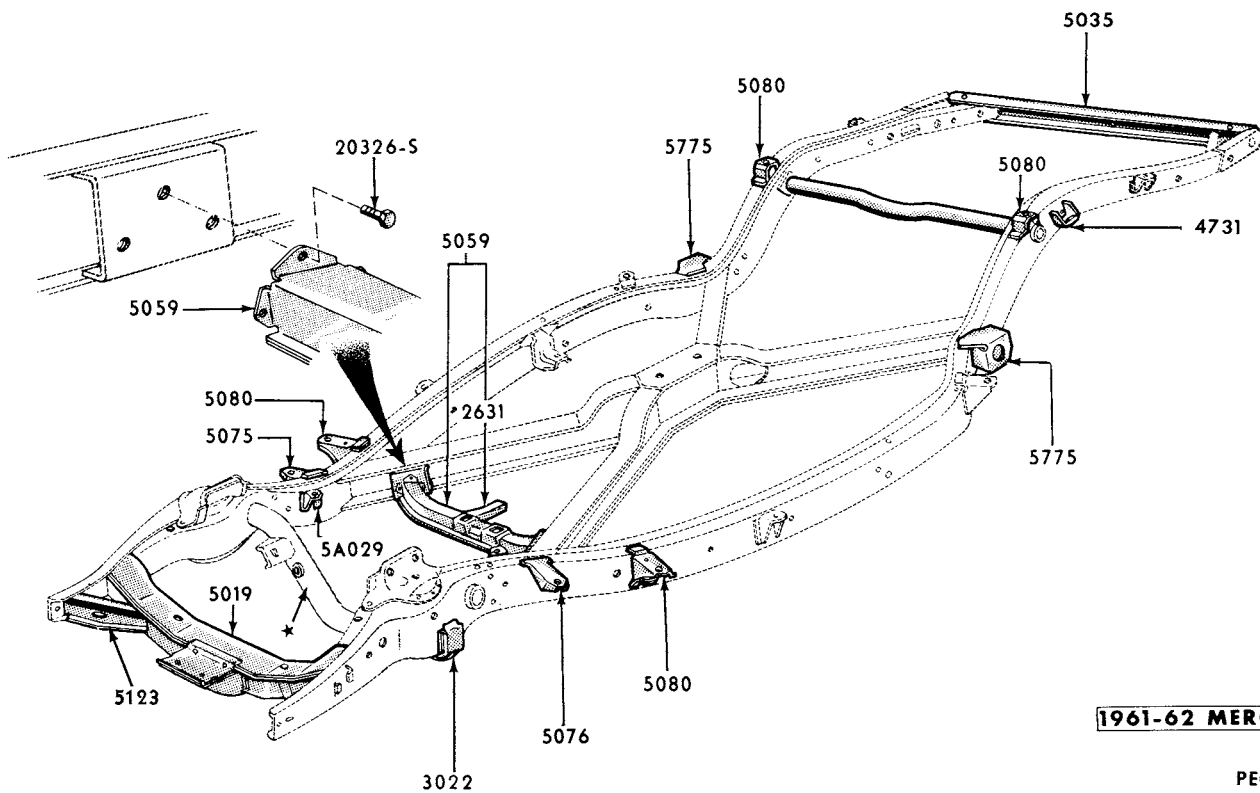
PMC-713



1961-62 MERCURY

PEC-862

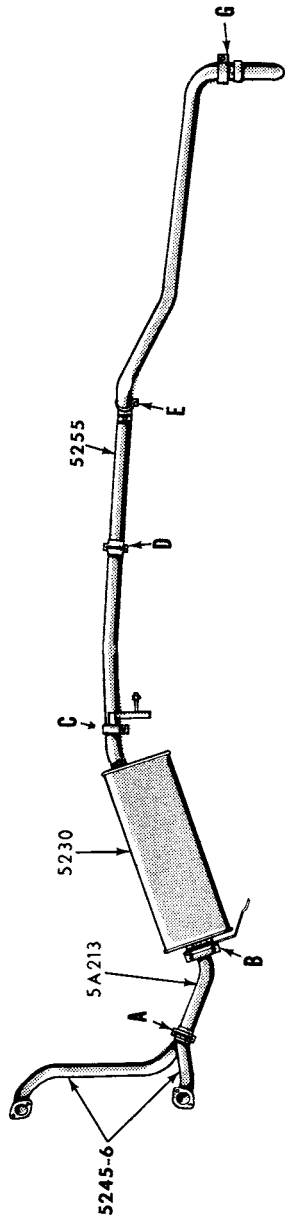
FRAME - STANDARD



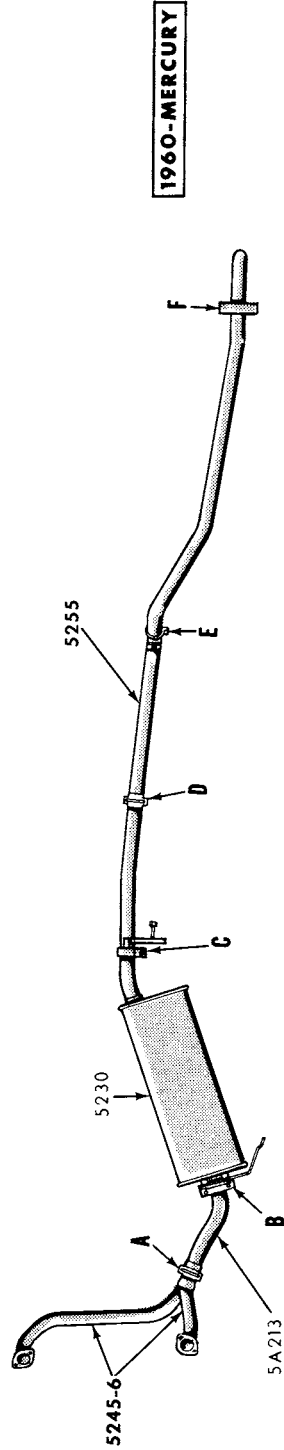
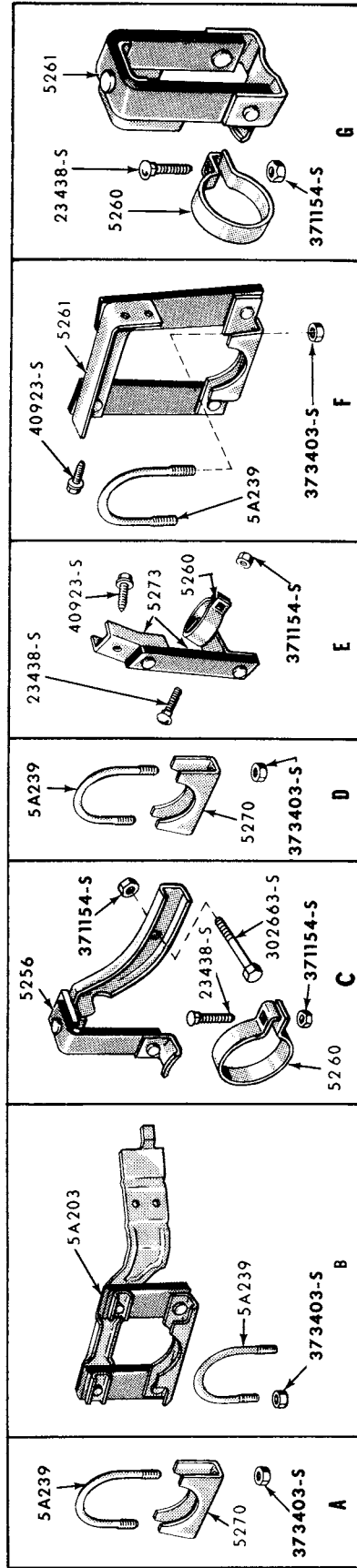
1961-62 MERCURY

PEC-861

FRAME - CONVERTIBLE



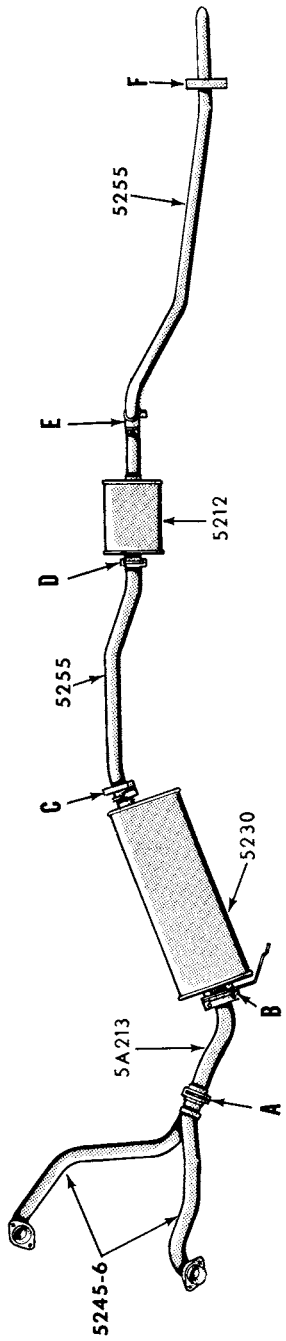
STATION WAGON



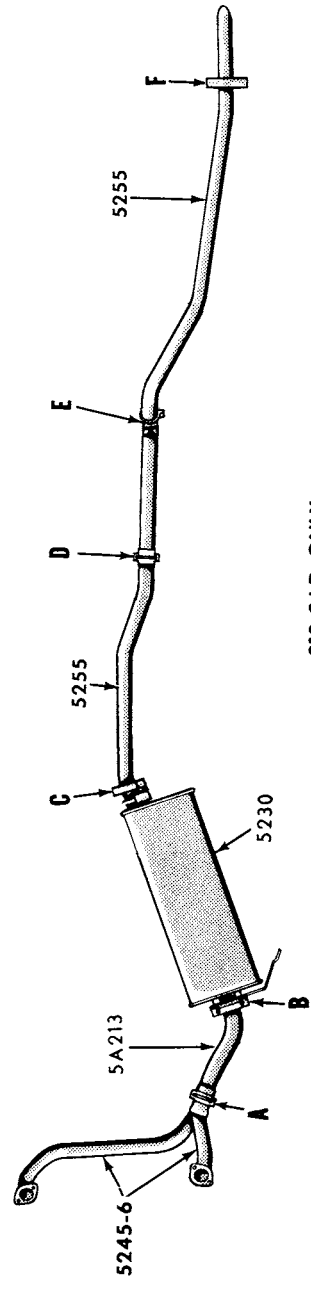
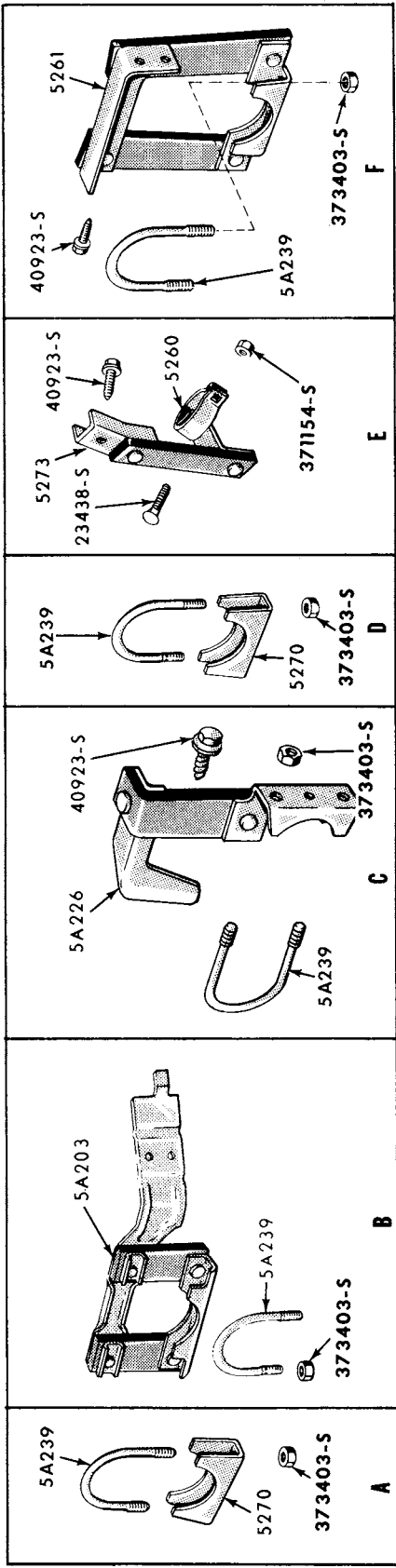
1960-MERCURY

PMC-919

EXHAUST SYSTEM - EXCEPT CONVERTIBLE



383-430 C.I.D. ONLY
SINGLE EXHAUST WITH RESONATOR

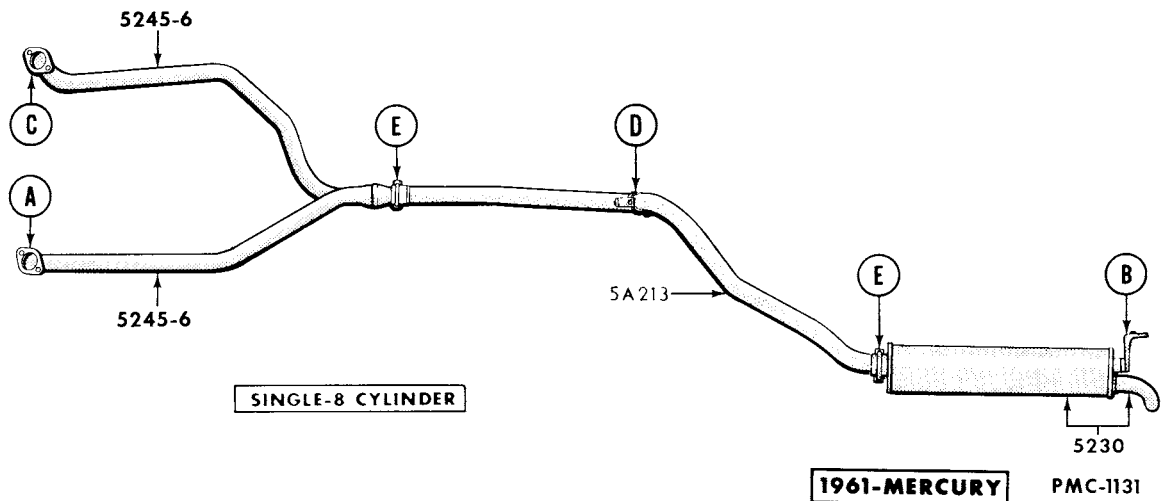
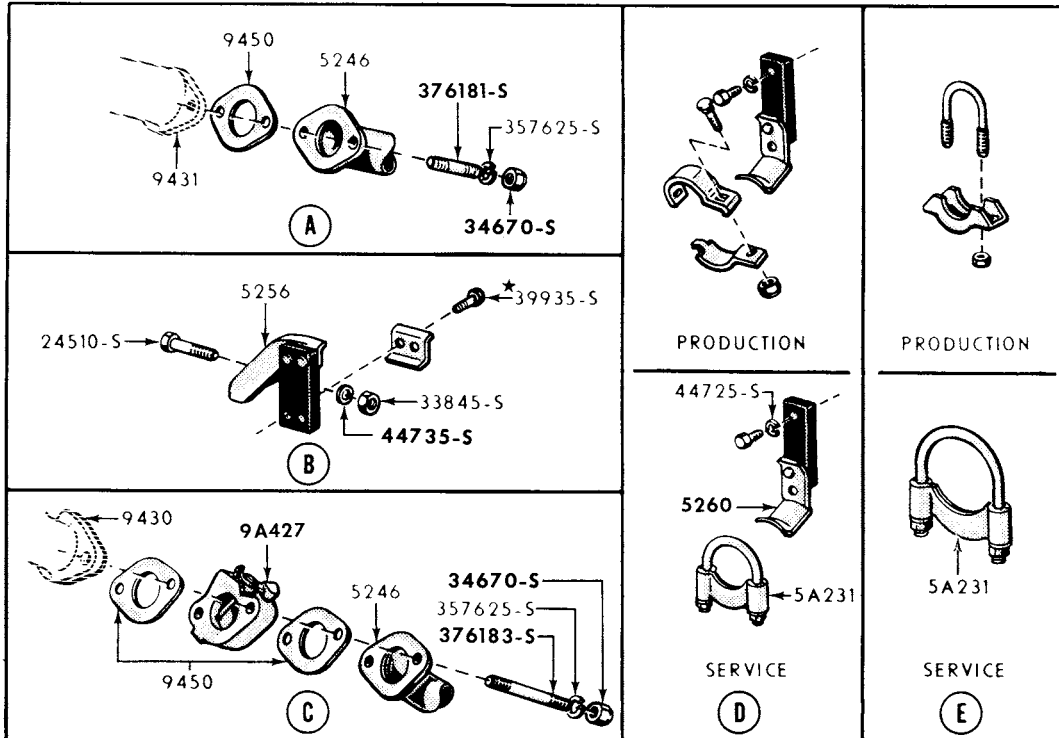
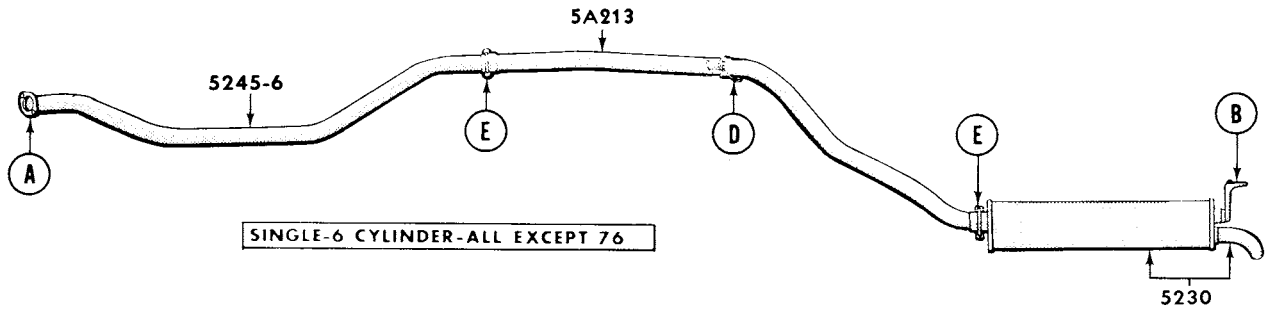


312 C.I.D. ONLY

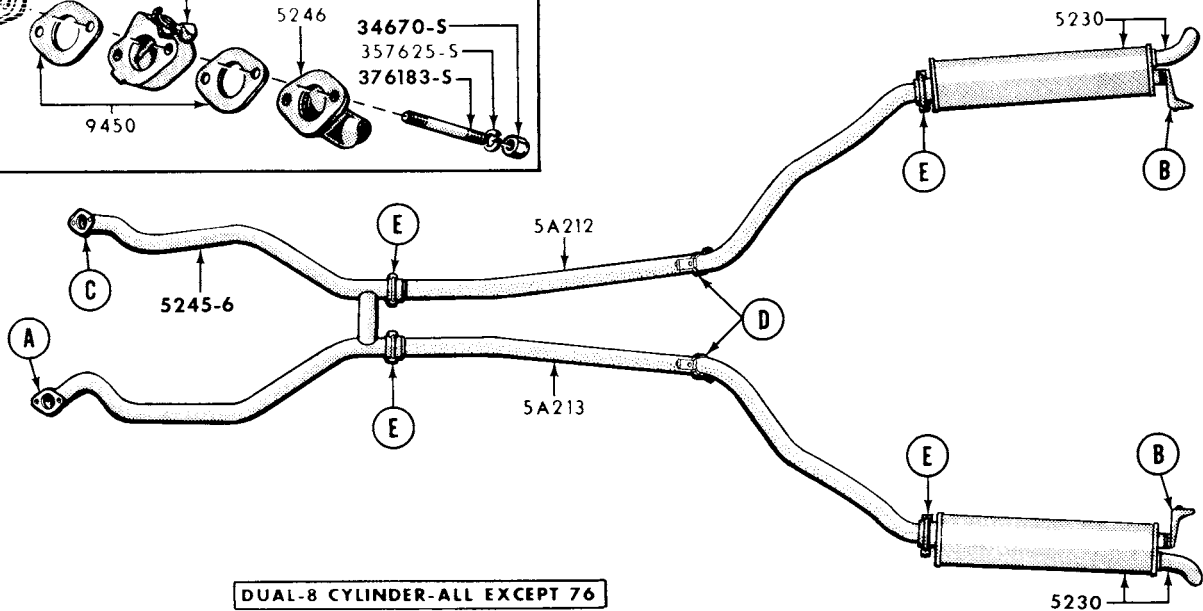
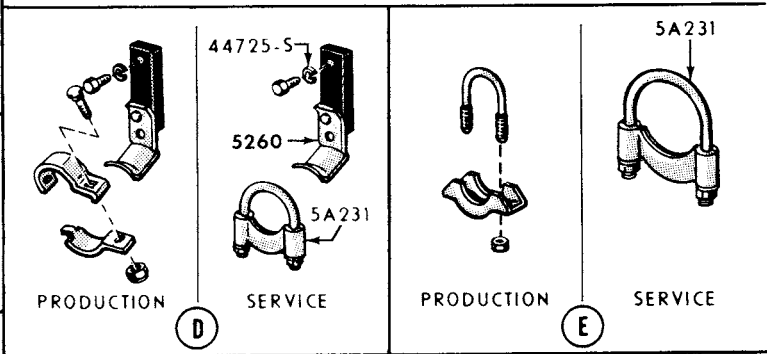
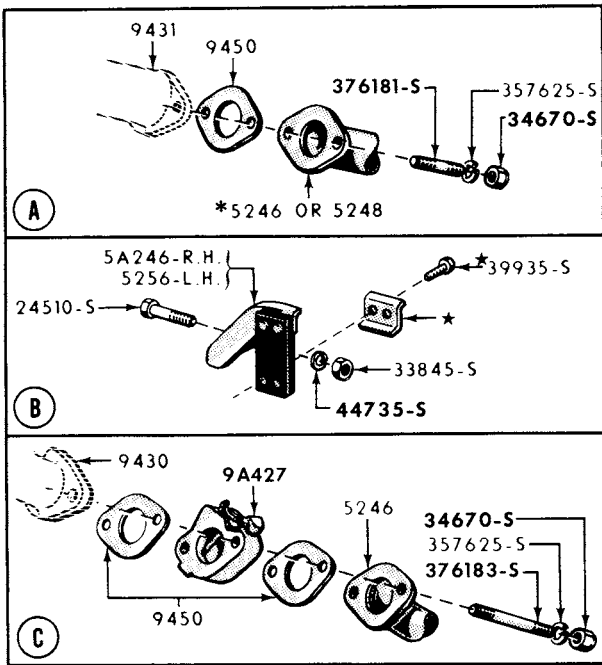
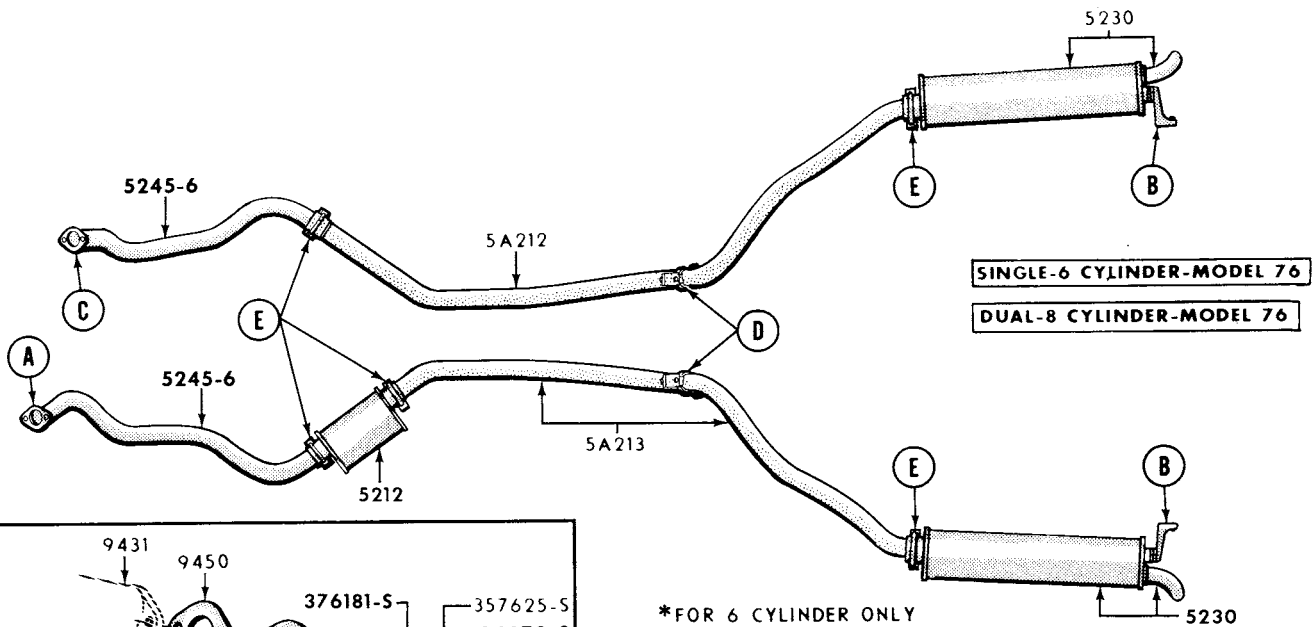
1960-MERCURY

PMC-920

EXHAUST SYSTEM - CONVERTIBLE



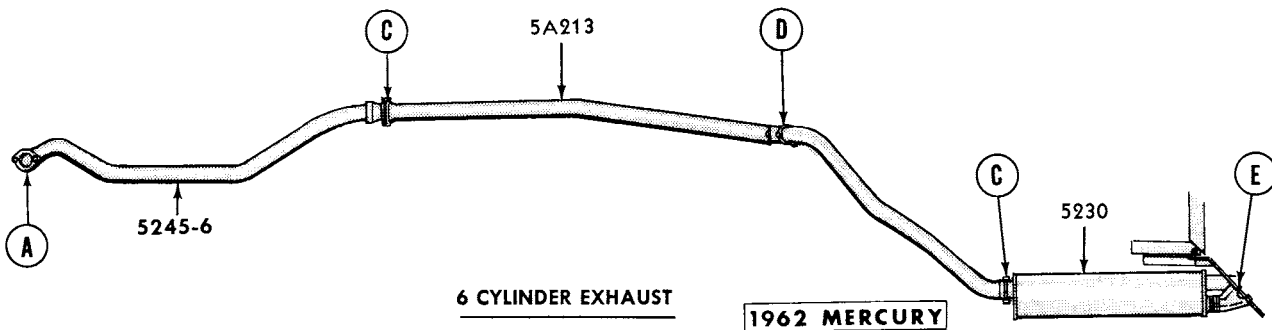
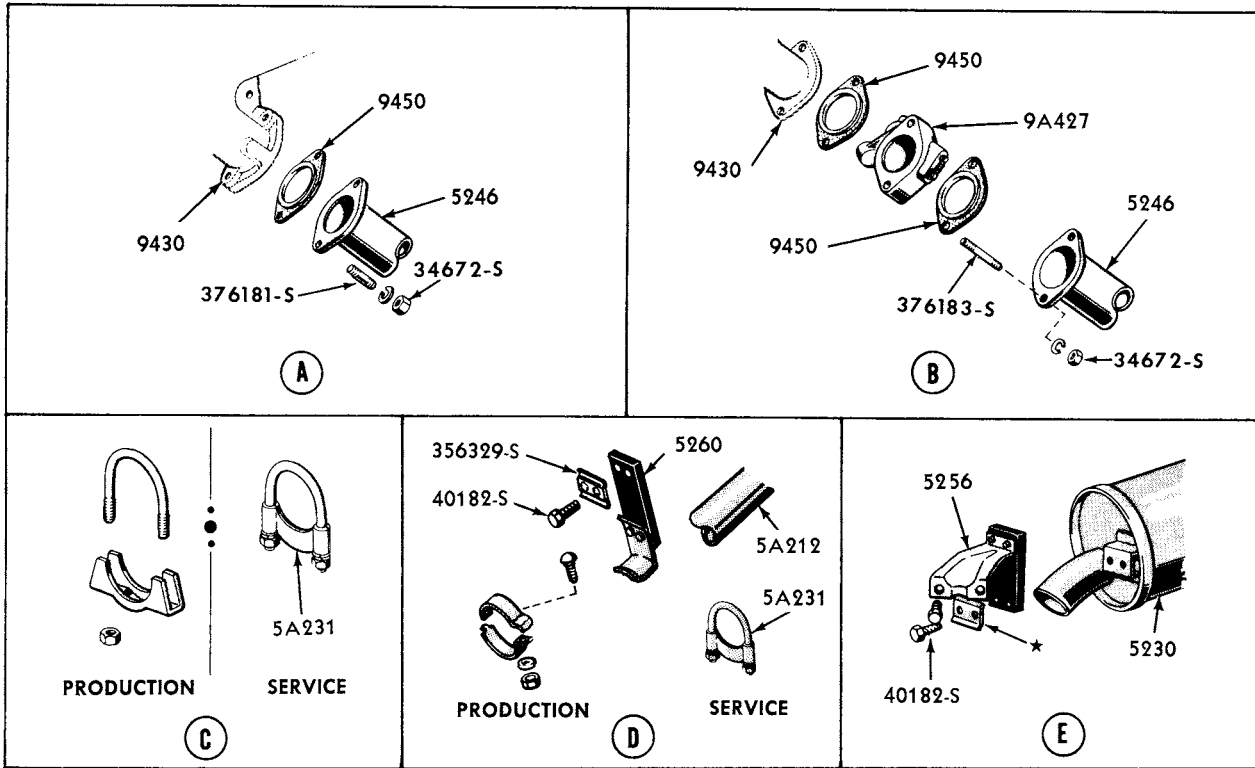
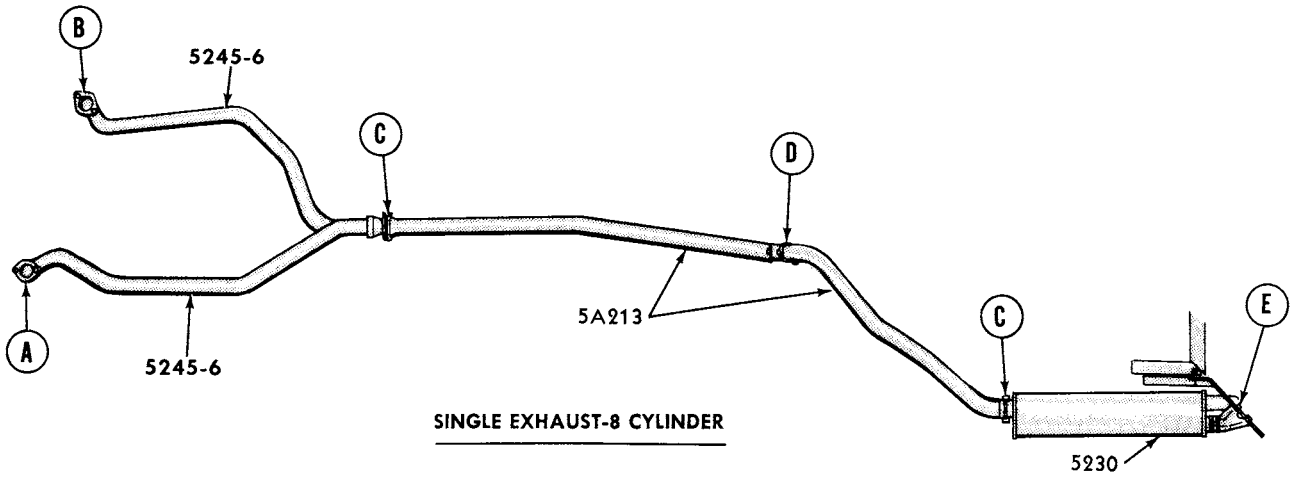
EXHAUST SYSTEM - SINGLE



1961-MERCURY

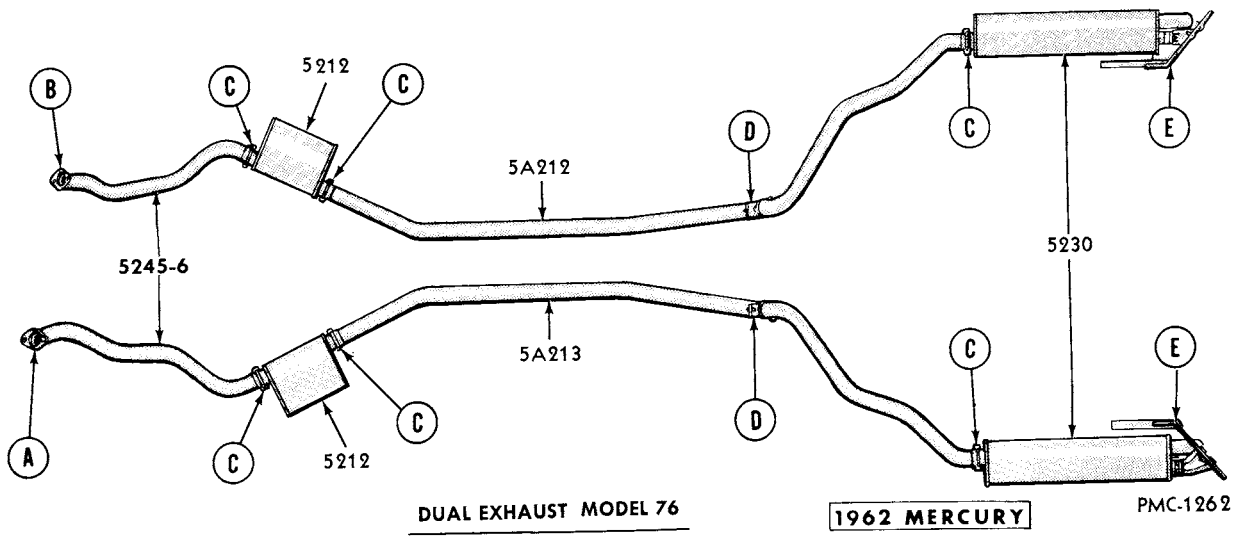
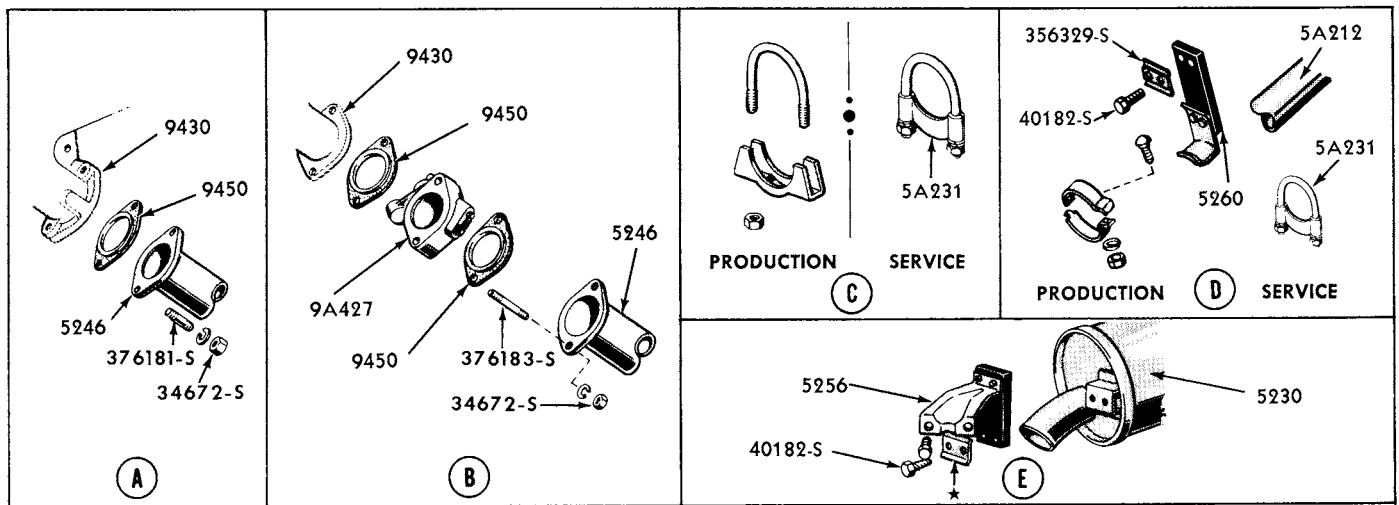
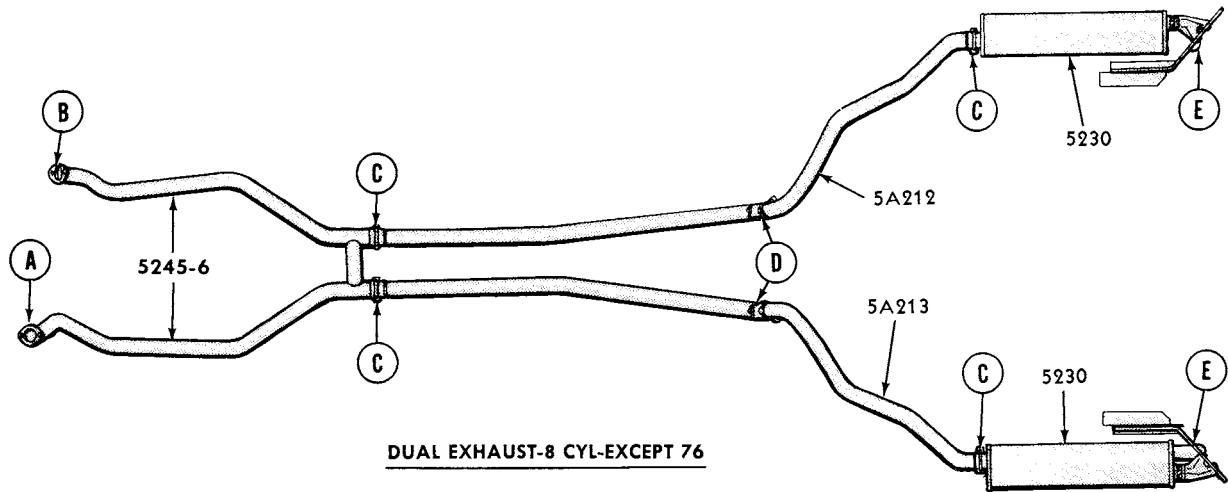
PMC-1132

EXHAUST SYSTEM - DUAL

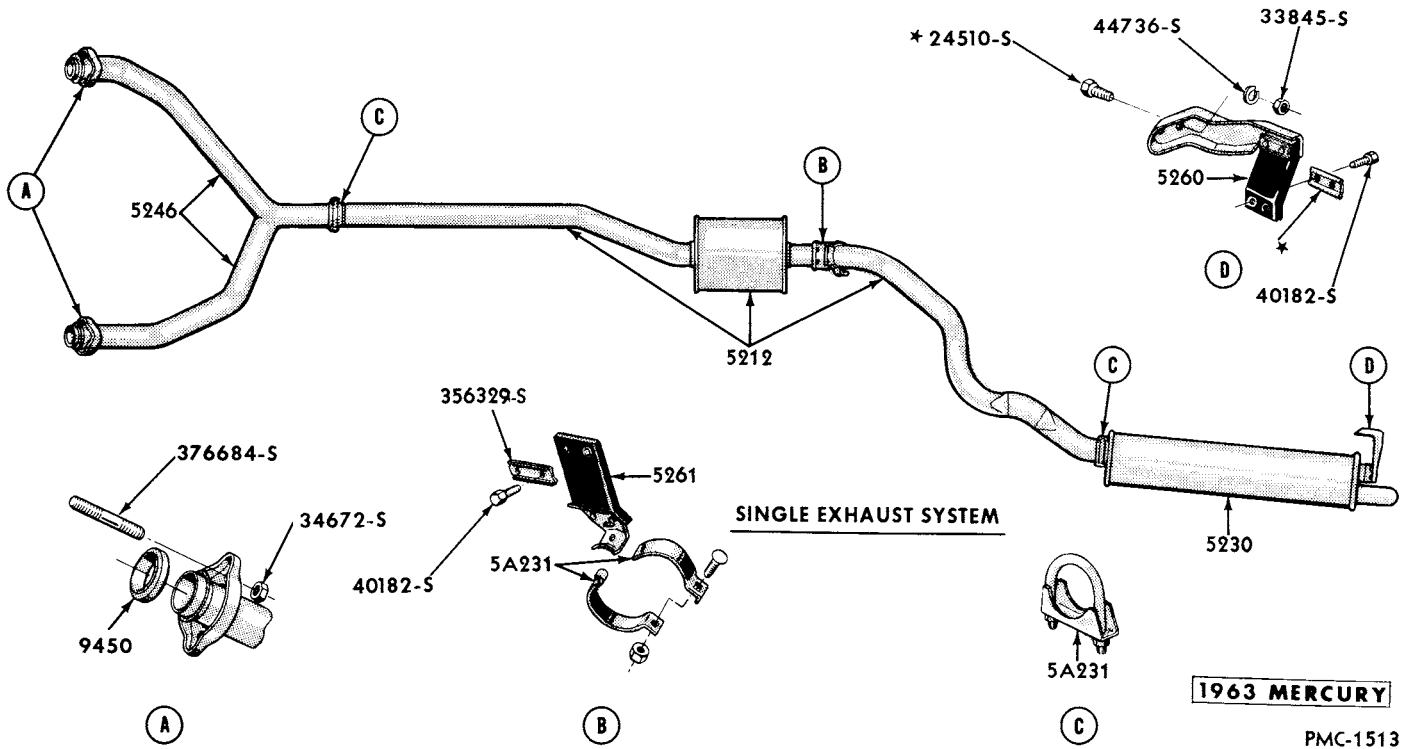


PMC-1261

EXHAUST SYSTEM - SINGLE



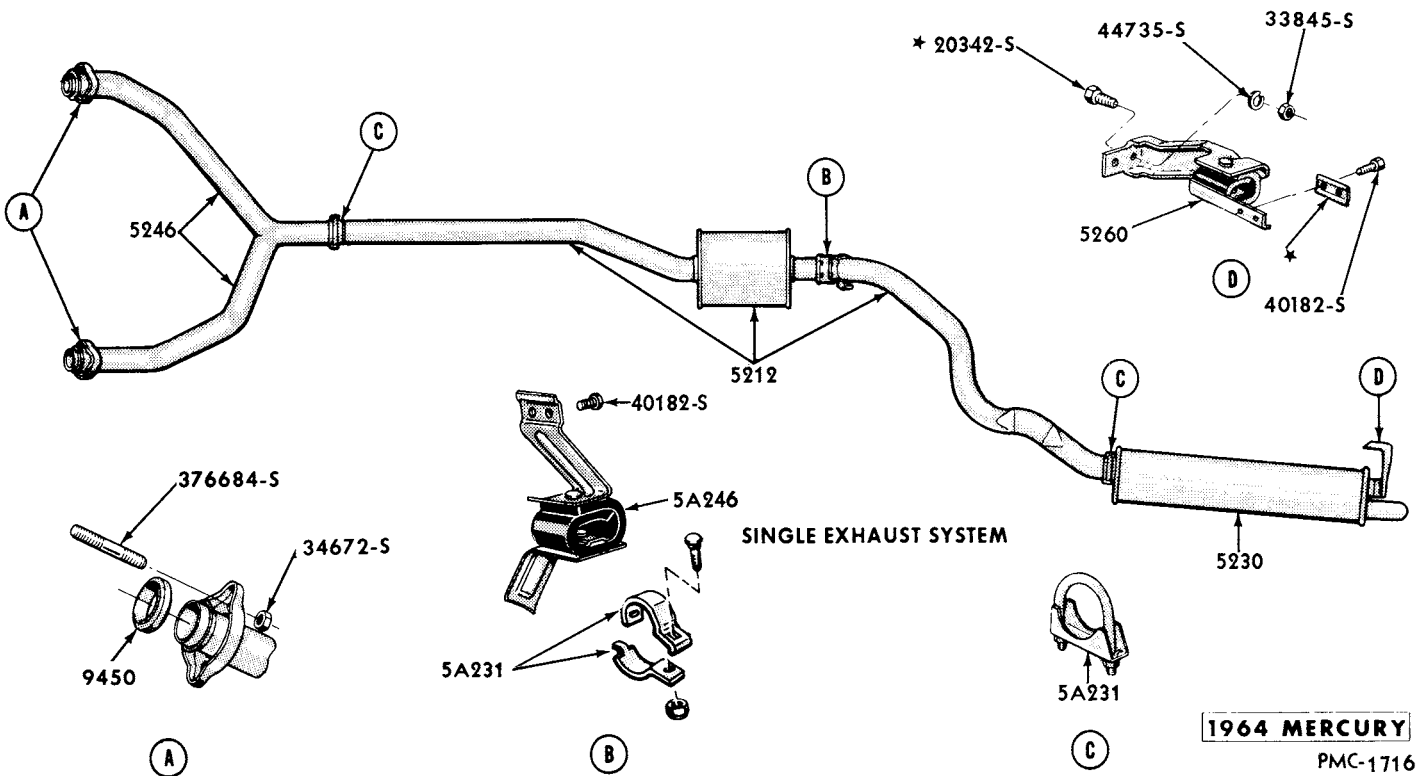
EXHAUST SYSTEM - DUAL



1963 MERCURY

PMC-1513

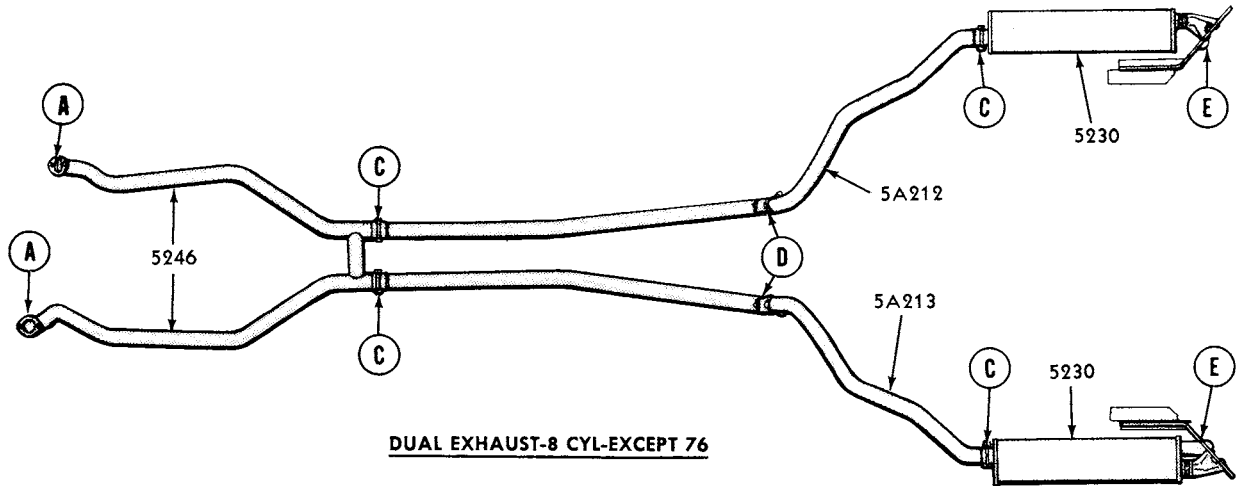
EXHAUST SYSTEM - SINGLE



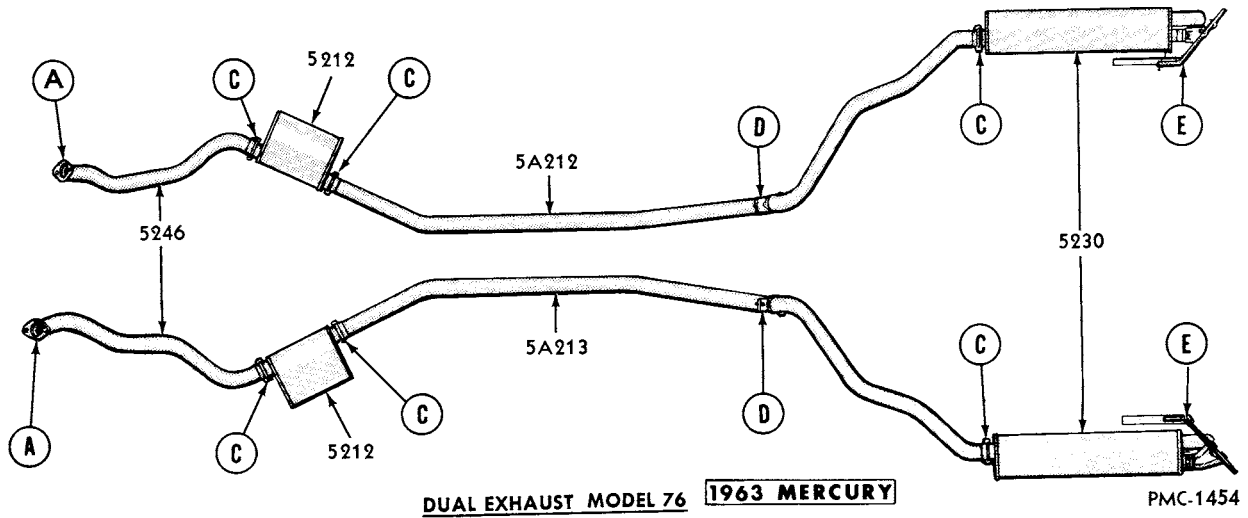
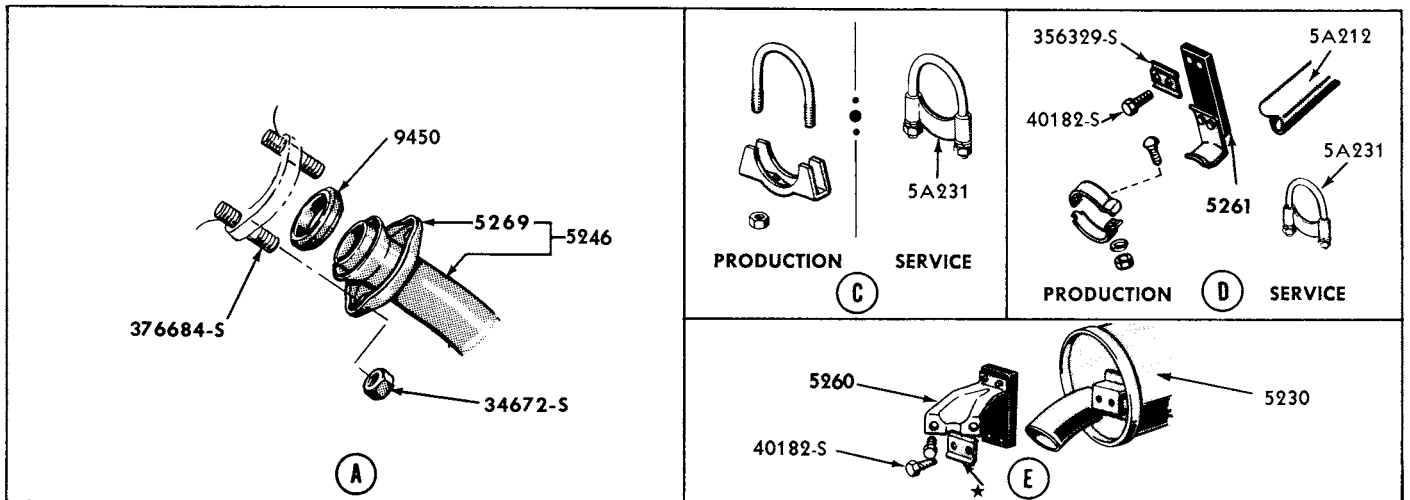
1964 MERCURY

PMC-1716

EXHAUST SYSTEM - SINGLE



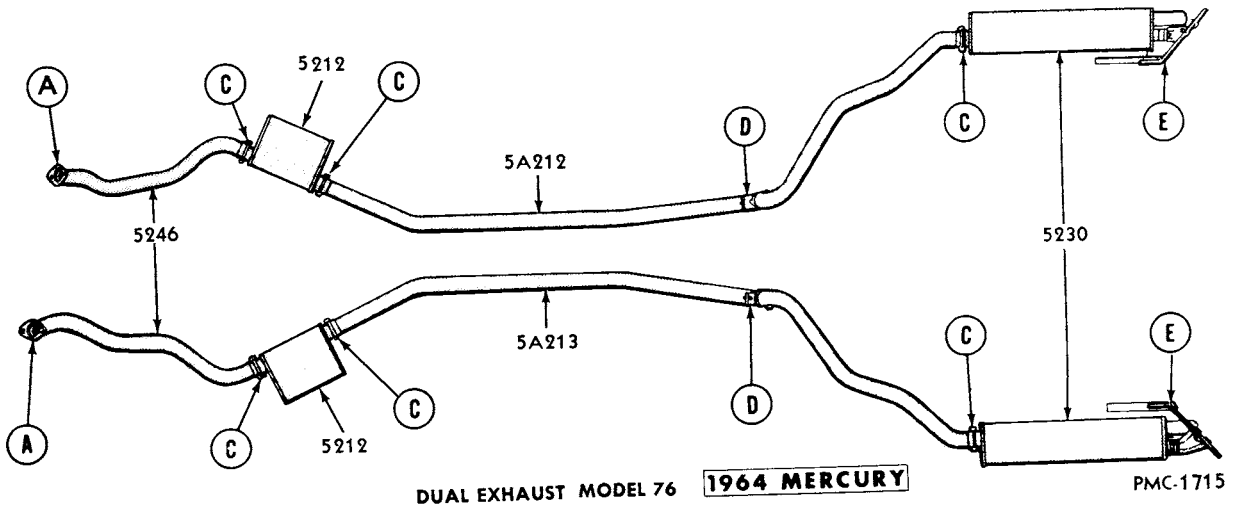
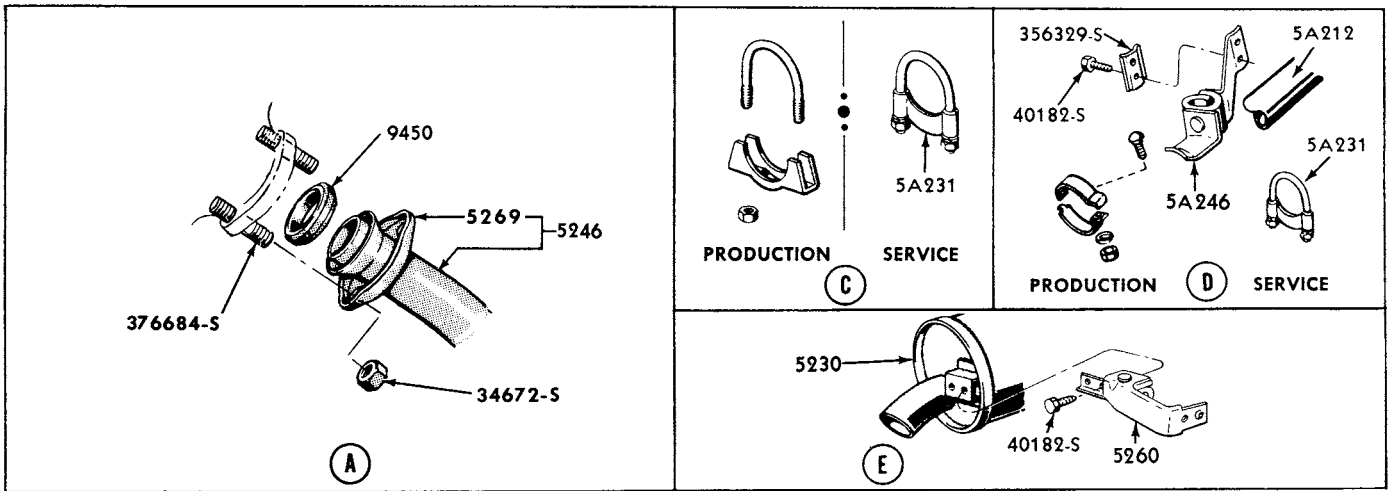
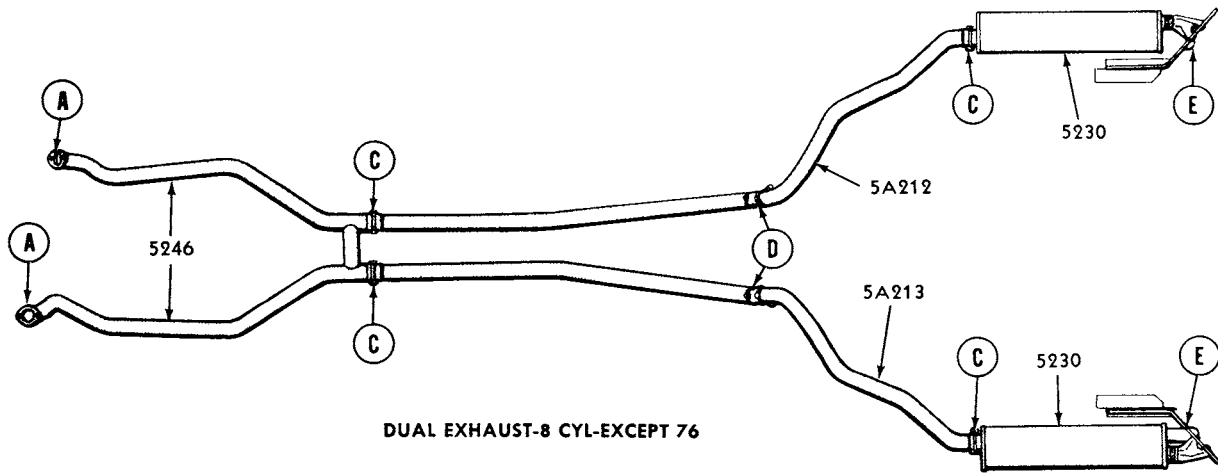
DUAL EXHAUST-8 CYL-EXCEPT 76



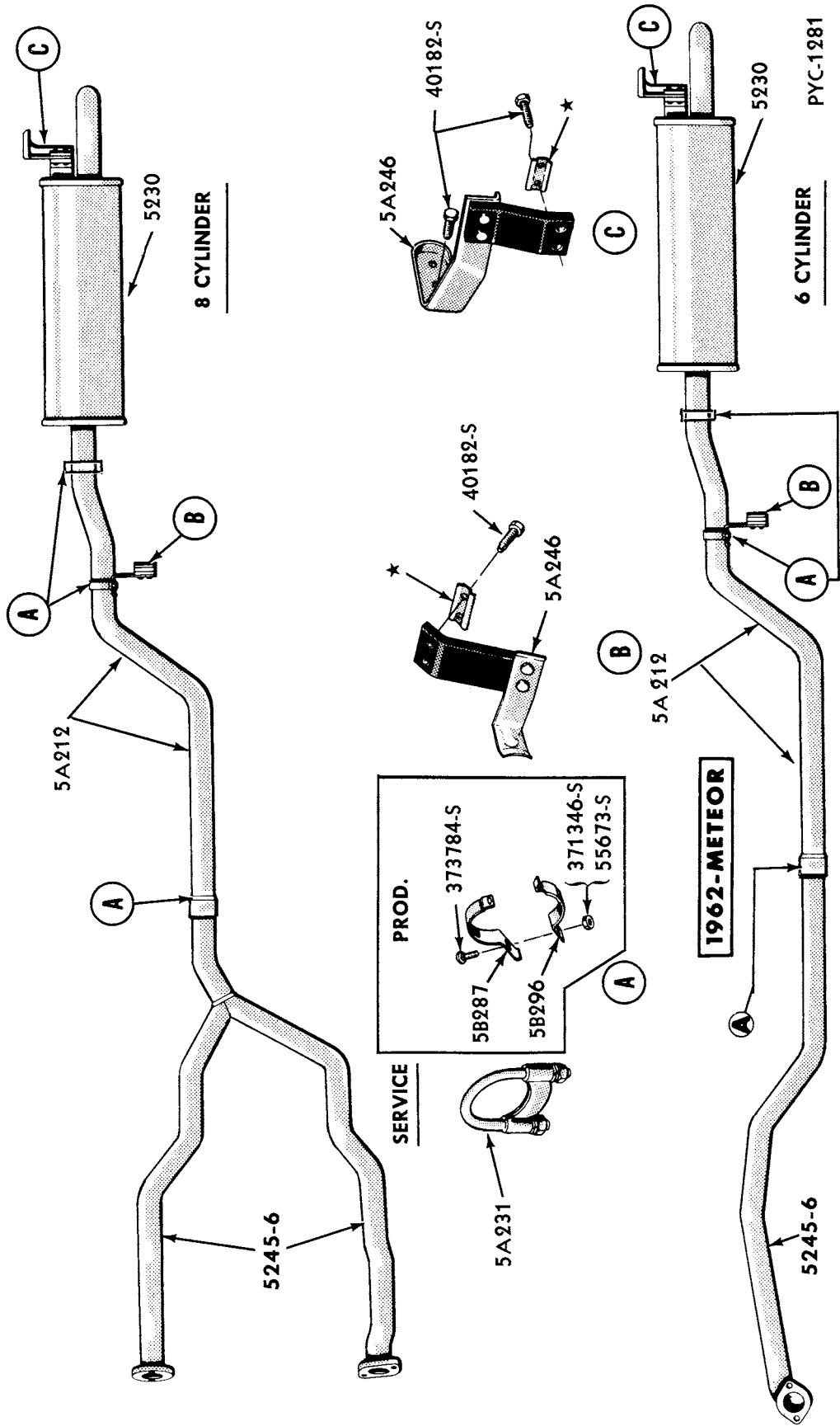
DUAL EXHAUST MODEL 76 1963 MERCURY

PMC-1454

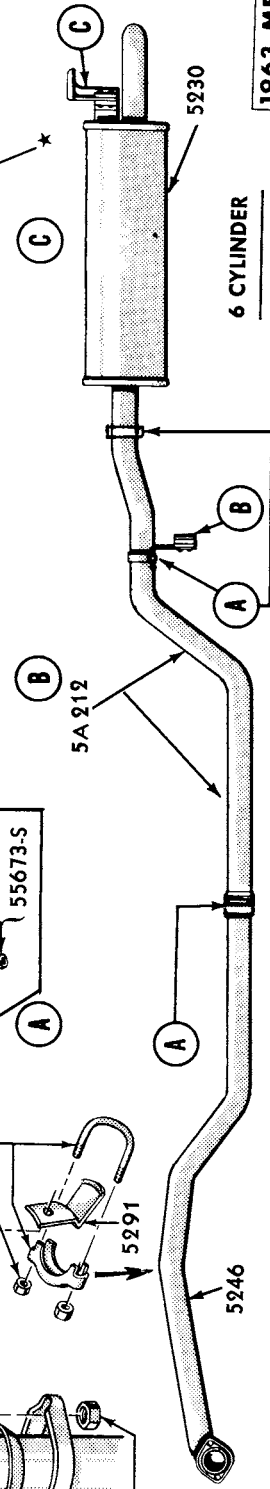
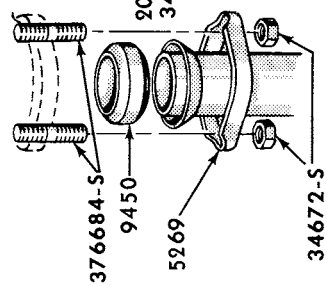
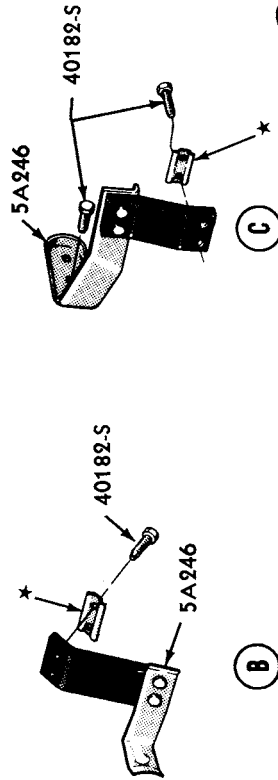
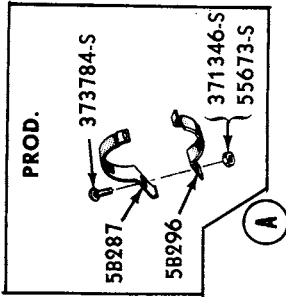
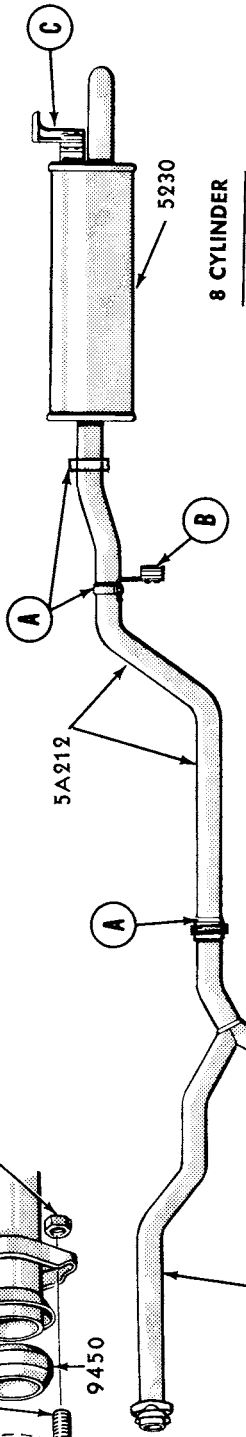
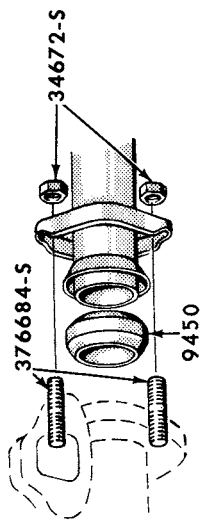
EXHAUST SYSTEM - DUAL



EXHAUST SYSTEM - DUAL

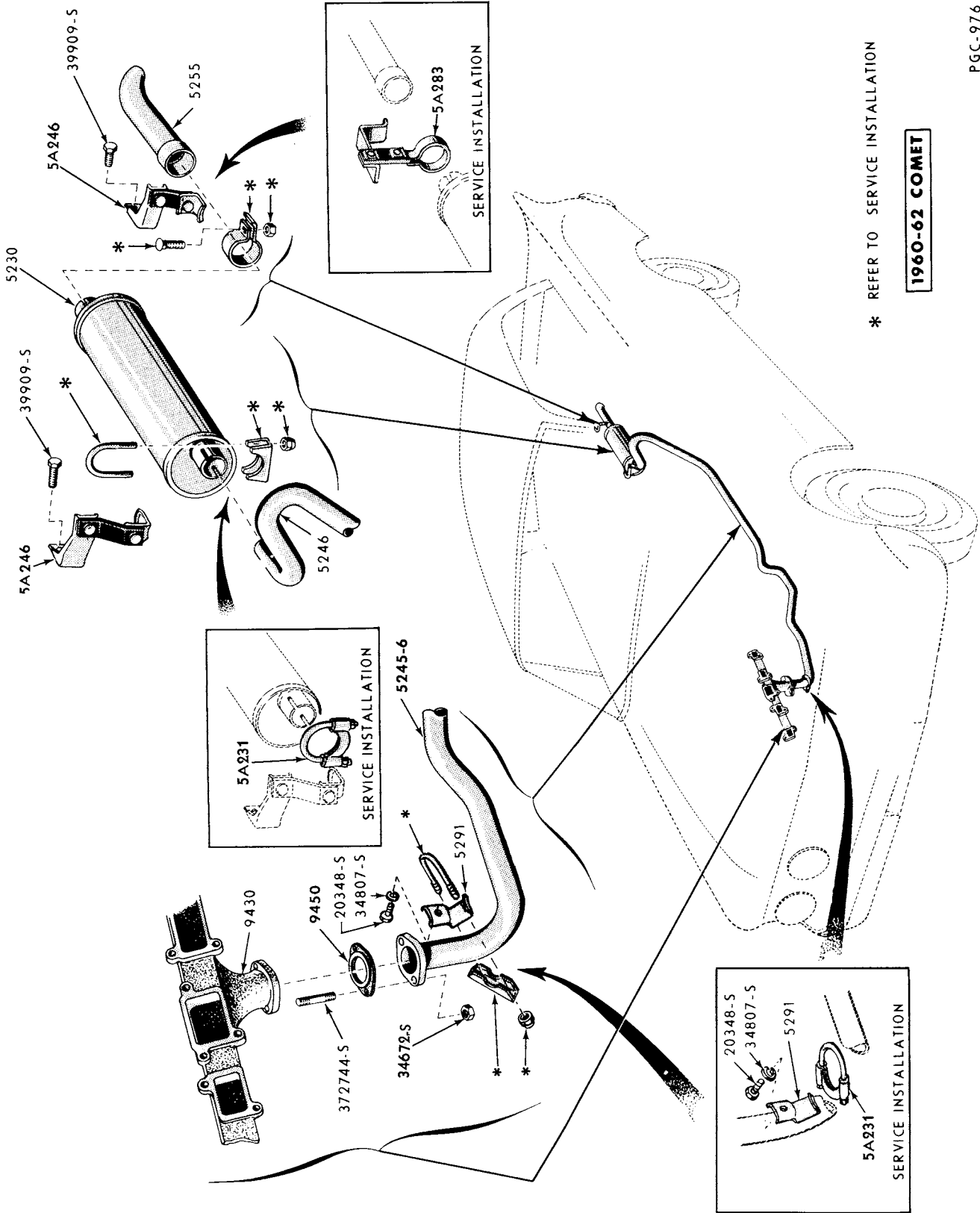


EXHAUST SYSTEM

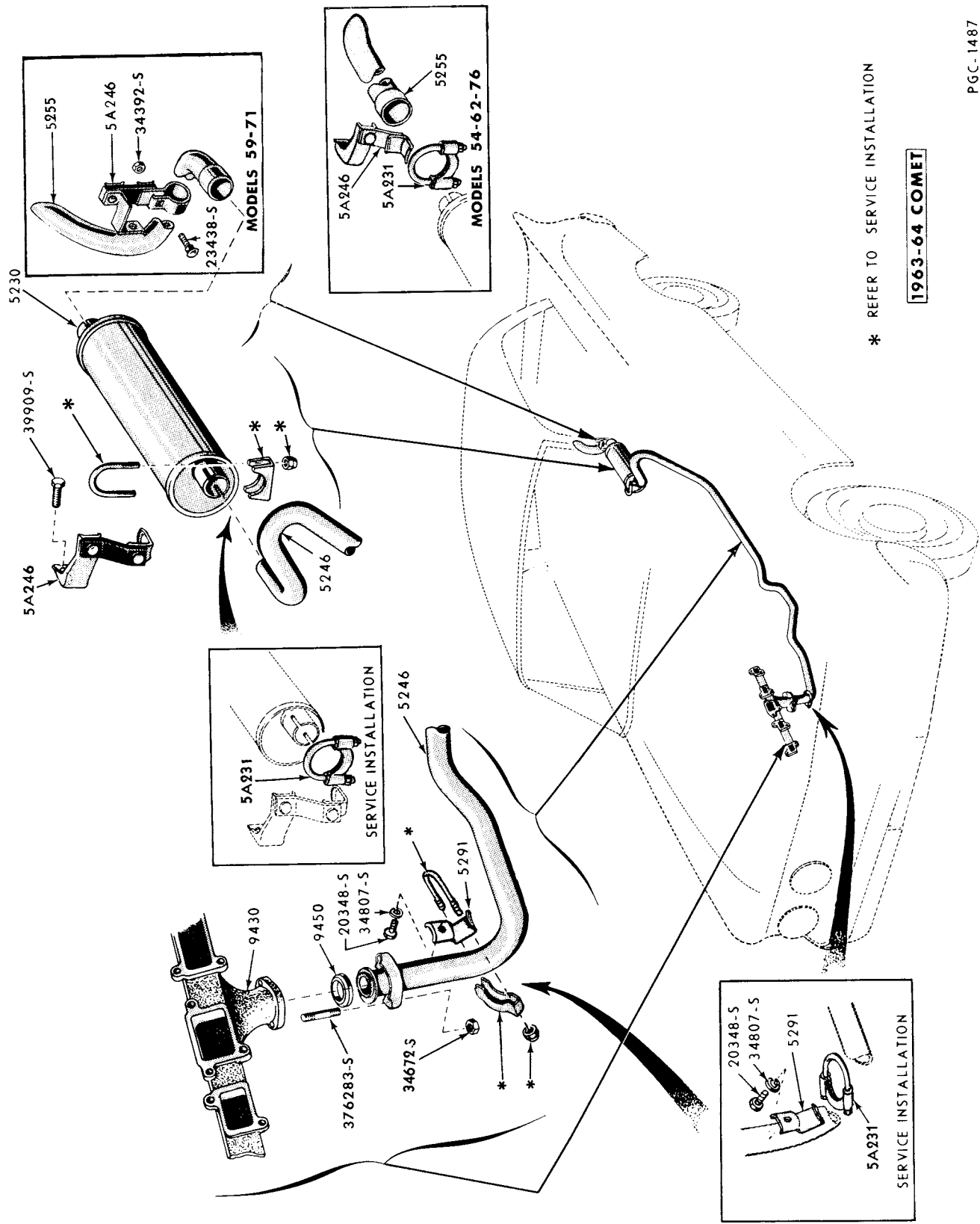


1963 METEOR
PYC-1486

EXHAUST SYSTEM



EXHAUST SYSTEM

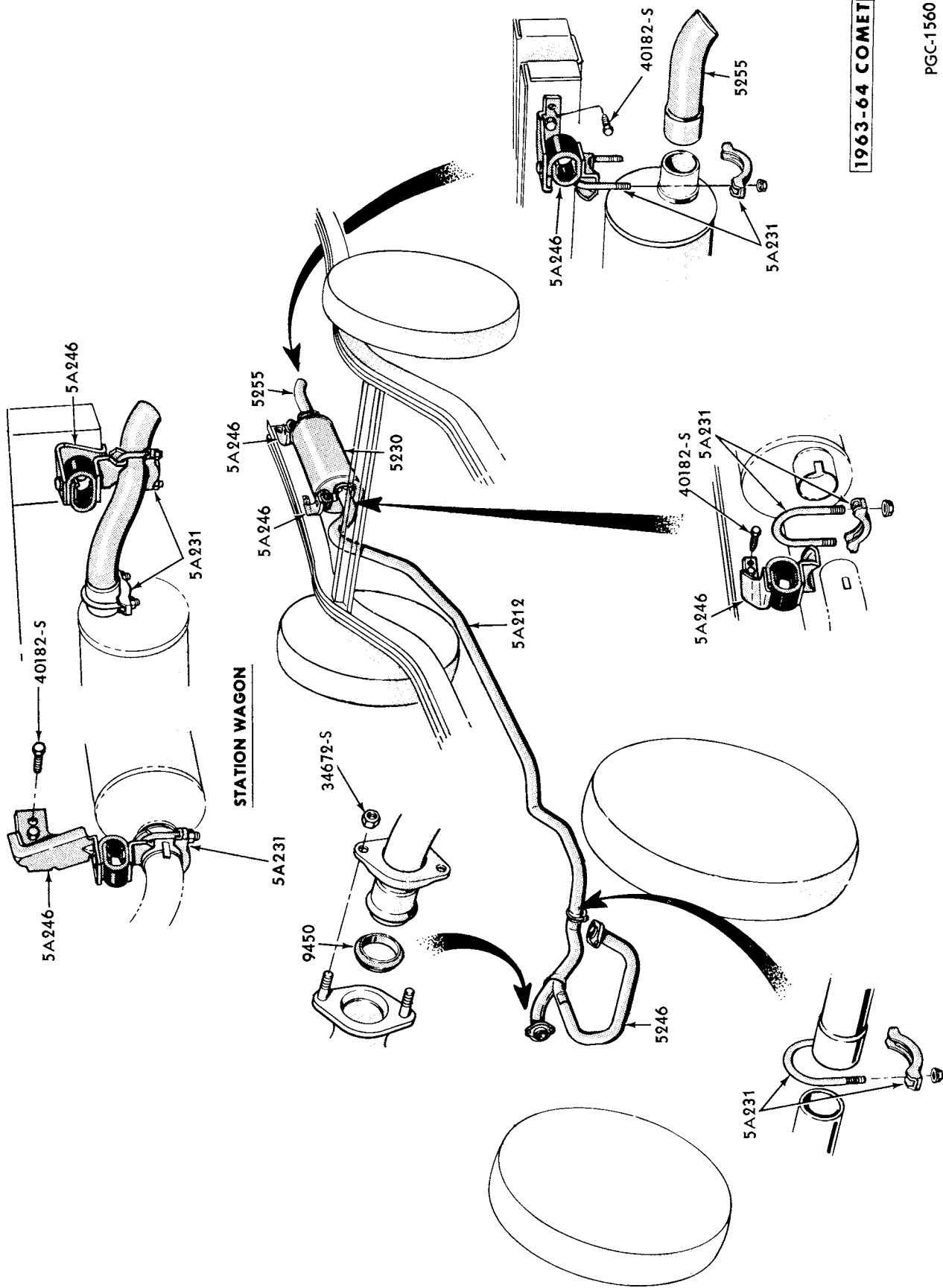


* REFER TO SERVICE INSTALLATION

1963-64 COMET

PGC-1487

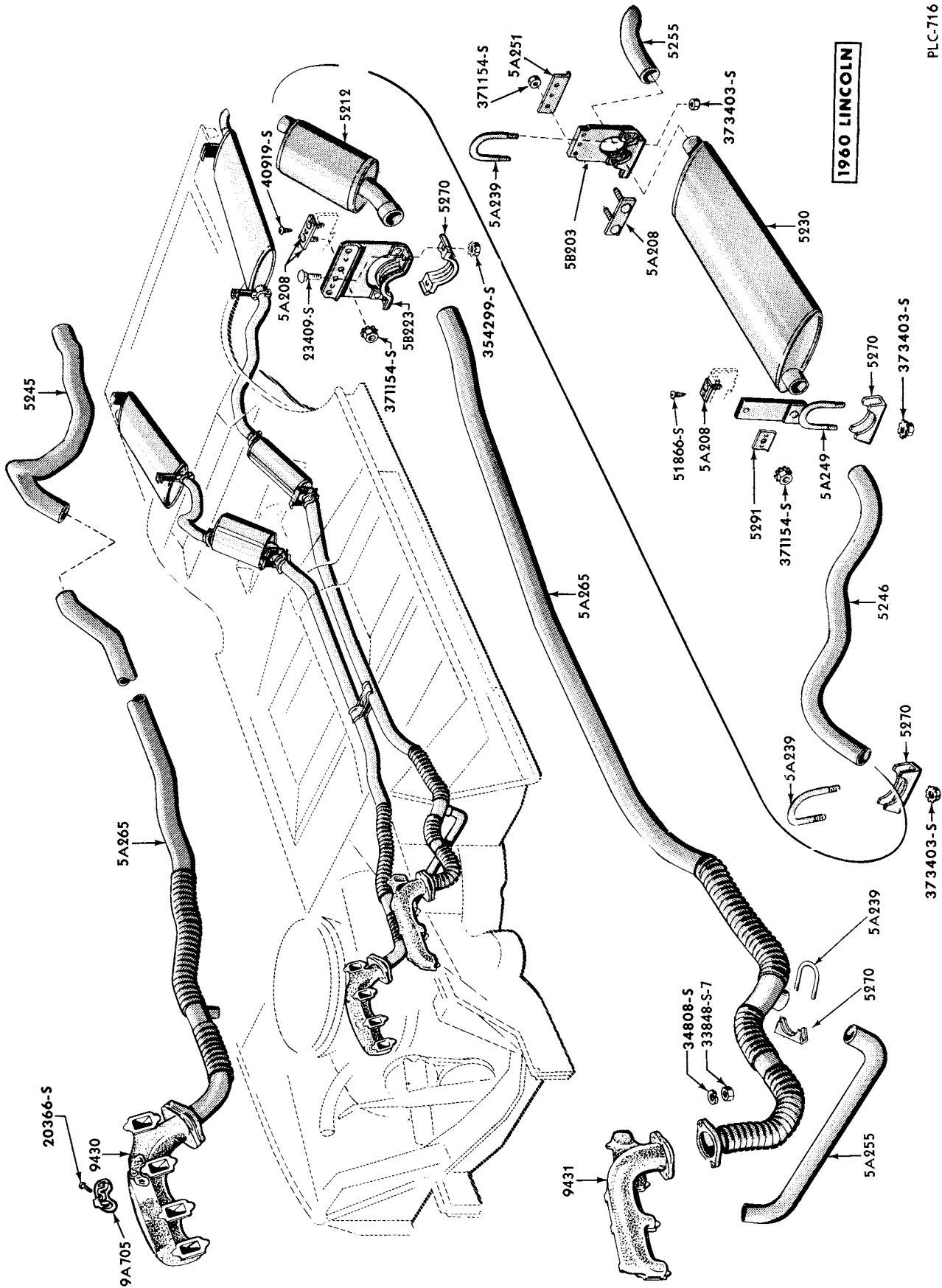
EXHAUST SYSTEM - 144, 170, 200 C.I.D. ENGINES



1963-64 COMET

PGC-1560

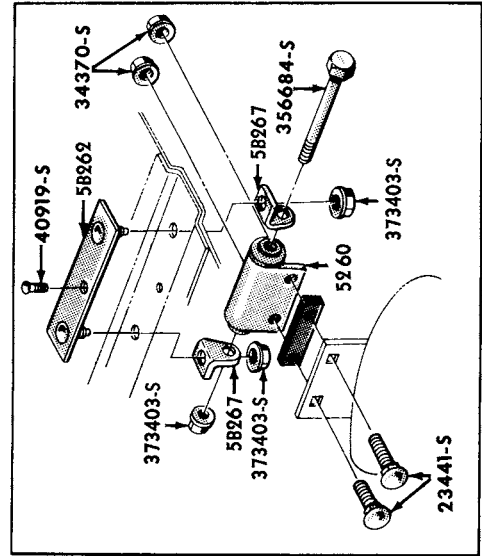
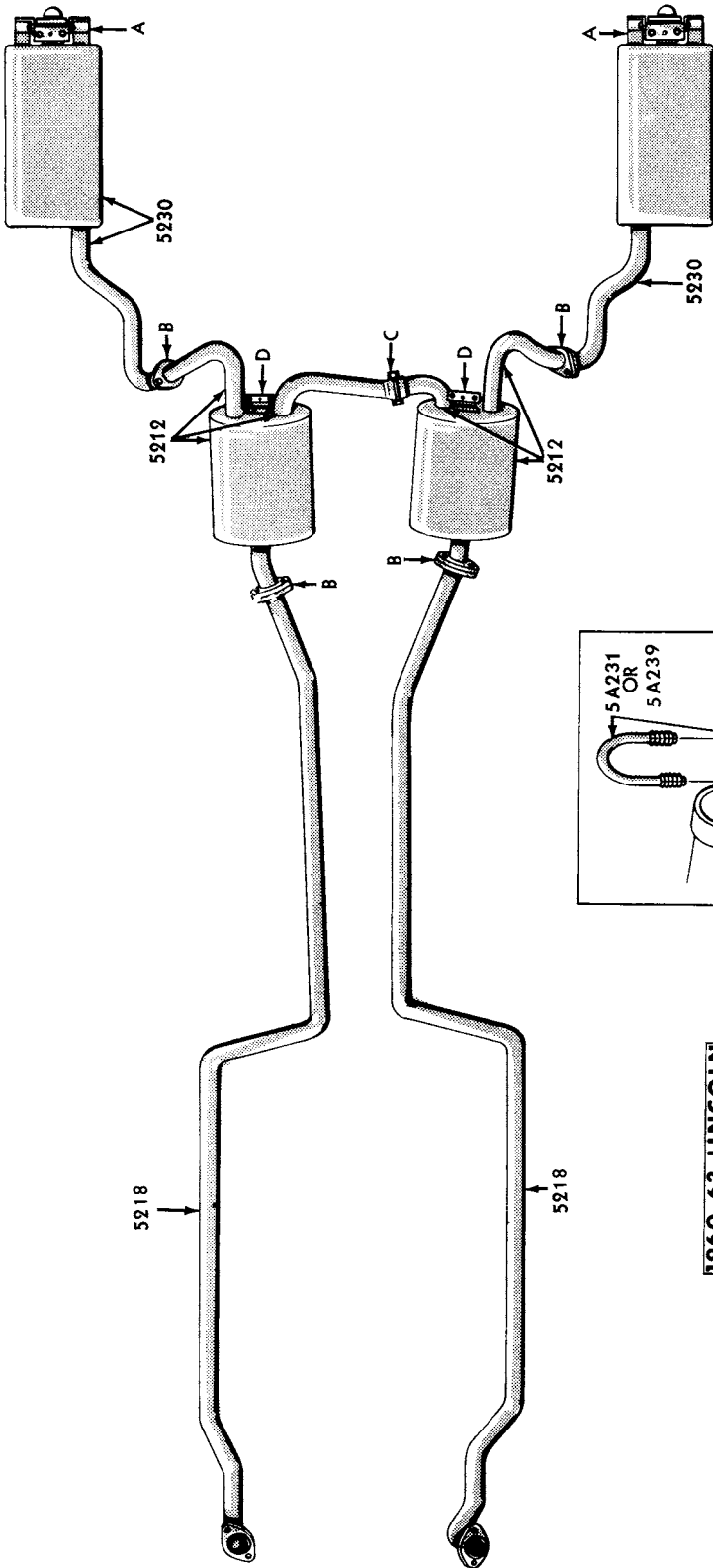
EXHAUST SYSTEM - 260, 289 C.I.D. ENGINE



1960 LINCOLN

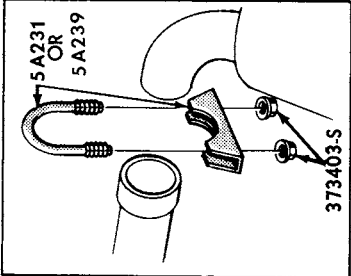
PLC-716

EXHAUST SYSTEM

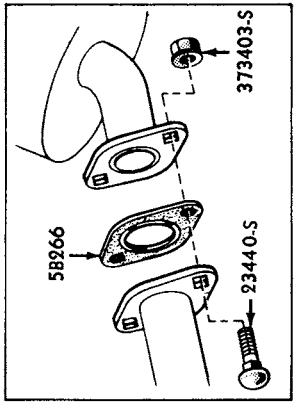


TYPE D

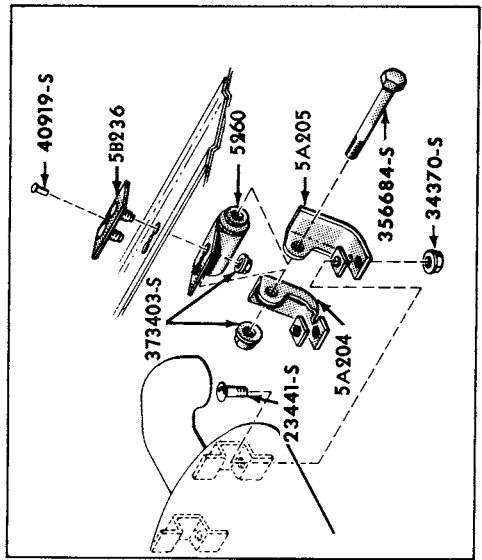
PLC-1140



TYPE C



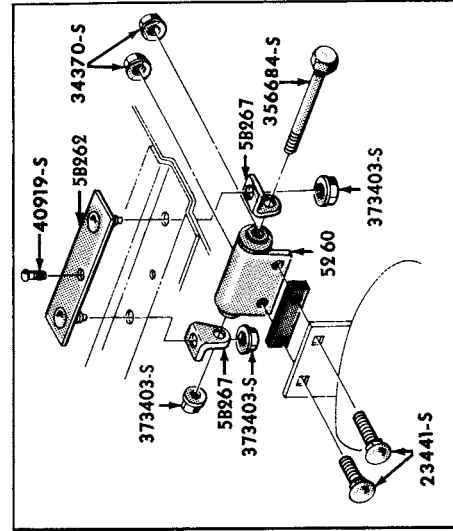
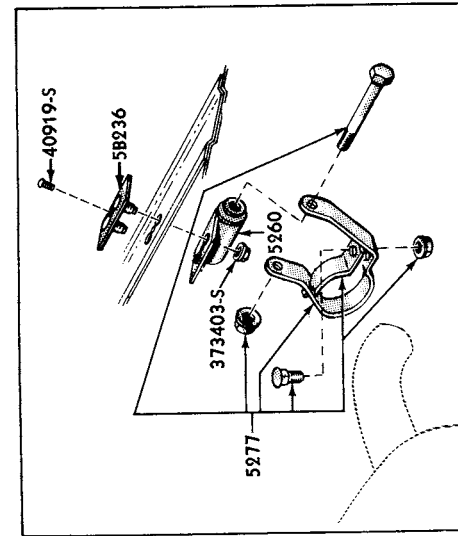
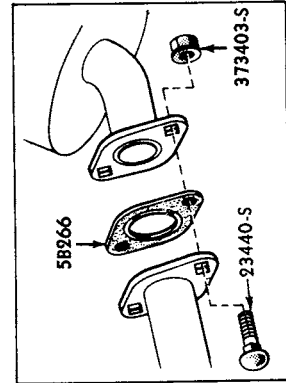
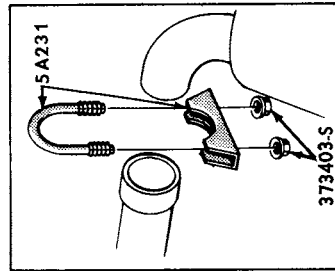
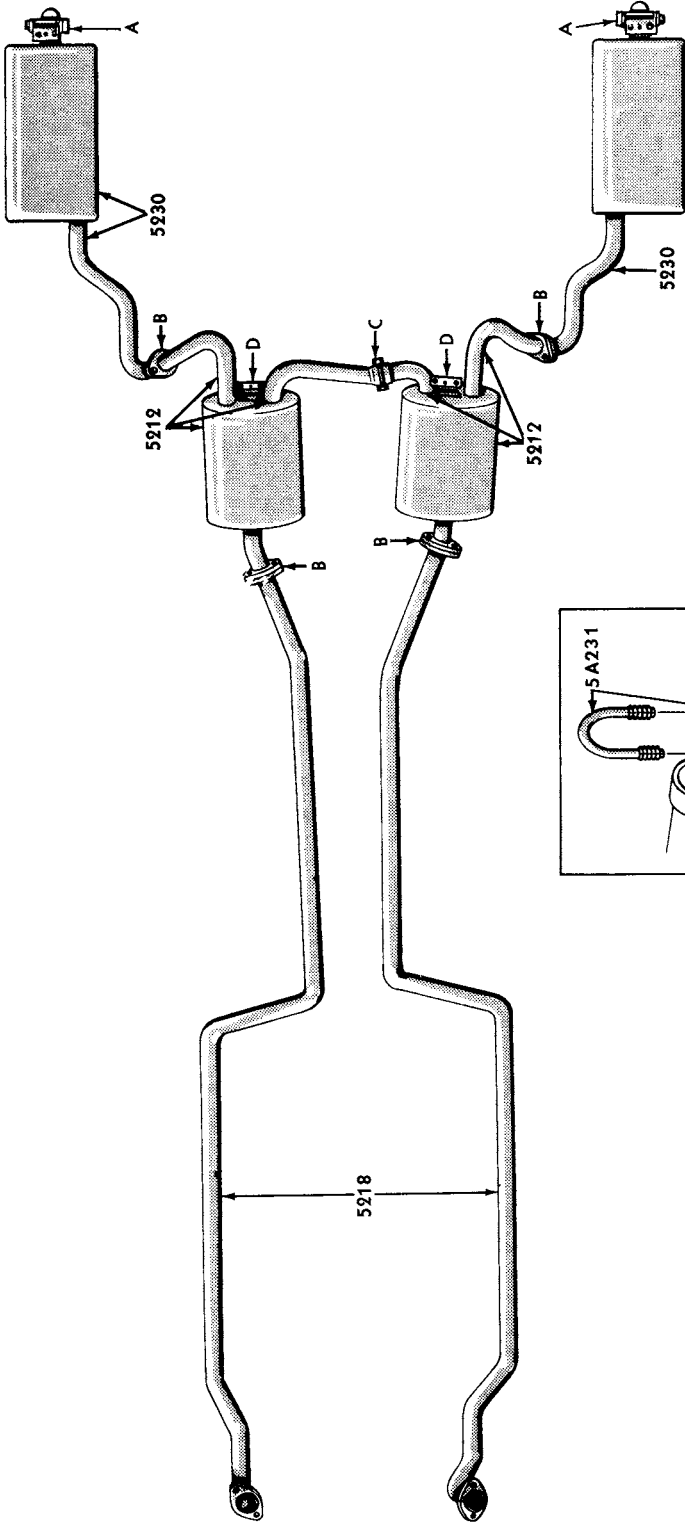
TYPE B



TYPE A

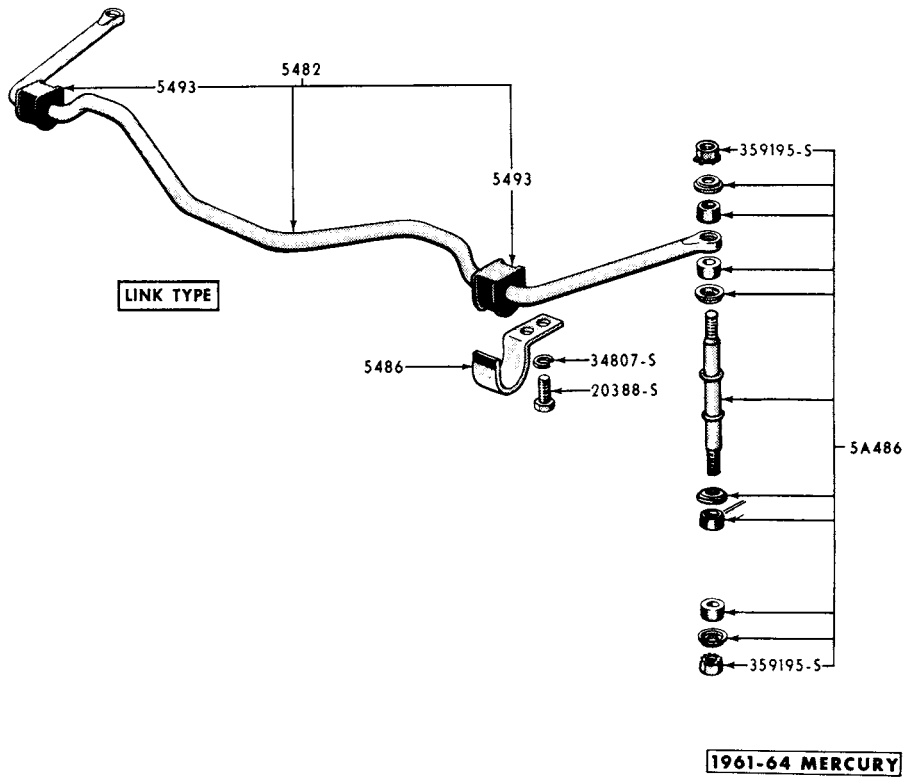
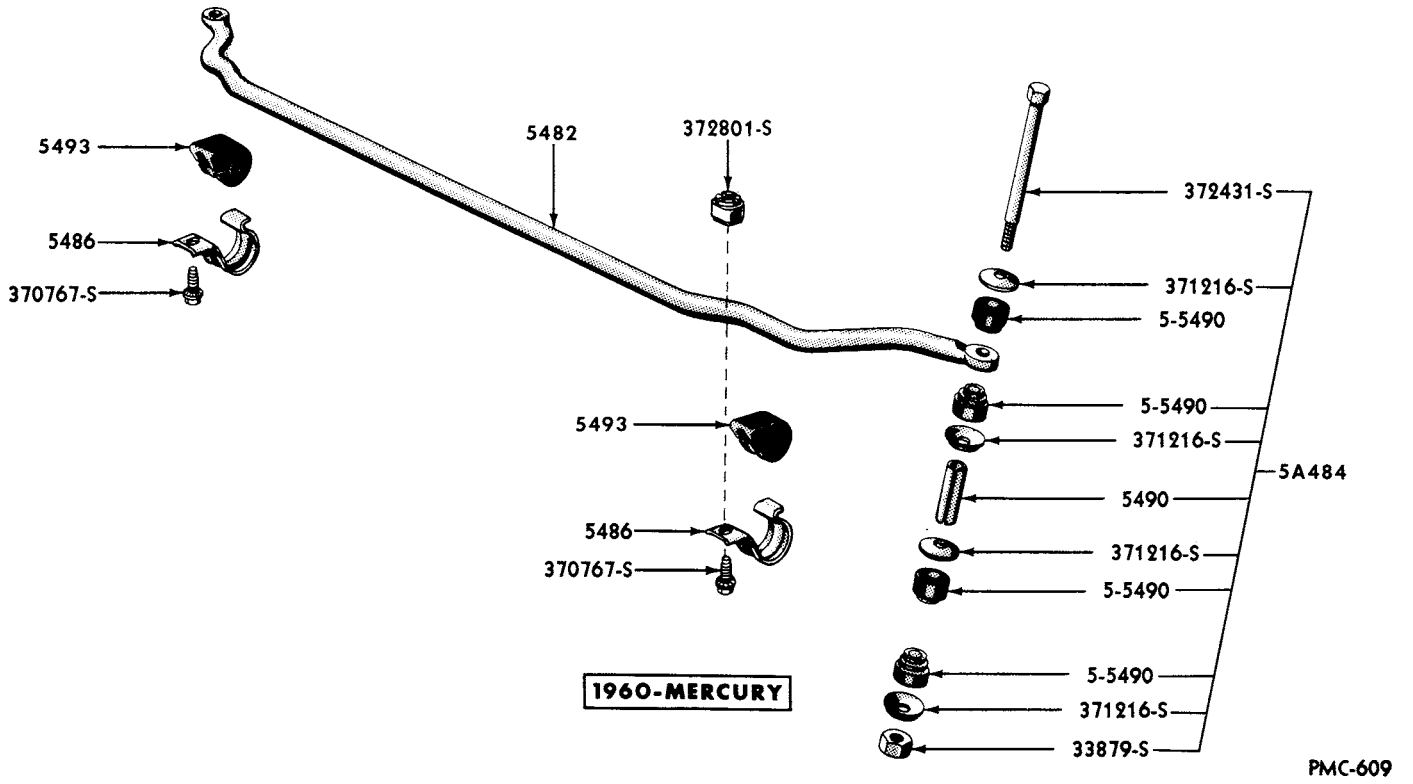
1960-63 LINCOLN

EXHAUST SYSTEM

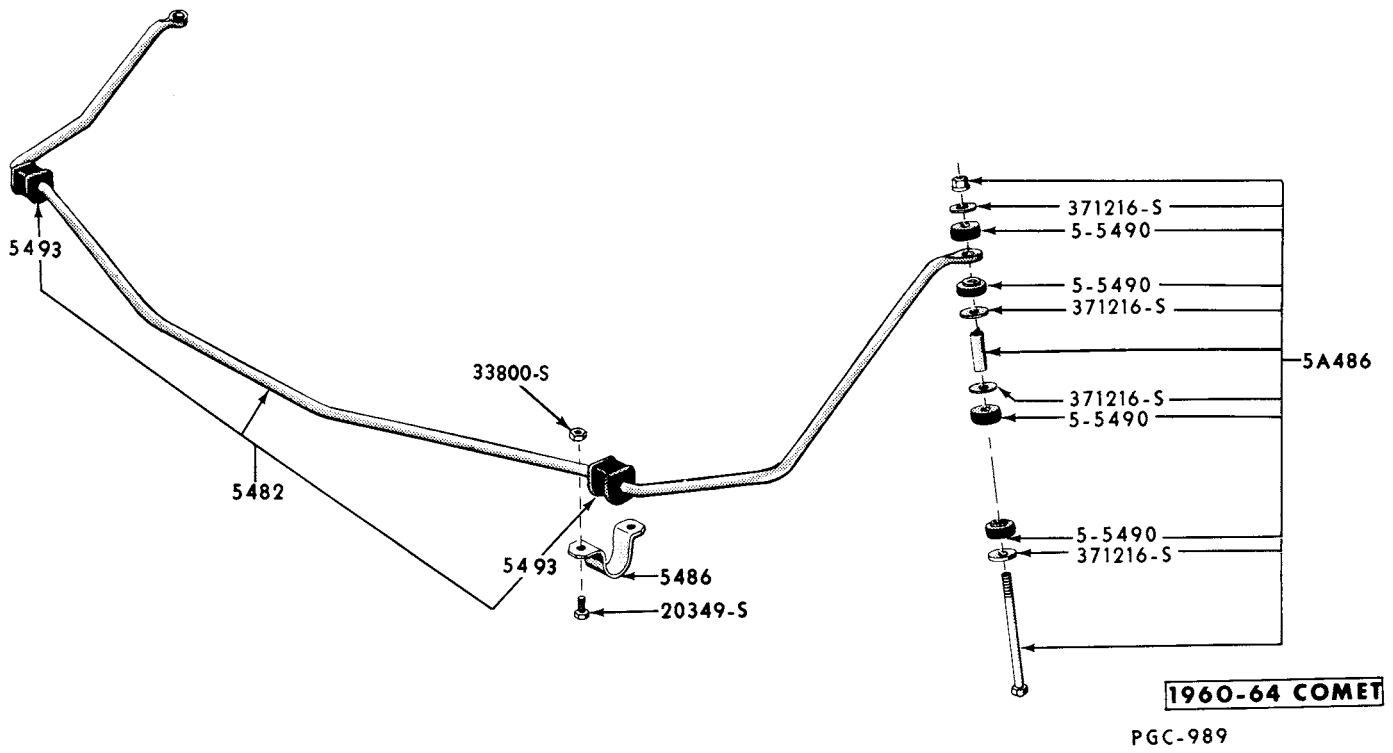
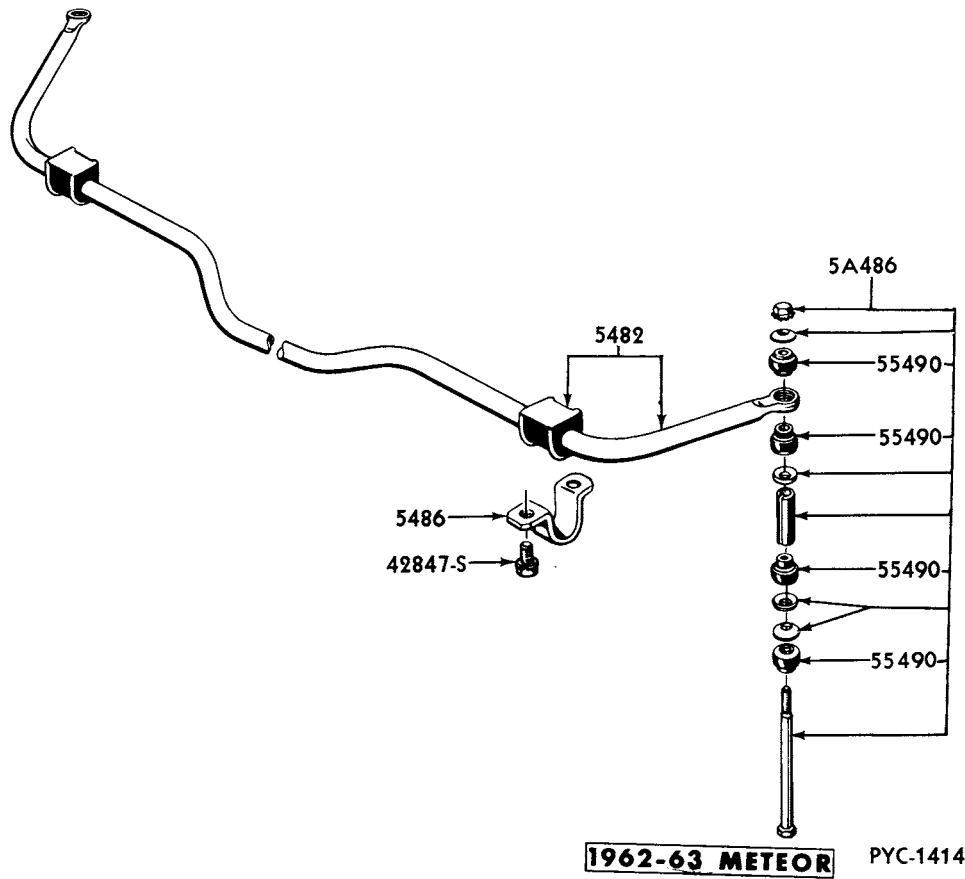


1964 LINCOLN
 PLC-1593

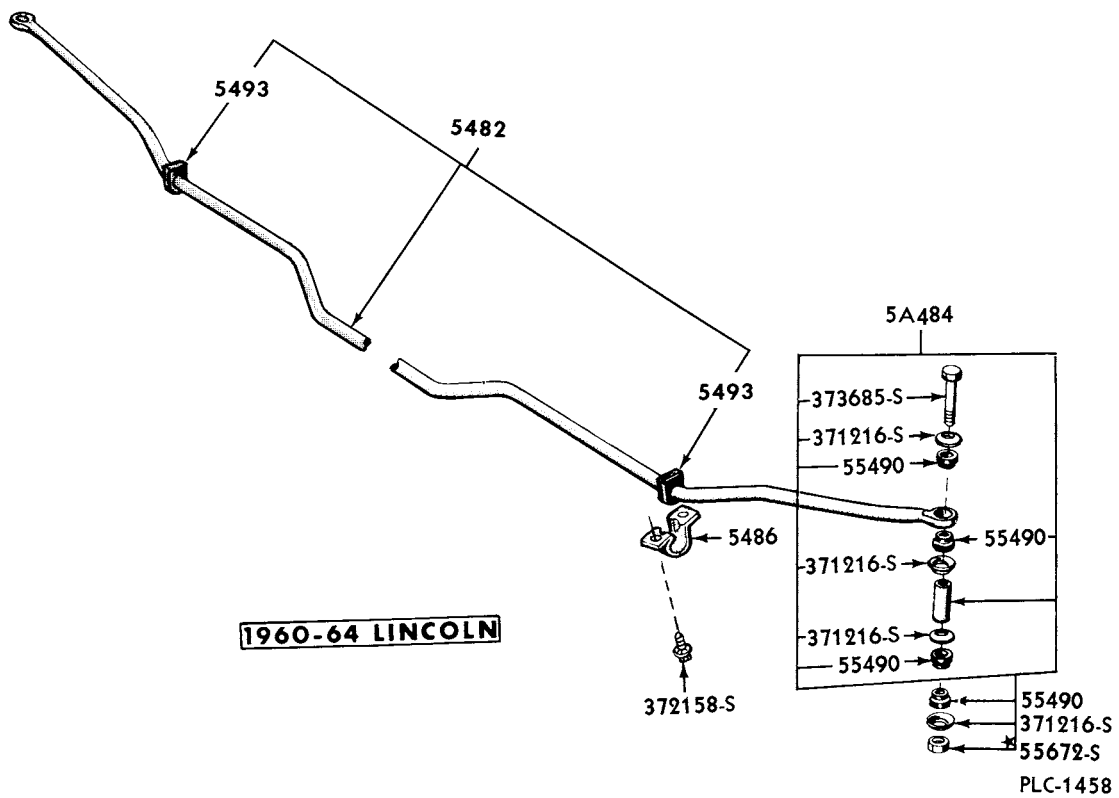
EXHAUST SYSTEM



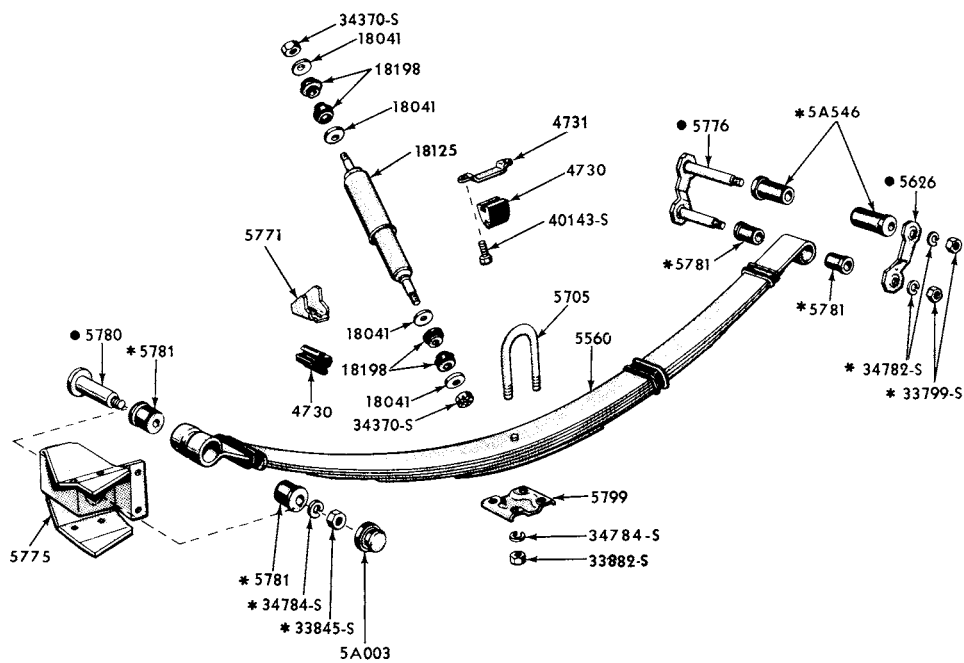
STABILIZER BAR



STABILIZER BAR



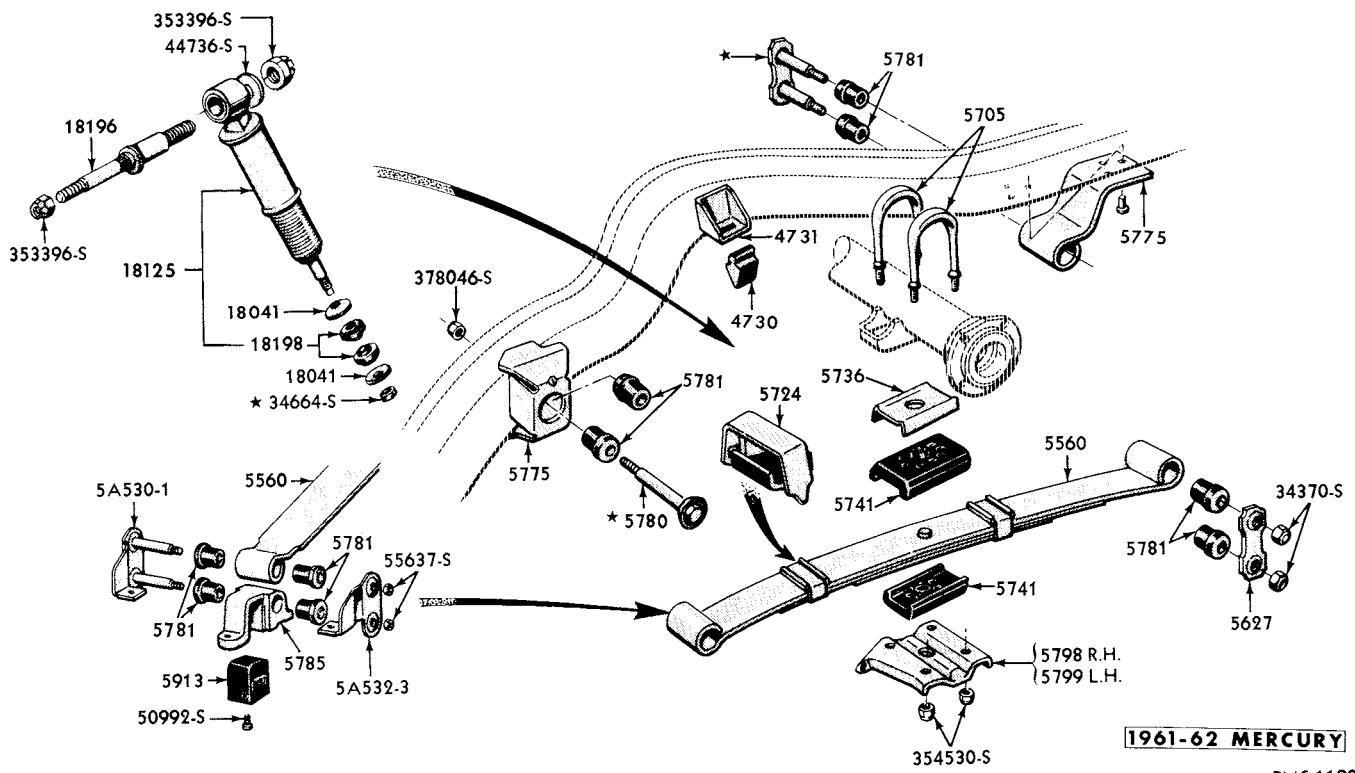
STABILIZER BAR



* ALSO SERVICED IN 5630 KIT
 ● N.S.-SERVICED IN 5630 KIT ONLY

PMC-630

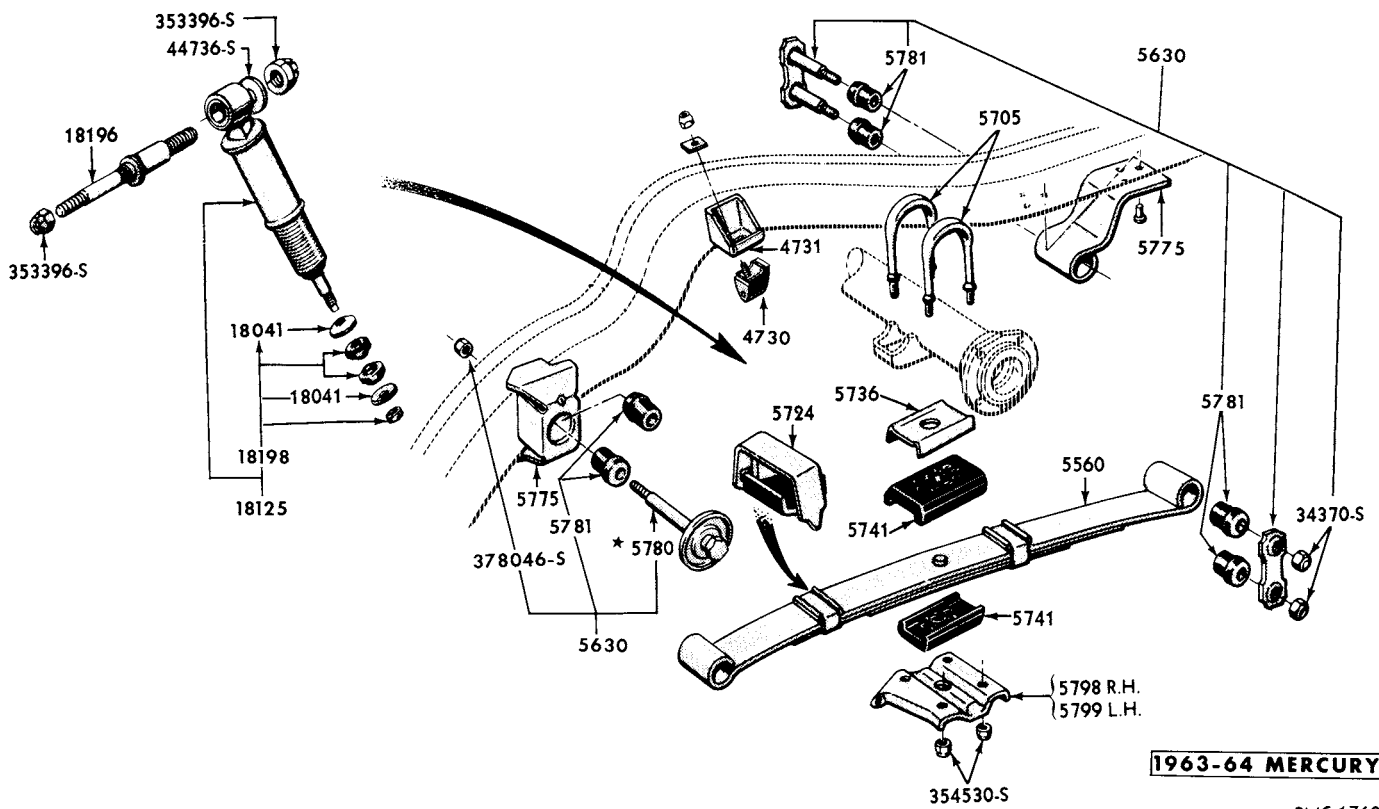
REAR SUSPENSION



1961-62 MERCURY

PMC-1192

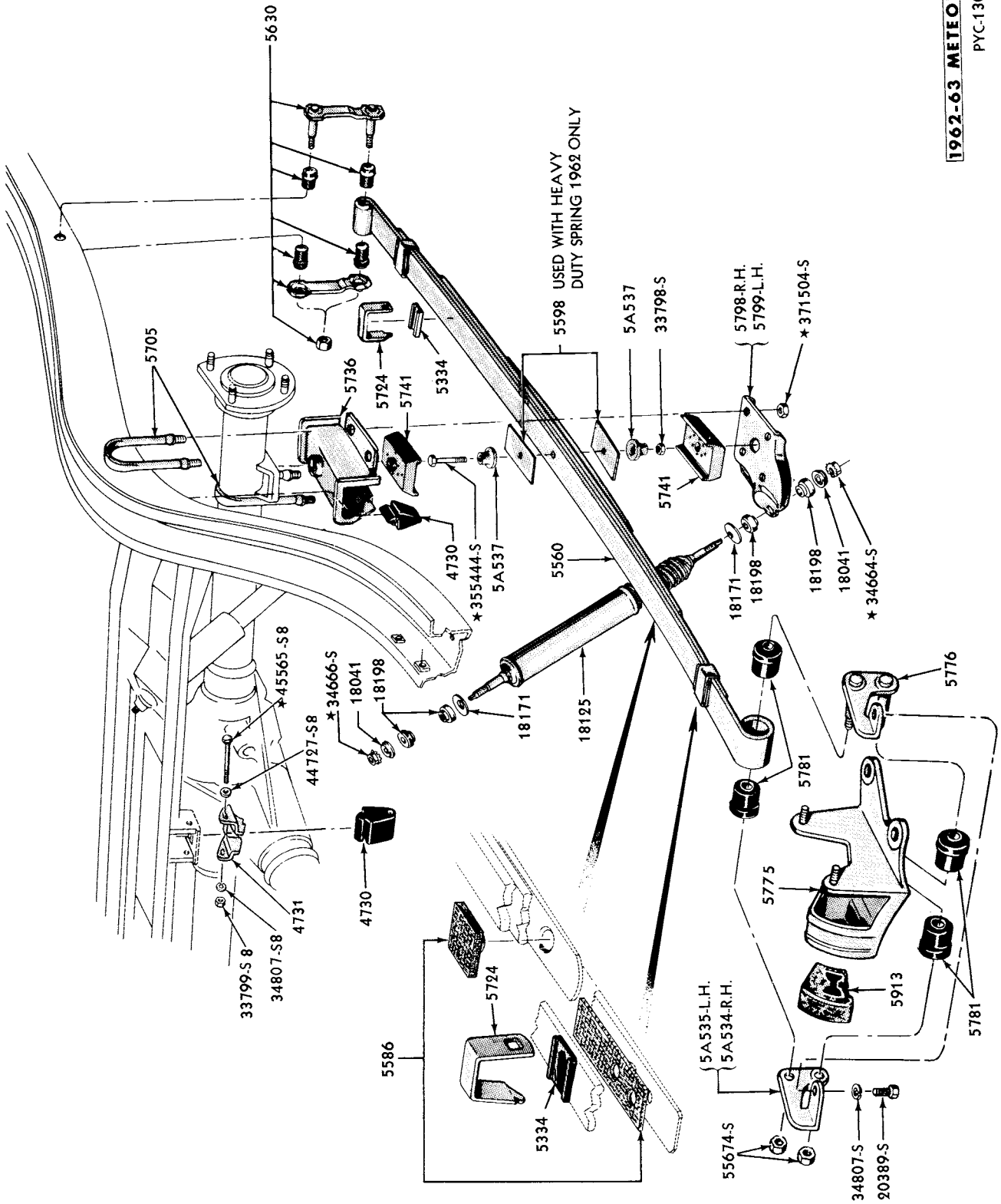
REAR SUSPENSION



1963-64 MERCURY

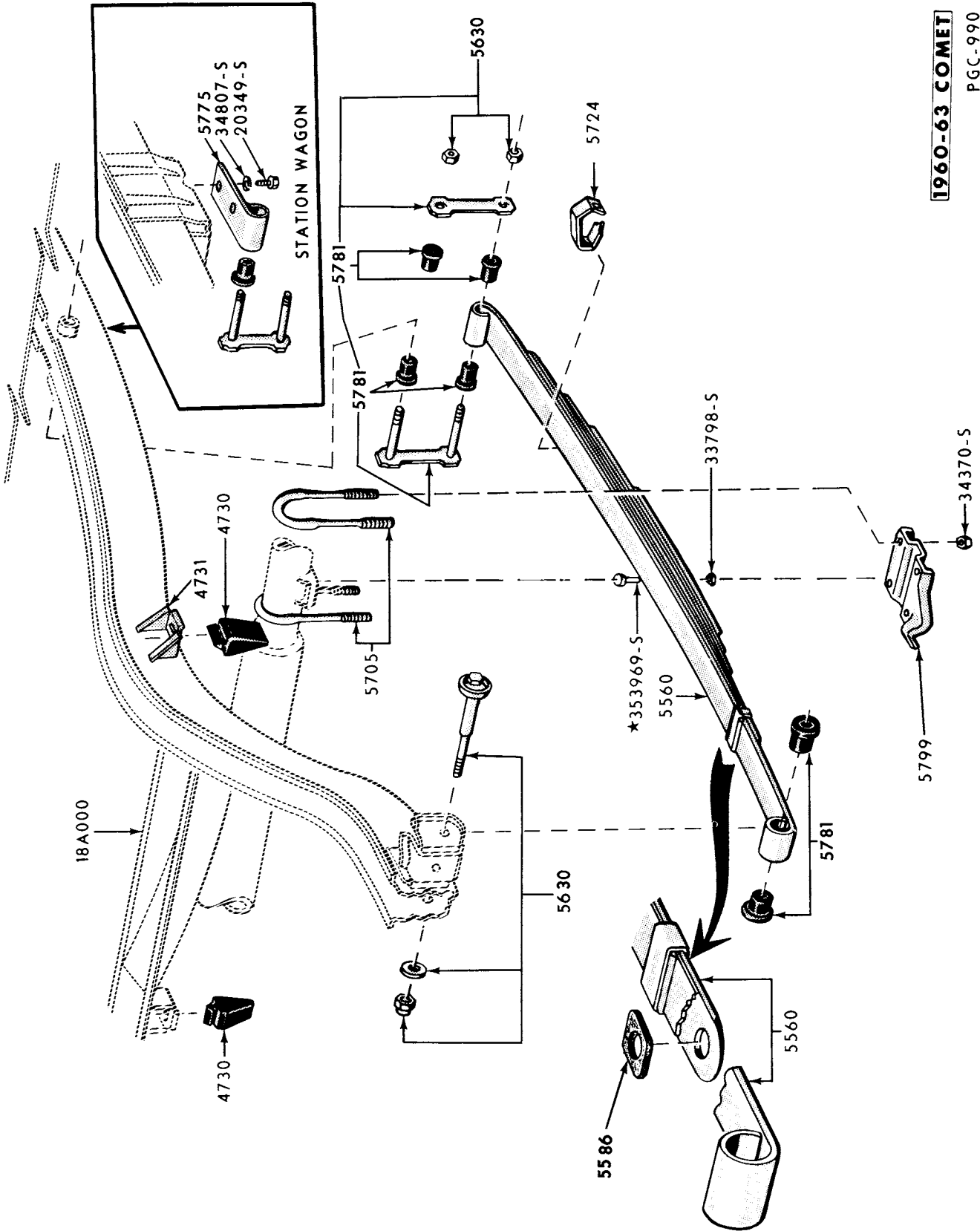
PMC-1768

REAR SUSPENSION



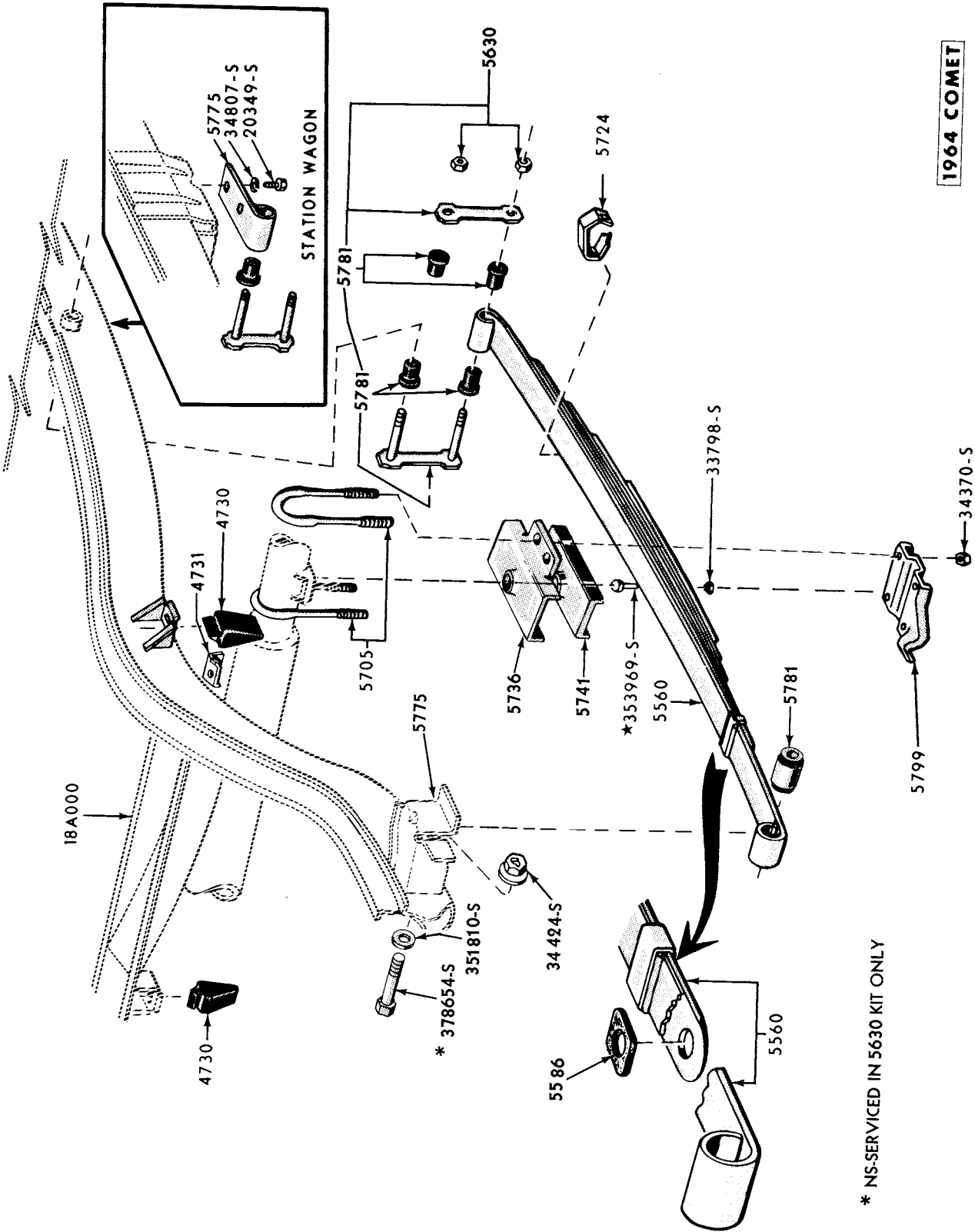
1962-63 METEOR
 PYC-1307

REAR SUSPENSION



1960-63 COMET
PGC-990

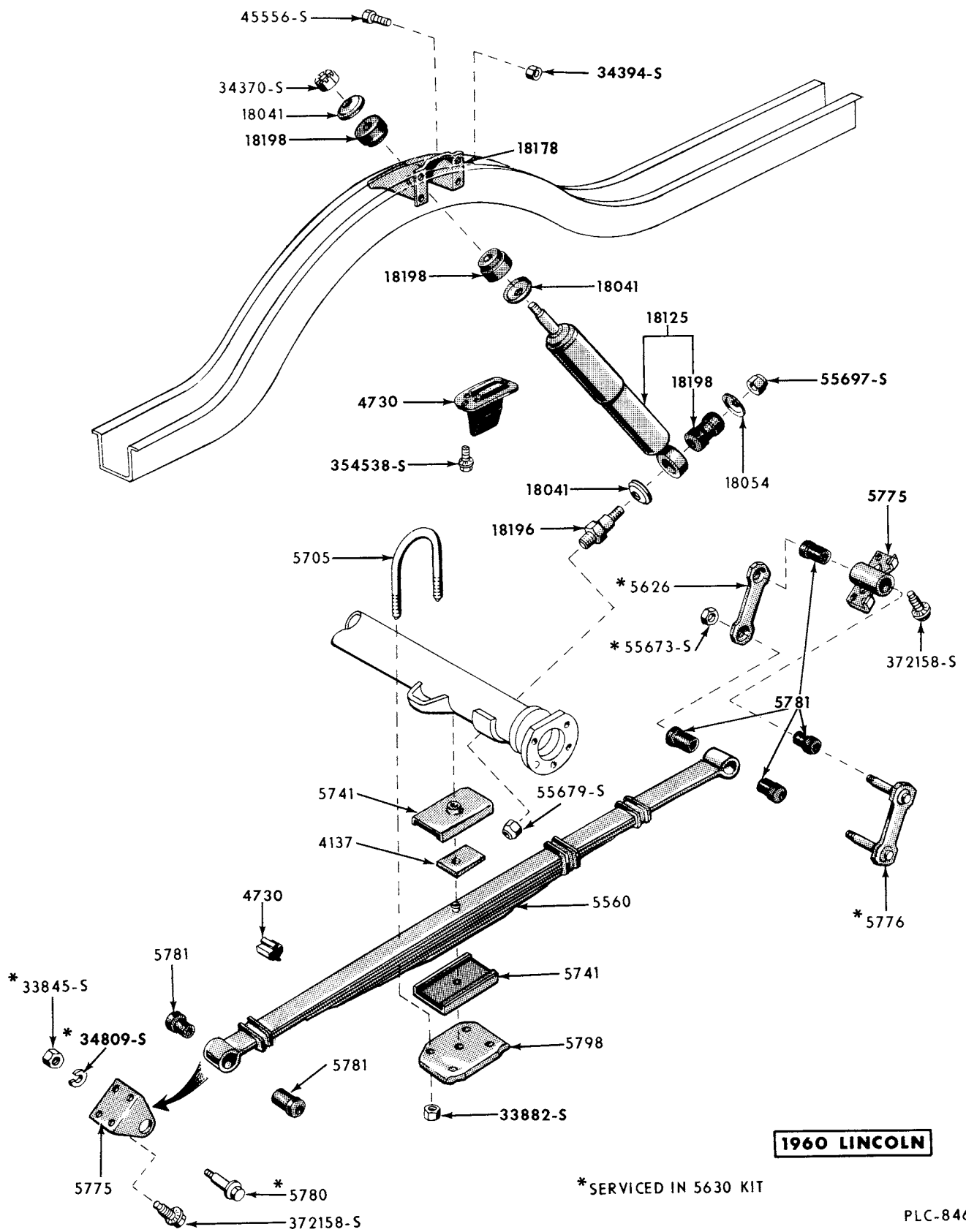
REAR SUSPENSION



1964 COMET
PGC-1741

REAR SUSPENSION

* NS-SERVICED IN 5630 KIT ONLY

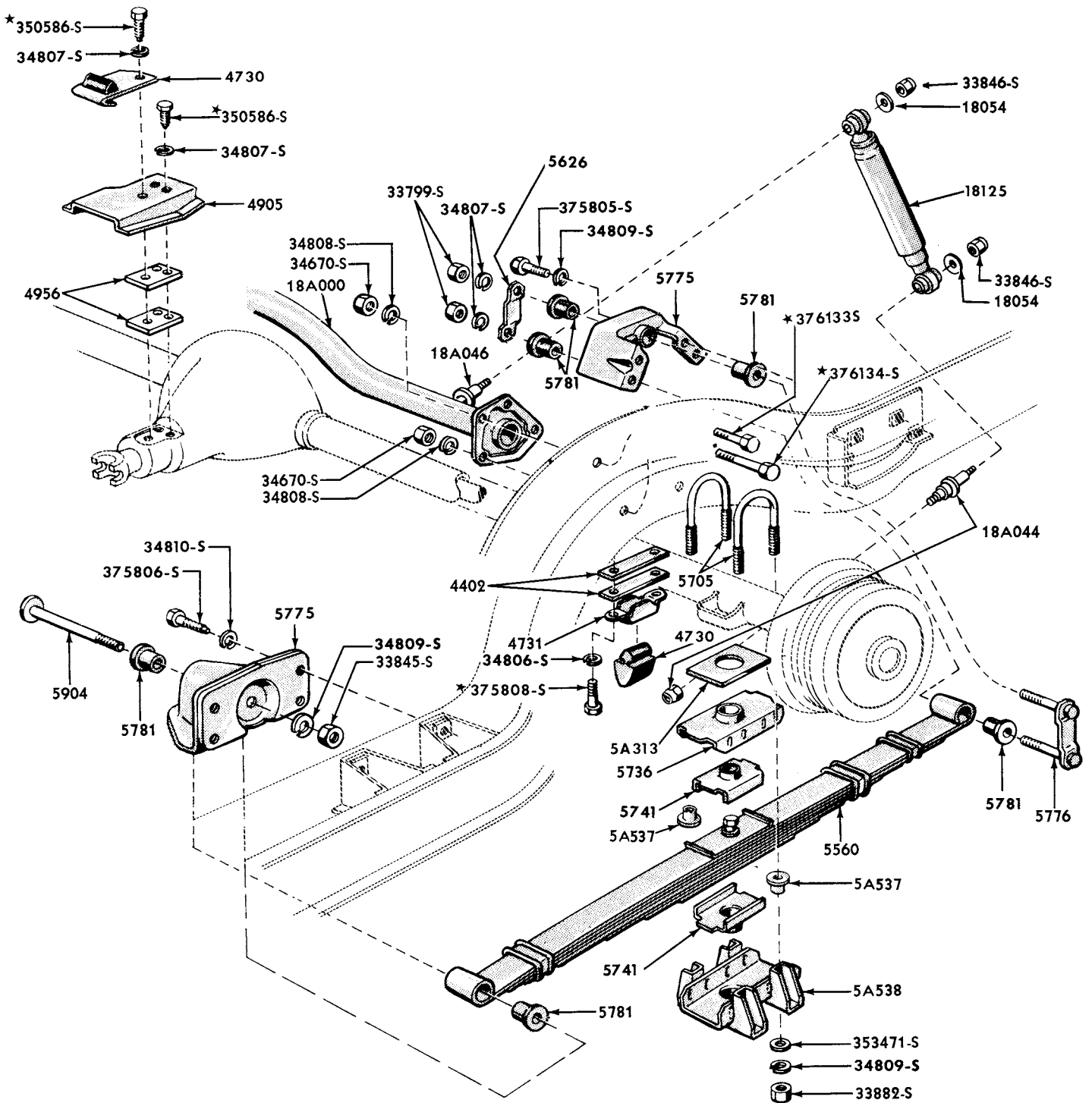


1960 LINCOLN

*SERVICED IN 5630 KIT

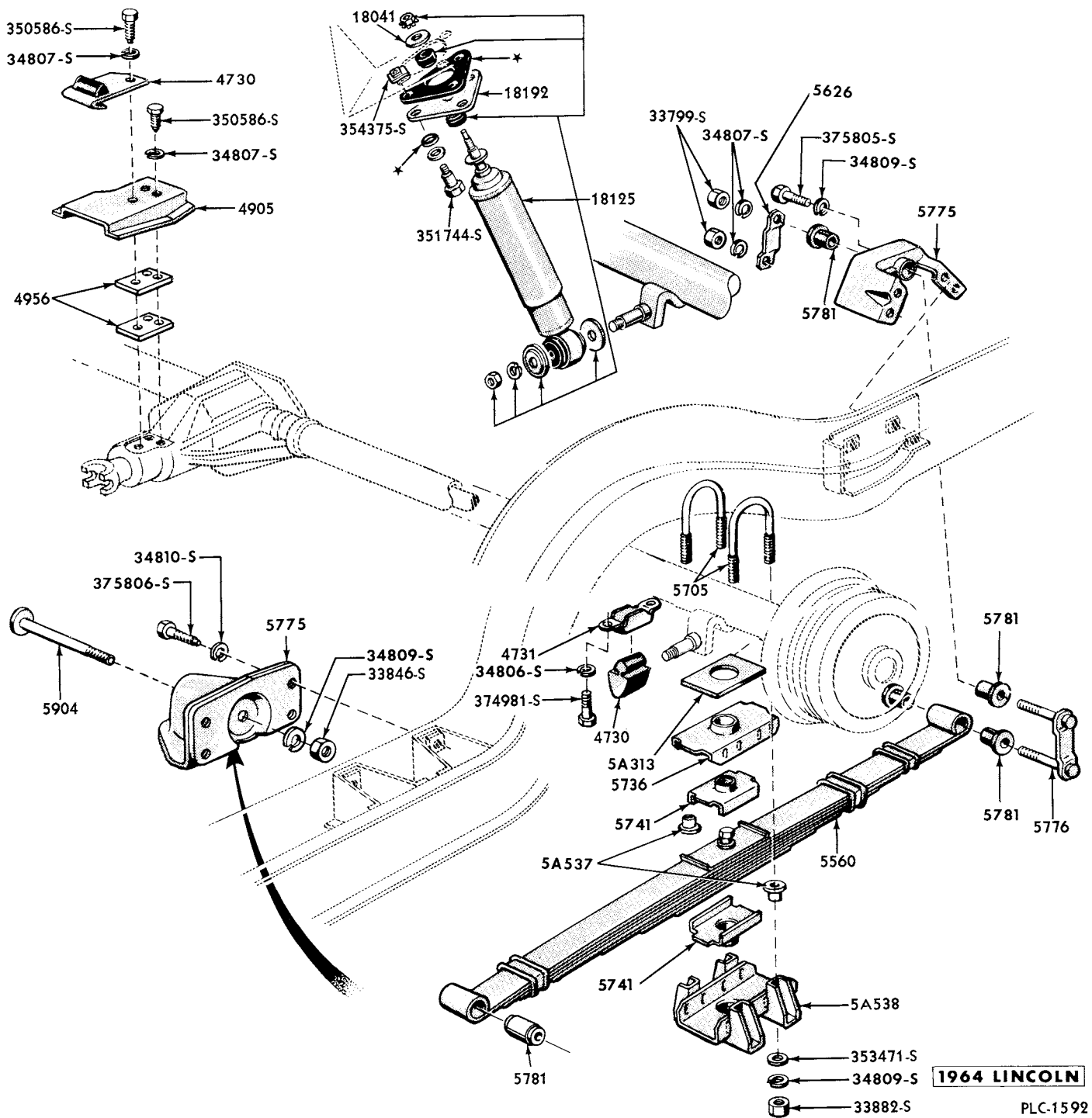
PLC-846

REAR SUSPENSION



1961-63 LINCOLN
PLC-1154

REAR SUSPENSION



1964 LINCOLN

PLC-1592

REAR SUSPENSION

Frame

GROUP AND PART NUMBER	DESCRIPTION, SIZE, ETC.	NO. REQ'D	MODEL OR ENGINE CUBIC INCH DISPLACEMENT	VEHICLE CODE	YEAR 19__
5A000 BRACKET (FRAME NO. 3 CROSSMEMBER SUPPORTING)					
COA 5A000-A	R. H.	1	All except 76	A	61/62
5A003 PLUG (FRAME STONE DEFLECTOR)					
B9MM 5A003-A	Rubber	2	All	A	60
5005 FRAME					
COMM 5005-C	Use with 312 C. I. D. engine	1	57A, 63A	A	60
COMM 5005-D	Use with 312 C. I. D. engine	1	58A, 64	A	60
COMM 5005-U	Use with 312 C. I. D. engine	1	77	A	60
COMM 5005-Y	Use with 312 C. I. D. engine	1	76A	A	60
COMM 5005-E	Use with 383 or 430 C. I. D. engines	1	57, 63	A	60
COMM 5005-F	Use with 383 or 430 C. I. D. engines	1	77	A	60
COMM 5005-G	Use with 383 or 430 C. I. D. engines	1	58, 64	A	60
COMM 5005-V	Use with 383 or 430 C. I. D. engines	1	76	A	60
C1MM 5005-T	Use on vehicles built prior to 4-7-61	1	76	A	61
C1MY 5005-A	Use on vehicles built after 4-6-61	1	76	A	61
C2MY 5005-B	Use with 292, 352 or 390 C. I. D. engines	1	All except 58A, 64A, 76	A	61/62
C2MY 5005-A	Use with 292, 352 or 390 C. I. D. engines	1	76	A	62
C2AZ 5005-B		1	58A, 64	A	61
	Use with 406 C. I. D. engine only	1	All except 76	A	62
C2AZ 5005-A	Use with 406 C. I. D. engine only	1	76	A	62
C3AZ 5005-A		1	76	A	63
C3AZ 5005-C		1	54, 62, 63, 65, 71, 75	A	63
C3AZ 5005-E	Police Special and Taxi	1	All except 63, 65, 76	A	63
C4AZ 5005-A		1	76	A	64
C4AZ 5005-C		1	All except 76	A	64
5019 CROSSMEMBER (FRAME) FRONT					
COMM 5019-A		1	All	A	60
C1MM 5019-B		1	All	A	61/62
	☆ Police Special and Taxi	1	All☆	A	63
C3AZ 5019-A	☆ Except Police Special and Taxi	1	All☆	A	63
C4AZ 5019-A		1	All	A	64
5025-6 CROSSMEMBER (FRAME) NO. 2					
C2OZ 5026-B		1	All	B	62/63
C1DD 5026-A		1	All	C	60/63
C4VY 5025-A		1	All	D	61/64
5027 CROSSMEMBER (FRAME) NO. 3					
B9M 5027-A	Use with 312 C. I. D. engine	1	57A, 58A, 63A, 64A, 77A	A	60
B9M 5027-B	Use with 383 or 430 C. I. D. engines	1	All except 76	A	60
C1AA 5027-A		1	All except 76A	A	61/62
C3AZ 5027-A		1	All except 76	A	63/64
5029 CROSSMEMBER (FRAME) NO. 4					
B9M 5029-A		1	All	A	60
5A029 BRACKET (FRAME TO BODY) INNER					
PB9M 5439-A	R. H. - No. 8	1	77	A	60
PB9M 5440-A	L. H. - No. 8	1	77	A	60
COAA 5A029-E	Use as No. 4 bracket	AR	76A	A	61/62
COAA 5A029-D	Use as No. 1-A bracket	AR	All	A	61/63
COAA 5A029-F	Use as No. 4 bracket	AR	All except 76A	A	61/63
C3AZ 5A029-A	Use as No. 1 bracket	2	All	A	63
C4AZ 5A029-A	Use as No. 4 bracket	2	All	A	64
C4AZ 5A029-B	Use as No. 1 bracket	2	All	A	64

Frame

GROUP AND PART NUMBER	DESCRIPTION, SIZE, ETC.	NO. REQ'D	MODEL OR ENGINE CUBIC INCH DISPLACEMENT	VEHICLE CODE	YEAR 19____
5035 CROSSMEMBER (FRAME REAR)					
COMM 5035-A		1	All	A	60
C1AZ 5035-A		1	All	A	61/62
C3AZ 5035-A		1	All	A	63
C4AZ 5035-A		1	All	A	64
5059 SUPPORT (FRAME ENGINE REAR)					
B9M 5059-A	Use with 312 C.I.D. engine	1	76A	A	60
B9M 5059-B	Use with 383 or 430 C.I.D. engines	1	76	A	60
C1AA 5059-A		1	76A	A	61/62
C3AZ 5059-A		1	76	A	63/64
	Refer to 6A023 for Comet and Meteor				
5075-6 BRACKET (FRAME TO BODY FRONT) OUTER					
B9MY 5075-A	R.H. - No. 3	1	All except 76	A	60
B9MY 5076-A	L.H. - No. 3	1	All except 76	A	60
B9MY 5076-B	L.H. - No. 3	1	76	A	60
PB9M 5075-B	R.H. - front	1	All	A	60
PB9M 5076-B	L.H. - front	1	All	A	60
COAA 5075-C	R.H. - use as No. 1 bracket	1	All	A	61/62
COAA 5076-B	L.H. - use as No. 1 bracket	1	All	A	61/62
C3AZ 5075-B	R.H. - use as No. 1 bracket	1	All	A	63
	R.H. - use as No. 6 bracket	1	All except 76	A	64
C3AZ 5076-B	L.H. - use as No. 1 bracket	1	All	A	63
	L.H. - use as No. 6 bracket	1	All except 76	A	64
C4AZ 5075-A	R.H. - use as No. 1 bracket	1	All	A	64
C4AZ 5076-A	L.H. - use as No. 1 bracket	1	All	A	64
5A076 SPACER (BODY BOLT)					
C3AZ 5A076-A	Steel - use as No. 1 and 1-A bracket	4	76	A	63/64
5078 BRACKET (FRAME TO BODY) REAR					
MG 5078-B		2	All except 76, 77	A	60
MG 5084-A		2	76	A	60
5080-1 BRACKET (FRAME TO BODY) OUTER					
COAA 5080-M	Use as No. 3 bracket	AR	All except 76A	A	61/63
COAA 5080-S	Use as No. 5 bracket	AR	All except 76A	A	61/63
COAA 5080-L	Use as No. 7 bracket	AR	All except 76A	A	61/63
COAA 5080-N	Use as No. 3 bracket	AR	76A	A	61/63
		AR	All	A	64
COAA 5080-R	Use as No. 5 bracket	AR	76A	A	61/63
		AR	All	A	64
COAA 5080-K	Use as No. 7 bracket	AR	76A	A	61/63
		AR	All	A	64
C3AZ 5080-A	R.H. - use as No. 6 bracket	1	All except 76	A	63/64
C3AZ 5081-A	L.H. - use as No. 6 bracket	1	All except 76	A	63/64
5084 REFER TO GROUP 5078					
5123-4 GUSSET (FRONT CROSSMEMBER TO FRAME)					
C1MM 5123-A	R.H.	1	All	A	61/62
C1MM 5124-A	L.H.	1	All	A	61/62
C3AZ 5123-A	R.H.	1	All	A	63
C3AZ 5124-A	L.H.	1	All	A	63
C4AZ 5123-A	R.H.	1	All	A	64
C4AZ 5124-A	L.H.	1	All	A	64

Exhaust System

GROUP AND PART NUMBER	DESCRIPTION, SIZE, ETC.	NO. REQ'D	MODEL OR ENGINE CUBIC INCH DISPLACEMENT	VEHICLE CODE	YEAR 19__
5A203 BRACKET & INSULATOR (MUFFLER SUPPORT)					
COMM 5A203-B	Single exhaust - use with COMM-5A239-A	1	All	A	60
5B203 CLAMP & INSULATOR (MUFFLER OUTLET PIPE)					
COLL 5B203-B		2	All	D	60
5A204-5 BRACKET (MUFFLER SUPPORT)					
C1VV 5A204-C	R. H.	(a) 2	All	D	61/63
C1VV 5A205-B	L. H.	(a) 2	All	D	61/63
	23441-S Bolt-carriage-3/8"-24 x 1-1/4"	AR	a		
	34370-S Nut-3/8"-24	AR	a		
5B205	REFER TO GROUP 5A239				
5B206	REFER TO GROUP 5270				
5A207	REFER TO GROUP 5270				
5B207	REFER TO GROUP 5A239				
5A208 PLATE (MUFFLER INLET PIPE HANGER) MOUNTING					
B9L 5A208-A	Inlet pipe	(a) 2	All	D	60
B9L 5A211-A	Outlet pipe	(a) 4	All	D	60
	371154-S Nut-hex. lock-5/16"-18	AR	a		
5B208	REFER TO GROUP 5270				
5A211	REFER TO GROUP 5A208				
5212 RESONATOR					
B9MM 5212-C	Use with 383 or 430 C. I. D. engines	1	76	A	60
COAZ 5A289-A	Dual exhaust - (1) req'd. for 6 cylinder - (2) req'd. for 8 cylinder (1) req'd. for L. H. - 1961	AR	76	A	61/62
C3MY 5212-A	Includes front and rear pipe - single exhaust 390-2V C. I. D. engine	1	All except 76	A	63
C3AZ 5A289-A	Dual exhaust	2	76	A	63
C4MY 5212-A	Includes front and rear pipe - single exhaust 390-2V C. I. D. engine - 83-7/32" approximate length	1	All except 76	A	64
C4AZ 5A289-A	Dual exhaust	2	76	A	64
COLL 5212-A		(a) 2	All	D	60
C2VY 5212-A	R. H. - stainless steel	1	All	D	61/62
C2VY 5212-B	L. H. - stainless steel	1	All	D	61/62
C3VY 5212-A	R. H. - stainless steel	1	All	D	63
C3VY 5212-B	L. H. - stainless steel	1	All	D	63
C4VY 5212-A	R. H. - stainless steel and aluminum	(b) 1	All	D	64
C4VY 5212-B	L. H. - stainless steel and aluminum	(b) 1	All	D	64
	23440-S Bolt-3/8"-16 x 1-1/4" carriage	8	b		
	34662-S8 Nut and washer assy.-5/16"-24-attach resonator assy. R. H. and L. H. inlet pipes	2	a		
	373403-S Nut-hex. lock-3/8"-16	8	b		

Exhaust System

GROUP AND PART NUMBER	DESCRIPTION, SIZE, ETC.	NO. REQ'D	MODEL OR ENGINE CUBIC INCH DISPLACEMENT	VEHICLE CODE	YEAR 19__
5A212-3 EXTENSION (MUFFLER INLET PIPE)					
B9MM 5A213-C	Single exhaust	1	All except 76	A	60
B9MM 5A213-D	Single exhaust	1	76	A	60
C1MM 5A212-E	R. H. - dual exhaust - 390 C. I. D.	1	All except 76	A	61
	R. H. - dual exhaust - 390 and 406 C. I. D. engines	1	All except 71, 76	A	62
C1MM 5A213-E	L. H. - single and dual exhaust	1	All except 76	A	61
	L. H. - single and dual exhaust	1	All except 71, 76	A	62
C1MM 5A212-D	R. H. - dual exhaust - 292, 352 and 390 C. I. D. engines	1	76	A	61
C2MY 5A212-A	R. H. - dual exhaust for 292, 352 and 390 C. I. D. engines	1	76	A	62
C1MM 5A213-F	L. H. - dual exhaust for 292, 352 and 390 C. I. D. engines	1	76	A	61/63
	L. H. - single exhaust - 223 C. I. D. engine	1	76	A	61/62
C2MA 5A212-A	R. H. - dual exhaust - 390 C. I. D. engine	1	71	A	62
C2MA 5A213-A	L. H. - single and dual exhaust	1	71	A	62
C3AZ 5A212-A	R. H. - 2" diameter x 92-3/8" long - 390, 406 C. I. D. engines	1	76	A	63
C3AZ 5A213-A	L. H. - 2" diameter x 92-3/8" long - 390, 406 C. I. D. engines	1	76	A	63
C3AZ 5A212-B	R. H. - 2" diameter x 86-13/32" long - dual exhaust - 390, 406 C. I. D. engines	1	All except 76	A	63
C3AZ 5A213-B	L. H. - 2" diameter x 86-13/32" long - 390, 406 C. I. D. engines	1	All except 76	A	63
C4AZ 5A212-A	R. H. - 2" diameter x 82-11/32" long - 390-4V, 427 C. I. D. engines - also use on 390 Police Special	1	All except 76	A	64
C4AZ 5A213-A	L. H. - 2" diameter x 82-11/32" long - 390-4V, 427 C. I. D. engines - also use on 390 Police Special	1	All except 76	A	64
C4AZ 5A212-B	R. H. - 2" diameter x 91-1/4" long - 390-2V-4V, 427 C. I. D. engines except Police Special	1	76	A	64
C4AZ 5A213-B	L. H. - 2" diameter x 91-1/4" long - 390-2V-4V, 427 C. I. D. engines except Police Special	1	76	A	64
C2OZ 5A212-C	2" diameter x 78-3/16" long - 221 C. I. D. engine with automatic transmission	1	All	B	62
	260 C. I. D. engine with all transmissions	1	All	B	62
C3OZ 5A212-C	1-3/4" diameter x 80-41/64" long - 170, 200, 221 C. I. D. engines - standard transmission	1	All except 71	B	62/63
C3OZ 5A212-D	1-3/4" diameter x 84-41/64" long - 170 and 200 C. I. D. engines	1	71	B	63
C3OZ 5A212-E	2" diameter x 77-7/8" long - 221, 260 C. I. D. engines with all transmissions	1	All except 71	B	63
C3OZ 5A212-F	2" diameter x 79-25/32" long - 221, 260 C. I. D. engines	1	71	B	63
C3GY 5A212-A	2" diameter x 98-1/2" long - 260 C. I. D. engine	1	54, 62, 63	C	63
C3GY 5A212-B	2" diameter x 98-1/2" long - 260 C. I. D. engine	1	76	C	63
C3DZ 5A212-A	2" diameter x 90-9/32" long - 260, 289 C. I. D. engines	1	59, 71	C	63/64
C4GY 5A212-C	2" diameter x 98-1/2" long - 260, 289 C. I. D. engines	1	54, 62, 63	C	64
C4GY 5A212-B	2" diameter x 98-1/2" long - 260, 289 C. I. D. engines	1	76	C	64
5218 PIPE & INSULATOR (RESONATOR INLET)					
COLL 5218-E	R. H.	1	All	D	60
COLL 5A265-D	L. H.	1	All	D	60
C1VY 5218-F	R. H.	1	All	D	61/62
C1VY 5218-G	L. H.	1	All	D	61/62
CONTINUED ON NEXT PAGE					

Exhaust System

GROUP AND PART NUMBER	DESCRIPTION, SIZE, ETC.	NO. REQ'D	MODEL OR ENGINE CUBIC INCH DISPLACEMENT	VEHICLE CODE	YEAR 19__
5218 PIPE & INSULATOR (RESONATOR INLET) CONTINUED					
C3VY 5218-A	R.H.	1	All	D	63
C3VY 5218-B	L.H.	1	All	D	63
C4VY 5218-A	R.H.	1	All	D	64
C4VY 5218-B	L.H. - use on vehicles built prior to 10-30-63	1	All	D	64
C4VY 5218-C	L.H. - use on vehicles built after 10-29-63	1	All	D	64
5B223-4 BRACKET & INSULATOR					
COLY 5B223-A	R.H. - resonator inlet pipe (a)	1	All	D	60
COLY 5B224-A	L.H. - resonator inlet pipe (a)	1	All	D	60
23409-S	Bolt-carriage-5/16"-24 x 1"	AR	a		
354299-S	Nut-hex.lock-5/16"-24	AR	a		
5A224 REINFORCEMENT (MUFFLER OUTLET PIPE BRACKET MOUNTING BOLT)					
B9MM 5A224-A	Single exhaust	2	All except 76	A	60
5A226 REFER TO GROUP 5A246					
5A227 SPACER (DEFLECTOR MUFFLER HEAT FRONT)					
B9MB 5A227-A	Single and dual exhaust	AR	All	A	60
5230 MUFFLER					
COMY 5230-A	Single exhaust	1	All except 76	A	60
COMY 5230-B	Single exhaust	1	76	A	60
C3AZ 5230-D	Single exhaust - 223 C.I.D. engine	1	All	A	61
C1AZ 5230-C	R.H. - dual exhaust for Police Special 390 C.I.D. engine	1	58, 64	A	61
C2AZ 5230-H	Single exhaust - 292 and 352 C.I.D. engines	1	All except 76	A	61
	L.H. - dual exhaust for Police Special 390 C.I.D. engine	1	58, 64	A	61
C3AZ 5230-E	R.H. - aluminized and stainless steel - 292, 352 C.I.D. engines	1	76	A	61
C3AZ 5230-H	390 C.I.D. engine - except for Police Special	1	All	A	61
	L.H. - dual exhaust - 390 C.I.D. engine	1	All	A	61
C3AZ 5230-H	L.H. - dual exhaust - 292 and 352 C.I.D. engines	1	76A	A	61
		1		A	61
C2MY 5230-D	223 C.I.D. engine	1	All	A	62
C2MY 5230-A	R.H. - dual exhaust - 292 and 352 C.I.D. engines	1	76	A	62
	R.H. - dual exhaust - 390 C.I.D. engine	1	All	A	62
C2MY 5230-E	L.H. - 292 and 352 C.I.D. engines	1	76	A	62
	L.H. - 390 C.I.D. engine	1	All	A	62
C2MY 5230-F	R.H. - 6" diameter x 27" long with 2" inlet and outlet - dual exhaust for Police Special 390 C.I.D. engine	1	54A, 62	A	62
	R.H. - 406 C.I.D. engine	1	All	A	62
C2MY 5230-G	6" diameter x 27" long with 2" inlet and outlet - single exhaust 292 and 352 C.I.D. engines	1	All except 76	A	62
	L.H. - dual exhaust for Police Special 390 C.I.D. engine	1	54A, 62	A	62
	L.H. - dual exhaust 406 C.I.D. engine	2	76A	A	62
C3AZ 5230-M	R.H. - 390-4V C.I.D. engine except Police Special - 6" diameter x 27" long with 2" inlet and 1-3/4" outlet	1	All	A	63
C3AZ 5230-N	L.H. - 390-4V C.I.D. engine except Police Special - 6" diameter x 27" long with 2" inlet and 1-3/4" outlet	1	All	A	63

CONTINUED ON NEXT PAGE

Exhaust System

GROUP AND PART NUMBER	DESCRIPTION, SIZE, ETC.	NO. REQ'D	MODEL OR ENGINE CUBIC INCH DISPLACEMENT	VEHICLE CODE	YEAR 19__
5230 MUFFLER (CONTINUED)					
C3AZ 5230-J	R.H. - 390 C.I.D. engine Police Special - 6" diameter x 27" long with 2" inlet and 1-3/4" outlet 406 C.I.D. engine	1	54A, 62	A	63
		1	All except 71	A	63
C3AZ 5230-F	L.H. - 390 C.I.D. engine Police Special - 6" diameter x 27" long with 2" inlet and outlet 406 C.I.D. engine	1	54A, 62	A	63
		1	All except 71, 76	A	63
C3MY 5230-A	390-2V C.I.D. engine single exhaust - 27" long - 2-1/4" inlet and 2" outlet	1	All except 76	A	63
C4AZ 5230-C	390 C.I.D. engine - single exhaust - 2-1/4" inlet x 2" outlet	1	All except 76	A	64
C4AZ 5230-H	R.H. - 27-1/8" long with 2" inlet and outlet - 390-4V Police Special and 427 C.I.D. engines	1	All except 71	A	64
C4AZ 5230-J	L.H. - 27-1/8" long with 2" inlet and outlet - 390-4V Police Special and 427 C.I.D. engines	1	All except 71	A	64
C4AZ 5230-M	R.H. - 390-4V C.I.D. engine except Police Special - 2" inlet and 1-3/4" outlet - also use on 390-2V C.I.D. engine on model 76 with dual exhaust	1	All	A	64
C4AZ 5230-G	L.H. - 390-2V C.I.D. engine except Police Special - 2" inlet and 1-3/4" outlet	1	All	A	64
C4AZ 5230-N	L.H. - 390-4V C.I.D. engine except Police Special - 2" inlet and 1-3/4" outlet - also use on 390-2V C.I.D. engine on model 76 with dual exhaust	1	All	A	64
C2OZ 5230-G	6" diameter x 23-3/4" long with 1-3/4" diameter inlet and 1-1/2" diameter outlet - 170 C.I.D. engine - all transmissions - 221 C.I.D. engine - standard transmission	1	All	B	62
C2OZ 5230-H	6" diameter x 25" - 2" inlet and outlet - 221 C.I.D. engine with automatic transmission - 260 C.I.D. engine with all transmissions - use on vehicles built prior to 12-7-62	1	All	B	62
C3YY 5230-B	2" inlet and 1.75" outlet x 27" long - 221, 260 C.I.D. engines - all transmissions - use on vehicles built after 12-6-62	1	All except 71	B	62/63
C3OZ 5230-A	6" diameter with 1-3/4" inlet and 1-1/2" outlet - 170 and 200 C.I.D. engines	1	All except 71	B	63
C3OZ 5230-E	1-3/4" inlet and 1-1/2" outlet - 170 and 200 C.I.D. engine	1	71	B	63
C3OZ 5230-G	2" inlet and 1-3/4" outlet - 221, 260 C.I.D. engines	1	71	B	63
C1DD 5230-C	Standard transmission - 18" long - use on vehicles built prior to 6-1-61	1	54, 62	C	60/61
C3DZ 5230-A	Aluminized - 22" long - 144, 170 C.I.D. engines - 1-3/4" inlet and 1-1/2" outlet - all transmissions	1	All	C	60/63
C3DZ 5230-B	260 C.I.D. engine - 2" inlet and 1-3/4" outlet	1	59, 71	C	63
C3DZ 5230-C	260 C.I.D. engine - 2" inlet and 1-3/4" outlet	1	54, 62, 63, 76	C	63
C4GY 5230-B	170, 200 C.I.D. engines - 22" long - 1-3/4" inlet x 1-1/2" outlet - includes tailpipe	1	All except 71	C	64
C4GY 5230-C	170, 200 C.I.D. engines - 22" long - 1-3/4" inlet x 1-1/2" outlet	1	71	C	64
C4GY 5230-D	260 C.I.D. engine - 27" long - 2" inlet x 1-3/4" outlet	1	71	C	64
CONTINUED ON NEXT PAGE					

Exhaust System

GROUP AND PART NUMBER	DESCRIPTION, SIZE, ETC.	NO. REQ'D	MODEL OR ENGINE CUBIC INCH DISPLACEMENT	VEHICLE CODE	YEAR 19__
5230 MUFFLER (CONTINUED)					
C4GY 5230-E	289 C.I.D. engine - 27" long - 2" inlet and outlet	1	71	C	64
C4GY 5230-F	289 C.I.D. engine - 27" long - 2" inlet and outlet	1	All except 63E, 71	C	64
C4GY 5230-G	260 C.I.D. engine - 27" long - 2" inlet x 1-3/4" outlet - includes tailpipe	1	All except 63E, 71	C	64
C4GY 5230-H	260, 289 C.I.D. engines - 2" inlet and 2-1/4" outlet	1	63E	C	64
COLL 5230-C		2	All	D	60
C2VY 5230-A	R.H. - stainless steel	1	All	D	61/62
C2VY 5230-B	L.H. - stainless steel	1	All	D	61/62
C3VY 5230-A	R.H. - stainless steel	1	All	D	63
C3VY 5230-B	L.H. - stainless steel	1	All	D	63
C4VY 5230-A	R.H. - stainless steel	1	All	D	64
C4VY 5230-B	L.H. - stainless steel	1	All	D	64
5A231 CLAMP (MUFFLER INLET & OUTLET PIPE)					
C3MY 5A231-A	Single exhaust - 390-2V C.I.D. engine	2	All except 76	A	63
C3MY 5A231-B	Clamp - upper - single exhaust - 390-2V C.I.D. engine	1	All except 76	A	63/64
C3MY 5A231-C	Clamp - lower - single exhaust - 390-2V C.I.D. engine	1	All except 76	A	63/64
A9AA 5A231-C	2-1/4" - intermediate Single exhaust - front pipe to intermediate pipe and intermediate pipe to muffler - 260, 289 C. I. D. engines	AR 2 2	All All except 76 All	A A C	61/62 64 63/64
COAZ 5A231-A	Clamp and "U" bolt - inlet pipe to muffler Use with 2" pipe	AR AR	All All	A B C	61/63 64
A9AA 5A231-B	Universal Single exhaust - inlet pipe to extension Dual exhaust inlet pipe to extension and muffler Extension pipe to muffler inlet Intermediate hanger to frame Intermediate pipe to rear hanger - 170 and 200 C. I. D. engines Intermediate pipe to rear hanger - 221 and 260 C. I. D. engines 260 C. I. D. engine Extension pipe to muffler inlet Inlet and outlet Inlet and outlet Inlet and outlet Inlet and outlet	AR AR AR 1 1 1 1 1 2 1 3 2 1 AR	All All All All All All All except 71 71 All All All except 71 71 All	A A A A B B B C C C D	64 61/63 61/62 62 62 63 63 63 60/62 64 64 64
A9AA 5A231-A	1-3/4" - Front pipe to block, front pipe to intermediate pipe and intermediate pipe to muffler - 170, 200 C. I. D. engines Inlet 144, 170 and 200 C. I. D. engines Rear of muffler - 260, 289 C. I. D. engines Rear of muffler and tail pipe - 260, 289 C. I. D. engines	3 2 3 1 2	All All All All except 59, 71 59, 71	B C C C C	63 60/61 63/64 63/64 63/64
C3VY 5A231-A	U-bolt and clamp - 260, 289 C. I. D. engines	1 AR	All All	C D	63/64 63/64
5B236 PLATE (MUFFLER MOUNTING)					
C4GY 5B236-A		1	All except 71	C	64
C1VV 5B236-C		(a) 2	All	D	61/64
40919-S	Screw-hex. hd. tap. -No. 10-32 x 1/2"	AR	a		
373403-S8	Nut-hex. lock-3/8"-16	AR	a		

Exhaust System

GROUP AND PART NUMBER	DESCRIPTION, SIZE, ETC.	NO. REQ'D	MODEL OR ENGINE CUBIC INCH DISPLACEMENT	VEHICLE CODE	YEAR 19_____
5A239 "U" BOLT (MUFFLER & RESONATOR, INLET, OUTLET & CROSSOVER PIPE)					
COMM 5A239-A	Muffler inlet pipe - single exhaust (a)	1	All	A	60
COMM 5A239-B	Muffler outlet pipe - rear - to hanger	AR	All	A	60
COLL 5B205-A	Front of muffler (a)	AR	All	A	60
	Inlet pipe to resonator	AR	All	D	60
COLL 5B207-A	Muffler inlet to crossover pipe - dual exhaust (a)	2	All	A	60
	Resonator inlet crossover pipe	2	All	D	60
COLL 5A239-A	Muffler outlet - 2" diameter (a)	2	All except 77	A	60
		AR	All	D	60
C1VV 5282-A	Resonator (a)	1	All	D	61/62
373403-S8	Nut-hex. lock-3/8"-16	AR	a		
5B241-2 SHIELD (MUFFLER SPLASH)					
C2VY 5B241-A	R. H.	1	All	D	61/64
C2VY 5B242-A	L. H.	1	All	D	61/64
5245-6 PIPE (MUFFLER INLET)					
B9MM 5246-C	Use single exhaust system with 312 C.I.D. engine	1	All	A	60
B9MM 5246-D	Use for single exhaust system with 383 or 430 C.I.D. engines	1	All	A	60
C1AA 5246-L	Single exhaust - 352 C.I.D. engine	1	All except 76	A	61
C1AA 5246-N	Dual exhaust - 390 C.I.D. engine	1	All except 76	A	61
C1AA 5246-R	R. H. - dual exhaust - 292 C.I.D. engine	1	76A	A	61/62
C1MM 5248-D	L. H. - dual exhaust - 292 C.I.D. engine	1	76A	A	61/62
C1AA 5246-K	Dual exhaust for Police Special 390 C.I.D. engine	1	58A, 64	A	61
	Dual exhaust for Police Special 390 C.I.D. engine	1	54A, 62	A	62
	Dual exhaust for 406 C.I.D. engine	1	All except 76	A	62
C1AA 5246-T	223 C.I.D. engine	1	All except 76	A	61/62
C1AA 5246-U	223 C.I.D. engine	1	76	A	62
C2AZ 5246-A	"Y" pipe - single exhaust - 352 C.I.D. engine	1	All except 76	A	62
C2AZ 5246-C	"Y" pipe - single exhaust - 292 C.I.D. engine	1	All except 76	A	62
C2AZ 5246-B	"H" pipe - dual exhaust - 390 C.I.D. engine except for Police Special	1	All except 76	A	62
C1AA 5246-S	R.H. - dual exhaust - 352 and 390 C.I.D. engines	1	76	A	61
C2AZ 5246-D	R.H. - dual exhaust - 352 or 390 C.I.D. engine except for Police Special	1	76	A	62
C1AA 5248-D	L. H. - dual exhaust with 352, 390 C.I.D. engines	1	76	A	61/62
C3AZ 5246-G	R. H. - 390 C.I.D. engine except Police Special - 2" diameter x 29" long	1	76	A	63
C3AZ 5246-J	L. H. - 390 C.I.D. engine except Police Special - 2" diameter x 33" long	1	76	A	63
C3AZ 5246-Z	R. H. - 406 and 427 C.I.D. engines - 2" diameter x 16-7/16" long	1	76	A	63
C3AZ 5246-AA	L. H. - 406 and 427 C.I.D. engines - 2" diameter x 19-1/4" long	1	76	A	63
C3MY 5246-A	"Y" pipe - single exhaust - 390-2V C.I.D. engine except Police Special	1	All except 76	A	63
C3AZ 5246-E	"H" pipe - 390 C.I.D. engine except Police Special - 2" diameter x 50-27/32" long	1	All except 76	A	63
C3AZ 5246-L	"H" pipe - 390 C.I.D. engine Police Special - 2" diameter x 47-45/64" long	1	54A, 62	A	63
C3AZ 5246-Y	"H" pipe - 406 or 427 C.I.D. engines - 2" diameter x 37-3/8" long	1	All except 71, 76	A	63
C4AZ 5246-F	R. H. - 390 C.I.D. engine except Police Special - 2" diameter x 29" long	1	76	A	64
C4AZ 5246-J	L. H. - 390 C.I.D. engine except Police Special - 2" diameter x 33" long	1	76	A	64

CONTINUED ON NEXT PAGE

Exhaust System

GROUP AND PART NUMBER	DESCRIPTION, SIZE, ETC.	NO. REQ'D	MODEL OR ENGINE CUBIC INCH DISPLACEMENT	VEHICLE CODE	YEAR 19__
5245-6 PIPE (MUFFLER INLET) CONTINUED					
C4AZ 5246-L	R.H. - 427 C.I.D. engine - 2" diameter x 15-3/16" long	1	76	A	64
C4AZ 5246-M	L.H. - 427 C.I.D. engine - 2" diameter x 18" long	1	76	A	64
C4AZ 5246-G	"H" pipe - 390-4V C.I.D. engine except Police Special - 2" diameter x 51-11/16" long	1	All except 76	A	64
C4AZ 5246-K	"H" pipe - 427 C.I.D. engine - 2" diameter x 39" long	1	All except 71,76	A	64
C4AZ 5246-R	"H" pipe - 390 C.I.D. engine Police Special - 2" diameter x 49-15/16" long	1	54A,62A	A	64
C4AZ 5246-T	"Y" pipe - single exhaust - 390-2V C.I.D. engine except Police Special	1	All except 76	A	64
C2OZ 5246-B	1-3/4" diameter x 47-23/64" long - 170 C. I. D. engine - automatic transmission	1	All	B	62
C2OZ 5246-C	1-3/4" diameter x 47-23/64" long - 170 C. I. D. engine - standard transmission	1	All	B	62
C2OZ 5246-A	"Y" pipe - 1-3/4" diameter x 39-21/64" long - 221 C. I. D. engine - standard transmission	1	All	B	62
C2OZ 5246-D	"Y" pipe - 2" diameter x 39-21/64" long - 221 C. I. D. engine - automatic transmission	1	All	B	62
C3OZ 5246-D	1-3/4" diameter x 46-55/64" long - 170 and 200 C. I. D. engines - standard transmission	1	All except 71	B	63
C3OZ 5246-E	1-3/4" diameter x 46-55/64" long - 170 and 200 C. I. D. engines - automatic transmission	1	All except 71	B	63
C3OZ 5246-F	1-3/4" diameter x 53-1/4" long - 170 and 200 C. I. D. engines - standard transmissions	1	71	B	63
C3OZ 5246-G	1-3/4" diameter x 51-41/64" long - 170 and 200 C. I. D. engines - automatic transmissions	1	71	B	63
C3OZ 5246-H	2" diameter x 38-27/32" long - 221, 260 C. I. D. engines - all transmissions	1	All except 71	B	63
C3OZ 5246-K	221 and 260 C. I. D. engines - all transmissions	1	71	B	63
C1KK 5246-B	Standard transmission - use on vehicles built prior to 5-1-61	1	54, 62	C	60/61
C1GY 5246-B	Standard transmission - 144 C. I. D. engine - use on vehicles built after 4-30-61	1	54, 62	C	61/62
C1KK 5246-C	Automatic transmission - 144 C. I. D. engine - use on vehicles built prior to 5-1-61	1	54, 62	C	60/61
C1GY 5246-A	All transmissions - 170 C. I. D. engines - use on vehicles built after 4-30-61	1	54, 62	C	61/62
CODD 5246-B	Use with standard transmission - use on vehicles built prior to 5-1-61	1	59, 71	C	60/61
CODD 5246-C	Use with automatic transmission - use on vehicles built prior to 5-1-61	1	59, 71	C	60/61
C1DZ 5246-A	All transmissions - use on vehicles built after 4-30-61	1	59, 71	C	61/62
C3GY 5246-C	144, 170 C. I. D. engines	1	54, 62, 63	C	63
C3DZ 5246-B	1-3/4" diameter x 116" long - 144, 170 C. I. D. engines	1	59, 71	C	63
C3GY 5246-A	144, 170 C. I. D. engines	1	76	C	63
C3DZ 5246-E	"Y" design - 2" diameter x 24" long - 260 C. I. D. engine	1	All	C	63
C4DZ 5246-C	260, 289 C. I. D. engines	1	All	C	64
C4GY 5246-D	170, 200 C. I. D. engines	1	All except 71, 76	C	64
C4GY 5246-C	170, 200 C. I. D. engines	1	71	C	64
C4GY 5246-B	170, 200 C. I. D. engines	1	76	C	64
COLL 5245-A	R. H.	1	All	D	60
COLY 5246-A	L. H.	1	All	D	60

Exhaust System

GROUP AND PART NUMBER	DESCRIPTION, SIZE, ETC.	NO. REQ'D	MODEL OR ENGINE CUBIC INCH DISPLACEMENT	VEHICLE CODE	YEAR 19__
5A246 BRACKET & INSULATOR (MUFFLER OUTLET PIPE)					
COMM 5256-A	L. H. - front - single exhaust (b)	1	All except 76	A	60
COMM 5A226-D	L. H. - single exhaust (a)	1	76	A	60
C1MM 5A246-B	R. H. - dual exhaust	1	58A, 64A, 76A	A	61
C1MM 5256-B	L. H. - single and dual exhaust	1	All	A	61
C2MY 5A246-C	R. H. - dual exhaust - 390 or 406 C.I.D. engines	1	All except 71	A	62
	R. H. - dual exhaust - 292, 352 C.I.D. engines	1	76	A	62
C2MY 5A246-A	L. H. - single and dual exhaust	1	All except 71	A	62
C2MY 5A246-D	R. H. - 390 C.I.D. engine	1	71	A	62
C2MY 5A246-B	L. H. - single and dual exhaust	1	71	A	62
C4AZ 5A246-C	R. H. - muffler inlet pipe to crossmember - (c, d) 390 C. I. D. engines with dual exhaust	1	All	A	64
	R. H. - muffler inlet pipe to crossmember - 427 C. I. D. engines	1	All except 71	A	64
C4AZ 5A246-D	L. H. - muffler inlet pipe to crossmember - (c, d) 390 C. I. D. engine with dual exhaust	1	All	A	64
	L. H. - muffler inlet pipe - 427 C. I. D. engine	1	All except 71	A	64
	Single exhaust - 390 C. I. D. engine	1	All except 76	A	64
C3OZ 5A246-C	Inlet pipe - to frame	1	All except 71	B	62/63
C3YY 5A246-A	Outlet pipe	1	All except 71	B	62/63
C3OZ 5A246-F	Muffler inlet pipe	1	71	B	63
C3OZ 5A246-E	Muffler outlet pipe	1	71	B	63
C3DZ 5A246-C	Front of muffler - 144, 170 C. I. D. engine	1	59, 71	C	60/63
CODD 5A283-F	Rear of muffler - 144, 170 C. I. D. engines	1	59, 71	C	60/63
	Rear of muffler - 170, 200 C. I. D. engines (e, f)	1	71	C	64
C3DZ 5A246-H	Rear of muffler - 260 C. I. D. engine	1	59, 71	C	63
C3GY 5A246-B	Front of muffler - 144, 170 C. I. D. engines	1	54, 62, 63, 76	C	60/63
C3GY 5A246-A	Rear of muffler - 144, 170 C. I. D. engines	1	54, 62, 63, 76	C	60/63
C3GY 5A246-D	Front of muffler - 260 C. I. D. engine	1	54, 62, 63, 76	C	63
C3GY 5A246-C	Rear of muffler - 260 C. I. D. engine	1	54, 62, 63, 76	C	63
C4GY 5A246-C	Rear of muffler - 170, 200, 260 and 289 C. I. D. (c) engines - use on vehicles built prior to 5-4-64	1	All except 71	C	64
C4GY 5A246-F	Rear of muffler - 170, 200, 260 and 289 C. I. D. (c) engines - use on vehicles built after 5-3-64	1	All except 71	C	64
C4GY 5A246-D	Front of muffler - 170, 200, 260 and 289 C. I. D. (c) engines - use on vehicles built prior to 5-4-64	1	All except 71	C	64
C4GY 5A246-G	Front of muffler - 170, 200, 260 and 289 C. I. D. (c) engines - use on vehicles built after 5-3-64	1	All except 71	C	64
C3DZ 5A246-G	Front of muffler - 260 C. I. D. engine	1	59, 71	C	63
	Front of muffler - 260, 289 C. I. D. engines (c)	1	71	C	64
C4GY 5A246-E	Front of muffler - 170, 200 C. I. D. engines (f)	1	71	C	64
	Rear of muffler - 260, 289 C. I. D. engines (c)	1	71	C	64
	Bolt-carriage-5/16"-18 x 1-1/4"	AR	e		
	Nut-5/16"-18	AR	e		
	Screw-tap. -5/16"-18 x 3/4"	AR	f		
	Screw-tap. hex. hd. -5/16"-18 x 7/8"	4	c		
	Screw-hex. hd. tap. -5/16"-18 x 1/2"	AR	a		
	Bolt-5/16"-18 x 3-3/4" long	AR	b		
	Plate	2	d		
	Nut-5/16"-18	AR	b		
	Note - Webbing - exhaust bracket repair - see 8124				

Exhaust System

GROUP AND PART NUMBER	DESCRIPTION, SIZE, ETC.	NO. REQ'D	MODEL OR ENGINE CUBIC INCH DISPLACEMENT	VEHICLE CODE	YEAR 19__
5C246 KIT (HOT ROD LAKE PIPES)					
C4AZ 5C246-A	390, 427 C. I. D. engines with dual exhaust	1	All	A	64
	170, 200, 260, 289 C. I. D. engines	1	All	C	64
5248 REFER TO GROUP 5245-6					
5A249 BRACKET & INSULATOR (MUFFLER INLET PIPE)					
COLL 5A249-B		(a) 2	All		D 60
	371154-S Nut-hex. lock-5/16"-18	AR	a		
5A251 BRACKET (MUFFLER OUTLET PIPE HANGER)					
COLL 5A251-C		2	All		D 60
5255 PIPE (MUFFLER OUTLET)					
B9MY 5255-A	Front - single exhaust with 312, 383 or 430 C. I. D. engines	1	76	A	60
B9MY 5255-B	Single exhaust with 312, 383 or 430 C. I. D. engines	1	All except 76, 77	A	60
COMM 5255-C	Single exhaust with 312, 383 or 430 C. I. D. engines	1	77	A	60
PB9M 55302-A	Rear - single exhaust with 312 C. I. D. engine	1	76A	A	60
B9MM 55302-B	R. H. - rear - dual exhaust - export only - 383, 430 C. I. D. engines	1	76D	A	60
B9MM 55303-B	Rear - single exhaust with 383 or 430 C. I. D. engines	1	76A, D	A	60
	L. H. - rear - dual exhaust - export only	1	76D	A	60
C3DZ 5255-C	144, 170 C. I. D. engines	1	59, 71	C	60/63
C3GY 5255-A	144, 170 and 200 C. I. D. engines	1	54, 62, 63, 76	C	60/64
C3DZ 5255-D	260 C. I. D. engine	1	59, 71	C	63
C3GY 5255-B	260, 289 C. I. D. engines	1	54, 62, 63, 76	C	63/64
C4GY 5255-A	170, 200 C. I. D. engines	1	71	C	64
C4GY 5255-B	260 C. I. D. engine	1	71	C	64
C4GY 5255-C	289 C. I. D. engine	1	71	C	64
COLL 5255-B	R. H.	1	All	D	60
B8LY 5255-A	L. H.	1	All	D	60
5A255 PIPE (EXHAUST CROSSOVER)					
B8LY 5A255-A		1	All		D 60
5256 REFER TO GROUP 5A246					
5260 CLAMP (MUFFLER OUTLET PIPE)					
MG 5260-C	Single exhaust - rear and intermediate	(a) 2	All except 76, 77	A	60
	Single exhaust - intermediate	1	76	A	60
	Single and dual exhaust - rear of muffler - intermediate and outlet pipe rear	3	77	A	60
C3AZ 5260-B	R. H. - muffler outlet pipe - 390-4V C. I. D. engine	1	71B	A	63
C3AZ 5260-A	L. H. - muffler outlet pipe - all C. I. D. engines	1	71B	A	63
C3MY 5260-B	R. H. - muffler outlet pipe - all C. I. D. engines	1	All except 71B	A	63
C3MY 5260-A	L. H. - muffler outlet pipe - all C. I. D. engines	1	All except 71B	A	63
	23438-S Carriage bolt-5/16"-18 x 1-1/4"	AR	a		
	371154-S Nut-5/16"-18	AR	a		

Exhaust System

GROUP AND PART NUMBER	DESCRIPTION, SIZE, ETC.	NO. REQ'D	MODEL OR ENGINE CUBIC INCH DISPLACEMENT	VEHICLE CODE	YEAR 19__
5260 BRACKET (MUFFLER HANGER)					
C1AZ 5260-A	Single and dual exhaust - intermediate	1-2	All	A	61/62
C4MY 5260-B	R.H. - muffler outlet pipe - 390 C.I.D. engine (b) with dual exhaust	1	71	A	64
C4MY 5260-A	L.H. - muffler outlet pipe - 390 C.I.D. engine (b) with dual exhaust	1	71	A	64
	Single exhaust (b, c)	1	71	A	64
C4MY 5260-D	R.H. - muffler outlet pipe - all C.I.D. engines (b) with dual exhaust	1	All except 71	A	64
C4MY 5260-C	L.H. - muffler outlet pipe - all C.I.D. engines (b) with dual exhaust	1	All except 71	A	64
	Single exhaust (b, c)	1	All except 71	A	64
C1SZ 5260-A		(a) 4	All	D	61/64
	23441-S Bolt-carriage-3/8"-24 x 1-1/4"	AR	a		
	33845-S7 Nut-1/2"-13	AR	c		
	34370-S Nut-hex. lock-3/8"-24	AR	a		
	40182-S Screw-tap. hex. hd. -5/16"-18 x 7/8"	2	b		
	44735-S Washer-flat-1/2"	AR	c		
5261 BRACKET (MUFFLER INLET PIPE CLAMP)					
COMM 5261-B	Rear - single exhaust (a)	1	77	A	60
COMM 5261-D	Single exhaust (a)	1-2	All except 77	A	60
C3AZ 5261-A	Muffler inlet pipe to crossmember - 390 C.I.D. engine	2	All	A	63
	40923-S Screw-hex. hd. tap. -5/16"-18 x 1/2"	AR	a		
5B262 PLATE (RESONATOR MOUNTING)					
C1VV 5B262-B		(a) 2	All	D	61/63
C4VY 5B262-A		(a) 2	All	D	64
	40919-S Screw-hex. hd. tap. -No. 10-32 x 1/2"	AR	a		
	373403-S8 Nut-hex. lock-3/8"-16	AR	a		
5265 CLAMP (MUFFLER OUTLET PIPE) FRONT					
CODD 5265-A		1	59,71	C	60/62
5A265 REFER TO GROUP 5218					
5B266 GASKET (RESONATOR INLET PIPE)					
C1VV 5B266-A	(2) req'd. - between R. H. and L. H. resonator inlet pipes and resonator	4	All	D	61/62
	(2) req'd. - between R. H. and L. H. resonator and muffler				
C3VY 5B266-A	(2) req'd. - between R. H. and L. H. resonator inlet pipes and resonator	4	All	D	63/64
	(2) req'd. - between R. H. and L. H. resonator and muffler				
5B267 BRACKET (RESONATOR SUPPORT)					
C1VV 5B267-A		4	All	D	61/63
C4VY 5B267-C		4	All	D	64
5269 FLANGE (MUFFLER INLET PIPE)					
C3AZ 5269-A	390 C.I.D. engine except Police Special	AR	All except 76	A	63
	221, 260 C. I. D. engines	AR	All	A	64
		AR	All	B C	63
C3OZ 5269-A	144, 170 and 200 C. I. D. engines	1	All	B C	63/64

Exhaust System

GROUP AND PART NUMBER	DESCRIPTION, SIZE, ETC.	NO. REQ'D	MODEL OR ENGINE CUBIC INCH DISPLACEMENT	VEHICLE CODE	YEAR 19__
5270 CLAMP (MUFFLER INLET PIPE)					
COLL 5B206-A	Single exhaust	1	All except 76	A	60
		2	76	A	60
	Use as follows -	AR	All	D	60
	(1) req'd. - to attach resonator assembly R.H. to muffler pipe inlet R.H. - use with 5A239				
	(1) req'd. - to attach resonator assembly L.H. to muffler pipe inlet L.H. - use with 5A239				
	(2) req'd. - to attach pipe - muffler inlet to muffler assembly - use with 5A249				
COLL 5270-A	Outlet pipe intermediate	AR	All	A	D 60
B9L 5A207-A	Lower - resonator inlet pipe	2	All		D 60
COLL 5B208-A	Lower - resonator inlet crossover pipe	2	All		D 60
C1VV 5B206-A	Resonator - use with 5A239	1	All		D 61/62
5A272 CLAMP (MUFFLER OUTLET)					
CODD 5A272-A		1	All except 59,71	C	60/62
5273 SUPPORT BRACKET & INSULATOR (MUFFLER OUTLET PIPE)					
PB9M 5273-A	Intermediate - single exhaust	(a) 1	All	A	60
40923-S	Screw-hex. hd. tap. -5/16"-18 x 1/2"	AR	a		
5277 BRACKET (MUFFLER HANGER TO REAR SHOCK ABSORBER BRACKET)					
C4DZ 5277-A		1	71	C	64
5277 KIT (MUFFLER OUTLET PIPE) SUPPORT					
C4VY 5277-B	R.H.	1	All		D 64
	Consists of the following -				
(1) C4VA-5266-C	bracket	(1) 378836-S8	screw-No. 20-9	(1) 379539-S8	bolt-3/8"-16
(1) C4DA-5A272-B	clamp		x 1-1/2"		x 3-13/16"
C4VY 5277-A	L.H.	1	All		D 64
	Consists of the following -				
(1) C4VA-5271-D	bracket	(1) 378836-S8	screw-No. 20-9	(1) 379539-S8	bolt-3/8"-16
(1) C4DA-5A272-B	clamp		x 1-1/2"		x 3-13/16"
5282	REFER TO GROUP 5A239				
5A283	REFER TO GROUP 5A246				
5A289	REFER TO GROUP 5212				
5291 BRACKET (MUFFLER INLET PIPE HANGER)					
C3OZ 5291-A	144, 170 and 200 C.I.D. engines	1	All	B	63
CODD 5291-D	Front	1	All	C	60/62
C3DZ 5291-A	Front - 144, 170 C.I.D. engines	1	All	C	63
	Front - 170, 200 C.I.D. engines	(a) 1	All	C	64
LF 5291-A	Upper	2	All	D	60
20348-S	Bolt-hex. hd. -3/8"-16 x 3/4"	AR	a		
34807-S	Washer-lock-3/8"	AR	a		
5-5294 DEFLECTOR (MUFFLER HEAT)					
B9MB 55294-A	Use with a/cond.	1-2	All	A	60
5-5302-3	REFER TO GROUP 5255				

5 3 1 0

1960 M E R C U R Y S P R I N G C H A R T

SELECT PROPER CODE FROM CHART AND ORDER

CORRESPONDING SPRING BY NUMBER LISTED BELOW CHART

MODEL	312 CID ENGINE				383 CID ENGINE				430 CID ENGINE			
	WITH A/COND.		WITHOUT A/COND.		WITH A/COND.		WITHOUT A/COND.		WITH A/COND.		WITHOUT A/COND.	
	STD.	H/D	STD.	H/D	STD.	H/D	STD.	H/D	STD.	H/D	STD.	H/D
57A-58A 63A-64	2	5*	1	5	4	7*	3	7	X	X	X	X
57B-58B 63B	X	X	X	X	4	7*	3	7	4	7*	3	7
57F-63F 76D	X	X	X	X	4	7*	4	7*	4	7*	4	7*
76A	3	6*	2	6	4	7*	4	7*	X	X	X	X
77A	2	5*	1	5	2	6*	2	6	X	X	X	X
77B	X	X	X	X	3	6*	2	7	3	7*	2	7*

- | | | | |
|------------------|---------------|------------------|--------------|
| 1 - COMM-5310-A | WHITE STRIPE | 5 - COMM-5310-E | GREEN STRIPE |
| 2 - COMM-5310-B | YELLOW STRIPE | 6 - COMM-5310-F§ | PINK STRIPE |
| 3 - COMM-5310-C | ORANGE STRIPE | 7 - COMM-5310-G | RED STRIPE |
| 4 - COMM-5310-D§ | BLUE STRIPE | | |

X - Not Applicable

§ - Also use for export

* - Also use (2) or (4) MB-5355-B Shims and (2) B7MY-5A317-A locators

1961-62 MERCURY FRONT SPRING CHART

WITHOUT AIR CONDITIONING

Trans.	O/Drive				Std. Trans.						2/S Trans.						S/R Trans.				D/R Trans.						
C.I.D.	223		292		223		292		352		223		292		352		292		352		292		352		390		
Std. or H/D Model	Yr.	S.	H.	S.	H.	S.	H.	S.	H.	S.	H.	S.	H.	S.	H.	S.	H.	S.	H.	S.	H.	S.	H.	S.	H.	S.	H.
54A	61	6	9	5	8	6	9	5	8	7	2	6	9	5	8	7	4	7	2	7	4	7	2	7	4	7	3
	62					6	9	5	8	7	3	6	9	5	8	7	3					7	8	7	3	7	3
	62					☆10		10				☆10		10													
54B	61	6	9	5	8	6	9	5	8	7	2	6	9	5	8	7	4	7	2	7	4	7	2	7	4	7	3
	62					6	9	5	8	7	3	6	9	5	8	7	3					7	8	7	3	7	3
	62					☆10		10				☆10		10													
58A	61	6	9	5	8	6	9	5	8	7	2	6	9	5	8	7	2	7	2	7	2	5	2	7	2	7	2
62A	61	6	9	5	9	6	9	5	8	7	2	6	9	5	8	7	3	5	8	7	3	5	8	7	3	7	3
	62					6	9	5	8	7	3	6	9	5	8	7	4					5	8	7	4	7	3
	62					☆10						☆10															
64A	61	6	9	5	8	6	9	5	8	7	2	6	9	5	8	7	2	7	2	7	2	5	8	7	2	7	2
65A	61	6	9	5	8	6	9	5	8	7	2	6	9	5	8	7	4	5	2	7	4	5	2	7	4	7	3
	62					6	9	5	8	7	3	6	9	5	8	7	3					5	8	7	3	7	3
	62					☆10						☆10															
65B	61	6	9	5	8	6	9	5	8	7	2	6	9	5	8	7	4	7	2	7	4	7	2	7	4	7	3
	62					6	9	5	8	7	3	6	9	5	8	7	3					7	8	7	3	7	3
	62					☆10						☆10															
71A	61	6	9	5	8	6	9	5	2	7	2	6	9	5	2	7	3	7	2	7	3	7	2	7	3	7	3
	62					6	2	5	2	7	3	6	2	5	2	7	4					7	2	7	4	7	4
71B	61	6	9	5	2	6	2	5	2	7	2	6	9	5	2	7	3	7	2	7	3	7	2	7	3	7	3
	62					6	2	5	2	7	3	6	2	5	2	7	4					7	2	7	4	7	4
75A	61	6	9	5	2	6	9	5	2	7	2	6	9	5	2	7	3	7	2	7	3	7	2	7	3	7	3
	62					6	9	5	3	7	3	6	9	5	3	7	3					7	3	7	4	7	3
	62					☆10		10				☆10		10													
75B	61	6	9	5	2	6	9	5	2	7	2	6	9	5	2	7	3	7	2	7	3	7	2	7	3	7	3
	62					6	9	5	3	7	3	6	9	5	3	7	3					7	3	7	4	7	3
	62					☆10		10				☆10		10													
76A	61	6	9	7	2	6	9	7	2	7	5	7	9	7	2	1	4	7	4	1	4	7	4	1	4	1	4
	62					6	2	7	2	7	4	7	2	7	2	1	4					7	2	1	4	1	4
	62					☆10						☆10															

☆ With Power Steering

- | | | | |
|-----------------|----------------------|------------------|-------------------|
| 1 - C1MM-5310-J | One SILVER STRIPE | 6 - COAA-5310-B | One GREEN STRIPE |
| 2 - C1MM-5310-K | Two LAVENDER STRIPES | 7 - COAA-5310-D | One YELLOW STRIPE |
| 3 - C1MM-5310-L | Two ORANGE STRIPES | 8 - COAA-5310-E | Two RED STRIPES |
| 4 - C1MM-5310-M | Two SILVER STRIPES | 9 - COAA-5310-F | One GRAY STRIPE |
| 5 - COAA-5310-A | One RED STRIPE | 10 - C2AZ-5310-B | One BROWN STRIPE |

CONTINUED ON NEXT PAGE

1961-62 MERCURY FRONT SPRING CHART (CONTINUED)

WITH AIR CONDITIONING

Trans. C. I. D.	O/Drive				Std. Trans.						2/S Trans.						S/R Trans.				D/R Trans.								
	Std. or H/D Model	Yr.	223		292		223		292		352		223		292		352		292		352		292		352		390		
S.			H.	S.	H.	S.	H.	S.	H.	S.	H.	S.	H.	S.	H.	S.	H.	S.	H.	S.	H.	S.	H.	S.	H.	S.	H.	S.	H.
54A	61							7	2	7	3			7	2	7	4	7	3	1	4	7	3	1	4	1	4	1	4
	62							7	2	7	2			7	2	7	4					7	3	1	4	1	4	1	4
54B	61							7	2	7	3			7	2	7	4	7	3	1	4	7	3	1	4	1	4	1	4
	62							7	2	7	2			7	2	7	4					7	3	1	4	1	4	1	4
58A	61			7	2			7	2	7	3			7	2	7	3	7	2	7	3	7	3	1	3	7	4		
62A	61			7	2			7	2	7	3			7	2	7	4	7	2	1	4	7	2	1	4	1	4	1	4
	62							7	2	7	2			7	2	7	4					7	2	1	4	1	4	1	4
64A	61			7	2			7	2	7	3			7	2	7	3	7	2	7	3	7	2	1	3	7	4		
65A	61							7	2	7	3			7	2	7	4	7	3	1	4	7	3	1	4	1	4	1	4
	62							7	2	7	2			7	2	7	4					7	3	1	4	1	4	1	4
65B	61							7	2	7	3			7	2	7	4	7	3	1	4	7	3	1	4	1	4	1	4
	62							7	2	7	2			7	2	7	4					7	3	1	4	1	4	1	4
71A	61			7	3			7	3	7	3			7	3	7	4	7	3	1	4	7	3	1	4	1	4	1	4
	62													7	3	7	4					7	3	1	4	1	4	1	4
71B	61			7	3			7	3	7	3			7	3	7	4	7	3	1	4	7	3	1	4	1	4	1	4
	62													7	3	7	4					7	3	1	4	1	4	1	4
75A	61			7	3			7	3	7	3			7	3	7	4	7	3	1	4	7	3	1	4	1	4	1	4
	62							7	2	7	2			7	3	7	4					7	3	1	4	1	4	1	4
75B	61			7	3			7	3	7	3			7	3	7	4	7	3	1	4	7	3	1	4	1	4	1	4
	62							7	2	7	2			7	3	7	4					7	3	1	4	1	4	1	4
76A	61							7	3	1	3			7	3	1	4	1	4	1	4	1	4	1	4	1	4	1	4
	62							7	2	7	2			7	3	1	4					1	4	1	4	1	4	1	4

1 - C1MM-5310-J

One SILVER STRIPE

4 - C1MM-5310-M

Two SILVER STRIPES

2 - C1MM-5310-K

Two LAVENDER STRIPES

7 - COAA-5310-D

One YELLOW STRIPE

3 - C1MM-5310-L

Two ORANGE STRIPES

1963 MERCURY FRONT SPRING CHART

WITHOUT AIR CONDITIONING

Trans. C. I. D.	Std. or H/D Model	Year	Standard 3 Speed				Standard 4 Speed				Automatic Dual Range			
			390		406 & 427		390		406 & 427		390		406 & 427	
			S.	H.	S.	H.	S.	H.	S.	H.	S.	H.	S.	H.
54A	with P/S	63	7	2			7	2			5			
	without P/S	63	6	8			6	8		8	7	2		
54B	with P/S	63	7	2			7	2			5			
	without P/S	63	6	8			6	8		2	7	2		
62A	with P/S	63	7								7	2		
	without P/S	63	6	8			6	8		8	6	8		
63B	with P/S	63	7	2			7	2			5			
	without P/S	63	6	8			6	8		2	7	2		
63C	with P/S	63					7	2			5			
	without P/S	63					6	8		2	2			
65A	with P/S	63	7				7				7	2		
	without P/S	63	6	8			6	8		2	6	8		
65B	with P/S	63	7				7	2						
	without P/S	63	6	8			6	8		2	7	2		
65C	with P/S	63					7	2						
	without P/S	63					6	8		2	7	2		
71B	with P/S	63									7	2		
	without P/S	63	6	8			6	8			6	8		
71D	with P/S	63									7	2		
	without P/S	63	6	8			6	8			6	8		
75A	with P/S	63	7	2			7	2			5			
	without P/S	63	6	8			6	8		2	7	2		
75B	with P/S	63	7	2							5			
	without P/S	63	6	8			7	8		2	7	2		
75C	with P/S	63									5			
	without P/S	63					7	2		2	7	7	2	
76A	with P/S	63	1	3			1	3				4		
	without P/S	63	5	2			5	2		3	1	3		
76B	with P/S	63					1	3			1	3		
	without P/S	63					5	2		3	5	2		

- | | | | |
|-----------------|----------------------|-----------------|-------------------|
| 1 - C1MM-5310-J | One SILVER STRIPE | 5 - COAA-5310-D | One YELLOW STRIPE |
| 2 - C1MM-5310-K | Two LAVENDER STRIPES | 6 - C3AZ-5310-A | One RED STRIPE |
| 3 - C1MM-5310-L | Two ORANGE STRIPES | 7 - C2AZ-5310-B | One BROWN STRIPE |
| 4 - C1MM-5310-M | Two SILVER STRIPES | 8 - COAA-5310-E | Two RED STRIPES |

CONTINUED ON NEXT PAGE

1963 MERCURY FRONT SPRING CHART (CONTINUED)

WITH AIR CONDITIONING

Trans. C. I. D.	Std. or H/D Model	Year	Standard 3 Speed				Standard 4 Speed				Automatic Dual Range			
			390		406 & 427		390		406 & 427		390		406 & 427	
			S.	H.	S.	H.	S.	H.	S.	H.	S.	H.	S.	H.
54A	with P/S	63	1	3			1	3			1	3		
	without P/S	63	5				5							
54B	with P/S	63	1	3			1	3			1	4		
	without P/S	63	5				5							
62A	with P/S	63	5	2			5	3			1	3		
	without P/S	63	7											
63B	with P/S	63	5	3			1	3			1	3		
	without P/S	63												
63C	with P/S	63					1	3			1	3		
	without P/S	63					5							
65A	with P/S	63	5	3			5	3			1	3		
	without P/S	63	7							5				
65B	with P/S	63	5	2			5	3			1	3		
	without P/S	63	7							5				
65C	with P/S	63					5	3			1	3		
	without P/S	63								5				
71B	with P/S	63	5	2			5	3			1	3		
	without P/S	63	7				7				5			
71D	with P/S	63	5	2			5	3			1	3		
	without P/S	63	7				7				5			
75A	with P/S	63	1	3			1	3			1	4		
	without P/S	63	5				5							
75B	with P/S	63	1	3			1	3			1	4		
	without P/S	63	5				5							
75C	with P/S	63		3			1				1	4		
	without P/S	63												
76A	with P/S	63	1	4				4				4		
	without P/S	63					1							
76B	with P/S	63					1	4						
	without P/S	63								1				

1 - C1MM-5310-J

One SILVER STRIPE

5 - COAA-5310-D

One YELLOW STRIPE

2 - C1MM-5310-K

Two LAVENDER STRIPES

6 - C3AZ-5310-A

One RED STRIPE

3 - C1MM-5310-L

Two ORANGE STRIPES

7 - C2AZ-5310-B

One BROWN STRIPE

4 - C1MM-5310-M

Two SILVER STRIPES

8 - COAA-5310-E

Two RED STRIPES

1964 MERCURY FRONT SPRING CHART

WITHOUT AIR CONDITIONING

Trans.		3 Speed				4 Speed				Automatic			
C.I.D.		390		427		390		427		390		427	
Std. or H/D Model	Year	S.	H.	S.	H.	S.	H.	S.	H.	S.	H.	S.	H.
54A with P/S	64	5	2			5	2			5	2		
without P/S	64	6	8			6	8		2	5	2		
54B with P/S	64	5	2			5	2			5	2		
without P/S	64	6	8			6	8		2	5	2		
54F with P/S	64	5	2			5	2			5	2		
without P/S	64	6	8			6	8		2	5	2		
57C with P/S	64	5	2			5	2			5	3		
without P/S	64	5	2			5	2		2#	5	2		
without P/S	64								3Δ				
57D with P/S	64	5	2			5	2			5	2		
without P/S	64	5	8			5	2		2	5	2		
57F with P/S	64	5	2			5	2			5	2		
without P/S	64	5	2			5	2		2	5	2		
62A with P/S	64	6	8			6	8			5	2		
without P/S	64	6	8			6	8		2Δ	6	8		
without P/S	64								8#				
63A with P/S	64	6	8			5	2			5	2		
without P/S	64	6	8			6	8		2	6	8		
63C with P/S	64	5	2				2			5	2		
without P/S	64	6	8			6	8		2	5	2		
63D with P/S	64	5	2			5	2			5	2		
without P/S	64	6	8			6	8		2	5	2		
65A with P/S	64	6	8			6	8			5	2		
without P/S	64	6	8			6	8		2	6	8		
65B with P/S	64	6	8			5	2			5	2		
without P/S	64	6	8			6	8		2	6	8		
65C with P/S	64	5	2			5	2			5	2		
without P/S	64	6	8			6	8		2	5	2		
65F with P/S	64	6	8			5	2			5	2		
without P/S	64	6	8			6	8		2	6	8		
71A with P/S	64	6	8			6	8			6	8		
without P/S	64	6	8			6	8		2Δ	6	8		
without P/S	64								8#				
71B with P/S	64	6	8			6	8			5	2		
without P/S	64	6	8			6	8		2Δ	6	8		
without P/S	64								8#				
71C with P/S	64	6	8			6	8			5	2		
without P/S	64	6	8			6	8		2Δ	6	8		
without P/S	64								8#				
71D with P/S	64	6	8			6	8			5	2		
without P/S	64	6	8			6	8		2Δ	6	8		
without P/S	64								8#				
75F with P/S	64	5	2			5	2			5	2		
without P/S	64	6	8			5	2		2	5	2		
76A with P/S	64	1	3			1	3			1	3		
without P/S	64	5	2			5	3		3	1	3		
76C with P/S	64	5	3			5	3			1	3		
without P/S	64	5	2			5	2		3	5	3		
76F with P/S	64	1	3			1	3			1	4		
without P/S	64	5	2			5	3		3#	1	3		
without P/S	64								4Δ				

1 - C1MM-5310-J One SILVER STRIPE 4 - C1MM-5310-M Two SILVER STRIPES 7 - C2AZ-5310-B One BROWN STRIPE
 2 - C1MM-5310-K Two LAVENDER STRIPES 5 - COAA-5310-D One YELLOW STRIPE 8 - COAA-5310-E Two RED STRIPES
 3 - C1MM-5310-L Two ORANGE STRIPES 6 - C3AZ-5310-A One RED STRIPE Δ - 8V # - 4V

1964 MERCURY FRONT SPRING CHART (CONTINUED)

WITH AIR CONDITIONING

Trans.		3 Speed				4 Speed				Automatic			
C.I.D.		390		427		390		427		390		427	
Std. or H/D Model	Year	S.	H.	S.	H.	S.	H.	S.	H.	S.	H.	S.	H.
54A with P/S	64	1	3			1	3			1	3		
without P/S	64	5	2			5	3			1	3		
54B with P/S	64	1	3			1	3			1	3		
without P/S	64	5	2			5	3			1	3		
54F with P/S	64	1	3			1	3			1	4		
without P/S	64	5	2			5	3			1	3		
57C with P/S	64	1	3			1	4			1	4		
without P/S	64	1	3			1	3			1	3		
57D with P/S	64	1	3			1	3			1	4		
without P/S	64	5	3			1	3			1	3		
57F with P/S	64	1	3			1	3			1	4		
without P/S	64	5	3			1	3			1	3		
62A with P/S	64	5	2			5	3			1	3		
without P/S	64	5	2			5	2			5	2		
63A with P/S	64	5	3			1	3			1	3		
without P/S	64	5	2			5	2			5	3		
63C with P/S	64	1	3			1	3			1	3		
without P/S	64	5	2			5	3			1	3		
63D with P/S	64	5	3			1	3			1	3		
without P/S	64	5	2			5				5	3		
65A with P/S	64	5	2			5	3			1	3		
without P/S	64	5	2			5	2			5	2		
65B with P/S	64	5	2			5	3			1	3		
without P/S	64	5	2			5	2			5	2		
65C with P/S	64	5	3				3			1	3		
without P/S	64	5	2			5	2			5	3		
65F with P/S	64	5	3			5	3			1	3		
without P/S	64	5	2			5	2			5	3		
71A with P/S	64	5	2			5	2			5	3		
without P/S	64	5	2			5	2			5	2		
71B with P/S	64	5	2			5	3				3		
without P/S	64	5	2			5	2			5	2		
71C with P/S	64	5	2			5	2			5	3		
without P/S	64	5	2			5	2			5	2		
71D with P/S	64	5	2			5	2			5	3		
without P/S	64	5	2			5	2			5	2		
75F with P/S	64	1	3			1				1	4		
without P/S	64	5	3			5	3			1	3		
76A with P/S	64	1	4			1	4			1	4		
without P/S	64	1	4			1	4			1	4		
76C with P/S	64	1	4			1	4			1	4		
without P/S	64	1	3			1	4			1	4		
76F with P/S	64	1	4			1	4			1	4		
without P/S	64	1	4			1	4			1	4		

AJ	5310-N	BROWN STRIPE - 750 lb. load - 13.50" free height - ☆High Performance - 427 C.I.D. engine	2	All☆	A	64
AJ	5310-R	PINK STRIPE - 900 lb. load - 13.04" free height - ☆High Performance - 427 C.I.D. engine	2	All☆	A	64
C2AZ	5310-A	1200 lb. load - ☆High Performance - 427 C.I.D. engine	2	All☆	A	64

1 - C1MM-5310-J One SILVER STRIPE 4 - C1MM-5310-M Two SILVER STRIPES 7 - C2AZ-5310-B One BROWN STRIPE
 2 - C1MM-5310-K Two LAVENDER STRIPES 5 - COAA-5310-D One YELLOW STRIPE 8 - COAA-5310-E Two RED STRIPES
 3 - C1MM-5310-L Two ORANGE STRIPES 6 - C3AZ-5310-A One RED STRIPE

1962 METEOR FRONT SPRING CHART

Trans. C. I. D.	Standard						Overdrive						Automatic					
	170		221		260		170		221		260		170		221		260	
Std. or H/D Model	S.	H.	S.	H.	S.	H.	S.	H.	S.	H.	S.	H.	S.	H.	S.	H.	S.	H.
54, 62	1	4	3	6	3	6	X	X	3	8, 7☆		8, 7☆	2	5	3	8 7☆		8, 7☆

☆ With Power Steering

X Not Applicable

- | | | | |
|-----------------|-------------------|-----------------|-------------------|
| 1 - C2OZ-5310-A | One YELLOW STRIPE | 5 - C2OZ-5310-F | One ORANGE STRIPE |
| 2 - C2OZ-5310-B | One GREEN STRIPE | 6 - C3OZ-5310-H | One PINK STRIPE |
| 3 - C2OZ-5310-C | One SILVER STRIPE | 7 - C3OZ-5310-J | One RED STRIPE |
| 4 - C2OZ-5310-E | One BLUE STRIPE | 8 - C2OZ-5310-K | One WHITE STRIPE |

1963 METEOR FRONT SPRING CHART

Trans. C. I. D.	Std. or H/D Model	Year	Standard						Overdrive						Automatic					
			170 & 200		221		260		170 & 200		221		260		170 & 200		221		260	
			S.	H.	S.	H.	S.	H.	S.	H.	S.	H.	S.	H.	S.	H.	S.	H.	S.	H.
54A	with P/S	63	1	3	11	12	11	12			11	12	11	12	2	4	11	12	11	12
	without P/S	63	1	3	9	10	9	10			9	10	11	12	1	3	9	10	11	12
54B	with P/S	63	1	3	11	12	11	12			11	12	11	12	2	4	11	12	11	12
	without P/S	63	1	3	9	10	9	10			9	10	11	12	1	3	9	10	11	12
62A	with P/S	63	1	3	11	12	11	12			11	12	11	12	2	4	11	12	11	12
	without P/S	63	1	3	9	10	9	10			9	10	11	12	1	3	9	10	11	12
62B	with P/S	63	1	3	11	12	11	12			11	12	11	12	2	4	11	12	11	12
	without P/S	63	1	3	9	10	9	10			9	10	11	12	1	3	9	10	11	12
65A	with P/S	63	1	3	11	12	11	12			11	12	11	12	2	4	11	12	11	12
	without P/S	63	1	3	9	10	9	10			9	10	11	12	2	4	9	10	11	12
65B	with P/S	63	2	4	11	12	11	12			11	12	11	12	2	4	11	12	11	12
	without P/S	63	1	3	9	10	9	10			9	10	11	12	2	4	9	10	11	12
71A	with P/S	63	5	7	2	4	6	8			6	8	6	8	1	3	6	8	6	8
	without P/S	63	5	7	2	4	2	4			2	4	6	8	5	7	2	4	6	8
71B	with P/S	63	5	7	6	8	6	8			9	10	9	10	1	3	9	10	9	10
	without P/S	63	5	7	2	4	6	8			6	8	6	8	5	7	6	8	6	8
71C	with P/S	63	5	7	2	4	6	8			6	8	6	8	1	3	6	8	6	8
	without P/S	63	5	7	2	4	2	4			2	4	6	8	5	7	2	4	6	8
71D	with P/S	63	5	7	6	8	6	8			9	10	9	10	1	3	9	10	9	10
	without P/S	63	5	7	2	4	6	8			6	8	6	8	5	7	6	8	6	8
71E	with P/S	63	5	7	6	8	6	8			9	10	9	10	1	3	9	10	9	10
	without P/S	63	5	7	2	4	6	8			6	8	6	8	5	7	6	8	6	8
71F	with P/S	63	5	7	2	4	6	8			6	8	6	8	1	3	6	8	6	8
	without P/S	63	5	7	2	4	2	4			2	4	6	8	5	7	2	4	6	8

NOTE - use C2OZ-5355-A shim on A/C cars

- | | | | | | |
|-----------------|-------------------|-----------------|--------------------|------------------|-------------------|
| 1 - C2OZ-5310-A | One YELLOW STRIPE | 5 - C3OZ-5310-A | One VIOLET STRIPE | 9 - C3OZ-5310-G | One SILVER STRIPE |
| 2 - C2OZ-5310-B | One GREEN STRIPE | 6 - C3OZ-5310-B | One BROWN STRIPE | 10 - C3OZ-5310-H | One PINK STRIPE |
| 3 - C2OZ-5310-E | One BLUE STRIPE | 7 - C3OZ-5310-C | Two YELLOW STRIPES | 11 - C3OZ-5310-J | One RED STRIPE |
| 4 - C2OZ-5310-F | One ORANGE STRIPE | 8 - C3OZ-5310-D | Two GREEN STRIPES | 12 - C3OZ-5310-K | One WHITE STRIPE |

USE ON EXPORT

Part No.	Trans.	Req'd.	Model	Engine
C3OZ-5310-E	All Trans.	2	71B, E	221, 260 C. I. D.
C3OZ-5310-F	All Trans.	2	54, 62, 65	221 C. I. D.
C3OZ-5310-F	Std. Trans.	2	54, 62, 65	260 C. I. D.
C3OZ-5310-L	Auto. & O/D	2	54, 62, 65	260 C. I. D.

1960-62 COMET FRONT SPRING CHART

Trans. Model	Year	Standard	Automatic
54☆	60/61	1	2
59☆	60/61	3	3
62☆	60/61	1	2
71☆	60/61	3	3
54§	61/62	5	6
59§	61/62	4	4
62§	61/62	5	6
71§	61/62	4	4

☆ With rubber bushed upper suspension arms

§ With threaded steel bushings in upper suspension arms

1 - CODD-5310-C	One RED STRIPE	4 - C1DD-5310-E	One GREEN STRIPE
2 - C1KK-5310-A	One YELLOW STRIPE	5 - C1DD-5310-D	One RED STRIPE
3 - CODD-5310-D	One GREEN STRIPE	6 - C1GG-5310-A	One YELLOW STRIPE

1963 COMET FRONT SPRING CHART

WITHOUT AIR CONDITIONING

Trans. C. I. D.	Year	Standard 3 Speed			Standard 4 Speed			Automatic		
		144 & 170	260		144 & 170	260		144 & 170	260	
Steering Model		Std.	Std.	P/S	Std.	Std.	P/S	Std.	Std.	P/S
54A	63	1	4	4	1	4	4	1	4	3
54B	63	1	4	4	1	4	4	1	4	3
59A	63	5	2		5			5	2	2
59B	63	5	2		5			5	2	2
62A	63	1	4	4	1	4	4	1	4	3
62B	63	1	4	4	1	4	4	1	4	3
62C	63	1	4	4	1	4	4	1	4	3
63B	63	1	4	4	2	4	4	2	4	4
63C	63	1	4	4	2	4	4	2	4	4
71A	63	5						5		
71B	63	5	2		5			5	2	2
71C	63	5	2		5			5	2	2
71D	63	5	2		5	2	4	1	4	4
76A	63	2	4	4	2	4	4	2	4	4
76B	63	2	4	4	2	4	4	2	4	4

WITH AIR CONDITIONING

54A	63	2	3	3	2	3	3	2	3	3
54B	63	2	3	3	2	3	3	2	3	3
59A	63	1	2	2	1	2	2	1	2	2
59B	63	1	2	2	1	2	2	1	2	2
62A	63	2	3	3	2	3	3	2	3	3
62B	63	2	3	3	2	3	3	2	3	3
62C	63	2	3	3		3	3	2	3	3
63B	63	2	3	3		3	3		3	3
63C	63	2	3	3		3	3		3	3
71A	63	1		1						
71B	63	1	2	2	1	2	2	1	2	2
71C	63	1	2	2	1	2	2	1	2	2
71D	63	1	2	2	1	2	4	2	3	3
76A	63		3	3		3	3		3	3
76B	63		3	3		3	3		3	3

1 - C3DZ-5310-U

One SILVER STRIPE

4 - C3DZ-5310-AB

One WHITE STRIPE

2 - C3DZ-5310-AA

One BROWN STRIPE

5 - C3DZ-5310-Z

One YELLOW STRIPE

3 - C3DZ-5310-L

One ORANGE STRIPE

USE ON EXPORT

CODZ-5310-C - Model 59, 71

C3GY-5310-B - Model 54, 62

1964 COMET FRONT SPRING CHART

WITHOUT AIR CONDITIONING

Trans. C. I. D. Steering Model	Standard										Automatic							
	3 Speed				4 Speed						2 Speed				Dual Range			
	170		260		289		260		289		200		260		289			
Std.	P/S	Std.	P/S	Std.	P/S	Std.	P/S	Std.	P/S	Std.	P/S	Std.	P/S	Std.	P/S			
54A	1	1	3	3	3	3	3	3	3	3	3	1	2	3	3	3	3	
54B	1	1	3	3	3	3	3	3	3	3	3	1	2	3	3	3	3	
54C	1	2	3	3	3	3	3	3	3	3	3	2	2	3	3	3	3	
54D	1	2	3	3	3	3	3	3	3	3	3	2	2	3	3	3	3	
62A	1	1	3	3	3	3	3	3	3	3	3	1	2	3	3	3	3	
62B	1	1	3	3	3	3	3	3	3	3	3	1	2	3	3	3	3	
62C	1	1	3	3	3	3	3	3	3	3	3	1	2	3	3	3	3	
63C	1	2	3	3	3	3	3	3	3	3	3	2	2	3	3	3	3	
63D	1	2	3	3	3	3	3	3	3	3	3	2	2	3	3	3	3	
63E					3	3			3	3								
71A	5	5	2	2	2	2	2	2	2	2	2	5	1	2	2	2	2	
71B	5	5	2	2	2	2	2	2	2	2	2	5	1	2	2	2	2	
71C	5	5	2	2	2	2	2	2	2	2	2	5	1	2	2	2	2	
76B	2	2	3	4	3	4	3	4	4	4	4	2	3	3	4	4	4	
76D	2	2	3	4	3	4	3	4	4	4	4	2	3	3	4	4	4	

WITH AIR CONDITIONING

54A	2	2	3	4	4	4	4	4	4	4	4	2	3	3	4	4	4
54B	2	2	3	4	4	4	4	4	4	4	4	2	3	3	4	4	4
54C	2	2	4	4	4	4	4	4	4	4	4	3	3	4	4	4	4
54D	2	2	4	4	4	4	4	4	4	4	4	3	3	4	4	4	4
62A	2	2	3	4	3	4	3	4	4	4	4	2	2	3	4	4	4
62B	2	2	3	4	3	4	3	4	4	4	4	2	3	3	4	4	4
62C	2	2	3	4	3	4	3	4	4	4	4	2	3	3	4	4	4
63C	2	2	4		4	4	4	4	4	4	4	3	3	4	4	4	4
63D	2	2	4		4	4	4	4	4	4	4	3	3	4	4	4	4
63E					3	4			4	4							
71A	1	1	3	3	3	3	3	3	3	3	3	1	2	3	3	3	3
71B	1	1	3	3	3	3	3	3	3	3	3	1	2	3	3	3	3
71C	1	1	3	3	3	3	3	3	3	3	3	1	2	3	3	3	3
76B	3	3	4	4	4	4	4	4	4	4	4	3	3	4	4	4	4
76D	3	3			4	4	4	4	4	4	4	3	3	4	4	4	4

- | | | | |
|------------------|-------------------|------------------|-------------------|
| 1 - C3DZ-5310-U | One SILVER STRIPE | 4 - C3DZ-5310-AC | One PINK STRIPE |
| 2 - C3DZ-5310-AA | One BROWN STRIPE | 5 - C3DZ-5310-Z | One YELLOW STRIPE |
| 3 - C3DZ-5310-AB | One WHITE STRIPE | | |

USE ON EXPORT

C4DZ	5310-C	PINK STRIPE - 260,289 C.I.D. engines - ☆with P/S and power brakes for model 71 only	2	54,62,63,71☆	C	64
C4DZ	5310-D	ORANGE STRIPE - 170,200 C.I.D. engines 260, 289 C. I. D. engines without P/S and power brakes	2	76	C	64
			2	71	C	64
C4DZ	5310-E	170, 200 C. I. D. engines	2	71	C	64
C4DZ	5310-H	170, 200 C. I. D. engines	2	All except 71, 76	C	64

1960-63 LINCOLN FRONT SPRING CHART

WITH A/COND.				WITHOUT A/COND.	
Model	Year	Std.	H. D.	Std.	H. D.
53	60	1		2	1☆
54	60	1		2	1☆
57	60	1		2	1☆
63	60	1		2	1☆
65	60	1		2	1☆
68	60	1	3Δ	1	1☆
75	60	1	3Δ	1	1☆
53	61	5		4	
74	61	5	5	5☆	5
53	62	5		6	
74	62	5	5☆	5☆	5☆
53	63	5L., 6R.		4L., 7R.	5L., 6R.
74	63	5L., 6R.	5L., 6R.	5L., 6R.	5L., 6R.

☆ Also used for export

Δ Add shim

R. - Right

L. - Left

1 - B9L-5310-A One GREEN STRIPE

5 - C1VV-5310-M

Two GREEN STRIPES

2 - COLL-5310-A One BLUE STRIPE

6 - C2VY-5310-B

3 - COLL-5310-B Two BLUE STRIPES

7 - C2VY-5310-A

4 - C1VV-5310-L Two RED STRIPES

USE ON EXPORT

C1VY-5310-C

For export models

1964 LINCOLN FRONT SPRING CHART

WITH A/COND.				WITHOUT A/COND.	
Model	Year	Std.	H.D.	Std.	H.D.
53	64	2R. , 3L		1R. , 4L	
* 74	64	☆2R. , ☆3L.		2R. , 3L.	

1 - C4VY-5310-A One RED STRIPE 3 - C4VY-5310-E One GREEN STRIPE

2 - C4VY-5310-B One GREEN STRIPE 4 - C4VY-5310-F One RED STRIPE

* ☆ Add (AR) MB-5355-B shims. R - Right Hand L - Left Hand

USE ON EXPORT

R.H. - C4VY-5310-M - Model 53A

L.H. - C4VY-5310-K - Model 53A

R.H. - C4VY-5310-J - Model 74A

L.H. - C4VY-5310-L - Model 74A

Springs

GROUP AND PART NUMBER	DESCRIPTION, SIZE, ETC.	NO. REQ'D	MODEL OR ENGINE CUBIC INCH DISPLACEMENT	VEHICLE CODE	YEAR 19__
5A305 BUSHING (FRONT SPRING LOWER SEAT)					
C4DZ 5A305-A		2	All	C	64
5A306 SEAT ASSEMBLY (FRONT SPRING)					
C2OZ 5A306-C		2	All	B	62/63
5310 SPRING (FRONT)					
	Refer to Spring Charts				
5A313 WEDGE (REAR AXLE) ADJUSTING					
B9MM 4137-A	1° Taper - .133" to .147" thick	(a)	AR All	A	60
B9MM 4137-B	2° Taper - .207" to .221" thick	(a)	AR All	A	60
COLL 4137-C	.097" to .111" thick		AR All	D	60
COLL 4137-D	.171" to .185" thick		AR All	D	60
C1VV 4137-A	.133" to .147" thick		AR All	D	61/63
C1VV 4137-D	.094" to .114" thick		AR All	D	61/63
C2SZ 5A313-A	1°		AR All	D	61/64
C2SZ 5A313-B	1/2°		AR All	D	61/64
C2SZ 5A313-C	1-1/2°		AR All	D	61/64
373331-S	Bolt-5/16"-24 x 1-7/8" long-use to attach rear spring leaves and liners	2	a		
5A317 LOCATOR (FRONT SPRING)					
B7MY 5A317-A	Heavy duty - use with 5355 shim	2	All	A	60
5A318 REFER TO GROUP 5415					
5334 LINER (REAR SPRING CLAMP)					
OM 5334	7-3/4" long x 29/32" wide Cut to size - 7" long		AR All	A	60
			AR All	D	60/62
			AR All	B D	63/64
PB9M 5334-A	2-19/32" long x 1-1/4" wide		AR All	A B C	60/62
			AR All	D	61/64
			AR All	A	63/64
		6	71	B	63
		4	All	C	63
		6	All	C	64
5355 SHIM (FRONT SPRING)					
B8E 5355-A	Also use for export	2	57F☆, 63F☆, 76D☆	A	60
	☆ 57F and 63F - use with a/cond. - export only ☆ 76D - use without a/cond. - export only ☆ 76A - use with a/cond. and heavy duty	2	All☆	A	61
	Use with a/cond. or heavy duty springs	2	76	A	64
MB 5355-B	.125" thick - use with 5A317 locator Use with a/cond.		AR All	A	60
			AR 74	D	61/64
C2OZ 5355-A	Use with a/cond.	2	All	B	62/63
C1DZ 5355-A	Use with a/cond.	4	All	C	61/62
		4	76	C	63
C4DZ 5355-A	Use with P/S	4	54C, 63C, 76B, D	C	64
PB8L 5355-A			AR All	D	60

Springs

GROUP AND PART NUMBER	DESCRIPTION, SIZE, ETC.	NO. REQ'D	MODEL OR ENGINE CUBIC INCH DISPLACEMENT	VEHICLE CODE	YEAR 19__
5415 INSULATOR (FRONT SPRING)					
B8A 5415-A	Upper - use on vehicles built prior to 11-15-62	2	All	A	60/63
C3AZ 5415-A	Upper - use on vehicles built after 11-14-62 ☆ Except 76 with a/cond. or heavy duty springs	2	All☆	A	63/64
C2SZ 5415-A	Lower	2	57C,63C,65C,76B,76C	A	62&64
		2	All	D	61/64
C2OZ 5415-A	Lower	2	All	B	62/63
C2OZ 5415-B	Intermediate	2	All	B	62/63
C3OZ 5415-A	Upper	2	All	B	62/63
C1DZ 5415-A	Upper - seat	2	All	C	60/63
C1DD 5415-A	Lower	2	All	C	61/63
C4DZ 5415-A	Lower	2	All	C	64
B8LY 5A318-A	Upper - rubber coated - also use for export	2	All	D	60
C1VV 5415-C	Upper	2	All	D	61/64
5420 SEAT (FRAME FRONT SPRING)					
PB9M 5420-A	R. H.	1	All	A	60
PB9M 5420-B	L. H.	1	All	A	60
5439-40 REFER TO GROUP 5A029					
5482 BAR ASSEMBLY (FRONT STABILIZER)					
B9MY 5482-A	Also use (2) B9MM-5486-A when used on Police Cars (a)	1	All	A	60
C2AZ 5482-A	For Police Cars only - use with heavy duty generators or alternator Heavy duty except Police Special	1	58A, 64A	A	61
		1	All	A	64
C2AZ 5482-B	Standard Heavy duty for Police Special	1	71	A	61/64
		1	54A, 57D, 62A	A	64
C3AZ 5482-A	Standard ☆ Use with 6 cylinder engine on models 54A, B, 62A, B, 63A, B, 65A, B, 75A, B, 76A and 8 cylinder engine on models 58A and 64A except Police Special for 1961 only	1	All except 71☆	A	61/64
C3AZ 5482-B	Use with 427 C. I. D. engine	1	All	A	63
C1AA 5482-A	☆High Performance - 427 C.I.D. engine	1	All☆	A	64
C2OZ 5482-A		1	All	B	62
C3OZ 5482-A		1	71	B	63
C3OZ 5482-B		1	All except 71	B	63
CODD 5482-B	Use with rubber bushed suspension arms	1	All	C	60/61
C1DD 5482-A	Use with metal bushed suspension arms	1	All	C	62
C2DZ 5482-A		1	All	C	62
C3DZ 5482-C		1	All except 71	C	63/64
C3DZ 5482-D		1	71	C	63/64
B9LL 5482-A		(b) 1	All	D	60
C1VV 5482-E		1	All	D	61/64
20369-S8	Bolt-hex. hd. -3/8"-24 x 7/8"-bar assy. front stabilizer to underbody	4	b		
33879-S8	Nut-hex. -5/16"-24-attach bar to lower arm	2	a		
34807-S8	Lockwasher-3/8"-bar assy. front stabilizer to underbody	4	b		
371216-S	Washer-cup-use as insulator retainer	8	a		
372431-S	Bolt-hex. shoulder-5/16"-24 x 5-13/32"long-attach bar to lower arm	2	a		
5A483 REINFORCEMENT (FRONT STABILIZER BAR MOUNTING BRACKET)					
CODZ 5A483-B	Use on vehicles built after 12-23-60	2	All	C	60/62

Springs

GROUP AND PART NUMBER	DESCRIPTION, SIZE, ETC.	NO. REQ'D	MODEL OR ENGINE CUBIC INCH DISPLACEMENT	VEHICLE CODE	YEAR 19____
5A484 KIT (FRONT STABILIZER LINK)					
B9MY 5A484-A		2	All	A	60
Consists of the following -					
(1) MG-5490-A	spacer (1) 33879-S8 nut (1) 372431-S bolt				
(4) KC-55490-A	insulator (4) 371216-S2 washer				
B9LY 5A484-A		2	All	D	60
Consists of the following -					
(1) B9LL-5490-A	spacer (4) B8LY-18198-A insulator (1) 33800-S8 nut				
(4) LD-18171-A	washer (1) LF-55495-A bolt				
C1VY 5A484-A		2	All	D	61/64
Consists of the following -					
(1) C1VV-5490-B	spacer (1) 55672-S nut (1) 373685-S8 bolt				
(4) KC-55490-A	insulator (4) 371216-S2 washer				
5486 BRACKET (STABILIZER TO FRAME)					
B9MM 5486-A		2	All	A	60
COAA 5486-A		2	All except 71	A	61
		2	All	A	62/64
C2SZ 5486-A		2	All	B	62/63
CODD 5486-A		2	All	C	60/61
C3DZ 5486-A		2	All	C	63/64
LF 5486-A		2	All	D	60
C1VV 5486-B	R. H.	1	All	D	61/64
C1VY 5486-A	L. H.	1	All	D	61/64
370767-S2	Screw-hex. washer hd. -5/16"-18 x 1"-attach bracket to frame	2	a		
5A486 KIT (FRONT STABILIZER)					
COAZ 5A486-A		2	All	A	61/64
Consists of the following -					
(1) COAA-5495-A	stud (2) 34662-S8 nut (4) 371169-S2 washer				
(4) KC-55490-A	insulator				
C2OZ 5A486-A		2	All	B	62/63
Consists of the following -					
(1) C2OA-5490-A	spacer (4) KC-55490-A insulator (4) 371169-S2 washer				
(1) C2OA-5495-D	stud (1) 34662-S8 nut				
CODZ 5A486-B		2	All	C	60/64
Consists of the following -					
(1) KD-5490-A	spacer (4) KC-55490-A insulator (4) 371216-S2 washer				
(1) CODD-5495-A	stud (1) 34662-S nut				
5490 SPACER (STABILIZER BAR)					
MG 5490-A	3-5/16" long - cut to 1-3/32" long - also serviced in 5A484 kit	2	All	A	60
	Cut to length	2	All	C	64
	Cut to 1-13/16" long	2	All	D	60
	Cut to 2-1/2" long	2	All	D	61/62
5-5490 INSULATOR (STABILIZER BAR LINK)					
KC 55490-A	Also serviced in 5A484 and 5A486 kits	8	All	A B C	60/64
		8	All	D	61/64
371216-S	Washer-cup-use as insulator retainer	8	a		
5493 INSULATOR (STABILIZER BAR TO FRAME)					
B9MY 5493-A		2	All	A	60
C1MM 5493-A	Standard	2	71	A	61/64
	Heavy duty	2	54A, 62A	A	64
CONTINUED ON NEXT PAGE					

Springs

GROUP AND PART NUMBER	DESCRIPTION, SIZE, ETC.	NO. REQ'D	MODEL OR ENGINE CUBIC INCH DISPLACEMENT	VEHICLE CODE	YEAR 19__
5493 INSULATOR (STABILIZER BAR TO FRAME) CONTINUED					
C3AZ 5493-A	Use with 427 C. I. D. engine	2	All	A	63
COAA 5493-A	☆High Performance - 427 C.I.D. engine	2	All☆	A	64
B9A 5493-A	Bar to lower arm	2	All except 71	A	61/62
		2	All	C	60/62
B9A 5493-B	Bar to frame	2	All except 71	A	61/64
		2	All	C	60/62
C3DZ 5493-A	Use with .72" bar	2	All	C	63
C4DZ 5493-A	Use with .62"/.69" diameter bar	2	All	C	63/64
B8LY 5493-A		2	All	D	60
C1VY 5493-A		2	All	D	61/64
5495 STUD (STABILIZER LINK)					
	NS-serviced in 5A486 kit only	2	All	A	61
	NS	2	All	C	60/61
B8MY 5495-A	Also serviced under group 5A484 (a)	2	All	D	60
33800-S8	Nut-hex. -3/8"-24-bar assy. front stabilizer arm assy. -front suspension lower R. H. and L. H.	2	a		
370277-S	Washer-cup bar assy. -front stabilizer arm assy. - front suspension lower R. H. and L. H.	8	a		
5-5496 BRACKET (STABILIZER BAR INSULATOR TO CLAMP)					
LF 55496-A		2	All	D	60
5A530-1 SHACKLE (REAR SPRING FRONT)					
C1MM 5A530-C	R. H. - except 406 C.I.D. engine	1	All except 58A, 64A	A	61/62
C1MM 5A531-C	L. H. - except 406 C.I.D. engine	1	All except 58A, 64A	A	61/62
5A532-5 PLATE (REAR SPRING FRONT SHACKLE MOUNTING)					
C1MM 5A532-B	R. H. - outer - except 406 C.I.D. engine	1	All except 58A, 64A	A	61/62
C1MM 5A533-B	L. H. - outer - except 406 C.I.D. engine	1	All except 58A, 64A	A	61/62
C2YY 5A534-A	R. H. - inner	1	All	B	62/63
C2YY 5A535-A	L. H. - inner	1	All	B	62/63
5A537 SPACER (REAR SPRING CENTER BOLT)					
C2OZ 5A537-A		4	All	B	62/63
C1VV 5A537-A		4	All	D	61/64
5A538 RETAINER (REAR SPRING CENTER MOUNTING INSULATOR) LOWER					
C1VV 5A538-D		2	All	D	61/64
5A546 BUSHING (REAR SPRING REAR SHACKLE) UPPER					
B9MY 5A546-A	Also serviced in 5630 kit	4	All	A	60
5560 SPRING (REAR)					
COMM 5560-C	(6) - Leaf - heavy duty - BLUE STRIPE - also use for export	2	All except 77	A	60
COMM 5560-D	(6) - Leaf - standard - WHITE STRIPE	2	57F, 63F, 76D	A	60
COMM 5560-F	(6) - Leaf - standard - YELLOW STRIPE	2	57A, B, 58, 63A, B, 64, 76A	A	60
COMM 5560-E	(7) - Leaf - heavy duty - GREEN STRIPE	2	77	A	60
COMM 5560-G	(7) - Leaf - standard - ORANGE STRIPE	2	77	A	60
C1MM 5560-AE	(4) - Leaf - standard	2	54A, B, 62A, 65A, B, 75A, B, 76B	A	61
C1MM 5560-AJ	(4) - Leaf - standard	2	58A, 64A	A	61
C1MM 5560-AG	(5) - Leaf - heavy duty	2	54A, B, 62A, 63A, B, 65A, B, 75A, B, 76A	A	61
			Export	A	61
C1MM 5560-AL	(5) - Leaf - heavy duty	2	54A, 62A, 65A, 75A 58A, 64A	A	61
CONTINUED ON NEXT PAGE					

Springs

GROUP AND PART NUMBER	DESCRIPTION, SIZE, ETC.	NO. REQ'D	MODEL OR ENGINE CUBIC INCH DISPLACEMENT	VEHICLE CODE	YEAR 19__
5560 SPRING (REAR) CONTINUED					
C1MM 5560-AR	(6) - Leaf - heavy duty	2	71A, B	A	61
C1MM 5560-AS	(6) - Leaf - standard	2	71A, B	A	61
C1MY 5560-D	Export	2	54B, 65B, 75B, 76A	A	61
C2AZ 5560-A	Use with 406 C.I.D. engine	2	All	A	62
C2MA 5560-A	Heavy duty	2	71	A	62
C2MA 5560-B	Standard	2	All except 65C, 71, 76B	A	62
C2MA 5560-C	Heavy duty	2	All except 71	A	62
C2MA 5560-D	Standard	2	71	A	62
C2MY 5560-A	Not used on vehicles with 406 C.I.D. engine	2	65C, 76B	A	62
C3MY 5560-A	(5) - Leaf - standard - use on vehicles built prior to 1-10-63	2	All except 71	A	63
C3MY 5560-E	(5) - Leaf - standard - use on vehicles built after 1-9-63	2	All except 71	A	63/64
C3MY 5560-B	(5) - Leaf - heavy duty - use on vehicles built prior to 3-19-63	2	All except 71	A	63
C3MY 5560-F	(5) - Leaf - heavy duty - use on vehicles built after 3-18-63	2	All except 71	A	63/64
C3MY 5560-C	(6) - Leaf - standard	2	71	A	63/64
C3MY 5560-D	(6) - Leaf - heavy duty	2	71	A	63/64
C2YY 5560-D	(5) - Leaf spring - standard	2	All	B	62
C2YY 5560-C	Export	2	All	B	62/63
C3YY 5560-C	(4) - Leaf - standard	2	54	B	63
C3YY 5560-B	(5) - Leaf - standard	2	62, 65	B	63
C3YY 5560-D	(6) - Leaf - standard	2	71	B	63
C3YY 5560-E	(6) - Leaf - heavy duty	2	71	B	63
CODD 5560-G	(5) - Leaf - use with rubber bushed suspension	2	59, 71	C	60/62
C1KK 5560-B	(5) - Leaf - use with rubber bushed suspension	2	54, 62	C	60/62
C1GG 5560-A	Use with metal bushed upper suspension arms	2	54, 62	C	60/62
C3DZ 5560-M	Heavy duty - export only	2	59, 71	C	60/62
C3DZ 5560-C	(5) - Leaf - standard - 144, 170 C. I. D. engines (c)	2	59, 71	C	60/63
C3GY 5560-A	(5) - Leaf - standard - 144, 170 C. I. D. engines (a)	2	76	C	63
C3GY 5560-B	(5) - Leaf - standard - 144, 170 C. I. D. engines (b)	2	54, 62, 63	C	63
C3DZ 5560-H	(6) - Leaf - 260 C. I. D. engine	2	59, 71	C	63
C3GY 5560-C	(6) - Leaf - 260 C. I. D. engine	2	54, 62, 63	C	63
C3GY 5560-D	(6) - Leaf - 260 C. I. D. engine	2	76	C	63
C3DZ 5560-L	Export	2	76	C	63
C4GY 5560-B	(4) - Leaf - export - 260, 289 C. I. D. engines - includes bushing - use on vehicles built prior to 10-15-63	2	54, 62	C	64
	Export - 170, 200, 260 and 289 C. I. D. engines	2	63, 76	C	64
C4GY 5560-A	(4) - Leaf - export - 170, 200 C. I. D. engines - includes bushing	2	54, 62, 63	C	64
C4GY 5560-J	(4) - Leaf - 170, 200, 260 and 289 C. I. D. engines - includes bushing	2	54, 62, 63	C	64
C4GY 5560-N	(4) - Leaf - export - 170, 200, 260 and 289 C. I. D. engines - includes bushing	2	71	C	64
C4GY 5560-L	(4) - Leaf - 170, 200, 260 and 289 C. I. D. engines - includes bushing	2	76	C	64
C4GY 5560-M	Export - 170, 200, 260 and 289 C. I. D. engines - includes bushing	2	76	C	64
C4GY 5560-D	(5) - Leaf - 170, 200, 260 and 289 C. I. D. engines - includes bushing	2	71	C	64
	170 C. I. D. engine	2	63	C	64

CONTINUED ON NEXT PAGE

Springs

GROUP AND PART NUMBER	DESCRIPTION, SIZE, ETC.	NO. REQ'D	MODEL OR ENGINE CUBIC INCH DISPLACEMENT	VEHICLE CODE	YEAR 19__
5560 SPRING (REAR) CONTINUED					
COLL 5560-N	(8) - Leaf - standard	2	All	D	60
COLL 5560-K	(8) - Leaf - heavy duty	2	All	D	60
C1VY 5560-C	Export	2	53A	D	61/63
C1VY 5560-D	Export	2	74	D	61/63
C1VY 5560-E	Standard	2	74	D	61/63
C1VY 5560-F	Heavy duty	2	74	D	61/63
C1VY 5560-G	Heavy duty	2	53	D	61/63
C1VY 5560-H	Standard	2	53	D	61/63
C4VY 5560-J	Standard	2	74	D	64
C4VY 5560-K	Standard	2	53	D	64
C4VY 5560-C	Heavy duty	2	74	D	64
C4VY 5560-H	Heavy duty	2	53	D	64
C4VY 5560-E	(7) - Leaf - export - heavy duty	2	53	D	64
C4VY 5560-F	(7) - Leaf - export - heavy duty	2	74	D	64
377979-S	Bolt-5/16"-24 x 2" long-use as tie bolt	2	a		
377984-S	Bolt-5/16"-24 x 1-3/4" long-use as tie bolt	2	b		
377985-S	Bolt-5/16"-24 x 1-7/8" long-use as tie bolt	2	c		
5564 NO. 1 LEAF (REAR SPRING)					
B8MY 5564-C	With (6) leaf - standard spring	2	All except 77	A	60
B8MY 5564-A	With (7) leaf - heavy duty spring	2	77	A	60
B8MY 5564-B	With (7) leaf - standard spring	2	77	A	60
C1MM 5564-K	Standard	2	All except 58A, 64A, 71	A	61
C1MM 5564-L	Standard	2	71	A	61
C1MM 5564-M	Heavy duty	2	54A, B, 62A, 63A, B, 65A, B, 75A, B	A	61
C1MM 5564-N	Heavy duty	2	71	A	61
C1MM 5564-R	Standard	2	58A, 64A	A	61
C1MM 5564-T	Heavy duty	2	58A, 64A	A	61
C2AZ 5564-A	Use with 406 C. I. D. engine	2	All except 71	A	62
C2MA 5564-A	Heavy duty	2	71	A	62
C2MA 5564-B	Standard - except 406 C. I. D. engine	2	All except 65C, 71, 76B	A	62
C2MA 5564-C	Heavy duty	2	All except 71	A	62
C2MA 5564-D	Standard	2	71	A	62
C3MY 5564-A	Standard	2	All except 71	A	63/64
C3MY 5564-B	Heavy duty	2	All except 71	A	63/64
C3MY 5564-C	Standard	2	71	A	63/64
C3MY 5564-D	Heavy duty	2	71	A	63/64
C2YY 5564-A	Standard	2	All	B	62
		2	62, 65	B	63
C2YY 5564-B	Standard	2	54	B	63
C3YY 5564-A	Standard	2	71	B	63
CODD 5564-C		2	54, 62	C	60
CODD 5564-D		2	59, 71	C	60
C1DD 5564-A	144, 170, 260 C. I. D. engines	2	54, 62, 63	C	61/63
C1DD 5564-B	144, 170, 260 C. I. D. engines	2	59, 71	C	61/63
C3GY 5564-A	144, 170 C. I. D. engines	2	76	C	63
C3DZ 5564-A	260 C. I. D. engine	2	76	C	63
	Heavy duty	2	59, 71	C	63
C4DZ 5564-C	170, 200, 260 and 289 C. I. D. engines - use on vehicles built prior to 5-15-64	2	71	C	64
C4GY 5564-D	170, 200, 260 and 289 C. I. D. engines - use on vehicles built after 5-14-64	2	71	C	64
CONTINUED ON NEXT PAGE					

Springs

GROUP AND PART NUMBER	DESCRIPTION, SIZE, ETC.	NO. REQ'D	MODEL OR ENGINE CUBIC INCH DISPLACEMENT	VEHICLE CODE	YEAR 19__
5564 NO. 1 LEAF (REAR SPRING) CONTINUED					
C4GY 5564-A	170,200,260 and 289 C.I.D. engines - use on vehicles built prior to 5-15-64	2	54,62,63	C	64
C4GY 5564-F	170,200,260 and 289 C.I.D. engines - use on vehicles built after 5-14-64	2	54,62,63	C	64
C4GY 5564-C	170,200,260 and 289 C.I.D. engines - use on vehicles built prior to 5-15-64	2	76	C	64
C4GY 5564-E	170,200,260 and 289 C.I.D. engines - use on vehicles built after 5-14-64	2	76	C	64
5565 NO. 2 LEAF (REAR SPRING)					
C1MM 5565-R	Standard	2	58A,64A	A	61
C1MM 5565-T	Heavy duty	2	58A,64A	A	61
C1MM 5565-K	Standard - except 406 C.I.D. engine	2	All except 58A,64A,65C,71,76B	A	61/62
C1MM 5565-L	Standard	2	71	A	61/62
C1MM 5565-M	Heavy duty	2	54A,B,62A,63A,B,65A,B,75A,B,76A	A	61/62
C1MM 5565-N	Heavy duty	2	71	A	61/62
C2AZ 5565-A	Use with 406 C.I.D. engine	2	All except 71	A	62
C3MY 5565-A	Standard	2	All except 71	A	63/64
C3MY 5565-B	Heavy duty	2	All except 71	A	63/64
C3MY 5565-C	Standard	2	71	A	63/64
C3MY 5565-D	Heavy duty	2	71	A	63/64
C2YY 5565-A	Standard	2	All	B	62
		2	62,65	B	63
C2YY 5565-B	Standard	2	54	B	63
C3OZ 5565-A	Standard	2	71	B	63
CODD 5565-C		2	54,62	C	60
CODD 5565-D		2	59,71	C	60
C1DD 5565-B	144,170 C.I.D. engines	2	54,62,63	C	61/63
C1DD 5565-C	144,170 C.I.D. engines	2	59,71	C	61/63
C3GY 5565-A	144,170 C.I.D. engines	2	76	C	63
C3DZ 5565-B	260 C.I.D. engine	2	59,71,76	C	63
C3DZ 5565-D	260 C.I.D. engine	2	54,62,63	C	63
C4DZ 5565-E	170,200,260 and 289 C.I.D. engines	2	71	C	64
C4GY 5565-B	170,200,260 and 289 C.I.D. engines	2	54,62,63	C	64
C4GY 5565-C	170,200,260 and 289 C.I.D. engines	2	76	C	64
5586 INSERT (REAR SPRING)					
COAA 5586-B		12	65C,76B	A	62
		12	All	A	63/64
C2OZ 5586-B	Kit	2	All	B	62/63
C4DZ 5586-A		8	All	C	64
COLL 5586-A	2.38" wide x 3.00" long	AR	All	D	60
COLY 5586-A	Use between top No. 2 and 3 leaves of springs	2	All	D	60
5598 SPACER (REAR SPRING CENTER MOUNTING)					
C2OZ 5598-B	Use with heavy duty springs - use on vehicles built prior to 2-2-62	4	All	B	62
C2YY 5598-A	Use with heavy duty springs - use on vehicles built after 2-1-62	4	All	B	62
5624 LINER (REAR SPRING LEAF)					
C1VY 5624-A	2.50" wide x 4.00" long - also serviced in 5834kit	AR	All	A	60
		AR	All	D	60/64
5A624-5 REINFORCEMENT (REAR SPRING FRONT HANGER BRACKET) REAR					
C4VY 5A624-A	R.H.	1	All	D	64
C4VY 5A625-A	L.H.	1	All	D	64

Springs

GROUP AND PART NUMBER	DESCRIPTION, SIZE, ETC.	NO. REQ'D	MODEL OR ENGINE CUBIC INCH DISPLACEMENT	VEHICLE CODE	YEAR 19__
5626 BAR (REAR SPRING SHACKLE) INNER					
B9LL 5626-B	Also serviced in 5630 kit	2	All	D	60
C1VV 5626-C		2	All	D	61/62
C3VY 5626-A		2	All	D	63/64
5627 BAR (REAR SPRING SHACKLE) OUTER					
	NS-inner - serviced in 5630 kit	2	All	A	60
	NS-serviced in 5630 kit	2	71A, B	A	61
	NS-serviced in 5630 kit only	2	59, 71	C	60/61
	NS-serviced in 5630 kit only	2	All except 59, 71	C	60/61
5630 KIT (SPRING REAR SHACKLE & FRONT BOLT)					
59MK 5630-C		2	All	A	60
Consists of the following -					
(2) B9MY-5A546-A	bushing	(2) B9MY-5781-A	bushing	(1) 33845-S8	nut
(1) PB9M-5626-A	bar	(2) PB9M-5781-B	bushing	(2) 34782-S7	washer
(1) PB9M-5776-A	shackle	(2) 33799-S8	nut	(1) 34784-S7	washer
(1) PB9M-5780-B	stud and washer				
C1MY 5630-A	Anti-harsh - front shackle bushing - ☆Except 406 C.I.D. engine	2	All except 58A, 64A	A	61
		2	All☆	A	62
Consists of the following -					
(4) C1MY-5781-A	bushing	(1) 50992-S	screw and washer	(2) 55673-S8	nut
(1) C1MM-5913-C	bumper				
C2AZ 5630-A	Rear shackle bushing	2	All	A	61/64
Consists of the following -					
(1) 1A-5627-A	bar	(4) C1AZ-5781-A	bushing	(2) 55674-S8	nut
(1) C2AA-5776-A	shackle				
COAZ 5630-A	Front shackle bushing - use with 406 C.I.D. engine	2	All	A	62
Consists of the following -					
(2) COAZ-5781-A	bushing	(1) COAA-5810-A	bolt	(1) 34447-S2	nut
C3AZ 5630-A	Front shackle	2	All	A	63/64
Consists of the following -					
(2) C3AA-5781-A	bushing	(1) C3AA-5780-C	bolt	(1) 55698-S8	nut
C2YY 5630-A	Front	2	All	B	62/63
Consists of the following -					
(4) C2YY-5781-B	bushing	(1) 20389-S8	bolt	(2) 55674-S	nut
(1) C2YY-5913-B	bumper	(1) 34807-S7	lockwasher		
C2YY 5630-B	Rear	2	All	B	62/63
Consists of the following -					
(2) C2YA-5A546-A	bushing	(1) C2OZ-5776-A	shackle	(2) 55674-S	nut
(1) C2OZ-5627-A	bar	(2) C2YY-5781-C	bushing		
CODZ 5630-C	Front	2	All	C	60/62
Consists of the following -					
(2) CODZ-5781-B	bushing	(1) 44730-S8	washer	(1) 55676-S8	nut
(1) CODD-5833-B	bolt				
CODZ 5630-D	Rear	2	59, 71	C	60/63
Consists of the following -					
(1) CODD-5627-B	bar	(4) CODZ-5781-A	bushing	(2) 55674-S8	nut
(1) CODD-5776-B	shackle				
C1KY 5630-C	Rear	2	All except 59, 71	C	60/62
		2	54, 62, 63, 76	C	63
Consists of the following -					
(1) C1KK-5627-A	bar	(2) CODZ-5781-A	bushing	(2) 55674-S8	nut
(1) C1KK-5776-A	shackle	(4) C1KK-5781-A	bushing		

CONTINUED ON NEXT PAGE

Springs

GROUP AND PART NUMBER	DESCRIPTION, SIZE, ETC.	NO. REQ'D	MODEL OR ENGINE CUBIC INCH DISPLACEMENT	VEHICLE CODE	YEAR 19__
5630 KIT (SPRING REAR SHACKLE & FRONT BOLT) CONTINUED					
C3DZ 5630-A	Front	2	76	C	63
Consists of the following -					
(1) C3DZ-5780-A	stud	(1) 44730-S	lockwasher-7/16"	(1) 55676-S8	nut-7/16"-20
(1) C3DZ-5781-A	bushing				
C3DZ 5630-B	Front	2	All except 76	C	63
Consists of the following -					
(2) C3DA-5737-B	bushing	(1) 44730-S8	washer	(1) 55676-S8	nut
(1) C3DA-5833-B	bolt				
C4DZ 5630-C	Front	2	All	C	64
Consists of the following -					
(1) C4DZ-5781-C	bushing	(1) 378046-S	nut	(1) 378654-S	bolt
(1) 351810-S	washer				
C4DZ 5630-B	Rear	2	All	C	64
Consists of the following -					
(1) C4DA-5627-A	bar	(4) C4DZ-5781-B	bushing	(2) 376918-S	nut
(1) C4DA-5776-A	shackle				
COLY 5630-A		2	All	D	60
Consists of the following -					
(1) B9LL-5626-B	bar	(1) PB9M-5780-B	stud and washer	(1) 34784-S7	lockwasher
(4) PB9E-5719-A	bushing	(2) PB9M-5781-B	bushing	(2) 55673-S8	nut
(1) B9LL-5776-B	shackle	(1) 33845-S8	nut		
C4VY 5630-B	Rear	1	All	D	64
Consists of the following -					
(1) C3VY-5626-A	bar	(2) C1VY-5781-A	bushing	(2) 34671-S8	nut-7/16"-20
(1) C4VA-5776-B	shackle	(2) C1VY-5781-B	bushing		
5705 "U" BOLT (REAR SPRING)					
B7A 5705-A		(a) 4	All	A	60
C2AZ 5705-B	RED - heavy duty springs	4	58A, 64A	A	61
	Use with 406 C.I.D. engine	4	All	A	62
C2AZ 5705-D	SILVER - standard springs - except 406 C. I. D. engine	4	All except 58A, 64A, 71A, B	A	61/62
C4AZ 5705-D	BLUE - standard springs - 5.63"/5.65" long	4	58A, 64A, 71A, B	A	61/62
C4AZ 5705-A	Standard - 5-25/32"/5-51/64" long	4	All except 71	A	63/64
C4MY 5705-A	Standard	4	71	A	63/64
C3AZ 5705-C	Heavy duty	4	71	A	63/64
C2OZ 5705-D		4	All except 71	B	62/63
C3OZ 5705-B	Standard	4	71	B	63
CODD 5705-A	144, 170 C. I. D. engines	4	All except 76	C	60/63
C3DZ 5705-A	144, 170 C. I. D. engines	4	76	C	63
	260 C. I. D. engine	4	All except 76	C	63
C4GY 5705-A		4	All	C	64
COLL 5705-D		4	All	D	60
C1VV 5705-D		(a) 4	All	D	61/64
33882-S	Nut-hex. -1/2"-20-attach rear spring to axle	8	a		
34784-S8	Washer-spring lock-1/2"-attach rear spring to axle	8	a		
5724 CLAMP (REAR SPRING)					
B9MM 5724-A	2-5/32" - hole end 1-25/32" - lip end	AR	All	A	60
B9MM 5724-B	2-7/32" - hole end 1-27/32" - lip end - also serviced in 5834 kit	AR	All	A	60
B9MM 5724-C	2-17/32" - hole end 2-5/32" - lip end	AR	All	A	60
B9MM 5724-D	2-19/32" - hole end 2-7/32" - lip end - also serviced in 5834 kit	AR	All	A	60
CONTINUED ON NEXT PAGE					

Springs

GROUP AND PART NUMBER	DESCRIPTION, SIZE, ETC.	NO. REQ'D	MODEL OR ENGINE CUBIC INCH DISPLACEMENT	VEHICLE CODE	YEAR 19__
5724 CLAMP (REAR SPRING) CONTINUED					
COAA 5724-S	Heavy duty spring	AR	71A, B	A	61
COAA 5724-N	Rear intermediate - ☆standard on 71 - heavy duty on all except 71	AR	All☆	A	61/62
COAA 5724-A	Rear - standard spring	AR	All except 71	A	61/63
C4DZ 5724-D	Front - standard spring	AR	All except 71	A	61/63
C1MM 5724-A	Front intermediate - standard spring	AR	71	A	61/62
	Front and rear - standard spring	AR	71	A	63
C1MM 5724-B	Heavy duty spring	AR	71	A	61/62
	Front and rear - heavy duty spring	AR	71	A	63
COAA 5724-G	Rear - ☆standard on 71 - heavy duty on all except 71	AR	All☆	A	61/63
	Rear - heavy duty	AR	All	A	64
COAA 5724-M	Front - ☆standard on 58A, 64A, 71 - heavy duty on all except 58A, 64A, 71	AR	All☆	A	61/63
	Front - standard	AR	All except 71	A	61/64
C4DZ 5724-A	Rear - standard - 2-1/2" wide	AR	All	A D	60/64
		AR	All	C	64
Kit consists of the following -					
(1) retainer		(1) clamp			
C2OZ 5724-D	Use on each end of spring	AR	All	B	62
C2OZ 5724-F	Intermediate on (4) leaf spring	AR	All	B	62
C2OZ 5724-E	Intermediate on (5) leaf spring	AR	All	B	62
C3OZ 5724-A	Front and rear	4	71	B	63
C3OZ 5724-B	Intermediate	2	71	B	63
CODD 5724-E	Front	2	54, 62, 63	C	60/64
CODD 5724-F	Rear	2	54, 62, 63	C	60/64
CODD 5724-L	Front	2	59, 71	C	60/64
CODD 5724-M	Rear	2	59, 71	C	60/64
C3DZ 5724-A	Front - 144, 170 C. I. D. engines	2	76	C	63/64
C3DZ 5724-B	Rear - 144, 170 C. I. D. engines	2	76	C	63/64
C3DZ 5724-C	Front - 260, 289 C. I. D. engines	2	All	C	63/64
C3DZ 5724-D	Rear - 260, 289 C. I. D. engines	2	All	C	63/64
C3DZ 5724-E	Intermediate - 260 C. I. D. engine	2	All	C	63
	260, 289 C. I. D. engines	2	All except 71, 76	C	64
B9LL 5724-A	Use with standard and heavy duty spring	4	All	D	60
C1VV 5724-E	Front intermediate	AR	All	D	61/64
C1VV 5724-F	Rear intermediate	AR	All	D	61/64
C1VV 5724-G	Front	AR	All	D	61/64
C1VV 5724-H	Rear	AR	All	D	61/64
5727 SHIM (REAR SPRING)					
PB8L 5727-B	Use for export	1	All	D	60
5736 RETAINER (REAR SPRING CENTER MOUNTING INSULATOR)					
COAA 5736-B		2	All	A	60/64
C2OZ 5736-B	R. H.	1	All	B	62
C2OZ 5736-C	L. H.	1	All	B	62
C3OZ 5736-C	R. H.	1	71	B	63
C3OZ 5736-B	L. H.	1	71	B	63
C3YY 5736-A	R. H.	1	All except 71	B	63
C3YY 5736-B	L. H.	1	All except 71	B	63
C4GY 5736-A	Steel	2	All	C	64
C1VV 5736-C	Upper	2	All	D	61/64

Springs

GROUP AND PART NUMBER	DESCRIPTION, SIZE, ETC.	NO. REQ'D	MODEL OR ENGINE CUBIC INCH DISPLACEMENT	VEHICLE CODE	YEAR 19__
5741 INSULATOR (REAR SPRING CENTER MOUNTING)					
COAA 5741-A		4	All	A	61/62
C1AA 5741-A		4	All	A	63/64
C3OZ 5741-D		4	All	B	62
		4	71	B	63
C3YY 5741-A		4	All except 71	B	63
C4GY 5741-A	Rubber	4	All	C	64
COLL 5741-D		4	All	D	60
C1VY 5741-A		4	All	D	61/64
5771 BRACKET (REAR SPRING BUMPER)					
B9MY 5771-A	R. H.	1	All except 76	A	60
5775 HANGER (REAR SPRING)					
B9MY 5775-A	Front	2	All	A	60
C1AZ 5775-A	R. H. - front	1	58A, 64A	A	61
C1AA 5775-B	L. H. - front	1	58A, 64A	A	61
C1MY 5775-A	R. H. - front	1	All except 58A, 64A	A	61/62
C1MM 5775-E	L. H. - front	1	All except 58A, 64A	A	61/62
C3AZ 5775-B	R. H. - front	1	All	A	63/64
C3AZ 5775-A	L. H. - front	1	All	A	63/64
COAZ 5775-A	Rear	2	All	A	61/64
		2	All	B	61/62
C3YY 5775-D	R. H. - front	1	All	B	62/63
C3YY 5775-C	L. H. - front	1	All	B	63
C3OZ 5775-C	Rear	2	71	B	63
CODZ 5775-A	R. H. - front - use on vehicles built prior to 1-21-63	1	All except 76	C	60/63
CODZ 5775-B	L. H. - front - use on vehicles built prior to 1-21-63	1	All except 76	C	60/63
C3DZ 5775-C	R. H. - front - use on vehicles built after 1-20-63	1	All except 76	C	63
C3DZ 5775-D	L. H. - front - use on vehicles built after 1-20-63	1	All except 76	C	63
CODZ 5775-D	R. H. - rear - attaches to frame	1	59, 71	C	60/63
CODZ 5775-C	L. H. - rear - attaches to frame	1	59, 71	C	60/63
CODZ 5775-E	Rear - attaches to CODZ-5775-C or CODZ-5775-D	2	59, 71	C	60/63
C3DZ 5775-A	R. H. - front	1	76	C	63
C3DZ 5775-B	L. H. - front	1	76	C	63
C4DZ 5775-A	Rear - upper - use on vehicles built prior to 5-15-64	2	71	C	64
C4GY 5775-A	Rear - upper - use on vehicles built after 5-14-64	2	71	C	64
C4DZ 5775-C	R. H. - rear	1	71	C	64
C4DZ 5775-B	L. H. - rear	1	71	C	64
C4DZ 5775-D	R. H. - front	1	71	C	64
C4DZ 5775-E	L. H. - front	1	71	C	64
C4DZ 5775-F	R. H. - front	1	All except 71	C	64
C4DZ 5775-G	L. H. - front	1	All except 71	C	64
COLL 5775-C	Front	2	All	D	60
COLY 5775-A	Rear	2	All	D	60
C1VY 5775-D	R. H. - front	1	All	D	61/62
C1VY 5775-C	L. H. - front	1	All	D	61/62
C1VY 5775-E	Rear	2	All	D	61/63
C3VY 5775-A	R. H. - front	1	All	D	63
C3VY 5775-B	L. H. - front	1	All	D	63
C4SZ 5775-D	R. H. - front	1	All	D	64
C4SZ 5775-E	L. H. - front	1	All	D	64
C4VY 5775-C	Rear	2	All	D	64

Springs

GROUP AND PART NUMBER	DESCRIPTION, SIZE, ETC.	NO. REQ'D	MODEL OR ENGINE CUBIC INCH DISPLACEMENT	VEHICLE CODE	YEAR 19__
5776 SHACKLE (REAR SPRING)					
	NS-serviced in 5630 kit only	(a) 2	All	A	60
	NS-serviced in 5630 kit only	2	All	A	61
C2YY 5776-A	R. H. - front	1	All	B	62/63
C2YY 5776-B	L. H. - front	1	All	B	62/63
	NS-serviced in 5630 kit only	2	59, 71	C	60/61
	NS-serviced in 5630 kit only	2	All except 59, 71	C	60/61
B9LL 5776-B	Also serviced in 5630 kit	2	All	D	60
C3VY 5776-A		2	All	D	61/63
33799-S7	Nut-hex. -3/8"-16-attach spring to shackle and shackle to frame	4	a		
34782-S7	Washer-lock-3/8"-attach spring to shackle and shackle to frame	4	a		
5780 STUD & WASHER (REAR SPRING FRONT HANGER)					
	NS-serviced in 5630 kit	2	All	A	62/63
	NS-serviced in 5630 kit	(a) 2	All	A D	60
33845-S	Nut-hex. hd. -1/2"-13-attach stud and washer to rear spring front hanger	2	a		
34784-S7	Washer-spring lock-1/2"-attach stud and washer to rear spring front hanger	2	a		
5781 BUSHING (REAR SPRING)					
B9MY 5781-A	Also serviced in 5630 kit	4	All	A	60
C1KK 5781-A	Rear hanger - also serviced in 5630 kit	4-8	All	A	61
COAZ 5781-A	Front hanger	4	58, 64	A	61
	Use with 406 C. I. D. engine	2	All	A	62
C1MY 5781-A	Front hanger - also serviced in 5630 kit	8	All except 58, 64	A	61
	☆Except 406 C. I. D. engine	8	All☆	A	62
PB9M 5781-B	Also serviced in 5630 kit	4	All	A	60
	Front hanger	4	All	D	60
C1AZ 5781-A	Rear hanger - also serviced in 5630 kit	8	All	A	62/64
	Rear upper hanger	4	54, 62, 63, 76	C	60&63
		8	All	D	60
C2YY 5781-C	Front and rear	12	All	B	62/63
CODZ 5781-A	Rear lower - also serviced in 5630 kit	AR	All☆	C	60/61
		AR	All☆	C	62/63
	☆(4) req'd. - for all models except 59, 71				
	☆(8) req'd. - for models 59, 71				
CODZ 5781-B	Front - also serviced in 5630 kit	4	All	C	60 & 62
C3DZ 5781-A	Front	2	76	C	63
C4DZ 5781-C	Front - also serviced in 5630 kit	2	All	C	64
C4DZ 5781-B	Rear - also serviced in 5630 kit	8	All	C	64
C3VY 5781-A	Front	4	All	D	61/63
C1VY 5781-A	Rear - lower	8	All	D	61/62
		4	All	D	63/64
C1VY 5781-B	Rear - upper	4	All	D	61/64
C4VY 5781-B	Rear - front - when used on 1961/63 vehicles a C4VY-5904-A must also be used	2	All	D	61/63
5781 KIT (SILENT BLOCK BUSHING INSTALLATION)					
C4VY 5781-C		1	All	D	63
Consists of the following -					
(2) C4VY-5781-B	bushing	(2) 33846-S8	nut	(2) 34784-S8	lockwasher
(2) C4VY-5904-A	stud				
5785 BRACKET (REAR SPRING FRONT SHACKLE)					
C1MM 5785-B		2	All except 58A, 64A	A	61
	☆Except 406 C. I. D. engine	2	All☆	A	62

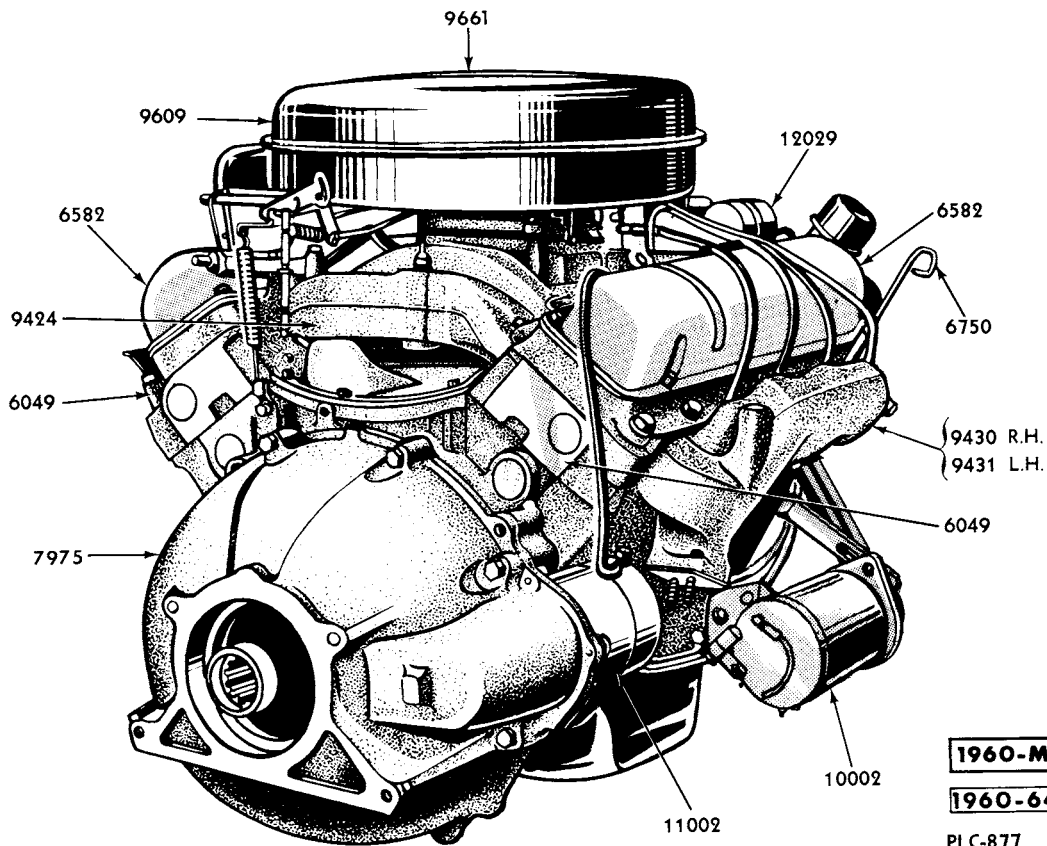
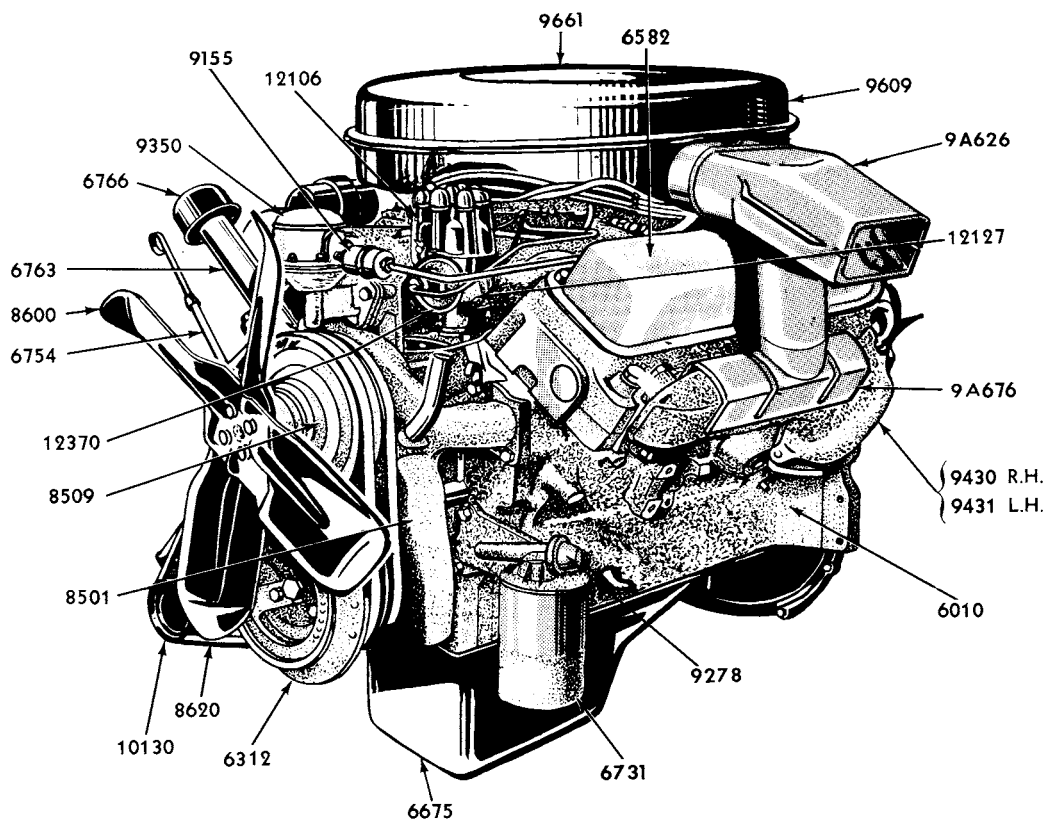
Springs

GROUP AND PART NUMBER	DESCRIPTION, SIZE, ETC.	NO. REQ'D	MODEL OR ENGINE CUBIC INCH DISPLACEMENT	VEHICLE CODE	YEAR 19__
5-5790 BUMPER (REAR AXLE)					
LF 55790-A	Rubber	2	All	D	60
5798-9 PLATE (REAR SPRING "U" BOLT)					
PB9M 5799-B	R. H. and L. H.	2	All	A	60
C1MM 5798-D	R. H. - except 406 C.I.D. engine	1	All	A	61/62
C1MM 5799-D	L. H. - except 406 C.I.D. engine	1	All	A	61/62
C1AA 5798-A	R. H. - use with 406 C.I.D. engine	1	All	A	62
C1AA 5799-A	L. H. - use with 406 C.I.D. engine	1	All	A	62
C3AZ 5798-A	R. H.	1	All	A	63/64
C3AZ 5799-A	L. H.	1	All	A	63/64
C3OZ 5798-A	R. H.	1	All	B	62/63
C3OZ 5799-A	L. H.	1	All	B	62/63
C3DZ 5798-A	R. H.	1	All	C	60/63
C3DZ 5799-A	L. H.	1	All	C	60/63
C4GY 5798-A	R. H.	1	All	C	64
C4GY 5799-A	L. H.	1	All	C	64
COLL 5798-C		2	All	D	60
5833 BOLT & RETAINER (REAR SPRING FRONT HANGER)					
	NS-serviced in 5630 kit only	2	All	C	60/61
5834 KIT (REAR SPRING LINER)					
B9MY 5834-B		1	All	A	60
Consists of the following -					
(4) PB9M-5334-A liner		(2) B9MM-5724-B clamp		(2) B9MM-5724-D clamp	
(16) COMM-5624-A liner					
5863-4 BRACKET (REAR SPRING) FRONT					
COLB 5863-A	R. H.	1	All	D	60
COLB 5864-A	L. H.	1	All	D	60
5904 STUD & HEAD (REAR SPRING FRONT HANGER)					
C2VY 5904-A		2	All	D	61/62
C4VY 5904-A	1/2"-20 thread - also use C4VY-5781-B for 1961/63 vehicles	2	All (a)	D	61/64
33846-S8	Nut-1/2"-20	2	a		
5913 BUMPER (REAR SPRING FRONT SHACKLE)					
C1MM 5913-C	Also serviced in 5630 kit	2	All except 58A, 64A	A	61/62
C2YY 5913-B		2	All	B	62/63
5916-7 REINFORCEMENT (REAR SPRING FRONT HANGER BRACKET)					
C4VY 5916-A	R. H.	1	All	D	64
C4VY 5917-A	L. H.	1	All	D	64
5918-9 REINFORCEMENT (REAR SPRING REAR HANGER BRACKET)					
C4VY 5918-A	R. H.	1	All	D	64
C4VY 5919-A	L. H.	1	All	D	64

Springs

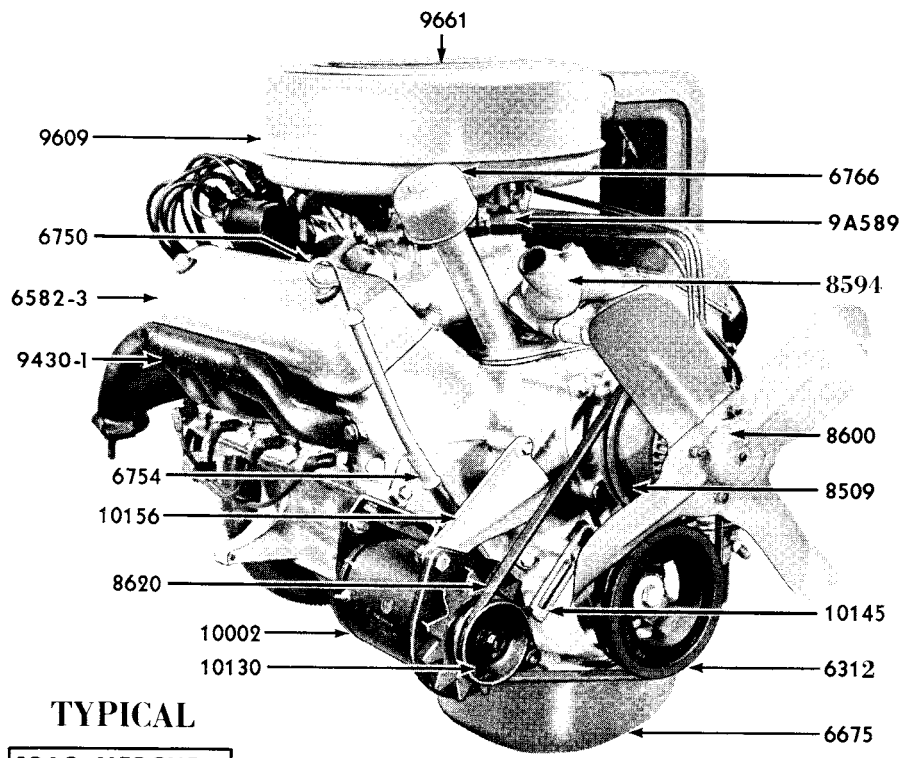
GROUP AND PART NUMBER	DESCRIPTION, SIZE, ETC.	NO. REQ'D	MODEL OR ENGINE CUBIC INCH DISPLACEMENT	VEHICLE CODE	YEAR 19____
5983-5 LINER (REAR SPRING)					
C2YY 5983-A	Use for No. 1 liner	AR	All	B	62
C3OZ 5984-A	Use for No. 2 liner	2	71	B	63
C3OZ 5985-A	Use for No. 3 liner	2	71	B	63
C3OZ 5983-A	Use for No. 1 liner by cutting to length	2	71	B	63
	Use for No. 1 liner on 6 cylinder engines	2	All except 76	C	61/63
	Use for No. 1, 2 and 3 liner by cutting to length - use on vehicles built after 3-1-64	2	All	C	64
C1DD 5984-A	Use for No. 2 liner	2	All except 76	C	61/63
C1DD 5985-A	Use for No. 3 liner	2	All except 76	C	61/63
C3DZ 5984-A	Use for No. 2 liner	2	76	C	63
C3DZ 5985-A	Use for No. 3 liner	2	76	C	63
C3DZ 5983-A	Use for No. 1 liner on 6 cylinder engines	2	76	C	63
	Use for No. 1 liner - also use for No. 2 liner by cutting to length - 6 cylinder - use on vehicles built prior to 3-2-64	AR	76	C	64
C3DZ 5983-C	Use for No. 1 liner on 8 cylinder engines	2	All☆	C	63
	☆ Use as is for 59, 71, 76 - cut to length for 54, 62, 63				
	Use for No. 1 liner on 8 cylinder engines	2	71, 76	C	64
	Use for No. 1, 2 and 3 liner on 8 cylinder engines by cutting to length - use on vehicles built prior to 3-2-64	AR	All except 71, 76	C	64
5990-1 BRACKET (REAR SPRING) REAR					
B9LB 5990-A	R. H.	1	All	D	60
B9LB 5991-A	L. H.	1	All	D	60
5995 BRACKET (REAR SPRING BUMPER)					
COLB 5995-A		2	All	D	60

MEMO



1960-MERCURY
1960-64 LINCOLN
 PLC-877

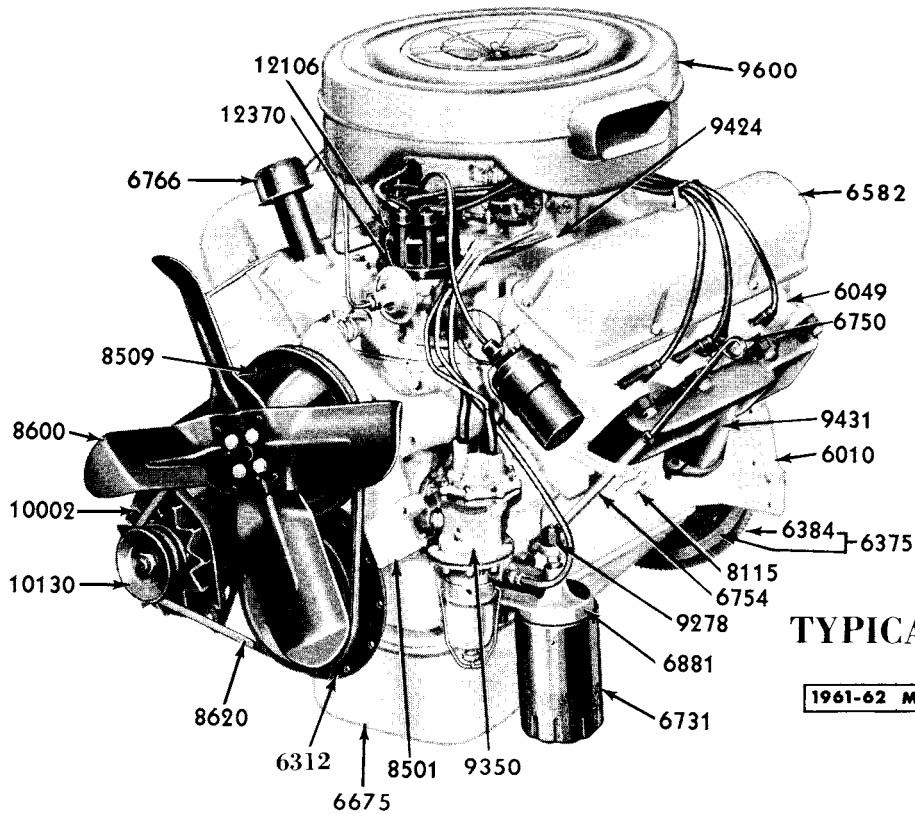
ENGINE - 430 C. I. D.



TYPICAL
1960-MERCURY

PMC-381

ENGINE - 312 C.I.D.

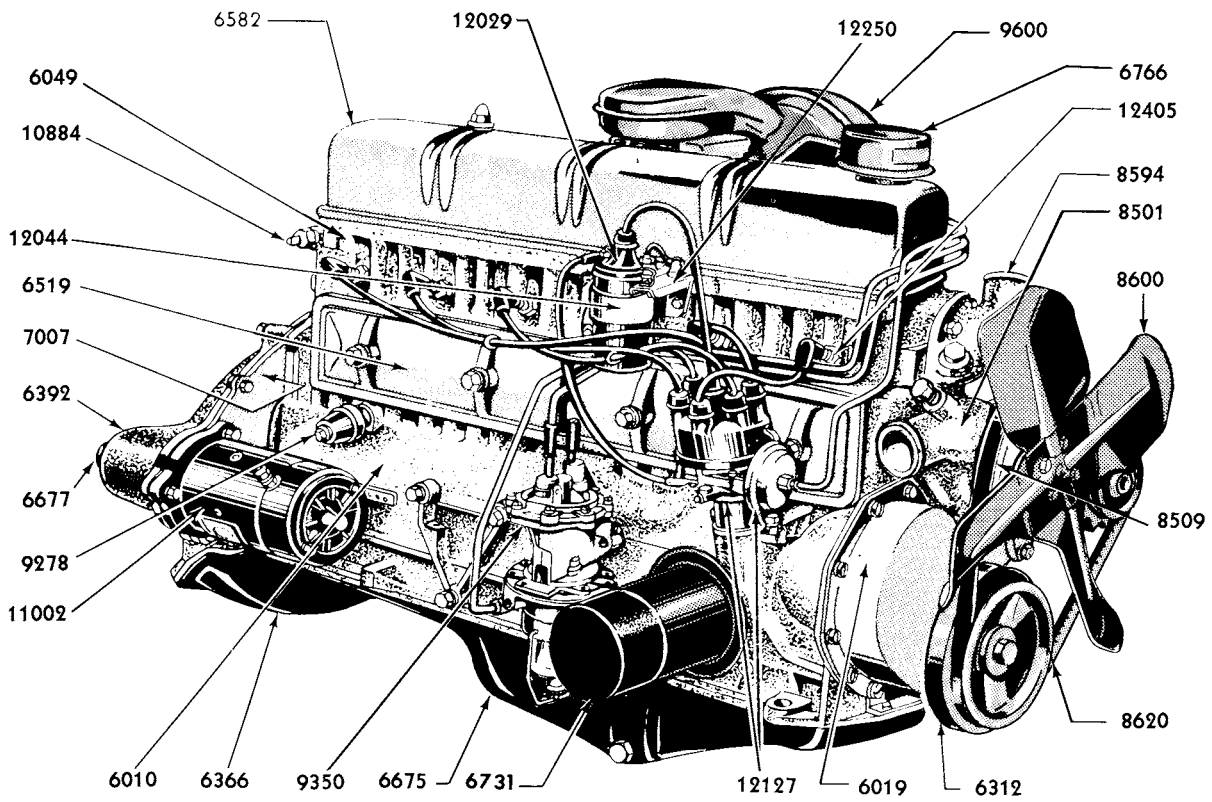


TYPICAL

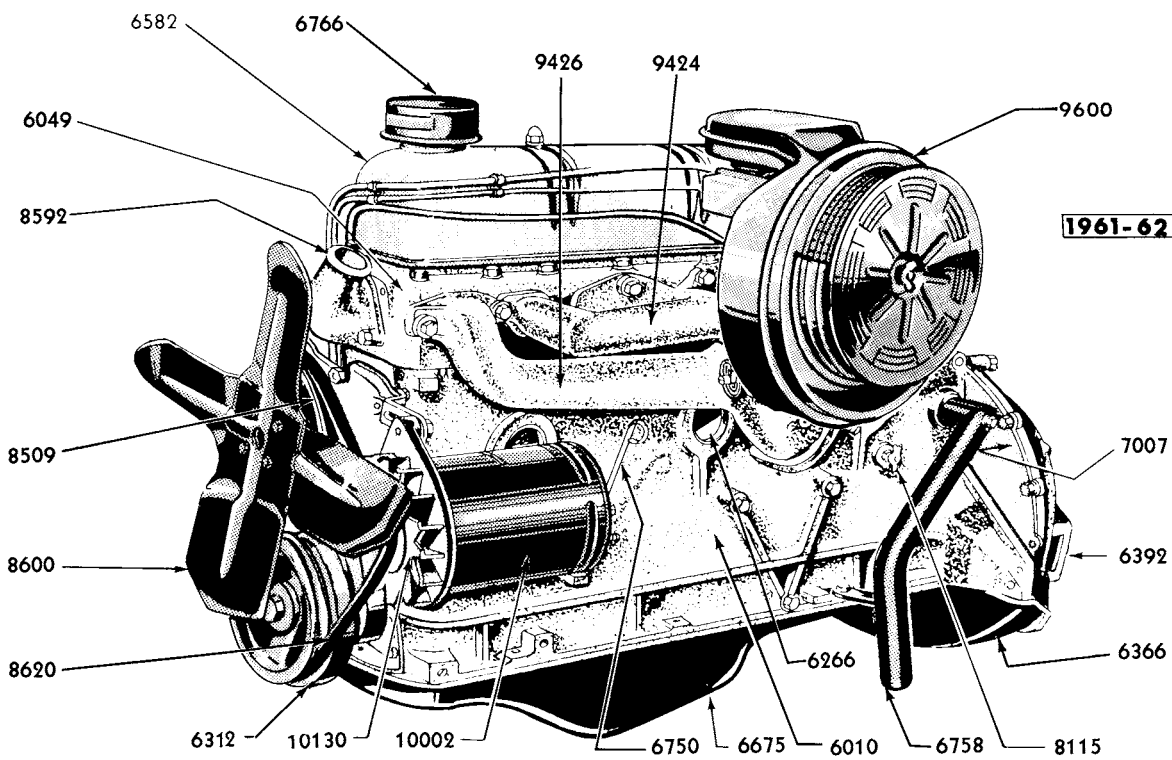
1961-62 MERCURY

EC-124

ENGINE - 352, 390 C.I.D.



R.H. VIEW

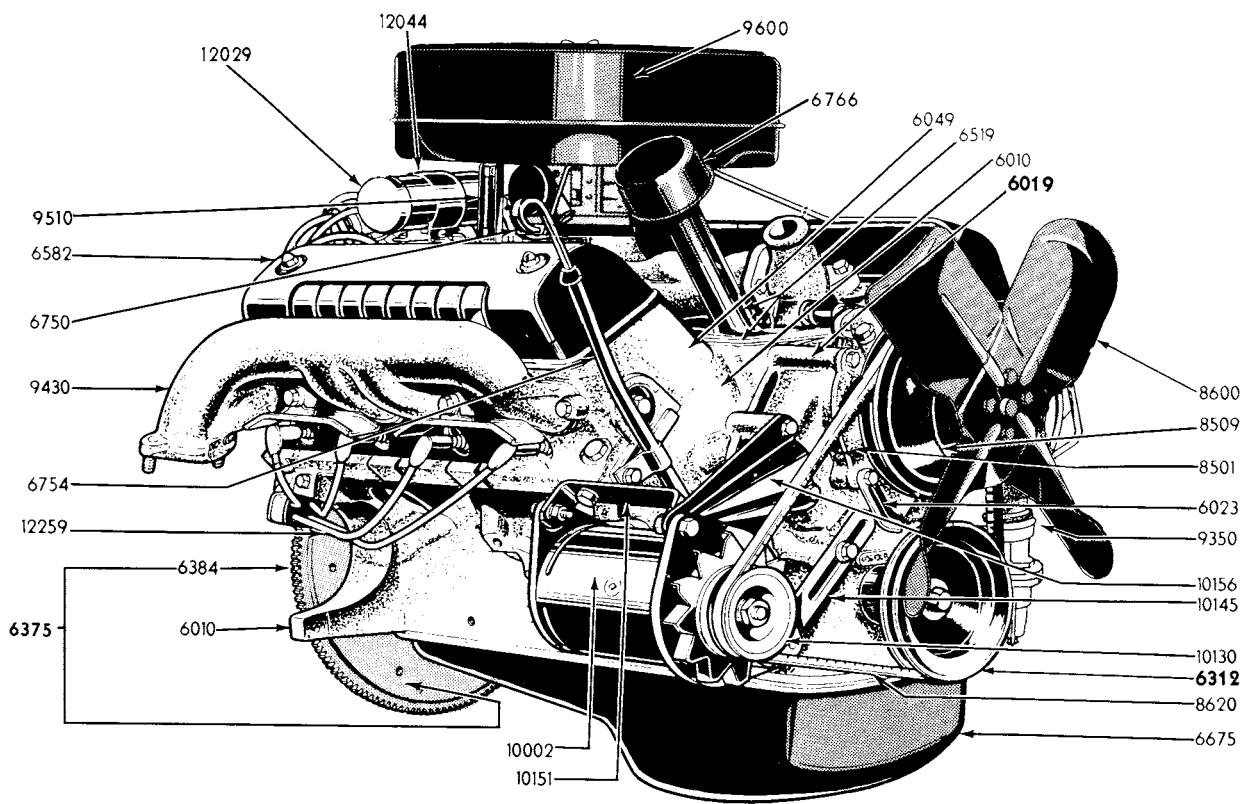


1961-62 MERCURY

L.H. VIEW

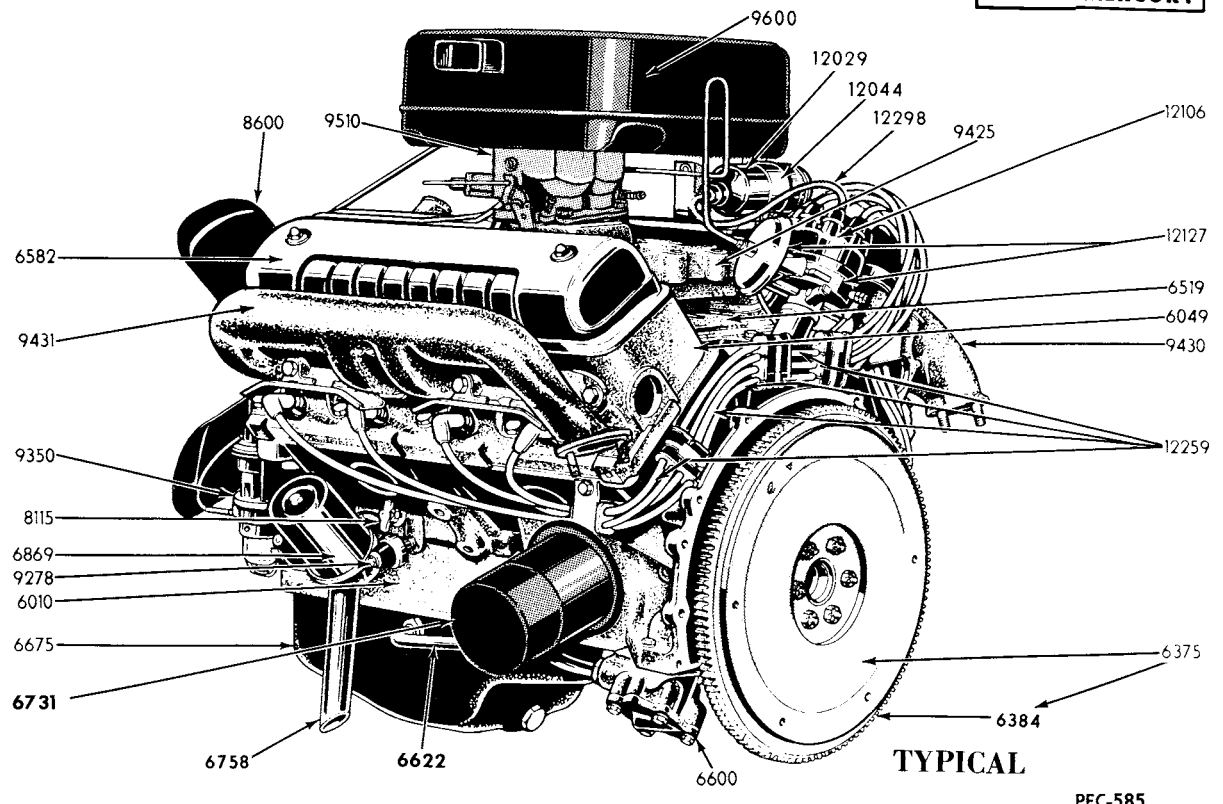
TYPICAL
PEC-710

ENGINE - 223 C.I.D.



RIGHT HAND VIEW

1961-62 MERCURY

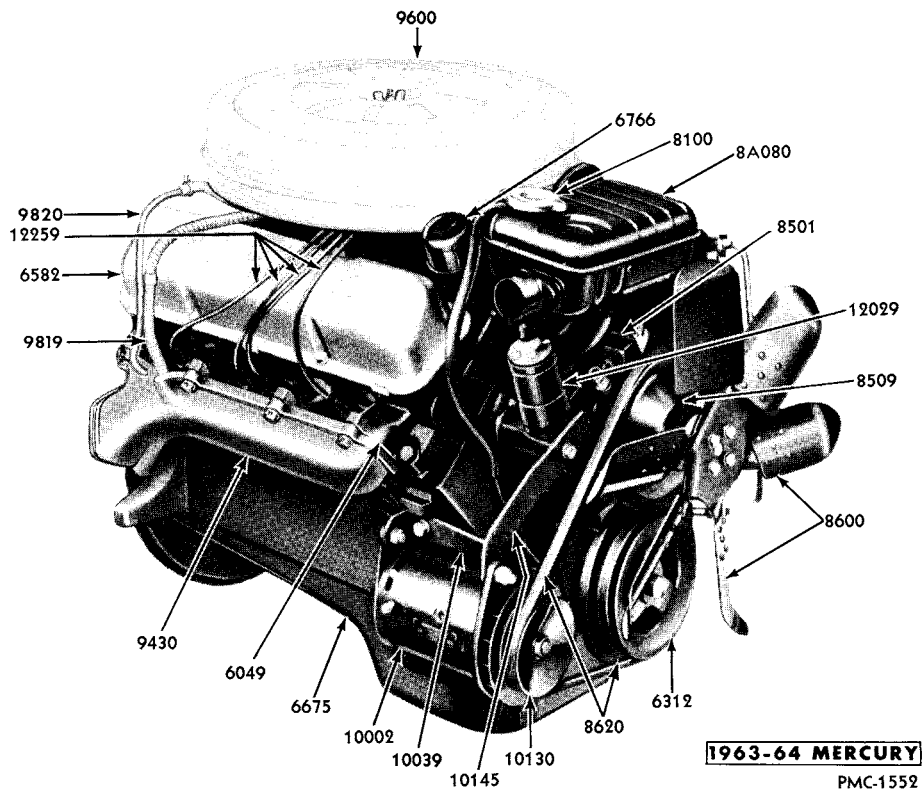


LEFT HAND VIEW

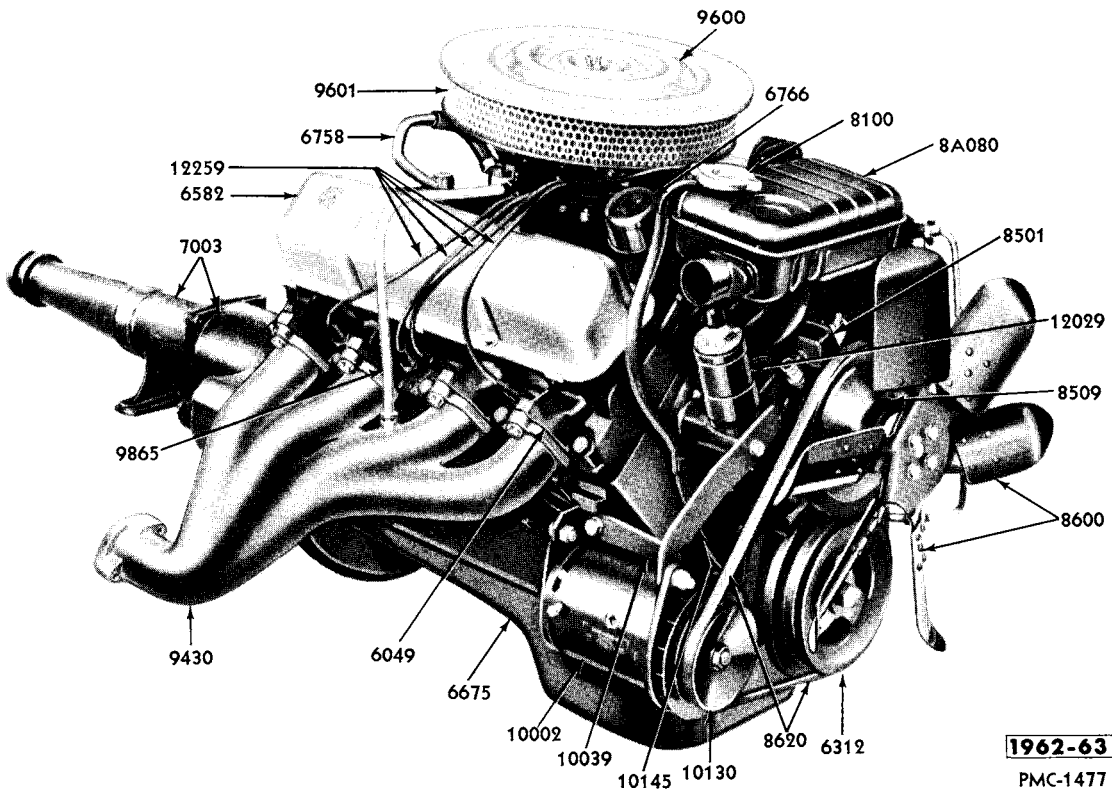
TYPICAL

PEC-585

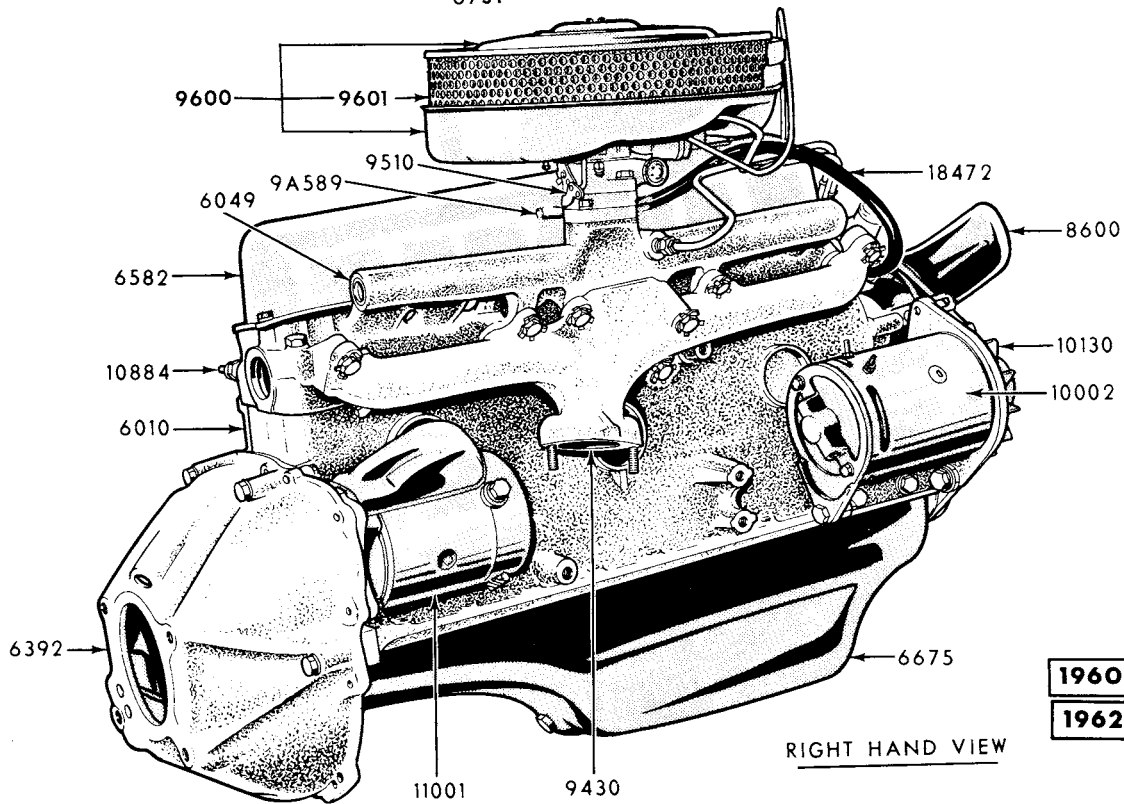
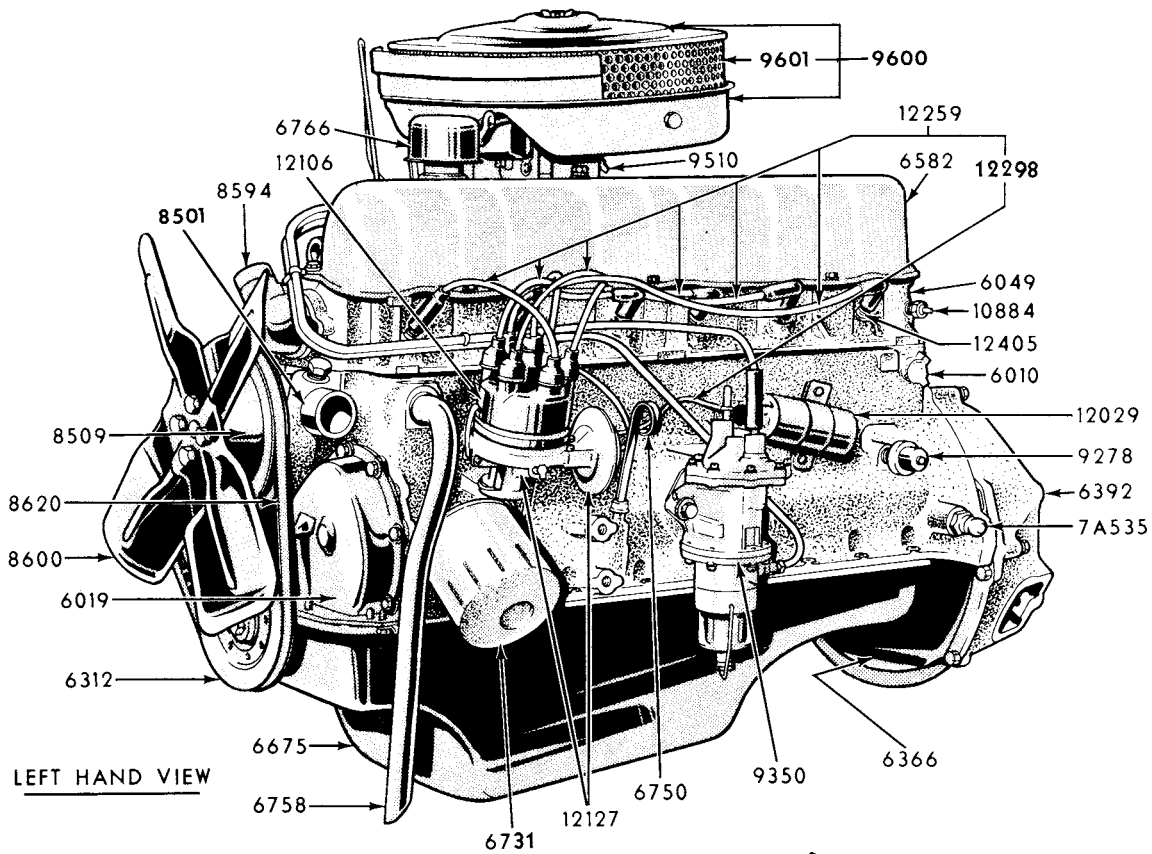
ENGINE 292 C.I.D.



ENGINE - 390 C. I. D.



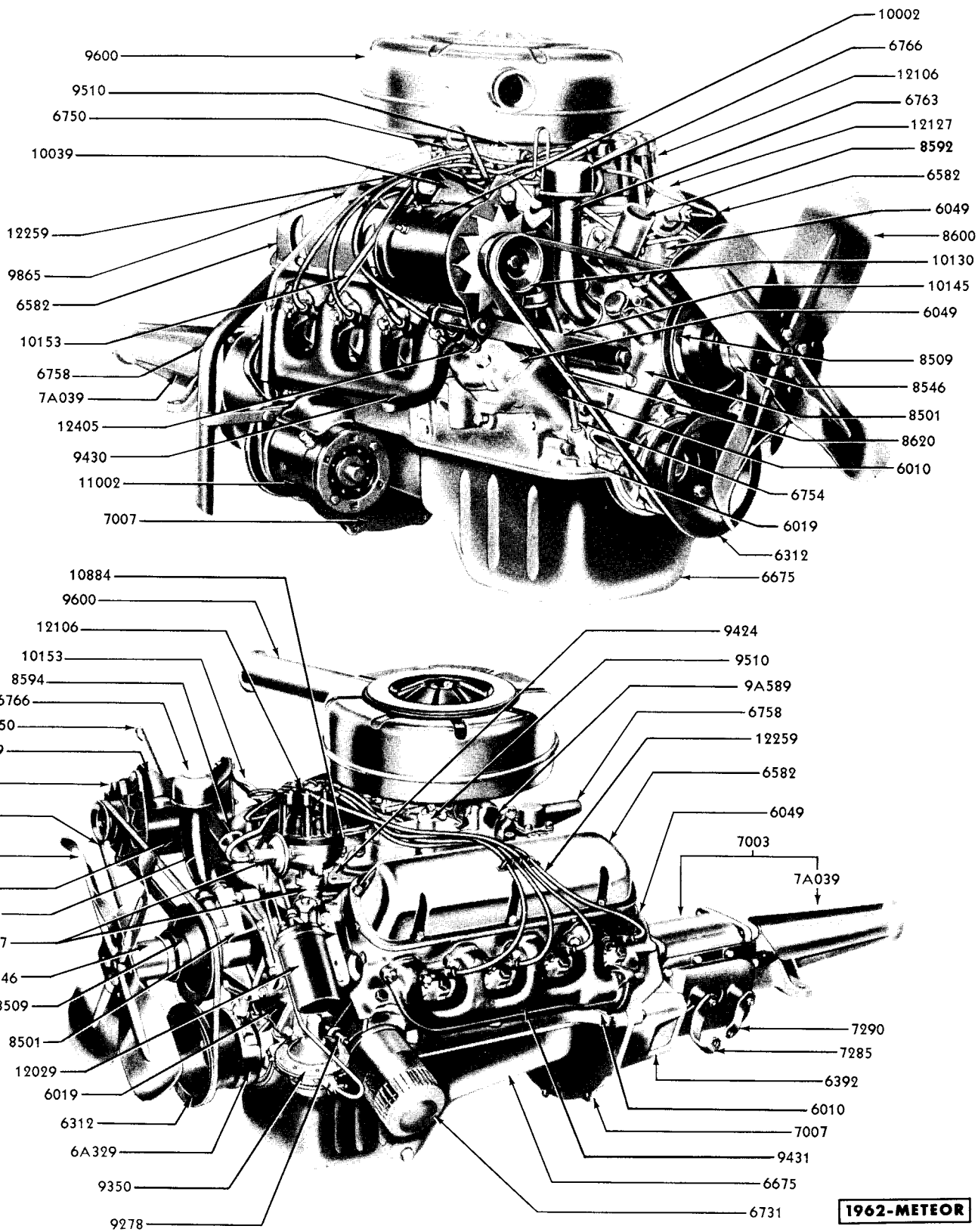
ENGINE - 406 C.I.D.



1960-62 COMET
1962-METEOR

PGC-954

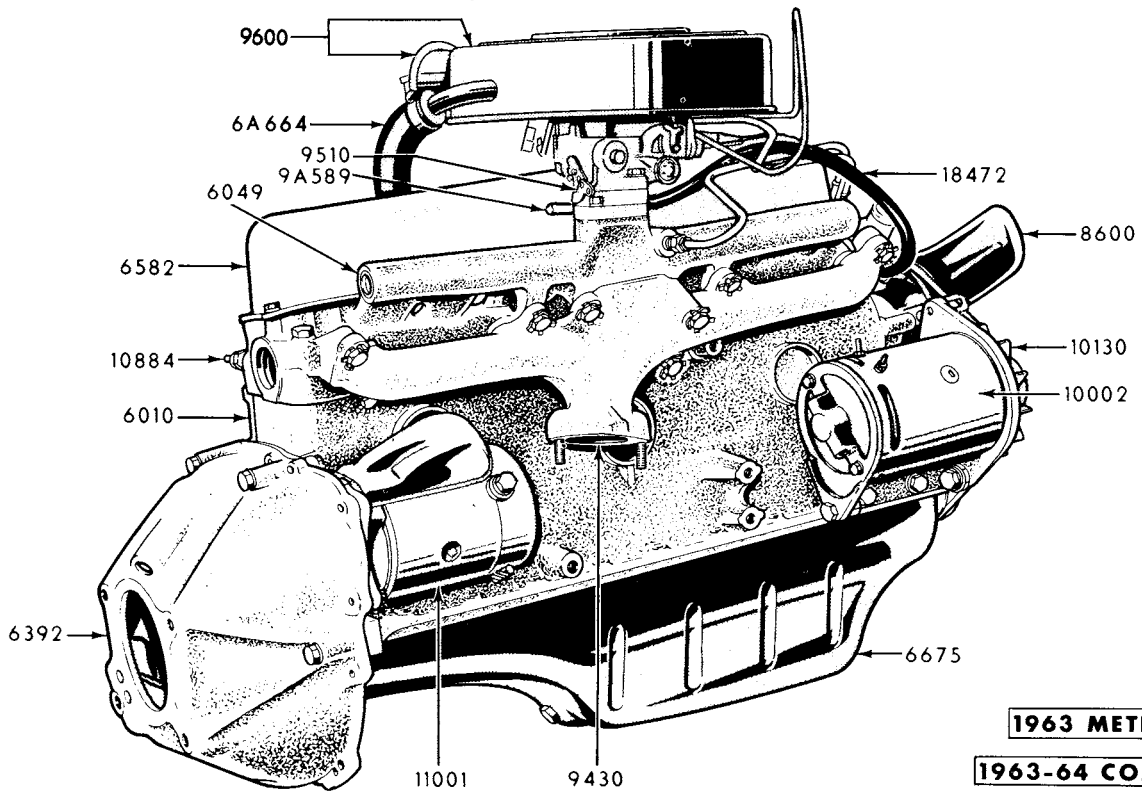
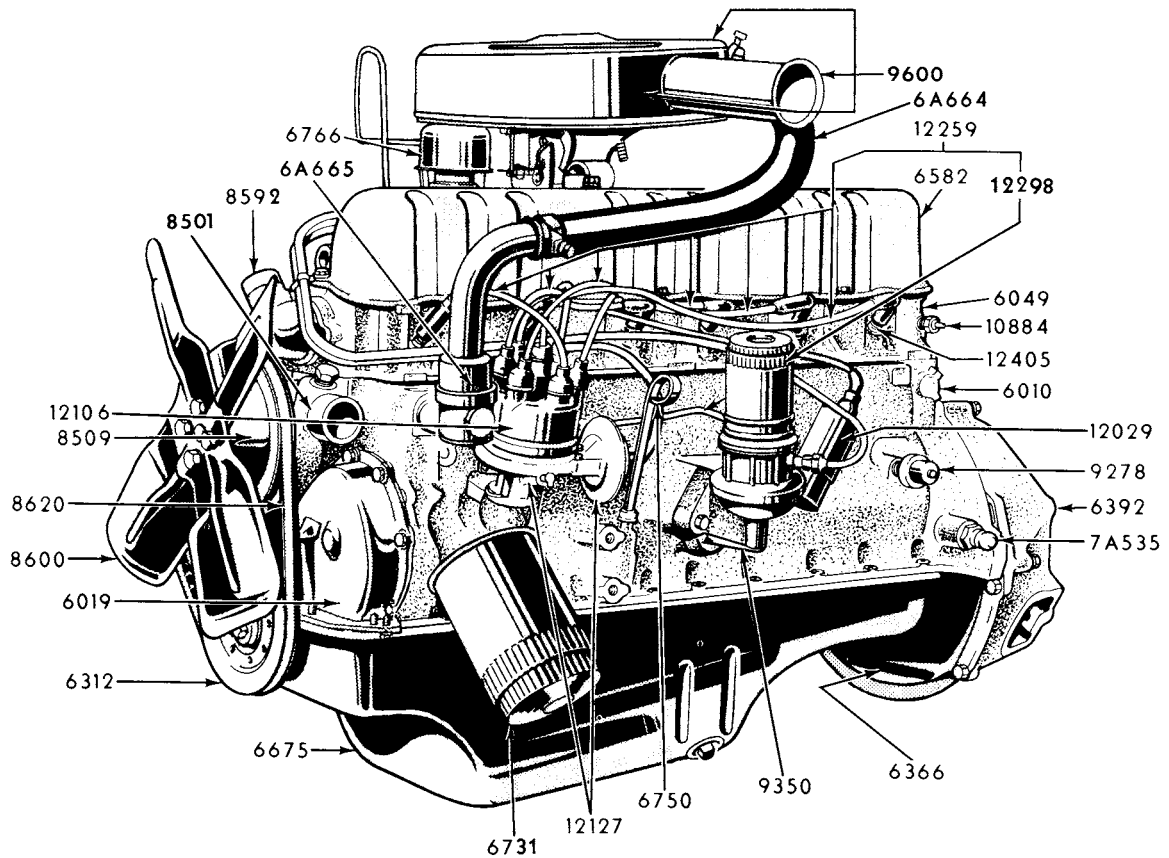
ENGINE - 144, 170 C.I.D.



1962-METEOR

PYC-1311

ENGINE - 221, 260 C.I.D.

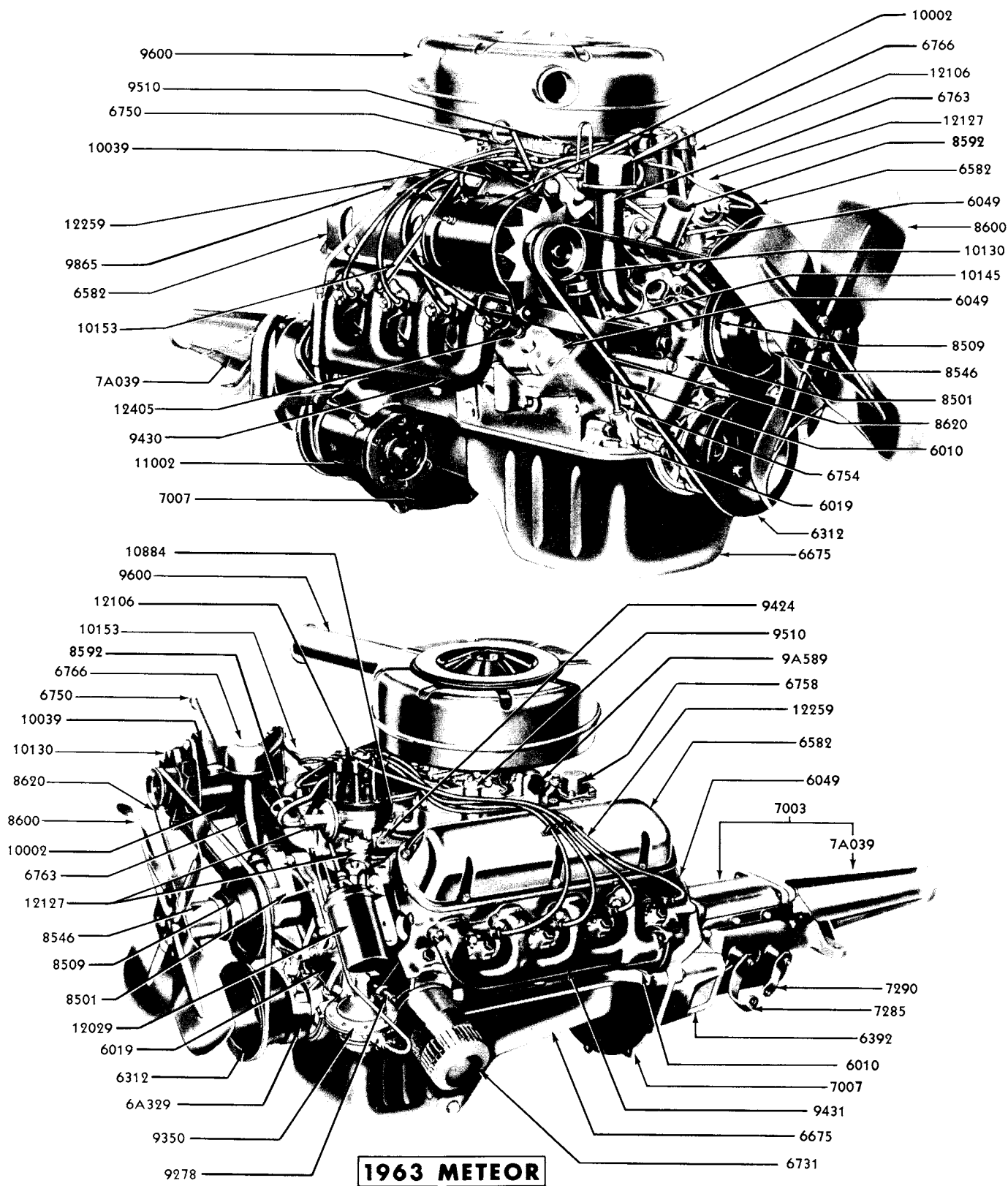


1963 METEOR

1963-64 COMET

PGC-1764

ENGINE - 144, 170 C. I. D.

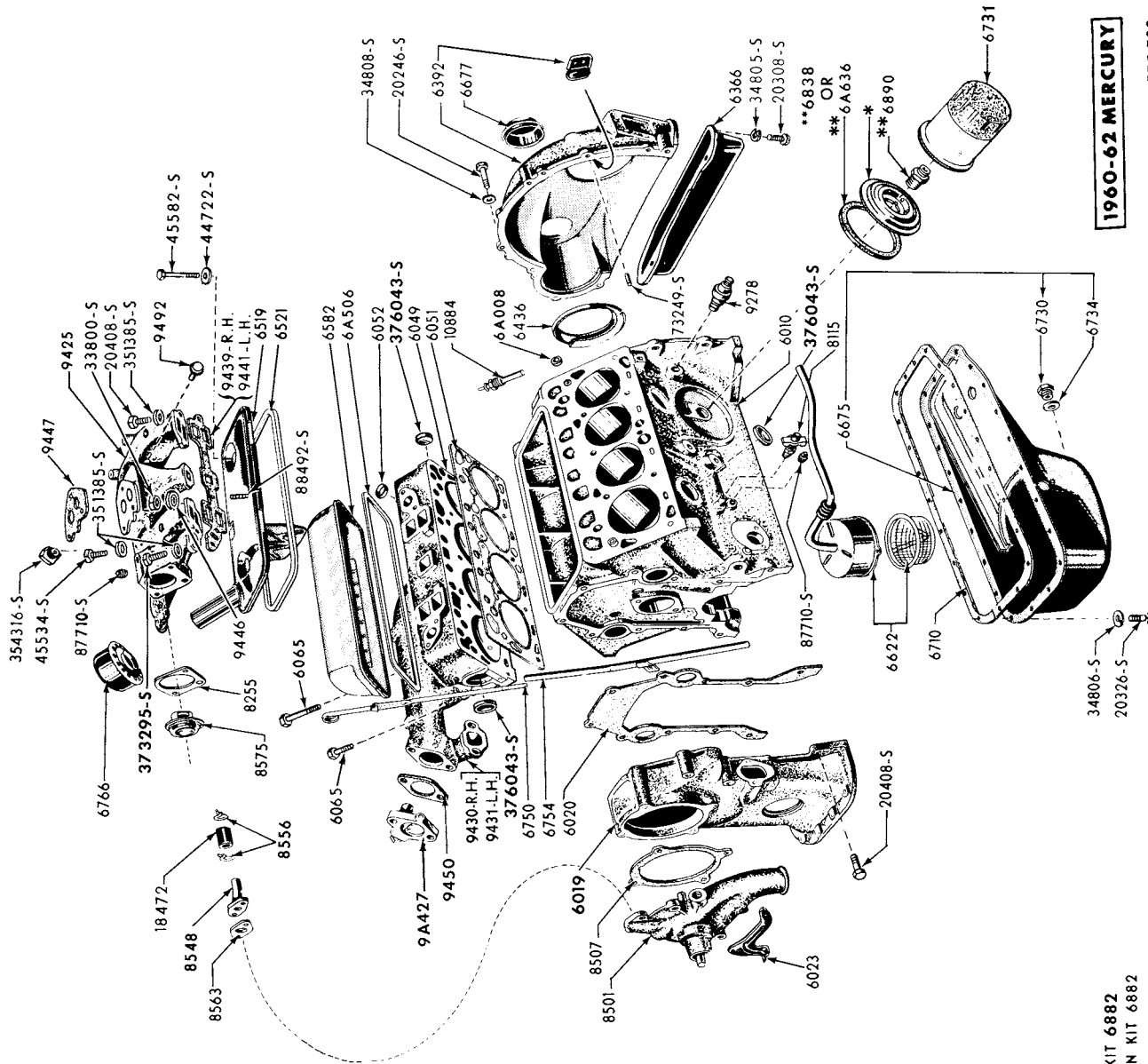


1963 METEOR

1963-64 COMET

PYC-1763

ENGINE - 221, 260, 289 C. I. D.

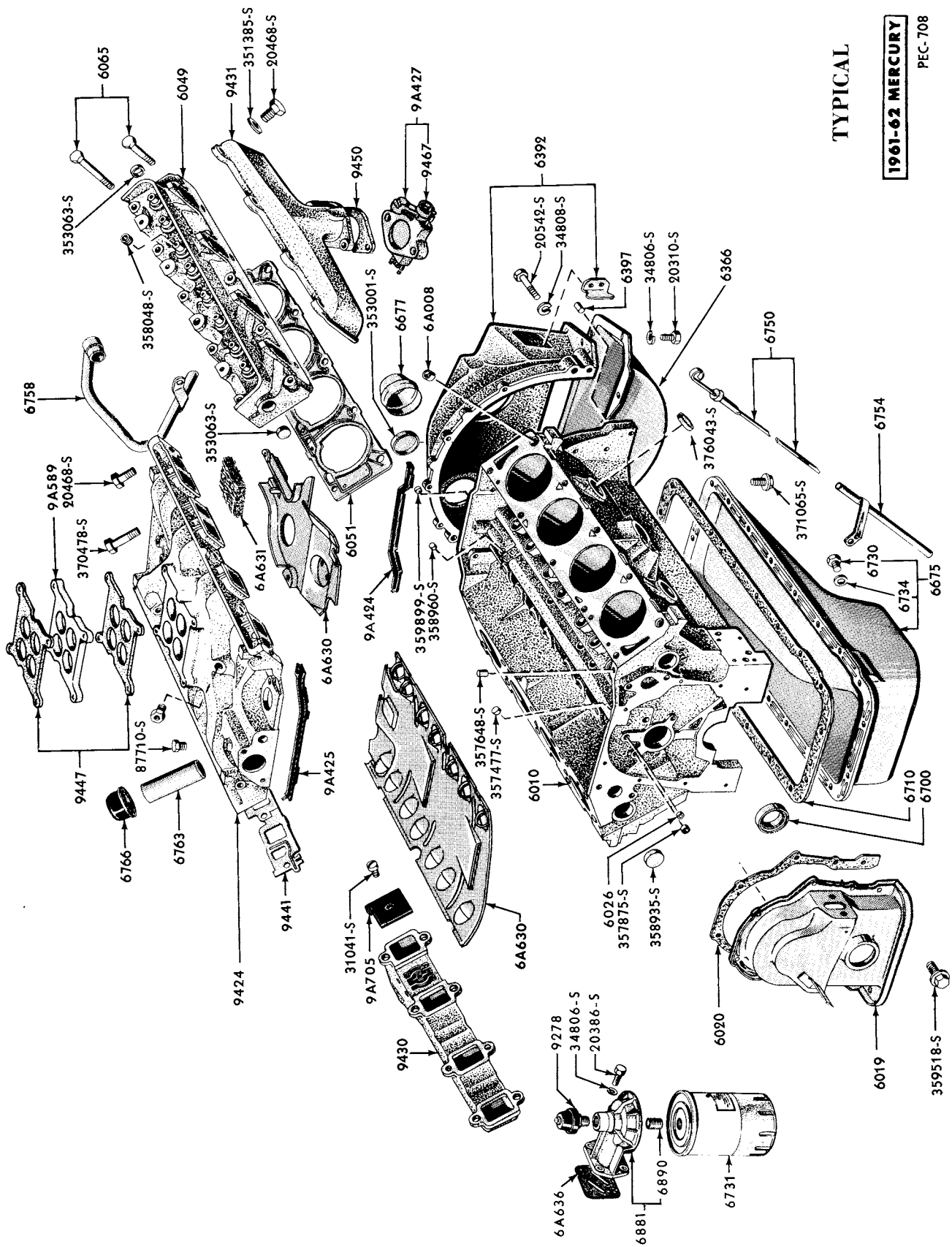


1960-62 MERCURY

PEC-588

CYLINDER BLOCK - 292 , 312 C.I.D.

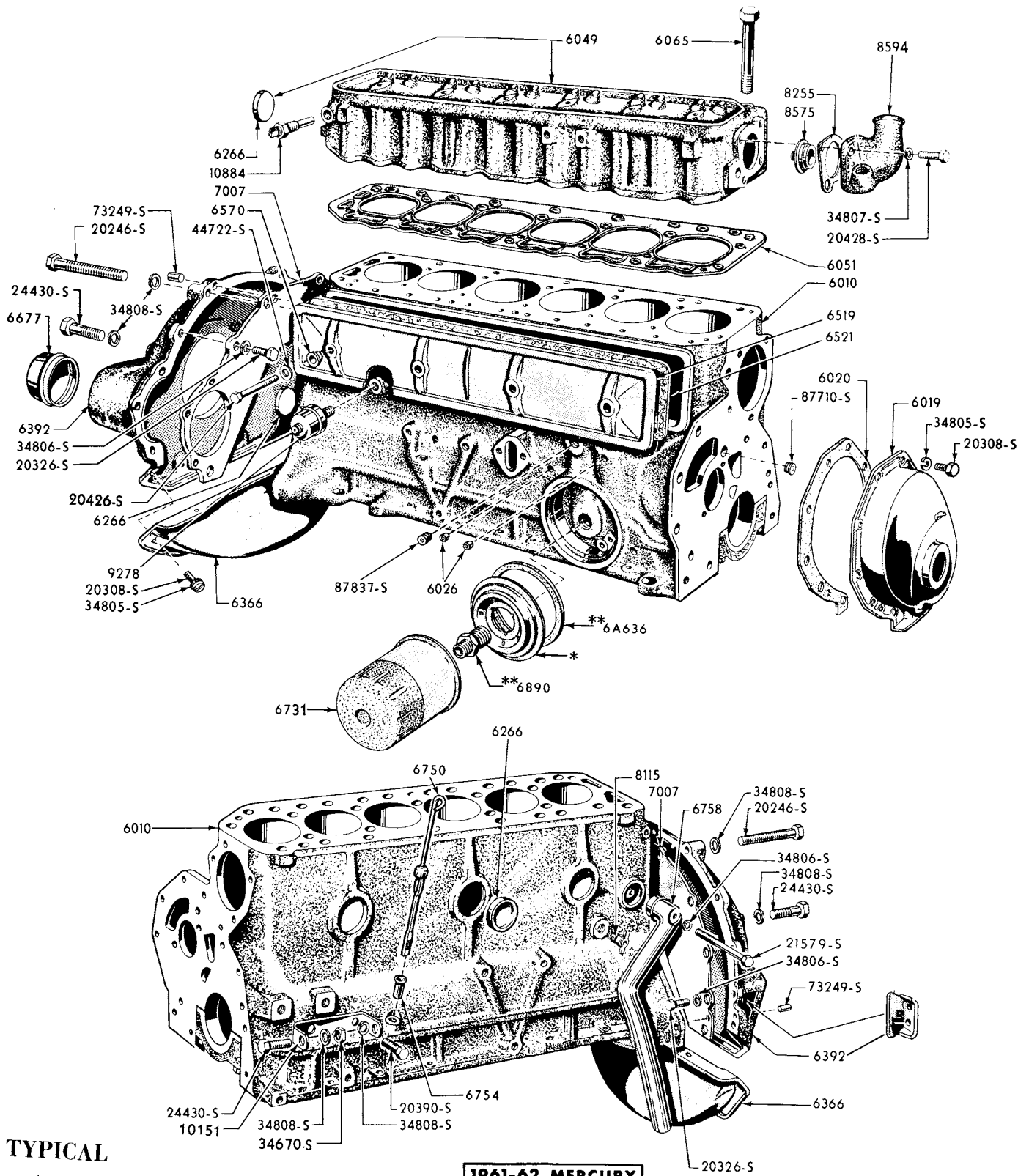
* NS-SERVICED IN KIT 6882
 ** ALSO SERVICED IN KIT 6882



TYPICAL

1961-62 MERCURY
PEC-708

CYLINDER BLOCK - 352, 390 C.I.D.



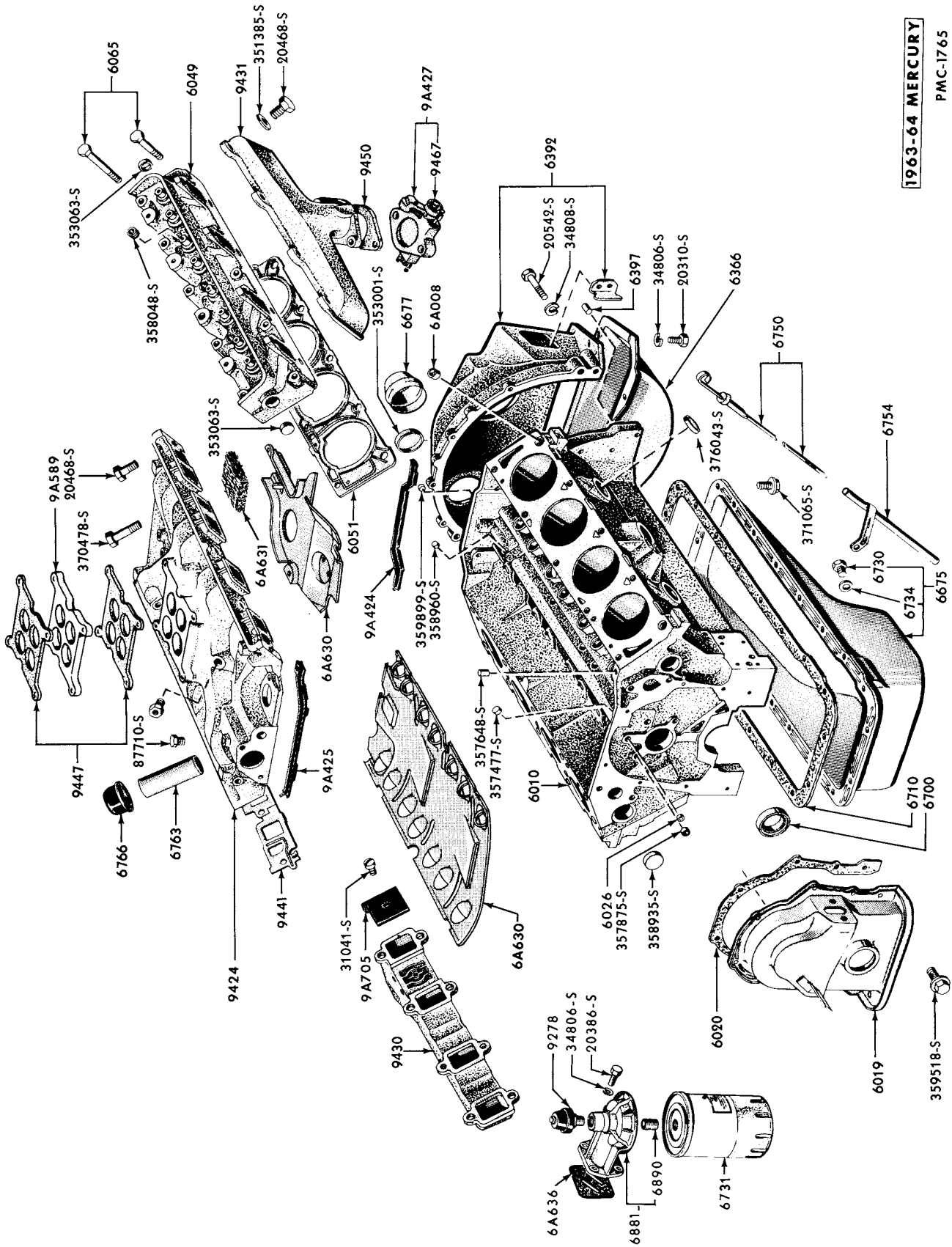
TYPICAL

* NS-SERVICED IN KIT 6882
 ** ALSO SERVICED IN KIT 6882

1961-62 MERCURY

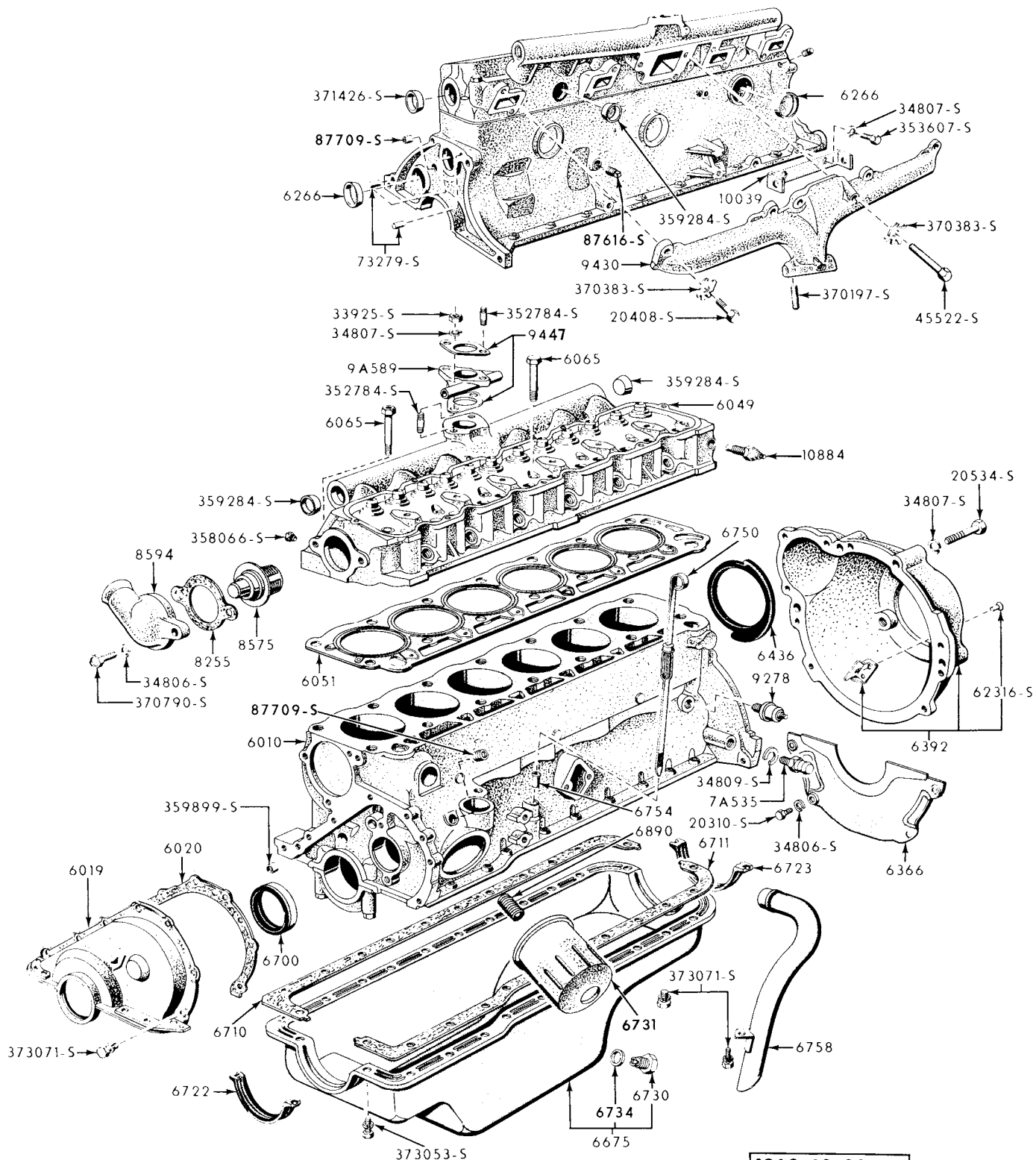
PEC-590

CYLINDER BLOCK - 223 C.I.D.



1963-64 MERCURY
 PMC-1765

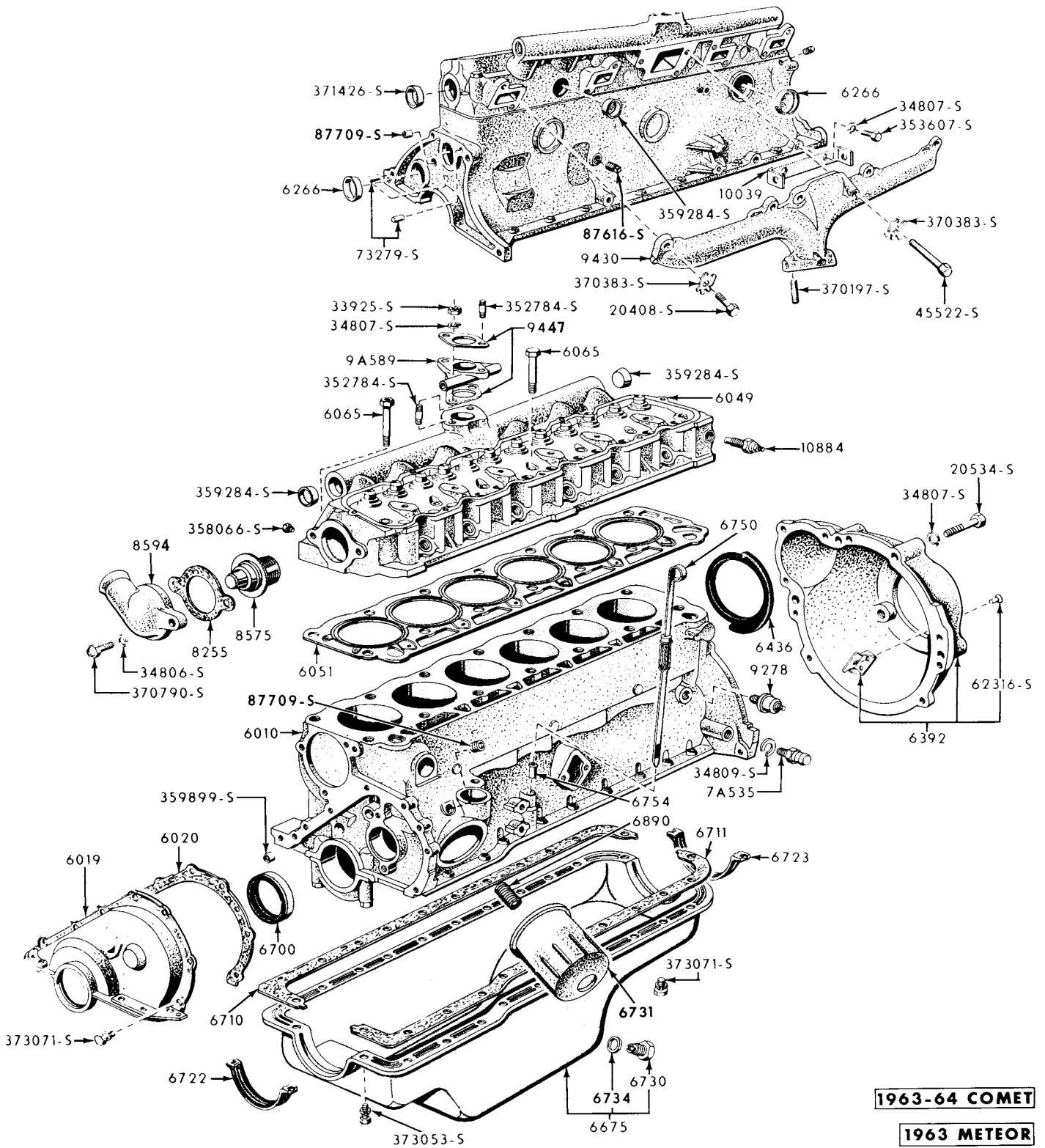
CYLINDER BLOCK - 390, 406 C. I. D.



1960-62 COMET
1962-METEOR

PGC-955

CYLINDER BLOCK - 144,170 C.I.D.

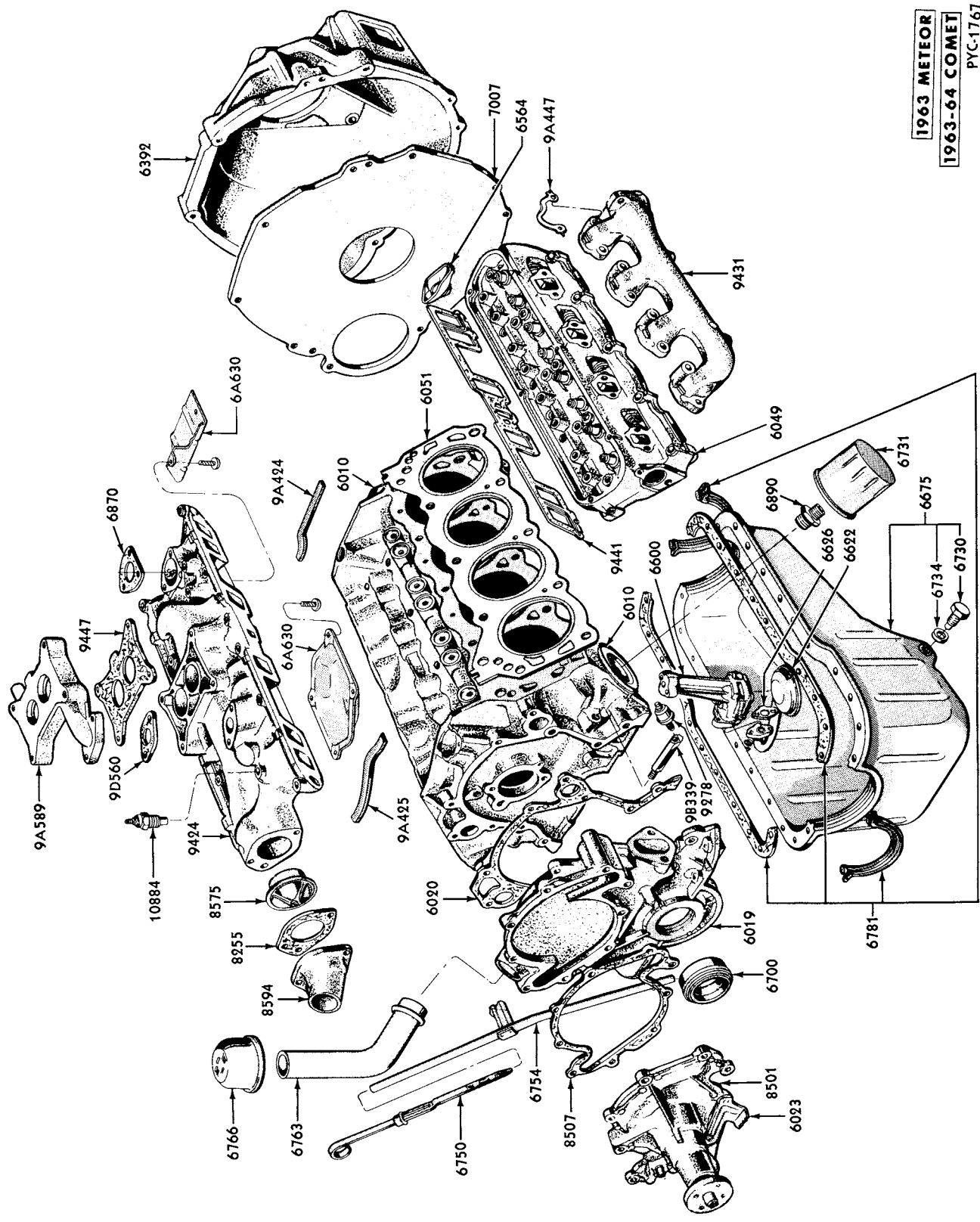


1963-64 COMET

1963 METEOR

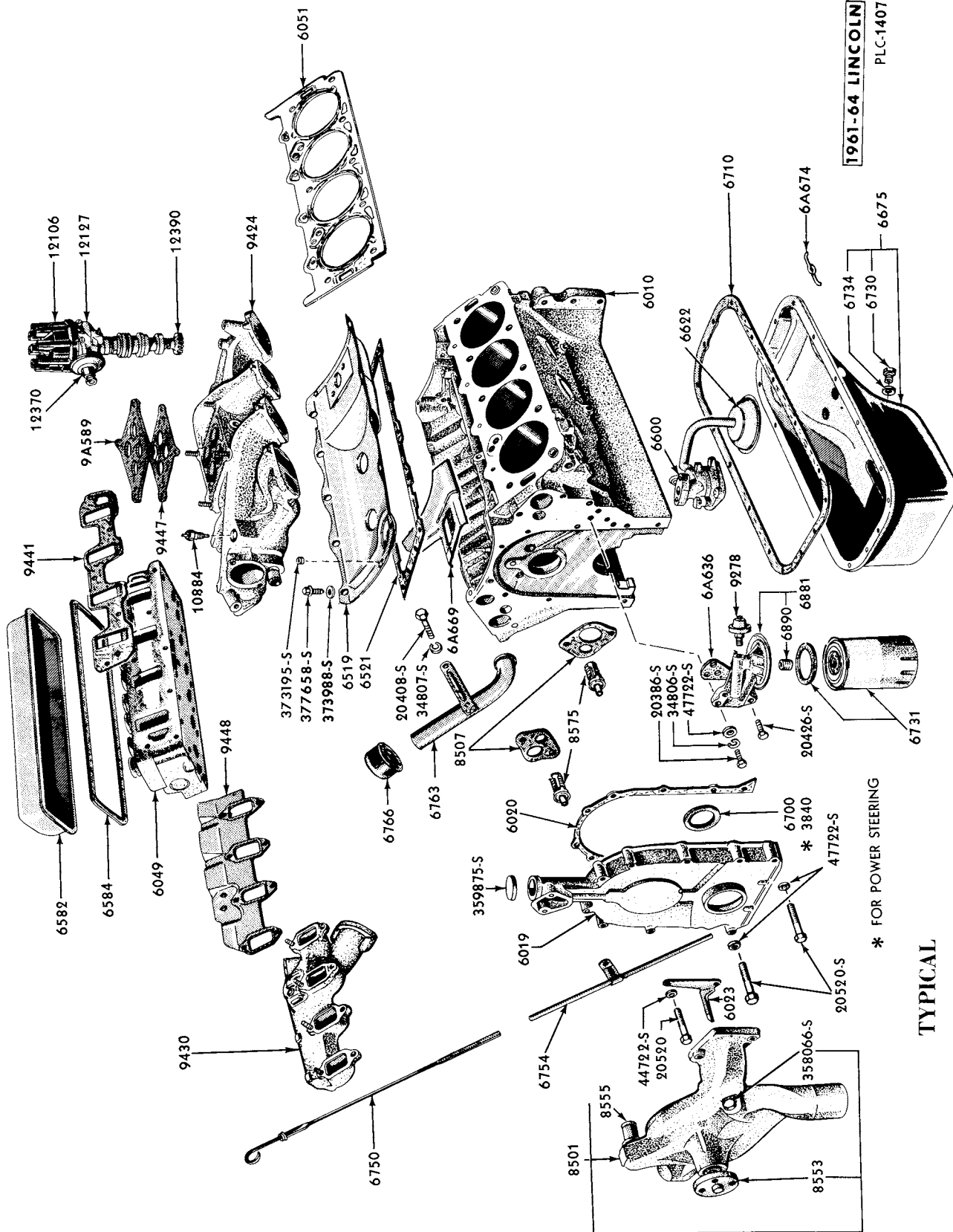
PGC-1766

CYLINDER BLOCK - 144, 170, 200 C. I. D.



1963 METEOR
 1963-64 COMET
 PYC-1767

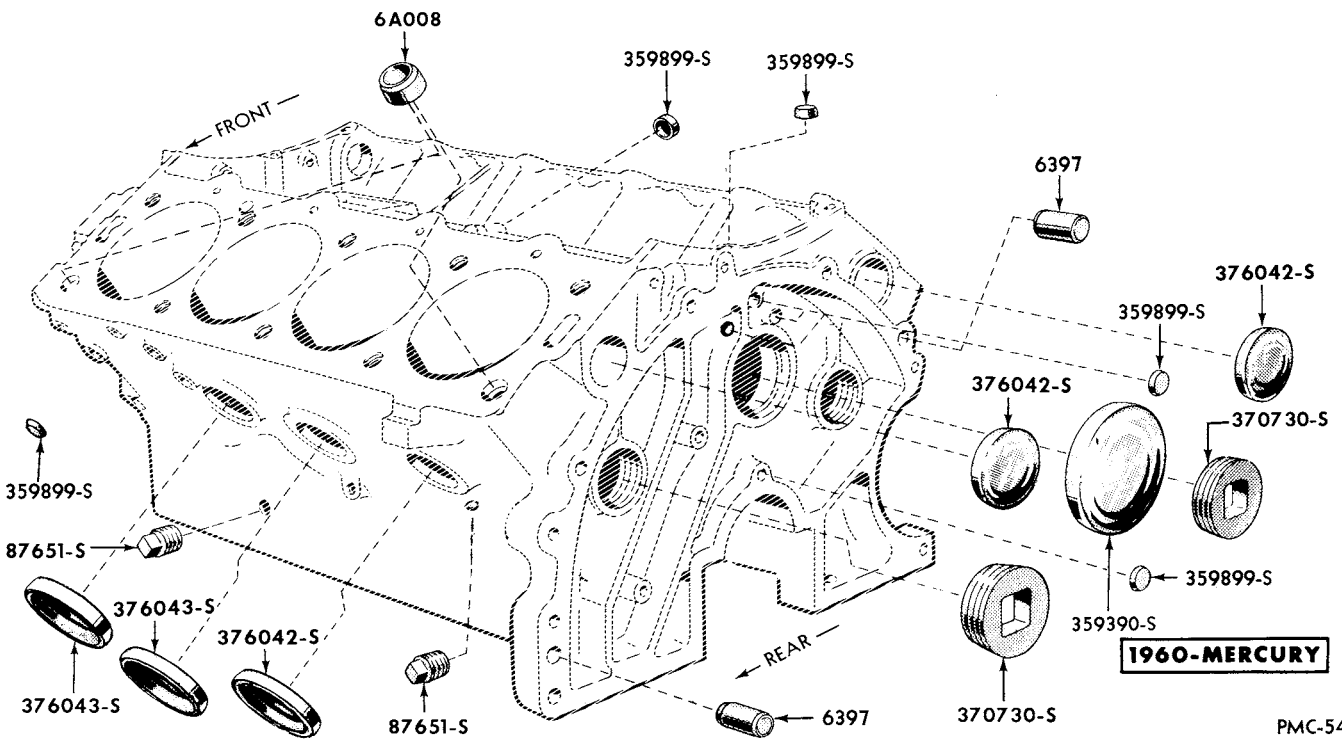
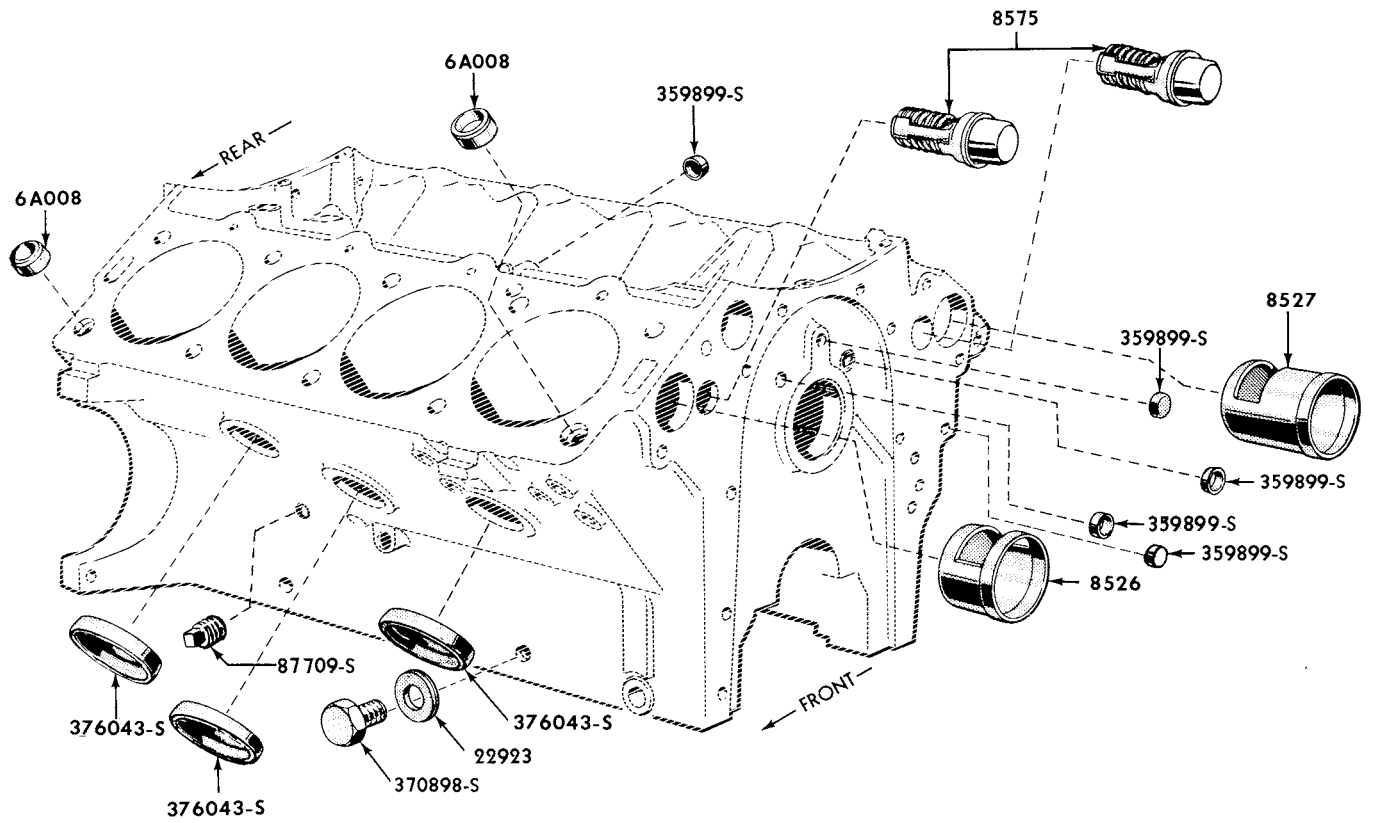
CYLINDER BLOCK - 221, 260, 289 C. I. D.



1961-64 LINCOLN
PLC-1407

TYPICAL

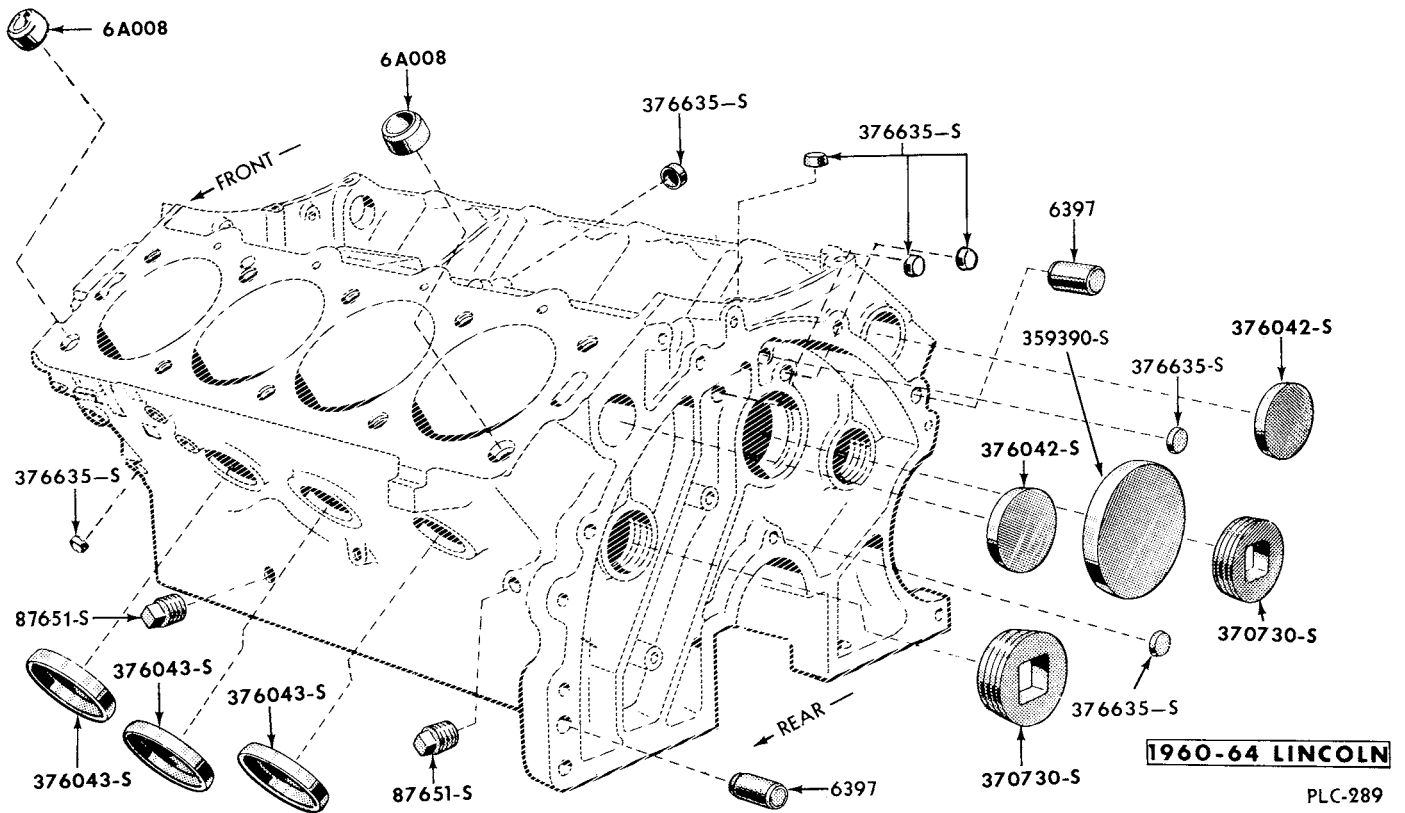
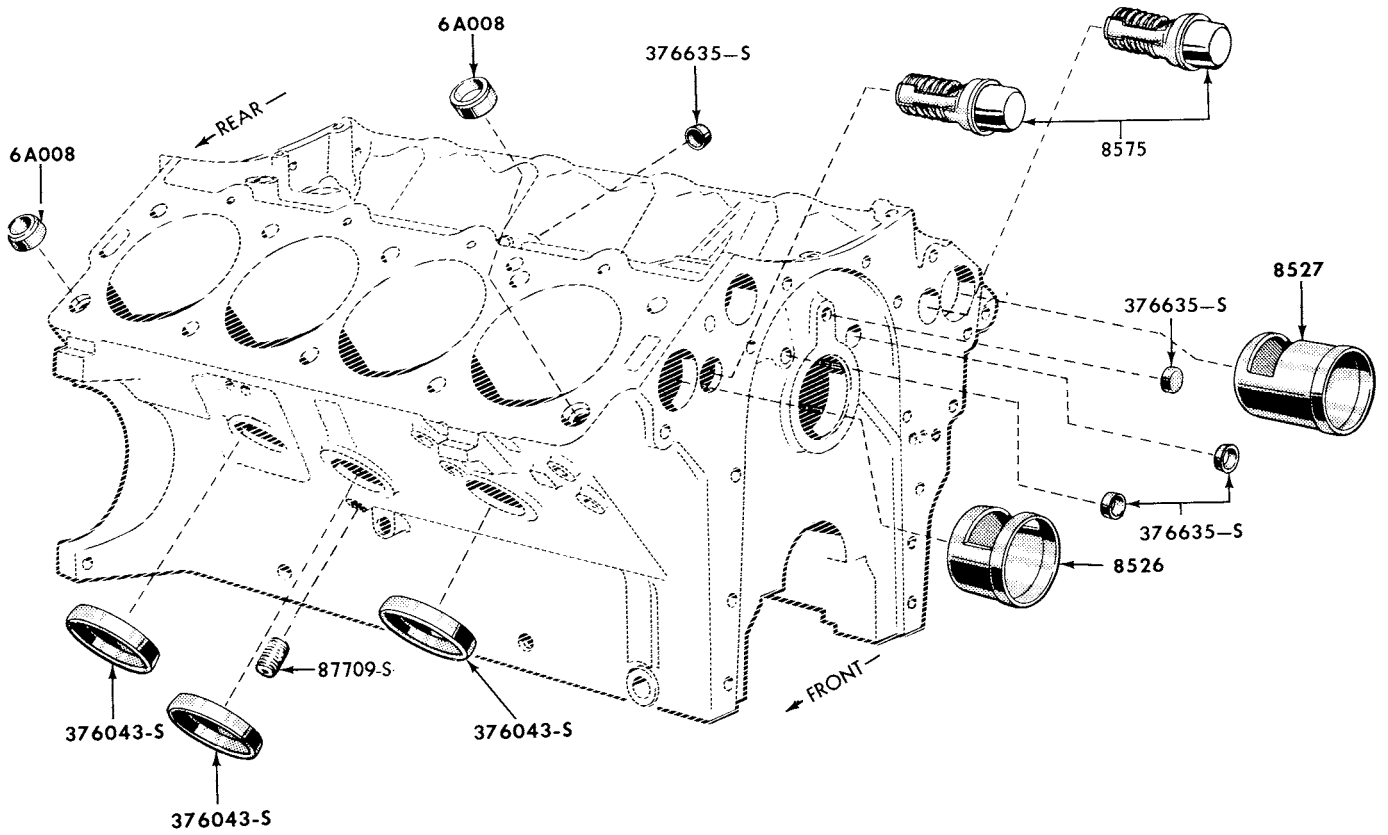
CYLINDER BLOCK - 430 C.I.D. ENGINE



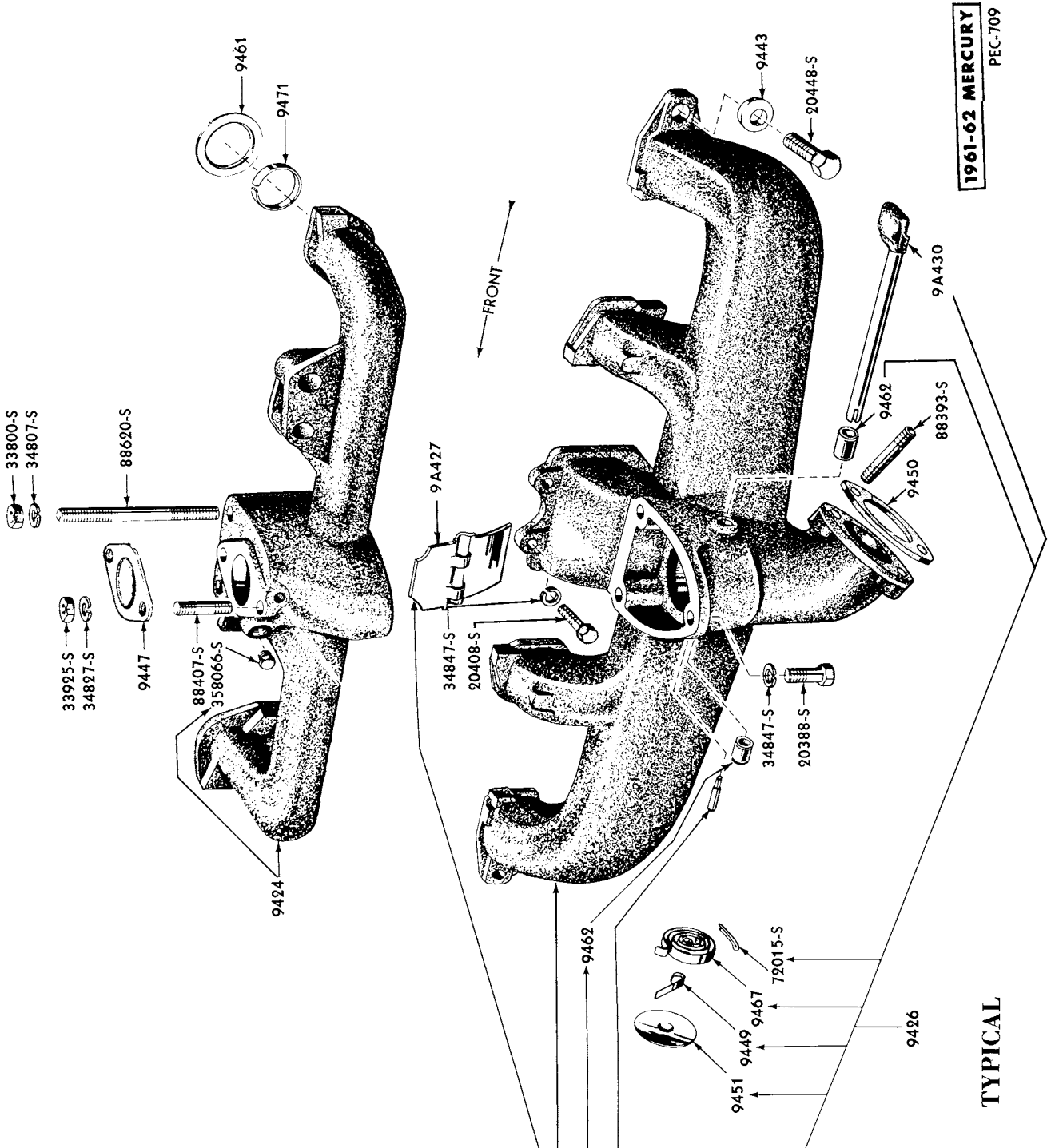
TYPICAL

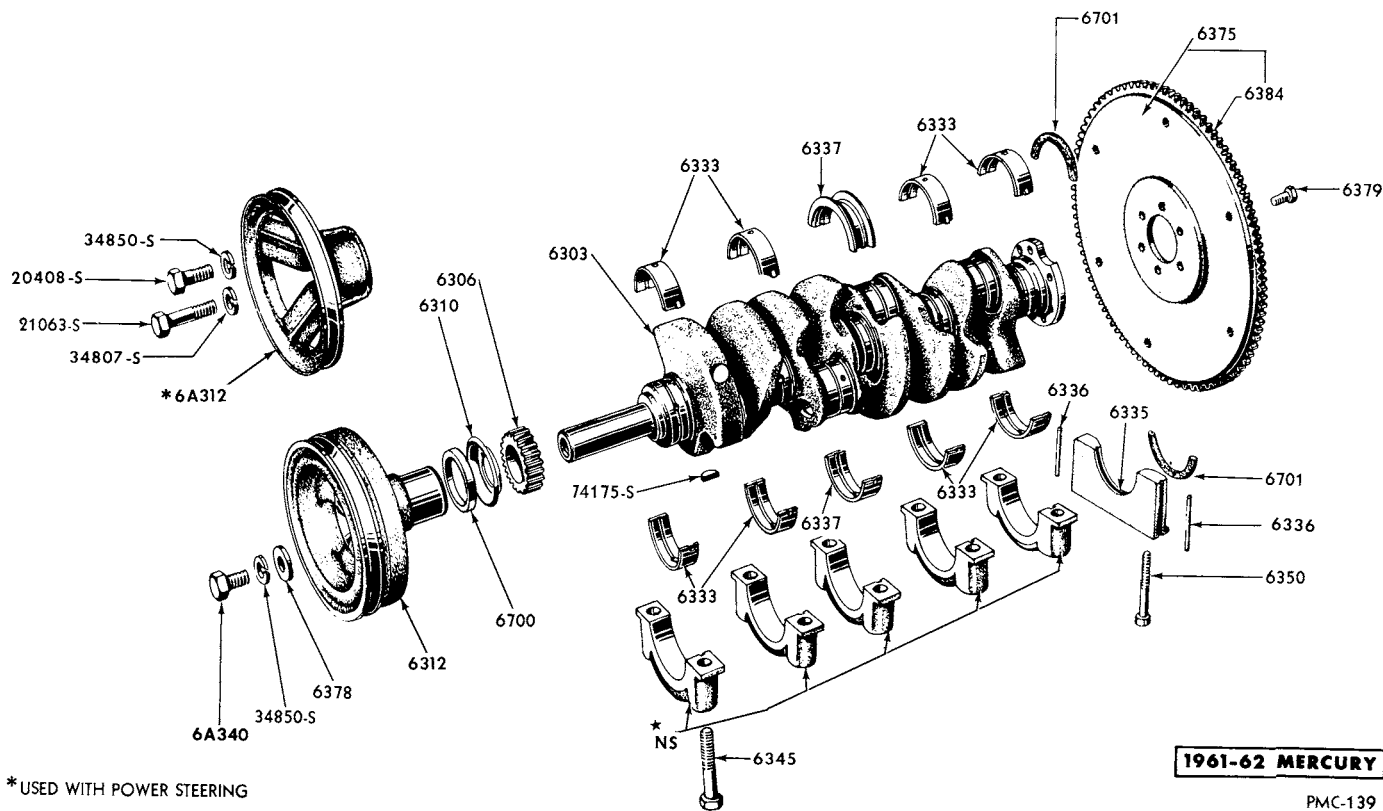
CYLINDER BLOCK, PLUGS and THERMOSTATS - 383, 430 C.I.D. ENGINES

PMC-549



CYLINDER BLOCK, PLUGS and THERMOSTATS - 430 C.I.D. ENGINE

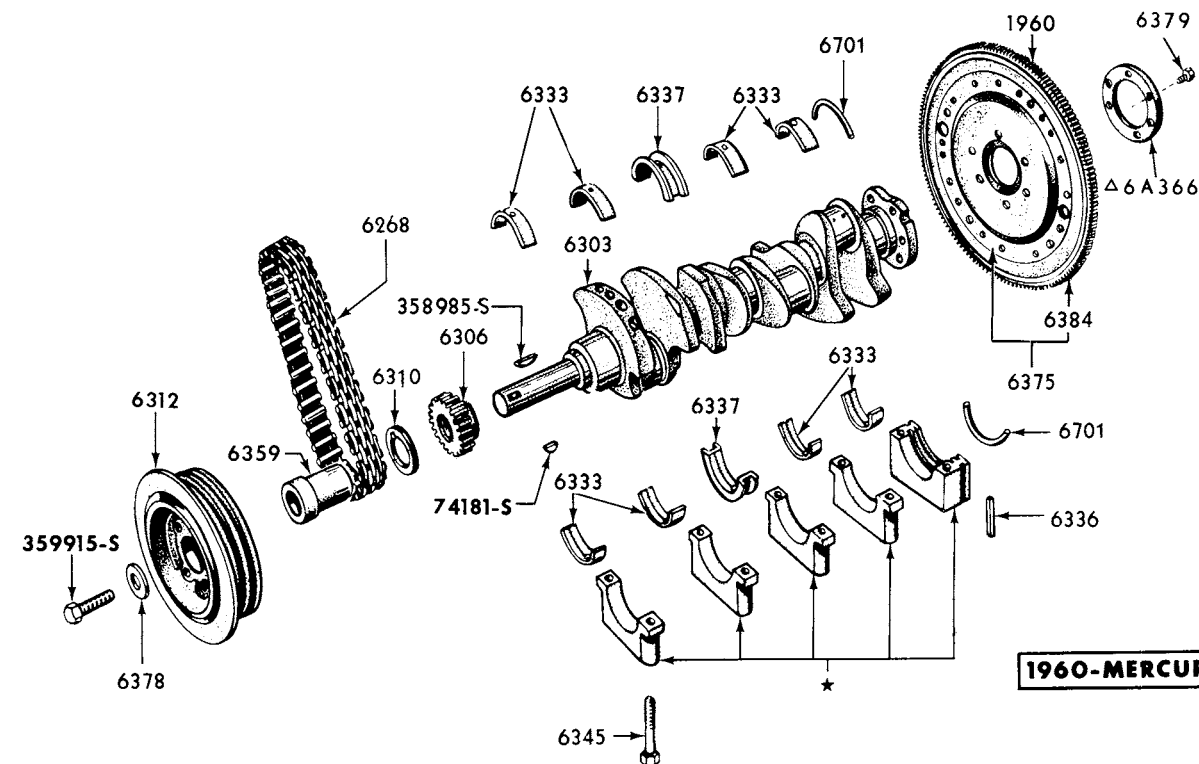




1961-62 MERCURY

PMC-139

CRANKSHAFT and FLYWHEEL - 292, 312 C.I.D. ENGINES

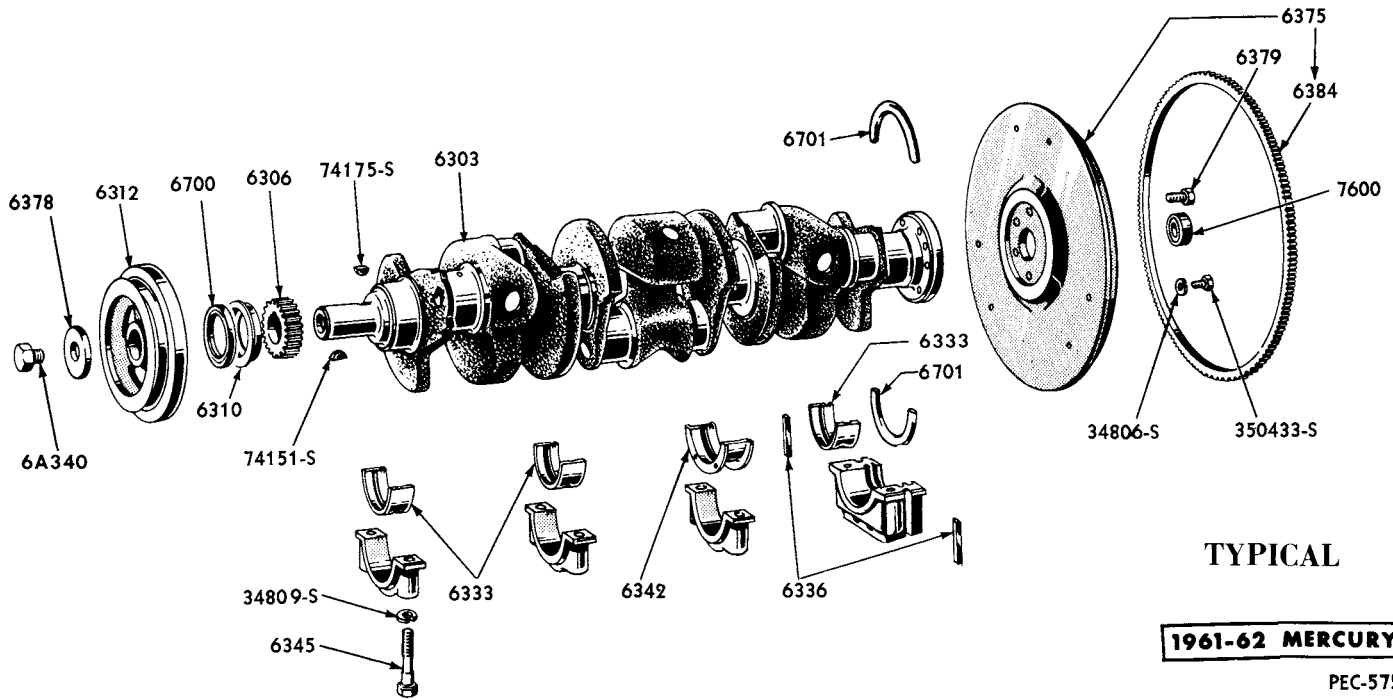


1960-MERCURY

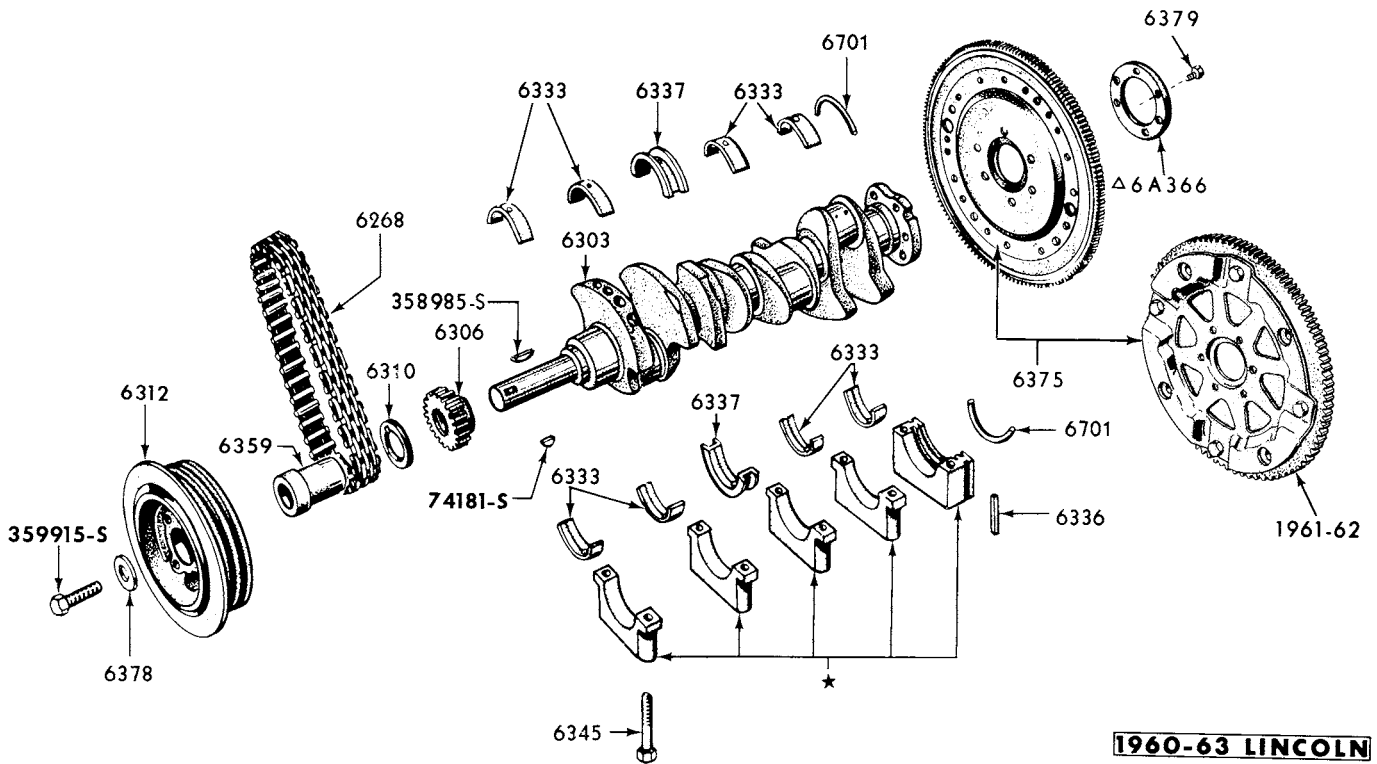
Δ USED WITH AUTOMATIC TRANSMISSION

PMC-394

CRANKSHAFT and FLYWHEEL - 383, 430 C.I.D. ENGINES

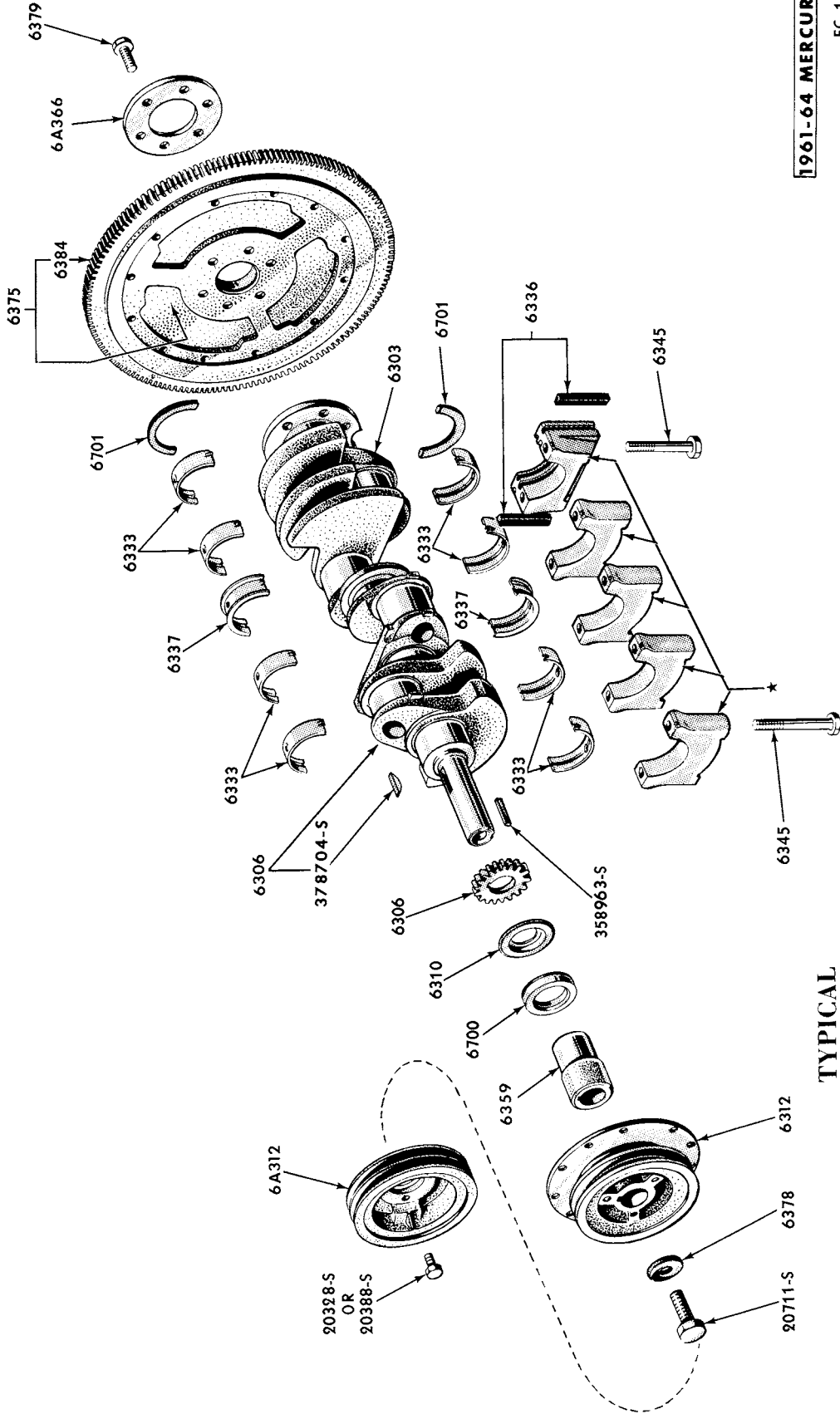


CRANKSHAFT and FLYWHEEL - 223 C.I.D. ENGINE



△ USED WITH AUTOMATIC TRANSMISSION

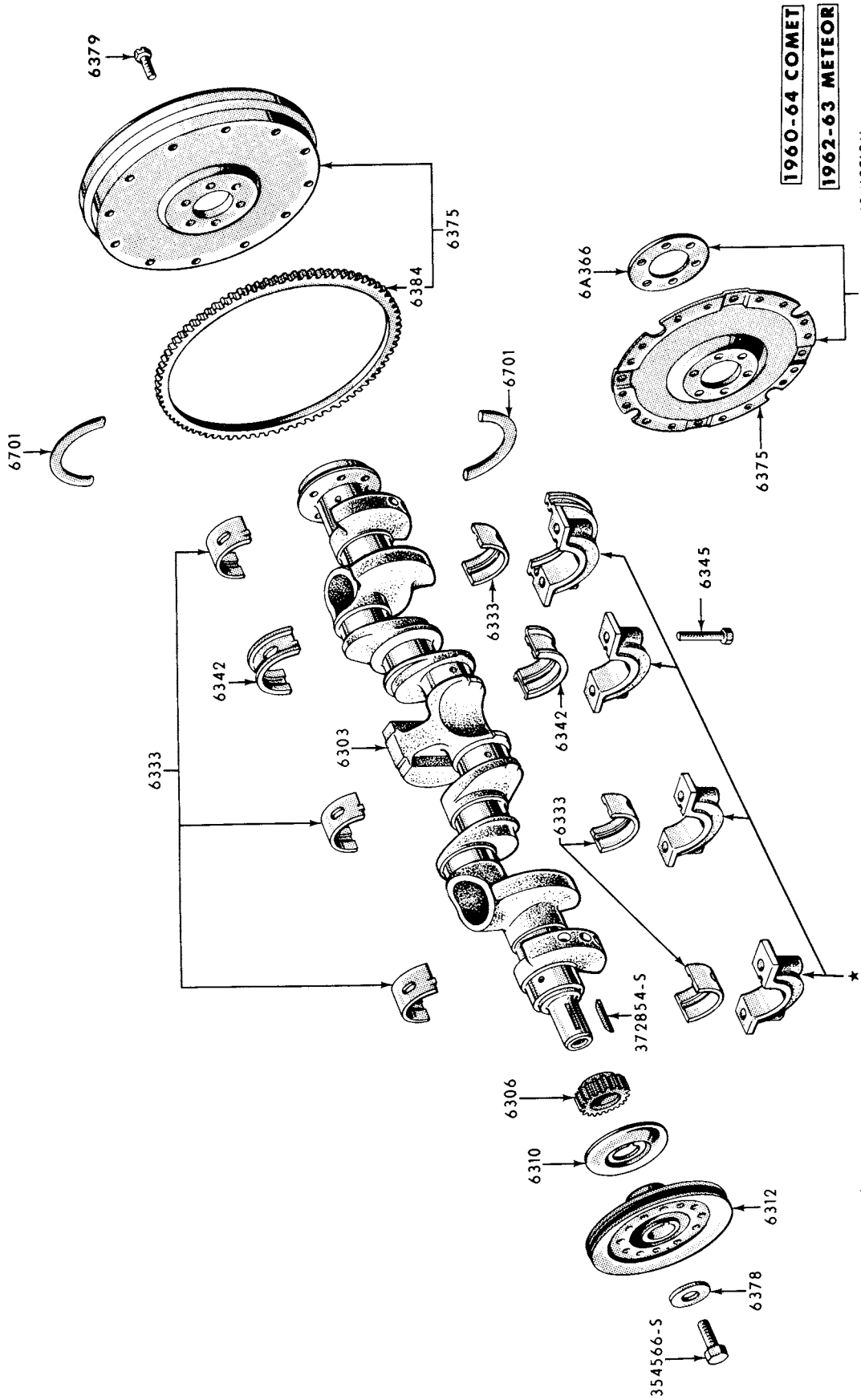
CRANKSHAFT and FLYWHEEL - 430 C.I.D. ENGINE



1961-64 MERCURY
EC-133

TYPICAL

CRANKSHAFT and FLYWHEEL - 352, 390, 406 C.I.D.



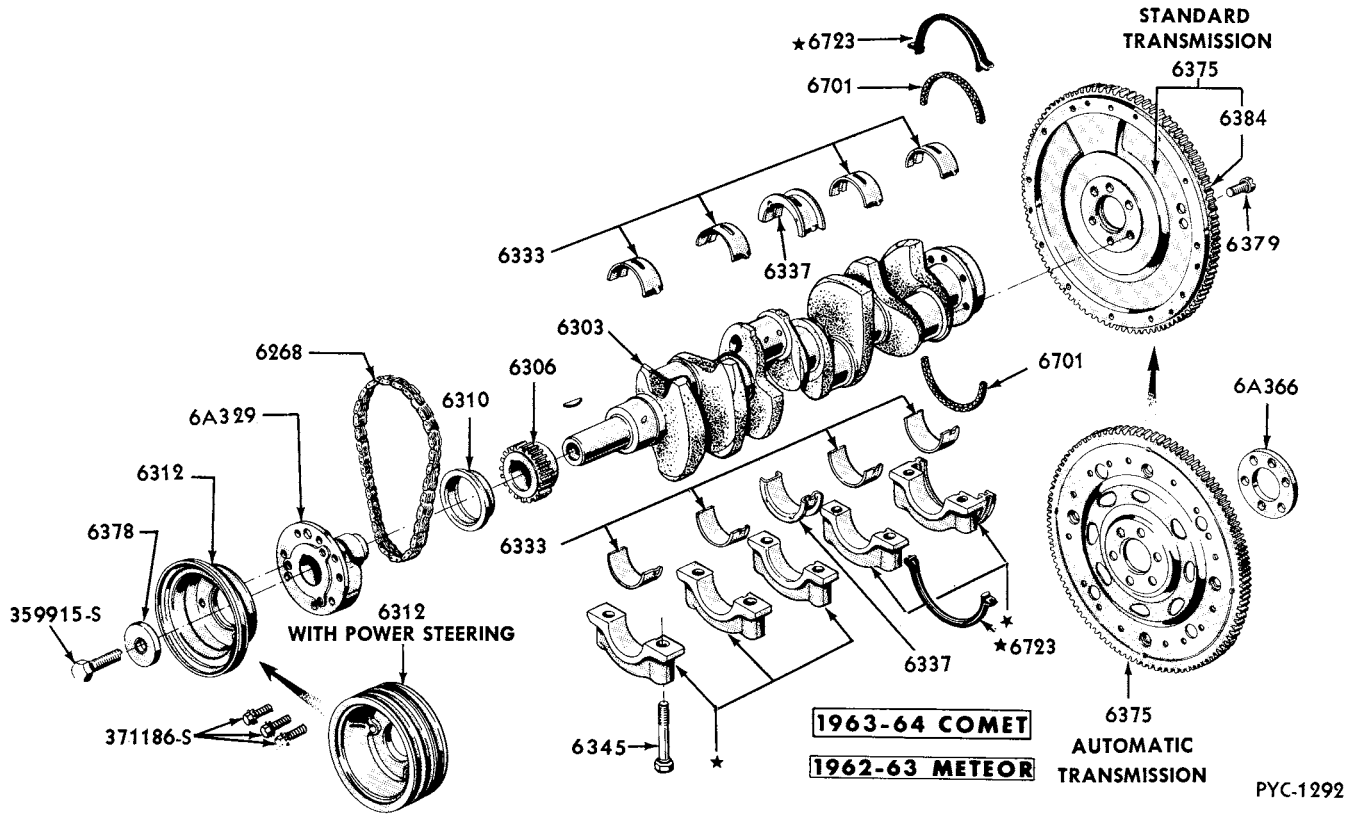
1960-64 COMET

1962-63 METEOR

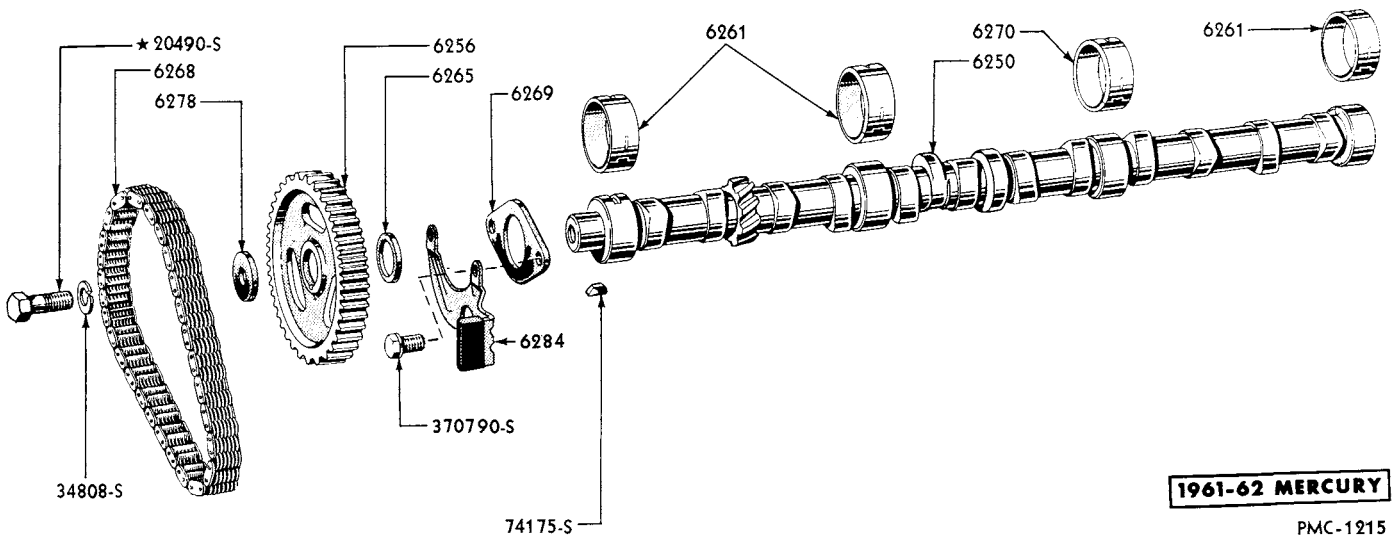
USED WITH AUTOMATIC TRANSMISSION

PGC-959

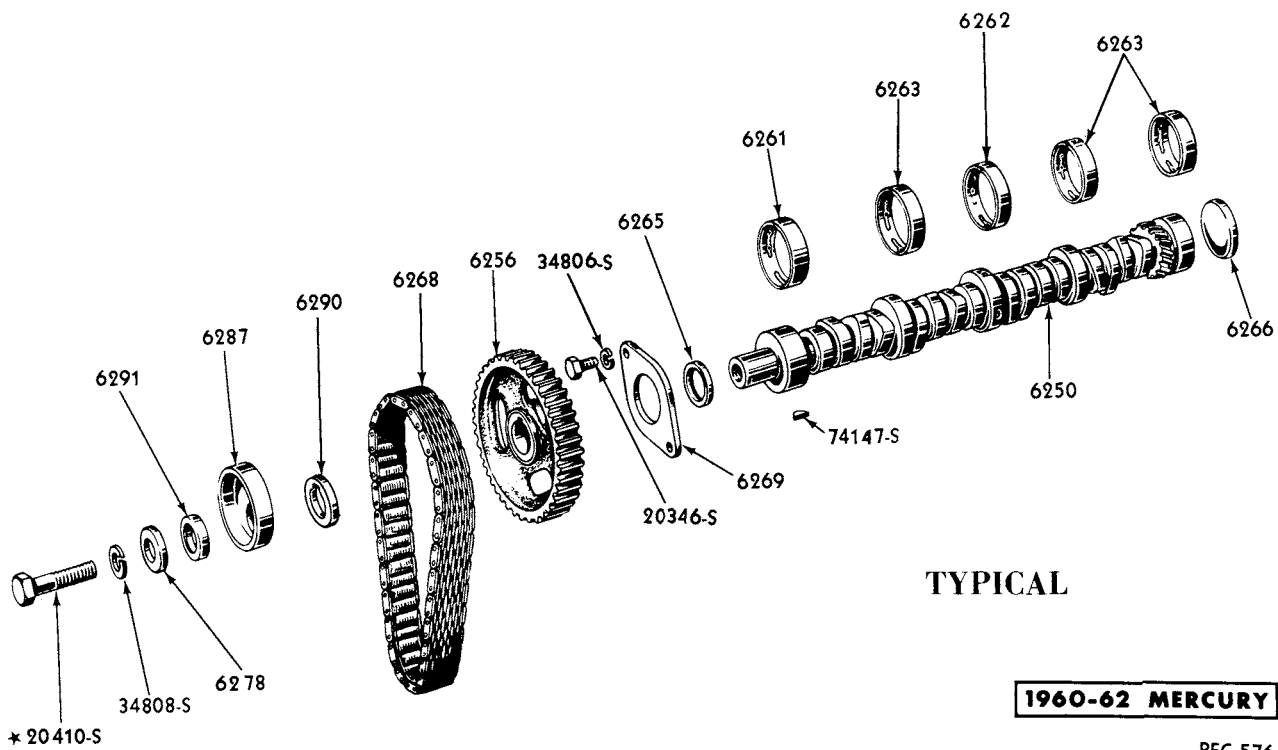
CRANKSHAFT and FLYWHEEL - 144, 170, 200 C.I.D. ENGINES



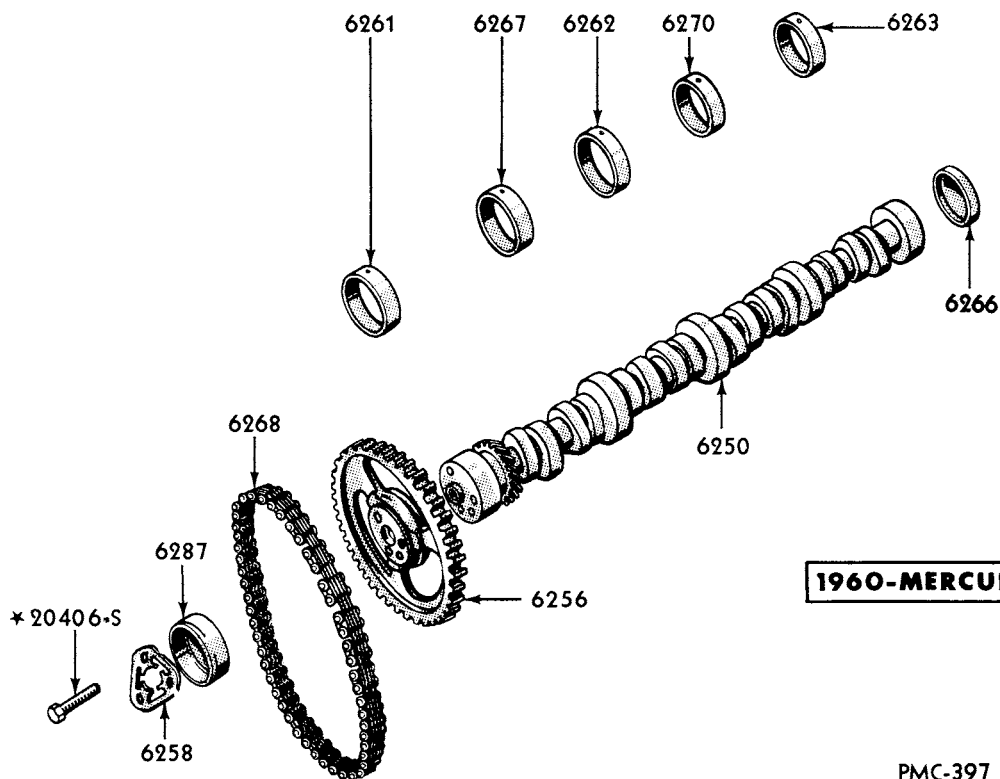
CRANKSHAFT and FLYWHEEL - 221, 260, 289 C. I. D. ENGINES



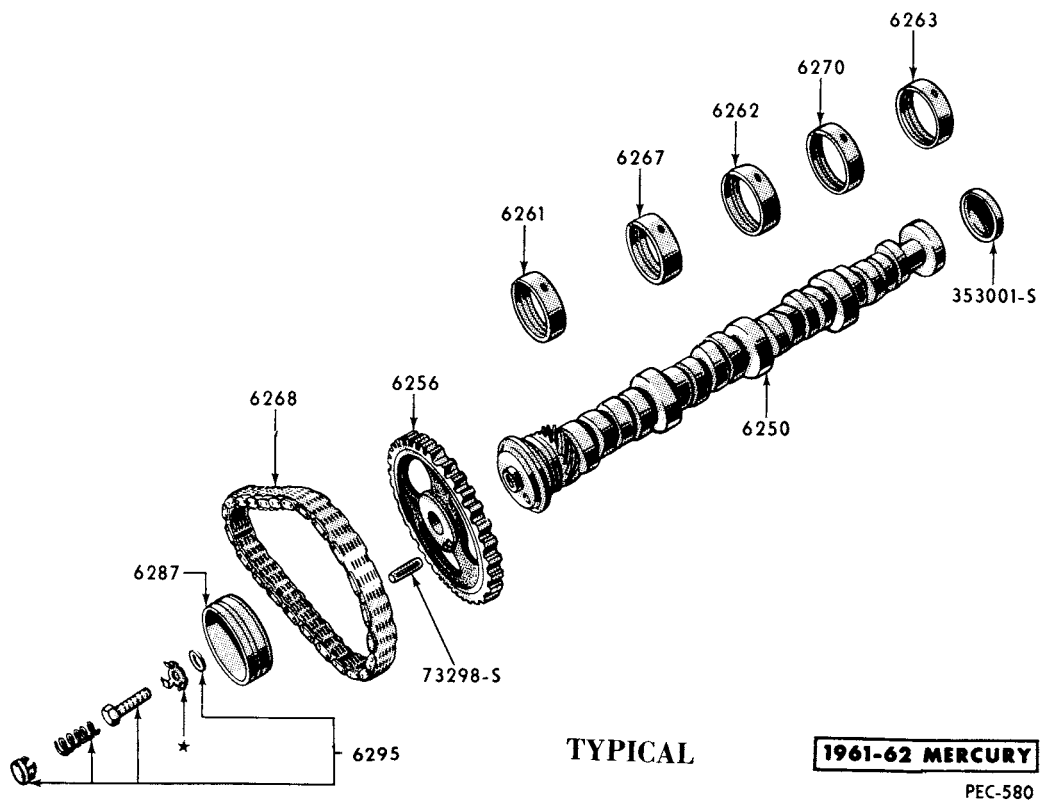
CAMSHAFT - 223 C.I.D. ENGINE



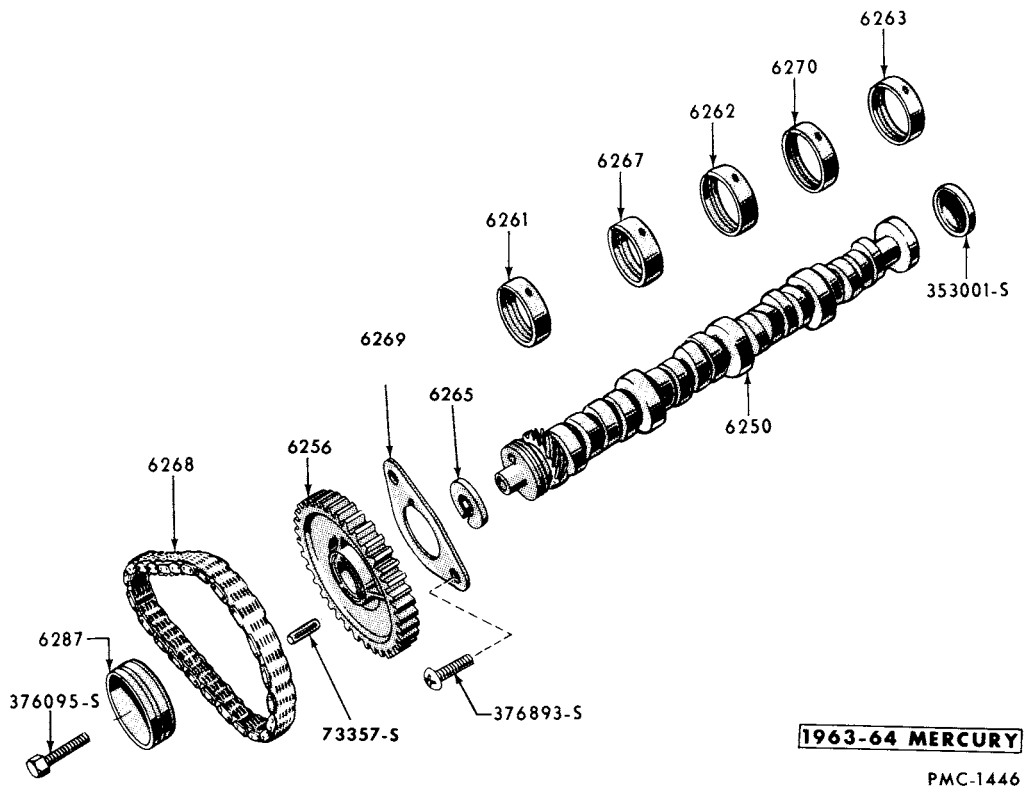
CAMSHAFT - 292, 312 C.I.D. ENGINES



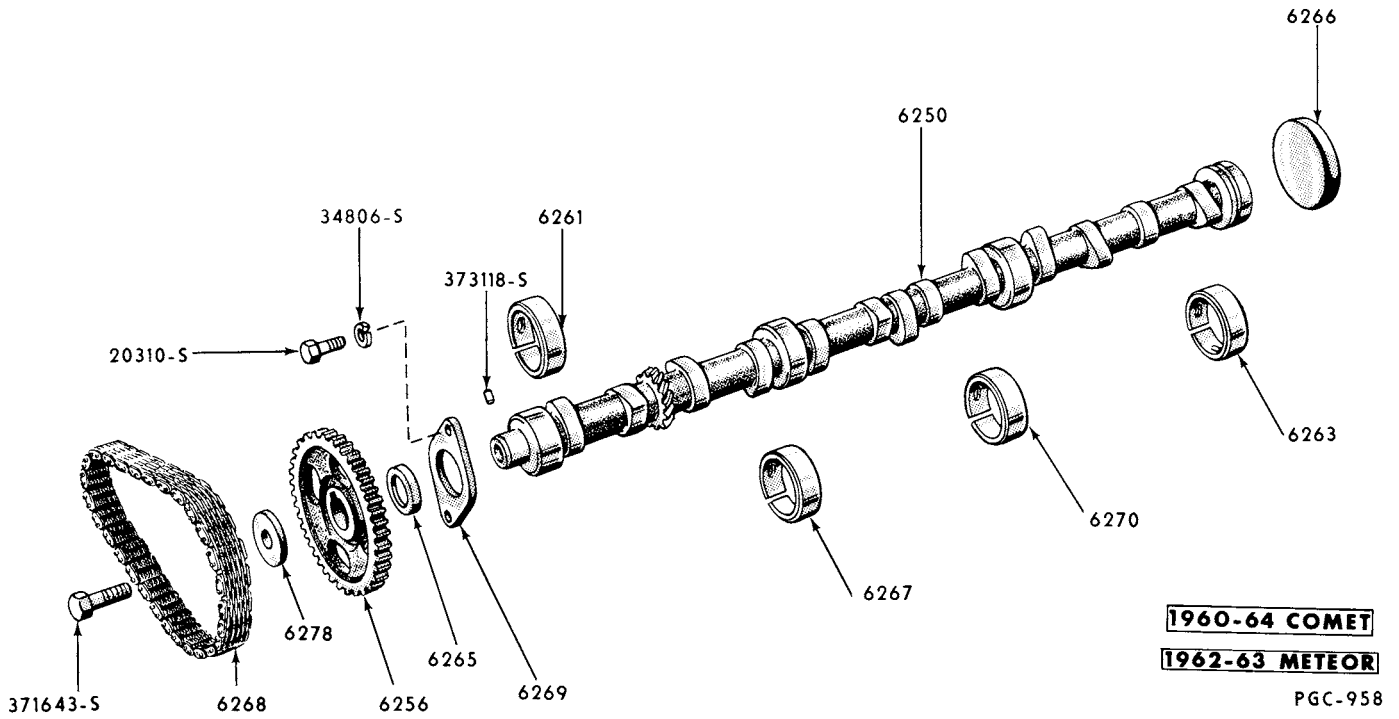
CAMSHAFT - 383, 430 C.I.D. ENGINES



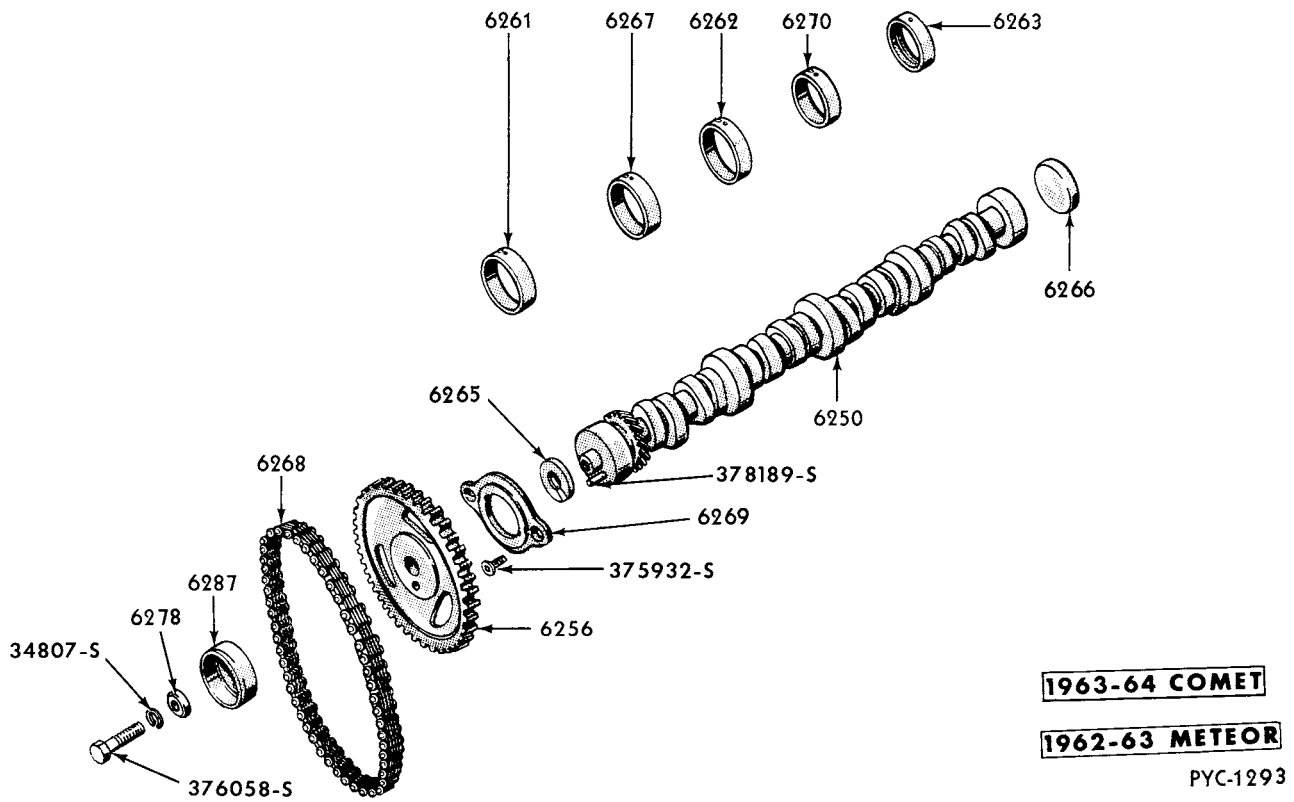
CAMSHAFT - 352, 390 C.I.D. ENGINES



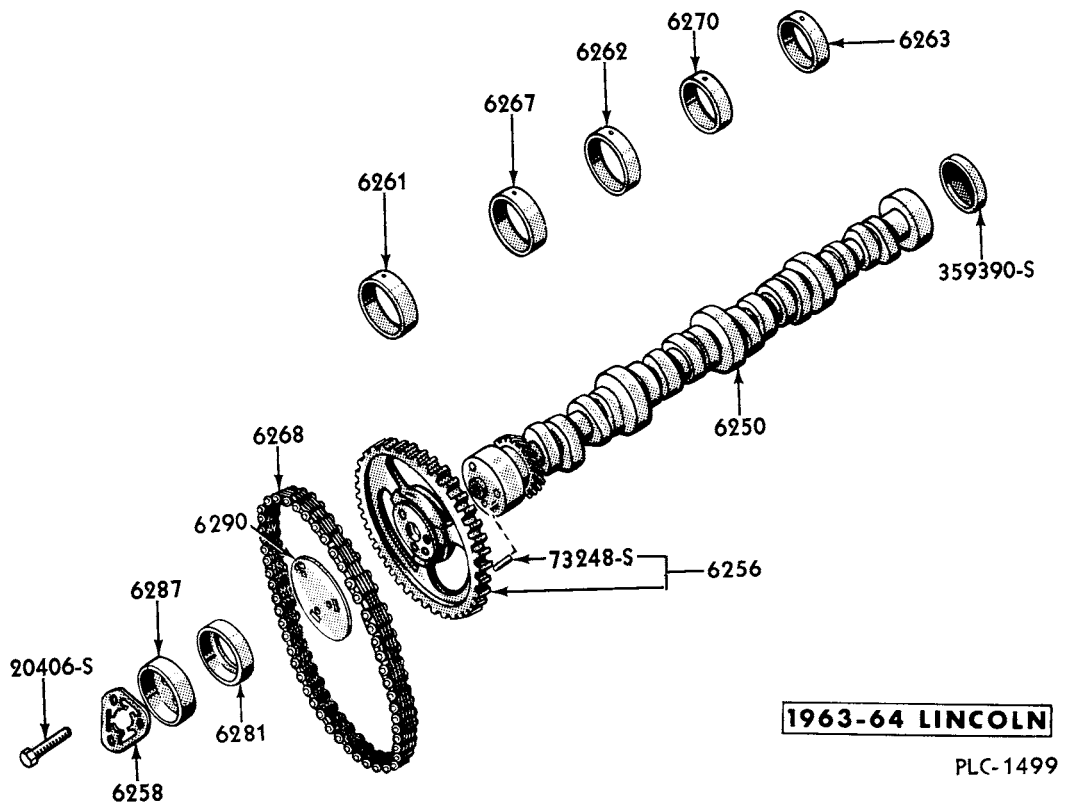
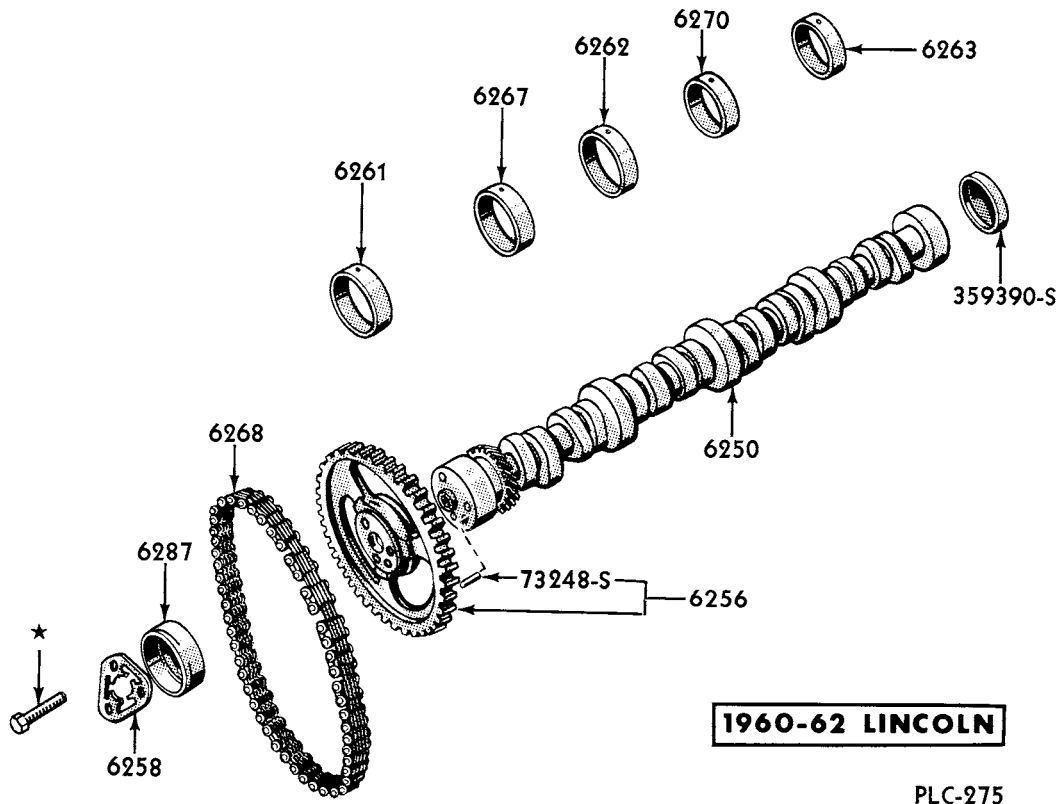
CAMSHAFT - 390, 406 C. I. D. ENGINES



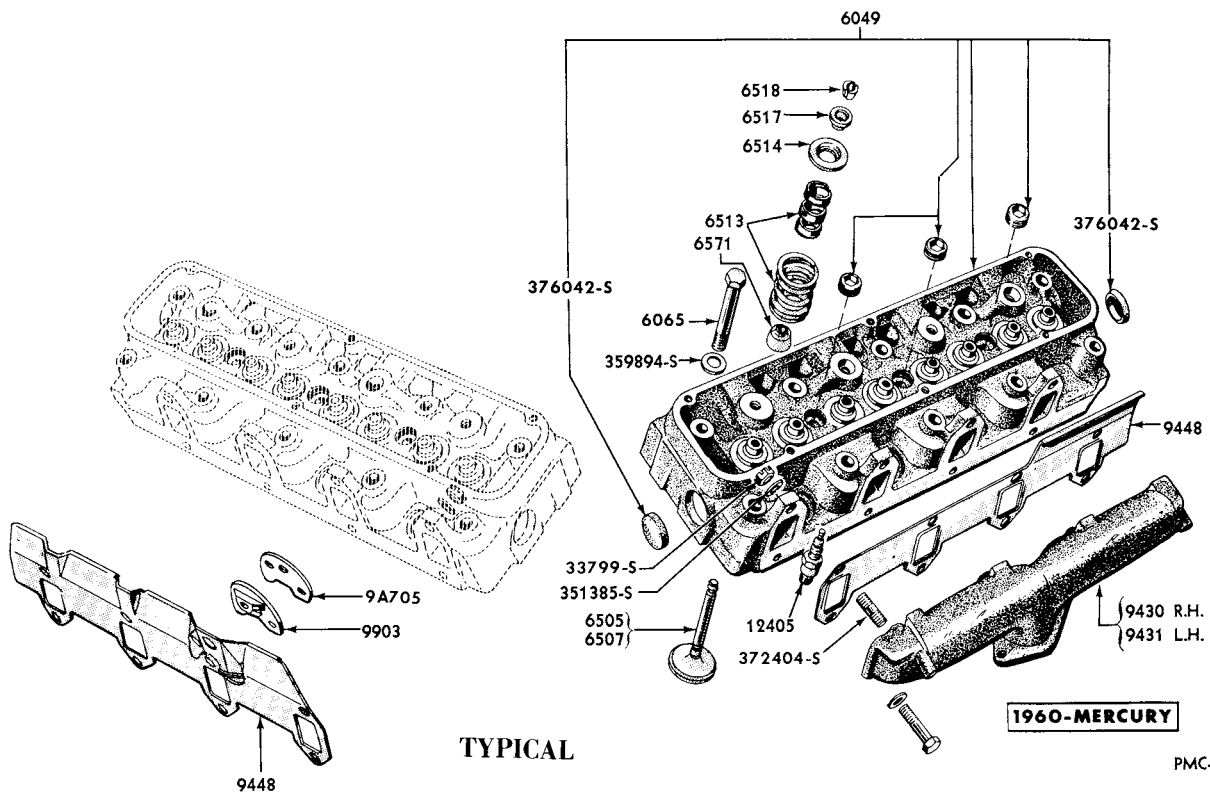
CAMSHAFT - 144, 170, 200 C.I.D. ENGINES



CAMSHAFT - 221, 260, 289 C.I.D. ENGINES



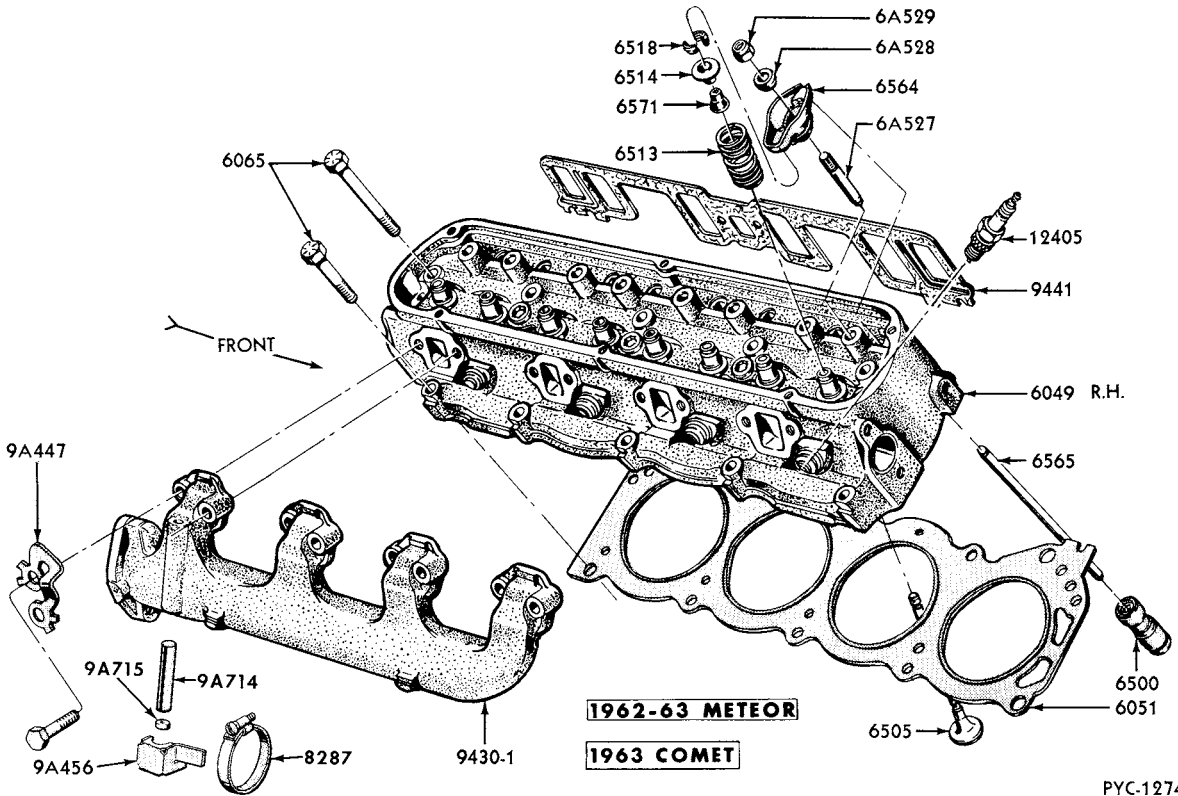
CAMSHAFT - 430 C. I. D. ENGINE



1960-MERCURY

PMC-543

CYLINDER HEAD, VALVES and EXHAUST MANIFOLDS- 292, 312, 383, 430 C.I.D. ENGINES

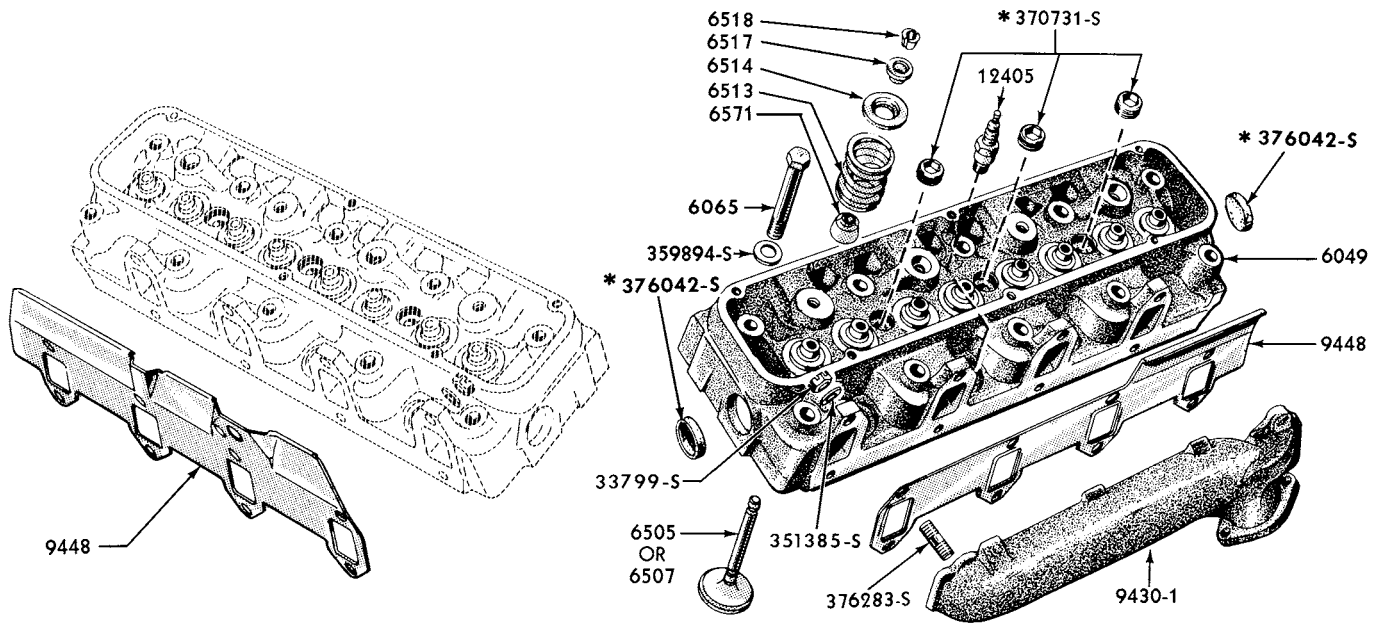


1962-63 METEOR

1963 COMET

PYC-1274

CYLINDER HEAD, VALVES and EXHAUST MANIFOLD - 221, 260, 289 C.I.D. ENGINES

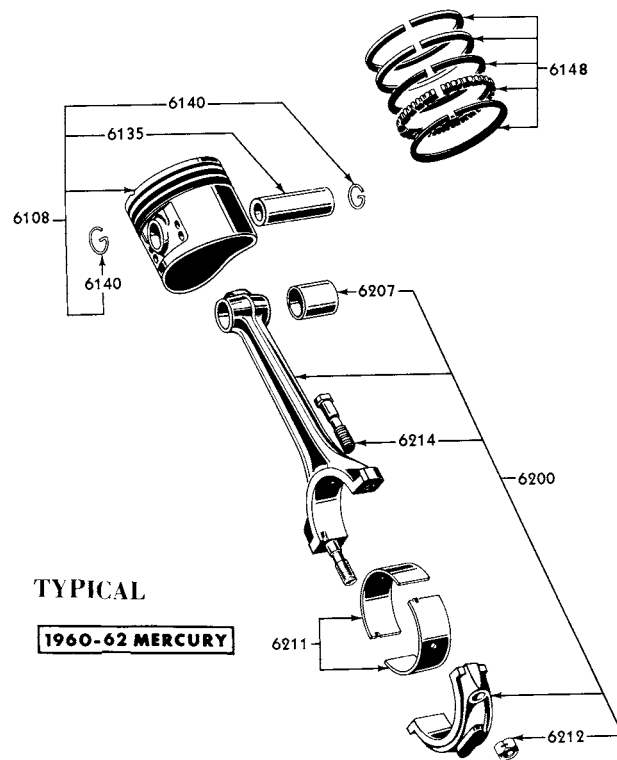


*SERVICED IN 6049 ASSEMBLY

1960-64 LINCOLN

PLC-279

CYLINDER HEAD and VALVES - 430 C.I.D. ENGINE

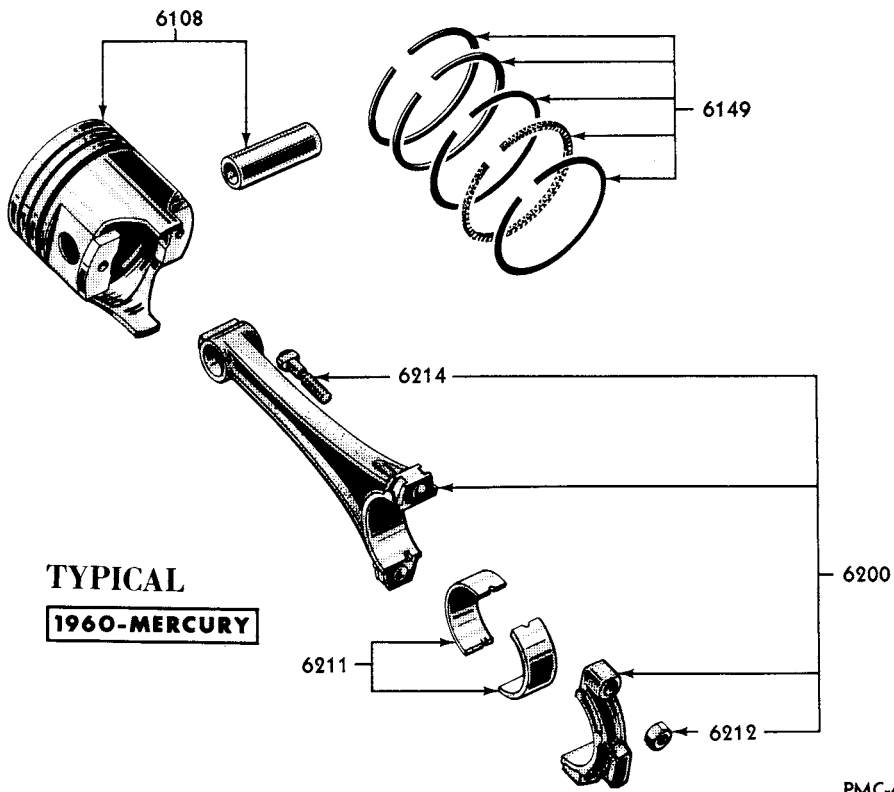


TYPICAL

1960-62 MERCURY

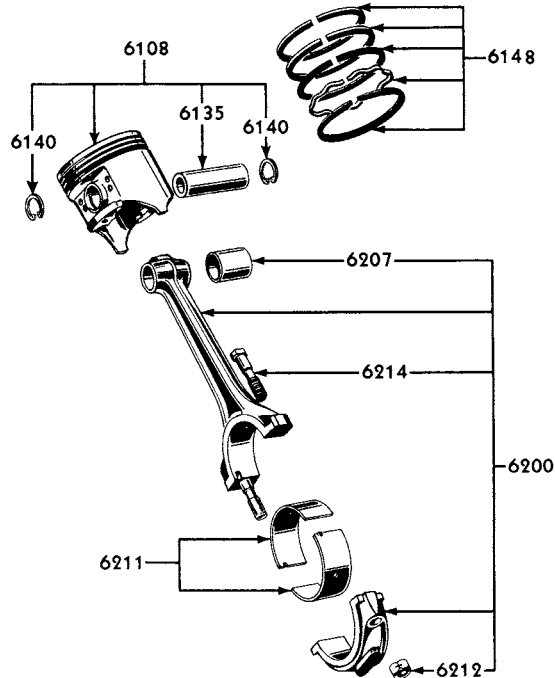
PMC-208

PISTON and CONNECTING ROD - 223, 292, 312, 352 C.I.D. ENGINES



PMC-411

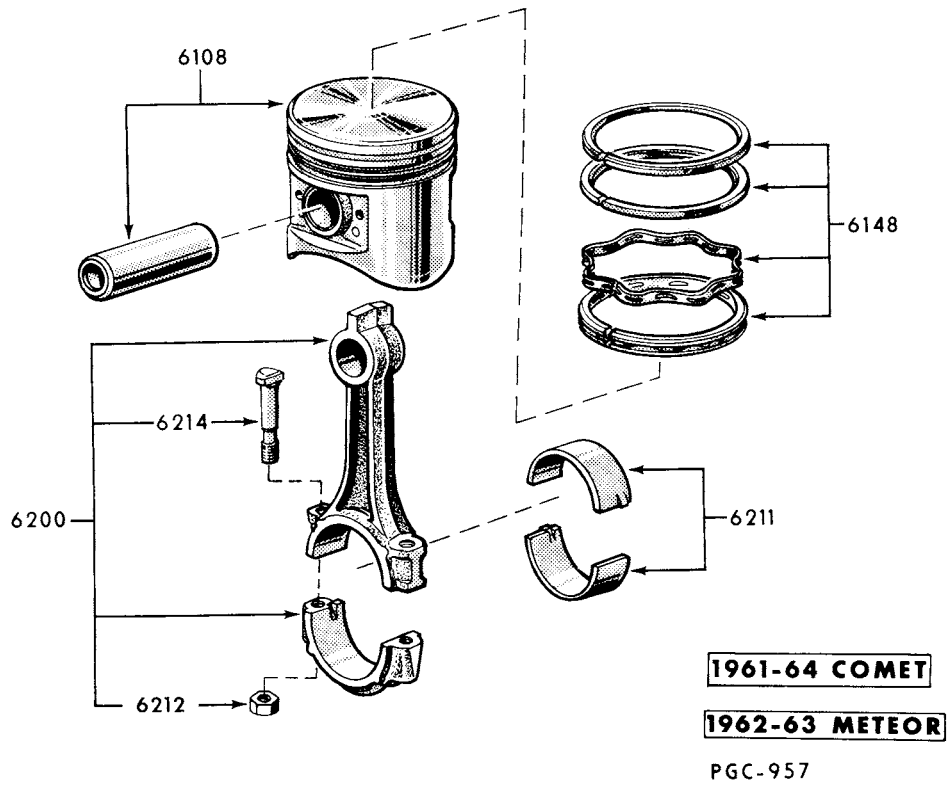
PISTON and CONNECTING ROD - 383, 430 C.I.D. ENGINES



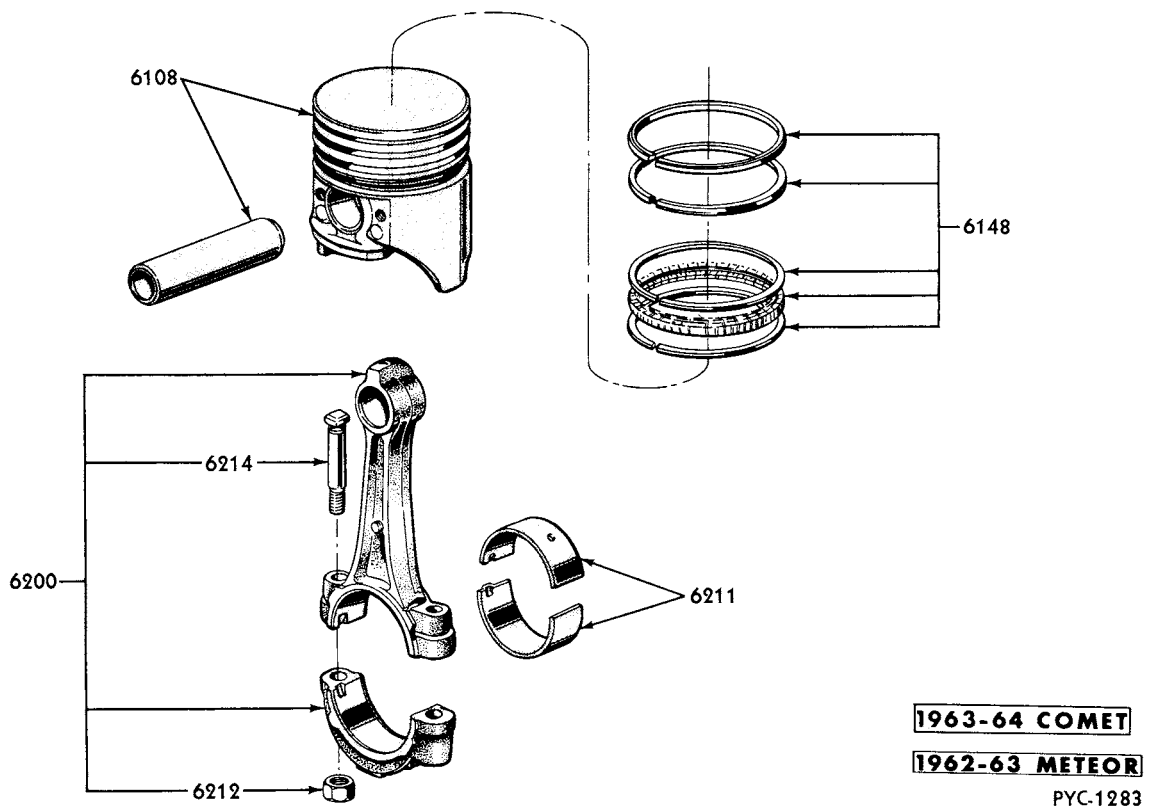
1961-63 MERCURY

PMC-1442

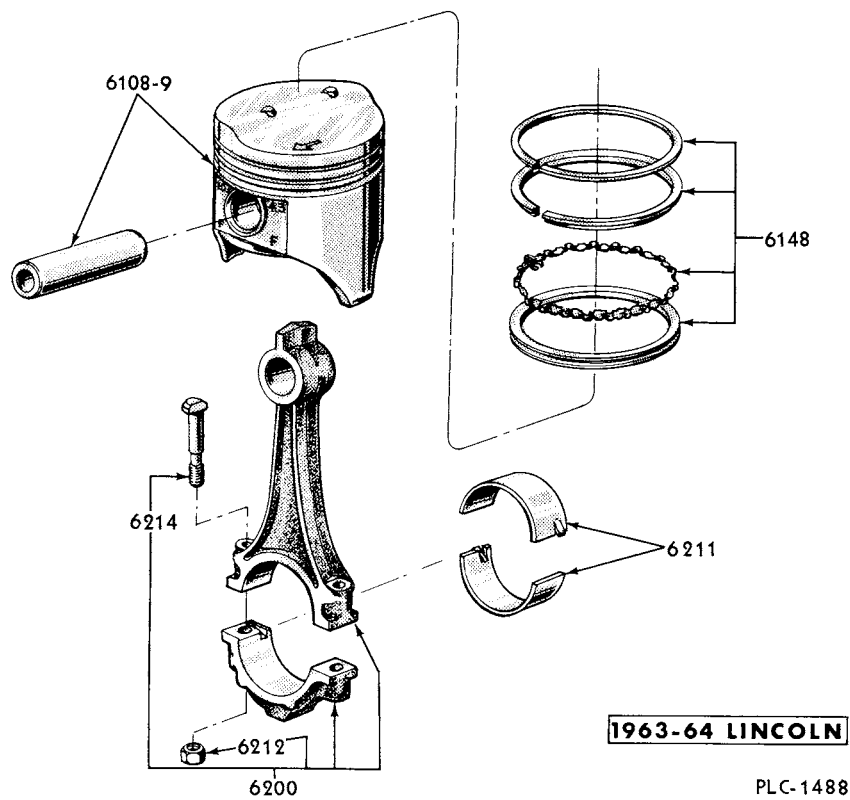
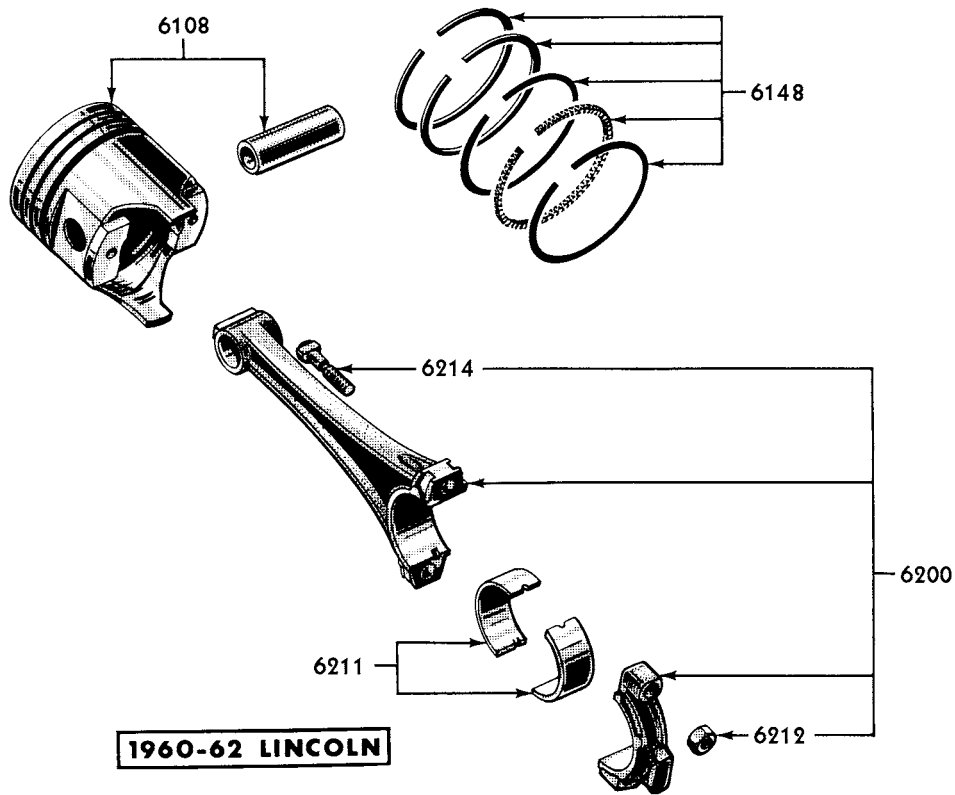
PISTON and CONNECTING ROD - 390, 406 C.I.D. ENGINES



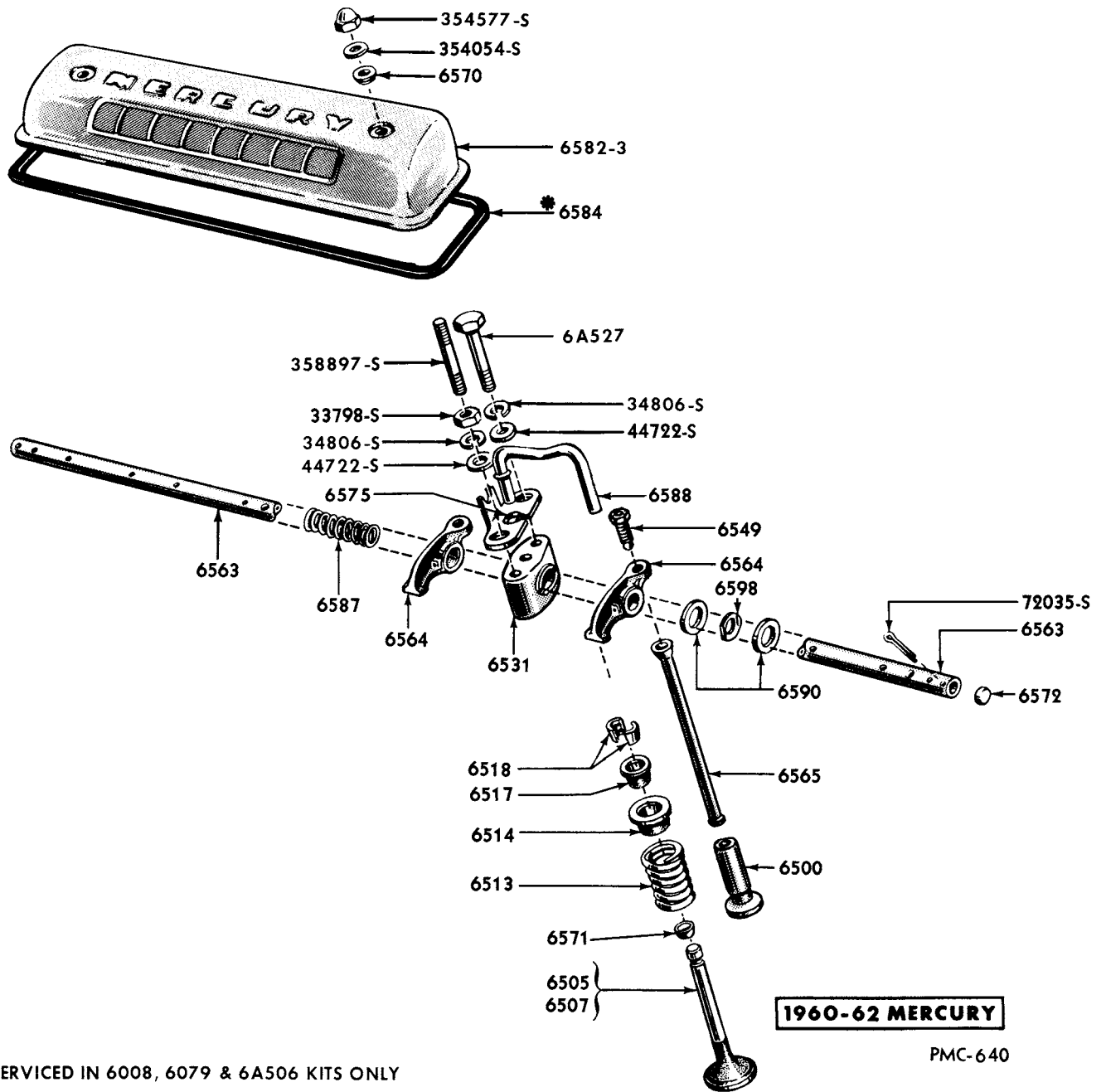
PISTON and CONNECTING ROD - 144,170, 200 C.I.D. ENGINES



PISTON and CONNECTING ROD - 221, 260, 289 C.I.D. ENGINES



PISTON and CONNECTING ROD - 430 C. I. D. ENGINE

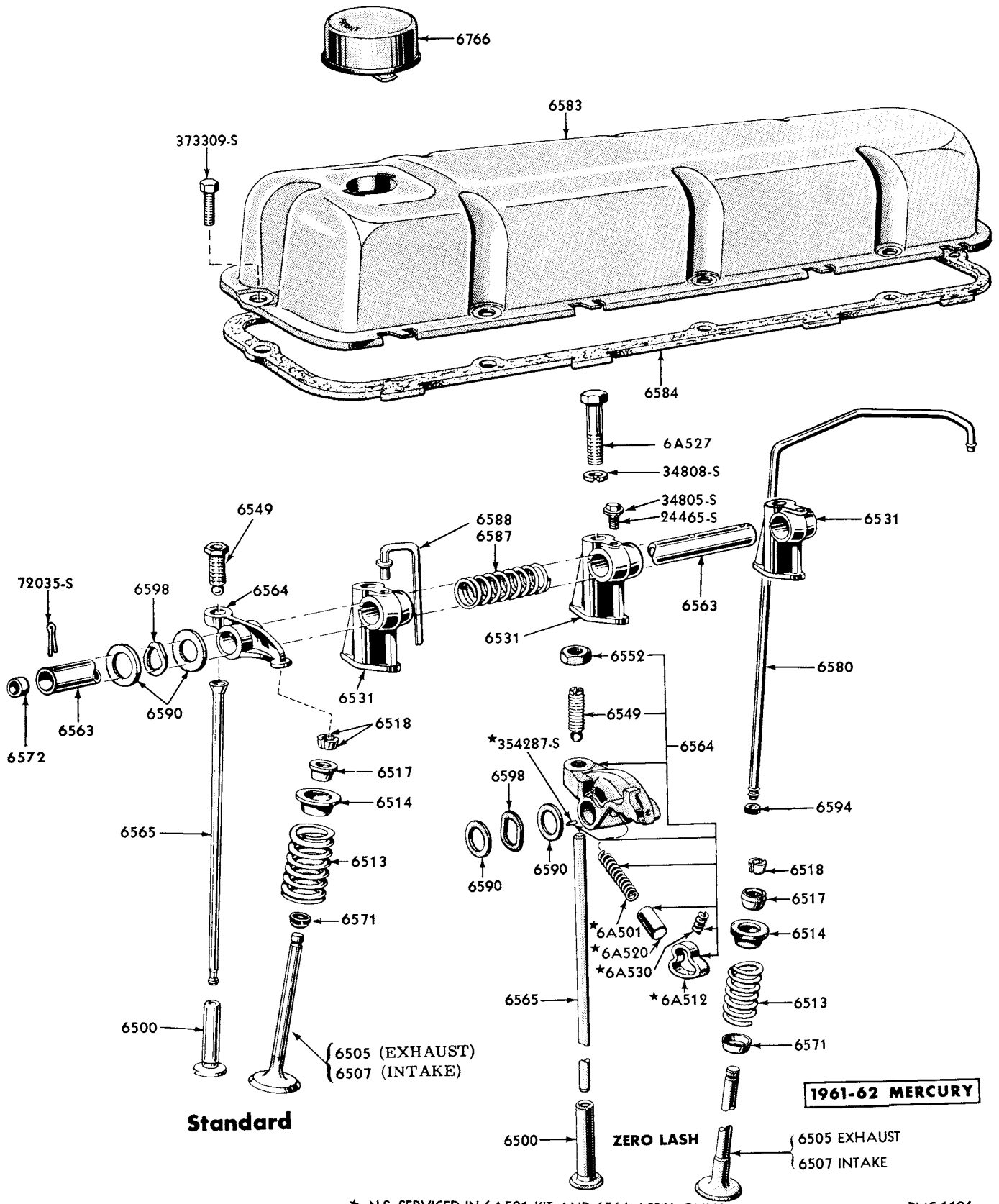


* NS - SERVICED IN 6008, 6079 & 6A506 KITS ONLY

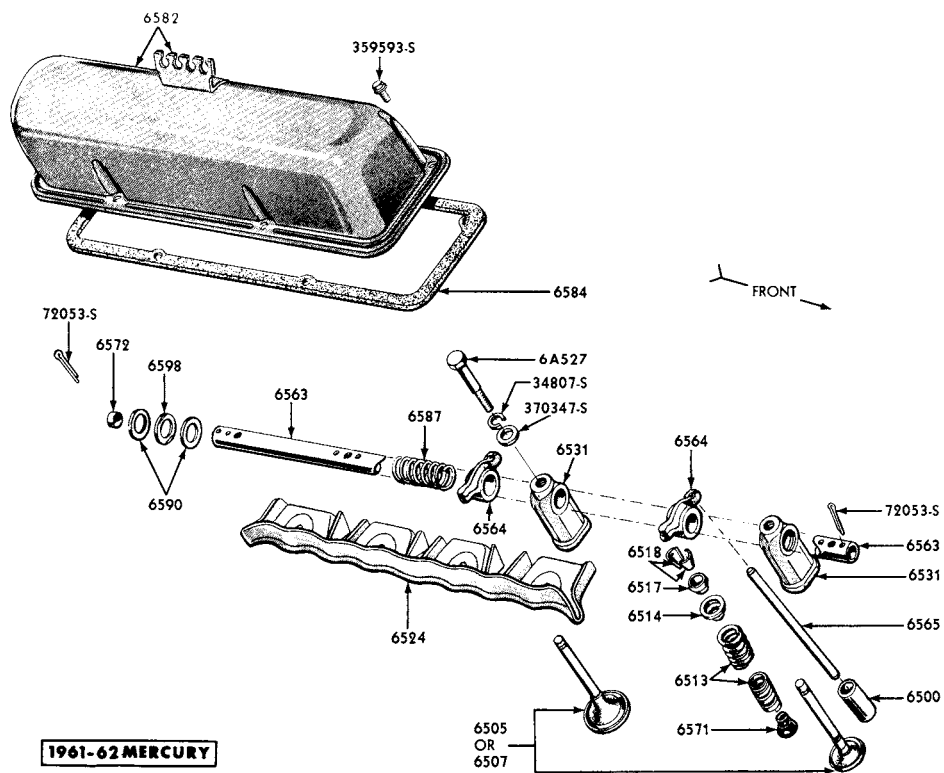
1960-62 MERCURY

PMC-640

VALVES, PUSH RODS and ROCKER ARM COVER - 292, 312 C.I.D. ENGINES



VALVES, PUSH RODS, and ROCKER ARM COVER - 223 C.I.D. ENGINE

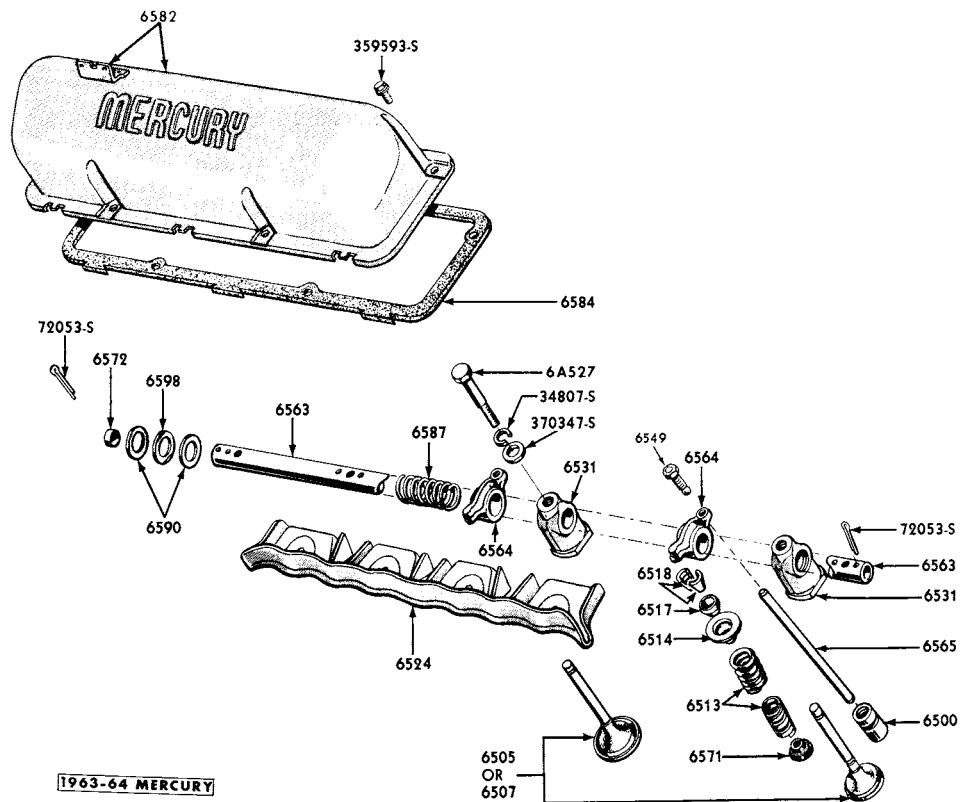


1961-62 MERCURY

TYPICAL

EC-135

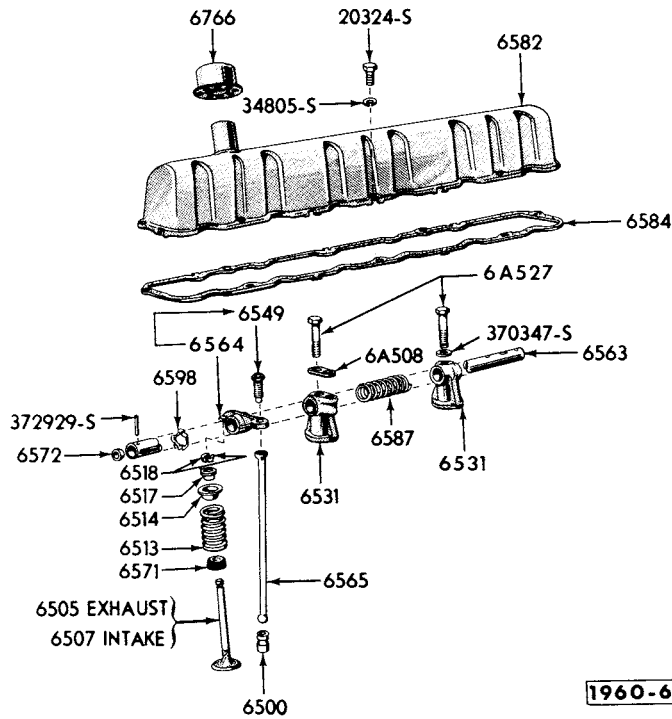
VALVES, PUSH RODS and ROCKER ARM COVER - 352, 390 C.I.D. ENGINES



1963-64 MERCURY

PMC-1500

VALVES, PUSH RODS and ROCKER ARM COVER - 390, 406 C. I. D. ENGINES

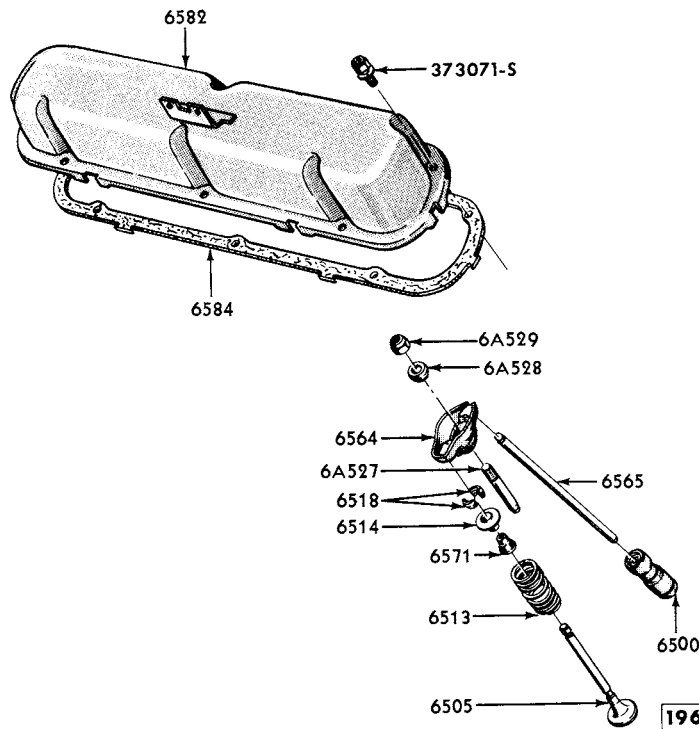


1960-64 COMET

1962-63 METEOR

PGC-960

VALVES, PUSH RODS and ROCKER ARM COVER - 144, 170, 200 C.I.D. ENGINES

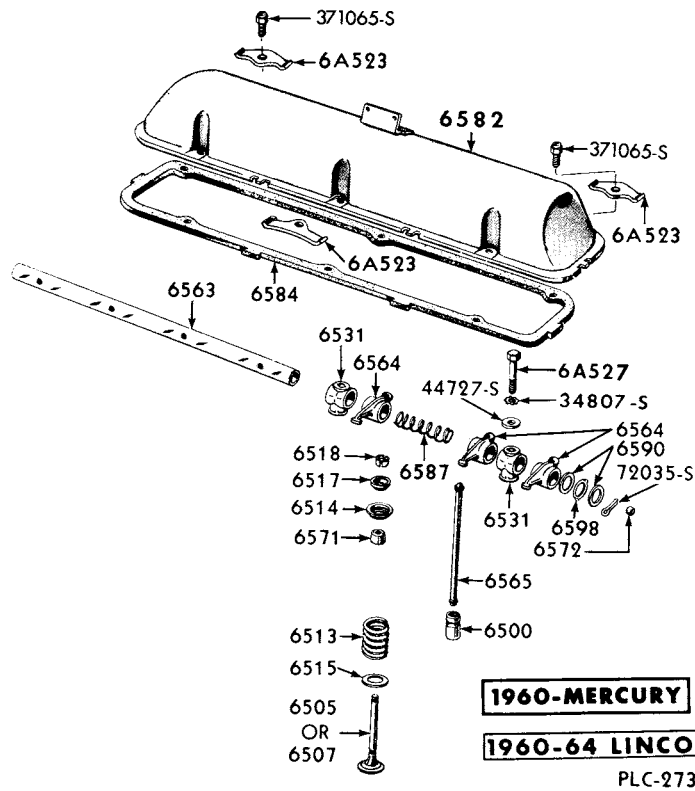


1963 COMET

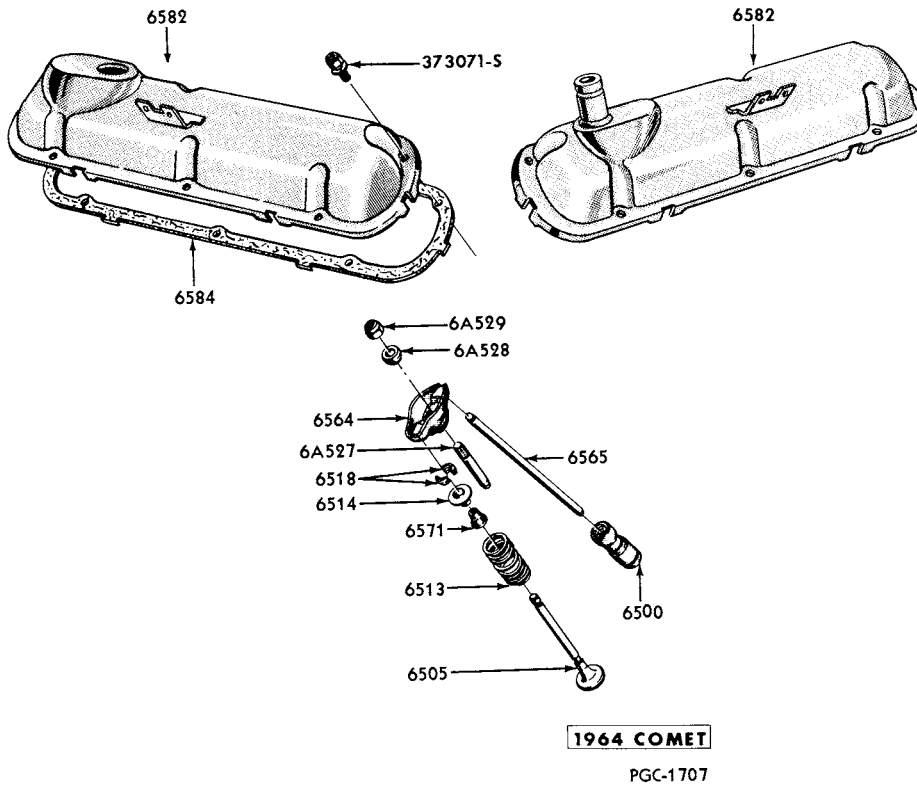
1962-63 METEOR

PYC-1273

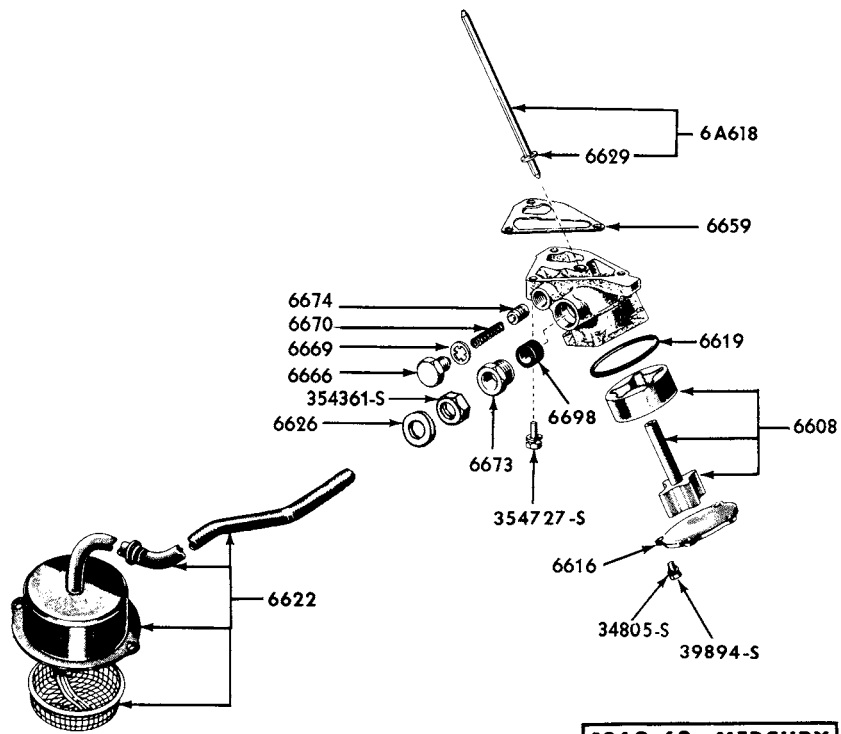
VALVES, PUSH RODS and ROCKER ARM COVER - 221, 260, 289 C.I.D. ENGINES



VALVES, PUSH RODS and ROCKER ARM COVER - 383, 430 C.I.D. ENGINES



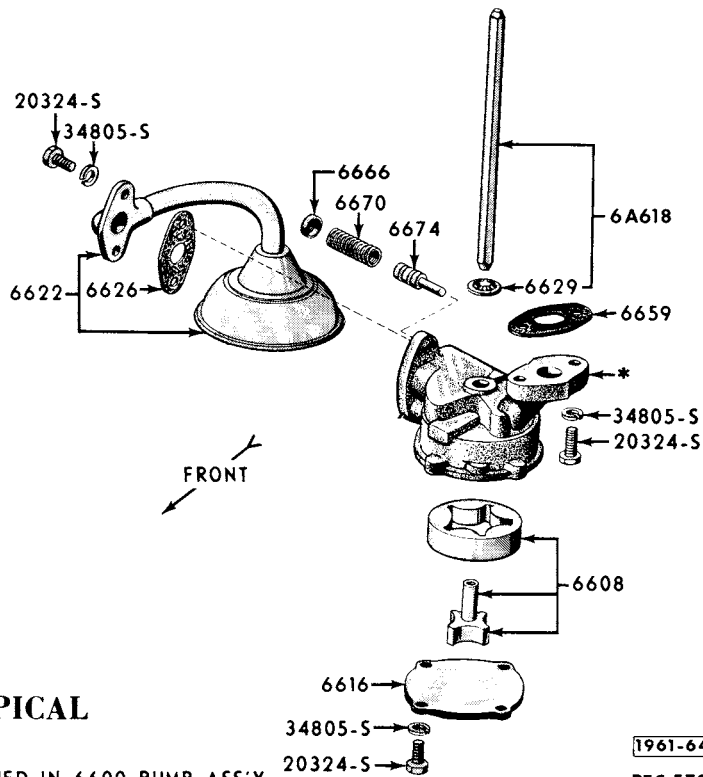
VALVE, PUSH RODS and ROCKER ARM COVER - 260, 289 C.I.D. ENGINES



1960-62 MERCURY

PMC-395

OIL PUMP - 292, 312 C.I.D. ENGINES



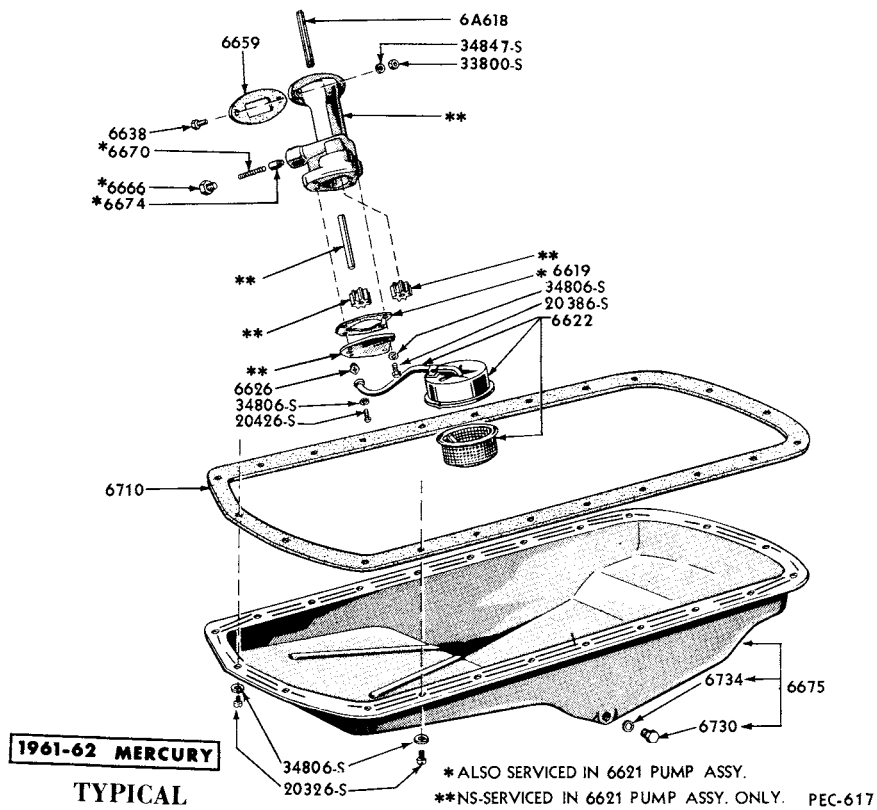
TYPICAL

*SUPPLIED IN 6600 PUMP ASS'Y.

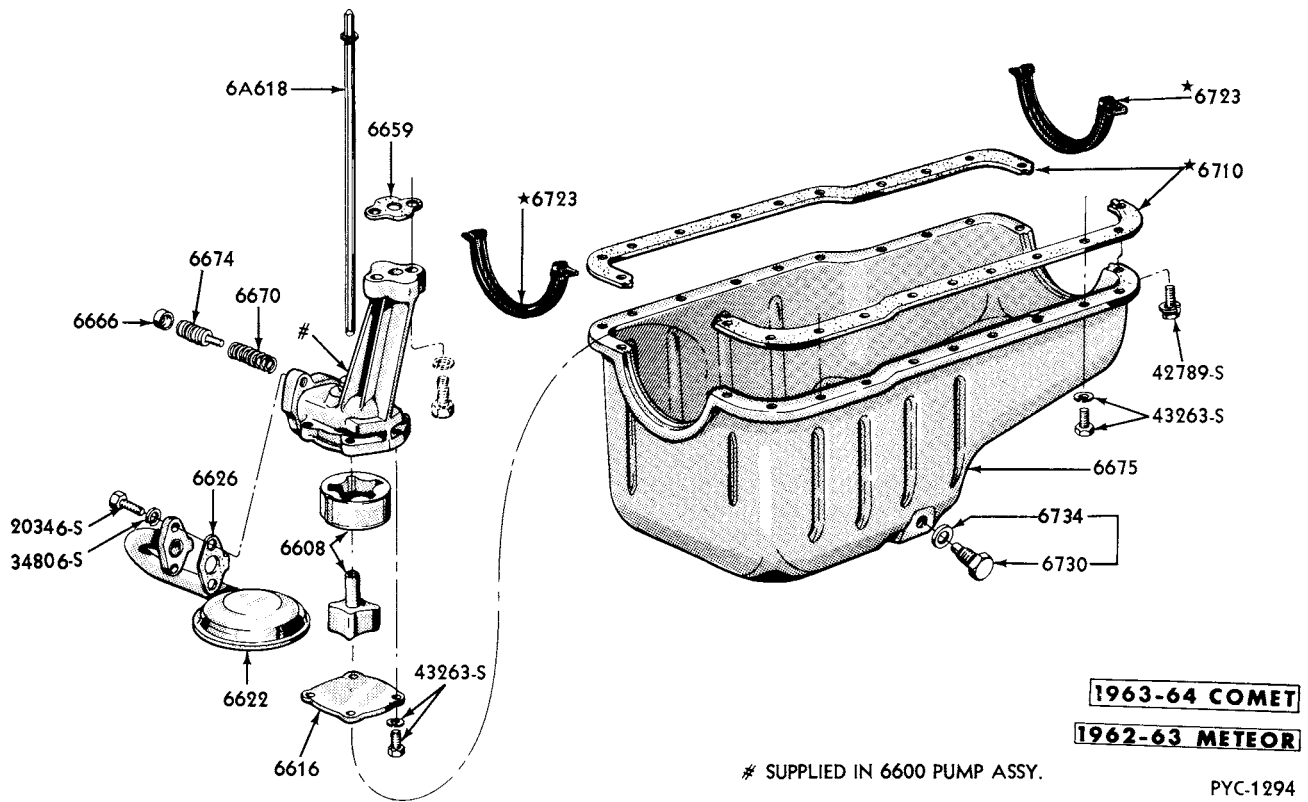
1961-64 MERCURY

PEC-578

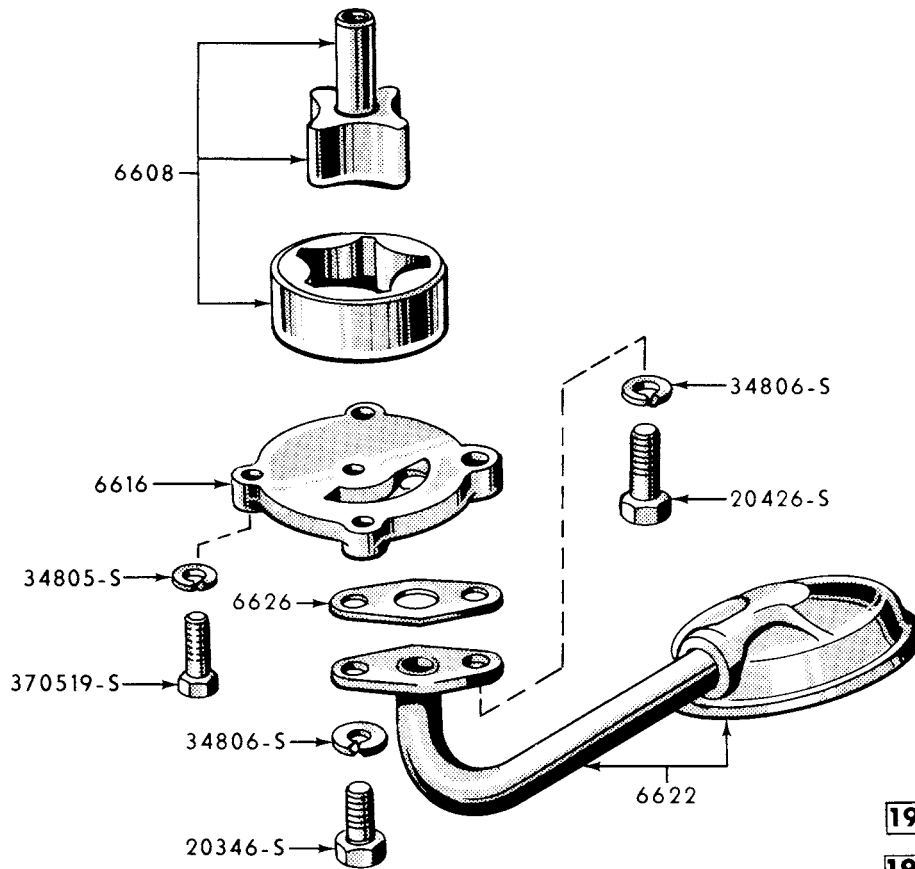
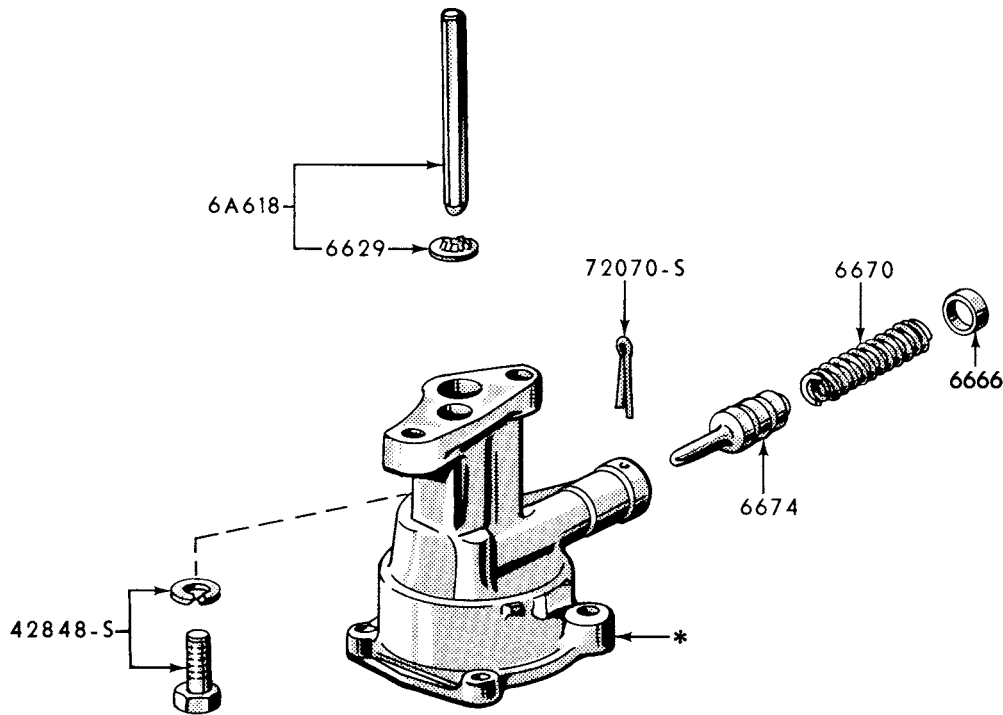
OIL PUMP - 352, 390, 406 C.I.D. ENGINES



OIL PUMP and PAN - 223 C.I.D. ENGINE



OIL PUMP and PAN - 221, 260, 289 C.I.D. ENGINES



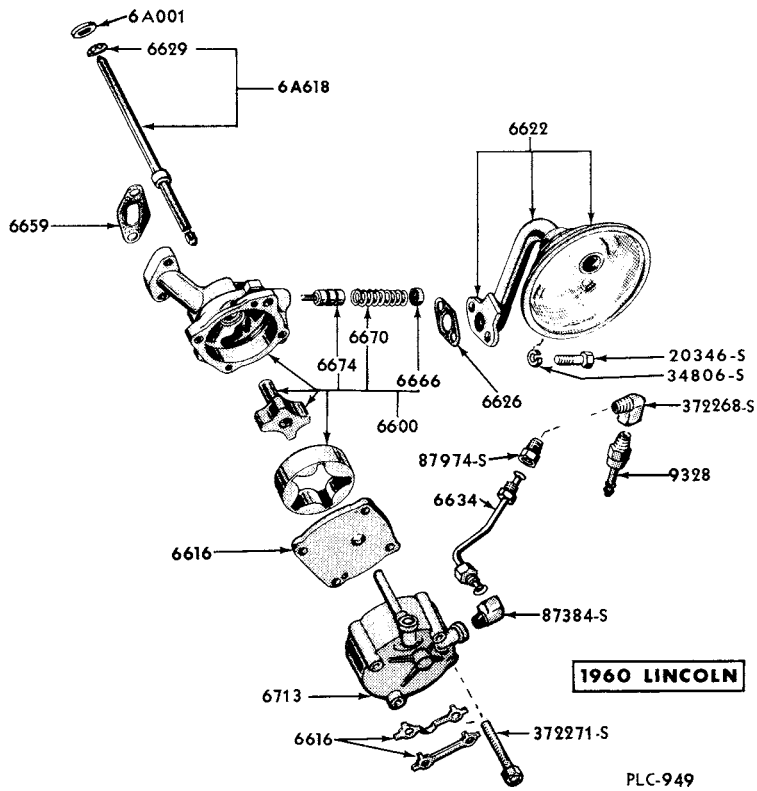
*SUPPLIED IN 6600 PUMP ASSEMBLY

1960-64 COMET

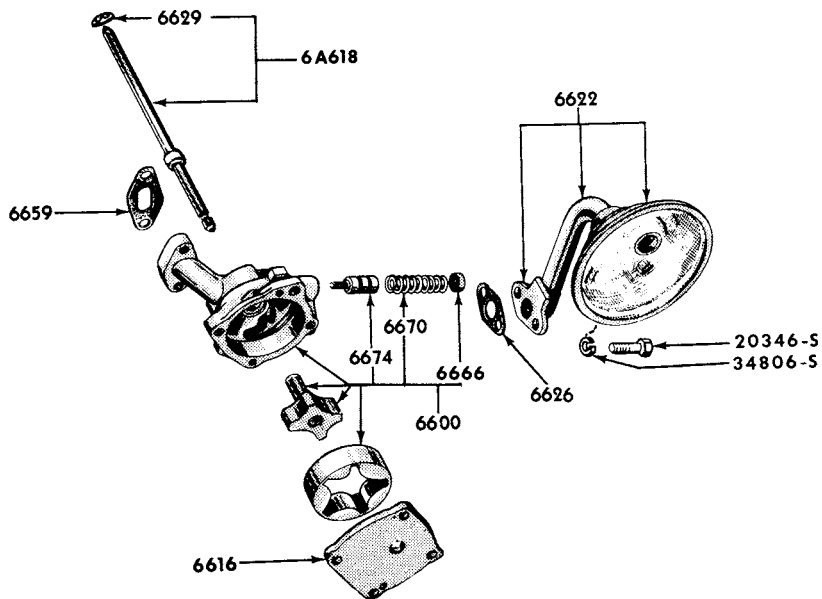
1962-63 METEOR

PGC-961

OIL PUMP - 144, 170, 200 C.I.D. ENGINES

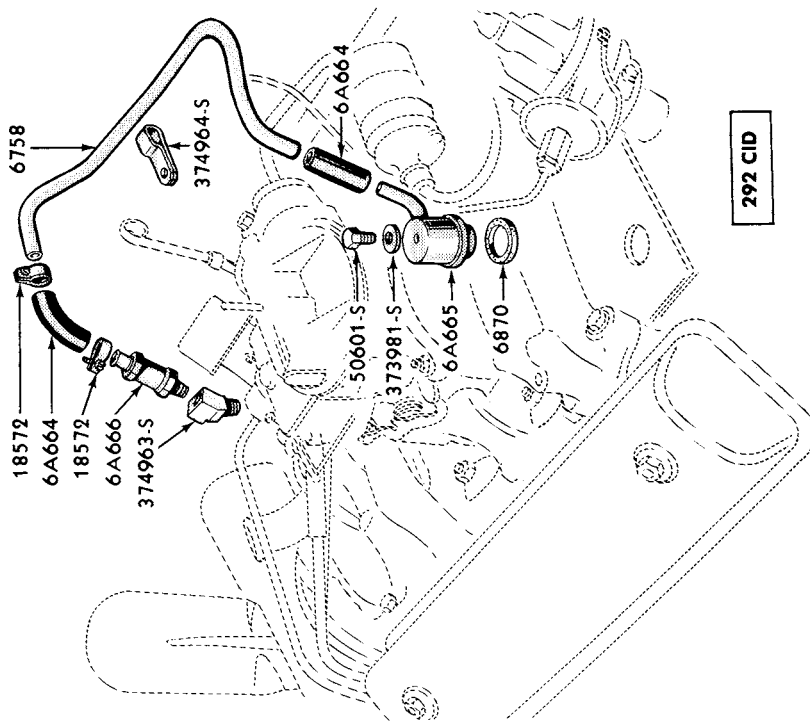


OIL and VACUUM PUMP - 430 C.I.D. ENGINE

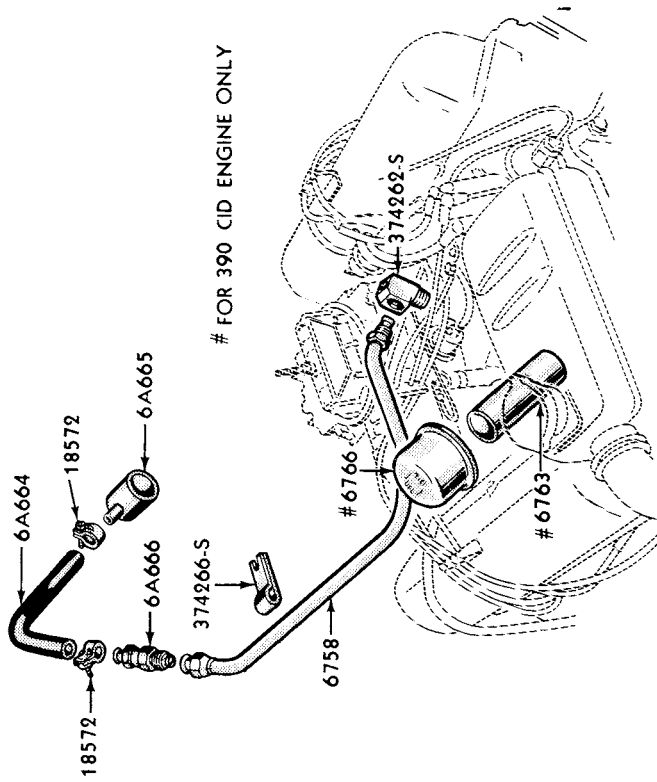


PLC-1422

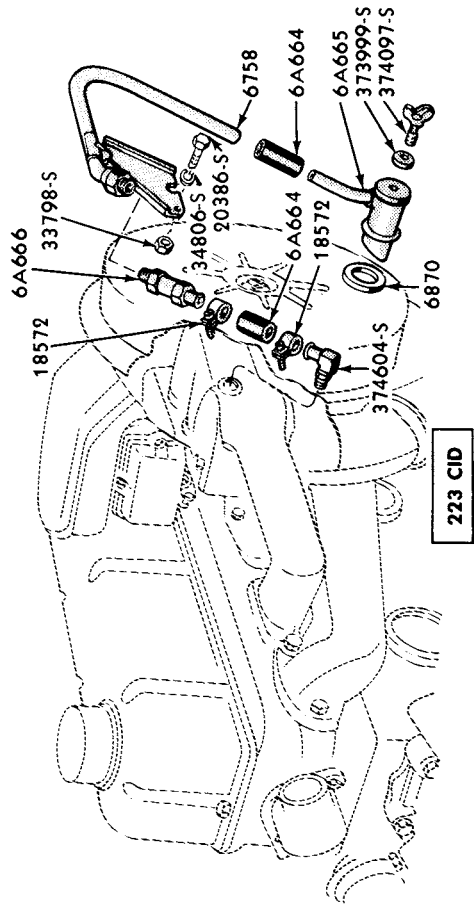
OIL PUMP - 430 C.I.D. ENGINE



292 CID



352-390 CID

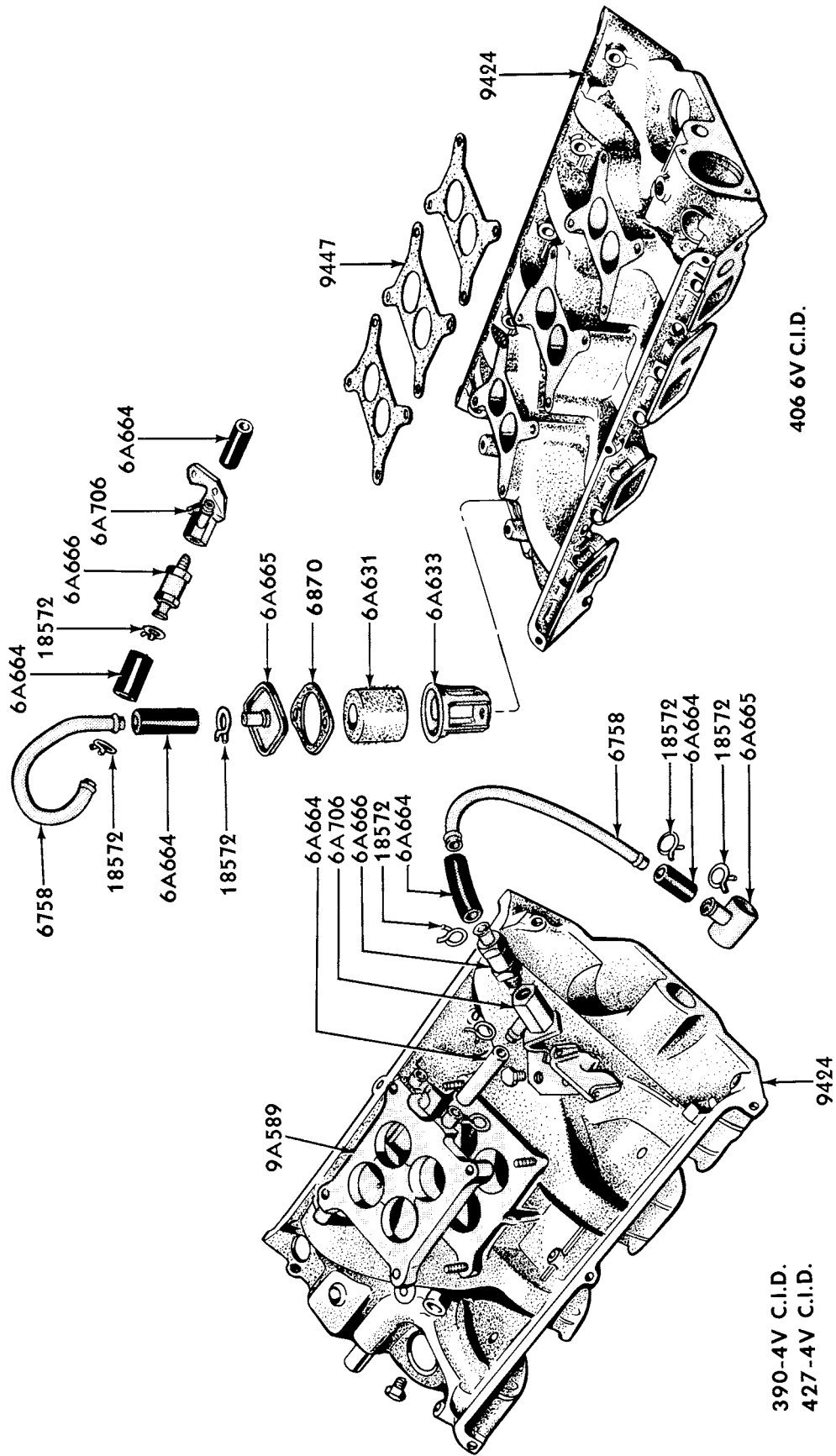


223 CID

1961-62 MERCURY

PMC-1203

EMISSION REDUCTION SYSTEMS



406 6V C.I.D.

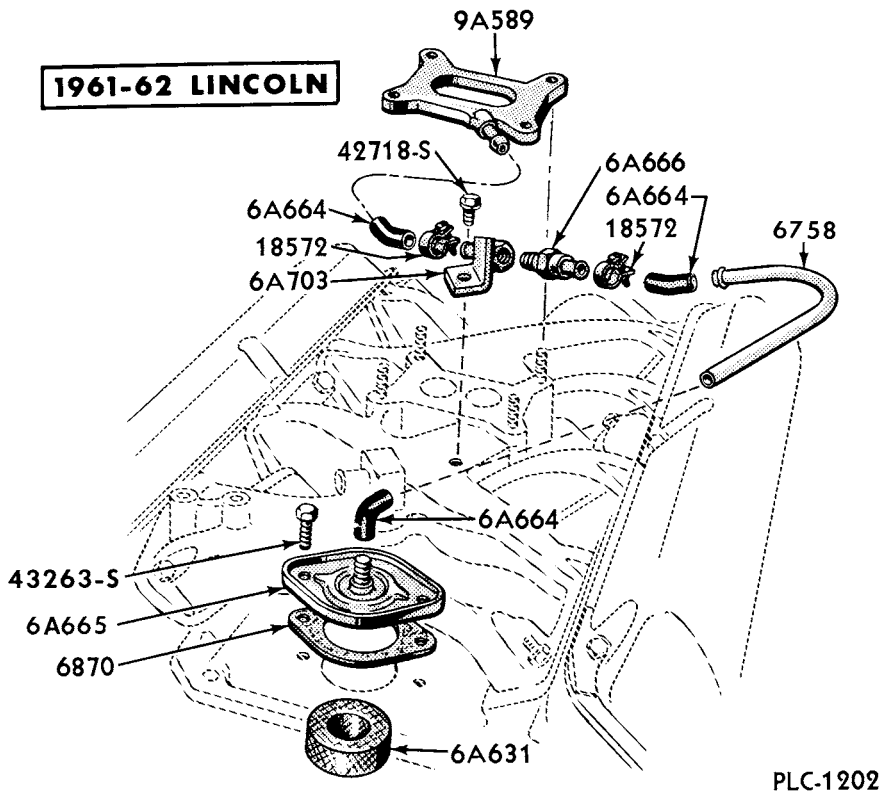
390-4V C.I.D.
427-4V C.I.D.

1963 MERCURY

PMC-1497

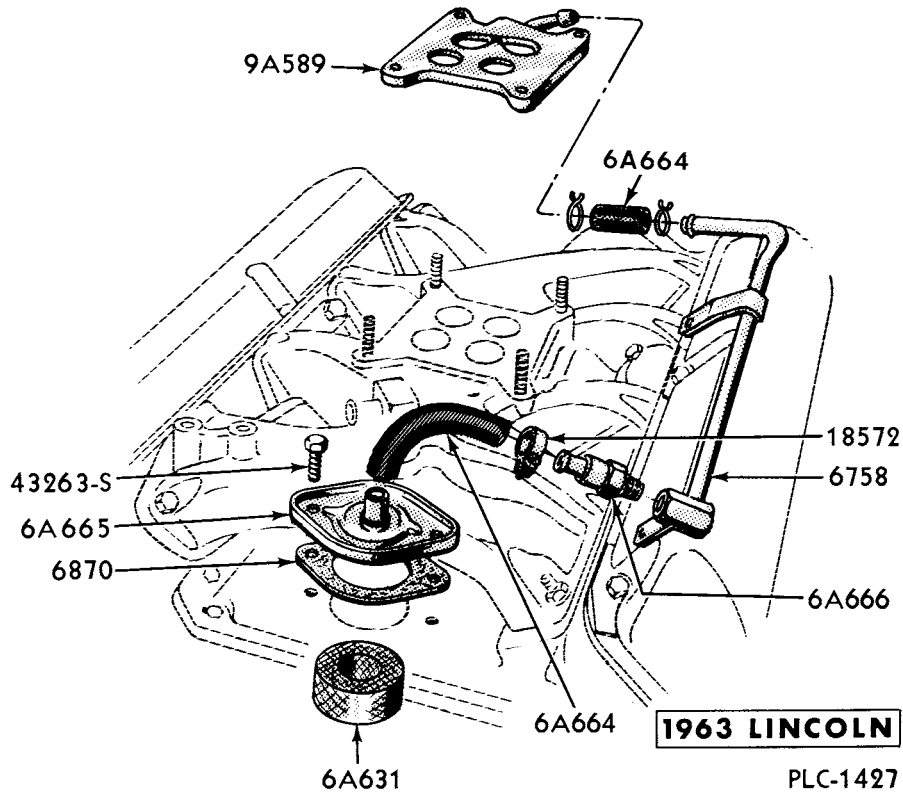
EMISSION REDUCTION SYSTEM

1961-62 LINCOLN



PLC-1202

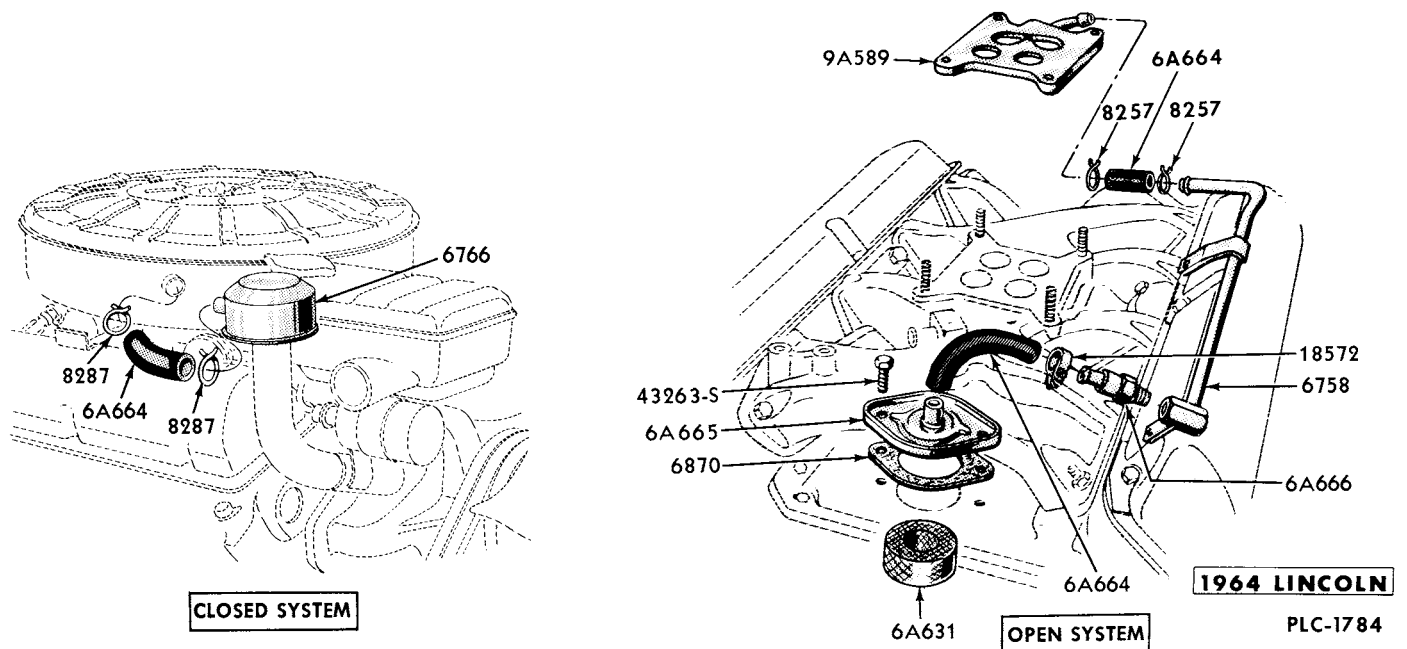
EMISSION REDUCTION SYSTEM



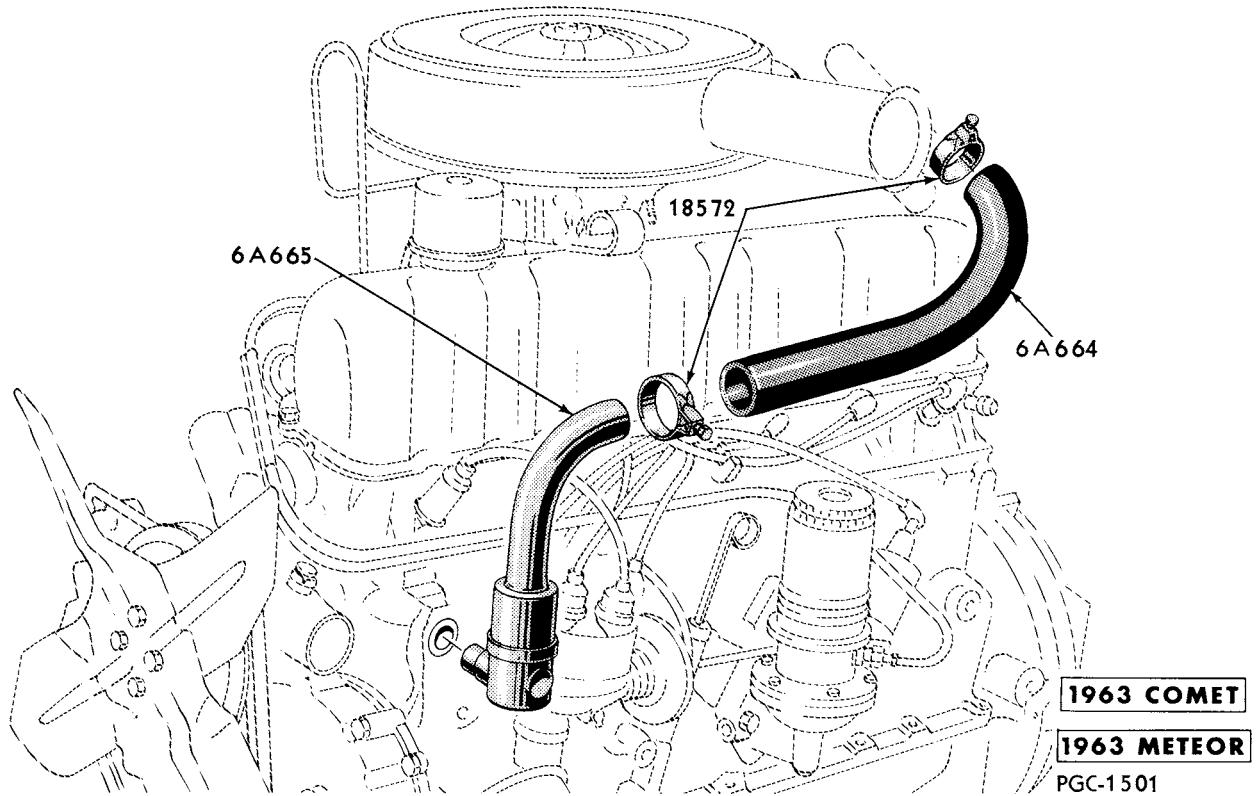
1963 LINCOLN

PLC-1427

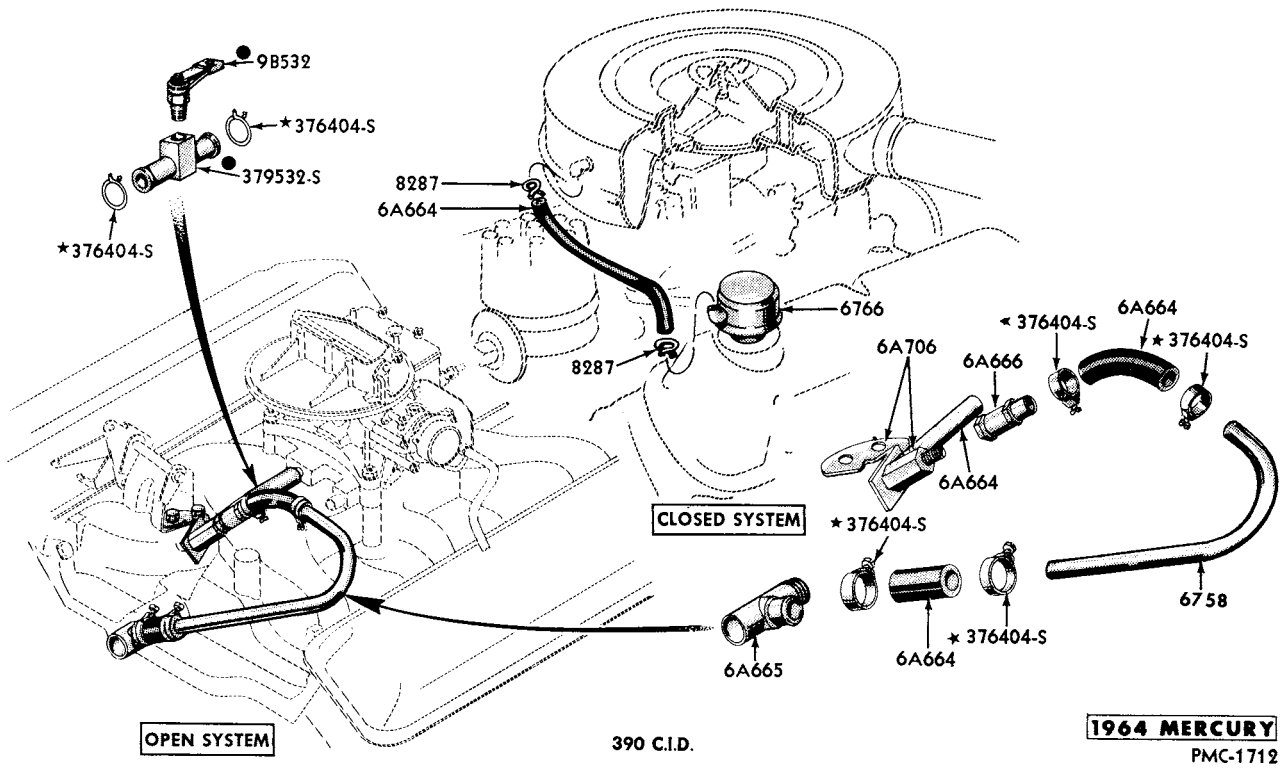
EMISSION REDUCTION SYSTEM



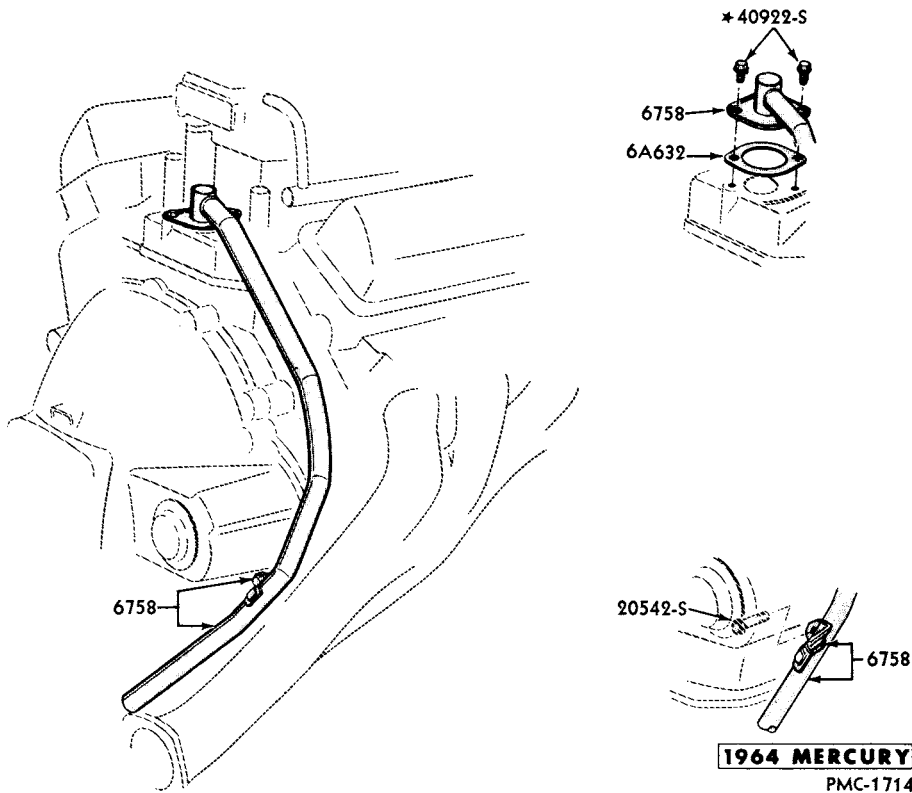
EMISSION REDUCTION SYSTEM



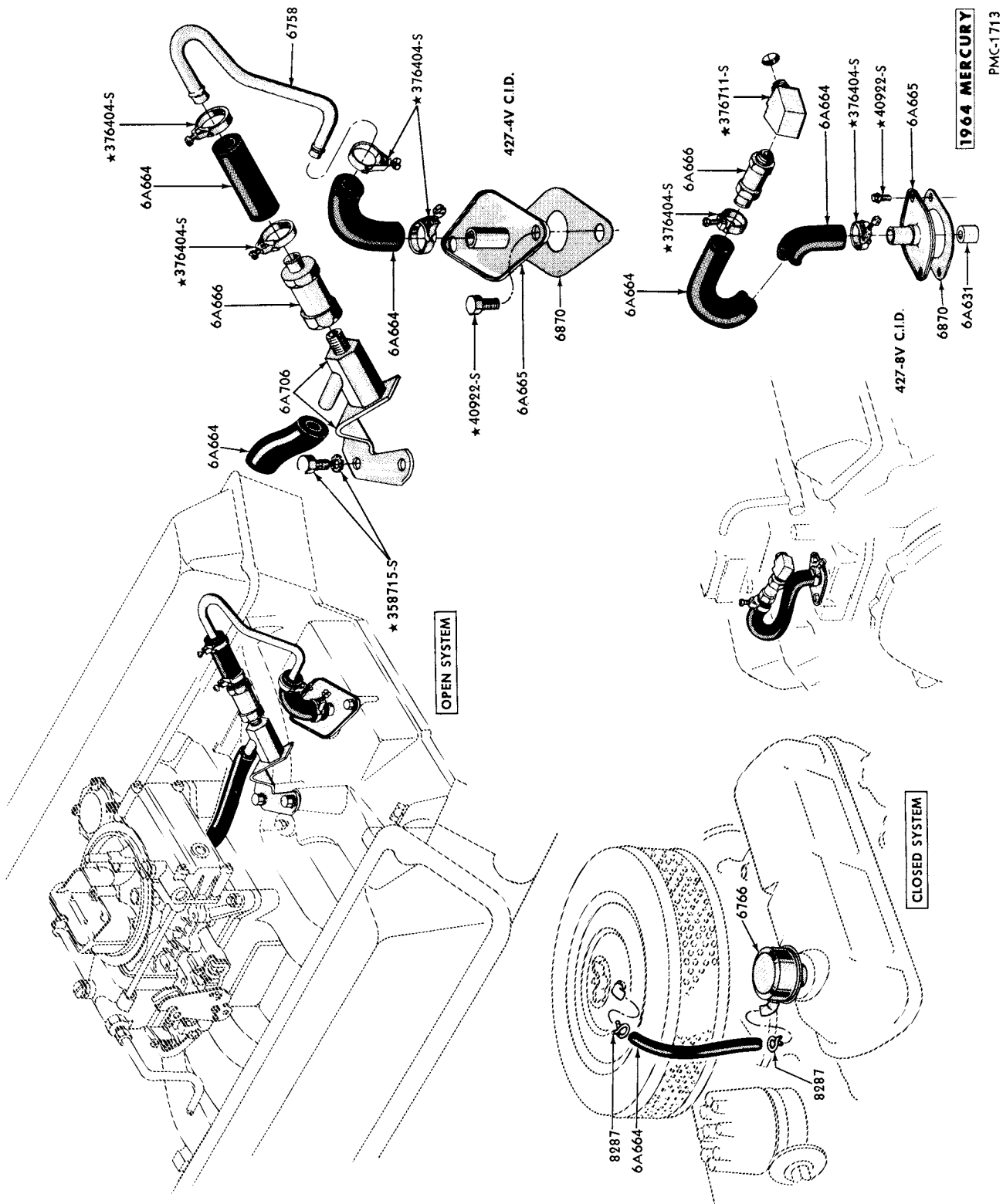
EMISSION REDUCTION SYSTEM



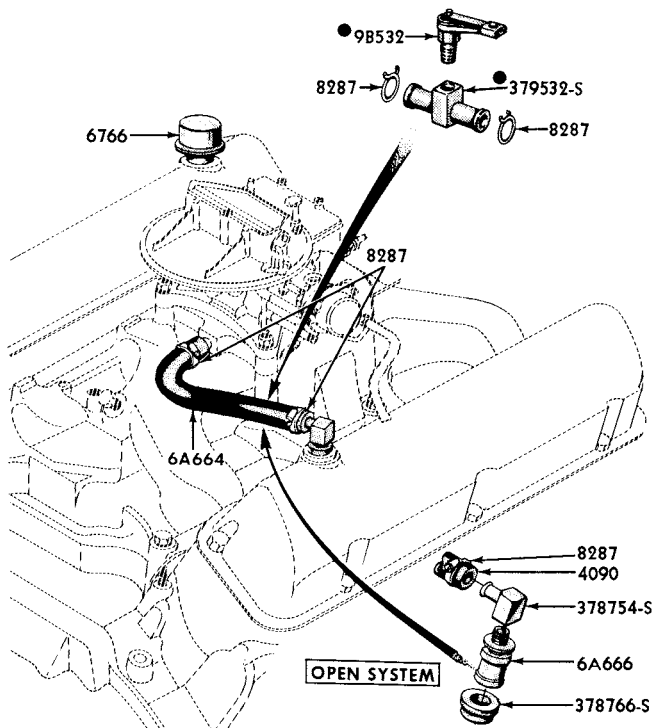
EMISSION REDUCTION SYSTEM - 390 C.I.D. ENGINE



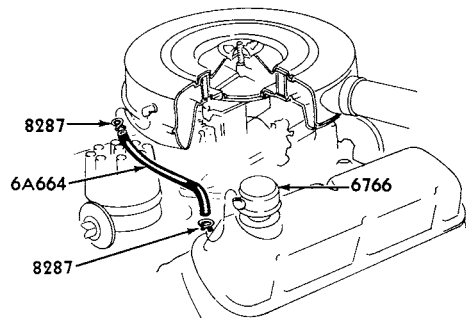
NON-EMISSION REDUCTION SYSTEM - 427 C.I.D. ENGINE



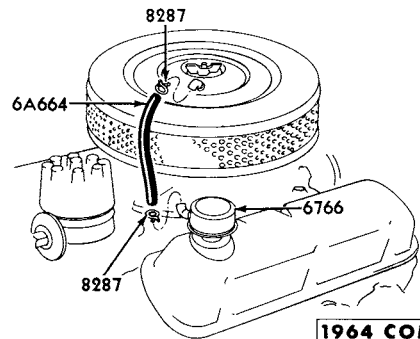
EMISSION REDUCTION SYSTEM - 427 C.I.D. ENGINE



● USED WITH A/COND. ONLY



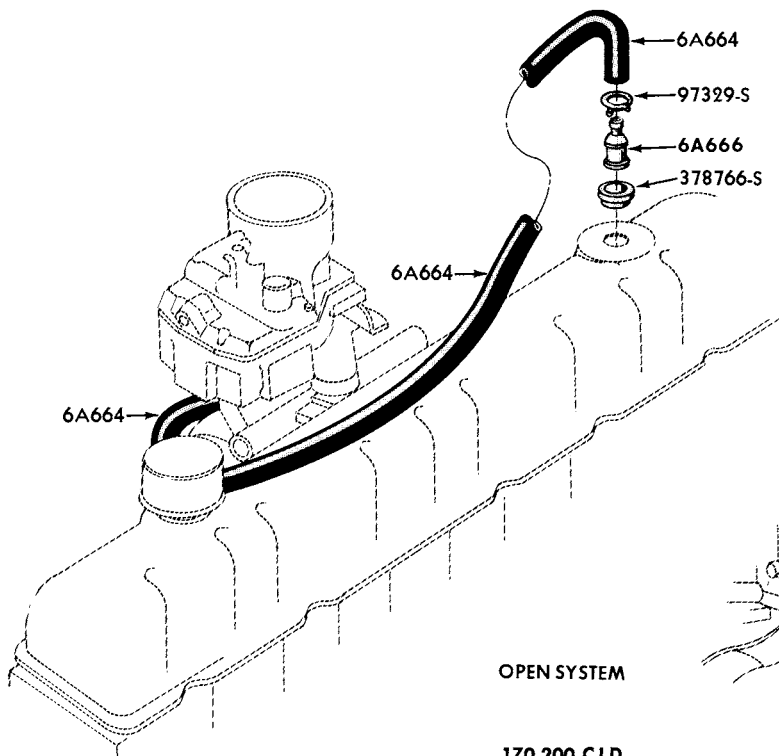
CLOSED SYSTEM



1964 COMET

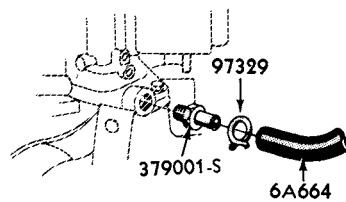
PGC-1627

EMISSION REDUCTION SYSTEM - 8 CYLINDER ENGINES



OPEN SYSTEM

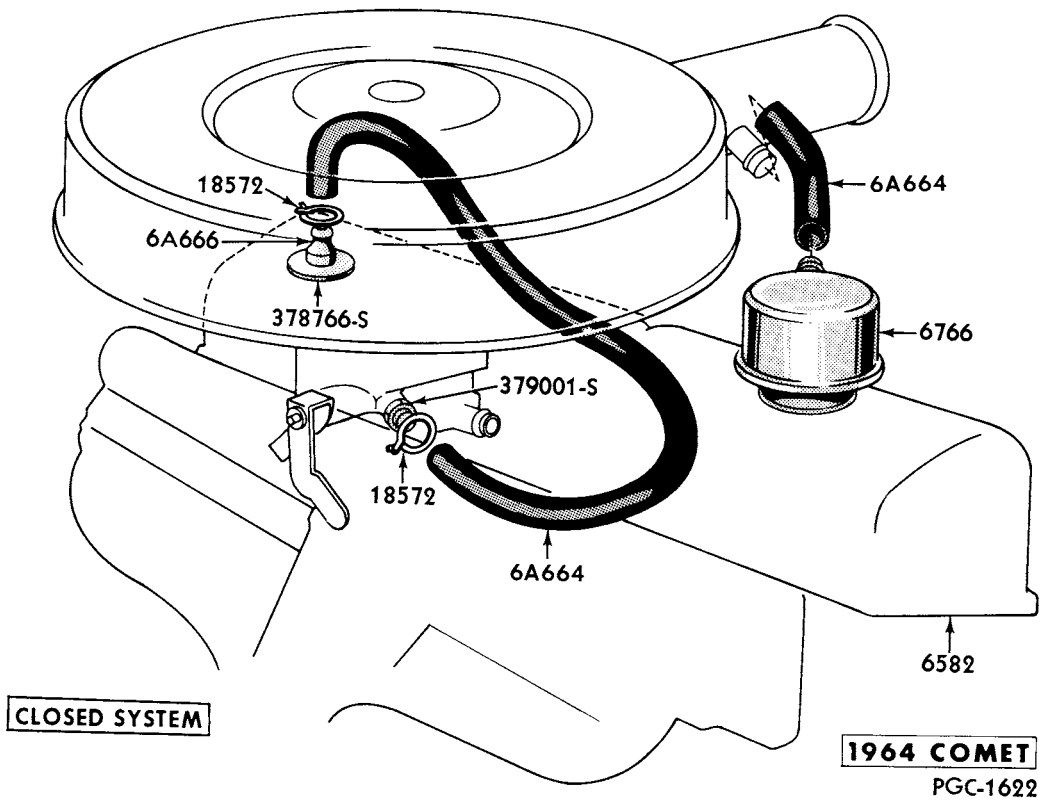
170-200 C.I.D.



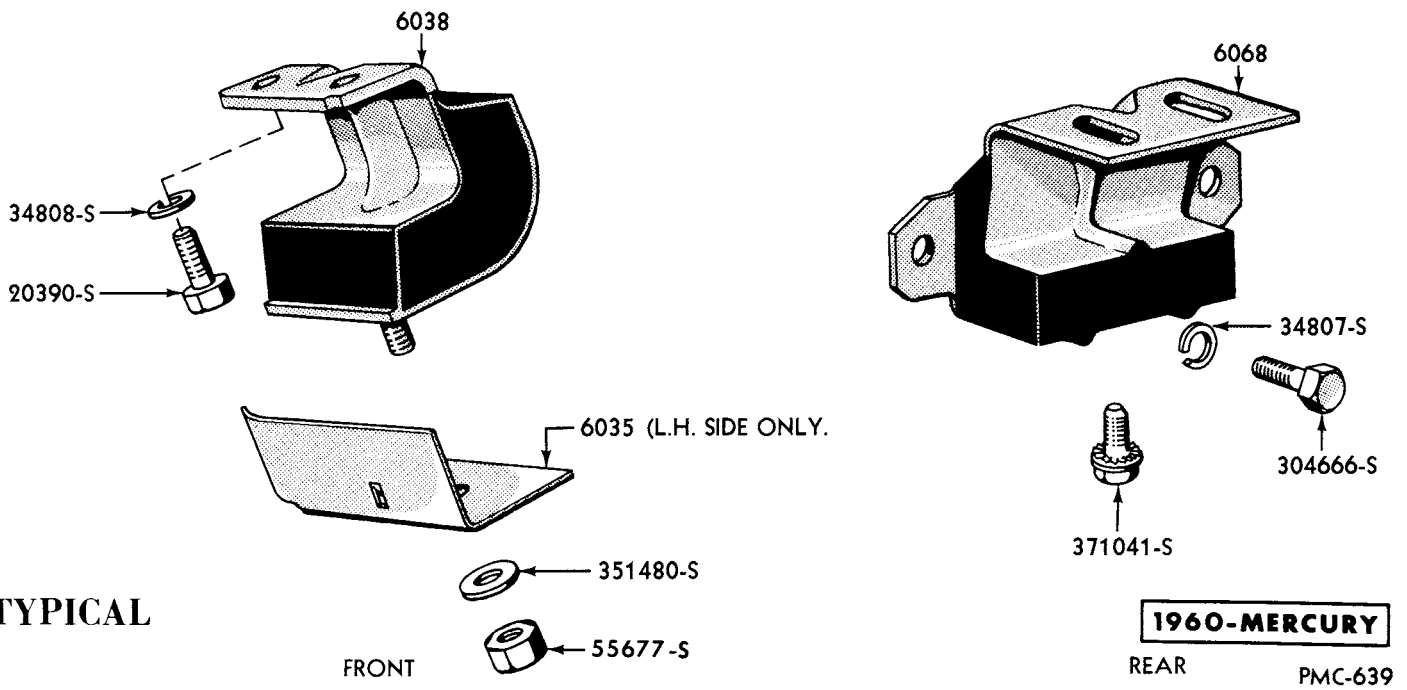
1963-64 COMET

PGC-1711

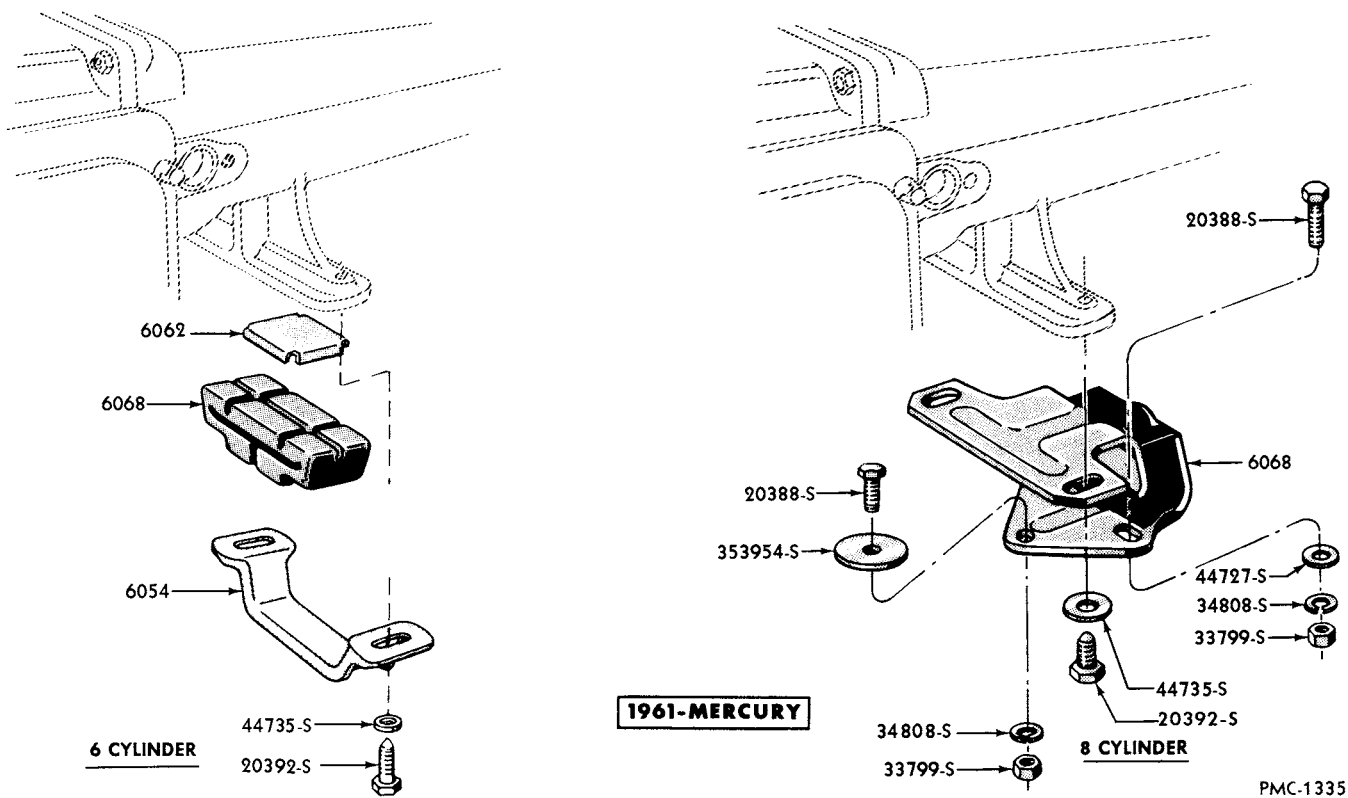
EMISSION REDUCTION SYSTEM - 6 CYLINDER ENGINES



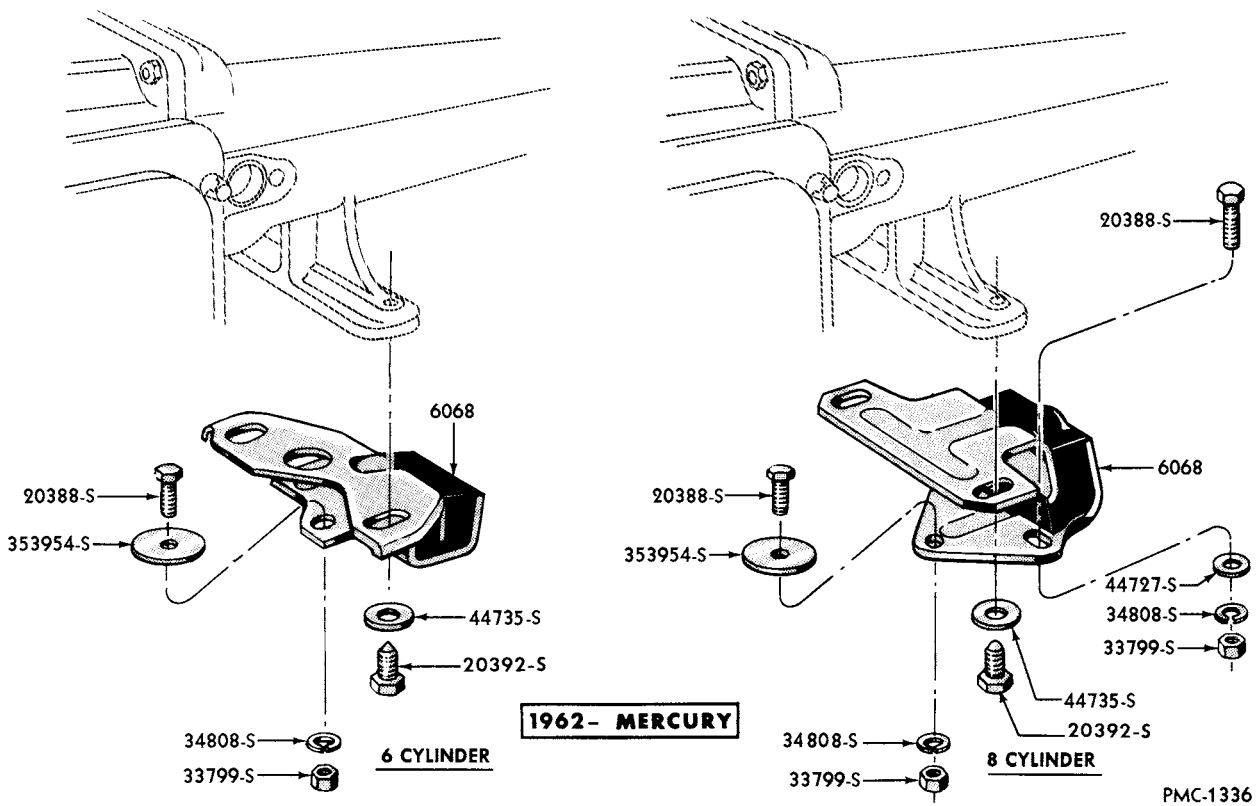
EMISSION REDUCTION SYSTEM - 170, 200 C.I.D. ENGINES



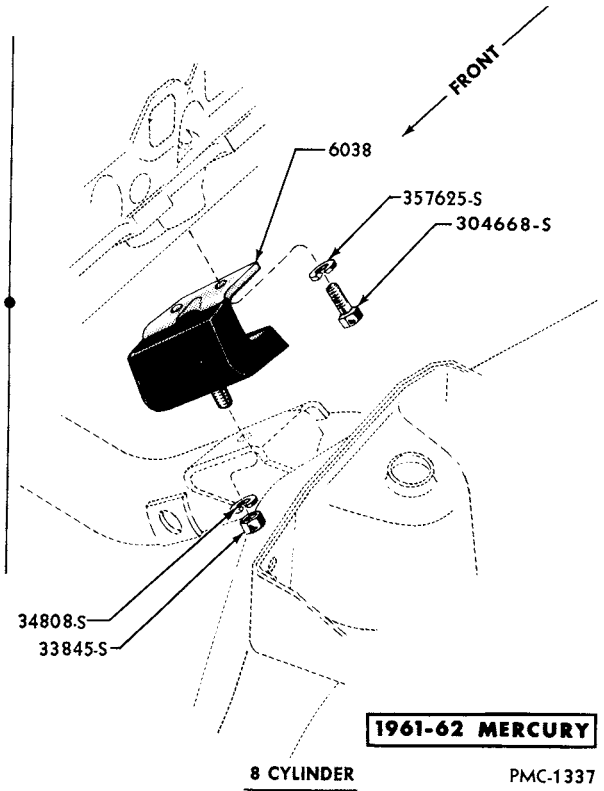
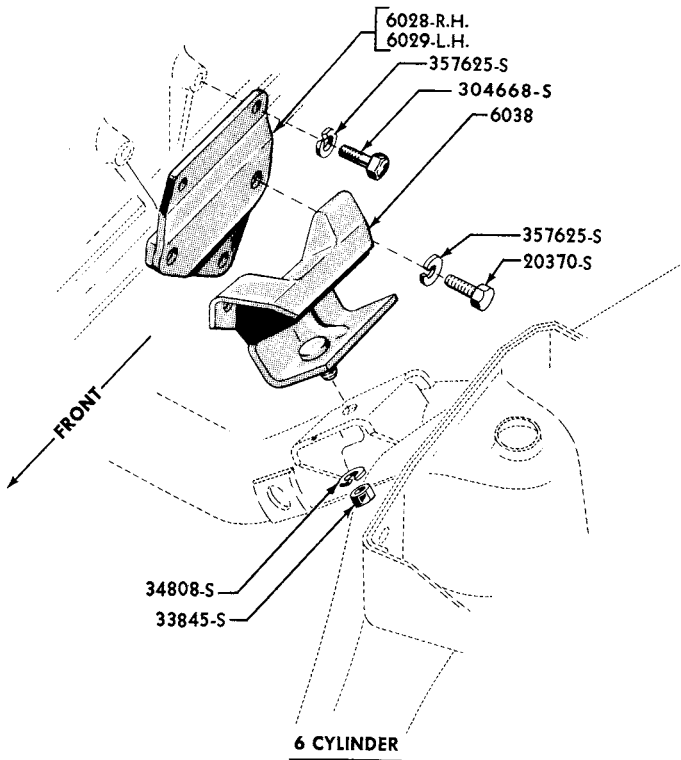
ENGINE SUPPORTS - 312, 383, 430 C.I.D. ENGINES



ENGINE SUPPORTS - REAR - 223, 292, 352, 390 C.I.D. ENGINES



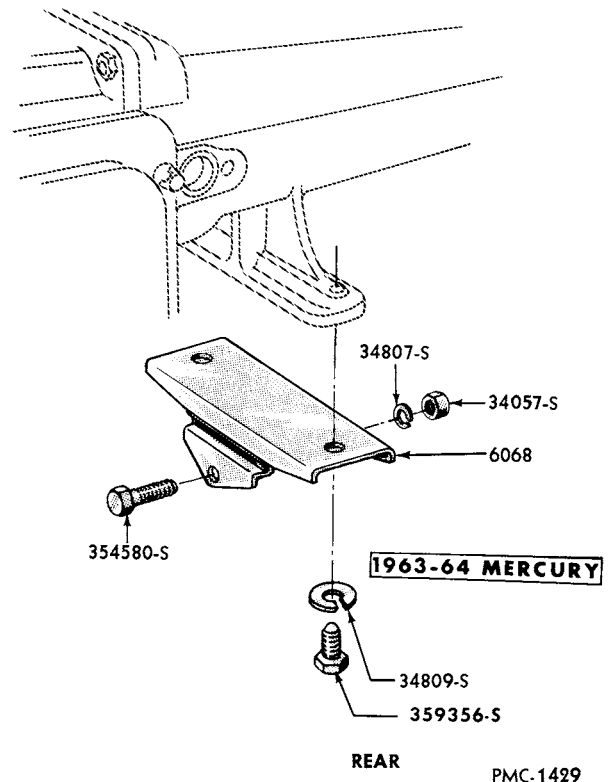
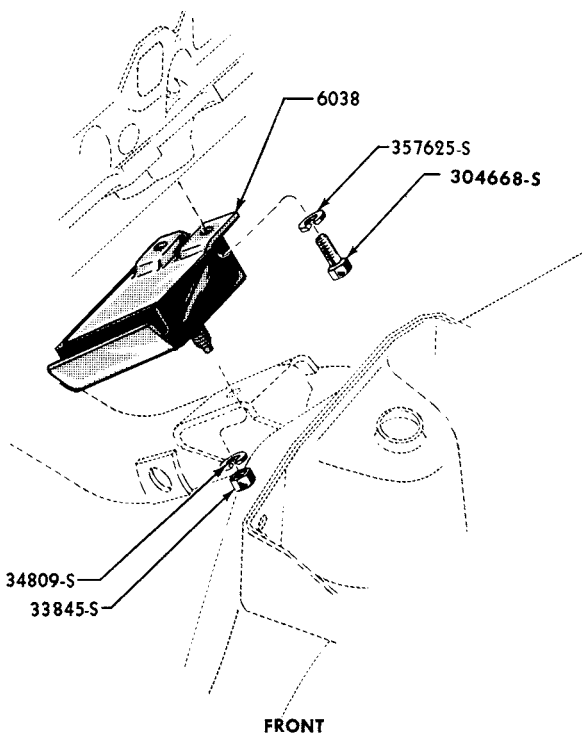
ENGINE SUPPORT - REAR - 223, 292, 352, 390 C.I.D. ENGINES



1961-62 MERCURY

PMC-1337

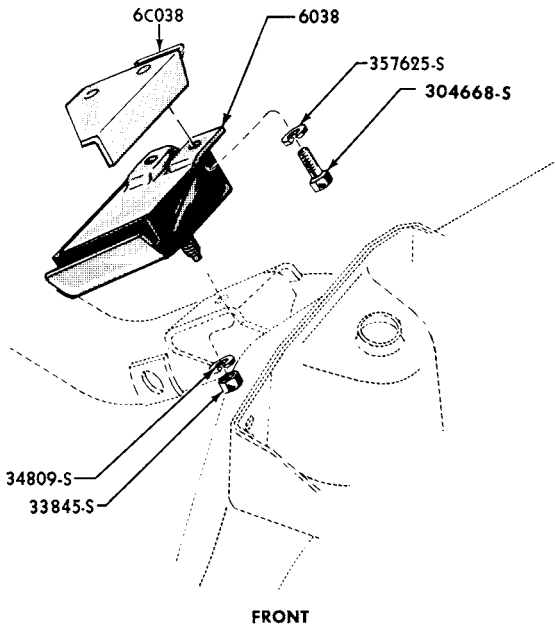
ENGINE SUPPORTS - FRONT - 223, 292, 352, 390 C.I.D. ENGINES



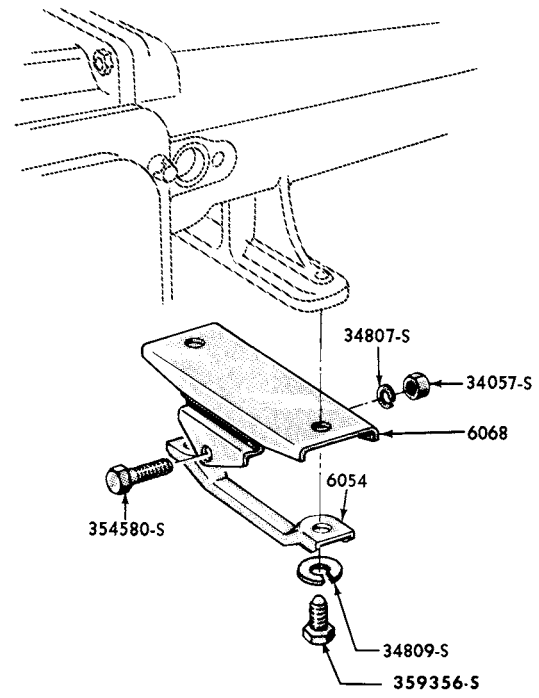
1963-64 MERCURY

PMC-1429

ENGINE SUPPORTS-FRONT and REAR - 390, 406, 427 C.I.D. ENGINES



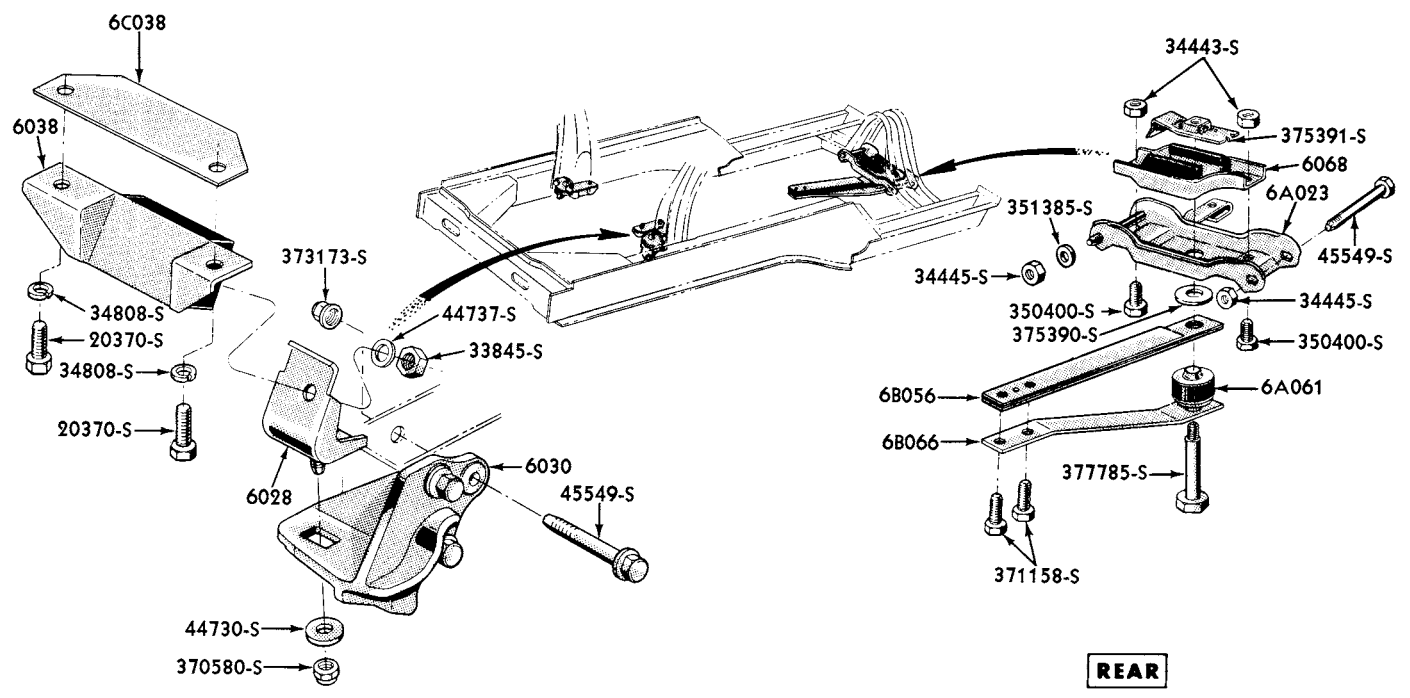
FRONT



REAR

1964 MERCURY
PMC-1697

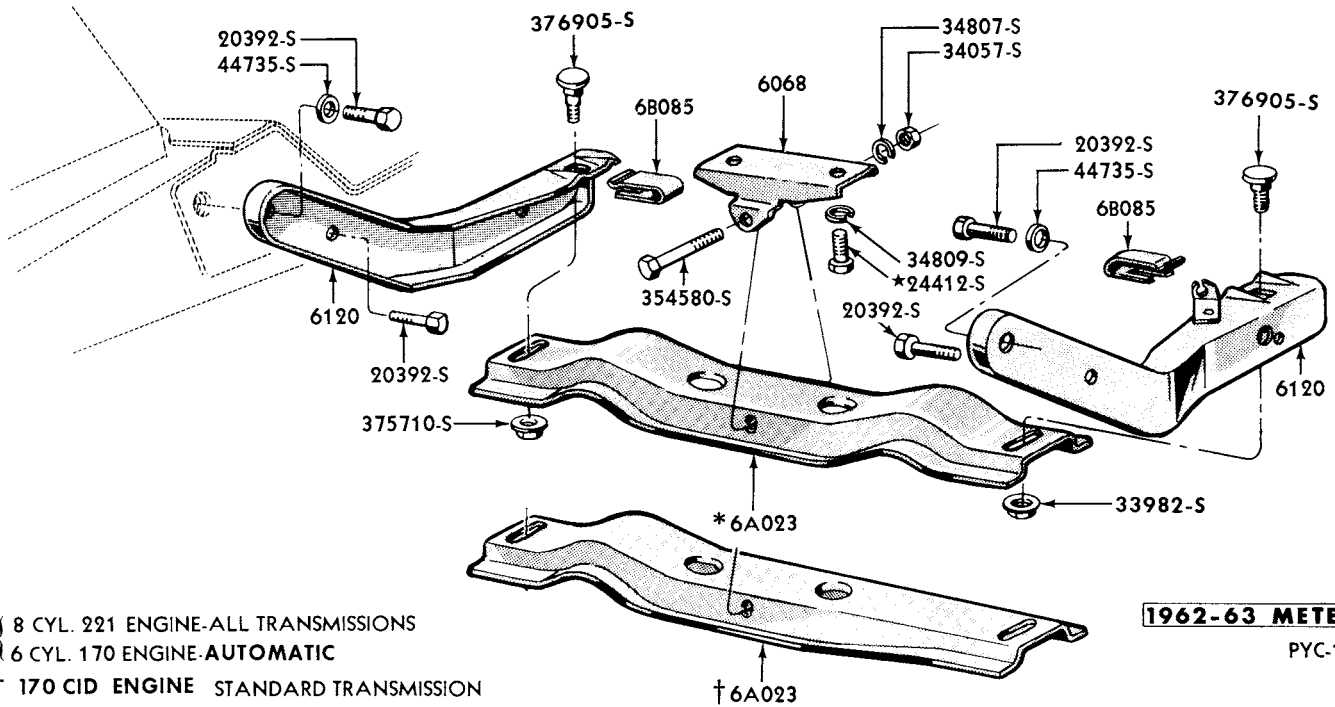
ENGINE SUPPORTS - FRONT and REAR - 390, 427 C.I.D. ENGINES



REAR

1963-64 COMET
PGC-1559

ENGINE SUPPORTS - FRONT and REAR - 260 C.I.D. ENGINE

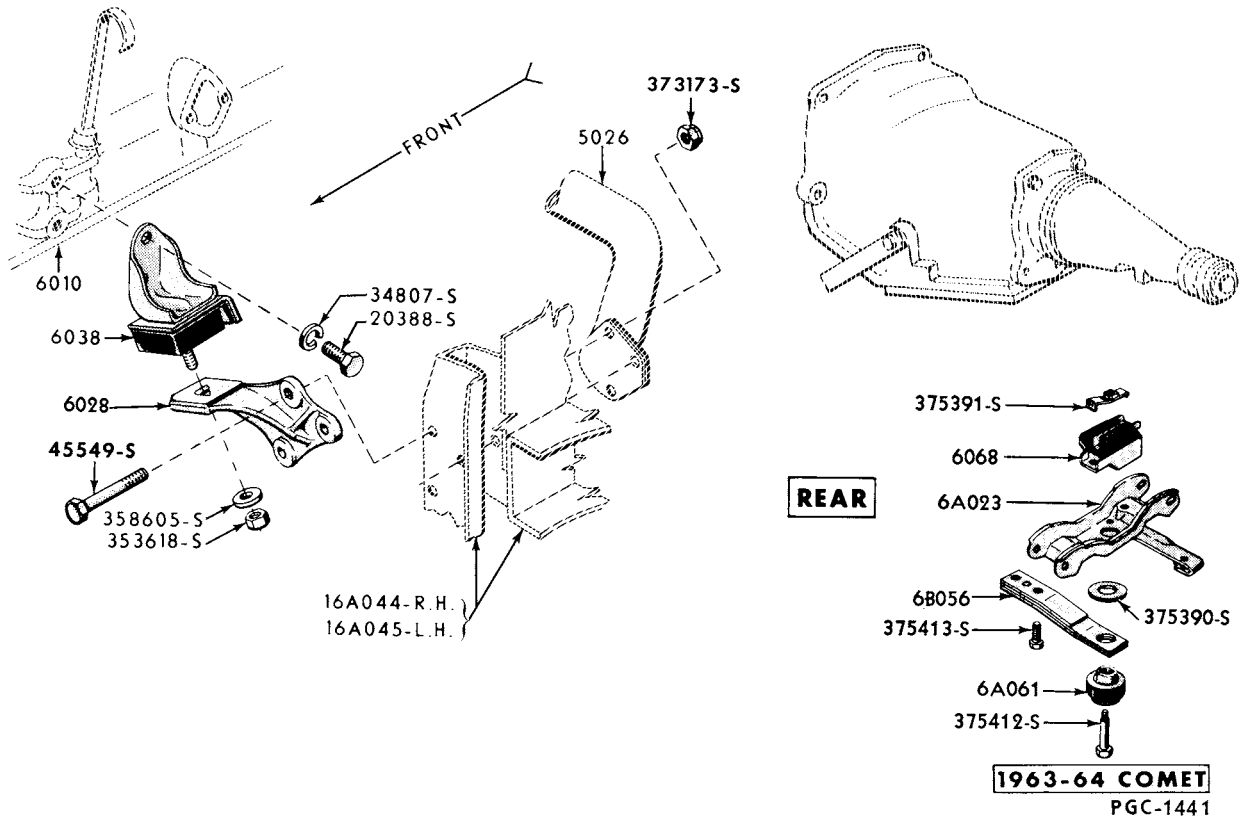


{ 8 CYL. 221 ENGINE-ALL TRANSMISSIONS
 * { 6 CYL. 170 ENGINE-AUTOMATIC
 † 170 CID ENGINE STANDARD TRANSMISSION

1962-63 METEOR
 PYC-1334

REAR

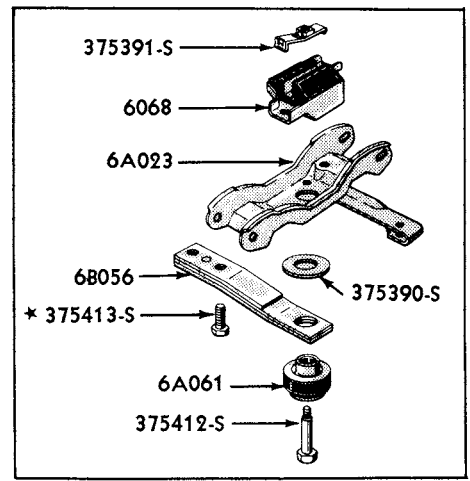
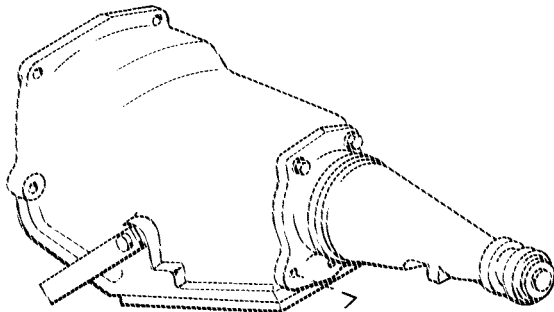
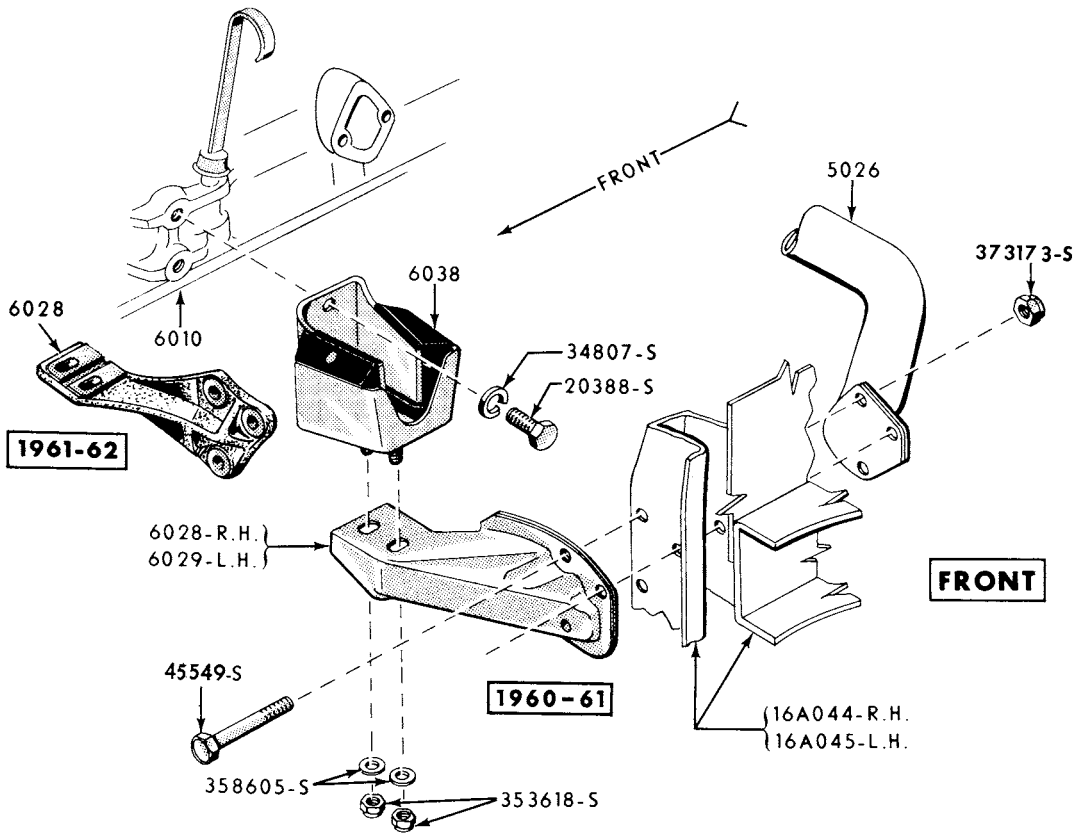
ENGINE SUPPORTS - REAR - 170, 221, 260 C.I.D. ENGINES



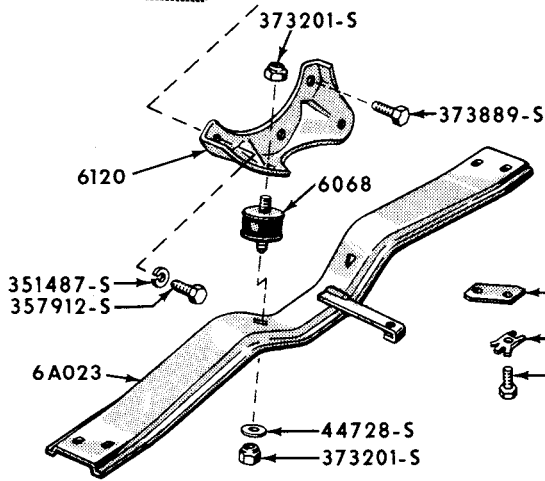
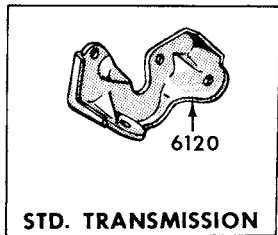
REAR

1963-64 COMET
 PGC-1441

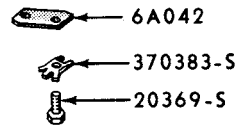
ENGINE SUPPORTS - FRONT and REAR - 144, 170, 200 C. I. D. ENGINES



LATE STYLE



EARLY STYLE

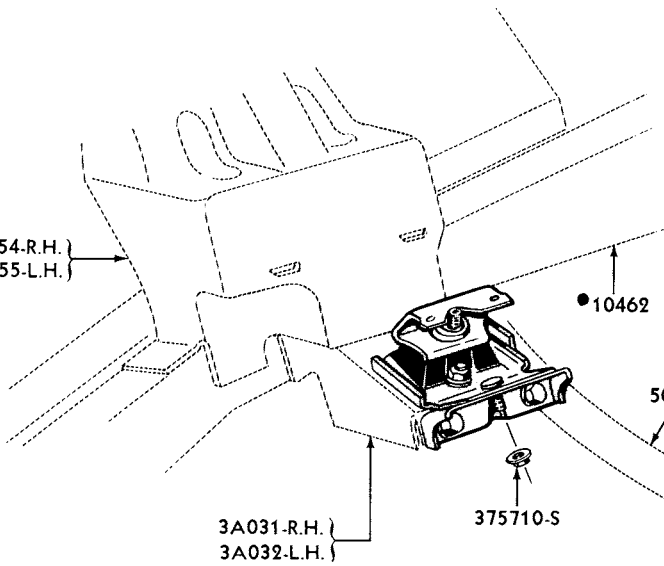


1960-62 COMET

PGC-1038

ENGINE SUPPORTS - FRONT and REAR - 144,170 C.I.D. ENGINES

16054-R.H.
16055-L.H.



3A031-R.H.
3A032-L.H.

375710-S

10462

5026

373403-S

6046

6039

6038

33799-S

34807-S

6047

6028

34808-S

34670-S

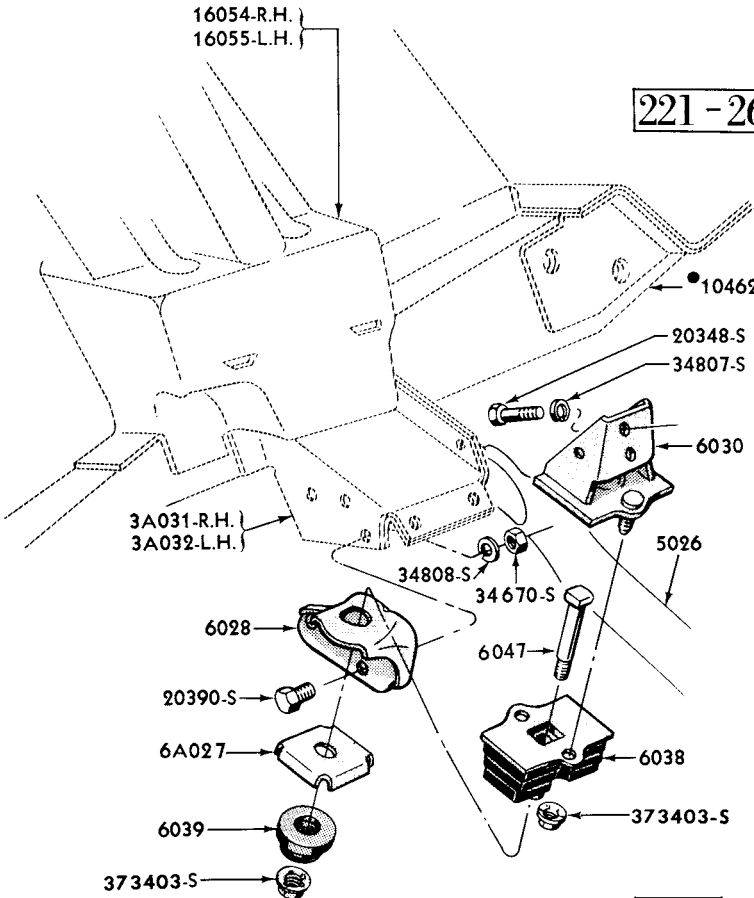
6030

20390-S

375710-S

221-260

16054-R.H.
16055-L.H.



3A031-R.H.
3A032-L.H.

34808-S

34670-S

5026

6028

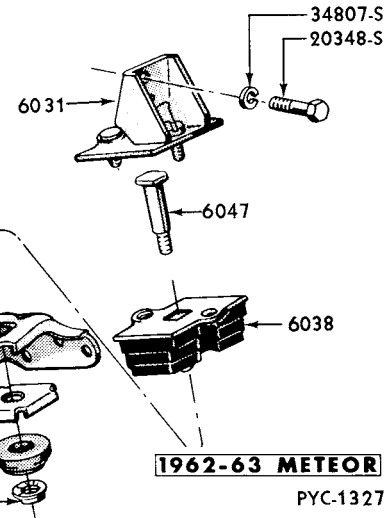
20390-S

6A027

6039

373403-S

170



34807-S

20348-S

6031

6047

6029

6A027

6039

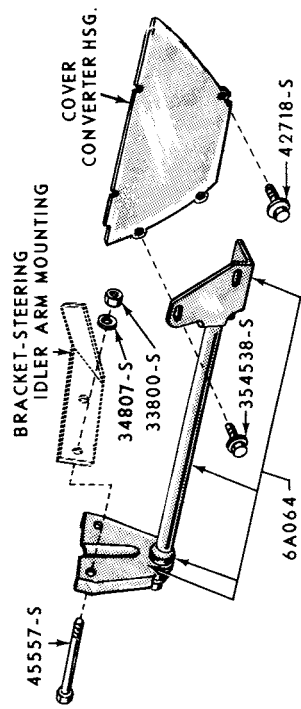
373403-S

1962-63 METEOR

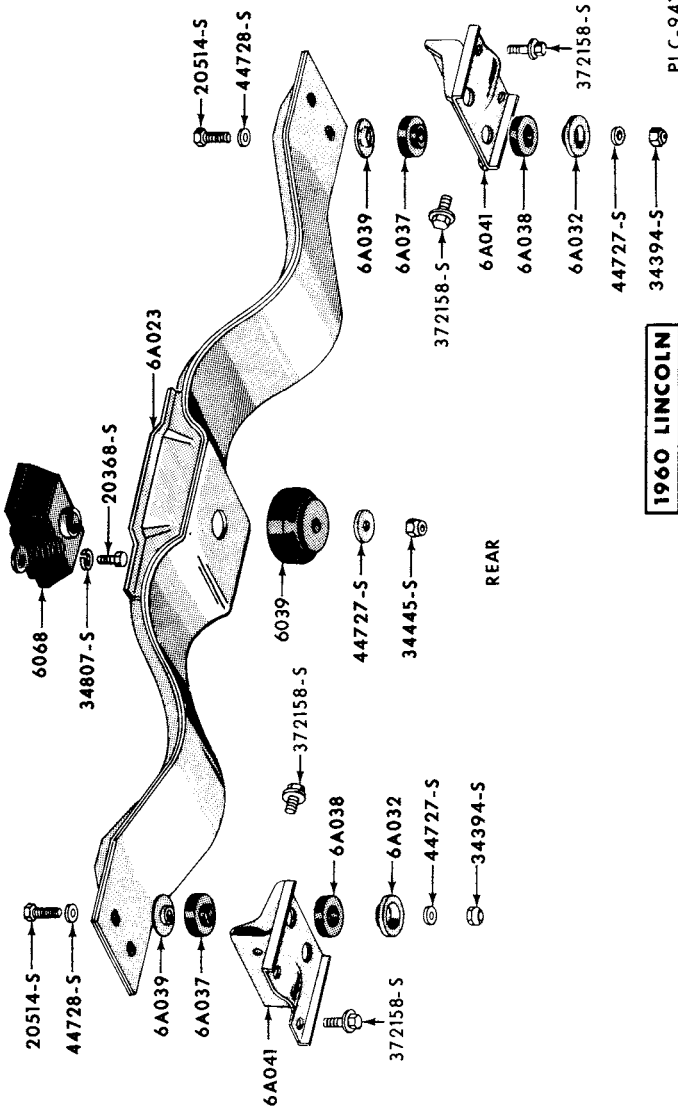
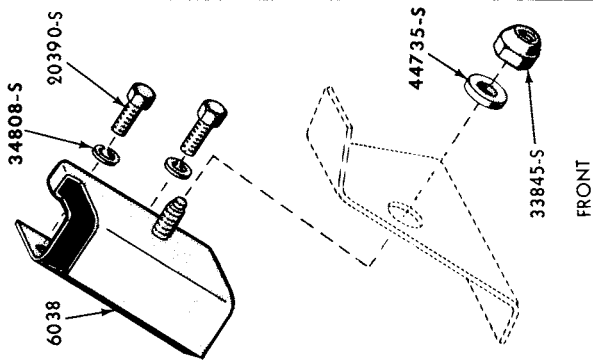
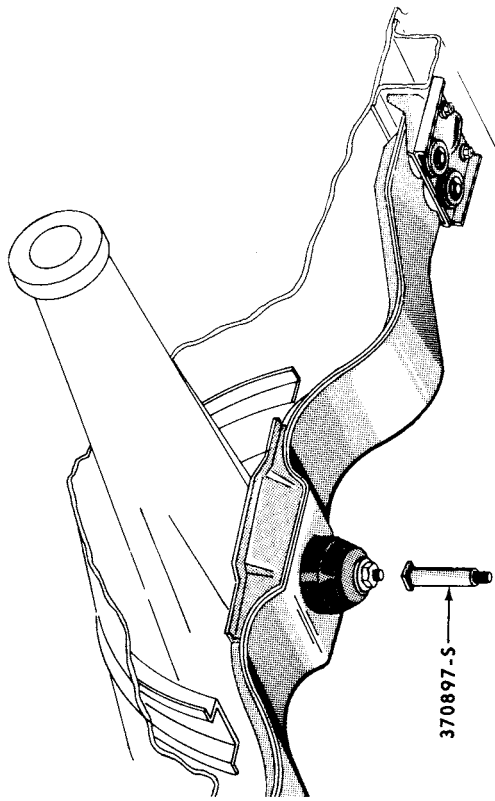
PYC-1327

REFER TO THE BODY SECTION OF THE PARTS CATALOG

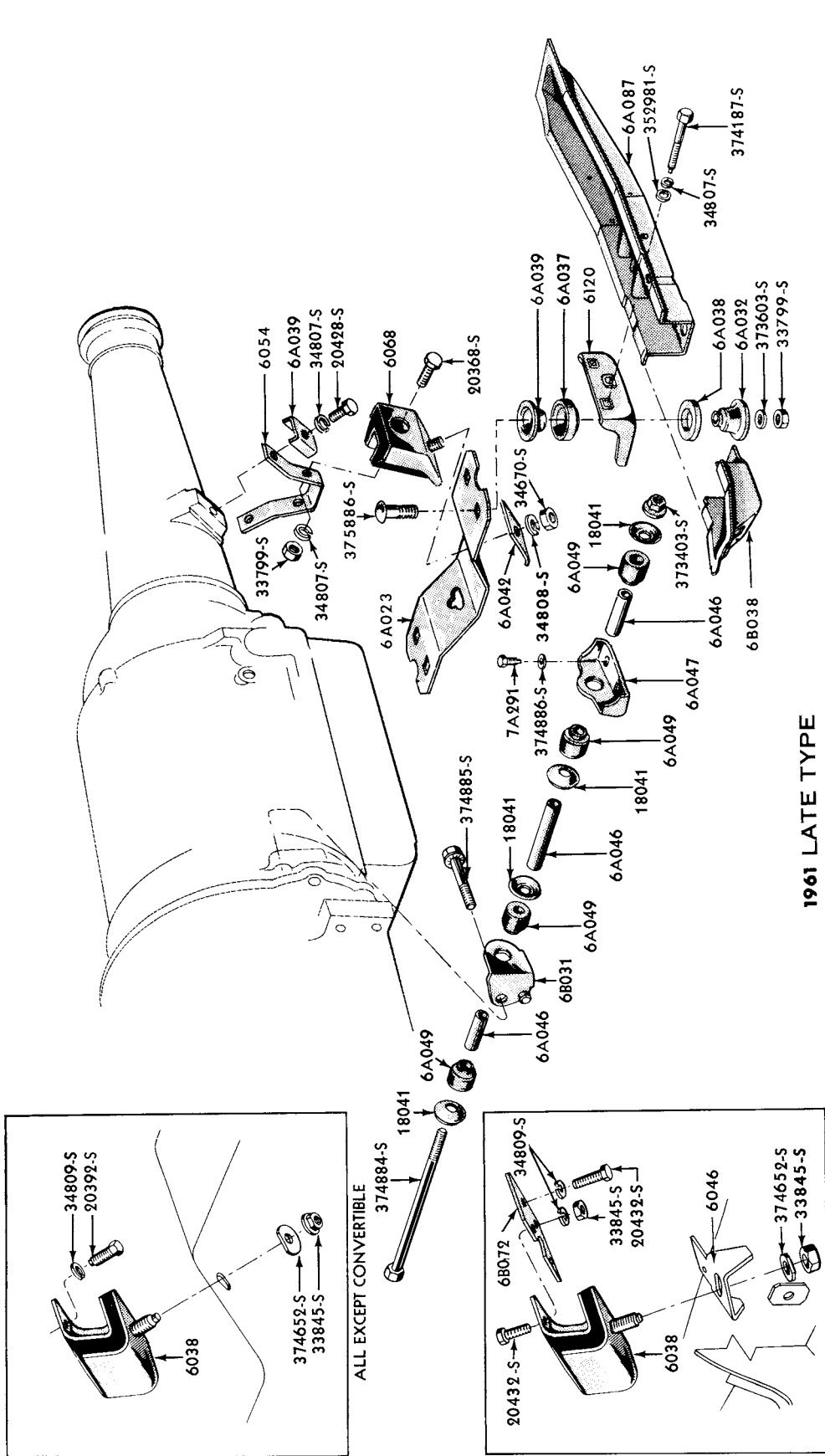
ENGINE SUPPORTS - FRONT - 170, 221, 260 C.I.D. ENGINES



BOLT ASSY - ENGINE TO FRAME MOUNTING
(ENGINE STABILIZER ROD)



ENGINE SUPPORTS



1961-64 LINCOLN

PLC-1210

1961 LATE TYPE

ENGINE SUPPORTS

1961-62 MERCURY
EMISSION REDUCTION REFERENCE CHART

Part No.	Part Description	Year	223 C.I.D.		292 C.I.D.		352 C.I.D.		390 C.I.D.	
			Std. Trans.	Auto. Trans.	Std. Trans.	Auto. Trans.	Std. Trans.	Auto. Trans.	Std. Trans.	Auto. Trans.
\$C1AE 6A664-C	Hose (crankcase ventilation tube)	61	2	2	1	1				
\$C1AE 6A664-L	Hose (crankcase ventilation tube)	61-62			1	1				
\$C1AE 6A664-J	Hose (crankcase ventilation tube)	61					1	1	1	1
C1AE 6A665-F	Adaptor (crankcase ventilation)	61-62	1	1						
C1AE 6A665-G	Adaptor (crankcase ventilation)	61-62			1	1				
C2AZ 6A665-A	Adaptor (crankcase ventilation)	61-62					1	1	1	1
C1AE 6A666-F	Valve (crankcase ventilation regulator)	61-62	1	1						
C1AE 6A666-H	Valve (crankcase ventilation regulator)	61-62			1	1				
C1AE 6A666-D	Valve (crankcase ventilation regulator)	61					1	1		
C2AZ 6A666-A	Valve (crankcase ventilation regulator)	62					1	1	1	1
C1AE 6A666-G	Valve (crankcase ventilation regulator)	61							1	1
C2AZ 6758-D	Tube & adaptor (crankcase ventilation)	61-62	1	1						
\$C1AE 6758-E	Tube & adaptor (crankcase ventilation)	61-62			1	1				
C1AE 6758-C	Tube & adaptor (crankcase ventilation)	61					1	1	1	1
\$C1AZ 6758-A	Tube & adaptor (crankcase ventilation)	62					1	1	1	1
C3AZ 6763-A	Pipe (oil filler)	61-62	X	X	X	X	X	X	1	1
B6A 6766-A	Cap (oil filler)	61-62	X	X	X	X	X	X	1	1
C1AZ 9A523-B	Support (carburetor booster venturi)	61-62			1	1				
C1AZ 9A523-C	Support (carburetor booster venturi)	61-62					1	1		
\$C1AZ 9A523-D	Support (carburetor booster venturi) primary	61-62							1	1
\$C1AZ 9A523-E	Support (carburetor booster venturi) primary	61-62							1	1
B8AZ 9A523-F	Support (carburetor booster venturi) secondary	61-62							1	1

\$ - NS-Refer to group for service instructions
 * - 0 to 5,000 feet altitude
 # - 5,000 to 10,000 feet altitude
 % - 10,000 to 15,000 feet altitude
 X - Not applicable

CONTINUED ON NEXT PAGE

1961-62 MERCURY
EMISSION REDUCTION REFERENCE CHART - CONTINUED

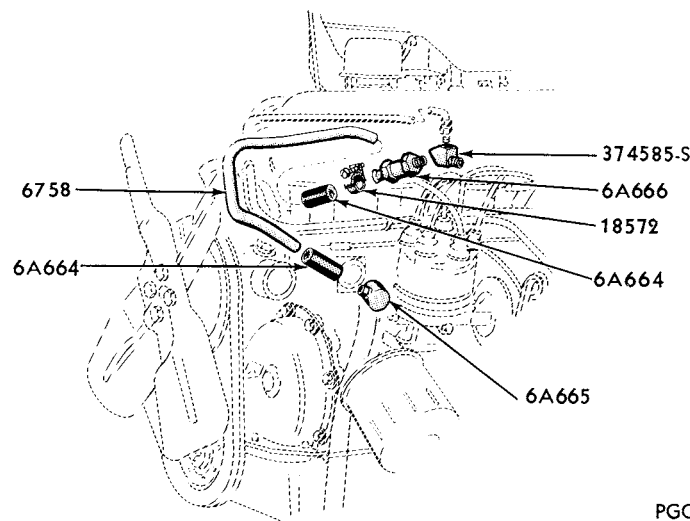
Part No.	Part Description	Year	223 C.I.D.		292 C.I.D.		352 C.I.D.		390 C.I.D.	
			Std. Trans.	Auto. Trans.	Std. Trans.	Auto. Trans.	Std. Trans.	Auto. Trans.	Std. Trans.	Auto. Trans.
5GA 9533-B	Jet (carburetor metering)	61	*1							
B4Q 9533-A	Jet (carburetor metering)	61	#1	*1						
B4Q 9533-B	Jet (carburetor metering)	61		#1						
26H 9533	Jet (carburetor metering)	61		%1						
\$C1AZ 9533-C	Jet (carburetor metering)	61-62			*2					
\$C1AZ 9533-A	Jet (carburetor metering)	61-62			*2	*2				
\$C1AZ 9533-G	Jet (carburetor metering)	61-62			#2					
\$C1AZ 9533-B	Jet (carburetor metering)	61-62			#2	#2				
C1AZ 9533-K	Jet (carburetor metering)	61-62			%2					
C1AZ 9533-F	Jet (carburetor metering)	61-62				%2				
C1AZ 9533-E	Jet (carburetor metering)	61-62					*2			
\$C1AE 9533-B	Jet (carburetor metering) primary	61-62					#2		*2	
\$C1AZ 9533-H	Jet (carburetor metering) primary	61-62					#2	%2	%2	
C1AZ 9533-D	Jet (carburetor metering)	61-62						*2		
\$C1AE 9533-A	Jet (carburetor metering) primary	61-62						#2	*2	*2
\$C1AZ 9533-L	Jet (carburetor metering) primary	61-62						%2	#2	#2
\$C1AE 9533-C	Jet (carburetor metering) secondary	61							*2	*2
\$C1AE 9533-D	Jet (carburetor metering) secondary	61								*2
C1AZ 9533-S	Jet (carburetor metering) secondary	61								#2
C1AZ 9533-U	Jet (carburetor metering) secondary	61-62							%2	%2
C1AZ 9533-N	Jet (carburetor metering) primary	61								%2
1C 18572-A	Clamp (hose to valve)	61-62	2	2	2	2	2	2	2	2
374604-S	Elbow (90° - 1/2" hose)		1	1						
374963-S	Tee (45° - 2-way)				1	1				
374964-S	Clip (1/2" - 5/16")				1	1				
374262-S	Tee (3-way)						1	1	1	1
374266-S	Clip (tube to manifold)						1	1	1	1

\$ - NS-Refer to group for service instructions
 * - 0 to 5,000 feet altitude
 # - 5,000 to 10,000 feet altitude
 % - 10,000 to 15,000 feet altitude
 X - Not applicable

1961-62 COMET - METEOR
EMISSION REDUCTION REFERENCE CHART

Part No.	Part Description	Year	144 C. I. D.		170 C. I. D.	
			Std. Trans.	Auto. Trans.	Std. Trans.	Auto. Trans.
\$C1AE 6A664-C	Hose (crankcase ventilation tube)	61-62	2	2	2	2
C1DE 6A665-B	Adaptor (crankcase ventilation)	61-62	1	1	1	1
C1DE 6A666-B	Valve (crankcase ventilation regulator)	61-62	1	1	1	1
C1DZ 6758-A	Tube (crankcase ventilation)	61	1	1	1	1
\$C2DE 6759-A	Tube (crankcase ventilation)	62	1	1	1	1
26H 9533	Jet (carburetor metering)	61	*1			
B4T 9533-A	Jet (carburetor metering)	61	#1			
B4T 9533-B	Jet (carburetor metering)	61	%1	%1		
78 9533-E	Jet (carburetor metering)	61		*1		
O6H 9533	Jet (carburetor metering)	61		#1		
B4Q 9533-A	Jet (carburetor metering)	61			*1	*1
B4Q 9533-B	Jet (carburetor metering)	61			#1	#1
78 9533-B	Jet (carburetor metering)	61			%1	%1
1C 18572-A	Clamp (hose to valve)	61-62	1	1	1	1
374585-S	Tee 30° 2-way (hose to intake manifold)	61	1	1	1	1
376023-S	Tee 30° 2-way (hose to intake manifold)	62	1	1	1	1

\$ - NS-Refer to group for service instructions
 * - 0 to 5,000 feet altitude
 # - 5,000 to 10,000 feet altitude
 % - 10,000 to 15,000 feet altitude



PGC-1201

1961-62 COMET
1962-METEOR

EMISSION REDUCTION SYSTEM

TRANSMISSION, ENGINE AND CARBURETOR
COMBINATION CHART

The abbreviations "ALL", "A/T", "2/S", "S/R", "D/R", "S/T", "3/S", "4/S", and "O/D" have the following meanings as to transmission application -

ALL - All Standard and Automatic Transmissions

A/T - All Automatic Transmissions

2/S - Two Speed Automatic Transmissions only

S/R - Single Range Automatic Transmissions only

D/R - Dual Range Automatic Transmissions only

S/T - All Standard Transmissions

3/S - Three Speed Standard Transmissions only

4/S - Four Speed Standard Transmissions only

O/D - Overdrive Transmission only

The following will be helpful to determine transmissions, engine and carburetor combinations.

TRANSMISSION			ENGINE	CARBURETOR	VEHICLE CODE	YEAR 19__
PART NO.	MODEL	TYPE				
COMP-7003-A COMP-7003-K	PBM-K PBM-Y	S/R	312-2V	◇B9ME-9510-A, ◇COME-9510-A	A	60
COMP-7003-D COMP-7003-L	PBL-AA PBL-AJ	S/R	383-2V	■ †COME-9510-G or K, ☆ ◆COLE-9510-D or G	A	60
COMP-7003 H COMP-7003-N COMP-7003-T	PBB-AA PBB-AC PBB-AH	S/R	430-2V	◆COLE-9510-D or G	A	60
COMP-7003-E COMP-7003-M	PBL-AB PBL-AK	D/R	383-2V	■ †COME-9510-G or K, ☆ ◆COLE-9510-D or G	A	60
COMP-7003-J COMP-7003-R COMP-7003-U	PBB-AB PBB-AE PBB-AJ	D/R	430-2V	◆COLE-9510-D or G	A	60
COMR-7003-A COMR-7003-B COMR-7003-C COMR-7003-E COMR-7003-G		3/S	312-2V	◇COME-9510-F	A	60

- Use on vehicles not equipped with air conditioning
- ☆ Use on vehicles equipped with air conditioning

† Ford ◆ Carter ◇ Holley

CONTINUED ON NEXT PAGE

TRANSMISSION, ENGINE AND CARBURETOR
COMBINATION CHART - CONTINUED

TRANSMISSION			ENGINE	CARBURETOR	VEHICLE CODE	YEAR 19
PART NO.	MODEL	TYPE				
C1AP-7003-F C1AP-7003-K C3AP-7003-A	PBP-C PCH-A Δ PCH-B Δ	2/S	223-1V	%◇COAZ-9510-Z, ‡◇C1AE-9510-F	A	61
C1AP-7003-G C1AP-7003-L	PBR-C PCJ-A Δ	2/S	292-2V	%‡C1AE-9510-Z, ‡‡C1AE-9510-AB	A	61
C1AP-7003-H C1AP-7003-M C1MP-7003-E	PBS-E PCK-A Δ PAZ-Z	2/S	352-2V	%‡C1AE-9510-AD, ‡‡C1AE-9510-AF	A	61
C1MP-7003-E	PAZ-Z	S/R	292-2V	%‡C1AE-9510-Z, ‡‡C1AE-9510-AB	A	61
C1MP-7003-B	PBM-Z	S/R	352-2V	%‡C1AE-9510-AD, ‡‡C1AE-9510-AF	A	61
C1AP-7003-B C1AP-7003-V	PCC-A PCC-C Δ	D/R	292-2V	%‡C1AE-9510-Z, ‡‡C1AE-9510-AB	A	61
C1AP-7003-C C1AP-7003-Y	PCD-A PCD-D Δ	D/R	352-2V	%‡C1AE-9510-AD, ‡‡C1AE-9510-AF	A	61
C1AP-7003-D C1AP-7003-T C1AP-7003-Z	PCE-B PCE-E Δ PCE-G Δ	D/R	390-4V	‡‡COAE-9510-AH	A	61
C1AP-7003-AA	PCE-H ⊕Δ	D/R	390-4V	‡C1AE-9510-AL	A	61
C1AR-7003-A C1AR-7003-K C1AR-7003-N	□	3/S	223-1V	◇COAE-9510-E replaced by %◇COAE-9510-U, ‡◇C1AE-9510-E	A	61
C1AR-7003-B C1AR-7003-L C1AR-7003-R	□ □ □	3/S	292-2V	%‡C1AE-9510-Y, ‡‡C1AE-9510-AA	A	61
C1AR-7003-D C1AR-7003-M C1AR-7003-U	□ □ □	3/S	352-2V	%‡C1AE-9510-AC, ‡‡C1AE-9510-AE	A	61
C1AR-7003-M C1AR-7003-U	□ □	3/S	390-4V	‡C1AE-9510-AK	A	61
C1AA-7003-G C1AA-7003-K		O/D	223-1V	◇COAE-9510-E replaced by %◇COAE-9510-U, ‡◇C1AE-9510-E	A	61
C1AA-7003-J C1AA-7003-M		O/D	292-2V	%‡C1AE-9510-Y, ‡‡C1AE-9510-AA	A	61
C1AP-7003-K C3AP-7003-A C1AP-7003-L	PCH-A Δ PCH-B Δ PCJ-A Δ	2/S	223-1V 292-2V	%◇C2AE-9510-E, ‡◇C2AE-9510-F %‡C2AF-AB, ‡‡C2AF-AD	A	62

% Use on vehicles not equipped with emission reduction system

‡ Use on vehicles equipped with emission reduction system

⊕ Police Special

□ When replacing transmission built prior to 9-2-60, also use (1) B9AA-4841-A yoke

Δ With vacuum throttle valve

‡ Ford

◇ Holley

CONTINUED ON NEXT PAGE

TRANSMISSION, ENGINE AND CARBURETOR
COMBINATION CHART - CONTINUED

TRANSMISSION			ENGINE	CARBURETOR	VEHICLE CODE	YEAR 19
PART NO.	MODEL	TYPE				
C1AP-7003-M	PCK-A Δ	2/S	352-2V	%†C2AF-AF, ‡C2AF-AH	A	62
C1AP-7003-V	PCC-C \$Δ	D/R	292-2V	%†C2AF-AB, ‡C2AF-AD	A	62
C2AP-7003-A	PCC-D ⊞Δ					
C1AP-7003-Y	PCD-D \$Δ	D/R	352-2V	%†C2AF-AF, ‡C2AF-AH	A	62
C2AP-7003-B	PCD-F ⊞Δ					
C1AP-7003-Z	PCE-G \$Δ	D/R	390-4V	†C2AF-T, U, AL or AM	A	62
C2AP-7003-C	PCE-S ⊞Δ					
C2AZ-7003-A		3/S	223-1V	%◇C2AE-9510-A, ‡◇C2AE-9510-B	A	62
C2AZ-7003-B		3/S	292-2V	%†C2AF-AA, ‡C2AF-AC	A	62
C2AZ-7003-E		3/S	352-2V	%†C2AF-AE, ‡C2AF-AG	A	62
C2AZ-7003-E		3/S	390-4V	‡†C2AF-Y, †C2AF-U or AM	A	62
C2AZ-7003-F		4/S	223-1V	%◇C2AE-9510-A, ‡◇C2AE-9510-B	A	62
C2AZ-7003-F		4/S	292-2V	%†C2AF-AA, ‡C2AF-AC	A	62
C2AZ-7003-F		4/S	352-2V	%†C2AF-AE, ‡C2AF-AG	A	62
C2AZ-7003-F		4/S	390-4V	%†C2AF-AJ, ‡C2AF-AK	A	62
C2AZ-7003-F		4/S	406-4V	◇C1AE-9510-AM	A	62
C2AZ-7003-F		4/S	406-6V	(2)◇C1AE-9510-AU, (1)◇C1AE-9510-AV	A	62
C3AP-7003-AF	PCE-AF \$	D/R	390-2V	†C3MF-B or D	A	63
C3AP-7003-AH	PCE-AG \$	D/R	390-2V	†C3MF-B or D	A	63
C3AP-7003-F	PCE-M \$	D/R	390-4V	†C3AF-R, T or AY	A	63
C3AP-7003-T	PCE-Z \$	D/R	390-4V	†C3AF-R, T or AY	A	63
C3AP-7003-N	PCE-U ⊞	D/R	390-4V	†C3AF-R, T or AY	A	63
C3AP-7003-G	PCE-N ⊞\$	D/R	390-4V	†C3AF-R, T or AY	A	63
C3AP-7003-U	PCE-AA ⊞\$	D/R	390-4V	†C3AF-R, T or AY	A	63
C3AP-7003-Y	PCE-AD ⊞	D/R	390-4V	†C3AF-R, T or AY	A	63
C3AP-7003-R	PCE-V ⊞⊞	D/R	390-4V	†C3AF-R, T or AY	A	63
C3AP-7003-V	PCE-AB ⊞⊞	D/R	390-4V	†C3AF-R, T or AY	A	63
C3AZ-7003-E	HEG-A \$	3/S	390-2V, 4V	†C3AF-N, S or AV, †C3MF-A or C	A	63
C3AZ-7003-G	⊞	4/S	390-2V, 4V	†C3AF-N, S or AV, †C3MF-A or C	A	63
C3AZ-7003-H			406-4V	◇C1AE-9510-AM or ◇C3AE-9510-A		
			406-6V	(2)◇C1AE-9510-AU (1)◇C1AE-9510-AV		
			427-4V	◇C3AE-9510-B	A	63
			427-8V	(2)◇C2AE-9510-CB or (2)◇C3AE-9510-C	A	63
C4MP-7003-A	PCE-AZ \$	D/R	390-2V	&†C3MF-D, ●†C4MF-A	A	64
C4AP-7003-F	PCE-AU \$	D/R	390-4V	†C3AF-BV or BZ	A	64
C4AP-7003-G	PCE-AV ⊞	D/R	390-4V	†C3AF-BV or BZ	A	64
C4AP-7003-H	PCE-AW\$⊞	D/R	390-4V	†C3AF-BZ	A	64
C4AP-7003-J	PCE-AY ⊞⊞	D/R	390-4V	†C3AF-BZ	A	64

% Use on vehicles not equipped with emission reduction system
 ⊞ Police Special
 \$ Use with steering column mounted shift lever
 † Ford ◇ Holley

‡ Use on vehicles equipped with emission reduction system
 Δ With vacuum throttle valve
 ⊞ Use with floor mounted shift lever
 ● Engine warranty code "H"
 & Engine warranty code "Y"

TRANSMISSION, ENGINE AND CARBURETOR
COMBINATION CHART - CONTINUED

TRANSMISSION			ENGINE	CARBURETOR	VEHICLE CODE	YEAR 19
PART NO.	MODEL	TYPE				
C4AZ-7003-K	HEG-E \$	3/S	390-2V, 4V	&†C3MF-C, †C3AF-BU or BY	A	64
†C4MY-7003-A †C5MY-7003-A	HEH-F HEH-K When replacing C4MY-7003-A with C5MY-7003-A, transfer 7050 retainer	4/S	390-2V	&†C3MF-C	A	64
†C4AZ-7003-F †C5AZ-7003-F	HEH-D HEH-J When replacing C4AZ-7003-F with C5AZ-7003-F, transfer 7050 retainer	4/S	390-4V	†C3AF-BU or BY	A	64
†C4AZ-7003-Y †C5AZ-7003-G	HEH-H HEH-R When replacing C4AZ-7003-Y with C5AZ-7003-G, transfer 7050 retainer	4/S	427-4V 427-8V	◇C3AE-9510-B (1)◇C3AF-9510-BK and (1)◇C3AF-9510-BJ or (2)◇C3AE-9510-C	A A	64 64
C2OP-7003-A C3OP-7003-A	PCM-D PCM-G	2/S	170-1V	◇2343, 2343*, 2343-1	B	62
C2OP-7003-B C3OP-7003-B	PCN-A PCN-B	2/S	221-2V	†C2OF-N, %†C2OF-R, ‡†C2OF-T	B	62
C2OP-7003-C C3OP-7003-C	PCP-A PCP-B	2/S	260-2V	†C2OF-AA, %†C2OF-AB, ‡†C2OF-AD	B	62
C2OZ-7003-B		3/S	170-1V	◇2324, 2324-1, 2343, 2343*, 2343-1	B	62
C2OZ-7003-C C2OZ-7003-E		3/S	221-2V	†C2OF-N, ‡†C2OF-S	B	62
C2OZ-7003-C C2OZ-7003-E		3/S	260-2V	†C2OF-AA, ‡†C2OF-AC	B	62
C2OA-7003-C C2OA-7003-D C2OA-7003-E C2OA-7003-G		O/D	221-2V	†C2OF-N, ‡†C2OF-S	B	62
C3OP-7003-A	PCM-G	2/S	170-1V	†C3YF-B	B	63
C3OP-7003-F	PCY-A	2/S	200-1V	†C3YF-E or H	B	63
C3OP-7003-B	PCN-B	2/S	221-2V	†C3OF-D	B	63
C3OP-7003-C	PCP-B	2/S	260-2V	†C3OF-F	B	63
C2OZ-7003-B		3/S	170-1V	†C3YF-A	B	63
C3OZ-7003-A	HEE-B	3/S	221-2V	†C3OF-C	B	63
C3OZ-7003-B	HEF-D	3/S	260-2V	†C3OF-E	B	63
C3OZ-7003-C	HEF-E	3/S	260-2V	†C3OF-E	B	63
C3OZ-7003-E		4/S	221-2V 260-2V	†C3OF-C or D †C3OF-E or F	B	63
C2OA-7003-G C3OA-7003-C	Prior to 11-5-62 After 11-4-62	O/D	221-2V	†C3OF-C	B	63

% Use on vehicles not equipped with emission
reduction system

† Ford ◇ Holley

‡ Use on vehicles equipped with emission reduction system

\$ Use with steering column mounted shift lever
& Engine warranty code "Y"

TRANSMISSION, ENGINE AND CARBURETOR
COMBINATION CHART - CONTINUED

TRANSMISSION			ENGINE	CARBURETOR	VEHICLE CODE	YEAR 19
PART NO.	MODEL	TYPE				
C1KP-7003-A	PBZ-B §	2/S	144-1V	◇CODE-9510-B,	C	60
C1KP-7003-B	PBZ-D §			◇CODE-9510-D,		
C1KP-7003-C	PBZ-F §			◇C1KE-9510-B		
CODP-7003-D	PBZ-E φ	2/S	144-1V	◇CODE-9510-B,	C	60
				◇CODE-9510-D,		
				◇C1KE-9510-B		
C1KR-7003-A	§	3/S	144-1V	◇CODE-9510-A,	C	60
C1KR-7003-B				◇CODE-9510-C,		
C1KR-7003-D				◇C1KE-9510-A		
C1KR-7003-E						
C1GY-7003-A						
C2GY-7003-A						
CODR-7003-E	φ	3/S	144-1V	◇CODE-9510-A,	C	60
CODR-7003-H				◇CODE-9510-C,		
CODR-7003-L				◇C1KE-9510-A		
C1DR-7003-E						
C1GP-7003-B	PBZ-K §	2/S	144-1V	◇C1GE-9510-B,	C	61
C1GP-7003-C	PCL-C § Δ			%◇C1GE-9510-D		
C1DP-7003-D	PBZ-J φ	2/S	144-1V	◇C1GE-9510-B,	C	61
C1DP-7003-E	PCL-A φ Δ			%◇C1GE-9510-D		
C3DP-7003-A	PCL-D φ Δ					
C1GP-7003-A	PCF-C §	2/S	170-1V	%◇C1GE-9510-F,	C	61
C1GP-7003-D	PCM-C § Δ			◇C1GE-9510-H		
C1DP-7003-B	PCF-B φ	2/S	170-1V	%◇C1GE-9510-F,	C	61
C1DP-7003-G	PCM-A φ Δ			◇C1GE-9510-H		
C3DP-7003-B	PCM-E φ Δ					
C1KR-7003-D	§	3/S	144-1V	‡ ◇C1GE-9510-A,	C	61
C1KR-7003-E				◇C1GE-9510-B,		
C1GY-7003-A				%◇C1GE-9510-C		
C2GY-7003-A						
CODR-7003-H	φ	3/S	144-1V	‡ ◇C1GE-9510-A,	C	61
CODR-7003-L				◇C1GE-9510-B,		
C1DR-7003-E				%◇C1GE-9510-C		
C1GR-7003-A	§	3/S	170-1V	%◇C1GE-9510-E,	C	61
C1GY-7003-B				‡ ◇C1GE-9510-G,		
C2GY-7003-B	§	3/S	144-1V	◇C1GE-9510-H		
C1DR-7003-B	φ	3/S	170-1V	%◇C1GE-9510-E,	C	61
C1DR-7003-D				‡ ◇C1GE-9510-G,		
				◇C1GE-9510-H		
C1GP-7003-C	PCL-C § Δ	2/S	144-1V	◇2342, 2342*, 2342-1	C	62
C1DP-7003-E	PCL-A φ Δ	2/S	144-1V	◇2342, 2342*, 2342-1	C	62
C3DP-7003-A	PCL-D φ Δ					
C1GP-7003-D	PCM-C § Δ	2/S	170-1V	◇2343, 2343*, 2343-1	C	62
C1DP-7003-G	PCM-A φ Δ	2/S	170-1V	◇2343, 2343*, 2343-1	C	62
C3DP-7003-B	PCM-E φ Δ					
C1GY-7003-A	§	3/S	144-1V	◇2311, 2311*, 2342, 2342*	C	62
C2GY-7003-A						

% Use on vehicles not equipped with emission reduction system

§ For all models except 59, 71

‡ Use on vehicles equipped with emission reduction system

Δ With vacuum throttle valve

φ For models 59, 71

† Ford ◇ Holley

TRANSMISSION, ENGINE AND CARBURETOR
COMBINATION CHART CONTINUED

TRANSMISSION			ENGINE	CARBURETOR	VEHICLE CODE	YEAR 19
PART NO.	MODEL	TYPE				
C1DR-7003-E C2DZ-7003-E	φ	3/S	144-1V	◇2311, 2311*, 2342, 2342*	C	62
C1GY-7003-B C2GY-7003-B	§	3/S	170-1V 144-1V	◇2324, 2324-1, 2343, 2343*, 2343-1	C	62
C1DR-7003-D C2DZ-7003-D	φ	3/S	170-1V 144-1V	◇2324, 2324-1, 2343, 2343*, 2343-1	C	62
C2DZ-7003-F C2DZ-7003-F		4/S	144-1V 170-1V	◇2311, 2311*, 2342, 2342* ◇2324, 2324-1, 2343, 2343*, 2343-1	C	62
C3DP-7003-A C3GP-7003-A	PCL-D φ PCL-E §	2/S	144-1V	†C3GF-B †C3GF-B	C	63
C3DP-7003-B C3GP-7003-B	PCM-E φ PCM-F §	2/S	170-1V	†C3YF-B †C3YF-B	C	63
C3OP-7003-E C2GY-7003-A	PCP-G §	2/S	260-2V	†C3OF-F	C	63
C2DZ-7003-E C2GY-7003-B	§	3/S	144-1V 170-1V	†C3GF-A †C3YF-A	C	63
C2DZ-7003-D	§	3/S	144-1V	†C3GF-A	C	63
C3DZ-7003-B C2DZ-7003-F C2DZ-7003-G	HEF-N	3/S	260-2V 144-1V 170-1V	†C3OF-E †C3GF-A, †C3YF-A	C	63
C3DZ-7003-C		4/S	260-2V	†C3OF-E	C	63
C4GP-7003-A C4GP-7003-L	PCW-D PCW-Y	D/R	260-2V	†C4OF-B †C4OF-B	C	64
C4GP-7003-B C4GP-7003-M	PCW-E PCW-Z	D/R	289-4V 280-4V	†C4GF-E or AB †C4GF-E or AB	C	64
C4GP-7003-F C4GP-7003-K	PCY-D § PCY-F §	2/S	200-1V	†C3YF-H	C	64
C4GP-7003-E C4GP-7003-J	PCY-C φ PCY-E φ	2/S	200-1V	†C3YF-H	C	64
C4GY-7003-A C4DZ-7003-D	HED-AU § HED-AX φ	3/S	170-1V	†C3YF-F †C3YF-F	C	64
C4DZ-7003-B C4DZ-7003-E	HEF-AN HEF-BC	3/S	260-2V, 289-4V	†C4OF-A or B †C4GF-AA	C	64
▲C3DZ-7003-C		4/S	260-2V, 289-4V	†C4OF-A or B †C4GF-AA	C	64
▲C3DZ-7003-D						
†C4DZ-7003-A †C5DZ-7003-B	HEH-A HEH-M	4/S	260-2V, 289-4V	†C4OF-A or B †C4GF-AA	C	64
	When replacing C4DZ-7003-A with C5DZ-7003-B, transfer 7050 retainer					
COLP-7003-C C2VP-7003-A	PBB-AG PCA-D	D/R	430-2V	♣COLE-9510-A, B and G ♣C1VE-9510-B, C, D, E	D	60 61
C2VP-7003-A C3VP-7003-A	PCA-D PCA-E	D/R	430-2V 430-4V	♣C2VE-9510-A, B, C, D, E ♣C3VE-9510-A, B, D, E	D	62 63/64

φ For models 59, 71

§ For all models except 59, 71

† Ford

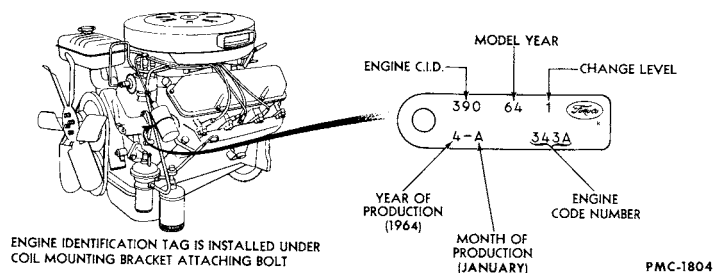
♣ Carter

▲ Warner

◇ Holley

ENGINE IDENTIFICATION TAG

To facilitate the identification of engines and related parts, an engine identification tag is installed on engines built from early January, 1964. On the 8 cylinder 260 and 289 C.I.D. engines, the identification tag is located under the electric heat bulb indicator (basic 10884); on all other engines the tag is located under the bolt which attaches the coil to the engine as shown on the illustration below. The model year and cubic inch displacement are shown in the catalog for all engine and related parts; the Change Level Number is shown in the catalog only when necessary to distinguish those parts peculiar to a change level. The Chg/L (Change Level) number will be printed in the same manner as date information applicable to other parts. The Engine Code Number will be cataloged only when necessary to identify parts peculiar to a specific engine. The Engine Code Numbers applicable to engines built from early January, 1964 and their designations are listed in the chart following the illustration. In all inquiries pertaining to engines built from early January, 1964 always furnish the complete tag identification information.



ENGINE CODE NUMBER CHART

ENGINE			Vehicle Code	Transmission	Carburetor	Emiss. Red.	Remarks
Code No.	No. Cyl.	C.I.D.					
19A & B	6	170	C	Standard	F-1V	Yes	
23A & B	6	200	C	Automatic 2/S	F-1V	Yes	
359A	8	427	A	Standard	F-4V	Yes	(Special)
N-359A	8	427	A	Standard	F-4V	No	(Special)
T-359A	8	427	A	Standard	F-4V	Yes	(Special) Transistor Ignition
TN-359A	8	427	A	Standard	F-4V	No	(Special) Transistor Ignition
361B	8	427	A	Standard	H-8V	Yes	(Special)
N-361B	8	427	A	Standard	H-8V	No	(Special)
T-361B	8	427	A	Standard	H-8V	Yes	(Special) Transistor Ignition
TN-361B	8	427	A	Standard	H-8V	No	(Special) Transistor Ignition
368A	8	390	A	Standard	F-4V	Yes	(Interceptor) Chrome Valve Covers
369A	8	390	A	Automatic D/R	F-4V	Yes	(Interceptor) Chrome Valve Covers
370B	8	390	A	Automatic D/R	F-4V	Yes	
371A	8	390	A	Standard	F-4V	Yes	(Police Special)
373A	8	390	A	Automatic D/R	F-4V	Yes	(Police Special)
375B	8	390	A	Standard	F-4V	Yes	
376B	8	390	A	Automatic D/R	F-2V	Yes	(Regular)
377B	8	390	A	Standard	F-2V	Yes	(Regular)
380B	8	390	A	Automatic D/R	F-2V	Yes	(Special)
383A	8	430	D	Automatic	C-4V	Yes	With Power Steering
385A	8	430	D	Automatic	C-4V	Yes	Power Steering With Air Conditioning
386A	8	430	D	Automatic	C-4V	Yes	With Power Steering
388A	8	430	D	Automatic	C-4V Hi Altitude	Yes	Power Steering With Air Conditioning
500A	8	260	C	Standard	F-2V	Yes	
502A	8	260	C	Automatic	F-2V	Yes	
573A & B	8	289	C	Standard	F-4V	Yes	
574A & B	8	289	C	Standard	F-4V	Yes	(Cyclone)
577A & B	8	289	C	Automatic	F-4V	Yes	
578A & B	8	289	C	Automatic	F-4V	Yes	(Cyclone)

F - H & A Carburetor

C - Carter Carburetor

H - Holley Carburetor

Engine

GROUP AND PART NUMBER	DESCRIPTION, SIZE, ETC.	NO. REQ'D	MODEL OR ENGINE CUBIC INCH DISPLACEMENT	VEHICLE CODE	YEAR 19____
6A001 SEAL (OIL PUMP INTERMEDIATE SHAFT)					
B9LE 6A001-A	Rubber - 3/8" O. D. x 1/16" thick with hex-center hole - also serviced in 6008 kit	1	430	D	60
6008 GASKET SET (ENGINE OVERHAUL)					
C1AZ 6008-A		1	223	A	61/62
Consists of the following -					
(1) C1AE-6020-A	gasket	(1) EAA-6619-C	gasket	(1) EAG-8255-B	gasket
(1) C3AZ-6051-A	gasket	(1) COAE-6626-A	gasket	(1) B7A-8507-A	gasket
(2) C1AE-6336-A	seal	(1) B7A-6659-A	gasket	% (1) EAA-8507-A	gasket
(1) C1AE-6521-C	gasket	(1) C1AE-6700-A	seal	(1) C1SZ-9417-A	gasket
(4) B9A-6570-A	seal	(2) B4A-6701-A	seal	(1) 1GA-9450	gasket
(12) C1TE-6571-C	seal	(1) COAE-6710-A	gasket	(4) B6A-9461-A	gasket
(1) COAE-6584-A	gasket	(1) C2OZ-6734-A	gasket	% (4) BJ6-9461-A	gasket
(1) EAA-6594-A	seal				
% Not used					
COAZ 6008-B		1	292	A	61/62
		1	312	A	60
Consists of the following -					
(1) B4A-6020-A	gasket	(1) B4A-6626-B	gasket	(1) C1AE-6870-A	gasket
(1) C3TZ-6051-D	gasket	(1) B5Q-6659-A	gasket	(1) B5A-8255-A	gasket
(2) C1AE-6336-B	seal	(1) 8EL-6669	gasket	(1) B5A-8507-A	gasket
(1) B4A-6436-A	seal	(1) B4A-6698-A	seal	(1) EAN-8563-B	gasket
(1) COAE-6521-A	gasket	§ (1) C3AZ-6700-A	seal	(1) C1SZ-9417-A	gasket
(6) B9A-6570-A	grommet	(2) B4Q-6701-A	seal	% (1) C3TZ-9439-A	gasket
(16) C1TE-6571-C	seal	(1) COAE-6710-B	gasket	(1) B7A-9441-B	gasket
(2) COAE-6584-B	gasket	(1) C2OZ-6734-A	gasket	% (1) C3TZ-9441-A	gasket
(1) B6Q-6619-A	gasket	(1) EAA-6838-A	gasket	% (3) B5A-9450-A	gasket
% Not used					
§ Use on models with 292 C. I. D. engine built prior to 10-20-60 - for models built after 10-20-60 order appropriate 6700 seal separately					
C2AZ 6008-A		1	352, 390	A	61/64
Consists of the following -					
(1) COAE-6020-C	gasket	(1) B8A-6659-A	gasket	(1) C2AZ-8513-A	gasket (1962-3)
(2) B9AE-6051-A	gasket	(1) C2AZ-6700-A	seal	(1) C1SZ-9417-A	gasket
(2) C1AE-6336-B	seal	☆ (2) B4Q-6701-A	packing	(1) B9AE-9A424-A	seal
(1) B4A-6436-A	seal	(1) COAE-6710-C	gasket	(1) B9AE-9A425-A	seal
(16) C4TZ-6571-C	seal	(1) C2OZ-6734-A	gasket	(2) C2AZ-9441-A	gasket
(2) B9AE-6584-C	gasket	(1) B8A-8255-A	gasket	☆ (3) C1SZ-9450-A	gasket
(1) B8AZ-6626-A	gasket	(2) B8A-8507-A	gasket		
(1) COAE-6A636-A	gasket	(1) B8A-8513-A	gasket (1961)		
☆ Not used on 1963-64 models					
C2AZ 6008-B		1	406	A	62/63
Consists of the following -					
(1) COAE-6020-C	gasket	(1) B8A-6659-A	gasket	(2) B8A-8507-A	gasket
(2) C2AZ-6051-A	gasket	(1) C3AZ-6700-A	seal	(1) C2AZ-8513-A	gasket
(2) C1AE-6336-B	seal	☆ (2) B8QH-6701-B	packing	(1) C3AZ-9417-C	gasket
(1) C3AZ-6411-B	seal	(1) COAE-6710-C	gasket	(1) C3AZ-9A424-A	seal
(1) C3AZ-6411-C	seal	(1) C2OZ-6734-A	gasket	(1) C3AZ-9A425-A	seal
(16) B8A-6571-B	seal	(1) B8A-8255-A	gasket	(2) C2AZ-9441-A	gasket
(2) B9AE-6584-C	gasket	or			
(1) B8A-6626-A	gasket	EDC-8255-A			
(1) COAE-6A636-A	gasket				
☆ C2OZ-6701-A used for service					

CONTINUED ON NEXT PAGE

Engine

GROUP AND PART NUMBER	DESCRIPTION, SIZE, ETC.	NO. REQ'D	MODEL OR ENGINE CUBIC INCH DISPLACEMENT	VEHICLE CODE	YEAR 19__
6008 GASKET SET (ENGINE OVERHAUL) CONTINUED					
C3AZ 6008-C		1	427	A	63/64
Consists of the following -					
(1) COAE-6020-C	gskt. -front cover	(1) B8AZ-6626-A	gskt. -inlet tube	(1) B8A-8255-A	gskt. -water outlet
(2) C3AZ-6051-B	gskt. -cyl. hd.	(1) COAE-6A636-A	gskt. -filter adaptor	(2) B8A-8507-A	gskt. -water pump
(2) C1AE-6336-B	seal-rear	(1) B8A-6659-A	gskt. -oil pump mtg.	(1) C2AZ-8513-A	gskt. -water pump cover
(1) C3AZ-6411-B	seal-rear cover	(1) C3AZ-6700-A	seal-c/shaft		
(1) C3AZ-6411-C	seal-hsg. cover	☆(2) B8QH-6701-B	packing-c/shaft	(1) C3AZ-9417-C	gskt. -fuel pump mtg.
(16) B8A-6571-B	seal-valve stem	(1) COAE-6710-C	gskt. -oil pan	(1) C3AZ-9A424-A	seal-intake manifold
(2) B9AE-6584-C	gskt. -valve rocker	(1) C2OZ-6734-A	gskt. -drain plug	(1) C3AZ-9A425-A	seal-intake manifold
				(2) C2AZ-9441-A	gskt. -intake manifold
☆ C2OZ-6701-A used for service					
COSZ 6008-A		1	383,430	A D	60
Consists of the following -					
%(1) B9LE-6A001-A	seal	☆(2) B9ME-6584-C	gasket	(1) C1VE-8255-A	gasket
(1) B8S-6020-A	gasket	(1) B8A-6626-A	gasket	(2) B8E-8507-A	gasket
(2) C1VE-6051-A	gasket	(1) B9SZ-6A636-A	gasket	(1) COSE-9417-A	gasket
(2) C1ME-6336-A	seal	(1) B9ME-6659-A	gasket	(2) B8S-9441-A	gasket
%(1) B9S-6411-A	seal	(1) EAA-6700-B	seal	(1) COSZ-9448-A	gasket
(1) B4A-6436-A	seal	(2) B8E-6701-A	seal	(1) COSZ-9448-B	gasket
(1) COME-6521-A	gasket	(1) C1VE-6710-A	gasket	(2) B8S-9450-A	gasket
(8) B8S-6571-A	seal	(1) B8S-6769-A	seal	(1) O1A-12410-A	gasket
(8) B8S-6571-B	seal	(1) B8E-6870-A	gasket	(1) 373195-S	grommet
% Not used					
C2OZ 6008-B		1	221	B	62/63
Consists of the following -					
(1) C2OZ-6020-A	gasket	(2) C2OZ-6701-A	seal	(1) C2OZ-8255-A	gasket
(2) C2OZ-6051-B	gasket	(1) C2OE-6710-A	gasket	(1) C2OZ-8507-B	gasket
(16) C2OZ-6571-A	seal	(1) C2OE-6711-A	gasket	(1) C1SZ-9417-A	gasket
(2) C2OZ-6584-A	gasket	(1) C2OE-6723-A	gasket	(1) C2OZ-9A424-A	seal
(1) C2OZ-6626-A	gasket	(1) C2OZ-6734-A	gasket	(1) C2OZ-9A425-A	seal
(1) C2OZ-6659-A	gasket	(1) C2OZ-6870-A	gasket	(2) C2OZ-9441-A	gasket
(1) C3AZ-6700-A	seal				
C1DZ 6008-A		1	144,170	B C	61/64
Consists of the following -					
(1) CODE-6020-C	gasket	(1) CODE-6700-A	seal	(1) C2OZ-6734-A	gasket
(1) CODE-6051-C	gasket	(2) CODE-6701-A	seal	(11) CODE-8255-A	gasket
(1) CODE-6436-B	seal	(1) CODE-6710-B	gasket	(1) CODE-8507-A	gasket
(12) C3DZ-6571-B	seal	(1) CODE-6711-B	gasket	(1) CODE-9417-A	gasket
(1) CODE-6584-B	gasket	(1) C2DE-6722-A	seal	(1) C1DZ-9450-A	gasket
(1) CODE-6626-A	gasket	(1) C2DE-6723-A	seal		
C2OZ 6008-C		1	260	B C	62/64
Consists of the following -					
(1) C2OZ-6020-A	gasket	(2) C2OZ-6701-A	seal	(1) C2OZ-8255-A	gasket
(2) C2OZ-6051-C	gasket	(1) C2OE-6710-A	gasket	(1) C2OZ-8507-B	gasket
(16) C2OZ-6571-A	seal	(1) C2OE-6711-A	gasket	(1) C1SZ-9417-A	gasket
(2) C2OZ-6584-A	gasket	(1) C2OE-6723-A	gasket	(1) C2OZ-9A424-A	seal
(1) C2OZ-6626-A	gasket	(1) C2OZ-6734-A	gasket	(1) C2OZ-9A425-A	seal
(1) C2OZ-6659-A	gasket	(1) C2OZ-6870-A	gasket	(2) C2OZ-9441-A	gasket
(1) C2AZ-6700-A	seal				
C3OZ 6008-A		1	200	B C	63/64
Consists of the following -					
(1) CODE-6020-C	gasket	(2) CODE-6701-A	seal	(1) CODE-8255-A	gasket
(1) C3OZ-6051-A	gasket	(1) CODE-6710-B	gasket	(1) CODE-8507-A	gasket
(12) C3DZ-6571-B	seal	(1) CODE-6711-B	gasket	(1) C2AZ-9364-A	gasket
(1) CODE-6584-B	gasket	(1) C2DE-6722-A	seal	(1) C3AZ-9417-B	gasket
(1) CODE-6626-A	gasket	(1) C2DE-6723-A	seal	(1) C3OZ-9450-A	gasket
(1) CODE-6700-A	seal	(1) C2OZ-6734-A	gasket		

CONTINUED ON NEXT PAGE

Engine

GROUP AND PART NUMBER	DESCRIPTION, SIZE, ETC.	NO. REQ'D	MODEL OR ENGINE CUBIC INCH DISPLACEMENT	VEHICLE CODE	YEAR 19__
6008 GASKET SET (ENGINE OVERHAUL) CONTINUED					
CODZ 6008-A		1	144	C	60
Consists of the following -					
(1) CODE-6020-B	gasket	(2) CODE-6701-A	seal	(1) C2OZ-6734-A	gasket
(1) CODE-6051-C	gasket	(1) CODE-6710-B	gasket	(1) CODE-8255-A	gasket
(12) C3DZ-6571-A	seal	(1) CODE-6711-B	gasket	(1) CODE-8507-A	gasket
(1) CODE-6584-B	gasket	(1) C2DE-6722-A	seal	(1) CODE-9417-A	gasket
(1) CODE-6626-A	gasket	(1) C2DE-6723-A	seal	(1) C1DZ-9450-A	gasket
(1) CODE-6700-A	seal				
C3AZ 6008-B		1	289	C	64
Consists of the following -					
(1) C2OZ-6020-A	gasket	(2) C2OZ-6701-A	seal	(1) C3OZ-8255-A	gasket
(2) C3AZ-6051-C	gasket	(1) C2OE-6710-B	gasket	(1) C2OZ-8507-B	gasket
(16) C3AZ-6571-B	seal	(1) C2OE-6711-B	gasket	(1) C3AZ-9417-A	gasket
(2) C2OZ-6584-A	gasket	(2) C2OE-6723-A	seal	(1) C2OZ-9A424-A	seal
(1) C2OZ-6626-A	gasket	(1) C2OZ-6734-A	gasket	(1) C2OZ-9A425-A	seal
(1) C2OZ-6659-A	gasket	☆(2) C2OZ-6870-A	gasket	(2) C3AZ-9441-A	gasket
(1) C2AZ-6700-A	seal				
☆ Not used on 1964 models					
C3VY 6008-A		1	430	D	61/64
Consists of the following -					
(1) B9ME-3A583-A	seal	(2) B9ME-6584-C	gasket	(1) C1VE-8255-A	gasket
(1) B8S-6020-A	gasket	(1) B8AZ-6626-A	gasket	(2) B8E-8507-A	gasket
(2) C1VE-6051-A	gasket	(1) B9SZ-6A636-A	gasket	(1) C1SZ-9417-A	gasket
(2) C1ME-6336-A	seal	(1) B9ME-6659-A	gasket	(2) C1VE-9441-D	gasket
☆(1) C1VE-6436-A	seal	(2) B8E-6701-A	seal	☆(1) COSZ-9448-A	gasket-R. H.
(1) C1VE-6521-A	gasket	(1) C1VE-6710-A	gasket	(1) COSZ-9448-B	gasket-L. H.
(8) C4VY-6571-A	seal	(1) C2OZ-6734-A	gasket	‡(1) C3VY-9448-A	gasket-R. H.
(8) C4VY-6571-B	seal	(1) C1VY-6870-B	gasket	(1) 374700-S	grommet
				(16) 373988-S	washer-spring
☆ Used on 1961 models only ‡ Used on 1961-63 models					
6A008 DOWEL (CYLINDER HEAD TO CYLINDER BLOCK)					
B6AZ 6A008-A	Use for export vehicles with low octane fuel adaptor kit	4	292	A	61
B9AE 6A008-A	Also used for export vehicles with low octane fuel adaptor kit	4	352, 383, 390, 406, 427, 430	A D	60/64
C2OZ 6A008-A	Split type	4	221, 260, 289, 292, 312	A B C	60/64
6009 ENGINE (CYLINDER BLOCK & CRANKSHAFT)					
B7A 6009-B	Also use 6869 cover and 6872 gasket with this assembly	%	1	312	A 60
COME 6009-A		%	1	383	A 60
C3TZ 6009-H	Use without zero lash rocker arm	%	1	223	A 61
C3AZ 6009-H	Use with zero lash rocker arm	%	1	223	A 61/62
B9EA 6009-C	Also use 6869 cover and 6872 gasket with this assembly	%	1	292	A 61/62
C3AZ 6009-S		%	1	352	A 61/62
C3AZ 6009-E	For Police Special	%	1	390	A 61/62
C3AZ 6009-AD	Use for export with 84 octane engine	%	1	390-4V	A 61/64
C3AZ 6009-T	Except Police Special	%	1	390-4V	A 61/64
C3AZ 6009-B		%	1	406	A 62/63
C3AZ 6009-K	Use with 306° event camshaft	%	1	427-4V	A 63
C4MY 6009-B		%	1	390-2V	A 63/64
C3AZ 6009-U	For Police Special - mechanical tappets	%	1	390-4V	A 63/64
C3AZ 6009-Y	Use with 324° event camshaft	%	1	427-8V	A 63/64
C3AZ 6009-V	Use with 306° event camshaft	%	1	427-4V	A 64
CONTINUED ON NEXT PAGE					

Engine

GROUP AND PART NUMBER	DESCRIPTION, SIZE, ETC.	NO. REQ'D	MODEL OR ENGINE CUBIC INCH DISPLACEMENT	VEHICLE CODE	YEAR 19__
6009 ENGINE (CYLINDER BLOCK & CRANKSHAFT) CONTINUED					
B9LE 6009-A		%	1	430	A D 60
C3OZ 6009-A	Includes (2) C3OZ-6046-A supports	%	1	221	B 62/63
C3UZ 6009-B		%	1	170	B C 61/62
C3DZ 6009-B	Hydraulic tappets - use with 1/4" intermediate shaft, distributor shaft and oil pump shaft - use on engines built prior to 9-30-63	%	1	170	B C 63/64
C4DZ 6009-B	Hydraulic tappets - use with 5/16" intermediate shaft, distributor shaft and oil pump shaft - use on engines built after 9-29-63	%	1	170	C 64
C3OZ 6009-C	Hydraulic tappets - use on engines built prior to 9-30-63 - use with 1/4" intermediate shaft and oil pump shaft	%	1	200	B C 63/64
C4OZ 6009-A	Hydraulic tappets - use on engines built after 9-29-63 - use with 5/16" intermediate distributor shaft and oil pump shaft	%	1	200	C 64
C3AZ 6009-L	Use for export with 84 octane engine	%	1	260	B C 63
C3OZ 6009-B		%	1	260	B C 63
C3UZ 6009-A		%	1	144	C 60/62
C3DZ 6009-A	Hydraulic tappets	%	1	144	C 63
C4OZ 6009-B	Rocker arm cover emission reduction system	%	1	260	C 64
C4OZ 6009-C	Use for export with 84 octane engine	%	1	260	C 64
C4AZ 6009-A	Except Special Performance - use on vehicles built prior to 4-2-64	%	1	289	C 64
C4AZ 6009-B	Except Special Performance - use on vehicles built after 4-1-64	%	1	289	C 64
C4OZ 6009-E	Special Performance (Engine Warranty Code D)	%	1	289	C 64
C2VY 6009-A	Includes crankshaft, camshaft, pistons, pins, rings, connecting rods, etc.- single slot in main bearing caps		1	430	D 61/62
C2VY 6009-C	Includes crankshaft, camshaft, pistons, pins, rings, connecting rods, etc. - double slot in main bearing caps- use with C1VE-9400-A pump only		1	430	D 62
C3VY 6009-A	Use with C1VE-9400-A fuel pump push rod on engines built prior to 3-1-63	%	1	430	D 63
C3VY 6009-B	Use on engines built after 2-28-63	%	1	430	D 63/64
Package also includes -					
(1) C3VY-9400-B fuel pump push rod					
	% Includes crankshaft, camshaft, pistons, pins, rings and connecting rods, less cylinder heads, oil pan, flywheel, clutch assembly and flywheel housing				
6010 BLOCK (CYLINDER)					
B6A 6010-C	3.80" bore - also use 6869 cover and 6872 gasket with this assembly	(j)	1	312	A 60
C3AZ 6010-F		(d)	1	223	A 61/62
B5AZ 6010-A	Also use 6869 cover and 6872 gasket with this assembly	(c)	1	292	A 61/62
C3AZ 6010-B		(e)	1	352	A 61/62
CONTINUED ON NEXT PAGE					

Engine

GROUP AND PART NUMBER	DESCRIPTION, SIZE, ETC.	NO. REQ'D	MODEL OR ENGINE CUBIC INCH DISPLACEMENT	VEHICLE CODE	YEAR 19__
6010 BLOCK (CYLINDER) CONTINUED					
C3AZ 6010-R	Except Police Special (k)	1	390	A	61/63
C3AZ 6010-S	For Police Special (e)	1	390	A	61/63
C2AZ 6010-C	With reinforced web at No. 2, 3 and 4 main bearing caps	1	406	A	62/63
C3AZ 6010-E		1	406	A	62/63
C3AZ 6010-M		1	427	A	63
C3AZ 6010-V	Except Police Special (Δ)(k)	1	390	A	64
C3AZ 6010-Y	For Police Special (Δ)	1	390-4V	A	64
Δ Package also includes -					
(2) 376893-S	bolt-7/16"-14 x .62"	(2) 376894-S	washer-lock-7/16"	(2) 376895-S	washer-flat-7/16"
C3AZ 6010-Z		1	427	A	64
COME 6010-A	4.30" bore	(f, g, i, n)	1	383, 430	A
		(f, g, h, n)	1	430	A D
C2OZ 6010-B		(b)	1	260	B
C3OZ 6010-B		(b)	1	221	B
C2DZ 6010-A		(a)	1	144, 170	B C
C3OZ 6010-C		(b)	1	260	B C
C3DZ 6010-B			1	144, 170	B C
		Use on engines built prior to 9-30-63	1	170	C
C4DZ 6010-A	Use on engines built after 9-29-63		1	170	C
C3OZ 6010-A	Use on engines built prior to 7-1-63		1	200	B
C3OZ 6010-E	Use on engines built after 6-30-63		1	200	B
		Use on engines built prior to 9-30-63	1	200	C
C4OZ 6010-A	Use on engines built after 9-29-63		1	200	C
C4OZ 6010-B	Use on engines built prior to 6-1-64 (b)		1	260	C
C4OZ 6010-D	Use on engines built after 5-31-64		1	260	C
C4AZ 6010-A	Except Special Performance - use on engines built prior to 6-1-64		1	289	C
C4AZ 6010-B	Except Special Performance - use on engines built after 5-31-64		1	289	C
C4OZ 6010-C	Special Performance (Engine Warranty Code D)		1	289	C
C4VY 6010-A	Double slot in main bearing caps - (f, h, m, n) use with water inlet diverters C4VY-8526-A - R. H. and C4VY-8527-A - L. H.		1	430	D
73236-S	Dowel-1/4" x .50"-front cover to cylinder block		2	a	
73249-S	Dowel-3/8" O. D. x 9/16"-clutch housing to cylinder block		2	c, d, j	
73268-S	Dowel-5/16" O. D. x 11/16"-intake manifold to cylinder head		1	e, k	
73279-S	Dowel-3/8" x .75"-align flywheel housing to cylinder block		2	a	
87616-S	Plug-1/4"-18-plug drain hole in block		1	a	
87623-S	Plug-1/4"-18 pipe-plug water drain holes in block		2	e, k	
87651-S	Plug-1/4"-18-to plug hole in cylinder block when oil and vacuum pump is not used		1	i	
87709-S	Plug-1/4"-18-use to plug block oil line holes		2	a, c, d	
87710-S	Plug-3/8"-18-use to plug block oil line holes		2	c, d	
352532-S	Plug-3/8" O. D. -to plug extra oil level indicator hole in block		1	d	
352997-S100	Plug-3/8"-18-plug oil line hole in front of block		1	c	
353001-S	Plug-cup-2-3/8"O. D. -camshaft rear bearing		1	e, k	

CONTINUED ON NEXT PAGE

Engine

GROUP AND PART NUMBER	DESCRIPTION, SIZE, ETC.	NO. REQ'D	MODEL OR ENGINE CUBIC INCH DISPLACEMENT	VEHICLE CODE	YEAR 19__
6010 BLOCK (CYLINDER) CONTINUED					
354942-S	Plug-cup expansion-oversize-1.791" diameter-cored holes in block	4or6	a, c, e, g, j		
357875-S	Plug-1/2" diameter-to plug extra oil indicator hole in block	1	c		
359390-S	Plug-cup expansion-2.576" diameter-camshaft rear bearing	1	f, m		
359899-S	Plug-cup expansion-.448" (4) req'd. - oil gallery holes (2) req'd. - front tappet oil gallery (1) req'd. - oil line tappet valley rear (4) req'd. - oil line rear face	AR	a, e, g, k		
371058-S	Plug-3/4" cup-plug rear mounting hole at rear of block	1	e, h, k		
372400-S	Bolt-hex. locking-5/16"-18 x .44"-plug tapped hole at rear of block	1	h		
372460-S	Bolt-hex.hd. -7/16"-14 x 2.70"-attach crankshaft bearing caps to cylinder block	8	a		
372561-S	Plug-cup expansion-oversize-.480" (4) req'd. - oil gallery holes (2) req'd. - front tappet oil gallery (1) req'd. - oil line tappet valley rear (4) req'd. - oil line rear face	AR	a, f		
372566-S	Plug-1-25/32" diameter-plug camshaft rear bearing hole	1	c		
372570-S	Plug-cup expansion-oversize-2.605"-camshaft rear bearing	1	f		
376042-S	Plug-cup-1.517" diameter-plug core holes in cylinder block	2	f		
376043-S	Plug-cup expansion-1.762" diameter-core holes in block	4or6	c, e, g, j, k, n		
376053-S	Plug-cup-1-1/2" O. D. to plug core holes in block	4	b		
376099-S	Plug-cup expansion-49/64"	1	b		
376301-S	Plug-cup expansion-33/64"-to plug oil passage in block	3	b		
376635-S	Plug-cup-.449" O. D. -to plug oil passage in block	11	n		
6A017 SPACER (EXPORT CYLINDER HEAD)					
CIAE 6A017-B	Use with low octane fuel adaptor kit	2	292	A	61
CIAE 6A017-C	Use with low octane fuel adaptor kit	1	223	A	61/62
COME 6A017-A	Use with low octane fuel adaptor kit Use for export with 84 octane engine	2	383,430	A	60
		2	430		
CODE 6A017-B	Use for export vehicles with low octane fuel adaptor kit	1	144,170	B C	60/64
6019 COVER (CYLINDER FRONT)					
B9SZ 6019-A	Use when crankshaft P/S pump is not installed	(c) 1	383,430	A	60
	NS-serviced in 6019 kit	1	292,312	A	60/61
	NS-serviced in 6019 kit	(d) 1	352,390	A	61
	NS-serviced in 6019 kit	(e) 1	223	A	61/62
	NS-serviced in 6019 kit	(d) 1	390,406	A	63
CONTINUED ON NEXT PAGE					

Engine

GROUP AND PART NUMBER	DESCRIPTION, SIZE, ETC.	NO. REQ'D	MODEL OR ENGINE CUBIC INCH DISPLACEMENT	VEHICLE CODE	YEAR 19__
6019 COVER (CYLINDER FRONT) CONTINUED					
B8MY 6019-A	Use with crankshaft P/S pump	(b) 1	383, 430	A	60
		(h) 1	430	D	60/64
C2OZ 6019-C		(g) 1	221, 260	B C	62/63
	NS-serviced in 6019 kit	(f) 1	144	C	60
	NS-aluminum die cast - serviced in 6019 kit	1	144,170, 200	C	61/64
C2OZ 6019-C	Use with non-emission reduction system	(b) 1	260,289	C	64
C4AZ 6019-A	Oil fill and emission reduction system in rocker arm covers	(g) 1	260, 289	C	64
20308-S	Bolt-1/4"-20 x 1/2" cover to block	10	e		
20520-S8	Bolt-hex. hd. -5/16"-18 x 2"-cylinder front cover to cylinder block	10	h		
34805-S	Lockwasher-1/4"	10	e		
44722-S	Washer-flat-5/16"-front cover and timing pointer to block	AR	b,c,h		
359875-S	Plug-expansion cup-1-21/32" O. D. x 11/32" wide-used to plug fuel pump push rod access hole in cylinder front cover assy.	1	b,h		
373071-S	Screw and washer assy. -hex. hd. -1/4"-20 x .62"-attach cylinder front cover to cylinder block	AR	f		
373176-S	Bolt-hex. hd. -5/16"-18 x 2.02"- (8) cover to cylinder block (1) cover and timing pointer to cylinder block	AR	b,c		
374408-S	Bolt-5/16"-18 x 3/4"-cover to block	4	d		
374409-S	Bolt-3/8"-16 x 7/8"-cover to block	4	d		
376257-S	Bolt-hex. washer hd. -5/16"-18 x 2"-attach cover to block	1	g		
6019 KIT (CYLINDER FRONT COVER)					
C2AZ 6019-B		(a) 1	292, 312	A	60/62
Consists of the following -					
(1) B4A-6020-A	gasket	(1) C3AZ-6700-A	seal	(1) C1SZ-9417-A	gasket
(1) C2AE-6059-B	cover				
C1AZ 6019-B		1	223	A	61/62
Consists of the following -					
(1) C1AE-6019-A	cover	(1) C1AE-6310-A	slinger	(1) C2AZ-6700-A	seal
(1) C1AE-6020-A	gasket				
C2AZ 6019-A		1	352, 390, 406, 427	A	61/64
Consists of the following -					
(1) COAE-6020-C	gasket	(1) C2AE-6059-C	cover	(2) 373913-S	screw-No.10-24 x .312"
☆(1) COAE-6023-C	pointer	(1) C3AZ -6700-A	seal	(4) 374408-S	bolt-5/16"-18 x 3/4"
‡(1) COAE-6023-D	pointer	(1) C1SZ-9417-A	gasket	(4) 374409-S	bolt-3/8"-16 x 7/8"
☆ Except 406 C.I.D. engine ‡ Used on 406 C.I.D. engine					
C3DZ 6019-A		1	144, 170, 200	B C	60/63
Consists of the following -					
(1) CODE-6020-C	gasket	(1) C3DE-6059-A	cover	(7) 55247-S	bolt
C3DZ 6019-B		1	144, 170, 200	B C	64
Consists of the following -					
(1) CODE-6020-C	gasket	(4) 55247-S	bolt	(3) 377387-S	bolt
(1) C5DE-6059-B	cover				
20406-S7	Bolt-5/16"-18 x 1-1/8"-cover to cylinder block	1	a		
20408-S8	Bolt-3/8"-16 x 1-1/8"-cover to cylinder block	3	a		
45526-S8	Bolt-5/16"-18 x 2-3/4" (2) req'd. - for front generator bracket and front cover to cylinder block (1) req'd. - for cover to block	AR	a		
45532-S8	Bolt-5/16"-18 x 3"-cover to block	1	a		

Engine

GROUP AND PART NUMBER	TYPE	DESCRIPTION, SIZE, ETC.	NO. REQ'D	MODEL OR ENGINE CUBIC INCH DISPLACEMENT	VEHICLE CODE	YEAR 19__
6020		GASKET (CYLINDER FRONT COVER)				
B4A 6020-A		Also serviced in 6008 kit	1	292,312	A	60/62
C1AE 6020-A		Also serviced in 6008 and 6019 kits	1	223	A	61/62
COAE 6020-C		Also serviced in 6008 and 6019 kits	1	352,390,406,427	A	61/64
B8S 6020-A		Also serviced in 6008 kit	1	383,430	A D	60/64
CODE 6020-C		Use with aluminum cover - also serviced in 6008 and 6019 kits	1	144,170,200	B C	61/64
C2OZ 6020-A		Also serviced in 6008 kit	1	221,260	B C	62/63
		Use with C4AZ-6019-A only	1	260,289	C	64
CODE 6020-B		Use with stamped steel cover only - also serviced in 6008 kit	1	144	C	60
C4OZ 6020-A		Also serviced in 6008 kit	1	260,289	C	64
6B020		SPACER (ENGINE REAR SUPPORT MOUNTING)				
C1VV 6B020-A		Early type	2	430	D	61
6023		POINTER (TIMING)				
C2AZ 6023-A			(a) 1	292,312	A	60/62
COAE 6023-C		Also serviced in 6019 kit - use on engines built prior to 4-1-63 - 4.50" long - 3.80" between mounting holes - timing marks 0-3-6-10 on end of pointer	(b) 1	352,390	A	61/63
C3AZ 6023-A		3.05" long - 1-1/2" between (2) 17/36" mounting holes - single point timing pointer - use with C3AZ-6312-E damper	1	352,390	A	61/62
		Use on engines built after 3-31-63	1	390	A	63
		Single point timing pointer - use with C3AZ-6312-E damper	(b) 1	390	A	64
COAE 6023-D		Also serviced in 6019 kit	1	406	A	62/63
C2AZ 6023-B			1	427	A	63/64
B8S 6023-A		Use on engines built prior to 2-9-60 with B9SZ-6312-A damper only	(c) 1	383,430	A D	60
C1VE 6023-A		Use on engines built on or after 2-8-60 with COSZ-6312-A damper	1	383,430	A D	60/62
C2OZ 6023-A			1	221	B	62/63
C2OZ 6023-B		With P/S	(d) 1	170	B	62
		Use with P/S or a/cond.	1	170,200	B	63
		Use with P/S or a/cond.	1	170,200	C	62/64
C3VY 6023-A			1	430	D	63/64
20426-S8		Bolt-5/16"-18 x 1-1/8"-timing pointer and water pump to front cover	2	a		
20520-S8		Bolt-hex. hd. -5/16"-18 x 2" cylinder front cover and timing pointer to block	2	c		
34805-S		Washer-lock-1/4"	2	d		
370521-S		Bolt-1/4"-20 x 1-3/4"	2	d		
373913-S		Screw-No. 10-24 x 5/16"-pointer to front cover	2	b		
6A023		SUPPORT (ENGINE REAR)				
C2OZ 6A023-B	S/T		(b) 1	170	B	62/63
C2OZ 6A023-D	2/S		(b) 1	170,200	B	62/63
	ALL		1	221,260	B	62
	2/S & S/T		1	221,260	B	63
C3OZ 6A023-A	4/S		(a) 1	221,260	B	63

CONTINUED ON NEXT PAGE

Engine

GROUP AND PART NUMBER	DESCRIPTION, SIZE, ETC.	NO. REQ'D	MODEL OR ENGINE CUBIC INCH DISPLACEMENT	VEHICLE CODE	YEAR 19__
6A023 SUPPORT (ENGINE REAR) CONTINUED					
CODZ 6A023-B	Use on vehicles built prior to 5-1-61	1	144,170	C	60/61
C1DZ 6A023-A	To frame - use on vehicles built after 4-30-61	1	144,170, 200, 260, 289	C	61/64
COLL 6A023-B		(a) 1	430	D	60
C1VY 6A023-C	Early type	1	430	D	61
C1VY 6A023-B	Late type	1	430	D	61/63
		(c) 1	430	D	64
20514-S7	Bolt-hex.hd.-3/8"-16 x 1-7/8"	4	a		
33799-S	Nut-hex-3/8"-16	4	c		
33982-S	Nut-slotted hex.-1/2"-13	2	b		
34394-S8	Nut-hex.lock-3/8"-16	4	a		
44727-S8	Washer-flat-3/8"-7/8" dia.	4	a		
44728-S8	Washer-flat-3/8"-1" dia.	4	a		
373603-S	NS-washer-flat-3/8"	4	c		
375886-S	Bolt-step-3/8"-16 x 1-1/2"	4	c		
376905-S8	Bolt-square shoulder-1/2"-13 x 1-1/2"-attach 6A023 to 6120	2	b		
6026 PLUG (CYLINDER BLOCK)					
B2A 6026-A	Use to plug camshaft bearing oil holes in cylinder block	4	223	A	61/62
C4TZ 6026-A	Use to plug front main oil gallery in cylinder block - use with hydraulic tappets	1	390	A	61/64
B2A 6026-B	Use to plug oil level indicator hole and water pump drain back hole in block - to plug distributor oil access hole	1	221, 223, 260	A B	61/62
	Use to plug distributor oil access hole	1	221, 260, 289	B C	63/64
6A027 SPACER (ENGINE FRONT SUPPORT) INSULATOR					
C2OZ 6A027-A	Steel	2	170, 200	B	62/63
6028-9 BRACKET (ENGINE FRONT SUPPORT)					
COAA 6028-A	R. H. - use on vehicles built prior to 11-1-60	1	223	A	61
COAA 6029-A	L. H. - use on vehicles built prior to 11-1-60	1	223	A	61
COAA 6028-B	R. H. - use on vehicles built after 10-31-60 (b)	1	223	A	61/62
COAA 6029-B	L. H. - use on vehicles built after 10-31-60 (b)	1	223	A	61/62
C2OZ 6028-A	R. H.	1	170, 200	B	62/63
C2OZ 6029-A	L. H.	1	170, 200	B	62/63
C2OZ 6028-B		2	221, 260	B	62/63
C1DZ 6028-A	R. H. - malleable iron (a)	1	144, 170	C	60/62
C1DZ 6029-A	L. H. - malleable iron (a)	1	144, 170	C	60/62
C2DZ 6028-B	R. H.	1	144, 170, 200	C	63/64
C2DZ 6029-B	L. H.	1	144, 170, 200	C	63/64
C3DZ 6028-B	R. H. - upper - use on vehicles built prior to 3-3-64	1	260, 289	C	63/64
C3DZ 6029-B	L. H. - upper - use on vehicles built prior to 3-3-64	1	260, 289	C	63/64
C3DZ 6028-C	R. H. - upper - use on vehicles built after 3-2-64	1	260, 289	C	64
C3DZ 6029-C	L. H. - upper - use on vehicles built after 3-2-64	1	260, 289	C	64
20370-S	Bolt-hex.hd.-7/16"-14 x 7/8"	6	b		
357625-S	Lockwasher-7/16"	6	b		
372993-S	Bolt-hex.washer hd.-3/8"-24 x 3.42"-bracket and No. 2 crossmember to apron and front side member	6	a		
373174-S	Nut-hex.lock-3/8"-24	6	a		

Engine

GROUP AND PART NUMBER	DESCRIPTION, SIZE, ETC.	NO. REQ'D	MODEL OR ENGINE CUBIC INCH DISPLACEMENT	VEHICLE CODE	YEAR 19__
6030-1 BRACKET (ENGINE FRONT MOUNTING)					
C3OZ 6030-A	R. H.	1	170, 200	B	62/63
C3OZ 6031-A	L. H.	1	170, 200	B	62/63
C2OZ 6030-B		2	221, 260	B	62/63
C3DZ 6030-A	R. H. - lower	1	260, 289	C	63/64
C3DZ 6031-A	L. H. - lower	1	260, 289	C	63/64
6B031 BRACKET (ENGINE TO FRAME MOUNTING BOLT) INNER					
C1VV 6B031-A		(a) 1	430	D	61/64
373403-S8	Nut-hex. locking-3/8"-16-attach bracket to side member	1	a		
374884-S8	Bolt-hex. hd. -3/8"-16 x 8" long	1	a		
374885-S7	Bolt-hex. hd. -7/16"-14 x 2-29/32" long-attach bracket to transmission case	1	a		
6A032 RETAINER (ENGINE REAR SUPPORT MOUNTING BRACKET INSULATOR) LOWER					
COLL 6A032-C		4	430	D	60
COLL 6A032-B		4	430	D	61/64
6035 SHIELD (ENGINE FRONT SUPPORT INSULATOR)					
B9MM 6035-A	Use on left side of engine	1	292, 312, 352, 383, 390, 406, 430	A	60/62
6A037 INSULATOR (ENGINE REAR SUPPORT) UPPER					
COLL 6A037-A		4	430	D	60/64
6B037-8 EXTENSION (ENGINE REAR MOUNTING MEMBER) FRONT					
C1VB 6B037-A	R. H.	1	430	D	61/64
C1VB 6B038-A	L. H.	1	430	D	61/64
6038 INSULATOR (ENGINE FRONT SUPPORT)					
B9M 6038-A		(a) 2	312, 383, 430	A	60
B9A 6038-A	Use on vehicles built prior to 11-1-60	2	223	A	61
COAA 6038-B	R. H. - use on vehicles built after 10-31-60	(c) 1	223	A	61/62
C1AZ 6038-A	L. H. - use on vehicles built after 10-31-60	(c) 1	223	A	61/62
C1MM 6038-C		(c) 2	292, 352, 390, 406	A	61/62
C3AZ 6038-A	R. H.	(e) 1	390, 406, 427	A	63/64
C3AZ 6038-B	L. H.	(e) 1	390, 406, 427	A	63/64
C3OZ 6038-A		2	170, 200	B	62/63
C2OZ 6038-A		2	221, 260	B	62/63
CODD 6038-F		(b) 2	144, 170	C	60/62
C3DZ 6038-A	R. H. - use on 63 and 76 models	1	144, 170	C	63
	Use on 76 model - use on 63 model on vehicles built prior to 6-10-64	1	170, 200	C	64
C3DZ 6038-B	L. H. - use on 63 and 76 models	1	144, 170	C	63
	Use on 76 model - use on 63 model on vehicles built prior to 6-10-64	1	170, 200	C	64
C2DZ 6038-B	R. H. - use on all except 63 and 76 models	1	144, 170	C	63
	Use on 76 model - use on 63 model on vehicles built after 6-9-64	1	170, 200	C	64
C2DZ 6038-C	L. H. - use on all except 63 and 76 models	1	144, 170	C	63
	Use on 76 model - use on 63 model on vehicles built after 6-9-64	1	170, 200	C	64

CONTINUED ON NEXT PAGE

Engine

GROUP AND PART NUMBER	DESCRIPTION, SIZE, ETC.	NO. REQ'D	MODEL OR ENGINE CUBIC INCH DISPLACEMENT	VEHICLE CODE	YEAR 19__
6038 INSULATOR (ENGINE FRONT SUPPORT) CONTINUED					
C3AZ 6038-G	R. H. Use on all except 76 model	1 1	260 260, 289	C C	63 64
C3AZ 6038-H	L. H. Use on all except 76 model	1 1	260 260, 289	C C	63 64
C4DZ 6038-A	R. H. - use on 76 model	1	260, 289	C	64
C4DZ 6038-B	L. H. - use on 76 model	1	260, 289	C	64
COLL 6038-B		(d) 2	430		D 60
C1VV 6038-D	Use on 74 models built prior to 3-31-61 and on all 53 models	2	430		D 61
C2VY 6038-B	Use on 74 models built after 3-30-61	(b,c) 2	430		D 61/64
C2VY 6038-A	Use on 53 models	(c,d) 2	430		D 62/64
20370-S	Bolt-hex.hd.-7/16"-14 x 7/8" long	4	c		
20388-S8	Bolt-3/8"-16 x 1.00"-insulator to cylinder block	4	b		
20390-S8	Bolt-hex.hd.-7/16"-14 x 1" insulator to engine	4	a,d		
20392-S	Bolt-hex.hd.-1/2"-13 x 1	4	g		
20432-S	Bolt-hex.hd.-1/2"-16 x 1-1/4"	4	h		
33845-S	Nut-hex.lock-1/2"-13-attach insulator to support	2	c,d,f		
34807-S7-8	Washer-lock-3/8"	4	b		
34808-S7-8	Washer-lock-7/16"	4	a,d		
34809-S8	Lockwasher-1/2"	AR	c,f		
44735-S8	Washer-flat-1/2"	2	d		
55677-S8	Nut-hex.-1/2"-13-insulator to mounting bracket	2	a		
304668-S	Bolt-hex.hd.-7/16"-14 x 7/8"-attach 6038 to 6010	4	e		
351480-S7	Washer-flat-.558"/.568" I.D.	2	a		
353618-S100	Nut-lock-5/16"-24	4	b		
357625-S	Lockwasher-7/16"	4	c		
358605-S	Washer-flat-27/64" I.D.-15/16" O.D.-3/16" thick	4	b		
374652-S	NS-washer-flat-1/2"	2	f		
6A038 INSULATOR (ENGINE REAR SUPPORT) LOWER					
COLL 6A038-B		4	430		D 60
COLL 6A038-A		4	430		D 61/64
6C038 SHIELD (ENGINE MOUNTING HEAT)					
C3AZ 6C038-A	R. H.	1	427	A	63/64
C3AZ 6C038-B	L. H.	1	427	A	63/64
C3DZ 6C038-A	8" long	2	260, 289	C	63/64
6039 INSULATOR (ENGINE FRONT SUPPORT) REBOUND					
C2OZ 6039-A		2	221, 260	B	62/63
C2OZ 6039-B	Front	2 1	170, 200 430	B D	62/63 60
6A039 RETAINER (ENGINE REAR SUPPORT MOUNTING BRACKET INSULATOR)					
COLL 6A039-A	Use on vehicles built prior to 4-3-61	4	430		D 60/62
	Upper	(a) 4	430		D 63/64
C1VV 6A039-A	Use on vehicles built after 4-2-61	2	430		D 61/62
	Upper	2	430		D 63
	Use to attach engine rear support bracket 6054 to transmission extension	(a) 2	430		D 64
20428-S	Bolt-3/8"-16 x 1	2	a		
34847-S	Washer-lock-3/8"	2	a		

Engine

GROUP AND PART NUMBER	DESCRIPTION, SIZE, ETC.	NO. REQ'D	MODEL OR ENGINE CUBIC INCH DISPLACEMENT	VEHICLE CODE	YEAR 19____
6A041 BRACKET (REAR ENGINE SUPPORT MOUNTING)					
COLL 6A041-A	(a)	2	430	D	60
372158-S	Screw and washer-hex. hd. -3/8"-16 x 1.12"	8	a		
6A042 REINFORCEMENT (ENGINE REAR SUPPORT)					
	NS-steel - improvise locally - use on vehicles built prior to 5-1-61	2	144,170	C	60/61
C1VV 6A042-A	Early type	1	430	D	61
C1VV 6A042-B	Late type	2	430	D	61/64
6A044 KIT (ENGINE CONVERSION HIGH PERFORMANCE)					
C4OZ 6A044-A	Cobra	1	221	B	62/63
C4OZ 6A044-B	Cobra	1	260	B C	62/64
C4OZ 6A044-C	Cobra - except Special Performance	1	289	C	64
6046 BRACKET (ENGINE FRONT SUPPORT INSULATOR)					
C2OZ 6046-A		2	221,260	B	62
	7" long - use on vehicles built prior to 1-7-63	2	221,260	B	63
C3OZ 6046-A	8" long - use on vehicles built after 1-6-63	2	221,260	B	63
C1VY 6046-A	R.H. - use on 74 model only	1	430	D	61/64
C1VY 6046-B	L.H. - use on 74 model only	1	430	D	61/64
6A046 SPACER (ENGINE TO FRAME MOUNTING BOLT)					
C1VV 6A046-A	3-7/8" long	1	430	D	61/64
C1VV 6A046-B	1-5/32" long	2	430	D	61/64
6047 BOLT (ENGINE FRONT SUPPORT INSULATOR)					
C2OZ 6047-A	3/8"-16 x 3-5/32" with 1/2" shoulder 2-1/2" long	2	170,221,260	B	62/63
6A047 BRACKET (ENGINE TO FRAME MOUNTING BOLT) OUTER					
C1VV 6A047-A	Use on vehicles built prior to 3-1-63	1	430	D	61/63
C3VY 6A047-A	Use on vehicles built after 2-28-63 (a)	1	430	D	63/64
372158-S	Screw-hex. washer hd. -3/8"-16 x 1-1/2"	2	a		
373403-S	Nut-3/8"-16	1	a		
374884-S	Bolt-hex. washer-3/8"-16 x 8.00"	1	a		
6049 HEAD (CYLINDER)					
C3TZ 6049-G		2	312	A	60
C3AZ 6049-E	Use on engines with zero lash valve	1	223	A	61/62
C2AZ 6049-C		2	292	A	61/62
C1AZ 6049-E	45° intake valves (a)	2	390-2V, 390-4V☆	A	63
	☆ Use on engines built prior to 1-2-63	2	352,390	A	61/62
	For export only	2	390-4V	A	63
		2	390	A	64
Package also includes -					
	(2) B9AE-6051-A gasket				
C2SZ 6049-B	Use on engines built after 1-1-63 - includes gasket	2	390-4V	A	63
C3AZ 6049-H	Use with 1.660/1.645 exhaust valves (f)	2	406	A	62
		2	406	A	63
Package also includes -					
	(1) C2AZ-6051-A gasket				
	(8) C3AZ-6A536-A valve spring seat				
C3AZ 6049-G	Use with intake valve with 2.03" head dia. (Δ)	2	427	A	63
C3AZ 6049-J	Use with intake valve with 2.09" head dia. (Δ)	2	427	A	63
Δ Package also includes -					
	(1) C3AZ-6051-B gasket				

CONTINUED ON NEXT PAGE

Engine

GROUP AND PART NUMBER	DESCRIPTION, SIZE, ETC.	NO. REQ'D	MODEL OR ENGINE CUBIC INCH DISPLACEMENT	VEHICLE CODE	YEAR 19__
6049 HEAD (CYLINDER) CONTINUED					
C3AZ 6049-K	Use with intake valve with 2.09" head dia Package also includes - (2) C3AZ-6051-B gasket	2	427	A	64
B9ME 6049-C	Valve seat diameters - intake 2.06" (b) exhaust 1.75" - use on engines built prior to 11-24-59 - with 6505 exhaust valve head diameter of 1.78" and 6507 intake valve head diameter of 2.09"	2	383, 430	A D	60
COME 6049-B	Valve seat diameters - intake 1.935" (b) exhaust 1.625" - use on engines built on or after 11-23-59 - with 6505 exhaust valve head diameter of 1.65" and 6507 intake valve head diameter of 1.96"	2	383, 430	A D	60
C2OZ 6049-A	Includes rocker arm studs (e)	2	221	B	62
C2OZ 6049-B	Includes rocker arm studs (e) (2) req'd. for low octane export on 221 C.I.D. engine	2	260	B	62
C3OZ 6049-G		1	200	B	63
C3OZ 6049-E	Includes rocker arm studs Package also includes - (1) C2OZ-6051-B gasket	2	221	B	63
C2UZ 6049-A	Includes intake manifold (d)	1	170	B C	61/62
C3OZ 6049-F	Includes rocker arm studs ☆ For export only	2	221☆, 260	B C	63
Package also includes - (1) C2OZ-6051-C gasket					
C3OZ 6049-J		1	170, 200	B C	63/64
Package also includes - (1) C3OZ-6051-A gasket (1) C3AZ-10884-A heat indicator					
C3DZ 6049-B	Includes intake manifold (c, d)	1	144	C	60/62
C3DZ 6049-D		1	144	C	60/63
Package also includes - (1) CODE-6051-C gasket (1) C3AZ-10884-A heat indicator					
C4OZ 6049-A		2	260	C	64
Package also includes - (1) C2OZ-6051-C gasket					
C3AZ 6049-F	Except Special Performance - use on engines built prior to 3-26-64 (§)	2	289	C	64
C4AZ 6049-A	Except Special Performance - use on engines built after 3-25-64 (§)	2	289	C	64
C3OZ 6049-H	Special Performance (Engine Warranty Code D) - use on engines built prior to 3-26-64 (§)	2	289	C	64
C4OZ 6049-B	Special Performance (Engine Warranty Code D) - use on engines built after 3-25-64 (§)	2	289	C	64
§ Package also includes - (1) C3AZ-6051-C gasket					
C1VE 6049-B		2	430	D	61/62
C3VY 6049-A	Use on engines built prior to 6-1-64 (†)	2	430	D	63/64
C3VY 6049-B	Use on engines built after 5-31-64 (†)	2	430	D	64
† Package also includes - (1) C1VE-6051-A gasket					
20514-S	Bolt-hex. hd. - 3/8"-16 x 1-7/8"	6	a		
87617-S8	Plug-3/8"-18-plug heater hole in head	1	d		
351453-S8	Washer-flat-1/2"-3/32" thick	20	f		

CONTINUED ON NEXT PAGE

Engine

GROUP AND PART NUMBER	DESCRIPTION, SIZE, ETC.	NO. REQ'D	MODEL OR ENGINE CUBIC INCH DISPLACEMENT	VEHICLE CODE	YEAR 19__
6049 HEAD (CYLINDER) CONTINUED					
353063-S7	Plug-expansion-1-1/4"	AR	a		
354942-S	Plug-cup expansion-oversize-1.788"/1.794"-1.772"/1.778" O. D. -to plug core hole in end of cylinder head	1	c		
358066-S	Plug-taper pipe thread-3/8"-plug heater outlet hole in cylinder head	1	c		
359284-S	Plug-cup expansion-.991"/.997" - 1.008"/1.014" O. D. x .28" overall thickness (4) plug holes water jacket side of cyl. hd. (2) plug ends of integral intake manifold	6	c, d		
359285-S	Plug-cup expansion-oversize-1.022"/1.028"-1.039"/1.043" O. D. x .28" overall thickness (4) plug holes water jacket side of cyl. hd. (2) plug ends of integral intake manifold	6	c		
370731-S	Plug-pipe-3/4" pipe thread-to plug core holes in cylinder heads	6	b, h		
371426-S	Plug-cup expansion-1.750" O. D. -to plug core hole in end of cylinder head	1	c, d		
371485-S	Plug-3/4"-14 pipe-plug core holes in top of block	6	a		
376042-S	Plug-cup-oversize-1.547" O. D. -to plug core holes in cylinder head	4	b		
376043-S	Plug-cup-1.762" O. D.	4	b		
376053-S	Plug-cup-1-1/2" O. D. to plug core holes in cylinder head	2	e		
6A049 BUSHING (ENGINE TO FRAME MOUNTING BOLTS)					
C1VV 6A049-A		4	430	D	61/64
6051 GASKET (CYLINDER HEAD)					
C3TZ 6051-D	Steel - also serviced in 6008 and 6079 kits (2) req'd. - for domestic vehicles (4) req'd. - for export vehicles with low octane fuel adaptor kit	AR	292,312	A	60/62
C3TZ 6051-G	Asbestos and steel (2) req'd. - for domestic vehicles (4) req'd. - for export vehicles with low octane fuel adaptor kit	AR	292,312	A	60/62
C3AZ 6051-A	Also serviced in 6008 and 6079 kits (1) req'd. - for domestic vehicles (2) req'd. - for export vehicles with low octane fuel adaptor kit	AR	223	A	61/62
B9AE 6051-A	Also serviced in 6008 and 6079 kits	2	352,390	A	61/64
C2AZ 6051-A		2	406	A	62/63
C3AZ 6051-B	Also serviced in 6008 and 6079 kits	2	427	A	63/64
C1VE 6051-A	Also serviced in 6008 and 6079 kits (2) req'd. - for domestic vehicles (4) req'd. - for export vehicles with low octane fuel adaptor kit	AR	383,430	A D	60/64
C2OZ 6051-B	Also serviced in 6008 kit	2	221	B	62/63
CODE 6051-C	Also serviced in 6008 and 6079 kits (1) req'd. - for domestic vehicles (2) req'd. - for export vehicles with low octane fuel adaptor kit	AR	144,170	B C	60/64
C3OZ 6051-A	Also serviced in 6008 and 6079 kits	1	200	B C	63/64
CONTINUED ON NEXT PAGE					

Engine

GROUP AND PART NUMBER	TYPE	DESCRIPTION, SIZE, ETC.	NO. REQ'D	MODEL OR ENGINE CUBIC INCH DISPLACEMENT	VEHICLE CODE	YEAR 19__
6051 GASKET (CYLINDER HEAD) CONTINUED						
C2OZ 6051-C		Also serviced in 6008 and 6079 kits ☆ (2) req'd. - for low octane 221 C.I.D. export engine	2	221☆, 260	B C	62/64
C3AZ 6051-C		Also serviced in 6008 and 6079 kits	2	289	C	64
6052 PLUG (CYLINDER HEAD)						
EAN 6052-A		Use in rear of R. H. cylinder head	1	292, 312	A	60/62
6054 RETAINER (ENGINE REAR SUPPORT)						
COAA 6054-A		Use on all except 71 ☆ Use on 58A, 64A models with 223 C. I. D. engine built prior to 11-1-60 ☆ Use on all 58A, 64A models with 292, 352 and 390 C. I. D. engines	(a) 1 1	223☆, 292☆, 352☆, 390☆ 406	A A	61 62
C3AZ 6054-A			1	390, 406, 427	A	63/64
C1SS 6054-A	4/S		1	221, 260	B	63
C1VY 6054-A		Use on vehicles built after 4-2-61	(b) 1	430	D	61/64
20392-S		Bolt-hex. hd. - 1/2" - 13 x 1.12"	2	a		
20428-S		Bolt - 3/8" - 16 x 1"	2	b		
34847-S		Washer-lock-3/8"	2	b		
44735-S		Washer-flat-1/2"	2	a		
6B056 SPRING (ENGINE REAR SUPPORT LEAF)						
C1DZ 6B056-A	2/S	Use on vehicles built after 4-30-61	(a) 1	144, 170	C	61/62
C1DZ 6B056-B	3/S	Use on vehicles built after 4-30-61	(a) 1	144, 170	C	61/64
C2DZ 6B056-A	4/S		1	144, 170	C	62/63
C3DZ 6B056-E	2/S		1	260	C	63
C3DZ 6B056-B	3/S	Use on engines built prior to 2-21-64	1	260, 289	C	63/64
C3DZ 6B056-A	2/S		1	144, 170	C	63
	A/T		1	200	C	64
	3/S	Use on engines built after 2-20-64	1	260, 289	C	64
C3DZ 6B056-F	4/S	7.36" long - use with Warner gear four speed standard transmission	1	260, 289	C	63/64
C3DZ 6B056-G	4/S	Use with Ford four speed standard transmission	1	260, 289	C	64
C4GY 6B056-A	A/T		1	260, 289	C	64
375390-S		Washer-flat-9/16"	1	a		
375391-S		Retainer nut-3/8"-24	1	a		
375412-S		Bolt-hex. shoulder-3/8"-24 x 2-3/8"	1	144, 170	C	61
377785-S		Bolt-hex. shoulder-3/8"-24 x 1-39/64"	1	144, 170	C	62
6C056 KIT (CYLINDER HEAD & VALVE HIGH PERFORMANCE)						
C4OZ 6C056-A		Cobra - ☆ except Special Performance	1	221, 260, 289☆	B C	62/64
6-6058 GASKET (CYLINDER FRONT COVER ADAPTOR)						
EDG 66058-A		Use when converting P/S to manual steering	1	383, 430	A	60
6A058 KIT (EXPORT LOW OCTANE FUEL ADAPTOR)						
C2TZ 6A058-B		Use without zero lash rocker arm	1	223	A	61
C1AZ 6A058-B		75 octane fuel - use with zero lash rocker arm	1	223	A	61/62
C1AZ 6A058-D		75 octane fuel	1	292	A	61/62
C3DZ 6A058-B		Use for 75 octane fuel on export vehicles	1	144, 170	B C	60/62
C4DZ 6A058-A		75 octane fuel	1	144, 170	B C	63/64

Engine

GROUP AND PART NUMBER	TYPE	DESCRIPTION, SIZE, ETC.	NO. REQ'D	MODEL OR ENGINE CUBIC INCH DISPLACEMENT	VEHICLE CODE	YEAR 19__
6A061 INSULATOR (ENGINE REAR SUPPORT REBOUND)						
C1DZ 6A061-A		Lower - use on engines built after 4-30-61 (a)	1	144, 170, 200, 260, 289	C	61/64
377785-S		Bolt-hex. shoulder lock-3/8"-20 x 2.60"- used to attach 6A061 support and 6B056 spring to 6068 insulator and 6A023 support	AR	a		
6062 PLATE (ENGINE REAR SUPPORT)						
COKY 6062-A	2/S	★ Use on 58A, 64A models with 223 C. I. D. engine built prior to 11-1-60 ★ Use on all 58A, 64A models with 292, 352, 390 C. I. D. engines	1	223★, 292★, 352★, 390★	A	61
6A064 BOLT ASSEMBLY (ENGINE TO FRAME MOUNTING)						
COLL 6A064-B		(a)	1	430	D	60
33800-S8		Nut-hex. -3/8"-24	2	a		
34807-S8		Lockwasher-3/8"	2	a		
45557-S8		Bolt-hex. hd. -3/8"-24 x 3-3/4"-bracket-outer thru idler arm mounting bracket to body	2	a		
354538-S2		Screw-hex. washer hd. -5/16"-18 x 1/2" - bracket-inner thru converter housing cover to converter housing	2	a		
6065 BOLT (CONVERTER TO ENGINE)						
8N 6065-A		Special - 7/16"-14 x 2-3/8"	6	430	D	60
374384-S7		7/16"-14 x 1-1/2" long	4	430	D	61
B8AZ 6065-A		1/2"-13 x 4.22" long - use to attach front vibration damper to vibration damper arm Use on 74 model only	2	430	D	61/63
			2	430	D	64
6065 BOLT (CYLINDER HEAD)						
B6A 6065-A		Short - 7/16"-14 x 2-1/8"	10	292, 312	A	60/62
B2AZ 6065-A		Long - 7/16"-14 x 4-1/16"	6	292, 312	A	60/62
B6AZ 6065-A		Long - 7/16"-14 x 4-5/16" (4) req'd. - for domestic vehicles (10) req'd. - for export vehicles with low octane fuel adaptor kit	AR	292, 312	A	60/62
C1TE 6065-B		Short - 1/2" - 13 x 4-7/16"	16	223	A	61/62
C1AE 6065-A		Long - 1/2"-13 x 4-1/2"	10	352, 390, 406, 427	A	61/64
C1AE 6065-C		Short - 1/2"-13 x 2-13/16"	10	352, 390, 406, 427	A	61/64
COSZ 6065-A		Long - 9/16"-12 x 4-5/16" (a)	20	383, 430	A D	60
CODE 6065-F		7/16"-14 x 4-1/4" - use in front cylinder head to attach a/cond. compressor support bracket - bolt head is drilled and tapped 5/16"-24 for bolt to attach battery ground cable	1	144, 170	B C	60/63
C2DZ 6065-B		7/16"-14 x 3-5/32" long with 5/16"-24 tapped head to attach battery ground cable - use for export vehicles with low octane fuel adaptor kit	1	144, 170	B C	60/63
C2DZ 6065-A		7/16"-14 x 3-5/32" long - use for export vehicles with low octane fuel adaptor kit	AR	144, 170	B C	60/64
C1DZ 6065-D		Stud - 7/16"-14 x 3-1/16" - 3/8"-16 x .65" - use in front cylinder head bolt hole (1) req'd. on R. H. front (1) req'd. at third cylinder head opening on R. H. side to attach air cleaner with emission reduction control	1	144, 170, 200	B C	60/64

CONTINUED ON NEXT PAGE

Engine

GROUP AND PART NUMBER	TYPE	DESCRIPTION, SIZE, ETC.	NO. REQ'D	MODEL OR ENGINE CUBIC INCH DISPLACEMENT	VEHICLE CODE	YEAR 19__
6065		BOLT (CYLINDER HEAD) CONTINUED				
C1DE	6065-B	7/16"-14 x 3-3/32" (13) req'd. - when battery ground cable is attached to cylinder head bolt (14) req'd. - when battery ground cable is attached to starter For all cylinder bolt holes except R. H. front and right third position	AR 12	144,170 144, 170, 200	B C B C	61/62 63/64
C2OZ	6065-A	Short - 7/16"-14 x 2-19/64" long	10	221,260,289	B C	62/64
C2OZ	6065-B	Long - 7/16"-14 x 3-29/32" long	10	221,260,289	B C	62/64
C1VE	6065-D	9/16"-12 x 4-21/32" long - use with 85 octane fuel engine - for export only (18) req'd. - with a/cond. (20) req'd. - without a/cond.	(a) AR	430	D	61/64
C1VE	6065-F	9/16"-12 x 4-31/32" long - use for export only with a/cond. NOTE - head of this bolt is drilled & tap. for a 3/8"-16 bolt to attach a/cond. compressor support bracket	(a) 2	430	D	61/64
C1VE	6065-C	9/16"-12 x 4-9/16" long (18) req'd. - with a/cond. (20) req'd. - without a/cond.	(a) AR	430	D	61/64
C1VE	6065-E	9/16"-12 x 6-1/8" long with 3/8"-16 hole tapped in head to attach a/cond. compressor support bracket	(a) 2	430	D	61/64
B8AZ	6065-A	1/2"-13 x 4-7/32" - to attach front vibration damper (7411018) to front vibration damper arm assembly (7411020-21)- use on model 74A	2	430	D	63
	374607-S	Washer-flat-9/16"-attach cyl. hd. to cyl. block	20	a		
6B066		STRAP (ENGINE REAR SUPPORT) REBOUND				
C3DZ	6B066-B	S/T 3/S Use on engines built prior to 2-21-64	1 1	260 260, 289	C C	63 64
C4DZ	6B066-B	3/S Use on engines built after 2-20-64 4/S Use on Ford four speed standard transmission	1 1	260, 289 260, 289	C C	64 64
C3DZ	6B066-C	A/T	1	260	C	63
C3DZ	6B066-D	4/S Use on Warner gear four speed standard transmission	1 1	260 260, 289	C C	63 64
C4GY	6B066-A	D/R	1	260, 289	C	64
6068		INSULATOR (ENGINE REAR SUPPORT)				
B9M	6068-B		1	312	A	60
B9M	6068-A		1	383, 430	A	60
C2MY	6068-A	Use on all except 76 model - anti-harsh ride (b)	1	292, 352, 390	A	61/62
C2MY	6068-B	Use on 76 model with anti-harsh ride (b)	1	292, 352, 390	A	61/62
C3AZ	6068-C		(d, e) 1	390, 406, 427	A	63/64
CONTINUED ON NEXT PAGE						

Engine

GROUP AND PART NUMBER	TYPE	DESCRIPTION, SIZE, ETC.	NO. REQ'D	MODEL OR ENGINE CUBIC INCH DISPLACEMENT	VEHICLE CODE	YEAR 19__
6068 INSULATOR (ENGINE REAR SUPPORT) CONTINUED						
C1AA 6068-A		Use on 58A, 64A models (a)	1	292, 352, 390	A	61
		Use on vehicles built prior to 11-1-60	1	223	A	61
		Use on all except 71 model	1	406	A	62
	4/S		1	221, 260	B	63
COAA 6068-C		Use on vehicles built after 10-31-60 (b)	1	223	A	61/62
C3OZ 6068-A			1	170, 200	B	62/63
C2OZ 6068-C			1	221, 260	B	62
		Use on all except 4/S	1	221, 260	B	63
CODD 6068-D		Use on vehicles built prior to 5-1-61	2	144, 170	C	60/61
C1DZ 6068-A		Use on vehicles built after 4-30-61	1	144, 170	C	61/63
			1	170, 200, 260, 289	C	64
B9S 6068-A			(c) 1	430	D	60
C1VV 6068-D			(f) 2	430	D	61/64
20368-S8		Bolt-hex. hd. -3/8"-16 x 7/8" - attach insulator assy. to extension assy.	2	c,f		
20388-S		Bolt-hex. hd. -3/8"-16 x 1" long	3	b		
20392-S		Bolt-hex. hd. -1/2"-13 x 1" long	4	b		
20411-S7		Bolt-hex. hd. -7/16"-20 x 1.12"	2	a		
33799-S		Nut-3/8"-16	3	b		
34057-S		Nut-3/8"-16 support to frame assy.	1	e		
34445-S8		Nut-lock-3/8"-24	1	c		
34670-S		Nut-hex. 7/16"-14	2	f		
34671-S8		Nut-7/16"-20-insulator assy. engine rear	2	a		
34783-S7		Lockwasher-7/16"	2	a		
34807-S		Washer-spring lock-3/8"-attach insulator assy. to extension assy.	2	c,d,e		
34808-S		Lockwasher-7/16"	3	b,f		
44727-S		Flat washer-3/8"	AR	b,c		
44731-S8		Washer-plain-7/16"	2	a		
44735-S		Flat washer-1/2"	3	b		
354580-S		Bolt-hex. hd. -3/8"-16 x 3-1/4" long	1	e		
370897-S		Bolt-shoulder-3/8"-24 x 2.86"	1	c		
377947-S		Bolt-hex. hd. -1/2"-13 x 1-1/4" long	2	e		
6B068 KIT (THREE 2V INDUCTION HIGH PERFORMANCE)						
C4AZ 6B068-A	S/T		1	390, 427	A	64
C4OZ 6B068-A		Cobra - use with C4DZ-9B843-A kit	1	260	B C	63/64
C4OZ 6B068-B		Cobra - use with C4DZ-9B843-A kit	1	289	C	64
6B068 KIT (FOUR 2V WEBER CARBURETORS)						
C5OZ 6B068-A	S/T	Cobra	1	260, 289	C	63/64
6B068 KIT (SINGLE 4V INDUCTION HIGH PERFORMANCE)						
C4OZ 6B068-D		Cobra - ☆except Special Performance	1	221, 260, 289☆	B C	62/64
6B068 KIT (TWO 4V INDUCTION HIGH PERFORMANCE)						
C4OZ 6B068-E		Cobra	1	260, 289	C	63/64
6B072 PLATE (ENGINE FRONT SUPPORT INSULATOR) ADAPTOR						
C1VY 6B072-A		Use on 74 models built after 3-30-61	2	430	D	61/64

Engine

GROUP AND PART NUMBER	DESCRIPTION, SIZE, ETC.	NO. REQ'D	MODEL OR ENGINE CUBIC INCH DISPLACEMENT	VEHICLE CODE	YEAR 19__
6079 GASKET SET (ENGINE VALVE GRIND)					
COAZ 6079-B		1	292, 312	A	60/62
Consists of the following -					
(2) C3TZ-6051-D	gasket	(1) C1AE-6870-A	gasket	(1) B7A-9441-B	gasket
(1) COAE-6521-A	gasket	(1) B5A-8255-A	gasket	%(1) C3TZ-9441-A	gasket
(6) B9A-6570-A	grommet	(1) EAN-8563-B	gasket	(3) 1GA-9450	gasket
(16) C1TE-6571-C	seal	(1) B7A-9439-B	gasket	%(3) B5A-9450-A	gasket
(2) COAE-6584-B	gasket	%(1) C3TZ-9439-A	gasket		
% Not used					
C1AZ 6079-B		1	223	A	61/62
Consists of the following -					
(1) C3AZ-6051-A	gasket	(12) C1TE-6571-C	seal	(4) B6A-9461-A	gasket
(1) C1AE-6521-C	gasket	(1) EAG-8255-B	gasket	%(4) B6J-9461-A	gasket
(4) B9A-6570-A	grommet	(1) 1GA-9450	gasket	(1) COAE-6584-A	gasket
% Not used					
C2AZ 6079-A		1	352, 390	A	61/64
Consists of the following -					
(2) B9AE-6051-A	gasket	(1) B8A-8255-A	gasket	(2) C2AZ-9441-A	gasket
(16) C4TZ-6571-C	seal	(1) B9AE-9A424-A	seal	(3) C1SZ-9450-A	gasket
(2) B9AE-6584-C	gasket	(1) B9AE-9A425-A	seal		
C2AZ 6079-B		1	406	A	62/63
Consists of the following -					
(2) C2AZ-6051-A	gasket	(1) B8A-8255-A	gasket	(1) C3AZ-9A425-A	seal
(16) B8A-6571-B	seal	(1) C3AZ-9A424-A	seal	(2) C2AZ-9441-A	gasket
(2) B9AE-6584-C	gasket				
C3AZ 6079-B		1	427	A	63/64
Consists of the following -					
(2) C3AZ-6051-B	gasket	(1) B8A-8255-A	gasket	(1) C3AZ-9A425-A	seal
(16) B8A-6571-B	seal	(1) C3AZ-9A424-A	seal	(2) C2AZ-9441-A	gasket
(2) B9AE-6584-C	gasket				
COSZ 6079-A		1	383, 430	A D	60
Consists of the following -					
(2) C1VE-6051-A	gasket	(2) B9ME-6584-C	gasket	(1) COSZ-9448-A	gasket
(1) COME-6521-A	gasket	(1) B8S-6769-A	seal	(1) COSZ-9448-B	gasket
(8) B8S-6571-A	seal	(1) C1VE-8255-A	gasket	%(2) B8S-9450-A	gasket
(8) B8S-6571-B	seal	(2) B8S-9441-A	gasket	(1) 373195-S	grommet
% Not used					
C2OZ 6079-B		1	221	B	62/63
Consists of the following -					
(2) C2OZ-6051-B	gasket	(1) C2OZ-6870-A	gasket	(1) C2OZ-9A425-A	seal
(16) C2OZ-6571-A	seal	(1) C2OZ-8255-A	gasket	(2) C2OZ-9441-A	gasket
(2) C2OZ-6584-A	gasket	(1) C2OZ-9A424-A	seal		
C1DZ 6079-A		1	144, 170	B C	60/64
Consists of the following -					
(1) CODE-6051-C	gasket	(1) CODE-6584-B	gasket	(1) C1DZ-9450-A	gasket
(12) C3DZ-6571-B	seal	(1) CODE-8255-A	gasket		
C2OZ 6079-C		1	260	B C	62/64
Consists of the following -					
(2) C2OZ-6051-C	gasket	(1) C2OZ-6870-A	gasket	(1) C2OZ-9A425-A	seal
(16) C2OZ-6571-A	seal	(1) C2OZ-8255-A	gasket	(2) C2OZ-9441-A	seal
(2) C2OZ-6584-A	gasket	(1) C2OZ-9A424-A	seal		

CONTINUED ON NEXT PAGE

Engine

GROUP AND PART NUMBER	DESCRIPTION, SIZE, ETC.	NO. REQ'D	MODEL OR ENGINE CUBIC INCH DISPLACEMENT	VEHICLE CODE	YEAR 19__
6079 GASKET SET (ENGINE VALVE GRIND) CONTINUED					
C3OZ 6079-A		1	200	B C	63/64
Consists of the following -					
(1) C3OZ-6051-A	gasket	(1) CODE-6584-B	gasket	(1) C3OZ-9450-A	gasket
(12) C3DZ-6571-B	seal	(1) CODE-8255-A	gasket		
C3AZ 6079-A		1	289	C	64
Consists of the following -					
(2) C3AZ-6051-C	gasket	☆(2) C2OZ-6870-A	gasket	(1) C2OZ-9A425-A	seal
(16) C3AZ-6571-B	seal	(1) C3OZ-8255-A	gasket	(2) C3AZ-9441-A	gasket
(2) C2OZ-6584-A	gasket	(1) C2OZ-9A424-A	seal		
☆ Not used on 1964 models					
C3VY 6079-A		1	430	D	61/64
Consists of the following -					
(2) C1VE-6051-A	gasket	(2) B9ME-6584-C	gasket	☆(1) COSZ-9448-A	gasket - R. H.
(1) C1VE-6521-A	gasket	(1) C1VY-6870-B	gasket	(1) COSZ-9448-B	gasket - L. H.
(8) C4VY-6571-A	seal intake	(1) C1VE-8255-A	gasket	‡(1) C3VY-9448-A	gasket - R. H.
(8) C4VY-6571-B	seal exhaust	(2) C1VE-9441-D	gasket	(1) 374700-S	grommet
				(16) 373988-S	washer-spring
☆ 1961 models only					
‡ Used on 1962-63 models					
6B081 REINFORCEMENT (ENGINE REAR MOUNTING MEMBER EXTENSION)					
C1VY 6B081-A	Side - use on vehicles built prior to 1-16-63	2	430	D	61/63
	R. H. and L. H.	2	430	D	64
C3VY 6B081-A	Side - use on vehicles built after 1-15-63	2	430	D	63
C1VY 6B081-B	Center	1	430	D	61/64
6A087-8 MEMBER (ENGINE MOUNTING REAR)					
C1VB 6A087-C	R. H.	1	430	D	61/63
C1VB 6A088-B	L. H.	1	430	D	61/63
C4VY 6A087-A	R. H.	1	430	D	64
C4VY 6A088-A	L. H.	1	430	D	64
6108 PISTON, PIN & RETAINER SET					
ECZ 6108-H	Standard - No. 2 - RED	8	312	A	60
ECZ 6108-G	Standard - No. 6 - BLUE	8	312	A	60
B6A 6108-B	.0225" O/S	8	312	A	60
B6A 6108-C	.0325" O/S	8	312	A	60
B6A 6108-D	.0425" O/S	8	312	A	60
C3AZ 6108-A	Standard - RED	6	223	A	61/62
COAE 6108-AC	Standard - BLUE	6	223	A	61/62
C3AZ 6108-B	.020" O/S	6	223	A	61/62
C3AZ 6108-C	.030" O/S	6	223	A	61/62
C3AZ 6108-D	.040" O/S	6	223	A	61/62
EDB 6108-C	Standard - No. 2 - RED	8	292	A	61/62
EDB 6108-B	Standard - No. 6 - BLUE	8	292	A	61/62
B5A 6108-D	.020" O/S	8	292	A	61/62
B5A 6108-F	.030" O/S	8	292	A	61/62
B5A 6108-H	.040" O/S	8	292	A	61/62
COAE 6108-A	Standard - RED	8	352	A	61/62
COAE 6108-B	Standard - BLUE	8	352	A	61/62
COAE 6108-D	.020" O/S	8	352	A	61/62
COAE 6108-E	.030" O/S	8	352	A	61/62
COAE 6108-F	.040" O/S	8	352	A	61/62
CONTINUED ON NEXT PAGE					

Engine

GROUP AND PART NUMBER	DESCRIPTION, SIZE, ETC.	NO. REQ'D	MODEL OR ENGINE CUBIC INCH DISPLACEMENT	VEHICLE CODE	YEAR 19__
6108 PISTON, PIN & RETAINER SET (CONTINUED)					
C1AE 6108-B	Standard - BLUE	%	8 390	A	61/62
C1AE 6108-D	.020" O/S	%	8 390	A	61/62
C1AE 6108-E	.030" O/S	%	8 390	A	61/62
C1AZ 6108-G	Standard - RED - use for export with 84 octane engine	%	8 390-4V	A	61/64
C1MY 6108-B	Standard - BLUE - use for export with 84 octane engine	%	8 390-4V	A	61/64
C1AZ 6108-K	.020" O/S - use for export with 84 octane engine	%	8 390-4V	A	61/64
C1AZ 6108-L	.030" O/S - use for export with 84 octane engine	%	8 390-4V	A	61/64
C1AZ 6108-M	.040" O/S - use for export with 84 octane engine	%	8 390-4V	A	61/64
	% The retainer in these sets are of two different types - wire type and snap ring type- The wire type is used with (6135) piston pin that is 3.163" long - The snap ring type is used with (6135) piston pin that is 3.207" long- As complete sets of (8) or for individual replacement these sets are interchangeable				
C4MY 6108-A	Standard - RED	8	390-2V	A	63/64
C4MY 6108-B	Standard - BLUE	8	390-2V	A	63/64
C3MY 6108-E	.003" O/S	8	390-2V	A	63/64
C3MY 6108-C	.020" O/S	8	390-2V	A	63
C4MY 6108-C	.020" O/S	8	390-2V	A	64
C3MY 6108-D	.030" O/S	8	390-2V	A	63
C4MY 6108-D	.030" O/S	8	390-2V	A	64
C1AZ 6108-A	Standard - RED	8	390-4V	A	61/64
C1AZ 6108-B	Standard - BLUE	8	390-4V	A	63/64
C1AZ 6108-C	.003" O/S	8	390-4V	A	61/64
C1AZ 6108-D	.020" O/S	8	390-4V	A	63/64
C1AZ 6108-E	.030" O/S	8	390-4V	A	63/64
C1AZ 6108-F	.040" O/S	8	390-4V	A	61/64
C2AZ 6108-B	Standard - RED	8	406	A	62/63
C3AZ 6108-F	Standard - RED	8	427-4V	A	63
C3AZ 6108-M	Standard - RED	8	427-8V	A	63
		8	427	A	64
C2OZ 6108-F	Standard - RED	AR	170, 221	B C	61/64
C1GY 6108-C	Standard - BLUE	AR	170, 221	B C	61/64
C2OZ 6108-G	.020" O/S	AR	170, 221	B C	61/64
C2OZ 6108-H	.030" O/S	AR	170, 221	B C	61/64
C2OZ 6108-J	.040" O/S	AR	170, 221	B C	61/64
C2OZ 6108-K	.060" O/S	AR	170, 221	B C	61/64
C2OZ 6108-L	Standard - RED	8	260	B C	62/64
C2YY 6108-A	Standard - BLUE	8	260	B C	62/64
C2OZ 6108-M	.020" O/S	8	260	B C	62/64
C2OZ 6108-N	.030" O/S	8	260	B C	62/64
C2OZ 6108-R	.040" O/S	8	260	B C	62/64
C2OZ 6108-S	.060" O/S	8	260	B C	62/64
CONTINUED ON NEXT PAGE					

Engine

GROUP AND PART NUMBER	DESCRIPTION, SIZE, ETC.	NO. REQ'D	MODEL OR ENGINE CUBIC INCH DISPLACEMENT	VEHICLE CODE	YEAR 19__
6108 PISTON, PIN & RETAINER SET (CONTINUED)					
C3OZ 6108-F	Standard - RED	6	200	B C	63/64
C3YY 6108-A	Standard - BLUE	6	200	B C	63/64
C3OZ 6108-G	.020" O/S	6	200	B C	63/64
C3OZ 6108-H	.030" O/S	6	200	B C	63/64
C3OZ 6108-J	.040" O/S	6	200	B C	63/64
C3OZ 6108-A	Standard - RED - for export only	8	260	B C	63/64
C3OZ 6108-B	.020" O/S - for export only	8	260	C	64
C3OZ 6108-C	.030" O/S - for export only	8	260	C	64
C3OZ 6108-D	.040" O/S - for export only	8	260	C	64
C1DZ 6108-F	Standard - RED	6	144	C	60/63
C1GY 6108-B	Standard - BLUE	6	144	C	60/63
C1DZ 6108-G	.020" O/S	6	144	C	60/63
C1DZ 6108-H	.030" O/S	6	144	C	60/63
C1DZ 6108-J	.040" O/S	6	144	C	60/63
C1DZ 6108-K	.060" O/S	6	144	C	60/63
C3AZ 6108-P	Standard - RED - except Special Performance	8	289	C	64
C4GY 6108-B	Standard - BLUE - except Special Performance	8	289	C	64
C3AZ 6108-H	.020" O/S - except Special Performance	8	289	C	64
C3AZ 6108-J	.030" O/S - except Special Performance	8	289	C	64
C3AZ 6108-K	.040" O/S - except Special Performance	8	289	C	64
C3OZ 6108-K	Standard - RED - Special Performance (Engine Warranty Code D) - use on engines built prior to 3-26-64	8	289	C	64
C3OZ 6108-L	Standard - RED - Special Performance (Engine Warranty Code D) - use on engines built after 3-25-64	8	289	C	64
6108-9 PISTON & PIN SET					
COMY 6108-A	R.H. - standard - No. 2 - RED	4	383	A	60
COMY 6109-A	L.H. - standard - No. 2 - RED	4	383	A	60
COMY 6108-E	R.H. - .030" O/S	4	383	A	60
COMY 6109-E	L.H. - .030" O/S	4	383	A	60
C2VY 6108-A	R.H. - standard - RED	4	430	A D	60/62
C2VY 6109-A	L.H. - standard - RED	4	430	A D	60/62
C2VY 6108-B	R.H. - standard - BLUE	4	430	A D	60/62
C2VY 6109-B	L.H. - standard - BLUE	4	430	A D	60/62
C2VY 6108-D	R.H. - .020" O/S	4	430	A D	60/62
C2VY 6109-D	L.H. - .020" O/S	4	430	A D	60/62
C2VY 6108-E	R.H. - .030" O/S	4	430	A D	60/62
B9LE 6109-E	L.H. - .030" O/S	4	430	A D	60
C2VY 6109-E	L.H. - .030" O/S	4	430	D	61/62
C2VY 6108-F	R.H. - .040" O/S	4	430	A D	60/62
C2VY 6109-F	L.H. - .040" O/S	4	430	A D	60/62
C3VY 6108-A	R.H. - standard - RED	4	430	D	63/64
C3VY 6109-A	L.H. - standard - RED	4	430	D	63/64
C3VY 6108-B	R.H. - standard - BLUE	4	430	D	63/64
C3VY 6109-B	L.H. - standard - BLUE	4	430	D	63/64
C3VY 6108-C	R.H. - .020" O/S	4	430	D	63/64
C3VY 6109-C	L.H. - .020" O/S	4	430	D	63/64
C3VY 6108-D	R.H. - .030" O/S	4	430	D	63/64
C3VY 6109-D	L.H. - .030" O/S	4	430	D	63/64

Engine

GROUP AND PART NUMBER		TYPE	DESCRIPTION, SIZE, ETC.	NO. REQ'D	MODEL OR ENGINE CUBIC INCH DISPLACEMENT	VEHICLE CODE	YEAR 19__
6120		BRACKET (ENGINE REAR SUPPORT MOUNTING)					
C2OZ	6120-A	3/S	R. H.	1	170	B	62
		S/T	R. H.	1	170	B	63
C2OZ	6120-C	3/S	L. H. - use on vehicles built prior to 7-3-62	1	170	B	62
C2OZ	6120-E	3/S	L. H. - use on vehicles built after 7-2-62	1	170	B	62
		S/T	L. H.	1	170	B	63
C2OZ	6120-B	ALL	R. H.	1	221, 260	B	62/63
		2/S	R. H.	1	170	B	62
		A/T	R. H.	(a) 1	170,200	B	63
C2OZ	6120-F	ALL	L. H.	1	221, 260	B	62/63
		2/S	L. H.	1	170	B	62
		A/T	L. H.	1	170,200	B	63
CODZ	6120-A	2/S	Also serviced in 7003 assembly - use on vehicles built prior to 5-1-61	1	144, 170	C	60/61
CODZ	6120-B	3/S	(5) mounting holes - also serviced in 7003 assembly - use on vehicles built prior to 5-1-61	1	144,170	C	60/61
COGY	6120-A	S/T	(4) mounting holes - also serviced in 7A039 assembly - use on vehicles built prior to 5-1-61 - and used with C1GY-7A039-C transmission extension only	1	144,170	C	60/61
C1VY	6120-A			AR	430	D	61/64
	378554-S		Clip-to hold parking brake cable to 6120 bracket	1	a		
6135		PIN (PISTON)					
B2AZ	6135-A		Standard	6-8	223, 292, 312	A	60/62
B2AZ	6135-B		.001" O/S	6-8	223, 292, 312	A	60/62
B2AZ	6135-C		.002" O/S	6-8	223, 292, 312	A	60/62
C1AE	6135-B		Standard - GREEN - 3.207" long - use with snap ring type retainer only ☆ Police Special - use on engines built prior to 7-1-63	8	390☆, 406	A	61/63
B8A	6135-AA		Standard GREEN - 3.163" long - use with wire type (6140) retainer only - except Police Special Also use on Police Special engines built after 6-30-63 for 1963	8 8	352, 390 390	A A	61/62 63/64
B8A	6135-AB		.001" O/S - BLUE - 3.163" long - use with wire type (6140) retainer only - except Police Special Also use on Police Special engines built after 6-30-63 for 1963	8 8	352, 390 390	A A	61/62 63/64
B8A	6135-AC		.002" O/S - YELLOW - 3.163" long - use with wire type (6140) retainer only - except Police Special Also use on Police Special engines built after 6-30-63 for 1963	8 8	352, 390 390	A A	61/62 63/64
C3AZ	6135-A		Standard - 3.207" long	8	427	A	63/64
6140		RETAINER (PISTON PIN)					
C3AZ	6140-C		Tru-arc snap ring type	AR	223, 292, 312	A	60/62
C3AZ	6140-B		Tru-arc	16	352, 390, 406, 427	A	61/64

Engine

GROUP AND PART NUMBER	DESCRIPTION, SIZE, ETC.	NO. REQ'D	MODEL OR ENGINE CUBIC INCH DISPLACEMENT	VEHICLE CODE	YEAR 19__
6148 KIT (PISTON RING) PARTIAL RE-RING					
B4AZ 6148-F	Standard - contains necessary rings to re-ring - (2) pistons	3	223	A	61/62
B4AZ 6148-G	.020" O/S - contains necessary rings to re-ring - (2) pistons	3	223	A	61/62
B4AZ 6148-H	.030" O/S - contains necessary rings to re-ring - (2) pistons	3	223	A	61/62
B4AZ 6148-J	.040" O/S - contains necessary rings to re-ring - (2) pistons	3	223	A	61/62
B5AZ 6148-A	Standard - contains necessary rings to re-ring - (2) pistons	4	292	A	62
B5AZ 6148-B	.020" O/S - contains necessary rings to re-ring - (2) pistons	4	292	A	61/62
B5AZ 6148-C	.030" O/S - contains necessary rings to re-ring - (2) pistons	4	292	A	61/62
B5AZ 6148-D	.040" O/S - contains necessary rings to re-ring - (2) pistons	4	292	A	61/62
B8AZ 6148-A	Standard - contains necessary rings to re-ring - (2) pistons	4	352	A	61/62
B8AZ 6148-B	.020" O/S - contains necessary rings to re-ring - (2) pistons	4	352	A	61/62
B8AZ 6148-C	.030" O/S - contains necessary rings to re-ring - (2) pistons	4	352	A	61/62
B8AZ 6148-D	.040" O/S - contains necessary rings to re-ring - (2) pistons	4	352	A	61/62
C1AZ 6148-A	Standard - contains necessary rings to re-ring - (2) pistons	4	390	A	61/64
C1AZ 6148-B	.020" O/S - contains necessary rings to re-ring - (2) pistons	4	390	A	61/64
C1AZ 6148-C	.030" O/S - contains necessary rings to re-ring - (2) pistons	4	390	A	61/64
C1AZ 6148-D	.040" O/S - contains necessary rings to re-ring - (2) pistons	4	390	A	61/64
C2AZ 6148-A	Standard - contains necessary rings to re-ring - (2) pistons	4	406	A	62/63
C3AZ 6148-A	Standard - contains necessary rings to re-ring - (2) pistons	4	427	A	63/64
COSZ 6148-A	Standard - contains necessary rings to re-ring - (2) pistons	4	383,430	A D	60/64
COSZ 6148-B	.020" O/S - contains necessary rings to re-ring - (2) pistons	4	383,430	A D	60/64
COSZ 6148-C	.030" O/S - contains necessary rings to re-ring - (2) pistons	4	383,430	A D	60/64
COSZ 6148-D	.040" O/S - contains necessary rings to re-ring - (2) pistons	4	383,430	A D	60/63
B6AZ 6148-A	Standard - contains necessary rings to re-ring - (2) pistons	4	312	A	60
B6AZ 6148-B	.020" O/S - contains necessary rings to re-ring - (2) pistons	4	260	B C	62/64
B6AZ 6148-C	.030" O/S - contains necessary rings to re-ring - (2) pistons	4	312	A	60
B6AZ 6148-D	.040" O/S - contains necessary rings to re-ring - (2) pistons	4	260	B C	62/64
B6AZ 6148-D	.040" O/S - contains necessary rings to re-ring - (2) pistons	4	312	A	60
B6AZ 6148-D	.040" O/S - contains necessary rings to re-ring - (2) pistons	4	260	B C	62/64

CONTINUED ON NEXT PAGE

Engine

GROUP AND PART NUMBER	DESCRIPTION, SIZE, ETC.	NO. REQ'D	MODEL OR ENGINE CUBIC INCH DISPLACEMENT	VEHICLE CODE	YEAR 19__
6148 KIT (PISTON RING) PARTIAL RE-RING (CONTINUED)					
CODZ 6148-A	Standard - contains necessary rings to re-ring - (2) pistons	3 4	144, 170 221	B C B	60/64 62/63
CODZ 6148-B	.020" O/S - contains necessary rings to re-ring - (2) pistons	3 4	144, 170 221	B C B	60/64 62/63
CODZ 6148-C	.030" O/S - contains necessary rings to re-ring - (2) pistons	3 4	144, 170 221	B C B	60/64 62/63
CODZ 6148-D	.040" O/S - contains necessary rings to re-ring - (2) pistons	3 4	144, 170 221	B C B	60/64 62/63
CODZ 6148-E	.060" O/S - contains necessary rings to re-ring - (2) pistons	3 4	144, 170 221	B C B	60/64 62/63
C3OZ 6148-A	Standard - contains necessary rings to re-ring - (2) pistons	3	200	B C	63/64
C3OZ 6148-B	.020" O/S - contains necessary rings to re-ring - (2) pistons	3	200	B C	63/64
C3OZ 6148-C	.030" O/S - contains necessary rings to re-ring - (2) pistons	3	200	B C	63/64
C3OZ 6148-D	.040" O/S - contains necessary rings to re-ring - (2) pistons	3	200	B C	63/64
C3AZ 6148-B	Standard - contains necessary rings to re-ring - (2) pistons	4	289	C	64
C3AZ 6148-C	.020" O/S - contains necessary rings to re-ring - (2) pistons	4	289	C	64
C3AZ 6148-D	.030" O/S - contains necessary rings to re-ring - (2) pistons	4	289	C	64
C3AZ 6148-E	.040" O/S - contains necessary rings to re-ring - (2) pistons	4	289	C	64
6149 KIT (PISTON RING SET) COMPLETE ENGINE RE-RING					
MFK 6149-K	Standard	1	292	A	61
B8KY 6149-A	Standard	1	352	A	61/62
HJK 6149-D	.040" O/S	1	383, 430	A D	60/61
6200 ROD (CONNECTING)					
C1TE 6200-C		8	312	A	60
C3AZ 6200-E		6	223	A	61/62
B5A 6200-A		8	292	A	61/62
C1AE 6200-A		8	352	A	61/62
C1AE 6200-C		8	390	A	61/62
	☆Use on 390 C. I. D. Police Special engines without grooved main journal oil passages	8	390☆	A	62
	Except Police Special - use on engines built prior to 10-15-62	8	390	A	63
C3AZ 6200-B	Except Police Special - use on engines built after 10-14-62	8	390	A	63/64
C3AZ 6200-F	☆ Use on 390 C. I. D. Police Special engines with grooved main journal oil passages	8	390☆, 406, 427	A	62/64
COME 6200-A		8	383, 430	A D	60
C3OZ 6200-B		6	170, 200	B C	61/64
C2OZ 6200-A		8	221, 260	B C	62/63
CODE 6200-A		6	144	C	60/63
C3AZ 6200-D	☆Except Special Performance	8	260, 289☆	C	64
C3OZ 6200-C	Special Performance (Engine Warranty Code D)	8	289	C	64
C1VE 6200-A		8	430	D	61/62
C3VY 6200-A		8	430	D	63/64
6207 BUSHING (CONNECTING ROD)					
EAA 6207-A		8	312	A	60
C1AE 6207-A		6-8	223, 292	A	61/62
B8A 6207-A		8	352, 390, 406, 427	A	61/64

Engine

GROUP AND PART NUMBER	DESCRIPTION, SIZE, ETC.	NO. REQ'D	MODEL OR ENGINE CUBIC INCH DISPLACEMENT	VEHICLE CODE	YEAR 19__
6211 BEARING (CONNECTING ROD)					
B5T 6211-A	Standard - RED	16	292, 312	A	60/62
B5T 6211-B	Standard - BLUE	16	292, 312	A	60/62
B4A 6211-AG	.002" U/S	16	292, 312	A	60/62
B5T 6211-C	.010" U/S	16	292, 312	A	60/62
B5T 6211-D	.020" U/S	16	292, 312	A	60/62
B5T 6211-E	.030" U/S	16	292, 312	A	60/62
B4AE 6211-A	.040" U/S	16	292, 312	A	60/62
C3AZ 6211-A	Standard - RED - lower - (2) squirt holes	6	223	A	61/62
C3AZ 6211-B	Standard - BLUE - lower - (2) squirt holes	6	223	A	61/62
C3AZ 6211-C	.002" U/S - lower - (2) squirt holes	6	223	A	61/62
C3AZ 6211-D	.010" U/S - lower - (2) squirt holes	6	223	A	61/62
C3AZ 6211-E	.020" U/S - lower - (2) squirt holes	6	223	A	61/62
C3AZ 6211-F	.030" U/S - lower - (2) squirt holes	6	223	A	61/62
C2AZ 6211-A	Standard - RED - upper - full groove	6	223	A	61/62
C2AZ 6211-B	Standard - BLUE - upper - full groove	6	223	A	61/62
C2AZ 6211-C	.002" U/S - upper - full groove	6	223	A	61/62
C2AZ 6211-D	.010" U/S - upper - full groove	6	223	A	61/62
C2AZ 6211-E	.020" U/S - upper - full groove	6	223	A	61/62
C2AZ 6211-F	.030" U/S - upper - full groove	6	223	A	61/62
C4TZ 6211-A	Standard - RED	16	352, 390	A	61/64
C4TZ 6211-B	Standard - BLUE	16	352, 390	A	61/64
C4TZ 6211-G	.040" U/S	16	352, 390	A	61/64
C2AZ 6211-K	.002" U/S	16	352, 390	A	61/63
C4TZ 6211-C	.002" U/S	16	390	A	64
C2AZ 6211-L	.010" U/S	16	352, 390	A	61/63
C4TZ 6211-D	.010" U/S	16	390	A	64
C2AZ 6211-M	.020" U/S	16	352, 390	A	61/63
C4TZ 6211-E	.020" U/S	16	390	A	64
C2AZ 6211-N	.030" U/S	16	352, 390	A	61/63
C4TZ 6211-F	.030" U/S	16	390	A	64
C1AE 6211-H	Standard - RED	16	406, 427	A	62/64
C1AE 6211-J	Standard - BLUE	16	406, 427	A	62/64
C1AE 6211-K	.002" U/S	16	406, 427	A	62/64
C1AE 6211-L	.010" U/S	16	406, 427	A	62/64
C1AE 6211-M	.020" U/S	16	406, 427	A	62/64
C1AE 6211-N	.030" U/S	16	406, 427	A	62/64
C1VE 6211-B	Standard - RED	16	383, 430	A	D 60/64
C1VE 6211-D	Standard - BLUE	16	383, 430	A	D 60/64
B8S 6211-AG	.002" U/S	16	383, 430	A	D 60/64
B8S 6211-AC	.010" U/S	16	383, 430	A	D 60/64
B8S 6211-AD	.020" U/S	16	383, 430	A	D 60/64
B8S 6211-AE	.030" U/S	16	383, 430	A	D 60/64
PB8M 6211-B	.040" U/S	16	383, 430	A	D 60/61
		16	430		D 63/64
C3OZ 6211-G	Standard	12	144, 170, 200	B C	60/64
CODE 6211-K	.002" U/S	12	144, 170, 200	B C	60/63
C3OZ 6211-H	.002" U/S	12	170, 200	C	64
C3OZ 6211-J	.010" U/S	12	144, 170, 200	B C	60/64
C3OZ 6211-K	.020" U/S	12	144, 170, 200	B C	60/64

CONTINUED ON NEXT PAGE

Engine

GROUP AND PART NUMBER	DESCRIPTION, SIZE, ETC.	NO. REQ'D	MODEL OR ENGINE CUBIC INCH DISPLACEMENT	VEHICLE CODE	YEAR 19__
6211 BEARING (CONNECTING ROD) CONTINUED					
C2OZ 6211-A	Standard - RED	16	221,260	B	62
C2OZ 6211-B	Standard - BLUE	16	221,260	B	62
C2OZ 6211-H	Standard - RED - ☆except Special Performance	16	221,260,289☆	B C	63/64
C2OZ 6211-J	Standard - BLUE - ☆except Special Performance	16	221,260,289☆	B C	63/64
C2OZ 6211-K	.002" U/S - ☆except Special Performance	16	221,260,289☆	B C	62/64
C2OZ 6211-L	.010" U/S - ☆except Special Performance	16	221,260,289☆	B C	62/64
C2OZ 6211-M	.020" U/S - ☆except Special Performance	16	221,260,289☆	B C	62/64
C2OZ 6211-F	.030" U/S	16	221,260	B C	62/63
C2OZ 6211-N	.030" U/S - ☆except Special Performance	16	260,289☆	C	64
C3OZ 6211-A	Standard - RED - Special Performance (Engine Warranty Code D)	16	289	C	64
C3OZ 6211-B	Standard - BLUE - Special Performance (Engine Warranty Code D)	16	289	C	64
C3OZ 6211-C	.002" U/S - Special Performance (Engine Warranty Code D)	16	289	C	64
C3OZ 6211-D	.010" U/S - Special Performance (Engine Warranty Code D)	16	289	C	64
C3OZ 6211-E	.020" U/S - Special Performance (Engine Warranty Code D)	16	289	C	64
C3OZ 6211-F	.030" U/S - Special Performance (Engine Warranty Code D)	16	289	C	64
6212 NUT (CONNECTING ROD CAP)					
C3AZ 6212-A	13/32"-24 with under-cut ☆ For Police Special	16	390☆, 406, 427	A	61/64
C1TE 6212-A	3/8"-24 hex. ☆Use on 390 C.I.D. Police Special engines built prior to 12-26-61 Except Police Special Special Performance (Engine Warranty Code D)	AR 16 16 16 16	223,292,312,352,383,390,430 390☆ 390 289 430	A A A C D	60/63 62 64 64 60
COME 6212-A	13/32"-24 hex. ☆Use on 390 C.I.D. Police Special engines built after 12-25-61	16 16	383,430 390☆, 406	A D A	60/64 62
C3DZ 6212-A	5/16"-24 hex. - ☆except Special Performance	AR	144,170,200,221,260,289☆	B C	60/64
6214 BOLT (CONNECTING ROD)					
C1TE 6214-E	3/8" - 24 x 2-1/16"	16	312	A	60
C1AZ 6214-A	3/8"-24 x 2.22" - except Police Special	16	390	A	64
C2AZ 6214-A	13/32"-24 x 2-7/64" - use on engines built prior to 5-10-60 ☆Use on 390 C.I.D. Police Special engines built after 12-25-61	16 16 16	383,430 390☆, 406, 427 430	A A D	60 62/64 60/64
C1AE 6214-A	3/8"-24 x 2-1/8" ☆Use on engines built after 5-9-60 ☆Use on 390 C.I.D. Police Special engines built prior to 12-26-61	12-16 16 16	223,292,352,383☆, 390,430☆ 390☆ 430	A A D	60/63 62 60
CONTINUED ON NEXT PAGE					

Engine

GROUP AND PART NUMBER	DESCRIPTION, SIZE, ETC.	NO. REQ'D	MODEL OR ENGINE CUBIC INCH DISPLACEMENT	VEHICLE CODE	YEAR 19__
6214 BOLT (CONNECTING ROD) CONTINUED					
C2DZ 6214-A	5/16"-24 x 2-5/64"	(a) 12	144, 170	B C	60/63
		16	221, 260	B C	62/63
C3AZ 6214-A	5/16"-24 x 2-1/16" ★Except Special Performance	(a) 12	200	B	63
		AR	170, 200, 260, 289★	C	64
C4OZ 6214-B	Special Performance (Engine Warranty Code D)	16	289	C	64
372440-S2	Nut-hex. hd. -5/16"-24	AR	a		
6250 CAMSHAFT					
B6AZ 6250-A		1	292, 312	A	60/62
C3TZ 6250-F	Use without zero lash rocker arm	1	223	A	61
C1AE 6250-A	Use with zero lash rocker arm	1	223	A	61/62
C3AZ 6250-H	Includes (12) B8C-6500-A tappets - use only with C3AZ-6261-C camshaft bearings in 1, 2, 3 and 4 positions	1	223	A	61/62
C4TZ 6250-A	Cross drilled No. 3 journal	1	292	A	61/62
B8A 6250-B	Use with 6295 camshaft button kit	1	352	A	61/62
C3AZ 6250-A	Use with camshaft thrust plate	1	352	A	61/62
COAE 6250-A	Use with 6295 camshaft button kit - except for Police Special	1	390	A	61/62
C1AE 6250-B	Use with 6295 camshaft button kit - for Police Special	1	390	A	61/62
C3AZ 6250-T	Use with camshaft thrust plate - for Police Special - mechanical tappets	1	390-4V	A	61/64
C2AZ 6250-A	Use with 6295 camshaft button kit	1	406	A	62
C3AZ 6250-D	Use with camshaft thrust plate Mechanical tappets - 306° event - ★ use on 427-8V C.I.D. engine built prior to 5-1-63	1	406	A	62
		1	406, 427-4V, 427-8V★	A	63/64
C3AZ 6250-K	Mechanical tappets - 324° event - use on engines built after 4-30-63	1	427-8V	A	63/64
C3MY 6250-B		1	390-2V	A	63
C3AZ 6250-S	Except Police Special	1	390-4V	A	63/64
C3MY 6250-C		1	390-2V	A	64
B9ME 6250-C		(a) 1	383, 430	A D	60
CODE 6250-B	Use with solid tappets	1	144, 170	B C	60/62
C3DZ 6250-A	Use with hydraulic tappets	1	144, 170	B C	63
C3OZ 6250-B	Includes (1) 378189-S dowel pin	1	221, 260	B C	62/64
C3OZ 6250-A		1	200	B C	63/64
C3DZ 6250-B	Hydraulic tappets	1	170	C	64
C3AZ 6250-E	Includes (1) 378189-S dowel pin - except Special Performance - use on engines built prior to 3-26-64	1	289	C	64
C3AZ 6250-V	Includes (1) 378189-S dowel pin - except Special Performance - use on engines built after 3-25-64	1	289	C	64
C3OZ 6250-C	Special Performance (Engine Warranty Code D)	1	289	C	64
C1VE 6250-A		1	430	D	61/64
359390-S	Plug-cup type-camshaft rear bearing- 2-35/64" max. O. D.	1	a		

Engine

GROUP AND PART NUMBER	DESCRIPTION, SIZE, ETC.	NO. REQ'D	MODEL OR ENGINE CUBIC INCH DISPLACEMENT	VEHICLE CODE	YEAR 19__
6A251 KIT (CAMSHAFT BEARING)					
C2AZ 6A251-D	Standard Consists of the following - (1) B4C-6261-A bearing - front	1	292, 312	A	60/62
	(4) C3AZ-6262-A bearing - center - front intermediate - rear intermediate and rear				
C2AZ 6A251-A	Standard Consists of the following - (3) C3AZ-6261-C bearing-front, front intr. & rear	1	223	A	61/62
	(1) EAA-6270-B bearing-rear intermediate		(1) 7HA-6266-A plug-camshaft rear bearing		
C2AZ 6A251-C	Standard Consists of the following - (1) B8A-6261-AA bearing-front (1) B8A-6262-AA bearing-center	1	352, 390, 406	A	61/62
	(1) B8A-6263-AA bearing-rear (1) B8A-6267-AA bearing-front intr.		(1) B8A-6270-AA bearing-rear intr. (1) 353001-S plug-camshaft rear bearing		
C3AZ 6A251-A	Standard Consists of the following - (1) C3AZ-6261-A bearing-front (1) B8A-6262-AA bearing-center	1	390, 406, 427	A	63/64
	(1) B8A-6263-AA bearing-rear (1) B8A-6267-AA bearing-front intr.		(1) B8A-6270-AA bearing-rear intr. (1) 353001-S plug-camshaft rear bearing		
COSZ 6A251-A	Standard Consists of the following - (1) B8S-6261-AA bearing-front (1) B8S-6262-AA bearing-center	1	383, 430	A D	60
	(1) B8S-6263-AA bearing-rear (1) B8S-6267-AA bearing-front intr.		(1) B8S-6270-AA bearing-rear nut (1) 359390-S plug-camshaft rear bearing		
C2DZ 6A251-A	Standard Consists of the following - (1) CODE-6261-B bearing-front (1) CODE-6263-B bearing-rear	1	144, 170, 200	B C	61/64
	(1) CODE-6267-B bearing-front intr. (1) CODE-6270-B bearing-rear intr.		(1) 7HA-6266-A plug-camshaft		
C2OZ 6A251-A	Standard Consists of the following - (1) C2OZ-6261-A bearing-front (1) C2OZ-6262-A bearing-center	1	221, 260, 289	B C	62/64
	(1) C2OZ-6263-A bearing-rear (1) C2OZ-6266-A plug-camshaft rear bearing		(1) C2OZ-6267-A bearing-frt. intr. (1) C2OZ-6270-A bearing-rear intermediate		
C2VY 6A251-A	Standard Consists of the following - (1) C1VE-6261-B bearing-front (1) C1VE-6262-B bearing-center	1	430	D	61/64
	(1) B8S-6263-AA bearing-rear (1) C1VE-6267-B bearing-front intr.		(1) C1VE-6270-B bearing-rear intr. (1) 359390-S plug-camshaft rear bearing		
6256 SPROCKET (CAMSHAFT TIMING CHAIN)					
EAA 6256-A		1	223, 292, 312	A	60/62
B8A 6256-A	Use with 6295 camshaft button kit	(a) 1	352, 390, 406	A	61/62
C3AZ 6256-A	36 teeth - use with camshaft thrust plate	1	352, 390, 406	A	61/62
		(d) 1	390, 406, 427	A	63/64
B8S 6256-A	Includes dowel pin	1	383, 430	A D	60
CODE 6256-A	38 teeth	(c) 1	144, 170, 200	B C	60/64
C2OZ 6256-A	42 teeth	(b) 1	221, 260	B	62
C3OZ 6256-C	42 teeth	(b, e) 1	221, 260, 289	B C	63/64
C1VY 6256-B	40 Teeth	(a) 1	430		D 61/63
		(f) 1	430		D 64
34828-S	Washer -7/16" lock-sprocket to camshaft	1	223	A	61/62
74175-S	Key-5/32" x 5/8"-sprocket to camshaft	1	223	A	61/62
74177-S	Key-5/32" x 3/4"-sprocket to camshaft	1	292	A	61/62
73248-S	Pin-5/16" x 9/16"-to align sprocket to camshaft	2	223, 383, 430	A D	60/62
371643-S7	Bolt-7/16"-14 x 1-1/2"-sprocket to camshaft	1	144, 170, 292	A B C	60/63
CONTINUED ON NEXT PAGE					

Engine

GROUP AND PART NUMBER	DESCRIPTION, SIZE, ETC.	NO. REQ'D	MODEL OR ENGINE CUBIC INCH DISPLACEMENT	VEHICLE CODE	YEAR 19_____
6256 SPROCKET (CAMSHAFT TIMING CHAIN) CONTINUED					
20406-GS2	Bolt-hex. hd. -5/16"-18 x 1-1/8"-sprocket to camshaft	3	c, f		
34807-S	Lockwasher-3/8"	1	b		
73248-S	Pin-5/16" x 9/16"-to align sprocket to camshaft	1	c, f		
73298-S	Dowel-sprocket to camshaft	1	a		
356422-S8	Washer-sprocket to camshaft	1	a		
373118-S	Pin-dowel-1/4" dia. x .31"-locate sprocket on camshaft	1	c		
376058-S	Bolt-3/8"-16 x 1-1/2"-sprocket to camshaft	1	b		
376095-S	Bolt-hex. hd. -7/16"-14 x 1-7/8"-attach sprocket to camshaft	1	d		
378189-S	Pin-dowel-5/16" x 1-3/8"-sprocket to camshaft	1	e		
6A257 KIT (CAMSHAFT HIGH PERFORMANCE)					
C4OZ 6A257-A	Cobra - *except Special Performance	1	221,260,289*	B C	62/64
6258 RING (CAMSHAFT SPROCKET LOCK)					
B8E 6258-A		1	383,430	A D	60/64
6261 BEARING (CAMSHAFT) FRONT					
B4C 6261-A	Standard - use in No. 1 position	1	292,312	A	60/62
B4C 6261-B	.015" U/S - use in No. 1 position	1	292,312	A	60/62
C3AZ 6261-C	Standard - use in No. 1, 2 and 4 positions	3	223	A	61/62
C3AZ 6261-D	.015" U/S - use in No. 1, 2 and 4 positions	3	223	A	61/62
B8A 6261-AA	Standard - without oil transfer groove	1	352,390,406	A	61/62
B8A 6261-AB	.015" U/S - without oil transfer groove	1	352,390,406	A	61/62
C3AZ 6261-A	Standard - with oil transfer groove - also serviced in 6A251 kit	1	352,390,406,427	A	61/64
C3AZ 6261-B	.015" U/S - with oil transfer groove	1	352,390,406,427	A	61/64
B8S 6261-AA	Standard	1	383,430	A D	60
B8S 6261-AB	.015" U/S	1	383,430	A D	60
CODE 6261-B	Standard - also serviced in 6A251 kit	1	144,170,200	B C	60/64
CODE 6261-C	.015" U/S	1	144,170,200	B C	60/64
C2OZ 6261-A	Standard - also serviced in 6A251 kit	1	221,260,289	B C	62/64
C2OZ 6261-B	.015" U/S	1	221,260,289	B C	62/64
C1VE 6261-B	Standard - also serviced in 6A251 kit	1	430	D	61/64
6262 BEARING (CAMSHAFT) CENTER					
C3AZ 6262-A	Standard - use in No. 2, 3, 4 and 5 positions	AR	292,312	A	60/62
C3AZ 6262-B	.015" U/S - use in No. 3 position	1	292,312	A	60/62
B8A 6262-AA	Standard - also serviced in 6A251 kit	1	352,390,406,427	A	61/64
B8A 6262-AB	.015" U/S	1	352,390,406,427	A	61/64
B8S 6262-AA	Standard	1	383,430	A D	60
B8S 6262-AB	.015" U/S	1	383,430	A D	60
C2OZ 6262-A	Standard - also serviced in 6A251 kit	1	221,260,289	B C	62/64
C2OZ 6262-B	.015" U/S	1	221,260,289	B C	62/64
C1VE 6262-B	Standard - also serviced in 6A251 kit	1	430	D	61/64
6263 BEARING (CAMSHAFT) REAR					
EBY 6263-C	.015 U/S - use in No. 2, 3, 4 and 5 positions	AR	292,312	A	60/62
B8A 6263-AA	Standard - also serviced in 6A251 kit	1	352,390,406,427	A	61/64
B8A 6263-AB	.015" U/S	1	352,390,406,427	A	61/64
B8S 6263-AA	Standard - also serviced in 6A251 kit	1	383,430	A D	60/64
B8S 6263-AB	.015" U/S	1	383,430	A D	60
CONTINUED ON NEXT PAGE					

Engine

GROUP AND PART NUMBER	DESCRIPTION, SIZE, ETC.	NO. REQ'D	MODEL OR ENGINE CUBIC INCH DISPLACEMENT	VEHICLE CODE	YEAR 19__
6263 BEARING (CAMSHAFT) REAR (CONTINUED)					
CODE 6263-B	Standard - also serviced in 6A251 kit	1	144,170,200	B C	60/64
CODE 6263-C	.015" U/S	1	144,170,200	B C	60/64
C2OZ 6263-A	Standard - also serviced in 6A251 kit	1	221,260,289	B C	62/64
C2OZ 6263-B	.015" U/S	1	221,260,289	B C	62/64
6265 SPACER (CAMSHAFT SPROCKET)					
C2AZ 6265-A		1	223,292,312	A	60/62
C3AZ 6265-A	3/4" I. D. x 1-1/2" O. D. x 1-43/69" thick - use with camshaft thrust plate	1	352,390,406	A	61/62
		1	390,406,427	A	63/64
CODZ 6265-A		1	144,170,200	B C	60/64
C2OZ 6265-A	☆Except Special Performance	1	221,260,289☆	B C	62/64
C3OZ 6265-A	.378" thick - Special Performance (Engine Warranty Code D)	1	289	C	64
6266 PLUG (CAMSHAFT REAR BEARING)					
372566-S	Rear - oversize - 2.102" O. D.	1	312	A	60
359390-S	Rear - 2.576" O. D.	1	383,430	A	60
372570-S	Rear - oversize - 2.605" O. D.	1	383,430	A	60
353001-S	Cup - 2-3/8" O. D.	1	352,390	A	61
7HA 6266-A	Cup - 2.050"/2.060" - 2.069"/2.074" O. D. (1) req'd. - to plug camshaft rear bearing (4) req'd. - to plug core holes in cylinder block	AR	144,170,200,223,292,312	A B C	60/64
7HA 6266-B	O/S - 2.132"/2.138" - 2.151"/2.156" O. D. (1) req'd. - to plug camshaft rear bearing (4) req'd. - to plug core holes in cylinder block	AR	144,170,200	B C	60/64
C2OZ 6266-A	2.138"/2.157" O. D.	1	221,260,289	B C	62/64
6267 BEARING (CAMSHAFT) FRONT INTERMEDIATE					
B8A 6267-AA	Standard - also serviced in 6A251 kit	1	352,390,406,427	A	61/64
B8A 6267-AB	.015" U/S	1	352,390,406,427	A	61/64
B8S 6267-AA	Standard	1	383,430	A D	60
B8S 6267-AB	.015" U/S	1	383,430	A D	60
CODE 6267-B	Standard - also serviced in 6A251 kit	1	144,170,200	B C	60/64
CODE 6267-C	.015" U/S	1	144,170,200	B C	60/64
C2OZ 6267-A	Standard - also serviced in 6A251 kit	1	221,260,289	B C	62/64
C2OZ 6267-B	.015" U/S	1	221,260,289	B C	62/64
C1VE 6267-B	Standard - also serviced in 6A251 kit	1	430	D	61/64
6268 CHAIN (TIMING)					
EAA 6268-B		1	223,292,312	A	60/62
B8A 6268-A		1	352,390,406,427	A	61/64
B8E 6268-A		1	383,430	A D	60/64
CODE 6268-A		1	144,170,200	B C	60/64
C2OZ 6268-A	☆Except Special Performance	1	221,260,289☆	B C	62/64
C3OZ 6268-A	Special Performance (Engine Warranty Code D)	1	289	C	64
6269 PLATE (CAMSHAFT THRUST)					
EAA 6269-B		(a) 1	223,292,312	A	60/62
C3AZ 6269-A	1-51/64" I. D.	1	352,390,406	A	61/62
		(d) 1	390,406,427	A	63/64
CONTINUED ON NEXT PAGE					

Engine

GROUP AND PART NUMBER	DESCRIPTION, SIZE, ETC.	NO. REQ'D	MODEL OR ENGINE CUBIC INCH DISPLACEMENT	VEHICLE CODE	YEAR 19__
6269 PLATE (CAMSHAFT THRUST) CONTINUED					
CODE 6269-A		(b) 1	144, 170, 200	B C	60/64
C2OZ 6269-A	With counterbored mounting holes - use on engines built prior to 8-15-63	(c) 1	221, 260, 289	B C	62/64
C3OZ 6269-B	. 217" thick - less counterbored mounting holes - use on engines built after 8-14-63	(e) 1	260, 289	C	64
20310-S8	Bolt-hex. hd. -5/16"-18 x 1/2"-plate to cylinder block	2	b		
20324-S8	Screw-hex. hd. -1/4"-20 x 5/8"-attach plate to block	2	e		
34806-S7	Lockwasher -5/16"	2	b		
370790-S	Bolt-5/16"-18 x 3/4"-attach plate to block	2	a		
375932-S	Screw-1/4"-20 x 5/8"- to attach to block	2	c		
376893-S	Bolt-7/16"-14 x 5/8"-attach plate to block	2	d		
6270 BEARING (CAMSHAFT) REAR INTERMEDIATE					
EAA 6270-B	Standard - use in No. 3 position	1	223	A	61/62
EAA 6270-C	.015" U/S - use in No. 3 position	1	223	A	61/62
B8A 6270-AA	Standard - also serviced in 6A251 kit	1	352, 390, 406, 427	A	61/64
B8A 6270-AB	.015" U/S	1	352, 390, 406, 427	A	61/64
B8S 6270-AA	Standard	1	383, 430	A D	60
B8S 6270-AB	.015" U/S	1	383, 430	A D	60
CODE 6270-B	Standard - also serviced in 6A251 kit	1	144, 170, 200	B C	60/64
CODE 6270-C	.015" U/S	1	144, 170, 200	B C	60/64
C2OZ 6270-A	Standard - also serviced in 6A251 kit	1	221, 260, 289	B C	62/64
C2OZ 6270-B	.015" U/S	1	221, 260, 289	B C	62/64
C1VE 6270-B	Standard - also serviced in 6A251 kit	1	430	D	61/64
6278 WASHER (CAMSHAFT SPROCKET)					
C3AZ 6278-A		1	144, 170, 200, 223, 292, 312	A B C	60/64
C2OZ 6278-A		1	221, 260, 289	B C	62/64
6281 BUSHING (ECCENTRIC CAMSHAFT FUEL PUMP DRIVE)					
C3VY 6281-B	When used on engines built prior to 3-1-63 use in conjunction with C3VY-6287-B, C3VY-6290-A and C3VY-9400-B	1	430	D	63
		1	430	D	64
6284 DAMPER (TIMING CHAIN VIBRATION)					
C3AZ 6284-A		(a) 1	223	A	61/62
370790-S	Bolt-5/16"-18 x 3/4"-attach damper to block	2	a		
6287 ECCENTRIC (CAMSHAFT FUEL PUMP DRIVE)					
C1AE 6287-A		1	292, 312	A	60/62
C3AZ 6287-A		1	352, 390, 406, 427	A	61/64
C2OZ 6287-A		(a) 1	221, 260	B	62
C3AZ 6287-B		(a) 1	221, 260, 289	B C	63/64
COSZ 6287-A	Use on engines built prior to 3-1-63 - use with C3VY-9400-B push rod	1	383, 430	A D	60/63
Package also includes -					
(1) C3VY-6281-B	bushing	(1) C3VY-6290-A	plate		
C3VY 6287-B	When used on engines built prior to 3-1-63 - use in conjunction with C3VY-6281-B, C3VY 6290-A and C3VY-9400-B	1	430	D	63/64
376058-S	Bolt-3/8"-16 x 1-1/2"-sprocket and eccentric to camshaft	1	a		
6290 SPACER (CAMSHAFT FUEL PUMP ECCENTRIC)					
B7A 6290-A		1	292, 312	A	60/62

Engine

GROUP AND PART NUMBER	DESCRIPTION, SIZE, ETC.	NO. REQ'D	MODEL OR ENGINE CUBIC INCH DISPLACEMENT	VEHICLE CODE	YEAR 19__
6290 PLATE (CAMSHAFT FUEL PUMP DRIVE ECCENTRIC WEAR)					
C3VY 6290-A	When used on engines built prior to 3-1-63 - use in conjunction with C3VY-6281-B, C3VY-6287-B and C3VY-9400-B	1	430	D	63/64
6291 SPACER (CAMSHAFT FUEL PUMP DRIVE ECCENTRIC)					
B4A 6291-A		1	292,312	A	60/62
6295 KIT (CAMSHAFT THRUST BUTTON & SPRING)					
C2AZ 6295-A		1	352, 390, 406	A	61/62
Consists of the following -					
(1) C1AE-6297-A	spring	(1) 356422-S8	washer	(1) 371760-S7	bolt
(1) C2AE-6298-A	button				
6297 SPRING (CAMSHAFT THRUST)					
	NS-serviced in 6295 kit only	1	352, 390, 406	A	61/62
6298 BUTTON (CAMSHAFT THRUST)					
	NS-serviced in 6295 kit only	1	352, 390, 406	A	61/62
6301 SHIM (CRANKSHAFT VIBRATION DAMPER)					
COME 6301-A	Use when vane type crankshaft P/S pump is used on engines built after 2-8-60 with COSZ-6312-A damper	1	383, 430	A D	60
6A302 PIN (CRANKSHAFT REAR OIL SEAL)					
CODZ 6A302-A	.095" diameter x .31"	1	144,170,200,221,260,289	B C	60/64
6303 CRANKSHAFT					
B6A 6303-C		1	312	A	60
EDF 6303-A		1	383	A	60
C3AZ 6303-H		1	223	A	61/62
B9TE 6303-A		1	292	A	61/62
C3AZ 6303-A		1	352	A	61/62
C4AZ 6303-E		1	352	A	61/62
Package also includes -					
(1) C4AZ-6306-A	gear	(1) 378704-S	key		
C1AE 6303-A		1	390	A	61/62
	☆Use on 390 C. I. D. Police Special engines without grooved main journal oil passages	1	390☆	A	62
C3AZ 6303-C		1	406	A	62/63
C3AZ 6303-B	Except Police Special - use on engines built prior to 10-15-62	1	390	A	63
C3AZ 6303-D	Except Police Special - use on engines built after 10-14-62	1	390	A	63
C4AZ 6303-B	Except Police Special - crankshaft damper keyway slot 2-1/4" long - use with C4AZ-6306-A gear and 378704-S sprocket key	1	390	A	63
C4AZ 6303-D	Crankshaft damper keyway slot 2-1/4" long - use with C4AZ-6306-A gear and 378704-S sprocket key	1	427	A	63
CONTINUED ON NEXT PAGE					

Engine

GROUP AND PART NUMBER	DESCRIPTION, SIZE, ETC.	NO. REQ'D	MODEL OR ENGINE CUBIC INCH DISPLACEMENT	VEHICLE CODE	YEAR 19__
6303 CRANKSHAFT (CONTINUED)					
C4AZ 6303-F	Except Police Special - crankshaft damper(Δ) keyway slot - 2-1/4" long	1	390	A	64
C4AZ 6303-G	Police Special - crankshaft damper keyway seat 2-1/4" long	(Δ) 1	390	A	63/64
C4AZ 6303-H		(Δ) 1	427	A	63/64
Δ Package also includes -					
(1) C4AZ-6306-A	gear		(1) 378704-S	key	
C3VY 6303-A		1	430	A D	60/64
C2DZ 6303-A		1	170	B C	61/64
C3OZ 6303-A		1	200	B C	63/64
C3AZ 6303-F	☆Except Special Performance	1	221, 260, 289☆	B C	62/64
C3OZ 6303-B	Special Performance (Engine Warranty Code D)	1	289	C	64
C2DZ 6303-B		(a) 1	144	C	60/63
372854-S	Key-3/16" x 1.75"	1	a		
6306 SPROCKET (CRANKSHAFT)					
B8A 6306-B	Sintered iron	(b) 1	223, 292, 312	A	60/62
B8A 6306-A	Use with keyway slot 1-1/2" long	(a) 1	352, 390, 406, 427	A	61/63
C4AZ 6306-A	18 teeth - use with crankshaft with crankshaft damper keyway slot 2-1/4" long	(d) 1	352, 390, 427	A	61/64
B8E 6306-A		(a) 1	383, 430	A D	60/63
		(d) 1	430	D	64
CODE 6306-A	19 teeth	(c) 1	144, 170, 200	B C	60/64
C2OZ 6306-A	21 teeth - ☆except Special Performance	1	221, 260, 289☆	B C	62/64
C3OZ 6306-A	21 teeth - Special Performance (Engine Warranty Code D)	1	289	C	64
74175-S	Key-Woodruff-5/32" x 5/8"- sprocket to crankshaft	1	b		
358985-S	Key-3/16" x 3.05"-crankshaft sprocket	1	a		
372854-S	Key-3/16" x 1.75"-crankshaft sprocket	1	c		
378704-S	Key-3/16" x 1.40"-crankshaft sprocket	1	d		
6310 SLINGER (CRANKSHAFT OIL)					
B6A 6310-B		1	292, 312	A	60/62
C1AE 6310-A		1	223	A	61/62
B8A 6310-A		1	352, 390, 406, 427	A	61/64
B8S 6310-A		1	383, 430	A D	60/64
C2OZ 6310-A		1	221, 260	B	62
CODE 6310-A	3-1/2" O.D.	1	144, 170, 200	B C	60/64
C3OZ 6310-B	☆Except Special Performance	1	221, 260, 289☆	B C	63/64
C3OZ 6310-A	Special Performance (Engine Warranty Code D)	1	289	C	64
6312 PULLEY & DAMPER (CRANKSHAFT VIBRATION)					
COAZ 6312-A	6.625" O.D. - one sheave	(b) 1	312	A	60
		(d) 1	292	A	61/62
C3AZ 6312-C	5.50" O.D. - one sheave	(b) 1	223	A	61/62
COAZ 6312-B	6.625" O.D. - one sheave	(c, f) 1	352, 390	A	61/62
C1AZ 6312-A	6.50" O.D. - single sheave	1	406	A	62/63
C3AZ 6312-B	7.50" O.D. - single sheave	1	427	A	63
C3AZ 6312-E	6.679" O.D. - single sheave - includes C3AZ-6023-A pointer	(c, f) 1	390	A	63/64
C3AZ 6312-F	7.50" O.D. - single sheave	1	427	A	64
CONTINUED ON NEXT PAGE					

Engine

GROUP AND PART NUMBER	DESCRIPTION, SIZE, ETC.	NO. REQ'D	MODEL OR ENGINE CUBIC INCH DISPLACEMENT	VEHICLE CODE	YEAR 19__
6312 PULLEY & DAMPER (CRANKSHAFT VIBRATION) CONTINUED					
B9SZ 6312-A	6.625" pulley O. D. - two sheave - use on engines built prior to 2-9-60 - identified by timing marks stamped in degrees on O. D. of damper - use with B8S-6023-A pointer and B9SZ-6359-A spacer (a, f)	1	383, 430	A D	60
COSZ 6312-A	6.625" pulley O. D. - two sheave - use on engines built after 2-8-60 - with C1VE-6023-A pointer and identified by ball point timing mark - use COME-6359-A spacer (a, f)	1	383, 430	A D	60/62
C2DZ 6312-A	5.939" O.D. - single sheave Use without a/cond. Except with 3 point single belt drive with a/cond.	1	170,200	B	62/63
		1	144,170	C	60/62
		1	144,170,200	C	63/64
C2OZ 6316-A	Damper only (f)	1	260	B C	62/63
C2OZ 6312-A	6.179" O. D. - one sheave without P/S and/or a/cond. Without extra cooling, P/S and/or a/cond.	1	221,260	B	62/63
		1	260,289	C	63/64
C2OZ 6312-B	6.125" O. D. - three sheaves with P/S and/or a/cond. With P/S except a/cond. With extra cooling or with P/S without a/cond. (e, f)	1	221,260	B	62
		1	221,260	B	63
		1	260,289	C	63/64
C3AZ 6312-A	6.37" largest O. D. - four sheaves with a/cond.	1	221,260,289	B C	63/64
C4OZ 6316-A	Damper - 6.36" O. D.	1	260	C	64
C3AZ 6316-A	Damper only - 6.36" O. D. - except Special Performance - use on engines built prior to 3-9-64	1	289	C	64
C3AZ 6316-B	Damper only - 6.36" O. D. - except Special Performance - use on engines built after 3-8-64	1	289	C	64
C3OZ 6316-A	Damper - 6.50" O. D. - Special Performance (Engine Warranty Code D)	1	289	C	64
C3VY 6312-A	7.50" O. D. - double sheave (f)	1	430	D	63/64
C1TE 6A340-B	Bolt-9/16"-18 x 1-3/4"-damper to crankshaft	1	b, d		
	Key-Woodruff-1/4" x 7/8"-crankshaft damper assy. to crankshaft assy.	1	a, b, d		
358963-S	Key-1/4" x 3/4"-crankshaft damper to crankshaft	1	c		
359915-S	Bolt-5/8"-18 x 1-7/8" long-attach pulley and adaptor to crankshaft	1	f		
371186-S8	Bolt-3/8"-16 x 1-1/8" shoulder - attach pulley to adaptor	3	e		
372757-S	Washer-flat-9/16"	1	d		
6A312 PULLEY (VIBRATION DAMPER) OUTER					
B8AZ 6A312-D	6.625" O. D. - two sheaves - use with a/cond. and P/S with a/cond. - also use with 50 and 60 amp.alternator (a)	1	312	A	60
B8AZ 6A312-A	6.625" O. D. - one sheave - use with P/S - less a/cond. Use with 50 amp. pancake type alternator without P/S (a)	1	312	A	60
		1	292	A	61
C1AE 6A312-C	5.50" O. D. - one sheave - use with 50 amp. pancake alternator	1	223	A	61
CONTINUED ON NEXT PAGE					

Engine

GROUP AND PART NUMBER	DESCRIPTION, SIZE, ETC.	NO. REQ'D	MODEL OR ENGINE CUBIC INCH DISPLACEMENT	VEHICLE CODE	YEAR 19____
6A312	PULLEY (VIBRATION DAMPER) OUTER (CONTINUED)				
C1AE 6A312-A	6.72" O.D. - one sheave - use with P/S	1	223	A	61/62
C1AE 6A312-B	Two sheaves - largest sheave 3/8"V x 7"O.D. smallest sheave 1/2"V x 6.72" O.D. - use with 40 amp. Delco Remy generator	1	223	A	61/62
C2AZ 6A312-B	7.78" O.D. - one sheave - use with a/cond.	1	223	A	61/62
C1AZ 6A312-A	One sheave - 1/2"V x 6.60" O.D. - (2) mounting bolt holes - use with P/S - use without a/cond.	1	292	A	61/62
COAZ 6A312-B	Two sheaves - large pulley 6.50" O.D. - small pulley 5.94" O.D. - (2) bolt mounting holes - use with 50 amp. pancake alternator with P/S	1	292	A	61
	Use with a/cond. and P/S with a/cond.	1	292	A	61/62
C1AZ 6A312-B	One sheave - 1/2"V x 6.60" O.D. - (3) mounting bolt holes - use with P/S - use without a/cond.	1	352,390	A	61/63
C1AZ 6A312-C	Two sheaves - largest sheave 6.58" O.D. - smallest sheave 5.94" O.D. - use with a/cond. and P/S with a/cond.	1	352,390	A	61/63
	Use with 50 amp. pancake alternator	1	352,390	A	61
	Use with standard generator with heavy duty extra cooling and/or P/S	1	352,390	A	62
	Use with Economy a/cond. - use with Police Special equipped with 42 amp. Ford alternator or without a/cond.	1	390	A	64
	Not used with Police Special equipped with 42 amp. Ford alternator with extra cooling without a/cond. prior to 12-2-63				
	Use with 40 or 60 amp. Leece-Neville alternator without a/cond. and/or P/S				
C1AZ 6A312-D	Single sheave - 1/2" V x 6.60" O.D. - except Police Special - use with P/S without a/cond. or extra cooling - and after 12-2-63, use with extra cooling without a/cond.	1	390	A	64
C4AZ 6A312-A	Three sheave - 6.10" O.D. small sheave - 7.76" O.D. large sheave - use with Deluxe a/cond.	1	390	A	64
C2DZ 6A312-A	5.86" O.D. - single sheave - use with P/S	1	170,200	B	62/63
	Use with a/cond. units with 4 point dual belt drive	1	144,170	C	63
	Use with P/S except a/cond. or a/cond. units with 4 point dual belt drive	1	170,200	C	64
C2OZ 6A312-A	6.00" O.D. - double sheave - with a/cond.	1	170,200	B	62/63
	Use with a/cond. or P/S with a/cond. units with single belt 3 point belt drive	1	170,200	C	64
CODZ 6A312-A	6.06" O.D. - two sheave - use with a/cond.	(b) 1	144,170	C	60/62
	Use with a/cond. units with 3 point single belt drive	1	144,170	C	63
20408-S7	Bolt-hex. hd. -3/8"-16 x 1-1/8"	2	a		
21063-S8	Bolt-hex. -9/16"-18 x 2"	1	a		
34807-S7	Washer-spring lock-3/8"	2	a		
34850-S7	Washer-lock-9/16"	1	a		
354566-S8	Bolt-hex. hd. -9/16"-18 x 1-1/2"-use with EAA-6378-A washer-attach crankshaft pulley to crankshaft	1	b		

Engine

GROUP AND PART NUMBER	DESCRIPTION, SIZE, ETC.	NO. REQ'D	MODEL OR ENGINE CUBIC INCH DISPLACEMENT	VEHICLE CODE	YEAR 19__
6316	REFER TO GROUP 6312				
6A329	ADAPTOR (CRANKSHAFT PULLEY)				
C2OZ 6A329-A		1	221	B	62/63
6333	BEARING (CRANKSHAFT MAIN) FRONT & REAR				
B6A 6333-A	Standard - RED	8	312	A	60
B6A 6333-B	Standard - BLUE	8	312	A	60
B6A 6333-AG	.002" U/S	8	312	A	60
B6A 6333-C	.010" U/S	8	312	A	60
B6A 6333-D	.020" U/S	8	312	A	60
B6A 6333-E	.030" U/S	8	312	A	60
B9TE 6333-A	Standard - RED	6	223	A	61/62
B9TE 6333-B	Standard - BLUE	6	223	A	61/62
B9TE 6333-C	.002" U/S	6	223	A	61/62
B9TE 6333-D	.010" U/S	6	223	A	61/62
B9TE 6333-E	.020" U/S	6	223	A	61/62
B9TE 6333-F	.030" U/S	6	223	A	61/62
EBV 6333-D	Standard - RED	8	292	A	61/62
EBV 6333-E	Standard - BLUE	8	292	A	61/62
B4A 6333-AG	.002" U/S	8	292	A	61/62
EBV 6333-A	.010" U/S	8	292	A	61/62
EBV 6333-B	.020" U/S	8	292	A	61/62
EBV 6333-C	.030" U/S	8	292	A	61/62
B4AE 6333-A	.040" U/S	8	292	A	61/62
C4TZ 6333-A	Standard - RED	8	352,390	A	61/64
C4TZ 6333-B	Standard - BLUE	8	352,390	A	61/64
B8A 6333-AG	.002" U/S	8	352,390	A	61/63
C4TZ 6333-C	.002" U/S	8	390	A	64
B8A 6333-AC	.010" U/S	8	352,390	A	61/63
C4TZ 6333-D	.010" U/S	8	390	A	64
B8A 6333-AD	.020" U/S	8	352,390	A	61/63
C4TZ 6333-E	.020" U/S	8	390	A	64
C4TZ 6333-F	.030" U/S	8	352,390	A	61/64
C4TZ 6333-G	.040" U/S	8	352,390	A	61/64
C1AE 6333-A	Standard - RED - selective fit with C1AE-6333-B	8	406,427	A	62/64
C1AE 6333-B	Standard - BLUE - selective fit with C1AE-6333-A	8	406,427	A	62/64
C1AE 6333-C	.002" U/S	8	406,427	A	62/64
C1AE 6333-D	.010" U/S	8	406,427	A	62/64
C1AE 6333-E	.020" U/S	8	406,427	A	62/64
C1AE 6333-F	.030" U/S	8	406,427	A	62/64
C1VE 6333-B	Standard - RED - selective fit with C1VE-6333-D	8	383,430	A	60
	Use with single slot bearing caps	8	430	D	60/62
	Upper - use with double slot bearing caps	4	430	D	62/64
C1VE 6333-D	Standard - BLUE - selective fit with C1VE-6333-B	8	383,430	A	60
	Use with single slot bearing caps	8	430	D	60/62
	Upper - use with double slot bearing caps	4	430	D	62/64

CONTINUED ON NEXT PAGE

Engine

GROUP AND PART NUMBER	DESCRIPTION, SIZE, ETC.	NO. REQ'D	MODEL OR ENGINE CUBIC INCH DISPLACEMENT	VEHICLE CODE	YEAR 19__
6333 BEARING (CRANKSHAFT MAIN) FRONT & REAR (CONTINUED)					
B8S 6333-AG	.002" U/S	8	383, 430	A	60
	Use with single slot bearing caps	8	430	D	60/62
	Upper - use with double slot bearing caps	4	430	D	62/64
B8S 6333-AC	.010" U/S	8	383, 430	A	60
	Use with single slot bearing caps	8	430	D	60/62
	Upper - use with double slot bearing caps	4	430	D	62/64
B8S 6333-AD	.020" U/S	8	383, 430	A	60
	Use with single slot bearing caps	8	430	D	60/62
	Upper - use with double slot bearing caps	4	430	D	62/64
B8S 6333-AE	.030" U/S	8	383, 430	A	60
	Use with single slot bearing caps	8	430	D	60/62
	Upper - use with double slot bearing caps	4	430	D	62/64
C1GE 6333-A	Standard - RED - use in positions 1,2 and 4	6	144,170,200	B C	60/64
C1GE 6333-B	Standard - BLUE - use in positions 1,2 and 4	6	144,170,200	B C	60/64
C1GE 6333-C	.002" U/S - use in positions 1, 2 and 4	6	144,170,200	B C	60/64
C1GE 6333-D	.010" U/S - use in positions 1,2 and 4	6	144,170,200	B C	60/64
C1GE 6333-E	.020" U/S - use in positions 1,2 and 4	6	144,170,200	B C	60/64
C1GE 6333-F	.030" U/S - use in positions 1,2 and 4	6	144,170,200	B C	60/64
C2OZ 6333-A	Standard - RED - upper	4	221	B	62
C3AZ 6333-A	Standard - RED - upper	4	260	B	62
		4	221,260,289	B C	63/64
C2OZ 6333-B	Standard - BLUE - upper	4	221	B	62
C3AZ 6333-B	Standard - BLUE - upper	4	260	B	62
		4	221,260,289	B C	63/64
C3AZ 6333-C	.002" U/S - upper	4	221,260,289	B C	62/64
C2OZ 6333-L	.010" U/S - upper	4	221,260	B C	62/63
C3AZ 6333-D	.010" U/S - upper	4	260,289	C	64
C3AZ 6333-E	.020" U/S - upper	4	221,260,289	B C	62/64
C3AZ 6333-F	.030" U/S - upper	4	221,260,289	B C	62/64
C2OZ 6A338-A	Standard - RED - lower	4	221	B	62
C3AZ 6333-H	Standard - RED - lower	4	260	B	62
		4	221,260,289	B C	63/64
C2OZ 6A338-J	Standard - BLUE - lower	4	221	B	62
C3AZ 6333-J	Standard - BLUE - lower	4	260	B	62
		4	221,260,289	B C	63/64
C3AZ 6333-K	.002" U/S - lower	4	221,260,289	B C	62/64
C2OZ 6333-V	.010" U/S - lower	4	221,260	B C	62/63
C3AZ 6333-L	.010" U/S - lower	4	260,289	C	64
C3AZ 6333-M	.020" U/S - lower	4	221,260,289	B C	62/64
C3AZ 6333-N	.030" U/S - lower	4	221,260,289	B C	62/64
C2VY 6333-A	Standard - RED - lower - use with double slot bearing caps	4	430	D	62/64
C2VY 6333-B	Standard - BLUE - lower - use with double slot bearing caps	4	430	D	62/64
C2VY 6333-C	.002" U/S - lower - use with double slot bearing caps	4	430	D	62/64
C2VY 6333-D	.010" U/S - lower - use with double slot bearing caps	4	430	D	62/64
C2VY 6333-E	.020" U/S - lower - use with double slot bearing caps	4	430	D	62/64
C2VY 6333-F	.030" U/S - lower - use with double slot bearing caps	4	430	D	62/64

Engine

GROUP AND PART NUMBER	DESCRIPTION, SIZE, ETC.	NO. REQ'D	MODEL OR ENGINE CUBIC INCH DISPLACEMENT	VEHICLE CODE	YEAR 19__
6335 RETAINER (CRANKSHAFT REAR SEAL)					
B6A 6335-A		1	312	A	60
B5A 6335-A	(a)	1	292	A	61/62
33798-S8	Nut-hex. -5/16"-24-oil pan to retainer	2	a		
34806-S7	Washer-lock-5/16"-oil pan to retainer	2	a		
88351-S8	Stud-5/16" x 7/8"-oil pan to retainer	2	a		
354861-S	Washer-flat-3/8"-retainer to block	2	a		
6336 SEAL (CRANKSHAFT REAR MAIN BEARING CAP)					
B8KY 6336-A	.025" O/S	2	292, 312, 352, 390, 406, 427	A	60/64
C1AE 6336-B	Wedge shaped - 2.72" long - also serviced in 6008 kit	2	292, 312, 352, 390, 406, 427	A	60/64
C1AE 6336-A	Wedge shaped - 2.30" long - also serviced in 6008 kit	2	223	A	61/62
C1ME 6336-A	Also serviced in 6008 kit	2	383, 430	A D	60/64
PB8M 6336-A	.025" O/S	2	383, 430	A D	60/64
6337 BEARING (CRANKSHAFT MAIN) CENTER					
B6A 6337-A	Standard - RED	2	312	A	60
B6A 6337-B	Standard - BLUE	2	312	A	60
B6A 6337-AG	.002" U/S	2	312	A	60
B6A 6337-C	.010" U/S	2	312	A	60
B6A 6337-D	.020" U/S	2	312	A	60
B6A 6337-E	.030" U/S	2	312	A	60
EBV 6337-D	Standard - RED	2	292	A	61/62
EBV 6337-E	Standard - BLUE	2	292	A	61/62
B4A 6337-AG	.002" U/S	2	292	A	61/62
EBV 6337-A	.010" U/S	2	292	A	61/62
EBV 6337-B	.020" U/S	2	292	A	61/62
EBV 6337-C	.030" U/S	2	292	A	61/62
B4AE 6337-A	.040" U/S	2	292	A	61/62
B8A 6337-AA	Standard - RED - 3.58" flange	2	352, 390	A	61/63
B8A 6337-AB	Standard - BLUE - 3.58" flange	2	352, 390	A	61/63
B8A 6337-AG	.002" U/S - 3.58" flange	2	352, 390	A	61/63
B8A 6337-AC	.010" U/S - 3.58" flange	2	352, 390	A	61/63
B8A 6337-AD	.020" U/S - 3.58" flange	2	352, 390	A	61/63
B8A 6337-AE	.030" U/S - 3.58" flange	2	352, 390	A	61/63
B8A 6337-AF	.040" U/S - 3.58" flange	2	352, 390	A	61/63
C4TZ 6337-A	Standard - RED - identification 3.79" O.D. flange select fit with C4TZ-6337-B	2	352, 390	A	61/64
C4TZ 6337-B	Standard - BLUE - identification 3.79" O.D. flange select fit with C4TZ-6337-A	2	352, 390	A	61/64
C4TZ 6337-C	.002" U/S - 3.79" flange	2	352, 390	A	61/64
C4TZ 6337-D	.010" U/S - 3.79" flange	2	352, 390	A	61/64
C4TZ 6337-E	.020" U/S - 3.79 flange	2	352, 390	A	61/64
C4TZ 6337-F	.030" U/S - 3.79 flange	2	352, 390	A	61/64
C4TZ 6337-G	.040" U/S - 3.79 flange	2	352, 390	A	61/64
C1AE 6337-A	Standard - RED - selective fit with C1AE-6337-B - 3.65" flange O.D.	2	406, 427	A	62/63
C1AE 6337-B	Standard - BLUE - selective fit with C1AE-6337-A - 3.65" flange O.D.	2	406, 427	A	62/63
C1AE 6337-C	.002" U/S - 3.65" flange O.D.	2	406, 427	A	62/63
C1AE 6337-D	.010" U/S - 3.65" flange O.D.	2	406, 427	A	62/63
C1AE 6337-E	.020" U/S - 3.65" flange O.D.	2	406, 427	A	62/63
C1AE 6337-F	.030" U/S - 3.65" flange O.D.	2	406, 427	A	62/63

CONTINUED ON NEXT PAGE

Engine

GROUP AND PART NUMBER	DESCRIPTION, SIZE, ETC.	NO. REQ'D	MODEL OR ENGINE CUBIC INCH DISPLACEMENT	VEHICLE CODE	YEAR 19____
6337 BEARING (CRANKSHAFT MAIN) CENTER (CONTINUED)					
C4AZ 6337-A	Standard - RED - identification 3.79" O. D. flange select fit with C4AZ-6337-B	2	427	A	63/64
C4AZ 6337-B	Standard - BLUE - identification 3.79" O. D. flange select fit with C4AZ-6337-A	2	427	A	63/64
C4AZ 6337-C	.002" U/S - 3.79" flange O. D.	2	427	A	63/64
C4AZ 6337-D	.010" U/S - 3.79" flange O. D.	2	427	A	63/64
C4AZ 6337-E	.020" U/S - 3.79" flange O. D.	2	427	A	63/64
C4AZ 6337-F	.030" U/S - 3.79" flange O. D.	2	427	A	63/64
C1VE 6337-B	Standard - RED - selective fit with C1VE-6337-D	2	383,430	A	60
	Use with single slot bearing caps	2	430	D	60/62
	Upper - use with double slot bearing caps	1	430	D	62/64
C1VE 6337-D	Standard - BLUE - selective fit with C1VE-6337-B	2	383,430	A	60
	Use with single slot bearing caps	2	430	D	60/62
	Upper - use with double slot bearing caps	1	430	D	62/64
B8S 6337-AG	.002" U/S	2	383,430	A	60
	Use with single slot bearing caps	2	430	D	60/62
	Upper - use with double slot bearing caps	1	430	D	62/64
B8S 6337-AC	.010" U/S	2	383,430	A	60
	Use with single slot bearing caps	2	430	D	60/62
	Upper - use with double slot bearing caps	1	430	D	62/64
B8S 6337-AD	.020" U/S	2	383,430	A	60
	Use with single slot bearing caps	2	430	D	60/62
	Upper - use with double slot bearing caps	1	430	D	62/64
B8S 6337-AE	.030" U/S	2	383,430	A	60
	Use with single slot bearing caps	2	430	D	60/62
	Upper - use with double slot bearing caps	1	430	D	62/64
C3AZ 6337-A	Standard - RED - upper	1	221,260,289	B C	62/64
C3AZ 6337-B	Standard - BLUE - upper	1	221,260,289	B C	62/64
C3AZ 6337-C	.002" U/S - upper	1	221,260,289	B C	62/64
C3AZ 6337-D	.010" U/S - upper	1	221,260,289	B C	62/64
C2OZ 6337-M	.020" U/S - upper	1	221,260	B C	62/63
C3AZ 6337-E	.020" U/S - upper	1	260,289	C	64
C2OZ 6337-N	.030" U/S - upper	1	221,260	B	62
C3AZ 6337-F	.030" U/S - upper	1	221,260,289	B C	63/64
C2OZ 6337-S	Standard - RED - lower	1	221,260	B C	62/63
C3AZ 6337-H	Standard - RED - lower	1	260,289	C	64
C3AZ 6337-J	Standard - BLUE - lower	1	221,260,289	B C	62/64
C2OZ 6337-U	.002" U/S - lower	1	221,260	B	62
C3AZ 6337-K	.002" U/S - lower	1	221,260,289	B C	63/64
C3AZ 6337-L	.010" U/S - lower	1	221,260,289	B C	62/64
C3AZ 6337-M	.020" U/S - lower	1	221,260,289	B C	62/64
C2OZ 6337-Z	.030" U/S - lower	1	221,260	B	62
C3AZ 6337-N	.030" U/S - lower	1	221,260,289	B C	63/64

CONTINUED ON NEXT PAGE

Engine

GROUP AND PART NUMBER	DESCRIPTION, SIZE, ETC.	NO. REQ'D	MODEL OR ENGINE CUBIC INCH DISPLACEMENT	VEHICLE CODE	YEAR 19__
6337 BEARING (CRANKSHAFT MAIN) CENTER (CONTINUED)					
C2VY 6337-A	Standard - RED - lower - use with double slot bearing caps	1	430	D	62/64
C2VY 6337-B	Standard - BLUE - lower - use with double slot bearing caps	1	430	D	62/64
C2VY 6337-C	.002" U/S - lower - use with double slot bearing caps	1	430	D	62/64
C2VY 6337-D	.010" U/S - lower - use with double slot bearing caps	1	430	D	62/64
C2VY 6337-E	.020" U/S - lower - use with double slot bearing caps	1	430	D	62/64
C2VY 6337-F	.030" U/S - lower - use with double slot bearing caps	1	430	D	62/64
6A338 REFER TO GROUP 6333					
6A340 BOLT (CRANKSHAFT VIBRATION DAMPER)					
C1TE 6A340-B	9/16"-18 x 1-3/4" long	1	223, 292, 312	A	60/62
6342 BEARING (CRANKSHAFT MAIN) REAR INTERMEDIATE					
B9TE 6342-A	Standard - RED	2	223	A	61/62
B9TE 6342-B	Standard - BLUE	2	223	A	61/62
B9TE 6342-C	.002" U/S	2	223	A	61/62
B9TE 6342-D	.010" U/S	2	223	A	61/62
B9TE 6342-E	.020" U/S	2	223	A	61/62
B9TE 6342-F	.030" U/S	2	223	A	61/62
C1GE 6342-A	Standard - RED - use in position No. 3	2	144, 170, 200	B C	60/64
C1GE 6342-B	Standard - BLUE - use in position No. 3	2	144, 170, 200	B C	60/64
C1GE 6342-C	.002" U/S - use in position No. 3	2	144, 170, 200	B C	60/64
C1GE 6342-D	.010" U/S - use in position No. 3	2	144, 170, 200	B C	60/64
C1GE 6342-E	.020" U/S - use in position No. 3	2	144, 170, 200	B C	60/64
C1GE 6342-F	.030" U/S - use in position No. 3	2	144, 170, 200	B C	60/64
6345 BOLT (MAIN BEARING CAP TO BLOCK)					
B8A 6345-A	1/2"-13 x 3-1/4" - to attach all main bearing caps except rear	8	312	A	60
C1AE 6345-A	1/2"-13 x 3"-☆ to attach rear main bearing cap	2 10	312☆ 292	A A	60 61/62
B4A 6345-A	1/2"-13 x 2.85" self-locking	8	223	A	61/62
C1AE 6345-B	1/2"-13 x 3-1/2" self-locking - main bearing caps to cylinder block	10	352, 390, 406, 427	A	61/64
C1VE 6345-A	1/2"-13 x 3-15/16" long	10	383, 430	A D	60/64
C1DE 6345-A	7/16"-14 x 2-45/64" long	8	144, 170, 200	B C	60/64
	Also use in 3A420-1	2	All	B	62
C2OZ 6345-A	7/16"-14 x 3-1/2" long	10	221, 260	B C	62/64
6350 BOLT (CRANKSHAFT) REAR SEAL RETAINER					
B6A 6350-A	3/8"-16 x 2.75"	2	292, 312	A	60/62
6A354 SPACER (CRANKSHAFT MAIN BEARING CAP)					
C3AZ 6A354-A	RED - use with cylinder blocks with reinforced bearing caps	AR	406, 427	A	62/64
C3AZ 6A354-B	BLUE - use with cylinder blocks with reinforced bearing caps	AR	406, 427	A	62/64
C3AZ 6A354-C	YELLOW - use with cylinder blocks with reinforced bearing caps	AR	406, 427	A	62/64

Engine

GROUP AND PART NUMBER	TYPE	DESCRIPTION, SIZE, ETC.	NO. REQ'D	MODEL OR ENGINE CUBIC INCH DISPLACEMENT	VEHICLE CODE	YEAR 19__
6359 SPACER (CRANKSHAFT DAMPER)						
B9SZ 6359-A		1-3/8" I.D. x 2-1/2" long - not used when crankshaft P/S pump is installed - use on engines built prior to 2-9-60 with B9SZ-6312-A damper only	1	383,430	A	60
COME 6359-A		1-3/8" I.D. x 2-11/16" long - not used when crankshaft driven P/S pump is installed - use on engines built after 2-8-60 with COSZ-6312-A damper	1	383,430	A	60
B8AZ 6359-A			1	352,390,406,427	A	61/64
6A360 COUNTERWEIGHT (CRANKSHAFT)						
C3OZ 6A360-A		Special Performance (Engine Warranty Code D)	1	289	C	64
6366 COVER (FLYWHEEL HOUSING)						
B6A 6366-B	S/T	& O/drive (a)	1	292,312	A	60/62
C3AZ 6366-B	S/T	& O/drive (b)	1	223	A	61/62
B8A 6366-A	S/T	& O/drive (c)	1	352,390,406	A	61/62
C3AZ 6366-A	S/T	& O/drive (c, e)	1	390,406,427	A	63/64
C2OZ 6366-B	S/T		1	170	B	62
CODD 6366-A	S/T		1	144,170	C	60/62
20310-S8		Bolt-5/16"-18 x 1/2"-flywheel housing cover to flywheel housing	4	a, d		
20542-S		Bolt-7/16"-14 x 2-3/8"-flywheel housing to block	6	c		
34806-S7		Washer-lock-5/16"-flywheel housing assy. to engine assy.	4	a, d		
34808-S		Washer-lock-7/16"	6	e		
43260-S8		Screw and washer assy. -hex. hd. -1/4"-20 x 1/2"-flywheel housing cover to engine assy.	2	a		
354957-S		Screw and washer-1/4"-20 x 1/2"-attach cover to block	2	b		
358715-S7		Screw and washer-5/16"-18 x 1/2"-attach cover to flywheel housing	AR	a, b		
358716-S7		Screw and washer-5/16"-18 x 5/8"-attach cover to flywheel housing	1	b		
6A366 PLATE (FLYWHEEL REINFORCING)						
B9AZ 6A366-A	A/T	.060" thick	3	312	A	60
	2/S		1	223,292	A	61/62
B8AZ 6A366-A	S/R	& D/R	1	292	A	61/62
B9AZ 6A366-B	A/T	.060" thick	2	383,430	A	D 60/62
	2/S		1	352	A	61/62
	S/R	& D/R	2	352,390	A	61/62
	D/R	.060" thick	2	390,430	A	D 63/64
CODE 6A366-A	2/S	2.04" I.D. x 3.62" O.D. x .075" thick (a)	1	144,170,200	B C	60/63
	A/T		1	200	C	64
C2OZ 6A366-A	A/T	3.84" O.D.	1	221,260,289	B C	62/64
373222-S		Bolt-hex. hd. lock-7/16"-20 x .84"-plate to flywheel to crankshaft	6	a		
6375 FLYWHEEL						
ECZ 6375-A	S/T	Includes starter ring gear	1	312	A	60
PB8M 6375-A	S/T	Includes starter ring gear	1	383	A	60
B8A 6375-D	A/T	Includes starter ring gear (b)	1	312	A	60
	A/T	Except two speed transmission	1	292	A	61/62

CONTINUED ON NEXT PAGE

Engine

GROUP AND PART NUMBER	TYPE	DESCRIPTION, SIZE, ETC.	NO. REQ'D	MODEL OR ENGINE CUBIC INCH DISPLACEMENT	VEHICLE CODE	YEAR 19__
6375		FLYWHEEL (CONTINUED)				
B8A 6375-A	S/T	& O/drive - 11" clutch	1	352, 390, 406	A	60/64
B4A 6375-D	S/T	& O/drive - 9-1/2" clutch	1	223	A	61/62
B9A 6375-A	2/S		1	223	A	61/62
B4A 6375-B	S/T	& O/drive - 11" clutch	1	223, 292	A	61/62
B4A 6375-C	S/T	& O/drive - 10" clutch	1	292	A	61/62
B9A 6375-B	2/S		(a) 1	292	A	61/62
B9A 6375-C	2/S	153 teeth	(c) 1	352	A	61/62
C3AZ 6375-E	S/T		1	427	A	63/64
B8A 6375-B	S/R	& D/R - includes starter ring gear	1	383, 430	A	D 60
	D/R		(c) 1	352, 390	A	61/64
C2OZ 6375-F	2/S		1	260	B	62
C2OZ 6375-B	S/T	& O/drive - 10" clutch	1	221	B	62/63
C2OZ 6375-C	2/S		1	221	B	62/63
C1DZ 6375-A	2/S		(d) 1	144, 170	B C	60/62
C3DZ 6375-A	S/T		1	144, 170	B C	60/64
C3DZ 6375-B	2/S		1	144, 170	B C	63
	2/S		1	200	B C	63/64
C2OZ 6375-E	S/T		(f) 1	260	B C	62/63
C3OZ 6375-A	2/S		(f) 1	260	B C	63
C4OZ 6375-A	S/T		1	260	C	64
C4OZ 6375-B	D/R		1	260	C	64
C3AZ 6375-B	S/T	Except Special Performance - use on engines built prior to 3-9-64	1	289	C	64
C3AZ 6375-F	S/T	Except Special Performance - use on engines built after 3-8-64	1	289	C	64
C3AZ 6375-D	D/R	11-1/4" converter - except Special Performance - use on engines built prior to 3-9-64	1	289	C	64
C3AZ 6375-G	D/R	Except Special Performance - use on engines built after 3-8-64	1	289	C	64
C3OZ 6375-C		Special Performance (Engine Warranty Code D)	1	289	C	64
C1VY 6375-A			1	430	D	61/64
B8A 6379-B		Bolt-7/16"-20 x .72"-flywheel to crankshaft with dual range transmission only	6	b		
C3AZ 6379-A		Bolt-hex. hd. -7/16"-20 x .82"-attach flywheel to crankshaft	6	d		
C3OZ 6379-A		Bolt-hex. hd. -7/16"-20 x 1.06"-attach flywheel to crankshaft	6	e		
43062-S		Bolt-7/16"-20 x 5/8"-flywheel to crankshaft	6	a		
43063-S		Bolt-7/16"-20 x 3/4"-flywheel to crankshaft	6	c		
378189-S		Pin-dowel-5/16" x 1-3/8"-to align 6256 and 6287 to camshaft	1	f		
6378		WASHER (CRANKSHAFT DAMPER)				
372757-S		37/64" I. D. x 1-3/4" O. D.	1	223, 292, 312	A	60/61
B8A 6378-A		☆Except Special Performance	1	221, 260, 289☆, 352, 383, 390, 406, 427, 430	A B C D	60/64
CODZ 6378-A		1-3/4" O. D. x .58" I. D.	1	144, 170, 200	B C	60/64
C3OZ 6378-A		.32" thick - Special Performance (Engine Warranty Code D)	1	289	C	64
6379		BOLT (FLYWHEEL TO CRANKSHAFT)				
EAA 6379-A	S/T	& O/drive - 7/16"-20 x .825"	6	223, 292, 312	A	60/62
B8A 6379-A	S/T	& O/drive - 7/16"-20 x .935"	6	352, 383, 390, 406, 427	A	60/64
	S/T		6	170	C	64
	A/T		6	200, 260, 289	C	64
CONTINUED ON NEXT PAGE						

Engine

GROUP AND PART NUMBER	TYPE	DESCRIPTION, SIZE, ETC.	NO. REQ'D	MODEL OR ENGINE CUBIC INCH DISPLACEMENT	VEHICLE CODE	YEAR 19__
6379 BOLT (FLYWHEEL TO CRANKSHAFT) CONTINUED						
B8A 6379-B	A/T	& D/R - 7/16"-20 x .75	6	292, 312, 352, 383, 390, 430	A D	60/64
C3AZ 6379-A	S/T	& O/drive - 7/16"-20 x .82"	6	223, 292, 312	A	60/62
	A/T		6	144, 170, 200, 221, 260	B C	60/63
C3OZ 6379-A	S/T	& O/drive - 7/16"-20 x 1.06" - hex. lock	6	144, 170, 200, 221, 260	B C	60/63
	S/T		6	260, 289	C	64
6384 GEAR (FLYWHEEL STARTING RING)						
EAA 6384-A	S/T	& O/drive - 146 teeth	1	223, 292, 312	A	60/62
B8A 6384-A	S/T	& O/drive - 153 teeth	1	352, 383, 390, 406	A	60/64
CODE 6384-A	S/T		1	144, 170	B C	60/64
C2OZ 6384-A	S/T	& O/drive	1	221, 260, 289	B C	62/64
6392-4 HOUSING (FLYWHEEL)						
MK 6392-D	S/T		(a) 1	312	A	80
COAA 6392-A	S/T	& O/drive	(a, b) 1	223	A	61/62
B9AA 6392-C	S/T	& O/drive	(a, c) 1	292	A	61/62
B9AA 6392-B	S/T	& O/drive	(a) 1	352, 390, 406	A	61/62
C3AZ 6392-A	S/T	& O/drive	1	390, 406, 427	A	63/64
C2OA 6392-A	S/T	& O/drive	1	221, 260	B	62
C3OZ 6392-A	S/T		1	170	B	62/63
C4OZ 6394-A	S/T	Steel - optional for Cobra application	1	221, 260, 289	B C	62/64
C3OZ 6392-C	S/T	& O/drive - aluminum	1	221, 260, 289	B C	63/64
C3DZ 6392-A	3/S		1	144, 170	C	60/62
C2DZ 6392-A	4/S		1	144, 170	C	62
C3DZ 6392-C	3/S		1	144, 170	C	63/64
C3DZ 6392-B	4/S		1	144, 170	C	63/64
20542-S		Bolt-7/16"-14 x 2-3/8"-housing to cylinder block	AR	a		
34808-S7		Lockwasher-7/16"	AR	a		
73249-S		Pin-3/8" x 9/16"-housing to block	2	c		
73279-S		Pin-3/8" x 3/4"-to align housing to block	2	b		
6394 REFER TO GROUP 6392-4						
6397 DOWEL (CYLINDER BLOCK TO FLYWHEEL HOUSING)						
EAD 6397-A		1/2" O.D. x 1" long	2	352, 383, 390, 406, 427, 430	A D	60/64
6411 SEAL (FLYWHEEL HOUSING COVER)						
C3AZ 6411-C		16-27/32" to 17" long - 1/4" square - also serviced in 6008 kit	1	390, 406	A	63/64
			1	427	A	64
C3AZ 6411-B		14-5/16" to 14-1/2" long x 13/32" wide x 1/8" thick - also serviced in 6008 kit	1	390, 406, 427	A	63/64
B9S 6411-A		Rubber - 15" long - U shaped - also serviced in 6008 kit	1	430	D	60
6424 SEAL (ENGINE REAR COVER PLATE)						
C4OZ 6424-A	S/T	4.25" I.D. x 5.75" O.D. x .15" thick	1	260, 289	C	64
6435 GASKET (FLYWHEEL HOUSING COVER)						
C3AZ 6435-B	S/T		1	390, 406, 427	A	63/64
6436 SEAL (STARTER MOTOR TO FLYWHEEL HOUSING)						
C2AZ 6436-A		4-7/64" I.D. - also serviced in 6008 kit	1	292, 312, 352, 383, 390, 430	A	60/62
			1	430	D	60
C2DZ 6436-A		4.11" I.D.	1	144, 170	B C	60/62
C1VE 6436-A		Also serviced in 6008 kit	1	430	D	61

Engine

GROUP AND PART NUMBER	DESCRIPTION, SIZE, ETC.	NO. REQ'D	MODEL OR ENGINE CUBIC INCH DISPLACEMENT	VEHICLE CODE	YEAR 19__
6499 TUBE (VALVE PUSH ROD COVER VENTILATION) UPPER					
B8E 6499-A		1	383, 430	A D	60
6500 TAPPET (VALVE LIFTER)					
EAA 6500-D	Solid	AR	223, 292, 312	A	60/62
B8C 6500-A	Use with induction hardened camshafts	AR	292, 312	A	60/62
C3DZ 6500-A	Hydraulic - production using (4) alternates varying in body length and design but maintaining same specifications for extended and collapsed lengths Except Police Special - use on engines built prior to 11-25-63	16	352, 390	A	61/62
		12	144, 170, 200	B C	63/64
		16	390	A	63/64
C4TZ 6500-B	Hydraulic - ☆except Police Special - use on engines built after 11-24-63	16	390☆	A	64
C1VE 6500-C	Hydraulic	16	383, 430	A D	60/62
C4AZ 6500-B	Mechanical solid - ☆Police Special	16	390☆, 406, 427	A	61/64
		12	144, 170	B C	60/62
C2OZ 6500-A	Hydraulic - ☆except Special Performance	16	221, 260, 289☆	B C	62/64
C3OZ 6500-A	Mechanical - Special Performance (Engine Warranty Code D)	16	289	C	64
C3SZ 6500-A	Hydraulic	16	430	D	63/64
6A501 SPRING (VALVE ROCKER ARM ECCENTRIC)					
	NS-use with zero lash rocker arm - serviced in 6A521 kit and 6564 assembly	12	223	A	61/62
6505 VALVE (EXHAUST)					
COME 6505-G	Standard - GREEN - stem diameter .3705"/.3709" - selective fit with COME-6505-N - valve head diameter 1.65" - use on engines built after 11-23-59	8	383, 430	A	60
C3AZ 6505-N	Standard	6-8	223, 292, 312	A	60/62
C3AZ 6505-P	.003" O/S	6-8	223, 292, 312	A	60/62
C3AZ 6505-R	.015" O/S	6-8	223, 292, 312	A	60/62
C3AZ 6505-S	.030" O/S	6-8	223, 292, 312	A	60/62
COAZ 6505-N	Standard - ☆except Police Special	8	352, 390☆	A	61/64
COAE 6505-S	.003" O/S - ☆except Police Special	8	352, 390☆	A	61/63
COAE 6505-R	.015" O/S - ☆except Police Special	8	352, 390☆	A	61/63
COAE 6505-T	.030" O/S - with COME-6049-B cylinder head - ☆except Police Special	8	352, 390☆	A	61/62
		8	390☆	A	63
COAZ 6505-S	.003" O/S - except Police Special	8	390	A	64
COAZ 6505-R	.015" O/S - except Police Special	8	390	A	64
COAZ 6505-T	.030" O/S - except Police Special	8	390	A	64
C2AZ 6505-A	Standard - ☆Police Special - 1.566"/1.551" diameter	8	390☆, 406	A	62
		8	390☆	A	63/64
C2AZ 6505-B	.003" O/S - ☆Police Special - 1.566"/1.551" diameter	8	390☆, 406	A	62
		8	390☆	A	63/64
C2AZ 6505-C	.015" O/S - ☆Police Special - 1.566"/1.551" diameter	8	390☆, 406	A	62
		8	390☆	A	63/64
C2AZ 6505-D	.030" O/S - ☆Police Special - 1.566"/1.551" diameter	8	390☆, 406	A	62
		8	390☆	A	63/64

CONTINUED ON NEXT PAGE

Engine

GROUP AND PART NUMBER	DESCRIPTION, SIZE, ETC.	NO. REQ'D	MODEL OR ENGINE CUBIC INCH DISPLACEMENT	VEHICLE CODE	YEAR 19__
6505 VALVE (EXHAUST) CONTINUED					
C3AZ 6505-E	Standard - 1.660"/1.645" diameter	8	406,427	A	62/64
C2AZ 6505-F	.003" O/S - 1.660"/1.645" diameter	8	406	A	62
C3AZ 6505-F	.003" O/S - 1.660"/1.645" diameter	8	406,427	A	63/64
C2AZ 6505-G	.015" O/S - 1.660"/1.645" diameter	8	406	A	62
C3AZ 6505-G	.015" O/S - 1.660"/1.645" diameter	8	406,427	A	63/64
C2AZ 6505-H	.030" O/S - 1.660"/1.645" diameter	8	406	A	62
C3AZ 6505-H	.030" O/S - 1.660"/1.645" diameter	8	406,427	A	63/64
B8S 6505-AA	Standard - valve head diameter 1.78" - use on engines built prior to 11-24-59	8	383,430	A D	60
B8S 6505-AB	.003" O/S - valve head diameter 1.78" - use on engines built prior to 11-24-59	8	383,430	A D	60
B8S 6505-AC	.015" O/S - valve head diameter 1.78" - use on engines built prior to 11-24-59	8	383,430	A D	60
B8S 6505-AD	.030" O/S - valve head diameter 1.78" - use on engines built prior to 11-24-59	8	383,430	A D	60
COME 6505-N	Standard - RED - stem diameter .3701"/.3705" - selective fit with COME-6505-G and COME-6505-R - valve head diameter 1.65" - use on engines built after 11-23-59	8	383,430	A D	60/62
COME 6505-R	Standard - GREEN - stem diameter .3705"/.3709" - selective fit with COME-6505-N - valve head diameter 1.65" - use on engines built after 11-23-59	8	430	D	60/62
COME 6505-T	.003" O/S - valve head diameter 1.65" - use on engines built after 11-23-59	8	383,430	A D	60/62
COME 6505-S	.015" O/S - valve head diameter 1.65" - use on engines built after 11-23-59	8	383,430	A D	60/62
COME 6505-U	.030" O/S - valve head diameter 1.65" - use on engines built after 11-23-59	8	383,430	A D	60/62
CODE 6505-J	Standard	6	144,170,200	B C	60/64
CODE 6505-L	.003" O/S	6	144,170,200	B C	60/64
CODE 6505-K	.015" O/S	6	144,170,200	B C	60/64
CODE 6505-M	.030" O/S	6	144,170,200	B C	60/64
C2OZ 6505-E	Standard	8	221,260	B C	62/63
C2OZ 6505-F	.003" O/S	8	221,260	B C	62/63
C2OZ 6505-G	.015" O/S	8	221,260	B C	62/63
C2OZ 6505-H	.030" O/S	8	221,260	B C	62/63
C3AZ 6505-J	Standard - ☆except Special Performance	8	260,289☆	C	64
C3AZ 6505-K	.003" O/S - ☆except Special Performance	8	260,289☆	C	64
C3AZ 6505-L	.015" O/S - ☆except Special Performance	8	260,289☆	C	64
C3AZ 6505-M	.030" O/S - ☆except Special Performance	8	260,289☆	C	64
C3OZ 6505-A	Standard - 1.45" diameter - Special Performance (Engine Warranty Code D)	8	289	C	64
C3OZ 6505-B	.003" O/S - Special Performance (Engine Warranty Code D)	8	289	C	64
C3OZ 6505-C	.015" O/S - Special Performance (Engine Warranty Code D)	8	289	C	64
C3OZ 6505-D	.030" O/S - Special Performance (Engine Warranty Code D)	8	289	C	64
C3VY 6505-A	Standard - RED	8	430	D	63/64
C3VY 6505-B	Standard - GREEN	8	430	D	63/64
C3VY 6505-C	.003" O/S	8	430	D	63/64
C3VY 6505-D	.015" O/S	8	430	D	63/64
C3VY 6505-E	.030" O/S	8	430	D	63/64

Engine

GROUP AND PART NUMBER	DESCRIPTION, SIZE, ETC.	NO. REQ'D	MODEL OR ENGINE CUBIC INCH DISPLACEMENT	VEHICLE CODE	YEAR 19__
6A506	KIT (ROCKER ARM COVER GASKET & SEAL)				
COAZ 6A506-B		1	292, 312	A	60/62
	Consists of the following-				
(4) B9A-6570-A	seal				
	(2) COAE-6584-B				
	gasket				
6507	VALVE (INTAKE)				
COME 6507-N	Standard	8	292, 312	A	60/62
COME 6507-S	.003" O/S	8	292, 312	A	60/62
COME 6507-R	.015" O/S	8	292, 312	A	60/62
COME 6507-T	.030" O/S	8	292, 312	A	60/62
COAE 6507-J	Standard	6	223	A	61/62
COAE 6507-L	.003" O/S	6	223	A	61/62
COAE 6507-K	.015" O/S	6	223	A	61/62
COAE 6507-M	.030" O/S	6	223	A	61/62
C1AE 6507-A	Standard	8	352, 390	A	61/64
C1AE 6507-C	.003" O/S	8	352, 390	A	61/64
C1AE 6507-B	.015" O/S	8	352, 390	A	61/64
C1AE 6507-D	.030" O/S	8	352, 390	A	61/64
COAE 6507-N	Standard	8	406	A	62
	With 2.03" head diameter - ☆ use on engines built prior to 3-15-63	8	406, 427☆	A	63
COAE 6507-S	.003" O/S	8	406	A	62
	With 2.03" head diameter - ☆ use on engines built prior to 3-15-63	8	406, 427☆	A	63
COAE 6507-R	.015" O/S	8	406	A	62
	With 2.03" head diameter - ☆ use on engines built prior to 3-15-63	8	406, 427☆	A	63
COAE 6507-T	.030" O/S	8	406	A	62
	With 2.03" head diameter - ☆ use on engines built prior to 3-15-63	8	406, 427☆	A	63
C3AZ 6507-J	Standard - with 2.09" head diameter - use on engines built after 3-14-63	8	427	A	63/64
C3AZ 6507-F	.003" O/S - with 2.09" head diameter - use on engines built after 3-14-63	8	427	A	63
C3AZ 6507-K	.003" O/S	8	427	A	64
C3AZ 6507-G	.015" O/S - with 2.09" head diameter - use on engines built after 3-14-63	8	427	A	63
C3AZ 6507-L	.015" O/S	8	427	A	64
C3AZ 6507-H	.030" O/S - with 2.09" head diameter - use on engines built after 3-14-63	8	427	A	63
C3AZ 6507-M	.030" O/S	8	427	A	64
B9ME 6507-L	Standard - 45° valve seat - valve head diameter 2.09" - use on engines built prior to 11-24-59	8	383, 430	A	D 60
B9ME 6507-N	.003" O/S - 45° valve seat - valve head diameter 2.09" - use on engines built prior to 11-24-59	8	383, 430	A	D 60
B9ME 6507-R	.015" O/S - 45° valve seat - valve head diameter 2.09" - use on engines built prior to 11-24-59	8	383, 430	A	D 60
B9ME 6507-S	.030" O/S - 45° valve seat - valve head diameter 2.09" - use on engines built prior to 11-24-59	8	383, 430	A	D 60
	CONTINUED ON NEXT PAGE				

Engine

GROUP AND PART NUMBER	DESCRIPTION, SIZE, ETC.	NO. REQ'D	MODEL OR ENGINE CUBIC INCH DISPLACEMENT	VEHICLE CODE	YEAR 19__
6507 VALVE (INTAKE) CONTINUED					
C1VE 6507-A	Standard - RED - .3712"/.3717" - selective fit with C1VE-6507-B - valve head diameter 1.96" - use on engines built after 11-23-59	8	383, 430	A D	60/62
C1VE 6507-B	Standard - GREEN - .3717"/.3722" - selective fit with C1VE-6507-A - valve head diameter 1.96" - use on engines built after 11-23-59	8	383, 430	A D	60/62
C1VE 6507-C	.003" O/S - valve head diameter 1.96" - use on engines built after 11-23-59	8	383, 430	A D	60/62
C1VE 6507-D	.015" O/S - valve head diameter 1.96" - use on engines built after 11-23-59	8	383, 430	A D	60/62
C1VE 6507-E	.030" O/S - valve head diameter 1.96" - use on engines built after 11-23-59	8	383, 430	A D	60/62
C1DE 6507-A	Standard	6	170,200	B C	61/64
C1DE 6507-B	.003" O/S	6	170,200	B C	61/64
C1DE 6507-C	.015" O/S	6	170,200	B C	61/64
C1DE 6507-D	.030" O/S	6	170,200	B C	61/64
C2OZ 6507-A	Standard	8	221,260	B C	62/63
C2OZ 6507-B	.003" O/S	8	221,260	B C	62/63
C2OZ 6507-C	.015" O/S	8	221,260	B C	62/63
C2OZ 6507-D	.030" O/S	8	221,260	B C	62/63
CODE 6507-E	Standard	6	144	C	60/63
CODE 6507-G	.003" O/S	6	144	C	60/63
CODE 6507-F	.015" O/S	6	144	C	60/63
CODE 6507-H	.030" O/S	6	144	C	60/63
C3AZ 6507-A	Standard - ☆except Special Performance - use on engines built prior to 3-26-64	8	260, 289☆	C	64
C3AZ 6507-B	.003" O/S - ☆except Special Performance - use on engines built prior to 3-26-64	8	260, 289☆	C	64
C3AZ 6507-C	.015" O/S - ☆except Special Performance - use on engines built prior to 3-26-64	8	260, 289☆	C	64
C3AZ 6507-D	.030" O/S - ☆except Special Performance - use on engines built prior to 3-26-64	8	260, 289☆	C	64
C4AZ 6507-A	Standard - ☆except Special Performance - use on engines built after 3-25-64	8	260, 289☆	C	64
C4AZ 6507-B	.003" O/S - ☆ except Special Performance - use on engines built after 3-25-64	8	260, 289☆	C	64
C4AZ 6507-C	.015" O/S - ☆ except Special Performance - use on engines built after 3-25-64	8	260, 289☆	C	64
C4AZ 6507-D	.030" O/S - ☆ except Special Performance - use on engines built after 3-25-64	8	260, 289☆	C	64
C3OZ 6507-A	Standard - chrome plated stem - Special Performance (Engine Warranty Code D) - use on engines built prior to 3-26-64	8	289	C	64
C3OZ 6507-B	.003" O/S - chrome plated stem - Special Performance (Engine Warranty Code D) - use on engines built prior to 3-26-64	8	289	C	64
C3OZ 6507-C	.015" O/S - chrome plated stem - Special Performance (Engine Warranty Code D) - use on engines built prior to 3-26-64	8	289	C	64
C3OZ 6507-D	.030" O/S - chrome plated stem - Special Performance (Engine Warranty Code D) - use on engines built prior to 3-26-64	8	289	C	64
CONTINUED ON NEXT PAGE					

Engine

GROUP AND PART NUMBER	DESCRIPTION, SIZE, ETC.	NO. REQ'D	MODEL OR ENGINE CUBIC INCH DISPLACEMENT	VEHICLE CODE	YEAR 19__
6507 VALVE (INTAKE) CONTINUED					
C4OZ 6507-A	Standard - chrome plated stem - Special Performance (Engine Warranty Code D) - use on engines built after 3-25-64	8	289	C	64
C4OZ 6507-B	.003" O/S - chrome plated stem - Special Performance (Engine Warranty Code D) - use on engines built after 3-25-64	8	289	C	64
C4OZ 6507-C	.015" O/S - chrome plated stem - Special Performance (Engine Warranty Code D) - use on engines built after 3-25-64	8	289	C	64
C4OZ 6507-D	.030" O/S - chrome plated stem - Special Performance (Engine Warranty Code D) - use on engines built after 3-25-64	8	289	C	64
C3VY 6507-A	Standard - RED	8	430	D	63/64
C3VY 6507-B	Standard - GREEN	8	430	D	63/64
C3VY 6507-C	.003" O/S	8	430	D	63/64
C3VY 6507-D	.015" O/S	8	430	D	63/64
C3VY 6507-E	.030" O/S	8	430	D	63/64
6A508 COVER (VALVE ROCKER ARM SUPPORT - OIL PASSAGE)					
CODE 6A508-A		1	144, 170, 200	B C	60/64
6A512 ECCENTRIC (VALVE ROCKER ARM)					
	NS-use with zero lash rocker arm - serviced in 6A521 kit and 6564 assembly only	12	223	A	61/62
6513 SPRING (VALVE)					
C1AE 6513-R	LIGHT RED with PINK STRIPE - use on engines with zero lash valves	12	223	A	61/62
B8A 6513-C		16	352	A	61/62
C1AZ 6513-B	WHITE - two piece design	16	390	A	61/64
C3AZ 6513-A	☆For Police Special - two piece design	16	390☆, 406, 427	A	61/64
B6A 6513-A	BLUE - use on engines without zero lash valves	12-16	223, 292, 312	A	60/62
	☆Except Special Performance	16	260, 289☆	C	64
B8S 6513-A	MAROON - two piece design	16	383, 430	A D	60
CODE 6513-A		12	144, 170	B C	60/62
C2OZ 6513-A	LIGHT BROWN	16	221, 260	B C	62/63
C3DZ 6513-A	LIGHT RED	12	144, 170, 200	B C	63/64
C3OZ 6513-A	RED - Special Performance (Engine Warranty Code D)	16	289	C	64
Consists of the following -					
(1) valve spring		(1) damper spring			
C3VY 6513-A	ORANGE	16	430	D	61/64
6514 RETAINER (VALVE SPRING)					
B9A 6514-A		12-16	223, 292, 312	A	60/62
C2AZ 6514-A	For Police Special	16	390	A	61
B8A 6514-B	☆Except for Police Special	16	352, 390☆	A	61/64
C3AZ 6514-A	☆For Police Special	16	390☆, 406, 427	A	62/64
B8S 6514-A		16	383, 430	A D	60
CODE 6514-A		12	144, 170, 200	B C	60/64
C2OZ 6514-A		16	221, 260	B C	62/63
C3AZ 6514-B	☆Except Special Performance	16	260, 289☆	C	64
C3OZ 6514-A	Special Performance (Engine Warranty Code D)	16	289	C	64
C1VE 6514-B	Use on intake valves only	8	430	D	61/64
C1VY 6514-A	Rotating type - use on exhaust valves only	8	430	D	61/64

Engine

GROUP AND PART NUMBER	DESCRIPTION, SIZE, ETC.	NO. REQ'D	MODEL OR ENGINE CUBIC INCH DISPLACEMENT	VEHICLE CODE	YEAR 19__
6515 SPACER (VALVE SPRING)					
B8A 6515-A	.030" thick	AR	352,390	A	61/64
B8S 6515-A	.030" thick	AR	383,430	A D	60
B3Q 6515-A	.030" thick	AR	144,170,200,221,223,260,289,292,312	A B C	60/64
C1VY 6515-A	.030" thick	AR	430	D	61/64
6517 SLEEVE (VALVE SPRING RETAINER)					
B9A 6517-A		12-16	223,292,312	A	60/62
B8A 6517-B		16	352,390	A	61/64
B8S 6517-A		16	383,430	A D	60
CODE 6517-A		12	144,170,200	B C	60/64
C1VE 6517-A	Use on intake valves only - for exhaust valves sleeve is included in 6514 retainer	8	430	D	61/64
6518 KEY (VALVE SPRING RETAINER)					
7HA 6518-A	11/32" I.D. x 3/8" long	24-32	223,292,312	A	60/62
		32	260,289	C	64
B8A 6518-A	Steel	32	352,383,390,406,427,430	A D	60/64
CODE 6518-A	GREEN	24-32	144,170,200,221,260	B C	60/63
		24	170,200	C	64
6519 COVER (VALVE PUSH ROD)					
COAE 6519-C	☆ Use with B6A-6766-A oil filler cap	(a) 1	292,312☆	A	60/62
C3AZ 6519-A		(c) 1	223	A	61/62
COME 6519-B		(b) 1	383,430	A D	60
C1VE 6519-A		(d) 1	430	D	61/64
20486-S8	Bolt-5/16"-18 x 1-5/8"-cover to cylinder block	4	c		
44722-S8	Washer-flat-5/16"	AR	a		
44724-S8	Washer-flat-5/16"	AR	a,c		
45582-S8	Bolt-5/16"-18 x 4-1/2"-cover to cylinder block	2	a		
371065-S	Bolt-hex.washer hd.lock-5/16"-18 x 5/8"	16	b		
373195-S	Grommet-neoprene-.26" I.D. -.62" O.D. x .23"-used to seal distributor clamp stud thru valve push rod cover	1	b,d		
373988-S	Washer 1/4" spring.34" O.D.-steel and polyvinyl chloride plastisol	16	d		
377658-S	Bolt-hex.washer hd.-5/16"-18 x 3/4"	16	d		
6A520 RETAINER (VALVE ROCKER ARM ECCENTRIC SPRING)					
	NS-use with zero lash rocker arm - serviced in 6A521 kit	12	223	A	61/62
6521 GASKET (VALVE PUSH ROD COVER)					
COAE 6521-A	Also serviced in 6008 and 6079 kits	1	292,312	A	60/62
C1AE 6521-C	Also serviced in 6008 and 6079 kits	1	223	A	61/62
COME 6521-A	Also serviced in 6008 and 6079 kits	1	383,430	A D	60
C1VE 6521-A	Also serviced in 6008 and 6079 kits	1	430	D	61/64
6A521 KIT (ROCKER ARM ECCENTRIC)					
C3AZ 6A521-A	Use with zero lash rocker arm	12	223	A	61/62
Consists of the following -					
(1) C1AE-6A501-C	spring	(1) C3AE-6A520-A	retainer	(1) 354387-S7	pin
(1) C1AE-6A512-C	eccentric	(1) C1AE-6A530-A	spring		
6A523 REINFORCEMENT (VALVE ROCKER ARM COVER FLANGE)					
C1VE 6A523-C	2-7/32" long	4	430	D	61/64
C1VE 6A523-D	2-7/8" long	8	430	D	61/64

Engine

GROUP AND PART NUMBER	DESCRIPTION, SIZE, ETC.	NO. REQ'D	MODEL OR ENGINE CUBIC INCH DISPLACEMENT	VEHICLE CODE	YEAR 19__
6524 BAFFLE (VALVE SPRING OIL)					
C1SE 6524-A		2	352, 390, 406, 427	A	61/64
6524 REFER TO GROUP 6A630					
6A527 BOLT (VALVE ROCKER ARM SHAFT SUPPORT)					
C1AE 6A527-B	5/16"-18 x 2-11/64" long	12	292, 312	A	60/62
C1TE 6A527-C	5/16"-18 x 3-7/8" long	4	292, 312	A	60/62
C1AE 6A527-A	3/8"-16 x 3-19/64" long	2	352, 390, 406, 427	A	61/64
C1AE 6A527-C	7/16"-14 x 3-1/4" long	6	223	A	61/62
	Use to attach steering gear to frame	3	All	C	63/64
C1VE 6A527-A	3/8"-16 x 2-29/32" long	8	383, 430	A	D 60/64
C1DZ 6A527-A	3/8"-16 x 2-31/32" long	6	144, 170, 200, 352, 390, 406, 427	A B C	61/64
C2OY 6A527-A	Stud - standard - 3/8" x 2.57" long - ☆except Special Performance	16	221, 260, 289☆	B C	62/64
C2OZ 6A527-C	Stud - .015" O/S - ☆except Special Performance	AR	221, 260, 289☆	B C	62/64
C3OZ 6A527-A	Stud - 3/8"-24 x 2.33" long at one end - 7/16"-14 at base end - Special Performance (Engine Warranty Code D)	8	289	C	64
6A528 SEAT (VALVE ROCKER ARM FULCRUM)					
C2OZ 6A528-A		16	221, 260, 289	B C	62/64
6A529 NUT (VALVE ROCKER ARM BOLT)					
C2DZ 6A529-B	3/8"-24 - special - use with C2OY-6A527-A and C2OZ-6A528-A	16	221, 260, 289	B C	62/64
6A530 SPRING (VALVE ROCKER ARM ECCENTRIC SEPARATING)					
	NS-use with zero lash rocker arm - serviced in 6A521 kit and 6564 assembly only	12	223	A	61/62
6531 SUPPORT (VALVE ROCKER ARM SHAFT)					
EBU 6531-A	(b)	8	292, 312	A	60/62
EAA 6531-A	All positions - use without zero lash rocker arm	6	223	A	61
C1AZ 6531-A	All position - use with zero lash rocker arm	6	223	A	61/62
C2AZ 6531-A	(1) 372702-S washer included with this support	8	352, 390	A	61/63
C3AZ 6531-A		8	406, 427	A	63/64
C2AZ 6531-B	(1) 372702-S washer included with this support	8	390	A	64
B8E 6531-A	(a, c)	8	383, 430	A	D 60/64
CODE 6531-A	Front - with 7/32" thru oil passage hole Hydraulic tappets	1	144, 170	B C	60/62
		1	144, 170, 200	B C	63/64
C1DE 6531-A	No. 2, 3, 4, 5 and 6 Hydraulic tappets	5	144, 170	B C	60/62
		5	144, 170, 200	B C	63/64
33798-S7-8	Nut-5/16"-24-supports to cylinder head	4	b		
34806-S7	Lockwasher-5/16"	16	b		
34807-S7	Washer-external tooth-3/8"-rocker arm supports to heads	8	a		
34808-S8	Lockwasher-7/16"	6	a		
44722-S8	Washer-flat-5/16"	12	b		
44726-S	Washer-flat-3/8"-rocker arm supports to heads	8	a		
370347-S	Washer-flat-3/8"-valve rocker arm supports to cylinder head assembly	5	c		
371037-S	Bolt-hex. hd. -3/8"-16 x 2-29/32"-rocker arm supports to heads	8	a		

Engine

GROUP AND PART NUMBER	DESCRIPTION, SIZE, ETC.	NO. REQ'D	MODEL OR ENGINE CUBIC INCH DISPLACEMENT	VEHICLE CODE	YEAR 19__
6A536 SEAT (VALVE SPRING)					
C3AZ 6A536-A	1.73" O.D. x .644" I.D. - also included in C3AZ-6049-H head	16	406,427	A	62/64
6A547 KIT (VALVE ROCKER ARM COVER)					
C3OZ 6A547-A	Cobra - does not include medallion	1	221,260	B C	62/63
C4OZ 6A547-A	Cobra - does not include medallion - use with emission reduction system	1	260,289	C	64
6549 SCREW (VALVE ROCKER ARM ADJUSTING)					
B6A 6549-A	Use with zero lash rocker arm	12	223	A	61/62
B6A 6549-C	‡ Use without zero lash rocker arm	16	223‡, 292, 312, 406	A	60/62
	For Police Special	16	390	A	61
	Standard - ☆ for Police Special	16	390☆, 406, 427	A	63/64
		12	144, 170, 200	B C	60/64
C2AZ 6549-A	.0023" O/S - ‡ use without zero lash rocker arm - ☆ for Police Special	AR	144, 170, 200, 223‡, 292, 390☆, 406, 427	A B C	60/64
6552 NUT (VALVE ROCKER ARM ADJUSTING SCREW)					
EAA 6552-A	Use with zero lash rocker arm	12	223	A	61/62
6563 SHAFT (VALVE ROCKER ARM)					
B4AZ 6563-A		(a) 2	292, 312	A	60/62
B2AZ 6563-A	Use without zero lash rocker arm	1	223	A	61
C1AZ 6563-A	Use with zero lash rocker arm	1	223	A	61/62
B8E 6563-C	☆ Except Police Special	(b) 2	352, 390☆	A	61/63
B8A 6563-A	For Police Special	2	390	A	61/63
C3AZ 6563-A	(10) holes in shaft - includes (2) EAA-6572-A plug	1	406	A	62
		2	406, 427	A	63/64
B8AZ 6563-A	For Police Special	(b) 2	390	A	64
B8AZ 6563-C	Except Police Special	(b) 2	390	A	64
B8S 6563-A		(a, d) 2	383, 430	A D	60
CODZ 6563-A	23.94" long	(c) 1	144, 170	B C	60/62
C3DZ 6563-A	Hydraulic tappets only	(c) 1	144, 170, 200	B C	63/64
C1VE 6563-A		2	430	D	61/64
72035-S	Pin-cotter - 1/8" x 1"	4	a		
370347-S	Washer-flat-3/8"-shaft to head	8	b		
370902-S	Bolt-hex.hd.-3/8"-16 x 3.32"-valve rocker arm shaft to cylinder head	2	b		
371972-S	Stud-3/8"-16-24 x 3.42"-valve rocker arm and shaft to cylinder head	AR	d		
372499-S	Bolt-hex. hd. -3/8"-16 x 2-31/32"	6	b		
372929-S	Pin-spring-1.125"-attach valve rocker arm shaft spring to valve rocker arm	2	c		
6564 ARM (VALVE ROCKER)					
COAZ 6564-A		16	292, 312	A	60/62
B6A 6564-G	Use without zero lash rocker arm	12	223	A	61
C3AZ 6564-A	Use with zero lash rocker arm	12	223	A	61/62
B8A 6564-B	☆ For Police Special	16	390☆, 406, 427	A	61/64
B8AZ 6564-C	☆ Except Police Special	16	352, 383, 390☆, 430	A	60/64
		16	430	D	60
CODZ 6564-A		12	144, 170, 200	B C	60/64
C2OZ 6564-A		16	221, 260, 289	B C	62/64
C1VE 6564-A		16	430	D	61/64

Engine

GROUP AND PART NUMBER	DESCRIPTION, SIZE, ETC.	NO. REQ'D	MODEL OR ENGINE CUBIC INCH DISPLACEMENT	VEHICLE CODE	YEAR 19__
6565 ROD (VALVE PUSH)					
COAE 6565-D		16	292,312	A	60/62
PB8E 6565-A	.060" O/S - YELLOW	16	352	A	61
COAE 6565-C		12	223	A	61/62
C1AE 6565-E	Use with zero lash rocker arm for export with low octane fuel adaptor kit	12	223	A	61/62
COAE 6565-J	Except Police Special - use on engines built prior to 11-25-63	16 16	352,390 390	A A	61/63 64
C4TZ 6565-B	Except Police Special - use on engines built after 11-24-63	16	390	A	64
C1AE 6565-B	.060" O/S - BLACK Except Police Special - use on engines built prior to 11-25-63	16 16	352,390 390	A A	61/63 64
C4TZ 6565-C	.060" O/S - except Police Special - use on engines built after 11-24-63	16	390	A	64
C1AE 6565-C	.060" U/S - GREEN Except Police Special - use on engines built prior to 11-25-63	16 16	352,390 390	A A	61/63 64
C4TZ 6565-D	.060" U/S - except Police Special - use on engines built after 11-24-63	16	390	A	64
B8AZ 6565-C	☆ For Police Special	16	352,390☆, 406, 427	A	61/64
C3SZ 6565-A	Standard - 9.767" long	16	383, 430	A D	60/64
PB8M 6565-C	.060" O/S	16	383, 430	A D	60
C3SZ 6565-B	.060" U/S - 9.71" long	16	383, 430	A D	60/64
COAE 6565-A	Use for export vehicles with low octane fuel adaptor kit	12	144, 170	B C	60/64
CODE 6565-B		12	144, 170, 200	B C	60/64
C2OZ 6565-B		16	221, 260, 289	B C	62/64
COLE 6565-A	.060" O/S - use for export vehicles with low octane fuel adaptor kit	16	430	D	61/62
C3SZ 6565-C	.060" O/S - for domestic usage only - 9.83" long	16	430	D	63/64
C3SZ 6565-D	.060" O/S - use for export vehicles with low octane fuel adaptor kit - 9.85" long	16	430	D	63/64
6570 SEAL (VALVE ROCKER ARM COVER STUD)					
B9A 6570-A	Also serviced in 6008 and 6079 kits - (4) req'd. - on 292 C.I.D. engine as valve rocker arm cover stud seal (4) req'd. - on 223 and 312 C.I.D. engine as valve push rod cover stud seal (2) req'd. - on 292 C.I.D. engine as valve push rod cover stud seal	AR	223, 292, 312	A	60/62
6571 SEAL (VALVE STEM)					
C1TE 6571-C	Also serviced in 6008 and 6079 kits ☆ Use on engines without zero lash valves	12-16	223☆, 292, 312	A	60/62
C1AZ 6571-H	Also serviced in 6008 and 6079 kits - use on cars with zero lash valves	12	223	A	61/62
C4TZ 6571-C	Also serviced in 6008 and 6079 kits - ☆ except Police Special - use on engines built prior to 11-25-63 Intake valves only - except Police Special - use on engines built after 11-24-63	16 8	352,390☆ 390	A A	61/64 64
CONTINUED ON NEXT PAGE					

Engine

GROUP AND PART NUMBER	DESCRIPTION, SIZE, ETC.	NO. REQ'D	MODEL OR ENGINE CUBIC INCH DISPLACEMENT	VEHICLE CODE	YEAR 19__
6571 SEAL (VALVE STEM) CONTINUED					
C4TZ 6571-D	Exhaust valves only - except Police Special - use on engines built after 11-24-63	8	390	A	64
B8A 6571-B	Intake and exhaust valve ☆ For Police Special	16	390☆, 406, 427	A	61/63
B8AZ 6571-B	Intake and exhaust valve ☆ For Police Special - also serviced in 6008 and 6079 kits	16	390☆, 427	A	64
B8S 6571-A	13/16" high - intake valves - also serviced in 6008 and 6079 kits	8	383, 430	A D	60
B8S 6571-B	17/32" high - exhaust valves - also serviced in 6008 and 6079 kits	8	383, 430	A D	60
C3DZ 6571-B	Also serviced in 6008 and 6079 kits	12	144, 170, 200	B C	60/64
C2OZ 6571-A	Also serviced in 6008 kit	16	221, 260	B C	62/63
C3AZ 6571-B	☆ Except Special Performance - also serviced in 6008 and 6079 kits	16	260, 289☆	C	64
C3OZ 6571-B	Special Performance (Engine Warranty Code D) - also serviced in 6008 and 6079 kits	16	289	C	64
C1VE 6571-A	Use on intake valves only - also serviced in 6008 and 6079 kits	8	430	D	61/63
C1VE 6571-B	Use on exhaust valves only - also serviced in 6008 and 6079 kits	8	430	D	61/63
C4VY 6571-A	Use on intake valves only - also serviced in 6008 and 6079 kits	8	430	D	64
C4VY 6571-B	Use on exhaust valves only - also serviced in 6008 and 6079 kits	8	430	D	64
6572 PLUG (VALVE ROCKER ARM SHAFT)					
EAA 6572-A	17/32" O.D. x 13/64" thick	2-4	144, 170, 200, 223, 292, 312, 352, 383, 390, 406, 427, 430	A B C D	60/64
6575 BRACKET (VALVE ROCKER ARM OIL OUTLET TUBE)					
EBU 6575-A		2	292, 312	A	60/62
6580 TUBE (VALVE ROCKER ARM SHAFT OIL) INLET					
EAA 6580-B	Use without zero lash rocker arm	1	223	A	61
C1AE 6580-B	Use with zero lash rocker arm	1	223	A	61/62
6582-3 COVER (VALVE ROCKER ARM)					
COKE 6583-C	LIGHT GREEN	(d) 2	292, 312	A	60/62
C1ME 6583-B	IVORY	(c) 1	223	A	61/62
B9KY 6582-A	L. H. - TURQUOISE	1	352, 390, 406	A	61/63
C1MY 6582-A	R. H. - GOLD - MERCURY embossed	1	352, 390, 406	A	61/64
C1MY 6582-B	L. H. - GOLD - MERCURY embossed	1	352, 390, 406	A	61/64
C3AZ 6582-F	R. H. - chrome Plain - also serviced in 390 C. I. D. engine dress-up kit C4AZ-6980-A ☆ For 390 C. I. D. Interceptor	1 1	406, 427 390☆, 427	A A	62/63 64
C3AZ 6582-G	L. H. - chrome Plain - also serviced in 390 C. I. D. engine dress-up kit C4AZ-6980-A ☆ For 390 C. I. D. Interceptor	1 1	406, 427 390☆, 427	A A	62/63 64
B9LE 6582-A	GOLD - also use for service in place of RED for 383-2V	(a) 2	383, 430	A D	60/64
CONTINUED ON NEXT PAGE					

Engine

GROUP AND PART NUMBER	DESCRIPTION, SIZE, ETC.	NO. REQ'D	MODEL OR ENGINE CUBIC INCH DISPLACEMENT	VEHICLE CODE	YEAR 19__
6582-3 COVER (VALVE ROCKER ARM) CONTINUED					
C2GY 6582-A	YELLOW (b)	1	144,170	B C	60/62
C2OZ 6582-B	SILVER (f)	2	221,260	B C	62/63
C2OZ 6582-C	BLUE	2	221,260	B C	62/63
C3GY 6582-B	SILVER - use with emission reduction control system	1	144,170,200	B C	63
C3DZ 6582-D	RED - not used with emission reduction control system - when used as service replacement for C3GY-6582-B must be used with C3DZ-6766-A oil filler cap -	(g) 1	144,170,200	B C	63/64
Package also includes -					
(1) 378727-S		grommet installed in top of cover			
C4AZ 6582-A	R. H. - RED - ☆except Cyclone model 63E (f, h) NOTE - for 260 C. I. D. engine - use for service in place of C4OE-6582-A - BLUE	1	260,289☆	C	64
C4AZ 6582-B	L. H. - RED - ☆except Cyclone model 63E (f, h) NOTE - for 260 C. I. D. engine - use for service in place of C4OE-6A505-A - BLUE	1	260,289☆	C	64
C4DZ 6582-A	R. H. - chrome - ☆for Cyclone model 63E - also serviced in C4GY-6980-B dress-up kit (f, h)	1	260,289☆	C	64
C4DZ 6582-B	L. H. - chrome - ☆for Cyclone model 63E - also serviced in C4GY-6980-B dress-up kit (f, h)	1	260,289☆	C	64
20324-S8	Bolt-hex. hd. -1/4"-20 x .62"-attach valve rocker arm cover to cylinder hd.	7	b		
34805-S8	Washer-lock-1/4"	7	b		
45582-S	Bolt-5/16"-18 x 4-1/2"-cover to block	2	d		
354526-S8	Nut-hex. -5/16"-24-cover to head	4	d		
371065-S	Bolt-5/16"-18 x 5/8"-to attach cover valve rocker arm cover to cylinder hd.	AR	a		
372995-S8	Screw and washer-5/16"-18 x 3/4"-cover to head	10	e		
373071-S	Screw and washer-1/4"-20 x .62"-attach valve cover to cyl. hd.	AR	f, h		
373309-S8	Screw and washer-5/16"-18 x 5/8"-cover to head	8	c		
378754-S	Elbow-90° -1/2" hose	1	h		
379001-S	Nipple-3/8" hose	1	g		
6584 GASKET (VALVE ROCKER ARM COVER)					
NS-serviced in 6008, 6079 and 6A506 kits		2	292,312	A	60/62
COAE 6584-A	Also serviced in 6008	1	223	A	61/62
B9AE 6584-C	Staple on type - also serviced in 6008 and 6079 kits	2	352,390,406,427	A	61/64
B9ME 6584-C	Also serviced in 6008 and 6079 kits and C4AZ-6980-B dress-up kit	2	383,430	A D	60/64
CODE 6584-B	Also serviced in 6008 and 6079 kits	1	144,170,200	B C	60/64
C2OZ 6584-A	Also serviced in 6008 and 6079 kits and C4GY-6980-A dress-up kit	2	221,260,289	B C	62/64
6587 SPRING (VALVE ROCKER ARM LOCATING)					
B6A 6587-A		5-6	223,292,312	A	60/62
B8A 6587-B	3.73" free length	6	352,383,390,406,427,430	A D	60/64
CODE 6587-A	2.10" free length - 6 coils - .80" I. D.	AR	144,170,200	B C	60/64

Engine

GROUP AND PART NUMBER	DESCRIPTION, SIZE, ETC.	NO. REQ'D	MODEL OR ENGINE CUBIC INCH DISPLACEMENT	VEHICLE CODE	YEAR 19__
6588 TUBE (VALVE ROCKER ARM SHAFT OIL) OUTLET					
B5A 6588-A		2	292,312	A	60/62
B5A 6588-B	Use without zero lash rocker arm	1	223	A	61
C1AE 6588-B	Use with zero lash rocker arm	1	223	A	61/62
6590 WASHER (VALVE ROCKER ARM SHAFT)					
EEA 6590-A		(a) 4	223,292,312	A	60/62
B8A 6590-A	7/8" I.D. x 1-5/16" O.D. x 1/16" thick	(b) 4	352,383,390,406,430	A	60/64
		8	430	D	60/62
		4	430	D	63/64
72035-S	Pin-cotter-1/8" x 1"-attach washer to shaft	2	a		
72044-S	Pin-cotter-1/8" x 1-1/8"-attach washer to shaft	4	b		
6594 SEAL (VALVE ROCKER ARM OIL INLET TUBE)					
EAA 6594-A	Also serviced in 6008	1	223	A	61/62
6598 WASHER (VALVE ROCKER ARM SHAFT SPRING)					
COAE 6598-A		2-4	223,292,312	A	60/62
COME 6598-A	7/8" I.D. x 1-3/16" O.D. x .008" thick	(a) 4	352,383,390,406,427,430	A D	60/64
CODE 6598-A	.80" I.D. x 1.12" O.D.	(a) 2	144,170,200	B C	60/64
72044-S	Cotter pin-1/8" x 1-1/8"-valve rocker arm shaft washer to valve rocker arm	2	a		
6600 PUMP (OIL)					
COAE 6600-D	Includes attaching gaskets	(a) 1	312	A	60
C1AZ 6600-B	Rotor type including attaching gaskets - 1/4" drive	1	223	A	61/62
C1AE 6600-A	Includes attaching gaskets	(a) 1	292	A	61/62
COAE 6600-C	For Police Special	1	390	A	61/64
C3AZ 6600-A		1	406,427	A	62/64
COME 6600-B	☆Except Police Special - includes attaching gaskets	(b) 1	352,383,390☆,430	A	60/63
	Includes attaching gaskets	1	390	A	64
		1	430	D	61/64
CODZ 6600-A	Identified by length of intermediate shaft 6A618 which is 2.95" long - includes attaching gasket - use on engines built prior to 8-18-60	(c) 1	144,170	C	60/61
C1DZ 6600-A	Identified by length of intermediate shaft 6A618 which is 4.48" long - use with 1/4" shaft on engines built after 8-17-60	1	144,170,200	B C	61/63
	Use on engines built prior to 9-30-63	1	170,200	C	64
C4DZ 6600-A	Includes attaching gaskets - use with 5/16" intermediate shaft - use on engines built after 9-29-63	1	170,200	C	64
C2OZ 6600-A	Includes attaching gaskets	1	221,260,289	B C	62/64
COME 6600-C	Includes attaching gaskets	(b) 1	430	D	60
42848-S	Screw and washer assy. -5/16"-18 x 1-1/8"-attach oil pump to cylinder block	2	c		
43519-S8	Bolt-3/8"-16 x 1-1/8"-to attach oil pump to cylinder block	2	b		
354727-S7	Screw and washer assy. -5/16"-18 x 1-3/8"-oil pump to cylinder block	3	a		

Engine

GROUP AND PART NUMBER	DESCRIPTION, SIZE, ETC.	NO. REQ'D	MODEL OR ENGINE CUBIC INCH DISPLACEMENT	VEHICLE CODE	YEAR 19__
6600 KIT (OIL PUMP GASKET)					
MHK 6600-A	Rotor oil pump	1	312	A	60
Consists of the following -					
(1) B6Q-6619-A	gasket	(1) 8EL-6669	gasket	(1) B4A-6698	seal
(1) B6Q-6659-A	gasket				
6600 KIT (OIL PUMP INSTALLATION)					
B7AZ 6600-B	Rotor type - use as service replacement for gear type	1	223	A	61
Consists of the following -					
(1) C1AZ-6600-A	pump	(1) COAE-6626-A	gasket	(1) B7A-6659-A	gasket
(1) C1AE-6622-A	tube				
6A603 KIT (CRANKCASE VENTILATION - POSITIVE - HIGH PERFORMANCE)					
C4OZ 6A603-A	Cobra - use with three 2V induction kit	1	260, 289	B C	62/64
6608 ROTOR & SHAFT (OIL PUMP DRIVE)					
B6Q 6608-A	Rotor oil pump	1	292, 312	A	60/62
COAE 6608-B	3-5/16" long	1	312	A	60
COAE 6608-A	Use with rotor type oil pump C1AZ-6600-A only	1	223	A	61/62
C1AZ 6608-A	Use with rotor type oil pump C1AZ-6600-B only	1	223	A	61/62
B8A 6608-A	Not used on 383, 430 C.I.D. engines when oil and vacuum pump is installed	1	221, 260, 352, 383, 390, 406, 430	A B	60/62
		1	430	D	61/62
		1	221, 260, 289, 390, 406, 427, 430	A B C D	63/64
CODE 6608-A	2. 37" long - use on 1961 engines built prior to 8-18-60	1	144, 170	C	60/61
C1DE 6608-A	2. 44" long - use on engines built after 8-17-60 and C1DZ-6600-A oil pump Use with 1/4" intermediate oil pump shaft - use on engines built prior to 9-30-63	1	144, 170	B C	61/62
		1	144, 170, 200	B C	63/64
C4DZ 6608-A	Use with 5/16" intermediate shaft - use on engines built after 9-29-63	1	170, 200	C	64
6616 COVER (OIL PUMP)					
C1AE 6616-A		(b)	1	292, 312	A
COAE 6616-A	Use with rotor type oil pump		1	223	A
B8A 6616-C		(a)	1	221, 260, 289, 352, 383, 390, 406, 427, 430	A B C
			1	430	D
CODE 6616-A		(c)	1	144, 170	B C
C3DZ 6616-A		(b, d)	1	144, 170, 200	B C
34805-S8	Lockwasher-1/4"		AR	a, c, d	
39894-S	Bolt-hex. hd. -1/4"-20 x 5/8"		4	a	
42911-S	Bolt-1/4"-20 x 5/8"-cover to housing		4	b	
370519-S	Bolt-hex. hd. -1/4"-20 x 7/8"-cover to oil pump body		3	c	
6616 PLATE (VACUUM PUMP LOCK)					
B8S 6616-A	Partly curved	(a)	1	430	D
B8S 6616-B	Flat	(a)	1	430	D
358511-S	Screw and lockwasher-hex. hd. -1/4"-20 x 2-1/2"		4	a	

Engine

GROUP AND PART NUMBER	DESCRIPTION, SIZE, ETC.	NO. REQ'D	MODEL OR ENGINE CUBIC INCH DISPLACEMENT	VEHICLE CODE	YEAR 19__
6A616	REFER TO GROUP 6666				
6A618	SHAFT (OIL PUMP INTERMEDIATE)				
B9A 6A618-A		1	312	A	60
C2AZ 6A618-A	Shaft drilled for roll pin (a)	1	223	A	61/62
C1AE 6A618-A		1	292	A	61/62
B8AZ 6A618-A		1	352,390,406,427	A	61/64
C2AZ 6A618-B	Shaft grooved for snap ring	1	223	A	62
B8MY 6A618-A	1/4" hex. x 8-29/32" long - includes retainer ring - for use on pump without vacuum attachments	1 1	383,430 430	A D	60 61/64
C2OZ 6A618-A	7.44" long	1	221,260,289	B C	62/64
C3DZ 6A618-A	1/4" hex. x 4.48" long - use on engines built after 8-17-60 and prior to 9-30-63	1	144,170,200	B C	61/64
C4DZ 6A618-A	5/16" hex. x 4.58" long - use on engines built after 9-29-63	1	170,200	C	64
CODZ 6A618-A	2.95" long - use on 1961 engines built prior to 8-18-60 - includes retainer ring	1	144,170	C	60/61
B9SZ 6A618-A	1/4" hex. x 11-1/16" long - use on oil vacuum pump units	1	430	D	60
354494-S	Pin-3/32" x 7/16"-attach oil pump intermediate shaft to distributor	1	a		
6619	GASKET (OIL PUMP COVER)				
B6Q 6619-A	Used with rotor type oil pump - also serviced in 6008 and 6600 kits	1	292,312	A	60/62
EAA 6619-C		1	223	A	61
6622	SCREEN & COVER (OIL PUMP)				
COAE 6622-B		(d) 1	292,312	A	60/62
B9AE 6622-I	Use with gear type oil pump (c)	1	223	A	61
C1AE 6622-A	Use with rotor type oil pump - also serviced in 6600 kit	1	223	A	61/62
C2AZ 6622-B	☆Except Police Special	1	352,390☆	A	61/64
COAZ 6622-E	☆Police Special (b)	1	390☆,406,427	A	61/64
COME 6622-B		(a) 1	383,430	A D	60
CODE 6622-B		(e) 1	144,170,200	B C	60/63
C3OZ 6622-A		1	221,260,289	B C	62/64
C4DZ 6622-A		(e) 1	170,200	C	64
C1VE 6622-A		(f) 1	430	D	61/64
20310-S8	Bolt-hex. hd. -5/16"-18 x 1/2"-to attach screen and cover assembly to oil pump	2	a		
20346-S8	Bolt-hex. hd. -5/16"-18 x 3/4"-cover and screen to oil pump	1	e		
20426-S8	Bolt-hex. hd. -5/16"-18 x 1-1/4"-cover and screen to oil pump	1	e		
34806-S7	Washer-lock-5/16"	2	e		
34941-S7	Washer-external tooth-5/16"- used with 20310-S8 bolt	2	a		
42789-S	Screw and washer-5/16"-18 x 3/4"	2	b		
43263-S	Screw and washer-1/4"-20 x 5/8"-cover to pump body	4	f		
354361-S	Nut-hex. -7/8"-16-screen and cover to block	1	d		
358720-S	Screw and washer-5/16"-18 x 1-1/8"- screen and cover to pump	2	c		

Engine

GROUP AND PART NUMBER	DESCRIPTION, SIZE, ETC.	NO. REQ'D	MODEL OR ENGINE CUBIC INCH DISPLACEMENT	VEHICLE CODE	YEAR 19____
6626 GASKET (OIL PUMP COVER TO INLET TUBE FLANGE)					
B4A 6626-B	Also serviced in 6008 kit	1	292,312	A	60/62
B9AE 6626-A	Use with gear type oil pump	1	223	A	61
COAE 6626-A	Also serviced in 6008 and 6600 kits - use with rotor type oil pump	1	223	A	61/62
B8A 6626-A	Pump cover to inlet tube flange - also serviced in 6008 kit and with 6600 assembly (a)	1	352,383,390,406,427,430	A D	60/63
B8AZ 6626-A	Pump cover to inlet tube flange (b)	1	390,427,430	A D	64
CODE 6626-A	Also serviced in 6008 kit and with 6600 assy.	1	144,170,200	B C	60/64
C2OZ 6626-A	Also serviced in 6008 kit	1	221,260,289	B C	62/64
20346-S8	Bolt-hex. hd. -5/16"-18 x 3/4"	2	a, b		
34806-S7	Washer-spring lock-5/16"	2	a, b		
371269-S	Nut-spring-1/4"-used as oil pump intermediate shaft retainer ring	1	a		
6629 RING (OIL PUMP INTERMEDIATE SHAFT RETAINER)					
B5A 6629-A		1	292,312	A	60/62
C2AZ 6629-A		1	223	A	61/62
B8A 6629-A		1	144,170,200,221,260,289,352,383,390,406,427,430	A B C D	60/64
6A630 BAFFLE (CRANKCASE VENTILATION)					
B9AZ 6A630-B	Crankcase ventilation (a)	1	352,390	A	61
B9AZ 6A630-C	Push rod valley	1	352,390,406,427	A	61/64
C2AZ 6524-A	Crankcase ventilation	1	352,390	A	62/64
C3AZ 6A630-A	Duct	1	406	A	62
		1	406-4V,427-4V	A	63/64
C3AZ 6A630-B	Duct	1	427-8V	A	63/64
C2OZ 6524-A	Push rod valley	1	221,260,289	B C	62/64
C2OZ 6A630-A	Duct - use with non-emission reduction system on vehicles built after 6-1-64	1	221,260,289	B C	62/64
92050-S	Drive screw-No.10-8 x 5/16"	AR	a		
6A631 ELEMENT (CRANKCASE VENTILATION OIL SEPARATOR)					
COAE 6A631-A	Wire mesh	1	406,427	A	62/64
C2OZ 6A631-A	Aluminum mesh - use with non-emission reduction system on vehicles after 6-1-64	1	221,260,289	B C	62/64
Package also includes -					
(1) C2OZ-6870-A gasket					
C2VY 6A631-A		1	430	D	61/64
6A631 FILTER (VALVE PUSH ROD COVER VENTILATION)					
B8KY 6A631-A		1	352,390,406	A	61/64
6A632 REFER TO GROUP 6870					
6A633 RETAINER (OIL SEPARATOR ELEMENT) CRANKCASE VENTILATION					
COAE 6A633-A		1	406,427	A	62/64
C2OZ 6A633-A	Use with non-emission reduction system on vehicles built after 6-1-64	1	221,260,289	B C	62/64
6634 TUBE (VACUUM PUMP TO BLOCK)					
B9S 6634-A	Not required on vehicles equipped with electric windshield wipers (a)	1	430	D	60
87384-S	Elbow 90° -connect tube to vacuum pump	1	a		
87974-S	Elbow 90° -connect tube to cylinder block	1	a		

Engine

GROUP AND PART NUMBER	DESCRIPTION, SIZE, ETC.	NO. REQ'D	MODEL OR ENGINE CUBIC INCH DISPLACEMENT	VEHICLE CODE	YEAR 19__
6A636 GASKET (OIL FILTER ADAPTOR TO CYLINDER BLOCK)					
EAA 6838-A	Also serviced in 6008 and 6882 kits	1	223, 292, 312	A	60/62
COAE 6A636-A	Also serviced in 6008 kit	1	352, 390, 406	A	61/62
	Also use for engine oil cooler adaptor	1	406	A	62
	☆ Also used for oil cooler	1-2	390, 406☆, 427☆	A	63
		1-2	390, 427	A	64
B9SZ 6A636-A	Also serviced in 6008 and 6013 kits	1	383, 430	A D	60/64
6638 BOLT (OIL PUMP MOUNTING)					
EAA 6638-A	3/8"-24 x 1-1/4" (a)	2	223	A	61/62
33800-S8	Nut-hex. -3/8"-24	2	a		
34827-S8	Lockwasher-3/8"	2	a		
6A642 KIT (CRANKCASE OIL COOLER)					
CIAZ 6A642-A		1	406, 427	A	62/63
Consists of the following -					
(2) COAE-6A636-A	gasket	(1) C1AE-6A642-A	cooler	(1) C1AE-6A716-A	bracket - R. H.
(1) C1AE-6A637-A	gasket	(1) C1AE-6A714-A	spacer	(1) C1AE-6A717-A	bracket - L. H.
(1) C1AE-6A638-A	cover	(1) C1AE-6A715-A	hose	(1) C1AE-6A718-A	bracket - lower
Attach cooler mounting brackets to radiator side plate					
(4) 20346-S	bolt-5/16"-18 x 3/4"	(4) 34781-S	lockwasher-5/16"	(4) 44722-S	washer-flat-5/16"
(4) 33797-S	nut-5/16"-18				
Attach adaptor 6881 and spacer 6A714 to cylinder block					
(12) 33795-S	nut-1/4"-20	(24) 44719-S	washer-flat-1/4"	(4) 45516-S	bolt-5/16"-18 x 2-3/8"
(12) 34805-S	lockwasher-1/4"	(12) 45502-S	bolt-1/4"-20 x 1-7/8"	(4) 351282-S	washer-flat-5/16"
(4) 34826-S	lockwasher-5/16"				
Attach mounting bracket to cover and attach spacer to cover					
(2) 42789-S	screw and washer-5/16"-18 x 7/8"	(2) 42846-S	screw and washer-5/16"-18 x 7/8"		
Attach hose to cooler and adaptor to spacer					
(2) 375695-S	elbow 45	(2) 375696-S	elbow 90 °	(1) instruction sheet	
6659 GASKET (OIL PUMP TO BLOCK)					
B6Q 6659-A	Also serviced in 6008 kit - also (1) included in 6600 service package	1	292, 312	A	60/62
B7A 6659-A	Use with gear or roller type oil pump - also serviced in 6008 kit	1	223	A	61/62
B8A 6659-A	Also serviced in 6008 kit	1	352, 390, 406, 427	A	61/64
B9ME 6659-A	Also serviced in 6008 kit and with 6600 assy.	1	383, 430	A D	60/64
C2OZ 6659-A	Also serviced in 6008 kit	1	221, 260, 289	B C	62/64
6A664 HOSE (CRANKCASE VENTILATION TUBE)					
374261-S	Elbow-90°-1/2" hose-attach hose to intake manifold	1	223	A	61
	NS-1/2" I. D. 3/4" O. D. x 8-1/4" long - cut from 4090 bulk hose	1	352, 390	A	61
	(1) req'd. - for adaptor to steel tubing				
	NS-1/2" I. D. x 3/4" O. D. x 5-9/16" long - cut from 4090 bulk hose	1	352	A	62
	NS-1/2" I. D. x 3/4" O. D. x 3" long - cut from 4090 bulk hose	1	352, 390, 406-4V	A	62
	NS-1/2" I. D. x 3/4" O. D. x 4-21/32" long - cut from 4090 bulk hose	1	390	A	62
	NS-1/2" I. D. - 3/4" O. D. x 5" long - cut from 4090 bulk hose	1	406-4V	A	62
376410-S	Elbow 65° pipe - attach 6A666 valve to 9424 manifold	1	406-6V	A	62
CONTINUED ON NEXT PAGE					

Engine

GROUP AND PART NUMBER	DESCRIPTION, SIZE, ETC.	NO. REQ'D	MODEL OR ENGINE CUBIC INCH DISPLACEMENT	VEHICLE CODE	YEAR 19__
6A664-A	HOSE (CRANKCASE VENTILATION TUBE)				
	NS-except Police Special - 5/8" I. D. x .90" O. D. x 8-1/2" long - use with closed emission reduction system from oil filler cap to air cleaner	AR	390	A	64
	NS-1/2" I. D. - 3/4" O. D. x 2-1/4" long - use with emission reduction system to connect adaptor to steel tubing - and to connect connector to manifold - cut from 4090 bulk hose	1	292, 430	A D	61/62
	NS-1/2" I. D. - 3/4" O. D. x 1-3/4" long - Cut 2" long from bulk hose (1) req'd. - for 406-4V (2) req'd. - for 406-6V Use with emission reduction system - cut from 4090 bulk hose	AR	352, 390, 406	A	62
	(1) req'd. -valve to elbow at intake manifold	1	223	A	61/62
	(1) req'd. -to connect adaptor to steel tubing	1	144,170,223,292	A B C	61/62
	(1) req'd. - to connect steel tube to valve	1	144, 170	B C	61/62
	NS-1/2" I. D. - 3/4" O. D. x 1-3/4" long - Cut to required length from 4090 bulk hose (1) req'd. - for 406-4V (2) req'd. - for 406-6V Use with emission reduction system	AR	390, 406, 427, 430	A D	63/64
	Use with non-emission reduction system with air conditioning	1	260	C	64
C3AZ 6A664-A	1/2" I. D. x 25 ft. long - use as carburetor spacer and draft tube - cut to required length	AR	All	A B C D	61/64
C3AZ 6A664-B	5/8" I. D. x 25 ft. long - use between breather cap and air cleaner - cut to required length	AR	All	A B C D	61/64
	NS-1/2" I. D. - 3/4" O. D. x 2-1/8" long - use with emission reduction system - cut from 4090 bulk hose	1	221	B	62
376023-S	Tee 30°-2-way-attach tube to intake manifold	1	144, 170	B C	62
C3DZ 6A664-A	1" I. D. x 22-1/2" long - use with emission reduction system - use on engines built prior to 7-1-63	1	144, 170, 200	B C	63
	NS-1/2" I. D. - 3/4" O. D. - use with emission reduction system - cut from 4090 bulk hose	AR	144, 170, 200, 260	B C	63
374585-S	Tee 30°-2-way	1	144, 170	C	61
	NS-3/8" I. D. - use with valve rocker arm cover type emission reduction system - cut to required length of 26-1/4" from 4090 bulk hose	1	170, 200	C	64
	NS-1/2" I. D. - 3/4" O. D. - use with valve rocker arm cover type emission reduction system - cut to required length of 5.76" from 4090 bulk hose	1	260, 289	C	64
	NS-1/2" I. D. - 3/4" O. D. x 2-7/8" long - use with emission reduction system to connect steel tubing to valve and to connect flange to tube - cut from 4090 bulk hose	2	430	D	61/62
	NS-1/2" I. D. - 3/4" O. D. x 9" long - use with emission reduction system to connect adaptor to steel tubing and to connect connector to manifold - cut from 4090 bulk hose	1	430	D	63/64

Engine

GROUP AND PART NUMBER	DESCRIPTION, SIZE, ETC.	NO. REQ'D	MODEL OR ENGINE CUBIC INCH DISPLACEMENT	VEHICLE CODE	YEAR 19____
6A665 ADAPTOR (CRANKCASE VENTILATION)					
C1AE 6A665-D	Use with emission reduction system	1	352,390	A	61
C1AE 6A665-F	Use with emission reduction system	1	223	A	61/62
C1AE 6A665-G	Use with emission reduction system	1	292	A	61/62
C2AZ 6A665-A	Use with emission reduction system	1	352,390	A	62/64
C1AE 6A665-H	Use with emission reduction system (b)	1	406,427	A	62/64
C1DE 6A665-B	Use with emission reduction system	1	144,170	B C	61/62
C3DZ 6A665-B	Use with emission reduction system	1	221,260	B C	62/63
C3DZ 6A665-A	Oil separator with emission reduction system - use on engines built prior to 7-1-63	1	144,170,200	B C	63
C1VY 6A665-A	Use with emission reduction system (a)	1	430	D	61/64
40922-S	NS-bolt-self-tap. -1/2"-20 x 1/2" long	2	b		
43263-S	Bolt-1/4"-20 x 5/8" long-flange and tube to push rod cover	2	a		
376711-S	NS-elbow-65	1	b		
6666 PLUG (OIL PUMP RELIEF VALVE)					
EAA 6666-A	Hex. head threaded	1	292,312	A	60/62
		1	223	A	61
COAZ 6666-B	Cup expansion type	1	223	A	61/62
COAZ 6666-A	Cup expansion type	1	352,383,390,406,427,430	A D	60/64
C2DZ 6666-A	Cup - to retain oil pump relief valve spring to oil pump body	1	144,170,200	B C	60/64
C2OZ 6A616-A		1	221,260,289	B C	62/64
6A666 VALVE (CRANKCASE VENTILATION REGULATOR)					
C1AE 6A666-D	Use with emission reduction system	1	352	A	61
C1AE 6A666-G	Use with emission reduction system	1	390	A	61
C1AE 6A666-H	Use with emission reduction system	1	292	A	61/62
C2AZ 6A666-A	Use with emission reduction system (c)	1	352,390,406,427	A	62/64
C1AE 6A666-F	Use with emission reduction system	1	221,223,260	A B C	61/63
C1DE 6A666-B	Use with emission reduction system	1	144,170	B C	61/62
C3DZ 6A666-A	Use with valve rocker arm type emission reduction system - use on engines built after 6-30-63 (a)	1	170,200	B C	63
C3DZ 6A666-C	Use with valve rocker arm cover type emission reduction control (b)	1	170,200	C	64
C3TZ 6A666-A	Use with valve rocker arm cover type emission reduction system - use on engines built prior to 3-13-64 (d)	1	260	C	64
C5ZZ 6A666-A	Use with valve rocker arm cover type emission reduction system - use on engines built after 3-12-64 (d)	1	260,289	C	64
C1VE 6A666-B	Use with emission reduction system	1	430	D	61/63
C4VY 6A666-A	Use with emission reduction system	1	430	D	64
97329-S	Clamp-3/8" hose	AR	b		
97331-S	NS-clamp-1/2" hose	AR	d		
376404-S	NS-clamp-7/8" hose	4	c		
378754-S	Elbow-90° - 1/2" hose	1	a, d		
378766-S	Grommet	1	b, d		
379001-S	Nipple-3/8" hose	1	a, b		
6669 GASKET (OIL PUMP RELIEF VALVE)					
8EL 6669	41/64" I. D. x 7/8" O. D. x 3/64" thick - also serviced in 6600 kit	1	292,312	A	60/62

Engine

GROUP AND PART NUMBER	DESCRIPTION, SIZE, ETC.	NO. REQ'D	MODEL OR ENGINE CUBIC INCH DISPLACEMENT	VEHICLE CODE	YEAR 19 ____
6A669 BAFFLE (VALVE PUSH ROD VENTILATION)					
B8MY 6A669-A		(a) 1	383,430	A D	60
C1VE 6A669-A		(b) 1	430	D	61/64
92050-S	NS-stud-rd.hd.-No.10-8 x 5/16"	4	b		
370722-S	NS-screw-No.4 x 1/4"-grooved-to attach ventilation baffle to cylinder block	3	a		
6670 SPRING (OIL PUMP RELIEF VALVE)					
B6Q 6670-B	Used with rotor type oil pump	1	292,312	A	60/62
B2AZ 6670-A	27 coils - 25 active coils - free length 2-7/8"	1	223	A	61
	NS-for Police Special - serviced in 6600 assembly only	1	390	A	61/64
C1AE 6670-A	2" long	1	406,427	A	62/64
COME 6670-A	20 coils - approximate free length 2.34" - .468" O.D. - ☆use with rotor type oil pump - †except Police Special	1	223☆,352,383,390†,430	A D	60/64
	Located in cylinder block	1	406,427	A	62/64
B8A 6670-A	14 coils - approximate free length 1.89"- (a) .468" O.D.	1	144,170,200	B C	60/64
C2OZ 6670-A	15 coils free length 2-1/8"	1	221,260,289	B C	62/64
72070-S	Cotter pin-3/32" x 1-1/2"	1	a		
6673 NUT (OIL PAN TO OIL PUMP TUBE)					
EAD 6673-A	Compression - 1"-18	1	292,312	A	60/62
6674 PLUNGER (OIL PUMP RELIEF VALVE)					
B9AE 6674-C	Use with rotor type oil pump	1	292,312	A	60/62
B9AE 6674-D	Use with gear type oil pump	1	223	A	61
	NS-for Police Special - serviced in 6600 assembly only	1	390	A	61/64
C1AE 6674-A	2.59" long - located in oil pump	1	406,427	A	62/64
B9AE 6674-A	1.55" long - ☆use with rotor type oil pump - †except Police Special	1	223☆,352,383,390†,430	A D	60/63
		1	390,430	A D	64
B9AE 6674-B	1.81" long	1	144,170,200	B C	60/64
	Located in cylinder block	1	406,427	A	62/64
C2OZ 6674-A	1.57" long	1	221,260,289	B C	62/64
6A674 REINFORCEMENT (OIL PAN FLANGE)					
C1VY 6A674-A		16	430	D	61/64
6675 PAN (OIL)					
COAE 6675-D		(a,b,c) 1	292,312	A	60/62
B8A 6675-B		(c) 1	223	A	61/62
C1AE 6675-C	5 qt.	(c) 1	352,390	A	61/63
C1AE 6675-F	5 qt.	1	406,427	A	62/63
C1AZ 6675-C		(c) 1	390	A	64
C1AZ 6675-F	5 qt.	1	427	A	64
B9ME 6675-A		(a) 1	383,430	A D	60
C4DZ 6675-A		(d) 1	144,170,200	B C	60/64
Package also includes -					
(1) C2DZ-6750-B	indicator				
(1) C2DZ-6754-A	indicator tube				
C3OZ 6675-A	Also use C3OZ-6622-A and C3OZ-6750-A or B	(e) 1	221,260	B	62
		1	221,260	B C	63
C5AZ 6675-B		1	260,289	C	64
C5AZ 6675-B		1	260,289	C	64
C1VE 6675-A		(f) 1	430	D	61/64

CONTINUED ON NEXT PAGE

Engine

GROUP AND PART NUMBER	TYPE	DESCRIPTION, SIZE, ETC.	NO. REQ'D	MODEL OR ENGINE CUBIC INCH DISPLACEMENT	VEHICLE CODE	YEAR 19__
6675 PAN (OIL) CONTINUED						
20326-S7		Bolt-hex. washer hd. lock-5/16"-18 x 5/8"-to attach oil pan to cylinder block and cylinder front cover	AR	a		
20346-S8		Screw and washer assy. -hex. hd. -5/16"-18 x .75" (2) attach oil pan to cylinder block (2) attach oil pan to cylinder front cover	AR	d		
33798-S8		Nut-5/16"-24-oil pan to c/shaft rear oil seal retainer	2	b		
34805-S		Washer-1/4" (2) attach oil pan to cylinder front cover (16) attach oil pan to block	18	e		
34806-S7		Washer-lock-5/16"	2	b, d		
88351-S8		Stud-5/16"-18-24 x 7/8"-oil pan to c/shaft rear bearing oil seal retainer	2	b		
357144-S		Bolt-hex. hd. -1/4"-20 x 9/16"	18	e		
371065-S		Bolt-hex. washer hd. -5/16"-18 x 5/8"-oil pan to cylinder block and cylinder front cover	AR	c		
373071-S		Screw and washer assy. -hex. hd. -1/4"-20 x .62" (2) attach oil pan to cylinder front cover (18) attach oil pan to cylinder block	AR	d		
375972-S7		Bolt-hex. -5/16"-18 x 3/4"-oil pan to block	16	f		
6675 KIT (COMPETITION OIL PAN)						
C4OZ 6675-A		Cobra	1	221,260	B C	63/64
6677 COVER (STARTER PINION)						
AE 6677-A	S/T	& O/drive	1	223,292,312,352,383,390,406,427	A	60/64
6698 SEAL (OIL PAN TO OIL PUMP TUBE)						
B4A 6698-A		Also serviced in 6008 kit and in 6600 assembly	1	292,312	A	60/62
6700 SEAL (CRANKSHAFT FRONT OIL)						
B9TE 6700-A		1-53/64" I. D. x 2-9/16" O. D. x 5/16" thick - also serviced in 6008 kit - not used with crankshaft driven P/S pump - ☆ Use on engines built prior to 10-20-60	1	292☆,312☆,383,430	A	60/61
C3AZ 6700-A		Also serviced in 6008 kit	1	221,223,260,289,292,352,390,406,427	A B C	62/64
		Use on engines built after 10-19-60	1	292,312	A	60
CODE 6700-A		2.378" O. D. - also serviced in 6008 kit	1	144,170,200	B C	60/64
6701 SEAL (CRANKSHAFT REAR OIL)						
C2OZ 6701-A		Cut to length - also serviced in 6008 kit	2	144,170,200,221,223,260,292,352,383,390,406,427,430	A B C D	60/64
6A703 CONNECTOR & BRACKET (CRANKCASE VENTILATION TUBE)						
C1VE 6A703-A		Use with emission reduction system	1	430	D	61/62
6A706 BRACKET & CONNECTOR (CRANKCASE VENTILATION)						
C2AZ 6A706-A		Use with emission reduction system	1	352,390	A	62/64
C2AZ 6A706-B		Use with emission reduction system	1	406-4V,427	A	62/63
		(a)	1	427-4V	A	64
358715-S		NS-screw & washer-hex. hd. -5/16"-18 x 1/2"	2	a		

Engine

GROUP AND PART NUMBER	DESCRIPTION, SIZE, ETC.	NO. REQ'D	MODEL OR ENGINE CUBIC INCH DISPLACEMENT	VEHICLE CODE	YEAR 19____
6710 GASKET (OIL PAN)					
COAE 6710-B	Also serviced in 6008 kit	1	292, 312	A	60/62
COAE 6710-A	Also serviced in 6008 kit	1	223	A	61/62
COAE 6710-C	Also serviced in 6008 kit	1	352, 390, 406, 427	A	61/64
C1VE 6710-A	Also serviced in 6008 kit	1	383, 430	A	60
		1	430	D	61/64
	NS-R. H. and L. H. - serviced in 6008 and 6781 kits	1	144, 170, 221, 260	B C	60/62
	NS-R. H. and L. H. - serviced in 6781 kit	1	144, 170, 200, 221, 260, 289	B C	63/64
COME 6710-A		1	430	D	60
6713 PUMP - VACUUM (OIL & VACUUM PUMP)					
B9ME 6713-B		(a) 1	430	D	60
372271-S8	Bolt-hex. hd. -1/4"-20 x 2.88"-vacuum pump to oil pump portion of oil and vacuum pump	4	a		
6722 SEAL (OIL PAN) FRONT					
	NS-serviced in 6008 and 6781 kits	1	144,170	B C	60/62
	NS-serviced in 6781 kit	1	144, 170, 200	B C	63/64
6723 SEAL (OIL PAN) REAR					
	NS-serviced in 6008 and 6781 kits	2	221, 260	B	62
	NS-serviced in 6008 and 6781 kits	1	144,170	B C	60/62
	NS-serviced in 6781 kit	1	144, 170, 200	B C	63/64
	NS-serviced in 6781 kit	2	221, 260, 289	B C	63/64
6730 PLUG (OIL PAN DRAIN)					
C3AZ 6730-A	With gasket	1	144, 170, 200, 221, 260, 289, 390, 406, 427, 430	A B C D	63/64
6731 FILTER (OIL)					
C1AZ 6731-A	Disposable type	1	144, 170, 200, 221, 223, 260, 289, 292, 312, 352, 383, 390, 406, 427, 430	A B C D	60/64
6734 GASKET (OIL PAN DRAIN PLUG)					
C2OZ 6734-A	Nylon - also serviced in 6008 and 6781 kits	1	144, 170, 200, 221, 223, 260, 289, 292, 312, 352, 383, 390, 406, 427, 430	A B C D	60/64
6750 INDICATOR (OIL LEVEL)					
C2AZ 6750-C		1	292, 312	A	60/62
C2AZ 6750-D		1	223	A	61/62
C2AZ 6750-B	☆ Use with COAE-6675-F	1	352, 390, 406☆	A	61/63
	Use with C1AE-6675-C oil pan	1	390	A	63
	Except Police Special - use with B8A-6754-A straight tube assembly	1	390	A	64
C3AZ 6750-D	Use with C1AE-6675-F	1	406	A	62
	BLACK shield and handle - 19-1/4" long	1	406	A	63
C3AZ 6750-E	BLACK shield and handle - 19-1/4" long - use on vehicles built after 5-26-63	1	406	A	62/63
C4MY 6750-A	Chrome plated shield and handle - 19-1/4" long - includes green oil level indicator - not used with closed emission reduction system - use on vehicles built after 5-26-63	1	406, 427	A	62/64
C3AZ 6750-C	Chrome handle - optional for 390 C. I. D. engine - also use in 390 C. I. D. engine dress-up kit C4AZ-6980-A	1	390	A	64
	CONTINUED ON NEXT PAGE				

Engine

GROUP AND PART NUMBER	DESCRIPTION, SIZE, ETC.	NO. REQ'D	MODEL OR ENGINE CUBIC INCH DISPLACEMENT	VEHICLE CODE	YEAR 19__
6750 INDICATOR (OIL LEVEL) CONTINUED					
C4AZ 6750-B	For Police Special - 20.16" from shield seat to end of indicator - use with C3AZ-6754-C curved tube assembly	1	390	A	64
PB9M 6750-B		1	383, 430	A D	60
C2OZ 6750-A		1	221, 260	B	62
C2DZ 6750-A	12" long	1	144, 170, 200	B C	61/63
C3OZ 6750-A	24-29/64" long	1	221, 260	B C	63
CODE 6750-A	9-29/32" long	1	144, 170	C	60/61
C3OZ 6750-B	24-29/64" long - except Cyclone model 63E and Special Performance	1	260, 289*	C	64
C2DZ 6750-B	12" long	1	170, 200	C	64
C4GY 6750-A	Chrome handle and shield - for Cyclone model 63E - also serviced in C4GY-6980-B dress-up kit	1	260, 289*	C	64
C2OZ 6750-B	22.49" long - Special Performance (Engine Warranty Code D)	1	289	C	64
C1VE 6750-A		1	430	D	61/64
6754 TUBE (OIL LEVEL INDICATOR)					
B5A 6754-A		(b) 1	292, 312	A	60/62
C1AE 6754-B		1	223	A	61/62
B8A 6754-A		(a) 1	352, 390	A	61/63
	Except Police Special - straight - use only with C2AZ-6750-B	1	390	A	64
C3AZ 6754-C	Use with C3AZ-6750-B or C3MY-6750-A oil indicator for 406 C.I.D. engine	(a) 1	406, 427	A	62/63
	For Police Special - curved - use only with C4AZ-6750-B oil indicator	1	390, 427	A	64
PB8M 6754-A		1	383, 430	A D	60
C2DZ 6754-A	3-3/4" long	1	144, 170, 200	B C	61/64
C2OZ 6754-A	15-3/4" long - except Special Performance	1	221, 260, 289*	B C	62/64
B8A 6754-B	1-23/64" long	1	144, 170	C	60/61
C2OZ 6754-B	Special Performance (Engine Warranty Code D)	1	289	C	64
C1VE 6754-B		1	430	D	61/64
20310-S8	Screw-hex. hd. -5/16"-18 x 1/2"-oil level indicator	1	b		
20326-S7	Bolt-5/16"-18 x 5/8"-tube assembly to cylinder head	1	b		
20428-S8	Bolt-hex. hd. -3/8"-16 x 1-1/4"	1	a		
34806-S7	Lockwasher 5/16"-oil level indicator	1	b		
34807-S8	Lockwasher-3/8"-tube to water pump to block	1	a		
6758 TUBE (CRANKCASE VENTILATION)					
B7A 6758-B		1	312	A	60
C1AE 6758-C	Use with emission reduction system	(c) 1	352, 390	A	61
C1AE 6758-D	Use with standard ventilation system	1	223	A	61/62
C2AZ 6758-D	Use with emission reduction system	1	223	A	61/62
COAE 6758-A	Use with standard ventilation system	(a, b) 1	292	A	61/62
	NS-1/2" O.D. x 19" long - cut from 2269 bulk tubing - use with emission reduction system	1	292	A	61/62
COAE 6758-C	Use with standard ventilation system	(b, d) 1	352, 390	A	61/62
	Use with non-emission reduction system	1	390	A	64
COAE 6758-E	Use with standard ventilation	1	406-4V, 406-6V	A	62
CONTINUED ON NEXT PAGE					

Engine

GROUP AND PART NUMBER	DESCRIPTION, SIZE, ETC.	NO. REQ'D	MODEL OR ENGINE CUBIC INCH DISPLACEMENT	VEHICLE CODE	YEAR 19__
6758 TUBE (CRANKCASE VENTILATION) CONTINUED					
C2AZ 6758-E	Use with emission reduction system	1	406-6V	A	62/63
C2AZ 6758-B	Use with emission reduction system (h)	1	406-4V, 427-4V	A	62/64
C3AZ 6758-C	Use with emission reduction system - 14-3/4" long (c)	1	352, 390	A	62/64
C4AZ 6758-A	Use with non-emission reduction system (g)	1	427	A	64
B9SZ 6758-A		1	383, 430	A D	60
C2OZ 6758-A	Use with standard ventilation	1	221, 260	B	62
CODE 6758-A	Use with standard ventilation only (d)	1	144, 170	B C	60/62
	Use with non-emission reduction system	1	144, 170, 200	B C	63/64
	NS-1/2" O.D. x 22-11/16" long - cut from 8QH-2269-B - use with emission reduction system	1	144, 170	B C	62
C1DZ 6758-A	Use with emission reduction system	1	144, 170	C	61
C4DZ 6758-A	Use with non-emission reduction system (d)	1	260, 289	C	64
C1VY 6758-A	Use with emission reduction system (e)	1	430	D	61/62
C4VY 6758-A	Use with emission reduction system (f)	1	430	D	63/64
20542-S	Bolt-7/16"-14 x 2-3/8"	1	g, h		
34617-S	Nut-1/2"-40-tube to push rod cover	1	a		
40922-S	NS-bolt-self-tap. -1/4"-20 x 1/2"	2	g		
50601-S8	Screw-1/4"-20 x 2-1/4"-tube to push rod cover	1	b		
373071-S	Screw and washer assy. -1/4"-20 x .62"-attach crankcase vent tube to cylinder front cover	AR	d		
374262-S	Tee-3 way-vent tube to intake manifold	1	c		
374274-S	Clip-attach tube to bracket	1	e		
376404-S	NS-clamp-7/8"	4	h		
378092-S	Stud-3/8"-16 x 2-3/4"-attach tube to 6049	1	f		
378727-S	Grommet to plug-6582 assembly	1	d		
6763 PIPE (OIL FILLER)					
EDF 6763-A		1	383, 430	A	60
C3AZ 6763-A	Use with emission reduction system (a)	1	352, 390, 406, 427	A	61/64
C4AZ 6763-A	Use with closed emission reduction system - incorporates connection for venting hose	1	427-8V	A	64
C2OZ 6763-A		1	221, 260	B C	62/63
	Use with non-emission reduction system	1	260, 289	C	64
COME 6763-A		1	430	D	60
C4VY 6763-A		1	430	D	61/64
20408-S	Bolt-hex. hd. -3/8"-16 x 1-1/8"	1	a		
34807-S8	Lockwasher-3/8"	1	a		
6766 CAP (OIL FILLER)					
C1AE 6766-B		1	223	A	61/62
C1ME 6766-A	☆ Use with emission reduction system	1	352, 390☆	A	61/62
	BLACK - less decal - use on engines built prior to 12-17-62	1	390	A	63
C3AZ 6766-B	BLACK - without shield - with decal - use on engines built after 3-31-63	1	390	A	63
C3SZ 6766-A	Skirt type with decal - use on 390 C.I.D. engines from 12-16-62 to 4-1-63 - use on 406 C.I.D. engine after 11-28-62 and used with B9AZ-6763-A pipe and scoop assembly	1	390, 406	A	63
CONTINUED ON NEXT PAGE					

Engine

GROUP AND PART NUMBER	DESCRIPTION, SIZE, ETC.	NO. REQ'D	MODEL OR ENGINE CUBIC INCH DISPLACEMENT	VEHICLE CODE	YEAR 19__
6766 CAP (OIL FILLER) CONTINUED					
C4MY 6766-A	Chrome - with decal - also serviced in 390 C.I.D. engine dress-up kit C4AZ-6980-B - use on engines built prior to 4-27-64	1	390,427	A	64
C4AZ 6766-A	Chrome - non-vented cap - use with closed emission reduction system	1	427-8V	A	64
C2SZ 6766-A	Chrome - less decal - use on engines built prior to 4-1-63	1	406,427	A	63
	Used with non-emission reduction system also serviced in C4GY-6980-B engine dress-up kit ☆Optional for 260 and 390 C.I.D. engines †Standard for model 63E	1	260☆,289†,390☆,427	A C	64
C4DZ 6766-C	Chrome - without shield - with decal - use on engines built after 3-31-63	1	427	A	63
	Use in 289 C.I.D. engine dress-up kit C4GY-6980-B and 390 C.I.D. dress-up kit C4AZ-6980-A ☆ Standard for Cyclone model 63E	1	260,289☆,390,427	A C	64
C4TZ 6766-A	BLACK - non-vented cap incorporating connection for hose from air cleaner - use with closed emission reduction system - ☆for Police Special	1	260,289,390☆	A C	64
C4DZ 6766-B	Chrome - use with closed emission reduction system - ☆optional for 390 C.I.D. engine	1	260,289,390☆,427-4V	A C	64
COAE 6766-E	Use on 406 C.I.D. engines built prior to 11-29-62	1	221,260,292,406	A B	61/62
	Use with non-emission reduction system	1	221,260,406	A B C	63
	☆ Except Cyclone model 63E	1	260,289,390,427	A C	64
C3AZ 6766-C	☆ Except Cyclone model 63E	1	260,289☆,390,430	A C D	64
C4TZ 6766-B	BLACK - non-vented cap incorporating connection for hose from air cleaner - use with closed emission reduction system - ☆except Police Special	1	170,200,390☆,430	A C D	64
	Not used with emission reduction system - use with 1.375" diameter oil filler pipe	1	144,170,312,383,430	A B C D	60/62
B6A 6766-A	use with 1.438" diameter oil filler pipe	1	144,170,200	B C	63
	With decal - use with emission reduction system - use with 1.438" diameter oil filler pipe - use on engines built prior to 7-1-63	1	144,170,200	B C	63
C3DZ 6766-B	With decal - use with valve rocker arm cover type emission reduction system	1	170,200	B C	63
	Also use with non-emission reduction system	1	170,200	C	64
C2VY 6766-A		1	430	D	61/63

6769 SEAL (VALVE PUSH ROD COVER VENTILATION TUBE)

B8S 6769-A	Also serviced in 6008 and 6079 kits	1	383,430	A D	60
------------	-------------------------------------	---	---------	-----	----

6781 GASKET SET (ENGINE OIL PAN)

C3DZ 6781-A		1	144,170,200	B C	60/64
-------------	--	---	-------------	-----	-------

Consists of the following -

(1) CODE-6710-B	gasket - R.H.	(1) C2DE-6722-A	seal - front	(1) C2OZ-6734-A	gasket
(1) CODE-6711-B	gasket - L.H.	(1) C2DE-6723-A	seal - rear		

CONTINUED ON NEXT PAGE

Engine

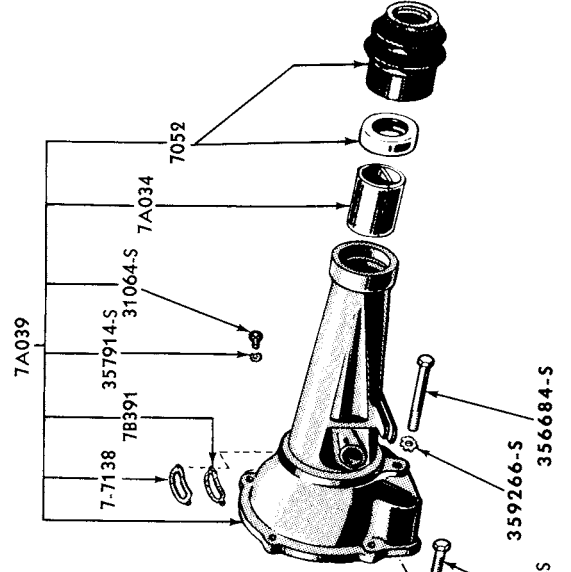
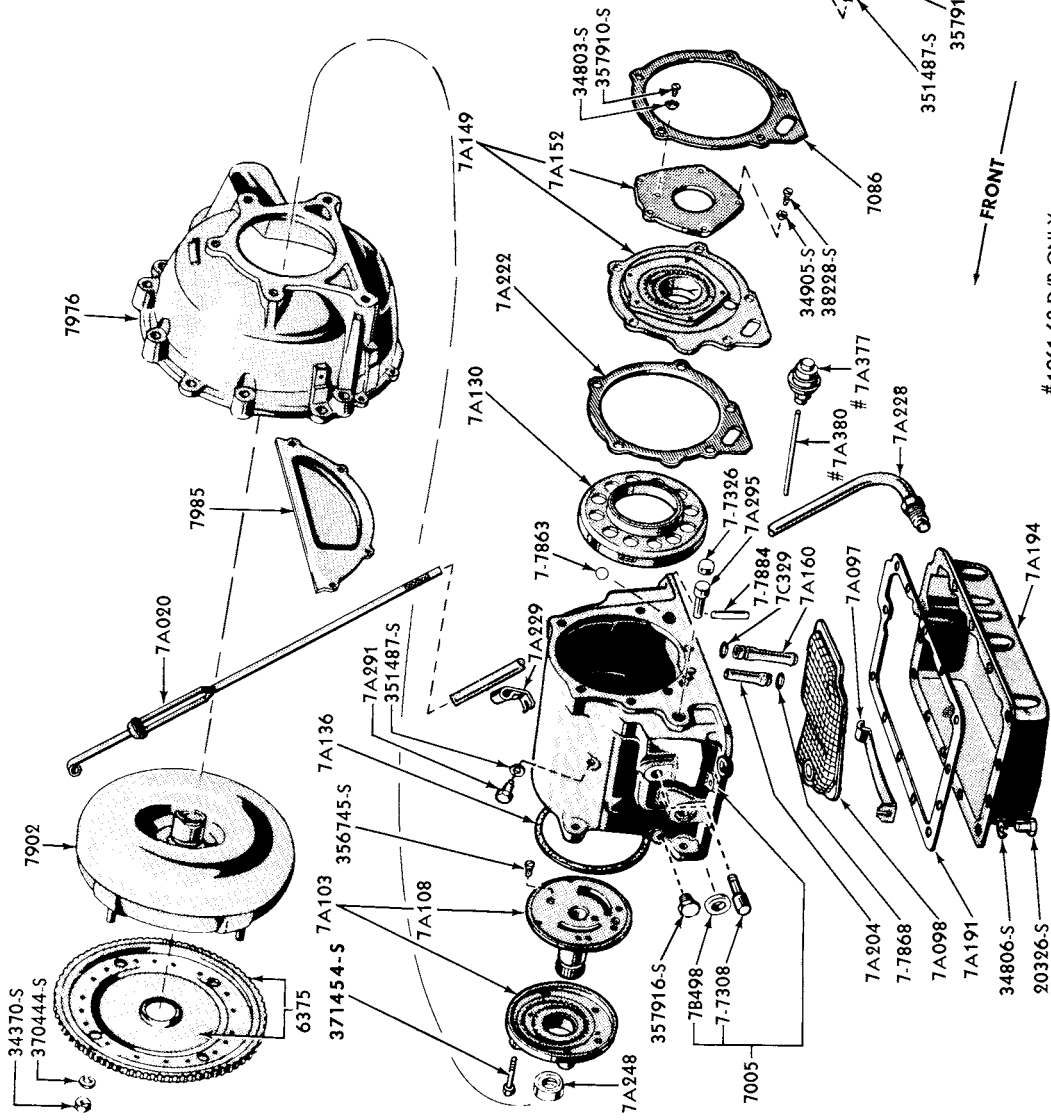
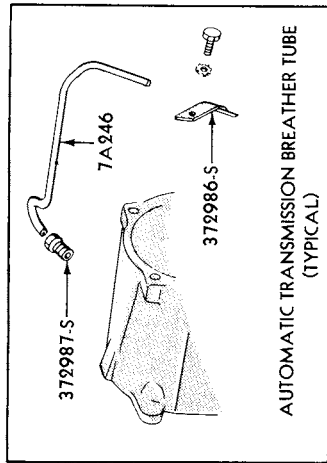
GROUP AND PART NUMBER	DESCRIPTION, SIZE, ETC.	NO. REQ'D	MODEL OR ENGINE CUBIC INCH DISPLACEMENT	VEHICLE CODE	YEAR 19__
6781 GASKET SET (ENGINE OIL PAN) CONTINUED					
C2OZ 6781-A		1	221, 260, 289	B C	62/64
Consists of the following -					
(1) C2OE-6710-B	gasket - R. H.	(2) C2OE-6723-A	seal	(1) O1A-12410-A	gasket
(1) C2OE-6711-B	gasket - L. H.				
6A827 ARRESTOR (CRANKCASE VENTILATION FLAME)					
C4AZ 6A827-A	Use with closed emission reduction system	1	427-8V	A	64
6838 REFER TO GROUP 6A636					
6853 HOSE (CRANKCASE VENTILATION)					
	NS-5/8" I.D. x .90" O.D. x 10-1/4" long - for closed emission reduction system - use from oil filler cap to air cleaner - cut from C3AZ-6A664-B ☆For Police Special	1	390☆, 427-4V	A	64
	NS-5/8" I.D. x .90" O.D. x 1.42" long - for closed emission reduction system - cut from C3AZ-6A664-B	2	427-8V	A	64
	NS-5/8" I.D. x .90" O.D. x 6-1/4" long - for closed emission reduction system - use from oil filler cap to air cleaner - cut from C3AZ-6A664-B	1	170, 200	C	64
	NS-5/8" I.D. x .90" O.D. x 11-1/2" long - for closed emission reduction system - use from oil filler cap to air cleaner - cut from C3AZ-6A664-B	1	260, 289	C	64
	NS-5/8" I.D. x .90" O.D. x 7-1/2" long - for closed emission reduction system - use from oil filler cap to air cleaner - cut from C3AZ-6A664-B	1	430	D	64
	NS-1/2" I.D. x 10-1/2" long - for emission reduction system - cut from C3AZ-6A664-A bulk hose	1	430	D	64
	NS-1/2" I.D. x 2" long - for emission reduction system - cut from C3AZ-6A664-A bulk hose	1	430	D	64
6869 COVER (CRANKCASE VENTILATION)					
B5S 6869-A		1	292, 312	A	60/62
B8S 6869-A		(a) 1	383, 430	A D	60
20310-S8	Bolt-5/16"-18 x 1/2"-to attach cover to cylinder block	2	a		
34941-S7	Washer-5/16"	2	a		
6870 GASKET (CRANKCASE VENTILATION COVER)					
COAZ 6870-A	Use on engines built prior to 5-1-61	1	223, 292	A	60/61
C1AE 6870-A	Also serviced in 6008 kit - use on engines built after 4-29-61	1	223, 292	A	61/62
B5S 6870-A		1	312	A	60
C1AF 6A632-A		1	406, 427	A	62/64
B8E 6870-A	Also serviced in 6008 kit	1	383, 430	A D	60
C2OZ 6870-A	Also serviced in 6008 kit	1	221, 260	B C	62/63
	Use with non-emission reduction system	1	260, 289	C	64
C1VY 6870-B	Use with emission reduction system - also serviced in 6008 and 6079 kits	1	430	D	61/64
6872 GASKET (CRANKCASE VENTILATION ADAPTOR)					
B4A 6872-A		1	292, 312	A	60/62

Engine

GROUP AND PART NUMBER	TYPE	DESCRIPTION, SIZE, ETC.	NO. REQ'D	MODEL OR ENGINE CUBIC INCH DISPLACEMENT	VEHICLE CODE	YEAR 19__
6881 ADAPTOR (OIL FILTER)						
COAE 6881-A		(b) ☆Use on 427 C.I.D. engine on vehicles not equipped with oil temperature warning light on 1964 vehicles	1	352,390,406	A	61/62
		(b, c)	1	390,406,427☆	A	63/64
C3AZ 6881-A		Use on vehicles equipped with oil temperature warning light	1	427	A	63/64
C4VY 6881-A		With insert	1	383,430	A D	60/63
			1	430	D	64
20386-S		Bolt-hex. hd. -5/16"-18 x 1.00" adaptor to cylinder block	3	a		
34806-S7		Washer-lock-5/16"	3	a		
44722-S8		Washer-flat-5/16"	3	a		
87680-S		Plug-1/4"-18 pipe	2	a		
352524-S		Adaptor-1/4" x 1/4"-threaded taper pipe-to attach 9278 to 6881	1	c		
354955-S		Elbow-1/4"-45°-attach 9278 to 6881	1	c		
358720-S		Bolt-5/16"-18 x 1-1/8"-adaptor to block	4	b		
6882 KIT (DISPOSABLE TYPE OIL FILTER ADAPTOR)						
B7A 6882-A			1	223,292,312	A	60/62
Consists of the following -						
(1) EAA-6838-A		gasket				
		(1) B7A-6890-A		insert		
				(1) ECG-66891-A		adaptor
6890 INSERT (OIL FILTER MOUNTING BOLT)						
B7A 6890-A		Used with disposable type oil filter - also serviced in 6882 kit	1	223,292,312	A	60/62
B8A 6890-A			1	144,170,200,352,383,390,406,427,430	A B C D	60/64
C2OZ 6890-A			1	221,260,289	B C	62/64
6916 SOLENOID (TRANSMISSION OVERDRIVE GEARSHIFT)						
B6A 6916-A	O/D		1	223,292	A	61
	O/D		1	390	A	64
C2OZ 6916-A	O/D		1	221	B	62/63
6919 GOVERNOR (TRANSMISSION OVERDRIVE)						
B8A 6919-A	O/D		1	223,292	A	61
	O/D		1	390	A	64
C2OZ 6919-A	O/D		1	221	B	62/63
6922 GEAR (TRANSMISSION OVERDRIVE GOVERNOR DRIVEN)						
B7A 6922-A	O/D		1	223,292	A	61
	O/D		1	390	A	64
C2OZ 6922-A	O/D		1	221	B	62/63

Engine

GROUP AND PART NUMBER	TYPE	DESCRIPTION, SIZE, ETC.	NO. REQ'D	MODEL OR ENGINE CUBIC INCH DISPLACEMENT	VEHICLE CODE	YEAR 19__
6927 "O" RING (TRANSMISSION OVERDRIVE GOVERNOR)						
B7A 6927-A	O/D		1	221, 223, 292	A B	61/63
6980 KIT (ENGINE DRESS-UP)						
C4AZ 6980-A		Chrome conversion kit	1	390	A	64
Consists of the following -						
(1) C2SA-2162-A	cap brake master cylinder filler	(1) C3AZ-6750-C	indicator-oil level	(1) C4DZ-9600-C	cleaner-carburetor air	
(1) C3AZ-6582-F	cover assy. valve rocker arm R.H.	(1) C3MY-6766-A or (1) C3MY-6766-B	cap-oil filler	(2) 20324-S13	bolt-hex.hd.-1/4"-20 x 5/8"-to attach fan guard to sheet metal	
(1) C3AZ-6582-G	cover assy. valve rocker arm L.H.	(1) C2SZ-8100-A	cap-radiator guard-fan-use on vehicles w/out a/cond.	(10) 372995-S13	bolt-hex. washer hd. locking-5/16"-18 x 5/8"	
(2) B9AE-6584-C	gasket valve rocker arm covers	(1) C4AZ-8A611-B	filler assy. fuel			
C3OZ 6980-A		Cobra	1	221, 260	B C	62/63
Consists of the following -						
(1) C2SZ-2162-A	cap-brake master cylinder filler	(1) C4GY-6750-A	indicator-oil level	(1) C4DF-9600-C	cleaner-carb.	
(1) C4RA-6A547-A	kit-rocker arm cover	(1) C3DE-6766-A	cap-oil filler	(1) 370971-S8	stud-1/4"-20-18 x 3.80"	
(1) C4RA-6A547-A	kit-rocker arm cover	(1) C2SA-8100-A	cap-radiator			
C4GY 6980-B		Chrome conversion kit - with emission reduction system control ★Not used on model 63E	1	260,289★	C	64
Consists of the following -						
(1) C4DZ-6582-A	cover-assy. valve rocker arm - R.H.	(2) C2OZ-6584-A	gskt.-valve rocker arm cover	(1) C2SZ-8100-A	cap-radiator cover-air cleaner	
(1) C4DZ-6582-B	cover-assy. valve rocker arm - L.H.	(1) C4GY-6750-A	indicator-oil level	(1) C4GY-9661-A	grommet-for emission reduction valve	
		(1) C3MY-6766-B	cap-oil filler	(1) 378766-S		
NOTE - When used with closed emission reduction system oil filler cap C4DZ-6766-B must be used in lieu of C3MY-6766-B cap						
C4GY 6980-C		Chrome conversion kit - non-emission reduction system ★Not used on model 63E	1	260,289★	C	64
Consists of the following -						
(1) C4DZ-6582-A	cover assy.-valve rocker arm - R.H.	(1) C4GY-6750-A	indicator-oil level	(1) 378727-S	grommet-used to plug hole in R.H. rocker arm cover	
(1) C4DZ-6582-B	cover assy.-valve rocker arm - L.H.	(1) C2SZ-6766-A	cap-oil filler			
		(1) C2SZ-8100-A	cap-radiator			
(2) C2OZ-6584-A	gskt.-valve rocker arm cover	(1) C4GY-9661-A	cover-air cleaner	§ (1) 378766-S	grommet	
§ Not used on 1964 models						
C4OZ 6980-A		Chrome conversion kit - Cobra - not used with closed emission reduction system	1	260, 289	C	64

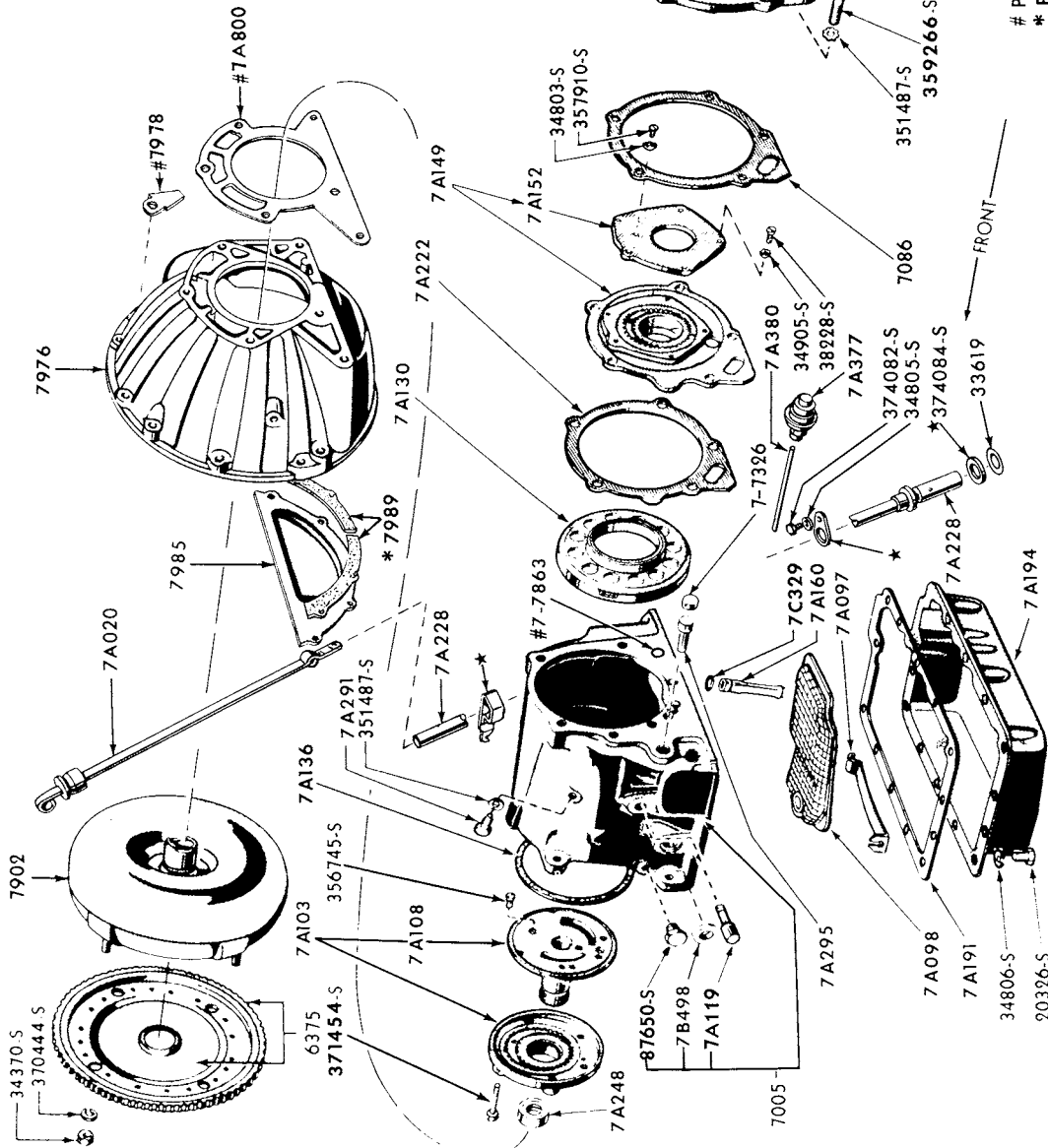
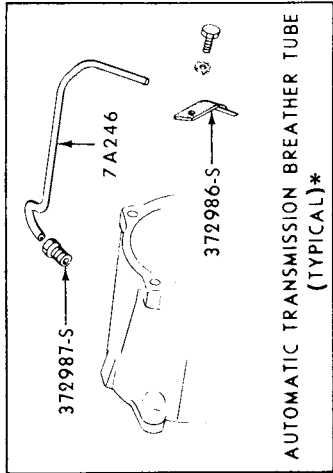


1960-62 MERCURY

PMC-1114

#1961-62 D/R ONLY

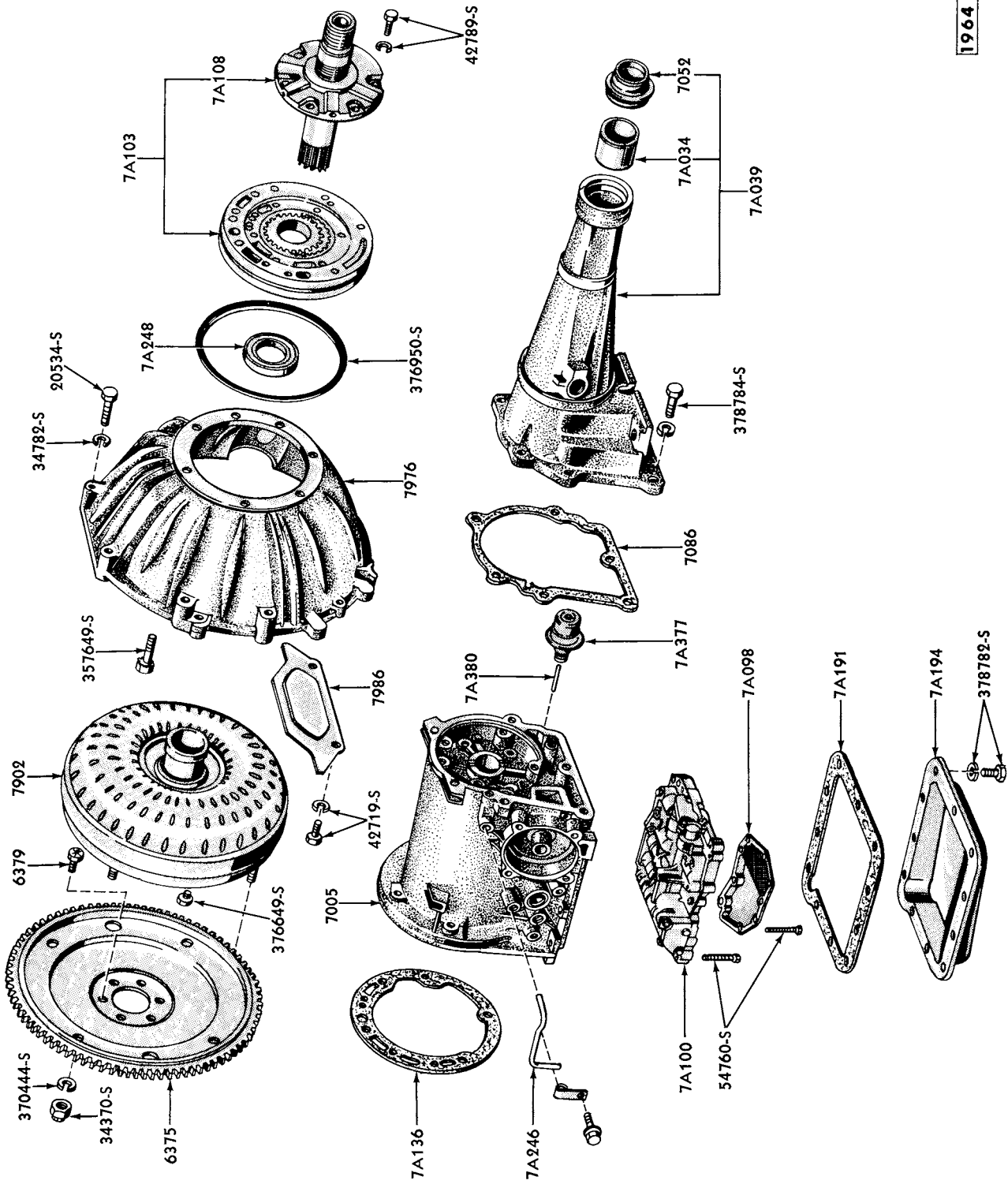
AUTOMATIC TRANSMISSION CASE and RELATED PARTS - S/R and D/R



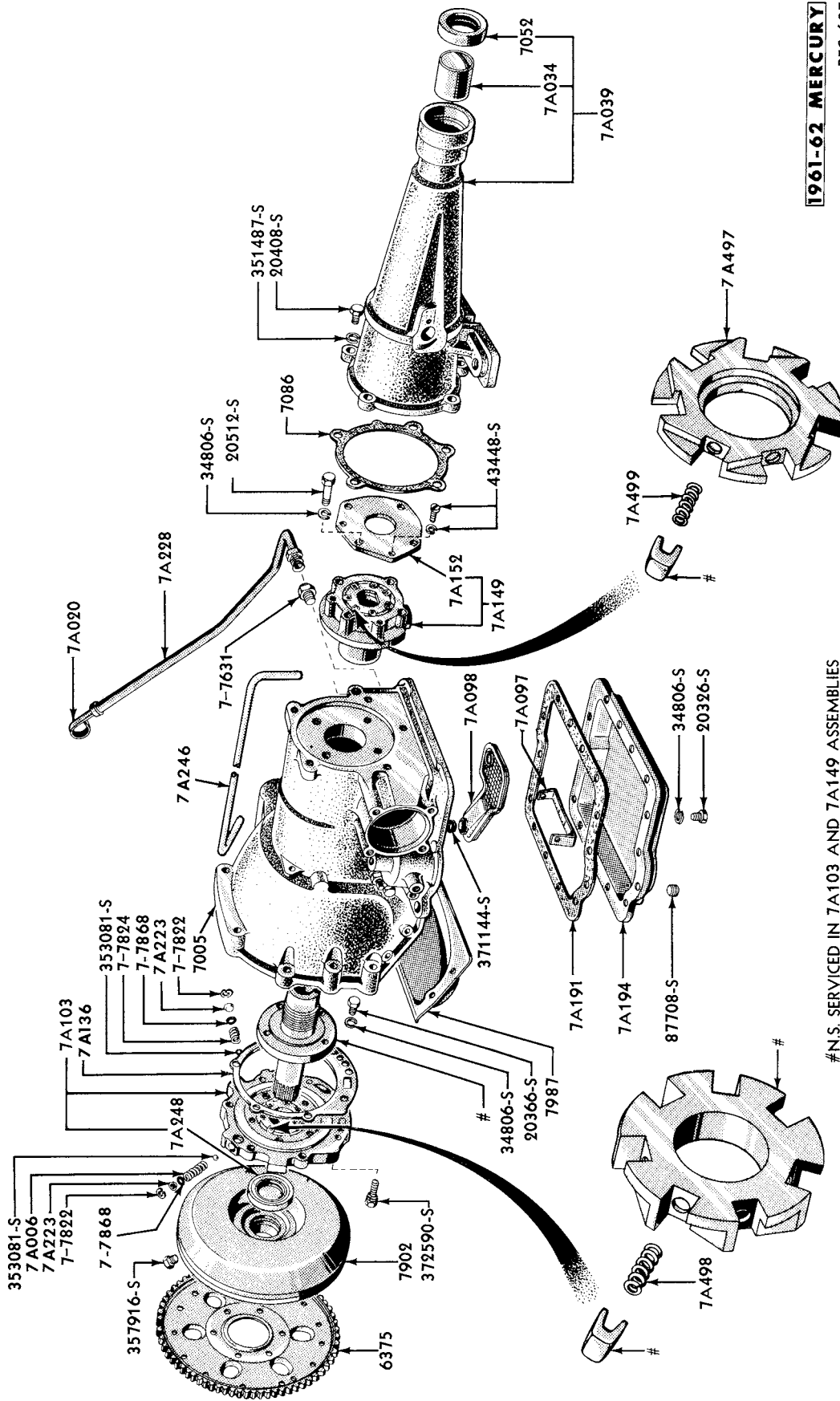
1963-64 MERCURY
1960-64 LINCOLN
PLC-1344

PCA ONLY
* PCE ONLY

AUTOMATIC TRANSMISSION CASE and RELATED PARTS - D/R



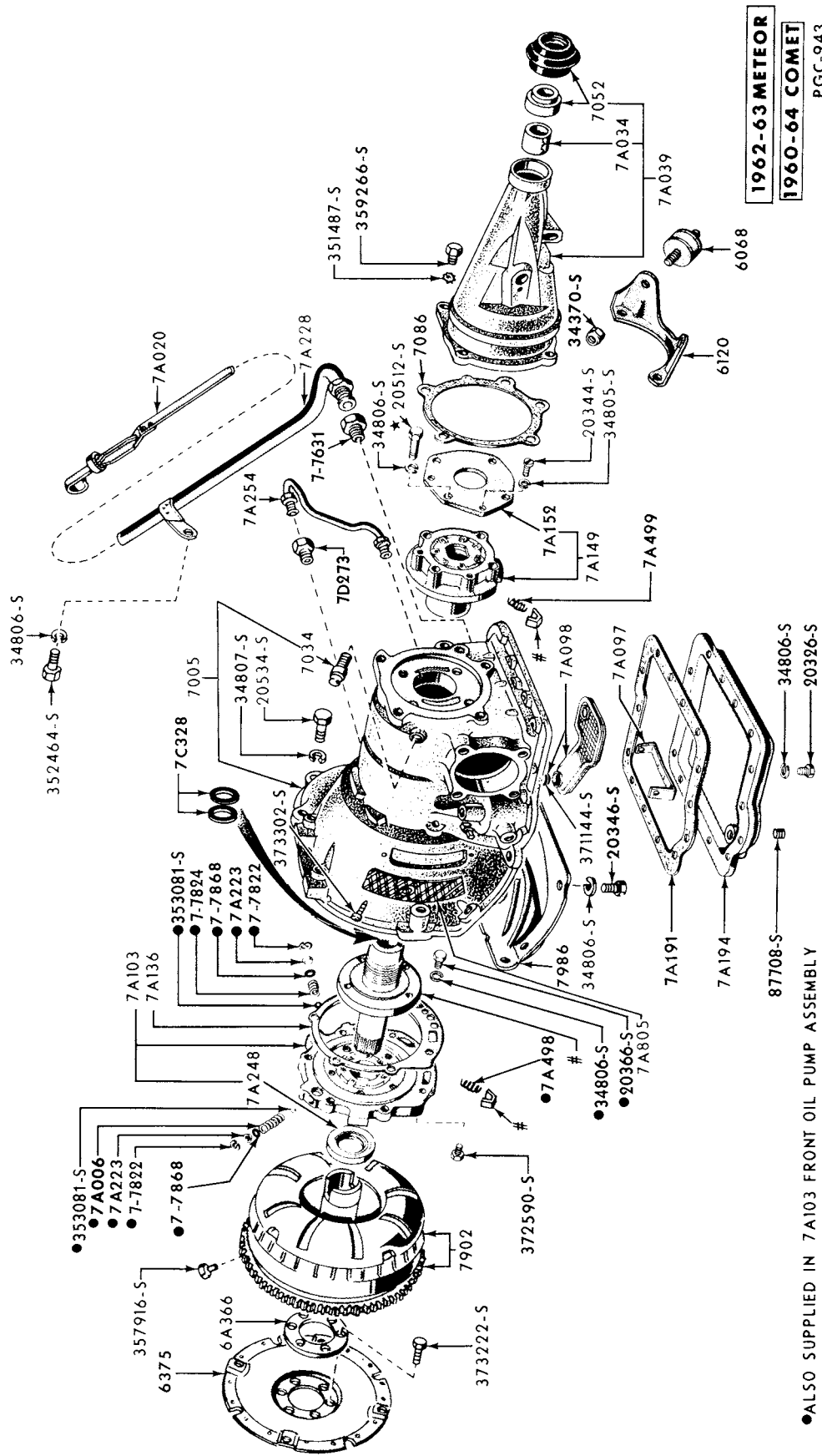
AUTOMATIC TRANSMISSION CASE and RELATED PARTS - D/R



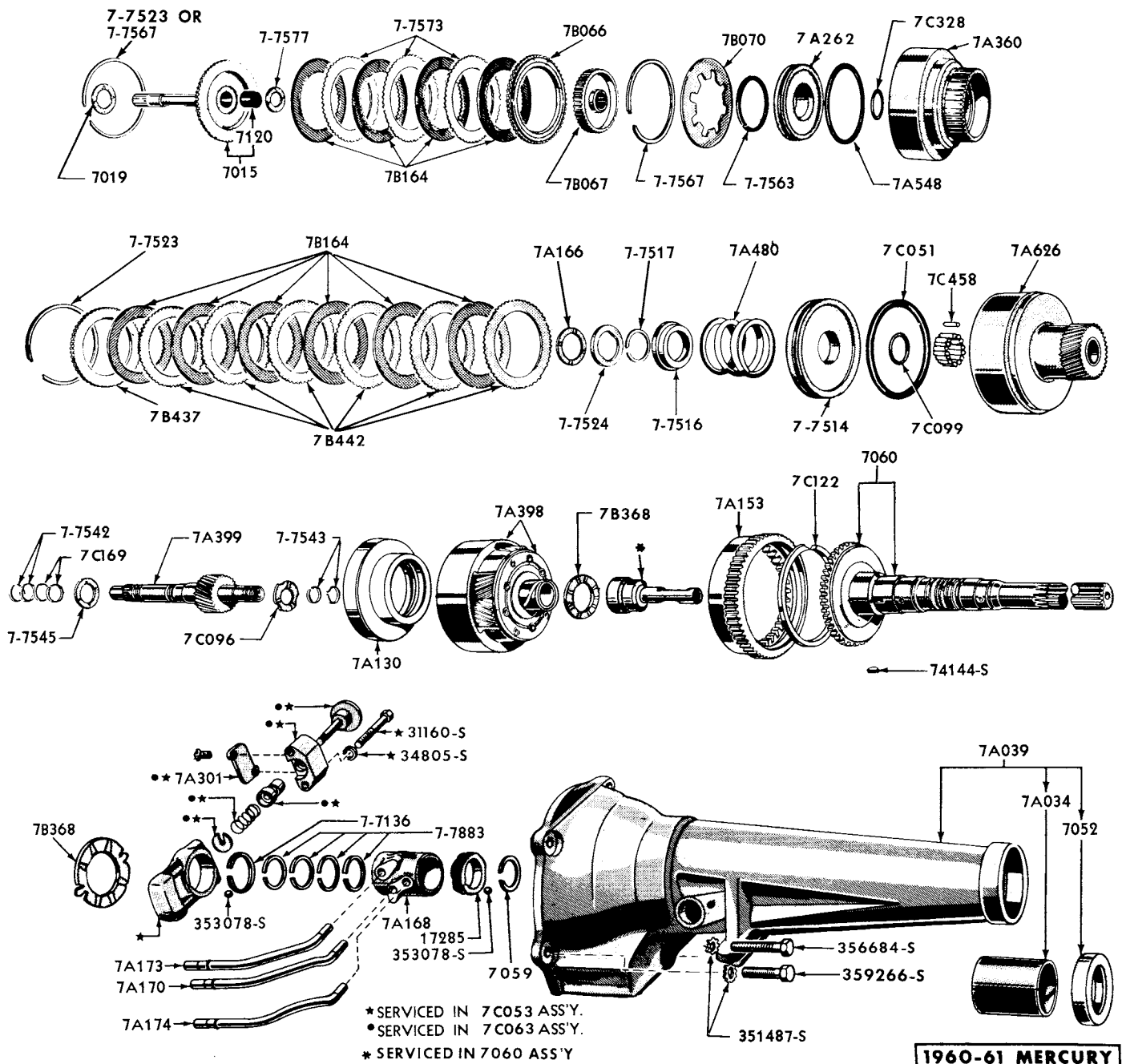
1961-62 MERCURY
PEC-687

#N.S. SERVICED IN 7A103 AND 7A149 ASSEMBLIES

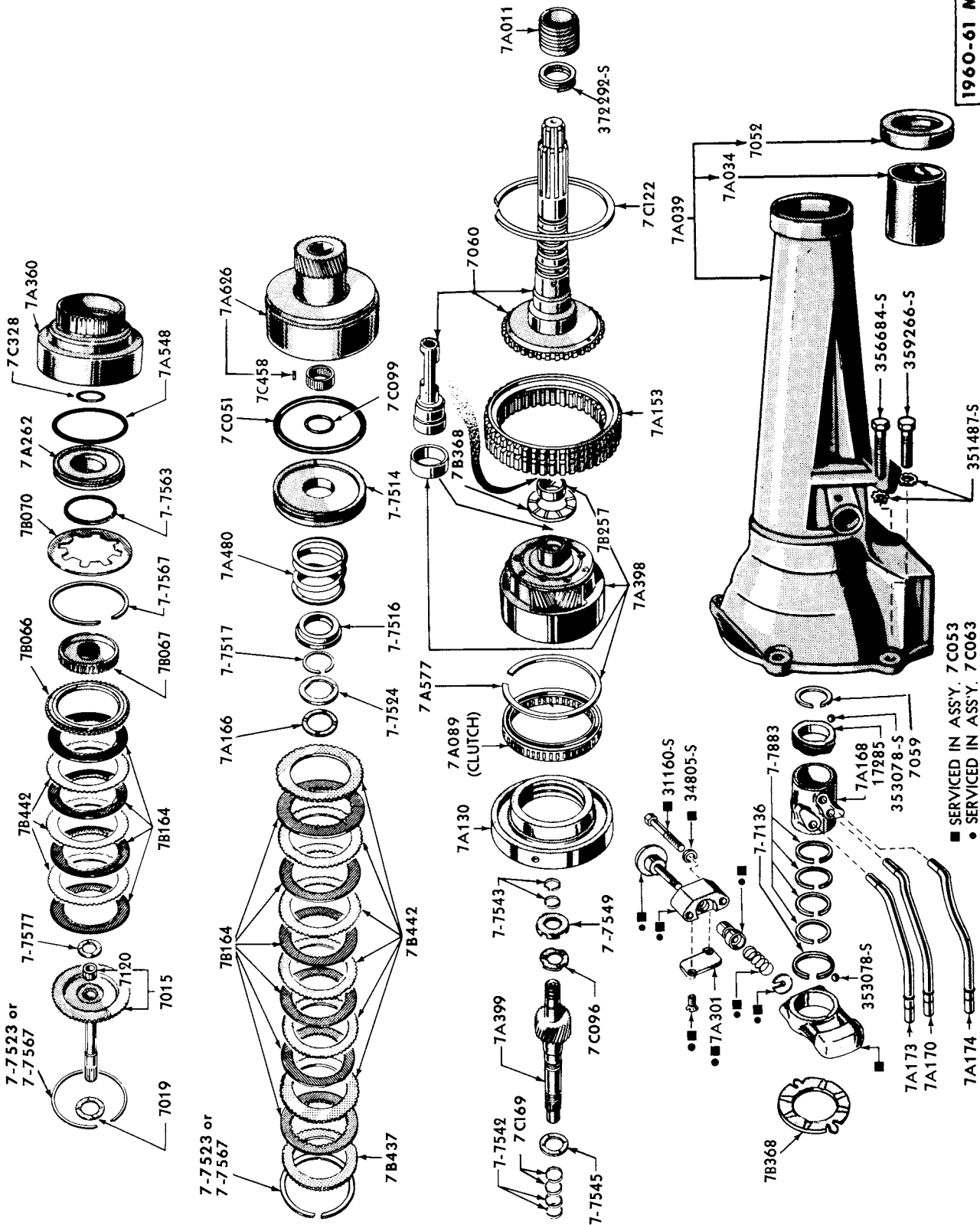
AUTOMATIC TRANSMISSION CASE and RELATED PARTS - 2/S



AUTOMATIC TRANSMISSION CASE and RELATED PARTS - 2/S



AUTOMATIC TRANSMISSION GEAR TRAIN - S/R

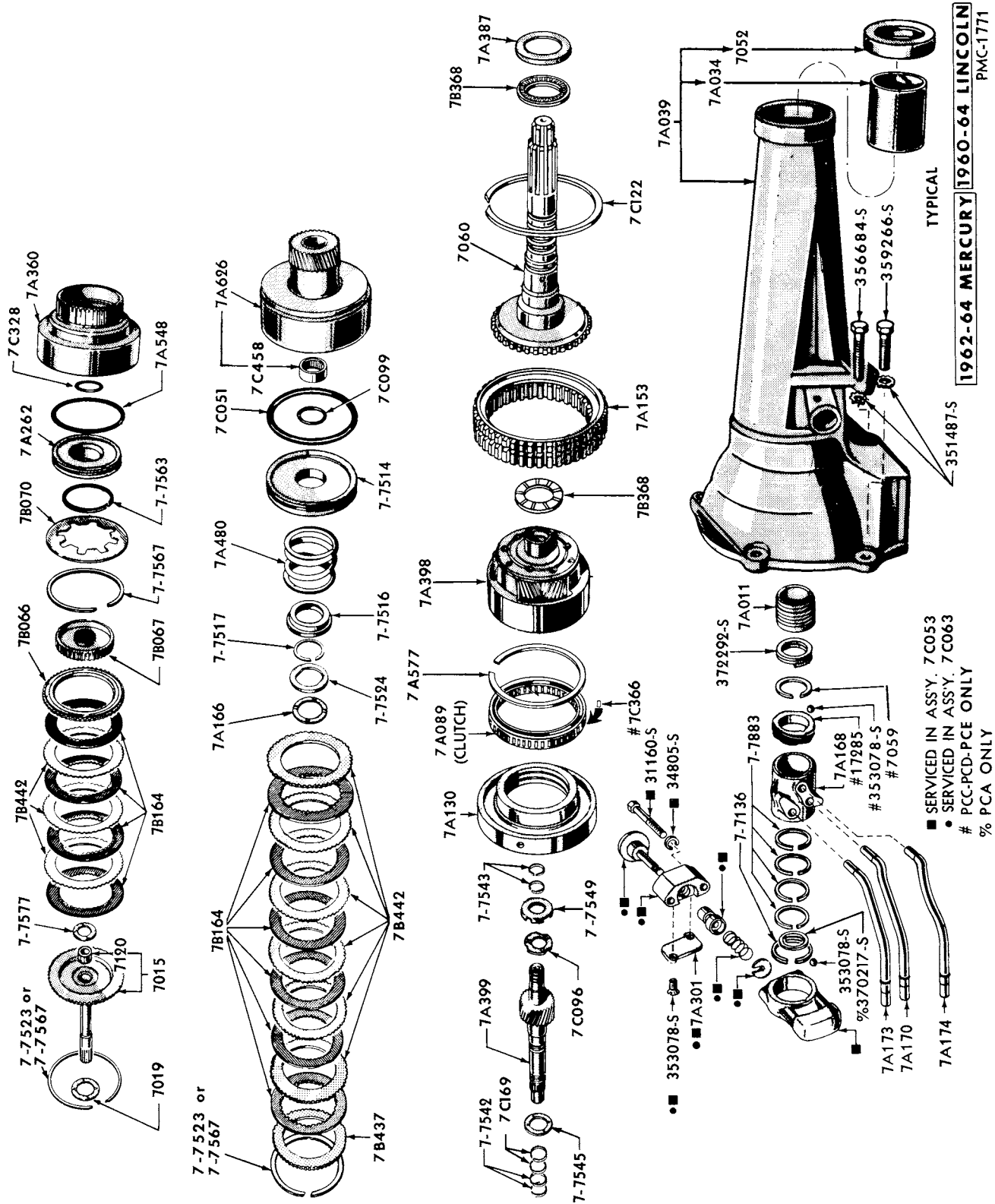


■ SERVICED IN ASSY. 7C053
● SERVICED IN ASSY. 7C063

1960-61 MERCURY

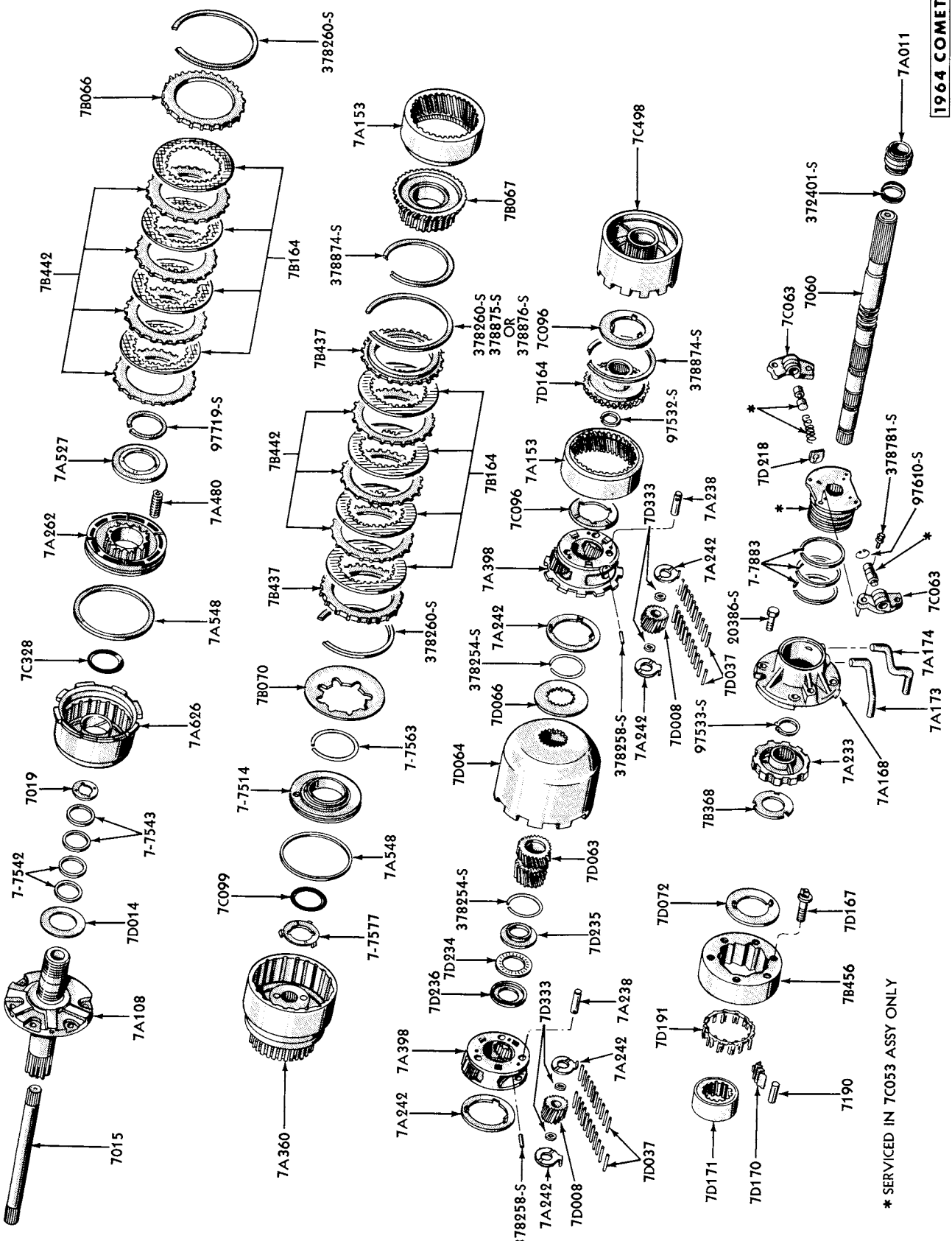
PLC-867

AUTOMATIC TRANSMISSION GEAR TRAIN - D/R



■ SERVICED IN ASSY. 7C053
 ● SERVICED IN ASSY. 7C063
 # PCC-PCD-PCE ONLY
 % PCA ONLY

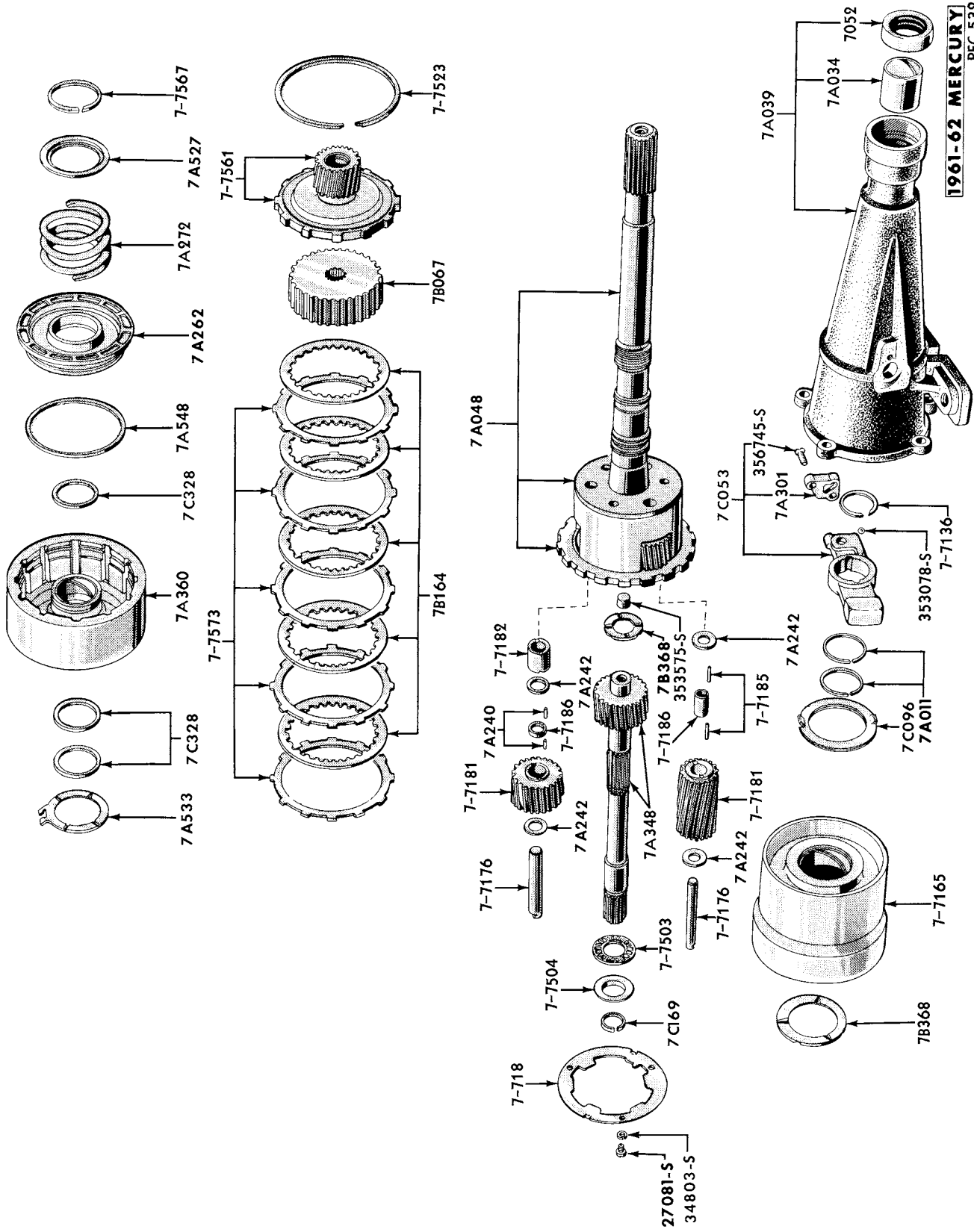
AUTOMATIC TRANSMISSION GEAR TRAIN - D/R



1964 COMET
PGC-1608

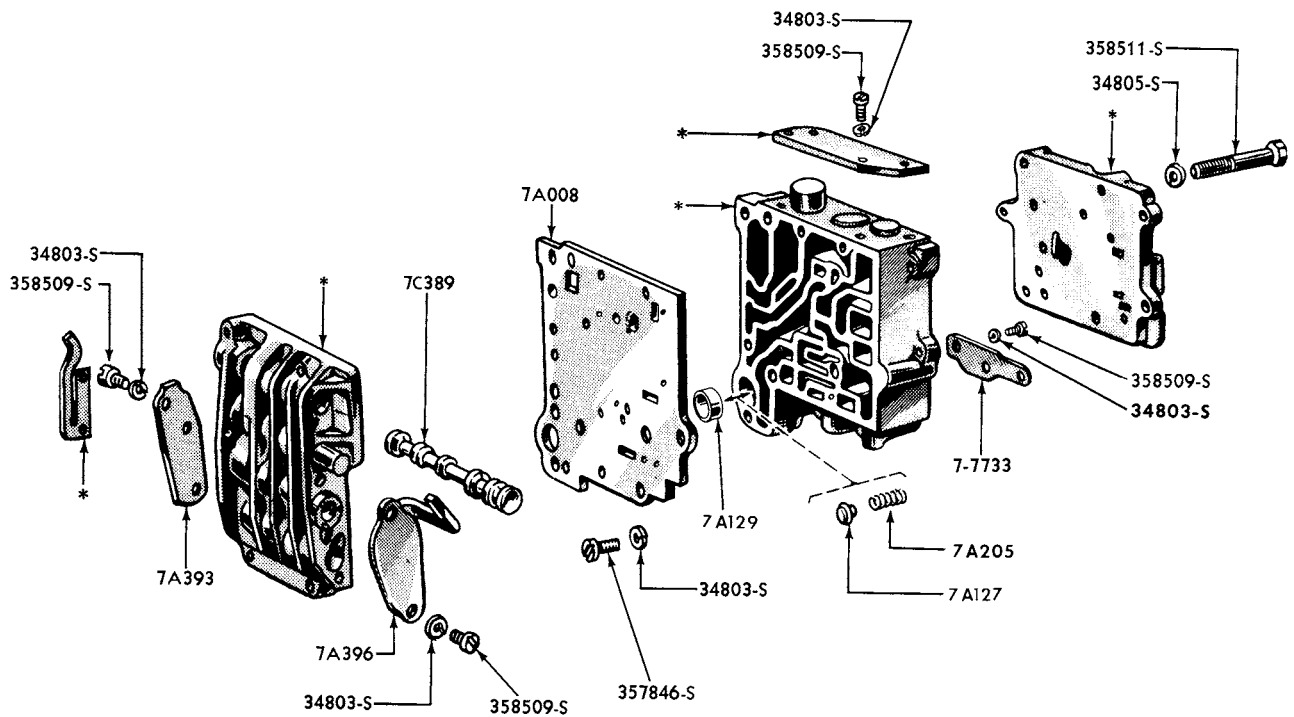
AUTOMATIC TRANSMISSION GEAR TRAIN - D/R

* SERVICED IN TC053 ASSY ONLY



1961-62 MERCURY
 PEC-532

AUTOMATIC TRANSMISSION GEAR TRAIN - 2/S

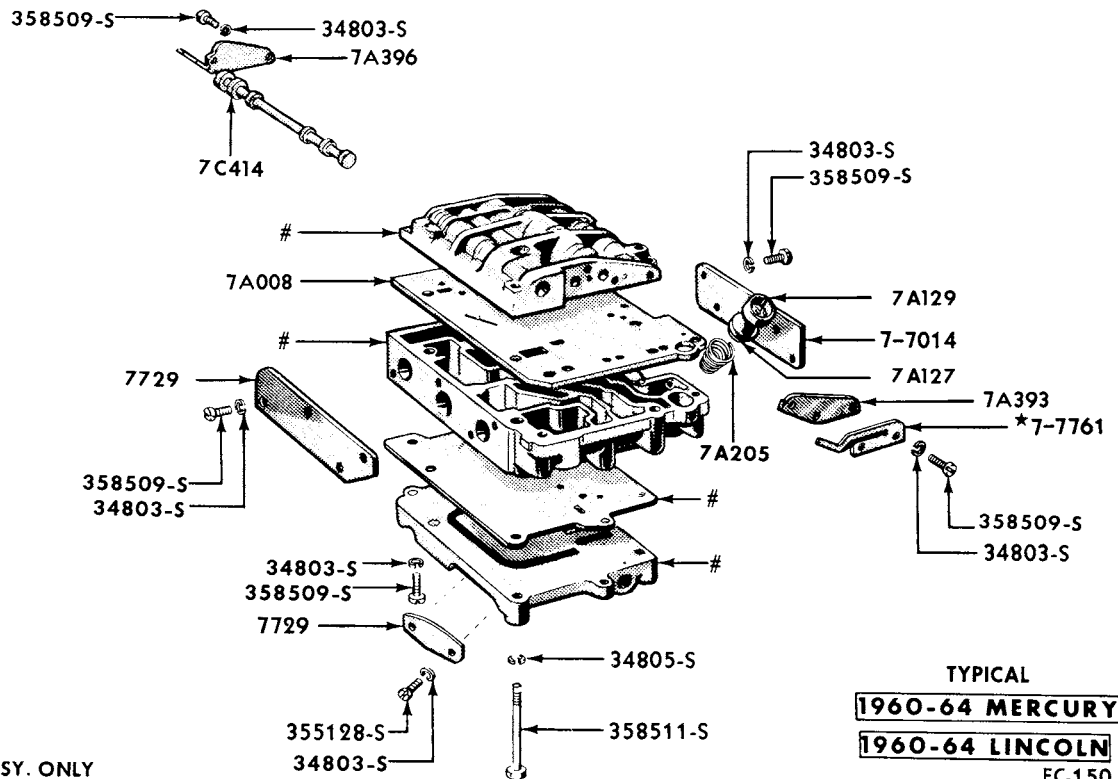


* SERVICED IN 7A100 ASSEMBLY ONLY

1960-61 MERCURY

PMC-89

MAIN CONTROL VALVE - S/R

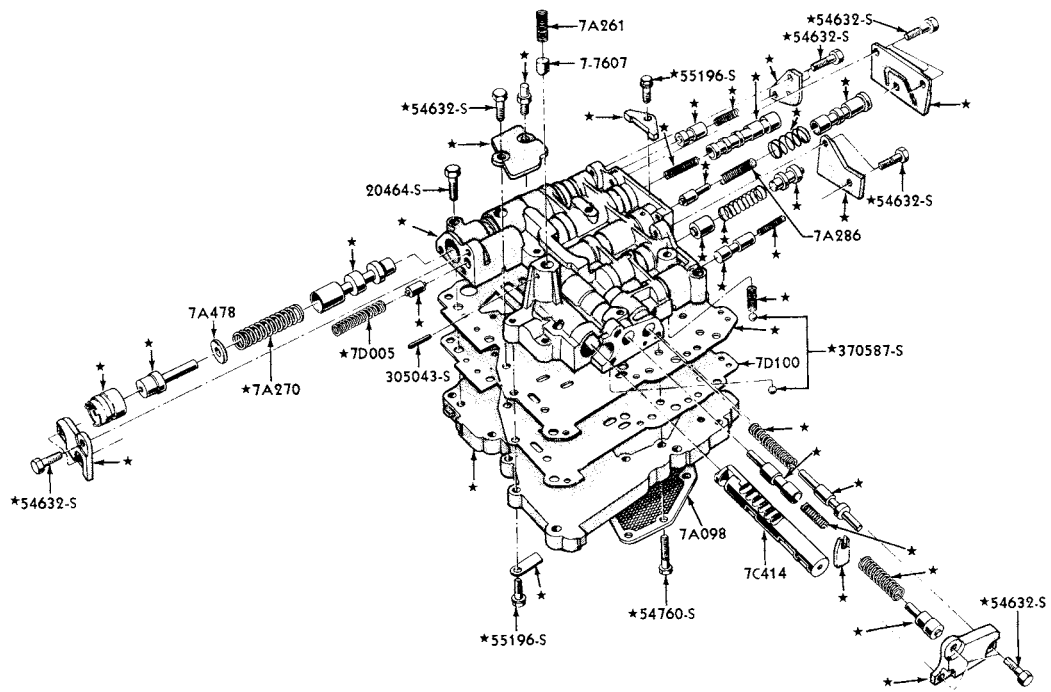


-SERVICED IN 7A100 ASSY. ONLY

TYPICAL
1960-64 MERCURY

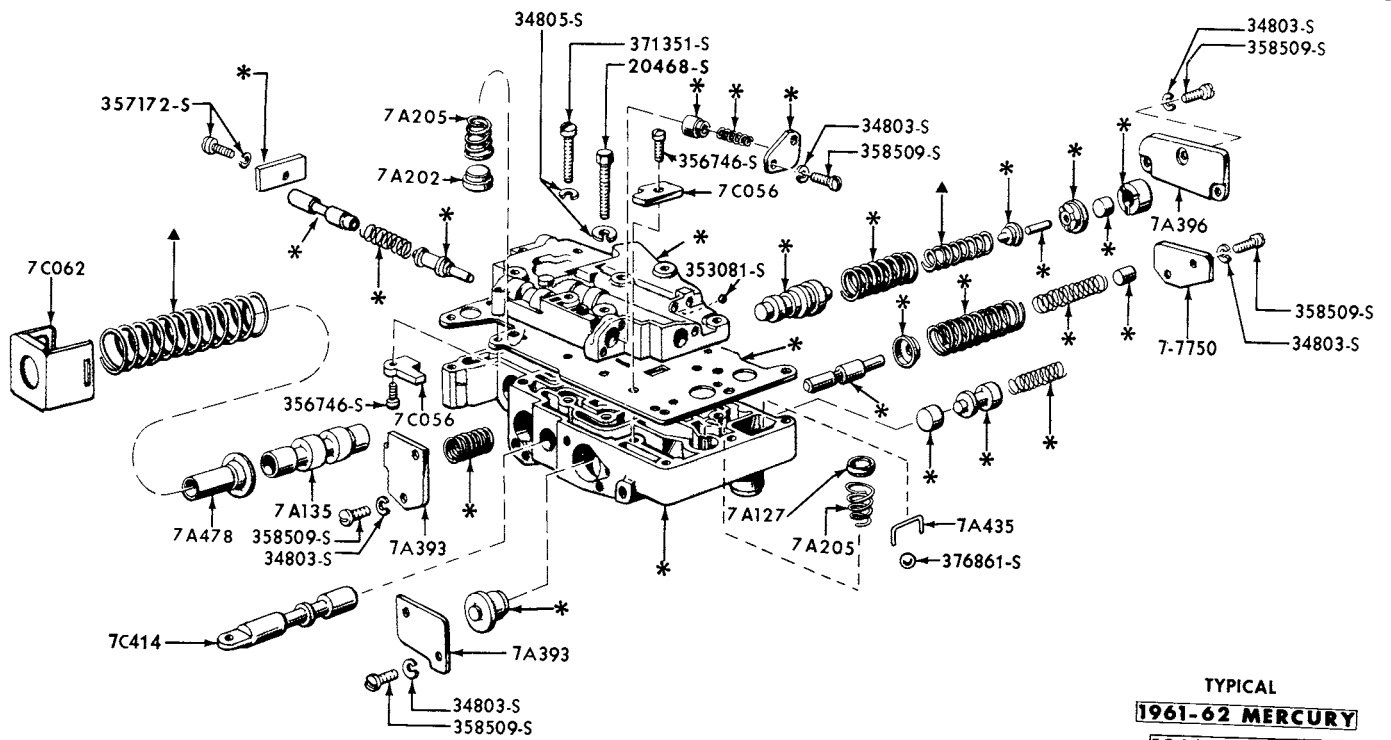
1960-64 LINCOLN
EC-150

MAIN CONTROL VALVE - D/R



1964 COMET
PGC-1787

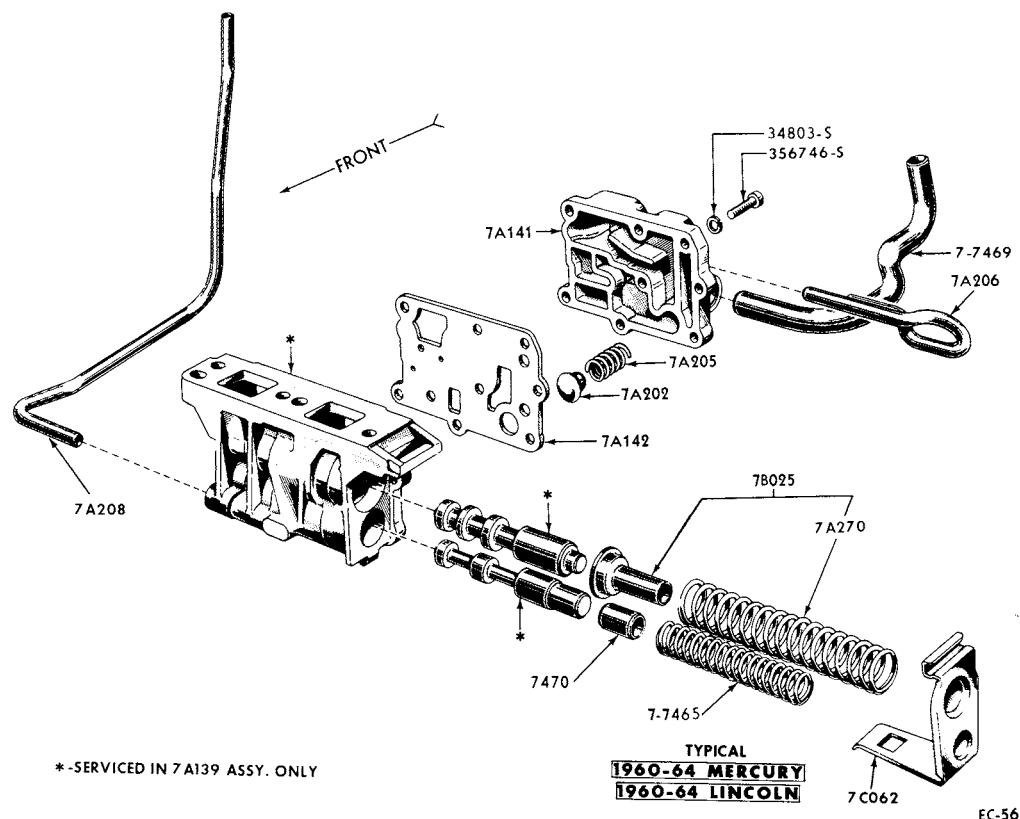
MAIN CONTROL VALVE - D/R



* - SERVICED IN 7A100 ASSEMBLY ONLY.
 ▲ - SERVICED IN 7B023 KIT ONLY.

TYPICAL
1961-62 MERCURY
1962-63 METEOR
1960-64 COMET
 PGC-985

MAIN CONTROL VALVE - 2/S

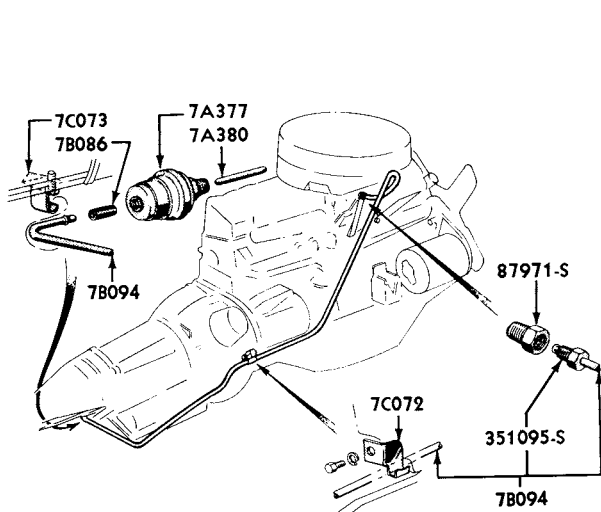


* -SERVICED IN 7A139 ASSY. ONLY

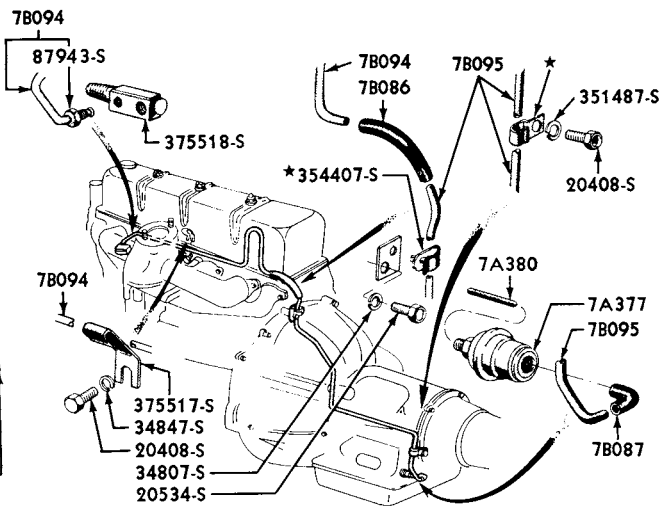
TYPICAL
1960-64 MERCURY
1960-64 LINCOLN

OIL PRESSURE REGULATOR-D/R

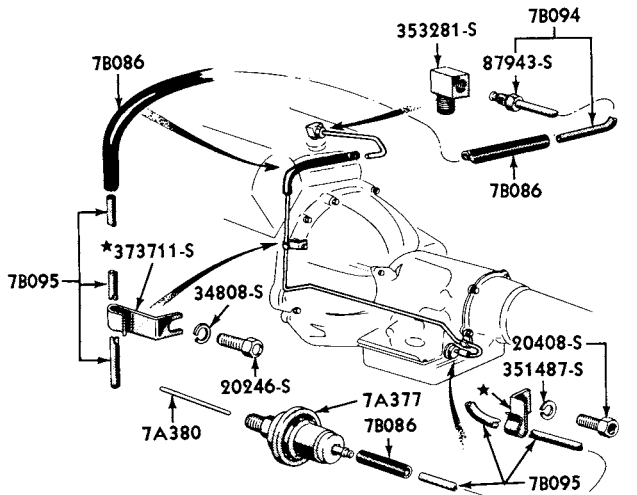
EC-56



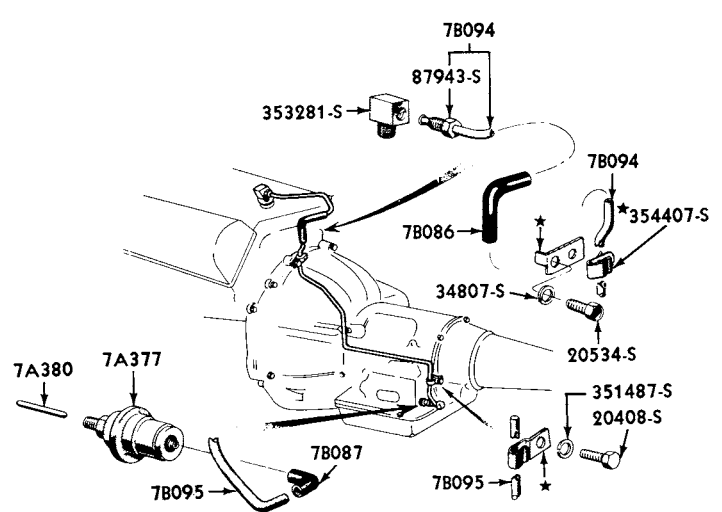
6 CYLINDER 144 & 170 ENGINES WITH 2/S TRANSMISSION



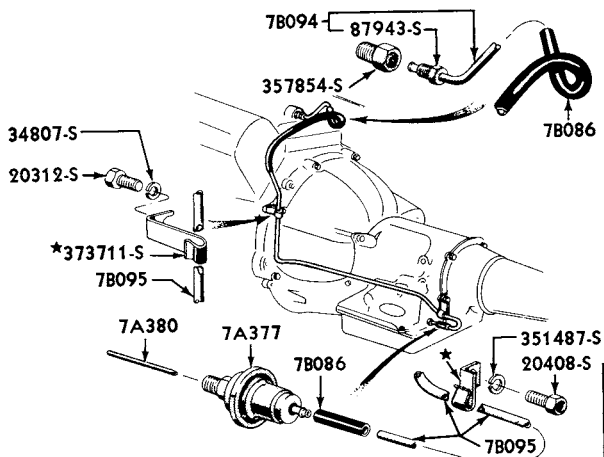
6 CYLINDER 223 ENGINE WITH 2/S TRANSMISSION



8 CYLINDER 352, 390 & 430 ENGINES WITH DR TRANSMISSION

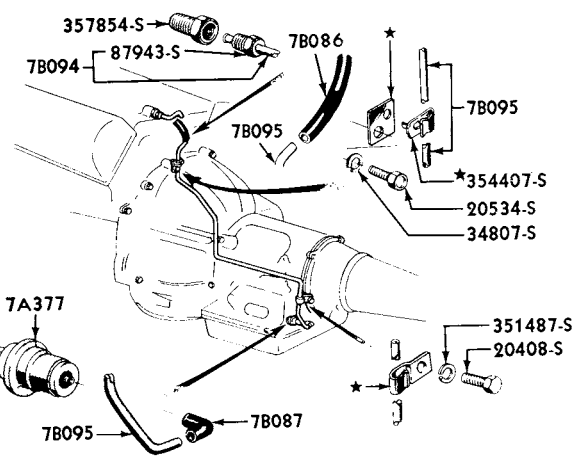


8 CYLINDER 352 ENGINE WITH 2/S TRANSMISSION



8 CYLINDER 292 ENGINE WITH D/R TRANSMISSION

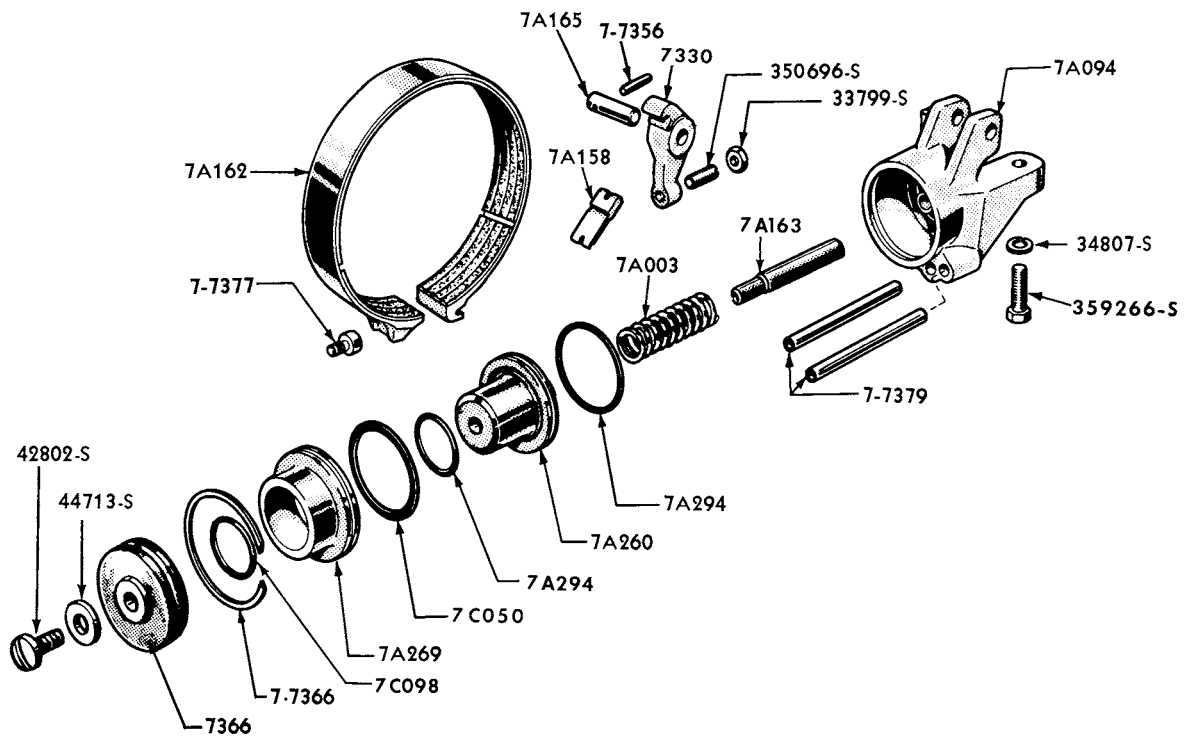
TYPICAL
1961-64
MERCURY
METEOR
COMET
LINCOLN



8 CYLINDER 292 ENGINE WITH 2/S TRANSMISSION

PMC-1413

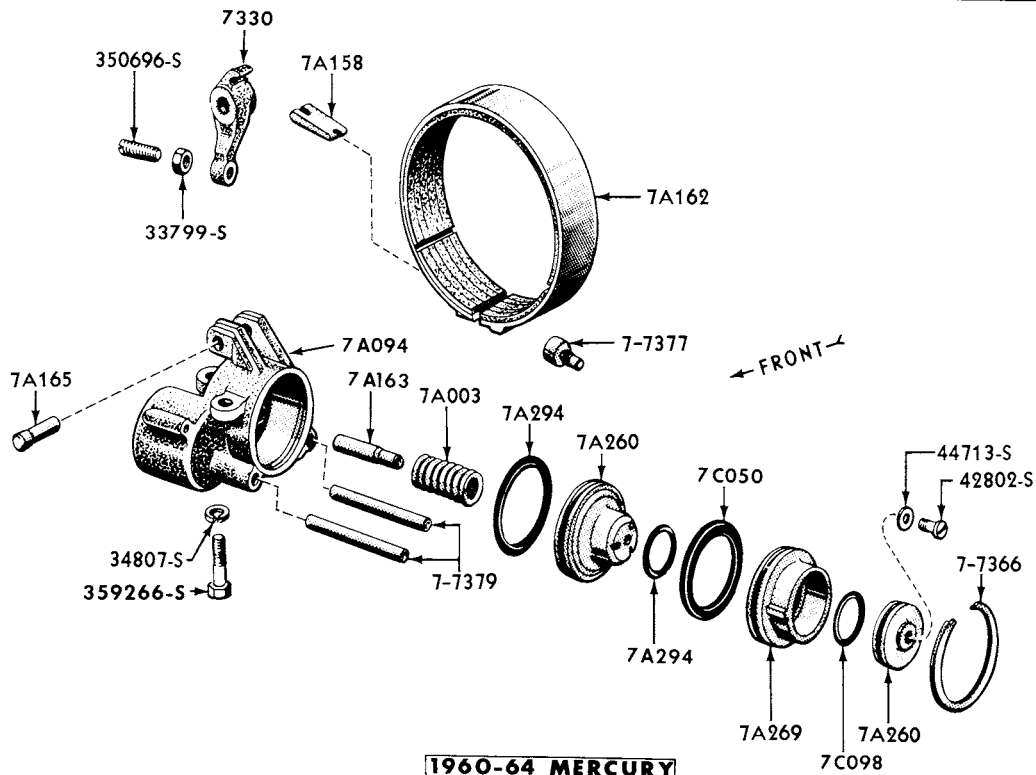
VACUUM THROTTLE VALVE, LINES and FITTINGS



1960-61 MERCURY

PMC-101

FRONT SERVO - S/R

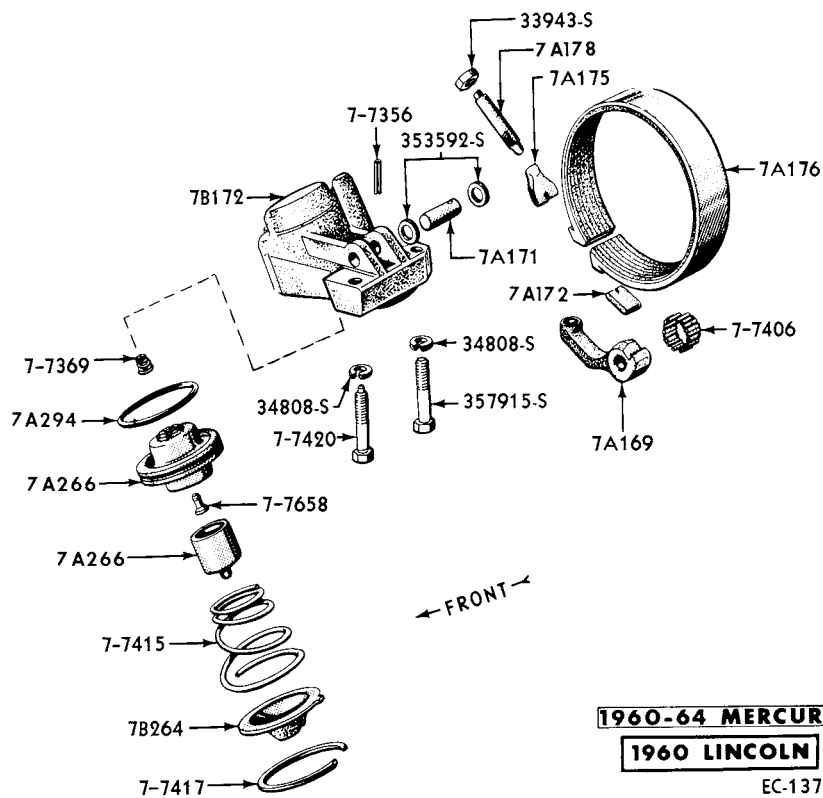


1960-64 MERCURY

1960 LINCOLN

FRONT SERVO D/R

EC-683

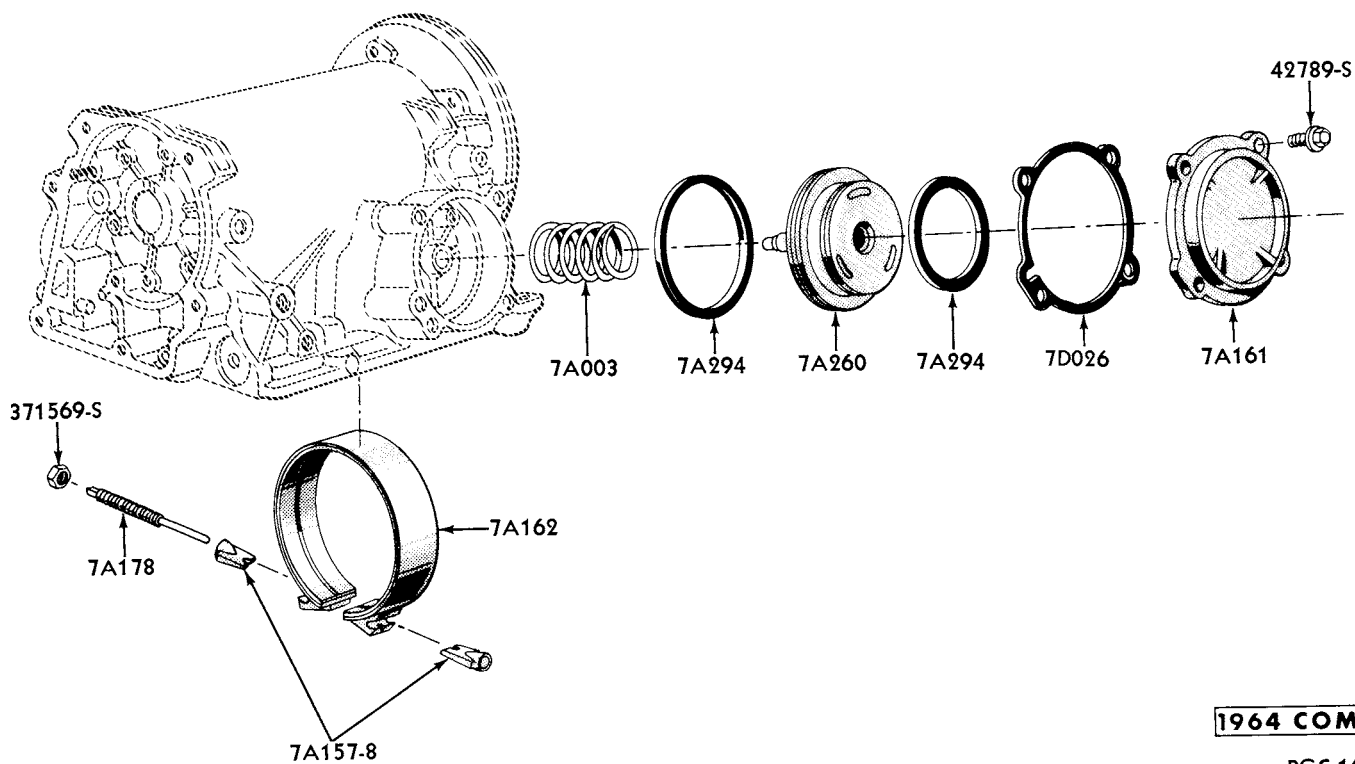


1960-64 MERCURY

1960 LINCOLN

EC-137

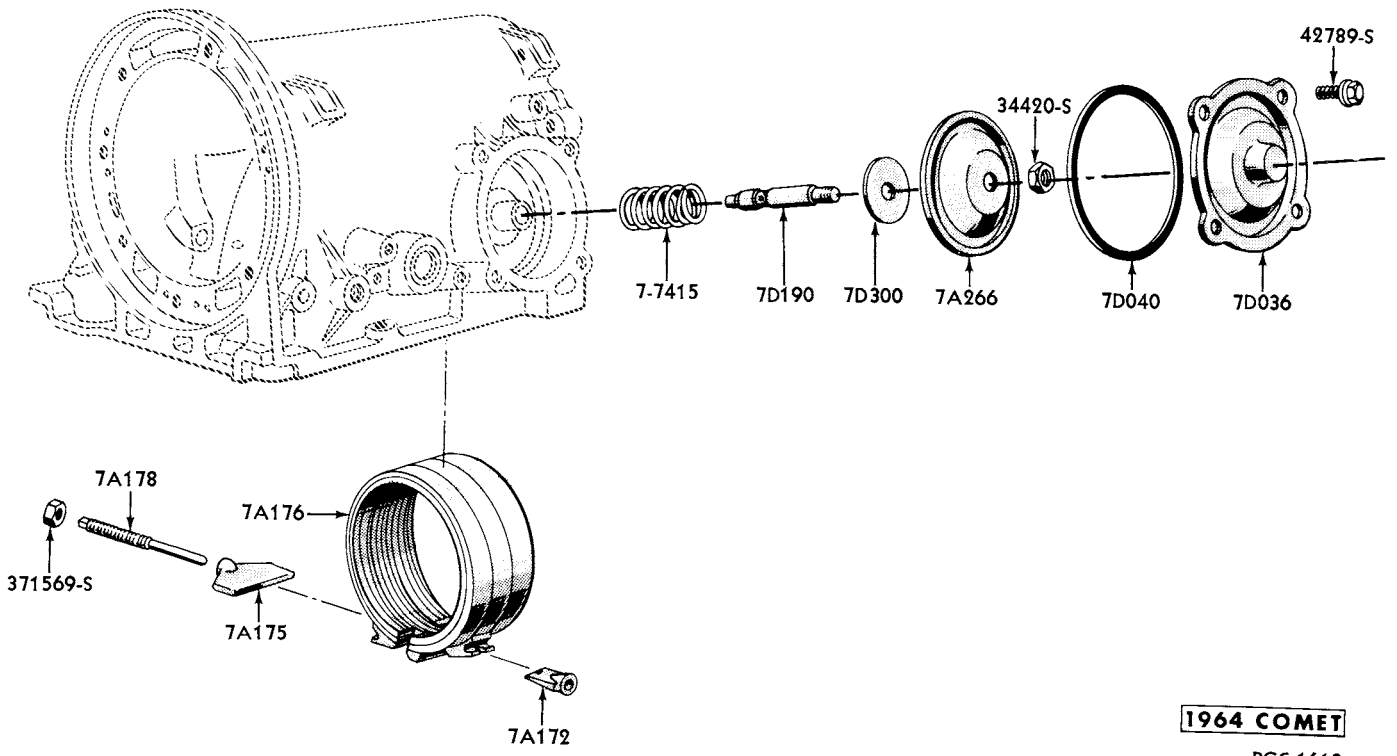
REAR SERVO - S/R, D/R



1964 COMET

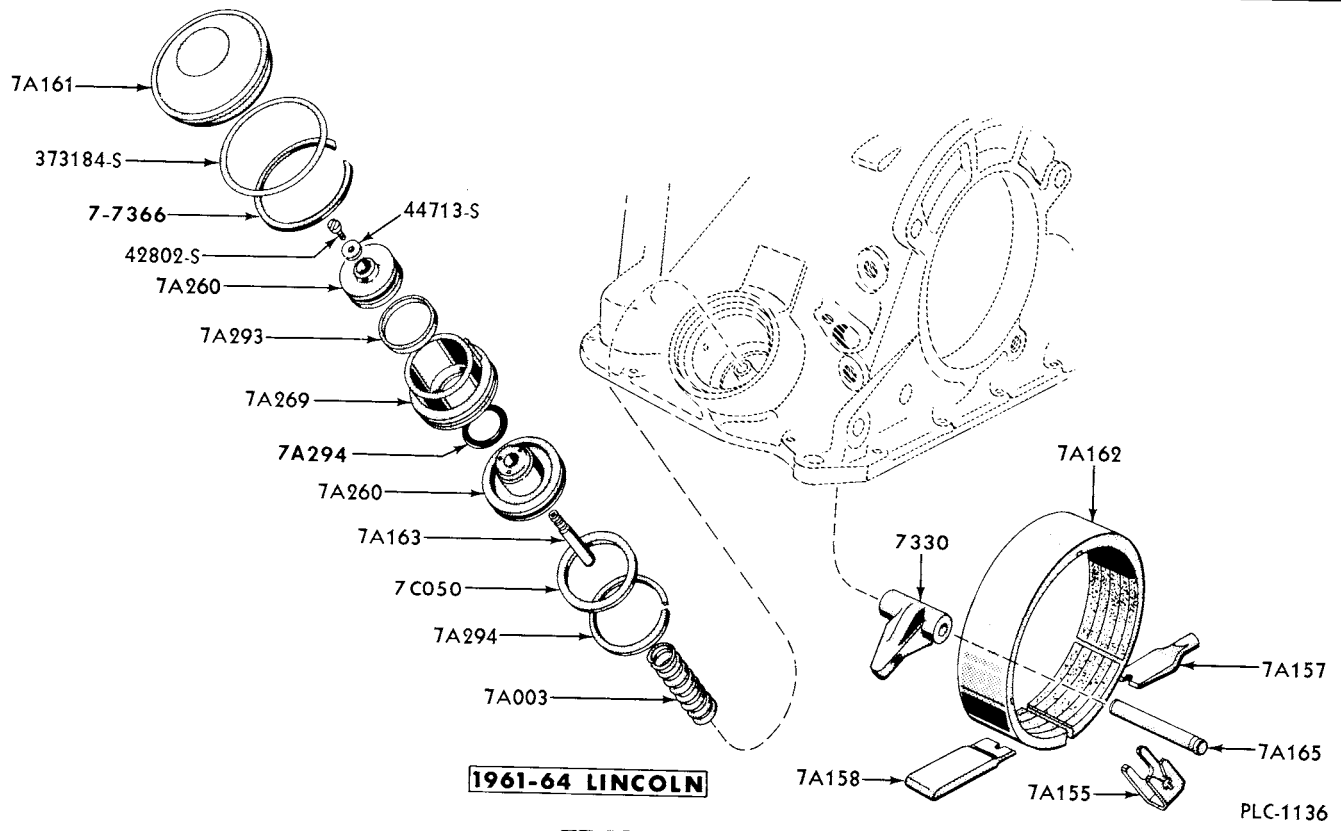
PGC-1609

FRONT SERVO-D/R



1964 COMET
PGC-1610

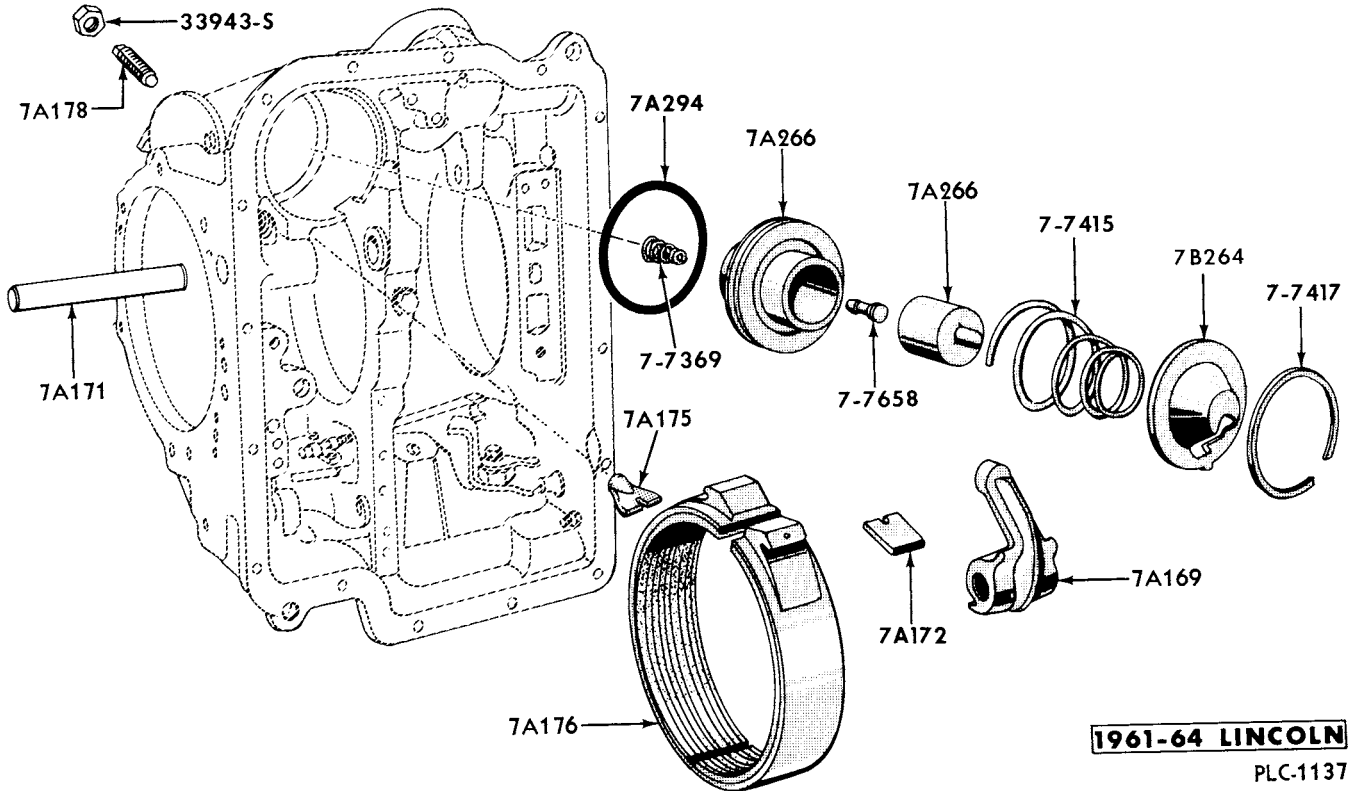
REAR SERVO-D/R



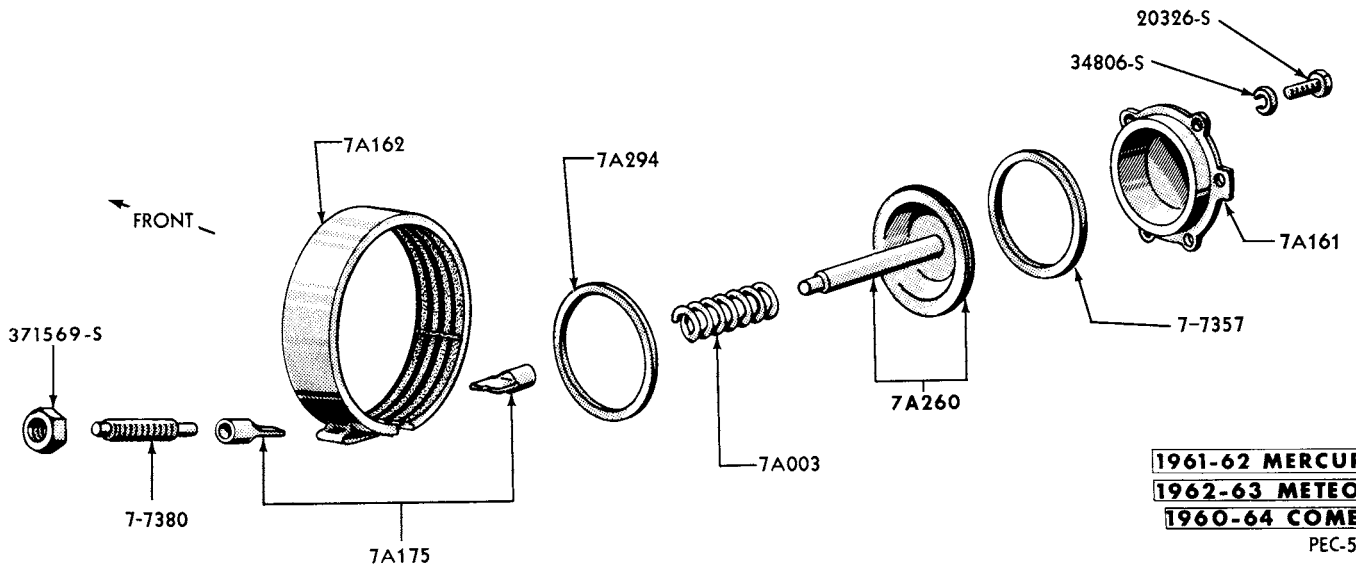
1961-64 LINCOLN

PLC-1136

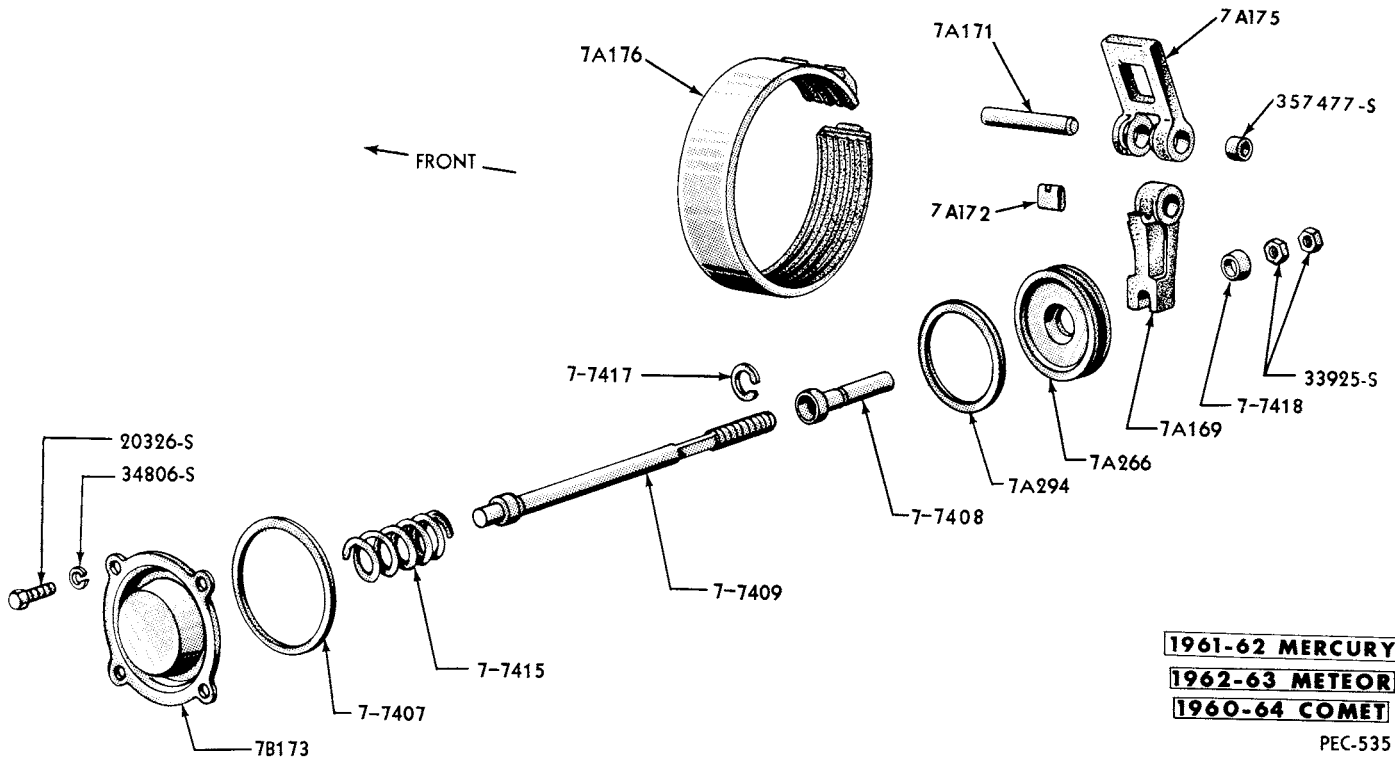
FRONT SERVO



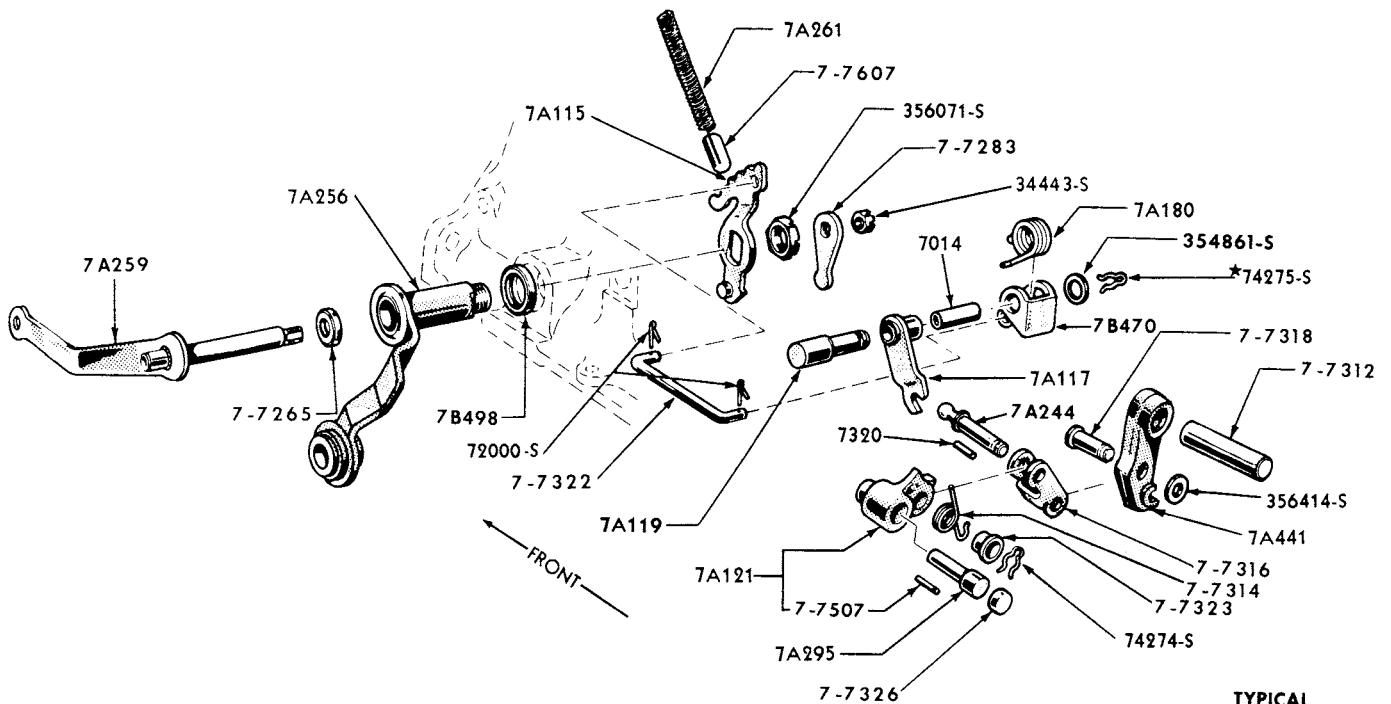
REAR SERVO



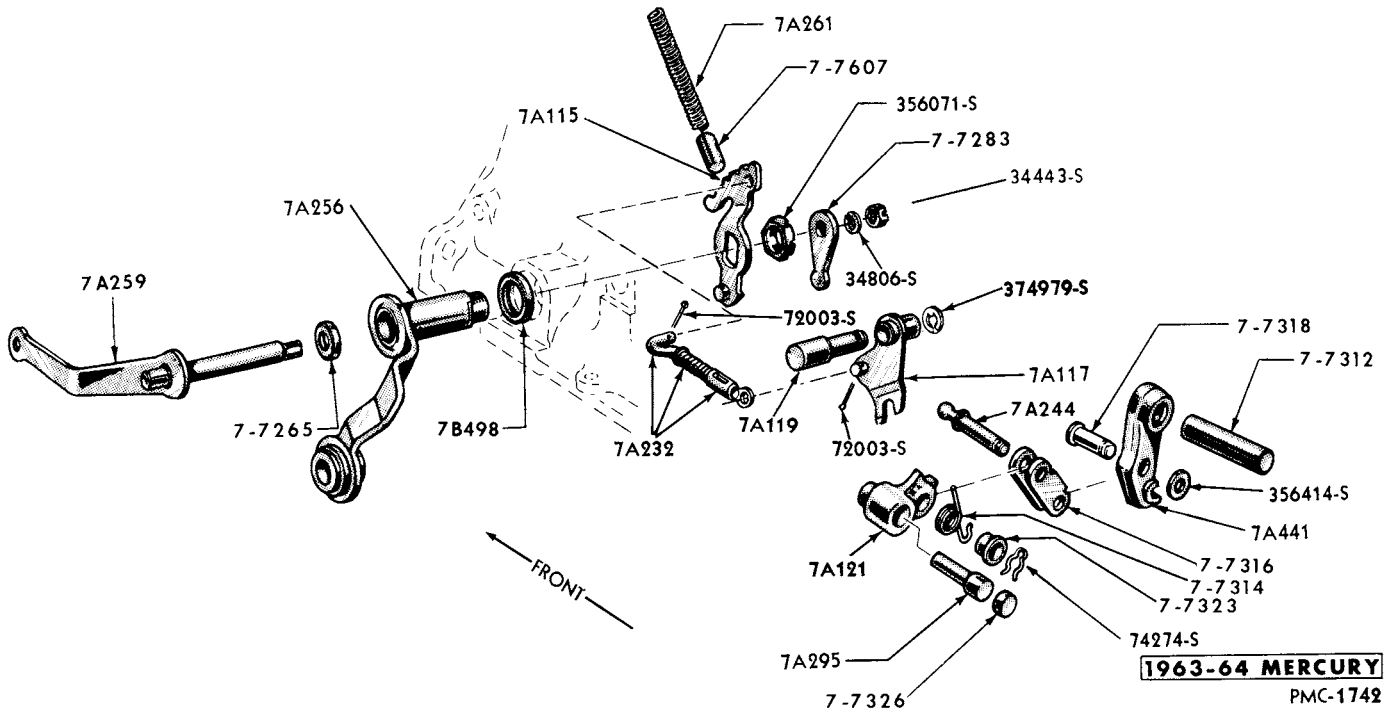
FRONT SERVO - 2/S



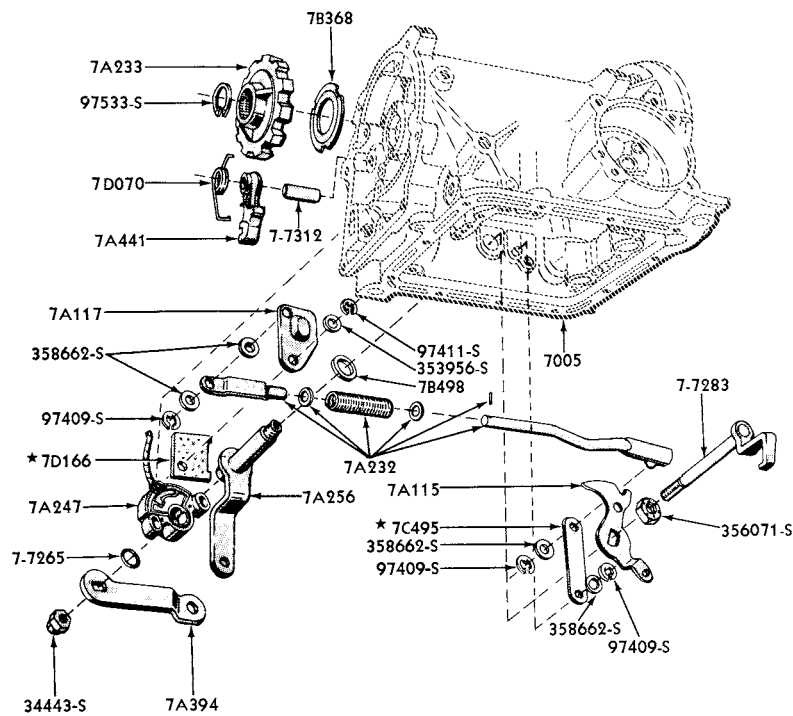
REAR SERVO - 2/S



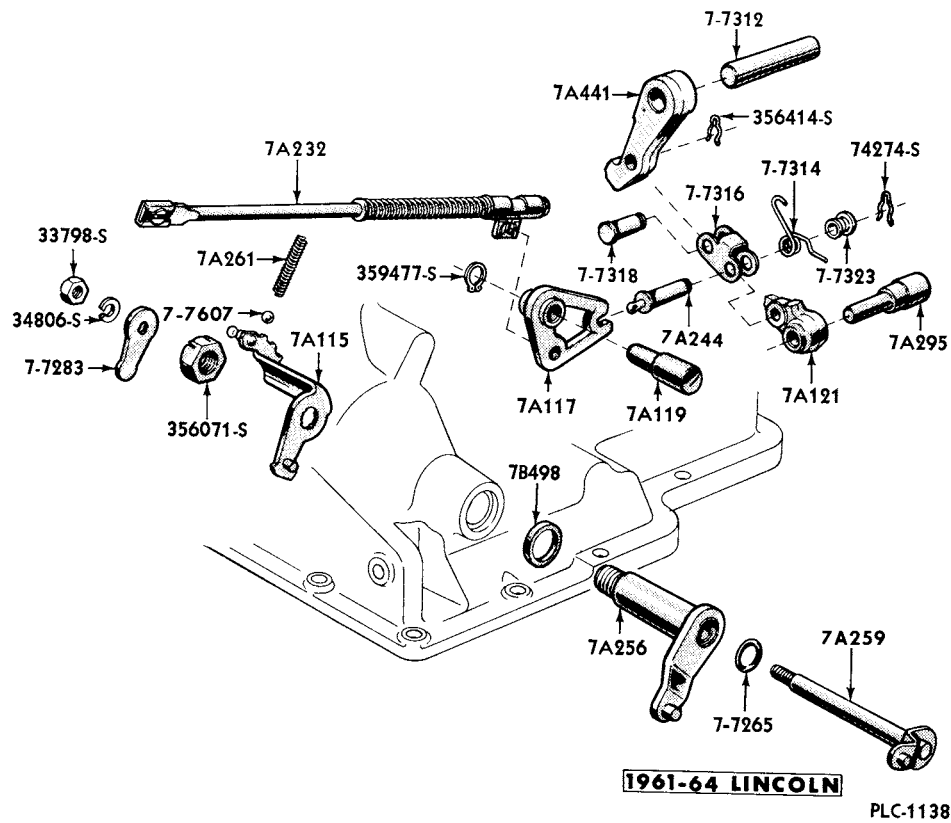
MANUAL CONTROL LEVERS - S/R, D/R



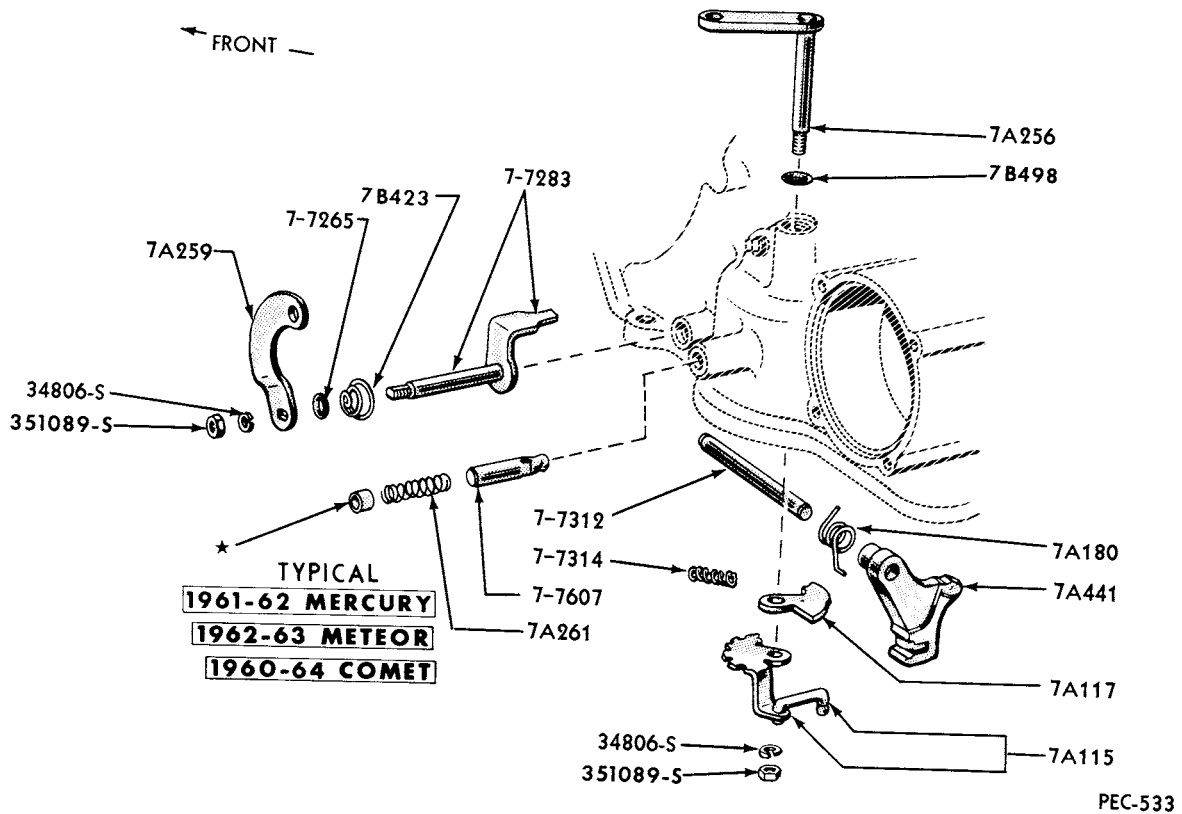
MANUAL CONTROL LEVERS - D/R



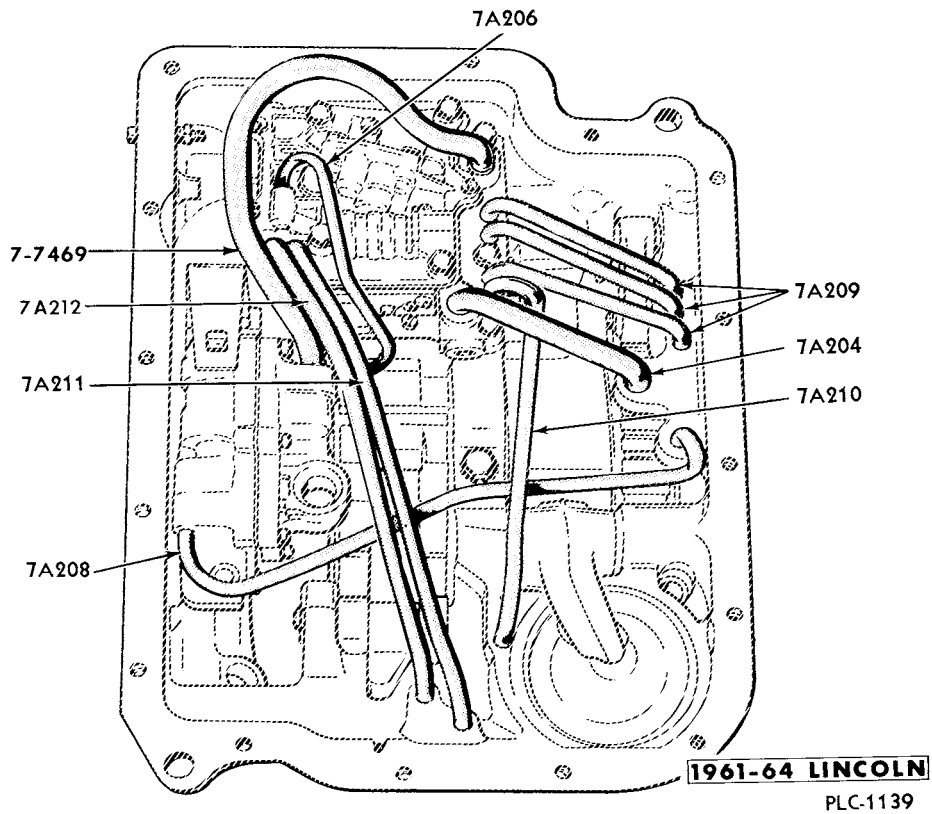
MANUAL CONTROL LEVERS - D/R



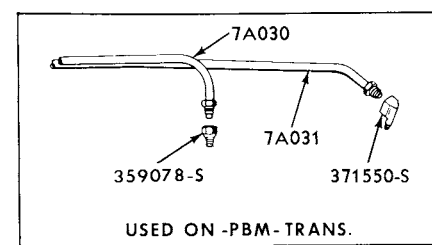
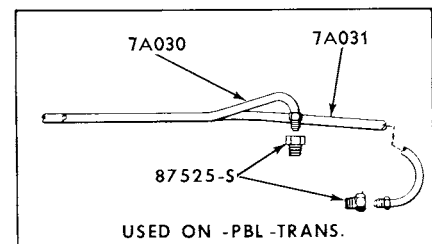
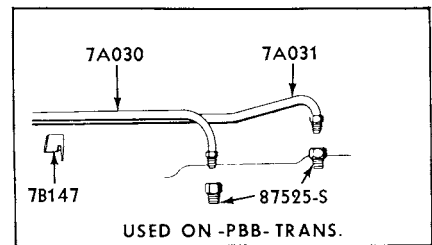
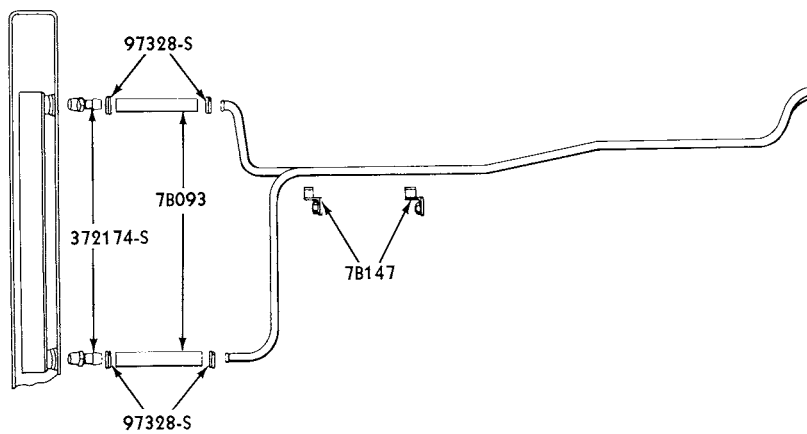
MANUAL CONTROL LEVERS D/R



MANUAL CONTROL LEVERS - 2/S

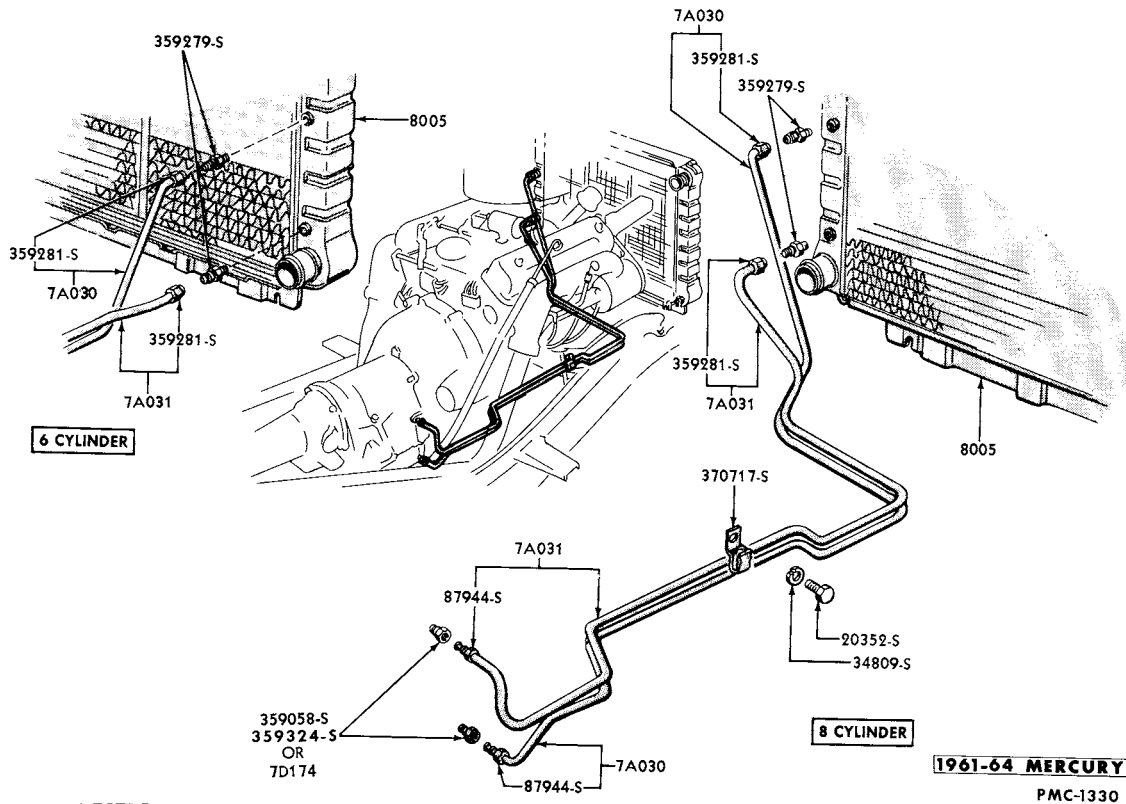


TRANSMISSION OIL TUBES

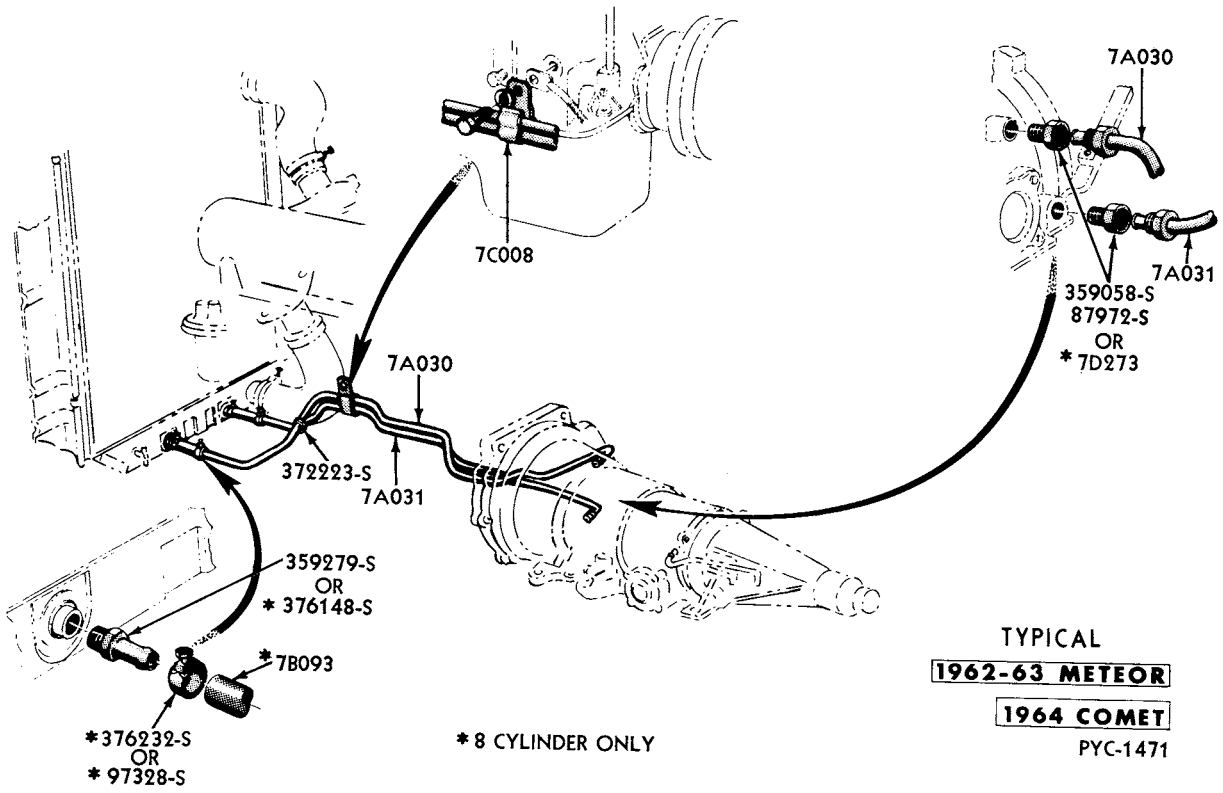


1960-MERCURY PMC-693

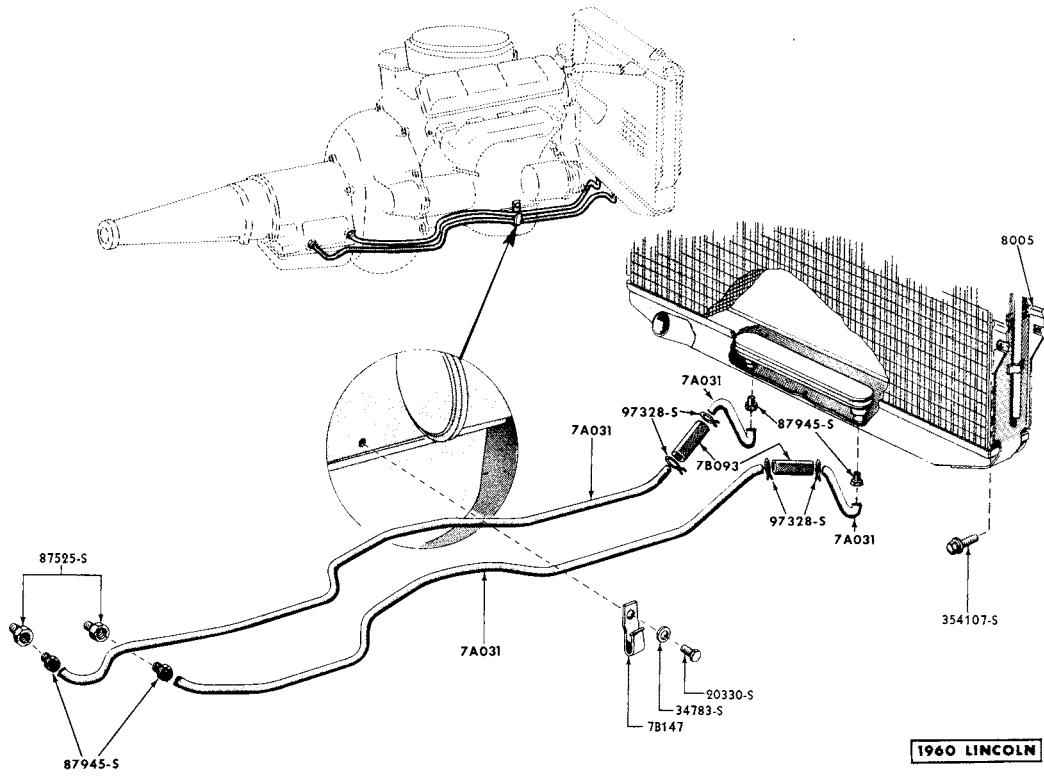
AUTOMATIC TRANSMISSION OIL COOLER LINES and FITTINGS



AUTOMATIC TRANSMISSION OIL COOLER LINES and FITTINGS



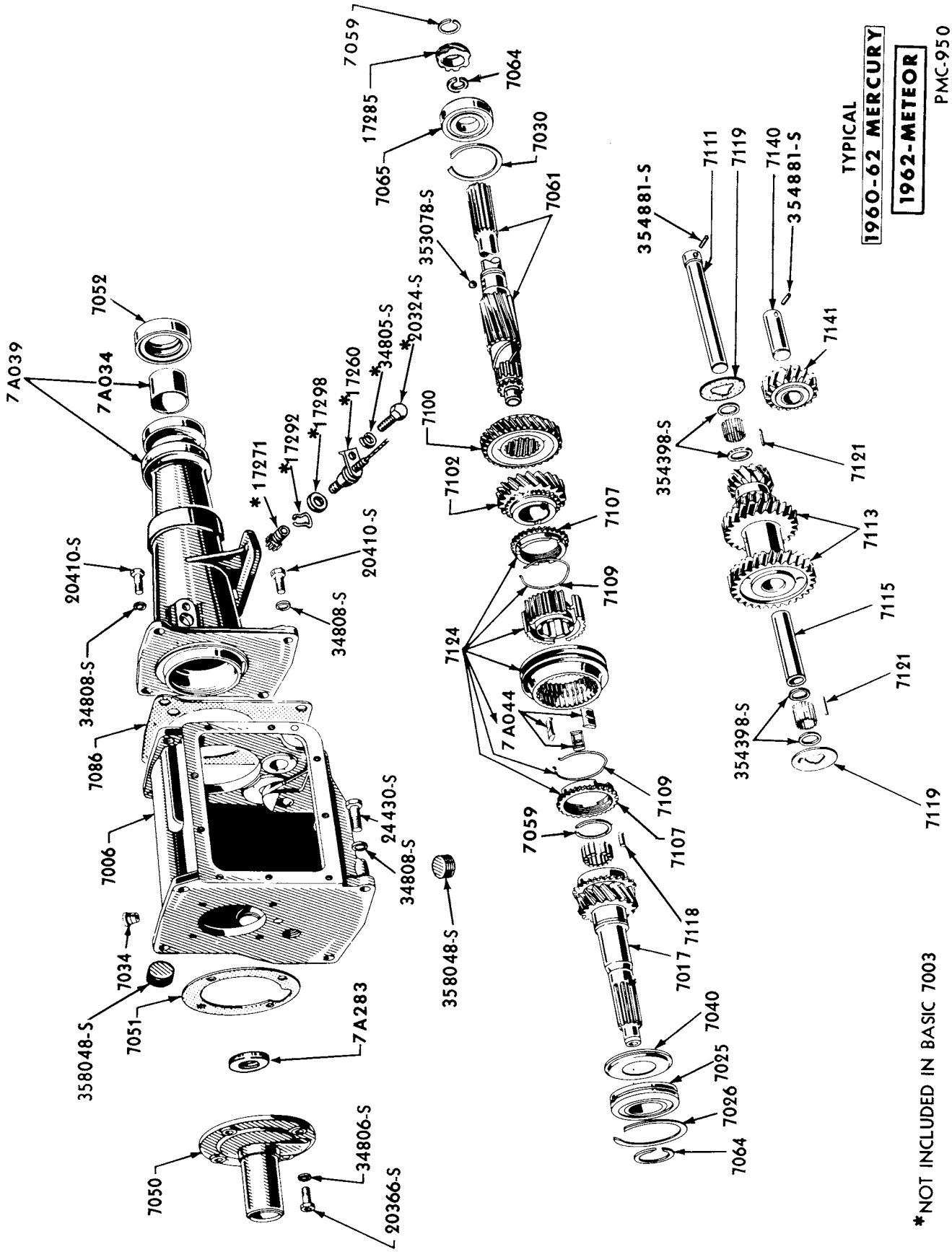
AUTOMATIC TRANSMISSION OIL COOLER LINES and FITTINGS - 2/S



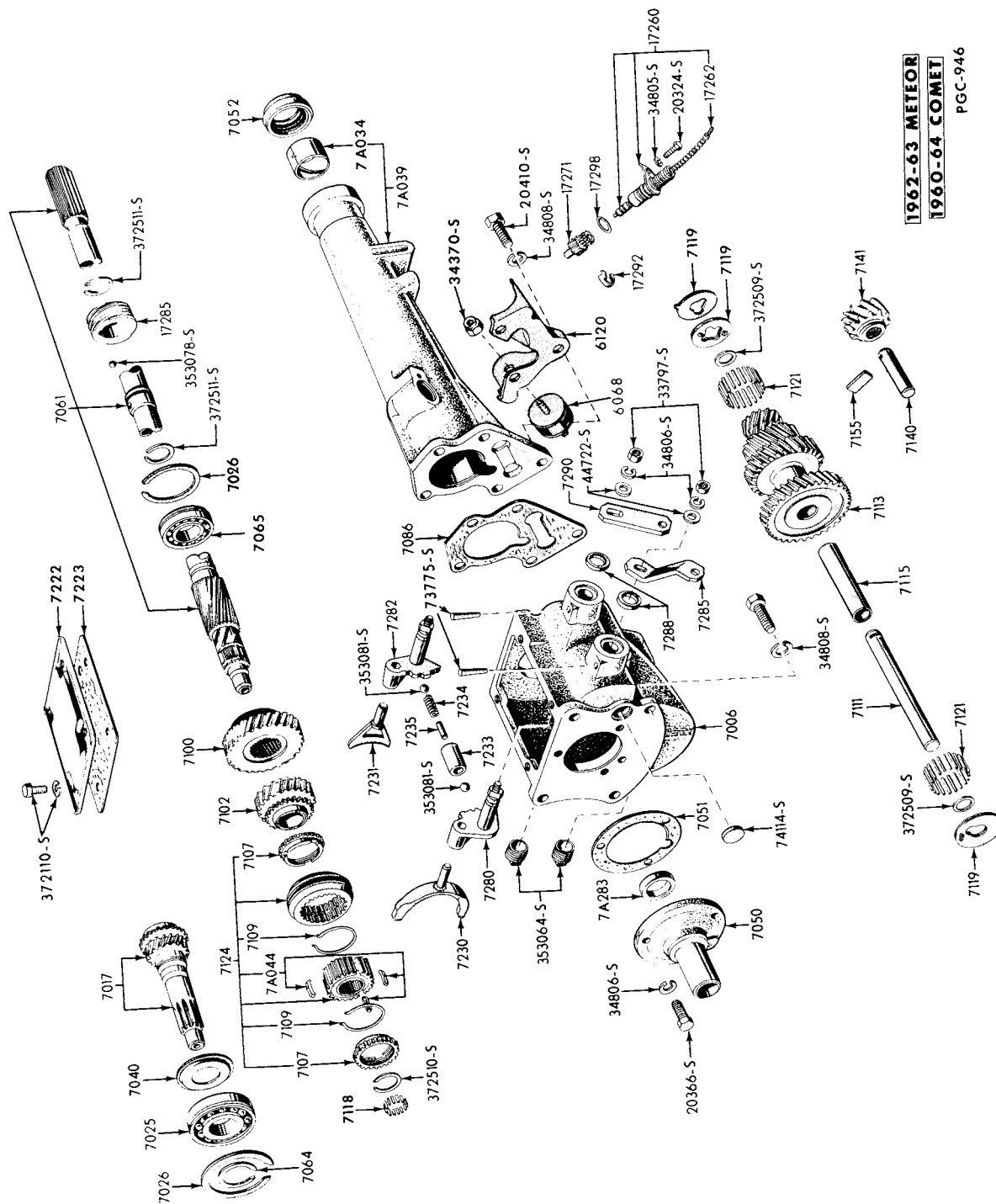
1960 LINCOLN

PLC-948

AUTOMATIC TRANSMISSION OIL COOLER LINES and FITTINGS

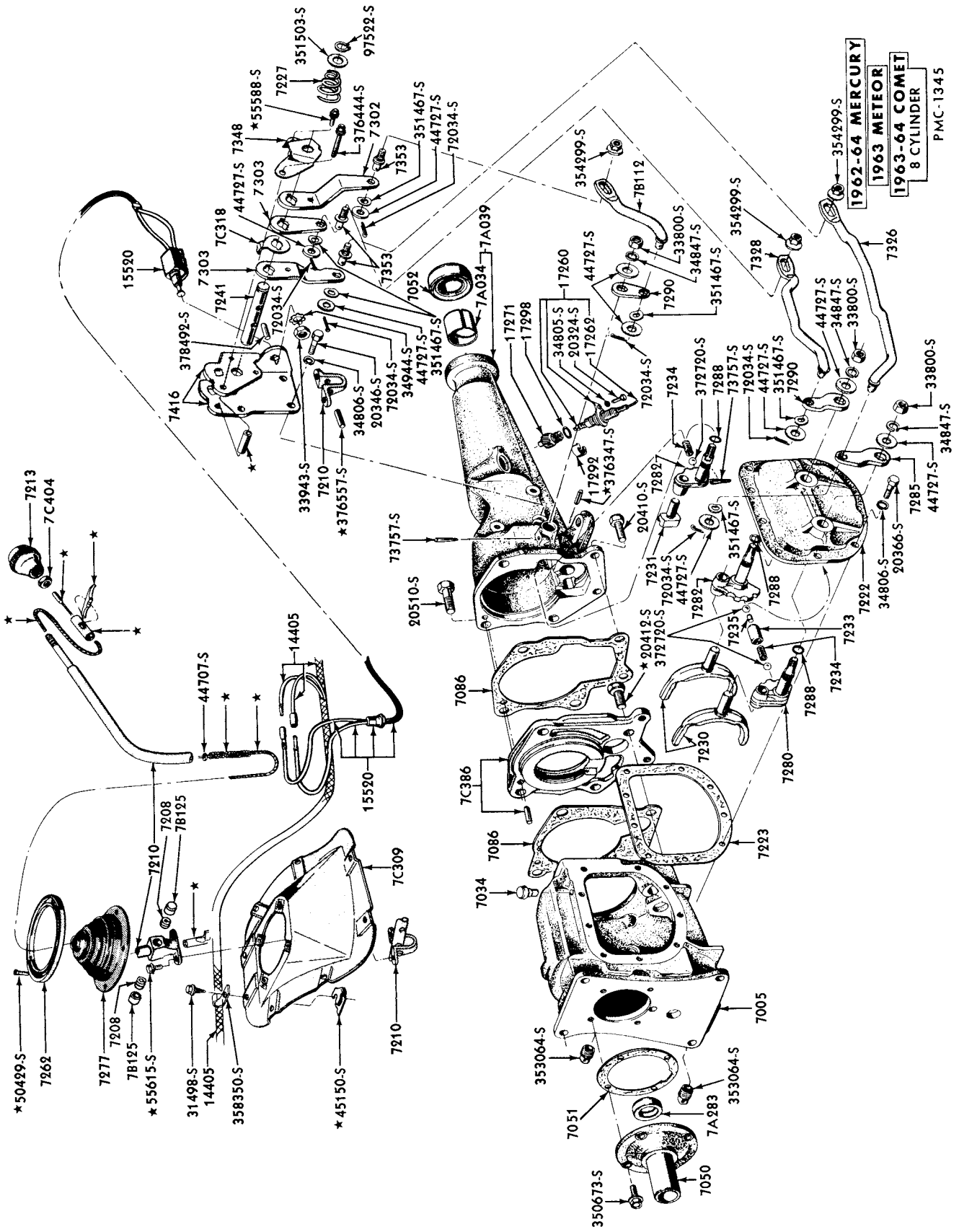


STANDARD TRANSMISSION - 3/S

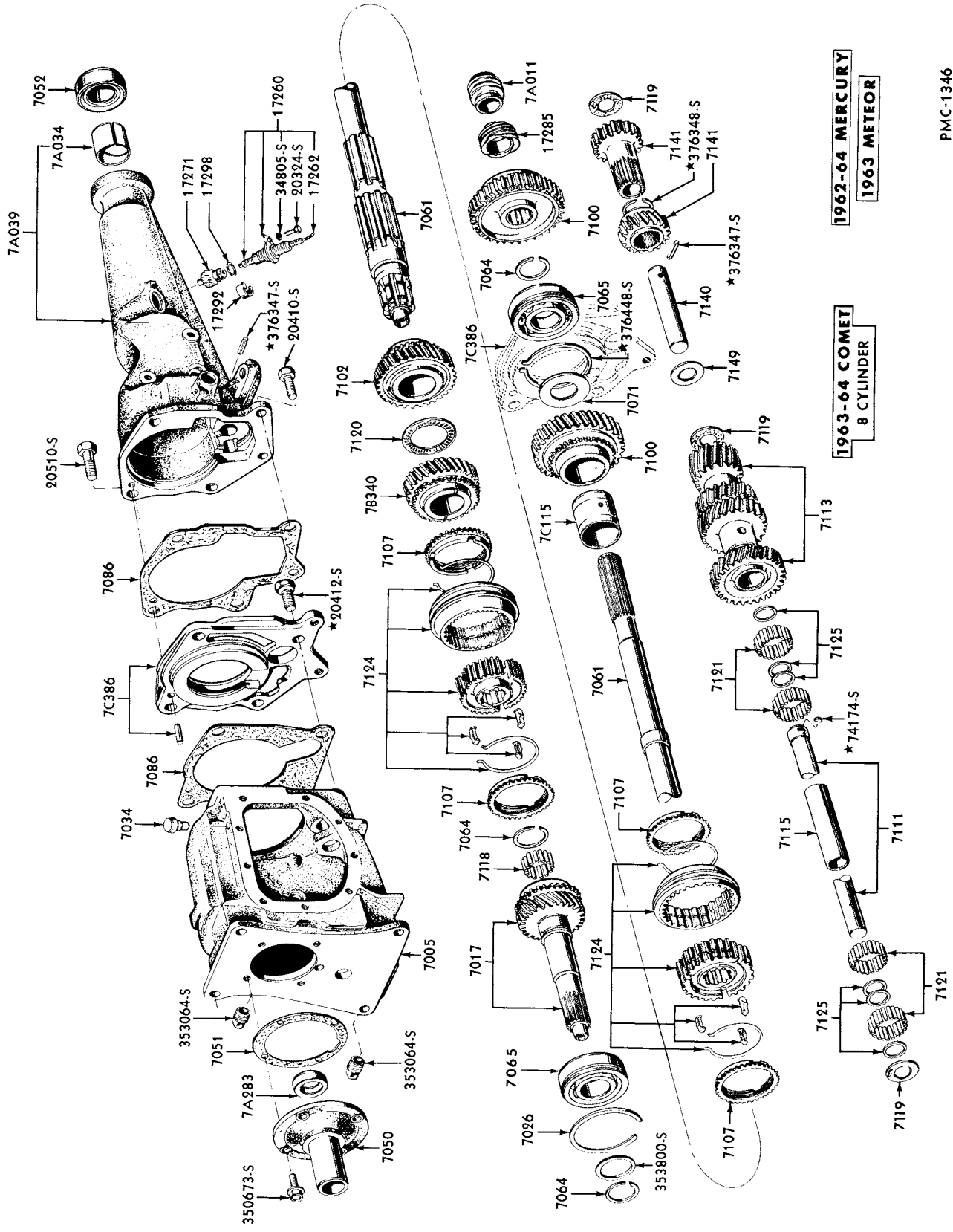


1962-63 METEOR
 1960-64 COMET
 PGC-946

STANDARD TRANSMISSION - 3/S - 6 CYLINDER ENGINES



STANDARD TRANSMISSION CASE, EXTENSION HOUSING and SHIFT MECHANISM - 4/S - WARNER DESIGN

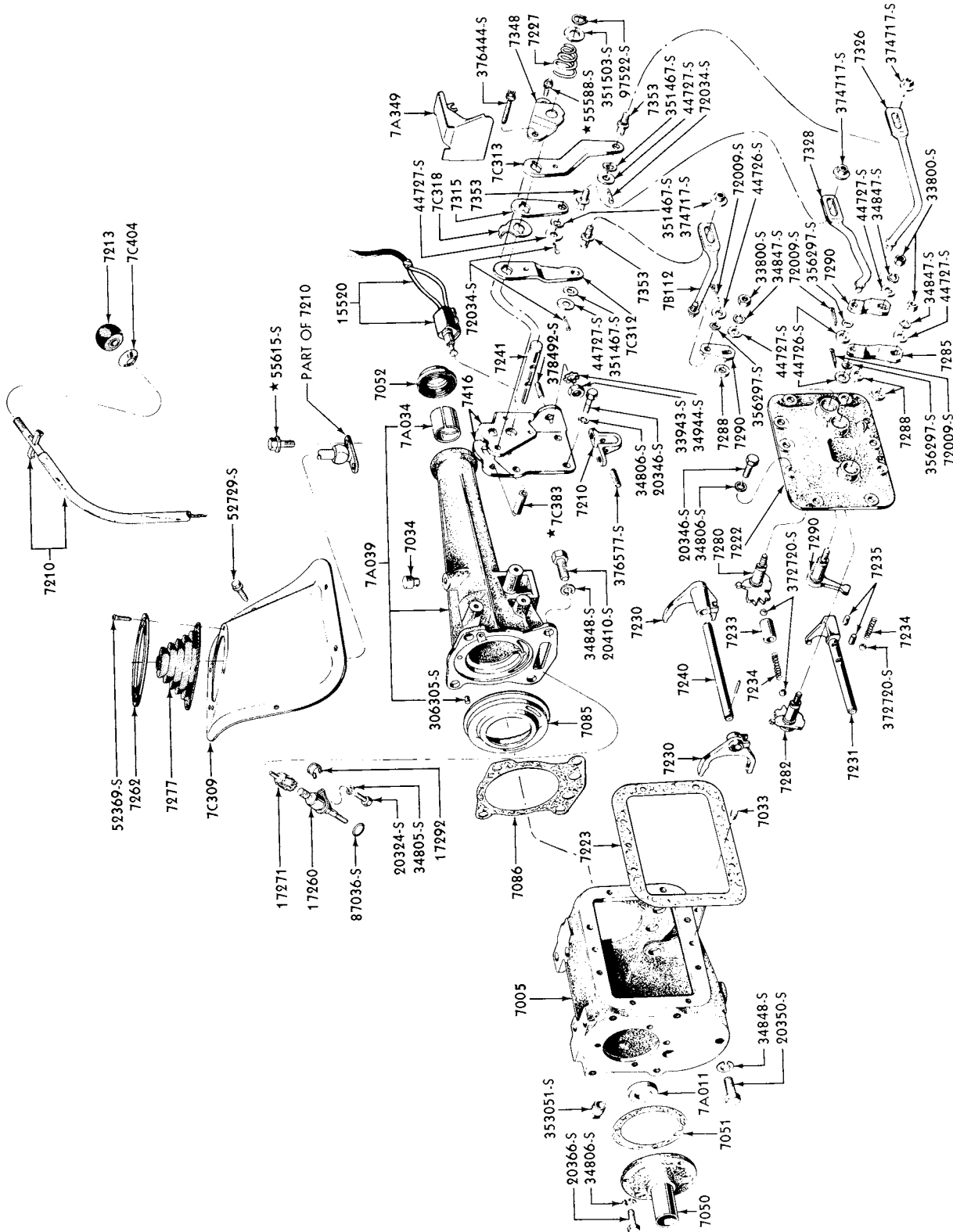


1962-64 MERCURY
1963 METEOR

1963-64 COMET
8 CYLINDER

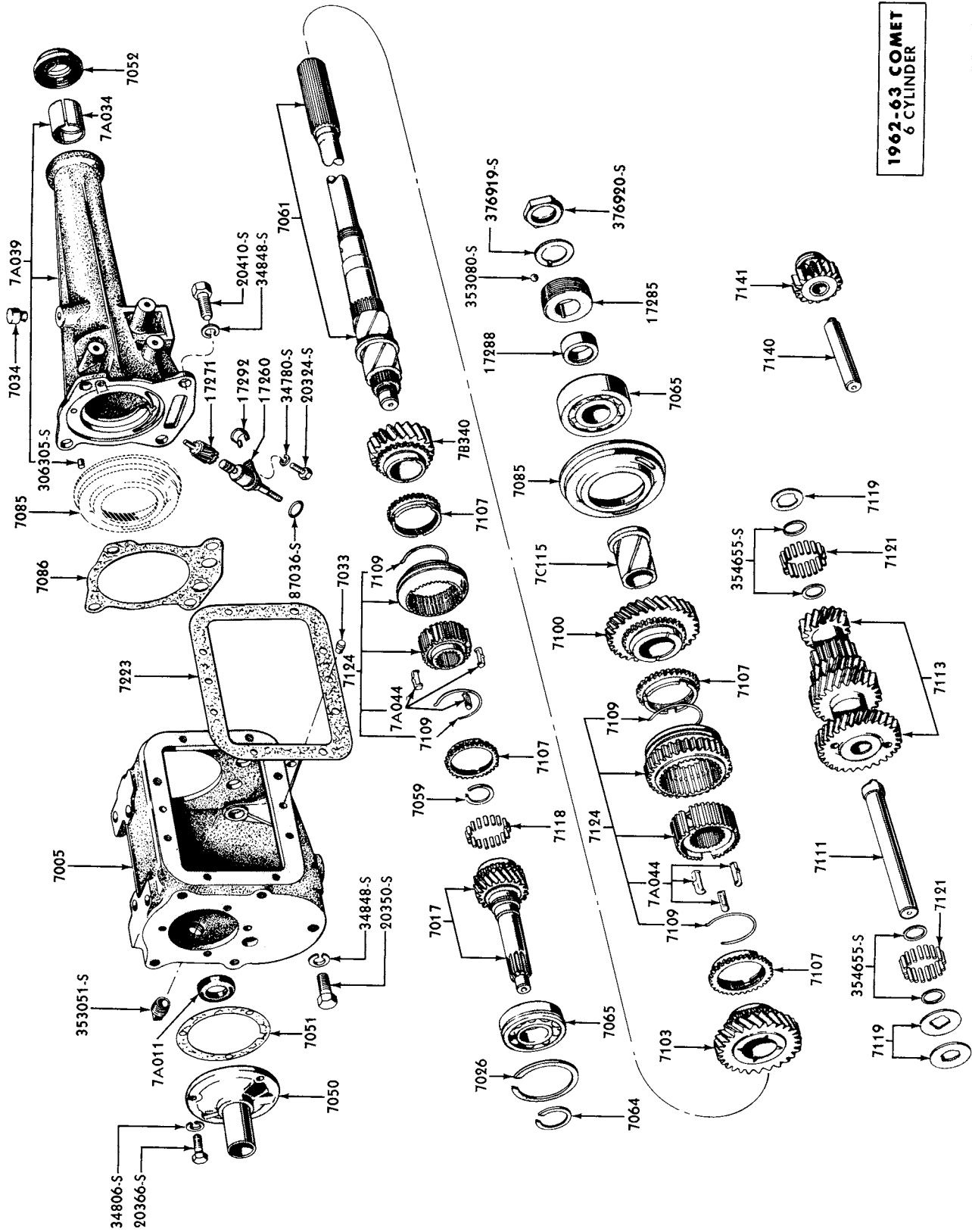
PMC-1346

STANDARD TRANSMISSION GEAR TRAIN 4/S - WARNER DESIGN



6 CYLINDER
1962-63 COMET
PGC-1470

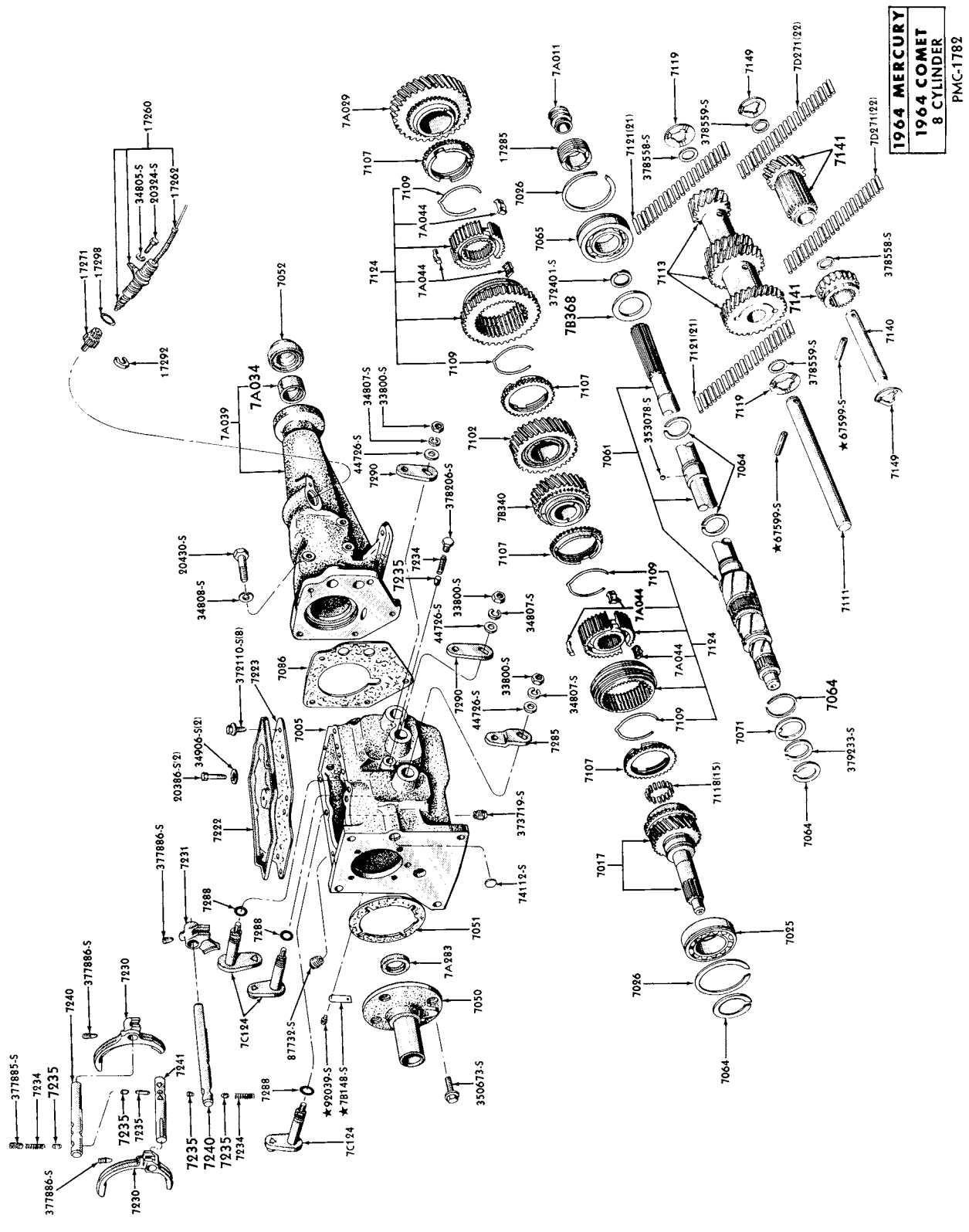
STANDARD TRANSMISSION CASE, EXTENSION HOUSING and SHIFT MECHANISM - 4/S - DAGENHAM DESIGN



1962-63 COMET
6 CYLINDER

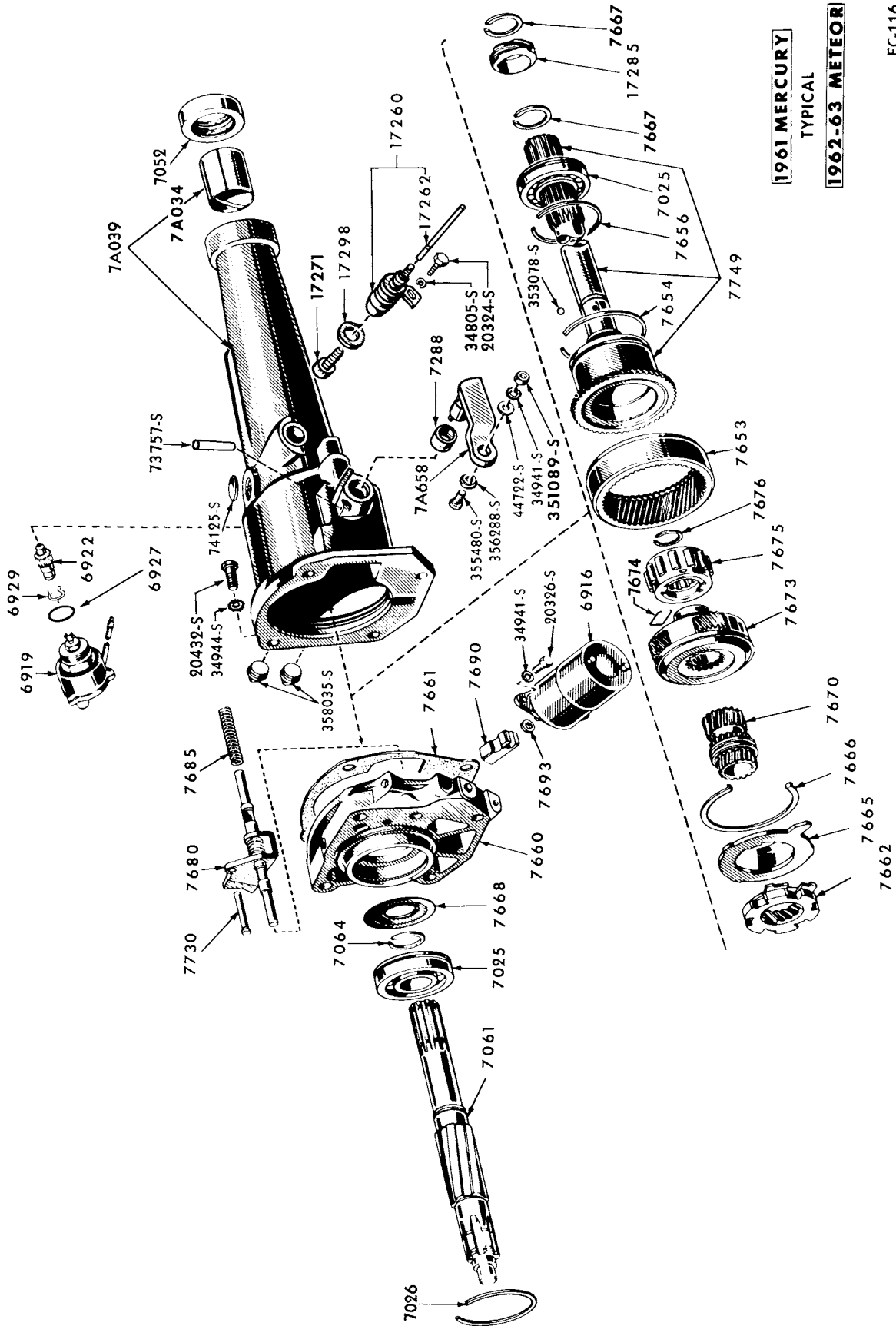
PGC-1469

STANDARD TRANSMISSION - GEAR TRAIN-4/S-DAGENHAM DESIGN



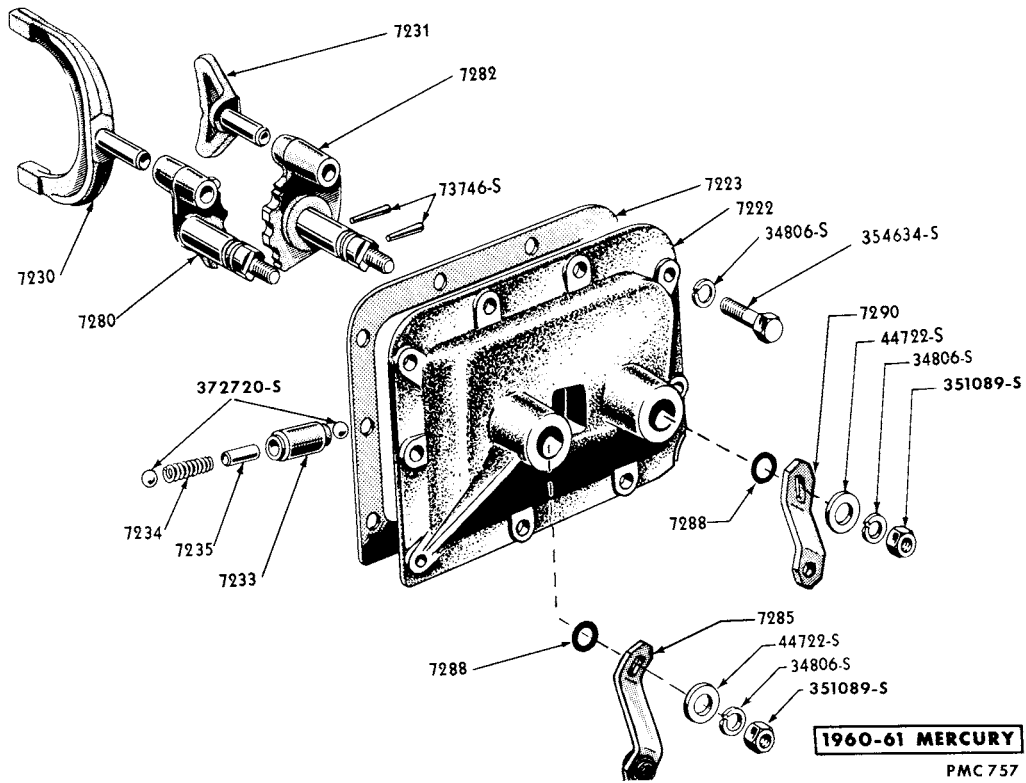
1964 MERCURY
1964 COMET
8 CYLINDER
 PMC-1782

STANDARD TRANSMISSION - 4/S - FORD DESIGN

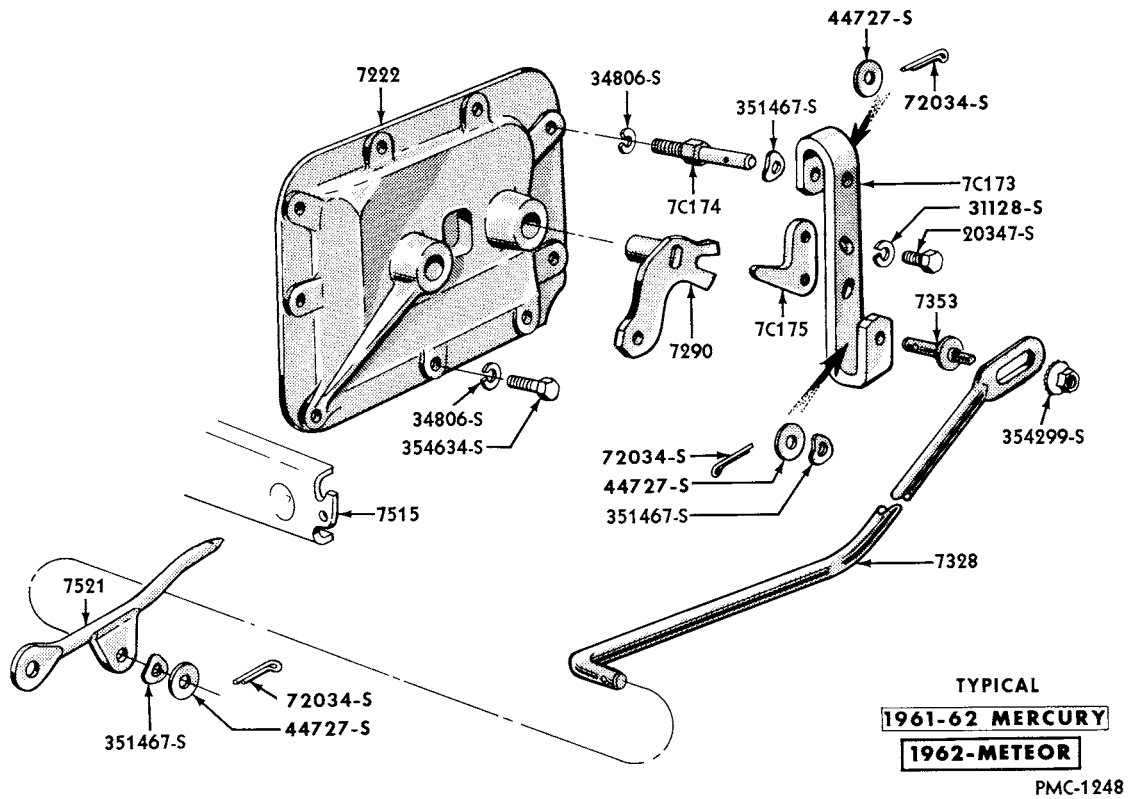


OVERDRIVE TRANSMISSION

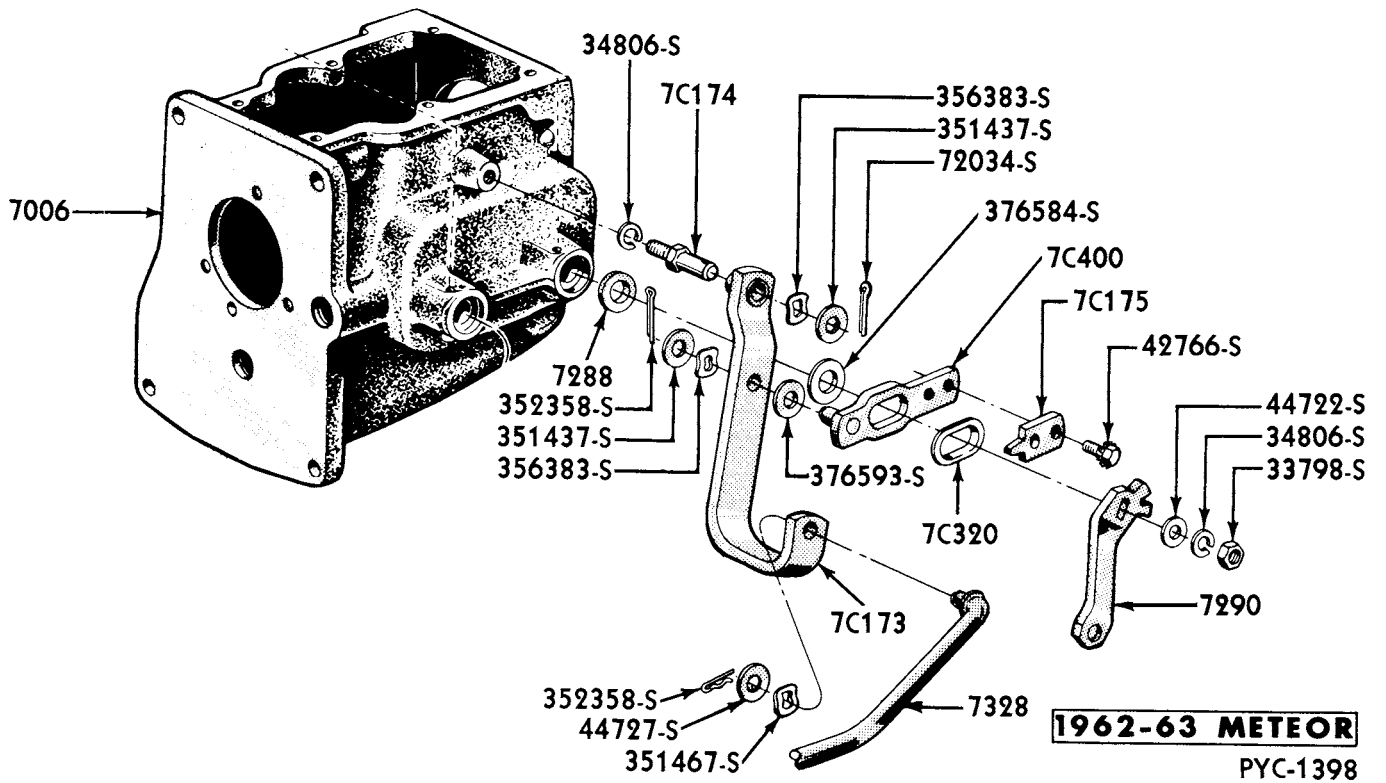
EC-116



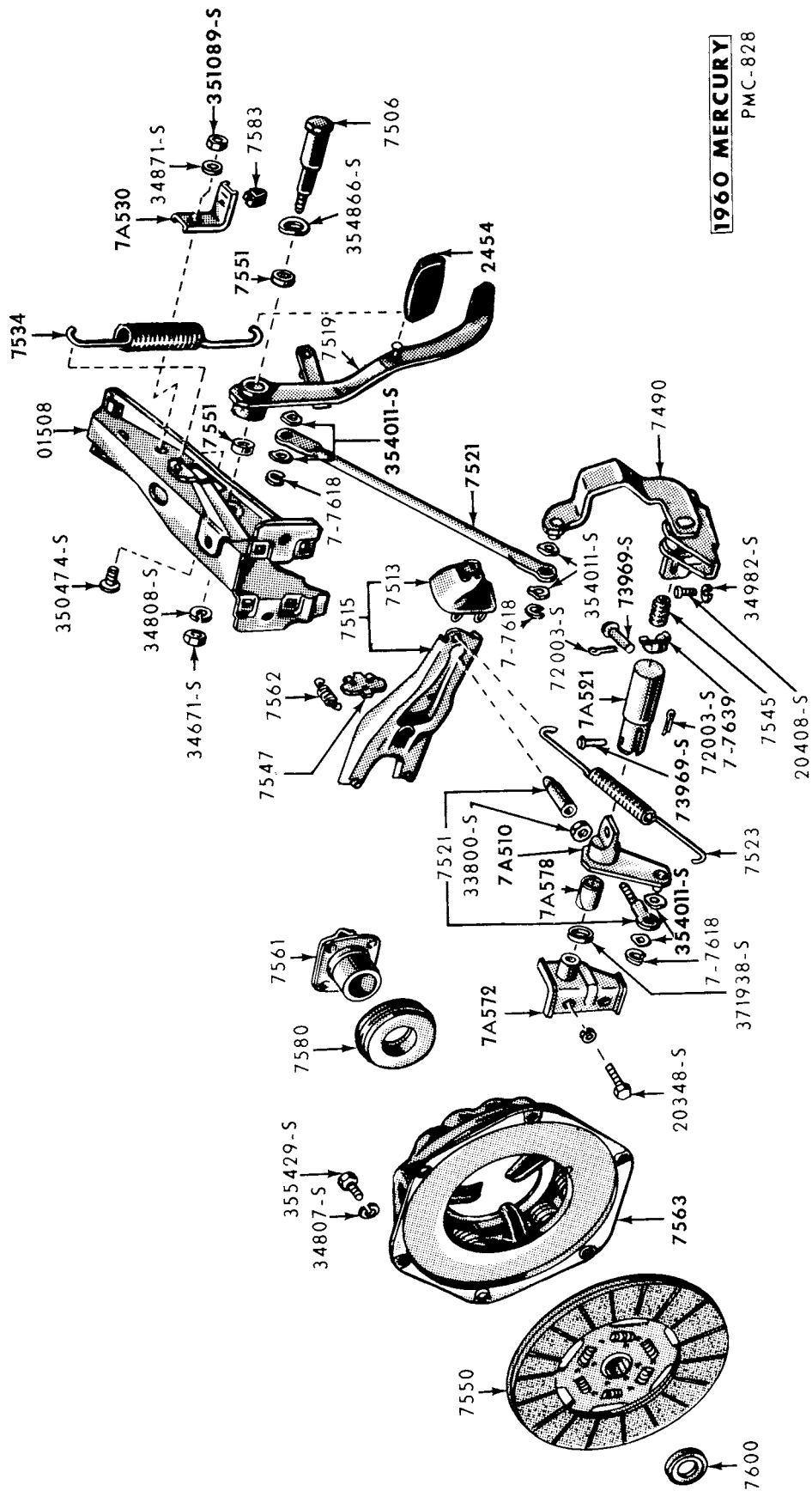
STANDARD TRANSMISSION SHIFTER ASSEMBLY - 3/S



STANDARD TRANSMISSION SHIFTER INTERLOCK LINKAGE - 3/S

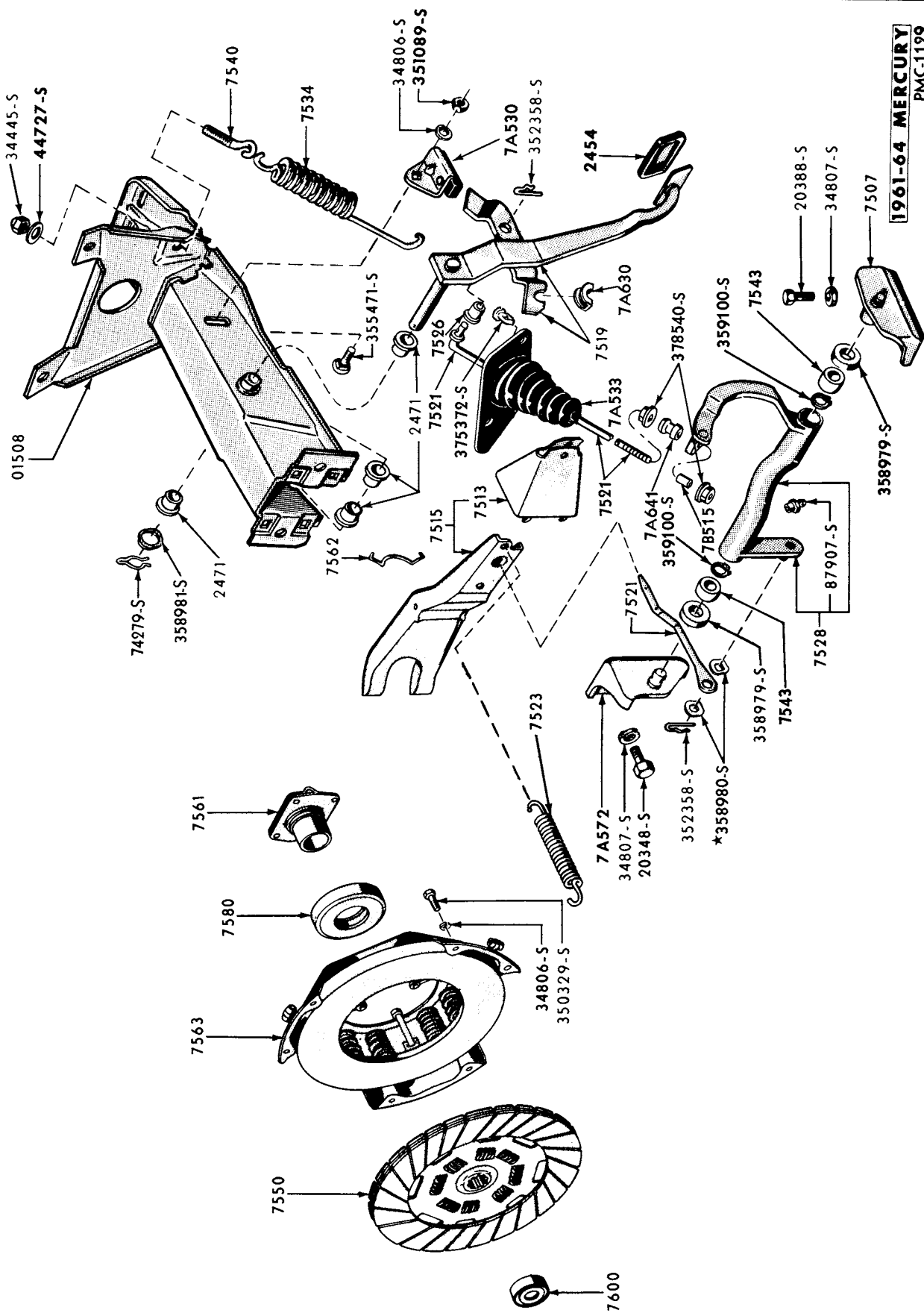


SHIFTER INTERLOCK LINKAGE - O/D



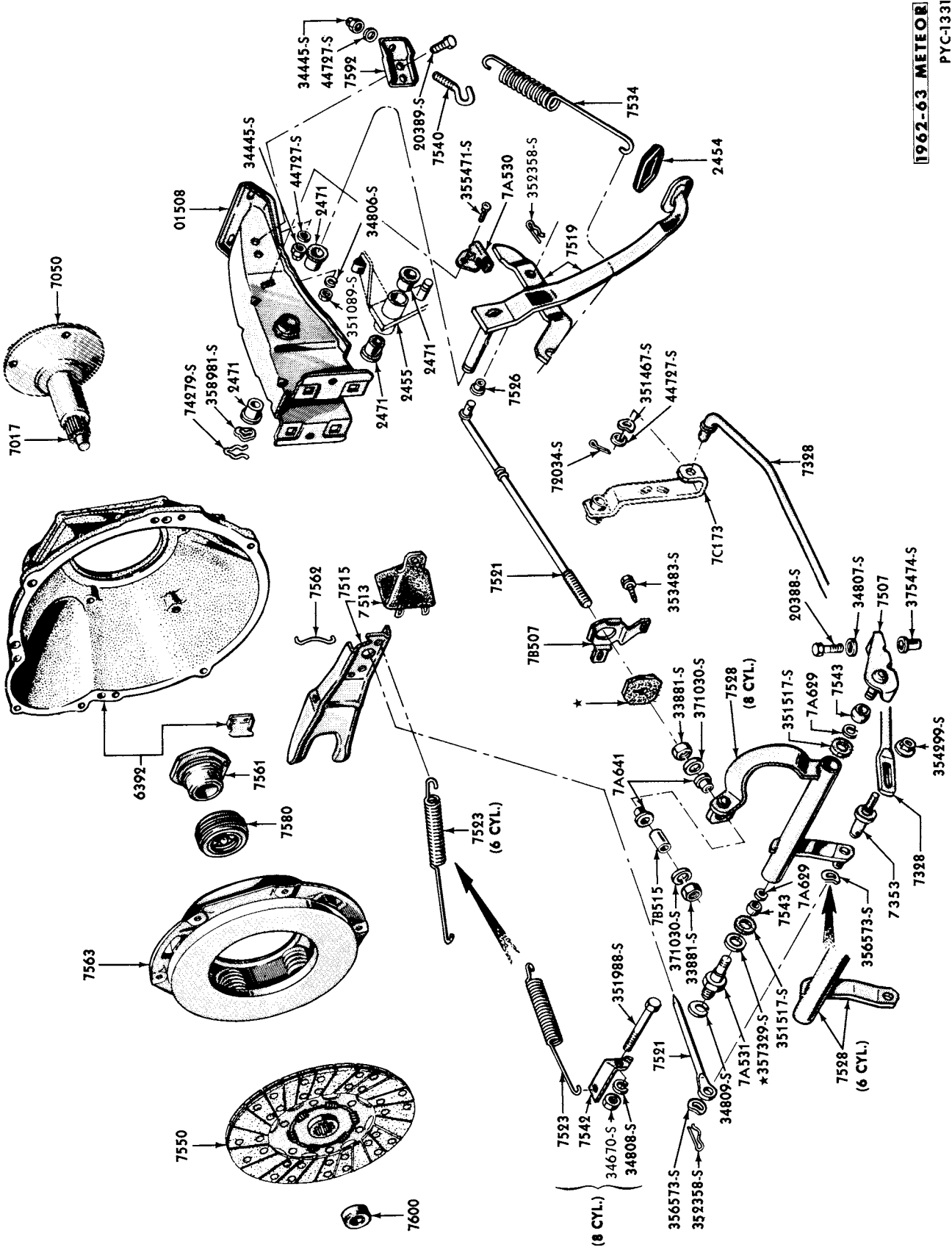
1960 MERCURY
PMC-828

CLUTCH, CLUTCH PEDAL and RELATED PARTS



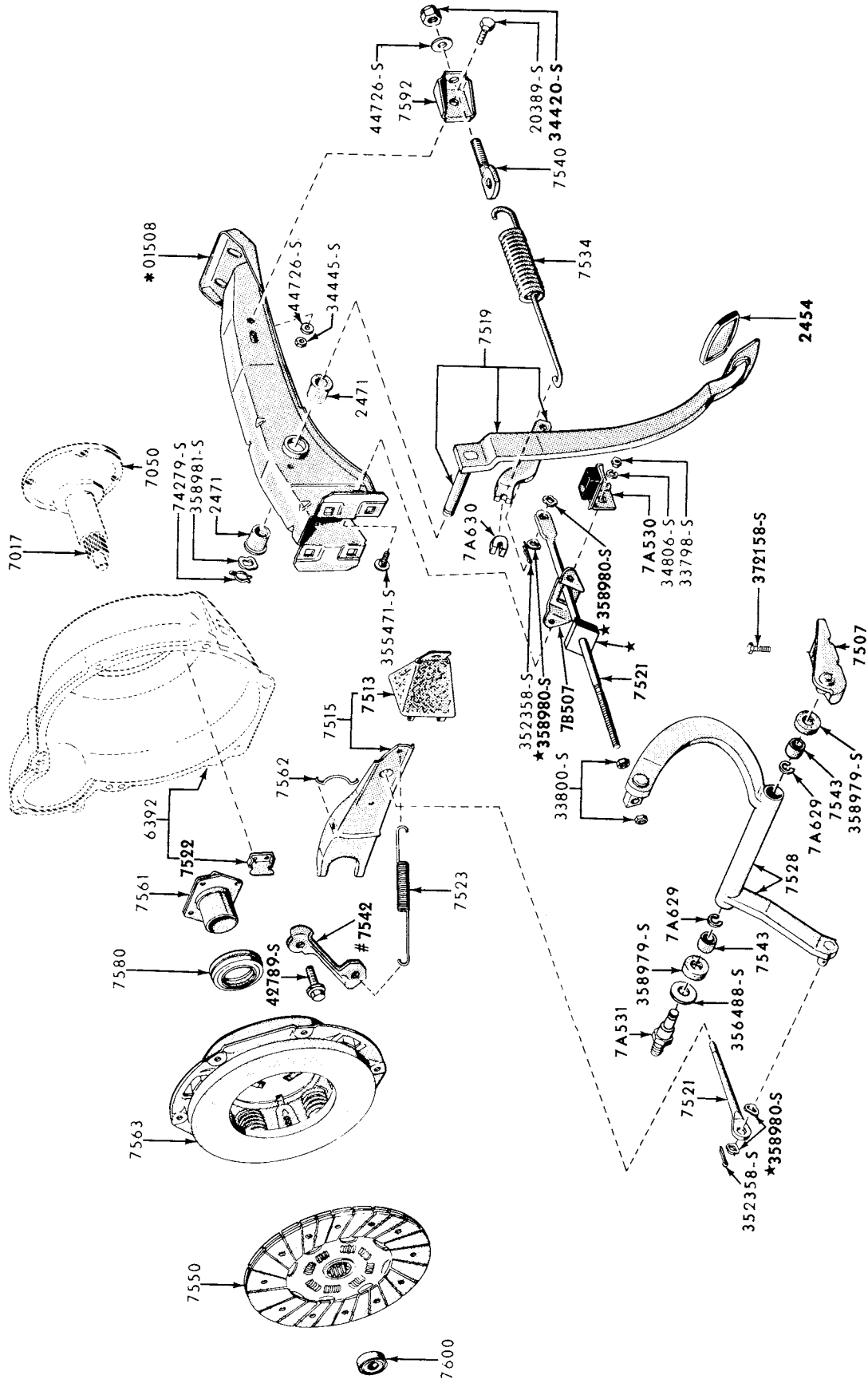
1961-64 MERCURY
 PMC-1199

CLUTCH, CLUTCH PEDAL and RELATED PARTS



1962-63 METEOR
 PYC-1331

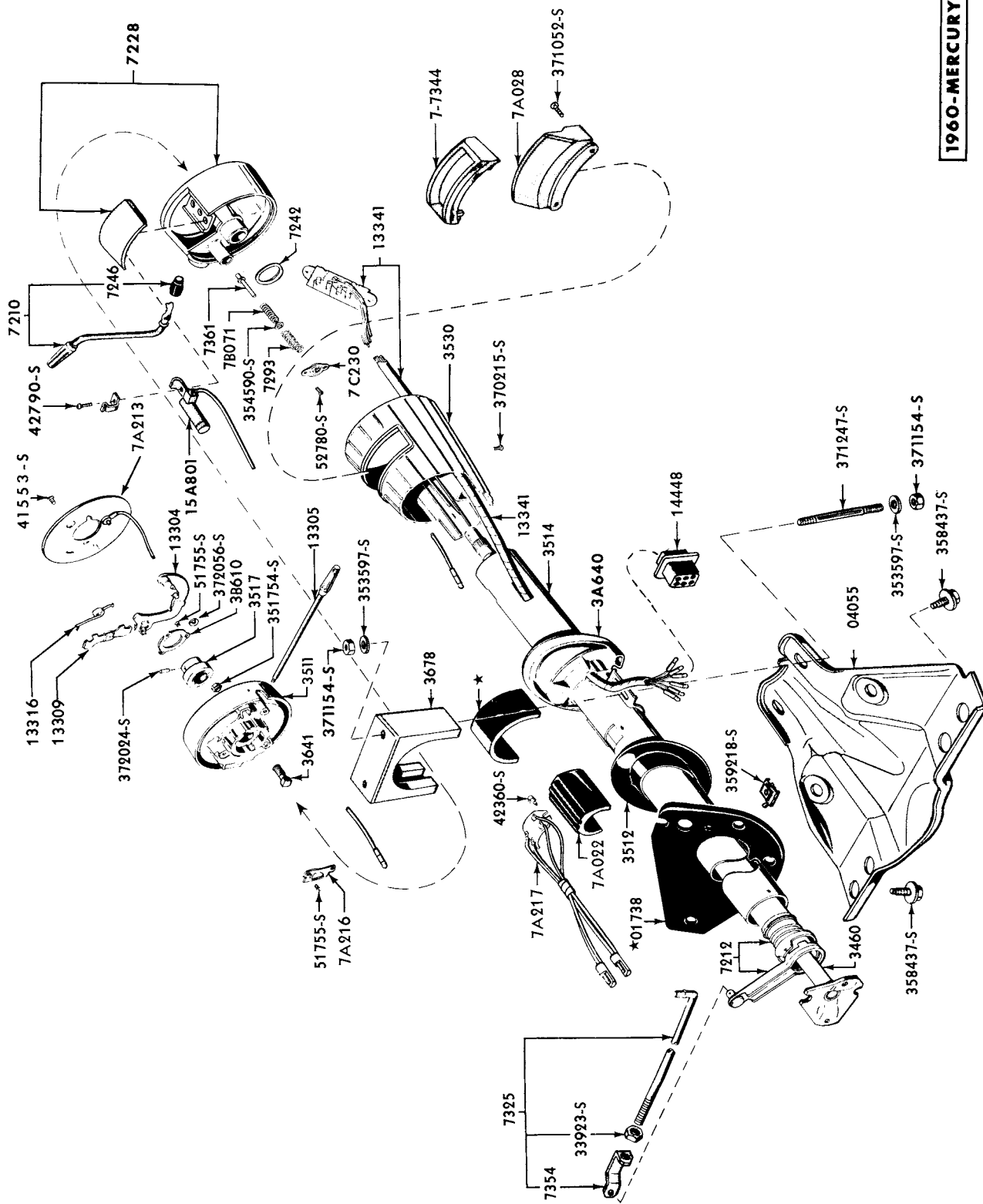
CLUTCH, CLUTCH PEDAL and RELATED PARTS



*REFER TO BODY SECTION
 # 6 CYLINDER ONLY

1960-64 COMET
 PGC-944

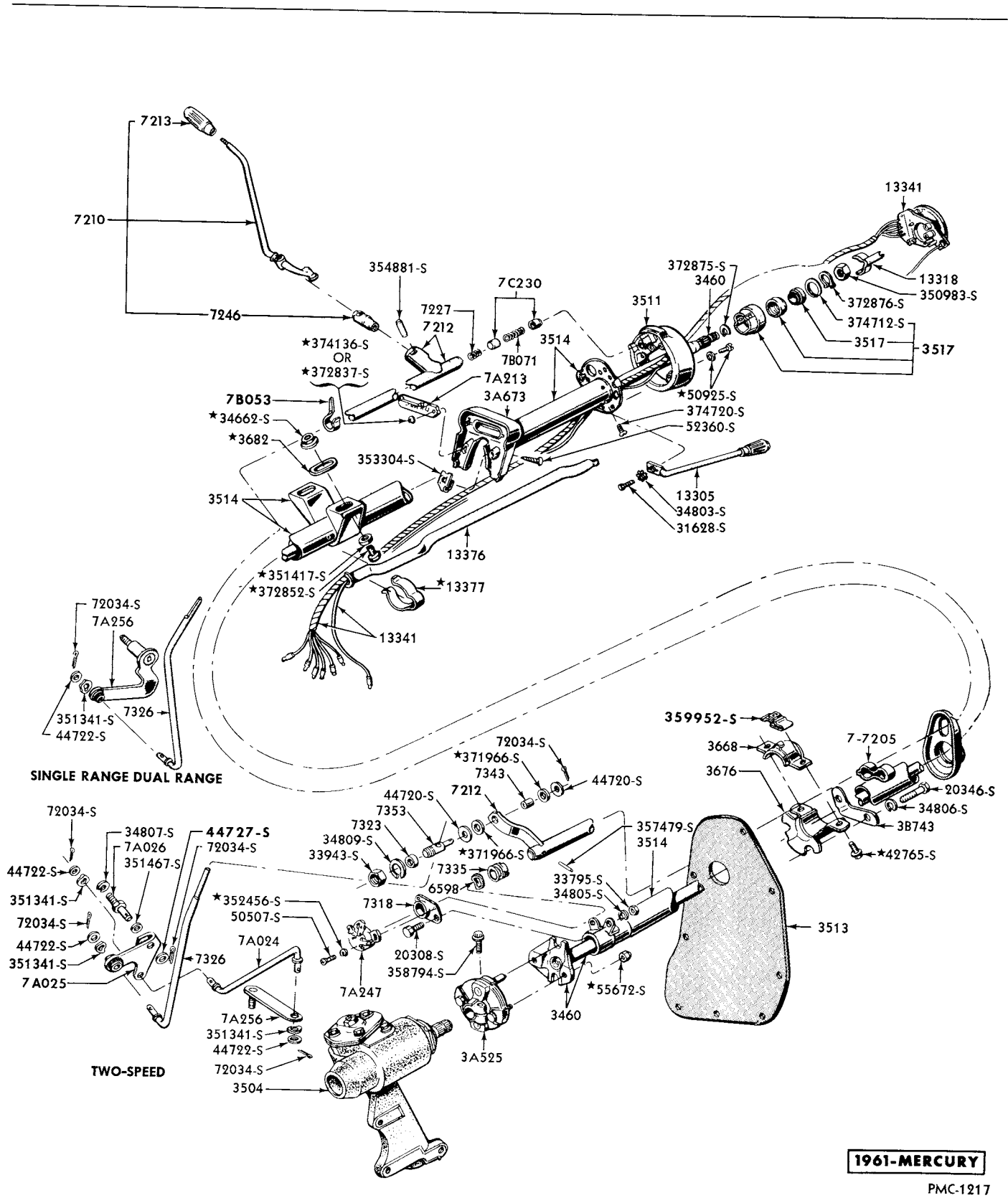
CLUTCH, CLUTCH PEDAL and RELATED PARTS



1960-MERCURY

PMC-824

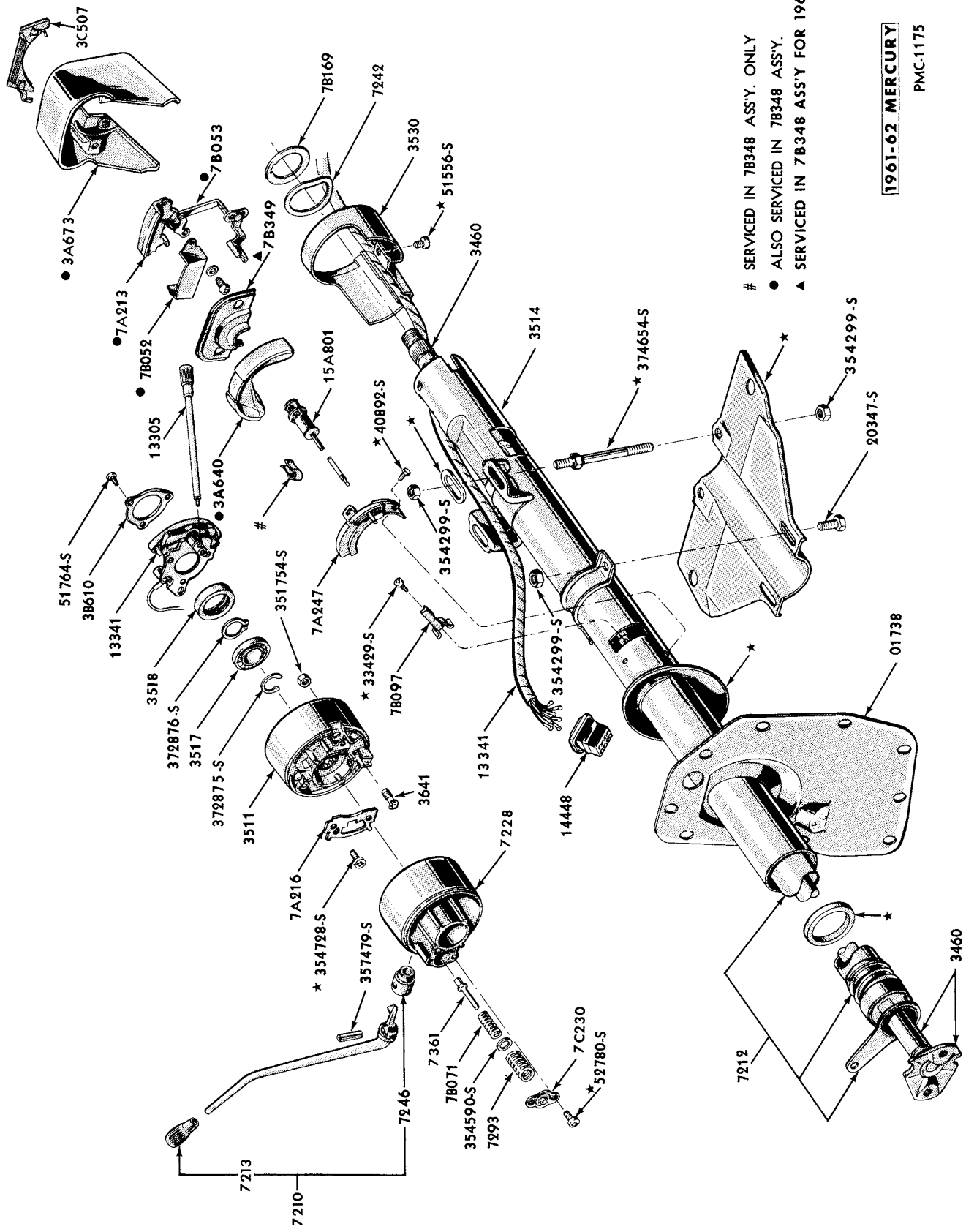
STEERING COLUMN and SHIFT MECHANISM - A/T



1961-MERCURY

PMC-1217

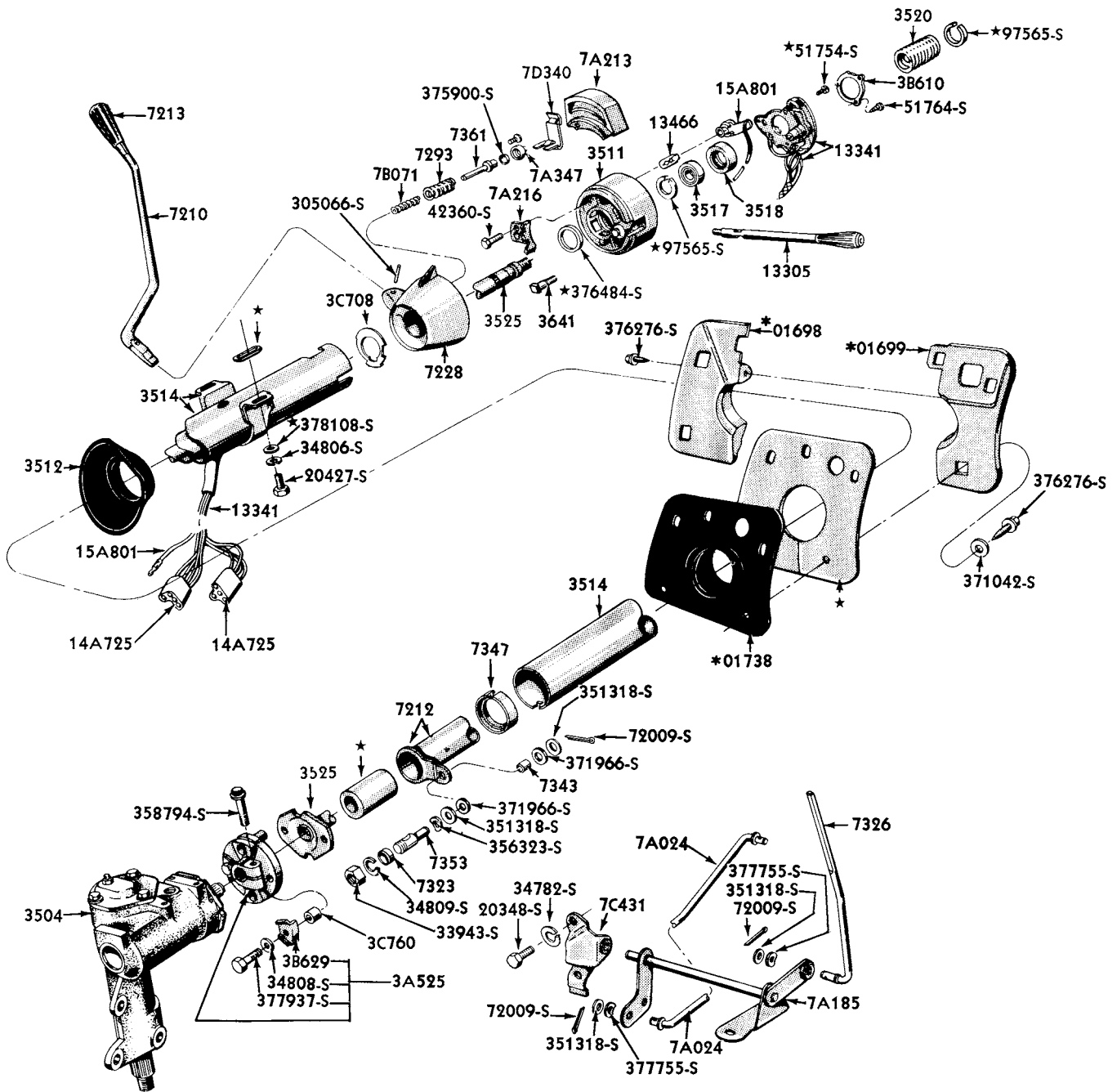
STEERING COLUMN and SHIFT MECHANISM - A/T MODELS 58 , 64



SERVICED IN 7B348 ASSY. ONLY
 ● ALSO SERVICED IN 7B348 ASSY.
 ▲ SERVICED IN 7B348 ASSY FOR 1961

1961-62 MERCURY
 PMC-1175

STEERING COLUMN and SHIFT MECHANISM - A/T - EXCEPT MODELS 58, 64

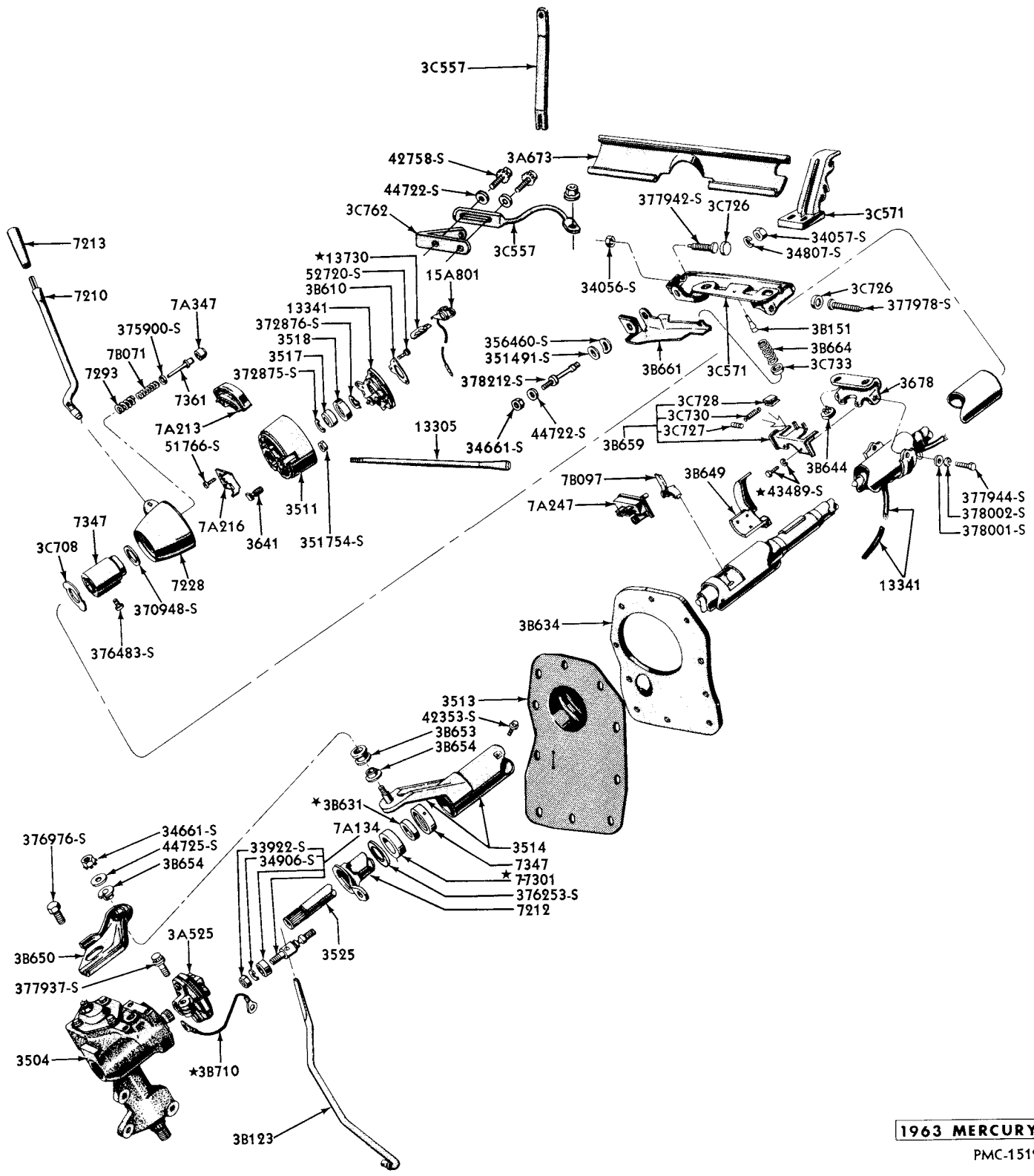


*REFER TO BODY GROUP NUMBER

1963-64 MERCURY

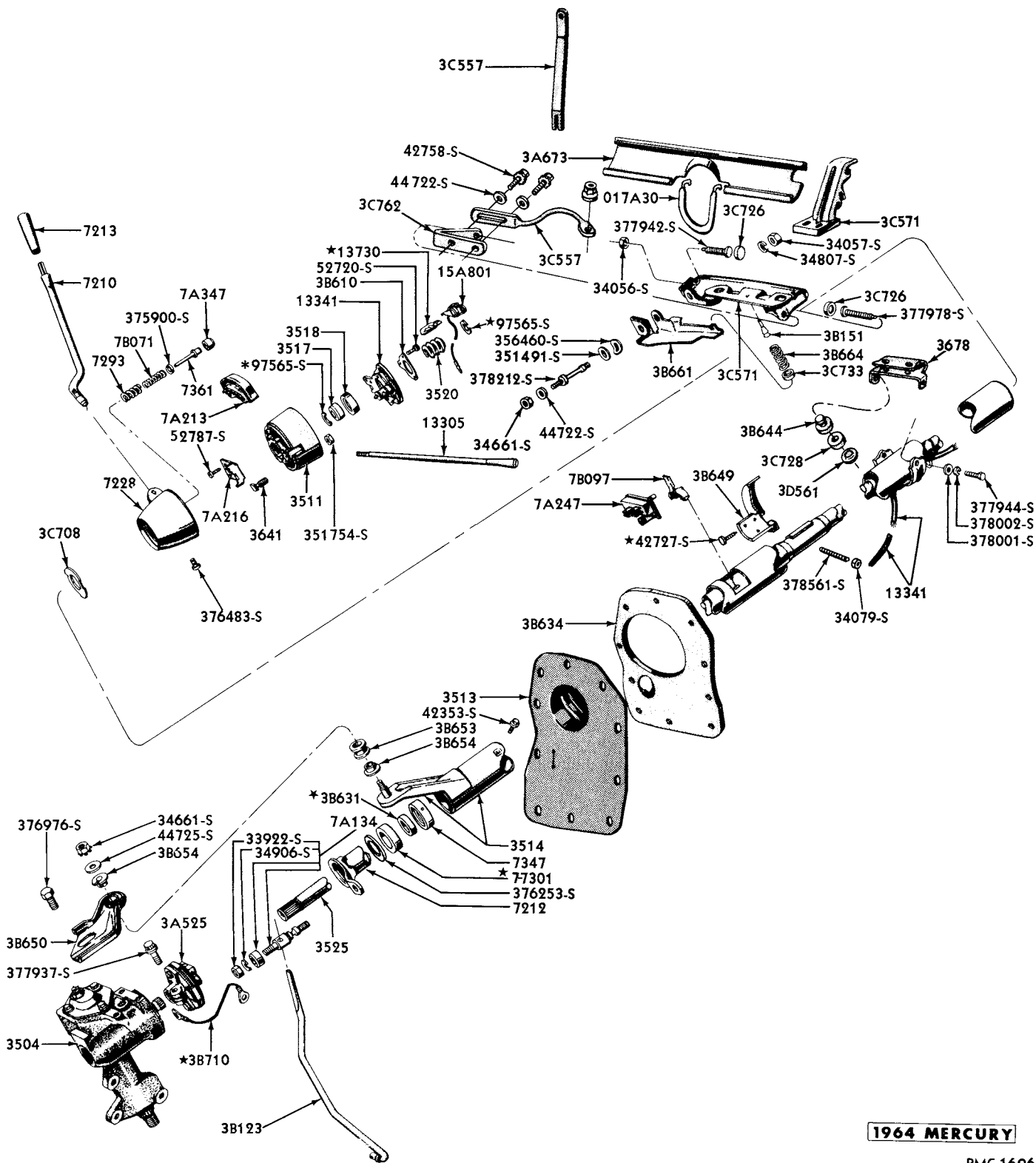
PMC-1789

STEERING COLUMN and SHIFT MECHANISM - FIXED-D/R



1963 MERCURY
 PMC-1519

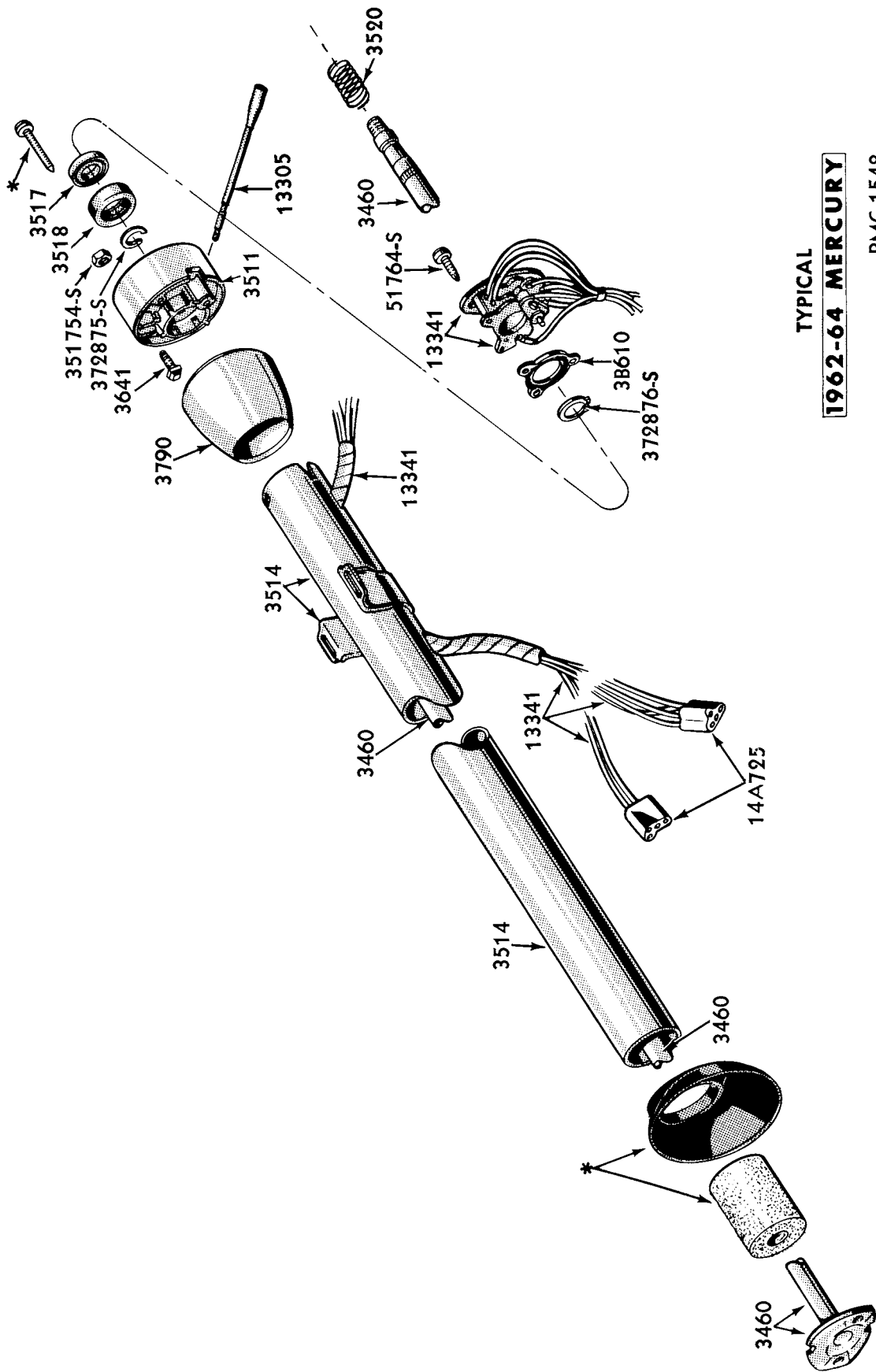
STEERING COLUMN and SHIFT MECHANISM (MOVABLE) - D/R



1964 MERCURY

PMC-1696

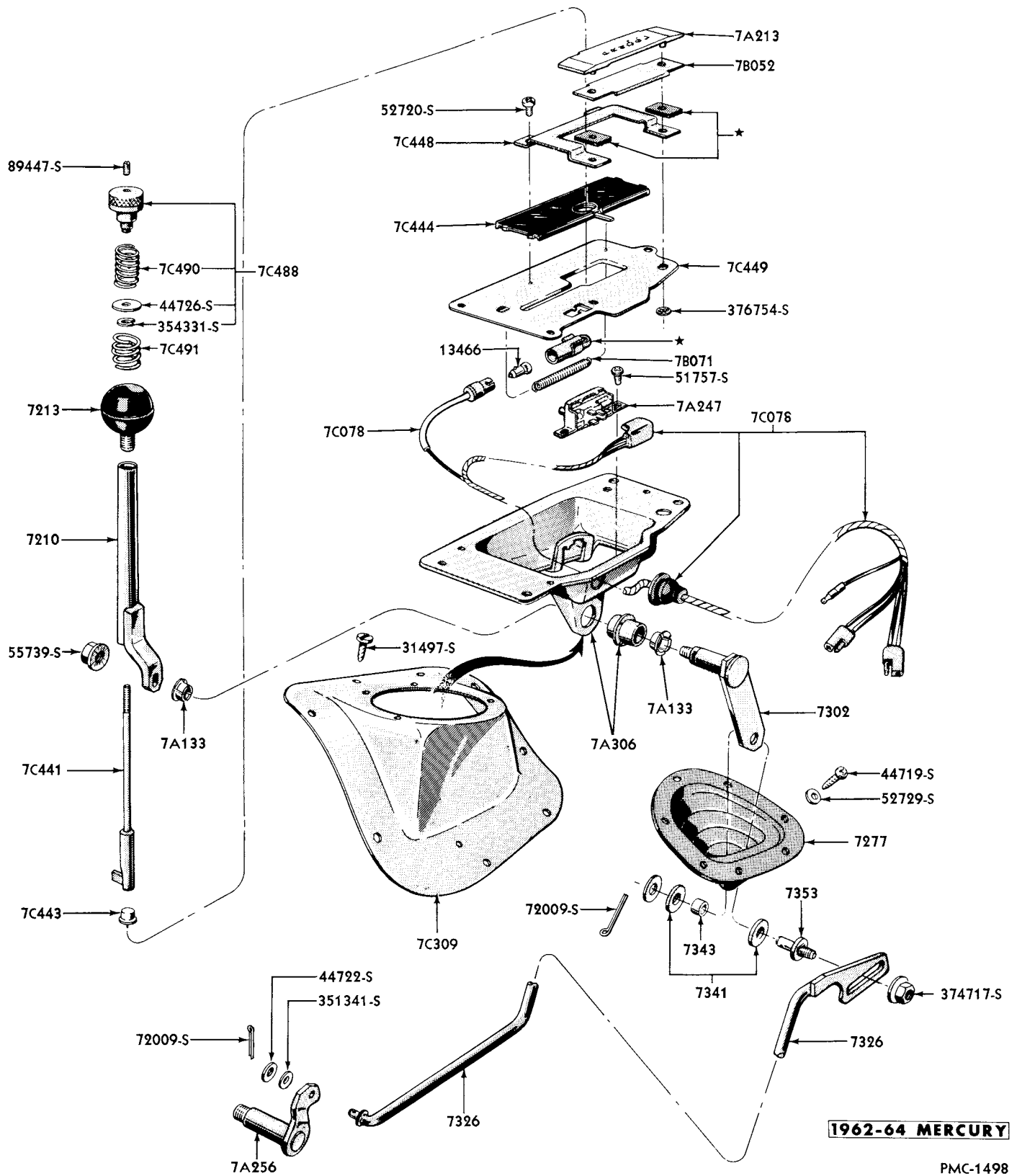
STEERING COLUMN and SHIFT MECHANISM - MOVABLE - D/R



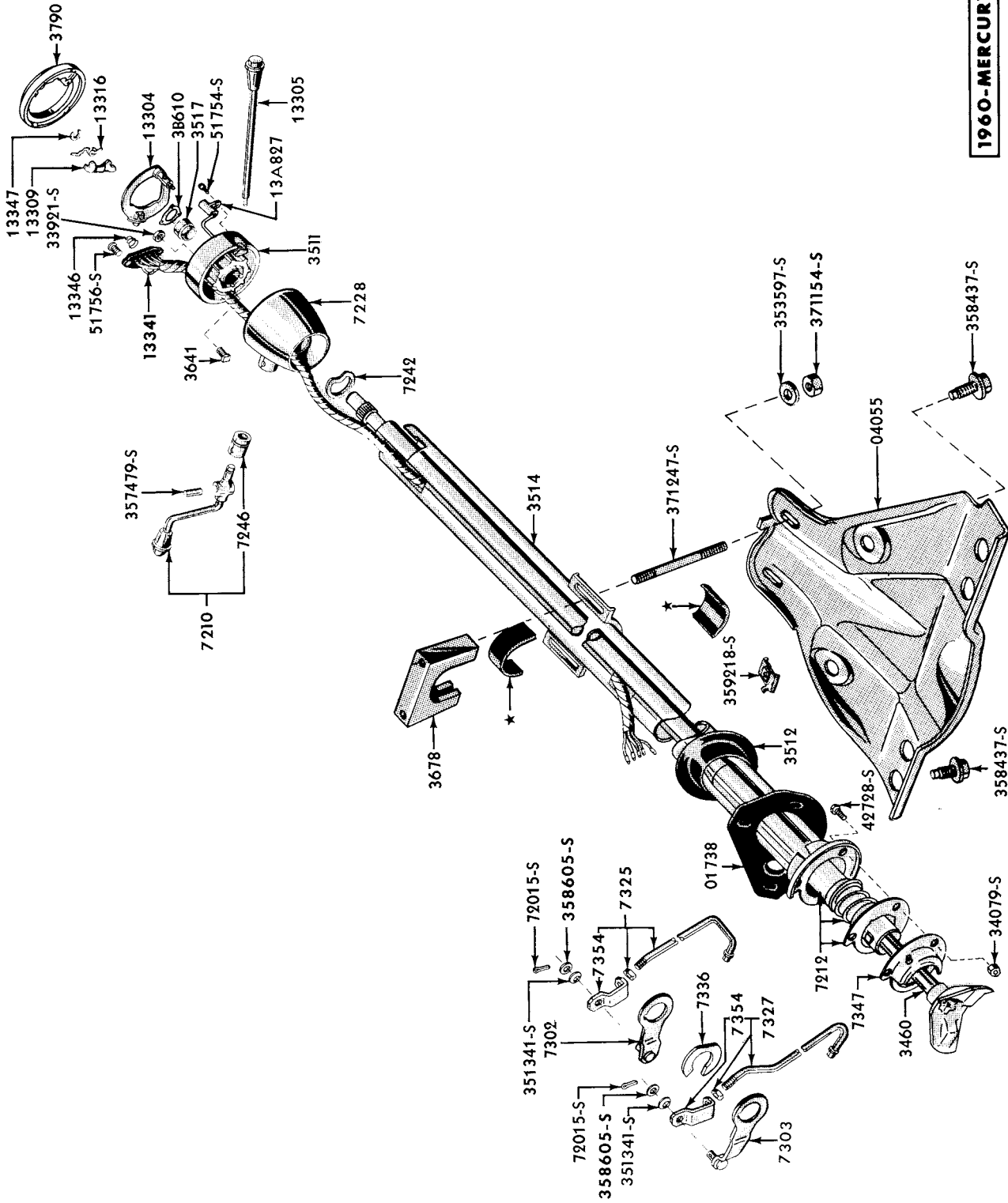
TYPICAL
1962-64 MERCURY

PMC-1548

STEERING COLUMN - CONSOLE and FLOOR SHIFT MODELS



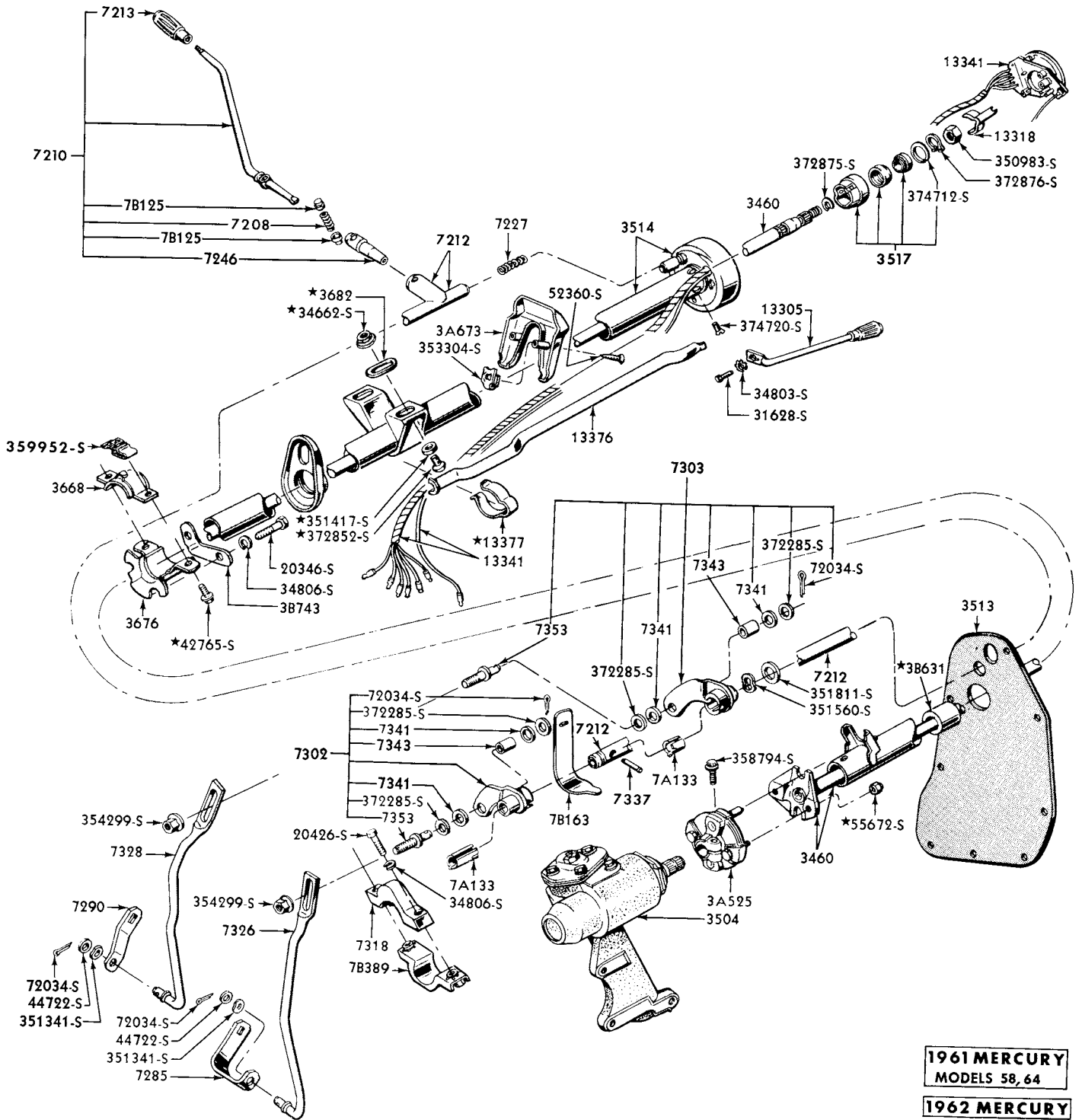
SHIFT MECHANISM - D/R - CONSOLE MODELS



1960-MERCURY

PMC-518

STEERING COLUMN and SHIFT MECHANISM - 3/5

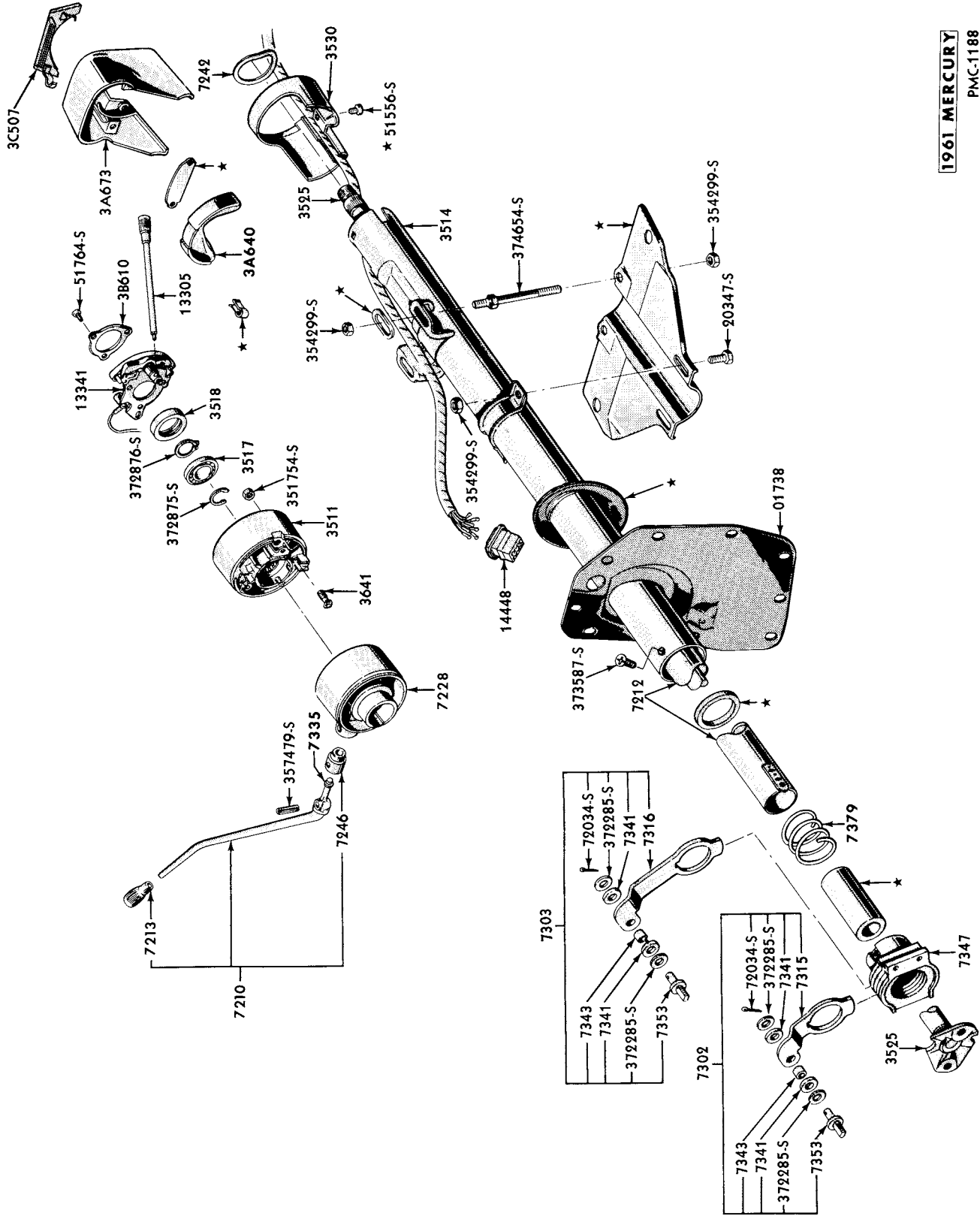


**1961 MERCURY
MODELS 58, 64**

1962 MERCURY

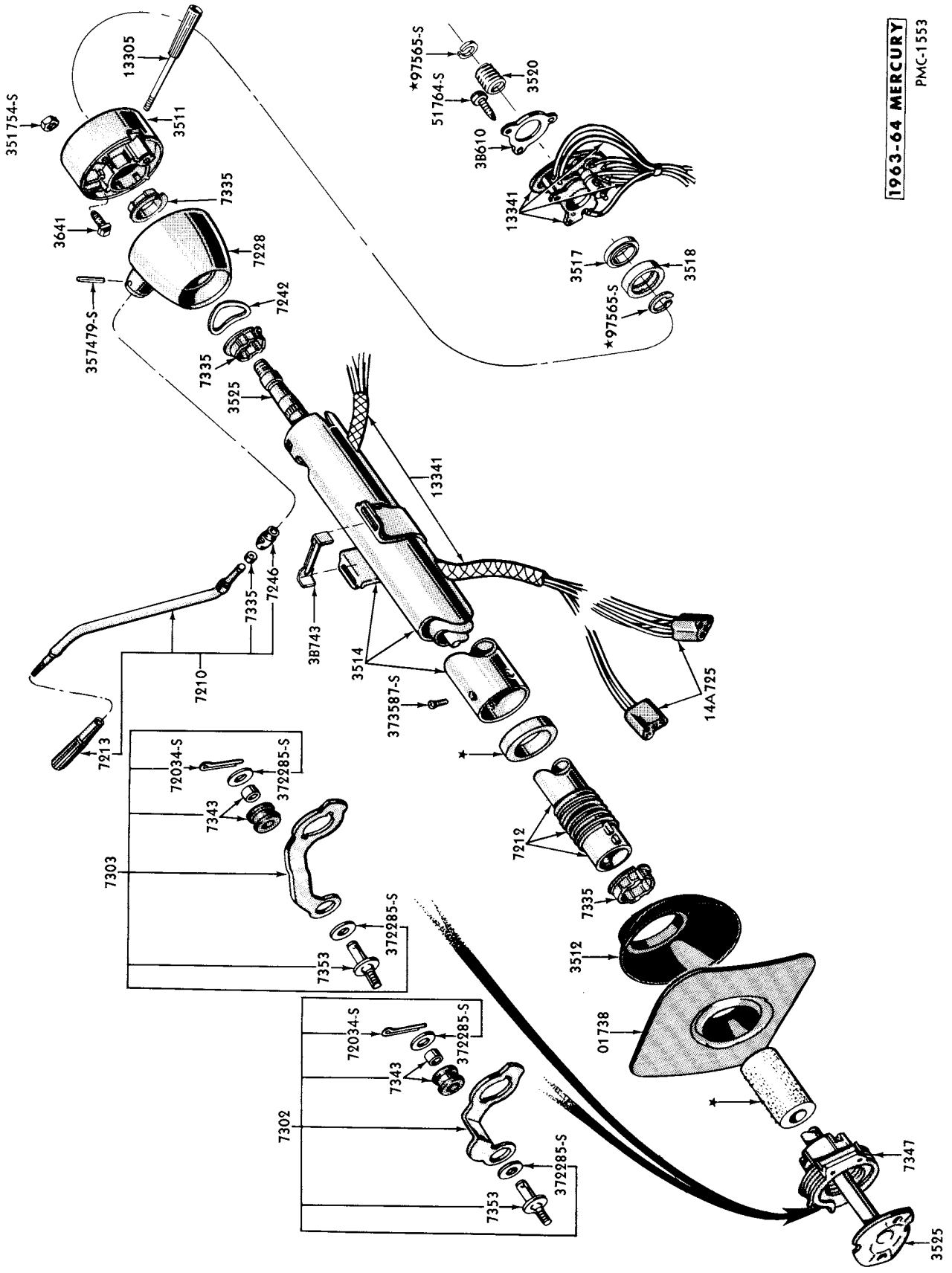
PMC-1216

STEERING COLUMN and SHIFT MECHANISM - 3/5



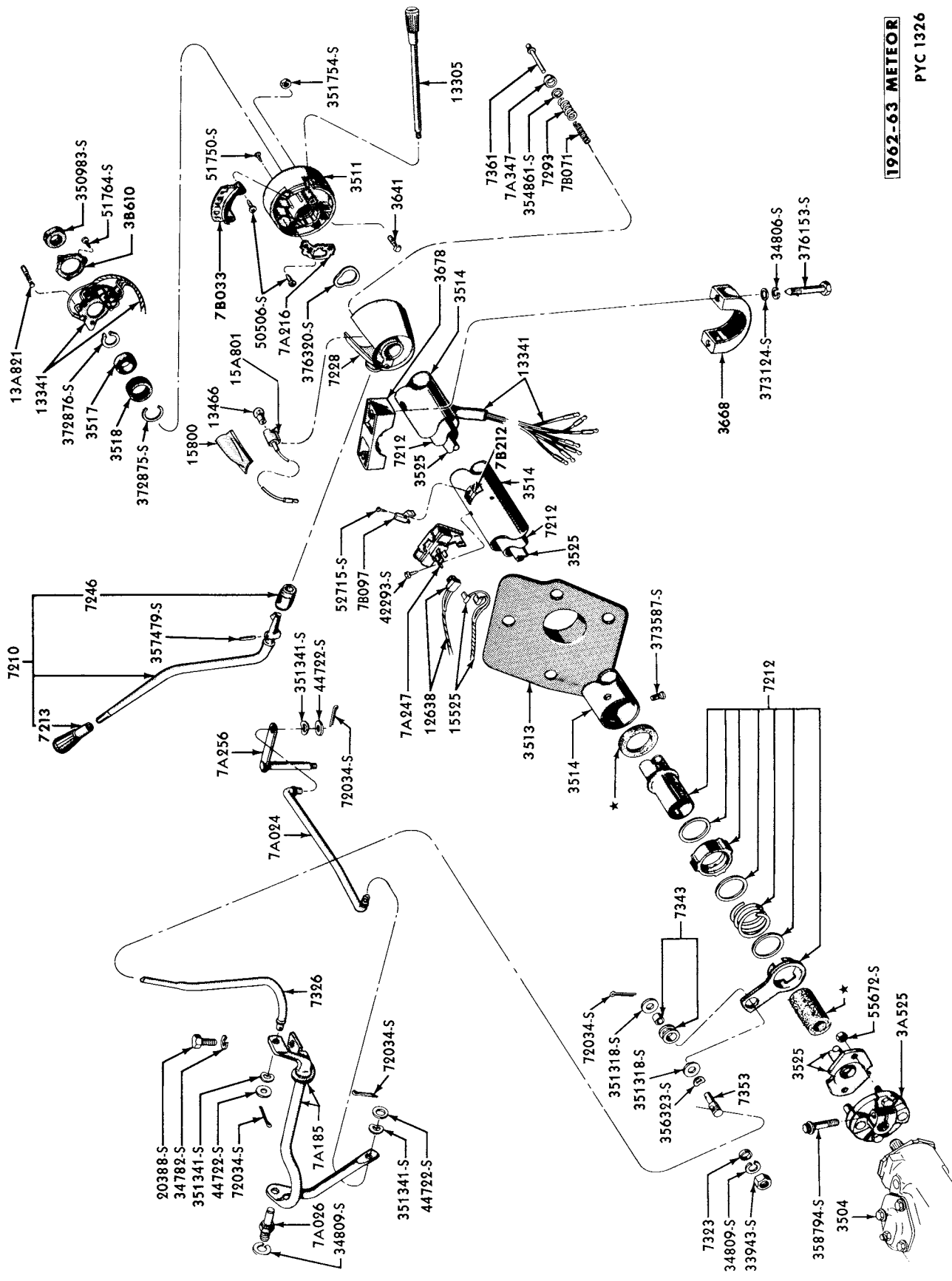
1961 MERCURY
PMC-1188

STEERING COLUMN and SHIFT MECHANISM - 3/S - EXCEPT MODELS 58, 64



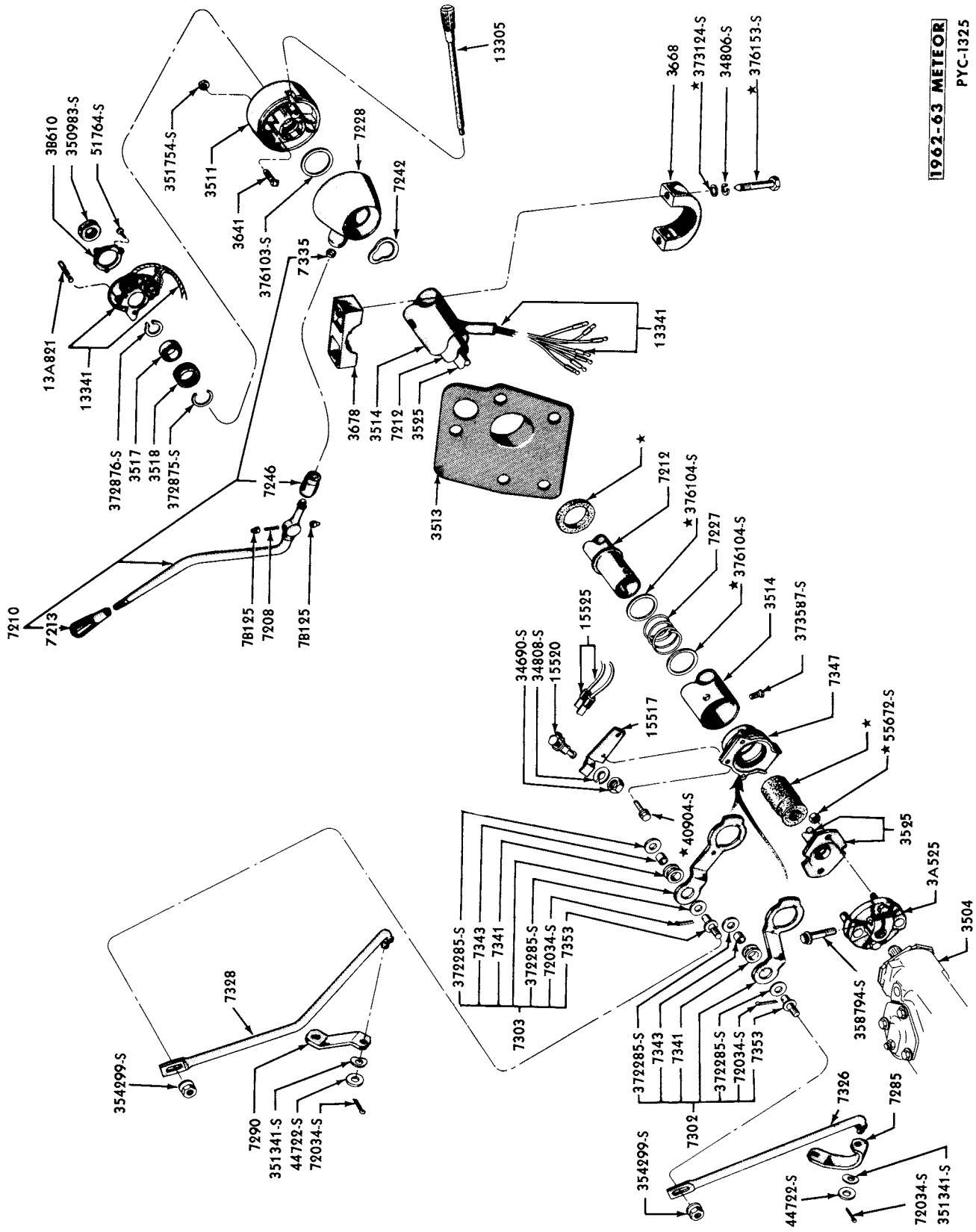
1963-64 MERCURY
 PMC-1553

STEERING COLUMN and SHIFT MECHANISM - 3/S



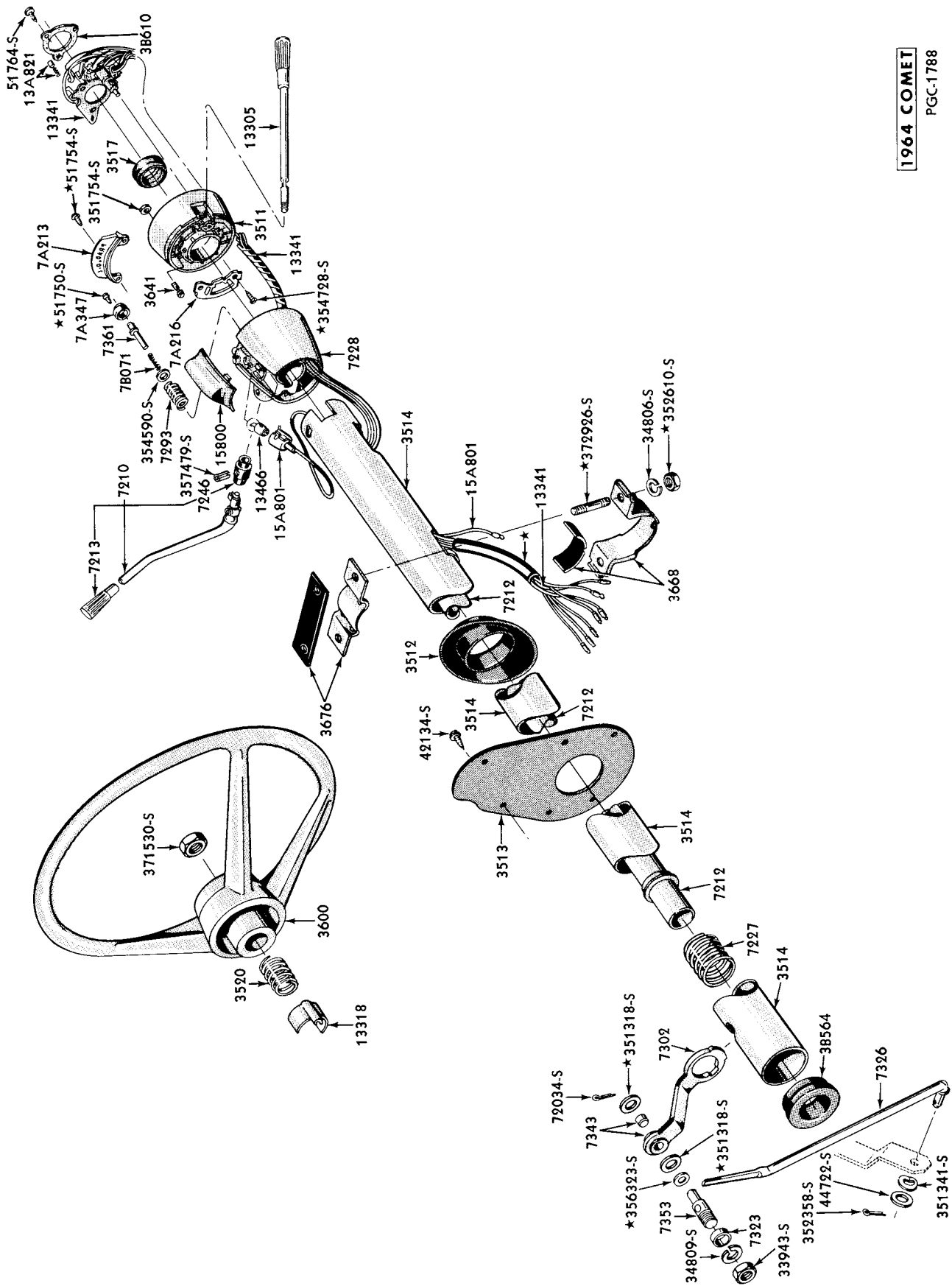
1962-63 METEOR
 PYC 1326

STEERING COLUMN and SHIFT MECHANISM - 2/S



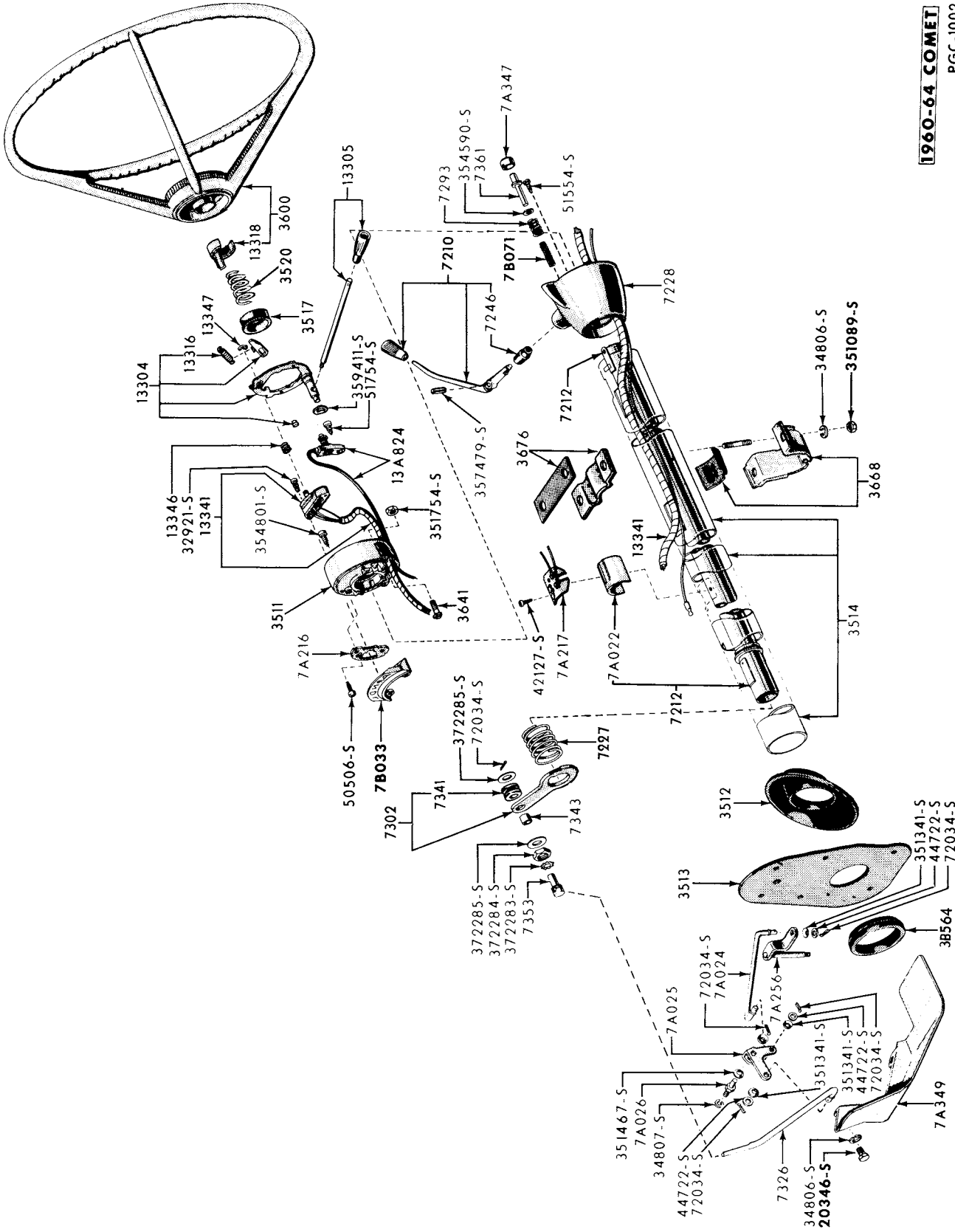
1962-63 METEOR
PYC-1325

STEERING COLUMN and SHIFT MECHANISM - 3/S



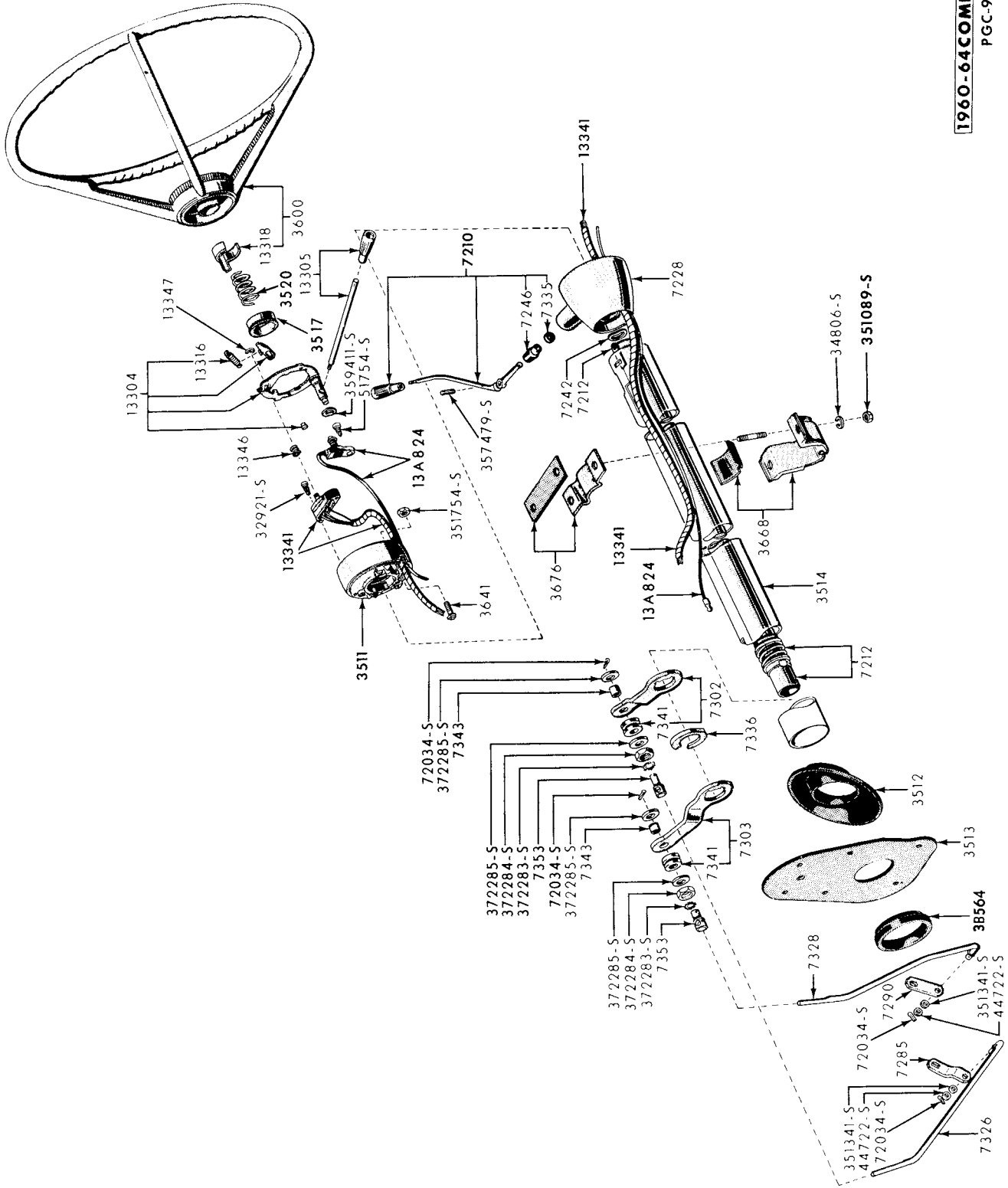
1964 COMET
PGC-1788

STEERING COLUMN and SHIFT MECHANISM - D/R



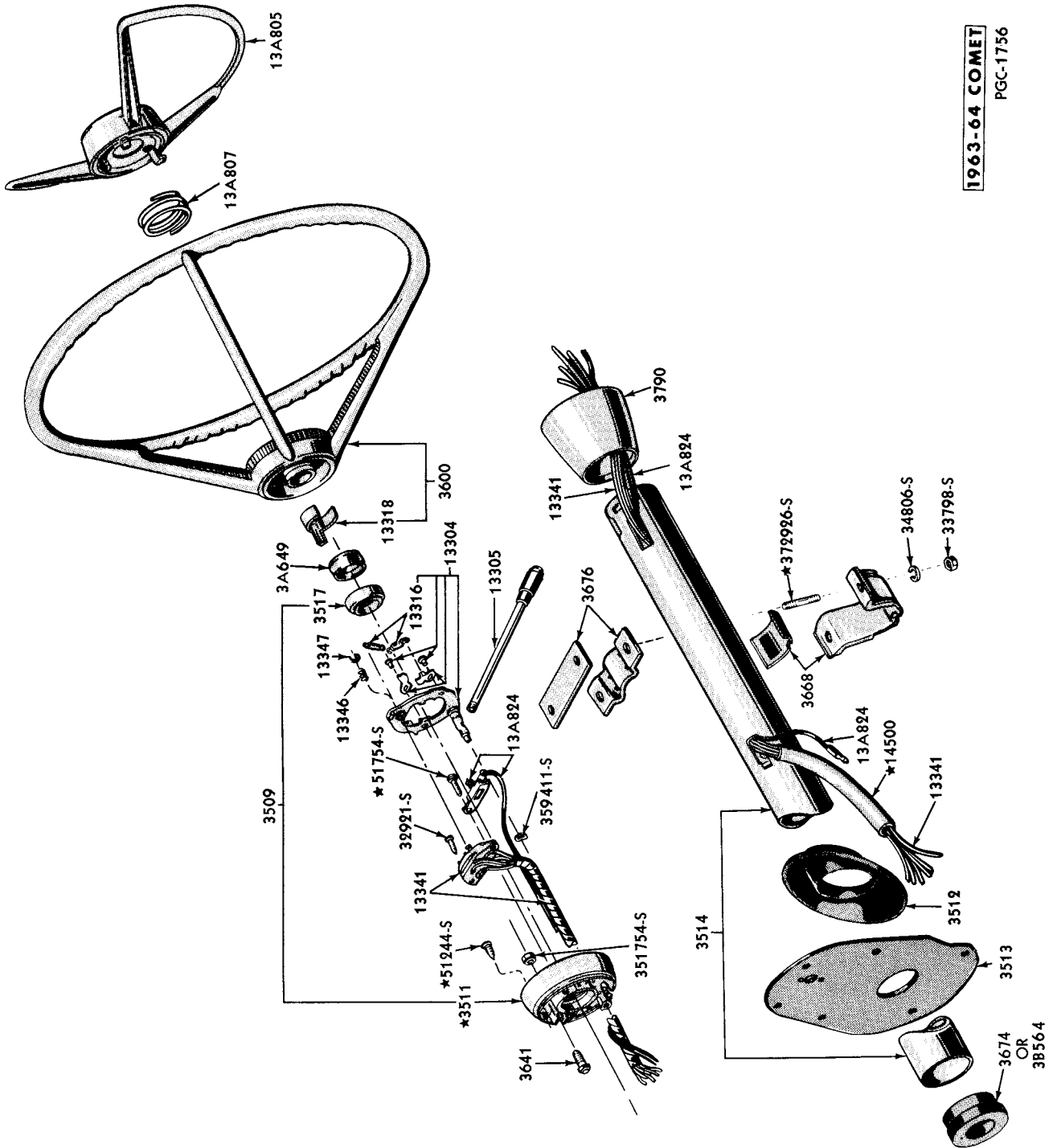
1960-64 COMET
PGC-1002

STEERING COLUMN and SHIFT MECHANISM - 2/S



1960-64COMET
PGC-945

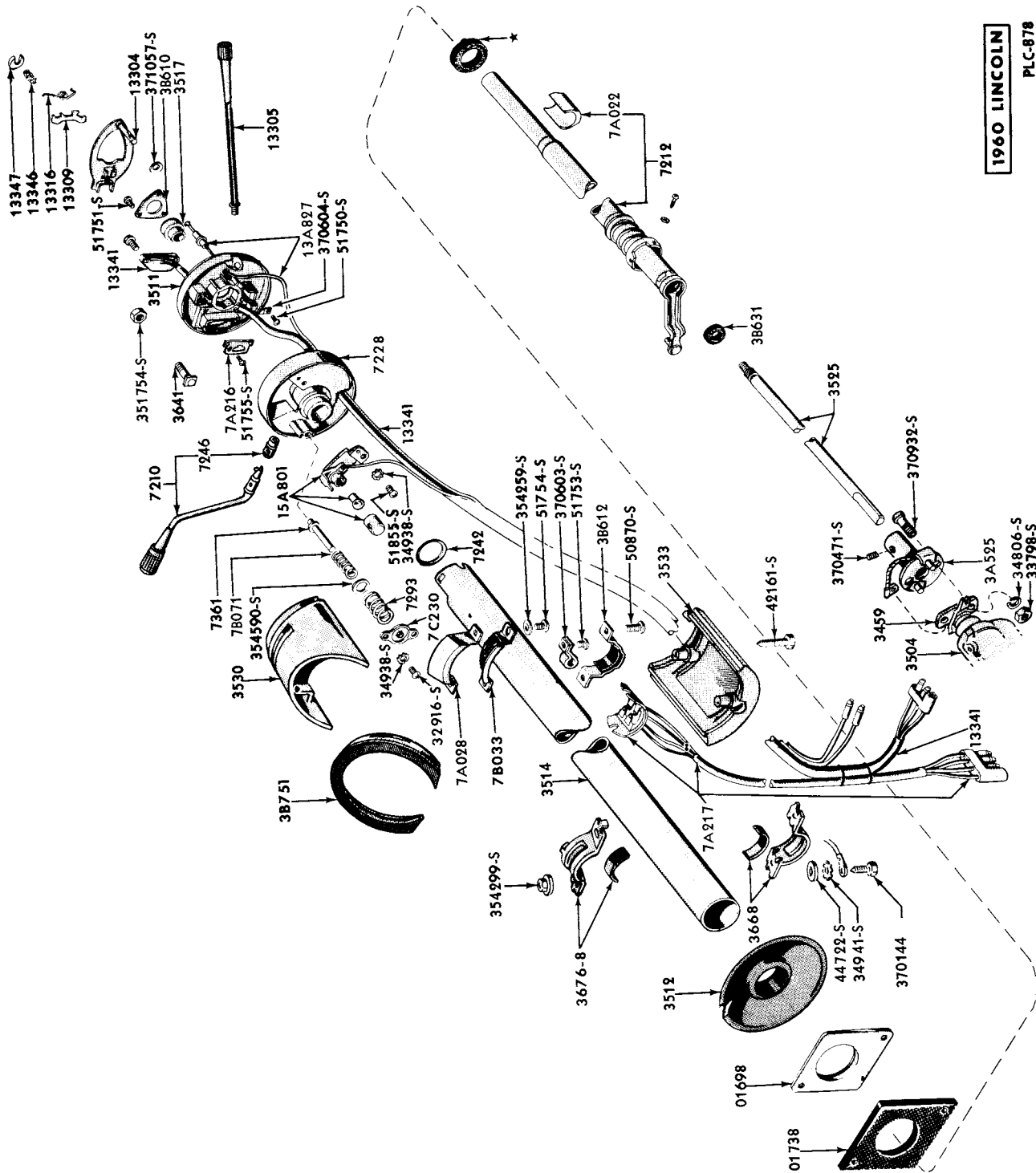
STEERING COLUMN and SHIFT MECHANISM - 3/S



1963-64 COMET

PGC-1756

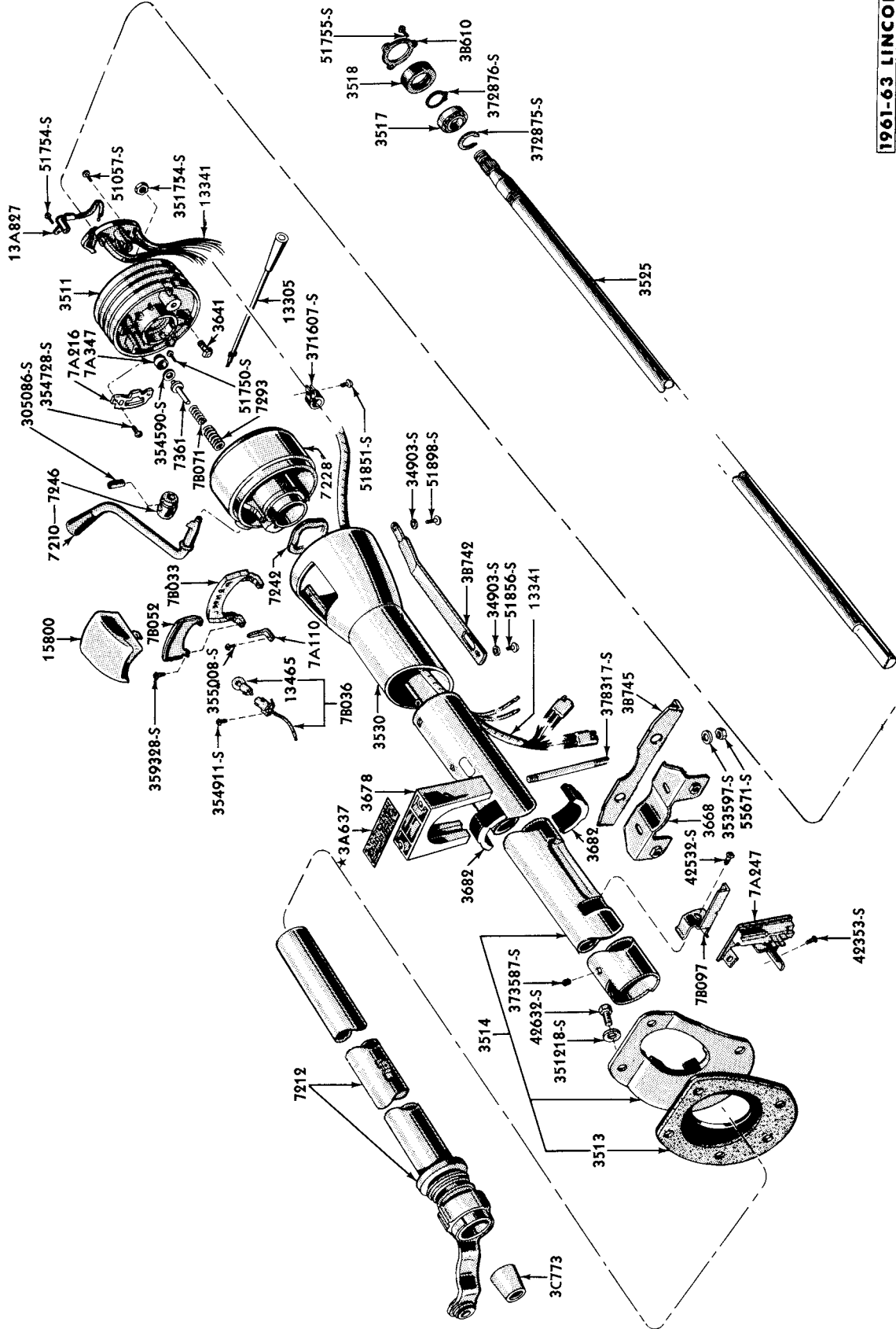
STEERING COLUMN - FLOOR SHIFT MODELS



1960 LINCOLN

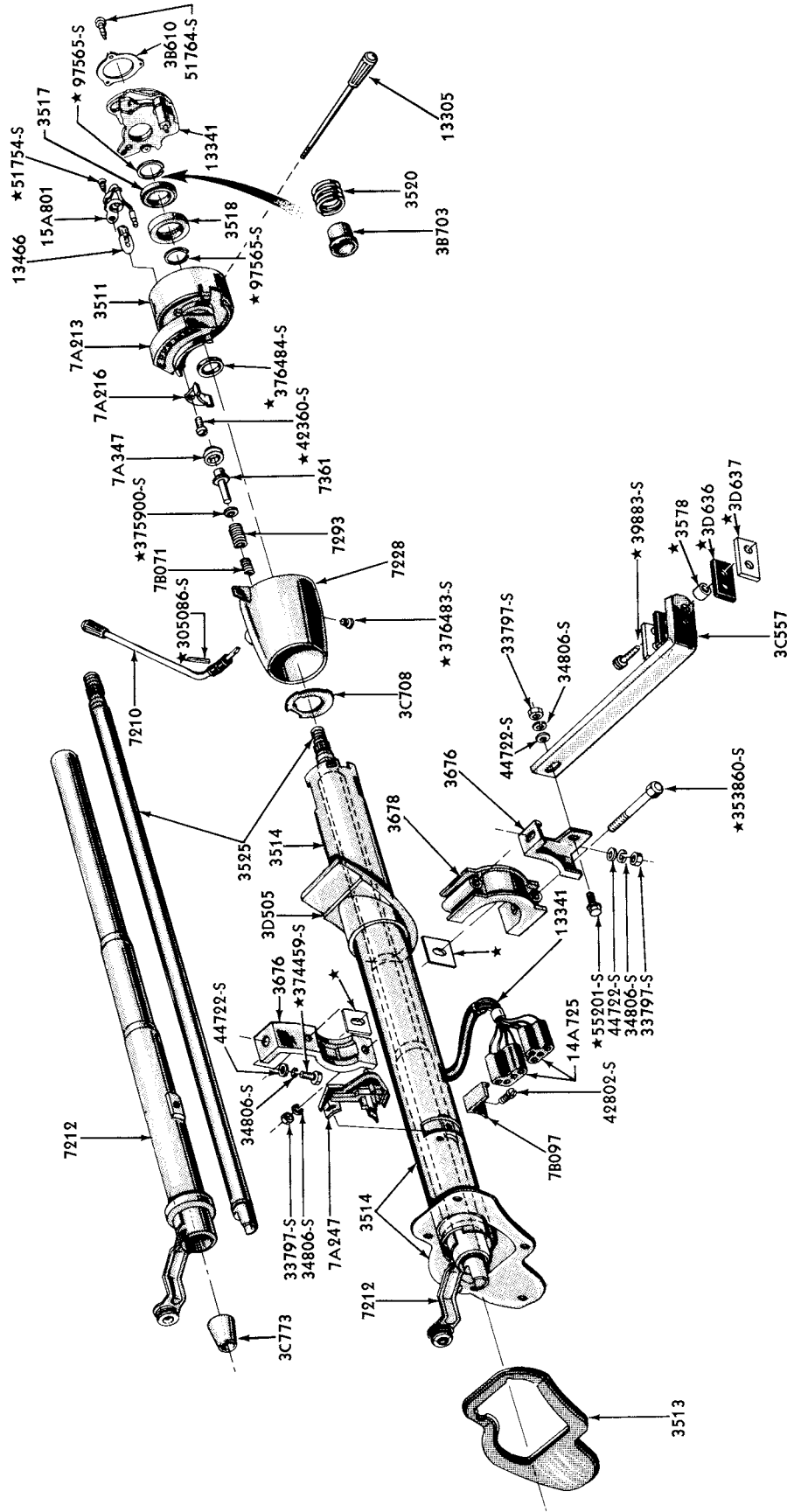
PLC-878

STEERING COLUMN and SHIFT MECHANISM-D/R



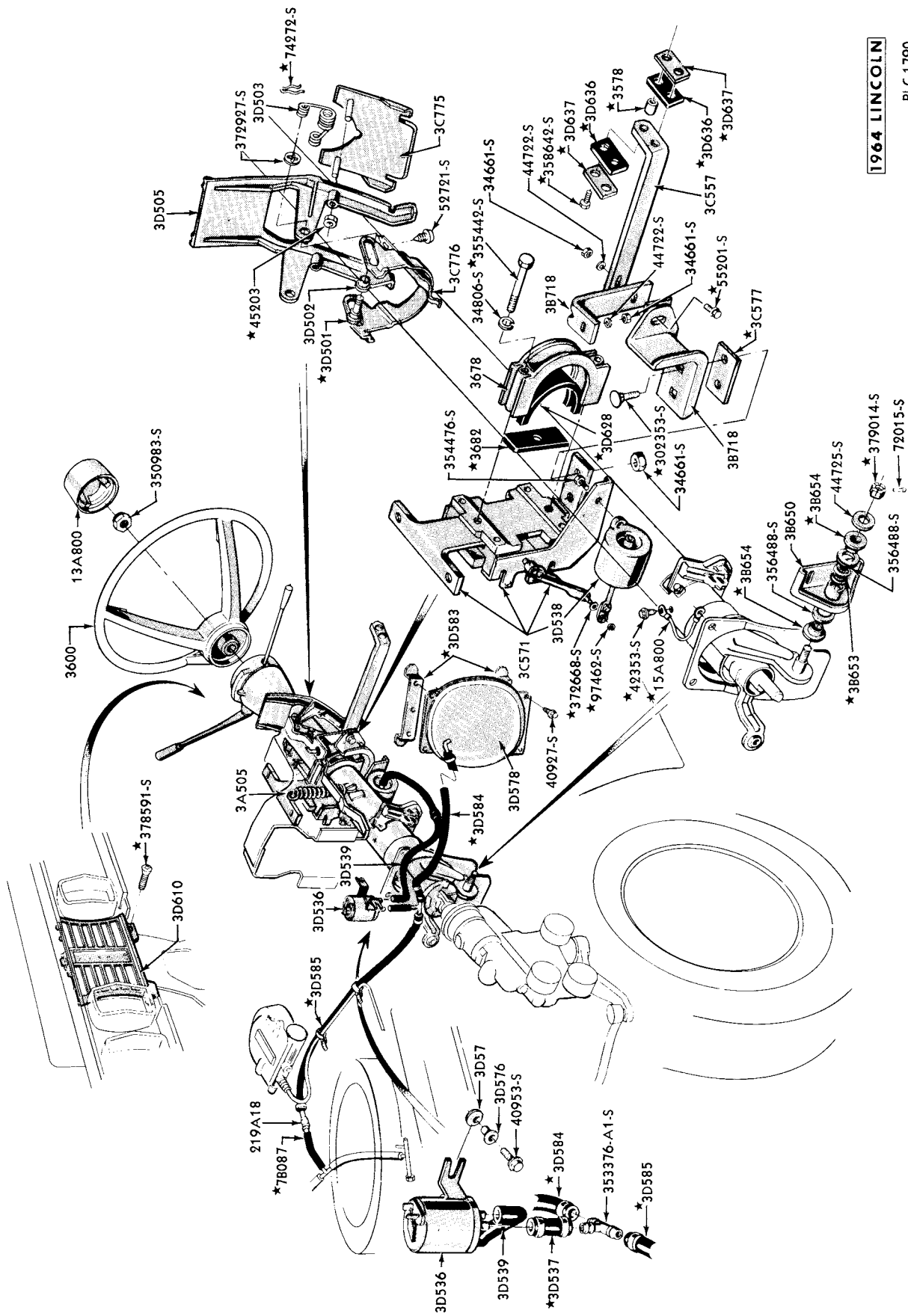
1961-63 LINCOLN
PLC-1144

STEERING COLUMN and SHIFT MECHANISM-D/R



1964 LINCOLN
PLC-1694

STEERING COLUMN and SHIFT MECHANISM - FIXED - D/R



1964 LINCOLN
PLC-1790

STEERING COLUMN INSTALLATION - MOVABLE

TRANSMISSION, ENGINE AND CARBURETOR
COMBINATION CHART

The abbreviations "ALL", "A/T", "2/S", "S/R", "D/R", "S/T", "3/S", "4/S", and "O/D" have the following meanings as to transmission application -

ALL - All Standard and Automatic Transmissions

A/T - All Automatic Transmissions

2/S - Two Speed Automatic Transmissions only

S/R - Single Range Automatic Transmissions only

D/R - Dual Range Automatic Transmissions only

S/T - All Standard Transmissions

3/S - Three Speed Standard Transmissions only

4/S - Four Speed Standard Transmissions only

O/D - Overdrive Transmission only

The following will be helpful to determine transmissions, engine and carburetor combinations.

TRANSMISSION			ENGINE	CARBURETOR	VEHICLE CODE	YEAR 19__
PART NO.	MODEL	TYPE				
COMP-7003-A COMP-7003-K	PBM-K PBM-Y	S/R	312-2V	◇B9ME-9510-A, ◇COME-9510-A	A	60
COMP-7003-D COMP-7003-L	PBL-AA PBL-AJ	S/R	383-2V	■ †COME-9510-G or K, ☆ ♣COLE-9510-D or G	A	60
COMP-7003 H COMP-7003-N COMP-7003-T	PBB-AA PBB-AC PBB-AH	S/R	430-2V	♣COLE-9510-D or G	A	60
COMP-7003-E COMP-7003-M	PBL-AB PBL-AK	D/R	383-2V	■ †COME-9510-G or K, ☆ ♣COLE-9510-D or G	A	60
COMP-7003-J COMP-7003-R COMP-7003-U	PBB-AB PBB-AE PBB-AJ	D/R	430-2V	♣COLE-9510-D or G	A	60
COMR-7003-A COMR-7003-B COMR-7003-C COMR-7003-E COMR-7003-G		3/S	312-2V	◇COME-9510-F	A	60

■ Use on vehicles not equipped with air conditioning

☆ Use on vehicles equipped with air conditioning

† Ford

♣ Carter

◇ Holley

CONTINUED ON NEXT PAGE

TRANSMISSION, ENGINE AND CARBURETOR
COMBINATION CHART - CONTINUED

TRANSMISSION			ENGINE	CARBURETOR	VEHICLE CODE	YEAR 19
PART NO.	MODEL	TYPE				
C1AP-7003-F C1AP-7003-K C3AP-7003-A	PBP-C PCH-A Δ PCH-B Δ	2/S	223-1V	%◇COAZ-9510-Z, ‡◇C1AE-9510-F	A	61
C1AP-7003-G C1AP-7003-L	PBR-C PCJ-A Δ	2/S	292-2V	%‡C1AE-9510-Z, ‡‡C1AE-9510-AB	A	61
C1AP-7003-H C1AP-7003-M	PBS-E PCK-A Δ	2/S	352-2V	%‡C1AE-9510-AD, ‡‡C1AE-9510-AF	A	61
C1MP-7003-E	PAZ-Z	S/R	292-2V	%‡C1AE-9510-Z, ‡‡C1AE-9510-AB	A	61
C1MP-7003-B	PBM-Z	S/R	352-2V	%‡C1AE-9510-AD, ‡‡C1AE-9510-AF	A	61
C1AP-7003-B C1AP-7003-V	PCC-A PCC-C Δ	D/R	292-2V	%‡C1AE-9510-Z, ‡‡C1AE-9510-AB	A	61
C1AP-7003-C C1AP-7003-Y	PCD-A PCD-D Δ	D/R	352-2V	%‡C1AE-9510-AD, ‡‡C1AE-9510-AF	A	61
C1AP-7003-D C1AP-7003-T C1AP-7003-Z	PCE-B PCE-E Δ PCE-G Δ	D/R	390-4V	‡‡COAE-9510-AH	A	61
C1AP-7003-AA	PCE-H ⊕Δ	D/R	390-4V	‡C1AE-9510-AL	A	61
C1AR-7003-A C1AR-7003-K C1AR-7003-N	□	3/S	223-1V	◇COAE-9510-E replaced by %◇COAE-9510-U, ‡◇C1AE-9510-E	A	61
C1AR-7003-B C1AR-7003-L C1AR-7003-R	□	3/S	292-2V	%‡C1AE-9510-Y, ‡‡C1AE-9510-AA	A	61
C1AR-7003-D C1AR-7003-M C1AR-7003-U	□	3/S	352-2V	%‡C1AE-9510-AC, ‡‡C1AE-9510-AE	A	61
C1AR-7003-M C1AR-7003-U	□	3/S	390-4V	‡C1AE-9510-AK	A	61
C1AA-7003-G C1AA-7003-K		O/D	223-1V	◇COAE-9510-E replaced by %◇COAE-9510-U, ‡◇C1AE-9510-E	A	61
C1AA-7003-J C1AA-7003-M		O/D	292-2V	%‡C1AE-9510-Y, ‡‡C1AE-9510-AA	A	61
C1AP-7003-K C3AP-7003-A	PCH-A Δ PCH-B Δ	2/S	223-1V	%◇C2AE-9510-E, ‡◇C2AE-9510-F	A	62
C1AP-7003-L	PCJ-A Δ	2/S	292-2V	%‡C2AF-AB, ‡‡C2AF-AD	A	62

% Use on vehicles not equipped with emission reduction system

‡ Use on vehicles equipped with emission reduction system

⊕ Police Special

□ When replacing transmission built prior to 9-2-60, also use (1) B9AA-4841-A yoke

Δ With vacuum throttle valve

‡ Ford

◇ Holley

CONTINUED ON NEXT PAGE

TRANSMISSION, ENGINE AND CARBURETOR
COMBINATION CHART - CONTINUED

TRANSMISSION			ENGINE	CARBURETOR	VEHICLE CODE	YEAR 19__
PART NO.	MODEL	TYPE				
C1AP-7003-M	PCK-A Δ	2/S	352-2V	%†C2AF-AF, ††C2AF-AH	A	62
C1AP-7003-V	PCC-C \$Δ	D/R	292-2V	%†C2AF-AB, ††C2AF-AD	A	62
C2AP-7003-A	PCC-D ⊞Δ					
C1AP-7003-Y	PCD-D \$Δ	D/R	352-2V	%†C2AF-AF, ††C2AF-AH	A	62
C2AP-7003-B	PCD-F ⊞Δ					
C1AP-7003-Z	PCE-G \$Δ	D/R	390-4V	†C2AF-T, U, AL or AM	A	62
C2AP-7003-C	PCE-S ⊞Δ					
C2AZ-7003-A		3/S	223-1V	%◇C2AE-9510-A, ‡ ◇C2AE-9510-B	A	62
C2AZ-7003-B		3/S	292-2V	%†C2AF-AA, ††C2AF-AC	A	62
C2AZ-7003-E		3/S	352-2V	%†C2AF-AE, ††C2AF-AG	A	62
C2AZ-7003-E		3/S	390-4V	‡ †C2AF-Y, †C2AF-U or AM	A	62
C2AZ-7003-F		4/S	223-1V	%◇C2AE-9510-A, ‡ ◇C2AE-9510-B	A	62
C2AZ-7003-F		4/S	292-2V	%†C2AF-AA, ††C2AF-AC	A	62
C2AZ-7003-F		4/S	352-2V	%†C2AF-AE, ††C2AF-AG	A	62
C2AZ-7003-F		4/S	390-4V	%†C2AF-AJ, ††C2AF-AK	A	62
C2AZ-7003-F		4/S	406-4V	◇C1AE-9510-AM	A	62
C2AZ-7003-F		4/S	406-6V	(2) ◇C1AE-9510-AU, (1) ◇C1AE-9510-AV	A	62
C3AP-7003-AF	PCE-AF \$	D/R	390-2V	†C3MF-B or D	A	63
C3AP-7003-AH	PCE-AG \$	D/R	390-2V	†C3MF-B or D	A	63
C3AP-7003-F	PCE-M \$	D/R	390-4V	†C3AF-R, T or AY	A	63
C3AP-7003-T	PCE-Z \$	D/R	390-4V	†C3AF-R, T or AY	A	63
C3AP-7003-N	PCE-U ⊞	D/R	390-4V	†C3AF-R, T or AY	A	63
C3AP-7003-G	PCE-N ⊞\$	D/R	390-4V	†C3AF-R, T or AY	A	63
C3AP-7003-U	PCE-AA ⊞\$	D/R	390-4V	†C3AF-R, T or AY	A	63
C3AP-7003-Y	PCE-AD ⊞	D/R	390-4V	†C3AF-R, T or AY	A	63
C3AP-7003-R	PCE-V ⊞⊞	D/R	390-4V	†C3AF-R, T or AY	A	63
C3AP-7003-V	PCE-AB ⊞⊞	D/R	390-4V	†C3AF-R, T or AY	A	63
C3AZ-7003-E	HEG-A \$	3/S	390-2V, 4V	†C3AF-N, S or AV, †C3MF-A or C	A	63
C3AZ-7003-G	⊞	4/S	390-2V, 4V	†C3AF-N, S or AV, †C3MF-A or C	A	63
C3AZ-7003-H			406-4V	◇C1AE-9510-AM or ◇C3AE-9510-A		
			406-6V	(2) ◇C1AE-9510-AU (1) ◇C1AE-9510-AV		
			427-4V	◇C3AE-9510-B	A	63
			427-8V	(2) ◇C2AE-9510-CB or (2) ◇C3AE-9510-C	A	63
C4MP-7003-A	PCE-AZ \$	D/R	390-2V	&†C3MF-D, ●†C4MF-A	A	64
C4AP-7003-F	PCE-AU \$	D/R	390-4V	†C3AF-BV or BZ	A	64
C4AP-7003-G	PCE-AV ⊞	D/R	390-4V	†C3AF-BV or BZ	A	64
C4AP-7003-H	PCE-AW\$⊞	D/R	390-4V	†C3AF-BZ	A	64
C4AP-7003-J	PCE-AY ⊞⊞	D/R	390-4V	†C3AF-BZ	A	64

% Use on vehicles not equipped with emission reduction system
 ⊞ Police Special
 \$ Use with steering column mounted shift lever
 † Ford ◇ Holley

‡ Use on vehicles equipped with emission reduction system
 Δ With vacuum throttle valve
 ⊞ Use with floor mounted shift lever
 ● Engine warranty code "H"
 & Engine warranty code "Y"

TRANSMISSION, ENGINE AND CARBURETOR
COMBINATION CHART - CONTINUED

TRANSMISSION			ENGINE	CARBURETOR	VEHICLE CODE	YEAR 19
PART NO.	MODEL	TYPE				
C4AZ-7003-K	HEG-E \$	3/S	390-2V, 4V	&†C3MF-C, †C3AF-BU or BY	A	64
†C4MY-7003-A †C5MY-7003-A	HEH-F HEH-K When replacing C4MY-7003-A with C5MY-7003-A, transfer 7050 retainer	4/S	390-2V	&†C3MF-C	A	64
†C4AZ-7003-F †C5AZ-7003-F	HEH-D HEH-J When replacing C4AZ-7003-F with C5AZ-7003-F, transfer 7050 retainer	4/S	390-4V	†C3AF-BU or BY	A	64
†C4AZ-7003-Y	HEH-H	4/S	427-4V 427-8V	◇C3AE-9510-B (1)◇C3AF-9510-BK and (1)◇C3AF-9510-BJ or (2)◇C3AE-9510-C	A A	64 64
†C5AZ-7003-G	HEH-R When replacing C4AZ-7003-Y with C5AZ-7003-G, transfer 7050 retainer					
C2OP-7003-A C3OP-7003-A	PCM-D PCM-G	2/S	170-1V	◇2343, 2343*, 2343-1	B	62
C2OP-7003-B C3OP-7003-B	PCN-A PCN-B	2/S	221-2V	†C2OF-N, %†C2OF-R, ‡†C2OF-T	B	62
C2OP-7003-C C3OP-7003-C	PCP-A PCP-B	2/S	260-2V	†C2OF-AA, %†C2OF-AB, ‡†C2OF-AD	B	62
C2OZ-7003-B		3/S	170-1V	◇2324, 2324-1, 2343, 2343*, 2343-1	B	62
C2OZ-7003-C C2OZ-7003-E		3/S	221-2V	†C2OF-N, ‡†C2OF-S	B	62
C2OZ-7003-C C2OZ-7003-E		3/S	260-2V	†C2OF-AA, ‡†C2OF-AC	B	62
C2OA-7003-C C2OA-7003-D C2OA-7003-E C2OA-7003-G		O/D	221-2V	†C2OF-N, ‡†C2OF-S	B	62
C3OP-7003-A	PCM-G	2/S	170-1V	†C3YF-B	B	63
C3OP-7003-F	PCY-A	2/S	200-1V	†C3YF-E or H	B	63
C3OP-7003-B	PCN-B	2/S	221-2V	†C3OF-D	B	63
C3OP-7003-C	PCP-B	2/S	260-2V	†C3OF-F	B	63
C2OZ-7003-B		3/S	170-1V	†C3YF-A	B	63
C3OZ-7003-A	HEE-B	3/S	221-2V	†C3OF-C	B	63
C3OZ-7003-B	HEF-D	3/S	260-2V	†C3OF-E	B	63
C3OZ-7003-C	HEF-E	3/S	260-2V	†C3OF-E	B	63
C3OZ-7003-E		4/S	221-2V 260-2V	†C3OF-C or D †C3OF-E or F	B	63
C2OA-7003-G C3OA-7003-C	Prior to 11-5-62 After 11-4-62	O/D	221-2V	†C3OF-C	B	63

% Use on vehicles not equipped with emission reduction system

† Ford ◇ Holley

‡ Use on vehicles equipped with emission reduction system

\$ Use with steering column mounted shift lever & Engine warranty code "Y"

TRANSMISSION, ENGINE AND CARBURETOR
COMBINATION CHART - CONTINUED

TRANSMISSION			ENGINE	CARBURETOR	VEHICLE CODE	YEAR 19
PART NO.	MODEL	TYPE				
C1KP-7003-A C1KP-7003-B C1KP-7003-C	PBZ-B § PBZ-D § PBZ-F §	2/S	144-1V	◇CODE-9510-B, ◇CODE-9510-D, ◇C1KE-9510-B	C	60
CODP-7003-D	PBZ-E φ	2/S	144-1V	◇CODE-9510-B, ◇CODE-9510-D, ◇C1KE-9510-B	C	60
C1KR-7003-A C1KR-7003-B C1KR-7003-D C1KR-7003-E C1GY-7003-A C2GY-7003-A	§	3/S	144-1V	◇CODE-9510-A, ◇CODE-9510-C, ◇C1KE-9510-A	C	60
CODR-7003-E CODR-7003-H CODR-7003-L C1DR-7003-E	φ	3/S	144-1V	◇CODE-9510-A, ◇CODE-9510-C, ◇C1KE-9510-A	C	60
C1GP-7003-B C1GP-7003-C	PBZ-K § PCL-C § Δ	2/S	144-1V	◇C1GE-9510-B, %◇C1GE-9510-D	C	61
C1DP-7003-D C1DP-7003-E C3DP-7003-A	PBZ-J φ PCL-A φ Δ PCL-D φ Δ	2/S	144-1V	◇C1GE-9510-B, %◇C1GE-9510-D	C	61
C1GP-7003-A C1GP-7003-D	PCF-C § PCM-C § Δ	2/S	170-1V	%◇C1GE-9510-F, ◇C1GE-9510-H	C	61
C1DP-7003-B C1DP-7003-G C3DP-7003-B	PCF-B φ PCM-A φ Δ PCM-E φ Δ	2/S	170-1V	%◇C1GE-9510-F, ◇C1GE-9510-H	C	61
C1KR-7003-D C1KR-7003-E C1GY-7003-A C2GY-7003-A	§	3/S	144-1V	‡ ◇C1GE-9510-A, ◇C1GE-9510-B, %◇C1GE-9510-C	C	61
CODR-7003-H CODR-7003-L C1DR-7003-E	φ	3/S	144-1V	‡ ◇C1GE-9510-A, ◇C1GE-9510-B, %◇C1GE-9510-C	C	61
C1GR-7003-A C1GY-7003-B C2GY-7003-B	§ § §	3/S 3/S 3/S	170-1V 144-1V 144-1V	%◇C1GE-9510-E, ‡ ◇C1GE-9510-G, ◇C1GE-9510-H	C	61
C1DR-7003-B C1DR-7003-D	φ	3/S	170-1V	%◇C1GE-9510-E, ‡ ◇C1GE-9510-G, ◇C1GE-9510-H	C	61
C1GP-7003-C	PCL-C § Δ	2/S	144-1V	◇2342, 2342*, 2342-1	C	62
C1DP-7003-E C3DP-7003-A	PCL-A φ Δ PCL-D φ Δ	2/S	144-1V	◇2342, 2342*, 2342-1	C	62
C1GP-7003-D	PCM-C § Δ	2/S	170-1V	◇2343, 2343*, 2343-1	C	62
C1DP-7003-G C3DP-7003-B	PCM-A φ Δ PCM-E φ Δ	2/S	170-1V	◇2343, 2343*, 2343-1	C	62
C1GY-7003-A C2GY-7003-A	§	3/S	144-1V	◇2311, 2311*, 2342, 2342*	C	62

% Use on vehicles not equipped with emission reduction system

§ For all models except 59, 71

† Ford

◇ Holley

‡ Use on vehicles equipped with emission reduction system

Δ With vacuum throttle valve

φ For models 59, 71

TRANSMISSION, ENGINE AND CARBURETOR
COMBINATION CHART CONTINUED

TRANSMISSION			ENGINE	CARBURETOR	VEHICLE CODE	YEAR 19
PART NO.	MODEL	TYPE				
C1DR-7003-E C2DZ-7003-E	φ	3/S	144-1V	◇2311, 2311*, 2342, 2342*	C	62
C1GY-7003-B C2GY-7003-B	§	3/S	170-1V 144-1V	◇2324, 2324-1, 2343, 2343*, 2343-1	C	62
C1DR-7003-D C2DZ-7003-D	φ	3/S	170-1V 144-1V	◇2324, 2324-1, 2343, 2343*, 2343-1	C	62
C2DZ-7003-F C2DZ-7003-F		4/S	144-1V 170-1V	◇2311, 2311*, 2342, 2342* ◇2324, 2324-1, 2343, 2343*, 2343-1	C C	62 62
C3DP-7003-A C3GP-7003-A	PCL-D φ PCL-E §	2/S	144-1V	†C3GF-B	C C	63 63
C3DP-7003-B C3GP-7003-B	PCM-E φ PCM-F §	2/S	170-1V	†C3YF-B	C C	63 63
C3OP-7003-E C2GY-7003-A	PCP-G §	2/S	260-2V 144-1V	†C3OF-F †C3GF-A	C C	63 63
C2DZ-7003-E C2GY-7003-B	φ §	3/S	144-1V 170-1V	†C3GF-A †C3YF-A	C C	63 63
	§	3/S	144-1V	†C3GF-A	C	63
C2DZ-7003-D	φ	3/S	170-1V	†C3YF-A	C	63
	φ	3/S	144-1V	†C3GF-A	C	63
C3DZ-7003-B C2DZ-7003-F C2DZ-7003-G	HEF-N	3/S 4/S	260-2V 144-1V 170-1V	†C3OF-E †C3GF-A, †C3YF-A	C C	63 63
C3DZ-7003-C		4/S	260-2V	†C3OF-E	C	63
C4GP-7003-A C4GP-7003-L	PCW-D PCW-Y	D/R	260-2V	†C4OF-B	C C	64 64
C4GP-7003-B C4GP-7003-M	PCW-E PCW-Z	D/R	289-4V 280-4V	†C4GF-E or AB †C4GF-E or AB	C C	64 64
C4GP-7003-F C4GP-7003-K	PCY-D § PCY-F §	2/S	200-1V	†C3YF-H	C	64
C4GP-7003-E C4GP-7003-J	PCY-C φ PCY-E φ	2/S	200-1V	†C3YF-H	C	64
C4GY-7003-A C4DZ-7003-D	HED-AU § HED-AX φ	3/S	170-1V	†C3YF-F	C C	64 64
C4DZ-7003-B	HEF-AN	3/S	260-2V, 289-4V	†C4OF-A or B †C4GF-AA	C C	64 64
C4DZ-7003-E ▲C3DZ-7003-C	HEF-BC	4/S	260-2V, 289-4V	†C4OF-A or B †C4GF-AA	C C	64 64
▲C3DZ-7003-D †C4DZ-7003-A	HEH-A	4/S	260-2V, 289-4V	†C4OF-A or B †C4GF-AA	C C	64 64
†C5DZ-7003-B	HEH-M When replacing C4DZ-7003-A with C5DZ-7003-B, transfer 7050 retainer					
COLP-7003-C C2VP-7003-A	PBB-AG PCA-D	D/R	430-2V	●COLE-9510-A, B and G ●C1VE-9510-B, C, D, E	D D	60 61
C2VP-7003-A C3VP-7003-A	PCA-D PCA-E	D/R	430-2V 430-4V	●C2VE-9510-A, B, C, D, E ●C3VE-9510-A, B, D, E	D D	62 63/64

φ For models 59, 71

§ For all models except 59, 71

† Ford

● Carter

▲ Warner

◇ Holley

Transmission and Clutch

GROUP AND PART NUMBER	TYPE	DESCRIPTION, SIZE, ETC.	NO. REQ'D	MODEL OR ENGINE CUBIC INCH DISPLACEMENT	VEHICLE CODE	YEAR 19__
7D000		REFER TO GROUP 7A173 and 7A174				
7003		REFER TO TRANSMISSION, ENGINE & CARBURETOR COMBINATION CHART				
7A003 SPRING (TRANSMISSION FRONT BAND SERVO PISTON RETRACTING)						
B9AZ 7A003-C	2/S		1	PCJ	A	61/62
COAP 7A003-A	2/S		1	PBS, PCK-A	A	61/62
C1AP 7A003-A	2/S		1	PCH, PBR	A	61/62
C2AZ 7A003-A	2/S		1	PCK-A1	A	61/62
B5AZ 7A003-A	S/R	& D/R - 29/32" O. D. x 2" long - (9) 1/2" coils	1	PBM, PBL, PBB, PAZ, PCA, PCC, PCD, PCE	A D	60/64
C2OZ 7A003-A	2/S		1	PBP	A	61
	2/S	Color - (1) DARK BLUE stripe	1	PCN	B	62
	2/S		1	PBZ	C	60/61
	2/S		1	PCM, PCY-E, F	C	63/64
C1DP 7A003-A	2/S		1	PCF, PCL, PCM	B C	61/62
	2/S		1	PCL	C	63
C2OZ 7A003-B	2/S	Color - (1) LIGHT BLUE stripe	1	PCP	B C	62/63
C3OZ 7A003-B	2/S	Color - (1) PINK stripe	1	PCN, PCY-A, C, D	B C	63/64
C4AZ 7D028-A	D/R		1	PCW	C	64
7005-6 CASE (TRANSMISSION)						
COAP 7005-V	S/R		(b) 1	PBL	A	60
C1TZ 7005-B	S/R		(a) 1	PAZ, PBM	A	60/61
B8AZ 7005-B	D/R		1	PBL, PCE	A	60/62
Package also includes -						
(1) C1VP-7A119-A	pin	(1) 353777-S	connector	(1) I. S. -971	instruction sheet	
(1) 1P-77308-A	pin	(1) 372226-S	connector	(1) I. S. -1035	instruction sheet	
C1AZ 7006-B	3/S		1	312, 352, 390	A	60/62
C1AZ 7005-A	2/S		(e) 1	PBP	A	61
C1AZ 7005-B	2/S		(e) 1	PBR	A	61
C1AP 7005-N	2/S		(e) 1	PCH	A	61/62
C1AP 7005-R	2/S		(e) 1	PCJ	A	61/62
C3AZ 7005-H	2/S		(e) 1	PBS, PCK	A	61/62
B8AZ 7005-A	D/R		1	PCC, PCD	A	61/62
C3AZ 7005-C	D/R		1	PCE	A	63/64
C3AZ 7006-C	3/S		1	HEG	A	63/64
C1AZ 7006-A	3/S		1	221, 223, 260, 292	A B	61/62
B5A 7006-E	O/D		1	223	A	61
	O/D	Use on vehicles built prior to 5-1-62	1	221	B	62
C2AZ 7006-A	O/D	Use on vehicles built after 4-30-62	1	221	B	62
	O/D	Use on vehicles built prior to 11-5-62	1	221	B	63
C2AZ 7006-B	O/D		(e) 1	292	A	61
	O/D	Use on vehicles built after 11-4-62	1	221	B	63
C4AZ 7005-B	4/S	Use with Ford design transmission	1	HEH	A C	64
COMP 7005-R	S/R	& D/R - also use (1) B9LP-7A246-B tube, (1) 372986-S clip and (1) 372987-S nut	(b) 1	PBB	A D	60
C2AZ 7005-A	4/S	Use with Warner design transmission	1	All	A	62/64
	4/S		1	All	B	63
	4/S		1	260, 289	C	63/64
C2OZ 7006-A	3/S		1	170	B	62
C3AZ 7006-A	3/S		1	HEE	B	63

CONTINUED ON NEXT PAGE

Transmission and Clutch

GROUP AND PART NUMBER	TYPE	DESCRIPTION, SIZE, ETC.	NO. REQ'D	MODEL OR ENGINE CUBIC INCH DISPLACEMENT	VEHICLE CODE	YEAR 19__
7005-6 CASE (TRANSMISSION) CONTINUED						
C1DZ 7005-D	2/S	Use (1) C1DP-7A246-A when replacing (d) CODP-7005-J with C1DP-7005-D and also use (1) C3AZ-6730-A plug in vacuum diaphragm hole when replacing PBZ or PCF transmission cases	1	PBZ, PCF, PCL, PCM	C	60/62
	2/S	Also use (1) C2OZ-7A816-A cover for air intake cooling holes	1	PCM	B	62
C3OZ 7005-F	2/S	Plug manual linkage hole with 371445-S	1	PCN, PCP	B	62/63
	2/S	Use (1) 372987-S nut in breather tube opening	1	PCP	C	63
C3DZ 7005-D	2/S	☆Also use (1) C2OZ-7A816-A cover for air intake cooling holes	1	PCM☆, PCY	B	63
	2/S		(d) 1	PCL, PCM	C	63
C2OZ 7006-B	3/S		1	170	B	63
	3/S	For all models except 71	1	HED	C	64
C3AZ 7006-B	3/S		1	HEF	B C	63/64
CODR 7006-A	3/S		(c) 1	144, 170	C	60/63
	3/S	For model 71	1	HED	C	64
C2DZ 7005-A	4/S		1	144, 170	C	62/63
C4OZ 7005-B	2/S		(d) 1	PCY	C	64
Package also includes -						
(1) C3AZ-7D273-A connector						
C4AZ 7005-A	D/R	Use 7D273 connector from old case - use on vehicles built prior to 2-17-64	1	PCW	C	64
C4AZ 7005-C	D/R	Use 7D273 connector from old case - use on vehicles built after 2-16-64	1	PCW	C	64
Package also includes -						
(12) C4AZ-7D170-C springs (1) C4AZ-7D191-C retainer						
C1VP 7005-N	D/R	Use on vehicles built prior to 1-3-61	1	PCA	D	61
C3VY 7005-A	D/R	Use on vehicles built after 1-2-61	1	PCA	D	61/64
20534-S		Bolt-hex. hd. -3/8"-16 x 2-1/4"	AR	d		
34807-S		Lockwasher-3/8"	AR	d		
34808-S		Lockwasher-7/16"	4	c		
74114-S		Plug-expansion-13/16"	1	c		
87525-S		Connector-steel-1/4" taper external thread x 5/8"-18 internal thread x 59/64" length	AR	b		
87650-S		Plug-hex. hd. -1/8"-27	AR	d		
353064-S		Plug-pipe-1/2"-14	2	c		
353603-S		Plug-cup-17/64" x 15/64" x 1/4" overall length	AR	d		
357916-S		Plug-dry seal pipe-1/8"-27	AR	a		
359078-S		Connector-steel-1/8" taper external thread x 5/8"-18 internal thread x 59/64" length	1	a		
371550-S		Elbow-steel-1/8" taper external thread x 5/8"-18 internal thread x 17/32" length	1	a		
372894-S		Plug-cup-23/64" x 21/64" x 21/64" overall length	AR	d		
373162-S		Bolt-hex. hd. -3/8"-16 x 1-1/8"-self-seal	1	e		
7A006 SPRING (TRANSMISSION FRONT OIL PUMP BALL PRESSURE)						
B9AZ 7A006-A	2/S		1	PBP, PBR, PBS, PCH, PCJ, PCK	A	61/62
	2/S		1	PBZ, PCF, PCL, PCM, PCN, PCP, PCY	B C	60/64
7D006 REFER TO GROUP 7A398						

Transmission and Clutch

GROUP AND PART NUMBER	TYPE	DESCRIPTION, SIZE, ETC.	NO. REQ'D	MODEL OR ENGINE CUBIC INCH DISPLACEMENT	VEHICLE CODE	YEAR 19__
7007		PLATE (ENGINE REAR COVER)				
B9A 7007-A	2/S		1	PBP	A	61
EAG 7007-A	3/S	& O/drive	(a) 1	223	A	61
C3AZ 7007-B	ALL		1	All	A	63/64
C2OZ 7007-B	2/S		1	PCN, PCP	B C	62/63
	D/R		1	PCW	C	64
C2OZ 7007-A	3/S	& O/drive	1	221, 260	B C	62/63
	S/T		1	260, 289	C	64
C3DZ 7007-B	2/S		1	PCL, PCM	B C	63
C3DZ 7007-A	3/S		1	144, 170	C	63
C3UZ 7007-A	3/S		1	HED	C	64
C2VY 7007-A	D/R		1	PCA	D	62/64
358716-S		Screw and washer-5/16"-18 x 5/8"	2	a		
7B007		CLIP (TRANSMISSION LINE PRESSURE LINKAGE)				
COMM 7B007-A	S/R	& D/R	1	PBM, PBL, PBB	A D	60
7A008		PLATE (TRANSMISSION CONTROL VALVE BODY SEPARATING)				
B8AZ 7A008-B	S/R		(a) 1	PAZ, PBM, PBL, PBB	A	60/61
B9AZ 7A008-B	2/S		1	PBS	A	61
C1AP 7A008-C	2/S	Use with 7A100 stamped 74	1	PCJ	A	61/62
C1AP 7A008-H	2/S		1	PCK-A	A	61/62
C1DP 7A008-B	2/S	Use with 7A100 stamped 83	1	PCH	A	61/62
C2AZ 7A008-A	2/S	Use with 7A100 stamped 91	1	PCK-A1	A	61/62
C2AZ 7A008-B	2/S	Use with 7A100 stamped 95	1	PCH	A	62
C2AZ 7A008-C	2/S	Use with 7A100 stamped 96	1	PCJ	A	62
C2AZ 7A008-F	2/S	Use with 7A100 stamped 97 or 104	1	PCK-A1	A	62
CODP 7A008-A	2/S		1	PBP, PBR	A	61
	2/S		1	PBZ	C	60/61
B9AP 7A008-A	D/R		(a) 1	PBL, PBB	A	60
			(a, b) 1	PBB	D	60
C3AZ 7A008-A	2/S	Use with 7A100 stamped 114	1	PCH	A	61/62
	2/S		1	PCL, PCM, PCN, PCP, PCY	B C	63
C2OZ 7A008-A	2/S	Use with 7A100 stamped 1F, 102 or 111	1	PCL, PCN, PCP	B C	61/62
C2DZ 7A008-B	2/S	Use with 7A100 stamped 99	1	PCM	B C	62
C1DP 7A008-A	2/S		1	PCF	C	61
C1DP 7A008-D	2/S	Use with 7A100 stamped 76	1	PCL	C	61/62
C1DP 7A008-E	2/S	Use with 7A100 stamped 88	1	PCM	C	61/62
C2DZ 7A008-A	2/S	Use with 7A100 stamped 98 or 109	1	PCL	C	62
C1VP 7A008-B	D/R		1	PCA	D	61/62
357846-S		Screw-flat hd. -No. 10-24 x 3/8"-plate to upper valve body	1	a		
358509-S		Screw and washer-fill. hd. -No. 10-24 x 7/16"-plate to lower valve body	4	b		
7B008		CAP (TRANSMISSION LINKAGE ADJUSTMENT GAUGE VALVE)				
COMM 7B008-A	A/T		1	PBM, PBL, PBB, PBZ	A C D	60
7C008		CLIP (TRANSMISSION OIL TUBE)				
C2OZ 7C008-C	2/S		1	PCM	B	62
C3OZ 7C008-A	2/S		1	PCM, PCY	B	63
370717-S100	2/S		1	PCN, PCP	B C	62/63
7D008		REFER TO GROUP 7-7181				
7A011		SEAL (TRANSMISSION MAIN SHAFT OIL)				
B8AZ 7A011-A	S/R	& D/R - rubber	(a) 1	PBM, PBL, PBB, PCE	A D	60/64

CONTINUED ON NEXT PAGE

Transmission and Clutch

GROUP AND PART NUMBER	TYPE	DESCRIPTION, SIZE, ETC.	NO. REQ'D	MODEL OR ENGINE CUBIC INCH DISPLACEMENT	VEHICLE CODE	YEAR 19____
7A011 SEAL (TRANSMISSION MAIN SHAFT OIL) CONTINUED						
B9AP 7A011-A	A/T	Rubber	1	PAZ, PBM, PBP, PBR, PBS, PCC, PCD, PCH, PCJ, PCK	A	61/62
	3/S	& O/drive	1	223, 292, 352, 390	A	61/62
	4/S		1	All	A	62
	S/T		1	All	A	63/64
	4/S	*Except Comet models - use with Warner design transmission	1	170*, 221, 260, 289	B C	63/64
	3/S	& D/R - also serviced in 7153 kit	1	HEG, PCW	C	64
B9AZ 7A011-A	2/S	Cast iron	2	PBP, PBR, PBS, PCH, PCJ, PCK	A	61/62
	2/S		2	PBZ, PCF, PCL, PCM, PCN, PCP, PCY	B C	60/63
CODP 7A011-A	ALL	Rubber - 23/32" long - 29/32" I. D. - (4) lips	1	All	B	62
	2/S	& 3/S	1	All	B	63
	2/S	(b)	1	PBZ, PCF, PCL, PCM	C	60/62
	3/S		1	HEF	C	64
C2DZ 7A011-A	4/S		1	144, 170	C	62/63
B9AZ 7A011-B	2/S	Cast iron - also serviced in 7153 kit	2	PCY	C	64
	372292-S	Retaining ring-1-1/4" I. D.	1	a		
	372338-S	Retaining ring-1" I. D.	1	b		
7D011 REFER TO GROUP 7-7883						
7014 SLEEVE (TRANSMISSION PARKING PAWL TORSION LEVER SUPPORT)						
B8E 7014-A	S/R	& D/R - steel tubing - 5/16" I. D. x 3/8" O. D. x 1-7/64" - use only with B8S-77308-A pin	1	PBM, PBL, PBB, PAZ, PCC, PCD, PCE	A D	60/62
7-7014 PLATE (TRANSMISSION CONTROL LOWER VALVE BODY END)						
B8A 77014-A	D/R	(a)	1	PBL, PBB, PCC, PCD, PCA, PCE	A D	60/64
	34803-S	Lockwasher-No. 10	AR	a		
	358509-S	Screw-fill. hd. -No. 10-24 x 7/16"	AR	a		
7D014 WASHER (TRANSMISSION FRONT PUMP SUPPORT THRUST)						
C4AZ 7D014-A	D/R	.038"/.042" thick - stamped 1 - color code GREEN	1	PCW	C	64
C4AZ 7D014-B	D/R	.053"/.057" thick - stamped 2 - color code NATURAL	1	PCW	C	64
C4AZ 7D014-C	D/R	.070"/.074" thick - stamped 3 - color code BLACK	1	PCW	C	64
C4AZ 7D014-D	D/R	.087"/.091" thick - stamped 4 - color code YELLOW	1	PCW	C	64
C4AZ 7D014-E	D/R	.104"/.108" thick - stamped 5 - color code BLUE	1	PCW	C	64
C4AZ 7D014-F	D/R	.121"/.125" thick - stamped 6 - color code RED	1	PCW	C	64
C4AZ 7D014-G	D/R	.138"/.142" thick - stamped 7 - color code PURPLE	1	PCW	C	64
7015 SHAFT (TRANSMISSION) INPUT						
COAP 7015-B	S/R	& D/R	1	PBL	A	60
COAP 7015-A	S/R	& D/R	1	PAZ, PBM, PCC, PCD	A	60/62
C1AP 7015-B	D/R		1	PCE	A	61/62
	D/R		1	PCE-M, N, U, V, AF	A	63
C3AZ 7015-A	D/R		1	PCE-Z, AA, AB, AD, AG	A	63
	D/R		1	PCE	A	64
B8E 7015-A	S/R	& D/R	1	PBB, PCA	A D	60/64
C4AZ 7015-A	D/R		1	PCW	C	64

Transmission and Clutch

GROUP AND PART NUMBER	TYPE	DESCRIPTION, SIZE, ETC.	NO. REQ'D	MODEL OR ENGINE CUBIC INCH DISPLACEMENT	VEHICLE CODE	YEAR 19__
7017		GEAR (TRANSMISSION MAIN DRIVE)				
B8A	7017-C	3/S	1	312	A	60
B8A	7017-E	O/D	1	223	A	61
COAA	7017-A	O/D	1	292	A	61
C2AZ	7017-A	3/S	1	223	A	61/62
C2AZ	7017-B	3/S	1	292	A	61/62
C2AZ	7017-C	3/S	1	352, 390	A	61/62
C2AZ	7017-D	4/S	1	All	A	62
C3AZ	7017-B	3/S	1	HEG	A	63
C3AZ	7017-G	4/S	1	Use with Warner design transmission	A	63/64
C4AZ	7017-E	3/S	1	HEG	A	64
C4AZ	7017-G	4/S	1	Use with Ford design transmission	A	64
C4MY	7017-A	4/S	1	Use with Ford design transmission	A	64
C4AZ	7017-H	4/S	1	Use with Ford design transmission	A	64
C2OZ	7017-B	3/S	1	221, 260	B	62
C2OA	7017-A	O/D	1	Use on vehicles built prior to 5-1-62	B	62
C2OZ	7017-D	O/D	1	Use on vehicles built after 4-30-62	B	62
		O/D	1	Use on vehicles built prior to 11-5-62	B	63
C3OZ	7017-C	O/D	1	Use on vehicles built after 11-4-62	B	63
C3OZ	7017-A	3/S	1	HEE	B	63
C2DZ	7017-B	3/S	1	144, 170	B C	60/63
		3/S	1	HED	C	64
C3OZ	7017-B	3/S	1	HEF	B C	63
		4/S	1	All	B	63
C3OZ	7017-E	4/S	1	Use with Warner design transmission	C	63/64
		4/S	1	260, 289	C	63/64
C2DZ	7017-C	4/S	1	144, 170	C	62/63
C4AZ	7017-F	3/S	1	HEF	C	64
C4DZ	7017-A	4/S	1	Use with Ford design transmission	C	64
7019		WASHER (TRANSMISSION INPUT SHAFT THRUST)				
B5S	7019-A	S/R & D/R	1	PAZ, PBL, PBM, PCC, PCD, PCE	A	60/64
B8E	7019-A	S/R & D/R	1	PBB	A D	60
C4AZ	7D091-F	D/R	1	PCW	C	64
Kit - consists of the following -						
(1) C4AP-7D091-F	No. 1 washer-.041"/.043" thick	(1) C4AP-7D091-H	No. 3 washer-.073"/.075" thick	(1) C4AP-7D091-K	No. 5 washer-.107"/.109" thick	
(1) C4AP-7D091-G	No. 2 washer-.056"/.058" thick	(1) C4AP-7D091-J	No. 4 washer-.090"/.092" thick			
C1VP	7019-B	D/R	1	PCA	D	61/64
7D019		REFER TO GROUP 7-7543				
7A020		INDICATOR (TRANSMISSION OIL LEVEL)				
B9MM	7A020-C	S/R	1	PBM	A	60
B9MM	7A020-B	S/R & D/R - 26-1/4" long - locking type	1	PBB, PBL	A	60
C1AA	7A020-A	S/R & D/R	1	PAZ, PBM, PCC, PCD, PCE	A	61/64
COAA	7A020-D	2/S	1	PBP, PBR, PBS, PCH, PCJ, PCK, PCN, PCP	A B C	61/63
C1DD	7A020-A	2/S	1	Non-locking type - use on vehicles built prior to 9-27-60	C	60/61
C1DD	7A020-C	2/S	1	Locking type - use on vehicles built after 9-26-60	B C	61/64
C4AZ	7A020-C	D/R	1	PCW	C	64
COLL	7A020-B	D/R	1	25-47/64" overall length with "Full" identification mark located approximately 2-45/64" from end	D	60
C1VV	7A020-C	D/R	1	PCA	D	61/64

Transmission and Clutch

GROUP AND PART NUMBER	TYPE	DESCRIPTION, SIZE, ETC.	NO. REQ'D	MODEL OR ENGINE CUBIC INCH DISPLACEMENT	VEHICLE CODE	YEAR 19__
7D020		REFER TO GROUP 7-7542				
7D021		REFER TO GROUP 7A260				
7A022 INSULATOR (TRANSMISSION CONTROL SELECTOR NEUTRAL SWITCH)						
B8LY 7A022-A	S/R		1	PBM, PBL, PBB	A	60
COMF 7A022-A	D/R		1	PBL, PBB	A D	60
CODF 7A022-A	2/S		1	PBZ, PCF, PCL, PCM, PCP, PCY	C	60/64

7B023 KIT (TRANSMISSION REGULATOR & COMPENSATOR VALVE SPRING)						
C2AZ 7B023-A	2/S	☆Not used with 7A100 main control numbered 114	1	PCH☆, PCJ, PCK	A	61/62

Consists of the following -

- | | | |
|--|----|--|
| (1) COAP-7A270-A spring-main oil pressure regulator valve - color YELLOW | or | (1) C2AP-7A496-A spring-compensator valve - inner - color YELLOW |
| (1) COAP-7A270-B spring-main oil pressure regulator valve - color WHITE | or | (1) C2AP-7A496-B spring-compensator valve - inner - color WHITE |
| (1) COAP-7A270-C spring-main oil pressure regulator valve - color BLUE | or | (1) C2AP-7A496-C spring-compensator valve - inner - color BLUE |

The springs in this kit are to be used as sets according to corresponding color code and are not to be inter-mixed

COAZ 7B023-A	2/S	Use with 7A100 main controls numbered 72, 77, 85, 88, 93 or 99	1	PBP, PBR, PBS PCF, PCM	A	61
	2/S		1		C	61/62

Consists of the following -

- | | | |
|--|----|--|
| (1) COAP-7A270-A spring-main oil pressure regulator valve - color YELLOW | or | (1) COAP-7A496-A spring-compensator valve - inner - color YELLOW |
| (1) COAP-7A270-B spring-main oil pressure regulator valve - color WHITE | or | (1) COAP-7A496-B spring-compensator valve - inner - color WHITE |
| (1) COAP-7A270-C spring-main oil pressure regulator valve - color BLUE | or | (1) COAP-7A496-C spring-compensator valve - inner - color BLUE |

The springs in this kit are to be used as sets according to corresponding color code and are not to be inter-mixed

C2OZ 7B023-A	2/S	Use with 7A100 main control number 114	1	PCH PCM, PCN, PCP, PCY PCL, PCM PCL, PCM, PCP, PCY	A	61/62
	2/S		1		B	62/63
	2/S		1		C	61/62
	2/S		1		C	63/64

Consists of the following -

- | | | |
|--|----|--|
| (1) CODP-7A270-A spring-main oil pressure regulator valve - color YELLOW | or | (1) C2OP-7A496-A spring-compensator valve - inner - color YELLOW |
| (1) CODP-7A270-B spring-main oil pressure regulator valve - color WHITE | or | (1) C2OP-7A496-B spring-compensator valve - inner - color WHITE |
| (1) CODP-7A270-C spring-main oil pressure regulator valve - color BLUE | or | (1) C2OP-7A496-C spring-compensator valve - inner - color BLUE |

The springs in this kit are to be used as sets according to corresponding color code and are not to be inter-mixed

CONTINUED ON NEXT PAGE

Transmission and Clutch

GROUP AND PART NUMBER	TYPE	DESCRIPTION, SIZE, ETC.	NO. REQ'D	MODEL OR ENGINE CUBIC INCH DISPLACEMENT	VEHICLE CODE	YEAR 19__
7B023 KIT (TRANSMISSION REGULATOR & COMPENSATOR VALVE SPRING) CONTINUED						
CODZ 7B023-A	2/S	Use with 7A100 main controls numbered 63, 76, 92, 98 or 109	1	PBZ, PCL	C	60/62
Consists of the following -						
(1) CODP-7A270-A	spring-main oil pressure regulator valve - color YELLOW			(1) COAP-7A496-A	spring-compensator valve - inner - color YELLOW	
or						
(1) CODP-7A270-B	spring-main oil pressure regulator valve - color WHITE			(1) COAP-7A496-B	spring-compensator valve - inner - color WHITE	
or						
(1) CODP-7A270-C	spring-main oil pressure regulator valve - color BLUE			(1) COAP-7A496-C	spring-compensator valve - inner - color BLUE	
The springs in this kit are to be used as sets according to corresponding color code and are not to be inter-mixed						
7B023 KIT (COMPENSATOR ADJUSTMENT)						
C2AZ 7B023-B	2/S		1	All	A B C	61/63
Consists of the following -						
(1) C3AZ-7D254-A	pin	(1) C3AZ-7B425-A	spacer	(1) C3AZ-7A496-A	spring	
(1) C3AZ-7D255-B	spring	(1) C3AZ-7B432-A	plate	(1) 378877-S	screw	
(1) C3AZ-7A271-A	valve	(1) C1AZ-7A496-A	spring	(1) I.S. No. 1171	instruction sheet	
7A024 ROD (TRANSMISSION TO BELLCRANK LEVER)						
C1AA 7A024-A	2/S		1	PBP, PBR, PBS, PCH, PCJ, PCK	A	61/62
C3AZ 7A024-C	D/R	Use with steering column shift	1	PCE	A	63/64
C2OZ 7A024-A	2/S		1	PCM, PCN, PCP, PCY	B	62/63
CODD 7A024-A	A/T	8-17/64" overall length with (2) 7/64" holes	1	PBZ, PCF, PCL, PCM, PCP, PCW, PCY	C	60/64
		44722-S Washer-flat-5/16"	AR	a		
		72034-S Cotter pin-3/32" x 1"	AR	a		
		351341-S Washer-spring-5/16"	AR	a		
7D024		REFER TO GROUP 7A294				
7025 BEARING (TRANSMISSION MAIN DRIVE GEAR)						
8D 7065	4/S		1	All	A	62
	4/S	Use on input shaft of Warner design transmission	1	260, 289, 390, 427	A C	64
8D 7025	4/S	Use on input shaft of Ford design transmission	1	HEH	A C	64
C3AZ 7025-B	3/S	& O/drive - (1) also used on o/drive mainshaft	AR	223, 292	A	61
	3/S	& O/drive	1	170, 221, 223, 260, 292	A B	62
	3/S	Use on output shaft	1	HEF, HEG	A B	63/64
	O/D	Use on input shaft of vehicles built prior to 11-5-62	1	221	B	63
	O/D	Use on output shaft	1	221	B	63
	3/S	Use on input and output shafts	2	HEE	B	63
	3/S	Use on input shaft	1	170	B	63
	3/S	Use on output shaft	1	144, 170, 260	C	60/63
	3/S	Use on input shaft	1	HED	C	64
B5S 7025-A	3/S		1	312, 352, 390	A	60/62
	O/D	Use on input shaft of vehicles built after 11-4-62	1	221	B	63
51A 7025	3/S	Use on input shaft	1	HEF, HEG	A B	63/64
			1	HEF	C	64

Transmission and Clutch

GROUP AND PART NUMBER	TYPE	DESCRIPTION, SIZE, ETC.	NO REQ'D	MODEL OR ENGINE CUBIC INCH DISPLACEMENT	VEHICLE CODE	YEAR 19__	
7025		BUSHING (TRANSMISSION CASE)					
B1A	7025-B	S/R & D/R	1	PBM, PCC, PCD	A	60/62	
B5A	7025-A	S/R & D/R	1	PBL, PCE	A	60/64	
7A025		LEVER (TRANSMISSION SHIFT BELLCRANK)					
C1AZ	7A025-C	2/S	1	PBP, PBR, PBS, PCH, PCJ, PCK	A	61/62	
C2OA	7A025-A	2/S	1	PCL, PCM, PCN, PCP	B C	62	
B9AA	7A025-A	2/S	1	PBZ, PCF, PCL, PCM	C	60/61	
C4DZ	7A025-A	2/S	1	PCY	C	64	
7B025		KIT (TRANSMISSION OIL PRESSURE REGULATOR VALVE SPRING & RETAINER)					
C1AZ	7B025-A	D/R	1	PCE-H	A	61	
Consists of the following -							
(1) C1AP-7A270-D		spring	(1) B5A-77462-A		retainer		
COAZ	7B025-B	S/R & D/R	1	PAZ, PBL, PBB, PBM, PCA, PCC, PCD, PCE except PCE-H, AW, AY	A D	60/64	
Note - Use C1AP-7A270-D for PCE-H							
Consists of the following -							
(1) B9AP-7A270-C		spring	(1) B5A-77462-A		retainer		
7D025		REFER TO GROUP 7A294					
7026		SNAP RING (TRANSMISSION DRIVE GEAR BEARING RETAINING)					
8M	7030-A	3/S .086"/.088"	1	221, 223, 260, 292, 312, 352, 390	A B	60/62	
B5A	7026-A	O/D Use on front bearing	1	221, 223	A B	61/63	
8M	7030-B	O/D .089"/.091" - use on rear bearing	1	221, 223, 292	A B	61/63	
51A	7026	3/S	1	312, 352, 390	A	60/62	
		3/S Use on front bearing	1	HEG	A	63/64	
		4/S Use on rear bearing of Ford design transmission	1	HEH	A C	64	
C4AZ	7026-A	4/S Use on front bearing of Ford design transmission	1	HEH	A C	64	
8L	7026	O/D	1	292	A	61	
		4/S & O/drive - use on Warner design transmission	1	All	A	62/64	
		4/S	1	All	B	63	
		4/S Use on Warner design transmission	1	260, 289	C	63/64	
8A	7026	3/S	1	223, 292	A	61/62	
		3/S	1	170, 221, 260	B	62	
		3/S Use on rear bearing	1	HEG	A	63/64	
		3/S Use on front bearing - also serviced in 7B331 kit	1	170	B	63	
		3/S Use on front and rear bearing	2	HEE, HEF	B C	63/64	
		3/S Use on front bearing	1	144, 170, 260	C	60/63	
CODR	7030-A	3/S 2-19/64" I.D. x 2-19/32" O.D. x 5/64" - use on rear bearing - also serviced in 7B331 kit	1	144, 170	B C	60/63	
			1	HED	C	64	
C2DZ	7026-A	4/S	1	144, 170	C	62/63	
7A026		STUD (TRANSMISSION SHIFT BELLCRANK TO CONVERTOR HOUSING)					
B9AA	7A026-A		(b)	1	PBP, PBR, PBS, PCH, PCJ, PCK	A	61/62
			(a)	1	PBS, PCF	C	60/61
C2OZ	7A026-B	2/S	1	PCN, PCP	B	62/63	

CONTINUED ON NEXT PAGE

Transmission and Clutch

GROUP AND PART NUMBER	TYPE	DESCRIPTION, SIZE, ETC.	NO. REQ'D	MODEL OR ENGINE CUBIC INCH DISPLACEMENT	VEHICLE CODE	YEAR 19__
7A026 STUD (TRANSMISSION SHIFT BELLCRANK TO CONVERTOR HOUSING) CONTINUED						
C2OZ 7A026-A	2/S		1	PCM, PCY	B	62/63
C2OA 7A026-A	2/S		1	PCL, PCM, PCY	C	62/64
34807-S		Lockwasher-3/8"	1	a, b		
44726-S		Washer-flat-3/8"	1	a, b		
72034-S		Cotter pin-3/32" x 1"	1	a, b		
351341-S		Washer-spring-5/16"	1	a		
7D026 REFER TO GROUP 7-7357						
7D027 REFER TO GROUP 7A161						
7A028 PRISM (TRANSMISSION CONTROL SELECTOR DIAL POSITION)						
COMF 7A028-A	S/R		1	PBM, PBL, PBB	A	60
B9MF 7A028-E	D/R		1	PBL, PBB	A	60
B8LY 7A028-A	D/R		1	PBB	D	60
7D028 REFER TO GROUP 7A003						
7029 REFER TO GROUP 7119						
7A029 GEAR (TRANSMISSION LOW CONSTANT MESH)						
C3AZ 7A029-C	3/S		1	HEG	A	63
C4AZ 7A029-B	3/S		1	HEG	A	64
C4AZ 7A029-D	4/S		1	HEH	A C	64
C3AZ 7A029-B	3/S		1	HEE	B	63
C3AZ 7A029-D	3/S		1	HEF	B C	63
C4AZ 7A029-C	3/S		1	HEF	C	64
7D029 REFER TO GROUP 7A157-8						
7030 REFER TO GROUP 7026						
7A030-1 TUBE (TRANSMISSION OIL COOLER) INLET AND/OR OUTLET						
	S/R	& D/R - NS-cut from B9MY-7A031-B tubing and use (1) 87945-S8 nut	(a) 1	PBL, PBB	A	60
	S/R	NS-cut from B9MY-7A031-B tubing and use (1) 87945-S8 nut - outlet	(b) 1	PBM	A	60
	S/R	NS-cut from B9MY-7A031-B tubing and use (1) 87945-S8 nut - inlet	(d) 1	PBM	A	60
	A/T	NS-cut from 8C-2269-A	AR	All	A B	63/64
			AR	All	C	64
B9MY 7A031-B	S/R	& D/R - 25' roll copper 5/16" I. D. x 3/8" O. D. - cut to required length	(a, c) AR	PBB, PBL, PBM	A	60
	2/S	NS-cut from 8C-2269-A tubing	AR	PBB, PCA	D	60/63
87525-S		Connector-steel-1/4" tapered external thd.x 5/8"-18 internal thd. x 13/16" long	1 AR	PCF, PCM, PCN, PCP	B C	61/62
87945-S		Connector-steel-1/4" tapered external thd.x 5/8"-18 internal thd. x 13/16" long	1 AR	a		
359078-S		Inverted nut-steel hex. hd. 3/8"-18	1 AR	c		
371550-S		Connector-steel-1/8" taper external thread x 5/8" internal thread x 59/64" long	1	d		
		Elbow-steel-1/8" taper external thread x 5/8"-18 internal thread x 1-7/32" long	1	b		
7D031 REFER TO GROUP 7-7415						
7D032 REFER TO GROUP 7-7380						
7033 PIN (TRANSMISSION CASE DOWEL)						
C2DZ 7033-A	4/S		2	144, 170	C	62/63

Transmission and Clutch

GROUP AND PART NUMBER	TYPE	DESCRIPTION, SIZE, ETC.	NO. REQ'D	MODEL OR ENGINE CUBIC INCH DISPLACEMENT	VEHICLE CODE	YEAR 19__
7B033		REFER TO GROUP 7A213				
7034		VENT (TRANSMISSION CASE)				
O1A 7034	3/S		1	312	A	60
	3/S	& O/drive	1	223, 292, 352, 390	A	61/62
	4/S		1	All	A	62/63
	3/S	& O/drive	1	221, 260	B	62
	4/S		1	All	B	63
CODP 7034-A	2/S		1	PBZ	C	60
C2DZ 7034-A	4/S		1	144, 170	C	62/63
7A034		BUSHING (TRANSMISSION EXTENSION)				
B5AZ 7A034-A	S/R	& D/R - reamed 1-13/16" O.D. x 2-1/8" long	1	PBB, PBL, PBM, PCE	A D	60/64
B3TZ 7A034-A	S/R		1	PAZ, PBM	A	61
	D/R		1	PCC, PCD	A	61/62
	S/T	& O/drive	1	All	A	63/64
	4/S		1	All	A	62
	2/S		1	PBP, PBR, PBS, PCH, PCJ, PCK, PCM, PCN	A B	61/62
	3/S	& O/drive	1	All	A B	61/62
	ALL		1	All	B	63
	ALL		1	260, 289	C	63/64
CODP 7A034-B	ALL		1	144, 170, 200	C	60/64
C1VY 7A034-A	D/R		1	PCA	D	61/64
7D034		REFER TO GROUP 7A162				
7D036		REFER TO GROUP 7B173				
7D037		REFER TO GROUP 7-7185				
7A039		EXTENSION (TRANSMISSION)				
B9MY 7A039-B	S/R	& D/R	1	PBM, PBL	A	60
B9MY 7A039-A	3/S	Includes bushing (a)	1	312	A	60
B7AZ 7A039-C	O/D		1	223, 292	A	61
C2AZ 7A039-A	2/S	(c)	1	PBP, PBR, PBS, PCH, PCJ, PCK	A	61/62
C2AZ 7A039-B	S/R	& D/R	1	PCC, PCD, PAZ, PBM	A	61/62
B7AZ 7A039-B	3/S		1	223, 292	A	61/62
B8AZ 7A039-E	3/S		1	352, 390	A	61/62
C1AP 7A039-B	D/R		1	PCE	A	61/64
C2AZ 7A039-C	4/S	Use with Warner design transmission	1	All	A	62/64
C3AZ 7A039-B	3/S		1	HEG	A	63/64
C4AZ 7A039-B	4/S	Use with Ford design transmission	1	HEH	A	64
COLP 7A039-B	S/R	& D/R	1	PBB	A	60
		When using to replace COLP-7A039-A (d, e) on vehicles built prior to 2-15-60 - (1) COLL-4944-B clamp also must be used	1	PBB	D	60
C2OZ 7A039-A	3/S		1	221, 260	B	62
C2OZ 7A039-C	2/S		1	PCM, PCN, PCP, PCY	B	62/63
C2OZ 7A039-B	3/S		1	170	B	62/63
C2OA 7A039-A	O/D		1	221	B	62/63
C3OZ 7A039-B	3/S		1	HEE	B	63
C3OZ 7A039-A	3/S		1	HEF	B	63
C3OZ 7A039-D	4/S		1	All	B	63

CONTINUED ON NEXT PAGE

Transmission and Clutch

GROUP AND PART NUMBER	TYPE	DESCRIPTION, SIZE, ETC.	NO. REQ'D	MODEL OR ENGINE CUBIC INCH DISPLACEMENT	VEHICLE CODE	YEAR 19____
7A039		EXTENSION (TRANSMISSION) CONTINUED				
C1GY 7A039-C	3/S	For all models except 59, 71 - mounting bracket COGY-6120-A must be used when installing this extension	1	144, 170	C	60/63
C1DP 7A039-B	2/S	For models 59, 71	(c) 1	PBZ, PCF, PCL, PCM, PCY	C	60/64
C1GY 7A039-B	2/S	For all models except 59, 71	(c) 1	PBZ, PCF, PCL, PCM, PCY	C	60/64
C1DR 7A039-A	3/S	For models 59, 71	(b) 1	144, 170	C	60/63
	3/S	For model 71	1	HED	C	64
C2DZ 7A039-A	4/S		1	144, 170	C	62/63
C3OZ 7A039-C	2/S		1	PCP	C	63
C3DZ 7A039-A	3/S		1	HEF-N, AN	C	63/64
C3DZ 7A039-B	4/S	Use with Warner design transmission	1	260, 289	C	63/64
C4AZ 7A039-A	D/R		1	PCW	C	64
C4DZ 7A039-B	3/S		1	HEF-BC	C	64
C4GY 7A039-A	3/S	For all models except 71	1	HED	C	64
C4DZ 7A039-A	4/S	Use with Ford design transmission	1	HEH	C	64
C1VP 7A039-E	D/R		1	PCA	D	61/64
	20410-S	Bolt-hex. hd. -7/16"-14 x 1-1/8"	AR	a, b		
	34808-S	Lockwasher-medium-7/16"	AR	a, b		
	351487-S	Washer-external tooth-3/8"	4	c, e		
	356684-S	Bolt-hex. hd. -3/8"-16 x 3-3/4"	AR	d		
	357912-S	Bolt-hex. hd. -3/8"-16 x 3-5/8"	AR	d		
	358048-S	Plug-socket hd. -3/4" pipe thread	AR	a		
	359266-S	Bolt-hex. hd. -3/8"-16 x 1-1/4"	4	c		
	373162-S	Bolt-hex. hd. with rubber seal-3/8"-16 x 1-1/8"	1	c		

7040		BAFFLE (TRANSMISSION MAIN DRIVE GEAR OIL)				
B5A 7040-A	O/D		1	221, 223	A B	61/63
8A 7040	3/S		1	223, 292	A	61
	3/S		1	144, 170, 221, 260	B C	60/61

7D040 REFER TO GROUP 7-7407

7-7042 REFER TO GROUP 7B428

7A044		DETENT (TRANSMISSION CLUTCH HUB SLEEVE) INTERMEDIATE & HIGH				
B5AZ 7A044-C	O/D		3	221, 223, 292	A B	61/63
C4AZ 7A044-A	4/S	First and second gear	3	HEH	A C	64
C3AZ 7A044-A	3/S		3	221, 223, 260, 292, 312, 352, 390	A B C	60/63
	3/S		3	HEF, HEG	A C	64
	4/S	Third and fourth gear	3	HEH	A C	64
C3AZ 7A044-B	3/S	Low and reverse synchronizer	3	HEE, HEF, HEG	A B C	63/64
CODR 7A044-A	3/S	Steel - 27/32" overall length x 7/32" wide	3	144, 170	B C	60/63
	3/S		3	HED	C	64
C2DZ 7A044-A	4/S	First and second synchronizer	3	144, 170	C	62/63
C2DZ 7A044-B	4/S	Third and fourth synchronizer	3	144, 170	C	62/63

7D044 REFER TO GROUP 7A626

7A048		KIT (SHAFT & CARRIER & SUN GEAR)				
C3AZ 7A048-A	2/S		1	PBP, PBR, PBS, PCH, PCJ, PCK	A	61/62

Consists of the following -

(1) C3AZ-7A048-B shaft & carrier (1) C3AZ-7B368-A thrust washer (1) C3AZ-7C377-A retainer
 (1) C3AZ-7A348-A sun gear

Transmission and Clutch

GROUP AND PART NUMBER	TYPE	DESCRIPTION, SIZE, ETC.	NO. REQ'D	MODEL OR ENGINE CUBIC INCH DISPLACEMENT	VEHICLE CODE	YEAR 19__
7A048 SHAFT & CARRIER (TRANSMISSION OUTPUT)						
C1AP 7A048-B	2/S		1	PBP, PBR, PBS, PCH, PCJ, PCK	A	61/62
C2OZ 7A048-A	2/S		1	PCM-D, PCN-A, PCP-A	B	62
C3OZ 7A048-B	2/S		1	PCM, PCN, PCP, PCY	B	63
	2/S		1	PCP	C	63
CODP 7A048-F	2/S	For models 59,71	1	PBZ, PCF, PCL, PCM	C	60/62
C1KP 7A048-F	2/S	For all models except 59,71	1	PBZ, PCF, PCL, PCM	C	60/62
C3DZ 7A048-B	2/S	For models 59, 71	1	PCL, PCM, PCY-C	C	63/64
C3GY 7A048-A	2/S	For all models except 59, 71	1	PCL, PCM, PCY-D	C	63/64
7050 RETAINER (TRANSMISSION MAIN DRIVE GEAR BEARING)						
B7A 7050-E	O/D		1	292	A	61/62
C4AZ 7050-A	4/S	Use with Ford design transmission	1	HEH-D, F	A	64
C4AZ 7050-B	4/S	Use with Ford design transmission	1	HEH-H	A	64
COAR 7050-A	3/S		(a) 1	221, 223, 260, 292	A B	61/62
	3/S		1	HEE	B	63
C1AA 7050-C	O/D		1	221, 223	A B	61/63
COAR 7050-B	3/S		(a) 1	312, 352, 390	A	60/62
	3/S		1	HEF, HEG	A B C	63/64
C1AA 7050-A	4/S	Use with Warner design transmission	1	All	A	62/64
	4/S		1	All	B	63
	4/S	Use with Warner design transmission	1	260, 289	C	63/64
CODR 7050-B	3/S		(b) 1	144, 170	B C	60/63
	3/S		1	HED	C	64
C2DZ 7050-A	4/S		1	144, 170	C	62/63
		Screw-hex. hd. -5/16"-18 x 7/8"	3	b		
		Lockwasher-5/16"	3	b		
		Bolt-"X" head oil seal-5/16"-18 x 3/4"	AR	a		
7C050 SEAL (TRANSMISSION FRONT SERVO PISTON RETAINER) OIL						
B5AZ 7C050-B	S/R	& D/R - also serviced in 7153 kit	1	PBM, PAZ, PCC	A	60/62
B1AZ 7C050-A	D/R	Also serviced in 7153 kit	1	PCD	A	61/62
C1AP 7C050-A	S/R	& D/R - also serviced in 7153 kit	1	PBL, PBB, PCE, PCA	A D	60/64
7051 GASKET (TRANSMISSION MAIN DRIVE GEAR BEARING RETAINER)						
B6A 7051-A	O/D		1	292	A	61/62
C2AZ 7051-C	3/S		1	221, 223, 260, 292	A B	61/62
	3/S		1	HEE	B	63
B8C 7051-A	O/D		1	221, 223	A B	61/63
C4AZ 7051-A	4/S	Use with Ford design transmission - also serviced in 7153 kit	1	HEH	A C	64
C2AZ 7051-B	3/S		1	312, 352, 390	A	60/62
	3/S	Also serviced in 7153 kit	1	HEF, HEG	A B C	63/64
C2AZ 7051-A	4/S	Use with Warner design transmission	1	All	A	62/64
	4/S		1	All	B	63
	4/S	Use with Warner design transmission	1	260, 289	C	63/64
CODR 7051-A	3/S	Also serviced in 7153 kit	1	144, 170	B C	60/63
	3/S		1	HED	C	64
7C051 SEAL (TRANSMISSION REAR CLUTCH PISTON OIL) OUTER						
C1AP 7C051-A	S/R	& D/R - also serviced in 7153 kit	1	PCC, PCD, PCE, PAZ, PBL, PBM	A	60/64
B8SZ 7C051-A	S/R	& D/R - also serviced in 7153 kit	1	PBB, PCA	A D	60/64

Transmission and Clutch

GROUP AND PART NUMBER	TYPE	DESCRIPTION, SIZE, ETC.	NO. REQ'D	MODEL OR ENGINE CUBIC INCH DISPLACEMENT	VEHICLE CODE	YEAR 19__
7052 SEAL (TRANSMISSION EXTENSION) OIL						
C3AZ 7052-A	3/S	With dirt shield	1	312	A	60
	S/R	& D/R	1	PBB, PBL, PBM	A D	60
	D/R		1	PCE	A	61/64
C2AZ 7052-A	S/R	With dirt shield	1	PAZ, PBM	A	61
	D/R		1	PCC, PCD	A	61/62
	4/S		1	All	A	62
	2/S		1	PBP, PBR, PBS, PCH, PCJ, PCK, PCM, PCN, PCP	A B	61/62
	O/D		1	221, 223, 292	A B C	61/63
	4/S	Use with Warner design transmission	1	All	A B C	63/64
	2/S	☆Except Comet models	1	PCM☆, PCN, PCP, PCY	B C	63
	D/R		1	PCW	C	64
21C 7052-A	3/S		1	221, 223, 260, 292, 352, 390	A B	61/62
	3/S		1	HEE, HEF, HEG	A B C	63/64
	4/S	Use with Ford design transmission	1	HEH	A C	64
C1DP 7052-A	2/S	1-3/8" I.D. x 2-1/4" O.D. x 11/16"	1	PBZ, PCF, PCL, PCM, PCY	C	60/64
CODR 7052-A	3/S	1-3/8" I.D. x 2-1/4" O.D. x 39/64"	1	144, 170	C	60/63
	3/S		1	HED	C	64
C1VP 7052-A	D/R		1	PCA	D	61/64
7B052 MASK (TRANSMISSION CONTROL SELECTOR INDICATOR DIAL)						
C1MF 7B052-C	S/R	& D/R - for all models except 58A, 64A	1	PAZ, PBM, PCC, PCD, PCE	A	61
C2AZ 7B052-B	D/R	For models 65C, 76B, (S-55)	1	PCC, PCD, PCE	A	62
C2MF 7B052-A	D/R	For all models except 65C, 76B	1	PCC, PCD, PCE	A	62
C1VF 7B052-A	D/R		1	PCA	D	61/63
7B053		REFER TO GROUP 7A110				
7C053 GOVERNOR (TRANSMISSION)						
C1AP 7C053-A	D/R		1	PCE-H	A	61
	D/R		1	PCE-V	A	63
C2SZ 7C053-A	D/R		1	PCE-AW, AY	A	64
B9AZ 7C053-A	2/S		(a) 1	PBP, PBR, PBS	A	61
	2/S		1	PBZ, PCF	C	60/61
B8AZ 7C053-A	S/R	& D/R	(a) 1	PAZ, PBB, PBL, PBM, PCA, PCC, PCD, PCE except PCE-H, V, AW, AY	A D	60/64
C1AP 7C053-B	2/S		(a) 1	PCH, PCJ, PCK, PCL, PCM, PCN, PCP, PCY	A B C	61/64
C4AZ 7C053-C	D/R	One-piece design	(b) 1	PCW	C	64
	97533-S	Ring-retaining-plain metallic finish-1-1/4"	1	b		
	353078-S	Ball-steel-1/4"dia. -governor to output shaft	1	a		
7C056 REINFORCEMENT (TRANSMISSION LOWER VALVE BODY) PLATE						
B9A 77717-A	2/S	Left front	(a) 1	PBP, PBR, PBS	A	61
	2/S		1	PBZ, PCF	C	60/61
B9A 77717-B	2/S	Left rear	(a) 1	PBP, PBR, PBS	A	61
	2/S		1	PBZ, PCF	C	60/61
C1AP 7C056-A	2/S	Left front	(a) 1	PCH, PCJ, PCK, PCL, PCM, PCN, PCP, PCY	A B C	61/64
C1AP 7B434-B	2/S	Upper left rear	(a) 1	PCH, PCJ, PCK, PCL, PCM, PCN, PCP, PCY	A B C	61/64
	356746-S	Screw-fill. hd. -slotted-No. 10-24 x 3/4"	AR	a		
7B057 BRACKET (TRANSMISSION CONTROL SELECTOR INDICATOR MOUNTING)						
C1MF 7B057-C	ALL	For all models except 58A, 64A	1	PAZ, PBM, PCC, PCD, PCE, PCH, PCJ, PCK	A	61

Transmission and Clutch

GROUP AND PART NUMBER	TYPE	DESCRIPTION, SIZE, ETC.	NO. REQ'D	MODEL OR ENGINE CUBIC INCH DISPLACEMENT	VEHICLE CODE	YEAR 19__
7059 SNAP RING (TRANSMISSION THIRD & FOURTH SYNCHRONIZER HUB)						
C2DZ 7059-A	4/S		1	144, 170	C	62/63
7059 SNAP RING (TRANSMISSION SPEEDOMETER GEAR RETAINING)						
B7A 7059-A	ALL	(1) also used to retain synchronizer assembly to output shaft on standard transmission	AR	223, 292, 312, 352, 383, 390, 406, 430	A	60/62
	D/R		1	PCE	A	63/64
	3/S	(1) also used to retain synchronizer assembly to output shaft	2	HEE, HEF, HEG	A B	63/64
			2	HEF, HEG	C	64
	3/S		2	221, 260	B	62
	D/R		1	430	D	60
372511-S	3/S		1	144, 170	C	63
	3/S		1	HED	C	64
7060-1 SHAFT (TRANSMISSION OUTPUT)						
PBL 7060-B	S/R	& D/R	1	PBL	A	60
PB9M 7060-A	S/R		1	PBM	A	60
B9MR 7061-A	3/S	34-1/2" overall length	(b) 1	312	A	60
C1AP 7060-A	S/R	& D/R	1	PBM, PCD	A	61/62
C1AP 7060-B	S/R	& D/R	1	PAZ, PCC	A	61/62
C1AR 7061-A	3/S		1	223, 292	A	61/62
C1AR 7061-B	3/S		1	352, 390	A	61/62
B8A 7060-A	D/R		1	PCE	A	61/64
C2AZ 7061-A	4/S	Use with Warner design transmission	1	All	A	62/64
C3AZ 7061-C	3/S		1	HEG	A	63/64
C4AZ 7061-D	4/S	Use with Ford design transmission	1	HEH	A	64
B5A 7061-G	O/D		1	221, 223, 292	A B	61/63
PBB 7060-A	S/R	& D/R	1	PBB	A D	60
C2OZ 7061-A	3/S		1	221, 260	B	62
C3OZ 7061-A	3/S		1	HEE	B	63
C3OZ 7061-C	4/S		1	All	B	63
C2OZ 7061-B	3/S		1	170	B	62/63
	3/S	For all models except 59, 71	(a) 1	144, 170	C	60/63
	3/S	For all models except 71	(a) 1	HED	C	64
C3OZ 7061-B	3/S		1	HEF	B C	63/64
CODR 7061-A	3/S	22-53/64" overall length - (26) serrations one end and (25) splines one end- for models 59, 71	(a) 1	144, 170	C	60/63
			1	HED	C	64
C2DZ 7061-A	4/S		1	144, 170	C	62/63
C3DZ 7061-B	4/S	Use with Warner design transmission	1	260	C	63
	4/S		1	All	C	64
C4AZ 7060-B	D/R		1	PCW	C	64
C4DZ 7061-A	4/S	Use with Ford design transmission	1	HEH	C	64
C1VP 7060-B	D/R		1	PCA	D	61/64
		Ball-steel-1/4"	1	a, b		
		Retainer-snap-1"	1	a		
		Snap ring-1-1/16"	2	a		
7C062 SEAT (TRANSMISSION OIL PRESSURE REGULATOR VALVE SPRING)						
C1VP 7C062-A	S/R	& D/R	1	PAZ, PBM, PBL, PBB, PCA, PCC, PCD, PCE	A D	60/64
B9AZ 7C062-A	2/S		1	PBP, PBR, PBS, PCH, PCJ, PCK	A	61/62
	2/S		1	PBZ, PCF, PCL, PCM, PCN, PCP, PCY	B C	60/64
7063 REFER TO GROUP 7C115						

Transmission and Clutch

GROUP AND PART NUMBER	TYPE	DESCRIPTION, SIZE, ETC.	NO. REQ'D	MODEL OR ENGINE CUBIC INCH DISPLACEMENT	VEHICLE CODE	YEAR 19__
7C063 BODY (TRANSMISSION GOVERNOR)						
CIAP 7C063-A	D/R		1	PCE-H	A	61
	D/R		1	PCE-V	A	63
C2SZ 7C063-A	D/R		1	PCE-AW, AY	A	64
B8AZ 7C063-A	S/R	& D/R - less counterweight (a)	1	PAZ, PBM, PCC, PCD, PCE, except PCE-H, V, AW, AY, PBB, PBL, PCA	A D	60/64
C4AZ 7C063-B	D/R	Use with one-piece design governor	1	PCW	C	64
31160-S		Bolt-fill. hd. -1/4"-20 x 1-1/2"-governor to counterweight	2	a		
34805-S8		Lockwasher-1/4"	2	a		
353078-S		Ball-steel-1/4"dia. -governor to output shaft	1	a		
7D063 REFER TO GROUP 7A348						
7064 SNAP RING (TRANSMISSION MAIN DRIVE GEAR BEARING TO SHAFT)						
8MTH 7064-A	O/D	.087" thick	1	221, 292	A B	61/63
8MTH 7064-B	O/D	.090" thick	1	221, 292	A B	61/63
8MTH 7064-C	O/D	.093" thick	1	221, 292	A B	61/63
8MTH 7064-D	O/D	.097" thick	1	221, 292	A B	61/63
C4AZ 7064-A	4/S	Use with Ford design transmission - required at input shaft bearing	1	HEH	A C	64
C4AZ 7064-B	4/S	Use with Ford design transmission - required to retain first and second synchronizer assembly	1	HEH	A C	64
8L 7064-A	3/S	& O/drive - .086"/.088" thick - also used to retain bearing on 7061 shaft	1	221, 223, 260, 292, 312	A B	60/62
	4/S		1	All	A B	62/63
	4/S	& O/drive - use with Warner design transmission	1	All	A C	64
	O/D	Use on output shaft	1	221	B	63
	4/S		1	260	C	63
B 7064	3/S	.091"/.093" thick	1	312, 352, 390	A	60/62
	3/S	Use on input shaft	1	HEF, HEG	A B	63/64
	3/S		1	HEF, HEG	C	64
8A 7064	3/S		1	144, 170, 221, 223, 260, 292	A B C	61/62
	3/S	Use on output shaft	1	HEF, HEG	A B	63/64
	4/S	Use with Ford design transmission - (1) req'd. - to retain third and fourth synchronizer assembly (1) req'd. - at output shaft bearing (1) req'd. - to retain speedometer drive gear	3	HEH	A C	64
	3/S	Use on input and output shaft	2	HEE	B	63
	3/S	Use on input shaft - also serviced in 7B331 kit	1	144, 170	B C	63
	3/S	Use on input shaft	1	HED, HEF	C	63/64
	3/S	Use on output shaft	1	HEF, HEG	C	64
C2DZ 7064-A	4/S		1	144, 170	C	62/63
7D064 SHELL (TRANSMISSION INPUT)						
C4AZ 7D064-B	D/R		1	PCW	C	64

Transmission and Clutch

GROUP AND PART NUMBER	TYPE	DESCRIPTION, SIZE, ETC.	NO. REQ'D	MODEL OR ENGINE CUBIC INCH DISPLACEMENT	VEHICLE CODE	YEAR 19.....
7065		BEARING (TRANSMISSION MAIN SHAFT)				
C3AZ 7025-B	3/S		1	312	A	60
	3/S	& O/drive - (1) also used on o/drive mainshaft	AR	221, 223, 260, 292, 352, 390	A B	61/62
8D 7065	4/S	(1) also used on main drive gear	2	All	A	62/63
	4/S		1	All	A C	64
	4/S	(1) also used on main drive gear	2	All	B	63
	4/S	Use on main drive gear	1	144, 170	C	62/63
	4/S	(1) also used on main drive gear	2	260	C	63
CODZ 7065-A	3/S	13/16" I.D. x 2-7/16" O.D. - slotted for snap ring	1	144, 170	B C	60/63
			1	HED	C	64
C2DZ 7065-A	4/S	Use on output shaft	1	144, 170	C	62/63
7B066		PLATE (TRANSMISSION FRONT CLUTCH PRESSURE)				
B1AZ 7B066-A	S/R	& D/R - external spline - (54) teeth	1	PBL	A	60
B5AZ 7B066-A	S/R	& D/R - external spline	1	PAZ, PBM, PCC, PCD	A	60/62
C1AZ 7B066-A	D/R		1	PCE	A	61/64
B8SZ 7B066-A	S/R	& D/R - external spline - (60) teeth	1	PBB, PCA	A D	60/64
C4AZ 7B066-A	D/R	Reverse clutch	1	PCW	C	64
7B066		REFER TO GROUP 7B437				
7D066		WASHER (TRANSMISSION INPUT SHELL THRUST)				
C4AZ 7D066-B	D/R		1	PCW	C	64
7-7067		REFER TO GROUP 7B368				
7B067		HUB (TRANSMISSION CLUTCH)				
B1AZ 7B067-A	S/R	& D/R	1	PAZ, PBM, PCC, PCD	A	60/62
C1AP 7B067-A	D/R		1	PCE, PBL	A	60/64
C3VY 7B067-A	S/R	& D/R - external spline - (52) teeth	1	PBB, PCA	A D	60/64
C3AZ 7B067-A	2/S		1	PBP, PBR, PBS, PCH, PCJ, PCK	A	61/62
	2/S		1	PBZ, PCF, PCL, PCM, PCN, PCP, PCY	B C	60/64
C4AZ 7B067-A	D/R		1	PCW	C	64
7D069		REFER TO GROUP 7-7607				
7B070		SPRING (TRANSMISSION FRONT CLUTCH PISTON DISC)				
COAP 7B070-A	S/R	& D/R - (8) spring tabs - 5-5/16" O.D. x 5/64" thick	1	PAZ, PBM, PBL, PCC, PCD, PCE	A	60/64
COMP 7B070-A	S/R	& D/R - (8) spring tabs - 5-29/32" O.D. x 5/64" thick	1	PBB, PCA	A D	60/64
C4AZ 7B070-B	D/R	Use in rear clutch - forward clutch	1	PCW	C	64
7D070		REFER TO GROUP 7A180				
7071		WASHER (TRANSMISSION FIRST SPEED GEAR THRUST)				
C2AZ 7071-A	4/S	Use with Warner design transmission	1	All	A	62/64
	4/S		1	All	B	63
	4/S	Use with Warner design transmission	1	260, 289	C	63/64
C3AZ 7071-A	3/S		1	HEF, HEG	A B C	63/64
	4/S	Use with Ford design transmission	1	HEH	A C	64
C3AZ 7071-B	3/S		1	HEE	B	63

Transmission and Clutch

GROUP AND PART NUMBER	TYPE	DESCRIPTION, SIZE, ETC.	NO. REQ'D	MODEL OR ENGINE CUBIC INCH DISPLACEMENT	VEHICLE CODE	YEAR 19__
7B071 SPRING (TRANSMISSION CONTROL SELECTOR LEVER)						
B2AZ 7B071-A	A/T	For models 58A, 64A	1	PBM, PBP, PBR, PBS, PCC, PCD, PCE, PCH, PCJ, PCK	A	61
C2AZ 7B071-A	D/R	2-3/4" long - for models 65C, 76B	1	PCC, PCD, PCE	A	62
C2OZ 7B071-A	2/S		1	PCM, PCN, PCP	B	62
	A/T	Use with steering column shift	1	PCE, PCM, PCN, PCP, PCY	A B	63
	D/R	Use with steering column shift	1	PCA, PCE	A D	64
CODZ 7B071-A	S/R	& D/R - (14) coils x 1-5/16" long	1	PBM, PBL, PBB	A	60
	D/R		1	PBB, PCA	D	60/63
	A/T	For all models except 58A, 64A, 65C, 76B	1	PAZ, PBM, PBR, PBS, PCC, PCD, PCE, PCH, PCJ, PCK	A	61/62
	A/T		1	PBZ, PCF, PCL, PCM, PCW, PCY	C	60/64
7D071 REFER TO GROUP 7-7312						
7C072 CLIP (TRANSMISSION VACUUM TUBE)						
C1DD 7C072-A	2/S	Front	1	PCM, PCY	B	63
	2/S		1	PCL, PCM	C	61/63
7D072 WASHER (TRANSMISSION REAR DRUM TO CASE THRUST)						
C4AZ 7D072-B	D/R		1	PCW	C	64
7C078 WIRING (TRANSMISSION CONTROL SELECTOR NEUTRAL SWITCH)						
C2AZ 7C078-B	D/R	Use with console shift	1	PCC, PCD, PCE	A	62/64
C1VY 7C078-A	D/R		1	PCA	D	61/63
7085 RETAINER (TRANSMISSION OUTPUT SHAFT BEARING)						
C2DZ 7085-A	4/S		1	144, 170	C	62/63
7086 GASKET (TRANSMISSION EXTENSION)						
C2AZ 7086-C	3/S		1	312, 352, 390	A	60/62
1P 7086-A	S/R	& D/R - rubber coated - hard fibre - also serviced in 7153 kit	1	PAZ, PBM, PBL, PCC, PCD, PCE	A	60/64
B5A 7086-B	O/D		1	223, 292	A	61/62
C2AZ 7086-D	3/S		1	221, 223, 260, 292	A B	61/62
C4AZ 7086-B	4/S	Use with Ford design transmission - also serviced in 7153 kit	1	HEH	A C	64
B8S 7086-A	S/R	& D/R - also serviced in 7153 kit	1	PBB	A D	60
B9A 7086-A	2/S	Also serviced in 7153 kit	1	PBP, PBR, PBS, PCH, PCJ, PCK	A	61/62
	2/S		1	PBZ, PCF, PCL, PCM, PCN, PCP, PCY	B C	60/64
C2AZ 7086-A	4/S	Extension housing to adaptor - use with Warner design transmission	1	All	A	62/64
	4/S		1	All	B	63
	4/S		1	260, 289	C	63/64
C2AZ 7086-B	4/S	Adaptor to case - use with Warner design transmission	1	All	A	62/64
	4/S		1	All	B	63
	4/S		1	260, 289	C	63/64
C3AZ 7086-A	3/S	Also serviced in 7153 kit	1	HEE, HEF, HEG	A B C	63/64

CONTINUED ON NEXT PAGE

Transmission and Clutch

GROUP AND PART NUMBER	TYPE	DESCRIPTION, SIZE, ETC.	NO. REQ'D	MODEL OR ENGINE CUBIC INCH DISPLACEMENT	VEHICLE CODE	YEAR 19__
7086 GASKET (TRANSMISSION EXTENSION) CONTINUED						
C2OA 7086-A	O/D		1	221	B	62/63
C2OZ 7086-A	3/S	Also serviced in 7153 kit	1	170	B	62/63
	3/S	For all models except 71 - also serviced in 7153 kit	1	HED	C	64
CODR 7086-A	3/S	Also serviced in 7153 kit	1	144, 170	C	60/63
	3/S	For model 71	1	HED	C	64
C4AZ 7086-A	D/R	Also serviced in 7153 kit	1	PCW	C	64
C1VP 7086-A	D/R	Also serviced in 7153 kit	1	PCA	D	61/64
7B086-7 CONNECTOR (ENGINE TO TRANSMISSION VACUUM TUBE)						
	2/S	NS-front - 7/32" I. D. x 7/16" O. D. x 6-3/8" long rubber hose - cut from B7MY-17A605-B	AR	All	A	61/62
	D/R	NS-7/32" I. D. x 7/16" O. D. - rubber hose - cut from B7MY-17A605-B	AR	All	A	63/64
C1AZ 7B087-C	2/S	Rear - 1/4" I. D. x 15/32" O. D. molded rubber hose - 90° elbow	1	PCH, PCJ, PCK, PCL, PCM, PCN, PCP, PCY	A B C	61/64
	D/R	NS-front or rear - cut to required length (a) from bulk hose B7MT-17A605-B	1	PCA	D	61
97325-S		Clamp	2	a		
7A089 CLUTCH (TRANSMISSION PLANETARY)						
B9AZ 7A089-A	D/R	(4) drag springs on inner ring - (24) sprags - use on vehicles built prior to 7-8-62	1	PBL, PCC, PCD, PCE	A	60/62
C3AZ 7A089-A	D/R	Use on vehicles built after 7-7-62	1	PCC, PCD, PCE	A	62/64
B9AZ 7A089-B	D/R	(5) drag springs on inner ring - (30) sprags	1	PBB, PCA	A D	60/64
7D090		REFER TO GROUP 7-7577				
7A091		REFER TO GROUP 7B429				
7D091		REFER TO GROUP 7019				
7B093 HOSE (TRANSMISSION OIL COOLER)						
C1VV 7B093-B	S/R	& D/R - fabric - 4-29/32" long - cut to required length (a)	2	PBM, PBL, PBB	A D	60
	D/R	Use on vehicles built prior to 1-13-61	2	PCA	D	61
	D/R		2	PCA	D	63/64
C3DZ 7C332-B	2/S	NS-cut to length from C3DZ-7C332-B (a)	AR	PCM, PCN, PCP, PCY	B	63
	2/S	6.2" long - cut to required length (a)	AR	PCM, PCN, PCP	B	62
	2/S		1	PCP	C	63
	D/R		2	PCW	C	64
372174-S		Nipple-3/8" hose-1/4"-18 taper thread (1) end	AR	a		
7A094 BODY (TRANSMISSION FRONT SERVO)						
B9AP 7A094-B	S/R		(a) 1	PBM, PAZ	A	60/61
COAP 7A094-A	D/R		1	PCC	A	61
B9AZ 7A094-A	D/R		1	PCD	A	61/62
C2AZ 7A094-A	D/R		1	PCC	A	62
C3AZ 7A094-A	S/R	& D/R (a)	1	PBB, PBL, PCE	A D	60/64
	34807-S	Lockwasher-3/8"	2	a		
357912-S		Bolt-hex. hd. - 3/8"-16 x 1-1/4"-servo to transmission case	2	a		

Transmission and Clutch

GROUP AND PART NUMBER	TYPE	DESCRIPTION, SIZE, ETC.	NO. REQ'D	MODEL OR ENGINE CUBIC INCH DISPLACEMENT	VEHICLE CODE	YEAR 19__
7B094-5 TUBE (ENGINE TO TRANSMISSION) VACUUM						
	2/S	NS-front or rear - cut to length from 1/4" steel tube 91A-2269	AR	All	A B	61/62
	A/T	NS-front or rear - cut to length from 1/4" steel tube 91A-2269	AR	PCE, PCL, PCM, PCN, PCP, PCY	A B C	63
	A/T		AR	All	A C	64
	2/S	NS-5/16" x 67" long steel tube - cut from 8C-2269-A	AR	All	C	61/62
C1VV 7B094-B	D/R		(a) 1	PCA	D	61/62
374310-S		Clip	1	a		
374578-S		Clip-3/16" x 1/4"	2	a		
7D095 REFER TO GROUP 7A176						
7C096 WASHER (TRANSMISSION FRONT CLUTCH SUN GEAR THRUST) REAR						
B8TZ 7C096-A	S/R	& D/R - 1-17/64" I.D. x 1-59/64" O.D. - (36) rollers	1	PAZ, PBM, PBL, PCC, PCD	A	60/62
B8TZ 7C096-B	D/R	1-17/64" I.D. x 1-59/64" O.D. - (36) rollers	1	PCE	A	61/64
B8SZ 7C096-A	S/R	& D/R - 1-1/2" I.D. x 2-11/64" O.D. - (46) rollers	1	PBB, PCA	A D	60/64
B9AZ 7C096-A	2/S	Rear brake drum	1	PBP, PBR, PBS, PCH, PCJ, PCK	A	61/62
	2/S		1	PBZ, PCF, PCL, PCM, PCN, PCP, PCY	B C	60/64
C4AZ 7C096-A	D/R	Rear brake drum	2	PCW	C	64
7A097 CLIP (TRANSMISSION OIL PAN SCREEN RETAINING)						
B5A 77482-A	S/R	& D/R	1	PAZ, PBM, PCC, PCD, PCE, PBL	A	60/61
C3AZ 7A097-A	D/R		1	PCE	A	63/64
B8AZ 7A097-A	S/R	& D/R	1	PBB	A D	60
CODP 7A097-A	2/S		1	PBP, PBR, PBS, PCH, PCJ, PCK	A	61/62
	2/S		1	PBZ, PCF, PCL, PCM, PCN, PCP, PCY	B C	60/64
7B097 ACTUATOR (TRANSMISSION NEUTRAL SWITCH PIN)						
C3AZ 7B097-B	D/R	Use with steering column shift	1	PCE	A	63/64
C1VV 7B097-A	S/R	& D/R - for all models except 58A, 64A	1	PAZ, PBM, PCC, PCD, PCE, PCA	A D	61/62
	2/S		1	PCM, PCN, PCP	B	62/63
C4VY 7B097-A	D/R		1	PCA	D	64
7A098 SCREEN (TRANSMISSION OIL PAN)						
B9AP 7A098-B	S/R	& D/R	1	PAZ, PBM, PCC, PCD	A	60/62
B9MP 7A098-B	S/R	& D/R	1	PBL, PCE	A	60/64
B9SZ 7A098-A	S/R	& D/R	1	PBB	A D	60
CODP 7A098-A	2/S		(a) 1	PBP, PBR, PBS, PCH, PCJ, PCK	A	61/62
	2/S		1	PBZ, PCF, PCL, PCM, PCN, PCP, PCY	B C	60/64
C4AZ 7A098-A	D/R		1	PCW	C	64
C1VP 7A098-A	D/R	Use on vehicles built prior to 12-12-60	1	PCA	D	61
C1VP 7A464-A	D/R	Filter - use on vehicles built after 12-11-60	1	PCA	D	61/64
371144-S		Grommet-rubber-3/4" I.D. tapered to 11/16" I.D. x 1-1/8" large O.D. x 1" small O.D.	1	a		

Transmission and Clutch

GROUP AND PART NUMBER	TYPE	DESCRIPTION, SIZE, ETC.	NO. REQ'D	MODEL OR ENGINE CUBIC INCH DISPLACEMENT	VEHICLE CODE	YEAR 19__
7C098		"O" RING (TRANSMISSION FRONT SERVO RELEASE PISTON)				
B7AZ 7C098-A	S/R	Use as front servo piston oil "o" ring - small - also serviced in 7153 kit	1	PBM	A	60/61
	D/R		1	PCE-AU-1, AV	A	64
C1AZ 7C098-A	S/R	& D/R	1	PBM, PCE	A	60/61
	D/R		1	PCE except PCE-AF, AG	A	63
	D/R		1	PCE-AG-1	A	63
	D/R		1	PCE-AU except AU-1, AW, AY, AZ	A	64
B8SZ 7C098-A	D/R	Also serviced in 7153 kit	1	PCD	A	61/62
	D/R		1	PCE-AF, AG	A	63
B8MY 7C098-A	S/R	& D/R - also serviced in 7153 kit	1	PBL, PBB	A D	60
7B099		REFER TO GROUP 7228				
7C099		"O" RING (TRANSMISSION REAR CLUTCH PISTON) INNER				
C1AZ 7C099-A	S/R	& D/R - also serviced in 7153 kit Note - For front clutch refer to group 7C328	1	PAZ, PBM, PCC, PCD	A	60/61
C1AZ 7C099-B	S/R	& D/R	1	PBL, PCE	A	60/64
C1AZ 7C099-C	S/R	& D/R - also serviced in 7153 kit	1	PBB, PCA	A D	60/64
B5AZ 7A294-A	D/R	Forward clutch - also serviced in 7153 kit	1	PCW	C	64
7C099		REFER TO GROUP 7C328				
7100		GEAR (TRANSMISSION LOW & REVERSE SLIDING)				
COAZ 7100-B	3/S		1	312, 352, 390	A	60/62
COAR 7100-A	3/S		1	221, 223, 260, 292	A B	61/62
B6A 7100-A	O/D		1	221, 223, 292	A B	61/63
C2AZ 7100-A	4/S	First gear - use with Warner design transmission	1	All	A	62/64
	4/S		1	All	B	63
	4/S		1	260, 289	C	63/64
C2AZ 7100-B	4/S	Reverse	1	All	A	62/64
	4/S		1	All	B	63
	4/S		1	260, 289	C	63/64
CODR 7100-A	3/S	Use on vehicles built prior to 10-15-61	1	144	C	60/62
C1DR 7100-A	3/S	Identified by a 2" diameter groove on back side of gear	1	170	B C	61/63
	3/S	Use on vehicles built after 10-14-61	1	144	C	62/64
C2DZ 7100-A	4/S	First gear	1	144, 170	C	62/63
7A100		CONTROL (TRANSMISSION MAIN)				
B9AP 7A100-D	D/R	No. 48	1	PBL	A	60
B9MP 7A100-A	S/R	No. 49	1	PAZ, PBM, PBL, PBB	A	60/61
COAP 7A100-Z	2/S	No. 65	1	PBR	A	61
COAP 7A100-AA	2/S	No. 66	1	PBS	A	61
C1AP 7A100-L	2/S	No. 80	1	PBP	A	61
C1AP 7A100-H	2/S	No. 84	1	PCK-A	A	61/62
C2AZ 7A100-F	2/S	No. 91 or 97	1	PCK-A1	A	61/62
C2AZ 7A100-N	2/S	No. 107	1	PCJ	A	61/62
C3AZ 7A100-E	2/S	No. 114	1	PCH	A	61/62
C1SP 7A100-C	D/R	No. 69 - use on vehicles built prior to 3-23-62	1	PCD except PCD-D1, PCE	A	61/62
C3AZ 7A100-K	D/R	No. U1	1	PCC, PCD except PCD-D1, F1, PCE-G, S	A	61/62
C3AZ 7A100-AC	D/R	No. J2	1	PCE-H	A	61
	D/R		1	PCE-N, V, AA, AB, AM, AW, AY	A	63/64
CONTINUED ON NEXT PAGE						

Transmission and Clutch

GROUP AND PART NUMBER	TYPE	DESCRIPTION, SIZE, ETC.	NO. REQ'D	MODEL OR ENGINE CUBIC INCH DISPLACEMENT	VEHICLE CODE	YEAR 19____
7A100 CONTROL (TRANSMISSION MAIN) CONTINUED						
C3AZ 7A100-Y	D/R	No. L2	1	PCD-D1, F1	A	62
C3AZ 7A100-A	D/R	No. G1	1	PCE-M, U, Z, AD	A	63
C3MY 7A100-B	D/R	No. T1	1	PCE-AF, AG	A	63
C1AZ 7A100-C	D/R	No. F2	1	PCE-AF, AG	A	63
C3AZ 7A100-R		NS - 7/1/63 RB C3SZ-7A100-D				
C3SZ 7A100-D	D/R	No. K2	1	PCE-M, U, Z, AD, AG-1, AL, AU, AV, AZ	A	63/64
COAP 7A100-U	D/R	No. 57	1	PBB	A D	60
C2DZ 7A100-F	2/S	No. 110	1	PCM	B C	61/62
C2OZ 7A100-C	2/S	No. 111	1	PCL, PCN, PCP	B C	61/62
C3AZ 7A100-Z	2/S	No. 119 - *Meteor only	1	PCM, PCN, PCP*, PCY	B C	63
CODP 7A100-E	2/S	No. 63	(a) 1	PBZ	C	60/61
C1DP 7A100-A	2/S	No. 72	1	PCF	C	61
C3DZ 7A100-A	2/S	No. 113	1	PCL, PCP	C	63
C3DZ 7A100-B	2/S	No. 118	1	PCY-C, D	C	64
C4OZ 7A100-C	2/S	No. 124	1	PCY-E, F	C	64
C4OZ 7A100-F	D/R	No. 1G	1	PCW	C	64
C4AZ 7A100-D	D/R	No. 1K	1	PCW	C	64
C1VP 7A100-F	D/R	No. 82	1	PCA	D	61/62
C3VY 7A100-A	D/R	No. S1	1	PCA	D	63
C4VY 7A100-A	D/R	No. N2	1	PCA	D	64
		353081-S	1	a		
		372587-S	1	a		
7D100 GASKET (TRANSMISSION VALVE BODY SEPARATOR PLATE)						
C4AZ 7D100-B	D/R	Also serviced in 7153 kit	1	PCW	C	64
7A101 STOP (TRANSMISSION COMPENSATOR VALVE SPRING) OUTER						
B9MY 7A101-A	2/S		1	PBP, PBR, PBS	A	61
	2/S		1	PBZ, PCF	C	60/61
7102-3 GEAR (TRANSMISSION INTERMEDIATE)						
B8A 7102-A	3/S		1	312	A	60
C1AZ 7102-B	3/S		1	352, 390	A	61/62
C2AZ 7102-A	4/S	Second gear	1	All	A	62
C3AZ 7102-C	3/S		1	HEG	A	63
C3AZ 7102-D	4/S	Second gear	1	All	A	63
C4AZ 7102-C	3/S		1	HEG	A	64
C4AZ 7102-D	4/S	Second gear - use with Ford design transmission	1	HEH-D, H	A	64
C1AZ 7102-A	3/S		1	221, 223, 260, 292	A B	61/62
B6A 7102-A	O/D	Use on vehicles built prior to 5-1-62	1	221, 223, 292	A B	61/62
C2AZ 7102-B	O/D	Use on vehicles built after 4-30-62	1	221	B	62/63
C3AZ 7102-E	4/S	Second gear - use with Warner design transmission	1	390, 427	A	64
	4/S		1	All	B	63
	4/S		1	260, 289	C	63/64
C4DZ 7102-A	4/S	Second gear - use with Ford design transmission	1	HEH-A, F	A C	64
C3OZ 7102-A	3/S		1	HEE	B	63
C1DZ 7102-A	3/S	24 - (22) teeth - use on vehicles built prior to 10-15-61	1	144	C	60/62
C1DZ 7102-B	3/S	24 - (19) teeth	1	170	B C	61/63
	3/S	Use on vehicles built after 10-14-61	1	144	C	62/63
	3/S		1	HED	C	64
C3AZ 7102-A	3/S		1	HEF	B C	63
C2DZ 7103-A	4/S	Second gear	1	144, 170	C	62/63
C4AZ 7102-B	3/S		1	HEF	C	64

Transmission and Clutch

GROUP AND PART NUMBER	TYPE	DESCRIPTION, SIZE, ETC.	NO. REQ'D	MODEL OR ENGINE CUBIC INCH DISPLACEMENT	VEHICLE CODE	YEAR 19__
7A103 PUMP (TRANSMISSION OIL) FRONT						
C3AZ 7A103-D	S/R	& D/R	(a) 1	PBM, PBL	A	60
	S/R	& D/R	(b) 1	PAZ, PBM, PCC, PCD, PCE	A	61/62
C3AZ 7A103-C	D/R		(b) 1	PCE	A	63/64
COMP 7A103-A	S/R	& D/R	(a) 1	PBB	A D	60
C2AZ 7A103-A	2/S		1	All	A B C	60/62
C3AZ 7A103-A	2/S		1	PCL, PCM, PCN, PCP, PCY	B C	63
C4AZ 7A103-C	2/S		1	PCY	C	64
C4AZ 7A103-D	D/R		1	PCW	C	64
C3VY 7A103-A	D/R		1	PCA	D	61/64
357911-S		Bolt-hex. hd. -5/16"-18 x 2"-pump to case	4	a		
371454-S		Screw-hex. hd. -5/16"-18 x 2"-pump to case	4	b		
372590-S		Screw and washer with special seal-hex. hd. -5/16"-18 x 1-1/8"-pump to case	AR	b		
7107 RING (TRANSMISSION SYNCHRONIZER BLOCKING)						
B8A 7107-A	3/S		2	312	A	60
C3AZ 7107-E	3/S	Intermediate and high gear	2	HEG	A	63
81A 7107-C	3/S		2	221, 223, 260, 292, 352, 390	A B	61/62
B5A 7107-A	O/D	30 teeth - 2" synchronizer	2	221, 223, 292	A B	61/63
C4AZ 7107-E	O/D	33 teeth - 2-1/4" synchronizer	2	221, 223, 260, 292	A B	61/63
C3AZ 7107-G	3/S	Low gear	1	HEF, HEG	A B	63
C4AZ 7107-A	3/S		3	HEG	A	64
	3/S	Low gear	1	HEF	C	64
C4AZ 7107-D	4/S	Use with Ford design transmission	4	HEH	A C	64
8L 7107	4/S	Use with Warner design transmission	4	All	A	62/64
	4/S		4	All	B	63
	4/S		4	260	C	63
	4/S		4	All	C	64
C3AZ 7107-C	3/S	Intermediate and high gear	2	HEE	B	63
C3AZ 7107-F	3/S	Low gear	1	HEE	B	63
C3AZ 7107-D	3/S	Intermediate and high gear	2	HEF	B	63
C2DZ 7107-C	3/S		2	144, 170	B C	60/63
	3/S		2	HED	C	64
C2DZ 7107-A	4/S	First and second gear	2	144, 170	C	62/63
C2DZ 7107-B	4/S	Third and fourth gear	1	144, 170	C	62/63
C4AZ 7107-C	3/S	Intermediate and high gear	2	HEF	C	64
7A108 SUPPORT (TRANSMISSION CONVERTER STATOR)						
B5AZ 7A108-A	S/R	& D/R	(a) 1	PAZ, PBM, PBL, PCC, PCD, PCE	A	60/64
B8SZ 7A108-A	S/R	& D/R	(a) 1	PBB	A D	60
C4AZ 7A108-C	D/R		1	PCW	C	64
C1VY 7A108-A	D/R		1	PCA	D	61/64
356745-S		Screw-flat hd. -No. 10-24 x 3/4"-support to pump body	2	a		
7B108 LINK (TRANSMISSION CONTROL SHAFT ROD ADJUSTING)						
C2AZ 7B108-A	A/T		1	PAZ, PBM, PBP, PBR, PBS, PCH	A	61/62
C3MY 7B108-A	D/R		1	PCE	A	63
C4DZ 7B108-A	All		1	260, 289	C	64
7109 SPRING (TRANSMISSION SYNCHRONIZER RETAINING)						
B9MR 7109-A	3/S		2	312	A	60
C3AZ 7109-C	3/S	Intermediate and high gear	2	HEG	A	63
CONTINUED ON NEXT PAGE						

Transmission and Clutch

GROUP AND PART NUMBER	TYPE	DESCRIPTION, SIZE, ETC.	NO. REQ'D	MODEL OR ENGINE CUBIC INCH DISPLACEMENT	VEHICLE CODE	YEAR 19__
7109 SPRING (TRANSMISSION SYNCHRONIZER RETAINING) CONTINUED						
C2AZ 7109-B	3/S		2	221, 223, 260, 292, 352, 390	A B	61/62
	3/S	Intermediate and high gear	2	HEE	B	63
B5A 7109-A	O/D	Use with 2" synchronizer	2	221, 223, 292	A B	61/63
C3AZ 7109-D	3/S	Intermediate and high gear - use in pairs on vehicles built prior to 12-15-63	2	HEG	A C	64
	4/S		4	HEH	A C	64
C3AZ 7D176-B	3/S	Low and reverse gear - front	1	HEF, HEG	A B C	63/64
C3AZ 7D176-D	3/S	Low and reverse gear - rear	1	HEF, HEG	A B C	63/64
8D 7109	O/D	Use with 2-1/4" synchronizer	2	221	B	62/63
C3AZ 7D176-A	3/S	Low and reverse gear - front	1	HEE	B	63
C3AZ 7D176-C	3/S	Low and reverse gear - rear	1	HEE	B	63
C2DZ 7109-A	3/S		2	144, 170	B C	60/63
	3/S		2	HED	C	64
B8AZ 7109-B	3/S	Intermediate and high gear - use in pairs on vehicles built prior to 12-15-63	2	HEF	B C	63/64
C2DZ 7109-B	4/S	First and second gear	2	144, 170	C	62/63
C2DZ 7109-C	4/S	Third and fourth gear	2	144, 170	C	62/63
7A110 INDICATOR (TRANSMISSION CONTROL SELECTOR)						
C1AA 7A110-B	A/T	For models 58A, 64A	1	PBM, PBP, PBR, PBS, PCC, PCD, PCE, PCH, PCJ, PCK	A	61
C1MF 7B053-E	S/R	& D/R - for all models except 58A, 64A	1	PAZ, PBM, PCC, PCD, PCE	A	61
	D/R	For models S-55, 65C, 76B	1	PCC, PCD, PCE	A	62
C2MF 7B053-A	D/R	For all models except S-55, 65C, 76B	1	PCC, PCD, PCE	A	62
C1VF 7A110-A	D/R		1	PCA	D	61/64
7111 COUNTERSHAFT (TRANSMISSION)						
C3AZ 7111-C	3/S		1	HEG	A	63/64
COAR 7111-A	3/S		(a) 1	221, 223, 260, 292, 312, 352, 390	A B	60/62
B7A 7111-A	O/D		1	221, 223, 292	A B	61/63
C4AZ 7111-A	4/S	Use with Ford design transmission	1	HEH	A C	64
8L 7111	4/S	Use with Warner design transmission	1	All	A	62/64
	4/S		1	All	B	63
	4/S		1	260	C	63
	4/S		1	All	C	64
C3AZ 7111-A	3/S		1	HEE	B	63
CODR 7111-A	3/S	7-3/32" long - 11/16" O. D. - keyway cut one end	(b) 1	144, 170	B C	60/63
	3/S		1	HED	C	64
C3AZ 7111-B	3/S		1	HEF	B C	63/64
C2DZ 7111-A	4/S		1	144, 170	C	62/63
		Pin-spring-1/4" x 1"	1	a		
		Washer-steel-1-9/64" O. D. x 29/32" I. D.	AR	a		
		Washer-steel-flat-11/16"	AR	b		
7A111 PIN (TRANSMISSION GEARSHIFT LEVER)						
C5ZZ 7A111-A	4/S		1	HEH	A C	64
7B112 ROD (TRANSMISSION REVERSE GEARSHIFT)						
C2AZ 7B112-B	4/S	Use with Warner design transmission	1	All	A	62/64
C4AZ 7B112-A	4/S	Use with Ford design transmission	1	HEH	A	64
C2DZ 7B112-A	4/S		1	144, 170	C	62/63
C3DZ 7B112-A	4/S	Use with Warner design transmission	1	260, 289	C	63/64
C4DZ 7B112-A	4/S	Use with Ford design transmission	1	HEH	C	64

Transmission and Clutch

GROUP AND PART NUMBER	TYPE	DESCRIPTION, SIZE, ETC.	NO. REQ'D	MODEL OR ENGINE CUBIC INCH DISPLACEMENT	VEHICLE CODE	YEAR 19__
7113 GEAR (TRANSMISSION COUNTERSHAFT)						
C1AR 7113-C	3/S		1	312	A	60
	3/S		1	352, 390	A	61/62
C2AZ 7113-A	3/S		1	292	A	61/62
COAA 7113-A	O/D		1	292	A	61/62
C2AZ 7113-C	4/S		1	All	A	62
C3AZ 7113-E	4/S		1	All	A	63
C3AZ 7113-D	3/S		1	HEG	A	63/64
C3AZ 7113-F	4/S	Use with Warner design transmission	1	All	A	64
C4AZ 7113-A	4/S	Use with Ford design transmission	1	HEH-D, H	A	64
C2AZ 7113-B	3/S		1	221, 223, 260	A B	61/62
C1AA 7113-B	O/D		1	221, 223	A B	61/63
C4DZ 7113-A	4/S	Use with Ford design transmission	1	HEH-A, F	A C	64
C3OZ 7113-A	3/S		1	HEE	B	63
CODR 7113-C	3/S	Identified by (29) tooth intermediate gear - use on vehicles built prior to 10-15-61	1	144	C	60/62
C1DR 7113-A	3/S	Identified by (24) tooth intermediate gear	1	170	B C	61/63
	3/S	Use on vehicles built after 10-14-61	1	144	C	62/63
	3/S		1	HED	C	64
C3AZ 7113-A	3/S		1	HEF	B C	63/64
C3OZ 7113-B	4/S	Use with Warner design transmission	1	All	B	63
	4/S		1	260, 289	C	63/64
C2DZ 7113-A	4/S		1	144, 170	C	62/63
7115 SPACER (TRANSMISSION COUNTERSHAFT GEAR BEARING)						
B5A 7115-A	3/S	(a)	1	221, 223, 260, 292, 312, 352, 390	A	60/62
B5A 7115-B	O/D		1	221, 223, 292	A B	61/63
8L 7115	4/S		1	All	A	62/64
	4/S		1	All	B	63
	4/S		1	260	C	63
	4/S		1	All	C	64
CODR 7115-B	3/S	(b)	1	144, 170	B C	60/63
	3/S		1	HED	C	64
354398-S		Washer-steel-1-9/64" O. D. x 29/32" I. D.	AR	a		
372509-S		Washer-steel-flat-11/16"	AR	b		
7A115 LEVER (TRANSMISSION MANUAL VALVE DETENT)						
B8LY 7A115-A	S/R		1	PBB	A	60
B8AZ 7A115-C	S/R		1	PAZ, PBM, PBL	A	60/61
C3AZ 7A115-A	D/R		1	PCE	A	63/64
B8AZ 7A115-B	D/R		1	PBL, PBB, PCC, PCD, PCE	A D	60/62
B9AZ 7A115-A	2/S		1	PBP, PBR, PBS, PCH, PCJ, PCK	A	61/62
	2/S		1	PBZ, PCF, PCL, PCM, PCN, PCP, PCY	B C	60/64
C4AZ 7A115-A	D/R		1	PCW	C	64
C1VP 7A115-D	D/R		1	PCA	D	61/62
C3VY 7A115-A	D/R		1	PCA	D	63/64
7C115 SLEEVE (TRANSMISSION FIRST SPEED GEAR)						
C2AZ 7C115-A	4/S		1	All	A	62/64
C2DZ 7063-B	4/S		1	144, 170	C	62/63

Transmission and Clutch

GROUP AND PART NUMBER	TYPE	DESCRIPTION, SIZE, ETC.	NO. REQ'D	MODEL OR ENGINE CUBIC INCH DISPLACEMENT	VEHICLE CODE	YEAR 19__
7A117 LEVER (TRANSMISSION PARKING PAWL TOGGLE - OPERATING)						
C3AZ 7A117-A	D/R		1	PCE	A	63
C3AZ 7A117-B	D/R		1	PCE	A	64
B1AZ 7A117-A	S/R	& D/R - with 1/2" diameter hub - 23/64" (a) I. D. and lever with slotted end	1	PAZ, PBM, PBL, PBB, PCC, PCD, PCE	A D	60/62
B9AZ 7A117-A	2/S		1	PBP, PBR, PBS, PCH, PCJ, PCK	A	61/62
	2/S		1	PBZ, PCF, PCL, PCM, PCN, PCP, PCY	B C	60/64
C4AZ 7A117-A	D/R		1	PCW	C	64
C1VP 7A117-B	D/R		1	PCA	D	61/64
74275-S		Retainer-spring-for 5/16"dia. groove	1	a		
7118 ROLLER (TRANSMISSION INPUT SHAFT PILOT BEARING)						
8A 7118	3/S	7/32" O.D. x 17/32" long	15	221, 223, 260, 292, 312, 352, 390	A B	60/62
C2AZ 7120-A	4/S	Use with Warner design transmission	14	All	A	62/64
	4/S		14	All	B	63
	4/S		14	260, 289	C	63/64
C3AZ 7118-A	3/S		15	HEE, HEF, HEG	A B C	63/64
	4/S	Use with Ford design transmission	15	HEH	A C	64
CODR 7120-A	3/S	Steel - 3/16" O.D. x 1/2" long	13	144, 170	B C	60/63
	3/S		13	HED	C	64
C2DZ 7118-A	4/S		17	144, 170	C	62/63
7119 WASHER (TRANSMISSION COUNTERSHAFT GEAR THRUST)						
C1AR 7119-A	3/S	Front and rear	2	221, 223, 260, 292, 312, 352, 390	A B	60/62
B5TZ 7119-C	O/D	Rear inner	1	221, 223, 292	A B	61/63
B5AZ 7119-B	O/D	Rear outer	1	221, 223, 292	A B	61/63
B5A 7119-C	O/D	Front	1	221, 223, 292	A B	61/63
C4AZ 7119-A	4/S	Use with Ford design transmission	2	HEH	A C	64
C2AZ 7029-A	4/S	Front and rear - use with Warner design transmission	2	All	A	62/64
	4/S	Reverse idler gear - rear	1	All	A	62/64
	4/S	Front and rear	2	All	B	63
	4/S	Reverse idler gear - rear	1	All	B	63
	4/S	Front and rear	2	260, 289	C	63/64
	4/S	Reverse idler gear - rear	1	260, 289	C	63/64
C3AZ 7119-A	3/S	Front and rear	2	HEE, HEF, HEG	A B C	63/64
C3AZ 7029-A	3/S	Reverse idler gear - front and rear	2	HEF, HEG	A B C	63/64
	3/S	Reverse idler gear - rear	1	HEE	B	63
C3AZ 7029-B	3/S	Reverse idler gear - front	1	HEE	B	63
CODR 7119-A	3/S	Front -bronze and steel - 2-1/8" O.D. x 1/16" thick - also serviced in 7B331 kit	1	144, 170	B C	60/63
	3/S	Rear inner - bronze with steel backing on lug side - 1-29/32" O.D. x 1/16" thick with (4) scallops and (2) lugs - also serviced in 7B331 kit	1	HED	C	64
CODZ 7119-A	3/S	Rear inner - bronze with steel backing on lug side - 1-29/32" O.D. x 1/16" thick with (4) scallops and (2) lugs - also serviced in 7B331 kit	1	144, 170	B C	60/63
	3/S	Rear outer - steel - 1-29/32" O.D. x 1/16" thick with (1) lug 5/32" long x 15/64" wide - also serviced in 7B331 kit	1	HED	C	64
C2DZ 7119-A	4/S	Front inner	1	144, 170	C	62/63
C2DZ 7119-B	4/S	Front outer	1	144, 170	C	62/63
C2DZ 7119-C	4/S	Rear	1	144, 170	C	62/63
7A119 PIN (TRANSMISSION PARKING PAWL TOGGLE OPERATING LEVER SUPPORT)						
C3AZ 7A119-A	D/R		1	PCE	A	63/64
	D/R		1	PCA	D	61/64

Transmission and Clutch

GROUP AND PART NUMBER	TYPE	DESCRIPTION, SIZE, ETC.	NO. REQ'D	MODEL OR ENGINE CUBIC INCH DISPLACEMENT	VEHICLE CODE	YEAR 19__
7120 BEARING (TRANSMISSION SECOND & THIRD GEAR THRUST)						
C2AZ 7120-B	4/S	Use with Warner design transmission	1	All	A	62/64
	4/S		1	All	B	63
	4/S		1	260, 289	C	63/64
7120 BUSHING (TRANSMISSION INPUT SHAFT)						
B1A 7120-A	S/R	& D/R	1	PBM, PCC, PCD	A	60/62
7120 REFER TO GROUP 7118						
7121 BEARING (TRANSMISSION COUNTERSHAFT GEAR)						
C4AZ 7121-A	4/S	Use with Ford design transmission	42	HEH	A C	64
CODR 7121-A	3/S		(b) 40	144, 170	B C	60/63
	O/D		44	223, 292	A	61
	O/D		44	221	B	62/63
	3/S		40	HED	C	64
C3AZ 7121-A	3/S	1/8" O.D. x 57/64" long	(a) 50	221, 223, 260, 292, 312, 352, 390	A B C	60/63
	3/S		50	HEF, HEG	A C	64
8L 7121	4/S	Use with Warner design transmission	80	All	A	62/64
	4/S		80	All	B	63
	4/S		80	260	C	63
	4/S		80	All	C	64
C2DZ 7121-A	4/S		44	144, 170	C	62/63
354398-S		Washer-transmission countershaft gear pilot bearing roller-1-9/64"O.D. x 29/32" I.D. x 31/64" thick	4	a		
372509-S		Washer-steel-flat-11/16"	AR	b		
7A121 LEVER (TRANSMISSION PARKING PAWL TOGGLE)						
B1AZ 7A121-A	S/R	& D/R - (1) 5/16" diameter hole and (1) 3/8" diameter hole	1	PAZ, PBM, PBL, PCC, PCD, PCE	A	60/64
B9MP 7A121-A	S/R	& D/R - when using to replace B8S-7313-A lever (1) B9MP-7A441-A pawl and (1) B9MP-7A295-A pin also must be used	1	PBB, PCA	A D	60/62
	D/R		1	PCA	D	63/64
7C122 SNAP RING (TRANSMISSION OUTPUT SHAFT RING GEAR RETAINER)						
B1AZ 7C122-A	S/R	& D/R - .054"/.056"	1	PAZ, PBM, PBL, PCC, PCD, PCE	A	60/64
B1AZ 7C122-B	S/R	& D/R - .056"/.058"	1	PAZ, PBM, PBL, PCC, PCD, PCE	A	60/64
B1AZ 7C122-C	S/R	& D/R - .058"/.060"	1	PAZ, PBM, PBL, PCC, PCD, PCE	A	60/64
B1AZ 7C122-D	S/R	& D/R - .063"/.065"	1	PAZ, PBM, PBL, PCC, PCD, PCE	A	60/64
B1AZ 7C122-E	S/R	& D/R - .068"/.070"	1	PAZ, PBM, PBL, PCC, PCD, PCE	A	60/64
B8SZ 7C122-A	S/R	& D/R - .054"/.056"	1	PBB, PCA	A D	60/64
B8SZ 7C122-B	S/R	& D/R - .056"/.058"	1	PBB, PCA	A D	60/64
B8SZ 7C122-C	S/R	& D/R - .058"/.060"	1	PBB, PCA	A D	60/64
B8SZ 7C122-D	S/R	& D/R - .063"/.065"	1	PBB, PCA	A D	60/64
B8SZ 7C122-E	S/R	& D/R - .068"/.070"	1	PBB, PCA	A D	60/64
7124 SYNCHRONIZER (TRANSMISSION)						
B9MR 7124-A	3/S		1	312	A	60
C3AZ 7124-F	3/S	Intermediate and high gear	1	HEG	A	63

CONTINUED ON NEXT PAGE

Transmission and Clutch

GROUP AND PART NUMBER	TYPE	DESCRIPTION, SIZE, ETC.	NO. REQ'D	MODEL OR ENGINE CUBIC INCH DISPLACEMENT	VEHICLE CODE	YEAR 19__
7124 SYNCHRONIZER (TRANSMISSION) CONTINUED						
C4AZ 7124-C	3/S	Intermediate and high gear	1	HEG	A	64
C2AZ 7124-A	3/S		1	221, 223, 260, 292, 352, 390	A B	61/62
B5A 7124-B	O/D	2" - use on vehicles built prior to 5-1-62	1	221, 223, 292	A B	61/62
C2AZ 7124-E	O/D	2-1/4" - use on vehicles built after 4-30-62	1	221	B	62/63
C4AZ 7124-E	3/S	Low and reverse gear	1	HEF, HEG	A C	64
C4AZ 7124-F	4/S	First and second gear - use with Ford design transmission	1	HEH	A C	64
C4AZ 7124-G	4/S	Third and fourth gear - use with Ford design transmission	1	HEH	A C	64
C2AZ 7124-B	4/S	First and second gear - use with Warner design transmission	1	All	A	62/64
	4/S		1	All	B	63
	4/S		1	260, 289	C	63/64
C2AZ 7124-C	4/S	Third and fourth gear - use with Warner design transmission	1	All	A	62/64
	4/S		1	All	B	63
	4/S		1	260, 289	C	63/64
C3AZ 7124-B	3/S	Low and reverse gear	1	HEF, HEG	A B C	63
C3AZ 7124-C	3/S	Low and reverse gear	1	HEE	B	63
C3AZ 7124-D	3/S	Intermediate and high gear	1	HEE	B	63
C2DZ 7124-A	3/S		1	144, 170	B C	60/63
	3/S		1	HED	C	64
C3AZ 7124-E	3/S	Intermediate and high gear	1	HEF	B C	63
C2DZ 7124-B	4/S	First and second gear	1	144, 170	C	62/63
C2DZ 7124-C	4/S	Third and fourth gear	1	144, 170	C	62/63
C4AZ 7124-B	3/S	Intermediate and high gear	1	HEF	C	64
7C124 FINGER (TRANSMISSION SHIFT CONTROL)						
C4AZ 7C124-A	4/S	Reverse gears	1	HEH	A C	64
C3AZ 7C124-A	3/S	Forward gears	2	HEE, HEF, HEG	A B C	63/64
	4/S		2	HEH	A C	64
7125 SPACER (TRANSMISSION COUNTERSHAFT GEAR)						
8L 7125	4/S	Use with Warner design transmission	6	All	A	62/64
	4/S		6	All	B	63
	4/S		6	260	C	63
	4/S		6	All	C	64
7B125 TRUNNION (TRANSMISSION GEARSHIFT LEVER)						
COAA 7B125-A	ALL	Except 4/S	2	All	A B	61/62
	3/S		2	HEG	A	63
	3/S		2	All	A	64
	3/S		2	All	B	63
C2AZ 7B125-A	4/S		2	All	A	62/64
	4/S		2	All	B	63
	4/S		2	All	C	62/63
	4/S		2	260, 289	C	64
7A127 VALVE (TRANSMISSION REAR PUMP CHECK)						
B5AZ 7A127-A	S/R	& D/R	1	PAZ, PBB, PBL, PBM, PCC, PCD, PCE	A D	60/64
B9AZ 7A127-A	2/S		1	PCL, PCM, PCN, PCP, PCY	B C	63/64
Kit - consists of the following -						
(1) B9AP-7A127-B	valve	☆(1) B9AP-7A435-A	clip	☆(1) 373216-S	ball	
☆ Not used						
354872-S	D/R	Ball-11/32" diameter	1	PCA	D	61/64

Transmission and Clutch

GROUP AND PART NUMBER	TYPE	DESCRIPTION, SIZE, ETC.	NO. REQ'D	MODEL OR ENGINE CUBIC INCH DISPLACEMENT	VEHICLE CODE	YEAR 19__
7-7128		REFER TO GROUP 7A266				
7A128		REFER TO GROUP 7A205				
7A129		SEAT (TRANSMISSION REAR PUMP CHECK VALVE)				
B5AZ 7A129-A	S/R	& D/R	1	PAZ, PBB, PBL, PBM, PCC, PCD, PCE	A D	60/64
7A130		SUPPORT (TRANSMISSION PLANETARY)				
B8MY 7A130-A	S/R		1	PBB	A	60
B1AZ 7A130-A	S/R	(a)	1	PAZ, PBM, PBL	A	60/61
C3AZ 7A130-A	D/R		1	PCC, PCD, PCE, PBL	A	60/64
B9MP 7A130-A	D/R		1	PBB, PCA	A D	60/64
351847-S		Washer-external tooth-3/8"-support to transmission case	2	a		
7D131		HANDLE (TRANSMISSION OVERDRIVE CONTROL)				
C2OZ 7D131-A	O/D		1	221	B	63
7A133		BUSHING (TRANSMISSION GEARSHIFT LEVER SHAFT)				
C1AA 7A133-A	3/S	& O/drive - for models 58A, 64A - lower	1	223, 292, 352, 390	A	61
C1AA 7A133-B	3/S	& O/drive - for models 58A, 64A - upper	1	223, 292, 352, 390	A	61
C2AZ 7A133-A	D/R	For S-55 models 65C, 76B	2	PCC, PCD, PCE	A	62
7A134		JOINT (TRANSMISSION SHIFT CONTROL ROD)				
C3AZ 7A134-A	D/R	Use with movable steering column	1	PCE	A	63/64
7A135		VALVE (TRANSMISSION MAIN OIL PRESSURE REGULATOR)				
B9AP 7A135-B	2/S	☆ Not used with 7A100 main control numbered 114	1	PBP, PBR, PBS, PCH☆, PCJ, PCK	A	61/62
	2/S	☆ Use with 7A100 main controls numbered 71, 85, 88, 93 or 99	1	PBZ, PCF, PCL, PCM☆	C	60/62
C2OZ 7A135-A	2/S	Use with 7A100 main control numbered 114	1	PCH	A	61/62
	2/S	☆Use with 7A100 main control numbered 101	1	PCM☆, PCN, PCP	B C	61/62
	2/S		1	PCL, PCM, PCN, PCP, PCY	B C	63/64
7A135		KIT (MAIN CONTROL REGULATOR REPAIR)				
C2AZ 7A135-A	D/R		1	PBB, PBL, PCC, PCD, PCE	A D	60/62
Consists of the following -						
(2) 353603-S		plug	(1) I. S. -741	installation sketch		
7-7136		SNAP RING (TRANSMISSION GOVERNOR RETAINING)				
1P 77136-A	S/R	& D/R - 1-5/8" I. D. x 3/64" thick	1	PAZ, PBM, PBL, PBB, PCC, PCD, PCE, PCA	A D	60/64
B9A 77136-A	2/S		1	PBP, PBR, PBS, PCH, PCJ, PCK	A	61/62
	2/S		1	PBZ, PCF, PCL, PCM, PCN, PCP, PCY	B C	60/64
7A136		GASKET (TRANSMISSION FRONT OIL PUMP)				
B1AZ 7A136-A	S/R	& D/R - cork and rubber - 5-17/32" I. D. x 5-29/32" O. D. x 1/8" - also serviced in 7153 kit	1	PAZ, PBM, PBL, PBB, PCC, PCD, PCE, PCA	A D	60/64
CODP 7A136-A	2/S	Also serviced in 7153 kit	1	PBP, PBR, PBS, PCH, PCJ, PCK	A	61/62
	2/S	Also serviced in 7153 kit	1	PBZ, PCF, PCL, PCM, PCN, PCP, PCY	B C	60/64
C4AZ 7A136-A	D/R	Also serviced in 7153 kit	1	PCW	C	64

Transmission and Clutch

GROUP AND PART NUMBER	TYPE	DESCRIPTION, SIZE, ETC.	NO. REQ'D	MODEL OR ENGINE CUBIC INCH DISPLACEMENT	VEHICLE CODE	YEAR 19__
7-7138 COVER (TRANSMISSION GOVERNOR INSPECTION)						
1P 77138-B	S/R	& D/R - oblong (a)	1	PAZ, PBM, PBL, PBB, PCC, PCD, PCE, PCA	A D	60/64
31064-S7		Bolt-fill. hd. -1/4"-20 x 1/2"-inspection cover to extension	2	a		
357914-S		Washer-flat-1/4" I. D. x 7/16" O. D. x 1/16" thick-fibre	2	a		
7A139 REGULATOR (TRANSMISSION OIL PRESSURE)						
C2AZ 7A139-B	D/R		1	PCE-H, N, V	A	61& 63
C3AZ 7A139-A	D/R		1	PCE-Z, AD, AG, AU, AV, AZ	A	63/64
C3AZ 7A139-B	D/R		1	PCE-AA, AB, AW, AY	A	63/64
C2AZ 7A139-A	S/R	& D/R (a)	1	PAZ, PBB, PBL, PBM, PCC, PCD, PCE except PCE-H	A D	60/62
	D/R		1	PCE-M, U, AF	A	63
C1VP 7A139-F	D/R		1	PCA	D	61/64
34803-S		Lockwasher-No. 10	AR	a		
356746-S		Screw-slotted fill. hd. -No. 10-24 x 3/4"	AR	a		
7140 SHAFT (TRANSMISSION REVERSE IDLER GEAR)						
B 7140-A	3/S	3/4" O. D. x 2-11/16" long (a)	1	221, 223, 260, 292, 312, 352, 390	A B	60/62
B5A 7140-A	O/D		1	221, 223, 292	A B	61/63
C4AZ 7140-A	4/S	Use with Ford design transmission	1	HEH	A C	64
C2AZ 7140-A	4/S	Use with Warner design transmission	1	All	A	62/64
	4/S		1	All	B	63
	4/S		1	260, 289	C	63/64
C3AZ 7140-A	3/S		1	HEE, HEF, HEG	A B C	63/64
CODR 7140-A	3/S		1	144, 170	B C	60/63
	3/S		1	HED	C	64
C2DZ 7140-A	4/S		1	144, 170	C	62/63
67599-S		Pin-spring-1/4" x 1"	1	a		
7141 GEAR (TRANSMISSION REVERSE IDLER)						
COAR 7141-G	3/S		1	312, 352, 383, 390, 430	A	60/62
C3AZ 7141-B	3/S		1	HEG	A	63/64
COAR 7141-C	3/S		1	221, 223, 260, 292	A B	61/62
B6A 7141-A	O/D		1	221, 223, 292	A B	61/63
C4AZ 7141-A	4/S	Rear - use with Ford design transmission	1	HEH	A C	64
C4AZ 7D223-B	4/S	Front - use with Ford design transmission	1	HEH	A C	64
C2AZ 7141-A	4/S	Front - use with Warner design transmission	1	All	A	62/64
	4/S		1	All	B	63
	4/S		1	260, 289	C	63/64
C2AZ 7141-B	4/S	Rear - use with Warner design transmission	1	All	A	62/64
	4/S		1	All	B	63
	4/S		1	260, 289	C	63/64
C3AZ 7141-C	3/S		1	HEE	B	63
CODR 7141-A	3/S	With bushing - use on vehicles built prior to 10-15-61	1	144	C	60/62
C1DR 7141-A	3/S		1	170	B C	61/63
	3/S	Use on vehicles built after 10-14-61	1	144	C	62/63
	3/S		1	HED	C	64
C3AZ 7141-D	3/S		1	HEF	B C	63/64
C2DZ 7141-A	4/S		1	144, 170	C	62/63

Transmission and Clutch

GROUP AND PART NUMBER	TYPE	DESCRIPTION, SIZE, ETC.	NO. REQ'D	MODEL OR ENGINE CUBIC INCH DISPLACEMENT	VEHICLE CODE	YEAR 19__
7A141 COVER (TRANSMISSION OIL PRESSURE REGULATOR BODY)						
B9AP 7A141-A	S/R	& D/R (a)	1	PAZ, PBM, PBL, PBB, PCC, PCD, PCE	A D	60/64
C1VP 7A141-A	D/R	Use on vehicles built prior to 12-12-60	1	PCA	D	61
C1VP 7A141-B	D/R	Use on vehicles built after 12-11-60	1	PCA	D	61/64
		34803-S Lockwasher-No. 10	AR	a		
		356746-S Screw-slotted fill. hd. -No. 10-24 x 3/4"	AR	a		
7A142 PLATE (TRANSMISSION OIL PRESSURE REGULATOR BODY SEPARATING)						
C1AP 7A142-B	S/R	& D/R	1	PAZ, PBB, PBL, PBM, PCC, PCD, PCE	A	60/62
	D/R		1	PCE-M, N, U, V, AF	A	63
C3AZ 7A142-A	D/R		1	PCE-Z, AA, AB, AD, AG	A	63
	D/R		1	PCE	A	64
C1VP 7A142-B	D/R		1	PCA, PBB	D	60/64
7A144 SEAT (TRANSMISSION OIL PRESSURE REGULATOR LUBE RELIEF VALVE)						
C1MP 7A144-A	D/R		1	PCA	D	61/64
7A145 SPRING (TRANSMISSION OIL PRESSURE REGULATOR LUBE RELIEF VALVE)						
C1VP 7A145-A	D/R		1	PCA	D	61/64
7A146 ROTOR (TRANSMISSION FRONT OIL PUMP)						
C3AZ 7A146-C	2/S	Use with solid type front pump slippers on 1961-62 vehicles	1	All	A B C	61/63
	2/S		1	PCY	C	64
7B146 SPRING (TRANSMISSION KICK DOWN CONTROL LEVER)						
C1AA 7B146-C	2/S		1	PCH	A	61/62
C1AA 7B146-B	D/R		1	PCC, PCD, PCE	A	61/62
	2/S		1	PCJ, PCK	A	61/62
C3MY 7B146-A	D/R		1	PCE	A	63
C2OZ 7B146-A	2/S		1	PCM, PCY	B	62/63
C2OA 7B146-B	2/S		1	PCN, PCP	B C	62/63
C1DD 7B146-A	2/S		1	PCL, PCM	C	61/63
C4AZ 9737-A	2/S		1	PCY	C	64
C4GY 7B146-A	D/R	22-1/4 coils - 2.76" free length	1	PCW	C	64
C4GY 7B146-B	D/R	7 coils - 2.60" free length	1	PCW	C	64
7B147 BRACKET (TRANSMISSION OIL COOLER TUBE)						
B7MY 7B147-A	S/R	& D/R - 1-3/4" formed length - (1) 15/16" dia. hole - mounted on converter housing	1	PBL, PBB	A	60
B9MY 7B147-A	S/R	Mounted on engine - 1/32" thick x 5/8" wide with (1) 13/32" dia. hole	1	PBM	A	60
B6MY 7B147-A	D/R	Attach cooler lines to engine - use on vehicles built prior to 1-13-61	1	PBB, PCA	D	60/61
7149 WASHER (TRANSMISSION REVERSE IDLER GEAR THRUST)						
C4AZ 7149-A	4/S	Use with Ford design transmission	2	HEH	A C	64
C2AZ 7149-A	4/S	Use with Warner design transmission	1	All	A	62/64
	4/S		1	All	B	63
	4/S		1	260, 289	C	63/64

Transmission and Clutch

GROUP AND PART NUMBER	TYPE	DESCRIPTION, SIZE, ETC.	NO. REQ'D	MODEL OR ENGINE CUBIC INCH DISPLACEMENT	VEHICLE CODE	YEAR 19__
7A149 PUMP (TRANSMISSION OIL) REAR						
C2AZ 7A149-A	S/R	& D/R	1	PAZ, PBL, PBM, PCC, PCD, PCE	A	60/64
B9LP 7A149-A	S/R	& D/R	1	PBB	A D	60
C2AZ 7A149-B	2/S		(a) 1	PCH, PCJ, PCK, PCL, PCM, PCN, PCP, PBP, PBR, PBS, PBZ, PCF, PCY	A B C	60/64
C1VP 7A149-C	D/R		1	All PCA except PCA-D1		D 61/62
C3VY 7A149-A	D/R		1	PCA-D1		D 62
	D/R		1	PCA		D 63/64
74144-S		Key-Woodruff	1	a		
7A152 COVER (TRANSMISSION REAR OIL PUMP)						
B1AZ 7A152-A	S/R	& D/R	(a) 1	PAZ, PBM, PBL, PCC, PCD, PCE	A	60/64
B9LP 7A152-A	S/R	& D/R	(a) 1	PBB, PCA	A D	60/64
B9AZ 7A152-A	2/S		(b) 1	PBP, PBR, PBS, PCH, PCJ, PCK	A	61/62
	2/S		(c) 1	PBZ, PCF, PCL, PCM, PCN, PCP, PCY	B C	60/64
20344-S		Bolt-hex. hd. -1/4"-20 x 3/4"	AR	c		
20512-S		Bolt-hex. hd. -5/16"-18 x 1-7/8"	AR	c		
34803-S8		Lockwasher-No. 10	1	a		
34805-S		Lockwasher-1/4"	AR	c		
34806-S		Lockwasher-5/16"	AR	c		
34905-S7		Lockwasher-internal tooth-1/4"	5	a		
38228-S2		Bolt-pan hd. -1/4"-20 x 5/8"	5	a		
43442-S		Screw and lockwasher-1/4"-20 x 5/8"	2	b		
357910-S		Screw-pan hd. -No. 10-24 x 5/8"	1	a		
7D152 RING (TRANSMISSION GEARSHIFT LEVER BOOT)						
C3DZ 7D152-A	4/S	Use with floor shift	1	All	C	62/64
	4/S		1	All	A	64
7153 KIT (TRANSMISSION GASKET & SEAL)						
59MK 7153-B	S/R	& D/R	1	PBL	A	60
Consists of the following -						
(1) C1AP-7C050-A	seal	☆(1) B8A-7375-A	seal	(1) B8A-77497-A	seal	
(1) B8MY-7C098-A	seal	☆(1) B8A-7381-A	seal	%(1) 1P-77512-A	seal	
(1) B8SZ-7C098-A	seal	☆(1) B8A-7382-A	seal	(1) B5A-77512-A	seal	
(1) 58MK-7152-A	gasket kit	(1) B1AZ-7A548-A	seal	(2) B5S-77542-A	seal	
(2) B5SZ-7C169-A	seal	(1) B7A-77361-A	seal			
☆Use with D/R transmission only %Required for front clutch cylinder piston						
COMY 7153-A	S/R		1	PBM	A	60
Consists of the following -						
(1) B5AZ-7C050-B	seal	(2) COAZ-7C169-A	seal	(1) B6AZ-7A548-A	seal	
%(1) B7AZ-7C098-A	seal	(1) B5AZ-7A294-B	seal	(1) B8A-77497-A	seal	
(1) 58MK-7152-A	gasket kit	(1) B1AZ-7C328-A	seal	(1) 1P-77512-A	seal	
				(2) 1P-77542-A	seal	
%Required for servo piston oil - small						

CONTINUED ON NEXT PAGE

Transmission and Clutch

GROUP AND PART NUMBER	TYPE	DESCRIPTION, SIZE, ETC.	NO. REQ'D	MODEL OR ENGINE CUBIC INCH DISPLACEMENT	VEHICLE CODE	YEAR 19__
-----------------------	------	-------------------------	-----------	---	--------------	--------------

7153 KIT (TRANSMISSION GASKET & SEAL) CONTINUED

C1MY	7153-A	D/R	1	PCC, PCD	A	61/62
------	--------	-----	---	----------	---	-------

Consists of the following -

☆(1) B1AZ-7C050-A seal	%(1) B1AZ-7A294-A seal	(1) C1AP-7375-A seal
%(1) B5AZ-7C050-B seal	☆(1) B1AZ-7A294-B seal	(1) B8A-7381-A seal
☆(1) B8SZ-7C098-A seal	%(1) B6AZ-7A294-A seal	(1) B8A-7382-A seal
§(1) C1AZ-7C099-A seal	☆(1) B8AZ-7A294-A seal	(1) B6AZ-7A548-A seal
(1) 58MK-7152-A gasket kit	☆(1) B9AZ-7A294-D seal	(2) 1P-77542-A seal
(2) COAZ-7C169-A seal	‡(1) B1AZ-7C328-A seal	%(1) 372984-S seal
%Use with PCC transmission only	☆Use with PCD transmission only	‡Use as front clutch piston oil seal

§Use as front servo piston oil seal-large §Use as rear clutch cylinder piston oil seal-inner

C1MY	7153-B	D/R	1	PCE	A	61/64
------	--------	-----	---	-----	---	-------

Consists of the following -

(1) C1AP-7C050-A seal	(1) B5SZ-7A191-A gasket	(1) B8A-7382-A seal
(1) C1AP-7C051-A seal	(1) B1AZ-7A222-A gasket	(1) C1VP-7B498-A seal
(1) 1P-7086-A gasket	☆(1) C1AZ-7A294-A seal	(1) B1AZ-7A548-A seal
(1) C1AZ-7C098-A seal	§(1) C1AZ-7A294-B seal	(1) 1P-77265-B seal
‡(1) C1AZ-7C099-A seal	(1) C1AZ-7A294-C seal	(2) B5S-77542-A seal
(1) C1AZ-7C099-B seal	(1) B1AZ-7C329-A seal	(2) 1P-77543-B seal
(1) B1AZ-7A136-A gasket	(1) C1AP-7375-A seal	(1) 1P-77868-A seal
(2) B5SZ-7C169-A seal	(1) B8A-7381-A seal	(4) 1P-77883-A seal

☆Use as front servo piston oil seal-small ‡Use as front clutch piston oil seal-inner §Use as front servo piston oil seal-large

C3AZ	7153-D	3/S	1	HEG	A	63/64
------	--------	-----	---	-----	---	-------

Consists of the following -

(1) C2AZ-7051-B gasket	(1) C3AZ-7086-A gasket	(1) C3AZ-7223-C gasket
------------------------	------------------------	------------------------

B9MY	7153-A	3/S	1	All	A	60/62
			1	221, 260	B	62

Consists of the following -

(1) C2AZ-7051-B gasket	(1) C2AZ-7086-C gasket	(1) C2AZ-7223-A gasket
(1) C2AZ-7051-C gasket	(1) C2AZ-7086-D gasket	

C4AZ	7153-B	4/S	1	HEH	A C	64
------	--------	-----	---	-----	-----	----

Consists of the following -

(1) C4AZ-7051-A gasket	(1) C4AZ-7086-B gasket	(1) C4AZ-7223-A gasket
------------------------	------------------------	------------------------

MJK	7153-C	D/R	1	PBB	A D	60
-----	--------	-----	---	-----	-----	----

Consists of the following -

(1) C1AP-7C050-A seal	(1) B6SZ-7A294-A seal	(1) B7A-77414-A seal
(1) B8SZ-7C051-A seal	(1) B7AZ-7A294-A seal	\$(1) PBE-77497-A "o" ring
(1) B8S-7086-A gasket	(1) B8AZ-7C328-A "o" ring	\$(1) 1P-77512-A seal
§(1) B7AZ-7C098-A seal	\$(1) B8A-7375-A seal	(2) B8E-77542-A seal
(1) B8MY-7C098-A "o" ring	\$(1) B8A-7381-A "o" ring	(2) 1P-77543-B seal
(1) C1AZ-7C099-C "o" ring	\$(1) B8A-7382-A "o" ring	(1) B8E-77863-A "o" ring
(1) B1AZ-7A136-A gasket	(1) C1AZ-7A548-A seal	(1) 1P-77873-A seal
(1) B8SZ-7A222-A gasket	(1) B7A-77361-A seal	%(2) 1P-77883-A seal

ΔUse with front servo piston only with 383 C. I. D. engine ‡Use with D/R only with 383 C. I. D. engine ☆Use with D/R only on all except 383 C. I. D. engines
 %Use with front clutch sun gear assembly on Lincoln only §Not used on Lincoln §Use with S/R only on models equipped with 430 C. I. D. engine on Mercury only

CONTINUED ON NEXT PAGE

Transmission and Clutch

GROUP AND PART NUMBER	TYPE	DESCRIPTION, SIZE, ETC.	NO. REQ'D	MODEL OR ENGINE CUBIC INCH DISPLACEMENT	VEHICLE CODE	YEAR 19__
7153 KIT (TRANSMISSION GASKET & SEAL) CONTINUED						
59MK 7153-A	2/S		1	PBP, PBR, PBS, PCH, PCJ, PCK	A	61/62
	2/S		1	PBZ, PCF, PCL, PCM, PCN, PCP	B C	60/62
Consists of the following -						
(1) B9A-7086-A	gasket	§(2) B9AZ-7A294-B	seal	%(1) B9A-77357-A	seal	
(1) CODP-7A136-A	gasket	(1) B9AZ-7A294-C	seal	☆(1) B9A-77357-B	seal	
(1) COAZ-7C169-A	seal	(2) B9AZ-7C328-A	seal	\$(1) B9A-77357-C	seal	
\$(1) B9AZ-7A294-A	seal	(1) CODP-7A548-A	seal	(1) B9A-77407-A	seal	
				(1) 373351-S	seal	
%Use with PBP transmission only		§Not used with PBP, PBR or PBZ trans.		\$(1) Req'd. for rear servo on PBP,		
☆Use with PBR transmission only		§(1) Req'd. for front servo on PBR trans.		PBR and PBZ transmission		
C3AZ 7153-B	3/S		1	HEE	B	63
Consists of the following -						
(1) C2AZ-7051-B	gasket	(1) C3AZ-7086-A	gasket	(1) C3AZ-7223-A	gasket	
C3AZ 7153-A	2/S		1	PCL, PCM, PCN, PCP, PCY	B C	63/64
Consists of the following -						
(2) B9AZ-7A011-A	seal	§(2) B9AZ-7A294-B	seal	☆(1) B9A-77357-B	seal	
(1) B9A-7086-A	gasket	(1) B9AZ-7A294-C	seal	☆(1) B9A-77357-C	seal	
(1) CODP-7A136-A	gasket	(2) B9AZ-7C328-A	seal	(1) B9A-77407-A	seal	
☆(1) COAZ-7C169-A	seal	(1) B9AZ-7B498-A	seal	(2) 87012-S94	seal	
(1) C2AZ-7C169-B	seal	(1) CODP-7A548-A	seal	(1) 371144-S	grommet	
(1) B9AZ-7A191-A	gasket	(1) 1P-77265-B	seal	(2) 372590-S	bolt	
(1) C2AZ-7A248-A	seal	(1) B9A-77357-A	seal	(1) 373351-S	seal	
☆(1) B9AZ-7A294-A	seal					
☆ Not used on 1963-64 vehicles		§ Only (1) req'd. for 1963-64 vehicles - for rear band servo				
C3AZ 7153-C	3/S		1	HEF	B C	63/64
Consists of the following -						
(1) C2AZ-7051-B	gasket	(1) C3AZ-7086-A	gasket	(1) C3AZ-7223-B	gasket	
COAZ 7153-H	3/S		1	144, 170	C	60/63
	3/S		1	HED	C	64
Consists of the following -						
(1) CODR-7051-A	gasket	(1) C2OZ-7086-A	gasket	(1) CODZ-7223-A	gasket	
(1) CODR-7086-A	gasket					
C2DZ 7153-A	4/S		1	144, 170	C	62/63
Consists of the following -						
(1) C2DZ-7051-A	gasket	(1) C2DZ-7086-A	gasket	(1) C2DZ-7223-A	gasket	
C4AZ 7153-C	D/R		1	PCW	C	64
Consists of the following -						
(1) B9AP-7A011-A	seal	(1) C4OZ-7D025-A	seal	(1) C4AZ-7A191-B	gasket	
(2) C4AZ-7D019-B	seal	(1) C4AZ-7D026-B	gasket	(1) C2AZ-7A248-A	seal	
(2) C4AZ-7D020-A	seal	(1) C4AZ-7D040-A	seal	(2) B5AZ-7A294-A	"o" ring	
(1) C4AZ-7D024-A	seal	(1) C5ZZ-7D025-A	seal	(1) C4AZ-7A548-A	seal	
(1) C4AZ-7D024-B	seal	(1) C4AZ-7086-A	gasket	(1) C4AZ-7A548-B	seal	
(1) C4DZ-7D025-A	seal	(1) C4AZ-7D100-B	gasket	(1) 1P-77265-B	"o" ring	
(1) C4AZ-7D025-B	seal	(1) C4AZ-7A136-A	gasket	(1) 376950-S	seal	
(1) C5ZZ-7D024-A	seal					
CLVY 7153-B	D/R		1	PCA	D	61/64
Consists of the following -						
(1) C1AP-7C050-A	seal	(1) C3AZ-7A248-A	seal	(2) B8E-77542-A	seal	
(1) B8SZ-7C051-A	seal	(1) B7AZ-7A294-A	seal	(2) 1P-77543-B	seal	
(1) C1VP-7086-A	gasket	(1) B8AZ-7A294-C	seal	(1) B8E-77863-A	seal	
(1) C1AZ-7C099-C	seal	(1) B8AZ-7C328-A	seal	(2) 1P-77883-A	seal	
(1) B1AZ-7A136-A	gasket	(1) B1AZ-7C329-A	seal	(4) B8E-77883-A	seal	
(1) C1VP-7A191-B	gasket	(1) C1VP-7B391-B	gasket	(1) 373184-S	seal	
(1) C1MP-7A222-A	gasket	(1) C1AZ-7A548-A	seal	(1) 374192-S	seal	

Transmission and Clutch

GROUP AND PART NUMBER	TYPE	DESCRIPTION, SIZE, ETC.	NO. REQ'D	MODEL OR ENGINE CUBIC INCH DISPLACEMENT	VEHICLE CODE	YEAR 19__
7A153 GEAR (TRANSMISSION OUTPUT SHAFT RING) INTERNAL						
C1SP 7A153-A	S/R	& D/R	1	PAZ, PBM, PBL, PCC, PCD, PCE	A	60/64
B9SZ 7A153-A	S/R	& D/R - (83) internal teeth and (44) external teeth	1	PBB	A D	60
C4AZ 7A153-B	D/R	(1) also used with rear clutch hub assembly	2	PCW	C	64
COLP 7A153-A	D/R		1	PCA	D	61/64
7155 RETAINER (TRANSMISSION COUNTERSHAFT & REVERSE IDLER SHAFT)						
B5A 7155-A	O/D		1	221, 223, 292	A B	61/63
CODR 7155-A	3/S		1	144, 170	B C	60/63
	3/S		1	HED	C	64
7A155 RETAINER (TRANSMISSION FRONT BAND ACTUATING LEVER SHAFT)						
CIMP 7A155-A	D/R		1	PCA	D	61/64
7B155 FILTER (TRANSMISSION OIL COOLER)						
C1VV 7B155-C	D/R	Use on vehicles built prior to 1-13-61	1	PCA	D	61
7A157-8 STRUT (TRANSMISSION FRONT BAND)						
B1AZ 7A158-A	S/R	& D/R - actuating - 1-5/8" long - tapered and slotted at both ends	1	PAZ, PBM, PBL, PCC, PCD, PCE	A	60/64
B8AZ 7A158-A	S/R	& D/R - actuating	1	PBB	A D	60
C4AZ 7D029-A	D/R	Servo end	1	PCW	C	64
	D/R	Also used to actuate rear band	1	PCW	C	64
C4AZ 7D029-B	D/R	Adjusting screw end - use with C4AZ-7C492-B screw	1	PCW	C	64
C1VP 7A157-A	D/R	Anchor	1	PCA	D	61/64
C1VP 7A158-A	D/R	Actuating	1	PCA	D	61/64
7D157 REFER TO GROUP 7-7514						
7A160 TUBE (TRANSMISSION REAR PUMP OIL INLET)						
B1AZ 7A160-A	S/R	& D/R - 9/16" O. D. x 5-1/16" long	1	PAZ, PBM, PBL, PCC, PCD, PCE	A	60/64
B8AZ 7A160-A	S/R	& D/R - 5/8" O. D. x 2-5/16" long (a)	1	PBB	A D	60
C1VP 7A160-A	D/R	Use on vehicles built prior to 12-12-60	1	PCA	D	61
C1VP 7A160-B	D/R	Use on vehicles built after 12-11-60	1	PCA	D	61/64
20330-S		Bolt-hex. hd. - 7/16"-14 x 5/8"	1	a		
7D160 SPRING (TRANSMISSION LOW OIL PRESSURE REGULATOR VALVE)						
C3AZ 7D160-A	D/R		1	PCE-Z, AA, AB, AD, AG	A	63
	D/R		1	PCE	A	64
7A161 COVER (TRANSMISSION FRONT SERVO)						
B9A 77367-A	2/S		(a) 1	PBS, PCK	A	61/62
B9A 77367-B	2/S		(a) 1	PBR, PCJ	A	61/62
B9A 77367-C	2/S		(a) 1	PBP, PBZ, PCF, PCH, PCL, PCM, PCN, PCP, PCY	A B C	60/64
C4OZ 7D027-B	D/R		1	PCW-D, Y	C	64
C4AZ 7D027-C	D/R		1	PCW-E, Z	C	64
CIMP 7A161-A	D/R		1	PCA	D	61/64
20326-S		Bolt-hex. hd. - 5/16"-18 x 5/8"	4	a		
34806-S		Lockwasher-5/16"	4	a		

Transmission and Clutch

GROUP AND PART NUMBER	TYPE	DESCRIPTION, SIZE, ETC.	NO. REQ'D	MODEL OR ENGINE CUBIC INCH DISPLACEMENT	VEHICLE CODE	YEAR 19__
7A162 BAND (TRANSMISSION) FRONT						
C2AZ 7A162-D	S/R	& D/R	1	PBM, PCD	A	60/62
C2AZ 7A162-A	S/R	& D/R	1	PBL, PCE	A	60/64
C2AZ 7A162-C	S/R		1	PAZ, PCC	A	61/62
B8AZ 7A162-A	S/R	& D/R	1	PBB	A D	60
B9AZ 7A162-A	2/S		1	PBP, PBR, PBS, PCH, PCJ, PCK	A	61/62
	2/S		1	PBZ, PCF, PCL, PCM, PCN, PCP, PCY	B C	60/64
C4AZ 7D034-A	D/R		1	PCW	C	64
C2VY 7A162-A	D/R		1	PCA	D	61/64
7A163 PIN (TRANSMISSION FRONT SERVO PISTON GUIDE)						
B6SZ 7A163-A	S/R	& D/R - 3/8" max. diameter x 2-3/8" long and (1) No. 10-32 tapped hole	1	PBM, PBL, PBB, PCD, PCE	A D	60/64
C1VP 7A163-B	D/R		1	PCA	D	61/64
7B163 RETAINER (TRANSMISSION GEARSHIFT TUBE PIN)						
C1AA 7B163-A	3/S	& O/drive - for models 58A, 64A	1	223, 292, 352, 390	A	61
7A164 REFER TO GROUP 7A260						
7B164 PLATE (TRANSMISSION CLUTCH) INTERNAL SPLINE						
B5AZ 7B164-A	S/R	& D/R - front clutch	4	PAZ, PBM, PBL, PCC, PCD	A	60/62
	D/R		5	PCE	A	61/64
B6AZ 7B164-A	S/R	& D/R - rear clutch - 5-1/4" O.D. x 1/16" thick - (45) teeth	5	PBM, PCD except PCD-D1	A	60/62
	S/R	& D/R	6	PBL, PCE	A	60/64
	S/R	& D/R	4	PAZ, PCC	A	61/62
C2AZ 7B164-A	D/R	Rear clutch	3	PCD-D1	A	62
B8SZ 7B164-A	S/R	& D/R - rear clutch - 5-27/32" I. D. x 5/8" thick - (52) teeth	5	PBB, PCA	A D	60/62
			6	PCA	D	63
	D/R		5	PCA	D	64
B8SZ 7B164-B	S/R	& D/R - front clutch	4	PBB, PCA	A D	60/64
B9AZ 7B164-A	2/S		3	PBP, PCH, PCN, PCY	A B C	61/64
	2/S		4	PBR, PCJ, PCK-A1, PCP	A B C	61/63
	2/S		5	PBS, PCK-A	A	61/62
	2/S		2	PBZ, PCF, PCL, PCM	B C	60/63
C4AZ 7B164-C	D/R	Front clutch - reverse clutch	4	PCW	C	64
C4AZ 7B164-E	D/R	Rear clutch - forward clutch	4	PCW	C	64
7D164 HUB (TRANSMISSION OUTPUT SHAFT)						
C4AZ 7D164-A	D/R	(a)	1	PCW	C	64
97532-S15		Ring-retaining-BLACK oxide finish-1-3/16"	1	a		
7-7165 DRUM (TRANSMISSION REAR BRAKE)						
B9A 77165-A	2/S		1	PBP, PBR, PBS, PCH, PCJ, PCK	A	61/62
	2/S		1	PBZ, PCF, PCL, PCM, PCN, PCP, PCY	B C	60/64
C4AZ 7C498-B	D/R		1	PCW	C	64
7A165 SHAFT (TRANSMISSION FRONT BAND ACTUATING LEVER)						
B7AZ 7A165-A	S/R	& D/R - 7/16" diameter x 1-11/16" long with (3) grooves	1	PAZ, PBB, PBL, PBM, PCC, PCD, PCE	A D	60/64
C1MP 7A165-A	D/R		1	PCA	D	61/64

Transmission and Clutch

GROUP AND PART NUMBER	TYPE	DESCRIPTION, SIZE, ETC.	NO. REQ'D	MODEL OR ENGINE CUBIC INCH DISPLACEMENT	VEHICLE CODE	YEAR 19__
7A166 WASHER (TRANSMISSION REAR CLUTCH SUN GEAR THRUST)						
B1AZ 7A166-A	S/R	& D/R	1	PBM, PAZ, PCC, PCD	A	60/62
B5SZ 7A166-A	S/R	& D/R	1	PBL, PCE	A	60/64
B9MP 7A166-A	S/R	& D/R - bronze - steel backed - (4) grooves stamped each side - 1-57/64" I.D. x 3-1/2" O.D. x 1/16" thick	1	PBB, PCA	A D	60/64
7D166 SUPPORT (TRANSMISSION PARKING LEVER)						
C4AZ 7D166-A	D/R		1	PCW	C	64
7D167 BOLT (TRANSMISSION OVERRUNNING CLUTCH CASE)						
C4AZ 7D167-B	D/R		6	PCW	C	64
7A168 SLEEVE (TRANSMISSION CLUTCH & GOVERNOR OIL DISTRIBUTOR)						
B8AZ 7A168-B	S/R	& D/R	1	PAZ, PBM, PBL, PCC, PCD, PCE	A	60/64
B8AZ 7A168-A	S/R	& D/R	1	PBB	A D	60
C4AZ 7C232-A	D/R		1	PCW	C	64
C1MP 7A168-A	D/R		1	PCA	D	61/64
7A169 LEVER (TRANSMISSION REAR BAND ACTUATING)						
B5AZ 7A169-B	S/R	& D/R - with 41/64" diameter hole and notch in (1) end and detent in the other (a)	1	PAZ, PBM, PCC, PCD	A	60/62
C1SP 7A169-A	S/R	& D/R - with 41/64" diameter hole and slot at (1) end (a)	1	PBB, PBL, PCE	A D	60/64
B9AZ 7A169-A	2/S		1	PBP, PBR, PBS, PCH, PCJ, PCK	A	61/62
	2/S		1	PBZ, PCF, PCL, PCM, PCN, PCP, PCY	B C	60/64
C1VP 7A169-B	D/R		1	PCA	D	61/64
353592-S		Washer-flat-1/2" I.D. x 1" O.D.	2	a		
7B169 SPACER (TRANSMISSION SHIFT LEVER SOCKET)						
C1MF 7B169-A	S/R	& D/R - for all models except 58A, 64A	1	PAZ, PBM, PCC, PCD, PCE	A	61
	A/T		1	PCC, PCD, PCE, PCH, PCJ, PCK	A	62
7C169 SEAL (TRANSMISSION FRONT CLUTCH SUN GEAR OIL) INTERMEDIATE						
B5SZ 7C169-A	S/R	& D/R - 1-1/4" O.D. x 3/32" thick - also serviced in 7153 kit	2	PBL, PCE	A	60/64
1P 77883-A	S/R	& D/R - 1-1/2" O.D. x 3/32" thick - also serviced in 7153 kit	2	PBB	A	60
			2	PCA	D	64
COAZ 7C169-A	S/R	& D/R - 1-1/8" O.D. x 3/32" thick - also serviced in 7153 kit	2	PBM, PAZ, PCC, PCD	A	60/62
	2/S	Use on vehicles built prior to 5-15-62	1	PBP, PBR, PBS, PCH, PCJ, PCK	A	61/62
	2/S	Use on vehicles built prior to 5-15-62	1	PBZ, PCF, PCL, PCM, PCN, PCP	B C	60/62
C2AZ 7C169-B	2/S	Color coded YELLOW - use on vehicles built after 5-14-62	1	PCH, PCJ, PCK, PCL, PCM, PCN, PCP, PCY	A B C	62/64
7A170 TUBE (TRANSMISSION CLUTCH & GOVERNOR OIL) INTERMEDIATE						
B8AZ 7A170-A	S/R	& D/R - 5/16" O.D. x 6-27/32" formed length	1	PAZ, PBL, PBM, PCC, PCD, PCE	A	60/64
B8SZ 7A170-A	S/R	& D/R - 5/16" O.D. x 7-19/32" formed length	1	PBB	A D	60
C1VP 7A170-A	D/R		1	PCA	D	61/64

Transmission and Clutch

GROUP AND PART NUMBER	TYPE	DESCRIPTION, SIZE, ETC.	NO. REQ'D	MODEL OR ENGINE CUBIC INCH DISPLACEMENT	VEHICLE CODE	YEAR 19__
7D170 SPRING (TRANSMISSION OVERRUNNING CLUTCH)						
C4AZ 7D170-B	D/R	Use on vehicles built prior to 2-17-64	12	PCW	C	64
C4AZ 7D170-C	D/R	Use on vehicles built after 2-16-64	12	PCW	C	64
7A171 SHAFT (TRANSMISSION REAR BAND ACTUATING LEVER)						
B8AZ 7A171-A	S/R	& D/R - 33/64" diameter x 1-59/64" long (a) and (1) 11/64" diameter hole	1	PAZ, PBB, PBL, PBM, PCC, PCD, PCE	A D	60/64
B9AZ 7A171-A	2/S		1	PBP, PBR, PBS, PCH, PCJ, PCK	A	61/62
	2/S		1	PBZ, PCF, PCL, PCM, PCN, PCP, PCY	B C	60/64
C1MP 7A171-A	D/R		1	PCA	D	61/64
353592-S		Washer-flat-1/2" I.D. x 1" O.D.	1	a		
7D171 RACE (TRANSMISSION OVERRUNNING CLUTCH INNER)						
C4AZ 7D171-B	D/R		1	PCW	C	64
7A172 STRUT (TRANSMISSION REAR BAND ACTUATING)						
C1AZ 7A172-A	S/R	& D/R - 29/32" wide x 1-7/64" long x 5/32" thick	1	PAZ, PBM, PBL, PBB, PCC, PCD, PCE, PCA	A D	60/64
B9AZ 7A172-A	2/S		1	PBP, PBR, PBS, PCH, PCJ, PCK	A	61/62
	2/S		1	PBZ, PCF, PCL, PCM, PCN, PCP, PCY	B C	60/64
7B172 BODY (TRANSMISSION REAR SERVO)						
C3AZ 7B172-B	S/R	& D/R	(a) 1	PBM, PCD	A	60/62
C1AP 7B172-A	S/R	& D/R	(a) 1	PBL, PCE	A	60/64
C3AZ 7B172-A	S/R	& D/R	1	PAZ, PCC	A	61/62
B8SZ 7B172-A	S/R	& D/R	(a) 1	PBB	A D	60
34808-S		Lockwasher-7/16"	1	a		
357915-S		Bolt-7/16"-14 x 1-7/8"	1	a		
7A173 TUBE (TRANSMISSION CLUTCH & GOVERNOR OIL) FRONT						
B8AZ 7A173-A	S/R	& D/R - 5/16" O.D. x 6-11/32" formed length	1	PAZ, PBM, PBL, PCC, PCD, PCE	A	60/64
B8SZ 7A173-A	S/R	& D/R - 5/16" O.D. x 7-1/2" formed length	1	PBB	A D	60
C4AZ 7D000-A	D/R	(2) bends	1	PCW	C	64
C1VP 7A173-A	D/R		1	PCA	D	61/64
7B173 COVER (TRANSMISSION REAR BAND SERVO)						
B9AZ 7B173-A	2/S		(a) 1	PBP, PBR, PBS, PCH, PCJ, PCK	A	61/62
	2/S		1	PBZ, PCF, PCL, PCM, PCN, PCP, PCY	B C	60/64
C4AZ 7D036-A	D/R		1	PCW	C	64
20326-S		Bolt-hex. hd.-5/16"-18 x 5/8"	4	a		
34806-S		Lockwasher-5/16"	4	a		
7C173 LEVER (TRANSMISSION LOW & REVERSE GEARSHIFT INTERLOCK)						
C1AR 7C173-A	3/S		(a) 1	223, 292, 352, 390	A	61/62
C2OZ 7C173-A	3/S		1	221, 260	B	62
C2OZ 7C173-B	3/S		1	170	B	62/63
C2AZ 7C173-E	O/D		1	221	B	62/63
72009-S		Cotter pin-3/32" x 5/8"	1	a		
351467-S		Spring washer-3/8" I.D. x 3/4" O.D.	2	a		

Transmission and Clutch

GROUP AND PART NUMBER	TYPE	DESCRIPTION, SIZE, ETC.	NO. REQ'D	MODEL OR ENGINE CUBIC INCH DISPLACEMENT	VEHICLE CODE	YEAR 19__
7A174 TUBE (TRANSMISSION CLUTCH & GOVERNOR OIL) REAR						
B8AZ 7A174-A	S/R	& D/R - 5/16" O. D. x 7-17/32" formed length	1	PAZ, PBM, PBL, PCC, PCD, PCE	A	60/64
B8SZ 7A174-A	S/R	& D/R - 5/16" O. D. x 8-8/32" formed length	1	PBB	A D	60
C4AZ 7D000-B	D/R	(3) bends	1	PCW	C	64
C1VP 7A174-A	D/R		1	PCA	D	61/64
7C174 STUD (TRANSMISSION LOW & REVERSE GEARSHIFT INTERLOCK)						
C2AZ 7C174-D	3/S		1	223, 292, 352, 390	A	61/62
C2OZ 7C174-B	3/S		1	221, 260	B	62
C2OZ 7C174-A	3/S	Stud assembly	1	170	B	62/63
C2AZ 7C174-E	O/D		1	221	B	62/63
7D174 VALVE (TRANSMISSION LUBE CONNECTOR)						
C3AZ 7D174-A	D/R		1	PCE-Z, AA, AB, AD, AG	A	63
	D/R		1	PCE	A	64
7A175 STRUT (TRANSMISSION REAR BAND ANCHOR)						
B8SZ 7A175-A	S/R	& D/R	1	PBB	A D	60
B6AZ 7A175-A	S/R	& D/R - tapered - 9/16" x 1-1/4" wide x 1-7/32" long	1	PAZ, PBM, PBL, PCC, PCD, PCE	A	60/64
	2/S	For front band - also used as actuating strut	2	PBP, PBR, PBS, PCH, PCJ, PCK	A	61/62
	2/S	For front band - also used as actuating strut	2	PBZ, PCF, PCL, PCM, PCN, PCP, PCY	B C	60/64
B9AZ 7A175-A	2/S	(a)	1	PBP, PBR, PBS, PCH, PCJ, PCK	A	61/62
	2/S		1	PBZ, PCF, PCL, PCM, PCN, PCP, PCY	B C	60/64
C4AZ 7A175-A	D/R		1	PCW	C	64
C1VP 7A175-A	D/R		1	PCA	D	61/64
357477-S		Plug-cup type expansion	1	a		
7C175 WEDGE (TRANSMISSION LOW & REVERSE GEARSHIFT INTERLOCK)						
C1AR 7C175-A	3/S	(a)	1	223, 292, 352, 390	A	61/62
C2OZ 7C175-B	3/S		1	221, 260	B	62
C2OZ 7C175-A	3/S		1	170	B	62/63
C2AZ 7C175-B	O/D		1	221	B	62/63
20347-S		Bolt-hex. hd. -5/16"-24 x 3/4"	2	a		
34846-S		Lockwasher-5/16"	2	a		
7-7176 SHAFT (TRANSMISSION PLANET GEAR)						
B9A 77176-A	2/S	Long gear	3	PBP, PBR, PBS, PCH, PCJ, PCK	A	61/62
	2/S		3	PBZ, PCF, PCL, PCM, PCN, PCP, PCY	B C	60/64
B9A 77176-B	2/S	Short gear	3	PBP, PBR, PBS, PCH, PCJ, PCK	A	61/62
	2/S		3	PBZ, PCF, PCL, PCM, PCN, PCP, PCY	B C	60/64
C4AZ 7A238-B	D/R	(3) used in each planet assembly	6	PCW	C	64
7A176 BAND (TRANSMISSION) REAR						
B5SZ 7A176-A	S/R	& D/R	1	PAZ, PBM, PBL, PCC, PCD, PCE	A	60/64
B8SZ 7A176-A	S/R	& D/R	1	PBB	A D	60

CONTINUED ON NEXT PAGE

Transmission and Clutch

GROUP AND PART NUMBER	TYPE	DESCRIPTION, SIZE, ETC.	NO. REQ'D	MODEL OR ENGINE CUBIC INCH DISPLACEMENT	VEHICLE CODE	YEAR 19__
7A176 BAND (TRANSMISSION) REAR (CONTINUED)						
B9AZ 7A176-A	2/S		1	PBP, PBR, PBS, PCH, PCJ, PCK	A	61/62
	2/S		1	PBZ, PCF, PCL, PCM, PCN, PCP, PCY	B C	60/64
C4AZ 7D095-A	D/R		1	PCW	C	64
C1MP 7A176-A	D/R		1	PCA	D	61/64
7C176 RETAINER (TRANSMISSION KICK DOWN CONTROL LEVER RETRACTING SPRING)						
C1DD 7C176-A	2/S		1	PCL, PCM	C	61/63
7D176		REFER TO GROUP 7109				
7A178 STOP (TRANSMISSION REAR BAND ADJUSTING)						
COMP 7A178-B	S/R	& D/R	(a) 1	PBB	A D	60
C1AP 7A178-B	S/R	& D/R	1	PAZ, PBM, PBL, PCC, PCD, PCE	A	60/64
	D/R	Also use for front band adjusting stop	(a) 2	PCA	D	63/64
C4AZ 7C492-A	D/R	Use on vehicles built prior to 12-12-63	1	PCW	C	64
C4AZ 7C492-B	D/R	Use on vehicles built after 12-11-63	1	PCW	C	64
COAP 7A178-B	D/R	Also use for front band adjusting stop	(a) 2	PCA	D	61/62
33943-S		Nut-1/2"-20	1	a		
7A180 SPRING (TRANSMISSION PARKING PAWL TORSION)						
B8LY 7A180-A	S/R		1	PBB	A	60
COAZ 7A180-A	S/R	7/64" diameter wire - (3) 1/2" coils with ends bent parallel	(a) 1	PAZ, PBL, PBM	A	60/61
B8AZ 7A180-A	D/R	(3) 1/2" coils - (1) end notched - the other end parallel	(a) 1	PBL, PBB, PCC, PCD, PCE	A D	60/62
B9AZ 7A180-A	2/S		1	PBP, PBR, PBS, PCH, PCJ, PCK	A	61/62
	2/S		1	PBZ, PCF, PCL, PCM, PCN, PCP, PCY	B C	60/64
C4AZ 7D070-A	D/R		1	PCW	C	64
74275-S		Retainer spring-5/16" groove dia.	1	a		
7-7181 GEAR (TRANSMISSION PLANET)						
B9A 77181-A	2/S	Long	3	PBP, PBR, PBS, PCH, PCJ, PCK	A	61/62
	2/S		3	PBZ, PCF, PCL, PCM, PCN, PCP, PCY	B C	60/64
B9A 77181-B	2/S	Short	3	PBP, PBR, PBS, PCH, PCJ, PCK	A	61/62
	2/S		3	PBZ, PCF, PCL, PCM, PCN, PCP, PCY	B C	60/64
C4AZ 7D008-C	D/R	(3) required for each planet assembly	6	PCW	C	64
7-7182 SPACER (TRANSMISSION SHORT PLANET GEAR)						
B9A 77182-A	2/S		3	PBP, PBR, PBS, PCH, PCJ, PCK	A	61/62
	2/S		3	PBZ, PCF, PCL, PCM, PCN, PCP, PCY	B C	60/64
7A182 GEAR (TRANSMISSION FRONT CLUTCH SUN)						
C4AZ 7A182-A	2/S	Package also includes (1) B9A-77504-A race	1	PBP, PBR, PBS, PCH, PCJ, PCK	A	61/62
	2/S		1	PBZ, PCF, PCL, PCM, PCN, PCP, PCY	B C	60/64

Transmission and Clutch

GROUP AND PART NUMBER	TYPE	DESCRIPTION, SIZE, ETC.	NO. REQ'D	MODEL OR ENGINE CUBIC INCH DISPLACEMENT	VEHICLE CODE	YEAR 19__
7-7183 RETAINER (TRANSMISSION PLANET GEAR SHAFT)						
B9A 77183-A	2/S	(a)	1	PBP, PBR, PBS, PCH, PCJ, PCK	A	61/62
	2/S		1	PBZ, PCF, PCL, PCM, PCN, PCP	B C	60/62
34803-S		Lockwasher-No. 10	AR	a		
38188-S		Screw-pan hd. -No. 10-32 x 3/8"	AR	a		
7B184 SHAFT (TRANSMISSION MANUAL CONTROL EQUALIZER)						
C2VY 7B184-A	D/R	(a)	1	PCA	D	61/62
C3VY 7B184-A	D/R		1	PCA	D	63
C4VY 7B184-A	D/R		1	PCA	D	64
		Pin-cotter-1/16" x 5/8"	2	a		
		Washer-spring	2	a		
		Washer-flat-21/64" thick	2	a		
7-7185 BEARING (TRANSMISSION LONG PLANET GEAR)						
B9A 77185-A	2/S		138	PBP, PBR, PBS, PCH, PCJ, PCK	A	61/62
	2/S		138	PBZ, PCF, PCL, PCM, PCN, PCP, PCY	B C	60/64
C4AZ 7D037-A	D/R	(21) used in each planet gear	126	PCW	C	64
7A185 SHAFT (TRANSMISSION CONTROL TO ACCELERATOR)						
COMM 7A185-F	S/R		1	PBM	A	60
COMM 7A185-J	S/R	& D/R	1	PBL	A	60
COMM 7A185-K	S/R	& D/R	1	PBB	A	60
C1AA 7A185-E	2/S		1	PBR	A	61
COAA 7A185-H	S/R		1	PAZ	A	61
COAA 7A185-E	S/R		1	PBM	A	61
C3AZ 7A185-E	D/R		1	PCD, PCE	A	61/62
	2/S		1	PCK	A	61/62
C1AA 7A185-G	D/R		1	PCC	A	61/62
	2/S		1	PCJ	A	61/62
C3MY 7A185-B	D/R		1	All	A	63
C3MY 7A185-A	S/T		1	All	A	63
C4AZ 7A185-C	D/R	Bellcrank assembly - for all models except 63C, 65C, 75C, 76B	1	PCE	A	63
	D/R	Use with steering column shift	1	PCE	A	64
C2OZ 7A185-A	2/S	(a)	1	PCM, PCY	B	62/63
C2OZ 7A185-B	2/S	Bellcrank assembly	1	PCM, PCN, PCP, PCY	B	62/63
C3OZ 7A185-A	2/S	(a)	1	PCN, PCP	B C	62/63
	3/S	& O/drive	1	221, 260	B	62/63
CODD 7A185-C	2/S	(a)	1	PBZ	C	60
C1DD 7A185-A	2/S	(a)	1	PBZ, PCF	C	61
C2DZ 7A185-A	2/S		1	PCL, PCM	C	61/63
C4DZ 7A185-A	2/S		1	PCY	C	64
C4GY 7A185-A	D/R	Use on vehicles built prior to 12-16-63	1	PCW	C	64
C4GY 7A185-B	D/R	Use on vehicles built after 12-15-63	1	PCW	C	64
Package also includes -						
(1) C4GY-7B146-B spring			(1) C4GY-7A440-A bushing			
C4DZ 7A185-C	S/T		1	260, 289	C	64
COLL 7A185-A	D/R	(b)	1	PBB	D	60
C2VY 7A185-A	D/R	(b)	1	PCA	D	61/62
C3VY 7A185-A	D/R		1	PCA	D	63/64
		Bolt-hex. hd. -5/16"-18 x 3/4"	2	a		
		Lockwasher-5/16"	2	a		
		NS-screw and lockwasher-hex. hd. -5/16"-18 x 5/8"	2	b		

Transmission and Clutch

GROUP AND PART NUMBER	TYPE	DESCRIPTION, SIZE, ETC.	NO. REQ'D	MODEL OR ENGINE CUBIC INCH DISPLACEMENT	VEHICLE CODE	YEAR 19__
7-7186 SPACER (TRANSMISSION PLANET GEAR BEARING)						
B9A 77186-A	2/S	Long	3	PBP, PBR, PBS, PCH, PCJ, PCK	A	61/62
	2/S		3	PBZ, PCF, PCL, PCM, PCN, PCP, PCY	B C	60/64
B9A 77186-B	2/S	Short	3	PBP, PBR, PBS, PCH, PCJ, PCK	A	61/62
	2/S		3	PBZ, PCF, PCL, PCM, PCN, PCP, PCY	B C	60/64
7A186-7 ROD (TRANSMISSION CONTROL SHAFT TO TRANSMISSION)						
B8MY 7A186-B	S/R	& D/R - 5/16" dia. x 21-3/8" in length - includes adjusting clevis and nut	1	PBB	A	60
COMM 7A186-A	S/R	& D/R - 5/16" dia. x 21-27/64" in length - includes adjusting clevis and nut	1	PBB	A	60
COMM 7A186-B	S/R	& D/R	(a) 1	PBL	A	60
COMM 7A186-C	S/R		(a) 1	PBM	A	60
C1AA 7A187-B	2/S		(b) 1	PBP	A	61
COAA 7A187-L	2/S		1	PBR, PBS	A	61
COAA 7A187-N	S/R		1	PBM	A	61
C2AZ 7A187-A	2/S	When using to replace C1AA-7A187-D rod, also use (1) C2AZ-7A440-A bushing	1	PCH	A	61/62
C2AZ 7A187-B	2/S	When using to replace C1AA-7A187-C rod, also use (1) C2AZ-7A440-A bushing	1	PCJ, PCK	A	61/62
C2AZ 7A187-C	2/S	When using to replace C1AA-7A187-A rod, also use (1) C2AZ-7A440-A bushing	1	PCC, PCD, PCE	A	61/62
C3MY 7A186-A	D/R		1	PCE	A	63
C4AZ 7A187-C	D/R		1	PCE	A	64
C2OZ 7A187-A	2/S		(b) 1	PCM, PCY	B	62/63
C2OZ 7A187-B	2/S		(b) 1	PCN, PCP	B	62/63
CODD 7A187-A	2/S		(c) 1	PBZ, PCF	C	60/61
C1DD 7A187-A	2/S		(c) 1	PCL, PCM, PCY	C	61/64
C3DZ 7A187-A	2/S		1	PCP	C	63
C4GY 7A187-A	D/R		1	PCW	C	64
COLL 7A186-A	D/R		(d) 1	PBB	D	60
C2VY 7A186-A	D/R		(e) 1	PCA	D	61/64
33907-S		Washer-internal tooth lock-3/8"	1	c		
33921-S8		Nut-light hex. jam-1/4"-28-transmission control shaft to transmission rod	1	a, d		
72003-S		Pin-cotter-1/16" x 1/2"	1	c		
72015-S		Pin-cotter-1/16" x 5/8"	1	e		
72033-S		Pin-cotter	1	d		
73877-S		Pin-clevis-1/4" x 51/64"	1	d		
73879-S		Pin-1/4" x 37/64"	1	c		
97011-S8		Clevis-adjusting-1/4"-28-transmission control to shaft rod	1	a		
351341-S		Washer-spring	1	e		
351785-S		Clip	1	e		
353862-S		Washer "C"	2	b		
358605-S		Washer-flat-21/64"	1	e		
373601-S		Nut-hex. -L. H. thread-5/16"-24	1	b		
7A188 BELLCRANK (TRANSMISSION CONTROL TO ACCELERATOR SHAFT)						
COAA 7A188-A	2/S		(a) 1	PBP	A	61
C1AA 7A188-E	2/S		(a) 1	PCH	A	61/62
33845-S		Nut-hex. -1/2"-13	1	a		
34829-S		Lockwasher-1/2"	1	a		
351502-S		Spacer-spec. -flat-5/8"	1	a		
372740-S		Bolt-hex. hd. shoulder-1/2"-13 x 1/4"	1	a		

Transmission and Clutch

GROUP AND PART NUMBER	TYPE	DESCRIPTION, SIZE, ETC.	NO. REQ'D	MODEL OR ENGINE CUBIC INCH DISPLACEMENT	VEHICLE CODE	YEAR 19__
7B188 STUD (TRANSMISSION MANUAL CONTROL EQUALIZER SHAFT - BALL)						
C1VV 7B188-E	D/R	Spherical on (1) end with 3/8"-16 internal thread in the other	2	PCA	D	61/64
C2VY 7B188-A	D/R	Spherical on (1) end with 5/16"-18 internal thread in the other (a)	1	PCA	D	61/64
374245-S		Bolt-rd. hd. shoulder-5/16"-18 x 1/2"	1	a		
7B189 ROD (TRANSMISSION MANUAL CONTROL EQUALIZER SHAFT)						
C2VY 7B189-A	D/R		1	PCA	D	61/64
7D189 REFER TO GROUP 7A266						
7190 ROLLER (TRANSMISSION OVERRUNNING CLUTCH)						
C4AZ 7190-A	D/R		12	PCW	C	64
7D190 REFER TO GROUP 7-7409						
7A191 GASKET (TRANSMISSION OIL PAN)						
B5AZ 7A191-A	S/R	& D/R	1	PBM, PAZ, PCC, PCD	A	60/62
B5SZ 7A191-A	S/R	& D/R	1	PBL, PCE	A	60/64
B8SZ 7A191-A	S/R	& D/R	1	PBB	A D	60
B9AZ 7A191-A	2/S		1	PBP, PBR, PBS, PCH, PCJ, PCK	A	61/62
	2/S		1	PBZ, PCF, PCL, PCM, PCN, PCP, PCY	B C	60/64
C4AZ 7A191-B	D/R	Also serviced in 7153 kit	1	PCW	C	64
C1VP 7A191-B	D/R		1	PCA	D	61/64
7D191 RETAINER (TRANSMISSION OVERRUNNING CLUTCH SPRING)						
C4AZ 7D191-C	D/R		1	PCW	C	64
Package also includes - (12) C4AZ-7D170-C spring						
7B192 SPRING (TRANSMISSION KICK DOWN CONTROL LEVER)						
C1VV 7B192-D	D/R	4-37/64" free length	1	PCA	D	61/64
7A194 PAN (TRANSMISSION OIL)						
B5AZ 7A194-A	S/R	& D/R (a)	1	PBM, PAZ, PCC, PCD	A	60/62
B5SZ 7A194-A	S/R	& D/R (a)	1	PBL, PCE	A	60/64
B9AZ 7A194-A	2/S		1	PBP, PBR, PBS, PCH, PCJ, PCK	A	61/62
B9SZ 7A194-A	S/R	& D/R (a)	1	PBB	A D	60
C1AZ 7A194-B	2/S		1	PBZ, PCF, PCL, PCM, PCN, PCP, PCY (b)	B C	60/64
C4AZ 7A194-B	D/R		1	PCW	C	64
C1VP 7A194-B	D/R	Use on vehicles built prior to 12-12-60	1	PCA	D	61
C2VY 7A194-A	D/R	Use on vehicles built after 12-11-60	1	PCA	D	61/64
20326-S7		Bolt-hex. hd. -5/16"-18 x 5/8"	14	a, b		
34806-S7		Lockwasher-5/16"	14	a, b		
87708-S		Plug-drain-dry seal taper thread-1/8"-27	1	b		
7C195 BRACKET (TRANSMISSION CONTROL TO ACCELERATOR SHAFT STABILIZER)						
C1AA 7C195-A	A/T		1	PCC, PCJ	A	61/62
7A200 WIRING (TRANSMISSION OVERDRIVE SOLENOID TO RELAY)						
COAF 7A200-F	O/D		1	223	A	61/62
COAF 7A200-E	O/D		1	292	A	61/62
C2OZ 7A200-A	O/D		1	221	B	62/63

Transmission and Clutch

GROUP AND PART NUMBER	TYPE	DESCRIPTION, SIZE, ETC.	NO. REQ'D	MODEL OR ENGINE CUBIC INCH DISPLACEMENT	VEHICLE CODE	YEAR 19__
7A202 VALVE (TRANSMISSION FRONT PUMP CHECK)						
B5AZ 7A202-A	S/R	& D/R - 39/64" maximum O.D.	1	PAZ, PBM, PBL, PBB, PCC, PCD, PCE, PCA	A D	60/64
B9AP 7A202-A	2/S	11/32" O.D. small flange x 3/4" O.D. large flange x 7/32" thick	1	PBP, PBR, PBS, PCH, PCJ, PCK	A	61/62
	2/S		1	PBZ, PCF, PCL, PCM, PCN, PCP, PCY	B C	60/64
7A204 TUBE (TRANSMISSION REAR PUMP OIL OUTLET)						
B1AZ 7A204-A	S/R	& D/R - 9/16" O.D. x 2-27/32" long	1	PAZ, PBM, PBL, PCC, PCD, PCE	A	60/64
C1VP 7A204-A	D/R		1	PCA	D	61/64
7B204 SPRING (TRANSMISSION MANUAL CONTROL EQUALIZER SHAFT)						
C1VV 7B204-A	D/R		2	PCA	D	61/64
7-7205 DAMPER (TRANSMISSION SHIFT TUBE VIBRATION)						
AB 77205-A	A/T	For models 58A, 64A	1	PBM, PBP, PBR, PBS, PCC, PCD, PCE, PCH, PCJ, PCK	A	61
7A205 SPRING (TRANSMISSION PUMP CHECK VALVE)						
B1AZ 7A128-A	S/R	& D/R - rear pump - 1/2" maximum O.D. x 1" overall length - (5) coils	1	All	A	60/63
	D/R		1	PBB	D	60
	D/R		1	PCE	A	64
B1AZ 7A205-A	S/R	& D/R - front pump - 13/32" O.D. x 5/8" overall free length - (5) coils	1	All	A	60/63
			1	PCE	A	64
	D/R		1	PBB, PCA	D	60/64
B9A 77455-A	2/S	Front pump - use on vehicles built prior to 4-1-62	1	All	A B C	60/62
C2AZ 7A205-A	2/S	Front pump - use on vehicles built after 3-31-62	1	All	A	62
	2/S		1	PCL, PCM, PCN, PCP, PCY	B C	62/64
B9AP 7A205-A	2/S	Rear pump - 3/4" O.D. large end x 25/64" O.D. small end x 23/32" - (5-1/4) coils	1	All	A	60/62
	2/S		1	All	B C	60/63
	2/S		1	PCY	C	64
C4AZ 7A205-A	D/R	Front pump	1	PCW	C	64
C1VP 7A128-B	D/R	Rear pump	1	PCA	D	61/64
7A206 TUBE (TRANSMISSION COMPENSATOR PRESSURE OIL)						
B5AZ 7A206-A	S/R	& D/R - "J" shaped - 1/4" tubing - 8-5/32" approximate formed length	1	PBM, PAZ, PCC, PCD	A	60/62
B5SZ 7A206-A	S/R	& D/R - "J" shaped - 1/4" tubing - 6-1/4" approximate formed length	1	PBL, PBB, PCE	A D	60/64
C1VP 7A206-A	D/R		1	PCA	D	61/64
7A207 REFER TO GROUP 7-7469						
7208 SPRING (TRANSMISSION SHIFT LEVER TRUNNION)						
01A 7208	3/S	For models 58A, 64A	1	223, 292, 352, 390	A	61
	3/S		1	390, 406, 427	A	63
	3/S		1	HEG	A	64
	3/S		1	& O/drive	B	62/63
C2AZ 7208-A	4/S		2	All	A C	62/64

Transmission and Clutch

GROUP AND PART NUMBER	TYPE	DESCRIPTION, SIZE, ETC.	NO. REQ'D	MODEL OR ENGINE CUBIC INCH DISPLACEMENT	VEHICLE CODE	YEAR 19__
7A208		TUBE (TRANSMISSION LUBRICATING OIL)				
B4AZ 7A208-A	S/R	& D/R - 5/16" tubing - 17-5/8" approximate formed length	1	PBM, PAZ, PCC, PCD	A	60/62
B8AZ 7A208-A	S/R	& D/R - 5/16" tubing - 17" approximate formed length	1	PBL, PCE	A	60/62
	D/R		1	PCE-M, N, U, V, AF	A	63
C3MY 7A208-A	D/R		1	PCE-Z, AA, AB, AD, AG	A	63
	D/R		1	PCE	A	64
B9MP 7A208-A	S/R	& D/R - 5/16" tubing - 14" approximate formed length	1	PBB	A D	60
C1VP 7A208-A	D/R		1	PCA	D	61/64
7209		REFER TO GROUP 7212				
7A209		TUBE (TRANSMISSION OIL CONTROL BODY TO CASE)				
C1MP 7A209-A	D/R		3	PCA	D	61/64
7210		LEVER (TRANSMISSION SHIFT)				
B9MY 7210-A	S/R	& D/R	(a) 1	PBM, PBL, PBB	A	60
B9MY 7210-B	3/S		(a) 1	312	A	60
C1MY 7210-B	A/T	For all models except 58A, 64A	1	PAZ, PBM, PBP, PBR, PBS, PCC, PCD, PCE, PCH, PCJ, PCK	A	61
COKY 7210-A	A/T	For models 58A, 64A	1	PBM, PBP, PBR, PBS, PCC, PCD, PCE, PCH, PCJ, PCK	A	61
COKY 7210-B	3/S	& O/drive - for models 58A, 64A	1	223, 292, 352, 390	A	61
C1MY 7210-A	3/S	For all models except 58A, 64A	1	292, 352	A	61
C2MY 7210-A	A/T	For all models except S-55, 65C, 76B	1	PCC, PCD, PCE, PCH, PCJ, PCK	A	62
C2MY 7210-B	3/S		1	223, 292, 352, 390	A	62
C3AZ 7210-D	4/S	Upper assembly - for all models except 65C, 76B	1	All	A	62
C2AZ 7210-L	D/R	Use with console shift	1	PCC, PCD, PCE	A	62 & 64
C4AZ 7210-F	4/S	Upper assembly - use with console shift	1	All	A	62/64
C3MY 7210-B	D/R	Use with steering column shift	1	PCE	A	63
C3MY 7210-A	3/S	Use with steering column shift	1	HEG	A	63
C3AZ 7210-G	4/S	Upper assembly - for all models except 63C, 65C, 75C, 76B	1	All	A	63
C4AZ 7210-C	D/R	Use with fixed column and steering column shift on vehicles built prior to 1-13-64	1	PCE	A	64
C4AZ 7210-G	D/R	Use with fixed column and steering column shift on vehicles built after 1-12-64	1	PCE	A	64
C4AZ 7210-B	D/R	Use with movable column and steering column shift on vehicles built prior to 1-13-64	1	PCE	A	64
C4AZ 7210-H	D/R	Use with movable column and steering column shift on vehicles built after 1-12-64	1	PCE	A	64
C4AZ 7210-J	3/S		1	HEG	A	64
C4AZ 7210-A	4/S	Upper assembly - use with floor shift on Warner design transmission	1	All	A	64
C4AZ 7210-E	4/S	Upper assembly - use with floor shift on Ford design transmission	1	HEH	A	64
C5ZZ 7210-D	4/S	Lower - use with Ford design transmission	1	HEH	A C	64
C3AZ 7210-F	4/S	Lower - use with Warner design transmission	1	All	A C	62/64
	4/S		1	All	B	63
C2YY 7210-B	2/S		1	PCM, PCN, PCP, PCY	B	62/63
C2YY 7210-E	S/T	& O/drive	1	170, 200, 221, 260	B	62/63
C3OZ 7210-C	4/S	Upper assembly - for all models except 65B	1	All	B	63

CONTINUED ON NEXT PAGE

Transmission and Clutch

GROUP AND PART NUMBER	TYPE	DESCRIPTION, SIZE, ETC.	NO. REQ'D	MODEL OR ENGINE CUBIC INCH DISPLACEMENT	VEHICLE CODE	YEAR 19__
7210 LEVER (TRANSMISSION SHIFT) CONTINUED						
C4OZ	7210-B	4/S Upper assembly - for model 65B	1	All	B	63
CODZ	7210-A	3/S Includes knob and bushing (a)	1	144, 170	C	60/61
CODZ	7210-B	2/S Includes knob and bushing (a)	1	PBZ, PCF, PCL, PCM	C	60/63
C2DZ	7210-B	3/S Includes knob and bushing (a)	1	144, 170	C	62/63
C3DZ	7210-A	4/S Upper assembly	1	144, 170	C	62/63
C4GY	7210-B	A/T Includes knob and bushing (a)	1	PCW, PCY	C	64
C4GY	7210-A	3/S Includes knob and bushing (a)	1	HED, HEF	C	64
C4DZ	7210-D	4/S Upper assembly - for model 63E replace BLACK shift knob with WOOD GRAIN shift knob	1	All	C	64
COLY	7210-A	D/R With knob and insulator (a)	1	PBB	D	60
C1VY	7210-B	D/R BLUE	1	PCA	D	61/62
C1VY	7210-C	D/R GREEN	1	PCA	D	61/62
C1VY	7210-E	D/R TURQUOISE	1	PCA	D	61/62
C1VY	7210-F	D/R BEIGE	1	PCA	D	61/62
C1VY	7210-A	D/R BLACK	1	PCA	D	61/63
C1VY	7210-D	D/R RED	1	PCA	D	61/63
C1VY	7210-G	D/R WOOD GRAIN	1	PCA	D	61/63
C2VY	7210-A	D/R SILVER BLUE	1	PCA	D	62
C3VY	7210-A	D/R MEDIUM BLUE	1	PCA	D	63
C3VY	7210-C	D/R MEDIUM TURQUOISE	1	PCA	D	63
C3VY	7210-D	D/R MEDIUM BEIGE	1	PCA	D	63
C3VY	7210-E	D/R GOLD	1	PCA	D	63
C3VY	7210-F	D/R MEDIUM ROSE BEIGE	1	PCA	D	63
C3VY	7210-G	D/R MEDIUM SILVER BLUE	1	PCA	D	63
C4VY	7210-A	D/R Use with fixed column	1	PCA	D	64
C4VY	7210-C	D/R Use with movable column	1	PCA	D	64
357479-S15		Pin-rolled-3/16" x 1"-lever to socket	1	a		
7A210 TUBE (TRANSMISSION REAR BAND OIL)						
C1VP	7A210-A	D/R	1	PCA	D	61/64
7A211 TUBE (TRANSMISSION FRONT BAND OIL PRESSURE APPLY)						
C1VP	7A211-A	D/R	1	PCA	D	61/64
7212 TUBE (TRANSMISSION SHIFT)						
COMF	7212-D	S/R	1	PBB, PBL, PBM	A	60
COMF	7212-E	D/R	1	PBL, PBB	A	60
B9FM	7212-A	3/S (a)	1	312	A	60
C2AA	7209-BP	A/T For models 58A, 64A	1	PBM, PBP, PBR, PBS, PCC, PCD, PCE, PCH, PCJ, PCK	A	61
C1MF	7212-A	3/S For all models except 58A, 64A	1	223, 292, 352, 390	A	61
C1MY	7212-A	A/T For all models except 58A, 64A	1	PAZ, PBM, PBR, PBS, PCC, PCD, PCE, PCJ, PCK	A	61/62
C2AA	7209-AP	3/S & O/drive - for models 58A, 64A	1	223, 292, 352, 390	A	61/62
C3AZ	7212-M	D/R For all models with fixed column except 63C, 65C, 75C, 76B	1	PCE	A	63
C3AZ	7212-L	D/R For models 63C, 65C, 75C, 76B with movable column	1	PCE	A	63
C3AZ	7212-K	D/R For all models with movable column except 63C, 65C, 75C, 76B	1	PCE	A	63
C3AZ	7212-A	3/S Use with steering column shift	1	HEG	A	63
C4AZ	7212-E	D/R Use with fixed column and steering column shift	1	PCE	A	64
CONTINUED ON NEXT PAGE						

Transmission and Clutch

GROUP AND PART NUMBER	TYPE	DESCRIPTION, SIZE, ETC.	NO REQ'D	MODEL OR ENGINE CUBIC INCH DISPLACEMENT	VEHICLE CODE	YEAR 19__
7212		TUBE (TRANSMISSION SHIFT) CONTINUED				
C4AZ 7212-A	D/R	Use with movable column and steering column shift	1	PCE	A	64
C4AZ 7212-D	3/S		1	HEG	A	64
C3OZ 7212-A	2/S		1	PCM, PCN, PCP, PCY	B	62/63
C3OZ 7212-B	3/S	& O/drive	1	All	B	62/63
CODF 7212-C	3/S		1	144	C	60
CODF 7212-D	2/S		1	PBZ, PCF, PCL, PCM	C	60/62
C1DF 7212-A	3/S		1	144, 170	C	61
C2DZ 7212-A	3/S		1	144, 170	C	62
C3DZ 7212-D	2/S		1	PCL, PCM	C	63
C3DZ 7212-C	3/S		1	144, 170, 260	C	63
C4GY 7212-A	A/T		1	PCW, PCY	C	64
C4DZ 7212-B	3/S		1	HED, HEF	C	64
COLF 7212-A	D/R	Includes neutral switch insulator	1	PBB	D	60
C1VF 7212-A	D/R		1	PCA	D	61/62
C3VY 7212-A	D/R		1	PCA	D	63
C4VY 7212-B	D/R		1	PCA	D	64
		Nut-hex. -No.10-32	AR	a		
		Screw and washer-hex. hd. -No.10-32 x 1/2"	AR	a		
7A212		TUBE (TRANSMISSION FRONT BAND OIL PRESSURE RELEASE)				
C1VP 7A212-A	D/R		1	PCA	D	61/64
7B212		BRACKET (TRANSMISSION SHIFT TUBE-NEUTRAL SWITCH ACTUATING PIN LEVER)				
C2OZ 7B212-A	2/S		1	PCM, PCN	B	62
7213		KNOB (TRANSMISSION SHIFT LEVER)				
COAZ 7213-A	ALL		1	All	A	61
C2AZ 7213-F	D/R	Use with console shift	1	PCE	A	62/64
C2YY 7213-A	ALL	Use with steering column shift	1	All	A B	62/64
C2AZ 7213-E	4/S		1	All	A	62/64
	4/S		1	All	B C	63
	4/S	BLACK - *except model 63E	1	260, 289*	C	64
C4GY 7213-A	4/S	WOOD GRAIN - for model 63E	1	289	C	64
7A213		DIAL (TRANSMISSION CONTROL SELECTOR)				
COMF 7A213-A	S/R	& D/R	1	PBB, PBL, PBM	A	60
C1MF 7B033-C	S/R	For all models except 58A, 64A	1	PAZ, PBM	A	61
	2/S	For all models except 58A, 64A	1	PBP, PBR, PBS, PCH, PCJ, PCK	A	61
COAF 15805-A	S/R	For models 58A, 64A	1	PAZ, PBM	A	61
	2/S	For models 58A, 64A	1	PBP, PBR, PBS, PCH, PCJ, PCK	A	61
COAF 15805-B	D/R	For models 58A, 64A	1	PCC, PCD, PCE	A	61
C1MF 7B033-D	D/R	For all models except 58A, 64A	1	PCC, PCD, PCE	A	61
C2MF 7B033-A	2/S		1	PCH, PCJ, PCK	A	62
C2MF 7B033-B	D/R	For all models except S-55, 65C, 76B	1	PCC, PCD, PCE	A	62
C2AZ 7A213-A	D/R	Use with console shift	1	PCC, PCD, PCE	A	62
C3AZ 7A213-E	D/R	For models 63C, 65C, 75C, 76B	1	PCE	A	63
C3MY 7A213-A	D/R	Use with steering column shift on vehicles built prior to 2-10-64	1	PCE	A	63/64
C4MY 7A213-A	D/R	Use with steering column shift on vehicles built after 2-9-64	1	PCE	A	64
C4AZ 7A213-C	D/R	Use with console shift	1	PCE	A	64
C3YY 7B033-A	2/S		1	PBZ, PCF, PCL, PCM, PCN, PCP, PCY	B C	60/64
C4GY 7A213-A	D/R		1	PCW	C	64

CONTINUED ON NEXT PAGE

Transmission and Clutch

GROUP AND PART NUMBER	TYPE	DESCRIPTION, SIZE, ETC.	NO. REQ'D	MODEL OR ENGINE CUBIC INCH DISPLACEMENT	VEHICLE CODE	YEAR 19__
7A213 DIAL (TRANSMISSION CONTROL SELECTOR) CONTINUED						
B9FL 15805-B	D/R		(a) 1	All	D	60
C1VV 7B033-A	D/R		1	PCA	D	61/63
C4VY 7A213-A	D/R		1	PCA	D	64
51754-S8		Screw-cr. rec. pan hd. tap. -No. 6-32" x 3/8"-attach selector dial to upper shroud and grommet assy.	2	a		
354259-S8		Washer-flat-9/64" I.D. x 7/16" O.D. - attach selector dial to upper shroud and grommet assy.	2	a		
7A215 REFER TO GROUP 7A653						
7A216 INSERT (TRANSMISSION CONTROL SELECTOR POSITION)						
B9MY 7A216-A	D/R		1	PBL, PBB	A	60
C1MF 7A216-B	D/R	For all models except 58A, 64A	1	PCC, PCD, PCE	A	61
C1MF 7A216-A	S/R	For all models except 58A, 64A	1	PAZ, PBM	A	61
	2/S		1	PCH, PCJ, PCK	A	62
C2MY 7A216-A	D/R		1	PCC, PCD, PCE	A	62
C3AZ 7A216-H	D/R	For all models with movable column except 63C, 65C, 75C, 76B	1	PCE	A	63
C3AZ 7A216-F	D/R	For all models with fixed column except 63C, 65C, 75C, 76B	1	PCE	A	63
	D/R	Use with fixed column and steering column shift	1	PCE	A	64
C3AZ 7A216-M	D/R	Use with movable column and steering column shift	1	PCE	A	64
C2OZ 7A216-A	2/S		1	PCM, PCN, PCP, PCY	B	62/63
CODF 7A216-A	2/S		(a) 1	PBZ, PCF, PCL, PCM	C	60/63
C4DZ 7A216-A	2/S		(a) 1	PCY	C	64
C4OZ 7A216-A	D/R		1	PCW	C	64
B8LY 7A216-B	D/R		1	PBB	D	60
C1VF 7A216-A	D/R		1	PCA	D	61/62
C3VY 7A216-A	D/R		1	PCA	D	63
C4VY 7A216-A	D/R	Use with fixed column	1	PCA	D	64
C4VY 7A216-B	D/R	Use with movable column	1	PCA	D	64
50506-S		Screw-pan hd. cr. rec.-No. 6-32 x 3/8"	2	a		
7A217 BLOCK (TRANSMISSION CONTROL SELECTOR NEUTRAL SWITCH TERMINAL)						
COMF 7A217-A	S/R	Includes back-up lamp terminal	1	PBM-Y, PBL-AJ, PBB-AC	A	60
COMF 7A217-B	D/R	Includes back-up lamp terminal	1	PBL-AK, PBB-AE	A	60
CODF 7A217-A	2/S	For vehicles without back-up lights	(a) 1	PBZ, PCF, PCL, PCM, PCY	C	60/64
C3DZ 7A217-A	2/S	For vehicles with back-up lights	(a) 1	PBZ, PCF, PCL, PCM, PCY	C	60/64
COLF 7A217-A	D/R	Includes back-up lamp terminals	(b) 1	PBB	D	60
42127-S		Screw-hex. hd. -self-tap. -No. 10	2	a		
42360-S8		Screw-hex. hd. tap. -No. 10-16 x 3/8"-block to steering column tube	2	b		
7B217 RETAINER (TRANSMISSION OIL PRESSURE REGULATOR LUBE RELIEF VALVE SEAT)						
C1VP 7B217-A	D/R		1	PCA	D	61/64
7D218 RETAINER (TRANSMISSION GOVERNOR SECONDARY VALVE SPRING)						
C4AZ 7D218-A	D/R	Use with two-piece design governor	1	PCW	C	64
C4AZ 7D218-B	D/R	Use with one-piece design governor	1	PCW	C	64

Transmission and Clutch

GROUP AND PART NUMBER	TYPE	DESCRIPTION, SIZE, ETC.	NO. REQ'D	MODEL OR ENGINE CUBIC INCH DISPLACEMENT	VEHICLE CODE	YEAR 19__
7222 HOUSING (TRANSMISSION GEARSHIFTER)						
C3AZ 7222-C	3/S	Access cover	1	HEG	A	63/64
COAR 7222-A	3/S		(a) 1	221, 223, 260, 292, 312, 352, 390	A B	60/62
B5A 7222-B	O/D		1	221, 223, 292	A B	61/63
C4AZ 7222-A	4/S	Access cover - use with Ford design transmission	1	HEH	A C	64
C2AZ 7222-A	4/S	Use with Warner design transmission	1	All	A	62/64
	4/S		1	All	B	63
	4/S		1	260, 289	C	63/64
C3AZ 7222-A	3/S	Access cover	1	HEE	B	63
CODZ 7222-A	3/S	Access cover - steel - 6-3/4" overall length x 5-1/4" overall width - (4) 11/32" diameter holes	(b) 1	144, 170	B C	60/63
			1	HED	C	64
C3AZ 7222-B	3/S	Access cover	1	HEF	B C	63/64
C2DZ 7222-A	4/S		1	144, 170	C	62/63
		Lockwasher-5/16"	AR	a		
		Bolt-5/16"-18 x 27/32"	AR	a		
		Screw-hex. hd. -5/16"-18 x 5/8"	4	b		
7A222 GASKET (TRANSMISSION REAR OIL PUMP TO CASE)						
B1AZ 7A222-A	S/R	& D/R - fibre and rubber - 6-13/32" I.D. x 7" O.D. with (5) bolt holes	1	PAZ, PBM, PBL, PCC, PCD, PCE	A	60/64
B8SZ 7A222-A	S/R	& D/R - fibre and rubber - 6-31/32" I.D. x 7-7/8" O.D. - also serviced in 7153 kit	1	PBB	A D	60
C1MP 7A222-A	D/R	Also serviced in 7153 kit	1	PCA	D	61/64
7223 GASKET (TRANSMISSION GEARSHIFTER HOUSING)						
C3AZ 7223-C	3/S	Access cover - also serviced in 7153 kit	1	HEG	A	63/64
C2AZ 7223-A	3/S		1	221, 223, 260, 292, 312, 352, 390	A B	60/62
B5A 7223-A	O/D		1	221, 223, 292	A B	61/63
C4AZ 7223-A	4/S	Access cover - use with Ford design transmission - also serviced in 7153 kit	1	HEH	A C	64
8L 7223-A	4/S	Use with Warner design transmission	1	All	A	62/64
	4/S		1	All	B	63
	4/S		1	260, 289	C	63/64
C3AZ 7223-A	3/S	Access cover - also serviced in 7153 kit	1	HEE	B	63
CODZ 7223-A	3/S	Access cover - paper - 6-39/64" overall length x 5" overall width x 1/32" thick - (4) 11/32" diameter holes and (2) 3/8" diameter holes - also serviced in 7153 kit	1	144, 170	B C	60/63
			1	HED	C	64
C3AZ 7223-B	3/S	Access cover - also serviced in 7153 kit	1	HEF	B C	63/64
7A223 RETAINER (TRANSMISSION FRONT OIL PUMP BALL PRESSURE SPRING)						
B9AZ 7A223-A	2/S		2	PBP, PBR, PBS, PCH, PCJ, PCK	A	61/62
	2/S		2	PBZ, PCF, PCL, PCM, PCN, PCP, PCY	B C	60/63
7D223		REFER TO GROUP 7141				
7C224		REFER TO GROUP 7A398				

Transmission and Clutch

GROUP AND PART NUMBER	TYPE	DESCRIPTION, SIZE, ETC.	NO. REQ'D	MODEL OR ENGINE CUBIC INCH DISPLACEMENT	VEHICLE CODE	YEAR 19__	
7227 SPRING (TRANSMISSION CONTROL SELECTOR TUBE RETRACTING)							
AB 7227-A	A/T	For models 58A, 64A	1	PBM, PBP, PBR, PBS, PCC, PCD, PCE, PCH, PCJ, PCK	A	61	
O1A 7227	3/S	& O/drive - for models 58A, 64A	1	223, 292, 352, 390	A	61/62	
C5ZZ 7227-A	4/S	Use with Ford design transmission	1	HEH	A C	64	
C2AZ 7227-B	4/S	Use with Warner design transmission	1	All	A	62/64	
	4/S		1	All		B	63
	4/S		1	All	C	62/63	
	4/S		1	260, 289	C	64	
C2OZ 7227-B	3/S	& O/drive	1	All	B	62/63	
CODF 7379-A	A/T		1	PBZ, PCF, PCL, PCM, PCW, PCY	C	60/64	
7A227 NUT (TRANSMISSION OVERDRIVE CONTROL)							
COAF 7A227-A	O/D	For models 58A, 64A	1	223, 292	A	61	
7228 SOCKET (TRANSMISSION SHIFT LEVER)							
B9MF 7B099-AP	S/R	& D/R - includes indicator lamp cover	1	PBM, PBL, PBB	A	60	
C1MF 7228-BP	A/T	For all models except 58A, 64A	1	PAZ, PBM, PBP, PBR, PBS, PCC, PCD, PCE, PCH, PCJ, PCK	A	61	
					A		
C1MY 7228-A	3/S	For all models except 58A, 64A	1	292, 352	A	61	
C2MY 7228-B	A/T		1	PCH, PCJ, PCK, PCC, PCD, PCE	A	62	
					A		
C3AZ 7228-D	D/R	For all models except 63C, 65C, 75C, 76B	1	PCE	A	63	
C4AZ 7228-A	D/R	Use with fixed column and steering column shift	1	PCE	A	64	
C2OZ 7228-B	3/S	Use with steering column shift	1	All	A	63	
	3/S	& O/drive	1	All	A	64	
	3/S	& O/drive	1	All	B	62/63	
FEK 7228-AP	3/S	In prime	1	144, 170, 312	A C	60/63	
	3/S		1	All		C	64
C3YY 7228-A	2/S		1	PCM, PCN, PCP, PCY	B	62/63	
	2/S		1	PCL, PCM, PCP		C	63
CODF 7228-AP	2/S		1	PBZ, PCF, PCL, PCM	C	60/62	
C4GY 7228-A	A/T		1	PCW, PCY	C	64	
B8LY 7228-A	D/R	BLACK SCOTCH GRAIN	1	PBB	D	60	
C1VV7228-A(211)	D/R	BLACK	1	PCA	D	61/63	
C4VY 7228-C	D/R	Use with fixed column	1	PCA	D	64	
C4VY 7228-B	D/R	Use with movable column	1	PCA	D	64	
7A228 TUBE (TRANSMISSION OIL FILLER)							
B9MY 7A228-A	S/R	& D/R	1	PBL, PBB	A	60	
B9MY 7A228-B	S/R		1	PBM	A	60	
C1AA 7A228-B	A/T		1	PAZ, PBM, PBP, PBR, PBS, PCC, PCD, PCE, PCH, PCJ, PCK	A	61/64	
					A		
C2OZ 7A228-A	2/S		1	PCN, PCP	B	62	
C3AZ 7A228-A	2/S		1	PCN, PCP	B	63	
C2OA 7A228-C	2/S	When replacing CODD-7A228-A by C2OA-7A228-C also use (1) C1DD-7A020-C indicator	(a)	1	PBZ, PCF, PCL, PCM, PCY	B C	60/64
C4AZ 7A228-B	D/R		(b)	1	PCW	C	64
COLL 7A228-A	D/R			1	PBB	D	60
C1VV 7A228-B	D/R			1	PCA	D	61/62
C3VY 7A228-A	D/R			1	PCA	D	63/64
34806-S		Lockwasher-5/16"	AR	a			
87034-S94		"O" ring - 9/16"	1	b			
352464-S		Bolt-hex. hd. -5/16"-18 x 1-1/8"	AR	a			

Transmission and Clutch

GROUP AND PART NUMBER	TYPE	DESCRIPTION, SIZE, ETC.	NO. REQ'D	MODEL OR ENGINE CUBIC INCH DISPLACEMENT	VEHICLE CODE	YEAR 19__
7A229 CLAMP (TRANSMISSION OIL FILLER TUBE)						
B9MY 7A229-A	S/R		1	PBM	A	60
B9MY 7A229-B	S/R	& D/R	1	PBL, PBB	A	60
	D/R	& 2/S - NS-improvise from 3/32" thick x 3/4" wide steel stock	AR	PBP, PBR, PBS, PCD, PCC, PCE, PCH, PCJ, PCK	A	61
COLL 7A229-A	D/R		1	PBB	D	60
7230-1 FORK (TRANSMISSION GEARSHIFTER)						
B8A 7230-A	3/S	Intermediate and high	1	312	A	60
C3AZ 7231-C	3/S	Low and reverse	1	HEG	A	63/64
C3AZ 7230-C	3/S	Intermediate and high	1	HEG	A	63/64
C1AR 7231-A	3/S	Low and reverse	1	221, 223, 260, 292, 312, 352, 390	A B	60/62
COAR 7230-B	3/S	Intermediate and high	1	221, 223, 260, 292, 352, 390	A B	61/62
B5A 7230-A	O/D	Intermediate and high - use on vehicles built prior to 5-1-62	1	221, 223, 292	A B	61/62
C2AZ 7230-B	O/D	Intermediate and high - use on vehicles built after 4-30-62	1	221	B	62/63
B5A 7231-B	O/D	Low and reverse	1	221, 223, 292	A B	61/63
C4AZ 7230-B	4/S	First and second - use with Ford design transmission	1	HEH	A C	64
C4AZ 7230-A	4/S	Third and fourth - use with Ford design transmission	1	HEH	A C	64
C4AZ 7231-A	4/S	Reverse - use with Ford design transmission	1	HEH	A C	64
C2AZ 7230-A	4/S	Forward - use with Warner design transmission	2	All	A	62/64
	4/S		2	All	B	63
	4/S		2	260, 289	C	63/64
C2AZ 7231-A	4/S	Reverse - use with Warner design transmission	1	All	A	62/64
	4/S		1	All	B	63
	4/S		1	260, 289	C	63/64
C3AZ 7231-B	3/S	Low and reverse	1	HEE	B	63
C3AZ 7230-A	3/S	Intermediate and high	1	HEE	B	63
CODR 7231-A	3/S	Low and reverse	1	144, 170	B C	60/63
	3/S		1	HED	C	64
CODR 7230-A	3/S	Intermediate and high	1	144, 170	B C	60/63
	3/S		1	HED	C	64
C3AZ 7231-A	3/S	Low and reverse	1	HEF	B C	63/64
C3AZ 7230-B	3/S	Intermediate and high	1	HEF	B C	63/64
C2DZ 7230-B	4/S	First and second	1	144, 170	C	62/63
C2DZ 7230-A	4/S	Third and fourth	1	144, 170	C	62/63
C2DZ 7231-B	4/S	Reverse - also use (1) C2DZ-7280-C, (1) C2DZ-7282-C and (1) C2DZ-7290-E on vehicles built prior to 3-4-63	1	144, 170	C	62/63
7C230 RETAINER (TRANSMISSION CONTROL SELECTOR RETRACTING SPRING)						
C1AZ 7C230-A	A/T	For models 58A, 64A	2	PBM, PBP, PBR, PBS, PCC, PCD, PCE, PCH, PCJ, PCK	A	61
B6LY 7C230-A	S/R	& D/R - stamping with (3) holes	(a) 1	PBM, PBL, PBB	A	D 60
	A/T	For all models except 58A, 64A	1	PAZ, PBM, PBP, PBR, PBS, PCC, PCD, PCE, PCH, PCJ, PCK	A	61/62
		Screw-pan hd. cr. rec. tap. - No. 8-18 x 3/8"	2	a		
		Lockwasher-external tooth No. 8	2	a		
7A232 ROD (TRANSMISSION PARKING PAWL TOGGLE OPERATING LEVER)						
C3AZ 7A232-A	D/R		1	PCE	A	63/64
C4AZ 7A232-B	D/R		1	PCW	C	64
C1VP 7A232-B	D/R		1	PCA	D	61/64

Transmission and Clutch

GROUP AND PART NUMBER	TYPE	DESCRIPTION, SIZE, ETC.	NO. REQ'D	MODEL OR ENGINE CUBIC INCH DISPLACEMENT	VEHICLE CODE	YEAR 19__
7C232		REFER TO GROUP 7A168				
7233		SLEEVE (TRANSMISSION SHIFTER INTERLOCK)				
8A 7233	3/S	3/8" I.D. x 5/8" O.D. x 1-27/64" long (a)	1	312	A	60
COAR 7233-A	3/S		1	221, 223, 260, 292, 352, 390	A B	61/62
B5A 7233-E	O/D		AR	221, 223, 292	A B	61/63
8L 7233-A	4/S	1.009" long - use with Warner design transmission	1	All	A	62/64
	4/S		1	All	B	63
	4/S		1	260	C	63
	4/S		1	All	C	64
8L 7233-B	4/S	1.014" long - use with Warner design transmission	1	All	A	62/64
	4/S		1	All	B	63
	4/S		1	260	C	63
	4/S		1	All	C	64
8L 7233-C	4/S	1.019" long - use with Warner design transmission	1	All	A	62/64
	4/S		1	All	B	63
	4/S		1	260	C	63
	4/S		1	All	C	64
CODR 7233-A	3/S		(b) 1	144	C	60
CODR 7233-C	3/S	Also serviced in CODZ-7280-A kit	(b) 1	144, 170	C	61/63
	3/S		1	HED	C	64
C2DZ 7233-A	4/S	Plunger	2	144, 170	C	62/63
C2DZ 7233-B	4/S	1.2865"/1.2883" long - select fit	1	144, 170	C	62/63
C2DZ 7233-C	4/S	1.2895"/1.2915" long - select fit	1	144, 170	C	62/63
C2DZ 7233-D	4/S	1.2925"/1.2945" long - select fit	1	144, 170	C	62/63
C2DZ 7233-E	4/S	1.2955"/1.2975" long - select fit	1	144, 170	C	62/63
C2DZ 7233-F	4/S	1.2985"/1.3005" long - select fit	1	144, 170	C	62/63
C2DZ 7233-G	4/S	1.3015"/1.3035" long - select fit	1	144, 170	C	62/63
353075-S		Ball-steel-3/8" dia.	AR	a		
353081-S		Ball-steel-5/16" dia.	2	b		
7233		REFER TO GROUP 7353				
7A233		GEAR (TRANSMISSION OUTPUT SHAFT PARKING)				
C4AZ 7A233-A	D/R		1	PCW	C	64
7234		SPRING (TRANSMISSION SHIFTER INTERLOCK)				
O1A 7234	3/S	11/32" dia. x 1-19/64" long -10-1/2" coils	1	221, 223, 260, 292, 312, 352, 390	A B	60/62
B5A 7234-A	O/D		1	221, 223, 292	A B	61/63
8L 7234	4/S	Forward cams - use with Warner design transmission	1	All	A	62/64
	4/S		1	All	B	63
	4/S		1	260	C	63
	4/S		1	All	C	64
C2AZ 7234-A	4/S	Reverse cam - use with Warner design transmission	1	All	A	62/64
	4/S		1	All	B	63
	4/S		1	260, 289	C	63/64
C3AZ 7234-A	3/S		2	HEE, HEF, HEG	A B C	63/64
	4/S	Use with Ford design transmission	3	HEH	A C	64
CODR 7234-B	3/S	Also serviced in CODZ-7280-A kit	1	144, 170	B C	61/63
	3/S		1	HED	C	64
CODR 7234-A	3/S	11/64" free length	1	144	C	60
C2DZ 7234-A	4/S	1.13" long - select fit	1	144, 170	C	62/63
C2DZ 7234-B	4/S	1.00" long - select fit	1	144, 170	C	62/63

Transmission and Clutch

GROUP AND PART NUMBER	TYPE	DESCRIPTION, SIZE, ETC.	NO. REQ'D	MODEL OR ENGINE CUBIC INCH DISPLACEMENT	VEHICLE CODE	YEAR 19__
7D234		REFER TO GROUP 7-7503				
7235 PIN (TRANSMISSION SHIFTER INTERLOCK)						
O1A 7235	3/S	7/32" diameter x 49/64" long (a)	1	312	A	60
8L 7235	4/S	Use with Warner design transmission	1	All	A	62/64
COAR 7235-A	3/S		1	221, 223, 260, 292, 352, 390	A B	61/62
B5A 7235-A	O/D		1	223, 292	A	61
	O/D	Use on vehicles built prior to 2-19-62	1	221	B	62
C2AZ 7235-A	O/D	Use on vehicles built after 2-18-62	1	221	B	62/63
C4AZ 7235-A	4/S	.311" diameter x .392" long - chamfered ends - use with Ford design transmission	1	HEH	A C	64
C4AZ 7C316-A	4/S	.177" diameter x .475" long - use with Ford design transmission	2	HEH	A C	64
C3AZ 7C316-B	3/S		3	HEE, HEF, HEG	A B C	63
	S/T	.311" diameter x .392" long - rounded ends - use with Ford design transmission	3	HEF, HEG, HEH	A C	64
CODR 7235-B	3/S	Also serviced in CODZ-7280-A kit	1	144, 170	B C	61/63
	3/S		1	HED	C	64
CODR 7235-A	3/S		1	144	C	60
353075-S		Ball-steel-3/8" dia. -gear shift interlock	2	a		
7D235-6 RACE (TRANSMISSION SUN GEAR THRUST BEARING)						
C4AZ 7D236-B	D/R	Front clutch - use with C3AZ-7A399-C gear only	1	PCE-Z, AA, AB, AD, AG	A	63
			1	PCE	A	64
C4AZ 7D235-A	D/R	Rear	1	PCW	C	64
C4AZ 7D236-A	D/R	Front	1	PCW	C	64
7A238		REFER TO GROUP 7-7176				
7D239 KIT (TRANSMISSION REVERSE ENGAGEMENT)						
C3AZ 7D239-A	D/R		1	PCC, PCD except PCD-D1, F1, PCE-B, E, G, S	A	61/62
	D/R		1	PCE-M, U, Z, AD, AF, AG	A	63
Consists of the following -						
(1) C3SP-7A008-A	plate	(1) C3SP-7A326-A	body	(1) 378149-S	screw	
(1) C3SP-7D214-A	retainer	(1) C3SP-7A329-A	plate	(1) I.S. -945	installation sketch	
(1) C3SP-7A322-A	valve	(2) 378148-S	screw			
C3AZ 7D239-C	D/R		1	PCD-D1, F1	A	62
Consists of the following -						
(1) C3AP-7A008-D	plate	(1) C3SP-7A326-A	body	(1) 378149-S	screw	
(1) C3SP-7D214-A	retainer	(1) C3SP-7A329-A	plate	(1) I.S. -947	installation sketch	
(1) C3SP-7A322-A	valve	(2) 378148-S	screw			
C3AZ 7D239-B	D/R		1	PCE-H	A	62
	D/R		1	PCE-N, V, AA, AB	A	63
Consists of the following -						
(1) C3AP-7A008-E	plate	(1) C3SP-7A326-A	body	(1) 378149-S	screw	
(1) C3SP-7D214-A	retainer	(1) C3SP-7A329-A	plate	(1) I.S. -946	installation sketch	
(1) C3SP-7A322-A	valve	(2) 378148-S	screw			
7240-1 RAIL (TRANSMISSION SHIFTER)						
C3AZ 7240-C	3/S	Low and reverse	1	HEG	A	63
C4AZ 7240-D	3/S	Low and reverse	1	HEG	A	64
C4AZ 7241-A	3/S	Intermediate and high	1	HEG	A	64
	3/S		1	HEF	C	64
C4AZ 7240-E	4/S	First and second - use with Ford design transmission	1	HEH	A C	64

CONTINUED ON NEXT PAGE

Transmission and Clutch

GROUP AND PART NUMBER	TYPE	DESCRIPTION, SIZE, ETC.	NO. REQ'D	MODEL OR ENGINE CUBIC INCH DISPLACEMENT	VEHICLE CODE	YEAR 19__
7240-1 RAIL (TRANSMISSION SHIFTER) CONTINUED						
C4AZ 7241-B	4/S	Third and fourth - use with Ford design transmission	1	HEH	A C	64
C4AZ 7240-F	4/S	Reverse - use with Ford design transmission	1	HEH	A C	64
C3OZ 7241-A	4/S	Gear shift lever support shaft - use with Warner design transmission	1	All	A C	62/64
	4/S		1	All	B	63
C3AZ 7241-C	3/S	Intermediate and high	1	HEE, HEF, HEG	A B C	63
C3AZ 7240-B	3/S	Low and reverse	1	HEE	B	63
C3AZ 7240-A	3/S	Low and reverse	1	HEF	B C	63
C2DZ 7240-A	4/S		1	144,170	C	62/63
C4AZ 7240-C	3/S	Low and reverse	1	HEF	C	64
7A240 BEARING (TRANSMISSION SHORT PLANET GEAR)						
B9AZ 7A240-A	2/S		174	PBP, PBR, PBS, PCH, PCJ, PCK	A	61/62
	2/S		174	PBZ, PCF, PCL, PCM, PCN, PCP, PCY	B C	60/64
7242 SPRING (TRANSMISSION GEARSHIFT ANTI-VIBRATOR)						
C2OZ 7242-A	4/S		1	All	A	62
	S/T	& O/drive	1	All	A	63/64
	S/T	& O/drive	1	All	B	62/63
B9MF 7242-B	ALL	Except 4/S - 1-39/64" I. D. x 1-5/16" O. D. x 1/32" thick convex	1	All	A	60/62
	3/S		1	All	C	63
	3/S		1	HED, HEF	C	64
	D/R		1	PBB	D	60
C1VF 7242-A	D/R		1	PCA	D	61/63
7A242 WASHER (TRANSMISSION PLANET GEAR THRUST)						
B9AZ 7A242-A	2/S	Long gear	6	PBP, PBR, PBS, PCH, PCJ, PCK	A	61/62
	2/S		6	PBZ, PCF, PCL, PCM, PCN, PCP, PCY	B C	60/64
B9AZ 7A242-B	2/S	Short gear	6	PBP, PBR, PBS, PCH, PCJ, PCK	A	61/62
	2/S		6	PBZ, PCF, PCL, PCM, PCN, PCP, PCY	B C	60/64
C4AZ 7A242-A	D/R	(1) used between rear clutch hub and front planet - (1) used between input shell and rear planet	2	PCW	C	64
C4AZ 7A242-D	D/R		12	PCW	C	64
7A244 PIN (TRANSMISSION PARKING PAWL TOGGLE LEVER)						
B9AP 7A244-A	S/R	& D/R	(a) 1	PAZ, PBM, PBL, PCC, PCD, PCE	A	60/64
B8SZ 7A244-A	S/R	& D/R - 5/16" O.D. x 1-23/32" overall length - spherical at (1) end	(a) 1	PBB, PCA	A D	60/64
	74274-S	Retainer-spring-for 1/4" dia. groove	1	a		
7245 SPRING (TRANSMISSION CONTROL BELLCRANK)						
MG 7245-B	S/R			PBM	A	60
LF 7245-A	D/R		1	PBB	D	60

Transmission and Clutch

GROUP AND PART NUMBER	TYPE	DESCRIPTION, SIZE, ETC.	NO. REQ'D	MODEL OR ENGINE CUBIC INCH DISPLACEMENT	VEHICLE CODE	YEAR 19__
7246 INSULATOR (TRANSMISSION SHIFT LEVER)						
O1A 7246-B	3/S	& O/drive - for models 58A, 64A	1	223, 292, 352, 390	A	61
1M 7246-A	ALL	Rubber - for all models except 58A, 64A	1	All	A C D	60/62
	ALL	Use with steering column shift	1	All	A C D	63/64
	2/S		1	PCM, PCN, PCP, PCY	B	62/63
C2OZ 7246-A	3/S	& O/drive	1	170, 200, 221, 260	B	62/63
7A246 TUBE (TRANSMISSION BREATHER)						
B9AP 7A246-A	S/R	& D/R (b)	1	PAZ, PBM, PBL, PCC, PCD, PCE	A	60/64
B9KY 7A246-C	2/S	For transmission cases with 1/2"-20 breather tube opening	1	PBP, PBR, PBS, PCH, PCJ, PCK	A	61/62
B9LP 7A246-B	S/R	& D/R - for transmission cases with 1/2"-20 breather opening (a)	1	PBB	A D	60
B9MY 7A246-B	S/R	& D/R - for transmission cases with 1/8"-27 breather tube opening	1	PBB	A D	60
Kit - consists of the following -						
(1) B9MP-7A245-A	tube	(1) 373111-S	clip	(1) 373125-S	fitting	
C1DP 7A246-A	2/S	Use with C1DP-7005-D case assembly	1	PBZ, PCF	C	60/61
C4AZ 7A246-A	D/R		1	PCW	C	64
		372985-S	1	b		
		372986-S	1	a		
		372987-S	1	a, b		
7A247 SWITCH (TRANSMISSION CONTROL SELECTOR NEUTRAL)						
C1AA 7A247-A	S/R	& 2/S - for models 58A, 64A	1	PBM, PBP, PBR, PBS, PCH, PCJ, PCK	A	61
C1AA 7A247-B	D/R	For models 58A, 64A	1	PCC, PCD, PCE	A	61
C1MF 7A247-B	S/R	& 2/S - for all models except 58A, 64A	1	PAZ, PBM, PBP, PBR, PBS, PCH, PCJ, PCK	A	61/62
C1MF 7A247-A	D/R	For all models except S-55, 58A, 64A, 65C, 76B	1	PCC, PCD, PCE	A	61/62
C2AZ 7A247-C	D/R	For S-55 models 65C, 76B	1	PCC, PCD, PCE	A	62
C3AZ 7A247-L	D/R	Use with steering column shift	1	PCE	A	63/64
C3AZ 7A247-M	D/R	Use with console shift	1	PCE	A	63/64
C3OZ 7A247-A	2/S		1	PCM, PCN, PCP, PCY	B	62/63
C4AZ 7A247-B	D/R	Assembly includes wire approx. 30" long	1	PCW	C	64
C1VV 7A247-B	D/R		1	All	D	61/62
C3VY 7A247-B	D/R		1	PCA	D	63
C4VY 7A247-B	D/R		1	PCA	D	64
7A248 SEAL (TRANSMISSION FRONT PUMP OIL)						
C3AZ 7A248-A	S/R	& D/R	1	PAZ, PBM, PCC, PCD, PCE, PBB, PBL, PCA	A D	60/64
C2AZ 7A248-A	2/S		1	All	A B C	60/62
	A/T	Also serviced in 7153 kit	1	PCL, PCM, PCN, PCP, PCY, PCW	B C	63/64
7B252 SPRING (CARBURETOR TO TRANSMISSION KICK DOWN CONTROL ROD)						
C1VV 7B252-B	D/R	5-1/2" long	1	PCA	D	61/62
C3VY 7B252-A	D/R	4" long	1	PCA	D	63/64
7B253 CLAMP (TRANSMISSION OIL COOLER FILTER)						
C1VV 7B253-A	D/R	Use on vehicles built prior to 1-13-61	1	PCA	D	61
7A254 TUBE (TRANSMISSION OIL COOLER BY-PASS)						
CODP 7A254-C	2/S		(a) 1	PBZ, PCF, PCL	C	60/63
87972-S		Fitting-5/16"-brass-1/8"-20-dryseal taper thread	1	a		

Transmission and Clutch

GROUP AND PART NUMBER	TYPE	DESCRIPTION, SIZE, ETC.	NO. REQ'D	MODEL OR ENGINE CUBIC INCH DISPLACEMENT	VEHICLE CODE	YEAR 19__
7D254 PIN (TRANSMISSION COMPENSATOR SPRING ADJUSTING)						
C3AZ 7D254-A	2/S		1	PBP, PBR, PBS, PBZ, PCF, PCH, PCJ, PCK, PCL, PCM, PCN, PCP, PCY	A B C	61/64
7D255 SPRING (TRANSMISSION COMPENSATOR SPRING ADJUSTING)						
C3AZ 7D255-B	2/S		1	PBP, PBR, PBS, PBZ, PCF, PCH, PCJ, PCK, PCL, PCM, PCN, PCP, PCY	A B C	61/64
7A256 LEVER (TRANSMISSION MANUAL CONTROL)						
B9MY 7A256-A	S/R	& D/R - with shaft 3/8" I.D. x 3/4" O.D. (b) x 2-45/64"	1	PBM, PBL, PBB	A	60
C1MP 7A256-B	S/R		1	PAZ, PBM	A	61
C1AP 7A256-A	D/R	For all models except S-55, 65C, 76B	1	PCC, PCD, PCE	A	61/62
C3AZ 7A256-D	D/R	For models 63C, 65C, 75C, 76B	1	PCE, PCC, PCD	A	62/63
	D/R		1	PCE-AV, AY	A	64
C3AZ 7A256-B	D/R	For all models except 63C, 65C, 75C, 76B	1	PCE	A	63
	D/R		1	PCE-AU, AW, AZ	A	64
B9AZ 7A256-A	2/S		1	PBP, PBR, PBS, PCH, PCJ, PCK, PCM, PCN, PCP, PCY	A B	61/63
CODP 7A256-A	2/S		1	PBZ, PCF, PCL, PCM, PCP, PCY	C	60/64
C4GY 7A256-A	D/R		1	PCW	C	64
B8SZ 7A256-A	D/R		(a) 1	PBB	D	60
C1VP 7A256-A	D/R		1	PCA	D	61/62
C3VY 7A256-A	D/R		1	PCA	D	63/64
		72015-S Pin-cotter	1	a		
		356071-S Nut-hex. lock-9/16"-24	1	a, b		
		356254-S Washer-spring-9/32" I.D. x 5/8" O.D.	1	a		
		358605-S Washer-flat-21/64" I.D. x 45/64" O.D.	1	a		
		373282-S Eyelet-nylon-11/16" diameter x 1/4" I.D. x 1/4"	2	a		
7D256 REFER TO GROUP 7-7563						
7B257 BUSHING (TRANSMISSION REAR BRAKE DRUM SUPPORT)						
B5AZ 7B257-A	S/R	& D/R	1	PBL, PCE	A	60/64
7B258 BUSHING (TRANSMISSION FRONT OIL PUMP)						
C1AZ 7B258-A	S/R	& D/R	1	PBB, PBL, PBM, PCA, PCC, PCD, PCE	A D	60/64
7A259 LEVER (TRANSMISSION THROTTLE CONTROL) OUTER						
B9AZ 7A259-A	2/S		(d) 1	PBP, PBR, PBS	A	61
C1AZ 7A259-A	2/S		(d) 1	PCH, PCJ, PCK	A	61/62
C1AZ 7A394-A	D/R	Downshift control	(d) 1	PCC, PCD	A	61/62
C1SZ 7A394-A	D/R	Downshift control	(d) 1	PCE	A	61/64
B7AZ 7A259-A	S/R	& D/R - 5/16"-24 thread x 3-11/16" long(a,d)	1	PAZ, PBM, PBL, PBB	A	60/61
	D/R		(c) 1	PBB	D	60
C2OZ 7A259-C	2/S		(d) 1	PCM, PCY	B	62/63
C2OZ 7A259-A	2/S		(d) 1	PCN, PCP	B C	62/63
CODP 7A259-C	2/S		(b, d) 1	PBZ, PCF	C	60/61
C1DP 7A259-C	2/S	Downshift control	(d) 1	PCL, PCM, PCY	C	61/64
C4AZ 7A394-A	D/R		1	PCW	C	64
C2VY 7A394-A	D/R	Downshift control	1	PCA	D	61/64

CONTINUED ON NEXT PAGE

Transmission and Clutch

GROUP AND PART NUMBER	TYPE	DESCRIPTION, SIZE, ETC.	NO. REQ'D	MODEL OR ENGINE CUBIC INCH DISPLACEMENT	VEHICLE CODE	YEAR 19_____
7A259 LEVER (TRANSMISSION THROTTLE CONTROL) OUTER (CONTINUED)						
34443-S		Nut-hex. -5/16"-24	1	c		
34806-S7		Lockwasher-5/16"	1	a, c		
44722-S		Washer-flat-11/32" I. D.	1	b		
72034-S		Pin-cotter-3/32" x 1"	1	b, c		
76001-S		Pin-clevis-5/16" x 9/16"	1	c		
351341-S		Washer-spring-5/16" x 11/16" O. D. x 1/16" thick	1	b, c		
353509-S		Washer-flat-21/64"	1	c		
370615-S		Washer-flat-3/8"-use between lever and case	1	d		
7B259 BUSHING (TRANSMISSION FRONT PUMP DRIVE GEAR)						
C1AZ 7B259-A	S/R	& D/R	1	PBL, PBM, PCC, PCD, PCE	A	60/64
7A260 PISTON (TRANSMISSION FRONT SERVO)						
B9MP 7A260-A	S/R	Apply	1	PBM	A	60/61
PBB 7366-D	S/R	& D/R - release - 1-23/32" O. D. x 3/8" thick (a)	1	PBM, PCE except PCE-AF, AG, AU except AU-1, AW, AY, AZ	A	60/64
B5AZ 7A164-B	S/R		1	PAZ	A	61
B9AZ 7A164-C	2/S		1	PBR, PCJ	A	61/62
B9AZ 7A164-A	2/S		1	PBS, PCK	A	61/62
COAP 7A164-B	D/R		1	PCC	A	61/62
B8AZ 7A260-A	D/R	Apply	1	PCD	A	61/62
C1AP 7A260-A	D/R	Apply	1	PCE except PCE-AF, AG, AU except AU-1, AV except AV-1, AW, AY	A	61/64
C1AP 7366-A	D/R	Release	1	PCD, PCE-AF, AG	A	61/63
B7A 7366-A	D/R	Release	1	PCE-AU-1, AV	A	64
B8S 7366-A	S/R	& D/R - release - 1-19/32" O. D. x 3/8" thick (a)	1	PBL, PBB	A	D 60
B7AZ 7A260-A	S/R	& D/R - apply	1	PBL, PBB	A	D 60
	D/R		1	PCE-AF, AG, AU-1, AV-1, AZ	A	63/64
B9AZ 7A164-B	2/S		1	PBP, PCH	A	61/62
	2/S		1	PBZ, PCF, PCL, PCM, PCN, PCP, PCY	B C	60/64
C4AZ 7D021-C	D/R		1	PCW-D, Y	C	64
C4OZ 7D021-B	D/R		1	PCW-E, Z	C	64
C1VP 7366-A	D/R	Release	1	PCA	D	61/62
C3VY 7A260-A	D/R	Apply	1	PCA	D	61/64
C3VY 7366-A	D/R	Release	1	PCA	D	63
C4VY 7366-A	D/R	Release	1	PCA	D	64
42802-S8		Screw and lockwasher assy. -pan hd. - No. 10-32 x 3/8"	1	a		
44713-S		Washer-brass-No.10	1	a		
7B260 BUSHING (TRANSMISSION REAR OIL PUMP BODY)						
B5AZ 7B260-A	S/R	& D/R	1	PBL, PBM, PCC, PCD, PCE	A	60/64
7A261 SPRING (TRANSMISSION MANUAL VALVE DETENT LEVER)						
B8AZ 7A261-A	S/R	9/32" O. D. x 1-45/64" overall length	1	PBM, PBL except PBL-AK	A	60
	S/R	& D/R	1	PAZ, PBM, PCC, PCD, PCE	A	61/64
B9AP 7A261-A	2/S		1	PBP, PBR, PBS, PCH, PCJ, PCK	A	61/62
	2/S		1	PBZ, PCF, PCL, PCM	C	60/63
CONTINUED ON NEXT PAGE						

Transmission and Clutch

GROUP AND PART NUMBER	TYPE	DESCRIPTION, SIZE, ETC.	NO. REQ'D	MODEL OR ENGINE CUBIC INCH DISPLACEMENT	VEHICLE CODE	YEAR 19__
7A261 SPRING (TRANSMISSION MANUAL VALVE DETENT LEVER) CONTINUED						
B9MY 7A261-A	S/R	& D/R - 9/32" O.D. x 1-9/16" overall length	1	PBB, PBL-AK	A D	60
C2OZ 7A261-A	2/S		1	PCM, PCN, PCP, PCY	B	62/63
	2/S		1	PCP, PCY	C	63/64
C4AZ 7A261-A	D/R		1	PCW	C	64
C1VP 7A261-A	D/R	2-1/32" free length	1	PCA	D	61/64
7D261 REFER TO GROUP 7-7283						
7262 RETAINER (TRANSMISSION GEARSHIFT LEVER BOOT)						
C2AZ 7262-B	4/S	Use with console shift on vehicles built prior to 12-3-62	1	All	A	62/63
C3AZ 7262-A	4/S	Use with console shift on vehicles built after 12-2-62	1	All	A B	63/64
C2AZ 7262-A	4/S	Use with floor shift	1	All	A	62/64
	4/S		1	All	B	63
	4/S		1	All	C	62/63
	4/S		1	260, 289	C	64
7A262 PISTON (TRANSMISSION FRONT CLUTCH)						
C1AP 7A262-A	S/R	& D/R - when using this piston assembly to replace PAR-77562-A also use (1) C2AZ-7A360-A cylinder	1	PBM, PAZ, PCC, PCD	A	60/62
C1SZ 7A262-A	S/R	& D/R - identified by casting part number C1SP-7A258-A - when using this piston assembly to replace PMB-77562-A also use (1) B9AP-7A360-B cylinder	1	PCE, PBL	A	60/64
COAP 7A262-C	2/S		1	PBS, PCK-A	A	61/62
C1SZ 7A262-B	S/R	& D/R - identified by casting part number C1VP-7A258-B - when using this piston assembly to replace PBB-77562-B also use (1) B9MP-7A360-A cylinder	1	PBB, PCA	A D	60/64
COAP 7A262-B	2/S		1	PBR, PCJ, PCK-A1, PCP	A B C	61/63
COAP 7A262-A	2/S		1	PBP, PCH, PCN, PCY	A B C	61/64
C1DP 7A262-A	2/S		1	PCF, PCM	B C	61/63
CODP 7A262-A	2/S		1	PBZ, PCL	C	60/63
C4AZ 7A262-B	D/R	Reverse clutch	1	PCW	C	64
7A262 REFER TO GROUP 7-7514						
7B262 BUSHING (TRANSMISSION REAR CLUTCH SUN GEAR - REAR)						
B1AZ 7B262-A	S/R	& D/R	1	PBM, PCC, PCD	A	60/62
B5AZ 7B262-A	S/R	& D/R	1	PBL, PCE	A	60/64
7B264 RETAINER (TRANSMISSION REAR SERVO PISTON SPRING)						
B8AZ 7B264-A	S/R	& D/R - concave shaped - 3-15/64" dia. x 53/64" deep with (1) 5/16" width tang	1	PAZ, PBM, PCC, PCD	A	60/62
B8SZ 7B264-A	S/R	& D/R	1	PBL, PCE	A	60/64
C1VP 7B264-A	S/R	& D/R	1	PBB, PCA	A D	60/64
7-7265 "O" RING (TRANSMISSION THROTTLE CONTROL SHAFT OIL)						
1P 77265-B	A/T	Rubber - 23/64" I.D. x 9/16" O.D. x 7/64" - also serviced in 7153 kit	1	All	A B C D	60/64

Transmission and Clutch

GROUP AND PART NUMBER	TYPE	DESCRIPTION, SIZE, ETC.	NO. REQ'D	MODEL OR ENGINE CUBIC INCH DISPLACEMENT	VEHICLE CODE	YEAR 19__
7A266 PISTON (TRANSMISSION REAR SERVO)						
B8AZ 7A266-B	S/R	& D/R	1	PBM, PCD	A	60/62
B8SZ 7A266-B	S/R	& D/R	1	PBL, PCE	A	60/62
B8AZ 7A266-C	S/R	& D/R	1	PAZ, PCC	A	61/62
C3AZ 7A266-C	D/R		1	PCE	A	63/64
B8S 77413-A	S/R	& D/R	1	PBB, PCA	A D	60/64
PBB 77128-B	S/R	& D/R - accumulator	1	PAZ, PBB, PBL, PBM, PCC, PCD, PCE, PCA	A D	60/64
B9AZ 7A266-A	2/S		1	PBP, PBR, PBS, PCH, PCJ, PCK	A	61/62
	2/S		1	PBZ, PCF, PCL, PCM, PCN, PCP, PCY	B C	60/64
C4AZ 7D189-A	D/R		1	PCW	C	64
7A269 RETAINER (TRANSMISSION FRONT SERVO RELEASE PISTON)						
B9MY 7A269-A	S/R		1	PBM	A	60/61
B5AZ 7A269-B	S/R		1	PAZ	A	61
B6AZ 7A269-A	D/R		1	PCC	A	61/62
C1AP 7A269-A	D/R		1	PCD	A	61/62
C1AP 7A269-B	D/R		1	PCE except PCE-AF, AG, AG-1, AU except AU-1, AV except AV-1, AW, AY, AZ	A	61/64
B9MY 7A269-B	D/R		1	PCE-AG-1, AZ	A	63/64
B7AZ 7A269-B	D/R		1	PCE-AU-1, AV-1	A	64
B8SZ 7A269-A	S/R	& D/R	1	PBL, PBB, PCA	A D	60/62
B8AZ 7A269-C	D/R		1	PCA, PCE-AF, AG	A D	63
C4VY 7A269-A	D/R		1	PCA	D	64
7A270 SPRING (TRANSMISSION MAIN OIL PRESSURE REGULATOR VALVE)						
C4AZ 7A270-A	D/R	Use on vehicles built prior to 5-21-64	1	PCW	C	64
C4AZ 7A270-B	D/R	Use on vehicles built after 5-20-64	1	PCW	C	64
Consists of the following -						
(1) C4AP-7D005-B spring			(1) C4AP-7A270-B spring			
7A271 VALVE (TRANSMISSION CONTROL OIL PRESSURE)						
C3AZ 7A271-A	2/S		1	PBP, PBR, PBS, PBZ, PCF, PCH, PCJ, PCK, PCL, PCM, PCN, PCP, PCY	A B C	61/64
7D271 ROLLER (TRANSMISSION REVERSE IDLER GEAR BEARING)						
C4AZ 7D271-A	4/S		44	HEH	A C	64
7A272 SPRING (TRANSMISSION CLUTCH PISTON DISTRIBUTOR)						
COAP 7A272-A	2/S		1	PBP, PBR, PBS, PCH, PCJ, PCK	A	61/62
	2/S		1	PBZ, PCF, PCL, PCM, PCN, PCP, PCY	B C	60/64
7D273 CONNECTOR (TRANSMISSION OIL TUBE)						
87972-S	2/S	Use on vehicles built prior to 3-16-63	1	PCL, PCM, PCN, PCP, PCY	B C	63
C3AZ 7D273-A	2/S	Use on vehicles built after 3-15-63	1	PCL, PCM, PCN, PCP, PCY	B C	63/64
	D/R	Use at front of case - outlet	1	PCW	C	64
C4GY 7D273-A	D/R	Use at rear of case - inlet - 90° elbow - includes lock nut and "o" ring	1	PCW	C	64
7D274 PLUG (TRANSMISSION FRONT PUMP PRESSURE)						
87650-S	2/S	Use on vehicles built prior to 3-16-63	1	PCL, PCM, PCN, PCP, PCY	B C	63
C3AZ 7D274-A	2/S	Use on vehicles built after 3-15-63	1	PCL, PCM, PCN, PCP, PCY	B C	63/64

Transmission and Clutch

GROUP AND PART NUMBER	TYPE	DESCRIPTION, SIZE, ETC.	NO. REQ'D	MODEL OR ENGINE CUBIC INCH DISPLACEMENT	VEHICLE CODE	YEAR 19____
7277 BOOT (TRANSMISSION GEARSHIFT)						
C3AZ 7277-A	D/R	For models S-55, 63C, 65C, 75C, 76B	1	PCC, PCD, PCE	A	62/63
C2AZ 7277-D	4/S	Upper - for models S-55, 63C, 65C, 75C, 76B built prior to 12-3-62	1	All	A	62/63
C4AZ 7277-B	4/S	Upper - use with console shift built after 12-2-62	1	All	A	63/64
C4AZ 7277-C	D/R	Use with console shift	1	PCE	A	64
C2AZ 7277-G	4/S	Use with floor shift	1	All	A C	62/64
	4/S	Lower - use with console shift	1	All	A	62/64
	4/S		1	All	B	63
7280-2 CAM & SHAFT (TRANSMISSION SHIFTER)						
COAR 7282-B	3/S	Low and reverse (b)	1	312	A	60
COMR 7280-A	3/S	Intermediate and high	1	312	A	60
COAR 7280-B	3/S	Intermediate and high - use on vehicles built prior to 10-3-60	1	223, 292, 352, 390	A	61
C1AR 7280-B	3/S	Intermediate and high - use on vehicles built after 10-2-60	1	221, 223, 260, 292, 352, 390	A B	61/62
COAR 7282-D	3/S	Low and reverse	1	352, 390	A	61/62
C2AZ 7282-A	4/S	First and second	1	All	A	62/64
C2AZ 7280-A	4/S	Third and fourth	1	All	A	62/64
C2AZ 7282-B	4/S	Reverse	1	All	A	62/64
COAR 7282-C	3/S	Low and reverse	1	221, 223, 260, 292	A B	61/62
C2AZ 7280-B	O/D	Intermediate and high	1	223, 292	A	61
	O/D	Use on vehicles built prior to 5-1-62	1	221	B	62
C2AZ 7280-D	O/D	Intermediate and high - use on vehicles built after 4-30-62	1	221	B	62/63
C2AZ 7282-C	O/D	Low and reverse	1	223, 292	A	61
	O/D	Use on vehicles built prior to 5-1-62	1	221	B	62
C2AZ 7282-E	O/D	Low and reverse - use on vehicles built after 4-30-62	1	221	B	62/63
C2DZ 7282-A	3/S	Low and reverse - also serviced in CODZ-7280-A kit	1	144, 170	B C	61/63
	3/S		1	HED	C	64
C2DZ 7280-A	3/S	Intermediate and high - also serviced in CODZ-7280-A kit (a)	1	144, 170	B C	61/63
	3/S		1	HED	C	64
CODZ 7280-A	3/S	(a)	1	144	C	60
Kit consists of the following -						
(1) CODR-7233-C	sleeve	(1) CODR-7235-B	pin	(1) C2DZ-7282-A	cam and shaft	
(1) CODR-7234-B	spring	(1) C2DZ-7280-A	cam and shaft	(2) 353081-S	ball	
C2DZ 7280-C	4/S	Third and fourth - also use (1) C2DZ-7231-B, (1) C2DZ-7282-C and (1) C2DZ-7290-E on vehicles built prior to 3-4-63	1	144, 170	C	62/63
C2DZ 7282-C	4/S	First and second - also use (1) C2DZ-7231-B, (1) C2DZ-7280-C and (1) C2DZ-7290-E on vehicles built prior to 3-4-63	1	144, 170	C	62/63
73746-S		Pin-steel-1-1/8" long-5/32" dia. large end	AR	b		
73775-S		Pin-steel-1-1/2" long-5/32" dia. large end	AR	a		
353081-S		Ball-steel-5/16" dia.	AR	a		

Transmission and Clutch

GROUP AND PART NUMBER	TYPE	DESCRIPTION, SIZE, ETC.	NO. REQ'D	MODEL OR ENGINE CUBIC INCH DISPLACEMENT	VEHICLE CODE	YEAR 19__
7-7283 LEVER (TRANSMISSION DOWNSHIFT CONTROL) INNER						
B5A 77283-A	S/R	& D/R - with (1) 3/8" diameter hole and (2) flat internal sides - "stamped with letter "O"	(a) 1	PBB, PBL, PBM	A	60
	S/R	& D/R	(b) 1	PAZ, PBM, PCC, PCD, PCE	A	61/64
	D/R		(a) 1	PBB, PCA	D	60/62
	D/R		(b) 1	PCA	D	63/64
B9A 77283-A	2/S		(b) 1	PBP, PBR, PBS, PCH, PCJ, PCK	A	61/62
	2/S		(b) 1	PBZ, PCF, PCL, PCM, PCN, PCP, PCY	B C	60/64
C4AZ 7D261-A	D/R		1	PCW	C	64
33798-S		Nut-hex. hd. -5/16"-24-throttle valve lever to throttle control	1	b		
34806-S		Washer-5/16"-medium spring lock	1	b		
355949-S		Locknut-hex. -5/16"-24-lever to control shaft	1	a		
7A283 SEAL (TRANSMISSION MAIN DRIVE GEAR OIL)						
C3TZ 7A283-B	4/S		1	HEH-H	A	64
B7AZ 7A283-A	S/T	& O/drive - ☆except 3/S standard transmission on Meteor and Comet with 6 cylinder engines	1	All☆	A B C	60/63
	3/S	& O/drive	1	260, 289, 390, 427	A C	64
	4/S	☆ except HEH-H	1	All☆	A C	64
CODR 7A283-A	3/S		1	144, 170	B C	60/63
	3/S		1	HED	C	64
7285 LEVER (TRANSMISSION GEARSHIFTER) INTERMEDIATE & HIGH						
MC 7285-A	3/S		(b) 1	312	A	60
B9AR 7285-A	3/S	& O/drive	(a) 1	223, 292, 352, 390	A	61
C2AZ 7285-A	3/S		1	223, 292, 352, 390	A	62
C3AZ 7285-A	3/S		1	HEG	A	63/64
C4AZ 7285-A	4/S	Third and fourth - use with Ford design transmission	1	HEH	A	64
C2AZ 7285-B	4/S	Third and fourth - use with Warner design transmission	1	All	A	62/64
	4/S		1	All	B	63
	4/S		1	260, 289	C	63/64
C2OZ 7285-C	3/S		1	221, 260	B	62
C2OZ 7285-B	3/S		1	170	B	62/63
C2OZ 7285-D	O/D		1	221	B	62/63
C3OZ 7285-A	3/S		1	HEE, HEF	B	63
CODR 7285-B	3/S		(c) 1	144, 170	C	60/63
	3/S		1	HED	C	64
C2DZ 7285-B	4/S	Third and fourth	1	144, 170	C	62/63
C3DZ 7285-A	3/S		1	HEF	C	63/64
C4DZ 7285-A	4/S	Third and fourth - use with Ford design transmission	1	HEH	C	64
		Nut-hex. -5/16"-18	1	a, c		
		Nut-hex. -5/16"-24	1	a, b		
		Lockwasher-5/16"	1	a, b, c		
		Washer-flat-5/16"	1	a, b, c		
7D285 SEAL (TRANSMISSION OIL FILLER TUBE)						
C4DZ 7D285-A	2/S		1	PCL, PCM, PCN, PCP, PCY	B C	63/64
7A286 SPRING (TRANSMISSION THROTTLE MODULATOR VALVE)						
C4AZ 7A286-B	D/R		1	PCW	C	64

Transmission and Clutch

GROUP AND PART NUMBER	TYPE	DESCRIPTION, SIZE, ETC.	NO. REQ'D	MODEL OR ENGINE CUBIC INCH DISPLACEMENT	VEHICLE CODE	YEAR 19__
7288 SEAL (TRANSMISSION SHIFTER SHAFT) OIL						
A9AZ 7288-A	O/D	Use in extension housing	1	221, 223, 292	A B	61/63
1A 7288-A	S/T	& O/drive - 5/8" O.D. x 27/64" I.D. x 7/64" thick - ☆ except Meteor and Comet with 6 cylinder engine	AR	All☆	A B C	60/63
	3/S		2	HEF, HEG	A C	64
	4/S		3	All	A C	64
CODR 7288-A	3/S		2	144, 170	B C	60/63
	4/S		3	144, 170	C	62/63
	3/S		2	HED	C	64
7A288 SPRING (TRANSMISSION CONTROL FIRST & SECOND SHIFT VALVE)						
C2AZ 7A288-A	D/R		1	PCE-G, M, S, U	A	63
7290 LEVER (TRANSMISSION GEARSHIFTER) LOW & REVERSE						
COMR 7290-A	3/S		1	312	A	60
B9AR 7290-A	3/S	& O/drive - use with standard transmission on vehicles built prior to 4-3-61	1	223, 292, 352, 390	A	61
C1AR 7290-A	3/S	Use on vehicles built after 4-2-61	1	All	A	61
C2AZ 7290-A	3/S		1	223, 292, 352, 390	A	62
C3AZ 7290-A	3/S		1	HEG	A	63/64
C4AZ 7290-B	4/S	First and second - use with Ford design transmission	1	HEH	A	64
C4AZ 7290-A	4/S	Reverse - use with Ford design transmission	1	HEH	A	64
C2AZ 7290-D	4/S	First and second - use with Warner design transmission	1	All	A	62/64
	4/S		1	All	B	63
	4/S	Use on vehicles built prior to 6-3-63	1	260	C	63
C3DZ 7290-C	4/S	First and second - use with Warner design transmission - use on vehicles built after 6-2-63	1	260, 289	C	63/64
C2AZ 7290-E	4/S	Reverse - use with Warner design transmission	1	All	A	62/64
	4/S		1	All	B	63
	4/S		1	260, 289	C	63/64
C2OZ 7290-C	3/S		1	221, 260	B	62
C2OZ 7290-A	O/D	Use on vehicles built prior to 2-19-62	1	221	B	62
C2OZ 7290-D	O/D	Use on vehicles built after 2-18-62	1	221	B	62/63
C3OZ 7290-A	3/S		1	HEE, HEF	B	63
C2OZ 7290-B	3/S		1	170	B	62/63
CODR 7290-B	3/S		(a) 1	144, 170	C	60/63
	3/S		1	HED	C	64
C2DZ 7290-C	4/S	First and second	1	144, 170	C	62/63
C2DZ 7290-D	4/S	Reverse - outside	1	144, 170	C	62/63
C3DZ 7290-A	3/S		1	HEF	C	63/64
C2DZ 7290-E	4/S	Reverse - inside - also use (1) C2DZ-7231-B, (1) C2DZ-7280-C, and (1) C2DZ-7282-C on vehicles built prior to 3-4-63	1	144, 170	C	62/63
C4DZ 7290-B	4/S	First and second - use with Ford design transmission	1	HEH	C	64
C4DZ 7290-A	4/S	Reverse - use with Ford design transmission	1	HEH	C	64
33797-S7		Nut-hex. -5/16"-18	1	a		
34806-S7		Lockwasher-5/16"	1	a		
44722-S8		Washer-flat-5/16"	1	a		

Transmission and Clutch

GROUP AND PART NUMBER	TYPE	DESCRIPTION, SIZE, ETC.	NO. REQ'D	MODEL OR ENGINE CUBIC INCH DISPLACEMENT	VEHICLE CODE	YEAR 19____
7A291 SCREW (TRANSMISSION PLANETARY SUPPORT LOCATING)						
BIAZ 7A291-A	S/R	& D/R - with tapered end - 3/8"-16 x 29/64" (a)	2	PAZ, PBL, PBM, PCC, PCD, PCE	A	60/64
B8SZ 7A291-A	S/R	& D/R	1	PBB	A D	60
C1MP 7A291-B	D/R	3/8"-16 x 53/64"	2	PCA	D	61/64
C1VP 7A291-B	D/R	3/8"-16 x 1-1/4"	1	PCA	D	61/64
351847-S		Washer-external tooth-3/8"	2	a		
7293 SPRING (TRANSMISSION CONTROL SELECTOR STOP)						
C2OZ 7293-B	2/S	.52" O.D. x 1.07" free length - 4-1/2 coils	1	All	B	62/63
	A/T		1	All	A	63/64
	A/T		1	All	D	64
C1VV 7293-A	S/R	& D/R - .52" O.D. x .97" free length - 5-5/8 coils	1	PBB, PBL, PBM	A	60
	A/T	For all models except 58A, 64A	1	PAZ, PBM, PBR, PBS, PCC, PCD, PCE, PCJ, PCK	A	61/62
	A/T		1	All	C	60/64
	D/R		1	PBB, PCA	D	60/63
7A293 SEAL (TRANSMISSION FRONT SERVO RELEASE PISTON)						
C1VP 7A293-A	D/R	1.595" diameter	1	PCA	D	61/62
C3VY 7A293-A	D/R		1	PCA	D	63
C4VY 7A293-A	D/R		1	PCA	D	64
7A294 SEAL (TRANSMISSION FRONT SERVO PISTON) OIL						
B5AZ 7A294-B	S/R	Large - also serviced in 7153 kit	1	PBM, PAZ	A	60/61
B8AZ 7A294-A	S/R	& D/R - rear servo - rubber - 2-59/64" I.D. x 3-3/32" O.D. x 9/64" thick - also serviced in 7153 kit	1	PBM, PCD	A	60/62
C1AZ 7A294-C	S/R	& D/R - rear servo - also serviced in 7153 kit	1	PBL, PCE	A	60/64
B5AZ 7A294-C	S/R	Small	1	PAZ	A	61
372984-S94	D/R	Large - also serviced in 7153 kit	1	PCC	A	61
B9AZ 7A294-A	2/S	Also serviced in 7153 kit	1	PBS, PCK	A	61/62
B1AZ 7A294-A	S/R	& D/R - rear servo - also serviced in 7153 kit	1	PAZ, PCC	A	61/62
B6AZ 7A294-A	D/R	Small - also serviced in 7153 kit	1	PCC	A	61/62
B1AZ 7A294-B	D/R	Small - also serviced in 7153 kit	1	PCD	A	61/62
B9AZ 7A294-D	D/R	Large - also serviced in 7153 kit	1	PCD	A	61/62
C1AZ 7A294-A	D/R	Small - also serviced in 7153 kit	1	PCE except PCE-AF, AG, AU except AU-1, AV except AV-1, AW, AY, AZ	A	61/64
B7AZ 7A294-A	S/R	& D/R - rear servo - rubber - 3-1/16" I.D. x 3-11/32" O.D. x 9/64" thick - also serviced in 7153 kit	1	PBB, PCA	A D	60/64
B8AZ 7A294-C	S/R	& D/R - small - also serviced in 7153 kit	1	PBL, PBB, PCA, PCE-AF, AG, AU-1, AV-1, AZ	A D	60/64
C1AZ 7A294-B	S/R	& D/R - large - also serviced in 7153 kit	1	PCE, PBB, PBL	A D	60/64
B9AZ 7A294-B	2/S	For front servo piston - also serviced in 7153 kit	1	PBR, PCJ	A	61/62
	2/S	For rear servo piston	1	PBP, PBR, PBS, PCH, PCJ, PCK	A	61/62
	2/S	For rear servo piston	1	PBZ, PCF, PCL, PCM, PCN, PCP, PCY	B C	60/64
B9AZ 7A294-C	2/S	Also serviced in 7153 kit	1	PBP, PCH	A	61/62
	2/S		1	PBZ, PCF, PCL, PCM, PCN, PCP, PCY	B C	60/64
C4AZ 7D024-A	D/R	Large - also serviced in 7153 kit	1	PCW	C	64

CONTINUED ON NEXT PAGE

Transmission and Clutch

GROUP AND PART NUMBER	TYPE	DESCRIPTION, SIZE, ETC.	NO. REQ'D	MODEL OR ENGINE CUBIC INCH DISPLACEMENT	VEHICLE CODE	YEAR 19__
7A294 SEAL (TRANSMISSION FRONT SERVO PISTON) OIL (CONTINUED)						
C4OZ 7D025-A	D/R	Small - also serviced in 7153 kit	1	PCW-D, Y	C	64
C4AZ 7D025-B	D/R	Small - also serviced in 7153 kit	1	PCW-E, Z	C	64
C1VP 7A294-A	D/R	Large	1	PCA	D	61/64
7A294 REFER TO GROUPS 7C099 and 7C328						
7A295 PIN (TRANSMISSION PARKING PAWL TOGGLE LEVER SUPPORT)						
B1AZ 7A295-A	S/R	& D/R - 3/8" diameter with 9/16" special head - 1-3/4" overall length	1	PAZ, PBL, PBM, PCC, PCD, PCE	A	60/64
B9MP 7A295-A	S/R	& D/R - 2-7/32" overall length 11/16" dia. large end 3/8" diameter small end 1-19/64" length of pin from small diameter end to shoulder - use with B9MP-7A121-A toggle lever only on vehicles built after 1-24-60	1	PBB	A D	60
C1MP 7A295-A	D/R		1	PCA	D	61/64
7D300 SPACER (TRANSMISSION REAR SERVO)						
C4AZ 7D300-A	D/R		1	PCW	C	64
7A301 COVER (TRANSMISSION GOVERNOR VALVE BODY)						
B9AP 7A301-A	S/R	& D/R	(a) 1	PAZ, PBM, PBL, PBB, PCC, PCD, PCE, PCA	A D	60/64
B9AZ 7A301-A	2/S		(b) 1	PBP, PBR, PBS, PCH, PCJ, PCK	A	61/62
	2/S		1	PBZ, PCF, PCL, PCM, PCN, PCP, PCY	B C	60/64
356745-S		Screw-flat hd. -No. 10-24 x 3/4"	2	b		
357846-S		Screw-flat hd. -No. 10-24 x 3/8" - governor body to cover	2	a		
7302-3 ARM (TRANSMISSION GEARSHIFT)						
B9FM 7302-A	3/S	Intermediate and high	(a) 1	312	A	60
B9FM 7303-A	3/S	Low and reverse	(a) 1	312	A	60
C1MM 7302-B	3/S	Intermediate and high - for all models except 58A, 64A	1	223, 292, 352	A	61
C1MM 7303-B	3/S	Low and reverse - for all models except 58A, 64A	1	223, 292, 352	A	61
C1AA 7302-B	3/S	& O/drive - intermediate and high - for models 58A, 64A	1	223, 292, 352, 390	A	61
C1AA 7303-B	3/S	& O/drive - low and reverse - for models 58A, 64A	1	223, 292, 352, 390	A	61
C2AZ 7302-D	D/R	For models S-55, 65C, 76B	1	PCC, PCD, PCE	A	62
C2AZ 7302-C	3/S	Intermediate and high	1	223, 292, 352, 390	A	62
C2AZ 7303-C	3/S	Low and reverse	1	223, 292, 352, 390	A	62
C3AZ 7302-G	D/R	Use with console shift	1	PCE	A	63/64
C3AZ 7302-B	3/S	Intermediate and high	1	HEG	A	63/64
C3AZ 7303-A	3/S	Low and reverse	1	HEG	A	63/64
C4AZ 7C312-A	4/S	Reverse - use with Ford design transmission	1	HEH	A	64
C4AZ 7315-A	4/S	First and second - use with Ford design transmission	1	HEH	A C	64
C4AZ 7C313-A	4/S	Third and fourth - use with Ford design transmission	1	HEH	A C	64
C3AZ 7315-C	4/S	First and second - use with Warner design transmission - use on vehicles built prior to 12-24-62 and after 6-2-63	1 1	All 144, 170	A B C	62/64 62/63
CONTINUED ON NEXT PAGE						

Transmission and Clutch

GROUP AND PART NUMBER	TYPE	DESCRIPTION, SIZE, ETC.	NO. REQ'D	MODEL OR ENGINE CUBIC INCH DISPLACEMENT	VEHICLE CODE	YEAR 19____
7302-3		ARM (TRANSMISSION GEARSHIFT) CONTINUED				
C3AZ 7315-B	4/S	First and second - use on vehicles built	1	All	A B	63
	4/S	between 12-23-62 and 6-3-63	1	144, 170	C	63
C3AZ 7C313-D	4/S	Third and fourth - use with Warner design	1	All	A B	62/64
		transmission - use on vehicles built prior	1	144, 170	C	62/63
		to 12-24-62 and after 6-2-63	1	260, 289	C	64
C3AZ 7C313-C	4/S	Third and fourth - use on vehicles built	1	All	A B	63
	4/S	between 12-23-62 and 6-3-63	1	144, 170	C	63
C3AZ 7C312-C	4/S	Reverse - use with Warner design	1	All	A B	62/64
		transmission - use on vehicles built prior	1	144, 170	C	62/63
C3AZ 7C312-B	4/S	Reverse - use on vehicles built between	1	All	A B	63
	4/S	12-23-63 and 6-3-63	1	144, 170	C	63
C3OZ 7302-A	3/S	& O/drive - intermediate and high	1	All	B	62/63
C3OZ 7303-A	3/S	& O/drive - low and reverse	1	All	B	62/63
CODF 7303-B	3/S	Low and reverse - includes rubber bushing	1	144	C	60
CODF 7302-C	3/S	Intermediate and high - includes rubber bushing	1	144	C	60
CODF 7302-B	2/S	Control selector - includes rubber bushing	1	PBZ, PCF, PCL, PCM	C	60/63
C1DF 7303-A	3/S	Low and reverse - includes rubber bushing	1	144, 170	C	61/63
	3/S		1	HED	C	64
C3DZ 7302-A	3/S	Intermediate and high - includes rubber bushing	1	260	C	63
	3/S		1	HEF	C	64
C3DZ 7303-A	3/S	Low and reverse - includes rubber bushing	1	260	C	63
	3/S		1	HEF	C	64
C3DZ 7315-A	4/S	First and second - use on vehicles built prior to 6-3-63	1	260	C	63
C3DZ 7315-B	4/S	First and second - use with Warner design transmission - use on vehicles built after 6-2-63	1	260, 289	C	63/64
C3DZ 7C312-A	4/S	Reverse - use on vehicles built prior to 6-3-63	1	260	C	63
C3DZ 7C312-B	4/S	Reverse - use with Warner design transmission - use on vehicles built after 6-2-63	1	260, 289	C	63/64
C3TZ 7302-C	3/S	Intermediate and high - includes rubber bushing	1	144, 170	C	61/63
			1	HED	C	64
C4DZ 7C312-A	4/S	Reverse - use with Ford design transmission	1	HEH	C	64
C4DZ 7302-A	A/T	Control selector - includes rubber bushing	1	PCW, PCY	C	64
		72015-S Cotter pin-1/16" x 3/4"	1	a		
		351341-S Spring washer-5/16"-anti-rattle	1	a		
	353509-S Washer-flat-21/64"	1	a			
7A306		HOUSING (TRANSMISSION CONTROL SELECTOR)				
C2AZ 7A306-E	D/R	For models S-55, 65C, 76B	1	PCC, PCD, PCE	A	62
C3AZ 7A306-F	D/R	For models 63C, 65C, 75C, 76B with fixed column	1	PCE	A	63
	D/R	Use with console shift	1	PCE	A	64
C3AZ 7A306-B	D/R	For models 63C, 65C, 75C, 76B with movable column	1	PCE	A	63
7-7308		PIN (TRANSMISSION PARKING PAWL TORSION LEVER SUPPORT)				
1P 77308-A	S/R	& D/R	1	PAZ, PBL, PBM, PCC, PCD, PCE	A	60/62
B8S 77308-A	S/R	& D/R - 9/16" maximum diameter x 2-49/64" long	(a) 1	PBB	A D	60
		370084-S Clip "C"	1	a		
		356414-S Washer-flat-25/64" I. D.	1	a		

Transmission and Clutch

GROUP AND PART NUMBER	TYPE	DESCRIPTION, SIZE, ETC.	NO. REQ'D	MODEL OR ENGINE CUBIC INCH DISPLACEMENT	VEHICLE CODE	YEAR 19__
7C309		PLATE (TRANSMISSION GEARSHIFT LEVER OPENING COVER)				
C2AZ 7C309-B	4/S		1	All	A	62/63
C4AZ 7C309-A	4/S		1	All	A	64
C2DZ 7C309-A	4/S		1	All	C	62
C3DZ 7C309-A	4/S	Use on vehicles built prior to 3-11-63	1	All	C	63
C3DZ 7C309-C	4/S	Use on vehicles built after 3-10-63	1	All	C	63/64
7-7312		PIN (TRANSMISSION PARKING PAWL SUPPORT)				
1P 77312-A	S/R	& D/R - 15/32" O.D. x 2-1/32" long	1	PAZ, PBM, PBL, PCC, PCD, PCE	A	60/64
B8E 77312-A	S/R	& D/R	1	PBB, PCA	A D	60/64
B9A 77312-A	2/S		1	PBP, PBR, PBS, PCH, PCJ, PCK	A	61/62
	2/S		1	PBZ, PCF, PCL, PCM, PCN, PCP, PCY	B C	60/64
C4AZ 7D071-A	D/R		1	PCW	C	64
7C312-3		REFER TO GROUP 7302-3				
7-7314		SPRING (TRANSMISSION PARKING PAWL TOGGLE RETURN)				
1P 77314-A	S/R	& D/R - approximately (3) coils - parallel on (1) end and hooked on the other	1	PAZ, PBL, PBM, PCC, PCD, PCE	A	60/64
B8S 77314-A	S/R	& D/R - approximately (4) coils - parallel on (1) end and hooked on the other	1	PBB, PCA	A D	60/64
B9A 77314-A	2/S		1	PBP, PBR, PBS, PCH, PCJ, PCK	A	61/62
	2/S		1	PBZ, PCF, PCL, PCM, PCN, PCP, PCY	B C	60/64
7315		REFER TO GROUP 7302-3				
7-7316		LINK (TRANSMISSION PARKING PAWL TOGGLE)				
1P 77316-A	S/R	& D/R - (1) 5/8" diameter hole and (1) 3/8" diameter hole	1	PAZ, PBM, PBL, PCC, PCD, PCE	A	60/64
B8S 77316-A	S/R	& D/R - (1) 5/16" diameter hole and (1) 15/64" diameter hole	1	PBB, PCA	A D	60/64
7C316		REFER TO GROUP 7235				
7318		BRACKET (TRANSMISSION SHIFT TUBE)				
C1AA 7318-B	A/T	For models 58A, 64A	1	PAZ, PBM, PBP, PBR, PBS, PCC, PCD, PCE, PCH, PCJ, PCK	A	61
C1AA 7318-A	S/T	& O/drive - for models 58A, 64A	1	223, 292, 352, 390	A	61
7-7318		PIN (TRANSMISSION PARKING PAWL TOGGLE LINK)				
1P 77318-A	S/R	& D/R - 5/16" diameter x 1" overall length with 7/16" diameter head (a)	1	PAZ, PBM, PBL, PCC, PCD, PCE	A	60/64
B8S 77318-A	S/R	& D/R - 15/64" diameter x 1-7/64" long with 7/16" diameter head	1	PBB, PCA	A D	60/64
356414-S		Washer-flat hd. - 21/64" I.D.	1	a		
7C318		INTERLOCK (TRANSMISSION GEARSHIFT CONTROL LEVER)				
C5ZZ 7C318-A	4/S	Use with Ford design transmission	1	HEH	A C	64
C2AZ 7C318-B	4/S	Use with Warner design transmission	1	All	A	62/64
	4/S		1	All	B C	63
	4/S		1	260, 289	C	64

Transmission and Clutch

GROUP AND PART NUMBER	TYPE	DESCRIPTION, SIZE, ETC.	NO. REQ'D	MODEL OR ENGINE CUBIC INCH DISPLACEMENT	VEHICLE CODE	YEAR 19__
7320 BEARING (TRANSMISSION PARKING PAWL)						
B8S 7320-A	S/R	& D/R - steel - 3/64" diameter x 15/32" long	24	PBB	A D	60
7C320 BUSHING (TRANSMISSION LOW & REVERSE GEARSHIFT INTERLOCK)						
C2AZ 7C320-A	O/D		1	221	B	62/63
7-7322 ROD (TRANSMISSION PARKING PAWL TORSION LEVER)						
PBB 77322-D	S/R		1	PBB	A	60
1P 77322-A	S/R		(a) 1	PAZ, PBL, PBM	A	60/61
B8A 77322-A	D/R		(a) 1	PBL, PCC, PCD, PCE	A	60/62
B8E 77322-C	D/R		(a) 1	PBB	A D	60
72000-S		Pin-cotter-1/16" x 3/8"	2	a		
7323 SPACER (TRANSMISSION GEARSHIFT CONNECTING ROD ADJUSTMENT)						
B9A 7323-A	A/T	For models 58A, 64A	1	All	A	61
	A/T		1	All	A B	62/64
	A/T		1	All	C	64
7-7323 RETAINER (TRANSMISSION PARKING PAWL TOGGLE RETURN SPRING)						
B8A 77323-A	S/R	& D/R - 5/16" I.D. x 27/64" O.D. x 5/16" overall length	1	PAZ, PBM, PBL, PBB, PCC, PCD, PCE, PCA	A D	60/64
7325-8 ROD (TRANSMISSION MANUAL SHIFT)						
COMM 7325-E	S/R	& D/R	(a) 1	PBM, PBL, PBB	A	60
COMM 7325-C	3/S	Intermediate and high	(a) 1	312	A	60
COMM 7327-C	3/S	Low and reverse	(a) 1	312	A	60
C1AA 7326-H	2/S	For models 58A, 64A	1	PBP, PBR, PBS, PCH, PCJ, PCK	A	61
C1AA 7326-G	S/R	& D/R - for models 58A, 64A	1	PAZ, PBM, PCC, PCD, PCE	A	61
C1MM 7326-E	3/S	Intermediate and high - for all models except 58A, 64A	1	292, 352	A	61
C1MM 7328-B	3/S	Low and reverse - for all models except 58A, 64A	1	292, 352	A	61
C1AA 7326-F	3/S	& O/drive - intermediate and high - for models 58A, 64A	1	223, 292, 352, 390	A	61
C1AA 7328-B	3/S	& O/drive - low and reverse - for models 58A, 64A	1	223, 292, 352, 390	A	61
C1AZ 7328-A	3/S	Interlock - use on vehicles built after 4-2-61	1	223, 292, 352, 390	A	61
C1MY 7326-A	2/S	For all models except 58A, 64A	1	PBP, PBR, PBS, PCH, PCJ, PCK	A	61/62
C1MY 7326-B	S/R	& D/R - for all models except S-55, 58A, 64A, 65C, 76B	1	PAZ, PBM, PCC, PCD, PCE	A	61/62
C2AZ 7326-F	D/R	For models 65C, 76B	1	PCC, PCD, PCE	A	62
C2AZ 7326-A	3/S	Intermediate and high	1	223, 292, 352, 390	A	62
C2AZ 7328-A	3/S	& O/drive - low and reverse	1	223, 292, 352, 390	A	62
C2AZ 7328-B	3/S	Interlock	1	223, 292, 352, 390	A	62
C2AZ 7326-C	4/S	Third and fourth	1	All	A	62/63
C3AZ 7326-G	D/R	For models 63C, 65C, 75C, 76B	1	PCE	A	63
C3AZ 7326-E	3/S	Intermediate and high	1	HEG	A	63
C3AZ 7328-A	3/S	Low and reverse	1	HEG	A	63
C3AZ 7326-C	D/R	Use with steering column shift	1	PCE	A	63/64
C4AZ 7326-D	D/R	Use with console shift	1	PCE	A	64
C4AZ 7326-A	3/S	Intermediate and high	1	HEG	A	64
C4AZ 7328-A	3/S	Low and reverse	1	HEG	A	64
C4AZ 7328-C	4/S	First and second - use with Ford design transmission	1	HEH	A	64

CONTINUED ON NEXT PAGE

Transmission and Clutch

GROUP AND PART NUMBER	TYPE	DESCRIPTION, SIZE, ETC.	NO. REQ'D	MODEL OR ENGINE CUBIC INCH DISPLACEMENT	VEHICLE CODE	YEAR 19__
7325-8		ROD (TRANSMISSION MANUAL SHIFT) CONTINUED				
C4AZ	7326-E	4/S Third and fourth - use with Ford design transmission	1	HEH	A	64
C4AZ	7326-B	O/D Intermediate and high	1	All	A	64
C4AZ	7328-B	O/D Low and reverse	1	All	A	64
C3AZ	7328-H	O/D Interlock	1	All	A	64
C2AZ	7328-D	4/S First and second - use with Warner design transmission	1	All	A	62/64
		4/S	1	All	B	63
C3OZ	7326-E	4/S Third and fourth - use with Warner design transmission	1	All	B	63
		4/S	1	All	A	64
C2OZ	7326-A	3/S Intermediate and high	1	170	B	62
C2OZ	7328-A	3/S Low and reverse	1	170	B	62
C2OZ	7326-B	3/S & O/drive - intermediate and high	1	221, 260	B	62
C2OZ	7328-B	3/S & O/drive - low and reverse	1	221, 260	B	62
C2OZ	7328-H	O/D Interlock	1	221	B	62
C2OZ	7326-D	2/S	1	PCM, PCN, PCP, PCY	B	62/63
C2OZ	7328-D	3/S Interlock	1	170	B	62/63
C2OZ	7328-E	3/S Interlock	1	221, 260	B	62/63
C3OZ	7326-B	3/S Intermediate and high	1	HEE, HEF	B	63
C3OZ	7328-B	3/S Low and reverse	1	HEE, HEF	B	63
C3OZ	7326-C	3/S Intermediate and high	1	170	B	63
C3OZ	7328-C	3/S Low and reverse	1	170	B	63
C3OZ	7326-A	O/D Intermediate and high	1	221	B	63
C3OZ	7328-A	O/D Low and reverse	1	221	B	63
CODD	7326-B	2/S	(b) 1	PBZ, PCF, PCL, PCM	C	60/61
CODD	7326-D	3/S Intermediate and high	(b) 1	144, 170	C	60/61
CODD	7328-C	3/S Low and reverse	(a) 1	144, 170	C	60/61
C2DZ	7326-B	2/S	1	PCL, PCM	C	62/63
C2DZ	7326-C	4/S Third and fourth	1	144, 170	C	62/63
C2DZ	7328-C	4/S First and second	1	144, 170	C	62/63
C2DZ	7326-A	3/S Intermediate and high	1	144, 170	C	62/63
		3/S	1	HED	C	64
C2DZ	7328-A	3/S Low and reverse	1	144, 170	C	62/63
		3/S	1	HED	C	64
C3DZ	7326-A	3/S Intermediate and high	1	HEF	C	63/64
C3DZ	7328-A	3/S Low and reverse	1	HEF	C	63/64
C3DZ	7326-B	4/S Third and fourth - use with Warner design transmission	1	260, 289	C	63/64
C3DZ	7328-E	4/S First and second - use with Warner design transmission	1	260, 289	C	63/64
C4DZ	7326-B	2/S	1	PCY	C	64
C4GY	7326-A	D/R	1	PCW	C	64
C4DZ	7328-A	4/S First and second - use with Ford design transmission	1	HEH	C	64
C4DZ	7326-C	4/S Third and fourth - use with Ford design transmission	1	HEH	C	64
COLL	7325-B	D/R	(a, c) 1	PBB	D	60
C2VY	7326-A	D/R	(d) 1	PCA	D	61/62
C3VY	7326-A	D/R	1	PCA	D	63
C4VY	7326-A	D/R	1	PCA	D	64
33923-S8		Nut-hex. jam-5/16"-24-clevis to rod	1	a		
44722-S		Washer-flat-5/16"	1	b		
72015-S		Pin-cotter-1/16" x 5/8"	1	c, d		
72034-S		Cotter pin-3/32" x 1"	1	b		
351341-S		Washer-spring-5/16"	1	b		
353509-S		Washer-flat-21/64" I.D. x 45/64" O.D.	1	c, d		
356254-S		Washer-spring-1/4" I.D. x 5/8" O.D.	1	c		
358605-S		Washer-spring	1	d		
373282-S		Eyelet-nylon-11/16" dia. x 1/4" I.D. x 1/4"	2	c		

Transmission and Clutch

GROUP AND PART NUMBER	TYPE	DESCRIPTION, SIZE, ETC.	NO. REQ'D	MODEL OR ENGINE CUBIC INCH DISPLACEMENT	VEHICLE CODE	YEAR 19__
7-7326 RETAINER (TRANSMISSION PARKING PAWL TOGGLE LEVER SUPPORT PIN)						
1P 77326-A	S/R	& D/R - cup shaped - 9/16" I.D. x 37/64" O.D. x 1/4" overall length	1	PAZ,PBM,PBL,PCC,PCD,PCE	A	60/64
B8S 77326-A	S/R	& D/R - 11/16" O.D. x 1/4" wide	1	PBB	A D	60
7C328 SEAL (TRANSMISSION FRONT CLUTCH CYLINDER OIL)						
B1AZ 7C328-A	S/R	& D/R - 1-19/64" I.D. x 1-37/64" O.D. x 9/64" diameter - also serviced in 7153 kit	1	PBM,PAZ,PCC,PCD	A	60/62
C1AZ 7C099-A	S/R	& D/R	1	PBL,PCE	A	60/64
B8AZ 7C328-A	S/R	& D/R - also serviced in 7153 kit	1	PBB,PCA	A D	60/64
87074-S94	2/S	Inner - rubber	1	All	A B C	60/62
B9AZ 7C328-A	2/S	Outer - also serviced in 7153 kit - cast iron	2	PBP,PBR,PBS,PCH,PCJ,PCK	A	61/62
	2/S		2	PBZ,PCF,PCL,PCM,PCN,PCP,PCY	B C	60/64
B5AZ 7A294-A	D/R	Reverse clutch - also serviced in 7153 kit	1	PCW	C	64
7C329 "O" RING (TRANSMISSION REAR PUMP INLET TUBE)						
B1AZ 7C329-A	S/R	& D/R - rubber - 9/16" I.D. x 1/16" thick - also serviced in 7153 kit	1	PAZ,PBM,PBL,PBB,PCC,PCD,PCE,PCA	A D	60/64
7330 LEVER (TRANSMISSION FRONT BAND ACTUATING)						
B5S 7330-A	S/R	& D/R	(a) 1	PAZ,PBM,PBL,PCC,PCD,PCE	A	60/64
B9LP 7330-A	D/R		(a) 1	PBB	A D	60
C1VY 7330-A	D/R		1	PCA	D	61/64
33799-S		Nut-hex. jam-3/8"-16-lock adjusting screw to actuating lever	1	a		
350696-S		Screw-headless set-3/8"-16 x 1-3/8"-adjusting front servo actuating lever	1	a		
7B331 KIT (TRANSMISSION SMALL PARTS REPAIR)						
CODZ 7B331-A	3/S		1	144,170	C	60/63
	3/S		1	HED	C	64
Consists of the following -						
(1) 8A-7026	snap ring	(1) CODR-7119-A	washer	(2) 372509-S	washer-flat	
(1) CODR-7030-A	snap ring	(1) CODZ-7119-A	washer	(1) 372510-S	retainer-snap-1"	
(1) 8A-7040	baffle	(1) CODZ-7119-B	washer	(2) 372511-S	ret. -snap-1-1/16"	
(1) 8A-7064	snap ring					
7C331 SPRING (TRANSMISSION CONTROL ROD ANTI-RATTLE)						
C2OZ 7C331-A	2/S		1	PCM,PCY	B	62/63
7C332 REFER TO GROUP 7B093						
7D333 WASHER (TRANSMISSION PLANET GEAR BEARING)						
C4AZ 7D333-A	D/R	(2) used in each planet gear	12	PCW	C	64
7335 BUSHING (TRANSMISSION SHIFT TUBE)						
COAA 7335-A	A/T	For models 58A, 64A	(a) 1	PAZ,PBM,PBP,PBR,PBS,PCC,PCD,PCE,PCH,PCJ,PCK	A	61
C4AZ 7335-A	3/S	& O/drive - lower	1	All	A	64
C4AZ 7335-B	3/S	& O/drive - upper	2	All	A	64
357479-S		Pin-grooved-3/16" x 1"	1	a		

Transmission and Clutch

GROUP AND PART NUMBER	TYPE	DESCRIPTION, SIZE, ETC.	NO. REQ'D	MODEL OR ENGINE CUBIC INCH DISPLACEMENT	VEHICLE CODE	YEAR 19__
7335 SLEEVE (TRANSMISSION SHIFT LEVER SUPPORT)						
B8S 7335-A	3/S	For all models except 58A, 64A	1	223, 292, 352, 390	A	61/62
	3/S		1	All	A	63
	3/S		1	HED, HEF, HEG	A C	64
	3/S		1	All	B C	60/63
7336 SPACER (TRANSMISSION SHIFT ARM HUB)						
PB9M 7336-A	3/S		1	312	A	60
FEK 7336-A	3/S		1	144	C	60
C1DF 7336-A	3/S		1	144, 170	C	61/63
	3/S		1	HED, HEF	C	64
7337 PIN (TRANSMISSION GEARSHIFT TUBE)						
COAZ 7337-A	3/S	For models 58A, 64A	1	223, 292, 352, 390	A	61
7339 REFER TO GROUP 7354						
7B340 GEAR (TRANSMISSION THIRD SPEED)						
C2AZ 7B340-A	4/S		1	All	A	62
C3AZ 7B340-B	4/S	Use with Warner design transmission	1	All	A	63/64
C4AZ 7B340-B	4/S	Use with Ford design transmission	1	HEH-D, H	A	64
C4DZ 7B340-A	4/S	Use with Ford design transmission	1	HEH-A, F	A C	64
C3OZ 7B340-A	4/S	Use with Warner design transmission	1	All	B	63
	4/S		1	260, 289	C	63/64
C2DZ 7B340-A	4/S		1	144, 170	C	62/63
7D340 CLIP (TRANSMISSION CONTROL SELECTOR DIAL RETAINING)						
C4AZ 7D340-A	D/R	Use on vehicles built after 2-9-64	1	PCE	A	64
7341 INSULATOR (TRANSMISSION SHIFT ARM)						
C3MY 7341-A	3/S	& O/drive (a)	4	223, 292, 352, 390	A	61/62
	ALL	Use with console shift	2	All	A	63/64
372285-S		Washer-flat	AR	a		
7343 BUSHING (TRANSMISSION SHIFT ARM INSULATOR)						
C2AZ 7343-B	D/R	Use with console shift	1	PCC, PCD, PCE	A	62/64
C2AZ 7343-A	A/T	Use with fixed column and steering column shift	1	All	A B	61/63
	D/R		1	PCE	A	64
C1AA 7343-B	3/S	& O/drive - for all models except 58A, 64A	2	All	A B	61/64
CODF 7343-A	2/S		1	PBZ, PCF, PCL, PCM	C	60/63
	3/S		2	144, 170	C	60/63
	3/S		2	HED, HEF	C	64
7343 KIT (BUSHING & INSULATOR - GEARSHIFT SELECTOR ARM)						
C3TZ 7343-A	2/S	& 3/S	1	All	C	60/63
	3/S		1	All	B	62/63
	3/S	& O/drive	1	All	A	63
	3/S		1	HED, HEG	A C	64
Consists of the following -						
(2) C3TA -7341-A insulator		(2) CODF-7343-A bushing				
C2OZ 7343-A	A/T		1	PCM, PCN, PCP	B	62
	A/T		1	All	C	64
Consists of the following -						
(1) C2OA-7341-A insulator		(1) C2AZ-7343-A bushing				
7-7344 RETAINER (TRANSMISSION CONTROL SELECTOR DIAL)						
B9MF 77344-A	S/R	& D/R	1	PBM, PBL, PBB	A	60

Transmission and Clutch

GROUP AND PART NUMBER	TYPE	DESCRIPTION, SIZE, ETC.	NO. REQ'D	MODEL OR ENGINE CUBIC INCH DISPLACEMENT	VEHICLE CODE	YEAR 19_____
7347 BEARING (TRANSMISSION SHIFT TUBE)						
PB9M 7347-A	3/S		1	312	A	60
C1MF 7347-A	3/S	For all models except 58A, 64A	1	223, 292, 352	A	61
C3AZ 7347-E	D/R	Upper - for models 63C, 65C, 75C, 76B with movable steering column	1	PCE	A	63
C3AZ 7347-G	D/R	Lower	1	PCE	A	63
C4AZ 7347-A	3/S	& O/drive	1	All	A	64
C3OZ 7347-A	3/S	& O/drive	1	170, 221, 260	B	62/63
	3/S	Use with steering column shift	1	All	A	63
7A347 RETAINER (TRANSMISSION CONTROL SELECTOR LEVER PLUNGER)						
C1VV 7A347-A	2/S		1	All	B C	60/64
	D/R		1	PCE	A	63
	D/R		1	All	A	64
	D/R		1	PCA	D	61/64
7348 RETAINER (TRANSMISSION GEARSHIFT LEVER)						
C5ZZ 7348-A	4/S	Use with Ford design transmission	1	HEH	A	64
C3AZ 7348-A	4/S	Use on vehicles built prior to 6-3-63	1	All	A	62/63
	4/S		1	All	B	63
	4/S		1	144,170	C	62/63
C3AZ 7348-B	4/S	Use with Warner design transmission - use	1	All	A B	63/64
	4/S	on vehicles built after 6-2-63	1	144, 170	C	63
C3DZ 7348-B	4/S	Use on vehicles built prior to 6-3-63	1	260	C	63
C3DZ 7348-C	4/S	Use with Warner design transmission - use on vehicles built after 6-2-63	1	260, 289	C	63/64
C4DZ 7348-A	4/S	Use with Ford design transmission	1	HEH	C	64
7A348 GEAR (TRANSMISSION REAR SUN)						
B9AP 7A348-A	2/S	Use on vehicles built prior to 5-15-62 (a)	1	PBP, PBR, PBS, PCH, PCJ, PCK	A	61/62
	2/S	Use on vehicles built prior to 5-15-62	1	PBZ, PCF, PCL, PCM, PCN, PCP	B C	60/62
C2AZ 7A348-B	2/S	Use on vehicles built after 5-14-62	1	PCH, PCJ, PCK, PCL, PCM, PCN, PCP	A B C	62
C3AZ 7A348-A	2/S		1	PCL, PCM, PCN, PCP, PCY	B C	63/64
C4AZ 7D063-B	D/R		1	PCW	C	64
		353078-S Ball-1/4" diameter	1	a		
		353575-S Plug-cup tapered-29/64" O.D. large end- 7/16" O.D. small end-7/16" long	1	a		
7B348 COVER (TRANSMISSION CONTROL SELECTOR INDICATOR)						
C1MF 7B348-GP	S/R	For all models except 58A, 64A	1	PAZ, PBM	A	61
C1MF 7B348-HP	D/R	For all models except 58A, 64A	1	PCC, PCD, PCE	A	61
7A349 SHIELD (TRANSMISSION CONTROL LINKAGE SPLASH)						
CODD 7A349-B	2/S		(a) 1	PBZ, PCF, PCL, PCM, PCY	C	60/64
C2DZ 7A349-A	4/S		1	All	C	62/63
		20310-S Bolt-hex. hd. -5/16"-18 x 1/2"	AR	a		
		34806-S Lockwasher-5/16"	AR	a		
7B349 BAFFLE (TRANSMISSION CONTROL SELECTOR INDICATOR DIAL LIGHT)						
C2MF 7B349-A	A/T		1	PCC, PCD, PCE, PCH, PCJ, PCK	A	62

Transmission and Clutch

GROUP AND PART NUMBER	TYPE	DESCRIPTION, SIZE, ETC.	NO. REQ'D	MODEL OR ENGINE CUBIC INCH DISPLACEMENT	VEHICLE CODE	YEAR 19__
7353 SLEEVE (TRANSMISSION GEARSHIFT CONNECTING ROD ADJUSTMENT)						
C1AA 7353-C	3/S	& O/drive - also used with interlock (b)	AR	170,200,221,223,260,292,352,390,427	A B	61/64
B9AA 7353-B	A/T	Use with fixed column (a)	1	All	A B	61/63
	A/T		1	PCE, PCW, PCY	A C	64
C2AZ 7353-A	4/S		3	All	A	62/64
	4/S		3	All	B C	63/64
C2OZ 7233-A	3/S	& O/drive - used with interlock only	1	170,200,221,260	B	62/63
COAA 7353-A	2/S		1	PBZ, PCF, PCL, PCM (c)	C	60/63
	3/S		2	144, 170	C	60/63
	3/S		2	HED, HEF	C	64
33923-S		Nut-hex. jam-5/16"-24	AR	a		
72034-S		Cotter pin-3/32" x 1"	1	b, c		
372283-S		Lockwasher-external tooth-11/16"	2	b, c		
372284-S		Nut-hex. -11/16"-24 thin	2	b, c		
372285-S		Washer-flat	1	b, c		
7354 CLEVIS (TRANSMISSION MANUAL SHIFT ROD)						
COMM 7339-A	S/R	& D/R (a)	1	PBM, PBL, PBB	A	60
B9MM 7354-B	3/S	(1) used on intermediate and high shift rod (1) used on low and reverse shift rod	2	312	A	60
COLL 7339-A	D/R		1	PBB	D	60
33923-S8		Nut-hex. jam-5/16"-24	2	a		
7-7356 PIN (TRANSMISSION BAND ACTUATING LEVER SHAFT)						
1P 77356-A	S/R	& D/R - slotted - 11/64" diameter x 1-1/4" long	1	PAZ, PBM, PBL, PBB, PCC, PCD, PCE	A D	60/64
7-7357 SEAL (TRANSMISSION FRONT SERVO COVER TO CASE)						
B9A 77357-B	2/S	Also serviced in 7153 kit	1	PBR, PCJ	A	61/62
B9A 77357-C	2/S	Also serviced in 7153 kit	1	PBS, PCK	A	61/62
B9A 77357-A	2/S	Also serviced in 7153 kit	1	PBP, PCH	A	61/62
	2/S		1	PBZ, PCF, PCL, PCM, PCN, PCP, PCY	B C	60/64
C4AZ 7D026-B	D/R	Gasket - also serviced in 7153 kit	1	PCW	C	64
7A360 CYLINDER (TRANSMISSION FRONT CLUTCH)						
B9AP 7A360-B	S/R	& D/R - when using this cylinder to replace PBL-77556-A also use (1) C1SZ-7A262-A piston	1	PBL	A	60
C2AZ 7A360-A	S/R	& D/R - when using this cylinder to replace PAR-77556-A also use (1) C1AP-7A262-A piston	1	PBM, PAZ, PCC, PCD	A	60/62
C1AP 7A360-A	D/R		1	PCE	A	61/64
B9MP 7A360-A	S/R	& D/R - when using this cylinder to replace PBB-77556-A also use (1) C1SZ-7A262-B piston	1	PBB, PCA	A D	60/64
B9AZ 7A360-A	2/S		1	PBP, PBR, PBS, PCH, PCJ, PCK	A	61/62
	2/S		1	PBZ, PCF, PCL, PCM, PCN, PCP, PCY	B C	60/64
C4AZ 7A360-C	D/R	Rear clutch - forward clutch	1	PCW	C	64
7361 PLUNGER (TRANSMISSION CONTROL SELECTOR LEVER)						
C1MF 7361-A	A/T	For all models except 58A, 64A	1	PAZ, PBM, PBR, PBS, PCC, PCD, PCE, PCH, PCJ, PCK	A	61/62
FDU 7361-A	S/R	& D/R - 5/32" and 1/4" diameter x 1-27/32" long	1	PBM, PBL, PBB	A D	60

CONTINUED ON NEXT PAGE

Transmission and Clutch

GROUP AND PART NUMBER	TYPE	DESCRIPTION, SIZE, ETC.	NO. REQ'D	MODEL OR ENGINE CUBIC INCH DISPLACEMENT	VEHICLE CODE	YEAR 19__
7361 PLUNGER (TRANSMISSION CONTROL SELECTOR LEVER) CONTINUED						
CODF 7361-A	A/T		1	All	B C	60/64
	D/R		1	PCA	D	61/64
	D/R		1	PCE	A	63
	D/R		1	All	A	64
7366 REFER TO GROUP 7A260						
7-7366 SNAP RING (TRANSMISSION FRONT SERVO PISTON RETAINER)						
B5A 77366-C	S/R	& D/R	1	PBM, PAZ, PCC	A	60/62
1P 77366-A	D/R		1	PCD	A	61/62
B6S 77366-A	S/R	& D/R - 2-1/16" free diameter x 3/64" thick	1	PBB, PBL, PCA, PCE	A D	60/64
7C366 ROLLER (TRANSMISSION PLANETARY CLUTCH)						
C3AZ 7C366-A	D/R	Use on vehicles built after 7-7-62	16	PCC, PCD, PCE	A	62/64
7-7367 REFER TO GROUP 7A161						
7B368 WASHER (TRANSMISSION OUTPUT SHAFT THRUST)						
C1SZ 7B368-A	S/R	& D/R - rear - bronze and steel backed	1	PAZ, PBM, PBL, PCC, PCD, PCE	A	60/61
	D/R	Use with B5AZ-7A149-A pump	1	PCC, PCD, PCE	A	62
B5A 77067-J	S/R	& D/R - front - bronze - .061"/.063" thick	1	PAZ, PBL, PBM, PCC, PCD, PCE	A	60/64
B5A 77067-K	S/R	& D/R - front - bronze - .067"/.069" thick	1	PAZ, PBL, PBM, PCC, PCD, PCE	A	60/64
B5A 77067-L	S/R	& D/R - front - bronze - .074"/.076" thick	1	PAZ, PBL, PBM, PCC, PCD, PCE	A	60/64
B5A 77067-M	S/R	& D/R - front - bronze - .081"/.083" thick	1	PAZ, PBL, PBM, PCC, PCD, PCE	A	60/64
C2AZ 7B368-A	D/R	Rear - roller type - use with C2AZ-7A149-A pump	1	PCC, PCD, PCE	A	62/64
C4AZ 7A385-A	4/S		1	HEH	A C	64
C1VP 7B368-B	D/R	Rear - bronze and steel backed	1	PBB, PCA	A D	60/62
B8E 77067-A	S/R	& D/R - front - .061"/.063" thick	1	PBB, PCA	A D	60/64
B8E 77067-B	S/R	& D/R - front - .067"/.069" thick	1	PBB, PCA	A D	60/64
B8E 77067-C	S/R	& D/R - front - .074"/.076" thick	1	PBB, PCA	A D	60/64
B8E 77067-D	S/R	& D/R - front - .081"/.083" thick	1	PBB, PCA	A D	60/64
B9AZ 7B368-A	2/S	Rear - bronze	1	PBP, PBR, PBS, PCH, PCJ, PCK	A	61/62
	2/S		1	PBZ, PCF, PCL, PCM, PCN, PCP	B C	60/62
B9AP 77067-A	2/S	Front - steel with bronze facings - .061"/.063" thick	1	PBP, PBR, PBS, PCH, PCJ, PCK	A	61/62
	2/S		1	PBZ, PCF, PCL, PCM, PCN, PCP, PCY	B C	60/64
C3AZ 7B368-A	2/S	Rear - bronze	1	PCL, PCM, PCN, PCP, PCY	B C	63/64
C4AZ 7B368-A	D/R	Rear - steel	1	PCW	C	64
C3VY 7B368-A	D/R	Rear - roller type	1	PCA	D	63/64
7-7369 SPRING (TRANSMISSION REAR SERVO ACCUMULATOR)						
B8A 77369-A	S/R	& D/R - 9/16" O.D. x 9/16" long - (6) 1/4" coils	1	PAZ, PBM, PBL, PBB, PCC, PCD, PCE, PCA	A D	60/64
7A373 ROD (TRANSMISSION CONTROL SHAFT TO ACCELERATOR BELLCRANK)						
C3OZ 7A373-A	2/S		1	PCM, PCY	B	62/63
CODD 7A373-B	2/S		1	PBZ, PCF	C	60/61
C1DD 7A373-B	2/S		1	PCL, PCM	C	61/63

Transmission and Clutch

GROUP AND PART NUMBER	TYPE	DESCRIPTION, SIZE, ETC.	NO. REQ'D	MODEL OR ENGINE CUBIC INCH DISPLACEMENT	VEHICLE CODE	YEAR 19__
7375 SEAL (TRANSMISSION FRONT SERVO RETAINER ACCUMULATOR)						
C1AP 7375-A	D/R	Also serviced in 7153 kit	1	PCC, PCD, PCE, PBB, PBL	A D	60/62
7A376 SHIELD (TRANSMISSION EXTENSION OIL SEAL) DIRT						
C1VV 7A376-A	D/R		1	PCA	D	61/64
7-7377 PIN (TRANSMISSION FRONT BAND ANCHOR)						
1P 77377-A	S/R	& D/R - 5/16" and 5/8" diameter x 1-3/8" long	1	PAZ, PBM, PBL, PBB, PCC, PCD, PCE	A D	60/64
7A377 DIAPHRAGM (TRANSMISSION THROTTLE VALVE CONTROL)						
C1AP 7A377-B	2/S		1	PCK-A	A	61/62
	D/R		1	PCC, PCD, PCE	A	61/64
C1AP 7A377-C	2/S		1	PCH, PCJ, PCL, PCM, PCN, PCK-A1, PCP, PCY	A B C	61/64
C4AZ 7A377-A	D/R		1	PCW	C	64
C1VP 7A377-B	D/R		1	PCA	D	61/64
7C377 RETAINER (TRANSMISSION PLANET GEAR SHAFT)						
C3AZ 7C377-A	2/S		(a) 1	PCL, PCM, PCN, PCP, PCY	B C	63/64
		Lockwasher-No. 10	AR	a		
		Screw-pan hd. -No. 10-32 x 3/8"	AR	a		
7379 REFER TO GROUP 7227						
7-7379 TUBE (TRANSMISSION FRONT SERVO OIL)						
B5A 77379-A	S/R	& D/R - 5/16" O.D. x 3-11/16" long	AR	PAZ, PBM, PBL, PCC, PCE	A	60/64
B9TP 77379-A	D/R		1	PCD	A	61/62
B8E 77379-A	S/R	& D/R	2	PBB	A D	60
7-7380 STOP (TRANSMISSION FRONT BAND ADJUSTING)						
B9A 77380-A	2/S		(a) 1	PBP, PBR, PBS, PCH, PCJ, PCK	A	61/62
	2/S		1	PBZ, PCF, PCL, PCM, PCN, PCP, PCY	B C	60/64
C4AZ 7D032-B	D/R	Use on vehicles built prior to 12-12-63	(a) 1	PCW	C	64
C4AZ 7C492-B	D/R	Use on vehicles built after 12-11-63	(a) 1	PCW	C	64
		Nut-1/2"-16	1	a		
7A380 ROD (TRANSMISSION THROTTLE CONTROL VALVE)						
C2AZ 7A380-A	D/R		1	PCC, PCD, PCE	A	61/64
C2AZ 7A380-B	2/S		1	PCH, PCJ, PCK, PCL, PCM, PCN, PCP, PCY	A B C	61/64
C4AZ 7A380-A	D/R		1	PCW	C	64
C2VY 7A380-A	D/R	6.476"/6.486" long	1	PCA	D	61/64
7A385 REFER TO GROUP 7B368						
7C386 ADAPTOR (TRANSMISSION EXTENSION)						
C2AZ 7C386-A	4/S		1	All	A	62/64
	4/S		1	All	B	63
	4/S		1	260, 289	C	63/64
7A387 RACE (TRANSMISSION OUTPUT SHAFT THRUST BEARING)						
C2AZ 7A387-A	D/R	Use with C2AZ-7A149-A pump	1	PCC, PCD, PCE	A	62/64
C3VY 7A387-A	D/R		1	PCA	D	63/64
7B389 CAP (TRANSMISSION SHIFT TUBE BRACKET)						
C1AA 7B389-A	3/S	& O/drive - for models 58A, 64A	1	223, 292, 352, 390	A	61

Transmission and Clutch

GROUP AND PART NUMBER	TYPE	DESCRIPTION, SIZE, ETC.	NO. REQ'D	MODEL OR ENGINE CUBIC INCH DISPLACEMENT	VEHICLE CODE	YEAR 19__
7C389		REFER TO GROUP 7C414				
7B391 GASKET (TRANSMISSION GOVERNOR INSPECTION COVER)						
C1VP 7B391-B	S/R D/R	& D/R - also serviced in 7153 kit	1 1	PAZ, PBM, PCC, PCD, PCE PBB, PCA	A D	60/64 60/64
7A393 PLATE (TRANSMISSION CONTROL VALVE BODY) REAR						
C1SP 7A393-A	D/R	Upper	1	PCC, PCD, PCE	A	61/64
B5AZ 7A393-A	S/R	& D/R - upper	(a) 1	PAZ, PBM, PBL, PBB	A D	60/61
B9AZ 7A393-A	2/S	Lower - left	(a) 1	PBP, PBR, PBS, PCH, PCJ, PCK	A	61/62
	2/S		1	PBZ, PCF, PCL, PCM, PCN, PCP, PCY	B C	60/64
B9AZ 7A393-B	2/S	Lower - left front	(a) 1	PBP, PBR, PBS, PCH, PCJ, PCK	A	61/62
	2/S		1	PBZ, PCF, PCL, PCM, PCN, PCP, PCY	B C	60/64
C1VP 7A393-B	D/R	Upper	1	PCA	D	61/64
		34803-S7 Lockwasher-No. 10	3	a		
		358509-S Screw-fill. hd. -No. 10-24 x 7/16"-plate to upper valve body	3	a		
7A394		REFER TO GROUP 7A259				
7A396 PLATE (TRANSMISSION CONTROL VALVE BODY) FRONT						
B9AZ 7A396-A	2/S	Lower - right	(a) 1	PBP, PBR, PBS	A	61
	2/S		1	PBZ, PCF	C	60/61
B1AZ 7A396-A	S/R	& D/R - upper	(a) 1	PAZ, PBM, PBL, PBB	A D	60/61
C1AP 7A396-A	D/R	Upper	(a) 1	PCC, PCD, PCE, PCA	A D	61/64
C1AP 7B432-A	2/S	Lower - right	1	PCH, PCJ, PCK, PCL, PCM, PCN, PCP	A B C	61/62
C3AZ 7B432-A	2/S	Lower - right	1	PCL, PCM, PCN, PCP, PCY	B C	63/64
		34803-S7 Lockwasher-No. 10	2	a		
		358509-S Screw-fill. hd. -No. 10-24 x 7/16"-plate to upper valve body	2	a		
7A398 PLANET ASSEMBLY (TRANSMISSION)						
COMP 7A398-C	S/R		1	PBB	A	60
C1AP 7A398-C	S/R	Use this planet assembly in combination with caged roller thrust washer B8TZ-7C096-A and race B8A-77549-A	1	PBL	A	60
C1AZ 7C224-A	S/R		1	PAZ, PBM	A	60/61
C1AP 7A398-B	D/R	Use this planet assembly in combination with caged roller thrust washer B8TZ-7C096-A and race B8A-77549-A	1	PBL	A	60
	D/R	Use on vehicles built prior to 7-8-62	1	PCE	A	61/62
C3AZ 7A398-C	D/R	Use on vehicles built after 7-7-62	1	PCE	A	62/64
C1AZ 7C224-B	D/R	Use on vehicles built prior to 7-8-62	1	PCC, PCD	A	61/62
Kit - consists of the following -						
(1) C1AP-7C096-A	washer	(1) C1AP-7A398-F	planet assembly	(1) B8A-77549-A	washer	
C3AZ 7A398-D	D/R	Use on vehicles built after 7-7-62	1	PCC, PCD	A	62
COMP 7A398-D	D/R		1	PBB, PCA	A D	60/64
C4AZ 7A398-C	D/R	Front	1	PCW	C	64
C4AZ 7D006-C	D/R	Rear	1	PCW	C	64

Transmission and Clutch

GROUP AND PART NUMBER	TYPE	DESCRIPTION, SIZE, ETC.	NO. REQ'D	MODEL OR ENGINE CUBIC INCH DISPLACEMENT	VEHICLE CODE	YEAR 19__
7A399 GEAR (TRANSMISSION FRONT CLUTCH)						
C3AZ 7A399-B	S/R	& D/R	(a) 1	PAZ, PBM, PCC, PCD	A	60/62
C1AP 7A399-D	S/R	& D/R - 10-11/16" overall length -	(a) 1	PBL, PCE	A	60/62
	D/R	(30) teeth	1	PCE-M, N, U, V, AF	A	63
C3AZ 7A399-A	D/R		1	PCE-Z, AA, AB, AD, AG	A	63
	D/R		1	PCE	A	64
C1MP 7A399-A	S/R	& D/R - 11-49/64" overall length -	1	PBB, PCA	A D	60/64
		(25) teeth				
373078-S		Ball-steel-1/4" dia.	1	a		
7C400 SLIDE (TRANSMISSION LOW & REVERSE GEARSHIFT INTERLOCK)						
C2AZ 7C400-A	O/D		1	221	B	62/63
7C404 NUT (TRANSMISSION GEARSHIFT LEVER BALL LOCK)						
C2AZ 7C404-B	4/S		1	All	A C	62/63
C2AZ 7C404-B	4/S		1	All	A	62/64
	4/S		1	All	B	63
	4/S		1	All	C	62/63
	4/S		1	260, 289	C	64
7-7406 BEARING (TRANSMISSION REAR SERVO LEVER NEEDLE)						
B5A 77406-A	S/R	& D/R	(a) 29	PAZ, PBM, PBL, PBB, PCC, PCD, PCE	A D	60/64
353592-S		Washer-flat-1/2" I. D. x 1" O. D.	2	a		
7-7407 SEAL (TRANSMISSION REAR SERVO COVER TO CASE)						
B9A 77407-A	2/S	Also serviced in 7153 kit	1	PBP, PBR, PBS, PCH, PCJ, PCK	A	61/62
	2/S		1	PBZ, PCF, PCL, PCM, PCN, PCP, PCY	B C	60/64
C4AZ 7D040-A	D/R	Also serviced in 7153 kit	1	PCW	C	64
7-7408 TUBE (TRANSMISSION REAR SERVO PISTON GUIDE)						
B9A 77408-A	2/S		1	PBP, PBR, PBS, PCH, PCJ, PCK	A	61/62
	2/S		1	PBZ, PCF, PCL, PCM, PCN, PCP, PCY	B C	60/64
7-7409 ROD (TRANSMISSION REAR SERVO PISTON)						
B9A 77409-A	2/S		(a) 1	PBP, PBR, PBS, PCH, PCJ, PCK	A	61/62
	2/S		1	PBZ, PCF, PCL, PCM, PCN, PCP, PCY	B C	60/64
C4DZ 7D190-A	D/R		1	PCW	C	64
33925-S		Nut-3/8"-24	2	a		
7-7413		REFER TO GROUP 7A266				
7C414 VALVE (TRANSMISSION MANUAL CONTROL)						
B7A 77764-A	S/R		1	PBM, PBL, PBB, PAZ	A	60/61
C2AZ 7C389-A	D/R		1	PBL, PBB, PCC, PCD, PCE, PCA	A D	60/62
			1	PCA, PCE	A D	63/64
B9A 77764-A	2/S		1	PBP, PBR, PBS, PCH, PCJ, PCK	A	61
	2/S		1	PBZ, PCF, PCL, PCM	B C	60/61
C2OZ 7C389-A	2/S		1	PCH, PCJ, PCK, PCL, PCM, PCN, PCP, PCY	A B C	62/64
C4OZ 7C389-A	D/R		1	PCW	C	64

Transmission and Clutch

GROUP AND PART NUMBER	TYPE	DESCRIPTION. SIZE. ETC.	NO. REQ'D	MODEL OR ENGINE CUBIC INCH DISPLACEMENT	VEHICLE CODE	YEAR 19__
7-7415 SPRING (TRANSMISSION REAR SERVO PISTON)						
B8A 77415-A	S/R	& D/R - conical - (3) 3/4" coils	1	PAZ, PBM, PBL, PBB, PCC, PCD, PCE, PCA	A D	60/64
B9A 77415-A	2/S		1	PBP, PBR, PBS, PCH, PCJ, PCK	A	61/62
	2/S		1	PBZ, PCF, PCL, PCM, PCN, PCP, PCY	B C	60/64
C4AZ 7D031-A	D/R		1	PCW	C	64
7416 SUPPORT (TRANSMISSION GEARSHIFT LEVER)						
C2AZ 7416-C	4/S	Use with Warner design transmission	1	390, 427	A	64
C4AZ 7416-A	4/S	Use with Ford design transmission	1	HEH	A	64
C3AZ 7416-C	4/S	Use on vehicles built prior to 12-24-62 and after 6-2-63	1	All	A	62/63
	4/S		1	All	B	63
	4/S		1	144, 170	C	63
C3AZ 7416-B	4/S	Use on vehicles built between 12-23-62 and 6-3-63	1	All	A B	63
	4/S		1	144, 170	C	63
C3DZ 7416-B	4/S	Use with Warner design transmission	1	260, 289	C	63/64
C4DZ 7416-A	4/S	Use with Ford design transmission	1	HEH	C	64
7-7417 SNAP RING (TRANSMISSION REAR SERVO PISTON RETAINER)						
B8A 77417-A	S/R	& D/R - 2-29/64" free diameter x 1/16" thick	1	PAZ, PBM, PCC, PCD	A	60/62
B8S 77417-A	S/R	& D/R	1	PBL, PCE	A	60/64
B7A 77417-A	S/R	& D/R - 3-9/16" free diameter x 1/16" thick	1	PBB, PCA	A D	60/64
B9A 77417-A	2/S		1	PBP, PBR, PBS, PCH, PCJ, PCK	A	61/62
	2/S		1	PBZ, PCF, PCL, PCM, PCN, PCP, PCY	B C	60/64
7-7418 SEAT (TRANSMISSION REAR SERVO PISTON ROD)						
B9A 77418-A	2/S		1	PBP, PBR, PBS, PCH, PCJ, PCK	A	61/62
	2/S		1	PBZ, PCF, PCL, PCM, PCN, PCP, PCY	B C	60/64
7-7420 BOLT (TRANSMISSION REAR SERVO TO CASE)						
B7A 77420-A	S/R	& D/R - with pilot end - hex. hd. - 7/16"-14 x 2-15/32" (a)	1	PAZ, PBM, PBL, PBB, PCC, PCD, PCE	A D	60/64
34808-S		Lockwasher-7/16"	1	a		
7B423 SPRING (TRANSMISSION THROTTLE CONTROL LEVER) INNER						
B9AZ 7B423-A	2/S		1	PBP, PBR, PBS, PCH, PCJ, PCK	A	61/62
	2/S		1	PBZ, PCF, PCL, PCM, PCN, PCP, PCY	B C	60/64
7B425 SPACER (TRANSMISSION COMPENSATOR VALVE)						
C3AZ 7B425-A	2/S		1	PBP, PBR, PBS, PBZ, PCF, PCH, PCJ, PCK, PCL, PCM, PCN, PCP, PCY	A B C	61/64
7B426 GASKET (TRANSMISSION THROTTLE VALVE DIAPHRAGM)						
C1AP 7B426-A	2/S		1	PCH, PCJ, PCK, PCL, PCM, PCN, PCP, PCY	A B C	61/63
	A/T		1	PCY, PCW	C	64

Transmission and Clutch

GROUP AND PART NUMBER	TYPE	DESCRIPTION, SIZE, ETC.	NO. REQ'D	MODEL OR ENGINE CUBIC INCH DISPLACEMENT	VEHICLE CODE	YEAR 19__
7B428 RETAINER (TRANSMISSION THROTTLE PRESSURE BOOSTER VALVE PLUG)						
PB9E 77042-A	2/S	(a)	1	PBP, PBR, PBS	A	61
	2/S		1	PBZ, PCF	C	60/61
C1AP 7B428-B	2/S	Booster plug retainer	1	PCH, PCJ, PCK, PCL, PCM, PCN, PCP, PCY	A B C	61/64
		34803-S Washer-No. 10	AR	a		
		358509-S Screw-fill. hd. - No. 10-24 x 7/16"	AR	a		
7B429 STOP (TRANSMISSION THROTTLE VALVE)						
B9MY 7A091-A	2/S		1	PBP, PBR, PBS	A	61
	2/S		1	PBZ, PCF	C	60/61
C1AP 7B429-B	2/S	Assembly - includes rivet	1	PCH, PCJ, PCK, PCL, PCM, PCN, PCP, PCY	A B C	61/64
7C431 BRACKET (TRANSMISSION SHIFT BELLCRANK)						
C3AZ 7C431-D	D/R	For all models except 63C, 65C, 75C, 76B	1	PCE	A	63
	D/R		1	PCE-AU, AW, AZ	A	64
7B432 REFER TO GROUP 7A396						
7B434 REFER TO GROUP 7C056						
7A435 CLIP (TRANSMISSION CONTROL LOWER VALVE BODY)						
B9AZ 7A435-B	2/S		1	PCY	B C	63/64
7B437 PLATE (TRANSMISSION REAR CLUTCH PRESSURE)						
C2AZ 7B437-A	S/R	& D/R	1	PBM, PAZ, PCC, PCD	A	60/62
B8SZ 7B437-A	S/R	& D/R	1	PBL, PCE	A	60/64
B8AZ 7B437-A	S/R	& D/R	1	PBB, PCA	A D	60/64
C4AZ 7B066-B	D/R	Forward clutch - front	1	PCW	C	64
C4AZ 7B066-C	D/R	Forward clutch - rear	1	PCW	C	64
7A440 BUSHING (TRANSMISSION KICK DOWN CONTROL SHAFT TO TRANSMISSION ROD)						
C2AZ 7A440-A	A/T		1	PCC, PCD, PCE, PCH, PCJ, PCK, PCM, PCN, PCP	A B	61/64
	A/T	☆ Use on vehicles built prior to 12-16-63	1	PCW*, PCY	C	64
C4GY 7A440-A	D/R	Use on vehicles built after 12-15-63	1	PCW	C	64
C2VY 7A440-A	D/R	Use with C2VY-7A186-A rod and (1) 372610-S washer as a group when replacing C1VV-7A186-D rod on 1961 vehicles	1	PCA	D	61/64
7A441 PAWL (TRANSMISSION PARKING)						
B4AZ 7A441-A	S/R	& D/R - with (1) 5/16" diameter hole and (1) 15/32" diameter hole - engaging end approximately 9/64"	1	PAZ, PBM, PBL, PCC, PCD, PCE	A	60/64
B9MP 7A441-A	S/R	& D/R - when using to replace B8S-77311-A pawl also use (1) B9MP-7A121-A lever and (1) B9MP-7A295-A pin	1	PBB, PCA	A D	60/64
B9AZ 7A441-A	2/S		1	PBP, PBR, PBS, PCH, PCJ, PCK	A	61/62
	2/S		1	PBZ, PCF, PCL, PCM, PCN, PCP, PCY	B C	60/64
C4AZ 7A441-B	D/R		1	PCW	C	64
7C441 PAWL & ROD (TRANSMISSION CONTROL SELECTOR LOCKING LEVER)						
C3AZ 7C441-A	D/R	For models 65C, 76B	1	PCC, PCD, PCE	A	62
C3AZ 7C441-B	D/R	Use with console shift	1	PCE	A	63/64

Transmission and Clutch

GROUP AND PART NUMBER	TYPE	DESCRIPTION, SIZE, ETC.	NO. REQ'D	MODEL OR ENGINE CUBIC INCH DISPLACEMENT	VEHICLE CODE	YEAR 19__
7B442 PLATE (TRANSMISSION CLUTCH) EXTERNAL SPLINE						
B1AZ 7B442-A	S/R	& D/R - rear clutch	6	PBL, PCE	A	60/64
	S/R	& D/R	5	PBM, PCD except PCD-D1	A	60/62
	S/R	& D/R	4	PAZ, PCC	A	61/62
1P 77573-A	S/R	& D/R - front clutch - (54) teeth	3	PAZ, PBL, PBM, PCC, PCD	A	60/62
	D/R		4	PCE	A	61/64
C2AZ 7B442-A	D/R	Rear clutch	3	PCD-D1	A	62
B8AZ 7B442-A	S/R	& D/R - rear clutch - (60) teeth	5	PBB, PCA	A	D 60/62
	D/R		6	PCA		D 63
	D/R		5	PCA		D 64
B8E 77573-A	S/R	& D/R - front clutch - (60) teeth	3	PBB, PCA	A	D 60/64
B9A 77573-A	2/S	Front clutch	3	PBP, PCH	A	61/62
	2/S		5	PBS, PCK-A	A	61/62
	2/S		4	PBR, PCJ, PCK-A1, PCP	A B C	61/63
	2/S		3	PCF, PCM, PCN, PCY	B C	61/64
	2/S		2	PBZ, PCL	C	60/63
C4AZ 7B442-B	D/R	Front clutch - reverse clutch	4	PCW	C	64
C4AZ 7B442-C	D/R	Rear clutch - forward clutch	3	PCW	C	64
7C443 RETAINER (TRANSMISSION CONTROL SELECTOR LOCKING LEVER PAWL)						
C2AZ 7C443-A	D/R	Use with console shift	1	PCC, PCD, PCE	A	62/64
7C444 SLIDE (TRANSMISSION CONTROL ASSEMBLY)						
C3AZ 7C444-A	D/R	Use with console shift	1	PCC, PCD, PCE	A	62/64
7C448 RETAINER (TRANSMISSION CONTROL SELECTOR LEVER GUIDE PLATE)						
C2AZ 7C448-A	D/R	Use with console shift	1	PCC, PCD, PCE	A	62/64
7C449 PLATE (TRANSMISSION CONTROL SELECTOR LEVER GUIDE)						
C2AZ 7C449-A	D/R	Use with console shift	1	PCC, PCD, PCE	A	62/64
7A454 TUBE (TRANSMISSION LINE PRESSURE LINKAGE ADJUSTMENT)						
COMM 7A454-A	S/R		1	PBM	A	60
COMM 7A454-B	S/R	& D/R	1	PBL, PBB	A	60
CODD 7A454-A	2/S		1	PBZ	C	60
COLL 7A454-A	D/R	Includes valve, cap and nut	(a) 1	PBB	D	60
373440-S		Nut-hex, -.5/16"-32	1	a		
7-7455		REFER TO GROUP 7A205				
7A455 BRACKET (TRANSMISSION LINKAGE ADJUSTMENT GAUGE)						
CODD 7A455-A	2/S		1	PBZ	C	60
COLL 7A455-A	D/R		1	PBB	D	60
7B456 RACE (TRANSMISSION OVERRUNNING CLUTCH OUTER)						
C4AZ 7B456-B	D/R	Use on vehicles built prior to 2-17-64	1	PCW	C	64
C4AZ 7B456-C	D/R	Use on vehicles built after 2-16-64	1	PCW	C	64
Package also includes -						
(12) C4AZ-7D170-C springs			(1) C4AZ-7D191-C retainer			
7C458 ROLLER (TRANSMISSION REAR CLUTCH SUN GEAR FRONT BEARING)						
B1A 77507-E	S/R	& D/R - .0924" diameter - rounded ends	39	PAZ, PBM, PCC, PCD	A	60/62
C2AZ 7C458-A	S/R	& D/R - .0926" diameter - pointed ends	39	PAZ, PBM, PCC, PCD	A	60/62
B5A 77507-B	S/R	& D/R - .1204" diameter - rounded ends	34	PBL, PCE	A	60/64
C2AZ 7C458-B	S/R	& D/R - .1205" diameter - pointed ends	34	PBL, PCE	A	60/64
C2AZ 7C458-C	S/R	& D/R - .1201" diameter - pointed ends	39	PBB, PCA	A	D 60/64
B8S 77507-A	S/R	& D/R - .1235" diameter - rounded ends	38	PBB, PCA	A	D 60/64

Transmission and Clutch

GROUP AND PART NUMBER	TYPE	DESCRIPTION, SIZE, ETC.	NO. REQ'D	MODEL OR ENGINE CUBIC INCH DISPLACEMENT	VEHICLE CODE	YEAR 19__
7A464		REFER TO GROUP 7A098				
7-7465		SPRING (TRANSMISSION LOW OIL PRESSURE REGULATOR VALVE)				
B5A 77465-B	S/R	& D/R - (22) 1/2" coils	1	PAZ, PBM, PBL, PBB, PCC, PCD, PCE, PCA	A D	60/62
	D/R		1	PCA, PCE-M, N, U, V, AF	A D	63/64
7-7469		TUBE (TRANSMISSION MAIN PRESSURE OIL)				
B5A 77469-A	S/R	& D/R - 1/2" tubing - 10" approximate formed length	1	PAZ, PBM, PCC, PCD	A	60/62
B5S 77469-A	S/R	& D/R - 1/2" tubing - 9-9/16" approximate formed length	1	PBL, PBB, PCE	A D	60/64
C1VP 7A207-A	D/R		1	PCA	D	61/64
7470		SPACER (TRANSMISSION LOW OIL PRESSURE REGULATOR VALVE)				
B5A 7470-A	S/R	& D/R - 35/64" diameter x 51/64" long	1	PAZ, PBM, PBL, PBB, PCC, PCD, PCE, PCA	A D	60/64
7B470		LEVER (TRANSMISSION PARKING PAWL TORSION SPRING)				
COMP 7B470-B	S/R		(a) 1	PBB	A	60
COMP 7B470-A	S/R		(a) 1	PAZ, PBL, PBM	A	60/61
COAP 7B470-A	D/R		(a) 1	PBL, PBB, PCC, PCD, PCE	A D	60/62
74274-S		Retainer-spring-1/4" dia. groove	1	a		
356415-S		Washer-flat-25/64" dia.	1	a		
7A478		RETAINER (TRANSMISSION MAIN OIL PRESSURE REGULATOR VALVE)				
B9AZ 7A478-A	2/S		1	PBP, PBR, PBS, PCH, PCJ, PCK	A	61/62
	2/S		1	PBZ, PCF, PCL, PCM, PCN, PCP, PCY	B C	60/64
C4AZ 7A478-A	D/R		1	PCW	C	64
7A480		SPRING (TRANSMISSION REAR CLUTCH PISTON)				
B1AZ 7A480-A	S/R	& D/R - (3) 1/2" coils x 2-9/16" I.D. x 3-1/8" O.D. x 2-11/32" free length	1	PAZ, PBM, PBL, PCC, PCD, PCE	A	60/64
B8SZ 7A480-A	S/R	& D/R	1	PBB, PCA	A D	60/64
C4AZ 7A480-A	D/R	Front clutch - reverse clutch - use on vehicles built prior to 1-15-64	10	PCW	C	64
C4AZ 7A480-B	D/R	Front clutch - reverse clutch - use on vehicles built after 1-14-64	10	PCW	C	64
7-7482		REFER TO GROUP 7A097				
7C488		BUTTON (TRANSMISSION SHIFT LEVER RELEASE)				
C2AZ 7C488-A	D/R	Use with console shift	1	PCC, PCD, PCE	A	62/64
7490		BRACKET & LEVER (CLUTCH RELEASE EQUALIZER FRAME)				
PB9M 7490-C	3/S		(a) 1	312	A	60
20388-S8		Bolt-hex. hd. -3/8"-16 x 1"-clutch release equalizer bracket and lever assy. to frame	2	a		
34782-S7		Lockwasher-3/8"-clutch release equalizer bracket and lever to frame	2	a		
72003-S7		Cotter pin-1/16" x 1/2"-clutch release equalizer bracket and lever to equalizer bar	1	a		
73969-S8		Pin-clevis-1/4" x 1-9/16"-clutch release equalizer bracket and lever to equalizer bar	1	a		
87907-S		Fitting-lubricator	1	a		

Transmission and Clutch

GROUP AND PART NUMBER	TYPE	DESCRIPTION, SIZE, ETC.	NO. REQ'D	MODEL OR ENGINE CUBIC INCH DISPLACEMENT	VEHICLE CODE	YEAR 19____
7C490 SPRING (TRANSMISSION SHIFT LEVER PARK POSITION LOCK)						
C2AZ 7C490-A	D/R	Use with console shift	1	PCC, PCD, PCE	A	62/64
7C491 SPRING (TRANSMISSION SHIFT LEVER BUTTON RETURN)						
C2AZ 7C491-A	D/R	Use with console shift	1	PCC, PCD, PCE	A	62/64
7C492 REFER TO GROUP 7A178 or 7-7380						
7A494 CORE (TRANSMISSION LINKAGE ADJUSTMENT GAUGE VALVE)						
COMM 7A494-A	S/R	& D/R	1	PBM, PBL, PBB, PBZ	A C D	60
7A496 SPRING (TRANSMISSION COMPENSATOR VALVE)						
C3AZ 7A496-A	2/S		1	PCL, PCM, PCN, PCP, PCY	B C	63/64
7A497 ROTOR (TRANSMISSION REAR OIL PUMP)						
COAP 7A497-A	2/S	Use (5) COAP-7A499-A springs when installing this rotor	1	PBP, PBR, PBS, PCH, PCJ, PCK	A	61/62
	2/S		1	PBZ, PCF, PCL, PCM, PCN, PCP, PCY	B C	60/64
7A498 SPRING (TRANSMISSION FRONT OIL PUMP SLIPPER)						
COAP 7A498-A	2/S	Color code RED	7	PBP, PBR, PBS, PCH, PCJ, PCK	A	61/62
	2/S		7	PBZ, PCF, PCL, PCM, PCN, PCP, PCY	B C	60/64
7B498 SEAL (TRANSMISSION MANUAL CONTROL LEVER) OIL						
B9AZ 7B498-A	2/S		1	PBP, PBR, PBS, PCH, PCJ, PCK	A	61/62
	2/S		1	PBZ, PCF, PCL, PCM, PCN, PCP, PCY	B C	60/64
C1VP 7B498-A	S/R	& D/R	1	PAZ, PBM, PCC, PCD, PCE	A	60/64
	D/R		1	PCW	C	64
	D/R		1	PBB, PCA	D	60/64
7C498 REFER TO GROUP 7-7165						
7A499 SPRING (TRANSMISSION REAR OIL PUMP SLIPPER)						
COAP 7A499-A	2/S	Color code RED	AR	PBP, PBR, PBS, PCH, PCJ, PCK	A	61/62
	2/S		AR	PBZ, PCF, PCL, PCM, PCN, PCP, PCY	B C	60/64
7-7503 BEARING (TRANSMISSION REAR SUN GEAR THRUST) FRONT						
B9A 77503-A	2/S		1	PBP, PBR, PBS, PCH, PCJ, PCK	A	61/62
	2/S		Roller type	1	PBZ, PCF, PCL, PCM, PCN, PCP, PCY	B C
C4AZ 7D234-A	D/R	Roller type	1	PCW	C	64
7-7504 RACE (TRANSMISSION REAR SUN GEAR THRUST BEARING)						
B9A 77504-A	2/S	Front	1	PBP, PBR, PBS, PCH, PCJ, PCK	A	61/62
	2/S		1	PBZ, PCF, PCL, PCM, PCN, PCP, PCY	B C	60/63
	2/S		(1) also used in clutch assembly	2	PCY	C

Transmission and Clutch

GROUP AND PART NUMBER	TYPE	DESCRIPTION, SIZE, ETC.	NO. REQ'D	MODEL OR ENGINE CUBIC INCH DISPLACEMENT	VEHICLE CODE	YEAR 19__
7506 SHAFT (CLUTCH & BRAKE PEDAL PIVOT)						
PB9M 7506-A	3/S	(a)	1	312	A	60
34671-S8		Nut-hex. -7/16"-24-shaft to pedal support assy.	1	a		
7507 BRACKET (CLUTCH RELEASE EQUALIZER) FRAME						
C1AA 7507-B	3/S	& O/drive	1	223, 292, 352	A	61/62
C3AZ 7507-C	S/T	& O/drive	1	390	A	63/64
	4/S	Use on vehicles built prior to 11-22-62	1	406	A	63
C3AZ 7507-D	4/S	Use on vehicles built after 11-21-62	1	406, 427	A	63/64
C2OZ 7507-A	S/T	& O/drive	1	All	B	62/63
C1DD 7507-A	S/T	When replacing CODD-7507-A by (a)	1	144, 170	C	60/63
	S/T	C1DD-7507-A also use (1) C1DD-7A531-A pivot - (2) C1DD-7543-A balls and (2) C1DD-7A629-A retainers	1	All	C	64
20388-S		Bolt-hex. hd. -3/8"-16 x 1"	1	a		
34807-S		Lockwasher-3/8"	1	a		
44726-S		Washer-flat-3/8"	1	a		
7-7507 REFER TO GROUP 7C458						
7-7507 BEARING (TRANSMISSION PARKING LINKAGE NEEDLE)						
B8S 77507-B	S/R	& D/R - 1/16" diameter x 27/64" long	21	PBB	A	60
	D/R	Use on vehicles built prior to 1-25-60	21	PBB	D	60
7B507 RETAINER (CLUTCH PEDAL ROD SEAL)						
B9BM 6401797-A	3/S		1	312	A	60
COAZ 7B507-A	S/T		1	223, 292, 352, 390, 406	A	61/62
C2OZ 7B507-A	S/T	& O/drive	1	All	B	62/63
CODZ 7B507-A	S/T		1	144, 170	C	60/63
	S/T		1	All	C	64
7A510 HUB & LEVER (CLUTCH RELEASE EQUALIZER)						
B9MM 7A510-A	3/S		1	312	A	60
7513 SHIELD (CLUTCH RELEASE LEVER DUST)						
MG 7513-A	3/S	& O/drive - leather (a)	1	312	A	60
AB 7513-B	S/T	& O/drive (b)	1	221, 223, 260, 292, 352, 390, 406	A B	61/62
C3AZ 7513-A	S/T	& O/drive (b)	1	All	A B	63/64
C3OZ 7513-A	S/T		1	170	B	63
CODD 7513-A	S/T	(a)	1	144, 170	C	60/63
	S/T		1	144, 170	B	62
44713-S8		Washer-flat-No. 10-dust shield to clutch release lever	1	a		
63321-S8		Rivet-semi-tubular-3/16" x 11/32"-dust shield release lever	1	a, b		
7-7514 PISTON (TRANSMISSION REAR CLUTCH)						
B8S 77514-C	S/R	& D/R	1	PBL, PCE	A	60/64
C4AZ 7D157-A	S/R	& D/R - 1-7/8" diameter bore - 5-15/64" O.D. x 7/8" thick - includes ball check	1	PBM, PCD	A	60/62
B7A 77514-C	S/R	& D/R	1	PAZ, PCC	A	61/62
B8S 77514-D	S/R	& D/R	1	PBB, PCA	A D	60/62
			1	PCA	D	64
C4AZ 7A262-C	D/R	Forward clutch	1	PCW	C	64
C3VY 7D157-A	D/R		1	PCA	D	63

Transmission and Clutch

GROUP AND PART NUMBER	TYPE	DESCRIPTION, SIZE, ETC.	NO. REQ'D	MODEL OR ENGINE CUBIC INCH DISPLACEMENT	VEHICLE CODE	YEAR 19__
7515 LEVER (CLUTCH RELEASE)						
MG 7515-A	3/S		1	312	A	60
C2AZ 7515-B	S/T		1	352, 390, 406	A	61/62
C2AZ 7515-A	3/S	& O/drive	1	223, 292	A	61/62
C3AZ 7515-B	S/T	& O/drive	1	All	A	63
	S/T	& O/drive	1	390	A	64
	4/S	Use on vehicles built prior to 3-23-64	1	427	A	64
C4AZ 7515-A	4/S	Use on vehicles built after 3-22-64	1	HEH-H	A	64
C2OZ 7515-A	S/T	& O/drive	1	221, 260	B	62/63
C3DZ 7515-B	S/T	☆ Comet only	1	144, 170, 260*	B C	62/63
	S/T		1	All	C	64
CODD 7515-A	3/S		1	144, 170	C	60/61
7B515 SLEEVE (CLUTCH RELEASE IDLER LEVER SWIVEL)						
C2AZ 7B515-A	S/T	& O/drive - use only with C2AZ-7528-A or B bar assembly	1	All	A B	61/64
7-7516 SEAT (TRANSMISSION REAR CLUTCH PISTON SPRING)						
1P 77516-B	S/R	& D/R - 2-19/64" diameter x 3/8" wide	1	PAZ, PBM, PCC, PCD	A	60/62
B5A 77516-B	S/R	& D/R - 2-7/8" diameter x 3/8" wide	1	PBL, PCE	A	60/64
B8E 77516-A	S/R	& D/R - 3-1/2" diameter x 21/64" wide	1	PBB, PCA	A D	60/64
7517 SOCKET (CLUTCH RELEASE EQUALIZER BALL)						
CODD 7517-A	3/S	Use on vehicles built prior to 2-22-61 - refer to groups 7543 and 7A629 for vehicles built after 2-21-61	4	144, 170	C	60/61
7-7517 SNAP RING (TRANSMISSION REAR CLUTCH PISTON SPRING RETAINER)						
1P 77517-A	S/R	& D/R - 1-17/32" I.D. x 1-27/32" O.D. x 1/16" thick	1	PAZ, PBM, PCC, PCD	A	60/62
B5A 77517-A	S/R	& D/R - 1-23/32" I.D. x 2" O.D. x 1/16" thick	1	PBL, PCE	A	60/64
B8E 77517-A	S/R	& D/R - 1-31/32" I.D. x 2-1/8" O.D. x 1/16" thick	1	PBB, PCA	A D	60/64
7519 PEDAL (CLUTCH)						
B9M 7519-A	3/S		1	312	A	60
C1AA 7519-A	3/S	& O/drive	1	223, 292, 352, 390	A	61/62
C2AZ 7519-A	4/S		1	All	A	62/64
C3AZ 7519-B	3/S	Use with steering column shift	1	HEG	A	63/64
C3OZ 7519-A	S/T	& O/drive	1	All	B	62/63
C1DD 7519-A	S/T	When replacing CODD-7519-C by (a)	1	144, 170	C	61/63
	S/T	C1DD-7519-A also use (1) C1DZ-7A630-A and remove nylon sleeve from 7A574 assist spring	1	All	C	64
74279-A		Retainer-spring-9/16"	1	a		
358981-S		Washer-nylon-23/32" I.D. x 1-1/4" O.D. x 1/64" thick	AR	a		
7521 ROD (CLUTCH RELEASE LEVER)						
B9MM 7521-A	3/S	Idler lever to release lever (b)	1	312	A	60
B9MY 7521-A	3/S	Pedal to idler lever - 5/8" diameter hole each end - 11-11/32" between flats of holes (a)	1	312	A	60
B8A 7521-A	3/S	& O/drive - idler lever to release lever - use with standard transmission on vehicles built prior to 4-3-61	1	223, 292, 352, 390	A	61/62
C1AZ 7521-A	S/T	Idler lever to release lever - use on vehicles built after 4-2-61	1	223, 292, 352, 390, 406	A	61/62
CONTINUED ON NEXT PAGE						

Transmission and Clutch

GROUP AND PART NUMBER	TYPE	DESCRIPTION, SIZE, ETC.	NO. REQ'D	MODEL OR ENGINE CUBIC INCH DISPLACEMENT	VEHICLE CODE	YEAR 19__
7521 ROD (CLUTCH RELEASE LEVER) CONTINUED						
C3AZ 7521-B	S/T	& O/drive - idler lever to release lever	1	390	A	63/64
	4/S	Use on vehicles built prior to 11-22-62	1	406	A	63
C3AZ 7521-D	4/S	Idler lever to release lever - use on vehicles built after 11-21-62	1	406,427	A	63/64
C2OZ 7521-A	S/T	& O/drive - pedal to idler lever	1	170, 221, 223, 260, 292, 352, 390, 406	A B	61/63
	S/T		1	390, 427	A	64
C1DD 7521-A	S/T	Idler lever to release lever (d)	1	144, 170	B C	60/63
C2OA 7521-A	S/T	& O/drive - idler lever to release lever	1	221, 260	B C	62/63
CODZ 7521-A	S/T	Pedal to idler lever (c)	1	144, 170	C	60/63
	S/T		1	All	C	64
C4DZ 7521-A	S/T	Idler lever to release lever	1	All	C	64
		Nut-hex. -3/8"-24	1	b		
		Pin-self-locking	AR	c		
		Washer-spring-3 wave-1/2" I.D. x 51/64" O.D.	AR	a		
		Washer-spring-15/32" I.D. x 3/4" O.D.	AR	c, d		
7A521 BAR (CLUTCH RELEASE EQUALIZER)						
B9MY 7A521-A	3/S		1	312	A	60
7522 BRACKET (CLUTCH RELEASE LEVER)						
B9AA 7522-A	S/T		1	All	A	63/64
C2DZ 7522-A	3/S		1	All	C	60/63
	3/S		1	HED, HEF	C	64
7523 SPRING (CLUTCH RELEASE LEVER RETRACTING)						
B9M 7523-A	3/S		1	312	A	60
COAA 7523-B	S/T	& O/drive	1	223, 292, 352, 390, 406	A	61/62
C3AZ 7523-A	S/T	& O/drive	1	390	A	63/64
	4/S	Use on vehicles built prior to 11-22-62	1	406	A	63
C3AZ 7523-B	4/S	Use on vehicles built between 11-21-62 and 5-29-63	1	406, 427	A	63
C3AZ 7523-C	4/S	Use on vehicles built after 5-28-63	1	427	A	63/64
C2OZ 7523-A	S/T		1	170	B	62/63
C2OZ 7523-B	S/T	& O/drive	1	221, 260	B	62/63
CODD 7523-A	S/T		1	144, 170	C	60/62
C3DZ 7523-A	S/T		1	144, 170	C	63
	3/S		1	HED	C	64
C3DZ 7523-B	S/T		1	260, 289	C	63/64
7-7523 SNAP RING (TRANSMISSION CLUTCH PLATE RETAINER)						
1P 77523-A	S/R	& D/R - front clutch	1	PAZ, PBM, PCC, PCD	A	61/62
	S/R	& D/R - rear clutch	1	PAZ, PBL, PBM, PCC, PCD, PCE	A	60/64
B9A 77523-A	2/S		1	PBP, PBR, PBS, PCH, PCJ, PCK	A	61/62
	2/S		1	PBZ, PCF, PCL, PCM, PCN, PCP, PCY	B C	60/64
7-7524 WASHER (TRANSMISSION REAR CLUTCH SUN GEAR COUNTERTHRUST)						
1P 77524-A	S/R	& D/R - steel - 2-3/8" O.D. x 1/8" thick	1	PAZ, PBM, PCC, PCD	A	60/62
B5S 77524-A	S/R	& D/R - steel - 2-37/64" O.D. x 1/8" thick	1	PBL, PCE	A	60/64
B8E 77524-A	S/R	& D/R - steel - 3-37/64" O.D. x 5/32" thick	1	PBB, PCA	A D	60/64
7526 BUSHING (CLUTCH PEDAL RELEASE LEVER ROD)						
COAZ 7526-A	S/T	& O/drive	2	All	A	64
COAA 7526-A	S/T	& O/drive	2	All	A B	61/63

Transmission and Clutch

GROUP AND PART NUMBER	TYPE	DESCRIPTION, SIZE, ETC.	NO. REQ'D	MODEL OR ENGINE CUBIC INCH DISPLACEMENT	VEHICLE CODE	YEAR 19____
7A527 RETAINER (TRANSMISSION CLUTCH PISTON SPRING)						
B9AZ 7A527-A	2/S		1	PBP, PBR, PBS, PCH, PCJ, PCK	A	61/62
	2/S		1	PBZ, PCF, PCL, PCM, PCN, PCP, PCY	B C	60/64
C4AZ 7A527-A	D/R	Front clutch - reverse clutch	1	PCW	C	64
7528 BAR (CLUTCH RELEASE EQUALIZER)						
C2AZ 7528-A	S/T	& O/drive	1	223, 292	A	61/62
C2AZ 7528-B	S/T		1	352, 390, 406	A	61/62
C3AZ 7528-F	S/T	& O/drive	1	390	A	63/64
	4/S	Use on vehicles built prior to 11-22-62	1	406	A	63
C3AZ 7528-G	4/S	Use on vehicles built after 11-21-62	1	406, 427	A	63/64
C2OZ 7528-C	3/S	& O/drive	1	221, 260	B	62
C2OZ 7528-A	S/T		1	170	B	62/63
C3OZ 7528-C	S/T		1	HEE, HEF	B	63
	O/D		1	221	B	63
C1DD 7528-B	3/S	Use on vehicles built prior to 2-22-61	(a) 1	144, 170	C	60/61
C1DD 7528-C	S/T	Use on vehicles built after 2-21-61	(a) 1	144, 170	C	61/63
C3DZ 7528-A	S/T		1	260	C	63
C4DZ 7528-A	S/T		1	260, 289	C	64
C4DZ 7528-B	3/S		(a) 1	HED	C	64
87907-S		Fitting-grease-1/4"-28 straight	1	a		
7B529 BRACKET (CLUTCH RELEASE LEVER RETRACTING SPRING)						
C3AZ 7B529-A	4/S	Use on vehicles built after 5-28-63 none required on vehicles built prior to 5-29-63	1	427	A	63/64
7A530 BRACKET (CLUTCH PEDAL BUMPER)						
B8MY 7A530-B	3/S		(a) 1	312	A	60
C2OZ 7A530-A	S/T	& O/drive - includes bumper	1	All	A B	61/64
CODZ 7A530-A	S/T	Includes bumper	(a) 1	144, 170	C	60/63
	S/T		1	All	C	64
33798-S		Nut-5/16"-24	1	a		
34806-S		Lockwasher-5/16"	1	a		
355471-S		Bolt-rd. hd. carriage-5/16"-24 x 3/4"	1	a		
7A531 PIVOT (CLUTCH RELEASE EQUALIZER SHAFT BALL INNER)						
C2OA 7A531-B	S/T		1	All	B	62/63
	S/T		1	All	C	64
C1DD 7A531-A	S/T	Use on vehicles built after 2-21-61 - refer to group 7A535 for vehicles built prior to 2-22-61	1	144, 170	C	61/63
7A533 SEAL (CLUTCH PEDAL ROD)						
COAZ 7A533-A	S/T	& O/drive	1	223, 292, 352, 390, 406	A	61/62
C3AZ 7A533-A	S/T	& O/drive	1	All	A	63/64
7A533 WASHER (TRANSMISSION CLUTCH CYLINDER THRUST)						
B9AZ 7A533-A	2/S	.067"/.069" thick	1	PBP, PBR, PBS, PCH, PCJ, PCK	A	61/62
	2/S		1	PBZ, PCF, PCL, PCM, PCN, PCP, PCY	B C	60/64
B9AZ 7A533-B	2/S	.074"/.076" thick	1	PBP, PBR, PBS, PCH, PCJ, PCK	A	61/62
	2/S		1	PBZ, PCF, PCL, PCM, PCN, PCP, PCY	B C	60/64

CONTINUED ON NEXT PAGE

Transmission and Clutch

GROUP AND PART NUMBER	TYPE	DESCRIPTION, SIZE, ETC.	NO. REQ'D	MODEL OR ENGINE CUBIC INCH DISPLACEMENT	VEHICLE CODE	YEAR 19__
7A533 WASHER (TRANSMISSION CLUTCH CYLINDER THRUST) CONTINUED						
B9AZ 7A533-C	2/S	.083"/.085" thick	1	PBP, PBR, PBS, PCH, PCJ, PCK	A	61/62
	2/S		1	PBZ, PCF, PCL, PCM, PCN, PCP, PCY	B C	60/64
B9AZ 7A533-D	2/S	.092"/.094" thick	1	PBP, PBR, PBS, PCH, PCJ, PCK	A	61/62
	2/S		1	PBZ, PCF, PCL, PCM, PCN, PCP, PCY	B C	60/64
7534 SPRING (CLUTCH PEDAL LEVER ASSIST)						
B9MY 7A600-A	3/S	(12) coils - 1-3/8" diameter x 9-45/64" free length with hooked ends	1	312	A	60
C2AZ 7534-A	S/T	& O/drive	1	All	A B	61/64
	S/T		1	All	C	60/64
7A535 REFER TO GROUP 7543						
7A537 KIT (CLUTCH PRESSURE PLATE & DISC - HEAVY DUTY)						
C3OZ 7A537-A	S/T		1	260, 289	C	64
7540 RETAINER (CLUTCH PEDAL ASSIST SPRING)						
COAA 7540-A	S/T	& O/drive	1	223, 292, 352, 390, 406	A	61/62
C2OZ 7540-A	S/T	& O/drive	1	All	B	62/63
	S/T	& O/drive	1	All	A	63/64
B7A 7540-A	S/T		(a) 1	144, 170	C	60/63
	S/T		1	All	C	64
34445-S		Nut-3/8"-24	1	a		
44726-S		Washer-flat-3/8"	1	a		
7542 BRACKET (CLUTCH RELEASE LEVER RETRACTING SPRING)						
C2OZ 7542-A	S/T	& O/drive	1	221, 260	B	62/63
C3DZ 7542-A	S/T		1	144, 170	C	63
7-7542 SEAL (TRANSMISSION FRONT CLUTCH SUN GEAR OIL) FRONT						
1P 77542-A	S/R	& D/R - 1-1/16" free dia. x 3/32" thick - also serviced in 7153 kit	2	PAZ, PBM, PCC, PCD	A	60/62
B5S 77542-A	S/R	& D/R - 1-3/16" free diameter x 3/32" thick - also serviced in 7153 kit	2	PBL, PCE	A	60/64
B8E 77542-A	S/R	& D/R - 1-5/16" free diameter x 3/32" thick - also serviced in 7153 kit	2	PBB, PCA	A D	60/64
C4AZ 7D020-A	D/R	Also serviced in 7153 kit	2	PCW	C	64
7543 BALL (CLUTCH RELEASE EQUALIZER SHAFT)						
C1AA 7543-A	S/T	& O/drive	4	All	A	61/64
C1DD 7543-A	S/T	& O/drive - use on vehicles built after 2-21-61 - refer to group 7517 for vehicles built prior to 2-22-61	2	All	B C	61/64
CODD 7A535-A	3/S	Inner - use on vehicles built prior to 2-22-61 - refer to group 7A531 for vehicles built after 2-21-61	(a) 1	144, 170	C	60/61
356488-S		Washer-flat-1-1/8" O.D. x 21/32" I.D.	AR	a		
358979-S		Washer-felt-3/4" I.D. x 1-3/8" O.D. x 19/64" thick	AR	a		
7-7543 SEAL (TRANSMISSION FRONT CLUTCH SUN GEAR OIL) REAR						
1P 77543-B	S/R	& D/R - 15/16" compressed diameter x 3/32" thick - hooked on both ends	2	PAZ, PBB, PBL, PBM, PCA, PCC, PCD, PCE	A D	60/64
C4AZ 7D019-B	D/R	Also serviced in 7153 kit	2	PCW	C	64

Transmission and Clutch

GROUP AND PART NUMBER	TYPE	DESCRIPTION, SIZE, ETC.	NO. REQ'D	MODEL OR ENGINE CUBIC INCH DISPLACEMENT	VEHICLE CODE	YEAR 19.....
7545 SPRING (CLUTCH RELEASE EQUALIZER BAR RETAINING)						
MC 7545-B	3/S		1	312	A	60
7-7545 WASHER (TRANSMISSION FRONT CLUTCH SUN GEAR THRUST) FRONT						
1P 77545-A	S/R	& D/R	1	PAZ, PBM, PCC, PCD	A	60/62
B5S 77545-A	S/R	& D/R	1	PBL, PCE	A	60/64
B8E 77545-A	S/R	& D/R - bronze - steel backed - (4) grooves stamped each side - 1-1/2" I.D. x 2-1/4" O.D. x 1/16" thick	1	PBB, PCA	A D	60/64
7547 FULCRUM (CLUTCH RELEASE LEVER)						
MK 7547-A	3/S		1	312	A	60
7A548 SEAL (TRANSMISSION CLUTCH PISTON OIL) OUTER						
B6AZ 7A548-A	S/R	& D/R - front clutch - rubber - 4-39/64" free O.D. - also serviced in 7153 kit	1	PAZ, PBM, PCC, PCD	A	60/62
C1AZ 7A548-B	S/R	& D/R - front clutch - rubber - 3-7/8" I.D. x 14-13/32" O.D. x 1/8" thick	1	PCE, PBL	A	60/64
C1AZ 7A548-A	S/R	& D/R - front clutch - also serviced in 7153 kit	1	PBB, PCA	A D	60/64
CODP 7A548-A	2/S	Front clutch - also serviced in 7153 kit	1	PBP, PBR, PBS, PCH, PCJ, PCK	A	61/62
	2/S		1	PBZ, PCF, PCL, PCM, PCN, PCP, PCY	B C	60/64
C4AZ 7A548-A	D/R	Front clutch - reverse clutch - also serviced in 7153 kit	1	PCW	C	64
C4AZ 7A548-B	D/R	Rear clutch - forward clutch - also serviced in 7153 kit	1	PCW	C	64
7-7549 RACE (TRANSMISSION FRONT CLUTCH SUN GEAR THRUST BEARING) REAR						
B8A 77549-A	S/R	& D/R - 1-17/64" I.D. x 2" O.D. x 7/64" thick - use with C1AP-7A398-B or C1AP-7A398-C or B8TZ-7A398-A	1	PBM, PBL, PCE	A	60/63
	D/R		1	PCE	A	64
B8S 77549-A	S/R	& D/R - 1-33/64" I.D. x 2-1/4" O.D. x 7/64" thick	1	PBB, PCA	A D	60/64
7550 DISC (CLUTCH)						
MK 7550-B	3/S	10-1/2" - (23) hub serrations	1	312	A	60
B8A 7550-A	3/S	& O/drive - 9-1/2" - for models 58A, 64A	1	223	A	61
C1MM 7550-A	3/S	11" - for all models except 58A, 64A	1	352	A	61
B8A 7550-B	S/T	& O/drive - heavy duty - 11"	1	223	A	61/62
C1MM 7550-B	S/T	& O/drive - 9-1/2" - for all models except 58A and 64A	1	223	A	61/62
B8A 7550-C	S/T	& O/drive - 10"	1	292	A	61/62
C2MY 7550-A	S/T	& O/drive - heavy duty - 11"	1	292	A	61/62
	S/T	For models 58A, 64A	1	352	A	61/62
C2MY 7550-B	S/T	11"	1	390, 406	A	61/62
C3AZ 7550-C	4/S	11"	1	406	A	63
C3MY 7550-A	S/T	& O/drive - 11"	1	390	A	63/64
C3AZ 7550-M	4/S	1-1/16" hub - use on vehicles built prior to 3-23-64	1	427	A	63/64
C4AZ 7550-A	4/S	1-3/8" hub - use on vehicles built after 3-22-64	1	HEH-H	A	64
C2YY 7550-B	3/S	10"	1	260	B	62
C2OZ 7550-E	S/T	8-1/2"	1	170	B	62/63
C2YY 7550-A	3/S	& O/drive - 10"	1	221	B	62
	O/D		1	221	B	63

CONTINUED ON NEXT PAGE

Transmission and Clutch

GROUP AND PART NUMBER	TYPE	DESCRIPTION, SIZE, ETC.	NO. REQ'D	MODEL OR ENGINE CUBIC INCH DISPLACEMENT	VEHICLE CODE	YEAR 19__
7550 DISC (CLUTCH) CONTINUED						
C3YY 7550-A	S/T	10"	1	260	B	63
C3OZ 7550-H	S/T	10"	1	221	B	63
	S/T		1	260	C	63/64
C1DD 7550-E	S/T	8-1/2"	1	144, 170	C	60/63
	3/S		1	HED	C	64
C3OZ 7550-F	3/S	Special Performance (Engine Warranty Code D)	1	289	C	64
C3AZ 7550-G	S/T	Except Special Performance	1	289	C	64
7551 BEARING (CLUTCH PEDAL SHAFT)						
B2A 7551-A	3/S	& O/drive	2	312	A	60
7561 HUB (CLUTCH RELEASE BEARING)						
B7A 7561-B	S/T	& O/drive	1	221, 223, 260, 292, 312, 352, 390, 406, 427	A B C	60/63
	S/T	& O/drive	1	260, 289, 390	A C	64
	4/S	Use on vehicles built prior to 3-23-64	1	427	A	64
C4AZ 7561-A	4/S	Use on vehicles built after 3-22-64	1	HEH-H	A	64
C3OZ 7561-A	S/T		1	144, 170	B C	60/63
	3/S		1	HED	C	64
7562 SPRING (CLUTCH RELEASE LEVER ANTI-RATTLE)						
MK 7562-B	3/S		1	312	A	60
AB 7562-A	S/T	& O/drive	1	All	A	61/64
	S/T	& O/drive	1	All	B C	60/64
7563 PLATE & COVER (CLUTCH PRESSURE)						
B9M 7563-B	3/S		(a) 1	312	A	60
C1AA 7563-F	S/T	& O/drive - heavy duty - 11" - (9) springs	1	223	A	61/62
C1AZ 7563-A	S/T	& O/drive - 9-1/2" - (6) springs	1	223	A	61/62
C1AZ 7563-B	S/T	& O/drive - 10" - (9) springs	1	292	A	61/62
C1AZ 7563-E	S/T	& O/drive - heavy duty - 11" - (9) springs	1	292	A	61/62
	S/T		1	352	A	61/62
C2AZ 7563-A	S/T	& O/drive - 11" - (9) springs	1	390, 406	A	61/64
C3AZ 7563-C	4/S		1	427	A	63/64
C2OZ 7563-C	S/T		1	170	B	62/63
C2OZ 7563-D	S/T	& O/drive	1	221, 260	B C	62/64
C0DD 7563-B	S/T		1	144, 170	C	60/63
	3/S		1	HED	C	64
C2OZ 7563-B	S/T	Except Special Performance	1	289	C	64
C3OZ 7563-A	3/S	Special Performance (Engine Warranty Code D)	1	289	C	64
34807-S8		Lockwasher-3/8"	6	a		
355538-S		Bolt-hex. hd. -3/8"-16 x 15/16"	6	a		
7-7563 RING (TRANSMISSION FRONT CLUTCH PISTON SPRING PRESSURE)						
B5A 77563-A	S/R	& D/R	1	PAZ, PBM, PCC, PCD	A	60/62
1P 77563-A	S/R	& D/R - steel wire - 2-13/16" I.D. x 3-1/16" O.D. x 1/8" thick	1	PBL, PCE	A	60/64
B8E 77563-A	S/R	& D/R - steel wire - 3-11/32" I.D. x 3-9/16" O.D. x 1/8" thick	1	PBB, PCA	A D	60/64
C4AZ 7D256-A	D/R	Rear clutch - forward clutch	1	PCW	C	64

Transmission and Clutch

GROUP AND PART NUMBER	TYPE	DESCRIPTION, SIZE, ETC.	NO. REQ'D	MODEL OR ENGINE CUBIC INCH DISPLACEMENT	VEHICLE CODE	YEAR 19__
7-7567 SNAP RING (TRANSMISSION CLUTCH CYLINDER)						
1P 77567-A	S/R	& D/R - 5-19/32" diameter x 3/32" thick- Front clutch disc spring retainer	1	PAZ, PBL, PBM, PCC, PCD, PCE	A	60/64
		Front clutch plate retainer	1	PBL, PBM, PCE	A	60/64
B8E 77567-A	D/R	6-1/4" free length x 3/32" thick (2) req'd. - for front clutch cylinder (1) req'd. - for rear clutch	3	PBB, PCA	A D	60/64
B9A 77567-A	2/S		1	PBP, PBR, PBS, PCH, PCJ, PCK	A	61/62
	2/S		1	PBZ, PCF, PCL, PCM, PCN, PCP, PCY	B C	60/64
7A572 BRACKET (CLUTCH RELEASE EQUALIZER) ENGINE						
B9MY 7A572-B	3/S		(a) 1	312	A	60
C1AA 7A572-E	S/T	& O/drive	1	223	A	61/62
C1AA 7A572-D	S/T	& O/drive	1	292	A	61/62
C2AA 7A572-A	S/T		1	352, 390, 406	A	61/62
	S/T	& O/drive	1	390	A	63/64
	4/S	Use on vehicles built prior to 11-22-62	1	406	A	63
C3AZ 7A572-A	4/S	Use on vehicles built after 11-21-62	1	406, 427	A	63/64
20348-S8		Bolt-hex. hd. - 3/8"-16 x 3/4"-clutch release equalizer engine bracket to engine	2	a		
357629-S7		Lockwasher-special-3/8"-clutch release equalizer engine bracket to engine	2	a		
7-7573 REFER TO GROUP 7B442						
7-7577 WASHER (TRANSMISSION FRONT CLUTCH HUB THRUST)						
B5S 77577-B	S/R	& D/R - phenolic - 57/64" I.D. x 1-23/32" O.D. x 1/16" thick	1	PAZ, PBM, PBL, PCC, PCD, PCE	A	60/64
B8E 77577-A	S/R	& D/R - phenolic - 1-1/64" I.D. x 2-17/64" O.D. x 1/16" thick	1	PBB, PCA	A D	60/64
C4AZ 7D090-A	D/R	Rear clutch hub - forward clutch hub	1	PCW	C	64
7A577 SNAP RING (TRANSMISSION PLANETARY CLUTCH)						
COAP 7A577-A	D/R	Steel - 4-39/64" I.D. x 4-55/64" O.D. x 1/16" thick - use on vehicles built prior to 7-8-62	1	PBL, PCC, PCD, PCE	A	60/62
B8SZ 7A577-A	D/R	5-13/32" I.D. x 5-21/32" O.D. x 1/16" thick	1	PBB, PCA	A D	60/64
7A578 BUSHING (CLUTCH LEVER SHAFT TUBE)						
B9MY 7A578-A	3/S		1	312	A	60
7580 BEARING (CLUTCH RELEASE)						
8A 7580-A	S/T	& O/drive - 1-41/64" I.D. x 3-1/4" O.D. x 3/4" thick	1	221, 223, 260, 292, 312, 352, 390, 406, 427	A B C	60/63
	S/T	& O/drive	1	260, 289, 390	A C	64
	4/S	Use on vehicles built prior to 3-23-64	1	427	A	64
COTZ 7580-A	4/S	Use on vehicles built after 3-22-64	1	HEH-H	A	64
C1DZ 7580-A	S/T		1	144, 170	B C	60/63
	3/S		1	HED	C	64
7583 BUMPER (PEDAL)						
MA 7583-A	ALL	Rubber For clutch pedal	1	All	A	60
	ALL	For brake pedal	1	All	A B C	60/64
C2OZ 7583-A	S/T	& O/drive - clutch pedal to floor pan	1	All	B	62/63

Transmission and Clutch

GROUP AND PART NUMBER	TYPE	DESCRIPTION, SIZE, ETC.	NO. REQ'D	MODEL OR ENGINE CUBIC INCH DISPLACEMENT	VEHICLE CODE	YEAR 19__
7592 LINK (CLUTCH PEDAL ASSIST SPRING)						
C2OZ 7592-A	S/T	& O/drive	1	All	B	62/63
CODD 7592-A	S/T	(a)	1	144, 170	C	60/63
	S/T		1	All	C	64
20389-S		Bolt-hex. hd. -3/8"-24 x 1"	1	a		
34445-S		Nut-3/8"-24	1	a		
44726-S		Washer-flat-3/8"	1	a		
7600 BEARING (CLUTCH PILOT)						
B 7600-A	S/T	& O/drive	1	223, 292	A	61/62
	3/S	Ball type	1	312	A	60
B8A 7600-A	S/T	& O/drive	1	352, 390, 406, 427	A	61/64
CODD 7600-A	S/T		1	144, 170	B C	60/63
	3/S		1	HED	C	64
C2OA 7600-A	S/T	& O/drive	1	221, 260, 289	B C	62/64
7A600		REFER TO GROUP 7534				
7-7607 PLUNGER (TRANSMISSION MANUAL VALVE DETENT)						
B8A 77607-A	S/R	& D/R	1	PBB, PBL-AK, PCC, PCD, PCE	A D	60/64
B9A 77607-A	2/S		1	PBP, PBR, PBS, PCH, PCJ, PCK	A	61/62
	2/S		1	PBZ, PCF, PCL, PCM, PCN, PCP, PCY	B C	60/64
C4AZ 7D069-A	D/R		1	PCW	C	64
353081-S	D/R	Ball-steel-5/16"	1	PCA	D	61/64
7-7618 RETAINER (CLUTCH PEDAL STOP LEVER PIN)						
MC 77618-A	3/S	(1) clutch pedal to release lever rod (1) clutch release lever rod to equalizer bracket and lever (1) clutch lever release to hub and lever	AR	312	A	60
7A626 DRUM & SUN GEAR (TRANSMISSION FRONT BRAKE)						
B8AZ 7A626-A	S/R	& D/R - 5-7/8" O.D. x 4-1/2" long - (54) teeth	1	PBM, PCD except PCD-D1	A	60/62
COAP 7A626-A	S/R	& D/R	1	PCE, PBL	A	60/62
	D/R		1	PCE-M, N, U, V, AF	A	63
B6AZ 7A626-B	S/R		1	PAZ, PCC	A	61/62
C2AZ 7A626-A	D/R		1	PCD-D1	A	62
C3AZ 7A626-A	D/R		1	PCE-Z, AA, AB, AD, AG	A	63
	D/R		1	PCE	A	64
C3SZ 7A626-A	S/R	& D/R	1	PBB, PCA	A D	60/64
C4AZ 7D044-D	D/R	Without sun gear	1	PCW	C	64
7A629 RETAINER (CLUTCH RELEASE EQUALIZER SHAFT BEARING)						
C1DD 7A629-A	S/T	& O/drive - use on vehicles built after 2-21-61	2	All	B C	61/64
7A630 INSULATOR (CLUTCH PEDAL ASSIST SPRING)						
C1DZ 7A630-A	S/T	Use with C1DD-7519-A pedal only	1	144, 170	C	60/63
	S/T		1	All	C	64
7-7631 FITTING (TRANSMISSION CASE OIL FILLER)						
B9A 77631-A	2/S		1	PBP, PBR, PBS, PCH, PCJ, PCK	A	61
	2/S		1	PBZ, PCF, PCL, PCM	C	60/61

Transmission and Clutch

GROUP AND PART NUMBER	TYPE	DESCRIPTION, SIZE, ETC.	NO. REQ'D	MODEL OR ENGINE CUBIC INCH DISPLACEMENT	VEHICLE CODE	YEAR 19__
7-7639 RETAINER (CLUTCH RELEASE EQUALIZER BAR RETAINING SPRING)						
MC 77639-B	3/S		1	312	A	60
7A641 INSULATOR (CLUTCH RELEASE IDLER LEVER)						
C3AZ 7A641-A	S/T	& O/drive	2	170, 221, 223, 260, 292, 352, 390, 406	A B	61/62
	S/T	& O/drive	1	390	A	63/64
	4/S	Use on vehicles built prior to 11-22-62	1	406	A	63
	S/T	& O/drive - use on vehicles built prior to 12-1-62	1	221, 260	B	63
7A650 CONTROL (TRANSMISSION OVERDRIVE)						
COAA 7A650-A	O/D		1	223, 292	A	61/62
COAZ 7A650-A	O/D	For models 58A, 64A - knob	1	223, 292	A	61
	ALL	Use only as manual throttle control knob on vehicles equipped with a/cond.	1	292, 352, 390	A	62/63
	S/T	For vehicles with a/cond.	1	All	A	64
C2OA 7A650-A	O/D	Handle and cable assembly	1	221	B	62
C2OZ 7A650-A	O/D		1	221	B	63
7A651 RELAY (TRANSMISSION OVERDRIVE)						
C1AA 7A651-A	O/D		1	223, 292	A	61
C2OZ 7A651-A	O/D		1	221	B	62/63
7A652 SWITCH (TRANSMISSION OVERDRIVE ACCELERATOR KICK DOWN)						
C1AF 7A652-A	O/D	For models 58A, 64A	1	223, 292	A	61
C2OZ 7A652-A	O/D		1	221	B	62/63
7653 GEAR (TRANSMISSION OVERDRIVE RING)						
16H 7653	O/D		1	221, 223, 292	A B	61/63
7A653 BRACKET (TRANSMISSION OVERDRIVE CONTROL)						
COAF 7A215-A	O/D	For models 58A, 64A	1	223, 292	A	61
C2OZ 7A653-B	O/D		1	221	B	62/63
7654 SNAP RING (TRANSMISSION OVERDRIVE RING GEAR)						
16H 7654	O/D		1	221, 223, 292	A B	61/63
7656 RING (TRANSMISSION OVERDRIVE MAIN SHAFT BEARING SNAP)						
8M 7656	O/D		1	221, 223, 292	A B	61/63
7-7658 VALVE (TRANSMISSION REAR SERVO CHECK)						
B8A 77658-A	S/R	& D/R	1	PAZ, PBM, PBL, PBB, PCC, PCD, PCE, PCA	A D	60/64
7A658 SHAFT (TRANSMISSION OVERDRIVE CONTROL)						
B5A 77685-A	O/D		1	223, 292	A	61
C2OA 7A658-A	O/D		1	221	B	62/63
7660 ADAPTOR (TRANSMISSION OVERDRIVE)						
B5A 7660-B	O/D		1	223, 292	A	61
C2OA 7660-A	O/D		1	221	B	62/63
7661 GASKET (TRANSMISSION OVERDRIVE HOUSING ADAPTOR)						
B5A 7661-B	O/D		1	223, 292	A	61
C2OA 7661-A	O/D		1	221	B	62/63
7662 RING & GEAR ASSEMBLY (TRANSMISSION OVERDRIVE BALK)						
56H 7662	O/D		1	221, 223, 292	A B	61/63

Transmission and Clutch

GROUP AND PART NUMBER	TYPE	DESCRIPTION, SIZE, ETC.	NO. REQ'D	MODEL OR ENGINE CUBIC INCH DISPLACEMENT	VEHICLE CODE	YEAR 19_____
7665 PLATE & TROUGH (TRANSMISSION OVERDRIVE COVER)						
AB 7665-A	O/D		1	221, 223, 292	A B	61/63
7666 SNAP RING (TRANSMISSION OVERDRIVE COVER PLATE)						
16H 7666-A	O/D	.062" thick - attach plate and trough to adaptor	1	221, 223, 292	A B	61/63
7667 SNAP RING (TRANSMISSION SPEEDOMETER GEAR RETAINING)						
B5A 7667-A	O/D	Rear	1	221, 223	A B	61/63
8A 7667-A	O/D	.089"/.091" - select fit - front	1	221, 223, 292	A B	61/63
8A 7667-B	O/D	.092"/.094" - select fit - front	1	221, 223, 292	A B	61/63
7668 BAFFLE (TRANSMISSION MAIN SHAFT OIL)						
8A 7668	O/D		1	221, 223, 292	A B	61/63
7670 GEAR (TRANSMISSION OVERDRIVE SUN)						
56H 7670	O/D		1	221, 223, 292	A B	61/63
7673 CAGE (TRANSMISSION OVERDRIVE PINION)						
56H 7673	O/D		1	221, 223, 292	A B	61/63
7674 RETAINER (TRANSMISSION OVERDRIVE WHEEL CAGE)						
16H 7674	O/D		1	221, 223, 292	A B	61/63
7675 CAM ROLLER & CAGE (TRANSMISSION OVERDRIVE FREE WHEEL)						
16H 7675	O/D		1	221, 223, 292	A B	61/63
7676 RETAINER (TRANSMISSION OVERDRIVE FREE WHEEL CAM)						
16H 7676	O/D		1	221, 223, 292	A B	61/63
7680 FORK & RAIL (TRANSMISSION OVERDRIVE SHIFT)						
B5A 7680-B	O/D		1	221, 223, 292	A B	61/63
7683 SNAP RING (TRANSMISSION OVERDRIVE SHIFT RAIL)						
8L 7683	O/D		1	221, 223, 292	A B	61/63
7685 SPRING (TRANSMISSION OVERDRIVE RETRACTOR)						
16H 7685	O/D		1	221, 223, 292	A B	61/63
7-7685		REFER TO GROUP 7A658				
7690 PAWL (TRANSMISSION OVERDRIVE STATIONARY GEAR)						
AB 7690-A	O/D		1	223, 292	A	61
C20A 7690-A	O/D		1	221	B	62/63
7693 SEAL (TRANSMISSION OVERDRIVE PAWL OPERATING ROD OIL)						
26H 7693	O/D		1	221, 223, 292	A B	61/63
7-7714 RETAINER (TRANSMISSION COMPENSATOR VALVE) INNER SPRING						
PB9E 77714-A	2/S		1	PBP, PBR, PBS, PBZ, PCF	A C	60/61
7-7717		REFER TO GROUP 7C056				
7-7718 PIN (TRANSMISSION COMPENSATOR VALVE ACTUATING)						
PB9E 77718-A	2/S		1	PBP, PBR, PBS, PBZ, PCF	A C	60/61

Transmission and Clutch

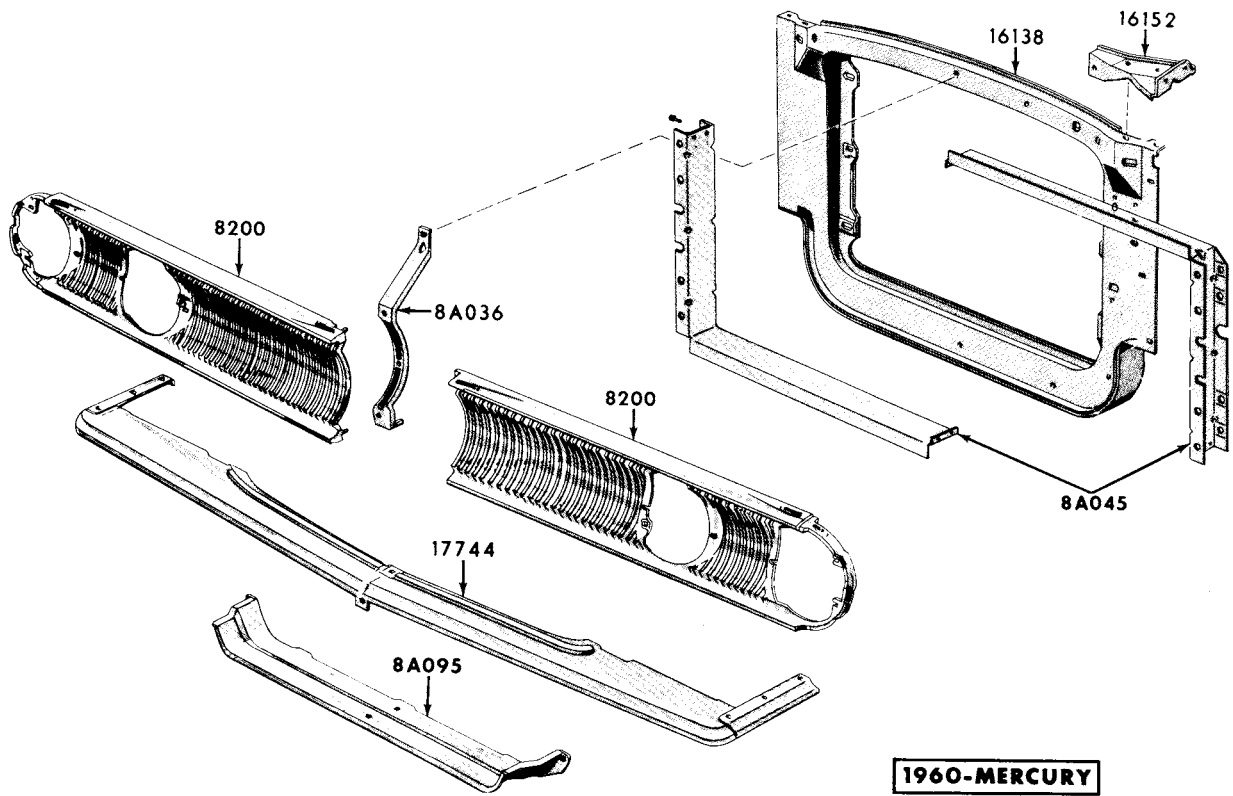
GROUP AND PART NUMBER	TYPE	DESCRIPTION, SIZE, ETC.	NO. REQ'D	MODEL OR ENGINE CUBIC INCH DISPLACEMENT	VEHICLE CODE	YEAR 19_____
7729 PLATE (TRANSMISSION CONTROL LOWER VALVE BODY SIDE)						
B8A 7729-A	D/R	Steel - 1-3/64" diameter holes 1-1/2" between center 1/8" thick	(a) 1	PBB, PBL, PCC, PCD, PCE, PCA	A D	60/64
B8S 77739-A	D/R		(b) 1	PBL, PBB, PCC, PCD, PCE, PCA	A D	60/64
34803-S		Washer-No. 10-medium	AR	b		
34823-S		Washer-No. 10-light	AR	a		
355128-S		Screw-pan hd. -slotted-No. 10-24 x 7/16"	AR	a		
358509-S		Screw-fill. hd. -No. 10-24 x 7/16"	AR	b		
7730 GUIDE (TRANSMISSION OVERDRIVE SHIFT RAIL)						
B5A 7730-A	O/D		1	221, 223, 292	A B	61/63
7-7739 REFER TO GROUP 7729						
7749 SHAFT (TRANSMISSION OVERDRIVE MAIN)						
C1AA 7749-B	O/D		1	223, 292	A	61
C2OA 7749-A	O/D		1	221	B	62/63
7-7750 PLATE (TRANSMISSION LOWER VALVE BODY RIGHT) REAR						
B9A 77750-A	2/S		(a) 1	PBP, PBR, PBS, PCH, PCJ, PCK	A	61/62
	2/S		1	PBZ, PCF, PCL, PCM, PCN, PCP, PCY	B C	60/64
34803-S		Washer-No. 10	AR	a		
358509-S		Screw-fill. hd. -No. 10-24 x 7/16"	AR	a		
7-7764 REFER TO GROUP 7C414						
7A800 GASKET (CONVERTER HOUSING TO CASE)						
C2VY 7A800-A	D/R		1	PCA	D	62/64
7A805 SCREEN (CONVERTER HOUSING AIR INTAKE)						
CODP 7A805-C	2/S		1	PBZ, PCF, PCL, PCM	C	60/63
7A816 COVER (CONVERTER HOUSING AIR INTAKE)						
C2OZ 7A816-A	2/S	Use with C1DP-7005-D	1	PCM	B	62/63
7821 SNAP RING (BRAKE MASTER CYLINDER PISTON)						
TAAK 7821-A		Use on vehicles with (2) bolt brake master cylinder - also serviced in 2004 kit	1	All	A	61/64
			1	All	B C	60/64
			1	All	D	60
7-7822 SNAP RING (TRANSMISSION FRONT OIL PUMP BALL CHECK VALVE SPRING)						
B9A 77822-A	2/S		2	PBP, PBR, PBS, PCH, PCJ, PCK	A	61/62
	2/S		2	PBZ, PCF, PCL, PCM, PCN, PCP, PCY	B C	60/64
7-7824 SPRING (TRANSMISSION FRONT OIL PUMP BALL CHECK VALVE)						
B9A 77824-A	2/S		1	PBP, PBR, PBS, PCH, PCJ, PCK	A	61/62
	2/S		1	PBZ, PCF, PCL, PCM, PCN, PCP, PCY	B C	60/64
7-7863 "O" RING (TRANSMISSION REAR PUMP PRESSURE PORT)						
B8E 77863-A	S/R	& D/R - 23/32" I.D. x 7/8" O.D. x 5/16" - synthetic rubber - also serviced in 7153 kit	1	PBB, PCA	A D	60/64

Transmission and Clutch

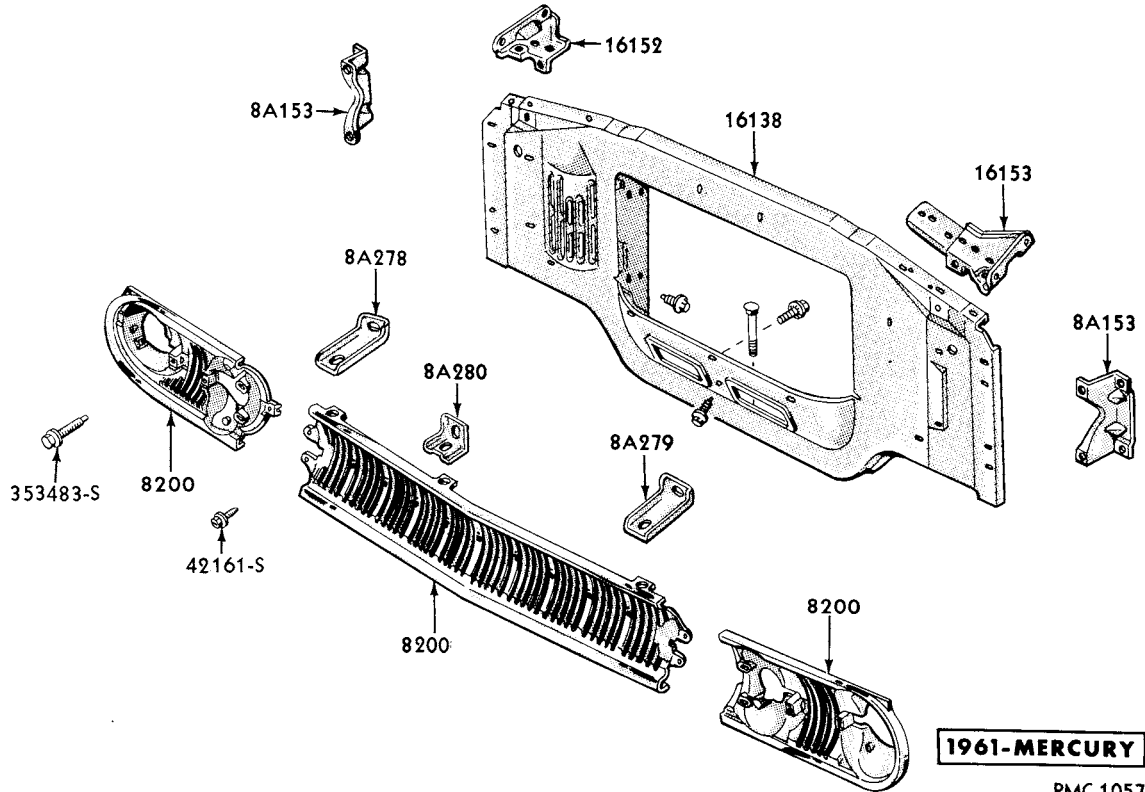
GROUP AND PART NUMBER	TYPE	DESCRIPTION, SIZE, ETC.	NO. REQ'D	MODEL OR ENGINE CUBIC INCH DISPLACEMENT	VEHICLE CODE	YEAR 19__
7-7868 "O" RING (TRANSMISSION REAR PUMP OIL OUTLET TUBE)						
1P 77868-A	S/R	& D/R	1	PAZ, PBL, PBM, PCC, PCD, PCE	A	60/64
	2/S	Used to seal front pump check valve ball	2	PBP, PBR, PBS, PCH, PCJ, PCK	A	61/62
	2/S	Used to seal front pump check valve ball	2	PBZ, PCF, PCL, PCM, PCN, PCP, PCY	B C	60/64
7880 REFER TO GROUP 7-7884						
7-7883 SEAL (TRANSMISSION OIL DISTRIBUTOR SLEEVE) OIL						
1P 77883-A	S/R	& D/R - 1-1/2" O. D. x 3/32" wide - cast iron - also serviced in 7153 kit	4	PAZ, PBM, PBL, PCC, PCD, PCE	A	60/64
	D/R	Use in front clutch sun gear	2	PBB, PCA	D	60/63
B8E 77883-A	S/R	& D/R - 1-5/8" O. D. x 3/32" wide - also serviced in 7153 kit	4	PBB, PCA	A D	60/64
C4AZ 7D011-A	D/R		3	PCW	C	64
7-7883 REFER TO GROUP 7C169						
7-7884 TUBE (TRANSMISSION OIL COOLER DISCHARGE TO SUMP)						
1P 77884-A	S/R	& D/R	1	PBL, PCE	A	60/62
	D/R		1	PCE-M, N, U, V, AF	A	63
B8E 7880-A	S/R	& D/R - steel or brass - 3/8" O. D. x 2-41/64" long	1	PBB	A D	60
B8A 7880-A	S/R	& D/R - steel or brass - 5/16" O. D. x 1-31/64" long	1	PAZ, PBM, PCC, PCD	A	60/62
	D/R		1	PCA	D	61
7902 CONVERTER ASSEMBLY (TRANSMISSION)						
B8MY 7902-A	S/R	& D/R (a)	1	PBL	A	60
C2AZ 7902-A	S/R	& D/R	1	PCC, PAZ, PBM	A	60/62
C1AP 7902-C	2/S	Letter "E" stamped on converter assembly	1	PCK, PBS	A	61/62
C1AP 7902-A	2/S	Letter "C" stamped on converter assembly	1	PCH, PCJ, PBP, PBR	A	61/62
C2AZ 7902-D	S/R	& D/R	1	PBM, PCD, PCE	A	61/62
C3AZ 7902-B	D/R	Number "20" stamped on mounting pad boss	1	PCE	A	63/64
B8SZ 7902-A	S/R	& D/R (a, b)	1	PBB, PCA	A D	60/61
C3AZ 7902-H	2/S	Letter "J" stamped on converter assembly	1	PCN, PCP	B	62
	2/S		1	PCN	B	63
Package also includes -						
(1) C3AZ-7A146-C rotor		(1) No. 1010	instruction sheet			
C3OZ 7902-B	2/S	Use on vehicles built prior to 4-14-63	1	PCM	B	63
C3OZ 7902-F	2/S	Use on vehicles built after 4-13-63	1	PCM, PCY	B	63
C3OZ 7902-H	2/S		1	PCM	B	62
	2/S		1	PCY	C	64
Package also includes -						
(1) C3AZ-7A146-C rotor		(1) No. 1010	instruction sheet			
C3AZ 7902-A	2/S		1	PCP	B C	63
C3DZ 7902-B	2/S	Letter "H" stamped on converter assembly	1	PCL, PCM, PBZ, PCF	C	60/63
Package also includes -						
(1) B9AZ-7A146-A rotor		(7) COAP-7A498-A springs	(1) No. 1010	instruction sheet		
(1) C3AZ-7A146-C rotor						
C4AZ 7902-D	D/R		1	PCW	C	64
C2VY 7902-A	D/R	Use on vehicles built prior to 4-22-62	1	PCA	D	62
C2VY 7902-B	D/R	Use on vehicles built after 4-21-62	1	PCA	D	62/64
CONTINUED ON NEXT PAGE						

Transmission and Clutch

GROUP AND PART NUMBER	TYPE	DESCRIPTION, SIZE, ETC.	NO. REQ'D	MODEL OR ENGINE CUBIC INCH DISPLACEMENT	VEHICLE CODE	YEAR 19__
7902 CONVERTER ASSEMBLY (TRANSMISSION) CONTINUED						
8N 6065-A		Bolt-special-7/16"-14-to attach converter to engine	6	b		
34420-S8		Nut-lock-3/8"-24-converter to flywheel	4	a		
370444-S		Washer-flat-3/8" I.D. x 3/4" O.D. - converter to flywheel	4	a		
7976 HOUSING (CONVERTER)						
C1AP 7976-A	S/R	& D/R	(a) 1	PBM	A	60
	S/R	& D/R	1	PAZ, PCC	A	61/62
C1SP 7976-A	S/R	& D/R	(a) 1	PBL, PCD, PCE	A	60/62
	S/R	& D/R	1	PBM	A	61
C3AZ 7976-C	D/R		1	PCE	A	63/64
COMP 7976-B	D/R		(a) 1	PBB	A D	60
C4AZ 7976-A	D/R		1	PCW	C	64
C1VP 7976-E	D/R		1	PCA	D	61
C2VY 7976-A	D/R		1	PCA	D	62/64
20450-S		Bolt-hex. hd. -7/16"-14 x 1-3/8" converter housing to transmission case	4	a		
34848-S		Lockwasher-7/16"	4	a		
7978 BAFFLE (CONVERTER HOUSING)						
C1VP 7978-A	D/R		1	PCA	D	62/64
7985-6 COVER (CONVERTER HOUSING)						
COMM 7985-A	S/R	& D/R	1	PBM	A	60
	S/R	& D/R	1	PAZ, PCC	A	61/62
B8A 7985-A	S/R	& D/R	1	PBM, PCD, PCE	A	61/62
C3AZ 7985-A	D/R		1	PCE	A	63/64
COLL 7986-B	S/R	& D/R	1	PBL, PBB	A D	60
C2OA 7986-A	2/S		1	PCM	B	62
C3OZ 7986-A	2/S		1	PCM, PCY	B	63
C2OA 7986-B	2/S		1	PCN, PCP	B C	62/63
CODD 7986-A	2/S		(a) 1	PBZ, PCF, PCL, PCM	C	60/62
	2/S		1	PCY	C	64
C5DZ 7986-A	D/R		1	PCW	C	64
C1VV 7986-B	D/R		1	PCA	D	61
C2VY 7986-A	D/R		1	PCA	D	62/64
20310-S		Bolt-hex. hd. -5/16"-18 x 1/2"	AR	a		
34806-S		Lockwasher-5/16"	AR	a		
7987 PAN (TRANSMISSION CONVERTER)						
B9A 7987-A	2/S		1	PBP, PCH	A	61/62
B9A 7987-B	2/S		1	PBR, PCJ	A	61/62
B9A 7987-C	2/S		1	PBS, PCK	A	61/62
7989 GASKET (CONVERTER HOUSING LOWER COVER)						
C3AZ 7989-A	D/R		2	PCE	A	63/64

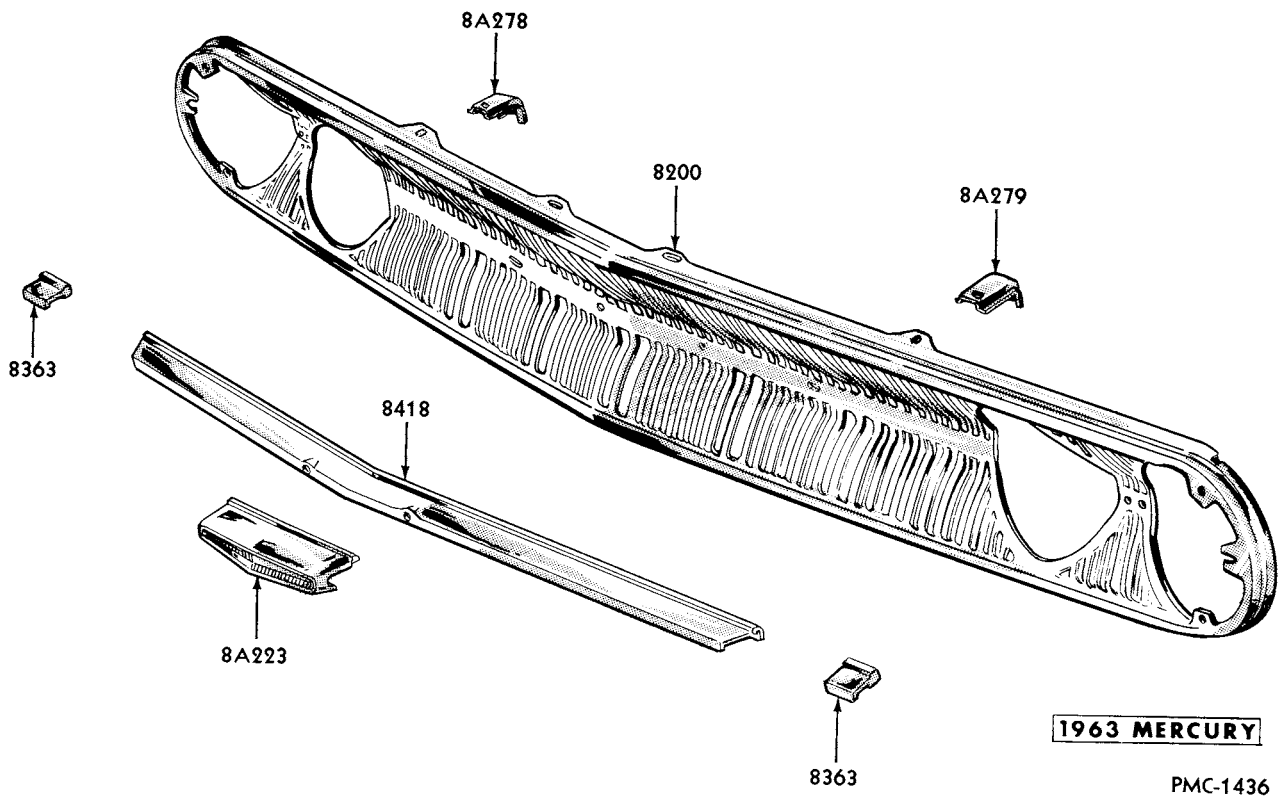
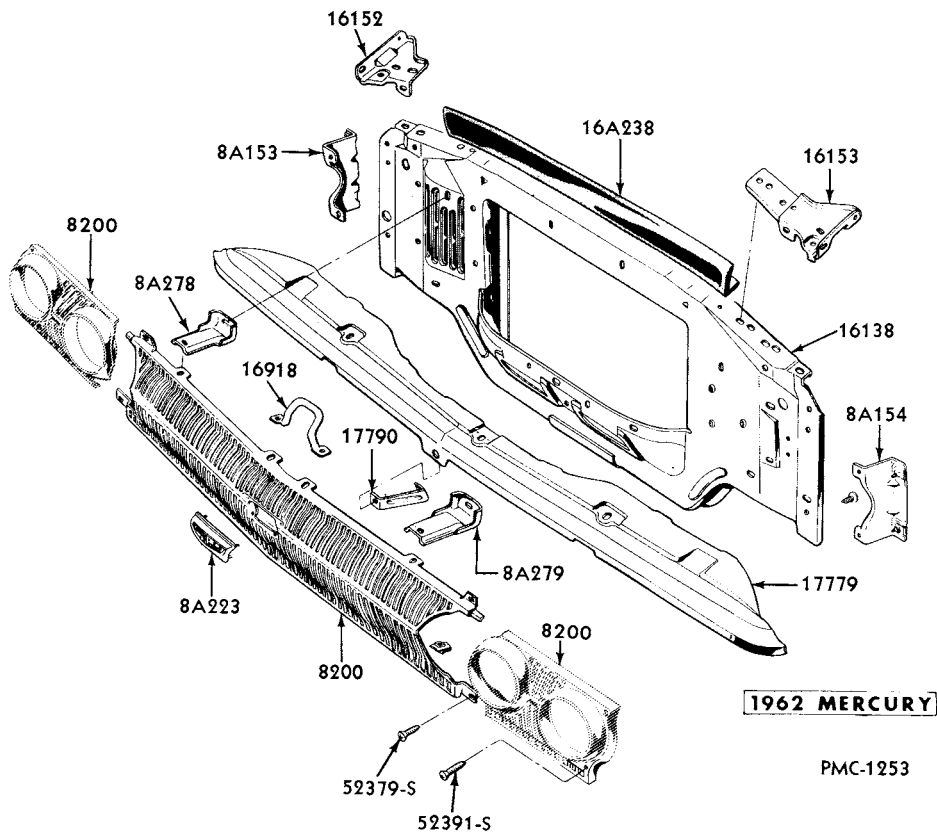


1960-MERCURY
PMC-831

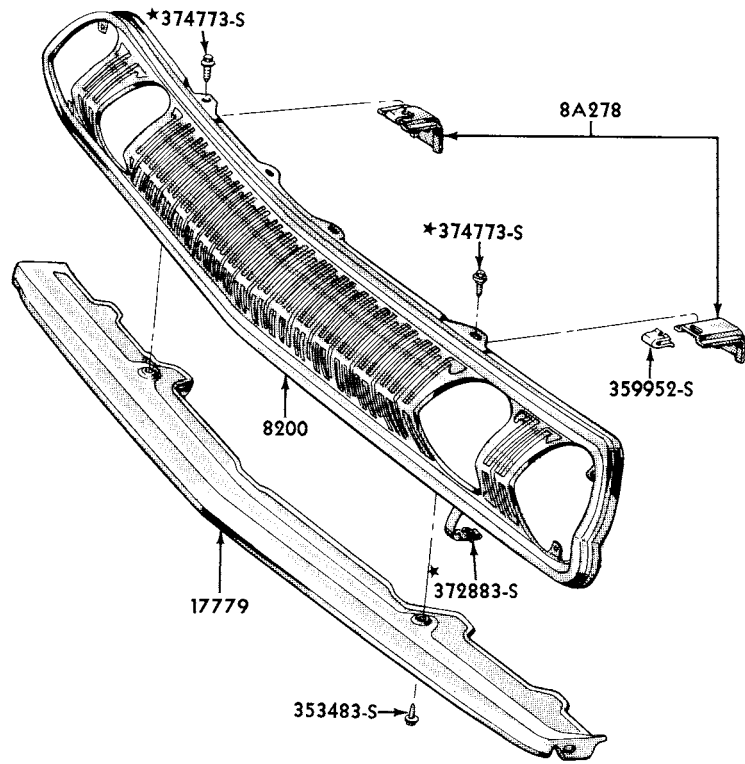


1961-MERCURY
PMC-1057

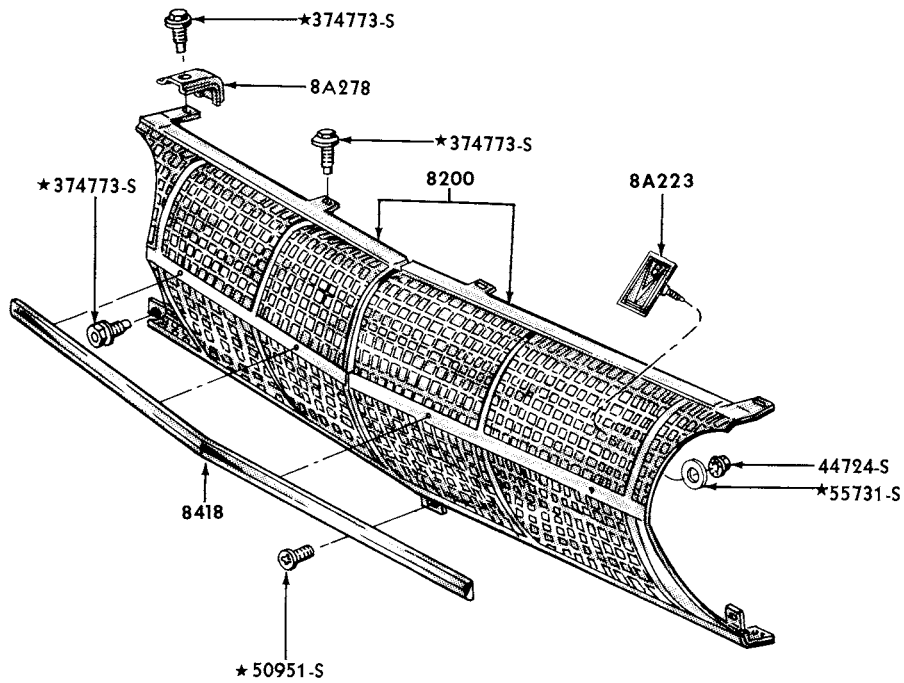
RADIATOR GRILLE and RELATED PARTS



RADIATOR GRILLE and RELATED PARTS

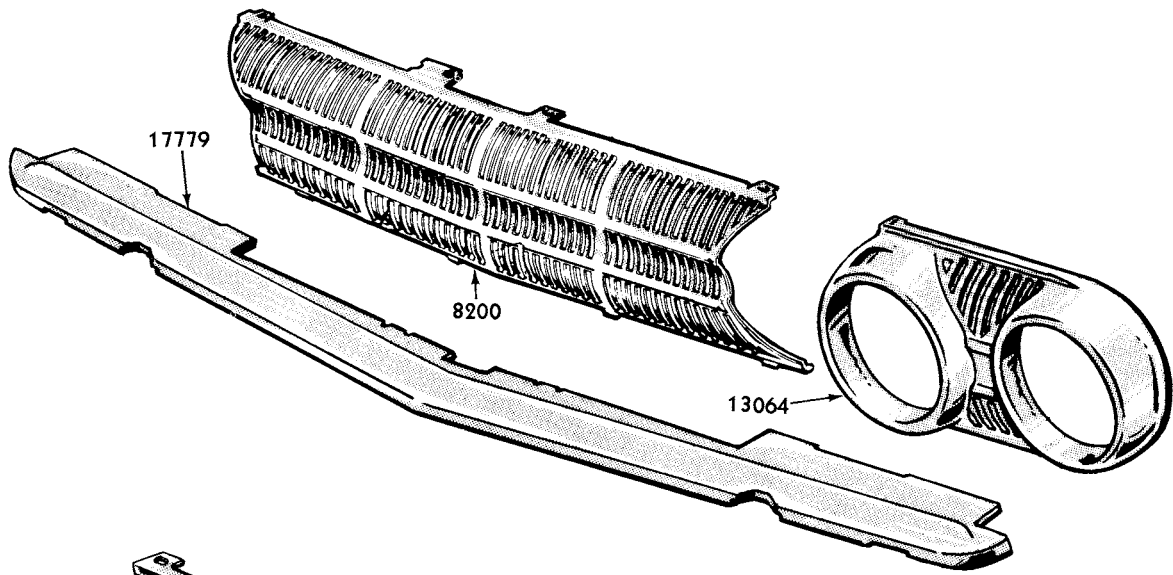


1964 MERCURY
PMC-1626

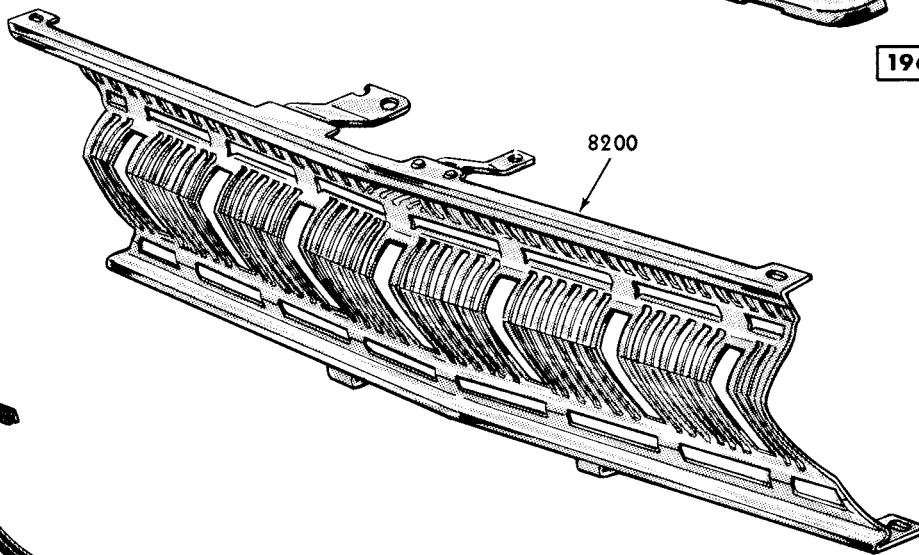


1964 COMET
PGC-1631

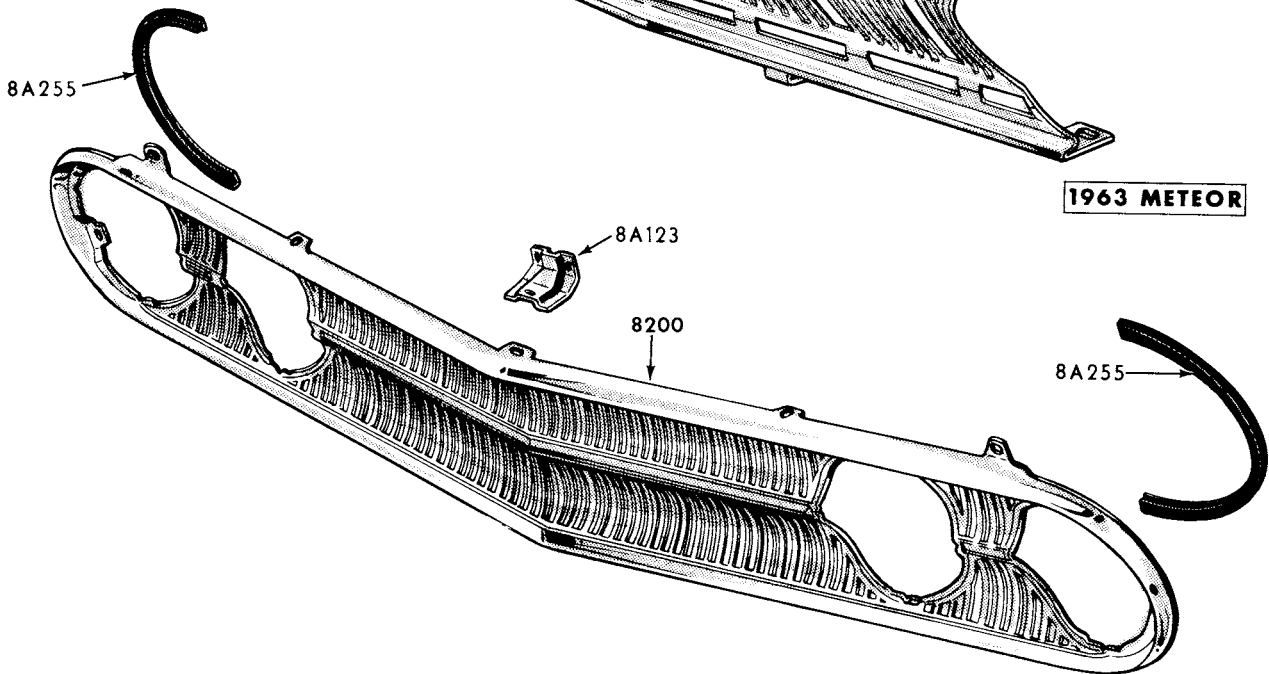
RADIATOR GRILLE and RELATED PARTS



1962-METEOR



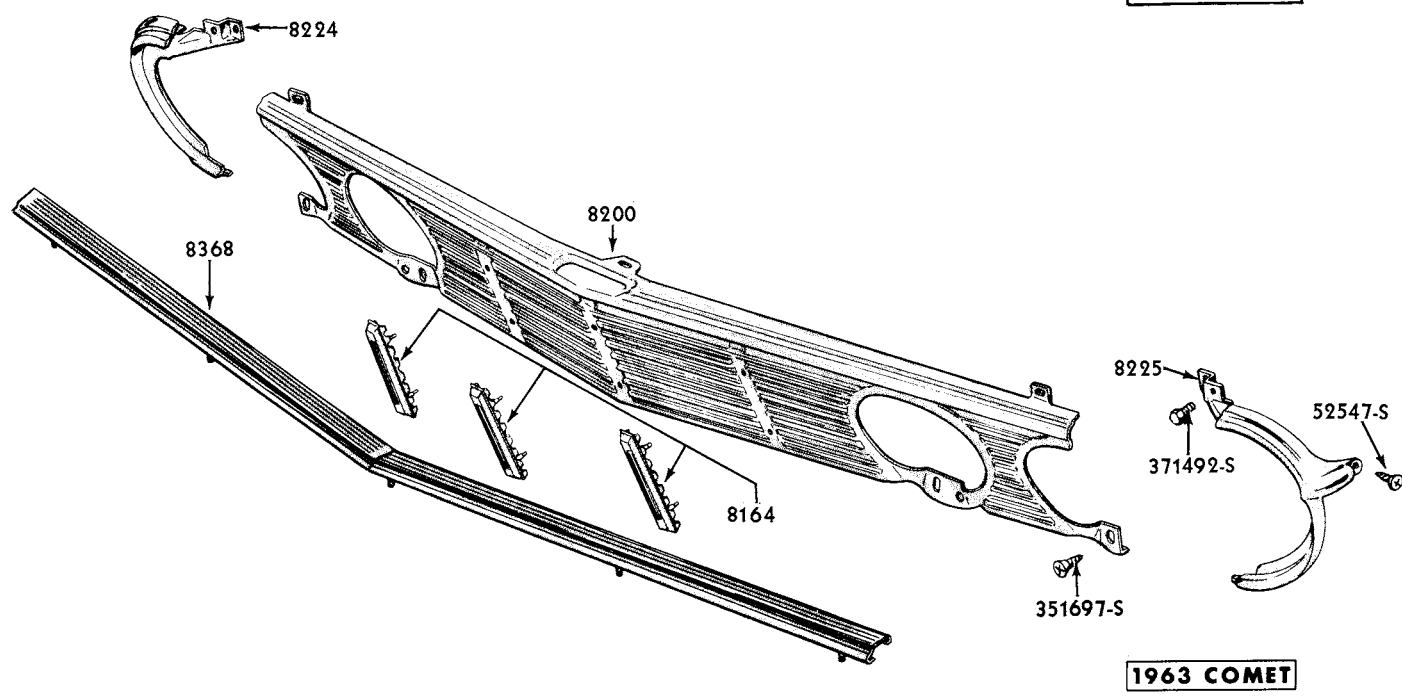
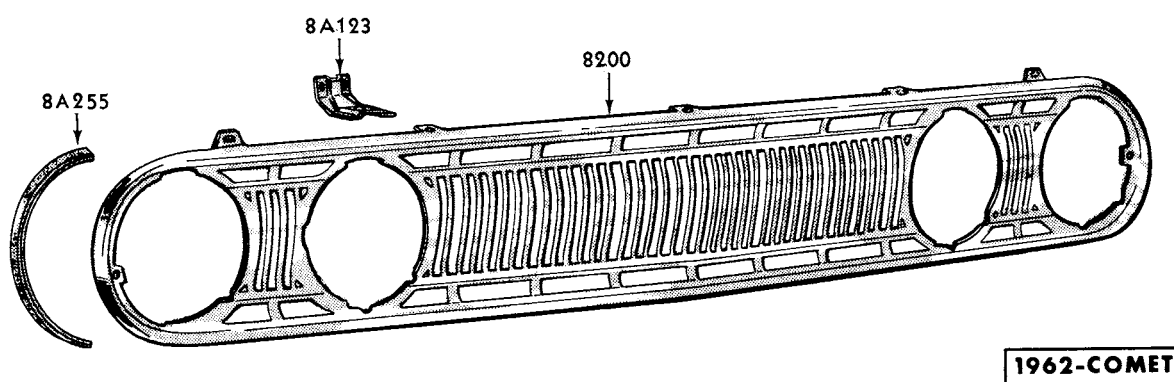
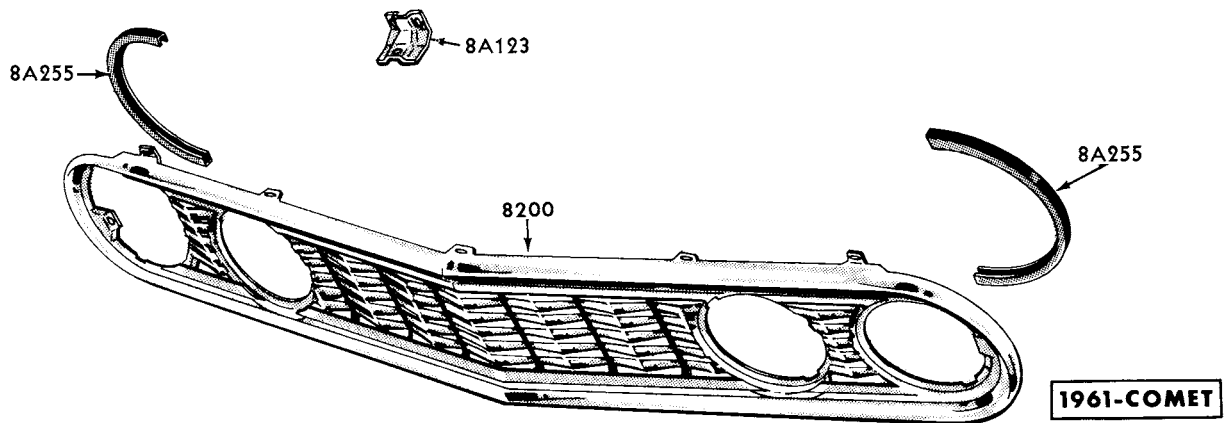
1963 METEOR



1960-COMET

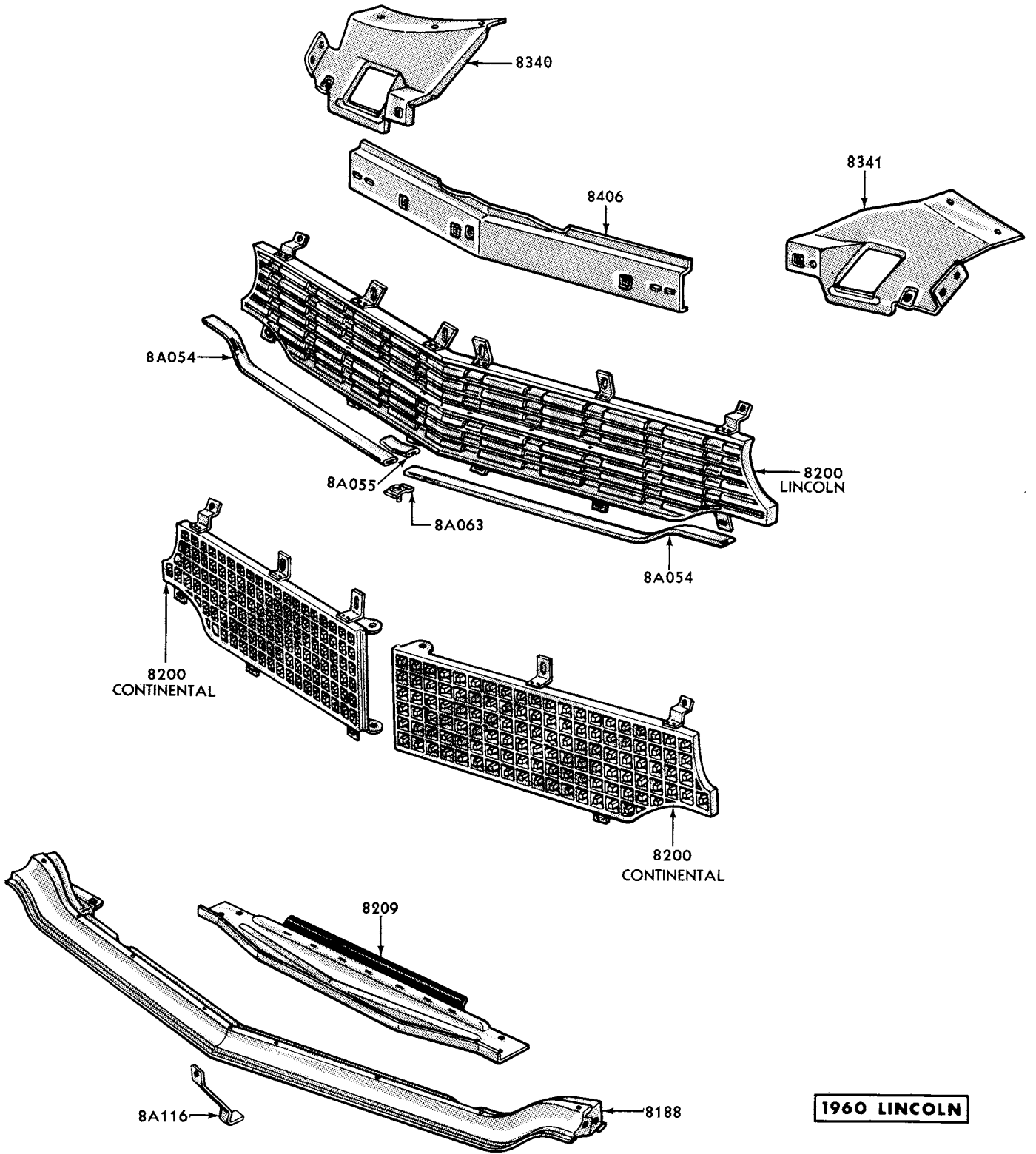
PGC-1806

RADIATOR GRILLE and RELATED PARTS



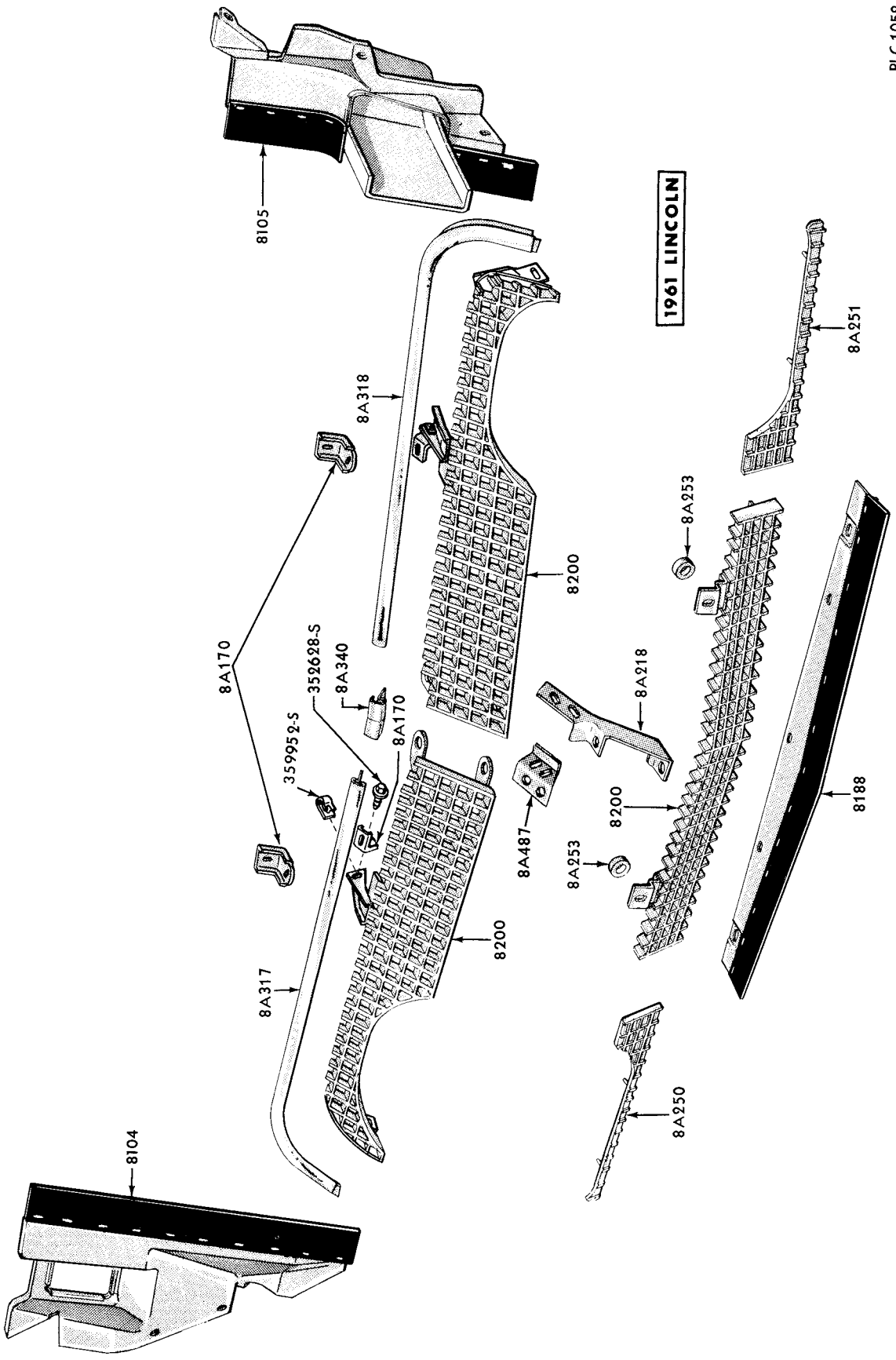
PGC-1807

RADIATOR GRILLE and RELATED PARTS



PLC-836

RADIATOR GRILLE and RELATED PARTS

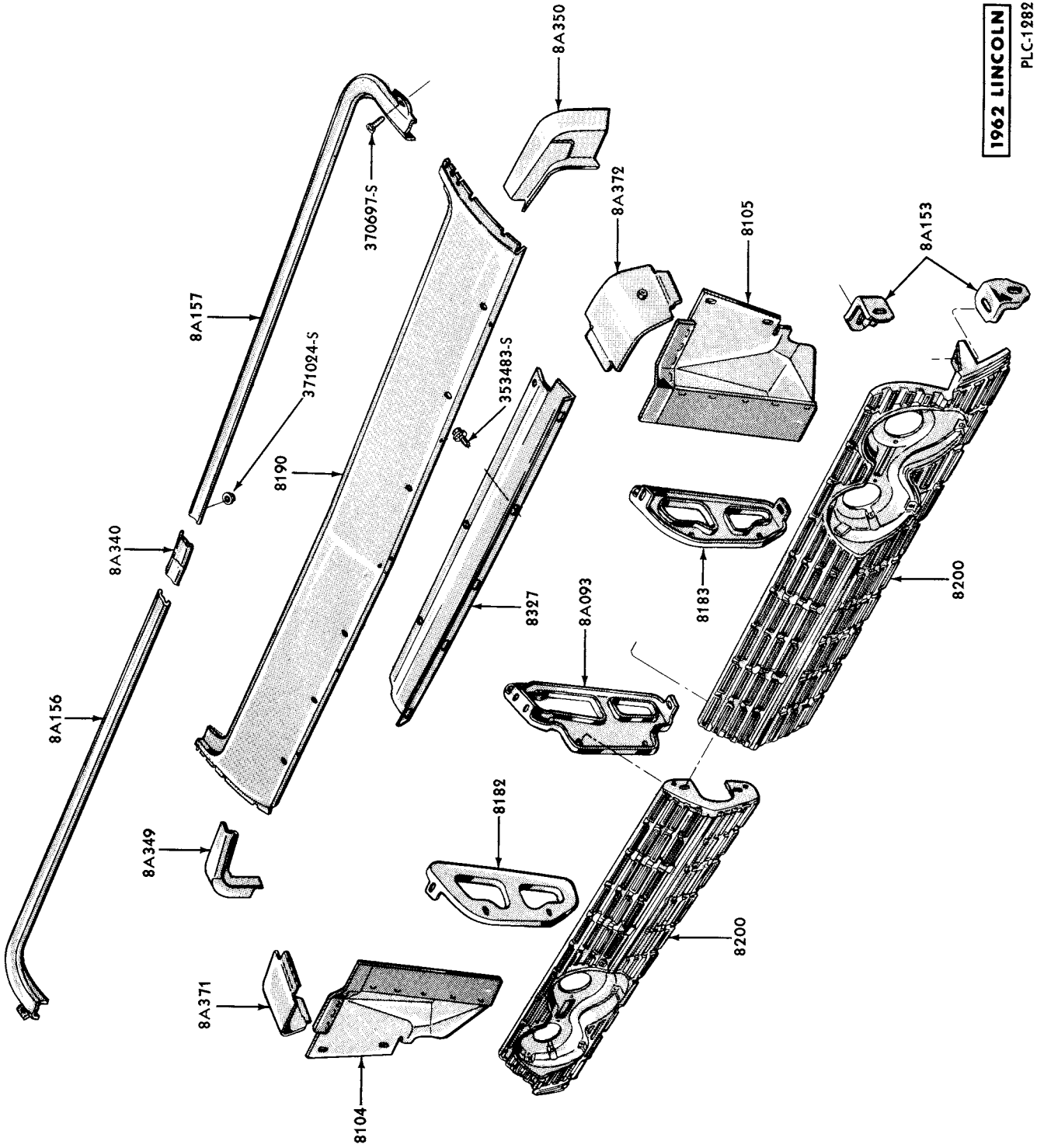


PLC-1052

RADIATOR GRILLE and RELATED PARTS

1962 LINCOLN

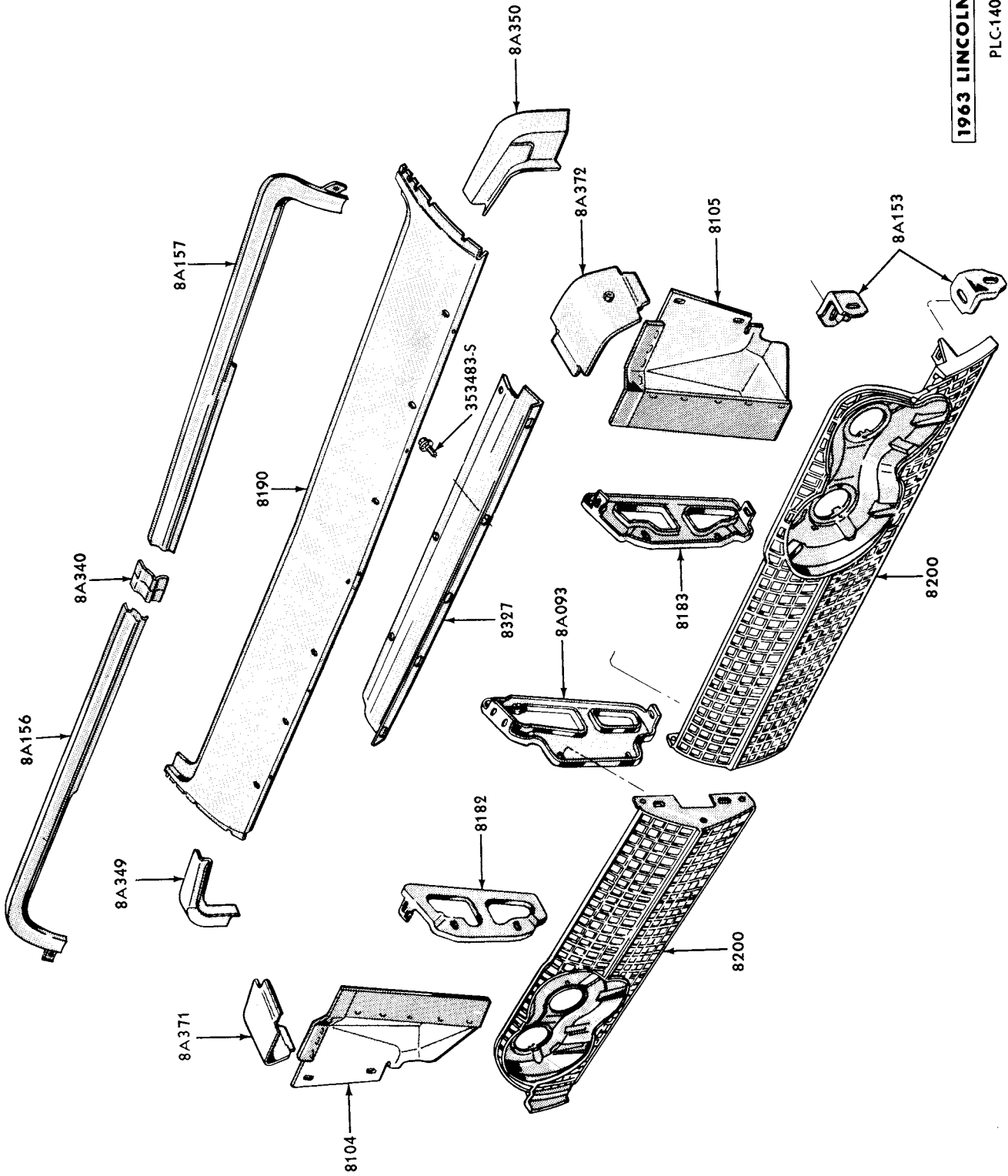
PLC-1282



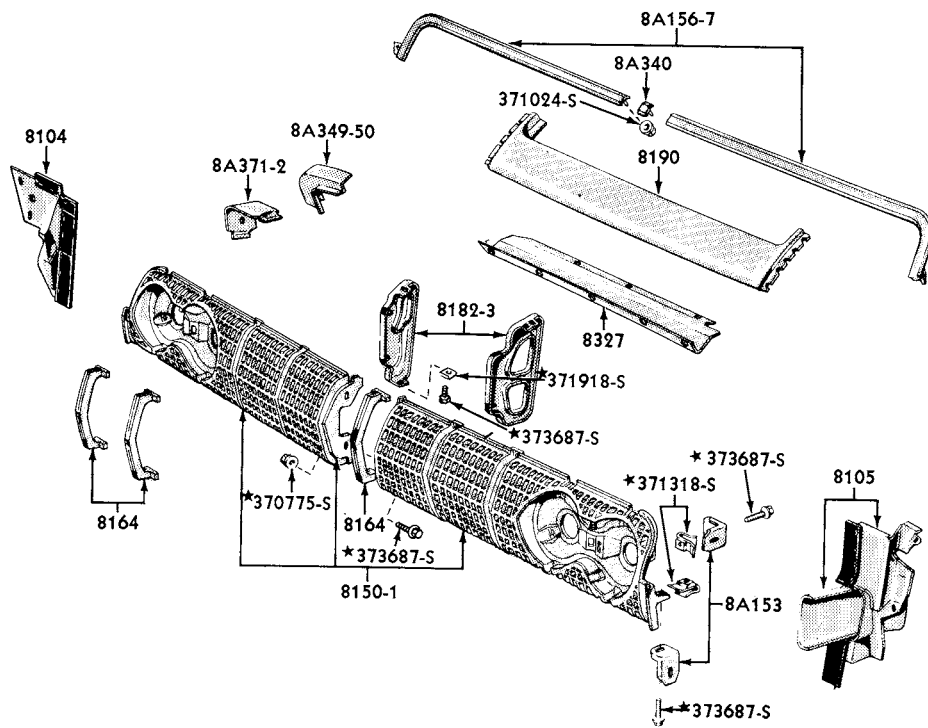
RADIATOR GRILLE and RELATED PARTS

1963 LINCOLN

PLC-1408

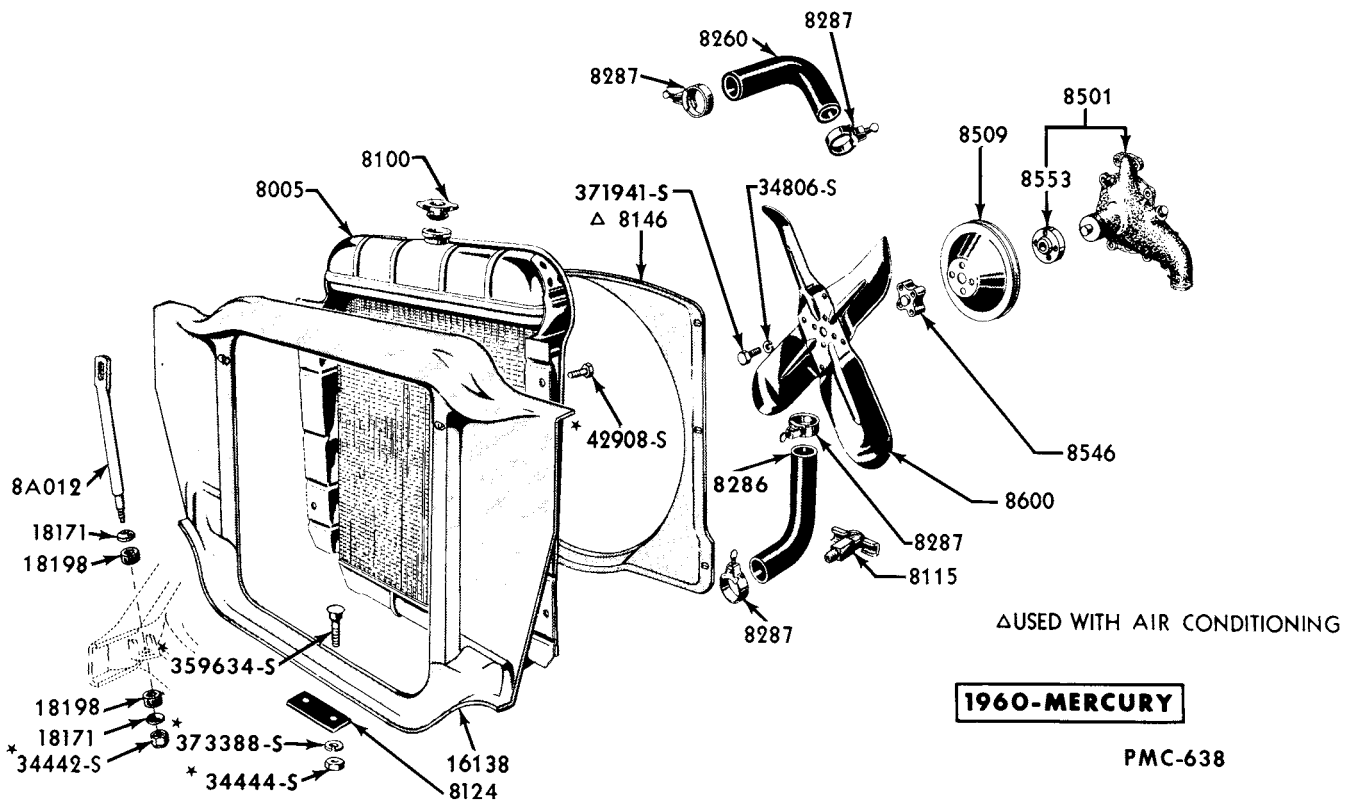


RADIATOR GRILLE and RELATED PARTS



1964 LINCOLN
PLC-1617

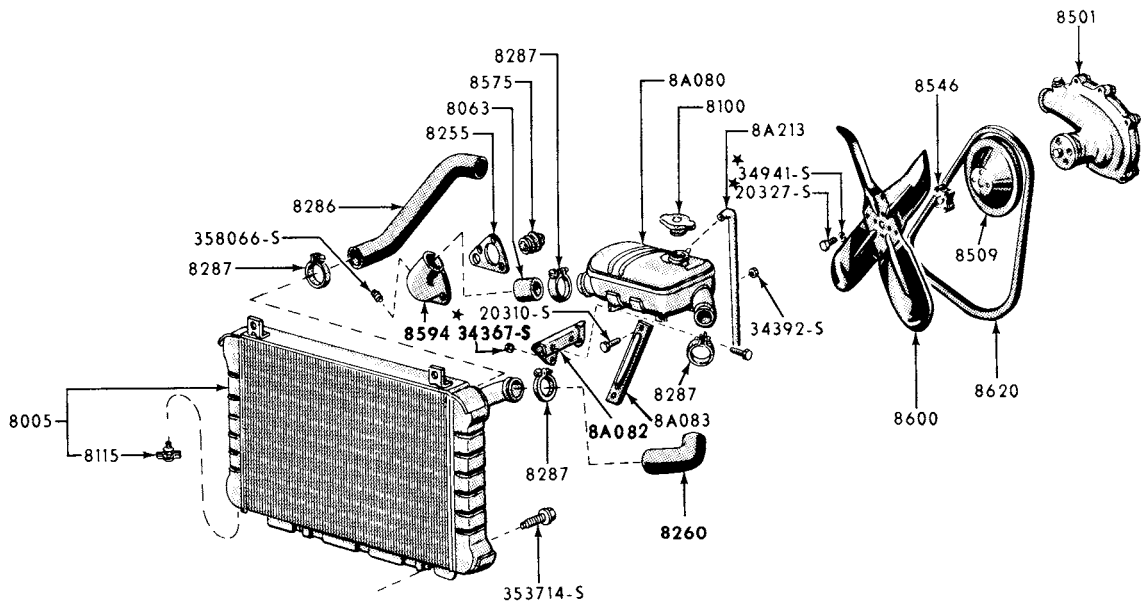
RADIATOR GRILLE and RELATED PARTS



1960-MERCURY

PMC-638

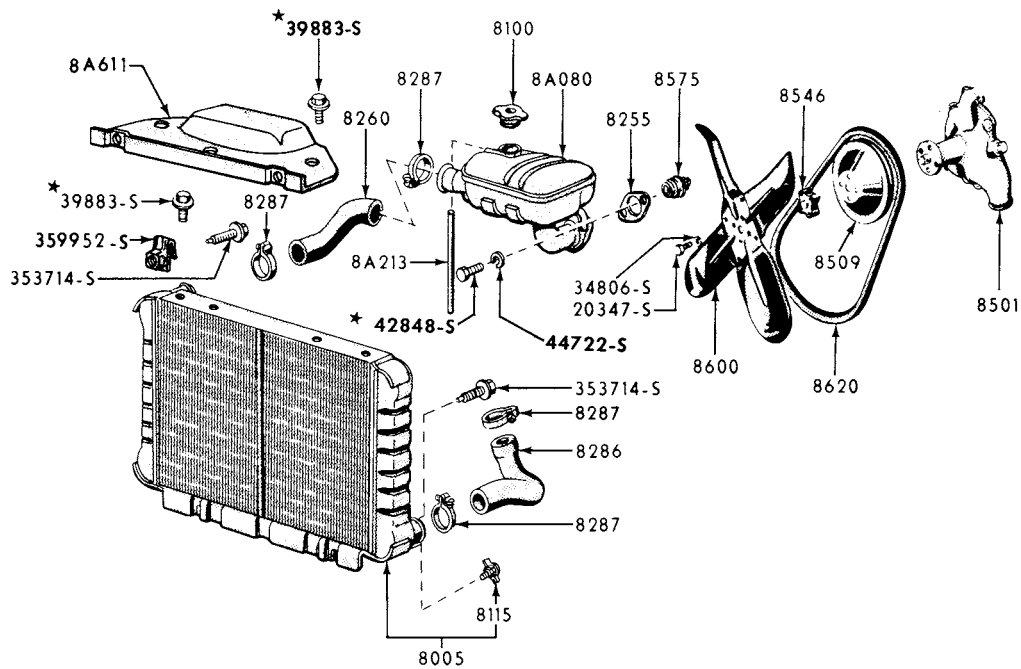
RADIATOR and RELATED PARTS - 312, 383, 430 C.I.D. ENGINES



1961-62 MERCURY

PEC 909

RADIATOR and RELATED PARTS - 223 C.I.D. ENGINE

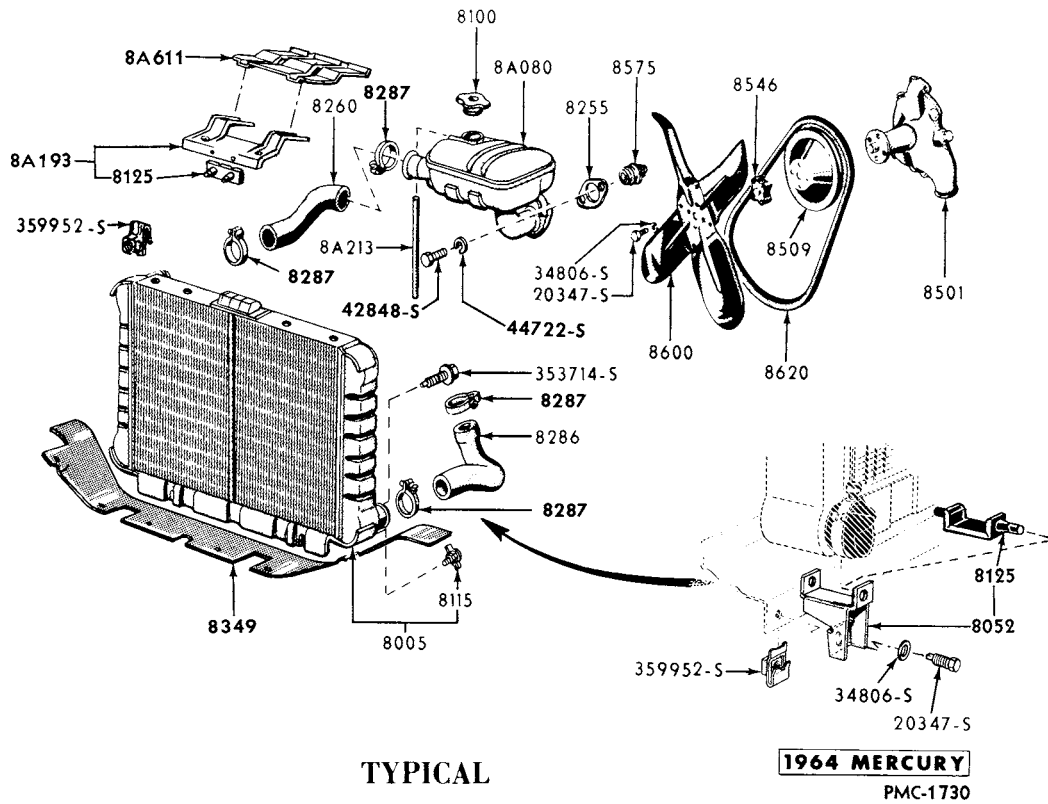


1961-63 MERCURY

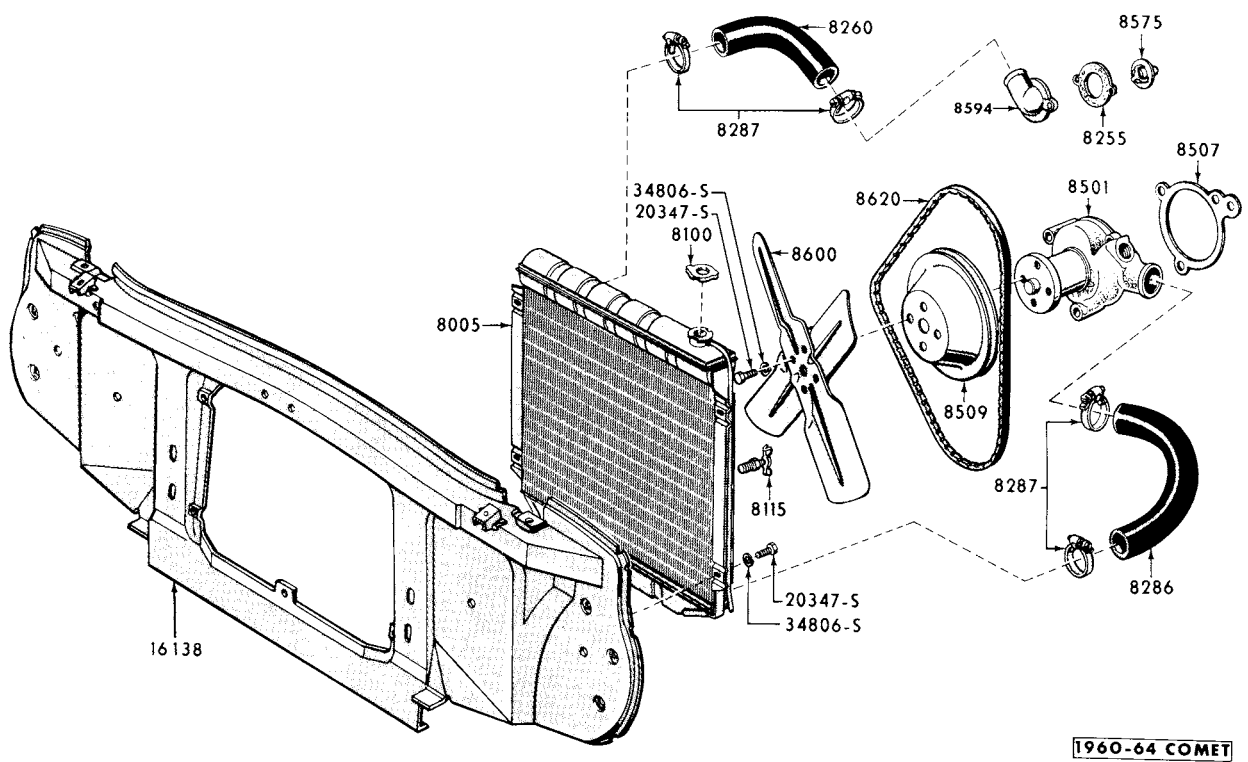
PEC-908

TYPICAL

RADIATOR and RELATED PARTS - 292, 352, 390, 406, 427 C.I.D. ENGINES

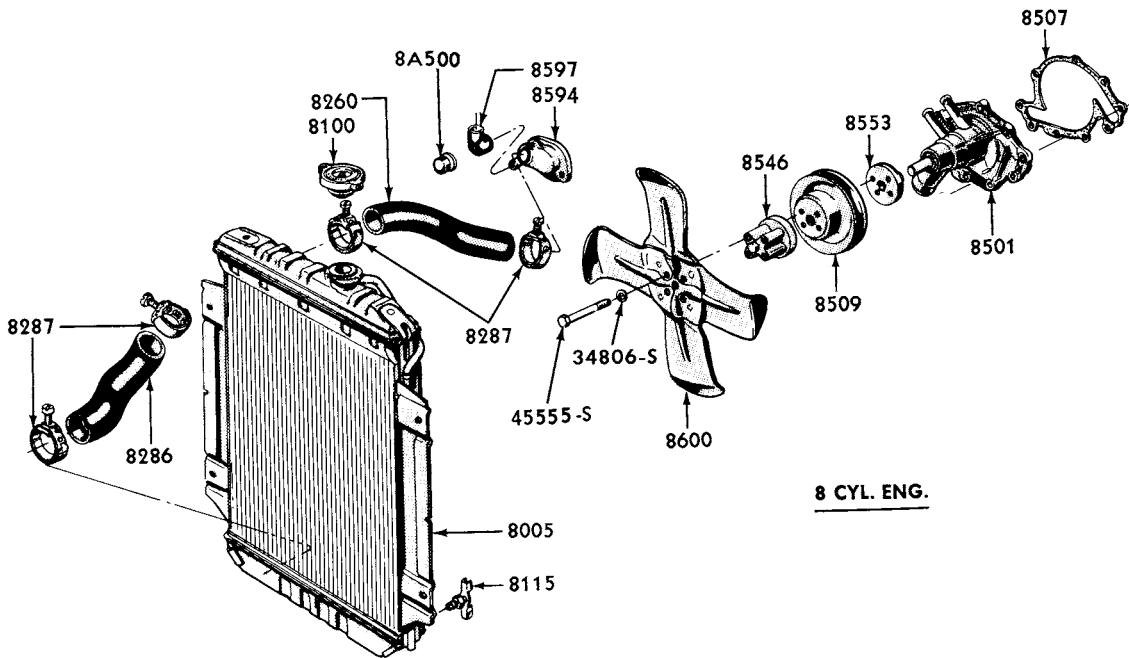
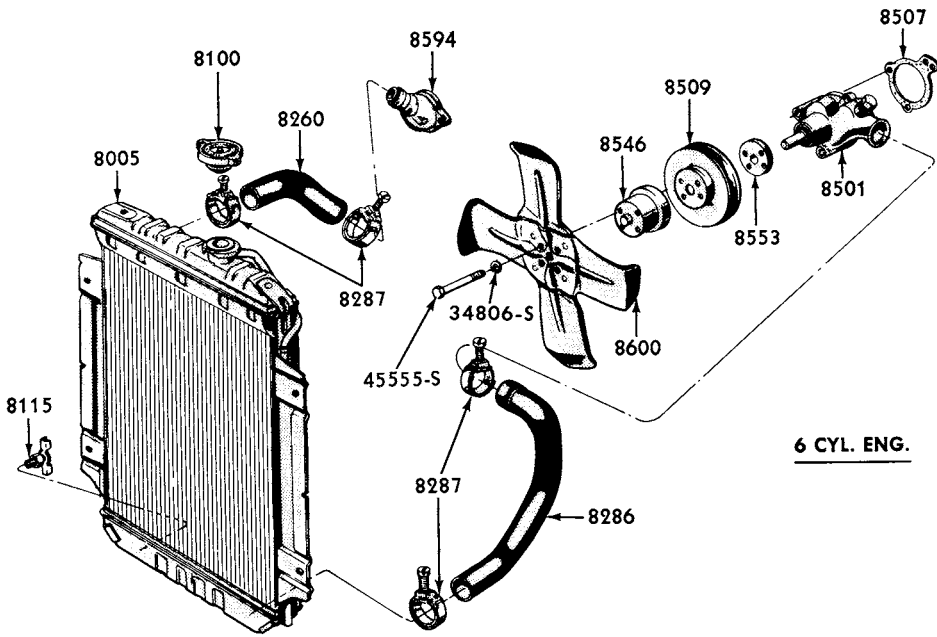


RADIATOR and RELATED PARTS



PGC-962

RADIATOR and RELATED PARTS - 144, 170, 200 C.I.D. ENGINES



1962-64 COMET

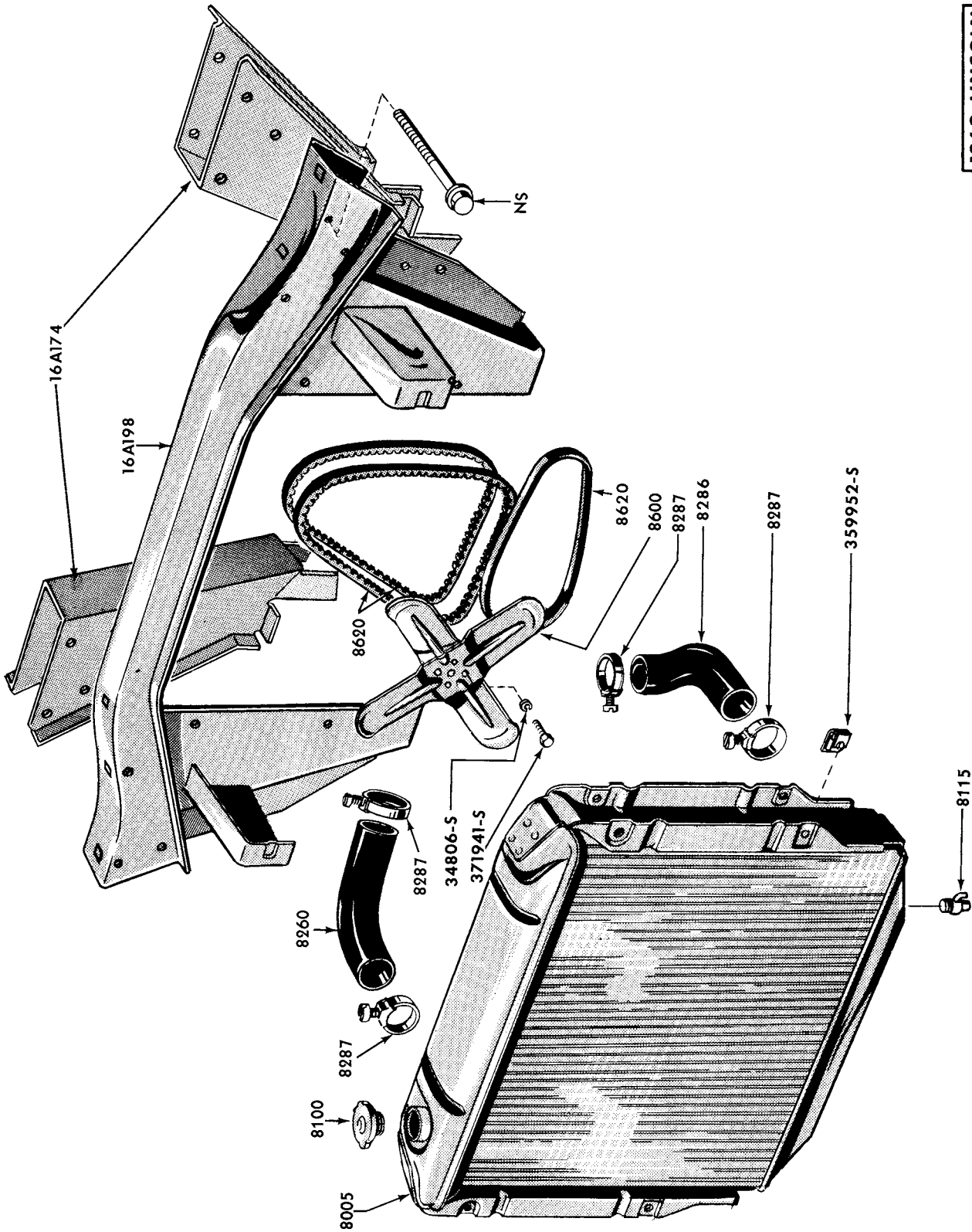
1962-63 METEOR

PYC-1255

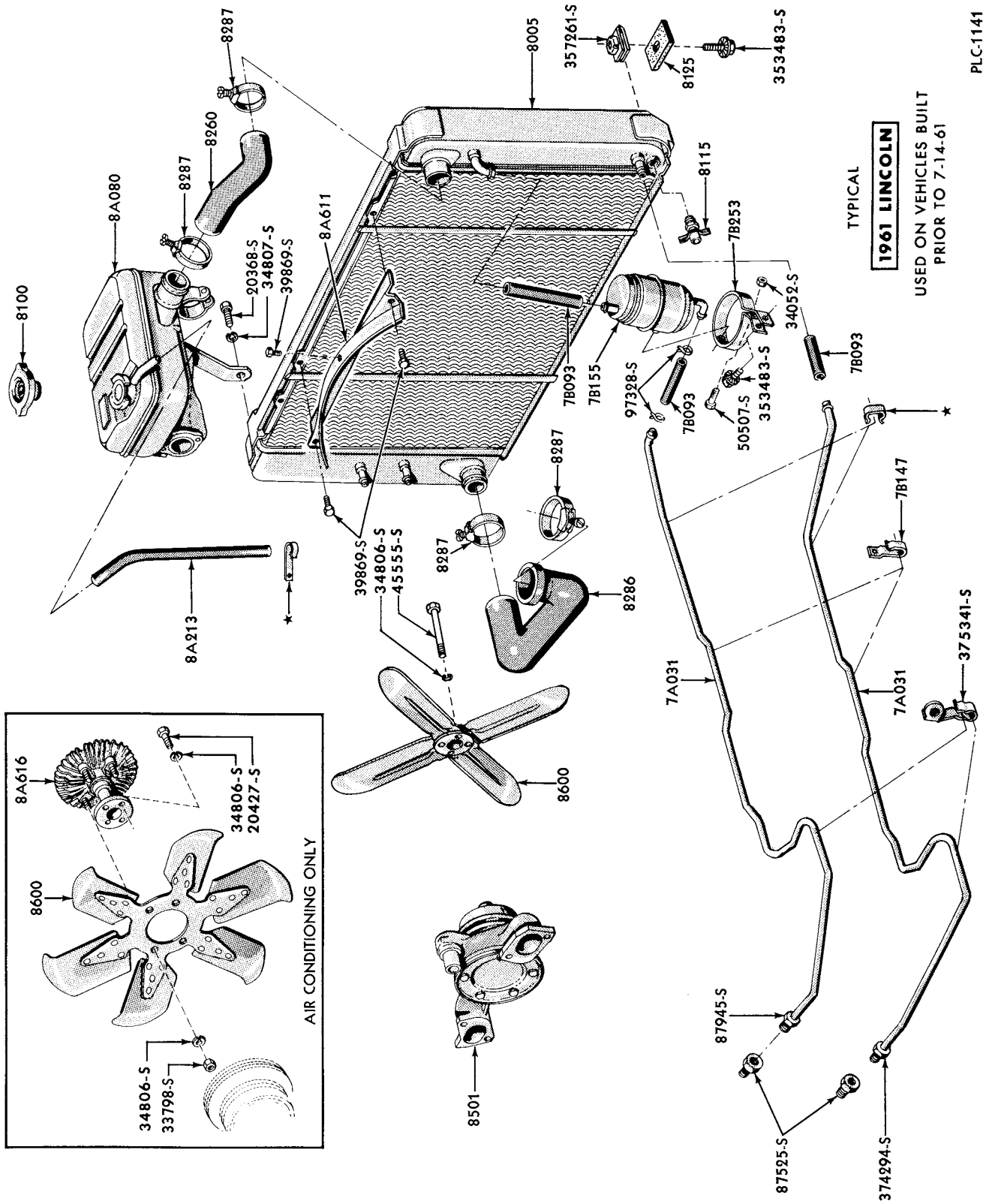
RADIATOR and RELATED PARTS - 170, 200, 221, 260, 289 C.I.D. ENGINES

1960 LINCOLN

PLC-327

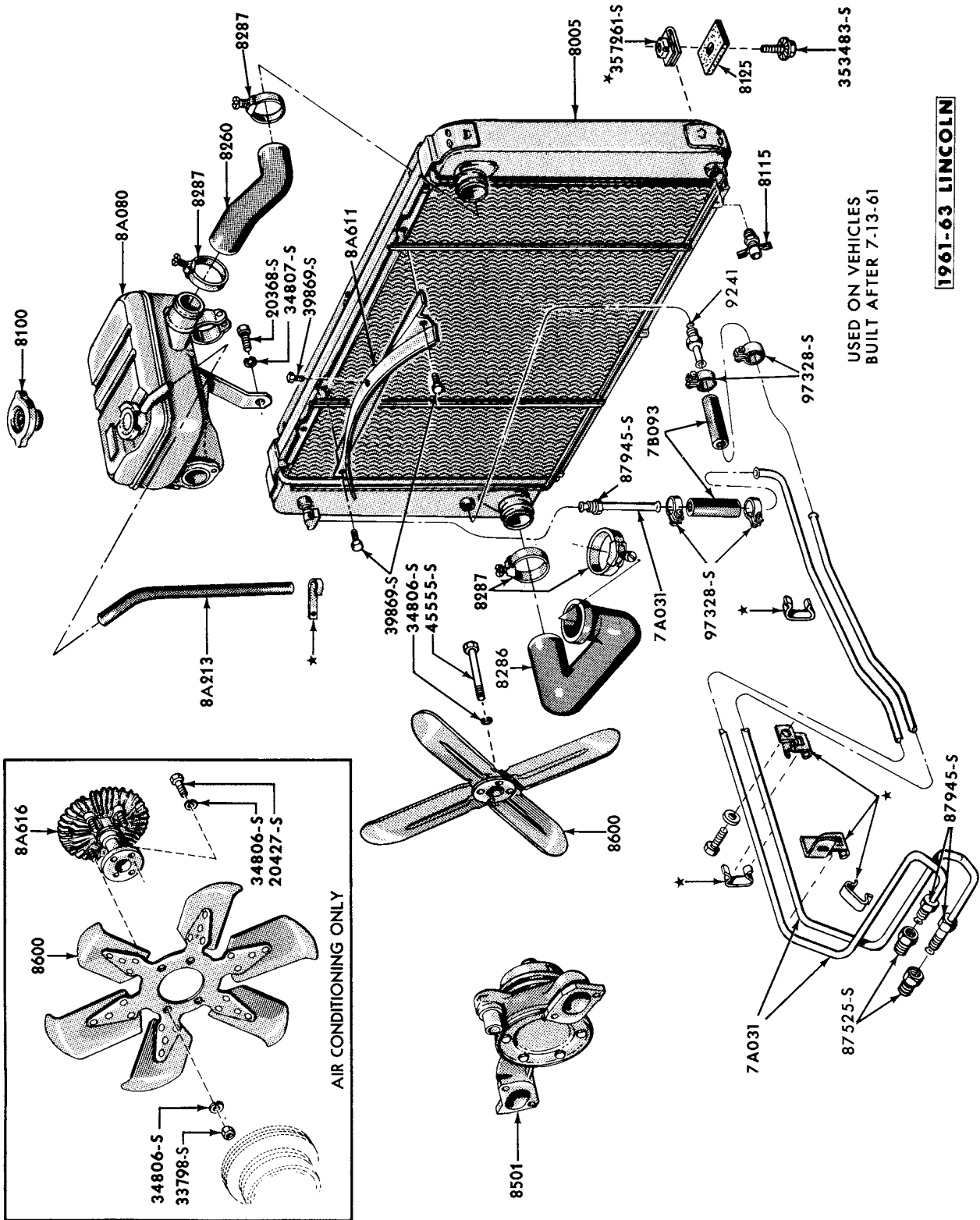


RADIATOR and RELATED PARTS



RADIATOR and RELATED PARTS

PLC-1141

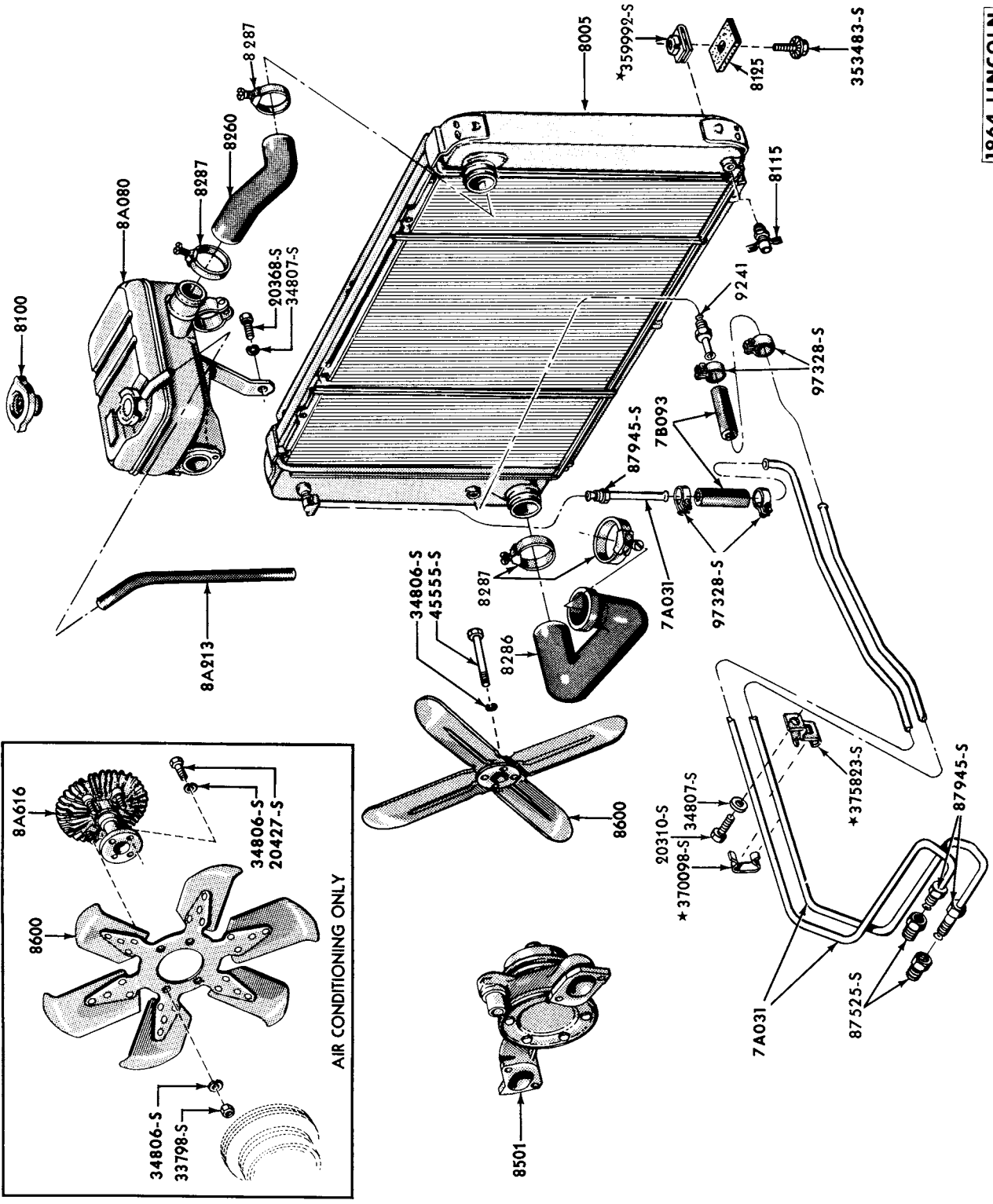


USED ON VEHICLES
BUILT AFTER 7-13-61

1961-63 LINCOLN

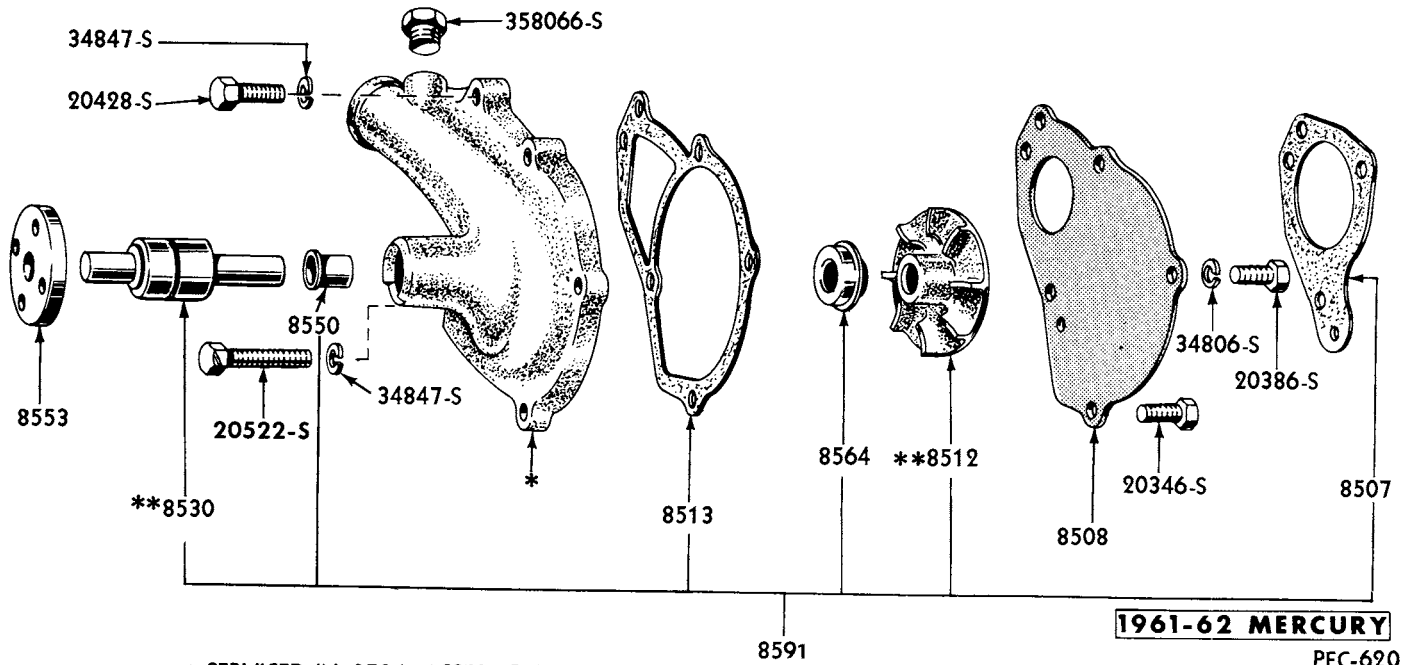
RADIATOR and RELATED PARTS

PLC-1356



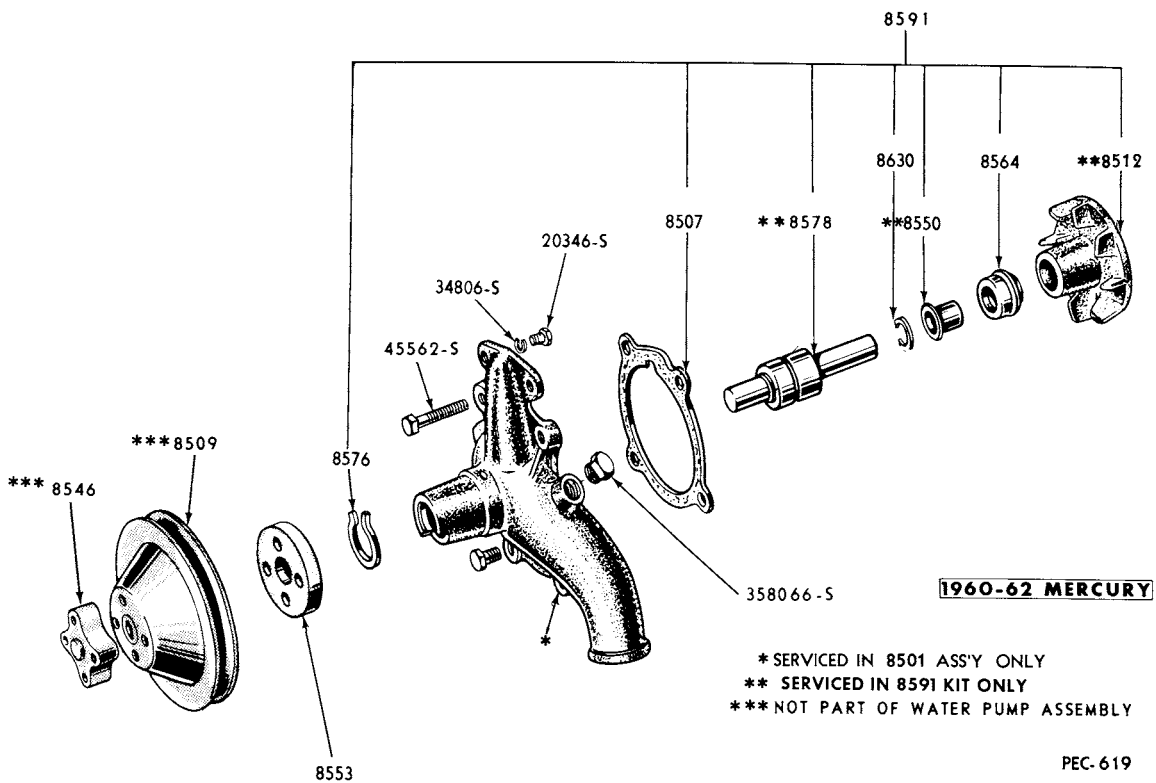
1964 LINCOLN
PLC-1770

RADIATOR and RELATED PARTS



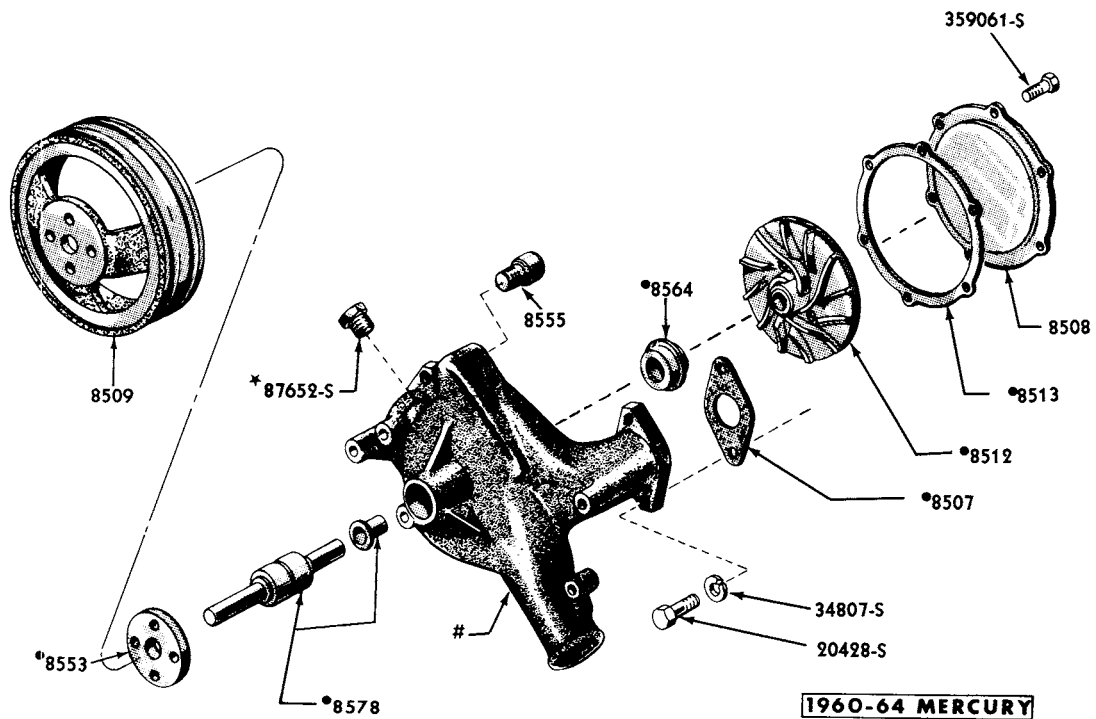
* SERVICED IN 8501 ASS'Y. ONLY
** SERVICED IN 8591 KIT ONLY

WATER PUMP - 223 C.I.D. ENGINE



* SERVICED IN 8501 ASS'Y ONLY
** SERVICED IN 8591 KIT ONLY
*** NOT PART OF WATER PUMP ASSEMBLY

WATER PUMP - 292, 312 C.I.D. ENGINES

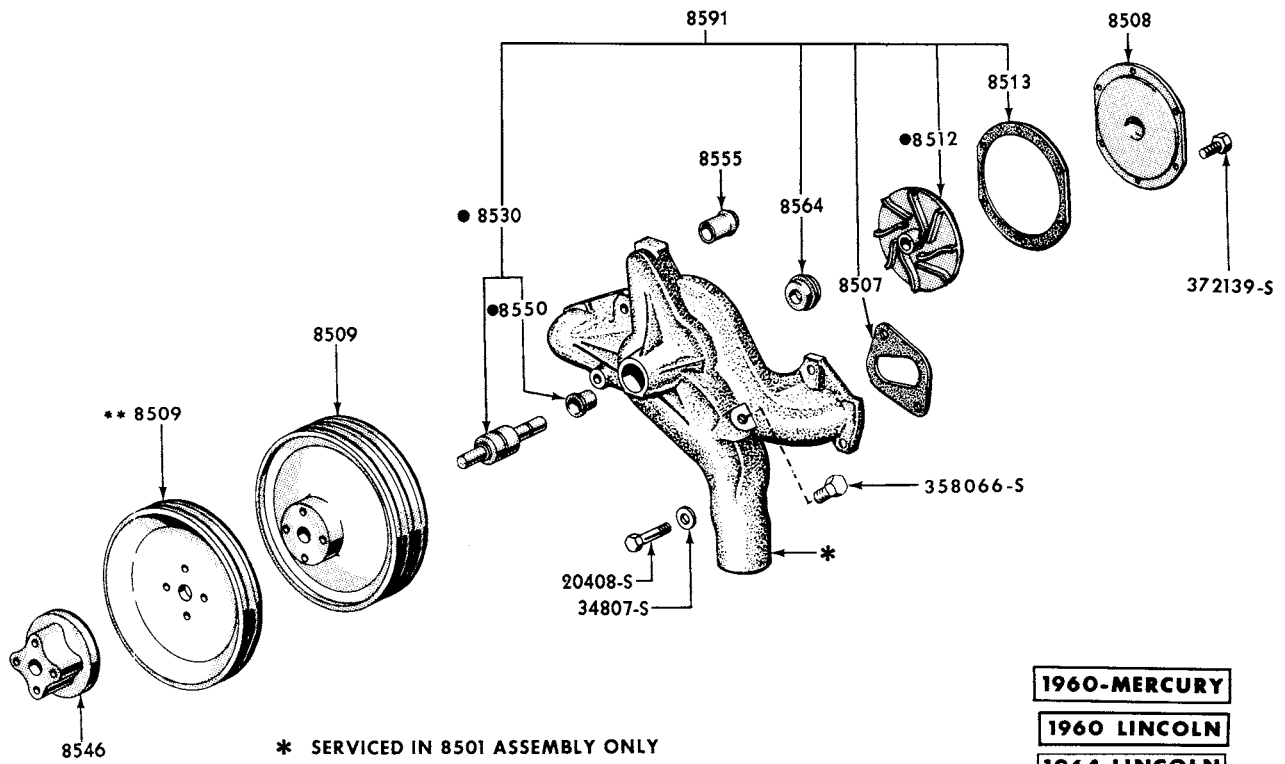


1960-64 MERCURY

PEC-912

- SERVICED IN 8591 KIT
- # SERVICED IN 8501 ASSEMBLY ONLY

WATER PUMP - 390, 352, 406, 427 C. I. D. ENGINES

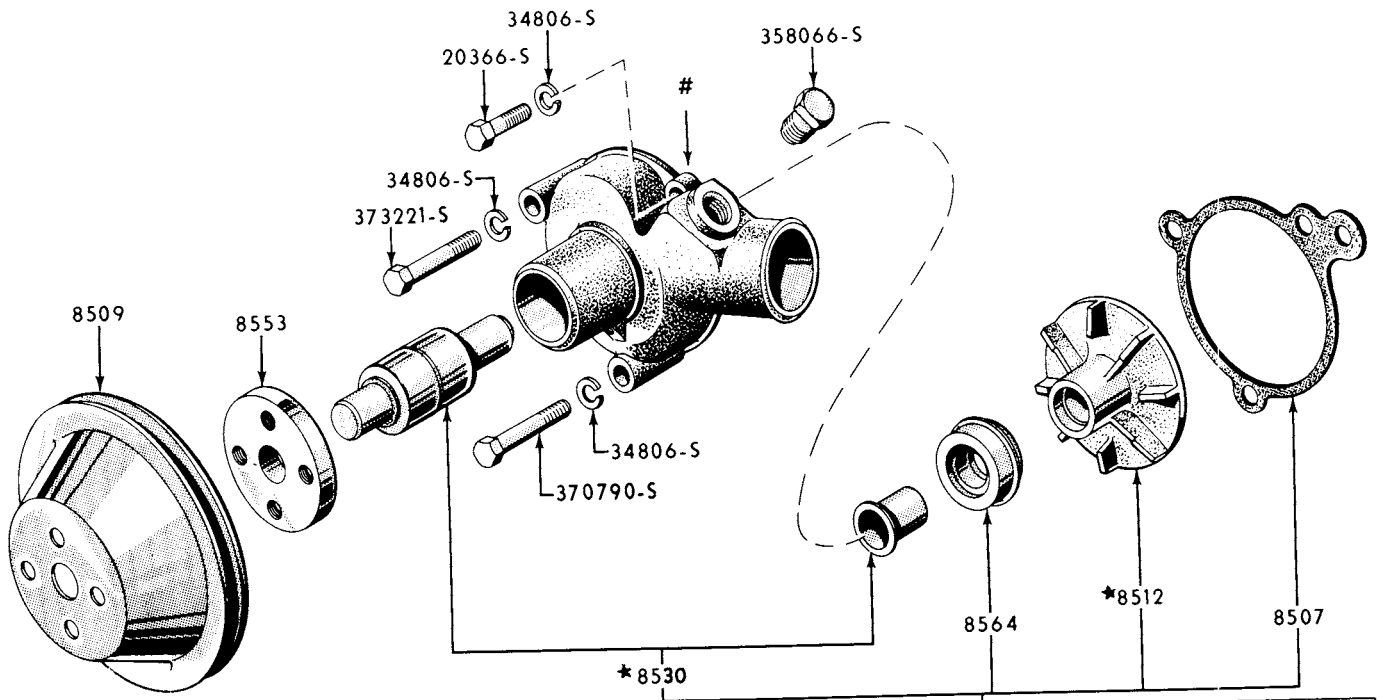


1960-MERCURY
1960 LINCOLN
1964 LINCOLN

PLC-1786

- * SERVICED IN 8501 ASSEMBLY ONLY
- ** USED WITH AIR CONDITIONING ONLY
- SERVICED IN 8591 KIT ONLY

WATER PUMP - 383, 430 C.I.D. ENGINES

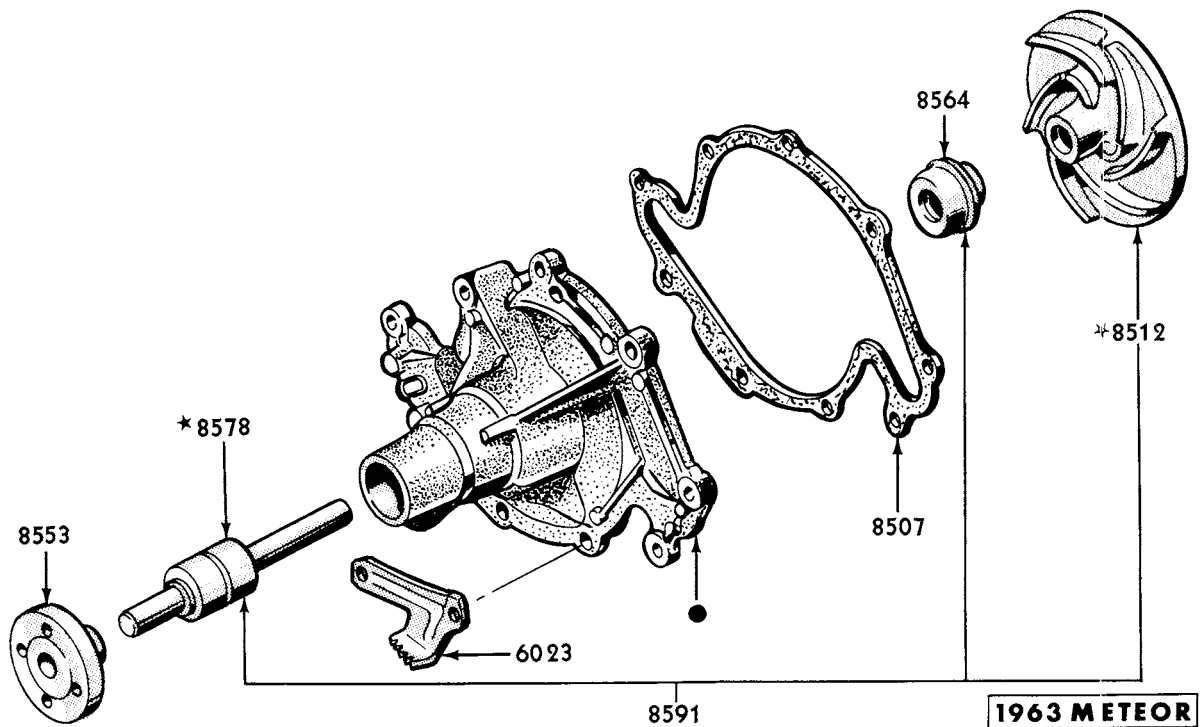


SERVICED IN 8501 ASSY ONLY

1962-63 METEOR
1960-64 COMET

PGC-963

WATER PUMP - 144, 170, 200 C. I. D. ENGINES

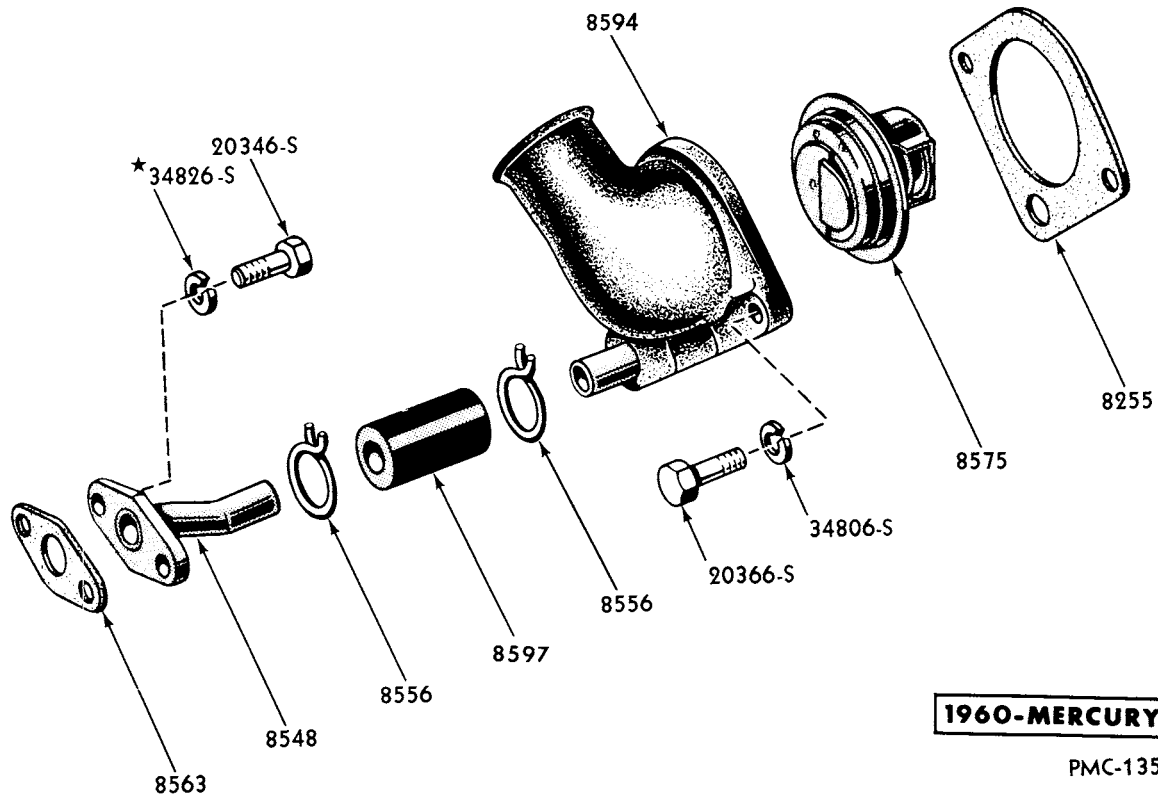


● SERVICED IN 8501 ASSEMBLY

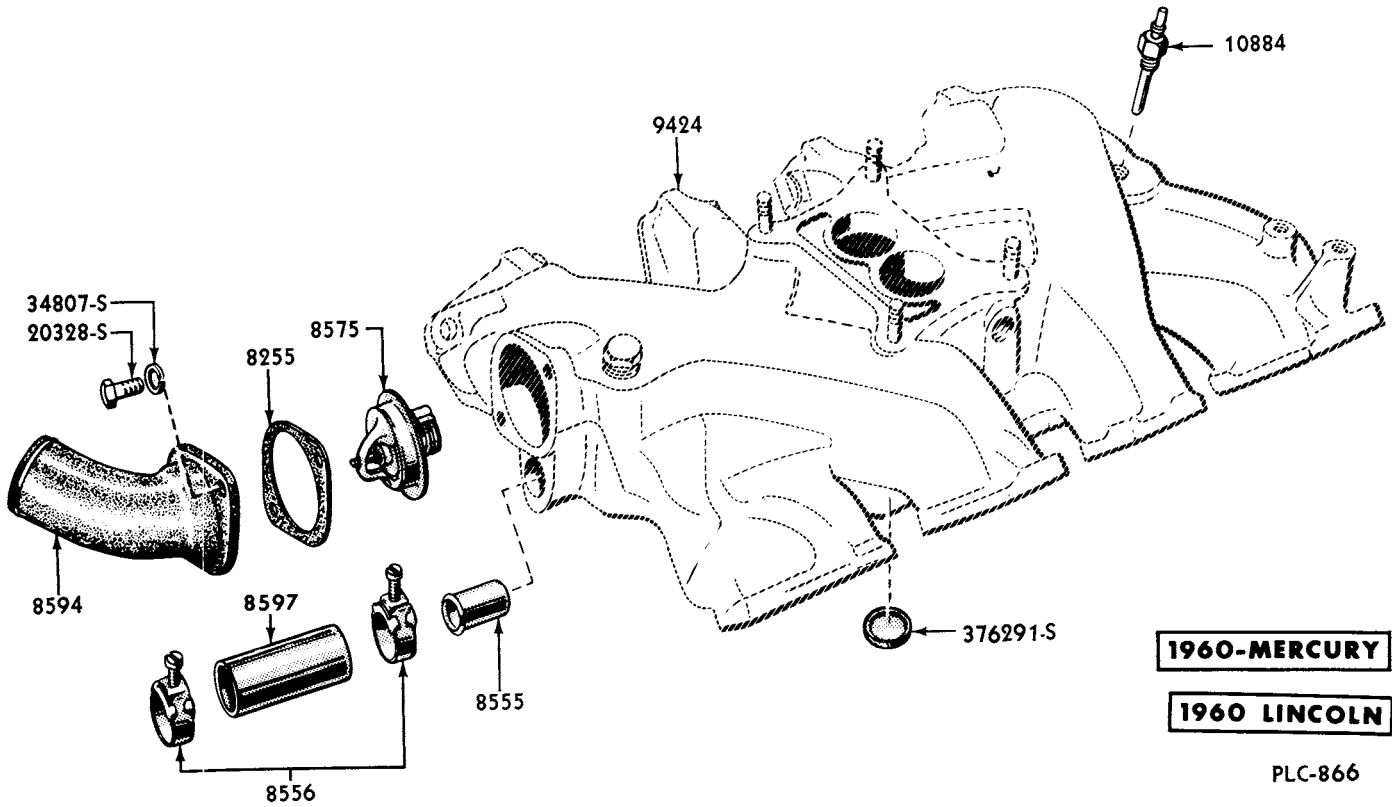
1963 METEOR
1963-64 COMET

PYC-1298

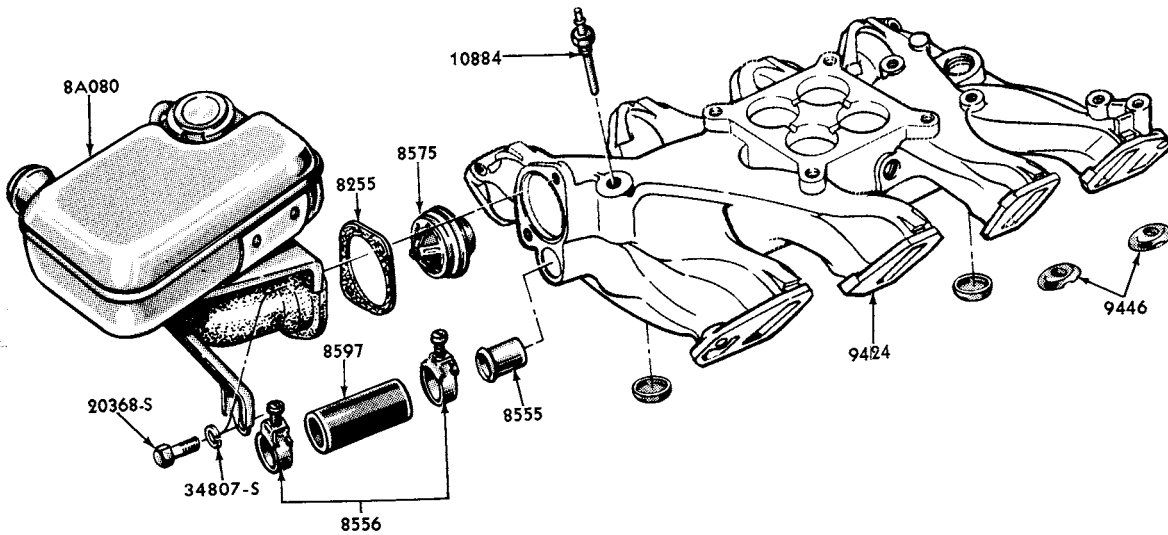
WATER PUMP - 221, 260, 289 C.I.D. ENGINES



WATER CONNECTIONS - 312 C.I.D. ENGINE



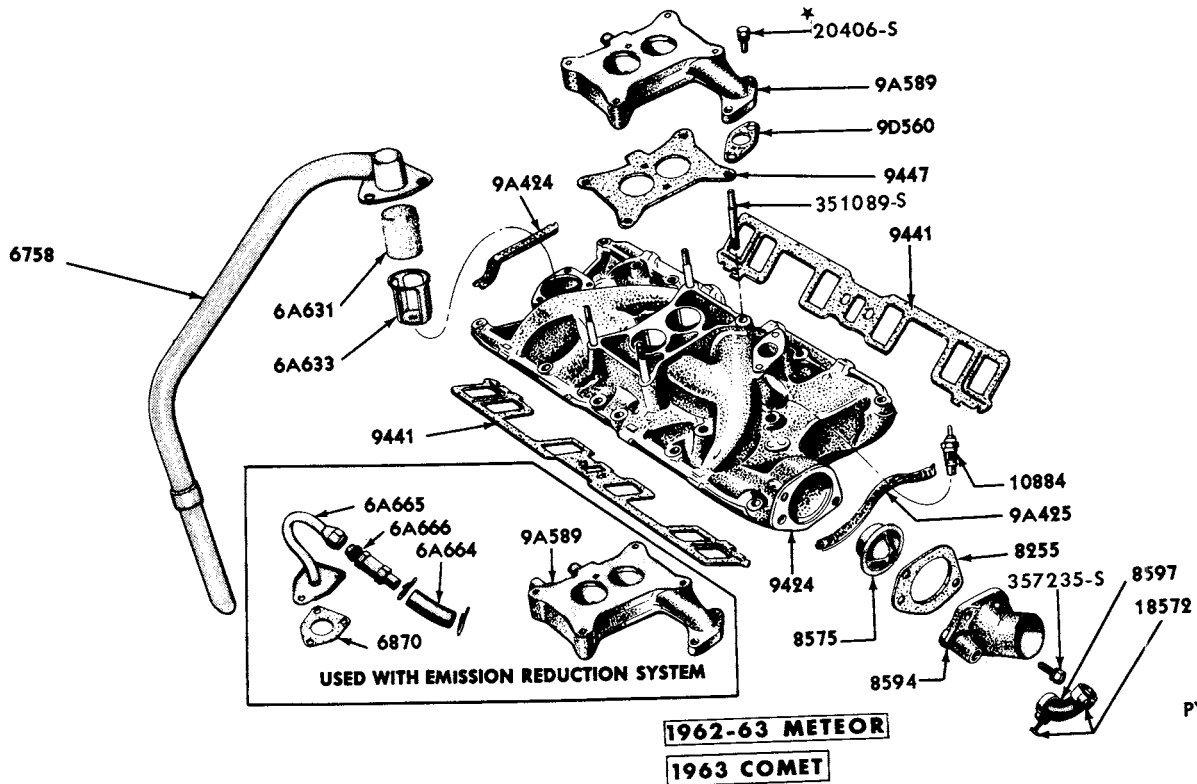
WATER CONNECTIONS - 383, 430 C.I.D. ENGINES



1960-64 LINCOLN

PLC-1357

WATER CONNECTIONS

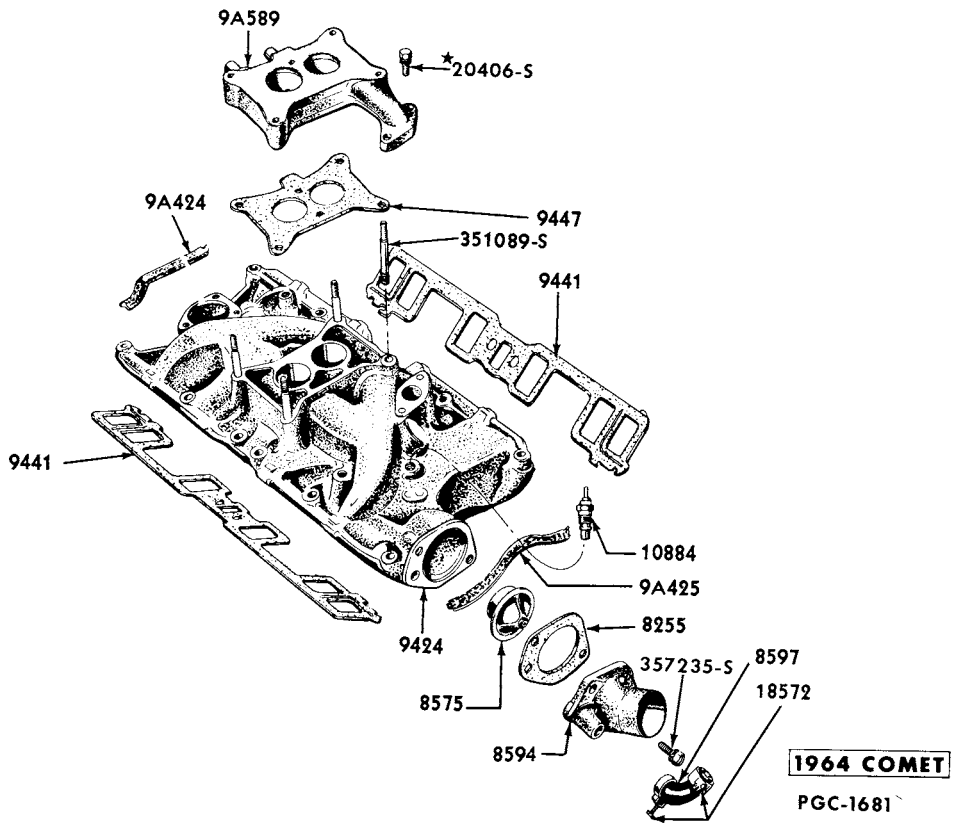


1962-63 METEOR

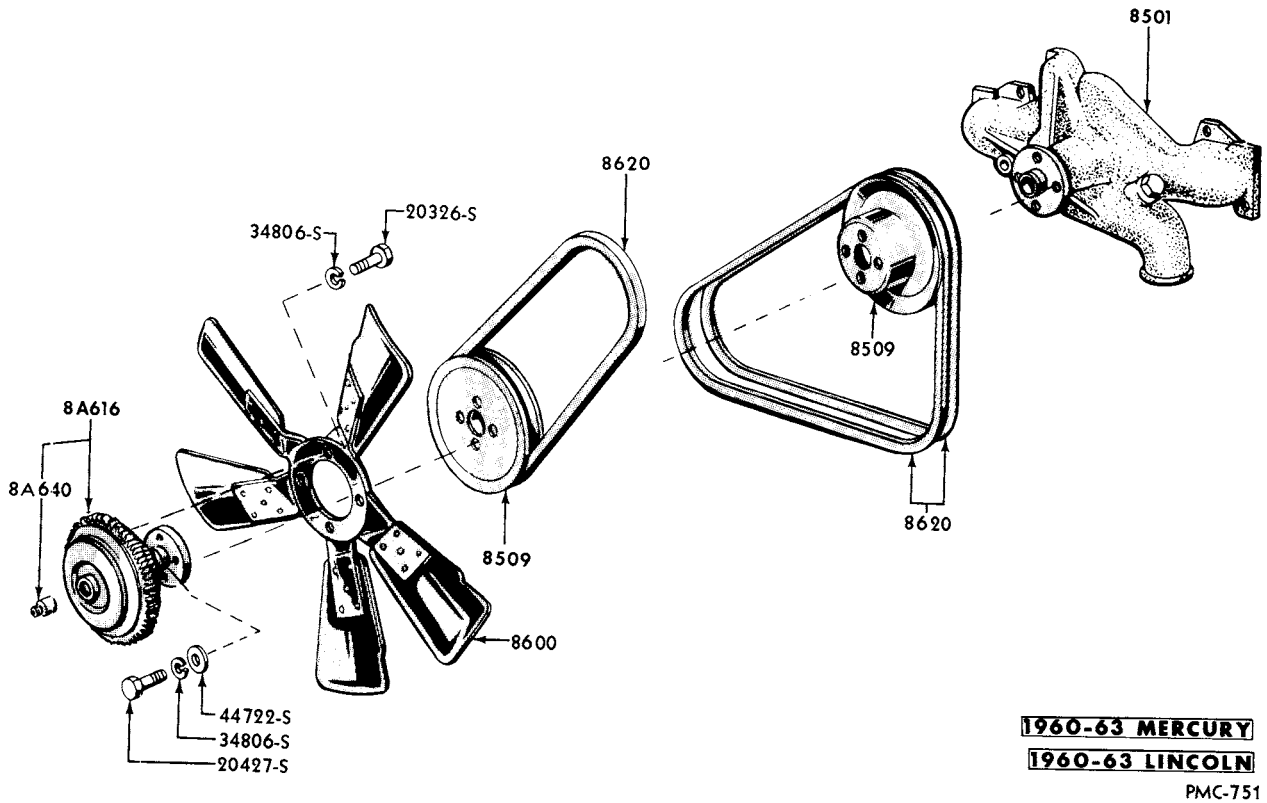
1963 COMET

PYC-1299

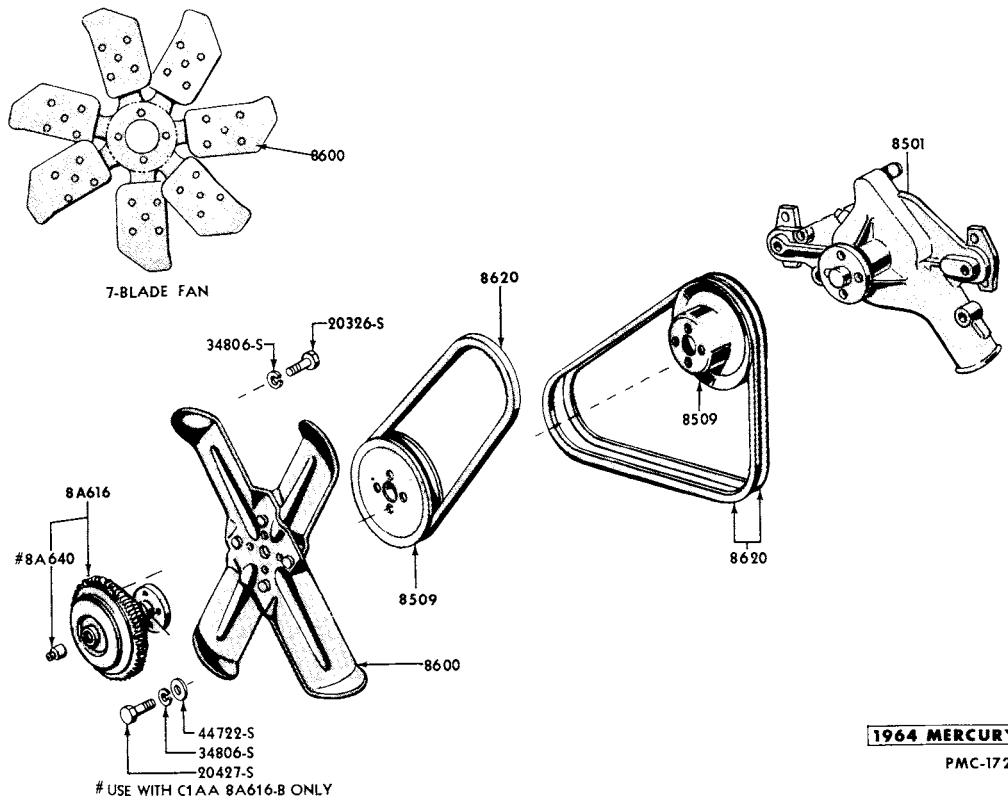
INTAKE MANIFOLD and WATER CONNECTIONS - 221, 260 C. I. D. ENGINES



INTAKE MANIFOLD and WATER CONNECTIONS - 260, 289 C.I.D. ENGINES

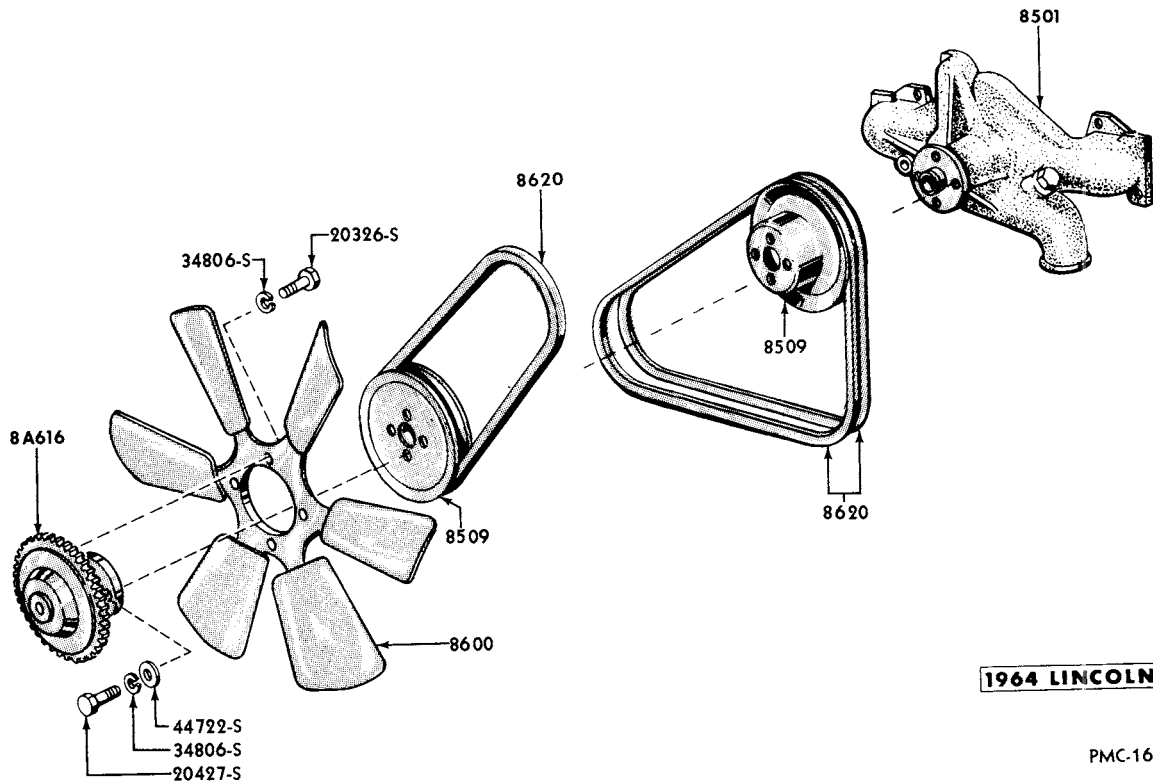


POWER BOOSTER FAN and RELATED PARTS



1964 MERCURY
PMC-1729

POWER BOOSTER FAN and RELATED PARTS - 390 C.I.D. ENGINE

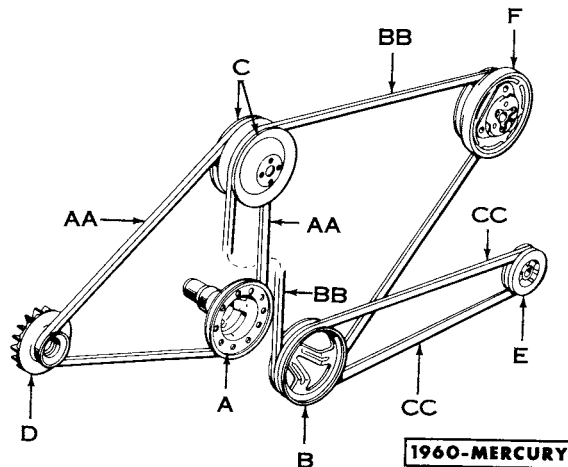


1964 LINCOLN

PMC-1619

POWER BOOSTER FAN and RELATED PARTS - 430 C.I.D. ENGINE

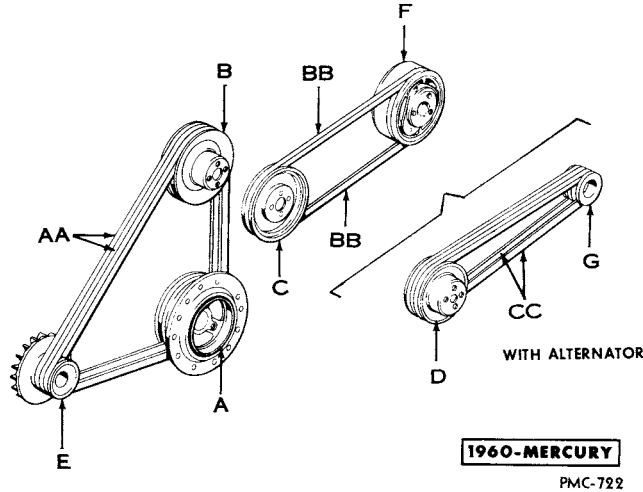
BELT & PULLEY CHART 1960-312 C.I.D. ENGINE



PMC-721

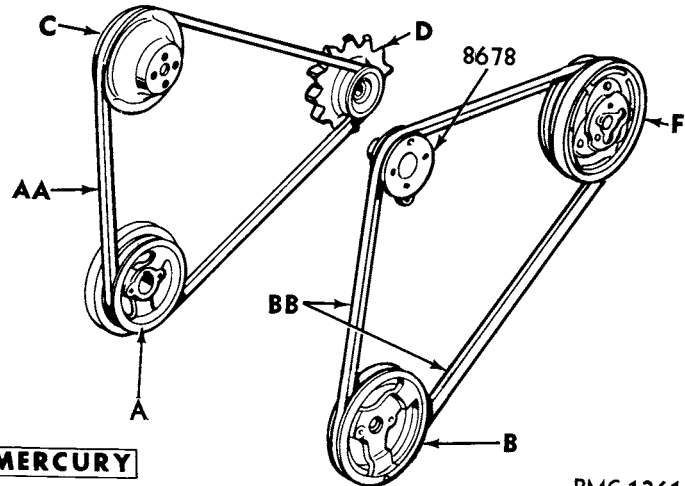
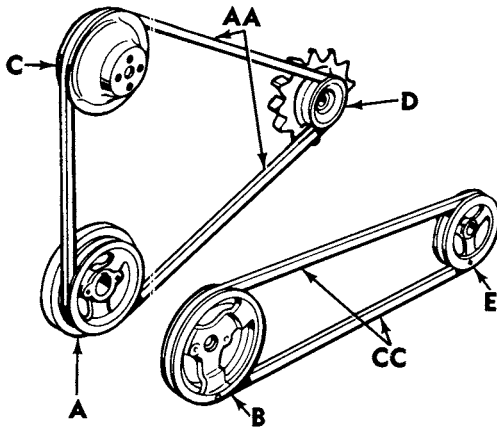
PART NUMBER	ROTUNDA NUMBER	DESCRIPTION	REQ'D. NO.	
A				
		DAMPER & PULLEY (CRANKSHAFT VIBRATION)		
COAZ	6312-A	6.625" O.D. - one sheave	1	
B				
		PULLEY (AIR CONDITIONER OR POWER STEERING)		
B8AZ	6A312-A	6.625" O.D. - one sheave - P/S less a/cond.	1	
B8AZ	6A312-D	6.625" O.D. - two sheave - use with a/cond. and P/S with a/cond. - also used with 50 or 60 amp. alternator	1	
C				
		PULLEY (WATER PUMP)		
B7A	8509-C	6.80" O.D. - one sheave - standard cooling less a/cond. and/or 50, 60 amp. alternator	1	
B8A	8509-E	6.35" O.D. - two sheave - use with 50 or 60 amp. alternator	1	
B9ME	8509-B	6.30" largest O.D. - three sheave - use with H/D hang-on a/cond. with power booster fan	1	
D				
		PULLEY (GENERATOR & ALTERNATOR)		
B7A	10130-A		1	
B8MF	10130-A	Use with 50 amp. H/D generator	1	
COAF	10130-A	Use with hang-on a/cond.	1	
COMF	10344-A	3.00" O.D. - two sheave - use with 60 amp. alternator	1	
E				
		PULLEY (POWER STEERING PUMP)		
B9MY	3A733-A	P/S without a/cond.	1	
B9MY	3A733-E	P/S with a/cond.	1	
F				
		CLUTCH (AIR CONDITIONING COMPRESSOR)		
COAZ	2884-B	Eaton	1	
AA				
		BELT (GENERATOR, ALTERNATOR & WATER PUMP)		
B7A	8620-D	R3-N	3/8" V x 44-3/16" long - use for standard cooling - without a/cond. - crankshaft to water pump to generator	1
B8A	8620-F		15/32" V x 43-1/4" long - use with a/cond. - crankshaft to water pump to generator	1
C2AZ	8620-C	R3-CM	3/8" V x 45" long - matched pair - use with 30 amp. low cut-in and 50 and 60 amp. generator	1
B8MY	8620-A		3/8" V x 45-5/16" long - water pump to alternator to idler pulley with 50 or 60 amp. alternator	1
COAZ	8620-D		3/8" V x 42-1/2" long - use with H/D a/cond. with power booster fan	1
BB				
		BELT (AIR CONDITIONING COMPRESSOR DRIVE)		
B8A	8620-K		15/32" V x 51-5/16" long - use with a/cond. - water pump to compressor to crankshaft	1
CC				
		BELT (POWER STEERING PUMP DRIVE)		
B9ME	8620-A		15/32" V x 40" long - use as P/S pump drive belt	1

BELT & PULLEY CHART 1960 - 383 & 430 C.I.D. ENGINES



PART NUMBER	ROTUNDA NUMBER	DESCRIPTION	NO. REQ'D.
DAMPER & PULLEY (CRANKSHAFT VIBRATION)			
A			
B9SZ 6312-A		6.625" O.D. pulley - two sheave - use on engines built prior to 2-9-60 - identified by timing marks stamped in degrees on O.D. of damper - use with B8S-6023-A pointer and B9SZ-6359-A spacer	1
COSZ 6312-A		6.625" O.D. pulley - two sheave - use on engines built after 2-8-60 - identified by ball point timing mark - use with C1VE-6023-A pointer and COME-6359-A spacer	1
PULLEY (WATER PUMP)			
PB8M 8509-B		7.10" O.D. - two sheave - standard cooling less a/cond.	1
B9ME 8509-A		5.32" O.D. - two sheave - use with a/cond.	1
PB8M 8509-C		6.12" O.D. - two sheave - use with alternator	1
PULLEY (AIR CONDITIONING DRIVE - WATER PUMP)			
B9SZ 8509-A		6.83" O.D. - pilot hole 1" diameter	1
PULLEY (ALTERNATOR DRIVE - WATER PUMP)			
EDG 8509-T		5.62" O.D. - two sheave	1
PULLEY (GENERATOR)			
C1VF 10130-A		3.01" O.D. - two sheave - use with 35 and 40 amp. generator	1
B8MF 10130-A		Use with 50 amp. generator	1
CLUTCH (COMPRESSOR - AIR CONDITIONING)			
C2VY 2884-A		Eaton	1
PULLEY (ALTERNATOR)			
B9MF 10344-A			1
BELT (GENERATOR, ALTERNATOR & WATER PUMP)			
AA			
B9SZ 8620-A	R3-P	3/8" V x 43-3/4" long - matched pair - generator to crankshaft to water pump - with standard cooling - with 30, 35 and 40 amp. generators - less power booster fan, alternator and a/cond.	2
B9MZ 8620-C		15/32" V x 41-3/4" long - matched pair - use as generator and water pump belts - 40 amp. generator with a/cond.	2
B8MY 8620-A		3/8" V x 45-5/16" long - use with 30 amp. low cut-in and 50, 60 amp. generator less a/cond. - crankshaft to water pump to generator	2
B8LY 8620-B		3/8" V x 42-1/8" long - use with alternator less a/cond. Also 30 amp. low cut-in and 50, 60 amp. generator with a/cond.	2 1
BELT (AIR CONDITIONING COMPRESSOR DRIVE)			
C2VY 8620-A		1/2" V x 45" long - use as a/cond. compressor drive belt	1
BELT (ALTERNATOR DRIVE)			
EDG 8620-E		3/8" V x 42-3/8" long - matched pair - use as alternator drive belt	2

BELT & PULLEY CHART 1961-62 - 223 C.I.D. ENGINE



1961-62 MERCURY

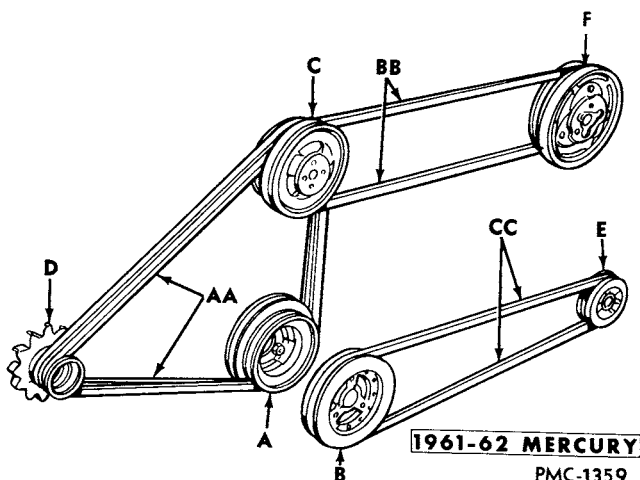
PMC-1361

PART NUMBER	ROTUNDA NUMBER	DESCRIPTION	NO. REQ'D.
A			
		DAMPER & PULLEY (CRANKSHAFT VIBRATION)	
C3AZ	6312-C	5.50" O.D. - one sheave	1
B			
		PULLEY (AIR CONDITIONING AND/OR POWER STEERING CRANKSHAFT)	
C1AE	6A312-E	Two sheaves - largest sheave 3/8"V x 7" O.D. - smallest sheave 1/2"V x 6.72" O.D. - use with 40 amp. Delco Remy generator	1
C1AE	6A312-C	5.50" O.D. - one sheave - use with 50 amp. pancake alternator on 1961 vehicles	1
C1AE	6A312-A	6.72" O.D. - one sheave - use with P/S	1
C2AZ	6A312-B	7.78" O.D. - one sheave - use with a/cond.	1
C			
		PULLEY (WATER PUMP)	
COAE	8509-C	6.125" O.D. - one sheave - use with 40 amp. Delco-Remy generator on 1961 vehicles	1
COTE	8509-D	5.23" O.D. - two sheave - use with 50 amp. alternator on 1961 vehicles	1
B7A	8509-A	5.83" O.D. - one sheave - use with standard cooling and 30 and 35 amp. generators	1
B7A	8509-D	5.22" O.D. - one sheave - use with a/cond. and/or extra cooling	1
D			
		PULLEY (GENERATOR OR ALTERNATOR)	
COAF	10130-B	Use with 40 amp. Delco-Remy generator on 1961 vehicles	1
B4TZ	10130-A		1
C1AF	10344-A	Use with 50 amp. alternator on 1961 vehicles - 6 cylinder engine	1
CONTINUED ON NEXT CHART			

BELT & PULLEY CHART 1961-62 MERCURY - 223 C.I.D. ENGINE - CONTINUED

PART NUMBER	ROTUNDA NUMBER	DESCRIPTION	NO. REQ D.
E PULLEY (POWER STEERING PUMP)			
C1SE 3A733-B		Without a/cond.	1
F CLUTCH (AIR CONDITIONING COMPRESSOR)			
C2AZ 2884-A		Eaton	1
C2AZ 2884-C		Warner - includes COAE-2987-A field assembly and (1) COAE-2988-A pilot bushing to facilitate installation - use on 1962 vehicles	1
C2AZ 2983-A		Warner - less COAE-2987-A field assembly	1
AA BELT (GENERATOR, ALTERNATOR & WATER PUMP)			
C2AZ 8620-G		15/32" V x 37-3/4" long - use as generator and water pump drive belt with a/cond. - with 40 amp. and Delco Remy generator	1
B7A 8620-A	R3-B	15/32" V x 36" long - use as water pump drive belt with standard cooling and 30 amp. generator	1
CODZ 8620-A		3/8" V x 35-19/32" long - use as generator and water pump belt with extra cooling	1
B7A 8620-L		3/8" V x 37-3/4" long - matched pair - use with 50 amp. alternator drive belt without a/cond. - use on 1961 vehicles Use as generator and water pump drive belt with a/cond. - use on vehicles built prior to 5-1-62	2 1
BB BELT (AIR CONDITIONING COMPRESSOR DRIVE)			
COAZ 8620-S		1/2" V x 51-3/64" long - use as a/cond. compressor drive belt	1
CC BELT (POWER STEERING PUMP DRIVE)			
C1AZ 8620-A	R3-CR	1/2" V x 33-1/2" long - use as P/S pump drive belt - less 50 amp. alternator	1

BELT & PULLEY CHART 1961-62 - 292 C.I.D. ENGINE

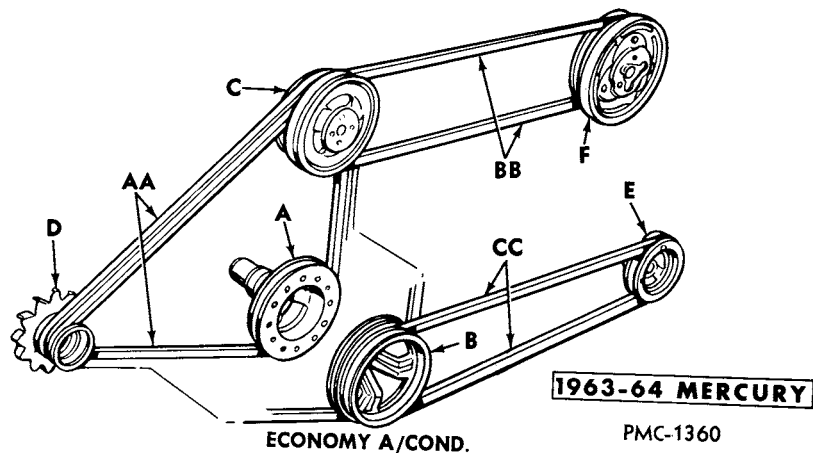


PART NUMBER	ROTUNDA NUMBER	DESCRIPTION	NO. REQ'D.
A			
		DAMPER & PULLEY (CRANKSHAFT VIBRATION)	
COAZ	6312-A	6.625" O.D. - one sheave	1
B			
		PULLEY (AIR CONDITIONING AND/OR POWER STEERING CRANKSHAFT)	
B8AZ	6A312-A	6.625" O.D. - one sheave - use with 50 amp. pancake alternator without P/S on 1961 vehicles	1
C1AZ	6A312-A	1/2"V x 6.60" O.D. - one sheave - use with P/S - (2) mounting bolt holes - use without a/cond.	1
COAZ	6A312-B	6.50" O.D. large pulley - 5.94" O.D. small pulley - two sheaves - (2) bolt mounting holes - use with 50 amp. pancake alternator with P/S - use on 1961 vehicles Use with a/cond. and P/S with a/cond.	1 1
C			
		PULLEY (WATER PUMP)	
B7A	8509-B	7.31" O.D. - one sheave - use with standard cooling and 30 or 35 amp. generator less a/cond.	1
C1AE	8509-F	6.85" O.D. - two sheave - use with 50 amp. pancake alternator on 1961 vehicles - also use with 60 amp. alternator on 1962 vehicles	1
B7A	8509-C	6.80" O.D. - one sheave - use with extra cooling and/or 40 amp. Delco-Remy generator	1
C1AE	8509-E	6.25" O.D. - three sheave - use with a/cond.	1
D			
		PULLEY (GENERATOR OR ALTERNATOR)	
B7A	10130-A	Use with 30 amp. generator not req'd. when a/cond. or heavy duty extra cooling is installed	1
COAF	10130-A	Use with 30,35 amp. generator with a/cond. Use with 30 amp. and heavy duty extra cooling - use on 1962 vehicles	1 1
COAF	10130-B	Use with 40 amp. Delco Remy generator on 1961 vehicles	1
C1AF	10344-C	Two sheave - use with 50 amp. alternator on 1961 vehicles	1
CONTINUED ON NEXT CHART			

BELT & PULLEY CHART 1961-62 MERCURY - 292 C.I.D. ENGINE - CONTINUED

PART NUMBER	ROTUNDA NUMBER	DESCRIPTION	NO. REQ'D.
E PULLEY (POWER STEERING PUMP)			
C1SE 3A733-B		Use without a/cond.	1
COAE 3A733-A		Use with a/cond.	1
F CLUTCH (AIR CONDITIONING COMPRESSOR)			
COAZ 2884-B		Eaton	1
COAZ 2884-F		Warner	1
AA BELT (GENERATOR, ALTERNATOR & WATER PUMP)			
C2AZ 8620-C	R3-CN	3/8" V x 45" long - use with standard cooling less a/cond.	1
COAZ 8620-D	R3-AE	3/8" V x 42-1/2" long - use as generator and water pump drive belts with a/cond.	1
B7A 8620-D	R3-N	3/8" V x 44-3/16" long - use as generator and water pump drive belt with 40 amp. Delco Remy generator or extra cooling -use on vehicles built prior to 7-24-61 - also use on 1962 vehicles	1
EDC 8620-A	R3-E	3/8" V x 44-13/32" long - use as generator and water pump belt with extra cooling on vehicles built after 7-23-61	1
B9MZ 8620-C		15/32" V x 41-3/4" long - use as 50 amp. pancake alternator drive belts on 1961 vehicles	2
BB BELT (AIR CONDITIONING COMPRESSOR DRIVE)			
B8LY 8620-A	R3-BL	1/2" V x 37-39/64" long - use as a/cond. compressor drive belt	1
CC BELT (POWER STEERING PUMP DRIVE)			
C2OZ 8620-J	R3-Z	1/2" V x 40-3/4" long - use as P/S pump drive belt without a/cond.	1
COAE 8620-E	R3-AU	1/2" V x 39" long - use as P/S pump drive belt with a/cond.	1

BELT & PULLEY CHART 1961-62 - 352, 390 C.I.D. ENGINES



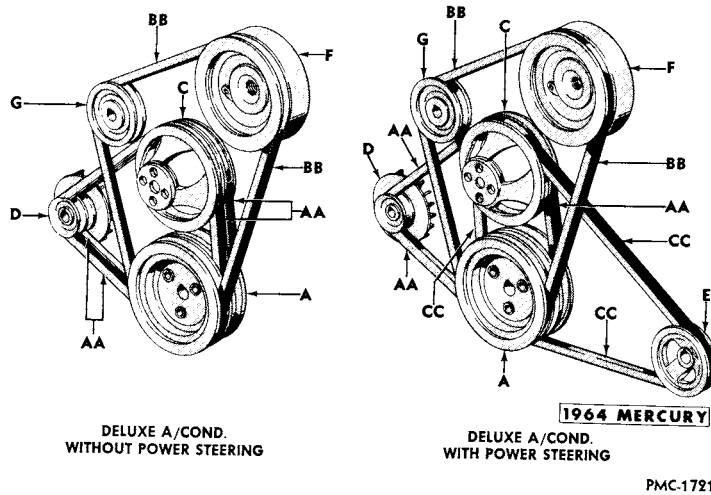
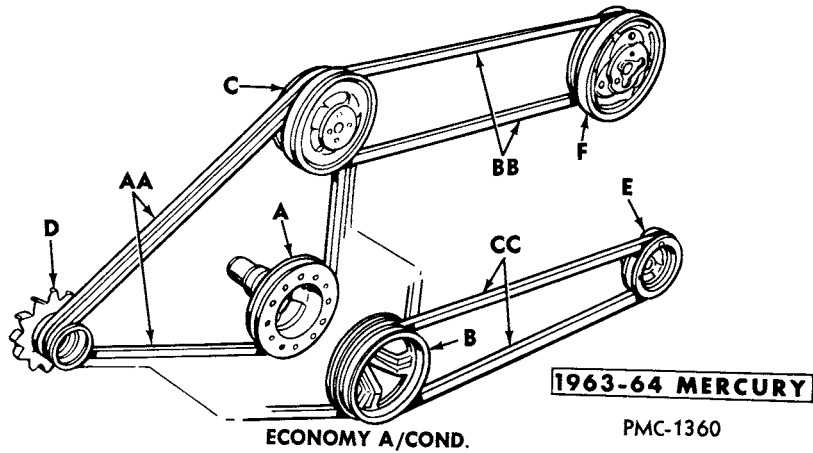
PART NUMBER	ROTUNDA NUMBER	DESCRIPTION	NO. REQ'D.
A			
COAZ 6312-B		DAMPER & PULLEY (CRANKSHAFT VIBRATION) 6.625" O.D. - one sheave	1
B			
C1AZ 6A312-B		PULLEY (AIR CONDITIONING AND/OR POWER STEERING CRANKSHAFT) 1/2"V x 6.60" O.D. - one sheave - use with P/S - (3) mounting bolt holes - use without a/cond.	1
C1AZ 6A312-C		Double pulley - largest pulley 6.58" O.D. - smallest pulley 5.94" O.D. - use with a/cond. and P/S with a/cond. Use with 50 amp. pancake alternator - 1961 vehicles Use with standard generator with heavy duty extra cooling and/or P/S - 1962 vehicles	1 1 1
C			
B7A 8509-B		PULLEY (WATER PUMP) 7.31" O.D. - one sheave - use with standard cooling and 30 or 35 amp. generator less a/cond.	1
B7A 8509-C		6.80" O.D. - one sheave - use with extra cooling and/or 40 amp. Delco-Remy generator	1
C1AE 8509-F		6.85" O.D. - two sheave - use with 50 amp. pancake alternator - use on 1961 vehicles Also use with 60 amp. alternator on 1962 vehicles	1 1
C1AE 8509-B		6.28" O.D. - three sheave - use with a/cond.	1
C2AZ 8509-A		5.30" O.D. - two sheave - use with standard generator and extra cooling on 1962 vehicles	1
D			
B7A 10130-A		PULLEY (GENERATOR OR ALTERNATOR) Use with 30 amp. generator not req'd. when a/cond. or heavy duty extra cooling is installed	1
COAF 10130-A		One sheave - use with 30, 35 amp. generator with a/cond. Also use with 30 amp. and heavy duty extra cooling on 1962 vehicles	1 1
COAF 10130-B		One sheave - use with 40 amp. Delco Remy generator on 1961 vehicles	1
C1AF 10344-C		Two sheave - use with 50 amp. alternator on 1961 vehicles	1
CONTINUED ON NEXT CHART			

BELT & PULLEY CHART 1961-62 MERCURY - 352 & 390 C.I.D. ENGINE - CONTINUED

PART NUMBER	ROTUNDA NUMBER	DESCRIPTION	NO. REQ'D.
E PULLEY (POWER STEERING PUMP)			
COAE 3A733-A		Use with a/cond.	1
C1SE 3A733-B		Use without a/cond.	1
F CLUTCH (AIR CONDITIONING COMPRESSOR)			
C2AZ 2884-A		Eaton	1
C2AZ 2983-A		Warner - less COAE-2987-A field assembly	1
C2AZ 2884-C		Warner - includes COAE-2987-A field assembly and (1) COAE-2988-A pilot bushing to facilitate installation	1
AA BELT (GENERATOR, ALTERNATOR & WATER PUMP)			
C2AZ 8620-F	R3-BM	15/32"V x 44" long - use as generator, water pump belt with 30 and 35 amp. generators on 1961 vehicles - use with standard cooling on 1962 vehicles	1
B9MZ 8620-C		15/32"V x 41-3/4" long - use as pancake 50 amp. alternator drive belts on 1961 vehicles Use as standard generator belt with extra cooling on 1962 vehicles Use as generator and water pump belt with a/cond.	2 2 2
B9SZ 8620-A	R3-P	15/32"V x 43-3/4" long - use as water pump fan and generator belt with extra cooling on vehicles built prior to 7-24-61 - use on 1961 vehicles	1
B8A 8620-F		15/32" V x 43-1/4" long - use as generator and water pump belt with extra cooling - on vehicles built after 7-23-61	1
COAZ 8620-D	R3-AE	3/8"V x 42-1/2" long - use with 40 amp. Delco-Remy generator on 1961 vehicles	1
BB BELT (AIR CONDITIONING COMPRESSOR DRIVE)			
B6S 8620-A	R3-BB	1/2"V x 41-1/2" long - use as a/cond. compressor drive belt	1
CC BELT (POWER STEERING PUMP DRIVE)			
COAZ 8620-T	R3-AF	1/2"V x 38-1/2" long - use as P/S pump drive belt - without a/cond.	1
COAZ 8620-E	R3-AH	1/2"V x 37" long - use as P/S belt with standard generator and extra cooling on 1962 vehicles Use as P/S pump drive belt with a/cond.	1 1

BELT and PULLEY CHART 1963-64 - 390, 427 C.I.D. ENGINES

1962-63 - 406 C.I.D. ENGINE



PART NUMBER	ROTUNDA NUMBER	DESCRIPTION	NO. REQ' D.
A			
DAMPER & PULLEY (CRANKSHAFT VIBRATION)			
C1AZ 6312-A		6.50" O.D. - one sheave - 406 C.I.D. engine	1
C3AZ 6312-B		7.50" O.D. - one sheave - 427 C.I.D. engine - use on 1963 vehicles	1
C3AZ 6312-E		6.679" O.D. - one sheave - includes C3AZ-6023-A pointer - 390 C.I.D. engine - use on 1963-64 vehicles	1
CONTINUED ON NEXT CHART			

BELT & PULLEY CHART 1963-64 - 390 & 427 C.I.D. ENGINES & 1962-63 - 406 C.I.D. ENGINES - CONTINUED

PART NUMBER	ROTUNDA NUMBER	DESCRIPTION	NO. REQ'D.
B			
PULLEY (VIBRATION DAMPER) OUTER			
C1AZ 6A312-B		1/2" V x 6.60" O.D. - one sheave - use with P/S - (3) mounting bolt holes - use without a/cond. - 390 C.I.D. engine - use on 1963 vehicles	1
C1AZ 6A312-C		Double pulley - largest pulley 6.58" O.D. - smallest pulley 5.94" O.D. - use with a/cond. and P/S with a/cond. - 390 C.I.D. engine - use on 1963 vehicles Use with Economy a/cond. - use with Police Special equipped with 42 amp. Ford alternator or without a/cond. - 390 C.I.D. engine - use on 1964 vehicles Not used with Police Special equipped with 42 amp. Ford alternator with extra cooling without a/cond. prior to 12-2-63 - 390 C.I.D. engine - use on 1964 vehicles Use with 40 or 60 amp. Leece-Neville alternator without a/cond. and/or P/S - 390 C.I.D. engine - use on 1964 vehicles	1 1
C1AZ 6A312-D		6.60" O.D. - 1/2" V - one sheave - 390 C.I.D. engine except Police Special - use with P/S without a/cond. or extra cooling and after 12-2-63, use with extra cooling without a/cond. - use on 1964 vehicles	1
C4AZ 6A312-A		Three sheaves - largest sheave 7.76" O.D. - smallest sheave 6.10" O.D. - use with Deluxe a/cond. - 390 C.I.D. engine - use on 1964 vehicles	1
C			
PULLEY (WATER PUMP)			
B7A 8509-B		7.31" O.D. - single sheave - use without a/cond. - 390, 406, 427 C.I.D. engines - use on 1963 vehicles - 406 C.I.D. engine on 1962 vehicles Use with 40 amp. Ford alternator - 390 C.I.D. engine except Police Special - use on 1964 vehicles Use as standard pulley - 427 C.I.D. engine - use on 1964 vehicles	1 1 1
C1AE 8509-F		6.85" O.D. - two sheave - use with heavy duty extra cooling or 60 amp. Leece-Neville alternator - 390 C.I.D. engine - use on 1963 vehicles Use with 42 amp. Ford alternator (except Police Special) and extra cooling without a/cond. on vehicles built prior to 12-2-63 - use with 42 amp. Ford alternator (Police Special) without a/cond. or with 40 or 60 amp. Leece-Neville alternator without a/cond. or P/S - 390 C.I.D. engine - use on 1963-64 vehicles	1 1
C1AE 8509-B		6.28" O.D. - front sheave - 5.32" O.D. - rear sheave - use with Deluxe a/cond. or Economy a/cond. with extra cooling - 390 C.I.D. engine - use on 1963 vehicles Use with Economy a/cond. with extra cooling - 390 C.I.D. engine - use on 1964 vehicles	1 1
CONTINUED ON NEXT CHART			

BELT & PULLEY CHART 1963-64 - 390 & 427 C.I.D. ENGINES & 1962-63 - 406 C.I.D. ENGINES - CONTINUED

PART NUMBER	ROTUNDA NUMBER	DESCRIPTION	NO. REQ'D.
C3AZ 8509-A		7.43" O.D. - three sheave - use with Economy a/cond. - 390 C.I.D. engine - use on 1963 vehicles	1
		Use with Economy a/cond. with extra cooling - 390 C.I.D. engine - use on 1964 vehicles	1
C2AZ 8509-A		5.35" O.D. - two sheave - 5/8" pilot hole - use with standard alternator and heavy duty extra cooling - 390 C.I.D. engine - use on 1963 vehicles	1
		Use without a/cond. with extra cooling and 40 and 60 amp. Leece-Neville alternator - 390 C.I.D. engine - use on 1964 vehicles	1
C4SZ 8509-A		6.20" O.D. - two sheave - 5/8" pilot hole - use with Deluxe a/cond. on vehicles with or without P/S - 390 C.I.D. engine - use on 1964 vehicles	1
D			
PULLEY (GENERATOR & ALTERNATOR)			
FAP 10130-A		Single sheave - use with 30 amp. generator - 406 C.I.D. engine - use on 1962 vehicles	1
C3MY 10344-A		3.4" O.D. - one sheave - 406 and 427 C.I.D. engine - use on 1963 vehicles	1
C3SZ 10344-A		3" O.D. - two sheave - use with 40 amp. alternator with Economy a/cond. - 390 C.I.D. engine	1
C3SZ 10344-B		3.00" O.D. - single sheave - use with 30 amp. and 40 amp. alternator - use with Ford alternator without a/cond. - 390 C.I.D. engine	1
C4MY 10344-A		3.90" O.D. - one sheave - use with 42 amp. Ford alternator without a/cond. - 427 C.I.D. engine - use on 1964 vehicles	1
C2AZ 10344-A		3" diameter - double sheave - use with 60 amp. Leece-Neville alternator - 390 C.I.D. engine - use on 1964 vehicles	1
C2AZ 10344-C		2.67" diameter - double sheave - use with 40 amp. Leece-Neville alternator - 390 C.I.D. engine - use on 1964 vehicles	1
C4TZ 10344-A		3.07" diameter - double sheave - use with 42 amp. Ford alternator with Deluxe a/cond. without P/S - 390 C.I.D. engine - use on 1964 vehicles	1
C4OZ 10344-A		2.67" diameter - double sheave - standard on Police Interceptor - extra cooling on all other 390 C.I.D. engine with 42 amp. alternator on 1964 vehicles	1
C4SZ 10344-A		3.02" diameter - single sheave - use with 42 amp. Ford alternator with a/cond. and P/S - 390,427 C.I.D. engines - use on 1964 vehicles	1

BELT & PULLEY CHART 1963-64 - 390 & 427 C.I.D. ENGINES & 1962-63 - 406 C.I.D. ENGINES - CONTINUED

PART NUMBER	ROTUNDA NUMBER	DESCRIPTION	NO. REQ'D.
E			
PULLEY (POWER STEERING PUMP)			
C1SE	3A733-B	Use without a/cond. - use on 1962-63 vehicles	1
COAE	3A733-A	Use with a/cond. - 390 C.I.D. engine - use on 1963 vehicles Use with dealer installed a/cond. on 1964 vehicles	1 1
C4AZ	3A733-B	Use with factory installed a/cond. - use on 1964 vehicles	1
C4AZ	3A733-A	Use without a/cond. - use on 1964 vehicles	1
F			
CLUTCH (AIR CONDITIONING COMPRESSOR)			
C2AZ	2884-A	Eaton - 6.70" O.D. - one sheave - use on 1963-64 vehicles	1
G			
PULLEY (BELT IDLER)			
C4AZ	8679-A	Use with Deluxe a/cond. - 390 C.I.D. engine - use on 1964 vehicles	1
AA			
BELT (ALTERNATOR & WATER PUMP)			
C3VY	8620-A	15/32"V x 42-1/4" long - matched pair - use with standard cooling - 390 C.I.D. engine - use on 1963 vehicles Use as alternator and water pump drive belt with 40 amp. Ford alternator and standard cooling - 390 C.I.D. engine - use on vehicles built prior to 10-12-63 - use on 1964 vehicles	1 1
C3MY	8620-A	3/8"V x 43" long - dacron cord - use as alternator and water pump belt - 406,427 C.I.D. engines on 1963 vehicles - 427 C.I.D. engine for 1964 vehicles	1
C3TZ	8620-J	R3-CW 15/32"V x 40-3/4" long - matched pair - use with Economy a/cond. - 390 C.I.D. engine - use on 1963-64 vehicles	2
C2VY	8620-B	15/32" x 41-43/64" long - matched pair - use with extra cooling - 390 C.I.D. engine - use on 1963 vehicles Use as alternator, fan and water pump drive belt with heavy duty extra cooling and .97:1 water pump pulley ratio - 390 C.I.D. engine - use on 1964 vehicles	2 2
C3SZ	8620-A	15/32" V x 39-3/4" long - matched pair - use with Deluxe or Economy a/cond. with extra cooling - 390 C.I.D. engine - use on 1963 vehicles Use with Economy a/cond. and extra cooling - 390 C.I.D. engine - use on 1964 vehicles	2 2
CONTINUED ON NEXT CHART			

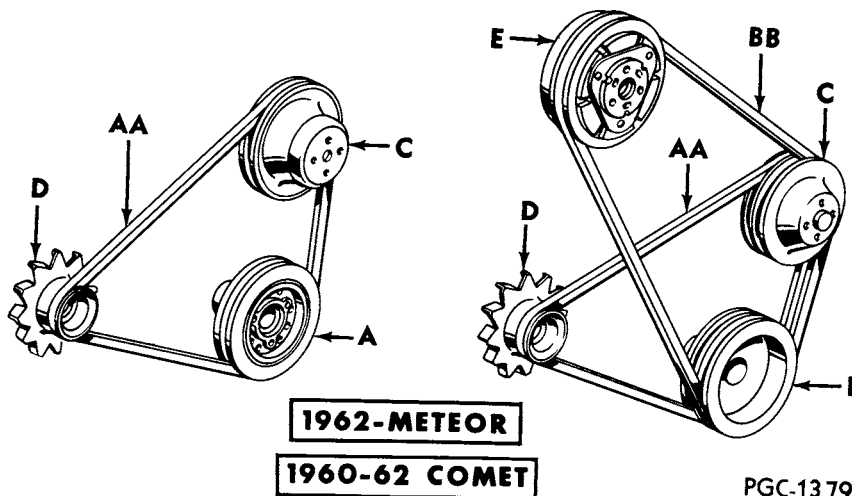
BELT & PULLEY CHART 1963-64 - 390 & 427 C.I.D. ENGINES & 1962-63 - 406 C.I.D. ENGINES - CONTINUED

PART NUMBER	ROTUNDA NUMBER	DESCRIPTION	NO. REQ'D.
AA			
BELT (ALTERNATOR & WATER PUMP) CONTINUED			
C3VY 8620-B		15/32" V x 42-1/4" long - matched pair - use as alternator and water pump drive belt with 40 amp. Ford alternator and standard cooling - use on vehicles built after 10-11-63 - use with extra cooling on vehicles built after 12-1-63 - 390 C.I.D. engine - use on 1964 vehicles	1
C2AZ 8620-B		3/8" V x 45-5/16" long - dacron cord - use as generator and water pump belt - 406 C.I.D. engine - use on 1962 vehicles	1
C2AZ 8620-A		3/8" V x 40" long - matched pair - use as alternator and water pump drive belt with 40 or 60 amp. Leece-Neville alternator and 1.25:1 water pump pulley ratio - also use with 60 amp. Leece-Neville alternator with extra cooling fan and 1.25:1 water pump pulley ratio - use on vehicles built prior to 2-28-64 - 390 C.I.D. engine - use on 1964 vehicles	2
C2AZ 8620-H		15/32" V x 40" long - matched pair - use as alternator and water pump drive belt with 40 or 60 amp. Leece-Neville alternator with 1.25:1 water pump pulley ratio - use on vehicles built after 2-27-64 - 390 C.I.D. engine - use on 1964 vehicles - not used in production after 3-16-64	2
C4AZ 8620-A		15/32" V x 41-1/4" long - matched pair - use as alternator and water pump drive belt with 42 amp. Ford alternator (except Police Special) and extra cooling with .97:1 water pump pulley ratio without a/cond. on vehicles built prior to 12-2-63 - use with Police Special with 42 amp. Ford alternator without a/cond. - 390 C.I.D. engine - use on 1964 vehicles	2
C4SZ 8620-A		15/32" V x 42" long - matched pair - use as alternator and water pump drive belt with Deluxe a/cond. (1) req'd. on vehicles equipped with P/S (2) req'd. on vehicles not equipped with P/S 390 C.I.D. engine - use on 1964 vehicles	AR
B9MZ 8620-C		15/32" V x 41-3/4" long - matched pair - use with 40 or 60 amp. Leece-Neville alternator with .97:1 water pump pulley ratio - 390 C.I.D. engine - use on 1964 vehicles	2
C4AZ 8620-B		15/32" V x 39-1/2" long - matched pair - use as water pump and alternator drive belt with extra cooling and 42 amp. Ford alternator with 1.25:1 water pump pulley ratio - use without a/cond. - 390 C.I.D. engine - use on 1964 vehicles	2
CONTINUED ON NEXT CHART			

BELT & PULLEY CHART 1963-64 - 390 & 427 C.I.D. ENGINES & 1962-63 - 406 C.I.D. ENGINES - CONTINUED

PART NUMBER	ROTUNDA NUMBER	DESCRIPTION	NO. REQ'D.
BB			
BELT (AIR CONDITIONING COMPRESSOR DRIVE)			
B6S 8620-A	R3-BB	1/2"V x 41-1/2" long - use with Deluxe and Economy a/cond. with extra cooling - 390 C.I.D. engine - use on 1963 vehicles Use with Economy a/cond. with extra cooling - 390 C.I.D. engine - use on 1964 vehicles	1 1
C2TZ 8620-V		1/2"V x 44-1/4" long - matched pair - use as compressor drive belt with Economy a/cond. - 390 C.I.D. engine	1
C4AZ 8620-D		1/2"V x 56-1/2" long - use as compressor drive belt - use with Deluxe a/cond. with or without P/S - 390 C.I.D. engine - use on 1964 vehicles	1
C4SZ 8620-B		1/2"V x 58-1/4" long - use as compressor drive belt - with Economy a/cond. when C3AZ-19B969-J is used - 390 C.I.D. engine - use on 1964 vehicles	1
CC			
BELT (POWER STEERING PUMP DRIVE)			
COAZ 8620-T		1/2"V x 38-1/2" long - use as P/S pump drive belt without a/cond. - 390 C.I.D. engine - use on 1963 vehicles	1
COAZ 8620-E		1/2"V x 37" long - use as P/S pump drive belt with a/cond. - 390 C.I.D. engine - use on 1963 vehicles Use with Economy a/cond. (except Police Special) and extra cooling on vehicles built prior to 12-2-63 - 390 C.I.D. engine - also use as P/S drive belt with Police Special - 390 C.I.D. engine on 1964 vehicles	1 1
C3OZ 8620-A		1/2" V x 39-1/2" long - use as P/S drive belt with 40 amp. Ford alternator with standard cooling on vehicles built after 12-1-63 - 390 C.I.D. engine - use on 1964 vehicles	1
C4SZ 8620-C		15/32"V x 49" long - use with P/S drive belt - crankshaft, water pump, power steering pulley - use with Deluxe a/cond. and P/S - 390 C.I.D. engine - use on 1964 vehicles	1
C3DZ 8620-C		15/32" V x 47-3/4" long - matched pair - use with Economy a/cond. with P/S when C3AZ-19B969-J vibration kit is used - 390 C.I.D. engine - use on 1964 vehicles	1

BELT & PULLEY CHART 1960-62 - 144, 170 C.I.D. ENGINES

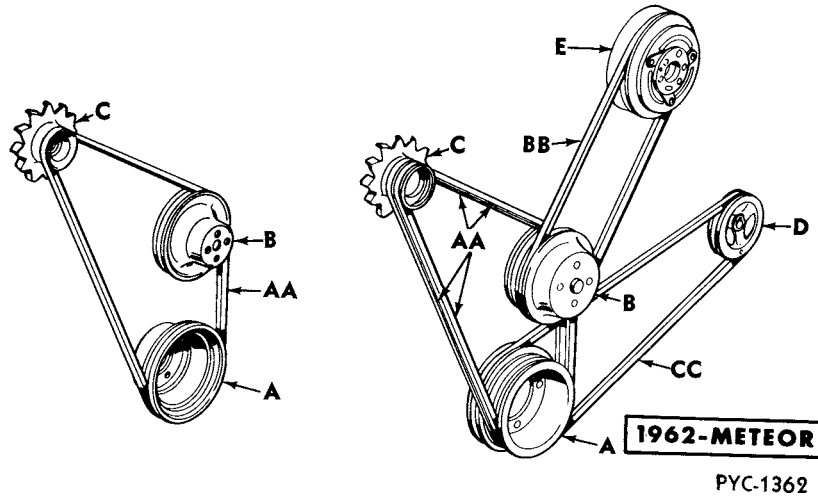


PART NUMBER	ROTUNDA NUMBER	DESCRIPTION	NO. REQ'D.
A			
DAMPER & PULLEY (CRANKSHAFT VIBRATION)			
C2DZ	6312-A	5.939" O.D. - one sheave - 170 C.I.D. engine - on Meteor only Use without a/cond. - on Comet	1 1
B			
PULLEY (AIR CONDITIONING) CRANKSHAFT			
CODZ	6A312-A	6.06" O.D. - two sheave - use with a/cond. - 144, 170 C.I.D. engines - on Comet	1
C2DZ	6A312-A	5.86" O.D. - single sheave - use with P/S - 170 C.I.D. engine - on Meteor	1
C2OZ	6A312-A	6.00" O.D. - double sheave - use with a/cond. - 170 C.I.D. engine - on Meteor	1
C			
PULLEY (WATER PUMP)			
CODE	8509-A	5.66" O.D. - one sheave - use without a/cond. - 144, 170 C.I.D. engines - on Comet Use without a/cond. or P/S - 170 C.I.D. engine - on Meteor	1 1
C2OZ	8509-C	5.00" O.D. - two sheave - use with a/cond. - 170 C.I.D. engine - on Meteor	1
C2OE	8509-C	Two sheave - use with P/S - 170 C.I.D. engine - on Meteor	1
CODE	8509-C	5.28" O.D. - two sheave - use with a/cond. - 5/8" pilot hole - 144, 170 C.I.D. engines - on Comet	1
C2DZ	8509-A	5.28" O.D. - two sheave - use with a/cond. - 1" pilot hole - use on 1962 vehicles - 144, 170 C.I.D. engines - on Comet	1
D			
PULLEY (GENERATOR)			
B4TZ	10130-A	One sheave - use on vehicles built prior to 5-28-62 - 170 C.I.D. engine - on Meteor - also use on 144, 170 C.I.D. engines for Comet	1
C2OZ	10130-C	Use on vehicles built after 5-27-62 with C2OZ-8620-H - 33-1/4 belt - 170 C.I.D. engine - on Meteor	1
CONTINUED ON NEXT CHART			

BELT & PULLEY CHART 1960-62 - 144 & 170 C.I.D. ENGINES - CONTINUED

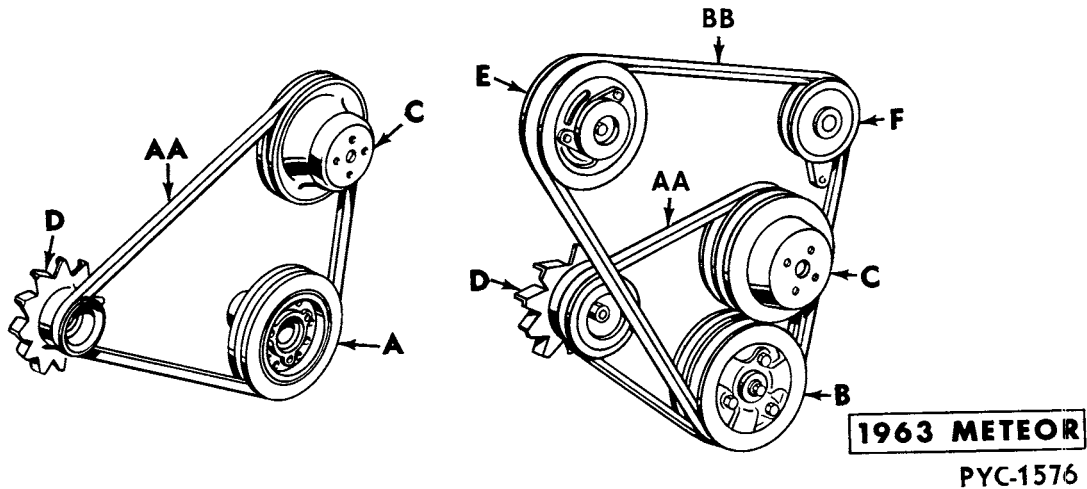
PART NUMBER	ROTUNDA NUMBER	DESCRIPTION	NO. REQ'D.
E CLUTCH (AIR CONDITIONING COMPRESSOR)			
C3DZ 2884-A		Eaton - 144, 170 C.I.D. engines - on Comet	1
C2OZ 2884-A		Eaton - 170 C.I.D. engine - on Meteor	1
AA BELT (GENERATOR & WATER PUMP)			
C3DZ 8620-B	R3-L	15/32"V x 33-1/4" long - matched pair - use as generator, fan and water pump belt - use without a/cond.	1
C2TZ 8620-M		1/2"V x 47-1/4" long - use as water pump to compressor belt with a/cond. - use on vehicles built between 4-1-62 and 6-9-62 - 170 C.I.D. engine - on Meteor	1
C2OZ 8620-K		1/2"V x 53-1/2" long - use as water pump to compressor belt with a/cond. - use on vehicles built after 6-10-62 - 170 C.I.D. engine - on Meteor	1
B8AZ 8620-E		15/32"V x 44-1/2" long - use as P/S belt - 170 C.I.D. engine - on Meteor	1
COAZ 8620-Y		15/32" x 36-1/2" long - use as generator, fan and water pump with a/cond. - 170 C.I.D. engine on Meteor	1
C1UZ 8620-A		3/8"V x 37-1/4" long - use with a/cond. as generator and water pump drive belt - on Comet	1
BB BELT (AIR CONDITIONING COMPRESSOR DRIVE)			
B5A 8620-C		1/2"V x 49-3/8" long - use with a/cond. as compressor drive belt - on Comet	1
C2OE 8620-L		1/2"V x 47-5/8" long - use as water pump to compressor belt with a/cond. - on vehicles built prior to 4-2-62 - 170 C.I.D. engine - Meteor only	1

BELT & PULLEY CHART 1962 - 221 & 260 C.I.D. ENGINES



PART NUMBER	ROTUNDA NUMBER	DESCRIPTION	NO. REQ'D.
A			
DAMPER & PULLEY (CRANKSHAFT VIBRATION)			
C2OZ 6312-A		6.179" O.D. - one sheave - use without P/S and a/cond.	1
C2OZ 6312-B		6.25" O.D. - three sheaves - use with P/S and/or a/cond.	1
C2OZ 6316-A		Damper only - 260 C.I.D. engine	
B			
PULLEY (WATER PUMP)			
C2OZ 8509-A		5.81" O.D. - one sheave - use without a/cond. or extra cooling	1
C2OZ 8509-F		5.92" O.D. front - 5.42" O.D. rear sheaves - three sheaves - use with a/cond. - use on vehicles built after 4-1-62	1
C2OZ 8509-D		Three sheaves - use with a/cond. - use on vehicles built prior to 4-2-62	1
C			
PULLEY (GENERATOR)			
C2OF 10130-A		Single sheave - use with 30 amp. generator	1
C2OZ 10130-B		Use with a/cond. - 221 C.I.D. engine	1
D			
PULLEY (POWER STEERING PUMP)			
C2OZ 3A733-B		4-11/32" O.D. - one sheave - use with P/S	1
E			
CLUTCH (AIR CONDITIONING COMPRESSOR)			
C2OZ 2884-A		Eaton	1
AA			
BELT (GENERATOR & WATER PUMP)			
C2OZ 8620-E	R3-BH	15/32" V x 49-1/4" long - matched pair - use as generator, fan and water pump drive belt - use without a/cond. Use with a/cond.	1
BB			
BELT (AIR CONDITIONING COMPRESSOR DRIVE)			
C2OZ 8620-J		1/2" V x 40-3/4" - use as a/cond. compressor belt - use on vehicles built prior to 5-8-62	1
C2TZ 8620-L		1/2" V x 41" long - use as a/cond. compressor belt - use on vehicles built after 5-7-62	1
CC			
BELT (POWER STEERING PUMP DRIVE)			
C2OZ 8620-B	R3-BG	1/2" V x 45-3/4" long - use as P/S belt without a/cond.	1
C2TZ 8620-V	R3-CT	1/2" V x 44-1/4" long - matched pair - use as P/S drive belt with a/cond.	1

BELT & PULLEY CHART 1963 - 170, 200 C. I. D. ENGINES

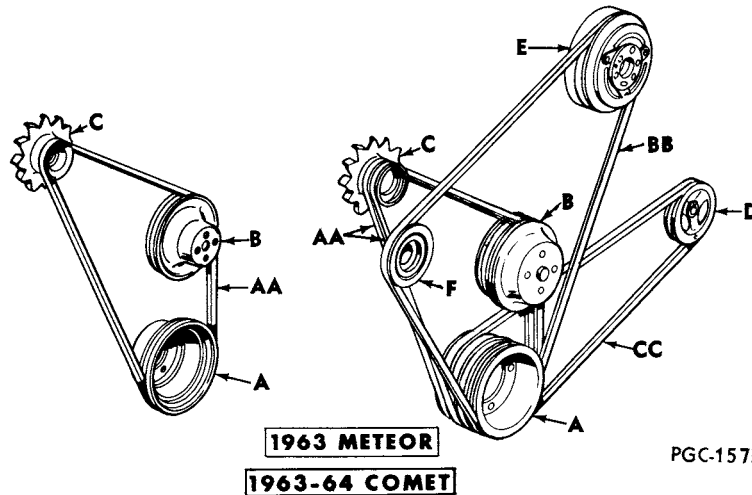


PART NUMBER	ROTUNDA NUMBER	DESCRIPTION	NO. REQ'D.
		A	
		DAMPER & PULLEY (CRANKSHAFT VIBRATION)	
C2DZ	6312-A	5.939" O.D. - one sheave	1
		B	
		PULLEY (VIBRATION DAMPER) OUTER	
C2OZ	6A312-A	6.00" O.D. - double sheave - use with a/cond.	1
C2DZ	6A312-A	5.86" O.D. - single sheave - use with P/S	1
		C	
		PULLEY (WATER PUMP)	
C2OE	8509-C	Two sheave - use with P/S - 170 C. I. D. engines	1
C3OZ	8509-A	5.02" O.D. - one sheave - 1.00" shoulder pilot for fan clutch - use with Deluxe a/cond. and with extra cooling with Economy a/cond. - must be used with C3OZ-8A616-A fan clutch - 170 C. I. D. Engines	1
C3OZ	8509-B	5.00" O.D. - one sheave - 5/8" pilot hole - use with Deluxe a/cond. and extra cooling with Economy a/cond. - 170 C. I. D. engines Use with standard cooling or a/cond. - 200 C. I. D. engines Must be used with C3OZ-8A616-B fan clutch with either 170 or 200 C. I. D. engines	1
CODE	8509-A	5.66" O.D. - one sheave - use with Economy a/cond. without extra cooling - 170 C. I. D. engines Use without P/S, Deluxe a/cond. or Economy a/cond. with extra cooling - 170 C. I. D. engine	1
C3DZ	8509-C	5.00" O.D. - two sheave - 5/8" pilot hole - 1.00" shoulder pilot - use with P/S - 200 C. I. D. engine	1
		D	
		PULLEY (GENERATOR)	
C2OZ	10130-C	Use on vehicles built after 5-27-62 with C2OZ-8620-H - 33-1/4" belt	1
CONTINUED ON NEXT CHART			

BELT & PULLEY CHART 1963 METEOR - 170, 200 C.I.D. ENGINES - CONTINUED

PART NUMBER	ROTUNDA NUMBER	DESCRIPTION	NO. REQ'D.
E			
CLUTCH (AIR CONDITIONING COMPRESSOR)			
C3AZ 2884-A		Eaton	1
C3AZ 2884-B		Warner - less C3SZ-2987-A field assembly	1
F			
BRACKET & PULLEY (COMPRESSOR BELT) IDLER ADJUSTING			
C3OZ 8678-A		One sheave - 4.12" O.D. - use with a/cond.	1
AA			
BELT (GENERATOR & WATER PUMP)			
C3AZ 8620-A		15/32" V x 35-1/2" long - matched pair - use as generator, fan and water pump belt with Economy a/cond. without extra cooling - 170 C.I.D. engine	1
C3DZ 8620-B		15/32" V x 33-1/4" long - matched pair - use as generator, fan and water pump belt - use without a/cond. - 170 C.I.D. engine	1
C3OZ 8620-B		15/32" V x 35" long - use as generator and water pump drive belt with Deluxe a/cond. and with Economy a/cond. with extra cooling on vehicles equipped with 170 C.I.D. engine - also use with a/cond. on vehicles equipped with 200 C.I.D. engine	1
C3OZ 8620-D		15/32" V x 32-1/2" long - use as generator, fan and water pump drive belt - use without a/cond. - 200 C.I.D. engine	1
BB			
BELT (AIR CONDITIONING COMPRESSOR DRIVE)			
C5ZZ 8620-A		1/2" V x 54" long - use as a/cond. compressor drive belt	1
CC			
BELT (POWER STEERING PUMP DRIVE)			
B8AZ 8620-E		15/32" V x 44-1/2" long - use without a/cond. - 170 C.I.D. engine	1
C2AZ 8620-F		15/32" V x 44" long - matched pair - use as P/S pump drive belt - 200 C.I.D. engine	1

BELT & PULLEY CHART 1963-64 - 221, 260, 289 C.I.D. ENGINES

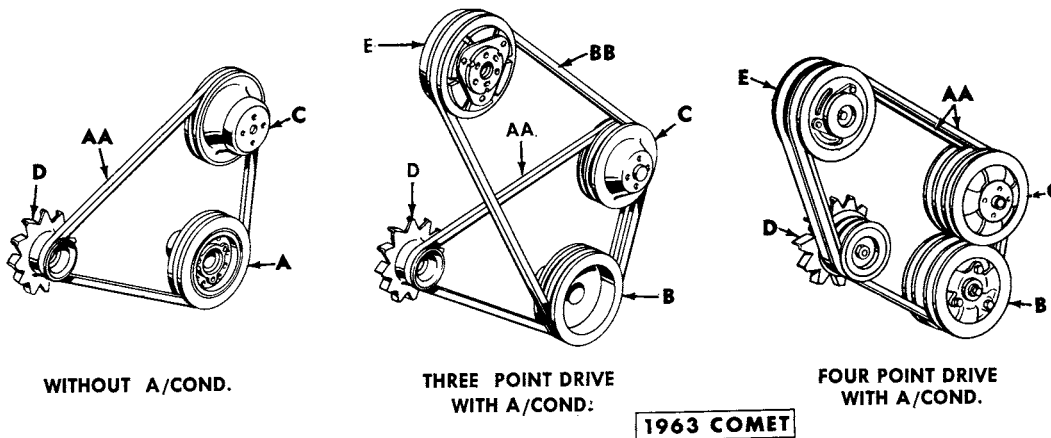


PART NUMBER	ROTUNDA NUMBER	DESCRIPTION	NO. REQ'D.
A			
DAMPER & PULLEY (CRANKSHAFT VIBRATION)			
C2OZ 6312-A		6.179" O.D. - one sheave - without extra cooling, P/S or a/cond. - 221, 260 C.I.D. engine - 1963 Meteor Use without extra cooling, P/S and/or a/cond. - 260 C.I.D. engine - 1963 Comet Use without extra cooling - 260, 289 C.I.D. engines - 1964 Comet	1 1 1
C2OZ 6312-B		6.129" O.D. - three sheave - use with P/S except a/cond. - 221, 260 C.I.D. engines - 1963 Meteor Use with extra cooling or with P/S without a/cond. - 260 C.I.D. engine - 1963-64 Comet - 289 C.I.D. engine - 1964 Comet	1 1
C3AZ 6312-A		6.37" O.D. - four sheave - use with a/cond. - 221, 260 C.I.D. engines - 1963 Meteor and Comet - 260, 289 C.I.D. engines - 1964 Comet	1
B			
PULLEY (WATER PUMP)			
C2OZ 8509-A		5.815" O.D. - 2.14" depth - one sheave - use without a/cond. or extra cooling	1
C2OZ 8509-B		5.40" O.D. - two sheave - use with a/cond. or extra cooling	1
C			
PULLEY (GENERATOR OR ALTERNATOR)			
C2OF 10130-A		One sheave - without a/cond. - use with 30 amp. generator	1
C2OZ 10130-B		Two sheave - use with a/cond.	1
C4TZ 10344-D		2.67" diameter - double sheave - use with 42 amp. alternator with Special Performance (Engine Warranty Code D) - 289 C.I.D. engine - use on 1964 vehicles	1
CONTINUED ON NEXT CHART			

BELT & PULLEY CHART 1963-64 - 221,260,289 C.I.D. ENGINES - CONTINUED

PART NUMBER	ROTUNDA NUMBER	DESCRIPTION	NO. REQ'D.
D			
C1SE 3A733-B		PULLEY (POWER STEERING PUMP) 4-11/32" O. D. - one sheave - without a/cond.	1
E			
C3AZ 2884-A		CLUTCH (AIR CONDITIONING COMPRESSOR) Eaton	1
C3AZ 2884-B		Warner - less C3SZ-2987-A field assembly	1
C4OZ 2884-A		Pitts - use with Pitts field assembly C4AZ-2987-A - use on 1964 vehicles	1
F			
C3AZ 8678-B		PULLEY (ASSEMBLY) BELT IDLER 3-37/64" O. D. - includes bracket - one sheave - use with a/cond.	1
AA			
C2OZ 8620-E	R3-BH	BELT (GENERATOR, ALTERNATOR & WATER PUMP) 15/32" V x 49-1/4" long - matched pair - use as generator, fan and water pump drive belt - use with a/cond. Use with a/cond.	1 2
C3DZ 8620-C		15/32" V x 47-3/4" long - matched pair - use as alternator, crankshaft and water pump drive belt with Special Performance - (Engine Warranty Code D) - 289 C.I.D. engine - use on 1964 vehicles	1
BB			
C3AZ 8620-C		BELT (AIR CONDITIONING COMPRESSOR DRIVE) 1/2" V x 56" long - use as a/cond. compressor drive belt - use on 1963 vehicles	1
C4AZ 8620-D		1/2" V x 56-1/2" long - use with a/cond. as compressor drive belt - use on 1964 vehicles	1
CC			
C3OZ 8620-A	R3-DC	BELT (POWER STEERING PUMP DRIVE) 1/2" V x 39-1/2" long - use with P/S drive belt	1

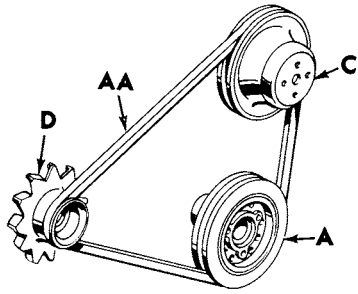
BELT & PULLEY CHART 1963 - 144, 170 C. I. D. ENGINES



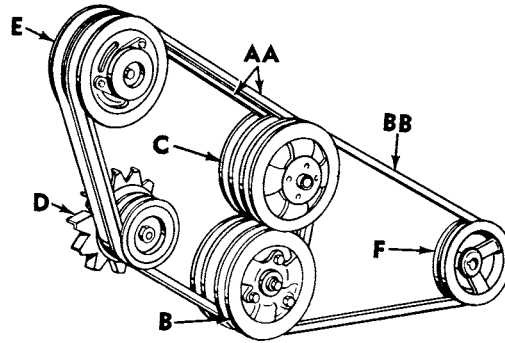
PGC-1772

PART NUMBER	ROTUNDA NUMBER	DESCRIPTION	NO. REQ'D.
A			
DAMPER & PULLEY (CRANKSHAFT VIBRATION)			
C2DZ	6312-A	5.939" O.D. - one sheave - except with 3 point single belt drive with a/cond.	1
B			
PULLEY (VIBRATION DAMPER) OUTER			
CODZ	6A312-A	6.06" O.D. - two sheave - use with a/cond. units with 3 point single belt drive	1
C2DZ	6A312-A	5.86" O.D. - single sheave - use with a/cond. units with 4 point dual belt drive	1
C			
PULLEY (WATER PUMP)			
CODE	8509-A	5.66" O.D. - one sheave - use without a/cond.	1
C2DZ	8509-A	5.28" O.D. - two sheave - use with a/cond. having three point single belt drive (crankshaft, water pump, generator) must be used with C2DZ-8600-A fan	1
C3DZ	8509-C	5.00" O.D. - two sheave - 5/8" pilot hole - 1.00" shoulder pilot - use with a/cond. with four point dual belt drive (crankshaft, water pump, generator and a/cond. compressor)	1
D			
PULLEY (GENERATOR)			
B4TZ	10130-A	One sheave - use with three point single belt drive dealer installed a/cond. only - on vehicles built prior to 5-13-63	1
C2OZ	10130-C	One sheave - use with three point single belt drive dealer installed a/cond. only - on vehicles built after 5-12-63 - 170 C. I. D. engine	1
C3DZ	10130-A	Dual sheave - use with production installed four point dual belt drive a/cond.	1
E			
CLUTCH (AIR CONDITIONING COMPRESSOR)			
C3DZ	2884-B	6.00" O.D. - Eaton - use with hang-on a/cond. units with dual belt a/cond. clutch drive	1
C3DZ	2884-A	6.70" O.D. - Eaton - use with hang-on a/cond. units with single belt a/cond. clutch drive	1
AA			
BELT (GENERATOR & WATER PUMP)			
C3DZ	8620-B	R3-L 15/32"V x 33-1/4" long - matched pair - use as generator, fan and water pump belt - use without a/cond.	1
C1UZ	8620-A	3/8"V x 37-1/4" long - use with a/cond. as generator and water pump drive belt on vehicles built prior to 1-21-63	1
C3DZ	8620-A	15/32"V x 47-1/2" long - matched pair - use as generator, fan, water pump and compressor drive belts with a/cond. on vehicles built after 1-20-63	2
BB			
BELT (AIR CONDITIONING COMPRESSOR DRIVE)			
B5A	8620-C	1/2"V x 49-3/8" long - use with a/cond. as compressor drive belt on vehicles built prior to 1-21-63	1

BELT and PULLEY CHART 1964 - 170, 200 C.I.D. ENGINES



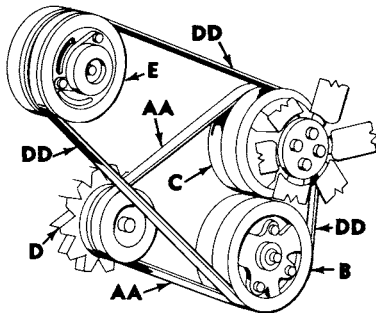
WITHOUT A/COND.
OR POWER STEERING



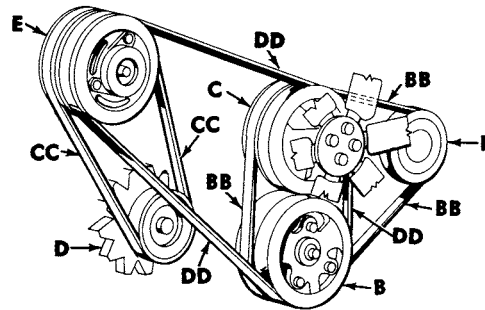
FOUR POINT DRIVE WITH
A/COND. AND POWER STEERING

1964 COMET

PGC-1659



THREE POINT DRIVE WITH A/COND.
LESS POWER STEERING



THREE POINT DRIVE WITH A/COND.
AND POWER STEERING

1964 COMET

PGC-1795

PART NUMBER	ROTUNDA NUMBER	DESCRIPTION	NO. REQ'D.
A			
C2DZ 6312-A		DAMPER & PULLEY (CRANKSHAFT VIBRATION) 5.939" O.D. - one sheave - except with three point single belt drive with a/cond.	1
B			
C2DZ 6A312-A		PULLEY (VIBRATION DAMPER) OUTER 5.86" O.D. - single sheave - use with P/S except a/cond. or with a/cond. units with four point dual belt drive	1
C2OZ 6A312-A		6.00" O.D. - double sheave - use with a/cond. or P/S with a/cond. with single belt three point belt drive	1
CONTINUED ON NEXT CHART			

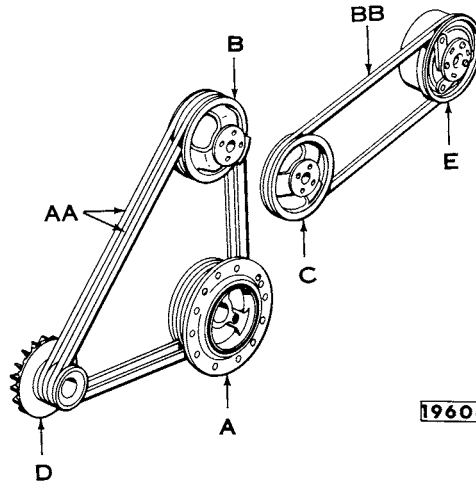
BELT & PULLEY CHART 1964 - 170,200 C.I.D. ENGINES - CONTINUED

PART NUMBER	ROTUNDA NUMBER	DESCRIPTION	NO. REQ'D.
C			
PULLEY (WATER PUMP)			
CODE 8509-A		5.66" O.D. - one sheave - use without P/S or a/cond. - on vehicles built prior to 11-15-63 with 170 C.I.D. engine	1
C3OZ 8509-B		5.00" O.D. - one sheave - 5/8" pilot hole - use without P/S or a/cond. with 200 C.I.D. engine - also on vehicles built after 11-14-63 with 170 C.I.D. engine	1
C3DZ 8509-A		5.64" O.D. - two sheave - 5/8" pilot hole - 2.37" thick - use with P/S	1
C3DZ 8509-C		5.00" O.D. - two sheave - 5/8" pilot hole - 1.00" shoulder pilot with a/cond. with four point dual belt drive (crankshaft, water pump, generator, a/cond. compressor pulleys)	1
C4DZ 8509-B	R3-DM	5.00" O.D. - two sheave - 5/8" pilot hole - 2.55" thick - use with a/cond. and P/S with a/cond. with three point single belt drive - crankshaft, water pump, a/cond. compressor pulleys	1
C4DZ 8509-A	R3-DL	5.64" O.D. - two sheave - 5/8" pilot hole - 1.82" thick - use with P/S less a/cond.	1
D			
PULLEY (GENERATOR)			
C2OZ 10130-C		Use on a/cond. models with single belt drive only with 30 amp. generator	1
C3DZ 10130-A		Use with a/cond. models with dual belt drive with 30 amp. generator	1
E			
CLUTCH (AIR CONDITIONING COMPRESSOR)			
C3DZ 2884-B		Eaton - 6.00" diameter - dual belt sheave	1
C4DZ 2884-A		Eaton - 6.70" diameter - dual belt sheave - use on vehicles built after 3-2-64	1
F			
PULLEY (POWER STEERING PUMP)			
C3DZ 3A733-A		With a/cond.	1
C2OZ 3A733-A		Without a/cond.	1
CONTINUED ON NEXT CHART			

BELT & PULLEY CHART 1964 - 170, 200 C. I. D. ENGINES - CONTINUED

PART NUMBER	ROTUNDA NUMBER	DESCRIPTION	NO. REQ'D.
AA			
BELT (GENERATOR & WATER PUMP)			
C3DZ	8620-B	15/32" V x 33-1/4" long - matched pair - use on 170 C. I. D. engine standard vehicles as generator, fan and water pump drive prior to 11-15-63 - use on 170, 200 C. I. D. engines with P/S except a/cond. as generator, fan and water pump drive	1
C3OZ	8620-D	15/32" V x 32-1/2" long - use without a/cond. or P/S as generator, fan and water pump drive belt with 200 C. I. D. engine - also on vehicles built after 11-14-63 with 170 C. I. D. engine	1
C4DZ	8620-A	15/32" V x 36-3/4" long - matched pair - use with a/cond. less P/S as crankshaft, water pump and compressor drive belt on three point single drive	1
C3DZ	8620-C	15/32" V x 47-3/4" long - match pair - use with a/cond. with four point drive as crankshaft, water pump, generator and a/cond. compressor drive belt	2
BB			
BELT (POWER STEERING PUMP DRIVE)			
B8AZ	8620-E	15/32" V x 44-1/2" long - matched pair - use as early type P/S belt with four point drive	1
B7Q	8620-A	15/32" V x 46-1/4" long - use with P/S or a/cond. and P/S as crankshaft, water pump, P/S drive belt on three point single drive	1
CC			
BELT (AIR CONDITIONER COMPRESSOR TO GENERATOR)			
C3OZ	8620-D	15/32" V x 32-1/2" long - use with P/S and a/cond. as compressor to generator drive belt with three point single drive - crankshaft to water pump to a/cond. compressor pulleys - use on vehicles built after 3-1-64	1
DD			
BELT (AIR CONDITIONING COMPRESSOR DRIVE)			
C4DZ	8620-B	1/2" V x 45" long - matched pair - use with a/cond. and P/S with a/cond. as a/cond. compressor drive belt on three point single drive - crankshaft, water pump, a/cond. compressor	1

BELT & PULLEY CHART 1960-64 - 430 C.I.D. ENGINE



1960-64 LINCOLN

PLC-1554

PART NUMBER	ROTUNDA NUMBER	DESCRIPTION	NO. REQ'D.
A			
DAMPER & PULLEY (CRANKSHAFT VIBRATION)			
B9SZ	6312-A	6.625" O.D. - pulley - two sheave - use on engines built prior to 2-9-60 identified by timing marks stamped in degrees on O.D. of damper - use with B8S-6023-A pointer and B9SZ-6359-A spacer - use on 1960 vehicles	1
COSZ	6312-A	6.625" O.D. - pulley - two sheave - use on engines built after 2-8-60 identified by ball point timing mark - use with COME-6023-B pointer and COME-6359-A spacer - use on 1960-62 vehicles	1
C3VY	6312-A	7.50" O.D. - two sheave - use on 1963-64 vehicles	1
B			
PULLEY (WATER PUMP)			
PB8M	8509-B	7.10" O.D. - two sheave - use without a/cond. on 1960 vehicles	1
B9ME	8509-A	5.32" O.D. - two sheave - use with a/cond. on 1960 vehicles	1
C1VE	8509-A	5.30" O.D. - two sheave - use on 1961-62 vehicles	1
C3VY	8509-A	6.10" O.D. - two sheave - use on 1963-64 vehicles	1
C1VY	8509-A	6.82" O.D. - one sheave - use as a/cond. compressor pulley - use on 1961-64 vehicles	1
C			
PULLEY (AIR CONDITIONING)			
B8SZ	8509-A	6.83" O.D. - one sheave - pilot hole 1" diameter for a/cond. compressor - use on 1960 vehicles	1
C1VY	8509-A	6.82" O.D. - use as a/cond. compressor pulley - use on 1961-64 vehicles	1
D			
PULLEY (GENERATOR AND/OR ALTERNATOR)			
B9LF	10130-A	Two sheave - use with 50 amp. Delco Remy generator on 1960 vehicles	1
C1VF	10130-A	Two sheave - use with 40 amp. generator on 1960-62 vehicles	1
C3SZ	10344-A	2.82"/2.92" diameter - double sheave - use with 40 amp. Ford alternator - use on 1963-64 vehicles	1
C3SZ	10344-C	2.82" diameter - double sheave - use with a/cond. or transistorized ignition with 42 and 52 amp. Ford alternator - use on 1964 vehicles	1
CONTINUED ON NEXT CHART			

BELT & PULLEY CHART 1960-64 LINCOLN - 430 C.I.D. ENGINES - CONTINUED

PART NUMBER	ROTUNDA NUMBER	DESCRIPTION	NO. REQ'D.
E			
CLUTCH (AIR CONDITIONING COMPRESSOR)			
C2VY	2884-A	Eaton	1
AA			
BELT (ALTERNATOR, GENERATOR & WATER PUMP)			
B8LY	8620-B	3/8" V x 42-1/8" long - matched pair - use with 50 amp. Bosch generator and a/cond. on 1960 vehicles	1
B8ME	8620-A	3/8" V x 43-7/16" long - matched belts - use with 40 and 50 amp. generator without a/cond. on 1960 vehicles Use with standard cooling with 50 amp. Delco-Remy generator on 1960 vehicles	1 1
B9MZ	8620-C	15/32" V x 41-3/4" long - matched pair - use with 40 amp. generator and a/cond. on 1960 vehicles	2
B8MY	8620-A	3/8" V x 45-5/16" long - matched pair - use with 50 amp. Bosch generator less a/cond. on 1960 vehicles	1
COAZ	8620-D	3/8" V x 42-1/2" long - matched pair - use with alternator as drive belts from water pump to alternator on 1960 vehicles	1
C2TZ	8620-R	3/8" V x 41-1/4" long - matched pair - use with 50 amp. Delco-Remy generator with a/cond. on 1960 vehicles	1
C2VY	8620-B	15/32" V x 41-43/64" long - use as generator and water pump belt with 40 amp. generator - use on 1961-62 vehicles	2
C4VY	8620-A	15/32" V x 44-1/4" long - matched pair - use as alternator and water pump drive belts on 1963-64 vehicles	2
BB			
BELT (AIR CONDITIONING COMPRESSOR DRIVE)			
C2VY	8620-A	1/2" V x 45" long - use as a/cond. compressor drive belt on 1962-63 vehicles	1
C4VY	8620-B	1/2" V x 45" long - use as a/cond. compressor drive belt - use on 1964 vehicles	1

Radiator and Grille

GROUP AND PART NUMBER	DESCRIPTION, SIZE, ETC.	NO. REQ'D	MODEL OR ENGINE CUBIC INCH DISPLACEMENT	VEHICLE CODE	YEAR 19__
8005	RADIATOR				
COMM 8005-G	☆Standard cooling with all transmissions for 383 and 430 C. I. D. engines - plug oil cooler holes for use with standard transmission - ☆☆For all applications for 312 C. I. D. engine - plug oil cooler holes for use with standard transmission	1	312☆☆, 383☆, 430☆	A	60
COMM 8005-H	A/cond. or extra cooling - plug oil cooler holes for use with standard transmission	1	383, 430	A	60
C2AZ 8005-D		1	223	A	61/62
C3AZ 8005-B		(a, b) 1	292, 352, 390, 406, 427	A	61/63
C4AZ 8005-A	With oil cooler - 1-61/64" thick - use with extra cooling and a/cond. with standard or automatic transmission Use with standard cooling with standard or automatic transmission	(a) 1	390	A	64
		1	427	A	64
C2OZ 8005-E	With oil cooler - 20" core width x 1-17/64" thick	1	260	B	62/63
C2OZ 8005-G	With oil cooler - 17" core width x 1-17/64" thick - ☆use with standard cooling	1	221, 260☆	B	62/63
C3OZ 8005-C	With oil cooler 20" core width x 1-61/64" thick - use with extra cooling	1	260	B	62/63
C3OZ 8005-D	With oil cooler - 20" core width x 1-17/64" thick - use with extra cooling and/or Deluxe a/cond.	1	170, 200	B	62/63
C3DZ 8005-F	With oil cooler - 17" core width x 1-17/64" thick - use with standard and automatic transmission - use on vehicles built prior to 4-1-64	(a) 1	144, 170, 200	C	60/64
C5ZZ 8005-A	With oil cooler - 15 fins per inch - 17" core width x 1-17/64" thick - use with standard and extra cooling on vehicles built after 3-31-64 equipped with either standard or automatic transmissions	1	170, 200	C	64
C3DZ 8005-K	With oil cooler - 15 fins per inch - 17" core width x 1-17/64" thick - use with standard and extra cooling on vehicles equipped with either standard or automatic transmissions	1	260, 289	C	63/64
COLL 8005-C	Use with a/cond.	1	430		D 60
COLL 8005-D	Use without a/cond.	1	430		D 60
C1VY 8005-B	Use with or without a/cond. with fan shroud - use on vehicles built prior to 7-15-61 with transmission oil cooler lines on right side	1	430		D 61
C2VY 8005-A	Use on vehicles built after 7-14-61 with transmission oil cooler lines on left side	(Δ) 1	430		D 61/62
	Use on vehicles built prior to 5-27-63	(a, b, c) 1	430		D 63
C3VY 8005-A	Use on vehicles built after 5-26-63	(Δ)(a, b, c) 1	430		D 63/64
Δ Package also includes -					
	(3) 357261-S	nut and retainer			
20347-S8	Bolt-hex. hd. -5/16"-24 x 3/4"	4	a		
34806-S7	Washer-spring lock-5/16"	4	a		
353483-S	Screw-hex. washer hd. -5/16"-24	AR	c		
353714-S	Screw-hex. washer hd. -5/16"-24 x 1"	AR	b		
359952-S2	Nut retainer assy. -5/16"-24	AR	a		

Radiator and Grille

GROUP AND PART NUMBER	DESCRIPTION, SIZE, ETC.	NO. REQ'D	MODEL OR ENGINE CUBIC INCH DISPLACEMENT	VEHICLE CODE	YEAR 19__
8A012-3	STRUT (FRAME TO RADIATOR SUPPORT)				
B9MM 8A012-B	R. H.	1	312, 383, 430	A	60
B9MM 8A013-B	L. H.	1	312, 383, 430	A	60
8A027	BAR (RADIATOR SUPPORT CROSS)				
B9MB 8A027-B		2	76A	A	60
8A030	REFER TO GROUP 8124				
8A031	ANTI-RATTLER (RADIATOR SUPPORT CROSS BAR)				
	NS-improvise locally - rubber tubing 1/2" I. D. x 3/32" thick x 9" long	1	76A	A	60
8A036	BRACKET (RADIATOR GRILLE MOUNTING) CENTER				
COMB 8A036-C		1	All	A	60
8A045	SPACER (RADIATOR)				
COMM 8A045-A	"L" shaped - 25.32" x 18.58" x 2.92" wide	2	312	A	60
8052	BRACKET (RADIATOR SUPPORT) LOWER				
C4AZ 8052-A		2	All	A	64
8A054	MOULDING (RADIATOR GRILLE LOWER PANEL)				
COLY 8A054-A	R. H.	1	All		D 60
COLB 8A054-A	L. H.	1	All		D 60
8A055	COVER (RADIATOR GRILLE LOWER PANEL MOULDING)				
COLB 8A055-A		1	All		D 60
8063	HOSE (ENGINE TO RADIATOR SUPPLY TANK)				
	NS-2-5/8" long - cut from 8333 bulk hose	1	223	A	61/62
8A063	RETAINER (LOWER GRILLE PANEL MOULDING COVER)				
COLB 8A063-A		1	All		D 60
8A080	TANK (RADIATOR SUPPLY)				
C1AE 8A080-C		1	223	A	61/62
C1AE 8A080-A		(a) 1	292	A	61/62
C1AZ 8A080-B		(a) 1	352, 390, 406, 427	A	61/64
C1VV 8A080-C	Use on vehicles built prior to 5-27-63	(b) 1	430		D 61/63
C3VY 8A080-A	Use on vehicles built after 5-26-63	(b) 1	430		D 63/64
20368-S	Bolt-hex. hd. -3/8"-16 x 7/8"-tank to intake manifold	2	b		
34807-S	Lockwasher-3/8"-tank to intake manifold	2	b		
42848-S8	Screw and washer-5/16"-18 x 1-1/8"-tank to intake manifold	2	a		
44722-S8	Washer-5/16"-flat-tank to intake manifold	2	a		
8A082	BRACKET (RADIATOR SUPPLY TANK SUPPORT)				
C3AZ 8A082-A	7-15/16" long without a/cond.	1	223	A	61/62
8A083	STRAP (RADIATOR SUPPLY TANK)				
COAA 8A083-A	7-15/16" long without a/cond.	1	223	A	61/62
	NS-3" long with a/cond.	1	223	A	61/62
8A095	SHIELD (RADIATOR SPLASH)				
COMY 8A095-A		1	All	A	60

Radiator and Grille

GROUP AND PART NUMBER	DESCRIPTION, SIZE, ETC.	NO. REQ'D	MODEL OR ENGINE CUBIC INCH DISPLACEMENT	VEHICLE CODE	YEAR 19__
8100 CAP (RADIATOR)					
C2SZ 8100-A	Chrome plated § Standard equipment on model 63E ☆ Also included in C4AZ-6980-A dress-up kit	1 1	406, 427 170, 200, 260, 289, 390☆	A A C	62/64 64
B8A 8100-A	14 lbs. full pressure type - ☆except 427 C.I.D. engine	1 1	All☆ 170, 200, 260, 289, 390, 430	A B C D A C D	60/63 64
8104-5 DEFLECTOR (RADIATOR AIR SIDE) WITH WEATHERSTRIP					
CIVY 8104-A	R.H. - use on vehicles built prior to 7-17-61	1	All		D 61
CIVY 8104-B	R.H. - use on vehicles built after 7-16-61	1	All		D 61/64
CIVY 8105-A	L.H.	1	All		D 61/64
8115 DRAIN COCK (RADIATOR & CYLINDER BLOCK)					
8A 8115	1/4" pipe thread (1) req'd. as radiator drain cock on all vehicles (1) req'd. as engine drain cock on vehicles equipped with 390 and 427 C.I.D. engine	AR AR	All All	A B C D A C D	60/63 64
8A116 BRACKET (RADIATOR SPLASH SHIELD TO FRONT BUMPER)					
COLB 8A116-A		1	All		D 60
8A123 BRACKET (RADIATOR GRILLE) INNER					
CIKB 8A123-A		2	All	C	60/62
8124 PAD (FRONT FENDER APRON & RADIATOR SUPPORT)					
B9MM 8A030-A	Steel Use (1) or (7) as required on model 76 Use max. of (6) on all models except 76	AR	312, 383, 430	A	60
COMM 16186-B	Rubber tire carcass	1	All except 76	A	60
B8E 8124-A		1 1	58A, 64A All	A A	61 62
8124 WEBBING (EXHAUST BRACKET) REPAIR					
8C 8124-A	Use as exhaust pipe hanger repair	AR	All	A B C D	60/64
8125 INSULATOR (RADIATOR SUPPORT)					
C3AZ 8125-A	Pad - radiator support bracket - rubber - 1/4" thick x 3-27/64" x 1" wide with (2) 1/2" high inserts (2) req'd. for 8A193 bracket (1) req'd. for each 8052 bracket	AR	All	A	64
C4AZ 8125-B	Lower - rubber - 1-3/4" diameter x .380" thick - connect front end sheet metal to frame	2	All	A	64
C4AZ 8125-C	Rubber - 2" diameter x .390" thick - connect front end sheet metal to frame NS-1-1/2" x 7/8" - improvise locally by cutting from tire carcass	2 3	All 430	A D	64 61/64
8126 SHIM (RADIATOR BOTTOM SUPPORT)					
B8E 8126-A	5" long x 2-1/4" wide - steel	AR	58A, 64A	A	61
C3AZ 8126-A	Fibre board - 2" wide x 6-1/2" long with slotted center	AR	390, 406, 427	A	63
C4AZ 8126-B	Steel - 2" diameter x 1/16" thick - use to attach front end sheet metal assy. to frame	AR	All	A	64
C4AZ 8126-C	Steel - 2" diameter x 1/4" thick - use to attach front end sheet metal assy. to frame	2	All	A	64

Radiator and Grille

GROUP AND PART NUMBER	DESCRIPTION, SIZE, ETC.	NO. REQ'D	MODEL OR ENGINE CUBIC INCH DISPLACEMENT	VEHICLE CODE	YEAR 19__
8146-8	SHROUD (FAN)				
COMY 8146-A	Includes spacer, front fender to cowl top - used with a/cond.	1	383, 430	A	60
C1AZ 8147-A	Upper half - use with a/cond.	1	292, 352, 390	A	61
	Use with a/cond.	1	292☆	A	62
	Use with a/cond. on vehicles equipped with (7) blade 18" fan or (5) blade 18-1/2" fan ☆ Use on vehicles built prior to 9-29-61	1	352☆, 390☆	A	62
C3AZ 8147-B	Upper half - use with a/cond.	1	292☆	A	62
	Use with extra cooling without a/cond.	1	352, 390	A	62
	Use with a/cond. on vehicles equipped with (7) blade 19-1/4" fan	1	352☆, 390☆	A	62
	Use with a/cond. and/or heavy duty extra cooling ☆ Use on vehicles built after 9-28-61	1	390	A	63
C3AZ 8148-B	Lower half - use with a/cond.	1	292, 352, 390	A	61
	Use with extra cooling without a/cond.	1	352, 390	A	62
	Use with a/cond.	1	292	A	62
	Use with a/cond. on vehicles equipped with (7) blade 18" fan or (5) blade 18-1/2" fan	1	352☆, 390☆	A	62
	Use with heavy duty extra cooling without a/cond. ☆ Use on vehicles built prior to 9-29-61	1	390	A	63
C3MY 8148-A	Lower half - use with a/cond. on vehicles equipped with (7) blade 19-1/4" fan	1	352☆, 390☆	A	62
	Lower half - use with a/cond. ☆ Use on vehicles built after 9-28-61	1	390	A	63
C4MY 8148-A	Lower half - use with a/cond. and/or heavy duty extra cooling	1	390	A	64
C2OZ 8147-A	R. H. - use with a/cond.	1	221	B	62
	R. H. - use with a/cond. , fan clutch and radiator with 17" core width	1	221, 260	B	63
C2OZ 8148-A	L. H. - use with a/cond.	1	221	B	62
	L. H. - use with a/cond. , fan clutch and radiator with 17" core width	1	221, 260	B	63
C2OZ 8147-B	R. H. - use with a/cond.	1	260	B	62
	R. H. - use with a/cond. , fan clutch and radiator with 20" core width	1	221, 260	B	63
C2OZ 8148-B	L. H. - use with a/cond.	1	260	B	62
	L. H. - use with a/cond. , fan clutch and radiator with 20" core width	1	221, 260	B	63
C2DZ 8146-A	Use with a/cond.	1	144, 170	C	62
C3DZ 8146-B	Use with a/cond.	1	260, 289	C	63/64
C3DZ 8146-C	Use with a/cond.	(a)	144, 170, 200	C	63/64
B9LY 8146-A		1	430	D	60
CIVY 8146-B	Use on vehicles built after 6-13-61 with a/cond. without carburetor idle speed-up control	1	430	D	61/62
	Use with a/cond.	1	430	D	63/64
40927-S8	Screw-hex. washer hd. -1/4"-20 x 1/2"	4	a		
8149	BRACKET (FAN SHROUD TO SUPPORT)				
C2MY 8149-A	Use with a/cond. on vehicles equipped with (7) blade 19-1/4" fan - use on vehicles built after 9-28-61	1	352, 390	A	62
	Use on vehicles equipped with a/cond. and fan shroud	1	390	A	63

CONTINUED ON NEXT PAGE

Radiator and Grille

GROUP AND PART NUMBER	DESCRIPTION, SIZE, ETC.	NO. REQ'D	MODEL OR ENGINE CUBIC INCH DISPLACEMENT	VEHICLE CODE	YEAR 19__
8149 BRACKET (FAN SHROUD TO SUPPORT) CONTINUED					
C4MY 8149-A	Use on vehicles equipped with a/cond. and/or heavy duty extra cooling on vehicles using fan shroud	2	390	A	64
C2DZ 8149-A	Use with a/cond.	4	144,170,200	C	62/64
C3DZ 8149-B	Use with a/cond.	4	260,289	C	63/64
8150-1 REFER TO GROUP 8200					
8B152 KIT (ENGINE COOLANT HEATER)					
C3RZ 8B152-A	500 Watt (Δ)	1	All	A B C D	60/64
C3RZ 8B152-B	1000 Watt (Δ)	1	All	A B C D	60/64
Δ Package also includes - (1) I. S. 992 instruction sheet					
8A153-4 BRACKET (RADIATOR GRILLE) OUTER					
C1MB 8A153-B		2	All	A	61
C2MB 8A153-A	R. H.	1	All	A	62
C2MB 8A154-A	L. H.	1	All	A	62
C2VB 8A153-A		4	All	D	62/64
8A156-7 MOULDING (RADIATOR GRILLE OPENING CENTER PANEL)					
C2VY 8A156-A	R. H. - 36" long (a)	1	All	D	62&64
C2VY 8A157-A	L. H. - 36" long (a)	1	All	D	62&64
C3VY 8A156-A	R. H.	1	All	D	63
C3VY 8A157-A	L. H.	1	All	D	63
	370697-S15 Screw-cr. tap. - No. 8-15 x 5/8"	2	a		
	371024-S Nut-self-threading-1/4"	10	a		
8164 BAR (RADIATOR GRILLE) VERTICAL					
C3GY 8164-A		3	All	C	63
C4VY 8164-A	Center	1	All	D	64
C4VY 8164-B	Intermediate (1) req'd. - for R. H. (1) req'd. - for L. H.	2	All	D	64
C4VY 8164-C	Outer (1) req'd. - for R. H. (1) req'd. - for L. H.	2	All	D	64
8A170-1 BRACKET (UPPER RADIATOR GRILLE MOUNTING)					
C1VB 8A170-B	R. H.	1	All	D	61
C1VB 8A171-B	L. H.	1	All	D	61
8182-3 SUPPORT (RADIATOR GRILLE)					
C2VY 8182-A	R. H. - outer	1	All	D	62
C2VY 8183-A	L. H. - outer	1	All	D	62
C4VY 8182-B	Center	1	All	D	62/64
C4VY 8182-A	R. H. - outer	1	All	D	63/64
C3VY 8183-A	L. H. - outer	1	All	D	63
C4VY 8183-A	L. H. - outer	1	All	D	64
8188 PANEL (RADIATOR GRILLE) LOWER					
COLB 8188-A		1	All	D	60
C1VB 8188-A		1	All	D	61
8190 PANEL (RADIATOR GRILLE OPENING)					
C1VY 8190-A		1	All	D	61&64
C2VY 8190-B		1	All	D	62/63

Radiator and Grille

GROUP AND PART NUMBER	DESCRIPTION, SIZE, ETC.	NO. REQ'D	MODEL OR ENGINE CUBIC INCH DISPLACEMENT	VEHICLE CODE	YEAR 19__
8A193	BRACKET (RADIATOR SUPPORT) UPPER				
C4AZ 8A193-B	Also refer to group 8233	1	All	A	64
8200	GRILLE (RADIATOR)				
COMY 8150-A	R. H. - outer	1	All	A	60
COMB 8151-C	L. H. - outer	1	All	A	60
C1MY 8150-A	R. H. - outer	1	All	A	61
C1MY 8151-A	L. H. - outer	1	All	A	61
C1MB 8200-A	Center	1	All	A	61
C2MY 8200-A	Center	1	All	A	61
C2MY 8150-A	R. H. - outer	1	All	A	62
C2MY 8151-A	L. H. - outer	1	All	A	62
C3MY 8200-A	One piece design	1	All	A	62
C4MY 8200-A	One piece design	1	All	A	63
C2YY 8200-A	One piece design	1	All	A	64
C3YY 8200-A	One piece design	1	All	B	62
C1KY 8200-A	One piece design	1	All	B	63
C1GY 8200-A	One piece design	(a) 1	All	C	60
C2GY 8200-A	One piece design	(a) 1	All	C	61
C3GY 8200-A	One piece design	(b) 1	All	C	62
C4GY 8200-A	One piece design	(c) 1	All	C	63
COLB 8200-F	One piece design	1	All	C	64
COLY 8150-A	R. H. - outer	1	53, 57, 63	D	60
COLY 8151-A	L. H. - outer	1	54A, 65A, 68A, 75A	D	60
C1VB 8202-A		1	54A, 65A, 68A, 75A	D	60
C1VB 8427-D	R. H.	1	All	D	61
C1VB 8A239-D	L. H.	1	All	D	61
C2VY 8150-B	R. H. - outer	1	All	D	61
C2VY 8151-B	L. H. - outer	1	All	D	62
C3VY 8150-A	R. H. - outer	1	All	D	62
C3VY 8151-A	L. H. - outer	1	All	D	63
C4VY 8150-A	R. H. - use on vehicles built prior to 10-7-63	1	All	D	63
C4VY 8151-A	L. H. - use on vehicles built prior to 10-7-63	1	All	D	64
C4VY 8150-B	R. H. - use on vehicles built after 10-6-63	1	All	D	64
C4VY 8151-B	L. H. - use on vehicles built after 10-6-63	1	All	D	64
52547-S8	Screw-self-tapping-No. 10-32 x 1/2"	AR	c		
351697-S13	Screw-oval hd. -1/4"-20 x 1-3/8"	AR	c		
353714-S2	Screw-hex. washer hd. -5/16"-24 x 1"- attach grille to gravel shield	AR	a		
371492-S2	Screw and washer-hex. -1/4"-20 x 3/4"	AR	c		
376069-S2	Nut and retainer-5/16"-24	5	b		
8202	REFER TO GROUP 8200				
8209	SHIELD (RADIATOR SPLASH)				
COLB 8209-A		1	All	D	60
8A213	HOSE (RADIATOR OR SUPPLY TANK OVERFLOW TUBE CONNECTING)				
C3OZ 8A213-A	Rubber - .29" I. D. x .44" O. D. x 50.00" long - cut to length	AR	All	C	60/64
		AR	All	B	62/63
		AR	All	A	61/64
	NS-radiator overflow pipe extension - 9/32" I. D. x 7/16" O. D. x 24" long - cut from C3OZ-8A213-A	1	All	D	64
8A218	SUPPORT (UPPER RADIATOR GRILLE) CENTER				
C1VB 8A218-B		1	All	D	61

Radiator and Grille

GROUP AND PART NUMBER	DESCRIPTION, SIZE, ETC.	NO. REQ'D	MODEL OR ENGINE CUBIC INCH DISPLACEMENT	VEHICLE CODE	YEAR 19__
8A223 MEDALLION OR EMBLEM (RADIATOR GRILLE)					
C2MB 8A223-A		1	All	A	62
C3MY 8A223-A		1	All	A	63
C3GY 8A223-A		1	260	C	63
Package also includes -					
(1) C3GB-8149-B	retainer	(1) C3GB-8B198-B	plate	(2) 373503-S35	nut-3/16"
C4GY 8A223-A	Emblem	1	260, 289	C	64
Package also includes -					
(1) 44724-S	washer-flat	(1) 55731-S2	nut-hex. -No. 10-24		
8224-5 EXTENSION (RADIATOR GRILLE)					
C3GY 8224-A	R. H.	(a) 1	All	C	63
C3GY 8225-A	L. H.	(a) 1	All	C	63
	52547-S		AR a		
	351697-S13		AR a		
	371492-S2		AR a		
8233 BRACKET (RADIATOR SUPPORT) UPPER					
C1AZ 8233-A	Use with a/cond.	1	292, 352, 390	A	61/62
	Use with extra cooling without a/cond.	1	352, 390	A	62
C3AZ 8233-A	Use with a/cond. or heavy duty extra cooling without a/cond.	1	390	A	63
8A239 REFER TO GROUP 8200					
8A250-1 EXTENSION (LOWER RADIATOR GRILLE)					
C1VB 8A250-B	R. H.	1	All	D	61
C1VB 8A251-B	L. H.	1	All	D	61
8A253 SPACER (LOWER GRILLE MOUNTING)					
C1VB 8A253-B		5	All	D	61
8255 GASKET (WATER OUTLET CONNECTION)					
B5A 8255-A	Also serviced in 6008 and 6079 kits	1	292, 312	A	60/61
	Also used at radiator supply tank to intake manifold	1	292	A	61/62
EAG 8255-B	Also serviced in 6008 kit	1	223	A	61/62
B8A 8255-A	Also serviced in 6008 and 6079 kits	2	352, 390	A	61
	Also used at radiator supply tank to intake manifold	1	352, 390, 406, 427	A	61/64
C1VE 8255-A	Also serviced in 6008 and 6079 kits	1	383, 430	A	60
	Also used at radiator supply tank to intake manifold	1	430	D	60/64
C3OZ 8255-A	Also serviced in 6008 and 6079 kits	1	144, 170, 200, 221, 260, 289	B C	60/64
8A255 PAD (RADIATOR GRILLE TO FRONT FENDER)					
CIKB 8A255-A		2	All	C	60/62
8260 HOSE (RADIATOR) UPPER					
COMM 8260-B		1	312	A	60
COMM 8260-A		1	383, 430	A	60
COAZ 8260-B	Radiator supply tank to radiator inlet	1	223	A	61/62
COAA 8260-A		1	292	A	61/62
COAA 8260-B	1-3/4" I. D.	1	352, 390, 406, 427	A	61/63
CONTINUED ON NEXT PAGE					

Radiator and Grille

GROUP AND PART NUMBER	DESCRIPTION, SIZE, ETC.	NO. REQ'D	MODEL OR ENGINE CUBIC INCH DISPLACEMENT	VEHICLE CODE	YEAR 19__
8260 HOSE (RADIATOR) UPPER (CONTINUED)					
C2RZ 8260-R	Lower - flexible - 1-3/4" I. D. on (1) end x 2" O. D. on the other end x 16-1/2" long	1	292, 352, 390	A	60/62
C4AZ 8260-A	Neoprene - moulded rubber - 1-3/4" I. D. x 7" from center to center of ends (a)	1	390, 427	A	64
C2OZ 8260-D	1-1/4" I. D. x 6-1/2" from center to center of ends	1	170, 200	B	62/63
C2OZ 8260-E	1-1/2" I. D. x 9-9/32" from center to center of ends	1	221, 260	B	62/63
C3DZ 8260-E	1-1/4" I. D. - "L" shaped - use with a/cond.	1	144, 170	C	60/63
C3DZ 8260-D	1-1/4" I. D. - hook shaped - use without a/cond.	1	144, 170, 200	C	60/64
C3DZ 8260-B	1-1/2" I. D. x 7-31/32" from center to center of ends	1	260	C	63
C3DZ 8260-H	Neoprene - 1-1/4" I. D. - "L" shaped - use with a/cond.	1	170, 200	C	64
C3DZ 8260-F	Neoprene - 1-1/2" I. D. x 7" - 31/32" from center to center of ends - ☆ Special Performance (Engine Warranty Code D)	1	260, 289☆	C	64
LF 8260-B		1	430	D	60
C1VV 8260-B	Use on vehicles built prior to 5-27-63	1	430	D	61/63
C3VY 8260-A	Use on vehicles built after 5-26-63	1	430	D	63
C4VY 8260-A		1	430	D	64
97375-S	Clamp-hose radial screw-2-1/4"	2	a		
8A278-9 BRACKET (RADIATOR GRILLE MOUNTING)					
C1MB 8A278-A	R. H. - center outer	1	All	A	61
C1MB 8A279-A	L. H. - center outer	1	All	A	61
C2MB 8A278-A	R. H. - center outer	1	All	A	62
C2MB 8A279-A	L. H. - center outer	1	All	A	62
C3MY 8A279-A	R. H. - upper	1	All	A	63
C3MY 8A278-A	L. H. - upper	1	All	A	63
	Upper	2	All	A C	64
	(1) req'd. - for R. H.				
	(1) req'd. - for L. H.				
8A280 BRACKET (CENTER RADIATOR GRILLE MOUNTING)					
C1MB 8A280-A		2	All	A	61
8A284 REINFORCEMENT (GRILLE OPENING PANEL) UPPER					
C1VB 8A284-A		1	All	D	61/64
8286 HOSE (RADIATOR) LOWER					
COMY 8286-B		1	312	A	60
COMY 8286-A		1	383, 430	A	60
COAZ 8286-D		1	223	A	61/62
COAZ 8286-E		1	292	A	61/62
COAZ 8286-F		1	352, 390, 406, 427	A	61/63
C4AZ 8286-D	Neoprene - 1-3/4" I. D. small end x 2" I. D. large end x 8" long	1	390, 427	A	64
C2OZ 8286-D	Use on vehicles without a/cond. or extra cooling	1	221, 260	B	62
C2OZ 8286-E	1-1/2" I. D. large end - 1-1/4" small end - 10-1/4" from center to center of ends	1	170, 200	B	62/63
C2OZ 8286-H	1-3/4" I. D. x 8-1/8" formed length - use on vehicles with a/cond. and extra cooling	1	221, 260	B	62/63
CONTINUED ON NEXT PAGE					

Radiator and Grille

GROUP AND PART NUMBER	DESCRIPTION, SIZE, ETC.	NO. REQ'D	MODEL OR ENGINE CUBIC INCH DISPLACEMENT	VEHICLE CODE	YEAR 19__
8286 HOSE (RADIATOR) LOWER (CONTINUED)					
C2UZ 8286-A		1	144, 170	C	60/62
C3DZ 8286-C	1-1/4" I. D. lower end x 1-1/2" I. D. upper end x 10-1/4" long - use with or without P/S	1	144, 170	C	63
C3DZ 8286-B	1-3/4" I. D. x 6-19/32" formed length	1	260	C	63
C3DZ 8286-D	Neoprene - 1-1/4" I. D. lower end x 1-1/2" I. D. upper end x 9-11/32" center to center	1	170, 200	C	64
C3DZ 8286-F	Neoprene - 1-3/4" I. D. x 6-19/32" center to center of ends	1	260, 289	C	64
B8LY 8286-A		1	430	D	60
C4VY 8286-A		1	430	D	61/64
8287 CLAMP (RADIATOR HOSE) UNIVERSAL					
B7A 8287-A	Worm type - 5/8" to 1-1/4" diameter	AR	All	A B C D	60/64
B7A 8287-B	Worm type - 1-1/2" to 2-1/2" diameter	AR	All	A B C D	60/64
8A 8287	Strap type - 1-1/2" to 2-3/4" diameter	AR	All	A B C D	60/63
	Use as upper and lower radiator hose clamps	4	170, 200	C	64
	Use as upper radiator hose clamps	2	260, 289	C	64
	Use to attach hose to fuel filler pipe to tank	2	All	C	64
	Use as lower radiator hose clamp	1	430	D	64
B7AZ 8287-C	Worm type - 13/16" to 1-3/4" diameter - use as water by-pass hose clamp	AR	All	A B C	60/63
		2	All	D	60/64
C2OZ 8287-A	Circle type - 2" O. D. - use to attach 9034 to body bracket	1	170, 221, 260	B	62/63
8A317-8 MOULDING (RADIATOR GRILLE OPENING PANEL)					
C1VB 8A317-C	R. H.	(Δ) 1	All	D	61
C1VB 8A318-C	L. H.	(Δ) 1	All	D	61
Δ Package also includes -					
(5) 372020-S screw					
8327 DEFLECTOR (RADIATOR AIR UPPER)					
C1VY 8327-A		(a) 1	All	D	61/64
353483-S	Screw-washer hd. -5/16"-24	5	a		
8333 HOSE (RADIATOR)					
51A 8333-A	1-1/2" I. D. x 36" long - cut to length	1	223	A	61/62
8340-1 BRACE (RADIATOR GRILLE UPPER SUPPORT TO FRONT FENDER APRON)					
COLB 8340-A	R. H.	1	All	D	60
COLB 8341-A	L. H.	1	All	D	60
8A340 COVER (RADIATOR GRILLE UPPER PANEL MOULDING JOINT)					
C1VB 8A340-B		1	All	D	61
Package also includes -					
(2) 52540-S13 screw No. 8-18					
C2VY 8A340-A		1	All	D	62&64
C3VY 8A340-A		1	All	D	63
Package also includes -					
(1) C3VB-8B113-A retainer (1) 43260-S7 screw (1) 371024-S7 nut					
8A347-8 REINFORCEMENT (RADIATOR SUPPORT) REAR UPPER					
C1VB 8A347-A	R. H.	1	All	D	61/64
C1VB 8A348-A	L. H.	1	All	D	61/64
8349 SEAL (RADIATOR LOWER)					
C4AZ 8349-A	Tire carcass	1	390, 427	A	64

Radiator and Grille

GROUP AND PART NUMBER	DESCRIPTION, SIZE, ETC.	NO. REQ'D	MODEL OR ENGINE CUBIC INCH DISPLACEMENT	VEHICLE CODE	YEAR 19__
8A349-50	REINFORCEMENT (RADIATOR SUPPORT) FRONT UPPER				
C2VY 8A349-A	R. H.	1	All		
C2VY 8A350-A	L. H.	1	All	D	61/64
8363	BAR (RADIATOR GRILLE) OUTER				
C3MY 8363-A		2	All	A	63
8368	MOULDING (RADIATOR GRILLE LOWER PANEL)				
C3GY 8368-A		1	All	C	63
8A371-2	COVER (RADIATOR SUPPORT UPPER ACCESS)				
C2VY 8A371-A	R. H.	1	All		
C2VY 8A372-A	L. H.	1	All	D	61/64
8A397	SEAL (RADIATOR) UPPER				
	NS-23-1/2" long - cut from C4AZ-16A238-A	1	All	A	64
3406	SUPPORT (RADIATOR GRILLE) UPPER				
PB9L 8406-A		1	All		D 60
8418	BAR (RADIATOR GRILLE) CENTER				
C3MY 8418-A		1	All	A	63
C4GY 8418-A	Horizontal	1	All	C	64
8427	REFER TO GROUP 8200				
8A487	BRACKET (RADIATOR UPPER GRILLE SUPPORT MOUNTING) CENTER				
C1VB 8A487-A		1	All		D 61
8A500	CAP (HEATER OUTLET IN WATER OUTLET CONNECTION)				
COSE 8A500-A	Neophrene - use with 1C-18572-A clamp when heater is not installed	1	223, 292, 352, 390	A	61/62
	(1) req'd. - to cap heater elbow 18599	1	144, 170	C	62
	(1) req'd. - to cap heater return nipple at water pump	AR	144, 170, 200, 221, 260, 289, 390, 406, 427	A B C	63/64

Water Pump and Fan

8501	PUMP (WATER)				
	NS-with 1-3/16" O.D. bearing - used by production on engines without a/cond. for service use B9SZ-8501-A	1	383,430	A	60
B6A 8501-B	Less pulley - includes attaching gaskets (c, d)	1	292, 312	A	60/62
B7A 8501-A	Less pulley - includes attaching gaskets (d)	1	223	A	61/62
C2AZ 8501-A	Less pulley - includes attaching gaskets (b)	1	352, 390	A	61/63
C2AZ 8501-B	Less pulley - includes attaching gaskets (b)	1	406, 427	A	62/63
C4AZ 8501-A	Less pulley - includes attaching gaskets - (b) ☆ also use on 390 C. I. D. Police Special - use on vehicles built prior to 1-13-64	1	390☆	A	64
C4AZ 8501-B	Less pulley - includes attaching gaskets - (b) ☆ use on 390 C. I. D. Police Special only - use on vehicles built after 1-12-64	1	390☆, 427	A	64
B9SZ 8501-A	Less pulley with 1-1/2" O. D. bearing - (a) service package includes (2) B8E-8507-A gskt.	1	383, 430	A D	60
CODZ 8501-B	Less pulley - includes attaching gasket (e)	1	144, 170, 200	B C	60/64
C2OZ 8501-C	Less pulley - includes attaching (f, g, h) gasket incorporated in this water pump are a 5-1/2" bearing and a 3.940" O. D. impeller - ☆ except Special Performance	1	221, 260, 289☆	B C	62/64

CONTINUED ON NEXT PAGE

Water Pump and Fan

GROUP AND PART NUMBER	DESCRIPTION, SIZE, ETC.	NO. REQ'D	MODEL OR ENGINE CUBIC INCH DISPLACEMENT	VEHICLE CODE	YEAR
8501	PUMP (WATER) CONTINUED				
C3OZ 8501-B	Less pulley - includes attaching gasket - Special Performance (Engine Warranty Code D)	1	289	C	64
C3VY 8501-A	Includes pulley and attaching gasket	1	430	D	63
C3VY 8501-B	Less pulley - includes attaching gasket (a)	1	430	D	61/62&64
20366-S	Bolt-hex. hd. -5/16"-18 x 7/8"	1	e		
20408-S7	Bolt-3/8"-16 x 1-1/8"-to attach water pump to cylinder block	AR	a		
20426-S8	Bolt-5/16"-18 x 1-1/8"-water pump and timing pointer to front cover	2	c		
20428-S8	Bolt-hex. hd.-3/8"-16 x 1-1/4"-pump to block	AR	b, d		
20448-S8	Bolt-3/8"-16 x 1-3/8"-water pump to cylinder block	1	d		
20468-S8	Bolt-3/8"-16 x 1-1/2"-water pump to cylinder block	1	d		
20522-S8	Bolt-3/8"-16 x 2"-water pump to cyl. block	1	d		
34806-S	Washer-lock-5/16"	AR	e		
34807-S8	Washer-lock-3/8"	AR	a, b		
45562-S8	Bolt-5/16"-18 x 4"-to attach water pump to front cover to cylinder block	2	c		
87617-S8	NS-plug-3/8"-18-use to plug hole in pump without heater	1	b, d		
358066-S	Plug-3/8" pipe-use in water pump when heater is not installed	1	e		
359082-S	NS-screw and washer 3/8"-16 x 1-1/2"-attach pump to block	1	d		
373221-S	Bolt-hex. hd. -5/16"-18 x 1.92"-attach water pump to cylinder block	2	e		
373374-S2	NS-clip-water pump body	1	b		
376256-S	Bolt-hex. washer hd. -5/16"-18 x 1.06"-attach water pump to front cylinder cover	5	f, h		
376258-S	Bolt-hex. washer hd. -5/16"-18 x 3-1/2"-attach water pump to front cylinder cover to cylinder block	3	f, h		
376259-S	Bolt-hex. washer hd. -5/16"-18 x 4.66"-attach water pump to front cylinder cover to cylinder block - use with a/cond.	1	f		
376765-S	Bolt-hex. washer hd. -5/16"-18 x 2-1/2"-attach water pump to front cylinder cover to cylinder block - use without a/cond.	1	h		
377958-S	Stud-hex. shoulder-5/16"-18 x 4-1/2" long-attach 8501 to 6010 with P/S	1	g, h		
8A501	SPACER (WATER PUMP) FRONT				
B8ME 8A501-A	.075" thick - use between (2) water pump mounting gaskets under each water pump mounting leg when roller type crankshaft driven P/S pump is used in place of vane type pump - use on engines built prior to 2-9-60	2	383, 430	A D	60
8507	GASKET (WATER PUMP OUTLET)				
B5A 8507-A	Also serviced in 6008 and 8591 kits and (1) included in 8501 assembly	1	292, 312	A	60/62
B7A 8507-A	Also serviced in 6008 and 8591 kits and (1) included in 8501 assembly	1	223	A	61/62
B8A 8507-A	Also serviced in 6008 and 8591 kits and (2) included in 8501 assembly	2	352, 390, 406, 427	A	61/64
	CONTINUED ON NEXT PAGE				

Water Pump and Fan

GROUP AND PART NUMBER		DESCRIPTION, SIZE, ETC.	NO. REQ'D	MODEL OR ENGINE CUBIC INCH DISPLACEMENT	VEHICLE CODE	YEAR 19__
8507		GASKET (WATER PUMP OUTLET) CONTINUED				
B8E	8507-A	Also serviced in 6008 and 8591 kits - also (2) included in B9SZ-8501-A service package	2	383, 430	A D	60/64
CODE	8507-A	Also serviced in 6008 and 8591 kits	1	144, 170, 200	B C	60/64
C2OZ	8507-E	Also serviced in 6008 kit	1	221, 260, 289	B C	62/64
8508		COVER (WATER PUMP)				
B7A	8508-A		(c) 1	223	A	61/62
C2AZ	8508-A		(b) 1	352, 390, 406, 427	A	61/64
Package also includes -						
(1) C2AZ-8513-A gasket						
B8S	8508-A		(a) 1	383, 430	A D	60
C1VE	8508-A		(a) 1	430	D	61/64
	20346-S8	Bolt-5/16"-18 x 3/4"-attach cover to pump housing	1	c		
	34806-S7	Washer-5/16" lock-attach cover to pump housing	1	c		
	359061-S8	Bolt-5/16"-18 x 7/16"-cover to housing	6	b		
	372139-S8	Bolt-hex. lock-5/16"-18 x 1/2"-cover to pump	6	a		
8509		PULLEY (WATER PUMP)				
B8A	8509-E	6.35" O.D. - two sheave - use with 50 or 60 amp. alternator	1	312	A	60
B9ME	8509-B	6.30" largest O.D. - three sheave - use with H/D hang-on a/cond. with power booster fan - also serviced in 19700 kit	1	312	A	60
EDG	8509-T	5.62" O.D. - two sheave - use as alternator drive pulley	1	383, 430	A	60
PB8M	8509-C	6.12" O.D. - two sheave - use with alternator	1	383, 430	A	60
B7A	8509-C	6.80" O.D. - one sheave - standard cooling - less a/cond. and/or 50, 60 amp. alternator	1	312	A	60
		Use with extra cooling and/or 40 amp. Delco Remy generator	1	292, 352, 390	A	61/62
COAE	8509-C	6.125" O.D. - one sheave - use with 40 amp. Delco Remy generator	1	223	A	61
COTE	8509-D	5.23" O.D. - two sheave - use with 50 amp. alternator	1	223	A	61
B7A	8509-A	5.83" O.D. - one sheave - use with standard cooling with 30 or 35 amp. generator	1	223	A	61/62
B7A	8509-D	5.22" O.D. - one sheave - use with a/cond. and/or extra cooling	1	223	A	61/62
C1AE	8509-E	6.25" largest O.D. - three sheave - use with a/cond.	1	292	A	61/62
C1AE	8509-F	6.85" O.D. - two sheave - use with 50 amp. pancake type alternator for 1961 only - use with 60 amp. for 1962 alternator	1	292, 352, 390	A	61/62
		Use with extra cooling or 60 amp. Leece-Neville alternator	1	390	A	63
		Use with 42 amp. Ford alternator (except Police Special) and extra cooling without a/cond. on vehicles built prior to 12-2-63 use with 42 amp. Ford alternator (Police Special) without a/cond. or with 40 or 60 amp. Leece-Neville alternator without a/cond. or P/S for 1963-64	1	390	A	63/64

CONTINUED ON NEXT PAGE

Water Pump and Fan

GROUP AND PART NUMBER	DESCRIPTION, SIZE, ETC.	NO. REQ'D	MODEL OR ENGINE CUBIC INCH DISPLACEMENT	VEHICLE CODE	YEAR 19_____
8509 PULLEY (WATER PUMP) CONTINUED					
B7A 8509-B	7.31" O.D. - one sheave - use without a/cond. - use for standard cooling and 30 or 35 amp. generator Use without a/cond. Use with 40 amp. Ford alternator with standard or extra cooling on vehicles built after 12-1-63 - 390 C.I.D. engine	1	292,352,390,406	A	51/62
		1	390,406,427	A	63
		1	390,427	A	64
C1AE 8509-B	6.28" O.D. - front sheave - 5.32" O.D. - rear sheave - use with a/cond. Use with Deluxe a/cond. or Economy a/cond. with extra cooling Use with Economy a/cond. with extra cooling	1	352,390	A	61/62
		1	390	A	63
		1	390	A	64
C2AZ 8509-A	5.35" O.D. - two sheave - 5/8" pilot hole - use with standard generator and extra cooling Use with standard alternator and heavy duty extra cooling Use without a/cond. with extra cooling and 40 or 60 amp. Leece-Neville alternator	1	352,390	A	62
		1	390	A	63
		1	390	A	64
C3AZ 8509-A	7.43" O.D. - three sheave - use with Economy a/cond. - 390 C.I.D. engine Use with Economy a/cond. with extra cooling - 390 C.I.D. engine	1	390	A	63
		1	390	A	64
C4SZ 8509-A	6.20" O.D. - two sheave - 5/8" pilot hole use with Deluxe a/cond. on vehicles with or without P/S	1	390	A	64
B9ME 8509-A	5.32" O.D. - two sheave - use with a/cond.	1	383,430	A D	60
B9SZ 8509-A	6.83" O.D. - pilot hole 1" diameter for a/cond. compressor	1	383,430	A D	60
PB8M 8509-B	7.10" O.D. - two sheave - standard cooling - less a/cond. - not required with power booster fan and alternator Use without a/cond.	1	383,430	A	60
		1	430	D	60
C2OZ 8509-C	5.00" O.D. - two sheave - use with a/cond.	1	170	B	62
C2OZ 8509-D	Three sheave - use with a/cond. - use on vehicles built prior to 4-2-62	1	221,260	B	62
C2OZ 8509-F	5.92" O.D. - front - 5.42" O.D. - rear sheaves - three sheaves - use with a/cond. - use on vehicles built after 4-1-62	1	221,260	B	62
C2OE 8509-C	Two sheave - use with P/S	1	170	B	62/63
C3OZ 8509-A	5.02" O.D. - one sheave - 1.00" shoulder pilot for fan clutch - use with Deluxe a/cond. and with extra cooling and Economy a/cond. - must be used with C3OZ-8A616-A fan clutch	1	170	B	63
C3OZ 8509-B	5.00" O.D. - one sheave - 5/8" pilot hole - use with Deluxe a/cond. and extra cooling with Economy a/cond. Use with standard cooling or a/cond. - must be used with C3OZ-8A616-B fan clutch with either 170 or 200 C.I.D. engine Use without a/cond. or P/S - use on vehicles built after 11-14-63 equipped with 170 C.I.D. engine	1	170	B	63
		1	200	B	63
		1	170,200	C	64
CONTINUED ON NEXT PAGE					

Water Pump and Fan

GROUP AND PART NUMBER	DESCRIPTION, SIZE, ETC.	NO. REQ'D	MODEL OR ENGINE CUBIC INCH DISPLACEMENT	VEHICLE CODE	YEAR 19__
8509 PULLEY (WATER PUMP) CONTINUED					
CODE 8509-A	5.66" O.D. - one sheave - use without a/cond.	1	144,170	C	60/63
	Use without a/cond. or P/S - use on vehicles built prior to 11-15-63	1	170	C	64
	Use without a/cond. or P/S	1	170	B	62
	Use with Economy a/cond. without extra cooling	1	170	B	63
	Use without P/S, Deluxe a/cond. or Economy a/cond. with extra cooling	1	170	B	63
C2OZ 8509-A	5.815" O.D. - 2.14" depth - one sheave - use without a/cond. or extra cooling	1	221,260,289	B C	62/64
C3DZ 8509-C	5.00" O.D. - two sheave - 5/8" pilot hole - 1.00" shoulder pilot - use with a/cond. with four point dual belt drive - crankshaft, water pump, generator, a/cond. compressor pulleys	1	144,170,200	C	63/64
	Use with P/S	1	200	B	63
C2OZ 8509-B	5.40" O.D. - two sheave - use with a/cond. or extra cooling	1	221,260,289	B C	63/64
CODE 8509-C	5.28" O.D. - two sheave - use with a/cond. - 5/8" pilot hole	1	144,170	C	60/62
C2DZ 8509-A	5.28" O.D. - two sheave - use with a/cond. - 1" pilot hole	1	144,170	C	62
	Use with a/cond. having three point single belt drive (crankshaft - water pump - generator) - must be used with C2DZ-8600-A fan	1	144,170	C	63
C3DZ 8509-A	5.64" O.D. - two sheave - 5/8" pilot hole - 2.37" thick - use with P/S	1	170,200	C	64
C4DZ 8509-A	5.64" O.D. - two sheave - 5/8" pilot hole - 1.82" thick - use with P/S less a/cond.	1	170,200	C	64
C4DZ 8509-B	5.00" O.D. - two sheave - 5/8" pilot hole - 2.55" thick - use with a/cond. and P/S with a/cond. with three point single belt drive - crankshaft, water pump, a/cond. compressor pulleys	1	170,200	C	64
C1VE 8509-A	5.30" O.D. - two sheave	1	430	D	61/62
C1VY 8509-A	6.82" O.D. - one sheave - use as a/cond. compressor pulley	1	430	D	61/64
C3VY 8509-A	6.10" O.D. - two sheave	1	430	D	63/64
8512 IMPELLER (WATER PUMP)					
	NS-serviced in 8501 assembly only	1	390,406,427	A	63
	NS-serviced in 8501 or 8591 assembly	1	390,427	A	64
	NS-use with water pumps with 1-1/2" bearing O.D. - serviced in 8591 kit	1	383,430	A D	60/64
	NS-serviced in 8591 kit	1	144,170,221,223,260,292,312,352,383,390,406,430	A B C	60/62
C4OZ 8512-B	NS-serviced in 8591 kit	1	144,170,200	B C	63
	Use with C2OZ-8501-C water pump assy. 3.94" O.D.	1	221,260,289	B C	62/64
	NS-serviced in 8591 kit only	1	170,200	C	64
	NS-serviced in 8591 kit	1	170,200,260	C	64
	NS-use with water pumps with 1-3/16" bearing O.D. - serviced in 8591 kit	1	430	D	60

Water Pump and Fan

GROUP AND PART NUMBER	DESCRIPTION, SIZE, ETC.	NO. REQ'D	MODEL OR ENGINE CUBIC INCH DISPLACEMENT	VEHICLE CODE	YEAR 19__
8513 GASKET (WATER PUMP COVER)					
B8A 8513-A	Also serviced in 8591 kit	1	352,390	A	61
B7A 8513-A	Also serviced in 8591 kit	1	223	A	61/62
C2AZ 8513-A	Also serviced in 8591 kit	1	352, 390, 406, 427	A	62/64
B8S 8513-A	Also serviced in 8591 kit	1	383, 430	A D	60
C1VE 8513-A	Also serviced in 8591 kit	1	430	D	61/64
8526-7 DIVERTER (WATER INLET)					
B8E 8526-A	R. H. - 1.631" largest O. D. x 1.180" long - ☆Use with cylinder blocks having (2) water diverter bores 1.620"/1.625" diameter	1	383, 430☆	A D	60/64
B8E 8527-A	L. H. - 1.631" largest O. D. x 2.180" long - ☆Use with cylinder blocks having (2) water diverter bores 1.620"/1.625" diameter	1	383, 430☆	A D	60/64
C4VY 8526-A	R. H. - 1.531" largest O. D. x 1.180" long - ☆Use with cylinder blocks having (2) water diverter bores 1.520"/1.525" diameter in front of block	1	383, 430☆	A D	60/64
C4VY 8527-A	L. H. - 1.531" largest O. D. x 2.180" long - ☆Use with cylinder blocks having (2) water diverter bores 1.520"/1.525" diameter in front of block	1	383, 430☆	A D	60/64
8530 BEARING (WATER PUMP)					
	NS-serviced in 8501 assembly only	1	406, 427	A	63
	NS-use with water pumps with 1.5" bearing O. D. - serviced in 8591 kit	1	383, 430	A D	60
	NS-use with water pumps with 1-3/16" bearing O. D. - serviced in 8591 kit	1	383, 430	A D	60
	NS-serviced in 8591 kit	1	223, 292, 352, 390, 406, 430	A D	61/62
	NS-serviced in 8591 kit	1	170, 200, 390, 430	A B C D	63
	NS-serviced in 8591 kit	1	170, 200, 260, 289, 390, 430	A C D	64
C4OZ 8530-A	5.50" long - includes slinger - use with C2OZ-8501-C water pump assembly	1	221, 260, 289	B C	62/64
8546 SPACER (WATER PUMP PULLEY TO FAN)					
ECZ 8546-D	2-1/2" long - use with a/cond.	1	312	A	60
B9ME 8546-D	1-31/32" long - less a/cond.	1	312	A	60
B9ME 8546-B	Use with alternator - use between alternator drive pulley and fan blades - .59" long	1	383, 430	A	60
C4SZ 8546-A	Use without a/cond.	1	292	A	61/62
EDJ 8546-A	Use with 50 amp. pancake type alternator	1	292	A	61
	Use with 60 amp. alternator	1	292	A	62
C1AZ 8546-A	1.08" thick including pilot - use with 50 amp. alternator	1	352, 390	A	61
	Use with Economy a/cond. or 40 amp. alternator - .97:1 pulley ratio	1	390	A	63
	Use with 42 amp. Ford alternator (except Police Special) with .97:1 pulley ratio	1	390	A	64
B5A 8546-A	Use with 60 amp. alternator	1	352, 390	A	62
	1.18" overall thickness - use with 60 amp. Leece-Neville alternator without a/cond. or P/S - .97:1 ratio water pump pulley	1	390	A	63
C2AZ 8546-A	.19" thick - use with extra cooling	1	406	A	62/63
C4AZ 8546-B	2.74" overall thickness - use with Economy a/cond. - use with Police Special with 42 amp. Ford alternator - use with 40 or 60 amp. Leece-Neville alternator and .97:1 ratio water pump pulley	1	390	A	64

CONTINUED ON NEXT PAGE

Water Pump and Fan

GROUP AND PART NUMBER	DESCRIPTION, SIZE, ETC.	NO. REQ'D	MODEL OR ENGINE CUBIC INCH DISPLACEMENT	VEHICLE CODE	YEAR 19__
3546 SPACER (WATER PUMP PULLEY TO FAN) CONTINUED					
C2OZ 8546-D	3.02" overall thickness - use with Economy a/cond.	1	221,260	B	63
	Use with 40 amp. Ford alternator	1	390	A	64
	Use with standard cooling - use on vehicles built prior to 3-16-64	1	427	A	64
C4AZ 8546-C	2.92" overall thickness - use with 40 amp. alternator	1	390	A	64
	Use with standard cooling - use on vehicles built after 3-15-64	1	427	A	64
B5S 8546-A	1.28" overall thickness - use with 30, 35 and 40 amp. generators without a/cond.	1	352,390,406	A	61/62
	Standard cooling without a/cond.	1	390,406,427	A	63
	Use with Economy a/cond. or extra cooling	1	260	C	63
	Use with a/cond. or extra cooling on vehicles built prior to 11-15-63	1	260,289	C	64
ECZ 8546-E	1.54" overall thickness - with Economy a/cond. without extra cooling	1	170,200	B	63
	Use with a/cond. or extra cooling on vehicles built after 11-14-63	1	260,289	C	64
B9ME 8546-C	2-1/2" long - without a/cond. or power booster fan	1	383,430	A D	60
C2OZ 8546-E	With a/cond.	1	170	B	62
C2OZ 8546-C	Use without P/S	1	170	B	62
	Use without P/S and a/cond.	1	170	B	63
C2OE 8546-B	1.67" overall length - use with P/S	1	170,200	B	62/63
C2OZ 8546-A	3.22" thick including pilot	1	221,260	B	62/63
C3DZ 8546-A	.78" thick including pilot - use with a/cond. with four point dual belt drive (crankshaft - water pump - generator - a/cond. compressor)	1	144,170	C	63
C3OZ 8546-B	1.58" thick including pilot - use with standard cooling on vehicles built prior to 12-16-63	1	260,289	C	63/64
C3DZ 8546-B	.78" thick including pilot - use with a/cond. with four point dual belt drive - crankshaft, water pump, generator, a/cond. compressor	1	170,200	C	64
C4DZ 8546-A	Aluminum or plastic - .86" overall thickness - use with late type P/S	1	170,200	C	64
B6A 8546-A	1.82" overall thickness - use with standard cooling on vehicles built after 12-15-63	1	260,289	C	64
C1VE 8546-B	3.06" thick including pilot - 3/4" pilot hole - use without a/cond.	1	430	D	61/63
C4TZ 8546-B	3.06" overall thickness - 3/4" pilot hole - use without a/cond.	1	430	D	64

8E48

REFER TO GROUP 8555

8550

SLINGER (WATER PUMP SHAFT)

	NS-serviced in 8591 kit	1	383,430	A D	60/62
		1	430	D	64
	NS-serviced in 8591 kit	1	223,292,312,352,390	A	60/62
	NS-serviced in 8591 kit	1	All	A B C	63
	NS-serviced in 8501 assembly	1	170,200,260,289,390	A C	64

Water Pump and Fan

GROUP AND PART NUMBER	DESCRIPTION, SIZE, ETC.	NO. REQ'D	MODEL OR ENGINE CUBIC INCH DISPLACEMENT	VEHICLE CODE	YEAR 19__
8553 HUB (WATER PUMP PULLEY)					
B9ME 8553-A		1	383, 430	A D	60
B9AE 8553-A		1	221, 260, 289, 292, 312, 352, 390, 406, 427	A B C	60/64
B4A 8553-A	2-1/2" O.D. - 9/16" thick	1	144, 170, 200, 223	A B C	60/64
8555 TUBE (WATER BY-PASS)					
C2TZ 8548-A	Front (a)	1	292, 312	A	60/62
COAE 8555-A	Steel tubing - 5/8" O.D. x 1-3/8" long - use in intake manifold and water pump	2	352, 390	A	61
	Use in intake manifold only	1	352, 390, 406, 427	A	62/63
C2AZ 8555-A	Use in water pump only	1	352, 390, 406, 427	A	62/64
COAZ 8555-A	Steel tubing - 5/8" O.D. x 1.44" long - use in intake manifold	1	390, 427	A	64
B8E 8555-A	Use in intake manifold and water pump	2	383, 430	A D	60/64
C2OZ 8548-B	17-3/8" long	1	221, 260	B	62
C4AZ 8548-A	With bracket - 5/8" diameter steel tubing x 14-1/32" overall length - use on vehicles equipped with water heated choke but not equipped with hot water heater	1	260-2V, 289-4V	C	64
20346-S8	Bolt-5/16"-18 x 3/4"-by-pass tube to water pump	2	a		
34806-S7	Lockwasher-5/16"	2	a		
8556 CLAMP (WATER BY-PASS HOSE)					
	NS-use 1C-18572-A for service	2	312	A	60
1C 18572-A		2	292, 312, 352, 390	A	60/61
	NS-use 1C-18572-A for service - to attach pump inlet tube and reservoir outlet - crankshaft P/S	2	383, 430	A D	60
	NS-use B7AZ-8287-C for service	2	383, 430	A D	60/62
		2	430	D	64
8563 GASKET (WATER BY-PASS TUBE)					
EAN 8563-B	Also serviced in 6008, 6079 kits	1	292, 312	A	60/62
8564 SEAL (WATER PUMP)					
B6C 8564-A	1.72" O.D. - use with water pumps with 1-1/2" bearing O.D. - also serviced in 8591 kit	1	383, 430	A D	60/64
B2AZ 8564-A	1.62" O.D. - also serviced in 8591 kit	1	312, 383, 430	A D	60
	☆ Use with water pumps with 1-3/16" bearing O.D.	1	144, 170	B C	60/62
		1	221, 223, 260, 292, 352, 390	A B	61/62
		1-2	144, 170, 221, 260, 289, 390, 406	A B C	63/64
		1	200, 427	A C	64
8575 THERMOSTAT (WATER)					
C2RZ 8575-B	180° - Prior to 6-7-62 for 1962 only	1	223, 292, 312, 352, 390, 406, 430	A	60/62
C2VY 8575-B	178°	1	383, 430	A D	60/62
B9SZ 8575-B	140° - located in cylinder block	2	383, 430	A D	60/64
C2RZ 8575-A	160°	1	223, 292, 312, 352, 383, 390, 406, 427, 430	A D	60/64

CONTINUED ON NEXT PAGE

Water Pump and Fan

GROUP AND PART NUMBER	DESCRIPTION, SIZE, ETC.	NO. REQ'D	MODEL OR ENGINE CUBIC INCH DISPLACEMENT	VEHICLE CODE	YEAR 19__
8575 THERMOSTAT (WATER) CONTINUED					
C3AZ 8575-A	188° - use on 1962 engines built after 6-6-62 - when used to replace 178° thermostat on engines built prior to 6-7-62, also change to 250° water temperature sending unit	1	223, 292, 352, 390, 406, 427	A	61/64
B5AZ 8575-A	160°	1	144, 170, 200, 221, 260, 289	B C	60/64
B5AZ 8575-B	180°	1	200	B	63
	Use on engines built prior to 1-2-62	1	170	B	62/63
	Use on engines built prior to 2-12-62	1	221	B	62/63
	Use on engines built prior to 6-2-62	1	260	B	62/63
	Use on engines built prior to 12-26-61	1	144, 170	C	60/63
C2DZ 8575-A	188° - use on 1962 engines built after 6-6-62 - when used to replace 178° thermostat on engines built prior to 6-7-62 also change to 250° water temperature sending unit				
	Use on engines built after 1-1-62	1	170	B	62
	Use on engines built after 2-11-62	1	221	B	62
	Use on engines built after 6-1-62	1	260	B	62
	Use on engines built after 12-25-61	1	144, 170	C	60/62
	Use on engines built prior to 8-31-64	1	144, 170, 200, 221, 260, 289	B C	63/64
C3DZ 8575-A	188° - use on engines built after 8-30-64	1	170, 200, 260, 289	C	64
C3VY 8575-A	188° - use with permanent type anti-freeze - when used to replace 178° thermostat on 1961 and 1962 must also use 250 temperature sending unit	1	430	D	61/64
8576 SNAP RING (WATER PUMP HOUSING)					
OBA 8576-A	Also serviced in 8591 kit	1	292, 312	A	60/61
8578 REFER TO GROUP 8530					
8591 KIT (WATER PUMP REPAIR)					
B5A 8591-C	Consists of the following -	1	292, 312	A	60/62
(1) B5A-8507-A	gasket		(1) 7HA-8550 slinger		(1) OBA-8576-A lock ring
(1) B5A-8512-B	impeller		(1) C2AZ-8564-A seal		(1) 8BA-8630-A lock ring
(1) B5A-8530-A	bearing				
B7A 8591-A	Use with bearing 4.46" long	1	223	A	61/62
	Consists of the following -				
(1) B7A-8507-A	gasket		(1) B7A-8530-A bearing		% (1) OBA-8576-A lock ring
(1) C3AZ-8512-A	impeller		(1) 7HA-8550 slinger		% (1) 8BA-8630-A lock ring
(1) B7A-8513-A	gasket		(1) C2AZ-8564-A seal		
	% Not used				
C2AZ 8591-A	☆ Also use for 390 C. I. D. Police Special on vehicles built prior to 1-13-64 - for vehicles built after 1-12-64 use 8501 assy.	1	352, 390☆	A	61/64
	Consists of the following -				
(2) B8A-8507-A	gasket		(1) B8A-8513-A gasket		§ (1) C1AE-8578-A bearing & slinger
§ (1) C3AZ-8512-B	impeller		(1) B2AZ-8564-A seal		
	§ Parts not serviced separately				
B8S 8591-A	For water pumps with 1-3/16" O.D. bearing	1	383, 430	A D	60
	Consists of the following -				
(2) B8E-8507-A	gasket		(1) B8S-8513-A gasket		(1) B8S-8578-A bearing
(1) B9SZ-8512-C	impeller		(1) C2AZ-8564-A seal		

CONTINUED ON NEXT PAGE

Water Pump and Fan

GROUP AND PART NUMBER	DESCRIPTION, SIZE, ETC.	NO. REQ'D	MODEL OR ENGINE CUBIC INCH DISPLACEMENT	VEHICLE CODE	YEAR 19__
8591 KIT (WATER PUMP REPAIR) CONTINUED					
B9S 8591-A	For water pumps with 1-1/2" O. D. bearing	1	383, 430	A D	60
Consists of the following -					
(2) B8E-8507-A	gasket	(1) B8S-8513-A	gasket	(1) ECW-8550-A	slinger
(1) B9S-8512-B	impeller	(1) B9S-8530-A	bearing	(1) B6C-8564-A	seal
CODZ 8591-B		1	144-1V, 170-1V, 200-1V	B C	60/64
Consists of the following -					
(1) CODE-8507-A	gasket	§(1) CODZ-8530-A	bearing and slinger	(1) B2AZ-8564-A	seal
§(1) C3DZ-8512-A	impeller	§ Parts not serviced separately			
C2OZ 8591-B	Use on 1964 engines built prior to 8-5-63 equipped with C2OZ-8501-B water pump assy.	1	221, 260, 289	B C	62/64
Consists of the following -					
(1) C2OZ-8507-B	gasket	(1) C2OZ-8530-A	bearing and slinger	(1) 7RA-8564-B	seal
(1) C2OZ-8512-A	impeller - 4. 70" O. D.		5. 90" long		
C1VY 8591-A		1	430	D	61/64
Consists of the following -					
(2) B8E-8507-A	gasket	(1) C1VE-8513-A	gasket	§(1) B7C-8550-A	slinger
§(1) B9S-8512-B	impeller	§(1) C1VE-8530-A	bearing	(1) B6C-8564-A	seal
§ Parts not serviced separately					
8592 REFER TO GROUP 8594					
8594 CONNECTION (WATER OUTLET)					
B5A 8592-A		1	312	A	60
COAE 8594-A		(c) 1	223	A	61/62
EDF 8592-A		(a) 1	383, 430	A	60
		(e) 1	430	D	60
C1DZ 8594-A	Use on vehicles built prior to 1-24-64	(b) 1	144, 170, 200	B C	60/64
C1DZ 8594-B	Use on vehicles built after 1-23-64	1	170, 200	C	64
C3OZ 8594-B		(d) 1	221, 260, 289	B C	62/64
20328-S8	Bolt-hex. hd. -3/8"-16 x 3/4"-water outlet connection to intake manifold	2	e		
20348-S8	Bolt-hex. hd. -3/8"-16 x 3/4"	2	a		
20368-S8	Bolt-hex. hd. -3/8"-18 x 7/8"	2	c		
34806-S	Washer-lock-5/16"	2	b		
34807-S7	Lockwasher 3/8"-water outlet connection to intake manifold	2	a, e		
39883-S	NS-screw-self-tap. hex. washer hd. -5/16" - 18 x 1/2"	AR	d		
357235-S	Screw-5/16"-18 x 7/8"-attach water outlet connection to intake manifold	2	d		
370790-S	Bolt-hex. hd. -5/16"-18 x 3/4"-attach water outlet connection to cylinder head	2	b		
8597 CONNECTION (WATER BY-PASS)					
	NS-cut 3-3/16" from FDA-18472-A	1	312	A	60
	NS-rubber hose - 5/8" I.D. x 3.90" long - for service use FDA-18472-A - bulk hose 100' roll and cut to length	1	292	A	61
	NS-rubber hose - 5/8" I.D. x 2.10" long - for service use FDA-18472-A - bulk hose 100' roll and cut to length	1	352, 390	A	61
	NS-rubber hose - 5/8" I.D. x 1-27/32" long - for service cut from FDA-18472-A bulk hose	1	352, 390, 406, 427	A	62/63
CONTINUED ON NEXT PAGE					

Water Pump and Fan

GROUP AND PART NUMBER	DESCRIPTION, SIZE, ETC.	NO. REQ'D	MODEL OR ENGINE CUBIC INCH DISPLACEMENT	VEHICLE CODE	YEAR 19__
8597 CONNECTION (WATER BY-PASS) CONTINUED					
	NS-rubber hose - 9/16" I.D. x 2" long - for service cut from FDA-18472-A bulk hose	1	390,427	A	64
B8TZ 8597-B	Rubber - 17-7/8" long	1	430	D	60/64
		1	383,430	A	60
	NS-hose 5/8" I.D. x 12-13/64" long - for service use FDA-18472-A bulk hose and cut to length	1	221	B	62
	NS-rubber hose - 5/8" I.D. x 29-19/64" long - for service use FDA-18472-A bulk hose and cut to length - not used when heater is installed - used in place of C2OZ-8548-A - use on vehicles built prior to 3-19-62	2	260	B	62
	NS-rubber hose - 5/8" I.D. x 17-3/8" long - for service use FDA-18472-A bulk hose and cut to length - not used when heater is installed used in place of C2OZ-8548-A - use on vehicles built after 3-18-62	1	260	B	62
C2OZ 8597-A	Rubber - elbow type - 5/8" I.D. x 1" O.D. x 1-31/32" long	1	221,260,289	B C	62/64
	NS-rubber hose - 5/8" I.D. x 14-3/4" long - for service cut from FDA-18472-A bulk hose - use on vehicles with water heated choke not equipped with hot water heater	1	260,289	C	64
8600 BLADE (FAN)					
MK 8600-D	Painted RED - 5 blade - 19" diameter power booster fan with a/cond. (b)	1	383,430	A	60
B9MM 8600-E	4 blades - 18-1/2" diameter - except power booster fan (a)	1	312,383,430	A	60
	Standard cooling - less a/cond.	1	292	A	61/62
B9MM 8600-B	5 blades - 18" diameter - center hole 2-5/8" diameter - bolt hole circle 3-1/4" diameter - blades riveted to front of spider - use with a/cond.	1	312	A	60
	Use on engines with a/cond. on vehicles built prior to 10-1-60	1	292	A	61
CISS 8600-A	5 blades - 18" diameter - center hole 2-5/8" diameter - bolt hole circle 3-1/4" diameter blades riveted to rear of spider	1	292	A	61/62
	Use on engines with a/cond. on vehicles built after 9-30-60	1	352,390	A	61
	Use on engines with a/cond. on vehicles built prior to 11-24-60	1	352,390	A	61
C1MM 8600-C	5 blades - 18-1/2" diameter - center hole 2-3/8" diameter - bolt hole circle 3" diameter - use with a/cond. on vehicles built after 11-23-60 and up to 11-22-61	1	352,390	A	61/62
COAA 8600-D	4 blades - 17" diameter - standard cooling without a/cond.	1	223	A	61/62
C1AA 8600-D	5 blades - 18" diameter - use with a/cond. and extra cooling	1	223	A	61/62
	NS-7 blades - 18" diameter - center hole 2-3/8" diameter - bolt hole circle 3" diameter - use with service installed a/cond. - for service use C1MM-8600-C	1	352,390	A	61/62
CONTINUED ON NEXT PAGE					

Water Pump and Fan

GROUP AND PART NUMBER	DESCRIPTION, SIZE, ETC.	NO. REQ'D	MODEL OR ENGINE CUBIC INCH DISPLACEMENT	VEHICLE CODE	YEAR 19____
8600	BLADE (FAN) CONTINUED				
C2AZ 8600-A	5 blades - 18" diameter - extra cooling without a/cond. - use on engines built after 11-21-61	1	352,390,406	A	61/62
	Use with heavy duty extra cooling without a/cond. - must be used with C2AZ-8A616-A fan clutch	1	390	A	63
	Use with heavy duty extra cooling without a/cond. - must be used with C4AZ-8A616-A fan clutch	1	390	A	64
	Use with extra cooling without a/cond. - must be used with C2AZ-8A616-A fan clutch	1	406,427	A	63
C2MY 8600-A	7 blades - 19-1/4" diameter - with a/cond. - use on engines built after 11-22-61	1	352,390	A	62
	Use on vehicles equipped with a/cond. and fan clutch (f)	1	390	A	63
C1AA 8600-E	4 blades - 14" diameter (f)	1	406,427	A	62/64
C1AA 8600-B	5 blades - 18-1/2" diameter - extra cooling Standard cooling without a/cond.	1	292	A	62
	☆ Use on engines built prior to 9-23-60 with standard cooling without a/cond.	1	352	A	61/62
		1	390☆	A	61/62
C1MZ 8600-D	6 blades - 18-1/2" diameter - 2" side view - 5/8" center hole - with extra cooling	1	292	A	61
	Use with standard cooling without a/cond.	1	390☆	A	61
	☆ Use on engines built after 9-22-60	1	352	A	62
	Use with extra cooling without a/cond.	1	390,406	A	62
	Use with standard and extra cooling	1	390,406,427	A	63
	Use with standard and extra cooling without a/cond.	1	390,427	A	64
	Use with standard or extra cooling without a/cond. on vehicles built prior to 12-2-63	1	390,427	A	64
C1MZ 8600-E	4 blades - 18-1/2" diameter - standard or extra cooling without a/cond. - use on vehicles built after 12-1-63	1	390,427	A	64
C4AZ 8600-A	7 aluminum blades - steel spider - 19-1/4" diameter - use on vehicles equipped with a/cond. and fan clutch	1	390	A	64
C2OA 8600-A	4 blades - 16" diameter - without a/cond. (g)	1	170	B	62/63
	With Economy a/cond. and standard cooling	1	200	B	63
C3OZ 8600-A	5 blades - 17" diameter - with a/cond. - 5/8" pilot hole (g)	1	170	B	62
	With Economy a/cond. without extra cooling	1	170,221,260	B	63
C2OZ 8600-E	5 blades - 17" diameter - use with a/cond. 2.625" diameter pilot hole - use with (g)	1	221	B	62
	a/cond. - fan clutch and radiator 17" in width	1	221,260	B	63
C2OZ 8600-G	5 blades - 17-1/2" diameter - 3-1/4" bolt circle - use with a/cond. (d)	1	260	B	62
	Use with a/cond. - fan clutch and radiator 20" in width (g)	1	221,260	B	63
C3OZ 8600-B	5 blades - 17-1/4" diameter - 2.38" diameter pilot hole - use with Deluxe a/cond. and with Economy a/cond. with extra cooling - must be used with fan clutch (d)	1	170,200	B	63
CONTINUED ON NEXT PAGE					

Water Pump and Fan

GROUP AND PART NUMBER	DESCRIPTION, SIZE, ETC.	NO. REQ'D	MODEL OR ENGINE CUBIC INCH DISPLACEMENT	VEHICLE CODE	YEAR 19__
8600 BLADE (FAN) CONTINUED					
C2DZ 8600-B	4 blades - 15-1/2" diameter with .628" center hole - automatic transmission - standard cooling without a/cond.	1	144	C	60/62
	Standard cooling without a/cond.	1	170	C	61/62
	Standard cooling without a/cond. or P/S - use on vehicles built prior to 11-15-63	1	170	C	64
	With Economy a/cond. without extra cooling (g)	1	200	B	63
	Standard cooling without a/cond.	1	144, 170	B C	63
C1VV 8600-D	4 blades - 17-1/2" diameter - without a/cond. (d)	1	221, 260, 430	B D	61/62
	(f, g)	1	221, 260, 430	B D	63
	(i)	1	430	D	64
CODD 8600-E	6 blades - 15" diameter - extra cooling or a/cond. - 5/8" pilot hole (c)	1	144, 170	C	60/62
CODD 8600-A	4 blades - 14" diameter - standard transmission - standard cooling without a/cond. (c)	1	144	C	60/62
	Use with standard cooling without a/cond. or P/S (c)	1	170☆, 200	C	64
	☆ Use on vehicles built after 11-14-63 equipped with 170 C. I. D. engine				
C2DZ 8600-C	6 blades - 15" diameter - 1" pilot hole - with a/cond. (g)	1	144, 170	C	62/63
	With a/cond. or P/S	1	170, 200	C	64
C2OA 8600-B	4 blades - 17" diameter - without a/cond. (g)	1	260	C	63
	Use without a/cond. or extra cooling - (i)	1	260, 289☆	C	64
	☆ Also use with Special Performance (Engine Warranty Code D) without a/cond. or extra cooling				
C3DZ 8600-A	6 blades - 17" diameter - 5/8" pilot hole - use with a/cond. (g)	1	260	C	63
	Use with a/cond. or extra cooling - (i)	1	260, 289☆	C	64
	☆ except Special Performance				
MG 8600-F	4 blades - 18-1/4" diameter - without a/cond. (e)	1	430	D	60
B9LL 8600-A	5 blades - 18-1/4" diameter - with a/cond. with power booster fan (b)	1	430	D	60
C1VV 8600-C	6 blades - 18-1/4" diameter - use with a/cond. with fan clutch and without fan shroud	1	430	D	61
C1VV 8600-A	5 blades - 18-1/4" diameter - use with a/cond. and fan shroud - use on vehicles built after 6-13-61	1	430	D	61/62
C4VY 8600-A	6 blades - 18-1/4" diameter - use with a/cond. and fan shroud (j)	1	430	D	63/64
20326-S7	Bolt-5/16"-18 x 5/8"-fan to power booster clutch	4	b		
20327-S8	NS-bolt-hex. hd. -5/16"-24 x 5/8"-attach fan and water pump pulley to water pump hub	4	c, g		
20347-S8	Bolt-hex. hd. -5/16"-24 x 3/4"	4	a, f, j		
33798-S	Nut-hex. -5/16"-24	4	h, j		
34806-S7	Lockwasher-spring-5/16"	4	a, b, c, f, g, i		
45555-S7	Bolt-hex. hd. -5/16"-24 x 3-3/4"-attach fan to pulley	4	d, g, i		
371940-S	NS-bolt-hex. hd. -5/16"-24 x 3-5/32"	4	a		
371941-S	Bolt-hex. hd. -5/16"-24 x 2-21/32"	4	a, e		

Water Pump and Fan

GROUP AND PART NUMBER	DESCRIPTION, SIZE, ETC.	NO. REQ'D	MODEL OR ENGINE CUBIC INCH DISPLACEMENT	VEHICLE CODE	YEAR 19__
8A611	GUARD (FAN)				
C3AZ 8A611-B		1	223	A	61/62
C3AZ 8A611-A	Except a/cond. (a)	1	292, 352, 390, 406	A	61/63
	Extra cooling without a/cond.	1	352, 390, 406	A	62
C3AZ 8A611-C	Chrome plated	1	406, 427	A	63
	Package also includes -				
(2) 353714-S37	screw	(2) 354549-S37	screw	(3) 399294-S37	screw
C4AZ 8A611-A	Steel (a)	1	390, 427	A	64
C4AZ 8A611-B	Chrome plated ☆ Also included in C4AZ-6980-A dress-up kit	1	390☆, 427	A	64
C1VY 8A611-A	Use when fan shroud is not installed	1	430	D	61
39883-S	NS-screw-self-tapping hex. washer hd. - 5/16"-18 x 1/2"	2	a		
8A616	CLUTCH (FAN)				
B9MY 8A616-A	Use with power booster fan with a/cond. (a)	1	312	A	60
B9MY 8A616-B	Use with power booster fan with a/cond. (a)	1	383, 430	A	60
	NS-clutch shaft length approx. 2-1/16" long - use with a/cond. on vehicles built prior to 10-1-60 - use C1AA-8A616-A for service by changing from B9MM-8600-B to C1SS-8600-A fan blade	1	292	A	61
C1AA 8A616-A	Clutch shaft length approx. 2-3/8" long - use with a/cond. on vehicles built after 9-30-60 with C1SS-8600-A blade	1	292	A	61/62
	NS-clutch shaft length approx. 1-7/32" long - use with a/cond. on vehicles built prior to 11-24-60 - use C1AA-8A616-B for service by changing from C1SS-8600-A to C1MM-8600-C fan blade	1	352, 390	A	61
C1AA 8A616-B	6" diameter fan - 2.295" to 2.362" overall length - clutch shaft length approximately 1" long - use with a/cond. on vehicles built after 11-23-60 with C1MM-8600-C blade for 1961 - also use with C2MY-8600-A for 1962	1	352, 390	A	61/62
	Use with Deluxe a/cond., Economy (b) a/cond. and extra cooling	1	390	A	63
C2AZ 8A616-A	Use with extra cooling without a/cond. - use with C2AZ-8600-A - on engines built after 11-22-61	1	352, 390, 406	A	61/63
C4AZ 8A616-A	6" diameter fan - 3.555" to 3.641" (b) overall length - identification BLUE STRIPE on shaft - use with a/cond. and/or heavy duty extra cooling on vehicles using fan clutch	1	390	A	64
C4AZ 8A616-B	6" diameter fan - 3.555" to 3.641" (b) overall length - identification RED STRIPE on shaft - use with heavy duty extra cooling without a/cond.	1	390	A	64
C2OZ 8A616-A	Use with a/cond.	1	221, 260	B	62
	With extra cooling	1	221, 260	B	63
C3OZ 8A616-A	1.00" pilot hole - use with Deluxe a/cond. and Economy a/cond. with extra cooling - must be used with C3OZ-8509-A pulley	1	170, 200	B	63
C3OZ 8A616-B	5/8" pilot hole - use with Deluxe a/cond. and Economy a/cond. with extra cooling - must be used with C3OZ-8509-B pulley	1	170, 200	B	63

CONTINUED ON NEXT PAGE

Water Pump and Fan

GROUP AND PART NUMBER	DESCRIPTION, SIZE, ETC.	NO. REQ'D	MODEL OR ENGINE CUBIC INCH DISPLACEMENT	VEHICLE CODE	YEAR 19__
8A616 CLUTCH (FAN) CONTINUED					
COLL 8A616-A	Power booster fan with a/cond. (b)	1	430		
CIVV 8A616-B	Use with a/cond. (b, c)	1	430	D	60
20326-S	Bolt-hex. hd. -5/16"-18 x 5/8"-fan to clutch	4	b		61/64
20427-S	Bolt-hex. hd. -5/16"-24 x 1-1/4"-clutch to pulley	4	b		
33798-S	Nut-hex. -5/16"-24	4	c		
34806-S	Lockwasher-5/16"-clutch to pulley and fan to clutch	8	a, b		
44722-S	Washer-flat-5/16"	4	a, b		
353482-S2	NS-bolt-5/16"-24 x 1-1/8"-clutch to water pump	4	a		
8620 BELT (GENERATOR OR ALTERNATOR & WATER PUMP)					
B8A 8620-K	15/32" V x 51-5/16" long - use with a/cond. - water pump to compressor to crankshaft	1	312	A	60
B9ME 8620-A	15/32" V x 40" long - use as P/S pump drive belt	1	312	A	60
B8MY 8620-A	3/8" V x 45-5/16" long - matched pair - use with 30 amp. low cut-in - 50 and 60 amp. generator only - less a/cond. - crankshaft to water pump to generator	2	383,430	A	60
	Use water pump to alternator to idler pulley - use with 50 and 60 amp. alternator	1	312	A	60
EDG 8620-E	3/8" V x 42-3/8" long - matched pair - use as alternator drive belts	2	383,430	A	60
B8LY 8620-B	3/8" V x 42-1/8" long - matched pair - use with alternator without a/cond.	2	383,430	A	60
	Use with 30 amp. low cut-in - 50 and 60 amp. generator with a/cond.	1	383,430	A	60
C2AZ 8620-C	3/8" V x 45" long - matched pair - use with 30 amp. low cut-in - 50 and 60 amp. generators	1	312	A	60
	Use with standard cooling without a/cond.	1	292	A	61/62
B9SZ 8620-A	3/8" V x 43-3/4" long - matched pair - generator to crankshaft to water pump - with standard cooling - with 30, 35 and 40 amp. generators - less power booster fan, alternator and a/cond.	2	383,430	A	60
	Use as water pump, fan and generator belt with extra cooling	1	352,390	A	61
	Use on vehicles built prior to 7-24-61				
B8A 8620-F	15/32" V x 43-1/4" long - use with a/cond. - crankshaft to water pump to generator	1	312	A	60
	Use as generator and water pump belt with extra cooling - use on vehicles built after 7-23-61	1	352,390	A	61/62
B7A 8620-D	3/8" V x 44-3/16" long - use for standard cooling - without a/cond. - crankshaft to water pump to generator	1	312	A	60
	Use as generator and water pump drive belt with 40 amp. Delco Remy generator or extra cooling	1	292☆	A	61/62
	☆ Use on vehicles built prior to 7-24-61				
EDC 8620-A	3/8" V x 44-13/32" long - use as generator and water pump belt with extra cooling - use on vehicles built after 7-23-61	1	292	A	61/62

CONTINUED ON NEXT PAGE

Water Pump and Fan

GROUP AND PART NUMBER	DESCRIPTION, SIZE, ETC.	NO. REQ'D	MODEL OR ENGINE CUBIC INCH DISPLACEMENT	VEHICLE CODE	YEAR 19__
8620 BELT (GENERATOR OR ALTERNATOR & WATER PUMP) CONTINUED					
COAZ 8620-D	3/8" V x 42-1/2" long - matched pair - use with heavy duty a/cond. with power booster fan Use as generator and water pump drive belts with a/cond. Use with 40 amp. Delco Remy generator	1	312	A	60
		1	292	A	61/62
		1	352, 390	A	61
B9MZ 8620-C	15/32" V x 41-3/4" long - matched pair - use as generator and water pump belts - 40 amp. generator with a/cond. Use as pancake 50 amp. alternator drive belts Use as standard generator belt with extra cooling Use as generator and water pump belt with a/cond. Use with 40 or 60 amp. Leece-Neville alternator with .97:1 water pump pulley ratio	2	383, 430	A	60
		2	292, 352, 390	A	61
		2	352, 390	A	62
		2	352, 390	A	61/62
		2	390	A	64
B7A 8620-A	15/32" V x 36" long - use as water pump drive belt with standard cooling and 30 amp. generator	1	223	A	61/62
B7A 8620-L	3/8" V x 37-3/4" long - matched pair - use with 50 amp. alternator drive belt without a/cond. Use as generator and water pump drive belt with a/cond. - use on vehicles built prior to 5-1-62	2	223	A	61
		1	223	A	61/62
COAZ 8620-S	1/2" V x 51-3/64" long - use as a/cond. compressor drive belt	1	223	A	61/62
CODZ 8620-A	3/8" V x 35-19/32" long - use as generator and water pump belt with extra cooling	1	223	A	61/62
C1AZ 8620-A	1/2" V x 33-1/2" long - use as P/S pump drive belt - less 50 amp. alternator	1	223	A	61/62
C2AZ 8620-G	15/32" V x 37-3/4" long - use as generator and water pump drive belt with a/cond. with 40 amp and Delco Remy generator	1	223	A	61/62
B8LY 8620-A	1/2" V x 37-39/64" long - use as a/cond. compressor drive belt	1	292	A	61/62
COAE 8620-E	1/2" V x 39" long - use as P/S pump drive belt with a/cond.	1	292	A	61/62
C2OZ 8620-J	1/2" V x 40-3/4" long - use as P/S pump drive belt without a/cond.	1	292	A	61/62
C2AZ 8620-F	15/32" x 44" long - matched pair - use as generator, water pump belt with 30 and 35 amp. generators Use with standard cooling	1	352, 390	A	61
		1	352, 390	A	62
COAZ 8620-T	1/2" V x 38-1/2" long - use as P/S pump drive belt without a/cond. Use without a/cond.	1	352, 390	A	61/62
		1	390	A	63
B6S 8620-A	1/2" V x 41-1/2" long - use as a/cond. compressor drive belt Use with Deluxe and Economy a/cond. with extra cooling Use with Economy a/cond. with extra cooling	1	352, 390	A	61/62
		1	390	A	63
		1	390	A	64
CONTINUED ON NEXT PAGE					

Water Pump and Fan

GROUP AND PART NUMBER	DESCRIPTION, SIZE, ETC.	NO. REQ'D	MODEL OR ENGINE CUBIC INCH DISPLACEMENT	VEHICLE CODE	YEAR 19__
8620 BELT (GENERATOR OR ALTERNATOR & WATER PUMP) CONTINUED					
COAZ 8620-E	1/2" V x 37" long - use as P/S pump drive belt with a/cond.	1	352,390	A	61/63
	Use as P/S belt with standard generator and extra cooling with a/cond.	1	352,390	A	62
	Use with Economy a/cond. (except Police Special) and extra cooling on vehicles built prior to 12-2-63 - also use as P/S drive belt with Police Special	1	390	A	64
C2AZ 8620-B	3/8" V x 45-5/16" long - dacron cord - use as generator and water pump belt	1	406	A	62
C2TZ 8620-V	1/2" V x 44-1/4" long - matched pair - use as compressor drive belt with Economy a/cond.	1	390	A	63/64
C2VY 8620-B	15/32" V x 41-43/64" long - matched pair - use with extra cooling	2	390	A	63
	Use as alternator, fan and water pump drive belt with heavy duty extra cooling and .97:1 water pump pulley ratio	2	390	A	64
C3SZ 8620-A	15/32" V x 39-3/4" long - matched pair - use with Deluxe or Economy a/cond. with extra cooling	2	390	A	63
	Use with Economy a/cond. and extra cooling	2	390	A	64
C3TZ 8620-J	15/32" V x 40-3/4" long - matched pair - use with Economy a/cond.	2	390	A	63/64
C3VY 8620-A	15/32" V x 42-1/4" long - matched pair - standard cooling	1	390	A	63
	Use as alternator and water pump drive belt with 40 amp. Ford alternator and standard cooling - use on vehicles built prior to 10-12-63	1	390	A	64
C3MY 8620-A	3/8" V x 43" long - dacron cord - use as alternator and water pump belt	1	406,427	A	63/64
C2AZ 8620-A	3/8" V x 40" long - matched pair - use as alternator and water pump drive belt with 40 or 60 amp. Leece-Neville alternator and 1.25:1 water pump pulley ratio - also use with 60 amp. Leece-Neville alternator with extra cooling fan with 1.25:1 water pump pulley ratio - use on vehicles built prior to 2-28-64	2	390	A	64
C2AZ 8620-H	15/32" V x 40" long - matched pair - use as alternator and water pump drive belt with 40 or 60 amp. Leece-Neville alternator and 1.25:1 water pump pulley ratio - use on vehicles built after 2-27-64 and not used in production after 3-16-64	2	390	A	64
C3DZ 8620-C	15/32" V x 47-3/4" long - matched pair - use with Economy a/cond. with P/S when C3AZ-19B969-J vibration kit is used	1	390	A	64
C3OZ 8620-A	1/2" V x 39-1/2" long - use as P/S drive belt with 40 amp. Ford alternator and standard cooling on vehicles built after 12-1-63	1	390	A	64
CONTINUED ON NEXT PAGE					

Water Pump and Fan

GROUP AND PART NUMBER	DESCRIPTION, SIZE, ETC.	NO. REQ'D	MODEL OR ENGINE CUBIC INCH DISPLACEMENT	VEHICLE CODE	YEAR 19__
8620 BELT (GENERATOR OR ALTERNATOR & WATER PUMP) CONTINUED					
C3VY 8620-B	15/32" V x 42-1/4" long - matched pair - use as alternator and water pump drive belt with 40 amp. Ford alternator and standard cooling - use on vehicles built after 10-11-63- use with extra cooling on vehicles built after 12-1-63	1	390	A	64
C4AZ 8620-A	15/32" V x 41-1/4" long - matched pair - use as alternator and water pump drive belt with 42 amp. Ford alternator (except Police Special) and extra cooling - .97:1 water pump pulley ratio without a/cond. on vehicles built prior to 12-2-63 - use with Police Special with 42 amp. Ford alternator without a/cond.	2	390	A	64
C4AZ 8620-B	15/32" V x 39-1/2" long - matched pair - use as water pump and alternator drive belt with extra cooling and 42 amp. Ford alternator with 1.25:1 water pump pulley ratio - use without a/cond.	2	390	A	64
C4AZ 8620-D	1/2" V x 56-1/2" long - use as compressor drive belt - use with Deluxe a/cond. with or without P/S	1	390	A	64
C4SZ 8620-A	15/32" V x 42" long - matched pair - use as alternator and water pump drive belt with Deluxe a/cond. (1) req'd. on vehicles equipped with P/S (2) req'd. on vehicles not equipped with P/S	AR	390	A	64
C4SZ 8620-C	15/32" V x 49" long - use with P/S drive belt - crankshaft, water pump, P/S pulley - use with Deluxe a/cond. and P/S	1	390	A	64
C4SZ 8620-B	1/2" V x 58-1/4" long - use as compressor drive belt with Economy a/cond. when C3AZ-19B969-J is used	1	390	A	64
C2VY 8620-A	1/2" V wide x 45" long - use as a/cond. compressor drive belt	1	383,430	A	60
COAZ 8620-Y	15/32" x 36-1/2" long - use as generator, fan and water pump belts with a/cond.	1	430	D	62/63
C2OE 8620-L	1/2" x 47-5/8" long - use as water pump to compressor belt with a/cond. - use on vehicles built prior to 4-2-62	1	170	B	62
C2TZ 8620-M	1/2" V x 47-1/4" long - use as water pump to compressor belt with a/cond. - use on vehicles built between 4-1-62 and 6-9-62	1	170	B	62
C2OZ 8620-K	1/2" V x 53-1/2" long - use as water pump to compressor belt with a/cond. - use on vehicles built after 6-10-62	1	170	B	62
C2OZ 8620-B	1/2" V x 45-3/4" long - use as P/S belt without a/cond.	1	221,260	B	62
C2OZ 8620-J	1/2" V x 40-3/4" long - use as a/cond. compressor belt - use on vehicles built prior to 5-8-62	1	221,260	B	62
C2TZ 8620-L	1/2" V x 41" long - use as a/cond. compressor belt - use on vehicles built after 5-7-62	1	221,260	B	62
C2TZ 8620-V	1/2" V x 44-1/4" long - matched pair - use as P/S drive belt with a/cond.	1	221,260	B	62
CONTINUED ON NEXT PAGE					

Water Pump and Fan

GROUP AND PART NUMBER	DESCRIPTION, SIZE, ETC.	NO. REQ'D	MODEL OR ENGINE CUBIC INCH DISPLACEMENT	VEHICLE CODE	YEAR 19__
8620 BELT (GENERATOR OR ALTERNATOR & WATER PUMP) CONTINUED					
B8AZ 8620-E	15/32" V x 44-1/2" long - use as P/S belt Use without a/cond.	1 1	170 170	B B	62 63
C3DZ 8620-B	15/32" V x 33-1/4" long - matched pair - use as generator, fan and water pump belt - use without a/cond.	1	170	B	62/63
C2OZ 8620-E	15/32" V x 49-1/4" long - matched pair - use as generator, fan and water pump drive belt - use without a/cond. Use with a/cond.	1 2	221,260 221,260	B B	62/63 62/63
C3AZ 8620-A	15/32" V x 35-1/2" long - matched pair - use as generator, fan and water pump belt with Economy a/cond. without extra cooling	1	170	B	63
C3OZ 8620-B	15/32" V x 35" long - use as generator and water pump drive belt with Deluxe a/cond. and with Economy a/cond. with extra cooling on vehicles equipped with 170 C. I. D. engine - also use with a/cond. on vehicles equipped with 200 C. I. D. engine	1	170, 200	B	63
C5ZZ 8620-A	1/2" V x 54" long - use as a/cond. compressor drive belt	1	170, 200	B	63
C2AZ 8620-F	15/32" V x 44" long - matched pair - use as P/S pump drive belt	1	200	B	63
C3OZ 8620-D	15/32" V x 32-1/2" long - use as generator, fan and water pump drive belt - use without a/cond.	1	200	B	63
C3AZ 8620-C	1/2" V x 56" long - use as a/cond. compressor drive belt	1	221,260	B	63
C3OZ 8620-A	1/2" V x 39-1/2" long - use as P/S drive belt	1	221,260	B	63
B5A 8620-C	1/2" V x 49-3/8" long - use with a/cond. as compressor drive belt	1	144,170	C	60/62
	Use on vehicles built prior to 1-21-63	1	144,170	C	63
C1UZ 8620-A	3/8" V x 37-1/4" long - use with a/cond. as generator and water pump drive belt	1	144,170	C	60/62
	Use on vehicles built prior to 1-21-63	1	144,170	C	63
C3DZ 8620-B	15/32" V x 33-1/4" long - matched pair - use as generator, fan and water pump belt - use without a/cond.	1	144,170	C	60/63
	Use on 170 C. I. D. engine standard vehicles as generator, fan and water pump drive prior to 11-15-63	1	170	C	64
	Use on 170, 200 C. I. D. engines with P/S except a/cond. as generator, fan and water pump drive	1	170, 200	C	64
C3DZ 8620-A	15/32" V x 47-1/2" long - matched pair - use as generator, fan, water pump and compressor drive belts with a/cond. on vehicles built after 1-20-63	2	144,170	C	63
C3AZ 8620-C	1/2" V x 56" long - use as a/cond. compressor drive belt	1	260	C	63
C2OZ 8620-E	15/32" V x 49-1/4" long - matched pair - use as generator, fan and water pump drive belt - use without a/cond. or extra cooling	1	260	C	63
	Use with a/cond. or extra cooling	2	260,289	C	64
C3OZ 8620-A	1/2" V x 39-1/2" long - use as P/S drive belt	1	260,289	C	63/64

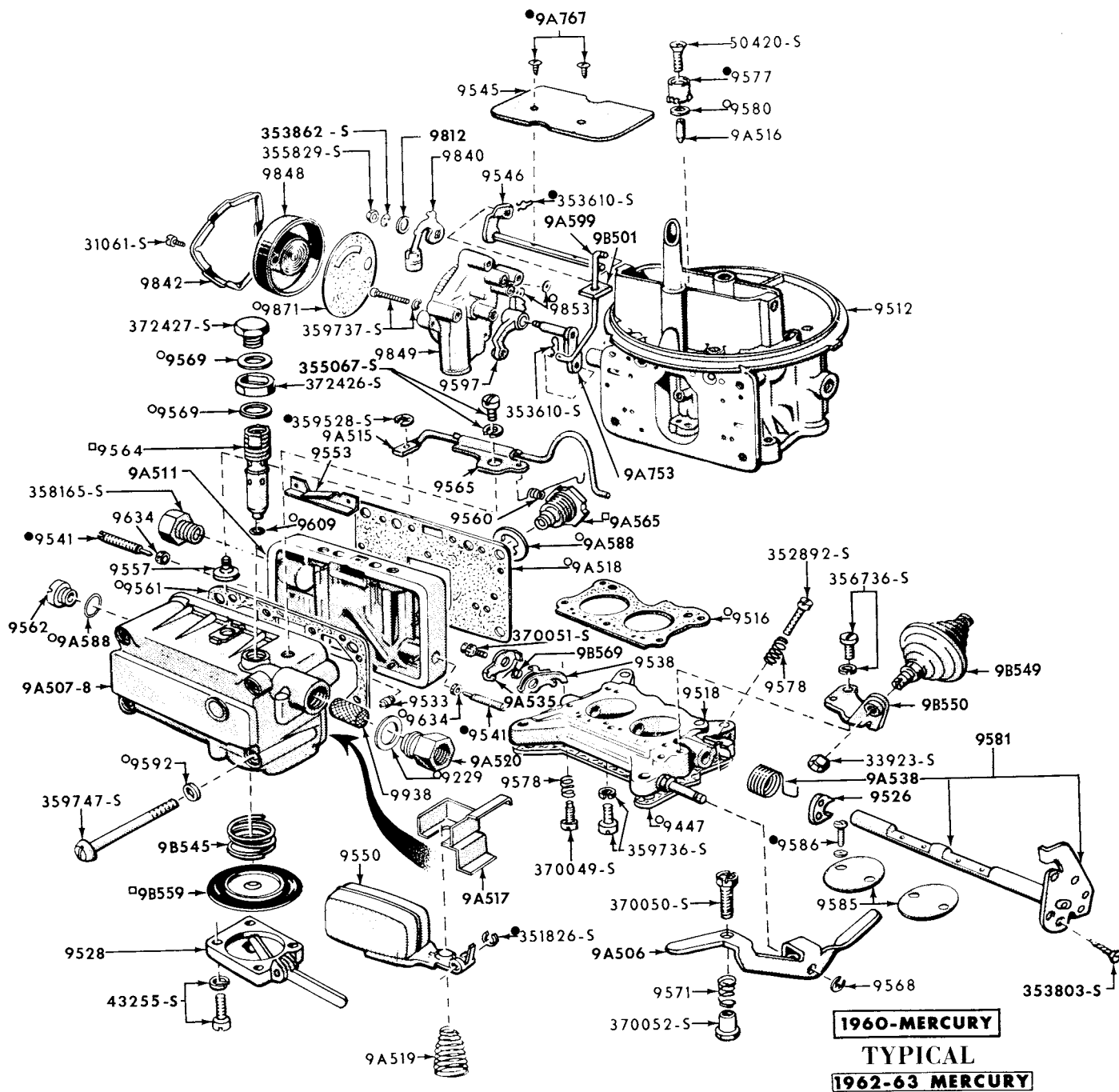
CONTINUED ON NEXT PAGE

Water Pump and Fan

GROUP AND PART NUMBER	DESCRIPTION, SIZE, ETC.	NO. REQ'D	MODEL OR ENGINE CUBIC INCH DISPLACEMENT	VEHICLE CODE	YEAR 19__
8620 BELT (GENERATOR OR ALTERNATOR & WATER PUMP) CONTINUED					
B7Q 8620-A	15/32" V x 46-1/4" long - use with P/S or a/cond. and P/S as crankshaft, water pump, P/S drive belt on three point single drive	1	170, 200	C	64
B8AZ 8620-E	15/32" V x 44-1/2" long - matched pair - use as early type P/S belt with four point drive	1	170, 200	C	64
C3OZ 8620-D	15/32" V x 32-1/2" long - use without a/cond. or P/S as generator, fan and water pump drive belt with 200 C. I. D. engine - also on vehicles built after 11-14-63 with 170 C. I. D. engine	1	170, 200	C	64
	Use with P/S and a/cond. as compressor to generator drive belt with three point single drive - crankshaft to water pump to a/cond. compressor pulleys - on vehicles built after 3-1-64	1	170, 200	C	64
C4DZ 8620-A	15/32" V x 36-3/4" long - matched pair - use with a/cond. less P/S as crankshaft, water pump and compressor drive belt on three point single drive	1	170, 200	C	64
C4DZ 8620-B	1/2" V x 45" long - matched pair - use with a/cond. and P/S with a/cond. as a/cond. compressor drive belt on three point single drive - crankshaft, water pump, a/cond. compressor	1	170, 200	C	64
C3DZ 8620-C	15/32" V x 47-3/4" long - matched pair - use with a/cond. with four point drive as crankshaft, water pump, generator and a/cond. compressor drive belt	2	170, 200	C	64
	Use as alternator, crankshaft and water pump drive belt on Special Performance (Engine Warranty Code D)	1	289	C	64
C4AZ 8620-D	1/2" V x 56-1/2" long - use with a/cond. compressor drive belt	1	260, 289	C	64
B8LY 8620-B	3/8" V x 42-1/8" long - matched pair - use with 50 amp. Bosch generator and a/cond.	1	430	D	60
B8ME 8620-A	3/8" V x 43-7/16" long - matched pair - use with 40 and 50 amp. generators without a/cond.	1	430	D	60
	Use with standard cooling with 50 amp. Delco-Remy generator	1	430	D	60
B8MY 8620-A	3/8" V x 45-5/16" long - matched pair - use with 50 amp. Bosch generator less a/cond.	1	430	D	60
B9MZ 8620-C	15/32" V x 41-3/4" long - matched pair - use with 40 amp. generator and a/cond.	1	430	D	60
COAZ 8620-D	3/8" V x 42-1/2" long - matched pair - use with alternator as drive belts from water pump to alternator	1	430	D	60
C2TZ 8620-R	3/8" V x 41-1/4" long - matched pair - use with 50 amp. Delco-Remy generator with a/cond.	1	430	D	60
C2VY 8620-B	15/32" V x 41-43/64" long - use as generator and water pump belt with 40 amp. generator	2	430	D	61/62
C2VY 8620-A	1/2" V x 45" long - use as a/cond. compressor drive belt	1	430	D	62/63
C4VY 8620-A	15/32" V x 44-1/4" long - matched pair - use as alternator and water pump drive belts	2	430	D	63/64
C4VY 8620-B	1/2" V x 45" long - use as a/cond. compressor drive belt	1	430	D	64

Water Pump and Fan

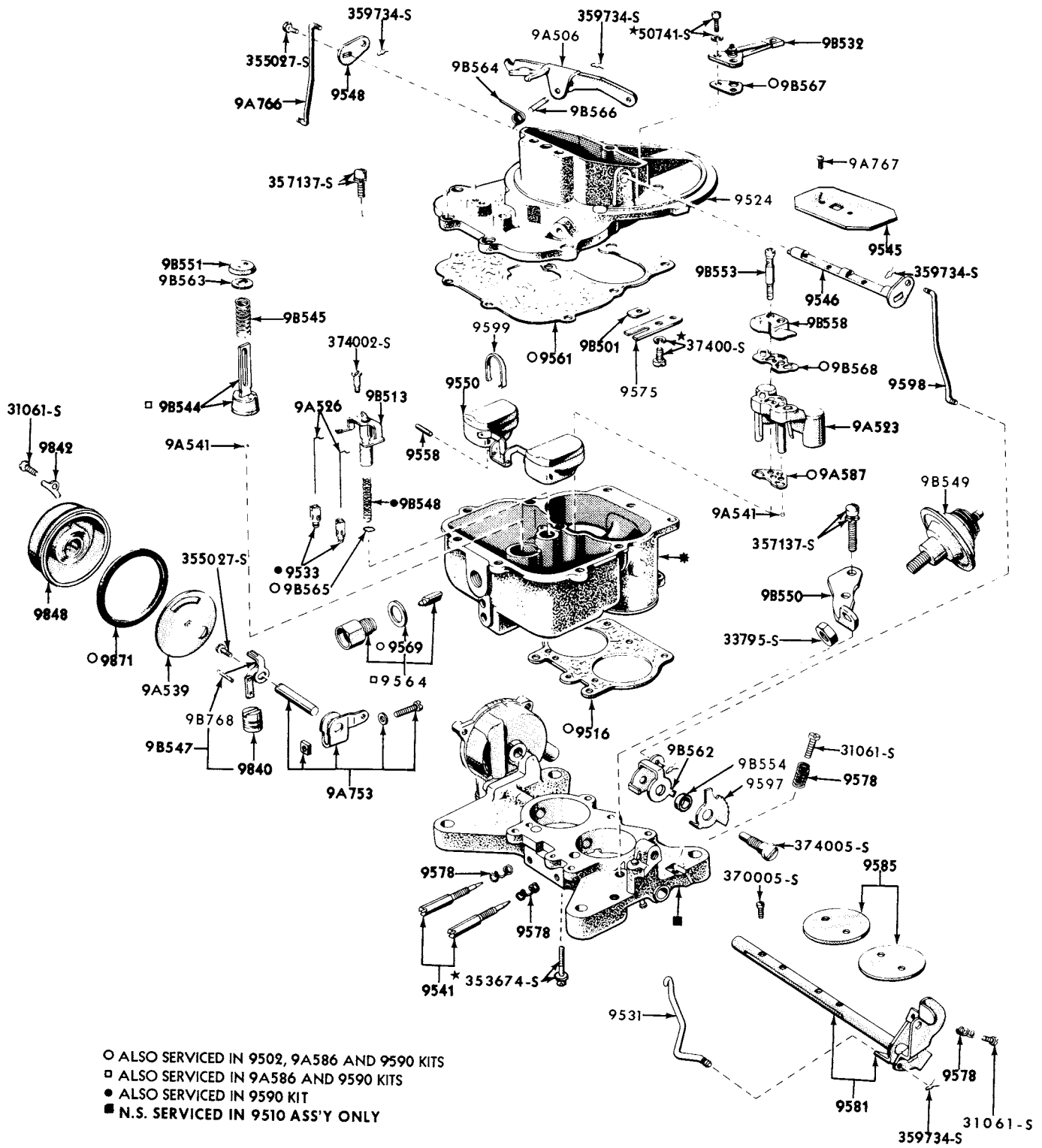
GROUP AND PART NUMBER	DESCRIPTION, SIZE, ETC.	NO. REQ'D	MODEL OR ENGINE CUBIC INCH DISPLACEMENT	VEHICLE CODE	YEAR 19__
8A621 SPACER (FAN SHROUD)					
C3AZ 8A621-A	.21" I. D. x .44" O. D. x .76" long - use with a/cond.	2	352,390	A	62/63
C3AZ 8A621-B	Steel tubing - .21" I. D. x .44" O. D. x 1.04" long - use with a/cond.	2	390	A	64
	NS-steel tubing - .21" I. D. x .44" O. D. x .25" long - cut from C3AZ-8A621-A - use with a/cond.	AR	221,260	B	63
8A623 SEAL (FAN SHROUD) UPPER					
	NS-use with a/cond. - rubber - 13/16" wide x 7" long x 3/16" thick - improvise locally	2	430	D	61
	NS-use with a/cond. - rubber - 15/16" wide x 17-3/16" long x 1/16" thick - improvise locally	2	430	D	61/64
8630 SNAP RING (FAN)					
8BA 8630-A	Also serviced in 8591 kit - use as water pump bearing snap ring	1	312	A	60
8A640 PISTON (FAN CLUTCH CONTROL)					
C1AA 8A640-A	Includes capsule sealant - use with a/cond.	1	352,390	A	61/62
	Use with a/cond. and fan clutch C1AA-8A616-B only	1	390	A	63/64
8678 PULLEY & BRACKET ASSEMBLY (BELT IDLER)					
B9MY 8678-A	Includes pulley idler bracket, - (2) 3.58" O. D. pulleys, (2) pulley bearings and pin - use with 50 or 60 amp. alternators	1	312	A	60
COAZ 8678-A	Use with a/cond.	1	223	A	61/62
C3AZ 8678-A	Use with a/cond.	1	390	A	63
C4AZ 8678-A	With Deluxe a/cond.	1	390	A	64
C3AZ 8678-B	3-37/64" O. D. - includes bracket - one sheave - use with a/cond.	1	221,260,289	B C	63/64
	With Economy a/cond. with C3AZ-19B969-J	1	390	A	64
C2OZ 8678-A	Use with a/cond. - includes bracket	1	170	B	62
C3OZ 8678-A	With a/cond.	1	170,200	B	63
8679 PULLEY (BELT IDLER)					
C3AZ 8679-A	With Economy a/cond. with C3AZ-19B969-J	1	390	A	64
C4AZ 8679-A	With Deluxe a/cond.	1	390	A	64
Package also includes -					
	(1) C4AA-8687		dust cap shield		
COAZ 8679-A	With a/cond.	1	221,260,289	B C	63/64
Kit consists of the following -					
☆(1) COAE-8A618-A	pulley		(2) 352109-S7	ring-snap	
(1) EAD-8687-A	shield-dust		(1) 352110-S7	ring-snap	
☆ Not serviced separately					
8680 BRACKET (BELT IDLER PULLEY)					
C2AZ 8680-A	Use with a/cond.	(a) 1	223	A	61/62
C4AZ 8680-A	With a/cond.	1	390	A	64
C3OZ 8680-A	Use with a/cond.	1	170,200	B	62/63
354581-S7-8	Screw and washer-3/8"-16 x 2-1/2" long	2	a		
8687 SHIELD (FAN BELT IDLER PULLEY BEARING) DUST					
	NS-serviced in C4AZ-8678-A and C4AZ-8679-A only - with Deluxe a/cond.	1	390	A	64
EAD 8687-A	With a/cond - also serviced in 8679 kit	1	221,260,289	B C	63/64



○ ALSO SERVICED IN 9502, 9A586 AND 9590 KITS
 □ ALSO SERVICED IN 9A586 AND 9590 KITS
 ● ALSO SERVICED IN 9590 KIT

PMC-664

CARBURETOR - HOLLEY 312 - 2V, 406 - 6V C.I.D. ENGINES



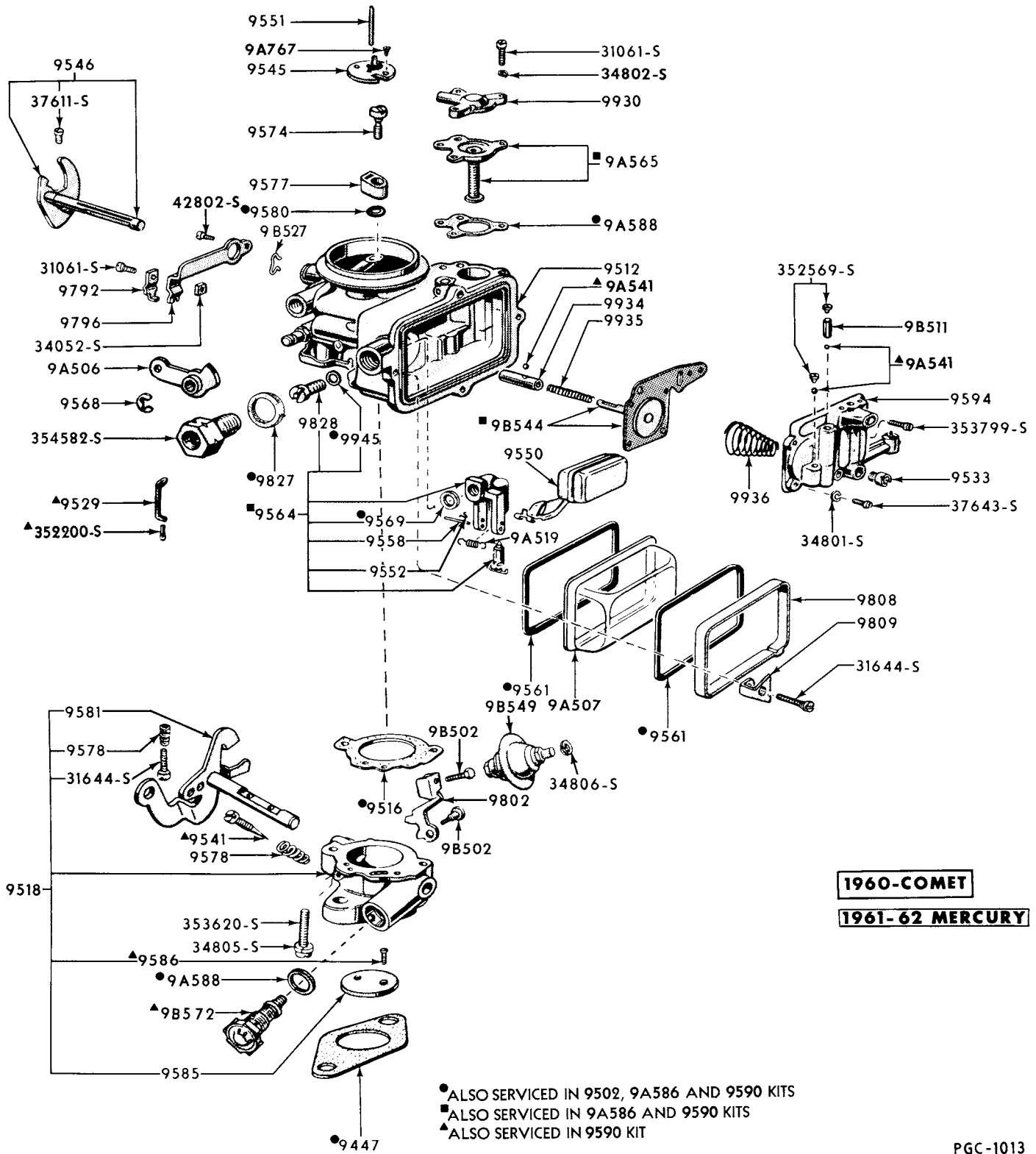
- ALSO SERVICED IN 9502, 9A586 AND 9590 KITS
- ALSO SERVICED IN 9A586 AND 9590 KITS
- ALSO SERVICED IN 9590 KIT
- N.S. SERVICED IN 9510 ASS'Y ONLY

1960-MERCURY

1960 LINCOLN

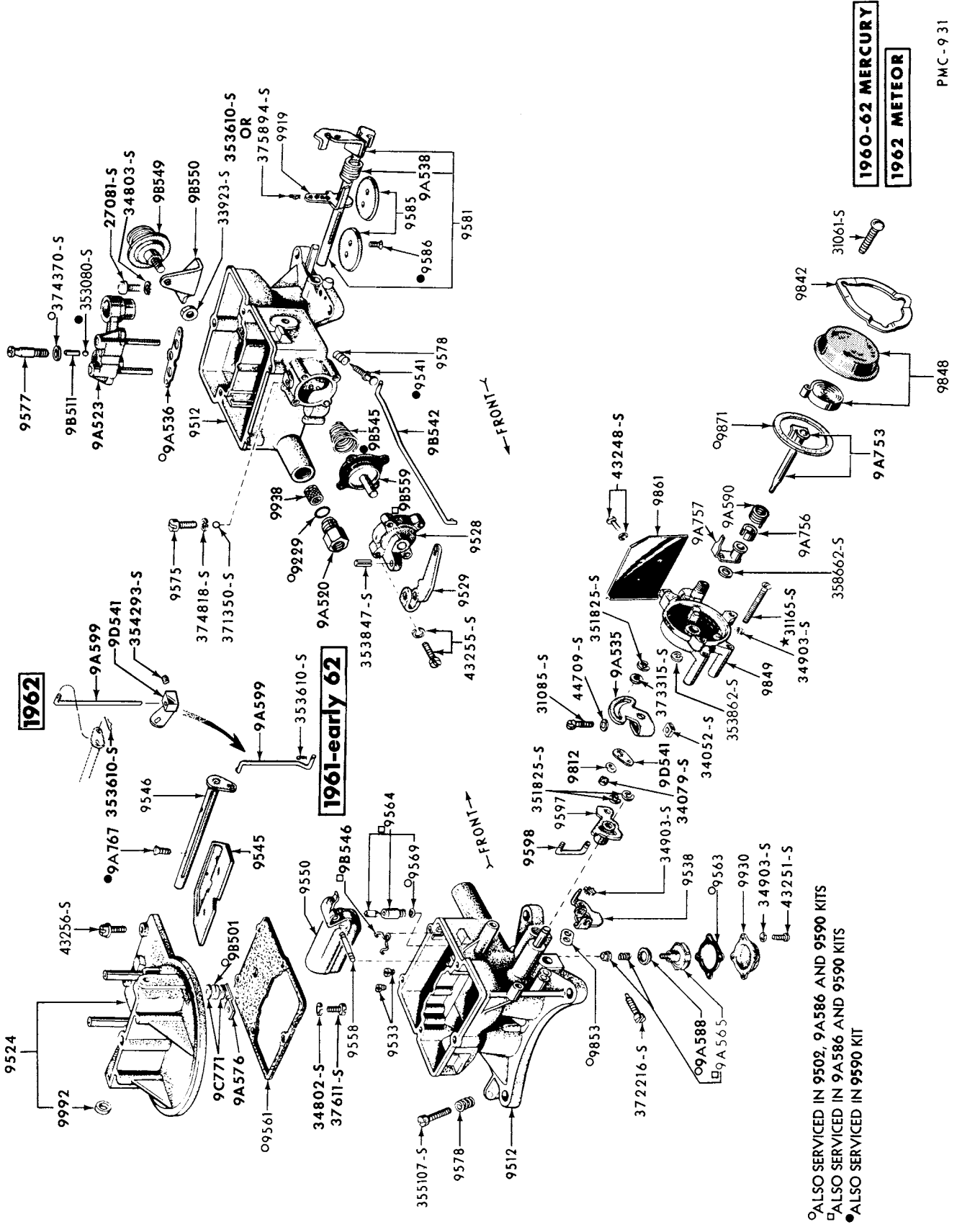
PMC-816

CARBURETOR - CARTER - 2V



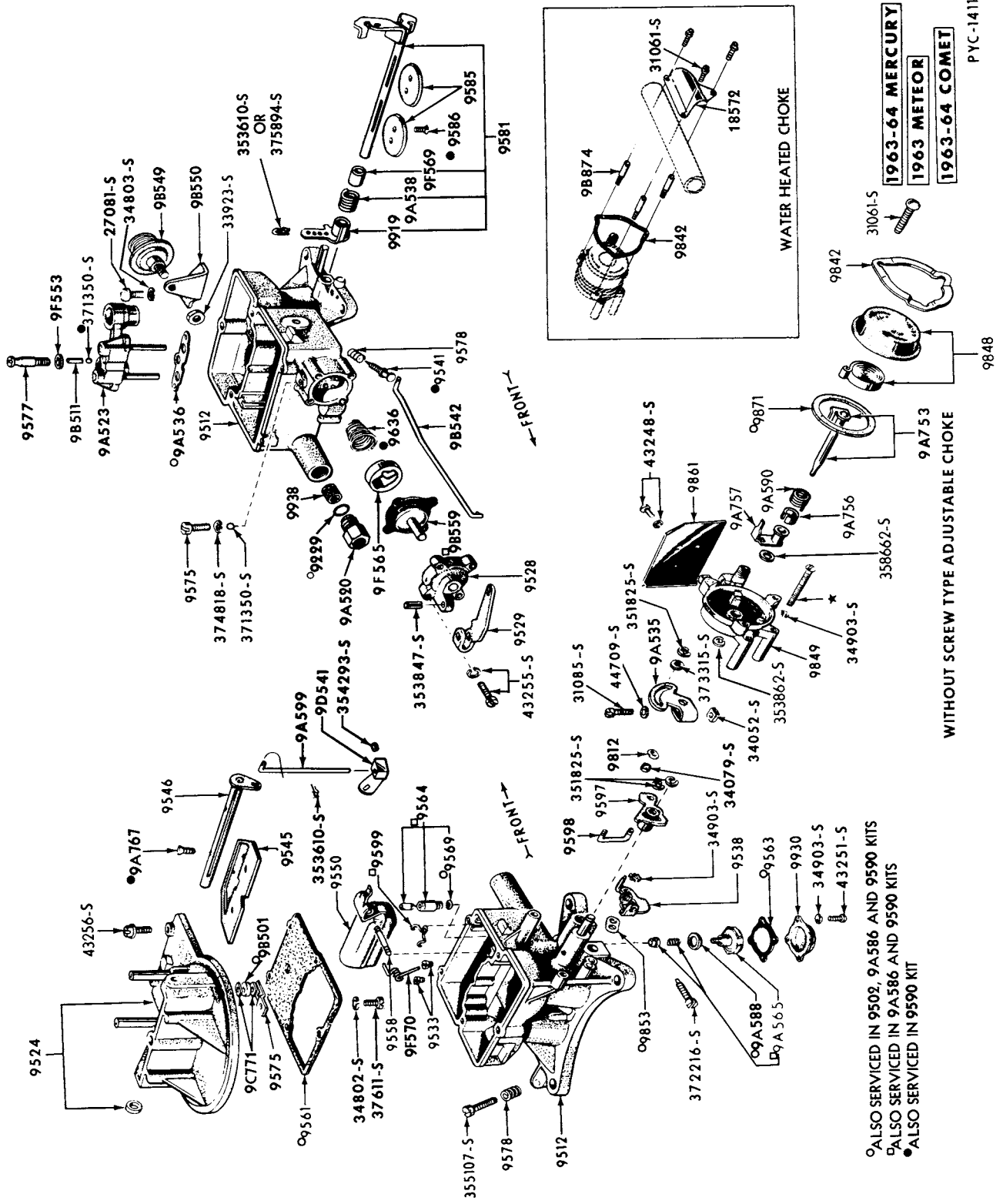
PGC-1013

CARBURETOR LESS AUTOMATIC CHOKE - HOLLEY - 1V - 144, 223 C.I.D. ENGINES



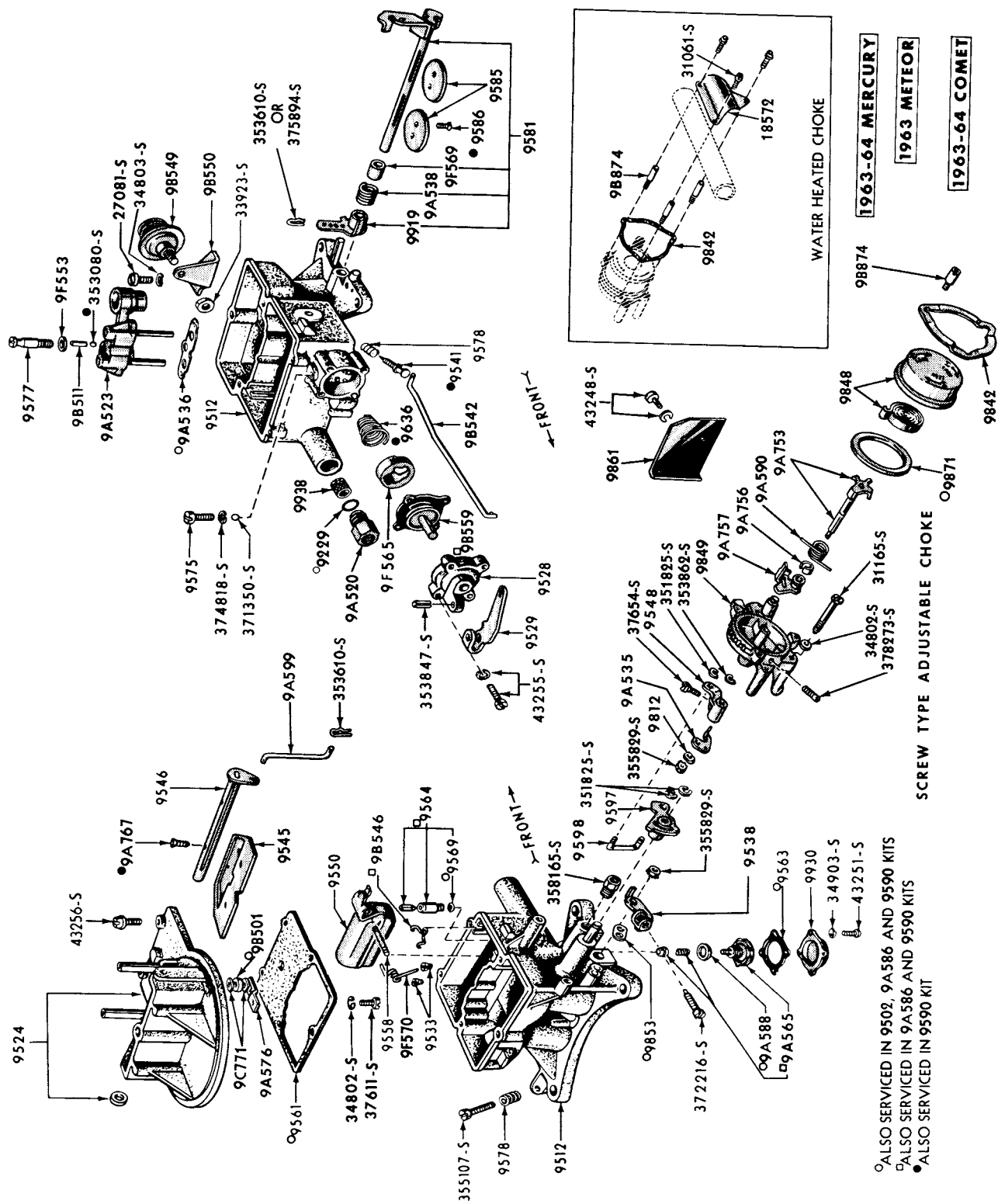
○ ALSO SERVICED IN 9502, 9A586 AND 9590 KITS
 □ ALSO SERVICED IN 9A586 AND 9590 KITS
 ● ALSO SERVICED IN 9590 KIT

CARBURETOR - FORD 2V - 221, 260, 292, 352, 383 C.I.D. ENGINES



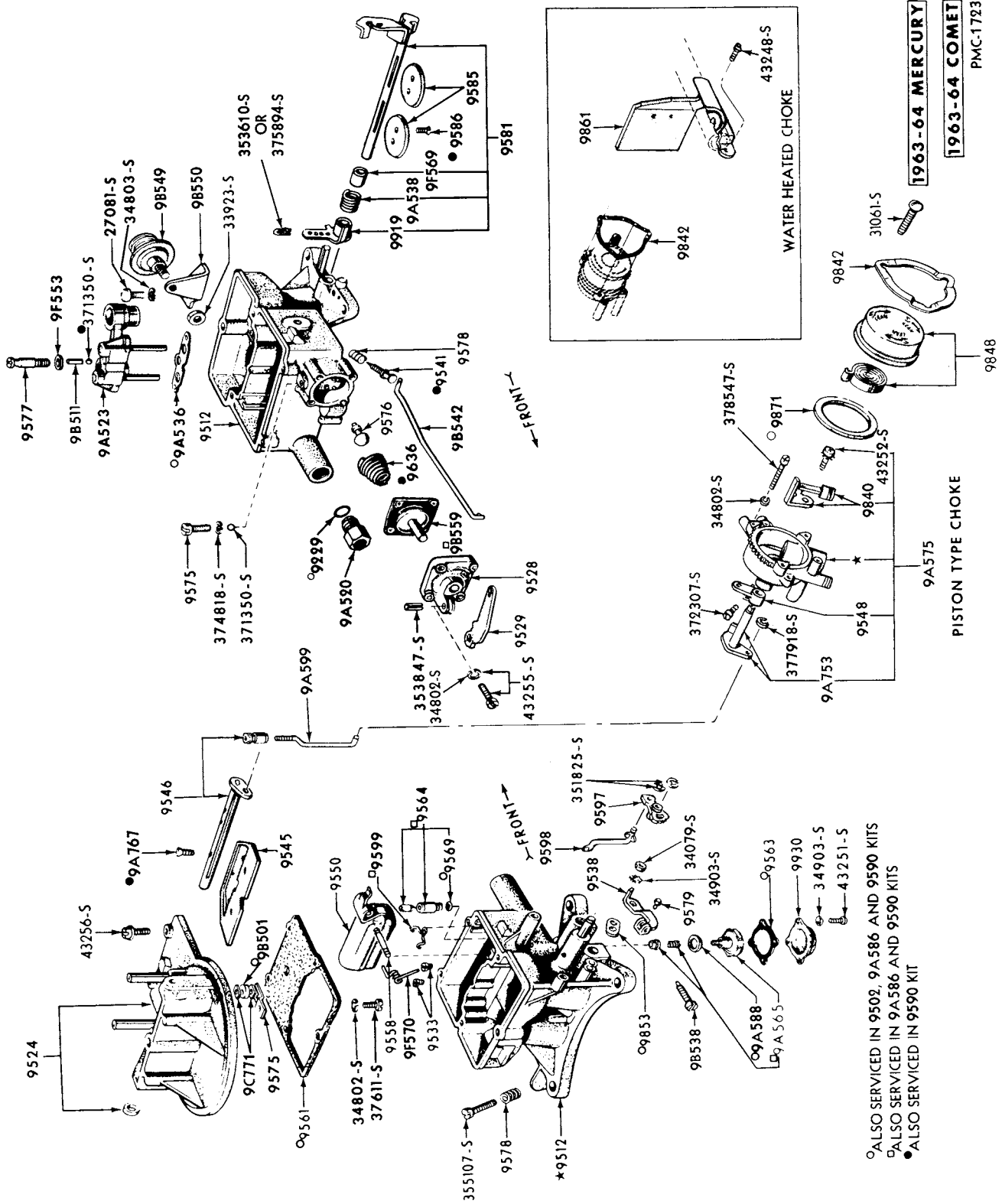
○ ALSO SERVICED IN 9502, 9A586 AND 9590 KITS
 ○ ALSO SERVICED IN 9A586 AND 9590 KITS
 ● ALSO SERVICED IN 9590 KIT

CARBURETOR - FORD 2V - 221, 260, 390 C. I. D. ENGINES

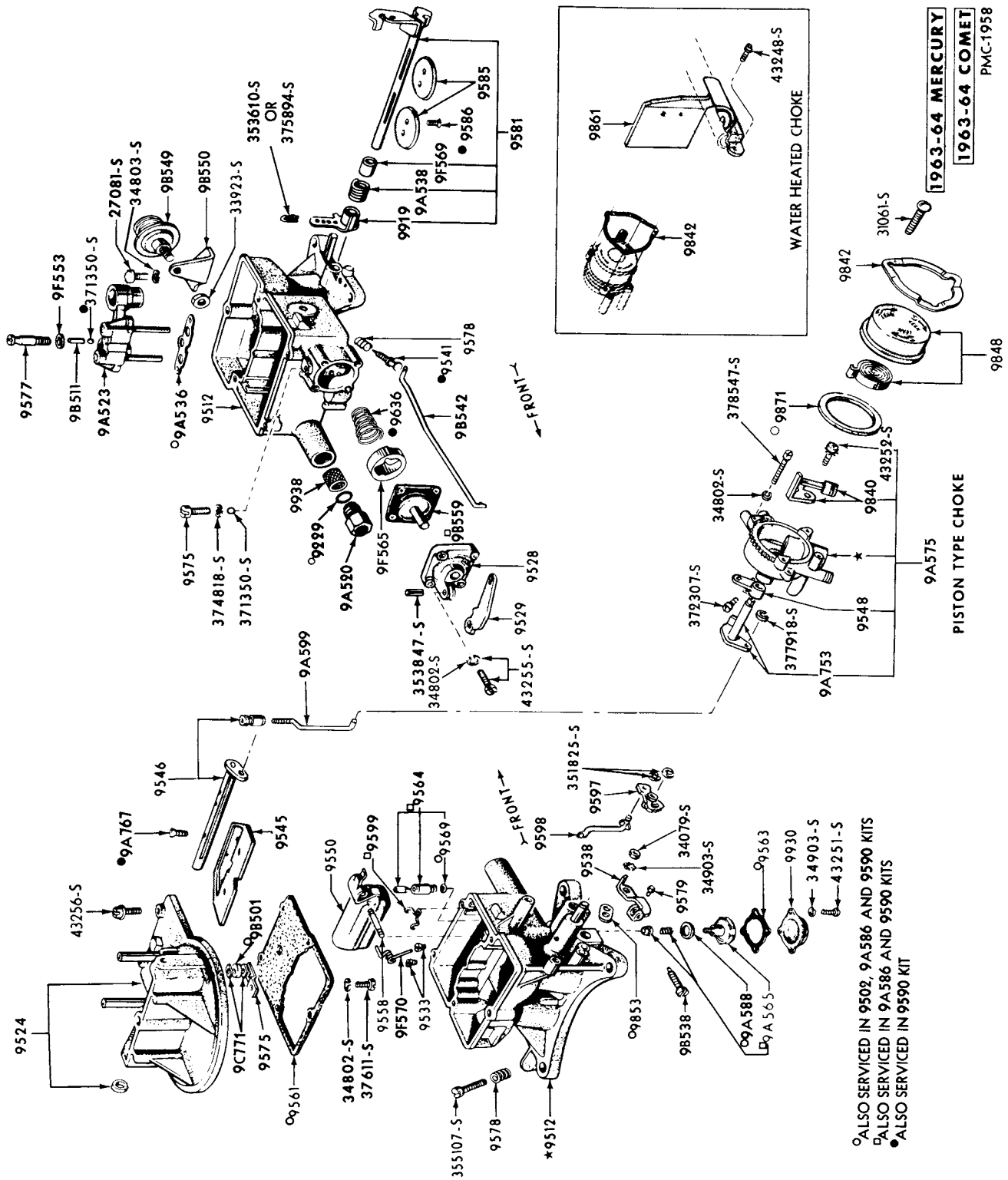


CARBURETOR - FORD 2V - 221, 260, 390 C.I.D. ENGINES

PMC-1749

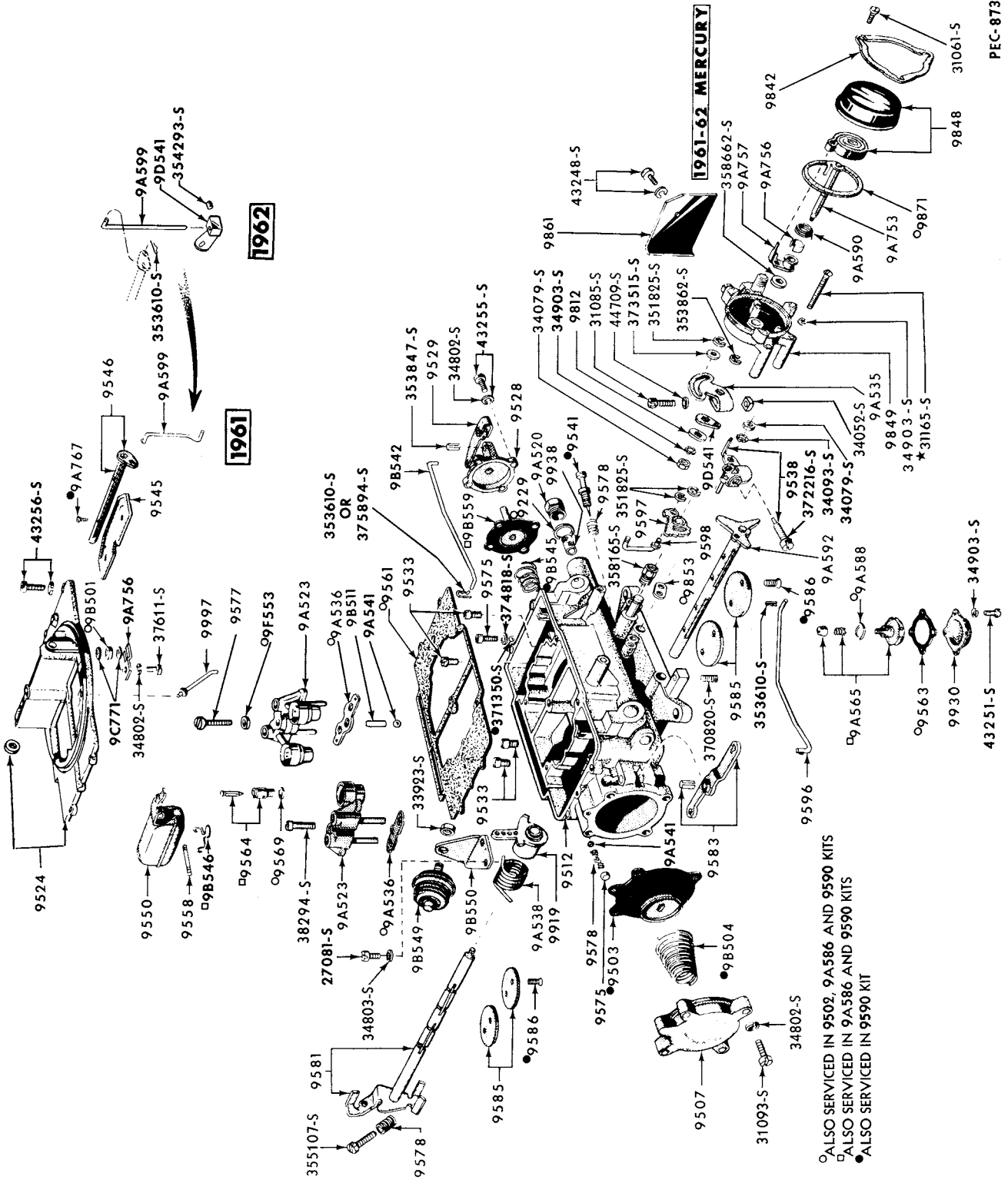


CARBURETOR - FORD 2V - 260, 390 C.I.D. ENGINES



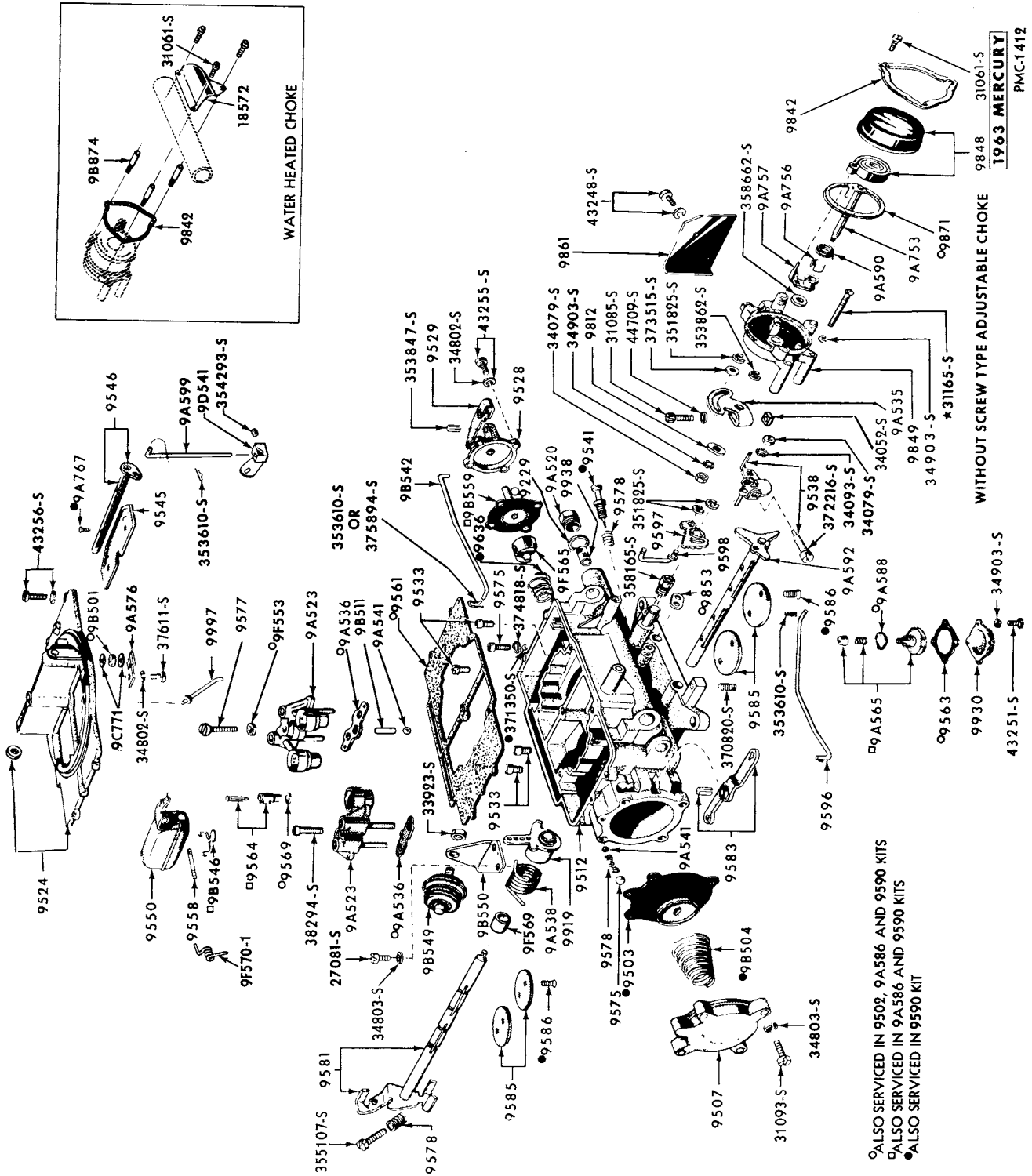
○ ALSO SERVICED IN 9502, 9A586 AND 9590 KITS
 ○ ALSO SERVICED IN 9A586 AND 9590 KITS
 ● ALSO SERVICED IN 9590 KIT

CARBURETOR - FORD 2V - 260, 390 C.I.D. ENGINE

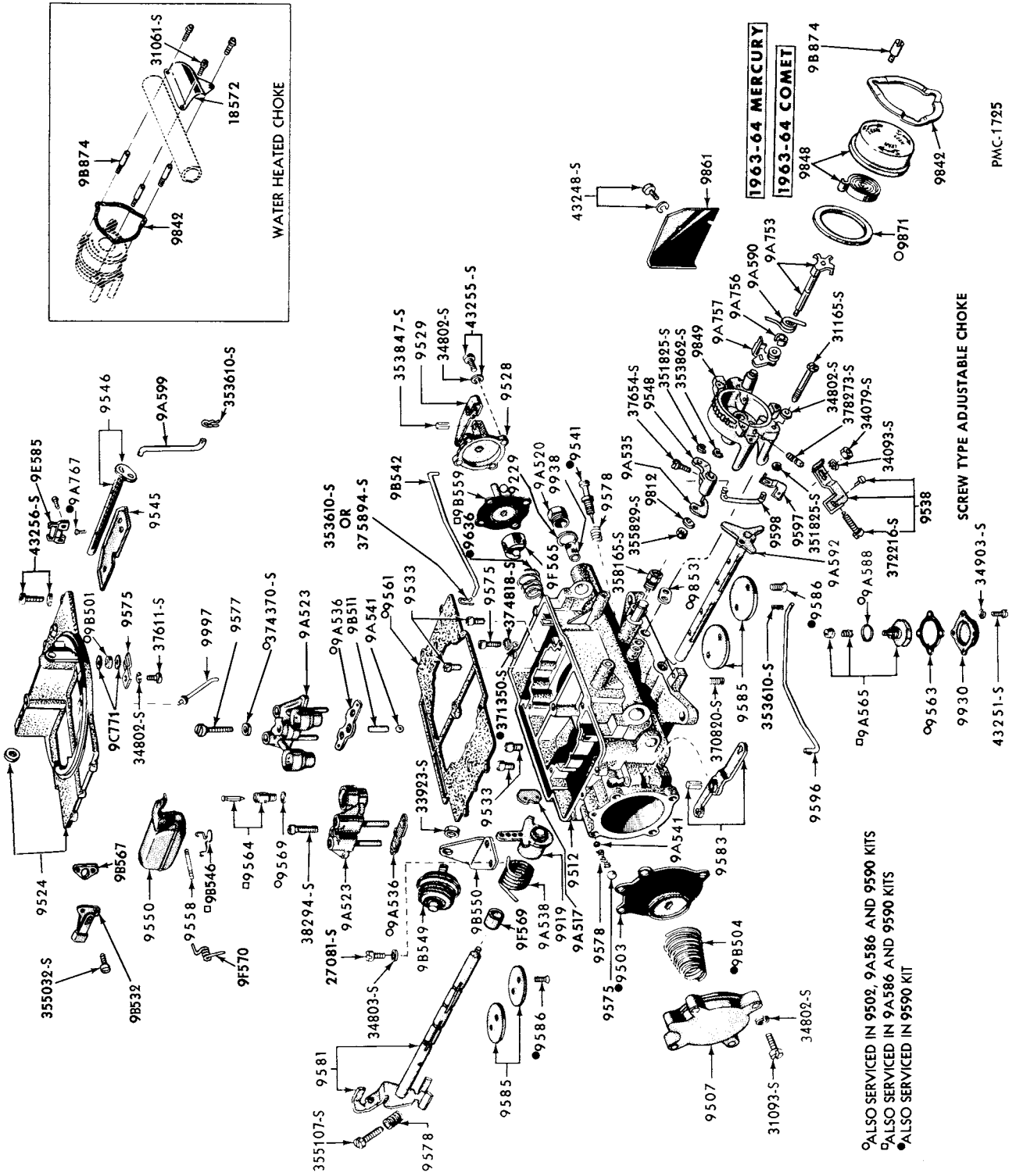


CARBURETOR - FORD 4V - 390 C.I.D. ENGINE

PEC-873

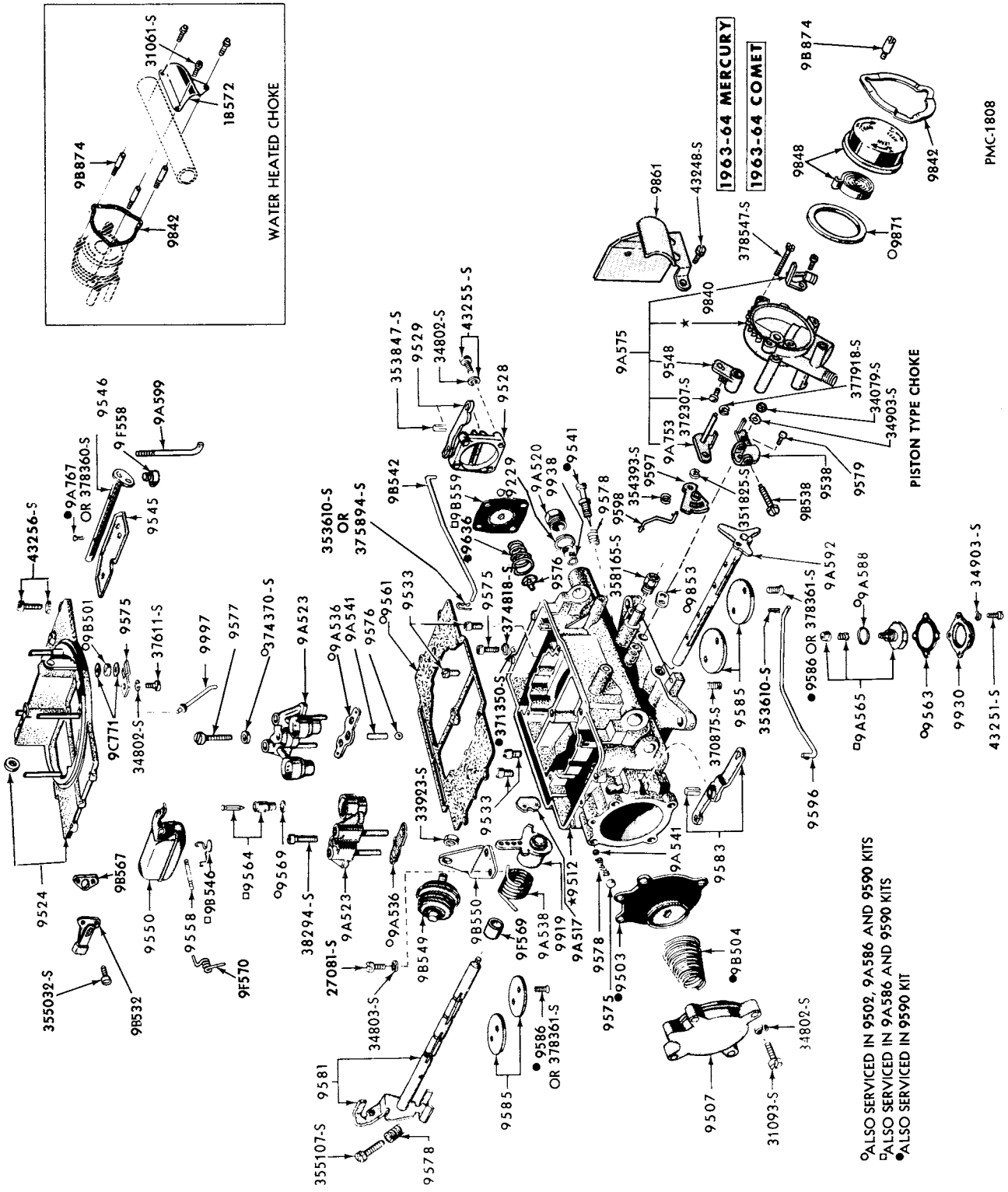


CARBURETOR - FORD 4V - 390 C. I. D. ENGINE



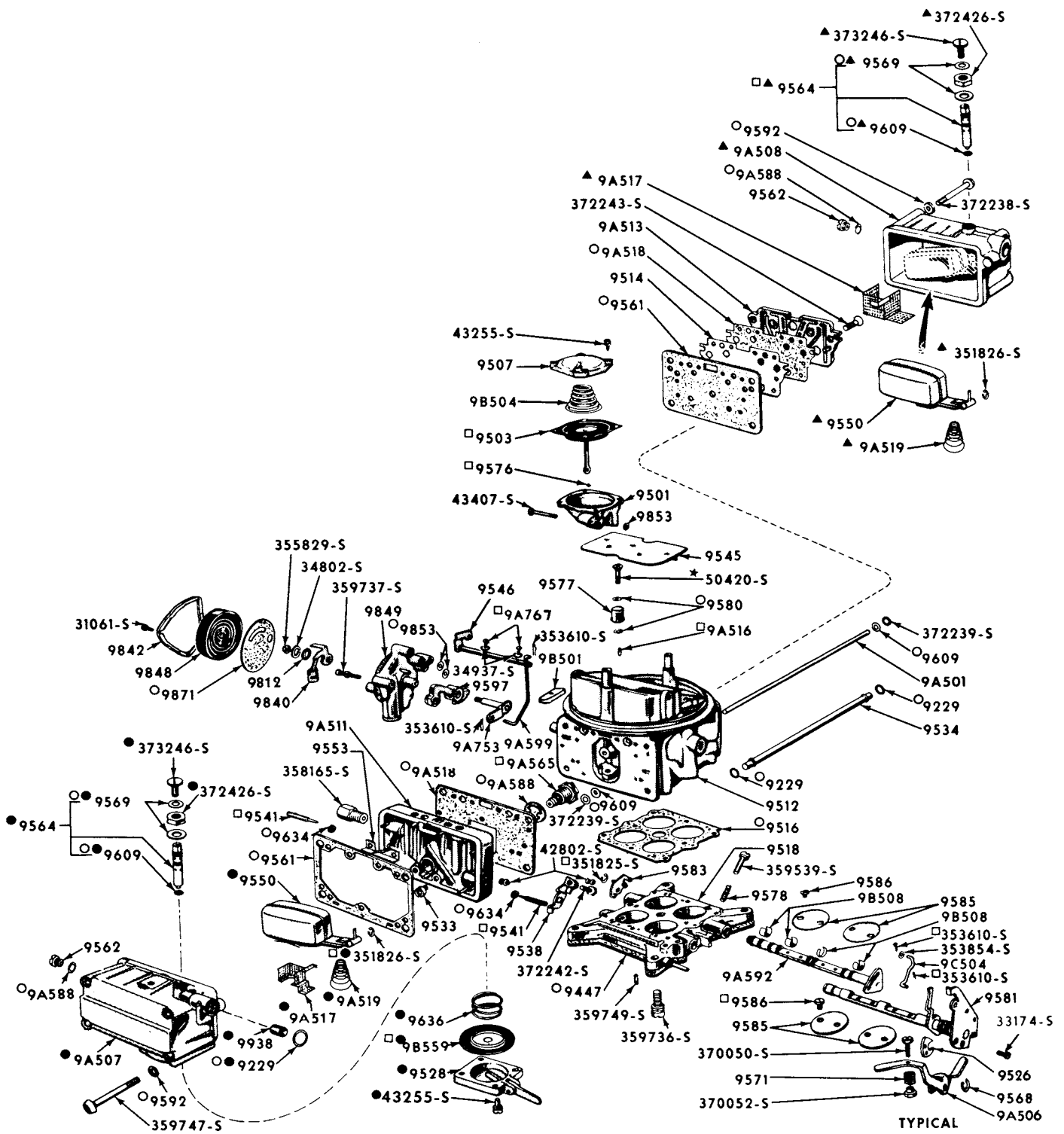
PMC-1725

CARBURETOR - FORD 4V - 390 C.I.D. ENGINE



PMC-1808

CARBURETOR - FORD 4V - 289, 390 C.I.D. ENGINE

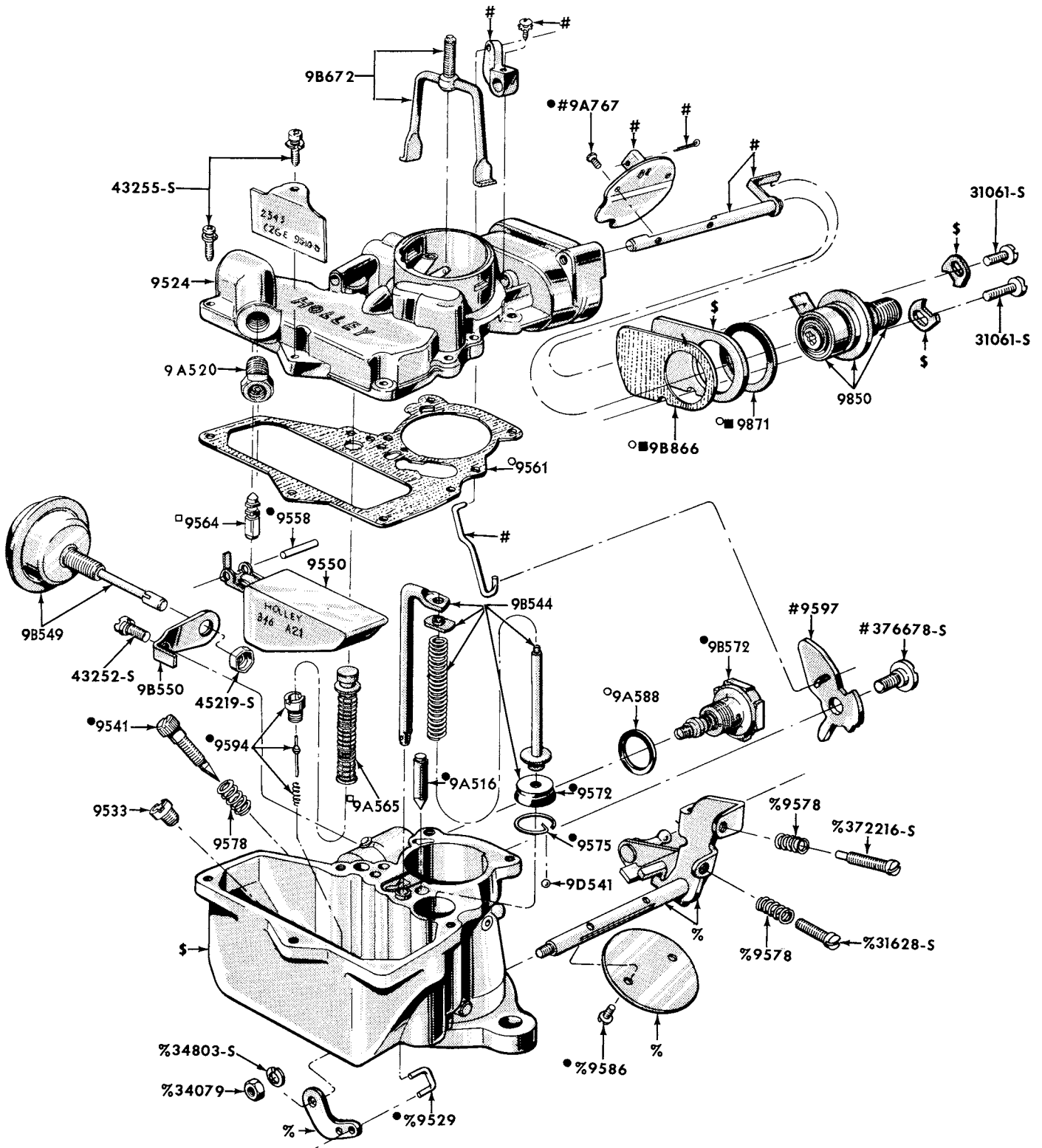


- ALSO SUPPLIED IN B8AZ-9A507-A BOWL AND FLOAT ASS'Y. (COMPLETE)
- ▲ ALSO SUPPLIED IN B8AZ-9A508-A BOWL AND FLOAT ASS'Y. (COMPLETE)
- ALSO SERVICED IN 9502 AND 9590 KITS
- ALSO SERVICED IN 9590 KITS

1962-64 MERCURY

PMC-1541

CARBURETOR - HOLLEY 406-4V, 427-4V, 8V C.I.D. ENGINES



■ N.S.-SERVICED IN 9502 AND 9850 ASSEMBLY ONLY
 # SERVICED IN 9546 KIT
 % SERVICED IN 9581 KIT
 \$ N.S.-SERVICED IN 9510 ASSEMBLY ONLY

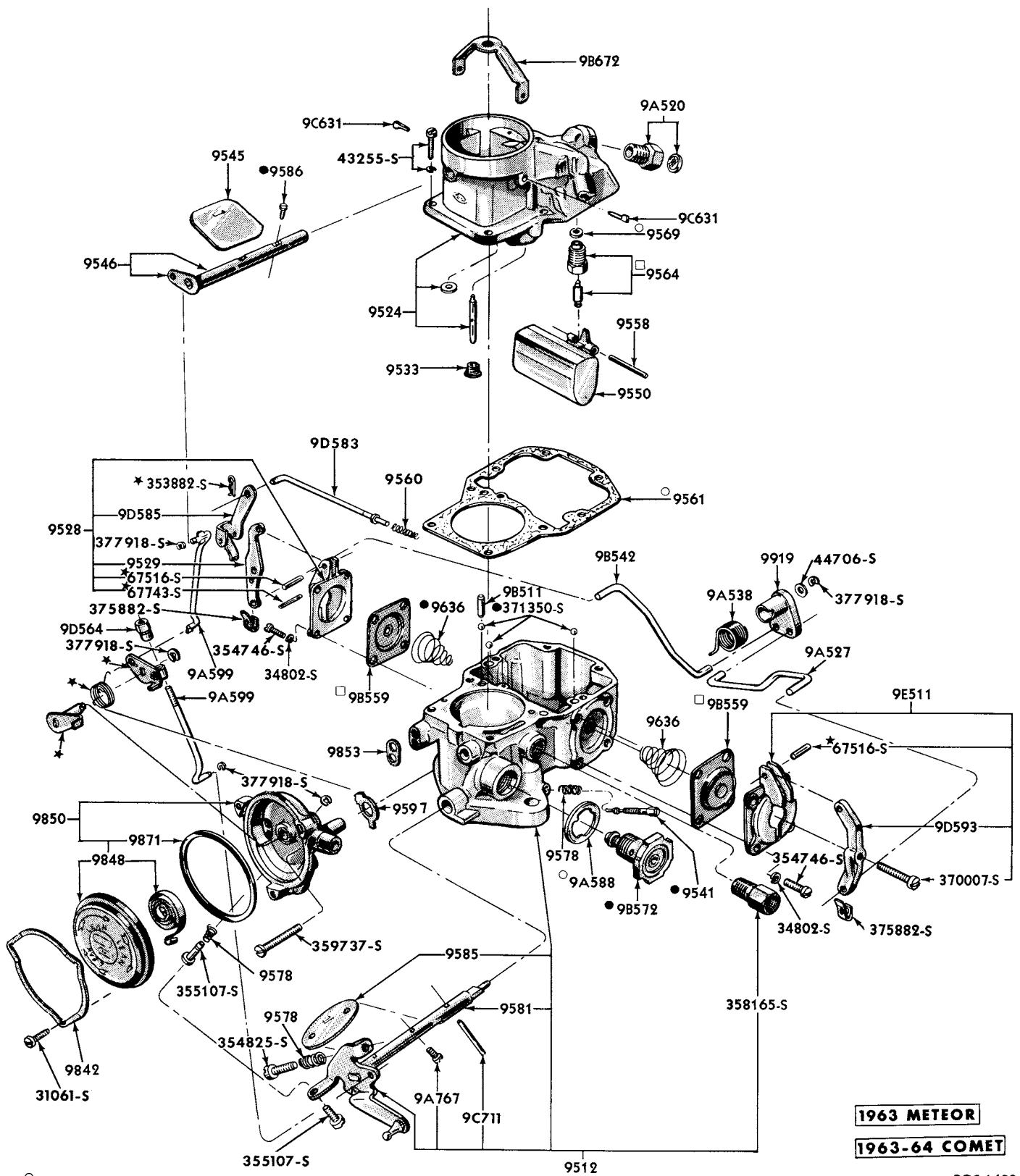
○ ALSO SERVICED IN 9502, 9A586 AND 9590 KITS
 □ ALSO SERVICED IN 9A586 AND 9590 KITS
 ● ALSO SERVICED IN 9590 KIT

1962-METEOR

1962-COMET

PGC-1249

CARBURETOR - HOLLEY IV - 144, 170 C.I.D. ENGINES



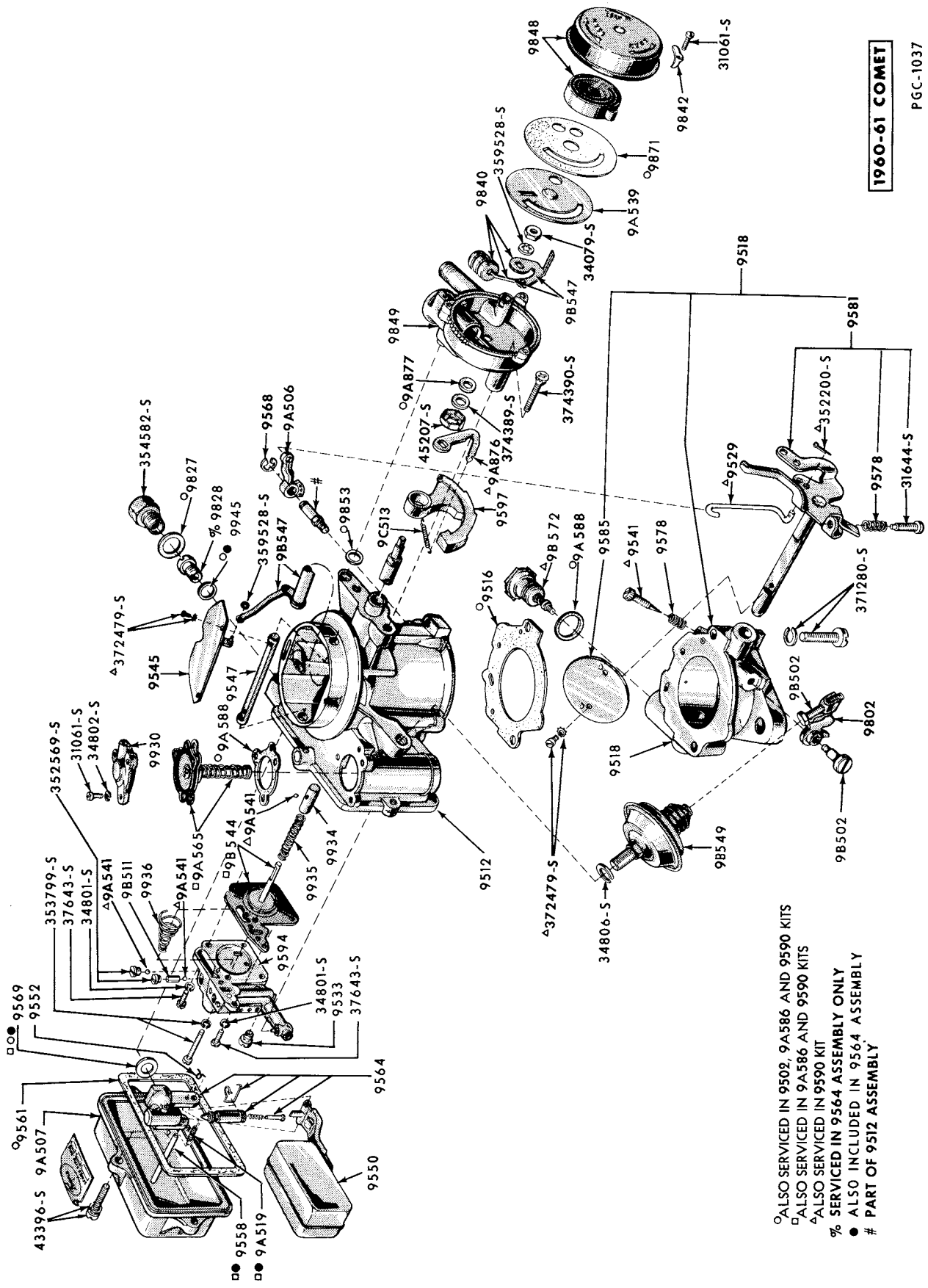
1963 METEOR

1963-64 COMET

- ALSO SERVICED IN 9502, 9A586 AND 9590 KITS
- ALSO SERVICED IN 9A586 AND 9590 KITS
- ALSO SERVICED IN 9590 KIT

PGC-1403

CARBURETOR - FORD IV - 144, 170, 200 C. I. D. ENGINES

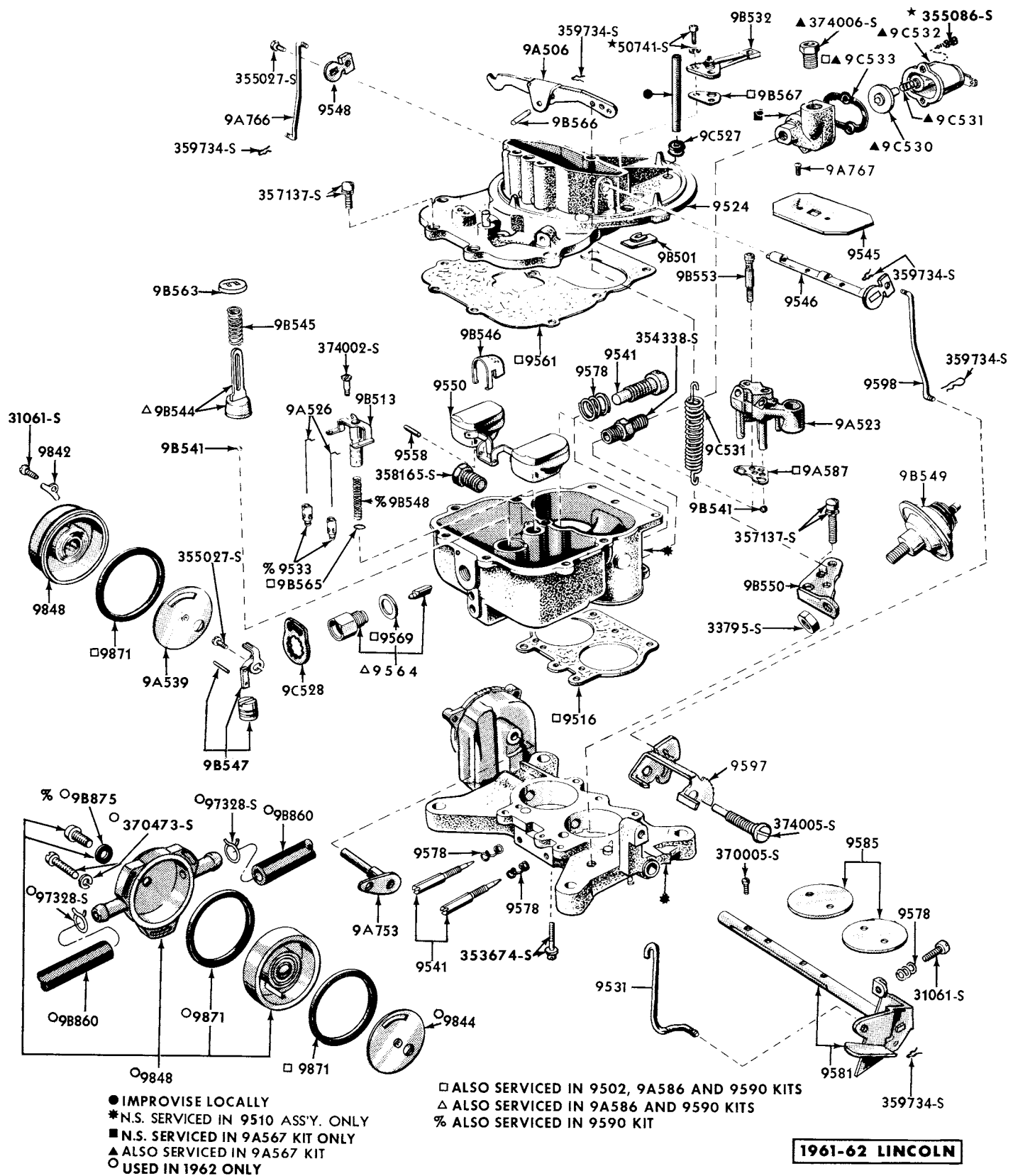


- ALSO SERVICED IN 9502, 9A586 AND 9590 KITS
- ALSO SERVICED IN 9A586 AND 9590 KITS
- △ ALSO SERVICED IN 9590 KIT
- % SERVICED IN 9564 ASSEMBLY ONLY
- ALSO INCLUDED IN 9564 ASSEMBLY
- # PART OF 9512 ASSEMBLY

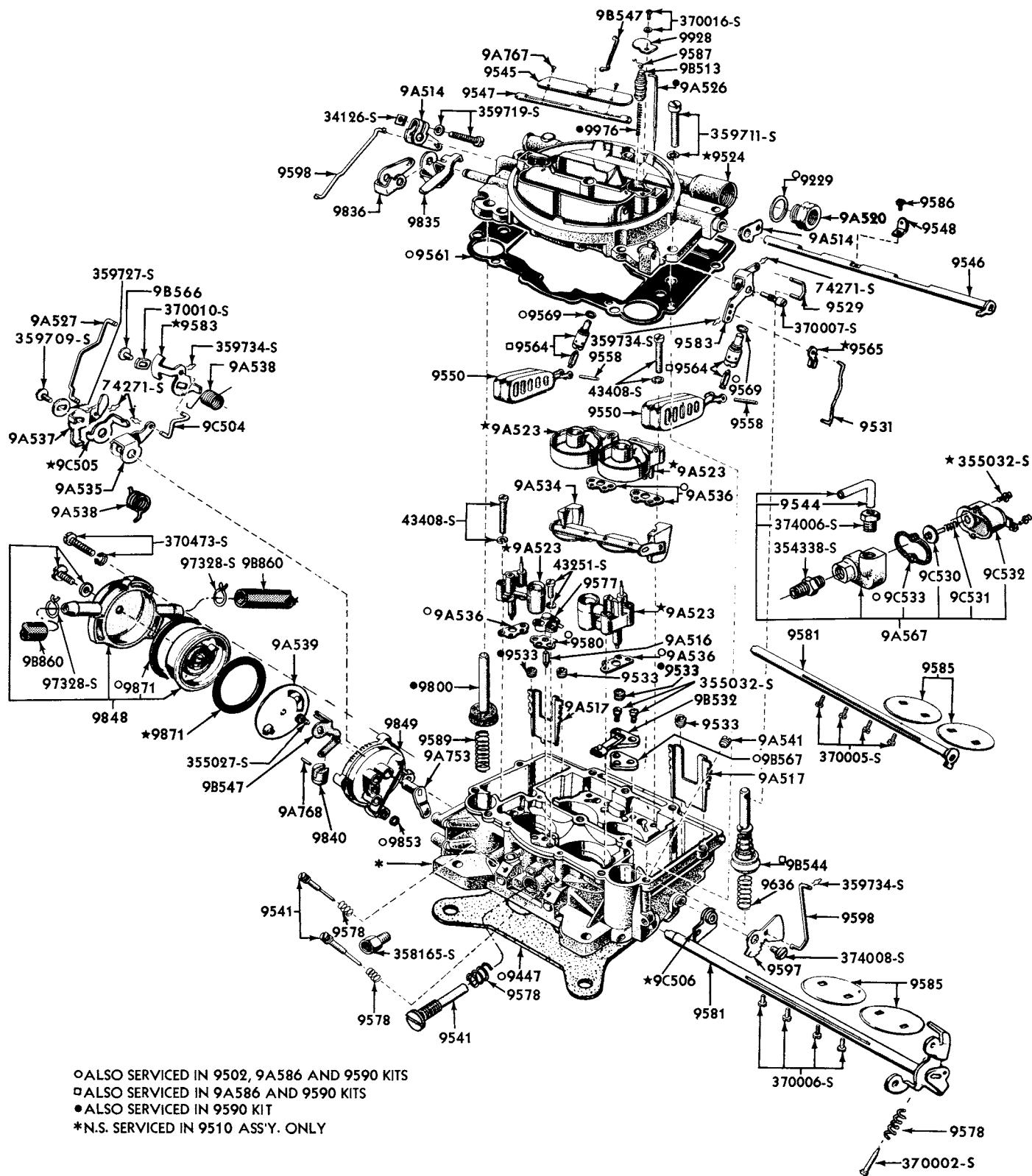
1960-61 COMET

PGC-1037

CARBURETOR WITH AUTOMATIC CHOKE - HOLLEY - 1V - 144, 170 C.I.D. ENGINES



CARBURETOR CARTER - 2V



○ ALSO SERVICED IN 9502, 9A586 AND 9590 KITS
 □ ALSO SERVICED IN 9A586 AND 9590 KITS
 ● ALSO SERVICED IN 9590 KIT
 * N.S. SERVICED IN 9510 ASS'Y. ONLY

1963-64 LINCOLN

PLC-1433

CARBURETOR CARTER - 4-V 430 C. I. D. ENGINE

TRANSMISSION, ENGINE AND CARBURETOR
COMBINATION CHART

The abbreviations "ALL", "A/T", "2/S", "S/R", "D/R", "S/T", "3/S", "4/S", and "O/D" have the following meanings as to transmission application -

ALL - All Standard and Automatic Transmissions

A/T - All Automatic Transmissions

2/S - Two Speed Automatic Transmissions only

S/R - Single Range Automatic Transmissions only

D/R - Dual Range Automatic Transmissions only

S/T - All Standard Transmissions

3/S - Three Speed Standard Transmissions only

4/S - Four Speed Standard Transmissions only

O/D - Overdrive Transmission only

The following will be helpful to determine transmissions, engine and carburetor combinations.

TRANSMISSION			ENGINE	CARBURETOR	VEHICLE CODE	YEAR 19__
PART NO.	MODEL	TYPE				
COMP-7003-A COMP-7003-K	PBM-K PBM-Y	S/R	312-2V	◇B9ME-9510-A, ◇COME-9510-A	A	60
COMP-7003-D COMP-7003-L	PBL-AA PBL-AJ	S/R	383-2V	■ †COME-9510-G or K, ☆ ◆COLE-9510-D or G	A	60
COMP-7003 H COMP-7003-N COMP-7003-T	PBB-AA PBB-AC PBB-AH	S/R	430-2V	◆COLE-9510-D or G	A	60
COMP-7003-E COMP-7003-M	PBL-AB PBL-AK	D/R	383-2V	■ †COME-9510-G or K, ☆ ◆COLE-9510-D or G	A	60
COMP-7003-J COMP-7003-R COMP-7003-U	PBB-AB PBB-AE PBB-AJ	D/R	430-2V	◆COLE-9510-D or G	A	60
COMR-7003-A COMR-7003-B COMR-7003-C COMR-7003-E COMR-7003-G		3/S	312-2V	◇COME-9510-F	A	60

■ Use on vehicles not equipped with air conditioning

☆ Use on vehicles equipped with air conditioning

† Ford

◆ Carter

◇ Holley

CONTINUED ON NEXT PAGE

TRANSMISSION, ENGINE AND CARBURETOR
COMBINATION CHART - CONTINUED

TRANSMISSION			ENGINE	CARBURETOR	VEHICLE CODE	YEAR 19
PART NO.	MODEL	TYPE				
C1AP-7003-F C1AP-7003-K C3AP-7003-A	PBP-C PCH-A Δ PCH-B Δ	2/S	223-1V	%◇COAZ-9510-Z, ‡◇C1AE-9510-F	A	61
C1AP-7003-G C1AP-7003-L	PBR-C PCJ-A Δ	2/S	292-2V	%‡C1AE-9510-Z, ‡‡C1AE-9510-AB	A	61
C1AP-7003-H C1AP-7003-M	PBS-E PCK-A Δ	2/S	352-2V	%‡C1AE-9510-AD, ‡‡C1AE-9510-AF	A	61
C1MP-7003-E	PAZ-Z	S/R	292-2V	%‡C1AE-9510-Z, ‡‡C1AE-9510-AB	A	61
C1MP-7003-B	PBM-Z	S/R	352-2V	%‡C1AE-9510-AD, ‡‡C1AE-9510-AF	A	61
C1AP-7003-B C1AP-7003-V	PCC-A PCC-C Δ	D/R	292-2V	%‡C1AE-9510-Z, ‡‡C1AE-9510-AB	A	61
C1AP-7003-C C1AP-7003-Y	PCD-A PCD-D Δ	D/R	352-2V	%‡C1AE-9510-AD, ‡‡C1AE-9510-AF	A	61
C1AP-7003-D C1AP-7003-T C1AP-7003-Z	PCE-B PCE-E Δ PCE-G Δ	D/R	390-4V	‡‡COAE-9510-AH	A	61
C1AP-7003-AA	PCE-H ⊕Δ	D/R	390-4V	‡C1AE-9510-AL	A	61
C1AR-7003-A C1AR-7003-K C1AR-7003-N	□	3/S	223-1V	◇COAE-9510-E replaced by %◇COAE-9510-U, ‡◇C1AE-9510-E	A	61
C1AR-7003-B C1AR-7003-L C1AR-7003-R	□	3/S	292-2V	%‡C1AE-9510-Y, ‡‡C1AE-9510-AA	A	61
C1AR-7003-D C1AR-7003-M C1AR-7003-U	□	3/S	352-2V	%‡C1AE-9510-AC, ‡‡C1AE-9510-AE	A	61
C1AR-7003-M C1AR-7003-U	□	3/S	390-4V	‡C1AE-9510-AK	A	61
C1AA-7003-G C1AA-7003-K		O/D	223-1V	◇COAE-9510-E replaced by %◇COAE-9510-U, ‡◇C1AE-9510-E	A	61
C1AA-7003-J C1AA-7003-M		O/D	292-2V	%‡C1AE-9510-Y, ‡‡C1AE-9510-AA	A	61
C1AP-7003-K C3AP-7003-A	PCH-A Δ PCH-B Δ	2/S	223-1V	%◇C2AE-9510-E, ‡◇C2AE-9510-F	A	62
C1AP-7003-L	PCJ-A Δ	2/S	292-2V	%‡C2AF-AB, ‡‡C2AF-AD	A	62

% Use on vehicles not equipped with emission reduction system

‡ Use on vehicles equipped with emission reduction system

⊕ Police Special

□ When replacing transmission built prior to 9-2-60, also use (1) B9AA-4841-A yoke

Δ With vacuum throttle valve

‡ Ford

◇ Holley

CONTINUED ON NEXT PAGE

TRANSMISSION, ENGINE AND CARBURETOR
COMBINATION CHART - CONTINUED

TRANSMISSION			ENGINE	CARBURETOR	VEHICLE CODE	YEAR 19__
PART NO.	MODEL	TYPE				
C1AP-7003-M	PCK-A Δ	2/S	352-2V	%†C2AF-AF, ‡C2AF-AH	A	62
C1AP-7003-V	PCC-C \$Δ	D/R	292-2V	%†C2AF-AB, ‡C2AF-AD	A	62
C2AP-7003-A	PCC-D ⊕Δ					
C1AP-7003-Y	PCD-D \$Δ	D/R	352-2V	%†C2AF-AF, ‡C2AF-AH	A	62
C2AP-7003-B	PCD-F ⊕Δ					
C1AP-7003-Z	PCE-G \$Δ	D/R	390-4V	†C2AF-T, U, AL or AM	A	62
C2AP-7003-C	PCE-S ⊕Δ					
C2AZ-7003-A		3/S	223-1V	%◇C2AE-9510-A, ‡◇C2AE-9510-B	A	62
C2AZ-7003-B		3/S	292-2V	%†C2AF-AA, ‡C2AF-AC	A	62
C2AZ-7003-E		3/S	352-2V	%†C2AF-AE, ‡C2AF-AG	A	62
C2AZ-7003-E		3/S	390-4V	‡†C2AF-Y, †C2AF-U or AM	A	62
C2AZ-7003-F		4/S	223-1V	%◇C2AE-9510-A, ‡◇C2AE-9510-B	A	62
C2AZ-7003-F		4/S	292-2V	%†C2AF-AA, ‡C2AF-AC	A	62
C2AZ-7003-F		4/S	352-2V	%†C2AF-AE, ‡C2AF-AG	A	62
C2AZ-7003-F		4/S	390-4V	%†C2AF-AJ, ‡C2AF-AK	A	62
C2AZ-7003-F		4/S	406-4V	◇C1AE-9510-AM	A	62
C2AZ-7003-F		4/S	406-6V	(2)◇C1AE-9510-AU, (1)◇C1AE-9510-AV	A	62
C3AP-7003-AF	PCE-AF \$	D/R	390-2V	†C3MF-B or D	A	63
C3AP-7003-AH	PCE-AG \$	D/R	390-2V	†C3MF-B or D	A	63
C3AP-7003-F	PCE-M \$	D/R	390-4V	†C3AF-R, T or AY	A	63
C3AP-7003-T	PCE-Z \$	D/R	390-4V	†C3AF-R, T or AY	A	63
C3AP-7003-N	PCE-U ⊕	D/R	390-4V	†C3AF-R, T or AY	A	63
C3AP-7003-G	PCE-N ⊕\$	D/R	390-4V	†C3AF-R, T or AY	A	63
C3AP-7003-U	PCE-AA ⊕\$	D/R	390-4V	†C3AF-R, T or AY	A	63
C3AP-7003-Y	PCE-AD ⊕	D/R	390-4V	†C3AF-R, T or AY	A	63
C3AP-7003-R	PCE-V ⊕⊕	D/R	390-4V	†C3AF-R, T or AY	A	63
C3AP-7003-V	PCE-AB ⊕⊕	D/R	390-4V	†C3AF-R, T or AY	A	63
C3AZ-7003-E	HEG-A \$	3/S	390-2V, 4V	†C3AF-N, S or AV, †C3MF-A or C	A	63
C3AZ-7003-G	⊕	4/S	390-2V, 4V	†C3AF-N, S or AV, †C3MF-A or C	A	63
C3AZ-7003-H			406-4V	◇C1AE-9510-AM or ◇C3AE-9510-A		
			406-6V	(2)◇C1AE-9510-AU (1)◇C1AE-9510-AV		
			427-4V	◇C3AE-9510-B	A	63
			427-8V	(2)◇C2AE-9510-CB or (2)◇C3AE-9510-C	A	63
C4MP-7003-A	PCE-AZ \$	D/R	390-2V	&†C3MF-D, ●†C4MF-A	A	64
C4AP-7003-F	PCE-AU \$	D/R	390-4V	†C3AF-BV or BZ	A	64
C4AP-7003-G	PCE-AV ⊕	D/R	390-4V	†C3AF-BV or BZ	A	64
C4AP-7003-H	PCE-AW\$⊕	D/R	390-4V	†C3AF-BZ	A	64
C4AP-7003-J	PCE-AY ⊕⊕	D/R	390-4V	†C3AF-BZ	A	64

% Use on vehicles not equipped with emission reduction system
 ⊕ Police Special
 \$ Use with steering column mounted shift lever
 † Ford ◇ Holley

‡ Use on vehicles equipped with emission reduction system
 Δ With vacuum throttle valve
 ⊕ Use with floor mounted shift lever
 ● Engine warranty code "H"
 & Engine warranty code "Y"

TRANSMISSION, ENGINE AND CARBURETOR
COMBINATION CHART - CONTINUED

TRANSMISSION			ENGINE	CARBURETOR	VEHICLE CODE	YEAR 19
PART NO.	MODEL	TYPE				
C4AZ-7003-K	HEG-E \$	3/S	390-2V, 4V	&†C3MF-C, †C3AF-BU or BY	A	64
†C4MY-7003-A	HEH-F	4/S	390-2V	&†C3MF-C	A	64
†C5MY-7003-A	HEH-K					
	When replacing C4MY-7003-A with C5MY-7003-A, transfer 7050 retainer					
†C4AZ-7003-F	HEH-D	4/S	390-4V	†C3AF-BU or BY	A	64
†C5AZ-7003-F	HEH-J					
	When replacing C4AZ-7003-F with C5AZ-7003-F, transfer 7050 retainer					
†C4AZ-7003-Y	HEH-H	4/S	427-4V 427-8V	◇C3AE-9510-B (1)◇C3AF-9510-BK and (1)◇C3AF-9510-BJ or (2)◇C3AE-9510-C	A A	64 64
†C5AZ-7003-G	HEH-R					
	When replacing C4AZ-7003-Y with C5AZ-7003-G, transfer 7050 retainer					
C2OP-7003-A	PCM-D	2/S	170-1V	◇2343, 2343*, 2343-1	B	62
C3OP-7003-A	PCM-G					
C2OP-7003-B	PCN-A	2/S	221-2V	†C2OF-N, %†C2OF-R, ‡†C2OF-T	B	62
C3OP-7003-B	PCN-B					
C2OP-7003-C	PCP-A	2/S	260-2V	†C2OF-AA, %†C2OF-AB, ‡†C2OF-AD	B	62
C3OP-7003-C	PCP-B					
C2OZ-7003-B		3/S	170-1V	◇2324, 2324-1, 2343, 2343*, 2343-1	B	62
C2OZ-7003-C		3/S	221-2V	†C2OF-N, ‡†C2OF-S	B	62
C2OZ-7003-E						
C2OZ-7003-C		3/S	260-2V	†C2OF-AA, ‡†C2OF-AC	B	62
C2OZ-7003-E						
C2OA-7003-C		O/D	221-2V	†C2OF-N, ‡†C2OF-S	B	62
C2OA-7003-D						
C2OA-7003-E						
C2OA-7003-G						
C3OP-7003-A	PCM-G	2/S	170-1V	†C3YF-B	B	63
C3OP-7003-F	PCY-A	2/S	200-1V	†C3YF-E or H	B	63
C3OP-7003-B	PCN-B	2/S	221-2V	†C3OF-D	B	63
C3OP-7003-C	PCP-B	2/S	260-2V	†C3OF-F	B	63
C2OZ-7003-B		3/S	170-1V	†C3YF-A	B	63
C3OZ-7003-A	HEE-B	3/S	221-2V	†C3OF-C	B	63
C3OZ-7003-B	HEF-D	3/S	260-2V	†C3OF-E	B	63
C3OZ-7003-C	HEF-E	3/S	260-2V	†C3OF-E	B	63
C3OZ-7003-E		4/S	221-2V 260-2V	†C3OF-C or D †C3OF-E or F	B	63
C2OA-7003-G	Prior to 11-5-62	O/D	221-2V	†C3OF-C	B	63
C3OA-7003-C	After 11-4-62					

% Use on vehicles not equipped with emission reduction system

† Ford ◇ Holley

‡ Use on vehicles equipped with emission reduction system

\$ Use with steering column mounted shift lever & Engine warranty code "Y"

TRANSMISSION, ENGINE AND CARBURETOR
COMBINATION CHART - CONTINUED

TRANSMISSION			ENGINE	CARBURETOR	VEHICLE CODE	YEAR 19
PART NO.	MODEL	TYPE				
C1KP-7003-A C1KP-7003-B C1KP-7003-C	PBZ-B § PBZ-D § PBZ-F §	2/S	144-1V	◇CODE-9510-B, ◇CODE-9510-D, ◇C1KE-9510-B	C	60
CODP-7003-D	PBZ-E φ	2/S	144-1V	◇CODE-9510-B, ◇CODE-9510-D, ◇C1KE-9510-B	C	60
C1KR-7003-A C1KR-7003-B C1KR-7003-D C1KR-7003-E C1GY-7003-A C2GY-7003-A	§	3/S	144-1V	◇CODE-9510-A, ◇CODE-9510-C, ◇C1KE-9510-A	C	60
CODR-7003-E CODR-7003-H CODR-7003-L C1DR-7003-E	φ	3/S	144-1V	◇CODE-9510-A, ◇CODE-9510-C, ◇C1KE-9510-A	C	60
C1GP-7003-B C1GP-7003-C	PBZ-K § PCL-C § Δ	2/S	144-1V	◇C1GE-9510-B, %◇C1GE-9510-D	C	61
C1DP-7003-D C1DP-7003-E C3DP-7003-A	PBZ-J φ PCL-A φ Δ PCL-D φ Δ	2/S	144-1V	◇C1GE-9510-B, %◇C1GE-9510-D	C	61
C1GP-7003-A C1GP-7003-D	PCF-C § PCM-C § Δ	2/S	170-1V	%◇C1GE-9510-F, ◇C1GE-9510-H	C	61
C1DP-7003-B C1DP-7003-G C3DP-7003-B	PCF-B φ PCM-A φ Δ PCM-E φ Δ	2/S	170-1V	%◇C1GE-9510-F, ◇C1GE-9510-H	C	61
C1KR-7003-D C1KR-7003-E C1GY-7003-A C2GY-7003-A	§	3/S	144-1V	‡ ◇C1GE-9510-A, ◇C1GE-9510-B, %◇C1GE-9510-C	C	61
CODR-7003-H CODR-7003-L C1DR-7003-E	φ	3/S	144-1V	‡ ◇C1GE-9510-A, ◇C1GE-9510-B, %◇C1GE-9510-C	C	61
C1GR-7003-A C1GY-7003-B C2GY-7003-B	§ §	3/S 3/S	170-1V 144-1V	%◇C1GE-9510-E, ‡ ◇C1GE-9510-G, ◇C1GE-9510-H	C	61
C1DR-7003-B C1DR-7003-D	φ	3/S	170-1V	%◇C1GE-9510-E, ‡ ◇C1GE-9510-G, ◇C1GE-9510-H	C	61
C1GP-7003-C C1DP-7003-E C3DP-7003-A	PCL-C § Δ PCL-A φ Δ PCL-D φ Δ	2/S 2/S	144-1V 144-1V	◇2342, 2342*, 2342-1 ◇2342, 2342*, 2342-1	C C	62 62
C1GP-7003-D C1DP-7003-G C3DP-7003-B	PCM-C § Δ PCM-A φ Δ PCM-E φ Δ	2/S 2/S	170-1V 170-1V	◇2343, 2343*, 2343-1 ◇2343, 2343*, 2343-1	C C	62 62
C1GY-7003-A C2GY-7003-A	§	3/S	144-1V	◇2311, 2311*, 2342, 2342*	C	62

% Use on vehicles not equipped with emission reduction system

§ For all models except 59, 71

‡ Use on vehicles equipped with emission reduction system

Δ With vacuum throttle valve

φ For models 59, 71

† Ford ◇ Holley

TRANSMISSION, ENGINE AND CARBURETOR
COMBINATION CHART CONTINUED

TRANSMISSION			ENGINE	CARBURETOR	VEHICLE CODE	YEAR 19
PART NO.	MODEL	TYPE				
C1DR-7003-E C2DZ-7003-E	φ	3/S	144-1V	◇2311, 2311*, 2342, 2342*	C	62
C1GY-7003-B C2GY-7003-B	§	3/S	170-1V 144-1V	◇2324, 2324-1, 2343, 2343*, 2343-1	C	62
C1DR-7003-D C2DZ-7003-D	φ	3/S	170-1V 144-1V	◇2324, 2324-1, 2343, 2343*, 2343-1	C	62
C2DZ-7003-F C2DZ-7003-F		4/S	144-1V 170-1V	◇2311, 2311*, 2342, 2342* ◇2324, 2324-1, 2343, 2343*, 2343-1	C	62
C3DP-7003-A C3GP-7003-A	PCL-D φ PCL-E §	2/S	144-1V	†C3GF-B	C	63
C3DP-7003-B C3GP-7003-B	PCM-E φ PCM-F §	2/S	170-1V	†C3YF-B	C	63
C3OP-7003-E C2GY-7003-A	PCP-G §	2/S 3/S	260-2V 144-1V	†C3OF-F †C3GF-A	C	63
C2DZ-7003-E C2GY-7003-B	φ §	3/S	144-1V 170-1V	†C3GF-A †C3YF-A	C	63
C2DZ-7003-D	φ	3/S	170-1V	†C3GF-A	C	63
C3DZ-7003-B C2DZ-7003-F C2DZ-7003-G	HEF-N	3/S 4/S	260-2V 144-1V 170-1V	†C3OF-E †C3GF-A, †C3YF-A	C	63
C3DZ-7003-C		4/S	260-2V	†C3OF-E	C	63
C4GP-7003-A C4GP-7003-L	PCW-D PCW-Y	D/R	260-2V	†C4OF-B	C	64
C4GP-7003-B C4GP-7003-M	PCW-E PCW-Z	D/R	289-4V 280-4V	†C4GF-E or AB †C4GF-E or AB	C	64
C4GP-7003-F C4GP-7003-K	PCY-D § PCY-F §	2/S	200-1V	†C3YF-H	C	64
C4GP-7003-E C4GP-7003-J	PCY-C φ PCY-E φ	2/S	200-1V	†C3YF-H	C	64
C4GY-7003-A C4DZ-7003-D	HED-AU § HED-AX φ	3/S	170-1V	†C3YF-F	C	64
C4DZ-7003-B C4DZ-7003-E	HEF-AN HEF-BC	3/S	260-2V, 289-4V	†C4OF-A or B †C4GF-AA	C	64
▲C3DZ-7003-C		4/S	260-2V, 289-4V	†C4OF-A or B †C4GF-AA	C	64
▲C3DZ-7003-D					C	64
†C4DZ-7003-A †C5DZ-7003-B	HEH-A HEH-M	4/S	260-2V, 289-4V	†C4OF-A or B †C4GF-AA	C	64
	When replacing C4DZ-7003-A with C5DZ-7003-B, transfer 7050 retainer					
COLP-7003-C C2VP-7003-A	PBB-AG PCA-D	D/R	430-2V	●COLE-9510-A, B and G ●C1VE-9510-B, C, D, E	D	60 61
C2VP-7003-A C3VP-7003-A	PCA-D PCA-E	D/R	430-2V 430-4V	●C2VE-9510-A, B, C, D, E ●C3VE-9510-A, B, D, E	D	62 63/64

φ For models 59, 71

§ For all models except 59, 71

† Ford

● Carter

▲ Warner

◇ Holley

CARBURETOR CHARTS

GENERAL INFORMATION

All carburetor assemblies are listed in the "Carburetor Identification and Application Charts" under the following headings:

1960-64 Mercury
 1962-63 Meteor
 1960-64 Comet
 1960-64 Lincoln

Under the sub-headings listed below are carburetor identifications according to Tag Number, Stamping Number and Service Part Number along with such information as No. Req'd., Engine Cubic Inch Displacement, Carburetor Identification Code and Year. The carburetor identification information together with the carburetor identification code serve as a key to the "9510 Carburetor Chart."

Tag Identification Number	Stamping Identification Number	Service Part No. and Application	No. Req'd.	Engine Cubic Inch Displacement	Carb. Ident. Code	Year 19__
GKMOBB	COLE-9510-D	COLE-9510-D	1	383-2V*, 430-2V	4	60/61
C2AE-A	C2AE-9510-A	C2AZ-9510-A	1	223-1V	2	62

To determine the part number of components required for a particular carburetor it is necessary to establish the carburetor identification code. This is accomplished by securing the identification markings from the carburetor itself, either Tag Identification Number or Stamping Identification Number or both, and then referring to the "Carburetor Identification and Application Chart." A carburetor having Tag Identification Number GKMOBB and Stamping Identification Number COLE-9510-D would come under Carburetor Identification Code 4 in both charts, while a carburetor having Tag Identification Number C2AE-B and Stamping Identification Number C2AE-9510-B would come under Code 2.

The "9510 Carburetor Chart," which immediately follows the "Carburetor Identification and Application Charts," contain component service parts and replacement information that is listed in columns headed by the corresponding carburetor identification code. Any exceptions called out in the "Description, Size, etc." column of this chart are made according to Stamping Identification Number along with Tag Identification Number when necessary.

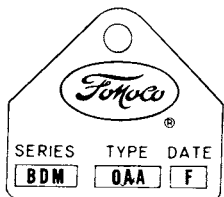
For example, components applicable to a carburetor assigned code number 4 in the "Carburetor Identification and Application Charts" would be listed in column headed No. 4 in the Identification Code section of the "9510 Carburetor Chart."

These charts are at the beginning of the 9000 series basic group and precede other 9000 series fuel system assemblies and components which are listed in sequence according to basic number.

CARBURETOR IDENTIFICATION TAG

CODE CHARTS


SUPPLIER & VENTURI	ENG. DISPL.	VEHICLE IDENT.	RELEASE YEAR	CARB. MODEL	DESIGN CHANGE	BI-MO. BUILD DATE
A Holley 1V	A 223	A Ford Pass.	0	A S/T	A	A Jan.
B Holley 2V	B 292	T Truck	1	B A/T	B	B Jan.
C Holley 4V	C 302	K Edsel	2	C Taxi-S/T	C	C Feb.
D Ford 2V	D 312	M Mercury	3	D Taxi-A/T	D	D Feb.
E Ford 4V	E 332	S T'Bird	4	E Service	E	E Mar.
F Carter 4V	F 352	L Lincoln	5	F Taxi-Service	F	F Mar.
G Carter 2V	G 361	D Falcon	6	G Hand-Throttle	G	G April
H Holley 1V Emission	H 383	E Comet	7	H Par. Del. S/T	H	H April
	J 401	U Econoline	8	J 6V-Primary	J	J May
	K 430					
I Holley 2V Emission	L 477		9	K 6V-Secondary	K	K May
				L Gov. - R. P. O.	L	L June
	M 534			M A/cond.	M	M June
J Holley 4V Emission	N 272			N Hi-Perf.	N	N July
	O 144				O	O July
K Ford 2V Emission	P 170			O Man. Choke-S/T	P	P Aug.
	Q 262				Q	Q Aug.
L Ford 4V Emission	R 366			P Man. Choke-A/T	R	R Sept.
					S	S Sept.
M Carter 2V Emission	S 390			Q Auto. Choke-S/T	T	T Oct.
					U	U Oct.
N Carter 4V Emission				R Auto. Choke-A/T	V	V Nov.
				S C. I. Manifold-S/T	W	W Nov.
				T C. I. Manifold-A/T	X	X Dec.
				U Alum. Manifold-S/T	Y	Y Dec.



CARBURETOR IDENTIFICATION TAG

CODE CHARTS - Continued

SUPPLIER & VENTURI	ENG. DISPL.	VEHICLE IDENT.	RELEASE YEAR	CARB. MODEL	DESIGN CHANGE	BI-MO. BUILD DATE
				V Alum. Manifold-A/T	Z	
				W Police Interceptor-S/T		
				X Police Interceptor-A/T		
				Y De-rated 6 cyl.		
				Z Par. Del. A/T		

	TAG NUMBER PREFIX	TAG NUMBER SUFFIX	DESIGN CHANGE	BUILD YEAR	BUILD MONTH	BUILD WEEK
	C2AE	A	A	0	A January	A 1st
	C2AE	B	B	1	B February	B 2nd
	C2AE	AA	C	2	C March	C 3rd
	C2AE	AB	D	3	D April	D 4th
	C2GE	C	E	4	E May	E 5th
	C2GE	D	F	5	F June	
	C2OE	R	G	6	G July	
	C2OE	S	H	7	H August	
	C2OF	AA	J	8	J September	
	C2OF	AB	K	9	K October	
			L		L November	
			M		M December	
			N			
		P				
		R				
		thru				
		Z				

Note - Carburetors having the regular stamped "Carburetor Identification Tag" accompanied by a plain "Carburetor Identification Tag," RED or BLUE in color, designates altitude calibration of 5000 to 10000 feet and 10000 to 15000 feet respectively.

CARBURETOR IDENTIFICATION CROSS-REFERENCE CHARTS

The Stamping Identification, Tag Identification and Service Part Number charts that follow in their respective order, will enable you to easily determine the Code Identification Number, Engine Cubic Inch Displacement and Model Year when either the Stamping Identification Number, Tag Identification Number or Service Part Number is known.

STAMPING IDENT. NUMBER	CARB. IDENT. CODE	SERVICE PART NUMBER	TAG IDENT. NUMBER	ENGINE DISPL.	YEAR 19 __
B9ME-9510-A	1	◇B9ME-9510-A	BDM9AA	312-2V	60
COAE-9510-E	2	◇COAE-9510-E	AAA0AA	223-1V	61
COAE-9510-E	2	◇COAE-9510-E	AAA0AB	223-1V	61
COAE-9510-E	2	◇COAE-9510-E	AAA0AC	223-1V	61
COAE-9510-U	2	◇COAE-9510-U	AAA0EA	223-1V	61
COAE-9510-U	2	◇COAE-9510-U	AAA0EB	223-1V	61
COAE-9510-Z	2	◇COAE-9510-Z	AAA0BB	223-1V	61/62
CODE-9510-A	2	◇CODE-9510-A	AOD0AA	144-1V	60
CODE-9510-A	2	◇CODE-9510-A	AOD0AB	144-1V	60
CODE-9510-B	2	◇CODE-9510-B	AOD0BA	144-1V	60
CODE-9510-B	2	◇CODE-9510-B	AOD0BB	144-1V	60
CODE-9510-B	2	◇CODE-9510-B	AOD0BC	144-1V	60
CODE-9510-C	2	◇CODE-9510-C	AOD0AC	144-1V	60
CODE-9510-C	2	◇CODE-9510-C	AOD0AD	144-1V	60
CODE-9510-D	2	◇CODE-9510-D	AOD0BD	144-1V	60
CODE-9510-D	2	◇CODE-9510-D	AOD0BE	144-1V	60
COLE-9510-A	3	◆COLE-9510-A	FKL0BA	430-4V	60
COLE-9510-A	3	◆COLE-9510-A	FKL0BB	430-4V	60
COLE-9510-D	4	◆COLE-9510-D	GKM0BA	383-2V, 430-2V	60
COLE-9510-D	4	◆COLE-9510-D	GKM0BB	383-2V, 430-2V	60
COLE-9510-G	4	◆COLE-9510-G	GKM0BC	383-2V, 430-2V	60
COME-9510-A	1	◇COME-9510-A	BDM0AA	312-2V	60
COME-9510-F	1	◇COME-9510-F	BDM0BA	312-2V	60
COME-9510-G	5	†COME-9510-G	DHM0BA	383-2V	60
COME-9510-K	5	†COME-9510-K	DHM0BC	383-2V	60
C1AE-9510-E	2	◇C1AE-9510-E	HAA1AA	223-1V	61
C1AE-9510-F	2	◇C1AE-9510-F	HAA1BA	223-1V	61/62
C1AE-9510-Y	5	†C1AE-9510-Y	DBA1AA	292-2V	61
C1AE-9510-Z	5	†C1AE-9510-Z	DBA1BA	292-2V	61
C1AE-9510-Z	5	†C1AE-9510-Z	DBA1BB	292-2V	61
C1AE-9510-AA	5	†C1AE-9510-AA	KBA1AA	292-2V	61
C1AE-9510-AB	5	†C1AE-9510-AB	KBA1BA	292-2V	61
C1AE-9510-AB	5	†C1AE-9510-AB	KBA1BB	292-2V	61
C1AE-9510-AC	5	†C1AE-9510-AC	DFA1AA	352-2V	61
C1AE-9510-AD	5	†C1AE-9510-AD	DFA1BA	352-2V	61
C1AE-9510-AD	5	†C1AE-9510-AD	DFA1BB	352-2V	61
C1AE-9510-AE	5	†C1AE-9510-AE	KFA1AA	352-2V	61
C1AE-9510-AF	5	†C1AE-9510-AF	KFA1BA	352-2V	61
C1AE-9510-AF	5	†C1AE-9510-AF	KFA1BB	352-2V	61
C1AE-9510-AH	6	†C1AE-9510-AH	LSA1TA	390-4V	61
C1AE-9510-AH	6	†C1AE-9510-AH	LSA1TB	390-4V	61
C1AE-9510-AK	6	†C1AE-9510-AK	LSA1WA	390-4V	61
C1AE-9510-AL	6	†C1AE-9510-AL	LSA1XA	390-4V	61
C1AE-9510-AL	6	†C1AE-9510-AL	LSA1XB	390-4V	61
C1AE-9510-AM	9	◇C1AE-9510-AM	JSA1AA	406-4V	62/63
C1AE-9510-AU	1	◇C1AE-9510-AU	No Tag	406-2V	62/63
C1AE-9510-AV	1	◇C1AE-9510-AV	No Tag	406-2V	62/63

◆ Carter

† Ford

◇ Holley

7503B

CARBURETOR IDENTIFICATION CROSS-REFERENCE CHARTS - continued

STAMPING IDENT. NUMBER	CARB. IDENT. CODE	SERVICE PART NUMBER	TAG IDENT. NUMBER	ENGINE DISPL.	YEAR 19
C1DE-9510-B	2	◇C1DE-9510-B	HOD1BA	144-1V	60
C1GE-9510-A	7	◇C1GE-9510-A	HOE1AA	144-1V	61
C1GE-9510-B	7	◇C1GE-9510-B	HOE1BA	144-1V	61
C1GE-9510-C	7	◇C1GE-9510-C	AOE1AA	144-1V	61
C1GE-9510-D	7	◇C1GE-9510-D	AOE1BA	144-1V	61
C1GE-9510-E	7	◇C1GE-9510-E	APE1AA	170-1V	61
C1GE-9510-F	7	◇C1GE-9510-F	APE1BA	170-1V	61
C1GE-9510-G	7	◇C1GE-9510-G	HPE1AA	170-1V	61
C1GE-9510-H	7	◇C1GE-9510-H	HPE1BA	170-1V	61
C1KE-9510-A	7	◇C1KE-9510-A	AOE0AA	144-1V	60
C1KE-9510-A	7	◇C1KE-9510-A	AOK0AA	144-1V	60
C1KE-9510-B	7	◇C1KE-9510-B	AOE0BA	144-1V	60
C1KE-9510-B	7	◇C1KE-9510-B	AOK0BA	144-1V	60
C1VE-9510-A	10	♣C1VE-9510-A	MKL1BA	430-2V	61
C1VE-9510-B	10	♣C1VE-9510-B	MKL1MA	430-2V	61
C1VE-9510-C	10	♣C1VE-9510-C	No Tag	430-2V	61
C1VE-9510-D	10	♣C1VE-9510-D	MKL1BA	430-2V	61
C1VE-9510-E	10	♣C1VE-9510-E	MKL1MA	430-2V	61
C2AE-9510-A	2	◇C2AZ-9510-A	C2AE-A	223-1V	62
C2AE-9510-B	2	◇C2AZ-9510-B	C2AE-B	223-1V	62
C2AE-9510-E	2	◇C2AZ-9510-E	C2AE-E	223-1V	61/62
C2AE-9510-F	2	◇C2AZ-9510-F	C2AE-F	223-1V	61/62
C2AE-9510-CB	9	◇C3AZ-9510-L	C2AE-CB	427-8V	63
C2AF-T	6	†C2AF-9510-T	C2AE-AK	390-4V	62
C2AF-U	6	†C2AZ-9510-G	C2AE-AL	390-4V	61/62
C2AF-Y	6	†C2AF-9510-Y	C2AE-AN	390-4V	62
C2AF-Z	6	†C2AF-9510-Z	C2AE-AR	390-4V	62
C2AF-AA	5	†C2AZ-9510-C	C2AE-Y	292-2V	61/62
C2AF-AB	5	†C2AF-9510-AB	C2AE-Z	292-2V	62
C2AF-AC	5	†C2AF-9510-AC	C2AE-AA	292-2V	62
C2AF-AD	5	†C2AF-9510-AD	C2AE-AB	292-2V	62
C2AF-AE	5	†C2AZ-9510-D	C2AE-AC	352-2V	61/62
C2AF-AF	5	†C2AF-9510-AF	C2AE-AD	352-2V	62
C2AF-AG	5	†C2AF-9510-AG	C2AE-AE	352-2V	62
C2AF-AH	5	†C2AF-9510-AH	C2AE-AF	352-2V	62
C2AF-AJ	6	†C2AF-9510-AJ	C2AE-AT	390-4V	62
C2AF-AK	6	†C2AF-9510-AK	C2AE-AU	390-4V	62/63
C2AF-AL	6	†C2AF-9510-AL	C2AE-AV	390-4V	62/63
C2AF-AM	6	†C2AZ-9510-G	C2AE-AY	390-4V	61/62
C2AF-AN	6	†C2AF-9510-AN	C2AE-AZ	390-4V	62
C2AF-AR	6	†C2AF-9510-AR	C2AE-BA	390-4V	62
C2OF-N	5	†C2OZ-9510-A	C2OE-N	221-2V	62
C2OF-R	5	†C2OZ-9510-B	C2OE-R	221-2V	62
C2OF-S	5	†C2OZ-9510-C	C2OE-S	221-2V	62
C2OF-T	5	†C2OZ-9510-D	C2OE-T	221-2V	62
C2OF-AA	5	†C2OZ-9510-F	C2OF-AA	260-2V	62
C2OF-AB	5	†C2OF-9510-AB	C2OF-AB	260-2V	62
C2OF-AC	5	†C2OF-9510-AC	C2OF-AC	260-2V	62
C2OF-AD	5	†C2OF-9510-AD	C2OF-AD	260-2V	62

♣ Carter

† Ford

◇ Holley

CARBURETOR IDENTIFICATION CROSS-REFERENCE CHARTS - continued

STAMPING IDENT. NUMBER	CARB. IDENT. CODE	SERVICE PART NUMBER	TAG IDENT. NUMBER	ENGINE DISPL.	YEAR 19
C2VE-9510-A	10	♣C2VE-9510-A	C2VE-A	430-2V	62
C2VE-9510-B	10	♣C2VE-9510-B	C2VE-B	430-2V	62
C2VE-9510-C	10	♣C2VE-9510-C	C2VE-C	430-2V	62
C2VE-9510-D	10	♣C2VE-9510-D	C2VE-D	430-2V	62
C2VE-9510-E	10	♣C2VE-9510-E	C2VE-E	430-2V	62
C3AE-9510-A	9	◇C3AZ-9510-G	C3AE-A	406-4V	62/63
C3AE-9510-B	9	◇C3AZ-9510-K	C3AE-B	427-4V	63/64
C3AE-9510-C	9	◇C3AZ-9510-S	C3AE-C	427-8V	63
C3AF-F	5	†C3AZ-9510-F	C3AF-F	352-2V	61/62
C3AF-N	6	†C3AF-9510-N	C3AF-N	390-4V	62/63
C3AF-R	6	†C3AF-9510-R	C3AF-R	390-4V	62/63
C3AF-S	6	†C3AZ-9510-J	C3AF-S	390-4V	62/63
C3AF-T	6	†C3AZ-9510-H	C3AF-T	390-4V	62/63
C3AF-AN	5	†C3AZ-9510-V	C3AF-AN	352-2V	61/62
C3AF-AT	6	†C3AF-9510-AT	C3AF-AT	390-4V	63
C3AF-AU	6	†C3AF-9510-AU	C3AF-AU	390-4V	63
C3AF-AV	6	†C3AZ-9510-Z	C3AF-AV	390-4V	63
C3AF-AY	6	†C3AZ-9510-Y	C3AF-AY	390-4V	63
C3AF-BD	5	†C3AF-9510-BD	C3AF-BD	260-2V	63
C3AF-BE	5	†C3AZ-9510-T	C3AF-BE	260-2V	63
C3AF-9510-BJ	9	◇C3AF-9510-BJ	C3AF-BJ	427-8V	64
C3AF-9510-BK	9	◇C4AZ-9510-A	C3AF-BK	427-8V	64
C3AF-BU	6	†C3AF-9510-BU	C3AF-BU	390-4V	64
C3AF-BV	6	†C3AF-9510-BV	C3AF-BV	390-4V	64
C3AF-BY	6	†C3AZ-9510-AH	C3AF-BY	390-4V	63/64
C3AF-BZ	6	†C3AZ-9510-AG	C3AF-BZ	390-4V	64
C3DF-C	5	†C3DF-9510-C	C3DF-C	221-2V	63
C3DF-D	5	†C3OZ-9510-E	C3DF-D	221-2V	63
C3DF-E	5	†C3DF-9510-E	C3DF-E	260-2V	63
C3DF-F	5	†C3AZ-9510-E	C3DF-F	260-2V	63
C3GF-A	11	†C3GY-9510-A	C3GF-A	144-1V	63
C3GF-B	11	†C3GY-9510-B	C3GF-B	144-1V	63
C3GF-G	11	†C3GY-9510-E	C3GF-G	144-1V	63
C3GF-H	11	†C3GY-9510-F	C2GF-H	144-1V	63
C3MF-A	5	†C3MY-9510-A	C3MF-A	390-2V	63
C3MF-B	5	†C3MY-9510-B	C3MF-B	390-2V	63
C3MF-C	5	†C3MY-9510-C	C3MF-C	390-2V	63/64
C3MF-D	5	†C3MY-9510-D	C3MF-D	390-2V	63/64
C3OF-C	5	†C3OF-9510-C	C3OF-C	221-2V	63
C3OF-D	5	†C3OZ-9510-E	C3OF-D	221-2V	63
C3OF-E	5	†C3OF-9510-E	C3OF-E	260-2V	63
C3OF-F	5	†C3AZ-9510-E	C3OF-F	260-2V	63
C3OF-AG	5	†C3OF-9510-AG	C3OF-AG	221-2V	63
C3OF-AH	5	†C3OZ-9510-H	C3OF-AH	221-2V	63
C3OF-AJ	6	†C3OZ-9510-J	C3OF-AJ	289-4V	64
C3VE-9510-A	12	♣C3VE-9510-A	C3VE-A	430-4V	63/64
C3VE-9510-B	12	♣C3VY-9510-A	C3VE-B	430-4V	63/64

♣ Carter

† Ford

◇ Holley

CARBURETOR IDENTIFICATION CROSS - REFERENCE CHARTS - continued

STAMPING IDENT. NUMBER	CARB. IDENT. CODE	SERVICE PART NUMBER	TAG IDENT. NUMBER	ENGINE DISPL.	YEAR 19
C3VE-9510-D	12	◆C3VE-9510-D	C3VE-D	430-4V	63/64
C3VE-9510-E	12	◆C3VE-9510-E	C3VE-E	430-4V	63/64
C3YF-A	11	†C3YY-9510-A	C3YF-A	170-1V	63
C3YF-B	11	†C3YY-9510-B	C3YF-B	170-1V	63
C3YF-E	11	†C3YY-9510-C	C3YF-E	200-1V	63
C3YF-F	11	†C3YY-9510-F	C3YF-F	170-1V	63/64
C3YF-G	11	†C3YY-9510-E	C3YF-G	170-1V	63
C3YF-H	11	†C3YY-9510-D	C3YF-H	200-1V	63/64
C4AF-DH	6	†C3AZ-9510-AK	C4AF-DH	390-4V	64
C4AF-DJ	6	†C4AF-9510-DJ	C4AF-DJ	390-4V	64
C4AF-DK	6	†C3AZ-9510-AL	C4AF-DK	390-4V	64
C4AF-DL	6	†C4AF-9510-DL	C4AF-DL	390-4V	64
C4AF-DV	6	†C3AZ-9510-AK	C4AF-DV	390-4V	64
C4AF-DU	6	†C4AF-9510-DU	C4AF-DU	390-4V	64
C4AF-DY	6	†C4AF-9510-DY	C4AF-DY	390-4V	64
C4GF-A	11	†C3GY-9510-C	C4GF-A	170-1V	63
C4GF-B	11	†C3GY-9510-D	C4GF-B	170-1V	63
C4GF-C	11	†C3YY-9510-G	C4GF-C	200-1V	63
C4GF-E	6	†C4GY-9510-B	C4GF-E	289-4V	64
C4GF-AA	6	†C4GY-9510-A	C4GF-AA	289-4V	64
C4GF-AB	6	†C4GF-9510-AB	C4GF-AB	289-4V	64
C4GF-AE	6	†C5ZZ-9510-D1	C4GF-AE	289-4V	64
C4GF-AF	6	†C4GF-9510-AF	C4GF-AF	289-4V	64
C4GF-AH	11	†C3GY-9510-G	C4GF-AH	170-1V	64
C4GF-AR	11	†C3GY-9510-H	C4GF-AR	200-1V	64
C4GF-AV	11	†C4GF-9510-AV	C4GF-AV	200-1V	64
C4GF-AY	11	†C4GF-9510-AY	C4GF-AY	170-1V	64
C4MF-A	5	†C4MY-9510-A	C4MF-A	390-2V	64
C4MF-D	5	†C4MY-9510-B	C4MF-D	390-2V	64
C4MF-E	5	†C4MY-9510-C	C4MF-E	390-2V	64
C4MF-N	5	†C4MY-9510-F	C4MF-N	390-2V	64
C4MF-T	5	†C4MY-9510-D	C4MF-T	390-2V	64
C4MF-U	5	†C4MF-9510-U	C4MF-U	390-2V	64
C4MF-V	5	†C4MY-9510-F	C4MF-V	390-2V	64
C4MF-Y	5	†C4MF-9510-Y	C4MF-Y	390-2V	64
C4OF-A	5	†C4OF-9510-A	C4OF-A	260-2V	64
C4OF-B	5	†C4OZ-9510-A	C4OF-B	260-2V	64
C4OF-K	5	†C4OF-9510-K	C4OF-K	260-2V	64
C4OF-L	5	†C4OF-9510-L	C4OF-L	260-2V	64
C4OF-AE	5	†C4OZ-9510-C	C4OF-AE	260-2V	64
C4OF-AK	5	†C4OF-9510-AK	C4OF-AK	260-2V	64
C4OF-AM	5	†C4OF-9510-AM	C4OF-AM	260-2V	64
C4OF-AS	5	†C4OZ-9510-E	C4OF-AS	260-2V	64
C4OF-BS	5	†C4OF-9510-BS	C4OF-BS	260-2V	64
C4ZF-R	5	†C5ZZ-9510-K	C4ZF-R	260-2V	64

◆ Carter

† Ford

◇ Holley

CARBURETOR IDENTIFICATION CROSS-REFERENCE CHARTS - continued

STAMPING IDENT. NUMBER	CARB. IDENT. CODE	SERVICE PART NUMBER	TAG IDENT. NUMBER	ENGINE DISPL.	YEAR 19
2311	8	◇C2GE-9510-A	C2GE-A	144-1V	62
2311*	8	◇C2GE-9510-A	C2GE-A	144-1V	62
2311-1	8	◇C2GE-9510-J	C2GE-J	144-1V	62
2324	8	◇C2GE-9510-C	C2GE-C	170-1V	62
2324*	8	◇C2GE-9510-C	C2GE-C	170-1V	62
2324-1	8	◇C2GE-9510-L	C2GE-L	170-1V	62
2342	8	◇C2GE-9510-B	C2GE-B	144-1V	62
2342*	8	◇C2GE-9510-B	C2GE-B	144-1V	62
2342-1	8	◇C2GY-9510-A	C2GE-K	144-1V	62
2342-2	8	◇C2GY-9510-A	C2GE-N	144-1V	62
2343	8	◇C2GE-9510-D	C2GE-D	170-1V	62
2343*	8	◇C2GE-9510-D	C2GE-D	170-1V	62
2343-1	8	◇C2GY-9510-B	C2GE-M	170-1V	62
2343-2	8	◇C2GY-9510-B	C2GE-R	170-1V	62

TAG IDENT. NUMBER	CARB. IDENT. CODE	SERVICE PART NUMBER	STAMPING IDENT. NUMBER	ENGINE DISPL.	YEAR 19
AAA0AA	2	◇COAE-9510-E	COAE-9510-E	223-1V	61
AAA0AB	2	◇COAE-9510-E	COAE-9510-E	223-1V	61
AAA0AC	2	◇COAE-9510-E	COAE-9510-E	223-1V	61
AAA0BB	2	◇COAE-9510-Z	COAE-9510-Z	223-1V	61/62
AAA0EA	2	◇COAE-9510-U	COAE-9510-U	223-1V	61
AAA0EB	2	◇COAE-9510-U	COAE-9510-U	223-1V	61
AOD0AA	2	◇CODE-9510-A	CODE-9510-A	144-1V	60
AOD0AB	2	◇CODE-9510-A	CODE-9510-A	144-1V	60
AOD0AC	2	◇CODE-9510-C	CODE-9510-C	144-1V	60
AOD0AD	2	◇CODE-9510-C	CODE-9510-C	144-1V	60
AOD0BA	2	◇CODE-9510-B	CODE-9510-B	144-1V	60
AOD0BB	2	◇CODE-9510-B	CODE-9510-B	144-1V	60
AOD0BC	2	◇CODE-9510-B	CODE-9510-B	144-1V	60
AOD0BD	2	◇CODE-9510-D	CODE-9510-D	144-1V	60
AOD0BE	2	◇CODE-9510-D	CODE-9510-D	144-1V	60
AOE0AA	7	◇C1KE-9510-A	C1KE-9510-A	144-1V	60
AOE0BA	7	◇C1KE-9510-B	C1KE-9510-B	144-1V	60
AOE1AA	7	◇C1GE-9510-C	C1GE-9510-C	144-1V	61
AOE1BA	7	◇C1GE-9510-D	C1GE-9510-D	144-1V	61
AOK0AA	7	◇C1KE-9510-A	C1KE-9510-A	144-1V	60
AOK0BA	7	◇C1KE-9510-B	C1KE-9510-B	144-1V	60
APE1AA	7	◇C1GE-9510-E	C1GE-9510-E	170-1V	61
APE1BA	7	◇C1GE-9510-F	C1GE-9510-F	170-1V	61
BDM9AA	1	◇B9ME-9510-A	B9ME-9510-A	312-2V	60
BDM0AA	1	◇COME-9510-A	COME-9510-A	312-2V	60
BDM0BA	1	◇COME-9510-F	COME-9510-F	312-2V	60

♣ Carter

† Ford

◇ Holley

CARBURETOR IDENTIFICATION CROSS-REFERENCE CHARTS - continued

TAG IDENT. NUMBER	CARB. IDENT. CODE	SERVICE PART NUMBER	STAMPING IDENT. NUMBER	ENGINE DISPL.	YEAR 19
C2AE-A	2	◇C2AZ-9510-A	C2AE-9510-A	223-1V	62
C2AE-B	2	◇C2AZ-9510-B	C2AE-9510-B	223-1V	62
C2AE-E	2	◇C2AZ-9510-E	C2AE-9510-E	223-1V	61/62
C2AE-F	2	◇C2AZ-9510-F	C2AE-9510-F	223-1V	61/62
C2AE-Y	5	†C2AZ-9510-C	C2AF-AA	292-2V	61/62
C2AE-Z	5	†C2AF-9510-AB	C2AF-AB	292-2V	62
C2AE-AA	5	†C2AF-9510-AC	C2AF-AC	292-2V	62
C2AE-AB	5	†C2AF-9510-AD	C2AF-AD	292-2V	62
C2AE-AC	5	†C2AF-9510-D	C2AF-AE	352-2V	61/62
C2AE-AD	5	†C2AF-9510-AF	C2AF-AF	352-2V	62
C2AE-AE	5	†C2AF-9510-AG	C2AF-AG	352-2V	62
C2AE-AF	5	†C2AF-9510-AH	C2AF-AH	352-2V	62
C2AE-AK	6	†C2AF-9510-T	C2AF-T	390-4V	62
C2AE-AL	6	†C2AZ-9510-G	C2AF-U	390-4V	61/62
C2AE-AN	6	†C2AE-9510-Y	C2AF-Y	390-4V	62
C2AE-AR	6	†C2AF-9510-Z	C2AF-Z	390-4V	62
C2AE-AT	6	†C2AF-9510-AJ	C2AF-AJ	390-4V	62
C2AE-AU	6	†C2AF-9510-AK	C2AF-AK	390-4V	62/63
C2AE-AV	6	†C2AF-9510-AL	C2AF-AL	390-4V	62/63
C2AE-AY	6	†C2AZ-9510-G	C2AF-AM	390-4V	61/62
C2AE-AZ	6	†C2AF-9510-AN	C2AF-AN	390-4V	62
C2AE-BA	6	†C2AF-9510-AR	C2AF-AR	390-4V	62
C2AE-CB	9	◇C3AZ-9510-L	C2AE-9510-CB	427-8V	63
C2GE-A	8	◇C2GE-9510-A	2311	144-1V	62
C2GE-A	8	◇C2GE-9510-A	2311*	144-1V	62
C2GE-B	8	◇C2GE-9510-B	2342	144-1V	62
C2GE-B	8	◇C2GE-9510-B	2342*	144-1V	62
C2GE-C	8	◇C2GE-9510-C	2324	170-1V	62
C2GE-C	8	◇C2GE-9510-C	2324*	170-1V	62
C2GE-D	8	◇C2GE-9510-D	2343	170-1V	62
C2GE-D	8	◇C2GE-9510-D	2343*	170-1V	62
C2GE-J	8	◇C2GE-9510-J	2311-1	144-1V	62
C2GE-K	8	◇C2GY-9510-A	2342-1	144-1V	62
C2GE-L	8	◇C2GE-9510-L	2324-1	170-1V	62
C2GE-M	8	◇C2GY-9510-B	2343-1	170-1V	62
C2GE-N	8	◇C2GY-9510-A	2342-2	144-1V	62
C2GE-R	8	◇C2GY-9510-B	2343-2	170-1V	62
C2OE-N	5	†C2OZ-9510-A	C2OF-N	221-2V	62
C2OE-R	5	†C2OZ-9510-B	C2OF-R	221-2V	62
C2OE-S	5	†C2OZ-9510-C	C2OF-S	221-2V	62
C2OE-T	5	†C2OZ-9510-D	C2OF-T	221-2V	62
C2OF-AA	5	†C2OZ-9510-F	C2OF-AA	260-2V	62
C2OF-AB	5	†C2OF-9510-AB	C2OF-AB	260-2V	62
C2OF-AC	5	†C2OF-9510-AC	C2OF-AC	260-2V	62
C2OF-AD	5	†C2OF-9510-AD	C2OF-AD	260-2V	62
C2VE-A	10	●C2VE-9510-A	C2VE-9510-A	430-2V	62
C2VE-B	10	●C2VE-9510-B	C2VE-9510-B	430-2V	62
C2VE-C	10	●C2VE-9510-C	C2VE-9510-C	430-2V	62
C2VE-D	10	●C2VE-9510-D	C2VE-9510-D	430-2V	62
C2VE-E	10	●C2VE-9510-E	C2VE-9510-E	430-2V	62

● Carter

† Ford

◇ Holley

CARBURETOR IDENTIFICATION CROSS-REFERENCE CHARTS - continued

TAG IDENT. NUMBER	CARB. IDENT. CODE	SERVICE PART NUMBER	STAMPING IDENT. NUMBER	ENGINE DISPL.	YEAR 19
C3AE-A	9	◇C3AZ-9510-G	C3AE-9510-A	406-4V	62/63
C3AE-B	9	◇C3AZ-9510-K	C3AE-9510-B	427-4V	63/64
C3AE-C	9	◇C3AZ-9510-S	C3AE-9510-C	427-8V	63
C3AF-F	5	†C3AZ-9510-F	C3AF-F	352-2V	61/62
C3AF-N	6	†C3AF-9510-N	C3AF-N	390-4V	62/63
C3AF-R	6	†C3AF-9510-R	C3AF-R	390-4V	62/63
C3AF-S	6	†C3AZ-9510-J	C3AF-S	390-4V	62/63
C3AF-T	6	†C3AZ-9510-H	C3AF-T	390-4V	62/63
C3AF-AN	5	†C3AZ-9510-V	C3AF-AN	352-2V	61/62
C3AF-AT	6	†C3AF-9510-AT	C3AF-AT	390-4V	63
C3AF-AU	6	†C3AF-9510-AU	C3AF-AU	390-4V	63
C3AF-AV	6	†C3AZ-9510-Z	C3AF-AV	390-4V	63
C3AF-AY	6	†C3AZ-9510-Y	C3AF-AY	390-4V	63
C3AF-BD	5	†C3AF-9510-BD	C3AF-BD	260-2V	63
C3AF-BE	5	†C3AZ-9510-T	C3AF-BE	260-2V	63
C3AF-BJ	9	◇C3AF-9510-BJ	C3AF-9510-BJ	427-8V	64
C3AF-BK	9	◇C4AZ-9510-A	C3AF-9510-BK	427-8V	64
C3AF-BU	6	†C3AF-9510-BU	C3AF-BU	390-4V	64
C3AF-BV	6	†C3AF-9510-BV	C3AF-BV	390-4V	64
C3AF-BY	6	†C3AZ-9510-AH	C3AF-BY	390-4V	63/64
C3AF-BZ	6	†C3AZ-9510-AG	C3AF-BZ	390-4V	64
C3DF-C	5	†C3DF-9510-C	C3DF-C	221-2V	63
C3DF-D	5	†C3OZ-9510-E	C3DF-D	221-2V	63
C3DF-E	5	†C3DF-9510-E	C3DF-E	260-2V	63
C3DF-F	5	†C3AZ-9510-E	C3DF-F	260-2V	63
C3GF-A	11	†C3GY-9510-A	C3GF-A	144-1V	63
C3GF-B	11	†C3GY-9510-B	C3GF-B	144-1V	63
C3GF-G	11	†C3GY-9510-E	C3GF-G	144-1V	63
C3GF-H	11	†C3GY-9510-F	C3GF-H	144-1V	63
C3MF-A	5	†C3MY-9510-A	C3MF-A	390-2V	63
C3MF-B	5	†C3MY-9510-B	C3MF-B	390-2V	63
C3MF-C	5	†C3MY-9510-C	C3MF-C	390-2V	63/64
C3MF-D	5	†C3MY-9510-D	C3MF-D	390-2V	63/64
C3OF-C	5	†C3OF-9510-C	C3OF-C	221-2V	63
C3OF-D	5	†C3OZ-9510-E	C3OF-D	221-2V	63
C3OF-E	5	†C3OF-9510-E	C3OF-E	260-2V	63
C3OF-F	5	†C3AZ-9510-E	C3OF-F	260-2V	63
C3OF-AG	5	†C3OF-9510-AG	C3OF-AG	221-2V	63
C3OF-AH	5	†C3OZ-9510-H	C3OF-AH	221-2V	63
C3OF-AJ	6	†C3OZ-9510-J	C3OF-AJ	289-4V	64
C3VE-A	12	♣C3VE-9510-A	C3VE-9510-A	430-4V	63/64
C3VE-B	12	♣C3VY-9510-A	C3VE-9510-B	430-4V	63/64
C3VE-D	12	♣C3VE-9510-D	C3VE-9510-D	430-4V	63/64
C3VE-E	12	♣C3VE-9510-E	C3VE-9510-E	430-4V	63/64

♣ Carter

† Ford

◇ Holley

CARBURETOR IDENTIFICATION CROSS-REFERENCE CHARTS - continued

TAG IDENT. NUMBER	CARB. IDENT. CODE	SERVICE PART NUMBER	STAMPING IDENT. NUMBER	ENGINE DISPL.	YEAR 19
C3YF-A	11	†C3YY-9510-A	C3YF-A	170-1V	63
C3YF-B	11	†C3YY-9510-B	C3YF-B	170-1V	63
C3YF-E	11	†C3YY-9510-C	C3YF-E	200-1V	63
C3YF-F	11	†C3YY-9510-F	C3YF-F	170-1V	63/64
C3YF-G	11	†C3YY-9510-E	C3YF-G	170-1V	63
C3YF-H	11	†C3YY-9510-D	C3YF-H	200-1V	63/64
C4AF-DH	6	†C3AZ-9510-AK	C4AF-DH	390-4V	64
C4AF-DJ	6	†C4AF-9510-DJ	C4AF-DJ	390-4V	64
C4AF-DK	6	†C3AZ-9510-AL	C4AF-DK	390-4V	64
C4AF-DL	6	†C4AF-9510-DL	C4AF-DL	390-4V	64
C4AF-DU	6	†C4AF-9510-DU	C4AF-DU	390-4V	64
C4AF-DV	6	†C3AZ-9510-AK	C4AF-DV	390-4V	64
C4AF-DY	6	†C4AF-9510-DY	C4AF-DY	390-4V	64
C4GF-A	11	†C3GY-9510-C	C4GF-A	170-1V	63
C4GF-B	11	†C3GY-9510-D	C4GF-B	170-1V	63
C4GF-C	11	†C3YY-9510-G	C4GF-C	200-1V	63
C4GF-E	6	†C4GY-9510-B	C4GF-E	289-4V	64
C4GF-AA	6	†C4GY-9510-A	C4GF-AA	289-4V	64
C4GF-AB	6	†C4GF-9510-AB	C4GF-AB	289-4V	64
C4GF-AE	6	†C5ZZ-9510-D1	G4GF-AE	289-4V	64
C4GF-AF	6	†C4GF-9510-AF	C4GF-AF	289-4V	64
C4GF-AH	11	†C3GY-9510-G	C4GF-AH	170-1V	64
C4GF-AR	11	†C3GY-9510-H	C4GF-AR	200-1V	64
C4GF-AV	11	†C4GF-9510-AV	C4GF-AV	200-1V	64
C4GF-AY	11	†C4GF-9510-AY	C4GF-AY	170-1V	64
C4MF-A	5	†C4MY-9510-A	C4MF-A	390-2V	64
C4MF-D	5	†C4MY-9510-B	C4MF-D	390-2V	64
C4MF-E	5	†C4MY-9510-C	C4MF-E	390-2V	64
C4MF-N	5	†C4MY-9510-F	C4MF-N	390-2V	64
C4MF-T	5	†C4MY-9510-D	C4MF-T	390-2V	64
C4MF-U	5	†C4MF-9510-U	C4MF-U	390-2V	64
C4MF-V	5	†C4MY-9510-F	C4MF-V	390-2V	64
C4MF-Y	5	†C4MF-9510-Y	C4MF-Y	390-2V	64
C4OF-A	5	†C4OF-9510-A	C4OF-A	260-2V	64
C4OF-B	5	†C4OZ-9510-A	C4OF-B	260-2V	64
C4OF-K	5	†C4OF-9510-K	C4OF-K	260-2V	64
C4OF-L	5	†C4OF-9510-L	C4OF-L	260-2V	64
C4OF-AE	5	†C4OZ-9510-C	C4OF-AE	260-2V	64
C4OF-AK	5	†C4OF-9510-AK	C4OF-AK	260-2V	64
C4OF-AM	5	†C4OF-9510-AM	C4OF-AM	260-2V	64
C4OF-AS	5	†C4OZ-9510-E	C4OF-AS	260-2V	64
C4OF-BS	5	†C4OF-9510-BS	C4OF-BS	260-2V	64
C4ZF-R	5	†C5ZZ-9510-K	C4ZF-R	260-2V	64
DBA1AA	5	†C1AE-9510-Y	C1AE-9510-Y	292-2V	61
DBA1BA	5	†C1AE-9510-Z	C1AE-9510-Z	292-2V	61
DBA1BB	5	†C1AE-9510-Z	C1AE-9510-Z	292-2V	61
DFA1AA	5	†C1AE-9510-AC	C1AE-9510-AC	352-2V	61
DFA1BA	5	†C1AE-9510-AD	C1AE-9510-AD	352-2V	61
DFA1BB	5	†C1AE-9510-AD	C1AE-9510-AD	352-2V	61
DHM0BA	5	†COME-9510-G	COME-9510-G	383-2V	60
DHM0BC	5	†COME-9510-K	COME-9510-K	383-2V	60

• Carter

† Ford

◇ Holley

CARBURETOR IDENTIFICATION CROSS-REFERENCE CHARTS -Continued

TAG IDENT. NUMBER	CARB. IDENT. CODE	SERVICE PART NUMBER	STAMPING IDENT. NUMBER	ENGINE DISPL.	YEAR 19
FKL0BA	3	♣COLE-9510-A	COLE-9510-A	430-4V	60
FKL0BB	3	♣COLE-9510-A	COLE-9510-A	430-4V	60
GKM0BA	4	♣COLE-9510-D	COLE-9510-D	383-2V, 430-2V	60
GKM0BB	4	♣COLE-9510-D	COLE-9510-D	383-2V, 430-2V	60
GKM0BC	4	♣COLE-9510-G	COLE-9510-G	383-2V, 430-2V	60
HAA1AA	2	◇C1AE-9510-E	C1AE-9510-E	223-1V	61
HAA1BA	2	◇C1AE-9510-F	C1AE-9510-F	223-1V	61/62
HOD1BA	2	◇C1DE-9510-B	C1DE-9510-B	144-1V	60
HOE1AA	7	◇C1GE-9510-A	C1GE-9510-A	144-1V	61
HOE1BA	7	◇C1GE-9510-B	C1GE-9510-B	144-1V	61
HPE1AA	7	◇C1GE-9510-G	C1GE-9510-G	170-1V	61
HPE1BA	7	◇C1GE-9510-H	C1GE-9510-H	170-1V	61
JSA1AA	9	◇C1AE-9510-AM	C1AE-9510-AM	406-4V	62/63
KBA1AA	5	†C1AE-9510-AA	C1AE-9510-AA	292-2V	61
KBA1BA	5	†C1AE-9510-AB	C1AE-9510-AB	292-2V	61
KBA1BB	5	†C1AE-9510-AB	C1AE-9510-AB	292-2V	61
KFA1AA	5	†C1AE-9510-AE	C1AE-9510-AE	352-2V	61
KFA1BA	5	†C1AE-9510-AF	C1AE-9510-AF	352-2V	61
KFA1BB	5	†C1AE-9510-AF	C1AE-9510-AF	352-2V	61
LSA1TA	6	†C1AE-9510-AH	C1AE-9510-AH	390-4V	61
LSA1TB	6	†C1AE-9510-AH	C1AE-9510-AH	390-4V	61
LSA1WA	6	†C1AE-9510-AK	C1AE-9510-AK	390-4V	61
LSA1XA	6	†C1AE-9510-AL	C1AE-9510-AL	390-4V	61
LSA1XB	6	†C1AE-9510-AL	C1AE-9510-AL	390-4V	61
MKL1BA	10	♣C1VE-9510-A	C1VE-9510-A	430-2V	61
MKL1BA	10	♣C1VE-9510-D	C1VE-9510-D	430-2V	61
MKL1MA	10	♣C1VE-9510-B	C1VE-9510-B	430-2V	61
MKL1MA	10	♣C1VE-9510-E	C1VE-9510-E	430-2V	61
No Tag	1	◇C1AE-9510-AU	C1AE-9510-AU	406-2V	62/63
No Tag	1	◇C1AE-9510-AV	C1AE-9510-AV	406-2V	62/63
No Tag	10	♣C1VE-9510-C	C1VE-9510-C	430-2V	61

SERVICE PART NUMBER	CARB. IDENT. CODE	STAMPING IDENT. NUMBER	TAG IDENT. NUMBER	ENGINE DISPL.	YEAR 19
◇B9ME-9510-A	1	B9ME-9510-A	BDM9AA	312-2V	60
◇COAE-9510-E	2	COAE-9510-E	AAA0AA	223-1V	61
◇COAE-9510-E	2	COAE-9510-E	AAA0AB	223-1V	61
◇COAE-9510-E	2	COAE-9510-E	AAA0AC	223-1V	61
◇COAE-9510-U	2	COAE-9510-U	AAA0EA	223-1V	61
◇COAE-9510-U	2	COAE-9510-U	AAA0EB	223-1V	61
◇COAE-9510-Z	2	COAE-9510-Z	AAA0BB	223-1V	61/62
◇CODE-9510-A	2	CODE-9510-A	AOD0AA	144-1V	60
◇CODE-9510-A	2	CODE-9510-A	AOD0AB	144-1V	60
◇CODE-9510-B	2	CODE-9510-B	AODOBA	144-1V	60
◇CODE-9510-B	2	CODE-9510-B	AOD0BB	144-1V	60
◇CODE-9510-B	2	CODE-9510-B	AOD0BC	144-1V	60

♣ Carter † Ford ◇ Holley

CARBURETOR IDENTIFICATION CROSS-REFERENCE CHARTS - continued

SERVICE PART NUMBER	CARB. IDENT. CODE	STAMPING IDENT. NUMBER	TAG IDENT. NUMBER	ENGINE DISPL.	YEAR 19
◇CODE-9510-C	2	CODE-9510-C	AOD0AC	144-1V	60
◇CODE-9510-C	2	CODE-9510-C	AOD0AD	144-1V	60
◇CODE-9510-D	2	CODE-9510-D	AOD0BD	144-1V	60
◇CODE-9510-D	2	CODE-9510-D	AOD0BE	144-1V	60
◆COLE-9510-A	3	COLE-9510-A	FKL0BA	430-4V	60
◆COLE-9510-A	3	COLE-9510-A	FKL0BB	430-4V	60
◆COLE-9510-D	4	COLE-9510-D	GKM0BA	383-2V, 430-2V	60
◆COLE-9510-D	4	COLE-9510-D	GKM0BB	383-2V, 430-2V	60
◆COLE-9510-G	4	COLE-9510-G	GKM0BC	383-2V, 430-2V	60
◇COME-9510-A	1	COME-9510-A	BDM0AA	312-2V	60
◇COME-9510-F	1	COME-9510-F	BDM0BA	312-2V	60
†COME-9510-G	5	COME-9510-G	DHM0BA	383-2V	60
†COME-9510-K	5	COME-9510-K	DHM0BC	383-2V	60
◇C1AE-9510-E	2	C1AE-9510-E	HAA1AA	223-1V	61
◇C1AE-9510-F	2	C1AE-9510-F	HAA1BA	223-1V	61/62
†C1AE-9510-Y	5	C1AE-9510-Y	DBA1AA	292-2V	61
†C1AE-9510-Z	5	C1AE-9510-Z	DBA1BA	292-2V	61
†C1AE-9510-Z	5	C1AE-9510-Z	DBA1BB	292-2V	61
†C1AE-9510-AA	5	C1AE-9510-AA	KBA1AA	292-2V	61
†C1AE-9510-AB	5	C1AE-9510-AB	KBA1BA	292-2V	61
†C1AE-9510-AB	5	C1AE-9510-AB	KBA1BB	292-2V	61
†C1AE-9510-AC	5	C1AE-9510-AC	DFA1AA	352-2V	61
†C1AE-9510-AD	5	C1AE-9510-AD	DFA1BA	352-2V	61
†C1AE-9510-AD	5	C1AE-9510-AD	DFA1BB	352-2V	61
†C1AE-9510-AE	5	C1AE-9510-AE	KFA1AA	352-2V	61
†C1AE-9510-AF	5	C1AE-9510-AF	KFA1BA	352-2V	61
†C1AE-9510-AF	5	C1AE-9510-AF	KFA1BB	352-2V	61
†C1AE-9510-AH	6	C1AE-9510-AH	LSA1TA	390-4V	61
†C1AE-9510-AH	6	C1AE-9510-AH	LSA1TB	390-4V	61
†C1AE-9510-AK	6	C1AE-9510-AK	LSA1WA	390-4V	61
†C1AE-9510-AL	6	C1AE-9510-AL	LSA1XA	390-4V	61
†C1AE-9510-AL	6	C1AE-9510-AL	LSA1XB	390-4V	61
◇C1AE-9510-AM	9	C1AE-9510-AM	JSA1AA	406-4V	62/63
◇C1AE-9510-AU	1	C1AE-9510-AU	No Tag	406-2V	62/63
◇C1AE-9510-AV	1	C1AE-9510-AV	No Tag	406-2V	62/63
◇C1DE-9510-B	2	C1DE-9510-B	HOD1BA	144-1V	60
◇C1GE-9510-A	7	C1GE-9510-A	HOE1AA	144-1V	61
◇C1GE-9510-B	7	C1GE-9510-B	HOE1BA	144-1V	61
◇C1GE-9510-C	7	C1GE-9510-C	AOE1AA	144-1V	61
◇C1GE-9510-D	7	C1GE-9510-D	AOE1BA	144-1V	61
◇C1GE-9510-E	7	C1GE-9510-E	APE1AA	170-1V	61
◇C1GE-9510-F	7	C1GE-9510-F	APE1BA	170-1V	61
◇C1GE-9510-G	7	C1GE-9510-G	HPE1AA	170-1V	61
◇C1GE-9510-H	7	C1GE-9510-H	HPE1BA	170-1V	61
◇C1KE-9510-A	7	C1KE-9510-A	AOE0AA	144-1V	60
◇C1KE-9510-A	7	C1KE-9510-A	AOK0AA	144-1V	60
◇C1KE-9510-B	7	C1KE-9510-B	AOE0BA	144-1V	60
◇C1KE-9510-B	7	C1KE-9510-B	AOK0BA	144-1V	60

◆ Carter

† Ford

◇ Holley

CARBURETOR IDENTIFICATION CROSS-REFERENCE CHARTS - continued

SERVICE PART NUMBER	CARB. IDENT. CODE	STAMPING IDENT. NUMBER	TAG IDENT. NUMBER	ENGINE DISPL.	YEAR 19
♣C1VE-9510-A	10	C1VE-9510-A	MKL1BA	430-2V	61
♣C1VE-9510-B	10	C1VE-9510-B	MKL1MA	430-2V	61
♣C1VE-9510-C	10	C1VE-9510-C	No Tag	430-2V	61
♣C1VE-9510-D	10	C1VE-9510-D	MKL1BA	430-2V	61
♣C1VE-9510-E	10	C1VE-9510-E	MKL1MA	430-2V	61
†C2AF-9510-T	6	C2AF-T	C2AE-AK	390-4V	62
†C2AF-9510-Y	6	C2AF-Y	C2AE-AN	390-4V	62
†C2AF-9510-Z	6	C2AF-Z	C2AE-AR	390-4V	62
†C2AF-9510-AB	5	C2AF-AB	C2AE-Z	292-2V	62
†C2AF-9510-AC	5	C2AF-AC	C2AE-AA	292-2V	62
†C2AF-9510-AD	5	C2AF-AD	C2AE-AB	292-2V	62
†C2AF-9520-AF	5	C2AF-AF	C2AE-AD	352-2V	62
†C2AF-9510-AG	5	C2AF-AG	C2AE-AE	352-2V	62
†C2AF-9510-AH	5	C2AF-AH	C2AE-AF	352-2V	62
†C2AF-9510-AJ	6	C2AF-AJ	C2AE-AT	390-4V	62
†C2AF-9510-AK	6	C2AF-AK	C2AE-AU	390-4V	62/63
†C2AF-9510-AL	6	C2AF-AL	C2AE-AV	390-4V	62/63
†C2AF-9510-AN	6	C2AF-AN	C2AE-AZ	390-4V	62
†C2AF-9510-AR	6	C2AF-AR	C2AE-BA	390-4V	62
◇C2AZ-9510-A	2	C2AE-9510-A	C2AE-A	223-1V	62
◇C2AZ-9510-B	2	C2AE-9510-B	C2AE-B	223-1V	62
†C2AZ-9510-C	5	C2AF-AA	C2AE-Y	292-2V	61/62
†C2AZ-9510-D	5	C2AF-AE	C2AE-AC	352-2V	61/62
◇C2AZ-9510-E	2	C2AE-9510-E	C2AE-E	223-1V	61/62
◇C2AZ-9510-F	2	C2AE-9510-F	C2AE-F	223-1V	61/62
†C2AZ-9510-G	6	C2AF-U	C2AE-AL	390-4V	61/62
†C2AZ-9510-G	6	C2AF-AM	C2AE-AY	390-4V	61/62
◇C2GE-9510-A	8	2311	C2GE-A	144-1V	62
◇C2GE-9510-A	8	2311*	C2GE-A	144-1V	62
◇C2GE-9510-B	8	2342	C2GE-B	144-1V	62
◇C2GE-9510-B	8	2342*	C2GE-B	144-1V	62
◇C2GE-9510-C	8	2324	C2GE-C	170-1V	62
◇C2GE-9510-C	8	2324*	C2GE-C	170-1V	62
◇C2GE-9510-D	8	2343	C2GE-D	170-1V	62
◇C2GE-9510-D	8	2343*	C2GE-D	170-1V	62
◇C2GE-9510-J	8	2311-1	C2GE-J	144-1V	62
◇C2GE-9510-L	8	2324-1	C2GE-L	170-1V	62
◇C2GY-9510-A	8	2342-1	C2GE-K	144-1V	62
◇C2GY-9510-A	8	2342-2	C2GE-N	144-1V	62
◇C2GY-9510-B	8	2343-1	C2GE-M	170-1V	62
◇C2GY-9510-B	8	2343-2	C2GE-R	170-1V	62
†C2OF-9510-AB	5	C2OF-AB	C2OF-AB	260-2V	62
†C2OF-9510-AC	5	C2OF-AC	C2OF-AC	260-2V	62
†C2OF-9510-AD	5	C2OF-AD	C2OF-AD	260-2V	62
†C2OZ-9510-A	5	C2OF-N	C2OE-N	221-2V	62
†C2OZ-9510-B	5	C2OF-R	C2OE-R	221-2V	62
†C2OZ-9510-C	5	C2OF-S	C2OE-S	221-2V	62
†C2OZ-9510-D	5	C2OF-T	C2OE-T	221-2V	62
†C2OZ-9510-F	5	C2OF-AA	C2OF-AA	260-2V	62

♣ Carter

† Ford

◇ Holley

CARBURETOR IDENTIFICATION CROSS-REFERENCE CHARTS - continued

SERVICE PART NUMBER	CARB. IDENT. CODE	STAMPING IDENT. NUMBER	TAG IDENT. NUMBER	ENGINE DISPL.	YEAR 19__
♣C2VE-9510-A	10	C2VE-9510-A	C2VE-A	430-2V	62
♣C2VE-9510-B	10	C2VE-9510-B	C2VE-B	430-2V	62
♣C2VE-9510-C	10	C2VE-9510-C	C2VE-C	430-2V	62
♣C2VE-9510-D	10	C2VE-9510-D	C2VE-D	430-2V	62
♣C2VE-9510-E	10	C2VE-9510-E	C2VE-E	430-2V	62
†C3AF-9510-N	6	C3AF-N	C3AF-N	390-4V	62/63
†C3AF-9510-R	6	C3AF-R	C3AF-R	390-4V	62/63
†C3AF-9510-AT	6	C3AF-AT	C3AF-AT	390-4V	63
†C3AF-9510-AU	6	C3AF-AU	C3AF-AU	390-4V	63
†C3AF-9510-BD	5	C3AF-BD	C3AF-BD	260-2V	63
◇C3AF-9510-BJ	9	C3AF-9510-BJ	C3AF-BJ	427-8V	64
†C3AF-9510-BU	6	C3AF-BU	C3AF-BU	390-4V	64
†C3AF-9510-BV	6	C3AF-BV	C3AF-BV	390-4V	64
†C3AZ-9510-E	5	C3DF-F	C3DF-F	260-2V	63
†C3AZ-9510-E	5	C3OF-F	C3OF-F	260-2V	63
†C3AZ-9510-F	5	C3AF-F	C3AF-F	352-2V	61/62
◇C3AZ-9510-G	9	C3AE-9510-A	C3AE-A	406-4V	62/63
†C3AZ-9510-H	6	C3AF-T	C3AF-T	390-4V	62/63
†C3AZ-9510-J	6	C3AF-S	C3AF-S	390-4V	62/63
◇C3AZ-9510-K	9	C3AE-9510-B	C3AE-B	427-4V	63/64
◇C3AZ-9510-L	9	C2AE-9510-CB	C2AE-CB	427-8V	63
◇C3AZ-9510-S	9	C3AE-9510-C	C3AE-C	427-8V	63/64
†C3AZ-9510-T	5	C3AF-BE	C3AF-BE	260-2V	63
†C3AZ-9510-V	5	C3AF-AN	C3AF-AN	352-2V	61/62
†C3AZ-9510-Y	6	C3AF-AY	C3AF-AY	390-4V	63
†C3AZ-9510-Z	6	C3AF-AV	C3AF-AV	390-4V	63
†C3AZ-9510-AG	6	C3AF-BZ	C3AF-BZ	390-4V	64
†C3AZ-9510-AH	6	C3AF-BY	C3AF-BY	390-4V	63/64
†C3AZ-9510-AK	6	C4AF-DH	C4AF-DH	390-4V	64
†C3AZ-9510-AK	6	C4AF-DV	C4AF-DV	390-4V	64
†C3AZ-9510-AL	6	C4AF-DK	C4AF-DK	390-4V	64
†C3DF-9510-C	5	C3DF-C	C3DF-C	221-2V	63
†C3DF-9510-E	5	C3DF-E	C3DF-E	260-2V	63
†C3GY-9510-A	11	C3GF-A	C3GF-A	144-1V	63
†C3GY-9510-B	11	C3GF-B	C3GF-B	144-1V	63
†C3GY-9510-C	11	C4GF-A	C4GF-A	170-1V	63
†C3GY-9510-D	11	C4GF-B	C4GF-B	170-1V	63
†C3GY-9510-E	11	C3GF-G	C3GF-G	144-1V	63
†C3GY-9510-F	11	C3GF-H	C3GF-H	144-1V	63
†C3GY-9510-G	11	C4GF-AH	C4GF-AH	170-1V	64
†C3GY-9510-H	11	C4GF-AR	C4GF-AR	200-1V	64
†C3MY-9510-A	5	C3MF-A	C3MF-A	390-2V	63
†C3MY-9510-B	5	C3MF-B	C3MF-B	390-2V	63
†C3MY-9510-C	5	C3MF-C	C3MF-C	390-2V	63/64
†C3MY-9510-D	5	C3MF-D	C3MF-D	390-2V	63/64
†C3OF-9510-C	5	C3OF-C	C3OF-C	221-2V	63
†C3OF-9510-E	5	C3OF-E	C3OF-E	260-2V	63
†C3OF-9510-AG	5	C3OF-AG	C3OF-AG	221-2V	63

♣ Carter

† Ford

◇ Holley

CARBURETOR IDENTIFICATION CROSS-REFERENCE CHARTS - Continued

SERVICE PART NUMBER	CARB. IDENT. CODE	STAMPING IDENT. NUMBER	TAG IDENT. NUMBER	ENGINE DISPL.	YEAR 19
†C3OZ-9510-E	5	C3DF-D	C3DF-D	221-2V	63
†C3OZ-9510-E	5	C3OF-D	C3OF-D	221-2V	63
†C3OZ-9510-H	5	C3OF-AH	C3OF-AH	221-2V	63
†C3OZ-9510-J	6	C3OF-AJ	C3OF-AJ	289-4V	64
♣C3VE-9510-A	12	C3VE-9510-A	C3VE-A	430-4V	63/64
♣C3VE-9510-D	12	C3VE-9510-D	C3VE-D	430-4V	63/64
♣C3VE-9510-E	12	C3VE-9510-E	C3VE-E	430-4V	63/64
♣C3VY-9510-A	12	C3VE-9510-B	C3VE-B	430-4V	63/64
†C3YY-9510-A	11	C3YF-A	C3YF-A	170-1V	63
†C3YY-9510-B	11	C3YF-B	C3YF-B	170-1V	63
†C3YY-9510-C	11	C3YF-E	C3YF-E	200-1V	63
†C3YY-9510-D	11	C3YF-H	C3YF-H	200-1V	63/64
†C3YY-9510-E	11	C3YF-G	C3YF-G	170-1V	63
†C3YY-9510-F	11	C3YF-F	C3YF-F	170-1V	63/64
†C3YY-9510-G	11	C4GF-C	C4GF-C	200-1V	63
†C4AF-9510-DJ	6	C4AF-DJ	C4AF-DJ	390-4V	64
†C4AF-9510-DL	6	C4AF-DL	C4AF-DL	390-4V	64
†C4AF-9510-DU	6	C4AF-DU	C4AF-DU	390-4V	64
†C4AF-9510-DY	6	C4AF-DY	C4AF-DY	390-4V	64
◇C4AZ-9510-A	9	C3AF-9510-BK	C3AF-BK	427-8V	64
†C4GF-9510-AB	6	C4GF-AB	C4GF-AB	289-4V	64
†C4GF-9510-AF	6	C4GF-AF	C4GF-AF	289-4V	64
†C4GF-9510-AV	11	C4GF-AV	C4GF-AV	200-1V	64
†C4GF-9510-AY	11	C4GF-AY	C4GF-AY	170-1V	64
†C4GY-9510-A	6	C4GF-AA	C4GF-AA	289-4V	64
†C4GY-9510-B	6	C4GF-E	C4GF-E	289-4V	64
†C4MF-9510-U	5	C4MF-U	C4MF-U	390-2V	64
†C4MF-9510-Y	5	C4MF-Y	C4MF-Y	390-2V	64
†C4MY-9510-A	5	C4MF-A	C4MF-A	390-2V	64
†C4MY-9510-B	5	C4MF-D	C4MF-D	390-2V	64
†C4MY-9510-C	5	C4MF-E	C4MF-E	390-2V	64
†C4MY-9510-D	5	C4MF-T	C4MF-T	390-2V	64
†C4MY-9510-F	5	C4MF-N	C4MF-N	390-2V	64
†C4MY-9510-F	5	C4MF-V	C4MF-V	390-2V	64
†C4OF-9510-A	5	C4OF-A	C4OF-A	260-2V	64
†C4OF-9510-K	5	C4OF-K	C4OF-K	260-2V	64
†C4OF-9510-L	5	C4OF-L	C4OF-L	260-2V	64
†C4OF-9510-AK	5	C4OF-AK	C4OF-AK	260-2V	64
†C4OF-9510-AM	5	C4OF-AM	C4OF-AM	260-2V	64
†C4OF-9510-BS	5	C4OF-BS	C4OF-BS	260-2V	64
†C4OZ-9510-A	5	C4OF-B	C4OF-B	260-2V	64
†C4OZ-9510-C	5	C4OF-AE	C4OF-AE	260-2V	64
†C4OZ-9510-E	5	C4OF-AS	C4OF-AS	260-2V	64
†C5ZZ-9510-D1	6	C4GF-AE	C4GF-AE	289-4V	64
†C5ZZ-9510-K	5	C4ZF-R	C4ZF-R	260-2V	64

♣ Carter

† Ford

◇ Holley

1960 - 64 MERCURY

CARBURETOR IDENTIFICATION AND APPLICATION CHART

TAG IDENTIFICATION NUMBER	STAMPING IDENTIFICATION NUMBER	SERVICE PART NUMBER AND APPLICATION	NO. REQ'D	ENGINE CUBIC INCH DISPLACEMENT	CARB. IDENT. CODE	YEAR 19
◇BDM9AA	B9ME-9510-A	B9ME-9510-A A/T & 3/S-(a,b,d) When used on vehicles equipped with S/T, remove dashpot and attaching parts Package also includes (1) B9AE-9447-A gasket Installation on this vehicle requires the use of the following - (1) COME-9A620-A gasket (1) COME-9A621-A adaptor (1) 372286-S stud (4) 43365-S screw and washer	1	312-2V	1	60
◇BDM0AA	COME-9510-A	COME-9510-A A/T & 3/S-(a,b,d) NS-use B9ME-9510-A	1	312-2V	1	60
◇BDM0BA	COME-9510-F	COME-9510-F 3/S-NS-(a,b,d) Use B9ME-9510-A	1	312-2V	1	60
†DHM0BA	COME-9510-G	COME-9510-G A/T-NS-(a,b,d) Use COME-9510-K	1	383-2V	5	60
†DHM0BC	COME-9510-K	COME-9510-K A/T-(a,b,d)	1	383-2V	5	60
◆GKM0BB	COLE-9510-D	COLE-9510-D A/T-NS-(a) Use COLE-9510-G ☆Use on vehicles equipped with a/cond. only	1	383-2V☆, 430-2V	4	60
◆GKM0BC	COLE-9510-G	COLE-9510-G A/T-(a) ☆Use on vehicles equipped with a/cond. only Package also includes (1) B9AE-9447-A gasket	1	383-2V☆, 430-2V	4	60
◆FKLOBA ◆FKLOBB	COLE-9510-A	COLE-9510-A A/T-(a) For export only Package also includes (1) B9SE-9447-A gasket	1	430-4V	3	60
◇AAA0AA ◇AAA0AB ◇AAA0AC	COAE-9510-E	COAE-9510-E 3/S & O/D-(c) NS-use COAE-9510-U	1	223-1V	2	61
◇AAA0EA ◇AAA0EB	COAE-9510-U	COAE-9510-U 3/S & O/D-(c) Use on vehicles not equipped with emission reduction system Package also includes - (1)B6A-9447-B gasket (1)1CM-9681-A ball (1)34079-S nut (1)34083-S7 washer	1	223-1V	2	61
◇HAA1AA	C1AE-9510-E	C1AE-9510-E 3/S & O/D-NS-(c) Use C2AZ-9510-B	1	223-1V	2	61
†DBA1AA	C1AE-9510-Y	C1AE-9510-Y 3/S & O/D-NS- Use C2AZ-9510-C (a,b,d)	1	292-2V	5	61
†DBA1BA †DBA1BB	C1AE-9510-Z	C1AE-9510-Z A/T-(a,b,d) NS-use C2AZ-9510-C	1	292-2V	5	61
†KBA1AA	C1AE-9510-AA	C1AE-9510-AA 3/S & O/D-(a,b,d) NS-use C2AZ-9510-C	1	292-2V	5	61
	◆ Carter	† Ford ◇ Holley				

1960 - 64 MERCURY

CARBURETOR IDENTIFICATION AND APPLICATION CHART - Continued

TAG IDENTIFICATION NUMBER	STAMPING IDENTIFICATION NUMBER	SERVICE PART NUMBER AND APPLICATION	NO. REQ'D	ENGINE CUBIC INCH DISPLACEMENT	CARB. IDENT. CODE	YEAR 19
†KBA1BA †KBA1BB	C1AE-9510-AB	C1AE-9510-AB A/T & 3/S-(a,b,d) NS-use C2AZ-9510-C	1	292-2V	5	61
†DFA1AA	C1AE-9510-AC	C1AE-9510-AC 3/S & O/D-(a,b,d) Use on vehicles not equipped with emission reduction system NS-Use C2AZ-9510-D	1	352-2V	5	61
†DFA1BA †DFA1BB	C1AE-9510-AD	C1AE-9510-AD A/T-(a,b,d) Use on vehicles not equipped with emission reduction system Package also includes (1) B9AE-9447- A gasket	1	352-2V	5	61
†KFA1AA	C1AE-9510-AE	C1AE-9510-AE 3/S & O/D-(a,b,d) NS-use C1AE-9510- AF	1	352-2V	5	61
†KFA1BA †KFA1BB	C1AE-9510-AF	C1AE-9510-AF A/T & 3/S-(a,b,d) NS-use C2AZ-9510-D	1	352-2V	5	61
†LSA1TA †LSA1TB	C1AE-9510-AH	C1AE-9510-AH A/T-NS-(a,b,d) Use C2AZ-9510-G	1	390-4V	6	61
†LSA1WA	C1AE-9510-AK	C1AE-9510-AK 3/S-NS-(a,b,d) For Police Special Use C2AZ-9510-G	1	390-4V	6	61
†LSA1XA †LSA1XB	C1AE-9510-AL	C1AE-9510-AL A/T-BS-(a,b,d) For Police Special Use C2AZ-9510-G	1	390-4V	6	61
◇AAA0BB	COAE-9510-Z	COAE-9510-Z A/T-NS-(c) Use C2AZ-9510-E	1	223-1V	2	61/62
◇HAA1BA	C1AE-9510-F	C1AE-9510-F A/T-NS-(c) Use C2AZ-9510-F	1	223-1V	2	61/62
◇C2AE-B	C2AE-9510-B	C2AZ-9510-B S/T-(c) Use on vehicles equipped with emission reduction system Package also includes (1) B6A-9447-B gasket	1	223-1V	2	61/62
◇C2AE-E	C2AE-9510-E	C2AZ-9510-E A/T-(c) Use on vehicles not equipped with emission reduction system Package also includes (1) B6A-9447-B gasket	1	223-1V	2	61/62
◇C2AE-F	C2AE-9510-F	C2AZ-9510-F A/T-(c) Use on vehicles equipped with emission reduction system Package also includes (1) B6A-9447-B gasket	1	223-1V	2	61/62
†C2AE-Y	C2AF-AA	C2AZ-9510-C S/T & A/T-(a,b,d) Package also includes - (1)C2AZ-9447- A gasket (1)C1AZ-9B549- A dashpot (1)B8AZ-9B550- A bracket (1)33923-S8 nut (1)43252-S8 screw and washer (1)I. S. 667 instruction sheet	1	292-2V	5	61/62
	† Ford	◇ Holley				

1960 - 64 MERCURY

CARBURETOR IDENTIFICATION AND APPLICATION CHART - Continued

TAG IDENTIFICATION NUMBER	STAMPING IDENTIFICATION NUMBER	SERVICE PART NUMBER AND APPLICATION	NO. REQ'D	ENGINE CUBIC INCH DISPLACEMENT	CARB. IDENT. CODE	YEAR 19
†C2AE-AC	C2AF-AE	C2AZ-9510-D S/T&A/T-NS-(a,b,d) Use C3AZ-9510-F	1	352-2V	5	61/62
†C3AF-F	C3AF-F	C3AZ-9510-F S/T & A/T-(a,b,d) Use on vehicles with or without emission reduction system Package also includes - (1) C2AZ-9447-D gasket	1	352-2V	5	61/62
†C3AF-AN	C3AF-AN	C3AZ-9510-V S/T & A/T-(a,b,d) Use on vehicles with or without emission reduction system Package also includes - (1) C2AZ-9447-D gasket	1	352-2V	5	61/62
†C2AE-AL †C2AE-AY	C2AF-U or AM	C2AZ-9510-G S/T&A/T-NS-(a,b,d) Use C3AZ-9510-H	1	390-4V	6	61/62
◇C2AE-A	C2AE-9510-A	C2AZ-9510-A S/T-(c) Use on vehicles equipped with emission reduction system Package also includes (1) B6A-9447-A gasket	1	223-1V	2	62
†C2AE-Z	C2AE-AB	C2AF-9510-AB A/T-NS-(a,b,d) Use C2AZ-9510-C	1	292-2V	5	62
†C2AE-AA	C2AF-AC	C2AF-9510-AC S/T-NS-(a,b,d) Use C2AZ-9510-C	1	292-2V	5	62
†C2AE-AB	C2AF-AD	C2AF-9510-AD A/T-NS-(a,b,d) Use C2AZ-9510-C	1	292-2V	5	62
†C2AE-AD	C2AF-AF	C2AF-9510-AF A/T-NS-(a,b,d) Use C2AZ-9510-D	1	352-2V	5	62
†C2AE-AE	C2AF-AG	C2AF-9510-AG S/T-NS-(a,b,d) Use C2AZ-9510-D	1	352-2V	5	62
†C2AE-AF	C2AF-AH	C2AF-9510-AH A/T-NS-(a,b,d) Use C2AZ-9510-D	1	352-2V	5	62
†C2AE-AK	C2AF-T	C2AF-9510-T A/T-NS-(a,b,d) Use C2AZ-9510-G	1	390-4V	6	62
†C2AE-AN	C2AF-Y	C2AF-9510-Y S/T-NS-(a,b,d) Use C2AZ-9510-G - for Police Special	1	390-4V	6	62
†C2AE-AR	C2AF-Z	C2AF-9510-Z A/T-NS-(a,b,d) Use C2AZ-9510-G - for Police Special	1	390-4V	6	62
†C2AE-AT	C2AF-AJ	C2AF-9510-AJ 4/S-NS-(a,b,d) Use C2AZ-9510-G Use on vehicles not equipped with emission reduction system	1	390-4V	6	62
†C2AE-AZ	C2AF-AN	C2AF-9510-AN S/T & O/D-(a,b,d) NS-use C2AZ-9510-G - for Police Special Use on vehicles equipped with emission reduction system	1	390-4V	6	62
†C2AE-BA	C2AF-AR	C2AF-9510-AR D/R-NS-(a,b,d) Use C2AZ-9510-G - for Police Special	1	390-4V	6	62
	† Ford	◇ Holley				

1960 - 64 MERCURY

CARBURETOR IDENTIFICATION AND APPLICATION CHART - Continued

TAG IDENTIFICATION NUMBER	STAMPING IDENTIFICATION NUMBER	SERVICE PART NUMBER AND APPLICATION	NO. REQ'D	ENGINE CUBIC INCH DISPLACEMENT	CARB. IDENT. CODE	YEAR 19
†C2AE-AU	C2AF-AK	C2AF-9510-AK 4/S-NS-(a,b,d) Use C2AZ-9510-G Use on vehicles equipped with emission reduction system	1	390-4V	6	62/63
†C2AE-AV	C2AF-AL	C2AF-9510-AL D/R-NS-(a,b,d) Use C2AZ-9510-G	1	390-4V	6	62/63
†C3AF-N	C3AF-N	C3AF-9510-N S/T-NS (a,e) Use C3AZ-9510-J	1	390-4V	6	62/63
†C3AF-R	C3AF-R	C3AF-9510-R A/T-NS (a,e) Use C3AZ-9510-H	1	390-4V	6	62/63
†C3AF-S	C3AF-S	C3AZ-9510-J S/T-NS (a,e) Use C3AZ-9510-Z	1	390-4V	6	62/63
†C3AF-T	C3AF-T	C3AZ-9510-H A/T-NS (a,e) Use C3AZ-9510-Y	1	390-4V	6	62/63
◇JSA1AA	C1AE-9510-AM	C1AE-9510-AM 4/S-NS Use C3AZ-9510-G	1	406-4V	9	62/63
◇C3AE-A	C3AE-9510-A	C3AZ-9510-G 4/S Package also includes - (1) C2AZ-9447-E gasket	1	406-4V	9	62/63
No Tag	◇C1AE-9510-AU	C1AE-9510-AU 4/S Secondary Package also includes - (1) C1AE-9447-C gasket	2	406-6V	1	62/63
No Tag	◇C1AE-9510-AV	C1AE-9510-AV 4/S Primary Package also includes - (1) C1AE-9447-C gasket	1	406-6V	1	62/63
†C3MF-A	C3MF-A	C3MY-9510-A S/T (a,e) Use on vehicles built prior to 5-6-63 Package also includes - (1) C3MY-9447-A gasket	1	390-2V	5	63
†C3MF-B	C3MF-B	C3MY-9510-B A/T (a,e) Use on vehicles built prior to 5-6-63 Package also includes - (1) C3MY-9447-A gasket	1	390-2V	5	63
†C3AF-AT	C3AF-AT	C3AF-9510-AT S/T-NS (a,e) Use C3AZ-9510-Z	1	390-4V	6	63
†C3AF-AU	C3AF-AU	C3AF-9510-AU A/T-NS (a,e) Use C3AZ-9510-Y	1	390-4V	6	63
†C3AF-AV	C3AF-AV	C3AZ-9510-Z S/T-NS (a,e) Use C3AZ-9510-AH	1	390-4V	6	63
†C3AF-AY	C3AF-AY	C3AZ-9510-Y A/T-NS (a,e) Use C3AZ-9510-AG For Police Special	1	390-4V	6	63
	† Ford	◇ Holley				

1960 - 64 MERCURY

CARBURETOR IDENTIFICATION AND APPLICATION CHART - Continued

TAG IDENTIFICATION NUMBER	STAMPING IDENTIFICATION NUMBER	SERVICE PART NUMBER AND APPLICATION	NO. REQ'D.	ENGINE CUBIC INCH DISPLACEMENT	CARB. IDENT. CODE	YEAR 19
◇C2AE-CB	C2AE-9510-CB	C3AZ-9510-L 4/S-NS Use C3AZ-9510-S	2	427-8V	9	63
◇C3AE-C	C3AE-9510-C	C3AZ-9510-S 4/S Package also includes - (1) C2AZ-9447-E gasket	2	427-8V	9	63
†C3MF-C	C3MF-C	C3MY-9510-C S/T (a,e) Use on 1963 vehicles built after 5-5-63 Package also includes - (1) C3MY-9447-A gasket Use C4MY-9510-B as replacement for 1964 vehicles- Regular - Engine Warranty Code "Y"	1	390-2V	5	63/64
†C3MF-D	C3MF-D	C3MY-9510-D A/T (a,e) Use on 1963 vehicles built after 5-6-63 Package also includes - (1) C3MY-9447-A gasket Use C4MY-9510-C as replacement for 1964 vehicles- Regular - Engine Warranty Code "Y"	1	390-2V	5	63/64
†C3AF-BY	C3AF-BY	C3AZ-9510-AH S/T (a) Also used for Police Special with S/T Use on vehicles built prior to 2-17-64 Package also includes - (1) C2AZ-9447-E gasket	1	390-4V	6	63/64
◇C3AE-B	C3AE-9510-B	C3AZ-9510-K 4/S Package also includes - (1) C3AZ-9447-A gasket	1	427-4V	9	63/64
†C4MF-A	C4MF-A	C4MY-9510-A A/T (a,e) Special - Engine Warranty Code "H" Use on vehicles built prior to 4-1-64	1	390-2V	5	64
†C4MF-D	C4MF-D	C4MY-9510-B S/T (a,e) Regular - Engine Warranty Code "Y" Use on vehicles built prior to 2-17-64 Package also includes - (1) C3MY-9447-A gasket	1	390-2V	5	64
†C4MF-E	C4MF-E	C4MY-9510-C A/T (a,e) Regular - Engine Warranty Code "Y" Use on vehicles built prior to 2-17-64 Package also includes - (1) C3MY-9447-A gasket	1	390-2V	5	64
	† Ford	◇ Holley				

1960 - 64 MERCURY

CARBURETOR IDENTIFICATION AND APPLICATION CHART - Continued

TAG IDENTIFICATION NUMBER	STAMPING IDENTIFICATION NUMBER	SERVICE PART NUMBER AND APPLICATION	NO. REQ'D.	ENGINE CUBIC INCH DISPLACEMENT	CARB. IDENT. CODE	YEAR 19__
†C4MF-N †C4MF-V	C4MF-N C4MF-V	C4MY-9510-F A/T (a, e) Special - Engine Warranty Code "H" Use on vehicles built after 3-31-64 Package also includes - (1) C3MY-9447-A gasket	1	390-2V	5	64
†C4MF-T	C4MF-T	C4MY-9510-D S/T&A/T (a, e) Regular - Engine Warranty Code "Y" Use on vehicles built after 2-16-64 Package also includes - (1) C3MY-9447-A gasket (1) C1AZ-9B549-A dashpot (1) B8AZ-9B550-A bracket (1) 33923-S nut (1) 43252-S screw	1	390-2V	5	64
†C4MF-U	C4MF-U	C4MF-9510-U A/T-NS (a, e) Use C4MY-9510-D Regular - Engine Warranty Code "Y"	1	390-2V	5	64
†C4MF-Y	C4MF-Y	C4MF-9510-Y A/T-NS Use C4MY-9510-D	1	390-2V	5	64
†C3AF-BU	C3AF-BU	C3AF-9510-BU S/T-NS (a, e) Use C3AZ-9510-AH	1	390-4V	6	64
†C3AF-BV	C3AF-BV	C3AF-9510-BV A/T-NS (a, e) Use C3AZ-9510-AG	1	390-4V	6	64
†C3AF-BZ	C3AF-BZ	C3AZ-9510-AG A/T (a) Also used for Police Special with A/T Use on vehicles built prior to 2-17-64 Package also includes - (1) C2AZ-9447-E gasket	1	390-4V	6	64
†C4AF-DH †C4AF-DV	C4AF-DH C4AF-DV	C3AZ-9510-AK S/T&A/T (a) Use on all vehicles with S/T including Police Special and all with A/T except Police Special Use on vehicles built after 2-16-64 Package also includes - (1) C1AZ-9B549-A dashpot (1) B8AZ-9B550-A bracket (1) 33923-S nut (1) 43252-S8 screw	1	390-4V	6	64
	† Ford					

1960 - 64 MERCURY

CARBURETOR IDENTIFICATION AND APPLICATION CHART - Continued

TAG IDENTIFICATION NUMBER	STAMPING IDENTIFICATION NUMBER	SERVICE PART NUMBER AND APPLICATION	NO. REQ'D.	ENGINE CUBIC INCH DISPLACEMENT	IDENT. CODE	YEAR 19__
†C4AF-DJ	C4AF-DJ	C4AF-9510-DJ A/T-NS (a) Use C3AZ-9510-AK	1	390-4V	6	64
†C4AF-DK	C4AF-DK	C3AZ-9510-AL S/T&A/T (a) Use on Police Special with S/T and all other vehicles with S/T and A/T including Police Special Use on vehicles built after 2-16-64 Package also includes - (1) C2AZ-9447-E gasket (1) C1AZ-9B549-A dashpot (1) B8AZ-9B550-A bracket (1) 33923-S nut (1) 43252-S screw	1	390-4V	6	64
†C4AF-DL	C4AF-DL	C4AF-9510-DL A/T-ND (a) Use C3AZ-9510-AL	1	390-4V	6	64
†C4AF-DU	C4AF-DU	C4AF-9510-DU A/T-NS (a) For Police Special Use C3AZ-9510-AL	1	390-4V	6	64
†C4AF-DY	C4AF-DY	C4AF-9510-DY A/T-NS (a) Use C3AZ-9510-AK	1	390-4V	6	64
◇C3AF-BJ	C3AF-9510-BJ	C3AF-9510-BJ 4/S-NS Used as secondary in production Use C4AZ-9510-A	1	427-8V	9	64
◇C3AF-BK	C3AF-9510-BK	C4AZ-9510-A 4/S Used as primary in production Package also includes - (1) C2AZ-9447-E gasket	1	427-8V	9	64
		33925-S8 - Nut-hex. jam-3/8"-24-carburetor to intake manifold	2	c		
		34827-S - Lockwasher-3/8" - carburetor to intake manifold	2	c		
		88391-S8 - NS-stud-5/16"-18-24 x 1-1/2"-carburetor to intake manifold	4	d		
		88471-S - NS-stud-5/16"-18-24 x 2-1/8"-carburetor to manifold	4	e		
		351089-S8 - Nut-hex. -5/16"-24 - carburetor to intake manifold	4	a		
		358165-S - Connector-1/8 pipe thread-vacuum tube connector	1	b		
		358462-S - Nut-wing-1/4"-20	1	e		
		359524-S - Stud-3/8"-24-16 x 1-19/64"-carburetor to intake manifold	2	c		
		370533-S8 - Stud-1/4"-20-5/16"-18 x 4-3/16"-air cleaner to carburetor	1	e		
	† Ford	◇ Holley				

1962 - 63 METEOR

CARBURETOR IDENTIFICATION AND APPLICATION CHART

TAG IDENTIFICATION NUMBER	STAMPING IDENTIFICATION NUMBER	SERVICE PART NUMBER AND APPLICATION	NO. REQ'D	ENGINE CUBIC INCH DISPLACEMENT	CARB. IDENT. CODE	YEAR 19
◇C2GE-C	2324 2324*	C2GE-9510-C S/T-(e) NS-use C2GY-9510-B	1	170-1V	8	62
◇C2GE-D	2343 2343*	C2GE-9510-D S/T & A/T-(e) NS-use C2GY-9510-B	1	170-1V	8	62
◇C2GE-L	2324-1	C2GE-9510-L S/T-(e) NS-use C2GY-9510-B	1	170-1V	8	62
◇C2GE-M ◇C3GE-R	2343-1 2343-2	C2GY-9510-B S/T & A/T-(e) Package also includes (1) C2DZ-9447-A gasket and (1) C2DZ-9B549-A dashpot and attaching parts	1	170-1V	8	62
†C2OE-N †C2OE-R	C2OF-N C2OF-R	C2OZ-9510-A S/T & A/T-(b) NS-use C3OZ-9510-H	1	221-2V	5	62
†C2OE-S	C2OF-S	C2OZ-9510-C S/T-NS-(b) Use C2OZ-9510-A Use on vehicles equipped with emission reduction system	1	221-2V	5	62
†C2OE-T	C2OF-T	C2OZ-9510-D A/T-NS-(b) Use C2OZ-9510-A Use on vehicles equipped with emission reduction system	1	221-2V	5	62
†C2OF-AA	C2OF-AA	C2OZ-9510-F S/T & A/T-(b) Package also includes (1)C2OZ-9447-C gasket (1)C1AZ-9B549-A dashpot (1)B8AZ-9B550-A bracket (1)33923-S8 nut (1)43252-S8 screw and washer	1	260-2V	5	62
†C2OF-AB	C2OF-AB	C2OF-9510-AB A/T-NS-(b) Use C2OZ-9510-F Use on vehicles not equipped with emission reduction system	1	260-2V	5	62
†C2OF-AC	C2OF-AC	C2OF-9510-AC S/T-NS-(b) Use C2OZ-9510-F Use on vehicles equipped with emission reduction system	1	260-2V	5	62
†C2OF-AD	C2OF-AD	C2OF-9510-AD A/T-NS-(b) Use C2OZ-9510-F Use on vehicles equipped with emission reduction system	1	260-2V	5	62
†C3OF-AH	C3OF-AH	C3OZ-9510-H A/T-S/T(b,c,d) Package also includes - (1) C2OZ-9447-C gasket	1	221-2V	5	62/63
†C3YF-A	C3YF-A	C3YY-9510-A S/T (a,c,d) Use on vehicles built prior to 7-13-63 Package also includes - (1) C3DZ-9447-A gasket	1	170-1V	11	63
†C3YF-B	C3YF-B	C3YY-9510-B A/T (a,c,d) Use on vehicles built prior to 7-13-63 Package also includes - (1) C3DZ-9447-A gasket	1	170-1V	11	63
	† Ford	◇ Holley				

1962 - 63 METEOR

CARBURETOR IDENTIFICATION AND APPLICATION CHART - Continued

TAG IDENTIFICATION NUMBER	STAMPING IDENTIFICATION NUMBER	SERVICE PART NUMBER AND APPLICATION	NO. REQ'D,	ENGINE CUBIC INCH DISPLACEMENT	CARB. IDENT. CODE	YEAR 19
†C3YF-F	C3YF-F	C3YY-9510-F S/T (a, c, d) Use on vehicles built after 7-12-63 Package also includes - (1) C3DZ-9447-A gasket	1	170-1V	11	63
†C3YF-G	C3YF-G	C3YY-9510-E A/T (a, c, d) Use on vehicles built after 7-12-63 Package also includes - (1) C3DZ-9447-A gasket	1	170-1V	11	63
†C4GF-A	C4GF-A	C3GY-9510-C S/T (a, c, d) Use on vehicles built prior to 7-13-63 Package also includes - (1) C3DZ-9447-A gasket	1	170-1V	11	63
†C4GF-B	C4GF-B	C3GY-9510-D S/T (a, c, d) Use on vehicles built after 7-12-63 Package also includes - (1) C3DZ-9447-A gasket	1	170-1V	11	63
†C3YF-E	C3YF-E	C3YY-9510-C A/T (a, c, d) Use on vehicles built prior to 7-13-63 Package also includes - (1) C3DZ-9447-A gasket	1	200-1V	11	63
†C3YF-H	C3YF-H	C3YY-9510-D A/T (a, c, d) Use on vehicles equipped with emission reduction system built after 6-10-63 Package also includes - (1) C3DZ-9447-A gasket	1	200-1V	11	63
†C4GF-C	C4GF-C	C3YY-9510-G A/T (a, c, d) Use on vehicles built prior to 7-13-63 Package also includes - (1) C3DZ-9447-A gasket	1	200-1V	11	63
†C3DF-C	C3DF-C	C3DF-9510-C S/T-NS (b, c, d) Use C3OZ-9510-E	1	221-2V	5	63
†C3DF-D	C3DF-D	C3OZ-9510-E A/T&S/T-NS (b, c, d) Use C3OZ-9510-H	1	221-2V	5	63
†C3OF-D	C3OF-D					
†C3OF-C	C3OF-C	C3OF-9510-C S/T-NS (b, c, d) Use C3OZ-9510-E	1	221-2V	5	63
†C3OF-AG	C3OF-AG	C3OF-9510-AG NS-S/T Use C3OZ-9510-H	1	221-2V	5	63
†C3AF-BD	C3AF-BD	C3AF-9510-BD A/T & S/T-NS Use C3AZ-9510-T	1	260-2V	5	63
†C3AF-BE	C3AF-BE	C3AZ-9510-T A/T&S/T-(b, c, d) Package also includes - (1) C2OZ-9447-C gasket	1	260-2V	5	63
†C3DF-E	C3DF-E	C3DF-9510-E S/T-NS-(b, c, d) Use C3AZ-9510-E	1	260-2V	5	63
	† Ford					

1962 - 63 METEOR

CARBURETOR IDENTIFICATION AND APPLICATION CHART - Continued

TAG IDENTIFICATION NUMBER	STAMPING IDENTIFICATION NUMBER	SERVICE PART NUMBER AND APPLICATION	NO. REQ'D	ENGINE CUBIC INCH DISPLACEMENT	CARB. IDENT. CODE	YEAR 19
†C3DF-F †C3OF-F	C3DF-F C3OF-F	C3AZ-9510-E A/T&S/T-(b,c,d) NS-Use C3AZ-9510-T	1	260-2V	5	63
†C3OF-E	C3OF-E	C3OF-9510-E S/T-NS (b,c,d) Use C3AZ-9510-E	1	260-2V	5	63
		33925-S8 - Nut-hex.jam-3/8"-24 - carburetor to intake manifold	2	e		
		34827-S - Lockwasher-3/8" - carburetor to intake manifold	2	e		
		88471-S - Stud-5/16"-18-24 x 2-1/2"-carburetor to intake manifold	4	b		
		351089-S - Nut-hex.-5/16"-24-carburetor to manifold	2-4	c		
		358462-S - Nut-wing-1/4"-20	1	d		
		359524-S - Stud-3/8"-16-24 x 1-19/64"-carburetor to intake manifold	2	e		
		371005-S8 - Stud-1/4"-20-5/16"-18 x 4-15/32"-air cleaner to carburetor	1	b		
		371773-S8 - Stud-1/4"-20-20 x 8-1/2"-air cleaner to carburetor-cut to proper length	1	a		
		375719-S8 - NS-stud-5/16"-18-24 x 1-1/8"-carburetor to manifold	2	a		

MEMO

† Ford

1960 - 64 COMET

CARBURETOR IDENTIFICATION AND APPLICATION CHART

TAG IDENTIFICATION NUMBER	STAMPING IDENTIFICATION NUMBER	SERVICE PART NUMBER AND APPLICATION	NO. REQ'D	ENGINE CUBIC INCH DISPLACEMENT	CARB. IDENT. CODE	YEAR 19
◇AOD0AA ◇AOD0AB	CODE-9510-A	CODE-9510-A 3/S-NS-(e) Use CODE-9510-C Less thermostatic choke - use on vehicles built prior to 3-1-60	1	144-1V	2	60
◇AOD0AC ◇AOD0AD	CODE-9510-C	CODE-9510-C 3/S-NS-(e) Use carburetor service kit C1DZ-9510-A	1	144-1V	2	60
◇AOD0BA ◇AOD0BB ◇AOD0BC	CODE-9510-B	CODE-9510-B A/T-NS-(e) Use CODE-9510-D Less thermostatic choke - use on vehicles built prior to 3-1-60	1	144-1V	2	60
◇AOD0BD ◇AOD0BE	CODE-9510-D	CODE-9510-D A/T-NS-(e) Use carburetor service kit C1DZ-9510-A	1	144-1V	2	60
◇AOK0AA ◇AOE0AA	C1KE-9510-A	C1KE-9510-A 3/S-(e) Includes thermostatic choke- Use on vehicles built after 4-1-60 Package also includes (1) CODE-9455-A gasket	1	144-1V	7	60
◇AOK0BA ◇AOE0BA	C1KE-9510-B	C1KE-9510-B A/T-(e) Includes thermostatic choke- Package also includes (1) CODE-9455-A gasket	1	144-1V	7	60
◇HOD1BA	C1DE-9510-B	C1DE-9510-B 3/S & A/T-(e) NS-use carburetor service kit C1DZ-9510-A	1	144-1V	2	60
◇HOD1BA	C1DE-9510-B	C1DZ-9510-A 3/S & A/T-(e) Service kit - consists of the following - (1)C1DE-9510-B carburetor (1)CODE-9455-A or C1TE-9455-A gasket (1)CODE-9B572-B valve (1)COAE-9A588-A gasket (1)I. S. 592 instruction sheet When used on vehicles with S/T remove dashpot and attaching parts and install CODE-9B572-B valve which is included in this kit	1	144-1V	2	60
◇AOE1AA	C1GE-9510-C	C1GE-9510-C 3/S-(e) NS-use C1GE-9510-B	1	144-1V	7	61
◇AOE1BA	C1GE-9510-D	C1GE-9510-D A/T-(e) Includes thermostatic choke- Use on vehicles not equipped with emission reduction system Package also includes (1) CODE-9455-A gasket	1	144-1V	7	61
◇HOE1AA	C1GE-9510-A	C1GE-9510-A 3/S-(e) NS-use C1GE-9510-B	1	144-1V	7	61
	◇ Holley					

1960 - 64 COMET

CARBURETOR IDENTIFICATION AND APPLICATION CHART - Continued

TAG IDENTIFICATION NUMBER	STAMPING IDENTIFICATION NUMBER	SERVICE PART NUMBER AND APPLICATION	NO. REQ'D	ENGINE CUBIC INCH DISPLACEMENT	CARB. IDENT. CODE	YEAR 19
◇HOE1BA	C1GE-9510-B	C1GE-9510-B A/T & 3/S-(e) Includes thermostatic choke- When used on vehicles equipped with S/T remove dashpot and attaching parts Package also includes (1) CODE-9455-A gasket NS-Use C1GE-9510-H	1	144-1V	7	61
◇APE1AA	C1GE-9510-E	C1GE-9510-E 3/S-(e) NS-Use C1GE-9510-H	1	170-1V	7	61
◇APE1BA	C1GE-9510-F	C1GE-9510-F A/T-(e) NS-use C1GE-9510-H	1	170-1V	7	61
◇HPE1AA	C1GE-9510-G	C1GE-9510-G 3/S-(e) NS-Use C1GE-9510-H	1	170-1V	7	61
◇HPE1BA	C1GE-9510-H	C1GE-9510-H A/T & 3/S-(e) Includes thermostatic choke- When used on vehicles equipped with S/T remove dashpot and attaching parts Package also includes (1) CODE-9455-A gasket	1	170-1V	7	61
◇C2GE-A	2311 2311*	C2GE-9510-A S/T-(e) NS-use C2GE-9510-B	1	144-1V	8	62
◇C2GE-B	2342 2342*	C2GE-9510-B S/T & A/T-(e) NS-Use C2GY-9510-A	1	144-1V	8	62
◇C2GE-J	2311-1	C2GE-9510-J S/T-(e) NS-use C2GY-9510-A	1	144-1V	8	62
◇C2GE-K ◇C2GE-N	2342-1 2342-2	C2GY-9510-A S/T & A/T-(e) Package also includes (1) C2DZ-9447-A gasket and (1) C2DZ-9B549-A dashpot and attaching parts	1	144-1V	8	62
◇C2GE-C	2324 2324*	C2GE-9510-C S/T-(e) NS-use C2GY-9510-B	1	170-1V	8	62
◇C2GE-D	2343 2343*	C2GE-9510-D S/T & A/T-(e) NS-use C2GY-9510-B	1	170-1V	8	62
◇C2GE-L	2324-1	C2GE-9510-L S/T-(e) NS-use C2GY-9510-B	1	170-1V	8	62
◇C2GE-M ◇C2GE-R	2343-1 2343-2	C2GY-9510-B S/T & A/T-(e) Package also includes (1) C2DZ-9447-A gasket and (1) C2DZ-9B549-A dashpot and attaching parts	1	170-1V	8	62
†C3GF-A	C3GF-A	C3GY-9510-A S/T (a) Package also includes - (1) C3DZ-9447-A gasket	1	144-1V	11	63
†C3GF-B	C3GF-B	C3GY-9510-B A/T (a)	1	144-1V	11	63
†C3GF-G	C3GF-G	C3GY-9510-E S/T (a) Package also includes - (1) C3DZ-9447-A gasket	1	144-1V	11	63
†C3GF-H	C3GF-H	C3GY-9510-F A/T (a) Package also includes - (1) C3DZ-9447-A gasket	1	144-1V	11	63
	◇ Holley	† Ford				

1960 - 64 COMET

CARBURETOR IDENTIFICATION AND APPLICATION CHART - Continued

TAG IDENTIFICATION NUMBER	STAMPING IDENTIFICATION NUMBER	SERVICE PART NUMBER AND APPLICATION	NO. REQ'D	ENGINE CUBIC INCH DISPLACEMENT	CARB. IDENT. CODE	YEAR 19____
†C3YF-A	C3YF-A	C3YY-9510-A S/T (a) Use on vehicles built prior to 7-13-63 Package also includes - (1) C3DZ-9447-A gasket	1	170-1V	11	63
†C3YF-B	C3YF-B	C3YY-9510-B A/T (a) Use on vehicles built prior to 7-13-63 Package also includes - (1) C3DZ-9447-A gasket	1	170-1V	11	63
†C3YF-G	C3YF-G	C3YY-9510-E A/T (a, c, d) Use on vehicles built after 7-12-63 Package also includes - (1) C3DZ-9447-A gasket	1	170-1V	11	63
†C4GF-A	C3GF-A	†C3GY-9510-C S/T (a, c, d) Use on vehicles built prior to 7-13-63 Package also includes - (1) C3DZ-9447-A gasket	1	170-1V	11	63
†C4GF-B	C4GF-B	†C3GY-9510-D S/T (a, c, d) Use on vehicles built prior to 7-13-63 Package also includes - (1) C3DZ-9510-A gasket	1	170-1V	11	63
†C3AF-BD	C3AF-BD	C3AF-9510-BD A/T & S/T-NS Use C3AZ-9510-T	1	260-2V	5	63
†C3AF-BE	C3AF-BE	C3AZ-9510-T A/T & S/T-(b,c,d) Package also includes - (1) C2OZ-9447-C gasket	1	260-2V	5	63
†C3DF-E	C3DF-E	C3DF-9510-E S/T-NS (b, c, d) Use C3AZ-9510-E	1	260-2V	5	63
†C3DF-F †C3OF-F	C3DF-F C3OF-F	C3AZ-9510-E - A/T & S/T (b, c, d) NS-use C3AZ-9510-T Package also includes - (1) C2OZ-9447-C gasket	1	260-2V	5	63
†C3OF-E	C3OF-E	C3OF-9510-E - S/T-NS (b, c, d) Use C3AZ-9510-E	1	260-2V	5	63
†C3YF-F	C3YF-F	C3YY-9510-F S/T (a, c, d) Use on 1963 vehicles built after 7-12-63 Use on 1964 vehicles produced for all states other than California prior to 5-11-64 Package also includes - (1) C3DZ-9447-A gasket	1 1	170-1V 170-1V	11 11	63 64
†C4GF-AH	C4GF-AH	C3GY-9510-G S/T (b, c, d, f) Use on all vehicles produced for the state of California and on those for other states built after 5-10-64 Package also includes - (1) C3DZ-9447-A gasket	1	170-1V	11	64
	† Ford					

1960 - 64 COMET

CARBURETOR IDENTIFICATION AND APPLICATION CHART - Continued

TAG IDENTIFICATION NUMBER	STAMPING IDENTIFICATION NUMBER	SERVICE PART NUMBER AND APPLICATION	NO. REQ'D.	ENGINE CUBIC INCH DISPLACEMENT	CARB. IDENT. CODE	YEAR 19__
†C4GF-AY	C4GF-AY	C4GF-9510-AY S/T-NS Use C3GY-9510-G	1	170-1V	11	64
†C3YF-H	C3YF-H	C3YY-9510-D A/T (c,d,f,g) Package also includes - (1) C3DZ-9447-A gasket	1	200-1V	11	64
†C4GF-AR	C4GF-AR	C3GY-9510-H A/T (c,d,f,g) Use on all vehicles produced for the state of California and on those for other states built after 5-10-64 Package also includes - (1) C3DZ-9447-A gasket	1	200-1V	11	64
†C4GF-AV	C4GF-AV	C4GF-9510-AV A/T-NS Use C3GY-9510-H	1	200-1V	11	64
†C4OF-A	C4OF-A	C4OF-9510-A S/T-NS (b,c,d) Use C4OZ-9510-C Use on vehicles produced for all states other than California built prior to 5-11-64	1	260-2V	5	64
†C4OF-B	C4OF-B	C4OZ-9510-A S/T&A/T(b,c,d) Package also includes - (1) C2OZ-9447-C gasket	1	260-2V	5	64
†C4OF-K	C4OF-K	C4OF-9510-K S/T-NS (b,c,d) Use C4OZ-9510-C	1	260-2V	5	64
†C4OF-L	C4OF-L	C4OF-9510-L A/T-NS (b,c,d) Use C4DZ-9510-C	1	260-2V	5	64
†C4ZF-R	C4ZF-R	C5ZZ-9510-K S/T (b,c,d) Use on vehicles built after 4-30-64 Package also includes - (1) C2OZ-9447-C gasket (1) C1AZ-9B549-A dashpot (1) B8AZ-9B550-A bracket (1) 33923-S nut (1) 43252-S screw & washer	1	260-2V	5	64
†C4OF-AE	C4OF-AE	C4OZ-9510-C S/T&A/T(b,c,d) Package also includes - (1) C2OZ-9447-C gasket	1	260-2V	5	64
†C4OF-AK	C4OF-AK	C4OF-9510-AK S/T-NS (b,c,d) Use C4OZ-9510-C	1	260-2V	5	64
†C4OF-AM	C4OF-AM	C4OF-9510-AM A/T-NS (b,c,d) Use C5ZZ-9510-K	1	260-2V	5	64
†C4OF-AS	C4OF-AS	C4OZ-9510-E S/T (b,c,d) Use on vehicles built prior to 5-1-64 Package also includes - (1) C2OZ-9447-C gasket (1) C1AZ-9B549-A dashpot (1) B8AZ-9B550-A bracket (1) 33923-S8 nut (1) 43252-S8 screw & washer	1	260-2V	5	64
	† Ford					

1960 - 64 COMET

CARBURETOR IDENTIFICATION AND APPLICATION CHART -Continued

TAG IDENTIFICATION NUMBER	STAMPING IDENTIFICATION NUMBER	SERVICE PART NUMBER AND APPLICATION	NO. REQ'D.	ENGINE CUBIC INCH DISPLACEMENT	CARB. IDENT. CODE	YEAR 19__
†C4OF-BS	C4OF-BS	C4OF-9510-BS S/T-NS Use C5ZZ-9510-K	1	260-2V	5	64
†C4GF-E	C4GF-E	C4GY-9510-B A/T ☆ except 289-4V Special Performance Package also includes - (1) C2AZ-9447-E gasket	1	289-4V☆	6	64
†C4GF-AA	C4GF-AA	C4GY-9510-A S/T ☆ except 289-4V Special Performance Use on vehicles built prior to 5-11-64 Package also includes - (1) C2AZ-9447-E gasket	1	289-4V☆	6	64
†C4GF-AB	C4GF-AB	C4GF-9510-AB A/T-NS Use C4GY-9510-A ☆ except 289-4V Special Performance	1	289-4V☆	6	64
†C4GF-AE	C4GF-AE	C5ZZ-9510-D1 S/T & A/T ☆ except 289-4V Special Performance Use on vehicles built after 3-30-64 Package also includes - (1) C2AZ-9447-E gasket (1) C1AZ-9B549-A dashpot (1) B8AZ-9B550-A bracket (1) 33923-S8 nut (1) 43252-S8 screw	1	289-4V☆	6	64
†C4GF-AF	C4GF-AF	C4GF-9510-AF A/T-NS Use C5ZZ-9510-D1 ☆ except 289-4V Special Performance	1	289-4V☆	6	64
†C3OF-AJ	C3OF-AJ	C3OZ-9510-J S/T ☆ Special Performance - Engine Warranty Code "D" Package also includes - (1) C1AZ-9447-E gasket	1	289-4V☆	6	64
		33925-S8 - Nut-hex. jam-3/8"-24-carburetor to intake manifold	2	e		
		34827-S - Lockwasher-3/8"-carburetor to intake manifold	2	e		
		88471-S - Stud-5/16"-18-24 x 2-1/2"-carburetor to manifold	4	b		
		351089-S8 - Nut-hex. -5/16"-24 -carburetor to manifold	AR	a, c		
		358462-S - Nut-wing-1/4"-20	1	a, d		
		359524-S - Stud-3/8"-24-16 x 1-19/64"-carburetor to intake manifold	2	e		
	† Ford					

1960 - 64 COMET

CARBURETOR IDENTIFICATION AND APPLICATION CHART -Continued

TAG IDENTIFICATION NUMBER	STAMPING IDENTIFICATION NUMBER	SERVICE PART NUMBER AND APPLICATION	NO. REQ'D.	ENGINE CUBIC INCH DISPLACEMENT	IDENT. CODE	YEAR 19__
		371005-S8 - Stud-1/4"-20-5/16"- 18 x 4-15/32"-air cleaner to carburetor	1	b		
		371773-S8 - Stud-1/4"-20-20 x 8-1/2"-air cleaner to carburetor- cut to proper length	1	a, g		
		375719-S8 - NS-stud-5/16"-18-24 x 1-1/8"-carburetor to manifold	2	a		
		352748-S-NS-stud 5/16"-18-24 x 1-1/8"-carburetor to manifold	2	f		

MEMO

(This section contains multiple horizontal lines for handwritten notes.)

1960 - 64 LINCOLN

CARBURETOR IDENTIFICATION AND APPLICATION CHART

TAG IDENTIFICATION NUMBER	STAMPING IDENTIFICATION NUMBER	SERVICE PART NUMBER AND APPLICATION	NO. REQ'D.	ENGINE CUBIC INCH DISPLACEMENT	CARB. IDENT. CODE	YEAR 19__
♣GKMOBA ♣GKMOBB	COLE-9510-D	NS-Use COLE-9510-G (a, b)	1	430-2V	4	60
♣GKMOBC	COLE-9510-G	COLE-9510-G (a, b) Package also includes (1) B9AE-9447-A gasket	1	430-2V	4	60
♣FKLOBA ♣FKLOBB	COLE-9510-A	COLE-9510-A For export only Package also includes (1) B9SE-9447-A gasket	1	430-4V	3	60
♣MKL1BA	C1VE-9510-A	NS-use C1VE-9510-C (a, b, c) Use at 0 to 5000 feet altitude on vehicles not equipped with a/cond. but equipped with emission reduction system	1	430-2V	10	61
♣MKL1BA	C1VE-9510-D	NS-use C1VE-9510-C (a, b, c) Use at 5000 to 10000 feet altitude on vehicles not equipped with a/cond. When using carburetor C1VE-9510-C as replacement, it must be reworked using the following: (2) C1VE-9A526-B metering rods (2) C1VE-9533-B metering jets	1	430-2V	10	61
♣MKL1MA	C1VE-9510-B	NS-use C1VE-9510-C (a, b, c) Use at 0 to 5000 feet altitude on vehicles equipped with a/cond. and emission reduction system	1	430-2V	10	61
♣MKL1MA	C1VE-9510-E	NS-use C1VE-9510-C (a, b, c) Use at 5000 to 10000 feet altitude on vehicles equipped with a/cond. When using carburetor C1VE-9510-C as replacement, it must be reworked using the following: (2) C1VE-9A526-B metering rods (2) C1VE-9533-B metering jets	1	430-2V	10	61

Note: Carburetors having the regular stamped "Carburetor Identification Tag" accompanied by a plain "Carburetor Identification Tag," RED or BLUE in color, designates altitude calibration of 5000 to 10000 feet and 10000 to 15000 feet respectively.

♣ Carter

1960 - 64 LINCOLN

CARBURETOR IDENTIFICATION AND APPLICATION CHART - Continued

TAG IDENTIFICATION NUMBER	STAMPING IDENTIFICATION NUMBER	SERVICE PART NUMBER AND APPLICATION	NO. REQ'D.	ENGINE CUBIC INCH DISPLACEMENT	CARB. IDENT. CODE	YEAR 19
No Tag	C1VE-9510-C	C1VE-9510-C (a, b, c) When used on vehicles equipped with a/cond. C1VY-9A567-A kit must be used Package also includes (1) B9AE-9447-A gasket	1	430-2V	10	61
♣C2VE-A	C2VE-9510-A	NS-use C2VE-9510-C (a, b, c) Use at 0 to 5000 feet altitude on vehicles equipped with a/cond.	1	430-2V	10	62
♣C2VE-B	C2VE-9510-B	NS-use C2VE-9510-C (a, b, c) Use at 0 to 5000 feet altitude on vehicles not equipped with a/cond.	1	430-2V	10	62
♣C2VE-C	C2VE-9510-C	C2VE-9510-C (a, b, c) When used on vehicles equipped with a/cond. C1VY-9A567-A kit must be used Service package also includes (1) C1VE-9447-A gasket Use at 0 to 5000 feet altitude for replacement of C2VE-9510-A and B When replacing C2VE-9510-D and E, rework by using C1VY-9C514-C kit, main metering rod and jet, 5000 to 10000 feet altitude	1	430-2V	10	62
♣C2VE-D	C2VE-9510-D	NS-use C2VE-9510-C (a, b, c) Use at 5000 to 10000 feet altitude on vehicles not equipped with a/cond. When using C2VE-9510-C as replacement, it must be reworked by using C1VY-9C514-C kit, main metering rod and jet, 5000 to 10000 feet altitude	1	430-2V	10	62

Note: Carburetors having the regular stamped "Carburetor Identification Tag" accompanied by a plain "Carburetor Identification Tag," RED or BLUE in color, designates altitude calibration of 5000 to 10000 feet and 10000 to 15000 feet respectively.

♣ Carter

1960 - 64 LINCOLN

CARBURETOR IDENTIFICATION AND APPLICATION CHART - Continued

TAG IDENTIFICATION NUMBER	STAMPING IDENTIFICATION NUMBER	SERVICE PART NUMBER AND APPLICATION	NO. REQ'D.	ENGINE CUBIC INCH DISPLACEMENT	CARB. IDENT. CODE	YEAR 19__
♣C2VE-E	C2VE-9510-E	NS-use C2VE-9510-C (a, b, c) Use at 5000 to 10000 feet altitude on vehicles not equipped with a/cond. When using C2VE-9510-C as replacement, it must be reworked by using C1VY-9C514-C kit, main metering rod and jet, 5000 to 10000 feet altitude	1	430-2V	10	62
♣C3VE-B	C3VE-9510-B	C3VY-9510-A (b, c, d, e) Package also includes - (1) C3VY-9447-B gasket Use at 0 to 5000 feet altitude on vehicles not equipped with a/cond. Use at altitudes above 5000 feet on vehicles equipped with a/cond.	1	430-4V	12	63/64
♣C3VE-A	C3VE-9510-A	NS-use C3VY-9510-A (b, c, d, e) Use at 0 to 5000 feet altitude on vehicles equipped with a/cond.	1	430-4V	12	63/64
♣C3VE-D	C3VE-9510-D	NS-use C3VY-9510-A (b, c, d, e) Use at altitudes above 5000 feet on vehicles not equipped with a/cond.	1	430-4V	12	63/64
♣C3VE-E	C3VE-9510-E	NS-use C3VY-9510-A (b, c, d, e) Use at altitudes above 5000 feet on vehicles equipped with a/cond.	1	430-4V	12	63/64
		34806-S7 - Lockwasher-5/16"	4	b		
		88391-S8 - NS-stud-5/16"-18-24 x 1-1/2"	4	b		
		351089-S8 - Nut-hex. 5/16"-24	4	b		
		353674-S36 - NS-screw and washer-No. 12 - 24 x 5/8"-throttle body and shaft to main body	4	a		
		358165-S - Connector-1/8 male pipe thread x 3/8-24 female thread-use as vacuum advance fitting	1	c		
		358462-S - Nut-wing-1/4"-20-air cleaner to carburetor	1	d		
		358871-S8B - Nut-wing-1/4"-20-air cleaner to carburetor	1	a		
		370971-S8 - Stud-1/4"-20 x 5/16"-18 x 3-13/16" long	1	a		
		371773-S8 - Stud-1/4"-20-20 x 8-1/2" long-air cleaner to carburetor-cut to proper length	1	e		

Note: Carburetors having the regular stamped "Carburetor Identification Tag" accompanied by a plain "Carburetor Identification Tag," RED or BLUE in color, designates altitude calibration of 5000 to 10000 feet and 10000 to 15000 feet respectively.

♣ Carter

9510 - CARBURETOR CHART

Carburetor Identification Code

GROUP AND PART NUMBER	DESCRIPTION, SIZE, ETC.	NUMBER REQUIRED												
		1	2	3	4	5	6	7	8	9	10	11	12	13
9229	GASKET (FUEL INLET ADAPTOR AND/OR STRAINER PLUG)													
† C2AZ 9229-A	Fuel inlet adaptor - also serviced in 9502, 9A586 and 9590 kits ☆ Use with COAE-9510-E, U and Z, and C1AE-9510-E and F	1	1☆			1	1				1			
♣ B7A 9229-A1	Strainer plug - for export only			1										1
◇ B5A 9229-A	"O" ring - inlet tube seal - also serviced in 9502 and 9590 kits										2			
9501	HOUSING & PLUGS (SECONDARY THROTTLE)													
◇ B7A 9501-A	Diaphragm housing										1			
43407-S8	Screw and washer-No. 8-32 x 1"-housing to main body										1			
9A501	TUBE (BALANCE)													
◇ EDC 9A501-A	Also refer to group 9A501 under manifold section										1			
372239-S	Washer-flat-No. 6										2			
9B501	SEAL (FAST IDLE ROD)													
◇ C1AE 9B501-A	☆ Use with B9ME-9510-A, COME-9510-A, F, C1AE-9510-AV only	1☆									1			
♣ COLE 9B501-A					1									
† B7AZ 9B501-A	Also serviced in 9502, 9A586 and 9590 kits					1	1							
♣ C1VE 9B501-A	(1) reqd. - as fast idle rod seal (1) reqd. - as choke shaft rod seal											2		
353610-S	Retainer-spring	2												
359555-S	Washer-flat-No. 10					2	2							
37611-S	Screw-No. 8-32 x 1/4"					1	1							
34802-S7	Lockwasher-No. 8					1	1							
43407-S	Screw-No. 8-32 x 1"										1			
9502	KIT (GASKET)													
◇ B9A 9502-A	☆ Use with B9ME-9510-A, COME-9510-A and F only Also serviced in 9A586 and 9590 kits	1☆												
Consists of the following -														
(1) 8CM-9229	gasket													
(1) C2AZ-9447-D	gasket													
(1) B7A-9516-A	gasket													
(1) B9TZ-9A518-A	gasket													
(1) B9TE-9A522-A	gasket													
	(1) B9TE-9A522-B gasket													
	(1) B8A-9561-C gasket													
	(2) B7AE-9580-A gasket													
	(1) A8AZ-9A588-A gasket													
	(1) B7AZ-9A588-A gasket													
	(4) B7A-9592-A gasket													
	(1) B6A-9609-A "o" ring													
	(2) B7A-9634-A gasket													
	(2) B7A-9853-B gasket													
	(1) B7A-9871-B gasket													
CONTINUED ON NEXT PAGE														
◇ Holley	† Ford	♣ Carter												

9510 - CARBURETOR CHART		Carburetor Identification Code												
GROUP AND PART NUMBER	DESCRIPTION, SIZE, ETC.	1	2	3	4	5	6	7	8	9	10	11	12	13
		NUMBER REQUIRED												
9502	KIT (GASKET) CONTINUED													
◇C1AZ 9502-C	☆Use with (2) C1AE-9510-AU and (1) C1AE-9510-AV only Also serviced in 9590 kit NOTE - This kit contains gaskets and seals to service all (3) carburetors on 406-6V engines Consists of the following - (3) 8CM-9229 gasket (3) B9TE-9A522-B gasket (3) 40-9608 gasket (3) C1AE-9447-C gasket (3) B8A-9561-C gasket (3) B6A-9609-A gasket (3) EDC-9516-A gasket (6) B7AE-9580-A gasket (6) B7A-9634-A seal (3) B9TZ-9A518-A gasket (3) B7AZ-9A588-A gasket \$(2) B7A-9853-B gasket (3) B9TE-9A522-A gasket (12) B7A-9592-A gasket \$(1) B7A-9871-B gasket \$ Use with primary carburetor only	1☆												
◇ B8A 9502-C	☆Use with COAE-9510-E, U and Z, C1AE-9510-E and F, and C2AE-9510-A, B, E and F only Also serviced in 9A586 and 9590 kits Consists of the following - (1) B6A-9447-B gasket (1) EAA-9569-A gasket (1) COAE-9A588-A gasket (1) B8A-9516-C gasket (1) EAA-9580-A gasket (1) B2A-9827-A gasket (1) B2AZ-9561-A gasket (1) B2AZ-9A588-A gasket (1) B2AZ-9945-A gasket (1) C2AZ-9561-C gasket	1☆												
◇CODZ 9502-A	☆Use with CODE-9510-A, B, C and D, and C1DE-9510-B only Also serviced in 9A586 and 9590 kits Consists of the following - (1) C1TZ-9447-A gasket (1) EAA-9569-A gasket (1) COAE-9A588-A gasket (1) CODE-9516-B gasket (1) EAA-9580-A gasket (1) B2A-9827-A gasket (1) B2AZ-9561-A gasket (1) B2AZ-9A588-A gasket (1) B2AZ-9945-A gasket (1) C2AZ-9561-C gasket (1) B5AZ-9A588-A gasket	1☆												
◆COSZ 9502-A	For export only Also serviced in 9590 kit Consists of the following - (1) B7A-9229-A gasket (2) B9ME-9A536-A gasket (1) B9ME-9580-A gasket (1) B9SE-9447-A gasket (1) COLE-9B567-A gasket (1) B7A-9851-C gasket (1) B9ME-9A529-A gasket (2) B7A-9569-B gasket (1) B8A-9871-B gasket (2) B7AZ-9A536-B gasket				1									
◆COLY 9502-B	Also serviced in 9A586 and 9590 kits Consists of the following - (1) C2AZ-9447-D gasket (1) COLE-9B565-A gasket (1) COLE-9569-A gasket (1) COLE-9516-A gasket (1) COLE-9B567-A gasket (1) COLE-9A587-C gasket (1) COME-9561-A gasket (1) COLE-9B568-C gasket (1) B8A-9871-B gasket CONTINUED ON NEXT PAGE ◇ Holley † Ford ◆ Carter					1								

9510 - CARBURETOR CHART

Carburetor Identification Code

GROUP AND PART NUMBER	DESCRIPTION, SIZE, ETC.	NUMBER REQUIRED												
		1	2	3	4	5	6	7	8	9	10	11	12	13
9502	KIT (GASKET) CONTINUED													
†C2OZ 9502-A	NS - 7/1/63 RB C2OZ-9502-B													
†C2OZ 9502-B	<p>☆ Use with COME-9510-G, K, C1AE-9510-Y, Z, AA, AB, AC, AD, AE, C2AF-AA, AB, AC, AD, AE, AF, AG, AH, C2OF-N, R, S, T, AA, AB, AC, AD, C3AF-BD, BE, C3DF-D, F, C3OF-C, D, E, F, AG, AH, C4OF-A, B, K, L, AE, AK</p> <p>Also serviced in 9A586 and 9590 kits</p> <p>Consists of the following -</p> <p>(1) 8CM-9229 gasket (1) B7AZ-9A501-A seal (1) B8A-9853-A gasket</p> <p>(1) C2AZ-9447-D gasket - except 221, 260 C. I. D. (1) B8AZ-9A536-A gasket (1) C1AE-9871-A gasket</p> <p>(1) C2OZ-9447-C engine only (1) C2OZ-9561-A gasket (1) 374370-S gasket</p> <p>gasket - 221, 260 (1) B7A-9563-A1 gasket (1) 374818-S gasket</p> <p>C. I. D. engine only (1) B7A-9569-A1 gasket (1) C2AZ-9A588-B gasket</p>					1☆								
†C3MY 9502-A	<p>☆ Use with C3MF-A, B, C, D, C4MF-A, D, E</p> <p>Also serviced in 9A586 and 9590 kits</p> <p>Consists of the following -</p> <p>(1) C2AZ-9229-A gasket (1) C2OZ-9561-A gasket (1) B8A-9853-A gasket</p> <p>(3) C3MY-9447-A gasket (1) B7A-9563-A gasket (1) C1AE-9871-A gasket</p> <p>(1) B7AZ-9B501-A seal (1) B7A-9569-A gasket (1) 374818-S gasket</p> <p>(1) B8AZ-9A536-A gasket (1) C2AZ-9A588-B gasket</p>					1☆								
†C3MY 9502-B	<p>☆ Use with C3AF-F, AN, C3DF-C, E, C4MF-N, T, U, V, Y, C4OF-AM, AS, BS, C4ZF-R</p> <p>Also serviced in 9A586 and 9590 kits</p> <p>Consists of the following -</p> <p>(1) C2AZ-9229-A gasket (1) C3MF-9F553-A plate (1) B7A-9563-A1 gasket</p> <p>(1) C2AZ-9447-D gasket (1) C2OZ-9561-A gasket-use with (1) B7A-9569-A gasket</p> <p>(1) C3MY-9447-A gasket air horn without choke tube on (1) C2AZ-9A588-B gasket</p> <p>(1) C2OZ-9447-A gasket underside (1) B8A-9853-A gasket</p> <p>(1) B7AZ-9B501-A seal (1) C2OZ-9561-B gasket-use with (1) C1AE-9871-A gasket</p> <p>(1) B8AZ-9A536-A gasket air horn with choke tube on (1) 374370-S gasket</p> <p>underside (1) 374818-S gasket</p>					1☆								
†C2SZ 9502-A	<p>Also serviced in 9A586 and 9590 kits</p> <p>Consists of the following -</p> <p>(1) 8CM-9229 gasket (1) B7A-9563-A gasket (1) B8A-9853-A gasket</p> <p>(1) C2AZ-9447-E gasket (1) COLE-9B567-A gasket - use with (1) C1AE-9871-A gasket</p> <p>(1) B7AZ-9B501-A seal Thunderbird only (1) 374370-S gasket</p> <p>(2) B8AZ-9A536-A gasket (1) B7A-9569-A gasket (1) 374818-S gasket</p> <p>(1) C2AZ-9561-A gasket (1) C2AZ-9A588-B gasket</p>					1								
◇C1KY 9502-A	<p>Also serviced in 9A586 and 9590 kits</p> <p>Consists of the following -</p> <p>(1) C1TZ-9447-A gasket (1) B2AZ-9A588-A gasket (1) C1KE-9853-A gasket</p> <p>(1) CODE-9516-B gasket (1) COAE-9A588-A gasket (1) C1GY-9871-A gasket</p> <p>(1) EAN-9561-A gasket (1) B2A-9827-A gasket (1) C1KE-9A877-A seal</p> <p>(1) EAA-9569-A gasket (1) B2A-9829-A gasket</p>							1						
◇C2GY 9502-A	<p>Also serviced in 9A586 and 9590 kits</p> <p>Consists of the following -</p> <p>(1) C2DZ-9447-A gasket (1) COAE-9A588-A gasket (1) C2GE-9871-A gasket</p> <p>(1) C2DZ-9561-A gasket (1) C2GE-9B866-A gasket</p>							1						
CONTINUED ON NEXT PAGE														
◇ Holley	† Ford	● Carter												

9510 - CARBURETOR CHART

Carburetor Identification Code

GROUP AND PART NUMBER	DESCRIPTION, SIZE, ETC.	NUMBER REQUIRED												
		1	2	3	4	5	6	7	8	9	10	11	12	13
9502	KIT (GASKET) CONTINUED													
◇C1AZ 9502-B	☆ Use with C1AE-9510-AM, C2AE-9510-CB, C3AE-9510-A, C, C3AF-9510-BJ, BK Also serviced in 9590 kit (1) req'd. for 427-4V C.I.D. engine (2) req'd. for 427-8V C.I.D. engine Consists of the following - (1) 8CM-9229 gasket (2) B9TE-9A522-B gasket (2) B5A-9229-A "o" ring (1) B8A-9561-C gasket (1) C2AZ-9447-E gasket (1) B8A-9561-D gasket (1) B8S-9516-A gasket (2) B7AE-9580-A gasket (1) B8AZ-9A518-A gasket (2) A8AZ-9A588-A gasket (1) B9TZ-9A518-A gasket (1) B7AZ-9A588-A gasket (2) B9TE-9A522-A gasket (8) B7A-9592-A gasket										1-2			
◇C3AZ 9502-D	☆ Use with C3AE-9510-B Also serviced in 9590 kit Consists of the following - (1) 8CM-9229 gasket (2) B9TE-9A522-B gasket (2) B5A-9229-A seal (2) B6A-9561-C gasket (1) C3AZ-9447-A gasket (2) B7AE-9580-A gasket (1) C3AZ-9516-A gasket (2) A8AZ-9A588-A gasket (2) B9TZ-9A518-A gasket (2) B7AZ-9A588-A gasket (2) B9TE-9A522-A gasket (8) B7A-9592-A gasket										1			
◆C1VY 9502-B	Use on vehicles built prior to 5-24-62 Also serviced in 9A586 and 9590 kits Consists of the following - (1) C1VE-9447-A gasket (1) COLE-9B565-A gasket (1) C1VE-9516-A gasket (1) COLE-9B567-A gasket (1) C1VE-9561-A gasket (1) C1VE-9569-A gasket											1		
◆C2VY 9502-A	Use on vehicles built after 5-23-62 Also serviced in 9A586 and 9590 kits Consists of the following - (1) C1VE-9447-A gasket (1) C1VE-9561-A gasket (1) C1VE-9516-A gasket (1) COLE-9B565-A gasket (1) C1VE-9C533-B gasket (1) COLE-9B567-A gasket											1		
†C3AZ 9502-A	Also serviced in 9A586 and 9590 kits Consists of the following - (1) C1TZ-9447-A gasket - not used (1) C3AZ-9561-B gasket with these carbs. (1) C3AZ-9569-B gasket (1) C3DZ-9447-A gasket - for 144-1V, 170-1V, 200-1V engines												1	
◆C3VY 9502-B	Also serviced in 9A586 and 9590 kits Consists of the following - (1) B7A-9229-A gasket (2) B9ME-9A536-A gasket (1) C3VY-9447-B gasket (1) C3VY-9561-A gasket (1) C1VE-9C533-B gasket (1) COLE-9B567-A gasket (2) B7AZ-9A536-A gasket (2) B7A-9569-B1 gasket												1	
	◇ Holley † Ford ◆ Carter													

9510 - CARBURETOR CHART		Carburetor Identification Code												
		1	2	3	4	5	6	7	8	9	10	11	12	13
GROUP AND PART NUMBER	DESCRIPTION, SIZE, ETC.	NUMBER REQUIRED												
9B502	SCREW (DASHPOT)													
◇B1AZ 9B502-A	Adjusting hex. head-No. 10-32 x 1" ☆ COAE-9510-E, U, Z, CODE-9510-C, D, C1AE-9510-E, F, C1DE-9510-B, C1GE-9510-B, D, F, H, C1KE-9510-B, C2AE-9510-A, B, E, F		1☆						1☆	1				
◇B2AZ 9B502-A	Operating lever ☆ COAE-9510-E, U, Z, CODE-9510-C, D, C1AE-9510-E, F, C1DE-9510-B, C1GE-9510-B, D, F, H, C1KE-9510-B C2AE-9510-A, B, E, F		1☆						1☆	1				
9503	DIAPHRAGM (SECONDARY THROTTLE)													
† B8A 9503-B	Also serviced in 9590 kit							1						
◇ B8A 9503-A	Also serviced in 9590 kit										1			
9B504	SPRING (SECONDARY THROTTLE DIAPHRAGM RETURN)													
†B8AZ 9B504-D	Also serviced in 9590 kit							1						
◇B5AZ 9B504-A	☆ Use with C1AE-9510-AM, C2AE-9510-CB, C3AE-9510-A and B										1☆			
◇B7AZ 9B504-C	☆ Use with C3AE-9510-C, C3AF-9510-BJ, BK										1☆			
9C504	ROD (SECONDARY THROTTLE CONTROL)													
♣COME 9C504-A	☆ For export only			1☆										1
◇B7AZ 9C504											1			
359734-S	Retainer-1/4"			2										2
353610-S	Retainer-spring										2			
353854-S	Washer-flat-.129/.134										1			
9C504	REFER TO GROUP 9598													
9C505	LEVER (SECONDARY THROTTLE OVERRIDE)													
♣COME 9C505-A	For export only			1										
9A506	LEVER (ACCELERATOR PUMP PISTON OPERATING)													
◇B8AZ 9A506-A		1									1			
◇COAZ 9583-A			1						1					
♣COLY 9583-A				1										
♣C1VE 9534-A													1	
370050-S2	Screw-hex. hd. slotted-No. 10-32 x 1/2"	1									1			
370052-S2	Nut-sleeve-No. 10-32 x .260"	1									1			
9C506	PLATE (SECONDARY THROTTLE LOCKOUT)													
♣COME 9C506-A	For export only			1										
	◇ Holley † Ford ♣ Carter													

9510 - CARBURETOR CHART		Carburetor Identification Code												
		1	2	3	4	5	6	7	8	9	10	11	12	13
GROUP AND PART NUMBER	DESCRIPTION, SIZE, ETC.	NUMBER REQUIRED												
9507	COVER (SECONDARY THROTTLE DIAPHRAGM)													
† B8A 9507-A							1							
◇ B7A 9507-B	☆ Use with C1AE-9510-AM, C3AE-9510-A, B										1☆			
◇ C3AZ 9507-A	☆ Use with C2AE-9510-CB, C3AE-9510-C, C3AF-9510-BJ, BK										1☆			
34802-S	Washer-spring-No. 8						4							
31093-S	Screw-fill. hd. -No. 8-32 x 3/4"						4							
43255-S	Screw and washer-No. 8-32 x 5/8"										4			
9A507	BOWL & PLUGS (FLOAT) PRIMARY													
◇ B9AE 9A507-A	☆ Use with B9ME-9510-A, COME-9510-A, F	1☆												
◇ C1AZ 9A507-B	☆ Use with C1AE-9510-AV only	1☆												
◇ C1AZ 9A507-C	☆ Use with C1AE-9510-AU only	1☆												
◇ COAZ 9A507-A			1						1					
◇ COAE 9A507-A	☆ Use with C1AE-9510-AM, C2AE-9510-CB, C3AE-9510-A, C										1☆			
◇ C3AZ 9A507-A	☆ Use with C3AE-9510-B, C3AF-9510-BJ, BK										1☆			
359747-S	Screw-special hd. -No. 12-24 x 2-1/2"	4									4			
43396-S8	Screw and lockwasher-fill. hd. -No. 10-32 x 1/2"-float bowl to main body and plugs		4						4					
9A508	BOWL & PLUGS (FLOAT) SECONDARY													
◇ B9AZ 9A508-A	☆ Use with C1AE-9510-AM, C2AE-9510-CB, C3AE-9510-C, C3AF-9510-BJ, BK										1☆			
◇ C3AZ 9A508-A	☆ Use with C3AE-9510-A and B										1☆			
372238-S	Screw-special hd. -No. 12-24 x 1-5/64"										4			
9B508	BUSHING (SECONDARY THROTTLE DIAPHRAGM LEVER)													
◇ B7AZ 9B508-A	Nylon - .015" thick x 1/4" wide										3			
◇ B8AZ 9B508-A	Nylon - .015" thick x 1/8" wide										1			
9510	CARBURETOR ASSEMBLY Refer to Carburetor Identification and Application Chart													
9A511	BODY & PLUGS (MAIN METERING) PRIMARY													
◇ B9ME 9A511-A	☆ Use with B9ME-9510-A only	1☆												
◇ COME 9A511-B	☆ Use with COME-9510-A and F only	1☆												
◇ C1AZ 9A511-A	☆ Use with C1AE-9510-AV only	1☆												
◇ C1AZ 9A511-B	☆ Use with C1AE-9510-AU only	1☆												
◇ B9LE 9A511-A	☆ Use with C1AE-9510-AM, C3AE-9510-A										1☆			
◇ COAE 9A511-A	☆ Use with C2AE-9510-CB, C3AE-9510-C										1☆			
◇ C3AZ 9A511-A	☆ Use with C3AE-9510-B										1☆			
◇ C4AZ 9A511-A	☆ Use with C3AF-9510-BJ, BK										1☆			
358165-S	Connector-3/8 pipe thread	1									1			
	◇ Holley † Ford ◆ Carter													

9510 - CARBURETOR CHART

Carburetor Identification Code

GROUP AND PART NUMBER	DESCRIPTION, SIZE, ETC.	NUMBER REQUIRED												
		1	2	3	4	5	6	7	8	9	10	11	12	13
9B511	VALVE AND/OR WEIGHT (ACCELERATOR PUMP DISCHARGE)													
◊B9AE 9B511-A	Weight ★ Use with CODE-9510-A, B, C, D, C1DE-9510-B and C2AE-A, B, E, F		1★						1					
†C3AZ 9B511-A	Valve - brass ★ Use with COME-G, K, C1AE-9510-Y, Z, AA thru AF, AH, AK, AL, C2AF-AA thru AH, AN, C3AF-AN, C3GF-A, B, G, H, C3MF-D, C3OF-AJ, C3YF-A, B, E, F, G, H, C4GF-A, B, C, AH, AR					1★	1★					1★		
†C2OZ 9B511-A	Weight - aluminum ★ Use with C2AF-T, U, Y, Z, AJ, AK, AL, AN, AR, C2OF-N, R, S, T, AA thru AD, C3AF-F, N, R, S, T, AN, AT, BD, BE, BU, BV, BY, C3DF-C thru F, C3MF-A, B, C, C3OF-C, D, E, AG, AH, C4GF-DH thru DL, DU, DV, DY, C4GF-E, AA, AE, AF, C4MF-N, T, U, V, Y, C4OF-BS, C4ZF-R					1★	1★							
353080-S	Ball-steel-3/8"					1	1							
371350-S						1	1							
9E511	COVER (DASHPOT)													
†C3AZ 9E511-A	With links ★ Use with C3GF-B, H, C3YF-B, E, G, H, C4GF-B, C, AR, AV												1★	
354746-S100	Screw-fill. hd. - No. 8-32 x 3/4"-dashpot to main body												4	
34802-S	Washer-spring-No. 8												4	
371350-S	Ball-steel-3/16" diameter-use as dashpot inlet valve												1	
9512	BODY & PLUGS (MAIN)													
◊B9ME 9512-C	★ Use with B9ME-9510-A only	1★												
◊COME 9512-D	★ Use with COME-9510-A and F only	1★												
◊C1AZ 9512-G	★ Use with C1AE-9510-AV only	1★												
◊C1AZ 9512-H	★ Use with C1AE-9510-AU	1★												
◊ B8A 9512-L	★ Use with COAE-9510-E and U, and C1AE-9510-E		1★											
◊COAE 9512-J	★ Use with COAE-9510-Z, C1AE-9510-F and C2AE-9510-E		1★											
◊CODE 9512-A	★ Use with CODE-9510-A and C only	1★												
◊CODE 9512-B	★ Use with CODE-9510-B and D only	1★												
◊C1DE 9512-A	★ Use with C1DE-9510-B, and C1KE-9510-B	1★												
◊C2AZ 9512-C	★ Use with C2AE-9510-A only	1★							1★					
◊C2AZ 9512-D	★ Use with C2AE-9510-B only	1★												
◊C2AZ 9512-E	★ Use with C2AE-9510-F only	1★												
†COME 9512-A	★ Use with COME-9510-G only								1★					
†COME 9512-E	★ Use with COME-9510-K only								1★					
†C1AE 9512-D	★ Use with C1AE-9510-Y, Z, AA and AB only								1★					
†C2OZ 9512-B	Includes throttle shaft and plates ★ Use with C2OF-N and S							1★						
CONTINUED ON NEXT PAGE														
◊ Holley † Ford • Carter														

9510 - CARBURETOR CHART		Carburetor Identification Code												
GROUP AND PART NUMBER	DESCRIPTION, SIZE, ETC.	1	2	3	4	5	6	7	8	9	10	11	12	13
		NUMBER REQUIRED												
9512	BODY & PLUGS (MAIN) CONTINUED													
†C2AZ 9512-B	☆ Use with C1AE-9510-AC, AD, AE, AF, C2AF-AA, AB, AC, AD						1☆							
†C2AZ 9512-A	☆ Use with C2AF-AE, AF, AG and AH only						1☆							
†C2OZ 9512-A	Includes throttle shaft and plates ☆ Use with C2OF-R and T						1☆							
†C2OZ 9512-E	Includes throttle shaft and plates ☆ Use with C2OF-AA, AB, AC and AD, C3AF-BD, BE, and C3DF-E and F, C3OF-E, F						1☆							
†C2OZ 9512-F	☆ Use with C3DF-C, D, C3OF-C, D, AG, AH						1☆							
†C3MY 9512-A	☆ Use with C3MF-A and C only						1☆							
	NS-serviced in C3MF-9510-B and D only						1☆							
†C1AZ 9512-C	☆ Use with C1AE-9510-AH, C2AF-T, AJ, AK, AL, C3AF-N, R, AT, AU									1☆				
†C1AZ 9512-D	☆ Use with C1AE-9510-AL, C2AF-Y, AN, C3AF-S, AV									1☆				
†C1AZ 9512-E	☆ Use with C1AE-9510-AK, C2AF-Z, AR, C3AF-T, AY									1☆				
†C2SZ 9512-A	☆ Use with C3AF-BU, BV									1☆				
†C1AZ 9512-F	☆ Use with C3AF-BY									1☆				
†C1AZ 9512-J	☆ Use with C3AF-BZ									1☆				
†C3OZ 9512-B	☆ Use with C3OF-AJ									1☆				
†C4GY 9512-B	☆ Use with C4GF-E									1☆				
◇C1KE 9512-A	☆ Use with C1KE-9510-A										1☆			
◇C1GE 9512-A	☆ Use with C1GE-9510-A, C										1☆			
◇C1GE 9512-B	☆ Use with C1GE-9510-B, D										1☆			
◇C1DE 9512-B	☆ Use with C1GE-9510-E, G										1☆			
◇C1DE 9512-C	☆ Use with C1GE-9510-F, H										1☆			
◇C1AZ 9512-B	☆ Use with C1AE-9510-AM											1☆		
◇C3AZ 9512-A	☆ Use with C3AE-9510-A											1☆		
◇C3AZ 9512-B	☆ Use with C3AE-9510-B											1☆		
◇COAE 9512-L	☆ Use with C2AE-9510-CB											1☆		
◇C3AZ 9512-C	☆ Use with C3AE-9510-C											1☆		
	☆ NS-serviced in C3AF-9510-BJ, BK only											1☆		
†C3GY 9512-A	☆ Use with C3GF-B, G, H												1☆	
†C3GY 9512-B	☆ Use with C3GF-A												1☆	
†C3YY 9512-A	☆ Use with C3YF-A												1☆	
†C3YY 9512-B	☆ Use with C3YF-B												1☆	
†C3YY 9512-C	☆ Use with C3YF-E												1☆	
†C3AZ 9512-F	☆ Use with C3AF-F, AN						1☆							
	☆ NS-serviced in C4MF-9510-A assembly only						1☆							
	☆ NS-serviced in C3YF-9510-F, G, H, C4GF-A, B, C, AH, AR only												1☆	
	NS-serviced in 9510 assembly only													1
†C4OF 9512-A	☆ NS-serviced in C4OF-9510-A, B, K, L, AE, AK, AM, AS only						1☆							
	CONTINUED ON NEXT PAGE													
	◇ Holley † Ford ♣ Carter													

9510 - CARBURETOR CHART		Carburetor Identification Code												
GROUP AND PART NUMBER	DESCRIPTION, SIZE, ETC.	1	2	3	4	5	6	7	8	9	10	11	12	13
		NUMBER REQUIRED												
9512	BODY & PLUGS (MAIN) CONTINUED													
354582-S	Connector-5/16" flared tube		1					1						
371350-S	Ball-3/16" diameter-use as dashpot inlet check valve											1		
358165-S	Connector-3/8" pipe thread						1				1	1		
9A513	BODY (MAIN METERING) SECONDARY													
◇C1AZ 9A513-A	☆ Use with C1AE-9510-AM, C3AE-9510-A, C3AF-9510-BJ, BK										1☆			
◇COAZ 9A513-A	☆ Use with C2AE-9510-CB, C3AE-9510-C										1☆			
◇C3AZ 9A513-A	☆ Use with C3AE-9510-B										1☆			
372243-S	Screw-flat hd. -No. 8-32 x .560"										4			
9B513	PISTON (VACUUM)													
♣COLE 9B513-C	☆ For export only			2☆									2	
♣COLE 9B513-B					1									
♣C1VE 9B513-A											1			
374002-S8	Screw-shoulder-piston to main body				2						2			
9C513	SPRING (CHOKE LEVER)													
◇C1KE 9C513-A	74 coils - 1/8" diameter x 1" overall length with eye type ends ☆ Use with C1KE-9510-A, B							1☆						
◇CODE 9C513-A	11/64" diameter x 1-5/32" overall length with eye type ends ☆ Use with C1GE-9510-A, B, C, D, E, F, G, H Also serviced in C1GY-9549-A							1☆						
9514	PLATE (METERING BODY) SECONDARY													
◇ B8A 9514-A											1			
9A514	LEVER (CHOKE COUNTERSHAFT OPERATING)													
♣B7AZ 9A514-A	Choke shaft - for export only			1										
♣B8AZ 9A514-A	Choke countershaft - for export			1										
♣C3VY 9A514-A	Outer													1
♣C3VY 9A514-B	Inner													1
359719-S7	Screw and washer-fill. hd. -No. 8-32 x 3/4"													1
31426-S7	Nut-square-No. 8-32													1
9C514	KIT (MAIN METERING ROD & JET)													
♣C1VY 9C514-A	10000 to 15000 feet altitude Consists of the following - (2) COLE-9A526-C metering rod (2) C1VE-9533-C metering jet (1) C1VE-9B548-A spring											1		
♣C1VY 9C514-B	5000 to 10000 feet altitude ☆ Use with C1VE-9510-A, B, C, D, E Consists of the following - (2) C1VE-9A526-B metering rod (2) C1VE-9533-B metering jet (1) C1VE-9B548-A spring											1☆		
	NOTE - Carburetors having a code tag BLUE in color have the above parts incorporated													
	NOTE - Carburetors having a code tag RED in color have the above parts incorporated													
	CONTINUED ON NEXT PAGE													
	◇ Holley † Ford ♣ Carter													

9510 - CARBURETOR CHART		Carburetor Identification Code												
		1	2	3	4	5	6	7	8	9	10	11	12	13
GROUP AND PART NUMBER	DESCRIPTION, SIZE, ETC.	NUMBER REQUIRED												
9C514	KIT (MAIN METERING ROD & JET) CONTINUED													
◆C1VY 9C514-C	5000 to 10000 feet altitude ☆ Use with C2VE-9510-A, B, C, D, E												1☆	
(2) COLE-9A526-B	Consists of the following - metering rod (2) COLE-9533-A metering jet (1) C1VE-9B548-A spring NOTE - Carburetors having a code tag RED in color have the above parts incorporated													
9A515	ROD (ACCELERATOR PUMP LINK TO VENT LEVER)													
◇B9AE 9A515-A	☆ Use with B9ME-9510-A, COME-9510-A and F only	1☆												
359528-S	Ring-retaining-3/32"-rod to valve	1												
9516	GASKET (MAIN BODY TO THROTTLE BODY)													
◇ B7A 9516-A	☆ Use with B9ME-9510-A, COME-9510-A and F only - also serviced in 9502, 9A586 and 9590 kits	1☆												
◇ EDC 9516-A	☆ Use with C1AE-9510-AU and AV only - also serviced in 9502 and 9590 kits	1☆												
◇ B8A 9516-C	☆ Use with COAE-9510-E, U and Z, C1AE-9510-E, F, C2AE-9510-A, B, E, F - also serviced in 9502, 9A586 and 9590 kits		1☆											
◇CODE 9516-B	NS-serviced in 9502, 9A586 and 9590 kits only ☆ Use with CODE-9510-A, B, C and D, and C1DE-9510-B		1☆						1					
◆COLE 9516-A	Also serviced in 9502, 9A586 and 9590 kits					1								
◇ B8S 9516-A	Also serviced in 9502 and 9590 kits - ☆ Use with C1AE-9510-AM, C2AE-9510-CB, C3AE-9510-A, C, C3AF-9510-BJ, BK											1☆		
◇C3AZ 9516-A	Also serviced in 9502 and 9590 kits - ☆ Use with C3AE-9510-B											1☆		
◆C1VE 9516-A	Also serviced in 9502, 9A586 and 9590 kits												1	
9A516	VALVE AND/OR NEEDLE (ACCELERATOR PUMP DISCHARGE)													
◇B9TE 9A516-A	Pump discharge nozzle - also serviced in 9590 kit	1										1		
◆B7AZ 9A516-A	Needle - for export only - also serviced in 9590 kit				1☆									1
◇C2DZ 9A516-A	Also serviced in 9590 kit										1			
9A517	BAFFLE (FLOAT BOWL)													
◇B8AZ 9A517-A	Primary	1										1		
◆B7AZ 9A517-B	☆ For export only				2☆									2
◇B8AZ 9A517-B	Secondary ☆ Use with C1AE-9510-AM, C3AE-9510-A, B, C3AF-9510-BJ, BK											1☆		
◇B9TE 9A517-B	Secondary ☆ Use with C2AE-9510-CB, C3AE-9510-C											1☆		
†C2SZ 9A517-A	Equalizer passage baffle ☆ Use with C3AF-N, R, S, T, AT, AU, AV, AY, BU, BV, BY, BZ, C3OZ-AJ, C4AF-DH, DJ, DK, DL, DU, DV, DY, C4GF-E, AA, AB, AE, AF									2☆				
	◇ Holley † Ford ◆ Carter													

9510 - CARBURETOR CHART		Carburetor Identification Code												
		1	2	3	4	5	6	7	8	9	10	11	12	13
GROUP AND PART NUMBER	DESCRIPTION, SIZE, ETC.	NUMBER REQUIRED												
9518	BODY & SHAFT (THROTTLE)													
◇B9AE 9518-A	☆ Use with B9ME-9510-A only	1☆												
◇COME 9518-C	☆ Use with COME-9510-A and F only	1☆												
◇C1AZ 9518-A	☆ Use with C1AE-9510-AU only	1☆												
◇C1AZ 9518-B	☆ Use with C1AE-9510-AV only	1☆												
◇ B9T 9518-D	☆ Use with COAE-9510-E, U and Z, C1AE-9510-E and F only		1☆											
◇C1DE 9518-G	☆ Use with CODE-9510-A, B, C and D only		1☆											
◇C1DZ 9518-A	☆ Use with CODE-9510-A, B, C, D		1☆											
Consists of the following -														
(1) C1TZ-9447-A	gasket	(1) C1DE-9518-G	body and shaft		(1) 40-9578					spring				
(1) CODE-9516-B	gasket	(1) 78-9541-B	needle											
◇C2AZ 9518-A	☆ Use with C2AE-9510-A and B only		1☆											
◇C2AZ 9518-B	☆ Use with C2AE-9510-E and F only		1☆											
◇C1DE 9518-E	☆ Use with C1DE-9510-B only		1☆											
◇C1KE 9518-A	☆ Use with C1KE-9510-A								1☆					
◇C1KE 9518-B	☆ Use with C1KE-9510-B								1☆					
◇C1DE 9518-A	☆ Use with C1GE-9510-A								1☆					
◇C1DE 9518-B	☆ Use with C1GE-9510-B								1☆					
◇C1GE 9518-A	☆ Use with C1GE-9510-D								1☆					
◇C1GE 9518-B	☆ Use with C1GE-9510-C								1☆					
◇C1DE 9518-C	☆ Use with C1GE-9510-E, G								1☆					
◇C1DE 9518-D	☆ Use with C1GE-9510-F, H								1☆					
◇COGY 9518-A	Kit - ☆ use with C1GE-9510-A, B, C, D, E, F, G, H, C1KE-A, B								1☆					
Consists of the following -														
(1) C1TZ-9447-A	gasket	(1) C1GE-9518-A	throttle body assy.		(1) 40-9578					spring				
(1) CODE-9516-B	gasket	(1) 78-9541-B	needle		(2) 371280-S7					screw				
◇B9LE 9518-A	☆ Use with C1AE-9510-AM, C3AE-9510-A									1☆				
◇C3AZ 9518-B	☆ Use with C2AE-9510-CB, C3AE-9510-C									1☆				
◇C3AZ 9518-A	☆ Use with C3AE-9510-B									1☆				
◇C4AZ 9518-A	☆ Use with C3AF-9510-BJ, BK									1☆				
359736-S	Screw and lockwasher-fill. hd. - No. 12-24 x 13/16"-throttle body to main body	AR								AR				
34805-S	Lockwasher-1/4"-throttle body to main body		2											
353620-S100	Screw-fill. hd. - 1/4"-20 x 1-1/2"- throttle body to main body		2											
371280-S7	Screw and washer-fill. hd. - 1/4"-28 x 1-3/16"-throttle body to main body							2						
359749-S	Screw-set-No. 8-32 x 3/8"-diaphragm lever adjusting screw									1				
9A518	GASKET (MAIN METERING BODY)													
◇B9TZ 9A518-A	Primary - also serviced in 9502 and 9590 kits	1								AR				
◇B8AZ 9A518-A	Secondary - also serviced in 9502 and 9590 kits									1				
9A519	SPRING (FLOAT)													
◇B9TE 9A519-B		1								2				
◇CODE 9A519-A	3/32" diameter - (23) coils with a hook on each end ☆ Use with CODE-9510-A, B, C, D, C1DE-9510-B		1☆					1						
◇ Holley † Ford • Carter														

9510 - CARBURETOR CHART		Carburetor Identification Code												
GROUP AND PART NUMBER	DESCRIPTION, SIZE, ETC.	1	2	3	4	5	6	7	8	9	10	11	12	13
		NUMBER REQUIRED												
9A520	ADAPTOR (FUEL INLET)													
♣ B7A 9A520-B	☆ For export only			1☆										1
†COAE 9A520-A	☆ Use with COME-9510-G, H, C1AE-9510-Y, Z, AB, C2AF-T, U, Y, Z, AA thru AN, AR, C2OF-N, R, S, T, AA thru AD, C3AF-F, N, R, S, T, AN, AT, AU, AV, AY, BD, BE, BU, BV, BY, BZ, C3DF-C, D, E, F, C3MF-A, B, C, D, C3OF-C, D, E, F, AG, AH, AJ, C4AF-DH, DJ, DK, DL, C4GF-E, AA, AE, AF, C4MF-A, D, E, N, T, U, C4OF-A, B, K, L, AE, AK, AM, AS					1☆	1☆							
†C1AE 9A520-A	☆ Use with C1AE-9510-AC, AD, AE, AF, AH, AK, AL					1☆	1☆							
◇C2DZ 9A520-A	☆ Use with C1AE-9510-AM, C2AE-9510-CB, C3AE-9510-A, B, C									1	1☆			
†C3AZ 9A520-A													1	
9A522	REFER TO GROUP 9569													
9A523	SUPPORT (BOOSTER VENTURI)													
♣B9SZ 9A523-A	Venturi assembly - secondary - R. H. - for export only			1										
♣B9SZ 9A523-C	Venturi assembly - secondary - L. H. - for export only			1										
♣COSZ 9A523-B	Venturi assembly - primary - R. H. - for export only			1										
♣COSZ 9A523-A	Venturi assembly - primary - L. H. - for export only			1										
♣COLE 9A523-C	Must be used with the following - (1) COLE-9B558-C cover (1) COLE-9B568-C gasket (1) COLE-9B587-C gasket				1									
†COME 9A523-A	"AA" stamped on circular portion of support casting ☆ Use with COME-9510-G only					1☆								
†COME 9A523-B	"CA" stamped on circular portion of support casting ☆ Use with COME-9510-K only					1☆								
†C1AZ 9A523-A	"DB" stamped on circular portion of support casting ☆ Use with C1AE-9510-Y and Z, C2AF-AA and AB					1☆								
†C1AZ 9A523-B	NS - 8/1/64 RB C1AZ-9A523-F													
†C1AZ 9A523-F	"W" stamped on circular portion of support casting ☆ Use with C1AE-9510-AA and AB, and C2AF-AC and AD					1☆								
†COAE 9A523-A	"F" stamped on circular portion of support casting ☆ Use with C1AE-9510-AC and AD, and C2AF-AE and AF					1☆								
CONTINUED ON NEXT PAGE														
◇ Holley † Ford ♣ Carter														

9510 - CARBURETOR CHART		Carburetor Identification Code												
		1	2	3	4	5	6	7	8	9	10	11	12	13
GROUP AND PART NUMBER	DESCRIPTION, SIZE, ETC.	NUMBER REQUIRED												
9A523	SUPPORT (BOOSTER VENTURI) CONTINUED													
†C1AZ 9A523-C	"FN" stamped on circular portion of support casting ☆ Use with C1AE-9510-AE and AF, C2AF-AG and AH					1☆								
†C2OZ 9A523-E	"KB" stamped on circular portion of support casting ☆ Use with C2OF-N and R					1☆								
†C2OZ 9A523-F	"VA" stamped on circular portion of support casting ☆ Use with C3DF-D, C3OF-D, AH					1☆								
†C2OZ 9A523-B	"L" stamped on circular portion of support casting ☆ Use with C2OF-AA and AB					1☆								
†C2OZ 9A523-C	"LA" stamped on circular portion of support casting ☆ Use with C2OF-AC and AD					1☆								
†C2OZ 9A523-D	"KC" stamped on circular portion of support casting ☆ Use with C2OF-S and T, and C3OF-C, AG					1☆								
†C1AZ 9A523-H	"R" stamped on circular portion of support casting ☆ Use C3AF-F, AN					1☆								
†C3AZ 9A523-F	Primary - "CA" stamped on circular portion of support casting ☆ Use with C3AF-BD, BE, C3DF-E, F, C3OF-E, F, C4GF-AF, C4OF-B, L, AE, AM					1☆	1☆							
†C4MY 9A523-B	Primary - "F" stamped on circular portion of support casting ☆ Use with C4MF-D, E, U					1☆								
†C4OZ 9A523-A	Primary - "CD" stamped on circular portion of support casting ☆ Use with C4MF-T, C4OF-A, K, AK, AS, BS, C4ZF-R					1☆								
†C2OZ 9A523-G	"V" stamped on circular portion of support casting ☆ Use with C3DF-C					1☆								
†C2AZ 9A523-B	Primary - "S" stamped on circular portion of support casting ☆ Use with C2AF-Y, AK, AN, C3AF-S, AV, C3OF-AJ						1☆							
†C2AZ 9A523-C	Primary - "KA" stamped on circular portion of support casting ☆ Use with C3AF-N, AT, BU, BY, C4AF-DH, DL, DU, DV						1☆							
†C1AZ 9A523-G	Primary - "T" stamped on circular portion of support casting ☆ Use with C1AE-AH, AL, C2AF-T, Z, AL, AR, C3AF-R, T, AU, AY, BV, BZ						1☆							
†C3MY 9A523-B	Primary - "U" stamped on circular portion of support casting ☆ Use with C3MF-A, C, D					1☆								
	CONTINUED ON NEXT PAGE													
	◇ Holley † Ford ♦ Carter													

9510 - CARBURETOR CHART		Carburetor Identification Code												
		1	2	3	4	5	6	7	8	9	10	11	12	13
GROUP AND PART NUMBER	DESCRIPTION, SIZE, ETC.	NUMBER REQUIRED												
9A523	SUPPORT (BOOSTER VENTURI) CONTINUED													
†C3AZ 9A523-G	Primary - "CC" stamped on circular portion of support casting ☆ Use with C4MF-Y					1☆								
†C4MY 9A523-A	Primary - "C" stamped on circular portion of support casting ☆ Use with C4MF-A, N, V					1☆								
†B8AZ 9A523-L	Secondary - "BA" stamped on circular portion of support casting ☆ Use with C1AE-AH, AK, AL, C2AF-T, U, Y, Z, AJ thru AN, AR, C3AF-N, R, S, T, AT, AU, AV, AY, BU, BV, BY, BZ, C3OF-AJ, C4AF-DH, DJ, DK, DL, DU, DV, DY, C4GF-E, AA, AB							1☆						
†C3AZ 9A523-D	Secondary - "DD" stamped on circular portion of support casting ☆ Use with C4GF-AF							1☆						
†C5ZZ 9A523-C	Secondary - "A" stamped on circular portion of support casting ☆ Use with C4GF-AE							1☆						
†C4GY 9A523-A	Primary - "Y" stamped on circular portion of support casting ☆ Use with C4GF-E							1☆						
†C4GY 9A523-B	Primary - "L" stamped on circular portion of support casting ☆ Use with C4GF-AA							1☆						
†C4AZ 9A523-B	Primary - "K" stamped on circular portion of support casting ☆ Use with C4AF-DJ, DK, DY, C4GF-AB							1☆						
†C5ZZ 9A523-A	Primary - "CF" stamped on circular portion of support casting ☆ Use with C4GF-E							1☆						
†C1AZ 9A523-D	Primary - "G" stamped on circular portion of support casting ☆ Use with C1AE-9510-AK, C2AF-U, Y, AJ, AM							1☆						
●C1VE 9A523-A	NS-primary and secondary											1		
40348-S	Screw-fill. hd. tap. -No. 12-24 x 1-1/2"				AR								1	
38294-S	Screw-pan hd. -1/4"-20 x 1"							1						
43408-S	NS-screw and washer-No. 10-32 x 1"												AR	
9A523	KIT (BOOSTER VENTURI SUPPORT)													
●COLY 9A523-A	☆ Use with COLE-9510-D only Consists of the following -					1☆								
(1) COLE-9A523-C	support													
(1) COME-9B546-A	retainer													
(1) COLE-9B558-C	cover													
	(1) COME-9561-A gasket													
	(1) COLE-9564-C needle and seat													
	(1) COLE-9B568-C gasket													
	(1) COLE-9A587-C gasket													
◇ Holley	† Ford													
	● Carter													

9510 - CARBURETOR CHART

Carburetor Identification Code

GROUP AND PART NUMBER	DESCRIPTION, SIZE, ETC.	NUMBER REQUIRED																
		1	2	3	4	5	6	7	8	9	10	11	12	13				
9524	HORN (AIR) LESS SHAFT																	
♣COLE 9524-B	With plugs - for export only			1														
♣COLE 9524-A	With plugs				1													
†COAZ 9524-B	Without choke tube on underside ☆ Use with COME-9510-G and K, C1AE-9510-Y, Z, AA, AB, AC, AD, AE and AF, C2AF-AA, AB, AC, AD, AE, AF, AG, AH, C3AF-AN, C3MF-A, B, C, D, C4MF-A, D, E, when used with COME-9510-G and K choke plate COAE-9545-A must be used					1☆												
†C3OZ 9524-J	With choke tube on underside ☆ Use with C2OF-AA, AB, AC, AD, C3DF-C, E, C4OF-AM, AS, BS, C4ZF-R					1☆												
	Package also includes - <div style="text-align: right;">(1) C2OZ-9561-B gasket</div>																	
†COAZ 9524-C	With choke tube on underside ☆ Use with C3AF-F, AN, C4MF-N, T, U, V, Y					1☆												
	Package also includes - <div style="text-align: right;">(1) C2OZ-9561-B gasket</div>																	
†C3OZ 9524-B	Without choke tube on underside ☆ Use with C2OF-N, S, R, T, C3AF-BD, BE, C3DF-D, F, C3OF-C, D, E, F, AG, AH, C4OF-A, B, K, L, AE, AK					1☆												
†COAZ 9524-A	Use with COAE-9545-A or C2AZ-9545-A choke plate ☆ Use with C1AE-9510-AH, AK, AL, C2AF-T, U, Y, Z, AJ thru AN, AR					1☆												
†C2SZ 9524-B	☆ Use with C4GF-E, AA, AB								1☆									
†C3AZ 9524-C	☆ Use with C3AF-AT, AU, AV, AY, C3OF-AJ								1☆									
†C2SZ 9524-C	☆ Use with C3AF-N, R, S, T, AT, BU, BV, BY, BZ, C4AF-DH, DJ, DK, DL, DU, DV, DY, C4GF-AE, AF								1☆									
◇C2GY 9524-A	☆ Use with 2311, 2342											1☆						
◇C2GY 9524-B	☆ Use with 2324, 2343											1☆						
◇C2GY 9524-C	☆ Use with 2311☆, 2324*, 2324-1, 2342*, 2343*, 2343-1, 2343-2											1☆						
◇C2GY 9524-E	☆ Use with 2311-1, 2342-1											1☆						
◇C2GY 9524-F	☆ Use with 2311, 2342											1☆						
♣C1VE 9524-A	☆ Use with C1VE-9510-B, C, E															1☆		
♣C1VE 9524-B	☆ Use with C1VE-9510-A, D															1☆		
♣C2VY 9524-A	☆ Use with C2VE-9510-A, B, C, D, E															1☆		
	Package also includes - <div style="text-align: right;">(1) C1VE-9C527-B seal</div>																	
†C3OZ 9524-A	Upper body and plugs assembly - ☆ Use with C3YF-E, C4GF-C																1☆	
†C3OZ 9524-E	Upper body and plugs assembly - ☆ Use with C3YF-G																1☆	
†C3OZ 9524-F	Upper body and plugs assembly - ☆ Use with C3YF-H, C4GF-AR, AV																1☆	
CONTINUED ON NEXT PAGE																		
◇ Holley † Ford ♣ Carter																		

9510 - CARBURETOR CHART		Carburetor Identification Code												
GROUP AND PART NUMBER	DESCRIPTION, SIZE, ETC.	1	2	3	4	5	6	7	8	9	10	11	12	13
		NUMBER REQUIRED												
9524	HORN (AIR) LESS SHAFT (CONTINUED)													
†C3OZ 9524-G	Upper body and plugs assembly - ☆ Use with C3YF-F, C4GF-AH, AY												1☆	
†C3OZ 9524-C	Upper body and plugs assembly - ☆ Use with C3YF-A, C4GF-A												1☆	
†C3OZ 9524-D	Upper body and plugs assembly - ☆ Use with C3YF-B, C4GF-B												1☆	
†C4GY 9524-A	Upper body and plugs assembly - ☆ Use with C3GF-A, B, G, H												1☆	
	NS-serviced in 9510 assembly only													1
357137-S8	Screw and washer-fill. hd. -No. 10-32 x 9/16"-air horn to main body				8						8			
43256-S8	Screw and washer-No. 10-32 x 5/8"- air horn to main body					5	5							
43255-S8	Screw and washer-fill. hd. -No. 8-32 x 5/8"-air horn to main body								8			8		
43408-S7	Screw and washer-fill. hd. -No. 10-32 x 1"												8	
359711-S	Screw and washer-No. 10-32 x 15/16"												2	
9526	CAM (ACCELERATOR PUMP DIAPHRAGM OPERATING)													
◇B7AZ 9526-B	☆ Use with B9ME-9510-A, C1AE-9510-AU and AV only	1☆									1			
◇COME 9526-A	Color code "BLACK" ☆ Use with COME-9510-A and F only	1☆												
9-9526	SCREEN (FILTER)													
◆B9ME 99526-A	For export only			1										
9A526	ROD (METERING)													
◆COME 9A526-A	For export only - 0 to 5000 feet altitude - also serviced in 9590 kit			2										
◆COLE 9A526-D	For export only - 5000 to 10000 feet altitude			2										
◆COLE 9A526-E	For export only - 10000 to 15000 feet altitude			2										
◆COLE 9A526-A	0 to 5000 feet altitude				2						2			
◆COLE 9A526-B	5000 to 10000 feet altitude				2						2			
◆COLE 9A526-C	10000 to 15000 feet altitude - also serviced in 9C514 kit				2						2			
◆C3VY 9A526-A	0 to 5000 feet altitude - also serviced in 9590 kit												2	
◆C3VY 9A526-B	5000 to 15000 feet altitude												2	
9A527	ROD (DASHPOT CONNECTING)													
◆B9ME 9A527-A	☆ For export only			1☆										1
†C3AZ 9A527-A	NS - 7/1/63 RB C3AZ-9A527-B													
†C3AZ 9A527-B	Dashpot link to overtravel lever ☆ Use with C3GF-B, H, C3YF-B, E, G, H, C4GF-B, C, AR, AV												1☆	
359734-S	Retainer-spring-1/8"			1										
375882-S	NS-clip												1	
	◇ Holley † Ford ◆ Carter													

9510 - CARBURETOR CHART		Carburetor Identification Code												
GROUP AND PART NUMBER	DESCRIPTION, SIZE, ETC.	1	2	3	4	5	6	7	8	9	10	11	12	13
		NUMBER REQUIRED												
9B527	RETAINER (CHOKE SHAFT)													
◇CODE 9B527-A	Horseshoe shaped with 5/16" opening * Use with CODE-9510-A, B, C and D, and C1DE-9510-B only		1☆											
9C527	SEAL (AIR HORN)													
♣C1VE 9C527-A	Use on vehicles equipped with a/cond.												1	
♣C1VE 9C527-B	Use on vehicles not equipped with a/cond.												1	
9528	COVER (ACCELERATOR PUMP)													
◇ B8A 9528-B	Less link	1									1			
† B8A 9528-A	Less link ☆ Use with COME-9510-G, K, C1AE-9510-Y, Z, AA thru AF, AH, AK, AL, C2AF-T, U, Y, Z, AA thru AH, AJ thru AN, AR, C2OF-N, R, S, T, AA thru AD, C3AF-F, N, R, S, T, AN, AT, AU, AV, AY, BD, BE, BU, BV, BY, BZ, C3DF-C thru F, C3MF-A thru D, C3OF-C thru F, AG, AH, AJ, C4GF-E, AA, AB, C4MF-A, D, E, C4OF-A, B, K, L, AE, AK					1☆	1☆							
†C3AZ 9528-A	With link												1	
†C4AZ 9528-A	☆ Use with C4AF-DH, DJ, DK, DL, DU, DV, DY, C4GF-AE, AF, C4MF-N, T, U, V, Y, C4OF-AM, AS, BS, C4ZF-R					1☆	1☆							
353847-S	Pin-roll-3/16" diameter x 1/2" long- link to cover					1	1						4	
43255-S8	Screw and washer-fill. hd. -No. 8-32 x 5/8"	4				4	4				4			
371350-S	Ball-3/16" diameter (1) used as accelerator pump check valve (1) used as accelerator pump discharge check valve												2	
354746-S100	Screw-fill. hd. -No. 8-32 x 3/4"-pump cover to main body												4	
34802-S	Washer-spring-No. 8												4	
9A528	REFER TO GROUP 9533													
9C528	LOCK (FUEL INLET SEAT)													
♣C1VE 9C528-A													1	
9529	LINK AND/OR ARM (ACCELERATOR) PUMP													
◇COAE 9529-C	NS-serviced in 9590 kit only		1											
♣ B7A 9529-C	Pump piston arm - for export only			1										
♣B7AZ 9529-A	Piston operating rod - for export only			1										
†COAE 9529-A	☆ Use with COME-9510-G, K, C1AE-9510-Y, Z, AA thru AF, AH, AK, AL, C2AF-T, U, Y, Z, AA thru AH, AJ thru AN, AR, C2OF-N, R, S, T, AA thru AD, C3AF-F, N, R, S, T, AN, AT, AU, AV, AY, BD, BE, BU, BV, BY, BZ, C3DF-C thru F, C3MF-A thru D, C3OF-C thru F, AG, AH, AJ, C4GF-E, AA, AB, C4MF-A, D, E, C4OF-A, B, K, L, AE, AK					1☆	1☆							
CONTINUED ON NEXT PAGE														
◇ Holley † Ford ♣ Carter														

9510 - CARBURETOR CHART		Carburetor Identification Code												
		1	2	3	4	5	6	7	8	9	10	11	12	13
GROUP AND PART NUMBER	DESCRIPTION, SIZE, ETC.	NUMBER REQUIRED												
9529	LINK AND/OR ARM (ACCELERATOR) PUMP (CONTINUED)													
†C3AZ 9529-C	Link ☆ Use with C4MF-D, E					1☆								
†C4AZ 9529-A	☆ Use with C4AF-DH, DJ, DK, DL, DU, DV, DY, C4GF-AE, AF, C4MF-A, N, T, U, V, Y, C4OF-AM, AS, BS, C4ZF-R					1☆	1☆							
◇C1DE 9529-A	☆ Use with C1GE-9510-A, B, C, D and C1KE-9510-A, B								1☆					
◇C1DE 9529-B	☆ Use with C1GE-9510-E, F, G, H								1☆					
◇C2DZ 9529-A									1					
†C3AZ 9529-A	Link ☆ Use with C3GF-A, B, C3YF-A, B												1☆	
†C3AZ 9529-B	Link ☆ Use with C3GF-G, H, C3YF-E, F, G, H, C4GF-A, B, C, AH, AR, AV, AY												1☆	
●C3VY 9529-A	Link													1
353610-S	Retainer-spring-7/16"		1											
353847-S	Pin-roll-3/16" diameter x 1/2" long- link to cover					1	1							
352200-S	Pin-cover-3/64" x 3/8"							1						
34803-S7	Lockwasher-No. 10-throttle lever to throttle shaft								1					
34079-S8	Nut-hex. -No. 10-32-throttle lever to throttle shaft								1					
375882-S7	Clip												1	
67516-S	NS-pin-spring-1/8" diameter x 7/16"- link to cover												1	
67743-S	NS-pin-spring-1/16" diameter x 5/8"- lever and link to cover												1	
74271-S7	Retainer-spring													1
9C529	CONTROL ASSEMBLY (IDLE SPEED-UP CONTROL)													
	NS-serviced in 9A567 kit only Also refer to group 9C529 in text													1
9C530	VALVE ASSEMBLY (IDLE SPEED-UP CONTROL)													
●C1VE 9C530-A	Use on carburetors that are used on vehicles equipped with a/cond.											1	1	
354338-S	Nipple-1/8"-27 NPTF											1	1	
374006-S	Nut-compression-1/4"											1	1	
9D530	REFER TO GROUP 9598													
9531	ROD (PUMP CONNECTOR)													
●COSZ 9531-A	For export only				1									
●C1VY 9531-A												1		
●COMY 9531-A					1									
●C3VY 9531-A													1	
359734-S	Retainer-spring-1/8"-rod to throttle lever and shaft assembly				1							1	1	
	◇ Holley † Ford ● Carter													

9510 - CARBURETOR CHART		Carburetor Identification Code												
GROUP AND PART NUMBER	DESCRIPTION, SIZE, ETC.	1	2	3	4	5	6	7	8	9	10	11	12	13
		NUMBER REQUIRED												
9C531	SPRING (IDLE SPEED-UP CONTROL ACTUATING)													
◆C1VE 9C531-A	☆ Use on carburetors that are used on vehicles equipped with a/cond.										1		1	
9B532	COMPENSATOR ASSEMBLY (HOT IDLE)													
◆COLE 9B532-A	☆ Use with C1VE-9510-A, B, C, D, E				1						1☆			
†COLE 9B532-B	☆ Use with C3AF-BU, BV, BY, BZ, C4AF-DH, DJ, DK, DL, DU, DV, DY							1☆						
◆C2VY 9B532-A	☆ Use with C2VE-9510-A, B, C, D, E										1☆		1	
50741-S	Screw and washer-fill. hd. -No. 6-32 x 1/4"-compensator to air horn				2						2			
9C532	SOLENOID (IDLE SPEED-UP CONTROL)													
◆C1VE 9C532-A	Use on carburetors that are on vehicles equipped with a/cond.										1		1	
355086-S36	Screw and washer-fill. hd. -No. 8-32 x 5/16"										2			
355032-S7	Screw and washer-fill. hd. -No. 6-32 x 1/4"												2	
9533	JET (METERING)													
◇ 78 9533-A	Primary - stamped ".050" - 10000 to 15000 feet altitude ☆ Use with B9ME-9510-A and COME-9510-A, F	2☆												
†◇06H 9533	Primary - stamped ".054" - 0 to 5000 feet altitude ☆ Use with B9ME-9510-A, COME-9510-A, F, 2311, 2342 ☆ 5000 to 10000 feet altitude with C1GE-9510-B, D, 2311-1, 2342-1, 2342-2 ☆ 10000 to 15000 feet altitude with COME-9510-K, C1GE-9510-A, C, C1KE-9510-B, 2311*, 2342*	2☆				2☆		1☆	1☆					
◇ 8MB 9533-B	Stamped ".066" - ☆ 0 to 5000 feet altitude with C1AE-9510-AM, AU, C3AF-9510-BJ, BK	2☆									2☆			
†◇B4T 9533-A	Primary - stamped ".055" - ☆ 0 to 5000 feet altitude with C1GE-9510-D, 2311-1, 2342-1, 2342-2, 2343-2 ☆ 0 to 10000 feet altitude with C1KE-9510-B ☆ 5000 to 10000 feet altitude with C1GE-9510-A, C, 2311*, 2342* ☆ 10000 to 15000 feet altitude COME-9510-G, C1KE-9510-A	2☆						1☆	1☆					
CONTINUED ON NEXT PAGE														
◇ Holley † Ford ◆ Carter														

9510 - CARBURETOR CHART		Carburetor Identification Code												
GROUP AND PART NUMBER	DESCRIPTION, SIZE, ETC.	1	2	3	4	5	6	7	8	9	10	11	12	13
		NUMBER REQUIRED												
9533	JET (METERING) CONTINUED													
◇ B4T 9533-B	Primary - stamped ".053" - ☆ 0 to 5000 feet altitude with COME-9510-A, F, C1DE-9510-B ☆ 5000 to 10000 feet altitude with 2311, 2342 ☆ 10000 to 15000 feet altitude with 2311-1, 2342, 2342*, 2342-1, 2342-2, 2343, 2343*		1-2							1☆				
◇ 86H 9533	Primary - stamped ".052" ☆ 5000 to 10000 feet altitude with B9ME-9510-A, COME-9510-A, F, CODE-9510-A, B, C and D ☆ 10000 to 15000 feet altitude with C1DE-9510-B, 2311, 2342	2☆	1☆							1☆				
◇† 78 9533-F	Primary - stamped ".058" ☆ 0 to 5000 feet altitude with COME-9510-K ☆ 10000 to 15000 feet altitude with C2AE-9510-A and B		1☆			2☆								
◇†26H 9533	Primary - stamped ".057" ☆ 5000 to 10000 feet altitude with COME-9510-G, C1GE-9510-A ☆ 10000 to 15000 feet altitude with COAE-9510-Z, C1AE-9510-F and C2AE-9510-E and F		1☆			2☆		1☆						
◇†B4Q 9533-B	Primary - stamped ".059" - ☆ 0 to 5000 feet altitude with COME-9510-G ☆ 5000 to 10000 feet altitude with COAE-9510-Z, C1AE-9510-F, C1GE-9510-E, F, G, H, C2AE-9510-E and F ☆ 10000 to 15000 feet altitude with 2324, 2324-1, 2343, 2343-1, 2343-2		1☆			2☆		1☆	1☆					
◇ 1GA 9533-B	Primary - stamped ".062" - ☆ 0 to 5000 feet altitude with COAE-9510-E, U, C2AE-9510-B, C3AE-9510-C, C2AE-9510-B, 2324*, 2343*		1☆						1☆	2☆				
◇ 1GA 9533-C	Primary - stamped ".060" ☆ 0 to 5000 feet altitude with COAE-9510-Z, C1GE-9510-E, F, C2AE-9510-A, B ☆ 5000 to 10000 feet altitude with 2324, 2324-1, 2343, 2343-1, 2343-2 ☆ 10000 to 15000 feet altitude with 2324*, 2343*		1☆					1☆	1☆					
◇ 5GA 9533-B	Primary - stamped ".063" - ☆ 0 to 5000 feet altitude with C1AE-9510-E		1☆											
	CONTINUED ON NEXT PAGE													
	◇ Holley † Ford ♦ Carter													

9510 - CARBURETOR CHART

Carburetor Identification Code

GROUP AND PART NUMBER	DESCRIPTION, SIZE, ETC.	1	2	3	4	5	6	7	8	9	10	11	12	13
		NUMBER REQUIRED												
9533	JET (METERING) CONTINUED													
◇ B4Q 9533-A	Primary - stamped ".061" - ☆ 5000 to 10000 feet altitude with COAE-9510-E, U, Z, C1AE-5910-E, 2324*, 2343* ☆ 0 to 5000 feet altitude with C1AE-9510-F, AV, C1GE-9510-G, H, C2AE-9510-A, F, 2324, 2324-1, 2343, 2343-1	2☆	1☆					1☆	1☆					
◇ 59A 9533-A	Primary - ".051" - ☆ 0 to 5000 feet altitude with CODE-9510-A, B, C and D, and C1DE-9510-B		1☆											
♣ COME 9533-A	Primary - for export only - 0 to 5000 feet altitude - also serviced in 9590 kit				2									
♣ COLE 9A528-A	Secondary - for export only - 0 to 10000 feet altitude				2									
♣ COLE 9A528-B	Secondary - 10000 to 15000 feet altitude				2									
♣ COLE 9533-A	Primary - ☆ 0 to 5000 feet altitude with COLE-9510-D and G also serviced in 9590 kit ☆ 5000 to 10000 feet altitude with C1VE-9510-A, B, C, D, E, C2VE-9510-A, B, C, D, E also serviced in 9C514 and 9590 kits				2☆						2☆			
♣ C1VE 9533-A	0 to 5000 feet altitude ☆ Use with C1VE-9510-A, B, C, D, E, C2VE-9510-A, B, C, D, E										2☆			
♣ C1VE 9533-C	10000 to 15000 feet altitude										2			
♣ COLE 9533-B	Primary - 10000 to 15000 feet altitude				2									
♣ COLE 9533-C	Primary - 5000 to 10000 feet altitude				2									
†◇ 78 9533-E	Primary - stamped ".056" - ☆ 0 to 5000 feet altitude with C1GE-9510-B, C, 2311*, 2342* ☆ 0 to 10000 feet altitude with C1KE-9510-A ☆ 0 to 5000 feet altitude with COME-9510-K					2☆		1☆	1☆					
†C1AZ 9533-A	Primary - stamped ".48" - ☆ 0 to 5000 feet altitude with C1AE-9510-AB, C2AF-AA and AD, and C2OF-AC					2☆								
†C1AZ 9533-B	Primary - stamped ".46" - ☆ 0 to 5000 feet altitude with C1AE-9510-Z, C2AF-AA, AB, C2OF-AB, C3DF-E and C3OF-E					2☆								
†C1AZ 9533-C	Primary - stamped ".49" - ☆ 0 to 5000 feet altitude with C1AE-9510-AA and C2AF-AC					2☆								
CONTINUED ON NEXT PAGE														
◇ Holley † Ford ♣ Carter														

9510 - CARBURETOR CHART		Carburetor Identification Code												
		1	2	3	4	5	6	7	8	9	10	11	12	13
GROUP AND PART NUMBER	DESCRIPTION, SIZE, ETC.	NUMBER REQUIRED												
9533	JET (METERING) CONTINUED													
†C1AZ 9533-F	Primary - stamped "44" - ☆ 0 to 5000 feet altitude with C1AE-9510-Z, C2OF-N and T and C3DF-D, C3OF-AH ☆ 5000 to 10000 feet altitude with C2AF-AB, C2OF-AB, and C3DF-E, C3OF-E ☆ 10000 to 15000 feet altitude with C1AE-9510-Y and AB, C2AF-AA, AD					2☆								
†C1AZ 9533-G	Primary - stamped "47" - ☆ 0 to 5000 feet altitude with C2OF-AA and AD ☆ 5000 to 10000 feet altitude with C1AE-9510-AA, C2AF-AC, and C2OF-AB, AC					2☆								
†C1AZ 9533-J	Primary - stamped "43" - ☆ 0 to 5000 feet altitude with C2OF-R, C3DF-C ☆ 5000 to 10000 feet altitude with C2OF-S, C3AF-BE, C3DF-F, C3OF-C, F, AG ☆ 10000 to 15000 feet altitude with C1AE-9510-Z, C2AF-AB, C2OF-AA and AD					2☆								
†C1AZ 9533-K	Primary - stamped "45" - ☆ 0 to 5000 feet altitude with C2OF-S, C3AF-BE, C3DF-F, C3OF-C, F, AG ☆ 5000 to 10000 feet altitude with C2OF-AA and AD, and C3DF-F ☆ 10000 to 15000 feet altitude with C1AE-9510-AA and C2AF-AC					2☆								
†C1AE 9533-B	Primary - stamped "55" - ☆ 0 to 5000 feet altitude with C1AE-9510-AD, AK, C2AF-U, Y, AJ, AM, C3AF-F, AN ☆ 5000 to 10000 feet altitude with C1AE-9510-AE, C2AF-AG, C3MF-D ☆ 10000 to 15000 feet altitude with C2AF-AF, C3MF-C					2☆	2☆							
†C1AZ 9533-D	Primary - stamped "56" - ☆ 0 to 5000 feet altitude with C1AE-9510-AC and AF, C2AE-Y, AE, AH, AK, AN, C3AF-N and S, AT, AV, BU ☆ 5000 to 10000 feet altitude with C3MF-B and D ☆ 10000 to 15000 feet altitude with C3MF-A and C					2☆	2☆							
†C1AZ 9533-E	Primary - stamped "57" - ☆ 0 to 5000 feet altitude with C1AE-9510-AE and C2AF-AG					2☆								
	CONTINUED ON NEXT PAGE													
	◇ Holley † Ford • Carter													

9510 - CARBURETOR CHART

Carburetor Identification Code

GROUP AND PART NUMBER	DESCRIPTION, SIZE, ETC.	1	2	3	4	5	6	7	8	9	10	11	12	13
		NUMBER REQUIRED												
9533	JET (METERING) CONTINUED													
†C1AZ 9533-H	Primary - stamped "53" - ☆ 5000 to 10000 feet altitude with C1AE-9510-AD, C2AF-AF and AJ, C3AF-F, AN ☆ 10000 to 15000 feet altitude with C1AE-9510-AE and C2AF-AG					2☆	2☆							
†C1AZ 9533-M	Primary - stamped "51" - ☆ 10000 to 15000 feet altitude with C1AE-9510-AD, C2AF-AF and AJ, C3AF-F, AN					2☆	2☆							
†C1AE 9533-A	Primary - stamped "054" ☆ 0 to 5000 feet altitude with C1AE-9510-AH, AL, C2AF-T, Z, C3AF-R, T, AU, AY, BV, BZ, C3OF-AJ ☆ 5000 to 10000 feet altitude with C1AE-AC, AF, C2AF-AE, AH, C3AF-N, S, AT, AV, BU ☆ 10000 to 15000 feet altitude with C3MF-B, D, C3AF-AT					2☆	2☆							
†C1AZ 9533-L	Primary - stamped "52" - ☆ 0 to 5000 feet altitude with C3AF-AY ☆ 5000 to 10000 feet altitude with C1AE-9510-AH, C2AF-T, C3AF-R and T, AU, AV, BU, BV, BZ, C3OF-AJ ☆ 10000 to 15000 feet altitude with C1AE-9510-AC and AF, C2AF-Y, AE, AH, C3AF-N and S, BU, BY, C3MF-D					2☆	2☆							
†C2OZ 9533-A	Primary - stamped "40" - ☆ 10000 to 15000 feet altitude with C2OF-N and T, and C3DF-D, C3OF-AH					2☆								
†C2OZ 9533-B	Primary - stamped "41" - ☆ 5000 to 10000 feet altitude with C2OF-R, C3DF-C ☆ 10000 to 15000 feet altitude with C2OF-S, C3AF-BE, C3DF-F, C3OF-C, F, AG					2☆								
†C2OZ 9533-C	Primary - stamped "42" - ☆ 5000 to 10000 feet altitude with C2OF-N and T, and C3DF-D, C3OF-AH ☆ 10000 to 15000 feet altitude with C2OF-AB, and C3DF-E, C3OF-E					2☆								
†C2OZ 9533-F	Primary - "39" - ☆ 10000 to 15000 feet altitude with C2OF-R, C3DF-C					2☆								
†C1AZ 9533-S	Primary - stamped "060" - ☆ 0 to 5000 feet altitude with C3MF-A and C Secondary - 5000 to 10000 feet altitude with C1AE-9510-AH, AK, AL, C2AF-T and C3AF-R, AU, BV, BY ☆ 10000 to 15000 feet altitude with C3OF-AJ					2☆	2☆							
CONTINUED ON NEXT PAGE														
◇ Holley † Ford ♦ Carter														

9510 - CARBURETOR CHART		Carburetor Identification Code												
GROUP AND PART NUMBER	DESCRIPTION, SIZE, ETC.	1	2	3	4	5	6	7	8	9	10	11	12	13
		NUMBER REQUIRED												
9533	JET (METERING) CONTINUED													
†C1AZ 9533-U	Primary - stamped ".058" - ☆ 0 to 5000 feet altitude with C3MF-B, D ☆ 5000 to 10000 feet altitude with C3MF-A and C Secondary - ☆ 10000 to 15000 feet altitude with C1AE-9510-AH, AK, AL, C2AF-U, T, Y, Z, AJ, AK, AL, AM, AN, AR, C3AF-R, AU, BV					2☆	2☆							
†C1AE 9533-D	Secondary - stamped ".062" - ☆ 0 to 5000 feet altitude with C1AE-9510-AH, C2AF-T, U, AJ, AK, AL, AM, AN, AR, C3AF-R, AU, BV ☆ Secondary - 5000 to 10000 feet altitude with C3OF-AJ ☆ Primary - 0 to 5000 feet altitude with C3AF-BY						2☆							
†C1AZ 9533-N	Primary - stamped ".050" - ☆ 10000 to 15000 feet altitude with C1AE-9510-AH, C2AF-U, T, Z, AJ, AK, AL, AM, AN, AK, C3AF-R, T, AU, AY, BV, BZ, C3OF-AJ						2☆							
†C1AZ 9533-R	Secondary - stamped ".061" - ☆ 5000 to 10000 feet altitude with C2AF-U, Y, Z, AJ, AK, AL, AN, AR, C3AF-N, S, T, AT, AV, AY, BU, BV, BY						2☆							
†C1AZ 9533-T	Secondary - stamped ".059" - ☆ 10000 to 15000 feet altitude with C2AF-Y, Z, C3AF-N, S, T, AT, AV, AY, BU, BV, BY						2☆							
†C1AE 9533-C	Secondary - stamped ".063" - ☆ 0 to 5000 feet altitude with C1AE-9510-AK, AL, C2AF-Y, Z, C3AF-N, S, T, AT, AV, AY, BU, BV, BY						2☆							
◇ 78 9533-B	Primary - stamped ".048" - ☆ 10000 to 15000 feet altitude with C1GE-9510-E, F, G, H							1☆						
◇ 1GA 9533-A	Stamped ".064" - ☆ 0 to 5000 feet altitude with C2AE-9510-CB, C3AE-9510-A										2☆			
◇ B4C 9533-A	Stamped - ".067" - ☆ 0 to 5000 feet altitude with C3AE-9510-B										2☆			
◇C3AZ 9533-D	Secondary - stamped ".077" - ☆ Use with C3AE-9510-B										2☆			
	CONTINUED ON NEXT PAGE													
	◇ Holley † Ford • Carter													

9510 - CARBURETOR CHART

Carburetor Identification Code

GROUP AND PART NUMBER	DESCRIPTION, SIZE, ETC.	NUMBER REQUIRED												
		1	2	3	4	5	6	7	8	9	10	11	12	13
9533	JET (METERING) CONTINUED													
†C3DZ 9533-A	Primary - stamped "53F" - ☆ 0 to 5000 feet altitude with C3GF-G, H ☆ 5000 to 10000 feet altitude with C4MF-U, Y ☆ 10000 to 15000 feet altitude with C3YF-B, C4MF-E Secondary - ☆ 5000 to 10000 feet altitude with C4DF-E, AB ☆ 10000 to 15000 feet altitude with C4AF-DF, DH, DV					2☆	2☆						1☆	
†C3OZ 9533-A	Primary - stamped "57F" - ☆ 0 to 5000 feet altitude with C3YF-B, C4MF-E ☆ 5000 to 10000 feet altitude with C3YF-A, G, C4GF-A Secondary - 0 to 5000 feet altitude with C4AF-DH, DV					2☆	2☆						1☆	
†C3OZ 9533-B	Primary - stamped "59F" - ☆ 0 to 5000 feet altitude with C3YF-A, G, C4GF-A, C4MF-A ☆ 10000 to 15000 feet altitude with C3YF-E					2☆							1☆	
†C3UZ 9533-E	Primary - stamped "47F" - ☆ 5000 to 10000 feet altitude with C4GF-E ☆ 10000 to 15000 feet altitude with C4AF-DK						2☆							
†C3OZ 9533-C	Secondary - stamped "64F" - ☆ 0 to 5000 feet altitude with C3OF-AJ ☆ 10000 to 15000 feet altitude with C4AF-DK, DL						2☆							
†C3AZ 9533-G	Primary - stamped "46F" - ☆ 5000 to 10000 feet altitude with C4AF-DH, DV, DY, C4GF-AA, AB, AE, AF ☆ 10000 to 15000 feet altitude with C4AF-DL, DU						2☆							
†C3OZ 9533-D	Primary - stamped "44F" - ☆ 10000 to 15000 feet altitude with C4GF-AA, AB, C4OF-B, AM, AS, BS					2☆	2☆							
†C3UZ 9533-B	Primary - stamped "55F" - ☆ 0 to 5000 feet altitude with C4MF-U, Y ☆ 5000 to 10000 feet altitude with C3YF-B C4MF-E ☆ 10000 to 15000 feet altitude with C3YF-A, G, C4GF-A Secondary - 0 to 5000 feet altitude with C4GF-E, AB Secondary - 5000 to 10000 feet altitude with C4AF-DH, DV					2☆	2☆						1☆	
†C3UZ 9533-A	Primary - stamped "52F" - ☆ 0 to 5000 feet altitude with C3GF-A, B ☆ 10000 to 15000 feet altitude with C4MF-T Secondary - ☆ 10000 to 15000 feet altitude with C4GF-AA, AE					2☆	2☆						1☆	
CONTINUED ON NEXT PAGE														
◇ Holley † Ford • Carter														

9510 - CARBURETOR CHART		Carburetor Identification Code												
GROUP AND PART NUMBER	DESCRIPTION, SIZE, ETC.	1	2	3	4	5	6	7	8	9	10	11	12	13
		NUMBER REQUIRED												
9533	JET (METERING) CONTINUED													
†C3UZ 9533-C	Primary - stamped "50F" - ☆ 0 to 5000 feet altitude with C4AF-DL ☆ 5000 to 10000 feet altitude with C3GF-A, B						2☆					1☆		
†C3UZ 9533-D	Primary - stamped "48F" - ☆ 0 to 5000 feet altitude with C4AF-DH, DV, DY, C4GF-AA, AB, AE ☆ 5000 to 10000 feet altitude with C4AF-DL, DU ☆ 10000 to 15000 feet altitude with C3GF-A, B						2☆					1☆		
†C3DZ 9533-B	Primary - stamped "51F" ☆ 0 to 5000 feet altitude with C4AF-DK ☆ 5000 to 10000 feet altitude with C3GF-G, H ☆ 10000 to 15000 feet altitude with C4MF-U, Y Secondary - ☆ 10000 to 15000 feet altitude with C4GF-AB					2☆	2☆					1☆		
†C3DZ 9533-C	Primary - stamped "49F" ☆ 0 to 5000 feet altitude with C4GF-E ☆ 10000 to 15000 feet altitude with C3GF-G, C4AF-DK						2☆					1☆		
†C3GY 9533-C	Primary - stamped "54F" ☆ 5000 to 10000 feet altitude with C4MF-T ☆ 10000 to 15000 feet altitude with C3GF-H, C4GF-B, C4MF-A, D, N, V Secondary - ☆ 5000 to 10000 feet altitude with C4GF-AA, AE ☆ 10000 to 15000 feet altitude with C4AF-DJ, DY, C4GF-AF					2☆	2☆					1☆		
†C3GY 9533-D	Primary - stamped "56F" ☆ 0 to 5000 feet altitude with C4MF-T ☆ 5000 to 10000 feet altitude with C4GF-B, C4MF-A, D, N, V ☆ 10000 to 15000 feet altitude with C3YF-F, C4GF-AH, AY Secondary - ☆ 0 to 5000 feet altitude with C4GF-AA, AE ☆ 5000 to 10000 feet altitude with C4AF-DJ, DY, C4GF-AF					2☆	2☆					1☆		
†C3AZ 9533-B	Primary - stamped "63F" ☆ 0 to 5000 feet altitude with C3YF-E Secondary - ☆ 10000 to 15000 feet altitude with C4AF-DK, DL, DU						2☆					1☆		
CONTINUED ON NEXT PAGE														
◇ Holley † Ford • Carter														

9510 - CARBURETOR CHART

Carburetor Identification Code

GROUP AND PART NUMBER	DESCRIPTION, SIZE, ETC.	1	2	3	4	5	6	7	8	9	10	11	12	13
		NUMBER REQUIRED												
9533	JET (METERING) CONTINUED													
†C3TZ 9533-C	Primary - stamped "61F" - ☆ Use at 5000 to 10000 feet altitude with C3YF-E, C4MF-T ☆ 10000 to 15000 feet altitude with C4MF-A, D, N Secondary - ☆ 5000 to 10000 feet altitude with C4GF-AA, AE ☆ 10000 to 15000 feet altitude with C4AF-DJ, C4GF-AF					2☆	2☆					1☆		
†C3TZ 9533-D	Secondary - stamped "67F" ☆ to 5000 feet altitude with C4AF-DK, DL, DU						2☆							
†C3TZ 9533-A	Secondary - stamped "65F" ☆ 5000 to 1000 feet altitude with C4AF-DK, DL, DU						2☆							
†C3GY 9533-A	Primary - stamped "58F" ☆ 0 to 5000 feet altitude with C4GF-B, C4MF-A, D, N, V ☆ 5000 to 10000 feet altitude with C3YF-F, C4GF-AA, AY Secondary - ☆ 0 to 5000 feet altitude with C4AF-DJ, DY, C4GF-AF ☆ 10000 to 15000 feet altitude with C4GF-C					2☆	2☆					1☆		
†C3GY 9533-B	Primary - stamped "60F" ☆ 0 to 5000 feet altitude with C3YF-F, C4GF-AH, AY ☆ 5000 to 10000 feet altitude with C4GF-C ☆ 10000 to 15000 feet altitude with C3YF-H, C4GF-AR, AV											1☆		
†C3OZ 9533-E	Primary - stamped "40F" ☆ 5000 to 10000 feet altitude with C4OF-B, AM, AS, BS ☆ 10000 to 15000 feet altitude with C4OF-A					2☆								
†C3OZ 9533-F	Primary - stamped "42F" ☆ 0 to 5000 feet altitude with C4OF-B, AM, AS, BS ☆ 5000 to 10000 feet altitude with C4OF-A ☆ 10000 to 15000 feet altitude with C4GF-AF					2☆	2☆							
†C3OZ 9533-H	Primary - stamped "45F" ☆ 10000 to 15000 feet altitude with C4GF-E						2☆							
†C3OZ 9533-G	Primary - stamped "44F" ☆ 0 to 5000 feet altitude with C4OF-A ☆ 5000 to 10000 feet altitude with C4GF-AF ☆ 10000 to 15000 feet altitude with C4AF-DH, DV, DY, C4GF-E					2☆	2☆							
†C4GY 9533-A	Primary - stamped "37F" ☆ 10000 to 15000 feet altitude with C4OF-K, L, AE, AK					2☆								
CONTINUED ON NEXT PAGE														
◊ Holley † Ford ● Carter														

9510 - CARBURETOR CHART		Carburetor Identification Code												
		1	2	3	4	5	6	7	8	9	10	11	12	13
GROUP AND PART NUMBER	DESCRIPTION, SIZE, ETC.	NUMBER REQUIRED												
9533	JET (METERING) CONTINUED													
†C3AZ 9533-H	Primary - stamped "39F" ☆ 5000 to 10000 feet altitude with C4OF-K, L, AE, AK ☆ 10000 to 15000 feet altitude with C4ZF-R					2☆								
†C3AZ 9533-E	Primary - stamped "41F" ☆ 0 to 5000 feet altitude with C4OF-K, L, AE, AK ☆ 5000 to 10000 feet altitude with C4ZF-R					2☆								
†C3AZ 9533-A	Primary - stamped "62F" - ☆ to 5000 feet altitude with C4GF-C ☆ 5000 to 10000 feet altitude with C3YF-H, C4GF-AR, AV					2☆	2☆					1☆		
†C3AZ 9533-C	Primary - stamped "64F" - ☆ 0 to 5000 feet altitude with C3YF-H, C4GF-AR, AV											1☆		
†C3AZ 9533-F	Primary - stamped "43F" ☆ 0 to 5000 feet altitude with C4ZF-R					2☆								
♣B9LE 9A528-A	Secondary - stamped ".082" - 0 to 15000 feet altitude												2	
♣C3VY 9533-A	Primary - stamped ".0945" - 0 to 15000 feet altitude - also serviced in 9590 kit												2	
9C533	GASKET (IDLE SPEED-UP CONTROL SOLENOID)													
♣C1VE 9C533-B	Use on carburetors that are on vehicles equipped with a/cond. - also serviced in 9502, 9A586 and 9590 kits											1	1	
9534	TUBE (FLOAT BOWL CONNECTING)													
◇ B8A 9534-A	☆ Use with C1AE-9510-AM, C2AE-9510-CB, C3AE-9510-A, C, C3AF-9510-BJ, BK											1☆		
◇ B7A 9534-A	☆ Use with C3AE-9510-B											1☆		
9534	REFER TO GROUP 9A506													
9A534	SHAFT, VALVE & WEIGHT ASSEMBLY (AUXILIARY THROTTLE)													
♣B9ME 9A534-A	For export only				1									
♣C3VY 9A534-A													1	
9A535	LEVER (SECONDARY THROTTLE OPERATING)													
♣B9ME 9A535-A	For export only				1									
♣C3VY 9A535-A													1	
	◇ Holley † Ford ♣ Carter													

9510 - CARBURETOR CHART		Carburetor Identification Code												
		1	2	3	4	5	6	7	8	9	10	11	12	13
GROUP AND PART NUMBER	DESCRIPTION, SIZE, ETC.	NUMBER REQUIRED												
9A535	LEVER (BELLCRANK ADJUSTING)													
†B8AZ 9A535-A	Bellcrank adjusting - use on carburetors without screw type choke adjustment ☆ Use with COME-9510-G, K, C1AE-Y, Z, AA thru AF, AH, AK, AL, C2AF-T, U, Y, Z, AA thru AG, AJ thru AN, AR, C2OF-N, R, S, T, AA thru AD, C3AF-F, N, R, S, T, AA thru AD, BD, BE, C3DF-C, D, E, F, C3MF-A, B, C3OF-C, D, E, F					1☆	1☆							
†C3AZ 9A535-A	Bellcrank adjusting - use on carburetors with screw type choke adjustment ☆ Use with C3AF-AN, AT, AU, AV, AY, BU, BV, BY, BZ, C3MF-C, D, C3OF-AG, AH, AJ, C4GF-E, AA, AB, C4MF-A, D, E					1☆	1☆							
31085-S	Screw-fill. hd. -No. 8-32 x 11/16"					1	1							
34052-S	Nut-hex. -No. 8-32					1	1							
44709-S	Washer-flat-No. 7					1	1							
373315-S	Washer-flat-No. 6					1	1							
351185-S	Washer-flat-.172" I. D. x .313" O. D. x .030 thick					1	1							
9A535	LEVER (CHOKE SHAFT)													
◇B7AZ 9A535-C	☆ Use with B9ME-9510-A, COME-9510-A and F, and C1AE-9510-AV	1☆												
370051-S2	Screw and washer-No. 10-32 x 5/16"	1												
9A536	GASKET (VENTURI)													
◆B7AZ 9A536-B	Primary - also serviced in 9502, 9A586 and 9590 kits			2									2	
◆B9ME 9A536-A	Secondary - also serviced in 9502, 9A586 and 9590 kits			2									2	
†B8AZ 9A536-A	Also serviced in 9502, 9A586 and 9590 kits					1	2							
9A537	LEVER (SECONDARY THROTTLE STOP)													
◆COLE 9A537-A	For export only			1										
◆C3VY 9A537-A													1	
359727-S	Washer-rectangular-.378" x .348" I. D. x 5/8" O. D.												1	
359709-S7	Screw-truss hd. -No. 10-32 x 5/16"												1	
9538	LEVER (FAST IDLE ADJUSTING)													
◇ B7A 9538-A	☆ Use with B9ME-9510-A, COME-9510-A and F, and C1AE-9510-AV only	1☆												
†PB9M 9538-B	With pin and adjusting screw ☆ Use with COME-G, K, C1AE-9510-Y, Z, AA thru AF, AH, AK, AL, C2AF-T, U, Y, Z, AA thru AH, AK, AL, AM, AN, AR, C3AF-F, AN, C3DE-E, F, C3MF-A, B, C, D, C3OF-C, D, E, F, C4MF-D, E					1☆	1☆							
CONTINUED ON NEXT PAGE														
◇ Holley † Ford ◆ Carter														

9510 - CARBURETOR CHART

Carburetor Identification Code

GROUP AND PART NUMBER	DESCRIPTION, SIZE, ETC.	NUMBER REQUIRED												
		1	2	3	4	5	6	7	8	9	10	11	12	13
9538	LEVER (FAST IDLE ADJUSTING) CONTINUED													
†PB9M 9538-A	With pin and adjusting screw ☆ Use with C3AF-AT, AU, AV, AY, BD, BE, BU, BV, BY, BZ, C3DF-C, D, C3OF-AG, AH, AJ, C4GF-E, AA, AB					1☆	1☆							
†C4AZ 9538-A	☆ Use with C4AF-DH, DJ, DK, DL, DU, DV, DY, C4GF-AE, AF, C4MF-A, N, T, U, V, Y, C4OF-A, B, K, L, AE, AK, AM, AS, BS, C4ZF-R					1☆	1☆							
†C4AZ 9B538-A	☆ Use with C4AF-DH, DJ, DK, DL, C4GF-AE, AF, C4MF-A, N, T, U, V, Y, C4OF-A, B, K, L, AE, AK, AM, AS, BS					1☆	1☆							
◇ B8A 9538-B											1			
370049-S	Screw-fill. hd. -No. 8-32 x 1/2"- fast idle adjusting	1						1						
42802-S	Screw and washer-No. 10-32 x 3/8"- lever to throttle body										1			
34079-S	Nut-hex. -No. 10-32					1	1							
355829-S	Nut-hex. -No. 8-36					1	1							
34903-S	Lockwasher-external-No. 10					1	1							
372216-S	Screw-fill. hd. -No. 10-32 x 15/16"- fast idle adjusting					1	1							
372242-S	Screw-hex. slotted-No. 8-32 x .360"										1			
9A538	SPRING (THROTTLE RETURN)													
♣COLE 9A538-A	Secondary - for export only			1										
♣C3VY 9A538-A	Primary												1	
♣C3VY 9A538-B	Secondary												1	
9A538	SPRING (ACCELERATOR PUMP OVERTRAVEL)													
†B8AZ 9A538-A						1	1							
◇B7AZ 9A538-B	Throttle shaft return	1												
†C3AZ 9A538-A												1		
9B538	SCREW (FAST IDLE ADJUSTING)													
†C4AZ 9B538-A	☆ Use with C4AF-DH, DJ, DK, DL, DU, DV, DY, C4GF-AE, AF, C4MF-A, N, T, U, V, Y, C4OF-A, B, K, L, AE, AK, AM, AS, BS, C4ZF-R - also refer to group 9538					1☆	1☆							
9A539	PLATE (THERMOSTATIC CHOKE HOUSING)													
♣ B9S 9844-A	Baffle - for export only			1										
♣COLE 9A539-A	☆ Use with C1VE-9510-A, B, C, D, E				1						1☆			
◇C1KE 9844-A								1						
♣C2VY 9A539-A	☆ Use with C2VE-9510-A, B, C, D, E											1☆		
♣C3VY 9A539-A													1	
	◇ Holley † Ford ♣ Carter													

9510 - CARBURETOR CHART			Carburetor Identification Code												
GROUP AND PART NUMBER	DESCRIPTION, SIZE, ETC.	1	2	3	4	5	6	7	8	9	10	11	12	13	
		NUMBER REQUIRED													
9541	NEEDLE (IDLE ADJUSTING)														
◇ B7A 9541-A	Also serviced in 9590 kit	2								2					
◇ B7A 9541-D	Also serviced in 9590 kit		1												
♣COLE 9541-A				2							2				
†C1AZ 9541-A	Also serviced in 9590 kit ☆ Use with C4AF-DU, DV, DY, C4ZF-R					2☆	2☆								
†C1AE 9541-B	Also serviced in 9590 kit ☆ Use with C1AE-9510-AA, AB, C2AF-AC and AD, C2OF-AC and AD					2☆									
†C1AE 9541-C	Also serviced in 9590 kit ☆ Use with COME-9510-G, K, C1AE-9510-Y, Z, AC thru AF, AH, AK, AL, C2AF-U, T, Y, Z, AA, AB, AE thru AN, AR, C2OF-N, R, S, T, AA, AB, C3AF-F, N, R, S, T, AN, AT, AU, AV, AY, BD, BE, BU, BV, BY, BZ, C3DF-C thru F, C3MF-A, B, C, D, C3OF-C thru F, AG, AH, AJ, C4AF-DH, DJ, DK, DL, C4GF-E, AA, AB, AE, AF, C4MF-A, D, E, N, T, U, V, Y, C4OF-A, B, K, L, AE, AK, AM, AS, BS					2☆	2☆								
◇ 78 9541-B	Also serviced in 9590 kit							1							
◇C2DZ 9541-A	Also serviced in 9590 kit								1						
†C3AZ 9541-B	Also serviced in 9590 kit - ☆ Use with C3GF-A, B, C3YF-A, B											1☆			
†C3AZ 9541-C	Also serviced in 9590 kit - ☆ Use with C3GF-G, H, C3YF-E, F, G, H, C4GF-A, B, C, AH, AR, AV, AY											1☆			
♣B9LE 9541-A	Idle adjusting screws			2									2		
♣C3VY 9541-A	Idle air adjustment screw												1		
9541	SCREW (IDLE AIR ADJUSTING)														
♣C1VE 9541-A											1				
9A541	VALVE (PUMP CHECK)														
†◇ 78 9576	1/8" diameter - also serviced in 9590 kit ☆ (1) req'd. - as pump discharge valve with 1V Holley carburetors ☆ (1) req'd. - as pump sleeve ball with 1V Holley carburetors ☆ Use with C1AE-9510-AH, AK, AL, C2AF-T, U, Y, Z, AJ thru AN, AR, C3AF-N, R, S, T, AT, AU, AV, AY, BU, BV, BY, BZ, C3OF-AJ, C4GF-E, AA, AB		2☆					1☆	2	1					
◇ EAA 9576-A	Pump check - also serviced in 9590 kit		1						1						
♣B9ME 9A541-A	Accelerator pump intake - for export only ☆ (1) req'd. for accelerator pump and (1) req'd. for dashpot with C3VE-9510-A, B, D, E			1☆									2☆		
♣COLE 9576-A	Aluminum - intake				1							1			
♣COLE 9576-B	Steel - discharge				1							1			
CONTINUED ON NEXT PAGE															
◇ Holley † Ford ♣ Carter															

9510 - CARBURETOR CHART		Carburetor Identification Code												
		1	2	3	4	5	6	7	8	9	10	11	12	13
GROUP AND PART NUMBER	DESCRIPTION, SIZE, ETC.	NUMBER REQUIRED												
9A541	VALVE (PUMP CHECK) CONTINUED													
†C4AZ 9576-A	Plastic - .580" diameter x .560" overall length including stem ☆ Use with C4AF-DH, DJ, DK, DL, DU, DV, DY, C4GF-AE, AF, C4MF-N, T, U, V, Y, C4OF-AM, AS, BS, C4ZF-R					1☆	1☆							
◇ B5A 9576-A	Secondary throttle check ball - also serviced in 9590 kit										1			
352569-S	Plug-1/4"-32-pump discharge valve retainer		1											
9D541	LEVER (THERMOSTATIC CHOKE HOUSING)													
†B8AZ 9D541-A	Use on carburetors without screw type choke adjustment ☆ Use with COME-9510-G and K					1☆								
†C1AE 9D541-A	Use on carburetors without screw type choke adjustment ☆ Use with C1AE-9510-Y, Z, AA, AB, AC, AD, AE, AF, AH, AK and AL					1☆								
†C2AZ 9D541-A	Lever and swivel - letter "T" stamped on side lever - use on carburetors without screw type choke adjustment ☆ C2AF-U, T, Y, Z, AA, AB, AC, AD, AE, AF, AG, AH, AJ, AK, AL, AM, AN, AR, C2OF-N, R, S, T, AA, AB, AC, AD, C3AF-F, N, R, S, T, C3DF-C, D, E, F, C3MF-A, B, C, D, C3OF-C, D, E, F					1☆	1☆							
354293-S8	Screw-set-No. 6-32 x 1/8"					1	1							
9B542	ROD (ACCELERATOR PUMP LINK TO THROTTLE LEVER)													
†COAZ 9B542-A	Pump link to throttle lever - 4-5/16" overall length ☆ Use with COME-9510-G, K, C1AE-9510-Y, Z, AA thru AF, AH, AK, AL, C2AF-T, U, Y, Z, AA thru AH, AJ thru AN, AR, C2OF-N thru T, AA thru AD, C3AF-F, N, R, S, T, AN, AT, AU, AV, AY, BD, BE, BU, BV, BY, BZ, C3DF-C thru F, C3MF-A thru D, C3OF-C thru F, AG, AH, AJ, C4GF-E, AA, AB, C4MF-A, D, E, C4OF-A, B, K, L, AE, AK					1☆	1☆							
†C4AZ 9B542-A	☆ Use with C4AF-DH, DJ, DK, DL, DU, DV, DY, C4GF-AE, AF, C4MF-M, T, U, V, Y, C4OF-AM, AS, BS, C4ZF-R					1☆	1☆							
†C3AZ 9B542-B												1		
370327-S7	Pin-spring-3/16" x 1/2"-link to cover					1	1							
353610-S	Retainer-spring-rod to overtravel lever					1	1							
375894-S	Retainer-spring-rod to overtravel					1	1							
9544	TUBE (IDLE)													
●C3VY 9544-A	Nylon												1	
	◇ Holley † Ford ● Carter													

9510 - CARBURETOR CHART		Carburetor Identification Code													
GROUP AND PART NUMBER	DESCRIPTION, SIZE, ETC.	1	2	3	4	5	6	7	8	9	10	11	12	13	
		NUMBER REQUIRED													
9B544	PISTON (ACCELERATOR PUMP)														
◇COAE 9B544-B	Also serviced in 9A586 and 9590 kits		1												
●B7AZ 9B544-A	☆ For export only - also serviced in 9A586 and 9590 kits			1☆									1		
●C1VY 9B544-A	Also serviced in 9A586 and 9590 kits				1						1				
◇C1KE 9B544-A	Also serviced in 9A586 and 9590 kits							1							
◇C2DZ 9B544-B									1						
(1) 78-9579	Package also includes - ball (1) No. 750 instruction sheet														
9545	PLATE (CHOKE)														
◇ B7A 9545-B	☆ Use with B9ME-9510-A, COME-9510-A, F and C1AE-9510-AM, AV, C2AE-9510-CB, C3AE-9510-C, C3AF-9510-BK	1☆								1☆					
◇C3AZ 9545-B	☆ Use with C3AE-9510-B										1☆				
◇ EAA 9549-A	☆ Use with COAE-9510-E, U and Z, C1AE-9510-E, F, C2AE-9510-A, B, E, F		1☆												
◇C1KE 9549-A	☆ Use with C1GE-9510-A, B, C, D, E, F, G, H, C1KE-9510-A, B - also serviced in C1GY-9549-A kit							1☆							
● B7A 9545-C	☆ For export only			1☆									1		
●COLE 9545-A					1						1				
†COME 9549-A	Use with COME-9510-G and K equipped with COAE-9A591-A and B air horns only					1									
†C2AZ 9545-A						1	1								
◇CODE 9549-A	NS-serviced in CODZ-9546-A kit only ☆ Use with CODE-9510-A, B, C, D, C1DE-9510-B		1☆					1							
†C3AZ 9545-A												1			
◇C1GY 9549-A	☆ Use with C1GE-A, B, C, D, E, F, G, H, C1KE-A, B								1☆						
(1) CODE-9C513-A	Kit - consists of the following - spring (1) C1KE-9B547-A lever and link plate							(2) 355032-S7					screw & wshr.assy.		
(1) C1KE-9547-A	shaft and lever (1) C1KE-9549-A plate							(1) 359528-S7					retainer		
372479-S7	Screw and lockwasher-pan hd. -No. 6-32 x 3/16"-choke plate to choke shaft		2						2						
378360-S2	Screw-pan hd. -No. 6-32 x 5/16"												2		
34937-S	Washer-external tooth lock-No. 6										2				
9B545	SPRING (ACCELERATOR PUMP PISTON RETURN)														
◇ B7A 9636-B	Pump lever	1								1					
● B7A 9636-C	☆ For export only			1☆									1		
●COLE 9B545-A					1						1				
†B8AZ 9636-A	Also serviced in 9590 kit					1	1								
†C3AZ 9636-A	Pump lever - also serviced in 9590 kit (1) req'd. - as pump lever return spring (1) req'd. - as dashpot lever return on carburetor so equipped												1-2		
	◇ Holley † Ford ● Carter														

9510 - CARBURETOR CHART			Carburetor Identification Code												
GROUP AND PART NUMBER	DESCRIPTION, SIZE, ETC.	1	2	3	4	5	6	7	8	9	10	11	12	13	
		NUMBER REQUIRED													
9546	LEVER & SHAFT (CHOKE)														
◇ B7A 9546-B	☆ Use with B9ME-9510-A, COME-9510-A and F, C1AE-9510-AV only	1☆								1					
◇ EAA 9546-C	☆ Use with COAE-9510-E, U and Z, C1AE-9510-E and F, C2AE-9510-E and F		1☆												
◇ CODE 9546-B	☆ Use with CODE-9510-A, B, C and D, and C1DE-9510-B		1☆												
◇ C2AZ 9546-B	Shaft and lever assembly ☆ Use with C2AE-9510-A and B		1☆												
● B9S 9546-A	Countershaft lever - for export only			1											
● COLE 9546-A					1										
† B7A 9546-A	☆ Use with COME-9510-G and K					1☆									
† C1AE 9546-A	☆ Use with C1AE-9510-Y, Z, AA, AB, AC, AD, AE, AF, AH, AK, AL					1☆									
† C2AZ 9546-A	☆ Use with C2AF-U, T, Y, Z, AA, AB, AC, AD, AE, AJ, AK, AL, AM, AN, AR, C2OF-N, R, S, T, AA, AB, AC, AD, C3AF-N, R, S, T, C3MF-A, B, C3OF-C, D, E, F					1☆	1☆								
† C2AZ 9546-C	☆ Use with C3AF-AT, AU, AV, AY, BD, BE, C3DF-C, D, E, F, C3OF-AG, AH, C4GF-E					1☆	1☆								
† C2AZ 9546-D	☆ Use with C3AF-F, AN, BU, BV, BY, BZ, C3MF-C, D, C3OF-AJ, C4GF-AA, AB, C4MF-A, D, E					1☆	1☆								
† C4MY 9546-A	☆ Use with C4AF-DH, DJ, DK, DL, DU, DV, DY, C4GF-AE, AF, C4MF-A, N, T, U, V, Y, C4OF-A, B, K, L, AE, AK, AM, AS, BS, C4ZF-R					1☆	1☆								
● C1VE 9546-A										1					
† C3GY 9546-A	Shaft and lever assembly ☆ Use with C3GF-A, B, H, C3YF-A, B, E, F, G, H											1☆			
† C3GY 9546-B	☆ Use with C3GF-G, C4GF-A, B, C, AH, AR, AV, AY											1☆			
● C3VY 9546-A	Countershaft lever assembly												1		
37611-S	Screw-No. 8-32 x 1/4"-choke shaft and lever		1												
34937-S	Washer-external tooth lock-No. 6									2					
9546	KIT (CHOKE SHAFT & LEVER)														
◇ CODZ 9546-A	☆ Use with CODE-9510-A, B, C, D, C1DE-9510-B		1☆												
Consists of the following -															
(1) CODE-9B527-A	retainer	(1) B5A-9551-A	pin			(1) 31032-S8						screw			
(1) CODE-9546-B	shaft	(2) 40-9586	screw			(1) 43249-S8						screw			
(1) CODE-9549-A	choke plate	(1) EAA-9791-A	bracket												
◇ C2GY 9546-A										1					
Consists of the following -															
(2) C2DZ-9586-A	screw	(1) 376678-S100	screw			(1)						lever			
(2) C2GY-9597-A	cam	(1)	choke plate			(1)						link			
(1) 352200-S100	pin	(1)	choke shaft and												
(1) 376674-S100	screw		lever assembly												
◇ Holley	† Ford	● Carter													

9510 - CARBURETOR CHART		Carburetor Identification Code												
		1	2	3	4	5	6	7	8	9	10	11	12	13
GROUP AND PART NUMBER	DESCRIPTION, SIZE, ETC.	NUMBER REQUIRED												
9B546	RETAINER (FLOAT LEVER SHAFT)													
◆ COME 9B546-A					1							1		
† B7AZ 9599-A	Use with COAE-9564-A, B and C2AZ-9564-B valve and seat assembly - also serviced in 9A586 and 9590 kits and 9564 service package					1								
† C1AZ 9599-A	Use with C1AE-9564-A and C2AZ-9564-B valve and seat assembly - also serviced in 9A586 and 9590 kits and 9564 service package					1	2							
9547	SHAFT (CHOKE)													
◆ B7A 9547-A	☆ For export only			1☆									1	
◇ C1KE 9547-A	NS-serviced in 9549 kit only							1						
9B547	LEVER & LINK (THERMOSTATIC CHOKE)													
◆ B7AZ 9B547-A	Choke plate link ☆ For export only			1☆									1	
◆ B9MY 9B547-A	Choke lever ☆ For export only			1☆									1	
◆ COLE 9B547-A	Includes piston and pin				1							1		
◇ C1KE 9B547-A	NS-serviced in 9549 kit only							1						
359528-S7	Ring-retaining-link to choke plate-serviced in 9590 kit							1						
355027-S	Screw-rd. hd. -slotted-No. 6-32 x 1/4"-lever and link to choke shaft and lever			1	1							1	1	
9548	LEVER (FAST IDLE CAM OPERATING)													
◆ B7A 9548-A	☆ For export only			1☆									1	
† C3AZ 9F577-A	Use on carburetors with screw type choke adjustment ☆ Use with C3AF-AN, AT, AU, AV, AY, BD, BE, BU, BV, BY, BZ, C3MF-A, B, C, D, C3OF-AG, AH, AJ, C4GF-E, AA, AB, C4MF-A, D, E					1☆	1☆							
† C4AZ 9F577-A	☆ Use with C4AF-DH, DJ, DK, DL, DU, DV, DY, C4GF-AE, AF, C4MF-N, T, U, V, Y					1☆	1☆							
37654-S	Screw-fill. hd. -No. 6-32 x .560"					1	1							
9548	LEVER (CHOKE)													
◆ COLE 9548-A					1							1		
355027-S	Screw-flat hd. slotted-No. 6-32 x 1/4"-lever to choke shaft and lever				1							1		
9B548	SPRING (VACUUM PISTON)													
◆ B9S 9976-A	☆ For export only - also serviced in 9590 kit			2☆									2	
◆ COME 9B548-A	0 to 5000 feet altitude - also serviced in 9590 kit				1							1		
◆ C1VE 9B548-A	5000 to 15000 feet altitude											1		
9549	REFER TO GROUP 9545													
	◇ Holley † Ford ◆ Carter													

9510 - CARBURETOR CHART		Carburetor Identification Code												
GROUP AND PART NUMBER	DESCRIPTION, SIZE, ETC.	1	2	3	4	5	6	7	8	9	10	11	12	13
		NUMBER REQUIRED												
9B549	DASHPOT													
♦†◇C1AZ 9B549-A	No. 49 stamped on mounting stud ☆ Use with C2VE-9510-A, B, C, D and E	1	1			1	1	1				1☆		
●B6MY 9B549-A					1									
◇C2DZ 9B549-A									1					
●C1VE 9B549-A	☆ Use with C1VE-9510-A, B, C, D, E											1☆		
33923-S	Nut-jam-5/16"-24-use as dashpot locknut	1	1			1	1	1						
33795-S7	Nut-jam-1/4"-20-use as dashpot locknut				1							1		
34806-S7	Lockwasher-5/16"	1	1			1	1	1						
43252-S8	Screw and washer-No. 10-32 x 1/2"-dashpot bracket to main body								1					
45219-S8	Nut-stamped-7/16"-20-dashpot to bracket									1				
9550	FLOAT & LEVER													
◇B9TE 9550-A	☆ (1) used as primary with C3AE-9510-B, C3AF-9510-BJ, BK ☆ (1) used as primary and (1) used as secondary with C1AE-9510-AM, C2AE-9510-CB, C3AE-9510-C	1										1-2☆		
◇C3AZ 9550-B	☆ (1) used as secondary with C3AE-9510-B, C3AF-9510-BJ, BK ☆ (1) used as primary and (1) used as secondary with C3AE-9510-A											1-2☆		
◇ EAA 9550-A	☆ Use with COAE-9510-E, U and Z, CODE-9510-A, B, C, D, C1AE-9510-E, F		1☆					1						
◇C2AZ 9550-A	☆ Use with C1DE-9510-B, C2AE-A, B, E, F		1☆											
●B9LE 9550-A	☆ For export only			1☆										2
●COLE 9550-B					1						1			
†COAE 9550-A	☆ Use with COME-9510-G, K					1☆								
†C1AE 9550-A	Primary ☆ Use with C1AE-9510-Y, Z, AA, AB, AC, AD, AE, AF C2AF-AA, AB, AC, AD, AE, AF, AG, AH, C2OF-N, R, S, T, AA, AB, AC, AD, C3AF-F, AN, C3DF-E, F, C3MF-A, B, C, D, C3OE-C, D, E, F, C4MF-D, E, N, T, U, V, Y					1☆	1							
†C1AE 9550-B	Secondary						1							
◇C2DZ 9550-A									1					
†C3AZ 9550-A	☆ Use with C3DF-C, D, C3OF-AG, AH					1☆						1		
†C3AZ 9550-C	☆ Use with C3AF-BD, BE, C3DF-E, F, C4MF-A, C4OF-K, L, AE, AK, AM, AS, BS, C4ZF-R					1☆								
351826-S	Washer "C"-float to bowl	1									2			
9B550	BRACKET (DASHPOT MOUNTING)													
◇B7AZ 9B550-B	☆ Use with B9ME-9510-A, COME-9510-A and F only	1☆												
●COLE 9B550-A				1										
†B8AZ 9B550-A	☆ Use with C1AE-9510-AH, AK, AL, C2AF-T, U, Y, Z, AJ thru AN, AR, C3AF-N, R, S, T, AT, AU, AV, AY, BU, BV, BY, BZ, C3OF-AJ, C4AF-DH, DJ, DK, DL, C4GF-E, AB, AE, AF					1	1☆							
	CONTINUED ON NEXT PAGE													
	◇ Holley † Ford ● Carter													

9510 - CARBURETOR CHART

Carburetor Identification Code

GROUP AND PART NUMBER	DESCRIPTION, SIZE, ETC.	NUMBER REQUIRED												
		1	2	3	4	5	6	7	8	9	10	11	12	13
9B550	BRACKET (DASHPOT MOUNTING) CONTINUED													
†B8AZ 9B550-B	☆ Use with C4AF-DU, DV, DY							1☆						
◇C2DZ 9B550-A									1					
◆C1VE 9B550-A												1		
356736-S	Screw and washer-fill. hd. -No. 10-32 x 1/2"	2												
357137-S8	Screw and washer-fill. hd. -No. 10-32 x 9/16"-dashpot bracket to throttle body				2							2		
27081-S	Screw-fill. hd. -No. 10-32 x 1/2"							2	2					
34803-S	Lockwasher-No. 10							2	2					
9551	PIN (CHOKE PLATE DISTRIBUTION)													
◇ B2A 9551-A	☆ Use with COAE-9510-E, U and Z, C1AE-9510-E and F, and C2AE-9510-A, B, E and F		1☆											
◇ B5A 9551-A	☆ Use with CODE-9510-A, B, C and D, and C1DE-9510-B		1☆											
9B551	WASHER (PUMP SPRING)													
◆COLE 9B551-A	NS - 8/1/64 RB C1VE-9B563-A					1								
9552	RETAINER (FLOAT SPRING)													
◇ BOT 9552-A	☆ Use with CODE-9510-A, B, C, D, C1DE-9510-B		2☆						2					
9553	BAFFLE (METERING BODY VENT PRIMARY)													
◇ B8A 9553-C		1									1			
9B553	SCREW (BOOSTER VENTURI SUPPORT)													
◆COLE 9B553-A					2									
9B553	SCREW (PRIMARY AIR BLEED)													
◆C1VE 9B553-A												2		
9F553	PLATE (AIR DISTRIBUTION)													
†C3MY 9F553-A	☆ Use with C3AF-N, R, S, T, C3MF-A, B, C, D, C4GF-AA, AB, AE, AF, C4MF-D, E, N, T, U, V, Y							1☆	1☆					
9B554	SPACER (FAST IDLE CAM PICK-UP LEVER)													
◆COLE 9B554-A					1									
9557	VALVE (FLOAT BOWL VENT)													
◇ B7A 9557-B	☆ Use with B9ME-9510-A, COME-9510-A and F only	1☆												
9558	SHAFT AND/OR PIN (FLOAT LEVER)													
◇C1AE 9558-A	☆ Use with C2AE-9510-A, B, E and F		1☆											
◆ B7A 9558-C	☆ For export only			2☆									2	
◆COLE 9558-A					1							1		
† B8A 9558-A	Shaft					1	2							
◇C2DZ 9558-A	Pin									1				
†C3AZ 9558-A	Shaft												1	
	◇ Holley † Ford ◆ Carter													

9510 - CARBURETOR CHART		Carburetor Identification Code												
GROUP AND PART NUMBER	DESCRIPTION, SIZE, ETC.	1	2	3	4	5	6	7	8	9	10	11	12	13
		NUMBER REQUIRED												
9B558	COVER (BOOSTER VENTURI SUPPORT)													
◆COLE 9B558-C					1									
9B559	DIAPHRAGM (ACCELERATOR PUMP)													
◇COAE 9B559-D	Also serviced in 9A586 and 9590 kits	1									1			
†C2AZ 9B559-A	Also serviced in 9A586 and 9590 kits ☆ Use with COME-G, K, C1AE-9510-Y, Z, AA thru AF, C2AF-AA thru AH, AJ thru AN, AR, C2OF-N thru T, AA thru AD, C3AF-F, N, R, S, T, AN, AT, AU, AV, AY, BD, BE, BU, BV, BY, BZ, C3DF-C thru F, C3MF-A thru D, C3OF-C thru F, AG, AH, AJ, C4GF-E, AA, AB, C4MF-A, D, E					1☆	1☆							
†C4AZ 9B559-A	Also serviced in 9A586 and 9590 kits ☆ Use with C4AF-DH, DJ, DK, DL, DU, DV, DY, C4GF-AE, AF, C4MF-N, T, U, V, Y, C4OF-AM, AS, BS, C4ZF-R					1☆	1☆							
†C3AZ 9B559-A	(1) req'd. - for accelerator pump (1) req'd. - for dashpot equipped carburetors also serviced in 9A586 and 9590 kits												1-2	
371350-S	Ball-steel-3/8" diameter-use as accelerator pump check valve					1	1							
9560	SPRING (PUMP CHAMBER VENT OPERATING ROD)													
◇ B8A 9560-B	☆ Use with B9ME-9510-A, COME-9510-A, F	1☆												
†C3AZ 9560-B	Float bowl vent return												1	
9561	GASKET (FLOAT BOWL AND/OR RETAINER)													
◇ B8A 9561-C	Primary - also serviced in 9502, 9A586 and 9590 kits ☆ (1) used as primary gasket with C1AE-9510-AM, C2AE-9510-CB, C3AE-9510-A, C3AE-9510-C, C3AF-9510-BJ, BK ☆ (1) used as primary gasket and (1) as secondary gasket with C3AE-9510-B	1									1-2☆			
◇ B8A 9561-D	Secondary - also serviced in 9502 and 9590 kits ☆ Use with C1AE-9510-AM, C2AE-9510-CB, C3AE-9510-A, C, C3AF-9510-BJ, BK										1☆			
◆C1VE 9561-A	Also serviced in 9502 and 9590 kits										1			
†C3AZ 9561-A	Also serviced in 9502, 9A586 and 9590 kits												1	
◇B2AZ 9561-A	Float bowl retainer - also serviced in 9502, 9A586 and 9590 kits ☆ Use with CODE-9510-A, B, C and D, C1DE-9510-B		1☆											
◆C3VY 9561-A	Also serviced in 9502, 9A586 and 9590 kits													1
◆B9AZ 9561-A	For export only - also serviced in 9502, 9A586 and 9590 kits			1										
CONTINUED ON NEXT PAGE														
◇ Holley † Ford ◆ Carter														

9510 - CARBURETOR CHART		Carburetor Identification Code												
GROUP AND PART NUMBER	DESCRIPTION, SIZE, ETC.	1	2	3	4	5	6	7	8	9	10	11	12	13
		NUMBER REQUIRED												
9561	GASKET (FLOAT BOWL AND/OR RETAINER) CONTINUED													
◆COME 9561-A	Also serviced in 9502, 9A586 and 9590 kits ☆ Use with COLE-9510-D with code tag No. GKMOBB and COLE-9510-G				1☆									
†C2OZ 9561-A	Also serviced in 9502, 9A586 and 9590 kits - use on carburetors without choke tube on underside of air horn ☆ Use with COME-G, K, C1AE-9510-Y, Z, AA thru AF, C2AF-AA thru AH, C2OF-N, R, S, T, AA thru AD, C3AF-F, AN, BD, BE, C3DF-C thru F, C3MF-A thru D, C3OF-C thru F, AG, AH, C4MF-A, D, E, C4OF-A, B, K, L, AE, AK					1☆								
†C2OZ 9561-B	Also serviced in 9502, 9A586 and 9590 kits - use on carburetors with choke tube on underside of air horn ☆ Use with C4MF-N, T, U, V, Y, C4OF-AM, AS, BS, C4ZF-R					1☆								
†C2SZ 9561-A	Also serviced in 9502, 9A586 and 9590 kits						1☆							
◇C2DZ 9561-A	Also serviced in 9502, 9A586 and 9590 kits									1				
◇C2AZ 9561-C	Also serviced in 9502, 9A586 and 9590 kits ☆ Use with COAE-9510-E, U, Z, CODE-9510-A, B, C, D, C1AE-9510-E, F, C1DE-9510-B, C2AE-A, B, E, F		1☆						1					
9B561	SPRING (SECONDARY THROTTLE OVERRIDE)													
◆COLE 9B561-A	For export only			1										
9562	PLUG (FUEL LEVEL CHECK)													
◇ B7T 9562-A		1									2			
◇ 78 9562-A	Float level adjustment plug ☆ Use with C2AE-9510-CB, C3AE-9510-C										2☆			
9B562	LEVER (FAST IDLE PICK-UP CAM & CHOKE UNLOADER)													
◆COLE 9B562-A						1								
374003-S2	Screw-shoulder-1/4"-28-lever to throttle					1								
9563	GASKET (ECONOMIZER COVER)													
† B7A 9563-A	Fibre - 1-9/64" I.D. with (4) 3/16" diameter holes equally spaced - also serviced in 9502, 9A586 and 9590 kits					1	1							
◇ AOA 9563-A	Main jet passage plug gasket ☆ Use with C2AE-9510-CB, C3AE-9510-C										2☆			
9B563	SEAL (ACCELERATOR PUMP PLUNGER)													
◆COLE 9B563-A						1								
◆C1VE 9B563-A											1			
	◇ Holley † Ford ◆ Carter													

9510 - CARBURETOR CHART			Carburetor Identification Code															
			1	2	3	4	5	6	7	8	9	10	11	12	13			
GROUP AND PART NUMBER	DESCRIPTION, SIZE, ETC.		NUMBER REQUIRED															
9564	VALVE & SEAT (FUEL INLET)																	
◇B9TE 9564-D	☆ Use with C2AE-9510-CB, C3AE-9510-C																2☆	
◇C2TZ 9564-B	Also serviced in 9A586 and 9590 kits ☆ Use with B9ME-9510-A, COME-9510-A and F only		1☆															
◇C1AZ 9564-A	Also serviced in 9590 kit ☆ Use with C1AE-9510-AM, AU, AV, C3AE-9510-A, B, C3AF-9510-BJ, BK		1☆														2☆	
◇CODE 9564-B	Also serviced in 9A586 and 9590 kits ☆ Use with COAE-9510-E, U, Z, CODE-9510-A, B, C, D, C1AE-9510-E, F, C1DE-9510-B			1☆								1						
◇C2AZ 9564-C	Also serviced in 9A586 and 9590 kits ☆ Use with C2AE-9510-A, B, E and F			1☆														
● B8A 9564-B	☆ For export only - also serviced in 9A586 and 9590 kits					1☆												2
●COLE 9564-C	Also serviced in 9A586 and 9590 kits						1											
†C2AZ 9564-B	.500" O. D. - must be used with C1AZ-9599-A retainer - also serviced in 9A586 and 9590 kits ☆ Use with COME-9510-G, K, C1AE-9510-Y, Z, AA thru AF, AH, AK, AL, C2AF-T, U, Y, Z, AJ thru AN, AR, C2OF-N, R, S, T, AA thru AD, C3AF-F, N, R, S, T, AN, AT, AU, AV, AY, BD, BE, BY, BZ, C3DF-C thru F, C3MF-A thru D, C3OF-C thru F, AG, AH, AJ, C4GF-E, AA, AB, C4MF-A, D, E, C4OF-A, B, K, L, AE, AK						1☆	2☆										
(1) B7A-9561-A1	Package also includes - gasket (1) C1AZ-9599-A retainer																	
†C2AZ 9564-D	☆ Use with C3AF-BU, BV, C4AF-DH, DJ, DK, DL, DU, DV, DY, C4GF-AE, AF, C4MF-N, T, U, V, Y, C4OF-AM, AS, BS, C4ZF-R - also serviced in 9A586 and 9590 kits						1☆	2☆										
(1) C3FF-9564-F	Package also includes - valve & seat (1) B7A-9569-A gasket (1) C1AZ-9599-A retainer																	
◇C2DZ 9564-A	Also serviced in 9502, 9A586 and 9590 kits																1	
●C1VE 9564-A	Also serviced in 9A586 and 9590 kits																1	
†C3AZ 9564-A	Also serviced in 9A586 and 9590 kits ☆ Use with C3GF-A, B, G, H, C3YF-A, B, E, F, G, H																	1☆
(1) C3AZ-9569-A	Package also includes - gasket																	
†C3AZ 9564-B	Also serviced in 9A586 and 9590 kits ☆ Use with C4GF-A, B, C, AH, AR, AV, AY																	1☆
(1) C3AZ-9569-B	Package also includes - gasket																	
372426-S	Nut-fuel valve adjusting nut-5/16" x 3/8"		1														2	
373246-S	Screw-1/4"-32 x 11/32"-fuel valve adjusting locknut screw		1														2	
◇ Holley	† Ford	● Carter																

9510 - CARBURETOR CHART

Carburetor Identification Code

GROUP AND PART NUMBER	DESCRIPTION, SIZE, ETC.	NUMBER REQUIRED												
		1	2	3	4	5	6	7	8	9	10	11	12	13
9B564	SPRING (ACCELERATOR PUMP PISTON OPERATING LEVER)													
◆COME 9B564-A					1									
◆C1VE 9B564-A	☆ Use with C1VE-9510-A, B, C, D, E											1☆		
◆C2VY 9B564-A	☆ Use with C2VE-9510-A, B, C, D, E											1☆		
9D564	NUT (CHOKE PLATE ADJUSTING)													
†C3AZ 9D564-A	Nylon												1	
9565	CLAMP (AIR VENT PUSH ROD)													
◇B8A 9565-A	☆ Use with B9ME-9510-A, COME-9510-A and F only	1☆												
355067-S	Screw and washer-No. 10-32 x 21/64"-clamp to float bowl	1												
9565	CLIP (PUMP ROD TO THROTTLE SHAFT)													
◆B7A 9565-A	For export only			2										
9A565	ECONOMIZER													
◇B7TZ 9A565-A	Also serviced in 9A586 and 9590 kits ☆ 0 to 10000 feet altitude with B9ME-9510-A, COME-9510-A, F	1☆						1						
◇B8AZ 9A565-A	Also serviced in 9590 kit - ☆ Use with C1AE-9510-AM, AV, C3AE-9510-A, B, C3AF-BJ, BK	1☆									1-2☆			
◇B2AZ 9A565-A	Piston and stem assembly - also serviced in 9A586 and 9590 kits		1					1						
◇B8LY 9A565-A	☆ Use with C2AE-9510-CB, C3AE-9510-C										1☆			
†COAZ 9A565-B	Also serviced in 9A586 and 9590 kits ☆ 0 to 5000 feet altitude with C3AF-BD, C3OF-AG, C4OF-K, L, AE, AK, AM, AS, BS, C4ZF-R ☆ 10000 to 15000 feet altitude with C4MF-A, D, E ☆ 0 to 15000 feet altitude with C4OF-A, B ☆ 5000 to 10000 feet altitude with C3AF-BU, BV, BY, BZ, C4AF-DH, DJ, DK, DL, DU, DV, DY, C4GF-E, AA, AB, AE, AF, C4MF-N, T, U, V, Y					1☆	1☆							
†COAZ 9A565-C	Color code "BLACK" - also serviced in 9A586 and 9590 kits ☆ 0 to 5000 feet altitude with COME-9510-G, K, C1AE-9510-AC, AD, AE, AF, C2AF-AF, AG, AH, C3AF-F, C3MF-C, D, C4MF-A, D, E, N, T, U, V, Y ☆ 10000 to 15000 feet altitude with C2AF-U, AA, AE, AM, C2OF-N, AA, AB, AC, AD, C3MF-A, B, C, D					1☆	1☆							
CONTINUED ON NEXT PAGE														
◇ Holley † Ford ◆ Carter														

9510 - CARBURETOR CHART		Carburetor Identification Code												
		1	2	3	4	5	6	7	8	9	10	11	12	13
GROUP AND PART NUMBER	DESCRIPTION, SIZE, ETC.	NUMBER REQUIRED												
9A565	ECONOMIZER (CONTINUED)													
†COAE 9A565-D	Color code "GREEN" - also serviced in 9A586 and 9590 kits ☆ 0 to 5000 feet altitude with C1AE-9510-Y, Z, AA, AB, C2AF-AA, AB, AC, AD, C2OF-N, R, S, T, AA, AB, AC, AD					1☆								
†C3AZ 9A565-D	No. 65 stamped on O. D. ☆ 5000 to 10000 feet altitude with COME-9510-G, K, C1AE-9510-Y, Z, AA, AB, AC, AD, AE, AF, AH, AK, AL, C2AF-T, U, Y, Z, AA, AB, AC, AD, AE, AF, AG, AH, AJ, AK, AL, AM, AN, AR, C2OF-N, R, ST, AA, AB, AC, AD, C3AF-F, C3MF-A, B, C4OF-K, L, AE, AM, AS, BS ☆ 10000 to 15000 feet altitude with C3AF-BU, BV, BY, BZ, C4AF-DH, DJ, DK, DL, DU, DV, DY, C4GF-E, AA, AB, AE, AF					1☆	1☆							
†C3AZ 9A565-B	Also serviced in 9A586 and 9590 kits ☆ 10000 to 15000 feet altitude with COME-G, K, C1AE-9510-Y, Z, AA, thru AF, AH, AK, AL, C2AF-T, U, Y, Z, AA thru AN, AR, C2OF-N, R, S, T, AA thru AD, C3AF-F, AN, C3DF-C thru F, C3MF-A thru D, C3OF-C, D, E, F, AH, C4OF-K, L, AE, AK, AM, AS, BS					1☆								
†COAZ 9A565-A	Also serviced in 9A586 and 9590 kits ☆ 5000 to 10000 feet altitude with C4MF-A, D, E ☆ 0 to 5000 feet altitude with C2AF-T, U, Y, Z, AM, C3AF-BU, BV, BY, C3OF-AJ, C4AF-DH, DJ, DK, DL, DU, DV, DY, C4GF-E, AA, AB, AE, AF ☆ 0 to 15000 feet altitude with C2AF-AJ, AK, AL, AN, AR, C3AF-N, R, S, T, AT, AU, AV, AY ☆ 10000 to 15000 feet altitude with C4MF-N, T, U, V, Y					1☆	1☆							
◇C2DZ 9A565-A	Piston and stem assembly - also serviced in 9A586 and 9590 kits									1				
9B565	GASKET (VACUUM PISTON)													
♣COLE 9B565-A	Also serviced in 9502, 9A586 and 9590 kits				1							1		
9F565	FILLER (ACCELERATOR PUMP CAVITY)													
†C3OZ 9F565-A	☆ Use with COME-9510-G, K, C1AE-9510-Y, Z, AA thru AF, AH, AK, AL, C2AF-T, U, Y, Z, AA thru AN, AR, C2OF-N, R, S, T, AA thru AD, C3AF-F, N, R, S, T, AN, AT, AU, AV, AY, BD, BE, BU, BV, BY, BZ, C3DF-C thru F, C3MF-A thru D, C3OF-C thru F, AG, AH, C4GF-E, AA, AB, C4MF-A, D, E, C4OF-A, B, K, L, AE, AK					1☆	1☆							
9B566	PIN (ACCELERATOR PISTON PUMP OPERATING LEVER)													
♣COLE 9B566-A					1							1		
	◇ Holley † Ford ♣ Carter													

9510 - CARBURETOR CHART		Carburetor Identification Code												
GROUP AND PART NUMBER	DESCRIPTION, SIZE, ETC.	1	2	3	4	5	6	7	8	9	10	11	12	13
		NUMBER REQUIRED												
9B566	SCREW (ACCELERATOR PUMP ARM)													
♣C3VY 9B566-A	Use to attach 9583 secondary throttle shaft lever to 9524 air horn												1	
370010-S	Washer-flat-.3145"/.3165" x 1/2" O.D.												1	
9A567	KIT (FAST IDLE) AUTOMATIC													
♣C1VE 9A567-A	☆ Use with C1VE-9510-B, C, E, C2VE-9510-A, C, E If fitting is required to attach control assembly use 354338-S											1☆		
Consists of the following -														
(1) C1VE-9C529-A	control assembly (1) 374006-S nut-compression (1) tube - copper or steel - 1/4" dia. x 2-5/8" long													
♣C3VY 9A567-A	Use on carburetors that are on vehicles equipped with a/cond.												1	
Consists of the following -														
(1) C1VE-9C529-A	control assembly (1) C3VY-9544-A tube-air supply (1) 374006-S nut-compression													
9B567	GASKET (HOT IDLE COMPENSATOR)													
†♣COLE 9A567-A	☆ Use with C3AF-BU, BV, BY, BZ, C4AF-DH, DJ, DK, DL, DU, DV, DY				1		1☆				1		1	
374006-S	Nut-compression-1/4"												1	
354338-S	Nipple-1/4"-27 N. P. T. F.												1	
9568	RETAINER (PUMP OPERATING LEVER)													
◇ B2A 9568-B	Also serviced in 9590 kit	1	1					1		1				
9B568	GASKET (BOOSTER VENTURI SUPPORT COVERS)													
♣COLE 9B568-C	Also serviced in 9502, 9A586 and 9590 kits				1									
9569	GASKET (NEEDLE VALVE & SEAT)													
◇B9TE 9A522-A	Fuel valve adjusting screw - also serviced in 9502, 9A586 and 9590 kits	1									2			
◇B9TE 9A522-B	Fuel valve adjusting nut - also serviced in 9502, 9A586 and 9590 kits	1									2			
◇ EAA 9569-A	Also serviced in 9502, 9A586 and 9590 kits		1					1						
♣ B7A 9569-B	Fuel inlet ☆ For export only			2☆									2	
♣COLE 9569-A	Also serviced in 9502, 9A586 and 9590 kits				1									
† B7A 9569-A	Fuel inlet - also serviced in 9502, 9A586 and 9590 kits					1	2							
♣C1VE 9569-A	Also serviced in 9502, 9A586 and 9590 kits										1			
†C3AZ 9569-B	Also serviced in 9502, 9A586 and 9590 kits											1		
9B569	SPRING (FAST IDLE CAM)													
◇B7AZ 9B569-A	☆ Use with B9ME-9510-A, COME-9510-A and F, and C1AE-9510-AV only	1☆												
9F569	BUSHING (ACCELERATOR PUMP OVERTRAVEL SPRING)													
†C3AZ 9F569-A	Must be used with B8AZ-9919-A Package also includes - (1) B8AZ-9919-A lever					1	1							
◇ Holley † Ford ♣ Carter														

9510 - CARBURETOR CHART		Carburetor Identification Code												
		1	2	3	4	5	6	7	8	9	10	11	12	13
GROUP AND PART NUMBER	DESCRIPTION, SIZE, ETC.	NUMBER REQUIRED												
9F570-1	SPRING (FLOAT DAMPNER)													
†C3AZ 9F570-A	Primary					1	1							
†C3AZ 9F571-A	Secondary						1							
9571	SPRING (ACCELERATOR PUMP LEVER ADJUSTING SCREW)													
◇ B7A 9571-A		1									1			
9572	CUP (PUMP PISTON)													
◇C2DZ 9572-A	☆ Use with C2DZ-9B544-A accelerator pump piston only and carburetors 2311, 2311*, 2324, 2342, 2342*, 2343* - also serviced in 9A586 and 9590 kits										1☆			
C2DZ 9572-B	Use with C2DZ-9B544-B accelerator pump piston only - also serviced in 9A586 and 9590 kits only										1			
9B572	VALVE (SPARK CONTROL)													
◇B8AZ 9B572-A	Also serviced in 9A586 and 9590 kits ☆ Use with COAE-9510-E, U, C1AE-9510-E, 2311-1, 2342-1, 2342-2			1☆							1☆			
◇COAZ 9B572-A	Also serviced in 9A586 and 9590 kits ☆ Use with COAE-9510-Z, C1AE-9510-F, and C2AE-9510-E and F			1☆										
◇CODE 9B572-A	Stamped No. 35 - also serviced in 9A586 and 9590 kits ☆ CODE-9510-B, D, C1DE-9510-B, C1GE-9510-E, F, G, H, 2324, 2324-1, 2343, 2343*, 2343-1, 2343-2			1☆						1☆	1☆			
◇CODE 9B572-B	Stamped No. 50 - also serviced in 9A586 and 9590 kits ☆ Use with CODE-9510-A and C			1☆										
◇C1TZ 9B572-A	Also serviced in 9A586 and 9590 kits ☆ Use with C2AE-9510-A and B			1☆										
◇CODE 9B572-C	Stamped No. 528 - also serviced in 9590 kit ☆ Use with C1GE-9510-A, B, C, D, C1KE-9510-A, B									1☆				
†C3AZ 9B572-B	Carburetor distributor advance - also serviced in 9590 kit												1	
9574	SCREW (DISCHARGE NOZZLE)													
◇ B2A 9574-B			1											
9575	RETAINER (VALVE)													
† B8A 9575-A	Accelerator pump check valve ☆ Use with COME-9510-G, K, C1AE-9510-Y, Z, AA thru AF, AH, AK, AL, C2AF-T, U, Y, Z, AA thru AN, AR, C2OF-N, R, S, T, AA thru AD, C3AF-N, R, S, T, AN, AT, AU, AV, AY, BD, BE, BU, BV, BY, BZ, C3DF-C thru F, C3MF-A thru D, C3OF-C thru F, AG, AH, AJ, C4MF-A, D, E, C4OF-A, B, K, L, AE, AK, AM, AS, BS					1☆	1☆							
CONTINUED ON NEXT PAGE														
◇ Holley † Ford ● Carter														

9510 - CARBURETOR CHART

Carburetor Identification Code

GROUP AND PART NUMBER	DESCRIPTION, SIZE, ETC.	1	2	3	4	5	6	7	8	9	10	11	12	13
		NUMBER REQUIRED												
9575	RETAINER (VALVE) CONTINUED													
†B8AZ 9575-B	Secondary vacuum control valve spring						1							
◇C2DZ 9575-A	Pump check valve plug								1					
374818-S	Washer-flat-1/4"					1	1							
371350-S	Ball-steel-3/16"-alternate with 353080-S					1	1							
353080-S	Ball-steel-3/16"					1	1							
9575	REFER TO GROUP 9A576													
9A575	HOUSING ASSEMBLY (THERMOSTATIC CHOKE)													
†C4AZ 9A575-A	Includes choke lever and bushing,choke housing shaft and lever, choke housing lever and fast idle cam operating lever ☆ Use with C4OF-A, B, K, L, AE, AK, AM, AS, BS Package also includes - (1) B8A-9853-A gasket					1☆								
†C4MY 9A575-A	Includes choke lever and bushing, choke housing shaft and lever, choke housing lever and fast idle cam operating lever ☆ Use with C4MF-N, T, U, V, Y					1☆								
†C4AZ 9A575-D	Includes choke lever and bushing, housing shaft and lever, choke housing lever and fast idle cam operating lever ☆ Use with C4AF-DJ, DL, DU, DY, C4AF-AF Package also includes - (1) B8A-9853-A gasket					1☆								
†C4AZ 9A575-E	Includes choke lever and bushing, housing shaft and lever and fast idle cam operating lever ☆ Use with C4AF-DH, DK, DV, C4GF-AE Package also includes - (1) B8A-9853-A gasket					1☆								
†C5AZ 9A575-C	Includes choke lever and bushing, housing shaft and lever and fast idle cam operating lever ☆ Use with C4ZF-R Package also includes - (1) B8A-9853-A gasket					1☆								
9576	REFER TO GROUP 9A541													
9A576	RETAINER (FAST IDLE ROD SEAL)													
◆COLE 9A576-A					2									
†B8AZ 9575-C						1	1							
37400-S2	Screw and washer-No. 8-32 x 1/4"-retainer to air horn				2									
34802-S	Washer-spring lock-No. 8					1	1							
37611-S	Screw-No. 8-32 x 1/4"-retainer to air horn					1	1							
359555-S	Washer-flat-No. 8-use on top and bottom of retainer					2	2							
	◇ Holley † Ford ◆ Carter													

9510 - CARBURETOR CHART

Carburetor Identification Code

GROUP AND PART NUMBER	DESCRIPTION, SIZE, ETC.	1	2	3	4	5	6	7	8	9	10	11	12	13
		NUMBER REQUIRED												
9577	NOZZLE AND/OR SCREW (PUMP DISCHARGE)													
◇ B8A 9577-B	Nozzle-also serviced in 9590 kit	1												
◇ EAA 9577-B	Nozzle-also serviced in 9590 kit		1											
◆B9ME 9577-A	☆ For export only			1☆									1	
†COAZ 9577-A	Nozzle screw					1	1							
◇ B8A 9577-A	Nozzle ☆ Use with C1AE-9510-AM, C2AE-9510-CB, C3AE-9510-A, B, C										1☆			
◇C4AZ 9577-A	Nozzle ☆ Use with C3AF-BJ, BK										1☆			
50420-S	Screw-oval hd. -No. 12-24 x 3/4"-nozzle to main body	1												
43251-S	Screw and washer-No. 8-32 x 1/2"			2									2	
353080-S	Ball-steel-3/16"-use as accelerator pump discharge ball					1	1							
374370-S	Washer-flat-1/4"					1	1							
9F577	REFER TO GROUP 9548													
9578	SPRING (SECONDARY VACUUM CONTROL VALVE)													
† B8A 9578-A	3/8" free length							1						
9578	SPRING (THROTTLE STOP SCREW)													
†◇B8A 9578-B		1	1			1	1	1		1				
◆ B7A 9578-B	Also used for export			1	1									
355107-S	Screw-fill. hd. -No. 10-32 x 1"-throttle idle adjusting					1	1	1						
354825-S	Screw-hex. hd. -No. 10-32 x 43/64"-idle needle adjusting					1	1	1						
359539-S	Screw-fill. hd. -No. 10-32 x 1/4"									1				
9578	SPRING (FAST IDLE CAM LEVER ADJUSTING SCREW)													
◆COLE 9578-A					1									
◆C1VE 9578-D											1		1	
370002-S	Screw-hex. hd. -fast idle adjusting-No. 8-32 x 5/16"										1		1	
9578	SPRING (IDLE ADJUSTING NEEDLE)													
	NS-☆ (1) req'd. - as fast idle cam lever adjusting screw ☆ (1) req'd. - as throttle stop screw - (1) as fast idle screw - (1) as fast idle adjusting needle on 2311, 2311*, 2324, 2342, 2342*, 2343, 2343*	1☆	1☆			2	2	1☆	3☆	2			1☆	
◆ B7A 9578-A	Also used for export			2	2									
◆C1VE 9578-B											2			
†C3AZ 9578-C	Idle needle and fast idle												2	
◆C3VY 9578-B														2
	CONTINUED ON NEXT PAGE													
	◇ Holley † Ford ◆ Carter													

9510 - CARBURETOR CHART		Carburetor Identification Code												
GROUP AND PART NUMBER	DESCRIPTION, SIZE, ETC.	1	2	3	4	5	6	7	8	9	10	11	12	13
		NUMBER REQUIRED												
9578	SPRING (IDLE ADJUSTING NEEDLE) CONTINUED													
370049-S	Screw-fill. hd. -No. 8-32 x 1/2"- fast idle cam adjusting screw	1												
355107-S7	Screw-special hex. hd. slotted-No. 10-32 x 1"-fast idle adjusting											1		
354825-S	Screw-hex. hd. -No. 10-32 x 43/64"-throttle idle adjusting											1		
9578	SPRING (BY-PASS IDLE AIR ADJUSTMENT)													
♣C1VE 9578-A											1			
♣C3VY 9578-A													1	
9579	PIN (FAST IDLE ADJUSTING LEVER)													
† B8A 9579-A	☆ Use with C4MF-N, T, U, V, Y, C4OF-A, B, K, L, AE, AK, AM, AS, BS, C4ZF-R					1☆								
† B9A 9579-B	☆ Use with C4AF-DU, DV, DY						1☆							
9580	GASKET (PUMP DISCHARGE JET)													
◇B7AE 9580-A	Also serviced in 9502, 9A586 and 9590 kits ☆ (1) req'd. - with discharge nozzle ☆ (1) req'd. - with discharge nozzle screw	2☆								2☆				
◇ EAA 9580-A	Also serviced in 9502, 9A586 and 9590 kits		1											
♣B9ME 9580-A	☆ For export only - also serviced in 9590 kit			1☆									1	
9581	LEVER & SHAFT (THROTTLE)													
◇B9AE 9581-A	Primary ☆ Use with B9ME-9510-A, COME-9510-A and F only	1☆												
◇C1AZ 9581-A	Secondary ☆ Use with C1AE-9510-AU only	1☆												
◇C1AZ 9581-B	Primary ☆ Use with C1AE-9510-AV only	1☆												
◇CODE 9581-A	Primary - includes throttle shaft screw and spring ☆ Use with CODE-9510-A, B, C and D and C1DE-9510-B		1☆											
♣COLE 9581-A	Primary - for export only			1										
♣COLE 9581-B	Primary				1									
† B8A 9581-C	Primary ☆ Use with COME-9510-G and K, C3MF-A, B, C, D					1☆	1☆							
† B8A 9581-B	Primary ☆ Use with C1AE-9510-Y, Z, AA, AB, AC, AD, AE, AF, C2AF-AA, AB, AC, AD, AE, AF, AG, AH, C2OF-AA, AB, AC, AD, C3AF-BD, BE, C3DF-F, C3OF-E, AJ, C4AF-DH, DJ, DK, DL, DU, DV, DY, C4GF-AA, AB, AE, AF, C4MF-D, E, N, T					1☆	1☆							
	CONTINUED ON NEXT PAGE													
	◇ Holley † Ford ♣ Carter													

9510 - CARBURETOR CHART		Carburetor Identification Code												
GROUP AND PART NUMBER	DESCRIPTION, SIZE, ETC.	1	2	3	4	5	6	7	8	9	10	11	12	13
		NUMBER REQUIRED												
9581	LEVER & SHAFT (THROTTLE) CONTINUED													
†B8AZ 9581-A	Primary ☆ Use with C3DF-E, C3AF-F, AN, BU, BV, BY, BZ, C4GF-E, C4MF-U, V, Y, C4OF-A, B, K, L, AE, AK, AM, AS, BS, C4ZF-R					1☆	1☆							
†C2OF 9581-B	Primary ☆ Use with C2OF-N, R, S, T, C3DF-C, D, F, C3DF-C, D, C3OF-C, D, F, AG, AH					1☆								
†C4MY 9581-A	Primary ☆ Use with C4MF-A					1☆								
◇C1KE 9581-A	Primary - includes throttle stop screw & spring ☆ Use with C1KE-9510-A, B							1☆						
◇C1GE 9581-A	Primary - includes throttle stop screw & spring ☆ Use with C1GE-9510-A, B, C, D, E, F, G, H							1☆						
◆C1VE 9581-A	Primary										1			
◇B9AE 9581-B	Primary ☆ Use with C1AE-9510-AM, C3AE-9510-A									1☆				
◇C3AZ 9581-B	Primary ☆ Use with C2AE-9510-CB, C3AE-9510-C									1☆				
◇C3AZ 9581-C	Primary ☆ Use with C3AE-9510-B, C3AF-BJ, BK									1☆				
†C3GY 9581-B	Primary ☆ Use with C3GF-A, B, C3YF-A, B, E, F, G, H											1☆		
†C5ZZ 9581-A	Primary ☆ Use with C3GF-G, H, C4GF-A, B, C, AH, AR											1☆		
†C5ZZ 9581-B	Primary ☆ Use with C4GF-AV, AY											1☆		
◆C3VY 9581-A	Primary												1	
◆C3VY 9581-B	Secondary												1	
370049-S	Screw-fill. hd. -No. 8-32 x 1/2"- fast idle adjusting	1												
352892-S	Screw-fill. hd. -dog point-No. 10-32 x 1-1/4"-throttle lever adjusting screw	1												
42790-S	Screw and washer-No. 6-32 x 1/4"- lever and shaft to throttle body	1												
353803-S8	Screw-self-tapping-No. 6-20 x 3/8"- pump cam lock screw	1									1			
31061-S2	Screw-fill. hd. -No. 8-32 x 1/2"-throttle lever adjusting screw				1							1		
355107-S	Screw-spec. hex. hd. slotted-No. 10-32 x 1"-throttle lever adjusting					1	1				1			
31644-S7	Screw-fill. hd. -No. 10-32 x 3/4"- fast idle adjusting								1					
31628-S8	Screw-fill. hd. -No. 10-32 x 5/8"- throttle stop screw								1					
9581	KIT (THROTTLE LEVER & SHAFT)													
◇COKY 9581-A	☆ Use with COAE-9510-E, U and Z, C1AE-9510-E and F, and C2AE-9510-A, B, E and F Consists of the following - (1) EBP-9581-A lever and shaft (1) 34079-S nut (1) 8CM-9681-A ball (1) 34843-S washer CONTINUED ON NEXT PAGE ◇ Holley † Ford ◆ Carter		1☆											

9510 - CARBURETOR CHART		Carburetor Identification Code												
GROUP AND PART NUMBER	DESCRIPTION, SIZE, ETC.	1	2	3	4	5	6	7	8	9	10	11	12	13
		NUMBER REQUIRED												
9581	KIT (THROTTLE LEVER & SHAFT) CONTINUED													
◇C2GY 9581-A	Consists of the following -									1				
(1) C2DZ-9529-A	link, accelerator (1) 34078-S													
(2) 40-9578	sprg., throttle stop (1) 34803-S and fast idle screw													
(2) C2DZ-9586-A	screw, throttle (1) 376675-S100 plate (1) 376676-S													
9583	REFER TO GROUP 9A506													
9583	LEVER (ACCELERATOR PUMP)													
●C3VY 9583-A														1
370007-S	Screw-No. 8-32 x 45/64"													1
9583	LEVER (THROTTLE SHAFT AND/OR DIAPHRAGM) SECONDARY													
●B9AZ 9583-A	Throttle shaft - secondary - for export only			1										
† B8A 9583-A	Diaphragm						1							
◇ B8A 9583-C	Lever									1				
	NS-serviced in 9510 assembly only													1
353848-S8	Pin-spring-3/16" x 11/16"						1							
42802-S	Screw and washer-No. 10-32 x 3/8"-lever to throttle body									1				
370010-S	Washer-flat-rectangular-.3145" x .3165" I.D. x 1/2" O.D.													1
351825-S	Washer-"C"									1				
359709-S7	Screw-truss hd. -No. 10-32 x 5/16"													1
9D583	VALVE (FLOAT BOWL VENT)													
†C3AZ 9D583-B														1
375917-S	NS-clip													1
9585	PLATE (THROTTLE)													
◇ B7A 9585-C	Primary ☆ Use with B9ME-9510-A, COME-9510-A and F only	2☆												
◇ B8A 9585-A	Primary ☆ Use with C1AE-9510-AU, AV, C2AE-9510-CB, C3AE-9510-C	2☆								2☆				
◇ B4A 9585-A	Primary ☆ Use with COAE-9510-E, U and Z, C1AE-9510-E and F, and C2AE-9510-A, B, E and F		1☆											
◇CODE 9585-A	Primary ☆ Use with CODE-9510-A, B, C, D, C1DE-9510-B		1☆						1					
●B9ME 9585-A	Primary - for export only			2										
	CONTINUED ON NEXT PAGE													
	◇ Holley † Ford ● Carter													

9510 - CARBURETOR CHART

Carburetor Identification Code

GROUP AND PART NUMBER	DESCRIPTION, SIZE, ETC.	1	2	3	4	5	6	7	8	9	10	11	12	13
		NUMBER REQUIRED												
9585	PLATE (THROTTLE) CONTINUED													
♣ B9S 9585-B	Secondary ☆ For export only			2☆									2	
♣ COLE 9585-A	Primary				2									
† B8A 9585-F	Primary ☆ Use with COME-9510-G and K, C1AE-AH, AK, AL, C2AF-T, U, Y, Z, AJ, AK, AL, AN, AR, C3AF-N, R, S, T, AT, AU, AV, AY, BU, BV, BY, BZ, C3MF-A, B, C, D, C3OF-AJ, C4AF-DH, DJ, DK, DL, DU, DV, DY, C4MF-D, E, N, T, U, V, Y, C4OF-A, B, K, L, AE, AK, AM, AS					2☆	2☆							
† B8A 9585-E	Primary ☆ Use with C1AE-9510-Y, Z, AA, AB, AC, AD, AE, AF, C2AF-AA, AB, AC, AD, AE, AF, AG, AH, C2OF-AA, AB, AC, AD, C3AF-F, AN, AT, AU, AV, AY, BD, BE, C3DF-E, F, C3OF-E, C4OF-BS, C4ZF-R					2☆								
† C2OF 9585-A	Primary ☆ C2OF-N, R, S, T, C3DF-C, D, C3OF-C, D, F, AG, AH					2☆								
† C4MY 9585-A	Primary ☆ Use with C4MF-A					2☆								
† C4GY 9585-A	Primary ☆ Use with C4GF-E, AA, AB					2☆								
† B8A 9585-G	Secondary ☆ Use with C1AE-AH, AK, AL, C2AF-T, U, Y, Z, AJ thru AN, AR, C3AF-N, R, S, T, AT, AU, AV, AY, BU, BV, BY, BZ, C4AF-DH, DJ, DK, DL, DU, DV, DY, C4GF-E, AA, AB						2☆							
† C5ZZ 9585-A	Secondary ☆ Use with C4GF-AE, AF						2☆							
◇ B8S 9585-A	Primary ☆ Use with C1AE-9510-AM, C3AE-9510-A, C3AF-9510-BJ, BK										2☆			
◇ C1AZ 9585-A	Secondary ☆ Use with C1AE-9510-AM, C3AE-9510-A, C3AF-9510-BJ, BK										2☆			
◇ C3AZ 9585-B	Primary ☆ Use with C3AE-9510-B										2☆			
◇ C3AZ 9585-C	Secondary ☆ Use with C3AE-9510-B										2☆			
◇ B8A 9585-H	Secondary ☆ Use with C2AE-9510-CB, C3AE-9510-C										2☆			
♣ C1VE 9585-A												2		
† C3AZ 9585-A													1	
♣ C3VY 9585-A	Primary													2
	CONTINUED ON NEXT PAGE													
	◇ Holley † Ford ♣ Carter													

9510 - CARBURETOR CHART		Carburetor Identification Code												
GROUP AND PART NUMBER	DESCRIPTION, SIZE, ETC.	1	2	3	4	5	6	7	8	9	10	11	12	13
		NUMBER REQUIRED												
9585	PLATE (THROTTLE) CONTINUED													
372479-S7	Screw and lockwasher-pan hd. -No. 6-32 x 3/16"-throttle plate to shaft							2						
370005-S	Screw-fill. hd. -No. 6-32 x 5/16"-throttle plates to throttle lever and shaft				4						4		4	
370006-S	Secondary-screw-No. 6-32 x 5/16"												4	
378361-S	Screw-self-tap. -No. 8-32 x 3/8"					4	4							
378360-S2	Screw-self-tap. -No. 6-32 x 5/16"											4		
9D585	LEVER (FLOAT BOWL VENT ACTUATING)													
†C3AZ 9D585-A	☆ Use with C3GF-A, B, C3YF-A, B												1☆	
†C3AZ 9D585-B	☆ Use with C3GF-G, H, C3YF-E, F, G, H, C4GF-A, B, C, AH, AR, AV, AY												1☆	
9E585	MAGNET (CHOKE PLATE)													
†C2SZ 9E585-A	☆ Use with C4AF-DH, DJ, DK, DL, C4GF-E, AA, AB							1☆						
9586	REFER TO GROUP 9A767													
9586	SCREW (THROTTLE PLATE)													
◇ B8A 9586-A	Also serviced in 9590 kit ☆ (4) each used with primary and secondary throttle plates	4									8☆			
†◇B9A 9586-A	Required as choke plate screws - also serviced in 9590 kit ☆ (2) also req'd. as choke plate screws for COAE-9510-E, U and Z, and C1AE-9510-E, F, C3AF-F, N, R, S, T, AN, AT, AU, AV, AY, BD, BE, C3MF-A, B, C, D, C3DF-C, D, E, F, C3OF-D, E, F, AG, AH, AJ, C4MF-A, D, E,	2	4☆			2☆	2☆				2			
● B7A 9586-C	☆ For export only - (1) also req'd. as ☆ (1) req'd. - as fast idle cam operating lever screw tih C3VE-9510-A, B, D, E (1) also req'd. as countershaft attaching screw				AR☆									1☆
† B7A 9586-E	Also serviced in 9590 kit ☆ Use with COME-G, K, C1AE-9510-Y, Z, AA thru AF, AH, AK, AL, C2AF-T, U, Y, Z, AA thru AH, AJ thru AN, AR, C2OF-N, S, T, AA thru AD, C3AF-F, N, R, S, T, AN, AT, AU, AV, AY, BD, BE, C3DF-C, D, E, F, C3MF-A thru D, C3OF-C, D, E, F, AG, AH, AJ, C4MF-A, D, E					4☆	8☆							
◇C2DZ 9586-A										2				
†C3AZ 9586-A	Also serviced in 9590 kit (2) req'd. - as choke plate screws (2) req'd. - as throttle plate screws Use on carburetors without self-tapping throttle and choke shafts												4☆	
CONTINUED ON NEXT PAGE														
◇ Holley † Ford ● Carter														

9510 - CARBURETOR CHART

Carburetor Identification Code

GROUP AND PART NUMBER	DESCRIPTION, SIZE, ETC.	NUMBER REQUIRED												
		1	2	3	4	5	6	7	8	9	10	11	12	13
9586	SCREW (THROTTLE PLATE) CONTINUED													
378360-S2	Choke plate screw-self-tap. -No. 6-32 x 5/16" ☆ Use with C3AF-BU, BV, BY, BZ, C4AF-DH, DJ, DK, DL, C4GF-E, AA, AB, AE, AF, C4MF-T, U, C4OF-A, B, K, L, AE, AK, AM, AS					2☆	2☆							
378361-S2	Throttle plate screw-self-tap. -No. 8-32 x 3/8" ☆ Use with C3AF-BU, BV, BY, BZ, C4AF-DH, DJ, DK, DL, C4GF-E, AA, AB, AE, AF, C4MF-N, T, U, C4OF-A, B, K, L, AE, AK, AN, AS					4☆	8☆							
9A586	KIT (TUNE-UP)													
◇C2TZ 9A586-D	☆ Use with B9ME-9510-A and COME-9510-A and F Also serviced in 9590 kit Consists of the following - (1) B9A-9502-A kit (1) COAE-9B559-D diaphragm	1☆												
	(1) C2TZ-9564-B needle and seat													
	(1) B7TZ-9A565-A economizer													
◇C2AZ 9A586-B	☆ Use with COAE-9510-E, U and Z, C1AE-9510-E and F, and C2AE-9510-A, B, E and F Also serviced in 9590 kit Consists of the following - (1) B8A-9502-C gasket kit (1) COAE-9B544-B piston		1☆											
	(1) C2AZ-9564-C valve and seat													
	(1) B2AZ-9A565-A economizer													
	(1) 9590-16 float gauge													
	(1) I. S. -232-A instruction sheet													
◇CODZ 9A586-A	☆ Use with CODE-9510-A, B, C and D, and C1DE-9510-B Also serviced in 9590 kit Consists of the following - (1) CODZ-9502-A gasket kit (1) COAE-9B544-B piston		1☆											
	(1) C2AZ-9564-A valve and seat													
	(1) B2AZ-9A565-A economizer													
◆COSZ 9A586-A	For export only Also serviced in 9590 kit Consists of the following - (1) COSZ-9502-A gasket kit (1) B7AZ-9B544-A piston				1									
	(2) B8A-9564-B needle and seat													
	(1) 109-336 float gauge													
	(1) 331 instruction sheet													
◆COLY 9A586-B	Also serviced in 9590 kit Consists of the following - (1) COLY-9502-B gasket kit (1) C1VY-9B544-A piston				1									
	(1) COLE-9564-C needle and seat													
	(1) 109-223 float gauge													
†C2OZ 9A586-A	☆ Use with C1AE-9510-Y, Z, AA, AB, C2AF-AA, AB, AC, AD, C2OF-N, R, S, T Also serviced in 9590 kit Consists of the following - (1) C2OZ-9502-A gasket kit (1) C2AZ-9B559-A diaphragm					1☆								
	(1) C2AZ-9564-B needle and seat													
	(1) COAE-9A565-D economizer													
	(1) C1AZ-9599-A retainer													
	(1) 9590-13 instruction sheet													
CONTINUED ON NEXT PAGE														
◇ Holley † Ford ◆ Carter														

9510 - CARBURETOR CHART		Carburetor Identification Code												
GROUP AND PART NUMBER	DESCRIPTION, SIZE, ETC.	1	2	3	4	5	6	7	8	9	10	11	12	13
		NUMBER REQUIRED												
9A586	KIT (TUNE-UP) CONTINUED													
†C3AZ 9A586-B	☆ Use with C3AF-BE, C3DF-C, D, E, F, C3OF-C, D, E, F, AH Also serviced in 9590 kit Consists of the following - (1) C2OZ-9502-C gasket kit (1) C2AZ-9564-D needle and seat (1) C2AZ-9B559-A diaphragm (1) C3AZ-9A565-B economizer (1) C1AZ-9599-A retainer					1☆								
†C3MY 9A586-A	☆ Use with C3MF-A, B, C, D, C4MF-A, D, E Also serviced in 9590 kit Consists of the following - (1) C3MY-9502-A gasket kit (1) C2AZ-9564-B needle and seat (1) C2AZ-9B559-A diaphragm (1) COAE-9A565-E economizer (1) C1AZ-9599-A retainer					1☆								
†C4MY 9A586-A	☆ Use with C3AF-F, AN, BD, C4MY-N, T, U, V, Y, C4OF-AM, AS, BS, C4ZF-R Consists of the following - (1) C3MY-9502-B gasket kit (1) C4PF-9G562-A pin (1) C4AZ-9B559-A diaphragm (1) COAZ-9A565-A economizer (1) C2AZ-9564-A kit-needle & seat (1) 9590-12 gauge (1) I. S. 232-D instruction sheet					1☆								
†B9MY 9A586-B	Also serviced in 9590 kit ☆ Use with COME-9510-G, K, C1AE-9510-Y, Z, AA, AB, AC, AD, AE, AF, C2AF-AE, AF, AG, AH, C2OF-N, R, S, T, AB, AC, AD, C3OF-AG, C4OF-A, B, K, L, AE, AK Consists of the following - §(1) C3AZ-9447-B gasket (1) C2AZ-9564-B needle & seat (1) C2OZ-9502-B gasket kit (1) COAZ-9A565-A economizer (1) C2AZ-9B559-A diaphragm (1) C1AZ-9599-A retainer § Not used					1☆								
†C2SZ 9A586-A	Also serviced in 9590 kit ☆ Use with C1AE-AH, AK, AL, C2AF-T, U, Y, Z, AJ thru AN, AR, C3AF-N, R, S, T, AT, AU, AV, AY, BU, BV, BY, BZ, C3OF-AJ, C4GF-E, AA, AB Consists of the following - (1) C2SZ-9502-A gasket kit (1) COAE-9A565-A economizer (1) C2AZ-9B559-A diaphragm (2) C1AZ-9599-A retainer (2) C2AZ-9564-B needle and seat (1) 9590-13 float level gauge					1☆								
†C4OZ 9A586-A	☆ Use with C4AF-DH, DJ, DK, DL, DU, DV, DY, C4GF-AE, AF Consists of the following - (1) C2SZ-9502-A gasket kit (2) C2AZ-9564-D valve & seat (1) C4AZ-9B559-A diaphragm (1) COAZ-9A565-A economizer					1☆								
◇C1KY 9A586-A	Also serviced in 9590 kit Consists of the following - (1) C1KY-9502-A gasket kit (1) C2AZ-9564-C needle and seat (1) C1KE-9B544-A piston (1) B2AZ-9A565-A economizer									1				
◇C2GY 9A586-B	Also serviced in 9590 kit Consists of the following - (1) C2GY-9502-A gasket kit (1) C2DZ-9572-A cup (1) C2DZ-9564-A needle (1) C2DZ-9572-B cup									1				
	CONTINUED ON NEXT PAGE													
	◇ Holley † Ford • Carter													

9510 - CARBURETOR CHART		Carburetor Identification Code												
GROUP AND PART NUMBER	DESCRIPTION, SIZE, ETC.	1	2	3	4	5	6	7	8	9	10	11	12	13
		NUMBER REQUIRED												
9A586	KIT (TUNE-UP) CONTINUED													
♣C1VY 9A586-A	Also serviced in 9590 kit Consists of the following -										1			
(1) C1VY-9502-B	gasket kit (1) C1VE-9564-A valve seat							(1) T109				float gauge		
(1) C1VY-9B544-A	piston													
†C3AZ 9A586-D	Also serviced in 9590 kit Consists of the following -										1			
(1) C3AZ-9502-A	gasket kit (1) C3AZ-9B559-A diaphragm							(1) C3AZ-9564-B				valve & seat		
♣C3VY 9A586-A	Also serviced in 9590 kit Consists of the following -												1	
(1) C3VY-9502-B	gasket kit (1) B7AZ-9B544-A piston							(2) B8A-9564-B				needle and seat		
9587	SPRING (METERING ROD)													
♣ B7A 9587-A	Tension ☆ For export only				2☆								2	
9A587	GASKET (BOOSTER VENTURI SUPPORT)													
♣COLY 9A587-C	Also serviced in 9502, 9A586 and 9590 kits				1									
♣C1VY 9A587-A	Also serviced in 9502, 9A586 and 9590 kits										1			
9A588	GASKET (SPARK CONTROL VALVE)													
◇B7AZ 9A588-A	Spark control valve - 29/32" O.D. x 1/16" thick with (3) internal tabs - also serviced in 9502 and 9590 kits ☆ Use with B9ME-9510-A, COME-9510-A and F, and C1AE-9510-AV only	1☆									1			
	NS-float level plug gasket - serviced in 9502 and 9590 kits only										2			
◇COAE 9A588-A	Spark control valve - 9/16" I.D. x 3/4" O.D. x 1/64" thick - also serviced in 9502, 9A586 and 9590 kits		1						1	1				
†C2AZ 9A588-A	☆ Use with COME-9510-G and K, C1AE-Y, AA, AB, AC, AD, AE, AF, AH, AK, AL, C2AE-T, Y, Z, AA, AB, AC, AD, AE, AF, AG, AH, C2OF-N, R, S, T, AA, AB, AC, AD Also serviced in 9502, 9A586 and 9590 kits					1☆	1☆							
†C2AZ 9A588-B	☆ Use with C2AF-U, AJ, AK, AL, AM, AN, AA, C3AF-F, N, R, S, T, AN, AT, AU, AV, AY, BD, BE, BU, BV, BY, BZ, C3MF-A, B, C, D, C3DF-C, D, E, F, C3OF-C, D, E, F, AG, AH, AJ, C4AF-DH, DJ, DK, DL, DU, DV, DY, C4GF-E, AA, AB, AE, AF, C4MF-A, D, E, N, T, U, V, Y, C4OF-A, B, K, L, AE, AK, AM, AS, BS, C4ZF-R Also serviced in 9502, 9A586 and 9590 kits					1☆	1☆					1		
9A588	GASKET (ECONOMIZER BODY)													
◇B2AZ 9A588-A	25/32" I.D. with (3) 3/16" diameter holes and (1) 9/16" diameter holes in outer tabs - .010" thick - use with piston stem - also serviced in 9502, 9A586 and 9590 kits		1						1					
	◇ Holley † Ford ♣ Carter													

9510 - CARBURETOR CHART		Carburetor Identification Code												
GROUP AND PART NUMBER	DESCRIPTION, SIZE, ETC.	1	2	3	4	5	6	7	8	9	10	11	12	13
		NUMBER REQUIRED												
9589	SPRING (DASHPOT PLUNGER RETURN)													
♣ B7A 9589-A	☆ For export only			1☆									1	
9590	KIT (REPAIR)													
◇COMY 9590-E	☆ Use with B9ME-9510-A, COME-9510-A and F only Consists of the following - (1) B9A-9502-A gasket kit (1) B8AZ-9A565-A economizer (1) 351826-S retainer (2) B7A-9541-A needle (1) B8A-9577-B nozzle (1) 353610-S8 retainer (1) COAE-9B559-D diaphragm (4) B8A-9586-A screw (1) 359528-S7 retainer (1) B9TE-9564-D valve and seat (2) 40-9586 screw	1☆												
◇C1AZ 9590-H	☆ Use with C1AE-9510-AU and AV only NOTE - This kit contains parts to service all (3) carburetors Consists of the following - (1) C1AZ-9502-C gasket kit % (1) B8AZ-9A565-A economizer (65) (3) 351826-S retainer (6) B7A-9541-A1 needle (3) B8A-9577-B nozzle % (2) 353610-S retainer (3) COAE-9B559-D diaphragm (12) B8A-9586-A screw (3) C1AZ-9564-A valve and seat % (2) 40-9586 screw % Use with primary carburetor only	1☆												
◇C1AZ 9590-A	☆ Use with COAE-9510-E and U, and C1AE-9510-E Consists of the following - (1) B8A-9502-C gasket kit (1) C2AZ-9564-C valve and seat (2) B2A-9586-A screw ‡(1) B8A-9529-B link (1) B2AZ-9A565-A economizer (1) 9590-1 gauge % (1) COAE-9529-C link (1) B8AZ-9B572-A valve (2) 42790-S7 screw (1) B7A-9541-D needle (2) 78-9576 valve (1) I. S. -232-A instruction sheet (1) COAE-9B544-B piston (1) EAA-9576-A valve ‡ Use with steel lever only % Use with nylon lever only	1☆												
◇C1AZ 9590-B	☆ Use with COAE-9510-Z and C1AE-9510-F Consists of the following - (1) B8A-9502-C gasket kit (1) B2AZ-9A565-A economizer (1) 9590-1 gauge (1) COAE-9529-C link (1) COAZ-9B572-A valve (2) 42790-S7 screw (1) B7A-9541-D needle (2) 78-9576 valve (1) 352200-S retainer (1) COAE-9B544-B piston (1) EAA-9576-A valve (1) I. S. -232-A instruction sheet (1) CODE-9564-B valve and seat (2) B2A-9586-A screw	1☆												
◇C1DZ 9590-B	☆ Use with CODE-9510-B and D, and C1DE-9510-B Consists of the following - (1) CODZ-9502-A gasket kit (1) C2AZ-9564-C valve and seat (4) 40-9586 screw (1) COAE-9529-C link (1) B2AZ-9A565-A economizer (1) CODE-9B672-A valve (1) B7A-9541-D needle (2) 78-9576 valve (1) 352200-S retainer (1) COAE-9B544-B piston (1) EAA-9576-A valve	1☆												
◇C2AZ 9590-C	☆ Use with C2AE-9510-A and B Consists of the following - (1) B8A-9502-C gasket kit (1) B2AZ-9A565-A economizer (2) 42790-S7 screw (1) COAE-9529-C link (1) C1TZ-9B572-A valve (2) 352200-S retainer (1) B7A-9541-D needle (2) 78-9576 valve (1) I. S. -232-A instruction sheet (1) COAE-9B544-B piston (2) B2A-9586-A screw (1) C2AZ-9564-C valve and seat (1) 9590-16 gauge	1☆												
CONTINUED ON NEXT PAGE														
◇ Holley † Ford ♣ Carter														

9510 - CARBURETOR CHART

Carburetor Identification Code

GROUP AND PART NUMBER	DESCRIPTION, SIZE, ETC.	1	2	3	4	5	6	7	8	9	10	11	12	13
		NUMBER REQUIRED												
9590	KIT (REPAIR) CONTINUED													
◇C2AZ 9590-D	☆ Use with C2AE-9510-E and F													
	Consists of the following -													
(1) B8A-9502-C	gasket kit	(1) C2AZ-9564-C	valve and seat			(1) EAA-9576-A							valve	
(1) COAE-9529-C	link	(1) B2AZ-9A565-A	economizer			(2) B2A-9586-A							screw	
(1) B7A-9541-D	needle	(1) COAZ-9B572-A	valve			(2) 42790-S7							screw	
(1) COAE-9B544-B	piston	(2) 78-9576	valve			(1) 352200-S							retainer	
◇C1DZ 9590-A	☆ Use with CODE-9510-A and C													
	Consists of the following -													
(1) CODZ-9502-A	gasket kit	(1) COAE-9B544-B	piston			(2) 78-9576							valve	
(1) COAE-9529-C	link	(1) C2AZ-9564-C	valve and seat			(4) 40-9586							screw	
(1) B7A-9541-D	needle	(1) CODE-9B572-B	valve			(1) 352200-S							retainer	
●COSZ 9590-A	For export only													
	Consists of the following -													
(1) B9SE-9447-A	gasket	(2) B9ME-9A536-A	gasket		1	(1) B7A-9800-A							plunger	
(2) COME-9A526-A	rod	(1) B7AZ-9B544-A	piston			(1) B8A-9871-B							gasket	
(1) B9AZ-9561-A	gasket	(2) B8A-9564-B	needle and seat			(2) B9S-9976-A							gasket	
(2) COME-9533-A	jet	(1) COLE-9B567-A	gasket											
(2) B7AZ-9A536-B	gasket	(1) B9ME-9580-A	gasket											
●COLY 9590-B	Consists of the following -													
(1) B9AE-9447-A	gasket	(1) COME-9B548-A	spring			(1) COLE-9B567-A							gasket	
(1) COLE-9516-A	gasket	(1) COME-9561-A	gasket			(1) COLE-9B568-C							gasket	
(2) COLE-9533-A	jet	(1) COLE-9564-C	valve and seat			(1) COLE-9A587-C							gasket	
(1) C1VY-9B544-A	piston	(1) COLE-9B565-A	gasket			(1) B8A-9871-B							gasket	
†COMY 9590-D	☆ Use with COME-9510-G and K													
	Consists of the following -													
(1) COAZ-9502-A	gasket kit	(1) COAE-9A565-E	economizer			(1) B7A-9642-A							retainer	
(2) B7A-9541-C	needle	(4) B7A-9586-E	economizer			(2) 371350-S							ball-3/16"	
(1) COAE-9B559-C	diaphragm	(2) B9A-9586-A	screw											
(1) COAE-9564-B	valve and seat	(1) B8A-9636-A	spring											
†C1AZ 9590-E	☆ Use with C1AE-9510-Y, Z, AA thru AF, C2AF-AA thru AH, C2OF-N thru T, AA thru AD, C3AF-F, AN													
	Consists of the following -													
(1) C2OZ-9502-B	gasket kit	(1) C2AZ-9564-B	needle and seat			(1) B8A-9636-A							spring	
(2) C1AE-9541-C	needle	(1) COAE-9A565-E	economizer			(1) 9590-13							float gauge	
(1) C1AE-9B546-A	retainer	(4) B7A-9586-E	screw			(1) 371350-S							ball-3/16"	
(1) C2AZ-9B559-A	diaphragm	(2) B9A-9586-A	screw			(1) I. S. -232-D							instruction sheet	
†C4MY 9590-A	☆ Use with C1AE-9510-Y, Z, AA thru AF, C2AF-AA thru AH, C2OF-N thru T, AA thru AD, C3AF-F, AN, C4MF-T, N, U, C4OF-A, B, K, L, AE, AK, AM, AS, C4ZF-R													
	Consists of the following -													
(2) C1AE-9541-B	needle (260, 292 C.I.D. with emission reduction)	(3) B7A-9586-E	screw			(1) 371350-S							ball-3/16"	
		(2) B9A-9586-A	screw			%(2) 378360-S2							screw	
(2) C1AZ-9541-A	needle (All except 260, 292 with emission reduction)	(1) C4MY-9A586-A	tune-up kit			%(4) 378361-S2							screw	
		(1) B8AZ-9636-A	spring											
		% Use with steel shaft												
	CONTINUED ON NEXT PAGE													
	◇ Holley † Ford ● Carter													

9510 - CARBURETOR CHART

Carburetor Identification Code

GROUP AND PART NUMBER	DESCRIPTION, SIZE, ETC.	NUMBER REQUIRED												
		1	2	3	4	5	6	7	8	9	10	11	12	13
9590	KIT (REPAIR) CONTINUED													
†C3AZ 9590-D	☆ Use with C4MF-A, D, E, C4OF-A, B, K, L, AE, AK Consists of the following - (1) C3AZ-9447-B gasket (289 C.I.D.) only (1) C2OZ-9502-B gasket kit (2) C1AE-9541-B needle (260, 292 C.I.D. with emission reduction) (2) C1AE-9541-C needle (260, 292 C.I.D. w/o emission reduction)	(1) C2AZ-9B559-A diaphragm (1) COAE-9A565-D economizer (1) C2AZ-9564-B valve (4) B7A-9586-E screw (2) B9A-9586-A screw					1☆							
†C3MY 9590-A	☆ Use with C3MF-A, B, C and D Consists of the following - (2) C1AE-9541-C needle (4) B7A-9586-E screw	(2) B9A-9586-A screw (1) C3MY-9A586-A tune-up kit					1☆							
†C3MY 9590-B	☆ Use with C4MF-A, D, E Consists of the following - (2) C1AE-9541-C needle (4) B7A-9586-E screw (2) B9A-9586-A screw	(1) C3MY-9A586-A tune-up (1) B8A-9636-A spring (1) 371350-S ball-3/16"-steel % Use with steel shafts only					1☆							
†C3AZ 9590-C	☆ Use with C3AF-BE, C3DF-C, D, E, F, C3OF-C, D, E, F, AG, AH Consists of the following - (1) C2OZ-9502-C gasket kit (2) C1AE-9541-C needle (1) C2AZ-9B559-A diaphragm	(1) C2AZ-9564-D needle and seat (1) C3AZ-9A565-B economizer (4) B7A-9586-E screw					1☆							
†C1AZ 9590-F	☆ Use with C1AE-9510-AH, AK, AL, C2AF-U, T, Y, Z, AM Consists of the following - (1) C1AZ-9502-A gasket kit (1) B8A-9503-B diaphragm (sec.) (1) B8AZ-9B504-D spring (2) C1AE-9541-C needle (2) C1AE-9B546-A retainer	(1) C2AZ-9B559-A diaphragm (2) C2AZ-9564-B valve (1) COAE-9A565-A economizer (8) B7A-9586-E screw (2) B9A-9586-A screw					1☆							
†C2SZ 9590-A	☆ Use with C2AF-AJ, AK, AL, AN, AR, C3AF-N, R, S, T, AT, AU, AV, AY, BU, BV, BY, BZ, C3OF-AJ, C4GF-E, AA, AB Consists of the following - (1) C2SZ-9502-A gasket kit (1) B8A-9503-B diaphragm (sec.) (1) B8AZ-9B504-D spring (2) C1AE-9541-C needle (1) C2AZ-9B559-A diaphragm (2) C2AZ-9564-B valve	(1) COAZ-9A565-A economizer (8) B7A-9586-E screw (2) B8A-9586-A screw (2) C1AZ-9599-A retainer (1) B8A-9636-A spring (1) 9590-17 gauge					1☆							
†C4OZ 9590-A	☆ Use with C4AF-DH, DJ, DK, DL, DU, DV, DY, C4GF-AE, AF Consists of the following - (1) C2SZ-9502-A gasket kit (1) B8A-9503-B diaphragm (1) B5AZ-9B504-D spring (2) C1AE-9541-C needle	(1) C4AZ-9B559-A diaphragm (2) C2AZ-9564-D valve & seat (1) COAZ-9A565-A economizer (1) B8AZ-9636-A spring					1☆							
CONTINUED ON NEXT PAGE														
◇ Holley † Ford ● Carter														

9510 - CARBURETOR CHART		Carburetor Identification Code												
GROUP AND PART NUMBER	DESCRIPTION, SIZE, ETC.	1	2	3	4	5	6	7	8	9	10	11	12	13
		NUMBER REQUIRED												
9590	KIT (REPAIR) CONTINUED													
◇C1GY 9590-A	☆ Use with C1GE-9510-A, B, C, D, C1KE-9510-A, B Consists of the following - (1) C1KY-9502-A gasket kit (1) C1DE-9529-A link (1) 78-9541-B needle (1) C1KE-9B544-A piston (1) C2AZ-9564-C valve and seat	(1) B2AZ-9A565-A economizer (1) CODE-9B572-C valve (2) 78-9576 valve (1) EAA-9576-A valve (1) C1KE-9A878-A retainer												
										1☆				
◇C1GY 9590-B	☆ Use with C1GE-9510-E, F, G, H Consists of the following - (1) C1KY-9502-A gasket kit (1) C1DE-9529-A link (1) 78-9541-B needle (1) C1KE-9B544-A piston (1) C2AZ-9564-C valve and seat	(1) B2AZ-9A565-A economizer (1) CODE-9B572-C valve (2) 78-9576 valve (1) EAA-9576-A valve (1) C1KE-9A878-A retainer												
										1☆				
◇C2GY 9590-D	☆ Use with 2311, 2311*, 2311-1, 2342, 2342*, 2342-1, 2342-2 Consists of the following - (1) C2GY-9502-A gasket kit (1) C2DZ-9A516-A valve (1) C2DZ-9529-A link (1) C2DZ-9541-A needle (1) C2DZ-9558-A shaft	(1) C2DZ-9564-A needle (1) C2DZ-9572-A cup (1) C2DZ-9572-B cup (1) B8AZ-9B572-A valve (1) C2DZ-9575-A retainer												
◇C2GY 9590-C	☆ Use with 2324, 2324-1, 2343, 2343*, 2343-1, 2343-2 Consists of the following - (1) C2GY-9502-A gasket kit (1) C2DZ-9A516-A valve (1) C2DZ-9529-A link (1) C2DZ-9541-A needle	(1) C2DZ-9558-A shaft (1) C2DZ-9564-A needle (1) C2DZ-9572-A cup (1) C2DZ-9572-B cup												
◇C1AZ 9590-G	☆ Use with C1AE-9510-AM, C3AE-9510-A, C3AF-9510-BJ, BK Consists of the following - (1) C1AZ-9502-B gasket kit (1) B8A-9503-A diaphragm (1) B9TE-9A516-A valve (2) B7A-9541-A1 needle (1) COAE-9B559-D diaphragm	(2) C1AZ-9564-A valve and seat (1) B8AZ-9A565-A economizer (1) B5A-9576-A ball (2) 40-9586 screw (8) B8A-9586-A screw												
◇58MK 9590-K	☆ Use with C2AE-9510-CB, C3AE-9510-C Consists of the following - (1) C1AZ-9502-B gasket kit (1) B8A-9503-A diaphragm (1) B7A-9541-A1 needle (1) COAE-9B559-D diaphragm (2) B9TE-9564-D valve and seat	(1) B8LY-9A565-A economizer (1) B5A-9576-A ball (1) B8A-9577-A nozzle (2) 40-9586 screw (8) B8A-9586-A screw												
	CONTINUED ON NEXT PAGE													
	◇ Holley † Ford ● Carter													

9510 - CARBURETOR CHART

Carburetor Identification Code

GROUP AND PART NUMBER	DESCRIPTION, SIZE, ETC.	NUMBER REQUIRED												
		1	2	3	4	5	6	7	8	9	10	11	12	13
9590	KIT (REPAIR) CONTINUED													
◇C3AZ 9590-E	☆ Use with C3AE-9510-B Consists of the following - (1) C3AZ-9502-D gasket kit (1) B8A-9503-A diaphragm (1) B9TE-9A516-A valve (2) B7A-9541-A1 needle (1) COAE-9B559-D diaphragm (2) C1AE-9564-B valve (2) B8AZ-9A565-A economizer (1) B5A-9576-A ball (1) B8A-9577-A nozzle (2) 40-9586 screw (8) B8A-9586-A screw (1) 351825-S washer (2) 351826-S retainer (2) 352200-S pin (1) 353610-S retainer										1☆			
◆C2VY 9590-A	Consists of the following - (1) C2VY-9502-A gasket kit (2) C1VE-9533-A jet (1) C1VY-9B544-A piston (1) COME-9B548-A spring											1		
◆C3VY 9590-A	Consists of the following - (1) C3VY-9502-B gasket kit (2) C3VY-9A526-A rod (2) C3VY-9533-A jet (1) B7AZ-9B544-A piston (2) B8A-9564-B needle and seat (1) B7A-9800-B plunger												1	
†C3AZ 9590-A	NS - 8/1/64 RB C3AZ-9590-F													
†C3AZ 9590-F	☆ Use with C3GF-B, H, C3YF-B, E, C4GF-B, C, AH, AR Consists of the following - (1) C3AZ-9502-A gasket kit (1) C3AZ-9541-B needle- w/o emission reduction (1) C3AZ-9541-C needle- with emission reduction (2) C3AZ-9B559-A diaphragm (1) C3AZ-9564-B valve & seat (1) C3AZ-9B572-B valve (1) C3AZ-9586-A screw (2) C3AZ-9636-A spring (4) 371350-S ball (4) 378360-S2 Screw-self-tap.											1☆		
†C3AZ 9590-B	NS - 9/1/64 RB C3AZ-9590-H													
†C3AZ 9590-G	NS - 9/1/64 RB C3AZ-9590-H													
†C3AZ 9590-H	☆ Use with C3GF-AG, C3YF-A, F, G, H, C4GF-A, AV, AY Consists of the following - (1) C3AZ-9502-A gasket kit (1) C3AZ-9541-B needle- w/o emission reduction (1) C3AZ-9541-C needle with emission reduction (1) C3AZ-9B559-A diaphragm (1) C3AZ-9564-B valve & seat (1) C3AZ-9B572-B valve (4) C3AZ-9586-A screw (1) C3AZ-9636-A spring (3) 371350-S ball (4) 378360-S2 screw-self-tap.											1☆		
9A590	SPRING (THERMOSTATIC CHOKE)													
†COME 9A590-B	.026" diameter wire - 1/2" I.D. - (8) coils ☆ Use with COME-G and K											1☆		
†C1AE 9A590-B	.024" diameter wire - 1/2" I.D. - (7) coils - color code "RED" ☆ Use with C1AE-9510-Y, Z, AA, AB, AC, AD, AE, AF											1☆		
†C2AZ 9A590-B	☆ Use with C2AF-AA, AB, AC, AD, AE, AF, AG, AH, C2OF-N, R, S, T, AA, AB, AC, AD, C3AF-F, AN, BD, C3MF-A, B, C3DF-C, D, E, F, C3OF-C, D, E, F, AG, AH CONTINUED ON NEXT PAGE											1☆		
	◇ Holley † Ford ◆ Carter													

9510 - CARBURETOR CHART		Carburetor Identification Code												
GROUP AND PART NUMBER	DESCRIPTION, SIZE, ETC.	1	2	3	4	5	6	7	8	9	10	11	12	13
		NUMBER REQUIRED												
9A590	SPRING (THERMOSTATIC CHOKE) CONTINUED													
†C1AE 9A590-A	.024" diameter wire - 1/2"- I.D. - (7) coils - "YELLOW" identification mark ☆ Use with C1AE-9510-AH, AK, AL						1☆							
†C2AZ 9A590-A	☆ Use with C2AF-U, T, Y, Z, AJ, AK, AL, AM, AN, AR, C3AF-N, R, S, T, AT, AU, AV, AY, BE, BU, BV, BY, BZ, C3OF-AJ, C4AF-AA, AB						1☆							
†C2SZ 9A590-A	☆ Use with C3MF-C and D, C4GF-E, C4MF-A, D, E					1☆	1☆							
†C5ZZ 9A590-A	.024" diameter wire - .550" I.D. - 7-3/4 coils												1	
9592	GASKET (FLOAT BOWL SCREW)													
◇ B7A 9592-A	Also serviced in 9502 and 9590 kits	4									8			
9A592	SHAFT (THROTTLE) SECONDARY													
◆COLE 9A592-A	With lever - for export only			1										
†B8AZ 9A592-B	With lever ☆ Use with C1AE-9510-AH, AK, AL, C2AF-T, U, V, Z, AJ thru AN, AR, C3AF-N, R, S, T, AT, AU, AV, AY						1☆							
†B8AZ 9A592-D	With lever ☆ Use with C3AF-BU, BV, BY, BZ, C3OF-AJ, C4AF-DH, DJ, DK, DL, C4GF-E, AA, AB						1☆							
†C5ZZ 9A592-A	With lever ☆ Use with C4AF-DU, DV, DY, C4GF-AE, AF						1☆							
◇B8AZ 9A592-C	With lever ☆ Use with C1AE-9510-AM, C2AE-9510-CB, C3AE-9510-A, C, C3AF-9510-BJ, BK										1☆			
◇C3AZ 9A592-A	With lever ☆ Use with C3AE-9510-B										1☆			
370820-S8B	Screw-set-No. 8-36 x 3/8"-secondary throttle idle adjusting						1							
9D593	LINK (DASHPOT)													
†C3AZ 9D593-B	☆ Use with C3GF-B, H, C3YF-B, E, G, H, C4GF-B, C, AR, AV												1☆	
375882-S7-8													1	
354746-S100	Screw-fill. hd. -No. 8-32 x 3/4"												1	
67516-S	NS-pin spring-1/8" dia. x 7/16"-link to dashpot cover												1	
9594	POWER JET BODY & MAIN WELL													
◇ B8A 9594-B	Identification No. 2428 ☆ Use with COAE-9510-E, U and Z, C1AE-9510-E and F, and C2AE-9510-A, B and F		1☆											
◇CODZ 9594-A	Identification No. 2758-A ☆ Use with CODE-9510-A, B, C, D, C1DE-9510-B		1☆											
	CONTINUED ON NEXT PAGE													
	◇ Holley † Ford ◆ Carter													

9510 - CARBURETOR CHART

Carburetor Identification Code

GROUP AND PART NUMBER	DESCRIPTION, SIZE, ETC.	NUMBER REQUIRED												
		1	2	3	4	5	6	7	8	9	10	11	12	13
9594	POWER JET BODY & MAIN WELL CONTINUED													
◇C2AZ 9594-A	Identification No. 3422-A ☆ Use with C2AE-9510-E		1☆											
◇C1DE 9594-F	Identification No. 3362-A ☆ Use with C1GE-9510-A, C, C1KE-9510-A								1☆					
◇C1KE 9594-B	Identification No. 3034-A ☆ Use with C1GE-9510-B, D, C1KE-9510-B								1☆					
◇C1DZ 9594-A	Identification No. 3075-A ☆ Use with C1GE-9510-E, F, G, H								1☆					
◇C2DZ 9594-A	Power valve assembly									1				
34801-S	Lockwasher-No. 6		3						3					
352569-S	Plug-1/4"-32-(1) also required discharge pump valve retainer		2						2					
37643-S7	Screw-No. 6-32 x .440"-jet and main wall to main body		3						3					
353799-S8	Screw and lockwasher-No. 6-32 x 3/4"		2						2					
9596	ROD (SECONDARY DIAPHRAGM CONTROL)													
† B8A 9596-A									1					
353610-S	Retainer-spring-3/32"								1					
9597	CAM (FAST IDLE)													
◇ B8A 9597-B	☆ Use with B9ME-9510-A, COME-9510-A and F only	1☆												
◇ B8S 9597-A	☆ Use with C1AE-9510-AV only	1☆									1			
◆COSZ 9597-A	For export only			1										
◆COLY 9597-A					1									
†COME 9597-A	☆ Use with COME-G, K					1☆								
†C1AZ 9597-A	☆ Use with C1AE-9510-Y, AA, AC, AE, C2AF-T, Z, AA, AC, AE, AG, AJ, AK, AN, C2OF-N, S, AA, AC, C3AF-N, S, AT, AV, BD, BU, BY, C3MF-A, C, C3DF-C, E, C3OF-C, E, AG, C4GF-AA, C4MF-D					1☆	1☆							
†C1AZ 9597-B	☆ Use with C1AE-9510-Z, AB, AD, AF, AH, AK, AL, C2AF-Y, AB, AD, AF, AH, C2OF-R, T, AB, AD, C3AF-F, R, T, AN, AU, AV, BE, BV, BZ, C3MF-B, D, C3DF-D, F, C3OF-D, F, AH, AJ, C4GF-E, AB, C4MF-E					1☆	1☆							
†C4GY 9597-A	☆ Use with C4AF-DU, DV, DY, C4GF-AE, AF, C4OF-A, B, K, L, AK, AM, AS, BS, C4ZF-R					1☆	1☆							
†C4MY 9597-B	☆ Use with C4AF-DJ, DL, C4MF-A, N, U					1☆	1☆							
†C4AZ 9597-B	☆ Use with C4AF-DH, DK, C4MF-T, V, Y					1☆	1☆							
†C5ZZ 9597-A													1	
◇C1KE 9597-B	☆ Use with C1KE-9510-A								1☆					
◇C1KE 9597-A	☆ Use with C1GE-9510-F, H, C1KE-9510-B								1☆					
◇C1GE 9597-A	☆ Use with C1GE-9510-A, B, C, D, E, G								1☆					
◇C2GY 9597-A	☆ Use with 2311, 2311*, 2311-1, 2342-1, 2342-2									1☆				
◇C2GY 9597-B	☆ Use with 2324, 2324-1, 2343, 2343*, 2343-1, 2343-2									1☆				
CONTINUED ON NEXT PAGE														
◇ Holley † Ford ◆ Carter														

9510 - CARBURETOR CHART		Carburetor Identification Code												
		1	2	3	4	5	6	7	8	9	10	11	12	13
GROUP AND PART NUMBER	DESCRIPTION, SIZE, ETC.	NUMBER REQUIRED												
9597	CAM (FAST IDLE) CONTINUED													
♣C1VY 9597-A											1			
♣C3VY 9597-A												1		
31061-S	Screw-fill. hd. -No. 8-32 x 1/2"-use fast idle adjusting screw				1				1		1			
374005-S36	Screw-shoulder-1/4"-28-1-1/4"-use as cam to throttle body attaching screw				1						1			
351825-S	Washer "C"-cam to main body	1				1	1							
372216-S8B	Screw-fill. hd. -No. 10-32 x 13/16"-fast idle adjusting screw								1					
374008-S7	Screw-flat hd. -1/4"-20 x 9/16"-with diameter shank-fast idle cam to main body												1	
9598	REFER TO GROUP 9A766													
9598	ROD (FAST IDLE CAM)													
♣COLE 9598-A	Connector ☆ For export only			1☆									1	
♣COLE 9598-B				1										
†B8AZ 9C504-A	☆ Use with COME-9510-G, K Use on carburetors without screw type choke adjustment					1☆								
†C1AE 9D530-A	☆ Use with C1AE-9510-Y, Z, AA thru AF, AG, AH, AJ thru AN, AR, C2OF-N, R, S, T, AA thru AD, C3AF-N, R, S, T, C3DF-C thru F, C3MF-A, B, C3OF-D, E, F, AG, AH Use on carburetors without screw type choke adjustment					1☆	1☆							
♣C1VE 9598-A	Connector										1			
†C3AZ 9D530-A	☆ Use with C3AF-F, AN, AT, AU, AV, AY, BD, BE, BU, BV, BY, BZ, C3MF-C, D, C3OF-C, AG, AH, AJ, C4GF-E, AA, AB, C4MF-D, E Use on carburetors with screw type choke adjustment					1☆	1☆							
†C4AZ 9D530-A	Also serviced in 9850 kit ☆ Use with C4AF-DH, DJ, DK, DL, DU, DV, DY, C4GF-AE, AF, C4MF-A, N, T, U, V, Y, C4OF-A, B, K, L, AE, AK, AM, AS, BS, C4ZF-R					1☆	1☆							
359734-S	Retainer-spring-1/8"-rod to fast idle pick-up lever and choke shaft lever			2	2						1		2	
351825-S	Washer "C"-rod to fast idle cam					2	2							
9598	ROD (CHOKE SHAFT)													
♣C3VY 9598-A	Package also includes -												1	
	(1) 359734-S retainer-No. 8-32 x 1/2"													
352526-S8	Screw-fill. hd. -No. 8-32 x 1/2"												1	
9599	REFER TO GROUP 9B546													
	◇ Holley † Ford ♣ Carter													

9510 - CARBURETOR CHART		Carburetor Identification Code												
GROUP AND PART NUMBER	DESCRIPTION, SIZE, ETC.	1	2	3	4	5	6	7	8	9	10	11	12	13
		NUMBER REQUIRED												
9A599	ROD (CHOKE CONTROL)													
◇B7AZ 9A599-B	☆ Use with B9ME-9510-A, COME-9510-A and F and C1AE-9510-AV only	1☆									1			
†C1AE 9A599-A	☆ Use with C1AE-9510-Y, Z, AA, AB, AC, AD, AE, AF, AH, AK, AL Use on carburetors without screw type choke adjustment					1☆	1☆							
†C2AZ 9A599-A	☆ Use with C2AF-T, U, Y, Z, AA, AB, AC, AD, AE, AF, AG, AH, AJ, AK, AL, AM, AN, AR, C2OF-N, R, S, T, AA, AB, AC, AD, C3AF-F, N, R, S, T, C3MF-A, B, C3DF-C, D, E, F, C3OF-C, D, E, F Use on carburetors without screw type choke adjustment					1☆	1☆							
†C1AZ 9A599-A	Also serviced in 9850 kit ☆ Use with C3AF-AN, AT, AU, AV, AY, BD, BE, BU, BV, BY, BZ, C3MF-C, D, C3OF-AG, AH, AJ, C4GF-E, AA, AB, AE, AF, C4MF-D, E Use on carburetors with screw type choke adjustment					1☆	1☆							
†C4AZ 9A599-A	☆ Use with C4AF-DH, DJ, DK, DL, DU, DV, DY, C4MF-A, N, T, U, V, Y, C4OF-A, B, K, L, AE, AK, AM, AS, BS, C4ZF-R					1☆	1☆							
†C3GY 9A599-A	Choke control rod ☆ Use with C3GF-A, B, G, C3YF-A, B, E, F, G												1☆	
†C3GY 9A599-B	Choke pull-down rod												1	
†C3GY 9A599-C	Choke control rod ☆ Use with C3GF-H, C4GF-A, B, C, AN, AR, AV (1) 377918-S8B retainer is required when using this part to replace C3GY-9A599-A												1☆	
353610-S8	Retainer-spring-3/32"	2				1	1				2			
377918-S8	Ring-retaining-1/8"												AR	
9609	"O" RING (FUEL VALVE INLET SEAT)													
◇ B6A 9609-A	Also serviced in 9502 and 9590 kits	1									2			
◇ B5A 9609-A	Secondary venturi fuel tube - also serviced in 9502 and 9590 kits										2			
9C631	PIN (AIR CLEANER RETAINER)													
†C3AZ 9C631-A													2	
9634	SEAL (IDLE ADJUSTING NEEDLE)													
◇ B7A 9634-A	Also serviced in 9502 and 9590 kits	2									2			
9636	REFER TO GROUP 9B545													
9B672	RETAINER (AIR CLEANER TO CARBURETOR)													
◇C2DZ 9B672-C										1				
†C3AZ 9B672-A													1	
	◇ Holley † Ford ♦ Carter													

9510 - CARBURETOR CHART		Carburetor Identification Code												
		1	2	3	4	5	6	7	8	9	10	11	12	13
GROUP AND PART NUMBER	DESCRIPTION, SIZE, ETC.	NUMBER REQUIRED												
9681	BALL STUD (THROTTLE LEVER)													
◇ 1CM 9681-A	3/8" spherical diameter of ball - 13/16" overall length - No. 10-32 thread - also serviced in 9581 kit ☆ Use with COAE-9510-E, U, Z		1☆											
9C711	PIN (ACCELERATOR OVERTRAVEL SPRING)													
†C3AZ 9C711-A												1		
9A753	SHAFT & LEVER (THERMOSTATIC CHOKE HOUSING)													
◇B7AZ 9A753-B	☆ Use with B9ME-9510-A, COME-9510-A and F, and C1AE-9510-AV only		1☆								1			
◆B8AZ 9A753-B	Lever only - ☆For export only			1☆									1	
◆COLE 9A753-A					1									
†COME 9A753-A	☆ Use with COME-9510-G and K, C1AE-9510-Y, Z, AA, AB, AC, AD, AE, AF, AH, AK, AL Use on carburetors without screw type choke adjustment					1☆	1☆							
†C2AZ 9A753-A	☆ Use with C2AF-T, U, Y, Z, AA, AB, AC, AD, AE, AF, AG, AH, AJ, AK, AL, AM, AN, AR, C2OF-N, R, S, T, AA, AB, AC, AD, C3AF-F, N, R, S, T, C3MF-A, B, C3DF-C, D, E, F, C3OF-C, D, E, F Use on carburetors without screw type choke adjustment					1☆	1☆							
†C3AZ 9A753-A	☆ Use with C3AF-AN, AT, AU, AV, AY, BD, BE, BU, BV, BY, BZ, C3MF-C, D, C3OF-AG, AH, AJ, C4GF-E, AA, AB, C4MF-D, E Use on carburetors with screw type choke adjustment					1☆	1☆							
†C4AZ 9A753-A	☆ Use with C4AF-DH, DJ, DK, DL, DU, DV, DY, C4MF-A, N, T, U, V, Y, C4OF-A, B, K, L, AE, AK, AM, AS, BS, C4ZF-R					1☆	1☆							
◆C1VE 9A753-A												1		
†C5ZZ 9A753-A													1	
355829-S7	Nut-hex. -No. 8-36-choke lever and shaft to housing					1	1							
34938-S	Washer-external lock-No. 8					1	1							
353862-S8	Washer "C"					1	1							
372307-S	Screw-hex. hd. slotted-No. 6-32 x 3/4"					1	1							
9A756	LINER (THERMOSTATIC CHOKE LEVER BUSHING)													
†C2AZ 9A756-A	☆ Use with COME-G, K, C1AE-9510-Y, Z AA thru AF, AH, AK, AL, C2AF-T, U, Y, Z, AA thru AF, AJ thru AN, AR, C2OF-N, R, S, T, AA thru AD, C3AF-F, N, R, S, T, AN, AT, AU, AY, BD, BE, BU, BV, BY, BZ, C3DF-C, D, E, F, C3ME-A, B, C, D, C3OF-C, D, E, F, AG, AH, AJ, C4GF-E, AA, AB, C4MF-A, D, E ◇ Holley † Ford ◆ Carter					1☆	1☆							

9510 - CARBURETOR CHART

Carburetor Identification Code

GROUP AND PART NUMBER	DESCRIPTION, SIZE, ETC.	NUMBER REQUIRED																
		1	2	3	4	5	6	7	8	9	10	11	12	13				
9A757	LEVER & BUSHING (THERMOSTATIC CHOKE)																	
†COME 9A757-A	☆ Use with COME-G, K Use on carburetors without screw type choke adjustment							1☆										
†CIAE 9A757-A	☆ Use with CIAE-9510-Y, Z, AA, AB, AC, AD, AE, AF, AH, AK, AL Use on carburetors without screw type choke adjustment							1☆										
†C2AZ 9A757-A	☆ Use with C2AF-T, U, Y, Z, AA, AB, AC, AD, AE, AF, AG, AH, AJ, AK, AL, AM, AN, AR, C2OF-N, R, S, T, AA, AB, AC, AD, C3AF-F, N, R, S, T, C3MF-A, B, C3DF-C, D, E, F, C3OF-C, D, E, F Use on carburetors without screw type choke adjustment							1☆	1☆									
†C3AZ 9A757-A	☆ Use with C3AF-AN, AT, AU, AV, AY, BD, BE, BU, BV, BY, BZ, C3MF-C, D, C3OF-AG, AH, AJ, C4GF-E, AA, AB, C4MF-A, D, E, Use on carburetors with screw type choke adjustment							1☆	1☆									
358662-S	Washer-flat-1/4" I. D. x 33/64" O. D. x 1/64" thick							1	1									
9A766	ROD (CHOKE SHAFT)																	
♣ B8A 9598-B	For export only			1														
♣COLE 9A766-A					1									1				
359734-S	Retainer-spring-rod to choke housing shaft and lever and to choke lever			2	2									1				
9A767	SCREW (CHOKE PLATE)																	
† B9A 9586-A	Also serviced in 9590 kits ☆ (2) req'd. as choke plate screws (2) req'd. as throttle plate screws with CODE-9510-A, B, C and D, and C1DE-9510-B	2	4☆					2	2				2					
◇ B2A 9586-A	Also serviced in 9590 kit ☆ Use with COAE-9510-E, U and Z, CIAE-9510-E and F, and C2AE-9510-A, B, E and F		2☆															
♣ B7A 9586-B1	Also use for export			2										2				
♣B6MY 9A767-A					2												2	
◇C2DZ 9586-A	Also serviced in 9590 kit												2					
†C3AZ 9586-A	(2) req'd. - as throttle plate screws (2) req'd. - as choke plate screws																4	
378360-S2	Screw-self-tapping-No. 6-32 x 5/16"							2	2							4		
9B768	PIN (THERMOSTATIC CHOKE PISTON)																	
♣B7MY 9B768-A	Also use for export			1	1												1	
◇ Holley † Ford ♣ Carter																		

9510 - CARBURETOR CHART		Carburetor Identification Code												
GROUP AND PART NUMBER	DESCRIPTION, SIZE, ETC.	1	2	3	4	5	6	7	8	9	10	11	12	13
		NUMBER REQUIRED												
9C771	WASHER (CHOKE ROD SEAL)													
†C4AZ 9C771-A	☆ Use with COME-9510-G, K, C1AE-9510-Y, Z, AA thru AF, AH, AK, AL, C2AF-T, U, Y, Z, AA thru AF, AH, AJ thru AN, AR, C2OF-N, R, S, T, AA thru AD, C3AF-F, N, R, S, T, AN, AT, AU, AV, AY, BD, BE, BU, BV, BY, BZ, C3DF-C thru F, C3MF-A thru D, C3OF-C thru F, AG, AH, AJ, C4AF-DH, DJ, DK, DL, DU, DV, DY, C4GF-E, AA, AB, AE, AF, C4MF-A, D, E, N, T, U, V, Y, C4OF-A, B, K, L, AE, AK, AM, AS, BB, C4ZF-R Must be used with B7AZ-9575-C					2☆	2☆							
9792	CLAMP (CHOKE BRACKET)													
◇ 8BA 9792	NS - 7/1/64 RB CODZ-9546-A													
9796	BRACKET (CHOKE CONTROL)													
◇ EAA 9796-A					1									
42802-S	Screw and lockwasher-No. 8-32 x 3/8"				1									
9A796	REFER TO GROUP 9840													
9800	PLUNGER (DASHPOT)													
● B7A 9800-B	☆ For export only - also serviced in 9590 kit					1☆							1	
9802	LEVER (DASHPOT OPERATING)													
◇ B6A 9802-A	☆ Use with COAE-9510-E, U, Z, CODE-9510-C, D, C1AE-9510-E, F, C1GE-9510-B, D, F, H, C1KE-9510-B, C2AE-9510-E, F				1☆				1☆					
9808	RETAINER (FLOAT BOWL)													
◇ B2A 9808-A	☆ Use with COAE-9510-E, U and Z, and CODE-9510-A, B, C and D				1☆									
9809	CLAMP (FLOAT BOWL RETAINER)													
◇ B2A 9809-A	☆ Use with COAE-9510-E, U and Z, CODE-9510-A, B, C and D, and C1DE-9510-B				4☆									
31644-S	Screw-fill. hd. -No. 10-32 x 3/4"				4									
34803-S	Lockwasher-No. 10				4									
9812	SPACER (THERMOSTATIC CHOKE SHAFT)													
◇ B5AZ 9812-A	☆ Use with B9ME-9510-A, COME-9510-A and F, and C1AE-9510-AV only				1☆						1			
	CONTINUED ON NEXT PAGE													
	◇ Holley † Ford ● Carter													

9510 - CARBURETOR CHART		Carburetor Identification Code												
		1	2	3	4	5	6	7	8	9	10	11	12	13
GROUP AND PART NUMBER	DESCRIPTION, SIZE, ETC.	NUMBER REQUIRED												
9812	SPACER (THERMOSTATIC CHOKE SHAFT) CONTINUED													
†B7AZ 9812-A	☆ Use with COME-G, K, C1AE-9510-Y, Z, AA thru AF, AH, AK, AL, C2AF-T, U, Y, Z, AA thru AH, AJ thru AN, AR, C2OF-N, R, S, T, AA thru AD, C3AF-F, N, R, S, T, AN, AT, AU, AV, AY, BD, BE, BU, BV, BY, BZ, C3DF-C thru F, C3MF-A thru D, C3OF-C thru F, AG, AH, AJ, C4GF-E, AA, AB, C4MF-A, D, E					1☆	1☆							
9827	GASKET (FUEL INLET FITTING)													
◇ B2A 9827-A	Also serviced in 9502, 9A587 and 9590 kits		1						1					
354582-S	Connector-flared tube-5/16"		1						1					
9828	SCREW (FUEL INLET)													
	NS-serviced in 9564 assembly only		1						1					
9835	LEVER (DASHPOT) INNER													
● B8A 9835-A	☆ For export only			1☆									1	
9836	LEVER (DASHPOT) OUTER													
● B8A 9836-A	☆ For export only			1☆									1	
9840	PISTON (THERMOSTATIC CHOKE)													
◇ B7A 9840-B	With link ☆ Use with B9ME-9510-A, COME-9510-A and F, C1AE-9510-AM, C2AE-9510-CB, C3AE-9510-A, C, C3AF-9510-BK	1☆										1☆		
◇C3AZ 9840-A	With link ☆ Use with C3AE-9510-B											1☆		
◇C1AZ 9A796-A	With link ☆ Use with C1AE-9510-AV only	1☆												
●COLE 9840-A	Also use for export			1	1									
◇C1KY 9840-A	Includes lever and link ☆ Use with C1GE-9510-E, F, G, H, C1KE-9510-A, B								1☆					
◇C1GY 9840-A	Includes lever and link ☆ Use with C1GE-9510-A, B, C, D								1☆					
†C4AZ 9840-A	With link ☆ Use with C4GF-AF, C4OF-A, B, K, L, AE, AK, AM, AS					1☆	1☆							
†C4AZ 9840-B	With link ☆ Use with C4MF-DH, DK, DV								1☆					
†C4AZ 9840-C	With link ☆ Use with C4AF-DJ, DL, DU, DY, C4GF-AE								1☆					
†C4MY 9840-A	With link ☆ Use with C4MF-N, T, U, V, Y					1☆								
†C5AZ 9840-C	With link ☆ Use with C4OF-BS, C4ZF-R					1☆								
	CONTINUED ON NEXT PAGE													
	◇ Holley † Ford ● Carter													

9510 - CARBURETOR CHART

Carburetor Identification Code

GROUP AND PART NUMBER	DESCRIPTION, SIZE, ETC.	1	2	3	4	5	6	7	8	9	10	11	12	13
		NUMBER REQUIRED												
9840	PISTON (THERMOSTATIC CHOKE) (CONTINUED)													
♣C3VY 9840-A													1	
355829-S	Nut-hex. -No. 8-36-piston link to shaft	1								1				
34078-S	Nut-hex. -No. 10-32							1						
353862-S	Washer "C" - piston link to shaft	1												
34082-S	Washer-spring lock-No. 8									1				
43255-S	Screw & washer-No. 8-32 x 5/8"					1								
359528-S7	Ring-retaining-3/32"							1						
9842	CLAMP (THERMOSTATIC CHOKE HOUSING)													
†◇B6A 9842-A	Also serviced in 9850 kit ☆ Use with B9ME-9510-A, COME-9510-A, F, G, K, C1AE-9510-Y, Z, AA thru AF, AH, AK, AL, AM, AV, C2AE-CB, C2AF-T, U, Y, Z, AA thru AH, AJ thru AN, AR, C2OF-N, R, S, T, AA thru AD, C3AE-A, B, C, C3AF-F, N, R, S, T, AN, AT, AU, AV, AY, BD, BE, BK, BU, BV, BY, BZ, C3DF-C thru F, C3MF-A thru D, C3OF-C thru F, AG, AH, C4MF-D, E	1☆				1☆	1☆			1☆			1	
†C4AZ 9842-A	☆ Use with C4AF-DH, DJ, DK, DL, DU, DV, DY, C4GF-AE, AF, C4MF-A, N, T, U, V, Y, C4OF-A, B, K, L, AE, AK, AM, AS, BS, C4ZF-R					1☆	1☆							
♣ B7A 9842-B	Also use for export			3	3									
♣C1VE 9842-A											3			
31061-S	Screw-No. 8-32 x 1/2"-clamp to housing and plugs	3				3	3	3		3		3		
34802-S	Washer-spring lock-No. 8-clamp to housing and plugs	3				3								
9844	REFER TO GROUP 9A539													
9848	COVER AND/OR SPRING (THERMOSTATIC CHOKE)													
◇ B8A 9848-E	"57M-1" in center of coil housing (Δ) ☆ Use with B9ME-9510-A, COME-9510-A and F only	1☆												
◇ B8A 9848-A2	"58L-1" in center of coil housing (Δ) ☆ Use with C1AE-9510-AM, AV, C2AE-9510-CB, C3AE-9510-A, B, C, C3AF-9510-BK	1☆								1☆				
Δ Package also includes -														
(1) B7A-9871-B gasket														
♣COLE 9848-B	For export only - includes (1) B8A-9871-B gasket			1										
♣COLE 9848-A					1									
CONTINUED ON NEXT PAGE														
◇ Holley † Ford ♣ Carter														

9510 - CARBURETOR CHART		Carburetor Identification Code												
GROUP AND PART NUMBER	DESCRIPTION, SIZE, ETC.	1	2	3	4	5	6	7	8	9	10	11	12	13
		NUMBER REQUIRED												
9848	COVER AND/OR SPRING (THERMOSTATIC CHOKE) CONTINUED													
†COAE 9848-B	"TK" embossed on cover - also (Δ) serviced in 9850 kit ☆ Use with COME-9510-G, K, C1AE-9510-Y, Z, AA thru AF, AH, AK, AL, C2AF-T, U, Y, Z, C2AF-AA thru AH, AJ thru AN, AR, C2OF-N, R, S, T, AA thru AD, C3AF-F, N, R, S, T, AN, AT, AU, AV, AY, BD, BE, BU, BV, BY, BZ, C3DF-C thru F, C3MF-A thru D, C3OF-C thru F, AG, AH, AJ, C4GF-E, AB, C4MF-D, E, C4OF-BS, C4ZF-R					1☆	1☆							
†C4AZ 9848-A	"TN" embossed on cover (Δ) ☆ Use with C4AF-DH, DK, DV, C4MF-A, N, T, V, C4OF-A, K, AK, AS					1☆	1☆							
†C4AZ 9848-B	"TO" embossed on cover (Δ) ☆ Use with C4AF-DJ, DL, DU, DY, C4GF-AA, AE, AF, C4MF-U, Y, C4OF-B, L, AM					1☆	1☆							
Δ Package also includes - (1) C1AE-9871-A gasket														
◇C1GY 9848-A	"E4" stamped in center							1						
●C1VY 9848-A	☆ Use with C1VE-9510-A, B, C, D, E										1☆			
●C2VY 9848-A	☆ Use with C2VE-9510-A, B, C, D, E										1☆			
†C3GY 9848-A	"FM" embossed on cover - also (§) serviced in 9850 kit ☆ Use with C3GF-A, B, C3YF-A, B, E, and C3YF-F, G, H with tag numbers C3YF-FA, GA, HA											1☆		
†C3YY 9848-A	"TM" embossed on cover - also (§) serviced in 9850 kit ☆ Use with C3GF-G, H, C3YF-F, G, H with tag number, C3YF-FB, GB, HB, C4GF-A, B, C, AH, AR, AV, AY											1☆		
§ Package also includes - (1) C1AE-9871-A gasket														
●C3VY 9848-A	Water heated												1	
370473-S36	Screw and washer-fill. hd. -No. 8-32 x 1-1/8"-choke assembly to main body										3		3	
9849	HOUSING & PLUGS (THERMOSTATIC CHOKE)													
◇ B7A 9849-B	☆ Use with B9ME-9510-A, COME-A and F only	1☆												
◇COAE 9849-C	☆ Use with C1AE-9510-A, AM, C2AE-9510-CB, C3AE-9510-A, B, C, C3AF-9510-BK	1☆									1☆			
● B8A 9849-A	For export only			1										
CONTINUED ON NEXT PAGE														
◇ Holley † Ford ● Carter														

9510 - CARBURETOR CHART

Carburetor Identification Code

GROUP AND PART NUMBER	DESCRIPTION, SIZE, ETC.	1	2	3	4	5	6	7	8	9	10	11	12	13
		NUMBER REQUIRED												
9849	HOUSING & PLUGS (THERMOSTATIC CHOKE) CONTINUED													
†COME 9849-A	Marked "73" - color code "RED" ☆ Use with COME-9510-G, K					1☆								
†C1AE 9849-A	☆ Use with C1AE-9510-Y, Z, AA, AB					1☆								
†C1AE 9849-B	☆ Use with C1AE-9510-AC, AD, AE, AF, AH, AK, AL					1☆	1☆							
†C2AZ 9849-A	☆ Use with C2AF-AA, AB, AC, AD Use on carburetors without screw type choke adjustment					1☆								
†C2AZ 9849-B	☆ Use with C2AF-U, Y, Z, AM, AR, C2OF-N, R, S, T, AA, AB, AC, AD, C3AF-S, T, C3MF-A, B, C3OF-C, D, E, F, C3DF-C, D, E, F Use on carburetors without screw type choke adjustment					1☆	1☆							
	NS-serviced in 9850 assembly only ☆ Use with C4MF-A					1☆								
†C3AZ 9849-B	☆ Use with C3AF-AN, AT, AU, AV, AY, BD, BE, BU, BV, BY, BZ, C3MF-C, D, C3OF-AG, AH, AJ, C4GF-E, AA, AB, C4MF-D, E Use on carburetors with screw type choke adjustment					1☆	1☆							
†C4AZ 9849-A	☆ Use with C4AF-DH, DJ, DK, DL, DU, DV, DY, C4MF-Y, C4OF-A, B, K, L, AE, AK, AM, AS, BS, C4ZF-R					1☆	1☆							
†C2AZ 9849-C	☆ Use with C2AF-T, AE, AF, AG, AH, AJ, C3AF-F, N, R Use on carburetors without screw type choke adjustment					1☆	1☆							
◇C1KE 9849-A									1					
	NS-housing only - serviced in 9850 kit only												1	
♣C3VY 9849-A														1
359737-S	Screw and washer-No. 8-32 x 1-1/4"	3				3	3			3				
31165-S	NS-screw-fill. hd. -No. 8-32 x 1-5/8"-housing and plugs to main body					3	3							
34903-S7	Washer-internal tooth lock-No. 10					3	3							
353862-S	Washer "C"					1	1							
374390-S	Screw and washer-No. 8-32 x 7/8"-housing and plugs to main body								2					
31061-S	Screw-fill. hd. -No. 8-32 x 1/2"					3	3					4		
370015-S	Screw-fill. hd. -No. 8-32-1/2"												3	
351825-S	Washer - "C"					1	1							
378273-S	Screw-set-No. 10-32 x .560"					1	1							
34802-S	Washer-spring-No. 8					3	3							
378547-S	Screw and washer-No. 10-32 x 1.760"					3	3							

◇ Holley † Ford ♣ Carter

9510 - CARBURETOR CHART

Carburetor Identification Code

GROUP AND PART NUMBER	DESCRIPTION, SIZE, ETC.	NUMBER REQUIRED																		
		1	2	3	4	5	6	7	8	9	10	11	12	13						
9850	CONTROL ASSEMBLY (THERMOSTATIC CHOKE)																			
◇ B7A 9850-A	☆ Use with B9ME-9510-A, COME-9510-A and F only	1☆																		
†COME 9850-B	☆ Use with COME-9510-G, K Use on carburetors without screw type choke adjustment					1☆														
†C1AE 9850-A	Package also includes B8A-9853-A gasket ☆ Use with C1AE-9510-Y, Z, AA, AB Use on carburetors without screw type choke adjustment					1☆														
†C1AE 9850-C	Package also includes B8A-9853-A gasket ☆ Use with C1AE-9510-AC, AD, AE, AF Use on carburetors without screw type choke adjustment					1☆														
†C2AZ 9850-A	Package also includes B8A-9853-A gasket ☆ Use with C2AF-AE, AF, AG, AH, C3AF-F Use on carburetors without screw type choke adjustment					1☆														
†C2AZ 9850-C	Package also includes B8A-9853-A gasket ☆ Use with C2AF-AA, AB, AC, AD Use on carburetors without screw type choke adjustment					1☆														
†C2OZ 9850-A	Package also includes B8A-9853-A gasket ☆ Use with C2OF-N, R, S, T, AA, AB, AC, AD, C3OF-C, D, F Use on carburetors without screw type choke adjustment					1☆														
†C1AE 9850-B	Package also includes B8A-9853-A gasket ☆ Use with C1AE-9510-AH, AK, AL Use on carburetors without screw type choke adjustment									1☆										
†C2AZ 9850-B	Package also includes B8A-9853-A gasket ☆ Use with C2AF-T, U, Y, Z, AJ, AK, AL, AM, AN, AR, C3AF-F, N, R, S, T Use on carburetors without screw type choke adjustment					1☆	1☆													
◇C1GY 9850-A	☆ Use with C1GE-9510-A, B, C, D																			
◇C1GY 9850-B	☆ Use with C1GE-9510-E, F, G, H, C1KE-9510-A, B																			
◇C2GY 9850-A	Package also includes - (1) C2GE-9848-E housing assembly (1) C2GE-9B866-A gasket																			
	(1) C2GE-9871-A gasket																			
†C2SZ 9850-B	☆ Use with C3MF-A, B Use on carburetors without screw type choke adjustment Package also includes - (1) B8A-9853-A gasket					1☆														
CONTINUED ON NEXT PAGE																				
◇ Holley † Ford • Carter																				

9510 - CARBURETOR CHART

Carburetor Identification Code

GROUP AND PART NUMBER	DESCRIPTION, SIZE, ETC.	NUMBER REQUIRED												
		1	2	3	4	5	6	7	8	9	10	11	12	13
9850	CONTROL ASSEMBLY (THERMOSTATIC CHOKE)CONTINUED													
†C2SZ 9850-C	☆ Use with C3MF-C, D, C4GF-E, AA, AB, C4MF-D, E Kit - consists of the following - (1) C3AZ-9D530-A rod ‡(1) C3SF-9A575-A housing (1) C1AZ-9A599-A rod ‡ Serviced in this kit only	%‡(1) EDB-9842-B clamp (1) COAE-9848-B housing (1) B8A-9853-A gasket % Alternate with B6A-9842-A				1☆	1☆							
†C2AZ 9850-D	☆ Use with C2AF-F, AA, AB, AC, AD, AE, AF, AG, AH, BD, BE, C2OF-N, R, S, T, AA, AB, AC, AD, C3AF-F, AN, BD, BE, BU, BV, BY, BZ, C3DF-C, D, E, F, C3OF-C, D, E, F, AG, AH Use on carburetors with screw type adjustment choke Kit - consists of the following - (1) C3AZ-9D530-A rod ‡(1) C3AF-9A575-A housing %‡(1) C1AZ-9A599-A rod ‡ Serviced in this kit only	(1) EDB-9842-B clamp (1) COAE-9848-B housing (1) B8A-9853-A gasket % Alternate with B6A-9842-A				1☆	1☆							
†C4MY 9850-A	☆ Use with C4MF-A Kit - consists of the following - % (1) C4MF-9A575-B housing (1) C4AZ-9842-A clamp (1) C4AZ-9848-A housing	(1) B8A-9853-A gasket (1) C1AE-9871-A gasket % Serviced in kit only				1☆								
	NS-refer to group 9A575					1☆	1☆							
†C3GY 9850-A	☆ Use with C3GF-A, B, C3YF-A, B, F, G, H Kit - consists of the following - (1) C3GF-9A575-A housing (1) B6A-9842-A clamp	(1) C3GY-9848-A cover and spring (1) C1AE-9871-A gasket						(3) 31061-S8					1☆	
†C2AZ 9850-E	☆ Use with C2AF-T, U, Y, Z, AJ, AK, AL, AM, AN, AR, C3AF-N, R, S, T, AT, AU, AV, AY, C3OF-AJ Use on carburetors with screw type choke adjustment Kit - consists of the following - (1) C3AZ-9D530-A rod ‡(1) C3AF-9A575-A housing assembly (1) C1AZ-9A599-A rod	‡ (1) EDB-9842-B clamp (1) COAE-9848-B housing assembly (1) B8A-9853-A gasket ‡ Serviced in this kit only					1☆							
†C3YY 9850-A	☆ Use with C3YF-E, G, C4GF-C Kit - consists of the following - (1) C3YF-9A575-A housing (1) B6A-9842-A clamp	(1) C3GY-9848-A cover and spring (1) C1AE-9871-A gasket						(3) 31061-S8					1☆	
CONTINUED ON NEXT PAGE														
◇ Holley † Ford ● Carter														

9510 - CARBURETOR CHART

Carburetor Identification Code

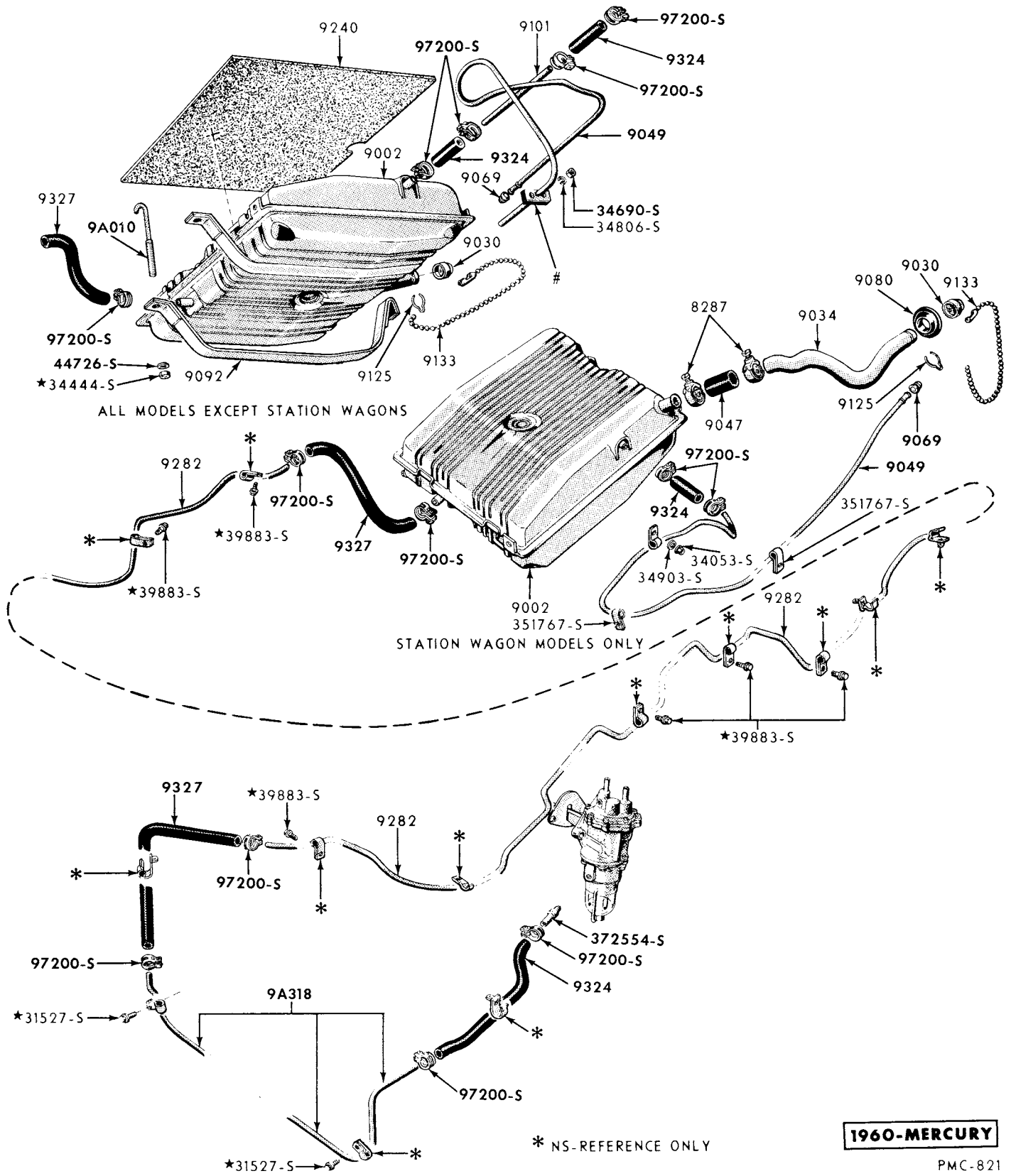
GROUP AND PART NUMBER	DESCRIPTION, SIZE, ETC.	NUMBER REQUIRED																
		1	2	3	4	5	6	7	8	9	10	11	12	13				
9850	CONTROL ASSEMBLY (THERMOSTATIC CHOKE)CONTINUED																	
†C3YY 9850-B	☆ Use with C3GF-A, B, G, H, C3YF-A, B, F, H, C4GF-A, B, AH, AR, AV, AY Consists of the following -																1☆	
‡(1) C3YF-9A575-B	housing (1) B8A-9853-A gasket																	
(1) B6A-9842-A	clamp (1) C1AE-9871-A gasket																	
(1) C3YY-9848-A	cover																	
	‡ Serviced in this kit only																	
31061-S	Screw-fill. hd. -No. 8-32 x 1/2"																	
359737-S	Screw and washer-fill. hd. -No. 10-32 x 1-1/4"																	2
9853	GASKET (THERMOSTATIC CHOKE HOUSING & PLUGS TO CARBURETOR)																	
◇ B7A 9853-B	☆ Use with B9ME-9510-A, COME-9510-A and F, C1AE-9510-AV (2) used as choke housing gaskets and (1) as secondary housing gasket Also serviced in 9502 and 9590 kits	2☆																3
● B7A 9853-C	Also serviced in 9502, 9A586 and 9590 kits ☆ For export only																	1
† B8A 9853-A	Also serviced in 9502, 9A586 and 9590 kits																	1
◇C1KE 9853-A	Also serviced in 9502, 9A586 and 9590 kits																	
9861	SHIELD (THERMOSTATIC CHOKE)																	
† B8A 9861-A	☆ Use with COME-9510-G, K, C1AE-9510-Y, Z, AA thru AF, AH, AK, AL, C2AF-T, U, Y, Z, AA thru AH, AJ, thruAN, AR, C2OF-N, R, S, T, AA thru AD, C3AF-F, N, R, S, T, AN, AT, AU, AV, AY, BD, BE, BU, BV, BY, BZ, C3DF-C thru F, C3MF-A thru D, C3OF-C thru F, AG, AH, AJ, C4GF-E, AA, AB, C4MF-D, E																	
†C4AZ 9861-A	☆ Use with C4AF-DH, DJ, DK, DL, DU, DV, DY, C4GF-AE, AF, C4MF-A, N, T, U, V, Y, C4OF-A, B, K, L, AE, AK, AM, AS, BS, C4ZF-R																	
43248-S	Screw and washer-No. 8-32 x 5/8"																	
9B866	GASKET (THERMOSTATIC CHOKE HOUSING CAP)																	
	NS-serviced in 9502 and 9850 assemblies																	1
9871	GASKET (THERMOSTATIC CHOKE COVER TO CHOKE HOUSING & PLUGS)																	
◇ B7A 9871-B	Also serviced in 9502 and 9590 kits																	1
● B8A 9871-B	Also use for export - choke cover and spring to throttle body - also serviced in 9502, 9A586 and 9590 kits																	1
	CONTINUED ON NEXT PAGE																	
	◇ Holley † Ford ● Carter																	

9510 - CARBURETOR CHART		Carburetor Identification Code												
		1	2	3	4	5	6	7	8	9	10	11	12	13
GROUP AND PART NUMBER	DESCRIPTION, SIZE, ETC.	NUMBER REQUIRED												
9871	GASKET (THERMOSTATIC CHOKE COVER TO CHOKE HOUSING & PLUGS) CONTINUED													
◇C1GY 9871-A	Also serviced in 9502, 9A586 and 9590 kits							1						
♣C3VY 9871-A	Carburetor water jacket to choke cover and spring - also serviced in 9502, 9A586 and 9590 kits												1	
	NS-serviced in 9502, 9A586 and 9590 kits, and 9850 assembly								1					
♣C2VY 9871-A	Carburetor water jacket to choke cover and spring										1			
†C1AE 9871-A	Also serviced in C3GY-9850-A assembly and 9502, 9A586 and 9590 kits					1	1						1	
351825-S	Washer "C"					1	1							
9B874	SCREW (THERMOSTATIC CHOKE HOUSING ADAPTOR)													
†C3AZ 9B874-A						3	3						3	
9B875	GASKET (CHOKE HOUSING COVER SCREW)													
♣C2VY 9B875-A	☆ Use with C2VE-9510-A, B, C, D, E												1☆	
9A876	LEVER (THERMOSTATIC CHOKE SHAFT)													
◇C1KE 9A876-A									1					
45207-S	Nut-stamped-1/4"-28								1					
374389-S	Washer-flat-No. 8								1					
9A877	SEAL (THERMOSTATIC CHOKE SHAFT)													
◇C1KE 9A877-A									1					
9919	LEVER (ACCELERATOR PUMP OVERTRAVEL)													
†B8AZ 9919-A	Must be used with C3AZ-9F569-A Package also includes - (1) C3AZ-9F569-A bushing					1	1							
†C3AZ 9919-C	Accelerator pump												1	
375894-S	Clip					1	1							
354393-S	Washer "C"-attach lever to throttle shaft					1	1							
44706-S8	Washer-flat-No. 5												1	
377918-S8	Ring-retaining-1/8"												1	
9928	COVER (VACUUM PISTON)													
♣ B7A 9928-A	☆ For export only													2
370016-S	Screw and washer-fill. hd. -No. 6-32 x 5/16"													2
	◇ Holley † Ford ♣ Carter													

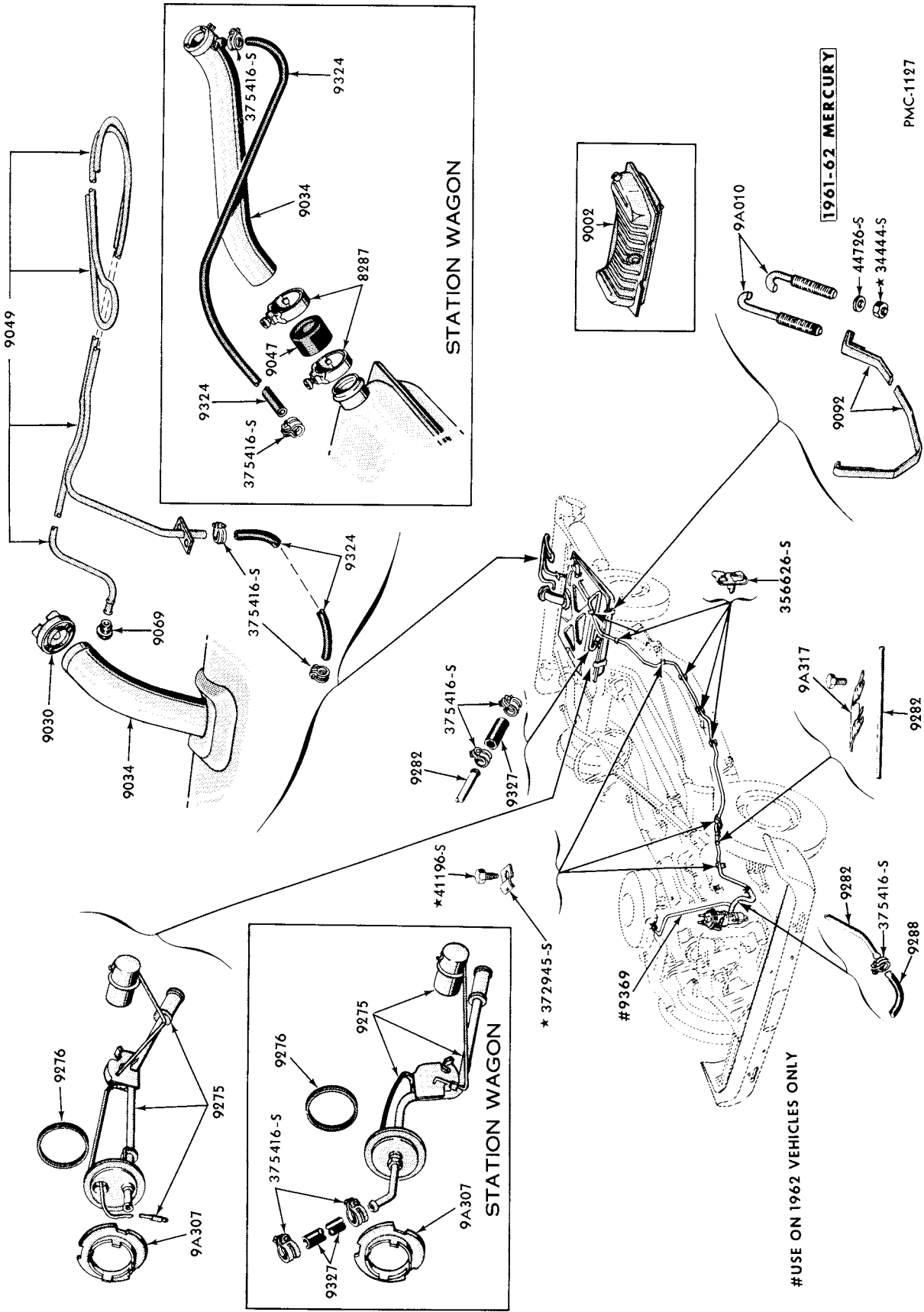
9510 - CARBURETOR CHART

Carburetor Identification Code

GROUP AND PART NUMBER	DESCRIPTION, SIZE, ETC.	NUMBER REQUIRED												
		1	2	3	4	5	6	7	8	9	10	11	12	13
9930	COVER (ECONOMIZER VALVE)													
◇ B7A 9930-B	Upper		1						1					
† B7A 9930-A	Package also includes - (4) 43248-S screw and washer					1	1							
31061-S	Screw-fill. hd. -No. 8-32 x 1/2"		3						AR					
34802-S	Washer-No. 8		3						AR					
34903-S7	Washer-internal tooth lock-No. 10					4	4							
43251-S8	Screw and washer-No. 8-32 x 1/2"					4	4							
9934	SLEEVE (PUSH ROD)													
◇ B8A 9934-A			1						1					
9935	SPRING (PUSH ROD PLUNGER)													
◇ EAA 9935-B			1						1					
9936	SPRING (ACCELERATOR PUMP DIAPHRAGM RETURN)													
◇ EAA 9936-A	Tapered - 1/4" diameter (1) end and 27/32" diameter the other		1						1					
9938	SCREEN (FILTER)													
◇ B8A 9938-A		1									1			
† B7A 9938-A						1	1							
9945	GASKET (FUEL INLET SEAT SCREW)													
◇ B2AZ 9945-A	Also serviced in 9502, 9A586 and 9590 kits		1						1					
9976	REFER TO GROUP 9B548													
9992	BEARING (CHOKE SHAFT)													
† B7AZ 9992-A	☆ Use with COME-9510-G, K							1☆						
9997	TUBE (SECONDARY THROTTLE CONTROL VACUUM)													
† B8A 9997-A									1					
	◇ Holley † Ford • Carter													



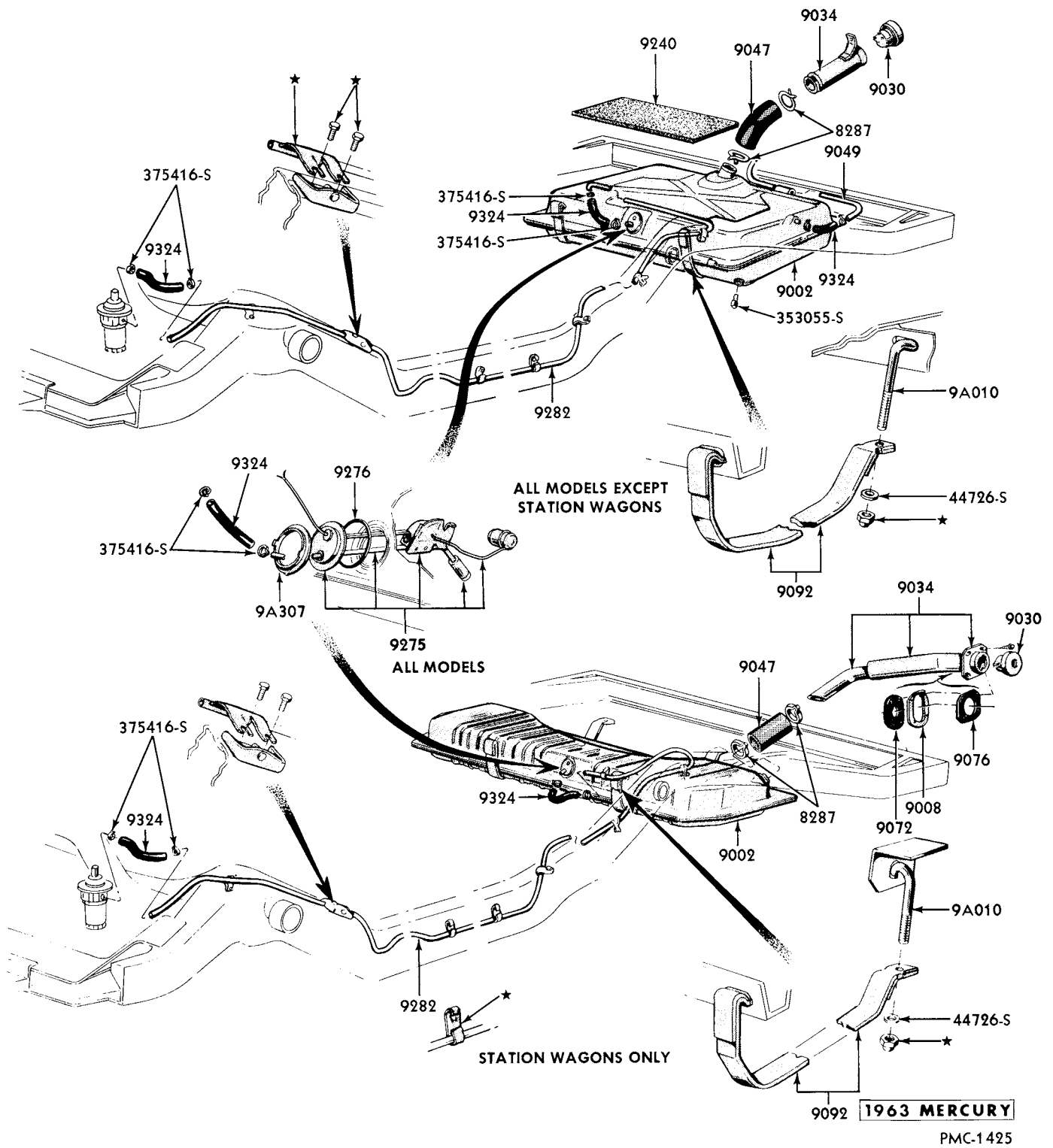
FUEL SYSTEM



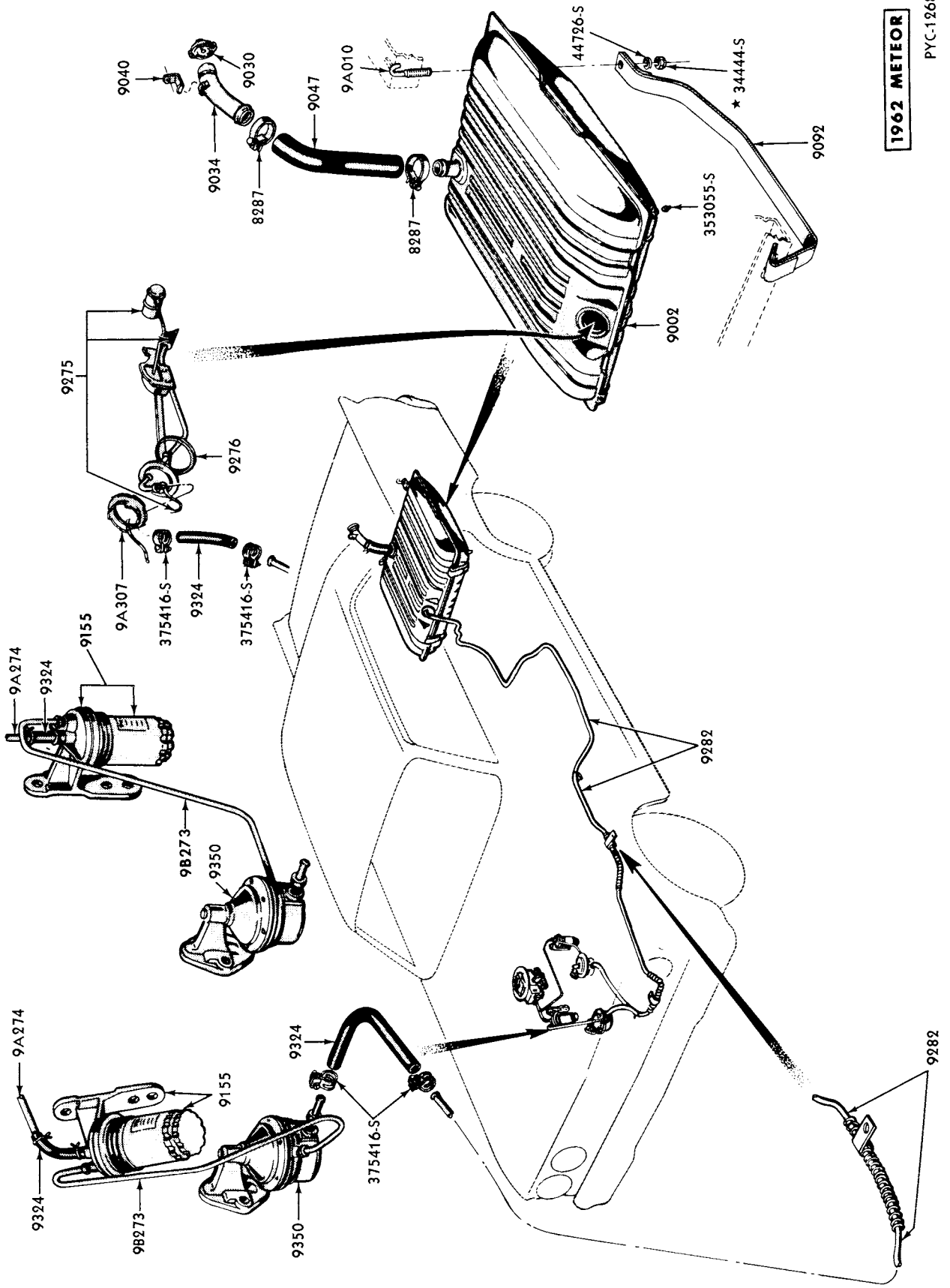
PMC-1127

FUEL SYSTEM

USE ON 1962 VEHICLES ONLY



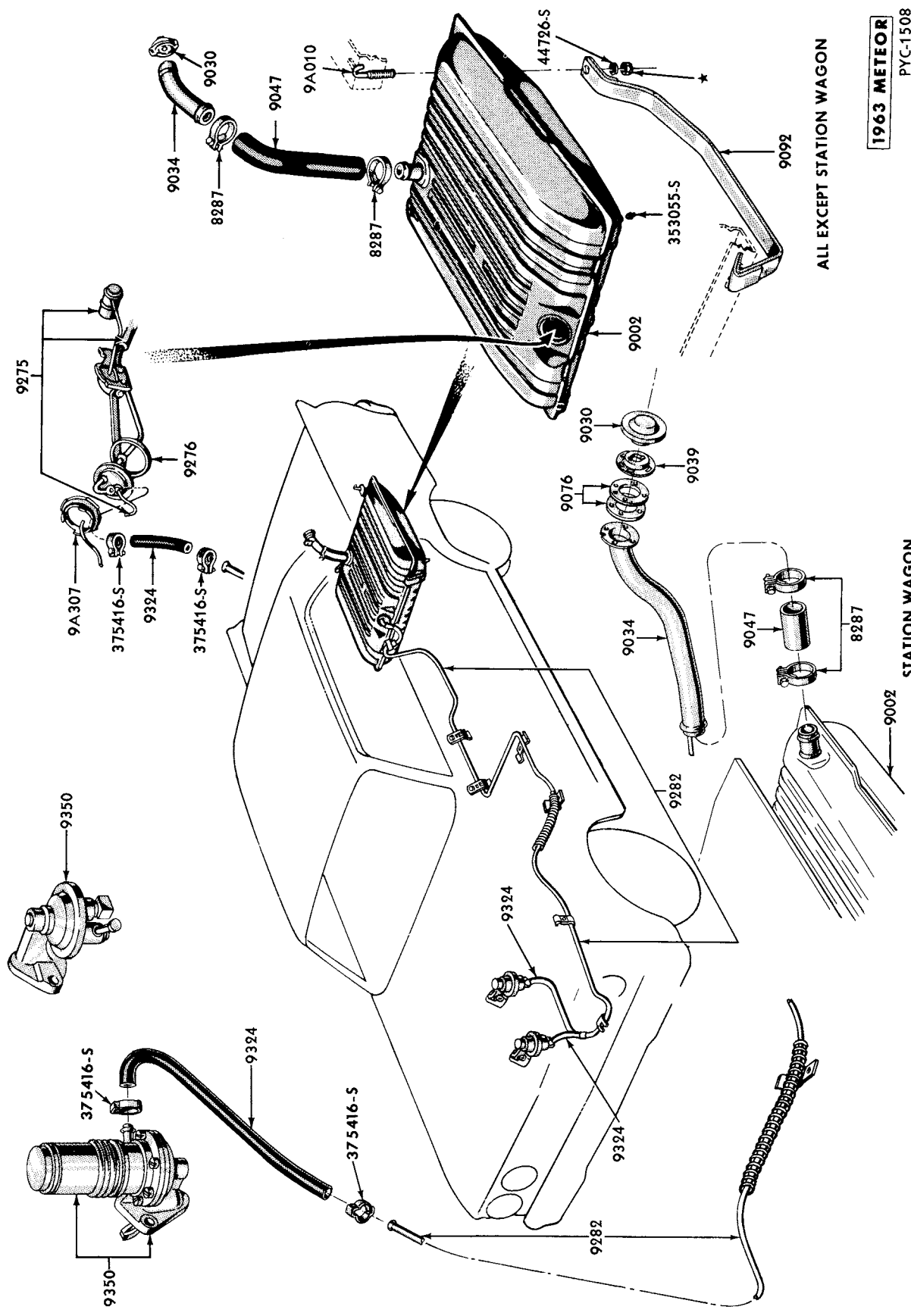
FUEL SYSTEM - 390-4V C.I.D. ENGINE



1962 METEOR

PYC-1268

FUEL SYSTEM

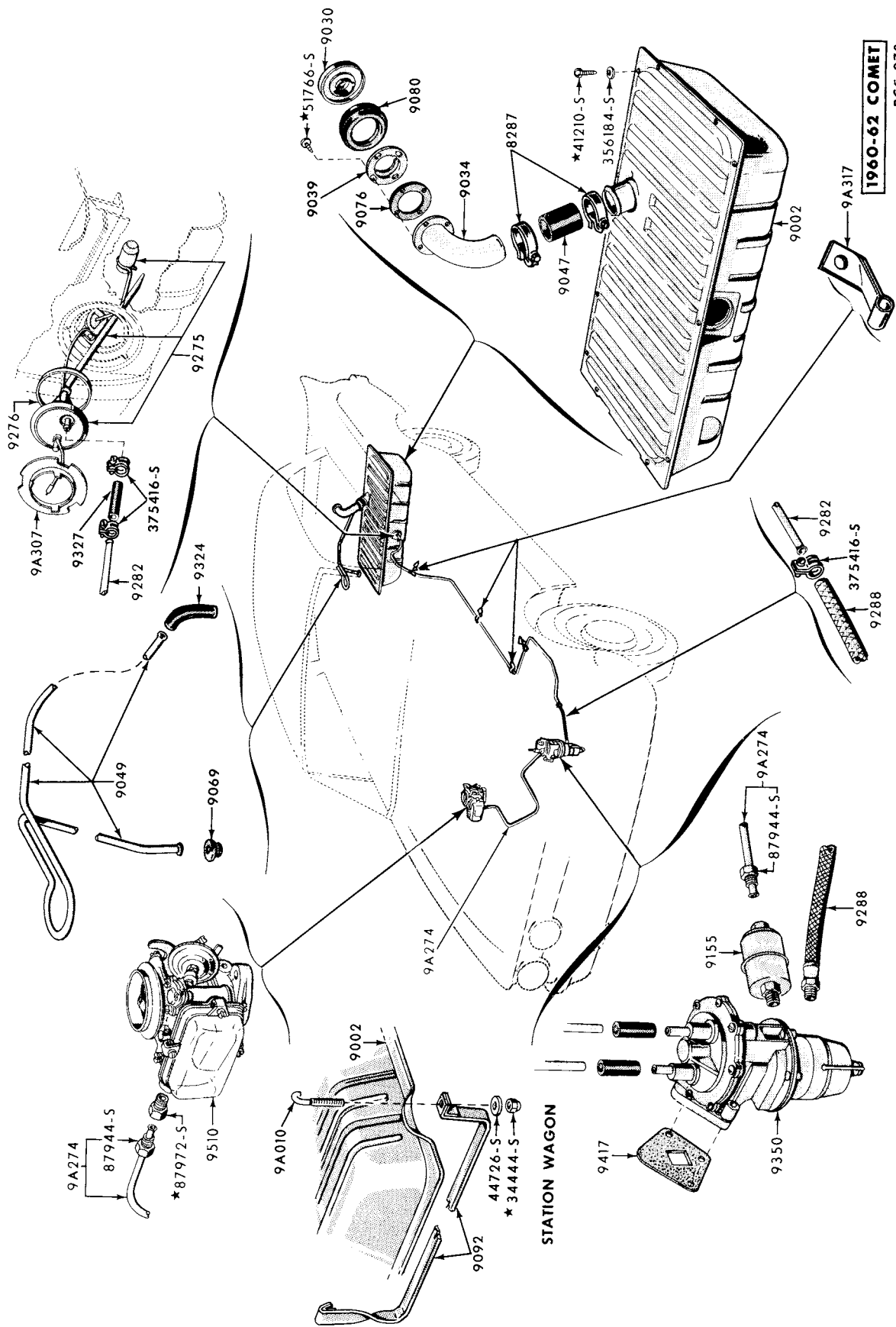


ALL EXCEPT STATION WAGON

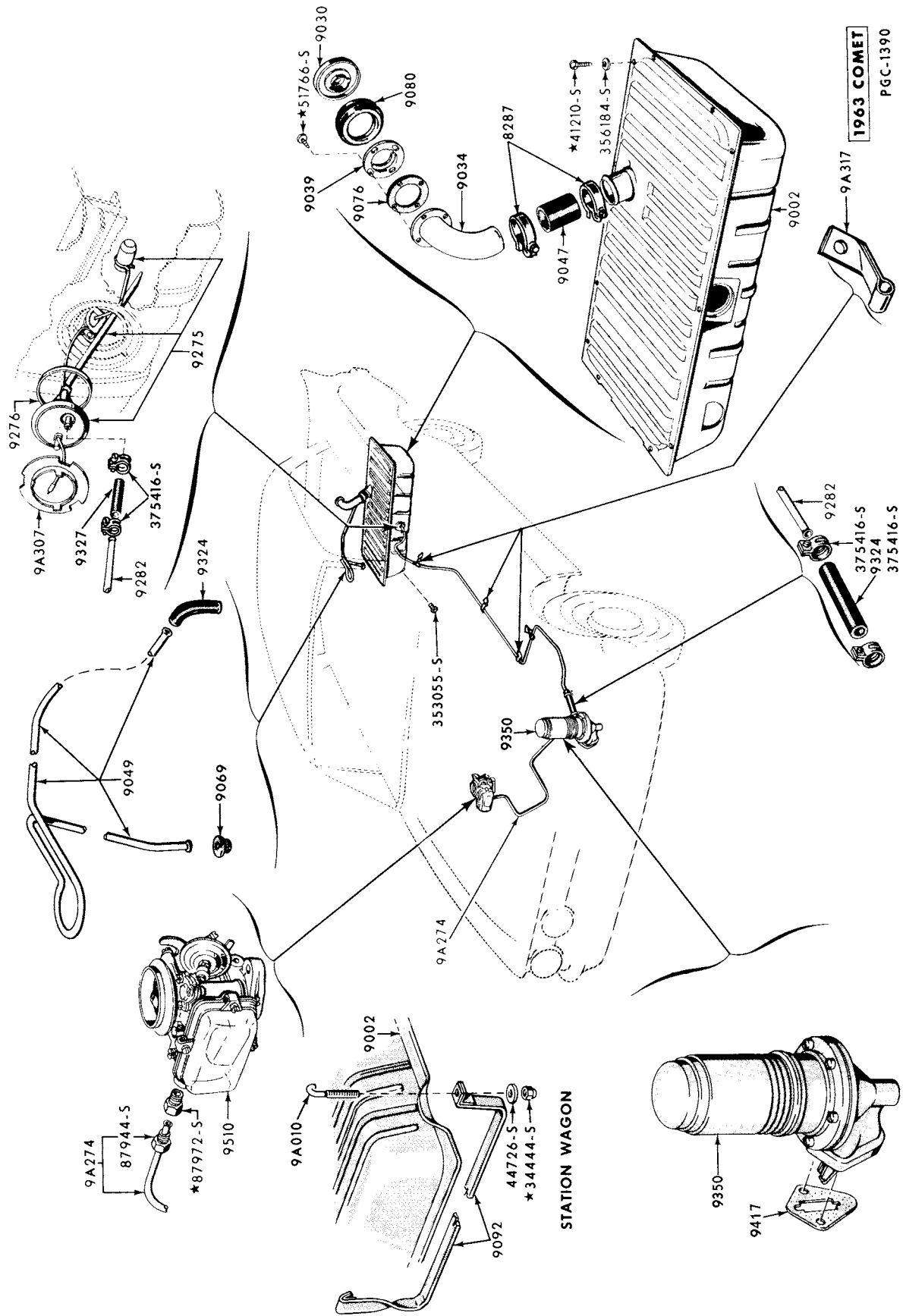
1963 METEOR
 PYC-1508

STATION WAGON

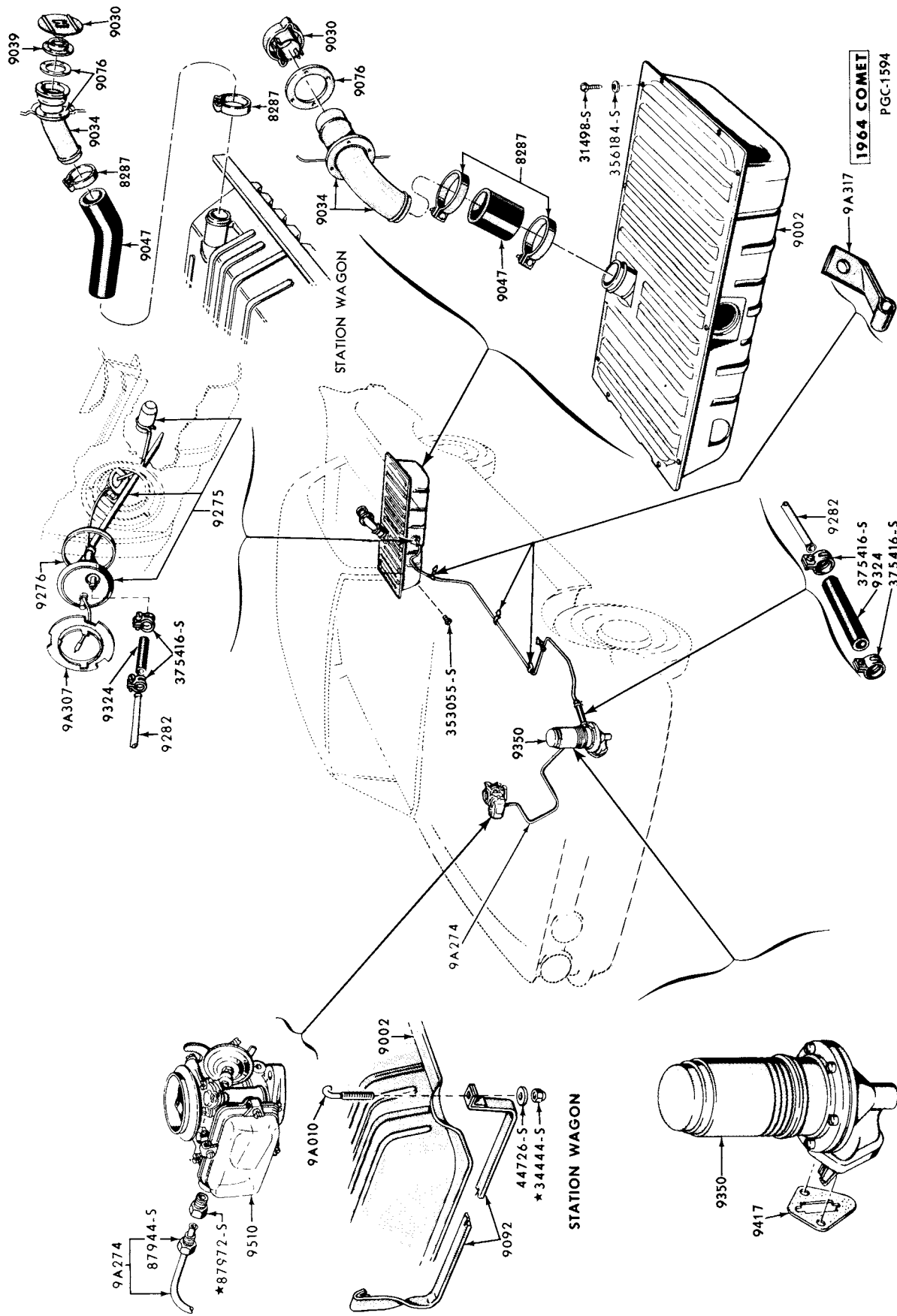
FUEL SYSTEM



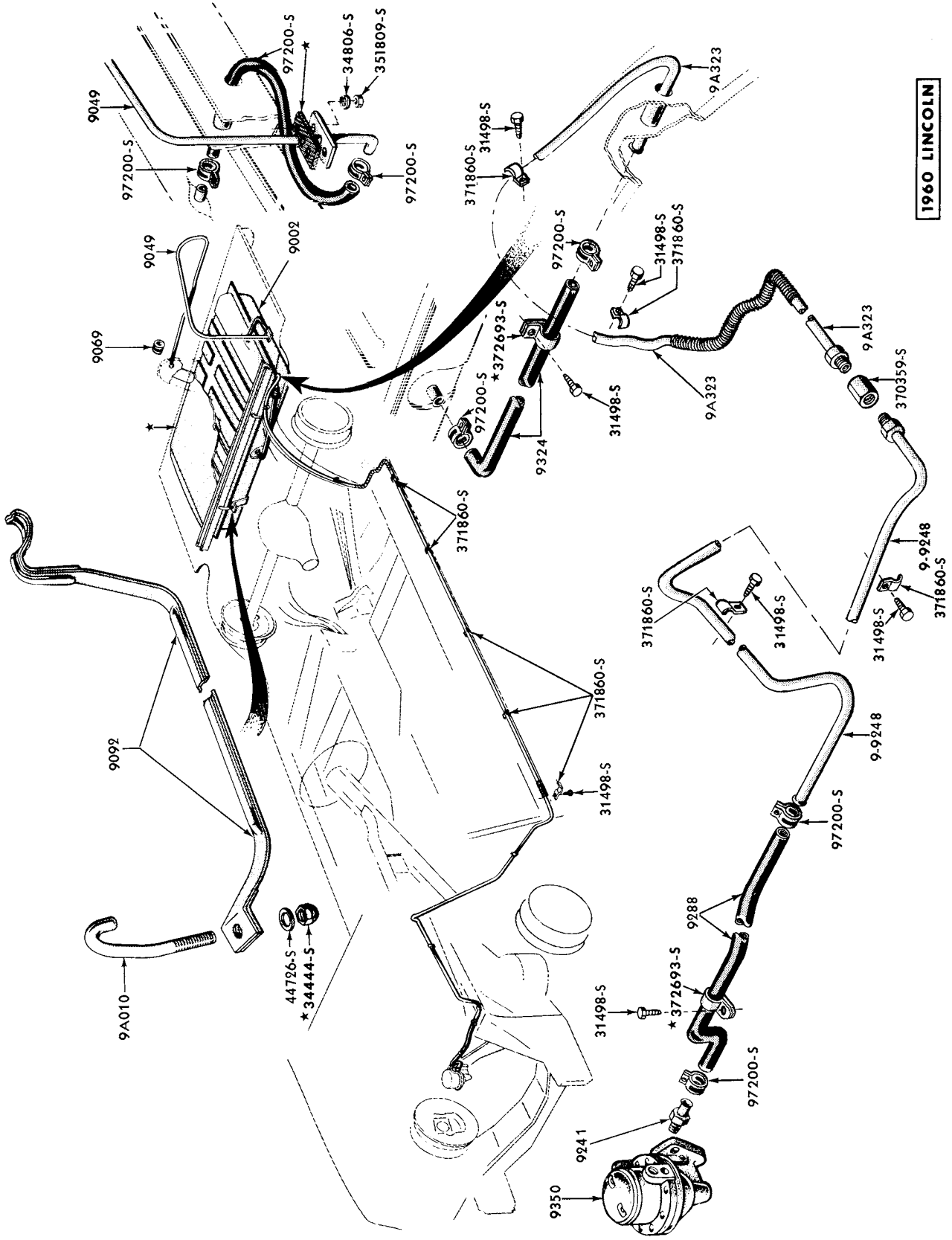
FUEL SYSTEM



FUEL SYSTEM



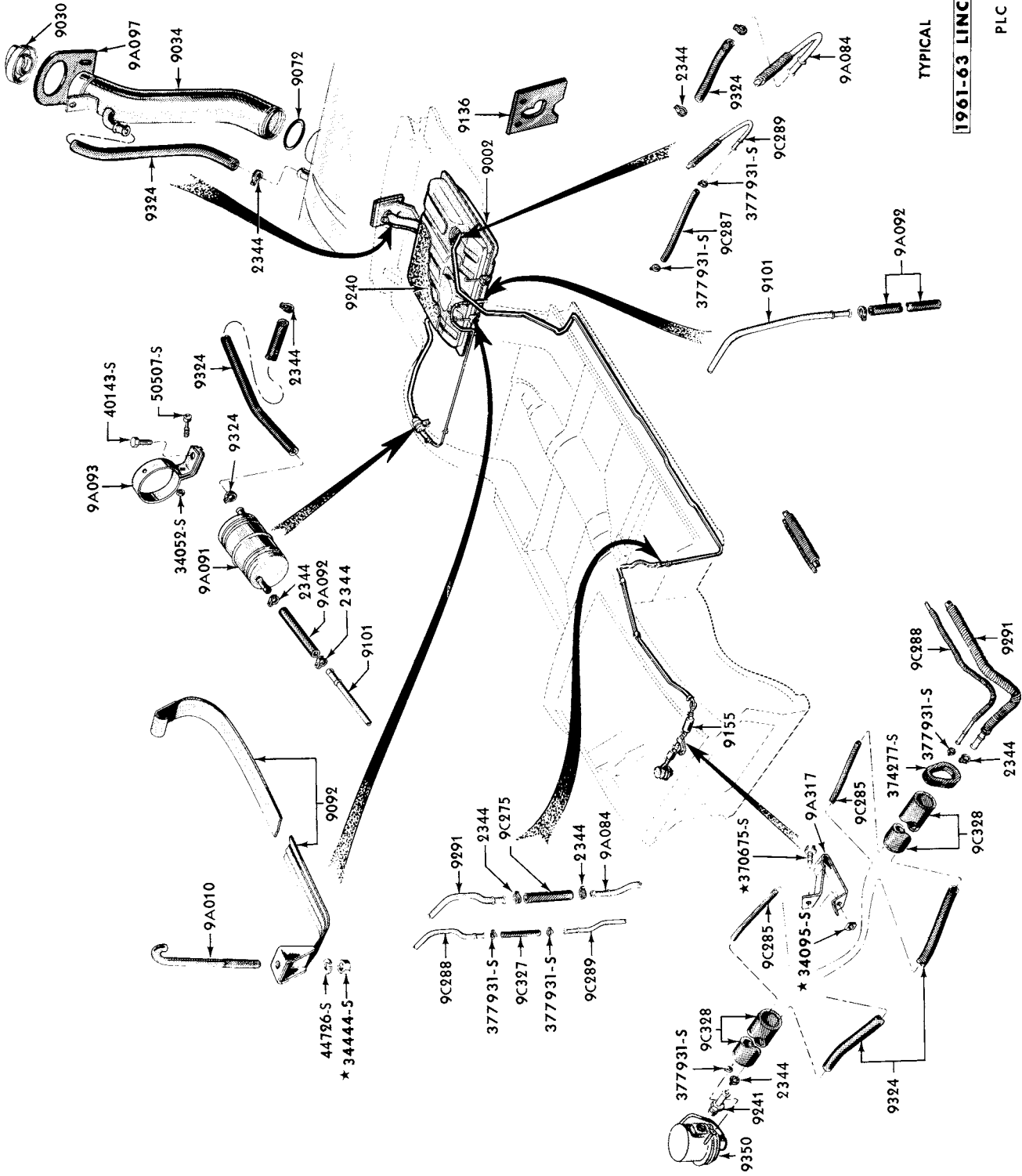
FUEL SYSTEM



1960 LINCOLN

PLC-934

FUEL SYSTEM

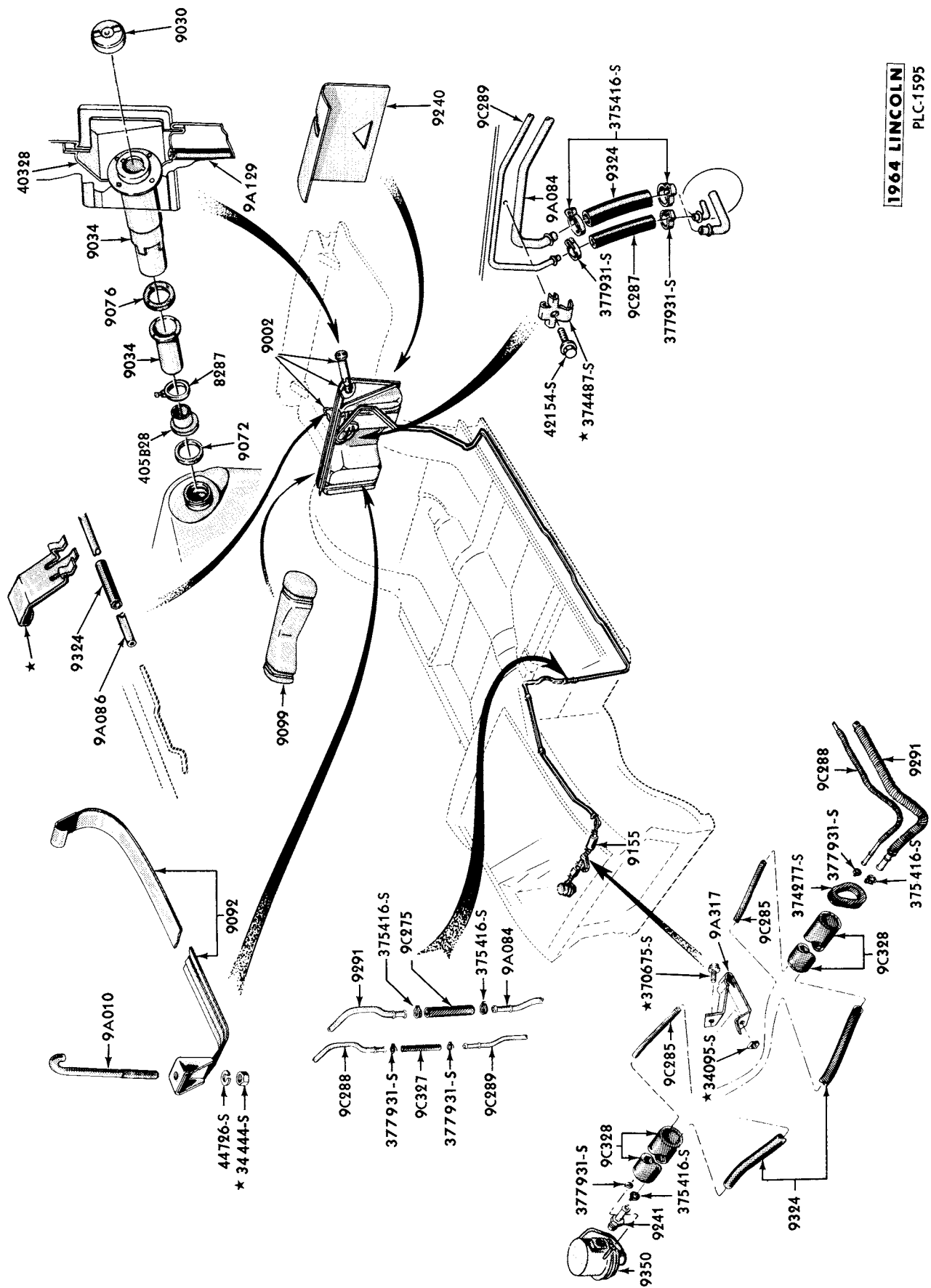


1961-63 LINCOLN

PLC 1773

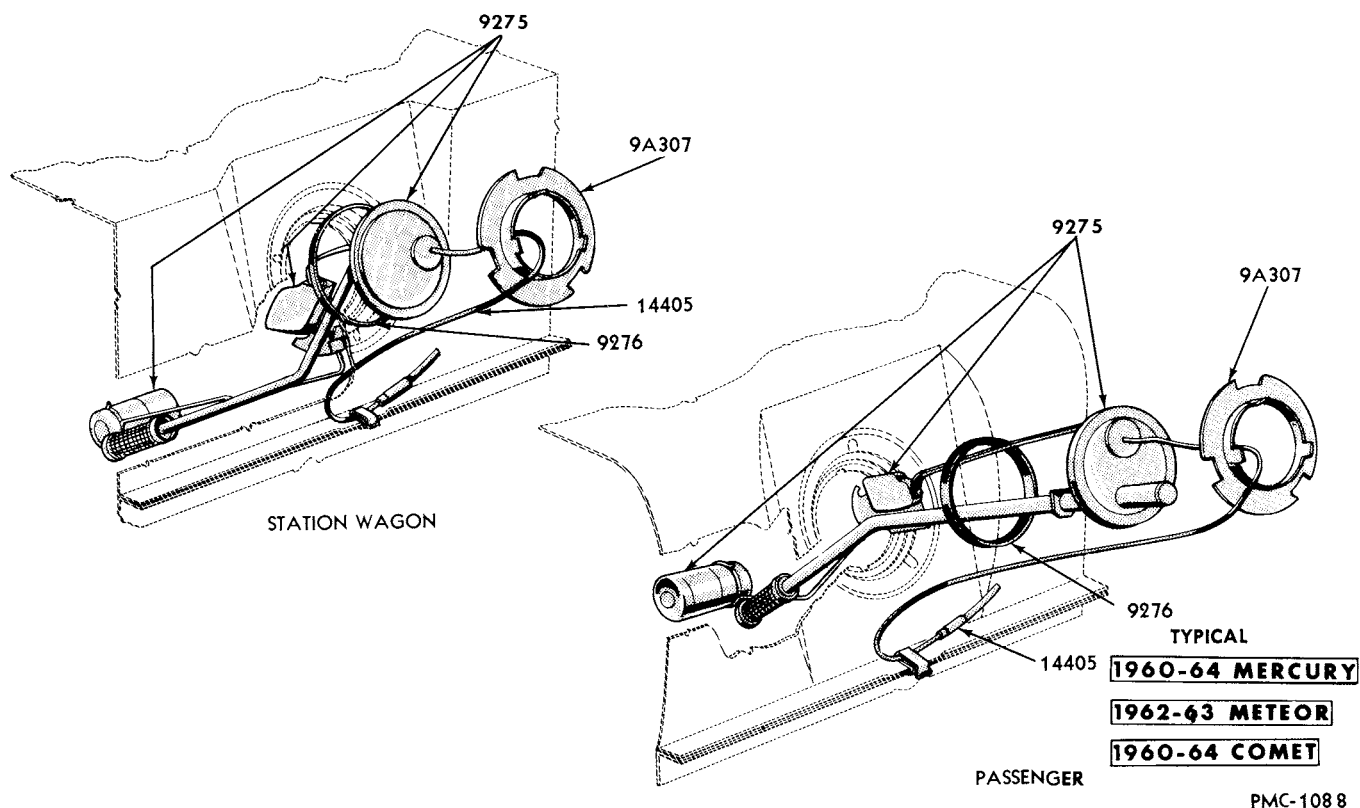
TYPICAL

FUEL SYSTEM



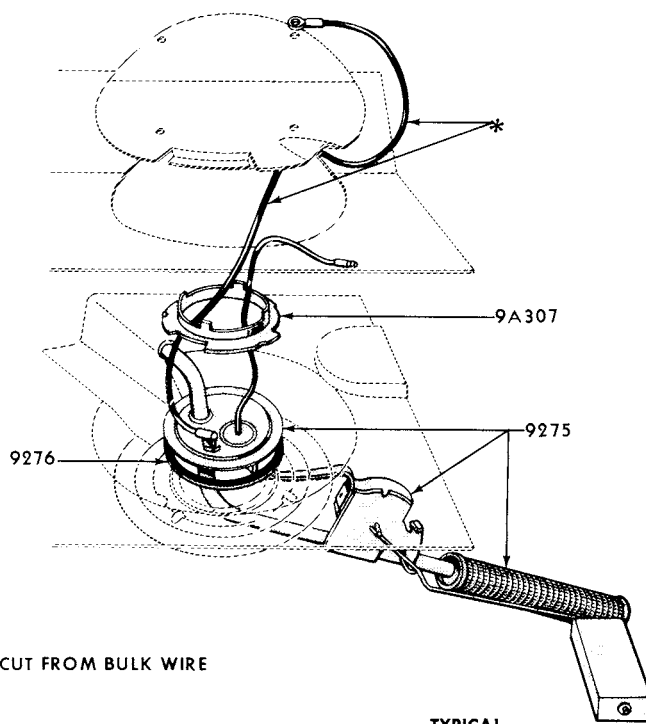
1964 LINCOLN
PLC-1595

FUEL SYSTEM



PMC-108 8

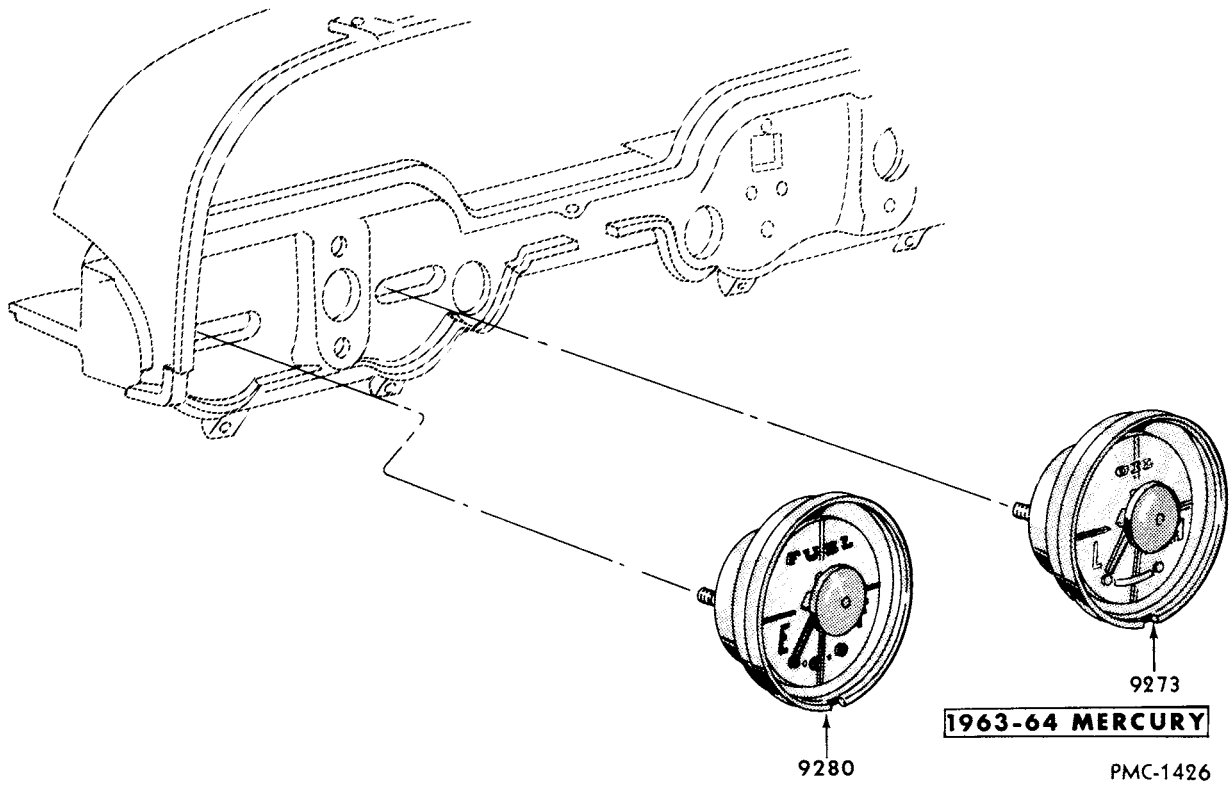
FUEL TANK SENDER



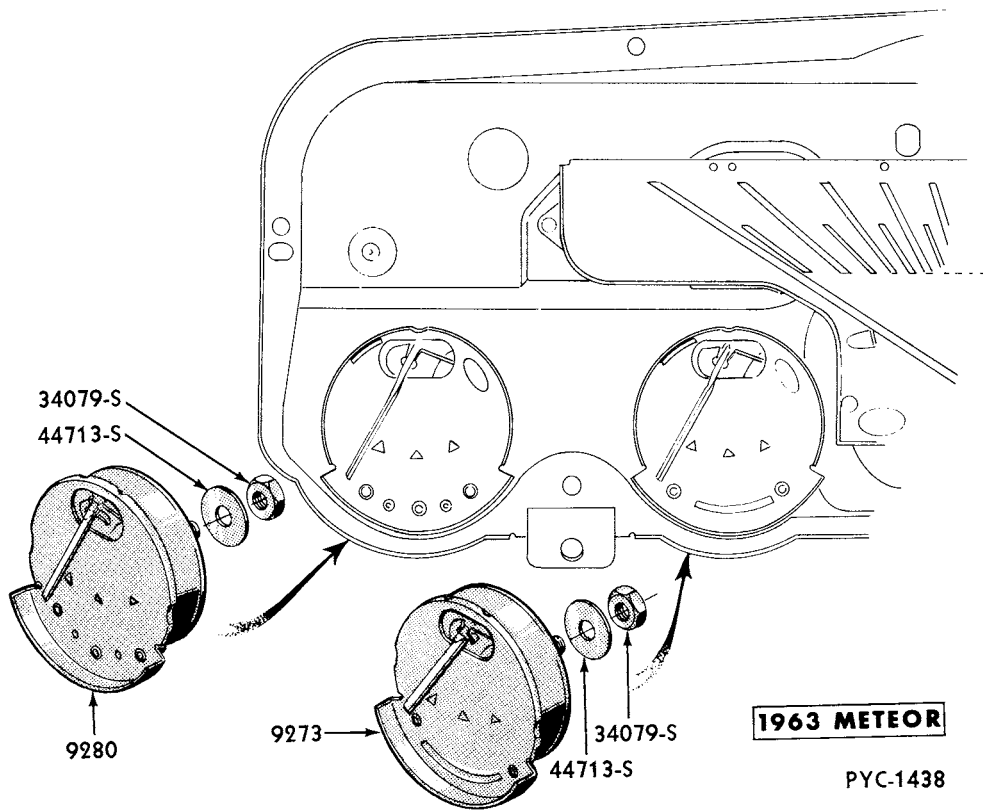
1960-64 LINCOLN

PLC-1783

FUEL TANK GAUGE and RELATED PARTS

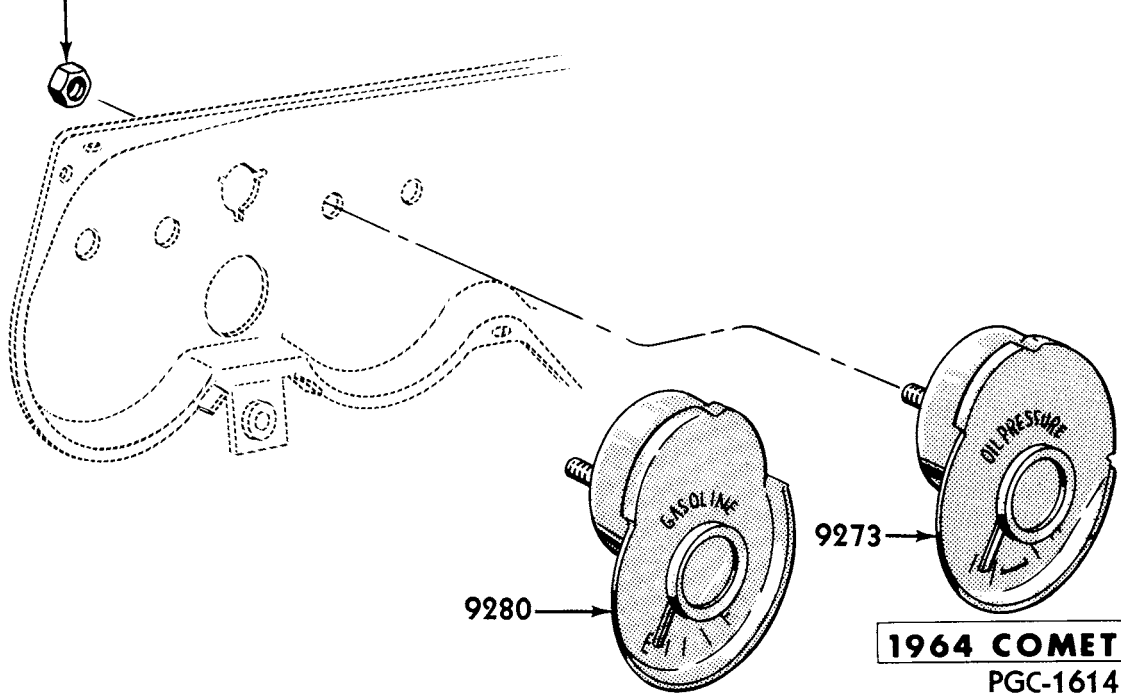


FUEL and OIL INDICATOR - INSTRUMENT PANEL

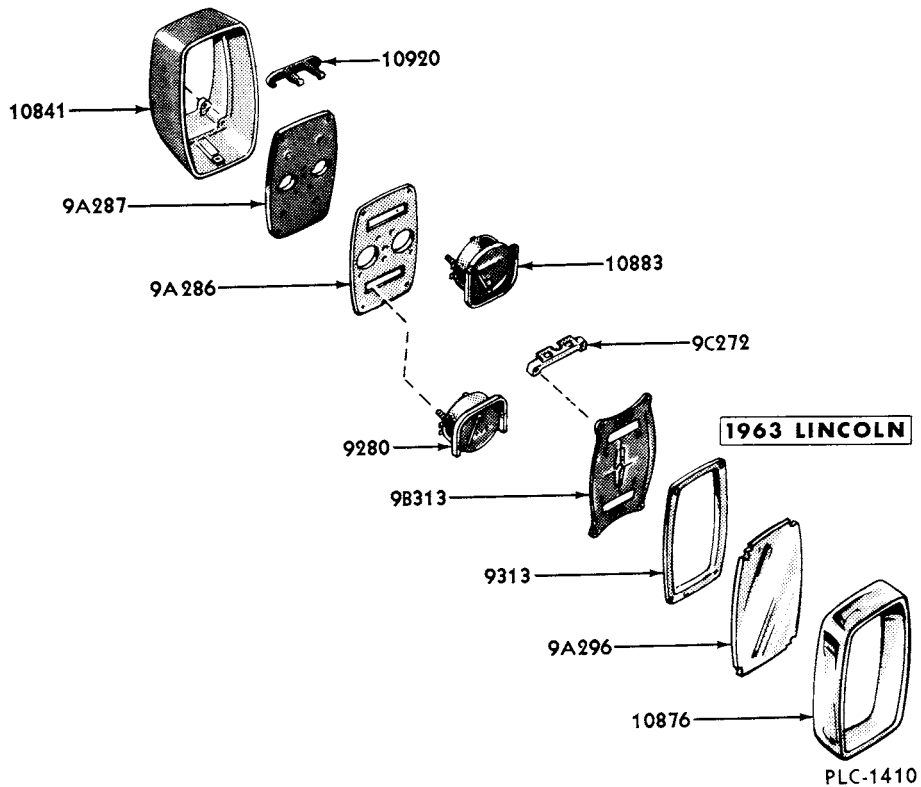


FUEL and OIL INDICATOR - INSTRUMENT PANEL

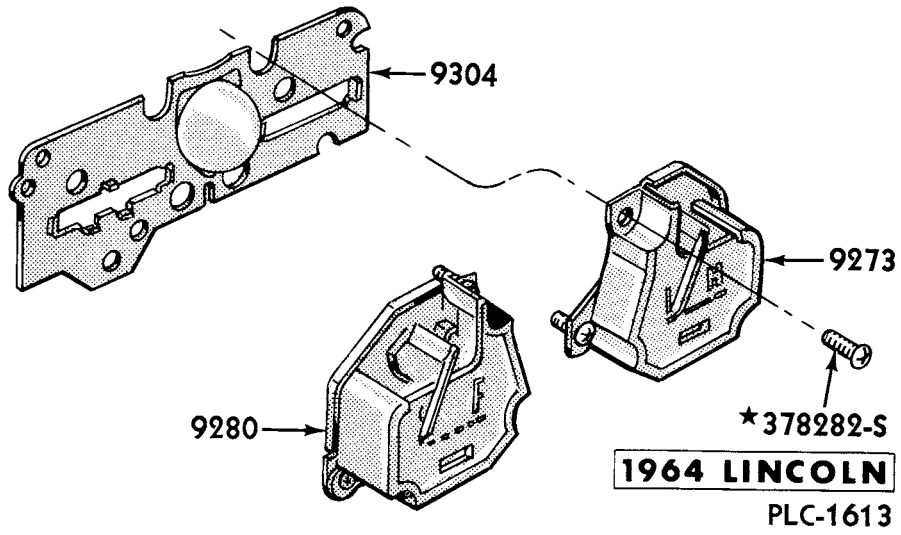
★ 45231-S



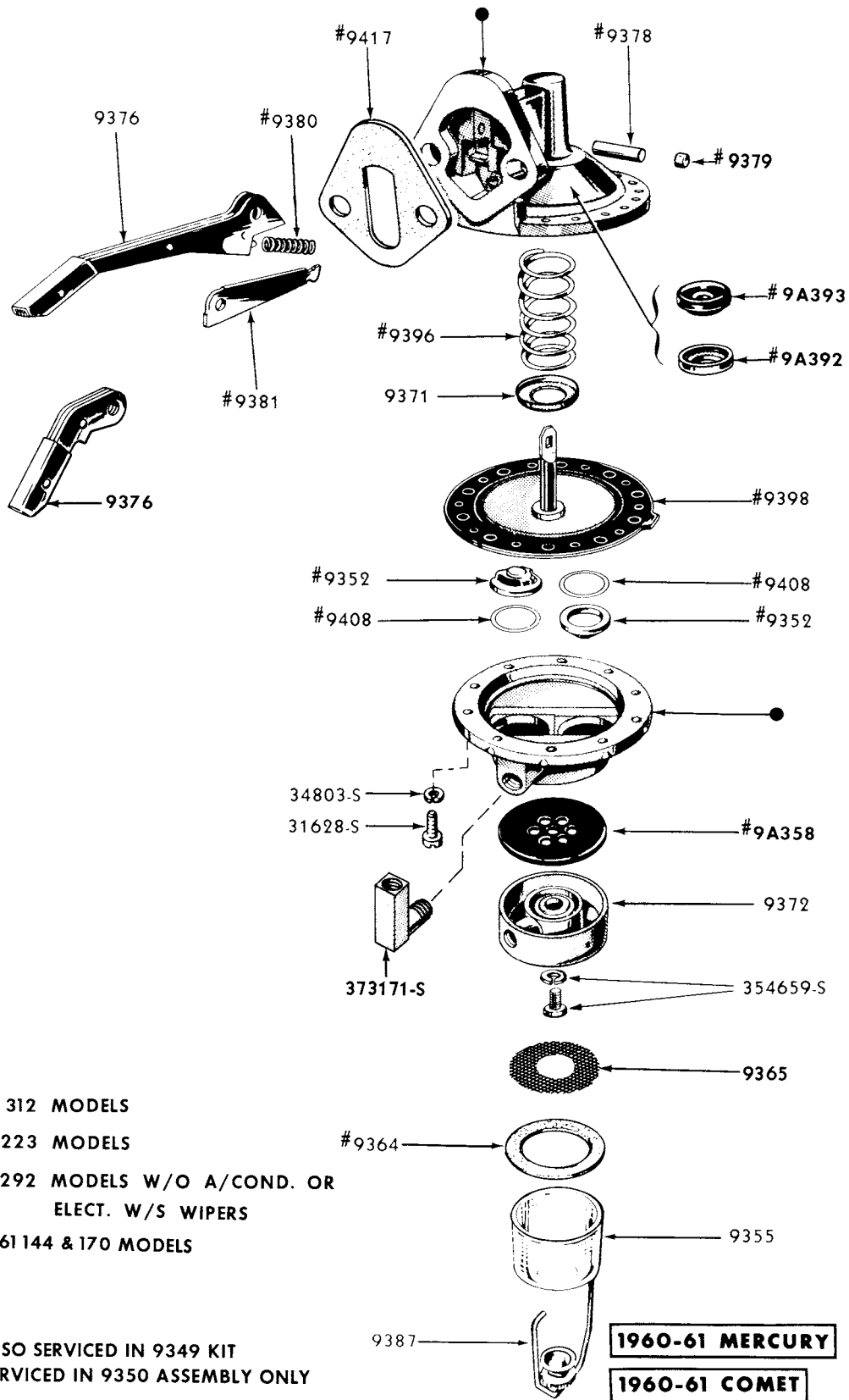
FUEL and OIL INDICATOR - INSTRUMENT PANEL



FUEL LEVEL INDICATOR and RELATED PARTS



FUEL and OIL INDICATOR - INSTRUMENT PANEL



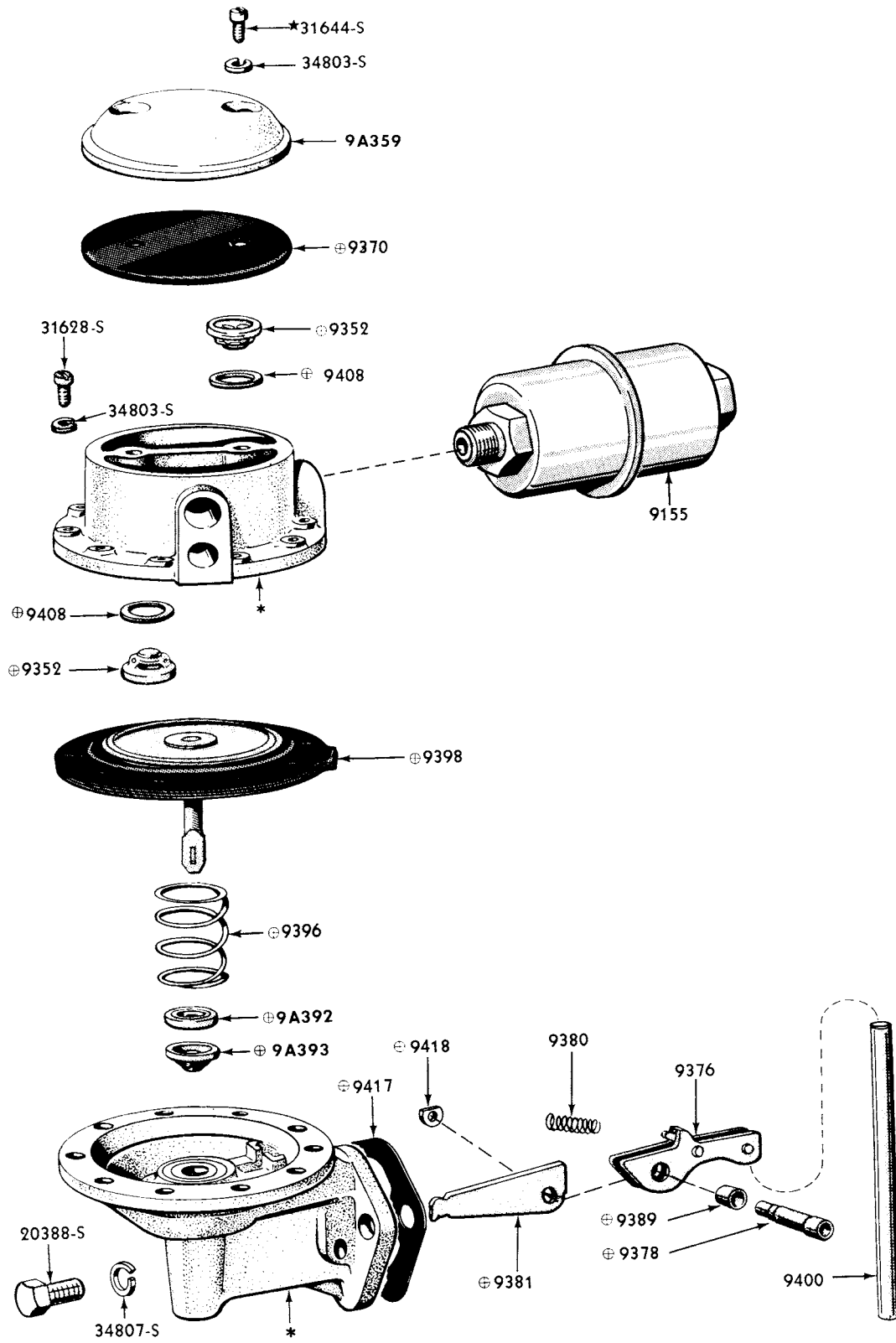
1960 312 MODELS
 1961 223 MODELS
 1961 292 MODELS W/O A/COND. OR
 ELECT. W/S WIPERS
 1960-61 144 & 170 MODELS

ALSO SERVICED IN 9349 KIT
 ● SERVICED IN 9350 ASSEMBLY ONLY

1960-61 MERCURY
1960-61 COMET

PMC-1122

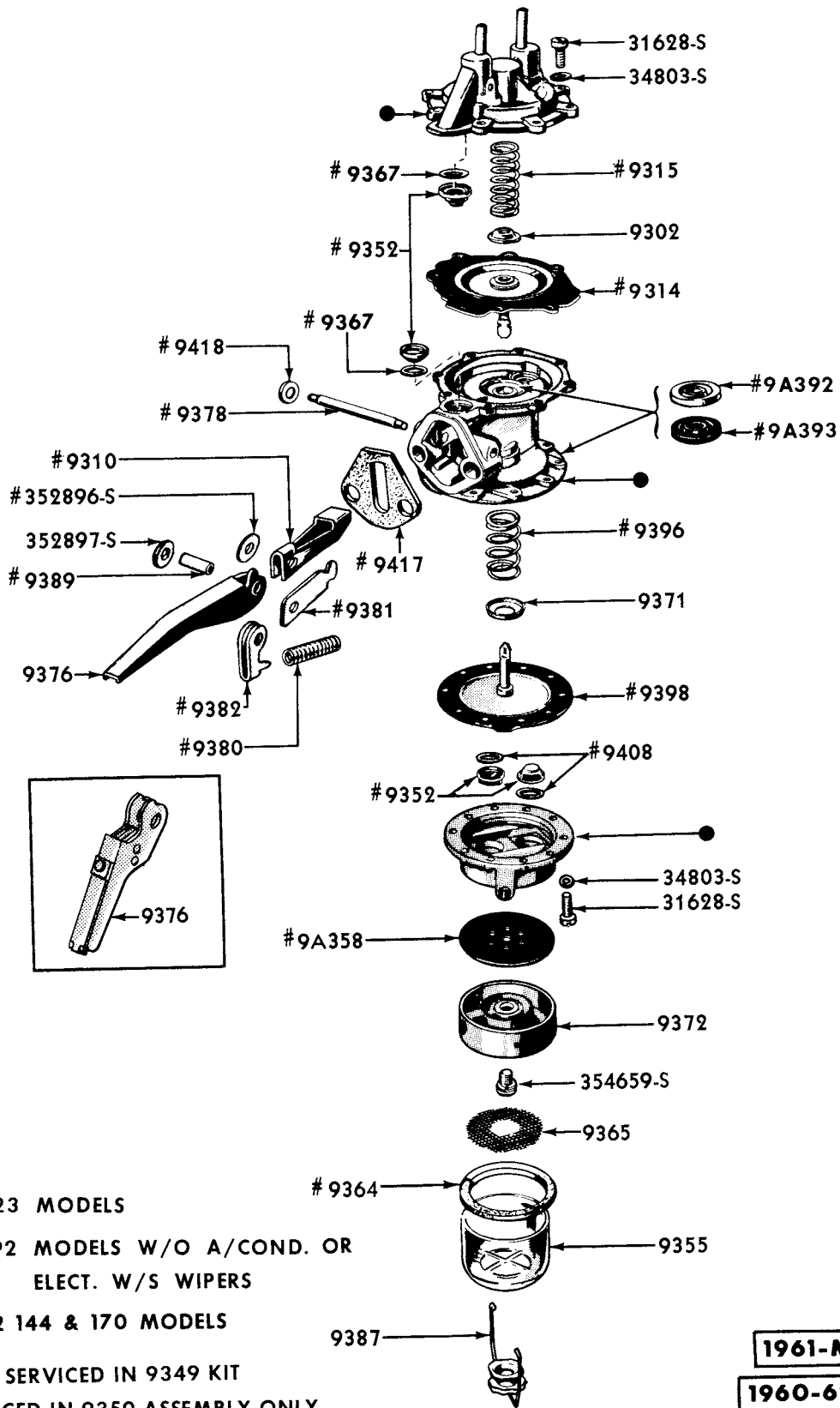
FUEL PUMP - 144, 170, 223, 292, 312 C.I.D. ENGINES



*SERVICED IN 9350 ASSEMBLY ONLY
 ⊕ ALSO SERVICED IN 9349 KIT

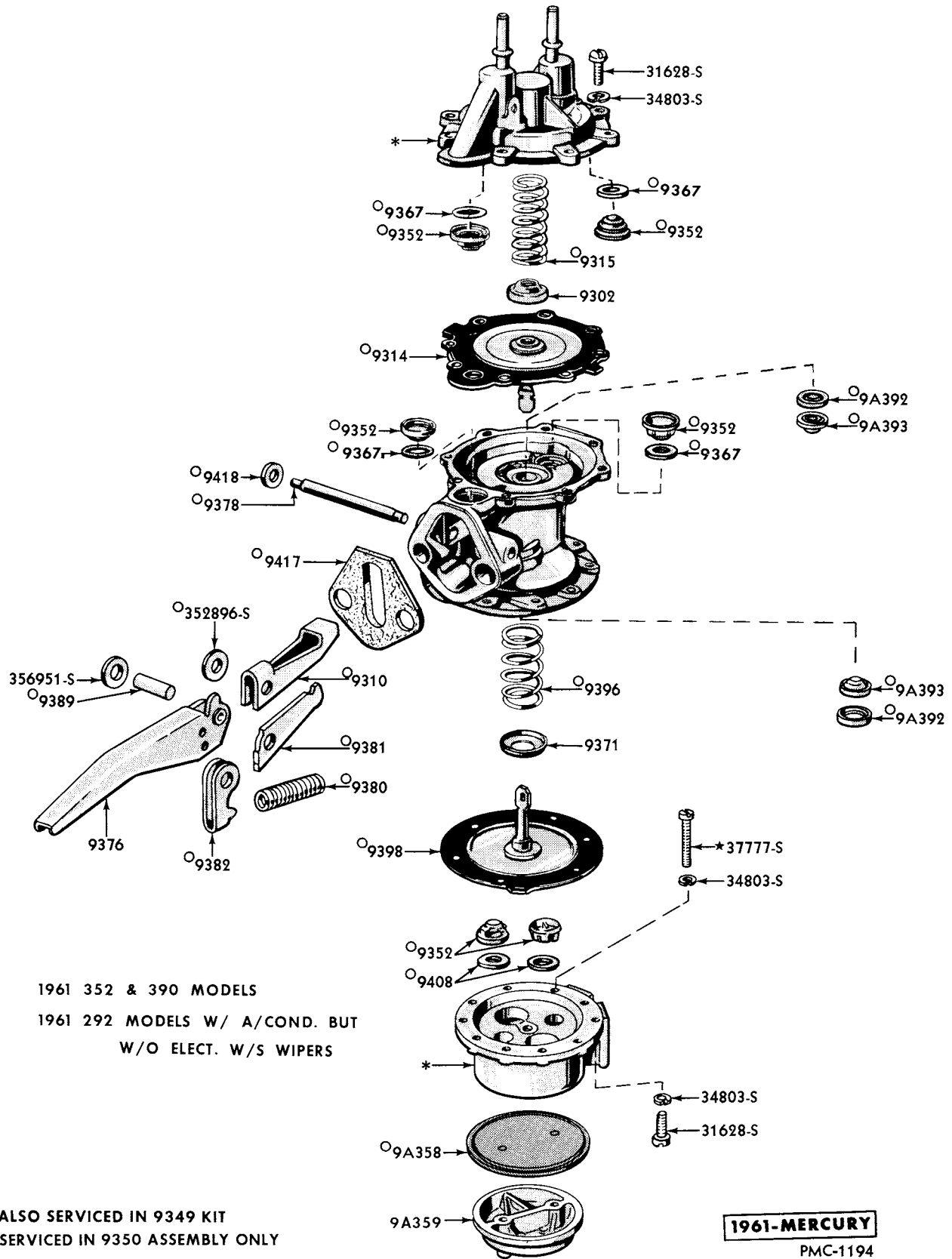
1960-MERCURY
 PMC-905

FUEL PUMP and FILTER - 383, 430 C.I.D. ENGINES

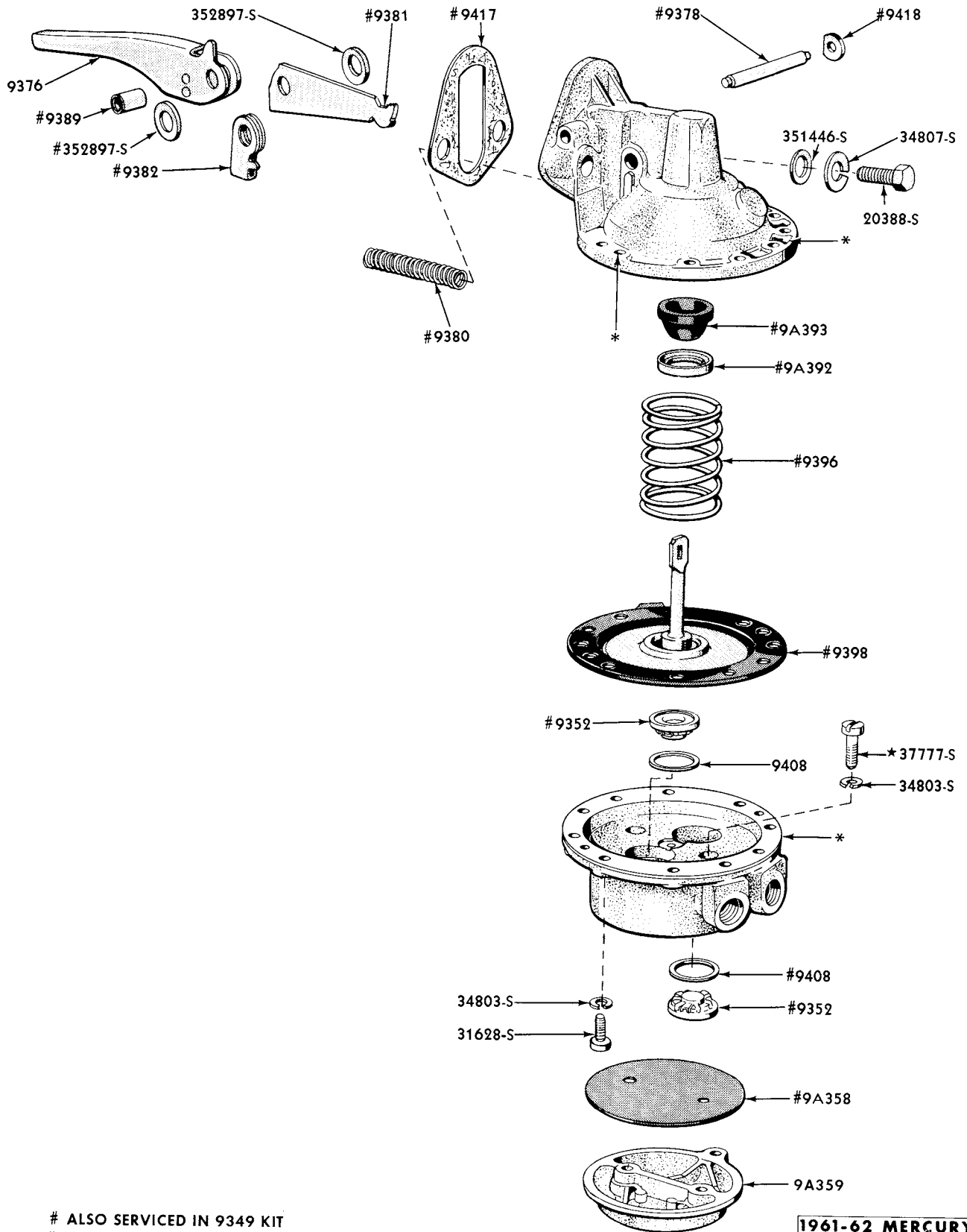


PMC-1121

FUEL and VACUUM PUMP - 144, 170, 223, 292 C.I.D. ENGINES



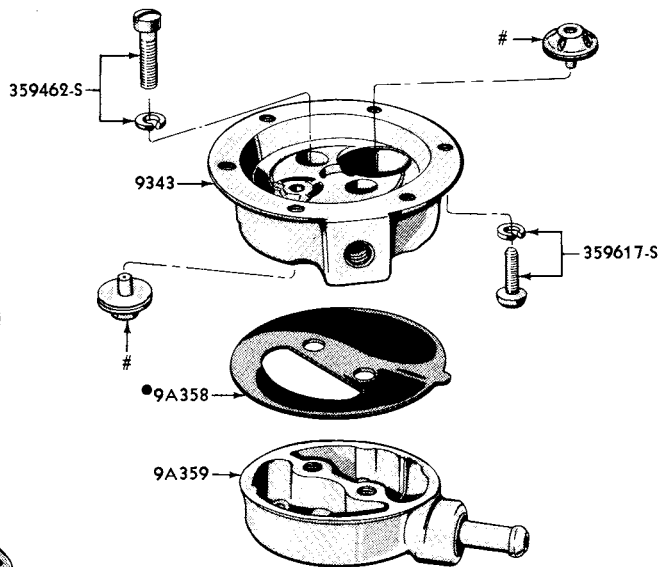
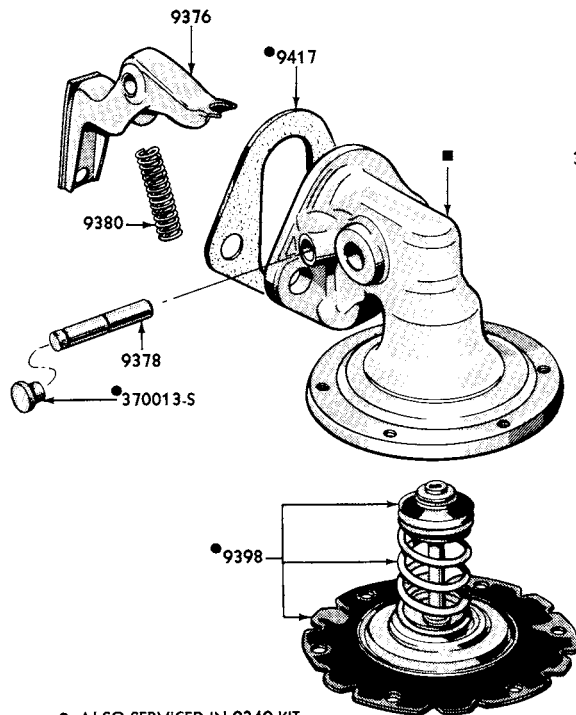
FUEL and VACUUM PUMP - 292, 352, 390 C.I.D. ENGINES



ALSO SERVICED IN 9349 KIT
 * SERVICED IN 9350 ASSEMBLY ONLY

1961-62 MERCURY
 PMC-1193

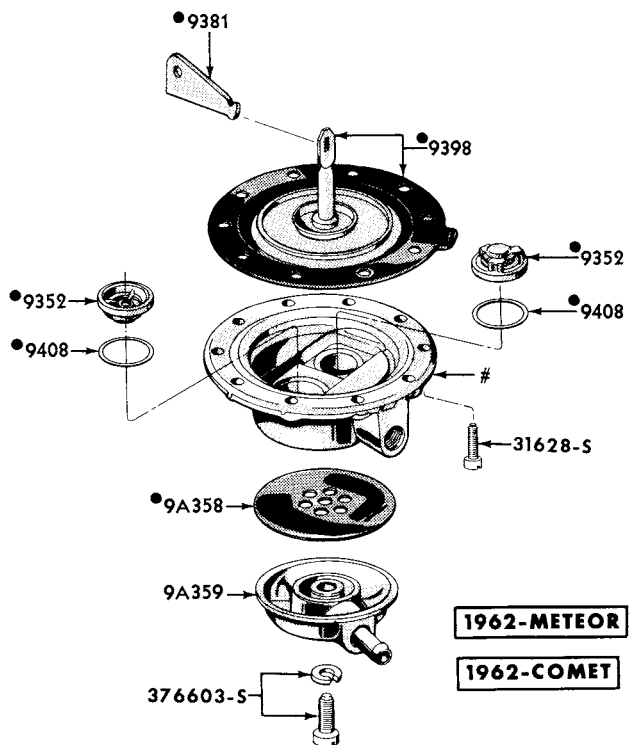
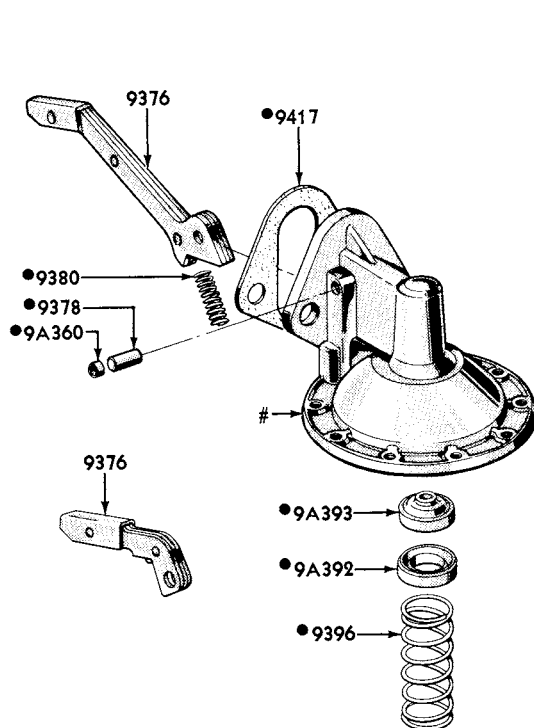
FUEL PUMP - 292, 352, 390 C.I.D. ENGINES



- ALSO SERVICED IN 9349 KIT
- # SERVICED IN 9343 ASS'Y. ONLY
- SERVICED IN 9350 ASS'Y. ONLY

1962 MERCURY
PMC-1315

FUEL PUMP - 223 C.I.D. ENGINE

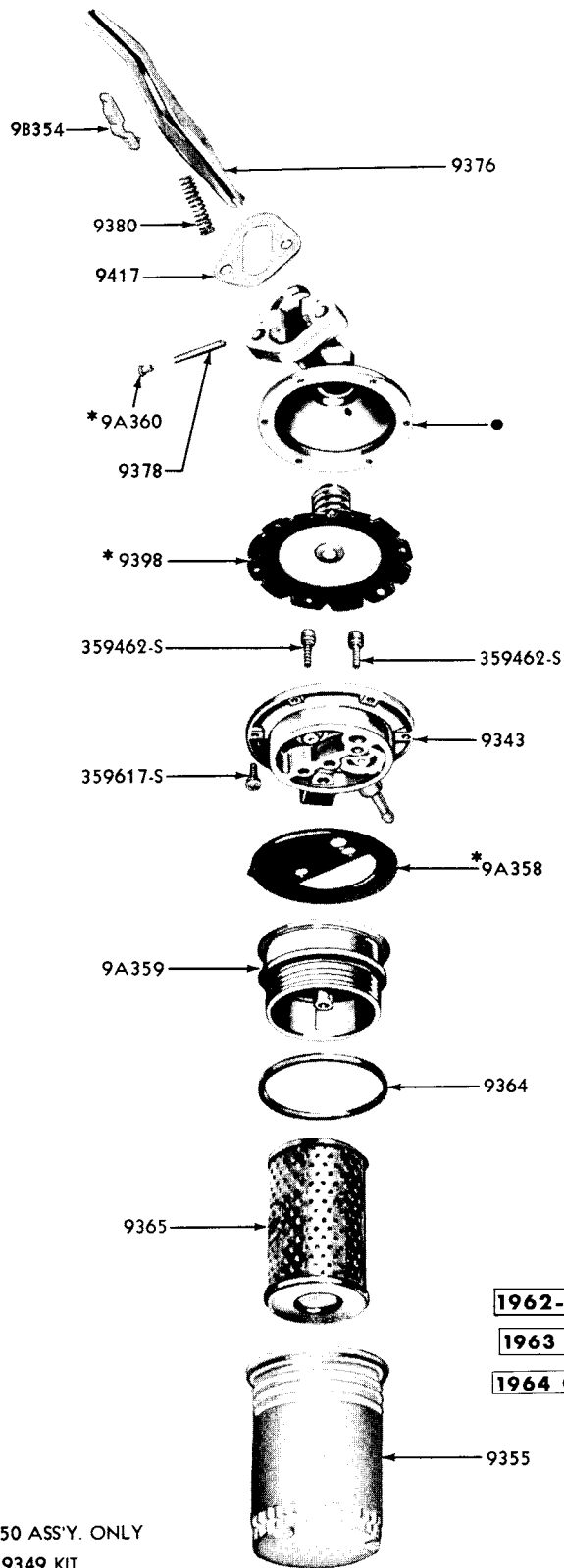


- # NS-SERVICED IN 9350 ASS'Y. ONLY
- ALSO SERVICED IN 9349 KIT

1962-METEOR
1962-COMET

PYC-1314

FUEL PUMP - 144, 170, 221, 260 C.I.D. ENGINES



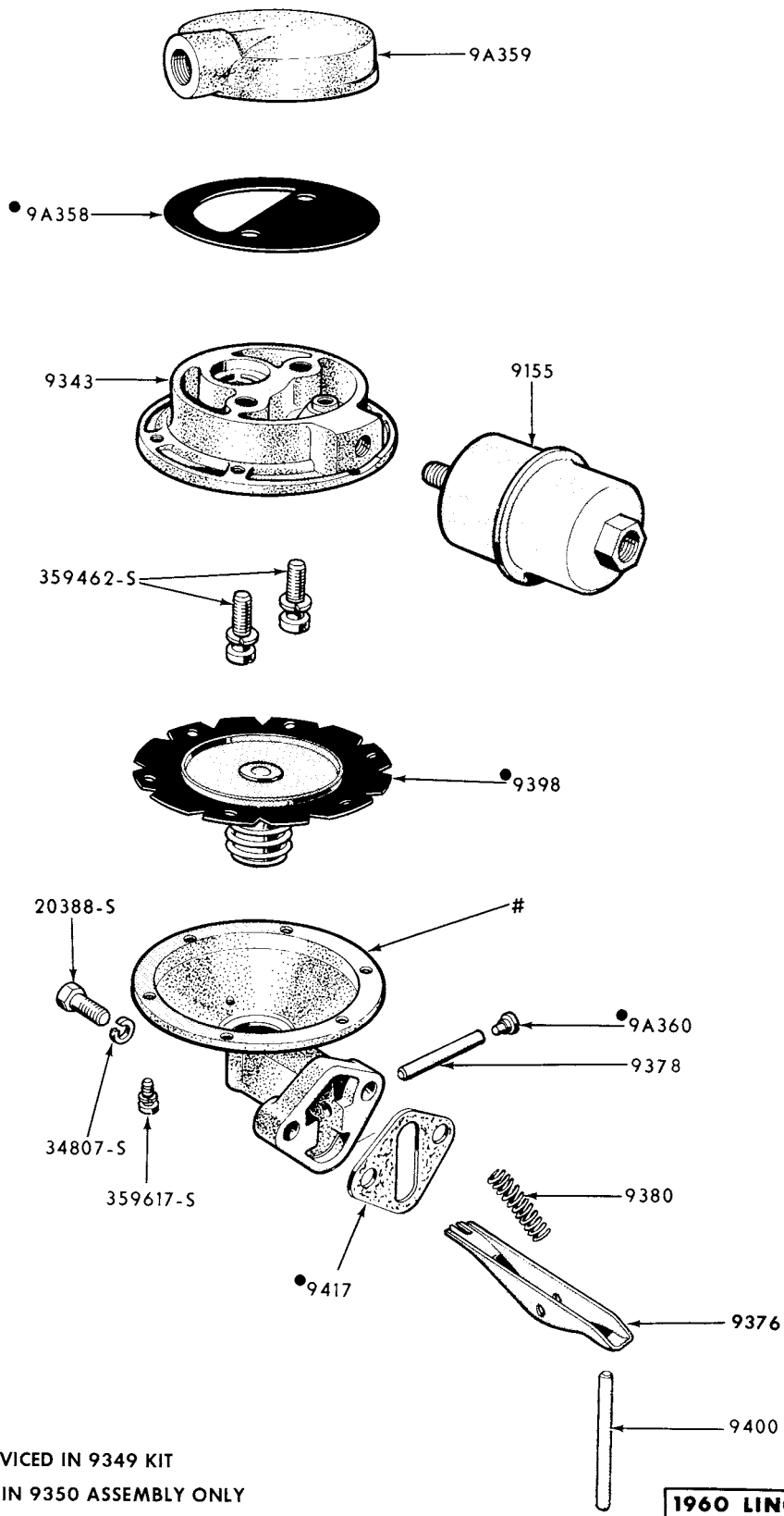
● N.S. SERVICED IN 9350 ASS'Y. ONLY

* ALSO SERVICED IN 9349 KIT

PMC-1320

FUEL PUMP and FILTER

221-2V, 260, 289 EXCEPT SPECIAL PERFORMANCE, 292, 352, 390 C.I.D. ENGINES

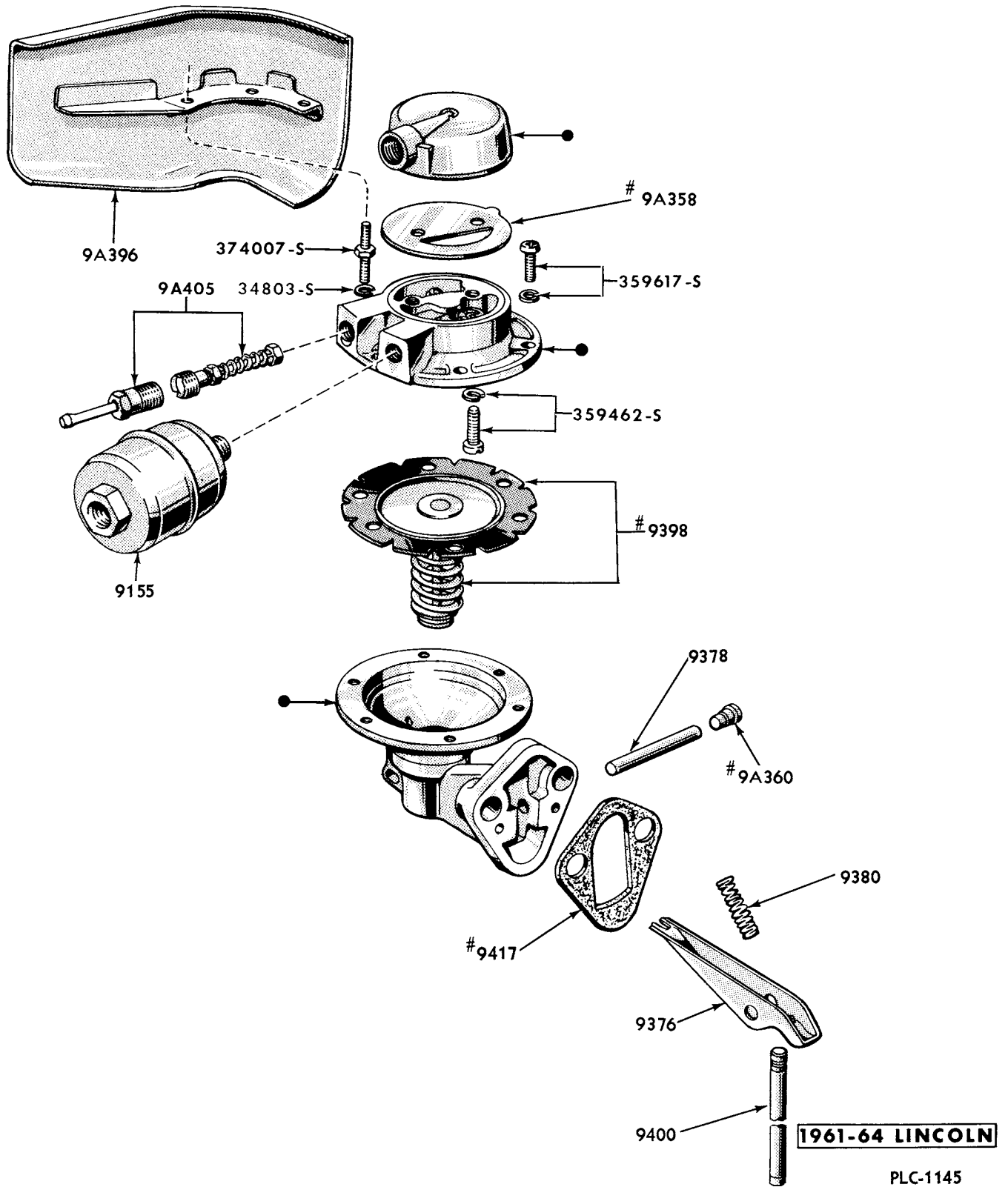


●ALSO SERVICED IN 9349 KIT
 #SERVICED IN 9350 ASSEMBLY ONLY

1960 LINCOLN

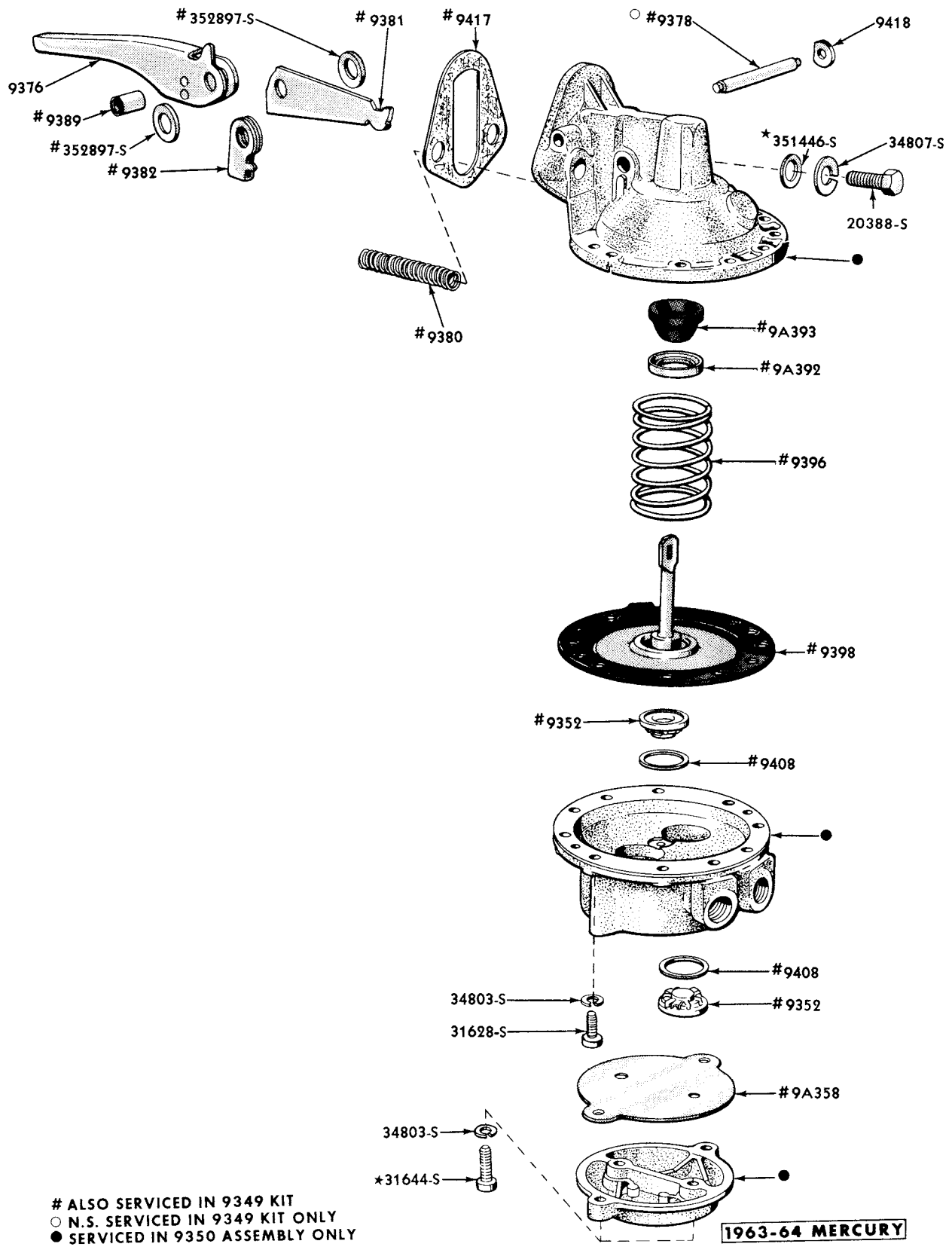
PLC-902

FUEL PUMP and FILTER



ALSO SERVICED IN 9349 KIT
 ●SERVICED IN 9350 ASSEMBLY ONLY

FUEL PUMP and FILTER - 430 C. I. D. ENGINE

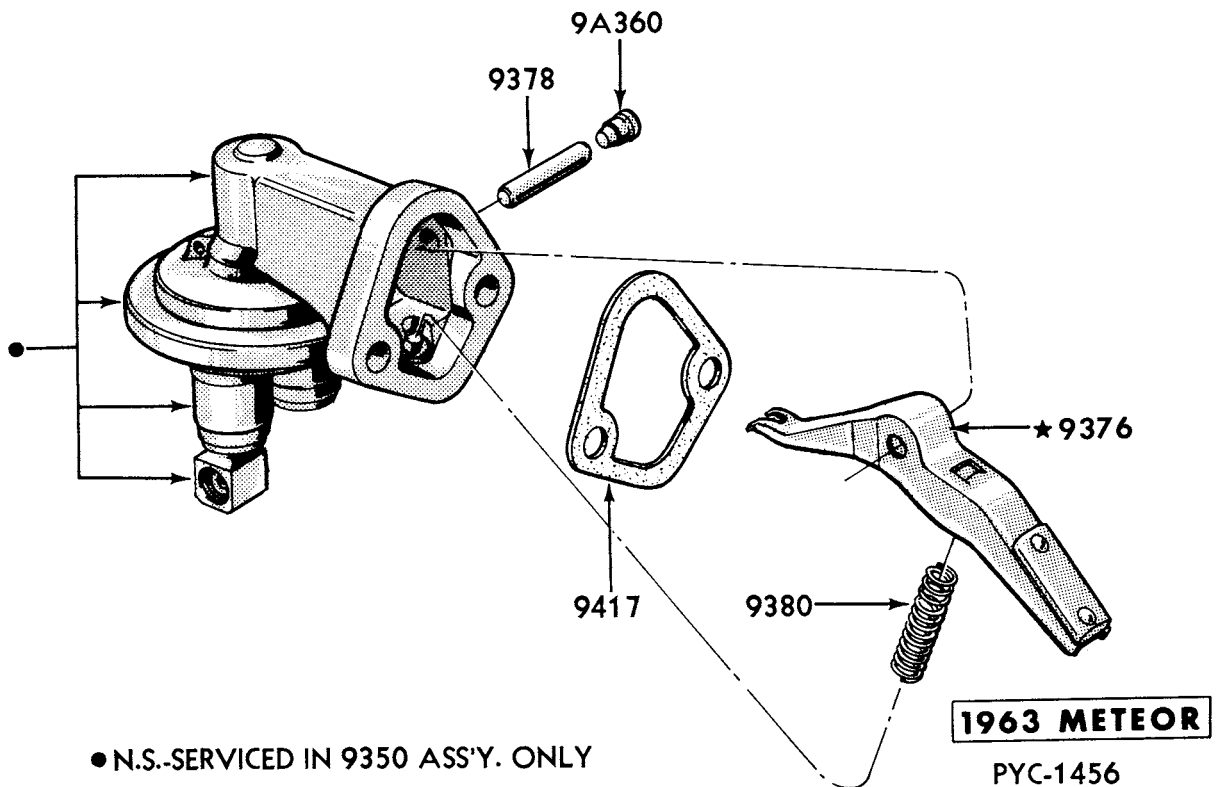


ALSO SERVICED IN 9349 KIT
 ○ N.S. SERVICED IN 9349 KIT ONLY
 ● SERVICED IN 9350 ASSEMBLY ONLY

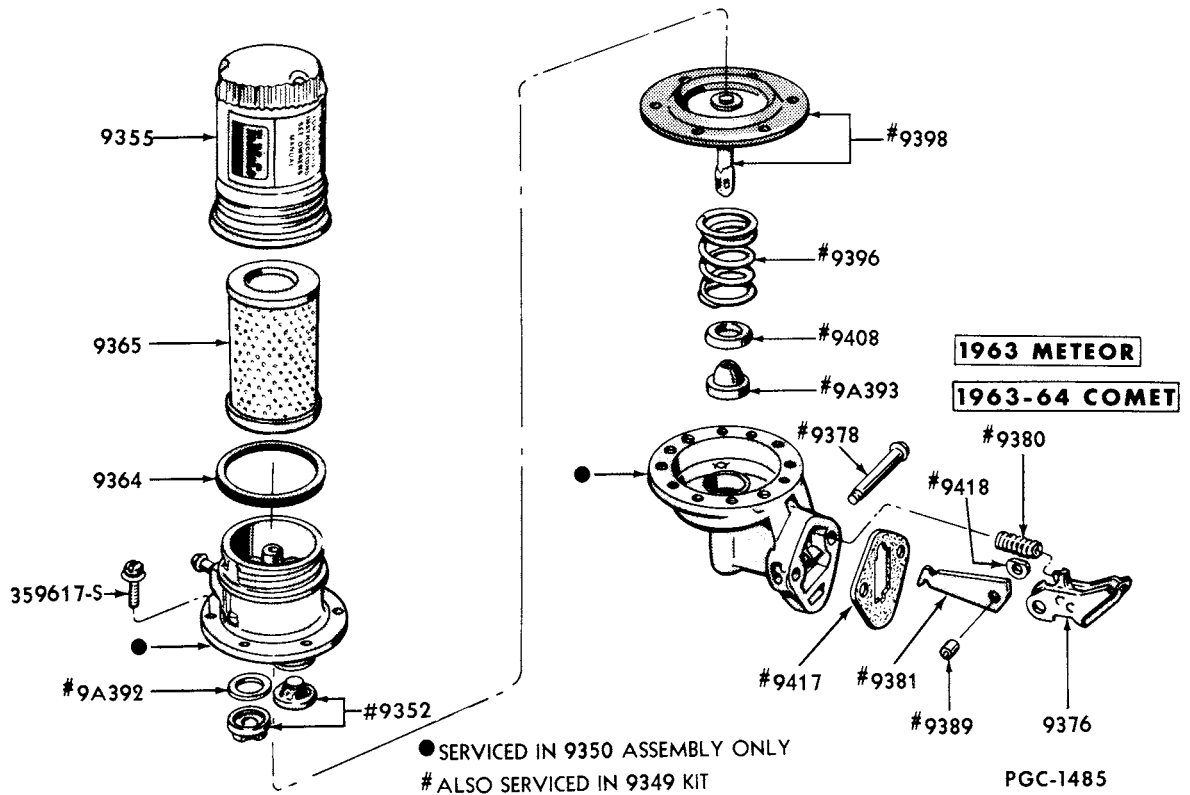
1963-64 MERCURY

PMC-1539

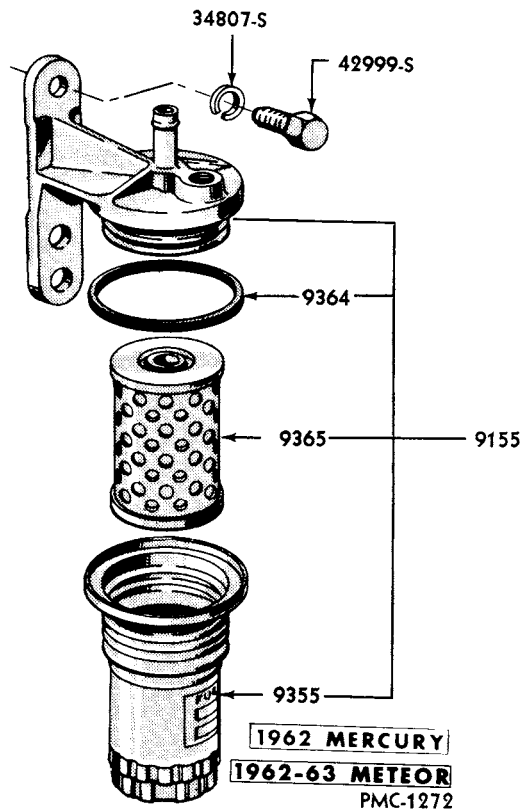
FUEL PUMP - 406, 427 C.I.D. ENGINES



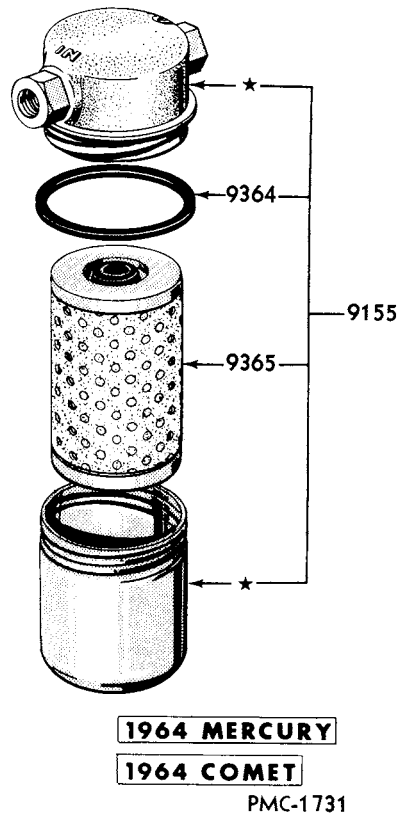
FUEL PUMP - 170 C.I.D. ENGINE



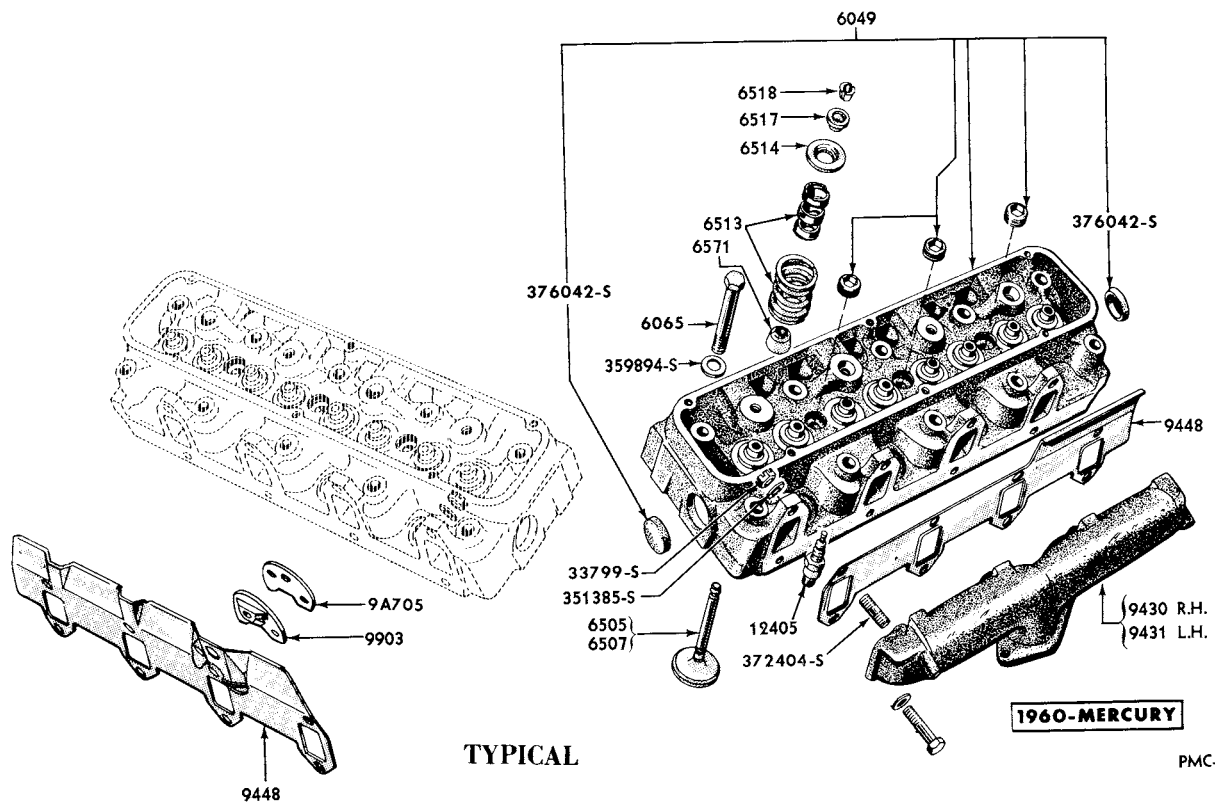
FUEL PUMP and FILTER - 144, 170, 200 C.I.D. ENGINES



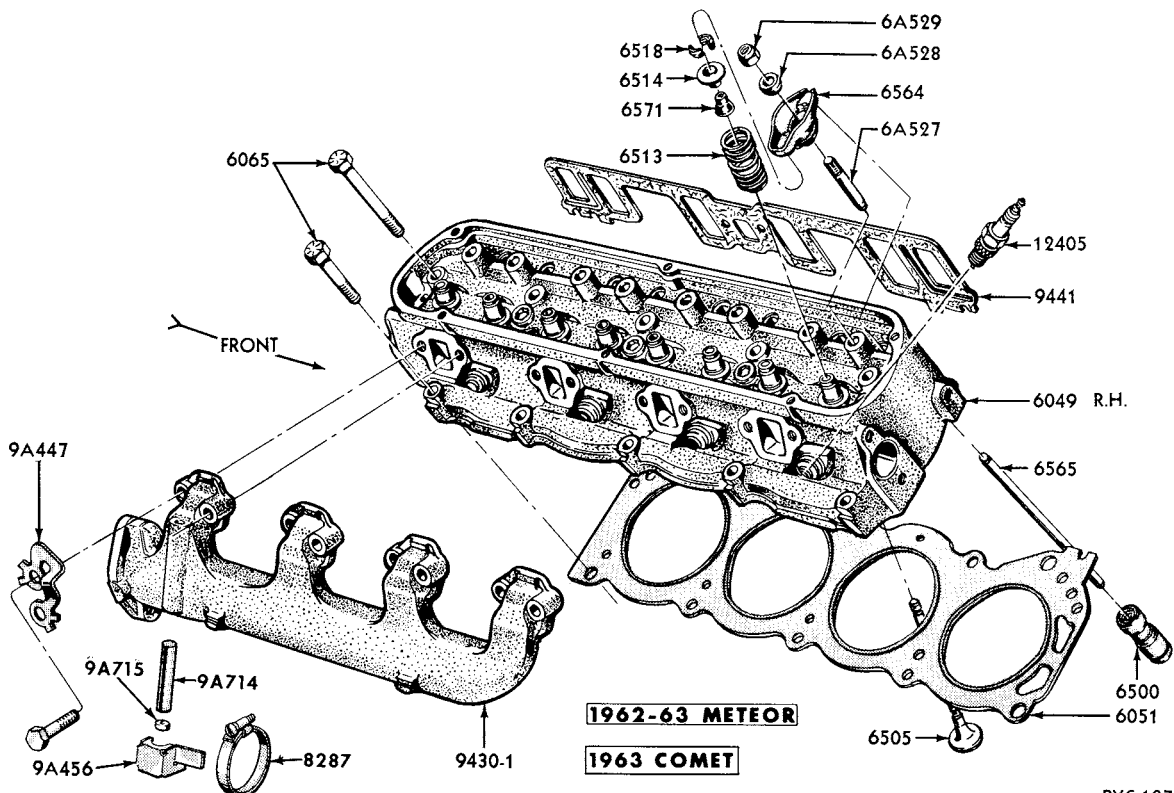
FUEL FILTER - 170, 221, 260, 292, 352, 390 C.I.D. ENGINES



FUEL FILTER-289-4V SPECIAL PERFORMANCE, 390, 427 C.I.D. ENGINE

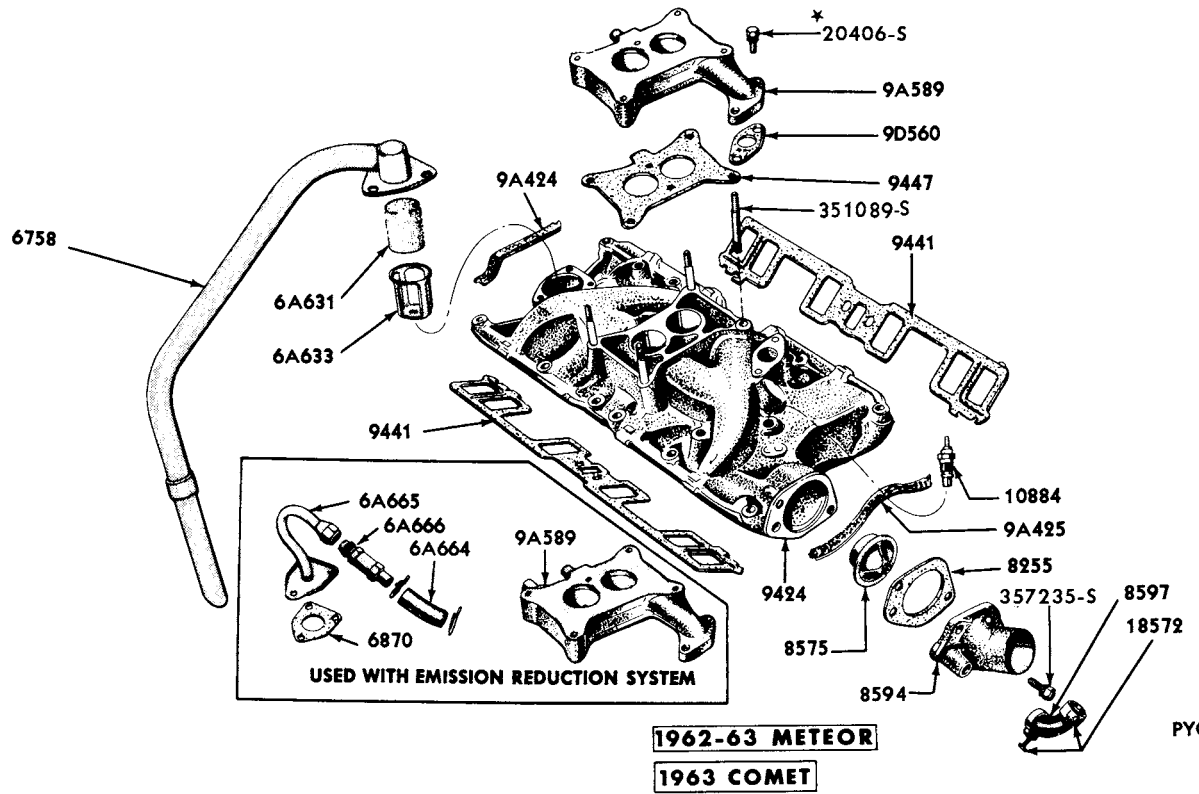


CYLINDER HEAD, VALVES and EXHAUST MANIFOLDS-292,312, 383, 430 C.I.D. ENGINES



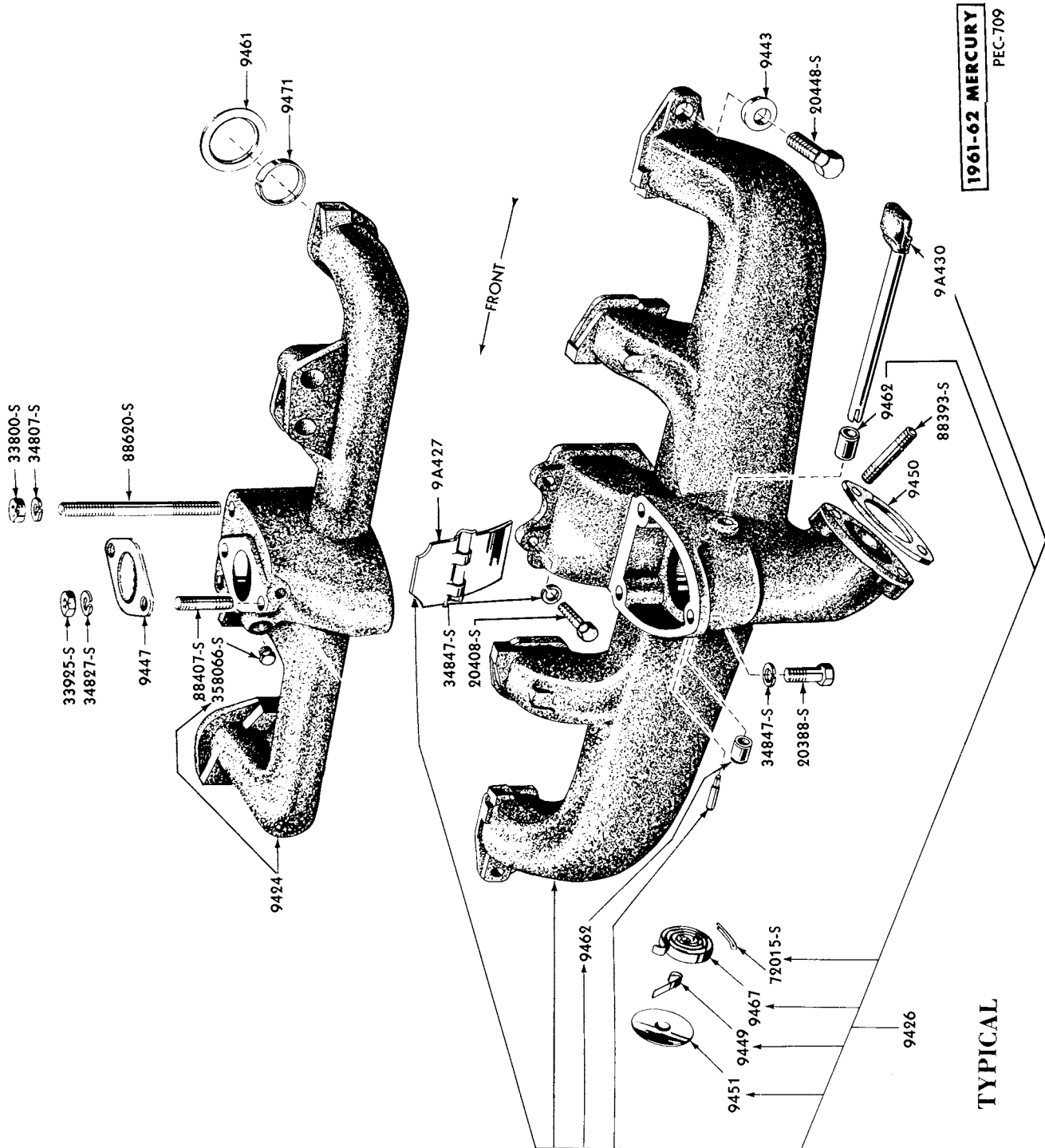
PYC-1274

CYLINDER HEAD, VALVES and EXHAUST MANIFOLDS - 221, 260, 289 C.I.D. ENGINES

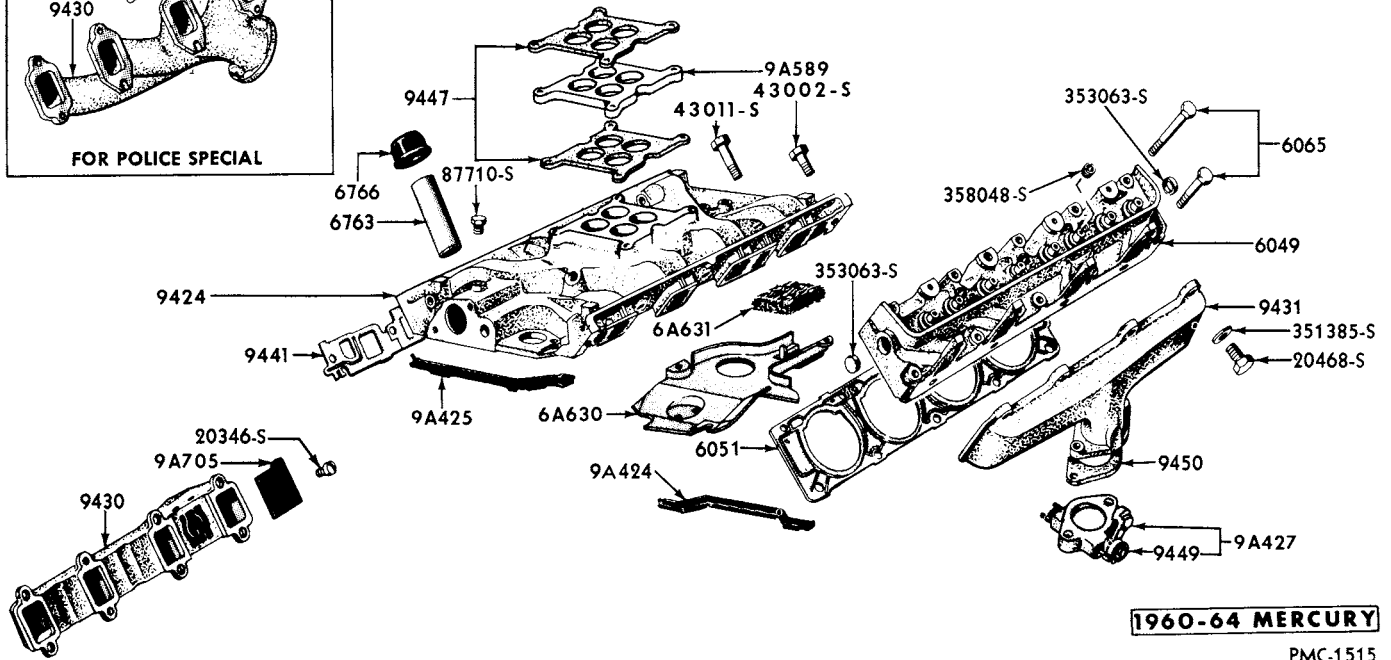
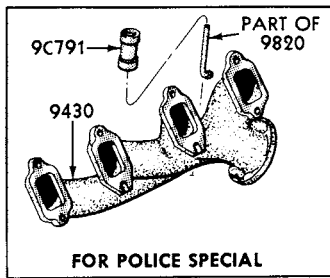


PYC-1299

INTAKE MANIFOLD and WATER CONNECTIONS - 221, 260 C.I.D. ENGINES



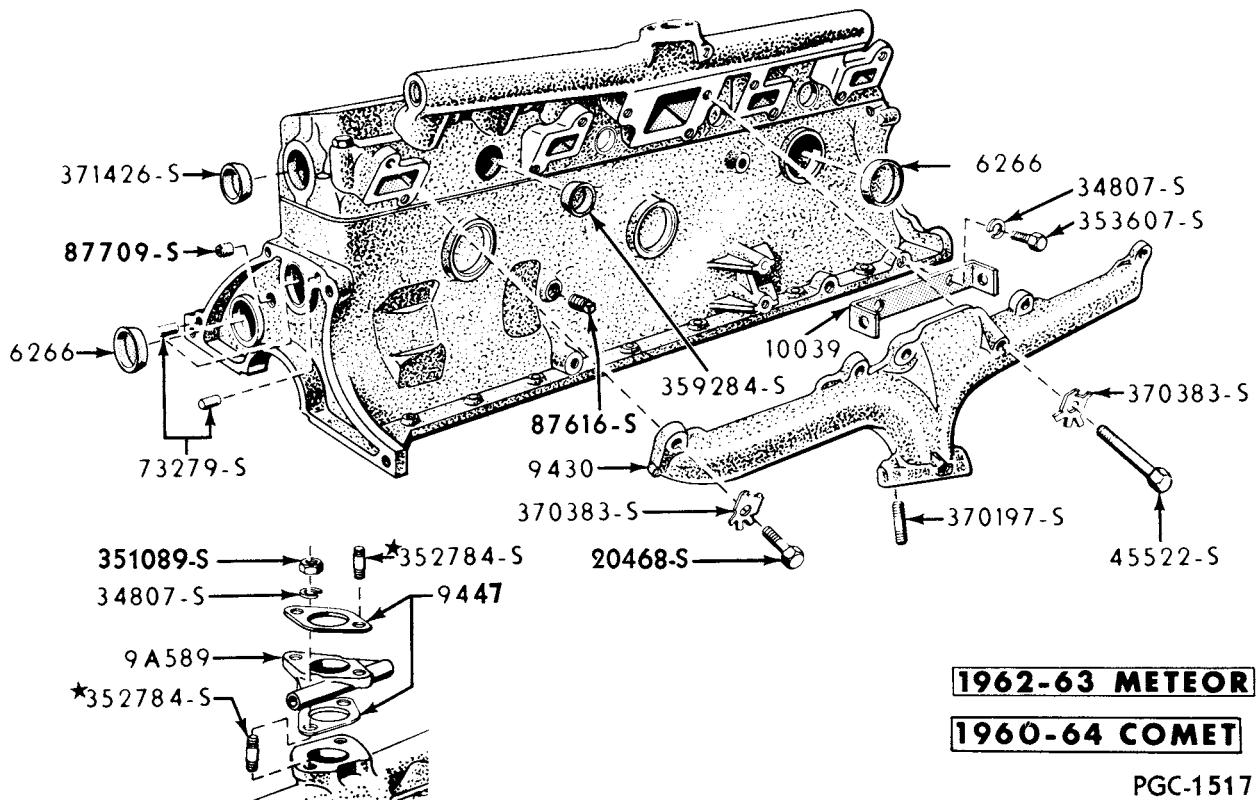
MANIFOLDS - 223 C.I.D. ENGINE



1960-64 MERCURY

PMC-1515

INTAKE and EXHAUST MANIFOLDS and RELATED PARTS - 390, 427 C.I.D. ENGINES

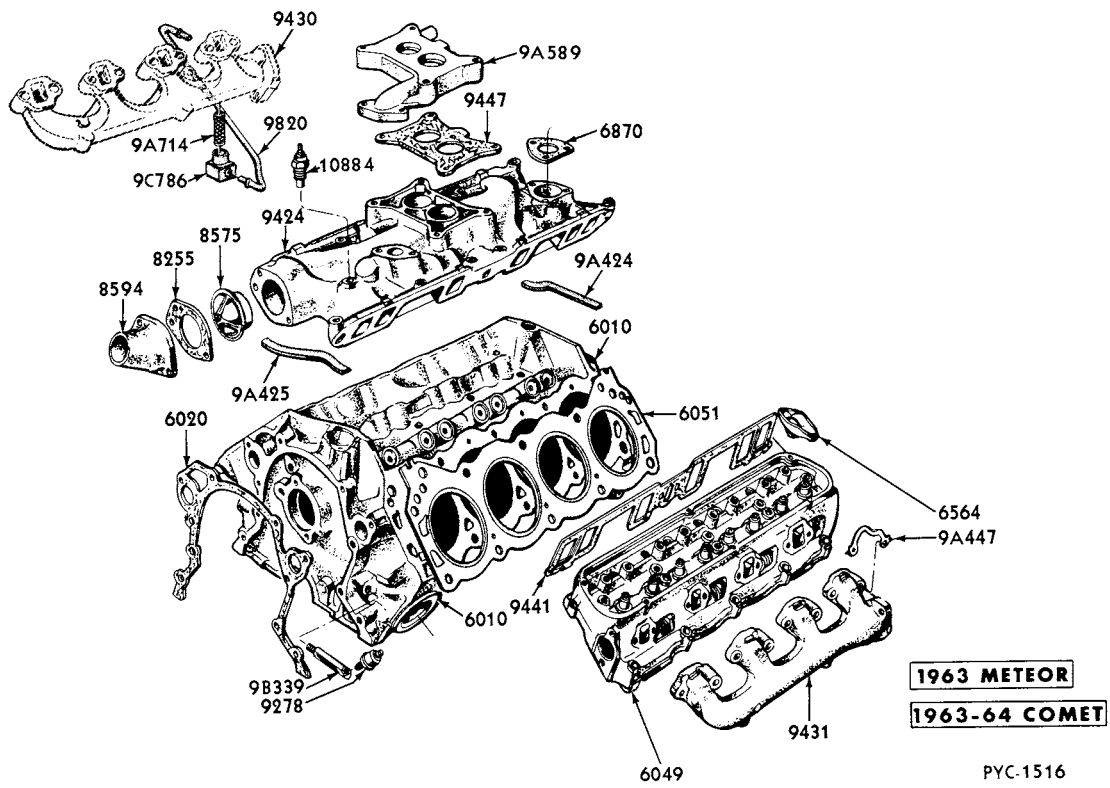


1962-63 METEOR

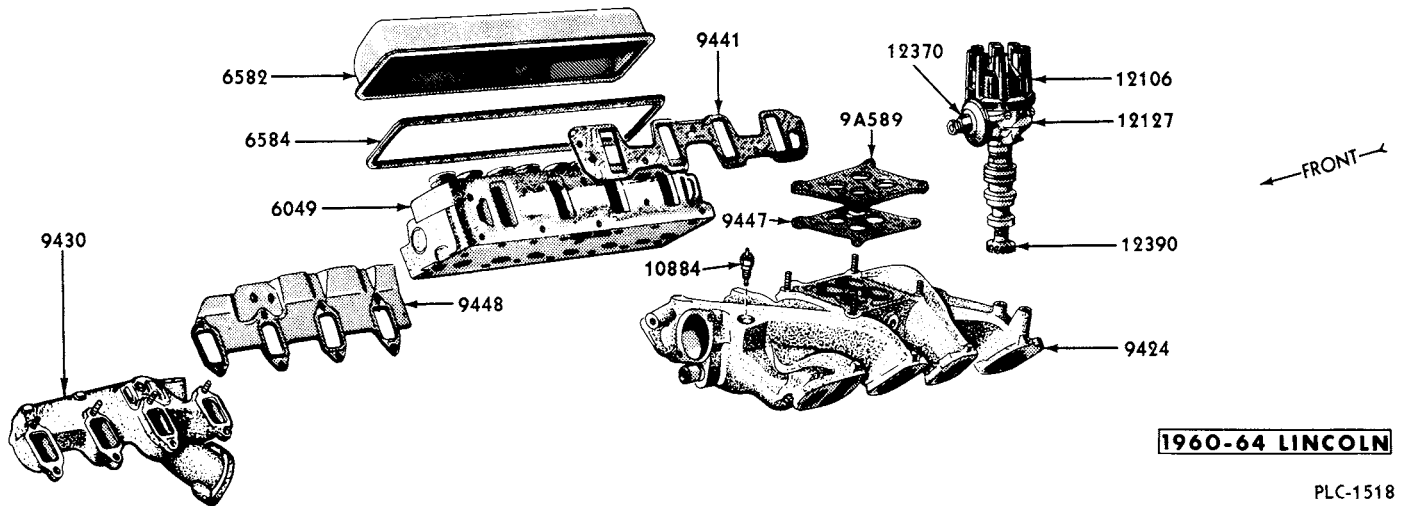
1960-64 COMET

PGC-1517

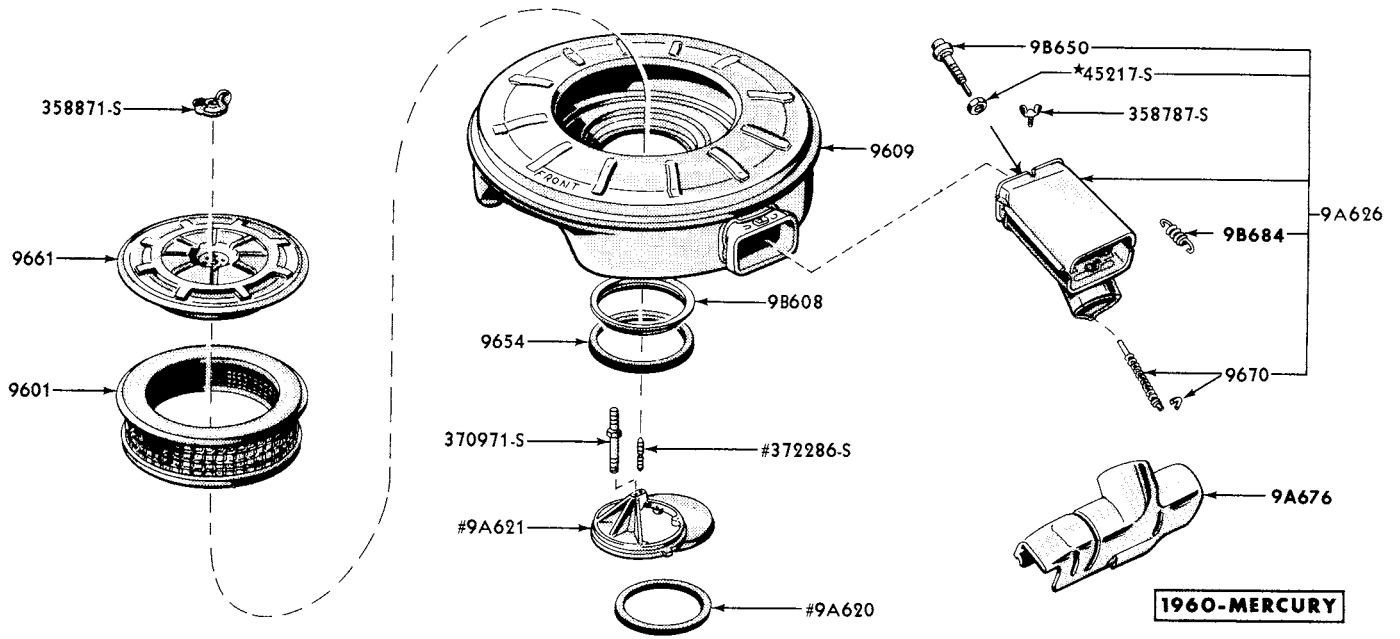
INTAKE and EXHAUST MANIFOLDS and RELATED PARTS - 144, 170, 200 C.I.D. ENGINES



INTAKE and EXHAUST MANIFOLDS and RELATED PARTS - 221, 260,289 C.I.D. ENGINES



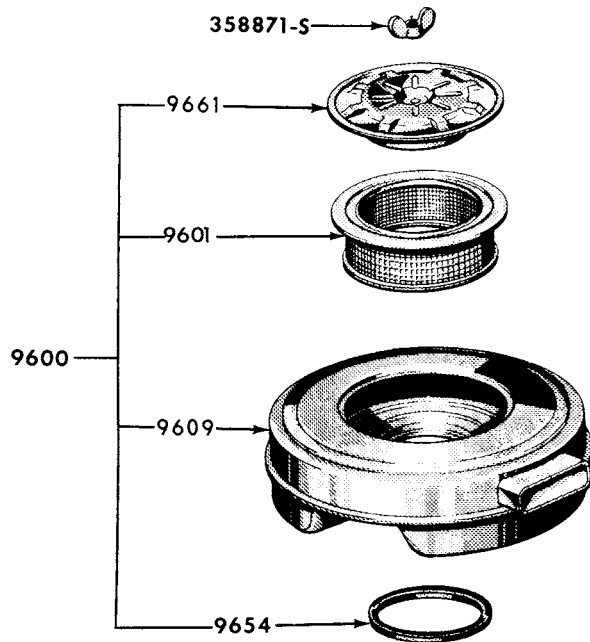
INTAKE and EXHAUST MANIFOLDS and RELATED PARTS - 430-4V C.I.D. ENGINE



#USE WITH 312-2V ONLY

PMC-795

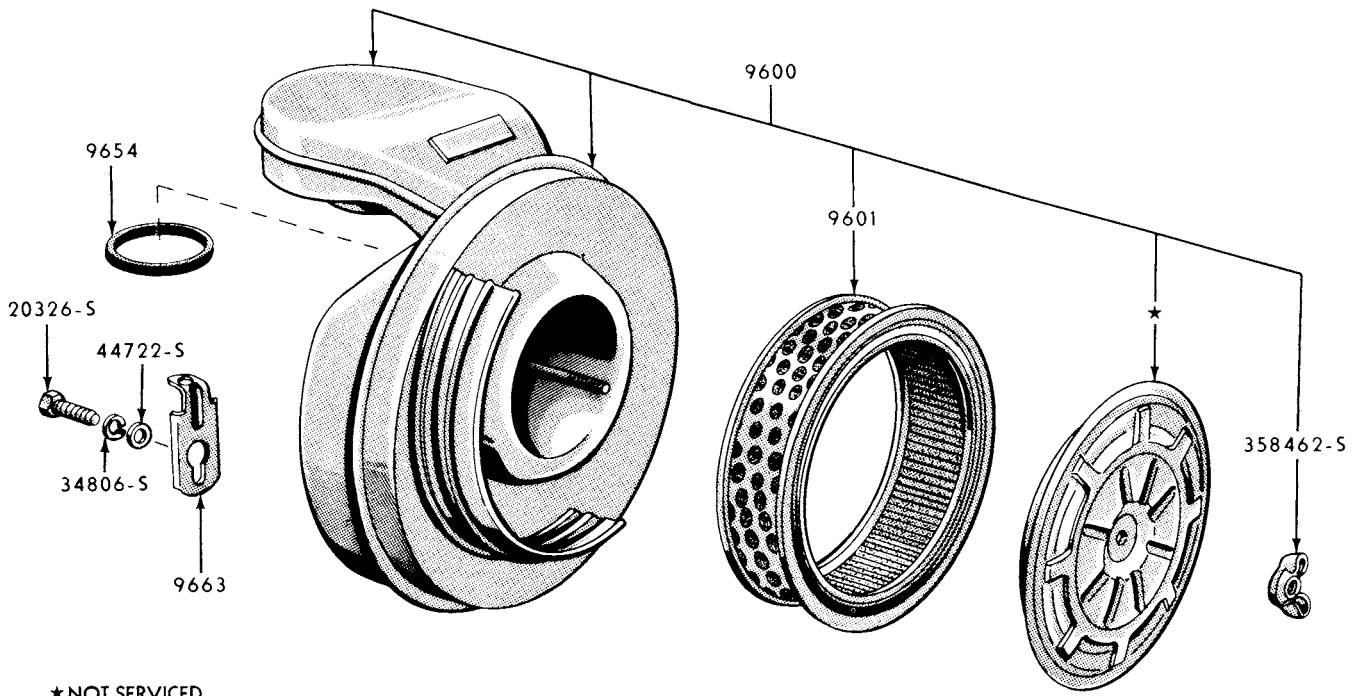
AIR CLEANER and RELATED PARTS - 312 C. I. D. ENGINE



1961-62 MERCURY

PEC-842

AIR CLEANER and RELATED PARTS - 292, 352, 390 C.I.D. ENGINES

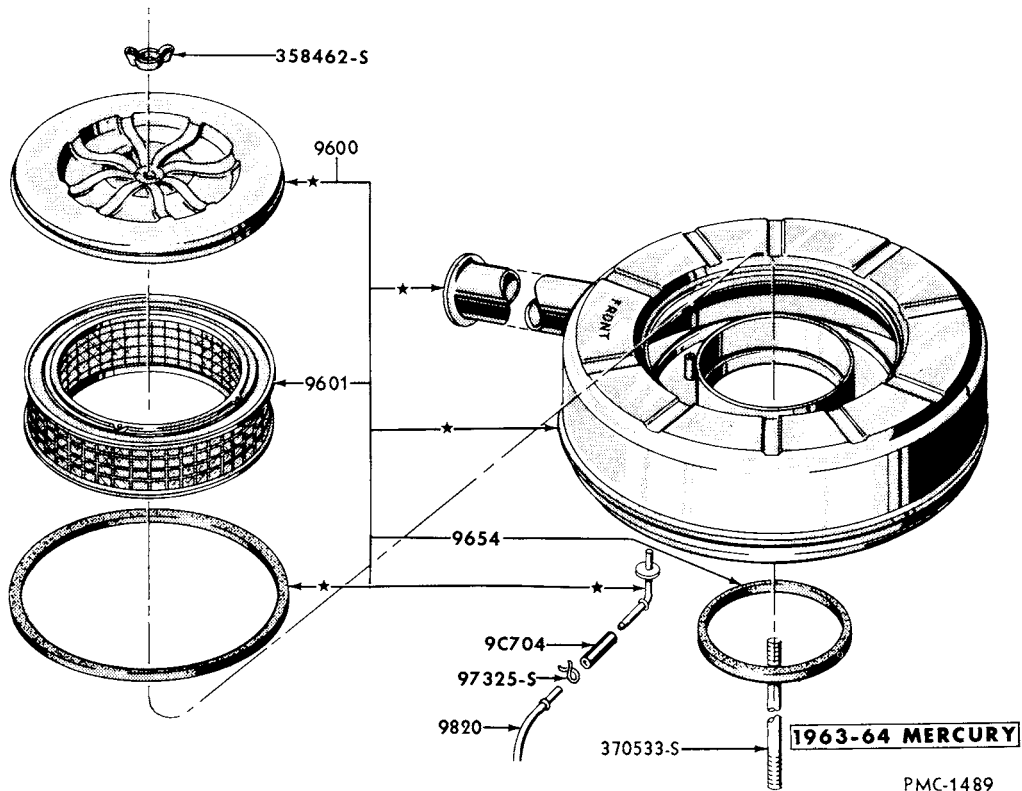


★ NOT SERVICED

1961-62 MERCURY

PMC-1523

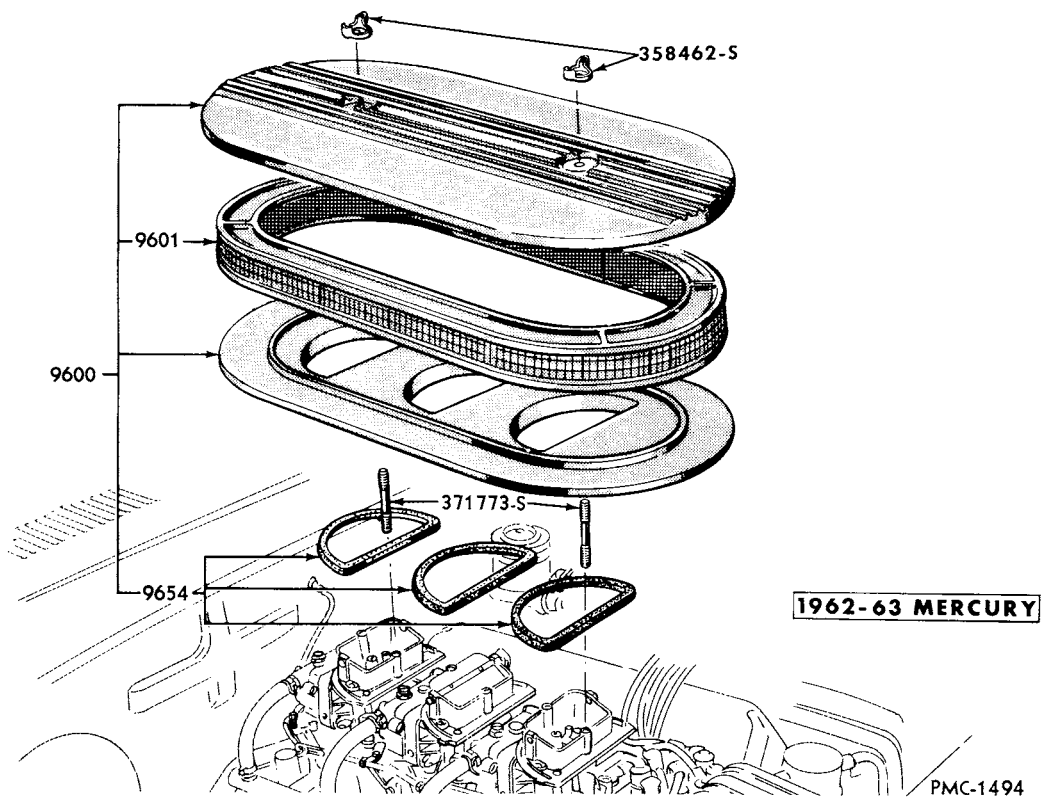
AIR CLEANER and RELATED PARTS - 223 C.I.D. ENGINE



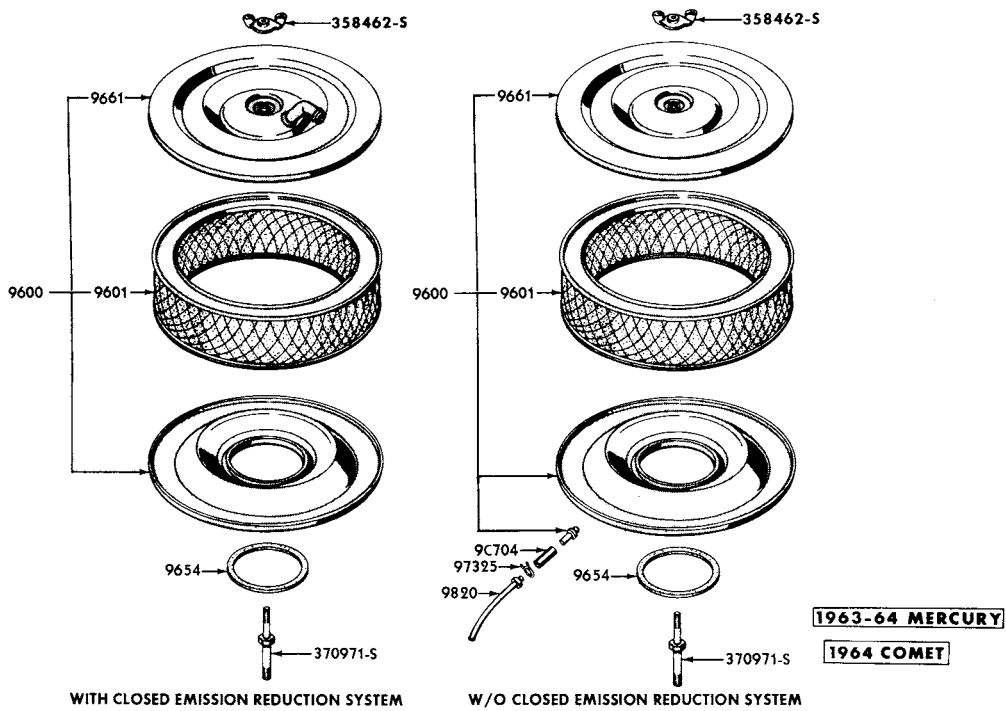
1963-64 MERCURY

PMC-1489

AIR CLEANER and RELATED PARTS - 390 (EXCEPT POLICE SPECIAL) C.I.D. ENGINE

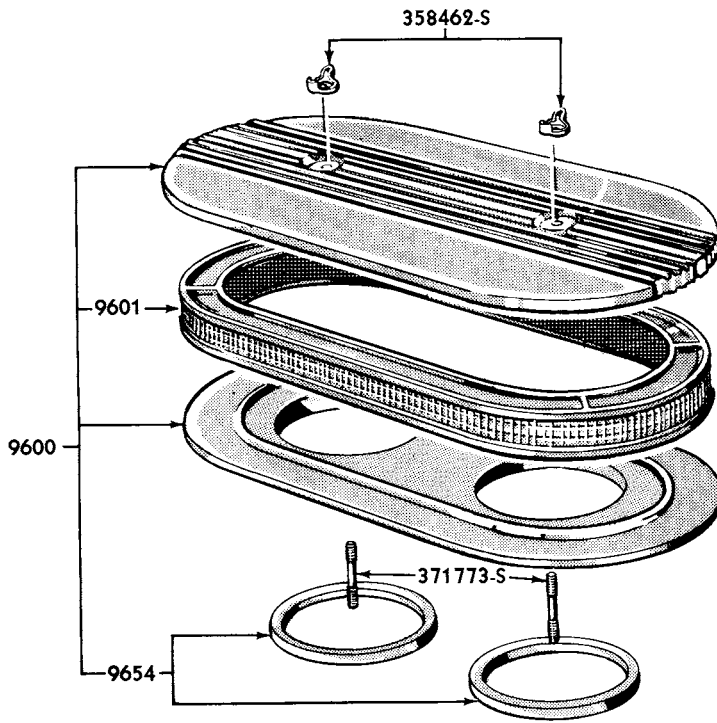


AIR CLEANER and RELATED PARTS - 406 - 6V C.I.D. ENGINE



AIR CLEANER and RELATED PARTS

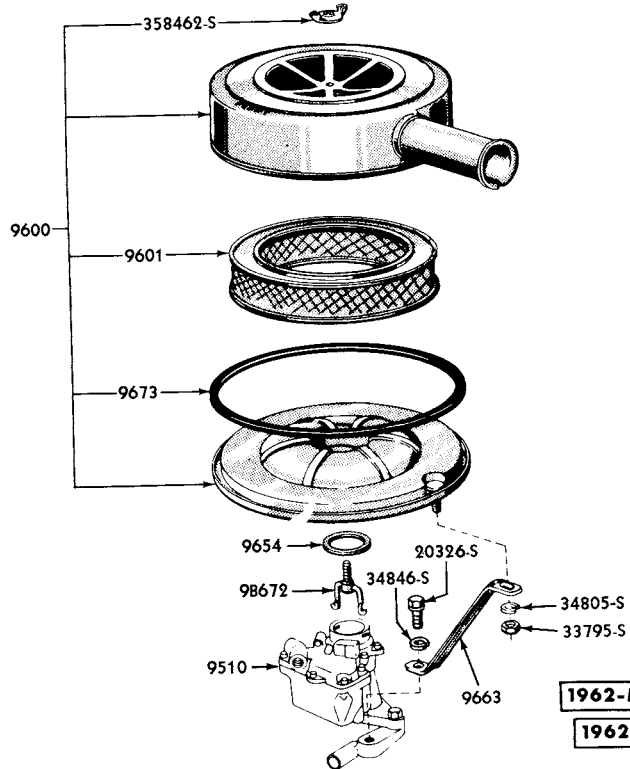
289 4V SPECIAL PERFORMANCE, 390 4V POLICE SPECIAL, 406-4V, 427-4V C.I.D. ENGINES



1963-64 MERCURY

PMC-1567

AIR CLEANER and RELATED PARTS - 427-8V C.I.D. ENGINE

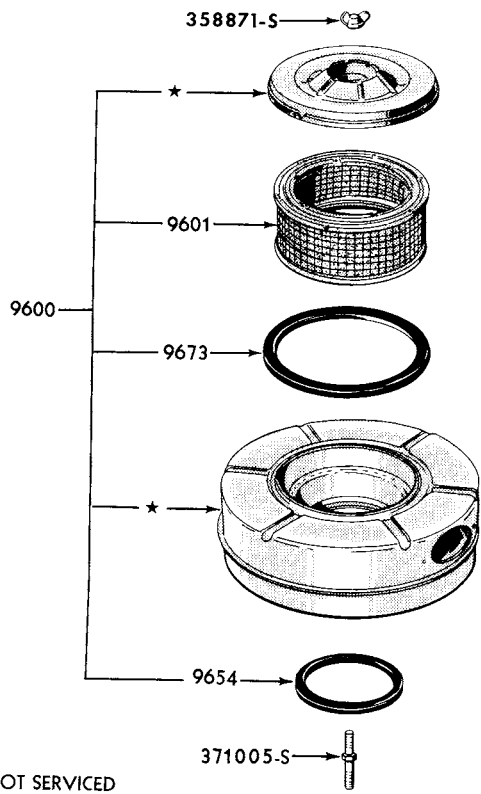


1962-METEOR

1962-COMET

PYC-1522

AIR CLEANER and RELATED PARTS - 144, 170 C.I.D. ENGINES

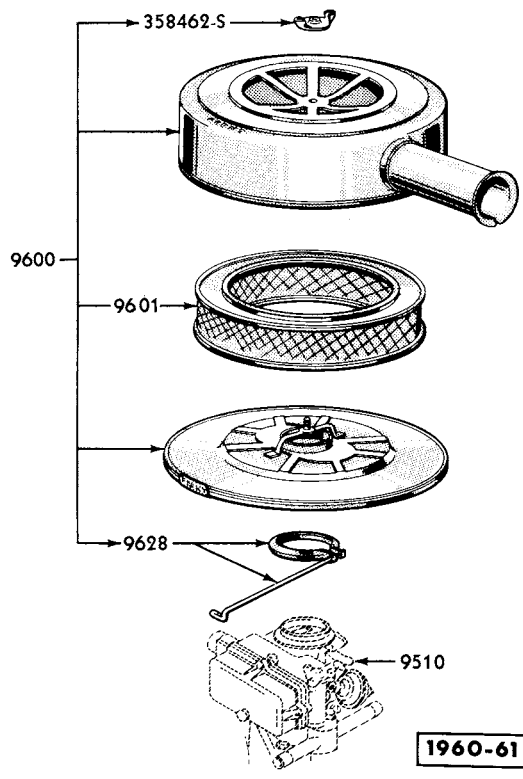


★ NOT SERVICED

1962 METEOR

PYC-1524

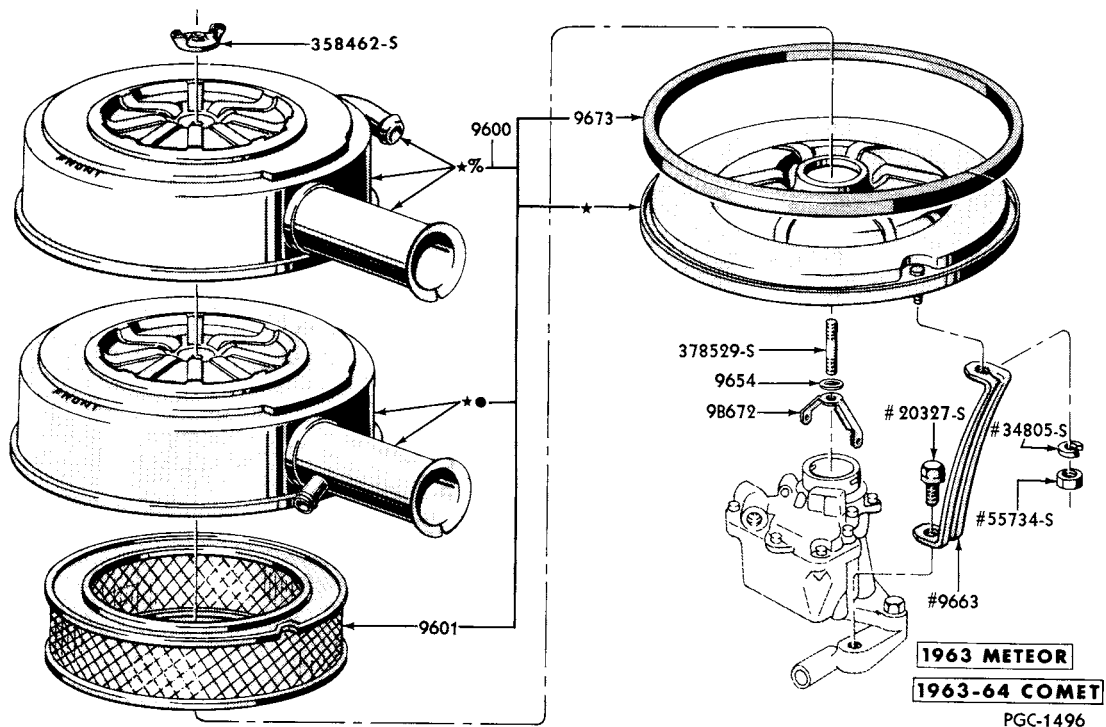
AIR CLEANER and RELATED PARTS - 221, 260 C.I.D. ENGINES



1960-61 COMET

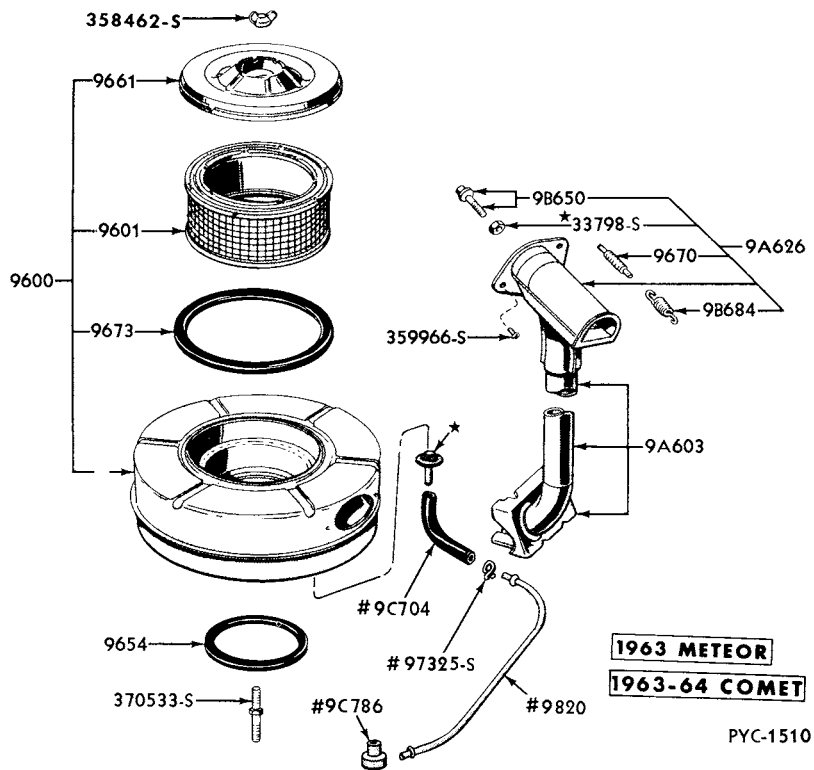
PGC-1521

AIR CLEANER and RELATED PARTS - 144, 170 C.I.D. ENGINES



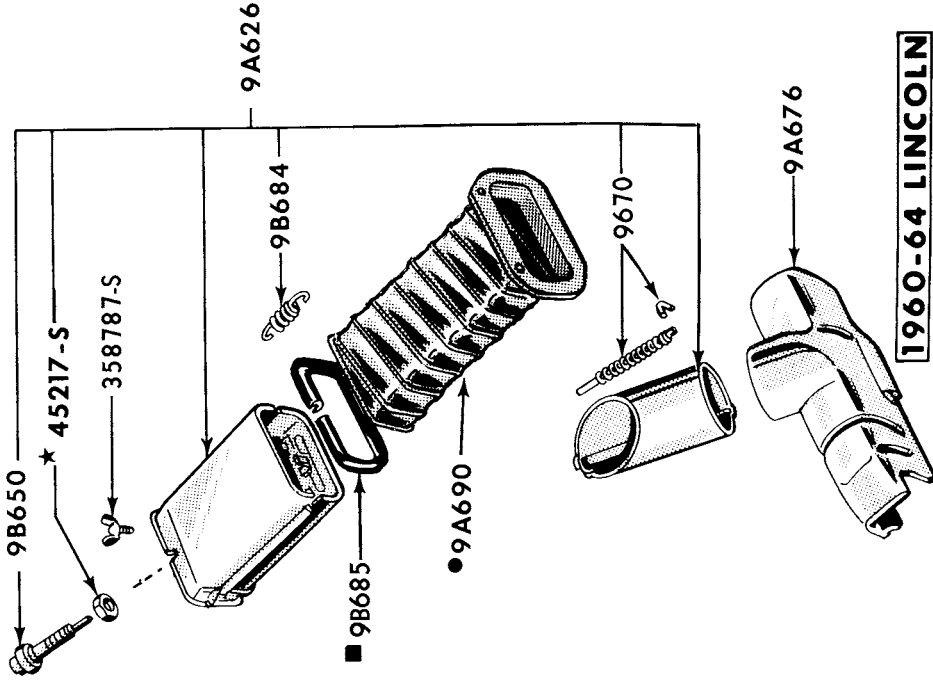
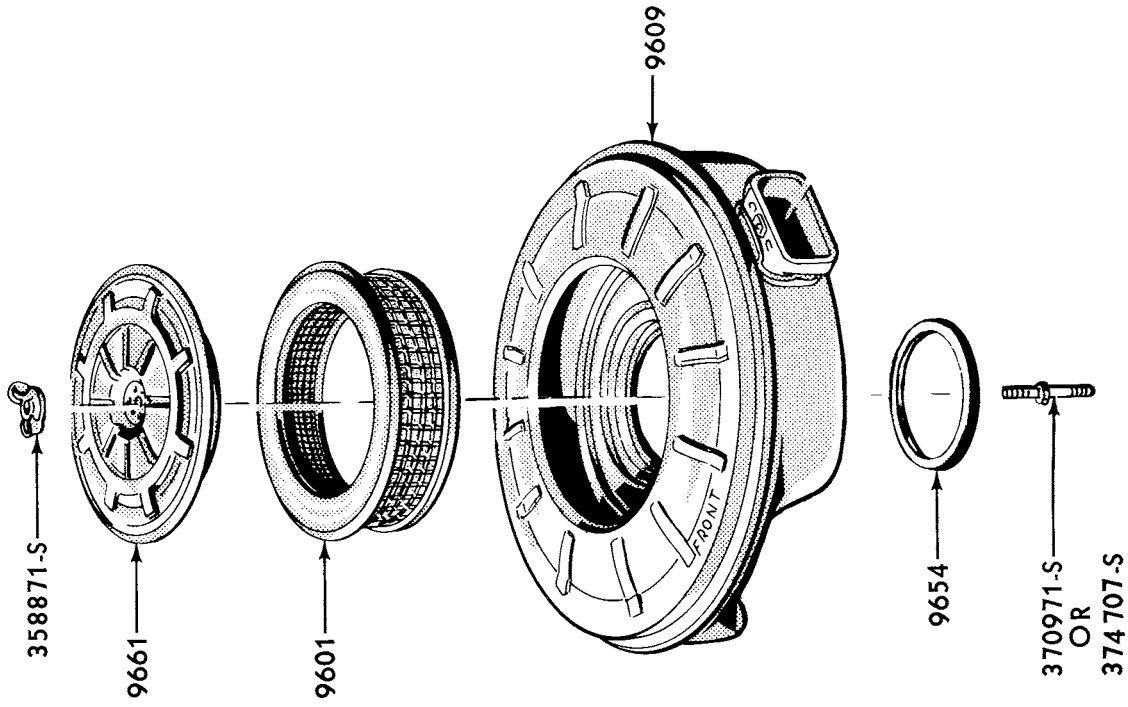
● THIS TYPE HOUSING USED WITH CLOSED EMISSION REDUCTION SYSTEM
 % THIS TYPE HOUSING USED WITHOUT CLOSED EMISSION REDUCTION SYSTEM
 # USE WITH 170 C.I.D. ENGINE ONLY

AIR CLEANER and RELATED PARTS - 144, 170, 200 C.I.D. ENGINES



#USE ON VEHICLES W/O CLOSED EMISSION REDUCTION SYSTEM

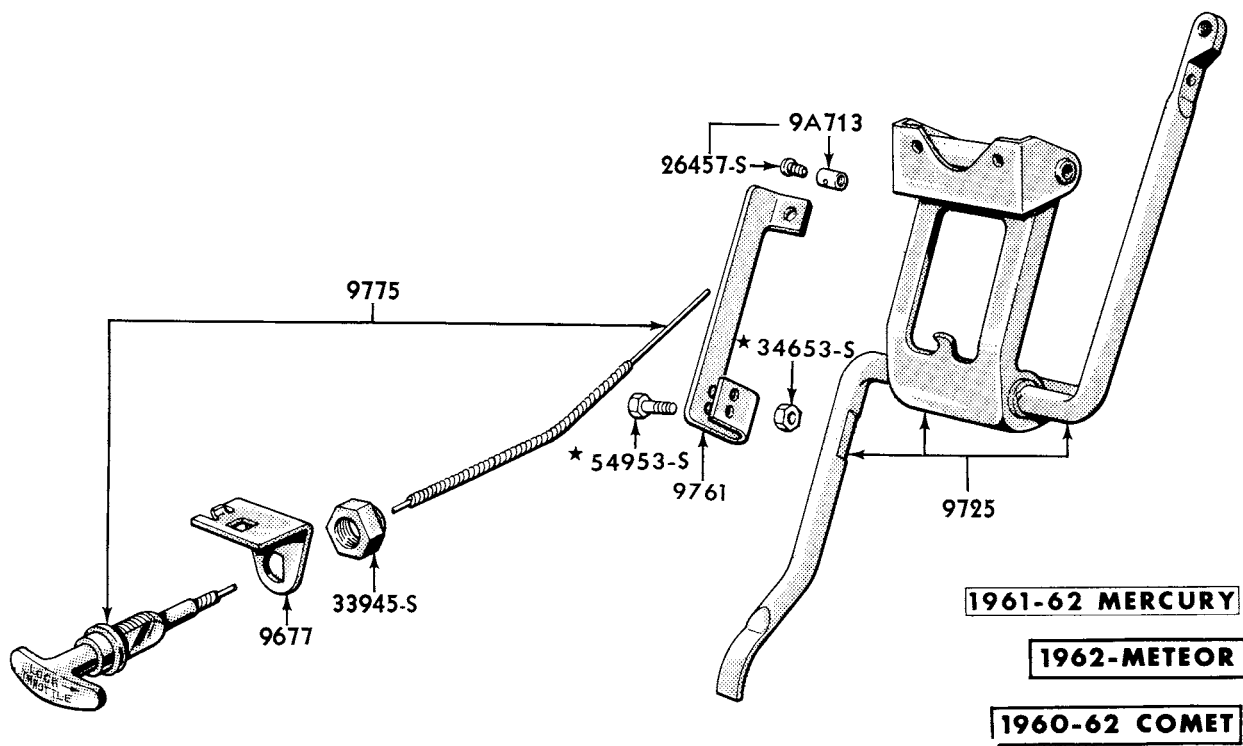
AIR CLEANER and RELATED PARTS - 221, 260, 289 C.I.D. ENGINES



- NOT USED IN 1961-64
- USED IN 1961-64 ONLY

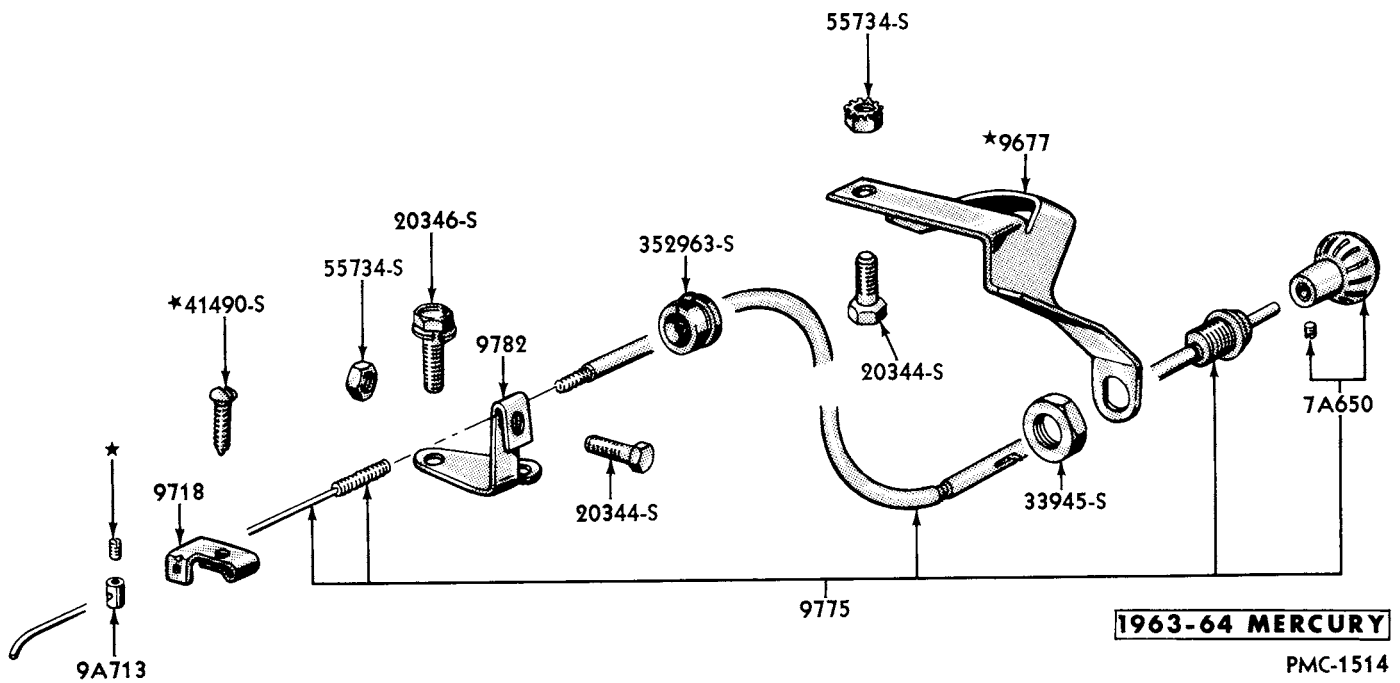
AIR CLEANER and RELATED PARTS

PLC-845



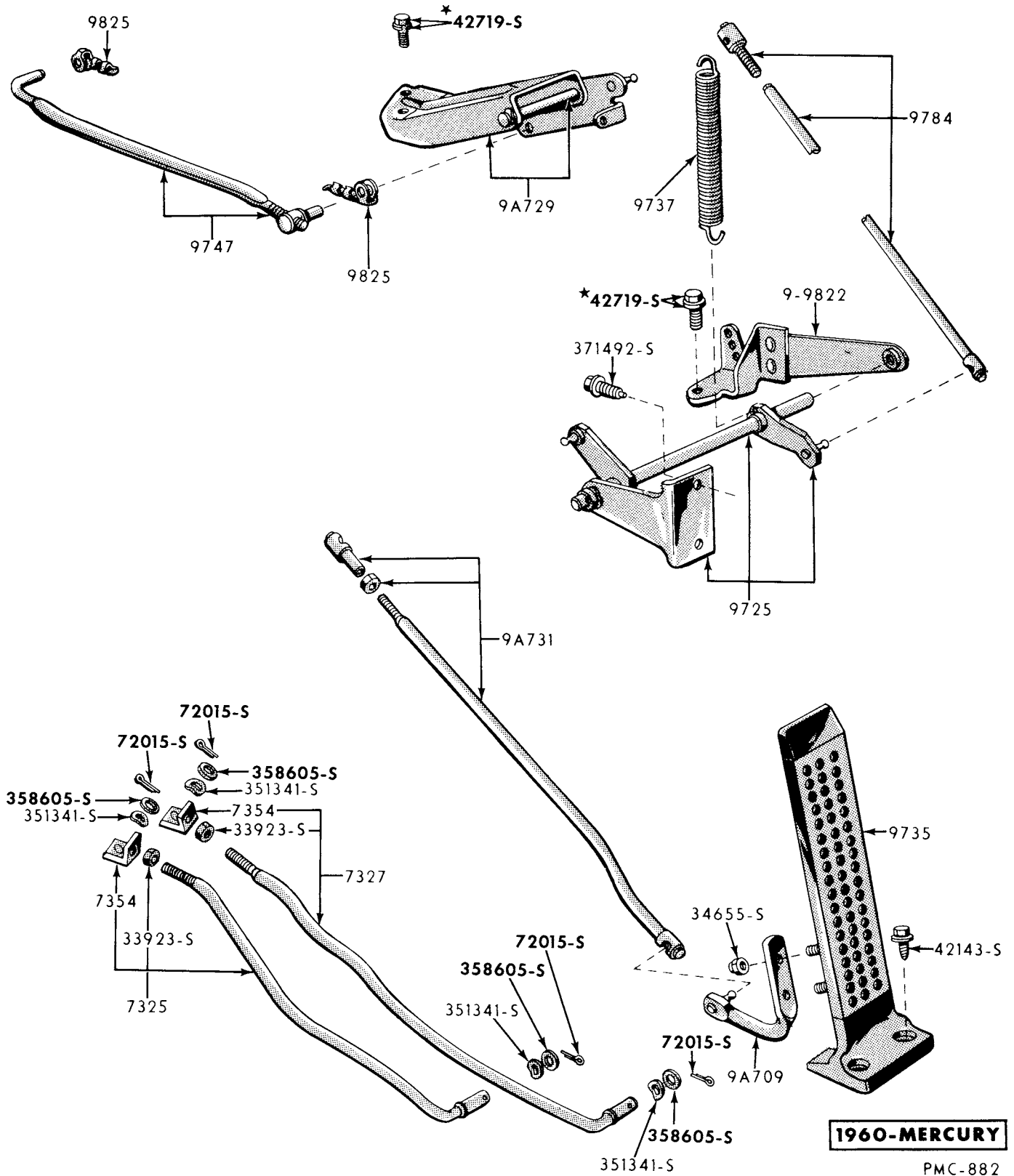
PMC-1170

MANUAL THROTTLE CONTROL - LOCKING TYPE

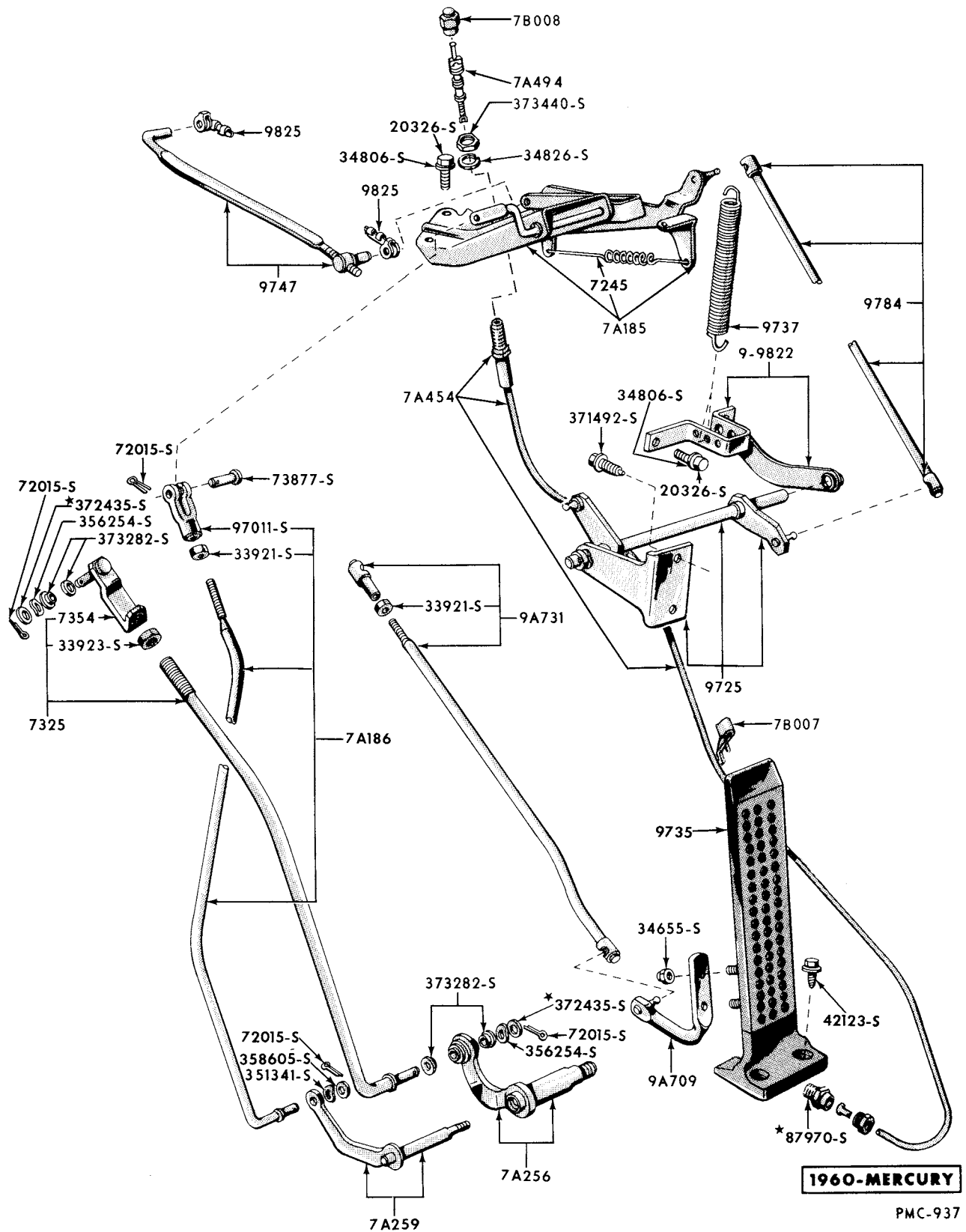


PMC-1514

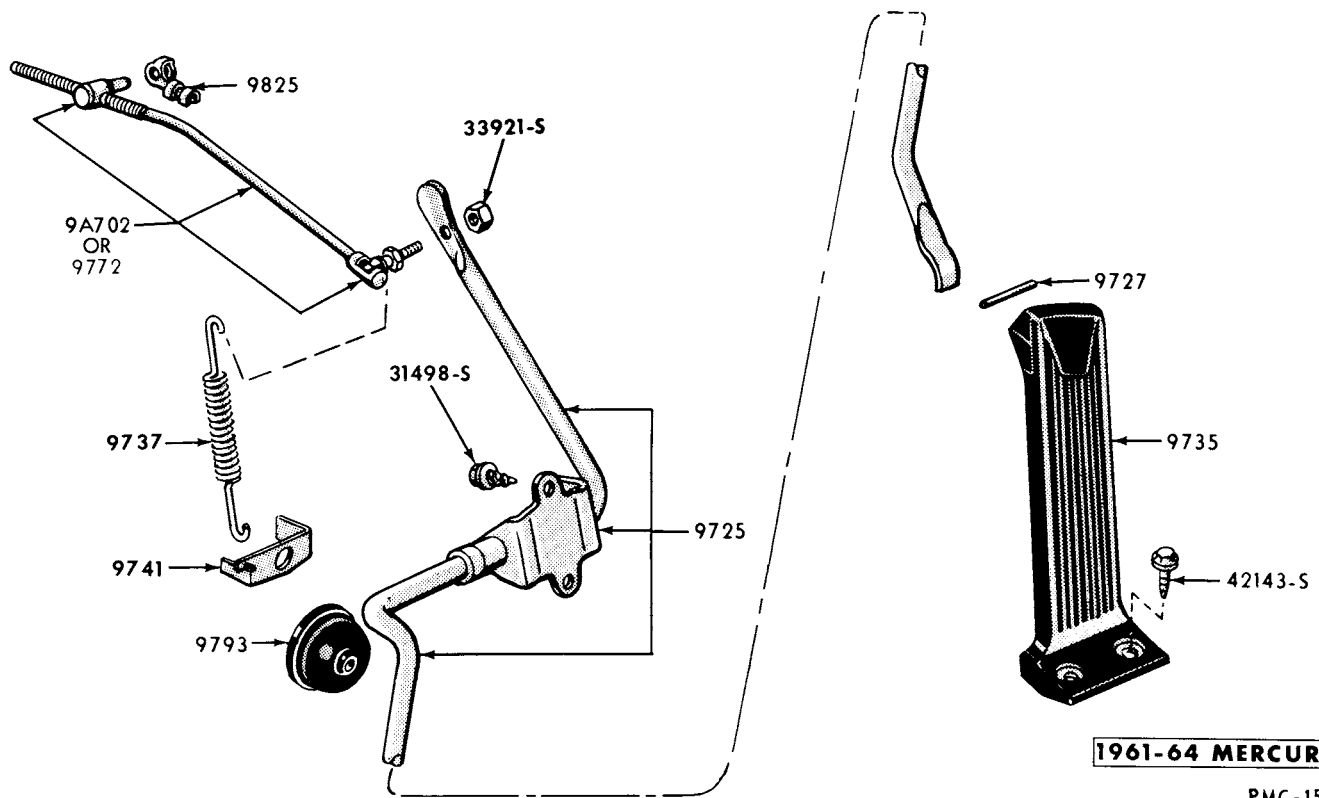
CARBURETOR THROTTLE CONTROL and RELATED PARTS



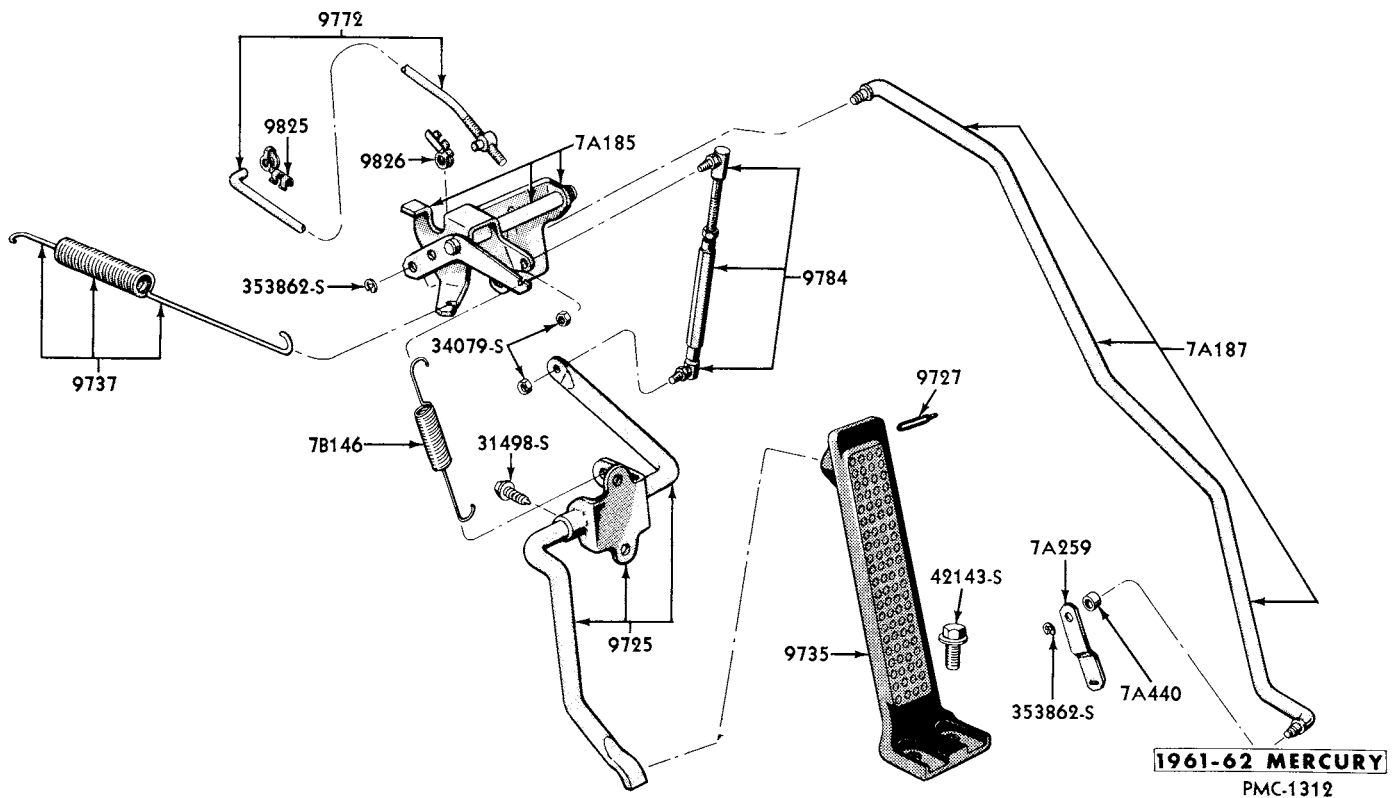
ACCELERATOR and CONTROL LINKAGE S/T - 312 C.I.D. ENGINE



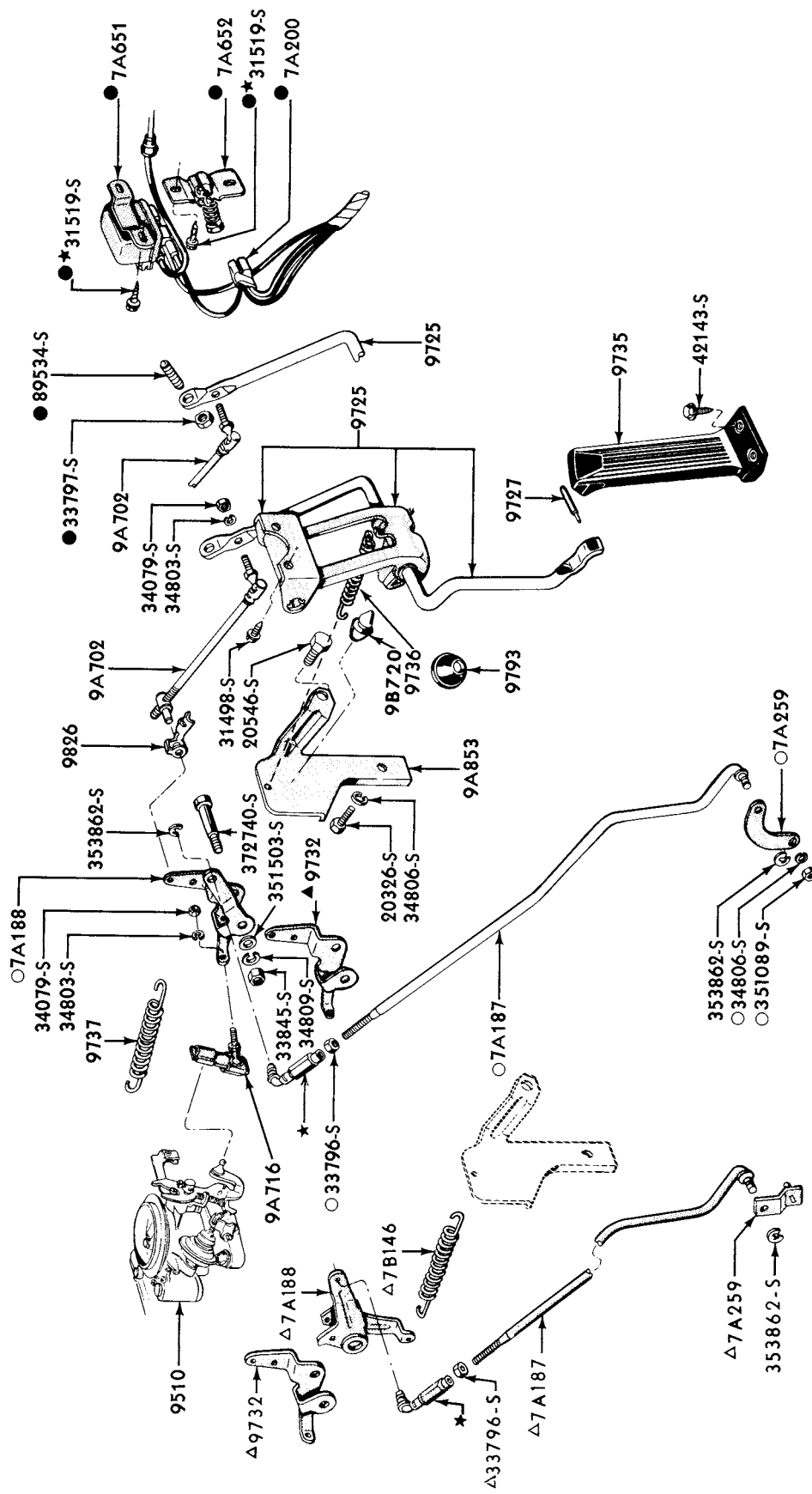
ACCELERATOR, CONTROL LINKAGE and TRANSMISSION CONTROL PRESSURE TUBE
A/T - 312, 383, 430 C.I.D. ENGINES



ACCELERATOR LINKAGE - S/T - 292,352, 390,427 C.I.D. ENGINES



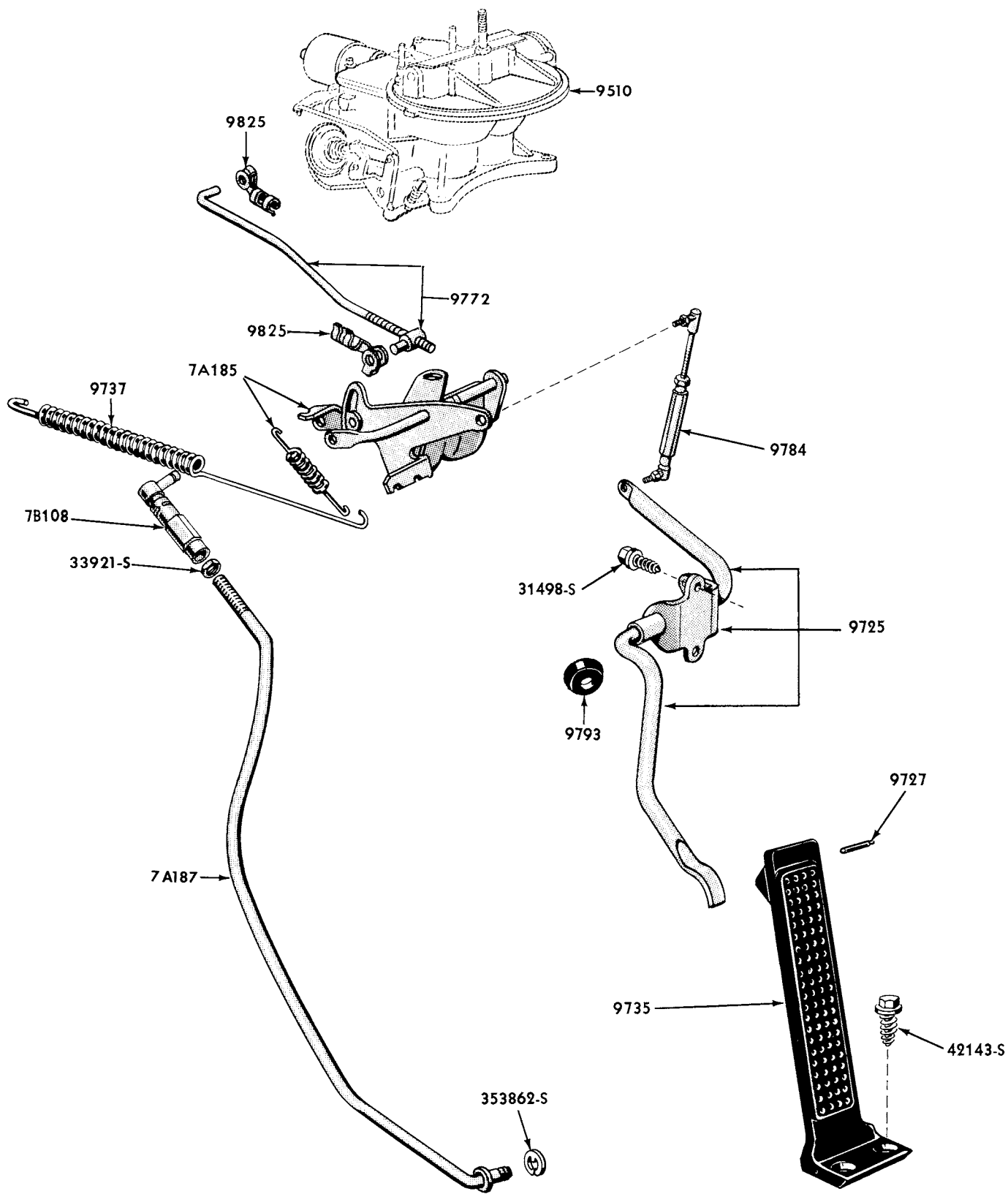
ACCELERATOR and CONTROL LINKAGE - 2/S - 292, 352, C.I.D. ENGINES



1961-62 MERCURY
 PMC-1271

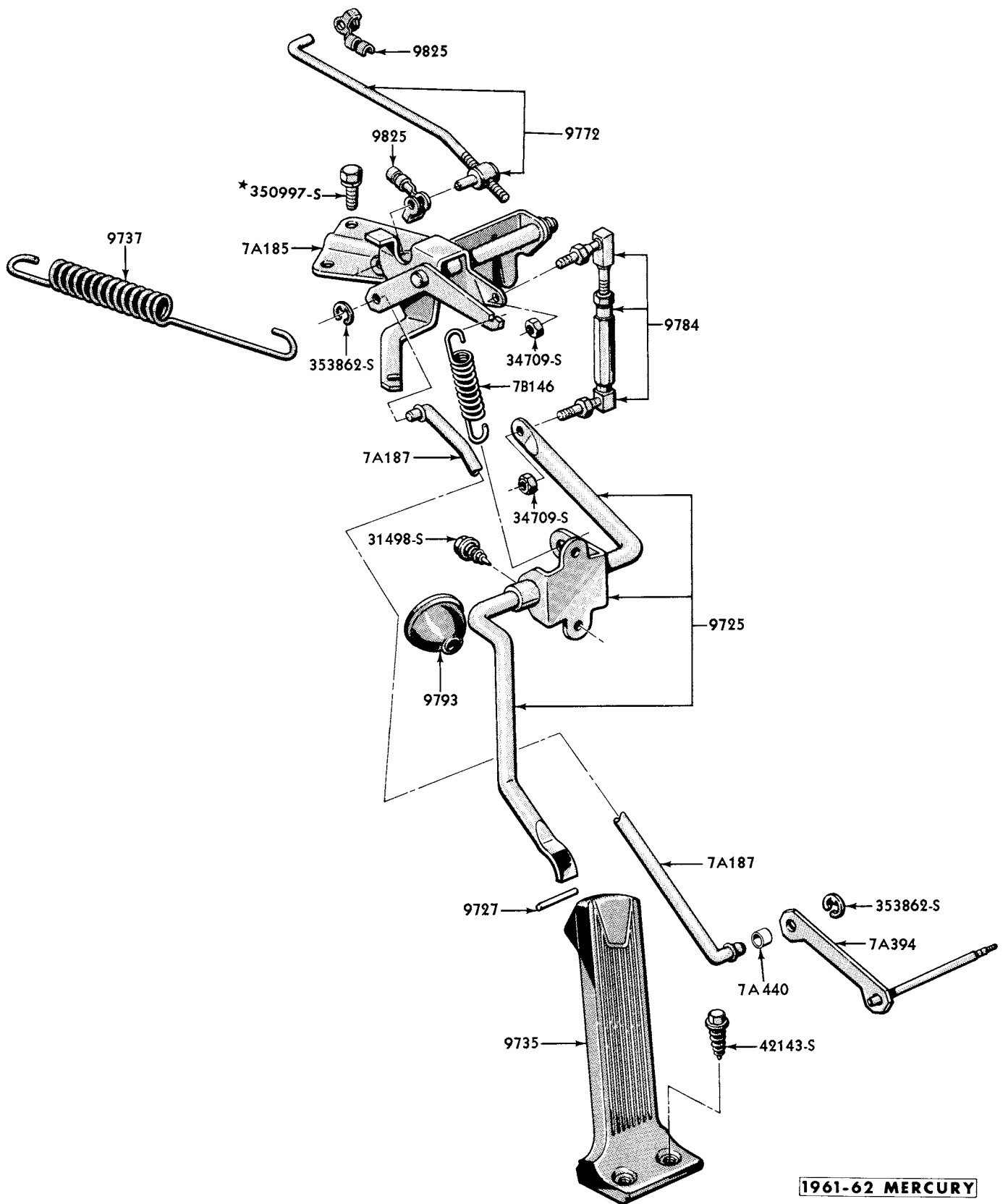
- FOR OVERDRIVE TRANSMISSION ONLY
- ▲ FOR STANDARD AND OVERDRIVE TRANSMISSION ONLY
- FOR 2 SPEED TRANSMISSION WITHOUT VACUUM THROTTLE VALVE
- △ FOR 2 SPEED TRANSMISSION WITH VACUUM THROTTLE VALVE

ACCELERATOR and CONTROL LINKAGE - S/T, O/D and 2/S - 223 C.I.D. ENGINE



1961-MERCURY
PMC-1126

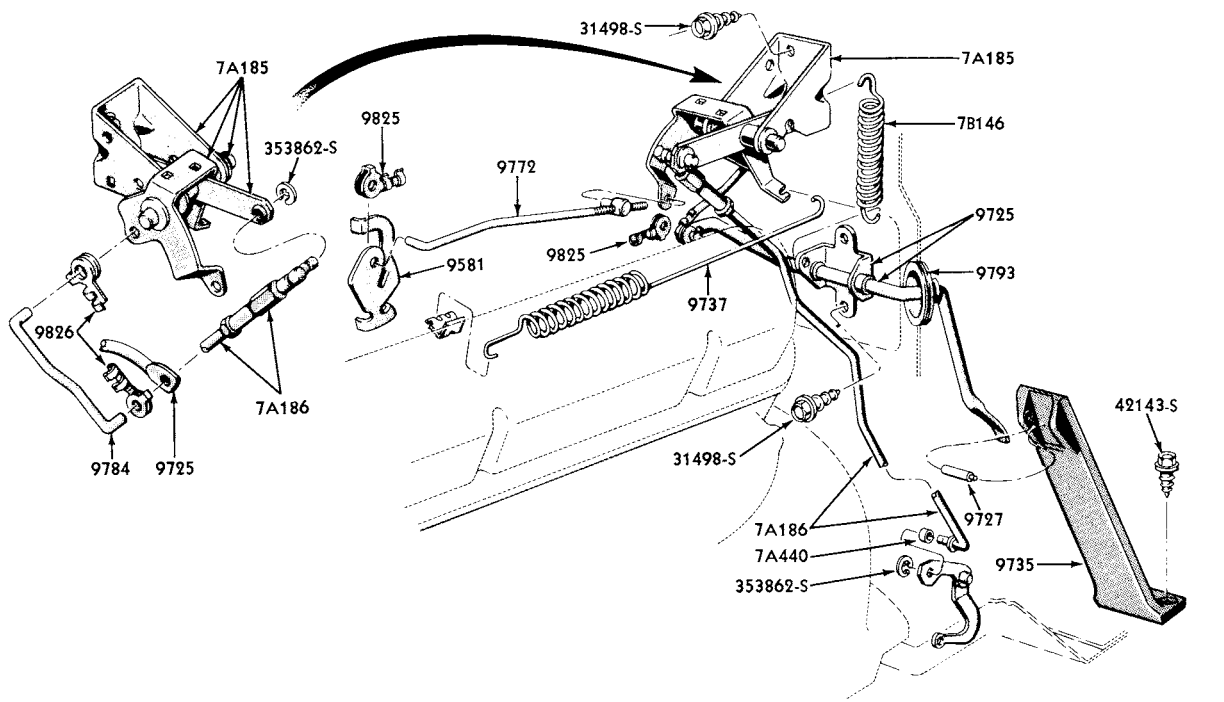
ACCELERATOR and CONTROL LINKAGE - S/R and 292, 352 C.I.D. ENGINES



1961-62 MERCURY

PMC-1180

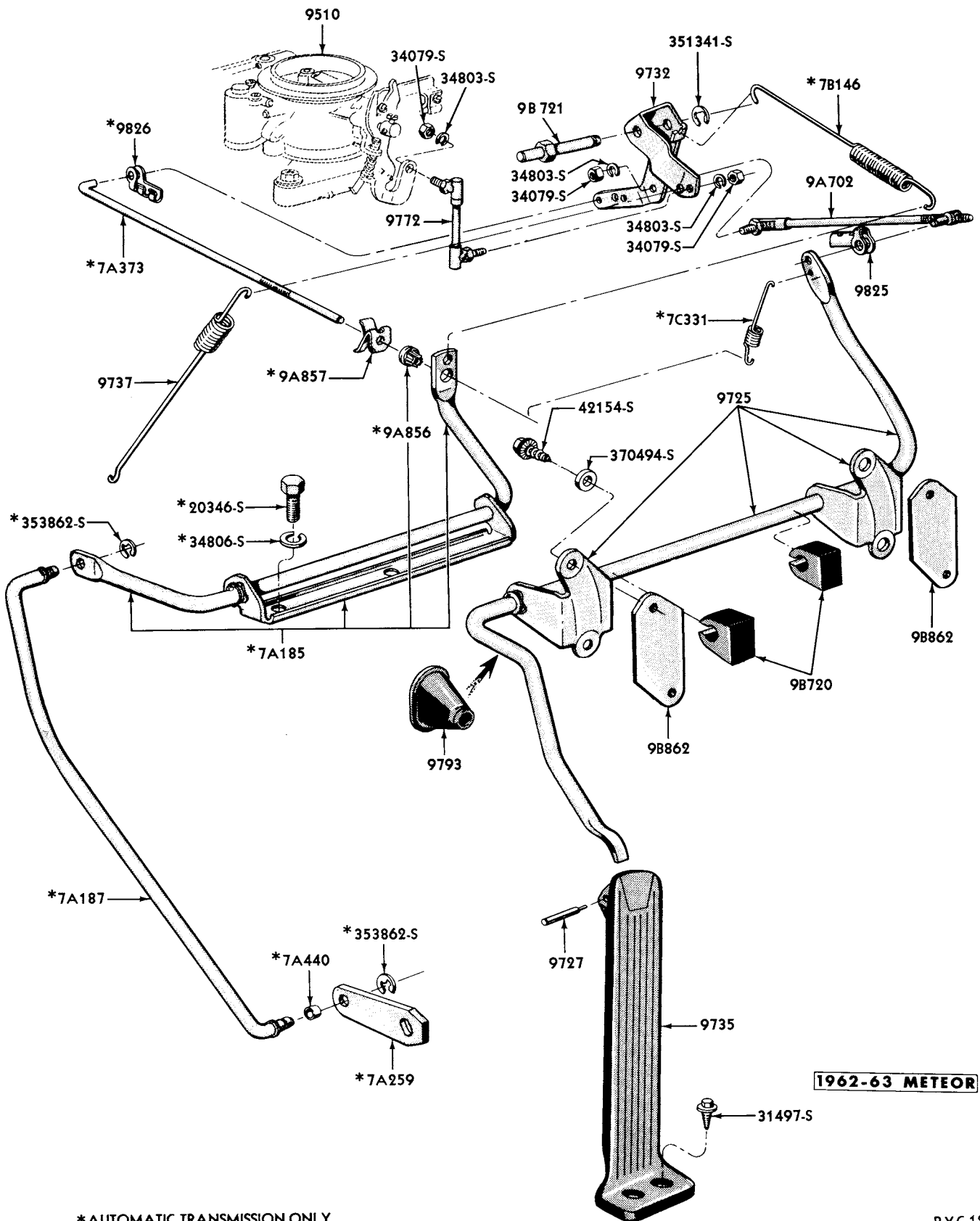
ACCELERATOR and CONTROL LINKAGE - D/R and 292, 352, 390 C.I.D. ENGINES



1963-64 MERCURY

PMC-1490

ACCELERATOR and CONTROL LINKAGE -D/R - 390 C.I.D. ENGINE

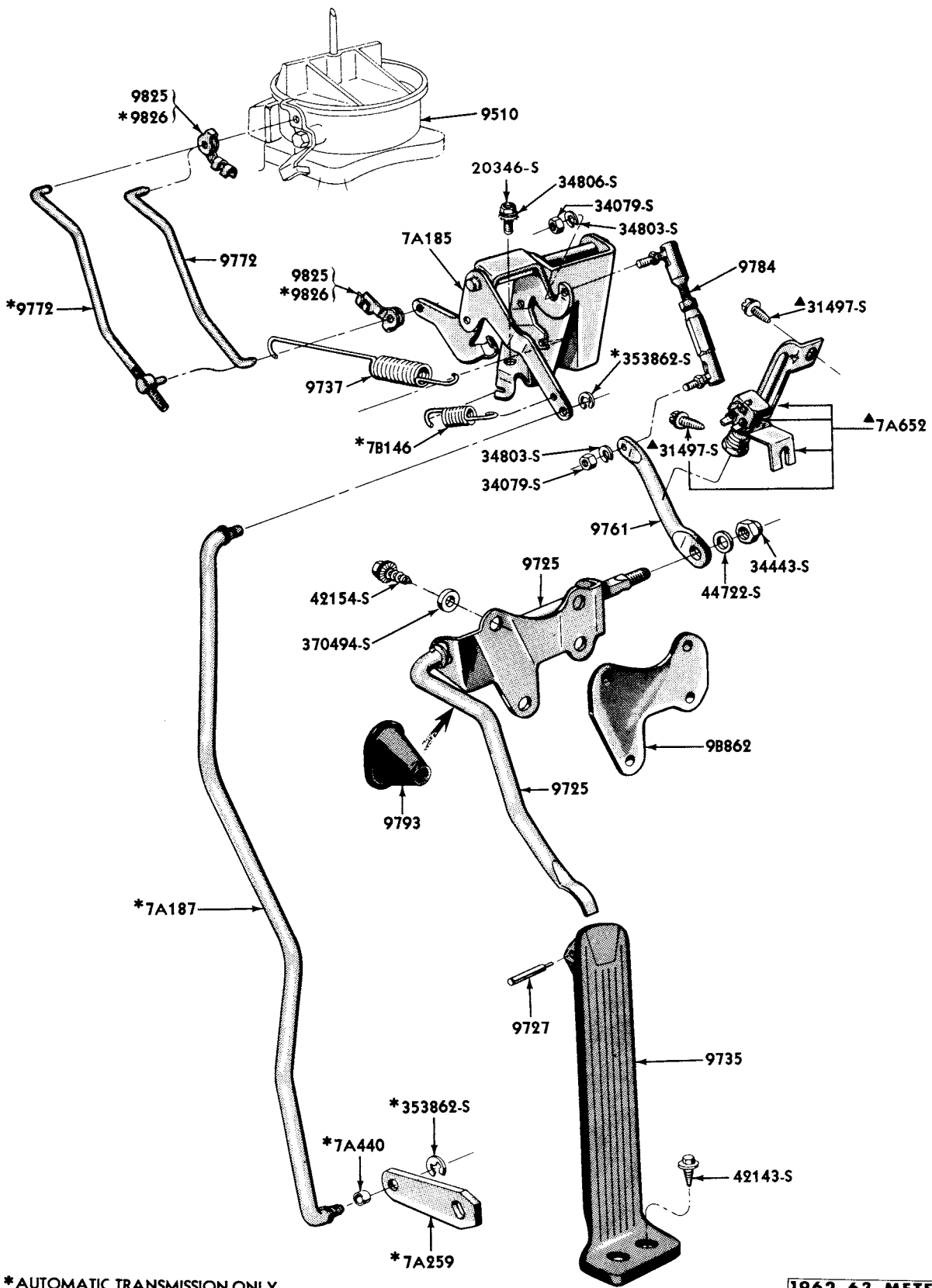


1962-63 METEOR

*AUTOMATIC TRANSMISSION ONLY

PYC-1269

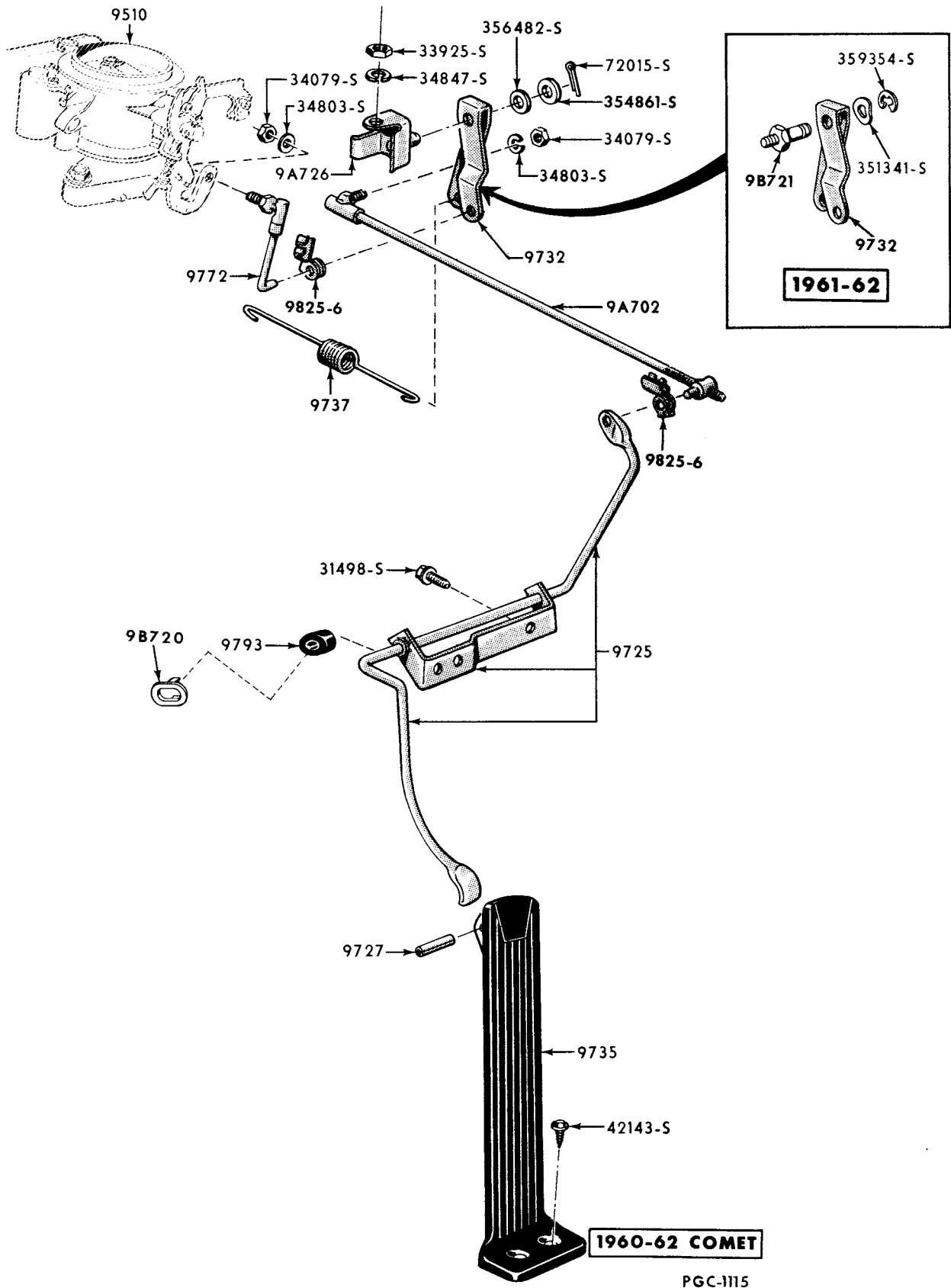
ACCELERATOR LINKAGE - S/T and A/T - 170, 200 C.I.D. ENGINES



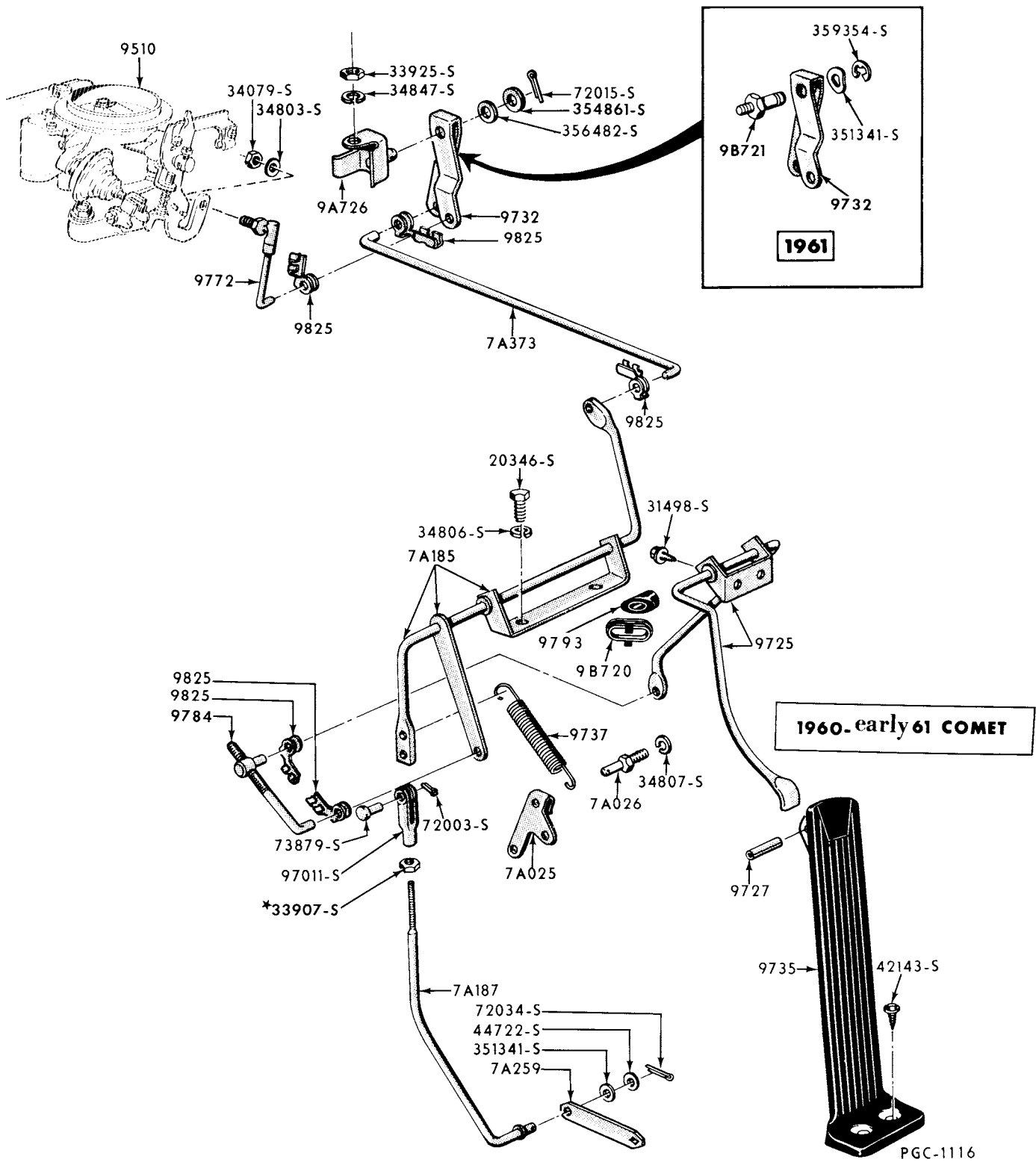
* AUTOMATIC TRANSMISSION ONLY
 ▲ OVERDRIVE TRANSMISSION ONLY

1962-63 METEOR
 PYC-1270

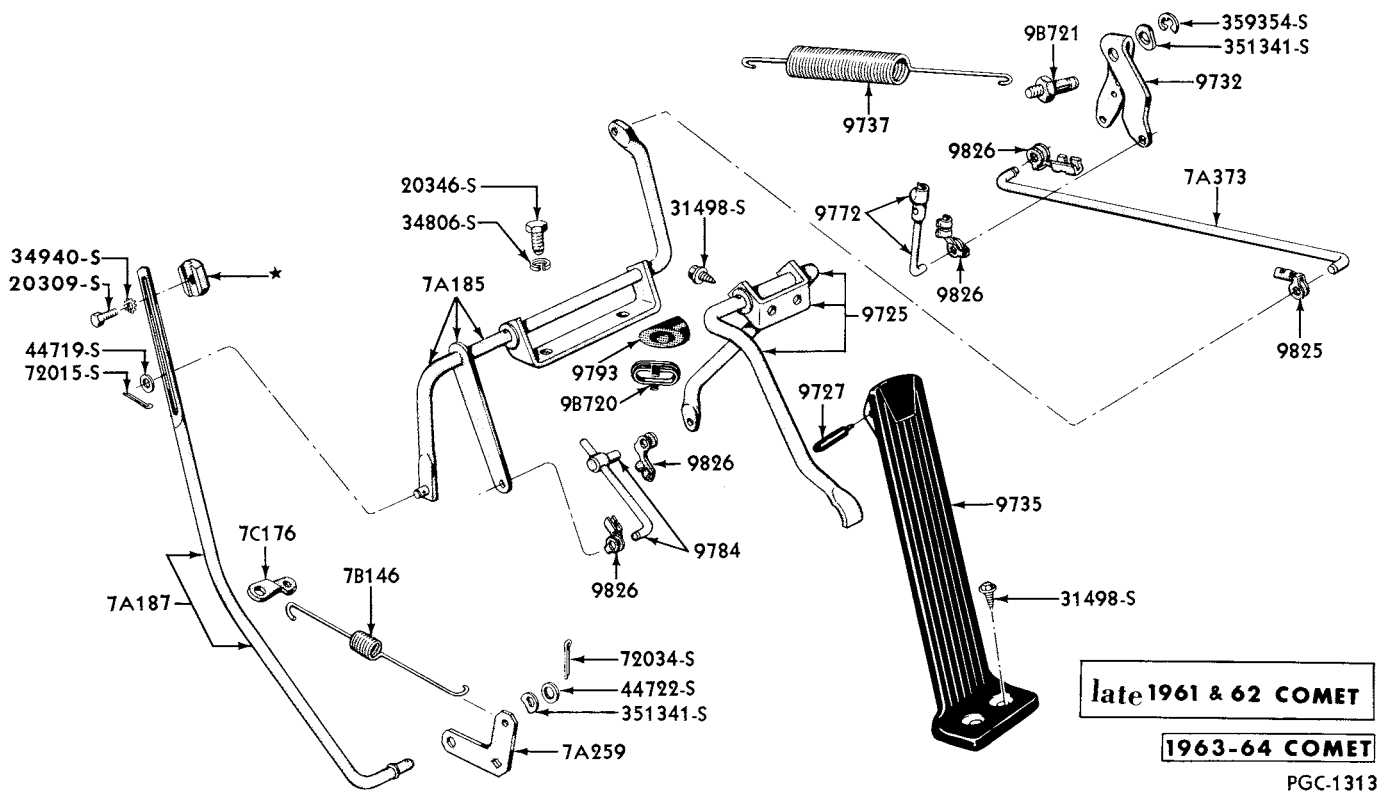
ACCELERATOR LINKAGE - S/T and A/T - 221, 260 C. I. D. ENGINES



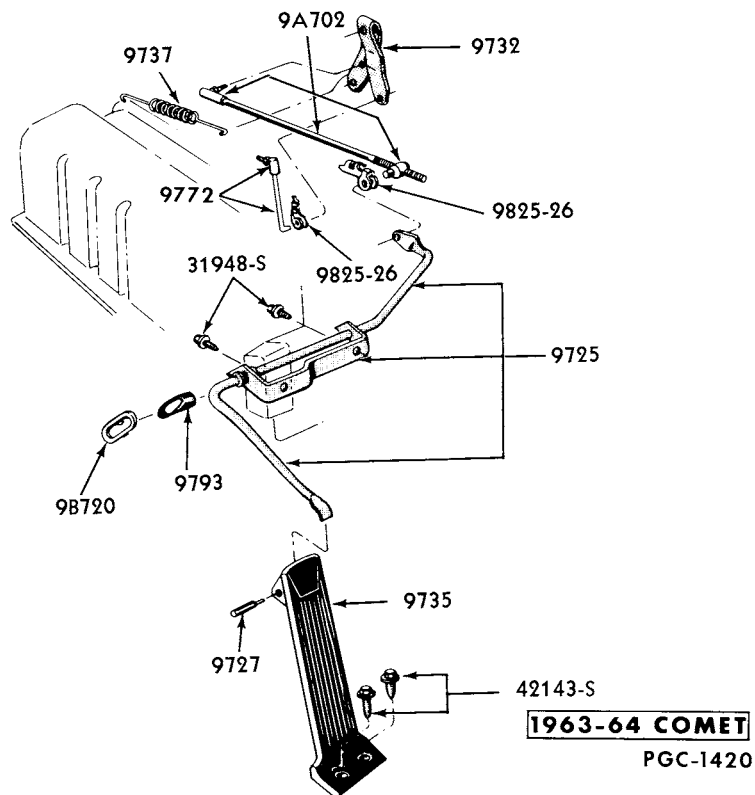
ACCELERATOR LINKAGE - S/T - 144, 170 C.I.D. ENGINES



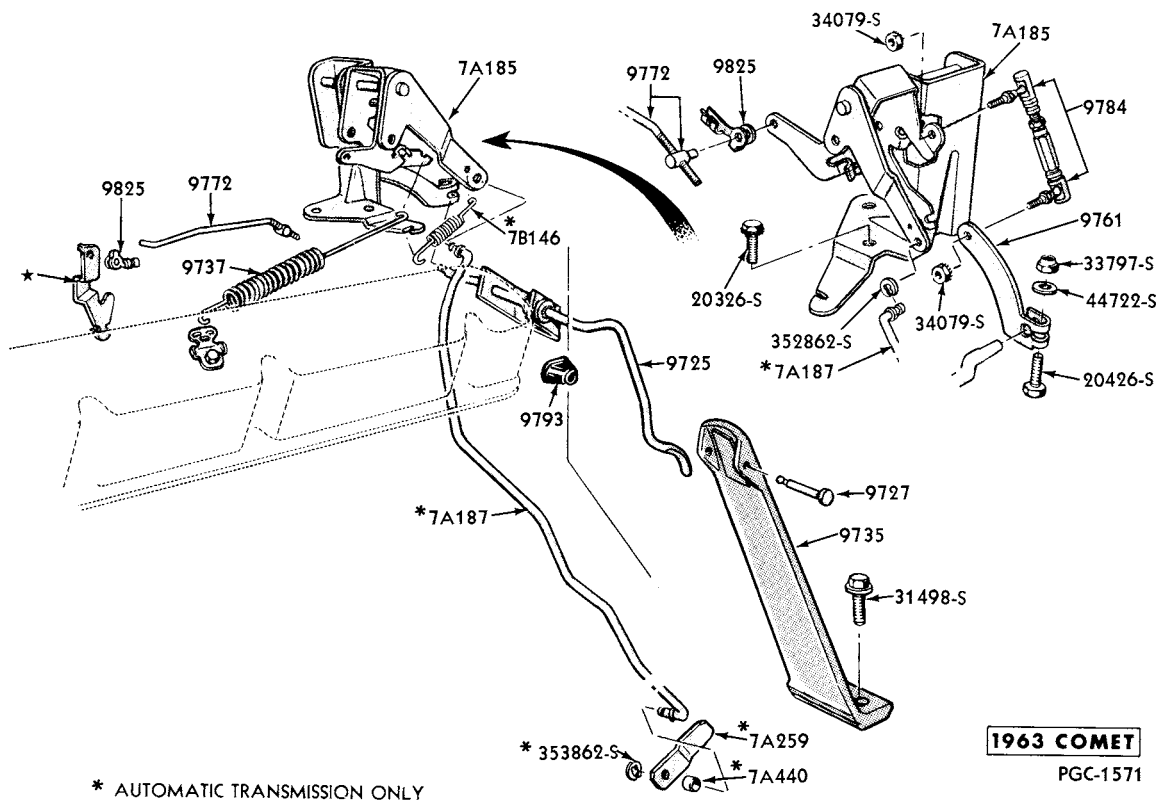
ACCELERATOR LINKAGE - A/T - 144, 170 C.I.D. ENGINES



ACCELERATOR LINKAGE - 2/S - 144, 170, 200 C. I. D. ENGINES



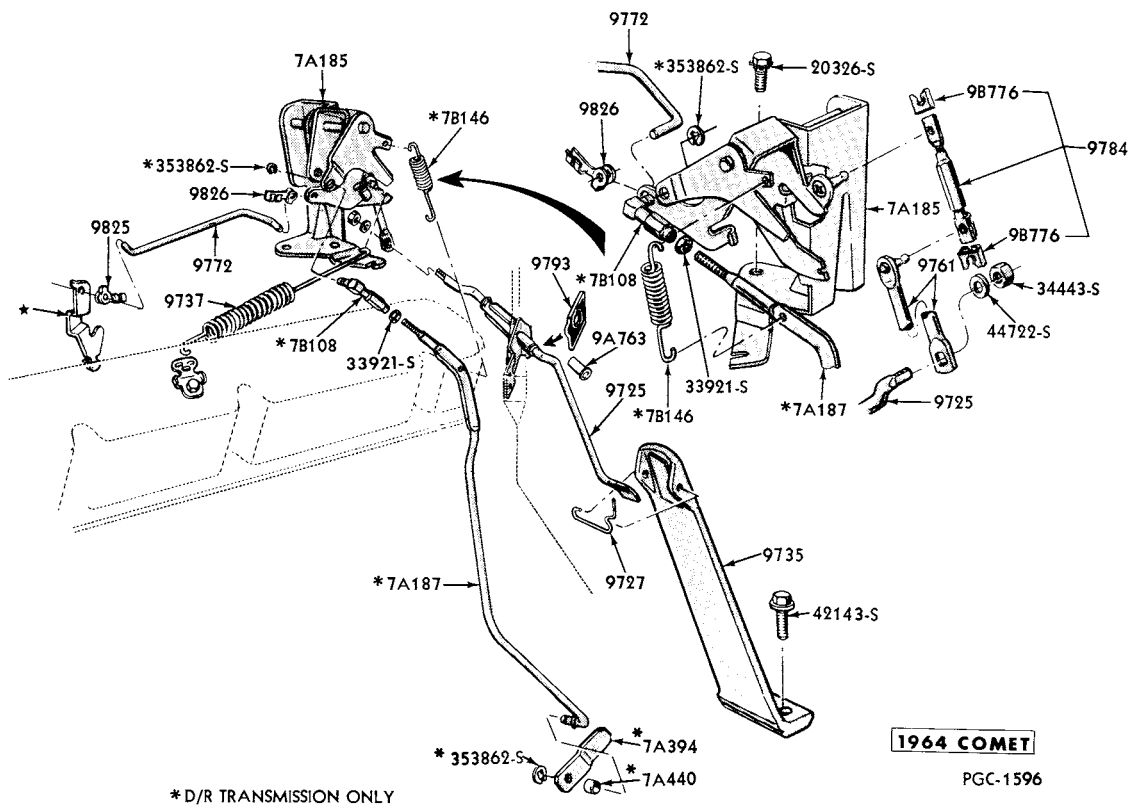
ACCELERATOR LINKAGE - S/T - 144, 170, 200 C. I. D. ENGINES



* AUTOMATIC TRANSMISSION ONLY

1963 COMET
PGC-1571

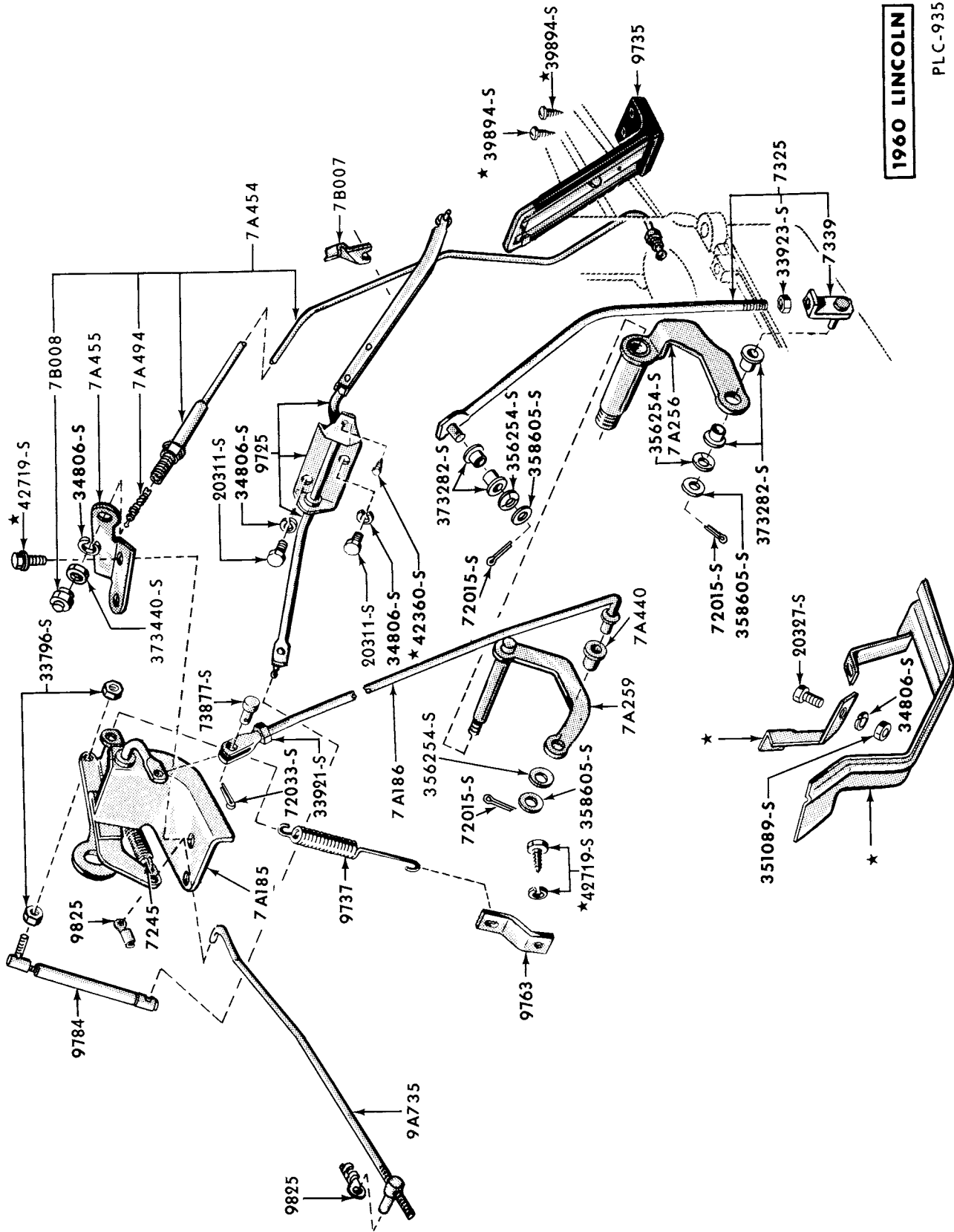
ACCELERATOR LINKAGE - S/T and A/T - 260 C.I.D. ENGINE



* D/R TRANSMISSION ONLY

1964 COMET
PGC-1596

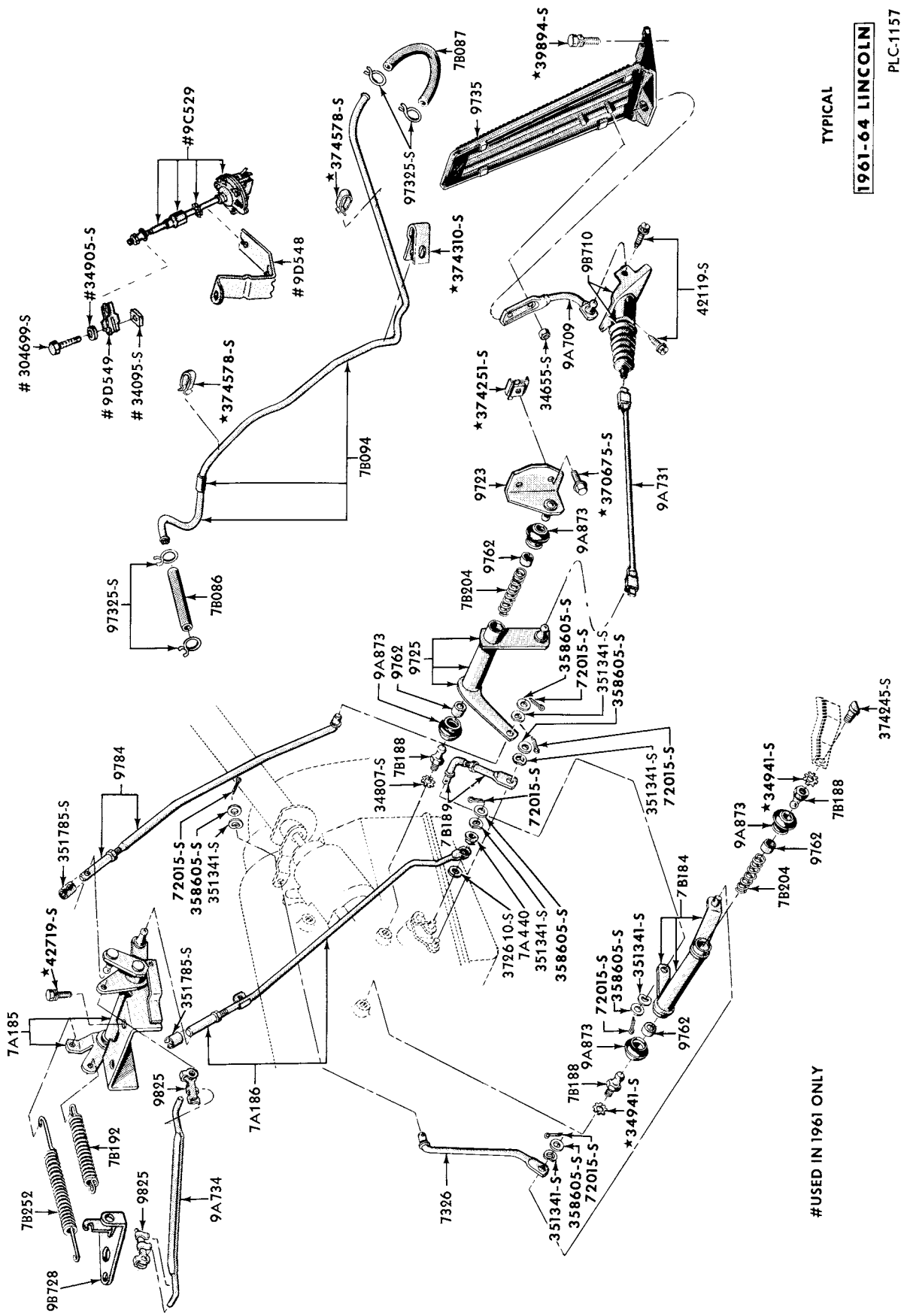
ACCELERATOR and CONTROL LINKAGE - S/T and A/T- 260, 289 C.I.D. ENGINES



1960 LINCOLN

PL C-935

ACCELERATOR and CONTROL LINKAGE, and TRANSMISSION CONTROL PRESSURE TUBE



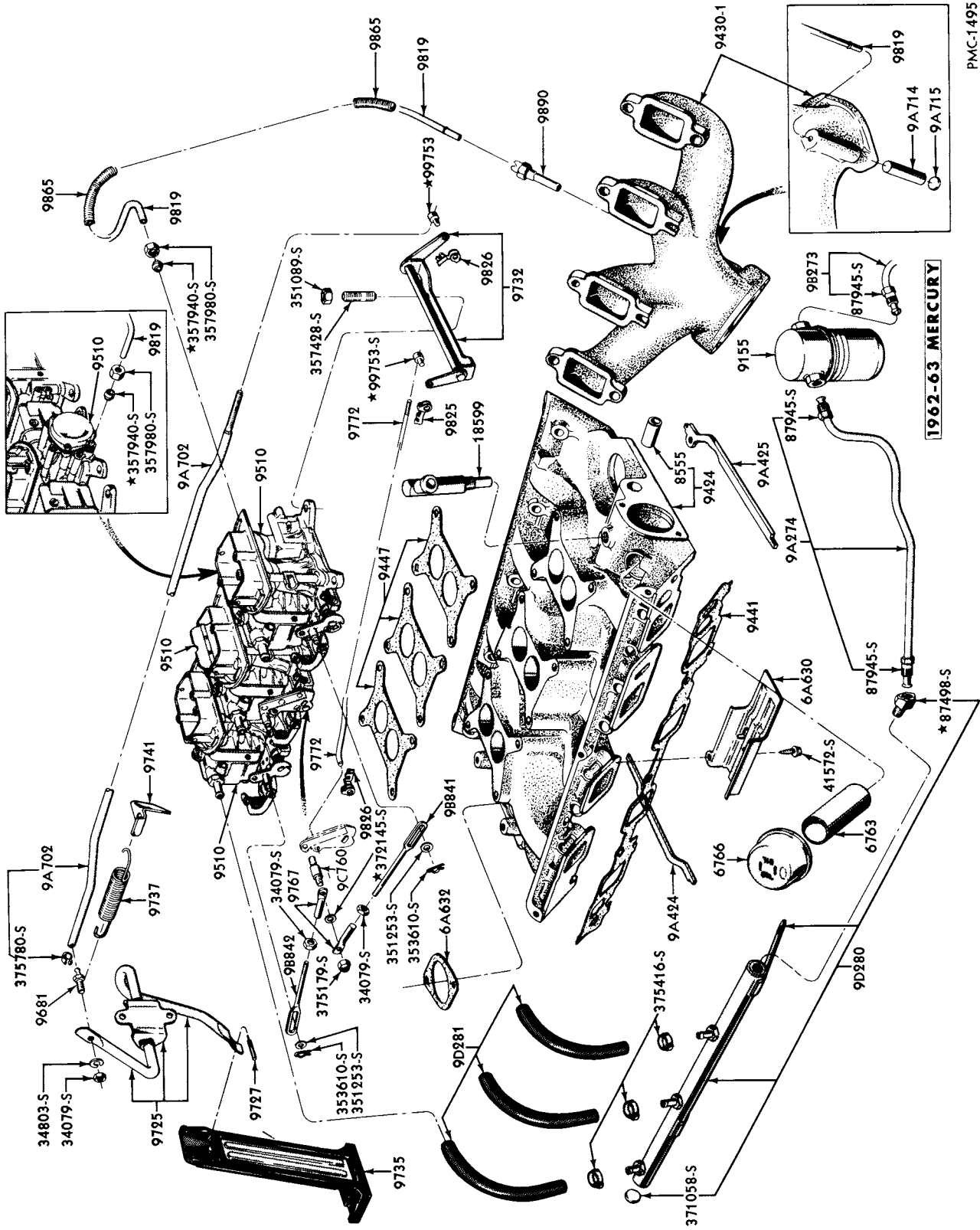
#USED IN 1961 ONLY

TYPICAL

1961-64 LINCOLN

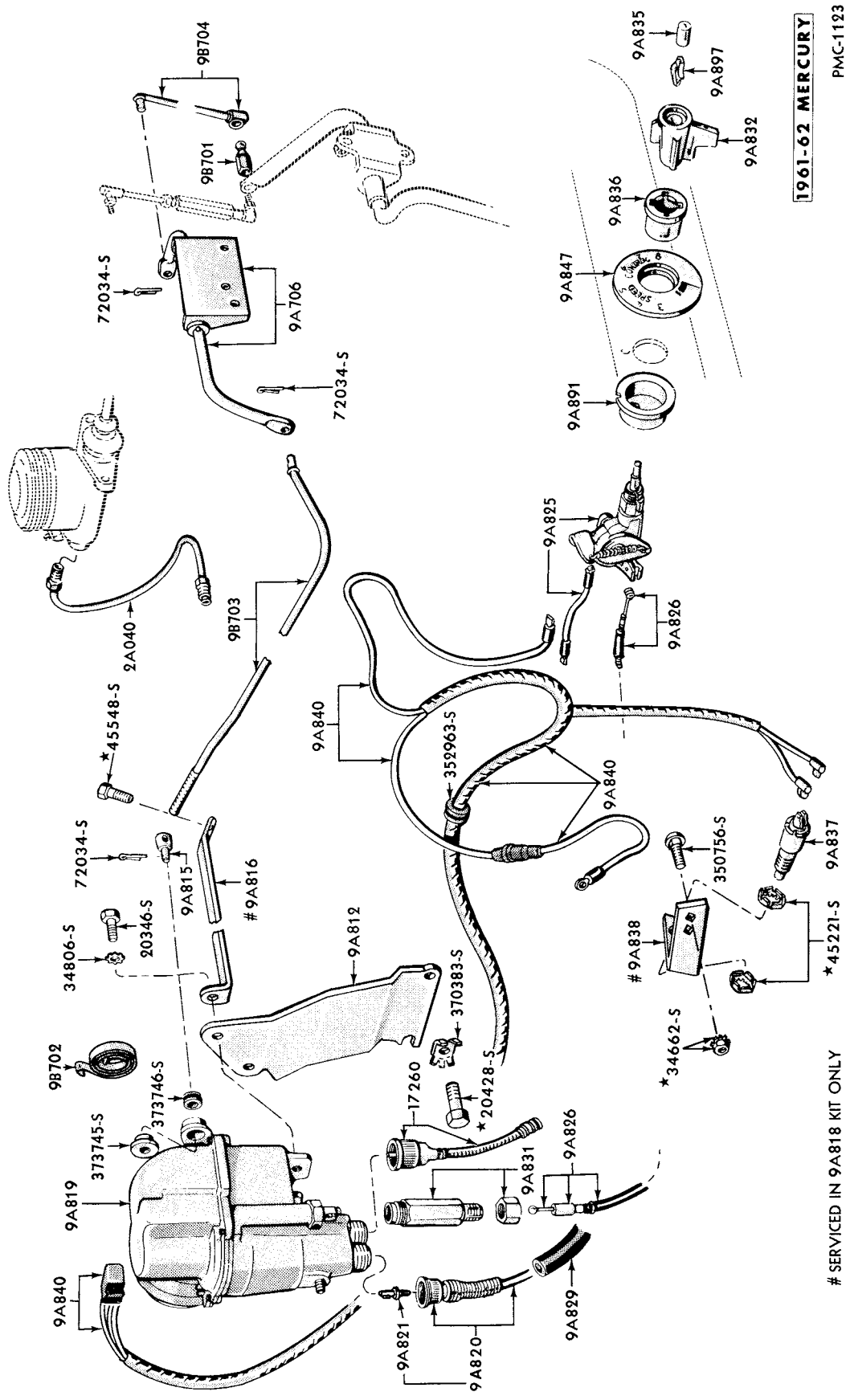
PLC-1157

ACCELERATOR and CONTROL LINKAGE



PMC-1495

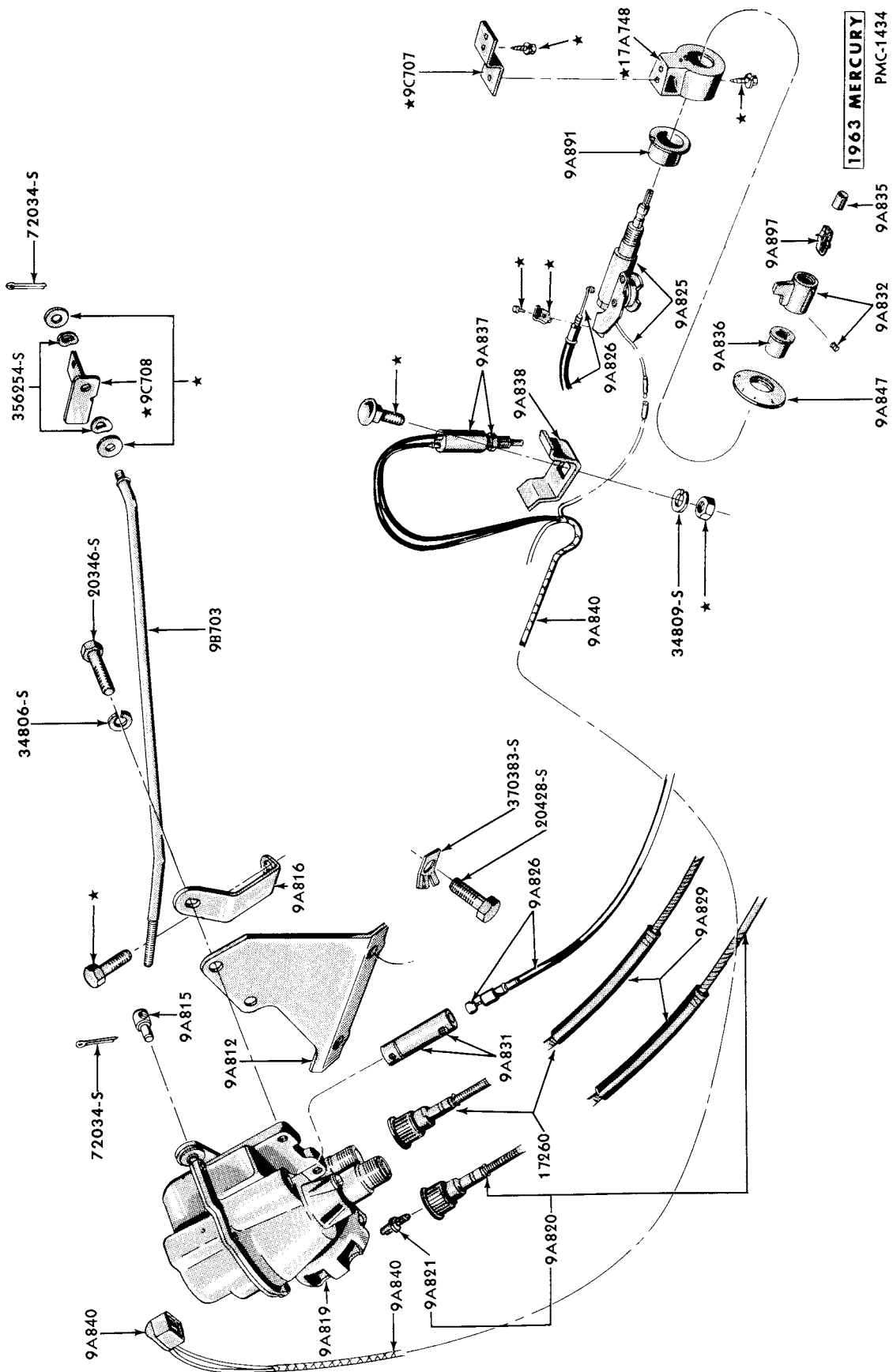
ACCELERATOR LINKAGE, MANIFOLDS and RELATED PARTS - 406-6V C.I.D. ENGINE



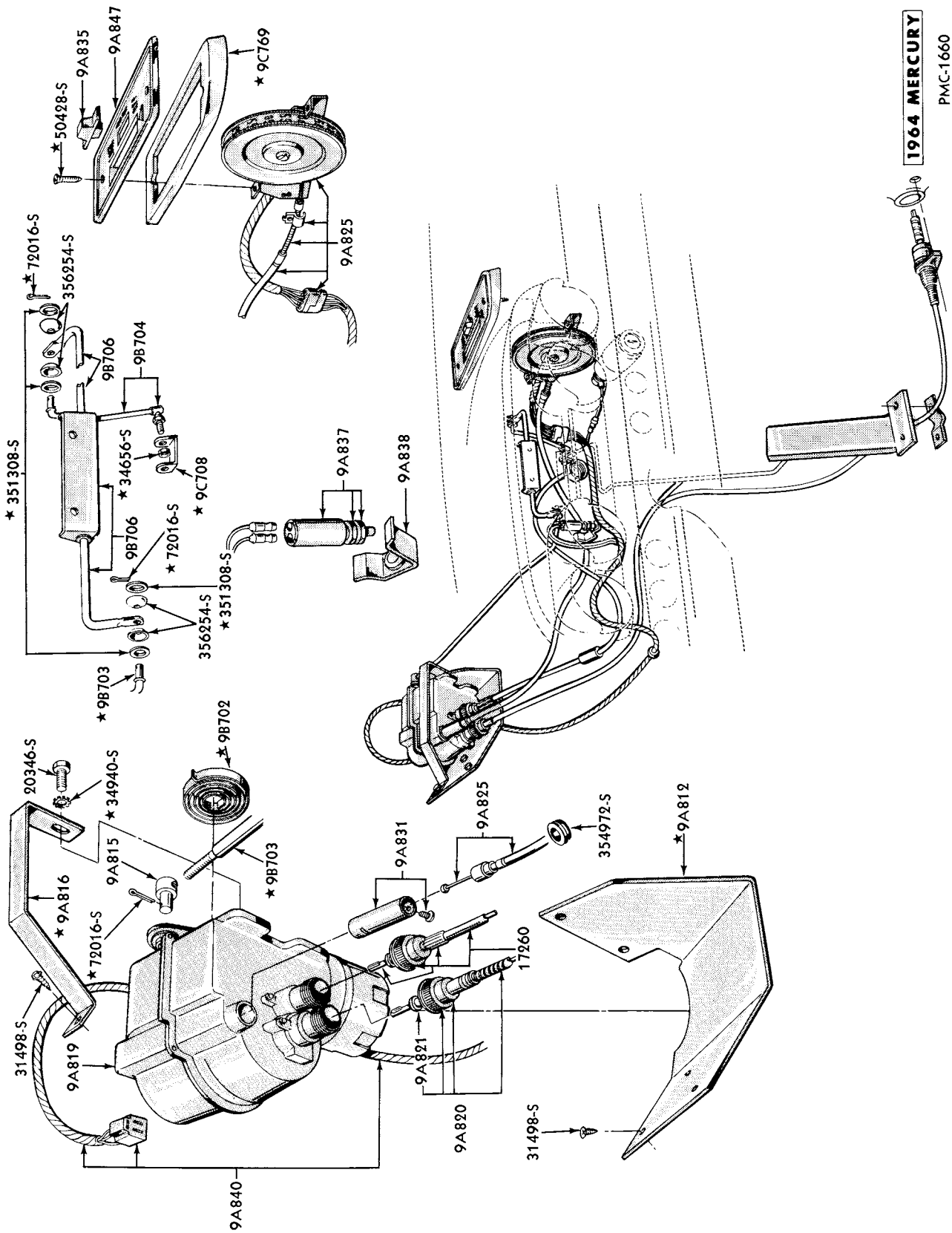
1961-62 MERCURY
PMC-1123

SERVICED IN 9A818 KIT ONLY
* 45221-S 9A837

SPEED CONTROL

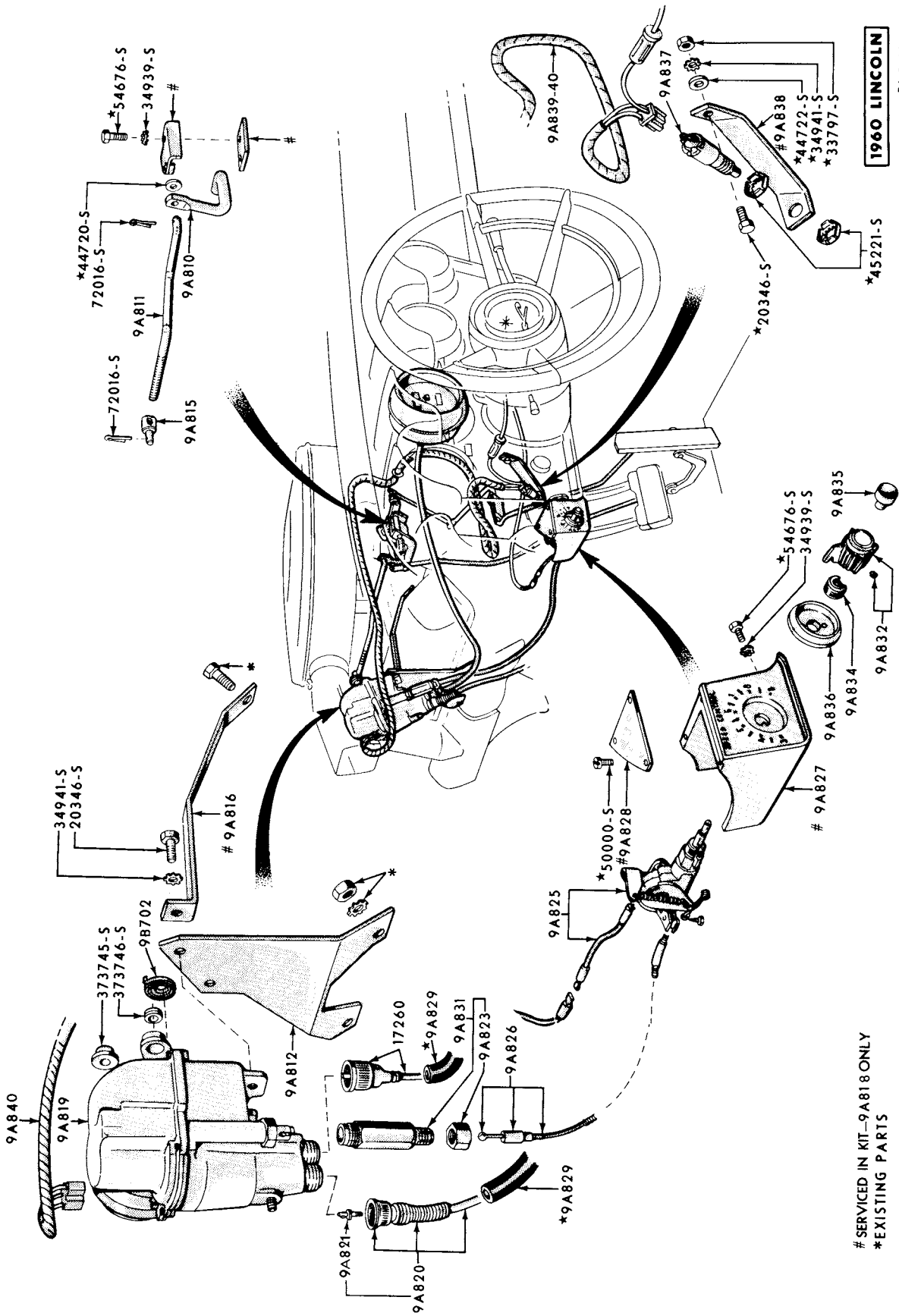


SPEED CONTROL



1964 MERCURY
PMC-1660

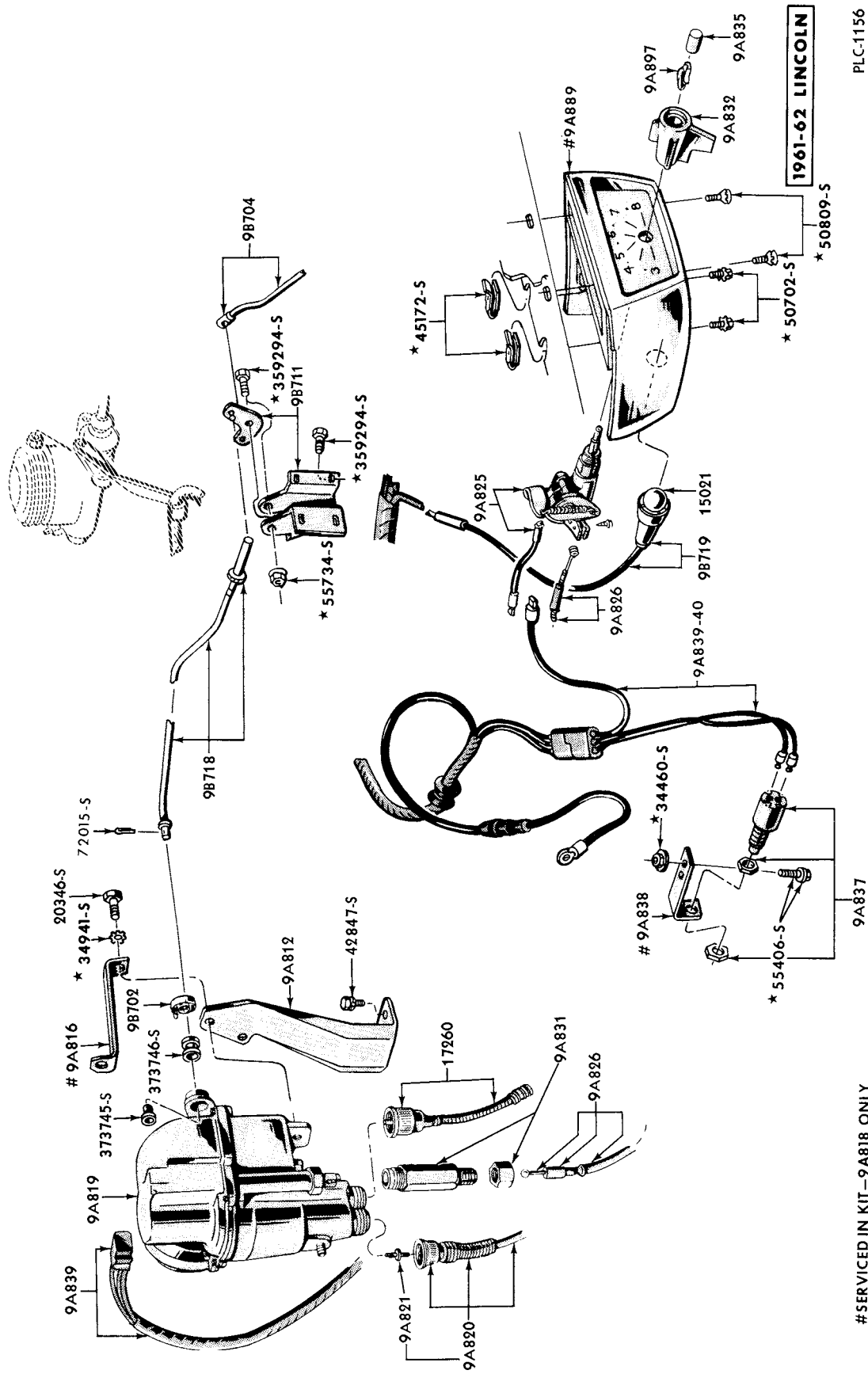
SPEED CONTROL



1960 LINCOLN
PLC-1006

SPEED CONTROL UNIT

SERVICED IN KIT-9A818 ONLY
*EXISTING PARTS

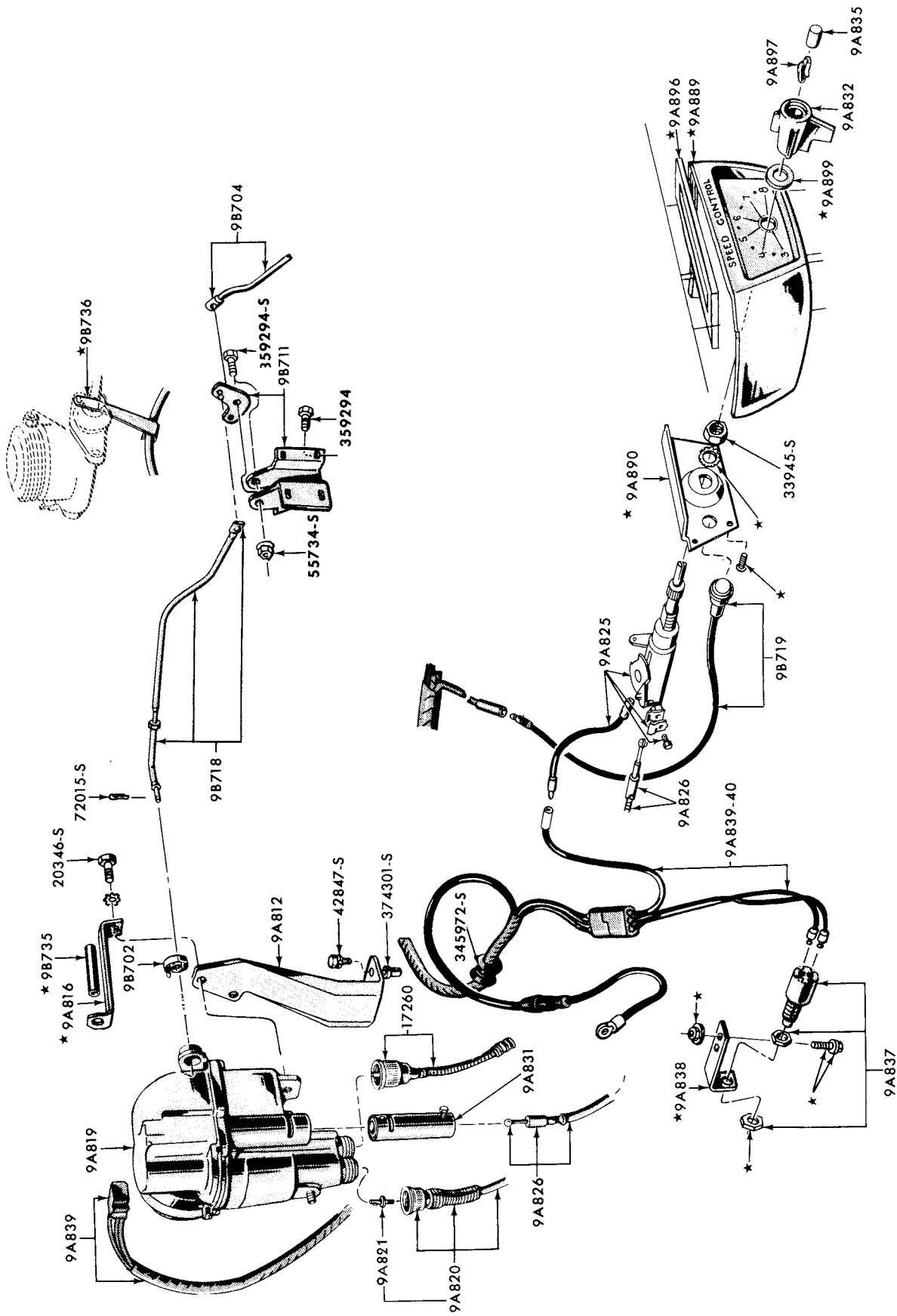


1961-62 LINCOLN

#SERVICED IN KIT—9A818 ONLY

PLC-1156

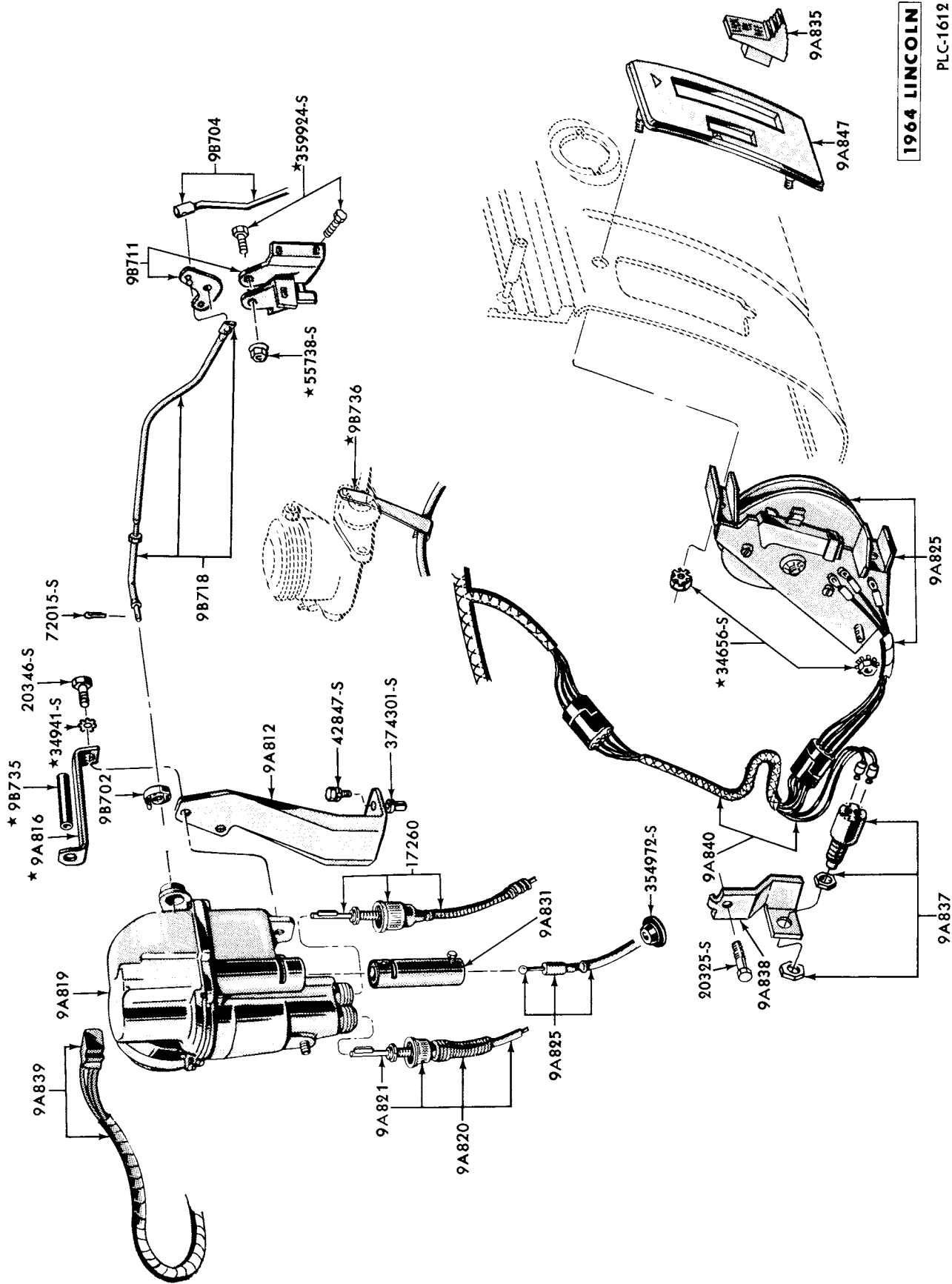
SPEED CONTROL UNIT



1963 LINCOLN

PLC-1377

SPEED CONTROL - 430 C. I. D. ENGINE



1964 LINCOLN

PLC-1612

SPEED CONTROL

Fuel Tank

GROUP AND PART NUMBER	DESCRIPTION, SIZE, ETC.	NO. REQ'D	MODEL OR ENGINE CUBIC INCH DISPLACEMENT	VEHICLE CODE	YEAR 19____
9002 TANK (FUEL)					
COMM 9002-B		1	All except 77	A	60
COMM 9002-C		1	77	A	60
C1MM 9002-C		(b) 1	All except 71	A	61
C2AZ 9002-B		(b) 1	71	A	61/62
C2MY 9002-A		1	All except 71	A	62
C3MY 9002-A		(b) 1	All except 71	A	63
C3AZ 9002-A		(b) 1	71	A	63/64
C4MY 9002-A	With drain plug	(b) 1	All except 71	A	64
C2OZ 9002-A		(b) 1	All except 71	B	62/63
C3OZ 9002-A	Use on vehicles built prior to 11-1-62	(b) 1	71	B	63
Kit - consists of the following -					
(1) 8A-8287	clamp	(1) C3OZ-9002-B	tank assembly	(1) C3OZ-9047-B	hose
C3OZ 9002-B	2-1/4" filler neck - use on vehicles built after 10-31-62	(b) 1	71	B	63
C4DZ 9002-A		(a, b) 1	All except 59, 71	C	60/61
C1DZ 9002-B		(b) 1	59, 71	C	60/63
C2GY 9002-A		(b) 1	All except 59, 71	C	62/63
C4DZ 9002-D	With drain plug - 20 gallon capacity	(b) 1	71	C	64
C4GY 9002-A	With drain plug - 20 gallon capacity	(b, c) 1	All except 71	C	64
COLL 9002-C		1	430-2V	D	60
C1VY 9002-A	With drain plug	(b) 1	430-2V	D	61/62
C3VY 9002-A	With drain plug	(b) 1	430-4V	D	63
C4VY 9002-A	With drain plug - use on vehicles built prior to 3-27-64	1	All	D	64
C4VY 9002-B	With drain plug and vent tube - use on vehicles built after 3-26-64	1	All	D	64
31498-S	Screw and washer-self-tapping	14	c		
41210-S	Bolt-self-tap. -hex. hd. -5/16"-24 x 3/4"	11	a		
353055-S7	Plug-tank drain-extended hd. -1/4"-18 x 3/4"	1	b		
356184-S	NS-washer-flat-21/64" I.D. x 5/8" O.D.	AR	a, c		
9008 RETAINER (FUEL TANK FILLER PIPE SEAL)					
C3AZ 9008-A	Lower	1	71	A	63/64
C3OZ 9008-A		1	71	B	63
9A010 BOLT (FUEL TANK STRAP)					
B9MY 9A010-A	3/8"-16 x 3-7/16" long - hooked end	(a) 2	All	A	60
B8AZ 9A010-A	3/8"-16 x 6-1/2" long - hooked end	(a) 2	All except 71	A	61/64
COAA 9A010-B	"J" shaped - 3/8"-16 x 3-3/16" overall length	(a) 2	71	A	61/64
		2	All	B	62/63
		2	59, 71	C	60/64
B8LY 9A010-A	"J" shaped - 3/8"-16 x 4-7/8" long	(b) 2	430-2V	D	60
C1VV 9A010-C	"J" shaped - 3/8"-16 x 6" long	(b) 2	430-2V, 430-4V	D	61/63
C4VY 9A010-A	"J" shaped - 3/8"-16 x 6-1/4" long	(a) 2	All	D	64
34444-S8	NS-nut-thick lock hex. -3/8"-16	AR	a		
44726-S8	Washer-flat-3/8"	AR	a, b		
	NS-nut-thick lock hex. -3/8"-16	2	b		
9024 REFER TO GROUP 9069					
9030 CAP (FUEL TANK FILLER)					
COMM 9030-A		1	77	A	60
C3AZ 9030-A	Vented	1	71	A	61/63
		1	71	C	64
C3AZ 9030-B	Vented	1	All except 71	A	64
		1	All except 71	C	64
CONTINUED ON NEXT PAGE					

Fuel Tank

GROUP AND PART NUMBER	DESCRIPTION, SIZE, ETC.	NO. REQ'D	MODEL OR ENGINE CUBIC INCH DISPLACEMENT	VEHICLE CODE	YEAR 19____
9030 CAP (FUEL TANK FILLER) CONTINUED					
C1VV 9030-B	Non-vented - use with 2" filler neck	1 1	All except 56, 77 All	A D	60 61/63
B9A 9030-A	Non-vented	1 1	All except 71 All	A D	61/63 60
C4RZ 9030-B	Vented - locking type - accessory	1 1 1	All except 71 All except 71 All	A B D	60 62/63 61/64
C4RZ 9030-C	Vented - locking type - accessory	1 1 1 1	71 All All except 71 All	A A C D	60 61/64 64 60
C2OA 9030-A	Vented	1 1	All All except 71	B B	62 63
C3YY 9030-B	Finish - "BRIGHT" - vented	1	71	B	63
C1KK 9030-B		1	All except 59, 71	C	60/61
CODZ 9030-C	Finish "BRIGHT" - non-vented	1	59, 71	C	60/62
CODD 9030-J	Finish "PRIME" - non-vented	1	59, 71	C	60/63
C4RZ 9030-A	Vented - locking type - accessory	1	All	C	60/63
C2GY 9030-D	Non-vented with applique - includes - (1) C2GY-9030-D cap (1) C2GY-6241804-C applique	1	54A, 62A	C	62
C2GY 9030-C	Non-vented - includes C2GB-6240513-C and BRIGHT finish handle	1 1	62C 62C, 76B	C C	62 63
C3GY 9030-A	Finish "BRIGHT"	1	All except 59, 62C, 71, 76B	C	63
C4GY 9030-B	Filler - anti-surge pressure vented	1	71	C	64
Kit consists of the following -					
§(1) C4GA-9A107-B	cap-fuel filler	§(1) C4GB-71405A48-A	mldg. -upper	(1) 359464-S7	nut-stud sprng.-1/8"
§(1) C4DA-9A112-B	ret. -fuel filler	§(4) 40904-S8	screw-tap.hex.hd.	to attach letter "M" to cap	
§(1) C4GB-7129255-A	letter "M"	(2) to attach lower moulding to cap			
§(1) C4GB-71405B30-A	moulding-lower	(2) to attach upper moulding to cap			
§ Serviced in this kit only					
C4SZ 9030-A	Use on vehicles built prior to 3-27-64 with non-vented fuel tanks	1	All	D	64
C4SZ 9030-B	Vented - identified by ink stamp on top surface of shell - use on vehicles built after 3-26-64	1	All	D	64
9034 PIPE (FUEL TANK FILLER)					
COMM 9034-B		(a) 1	77	A	60
C1MM 9034-D		(a) 1	71	A	61/62
C3MY 9034-A		1	All except 71	A	63
C3AZ 9034-A		(c) 1	71	A	63/64
C4MY 9034-A		(c) 1	All except 71	A	64
C2YY 9034-B	Must be used with C2OZ-8287-A clamp	1 1	All All except 71	B B	62 63
C3OZ 9034-A	2" diameter - use on vehicles built prior to 11-1-62	1	71	B	63
C3OZ 9034-B	2-1/4" diameter - use on vehicles built after 10-31-62	1	71	B	63
C1KK 9034-B	Must be used with CODD-9002-S	(b) 1	All except 59, 71	C	60
C1GG 9034-A	When used as a replacement on 1960 vehicles equipped with CODD-9002-S relocate the flange holes and rework vent tube	1	All except 59, 71	C	60/61
CONTINUED ON NEXT PAGE					

Fuel Tank

GROUP AND PART NUMBER	DESCRIPTION, SIZE, ETC.	NO. REQ'D	MODEL OR ENGINE CUBIC INCH DISPLACEMENT	VEHICLE CODE	YEAR 19__
9034 PIPE (FUEL TANK FILLER) CONTINUED					
CODD 9034-F		1	59,71	C	60/63
C2GY 9034-A		1	All except 59,71	C	62/63
C4DZ 9034-A		1	71	C	64
C4GY 9034-A		1	All except 71	C	64
C1VV 9034-C		1	430-2V	D	61/62
C3VY 9034-A		1	430-4V	D	63
C4VY 9034-A		1	All	D	64
C4VY 9034-B	Housing - fuel tank filler pipe - center	1	All	D	64
33883-S7	Screw-self-tap. -5/16"-18 x 1/2"	1	a		
42127-S	Screw-hex. washer hd. tap. -No. 10-12 x 1/2"	2	c		
51766-S	Screw-pan hd. -No. 10-32 x 1/2"	4	b		
9A034 SLEEVE (FUEL TANK VENT TUBE)					
	NS-rubber - 9/32" I.D. x 9/16" O.D. x 1-1/2" long - cut from C2AZ-9324-A	1	All except 71	A	61/63
9035 GASKET (FUEL TANK FILLER CAP)					
C4SZ 9035-A	Rubber - 2" O.D. x 1.160" I.D. x .048" thick	AR	430	D	64
C4SZ 9035-B	Rubber - 2" O.D. x 1.160" I.D. x .063" thick	AR	430	D	64
9039 FLANGE (FUEL TANK FILLER OUTER)					
C3OZ 9039-A	Use on vehicles built prior to 11-1-62 with fuel tank having 2" diameter filler neck	1	71	B	63
C3OZ 9039-B	Use on vehicles built after 10-31-62 with fuel tank having 2-1/4" diameter filler neck	1	71	B	63
CODD 9039-B		1	59,71	C	60/63
C2GY 9039-A		1	All except 59,71	C	62
C3GY 9039-A		1	All except 59,71	C	63
9040 BRACKET (FUEL TANK FILLER PIPE)					
C2OZ 9040-A	Must be used with (1) 5/16"-18 x 5/16" (a) hex. head bolt, (1) 5/16" external tooth washer and (1) 370328-S2 nut retainer assembly on all vehicles built with either new or old type filler pipe - use to attach fuel tank filler pipe to body bracket	1	All	B	62
370328-S2	Nut retainer assy. -5/16"-18	1	a		
9046 BRACKET (FUEL TANK SUPPORT REAR)					
C2OB 9046-A		2	All except 71	B	62/63
C3OZ 9046-A	Use on vehicles built prior to 2/1/63	2	71	B	63
C3OZ 9046-B	Use on vehicles built after 1/31/63	2	71	B	63
9047 HOSE (FUEL TANK FILLER)					
PB9M 9047-A	2-5/16" diameter x 2-3/4" long	1	77	A	60
1M 9047	Rubber - 2-5/16" diameter x 3-21/32" long - for service cut to 3" length	1	71	A	61/62
	NS-rubber - 2-3/16" I.D. x 6" long - cut to 6" length - center to center of ends - cut from C3AZ-9047-A	1	All except 71	A	63
C3AZ 9047-A	Rubber - 2-3/16" I.D. x 8-1/2" long - center to center of ends	1	71	A	63/64
C4OZ 9047-A	Rubber - 2-7/32" I.D. x 6-53/64" long - cut to 3-49/64"	1	All except 71	A	64
CONTINUED ON NEXT PAGE					

Fuel Tank

GROUP AND PART NUMBER	DESCRIPTION, SIZE, ETC.	NO. REQ'D	MODEL OR ENGINE CUBIC INCH DISPLACEMENT	VEHICLE CODE	YEAR 19____
9047 HOSE (FUEL TANK FILLER) CONTINUED					
C3OZ 9047-B	Rubber - 1-15/16" I. D. on (1) end and 2-3/16" I. D. on the other x 5-7/16" long - use on vehicles built prior to 11-1-62 having fuel tank with 2-1/4" O. D. filler neck and with 2" O. D. filler pipe	1	71	B	63
C3OZ 9047-A	Rubber - 2-3/16" I. D. x 4-3/4" long - use on vehicles built after 10-31-62 with fuel tank having 2-1/4" diameter filler neck	1	71	B	63
CODD 9047-C	Rubber - 2" I. D. x 12-41/64" long	1	59, 71	C	60/63
		1	All except 71	C	64
	When used on Meteor station wagons they must be equipped with a fuel tank with 2" diameter filler neck on vehicles built prior to 11-1-62	1	All	B	62/63
	NS-rubber - 2" I. D. x 4-1/2" long - cut from CODD-9047-C	1	All except 59, 71	B C	61/63
C4DZ 9047-B	Rubber - 2-7/32" I. D. x 12" long - use on vehicles built prior to 3-15-64	1	71	C	64
C4DZ 9047-C	Rubber - 2-7/32" I. D. x 12-1/2" long - center to center of ends - use on vehicles built after 3-14-64	1	71	C	64
C4GY 9047-A	Rubber - 2-7/32" I. D. x 3-17/64" long	1	All except 71	C	64
9-9048 REFER TO GROUP 9049					
9049 TUBE (FUEL TANK VENT)					
COMM 9049-B		(a) 1	77	A	60
COMM 99048-B		(a) 1	All except 77	A	60
	NS-steel tubing - 5/16" diameter x 36" long - cut from 8C-2269-A bulk tubing (25) ft. roll - use on vehicles built after 4-30-61	1	All except 77	A	61
C1MM 9A086-A	Use on vehicles built prior to 5-1-61	1	All except 71	A	61/62
	NS-5/16" diameter steel tubing x 34" long - cut from 8C-2269-A - 25 ft. roll	1	All except 71	A	62
	NS-5/16" diameter steel tubing x 33-1/2" long - cut from 8C-2269-A - 25 ft. roll	1	All except 71	A	63
	NS-5/16" diameter steel tubing x 59" long - cut from 8C-2269-A - 25 ft. roll	1	All except 59, 71	C	60
	NS-5/16" diameter steel tubing x 38-1/4" long - cut from 8C-2269-A - 25 ft. roll	1	59, 71	C	60/63
	NS-5/16" diameter steel tubing x 57" long - cut from 8C-2269-A - 25 ft. roll	1	All except 59, 71	C	61
	NS-5/16" diameter steel tubing x 56" long - cut from 8C-2269-A - 25 ft. roll	1	All except 59, 71	C	62/64
LF 9049-B	Tubing-steel - 5/16" diameter x 76-1/4" long	(b) 1	430-2V	D	60
	NS-brass tubing - 1/8" O. D. x 50" long - improvise locally	1	All	D	64
34053-S7	Nut-hex. -No.10-24	AR	a		
34690-S	Nut-jam-7/16"-20	AR	a		
34806-S7	Washer-spring lock-5/16"	AR	a, b		
34903-S8	Washer-internal tooth lock-No.10	AR	a		
39883-S7	NS-screw-hex. washer hd. tap.	AR	a		
351767-S8	Clip	AR	a		
351809-S	Nut-hex. -5/16"-24	2	b		
9057 REFER TO GROUP 9092					

Fuel Tank

GROUP AND PART NUMBER	DESCRIPTION, SIZE, ETC.	NO. REQ'D	MODEL OR ENGINE CUBIC INCH DISPLACEMENT	VEHICLE CODE	YEAR 19.....
9A064	CLAMP (FUEL TANK FILLER NECK HOSE) NS-use 8A-8287	2	All	C	61
9068	BRACKET (FUEL TANK SUPPORT FRONT)				
C3OZ 9068-A		1	71	B	63
9A068	REFER TO GROUP 9240				
9069	GROMMET (FUEL TANK VENT TUBE)				
PB9M 9024-A	Rubber - 15/32" I.D. x 3/4" O. D.	1	77	A	60
B5A 9069-A	Rubber (2) used with 59 and 71 Comet models and (1) with all other models	1 1-2	All All	A B C	60/62 60/63
		1	430-2V	D	60
9072	SEAL (FUEL TANK FILLER PIPE)				
C3AZ 9072-A		1	71	A	63/64
C1VY 9072-A	"O" ring - 1.925" I.D. x 2.165" O.D.	1	430	D	61/64
9076	GASKET (FUEL TANK FILLER TO QUARTER PANEL)				
C3AZ 9076-A	Fuel tank filler pipe upper seal	1	71	A	63/64
C3OZ 9076-A		1	71	B C	63/64
C1KK 9076-A		1	All except 59, 71	C	60/61
CODD 9076-B	Paper (1) use as fuel tank filler to quarter panel gasket (1) use as fuel tank filler to adjustable cam gasket	2	All	C	60/63
C4GY 9076-B		1	All except 71	C	64
C4SZ 9076-A	Fuel tank filler pipe upper seal - sponge rubber - 3" I.D. x 4" O.D. x 1/2" thick - use on vehicles built prior to 12-23-63	1	All	D	64
C4SZ 9076-B	Fuel tank filler tank upper seal - rubber - 3" I.D. x 4" O.D. x 1/4" thick - use on vehicles built after 12-22-63	1	All	D	64
9080	GROMMET (FUEL TANK FILLER PIPE)				
COMB 9080-A	Grommet	1	77	A	60
C3OZ 9080-A		1	71	B	63
CODB 9080-A	Rubber - 1-7/8" I.D. x 3-35/64" O.D.	1	59,71	C	60/63
C4DZ 9080-A	Rubber - 2-1/8" I.D. x 3-35/64" O.D. x 11/32" thick	1	71	C	64
B7A 9080-A	Rubber - 2-1/4" I.D. x 3-7/8" O.D. x 7/8" thick	1	430-2V	D	60
	NS-foam rubber - 5-21/32" long x 4-25/32" wide x 1/2" thick	1	430-4V	D	63
9A084	TUBE (FUEL TANK TO PUMP) REAR NS-3/8" diameter steel tubing x 149" long - cut to proper length from B7Q-2269-A bulk tubing - 25 ft. roll	1	430	D	61/64
9A086	REFER TO GROUP 9049				
9A091	TANK ASSEMBLY (FUEL VENT EXPANSION)				
C1VV 9A091-A		1	430	D	61/63

Fuel Tank

GROUP AND PART NUMBER	DESCRIPTION, SIZE, ETC.	NO. REQ'D	MODEL OR ENGINE CUBIC INCH DISPLACEMENT	VEHICLE CODE	YEAR 19__
9092 STRAP (FUEL TANK SUPPORT)					
PB9M 9092-A		2	All	A	60
COAA 9092-D		(a) 2	All except 71	A	61/64
COAA 9092-C		(a) 2	71	A	61/64
C2OZ 9092-B		(a) 2	All except 71	B	62/63
C3OZ 9092-B		(a) 2	71	B	63
CODD 9057-A	Rear	2	59,71	C	60/63
C4DZ 9057-A	Rear	1	71	C	64
COLL 9092-A		(a) 2	430-2V	D	60
C1VV 9092-D		(a) 2	430	D	61/62
C4SZ 9092-A		2	All	D	64
34444-S8	NS-nut-hex. -3/8"-16-strap to rear floor pan	2	a		
44726-S8	Washer-flat-3/8"-strap to rear floor pan	2	a		
9A092 HOSE (FUEL TANK VENT EXPANSION TANK)					
	NS-9/32" I.D. x 9/16" O.D. x 7-1/4" long - cut from C2AZ-9324-A which is 27" long	1	430	D	61/63
9A093 CLAMP (FUEL TANK VENT EXPANSION TANK)					
C1VV 9A093-A	Steel - 1" wide x 1/16" thick - 2-5/8" I.D. (a)	1	430	D	61/63
34052-S8	Nut-hex. -No. 8-32	1	a		
40143-S8	Screw-hex. tap. -5/16"-18 x 1/2"	1	a		
50507-S8	Screw-cr. rec. pan hd. -No. 8-32 x 5/8"	1	a		
9A097 SHIELD (FUEL TANK FILLER PIPE)					
C1VV 9A097-A	Rubber - 5-3/4" long x 4-1/2" wide x 1/16" thick with (1) 2-7/32" opening and (2) 23/64" slots	1	430-2V	D	61
	NS-improvise - rubber - 5-11/32" long x 4-1/4" wide x 1/16" thick with 2-3/4" x 2-1/4" opening and (2) 11/32" diameter holes	1	430-2V	D	62
9099 GUARD (FUEL TANK)					
C4VY 9099-A	Steel	1	All	A	64
9101 TUBE (FUEL TANK VENT)					
	NS-lower - steel tubing - 5/16" dia. x 16-1/2" long - cut to proper length from 8C-2269-A bulk tubing - 25 ft. roll	1	All except 77	A	60
	NS-5/16" diameter steel tubing - cut to proper length from 8C-2269-A bulk tubing - 25 ft. roll	1	430	D	61/63
9125 RING (FUEL TANK FILLER CAP RETAINING CHAIN)					
B9MM 9125-A	Spring steel	1	All	A	60
9A129 HOSE (FUEL TANK OVERFLOW)					
C4VY 9A129-A	Neoprene - 1/2" I.D. x 24-19/32" formed length	1	All	D	64
9133 CHAIN (FUEL TANK FILLER CAP RETAINING)					
B9MM 9133-A	10" long	1	All	A	60

Fuel Tank

GROUP AND PART NUMBER	DESCRIPTION, SIZE, ETC.	NO. REQ'D	MODEL OR ENGINE CUBIC INCH DISPLACEMENT	VEHICLE CODE	YEAR 19__
9136 SEAL (FUEL TANK FILLER NECK TO REAR FLOOR PAN)					
COMB 9136-A	Rubber - 1/4" thick x 5-1/2" wide x 8" long with 1/2" x 1-1/16" slot	1	All except 77	A	60
C1VB 9136-A	Rubber - 7" wide x 8" long x 1/4" thick - use on vehicles built prior to 12-3-62	1	430-2V	D	61/63
9155 FILTER (FUEL)					
C3MY 9155-A	Chrome - also included in C4AZ-6980-A dress-up kit	1	427-4V, 427-8V	A	63
		1	390-2V, 390-4V, 427-4V, 427-8V	A	64
C2AZ 9155-A	☆ Use on vehicles without a/cond. (a)	1	170-1V, 221-2V, 223-1V, 260-2V, 292-2V, 352-2V☆, 390-4V☆	A B	62
	☆ Use on vehicles built prior to 2-14-63	1	170-1V, 200-1V☆	B	63
C2RZ 9155-A	Kit	1	144-1V, 170-1V, 223-1V, 292-2V, 352-2V, 390-4V	A C	61
Package also includes -					
(1) I. S. -972 instruction sheet					
B7Q 9155-A	Color BLACK	1	406-4V, 406-6V, 427-4V, 427-8V	A	62/64
	Special Performance (Engine Warranty Code D)	1	289-4V	C	64
CODZ 9155-A	On vehicles equipped with 312-2V engines, it is necessary to use - (1) COME-9A274-A tube (1) COME-9350-A fuel pump (1) 373171-S elbow end ☆ Use on vehicles built after 5-2-60	1	144-1V, 312-2V☆, 383-2V,	A C	60
		1	430	D	60/64
C2DZ 9155-A	(a)	1	144-1V, 170-1V	C	62
Package also includes -					
(1) C2AE-9C323-A or C hose (2) 375416-S35 clamp					
34807-S	Lockwasher-3/8"	3	a		
42999-S	Bolt-hex. hd. self-locking-3/8"-16 x 1-1/8"	3	a		
9170 REFER TO GROUP 9324					
9171 CLAMP (FUEL TANK VENT TUBE HOSE)					
8M 9171-B	7/64" diameter wire x 1/2" I.D. - use to attach fuel filter to fuel tube	2	144-1V, 170-1V, 223-1V, 292-2V, 352-2V, 390-4V	A C	61
9180 BRACKET (FUEL FILTER TUBE SUPPORT)					
C1AZ 9180-C		1	223-1V	A	61/62
C1AZ 9180-B		1	292-2V	A	61/62
C1AZ 9180-A		1	352-2V, 390-4V	A	61/62
COAE 9180-A	Fuel filter mounting bracket	1	427-4V, 427-8V	A	63/64
C2OZ 9180-A	Fuel filter mounting bracket - use on vehicles built prior to 2-14-63	1	200-1V	B	63
C2DZ 9180-A	Fuel filter tube support bracket	1	144-1V, 170-1V, 200-1V	B C	61/64
C3OZ 9180-A	Fuel pump to carburetor tube	1	260-2V, 289-4V	C	64
9180 BRACKET ASSEMBLY (FUEL FILTER)					
C2AZ 9180-A		1	223-1V	A	62
C2OZ 9180-A		1	170-1V	B	62
9240 INSULATOR (FUEL TANK)					
	NS-rubber - 27" x 23-3/4" x 1/32" thick - improvise	1	All	A	60
CONTINUED ON NEXT PAGE					

Fuel Tank

GROUP AND PART NUMBER	DESCRIPTION, SIZE, ETC.	NO. REQ'D	MODEL OR ENGINE CUBIC INCH DISPLACEMENT	VEHICLE CODE	YEAR 19__
9240 INSULATOR (FUEL TANK) CONTINUED					
	NS-felt - 13-3/4" x 17" x 5/16" thick	1	All except 71	A	62/64
	NS-felt - 12" x 34" x 11/32" thick	1	71	B	63
	NS-rubber - 28" wide x 32-3/4" long x 1/16" thick - improvise locally	1	430-2V	D	61/62
	NS-felt - 28-1/2" wide x 32-5/8" long x 3/32" thick - improvise	1	430-4V	D	63
	NS-felt - 27" wide x 29-1/2" long x 3/32" thick	1	All	D	64
9241 FITTING (FUEL PUMP INLET)					
B8LY 9241-A	Brass - 1/4"-18 pipe thread x 1-3/4" overall length (1) use as pump inlet fitting (1) use to attach 7A031 tube and 7B093 hose to radiator	2	430	D	60/64
9242 FERRULE (FUEL LINE)					
B 9242-A	For 1/4" tubing - use with 357980-S nut - fuel pump to carburetor - alternate with 357940-S	1 1	All except 223-1V All	A B C D	60/64 60/63
357980-S	Nut-hex. -7/16"-24	1	a		
9-9248 TUBE (FUEL TANK TO PUMP) FRONT					
	NS-tubing - steel - 3/8" diameter x 86" long - cut from B7Q-2269-A bulk tubing - 25 ft. roll	(a) 1	430-2V	D	60
31498-S	Screw-hex. washer hd. self-tap.	1	a		
9C272 RETAINER (FUEL & TEMPERATURE INDICATOR BEZEL)					
C1VF 9C272-A	(2) for clock bezel (2) for fuel and temperature bezel	AR	All	D	61/63
9273 INDICATOR (OIL PRESSURE)					
C3MY 9273-A	(a)	1	390-2V, 390-4V, 406-4V, 406-6V	A	63
C4MY 9273-A	With pointer	1	All	A	64
C2YY 9273-A		1	170-1V, 221-2V	B	62
C3YY 9273-B	(a)	1	170-1V, 221-2V, 260-2V	B	63
C4GY 9273-A	With pointer	1	All	C	64
C4VY 9273-A	With pointer	1	All	D	64
34079-S7	Nut-hex. -No. 10-32	2	a		
44713-S8	Washer-flat-No. 10	2	a		
9B273 TUBE (FUEL FILTER TO FUEL PUMP)					
	NS-5/16" diameter steel tubing x 37" developed length with (1) 87944-S fitting - cut from 8C-2269-A	1	223-1V	A	61
	NS-5/16" diameter steel tubing x 21" developed length with (1) 87944-S fitting - cut from 8C-2269-A	1	292-2V	A	61
	NS-5/16" diameter steel tubing x 26-11/16" developed length with (1) 87944-S fitting - cut from 8C2269-A	1	352-2V	A	61
	NS-5/16" diameter steel tubing x 26-1/2" developed length - cut from 8C-2269-A bulk tubing (25) foot roll	1	390-4V	A	61
CONTINUED ON NEXT PAGE					

Fuel Tank

GROUP AND PART NUMBER	DESCRIPTION, SIZE, ETC.	NO. REQ'D	MODEL OR ENGINE CUBIC INCH DISPLACEMENT	VEHICLE CODE	YEAR 19____
9B273	TUBE (FUEL FILTER TO FUEL PUMP) CONTINUED				
	NS-5/16" diameter steel tubing x 14-27/32" long - use with (2) 87944-S fittings - cut from 8C-2269-A bulk tubing (25) foot roll	1	223-1V	A	62
	NS-5/16" diameter steel tubing x 9-3/4" long - use with (2) 87944-S fittings - cut from 8C-2269-A bulk tubing (25) foot roll	1	292-2V	A	62
	NS-5/16" diameter steel tubing x 19-1/4" long - use with (2) 87944-S8 fittings - cut from 8C-2269-A bulk tubing (25) foot roll - use on vehicles not equipped with a/cond.	1	352-2V, 390-4V	A	62
	NS-3/8" diameter steel tubing x 16-9/32" long - cut from B7Q-2269-A bulk tubing (25) foot roll - use with (2) 87945-S fittings	1	406-4V, 406-6V, 427-4V, 427-8V	A	62/63
	NS-3/8" diameter steel tubing x 12-7/16" long - cut from B7Q-2269-A bulk tubing - (25) ft. roll - use with (2) 87945-S fittings	1	427-4V, 427-8V	A	64
	NS-5/16" diameter steel tubing x 12-21/32" long - use with (2) 87944-S fittings - cut from 8C-2269-A bulk tubing (25) foot roll	1	170-1V	B	62
	NS-5/16" diameter steel tubing x 18-1/2" long - use with (2) 87944-S8 fittings - cut from 8C-2269-A bulk tubing (25) foot roll	1	221-2V, 260-2V	B	62
	NS-5/16" diameter steel tubing x 14" long - use with (2) 87944-S fittings - cut from 8C-2269-A bulk tubing (25) ft. roll ★ Use on vehicles built prior to 2-14-63	1	170-1V, 200-1V★	B	63
	NS-5/16" diameter steel tubing x 38" (a) developed length - cut from 8C-2269-A - (25) foot roll	1	144-1V, 170-1V	C	61
375416-S35	Clamp-hose-9/16"	2	a		
9A274	TUBE (FUEL FILTER TO CARBURETOR)				
	NS-5/16" diameter steel tubing x 22-9/16" long - use with (2) 87944-S fittings - cut from 8C-2269-A bulk tubing (25) foot roll	1	292-2V	A	60
	NS-5/16" diameter steel tubing x 20-1/2" long - use with (2) 87944-S8 fittings and (1) 373171-S elbow - cut from 8C-2269-A bulk tubing (25) foot roll	1	312-2V	A	60
C1AE 9A274-A	Assembly - 5/16" diameter steel tubing x 5" developed length - use with (1) 87944-S fitting - use without emission reduction system	1	223-1V	A	61
	NS-5/16" diameter steel tubing x 5-5/64" long - cut from 8C-2269-A bulk tubing (25) foot roll - use with the following - (1) 373326-S8 or 373305-S8 fitting (1) 87944-S8 fitting - use with emission reduction system	1	223-1V	A	61
C1AE 9A274-B	Assembly - 5/16" diameter steel tubing x 4-1/2" developed length - use with (1) 87944-S8 fitting	1	292-2V	A	61
	NS-5/16" diameter steel tubing x 31-15/16" long - use with (1) 87944-S8 fitting - cut from 8C-2269-A bulk tubing (25) foot roll	1	223-1V	A	62
	CONTINUED ON NEXT PAGE				

Fuel Tank

GROUP AND PART NUMBER	DESCRIPTION, SIZE, ETC.	NO. REQ'D	MODEL OR ENGINE CUBIC INCH DISPLACEMENT	VEHICLE CODE	YEAR 19__
9A274	TUBE (FUEL FILTER TO CARBURETOR) CONTINUED				
	NS-5/16" diameter steel tubing x 29-5/32" long - use with (1) 87944-S fitting - cut from 8C-2269-A bulk tubing (25) foot roll	1	292-2V	A	62
	NS-5/16" diameter steel tubing x 15-13/16" long - use with (1) 87944-S8 fitting - cut from 8C-2269-A bulk tubing (25) foot roll	1	352-2V, 390-4V	A	62
	NS-3/8" diameter steel tubing x 12-7/16" long - cut from B7Q-2269-A bulk tubing (25) foot roll - use with (2) 87945-S fittings	1	406-4V, 427-4V	A	62/64
	NS-fuel filter outlet tube - 3/8" diameter steel tubing x 15-15/16" long - cut from B7Q-2269-A bulk tubing (25) foot roll	1	406-6V, 427-8V	A	62/64
	NS-5/16" diameter steel tubing x 41-1/4" long - use with (1) 87944-S fitting - cut from 8C-2269-A bulk tubing (25) foot roll	1	170-1V	B	62
	NS-5/16" diameter steel tubing x 15-3/4" long - use with (1) 87944-S8 fitting - cut from 8C-2269-A bulk tubing (25) foot roll	1	221-2V, 260-2V	B	62
	NS-5/16" diameter steel tubing x 38-43/64" long - cut from 8C-2269-A bulk tubing - (25) ft. roll - use with (2) 87944-S8 fittings ☆ Use on vehicles built prior to 2-14-63	1	170-1V, 200-1V☆	B	63
	NS-5/16" diameter steel tubing x 53-1/2" (a) long - use with (2) 87944-S8 fitting - cut from 8C-2269-A bulk tubing (25) foot roll	1	144-1V	C	60
C1DE 9A274-A	5/16" diameter steel tubing x 5-1/2" long (a) with (1) 87944-S fitting	1	144-1V, 170-1V	C	61
	NS-5/16" diameter steel tubing x 48-3/4" long - use with (1) 87944-S8 fitting - cut from 8C-2269-A bulk tubing (25) foot roll	1	144-1V, 170-1V	C	62
	NS-5/16" diameter steel tubing x 19-23/64" long - use with (2) 87944-S8 fittings - cut from 8C-2269-A bulk tubing (25) foot roll	1	430-2V	D	60
	NS-5/16" diameter steel tubing x 15-3/8" long - use with (2) 87944-S8 fittings - cut from 8C-2269-A bulk tubing (25) foot roll	1	430-2V	D	61/62
	NS-5/16" diameter steel tubing x 28-3/4" long - use with (2) 87944-S8 fittings - cut from 8C-2269-A bulk tubing (25) foot roll	1	430-4V	D	63/64
87944-S	Nut-inverted flared tube fitting-1/2"-20 x 3/8"	2	a		
87972-S	NS-nut-inverted flared tube fitting-5/16" x 1/8" x 1/2"-20	1	a		
9275	SENDER (FUEL TANK)				
PB9M 9275-A		1	All	A	60
C3AZ 9275-A	NS - 11/1/64 RB C3AZ-9275-B				
C3AZ 9275-B	Use on vehicles equipped with 4V engine only When used to replace C2AZ-9275-B - 5" of 18 gauge wire must be used along with (1) each FDT-14461-A and FEM-14464-A terminals	1	71	A	61/63
	CONTINUED ON NEXT PAGE				

Fuel Tank

GROUP AND PART NUMBER	DESCRIPTION, SIZE, ETC.	NO. REQ'D	MODEL OR ENGINE CUBIC INCH DISPLACEMENT	VEHICLE CODE	YEAR 19__
9275 SENDER (FUEL TANK) CONTINUED					
C2AZ 9275-D	Use on vehicles equipped with 4V and 8V engines only When used to replace COAZ-9275-C - 5" of 18 gauge wire must be used along with (1) each FDT-14461-A and FEM-14464-A terminals	(Δ) 1	All except 71	A	61/62
		1	All except 71	A	63/64
C3MY 9275-B	Use on vehicles equipped with 2V engine only(Δ)	1	71	A	63
C3MY 9275-A	Use on vehicles equipped with 2V engine only(Δ)	1	All except 71	A	63/64
C3AZ 9275-B	Use on vehicles equipped with 4V engine only(Δ)	1	71	A	64
C4MY 9275-A	Use on vehicles equipped with 2V engine only(Δ)	1	71	A	64
Δ Package also includes - (1) COAF-9276-A gasket					
C2OZ 9275-B	When used to replace C1DF-9275-A - 5" (†) of 18 gauge wire must be used along with (1) each FDT-14461-A and FEM-14464-A terminals	1	All except 71	B	62/63
C3OZ 9275-A		(†) 1	71	B	63
† Package also includes - (1) COAF-9276-A gasket					
C2DZ 9275-A	When used to replace C1DF-9275-A - 5" (§) of 18 gauge wire must be used along with (1) each FDT-14461-A and FEM-14464-A terminals	1	All except 59, 71	C	60/63
C2DZ 9275-B	When used to replace C1DF-9275-A - 5" (§) of 18 gauge wire must be used along with (1) each FDT-14461-A and FEM-14464-A terminals	1	59, 71	C	60/62
		1	59, 71	C	63
C4DZ 9275-A		(§) 1	71	C	64
C4GY 9275-A		(§) 1	All except 71	C	64
§ Package also includes - (1) COAF-9276-A gasket					
COLF 9275-A		1	430-2V	D	60
C3VY 9275-A	When used to replace C1DF-9275-A - 5" of 18 gauge wire must be used along with (1) each FDT-14461 and FEM-14464-A terminals	1	430-4V	D	61/63
Package also includes - (1) COAF-9276-A gasket					
C4VY 9275-B		1	430-4V	D	64
9C275 HOSE (FUEL TUBE) INTERMEDIATE					
	NS-rubber - 11/32" I.D. x 9/16" O.D. x (a) 8-1/4" long - cut from COAZ-9324-B which is 49" long	1	430	D	61/64
375416-S	Clamp-hose-9/16"	2	a		
9276 GASKET (FUEL TANK SENDER)					
B9AF 9276-A	Rubber - 2-1/8" I.D. x 2-9/16" O.D. x 5/32" thick	1	All	A D	60
COAF 9276-A	Rubber - 2-1/4" I.D. x 2-3/8" O.D. x 1/8" thick	1	All	A B C	60/64
		1	430	D	61/64
9277	REFER TO GROUP 9A307				

Fuel Tank

GROUP AND PART NUMBER	DESCRIPTION, SIZE, ETC.	NO. REQ'D	MODEL OR ENGINE CUBIC INCH DISPLACEMENT	VEHICLE CODE	YEAR 19__
9278 SWITCH (OIL PRESSURE SENDER)					
B6A 9278-B	Alternate with FDH-9278-A and FDA-9278-A	1	All	A	60/62
		1	All	C D	60/63
B7T 9278-A	Use with C2OZ-9B339-A fitting on (a)	1	All	B	62
	vehicles with 221-2V and 260-2V engines	1	170-1V, 200-1V, 221-2V, 260-2V, 390-2V, 390-4V	A B	63
		1	All	A C D	64
354955-S	Elbow-1/4-45 degrees - use on vehicles equipped with 390-2V and 390-4V engines - required to attach oil pressure sender to oil filter adaptor	1	a		
9280 INDICATOR (FUEL LEVEL)					
COMF 9280-A		1	All	A	60
C1AF 9305-A	Includes body, pointer and dial	1	All	A	61
C2MY 9280-A		1	All	A	62
C3MY 9280-A	Includes body, pointer and dial (a)	1	All	A	63
C4MY 9280-A	Includes body, pointer and dial	1	All	A	64
C2YY 9280-A		1	All	B	62
C3YY 9280-B	Includes body and pointer (a)	1	All	B	63
C1KF 9280-A		1	All	C	60/61
C2GF 9280-A		1	All	C	62/63
C4GY 9280-A	Includes body, pointer and dial	1	All	C	64
COLF 9280-C	Aluminum bezel - (5) graduation marks on black dial face	1	430-2V	D	60
C1VF 9280-B		1	430	D	61/63
C4VY 9280-A	Includes body, pointer and dial	1	All	D	64
	34079-S7 Nut-hex. -No. 10-32	2	a		
	44713-S Washer-flat-No. 10	2	a		
9D280 TUBE (CARBURETOR FUEL SUPPLY)					
C1AE 9D280-A	Connects 9A274 to 9D281 hoses	1	406-6V	A	62/63
C3AZ 9D280-A	Manifold type	1	427-8V	A	63/64
9B281 CLIP (FUEL FILTER BRACKET)					
B7TZ 9B281-A		2	427-4V, 427-3V	A	63/64
	371058-S Plug-cup-3/4"	1	a		
9D281 HOSE (FUEL BLOCK TO CARBURETOR)					
	NS-to No. 1 carburetor on 406-6V - 9/16" diameter x 4-19/32" long - cut from C3AZ-9D281-A	1	406-6V	A	62/63
	To front carburetor on 427-8V	1	427-8V	A	63
	NS-to No. 2 carburetor - 9/16" diameter - 4-7/8" long - cut from C3AZ-9D281-A	1	406-6V	A	62/63
C3AZ 9D281-A	19/64" I. D. x 5-9/32" long - to No. 3 carburetor on 406-6V engine - to rear carburetor on 427-8V engine	1	406-6V, 427-8V	A	62/64
	NS-19/64" I. D. x 4-55/64" long - cut from C3AZ-9D281-A - to front carburetor	1	427-8V	A	64
	375416-S Clamp-hose-9/16"	AR	a		
9282 TUBE (FUEL) REAR					
	NS-3/8" diameter steel tubing x 199" long - cut from B7Q-2269-A bulk tubing - (25) foot roll	1	All	A	60
	39883-S7 Screw-hex. washer hd. tap. -5/16"-18 x 1/2"	AR	a		

Fuel Tank

GROUP AND PART NUMBER	DESCRIPTION, SIZE, ETC.	NO. REQ'D	MODEL OR ENGINE CUBIC INCH DISPLACEMENT	VEHICLE CODE	YEAR 19__
9282	TUBE (FUEL TANK TO PUMP)				
	NS-5/16" diameter steel tubing x 181" (b) long - cut from 8C-2269-A bulk tubing - (25) foot roll Use on vehicles equipped with 6 cylinder engines	1	All except 71	A	61/62
	NS-5/16" diameter steel tubing x 161-1/2" (b) long - cut from 8C-2269-A bulk tubing - (25) foot roll Use on vehicles equipped with 6 cylinder engines	1	71	A	61/62
	NS-5/16" diameter steel tubing x 183-1/8" (b) long - cut from 8C-2269-A bulk tubing - (25) foot roll Use on vehicles equipped with 8 cylinder engines	1	All except 71, 406-4V, 406-6V	A	61/62
	NS-5/16" diameter steel tubing x 169-1/8" (b) long - cut from 8C-2269-A bulk tubing - (25) foot roll Use on vehicles equipped with 8 cylinder engines	1	71	A	61/62
	NS-3/8" diameter steel tubing x 183-1/8" long - cut from B7Q-2269-A bulk tubing - (25) foot roll	1	406-6V	A	62
	NS-5/16" diameter steel tubing x 121-1/2" long - cut from 8C-2269-A bulk tubing - (25) foot roll Use on vehicles equipped with 390 C. I. D. engines only	1	All except 71, 406-4V, 406-6V, 427-4V, 427-8V	A	63
	NS-5/16" diameter steel tubing 110" long - cut from 8C-2269-A bulk tubing - (25) ft. roll	1	71	A	63/64
	NS-3/8" diameter steel tubing x 121-1/2" long - cut from B7Q-2269-A bulk tubing - (25) foot roll	1	406-4V, 406-6V, 427-4V, 427-8V	A	63/64
	NS-5/16" diameter steel tubing x 179-1/2" long - cut from 8C-2269-A bulk tubing - (25) foot roll	1	All	B	62
	NS-5/16" diameter steel tubing x 167-1/2" long - cut from 8C-2269-A bulk tubing - (25) foot roll	1	All except 71	B	63
	NS-5/16" diameter steel tubing x 166-1/2" long - cut to proper length from 8C-2269-A bulk tubing - (25) foot roll	1	71	B	63
	NS-5/16" diameter steel tubing x 144" (a) long - cut from 8C-2269-A bulk tubing - (25) foot roll	1	59, 71	C	60/62
	NS-5/16" diameter steel tubing x 144-3/4" (a) long - cut from 8C-2269-A bulk tubing - (25) foot roll	1	All except 59, 71	C	60/62
	NS-5/16" diameter steel tubing x 144-1/4" (a) long - cut from 8C-2269-A bulk tubing - (25) ft. roll ☆ Use on vehicles equipped with 6 cylinder engines	1	54☆, 62☆	C	63
	CONTINUED ON NEXT PAGE				

Fuel Tank

GROUP AND PART NUMBER	DESCRIPTION, SIZE, ETC.	NO. REQ'D	MODEL OR ENGINE CUBIC INCH DISPLACEMENT	VEHICLE CODE	YEAR 19__
9282 TUBE (FUEL TANK TO PUMP) CONTINUED					
	NS-5/16" diameter steel tubing x 132-21/64" long - cut from 8C-2269-A bulk tubing - (25) foot roll ☆ Use on vehicles equipped with 6 cylinder engines	1	59☆, 71☆	C	63
	NS-5/16" diameter steel tubing x 134" long - cut from 8C-2269-A bulk tubing - (25) ft. roll ☆ Use on vehicles equipped with 6 cylinder engines	1	76☆	C	63
	NS-5/16" diameter steel tubing x 160-25/64" long - cut from 8C-2269-A - (25) ft. roll ☆ Use on vehicles equipped with 8 cylinder engines	1	54☆, 62☆	C	63
	NS-5/16" diameter steel tubing x 168" long - cut from 8C-2269-A - (25) ft. roll ☆ Use on vehicles equipped with 8 cylinder engines	1	59☆, 71☆	C	63
	NS-5/16" diameter steel tubing x 158-13/16" long - cut from 8C-2269-A - (25) ft. roll ☆ Use on vehicles equipped with 8 cylinder engines	1	76☆	C	63
	NS-5/16" diameter steel tubing x 118-7/8" long - cut from 8C-2269-A - (25) ft. roll ☆ Use on vehicles equipped with 170 and 200 C. I. D. engines	1	54☆, 62☆, 63☆	C	64
	NS-5/16" diameter steel tubing x 161" long - cut from 8C-2269-A - (25) ft. roll ☆ Use on vehicles equipped with 260 and 289 C. I. D. engines	1	54☆, 62☆, 63☆	C	64
	NS-5/16" diameter steel tubing x 124-1/2" long - cut from 8C-2269-A - (25) ft. roll ☆ Use on vehicles equipped with 170 and 200 C. I. D. engines	1	71☆	C	64
	NS-5/16" diameter steel tubing x 149-3/4" long - cut from 8C-2269-A - (25) ft. roll ☆ Use on vehicles equipped with 260 and 289 C. I. D. engines	1	71☆	C	64
	NS-5/16" diameter steel tubing x 138" long - cut from 8C-2269-A - (25) ft. roll ☆ Use on vehicles equipped with 170 and 200 C. I. D. engines	1	76☆	C	64
	NS-5/16" diameter steel tubing x 163-1/4" long - cut from 8C-2269-A - (25) ft. roll ☆ Use on vehicles equipped with 260 and 289 C. I. D. engines	1	76☆	C	64
356626-S	Clip-tube-5/16" x 3/16"	1	b		
376234-S100	Clip-fuel tank to pump tube and brake tube to frame	1	a		
9A283 BEZEL (FUEL & TEMPERATURE INDICATOR)					
COLF 9A283-D	Includes dial with "Fuel" and "Temp." as identification	1	430-2V	D	60
9A285 PLATE (FUEL & TEMPERATURE INDICATOR MOUNTING)					
COLF 9A285-B		1	430-2V	D	60

Fuel Tank

GROUP AND PART NUMBER	DESCRIPTION, SIZE, ETC.	NO. REQ'D	MODEL OR ENGINE CUBIC INCH DISPLACEMENT	VEHICLE CODE	YEAR 19__
9C285 HOSE (FUEL VAPOR SEPARATOR TO FUEL TANK) FRONT OR REAR					
C1VV 9C285-A	Fuel line hose - 5/32" I.D. x 21-3/4" long (a)	1 AR	430 All	A	D 61/63 64
377931-S8	Clamp-hose-circle type-3/8"-connects 9C285 to 9C288	2	a		
9A286 PLATE (FUEL & TEMPERATURE INDICATOR MOUNTING)					
C1VF 9A286-A		1	430		D 61/63
9A287 CONDUCTOR (FUEL & TEMPERATURE INDICATOR) PRINTED CIRCUIT					
COLF 9A287-A		1	430-2V		D 60
C1VF 9A287-B		1	430		D 61/63
9C287 HOSE (FUEL VAPOR SEPARATOR TO FUEL TANK) REAR					
	NS-fuel line hose - 5/32" I.D. x 11-5/8" long - cut from C1VV-9C285-A which is 21-3/4" long	1	430		D 61/63
	NS-fuel line hose - 5/32" I.D. x 4-1/2" (a) long - cut from C1VV-9C285-A which is 21-3/4" long	1	430-4V		D 64
377931-S	Clamp-hose-circle clamp-3/8"	AR	a		

Fuel Pump

The abbreviations "ALL", "S/A" and "D/A" in the fuel pump section listed in the column under the heading of "TYPE" have the following meaning -

ALL - Fuel Pump, and Fuel and Vacuum Pump

S/A - Fuel Pump only

D/A - Fuel and Vacuum Pump only

9288 HOSE (FUEL PUMP TO FUEL LINE)					
	NS-5/16" I.D. x 8-11/32" long - cut from C1UU-9288-A	1	406-4V, 406-6V, 427-4V, 427-8V	A	62/63
	NS-8-1/4" long - cut from C1UU-9288-A (a)	1	All	A	64
C1UU 9288-A	5/16" I.D. x 15-1/8" long	1	All	A B C	60/61 60/63
	NS-9/32" I.D. x 8-1/2" - cut from C2AZ-9324-A Use on vehicles equipped with electric windshield wipers	1	All	B C	62
	NS-21-1/2" long - cut from COAZ-9324-B which is 49" long	1	430-2V		D 60
375416-S35	Clamp-hose-9/16"	2	a		
9C288 TUBE (FUEL VAPOR SEPARATOR TO FUEL TANK) FRONT					
	NS-3/16" diameter steel tubing x 51-21/32"(a) long - cut from 8C-2269-B bulk tubing - 25 ft. roll	1	430		D 61/64
374277-S	Grommet	1	a		
377931-S	Clamp-hose-circle clamp-3/8"	AR	a		

Fuel Pump

GROUP AND PART NUMBER	TYPE	DESCRIPTION, SIZE, ETC.	NO. REQ'D	MODEL OR ENGINE CUBIC INCH DISPLACEMENT	VEHICLE CODE	YEAR 19__
9C289 TUBE (FUEL VAPOR SEPARATOR TO FUEL TANK) REAR						
		NS-3/16" diameter steel tubing 148" long - cut from 8C-2269-B bulk tubing - (25) ft. roll	1	430	D	61/63
		NS-3/16" diameter steel tubing 148-5/8" long cut from 8C-2269-B bulk tubing -(25) ft. roll	1	430-4V	D	64
9291 TUBE (FUEL TANK TO PUMP) FRONT						
		NS-5/16" diameter steel tubing x 121-1/2" long - cut from 8C-2269-A - 25 ft. roll ☆ Use on vehicles equipped with 390 C.I.D. engine only	1	All except 71☆	A	63
		NS-5/16" diameter steel tubing x 110" long - cut from 8C-2269-A - 25 ft. roll	1	71	A	63
		NS-3/8" diameter steel tubing x 121-1/2" long - cut from B7Q-2269-A - 25 ft. roll	1	406-4V, 406-6V, 427-4V, 427-8V	A	63
		NS-3/8" diameter steel tubing x 51-13/16" (a) long - cut from B7Q-2269-A bulk tubing - 25 ft. roll	1	430	D	61/64
374277-S		Grommet	1	a		
9E295 WIRING (OIL TEMPERATURE INDICATOR)						
C4MY 9E295-A		With flasher	1	427-4V, 427-8V	A	64
C4MY 9E295-B		Extension	1	427-4V, 427-8V	A	64
9296 CLIP (FUEL LINE TO DASH)						
8A 9296		☆ (1) req'd. - attach tube - rear brake tube connector to rear hose to rear sidemember - inner ☆(1) req'd - attach tube - rear brake tube connector to rear hose to rear sidemember - outer ☆(1) req'd - attach tube - rear brake tube connector to rear hose to body front sidemember - L. H.	3☆	430-2V	D	60
9A296 COVER (FUEL & TEMPERATURE INDICATOR)						
COMF 9A296-A		Identification "E Fuel F" and "C Temp H"	1	All	A	60
C1VF 9A296-A			1	All	D	61/63
9E296 FLASHER (OIL TEMPERATURE INDICATOR)						
C3AZ 9E296-A		Serrated - 2-11/16" long x 23/32" wide	1	427-4V, 427-8V	A	63/64
9302 PLATE (FUEL LEVEL INDICATOR BACK)						
C2AZ 9302-A			1	All	A	61/62
9302 SEAT (VACUUM PUMP DIAPHRAGM SPRING)						
◇ABT 9302-A	D/A	Use with 9350, COAE-A and D, CODE-H and J, C1AE-A	1	144-1V, 170-1V, 223-1V, 292-2V, 352-2V, 390-4V	A C	60/62
9304 PLATE (TEMPERATURE INDICATOR BACK)						
COAF 9304-A			1	All	A	61
C2MY 9304-A			1	All	A	62
C4VY 9304-A		(1) req'd. behind temperature and charge indicators (1) req'd. behind fuel and oil pressure indicators φ A.C. ◇ Holley	2	All	D	64

Fuel Pump

GROUP AND PART NUMBER	TYPE	DESCRIPTION, SIZE, ETC.	NO. REQ'D	MODEL OR ENGINE CUBIC INCH DISPLACEMENT	VEHICLE CODE	YEAR 19__
9305		REFER TO GROUP 9280				
9A307		RING (FUEL TANK SENDER RETAINER LOCKING)				
B7A 9277-A			1	All	A D	60
COAF 9A307-C			1	All	A D	61/64
			1	All	B C	60/64
9310		LINK (VACUUM PUMP ROCKER ARM)				
◇φB5A 9310-A	D/A	Use with 9350, COAE-A and D, CODE-H and J, C1AE-A - also serviced in 9349 kit	1	144-1V,170-1V,223-1V, 292-2V,352-2V,390-4V	A C	60/62
9313		MASK (FUEL & TEMPERATURE INDICATOR)				
C1VF 9313-A			1	All	D	61/63
9B313		DIAL (FUEL & TEMPERATURE INDICATOR)				
C1VF 9B313-B			1	All	D	61/63
9314		DIAPHRAGM (VACUUM PUMP)				
◇φB5A 9314-B	D/A	Use with 9350, COAE-A, C1AE-A - also serviced in 9349 kit	1	292-2V,352-2V,390-4V	A	61
◇φB5A 9314-A	D/A	Use with 9350, COAE-D, CODE-H and J - also serviced in 9349 kit	1	144-1V,170-1V,223-1V	A C	60/62
9315		SPRING (VACUUM PUMP DIAPHRAGM)				
◇φB5A 9315-A	D/A	Use with 9350, COAE-A and D, CODE-H and J, C1AE-A - also serviced in 9349 kit	1	144-1V,170-1V,223-1V, 292-2V,352-2V,390-4V	A C	60/62
9A317		CLIP (FUEL AND/OR VACUUM TUBE)				
COAA 9A317-B		Use to attach fuel tank to pump tube and rear brake connector to frame	1	292-2V,352-2V,390.4V	A	61/62
		NS-improvise	AR	390-2V,390-4V,427	A	63
		NS-improvise (b)	AR	427	A	64
B2AZ 9A317-A		Fuel and vacuum - steel - 5/16" wide x 1/32" thick with large loop on (1) end and a small loop on the other (3) req'd. on vehicles equipped with electric windshield wipers	3	144-1V	C	60
C0DD 9A317-A		Fuel - steel - .030" thick with (2) 9/32" diameter holes	AR	59,71	C	60/62
C1VV 9A317-D		Use to attach 9324 front fuel tube hose and 9C285 front fuel vapor separator hose to radiator assembly (a)	1	430		D 61/63
			1	430-4V		D 64
34095-S		NS-nut-square-1/4"-20	AR	a		
41196-S		NS-screw tap. hex. hd-5/16"-18 x 5/8"	1	b		
370675-S		NS-screw-hex. hd. washer-1/4"-20	AR	a		
9A318		TUBE (FUEL FRONT)				
		NS-3/8" diameter steel tubing - 28" long - (a) cut from B7Q-2269-A bulk tubing 25 ft. roll Use on models 57A, 58A, 63A, 64A, 76A and 77A only	1	312-2V	A	60
		NS-3/8" diameter steel tubing - cut to proper length from B7Q-2269-A bulk tubing 25 ft. roll (a)	1	383-2V,430-2V	A	60
31527-S8		Screw-hex. washer hd. tap. -No. 14-10 x 1/2"	AR	a		
		φ A. C. ◇ Holley				

Fuel Pump

GROUP AND PART NUMBER	DESCRIPTION, SIZE, ETC.	NO. REQ'D	MODEL OR ENGINE CUBIC INCH DISPLACEMENT	VEHICLE CODE	YEAR 19__
9A323 TUBE (FUEL TANK TO PUMP)					
B8MY 9A323-A	Pump end - 3/8" diameter tubing x 6-3/8" long with (1) inverted nut on flared end	1	383-2V, 430-2V	A	60
	NS-rear - tubing - steel - 3/8" diameter - make necessary repairs from B7Q-2269-A steel tubing 25 foot roll and COAZ-9324-B rubber hose - 5/16" I. D. x 9/16" O. D. x 49" long	1	430-2V	D	60
9C323 HOSE (FUEL TUBE TO FUEL FILTER)					
	NS-rubber - 19/64" I. D. x 2-3/4" long - (a) cut to proper length from B5AZ-9324-A hose	2	223-1V, 292-2V, 352-2V, 390-4V	A	61
	NS-rubber - 19/64" I. D. x 4" long - cut from C2AZ-9324-A	1	352-2V, 390-4V	A	62
	Use on vehicles not equipped with a/cond.				
	NS-rubber - 19/64" I. D. x 1-13/16" long - (a) cut from C2AZ-9324-A	1-2	144-1V, 170-1V, 221-2V, 223-1V, 260-2V, 292-2V, 352-2V, 390-4V	A B C	62
	NS-rubber - 19/64" I. D. x 1-13/16" long - (a) cut from C2AZ-9324-A	1-2	170-1V, 200-1V*, 221-2V, 260-2V	B	63
	☆ Use on vehicles built prior to 2-14-63				
375416-S35	Clamp-hose-9/16"	2	a		
9324 HOSE (FUEL TUBE) FRONT OR REAR					
C3SZ 9324-C	Rubber - 23/64" I. D. x 19/32" O. D.	1	427-8V	A	64
	NS-front-9/32" I. D. x 9/16" O. D. x 8" long - cut to 8" length from C2AZ-9324-A	1	383-2V, 430-2V	A	60
		1	170-1V	B	62
COAZ 9324-B	Rubber - 5/16" I. D. x 9/16" O. D. x 49" long - cut to required length	1	All	A B	60/62
		AR	All	C D	60/64
C2AZ 9324-B	Rubber - 9/32" I. D. x 67-3/4" long - connector hose - cut to required length	1	All	A B C D	62/64
C2AZ 9324-A	Rubber - 9/32" I. D. x 49" long	AR	All	A B C D	63/64
	NS-rubber-9/32" I. D. x 15" long - cut from C2AZ-9324-A	1	170-1V	B	62
	NS-rear-rubber-9/32" I. D. x 3" long - cut from C2AZ-9324-C	1	221-2V, 260-2V	B	62
		1	54, 62	B	63
	NS-rear - 9/32" I. D. x 9/16" O. D. x 8" long - cut to 8" length from C2AZ-9324-A	1	170-1V except 71	B	63
	NS-front-rubber-9/32" I. D. x 8" long - cut from C2AZ-9324-A	1	221-2V, 260-2V	B	62
		1	All	C	64
	NS-front-9/32" x 13-1/2" long - cut from C2AZ-9324-A - use with inverted fuel pumps on Comet vehicles built prior to 1-7-63	1	144-1V, 170-1V	B C	63
	NS-rear - 21-1/2" long - cut from COAZ-9324-B which is 49" long	1	430-2V	D	60
	NS-rear - 5/16" I. D. x 9/16" O. D. x 12" long - cut from COAZ-9324-B which is 49" long	1	430-2V, 430-4V	D	61/63
	NS-front - 5/16" I. D. x 9/16" O. D. x 21-3/4" long - cut from COAZ-9324-B which is 49" long	1	430-2V, 430-4V	D	61/64
	NS-rear - 5/16" I. D. x 9/16" O. D. x 6-1/2" long - cut from C3SZ-9324-C which is 49" long	1	430-4V	D	64
375416-S35	Clamp-hose-9/16"	2	a		

Fuel Pump

GROUP AND PART NUMBER	DESCRIPTION, SIZE, ETC.	NO. REQ'D	MODEL OR ENGINE CUBIC INCH DISPLACEMENT	VEHICLE CODE	YEAR 19__
9324	HOSE (FUEL TANK VENT TUBE)				
PB9M 9170-B	15/32" I.D. x 49/64" O.D. x 15" long (a)	1	77	A	60
	NS-9/32" I.D. x 9/16" O.D. x 3" long - cut from B9LL-9170-A (a)	2	All except 77	A	60
	NS-rubber - 9/32" I.D. x 9/16" O.D. x 6" long - cut from C2AZ-9324-A - use on vehicles equipped with C1MM-9049-C (a)	1	All except 71	A	61/62
	NS-rubber - 9/32" I.D. x 9/16" O.D. x 23-1/4" long - cut from C2AZ-9324-A - use on vehicles equipped with C1MM-9A086-A (a)	1	All except 71	A	61/62
	NS-rubber - 19/32" I.D. x 7/8" O.D. x 28-3/4" long - cut from COAZ-9324-A (a)	1	71	A	62
	NS-fuel tube connector - 9/32" I.D. x 10-1/4" long - cut from C2AZ-9324-A (a)	1	223-1V, 292-2V, 352-2V, 390-4V	A	62
	NS-fuel tube connector - 9/32" I.D. x 5-1/4" long - cut from C2AZ-9324-A (a)	1	223-1V, 292-2V, 352-2V, 390-4V	A	62
	NS-rubber - 9/32" I.D. x 9/16" O.D. x 6" long - cut from C2AZ-9324-A (a)	1	All except 71	A	63
C1SZ 9324-B	Rubber - 7/32" I.D. x 13/32" O.D. x 13" long - use as choke control inlet tube (a)	1	390-2V, 390-4V	A	63/64
	NS-fuel tube connector - 9/32" I.D. x 5" long - cut from C2AZ-9324-A (a)	1	All	A	63/64
	NS-rubber-7/64" I.D. x 1-1/2" long - improvise locally (a)	3	All	A	64
	NS-fuel tube connector - 9/32" I.D. x 9" long - cut from C2AZ-9324-A (a)	1	All	A	63/64
	NS-use to connect 9350 pump to fuel tank tube ☆ Also use to connect 9291 to 9350 on 221-2V and 260-2V Meteor vehicles	1	170-1V, 221-2V☆, 260-2V☆	B	63
B9LL 9170-A	Rubber - 9/32" I.D. x 9/16" O.D. x 24" long	1	383-2V, 430-2V	A D	60
COAZ 9324-A	Rubber - 19/32" I.D. x 7/8" O.D. x 30-13/64" long (a)	1	71	A	61
		1	All	A B D	63
C2AZ 9324-A	9/32" I.D. x 49" long (a)	1	All	A B C	60/62
	Cut to 27" long	1	430-2V	D	60/62
	NS-9/32" I.D. x 15" long - cut from C2AZ-9324-A	1	170-1V	B	62
	NS-fuel tube connector - front - 9/32" I.D. x 8" long - cut from C2AZ-9324-A (a)	1	221-2V, 260-2V	B	62
	NS-fuel tube connector - rear - 9/32" I.D. x 3" long - cut from C2AZ-9324-A (a) Use on models 54 and 62	1	221-2V, 260-2V	B	62
	NS-rubber - 5/16" I.D. x 17-/32" O.D. x 12-1/4" long - cut from COAZ-9324-B (a)	1	59, 71	C	60/63
	NS-fuel tube connector - 5/16" I.D. x 3" long - cut from COAZ-9324-B which is 49" long (1) req'd. - rear fuel tube hose (1) req'd. - as fuel tank vent tube to tank hose on all models except 59 and 71 (1) req'd. - rear fuel tube hose (a)	2	144-1V, 170-1V	C	60/63
		1	All	C	64
C1VV 9170-D	Rubber - 15/32" I.D. x 13/16" O.D. x 11-1/4" long	1	430-2V	D	61/62
	Cut to 9" long	1	430-4V	D	63

CONTINUED ON NEXT PAGE

Fuel Pump

GROUP AND PART NUMBER	DESCRIPTION, SIZE, ETC.	NO. REQ'D	MODEL OR ENGINE CUBIC INCH DISPLACEMENT	VEHICLE CODE	YEAR 19__
9324 HOSE (FUEL TANK VENT TUBE) CONTINUED					
	NS-rubber - 9/32" I. D. x 9/16" O. D. x 20" long - cut from C2AZ-9324-A which is 49" long - use as fuel tank to fuel vent expansion tank hose	1	430	D	61/63
C4SZ 9170-A	Rubber - 7/64" I.D. x 7/32" O.D. x 1-1/2" long - use with vented fuel tank	1	430-4V	D	64
375416-S35	Clamp-hose-9/16"	2	a		
9C324 CLIP (FUEL TUBE SUPPORT BRACKET & TUBE RETAINING)					
	NS-improvise	1	144-1V, 170-1V	B C	61/62
9327 HOSE (REAR FUEL TUBE TO FRONT FUEL TUBE)					
	NS-rubber-5/16" I. D. x 9/16" O. D. x 16-1/2" long-cut from COAZ-9324-B which is 49" long ☆ (1) use on models 57A-B, 58A-B, 63A-B, 64A, 77 ☆ (2) use on models 57F, 63F, 76D	1-2	All☆	A	60
	NS-rubber-5/16" I. D. x 9/16" O. D. x 5" long - cut from COAZ-9324-B which is 49" long	1	All	A	61
9327 HOSE (FUEL TUBE) REAR					
	NS-rubber - 5/16" I. D. x 9/16" O. D. x 14" (a) long - cut from COAZ-9324-B which is 49" long ☆ (1) use on models 57B, 58B, 63B ☆ (1) use on models 57A, 58A, 63A, 64A, 76A equipped with 312-2V engine ☆ (2) use on models 57A, 58A, 63A, 64A, 76A equipped with 383-2V and 430-2V engines	1-2	All☆	A	60
	NS-rubber - 5/16" I. D. x 9/16" O. D. x 8-13/32" long - cut from COAZ-9324-B	1	All	A	61
375416-S35	Clamp-hose-9/16" dia. -slotted band	AR	a		
9C327 HOSE (FUEL RETURN)					
	NS-rear-rubber-5/32" I. D. x 8" long - cut from C1VV-9C285-A which is 21-3/4" long	1	390-2V, 390-4V	A	63
	(a)	1	390-2V	A	64
	NS-front-5/32" I. D. x 5-1/4" long - cut from C1VV-9C285-A which is 21-3/4" long	1	390-2V	A	63/64
	NS-fuel line hose - 5/32" I. D. x 5-1/4" long - cut from C1VV-9C285-A which is 21-3/4" long	1	430	D	61/63
	NS-front - rubber - 5/32" I. D. x 8-1/8" long - cut from C1VV-9C285-A which is 21-3/4" long	1	430	D	64
377931-S	Clamp-hose-3/8"-circle type	AR	a		
9328 VALVE (VACUUM PUMP CHECK)					
B9S 9328-A		(a) 1	430	D	60
372268-S	Elbow-1/4"-18-90° -windshield wiper vacuum check valve to cylinder block	1	a		
9C328 SLEEVE (FUEL HOSE INSULATING)					
	NS-rubber - 1-1/8" I. D. x 9" long-improvise locally	2	430	D	61/64

Fuel Pump

GROUP AND PART NUMBER	TYPE	DESCRIPTION, SIZE, ETC.	NO. REQ'D	MODEL OR ENGINE CUBIC INCH DISPLACEMENT	VEHICLE CODE	YEAR 19__
9A337 TUBE (FUEL RETURN TO TANK)						
		NS-3/16" diameter steel tubing 185-7/64" (a) long - cut from 8C-2269-B bulk tubing - (25) ft. roll ☆ Use with all except 71 models	1	390-2V☆	A	63/64
		NS-3/16" diameter steel tubing - 171" (a) long - cut from 8C-2269-B bulk tubing - (25) ft. roll ☆ Use with 71 models	1	390-2V☆	A	63/64
41196-S		NS-screw-tap. hex. hd. -5/16"-18 x 5/8"	1	a		
370897-S		Clip-tubes-5/16" x 3/16" x 3/16"	1	a		
9B339 FITTING (OIL PRESSURE SENDER)						
C4MY 9B339-A			1	427-4V, 427-8V	A	64
C2OZ 9B339-A		Attach sender switch to engine - use with B7T-9278-A	1	221, 260	B	62/63
			1	260-2V, 289-4V	C	64
9343 BODY & PLUGS ASSEMBLY (FUEL PUMP)						
♣C2AZ 9343-B	S/A	Use with 9350, C2AZ-B,D and C3TZ-C (a)	1	223-1V	A	62
♣C2AZ 9343-A	S/A	Use with 9350, C2AZ-A (a)	1	292-2V, 352-2V, 390-4V	A	62
	S/A	Use with 9350, C3AZ-D and F	1	390-4V	A	63
	S/A	Use with 9350, C3AZ-K	1	390-4V	A	64
♣C3AZ 9343-D	S/A	Includes valves - use with 9350, C3AZ-K, (a) M,N	1	221-2V, 260-2V, 390-4V	A	62/63
	S/A	Use with 9350, C3AZ-N	1	390-4V	A	64
♣C3AZ 9343-B	S/A	Includes valves - use with 9350, C3MY-A (a) and B	1	390-2V	A	63
	S/A	Use with 9350, C3MY-C	1	390-2V	A	64
♣C3AZ 9343-C	S/A	Includes valves - use with 9350, C3MY-C, (a) C4MY-A	1	390-2V	A	63
	S/A	Use with 9350, C4MY-A	1	390-2V	A	64
♣C3AZ 9343-A	S/A	Includes valves - use with 9350, C3AZ-C, (a) H and J	1	221-2V, 260-2V	B C	63
	S/A	Use with 9350, C3AZ-M	1	260-2V, 289-4V	C	64
♣COLE 9343-A	S/A	Upper (a)	1	430-2V		D 60
♣C1VE 9343-A	S/A	Upper - use with 9350, C1VE-D (a)	1	430-2V		D 61/62
	S/A	Upper - use with 9350, C3VY-A	1	430-4V		D 63
359462-S100		Screw and lockwasher assy. -1/4"-28-7/8"- body and plugs to pulsator cover	2	a		
359617-S100		Screw and lockwasher-No. 10-32 x 5/8"- fuel pump lower body to upper body and plugs	6	a		
9A344 KIT (FUEL PUMP FILTER BOWL SCREEN)						
♢COMY 9A344-A	ALL	Use with 9350, COAE-A and B, CODE-G, H, J and K, COME-A	1	144-1V, 170-1V, 223-1V 292-2V, 312-2V	A C	60/62
Consists of the following -						
(1) 59A-9364		gasket		(1) B6T-9365-B		screen
		♢ A.C.		♣ Carter		♢ Holley

Fuel Pump

GROUP AND PART NUMBER	TYPE	DESCRIPTION, SIZE, ETC.	NO. REQ'D	MODEL OR ENGINE CUBIC INCH DISPLACEMENT	VEHICLE CODE	YEAR 19__
9349 KIT (FUEL AND/OR VACUUM PUMP REPAIR)						
φ B9S 9349-A	S/A	Use with 9350, EDG-B	1	383-2V, 430-2V	A	60
Consists of the following -						
(2) B7A-9352-A	valve	(1) B8S-9389-A	bushing	(2) 49B-9408	gasket	
(1) C1SZ-9A358-A	diaphragm	(1) B1AZ-9A393-A	seal	(1) C3AZ-9417-C	gasket	
(1) B8S-9378-A	pin	(1) B8S-9396-A	spring	(1) 49B-9418	washer	
(1) B8S-9380-A	spring	(1) B8S-9398-A	diaphragm	(1) B7A-9468-A	retainer	
(1) B8S-9381-A	link					
φφB8A 9349-C	S/A	Use with 9350, COAE-B, COME-A	1	292-2V, 312-2V	A	60/62
Consists of the following -						
(2) B7A-9352-A	valve	(2) B5A-9379-A	plug	(1) B5A-9398-C	diaphragm	
(1) B5AZ-9A358-A	diaphragm	(1) B8S-9380-A	spring	(2) 49B-9408	gasket	
\$(1) 59A-9364	gasket	(1) B5A-9381-A	link	Δ(1) B8A-9417-A1	gasket	
%(1) B7A-9364-A	gasket	(1) B1AZ-9A393-A	seal	(1) C3AZ-9417-C	gasket	
%(1) B7A-9366-A	gasket	(1) B8A-9396-A	spring	(1) B7A-9468-A	retainer	
(1) B5A-9378-A	pin					
% Use less In-Line Filter		\$ Use with In-Line Filter		Δ Use with 352-2V C.I.D. engine		
φφCODZ 9349-A	S/A	Use with 9350, COAE-C	1	223-1V	A	61
Consists of the following -						
(2) B7A-9352-A	valve	(2) B5A-9379-A	plug	(1) B1AZ-9398-B	diaphragm	
(1) B5AZ-9A358-A	diaphragm	(1) 40-9380	spring	(2) 49B-9408	gasket	
%(1) 59A-9364	gasket	(1) EAA-9381-A	link	(1) CODE-9417-A	gasket	
‡(1) B7A-9364-A	gasket	(1) B1AZ-9A393-A	seal	(1) C3AZ-9417-C	gasket	
‡(1) B7A-9366-A	gasket	(1) EAA-9396-A	spring	(1) B7A-9468-A	retainer	
(1) B5A-9378-A	pin					
% Use on vehicles equipped with In-line Filter		‡ Use on vehicles not equipped with In-line Filter				
φCODZ 9349-B	D/A	Use with 9350, COAE-D	1	223-1V	A	61
Consists of the following -						
(1) B5A-9310-A	link	‡(1) B7A-9366-A	gasket	(1) EAA-9396-A	spring	
(1) B5A-9314-A	diaphragm	(3) B1AZ-9367-A	gasket	(1) B5A-9398-A	diaphragm	
(1) B5A-9315-A	spring	(1) 7RA-9378	pin	(2) 49B-9408	gasket	
(4) B6Q-9352-A	valve	(1) 1BA-9380-B	spring	(1) CODE-9417-A	gasket	
(2) B7A-9352-A	valve	(1) 7RA-9381	link	(1) 49B-9418	washer	
(1) B5AZ-9A358-A	diaphragm	(1) 7RA-9382	spacer	(2) B7A-9468-A	retainer	
%(1) 59A-9364	gasket	(1) 7RA-9389	bushing	(2) 352896-S	washer	
‡(1) B7A-9364-A	gasket	(2) B1AZ-9A393-A	seal			
% Use on vehicles equipped with In-line Filter		‡ Use on vehicles not equipped with In-line Filter				
φB8A 9349-D	D/A	Use with 9350, COAE-A Use with COAE-9350-A fuel and vacuum pump only on 1961 vehicles equipped with 292-2V engines	1	292-2V	A	61
Consists of the following -						
(1) B5A-9310-A	link	(3) B1AZ-9367-A	gasket	(1) B5A-9398-C	diaphragm	
(1) B5A-9314-B	diaphragm	(1) 7RA-9378	pin	(2) 49B-9408	gasket	
(1) B5A-9315-A	spring	(1) 1BA-9380-B	spring	(1) B8A-9417-A	gasket	
(4) B6Q-9352-A	valve	(1) 7RA-9381 or 1BA-9381-B	link	(1) C3AZ-9417-C	gasket	
(2) B7A-9352-A	valve	(1) 7RA-9382	spacer	(1) 49B-9418	washer	
(1) B5AZ-9A358-A	diaphragm	(1) 7RA-9389	bushing	(2) B7A-9468	retainer	
%(1) 59A-9364	gasket	(2) B1AZ-9A389-A	seal	(2) 352896-S	washer	
‡(1) B7A-9366-A	gasket	(1) B8A-9396-A	spring			
% Use on vehicles equipped with In-line Filter		‡ Use on vehicles not equipped with In-line Filter				

CONTINUED ON NEXT PAGE

φ A.C. ◇ Holley

Fuel Pump

GROUP AND PART NUMBER	TYPE	DESCRIPTION, SIZE, ETC.	NO. REQ'D	MODEL OR ENGINE CUBIC INCH DISPLACEMENT	VEHICLE CODE	YEAR 19__
9349 KIT (FUEL AND/OR VACUUM PUMP REPAIR) CONTINUED						
φC1AZ 9349-A	D/A	Use with 9350, C1AE-A	1	292-2V, 352-2V, 390-4V	A	61
Consists of the following -						
(1) B5A-9310-A	link	(1) 1BA-9380-B	spring	(1) C1AZ-9398-A	diaphragm	
(1) B5A-9315-A	spring	(1) 7RA-9381	link	(2) 49B-9408	gasket	
(4) B6Q-9352-A	valve	(1) 7RA-9382	spacer	(1) C3AZ-9417-C	gasket	
(2) B7A-9352-A	valve	(1) 7RA-9389	bushing	(1) 49B-9418	washer	
(1) C1SZ-9A358-A	diaphragm	(2) B1AZ-9A393-A	seal	(2) B7A-9468-A	retainer	
(1) B1AZ-9367-A	gasket	(1) B8A-9396-A	spring	(2) 352896-S	washer	
(1) 7RA-9378	pin					
φC1SZ 9349-A	S/A	Use with 9350, C1SE-A, C2AZ-C	1	292-2V, 352-2V, 390-4V	A	61/62
Consists of the following -						
(2) B7A-9352-A	valve	(1) 7RA-9382	spacer	(1) C1SZ-9398-A	diaphragm	
(1) C1SZ-9A358-A	diaphragm	(1) COAE-9389-A	bushing	(2) 49B-9408	gasket	
(1) 7RA-9378	pin	(1) COAE-9A392-A	retainer	(1) C3AZ-9417-C	gasket	
(1) COAE-9380-A	spring	(1) COAE-9A393-A	seal	(1) 49B-9418	washer	
(1) COAE-9381-A	link	(1) C1SZ-9396-A	spring	(1) 352897-S	washer	
φC2AZ 9349-C	S/A	Use with 9350, C2AZ-C	1	292, 352, 390	A	61/62
Consists of the following -						
(2) C3AZ-9352-B	valve	(1) COAE-9389-A	bushing	(1) C1SZ-9398-A	diaphragm	
(1) C1SZ-9A358-A	diaphragm	(1) COAE-9A392-A	retainer	(2) 49B-9408	gasket	
(1) 7RA-9378	pin	(1) COAZ-9A393-A	seal	(1) C3AZ-9417-C	gasket	
(1) COAE-9380-A	spring	(1) C1SZ-9396-A	spring	(1) 49B-9418	washer	
(1) COAE-9381-A	link					
•C2AZ 9349-B	S/A	Use with 9350, C2AZ-B and D	1	223-1V	A	62
Consists of the following -						
(1) C2AZ-9A358-B	diaphragm	(1) CODE-9417-A	gasket	(1) 370013-S	plug	
(1) C2AZ-9398-A	diaphragm assembly					
•C2AZ 9349-A	S/A	Use with 9350, C2AZ-A	1	292-2V, 352-2V, 390-4V	A	62/63
Consists of the following -						
(1) C2AZ-9A358-A	diaphragm	(1) C3AZ-9398-B	diaphragm assembly	(1) C3AZ-9417-C	gasket	
(1) COLE-9A360-A	plug					
•C4MY 9349-A	S/A	Use with 9350, C3AZ-N, C4MY-A	1	390-2V, 390-4V	A	62/63
Consists of the following -						
(1) C2AZ-9A358-A	diaphragm	(1) C4AZ-9398-A	diaphragm	(1) C3AZ-9417-C	gasket	
(1) COLE-9A360-A	plug					
∅φCOAZ 9349-A	S/A	Use with 9350, COAE-E	1	406-4V, 406-6V, 427-4V, 427-8V	A	62/64
Consists of the following -						
(2) B7A-9352-A	valve	(1) COAE-9389-A	bushing	(2) 49B-9408	gasket	
(1) COAE-9A358-A	diaphragm	(1) COAE-9A392-A	retainer	% (1) B8A-9417-A1	gasket	
‡ (1) 7RA-9378	pin	(1) COAE-9A393-A	seal	(1) C3AZ-9417-C	gasket	
(1) COAE-9380-A	spring	(1) COAE-9396-A	spring	(1) 49B-9418	washer	
(1) COAE-9381-A	link	(1) COAE-9398-A	diaphragm	(2) 352897-S	washer	
(i) 7RA-9382	spacer					
‡ Not serviced separately		% Not used				
•C3AZ 9349-B	S/A	Use with 9350, C3AZ-D, E, F, G, K and C3MY-A, B and C	1	292-2V, 352-2V, 390-2V, 390-4V	A	62/64
Consists of the following -						
(1) C2AZ-9A358-A	diaphragm	(1) C3AZ-9398-E	diaphragm	(1) C3AZ-9417-C	gasket	
(1) COLE-9A360-A	plug	% (1) C1SZ-9417-A	gasket			
		% Not used				

CONTINUED ON NEXT PAGE

φ A. C. • Carter ∅ Holley

Fuel Pump

GROUP AND PART NUMBER	TYPE	DESCRIPTION, SIZE, ETC.	NO. REQ'D	MODEL OR ENGINE CUBIC INCH DISPLACEMENT	VEHICLE CODE	YEAR 19__
9349 KIT (FUEL AND/OR VACUUM PUMP REPAIR) CONTINUED						
●C4AZ 9349-A	S/A	Use with 9350, C3AZ-N, and C4MY-A	1	390-4V	A	62/63
			1	390-2V, 390-4V	A	64
Consists of the following -						
(1) C2AZ-9A358-A	diaphragm	(1) C4AZ-9398-A	diaphragm	(1) C3AZ-9417-C	gasket	
(1) COLE-9A360-A	plug					
φCOAZ 9349-B	S/A	Use with 9350, COAZ-A	1	406-4V, 406-6V, 427-4V, 427-8V	A	62/64
Consists of the following -						
(2) B7A-9352-A	valve	(1) 7RA-9382	spacer	(1) COAE-9398-A	diaphragm	
(1) COAE-9B538-A	diaphragm	(1) COAE-9389-A	bushing	(2) 49B-9408	gasket	
(1) 7RA-9378	pin	(1) COAE-9A392-A	retainer	%(1) B8A-9417-A	gasket	
(1) C3AZ-9380-A	spring	(1) COAZ-9A393-A	seal	(1) C1SZ-9417-A	gasket	
(1) COAE-9381-A	link	(1) COAE-9396-A	spring			
		% Not used				
φC2OZ 9349-B	S/A	Use with 9350, C2OZ-D	1	170-1V	B	62
Consists of the following -						
(2) CODE-9352-A	valve	(1) B5A-9381-A	link	(1) B5AZ-9398-B	diaphragm	
(1) B5AZ-9A358-A	pulsator diaphragm	(1) COAE-9A392-A	retainer	(2) 49B-9408	gasket	
(1) 7RA-9378	pin	(1) COAZ-9A393-A	seal	(1) C3AZ-9417-C	gasket	
(1) C2OZ-9380-B	spring	(1) C2OZ-9396-A	spring			
◇C2OZ 9349-A	S/A	Use with 9350, C2OZ-A and C	1	221-2V, 260-2V	B	62
Consists of the following -						
(2) B7A-9352-A	valve	(1) C2OZ-9380-A	spring	(2) 49B-9408	gasket	
(1) B5AZ-9A358-A	pulsator diaphragm	(1) C2OZ-9381-A	link	(1) C3AZ-9417-C	gasket	
(1) B5A-9378-A	pin	(1) B8A-9396-A	spring	(1) B7A-9468-A	retainer	
(2) B5A-9379-A	plug	(1) B5A-9398-C	diaphragm	(1) 1BA-9469-A	seal	
◇φCODZ 9349-C	S/A	Use with 9350, CODE-B,D,G and K, C2DZ-A, C2OZ-B	1	144-1V, 170-1V	B C	61/62
Consists of the following -						
(2) CODE-9352-A	valve	(2) B5A-9379-A	plug	(1) B5AZ-9398-B	diaphragm	
(1) B5AZ-9A358-A	diaphragm	(1) 40-9380	spring	(2) 49B-9408	gasket	
\$(1) 59A-9364	gasket	(1) EAA-9381-A	link	(1) CODE-9417-A	gasket	
%(1) B7A-9364-A	gasket	(1) B1AZ-9A393-A	seal	(1) C3AZ-9417-C	gasket	
%(1) B7A-9366-A	gasket	(1) EAA-9396-A	spring	(1) B7A-9468-A	retainer	
(1) B5A-9378-A	pin					
	\$ Use with In-line Filter	% Use less In-line Filter				
●C3AZ 9349-A	S/A	Use with 9350, C3AZ-C, H, J and M	1	221-2V, 260-2V	B C	63
	S/A	Use with 9350, C3AZ-M	1	260-2V, 289-4V	C	64
Consists of the following -						
(1) C2AZ-9A358-A	diaphragm	(1) C3AZ-9398-F	diaphragm	(1) C3AZ-9417-C	gasket	
(1) COLE-9A360-A	plug					
φC3AZ 9349-D	S/A	Use with 9350, C3DZ-A, C3OZ-B	1	144-1V, 170-1V, 200-1V	B C	63/64
Consists of the following -						
(2) C3AZ-9352-A	valve	(1) COAE-9389-A	bushing	(1) C3AZ-9398-D	diaphragm	
‡(1) 7RA-9378	pin	(2) COAE-9A392-A	retainer	(2) 49B-9408	gasket	
(1) C3AZ-9380-A	spring	(1) COAZ-9A393-A	seal	(1) C3AZ-9417-B	gasket	
(1) 8EL-9381	link	(1) C3AZ-9396-A	spring	(1) 49B-9418	washer	
		‡ Not serviced separately				

CONTINUED ON NEXT PAGE

φ A. C. ● Carter ◇ Holley

Fuel Pump

GROUP AND PART NUMBER	TYPE	DESCRIPTION, SIZE, ETC.	NO. REQ'D	MODEL OR ENGINE CUBIC INCH DISPLACEMENT	VEHICLE CODE	YEAR 19__
9349 KIT (FUEL AND/OR VACUUM PUMP REPAIR) CONTINUED						
◊COKY 9349-B	S/A	Use with 9350, COAE-C, CODE-G and K	1	144-1V	C	60
Consists of the following -						
(2) B7A-9352-A	valve	(2) B5A-9379-A	plug	(2) 49B-9408	gasket	
§(1) 59A-9364	gasket	(1) 1BA-9380-A	spring	§(1) B5A-9417-A	gasket	
%(1) B7A-9364-A	gasket	(1) EAA-9381-A	link	(1) CODE-9417-A	gasket	
%(1) B7A-9366-A	gasket	(1) EAA-9396-A	spring	(1) B7A-9468-A	retainer	
(1) B5A-9370-A	diaphragm	(1) B7A-9398-A	diaphragm	(1) 1BA-9469-A	seal	
(1) B5A-9378-A	pin					
§ Use with In-line Filter		% Use less In-line Filter		§ Not used		
◊CODZ 9349-D	D/A	Use with 9350, CODE-A,C,H and J	1	144-1V,170-1V	C	60/62
Consists of the following -						
(1) B5A-9310-A	link	(1) B7A-9366-A	gasket	(1) EAA-9396-A	spring	
(1) B5A-9314-A	diaphragm	(3) B1AZ-9367-A	gasket	(1) B5A-9398-A	diaphragm	
(1) B5A-9315-A	spring	(1) 7RA-9378	pin	(2) 49B-9408	gasket	
(4) B6Q-9352-A	valve	(1) 1BA-9380-B	spring	(1) CODE-9417-A	gasket	
(2) CODE-9352-A	valve	(1) 7RA-9381	link	(1) 49B-9418	washer	
(1) B5AZ-9A358-A	diaphragm	(1) 7RA-9382	spacer	(2) B7A-9468-A	retainer	
§(1) 59A-9364	gasket	(1) 7RA-9389	bushing	(2) 352896-S	washer	
%(1) B7A-9364-A	gasket	(2) B1AZ-9A393-A	seal			
§ Use with In-line Filter		% Use less In-line Filter				
•COSZ 9349-A	S/A	Use with 9350, C1VE-D	1	430-2V	D	60/62
Consists of the following -						
(1) C1VE-9A358-A	diaphragm	(1) COLE-9398-B	diaphragm	(1) C1SZ-9417-A	gasket	
(1) COLE-9A360-A	plug					
•C3VY 9349-A	S/A	Use with 9350, C3VY-A	1	430-4V	D	63/64
Consists of the following -						
(1) C1VE-9A358-A	diaphragm	(1) C3VY-9398-A	diaphragm	(1) C3AZ-9417-C	gasket	
(1) COLE-9A360-A	plug					
9350 PUMP (FUEL AND/OR VACUUM)						
- NOTE -						
Fuel pumps found to be defective on vehicles within the warranty period should be replaced rather than repaired						
◊B8A 9350-C	S/A	(a, c, d)	1	312-2V	A	60
Package also includes -						
☆(1) B8A-9417-A	gasket	(1) C3AZ-9417-C	gasket			
☆ Not used on 1960 Mercury						
◊EDG 9350-B	S/A	(b, c)	1	383-2V,430-2V	A	60
Package also includes -						
		(1) C3AZ-9417-C	gasket			
◊COAE 9350-D	D/A	Identification number 4872 stamped on mounting flange (a, c)	1	223-1V	A	61
Use on vehicles not equipped with electric windshield wipers						
Package also includes -						
		(1) C1SZ-9417-A	gasket			
CONTINUED ON NEXT PAGE						
◊ A. C. • Carter ◊ Holley						

Fuel Pump

GROUP AND PART NUMBER	TYPE	DESCRIPTION, SIZE, ETC.	NO. REQ'D	MODEL OR ENGINE CUBIC INCH DISPLACEMENT	VEHICLE CODE	YEAR 19__
9350 PUMP (FUEL AND/OR VACUUM) CONTINUED						
φC1AE 9350-A	D/A	Identification number 3461 stamped on mounting flange Use on vehicles not equipped with electric windshield wipers	1	292-2V, 352-2V, 390-4V	A	61
Package also includes -						
(1) B8A-9417-A		gasket	(1) C1SZ-9417-A	gasket		
●C2AZ 9350-D	S/A	Identification number 3368-SA stamped on mounting flange Use with electric windshield wipers	1	223-1V	A	61/62
Package also includes -						
(1) C2AA-9324-A		hose	(1) CODE-9417-A	gasket	(2) 375416-S35	clamp
◇φC2AZ 9350-C	S/A	Identification number 6504 stamped on mounting flange Use with and without a/cond. on 292-2V with "In Line" fuel filter Use without a/cond. on 352-2V and 390-4V Use with electric windshield wipers	1	292-2V, 352-2V, 390-4V	A	61/62
Package also includes -						
(1) C2AA-9324-A		hose	(1) C1SZ-9417-A	gasket - use with aluminum cover stamped 6019	(2) 375416-S35	clamps
(1) B8A-9417-A		gasket - use with steel cover stamped 6019				
●C2AZ 9350-B	S/A	NS-use C2AZ-9350-D - identification number 3368-S stamped on mounting flange Use with electric windshield wipers	1	223-1V	A	62
●C3AZ 9350-G	S/A	Includes filter - identification number 3381-S stamped on mounting flange Use with a/cond. on 352-2V, and with 292-2V without "In Line" fuel filter	1	292-2V, 352-2V	A	62
Package also includes -						
(1) C2AA-9324-A		hose	(1) C3AZ-9417-A	gasket	(2) 375416-S35	clamps
φCOAZ 9350-A	S/A	Identification number 4918 or 6974 stamped on mounting flange	1	406-4V, 406-6V, 427-4V, 427-8V	A	62/64
Package also includes -						
%(1) B8A-9417-A1		gasket	(1) C3AZ-9417-C	gasket		
% Not used						
●C3AZ 9350-K		NS - 10/1/64 RB C3AZ-9350-N				
●C3AZ 9350-N	S/A	Includes filter - identification number 3716-SA on mounting flange Use with (2) 375416-S clamps and (1) piece of hose 9" long cut from C2AZ-9324-A	1	390-4V	A	62/64
●C3MY 9350-B		NS - 10/1/64 RB C4MY-9350-A				
●C4MY 9350-A	S/A	Includes filter - identification number 3719-SA on mounting flange	1	390-2V	A	63/64
‡‡ Package also includes -						
		(1) C3AZ-9417-C	gasket			
◇C2OZ 9350-B	S/A	Identification - fuel inlet fitting positioned 220 degrees counter-clockwise from rocker arm - use on vehicles built prior to 1-5-62	1	170-1V	B	62
φC2OZ 9350-D	S/A	Identification number 6492 stamped on mounting flange	1	170-1V	B	62
‡ Package also includes -						
(1) C2OA-9324-C		hose	(1) CODE-9417-A	gasket	(2) 375416-S35	clamp

CONTINUED ON NEXT PAGE

φ A. C. ● Carter ◇ Holley

Fuel Pump

GROUP AND PART NUMBER	TYPE	DESCRIPTION, SIZE, ETC.	NO. REQ'D	MODEL OR ENGINE CUBIC INCH DISPLACEMENT	VEHICLE CODE	YEAR 19__
9350 PUMP (FUEL AND/OR VACUUM) CONTINUED						
◇C2OZ 9350-C	S/A	Identification - fuel inlet fitting positioned 220 degrees counter-clockwise from rocker arm	1	221-2V, 260-2V	B	62
Package also includes -						
(1) C2OA-9324-A	hose	(1) C1SZ-9417-A gasket		(2) 375416-S35	clamps	
●C3OZ 9350-A	S/A	Identification number 3513-S stamped on mounting flange ☆ Use on vehicles equipped with 200-1V engines built prior to 2-14-63	(f) 1	170-1V, 200-1V☆	B	63
φC3OZ 9350-B	S/A	Includes filter - identification number 6839 stamped on mounting flange ☆ Use on vehicles built after 2-13-63	(f) 1	200-1V☆	B	63
† Package also includes -						
		(1) C3AZ-9417-B gasket				
●C3AZ 9350-M	S/A	Includes filter - identification number 3734-S stamped on mounting flange	1	221-2V, 260-2V, 289-4V	B C	63/64
Package also includes -						
		(1) C3AZ-9417-C gasket				
◇CODE 9350-G	S/A	NS-use CODE-9350-K	(a) 1	144-1V	C	60
φCODE 9350-H	D/A	Identification number 4896 stamped on mounting flange - NS-use CODE-9350-J	(a) 1	144-1V	C	60
◇CODE 9350-K	S/A	Use on vehicles equipped with electric windshield wipers	(ΔΔ) (a) 1	144-1V, 170-1V	C	60/61
φCODE 9350-J	D/A	Identification number 3404 stamped on mounting flange Use on vehicles not equipped with electric windshield wipers	(ΔΔ) (a) 1	144-1V, 170-1V	C	61/62
ΔΔ Package also includes -						
		(1) CODE-9417-A gasket				
◇C2DZ 9350-A	S/A	Identification - fuel inlet fitting positioned 135 degrees counter-clockwise from rocker arm Use with electric windshield wipers	(a) 1	144-1V, 170-1V	C	62
Package also includes -						
(1) C2DA-9288-A	hose	(1) C1SZ-9417-A gasket		(2) 375416-S35	clamps	
(1) CODE-9417-A	gasket					
φC3DZ 9350-A	S/A	Includes filter - identification number 6803 on mounting flange	(e) 1	144-1V, 170-1V, 200-1V	C	63/64
Package also includes -						
		(1) C3AZ-9417-B gasket				
●COLE 9350-A	S/A	Fuel pump only	(g) 1	430-2V	D	60
Package also includes -						
		(1) C3AZ-9417-C gasket				
●C3VY 9350-A	S/A	Identification No. 3175-SD stamped on mounting flange	(e) 1	430	D	61/64
Package also includes -						
		(1) C1SZ-9417-A gasket				

CONTINUED ON NEXT PAGE

φ A.C. ● Carter ◇ Holley

Fuel Pump

GROUP AND PART NUMBER	TYPE	DESCRIPTION, SIZE, ETC.	NO. REQ'D	MODEL OR ENGINE CUBIC INCH DISPLACEMENT	VEHICLE CODE	YEAR 19__
9350 PUMP (FUEL AND/OR VACUUM) CONTINUED						
20388-S		Bolt-hex. hd. -3/8"-16 x 1"-pump to engine	AR	a, c, e, g		
20468-S		Bolt-hex. hd. -3/8"-16 x 1-1/2"-pump to front cover	2	b, c		
31628-S8		Screw-fill. hd. -No. 10-32 x 5/8"	AR	a, f		
31644-S		NS-screw-fill. hd. -No. 10-32 x 3/4"	AR	f		
34803-S7		Washer-spring lock-No. 10	AR	a, f		
34807-S		Lockwasher-3/8"-pump to engine	AR	c, e, g		
351446-S		NS-flat washer-7/16"	2	f		
354727-S7		Screw and washer assy. -5/16"-18 x 1-3/8"-fuel pump to block	2	a		
359462-S100		Screw and lockwasher assy. -1/4"-28-7/8"-body and plugs to pulsator cover	2	e		
359617-S		Screw and lockwasher-No. 10-32 x 5/8"-body and plugs to lower housing	2	e		
372554-S		Nipple-1/8"-27-N. P. T. F.	1	a		
373171-S		Elbow-90 degree-1/8"-27 external and internal pipe thread-filter to fuel pump	1	d		
9352 VALVE (FUEL AND/OR VACUUM PUMP)						
◇φC3AZ 9352-B	S/A	Use with 9350, C2AZ-C	2	292-2V, 352-2V, 390-4V	A	61/62
◇φB7A 9352-A	ALL	Use with 9350, EDG-B, COAE-A, B, C, D and E, COME-A, C1AE-A, C1SE-A, C2OZ-A and C - also serviced 9349 kit (2) req'd. - in fuel pump section	2	221-2V, 223-1V, 260-2V, 292-2V, 312-2V, 352-2V, 383-2V, 390-4V, 406-4V, 406-6V, 430-2V	A B	60/62
	ALL	Use with 9350, COAE-E, COAZ-A - also serviced in 9349 kit	2	406-4V, 406-6V, 427-4V, 427-8V	A	63/64
◇φB6Q 9352-A	D/A	Use with 9350, COAE-A and D, C1AE-A, CODE-H and J - also serviced in 9349 kit (4) req'd. - in vacuum pump section (2) req'd. - in fuel pump section	AR	144-1V, 170-1V, 223-1V, 292-2V, 352-2V, 390-4V	A C	60/62
◇φCODE 9352-A	ALL	Use with 9350, CODE-J and K, C2DZ-A, C2OZ-B and D - also serviced in 9349 kit (2) req'd. - in fuel pump section	2	144-1V, 170-1V	B C	60/62
φC3AZ 9352-A	S/A	Use with 9350, C3DZ-A and C3OZ-B - also serviced in 9349 kit	2	144-1V, 170-1V, 200-1V	B C	63
	S/A	Use with 9350, C3DZ-A - also serviced in 9349 kit	2	170-1V, 200-1V	C	64
9B354 RETAINER (FUEL PUMP CAM LEVER SPRING)						
◆C3AZ 9B354-A	S/A	Use with 9350, C3AZ-F, H, J, K, M, N, C3MY-B and C4MY-A	1	221-2V, 260-2V, 292-2V, 352-2V, 390	A B C	62/63
	S/A	Use with 9350, C3AZ-K, M, N, C3MY-C and C4MY-A	1	260-2V, 289-4V, 390-2V, 390-4V	A C	64
9355 BOWL (FUEL FILTER)						
◇φB5A 9355-A		Glass Use with 9350, COAE-A, B, C and D, COME-A, CODE-G, H, J and K	1	144-1V, 170-1V, 223-1V, 292-2V, 312-2V	A C	60/62
C3AZ 9355-A		Steel - use with C2AZ-9155-A filter and 9350, C2AZ-A, C3AZ, C, D, F, H, J, K, M, N, C3MY-A, B, C3OZ-B, C4MY-A	1	144-1V, 170-1V, 200-1V, 221-2V, 223-1V, 260-2V,	A B C	60/63
		Use with filter and 9350, C3AZ-K, M, N, C3DZ-A, C3MY-C and C4MY-A	1	170-1V, 200-1V, 260-2V, 289-4V, 390-2V, 390-4V	A C	64
		φ A. C. ◆ Carter ◇ Holley				

Fuel Pump

GROUP AND PART NUMBER	TYPE	DESCRIPTION, SIZE, ETC.	NO. REQ'D	MODEL OR ENGINE CUBIC INCH DISPLACEMENT	VEHICLE CODE	YEAR 19__
9A358 DIAPHRAGM (FUEL PUMP PULSATOR)						
◇C1SZ 9A358-A	S/A	Use with 9350, EDG-B, C1AE-A, C1SE-A, C2AZ-C - also serviced in 9349 kit	1	292-2V, 352-2V, 383-2V 390-4V, 430-2V	A	60/62
◆C2AZ 9A358-B	S/A	Use with 9350, C2AZ-B and D and C3TZ-C - also serviced in 9349 kit	1	223-1V	A	61/62
◇COAE 9A358-A	S/A	Use with 9350, COAE-E, COAZ-A - also serviced in 9349 kit	1	406-4V, 406-6V, 427-4V, 427-8V	A	62/64
◇B5AZ 9A358-A	ALL	Use with 9350, COAE-A, B, C and D, CODE-G, H, J and K, COME-A, C2DZ-A, C2OZ-A, B, C and D - also serviced in 9349 kit	1	144-1V, 170-1V, 221-2V, 223-1V, 260-2V, 292-2V, 312-2V, 352-2V	A B C	60/62
◆C2AZ 9A358-A	S/A	Use with 9350, C2AZ-A, C3AZ-C, D, F, J, K, M, N, C3MY-A, B, C and C4MY-A - also serviced in 9349 kit	1	221-2V, 260-2V, 292-2V, 352-2V, 390	A B C	62/63
	S/A	Use with 9350, C3AZ-K and M, and C3MY-C - also serviced in 9349 kit	1	260-2V, 289-4V, 390-2V 390-4V	A C	64
◆C1VE 9A358-A	S/A	Use with 9350, C1VE-D, C3VY-A - also serviced in 9349 kit	1	430	D	60/63
	S/A	Use with 9350, C3VY-A - also serviced in 9349 kit	1	430-4V	D	64
9A359 COVER (FUEL PUMP DIAPHRAGM PULSATOR)						
◇B7AZ 9A359-A	S/A	Use with 9350, EDG-B (a, c)	1	383-2V, 430-2V	A	60
◇C1SE 9A359-A	ALL	Use with 9350, C1AE-A, C1SE-A, C2AZ-C (a, b)	1	292-2V, 352-2V, 390-4V	A	61/62
◆C2AZ 9A359-B	S/A	Use with 9350, C2AZ-B and D	1	223-1V	A	62
◆C2AZ 9A359-A	S/A	Use with 9350, C2AZ-A, C3AZ-D, F, K, M, N	1	292-2V, 352-2V, 390-4V	A	62/63
	S/A	Use with 9350, C3AZ-K, N	1	390-4V	A	64
◇COAZ 9A359-A	S/A	Use with 9350, COAE-E, COAZ-A	1	406-4V, 406-6V, 427-4V, 427-8V	A	62/64
◆C3MY 9A359-A	S/A	Use with 9350, C3MY-A, B, C4MY-A	1	390-2V	A	63
	S/A	Use with 9350, C3MY-C, C4MY-A	1	390-2V	A	64
◇C2DZ 9A359-A	S/A	Use with 9350, C2OZ-A, B, C, D and C2DZ-A (d)	1	144-1V, 170-1V, 221-2V, 260-2V	B C	60/62
◆C3AZ 9A359-A	S/A	Use with 9350, C3AZ-C and H	1	221-2V, 260-2V	B C	63
◆C3AZ 9A359-C	S/A	Use with 9350, C3AZ-J	1	221-2V, 260-2V	B C	63
	S/A	Use with 9350, C3AZ-M	1	260-2V, 289-4V	C	64
◆COLE 9A359-A	S/A		1	430-2V	D	60
31628-S8		Screw-No. 10-32 x 5/8"-upper valve body to lower body	AR	a		
31644-S8		NS-screw-No. 10-32 x 3/4"-cover to valve body	2	c		
34803-S7		Washer-spring lock-No. 10-cover to valve body and valve body to lower valve body	12	a		
34805-S8		Lockwasher-1/4"	1	d		
37777-S		NS-screw-No. 10-32 x 5/8"-lower valve body to cover	2	b		
38289-S7		Screw-pan hd. -1/4"-28 x 5/8"	1	d		
9A360 PLUG (FUEL PUMP ROCKER ARM PIN HOLES)						
◇B5A 9379-A	ALL	Use with 9350, COAE-B and C, CODE-G and K, C1AE-A, COME-A, C2DZ-A, C2OZ-A, B and C - also serviced in 9349 kit	2	144-1V, 170-1V, 221-2V, 223-1V, 260-2V, 292-2V, 312-2V	A B C	60/62
CONTINUED ON NEXT PAGE						
◇ A. C. ◆ Carter ◇ Holley						

Fuel Pump

GROUP AND PART NUMBER	TYPE	DESCRIPTION, SIZE, ETC.	NO. REQ'D	MODEL OR ENGINE CUBIC INCH DISPLACEMENT	VEHICLE CODE	YEAR 19_____
9A360 PLUG (FUEL PUMP ROCKER ARM PIN HOLES) CONTINUED						
♣COLE 9A360-A	S/A	Use with 9350, C1VE-D, C2AZ-A, C3AZ-C, D, F, J, K, M, N, C3MY-A, B, C, C3OZ-A, C3VY-A, C4MY-A - also serviced in 9349 kit	1	170-1V, 200-1V, 221-2V, 260-2V, 292-2V, 352-2V, 390-2V, 390-4V, 430-2V, 430-4V	A B C D	60/63
	S/A	Use with 9350, C3AZ-K, M, N, C3MY-C, C3VY-A and C4MY-A - also serviced in 9349 kit	1	260-2V, 289-4V, 390-2V, 390-4V, 430-4V	A C D	64
9364 GASKET (FUEL PUMP FILTER BOWL)						
◇φ59A 9364	ALL	Also serviced in 9A344 and 9349 kits Use with 9350, COAE-A, B, C and D, CODE-G, H, J and K, COME-A	1	144-1V, 170-1V, 223-1V, 292-2V, 312-2V	A C	60/62
C2AZ 9364-A		Rubber - 2-1/2" I.D. x 2-3/4" O.D. x 5/32" thick - use with B7Q-9155-A, C2AZ-9155-A, C3MY-9155-A and 9350, C2AZ-A, C3AZ-C, D, H, J, K, M, N, C3DZ-A, C3MY-A, B, C3OZ-B, C4MY-A	1	144-1V, 170-1V, 200-1V, 221-2V, 223-1V, 260-2V, 292-2V, 352-2V, 390, 406, 427	A B C	62/63
		Use with 9350, C3AZ-K, M, N, C3DZ-A, C3MY-C, C4MY-A, B7Q-9155-A, C3MY-9155-A	1	170-1V, 200-1V, 260-2V, 289-4V, 390-2V, 390-4V, 427-4V, 427-8V	A C	64
9365 STRAINER AND/OR SCREEN (FUEL PUMP FILTER BOWL)						
		NS-screen - serviced in 9A344 kit Use with 9350, COAE-A, B, C and D, CODE-G, H, J and K, COME-A	1	144-1V, 170-1V, 223-1V, 292-2V, 312-2V	A C	60/62
C4AZ 9365-A		Fuel filter element - 2-5/64" diameter x 3-1/2" long - use with B7Q-9155-A, C2AZ-9155-A, C3MY-9155-A and 9350, C2AZ-A, C3AZ-C, D, H, J, K, M, N, C3DZ-A, C3MY-A, B, C3OZ-B, C4MY-A	1	144-1V, 170-1V, 200-1V, 221-2V, 223-1V, 260-2V, 292-2V, 352-2V, 390, 406, 427	A B C	62/63
		Use 9350, C3AZ-K, M, N, C3DZ-A, C3MY-C, C4MY-A, B7Q-9155-A, C3MY-9155-A	1	170-1V, 200-1V, 260-2V, 289-4V, 390-2V, 390-4V, 427-4V, 427-8V	A C	64
Package also includes -						
(1) C2AZ-9364-A gasket						
9367 GASKET (VACUUM PUMP VALVE TO BODY)						
◇φB1AZ 9367-A	D/A	Use with 9350, COAE-A and D, CODE-H and J, C1AE-A - also serviced in 9349 kit Use (1) in fuel section Use (2) in vacuum section	3	144-1V, 170-1V, 223-1V, 292-2V, 352-2V, 390-4V	A C	60/62
9369 TUBE (FUEL PUMP TO CARBURETOR)						
		NS-5/16" diameter tubing x 21-3/4" long - cut from 8C-2269-A bulk tubing (25) foot roll - use with (2) 87944-S8 fittings	1	383-2V	A	60
		NS-5/16" diameter tubing x 19-33/64" long - cut from 8C-2269-A bulk tubing (25) foot roll - use with (2) 87944-S8 fittings	1	430-2V	A	60
		NS-5/16" diameter steel tubing x 30-3/4" long - use with (2) 87944-S8 fittings - cut from 8C-2269-A bulk tubing (25) foot roll Use on 292-2V without "In Line" fuel filter and with a/cond. on 352-2V	1	292-2V, 352-2V	A	62
CONTINUED ON NEXT PAGE						
φ A. C. ♣ Carter ◇ Holley						

Fuel Pump

GROUP AND PART NUMBER	TYPE	DESCRIPTION, SIZE, ETC.	NO. REQ'D	MODEL OR ENGINE CUBIC INCH DISPLACEMENT	VEHICLE CODE	YEAR 19__
9369 TUBE (FUEL PUMP TO CARBURETOR) CONTINUED						
		NS-5/16" diameter steel tubing x 30" long - use with (2) 87944-S8 fittings - cut from 8C-2269-A bulk tubing (25) foot roll - use on vehicles equipped with a/cond.	1	390-4V	A	62/63
		NS-5/16" diameter steel tubing x 30-13/16" long - cut from 8C-2269-A bulk tubing - (25) ft. roll - use with (2) 87944-S fittings	1	390-2V	A	63
		NS-5/16" diameter steel tubing x 29-29/64" long - cut from 8C-2269-A bulk tubing - (25) ft. roll - use with (2) 87944-S fittings	1	390-2V	A	64
		NS-5/16" diameter steel tubing x 28-9/16" long - use with (2) 87944-S8 fittings - cut from 8C-2269-A bulk tubing - (25) ft. roll - use on vehicles equipped with a/cond.	1	390-4V	A	64
		NS-5/16" diameter steel tubing x 33" long - cut from 8C-2269-A bulk tubing - use with C3OZ-9350-B pump	1	200-1V	B	63
		NS-5/16" diameter steel tubing x 28-13/16" long - cut from 8C-2269-A bulk tubing - (25) ft. roll - use with (2) 87944-S fittings	1	221-2V,260-2V	B C	63
		NS-5/16" diameter steel tubing x 40" long - cut from 8C-2269-A bulk tubing - (25) ft. roll - use with (2) 87944-S fittings	1	144-1V,170-1V	C	63/64
		NS-5/16" diameter steel tubing x 29-17/64" long - cut from 8C-2269-A bulk tubing - (25) ft. roll - use with (2) 87944-S fittings	1	260-2V	C	64
		NS-5/16" diameter steel tubing x 28-3/16" long - cut from 8C-2269-A bulk tubing - (25) ft. roll - use with (2) 87944-S fittings	1	289-4V	C	64
9371 RETAINER (FUEL PUMP DIAPHRAGM SPRING)						
◇φ7RA 9371	ALL	Use with 9350, COAE-A,C and D, CODE-G, H,J and K, C2DZ-A, C2OZ-A, B and C	1	144-1V,170-1V,221-2V, 223-1V,260-2V,292-2V	A B C	60/62
9372 BODY (FUEL PUMP PULSATOR)						
◇φB5A 9372-A	ALL	Use with 9350, COAE-A,B,C and D, CODE-G,H,J and K, COME-A, C2DZ-A, C2OZ-A and B (a)	1	144-1V,170-1V,223-1V, 292-2V,312-2V	A C	60/62
354659-S100		Screw and washer-clutch recessed-1/4"-20 x 1/2"	1	a		
9376 ARM (FUEL PUMP ROCKER)						
◇φB8S 9376-A	S/A	Use with 9376, EDG-B	1	383-2V,430-2V	A	60
◇φB5A 9376-D	S/A	Use with 9350, COAE-B, COME-A	1	292-2V,312-2V	A	60/61
●C2AZ 9376-A	S/A	Use with 9350, C2AZ-B and D	1	223-1V	A	61/62
◇φB5A 9376-C	ALL	Use with 9350, COAE-A and E, COAZ-A, C1AE-A, C1SE-A, C2AZ-C (a)	1	292-2V,352-2V,390-4V, 406,427	A	61/63
●C1TZ 9376-A	S/A	Use with 9350, C2AZ-A	1	352-2V,390-4V	A	62
	S/A	Use with 9350, C3AZ-D and C3MY-A	1	390-2V,390-4V	A	63
●C4AZ 9376-A	S/A	Use with 9350, C3AZ-N and C4MY-A	1	390-2V,390-4V	A	62/64
●C3AZ 9376-D	S/A	Use with 9350, C3AZ-F and C3MY-B	1	390-2V,390-4V	A	63
●C3AZ 9376-E	S/A	Use with 9350, C3AZ-K and C3MY-C	1	390-2V,390-4V	A	64
◇φC2AZ 9376-C	ALL	Use with 9350, COAE-E, COAZ-A (a)	1	427-4V,427-8V	A	64
CONTINUED ON NEXT PAGE						
φ A. C. ◇ Holley ● Carter						

Fuel Pump

GROUP AND PART NUMBER	TYPE	DESCRIPTION, SIZE, ETC.	NO. REQ'D	MODEL OR ENGINE CUBIC INCH DISPLACEMENT	VEHICLE CODE	YEAR 19__
9376		ARM (FUEL PUMP ROCKER) CONTINUED				
◇φB5A 9376-A	D/A	Use with 9350, COAE-D, CODE-H and J	1	144-1V,170-1V,223-1V	A C	60/61
◇φB5A 9376-B	S/A	Use with 9350, COAE-C, CODE-G and K, C2DZ-A, C2OZ-B	1	144-1V,170-1V,221-2V, 223-1V,292-2V,352-2V, 390-4V	A B C	60/62
◇φC2OZ 9376-A	S/A	Use with 9350, C2OZ-A and C	1	221-2V,260-2V	B	62
♣C3OZ 9376-A	S/A	Use with 9350, C3OZ-A	1	170-1V,200-1V	B	63
♣C3AZ 9376-A	S/A	Use with 9350, C3AZ-C	1	221-2V,260-2V	B	63
◇φC2OZ 9376-B	S/A	Use with 9350, C2OZ-D	1	170-1V	B	62
◇φC3AZ 9376-B	S/A	Use with 9350, C3DZ-A, C3OZ-B	1	144-1V,170-1V,200-1V	B C	63
	S/A	Use with 9350, C3DZ-A	1	170-1V,200-1V	C	64
♣C3AZ 9376-C	S/A	Use with 9350, C3AZ-H and J, M	1	221-2V,260-2V	B C	63
	S/A	Use with 9350, C3AZ-M	1	260-2V,289-4V	C	64
♣COSZ 9376-A	S/A	Use with 9350, C1VE-D	1	430-2V	D	60/62
		Use with 9350, C3VY-A	1	430-4V	D	63/64
352897-S		Washer-flat-3/8" I.D. x 11/16" O.D. x .093" thick	2	a		
9378		PIN (FUEL PUMP ROCKER ARM)				
◇φB8S 9378-A	S/A	Use with 9350, EDG-B - also serviced in 9349 kit	1	383-2V,430-2V	A	60
♣ECU 9378-A	S/A	Use with 9350, C2AZ-B and D (a)	1	223-1V	A	62
	S/A	NS-serviced in 9349 kit only - use with 9350, COAE-E, COAZ-A and C3DZ-A	1	144-1V,170-1V,406-4V, 406-6V,427-4V,427-8V	A C	63
	S/A	NS-serviced in 9349 kit only - use with 9350, COAE-E, COAZ-A and C3DZ-A	1	170-1V,200-1V,427-4V, 427-8V	A C	64
◇φB5A 9378-A	S/A	Use with 9350, COAE-B and C, CODE-G and K, COME-A, C2DZ-A, C2OZ-A, B and C - also serviced in 9349 kit	1	144-1V,170-1V,221-2V, 223-1V,260-2V,292-2V, 312-2V	A B C	60/62
	ALL	NS-serviced in 9349 kit Use with 9350, COAE-A, D and E, CODE-J and K, C1AE-A, C1SE-A, C2AZ-C and C2OZ-D	1	144-1V,170-1V,223-1V, 292-2V,312-2V,352-2V, 390-4V,406-4V,406-6V	A B C	60/62
♣COLE 9378-A	S/A	Use with 9350, C1VE-D, C2AZ-A, C3AZ-C, D, F, J, M, N, C3MY-A, B, C3OZ-A, C3VY-A and C4MY-A	1	170-1V,200-1V,221-1V, 260-2V,292-2V,352-2V, 390,430	A B C D	60/63
	S/A	Use with 9350, C3AZ-K, M, N, C3MY-C, C3VY-A, and C4MY-A	1	260-2V,289-4V,390-2V, 390-4V,430-4V	A C D	64
370013-S		Plug-.254"-.258" x 5/32"-retains pin in housing	2	a		
9379		REFER TO GROUP 9A360				
9380		SPRING (FUEL PUMP ROCKER ARM)				
◇φCOAE 9380-A	S/A	Use with 9350, COAE-E, C1SE-E, C2AZ-C, - also serviced in 9349 kit	1	292-2V,352-2V,390-4V, 406,427	A	61/63
	S/A	Use with 9350, COAE-E - also serviced in 9349 kit	1	427-4V,427-8V	A	64
◇φB8S 9380-A	S/A	Use with 9350, EDG-B, COME-A, COAE-B- also serviced in 9349 kit	1	292-2V,312-2V,383-2V, 430-2V	A B	60/62
♣C2AZ 9380-A	S/A	Use with 9350, C2AZ-B and D	1	223-1V	A	62
		Use with 9350, C3OZ-A	1	170-1V,200-1V	B	63
◇φ1BA 9380-B	D/A	Use with 9350, COAE-A and D, CODE-H and and J, C1AE-A - also serviced in 9349 kit	1	144-1V,170-1V,223-1V, 292-2V,352-2V,390-4V	A C	60/62
CONTINUED ON NEXT PAGE						
φ A. C. ♣ Carter ◇ Holley						

Fuel Pump

GROUP AND PART NUMBER	TYPE	DESCRIPTION, SIZE, ETC.	NO. REQ'D	MODEL OR ENGINE CUBIC INCH DISPLACEMENT	VEHICLE CODE	YEAR 19__
9380 SPRING (FUEL PUMP ROCKER ARM) CONTINUED						
◇φ1BA 9380-A	S/A	Use with 9350, COAE-C, CODE-G and K, C2DZ-A, C2OZ-B - also serviced in 9349 kit	1	144-1V,170-1V,223-1V	A B C	60/62
♣C3TZ 9380-A	S/A	Use with 9350, C2AZ-A, C3AZ-C, D, F, H, J, M, C3MY-A, B and C4MY-A	1	221-2V, 260-2V, 292-2V, 352-2V, 390-2V, 390-4V	A B C	62/63
	S/A	Use with 9350, C3AZ-K, M, N, C3MY-C, and C4MY-A	1	260-2V, 289-4V, 390-2V, 390-4V	A C	64
◇φC3AZ 9380-A	S/A	Use with 9350, COAZ-A, C2OZ-B, D, C3DZ-A and C3OZ-B - also serviced in 9349 kit	1	144-1V, 170-1V, 200-1V, 406, 427	A B C	62/63
	S/A	Use with 9350, COAZ-A, C3DZ-A - also serviced in 9349 kit	1	170-1V, 200-1V, 427-4V, 427-8V	A C	64
◇φC2OZ 9380-A	S/A	Use with 9350, C2OZ-A and C - also serviced in 9349 kit	1	221-2V, 260-2V	B	62
♣COLE 9380-A	S/A	Use with 9350, C1VE-D	1	430-2V	D	60/62
	S/A	Use with 9350, C3VY-A	1	430-4V	D	63/64
9381 LINK (FUEL PUMP ROCKER ARM)						
◇φB8S 9381-A	S/A	Use with 9350, EDG-B - also serviced in 9349 kit	1	383-2V, 430-2V	A	60
◇φCOAE 9381-A	S/A	Use with 9350, COAE-E, COAZ-A, C1SE-A, C2AZ-C - also serviced in 9349 kit	1	292-2V, 352-2V, 390-4V, 406, 427	A	61/63
	S/A	Use with 9350, COAE-E, COAZ-A - also serviced in 9349 kit	1	427-4V, 427-8V	A	64
◇φB5A 9381-A	S/A	Use with 9350, COAE-B, COME-A, C2OZ-D - also serviced in 9349 kit	1	170-1V, 221-2V, 292-2V, 312-2V	A B	60/62
◇φ7RA 9381	D/A	Use with 9350, COAE-A and D, CODE-H and J, C1AE-A - also serviced in 9349 kit	1	144-1V, 170-1V, 223-1V, 292-2V, 352-2V, 390-4V	A C	60/62
◇φEAA 9381-A	S/A	Use with 9350, COAE-C, CODE-G and K, C2DZ-A, C2OZ-B - also serviced in 9349 kit	1	144-1V, 170-1V, 223-1V	A B C	60/62
◇φC2OZ 9381-A	S/A	Use with 9350, C2OZ-A and C - also serviced in 9349 kit	1	221-2V, 260-2V	B	62
φ 8EL 9381	S/A	Use with 9350, C3DZ-A and C3OZ-B - also serviced in 9349 kit	1	144-1V, 170-1V, 200-1V	B C	63
	S/A	Use with 9350, C3DZ-A - also serviced in 9349 kit	1	170-1V, 200-1V	C	64
9382 SPACER (FUEL PUMP LINK & SPRING RETAINER)						
◇φ7RA 9382	ALL	Use with 9350, COAE-A, D, E, COAZ-A, CODE-J, K, C1AE-A, C1SE-A, C2AZ-C - also serviced in 9349 kit	1	144-1V, 170-1V, 223-1V, 292-2V, 352-2V, 390-4V, 406, 427	A C	60/63
	ALL	Use with 9350, COAE-E, COAZ-A - also serviced in 9349 kit	1	427-4V, 427-8V	A	64
9387 BAIL (FUEL PUMP STRAINER)						
◇φEAA 9387-A	ALL	Use with 9350, COAE-A, B, C and D, CODE-G, H, J and K, COME-A	1	144-1V, 170-1V, 223-1V, 292-2V, 312-2V	A B C	60/62
9389 BUSHING (FUEL PUMP ROCKER ARM)						
◇φB8S 9389-A	S/A	Use with 9350, EDG-B - also serviced in (a) 9349 kit	1	383-2V, 430-2V	A	60
◇φ7RA 9389	D/A	Use with 9350, COAE-A and D, CODE-H (a) and J, C1AE-A - also serviced in 9349 kit	1	144-1V, 170-1V, 223-1V, 292-2V, 352-2V, 390-4V	A C	60/62
CONTINUED ON NEXT PAGE						
φ A. C. ♣ Carter ◇ Holley						

Fuel Pump

GROUP AND PART NUMBER	TYPE	DESCRIPTION, SIZE, ETC.	NO. REQ'D	MODEL OR ENGINE CUBIC INCH DISPLACEMENT	VEHICLE CODE	YEAR 19__
9389 BUSHING (FUEL PUMP ROCKER ARM) CONTINUED						
◇φCOAE 9389-A	S/A	Use with 9350, COAE-E, COAZ-A, C1SE-A, C2AZ-C, C3DZ-A, C3OZ-B - also serviced in 9349 kit	1	144-1V, 170-1V, 200-1V, 292-2V, 352-2V, 390-4V, 406-4V, 406-6V, 427-4V, 427-8V	A B C	61/63
	S/A	Use with 9350, COAE-E, COAZ-A and C3DZ-A - also serviced in 9349 kit	1	170-1V, 200. 1V, 427-4V, 427-8V	A C	64
352896-S		Washer-flat-.365" I.D. x 5/8" O.D. x .010" thick	2	a		
352897-S		Washer-flat-3/8" I.D. x 11/16" O.D. x .095" thick	2	a		
356951-S		Washer-flat-3/8"	2	a		
9A389 NUT (FUEL PUMP MANUAL CONTROL)						
CITZ 9A389-A		Chrome plated - use to attach hood release to bracket	1	430-4V	D	64
9A392 RETAINER (FUEL PUMP OIL SEAL)						
φCOAZ 9A392-A	S/A	Use with 9350, COAE-E, COAZ-A and C3DZ-A - also serviced in 9349 kit	1-2	170-1V, 200-1V, 427-4V, 427-8V	A C	64
◇φCOAE 9A392-A	S/A	Use with 9350, COAE-E, COAZ-A, C1SE-A, C2AZ-C, C2OZ-D, C3DZ-A, C3OZ-B - also serviced in 9349 kit	1-2	144-1V, 170-1V, 200-1V, 292-2V, 352-2V, 390-4V, 406-4V, 406-6V, 427-4V, 427-8V	A B C	61/63
◇φB7A 9468-A	ALL	Use with 9350, EDG-B, COAE-A, B, C, D and E, CODE-G, H, J and K, COME-A, C1AE-A, C2DZ-A, C2OZ-A, B and C - also serviced in 9349 kit (1) req'd. - with fuel pump (2) req'd. - with fuel and vacuum pump	1-2	144-1V, 170-1V, 221-2V, 223-1V, 260-2V, 292-2V, 312-2V, 352-2V, 383-2V, 390-4V, 406-4V, 406-6V, 430-2V	A B C	60/62
9A393 SEAL (FUEL & VACUUM PUMP OIL)						
◇φB1AZ 9A393-A	ALL	Use with 9350, EDG-B, COAE-A, B, C and D, CODE-G, H, J and K, COME-A, C1AE-A, C2DZ-A, C2OZ-A, B and C - also serviced in 9349 kit (1) req'd. - with fuel pump (2) req'd. - with fuel and vacuum pump	1-2	144-1V, 170-1V, 221-2V, 223-1V, 260-2V, 292-2V, 312-2V, 352-2V, 383-2V, 390-4V, 430-2V	A B C	60/62
◇φCOAZ 9A393-A	S/A	Use with 9350, COAE-E, COAZ-A, C1SE-A, C2AZ-C, C2OZ-D, C3DZ-A, C3OZ-B - also serviced in 9349 kit	1	144-1V, 170-1V, 200-1V, 292-2V, 352-2V, 390-4V, 406-4V, 406-6V, 427-4V, 427-8V	A B C	61/64
9A395 CONNECTOR (VACUUM PUMP OUTLET)						
		NS-5/16" diameter steel tubing x 1-7/16" long - cut from 8C-2269-A bulk tubing (25) ft. roll Use on vehicles equipped with emission reduction system φ A.C. ◇ Holley	1	292-2V	A	61/62

Fuel Pump

GROUP AND PART NUMBER	TYPE	DESCRIPTION, SIZE, ETC.	NO. REQ'D	MODEL OR ENGINE CUBIC INCH DISPLACEMENT	VEHICLE CODE	YEAR 19__
9396		SPRING (FUEL PUMP DIAPHRAGM)				
◇φB8S 9396-A	S/A	Use with 9350, EDG-B - also serviced in 9349 kit	1	383-2V,430-2V	A	60
◇φC1SZ 9396-A	S/A	Use with 9350, C1SE-A, C2AZ-C - also serviced in 9349 kit	1	292-2V,352-2V,390-4V	A	61/62
◇φCOAE 9396-A	S/A	Use with 9350,COAE-E,COAZ-A - also serviced in 9349 kit	1	406-4V,406-6V,427-4V,427-8V	A	62/64
◇φB8A 9396-A		Use with 9350, COAE-A and B, COME-A, C1AE-A, C2OZ-A and C - also serviced in 9349 kit	1	221-2V,260-2V,292-2V,312-2V,352-2V,390-4V	A B	60/62
◇φC2OZ 9396-A	S/A	Use with 9350,C2OZ-D - also serviced in 9349 kit	1	170-1V	B	62
φC3AZ 9396-A	S/A	Use with 9350,C3DZ-A and C3OZ-B - also serviced in 9349 kit	1	144-1V,170-1V,200-1V	B C	63
	S/A	Use with 9350, C3DZ-A - also serviced in 9349 kit	1	170-1V, 200-1V	C	64
9A396		SHIELD (FUEL PUMP)				
C1VE 9A396-A			(a) 1	430	D	61/64
		34803-S7 Lockwasher-No. 10	3	a		
		374007-S8 Stud-hex. center-No. 10-32	3	a		
9398		DIAPHRAGM (FUEL PUMP)				
◇φB8S 9398-A	S/A	Use with 9350, EDG-B - also serviced in 9349 kit	1	383-2V,430-2V	A	60
◇φC1AZ 9398-A	D/A	Use with 9350, C1AE-A - also serviced in 9349 kit	1	292-2V,352-2V,390-4V	A	61
◇φC1SZ 9398-A	S/A	Use with 9350, C1SE-A, C2AZ-C - also serviced in 9349 kit	1	292-2V,352-2V,390-4V	A	61/62
♣C2AZ 9398-A	S/A	Use with 9350, C2AZ-B and D - also serviced in 9349 kit	1	223-1V	A	62
♣C3AZ 9398-B	S/A	Use with 9350, C2AZ-A - also serviced in 9349 kit	1	292-2V, 352-2V, 390-4V	A	62
◇φCOAE 9398-A	S/A	Use with 9350,COAE-E,COAZ-A - also serviced in 9349 kit	1	406-4V,406-6V,427-4V,427-8V	A	62/64
♣C4AZ 9398-A	S/A	Use with 9350, C3AZ-N and C4MY-A	1	390-2V, 390-4V	A	62/64
♣C3AZ 9398-E	S/A	Use with 9350, C3AZ-D, F, K and C3MY-A and B	1	390-2V,390-4V	A	63
	S/A	Use with 9350, C3AZ-K and C3MY-C - also serviced in 9349 kit	1	390-2V, 390-4V	A	64
◇φB5A 9398-C	ALL	Use with 9350, COAE-A and B, COME-A, C2OZ-A and C - also serviced in 9349 kit	1	221-2V,260-2V,292-2V,312-2V	A B	60/62
◇φB5A 9398-A	D/A	Use with 9350, COAE-D, CODE-H and J - also serviced in 9349 kit	1	144-1V,170-1V,223-1V	A C	60/62
◇φB5AZ 9398-B	S/A	Use with 9350, COAE-C, CODE-G and K, C2DZ-A, C2OZ-B and D - also serviced in 9349 kit	1	144-1V,170-1V,223-1V	A B C	60/62
φC3AZ 9398-D	S/A	Use with 9350, C3DZ-A and C3OZ-B - also serviced in 9349 kit	1	144-1V,170-1V,200-1V	B C	63
	S/A	Use with 9350, C3DZ-A - also serviced in 9349 kit	1	170-1V, 200-1V	C	64
♣C3AZ 9398-F	S/A	Use with 9350, C3AZ-C, H, J and M	1	221-2V,260-2V	B C	63
	S/A	Use with 9350, C3AZ-M - also serviced in 9349 kit	1	260-2V, 289-4V	C	64
♣COLE 9398-B	S/A	Use with 9350, C1VE-D - also serviced in 9349 kit	1	430-2V	D	60/62
♣C3VY 9398-A	S/A	Use with 9350, C3VY-A - also serviced in 9349 kit	1	430-4V	D	63/64
		φ A. C. ♣ Carter ◇ Holley				

Fuel Pump

GROUP AND PART NUMBER	TYPE	DESCRIPTION, SIZE, ETC.	NO. REQ'D	MODEL OR ENGINE CUBIC INCH DISPLACEMENT	VEHICLE CODE	YEAR 19____
9400 ROD (FUEL PUMP PUSH)						
C1VE 9400-A		Copper tipped on one end - 3/8" diameter x 4-7/8" long with (2) grooves	1	383-2V, 430-2V	A D	60/62
		Must be used with C2OZ-6287-A eccentric - use on vehicles built prior to 1-25-63	1	430-4V	D	63
C3VY 9400-B		Use on vehicles built after 1-24-63 Must be used with the following - (1) C3VY-6281-B bushing (1) C3VY-6287-B eccentric (1) C3VY-6290-A plate	1	430-4V	D	63/64
9A405 VALVE ASSEMBLY (FUEL PUMP THERMOSTATIC)						
▲C1VE 9A405-A	S/A	Use with 9350, C1VE-D	1	430-2V	D	61/62
▲C3VY 9A405-A	S/A	Use with 9350, C3VY-A	1	430-2V, 430-4V	D	61/64
9408 GASKET (FUEL PUMP PULL ROD OIL SEAL)						
◇φ49B 9408	ALL	Use with 9350, EDG-B, COAE-A, B, C, D and E, COAZ-A, CODE-G, H, J, and K, COME-A, C1AE-A, C1SE-A, C2AZ-C, C2DZ-A, C2OZ-A, B, C and D, C3DZ-A, C3OZ-B - also serviced in 9349 kit	2	144-1V, 170-1V, 200-1V, 221-2V, 223-1V, 260-2V, 292-2V, 352-2V, 383-2V, 390-4V, 406-4V, 406-6V, 427-4V, 427-8V, 430-2V	A B C	60/63
	S/A	Use with 9350, COAE-E, COAZ-A and C3DZ-A - also serviced in 9349 kit	2	170-1V, 200-1V, 427-4V, 427-8V	A C	64
9413 TUBE (VACUUM PUMP TO INTAKE MANIFOLD)						
		NS-5/16" diameter steel tubing x 40" long - cut from 8C-2269-A bulk tubing (25) ft. roll - use with (1) 87944-S8 or 87952-S fitting Use on vehicles equipped with vacuum windshield wipers and standard brakes - also on vehicles equipped with power brakes and emission reduction system	1	223-1V	A	61
		NS-5/16" diameter steel tubing x 38-1/8" long - cut from 8C-2269-A bulk tubing (25) foot roll - use with (1) 87944-S8 or 87952-S fitting Use on vehicles equipped with vacuum windshield wipers and automatic transmission - also on vehicles equipped with vacuum windshield wipers, S/T and O/D transmission, power brakes and emission reduction system	1	223-1V	A	61
		NS-5/16" diameter steel tubing x 13-5/64" long - cut from 8C-2269-A bulk tubing (25) foot roll Use on 292-2V vehicles equipped or not equipped with emission reduction system Use on 352-2V and 390-4V vehicles not equipped with emission reduction system Not required on vehicles not equipped with electric windshield wipers CONTINUED ON NEXT PAGE φ A. C. ▲ Carter ◇ Holley	1	292-2V, 352-2V, 390-4V	A	61

Fuel Pump

GROUP AND PART NUMBER	TYPE	DESCRIPTION, SIZE, ETC.	NO. REQ'D	MODEL OR ENGINE CUBIC INCH DISPLACEMENT	VEHICLE CODE	YEAR 19__
9413 TUBE (VACUUM PUMP TO INTAKE MANIFOLD) CONTINUED						
		NS-5/16" diameter steel tubing x 13-1/2" long - cut from 8C-2269-A bulk tubing (25) ft. roll - use with (1) 87944-S8 fitting Use on vehicles equipped with Ford carburetors and not equipped with electric windshield wipers or emission reduction system	1	352-2V, 390-4V	A	61
		NS-5/16" diameter steel tubing x 16-5/8" long - cut from 8C-2269-A bulk tubing (25) ft. roll - use with (1) 87944-S8 fitting Use on vehicles equipped with emission reduction system Not required on vehicles equipped with electric windshield wipers	1	352-2V, 390-4V	A	61
		NS-vacuum pump to carburetor spacer - 5/16" diameter steel tubing x 40-9/16" long - cut from 8C2269-A bulk tubing (25) ft. roll	1	144-1V, 170-1V	B C	62
		NS-vacuum pump to intake manifold - 5/16" diameter steel tubing x 45" long - use with (2) 87944-S8 fittings - cut from 8C-2269-A bulk tubing (25) foot roll Use on vehicles not equipped with electric windshield wipers	1	144-1V	C	60
		NS-vacuum pump to carburetor spacer - 5/16" dia. steel tubing x 37-1/8" long - cut from 8C-2269-A bulk tubing (25) foot roll - use with (1) 87944-S8 fitting Use on vehicles equipped with emission reduction system	1	144-1V, 170-1V	C	61
		NS-vacuum pump to carburetor spacer - 5/16" diameter steel tubing x 38-1/4" long - cut from 8C-2269-A bulk tubing (25) foot roll - use with (1) 87944-S8 fitting Use on vehicles not equipped with emission reduction system	1	144-1V, 170-1V	C	61/62
9414 DOME (FUEL PUMP AIR)						
◇φEAD	9414-A	ALL Use with 9350, CODE-C and D - 2-15/64" overall length with 1/8"-27 external pipe thread To install, on fuel pumps CODE-9350-C and D the following parts must be used - (1) 374375-S elbow - 90 degree with (2) 1/8"-27 internal pipe threads (1) 371344-S adaptor - tube - 3/16" pipe threads (1) 354338-S nipple with (2) 1/8"-27 external	1	144-1V	C	60
9417 GASKET (FUEL PUMP MOUNTING)						
CODE	9417-A	Also serviced in 6008 and 9349 kits * Use on all Meteor vehicles with 170-1V engine except those equipped with C2OZ-9350-D fuel pump	1	144-1V, 170-1V*, 223-1V	A B C	60/62
C3AZ	9417-A	Also serviced in 9349 kit CONTINUED ON NEXT PAGE φ A.C. ♦ Carter ◇ Holley	1	221-2V, 260-2V, 390-2V, 390-4V	A B C	63

Fuel Pump

GROUP AND PART NUMBER	TYPE	DESCRIPTION, SIZE, ETC.	NO. REQ'D	MODEL OR ENGINE CUBIC INCH DISPLACEMENT	VEHICLE CODE	YEAR 19__
9417 GASKET (FUEL PUMP MOUNTING) CONTINUED						
C1SZ 9417-A		Also serviced in 6013, 6014 and 9349 kits ☆ Use on all Meteor vehicles with 170-1V engine equipped with C2OZ-9350-D fuel	1	170-1V☆, 221-2V, 260-2V 292-2V, 312-2V, 352-2V, 383-2V, 390-4V, 406-4V, 406-6V, 430-2V	A B	60/62
		Also serviced in 6013, 6014 and 9349 kits	1	406-4V, 406-6V, 427-4V, 427-8V	A	63
		Also serviced in 6008 and 9349 kits	1	430-2V, 430-4V	D	61/63
C3AZ 9417-C		Also serviced in 9349 kit	1	260-2V, 289-4V, 390-2V, 390-4V, 427-4V, 427-8V, 430-4V	A C D	64
C3AZ 9417-B		Also serviced in 6008 and 9349 kits	1	144-1V, 170-1V, 200-1V	B C	63/64
9418 WASHER (FUEL PUMP ROCKER ARM PIN)						
◇φ49B 9418	ALL	Use with 9350, COAE-A, D and E, COAZ-A CODE-H and J, C1AE-A, C1SE-A, C3DZ-A and C3OZ-B - also serviced in 9349 kit	1	144-1V, 170-1V, 200-1V 223-1V, 292-2V, 352-2V, 383-2V, 390-4V, 406-4V 406-6V, 427-4V, 427-8V	A B C	60/62
	S/A	Use with 9350, COAE-E, COAZ-A and C3DZ-A - also serviced in 9349 kit	1	170-1V, 200-1V 427-4V, 427-8V	A C	64
Manifold						
9424-5 MANIFOLD (INTAKE)						
B9T 9425-A		Use domestically and on export vehicles	(b) 1	312-2V	A	60
C1AE 9424-A			(e) 1	352-2V	A	61
C1AE 9424-B			(e) 1	390-4V	A	61
Package also includes -						
(1) B7TZ-8597-C	hose	(1) 358066-S8 or 372175-S8		pipe plug		
C3AZ 9424-B			(c) 1	223-1V	A	61/62
COAE 9425-F			(d) 1	292-2V	A	61/62
C3AZ 9424-A		NS - 10/1/64 RB C3AZ-9424-F				
C3AZ 9424-F			(Δ)(j) 1	352-2V, 390-2V	A	62/63
C3AZ 9424-E			(Δ)(j) 1	390-4V	A	62/63
C3AZ 9424-D			(Δ) 1	406-6V	A	62/63
Δ Package also includes -						
(1) C3AZ-10911-A	adaptor	(1) I. S. -940		instruction sheet		
C4AZ 9424-A		Use on vehicles built after 11-14-62 with 1/8" temperature sending unit	(k) 1	390-2V	A	63/64
C4AZ 9424-B		Use on vehicles built after 11-14-62 with 1/8" temperature sending unit	(k) 1	390-4V	A	63/64
C3AZ 9424-C			1	406-4V	A	62/63
Package also includes -						
(1) C3AZ-10911-A	adaptor	(1) 358066-S8 or 372175-S8		plug	(1) IS-940	instruction sheet
C3AZ 9424-J			(k) 1	427-4V	A	63/64
C3AZ 9424-L		Use on vehicles built prior to 1-15-63	1	427-8V	A	63/64
C3AZ 9424-M		Use on vehicles built after 1-14-63	1	427-8V	A	64
PB9M 9424-A		Use domestically and on export vehicles (a, g)	1	383-2V, 430-2V	A D	60
C1JE 9424-A		Use on export vehicles with low octane fuel adaptor kit only	1	430-4V	A D	60
C2OZ 9424-C		Bore 1.375"	(f) 1	221-2V	B	62
CONTINUED ON NEXT PAGE						
φ A. C. ◇ Holley						

Manifold

GROUP AND PART NUMBER	DESCRIPTION, SIZE, ETC.	NO. REQ'D	MODEL OR ENGINE CUBIC INCH DISPLACEMENT	VEHICLE CODE	YEAR 19__
9424-5	MANIFOLD (INTAKE) CONTINUED				
C2OZ 9424-E	NS - 10/1/64 RB C2OZ-9424-F				
C2OZ 9424-F		1	221-2V, 260-2V	B	62
Package also includes -					
(2) C2OZ-9447-C	gasket		(1) C2AZ-9A589-H	spacer	
C3OZ 9424-A	Use on vehicles built prior to 11-15-62	1	221-2V	B	63
C3OZ 9424-B	Use on vehicles built after 11-14-62 (f)	1	221-2V	B	63
Package also includes -					
(1) C3AZ-10911-A	adaptor		(1) IS-940	instruction sheet	
C3AZ 9424-A	Use on vehicles built prior to 11-15-62 (f)	1	260-2V	B	63
C3AZ 9424-G	Use on vehicles built after 11-14-62 (f)	1	260-2V	B C	63
Package also includes -					
(1) C3AZ-10911-A	adaptor		(1) IS-940	instruction sheet	
C4OZ 9424-A		(f) 1	260-2V	C	64
C4OZ 9424-B		1	289-4V	C	64
C1VE 9424-C	When used on vehicles built prior to 1-3-61 with C1VE-6049-A cylinder head, use C1VE-9441-D gasket When used on vehicles built after 1-2-61 with C1VE-6049-B cylinder head, use C1VE-9441-C gasket	(a) 1	430-2V	D	61/62
C3VY 9424-B	Use with C3AZ-10084-B which has 1/8"-18 N. P. thread	(h) 1	430-4V	D	63/64
20408-S7-8	Bolt-hex. hd. -3/8"-16 x 1-1/8"-to attach intake manifold to cylinder head	AR	a, b, h		
20428-S8	Bolt-3/8"-16 x 1-1/4"-to attach intake manifold at L. H. rear corner to cylinder heads	1	g		
20468-S	Bolt-hex. hd. -3/8"-16 x 1-1/2"-to attach intake manifold thru cylinder head thru coil bracket R. H. front	1	a		
20506-S7-8	Bolt-hex. hd. -3/8"-16 x 1-3/4"-to attach manifold and clamps to cylinder head	AR	a, b, d, h		
33800-S8	Nut-hex. -3/8"-24-intake manifold to cylinder head	AR	b, c, d		
34445-S8	Nut-3/8"-24-attach intake manifold to exhaust manifold	2	c		
34807-S8	Washer-3/8"-attach intake manifold to cylinder head	AR	a, b, c, h		
43002-S	Bolt-3/8"-16 x 1-1/2"-manifold to head	2	e, j, k		
43011-S	Bolt-3/8"-16 x 2-5/8"-manifold to head	8	e, j, k		
45540-S8	Bolt-3/8" 16 x 3-1/4"-manifold to head	2	d		
73268-S	Dowel-manifold to block	1	e		
87710-S	Plug-taper thread pipe - 3/8-18	1	k		
87838-S	Plug-3/8"-18-use in power brake vacuum hole with standard brakes	1	d		
88492-S	Stud-3/8"-16-24 x 2-3/4"-intake manifold to cylinder head	4	b, d		
88556-S	Stud-3/8"-16-24 x 3-5/8"-attach intake manifold to exhaust manifold	2	c		
88620-S	Stud-3/8"-16-24 x 4-7/8"-intake manifold to exhaust manifold and thermostat assembly	2	c		
351385-S8	Washer-flat-3/8"	6	b, d		
358066-S8	Plug-3/8"-18 pipe-intake manifold when hot water heater is not used	1	c		
CONTINUED ON NEXT PAGE					

Manifold

GROUP AND PART NUMBER	DESCRIPTION. SIZE. ETC.	NO. REQ'D	MODEL OR ENGINE CUBIC INCH DISPLACEMENT	VEHICLE CODE	YEAR 19__
9424-5 MANIFOLD (INTAKE) CONTINUED					
359083-S	Screw and washer-3/8"-16 x 1-1/8" manifold to head	2	c		
370912-S	Plug-1/4"-14-used in intake manifold heater connecting hole when hot water heater is not used	1	a		
372175-S8	Plug-3/8" pipe-plug power brake vacuum hole	1	e		
372296-S	Stud-3/8"-16-16 x 2-1/8"-right hand rear intake manifold boss to cylinder head	1	g		
372412-S	Plug-cup expansion-1.243"/1.239"-1.263"/1.259" O.D. x .260"-to plug holes in intake manifold	3	a		
374259-S8	Plug-1/4"-18-use to plug hole in manifold	1	c		
376396-S	Bolt-5/16"-18 x 2"-intake manifold to cylinder head	12	f		
9A424 SEAL (INTAKE MANIFOLD TO CYLINDER BLOCK) REAR					
C3AZ 9A424-A	Also serviced in 6008, 6079 and 9433 kits	1	352-2V, 390-2V, 390-4V, 406-4V, 406-6V, 427-4V, 427-8V	A	61/64
	NS-serviced in 6008, 6079 and 9433 kits	1	221-2V, 260-2V, 289-4V	B C	62/64
9A425 SEAL (INTAKE MANIFOLD TO CYLINDER BLOCK) FRONT					
C3AZ 9A425-A	Also serviced in 6008, 6079 and 9433 kits	1	352-2V, 390-2V, 390-4V, 406-4V, 406-6V, 427-4V, 427-8V	A	61/64
	NS-serviced in 6008, 6079 and 9433 kits	1	221-2V, 260-2V, 289-4V	B C	62/64
9426 MANIFOLD & THERMOSTAT (EXHAUST)					
C3AZ 9426-A	(a) Package also includes - stud (2) 375678-S2 (2) 375636-S100 nut	1	223-1V	A	61/62
20388-S8	Bolt-3/8"-16 x 1"-intake and exhaust manifold to cylinder head	2	a		
20408-S8	Bolt-3/8"-16 x 1-1/8"-manifold to cylinder head	AR	a		
20448-S8	Bolt-3/8"-16 x 1-3/8"-intake and exhaust manifold to cylinder head	10	a		
34847-S8	Lockwasher-3/8"	AR	a		
43514-S8	Screw and washer-3/8"-16 x 1"-attach exhaust manifold to intake manifold	1	a		
72015-S	Pin-cotter-1/16" x 3/4"	1	a		
359083-S	Screw and washer-3/8"-16 x 1-1/8" manifold to head	2	a		
370164-S7	Stud-7/16"-14-14 x 1-1/2"-muffler inlet pipe to manifold	2	a		
375678-S2	Stud-7/16"-14-14 x 1-9/16"-muffler inlet pipe to exhaust manifold	2	a		
9A427 VALVE (EXHAUST CONTROL)					
COAE 9A427-C		1	292-2V, 312-2V	A	60/62
B9AE 9A427-A		1	352-2V	A	61
C1AE 9A427-A		1	390-4V	A	61
C3AZ 9460-A		1	223-1V	A	61/62
Package also includes - (2) 376227-S washers					
COAE 9A427-B	For Police Special Use on vehicles built prior to 11-22-62	1	390-4V, 406-4V, 406-6V	A	61/62
		1	406-4V, 406-6V	A	63
CONTINUED ON NEXT PAGE					

Manifold

GROUP AND PART NUMBER	DESCRIPTION, SIZE, ETC.	NO. REQ'D	MODEL OR ENGINE CUBIC INCH DISPLACEMENT	VEHICLE CODE	YEAR 19__
9A427 VALVE (EXHAUST CONTROL) CONTINUED					
COAE 9A435-B	Spacer - for Police Special	1	390-4V	A	62
	Spacer - exhaust manifold to muffler pipe ☆ For Police Special	1	390-4V☆, 427-4V, 427-8V	A	63/64
C3AZ 9A427-A	Use on vehicles built after 11-21-62	1	406-4V, 406-6V, 427-4V, 427-8V	A	63/64
9428 REFER TO GROUP 9430-1					
9430-1 MANIFOLD (EXHAUST)					
B9ME 9431-A	L. H.	(b) 1	383-2V, 430-2V	A	60
C2AZ 9430-A	R. H.	(d, h) 1	292-2V, 312-2V	A	60/62
Package also includes -					
(2) 375636-S100	nut	(2) 375679-S2	stud		
B7S 9431-A	L. H.	(a) 1	312-2V	A	60
C2AZ 9431-A	L. H.	(g) 1	292-2V	A	61/62
Package also includes -					
(2) 275636-S100	nut	(2) 375678-S2	stud		
C3SZ 9430-A	R. H.	1	352-2V, 390-4V	A	61/62
Package also includes -					
(2) 375636-S100	nut	(2) 375680-S2	stud		
C2AZ 9431-B	L. H.	(a, g) 1	352-2V, 390-4V	A	61/62
Package also includes -					
(2) 375636-S100	nut	(2) 375678-S2	stud		
C3AZ 9430-E	R. H. - header type which incorporates C3AZ-9A715-A choke control insert retainer without vent holes ☆ Use with 390-4V Police Special	(a, c) 1	390-4V☆, 406-4V, 406-6V	A	61/64
Package also includes -					
(2) 375636-S100	nut	(2) 375678-S2	stud		
COAE 9431-B	NS - 10/1/64 RB C3AZ-9431-E				
C3AZ 9431-E	L. H. - header type - for Police Special (Δ)(a)	1	390-4V	A	61
	☆ Also use on 406 C. I. D. engines on vehicles built prior to 11-22-62	1	406-4V☆, 406-6V☆	A	63
	For Police Special	1	390-4V	A	64
C2AZ 9431-C	L. H. - header type - for Police Special (Δ)(e) ☆ Use with conventional exhaust system	1	390-4V, 406☆	A	62
Δ Package also includes -					
(2) 375636-S100	nut	(2) 375680-S2	stud		
C3AZ 9430-A	R. H. - use on vehicles built prior to 12-1-62	(l) 1	390-2V, 390-4V	A	63
C3AZ 9430-D	R. H. - use on vehicles built after 11-30-62	(o) 1	390-2V, 390-4V	A	63/64
C3AZ 9431-A	NS - 10/1/64 RB C3AZ-9431-D				
C3AZ 9431-D	L. H.	(o) 1	390-2V, 390-4V	A	63/64
C3AZ 9430-C	R. H. - header type - use on vehicles built after 11-21-62	1	406-4V, 406-6V, 427-4V, 427-8V	A	63/64
C3AZ 9431-F	L. H. - header type - use on vehicles built after 11-21-62	1	406-4V, 406-6V, 427-4V, 427-8V	A	63/64
C1VE 9430-B	R. H. - use on vehicles built prior to 4-2-62 Studs to be used to attach muffler inlet pipe to manifold	(j) 1	430-2V	D	61/62
Package also includes -					
		(2) 375919-S	studs		

CONTINUED ON NEXT PAGE

Manifold

GROUP AND PART NUMBER	DESCRIPTION, SIZE, ETC.	NO. REQ'D	MODEL OR ENGINE CUBIC INCH DISPLACEMENT	VEHICLE CODE	YEAR 19__
9430-1 MANIFOLD (EXHAUST) CONTINUED					
COSZ 9430-A	R. H. (b)	1	383-2V, 430-2V	A D	60
	R. H. - use on vehicles built after 4-1-62 (k)	1	430-2V, 430-4V	D	62/64
Package also includes -					
(1) C1VE-9A705-A	cover (1) C1VE-9903-A gasket		(1) 20346-S	bolt	
C1VZ 9431-B	L. H. (k)	1	430-2V, 430-4V	D	60/64
Package also includes -					
(2) 375919-S100	stud (2) 375918-S7 nut				
These standard parts to be used to attach muffler inlet pipe to manifold					
C2OZ 9430-B	R. H. - with choke control insert (c)	1	221-2V, 260-2V	B	62
C2OZ 9431-A	NS - 10/1/64 RB C2OZ-9431-B				
C2OZ 9431-B	L. H. (c)	1	221-2V, 260-2V	B	62
C2GZ 9430-A	(c)	1	144-1V, 170-1V	B C	62
Package also includes -					
(2) 375678-S2	stud (2) 375636-S100 nut				
C3OZ 9430-A	(n)	1	144-1V, 170-1V, 200-1V	B C	63/64
C3AZ 9430-F	R. H. - with choke control insert (m)	1	221-2V, 260-2V, 289-4V	B C	63/64
C3AZ 9431-B	L. H. (m)	1	221-2V, 260-2V	B	63
C3DZ 9431-A	L. H.	1	260-2V, 289-4V	C	63/64
C1GE 9428-A	When used on 1960 vehicles the flange of the inlet pipe must be reworked in accordance with Comet Service Bulletin No. 11 dated 7-22-60 - in addition (2) 374987-S2 studs and (1) C1DD-9453-A gasket must be used also refer to group 9426 (f)	1	144-1V, 170-1V	C	60/61
20428-S8	Bolt-hex. hd. -3/8"-16 x 1-1/4"-manifold to cylinder head	8	b, k, m		
20468-S	Bolt-hex. hd. -3/8"-16 x 1-1/2"-manifold to cylinder head	AR	a, c, l, n, o		
33799-S7	Nut-3/8"-16-to attach exhaust manifold to cylinder heads	8	b, j		
33827-S	Nut-3/8"-16-exhaust manifold to cylinder hd.	8	k		
45222-S	Bolt-hex. hd. -3/8"-16 x 2-1/2"-manifold to cylinder head	2	n		
45522-S8	Bolt-hex. hd. -3/8"-16 x 2-1/2"-exhaust manifold to cylinder head	2	c		
351385-S8	Washer-flat-3/8"-manifold to cylinder head at (3) center port attaching bolts only	AR	a, m, n, o		
370383-S	Lockwasher-3/8"-manifold to cylinder head	AR	a, b, c, j, k, l, n		
370733-S	Plug-1-1/2" drain-plug core holes in manifold	1	a		
372404-S7	Stud-3/8"-16-16 x 1-11/16"-to attach exhaust manifold to cylinder head	8	b		
372542-S	Stud-7/16"-14-14 x 1-13/16"-muffler inlet pipe to exhaust manifold	4	b, j		
374987-S2	Stud-7/16"-14-14 x 1-5/8"-muffler inlet pipe to exhaust manifold	2	f		
375678-S2	Stud-7/16"-14-14 x 1-9/16"-attach muffler inlet pipe to exhaust manifold - on 1962 292-2V models use on L. H. side only	2-4	c		
375679-S2	Stud-7/16"-14-14 x 2-1/2"-attach muffler inlet pipe to exhaust manifold - use with 1962 292-2V only	2	d		
375680-S2	Stud-7/16"-14-14 x 2-7/8"-attach muffler inlet pipe to exhaust manifold	2	e		
375919-S100	Stud-7/16"-14-14 x 2-17/64"-muffler inlet pipe to exhaust manifold	4	k		
CONTINUED ON NEXT PAGE					

Manifold

GROUP AND PART NUMBER	DESCRIPTION, SIZE, ETC.	NO. REQ'D	MODEL OR ENGINE CUBIC INCH DISPLACEMENT	VEHICLE CODE	YEAR 19__
9430-1 MANIFOLD (EXHAUST) CONTINUED					
376181-S7-8	Stud-7/16"-14-14 x 1-5/16"-muffler inlet pipe and gasket to exhaust manifold-use with 1961 292-2V, 352-2V and 390-4V only	2	g		
376182-S7-8	Stud-7/16"-14-14 x 2-1/2"-muffler inlet pipe and gasket to exhaust manifold - use with 1961 292-2V only	2	h		
376183-S7-8	Stud-7/16"-14-14 x 3"-muffler inlet pipe and gasket to exhaust manifold - use with 1962 352-2V, 390-4V only	2	i		
376283-S2	Stud-3/8"-16-16 x 1-5/8"-exhaust manifold to cylinder head	8	j,k		
	Exhaust manifold to exhaust pipe	2	n		
376396-S	Bolt-hex. hd. -3/8"-16 x 2"-manifold to cylinder head	8	m		
9A430 SHAFT & COUNTERWEIGHT (EXHAUST CONTROL VALVE)					
B9AE 9A430-A		1	223-1V	A	61/62
9A432 SPACER (INTAKE MANIFOLD TO CYLINDER HEAD)					
COME 9A432-A	Steel - .060" thick - use on export vehicles with low octane fuel adaptor kit	2	383-2V, 430	A	D 60/64
9433 GASKET & SEAL SET (INTAKE MANIFOLD)					
B7AZ 9433-A		1	292-2V, 312-2V	A	60/62
Consists of the following -					
(1) B7A-9439-B	gskt. -intake man. to cyl. hd. R. H.	(1) B7A-9441-B	gskt. -intake man. to cyl. hd. L. H.		
C3AZ 9433-A		1	352-2V, 390-2V, 390-4V, 406-4V, 406-6V, 427-4V, 427-8V	A	61/64
Consists of the following -					
(1) C3AZ-9A424-A	seal	(1) C3AZ-9A425-A	seal	(2) C2AZ-9441-A	gasket
C2OZ 9433-A		1	221-2V, 260-2V	B C	62/64
Consists of the following -					
§(1) C2OZ-9A424-A	seal-intake man. to cyl. block-rear	§(1) C2OZ-9A425-A	seal-intake man. to cyl. block-front	(2) C2OZ-9441-A	gskt. -intake manifold to cyl. hd.
§ Not serviced separately					
C3AZ 9433-B		1	289-4V	C	64
Consists of the following -					
§(1) C2OZ-9A424-A	seal-intake man. to cyl. block-rear	§(1) C2OZ-9A425-A	seal-intake man. to cyl. block-front	§(2) C3AZ-9441-A	gskt. -intake man. to cyl. head
§ Not serviced separately					
9A435 REFER TO GROUP 9A427					
9439-41 GASKET (INTAKE MANIFOLD TO CYLINDER HEAD)					
B7A 9439-B	R. H. (1) req'd. - for domestic vehicles (2) req'd. - for export vehicles with low octane fuel adaptor kit Also serviced in 6008, 6079 and 9433 kits	AR	292-2V, 312-2V	A	60/62
B7A 9441-B	L. H. (1) req'd. - for domestic vehicles (2) req'd. - for export vehicles with low octane fuel adaptor kit Also serviced in 6008, 6079 and 9433 kits	AR	292-2V, 312-2V	A	60/62
CONTINUED ON NEXT PAGE					

Manifold

GROUP AND PART NUMBER	DESCRIPTION, SIZE, ETC.	NO. REQ'D	MODEL OR ENGINE CUBIC INCH DISPLACEMENT	VEHICLE CODE	YEAR 19__
9439-41 GASKET (INTAKE MANIFOLD TO CYLINDER HEAD) CONTINUED					
C2AZ 9441-A	Also serviced in 6008, 6079 and 9433 kits	2	352-2V, 390-4V, 406-4V, 406-6V	A	60/62
	Use on vehicles with intake manifold heat passage open	2	390-2V, 390-4V, 406-4V, 406-6V, 427-4V, 427-8V	A	63/64
C3AZ 9441-B	Use on vehicles with intake manifold heat passage closed	2	406-4V, 406-6V, 427-4V, 427-8V	A	63/64
C1VE 9441-D	Also serviced in 6008 and 6079 kits (2) req'd. - for domestic vehicles (4) req'd. - for export vehicles with low octane fuel adaptor kit	AR	383-2V, 430	A D	60/64
	NS-serviced in 6008, 6079 and 9433 kits only	2	221-2V, 260-2V	B	62
		2	260-2V	C	64
C3AZ 9441-A		2	289-4V	C	64
9-9441-3 SPACER (INTAKE MANIFOLD TO CYLINDER HEAD)					
	NS-R. H. - .060" thick - use for export with low octane fuel adaptor kit - serviced in 6A058 kit only	1	292-2V	A	61
	NS-L. H. - .060" thick - use for export with low octane fuel adaptor kit - serviced in in 6A058 kit only	1	292-2V	A	61
9443 CLAMP (INTAKE & EXHAUST MANIFOLD)					
EAA 9443-A		10	223-1V	A	61/62
9446 CLAMP (INTAKE MANIFOLD TO CYLINDER HEAD)					
B5A 9446-A		4	292-2V, 312-2V	A	60/62
B8E 9446-A	(a)	6	383-2V, 430-2V	A	60
		6	430	D	60/62
C3VY 9446-A		6	430-4V	D	63/64
20506-S8	Bolt-hex. -3/8"-16 x 1-3/4"-attach intake manifold and clamp to cylinder head assy.	6	a		
9447 GASKET (CARBURETOR TO INTAKE MANIFOLD)					
◇ B6A 9447-B	Also serviced in 9502 kit	1	223-1V	A	61/62
C2AZ 9447-C	Spacer to intake manifold - also serviced in 9502 kit	1	352-2V	A	62
C2AZ 9447-B	Spacer to intake manifold - also serviced in 9502 kit	1-2	390-4V	A	62/63
C1AE 9447-C	Also serviced in 9502 and 9590 kits	3	406-6V	A	62/63
C3MY 9447-A	Carburetor to spacer - also serviced in 9502, 9A586 and 9590 kits	1	390-2V	A	63/64
C3MY 9447-B	Spacer to intake manifold - also serviced in 9502, 9A586 and 9590 kits	1	390-2V	A	63/64
C4AZ 9447-A	Spacer to intake manifold - also serviced in 9502, 9A586 and 9590 kits	1	390-4V	A	64
C3AZ 9447-A		2	427-4V	A	63/64
C2AZ 9447-E	Also serviced in 9502, 9A586 and 9590 kits (1) req'd. between carburetor and spacer on vehicles equipped with 390-4V C. I. D. engine (2) req'd. as carburetor to intake manifold gaskets on vehicles equipped with 289-4V and 427-8V C. I. D. engines CONTINUED ON NEXT PAGE ◇ Holley	1-2	289-4V, 390-4V, 406-4V, 427-8V	A C	61/64

Manifold

GROUP AND PART NUMBER	DESCRIPTION, SIZE, ETC.	NO. REQ'D	MODEL OR ENGINE CUBIC INCH DISPLACEMENT	VEHICLE CODE	YEAR 19__
9447 GASKET (CARBURETOR TO INTAKE MANIFOLD) CONTINUED					
♣B9SE 9447-A	For export only - also serviced in 9502 kit	2	430-4V	A D	60
♣C2AZ 9447-D	(1) used as carburetor to spacer gasket on 62 vehicles - also serviced in 9502 kit	1-2	292-2V, 312-2V, 352-2V, 383-2V, 430-2V	A	60/62
		2	430-2V	D	60
C2OZ 9447-B	Also serviced in 9502 kit	2	221-2V	B	62/63
C1TZ 9447-A	Spacer to intake manifold - also serviced 6008, 9502, 9A586 and 9590 kits	1-2	144-1V, 170-1V, 200-1V	B C	60/62
		1	170-1V	C	64
C2DZ 9447-A	Carburetor to spacer - also serviced in 6008 and 9502 kits	1	144-1V, 170-1V	B C	62
C3DZ 9447-A	Carburetor to spacer - also serviced in 9502, 9A586 and 9590 kits	1	144-1V, 170-1V, 200-1V	B C	63/64
C2OZ 9447-C	Carburetor to intake manifold and spacer - also serviced in 9502, 9A586 and 9590 kits	2	260-2V	B C	62/64
♣C1VE 9447-A	Also serviced in 9502 kit	2	430-2V	D	61/62
♣C3VY 9447-B		2	430-4V	D	63/64
9A447 TAB (EXHAUST MANIFOLD MOUNTING BOLT LOCKING)					
C3AZ 9A447-A	Required to attach 9430 exhaust manifold to 6090 cylinder head - use on vehicles built after 11-15-62	8	406-4V, 406-6V, 427-4V, 427-8V	A	63/64
C2OZ 9A447-A		8	221-2V, 260-2V, 289-4V	B C	62/64
9448 GASKET (EXHAUST MANIFOLD TO CYLINDER HEAD)					
COSZ 9448-A	R. H. - steel - also serviced in 6008 and 6079 kits Use on vehicles built prior to 5-23-62	1	383-2V, 430-2V	A	60
		1	430	D	60/62
C3VY 9448-A	R. H. - also serviced in 6008 and 6079 kits - use on vehicles built after 5-22-62	1	430	D	62/64
COSZ 9448-B	L. H. - steel - also serviced in 6008 and 6079 kits	1	383-2V, 430-2V	A	60
		1	430	D	60/64
9449 SPRING (EXHAUST CONTROL VALVE)					
B5A 9449-A		1	292-2V, 312-2V, 352-2V	A	60/62
C1AE 9449-A		1	390-4V	A	61
EAA 9449-A		1	223-1V	A	61/62
COAE 9449-A	☆ For Police Special	1	390-4V☆, 406-4V, 406-6V	A	61/64
		1	427-4V, 427-8V		
9450 GASKET (EXHAUST MANIFOLD TO INLET PIPE)					
COAA 9450-A	☆ For Police Special	3	390-4V☆, 406-4V, 406-6V, 427-4V, 427-8V	A	61/64
C1SZ 9450-A	2.110" I. D. x 2.810" O. D. with 3" center to center mounting holes - also serviced in 6008 and 6079 kits	2	221-1V, 223-1V, 260-2V, 292-2V, 312-2V, 352-2V, 390-4V	A B	60/62
C3AZ 9450-A	Exhaust manifold to exhaust pipe ☆ Not used on Police Special	2	221-2V, 260-2V, 390-2V☆, 390-4V☆	A B	63
		2	260-2V, 289-4V, 390-2V, 390-4V☆	A C	64
C2OZ 9450-A	1.720" I. D. x 2.800" O. D. with 3" center to center mounting holes - also serviced in 6008 and 6079 kits	1	170-1V	B	62
C3OZ 9450-A		1	144-1V, 170-1V, 200-1V	B C	63/64
C1DZ 9450-A	Also serviced in 6008 and 6079 kits	1	144-1V, 170-1V	C	60/63
	♣ Carter				

Manifold

GROUP AND PART NUMBER	DESCRIPTION, SIZE, ETC.	NO. REQ'D	MODEL OR ENGINE CUBIC INCH DISPLACEMENT	VEHICLE CODE	YEAR 19__
9A450 PLUG (INTAKE MANIFOLD)					
C1AE 9A450-A	1/4" - 18 x 1-1/2" long - use to plug vacuum hole in rear of manifold	1	223-1V	A	61/62
C1AE 9A450-B	1/4" - 18 x 1-1/4" long - use to plug vacuum hole in front of manifold when electric windshield wipers are installed	1	223-1V	A	61/62
9A455 FITTING (INTAKE MANIFOLD TO CARBURETOR SPACER CONNECTION)					
C2AZ 9A455-A	90° elbow connection - 1/2-14 N. P. T. F.	1	221-2V, 260-2V, 352-2V, 390-2V, 390-4V	A B	62/64
9A456 SHIELD (EXHAUST MANIFOLD AUTOMATIC CHOKE) SPLASH					
C2OZ 9A456-A	Use on vehicles built prior to 4-9-62	1	221-2V, 260-2V	B	62
C2OZ 9A456-B	Use on vehicles built after 4-8-62	1	221-2V, 260-2V	B	62
9460 REFER TO GROUP 9A427					
9461 GASKET (INTAKE MANIFOLD TO CYLINDER BLOCK)					
B6A 9461-A	Also serviced in 6008 and 6079 kits	4	223-1V	A	61/62
9462 BUSHING (EXHAUST CONTROL VALVE)					
C3AZ 9462-A		2	223-1V	A	61/62
9467 SPRING (EXHAUST CONTROL VALVE)					
B4A 9467-A		1	223-1V	A	61/62
C1AZ 9467-A		1	292-2V, 312-2V, 352-2V	A	61/62
9468 REFER TO GROUP 9A392					
9471 SLEEVE (INTAKE MANIFOLD)					
B6A 9471-A		4	223	A	61/62
9492 DEFLECTOR (THERMOSTATIC CHOKE CONTROL) AIR INTAKE					
B7A 9492-A	Mushroom shaped with (6) 9/64" dia. holes equally spaced in spherical head	1	312-2V	A	60
9A501 TUBE (CARBURETOR SECONDARY THROTTLE BALANCE)					
C3AZ 9A501-A	Hose - 3/16" I. D. x 3/8" O. D. x 13" long	1	427-8V	A	63/64
9C508 HOSE (FUEL FILTER TO CARBURETOR)					
COLE 9C508-A	Steel tubing	(a) 1	430-2V	D	60
87944-S	Nut-inverted flared tube fitting - 1/2"-20 x 5/16"	2	a		
9E518 KIT (CARBURETOR IDLE SPEED-UP CONTROL REPAIR)					
C1VY 9E518-A		1	430-2V	D	61
Consists of the following -					
(1) FDL-19572-A spring		(1) C1VV-19680-A diaphragm and shaft		(1) C1VV-19B992-A pin	
9E522 HOSE (HOT WATER SPACER) CARBURETOR SPACER TO BY-PASS					
	NS-5/8" I. D. x 15/16" O. D. x 21" long - cut from FDA-18472-A	1	352-2V☆, 390-4V☆	A	62
☆ Use with a/cond. except hang-on					

Manifold

GROUP AND PART NUMBER	DESCRIPTION, SIZE, ETC.	NO. REQ'D	MODEL OR ENGINE CUBIC INCH DISPLACEMENT	VEHICLE CODE	YEAR 19__
9C524 TUBE (CARBURETOR SPACER TO WATER PUMP)					
C2AZ 9C524-A	Steel tubing - 5/8" O.D. x 33-7/8" long - use on vehicles not equipped with heater	1	352-2V, 390-2V, 390-4V	A	62/63
C4SZ 9C524-A	Outlet - steel tubing - 5/8" O.D. - 9-11/16" developed length - use on vehicles not equipped with heater	1	390-2V, 390-4V	A	64
9C525 CONNECTOR (CARBURETOR TO MANIFOLD SPACER TUBE)					
	NS-rubber hose - 5/8" I.D. x 2-5/16" long - cut from FDA-18472-A bulk hose Use (1) with 352-2V Use (2) with 390-4V Use on vehicles not equipped with heater	AR	352-2V, 390-4V	A	62
	NS-rubber hose - 5/8" I.D. x 3-5/16" long - cut from FDA-18472-A bulk hose - use as "carburetor to manifold spacer tube connector" use on vehicles not equipped with heater	1	352-2V	A	62
	NS-rubber hose - 5/8" I.D. x 5-1/2" long - cut from FDA-18472-A bulk hose - use as "tube to water pump connector"	1	352-2V, 390-2V	A	62/64
	NS-rubber hose - 5/8" I.D. x 4-1/2" long - cut from FDA-18472-A bulk hose - use as "tube to water pump connector"	1 1	390-4V 390-2V, 390-4V, 427-4V, 427-8V	A A	62/63 64
	NS-rubber hose - 5/8" I.D. x 3-5/16" long - cut from FDA-18472-A bulk hose - use as "tube to water pump connector"	1	390-2V	A	63
	NS-rubber hose - 5/8" I.D. x 2-1/4" long - cut from FDA-18472-A bulk hose - use as "tube to water pump to carburetor to intake manifold spacer" (1) req'd. with 390-2V engine (2) req'd. with 390-4V engine Use on vehicles not equipped with heater	1-2 1	390-2V, 390-4V 427-4V	A A	63/64 64
	NS-rubber hose - 5/8" I.D. x 24" long - cut from FDA-18472-A bulk hose - use as "tube to water pump connector"	1	390-2V	A	64
	NS-rubber hose - 5/8" I.D. x 16-3/4" long - cut from FDA-18472-A bulk hose	1	144-1V, 170-1V	B C	63/64
9C529 CONTROL ASSEMBLY (CARBURETOR IDLE SPEED-UP CONTROL)					
C1VV 9C529-B	Use on vehicles equipped with a/cond. built prior to 6-13-61 Refer to group 9E518 for repair kit - also refer to group 9A567 in carburetor chart	1	430-2V	D	61
9B532 COMPENSATOR (CARBURETOR HOT IDLE)					
B8LE 9B532-A	Use on vehicles equipped with a/cond. - (a) located in intake manifold	1	383-2V	A	60
C4AZ 9B532-A	Located in 6A664 crankcase ventilation tube hose on vehicles built after 5-25-64 equipped with emission reduction system	(b) 1	260-2V, 390-2V	A C	64
C4AZ 9B532-B	Located in 6A664 crankcase ventilation tube hose - use with a/cond. on vehicles not equipped with emission reduction	(b) 1	260-2V, 390-2V	A C	64
373332-S7	Nut-hex.locking-No.10-32	1	a		
379573-S	Tee-hose-brass-1/2"	1	b		
9D548 BRACKET (CARBURETOR IDLE SPEED-UP CONTROL)					
C1VE 9D548-A	Use on vehicles equipped with a/cond. built prior to 6-13-61	1	430-2V	D	61

Manifold

GROUP AND PART NUMBER	DESCRIPTION, SIZE, ETC.	NO. REQ'D	MODEL OR ENGINE CUBIC INCH DISPLACEMENT	VEHICLE CODE	YEAR 19__
9D549 LEVER (CARBURETOR IDLE SPEED-UP CONTROL)					
C1VV 9D549-B	Use on vehicles equipped with a/cond. built prior to 6-13-61	(a) 1	430-2V	D	61
34095-S8	Nut-square-1/4"-20	1	a		
34905-S	Lockwasher-internal tooth-1/4"	1	a		
9D555 WIRING ASSEMBLY (CARBURETOR IDLE SPEED-UP SOLENOID) EXTENSION					
	NS-9" long - improvise locally from No.16 gauge wire - use on vehicles equipped with a/cond.	1	430-2V	D	61
9D560 GASKET (CARBURETOR SPACER WATER INLET)					
C2OZ 9D560-A	Use on vehicles built prior to 8-15-62 with 221-2V engines and on vehicles built prior to 8-10-62 with 260-2V engines	1	221-2V, 260-2V	B	62/63
9A589 SPACER (CARBURETOR TO INTAKE MANIFOLD)					
◇B8MY 9A589-B		1	312-2V	A	60
†C1AE 9A589-A		1	292-2V, 352-2V	A	61
		1	292-2V	A	62
◇†COAE 9A589-A	☆ Use on 406-4V engines not equipped with emission reduction system	1	390-4V, 406-4V☆	A	61/62
C2AZ 9A589-B	NS - 7/1/64 RB C2AZ-9A589-G				
C2AZ 9A589-G	Water heated Package also includes (1) 359409-S plug along with B5A-19954-A sealer to plug 5/16" hole when used on vehicles not equipped with emission reduction system	1	352-2V	A	62
C2AZ 9A589-C	Water heated - use on vehicles not equipped with emission reduction system	1	352-2V	A	62
C2AZ 9A589-D	Water heated - use on vehicles not equipped with emission reduction system	1	390-4V	A	62
C2AZ 9A589-F	Water heated - use on vehicles equipped with emission reduction system To be used with B5A-19554-A sealer to plug 5/16" hole when used on vehicles not equipped with emission reduction system	(Δ) 1	390-4V	A	62/63
C2AZ 9A589-E	Use on vehicles equipped with emission reduction system	1	406-4V	A	62/63
C3MY 9A589-A		1	390-2V	A	63/64
C3AZ 9A589-C		(Δ) 1	427-4V	A	63/64
Δ Package also includes -					
(1) 359409-S plug					
C4AZ 9A589-A	Package also includes (1) 359409-S plug to be used with B5A-19554-A sealer to plug 5/16" hole when used on vehicles not equipped with emission reduction system	1	390-4V	A	64
♣B9MY 9A589-B	For export only	1	430-4V	A	D 60
♣†B9AZ 9A589-B	Use on vehicles not equipped with emission reduction system	1	383-2V, 430-2V	A	60
		1	430-2V	D	60/61
C2AZ 9A589-H	Use on vehicles equipped with engines having 1963 intake manifold without hot water by-pass opening	1	221-2V, 260-2V	B	62
CONTINUED ON NEXT PAGE					
† Ford ♣ Carter ◇ Holley					

Manifold

GROUP AND PART NUMBER	DESCRIPTION, SIZE, ETC.	NO. REQ'D	MODEL OR ENGINE CUBIC INCH DISPLACEMENT	VEHICLE CODE	YEAR 19__
9A589 SPACER (CARBURETOR TO INTAKE MANIFOLD) CONTINUED					
C2OZ 9A589-F	To be used with B5A-19554-A sealer to plug 5/16" hole when used on vehicles not equipped with emission reduction system - use on vehicles built prior to 8-15-62	(\$) 1	221-2V	B	62/63
C3OZ 9A589-A	Use on vehicles built after 8-14-62	1	221-2V	B	63
C2OZ 9A589-E	To be used with B5A-19554-A sealer to plug 5/16" hole when used on vehicles not equipped with emission reduction system - use on vehicles built prior to 8-10-62	(\$) 1	260-2V	B	62/63
C3AZ 9A589-A	Use on vehicles built after 8-9-62	1	260-2V	B C	63/64
§ Package also includes -					
(1) 359409-S plug					
C2DZ 9A589-B		1	144-1V, 170-1V	B C	62
Package also includes -					
(1) 87623-S or 87658-S plug					
C3DZ 9A589-B		(b) 1	144-1V, 200-1V	B C	63
C3DZ 9A589-A		(b) 1	170-1V	B C	63
◇C1DE 9A589-A		(a) 1	144-1V, 170-1V	C	60/61
Package also includes -					
(1) 87658-S or 87651-S 1/4"-18 pipe plug (1) 375971-S stud					
C3UZ 9A589-A		(c) 1	170-1V, 200-1V	C	64
Package also includes -					
(1) 87779-S8 or 374259-S8 plug					
C3OZ 9A589-B		1	289-4V	C	64
C3OZ 9A589-D	Package also includes (1) C4AE-8A500-A cap and (1) 97331-S35 clip for use on vehicles not equipped with emission reduction system	1	289-4V	C	64
C1VE 9A589-A	Use on vehicles equipped with emission reduction system	1	430-2V	D	61/62
C3VY 9A589-B		1	430-4V	D	63
C3VY 9A589-C		1	430-4V	D	64
Package also includes -					
(2) C3VY-9447-B gasket					
20406-S	Bolt-5/16"-18 x 1-1/2"-spacer to intake manifold	2	b, c		
34807-S	Lockwasher-3/8"	2	c		
42848-S8	Screw and washer-hex. hd. -5/16"-18 x 1-1/8"-spacer to cylinder head	2	a		
351089-S	Nut-hex. -5/16"-24	2	c		

Carburetor Air Cleaner

9600 CLEANER ASSEMBLY (CARBURETOR AIR)					
C3MY 9600-B	NS - 10/1/64 RB C3AZ-9600-K				
C3AZ 9600-K	Color GOLD METALLIC - includes element - use on vehicles not equipped with closed emission reduction system	(b,d) 1	312-2V	A	60
	☆ Except 390 C.I.D. Police Special	1	292-2V, 352-2V, 390-2V	A	61/62
	☆ Except 390 C.I.D. Police Special	1	390-2V☆, 390-4V☆	A	63
	☆ Except 390 C.I.D. Police Special	1	390-2V☆, 390-4V☆	A	64
C1AE 9600-B	Color SILVER - for Police Special	(b) 1	390-4V	A	61/62
CONTINUED ON NEXT PAGE					
◇ Holley					

Carburetor Air Cleaner

GROUP AND PART NUMBER	DESCRIPTION, SIZE, ETC.	NO. REQ'D	MODEL OR ENGINE CUBIC INCH DISPLACEMENT	VEHICLE CODE	YEAR 19.....
9600 CLEANER ASSEMBLY (CARBURETOR AIR) CONTINUED					
C2AZ 9600-A	Color RED - includes element Package also includes - (1) C2AZ-9663-A brace	1	223-1V	A	61/62
C3AZ 9600-F	Color GOLD - includes element - (b, d) for all except Police Special Package also includes - (1) C2AZ-9C639-A cap	1	292-2V, 352-2V, 390-4V	A	61/63
COAE 9600-K	Includes element	1	406-4V	A	62
C2SZ 9600-A	(d, e) Package also includes - (3) C1AE-9654-A gasket	1	406-6V	A	62/63
C3AZ 9600-C	Painted - includes element	1	406-4V	A	62/63
C3MY 9600-C	Color GOLD - includes element - for Police Special	1	390-4V	A	63
C4AZ 9600-D	Chrome - includes tray, element and cover	1	427-4V	A	63/64
C3AZ 9600-G	Aluminum - oval shaped - includes (d, e) tray element and cover - use on vehicles not equipped with closed emission reduction system	1	427-8V	A	63/64
C3AZ 9600-L	Aluminum - oval shaped - includes (d, e) tray, element and cover - use on 1964 vehicles built after 1-1-64 - when used on vehicles not equipped with closed emission reduction do not remove cap from nozzle on tray	1	427-8V	A	63/64
C4DZ 9600-C	Chrome - includes tray, element and cover - also included in 6980 dress-up kit - use on vehicles built prior to 1-2-64 not equipped with closed emission reduction system	1	390-2V, 390-4V	A	64
C4MY 9600-A	Includes element - for all except Police Special - use on vehicles built after 1/1/64 equipped with closed emission reduction system	1	390-2V, 390-4V	A	64
C4AZ 9600-AV	Color GOLD METALLIC - includes element - use on vehicles equipped with closed emission reduction system - for Police Special	1	390-4V	A	64
C4AZ 9600-E	Color GOLD METALLIC - includes (d, h) element - use on vehicles not equipped with closed emission reduction system - for Police Special - use C4AZ-9C639-A cap on the air cleaners on vehicles built after 4-29-64	1	390-4V	A	64
C4DZ 9600-L	Color BLACK body with chrome cover - includes element - also included in 6980 dress-up kit - use on vehicles equipped or not equipped with closed emission reduction system Special Performance (Engine Warranty Code D)	1	390-2V, 390-4V	A	64
C2OZ 9600-A	Color BLUE - includes element (c)	1	221-2V, 260-2V	B	62
C2DZ 9600-A	NS-color RED - use C2OZ-9600-A (c) Color BLUE - includes element	1	260-2V	B	62
		1	144-1V, 170-1V	B C	62
CONTINUED ON NEXT PAGE					

Carburetor Air Cleaner

GROUP AND PART NUMBER	DESCRIPTION, SIZE, ETC.	NO. REQ'D	MODEL OR ENGINE CUBIC INCH DISPLACEMENT	VEHICLE CODE	YEAR 19__
9600 CLEANER ASSEMBLY (CARBURETOR AIR) CONTINUED					
C3DZ 9600-A	Color BLUE - includes element - (d, f) use on vehicles built prior to 1-2-64 not equipped with closed emission reduction system	1	144-1V, 170-1V, 200-1V	B C	63/64
C4AZ 9600-J	NS - 7-1-64 RB C4GY-9600-A				
C4GY 9600-A	SILVER body with chrome cover - (d, g) includes element - use on vehicles not equipped with closed emission reduction system ☆ Use on vehicles built prior to 2-4-64 (b, d) not equipped with closed emission reduction system † Except Special Performance - use on vehicles built prior to 4-2-64 not equipped with closed emission reduction system - use on all 63E models not equipped with closed emission reduction system	1	221-2V, 260-2V	B C	63
	☆ Use on vehicles built prior to 2-4-64 (b, d) not equipped with closed emission reduction system † Except Special Performance - use on vehicles built prior to 4-2-64 not equipped with closed emission reduction system - use on all 63E models not equipped with closed emission reduction system	1	260-2V☆, 289-4V†	C	64
C1DE 9600-B	Includes element and clamp	1	144-1V, 170-1V	C	60/61
C4GY 9600-B	SILVER body with chrome cover - (b, d) includes element ☆ Use on vehicles built prior to 2-4-64 equipped with closed emission reduction system † Except Special Performance - use on vehicles built prior to 4-2-64 equipped with closed emission reduction system - use on all 63E models equipped with closed emission reduction system	1	260-2V☆, 289-4V†	C	64
C4GY 9600-E	SILVER body with chrome cover - (Δ)(b, d) includes element ☆ Use on vehicles built after 2-3-64 not equipped with emission reduction system † Except Special Performance - use on vehicles built after 4-3-64 not equipped with emission reduction system - use on all 63E models not equipped with emission reduction system	1	260-2V☆, 289-4V†	C	64
C4GY 9600-F	SILVER body with chrome cover - (Δ)(b, d) includes element ☆ Use on vehicles built after 2-3-64 equipped with emission reduction system † Except Special Performance - use on vehicles built after 4-3-64 equipped with emission reduction system - use on all 63E models equipped with emission reduction system	1	260-2V☆, 289-4V†	C	64
Δ Package also includes -					
(1) C4AZ-9C639-A cap for use on vehicles not requiring use of choke tube adaptor					
C4GY 9600-C	Color BLUE - includes element - (d, f) use on vehicles equipped with closed emission reduction system	1	170-1V, 200-1V	C	64
C4VY 9600-A	Includes element - use on vehicles built after 1-1-64 equipped with closed emission reduction system	1	430-4V	D	64
CONTINUED ON NEXT PAGE					

Carburetor Air Cleaner

GROUP AND PART NUMBER	DESCRIPTION, SIZE, ETC.	NO. REQ'D	MODEL OR ENGINE CUBIC INCH DISPLACEMENT	VEHICLE CODE	YEAR 19____
9600 CLEANER ASSEMBLY (CARBURETOR AIR) CONTINUED					
358462-S	Nut-wing-1/4"-20-air cleaner to carburetor	AR	d		
358871-S8	Nut-wing-1/4"-20	1	a, f		
370533-S8	Stud-1/4"-20 x 5/16"-18 x 4-3/16"-air cleaner to carburetor	1	b		
370971-S8	Stud-1/4"-20 x 5/16"-18 x 3-13/16"-air cleaner to carburetor	1	a, h		
371005-S7	Stud-1/4"-20 x 5/16"-18 x 4-31/64"-air cleaner to carburetor	1	c, g		
371773-S8	Stud-1/4"-20-20 x 8-1/2"-air cleaner to carburetor - cut to proper length	AR	e		
374707-S8	Stud-1/4"-20-20 x 4"	1	f		
9601 ELEMENT (CARBURETOR AIR CLEANER)					
EDJ 9601-A	Oval shaped - circular development	1	406-6V	A	62/63
COAE 9601-C		1	406-4V, 427-4V	A	62/64
C3AZ 9601-B	9-3/4" O. D. x 2-1/2" thick - use with 16" diameter air cleaner assembly	1	390-4V	A	63
		1	390-2V, 390-4V	A	64
C3AZ 9601-C	Oval shaped - circular development - 2-1/2" thick	1	427-8V	A	63/64
C4AZ 9601-A	Except Police Special - use on vehicles equipped with closed emission reduction system	1	390-4V	A	64
B7S 9601-A	Use with Police Special and chrome air cleaner C4DZ-9600-C	1	390-4V	A	61/64
	Special Performance (Engine Warranty Code D)	1	289-4V	C	64
C3VY 9601-A	Screen - 10-25/64" O. D. x 2-1/2" thick	1	223-1V, 312-2V, 383-2V, 430-2V	A	60/62
		1	430-2V	D	60
		1	430-4V	D	63
	☆ Use on vehicles not equipped with closed emission reduction system	1	430-4V☆	D	64
C1VE 9601-A	Screen - 13-3/16" O. D. x 2-19/64" thick - use with 19" diameter air cleaner assembly	1	292-2V, 352-2V, 390-2V, 390-4V	A	61/63
		1	430-2V	D	61/62
C1KE 9601-A	☆ Except CODE-9600-A and C1KE-9600-C air cleaners	1	144-1V☆	C	60/61
	Use on vehicles not equipped with closed emission reduction system	1	144-1V, 170-1V, 200-1V	B C	62/63
		1	170-1V, 200-1V	C	64
C2OZ 9601-A	6. 580" I. D. x 8. 40" O. D. x 3. 220" thick	1	221-2V, 260-2V	B C	62/63
	Use on vehicles not equipped with closed emission reduction system	1	260-2V, 289-4V	C	64
B7A 9601-A	Use with air cleaners CODE-9600-A and C1KE-9600-C only	1	144-1V	C	60
C4OZ 9601-A	Use on vehicles equipped with closed emission reduction system	1	260-2V, 289-4V	C	64
C5ZZ 9601-A	Use on vehicles equipped with closed emission reduction system	1	170-1V, 200-1V, 430-4V	C D	64
9A603 SHROUD & TUBE ASSEMBLY (CARBURETOR AIR CLEANER AIR DUCT)					
C3DZ 9A603-B		(a)	221-2V, 260-2V, 289-4V	B C	63/64
378229-S	Stud-5/16"-18-18 x 1-5/8"-shroud to exhaust manifold-use with 5/16"-18 nut and 5/16" lockwasher	1	a		
9B608 SEAT (CARBURETOR AIR CLEANER ELEMENT)					
B7MY 9B608-A	Rubber - 6-31/64" I. D. x 9-1/8" O. D. x 1/16" thick	1	312-2V, 383-2V, 430-2V	A	60

Carburetor Air Cleaner

GROUP AND PART NUMBER	DESCRIPTION, SIZE, ETC.	NO. REQ'D	MODEL OR ENGINE CUBIC INCH DISPLACEMENT	VEHICLE CODE	YEAR 19__
9609 BODY (CARBURETOR AIR CLEANER)					
COME 9609-H		1	312-2V	A	60
COME 9609-J	Color "RED" (a)	1	383-2V, 430-2V	A D	60
COLE 9609-A	For export only (a)	1	430-4V	A D	60
C2VY 9609-A	Painted RED (a)	1	430-2V	D	61/62
C3VY 9609-B	Use on vehicles not equipped with closed emission reduction system (b)	1	430-4V	D	63/64
358462-S	Nut-wing-1/4"-20	1	b		
358871-S8B	Nut-wing-1/4"-20-air cleaner to carburetor	1	a, b		
370971-S8	Stud-1/4"-20 x 5/16"-18 x 3-13/16" long - air cleaner to carburetor	1	a		
374707-S8	Stud-1/4"-20-20 x 4"	1	b		
9A620 GASKET (CARBURETOR AIR CLEANER TO CARBURETOR ADAPTOR)					
COME 9A620-A	Asbestos - 5" I.D. x 5-1/2" O.D. x 1/16" thick (a)	1	312-2V	A	60
359555-S	Washer-flat-No. 8-used on top and bottom of seal	2	a		
9A621 ADAPTOR (CARBURETOR AIR CLEANER TO CARBURETOR)					
COME 9A621-A	Aluminum - offset - upper diameters 5" I.D. x 5-1/2" O.D. - lower diameters 5-1/32" I.D. x 5-1/2" O.D. x 2-9/16" overall height - 1/4"-20 x 3/4" tapped hole (a)	1	312-2V	A	60
43365-S	Screw and washer assy. -fill. hd. -No. 12-24 x 3/4"-to attach adaptor to carburetor	4	a		
372286-S	Stud-1/4"-20-20 x 1-13/32"-adaptor to air cleaner	1	a		
9A626 DUCT & VALVE (CARBURETOR AIR CLEANER AIR)					
B9MY 9A626-A	Less shroud (a)	1	383-2V, 430-2V	A D	60
C3AZ 9A626-A	(b)	1	221-2V, 260-2V, 289-4V	B C	63/64
C1VE 9A626-B	Less shroud (a)	1	430	D	61/64
358787-S	Screw-wing-No. 10-32 x 3/8"-duct to air cleaner body	1	a		
359966-S	Screw-wing-No. 10-32 x 3/8"	2	b		
9628 CLAMP (CARBURETOR AIR CLEANER)					
CODE 9628-A	Clamp 2-1/2" I.D. with screw 1/4"-20 x 8-1/2" long	1	144-1V, 170-1V	C	60/61
9B630 WRAP (CARBURETOR AIR CLEANER ELEMENT)					
B8ME 9B630-A	To provide heavy duty or increased filtering capacity of dry type air cleaner element - 30-3/4" long	1	312-2V, 383-2V, 430-2V	A D	60
9C639 CAP (CARBURETOR AIR CLEANER ADAPTOR)					
C2AZ 9C639-A	Use with 1963 service air cleaner that has an air cleaner to choke control tube adaptor assembly	1	292-2V, 352-2V, 390-4V	A	61/62
C4AZ 9C639-A	Nylon - 1/4" diameter bore x 5/16" O.D. x 5/8" long	1	221-2V, 260-2V	B C	63
	Must be used with C4AZ-9600-J on models without filtered choke air system	1	260-2V, 289-4V	C	64
9-9648 REFER TO GROUP 9A676					
9B650 THERMOSTAT (CARBURETOR AIR CLEANER AIR DUCT)					
B8SZ 9B650-A	(a)	1	383-2V, 430	A D	60/64
		1	221-2V, 260-2V, 289-4V	B C	63/64
33798-S8	NS-nut-stamped hex. -5/16"-24	1	a		

Carburetor Air Cleaner

GROUP AND PART NUMBER	DESCRIPTION, SIZE, ETC.	NO. REQ'D	MODEL OR ENGINE CUBIC INCH DISPLACEMENT	VEHICLE CODE	YEAR 19__
9-9653	REFER TO GROUP 9B684				
9654	GASKET (CARBURETOR AIR CLEANER) BOTTOM				
7HT 9654		1	223-1V	A	60/62
C5ZZ 9654-A	Paper - 5-1/8" I.D. x 5-5/8" O.D. x 1/16" thick	1	292-2V, 312-2V, 352-2V, 390	A	60/62
		1	390☆	A	63
		1	390-4V☆	A	64
	☆ Except Police Special				
C3AZ 9654-B	Paper - 5-1/8" I.D. x 5-5/8" O.D. x 1/16" thick - ☆ for Police Special	1	390-4V☆	A	63
C1AE 9654-A	Cork and rubber - half circle - 3/16" thick	3	406-6V	A	63
C3AZ 9654-A	Paper - 5-1/64" I.D. x 5-5/8" O.D. x 1/16" thick	1	406-4V, 427-4V	A	63
C3AZ 9654-C	Rubber - 5-1/8" I.D. x 5-5/8" O.D. x 3/16" thick ☆ Use with Police Special and chrome air cleaner C4DZ-9600-C	1-2	390-4V☆, 427-4V, 427-8V	A	64
COAZ 9654-A	Rubber - 5-7/32" I.D. x 5-33/64" O.D. x 1/4" thick	1	221-2V, 260-2V, 292-2V, 312-2V, 352-2V, 383-2V, 390-2V, 390-4V, 406-4V, 430-2V, 430-4V	A B C D	60/64
C2DZ 9654-A	Paper - 1-41/64" I.D. x 1-31/32" O.D. x 1/16" thick	1	144-1V, 170-1V	B C	62
C3AZ 9654-D	Rubber - 1-61/64" I.D. x 2-7/32" O.D. x 3/32" thick - air cleaner to carburetor	1	144-1V, 170-1V, 200-1V	B C	63/64
9661	COVER (CARBURETOR AIR CLEANER)				
PB8M 9661-A	Painted "TURQUOISE"	1	312-2V, 383-2V, 430-2V	A D	60
	Use with air cleaner on vehicles not equipped with closed emission reduction system	1	430-4V	D	63/64
C1VE 9661-A	Painted "BLACK"	1	292-2V, 352-2V, 390-4V, 430-2V	A D	61/62
C4GY 9661-A	Chrome plated	1	289-4V	C	64
C4VY 9661-A	Includes gasket - use with air cleaner on vehicles equipped with closed emission reduction system	1	430-4V	D	64
9663	BRACE (CARBURETOR AIR CLEANER)				
COAE 9663-A	Must use with COAE-9600-D air cleaner and others installed on vehicles prior to 9-11-61	1	223-1V	A	61
C2AZ 9663-A	Use with C2AZ-9600-A and C1ME-9600-F air cleaners	1	223-1V	A	62
C2DZ 9663-A		1	144-1V, 170-1V	B C	62
C3DZ 9663-A		(a) 1	144-1V, 170-1V, 200-1V	B C	63
C3OZ 9663-A	Use on vehicles built prior to 1-16-64	(b) 1	170-1V	C	64
	NS-bolt and washer assembly-5/16"-24 x 3/8"-brace to engine	1	a		
	NS-lockwasher-1/4"-brace to air cleaner	1	a		
	NS-nut-1/4"-20-brace to air cleaner	1	a		
20327-S8	Bolt and washer assembly-5/16"-24 x 3/8"-brace to engine	1	b		
34805-S	Lockwasher-1/4"-brace to air cleaner	1	b		
55734-S2	Nut-1/4"-20-brace to air cleaner	1	b		

Carburetor Air Cleaner

GROUP AND PART NUMBER	DESCRIPTION, SIZE, ETC.	NO. REQ'D	MODEL OR ENGINE CUBIC INCH DISPLACEMENT	VEHICLE CODE	YEAR 19__
9670 SPRING & SHAFT (CARBURETOR AIR CLEANER AIR DUCT)					
C1VE 9670-A		1	383-2V, 430-2V	A D	60/62
		1	221-2V, 260-2V, 289-4V, 430-4V	B C D	63/64
9B672 RETAINER (AIR CLEANER TO CARBURETOR)					
C2DZ 9B672-C	"Y" shaped with 1/4"-20 stud 7/8" long	1	144-1V, 170-1V	B C	62
C3AZ 9B672-A		1	144-1V, 170-1V, 200-1V	B C	63/64
9673 GASKET (CARBURETOR AIR CLEANER) INTERNAL					
C1KZ 9673-A	Rubber - 11-13/16" I.D. x 12-11/32" O.D. x 5/16" thick - 38-13/64" developed length	1	144-1V, 170-1V	B C	60/62
C2OZ 9673-A	Rubber - 8-37/64" I.D. x 9-15/32" O.D. x 5/16" thick	1	221-2V, 260-2V	B C	62/63
C3AZ 9673-A	Neoprene - 12-11/32" O.D. x 1/16" thick	1	144-1V, 170-1V, 200-1V	B C	63/64
C4VY 9673-A	Rubber - 10-5/16" O.D. x 1/16" thick - located in cover - use with air cleaner on vehicles equipped with closed emission reduction system	1	430-4V	D	64
9A676 SHROUD (CARBURETOR AIR CLEANER DUCT)					
PB9M 99648-C		1	383-2V, 430-2V	A	60
COLE 9A676-A		1	430-2V	D	60
PB9L 99648-B	For export only	1	430-4V	D	60
C1VE 9A676-A		1	430-2V, 430-4V	D	61/64
9677 BRACKET (CARBURETOR THROTTLE CONTROL MOUNTING)					
C3AZ 9677-A	Use with Deluxe a/cond. (b)	1	390-2V, 390-4V	A	63
C2AZ 9677-A	Use on vehicles equipped with a/cond. (a)	1	144-1V, 170-1V, 292-2V, 352-2V, 390-4V	A C	61/62
20344-S	Bolt-hex. hd. - 1/4"-20 x 3/4"-bracket to instrument panel	2	b		
33945-S	Nut-hex. jam-9/16"-18	1	a		
	NS-nut and washer-hex. - 1/2"-20-bracket to instrument panel	2	b		
	NS-nut-hex. jam-9/16"-18-control assembly to bracket	1	b		
9B684 SPRING (CARBURETOR AIR CLEANER AIR DUCT INTAKE VALVE PLATE)					
PB9M 99653-A		1	383-2V, 430-2V	A D	60
C3AZ 9B684-A		1	221-2V, 260-2V, 289-4V	B C	63/64
C1VE 9B684-A		1	430-2V, 430-4V	D	61/64
9B685 MOULDING (CARBURETOR AIR CLEANER AIR DUCT)					
C1VE 9B685-A	Synthetic rubber - 14-11/64" long with slot full length	1	430-2V, 430-4V	D	61/64
9689 DUCT (CARBURETOR AIR CLEANER) OUTER					
B9LB 9689-A	Sheet metal - located on underbody	1	430-2V	D	60
9A690 TUBE & FLANGE (CARBURETOR AIR CLEANER AIR INTAKE)					
B9LY 9A690-A		1	430-2V	D	60

Carburetor Air Cleaner

GROUP AND PART NUMBER	TYPE	DESCRIPTION, SIZE, ETC.	NO. REQ'D	MODEL OR ENGINE CUBIC INCH DISPLACEMENT	VEHICLE CODE	YEAR 19__
9700 CONTROL (CARBURETOR MANUAL CHOKE)						
C2AZ 9700-A		Includes conduit, cable and knob - 42" in length from bezel to end of cable Use with models 54A, 58A, 62A, 64A, 65A, 71A, 75A	1	223-1V	A	61
C2MY 9700-A		Includes conduit, cable and knob - 42-1/2" in length from bezel to end of cable	1	223-1V	A	62
C1KF 9700-A		Includes conduit, cable, knob and bezel - (a) 52-1/2" in length from bezel to end of cable	1	144-1V	C	60
	34690-S	Nut-hex. -7/16"-20	1	a		
	44730-S	Washer-7/16"	1	a		

Accelerator Linkage and Speed Control

9B701 JOINT (SPEED CONTROL SWIVEL BALL)						
C1MM 9B701-A			1	292-2V, 352-2V, 390-4V	A	61/62

9A702 ROD (ACCELERATOR SHAFT TO BELLCRANK)						
COAA 9A702-B	S/T	& A/T	(a)	1	223-1V	A 61/62
C1AE 9A702-A	4/S			1	406-6V	A 62/63
C3AZ 9A702-A	4/S	Accelerator shaft to carburetor rod		1	427-4V	A 63
C3AZ 9A702-B	4/S	Accelerator shaft to carburetor rod	(c)	1	427-8V	A 63/64
C4AZ 9A702-B	S/T	& O/drive - accelerator shaft to carburetor rod	(b)	1	390-2V, 390-4V	A 64
	4/S	Accelerator shaft to carburetor rod		1	427-4V	A 64
C2OZ 9A702-A	S/T	& A/T		1	170-1V, 200-1V	B 62/63
CODD 9A702-A	3/S	Use on vehicles built prior to 5-1-61		1	144-1V, 170-1V	C 60/61
C1DZ 9A702-A	S/T			1	144-1V, 170-1V	C 61/64
C4DZ 9A702-B	A/T			1	200-1V	C 64
	33921-S	Nut-hex. jam-1/4"-28		1	b	
	34079-S7	Nut-hex. -No. 10-32		1	a	
	375780-S	Clip		1	c	

9B702 SPRING (SPEED CONTROL REGULATOR ARM TENSION)						
COLF 9B702-A		Spring steel 3/8" wide with 4-7/8" coils - 2-1/4" free diameter and hooked end	1	292-2V, 352-2V, 390-4V	A	61/62
			1	430	D	60/64

9B703 ROD (SPEED CONTROL REGULATOR)						
C1MM 9B703-B			(a)	1	292-2V, 352-2V, 390-4V	A 61/62
C3MY 9B703-A		Speed control to speed control shaft		1	390-2V, 390-4V	A 63
		NS-speed control to speed control shaft		1	390-2V, 390-4V	A 64
	72016-S8	Pin-cotter-3/32" x 3/4"		1	a	

9B704 ROD (ACCELERATOR SHAFT TO SPEED CONTROL SHAFT)						
C1MM 9B704-B				1	292-2V, 352-2V, 390-4V	A 61/62
C4MY 9B704-A	D/R			1	390-2V, 390-4V	A 64
C2VY 9B704-A		Use on vehicles not equipped with isolated steering		1	430-2V	D 61/62
C2VY 9B704-B		Use on vehicles equipped with isolated steering When used on vehicles not equipped with isolated steering C2VY-9B711-B and C2VY-9B718-B are also required		1	430	D 62/64

Accelerator Linkage and Speed Control

GROUP AND PART NUMBER	DESCRIPTION, SIZE, ETC.	NO. REQ'D	MODEL OR ENGINE CUBIC INCH DISPLACEMENT	VEHICLE CODE	YEAR 19__
9C704 CONNECTOR (CARBURETOR AIR CLEANER TO CHOKE CONTROL)					
	NS-rubber - 1/4" I. D. x 6-1/2" long - cut from C1SZ-9324-B which is 13" long - for Police Special (a)	1	390-4V	A	63
	NS-rubber - 1/4" I. D. x 8" long - cut from C1SZ-9324-B which is 13" long (a)	1	390-2V, 390-4V	A	64
	NS-rubber-1/4" I. D. x 10-13/64" long - cut from C1SZ-9324-B which is 13" long (a)	1	260-2V, 289-4V	C	64
97325-S35	Clamp-1-3/32" diameter	2	a		
9A705 COVER (THERMOSTATIC CHOKE HEAT SUPPLY)					
B8AZ 9A705-B	(a)	1	352-2V, 390-2V, 390-4V	A	61/64
COME 9A705-A	Must be used with COME-9903-A cover (a)	1	383-2V, 430-2V	A	D 60
CIVE 9A705-A	Must be used with B9MZ-9430-A, COSZ-9430-A and CIVE-9430-B manifolds	1	430-2V	D	60/61
20346-S8	Bolt-hex. hd. -5/16"-18 x 3/4"	1	a		
9B706 SHAFT & BRACKET (SPEED CONTROL)					
C1MM 9B706-B	(a)	1	292-2V, 352-2V, 390-4V	A	61/62
C4MY 9B706-A	(b)	1	390-2V, 390-4V	A	64
72016-S8	Pin-cotter-3/32" x 3/4"	1	a		
351308-S	NS-washer-flat special-1/4" I. D. x 3/4" O. D. x 1/16" thick	AR	b		
356254-S	Washer-spring special-.281" I. D. x .625" O. D.	AR	b		
9A709 LEVER (ACCELERATOR PEDAL)					
COMM 9A709-B	"L" shaped with (2) 7/32" diameter holes in flat of (1) end and ball in flat of other end (a)	1	312-2V, 383-2V, 430-2V	A	60
C2VY 9A709-A	(a)	1	430-4V	D	61/64
34655-S7	Nut and washer assy. -hex. hd. -No. 10-24	2	a		
9B710 SEAL (ACCELERATOR LEVER TO ACCELERATOR SHAFT ROD)					
C1VV 9B710-C	(a)	1	430-2V, 430-4V	D	61/64
42119-S	Screw-hex. washer hd. tap. -No. 8-18 x 3/8"	2	a		
9B711 BELLCRANK & BRACKET (SPEED CONTROL)					
C2VY 9B711-A	Use on vehicles not equipped with isolated steering	1	430-2V	D	61/62
C2VY 9B711-B	Use on vehicles equipped with isolated steering - use on vehicles built prior to 11-15-62 - when used on vehicles not equipped with isolated steering C2VY-9B704-B and C2VY-9B718-B are also required (a)	1	430	D	62/63
C3VY 9B711-A	Use on vehicles built after 11-14-62 (a)	1	430-4V	D	63/64
55734-S2	Nut-hex. lock-1/4"-20	5	a		
359294-S8	Screw-hex. washer hd. lock-1/4"-20 x 1/2"	5	a		
9A713 STOP (CARBURETOR THROTTLE CONTROL WIRE)					
B9AA 9A713-A	Use on vehicles equipped with a/cond. (a)	2	292-2V, 352-2V, 390-4V	A	61/62
	Use with Deluxe a/cond. (a)	1	390-2V, 390-4V	A	63
	Use with a/cond. with fast idle (b)	1	390-2V, 390-4V	A	64
	Use on vehicles equipped with a/cond. (a)	1	144-1V, 170-1V	C	60/62
26457-S	Screw-rd. hd. -No. 8-32-1/4"	1	a		
358685-S	NS-screw-set-No. 8-32 x 3/16"	1	b		

Accelerator Linkage and Speed Control

GROUP AND PART NUMBER	TYPE	DESCRIPTION, SIZE, ETC.	NO. REQ'D	MODEL OR ENGINE CUBIC INCH DISPLACEMENT	VEHICLE CODE	YEAR 19__
9A714 INSERT (THERMOSTATIC CHOKE CONTROL)						
B9AE 9A714-A		Aluminum - 11/16" diameter x 2-29/64" long - located in R.H. exhaust manifold	1	292-2V, 312-2V	A	60/61
C2AZ 9A714-A		Steel - 39/64" diameter x 2-3/4" long ☆ Use with Police Special - also on vehicles built prior to 11-22-62 equipped with 406-4V and 406-6V C.I.D. engines	1	390-4V, 406-4V, 406-6V	A	62
			1	390-4V☆, 406-4V, 406-6V	A	63/64
C2OZ 9A714-A		Aluminum - 39/64" diameter x 2-3/4" long	1	221-2V, 260-2V, 289-4V, 292-2V	A B C	62/64
C1KE 9A714-B 373599-S		Aluminum - 3/8" diameter x 1-23/64" long (a) Plug-cup-3/8"	1	144-1V, 170, 1V, 200-1V	B C	60/64
			1	a		
9A715 RETAINER (THERMOSTATIC CHOKE CONTROL INSERT)						
C3AZ 9A715-A		Steel - button shaped - 5/8" diameter without hole in center - located in R.H. exhaust manifold ☆ Use with Police Special	1	390-4V☆	A	61/62&64
			1	390	A	63
			1	406	A	62/63
B9AE 9A715-A		Steel - button shaped - 5/8" diameter with 1/4" diameter hole in center - located in R.H. exhaust manifold ☆ Use with Police Special	1	221-2V, 260-2V, 292-2V, 312-2V, 406	A B	60/63
			1	260-2V, 289-4V	C	64
			1	390-4V☆	A	61/62
9A716 LINK (ACCELERATOR BELLCRANK TO CARBURETOR)						
C1AA 9A716-B	S/T	& A/T (a)	1	223-1V	A	61/62
34079-S7		Nut-hex. -No. 10-32	1	a		
9718 CLIP (CARBURETOR THROTTLE CONTROL SHAFT)						
C3AZ 9718-A		Use with a/cond. with fast idle - use to attach 9775 control assembly to 9772 accelerator bellcrank to carburetor rod (a)	1	390-2V, 390-4V	A	63/64
41940-S		NS-screw-tap. rd. hd. -No. 10-16 x 3/8"	1	a		
9B718 ROD (SPEED CONTROL TO CONTROL SHAFT)						
C2VY 9B718-A		Use on vehicles not equipped with isolated steering (a)	1	430-2V	D	61/62
C2VY 9B718-B		Use on vehicles equipped with isolated steering When used on vehicles not equipped with isolated steering C2VY-9B704-B and C2VY-9B711-B are also required (a)	1	430	D	62/63
C4VY 9B718-A		(a)	1	430-4V	D	64
72015-S		Pin-cotter-1/16" x 3/4"	AR	a		
9B719 SOCKET & WIRE (SPEED CONTROL LAMP)						
C1VF 9B719-A			1	All	D	61/63
9B720 INSULATOR (ACCELERATOR SHAFT)						
C2SZ 9B720-A		Rubber - button shaped - shaft equalizer bracket	1	223-1V	A	61/62
C2OZ 9B720-A		Shaft - rubber insulator Use with C2OZ-9725-A or on vehicles built prior to 1-30-63	2	170-1V	B	62
			2	170-1V, 200-1V	B	63
C3OZ 9B720-A		Shaft - rubber insulator - use on vehicles built after 1-29-63	2	170-1V, 200-1V	B	63
CODD 9B720-B		Also refer to group 9A850	1	144-1V, 170-1V	C	61/63
C4DZ 9B720-A		Nylon - bushing - split - 25/64" diameter x 1.12" long - also refer to group 9A763	1	170-1V, 200-1V, 260-2V, 289-4V	C	64

Accelerator Linkage and Speed Control

GROUP AND PART NUMBER	TYPE	DESCRIPTION, SIZE, ETC.	NO. REQ'D	MODEL OR ENGINE CUBIC INCH DISPLACEMENT	VEHICLE CODE	YEAR 19__
9B721 PIN (ACCELERATOR BELLCRANK)						
C2OZ 9B721-A		Steel - 3/8" diameter x 4-1/2" long	1	170-1V, 200-1V	B	62/63
			1	170-1V, 200-1V, 260-2V, 289-4V	C	64
C1DD 9B721-B		.309"/.313" finished diameter (1) end with 1/4"-20 thread on the other end 1-19/64" overall length	1	144-1V, 170-1V	C	61
C2DZ 9B721-A			1	144-1V, 170-1V	C	62/63
9723 BRACKET (ACCELERATOR SHAFT)						
C1VV 9723-C			(a) 1	430-2V, 430-4V	D	61/64
370675-S		NS-screw-hex. washer hd. -1/4"-20	2	a		
374251-S		NS-nut-retainer assy. -1/4"-20	2	a		
9724 REFER TO GROUP 9732						
9725 SHAFT & BRACKET (ACCELERATOR)						
COMM 9725-B		Assembly	(a) 1	312-2V, 383-2V, 430-2V	A	60
C1AA 9725-G	S/R	D/R and 2/S	(a) 1	292-2V, 352-2V, 390-4V	A	61/62
C1AA 9725-B	3/S	O/drive and 2/S on 1961 vehicles	(a) 1	223-1V	A	61/62
	S/T	& 2/S on 1962 vehicles				
C1AA 9725-H		Use with 3/S and O/drive on 1961 vehicles equipped with 292-2V engines Use with S/T on 1962 vehicles equipped with 292-2V engines Use with S/T on vehicles equipped with 352-2V and 390-4V engines	(a) 1	292-2V, 352-2V, 390-4V	A	61/62
C3MY 9725-B	S/T	& D/R	1	406-6V, 427-8V	A	63
			1	390-2V, 390-4V, 406-4V, 427-4V	A	63
C4AZ 9725-A	D/R	Accelerator shaft assembly	(e) 1	390-2V, 390-4V	A	64
C4AZ 9725-B	S/T	& O/drive - accelerator shaft assembly	(e) 1	390-2V, 390-4V	A	64
	4/S	Accelerator shaft assembly	(e, f) 1	427-4V, 427-8V	A	64
C2OZ 9725-A		Use on vehicles built prior to 1-30-63	1	170-1V	B	62/63
C3OZ 9725-A		Use on vehicles built after 1-29-63	1	170-1V, 200-1V	B	63
C2OZ 9725-B		Use on vehicles built prior to 1-30-63	(c) 1	221-2V, 260-2V	B	62/63
C3OZ 9725-B		Use on vehicles built after 1-29-63	1	221-2V, 260-2V	B	63
CODD 9725-C	2/S		(a) 1	144-1V, 170-1V	C	60/63
C1DD 9725-A	S/T		(a) 1	144-1V, 170-1V	C	60/63
C3DZ 9725-A			1	260-2V	C	63
C1DZ 9725-A	S/T		(e) 1	170-1V	C	64
CODZ 9725-C	A/T		(e) 1	200-1V	C	64
C4DZ 9725-C		Accelerator shaft assembly	1	260-2V, 289-4V	C	64
COLL 9725-D			(b) 1	430-2V	D	60
C1VV 9725-D			1	430-2V	D	61
C2VY 9725-A		Use on vehicles built prior to 5-10-62	1	430-2V	D	62
C2VY 9725-B		Use on vehicles built after 5-9-62 When used on vehicles built prior to 5-10-62 C2VY-9B704-B, C2VY-9B718-B and C2VY-9B711-B are also required	(d) 1	430	D	62/64
20311-S		Bolt-hex. hd. -5/16"-24 x 1/2"	2	b		
31498-S8		Screw-hex. washer hd. tap. -No. 14-10 x 5/8"	2	a, e		
33797-S16		Nut-hex. -5/16"-18-use with O/drive only	1	a		
34079-S		Nut-hex. -No. 10-32	1	f		
34443-S		Nut-hex. thick lock-5/16"-24	1	c		
34803-S		Washer-spring lock No. 10	1	f		
34806-S		Lockwasher-5/16"	2	b		

CONTINUED ON NEXT PAGE

Accelerator Linkage and Speed Control

GROUP AND PART NUMBER	TYPE	DESCRIPTION, SIZE, ETC.	NO. REQ'D	MODEL OR ENGINE CUBIC INCH DISPLACEMENT	VEHICLE CODE	YEAR 19__
9725 SHAFT & BRACKET (ACCELERATOR) CONTINUED						
42154-S		Screw-hex. washer hd. tap. -No. 14-10 x 1"	4	c		
42360-S8		Screw-hex. hd. tap. -No. 10-16 x 3/8"	AR	b		
44722-S		Washer-flat-5/16"	1	c		
89534-S		Screw-headless set-5/16"-18 x 1-1/4"- use with o/drive only	1	a		
351341-S		Washer-spring	AR	d		
353605-S		Washer-flat-21/64"	AR	d		
370494-S		Washer-flat-1/4"	4	c		
371492-S		Screw-hex. washer hd. -1/4"-20	2	a		
9A726 BRACKET (ACCELERATOR BELLCRANK TO INTAKE MANIFOLD)						
CODD 9A726-A		(a)	1	144-1V	C	60
33925-S		Nut-hex. jam-3/8"-24	1	a		
34847-S		Lockwasher-3/8"	1	a		
72015-S		Pin-cotter-1/8" x 3/4"	1	a		
356415-S		Washer-flat-25/64"	1	a		
356482-S		Washer-spring-3/8"	1	a		
9727 ROD (ACCELERATOR PEDAL TO SHAFT)						
B7A 9727-B		Rubber coated - 5/16" diameter on (1) end and 9/64" diameter on the other - 1-21/64" long - use with molded rubber pedal	1	144-1V, 170-1V, 200-1V, 221-2V, 223-1V, 260-2V, 292-2V, 352-2V, 390-4V, 406-4V, 406-6V, 427-4V, 427-8V	A B C	60/63
			1	390-2V, 390-4V, 427-4V, 427-8V	A	64
C3AZ 9727-C		Clip - use with molded plastic pedal	1	All except 57C, 63C, 65C, 75C, 76B, C	A	63/64
			1	All	B C	63/64
9727 PIN (ACCELERATOR TO PEDAL)						
C3AZ 9727-A		Use with plastic molded pedal CODZ-9735-A	1	144, 170, 221, 260	B C	60/62
9B728 BRACKET (CARBURETOR THROTTLE RETURN SPRING)						
C1VE 9B728-B			1	430-2V	D	61/62
C3VY 9B728-A		Transmission kick down control retracting spring	1	430-4V	D	63/64
9A729 SHAFT (ACCELERATOR SHAFT TO CARBURETOR)						
COMM 9A729-A	3/S	Assembly (a)	1	312-2V	A	60
42719-S		NS-screw and washer-hex. hd. -5/16"-18 x 5/8"	1	a		
9A731 ROD (ACCELERATOR LEVER TO ACCELERATOR SHAFT)						
COMM 9A731-B		(a)	1	312-2V, 383-2V, 430-2V	A	60
C2VY 9A731-A			1	430-2V, 430-4V	D	61/64
33921-S		Nut-light hex. jam-1/4"-28	1	a		
9732 BELLCRANK (CARBURETOR ACCELERATOR)						
C1AA 9732-A	S/T		1	223-1V	A	61/62
C1AE 9724-A			1	406-6V	A	62/63
C3AZ 9732-C		Must be used with C3AZ-9B842-B	1	427-8V	A	63
			1	427-8V	A	64
C2OZ 9732-A			1	170-1V	B	62
C3OZ 9732-A		(b)	1	170-1V	B	63
CODD 9732-A		(a)	1	144-1V	C	60
C1DD 9732-A		Use on vehicles built prior to 5-1-61	(b)	144-1V, 170-1V	C	61
C3DZ 9732-A		Use on vehicles built after 4-30-61	(b)	144-1V, 170-1V	C	61/63
			1	200-1V	B	63

CONTINUED ON NEXT PAGE

Accelerator Linkage and Speed Control

GROUP AND PART NUMBER	TYPE	DESCRIPTION, SIZE, ETC.	NO. REQ'D	MODEL OR ENGINE CUBIC INCH DISPLACEMENT	VEHICLE CODE	YEAR 19__
9732 BELLCRANK (CARBURETOR ACCELERATOR) CONTINUED						
C4DZ 9732-C		(b)	1	170-1V, 200-1V	C	64
34079-S		Nut-hex. -No.10-32	1	a		
34803-S		Washer-spring lock-No.10	1	a		
351341-S		Washer-spring	1	b		
359354-S		Washer-"C"	1	b		
9A734 ROD (CARBURETOR TO TRANSMISSION KICK DOWN CONTROL SHAFT)						
C1VV 9A734-B		Use on vehicles built prior to 5-22-61	1	430-2V	D	61
C1VY 9A734-A		Use on vehicles built after 5-21-61	1	430-2V	D	61
C2VY 9A734-A			1	430-2V	D	62
C3VY 9A734-A			1	430-4V	D	63/64
9735 PEDAL (ACCELERATOR)						
COMM 9735-A		(a)	1	312-2V, 383-2V, 430-2V	A	60
C1MM 9735-A		Use on all 1961 vehicles - also all 1962 vehicles except 65C and 76B	(a) 1	223-1V, 292-2V, 352-2V, 390-4V	A	61/62
		Use on all models except 63C, 65C, 75C, and 76B	1	390-2V, 390-4V, 406-4V 406-6V	A	63
		Use on all vehicles except 57C, 63C, 65C and 75C equipped with power brakes	1	390-2V, 390-4V, 427-4V, 427-8V	A	64
Package also includes -						
(1) B7A-9727-B rod						
C2AZ 9735-A		Chrome trimmed	(a) 1	65C, 76B	A	62
		Use on all vehicles equipped with automatic transmission and power brakes	1	63C, 65C, 75C, 76B	A	63
			1	All	A	64
CODD 9735-A		Molded rubber	(a) 1	144-1V, 170-1V, 200-1V, 221-2V, 260-2V, 289-4V	B C	60/64
Package also includes -						
(1) B7A-9727-B rod						
CODD 9735-B		Accessory	(a) 1	144-1V, 170-1V	C	60/63
			1	170-1V, 200-1V, 260-2V, 289-4V	C	64
COLL 9735-A			(b) 1	430-2V	D	60
C1VV 9735-A		Use on vehicles built prior to 6-1-61	(b) 1	430-2V	D	61
C2VY 9735-A		Use on vehicles built after 5-31-61	(b) 1	430-2V, 430-4V	D	61/64
		NS-screw-tap. -1/4"-20 x 5/8"	2	b		
42143-S8		Screw-hex. washer hd. tap. -No. 14-10 x 3/4"	2	a		
9A735 ROD (CARBURETOR TO TRANSMISSION CONTROL SHAFT)						
COLL 9A735-D			1	430-2V	D	60
9736 SPRING (ACCELERATOR EQUALIZER)						
B7A 9736-A			1	223-1V	A	62
9B736 BRACKET (SPEED CONTROL ACTUATOR CABLE)						
		NS-steel-7/8" wide 3-3/4" formed length x 1/32" thick with loop on one end and one 13/32" diameter hole on the other	(a) 1	430-2V	D	61/62
45209-S8		Nut-hex. -3/8"-16	1	a		
9737 SPRING (ACCELERATOR SHAFT RETRACTING)						
COAA 9737-F	S/T	& 2/S - 3/4" diameter x 6-3/32" free length - 68-3/4 coils - hooked on both ends Use on all models except 58A, 64A and 71	1	223-1V	A	61/62

CONTINUED ON NEXT PAGE

Accelerator Linkage and Speed Control

GROUP AND PART NUMBER	TYPE	DESCRIPTION, SIZE, ETC.	NO. REQ'D	MODEL OR ENGINE CUBIC INCH DISPLACEMENT	VEHICLE CODE	YEAR 19__
9737 SPRING (ACCELERATOR SHAFT RETRACTING) CONTINUED						
C1AZ 9737-A	S/T	& 2/S - 3/4" diameter x 7-3/32" free length - 87-1/4 coils - hooked on both ends Use on models 54A, 58A, 62A, 64A, 65A, 71A and 75A	1	223-1V	A	61/62
COAA 9737-G	S/R	D/R and 2/S - 3/4" diameter x 9-11/32" free length - 36 coils - hooked on both ends	1	292-2V, 352-2V, 390-4V	A	61/62
	D/R		1	390-2V, 390-4V	A	64
COAA 9737-J	S/T	& O/drive - 25/32" diameter x 4-1/8" free length - 26 coils - hooked on both ends Use with 3/S and O/drive on 1961 vehicles equipped with 292-2V engine Use with S/T on 1962 vehicles with 292-2V engines Use with S/T on vehicles equipped with 352-2V engine	1	292-2V, 352-2V	A	61/62
	S/T	& O/drive	1	390-2V, 390-4V	A	64
	4/S		1	406-4V, 406-6V, 427-4V, 427-8V	A	63/64
C3MY 9737-A	S/T	& D/R	1	390-2V, 390-4V	A	63
COMM 9737-B		25/32" diameter x 5-49/64" free length - (a) 46-3/4 coils - hooked on both ends	1	312-2V, 383-2V, 430-2V	A D	60
C2OZ 9737-A			1	170-1V	B	62
C3OZ 9737-A			1	170-1V, 200-1V	B	63
C2OZ 9737-C	ALL		1	221-2V, 260-2V	B C	62/63
CODD 9737-E	3/S	Use on vehicles built prior to 5-1-61	1	144, 170	C	60/61
CODD 9737-D	3/S	Use on vehicles built prior to 5-1-61	1	144, 170	C	60/61
CIDD 9737-A	A/T	Use on vehicles built after 4-30-61	1	144, 170	C	61/63
CIDD 9737-B	S/T	Use on vehicles built after 4-30-61 Use on vehicles not equipped with P/S	1 1	144, 170 144-1V, 170-1V	C C	61/62 63
C3DZ 9737-A	S/T	Use on vehicles equipped with P/S	1	144-1V, 170-1V	C	63
	ALL	Accelerator shaft retracting spring - use on vehicles built prior to 3-2-64 - also refer to group 7B146	1	170-1V, 200-1V	C	64
C4DZ 9737-A	ALL	Accelerator shaft retracting spring - use on vehicles built after 3-1-64 - also refer to group 7B146	1	170-1V, 200-1V	C	64
C4AZ 9737-A	A/T	Transmission kick down control spring	1	170-1V, 200-1V	C	64
	A/T	Accelerator shaft retracting spring	1	260-2V, 289-4V	C	64
		20311-S8 Bolt-hex. hd. -5/16"-24 x 1/2"	2	a		
		34781-S Washer-spring lock-5/16"	2	a		
		42120-S2 Screw-hex. washer hd. tap.	1	a		
9741 BRACKET (ACCELERATOR TO RETRACTING SPRING)						
	S/T	NS-improvise	1	292-2V, 352-2V, 390-4V	A	61/62
COAZ 9741-B	4/S		1	390-4V, 406-4V, 406-6V	A	62
	S/T	& O/drive	1	390-2V, 390-4V, 406-4V, 406-6V, 427-4V, 427-8V	A	63/64
B8A 9741-B	D/R		1	390-2V, 390-4V	A	64
C2OZ 9741-B	ALL		1	221-2V, 260-2V, 289-4V	B C	62/64
9A745 SHIELD (THERMOSTATIC CHOKE HEAT TUBE) INLET						
C1KE 9A745-A		Use with carburetors having automatic choke	1	144-1V, 170-1V, 200-1V	B C	60/64
9747 ROD (CARBURETOR TO TRANSMISSION CONTROL SHAFT)						
B9MM 9747-D		Carburetor to transmission control shaft Use with A/T on vehicles equipped with 312-2V engine	1	312-2V	A	60
CONTINUED ON NEXT PAGE						

Accelerator Linkage and Speed Control

GROUP AND PART NUMBER	DESCRIPTION, SIZE, ETC.	NO. REQ'D	MODEL OR ENGINE CUBIC INCH DISPLACEMENT	VEHICLE CODE	YEAR 19__
9747 ROD (CARBURETOR TO TRANSMISSION CONTROL SHAFT) CONTINUED					
PB9M 9747-E	Carburetor to transmission control shaft Use with 3/S on vehicles equipped with 312-2V engine Use with A/T on vehicles equipped with 383-2V and 430-2V engines	1	312-2V, 383-2V, 430-2V	A	60
COAA 9747-B	Accelerator shaft to carburetor (a) Use with 3/S and O/drive on 1961 vehicles equipped with 292-2V engine Use with S/T on 1962 vehicles with 292-2V engines Use with S/T on vehicles equipped with 352-2V and 390-4V engines	1	292-2V, 352-2V, 390-4V	A	61/62
33921-S13	Nut-hex. jam-1/4"-28	1	a		
9B756 VALVE ASSEMBLY (IDLE SPEED-UP)					
C3OZ 9B756-A	Use on vehicles equipped with P/S	1	170-1V, 200-1V, 221-2V, 260-2V	B	62/63
	☆ Use on vehicles built prior to 1-6-64 equipped with 260-2V engine	1	144-1V, 170-1V, 200-1V, 260-2V☆	C	63/64
9B758 TUBE ASSEMBLY (POWER STEERING PUMP TO IDLE SPEED-UP VALVE)					
C3OZ 9B758-B	Use on vehicles equipped with P/S	1	170-1V, 200-1V	B	62/63
		1	144-1V, 170-1V	C	63/64
C2OZ 9B758-A	NS - 7/1/64 RB C3OZ-9B758-A				
C3OZ 9B758-A	Use on vehicles equipped with P/S built prior to 1-6-64	1	221-2V, 260-2V	B C	62/64
9B759 BRACKET (IDLE SPEED-UP VALVE)					
C2OZ 9B759-B	Use on vehicles equipped with P/S	1	221-2V, 260-2V	B	62
C2OZ 9B759-A	Use on vehicles equipped with P/S	1	170-1V, 200-1V	B	62/63
		1	144-1V, 170-1V	C	63/64
C3OZ 9B759-A	Use on vehicles equipped with P/S	1	221-2V, 260-2V	B	63
	Use on vehicles equipped with P/S built prior to 1-6-64	1	260-2V	C	64
9C760 TRUNNION (CARBURETOR THROTTLE LEVER)					
C3AZ 9C760-A	Steel - .310" diameter x .995" long with (a) No. 10-32 thread on (1) end and .050" hole in the other	1	406-6V, 427-8V	A	63/64
34079-S	Nut-hex. No. 10-32	1	a		
351253-S	Washer-plain-3/16" x 7/16" x 1/32"	1	a		
353610-S	Retainer-spring	1	a		
9761 LEVER (ACCELERATOR SHAFT)					
C2AZ 9761-B	Use on vehicles equipped with a/cond. (a)	1	292-2V, 352-2V, 390-4V, 406	A	61/62
C2OZ 9761-A	Accelerator shaft arm - 7/16" diameter with a flat on each end - 13/64" diameter hole on (1) end and 7/16" diameter hole on the other - 4-29/64" between center of holes - use with C2OZ-9725-B	1	221-2V, 260-2V	B	62/63
CODD 9761-A	Use on vehicles equipped with hang-on a/cond. (a)	1	144-1V, 170-1V	C	60/61
C3DZ 9761-A	Accelerator arm shaft - 3-7/64" between centers of holes	1	260-2V	C	63
C4DZ 9761-B	Accelerator shaft arm (b)	1	260-2V, 289-4V	C	64
CONTINUED ON NEXT PAGE					

Accelerator Linkage and Speed Control

GROUP AND PART NUMBER	TYPE	DESCRIPTION, SIZE, ETC.	NO. REQ'D	MODEL OR ENGINE CUBIC INCH DISPLACEMENT	VEHICLE CODE	YEAR 19__
9761 LEVER (ACCELERATOR SHAFT) CONTINUED						
34443-S		Nut-hex. -lock-5/16"-24	1	b		
34653-S		NS-nut and washer-No. 8-32	1	a		
44722-S		Washer-flat-5/16"	1	b		
54953-S		NS-screw-hex. hd. -No. 8-32 x 7/8"	1	a		
9B761 CONNECTOR (IDLE SPEED-UP VALVE TUBE)						
C2OZ 9B761-A		Use on vehicles equipped with P/S	1	170-1V, 221-2V, 260-2V	B	62/63
			1	144-1V, 170-1V, 200-1V, 260-2V, 289-4V, 390-2V, 390-4V, 427-4V, 427-8V	A C	63/64
9762 BEARING (ACCELERATOR SHAFT)						
C1VV 9762-C			4	430-2V, 430-4V	D	61/64
9763 BRACKET (ACCELERATOR SHAFT RETRACTING SPRING)						
COLL 9763-A			(a) 1	430-2V	D	60
		NS-screw and lockwasher-hex. hd. - 5/16"-18 x 5/8"	1	a		
9A763 BUSHING (ACCELERATOR SHAFT)						
C4DZ 9A763-A		Nylon - .440" I. D. x .518" O. D. x .560" long with .620" shoulder - also refer to group 9A720	2	260-2V, 289-4V	C	64
9767 END (CARBURETOR THROTTLE SYNCHRONIZER ROD)						
PB8M 9767-B		Steel - 1-3/4" long with No. 10-32 internal (a) thread 57/64" long x .208" diameter hole in flat	2	406-6V, 427-8V	A	62/64
44716-S		Washer-flat-No. 10	2	a		
353610-S		Retainer-spring	2	a		
9772 ROD (ACCELERATOR BELLCRANK TO CARBURETOR)						
C1AA 9772-D	S/R	& 2/S Use with PBR and PAZ transmisssion only	1	292-2V	A	61
B8A 9772-A	S/R	Use with PBM transmission only	1	352-2V	A	61
C1AA 9772-A	D/R	& 2/S Use with PCC, PCD, PCJ and PCK transmission	1	292-2V, 352-2V	A	61/62
C1AA 9772-C	D/R	Use with PCE transmission only	1	390-4V	A	61/62
C1AE 9772-A	4/S		1	406-6V	A	62/63
C3MY 9772-A	S/T	& D/R	1	390-2V	A	63
C3MY 9772-B	S/T	& D/R	1	390-4V, 406-4V	A	63
C3AZ 9772-C	D/R	Accelerator shaft to carburetor	1	390-2V	A	64
C3AZ 9772-D	D/R	Accelerator shaft to carburetor	1	390-4V	A	64
C2OZ 9772-C	A/T		(a) 1	221-2V, 260-2V	B	62/63
C2OZ 9772-D	S/T	& O/drive	1	221-2V, 260-2V	B	62/63
C2OZ 9772-B			1	170-1V, 200-1V	B	62/63
			1	170-1V, 200-1V	C	64
CODD 9772-A			(a) 1	144-1V, 170-1V	C	60/61
C2DZ 9772-A			1	144-1V, 170-1V	C	62/63
C4DZ 9772-A			1	260-2V	C	64
C4GY 9772-A			1	289-4V	C	64
34079-S		Nut-hex. -No. 10-32	1	a		
34803-S		Washer-spring lock-No. 10	1	a		

Accelerator Linkage and Speed Control

GROUP AND PART NUMBER	TYPE	DESCRIPTION, SIZE, ETC.	NO. REQ'D	MODEL OR ENGINE CUBIC INCH DISPLACEMENT	VEHICLE CODE	YEAR 19__
9775 CONTROL ASSEMBLY (CARBURETOR THROTTLE) LOCKING TYPE						
C2AZ 9775-A		Use with a/cond. - includes knob - 13-1/2" in length from bezel to end of cable	1	292-2V, 352-2V, 390-4V	A	61/62
C3AZ 9775-B		Use with Deluxe a/cond. - includes knob - (a) 30-5/16" in length from bezel to end of cable	1	390-2V, 390-4V	A	63
		Use with a/cond. with fast idle	1	390-2V, 390-4V	A	64
COAF 9775-A		Use on vehicles equipped with a/cond.	1	144-1V, 170-1V, 223-1V	A C	60/62
		33945-S Nut-hex. -9/16"-18	1	a		
		352963-S Grommet	1	a		
9B776 CLIP (ACCELERATOR SHAFT TO TRANSMISSION CONTROL SHAFT ROD)						
C4GY 9B776-A			2	260-2V, 289-4V	C	64
9782 BRACKET (CARBURETOR THROTTLE CONTROL SHAFT)						
C3AZ 9782-B		Use with Deluxe a/cond. (a)	1	390-2V, 390-4V	A	63
		Use with a/cond. with fast idle (b)	1	390-2V, 390-4V	A	64
		20344-S Bolt-hex. hd. -1/4"-20-3/4"-bracket to control assembly	1	a, b		
		20346-S8 Screw and washer-5/16"-18 x 3/4"	2	b		
		55734-S Nut-hex. -1/4"-20-bracket to control assembly	1	b		
		NS-nut-hex. -1/4"-20-bracket to control assembly	1	a		
		NS-screw and washer-5/16"-18-5/8"	2	a		
9784 ROD (ACCELERATOR SHAFT TO TRANSMISSION CONTROL SHAFT)						
COMM 9784-C	A/T	Use with PBM transmission (c)	1	312-2V	A	60
COMM 9784-B	A/T	Use with PBL and PBB transmission (c)	1	383-2V, 430-2V	A	60
B8A 9784-A	S/R	D/R and 2/S	1	292-2V, 352-2V, 390-4V	A	61/62
	D/R		1	390-2V, 390-4V	A	64
C3MY 9784-A	S/T	& D/R	1	390-2V, 390-4V	A	63
C2OA 9784-A	A/T		1	221-2V, 260-2V	B C	62/63
CODD 9784-A	2/S		1	144-1V, 170-1V	C	60/63
CODZ 9784-A	A/T		1	170-1V, 200-1V	C	64
C4DZ 9784-C			1	260-2V, 289-4V	C	64
COLL 9784-C			(a) 1	430-2V	D	60
C1VV 9784-D			(b) 1	430-2V	D	61
C2VY 9784-A			(b) 1	430-2V, 430-4V	D	62/64
		33796-S8 Nut-hex. -1/4"-28	2	a		
		34079-S8 Nut-hex. -No. 10-32	2	c		
		34803-S7 Lockwasher-No. 10	2	c		
		72015-S Pin-cotter-1/16" x 5/8"	1	b		
		351341-S Washer-spring	AR	b		
		351785-S Clip	1	b		
		353605-S Washer-flat-21/64"	1	b		
9C786 ADAPTOR (THERMOSTATIC CHOKE CONTROL) INLET TUBE						
C4AZ 9C786-A		Steel - with (1) .438" opening and (1) .245" opening - located in R. H. exhaust manifold assembly	1	260-2V, 289-4V	C	64
9C791 FILTER (THERMOSTATIC CHOKE)						
C4DZ 9C791-A		Assembly - 3/4" O. D. x 1-1/4" long with 1/4" opening in (1) end ☆ For Police Special - use on vehicles with air cleaners without fitting to accommodate 9820 inlet tube	1	390-4V☆	A	63/64

Accelerator Linkage and Speed Control

GROUP AND PART NUMBER	DESCRIPTION, SIZE, ETC.	NO. REQ'D	MODEL OR ENGINE CUBIC INCH DISPLACEMENT	VEHICLE CODE	YEAR 19__
9793 SEAL (ACCELERATOR PEDAL ROD)					
C1AA 9793-A		1	223-1V, 292-2V, 352-2V, 390, 406	A	61/63
C4AZ 9793-A		1	390-2V, 390-4V, 427-4V, 427-8V	A	64
C2OZ 9793-A		1	170-1V, 200-1V, 221-2V, 260-2V	B	62/63
CODD 9793-A	Felt or rubber	1	144-1V, 170-1V	C	60/63
C4DZ 9793-A		1	170-1V, 200-1V	C	64
C4DZ 9793-B		1	260-2V, 289-4V	C	64
9A810 ARM (SPEED CONTROL) THROTTLE					
COLL 9A810-A		(a) 1	430-2V	D	60
34939-S8	Washer-external tooth-No.10	2	a		
44720-S	Washer-flat-1/4"	2	a		
54676-S8	Screw-hex.hd. -No.10-24 x 5/8"	2	a		
9A811 LINK (SPEED CONTROL) THREADED					
COLL 9A811-A	1/4" diameter x 8" long with (1) end threaded for 2-1/2" - (1) 7/64" hole in other	1	430-2V	D	60
9A812 BRACKET (SPEED CONTROL)					
C1MM 9A812-C		(a) 1	292-2V	A	61/62
C1MM 9A812-A		(a) 1	352-2V, 390-2V, 390-4V	A	61/63
	NS-serviced in 9A818 kit only	(a) 1	390-2V, 390-4V	A	64
COLL 9A812-A	Steel - triangular shaped with (2) 23/64" diameter holes 2-3/16" apart and (2) 27/64" diameter holes 4-15/16" apart	1	430-2V	D	60
C1VV 9A812-A	Steel - "Z" shaped - with (2) 11/32" diameter holes on each end	(b) 1	430-2V, 430-4V	D	61/64
20428-S	Bolt-hex. hd. -3/8"-16 x 1-1/4"	2	a		
42847-S7-8	Screw and washer-5/16"-18 x 3/4"	2	b		
370383-S	Washer-lock-3/8"	2	a		
374301-S37	Nut-rivet type-5/16"-18 x 3/4"-bracket to frame	2	b		
9A815 SWIVEL (SPEED CONTROL)					
COLL 9A815-A		(a) 1	292-2V, 352-2V, 390-2V, 390-4V	A	61/64
		1	430-2V	D	60
72016-S8	Pin-cotter-3/32" x 3/4"	1	a		
373745-S	Grommet	1	a		
373746-S	Grommet	1	a		
9A816 BRACE (SPEED CONTROL)					
	NS-steel - 3/4" wide x 9-39/64" formed (a,b) length x 1/8" thick with (1) 21/64" diameter hole one end and a 13/32" diameter hole on the other - improvise locally	1	292-2V, 352-2V, 390-4V	A	61/62
	NS-serviced in 9A818 kit - steel - 1" wide x 9-3/4" long x 1/8" thick - (1) 11/32" diameter hole on the other	1	430-2V	D	60
	NS-steel - "Z" shaped - 1" wide x 7-3/4" developed length with - (1) 9/32" diameter hole on one end and (1) 11/32" diameter hole on the other	(a) 1	430	D	61/63
		(c) 1	430-4V	D	64
20346-S8	Bolt-hex. hd. -5/16"-18 x 3/4"	2	a		
34941-S	NS-washer-tooth lock	2	c		
374301-S8	NS-bolt-hex. hd. -5/16"-18 x 3/4"	2	c		
	NS-washer-spring lock-5/16"	2	a		
	NS-bolt-hex. hd. -3/8"-16 x 3-1/2" long	1	b		

Accelerator Linkage and Speed Control

GROUP AND PART NUMBER	TYPE	DESCRIPTION, SIZE, ETC.	NO. REQ'D	MODEL OR ENGINE CUBIC INCH DISPLACEMENT	VEHICLE CODE	YEAR 19__
9A818 KIT (SPEED CONTROL)						
C3MY 9A818-A	D/R	Use on vehicles not equipped with a/cond. Package also includes - (1) MIS-1064 instruction sheet	1	390-2V, 390-4V	A	63
C4MY 9A818-A		Use on vehicles equipped with automatic transmission Package also includes - (1) MIS-1107-A instruction sheet	1	390-2V, 390-4V	A	64
C4VY 9A818-A		Package also includes - (1) MIS-1108 instruction sheet	1	430-4V	D	64
9819 TUBE (CARBURETOR THERMOSTATIC CHOKE CONTROL) OUTLET						
◇B9AE 9819-A		1/4" diameter steel tubing - 10-1/4" developed length (a)	1	312-2V	A	60
		NS-1/4" diameter steel tubing - 14-15/16" developed length - cut from 91A-2269 - 25 ft. roll	1	383-2V	A	60
†B9AE 9819-B		1/4" diameter steel tubing - 10-7/64" developed length (a)	1	292-2V	A	61/62
† B8A 9819-L		3/16" diameter steel tubing x 17-5/16" long Use on vehicles equipped with carburetors without piston type choke	1 1	352-2V 390-2V	A A	61/62 63/64
† B8A 9819-H		3/16" diameter steel tubing x 18-7/64" long NS-1/4" diameter steel tubing x 23-25/64" long - cut from 91-2269 bulk tubing - (25) ft. roll - for Police Special	1 1	390-4V 390-4V	A A	61/64 62/64
◇C1AE 9819-B		1/4" diameter steel tubing x 21-5/16" long - use on vehicles built prior to 11-22-62	1	406-4V	A	62/63
◇C3AZ 9819-A		1/4" diameter steel tubing x 20-23/64" long - use on vehicles built after 11-21-62	1	406-4V, 427-4V	A	63/64
◇C1AE 9819-C		1/4" diameter steel tubing x 25-1/2" long - use on vehicles built prior to 11-22-62	1	406-6V	A	62/63
◇C3AZ 9819-B		1/4" diameter steel tubing x 23-25/32" long - use on vehicles built after 11-21-62 (a)	1	406-6V, 427-8V	A	63/64
C4MY 9819-A		3/16" diameter steel tubing x 17-11/16" developed length - use on vehicles equipped with carburetors with piston type choke	1	390-2V	A	64
◆B9ME 9819-A		Developed length 15" - for export only	1	430-4V	A D	60
◆COME 9819-A		Developed length 3-5/64"	1	430-2V	A D	60
◇C2GY 9819-B		1/4" diameter steel tubing x 16-29/32" long	1	144-1V, 170-1V	B C	62
†C2OZ 9819-A		1/4" diameter steel tubing x 16-5/16" long	1	221-2V, 260-2V, 289-4V	B C	62/64
C3GY 9819-A		1/4" diameter steel tubing x 9-7/32" developed length	1	144-1V, 170-1V, 200-1V	B C	63/64
◇C1KE 9819-A		Steel - 1/4" diameter tubing x 9-57/64" developed length	1	144-1V, 170-1V	C	60/61
◆C1VE 9819-A		Steel - 1/4" diameter tubing - developed length 13"	1	430-2V	D	61
357980-S		Nut-hex. -7/16"-24-use with B-9242-A ferrule-tube to carburetor	1	a		
9A819 REGULATOR ASSEMBLY (SPEED CONTROL)						
C1VF 9A819-A		Use on vehicles built prior to 12-15-61 - must be used with COLF-9A831-A actuator cable dust shield CONTINUED ON NEXT PAGE ◆ Carter † Ford ◇ Holley	1	292-2V, 352-2V, 390-4V, 430-2V	A D	61/62

Accelerator Linkage and Speed Control

GROUP AND PART NUMBER	TYPE	DESCRIPTION, SIZE, ETC.	NO REQ'D	MODEL OR ENGINE CUBIC INCH DISPLACEMENT	VEHICLE CODE	YEAR 19__
9A819 REGULATOR ASSEMBLY (SPEED CONTROL) CONTINUED						
C2VY 9A819-A		Use on vehicles built after 12-14-61 (b)	1	292-2V, 352-2V, 390-2V, 390-4V, 430	A D	62/63
Package also includes -						
(1) C2VY-9A831-A		actuator cable dust shield	(1)	MIS-1037		instruction sheet
C4MY 9A819-B			1	390-2V, 390-4V, 430-4V	A D	64
COLF 9A819-A			(a) 1	430-2V	D	60
	20346-S8	Bolt-hex. hd. -5/16"-18 x 3/4"	2	a		
	34941-S8	Washer-external tooth-5/16"	2	a		
	373745-S8	Grommet	1	b		
	373746-S	Grommet	1	b		
9820 TUBE (CARBURETOR THERMOSTATIC CHOKE CONTROL) INLET						
† B8A 9820-B			1	352-2V, 390-4V	A	61/62
C3AZ 9820-B		1/4" diameter steel tubing x 22-31/32" long - for Police Special - exhaust manifold to carburetor air cleaner	1	390-4V	A	63/64
C4AZ 9820-B		1/4" diameter steel tubing x 13" developed length - except Police Special	1	390-2V, 390-4V	A	64
C3AZ 9820-A		1/4" diameter steel tubing x 13" formed length - exhaust manifold to carburetor air cleaner - ☆except for Police Special	1 1	390-2V☆, 390-4V☆ 260-2V, 289-4V	A C	63 64
♣C1VE 9820-A		Steel - 1/4" diameter tubing - developed length 19"	1	430-2V	D	61
9A820 CABLE & CONDUIT ASSEMBLY (SPEED CONTROL)						
C1MF 9A820-A		Regulator to transmission - 53" overall length with .156" O.D. core (a)	1	292-2V, 352-2V, 390-2V, 390-4V	A	61/64
COLF 9A820-A		Regulator to transmission - 44" overall length	1	430-2V	D	60
C1VF 9A820-A		Regulator to transmission - 40" overall length with .156" O.D. core	1	430-2V, 430-4V	D	61/64
	20326-S7	Bolt-hex. hd. -5/16"-18 x 5/8"	2	a		
	34806-S7	Lockwasher-5/16"	2	a		
9A821 CORE (SPEED CONTROL)						
C1MY 9A821-A		Assembly - 53" overall length x .156" O.D.	1	390-2V, 390-4V	A	61/64
C1VY 9A821-A		Assembly - 40-7/32" overall length x .155" O.D.	1	430-2V, 430-4V	D	61/64
9-9822 HANGER & BRACKET (ENGINE TO ACCELERATOR SHAFT)						
COMM 99822-E	A/T		1	383-2V, 430-2V	A	60
COMM 99822-D	S/T		1	312-2V	A	60
9A823 NUT (SPEED CONTROL CABLE CLAMPING)						
		NS-hexagon - 9/16"-18 - serviced in COLF-9A831-A	1	430-2V	D	60
9825-6 CLIP (ROD END CLEVIS)						
C2VY 9825-A		R.H.	AR	144-1V, 170-1V, 200-1V, 221-2V, 223-1V, 260-2V, 289-4V, 292-2V, 352-2V, 383-2V, 390-2V, 390-4V, 406-6V, 427-4V, 427-8V, 430-2V, 430-4V	A B C D	60/64
CONTINUED ON NEXT PAGE						
♣ Carter † Ford						

Accelerator Linkage and Speed Control

GROUP AND PART NUMBER	DESCRIPTION, SIZE, ETC.	NO. REQ'D	MODEL OR ENGINE CUBIC INCH DISPLACEMENT	VEHICLE CODE	YEAR 19__
9825-6 CLIP (ROD END CLEVIS) CONTINUED					
B7A 9826-A	L.H.	AR	144-1V, 170-1V, 200-1V, 221-2V, 223-1V, 260-2V, 289-4V, 292-2V, 352-2V, 383-2V, 390-2V, 390-4V, 406-6V, 427-4V, 427-8V, 430-2V	A B C	60/64
9A825 ACTUATOR ASSEMBLY (SPEED CONTROL)					
C3MY 9A825-A		1	390-2V, 390-4V	A	63
C4MY 9A825-A	(a)	1	390-2V, 390-4V	A	64
C1VY 9A825-A		1	292-2V, 352-2V, 390-4V	A	61/62
		1	430-2V, 430-4V	D	61/63
Package also includes -					
(1) MIS-1038 instruction sheet					
COLF 9A825-A		1	430-2V	D	60
C4VY 9A825-A		1	430-4V	D	64
354972-S	Grommet	1	a		
9A826 CABLE ASSEMBLY (SPEED CONTROL ACTUATOR)					
C1MF 9A826-A	35-1/2" overall length with eye on (1) end and ball on the other	1	292-2V, 352-2V, 390-4V	A	61/62
C3MY 9A826-A		1	390-2V, 390-4V	A	63
COLF 9A826-A	35" overall length with an eye on (1) end and a ball on the other (a)	1	430-2V	D	60
C1VF 9A826-A	28-3/4" overall length with an eye on (1) end and a ball on the other	1	430-2V, 430-4V	D	61/63
352963-S	Grommet	1	a		
9A827 HOUSING (SPEED CONTROL ACTUATOR) DIAL					
	NS-serviced in 9A818 kit - marked "SPEED CONTROL" and numerated 3-4-5-6-7-8-9 in a semi-circle (a)	1	430-2V	D	60
34939-S8	Washer-external lock-No.10	2	a		
54676-S8	Screw-flat hd. -No.14-40 x 1/4"	2	a		
9A828 PLATE (SPEED CONTROL ACTUATOR HOUSING) COVER					
	NS-serviced in 9A818 kit - aluminum - 1/4 circle segment with (3) 15/64" diameter holes (a)	1	430-2V	D	60
	NS-screw-flat hd. -No.14-40 x 1/4"	3	a		
9A829 COVER (SPEED CONTROL ACTUATOR CABLE)					
	NS-rubber-9/32" I.D. x 9" long - cut from C1MF-9A829-A which is 18" long	2	390-2V, 390-4V	A	64
C1MF 9A829-A	Rubber - 9/32" I.D. x 18" long	AR	292-2V, 352-2V, 390-2V, 390-4V	A	61/64
	Cut to 10-1/2" long - slit the full length	1	430-2V	D	60
9A831 SHIELD (SPEED CONTROL ACTUATOR CABLE DUST)					
COLF 9A831-A	Threaded type - use on vehicles built prior to 12-15-61 - must be used with C1VF-9A819-A control regulator assembly	1	292-2V, 352-2V, 390-4V	A	61/62
		1	430-2V	D	60/62
C2VY 9A831-A	Set screw type - use on vehicles built after 12-14-61 - must be used with C2VY-9A819-A control regulator assembly	1	292-2V, 352-2V, 390-2V, 390-4V, 430-2V, 430-4V	A D	62/64

Accelerator Linkage and Speed Control

GROUP AND PART NUMBER	DESCRIPTION, SIZE, ETC.	NO. REQ'D	MODEL OR ENGINE CUBIC INCH DISPLACEMENT	VEHICLE CODE	YEAR 19__
9A832 KNOB ASSEMBLY (SPEED CONTROL ACTUATOR)					
C1VV 9A832-A	Includes set screw	1	292-2V, 352-2V, 390-2V, 390-4V, 430-2V, 430-4V	A D	61/63
COLF 9A832-A	Includes set screw	1	430-2V	D	60
9A834 COLLAR (SPEED CONTROL ACTUATOR KNOB)					
COLF 9A834-A	Zinc die casting - 5/16" I.D. with flat x 39/64" O.D. x 3/8" thick	1	430-2V	D	60
9A835 BUTTON (SPEED CONTROL ACTUATOR) PUSH					
C4MY 9A835-A		1	390-2V, 390-4V	A	64
C1VF 9A835-A	Chrome - 9/16" overall length - 5/16" diameter with a bore of 11/64" x 1/2" deep	1	292-2V, 352-2V, 390, 430	A D	61/63
COLF 9A835-A	Chrome - 21/32" overall length with a large diameter of 19/32" and a small diameter of 5/16" with a bore of 11/64" approximately 1/4" deep	1	430-2V	D	60
C4VY 9A835-A		1	430-4V	D	64
9A836 NUT (SPEED CONTROL ACTUATOR)					
C1MF 9A836-A	Chrome - 25/32" diameter x 5/8" long with 9/16" - 18 internal thread	1	292-2V, 352-2V, 390-2V, 390-4V	A	61/64
COLF 9A836-A	Chrome - 9/16" I.D. x 1-45/64" O.D. with (2) 7/64" diameter holes	1	430-2V	D	60
9A837 SWITCH ASSEMBLY (SPEED CONTROL) RELEASE					
COLF 9A837-A		(a) 1	292-2V, 352-2V, 390-4V	A	61/62
		(b) 1	430-2V	D	60
C1VV 9A837-A		1	430	D	61/63
	Remove (1) locknut from assembly	1	390-2V, 390-4V	A	63/64
	NS-nut-stamped-3/8"-16	1	430-4V	D	64
45221-S8	Nut-stamped-9/16"-18	2	b		
350756-S8	Bolt-5/16"-24 x 3/4"	2	a		
		1	a		
9A838 BRACKET (SPEED CONTROL RELEASE SWITCH MOUNTING)					
	NS-steel - 1" wide x 5-3/4" developed length x 7/64" thick with (2) 11/32" square holes on one end and 37/64" diameter hole on the other - improvise (c)	1	292-2V, 352-2V, 390-4V	A	61/62
C4AZ 9A838-A	Relay switch bracket	1	390-2V, 390-4V	A	63/64
	NS-serviced in 9A818 kit - steel - 1" wide x 5-1/2" long x 1/8" thick with (1) 11/32" diameter hole and (1) 9/16" diameter hole (a)	1	430-2V	D	60
	NS-steel - 1" wide x 6-3/4" long x 1/8" thick with (1) 25/64" diameter hole on one end and (2) 9/16" x 9/32" slots on the other (b)	1	430-2V	D	60
20346-S8	NS-bolt-hex. hd. -5/16"-18 x 3/4"	1	a		
34662-S8	Nut and washer-5/16"-24	1	c		
	NS-nut-hex. -5/16"-18	1	a		
34660-S8	NS-nut and washer assy. -1/4"-28	2	b		
34941-S8	NS-washer-external tooth-5/16"	1	a		
44722-S8	NS-washer-flat-5/16"	1	a		
55406-S8	Screw-hex. washer hd. -1/4"-28 x 5/8"	2	b		
350756-S8	Bolt-5/16"-24 x 3/4"	1	c		

Accelerator Linkage and Speed Control

GROUP AND PART NUMBER	TYPE	DESCRIPTION, SIZE, ETC.	NO. REQ'D	MODEL OR ENGINE CUBIC INCH DISPLACEMENT	VEHICLE CODE	YEAR 19__
9A839-40 WIRING ASSEMBLY (SPEED CONTROL)						
C1MF 9A840-A			(a) 1	292-2V, 352-2V, 390 4V	A	61/62
C3MY 9A840-A			(a) 1	390-2V, 390-4V	A	63
C4MY 9A840-A			(a) 1	390-2V, 390-4V	A	64
COLF 9A840-B			(b) 1	430-2V	D	60
C1VF 9A839-A		Dash to regulator - 80" long	1	430-2V	D	61/62
C1VY 9A840-B		Instrument panel to dash	(c) 1	430-2V, 430-4V	D	61/63
C3VY 9A839-A		Feed wire - 78-1/2" long with (2) terminals	1	430-4V	D	63
C4VY 9A839-A		Feed wire - 87-1/2" long with (2) terminals	1	430-4V	D	64
C4VY 9A840-A		Instrument panel to dash	(c) 1	430-4V	D	64
351650-S		Grommet	1	b		
352963-S		Grommet	1	a		
354972-S		Grommet	1	c		
9B841-2 ROD (THROTTLE)						
C1AE 9B841-A		Front	1	406-6V	A	62/63
C1AE 9B842-A		Rear	1	406-6V	A	62/63
C3AZ 9B841-A		Throttle shaft front - "BRIGHT FINISH"	(a) 1	427-8V	A	63/64
C3AZ 9B842-B		Throttle shaft rear - "BRIGHT FINISH" - must be used with C3AZ-9732-C	(a) 1	427-8V	A	63/64
34079-S		Nut-hex. -No. 10-32	1	a		
353610-S		Retainer-spring	1	a		
9B843 KIT (ACCELERATOR CONTROL)						
C4OZ 9B843-A		Must be used when C4DZ-6B068-A kit (three-2V carburetors) is installed	1	260-6V	B	63
C3DZ 9B843-A		Must be used when C4DZ-6B068-A kit (three-2V carburetors) is installed	1	260-6V	C	63
C5OZ 9B843-A		Must be used when C5OZ-6B068-A Cobra kit (four-2V carburetors) is installed	1	260-8V	C	63/64
			1	289-8V	C	64
Package also includes -						
(1) I. S. 1524 instruction sheet						
C4DZ 9B843-A		Must be used when C4DZ-6B068-A Cobra kit is used on 260 C. I. D. engine or C4DZ-6B068-B Cobra kit is used on 289 C. I. D. engine	1	260-6V, 289-6V	C	64
C4OZ 9B843-B		Must be used when C4OZ-6B068-E Cobra kit (two-4V carburetors) is installed	1	289-8V	C	64
Package also includes -						
(1) I. S. 1385 instruction sheet						
9A847 BEZEL (SPEED CONTROL ACTUATOR)						
C1MF 9A847-A		Chrome - marked "Speed Control" with numerals 3 - 4 - 5 - 6 - 7 - 8	1	292-2V, 352-2V, 390-2V, 390-4V	A	61/63
C4MY 9A847-A			1	390-2V, 390-4V	A	64
C4VY 9A847-A			1	430-4V	D	64
9A853 PLATE (ACCELERATOR SHAFT EQUALIZER BRACKET)						
C1AZ 9A853-C	ALL		(a) 1	223-1V	A	61
20546-S		Bolt-hex. hd. -7/16"-14 x 2-1/2"	1	a		
9A856 BUSHING (ACCELERATOR SHAFT TO BELLCRANK ROD)						
C1SS 9A856-A	A/T	Nylon	1	170-1V, 200-1V	B	62/63
9A857 NUT (ACCELERATOR SHAFT TO BELLCRANK ROD)						
C1SS 9A857-A	A/T	Must be used with C2OZ-7A373-A rod only	1	170-1V	B	62
C3OZ 9A857-A	A/T	Must be used with C3OZ-7A373-A rod only	1	170-1V, 200-1V	B	62/63

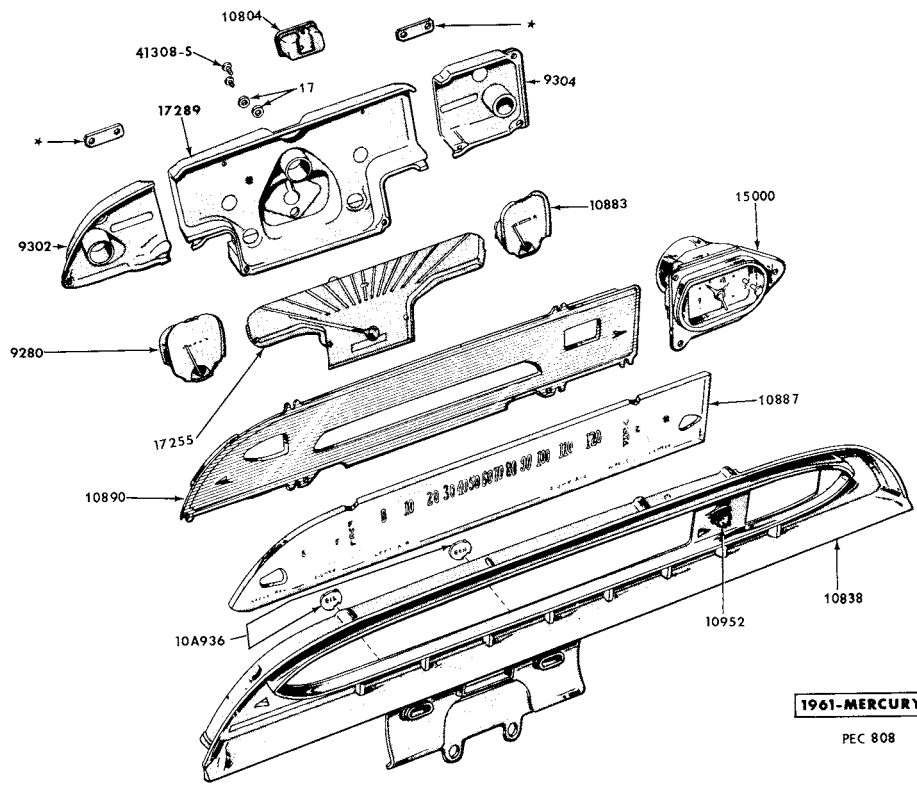
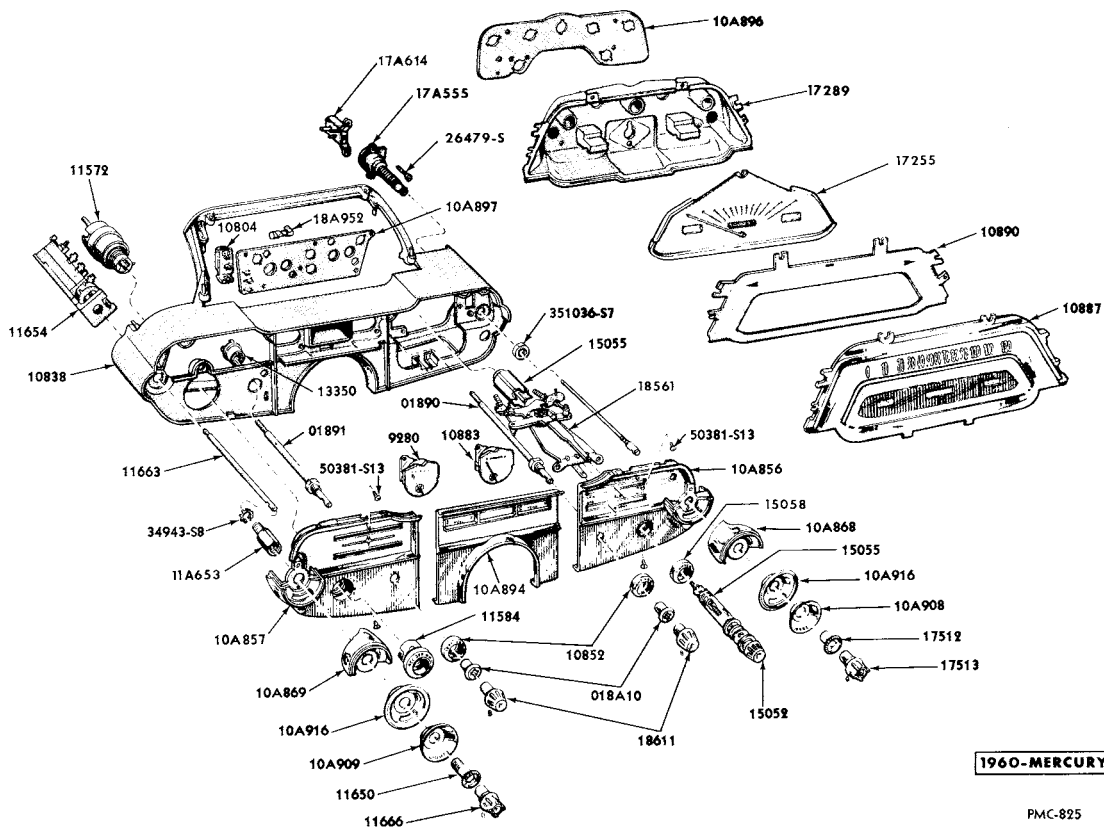
Accelerator Linkage and Speed Control

GROUP AND PART NUMBER	DESCRIPTION, SIZE, ETC.	NO. REQ'D	MODEL OR ENGINE CUBIC INCH DISPLACEMENT	VEHICLE CODE	YEAR 19__
9B860 HOSE (CARBURETOR CHOKE HEAT SUPPLY)					
	NS-outlet - rubber - 3/8" I.D. x 5/8" O.D. x 14-3/4" long - cut from B9MM-2349-A (25) ft. roll (a)	1	430-2V	D	62
	NS-inlet - rubber - 3/8" I.D. x 5/8" O.D. x 7-1/2" long - cut from B9MM-2349-A (25) ft. roll (a)	1	430-2V	D	62
	NS-outlet - 11/32" I.D. x 11/16" O.D. x 15-1/2" long - cut from B9MM-2349-A - (25) ft. roll	1	430-4V	D	63/64
	NS-inlet - 11/32" I.D. x 11/16" O.D. x 11-1/16" long - cut from B9MM-2349-A - (25) ft. roll	1	430-4V	D	63/64
97328-S35	Clamp-hose	2	a		
9B862 INSULATOR (ACCELERATOR SHAFT TO DASH BRACKET)					
C2OZ 9B862-B	Use on vehicles built prior to 1-30-63	2	170-1V	B	62/63
C2OZ 9B862-A	Use on vehicles built prior to 1-30-63	1	221-2V, 260-2V	B	62/63
		1	260-2V	C	63
9B864 LEVER (IDLE SPEED-UP VALVE)					
C2OZ 9B864-A	Use on vehicles equipped with P/S	1	170-1V	B	62/63
C3DZ 9B864-A	Use on vehicles equipped with P/S	1	144-1V, 170-1V	C	63/64
9865 INSULATOR (THERMOSTATIC CHOKE CONTROL OUTLET TUBE)					
	NS-17/64" I.D. x 23-55/64" long - use C1AE-9865-A	1	406-6V	A	62/63
C1AE 9865-A	17/64" I.D. x 23" long - use on vehicles built prior to 11-22-62	1	406-4V	A	62/63
	For Police Special	1	390-4V	A	64
	NS-17/64" I.D. x 20-1/4" long - cut from C1AE-9865-A	1	406-6V	A	63
	NS-17/64" I.D. x 16-1/4" long - cut from B8A-9865-B	1	390-2V☆, 406-4V†, 427-4V	A	63/64
	☆ Use on vehicles equipped with carburetors without piston type choke for 1964				
	† Use on vehicles built after 11-22-62				
	NS-17/64" I.D. x 14-49/64" long - cut from B8A-9865-B	1	427-8V	A	63/64
	NS-17/64" I.D. x 4-15/64" long - cut from B8A-9865-B	2	427-8V	A	63/64
	NS-17/64" I.D. x 16-7/8" long - cut from B8A-9865-B - use on vehicles equipped with carburetors with piston type choke	1	390-2V	A	64
● B8A 9865-B	18" long - cut to proper length and dip end in fast drying lacquer to prevent fraying	1	All☆	A B C	60/63
	☆ Except 223 and 406 C.I.D. engines				
		1	430-2V	D	60/61
		1	170-1V, 200-1V, 260-2V, 289-4V, 390-2V, 390-4V, 427-8V	A C	64
	NS-fibre - 12-7/8" long - cut from B8A-9865-B which is 18" long and dip ends in fast drying lacquer to prevent fraying	1	430-2V	D	60/61
	NS-3" long - cut from B8A-9865-B which is 18" long and dip end in fast drying lacquer to prevent fraying - use on choke control tube within 3" from top of heat stove to prevent spark plug wire damage	1	430-2V	D	61
	● Carter				

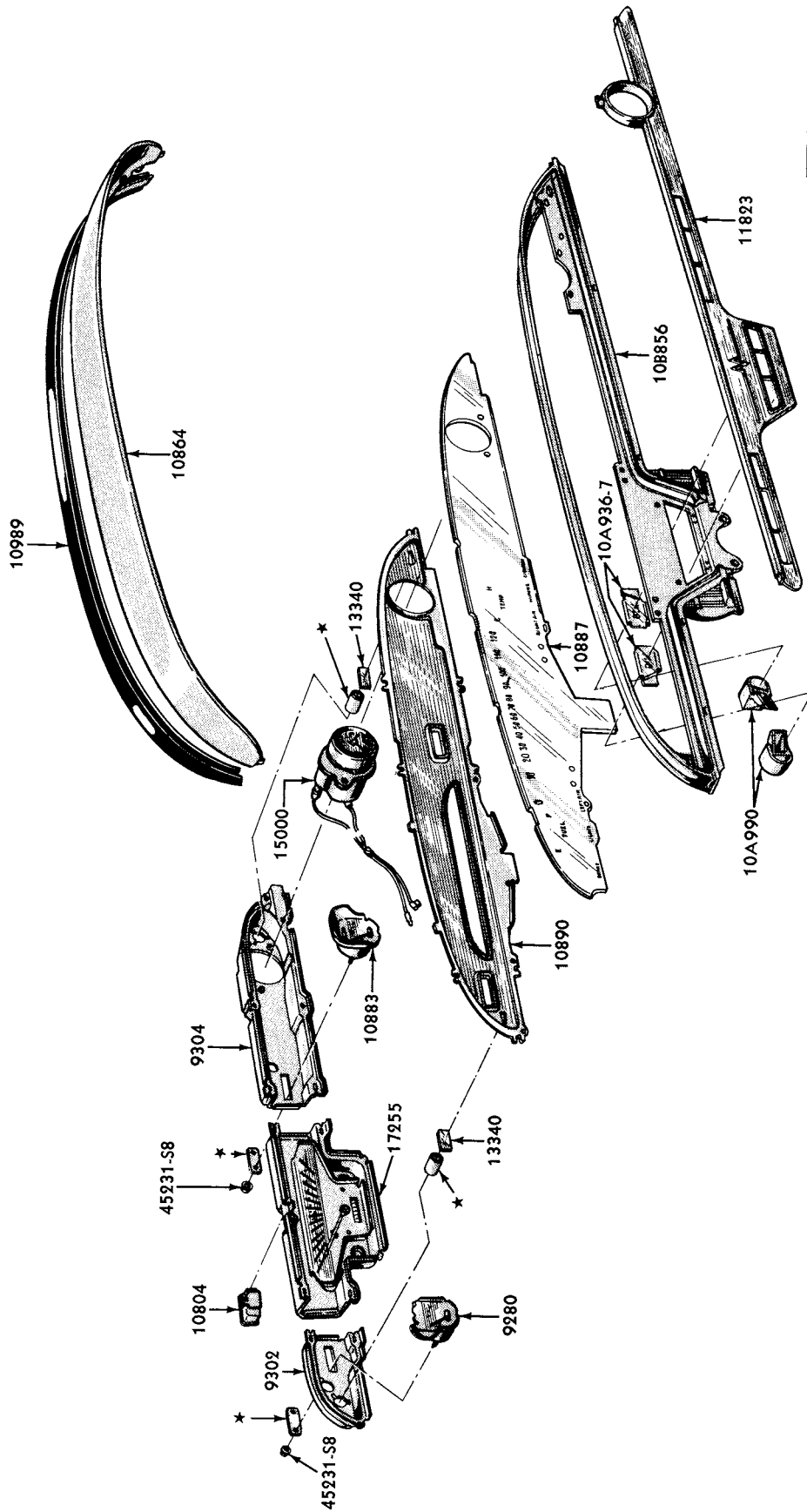
Accelerator Linkage and Speed Control

GROUP AND PART NUMBER	DESCRIPTION, SIZE, ETC.	NO. REQ'D	MODEL OR ENGINE CUBIC INCH DISPLACEMENT	VEHICLE CODE	YEAR 19__
9A873 BOOT (ACCELERATOR SHAFT)					
C1VV 9A873-B		4	430-2V, 430-4V	D	61/64
9A889 ACTUATOR & HOUSING ASSEMBLY (SPEED CONTROL)					
	NS-numerated 3-4-5-6-7-8 (a)	1	430	D	61/63
45127-S2	Nut-"J" shaped spring-No. 8-32	2	a		
50702-S13	Screw and washer assy. -No. 8-32 x 5/8"	2	a		
50809-S8	Screw-hex. washer hd. -1/4"-28 x 5/8"	2	a		
9890 CHAMBER ASSEMBLY (THERMOSTATIC CHOKE HEAT)					
C3AZ 9890-A	Located in 9430 exhaust manifold	1	406-4V, 406-6V, 427-4V, 427-8V	A	63/64
9A890 PLATE (SPEED CONTROL ACTUATOR MOUNTING)					
	NS (a)	1	430-4V	D	63
33945-S8	Nut-jam hex. -9/16"-18	1	a		
34945-S8	Washer-external tooth lock-9/16"	1	a		
50500-S8	Screw-machine pan hd.	4	a		
9A891 PLATE (SPEED CONTROL ACTUATOR MOUNTING)					
C1MF 9A891-A	Cup shaped - 1-13/32" diameter with notch in outer flange and 9/16" opening in center	1	292-2V, 352-2V, 390-2V, 390-4V	A	61/63
9A897 RETAINER (SPEED CONTROL ACTUATOR) PUSH BUTTON					
C1VF 9A897-A		1	292-2V, 352-2V, 390-2V, 390-4V, 430-2V, 430-4V	A D	61/64
9903 GASKET (THERMOSTATIC CHOKE HEAT SUPPLY COVER)					
B8A 9903-B		1	352-2V, 390-2V, 390-4V	A	61/63
B8S 9903-A	Use with B9EM-9A705-A cover	1	383-2V, 430-2V	A D	60
COME 9903-A	Use with COME-9A705-A cover	1	383-2V, 430-2V	A D	60
C1VE 9903-A	Must be used with B9MZ-9430-A, COSZ-9430-A and C1VE-9430-B manifolds	1	430-2V	D	60/61

MEMO

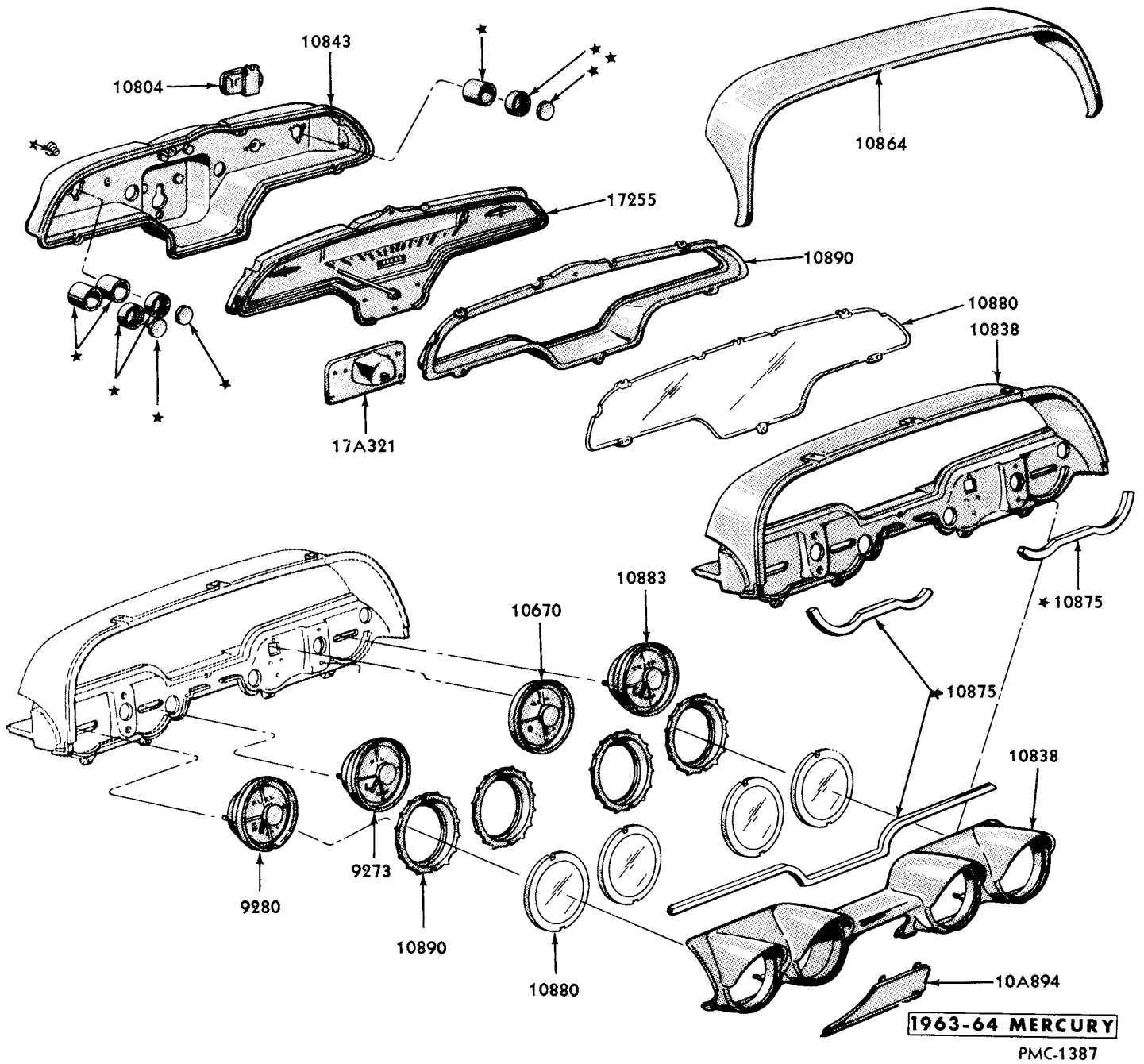


INSTRUMENT CLUSTER

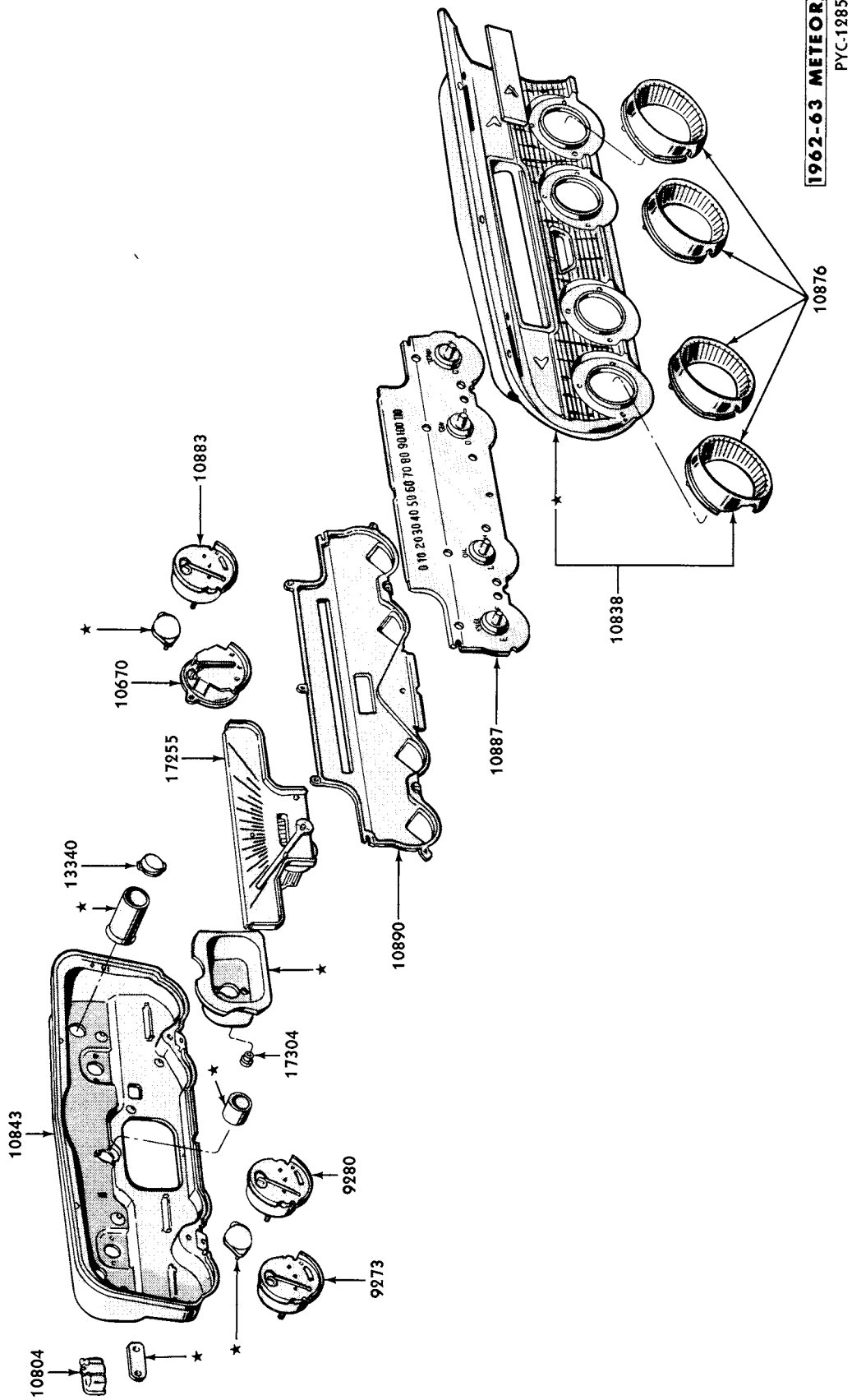


1962 MERCURY
 PMC-1266

INSTRUMENT CLUSTER

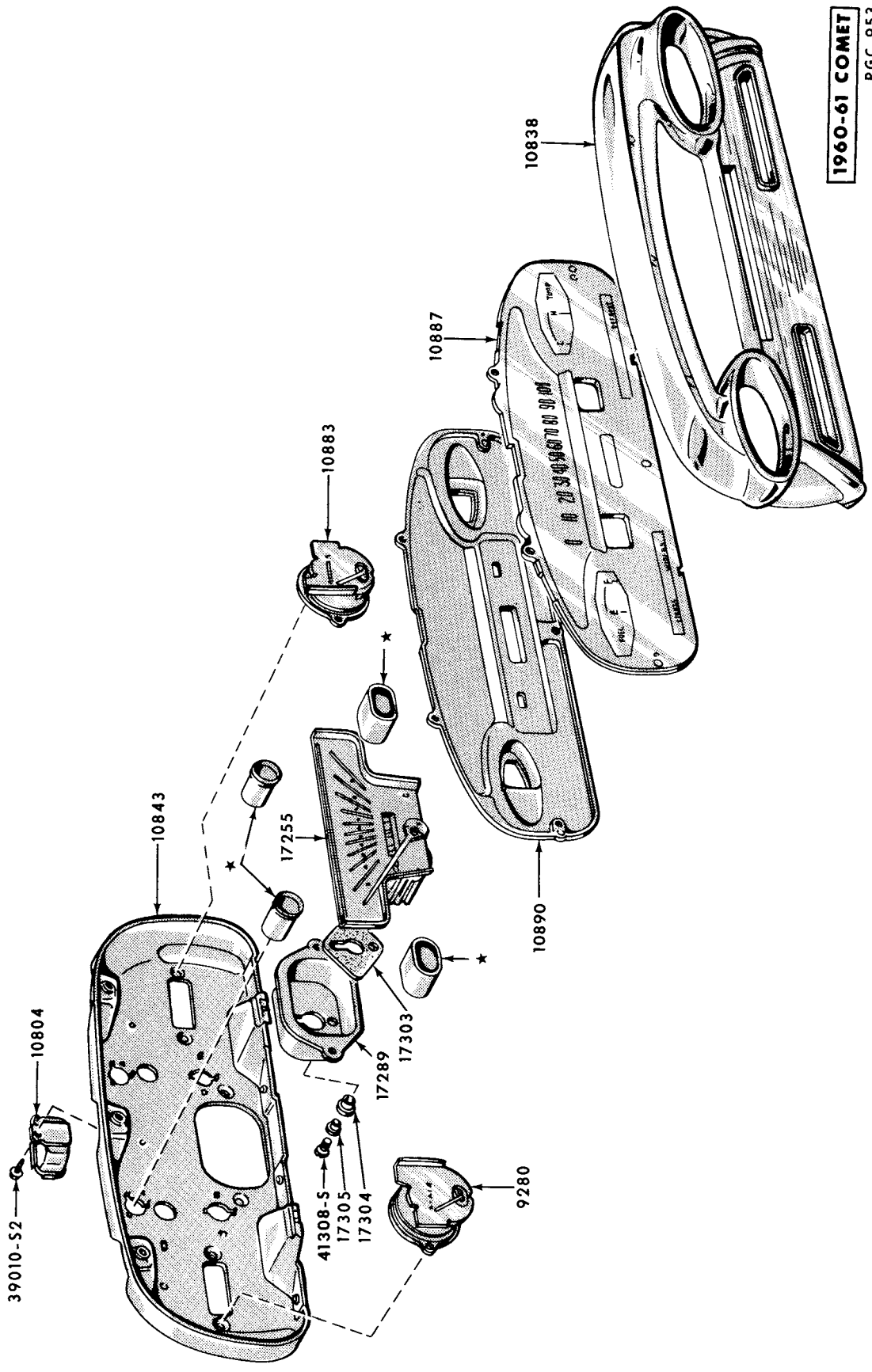


INSTRUMENT CLUSTER



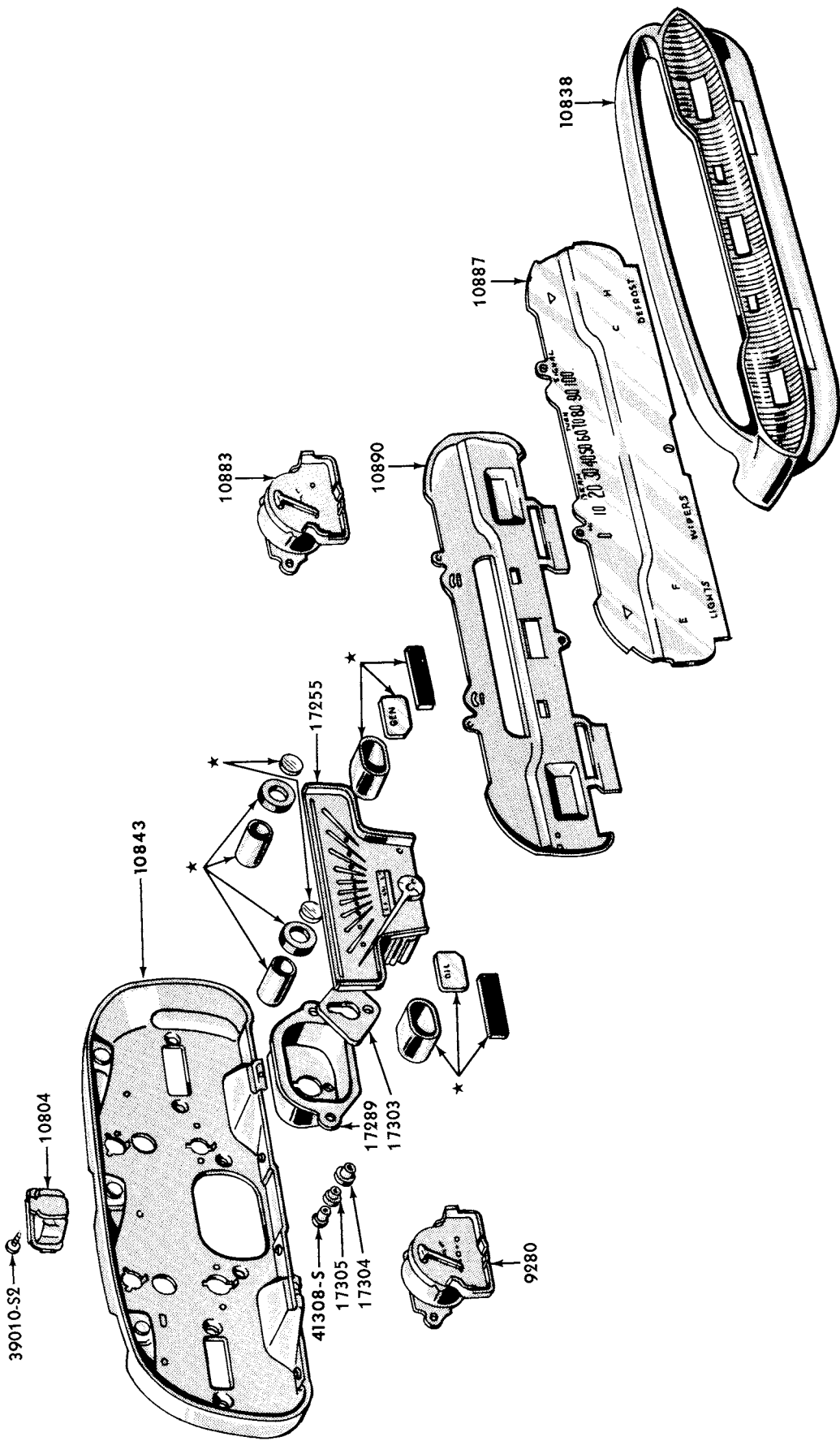
1962-63 METEOR
 PYC-1285

INSTRUMENT CLUSTER



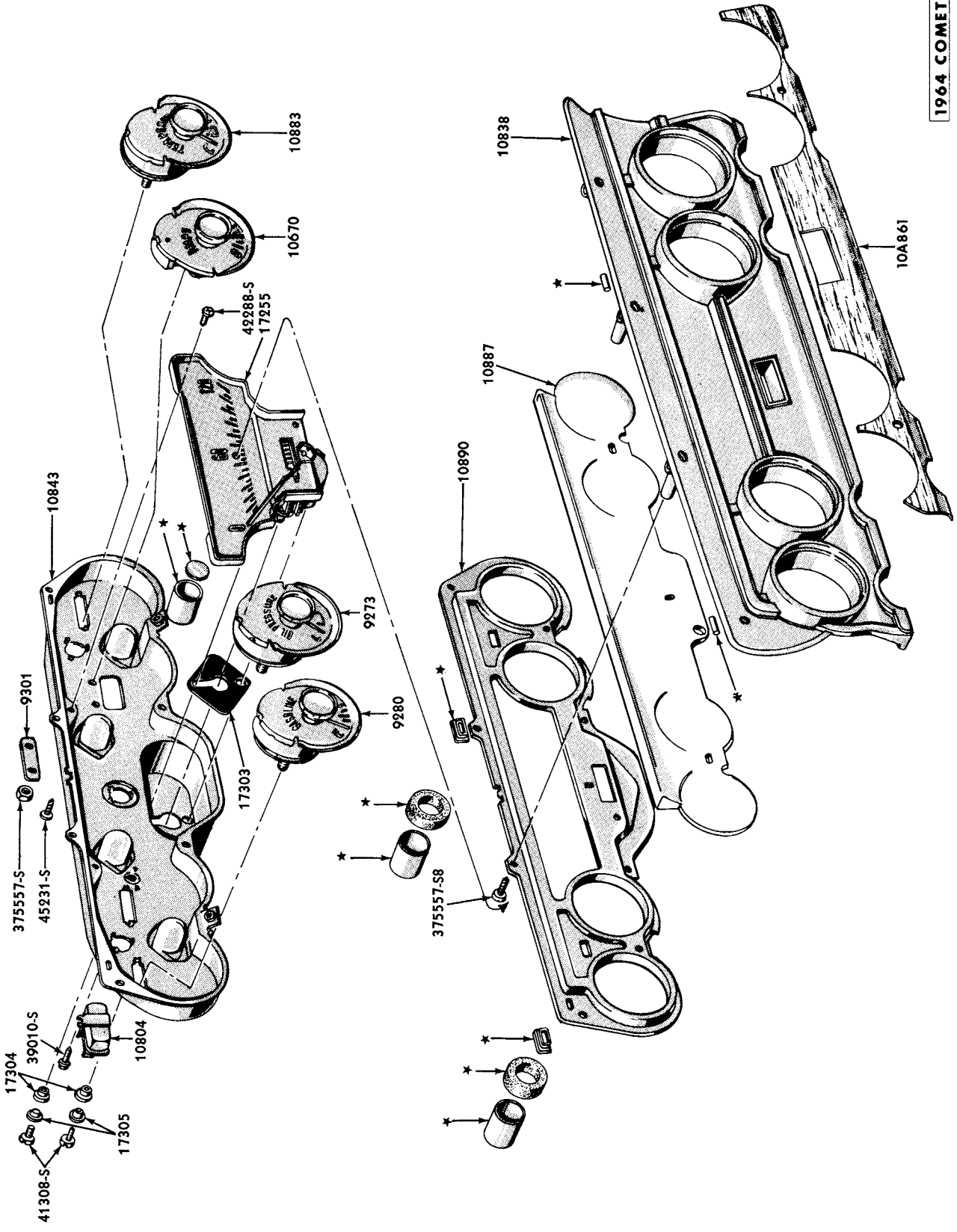
1960-61 COMET
PGC-953

INSTRUMENT CLUSTER



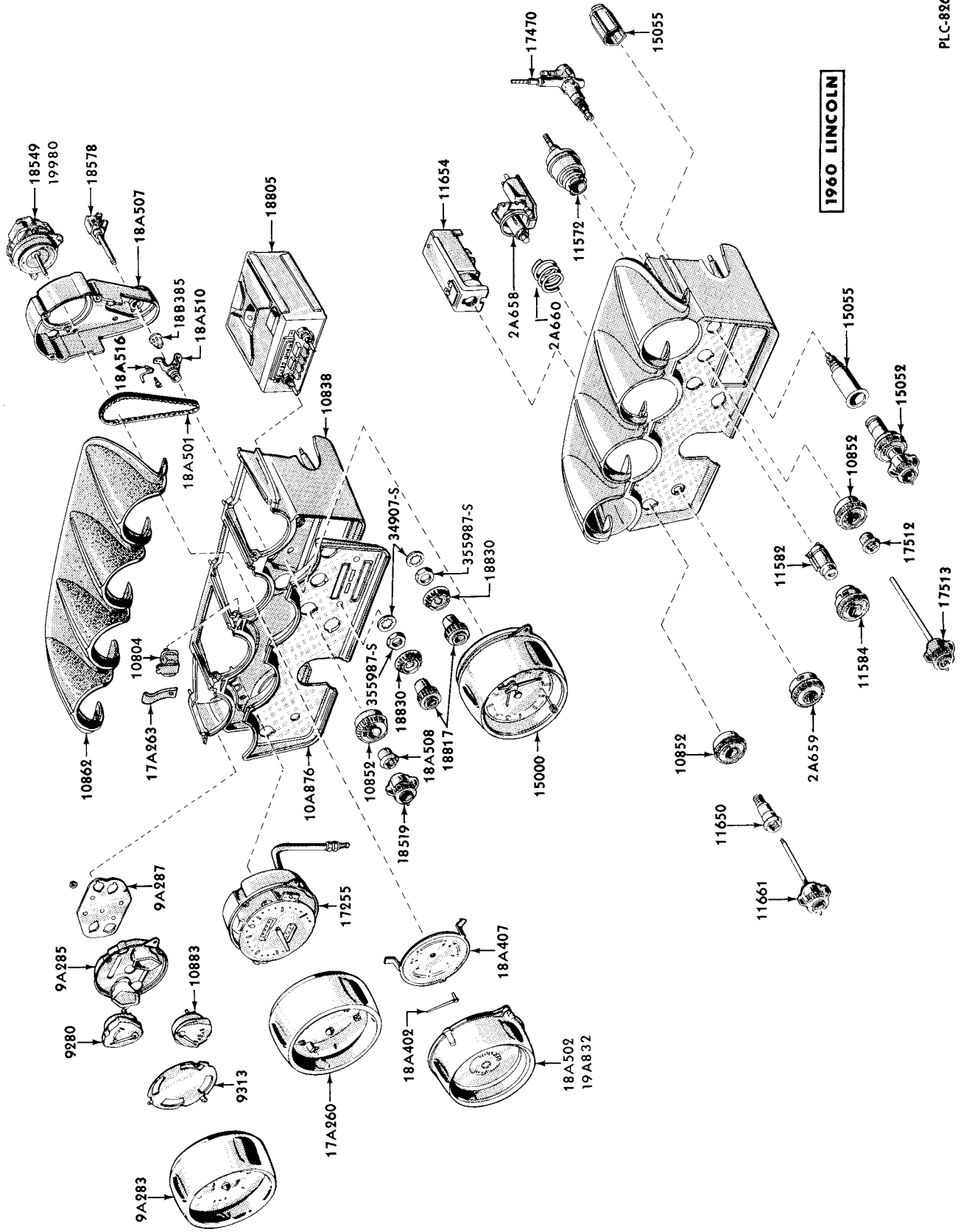
1962-63 COMET
PGC 1267

INSTRUMENT CLUSTER



1964 COMET
PGC-1623

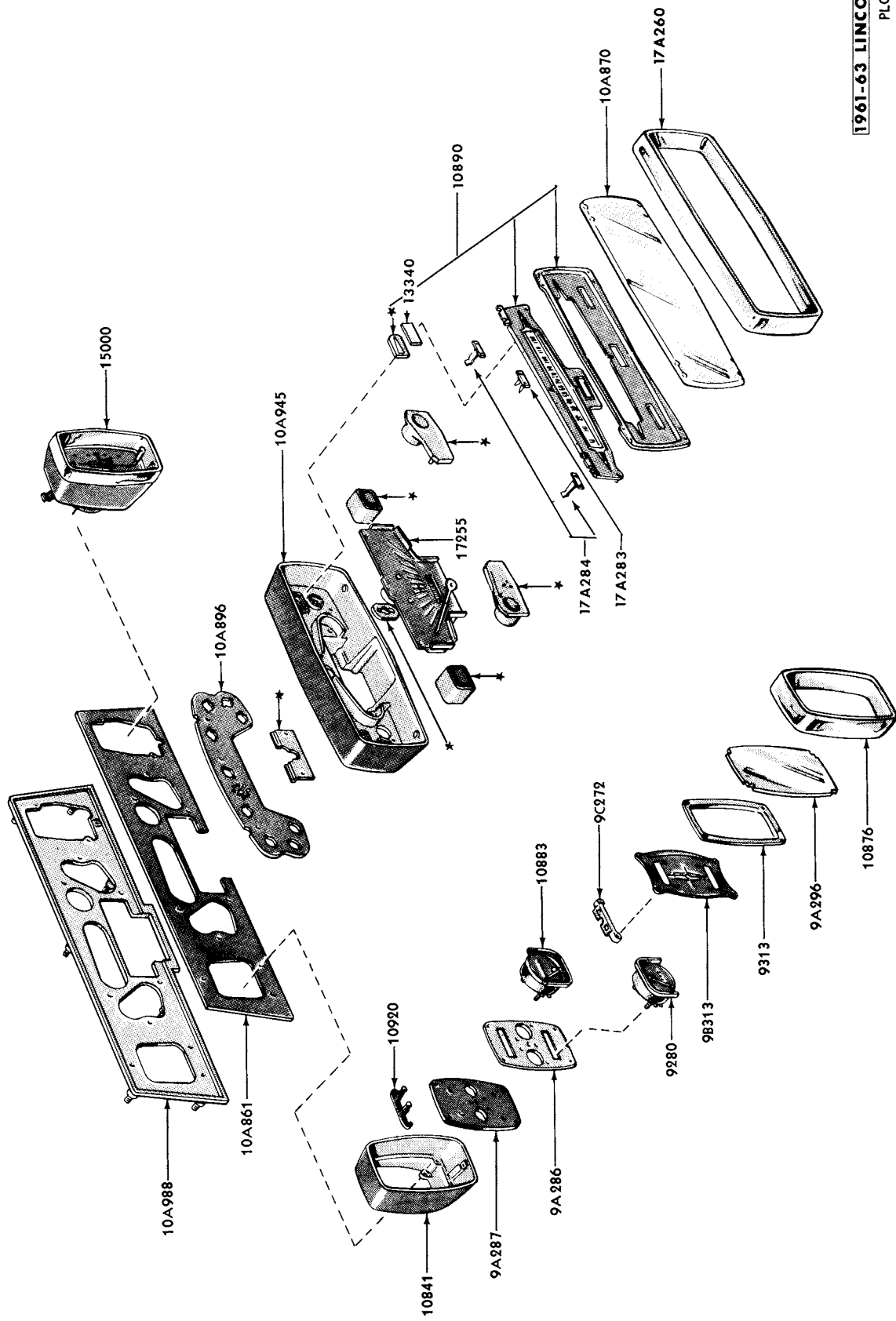
INSTRUMENT CLUSTER



1960 LINCOLN

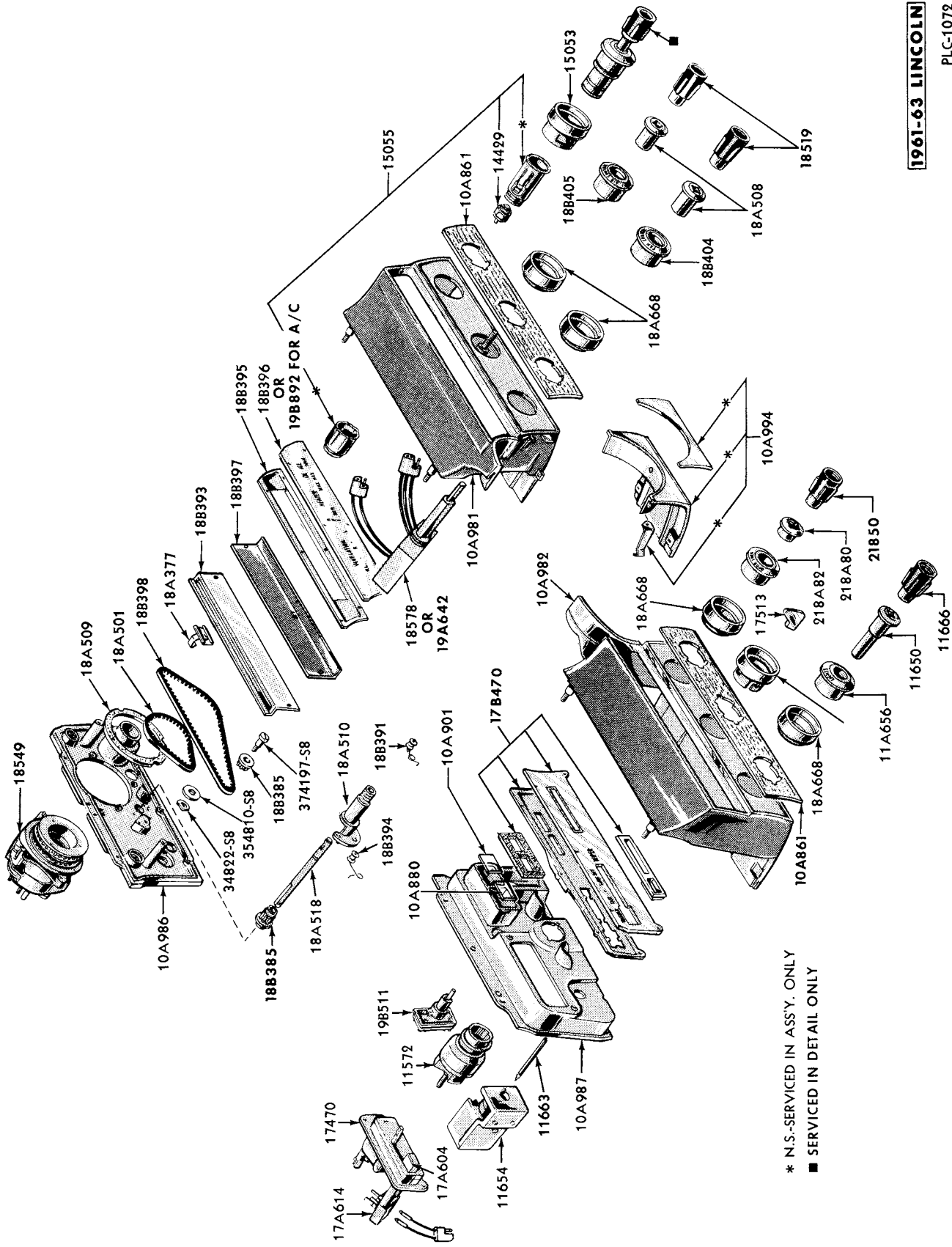
PLC-896

INSTRUMENT CLUSTER

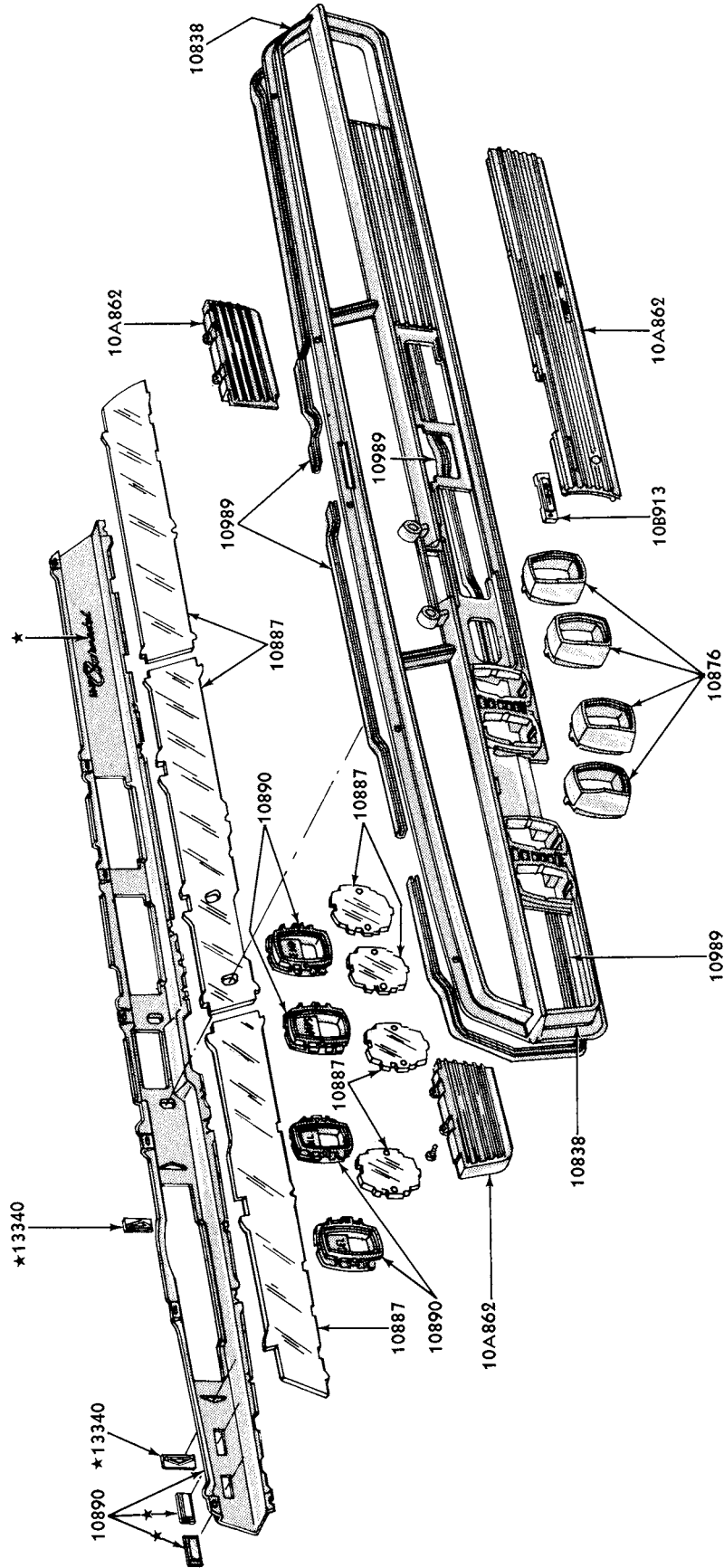


1961-63 LINCOLN
PLC-1062

INSTRUMENT CLUSTER - UPPER

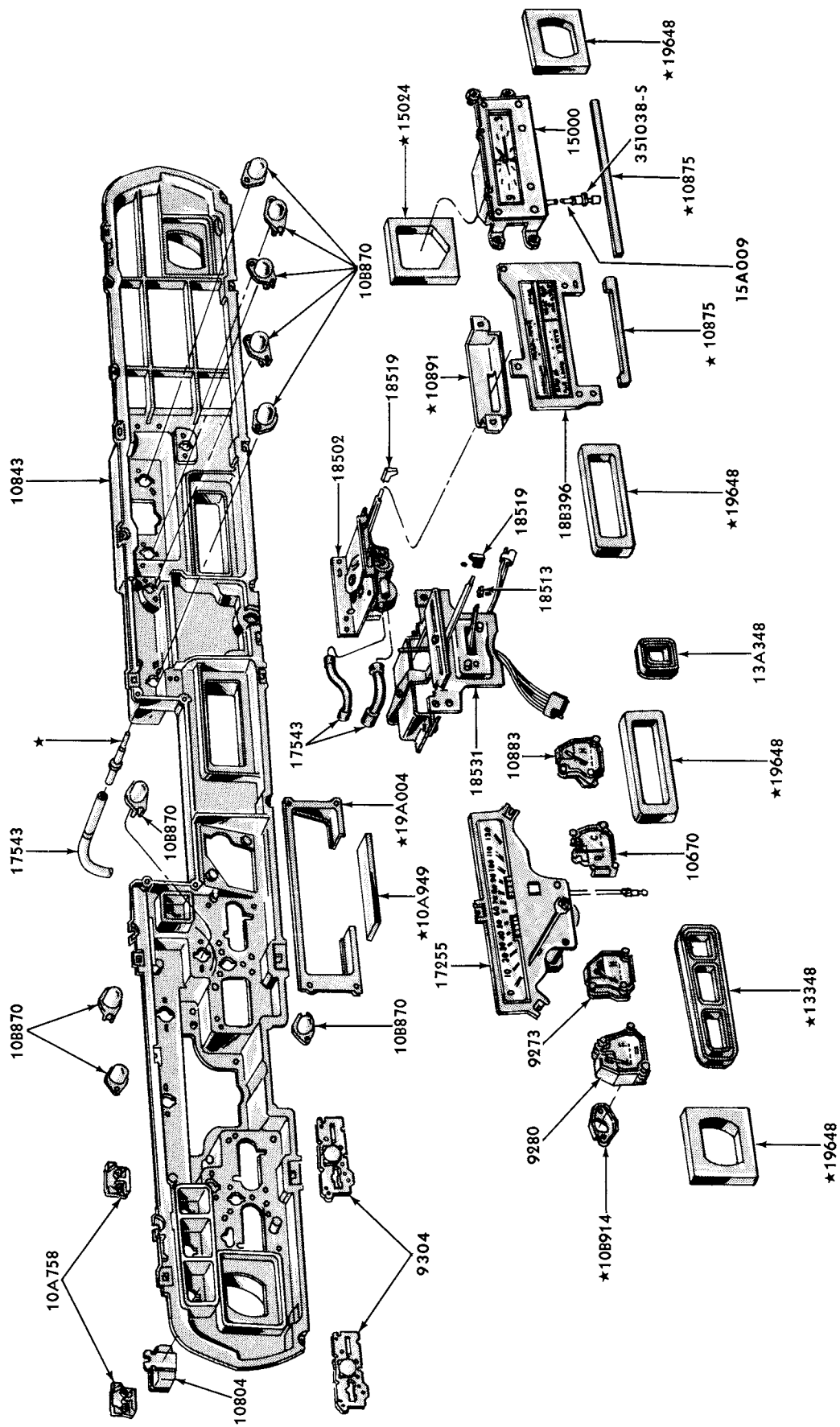


INSTRUMENT CLUSTER - LOWER



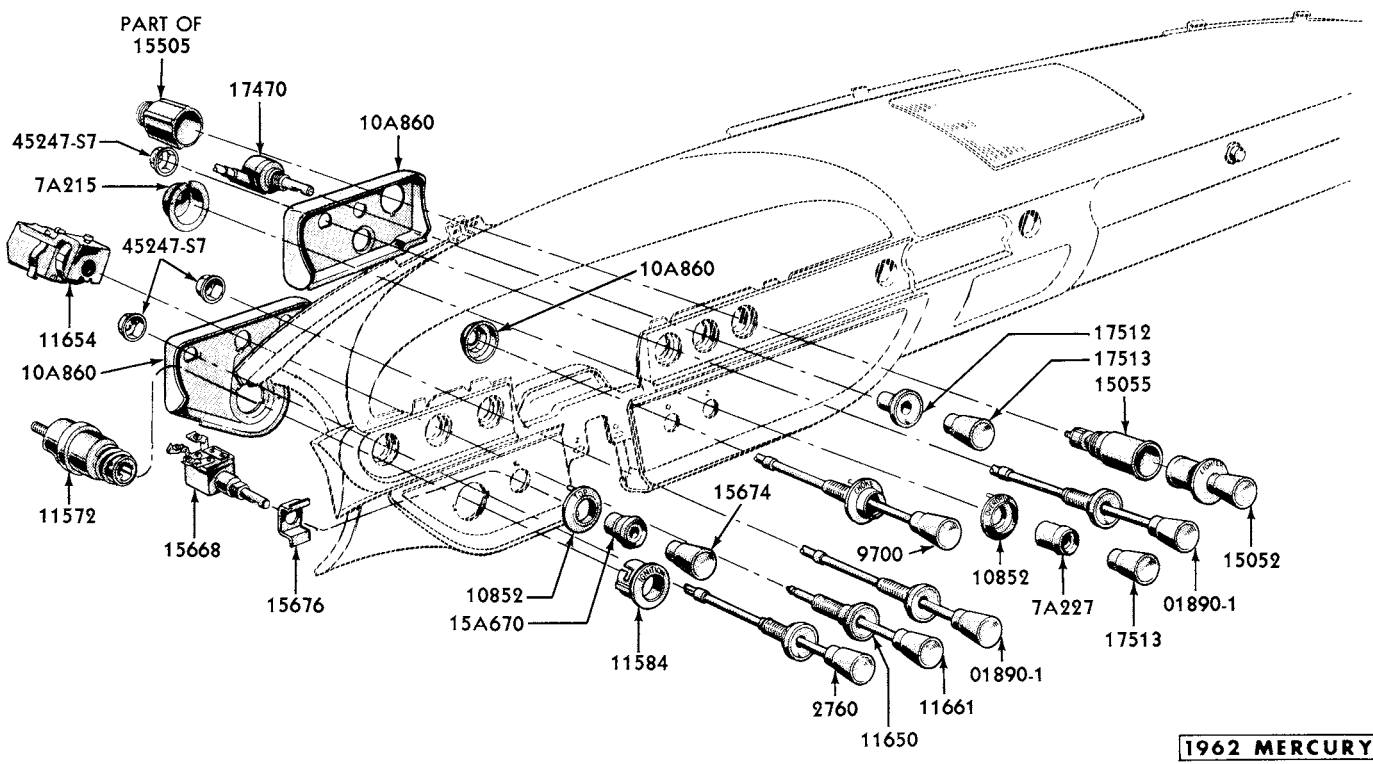
1964 LINCOLN
PLC-1798

INSTRUMENT CLUSTER



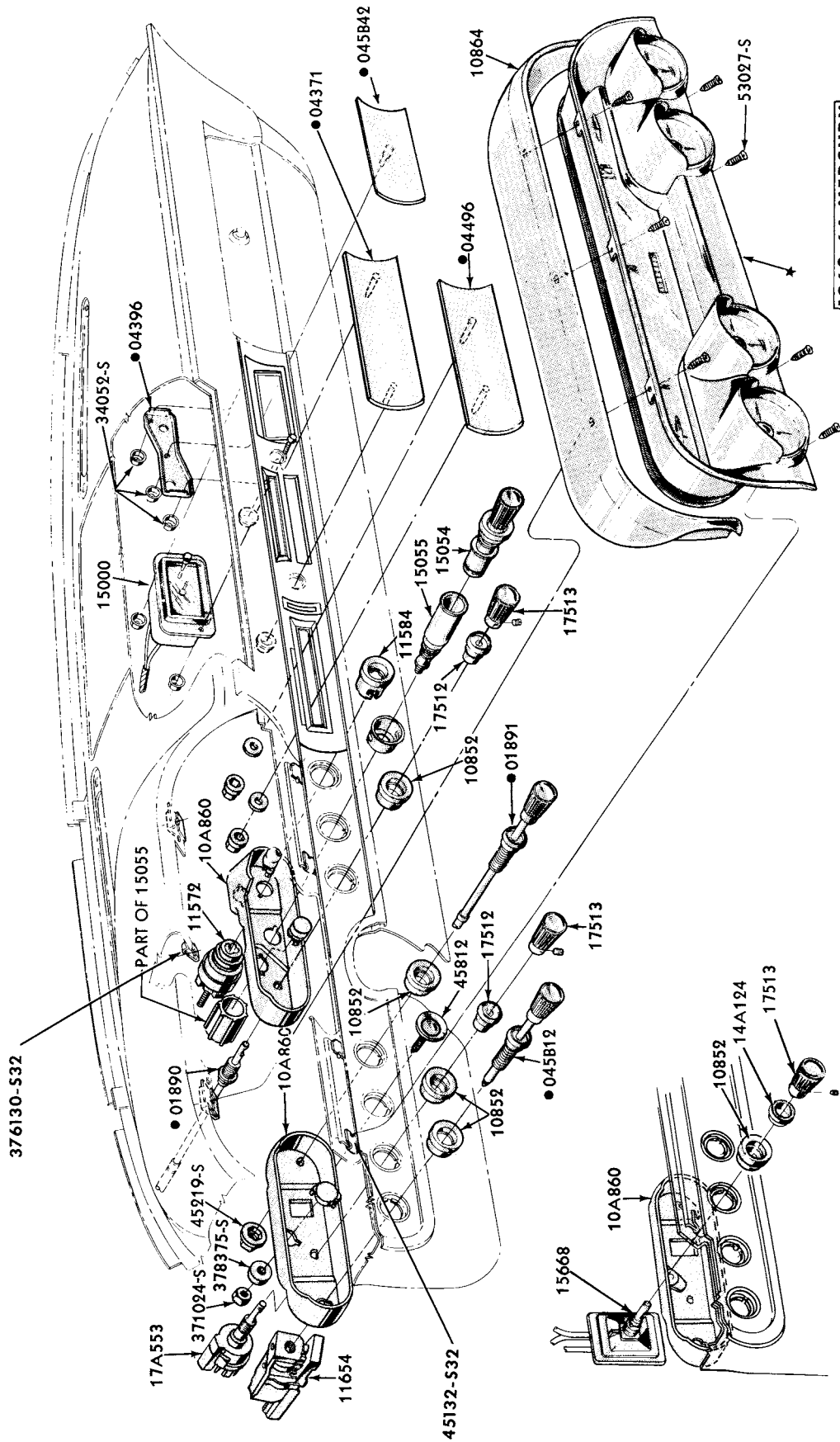
1964 LINCOLN
 PLC-1727

INSTRUMENT CLUSTER

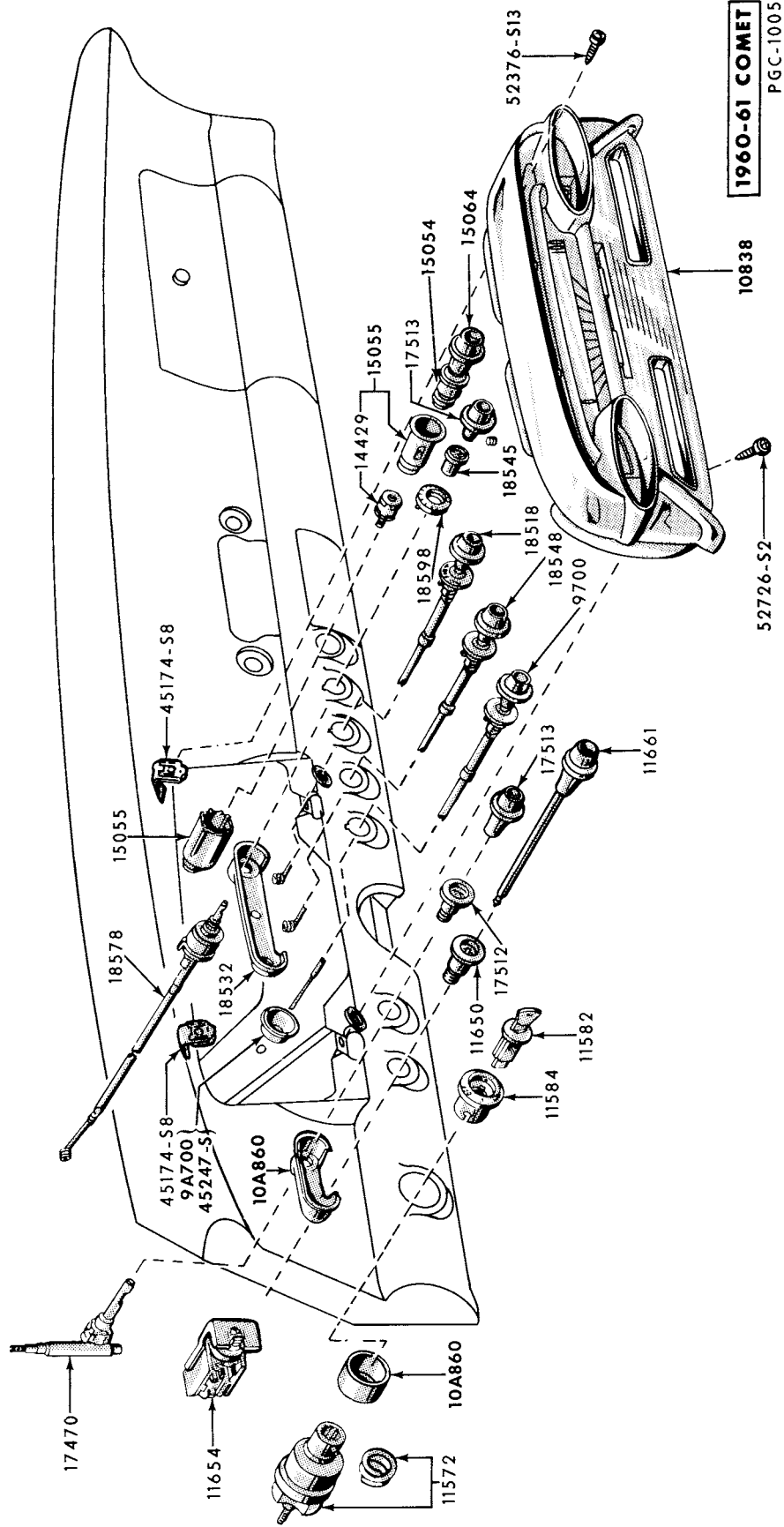


1962 MERCURY
 PMC-1265

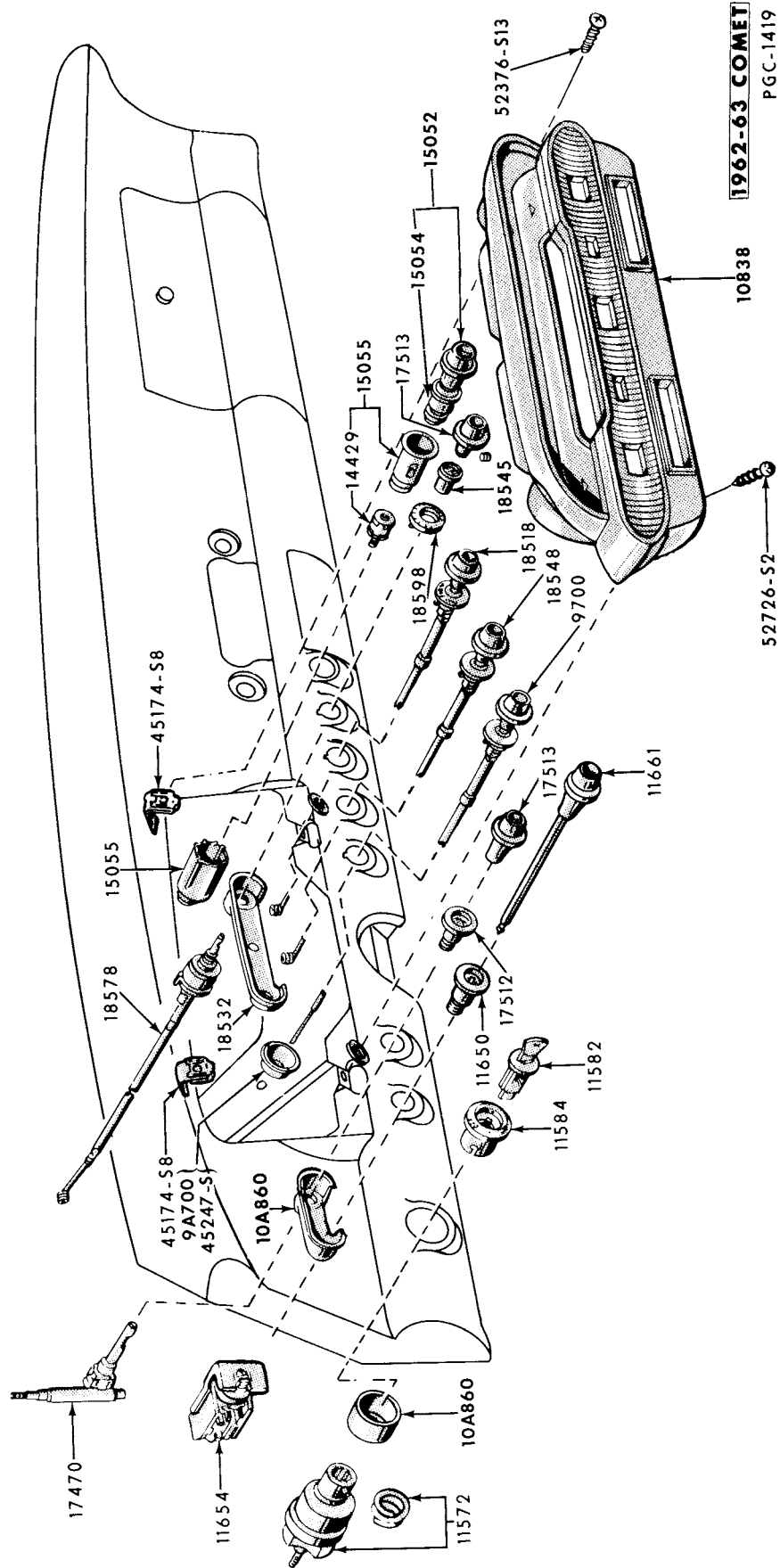
INSTRUMENT CONTROLS



INSTRUMENT CONTROLS

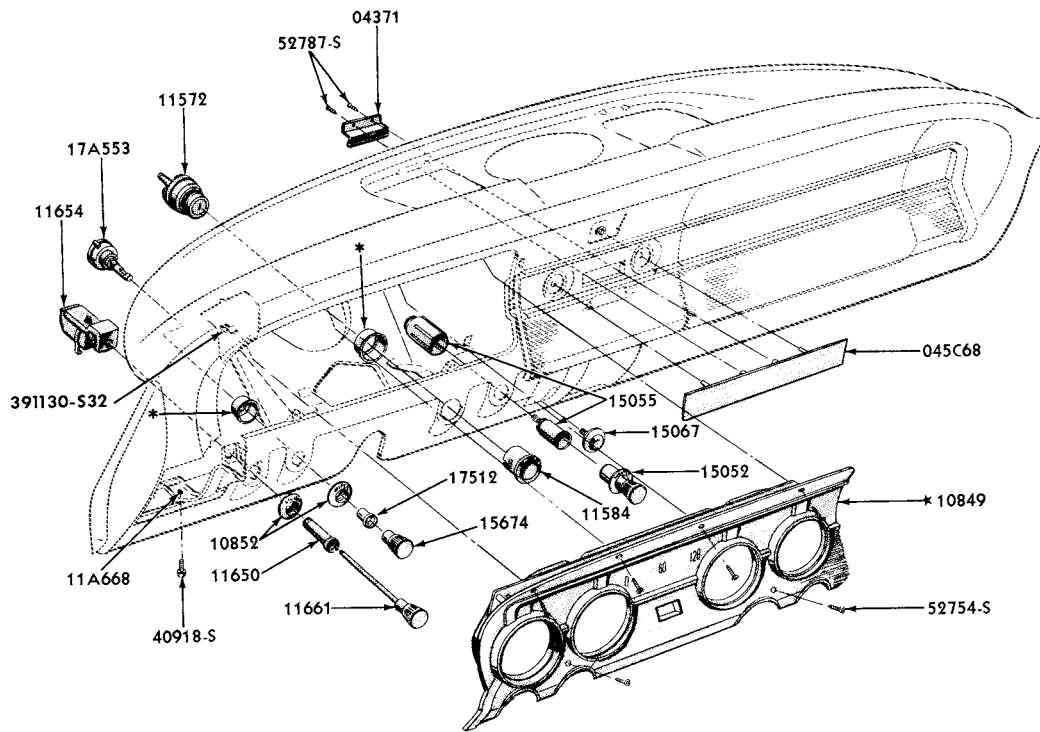


INSTRUMENT CONTROLS



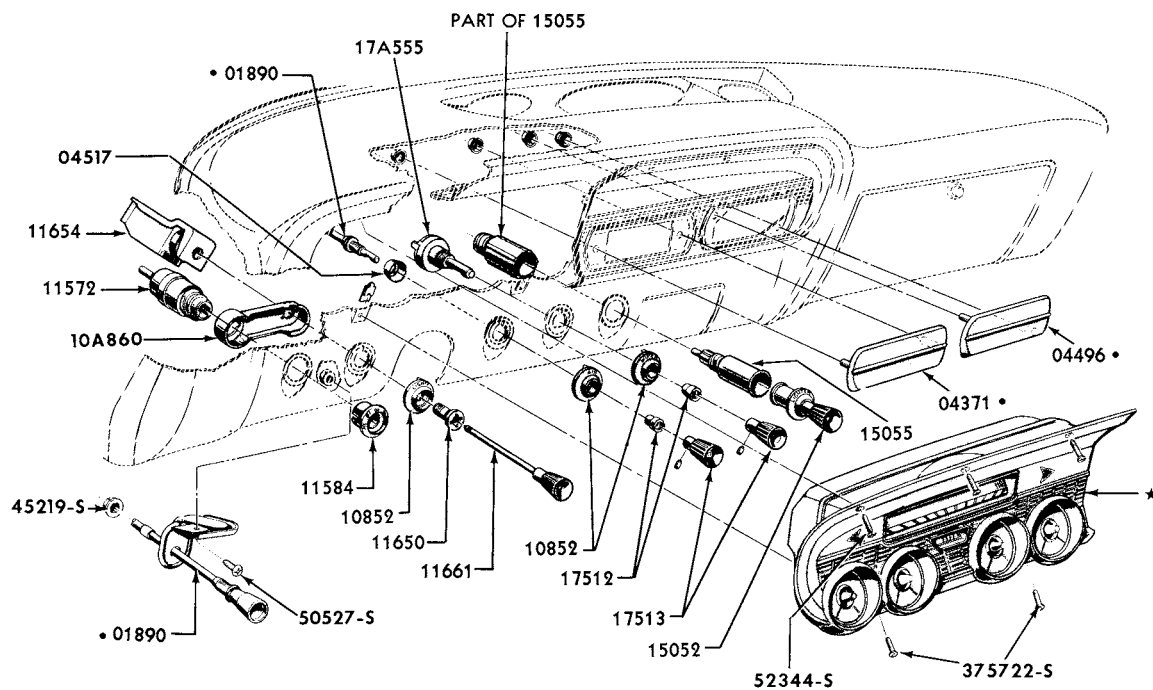
1962-63 COMET
PGC-1419

INSTRUMENT CONTROLS



1964 COMET
PGC-1639

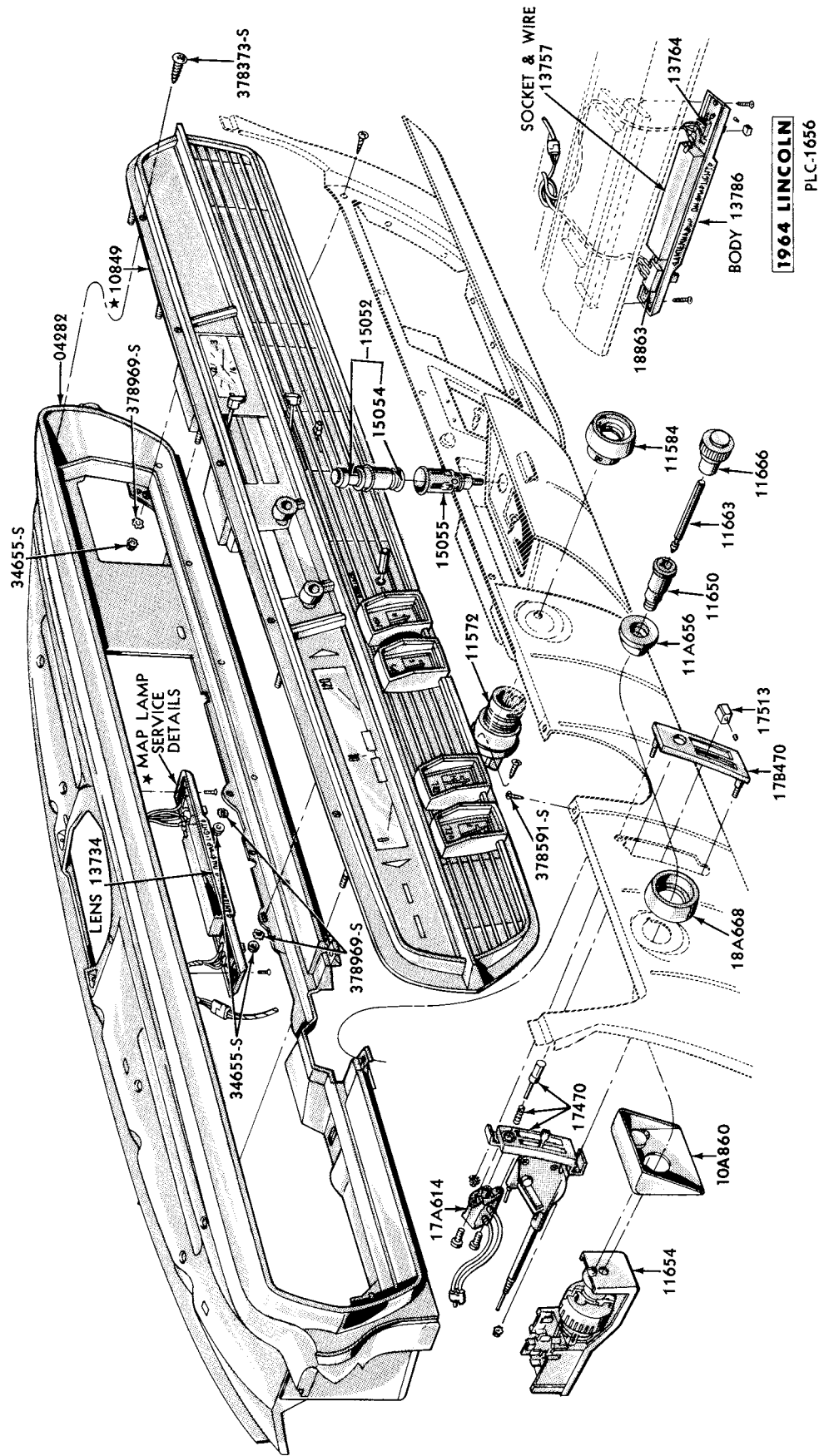
INSTRUMENT CONTROLS



• REFER TO BODY SECTION FOR APPLICATION

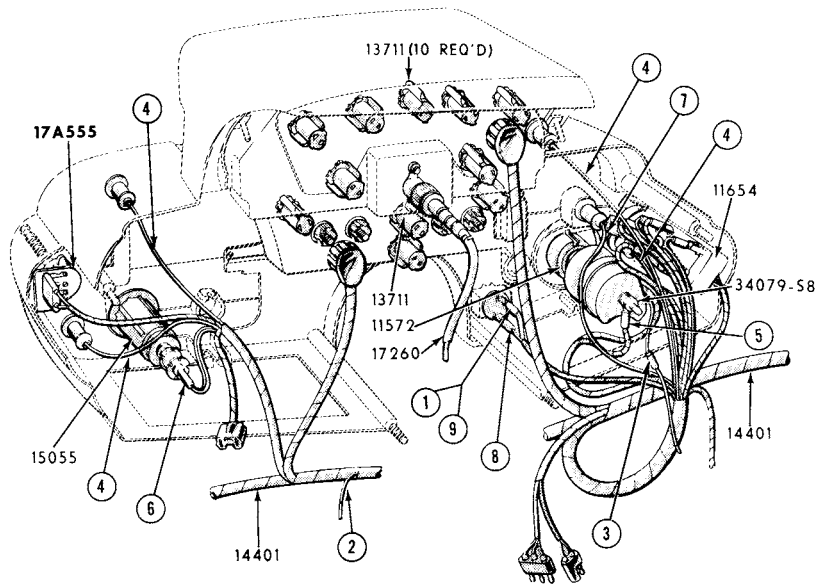
1962-63 METEOR
PYC-1284

INSTRUMENT CONTROLS



1964 LINCOLN
 PLC-1656

INSTRUMENT CONTROLS

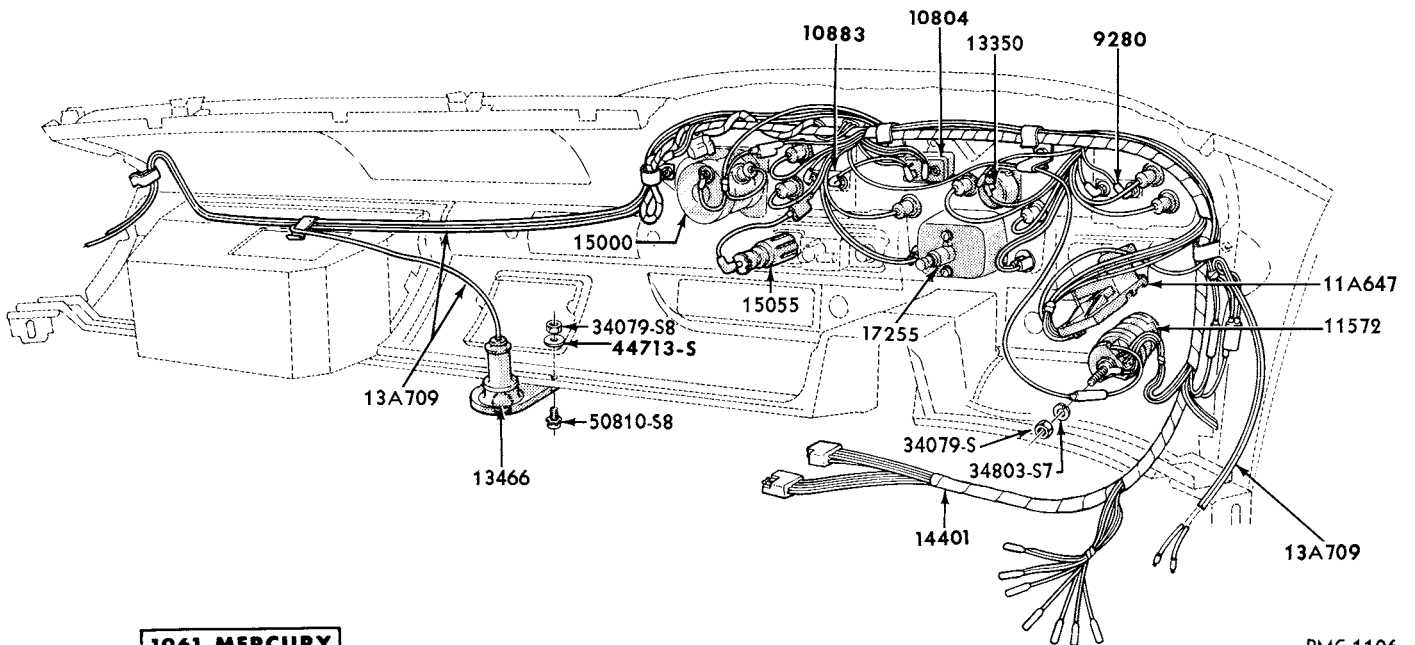


WIRING COLOR CODE

- | | |
|----------------------|--------------------|
| ① ORANGE-YELLOW BAND | ⑤ BLACK-GREEN BAND |
| ② PINK | ⑥ BLUE-WHITE BAND |
| ③ RED-GREEN BAND | ⑦ GREEN-RED BAND |
| ④ BLUE-RED BAND | ⑧ BLUE |
| ⑨ BLACK-RED BAND | |

1960-MERCURY

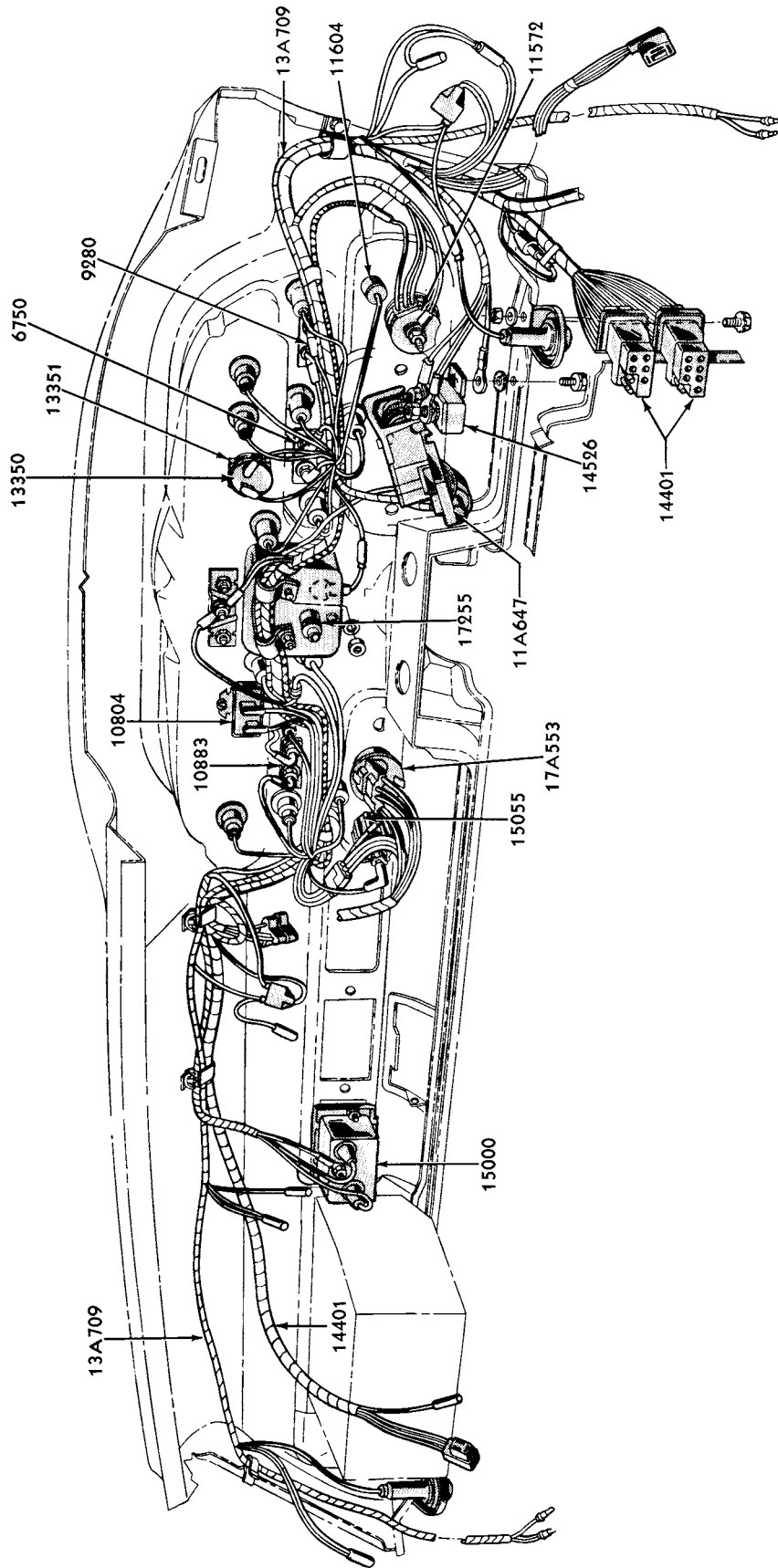
PMC-893



1961-MERCURY

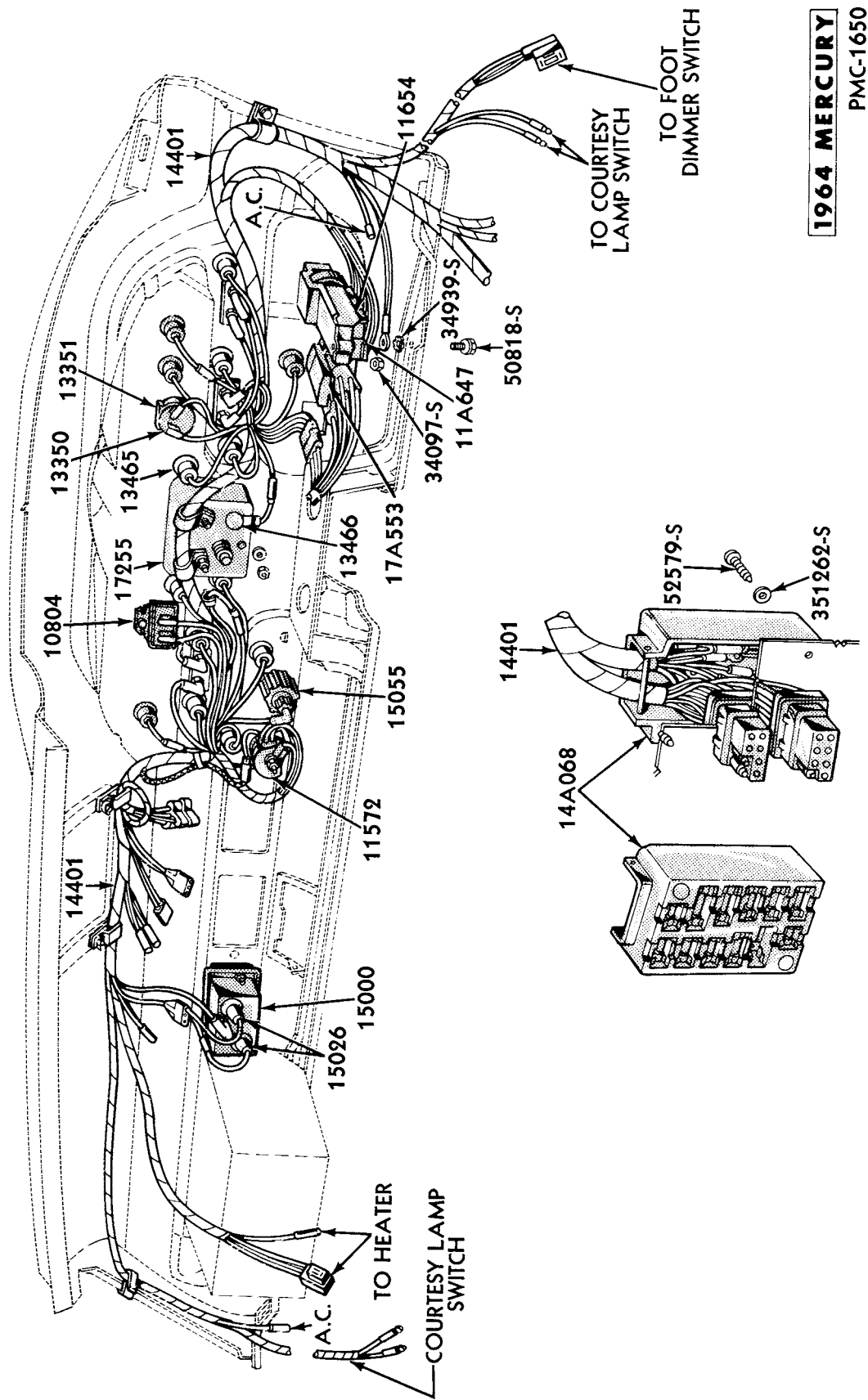
PMC-1106

INSTRUMENT CLUSTER WIRING



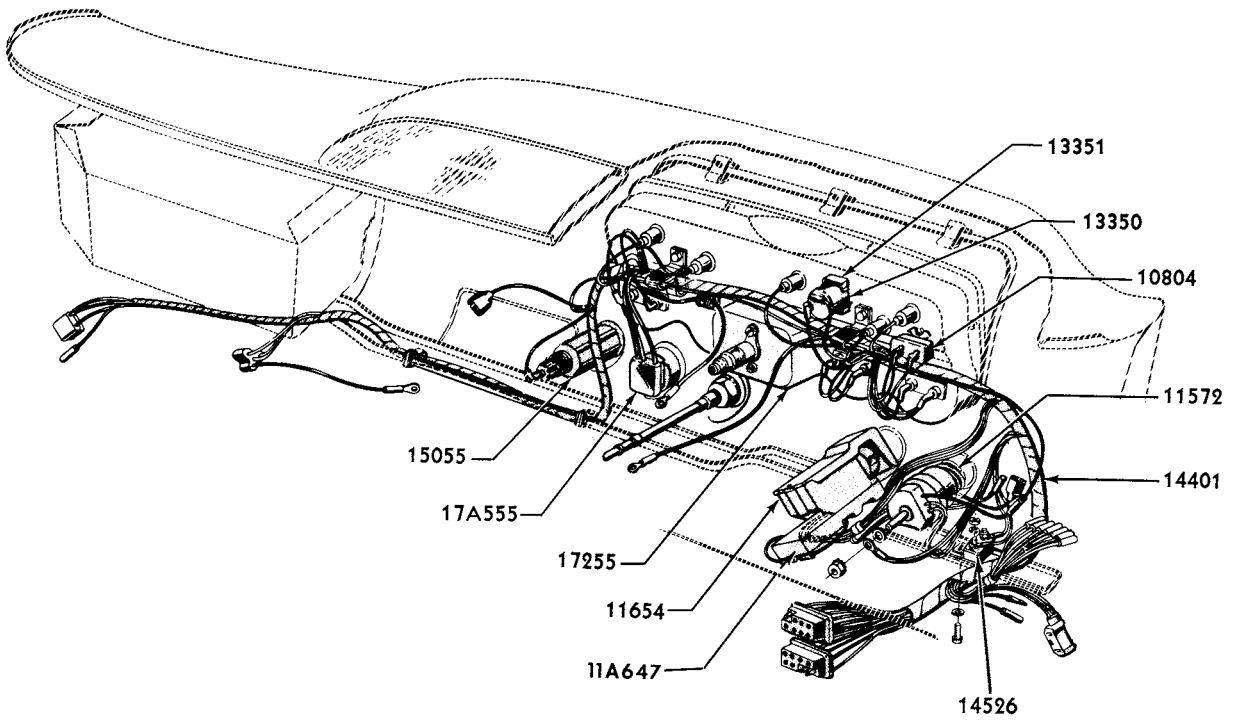
1963 MERCURY
 PMC-1544

INSTRUMENT CLUSTER WIRING



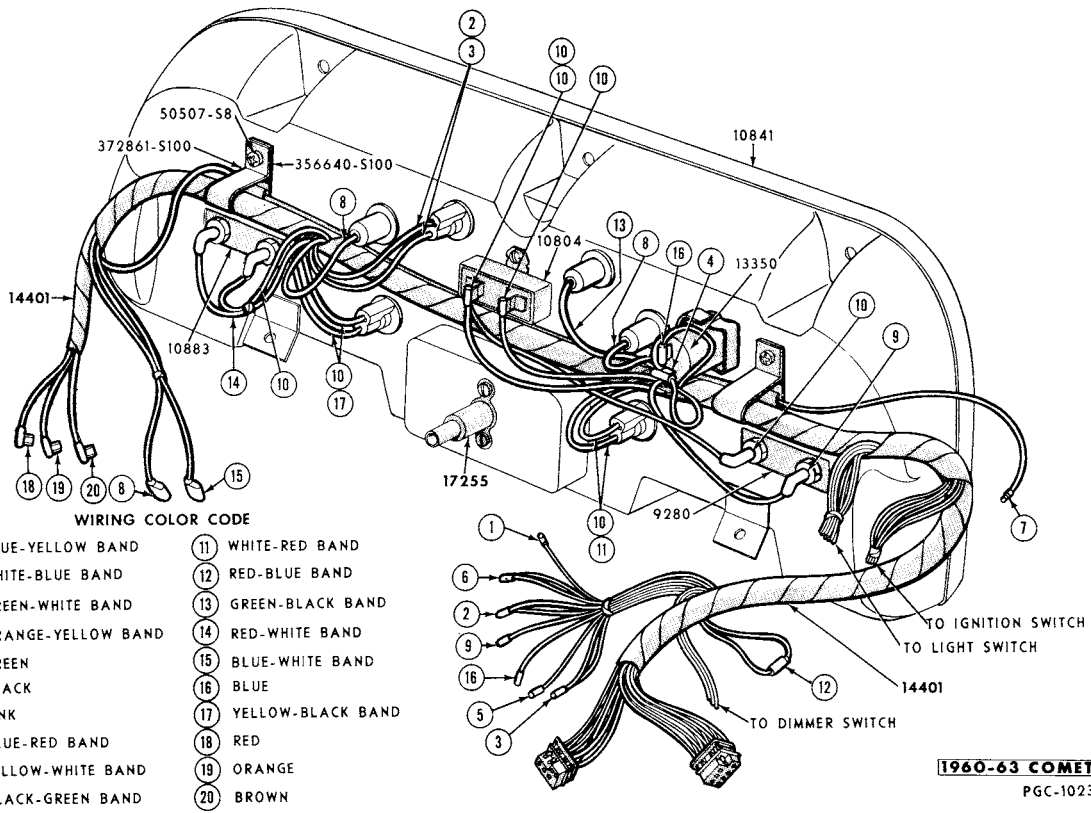
1964 MERCURY
PMC-1650

INSTRUMENT CLUSTER WIRING



1962-63 METEOR

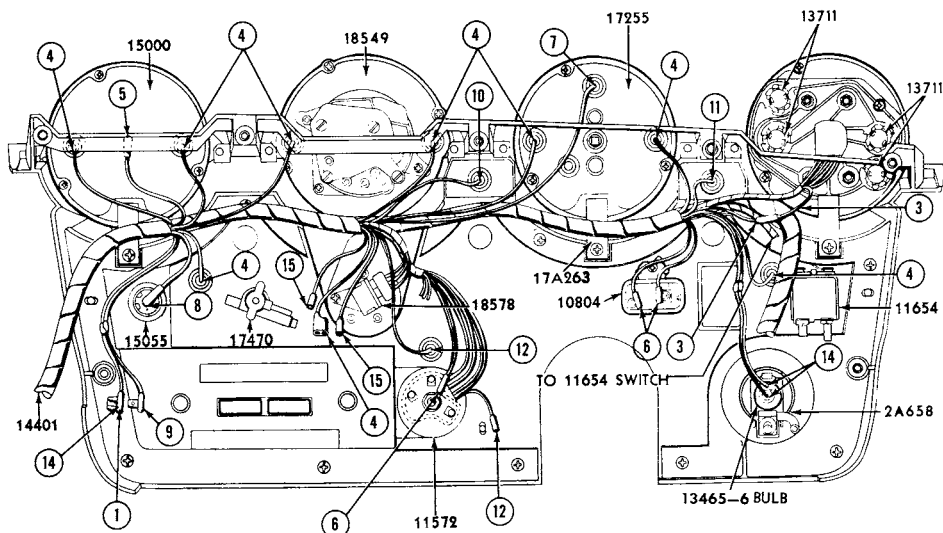
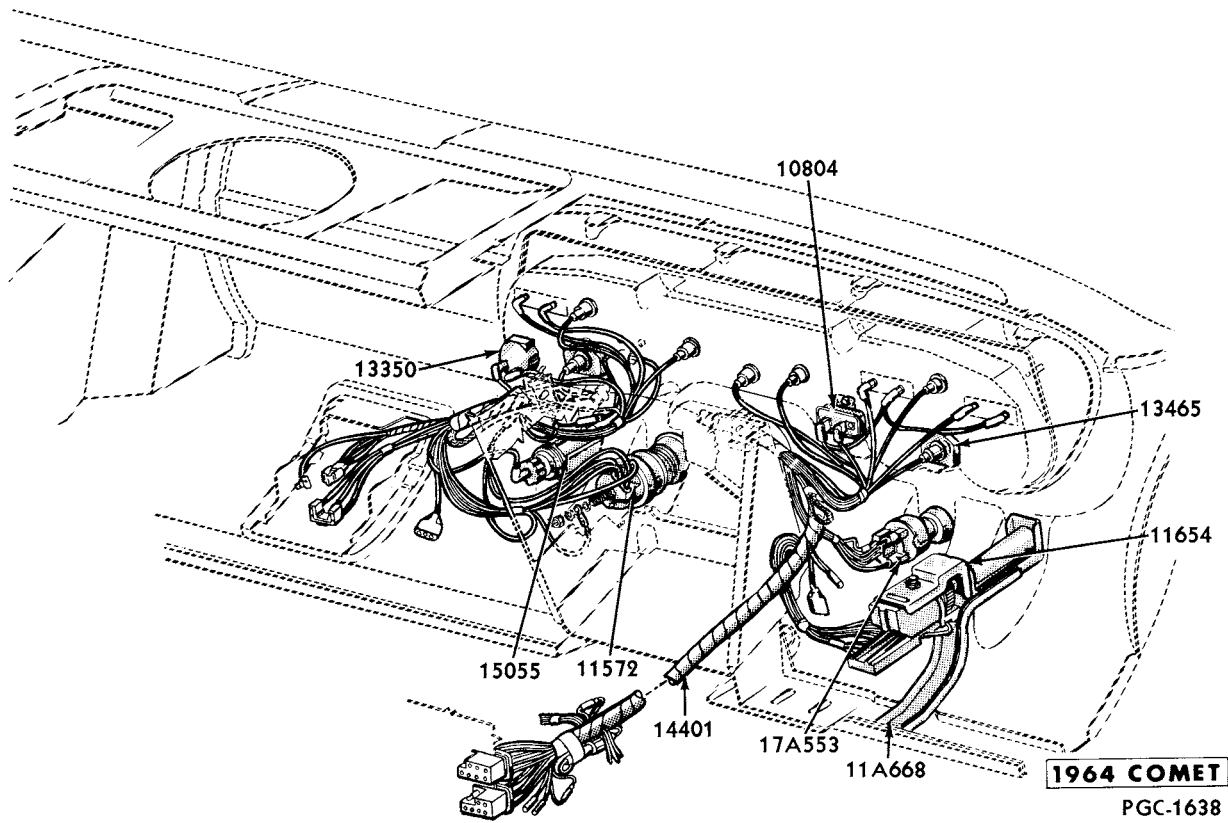
PYC-1286



1960-63 COMET

PGC-1023

INSTRUMENT CLUSTER WIRING



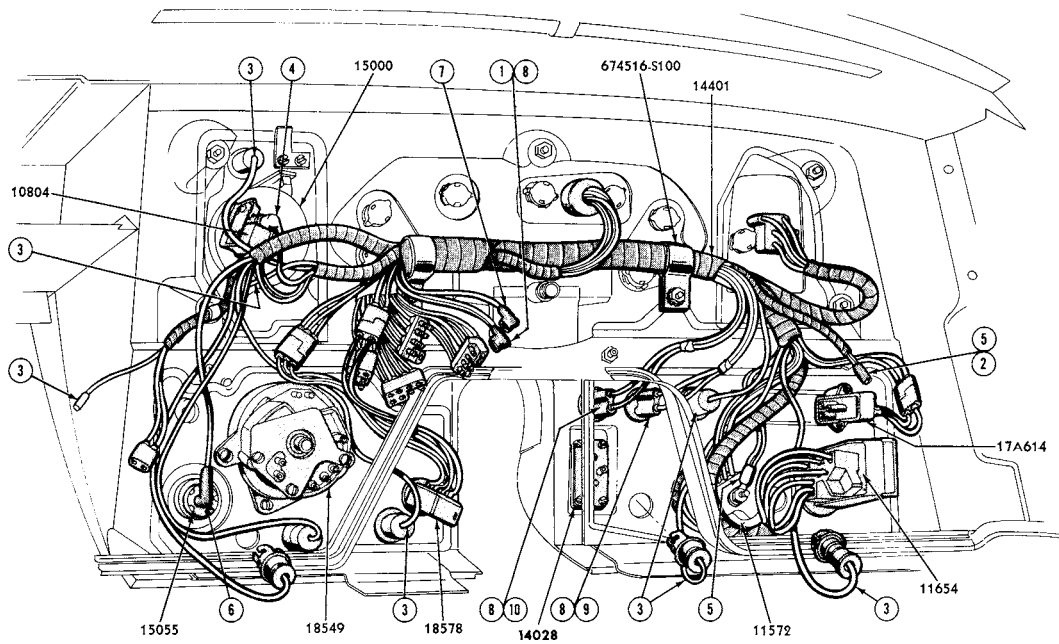
WIRING COLOR CODE

- | | |
|----------------------|--------------------|
| ① ORANGE-YELLOW BAND | ⑨ BLUE |
| ② RED-GREEN BAND | ⑩ WHITE-BLUE BAND |
| ③ PINK | ⑪ GREEN-WHITE BAND |
| ④ BLUE-RED BAND | ⑫ BLACK |
| ⑤ BLUE-BLACK BAND | ⑬ GREEN |
| ⑥ BLACK-GREEN BAND | ⑭ GREEN-RED BAND |
| ⑦ GREEN-BLACK BAND | ⑮ YELLOW |
| ⑧ BLUE-WHITE BAND | |

1960 LINCOLN

PLC-868

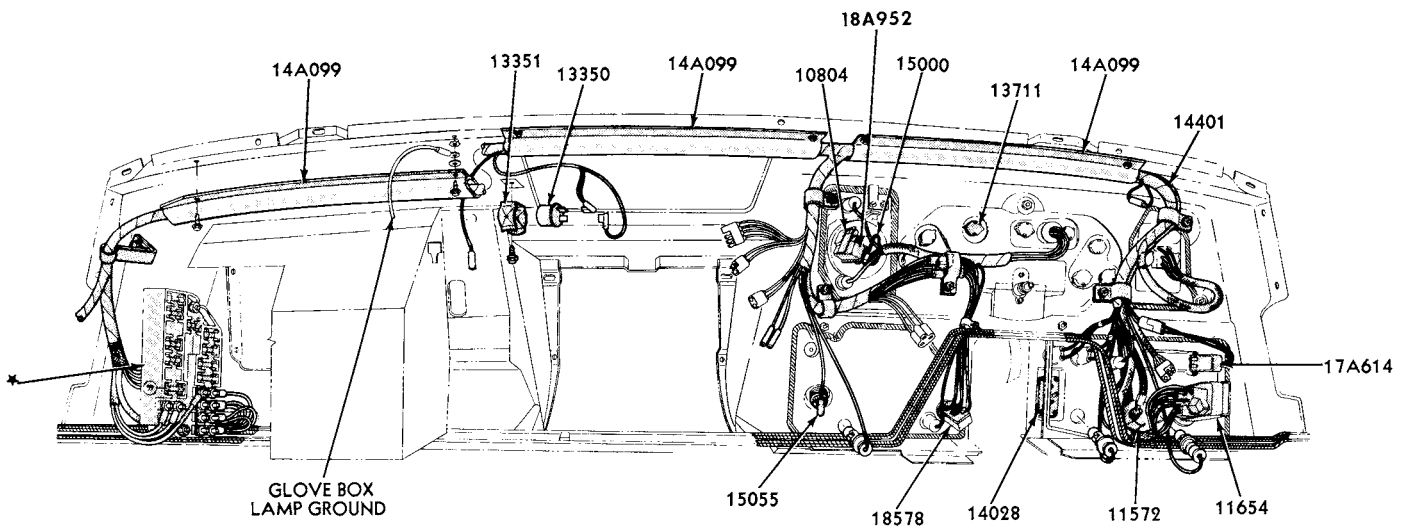
INSTRUMENT CLUSTER WIRING



WIRING COLOR CODE

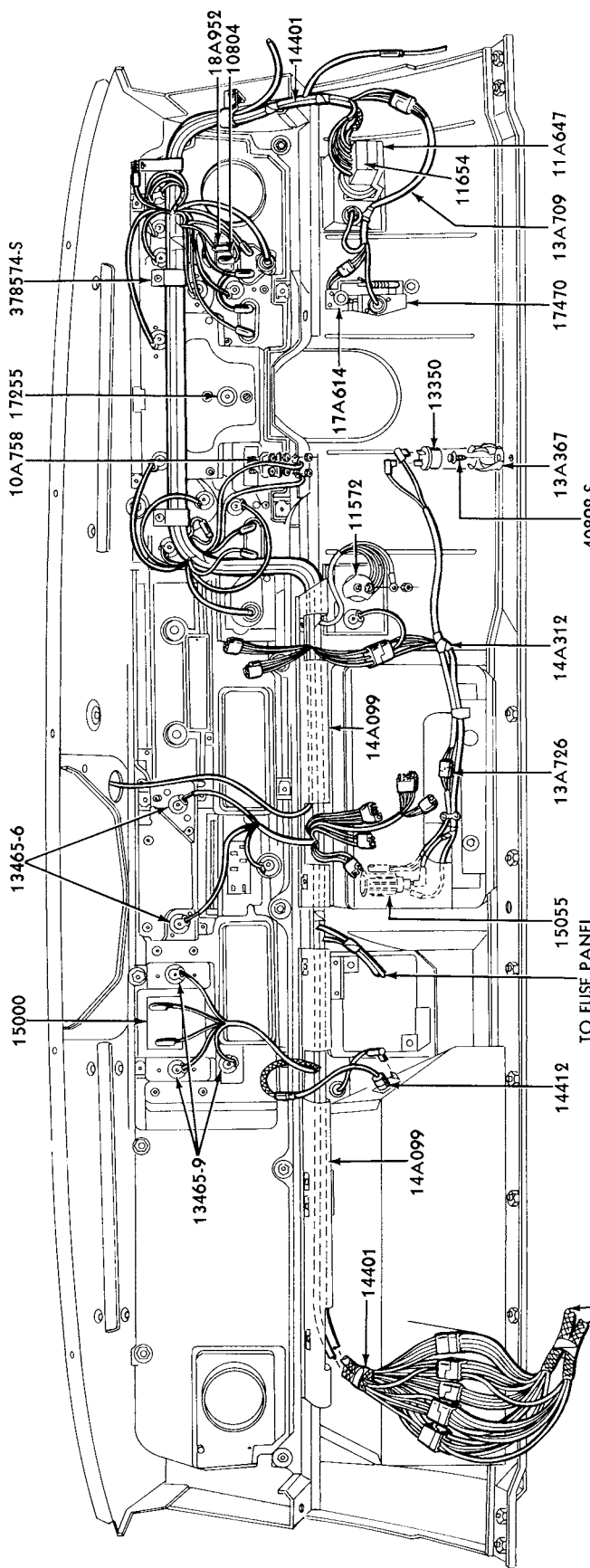
- | | |
|------------------------|---------------------|
| ① ORANGE-YELLOW STRIPE | ⑥ BLUE-WHITE STRIPE |
| ② RED-GREEN STRIPE | ⑦ BLUE |
| ③ BLUE-RED STRIPE | ⑧ GREEN |
| ④ BLUE-BLACK STRIPE | ⑨ GREEN-RED STRIPE |
| ⑤ BLACK GREEN STRIPE | ⑩ BROWN |

1961-63 LINCOLN
PLC-1113



1963 LINCOLN
PLC-1428

INSTRUMENT CLUSTER WIRING



10A758 17255 378574-S

15000 13465-6

13465-9

14401

14A099

14A099

11572

17A614

13350

13A367 40892-S

14A312

13A726

15055

14412

14A005

17470 13A709 11A647

11654

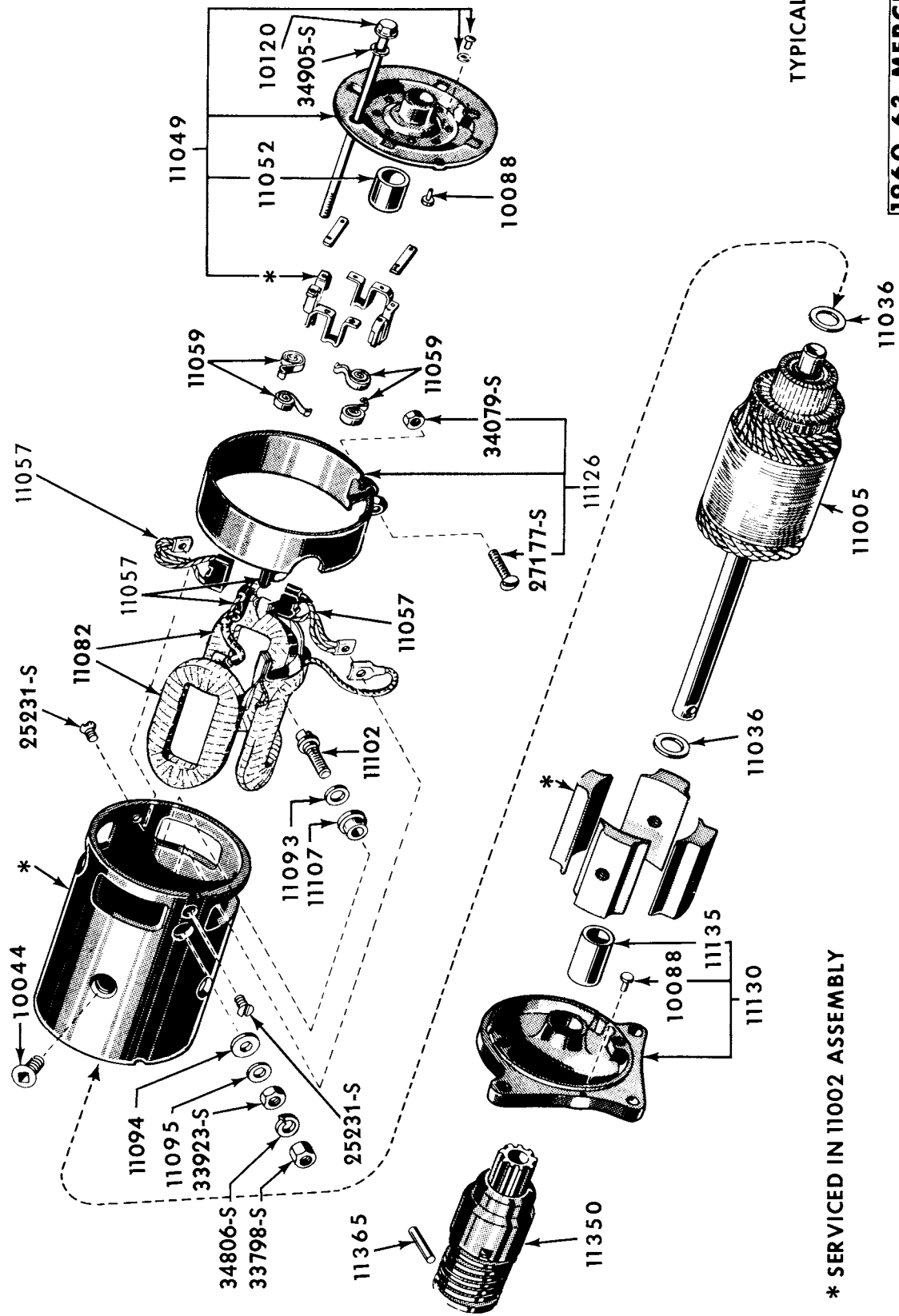
18A952 10804

14401

1964 LINCOLN
PLC-1637

TO FUSE PANEL

INSTRUMENT PANEL WIRING

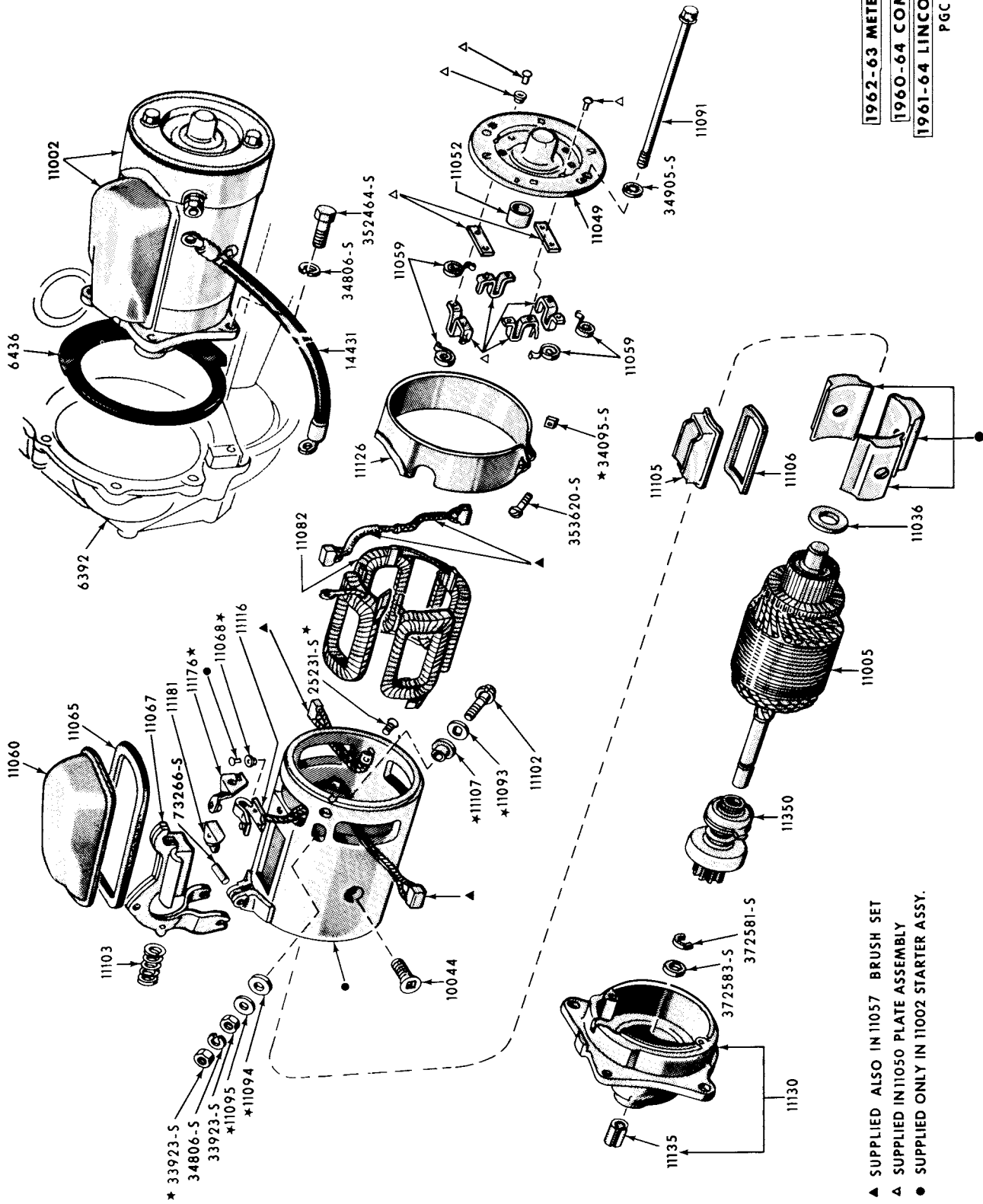


TYPICAL

1960-63 MERCURY
EC-48

* SERVICED IN 11002 ASSEMBLY

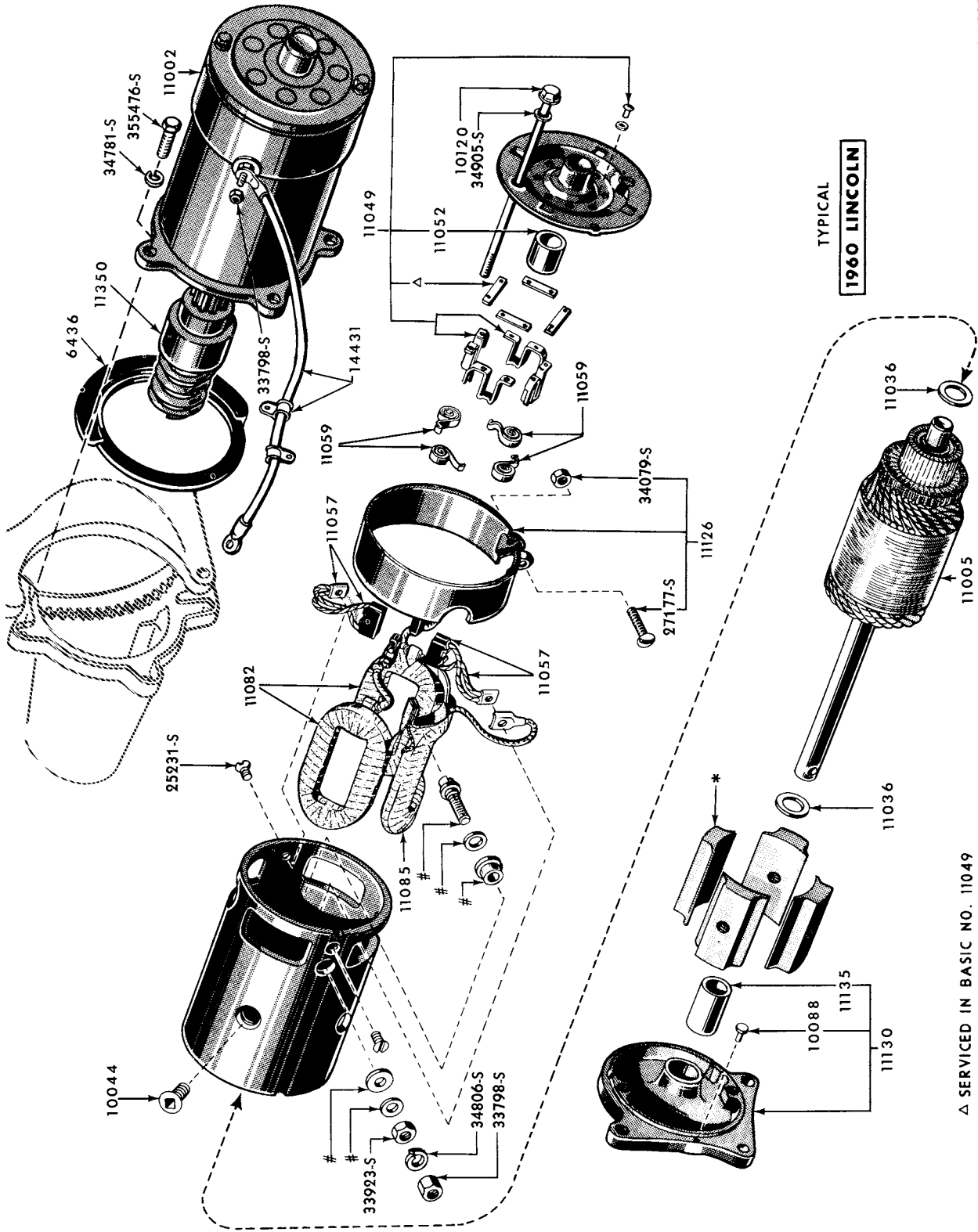
STARTER



1962-63 METEOR
 1960-64 COMET
 1961-64 LINCOLN
 PGC 965

- ▲ SUPPLIED ALSO IN 11057 BRUSH SET
- ◻ SUPPLIED IN 11050 PLATE ASSEMBLY
- SUPPLIED ONLY IN 11002 STARTER ASSY.

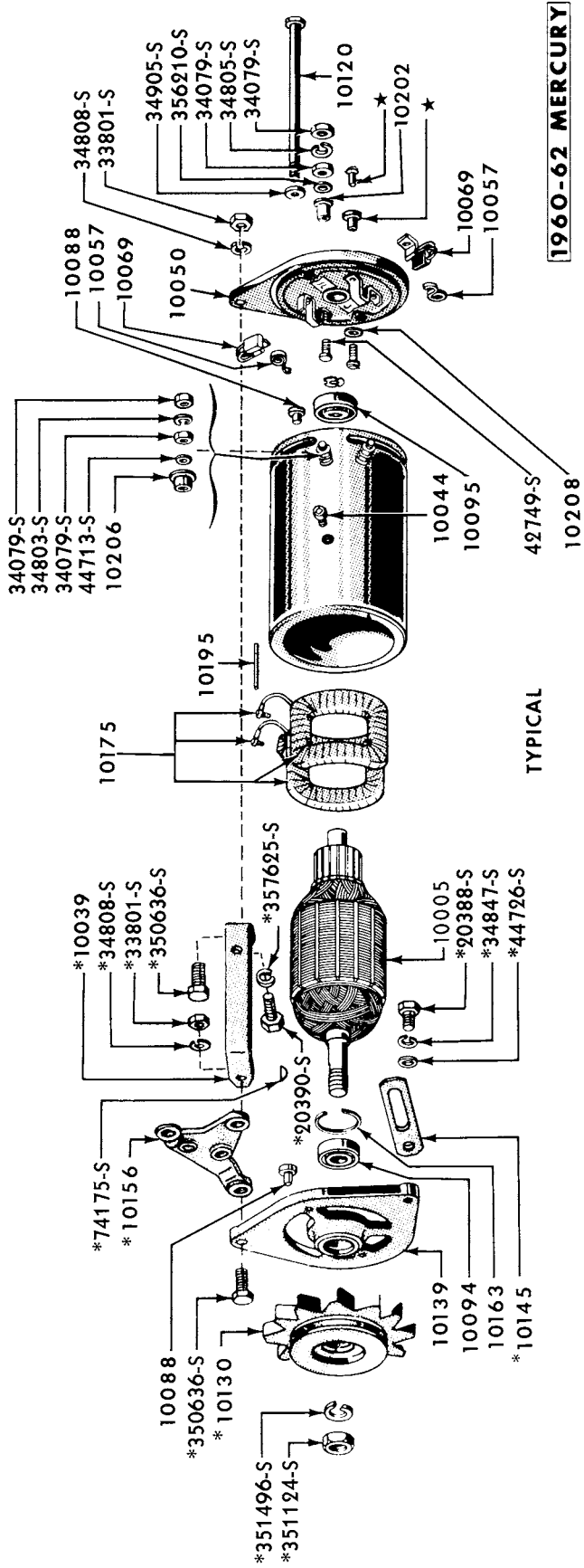
STARTER



PLC-238

STARTER

△ SERVICED IN BASIC NO. 11049
 # SERVICED IN BASIC NO. 11002
 * SERVICED IN BASIC NO. 11102



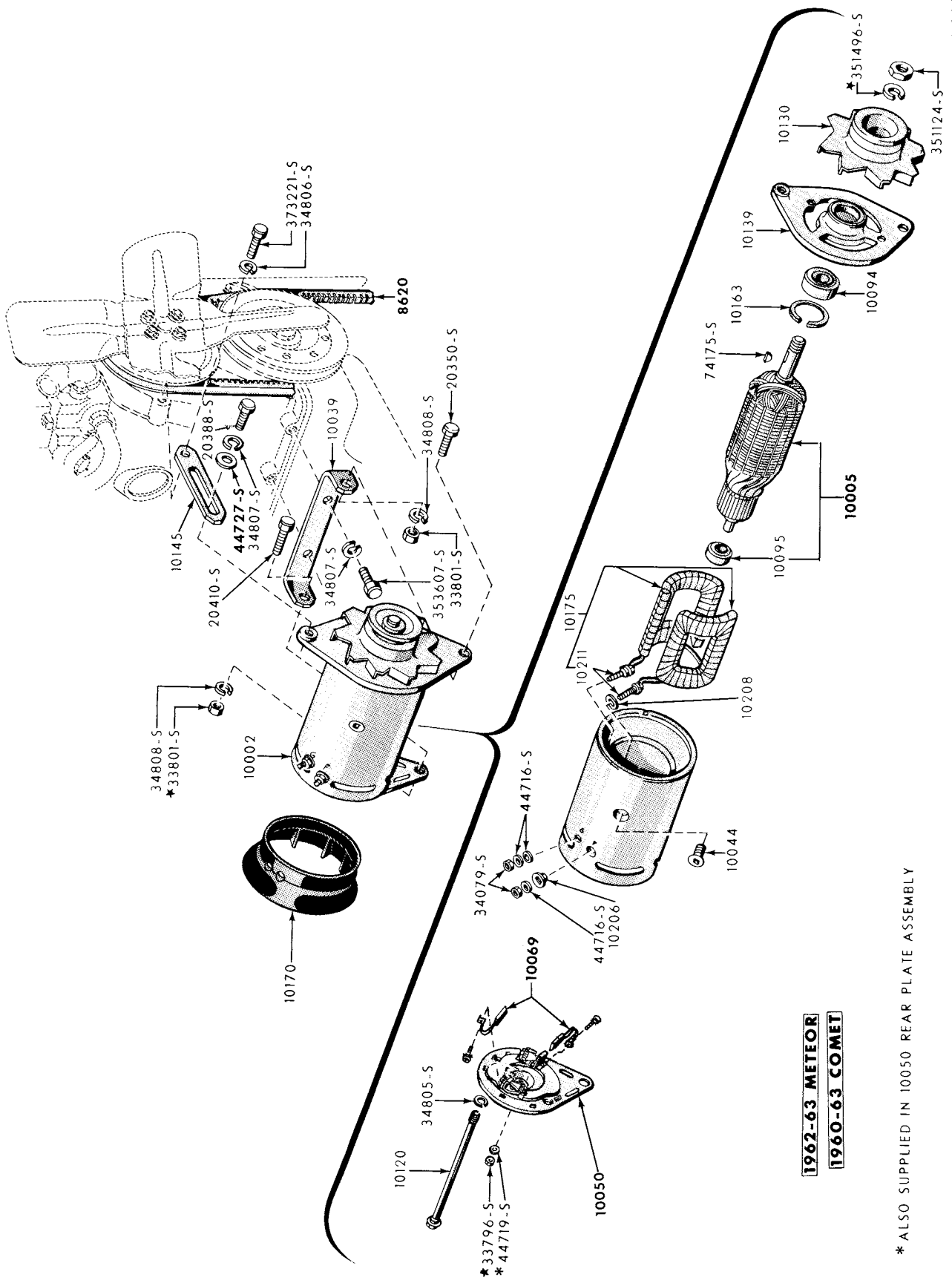
TYPICAL

1960-62 MERCURY

PMC-88

*NOT INCLUDED IN BASIC NO. 10002

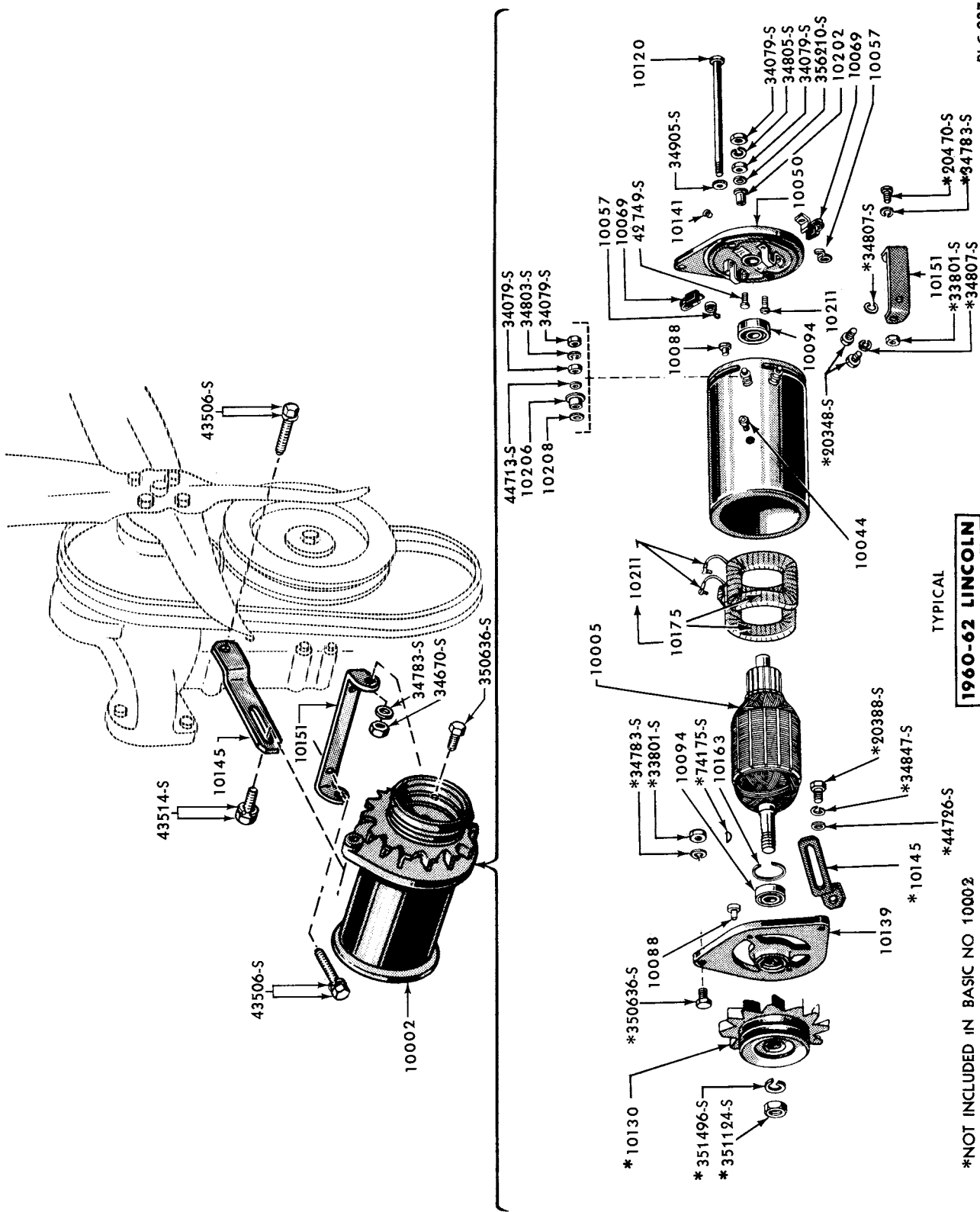
GENERATOR



1962-63 METEOR
1960-63 COMET

* ALSO SUPPLIED IN 10050 REAR PLATE ASSEMBLY

PGC-964

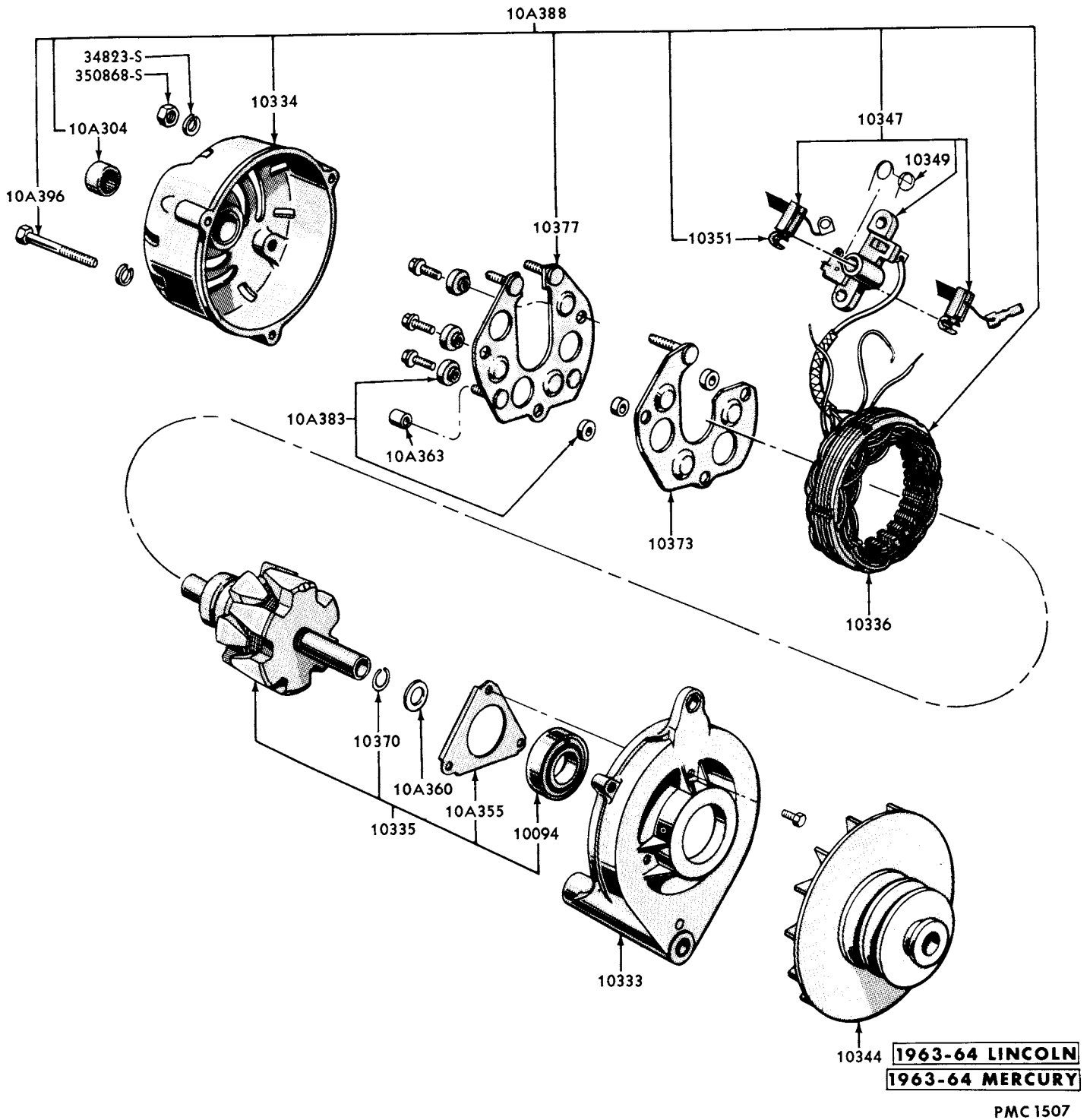


TYPICAL
1960-62 LINCOLN

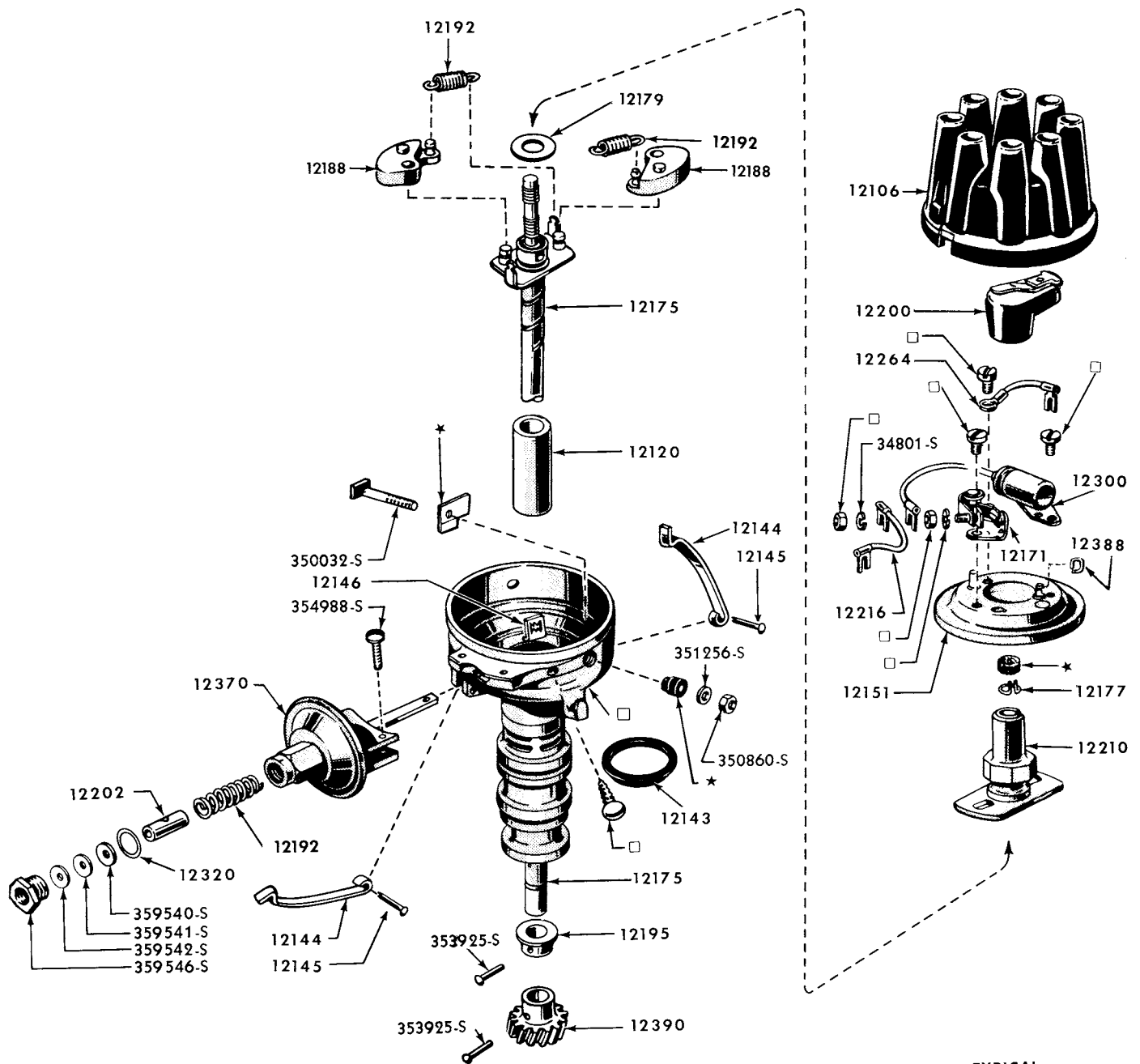
PLC-237

*NOT INCLUDED IN BASIC NO 10002

GENERATOR



ALTERNATOR



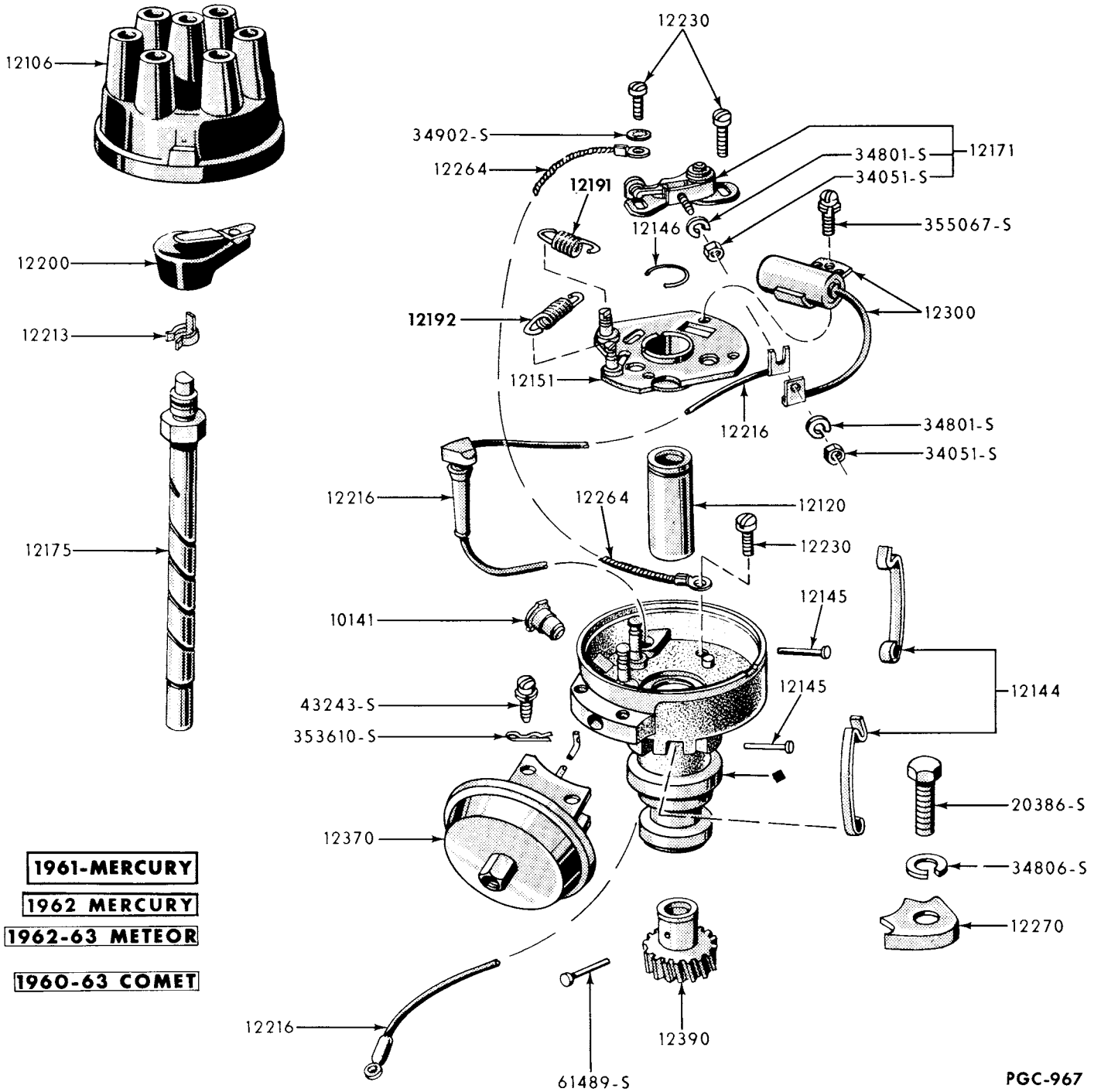
TYPICAL

1960-62 LINCOLN
1960-61 MERCURY

□ NOT SERVICED—INCLUDED
 IN BASIC NO. 12127

PLC-290

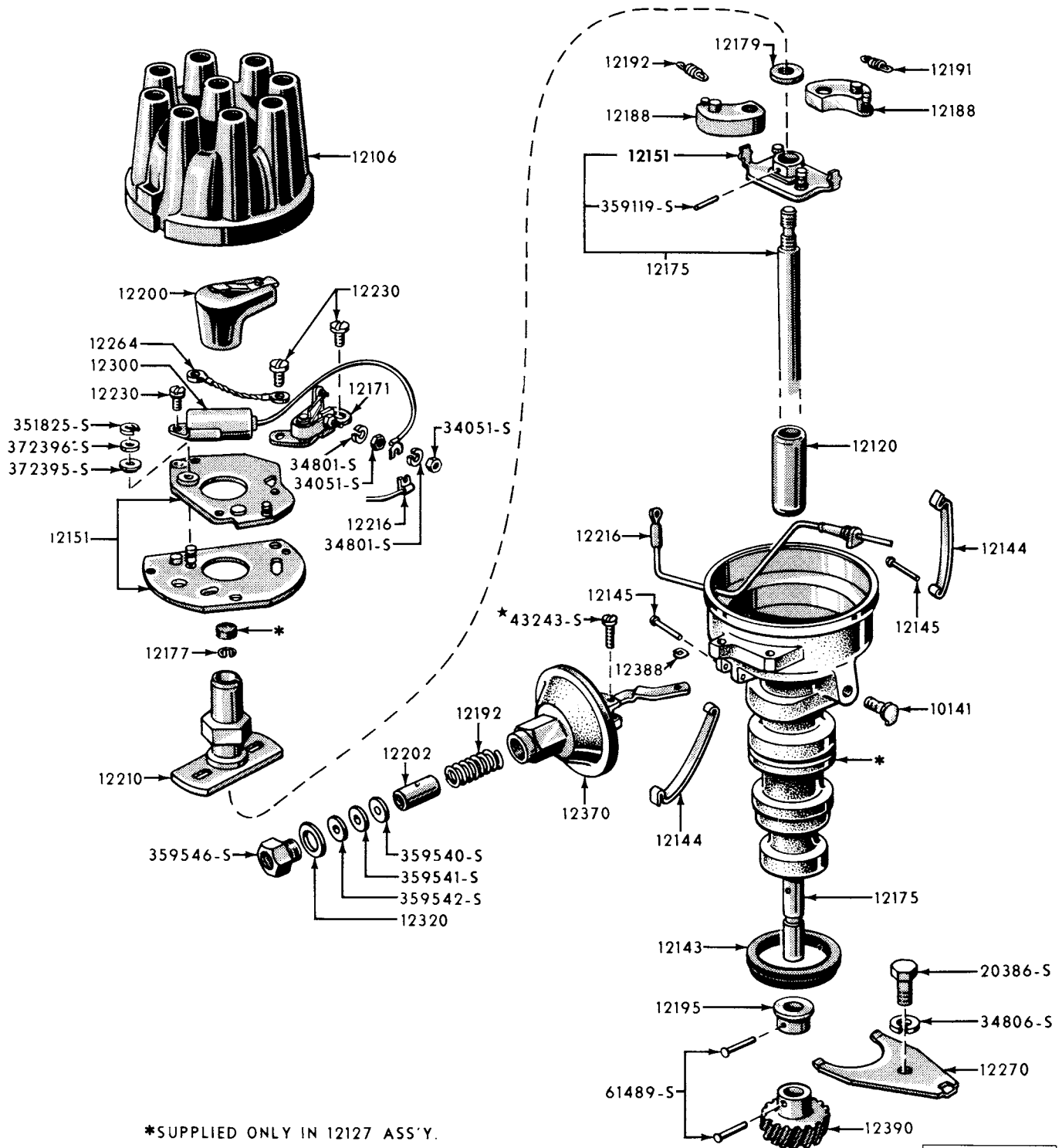
DISTRIBUTOR - EXCEPT 223 C.I.D. ENGINE



1961-MERCURY
1962 MERCURY
1962-63 METEOR
1960-63 COMET

◆ N.S. SERVICED IN 12127 ASSY. ONLY

DISTRIBUTOR - 144, 170, 223 C.I.D. ENGINES



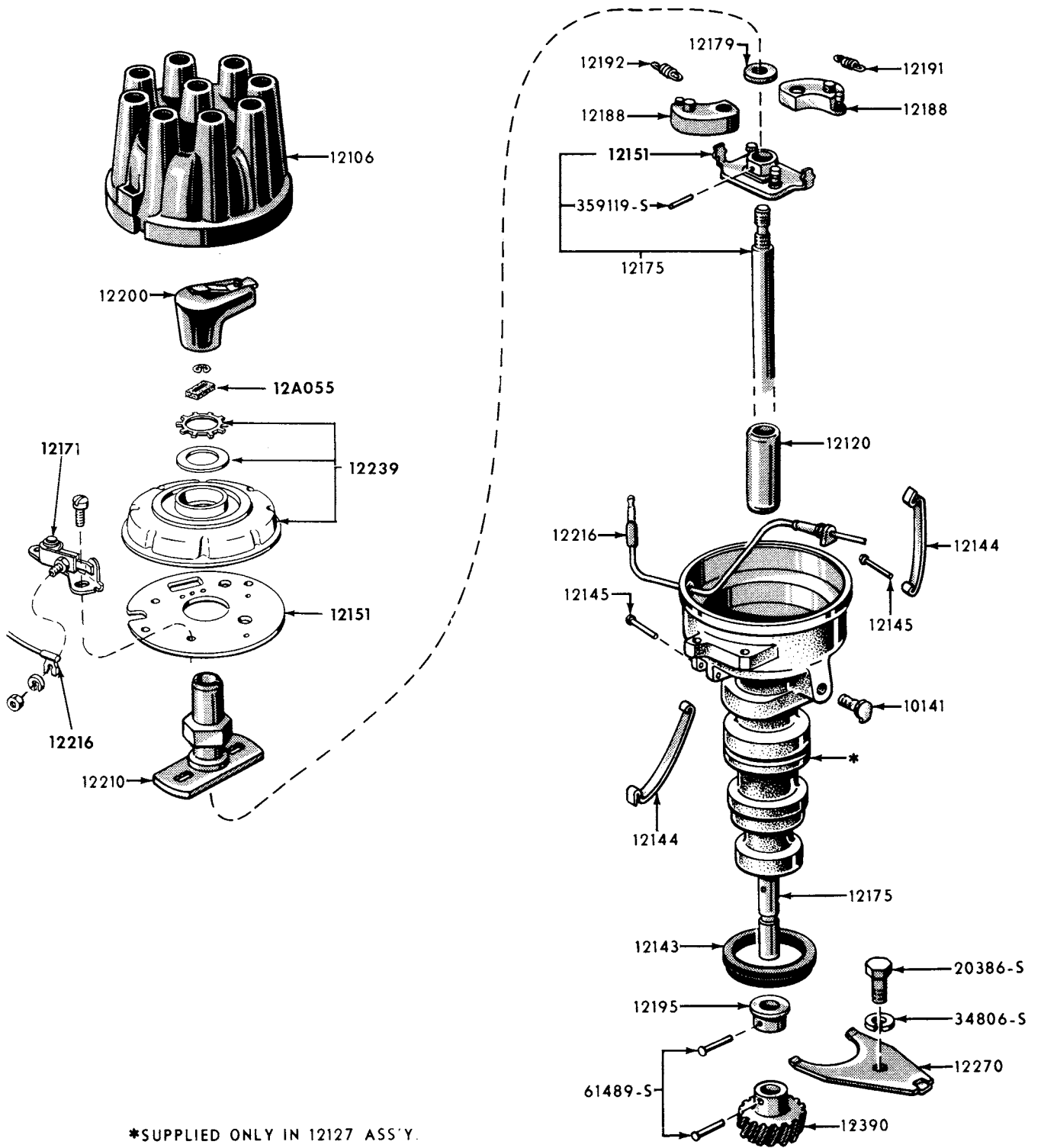
1964 COMET

1964 LINCOLN

1964 MERCURY

PGC-1740

DISTRIBUTOR - CONVENTIONAL SYSTEM - 8 CYLINDER



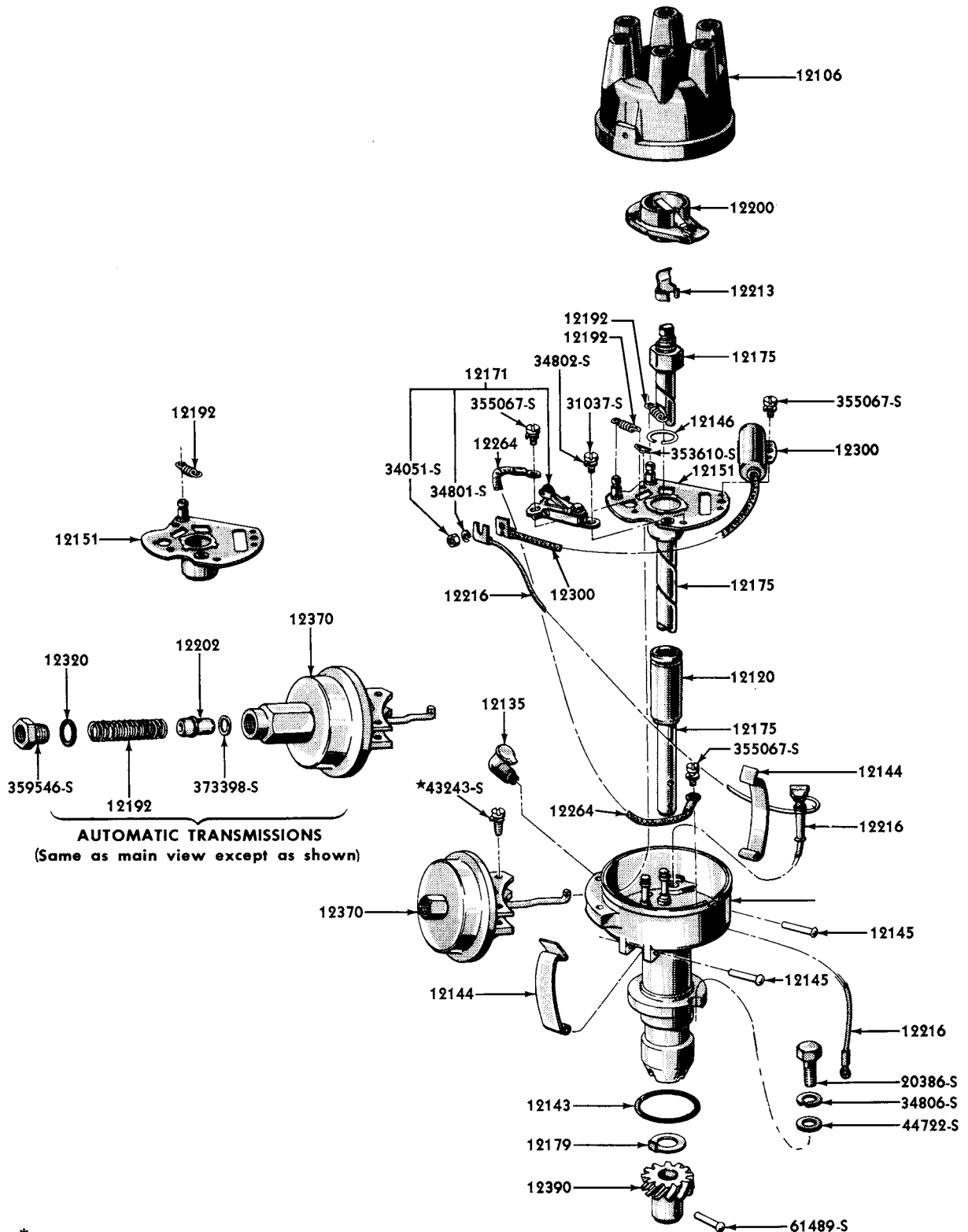
*SUPPLIED ONLY IN 12127 ASS'Y.

1964 MONTEREY

1964 LINCOLN

PMC 1739

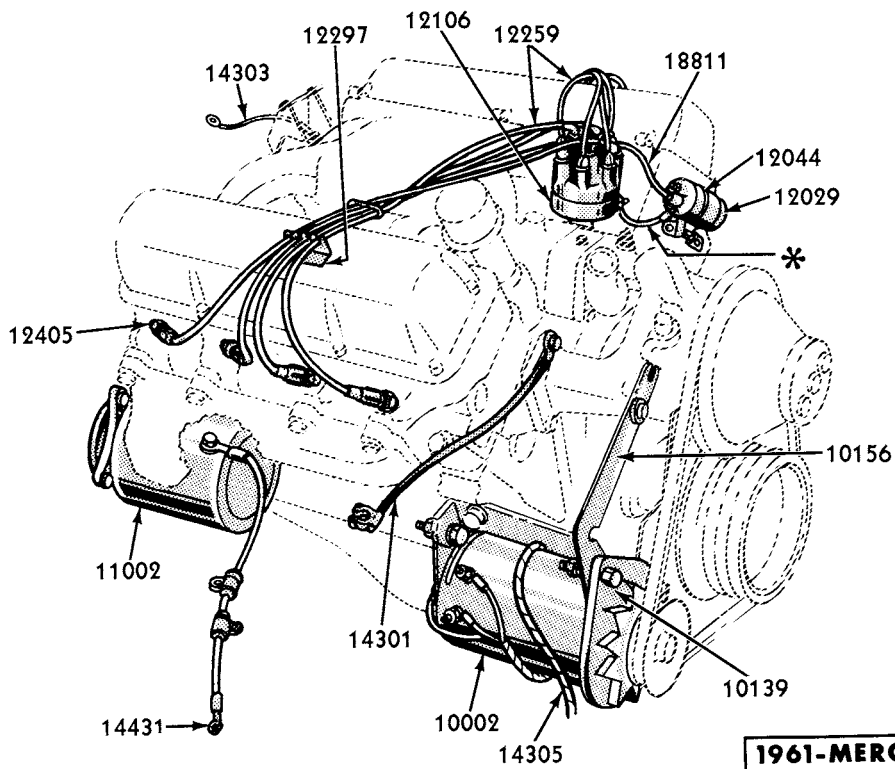
DISTRIBUTOR - TRANSISTORIZED SYSTEM - 8 CYLINDER



*SUPPLIED ONLY IN 12127 ASSEMBLY

1964 COMET
PGC 1738

DISTRIBUTOR - 6 CYLINDER ENGINES

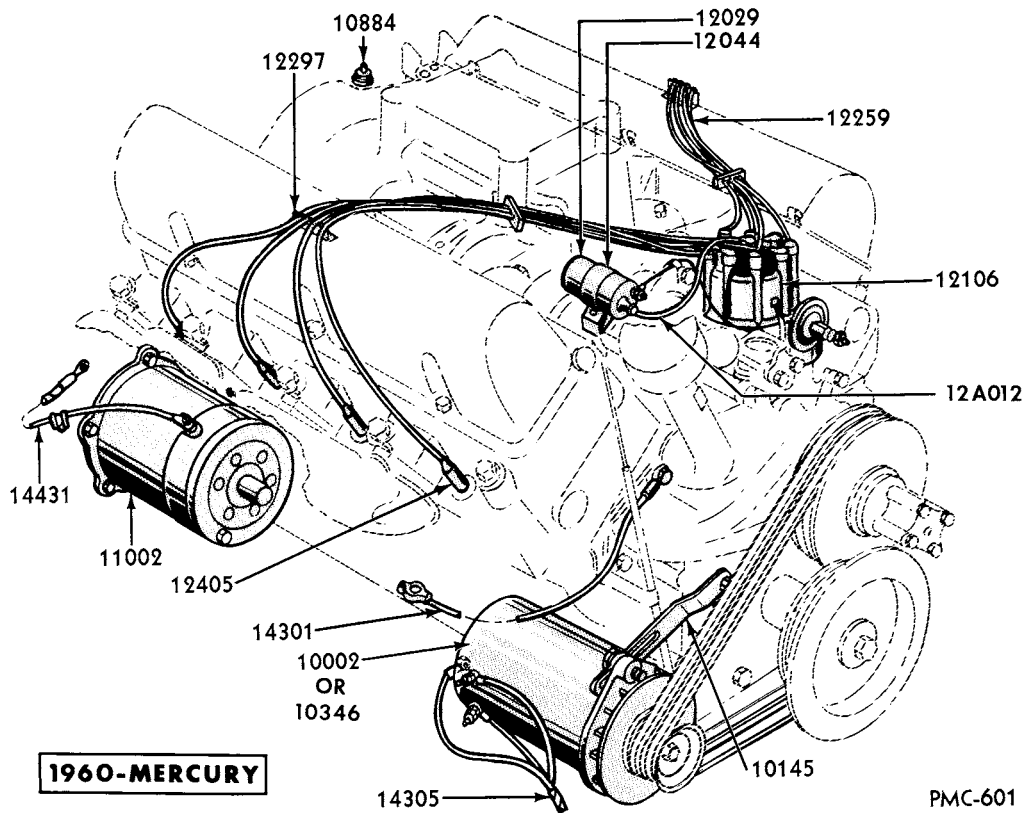


* NS CUT FROM BULK WIRE

1961-MERCURY

PEC-599

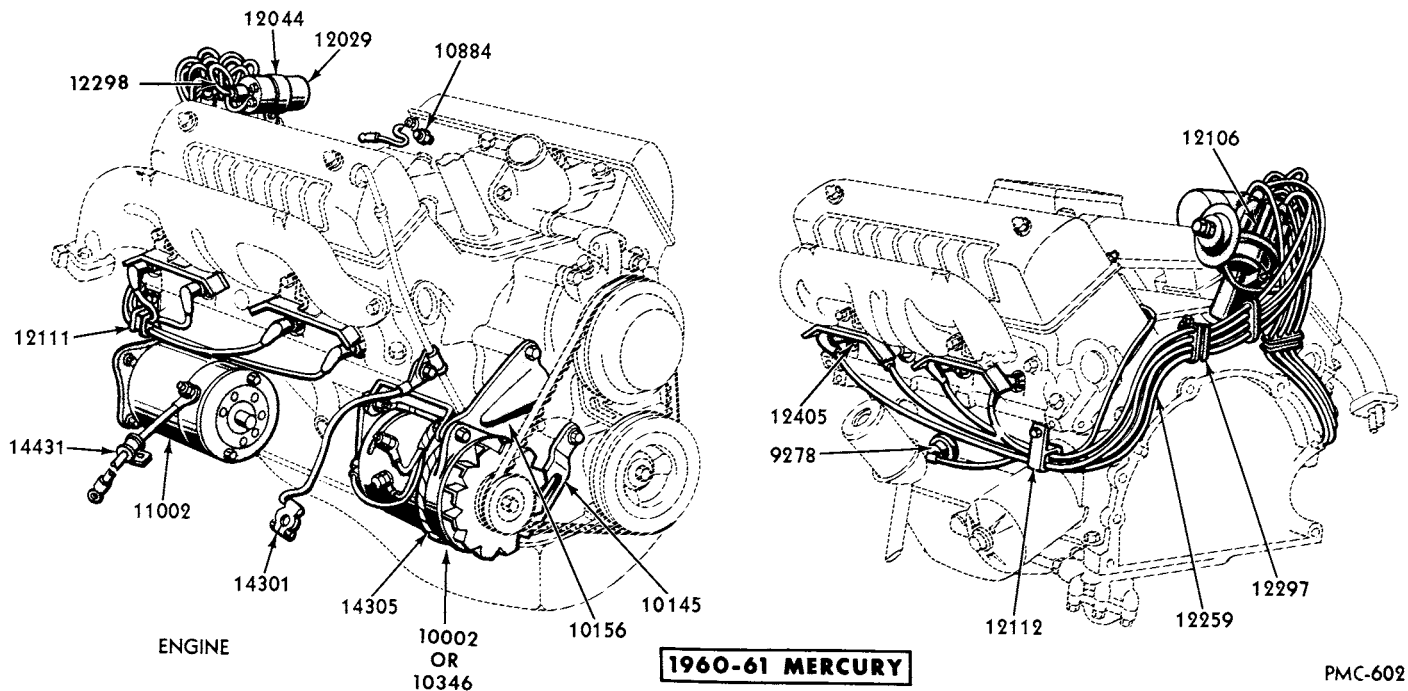
ENGINE WIRING 352, 390 C.I.D. ENGINES



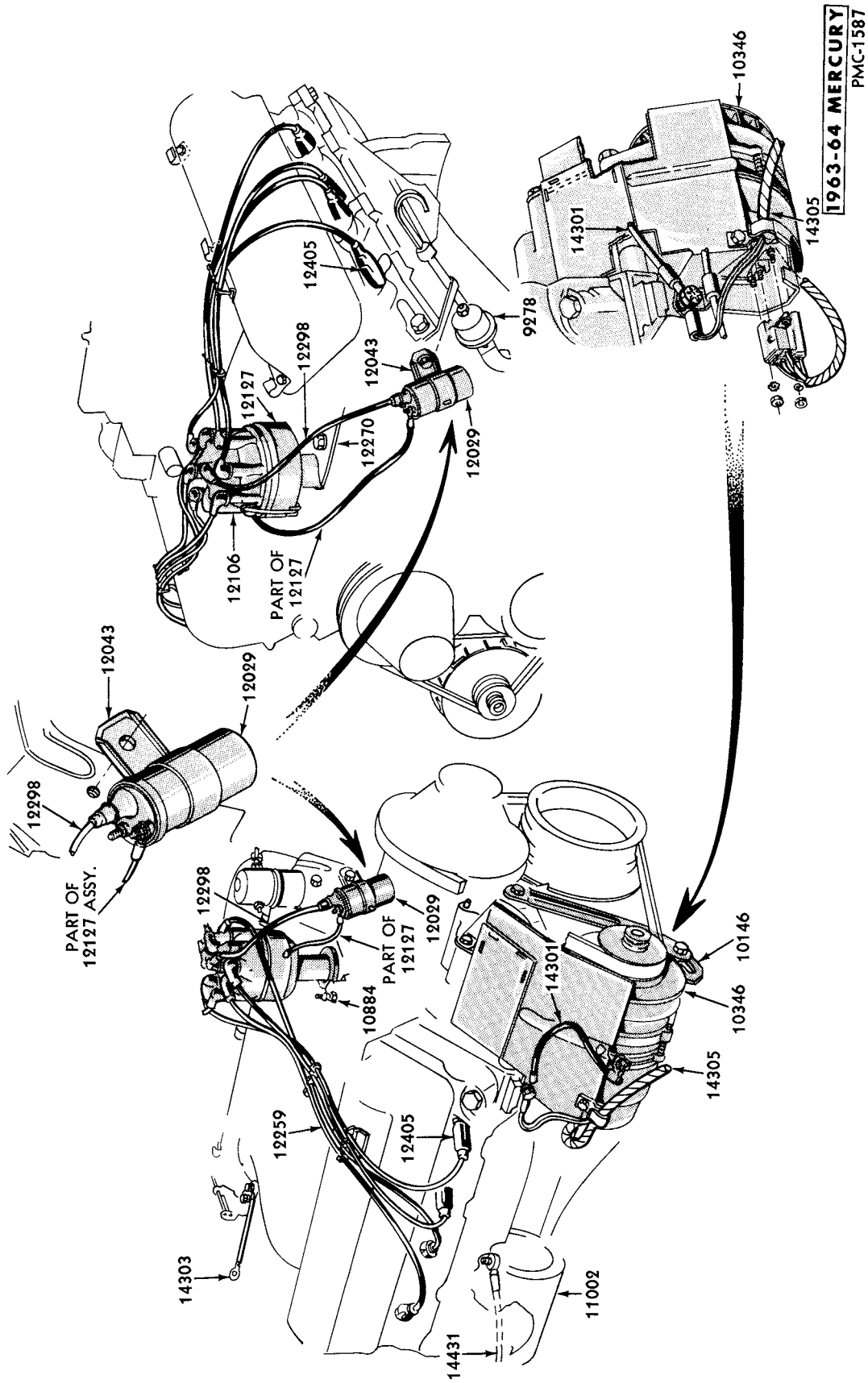
1960-MERCURY

PMC-601

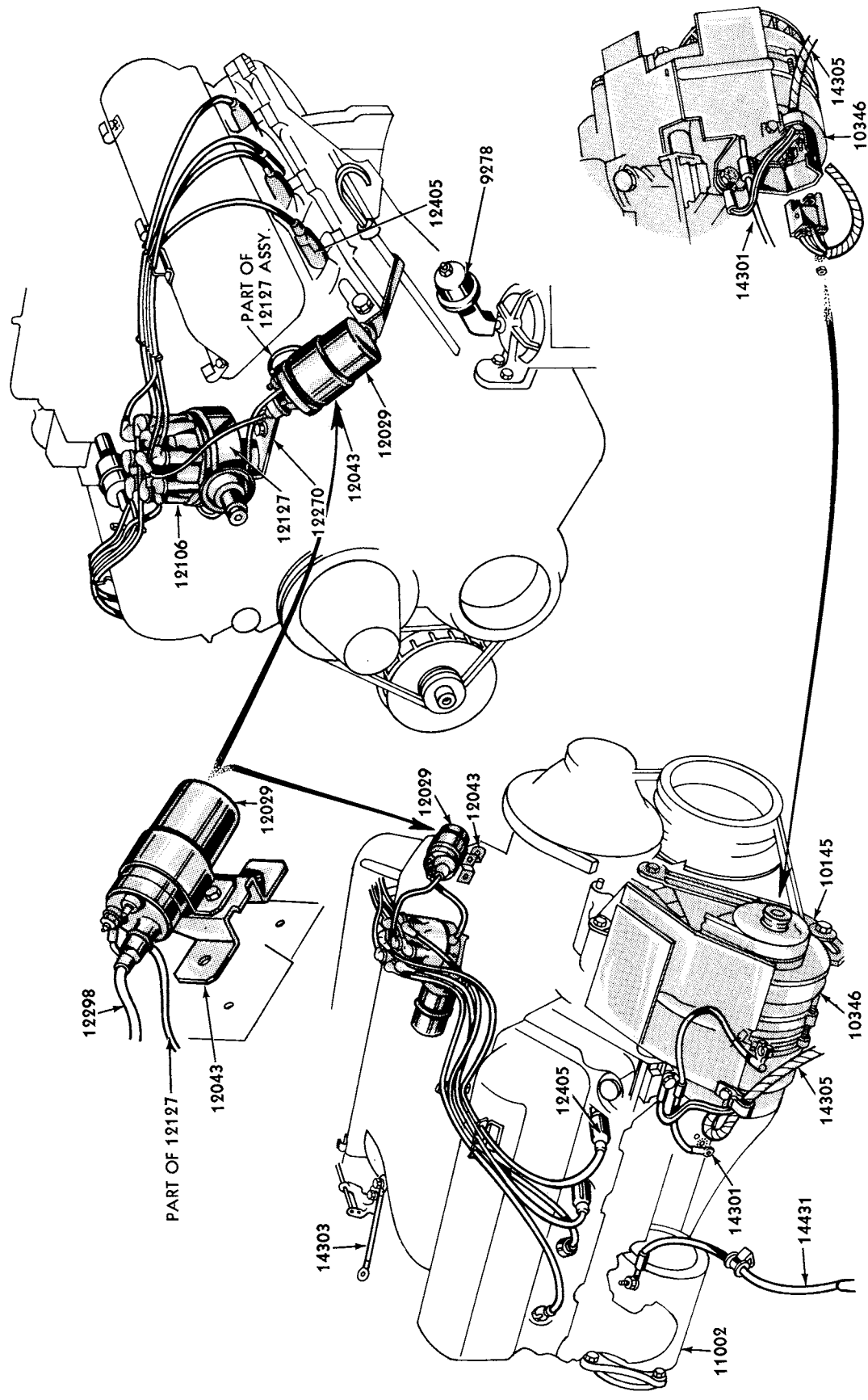
ENGINE WIRING - 383, 430 C.I.D. ENGINES



ENGINE WIRING - 292, 312 C.I.D. ENGINES

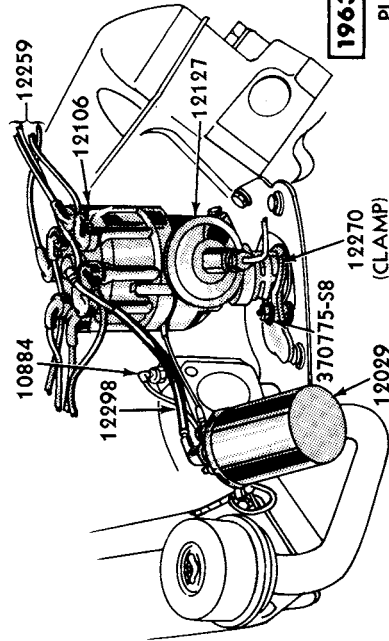
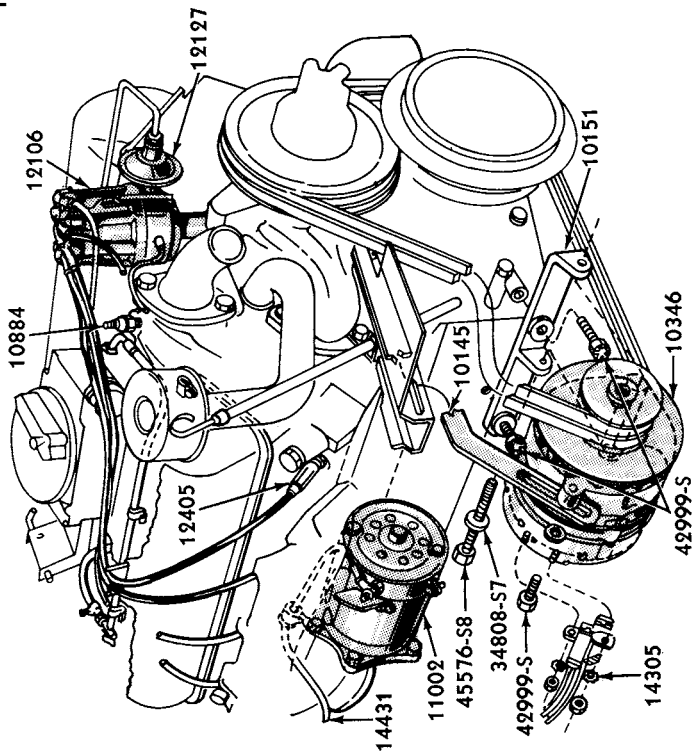
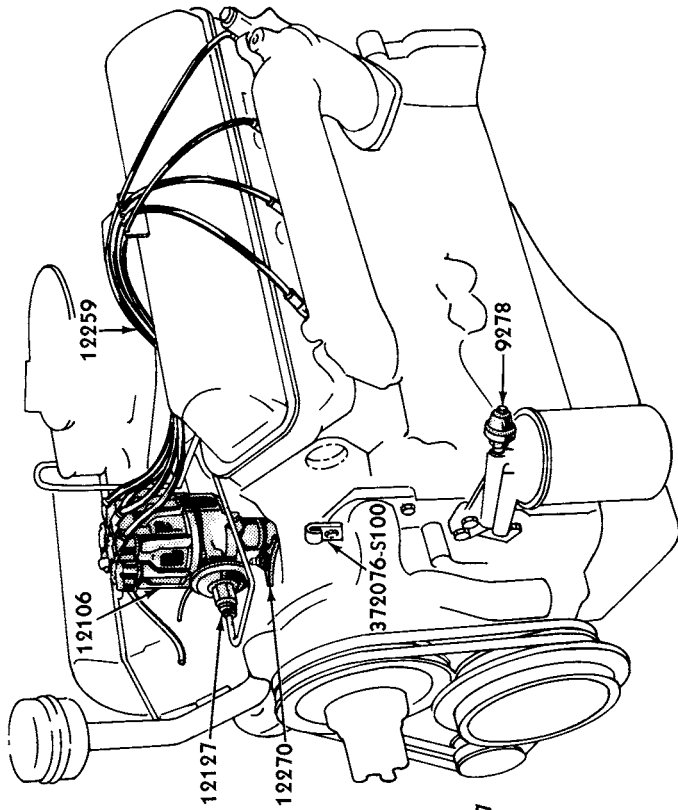
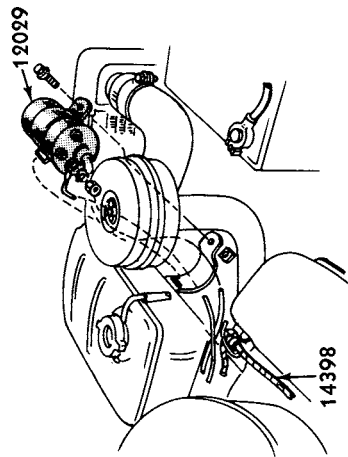


ENGINE WIRING - 427 C.I.D. ENGINE



1963-64 MERCURY
PMC-1588

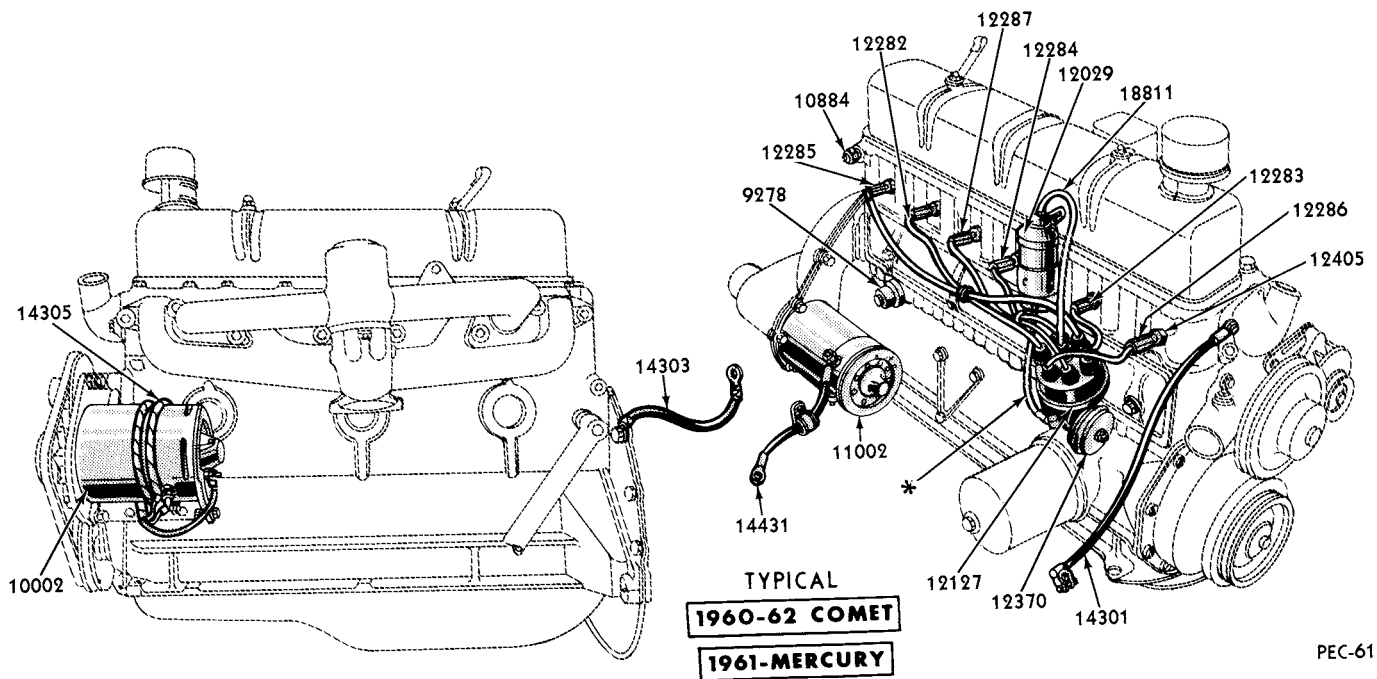
ENGINE COMPARTMENT WIRING



1963 LINCOLN

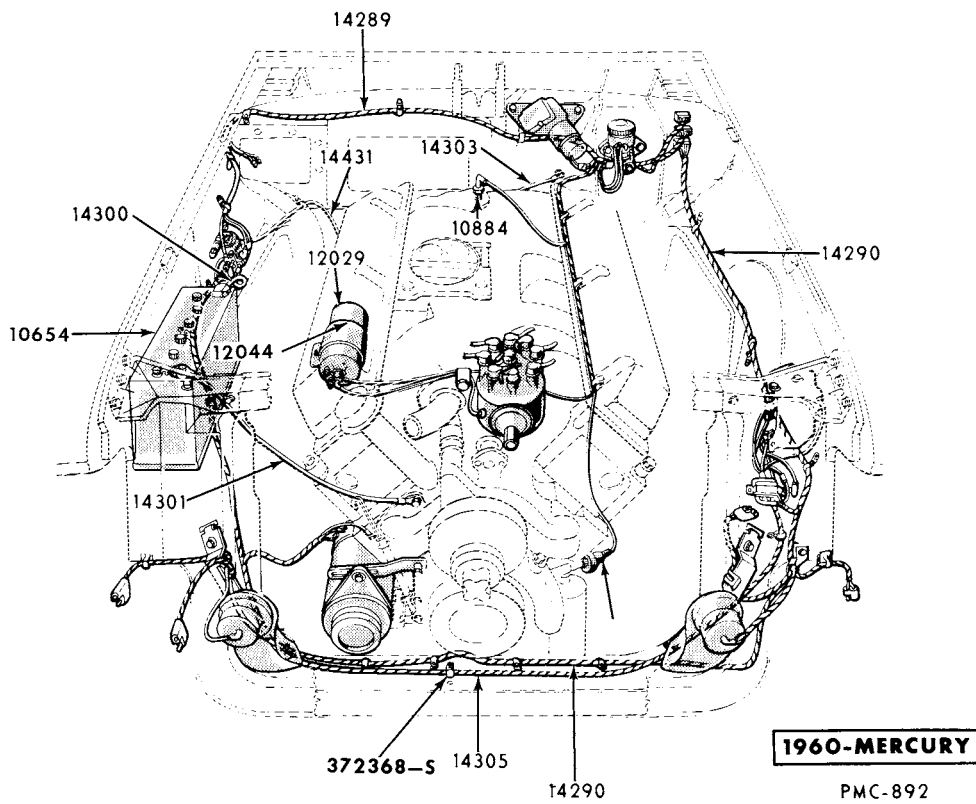
PLC-1586

ENGINE WIRING - 430 C.I.D. ENGINE

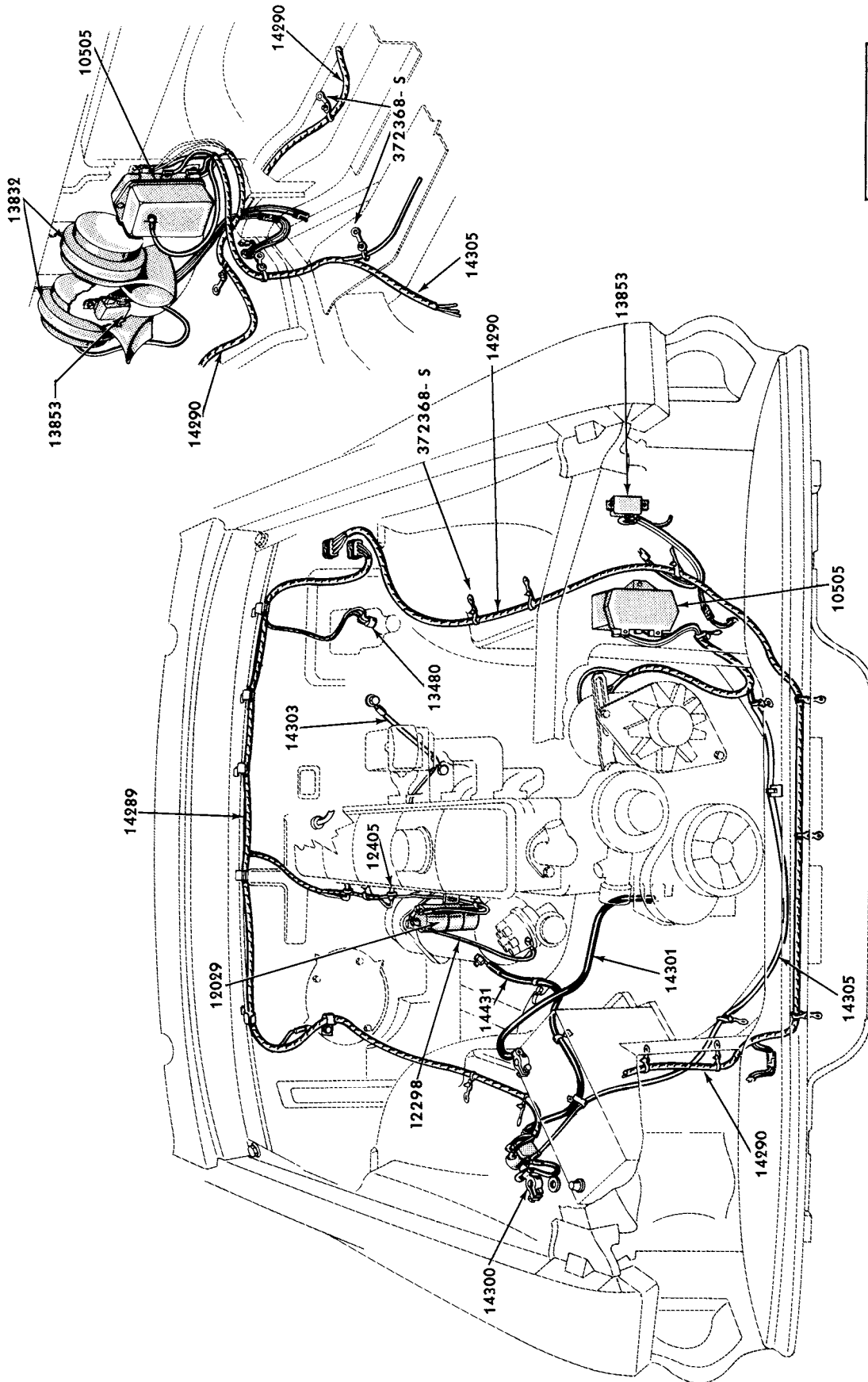


* NS CUT FROM BULK WIRE

ENGINE WIRING - 144, 170, 223 C.I.D. ENGINES



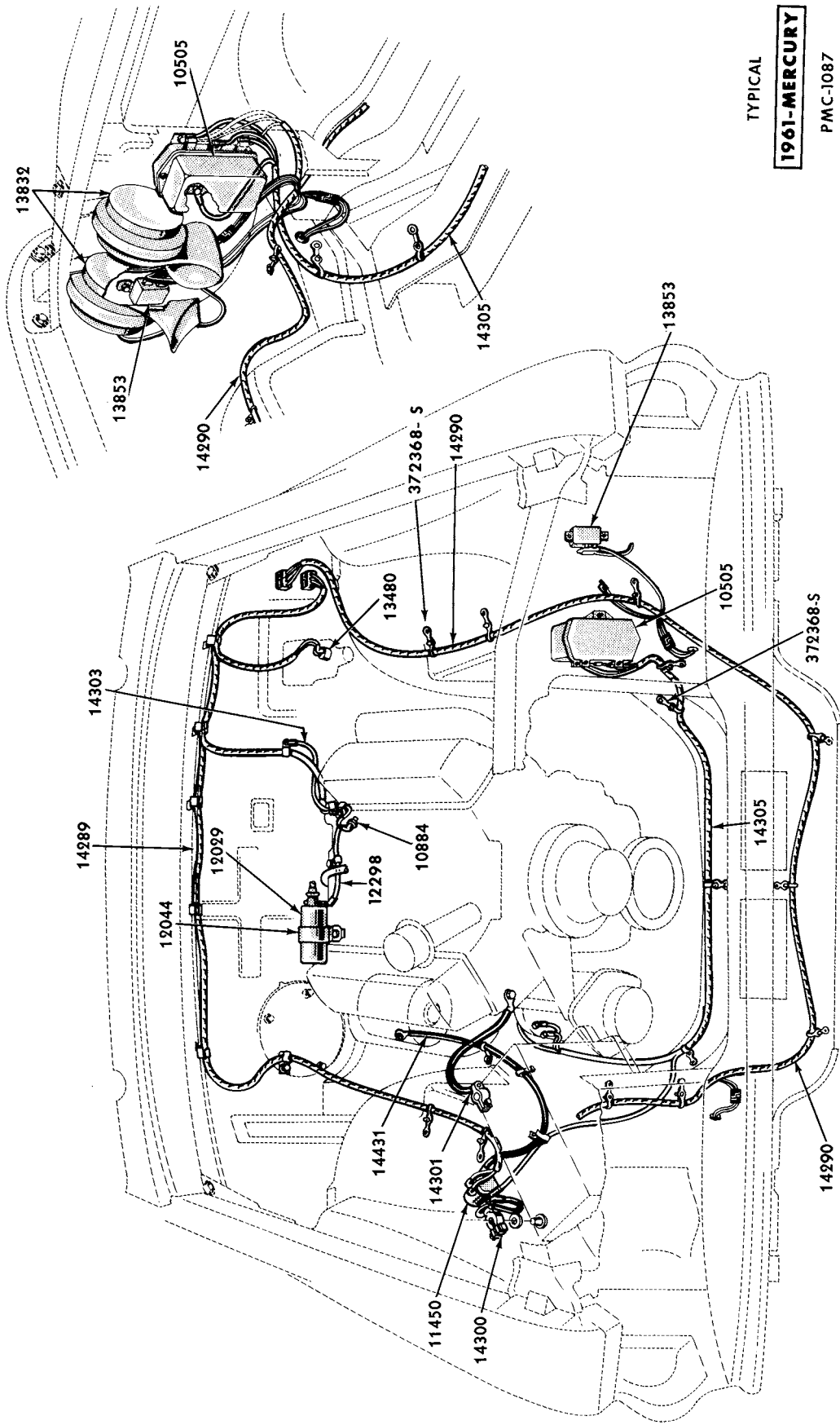
ENGINE COMPARTMENT WIRING - 383, 430 C.I.D. ENGINES



1961-MERCURY

PMC-1086

ENGINE COMPARTMENT WIRING 223 C.I.D. ENGINE

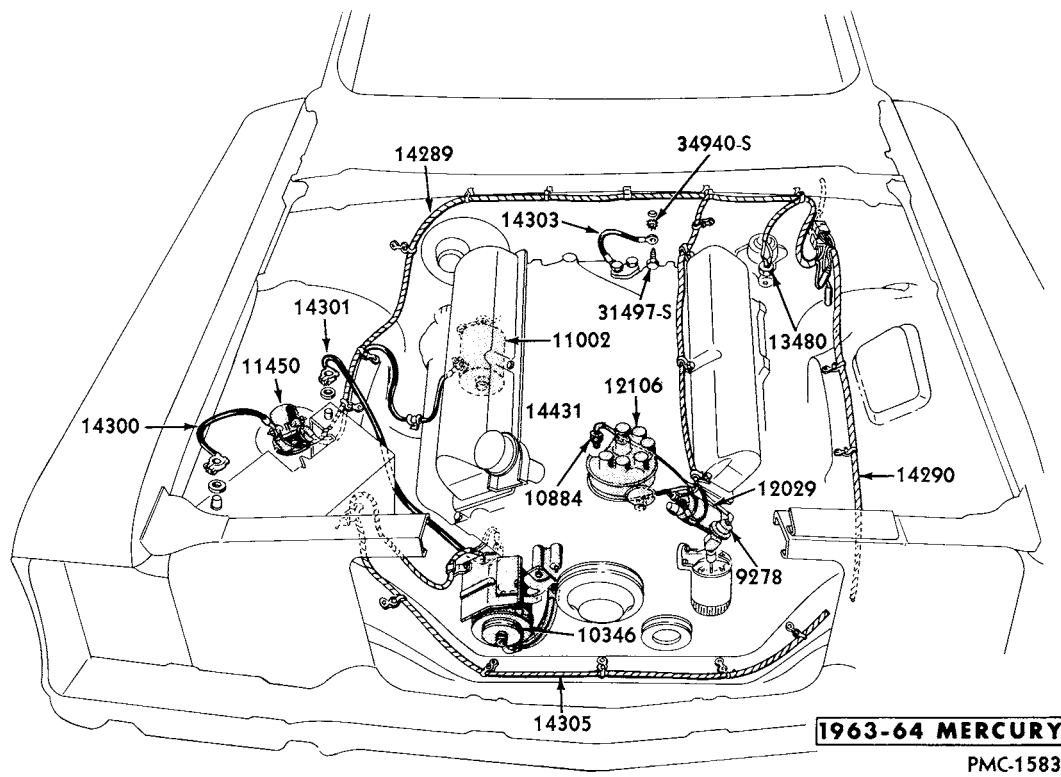


TYPICAL

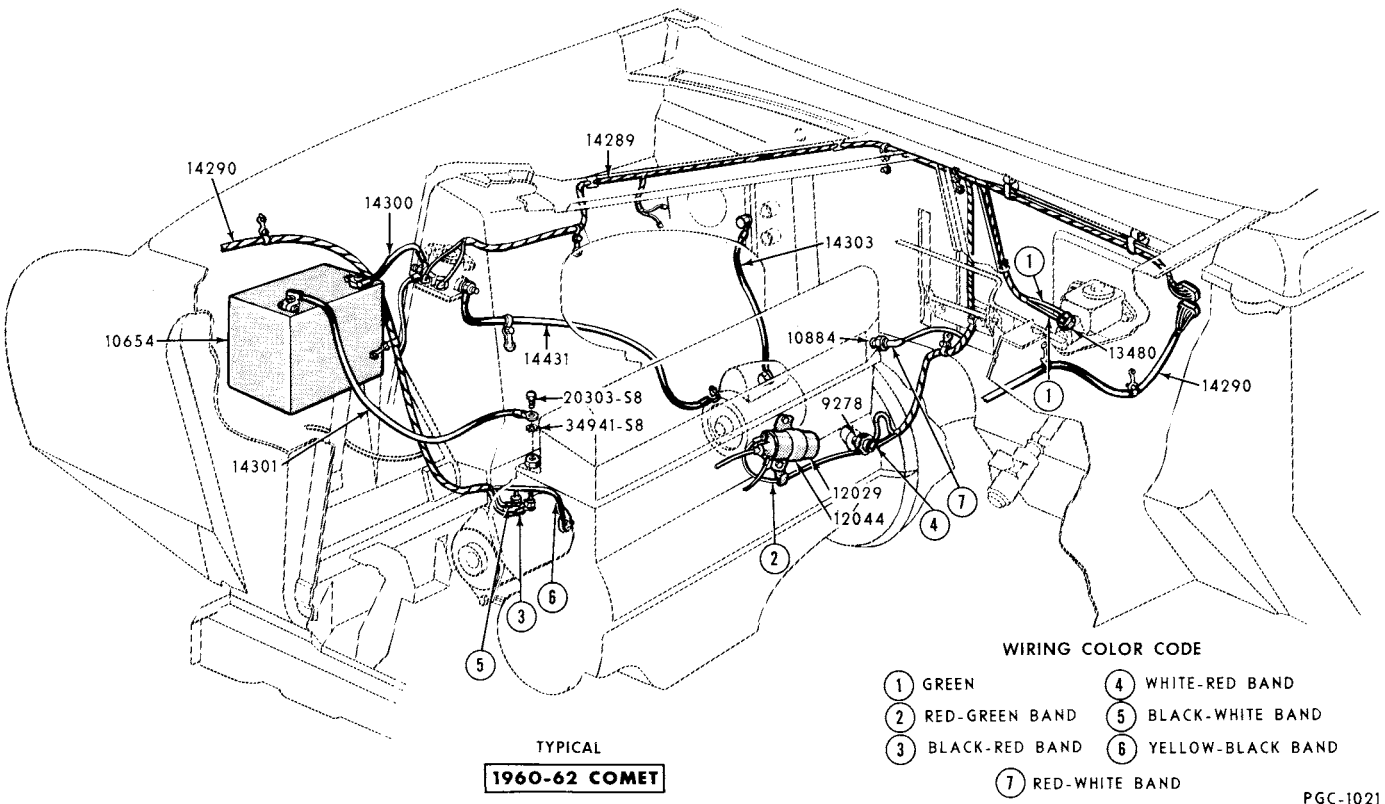
1961-MERCURY

PMC-1087

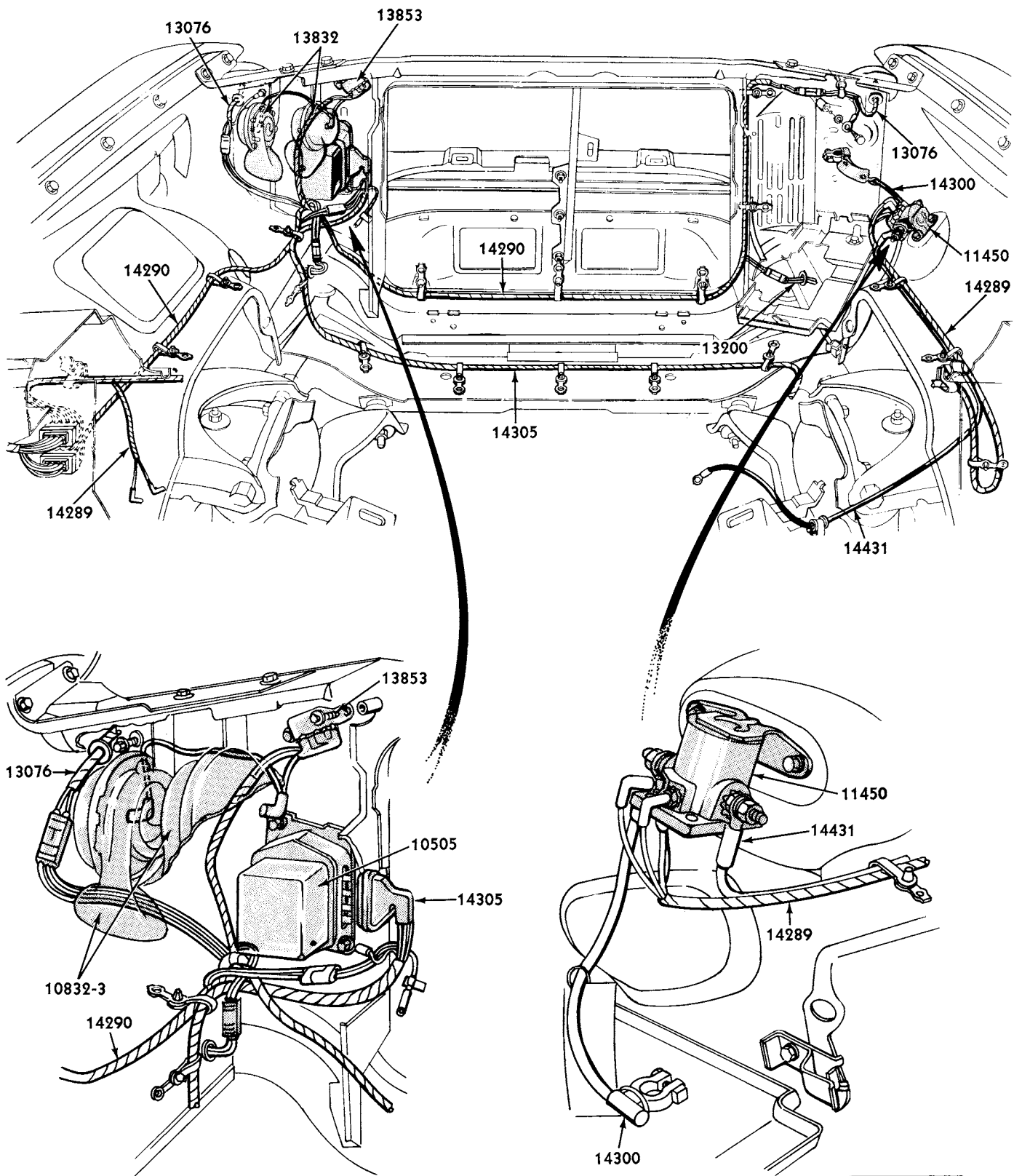
ENGINE COMPARTMENT WIRING - 292, 352 and 390 C.I.D. ENGINES



ENGINE WIRING - 390 C.I.D. ENGINE



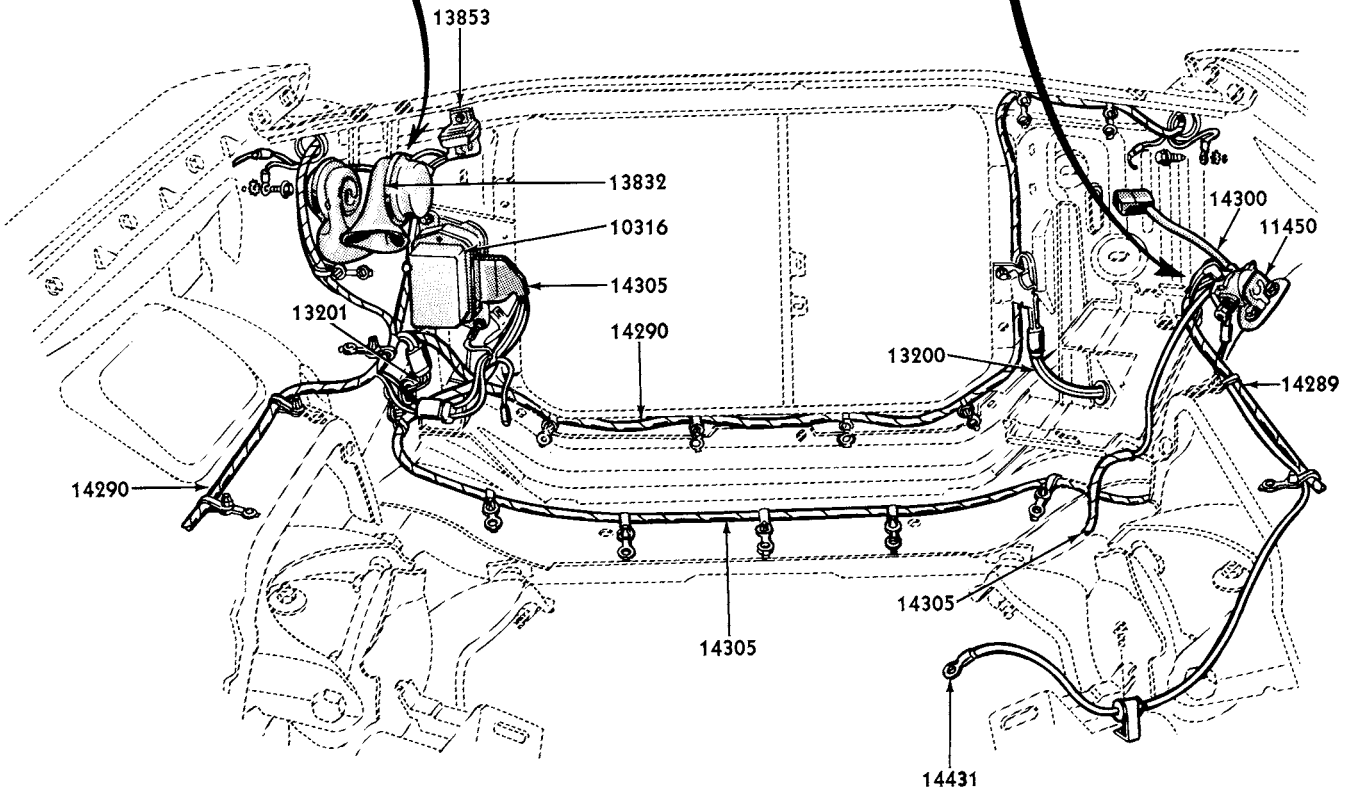
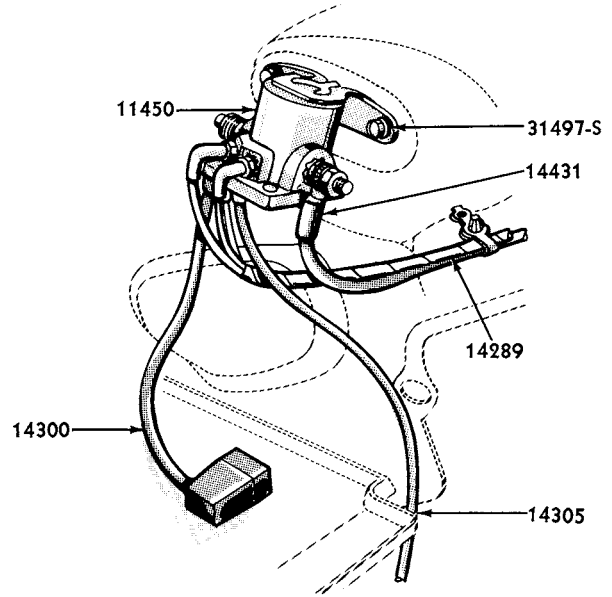
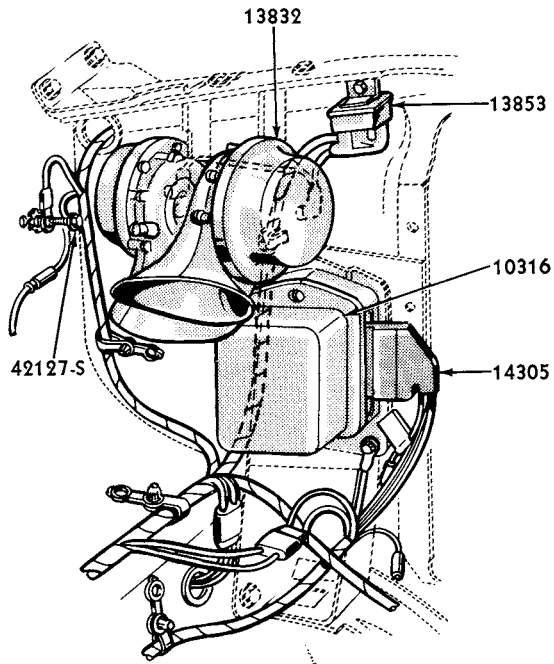
ENGINE COMPARTMENT WIRING - 144, 170 C.I.D. ENGINES



1963 MERCURY

PMC-1582

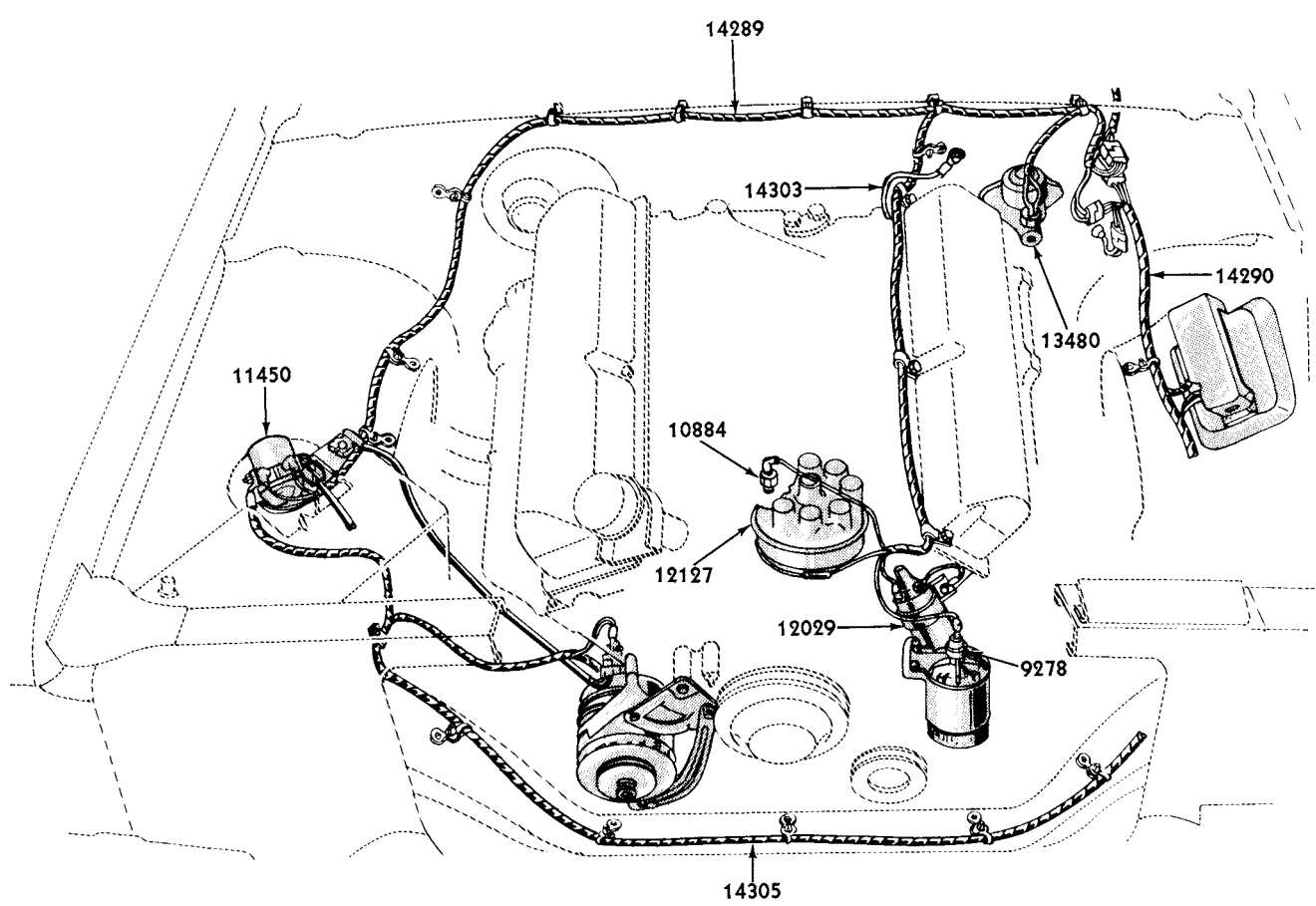
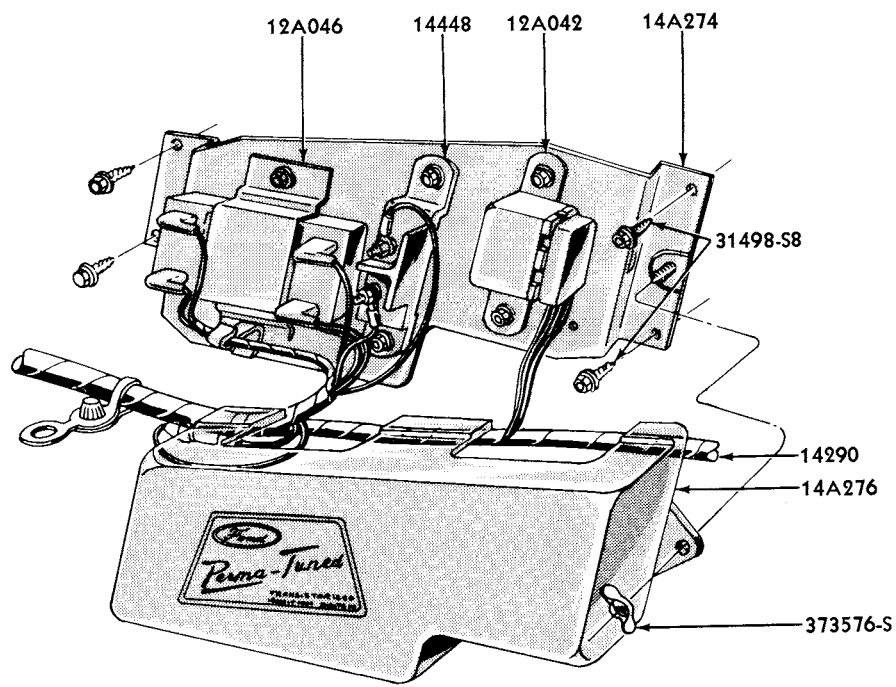
ENGINE COMPARTMENT WIRING



1964 MERCURY

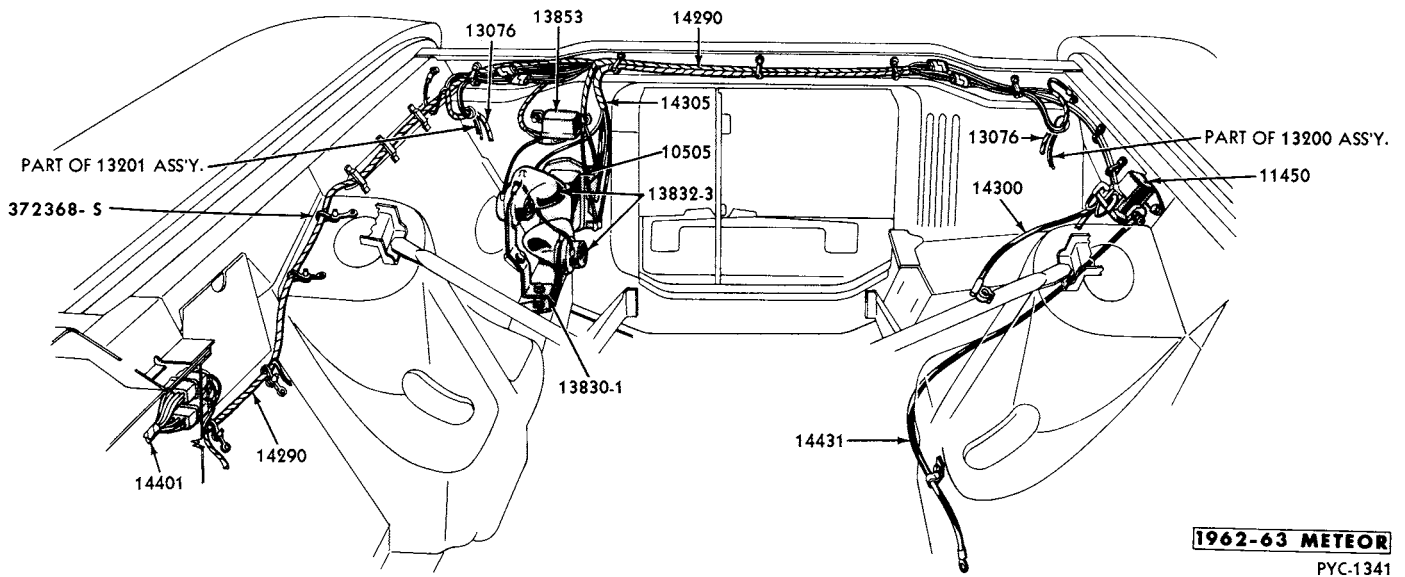
PMC-1679

ENGINE COMPARTMENT WIRING

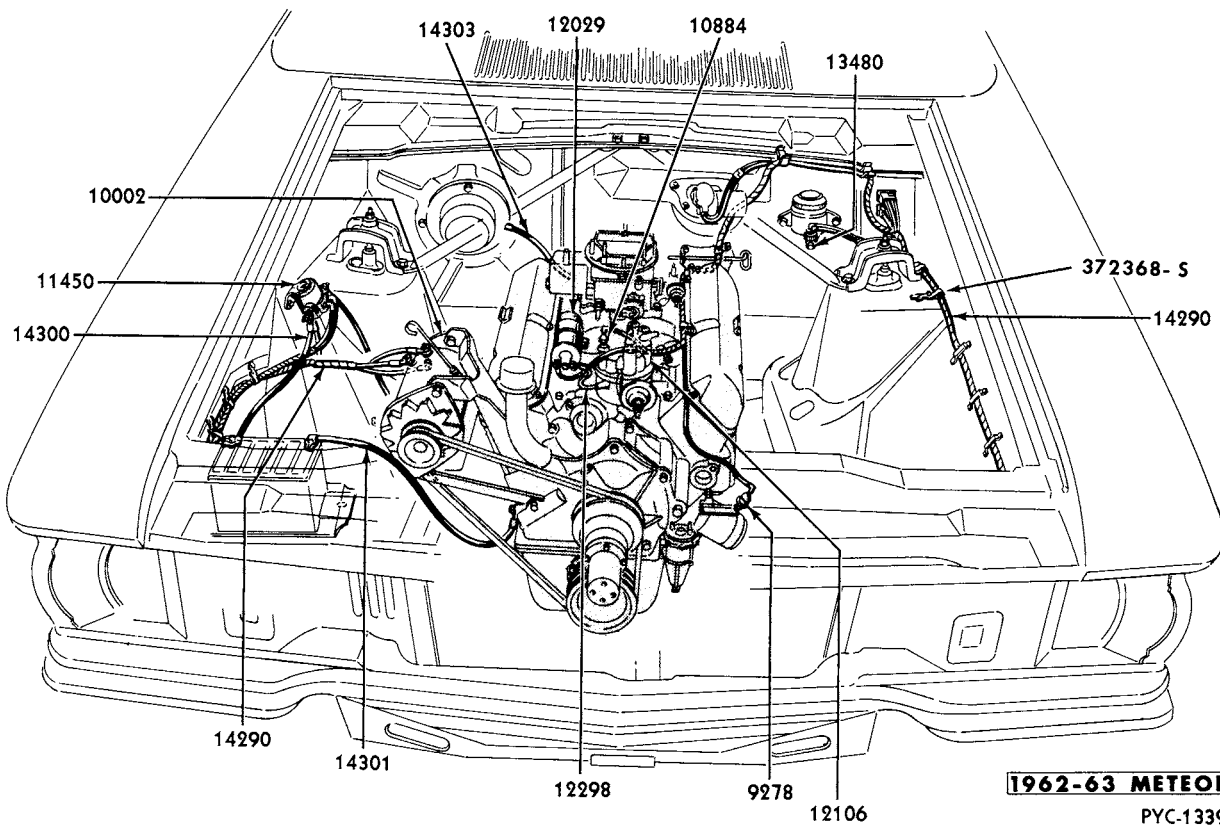


1964 MERCURY
PMC-1680

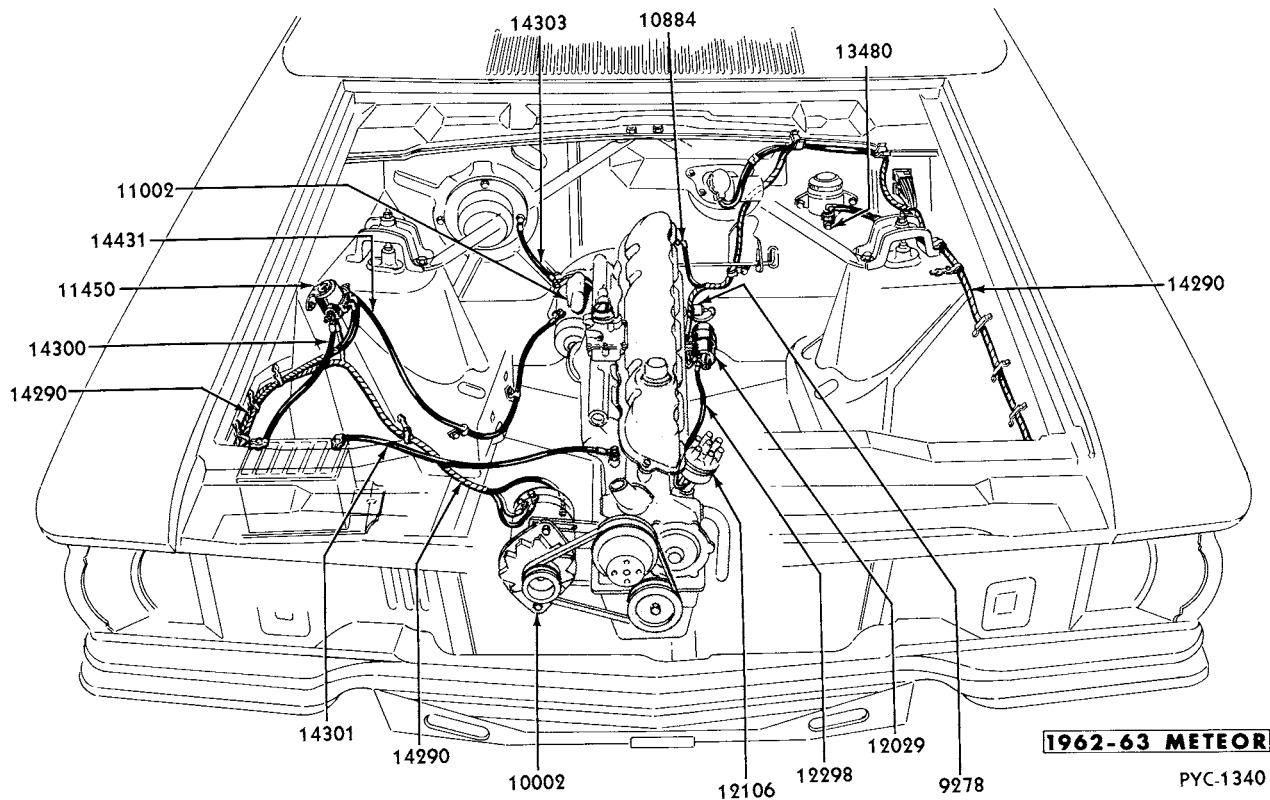
ENGINE WIRING - 427 C.I.D. ENGINE



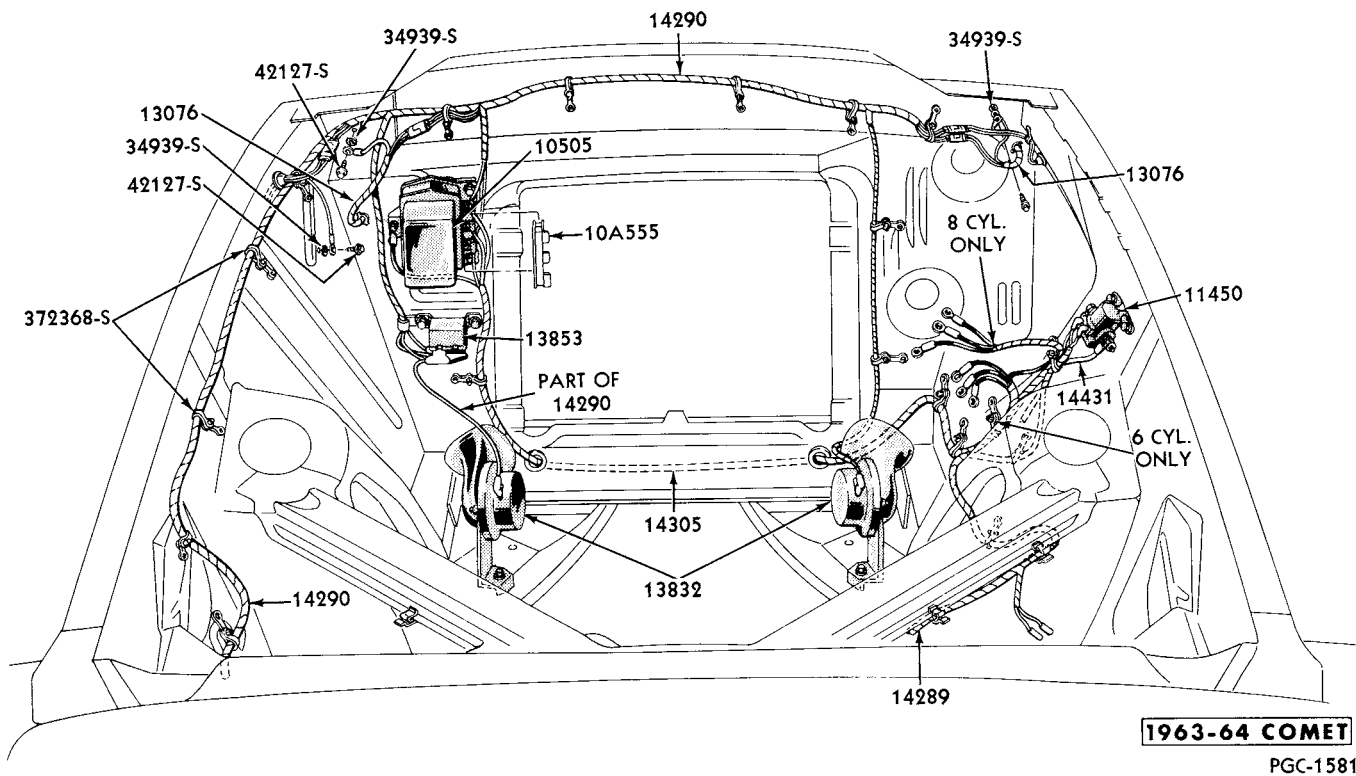
ENGINE COMPARTMENT WIRING 170, 221, 260 C.I.D. ENGINE



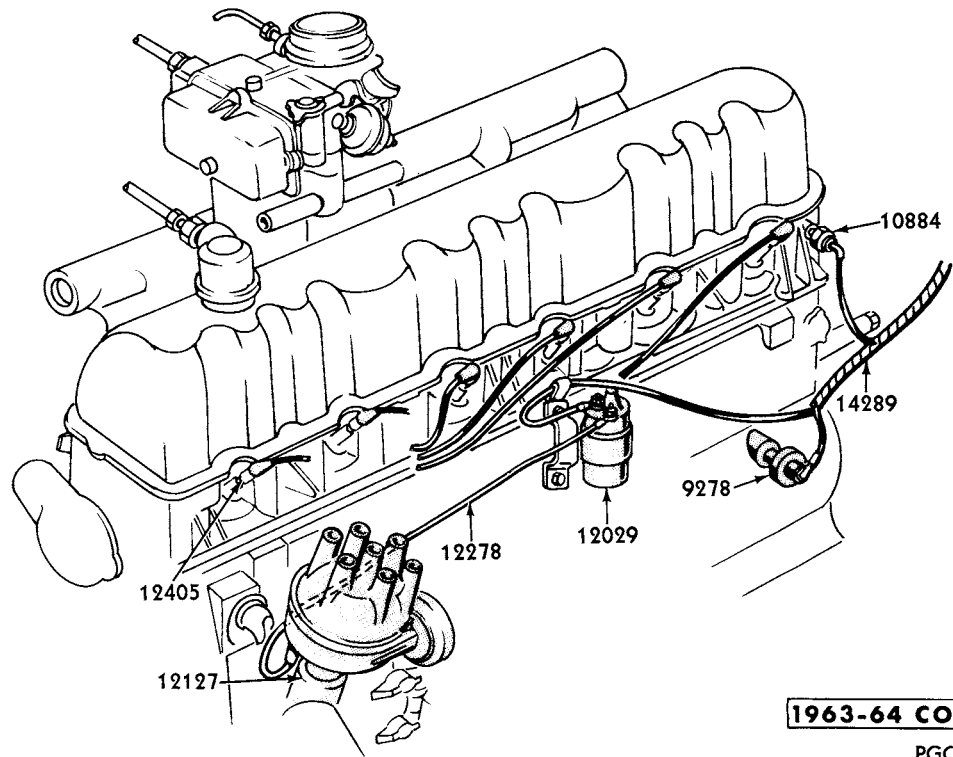
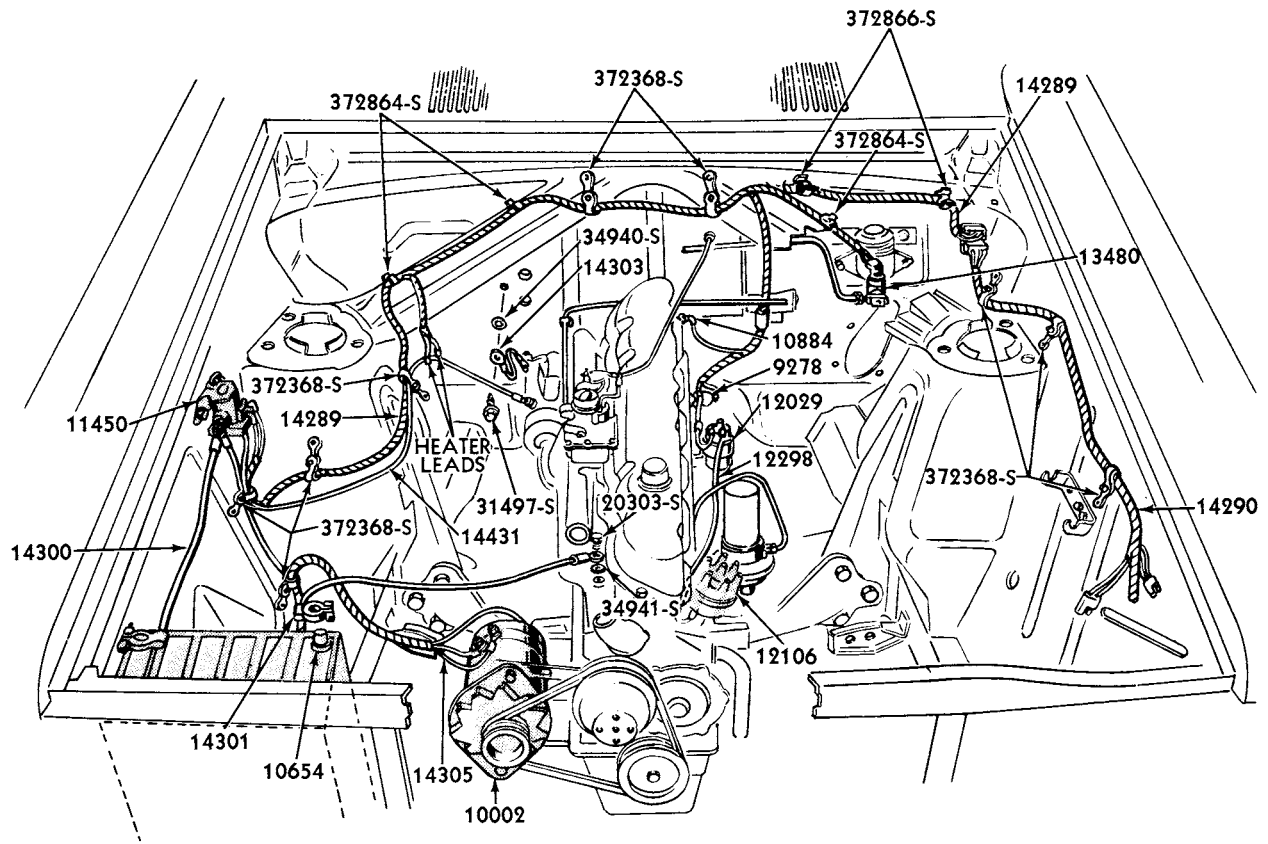
ENGINE COMPARTMENT WIRING 221, 260 C.I.D. ENGINE



ENGINE COMPARTMENT WIRING 170 C.I.D. ENGINE



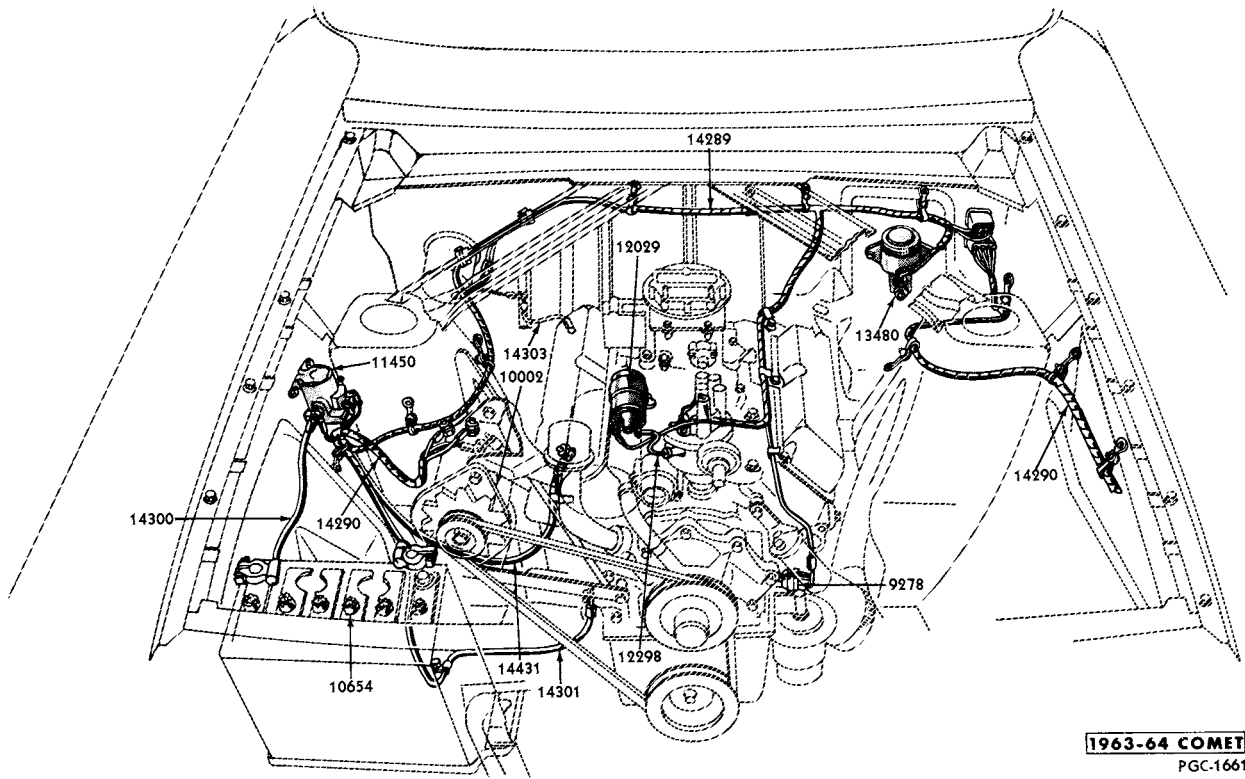
ENGINE COMPARTMENT WIRING - 144, 170 C.I.D. ENGINE



1963-64 COMET

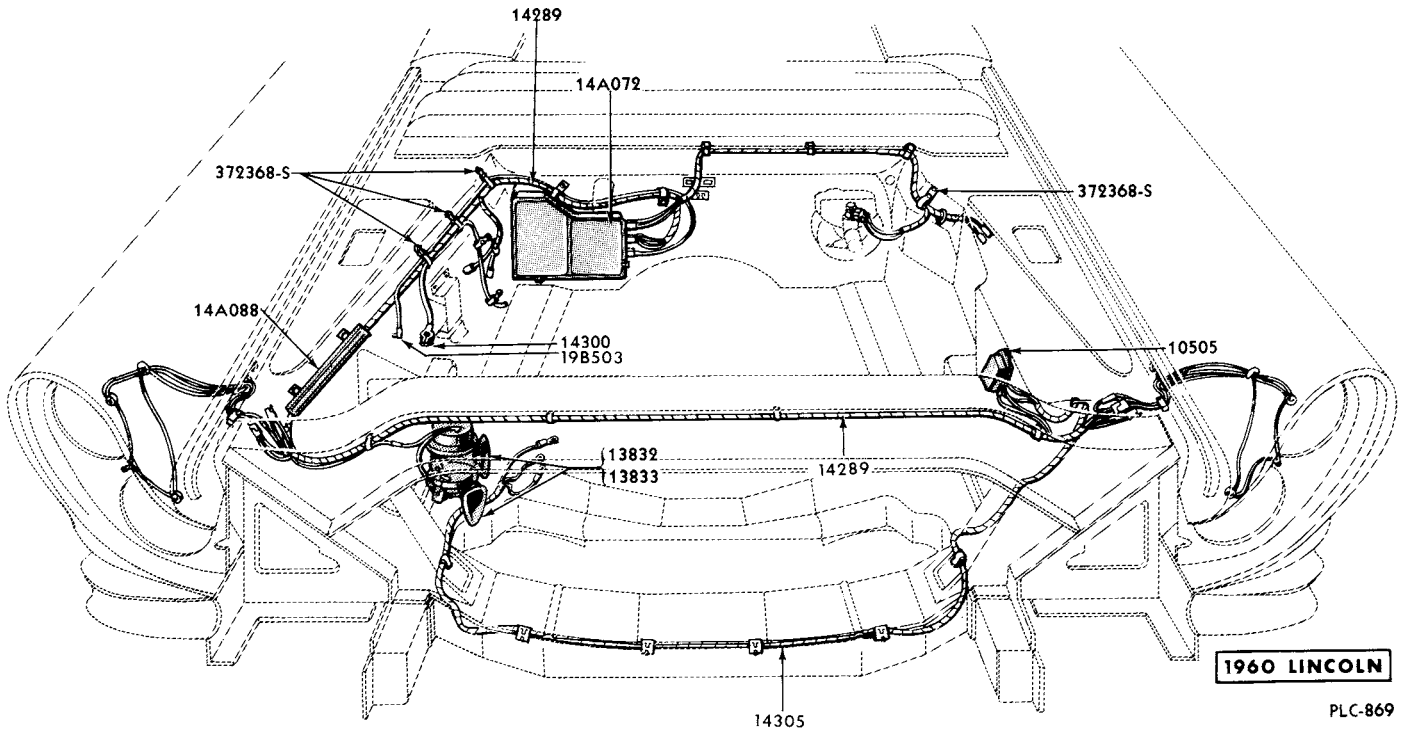
PGC-1580

ENGINE COMPARTMENT WIRING - 144, 170 C.I.D. ENGINE



1963-64 COMET
PGC-1661

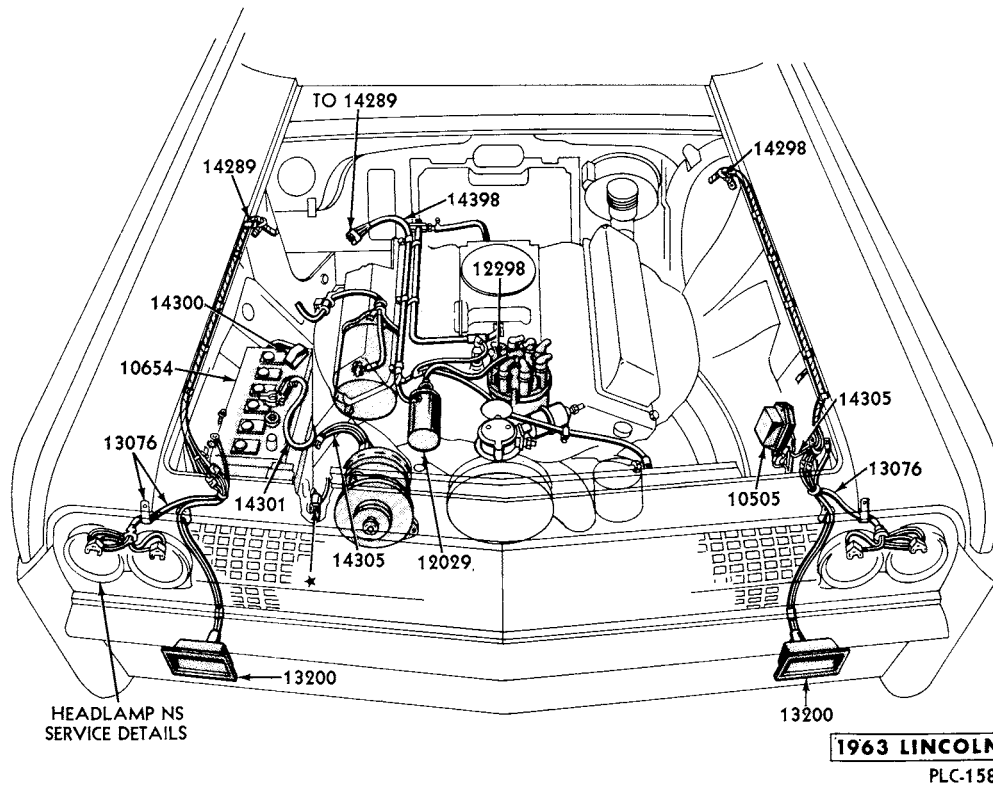
ENGINE COMPARTMENT WIRING - 8 CYLINDER ENGINES



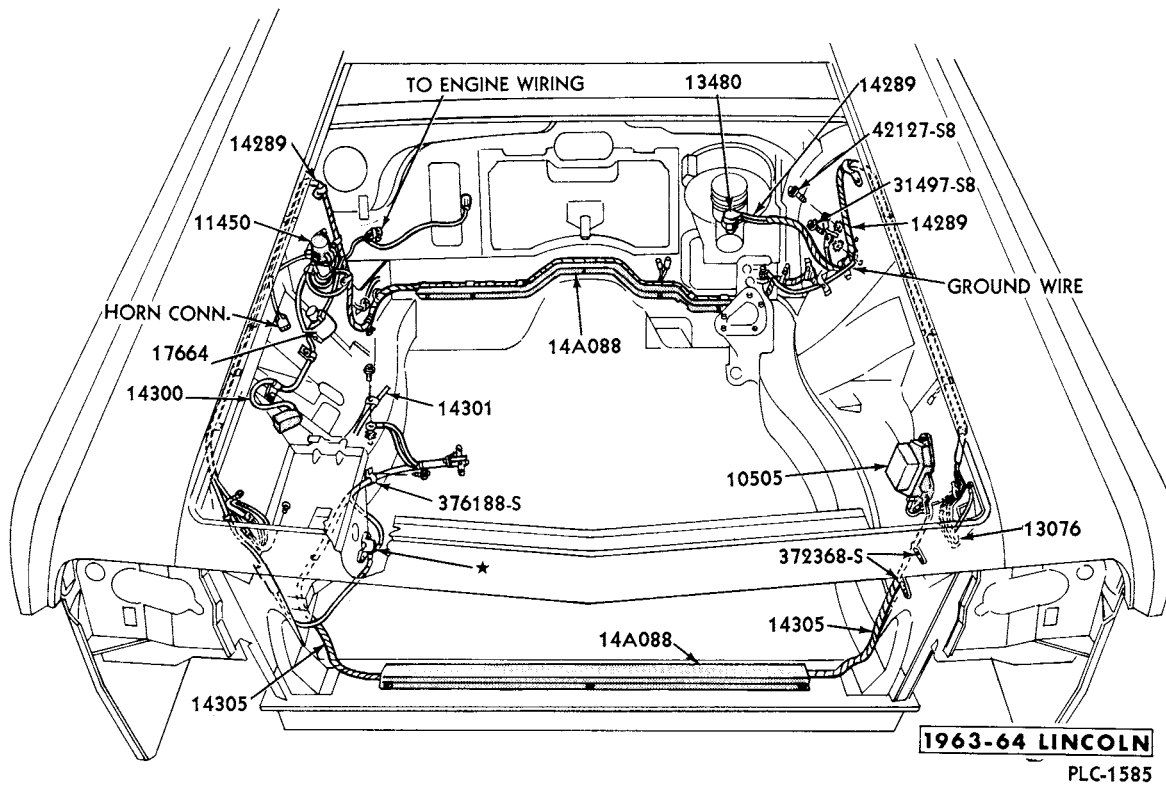
1960 LINCOLN

PLC-869

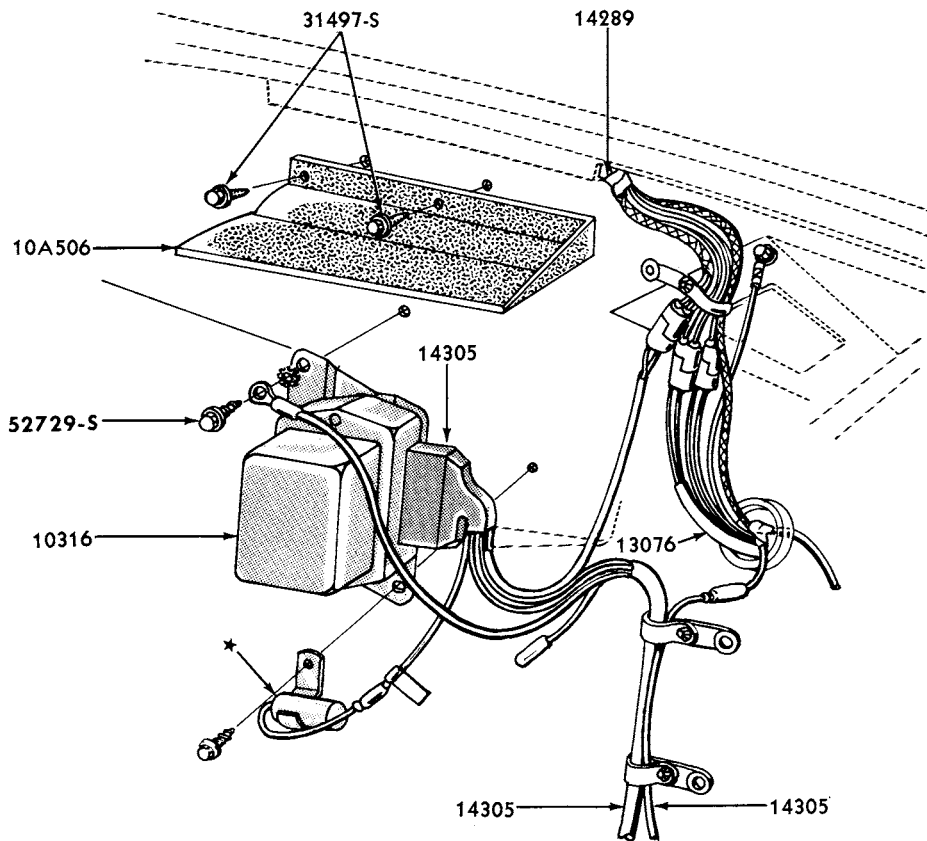
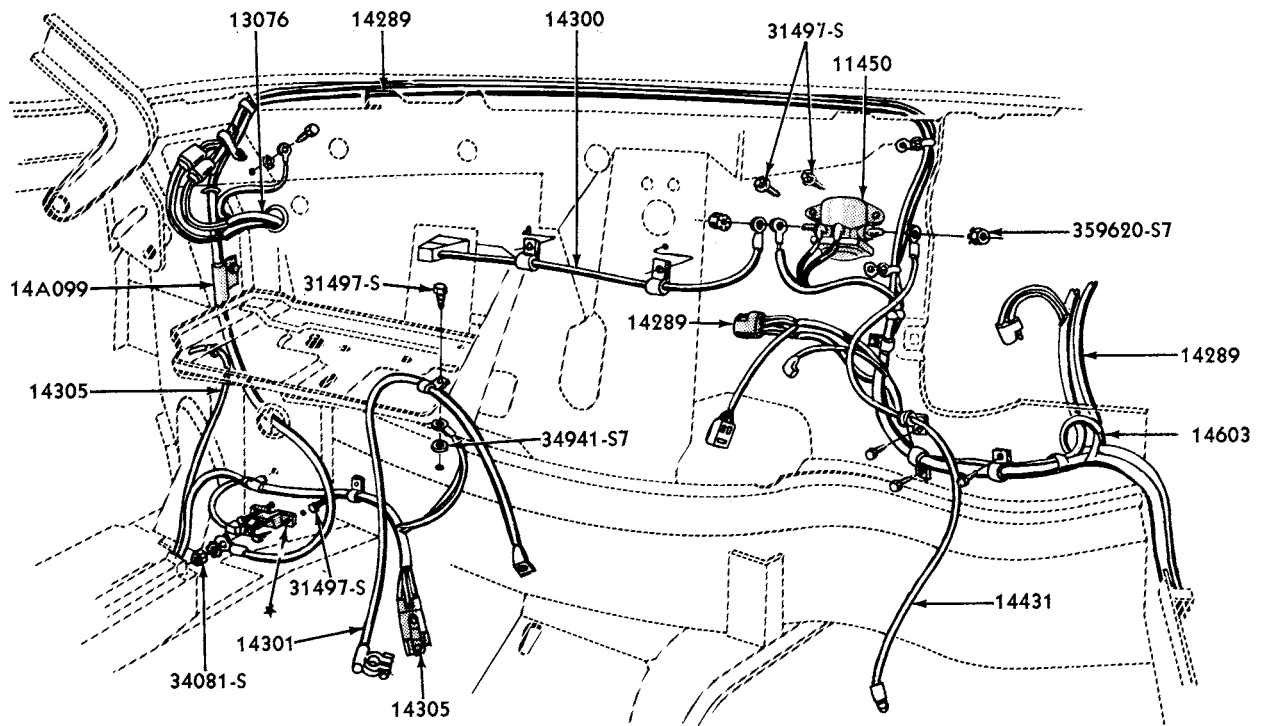
ENGINE COMPARTMENT WIRING



ENGINE COMPARTMENT WIRING

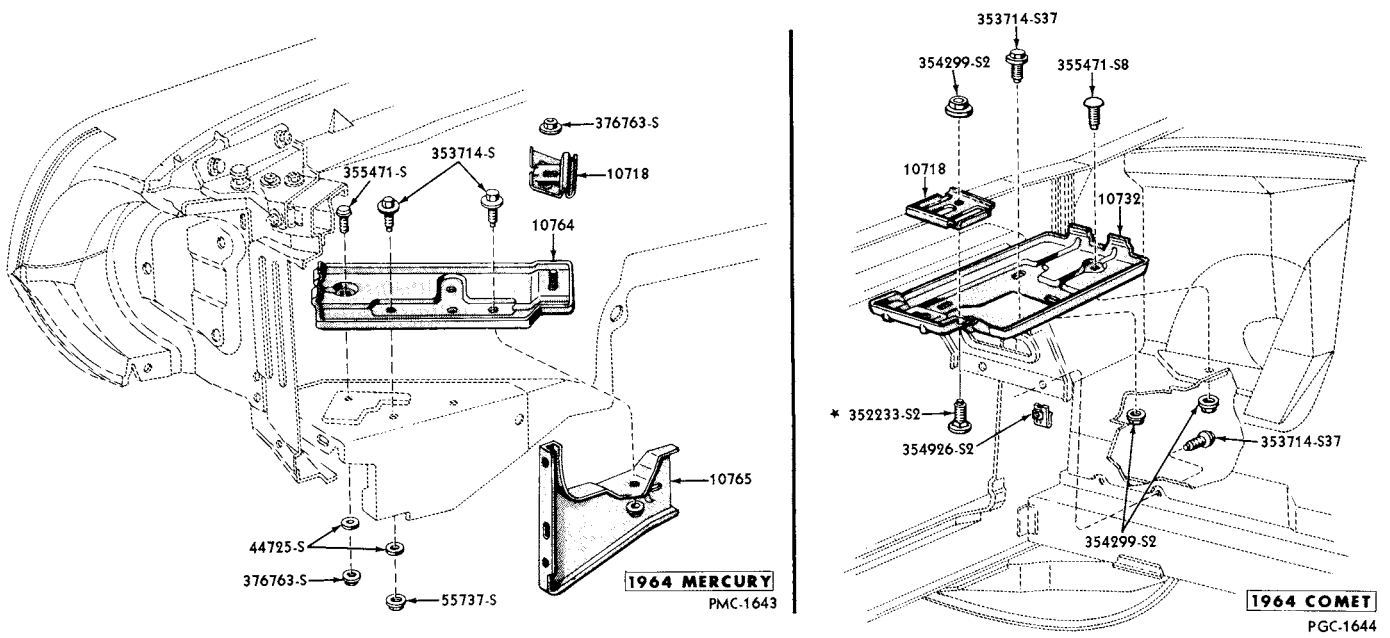


ENGINE COMPARTMENT WIRING

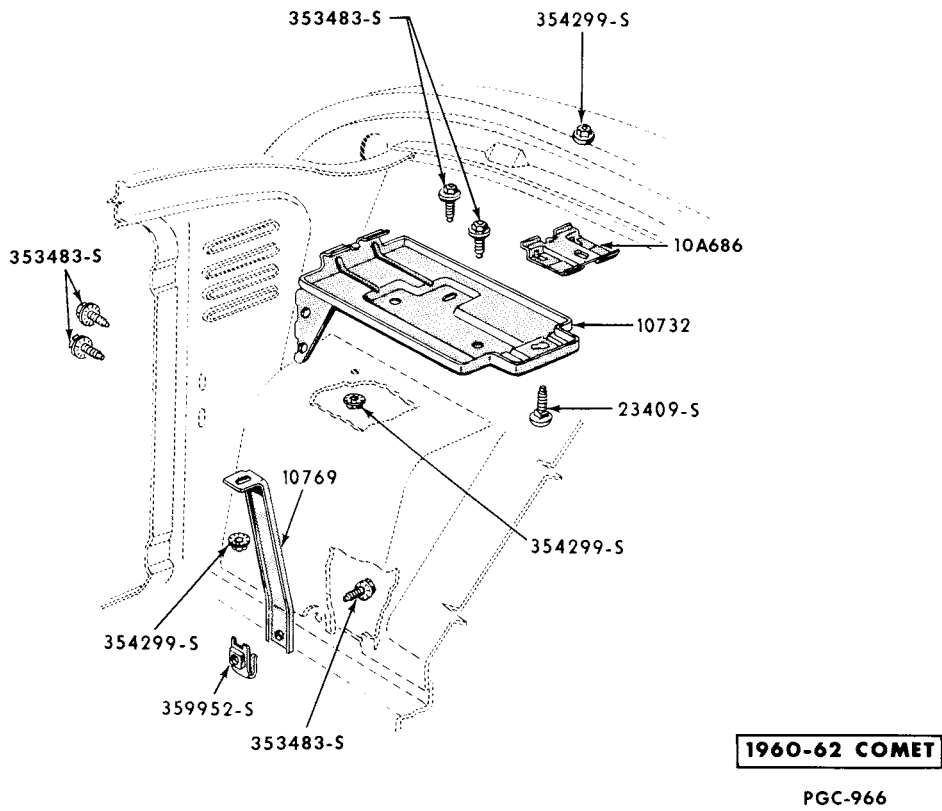


1964 LINCOLN
PLC-1672

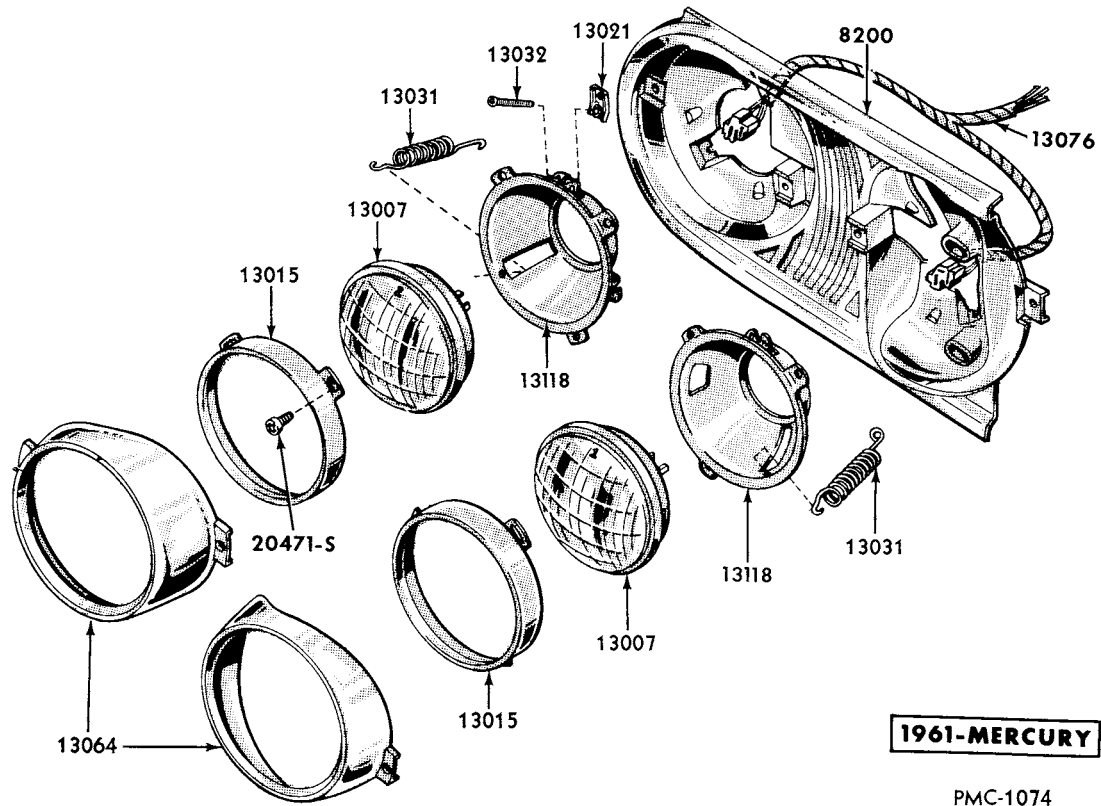
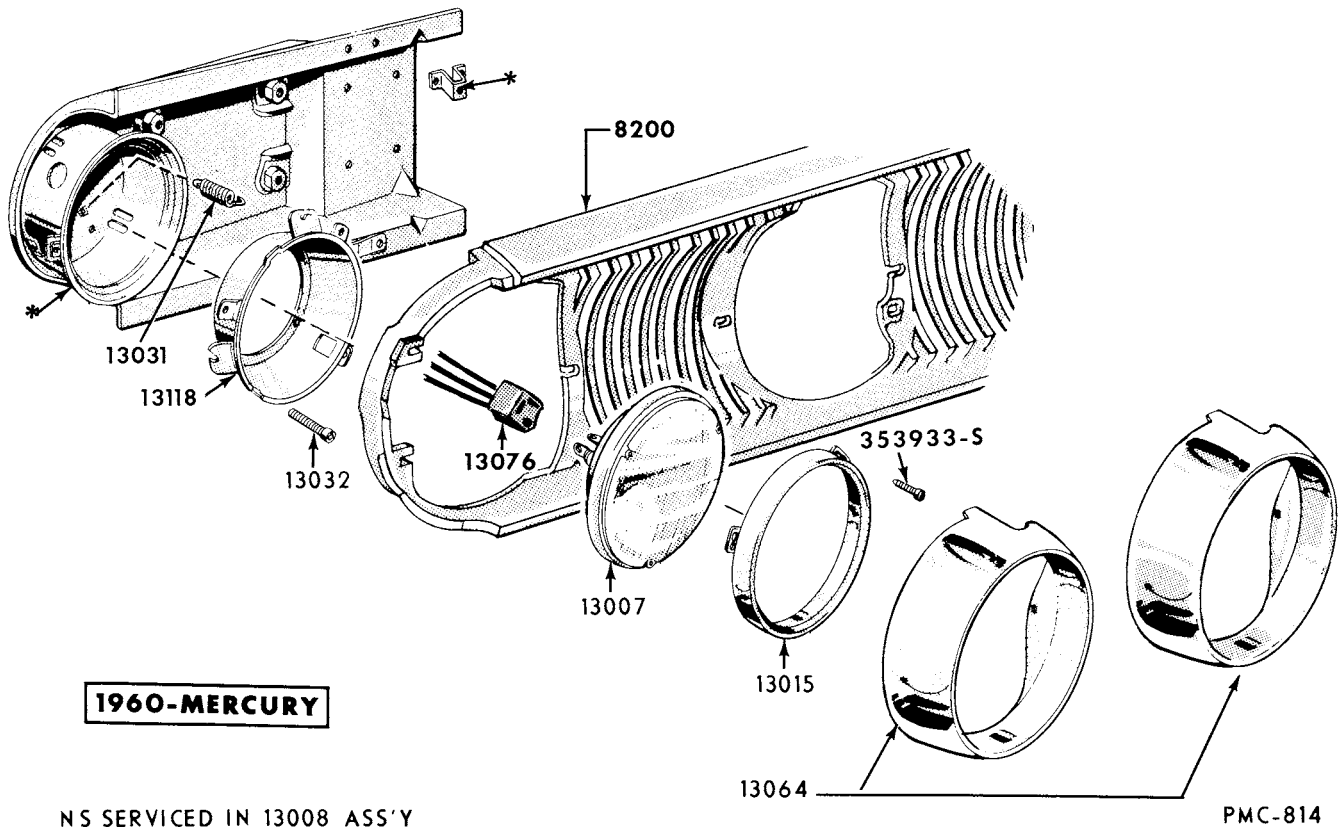
ENGINE COMPARTMENT WIRING



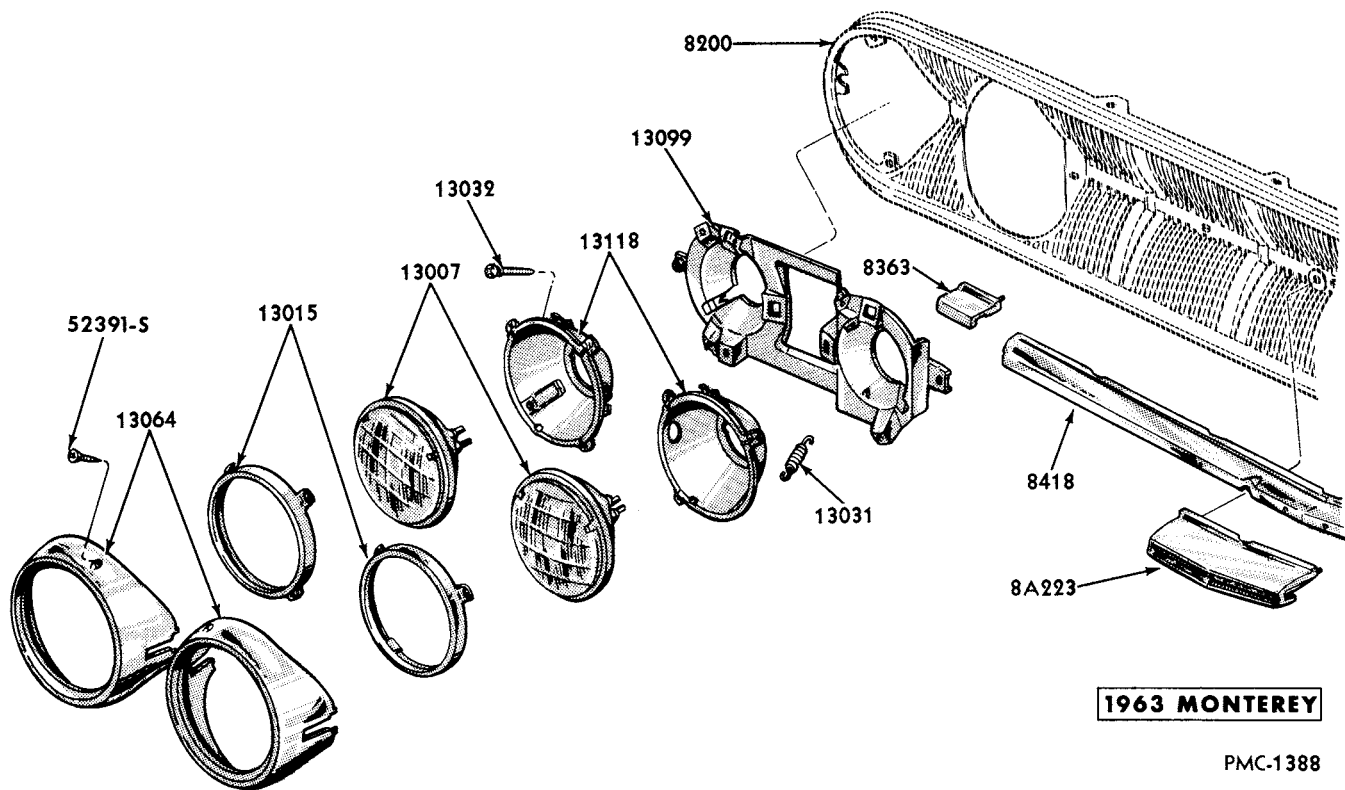
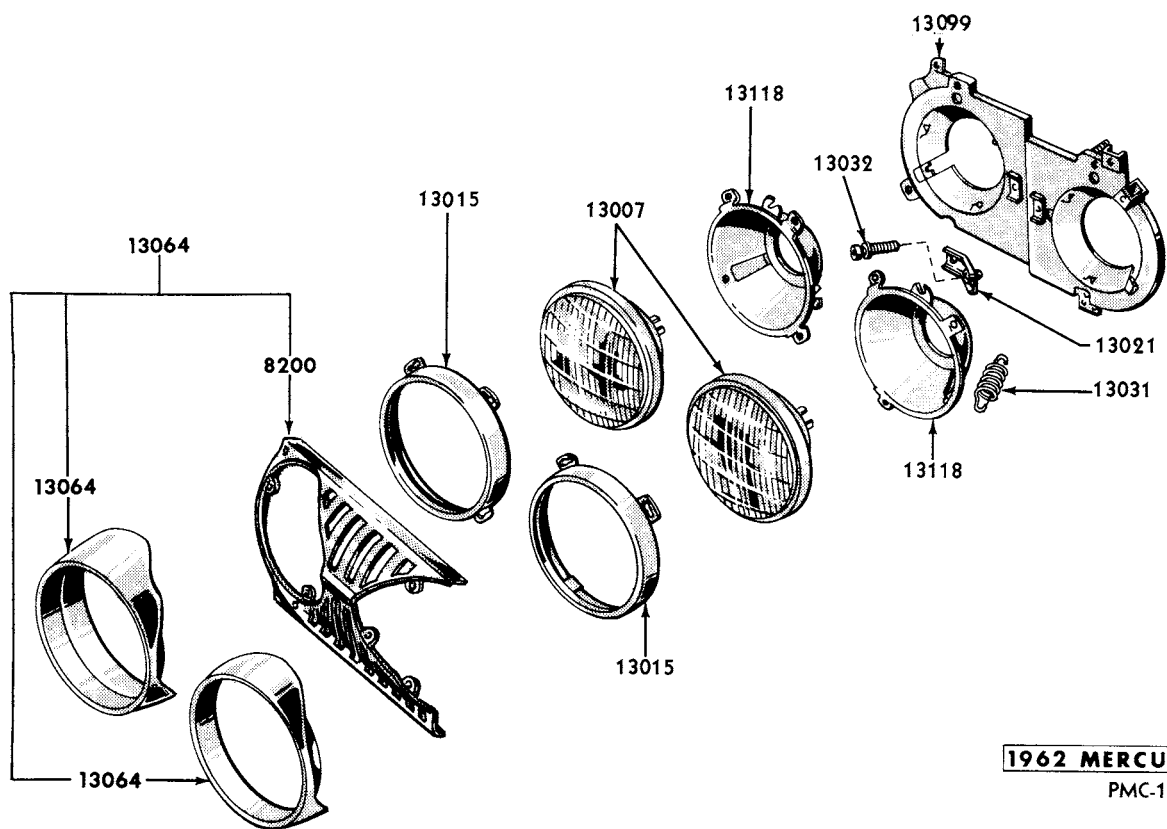
BATTERY CARRIER



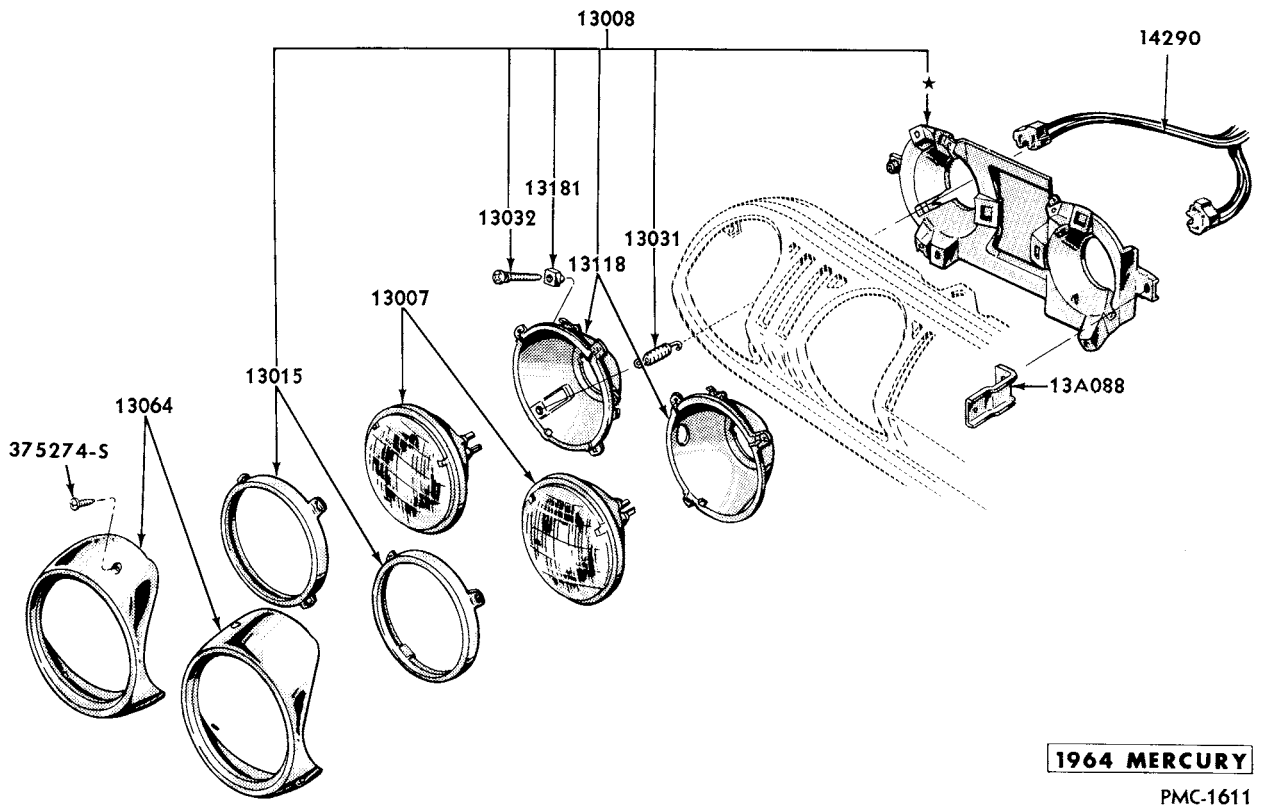
BATTERY CARRIER



HEADLAMPS



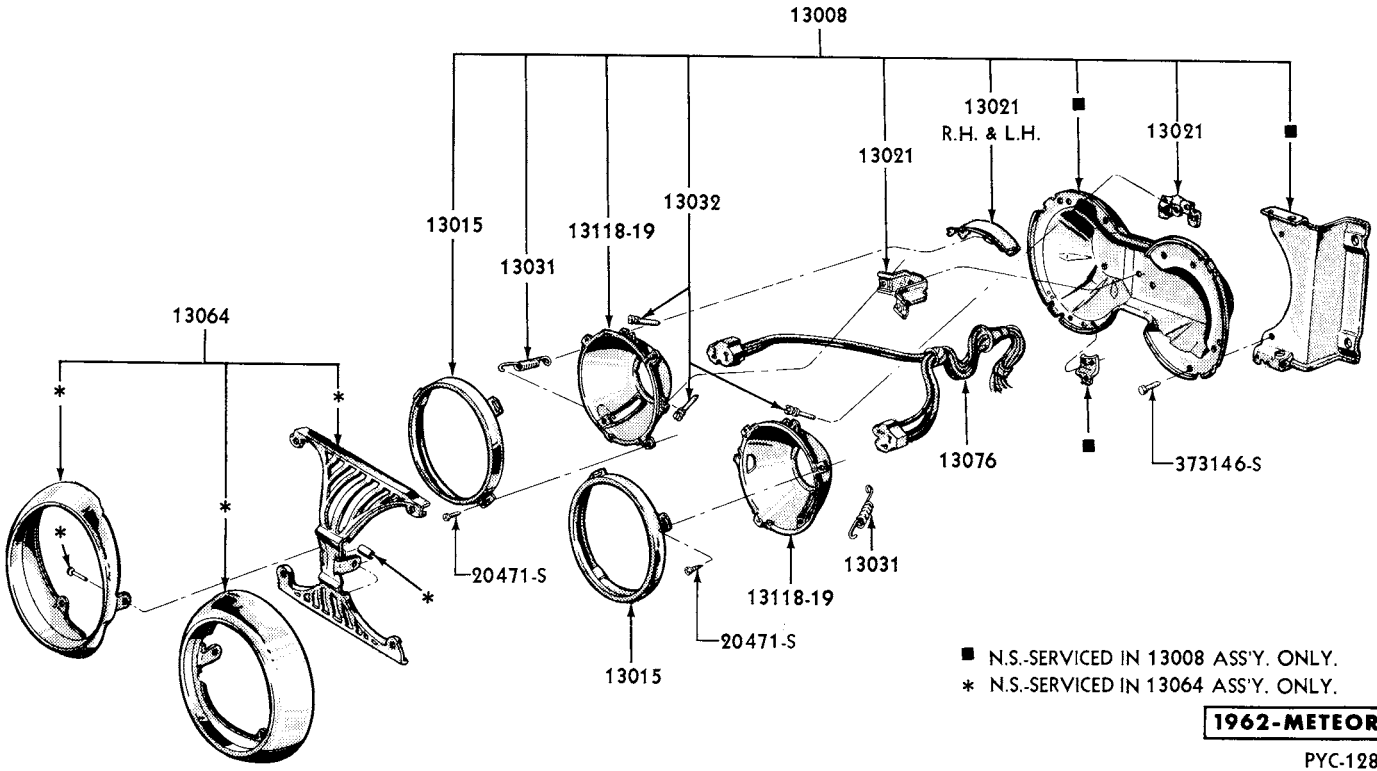
HEADLAMPS



1964 MERCURY

PMC-1611

HEADLAMP and GRILLE

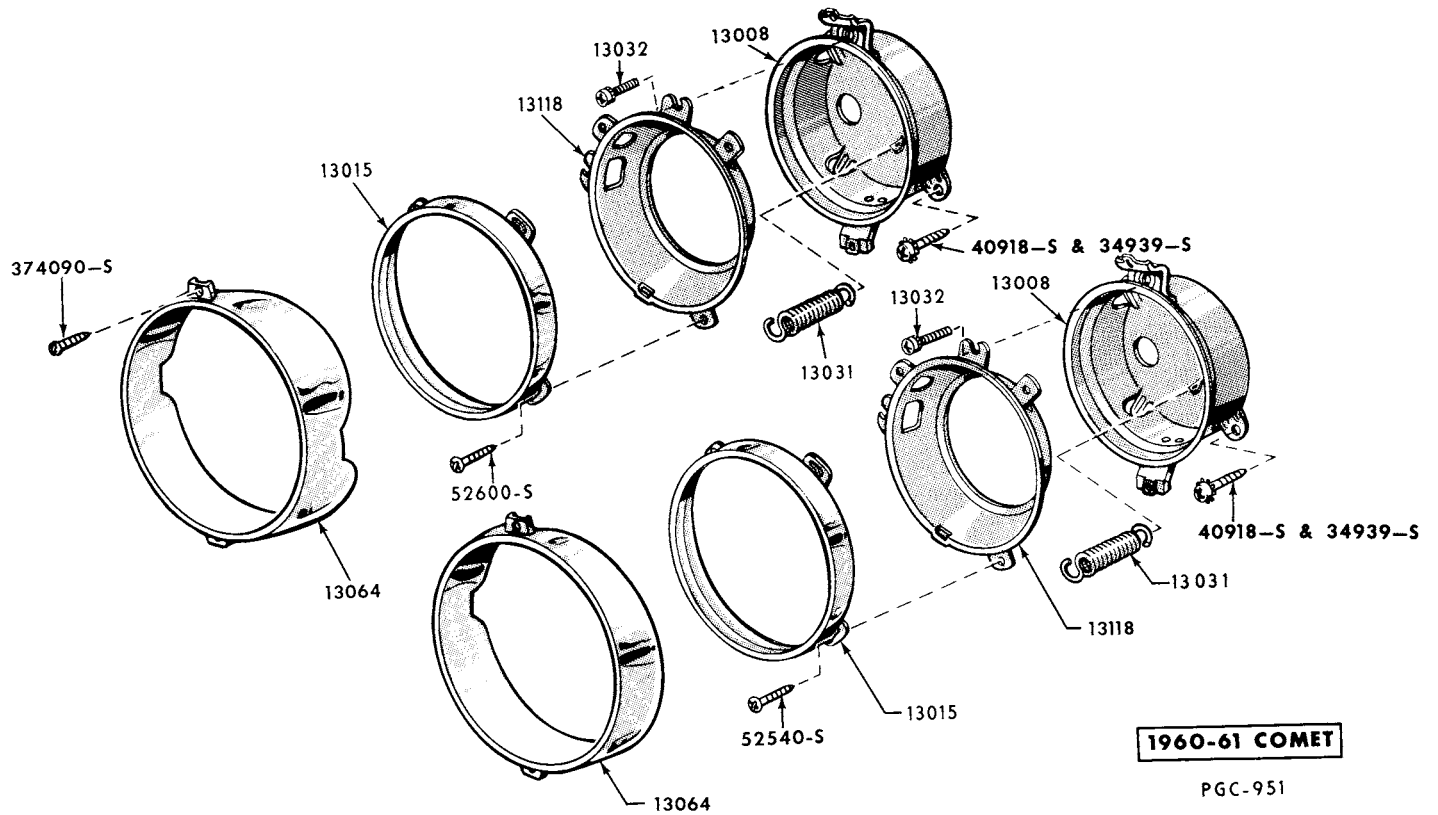
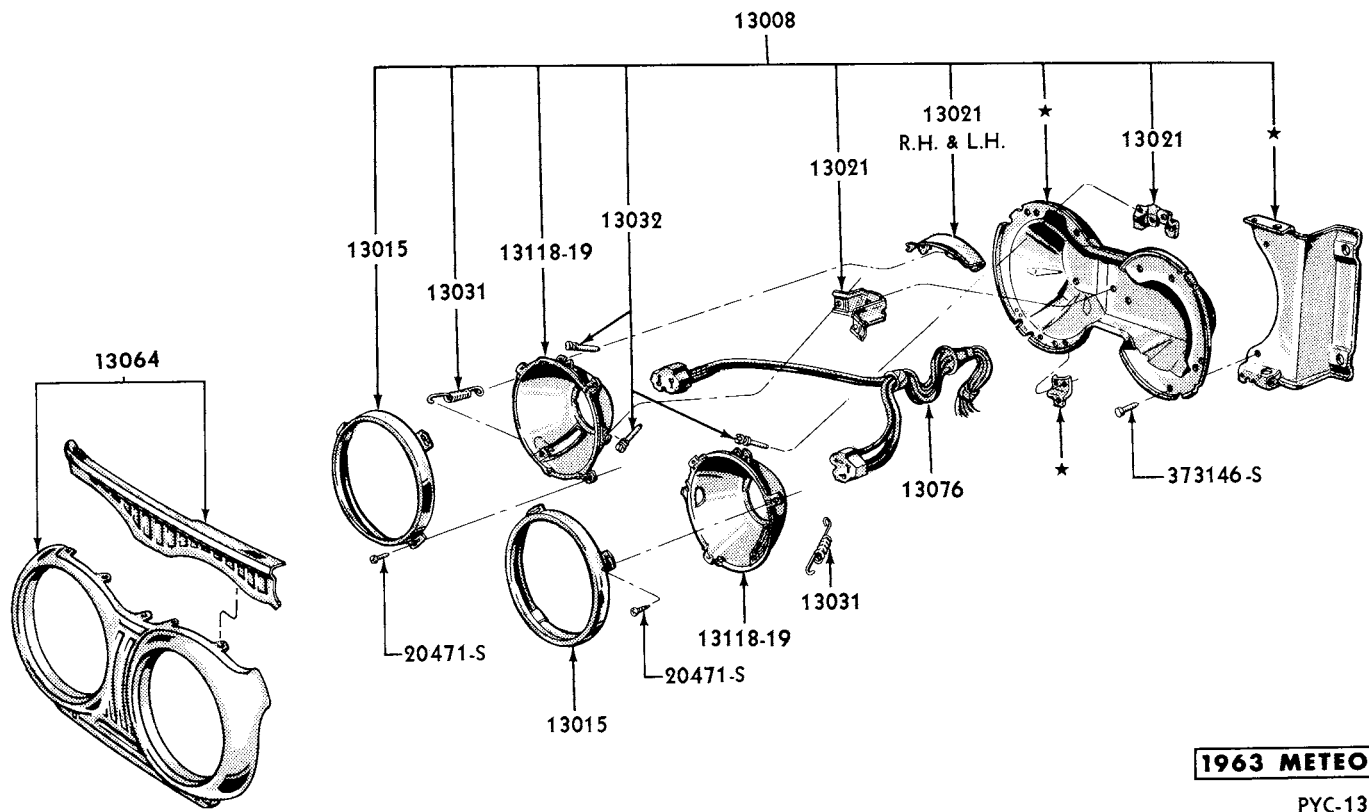


- N.S.-SERVICED IN 13008 ASS'Y. ONLY.
- * N.S.-SERVICED IN 13064 ASS'Y. ONLY.

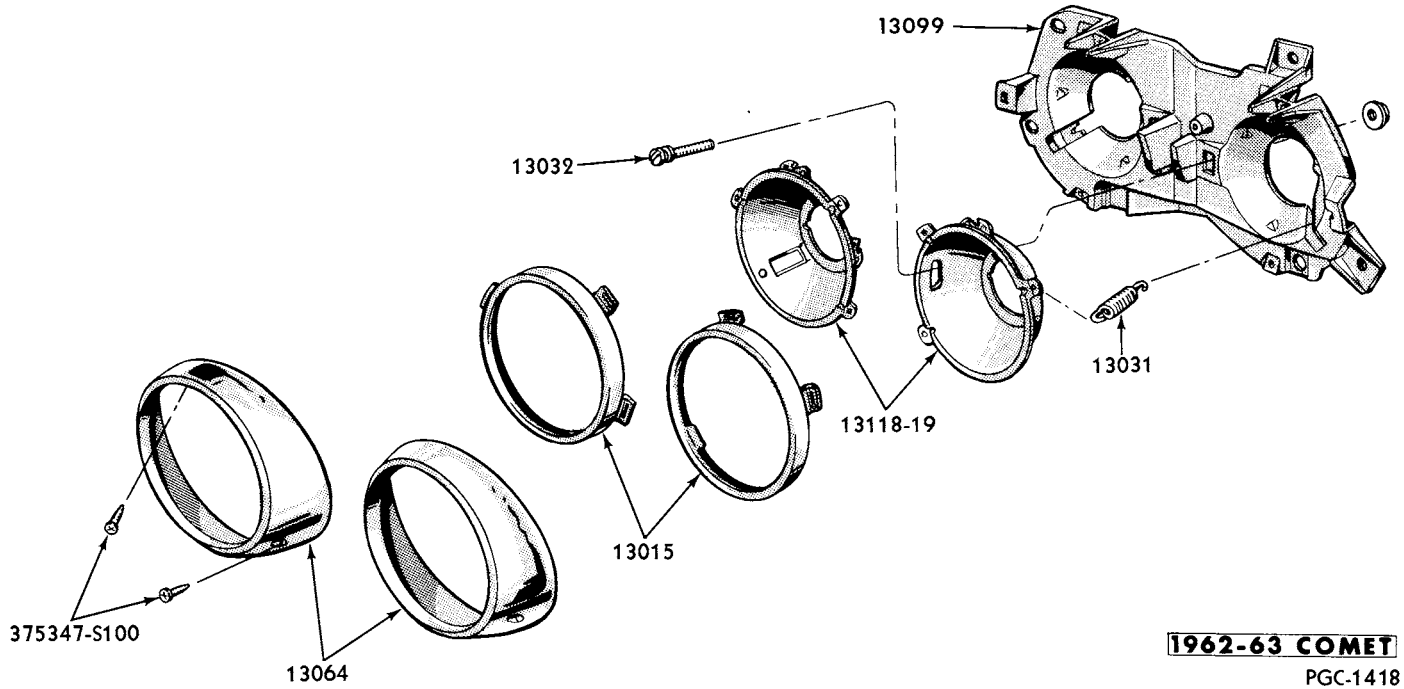
1962-METEOR

PYC-1289

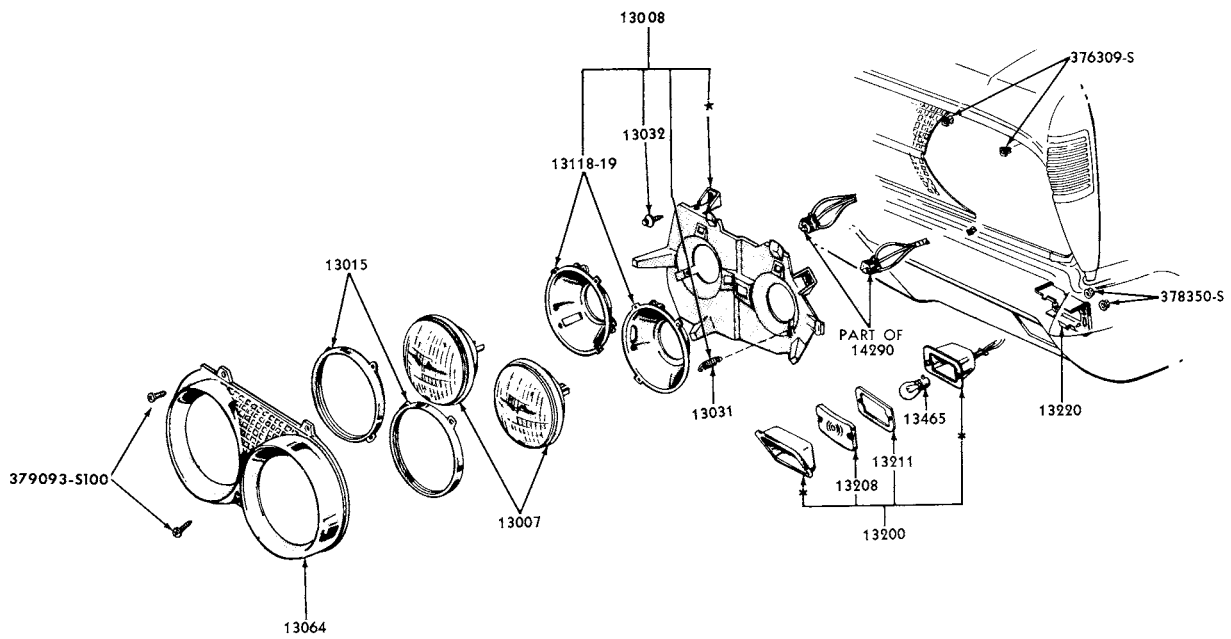
HEADLAMPS



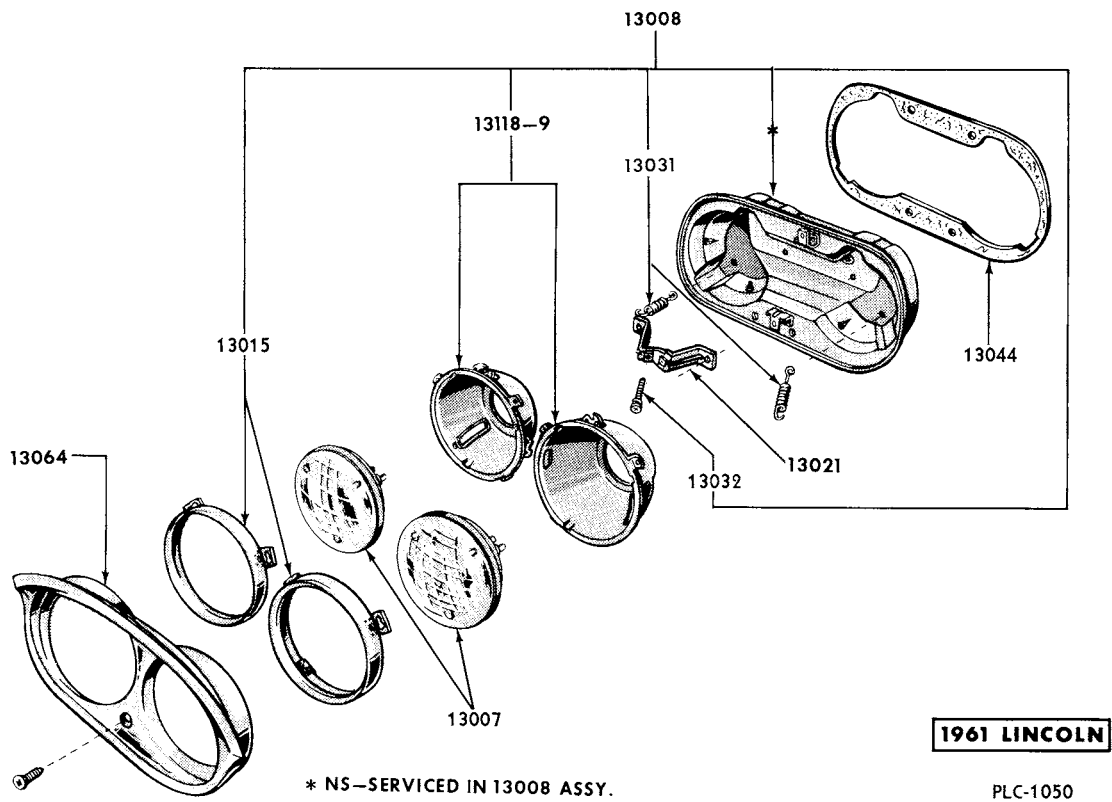
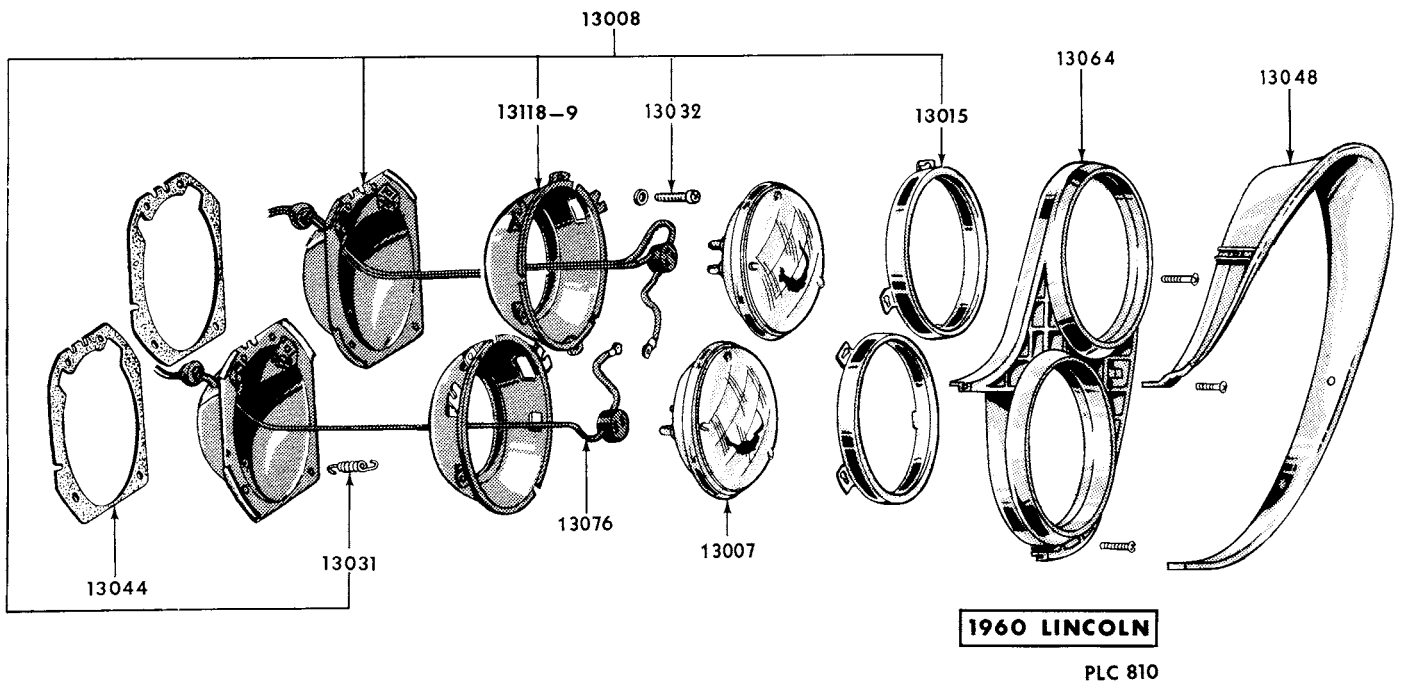
HEADLAMPS



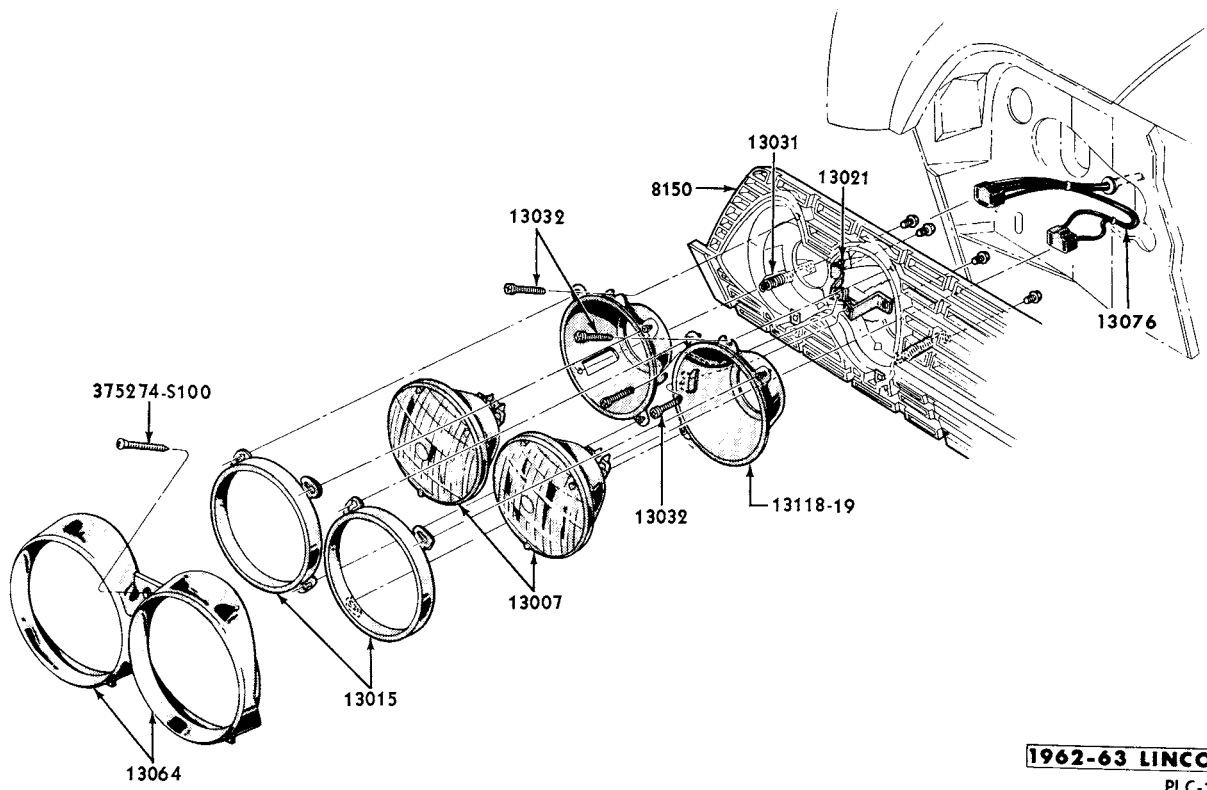
HEADLAMP



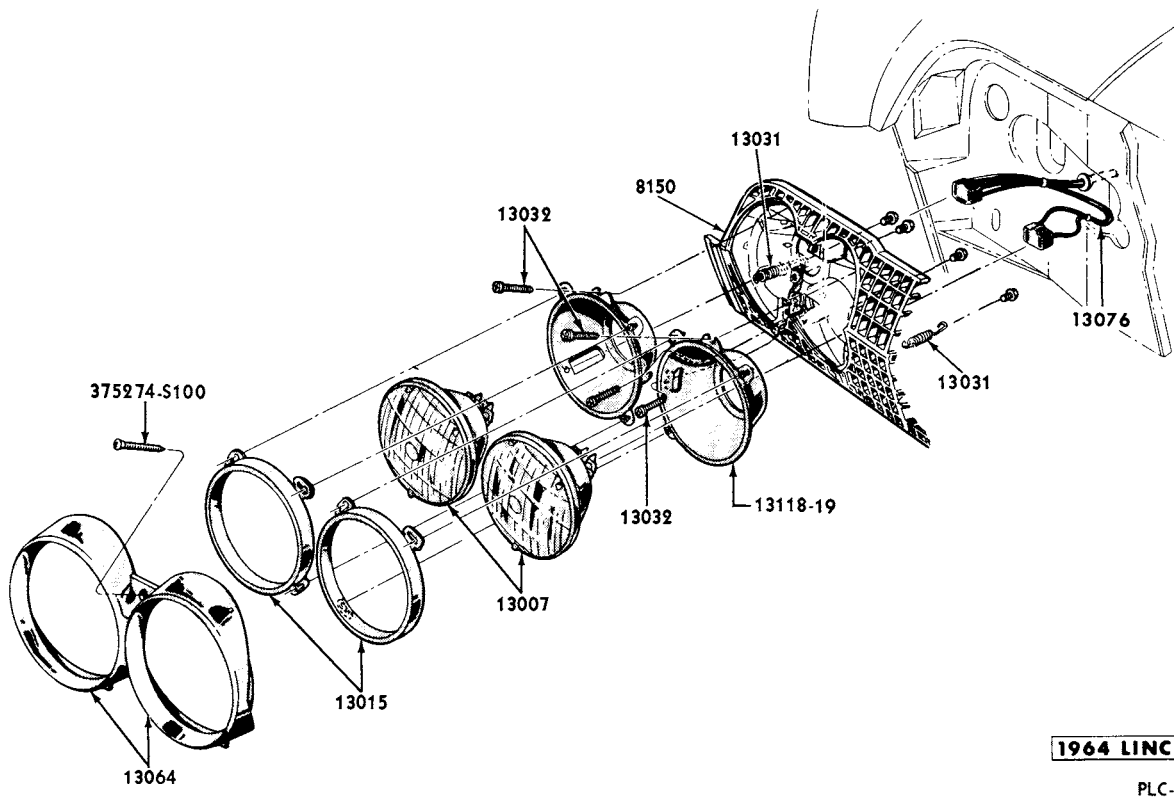
HEADLAMP and PARKING LAMP



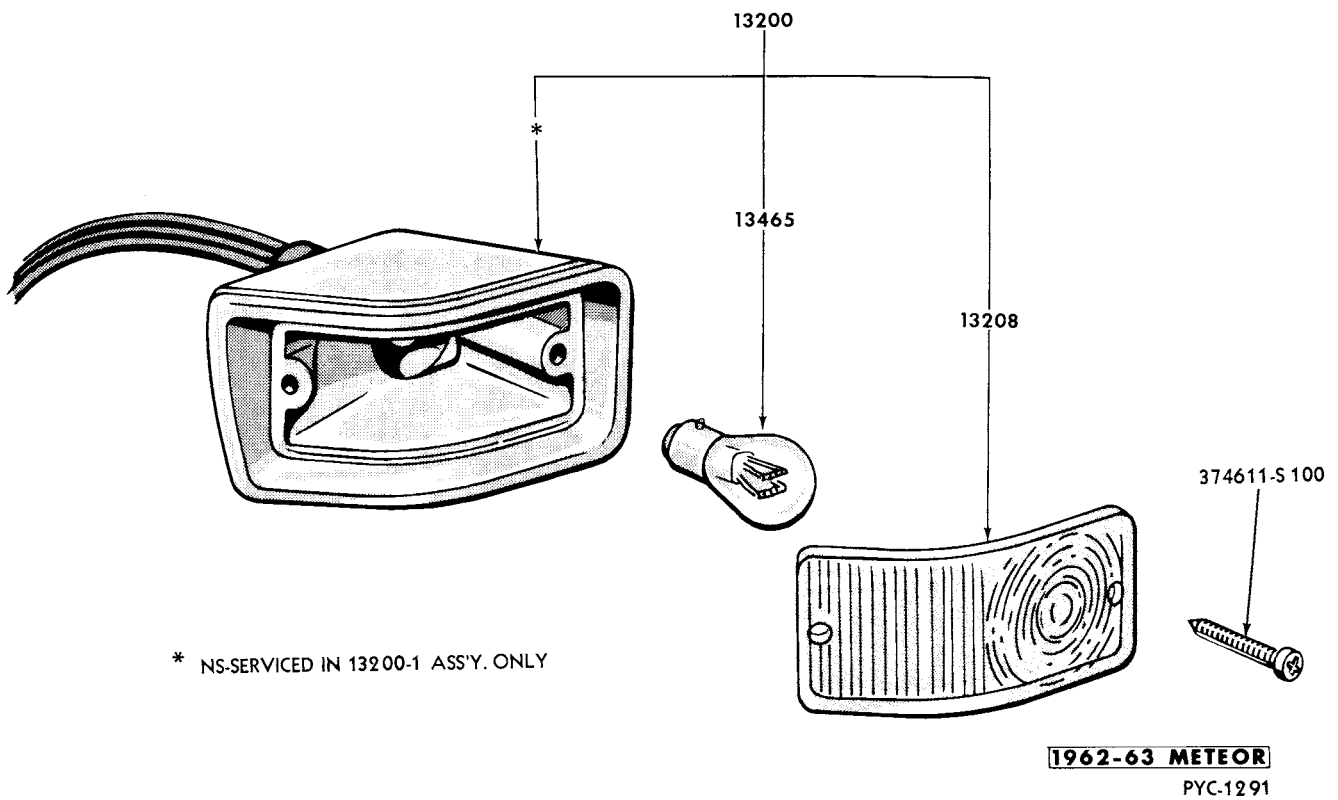
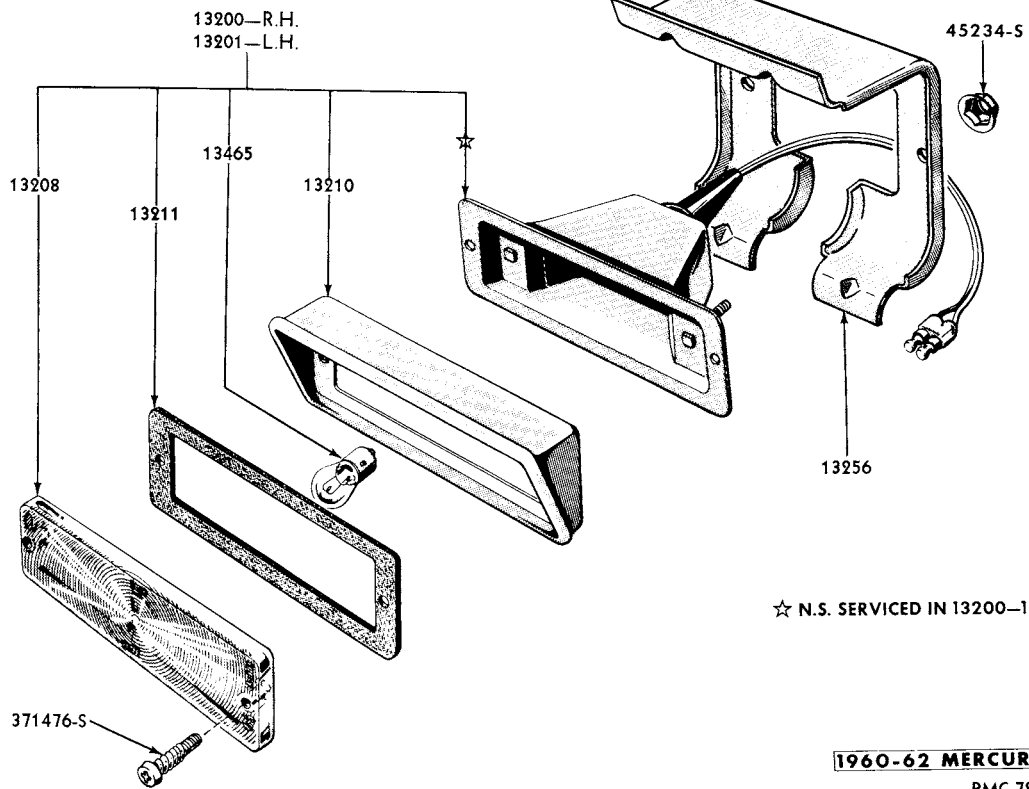
HEADLAMPS



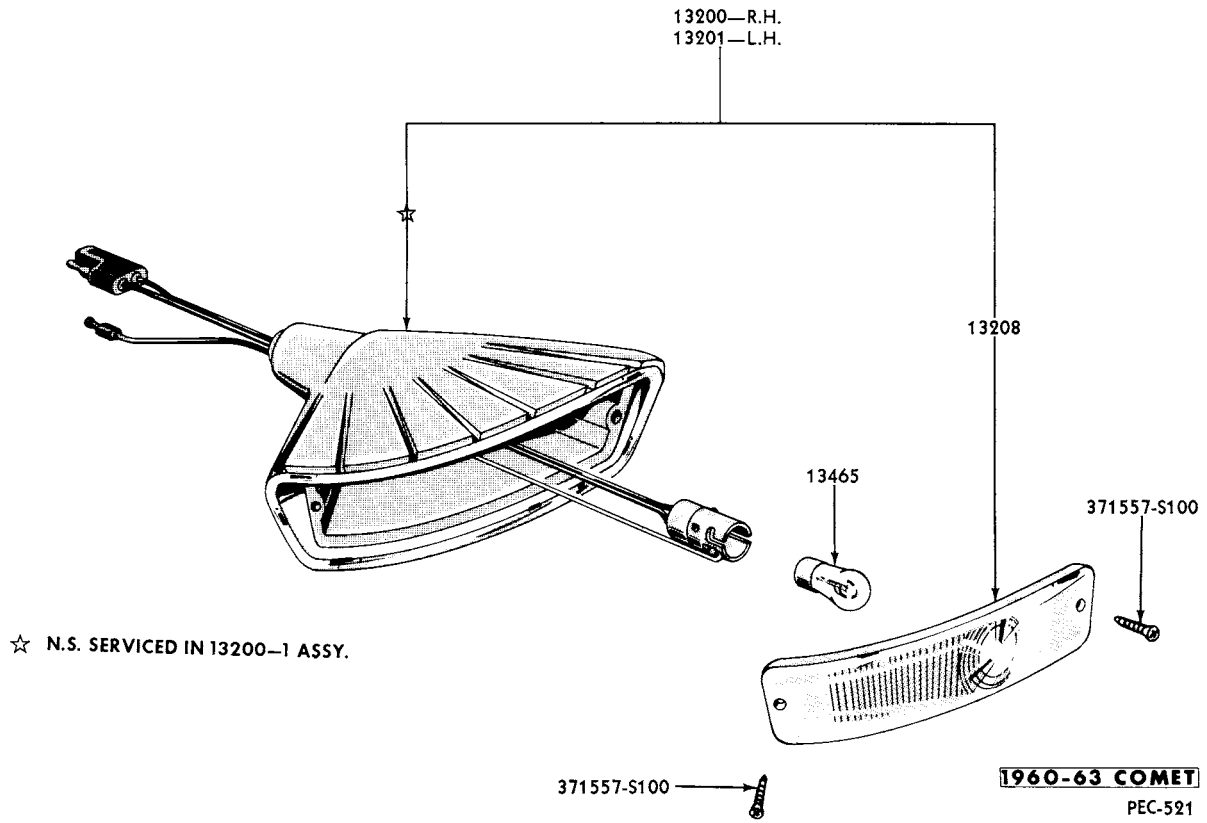
HEADLAMPS



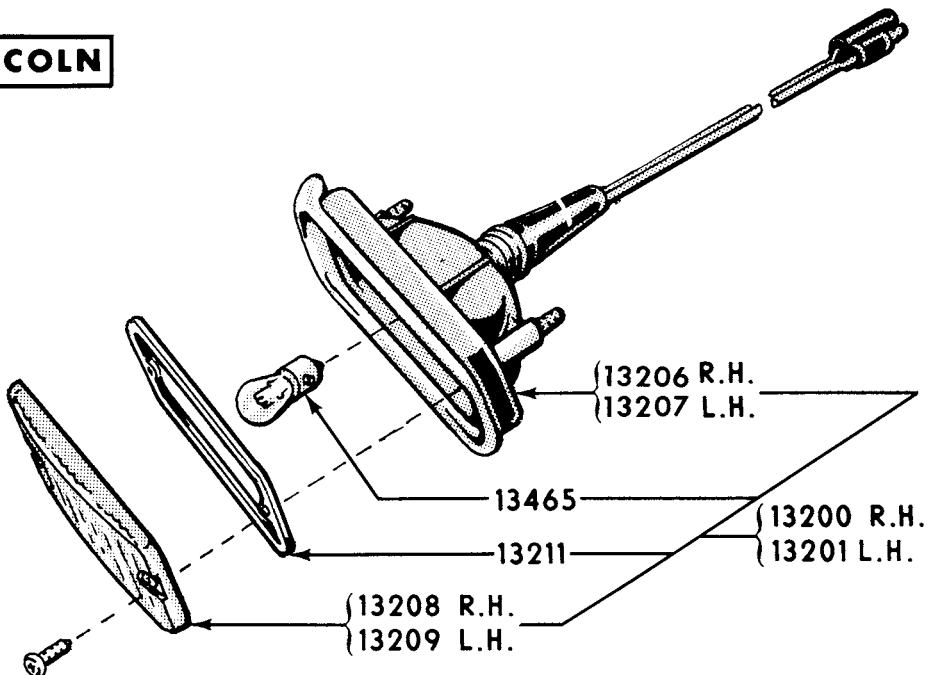
HEADLAMPS



PARKING LAMPS

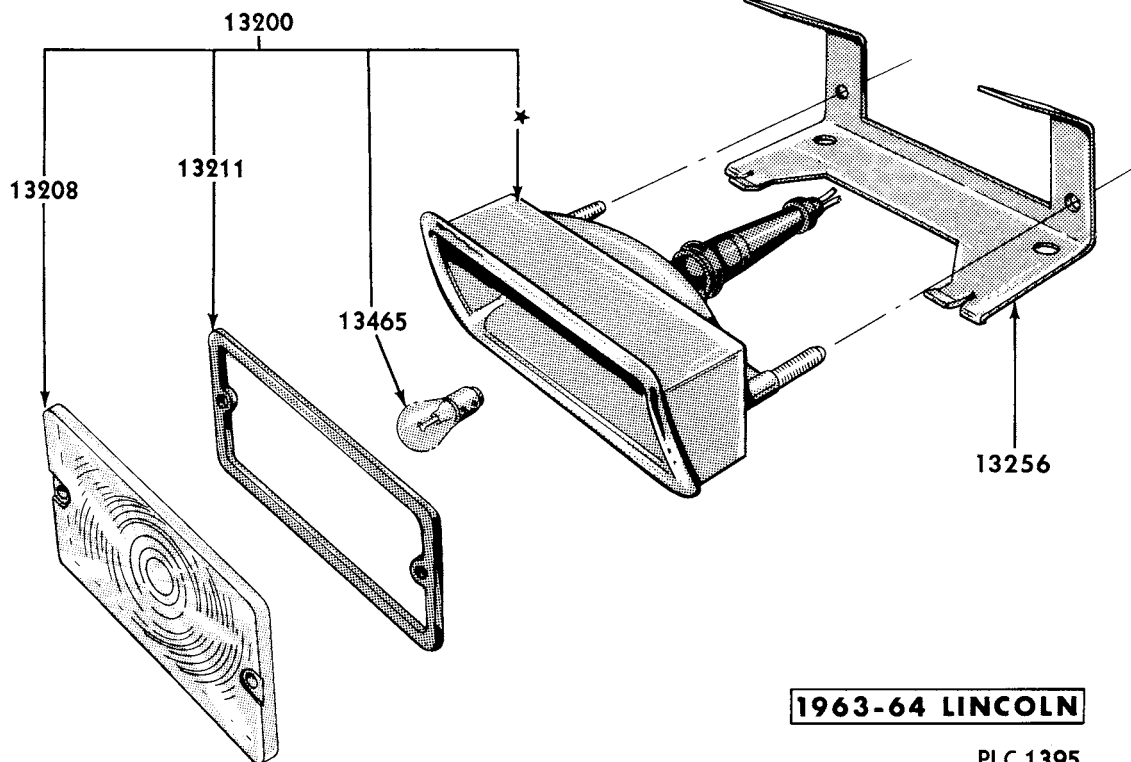


1960 LINCOLN



PLC-884

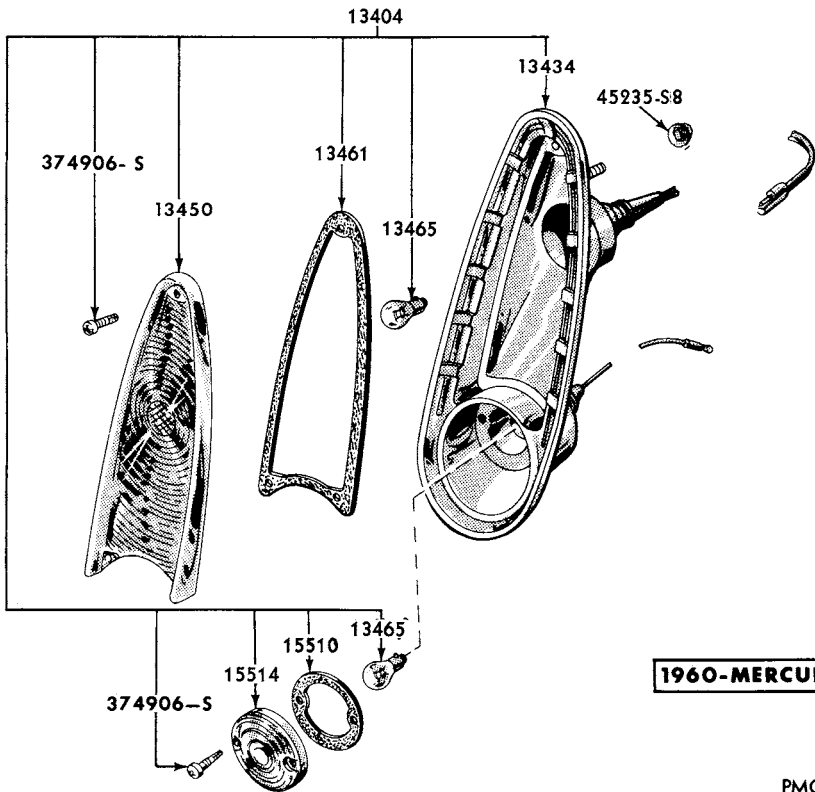
PARKING LAMPS



1963-64 LINCOLN

PLC-1395

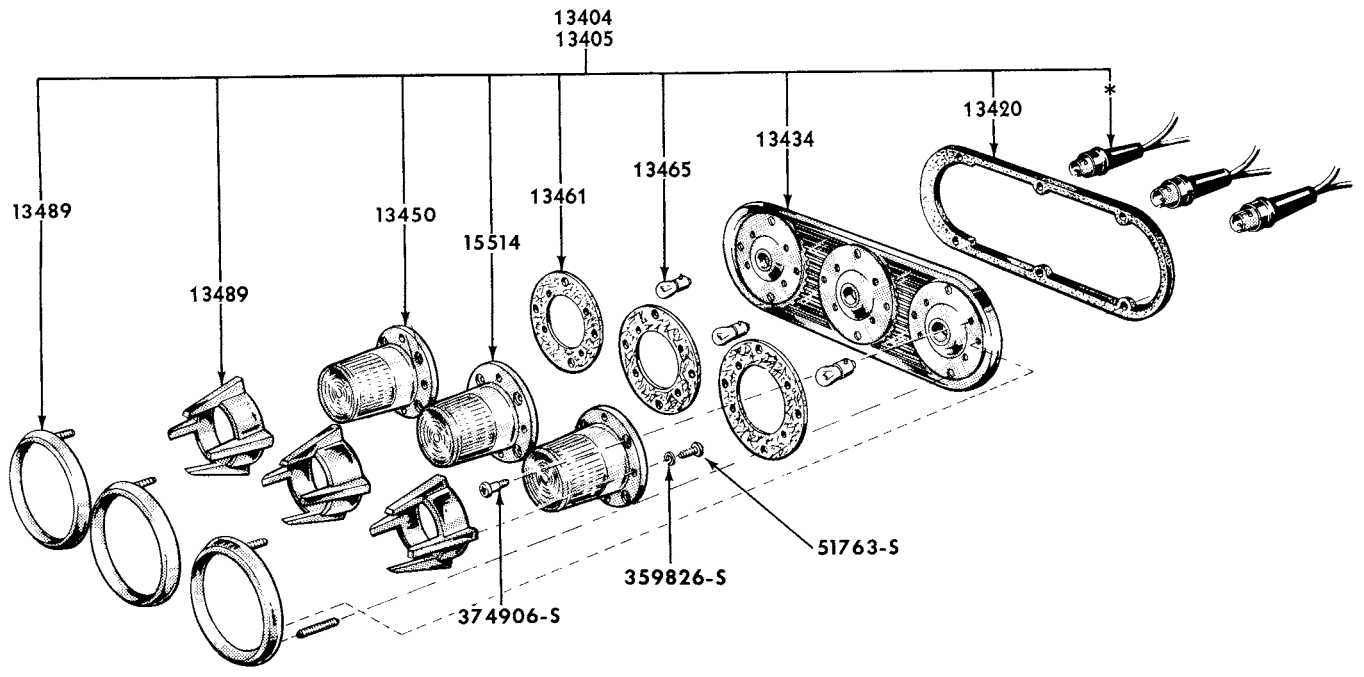
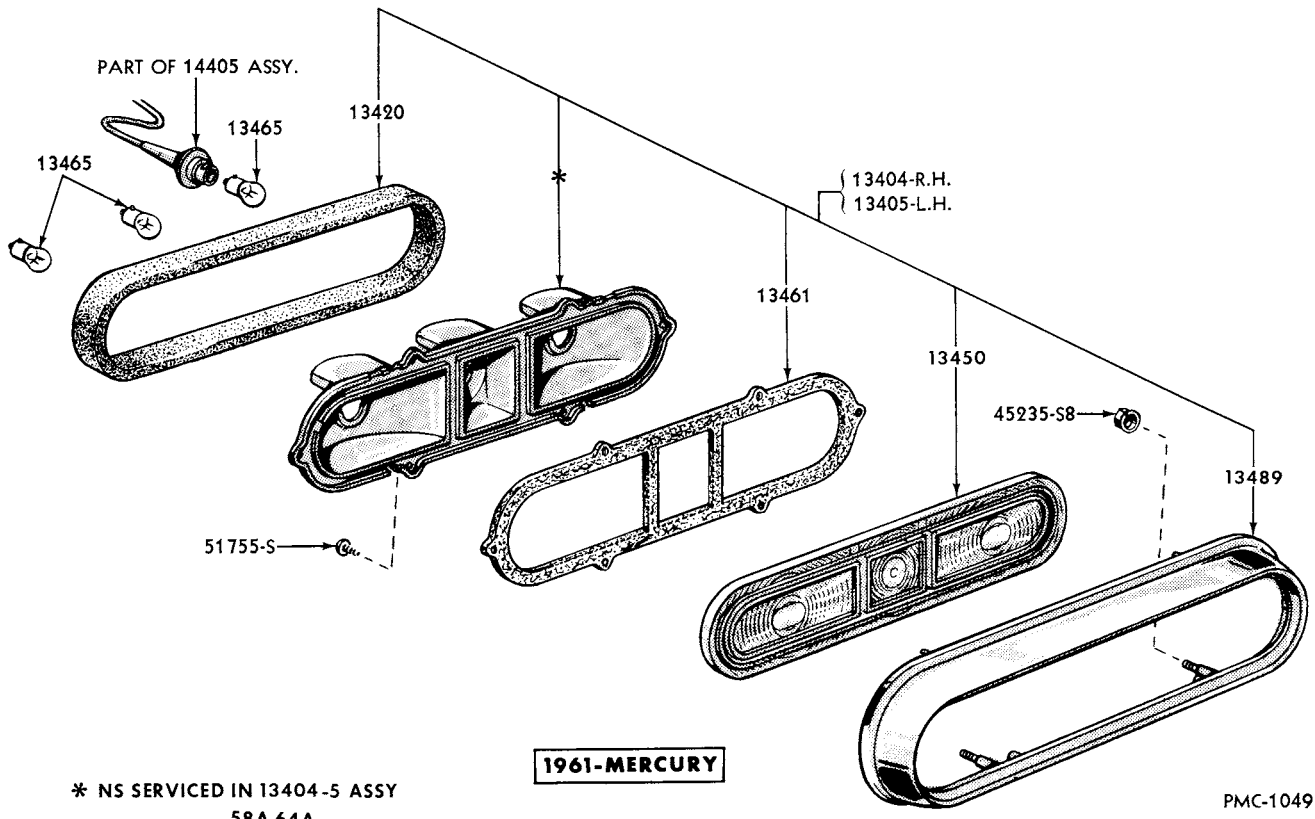
PARKING LAMP



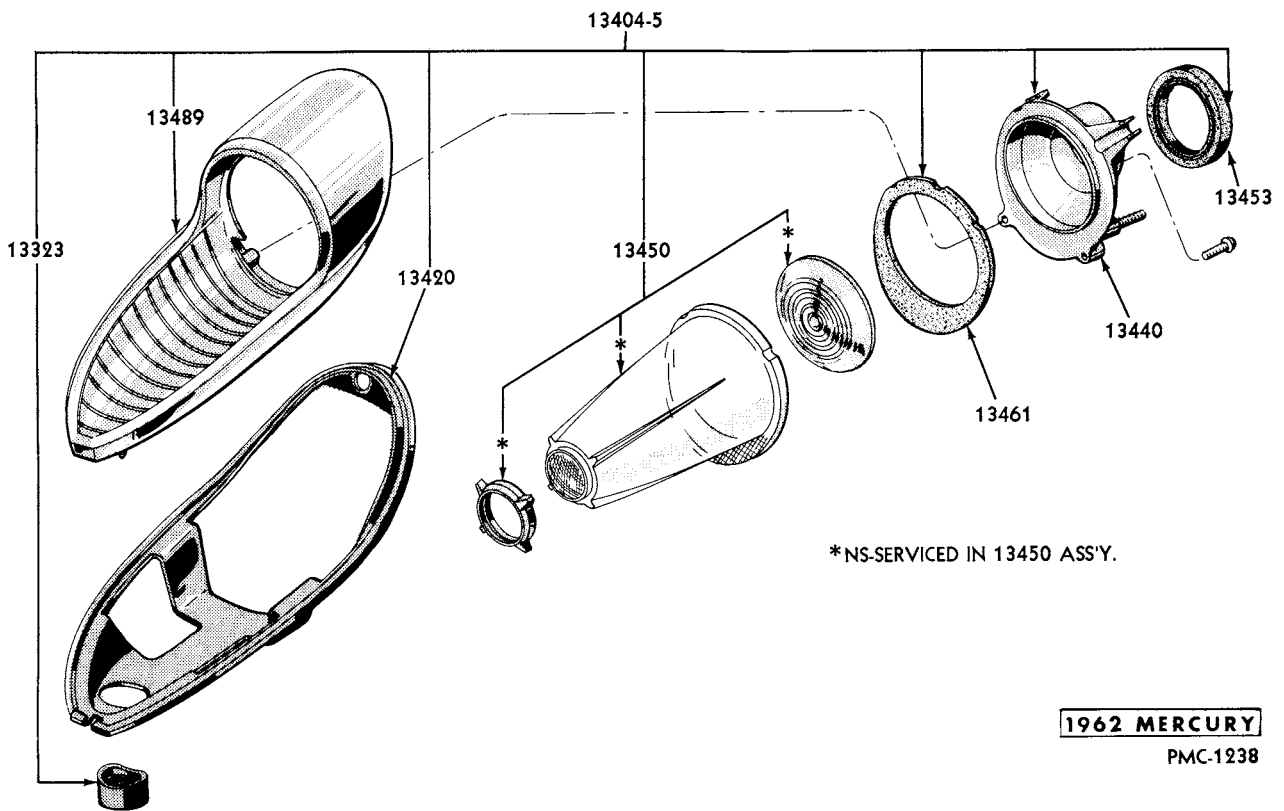
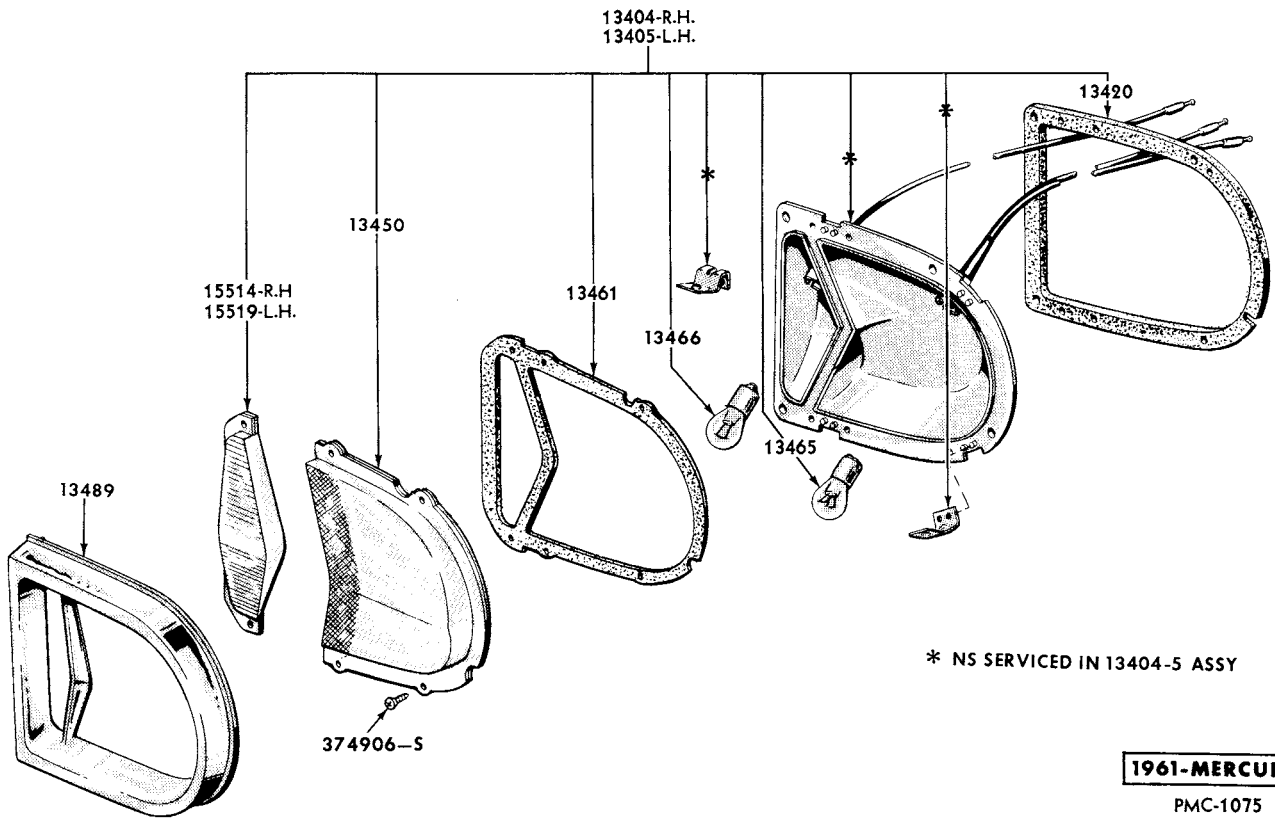
1960-MERCURY

PMC-822

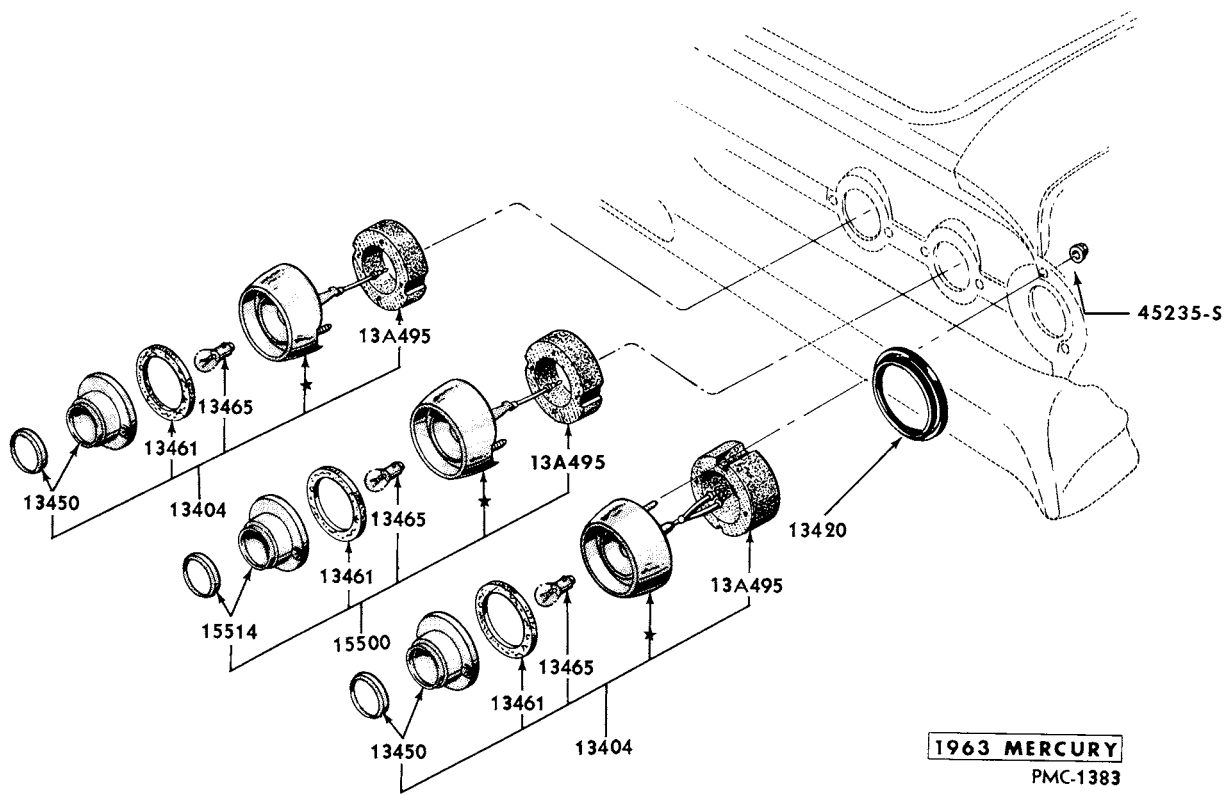
REAR LAMP



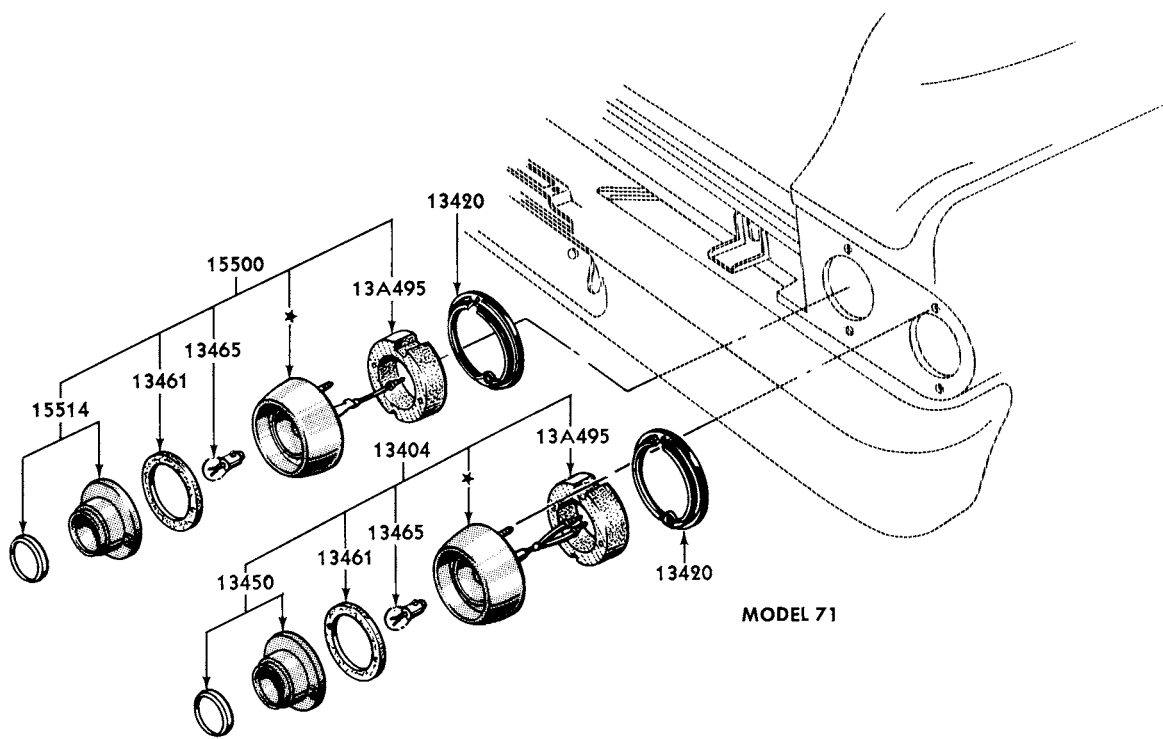
REAR LAMP



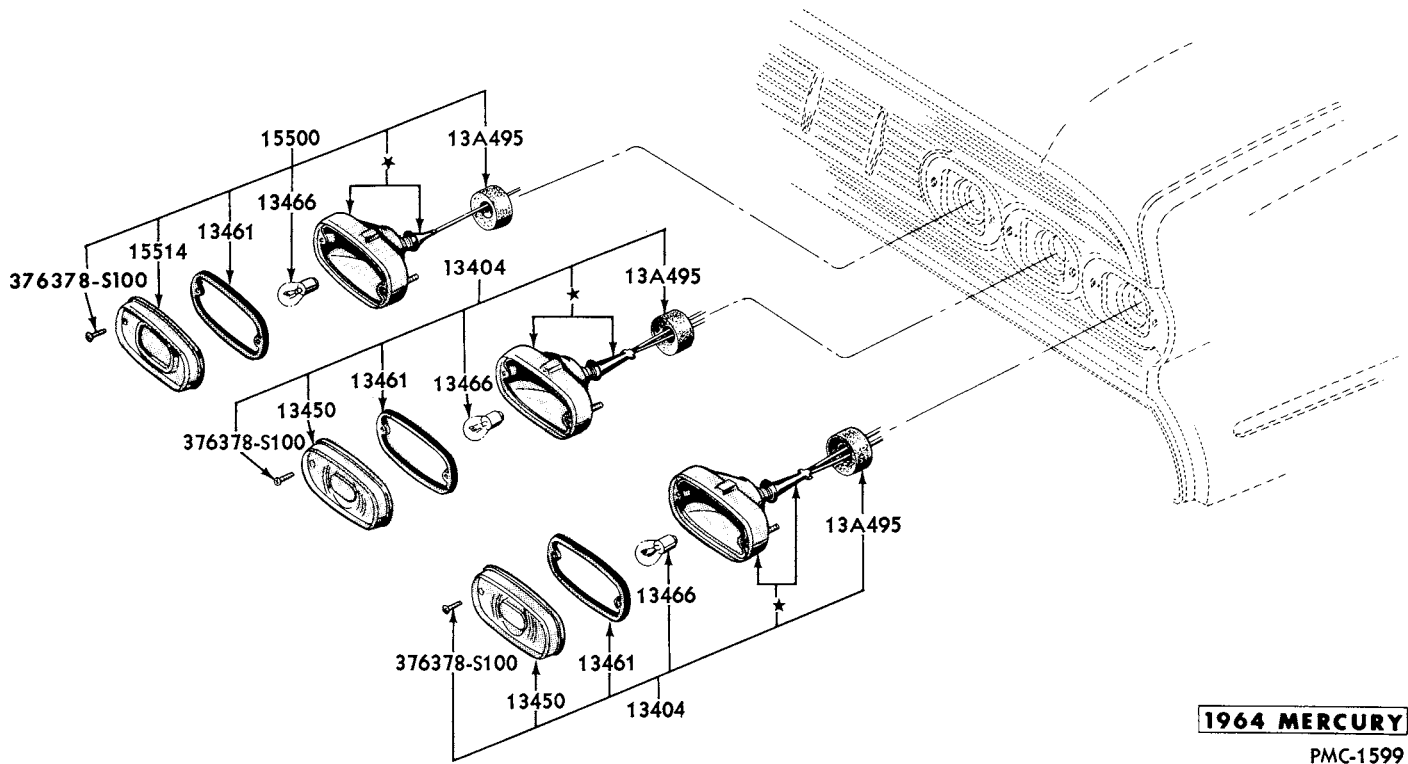
REAR LAMP



REAR LAMP

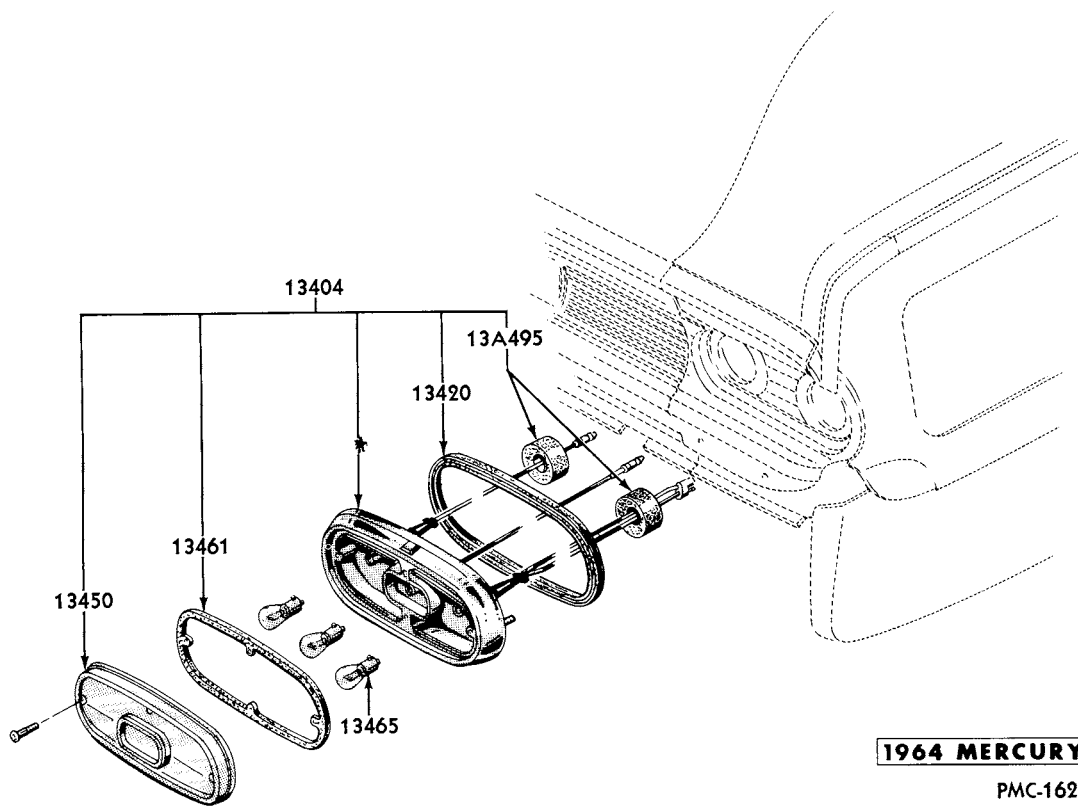


REAR LAMP - STATION WAGON



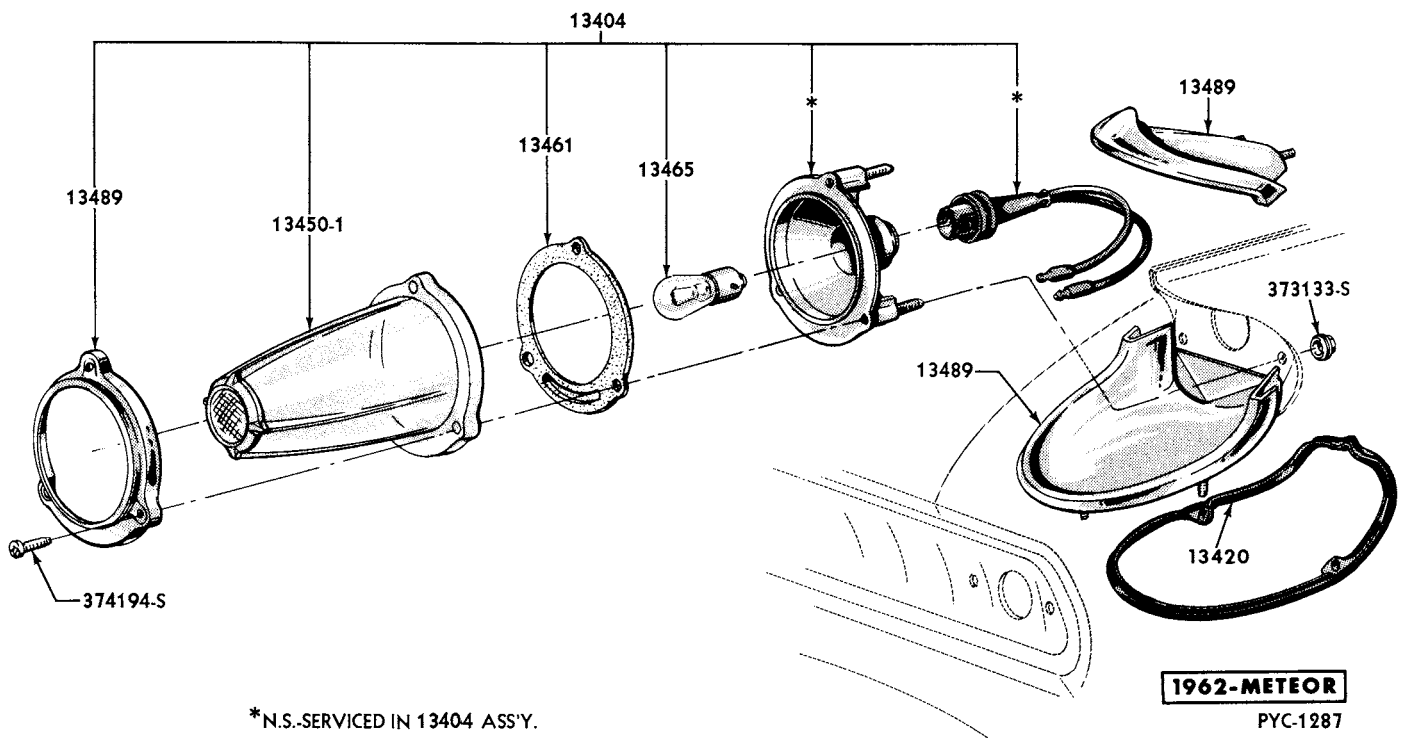
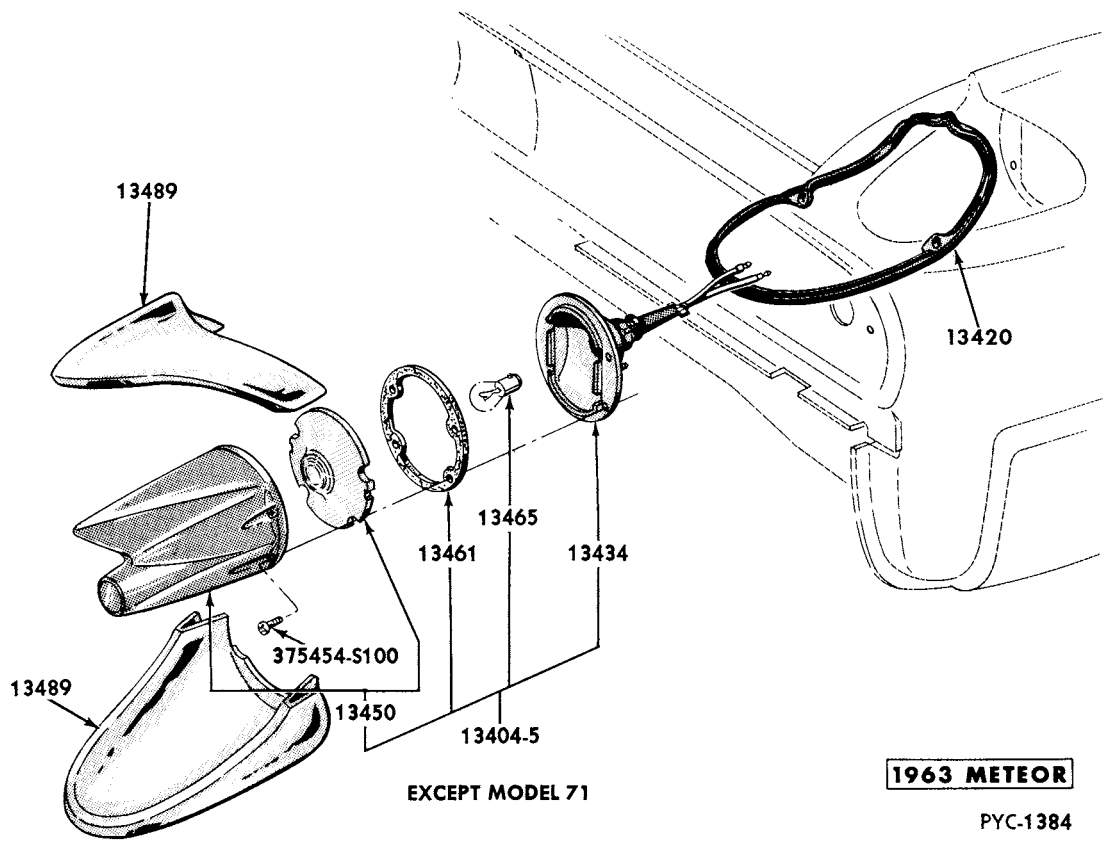
1964 MERCURY
 PMC-1599

REAR LAMP - PASSENGER

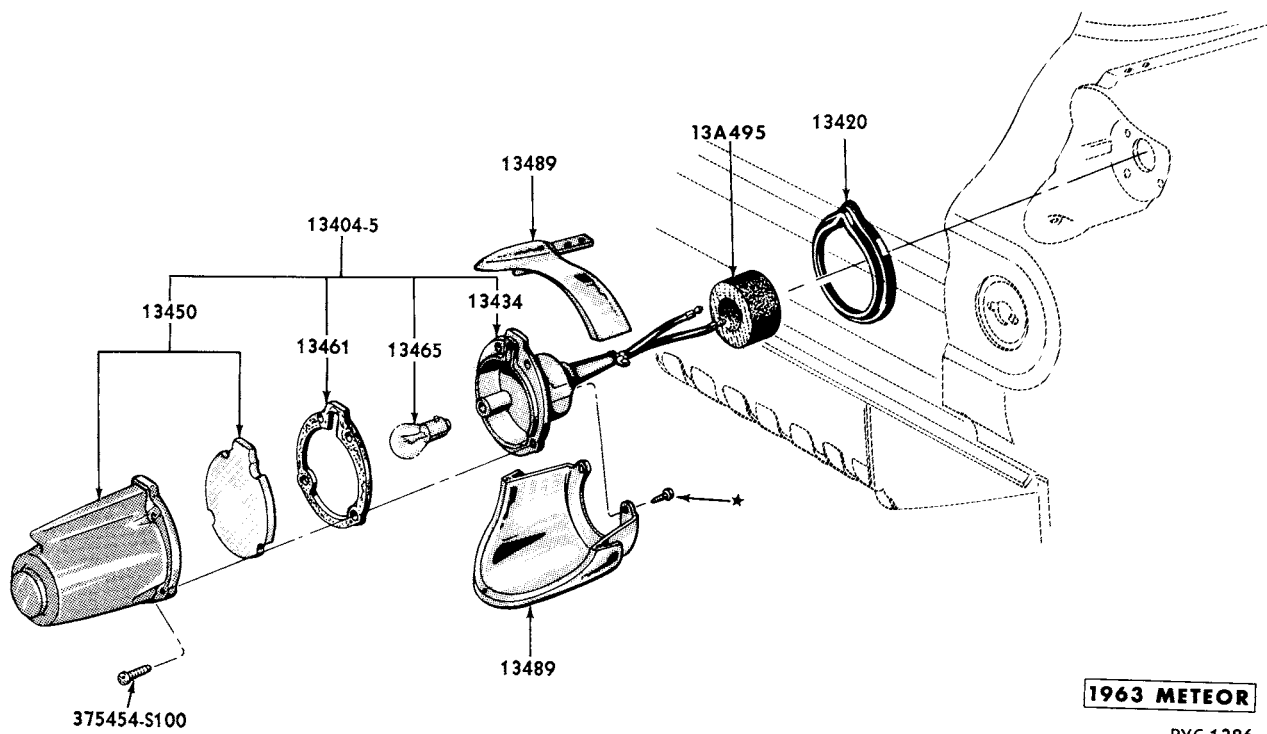


1964 MERCURY
 PMC-1628

REAR LAMP - STATION WAGON



REAR LAMP

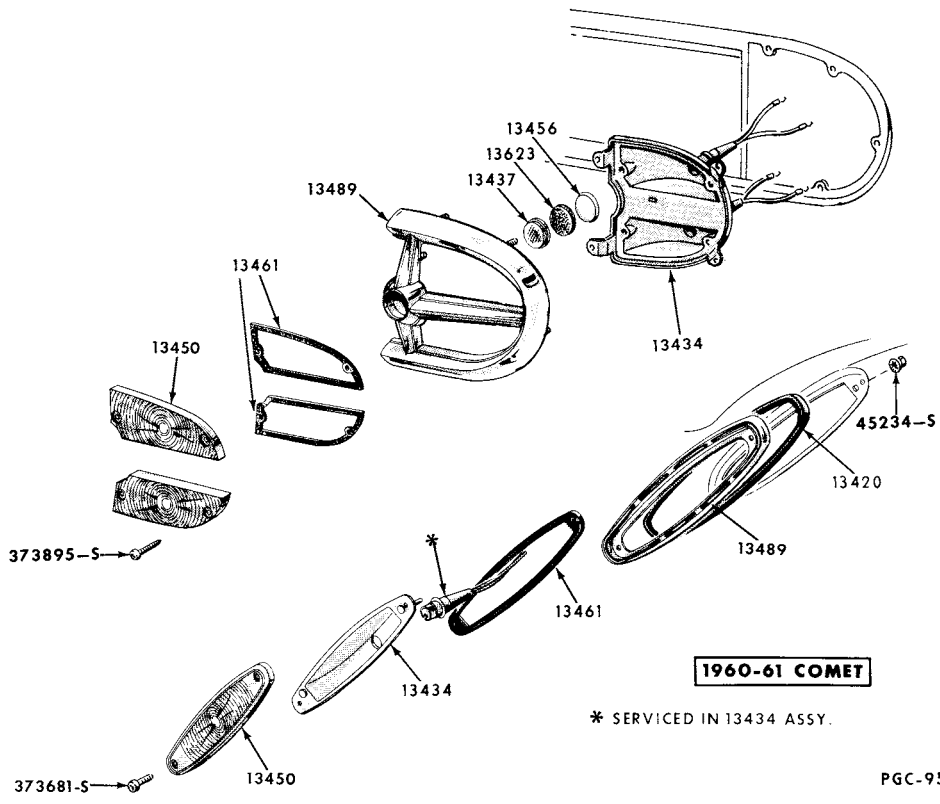


MODEL 71

1963 METEOR

PYC-1386

REAR LAMP - STATION WAGON

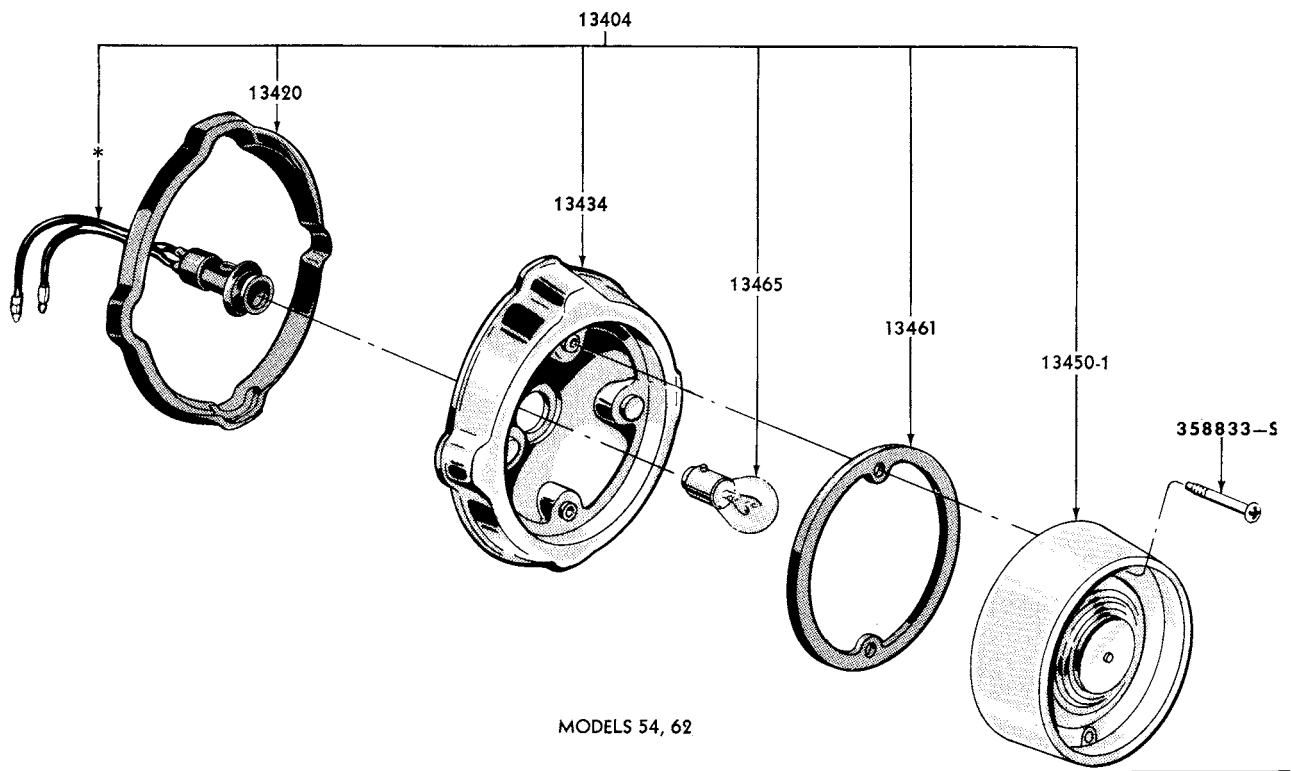


1960-61 COMET

* SERVICED IN 13434 ASSY.

PGC-952

REAR LAMP

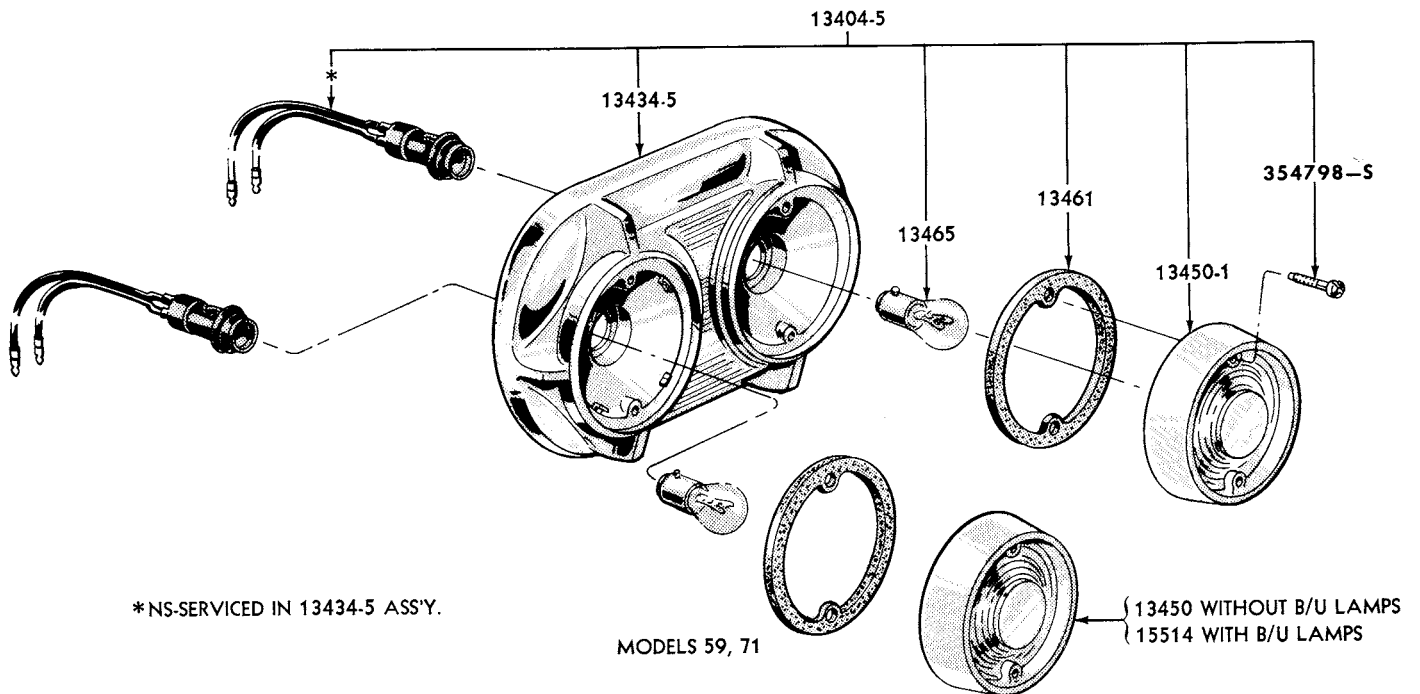


MODELS 54, 62

1962-COMET

PGC-1228

*NS-PART OF 13434



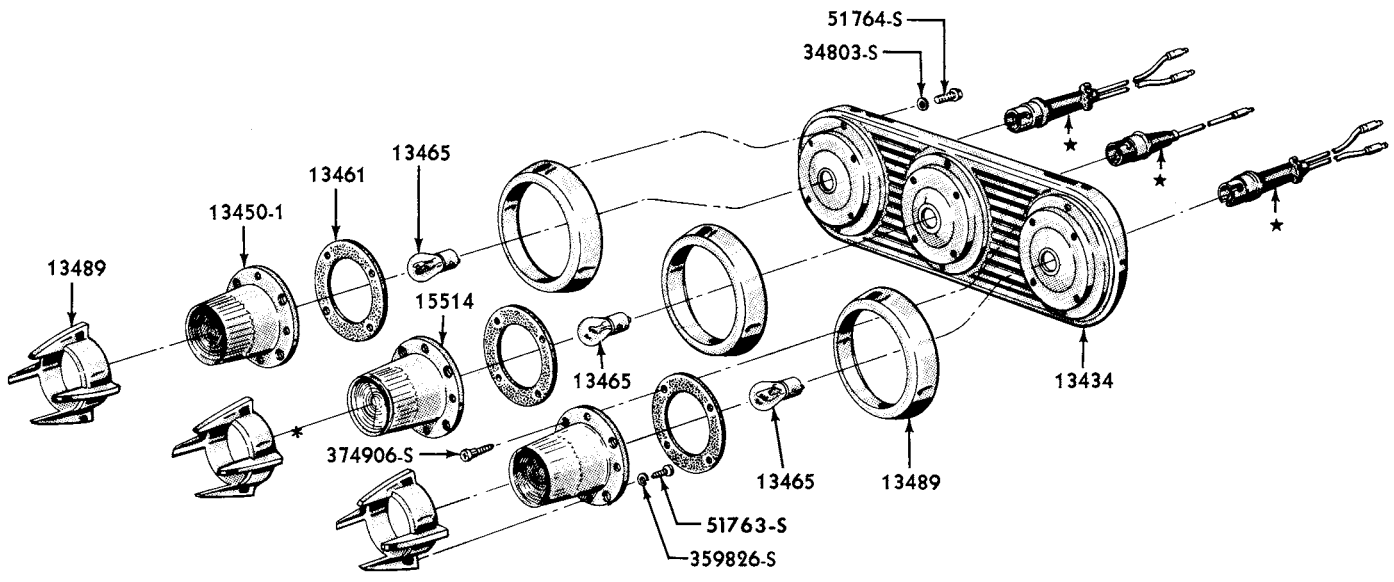
MODELS 59, 71

1962-63 COMET

PGC-1229

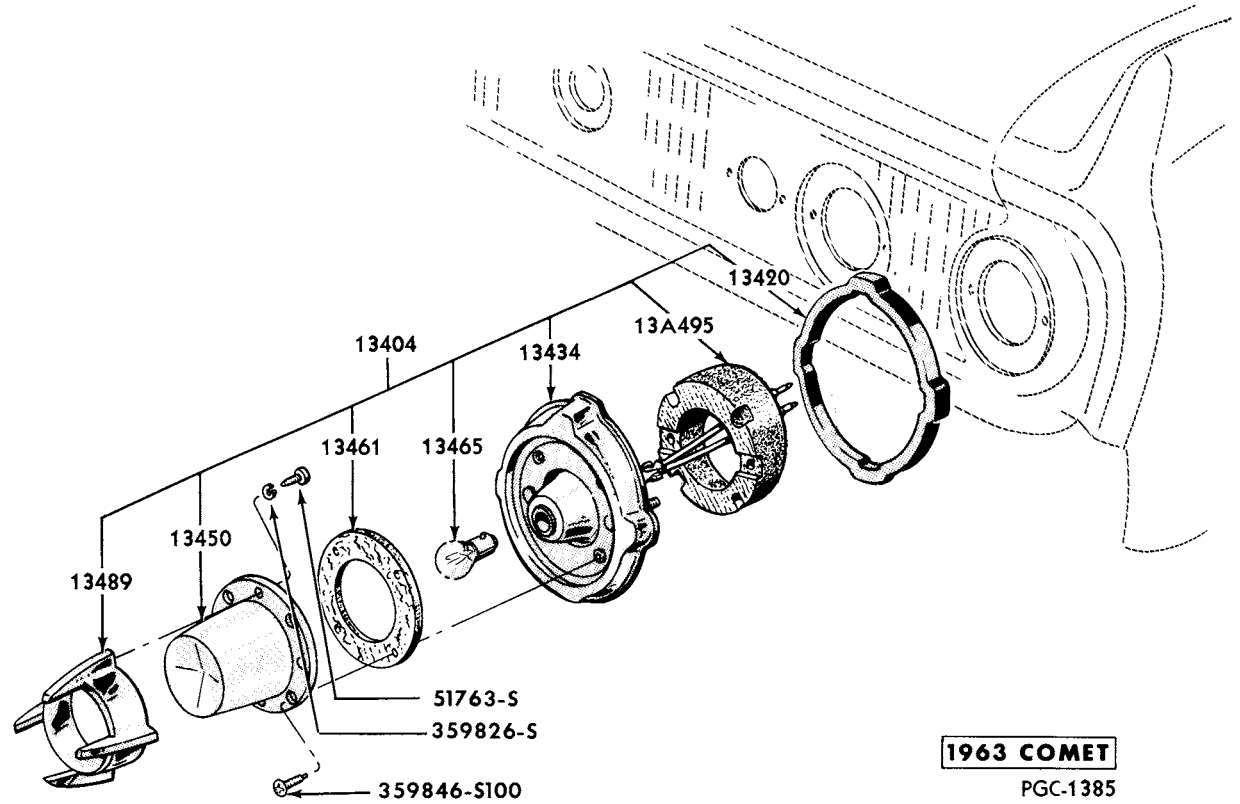
*NS-SERVICED IN 13434-5 ASS'Y.

REAR LAMP



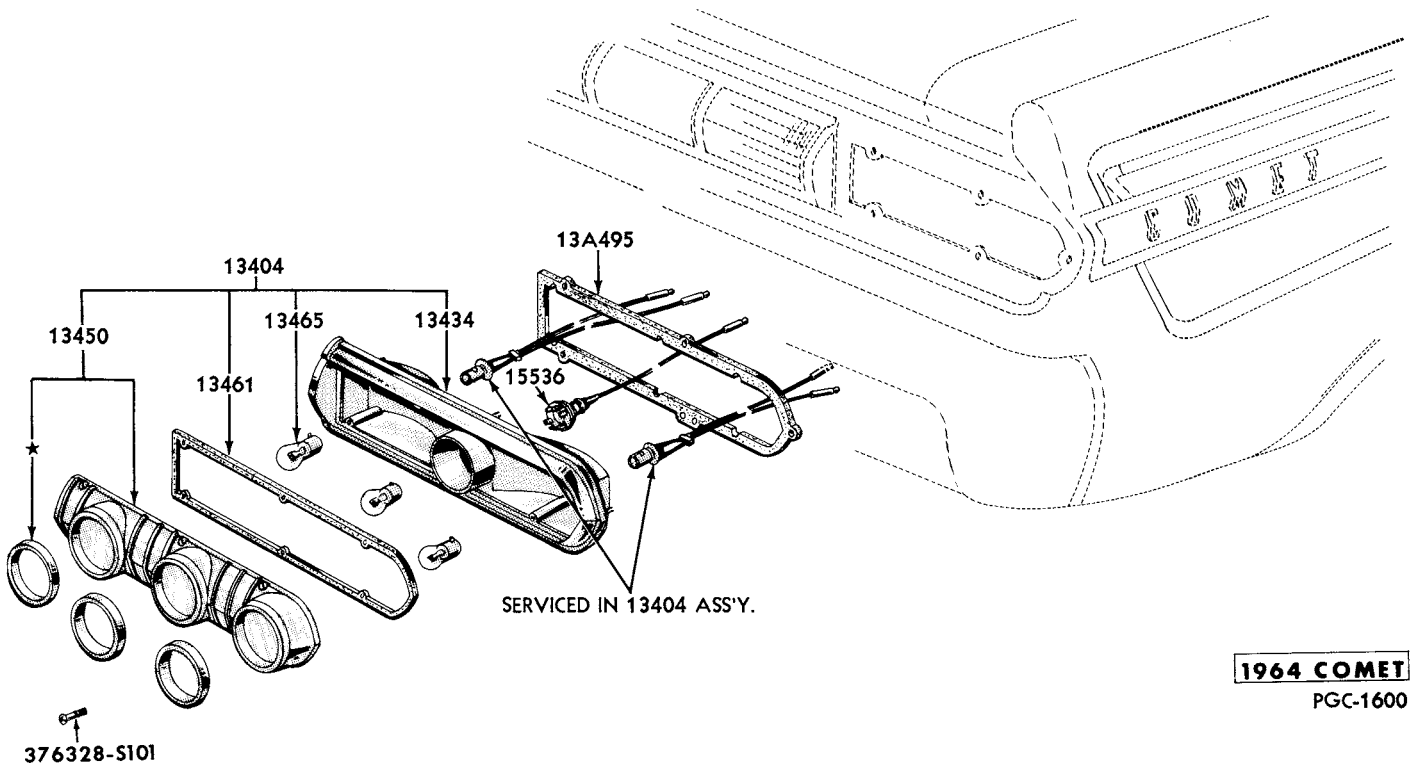
1962-63 COMET
PGC-1306

REAR LAMP - S22

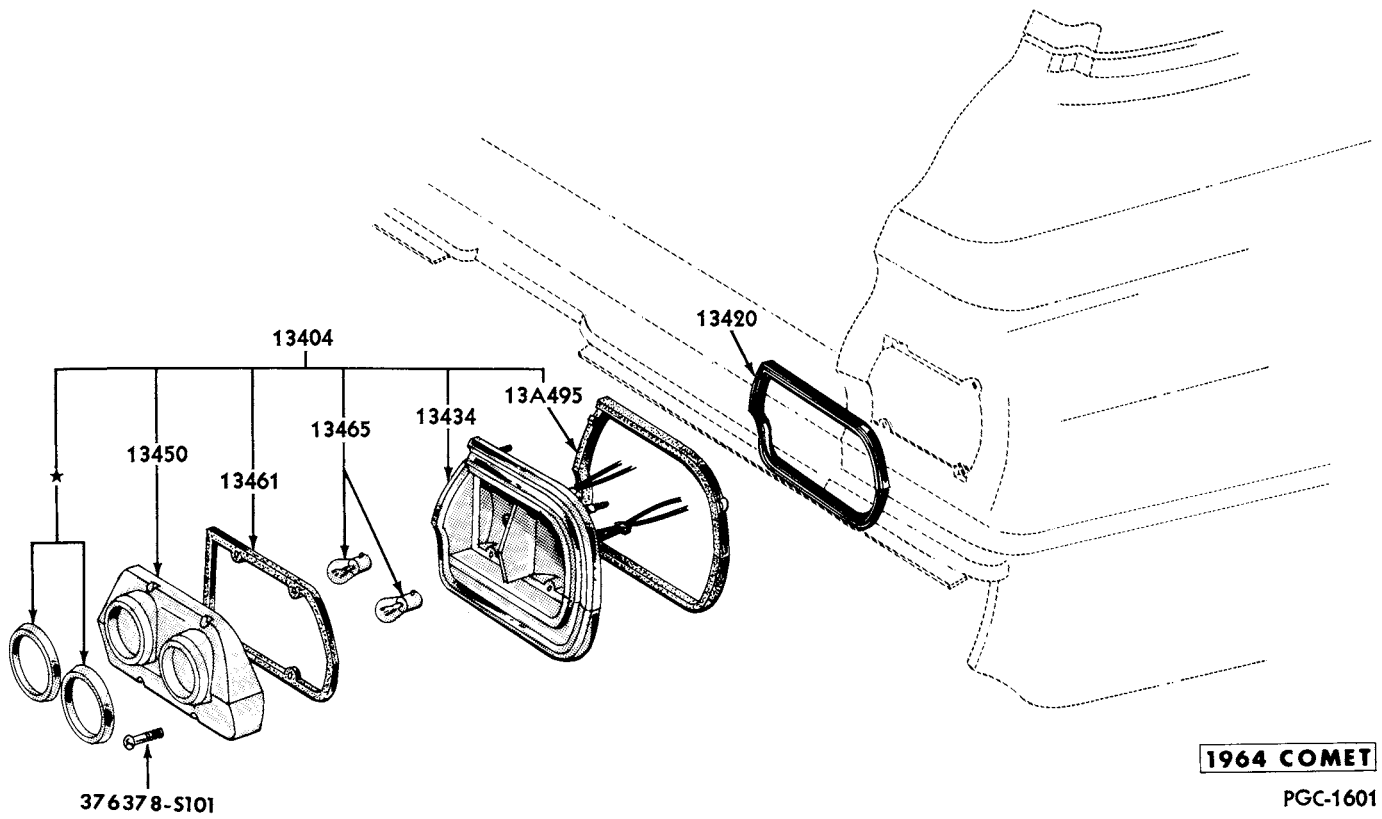


1963 COMET
PGC-1385

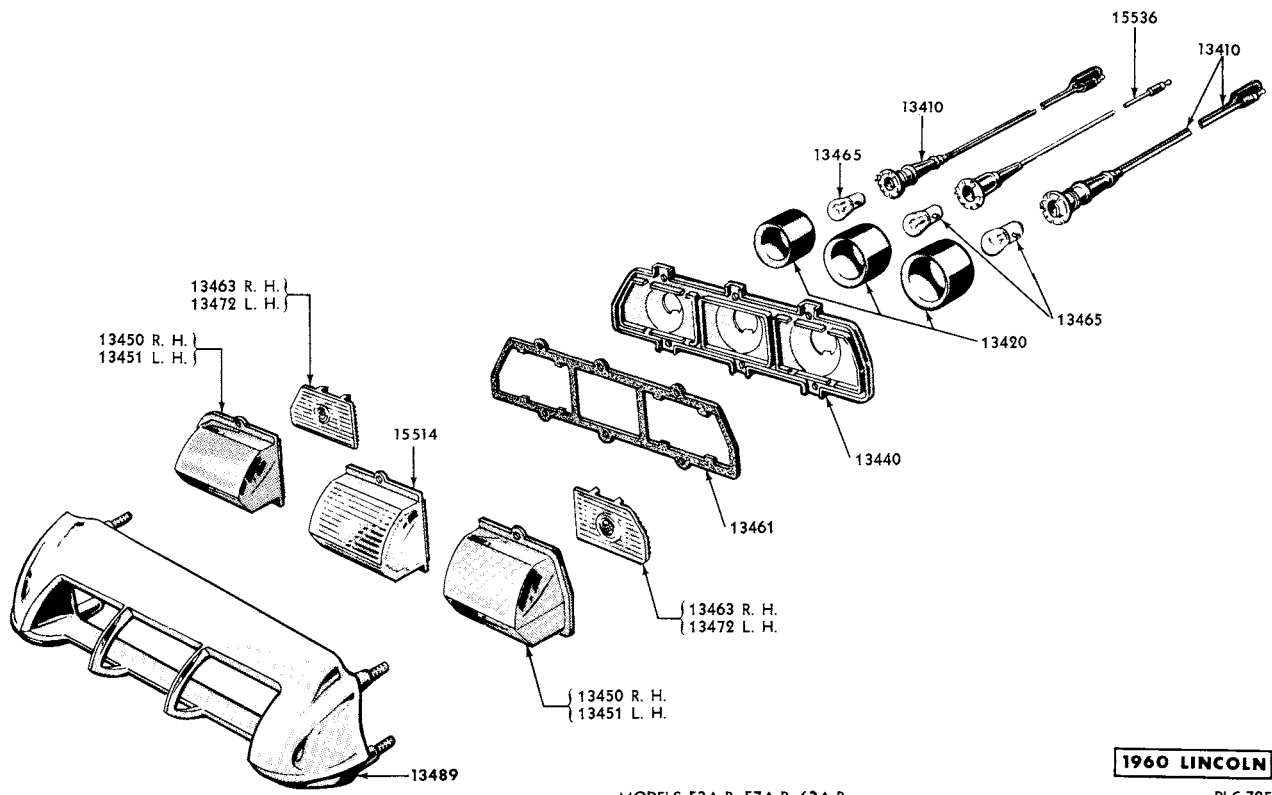
REAR LAMP - PASSENGER



REAR LAMP - PASSENGER



REAR LAMP - STATION WAGON

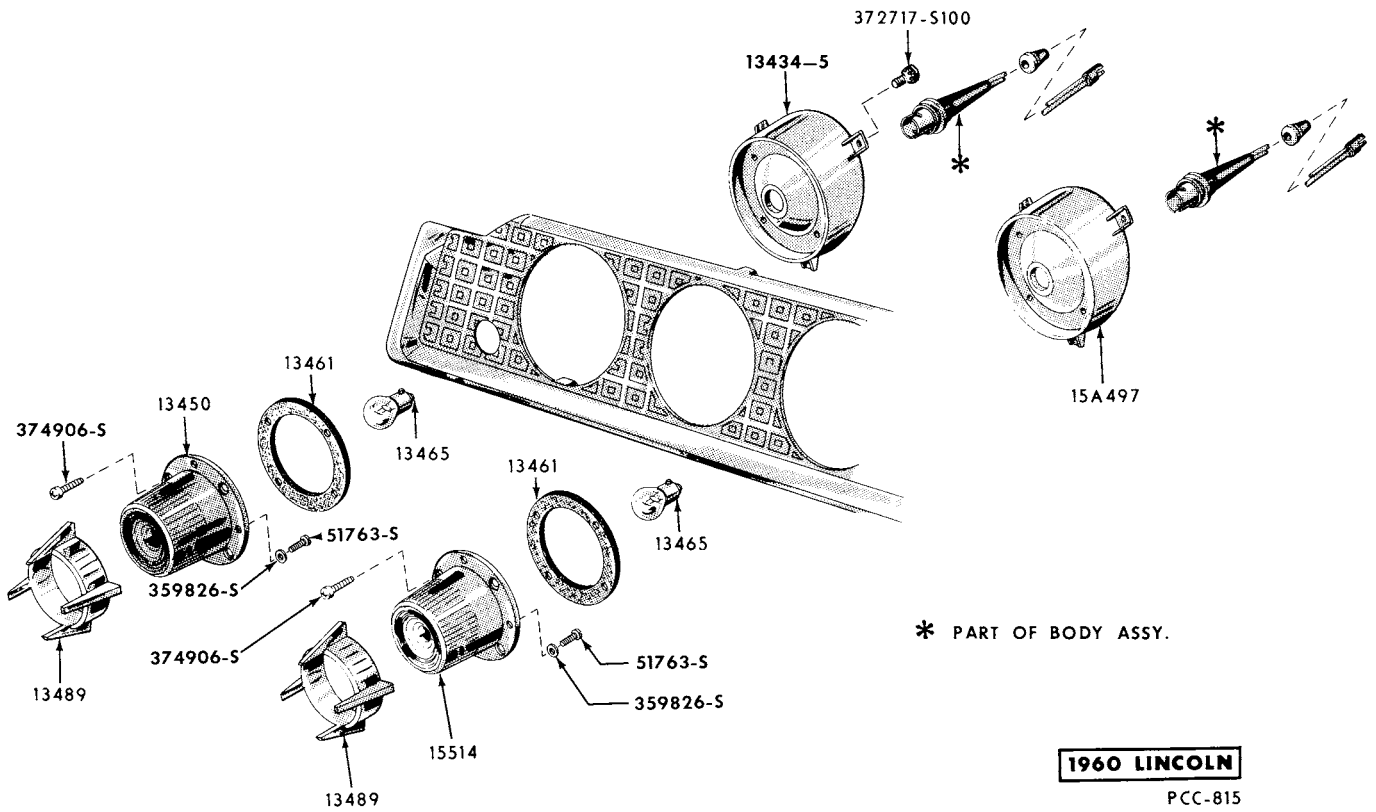


MODELS 53A-B, 57A-B, 63A-B

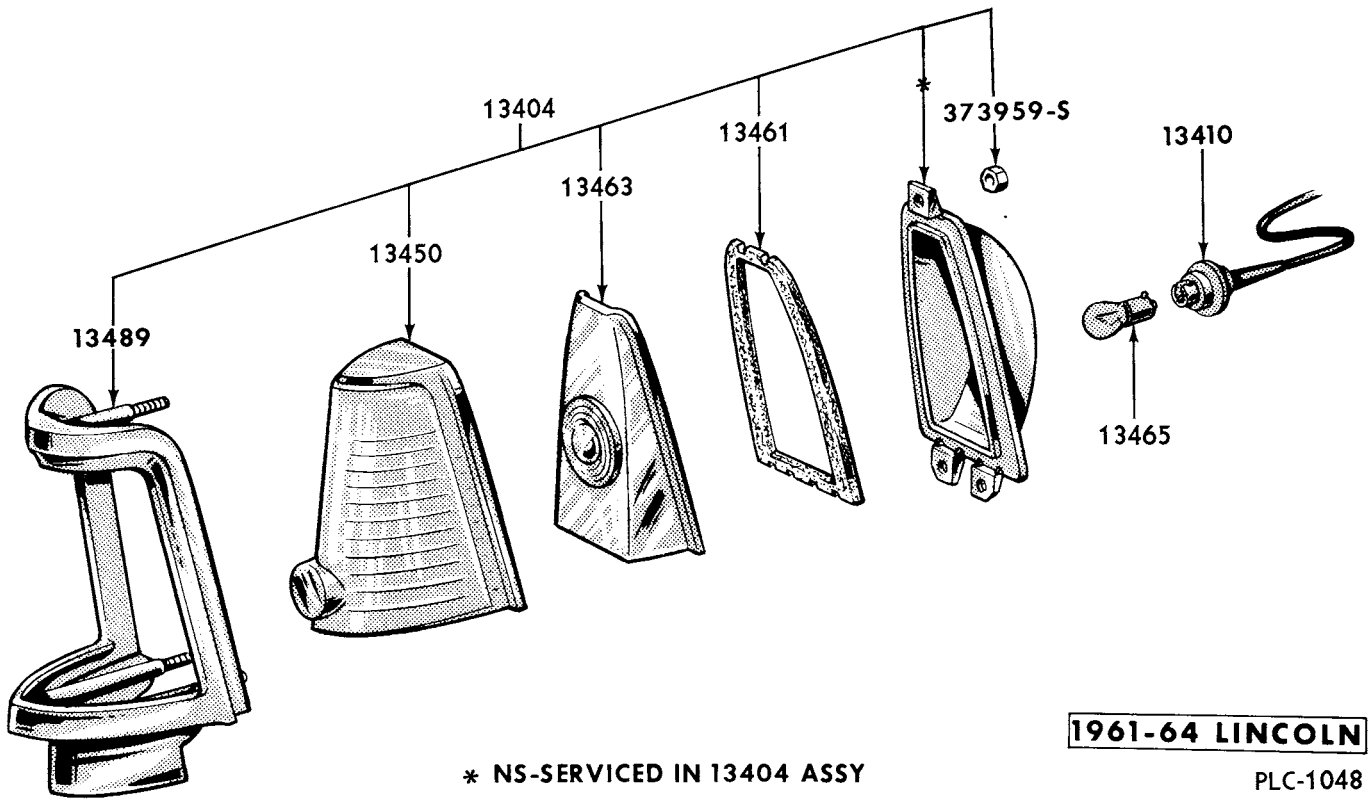
1960 LINCOLN

PLC-785

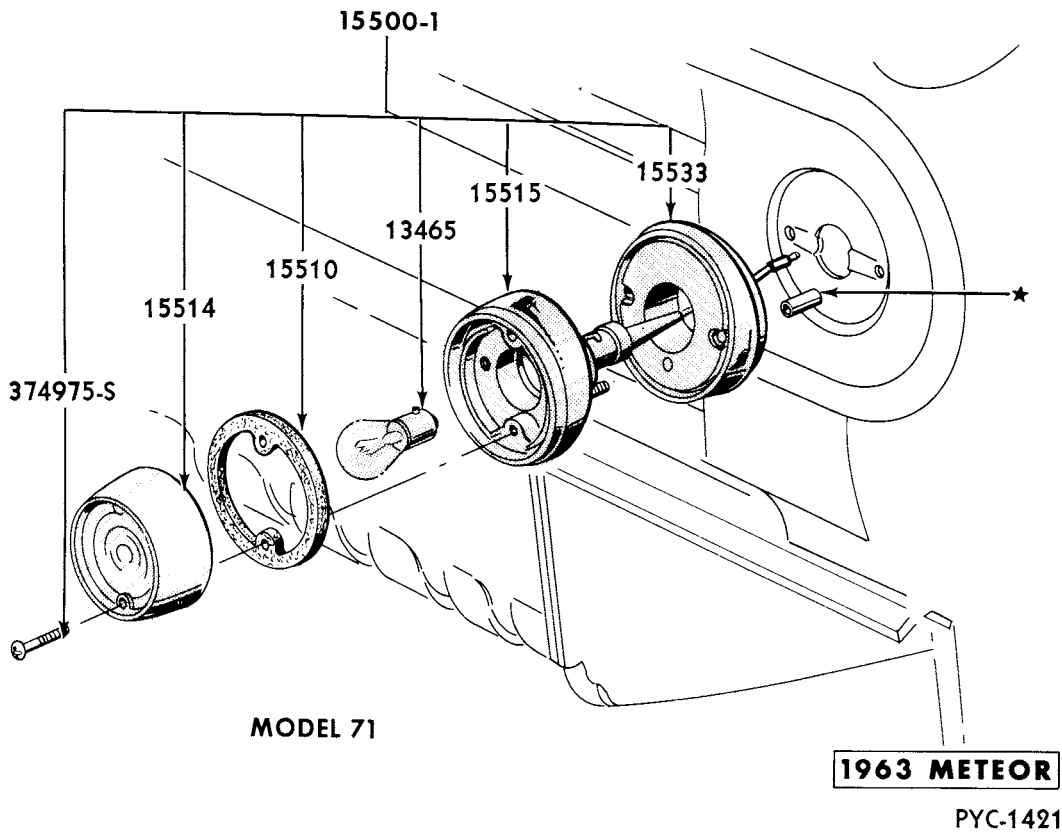
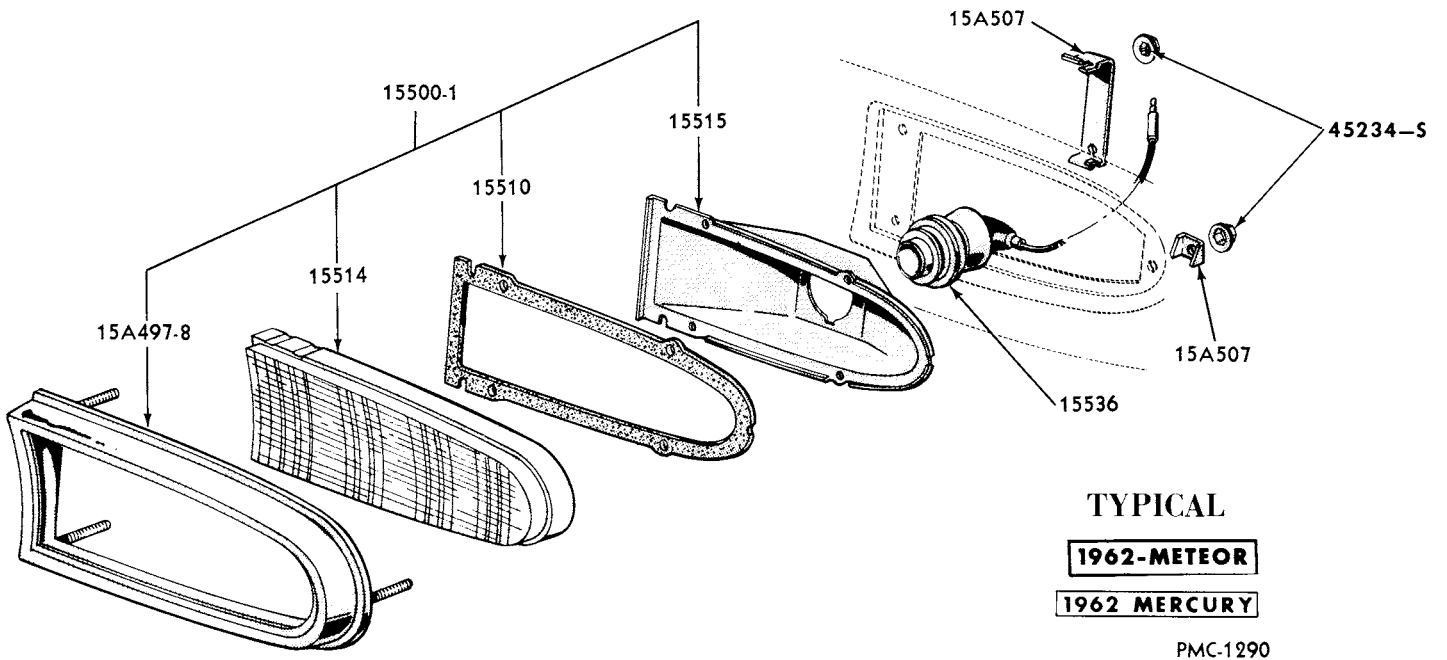
REAR LAMP



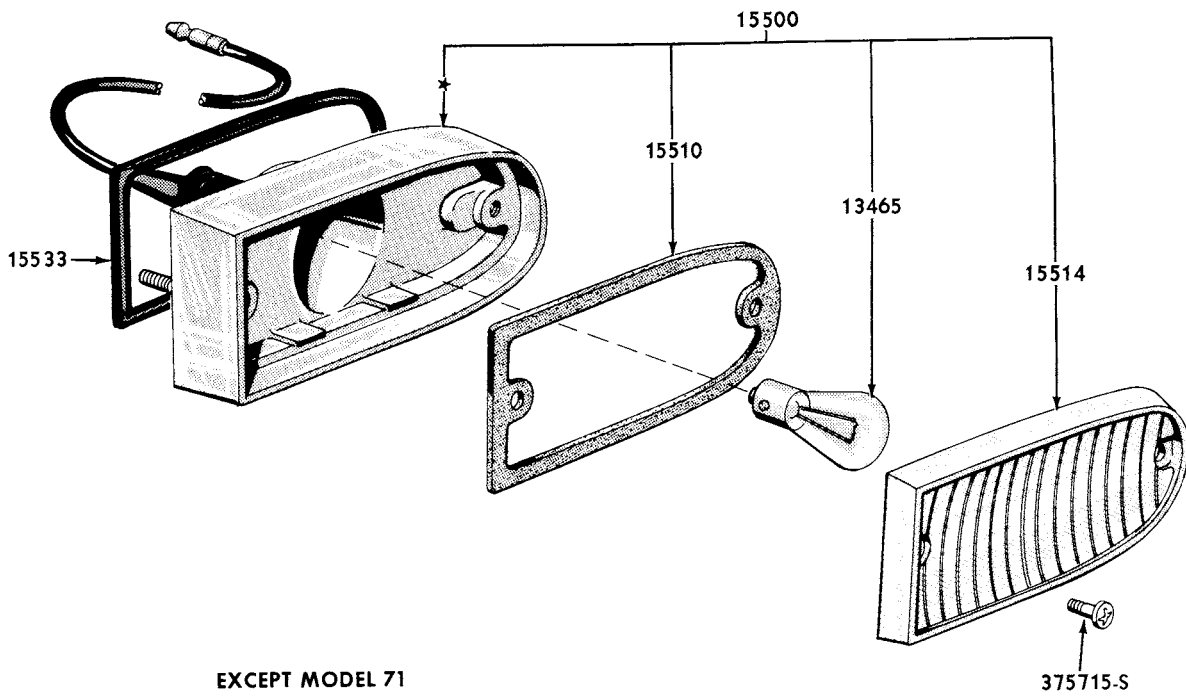
REAR LAMP- PASSENGER



REAR LAMP



BACK-UP LAMP

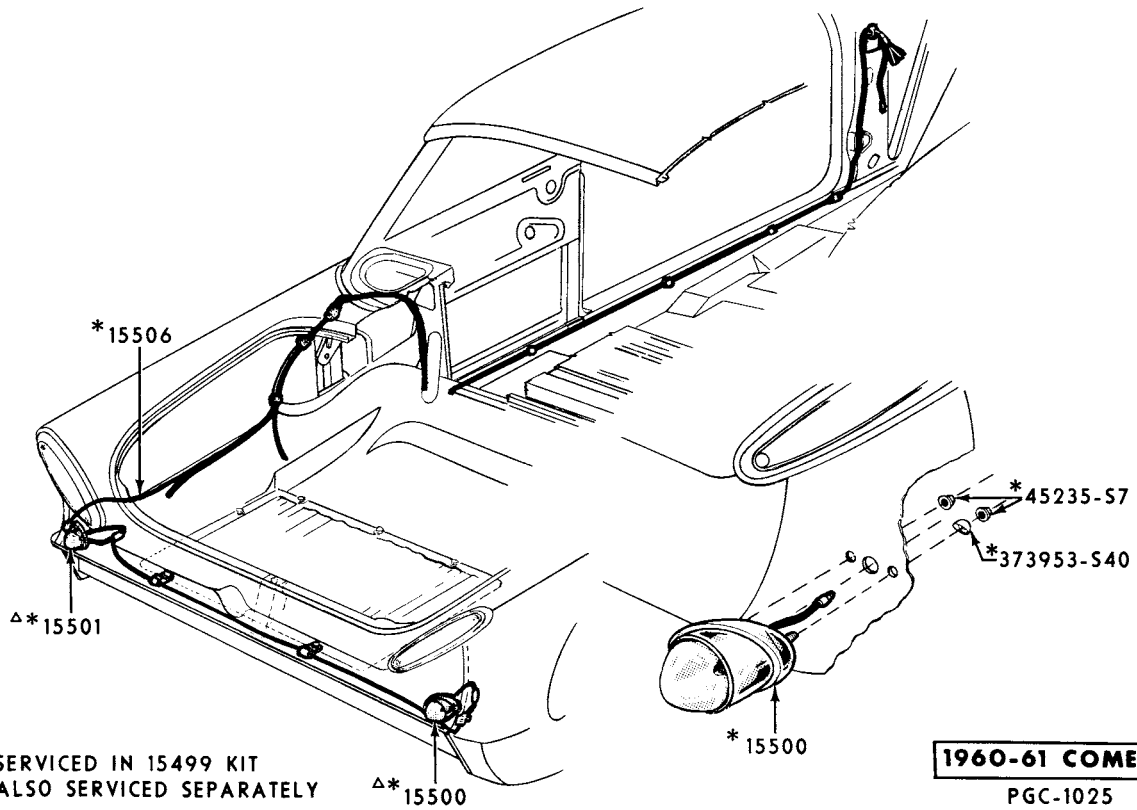


EXCEPT MODEL 71

1963 METEOR

PYC-1460

BACK-UP LAMP



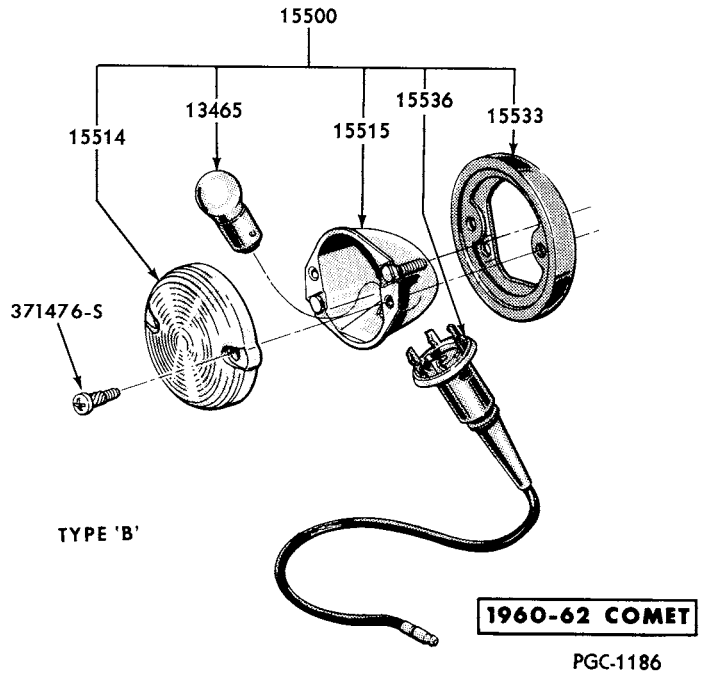
* SERVICED IN 15499 KIT
 Δ ALSO SERVICED SEPARATELY

Δ* 15500

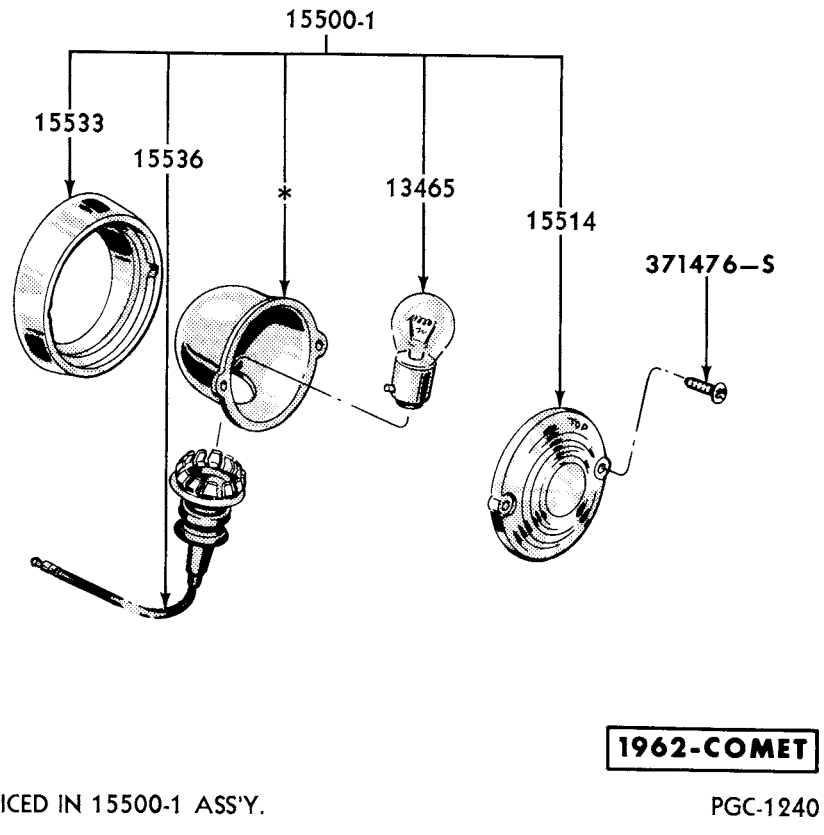
1960-61 COMET

PGC-1025

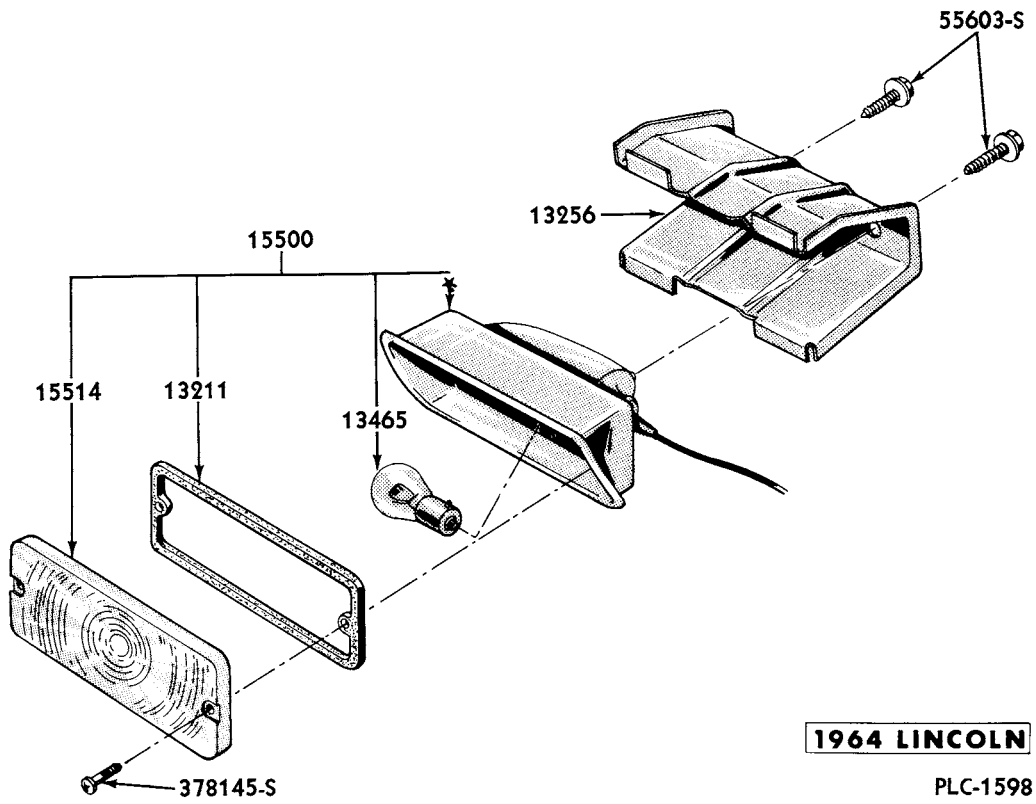
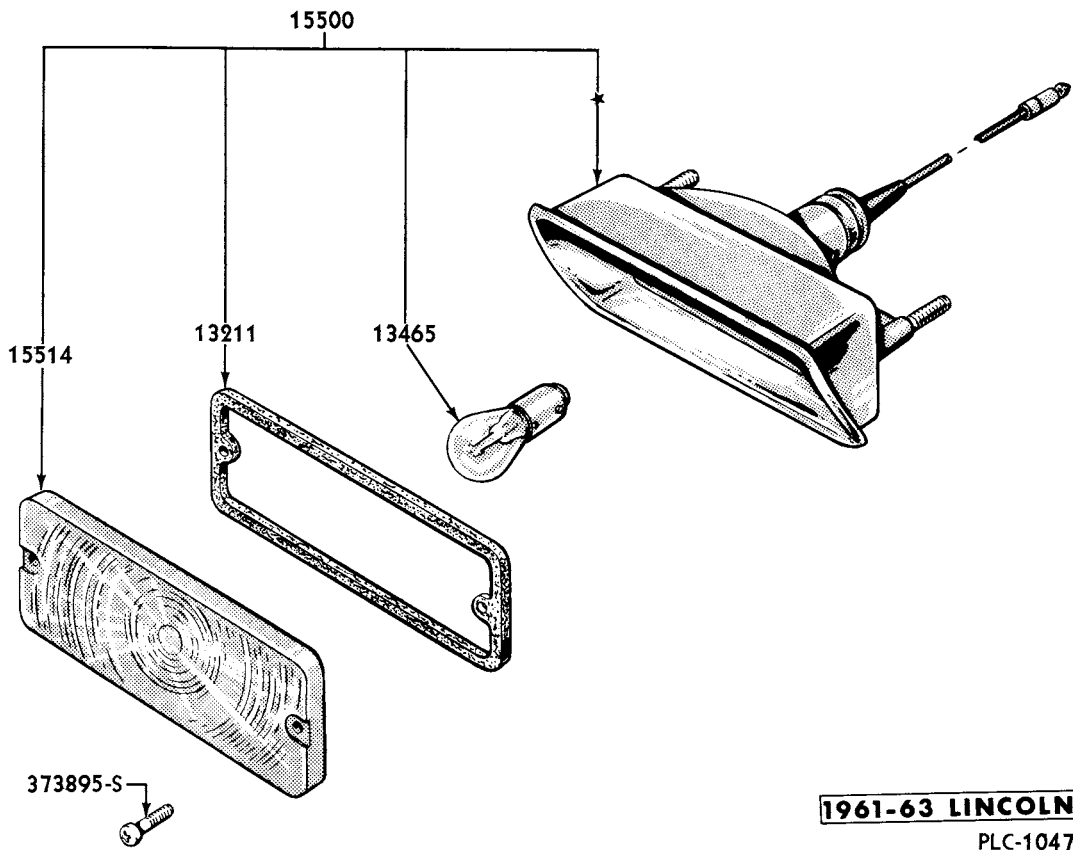
BACK-UP LAMP WIRING - PASSENGER CAR



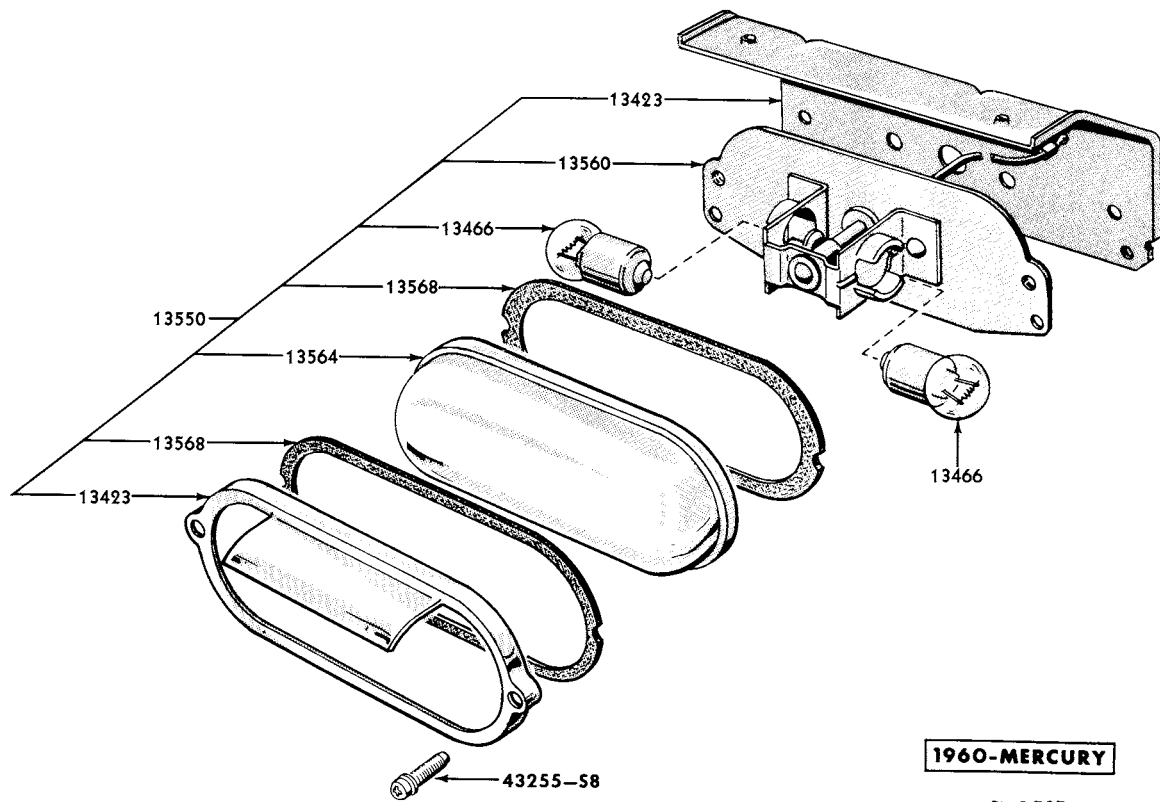
BACK-UP LAMPS - EXCEPT STATION WAGON



BACK-UP LAMP



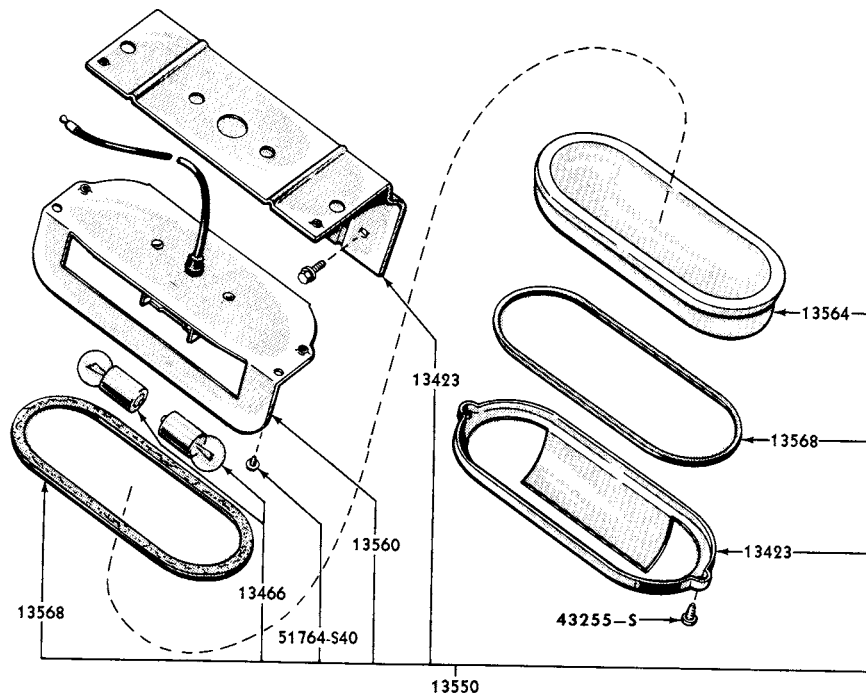
BACK-UP LAMP



1960-MERCURY

PMC-787

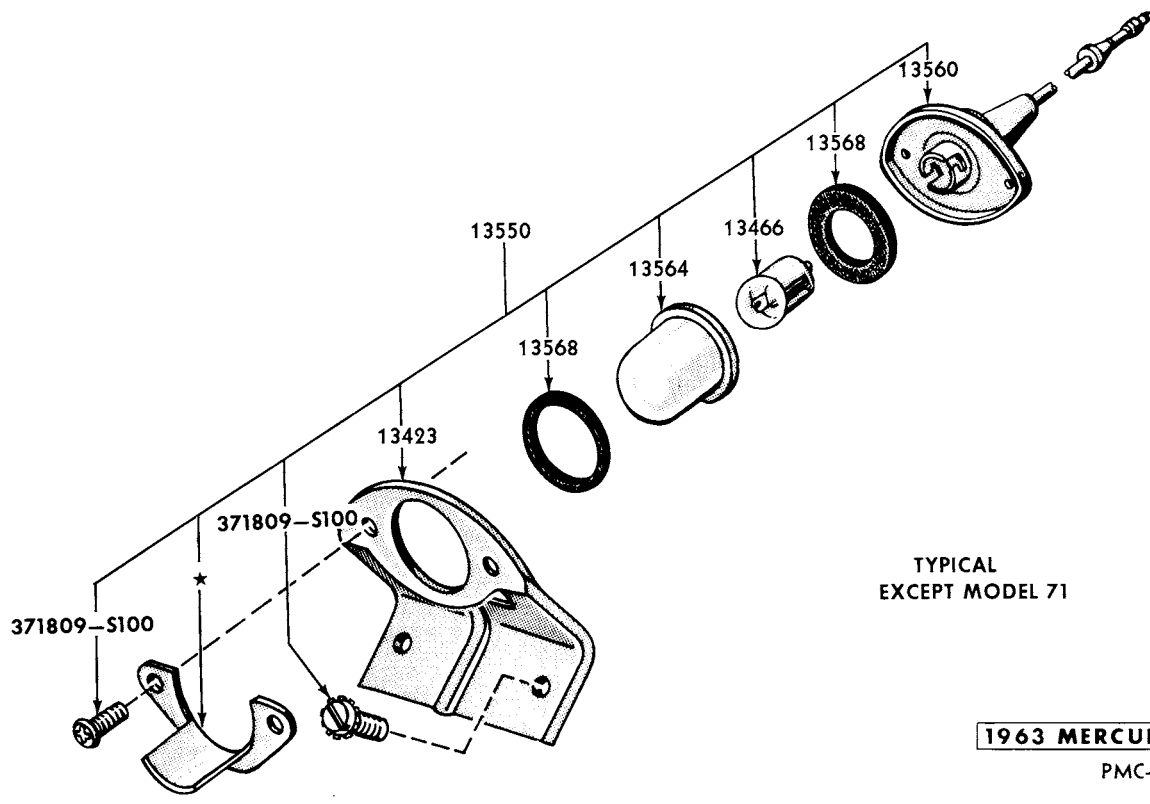
LICENSE LAMP - STATION WAGON



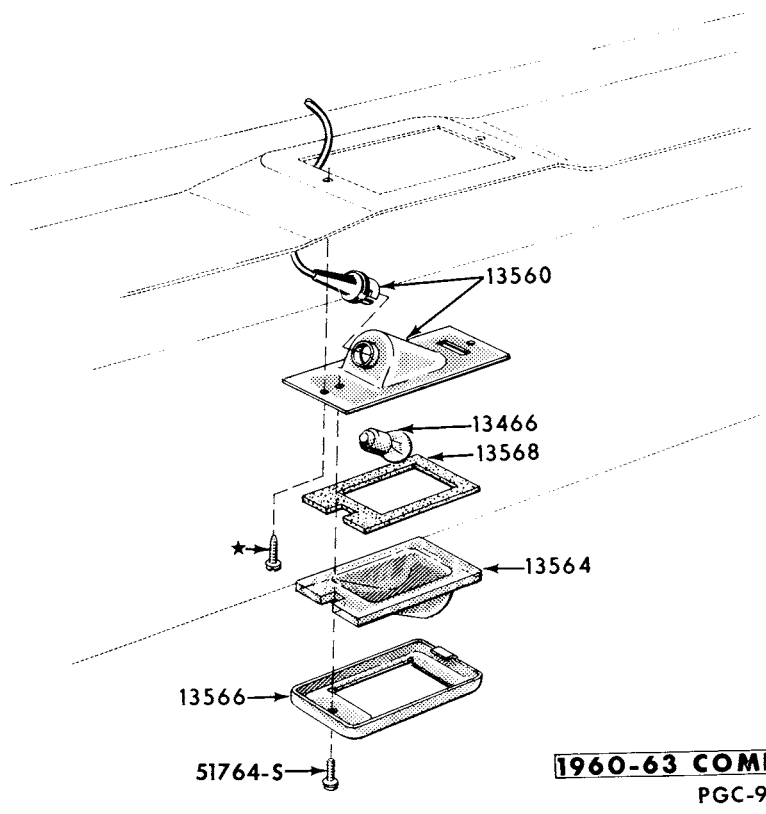
1961-MERCURY

PMC-1100

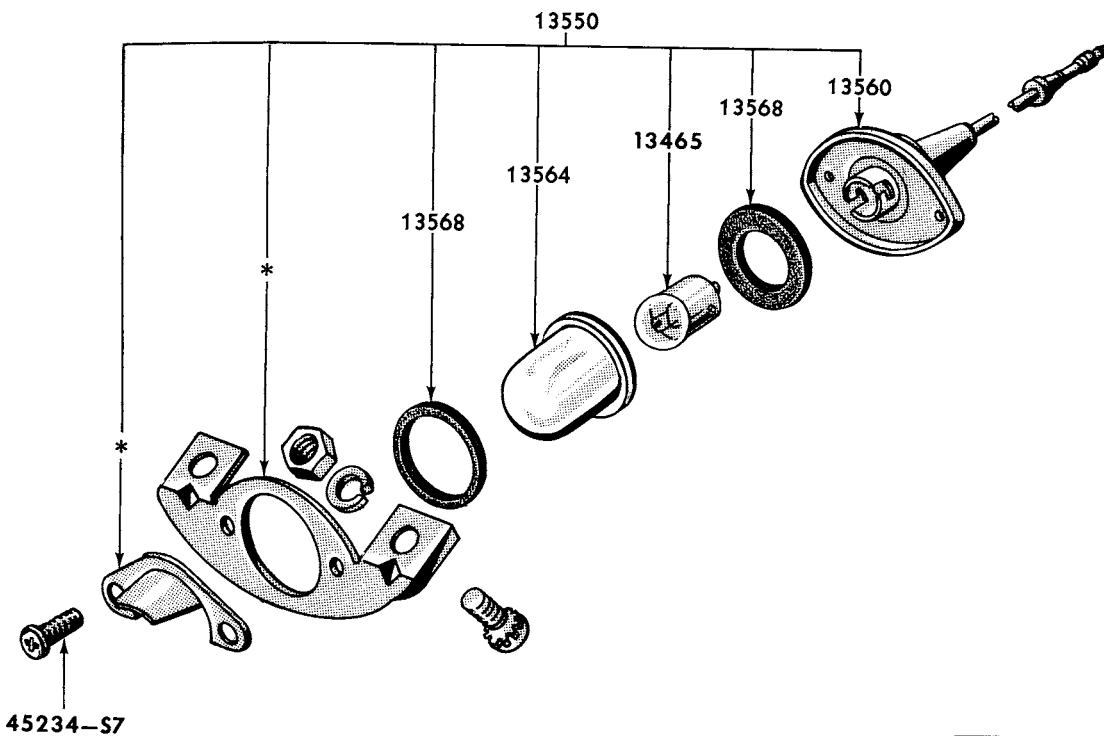
LICENSE LAMP



LICENSE LAMP - PASSENGER



LICENSE LAMP

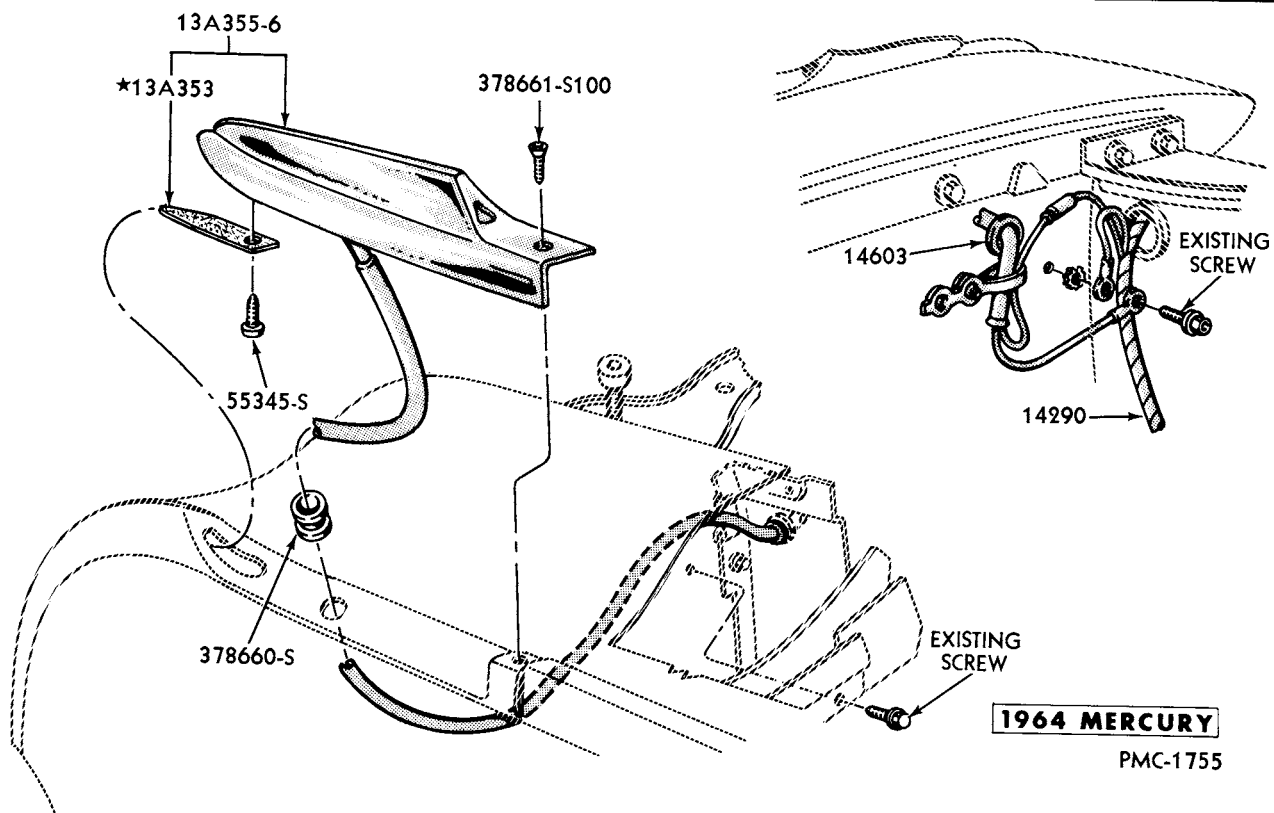


* SERVICED IN 13550 ASS'Y.

1960 LINCOLN

PLC-811

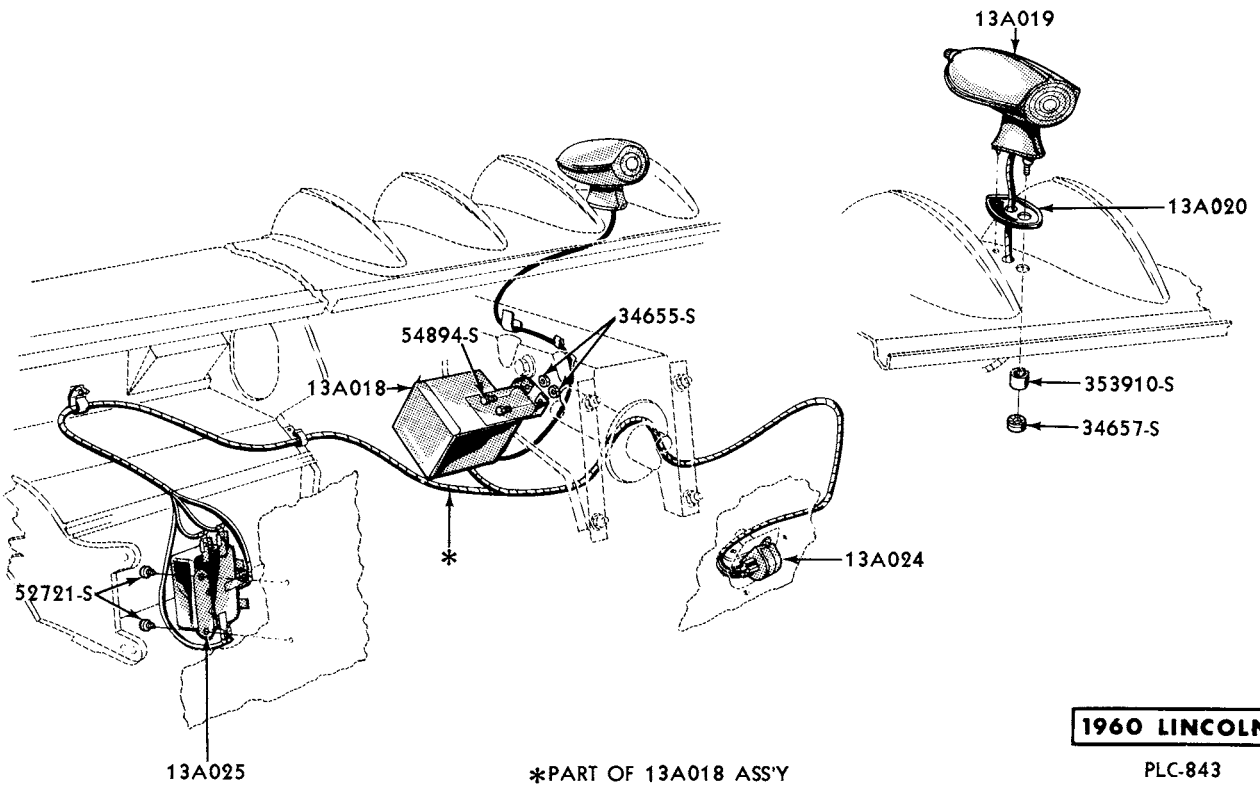
REAR LICENSE PLATE LAMP



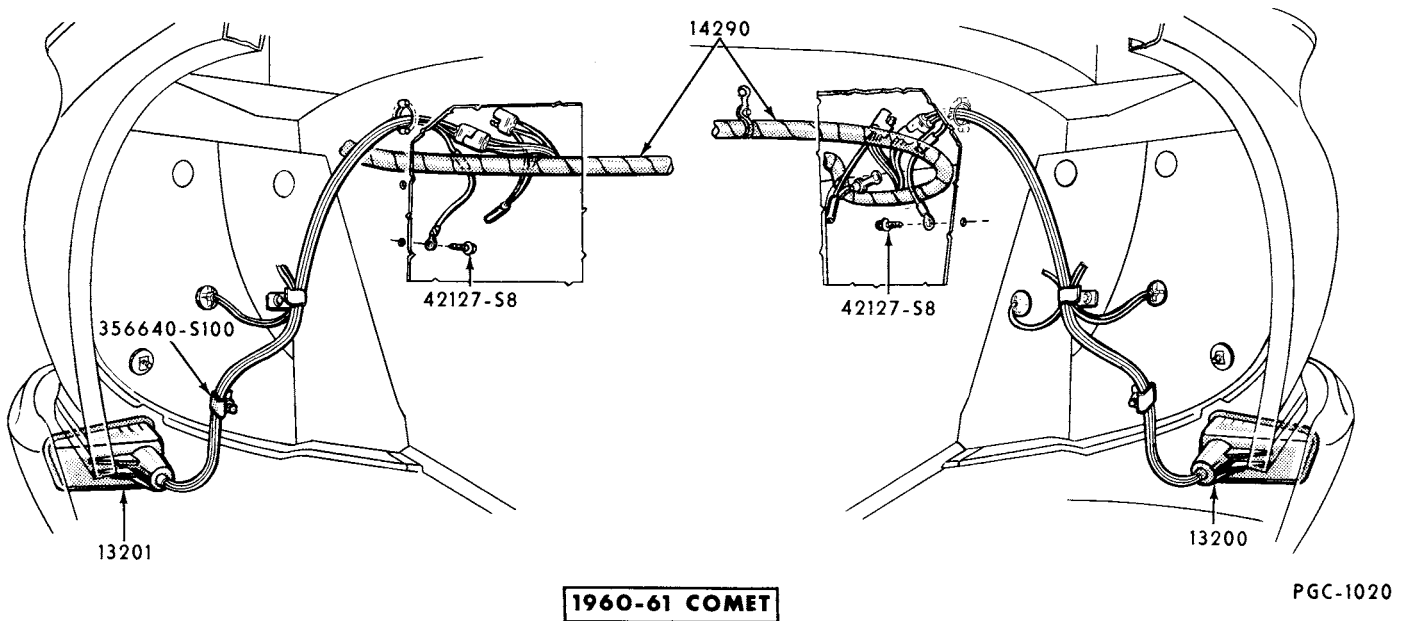
1964 MERCURY

PMC-1755

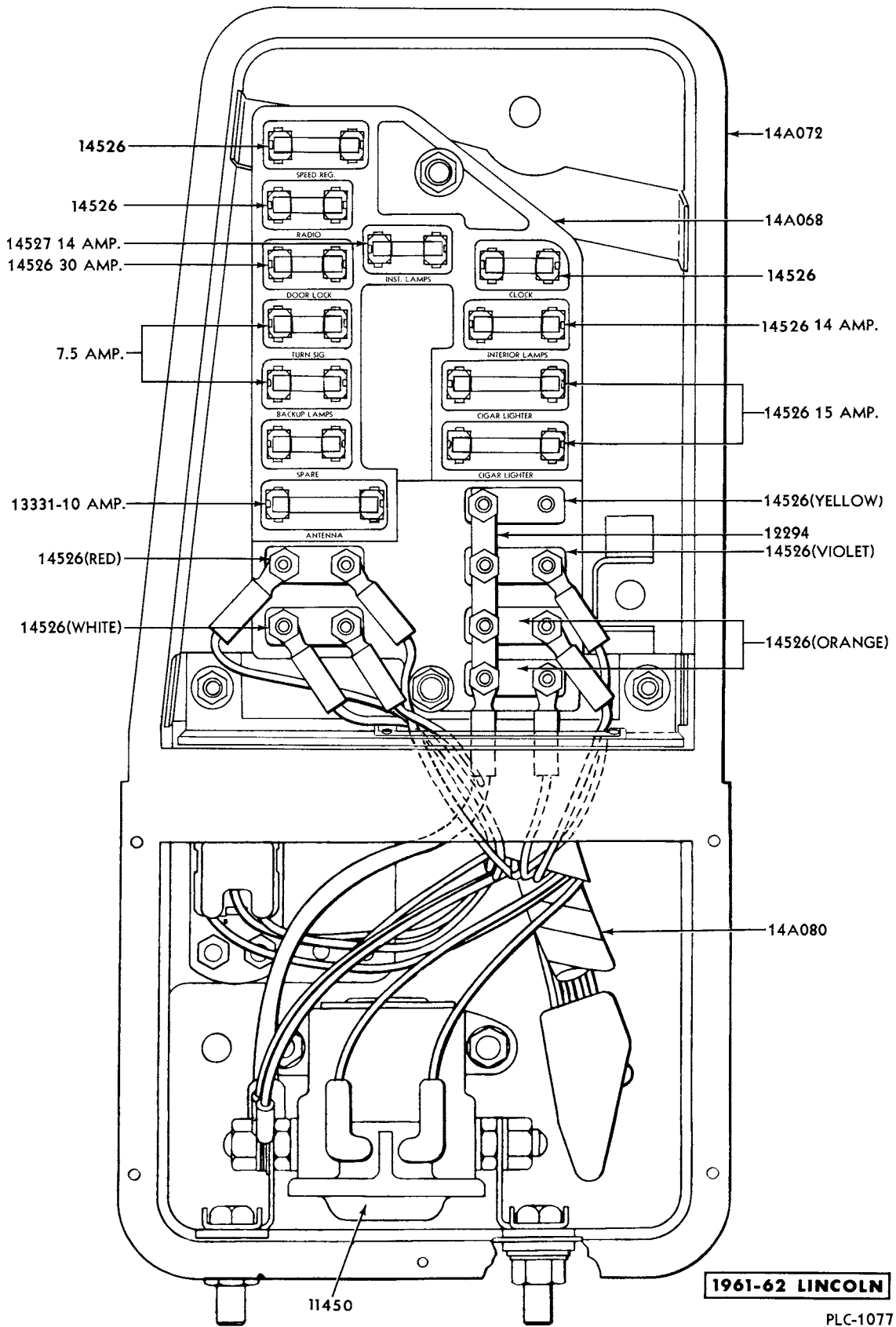
TURN SIGNAL LAMP - FENDER MOUNTED



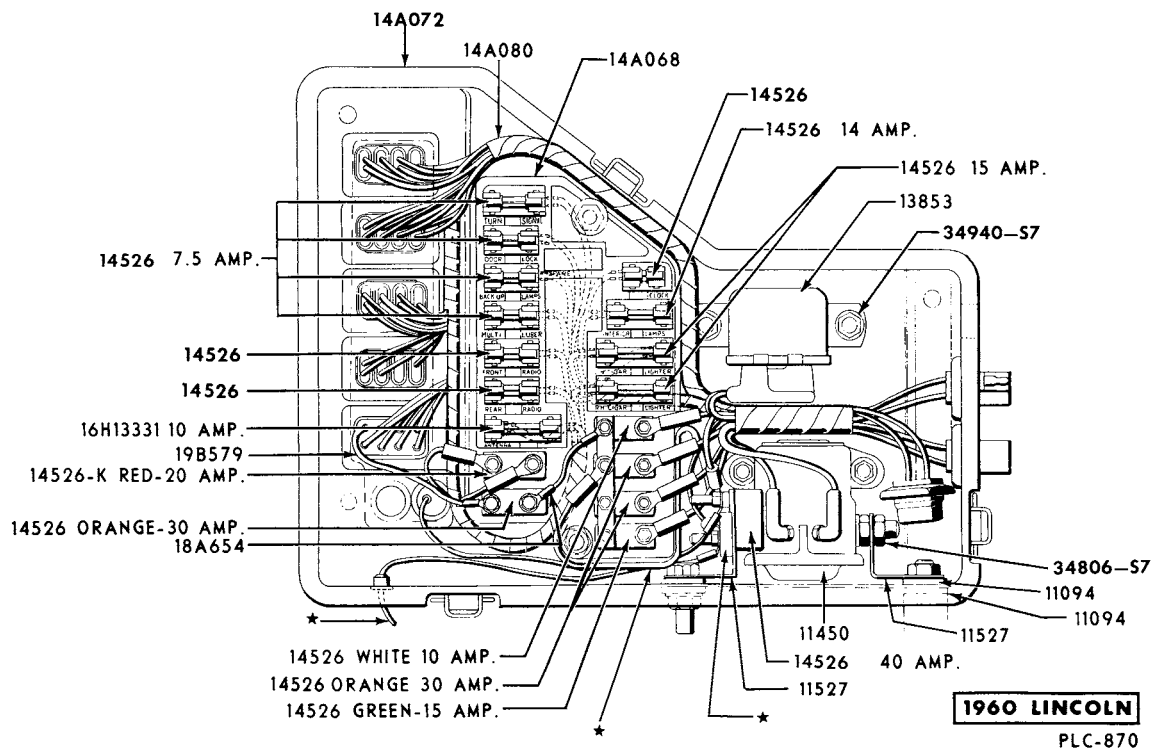
AUTOMATIC HEADLAMP DIMMER



PARKING LAMP WIRING

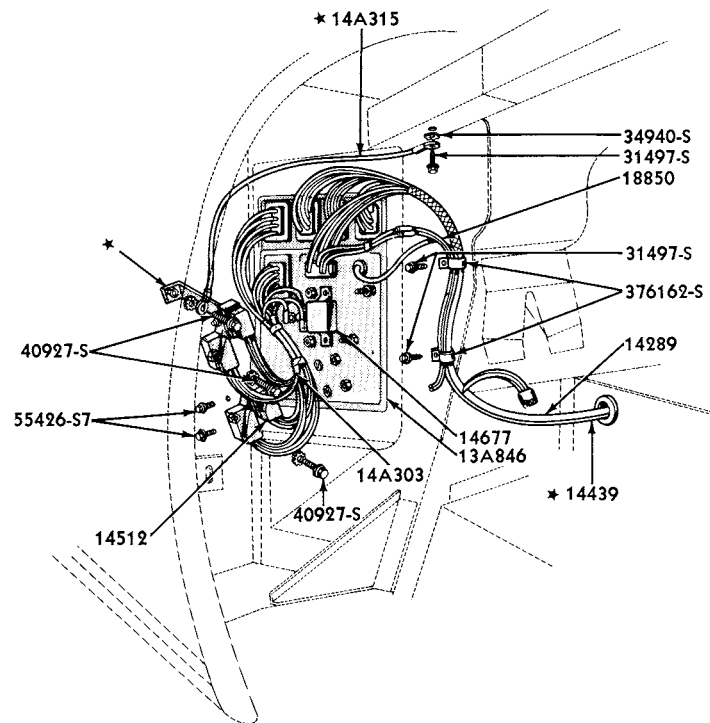


FUSE PANEL and BOX

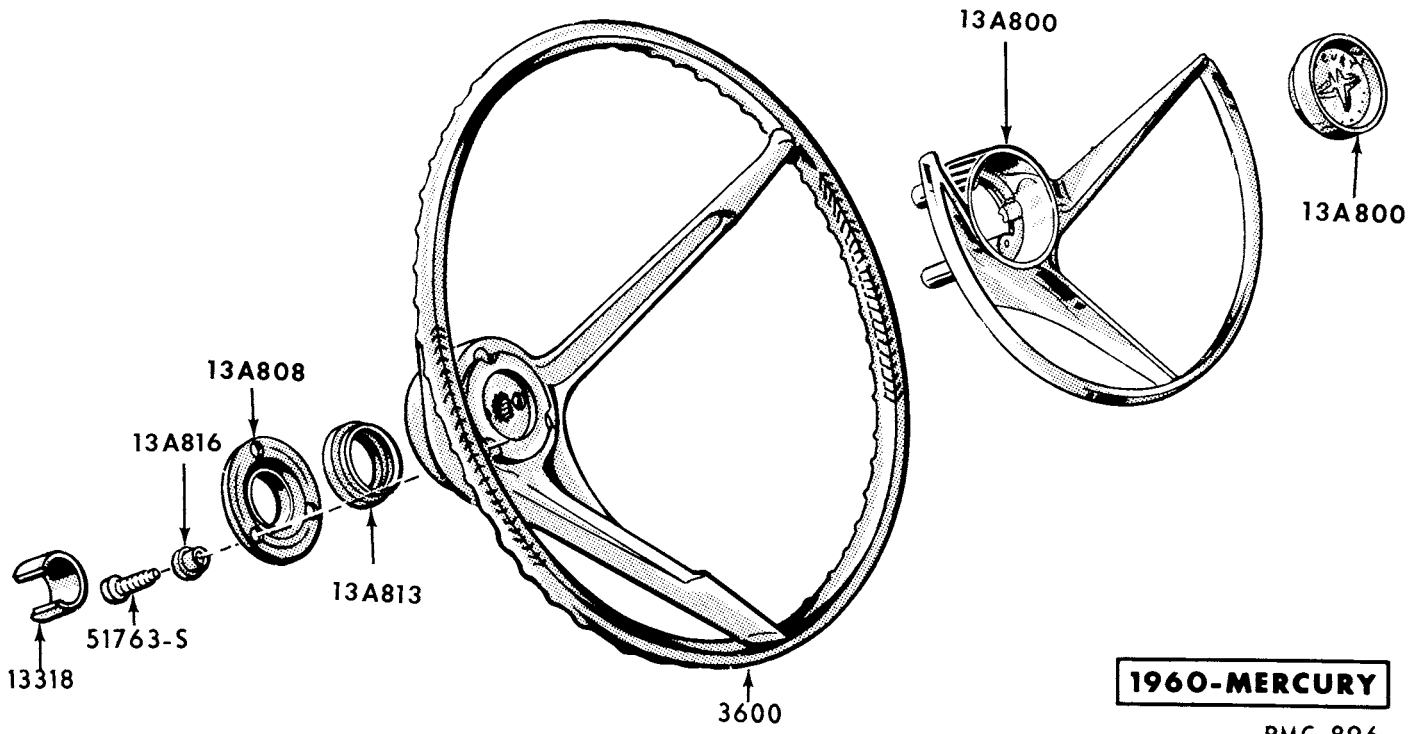


* NOT SERVICED

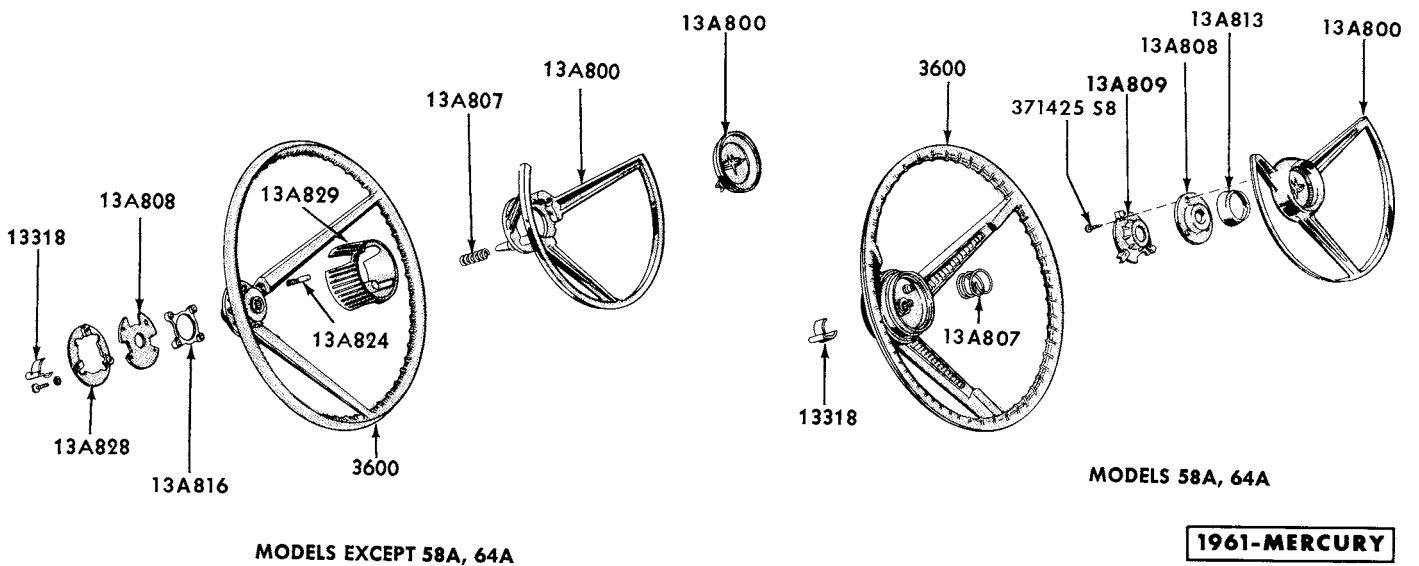
FUSE PANEL and BOX



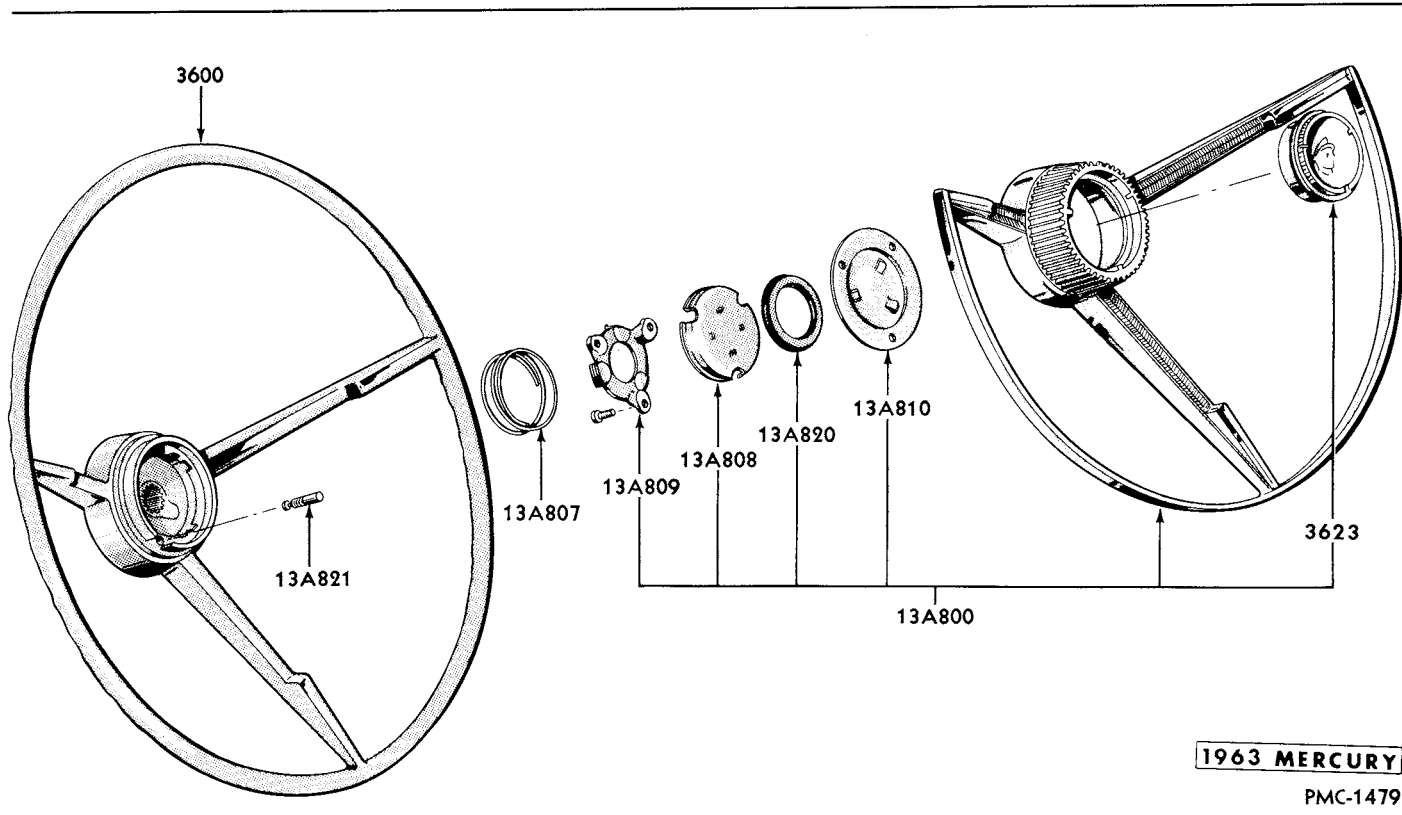
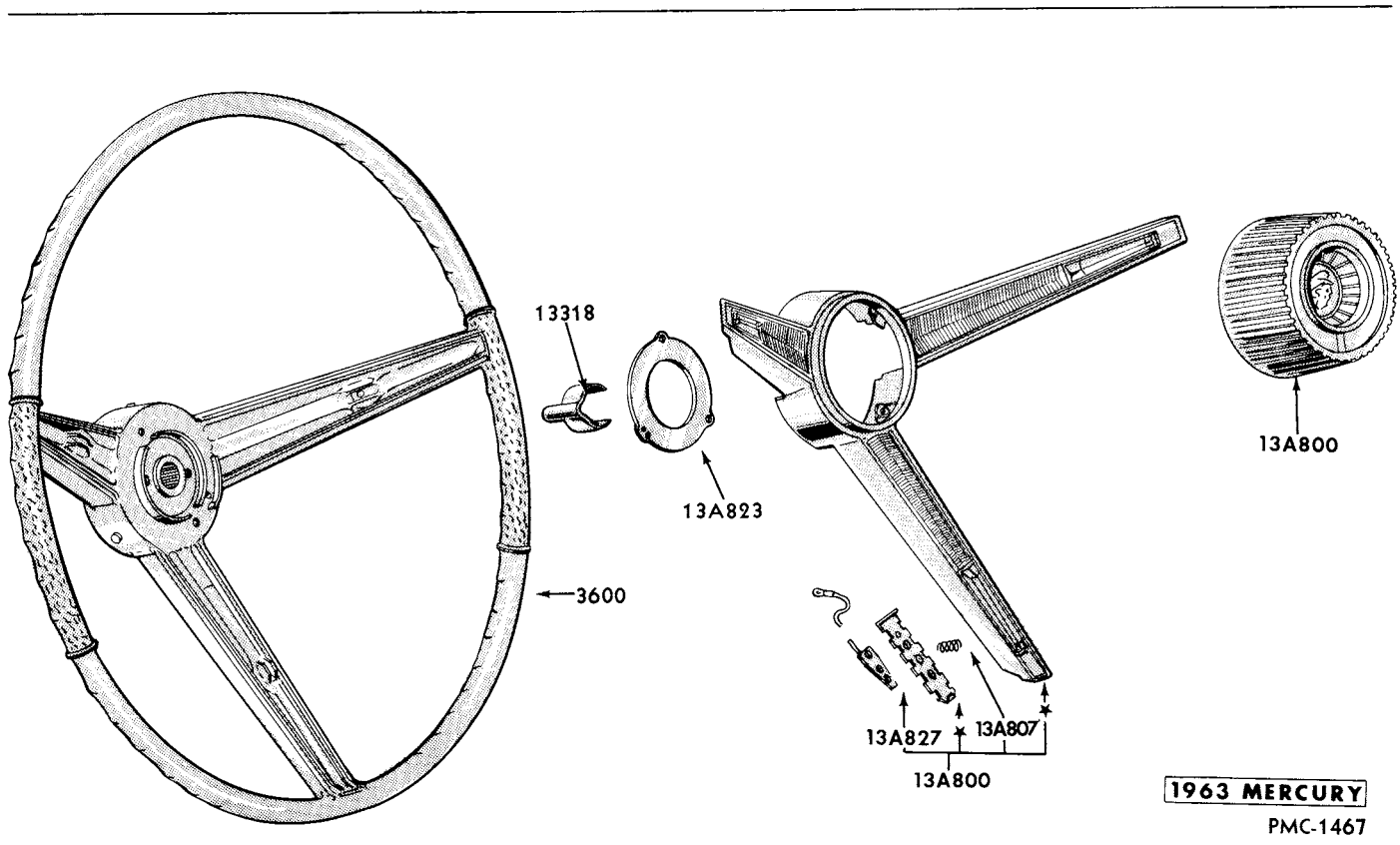
ENGINE COMPARTMENT WIRING TO HORN RELAY MOUNTING PANEL



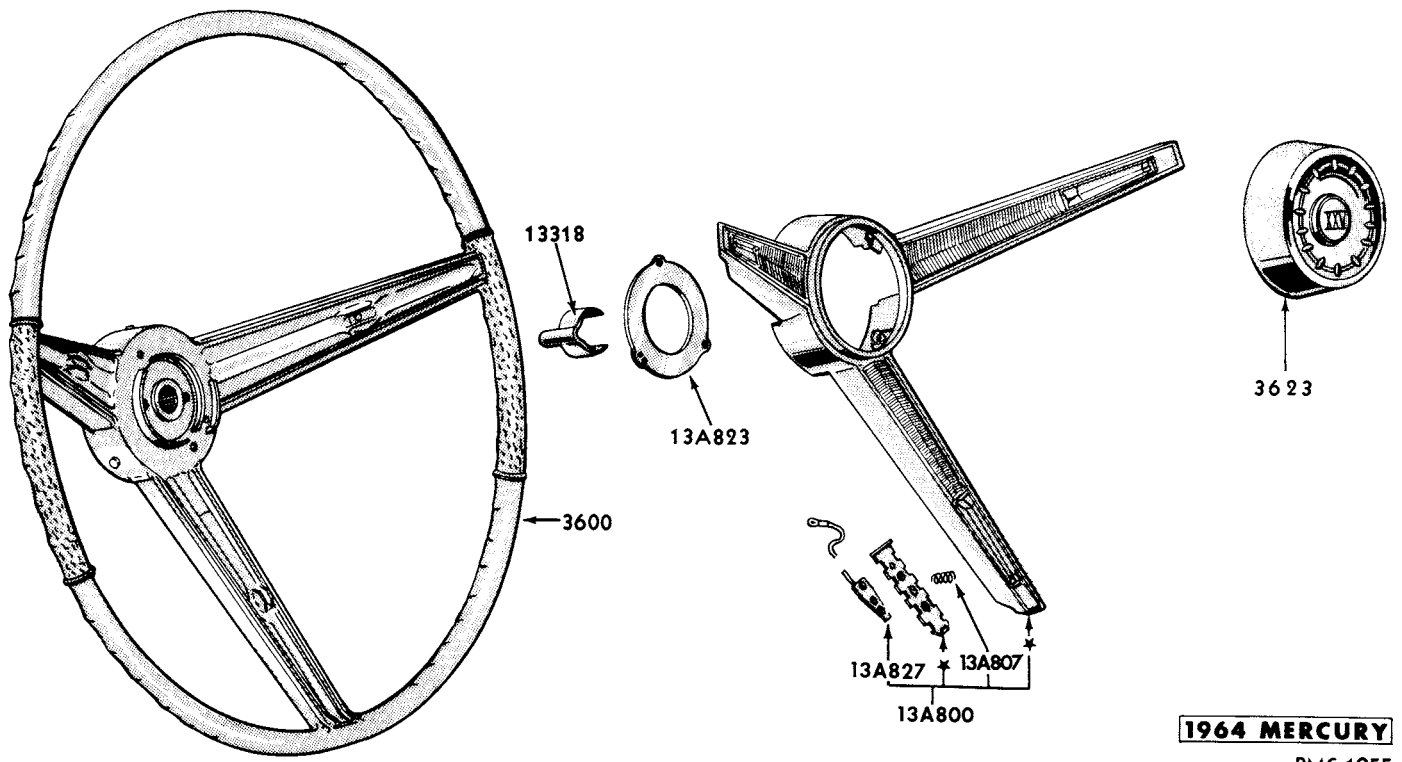
STEERING WHEEL and HORN RING



STEERING WHEEL and HORN RING

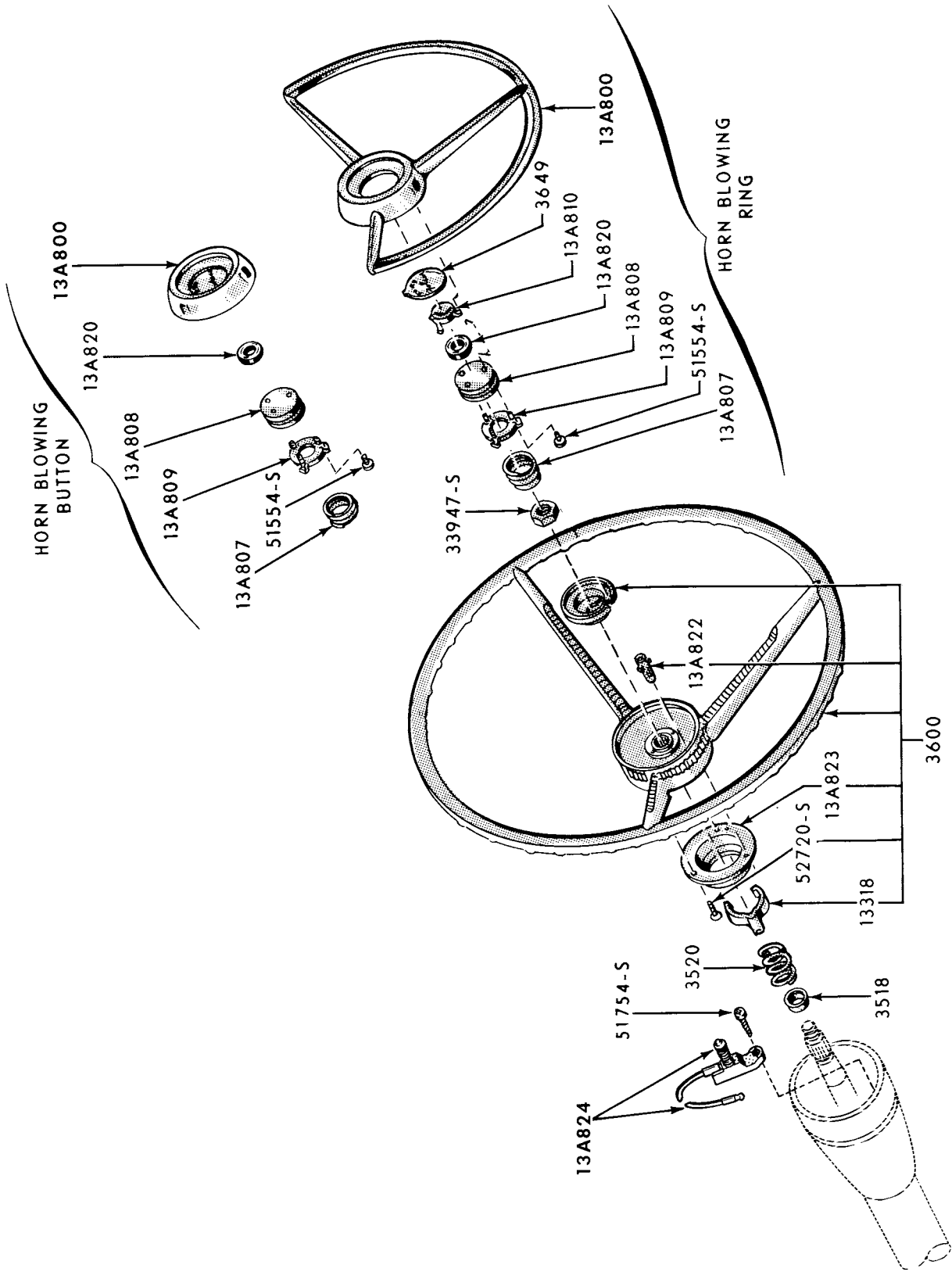


STEERING WHEEL and HORN RING



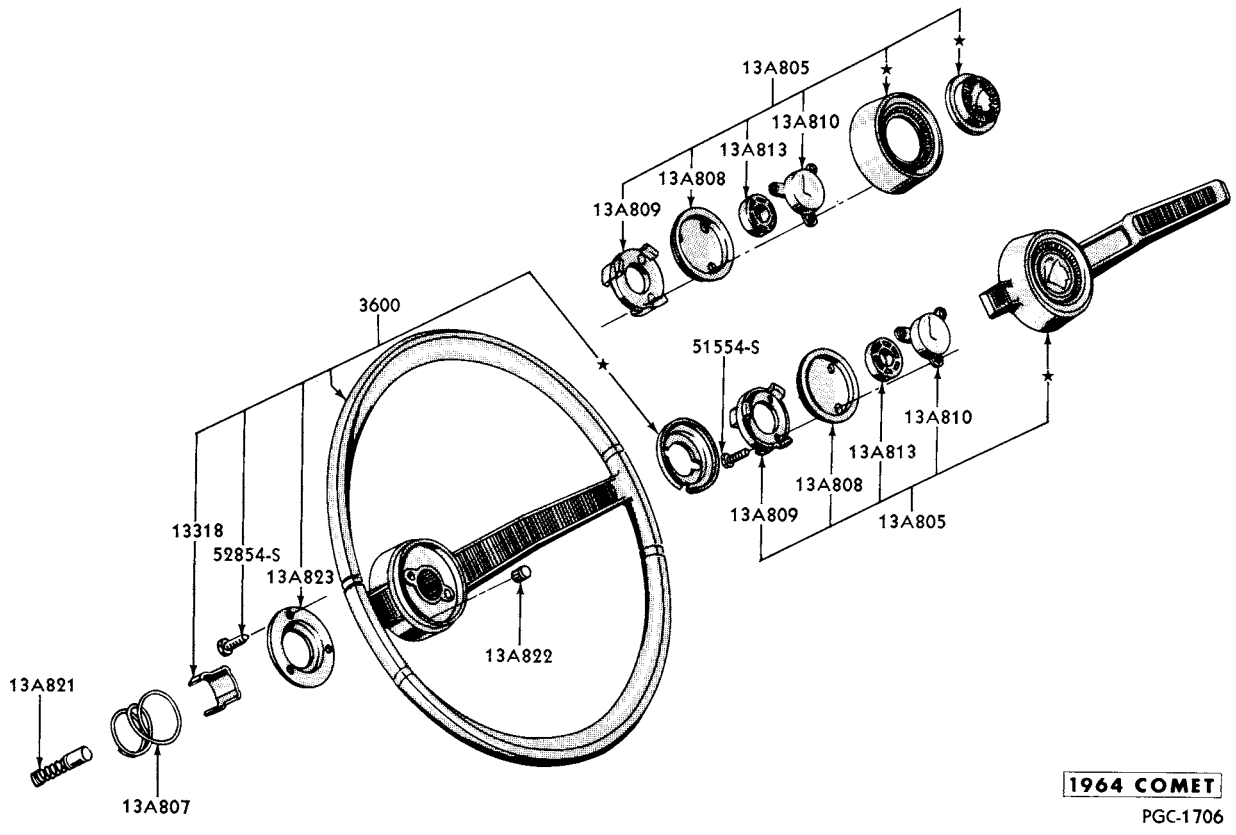
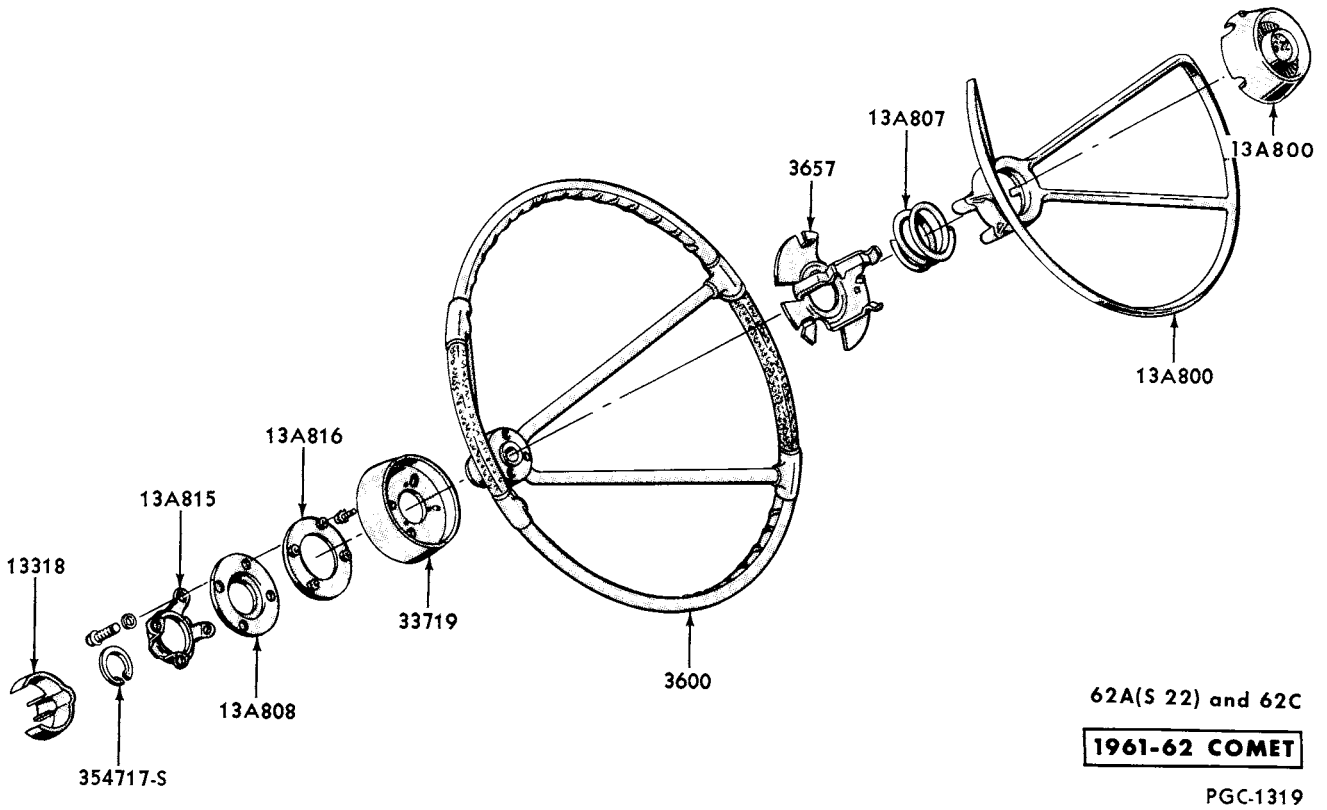
1964 MERCURY
PMC-1955

STEERING WHEEL and HORN RING

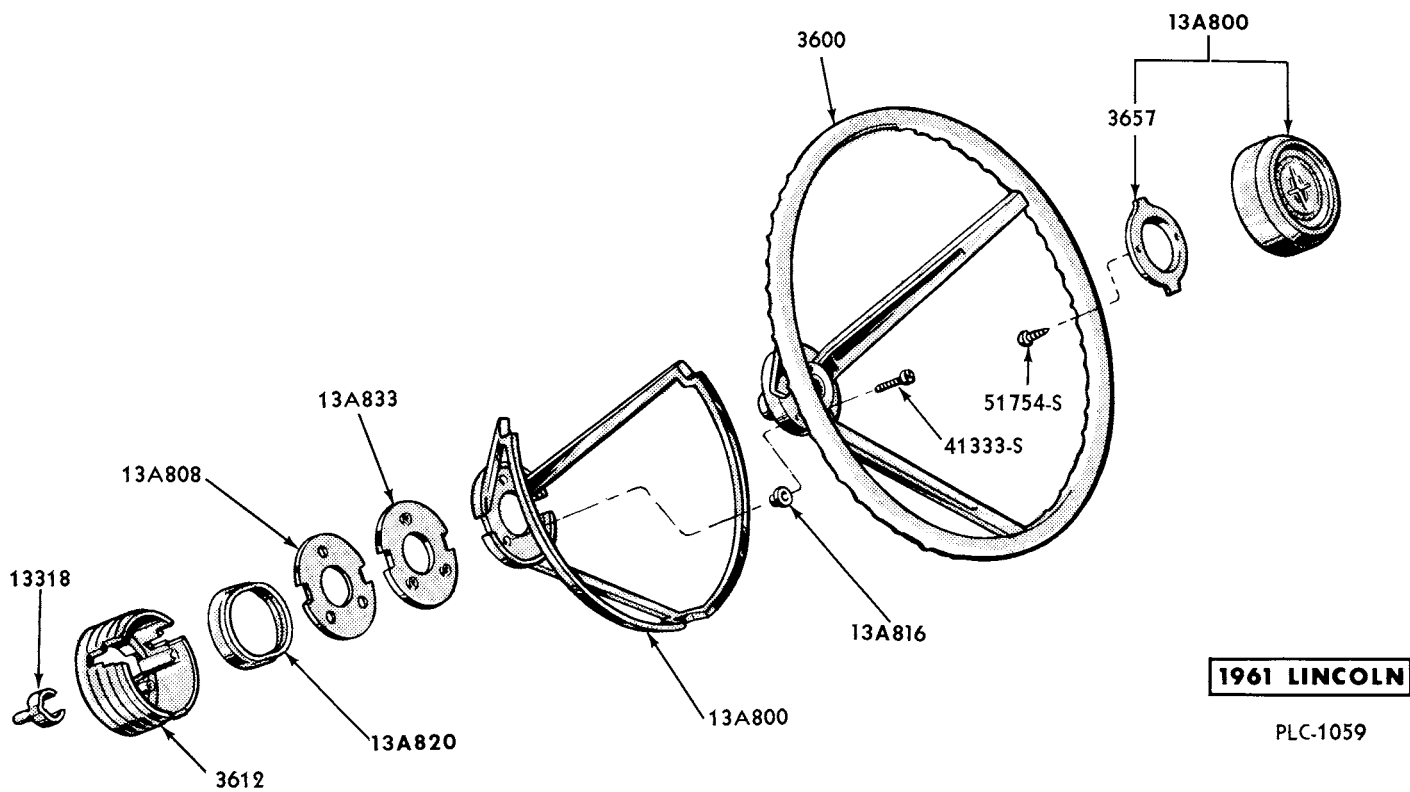
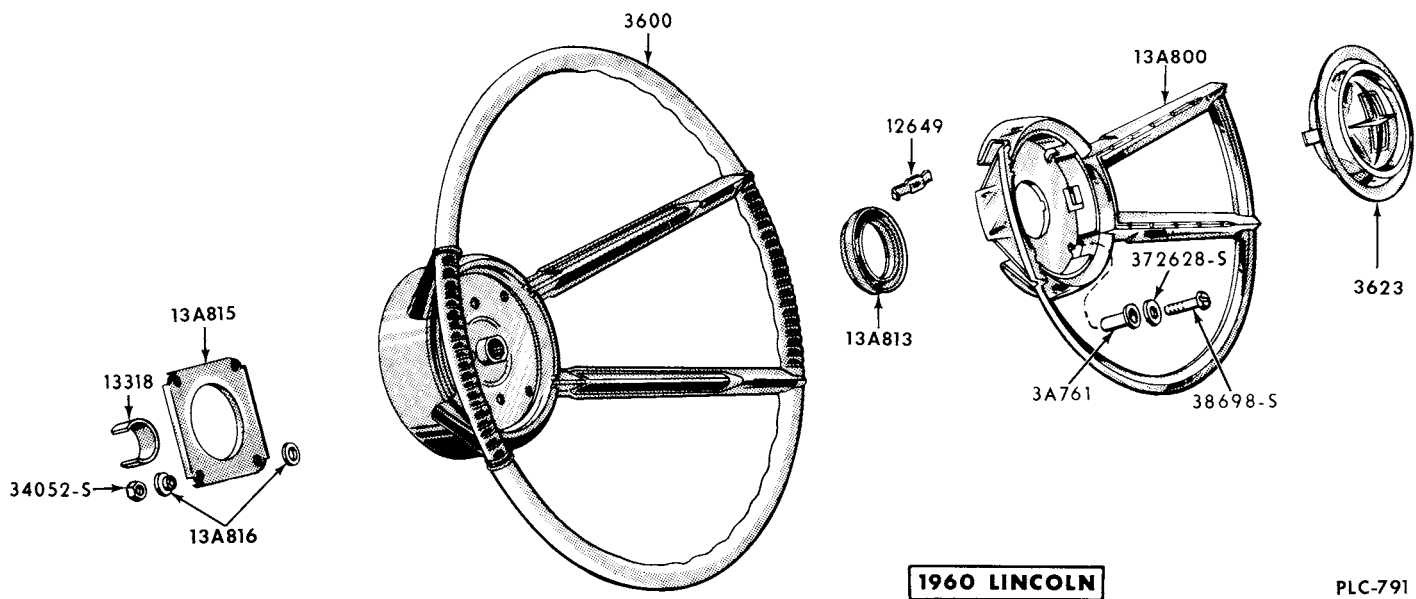


1960-63 COMET
PGC 1120

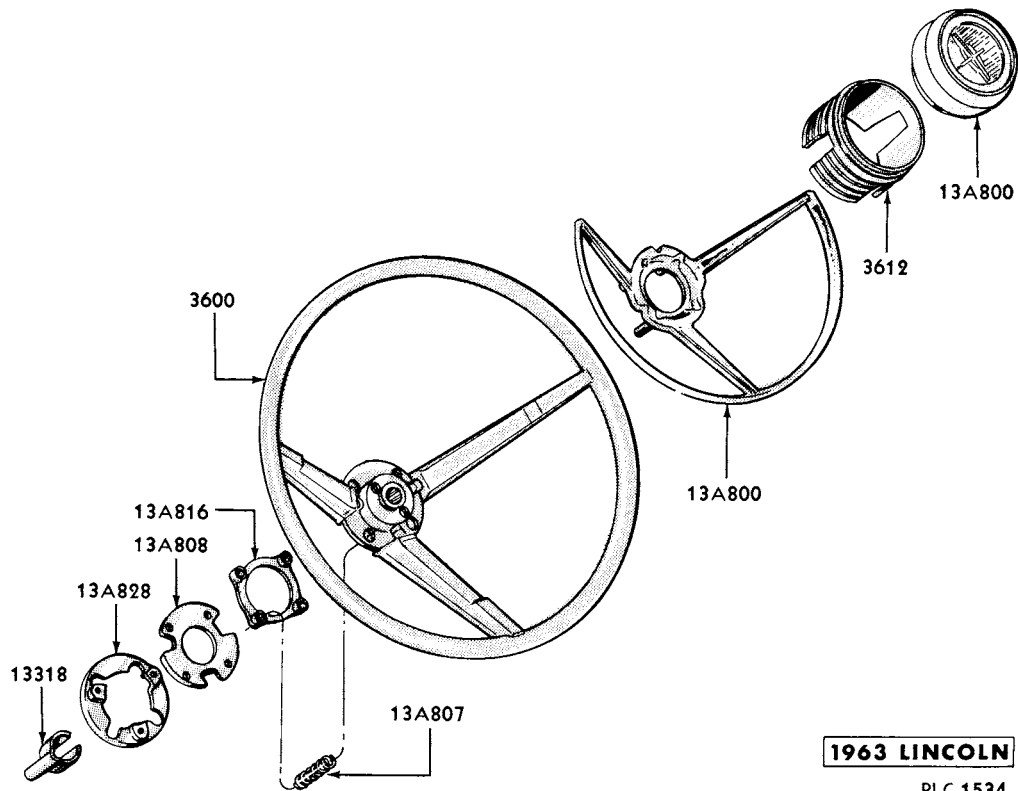
STEERING WHEEL and HORN RING



STEERING WHEEL and HORN RING

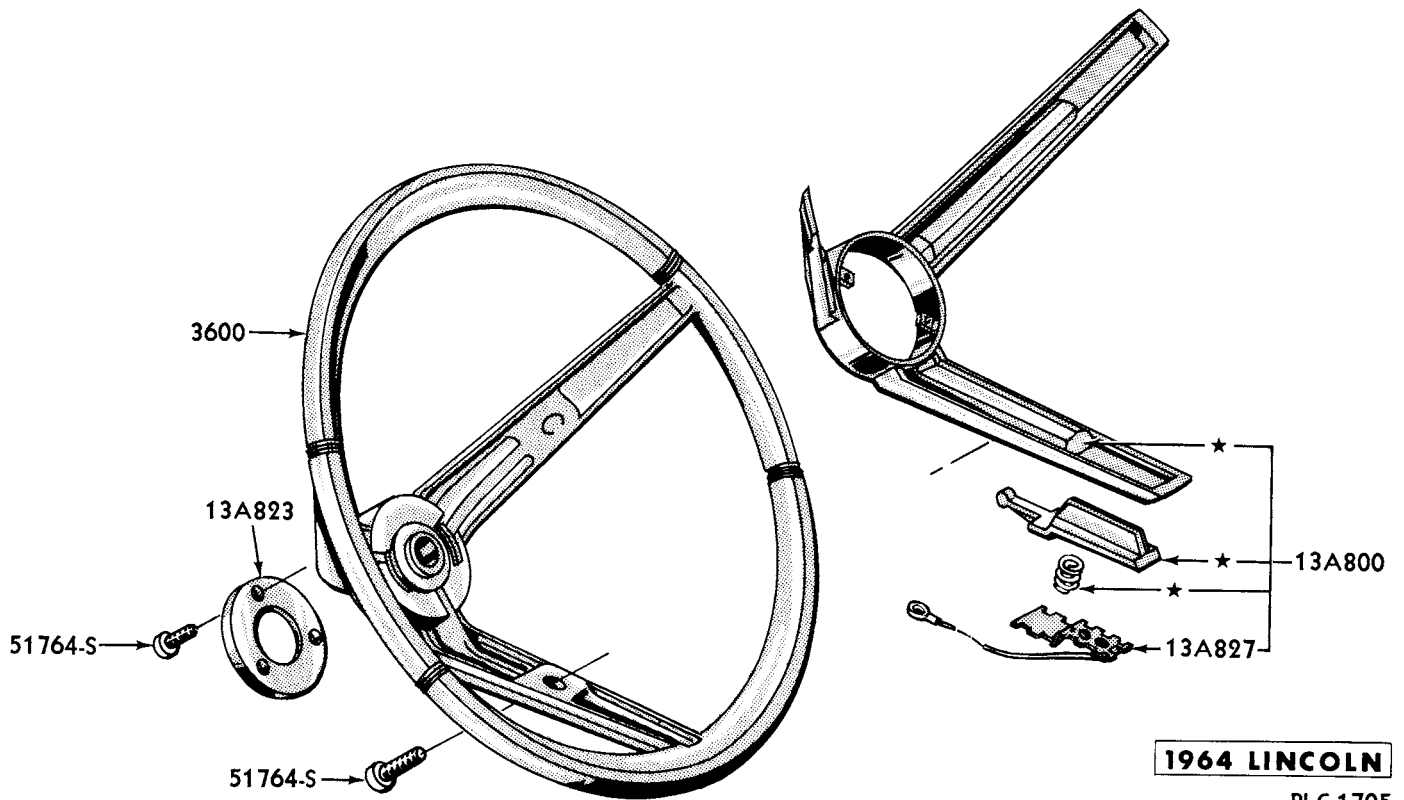


STEERING WHEEL and HORN RING



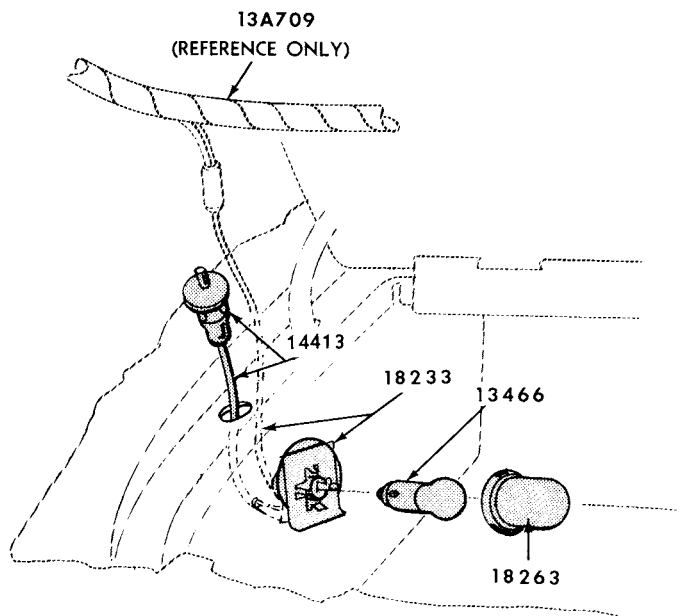
1963 LINCOLN
PLC-1534

STEERING WHEEL and HORN RING



1964 LINCOLN
PLC-1705

STEERING WHEEL and HORN RING

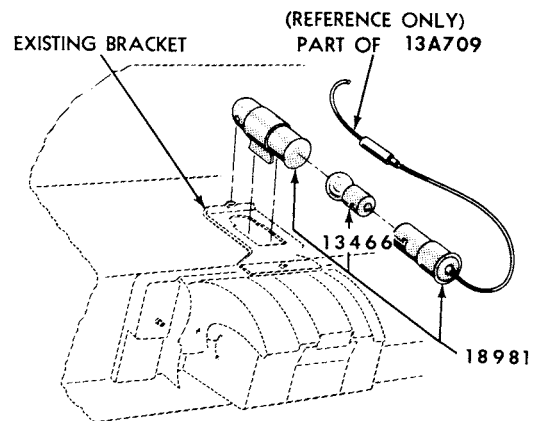


LAMP AND WIRING ASSEMBLY (VANITY MIRROR)

1960-62 MERCURY

1962-METEOR

1960-62 COMET

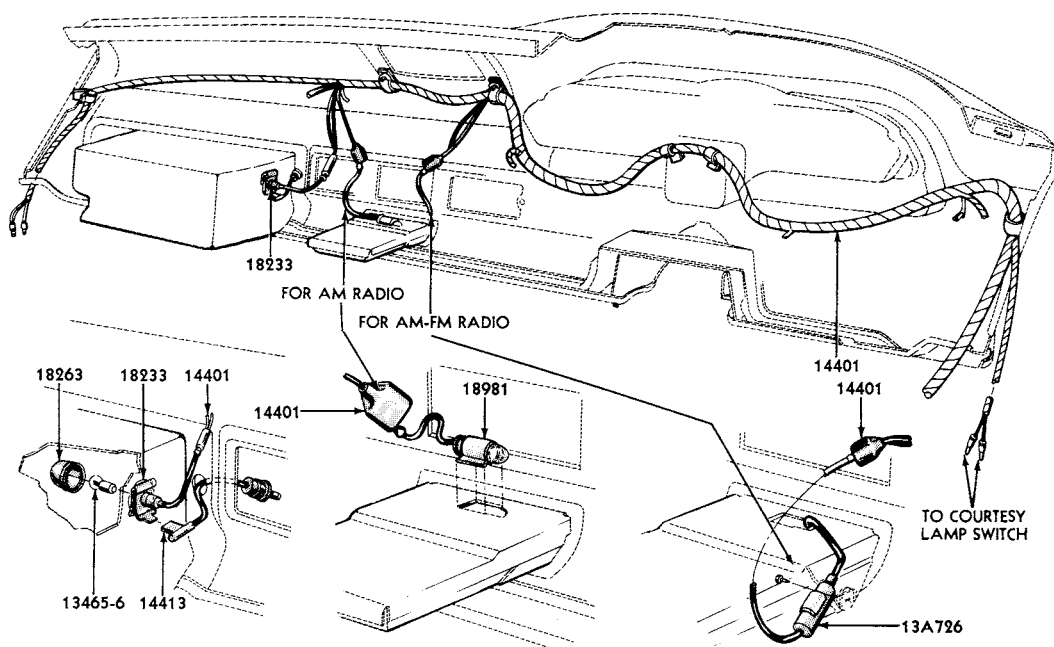


WIRING AND SOCKET ASSEMBLY
(INSTRUMENT PANEL ASH RECEPTACLE LAMP)

1960-62 MERCURY

PMB-313

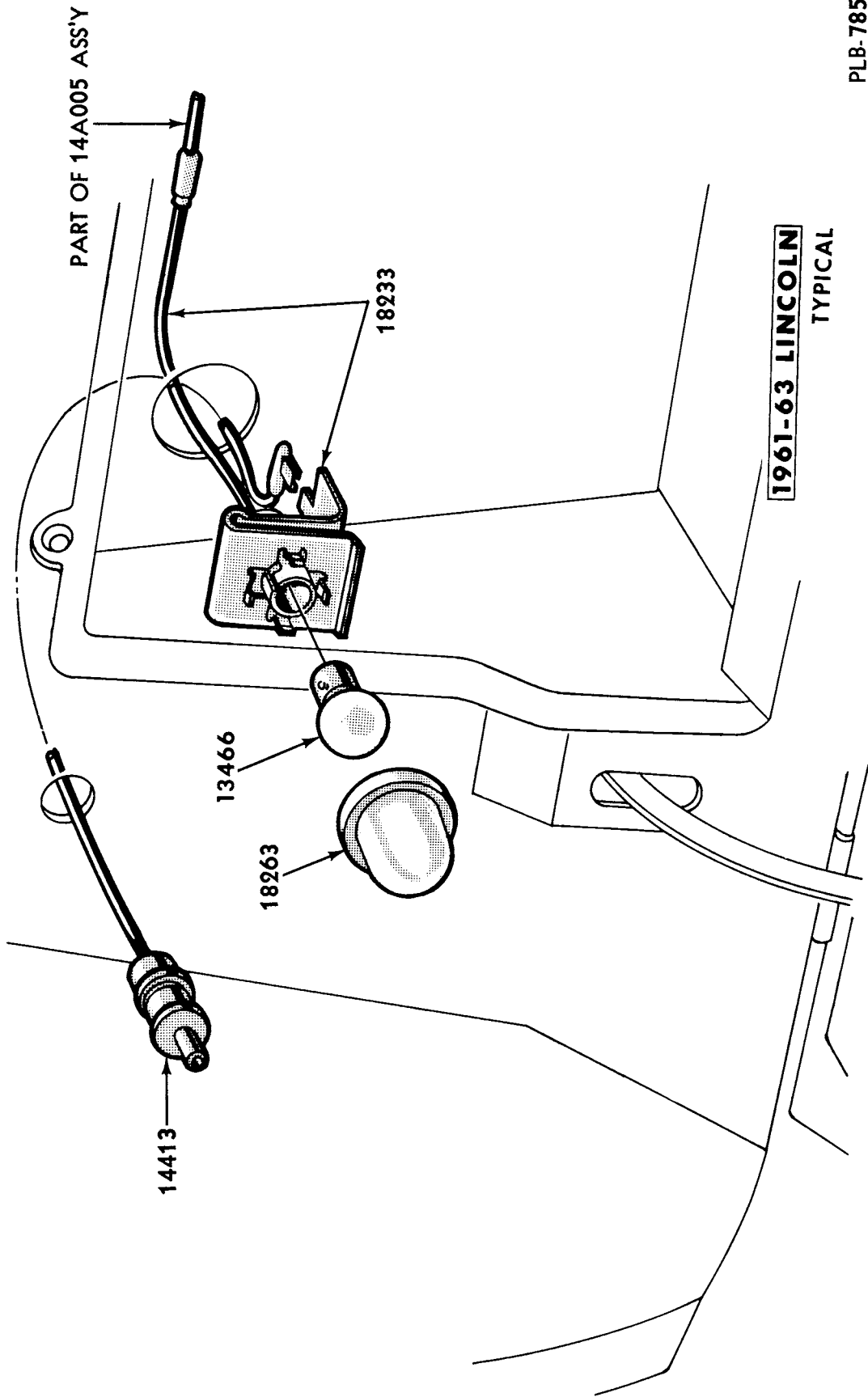
WIRING and LAMP ASSEMBLY



1964 MONTEREY

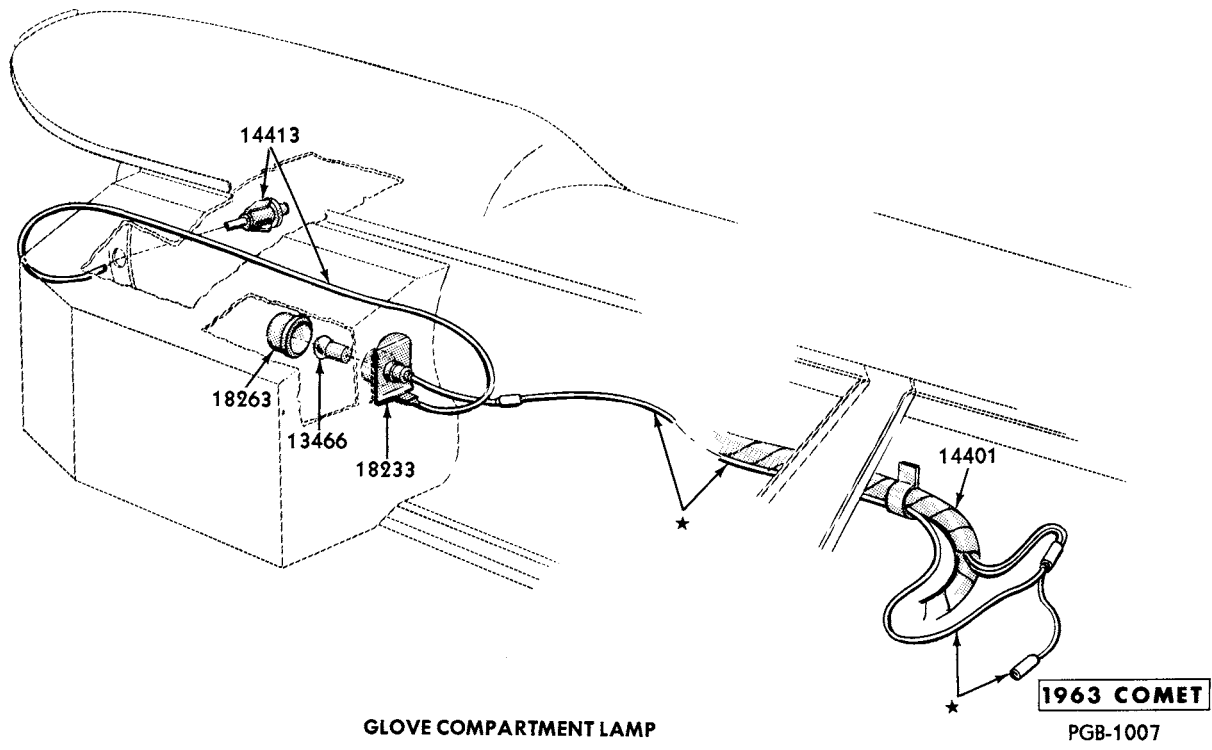
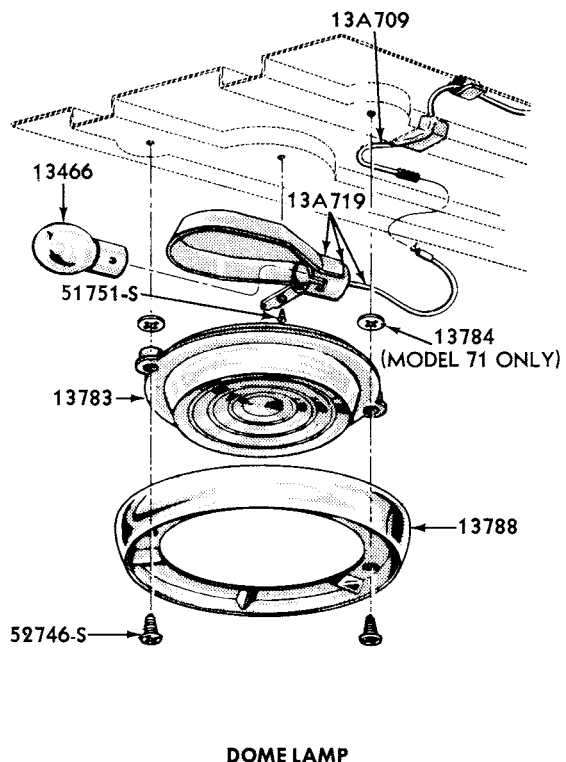
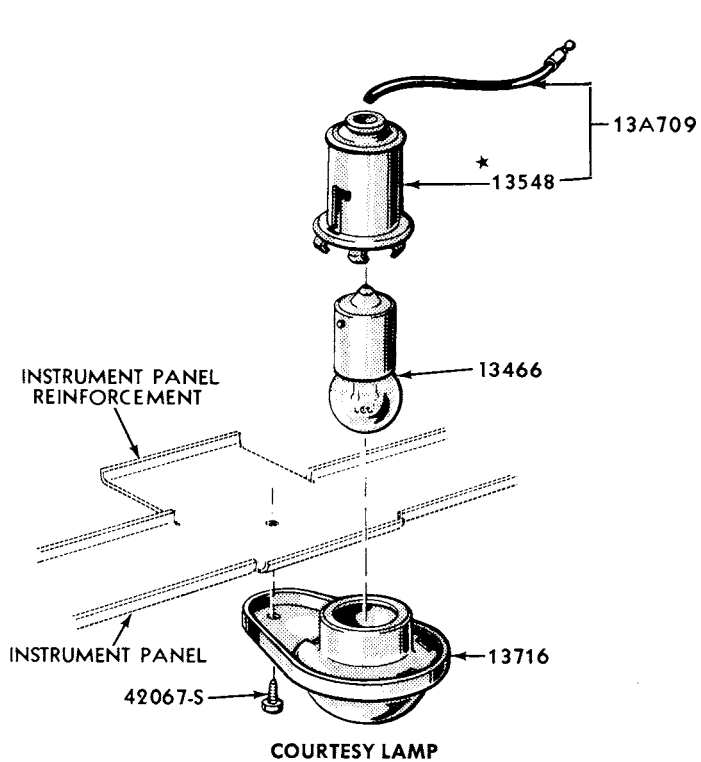
PMC-1704

GLOVE COMPARTMENT and ASH RECEPTACLE LAMP

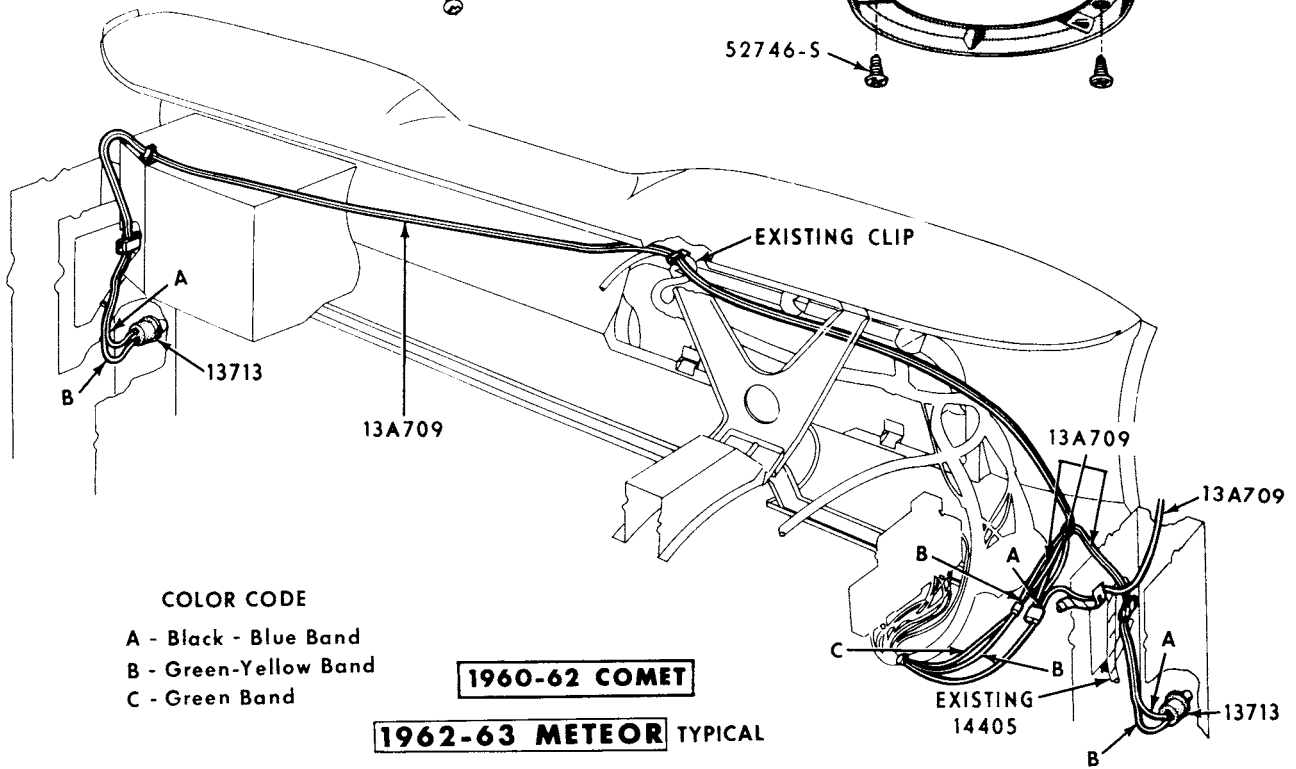
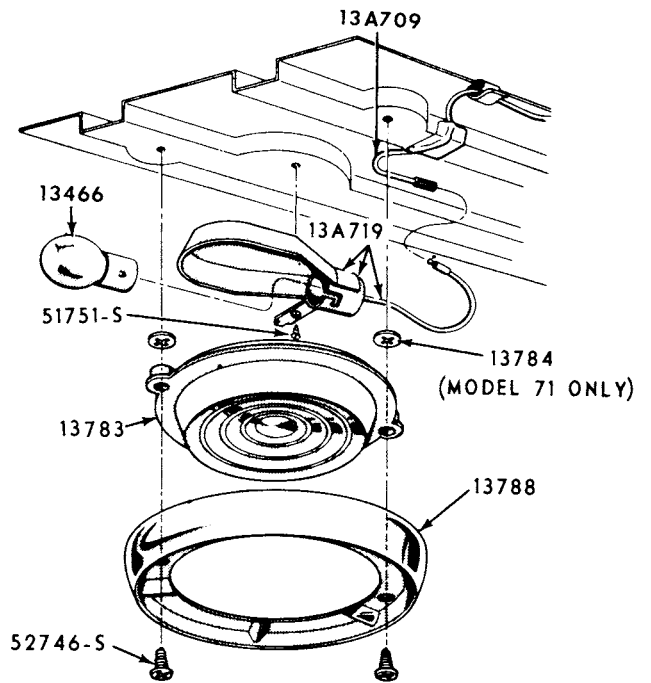
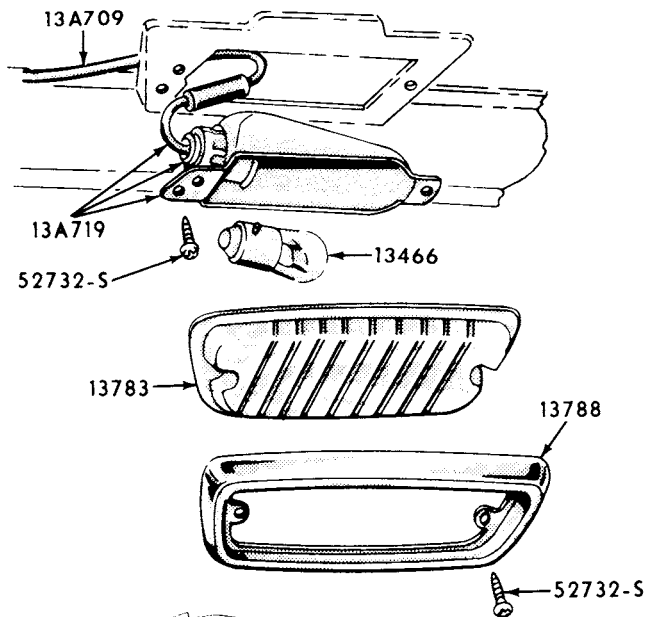


PLB-785

GLOVE COMPARTMENT LAMP



COURTESY, GLOVE COMPARTMENT and DOME LAMPS



COLOR CODE
 A - Black - Blue Band
 B - Green-Yellow Band
 C - Green Band

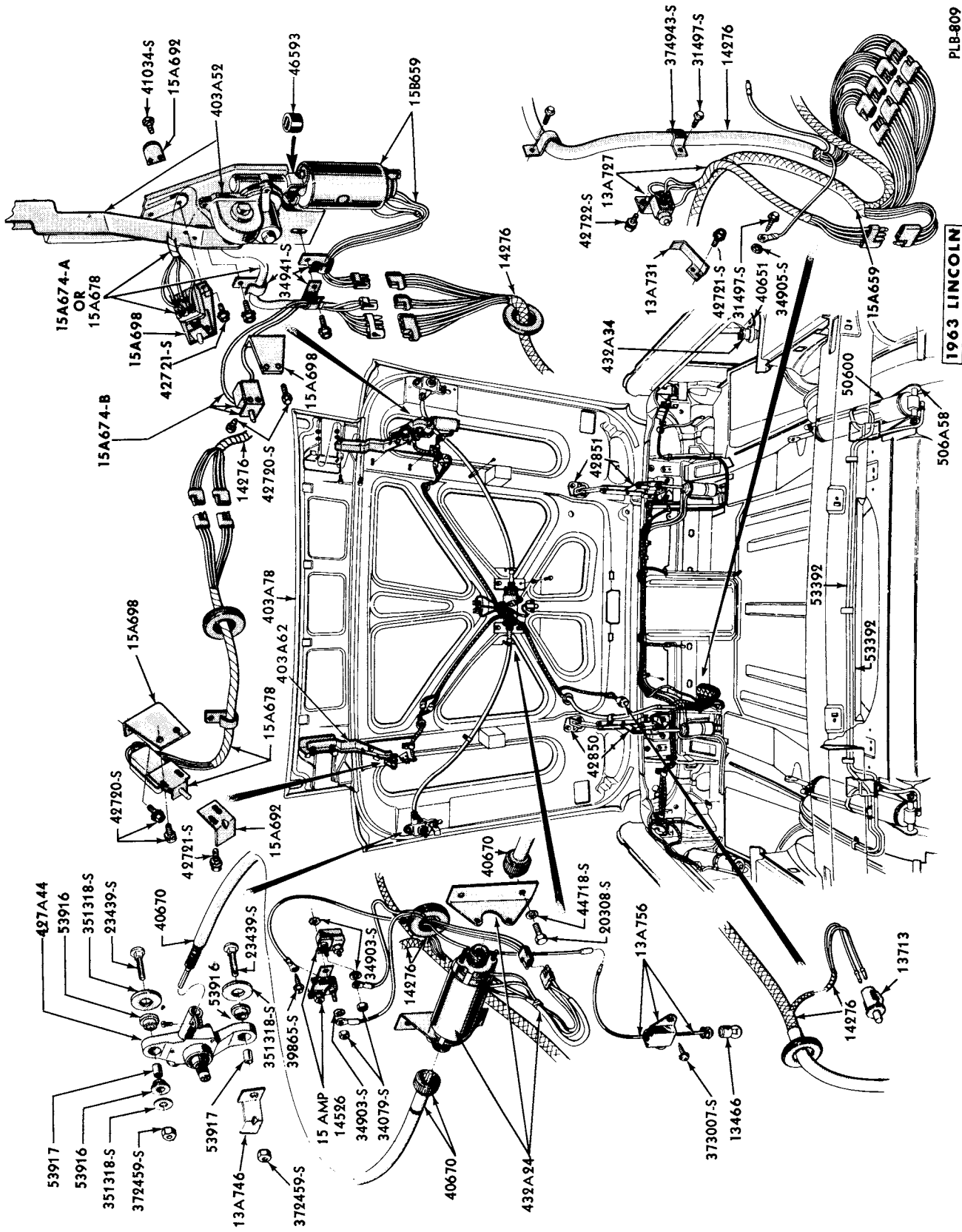
1960-62 COMET

1962-63 METEOR TYPICAL

PGB-657

DOME LAMP

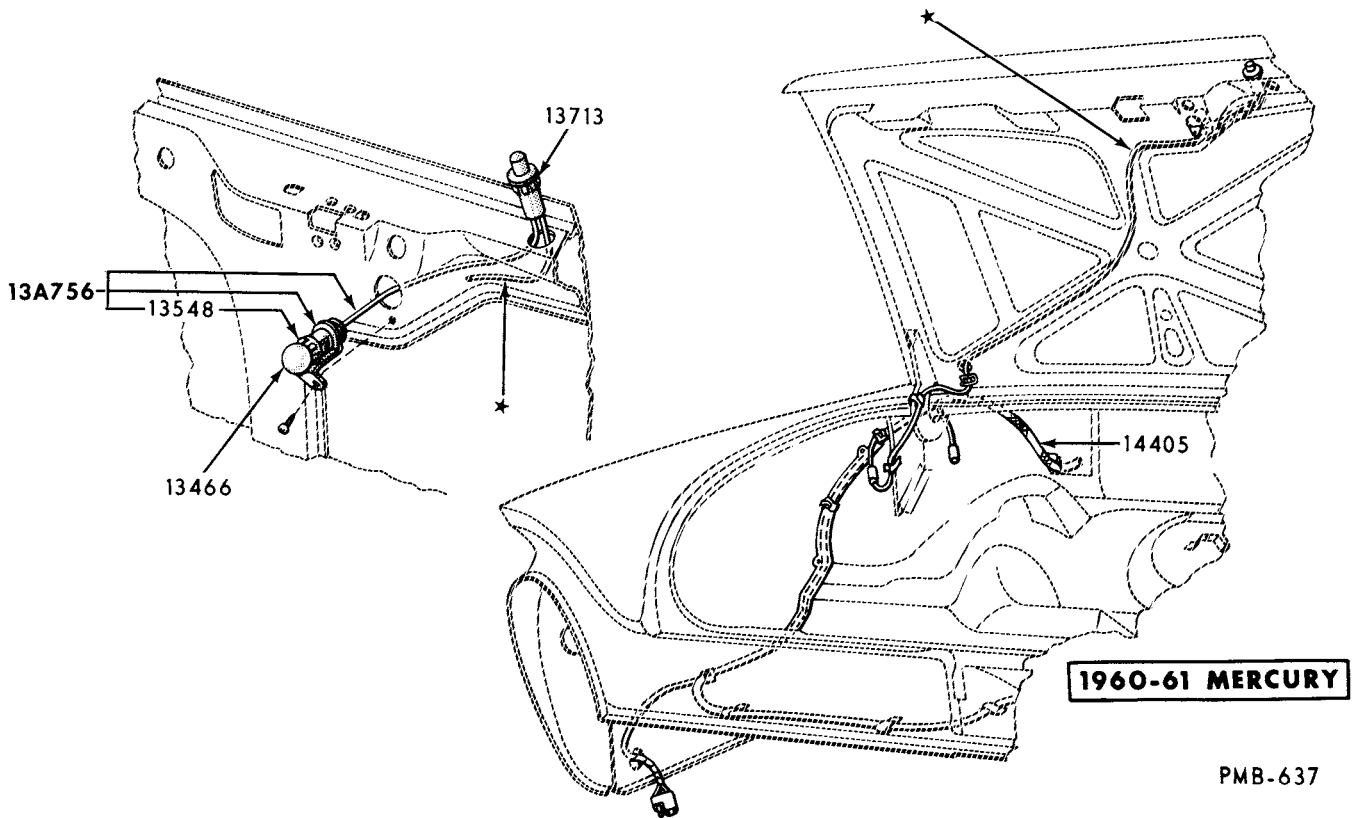
DOME LAMP



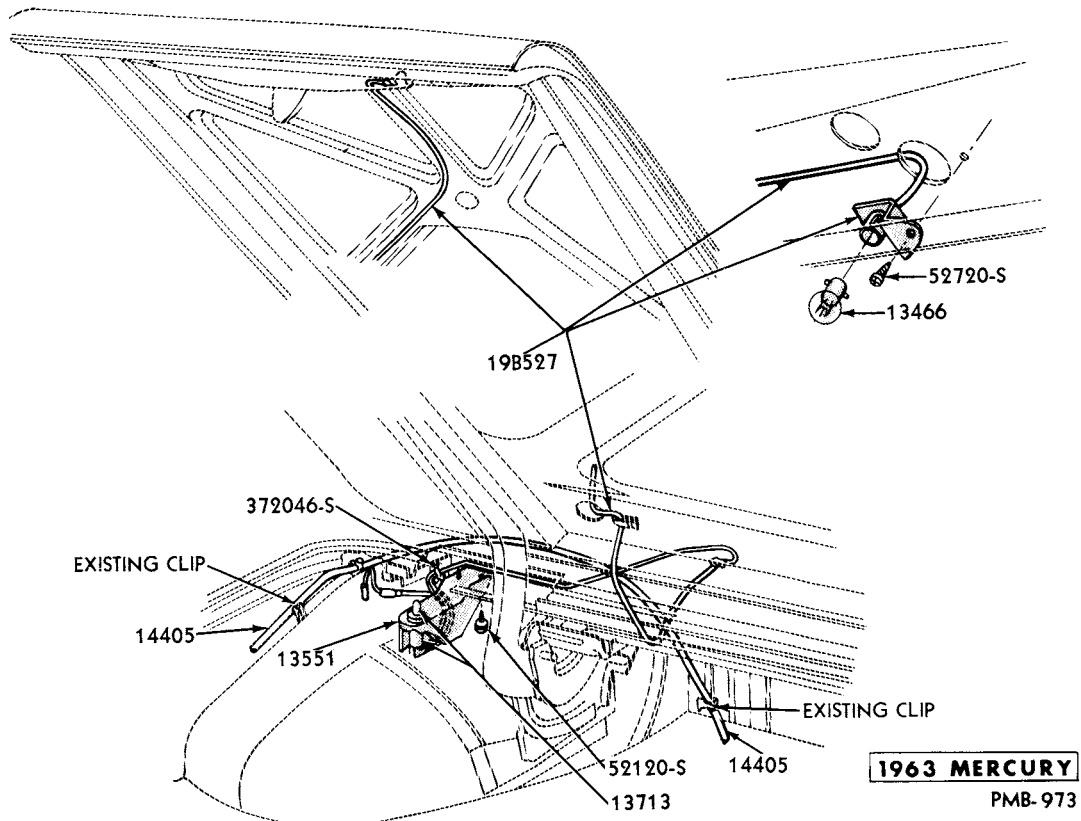
PLB-809

1963 LINCOLN

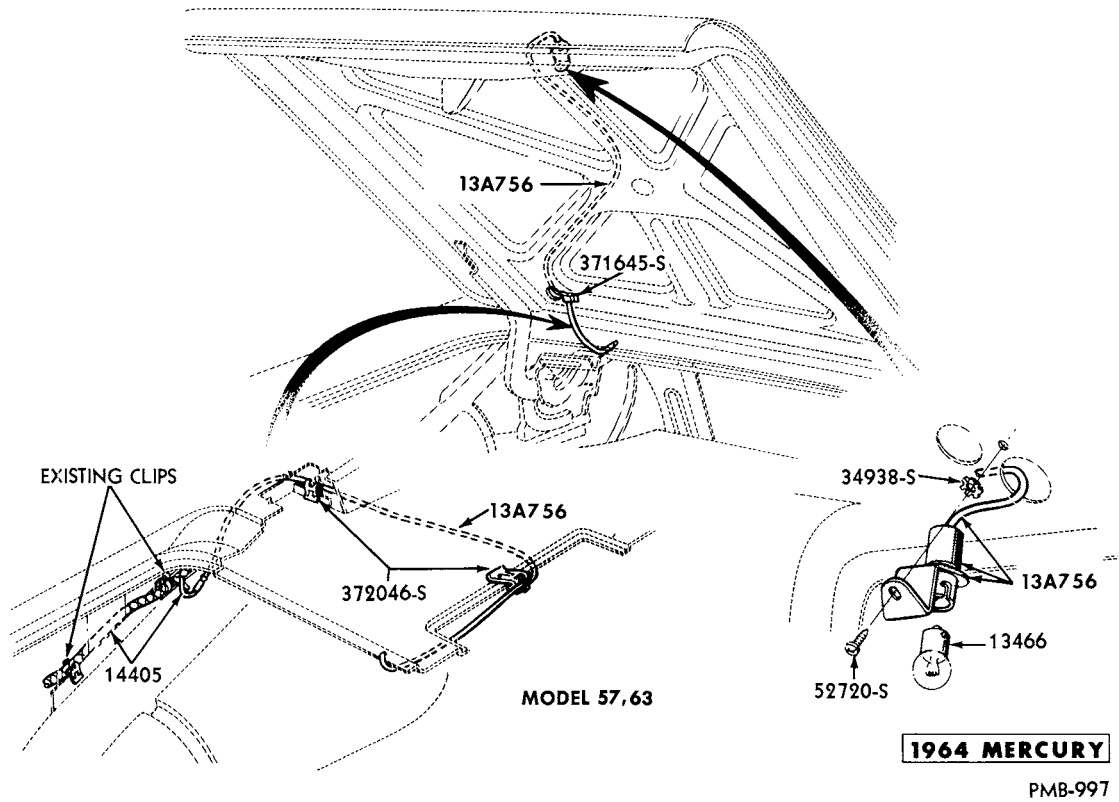
DECK LID and UPPER BACK FINISH PANEL ELECTRICAL MECHANISM - MODEL 74 A



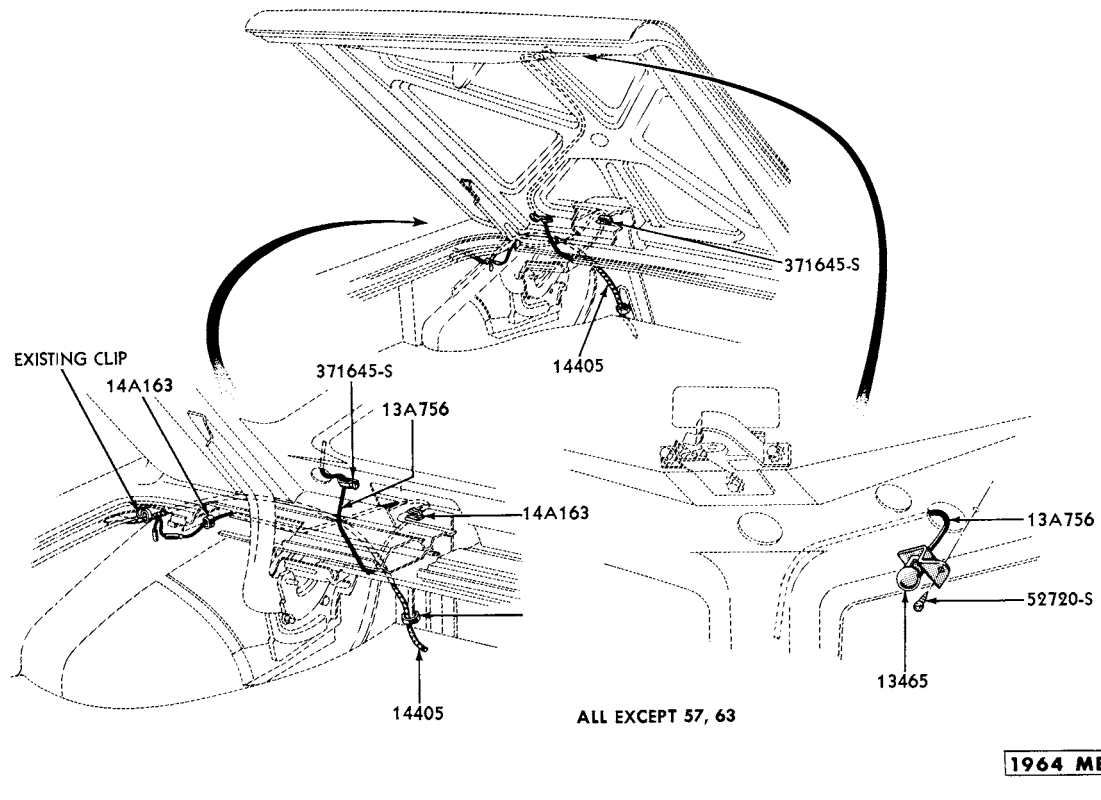
LUGGAGE COMPARTMENT LAMP



LUGGAGE COMPARTMENT LAMP - MODELS ALL EXCEPT 63B, C, 71

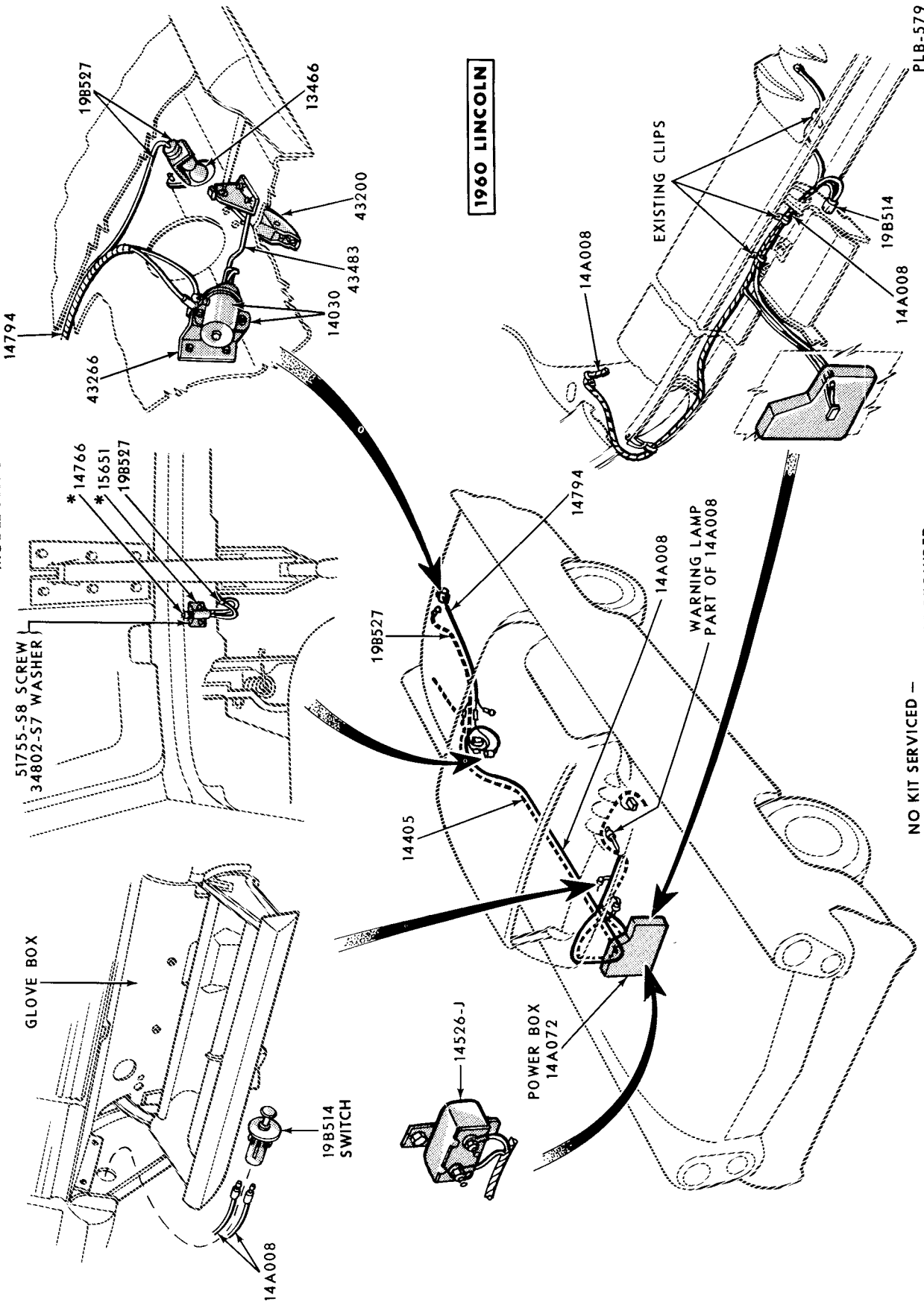


LUGGAGE COMPARTMENT LAMP - MODELS 63B, C, 71



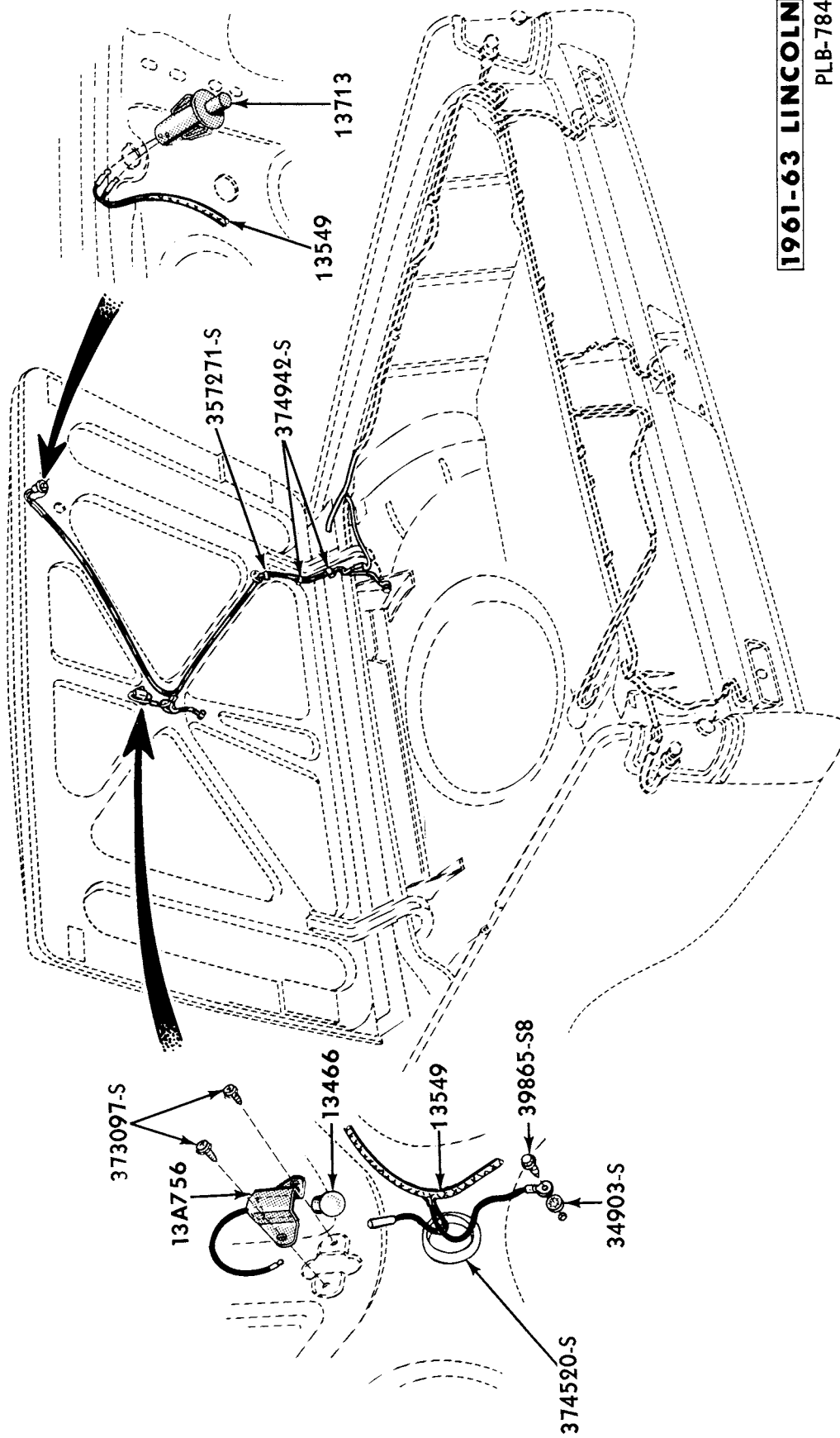
LUGGAGE COMPARTMENT LAMP

* MODEL 68A ONLY



NO KIT SERVICED —
ORDER BY DETAIL PARTS AS REQUIRED

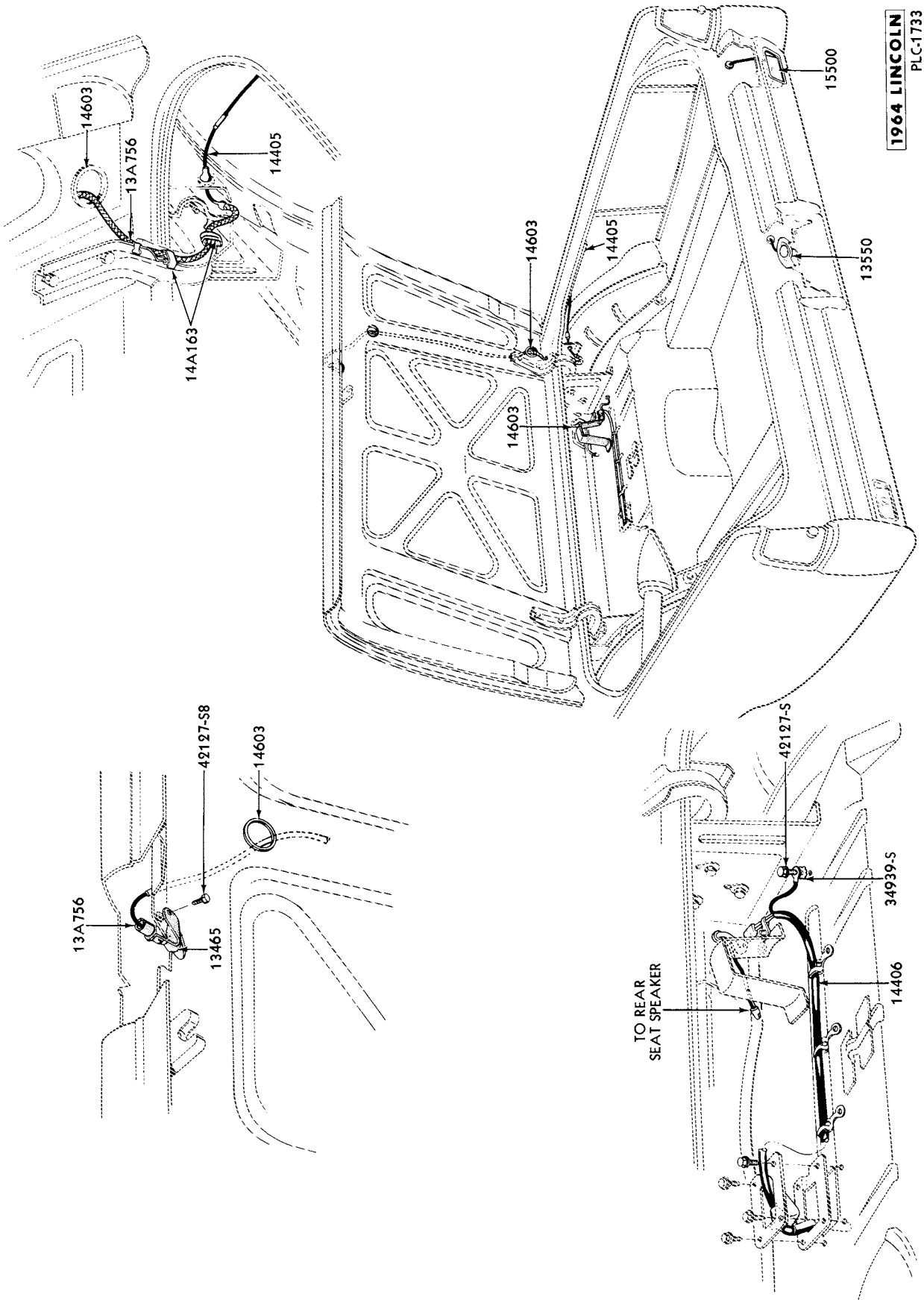
LUGGAGE COMPARTMENT DOOR ELECTRICAL LOCKING MECHANISM



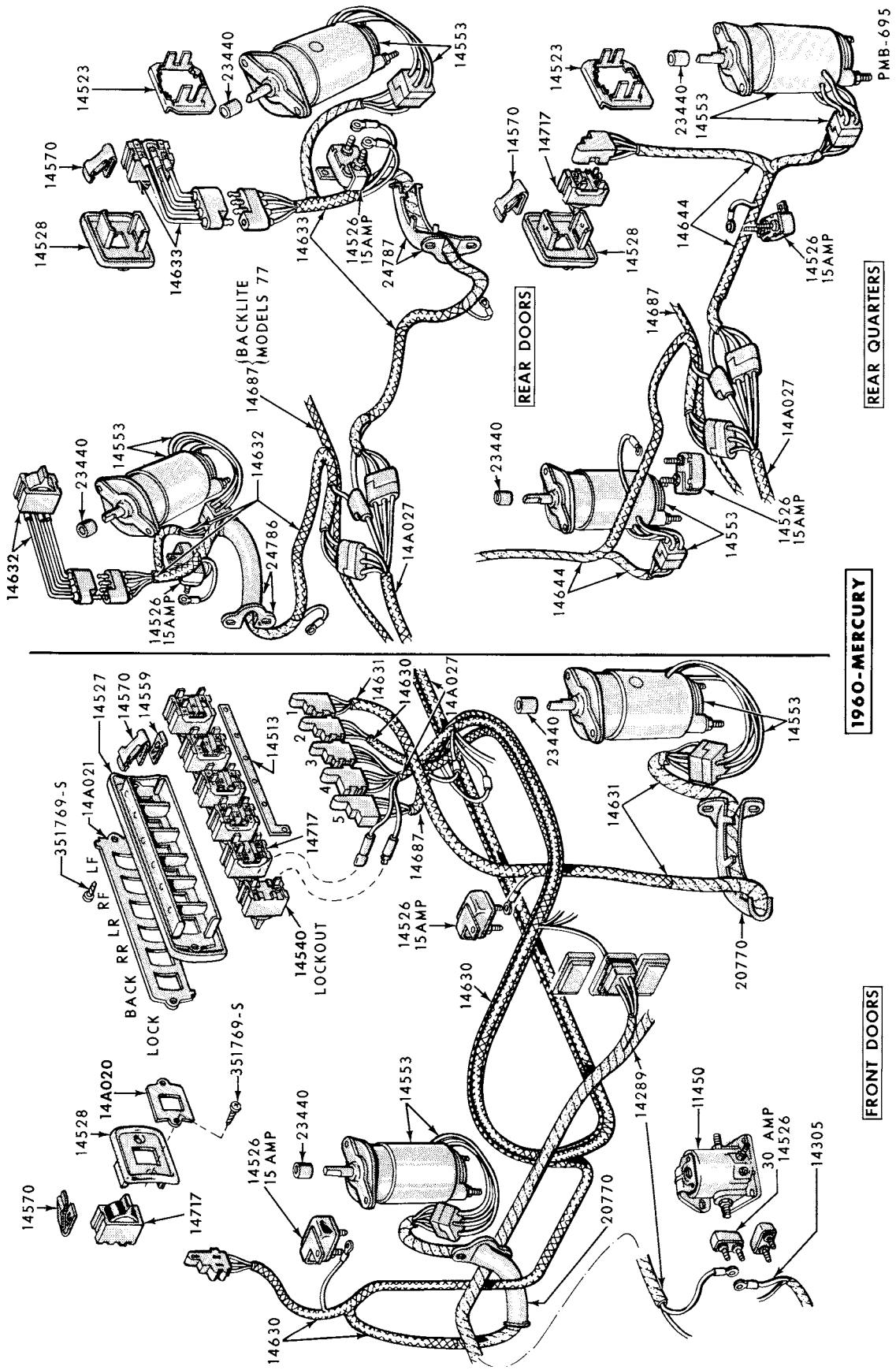
1961-63 LINCOLN

PLB-784

LUGGAGE COMPARTMENT LAMP

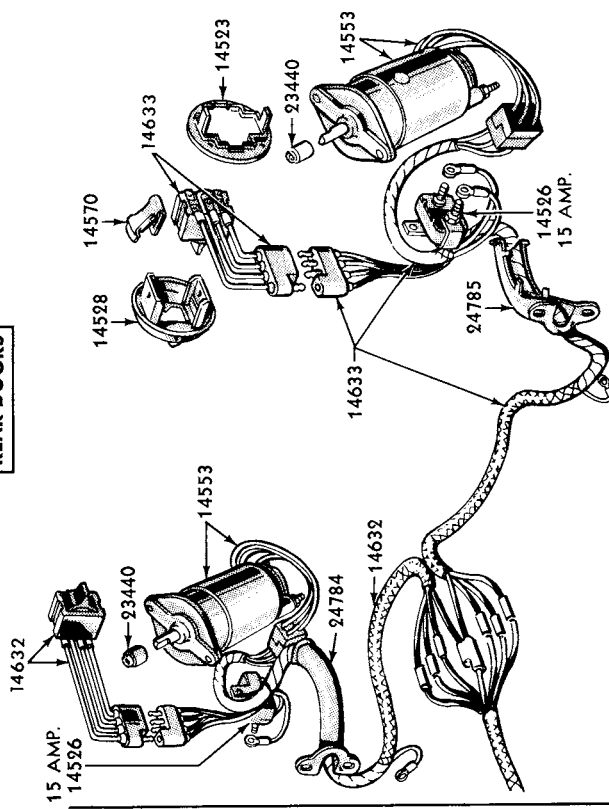


LUGGAGE COMPARTMENT LAMP

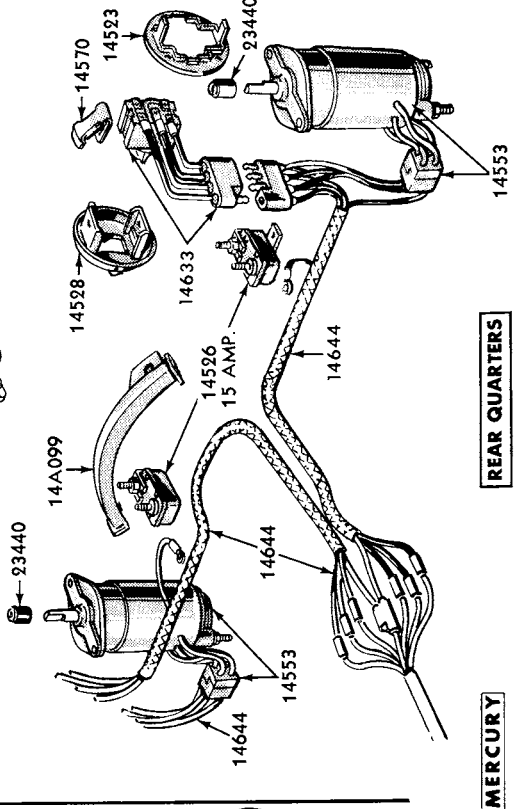


DOOR and QUARTER WINDOW ELECTRICAL SYSTEM

REAR DOORS

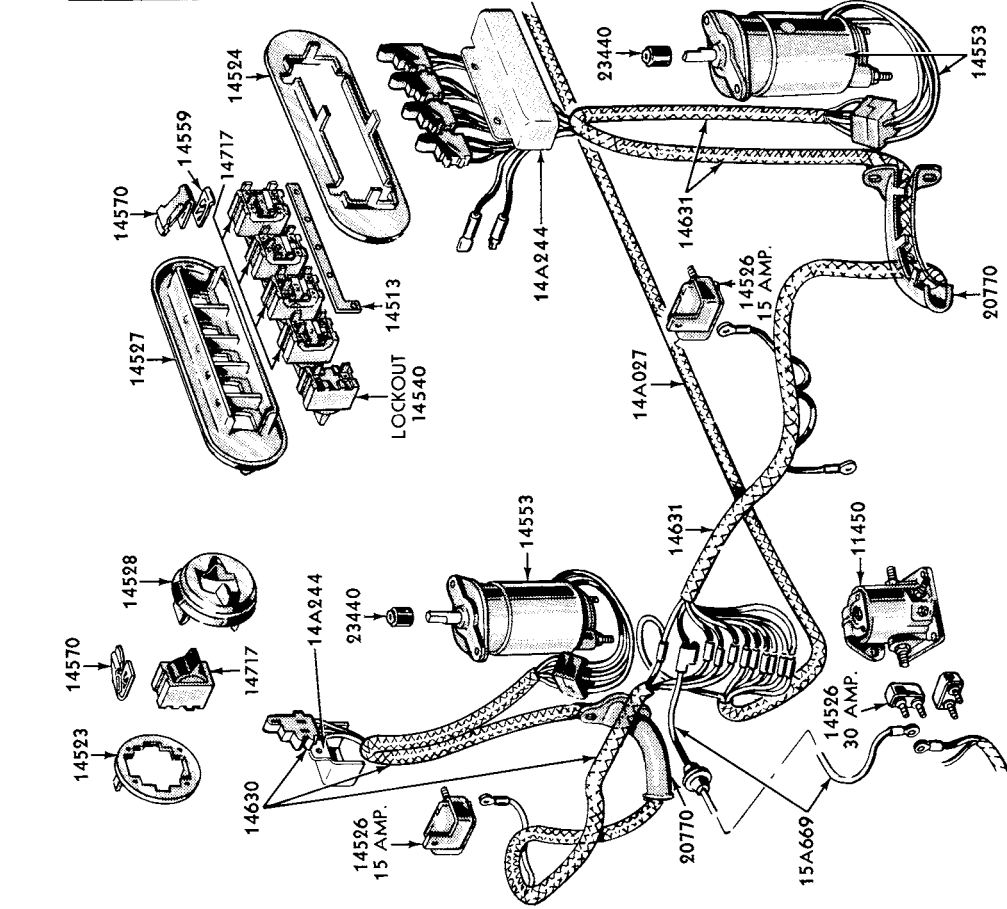


REAR QUARTERS



1961-62 MERCURY

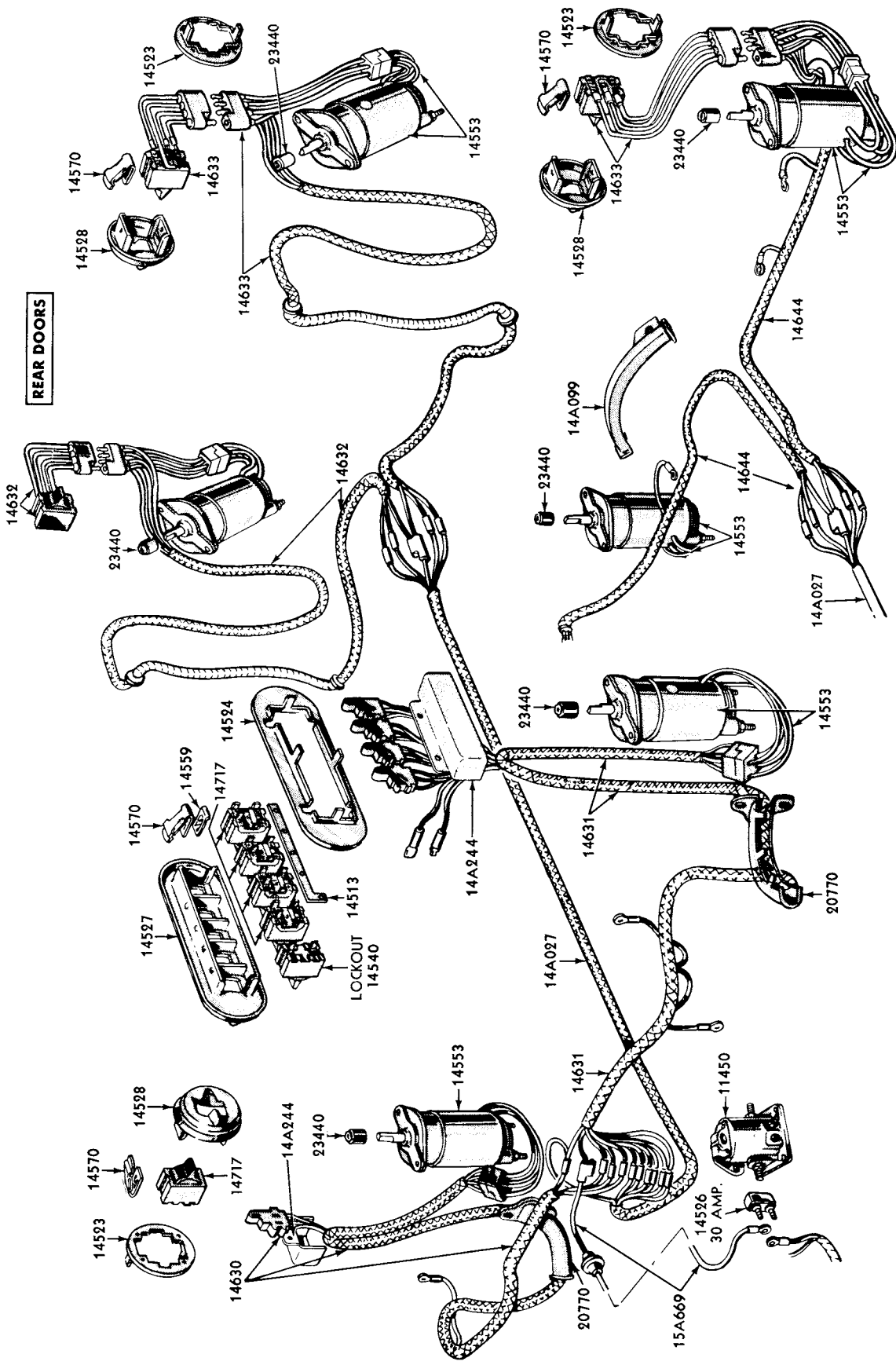
FRONT DOORS



FRONT DOORS

PMB-796

DOOR and QUARTER WINDOW ELECTRICAL SYSTEM



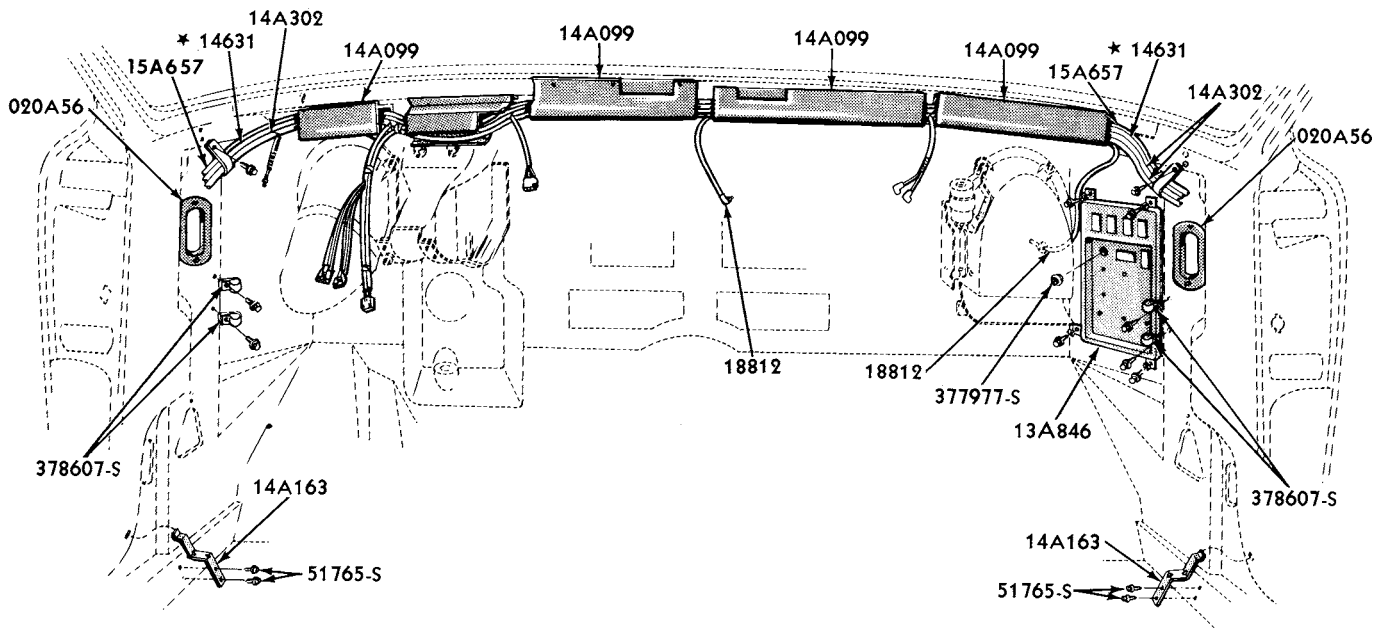
REAR DOORS

REAR QUARTERS

FRONT DOORS

1963 MERCURY
PMB-996

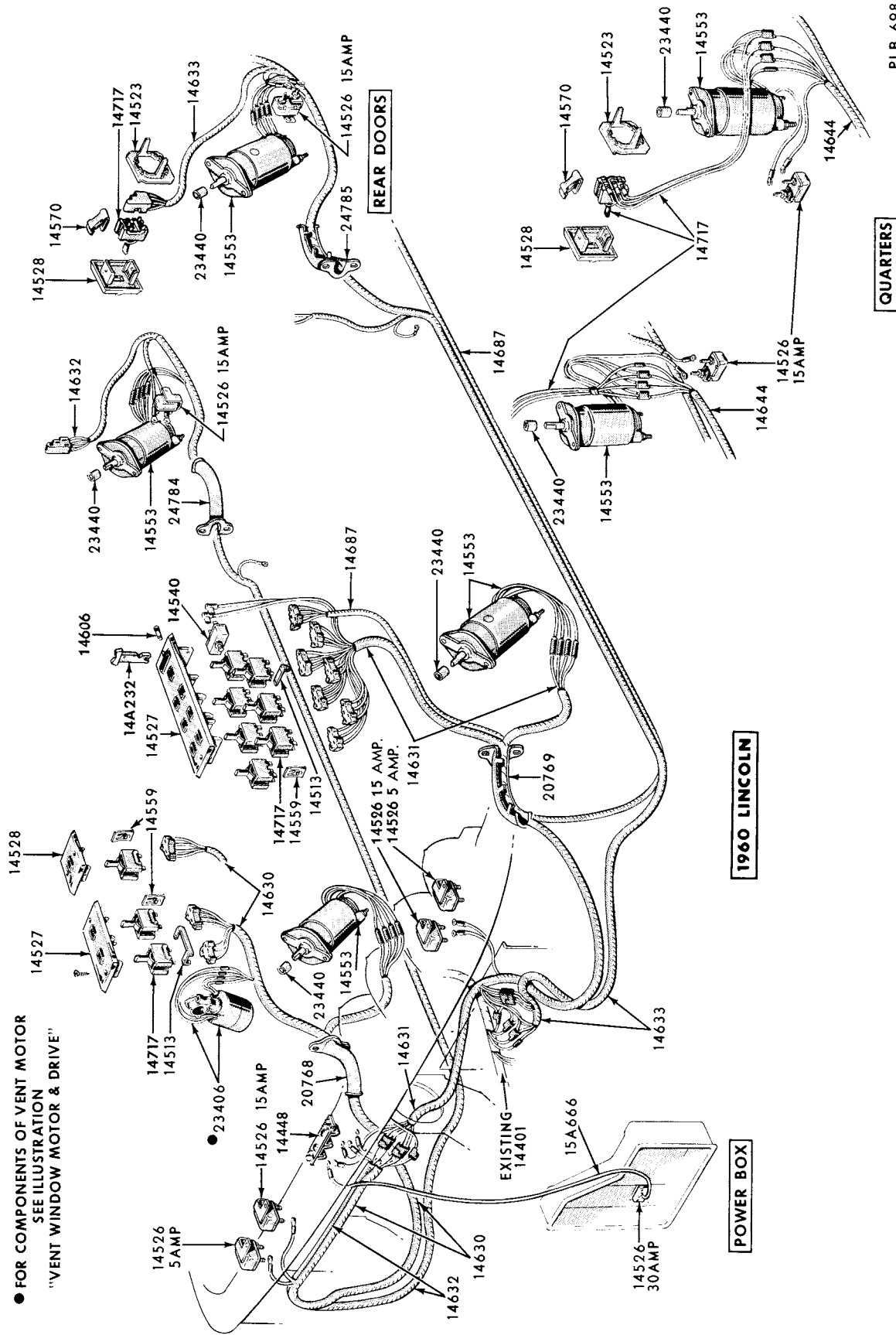
POWER WINDOW REGULATOR WIRING and CONTROLS



1964 LINCOLN
PLC-1653

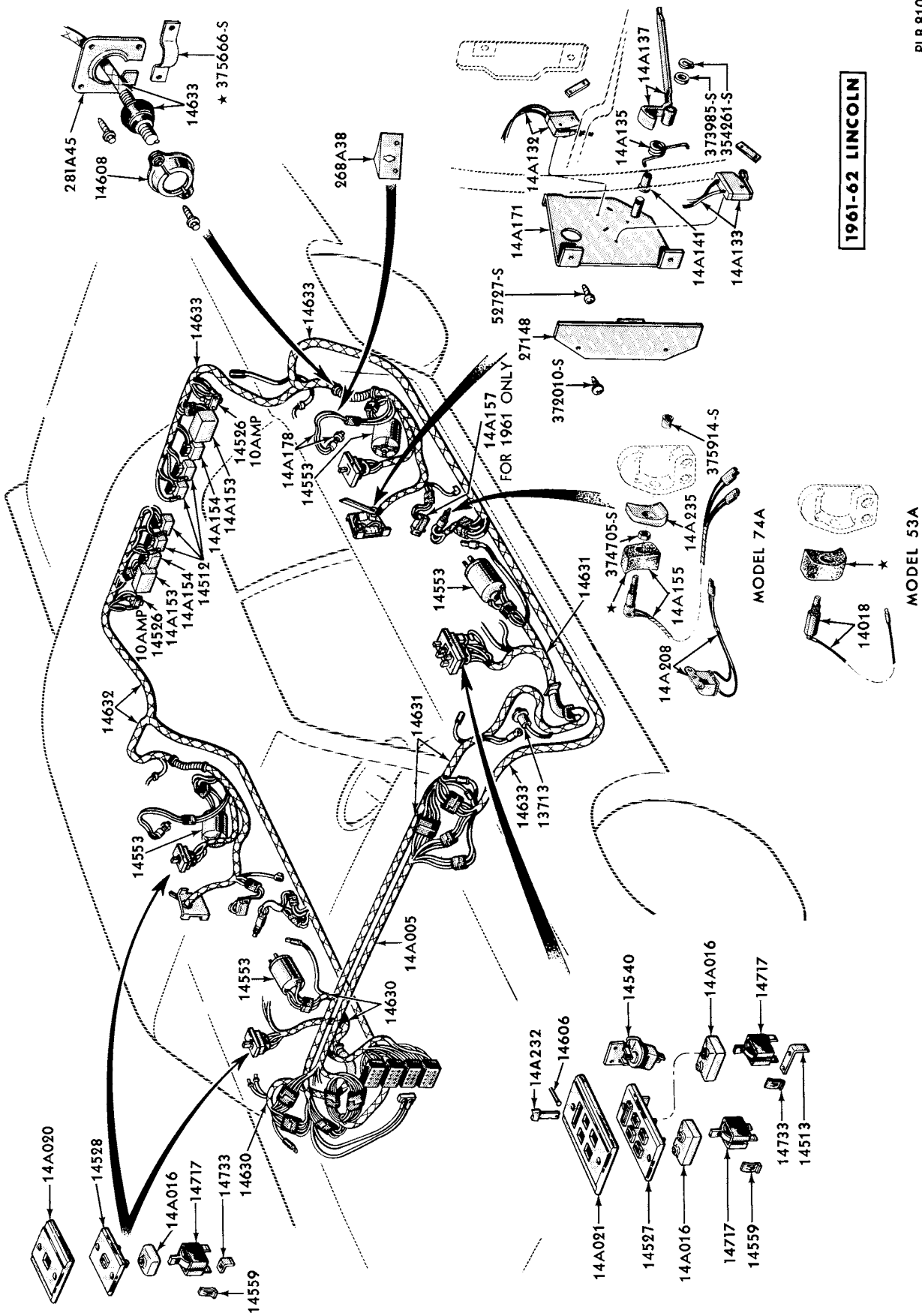
ELECTRIC WINDOW and DASH PANEL WIRING

● FOR COMPONENTS OF VENT MOTOR
SEE ILLUSTRATION
"VENT WINDOW MOTOR & DRIVE"



PLB-698

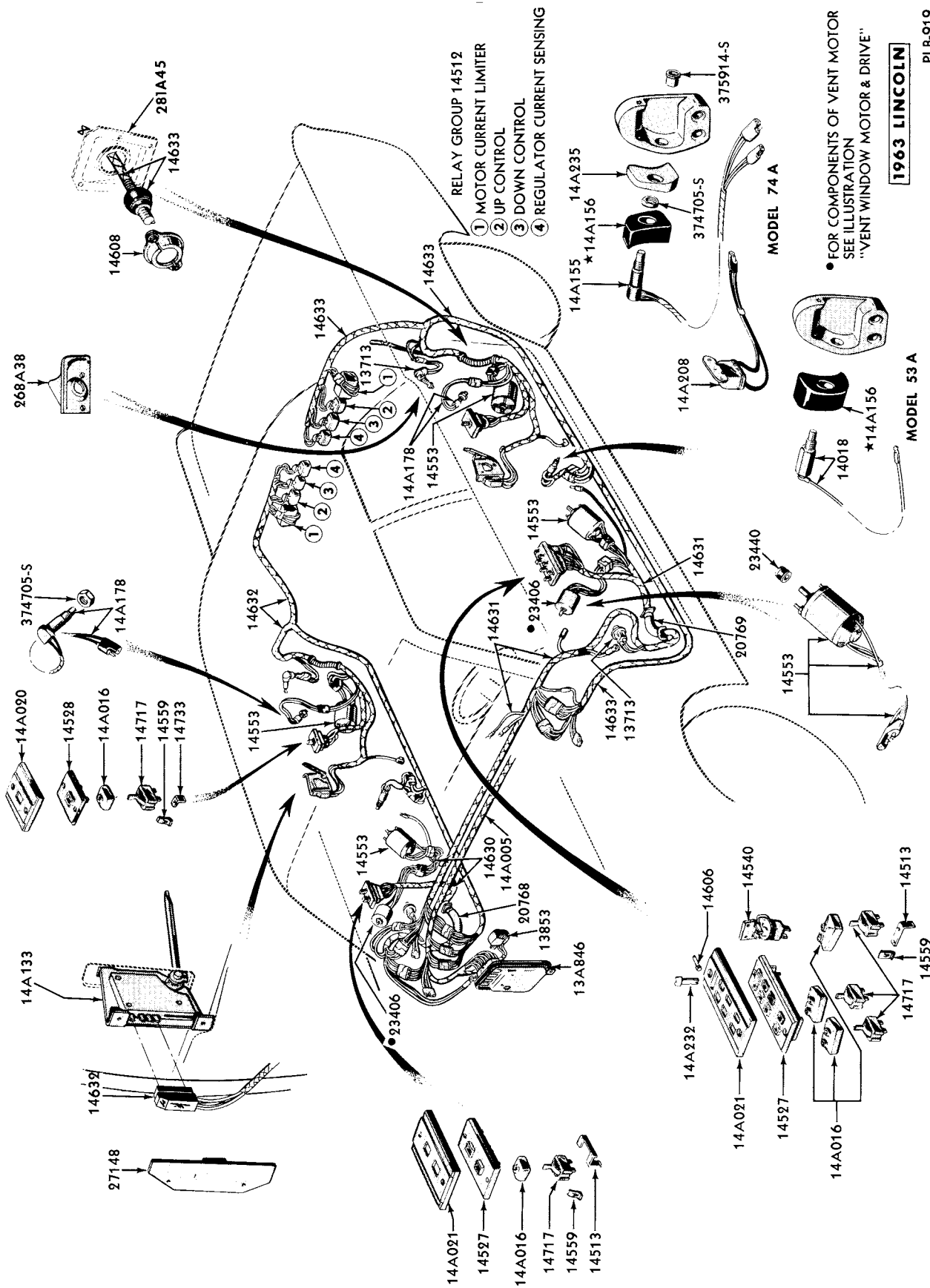
POWER WINDOW REGULATOR WIRING and CONTROLS



1961-62 LINCOLN

PLB-810

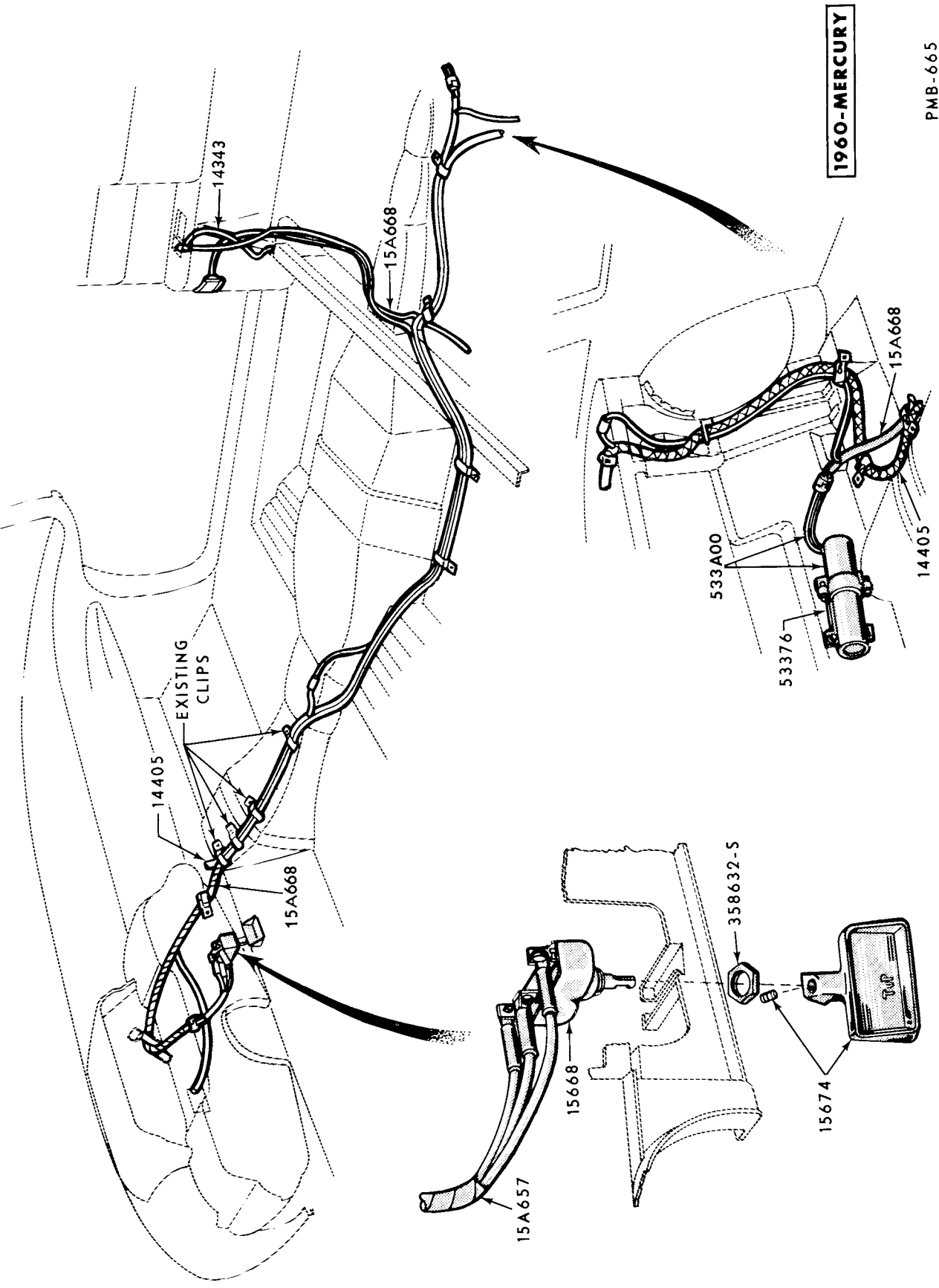
POWER WINDOW REGULATOR WIRING and CONTROLS



1963 LINCOLN

PLB-919

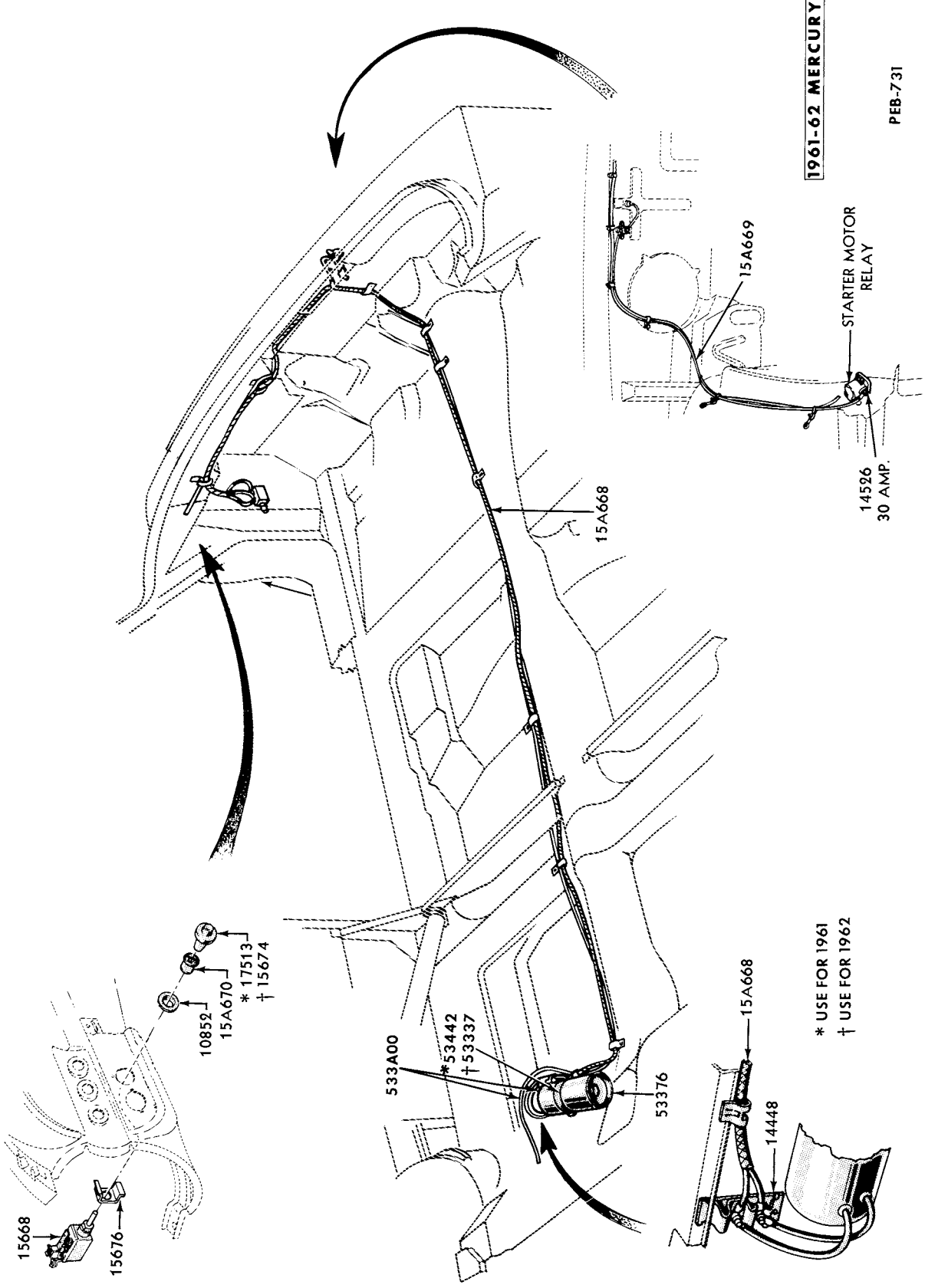
POWER WINDOW REGULATOR WIRING and CONTROLS



1960-MERCURY

PMB-665

TOP CONTROL ELECTRICAL and RELATED PARTS



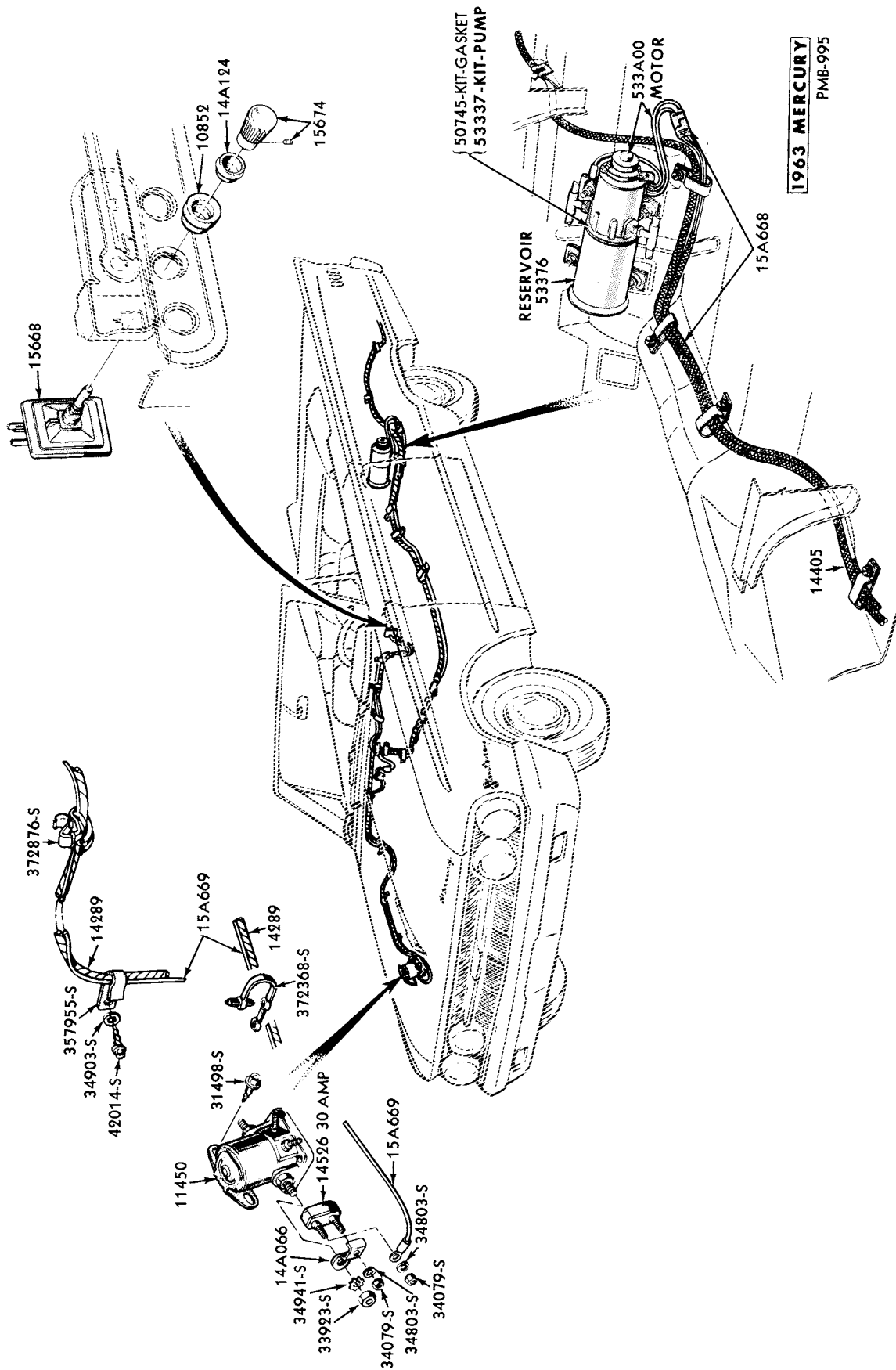
1961-62 MERCURY

PEB-731

14526
30 AMP.
STARTER MOTOR
RELAY

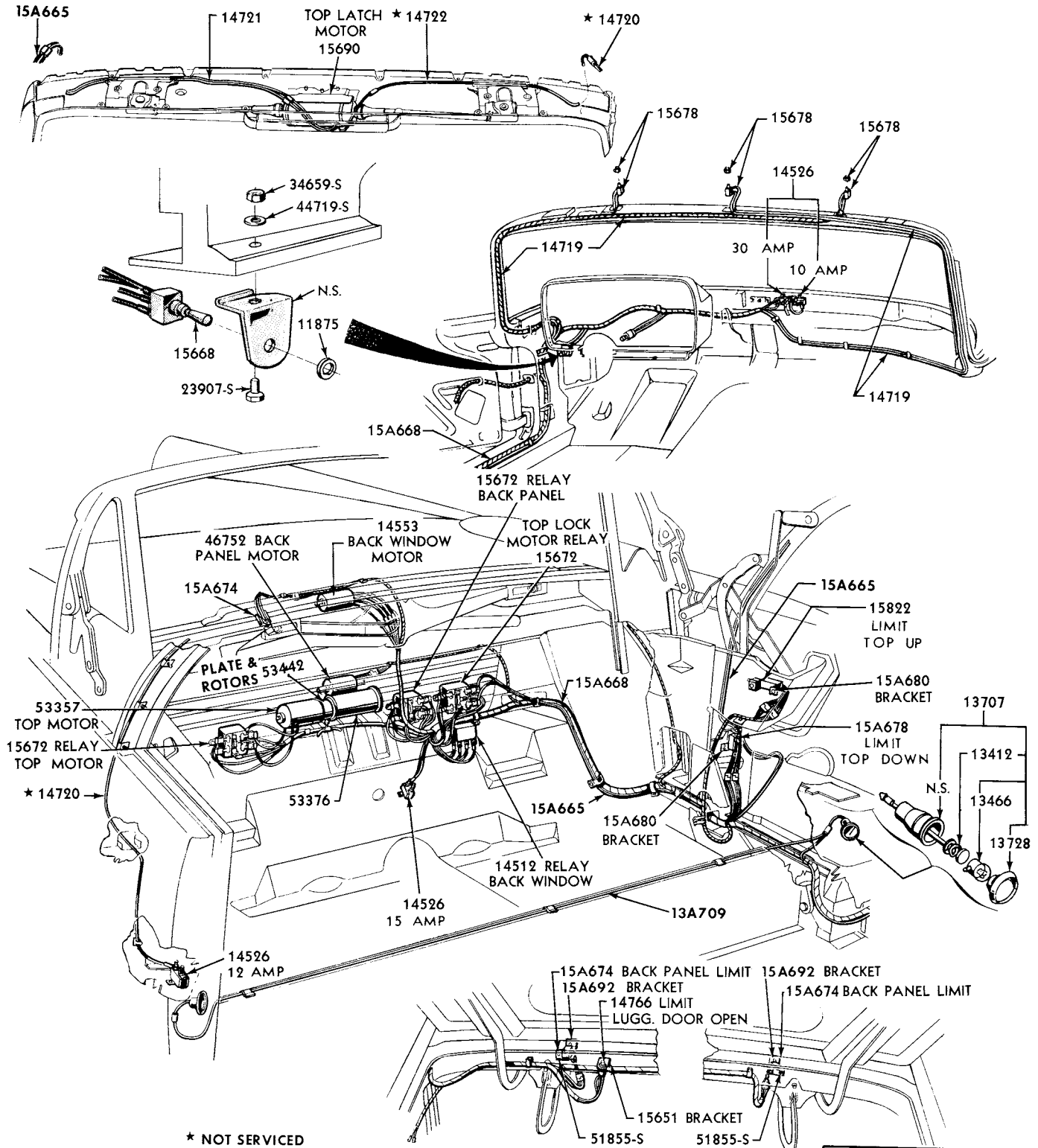
* USE FOR 1961
† USE FOR 1962

TOP CONTROL - ELECTRICAL and RELATED PARTS



1963 MERCURY
 PMB-995

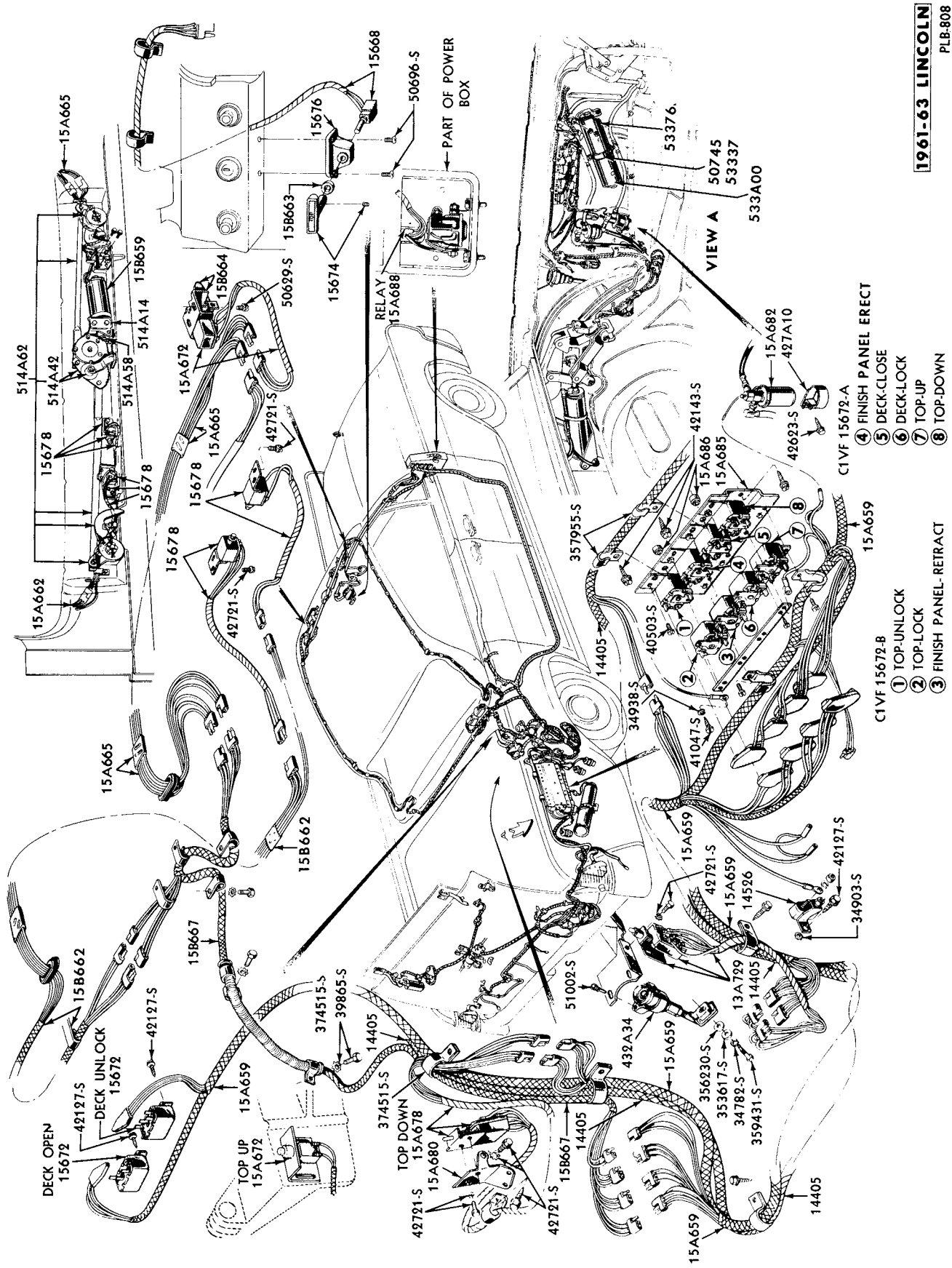
TOP CONTROL ELECTRICAL and RELATED PARTS



1960 LINCOLN

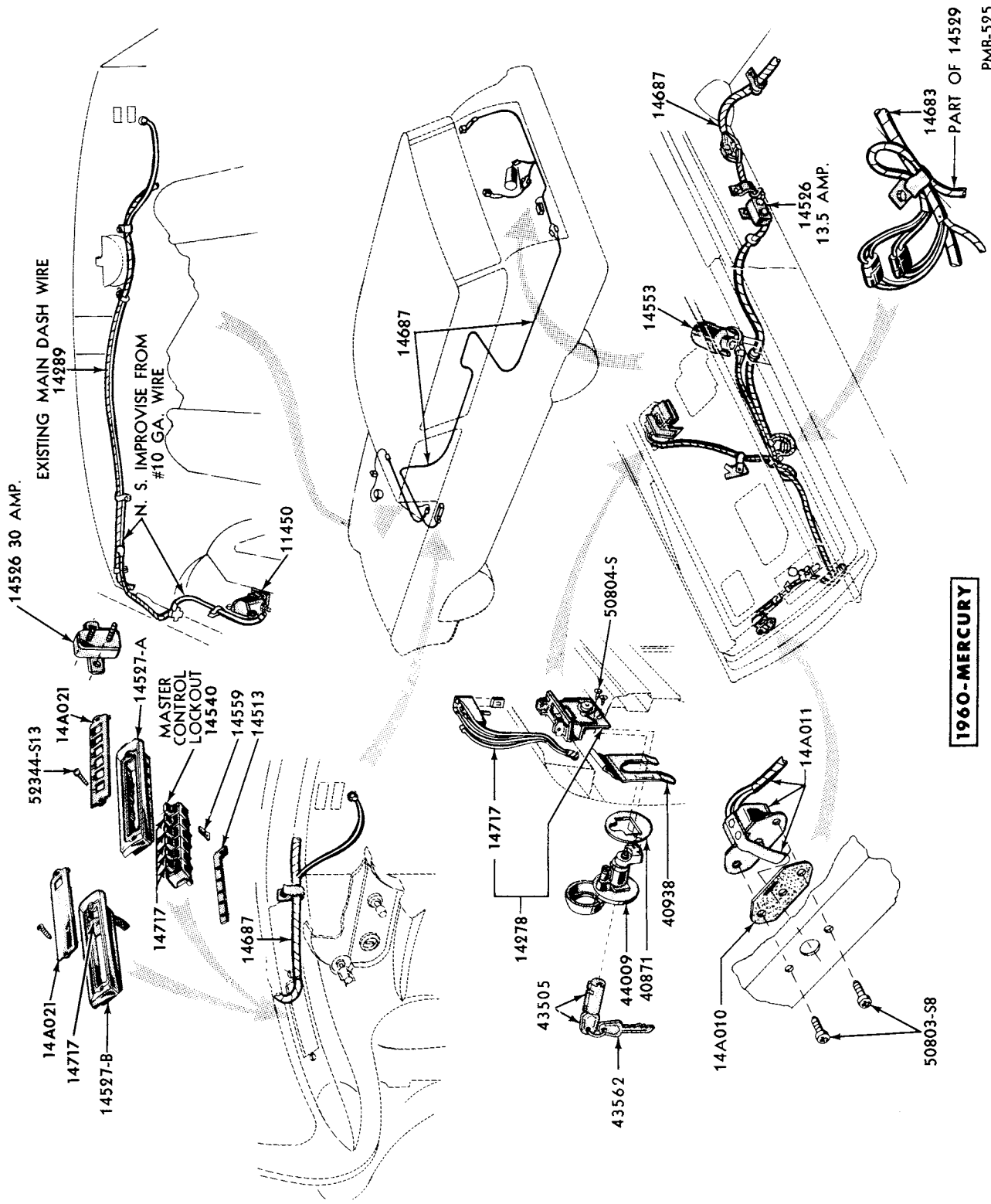
PLB-492

CONVERTIBLE TOP ELECTRICAL MECHANISM



1961-63 LINCOLN
PLB-808

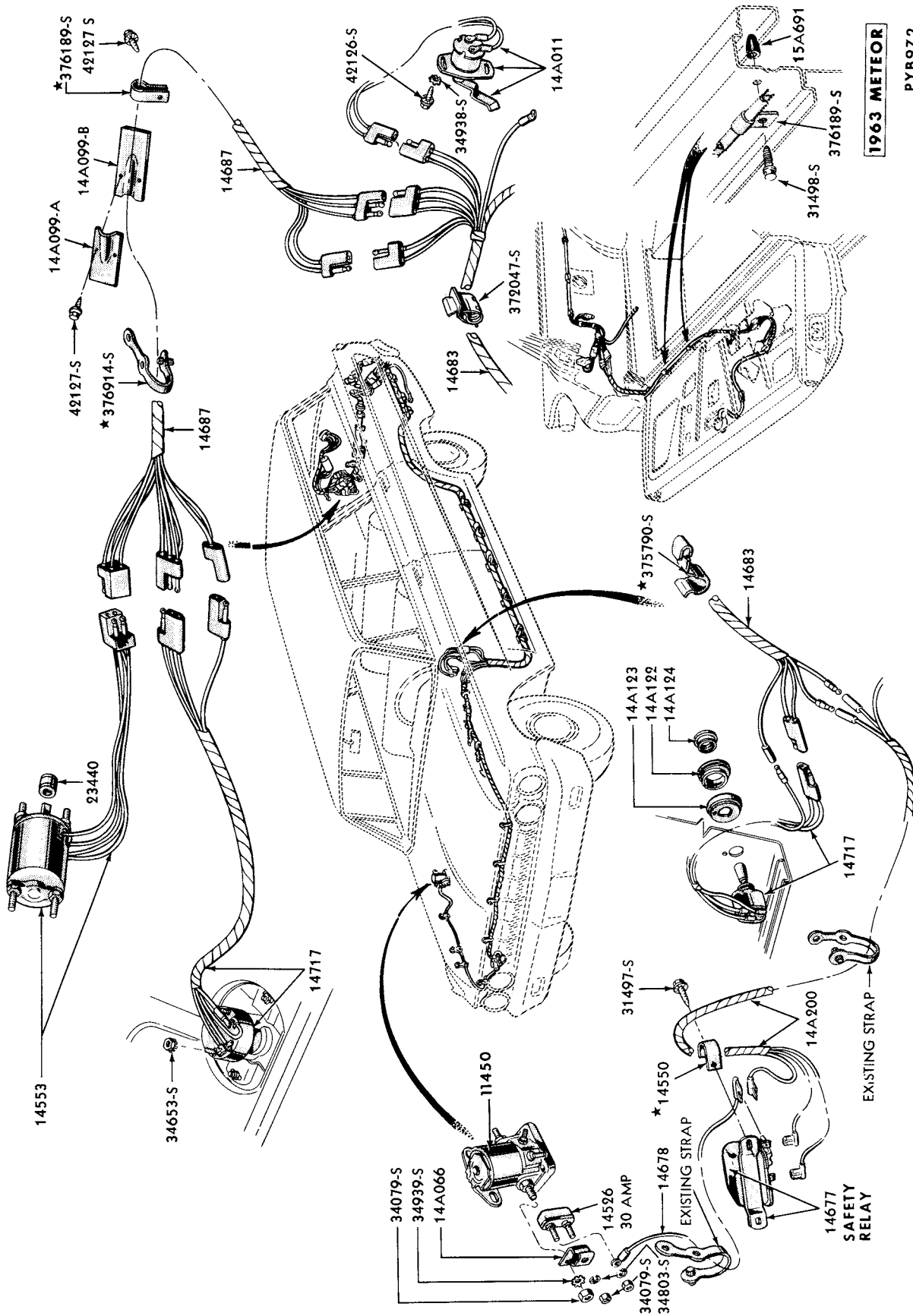
CONVERTIBLE TOP ELECTRICAL MECHANISM



1960-MERCURY

BACK WINDOW - STATION WAGON - ELECTRICAL

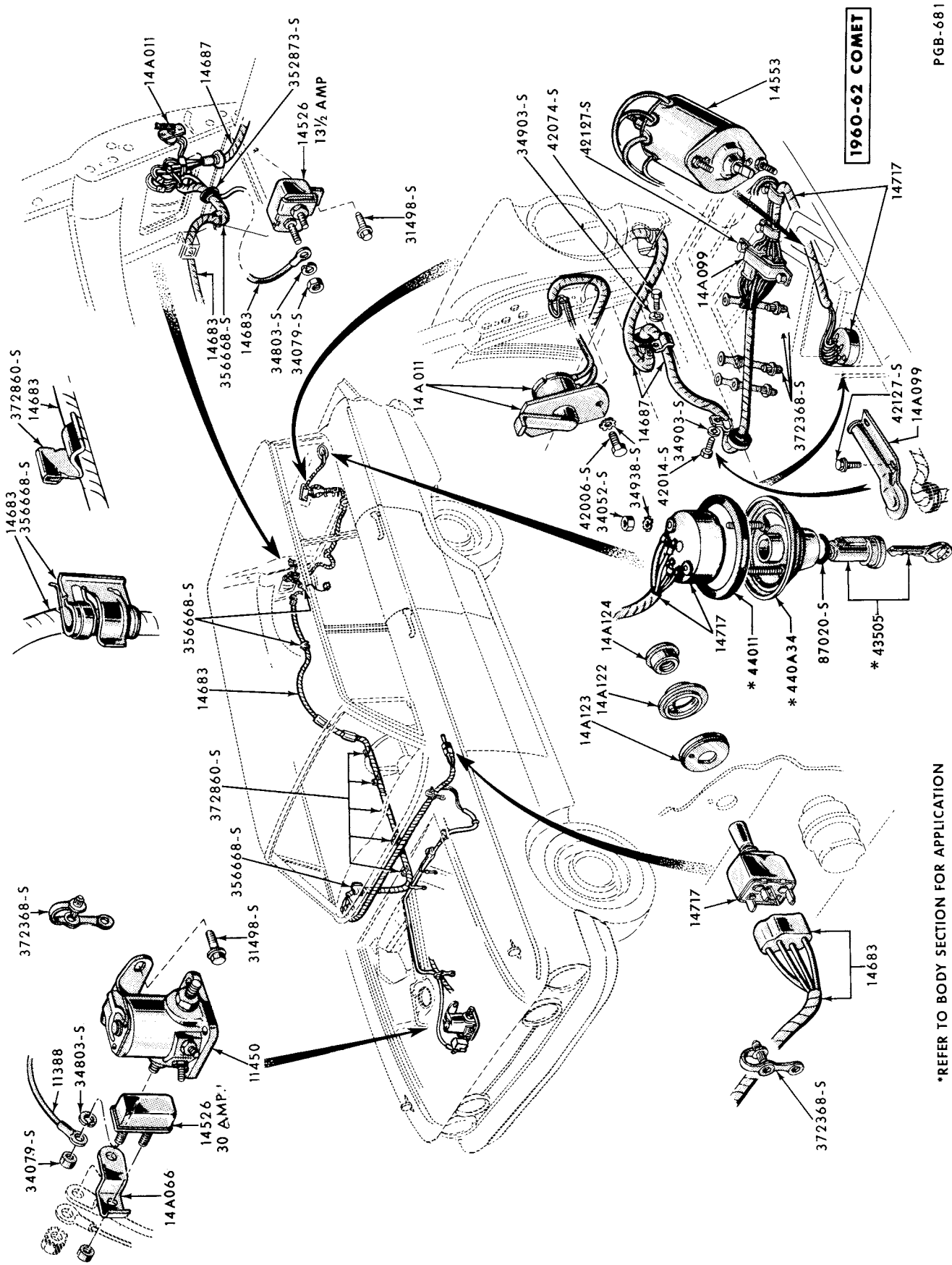
PMB-525



1963 METEOR

PYB972

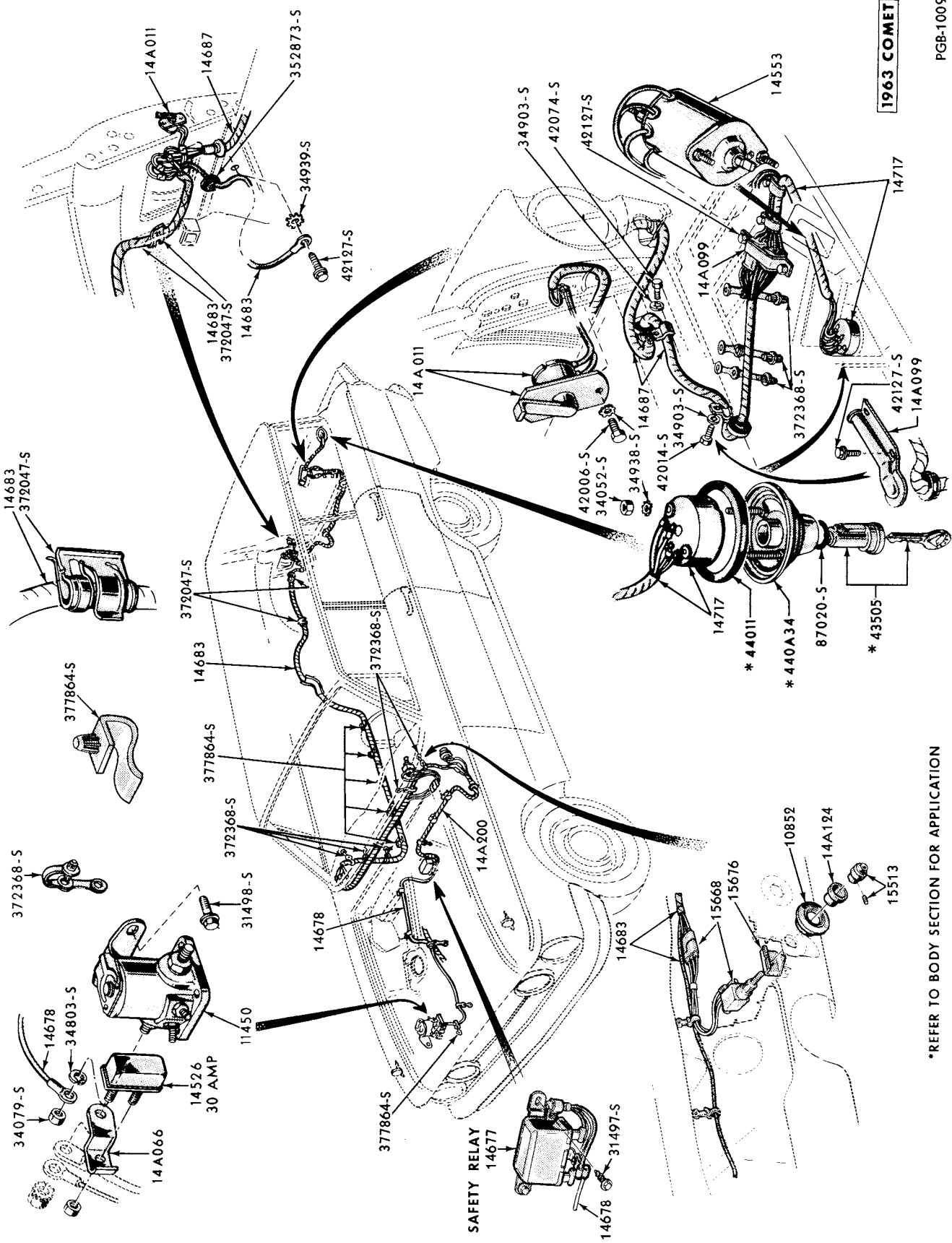
BACK WINDOW - STATION WAGON - ELECTRICAL



*REFER TO BODY SECTION FOR APPLICATION

PGB-681

BACK WINDOW - STATION WAGON - ELECTRICAL



1963 COMET

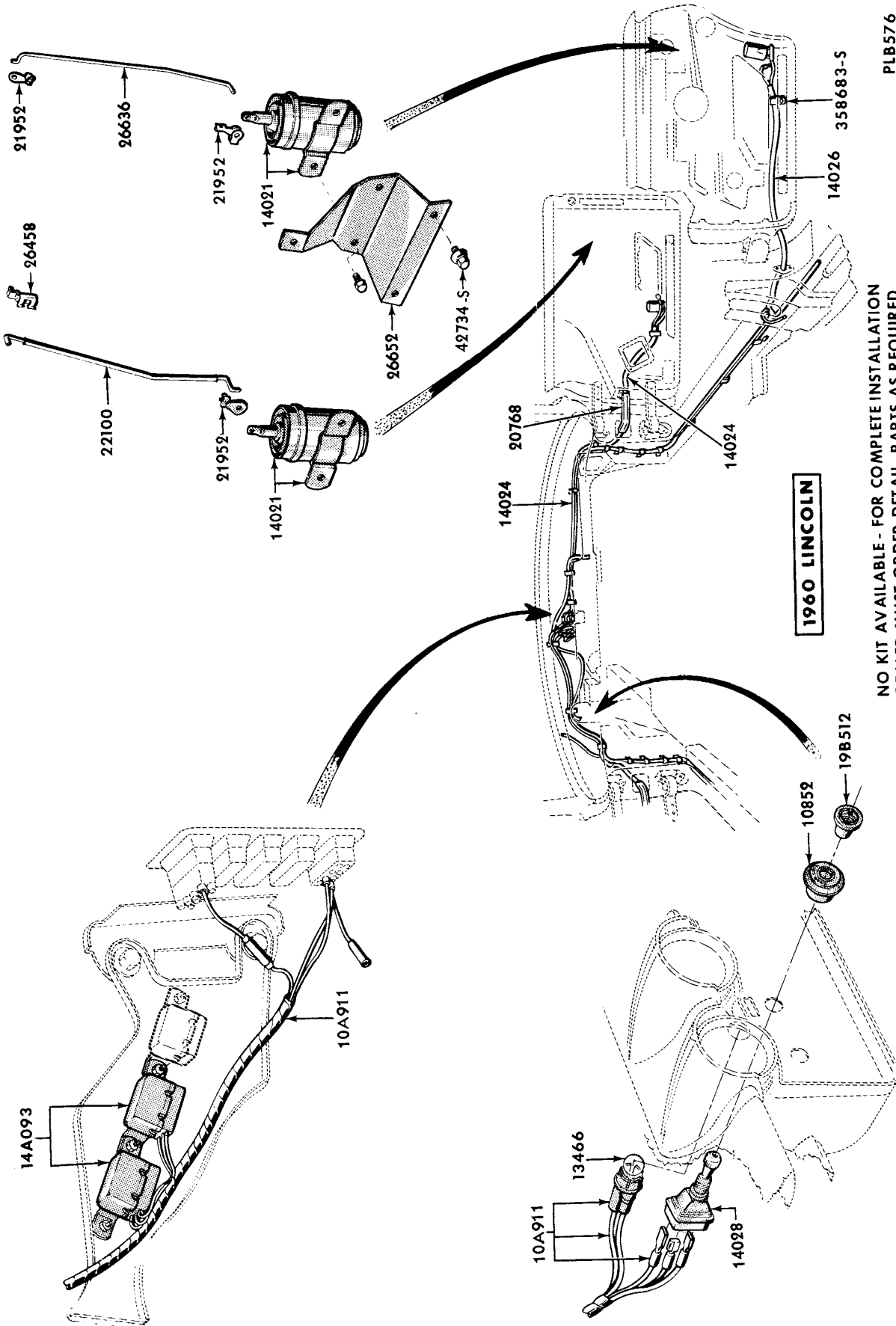
PGB-1009

BACK WINDOW - STATION WAGON - ELECTRICAL

*REFER TO BODY SECTION FOR APPLICATION

REAR DOORS

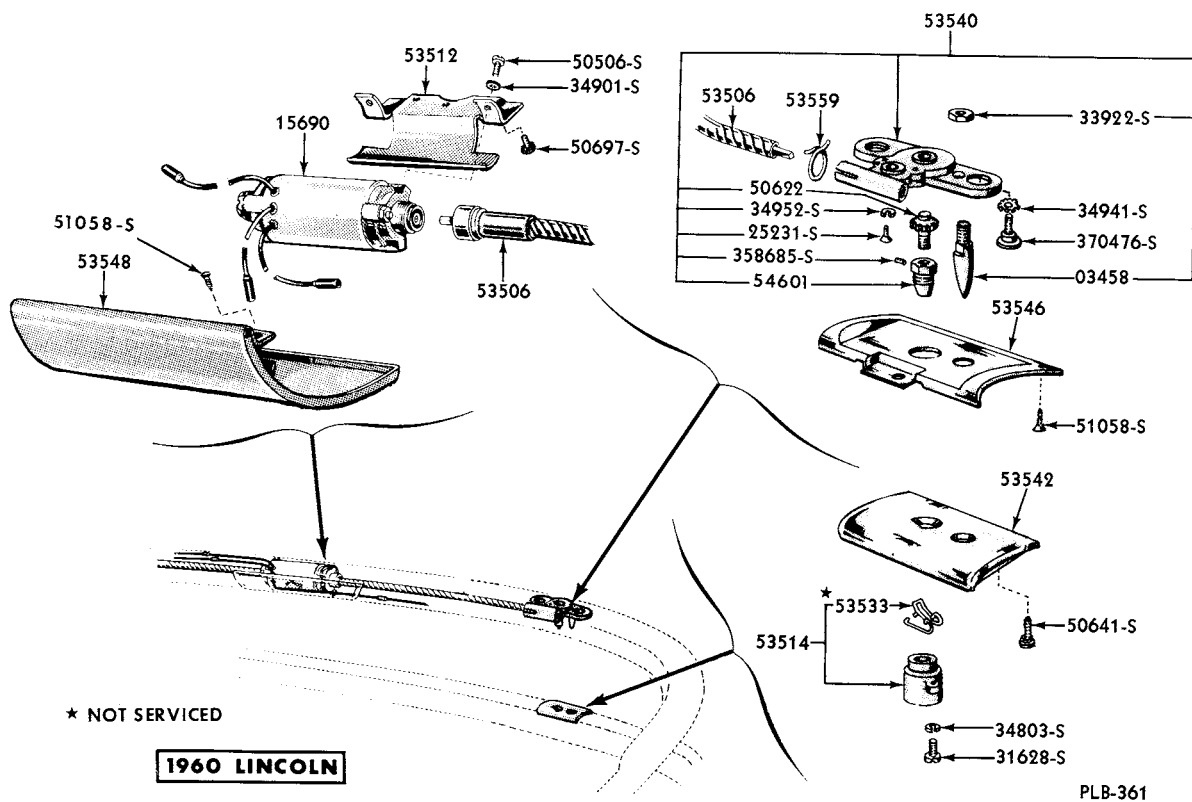
FRONT DOORS



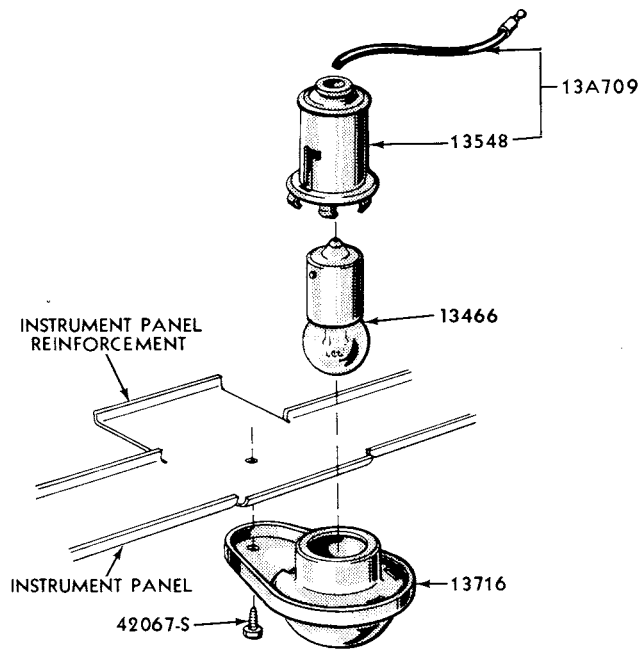
NO KIT AVAILABLE - FOR COMPLETE INSTALLATION
DEALER MUST ORDER DETAIL PARTS AS REQUIRED

PLB576

FRONT and REAR DOOR ELECTRIC LOCKING MECHANISM

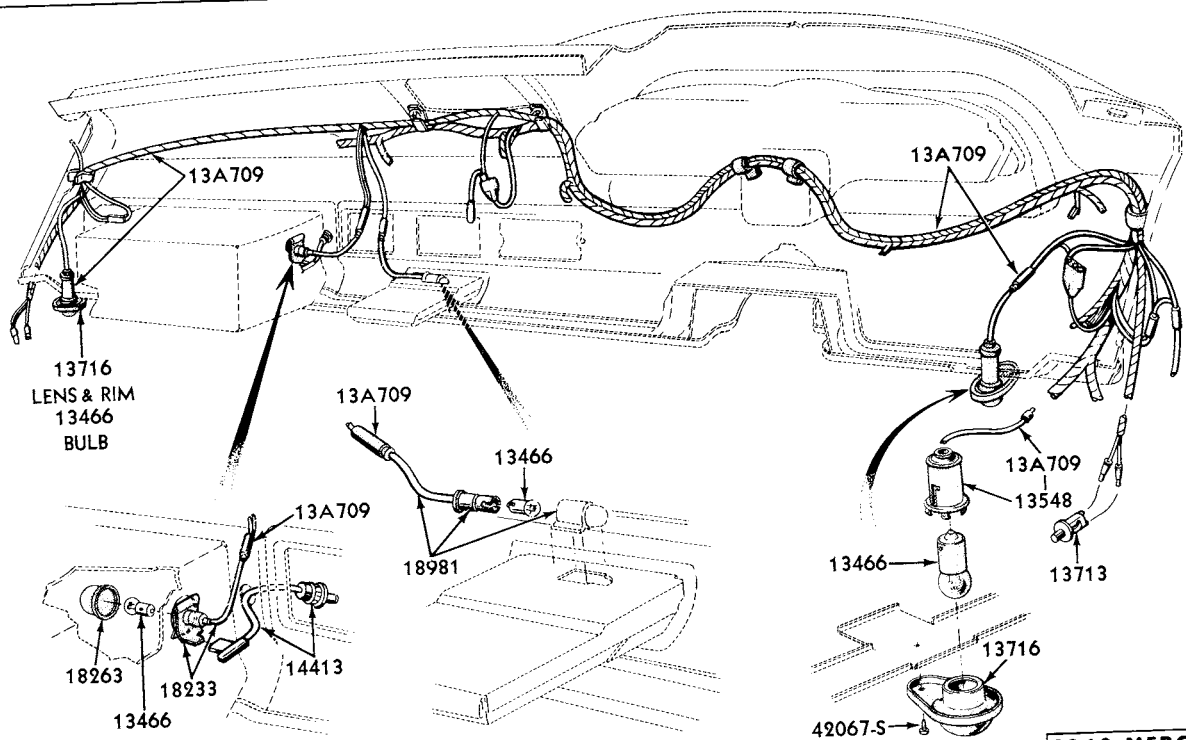


CONVERTIBLE TOP ROBOT LOCKING MECHANISM



PMB-522

COURTESY LAMP



GLOVE COMPARTMENT LAMP

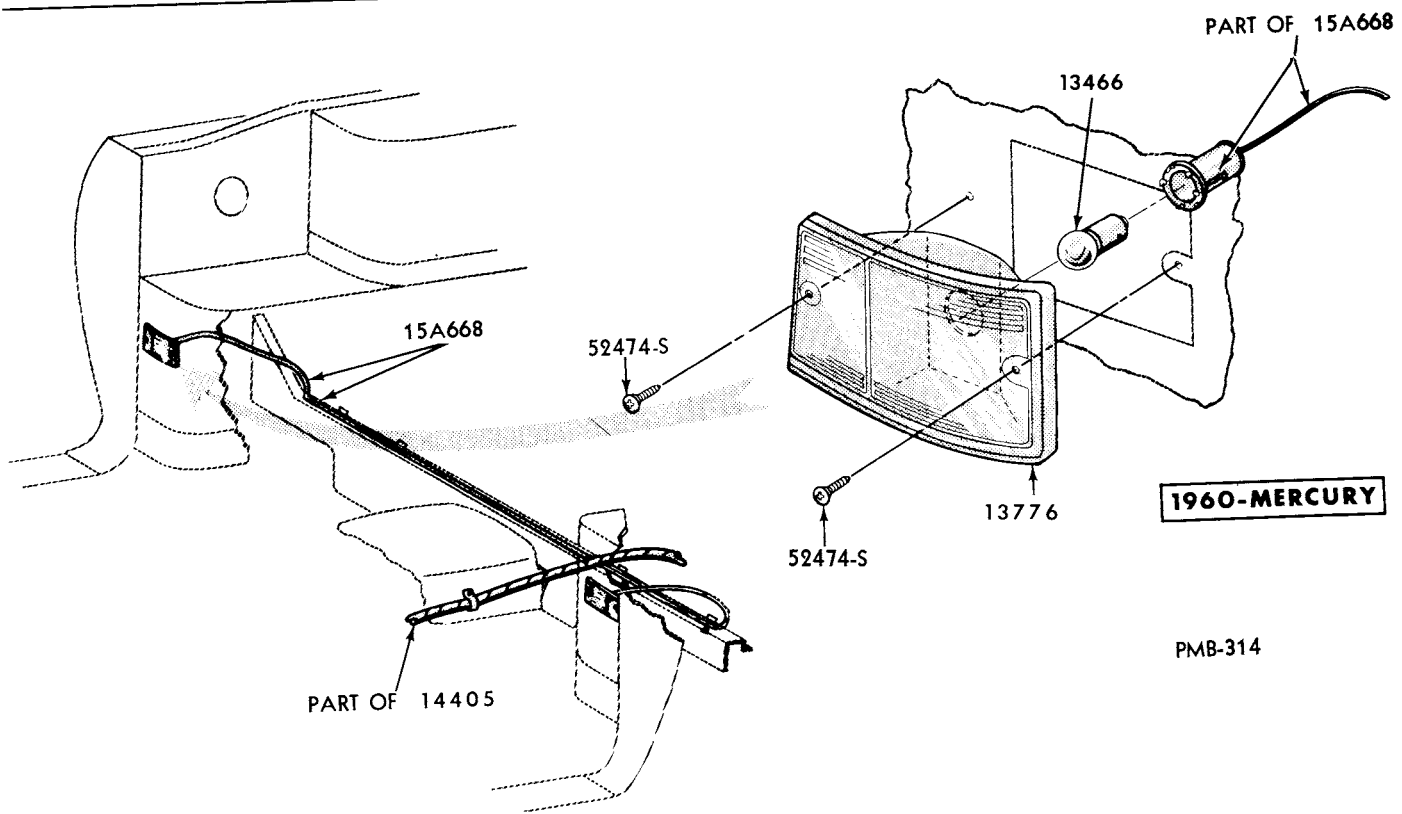
ASH RECEPTACLE LAMP

COURTESY LAMP

PMB-990

COURTESY, GLOVE COMPARTMENT and ASH RECEPTACLE LAMPS

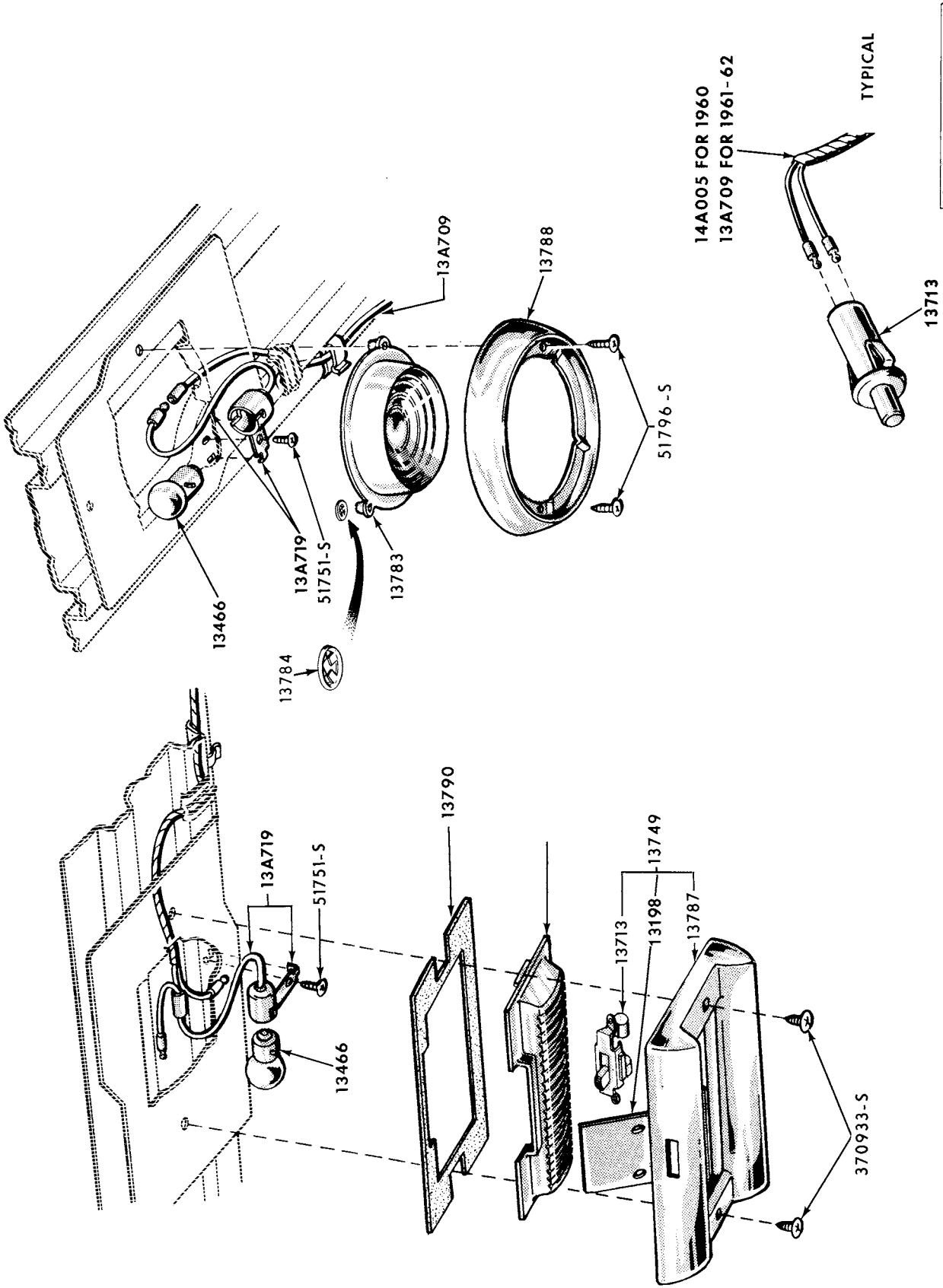
1963 MERCURY



COURTESY LAMP, QUARTER ARM REST - MODEL 76

1960-MERCURY

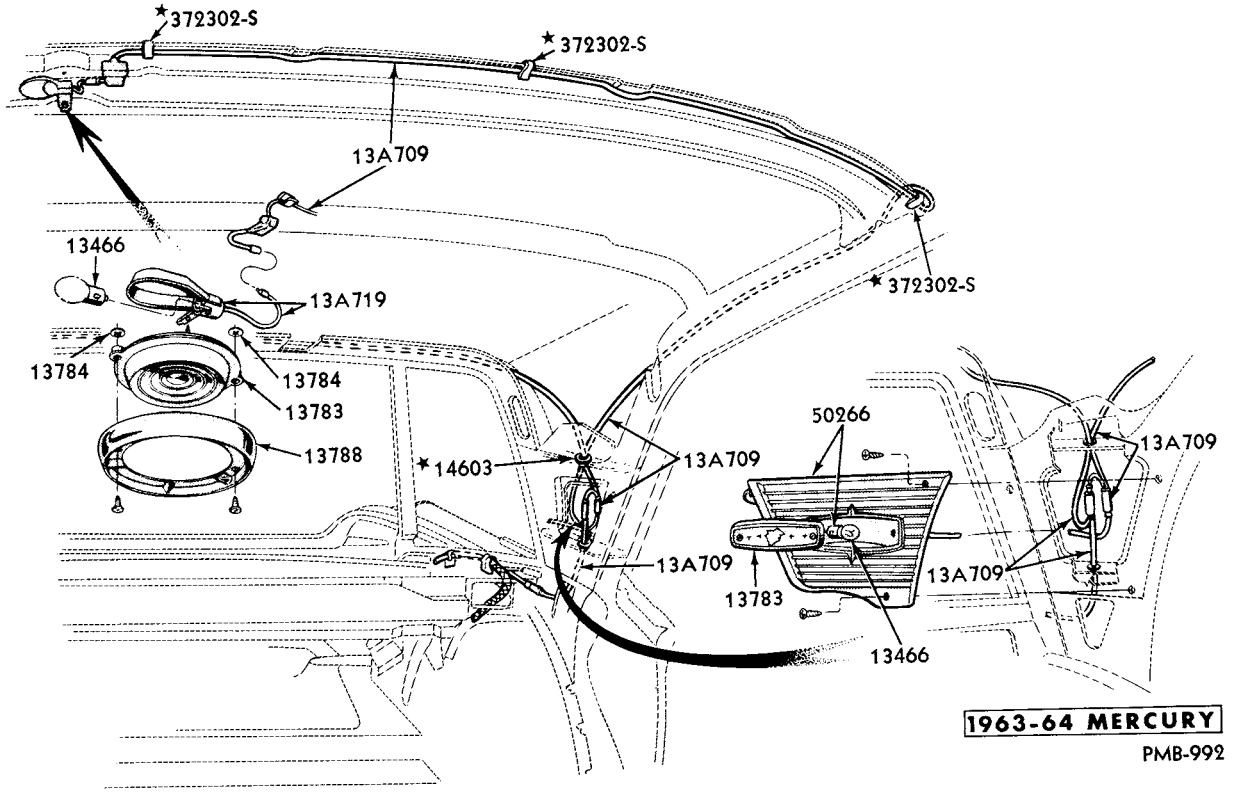
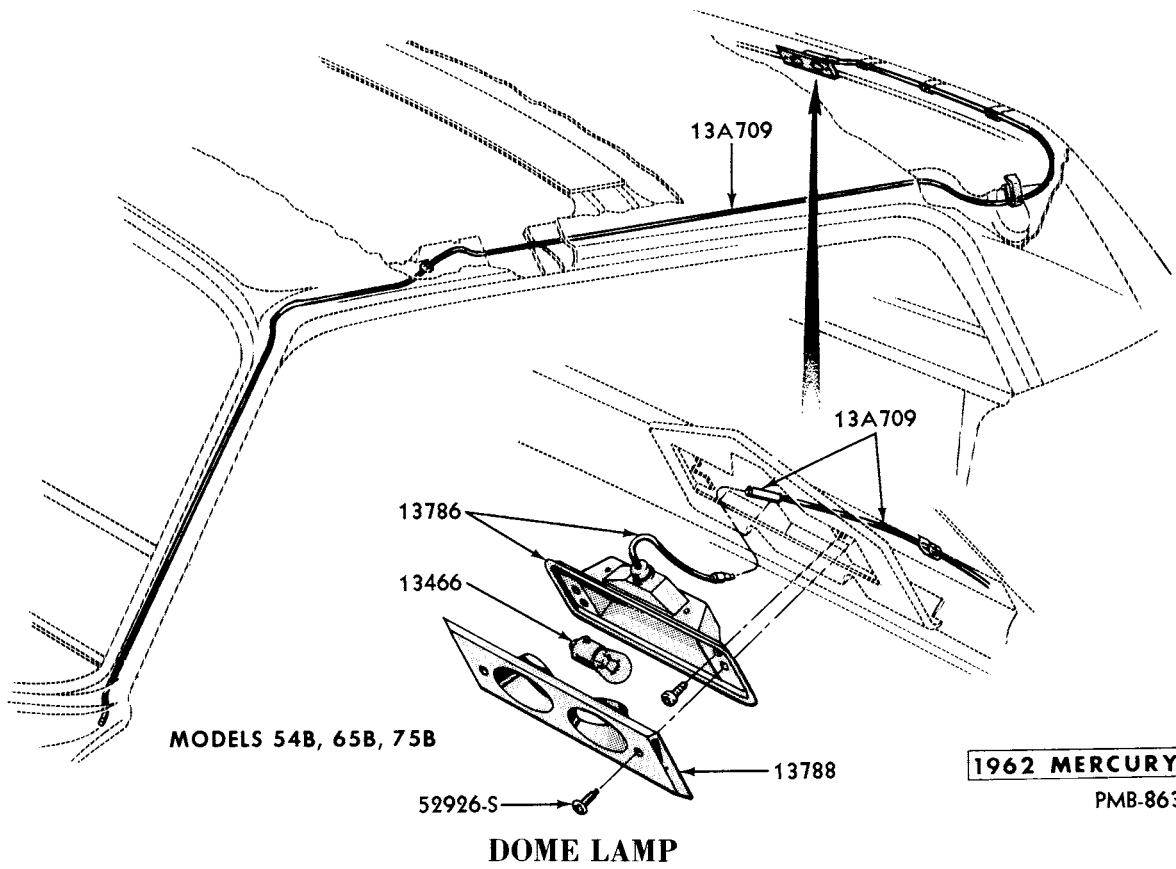
PMB-314



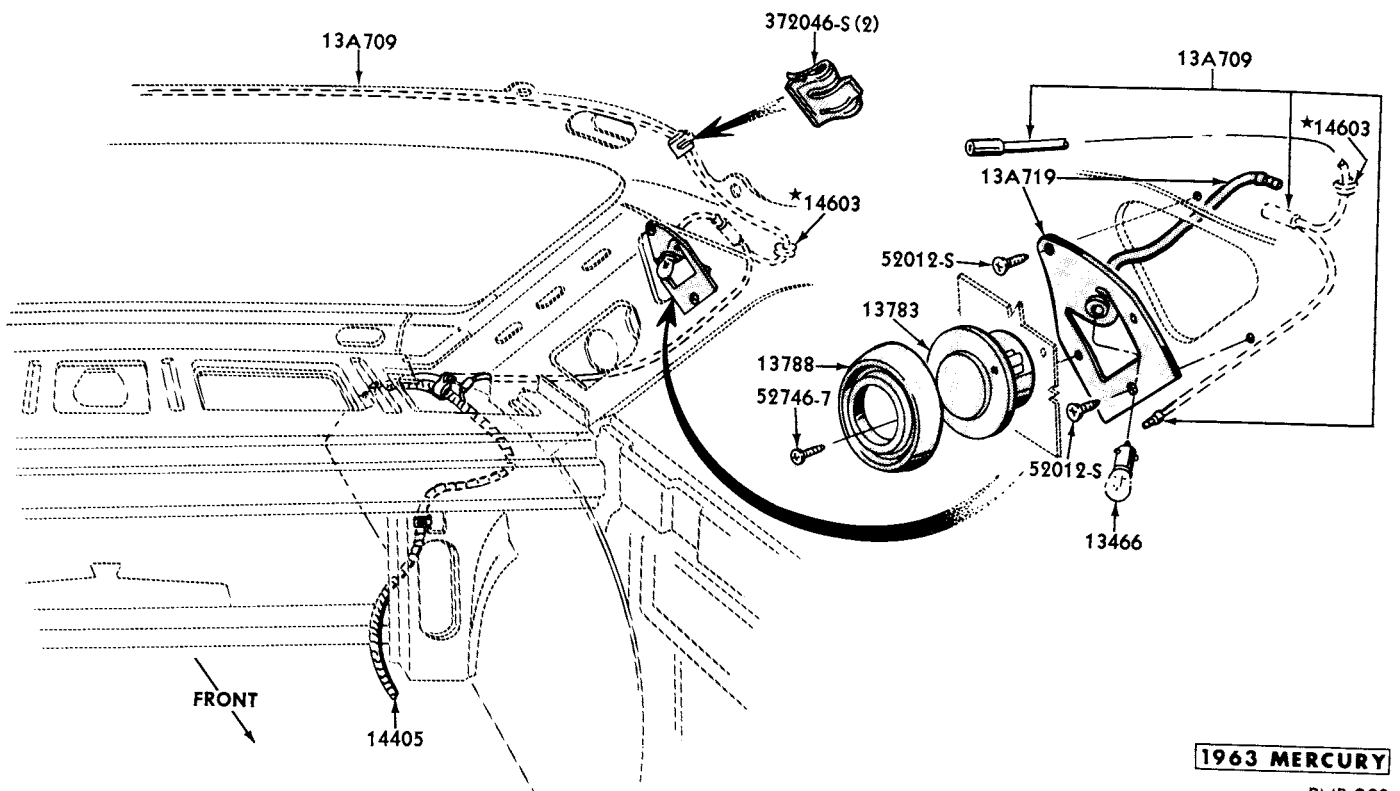
1960-62 MERCURY

PMB-636

DOMELAMP



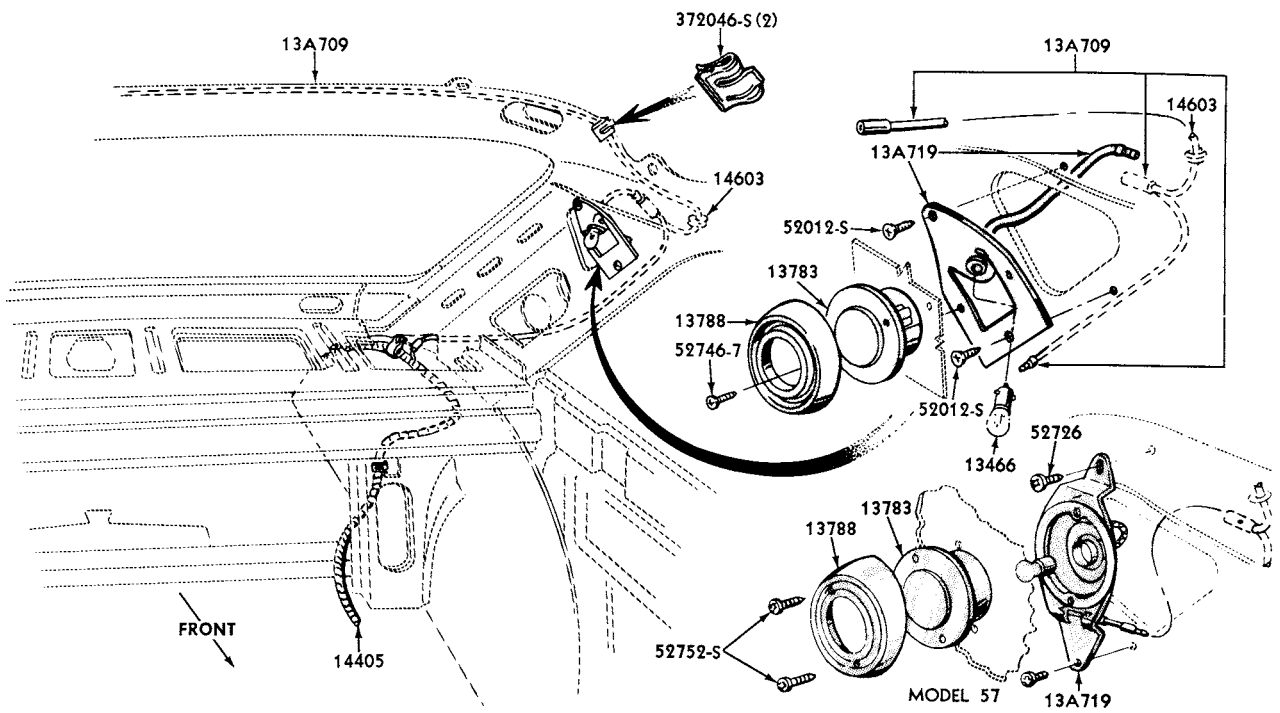
DOME and ROOF SIDE LAMPS - ALL MODELS EXCEPT 63, 76



1963 MERCURY

PMB-993

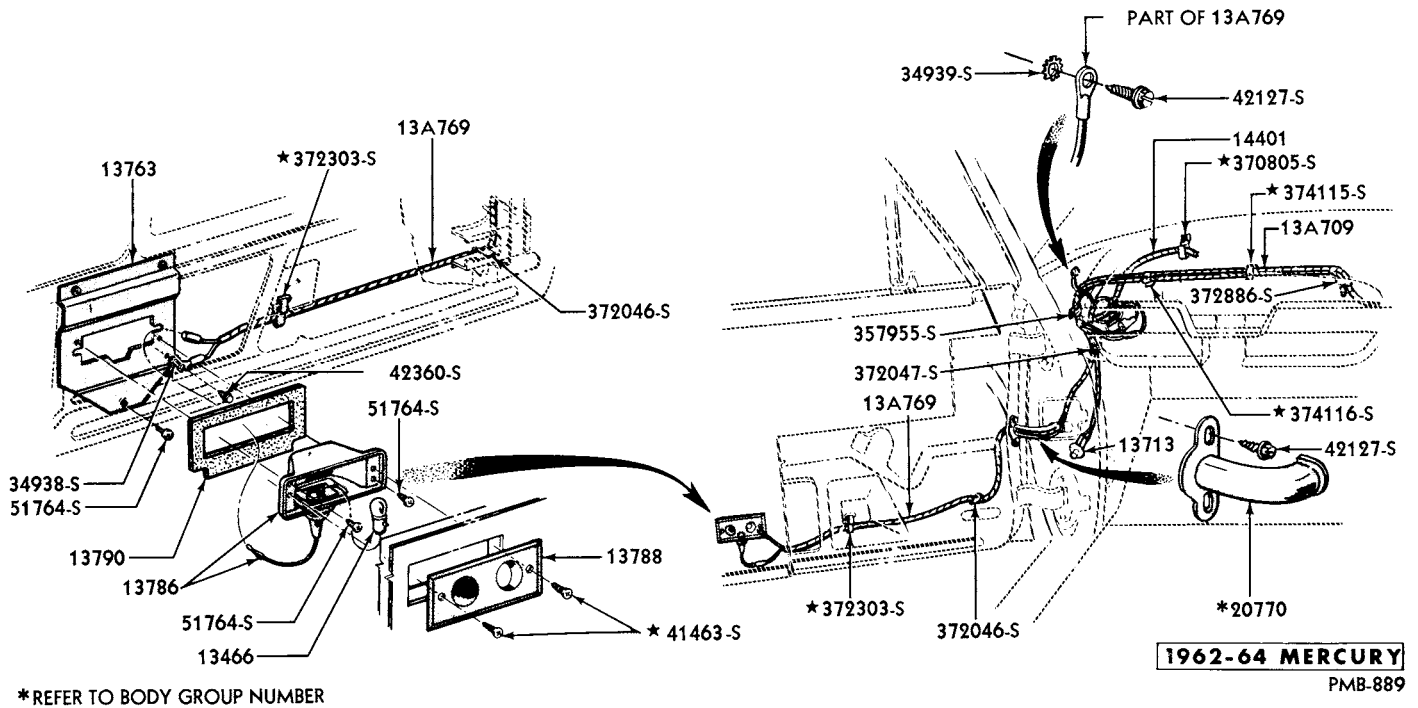
ROOF SIDE LAMP - MODEL 63



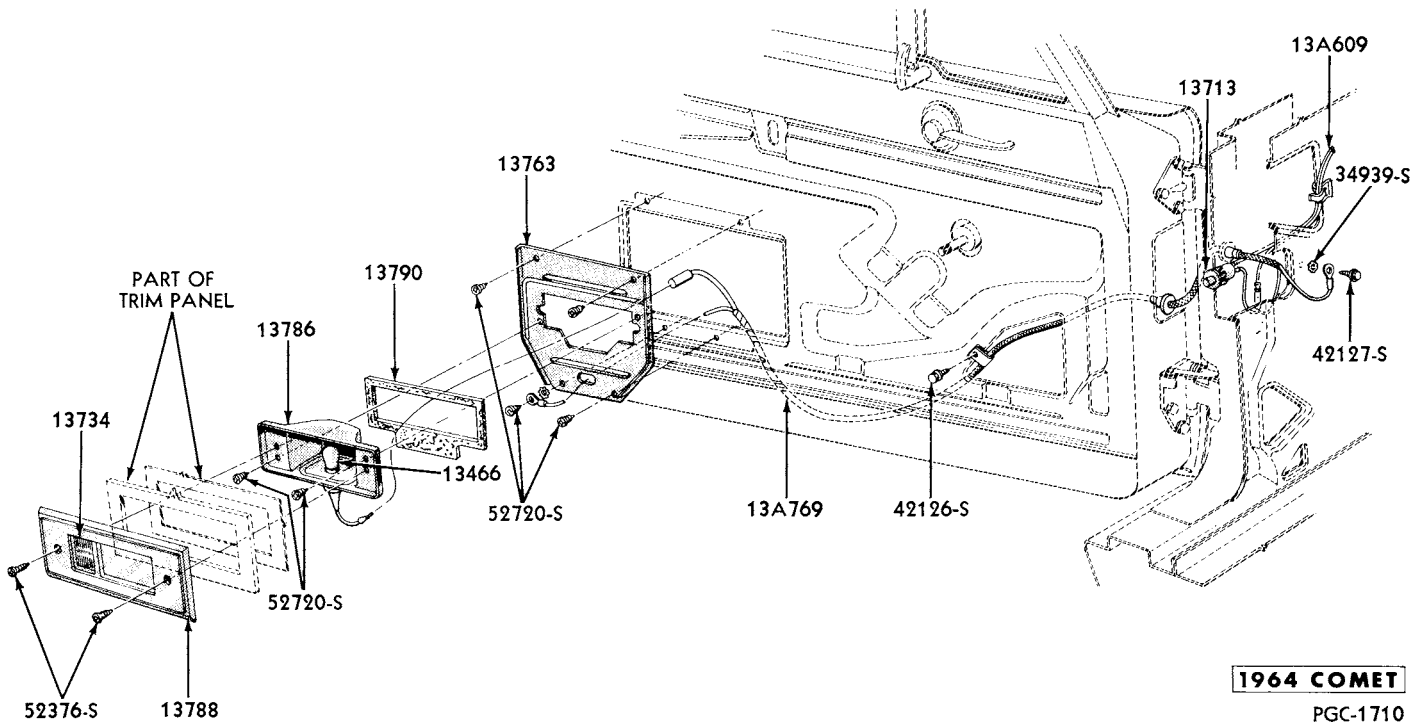
1964 MERCURY

PMC-1657

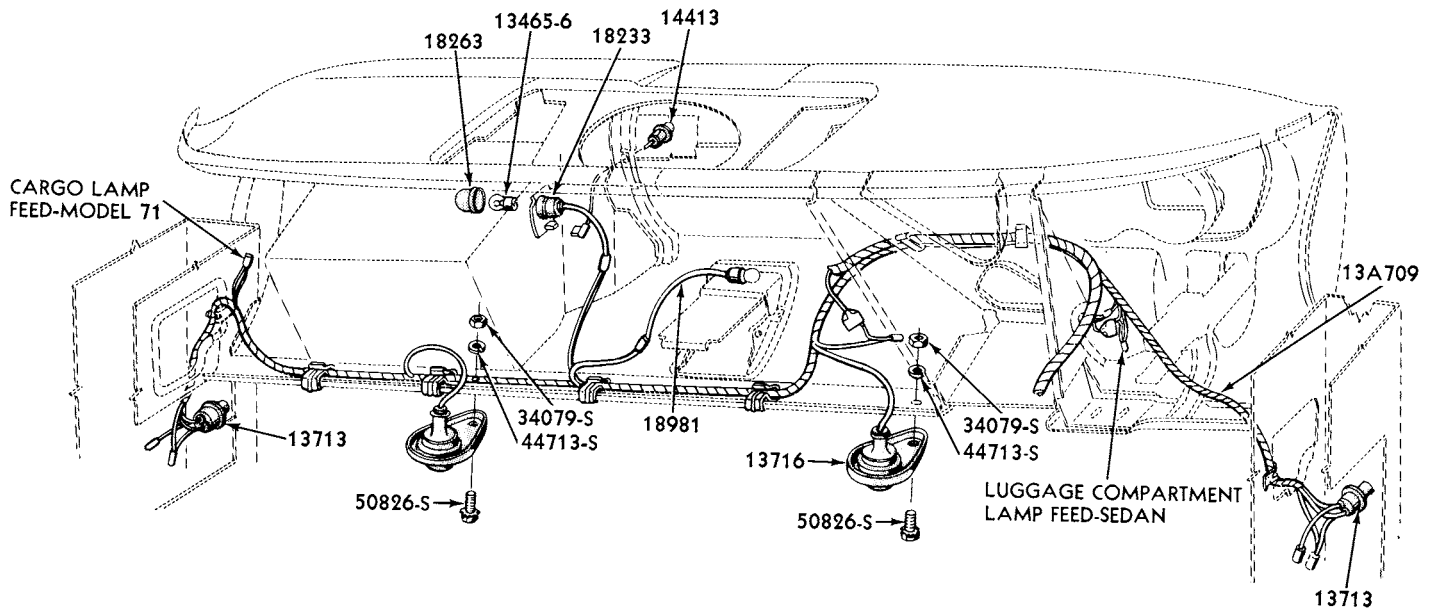
ROOF SIDE LAMP



COURTESY and WARNING LAMP - FRONT DOORS



FRONT DOOR COURTESY LAMP

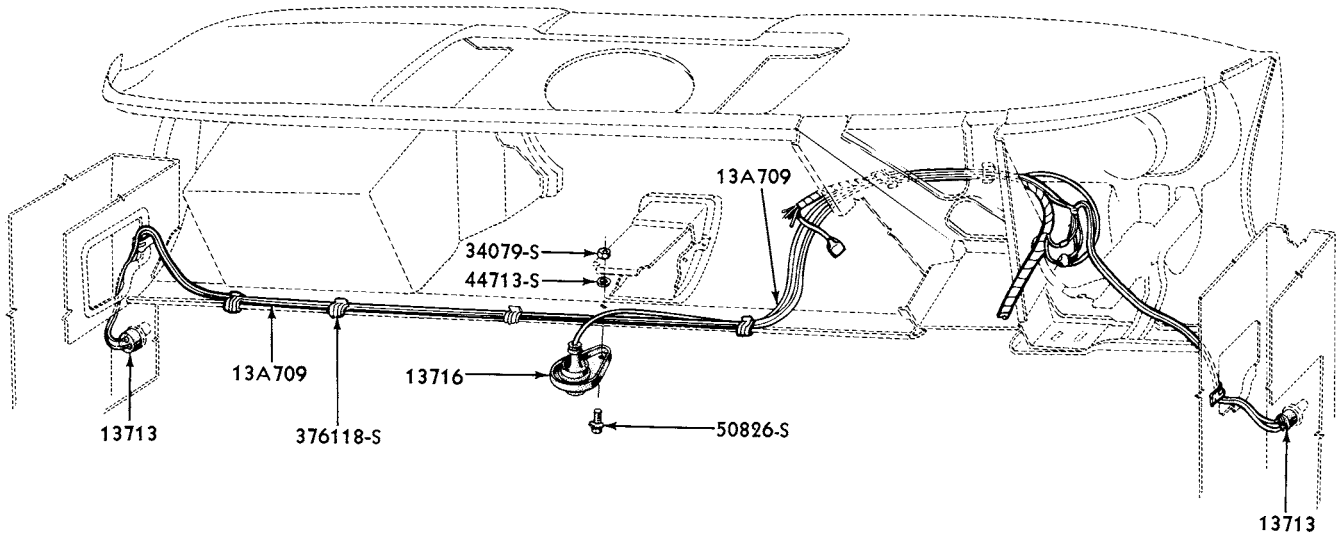


COURTESY LAMP GROUP

1964 COMET

PGC-1597

COURTESY LAMP GROUP



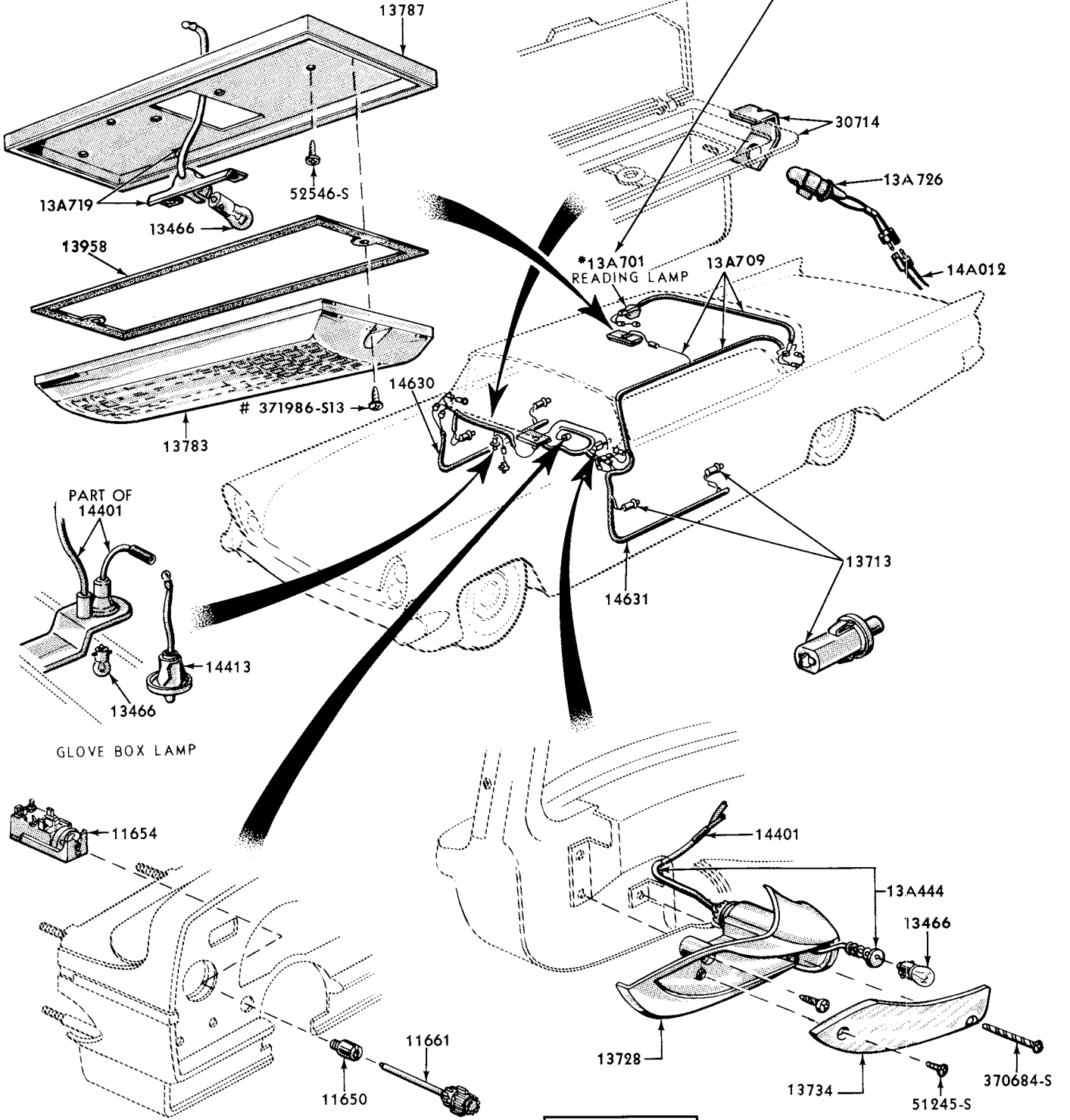
RPO 54A, 62A, 71

1964 COMET

PGC-1695

COURTESY LAMP GROUP

* FOR COMPONENTS OF READING LAMP
SEE READING LAMP ILLUSTRATION



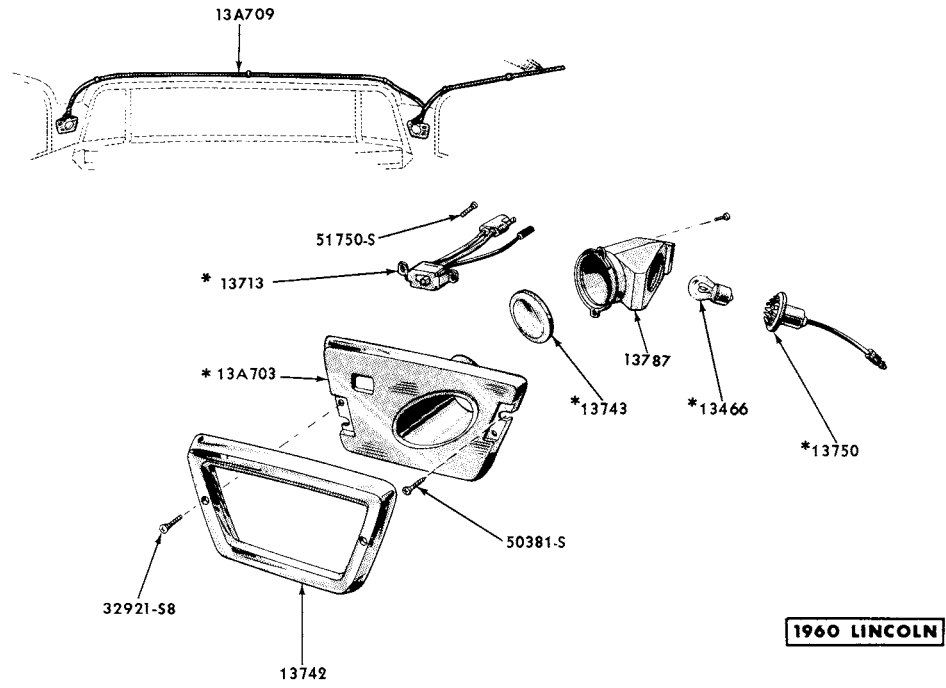
GLOVE BOX LAMP

1960 LINCOLN

NOT SERVICED

PLB-578

INTERIOR LAMPS

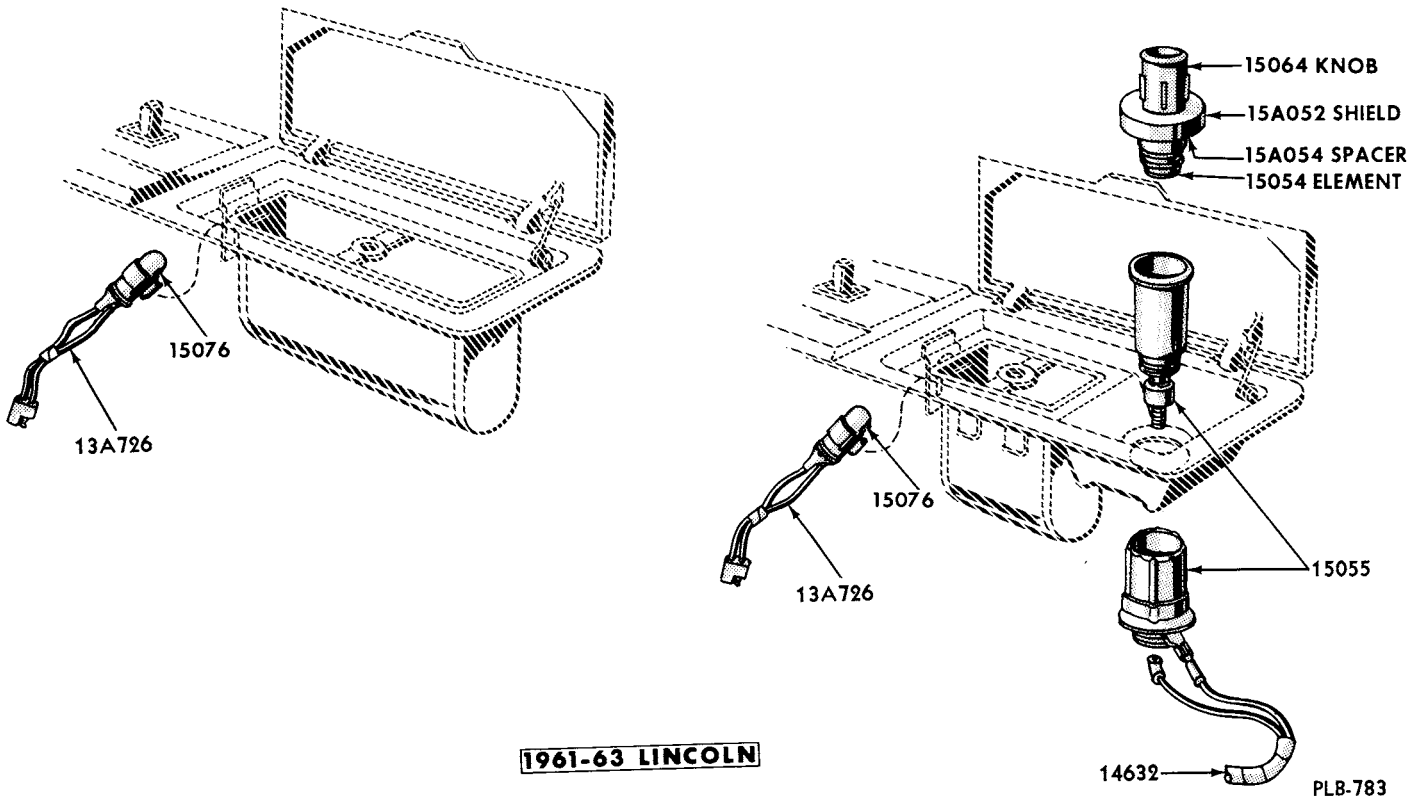


1960 LINCOLN

* ALSO SERVICED IN LAMP ASS'Y. 13A701
 ** SERVICED ONLY IN LAMP ASS'Y. 13A701

PLB-367

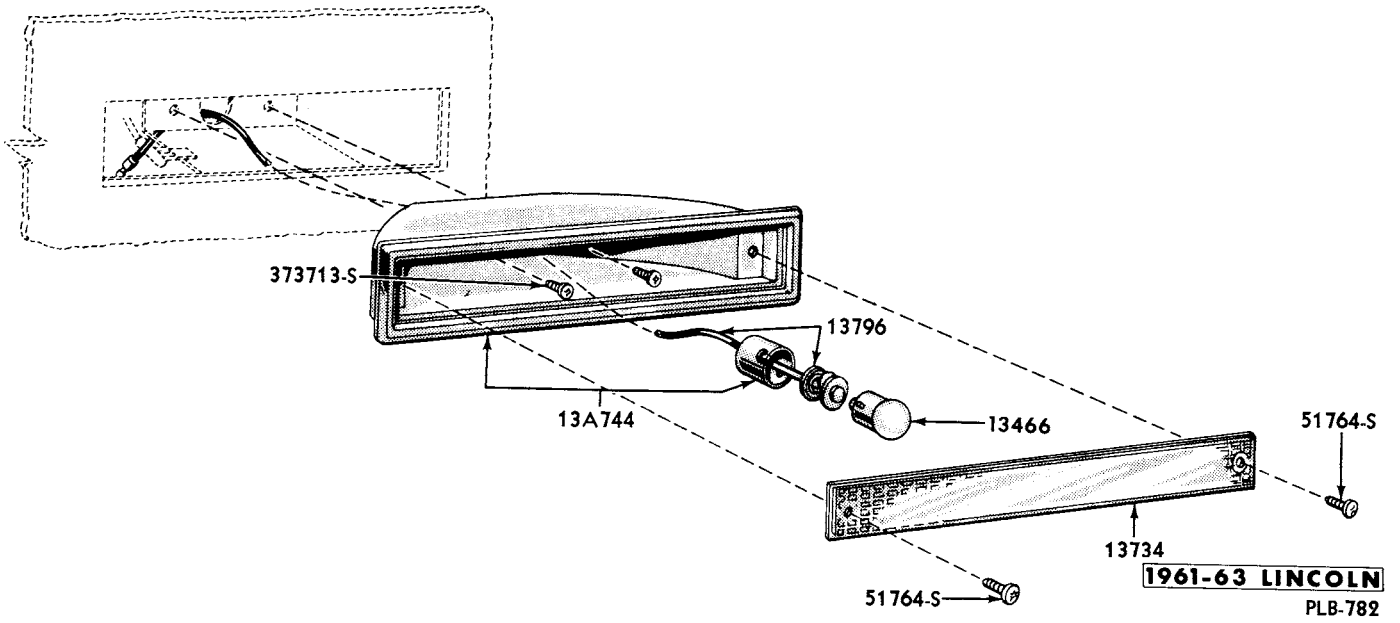
READING LAMP



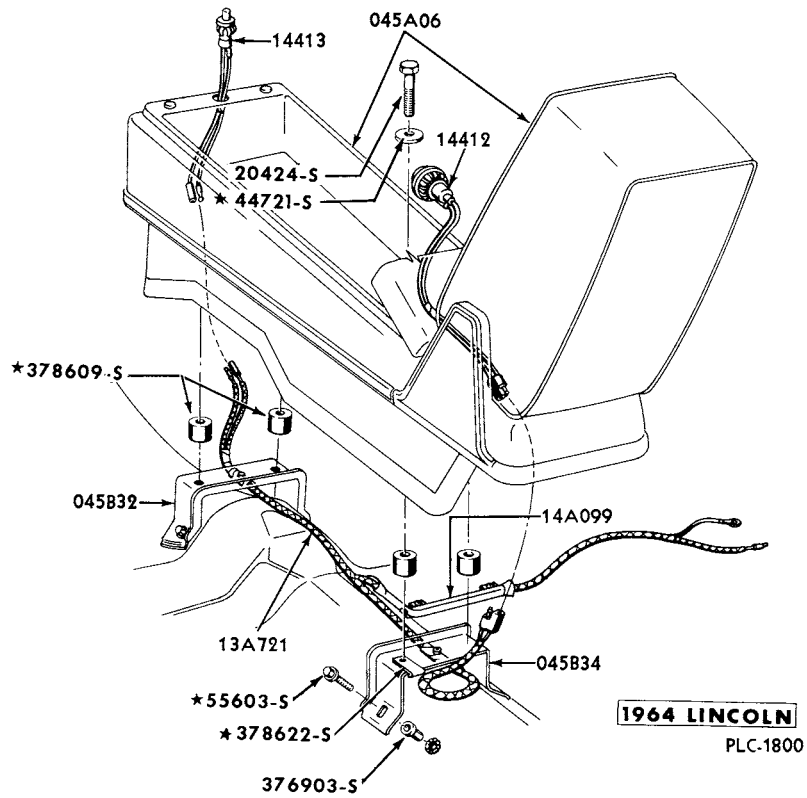
1961-63 LINCOLN

PLB-783

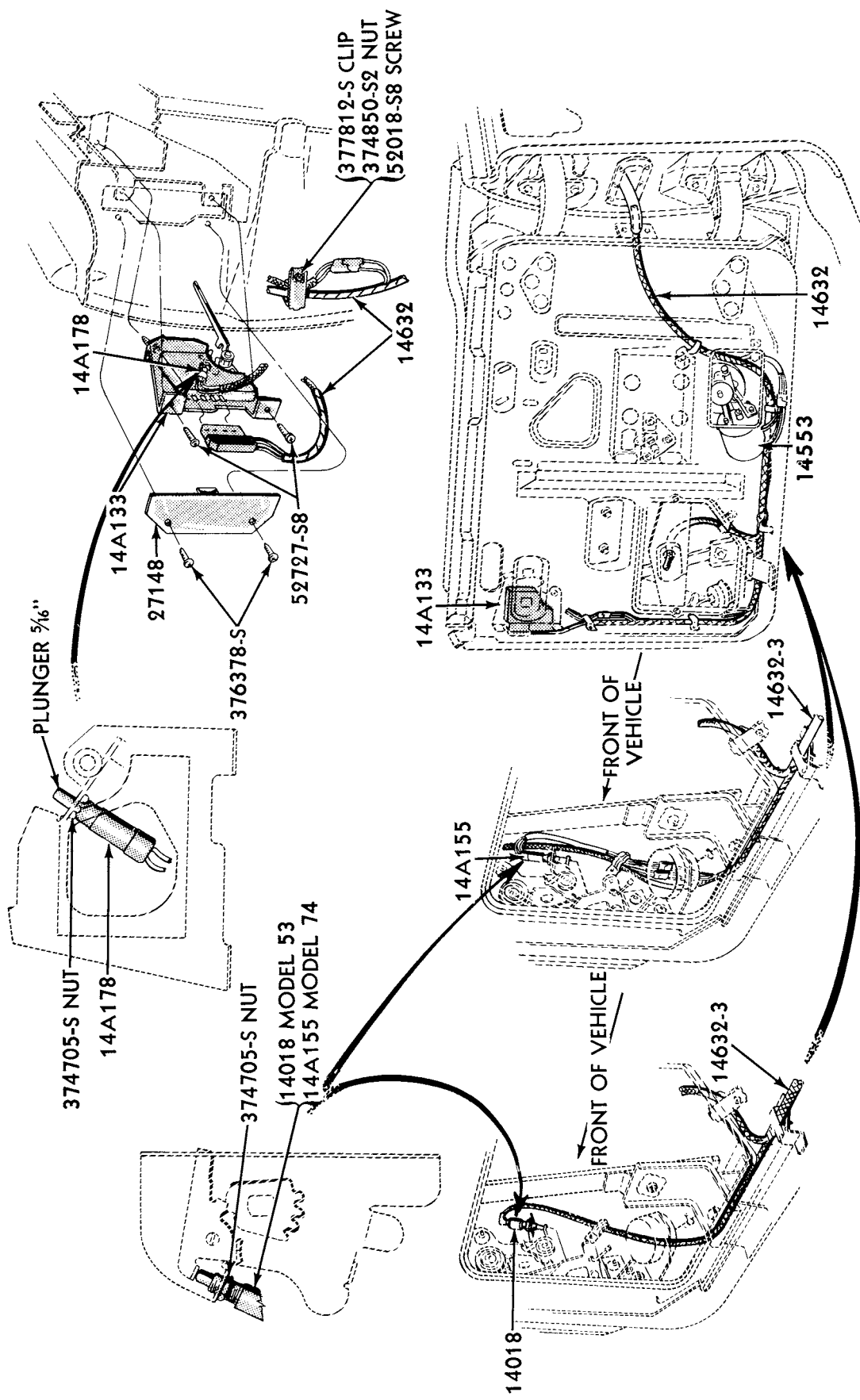
CIGAR LIGHTER and LAMP - DOOR ARM REST



COURTESY LAMP - FRONT and REAR DOOR ARM REST

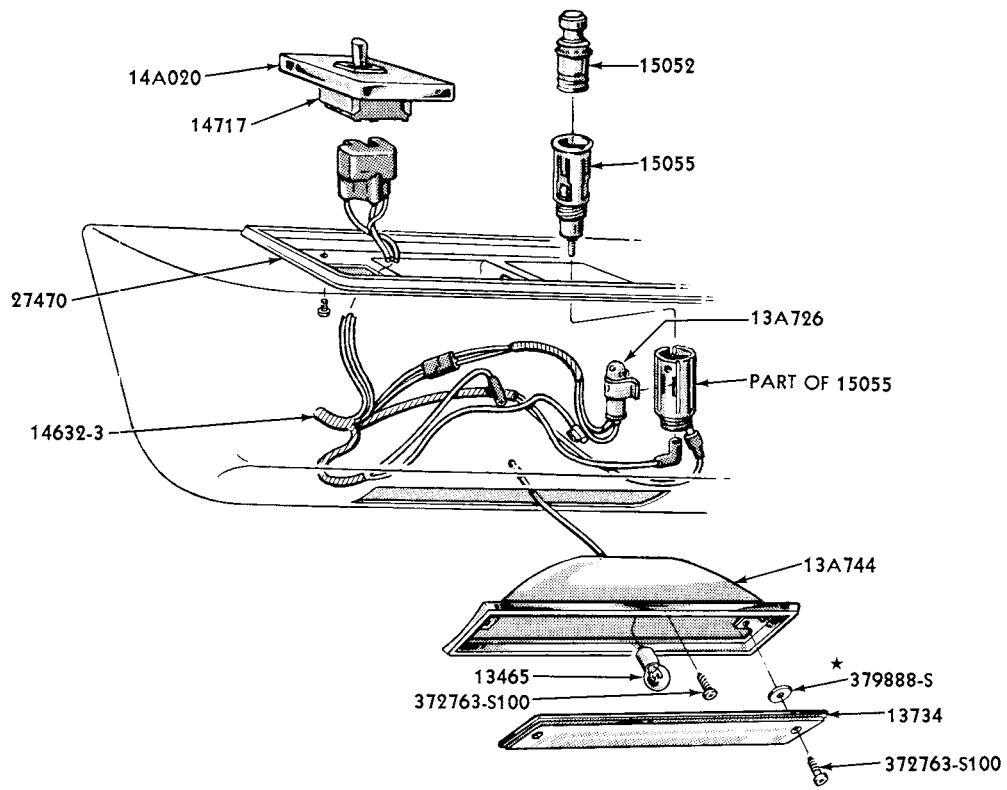


CONSOLE LAMP and WIRING



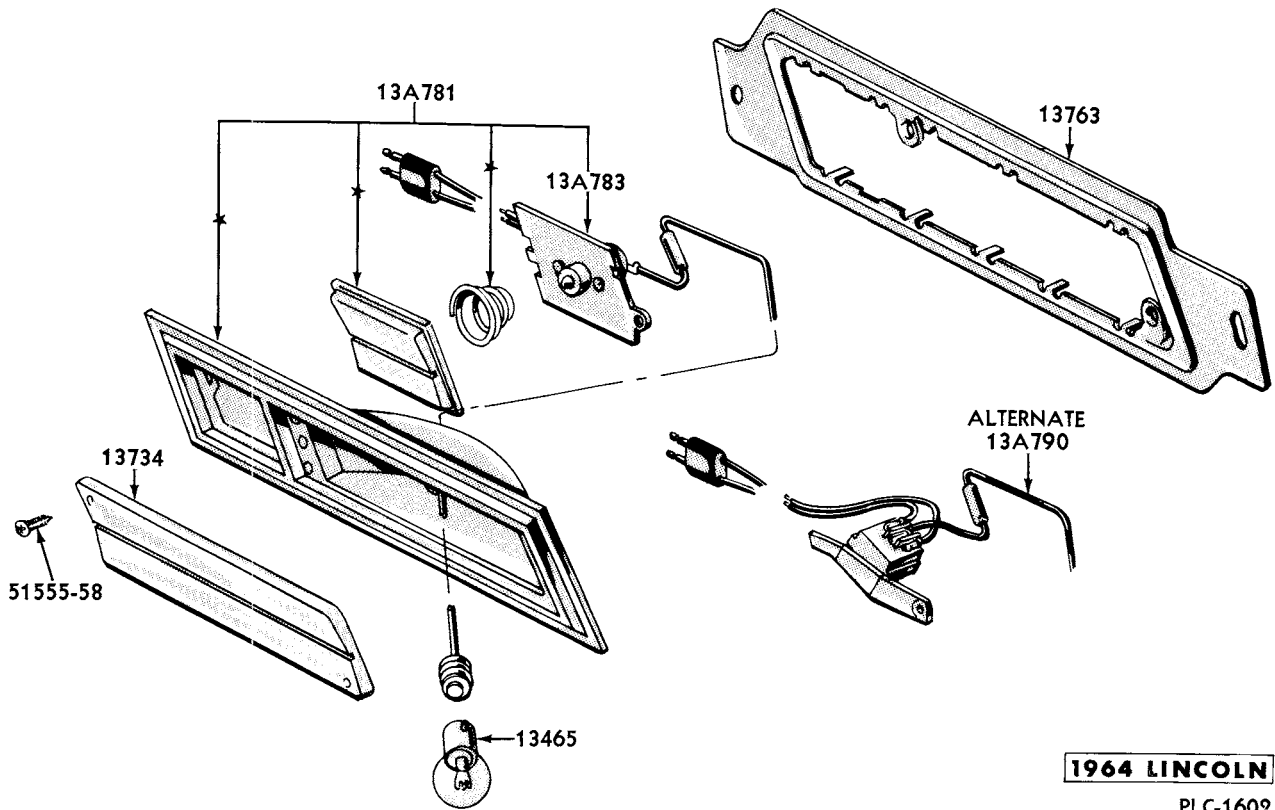
1964 LINCOLN
PLC-1799

COURTESY LIGHT DOOR SWITCHES



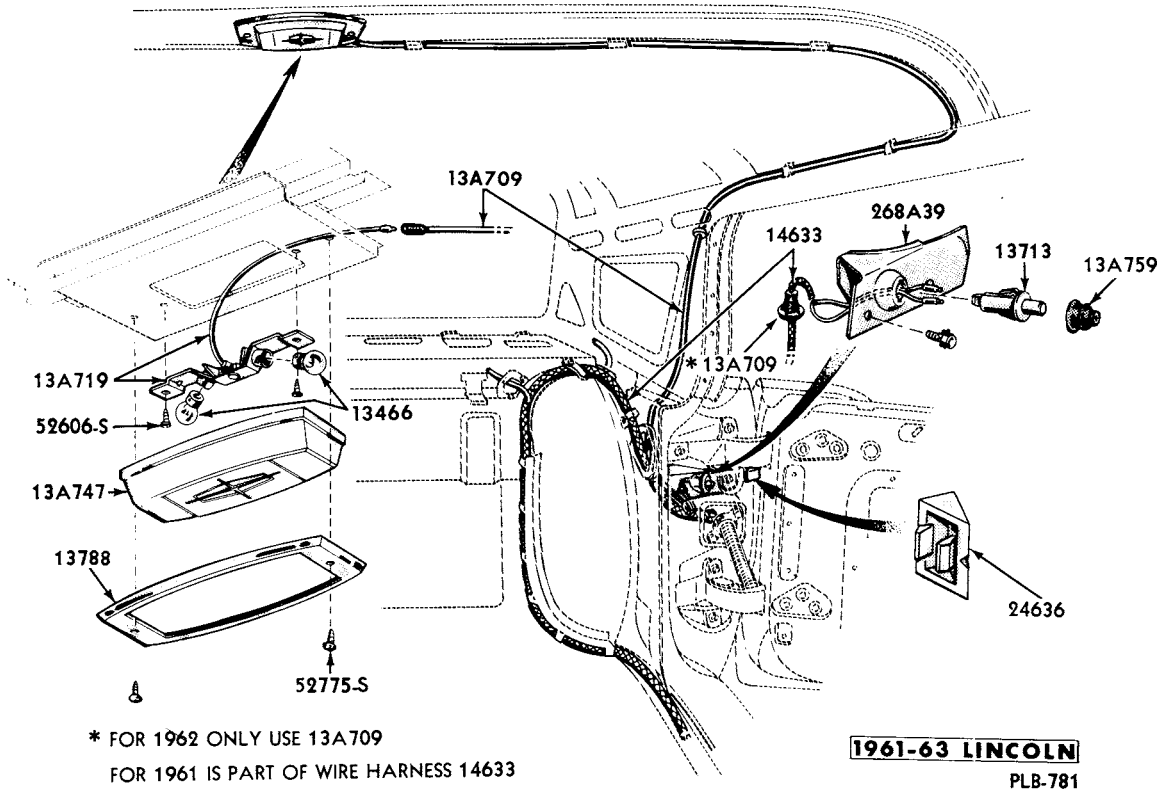
1964 LINCOLN
PLC-1798

COURTESY LAMP - ARM REST



1964 LINCOLN
PLC-1602

BODY and SOCKET COURTESY LAMP



DOMELAMP

Generator

GROUP AND PART NUMBER	DESCRIPTION, SIZE, ETC.	NO. REQ'D	MODEL OR ENGINE CUBIC INCH DISPLACEMENT	VEHICLE CODE	YEAR 19__
10002 GENERATOR (LESS PULLEY)					
B6A 10002-D	15 Volt - 50 amp. - heavy duty	1	All	A	60
B8LY 10002-A	15 Volt - 40 amp.	1	383, 430	A	60
COMF 10002-A	15 Volt - 35 amp. with automatic transmission	1	383, 430	A	60
C2SZ 10002-A	15 Volt - 40 amp.	1	312	A	60
COAZ 10002-C	15 Volt - 35 amp.	1	312	A	60
	Use with Selectaire a/cond.	1	292, 352, 390	A	60
COAF 10002-B	15 Volt - 40 amp.	1	All	A	61/62
C1TZ 10002-A	15 Volt - 30 amp. - use with all transmissions	1	All	A	60/62
	Use with all 8 cylinder engines	1	All	B C	62/64
C1DZ 10002-A	15 Volt - 30 amp. - use with trailing brush type generators	1	144,170	B C	60/63
		1	170, 200	C	64
B8LY 10002-B	15 Volt - 40 amp. without a/cond.	1	All	D	60
B9LY 10002-A	15 Volt - 50 amp. Delco-Remy generator - use with a/cond.	1	All	D	60
C1VY 10002-C	15 Volt - 40 amp.	1	All	D	61/62
10005 ARMATURE (GENERATOR)					
B6C 10005-A	Use with 50 amp. - American Bosch generator	1	All	A	60
C2SZ 10005-A	With bearing - use with 35 amp. generator	1	All	A	60/62
C1AF 10005-A	15 Volt - 40 amp. Delco Remy generator	1	All	A	61
C2SZ 10005-B	Use with 40 amp. H and A generator - with bearing	1	All	A	60/62
		1	All	D	60
C1TZ 10005-A	With bearing - use with 25 and 30 amp. generators	1	All	A B C	60/64
B9LF 10005-A	For 50 amp. Delco-Remy generator	1	All	D	60
10039 REFER TO GROUP 10A313					
10040 ARM (GENERATOR BRUSH)					
B9LF 10040-A	Use with 40 amp. Delco Remy generators	2	All	A	61
C1VF 10040-A	Use with 25, 30, 35 and 40 amp. generators with trailing arm brush	2	All	A B C	60/61
C1DZ 10040-A	Use with 25, 30, 35 and 40 amp. generators with trailing arm brush	2	All	A	62
		2	All	B C	62/64
		2	All	D	60/62
10044 SCREW (POLE PIECE)					
68 10044	(2) for generators - (4) for starter	AR	All	A B C D	60/62
		AR	All	A B D	63/64
	Use with 30 amp. Ford generator	2	All	B C	63
	Use on starters	AR	All	C	63
		3	200, 260, 289	C	64
	Use on 30 amp. generators	2	260, 289	C	64
10050 PLATE (GENERATOR REAR) LESS SPACER					
B6C 10050-A	Use with 50 amp. - American Bosch	1	All	A	60
C3AZ 10050-A	Use with 30 and 40 amp. trailing arm brush type Ford generators	1	All	A D	60/62
	Use with 30 amp. generator	1	All	B C	60/63
		1	All	C	64
B9AZ 10050-A	Use with 50 amp. Delco Remy generators	1	All	D	60

Generator

GROUP AND PART NUMBER	DESCRIPTION, SIZE, ETC.	NO REQ'D	MODEL OR ENGINE CUBIC INCH DISPLACEMENT	VEHICLE CODE	YEAR 19__
10057 SPRING (GENERATOR BRUSH)					
B6C 10057-A	Use with 50 amp. generator	4	All	A	60
B9LF 10057-A	Use with 40 amp. Delco Remy generator	2	All	A	61
91A 10057	Use with 30 and 35 amp. non-trailing brush type generators	2	All	A C	60/62
	Use with non-trailing brush type generators	AR	All	D	60
C1VF 10057-A	Use with 25, 30, 35 and 40 amp. trailing arm brush type generators	AR	All	A	61/62
		AR	All	B C	61/63
		AR	All	D	60/62
	Use with 30 amp. generators	2	All	C	64
10069 BRUSH (GENERATOR)					
B9TZ 10069-A	Use with 50 amp. American Bosch generator	1	All	A	60
B8AZ 10069-A	Use with conventional brush type 35 amp. generator	2	All	A	60/62
COAZ 10069-B	Use with 40 amp. Delco Remy generators	2	All	A	61
	Use with 50 amp. generator	2	All	D	60
C1AF 10069-A	Use with trailing arm brush type - 30 and 35 amp. generators	2	All	A	60/62
	Use with 40 amp. generator	2	All	A	60
	Use with 30 amp. generator - use with trailing brush type	2	All	B C	60/64
	Use with 40 amp. generator	2	All	D	60/62
COAZ 10069-A	Use with 30 and 40 amp. generators - use with non-trailing arm brush type generators	2	All	A B C	60/62
	Use with 25 amp. non-trailing brush type generator	2	All	C	60/61
	With 50 amp. generator	2	All	D	60
10085 SLINGER (GENERATOR ARMATURE BEARING OIL)					
B6AZ 10085-A	Use with 50 amp. generators	1	All	A	60
10088 RIVET (GENERATOR & STARTER LOCKING)					
18 10088	Use for 30, 35 and 40 amp. generators	2	All	A B C	60/63
	Use for 4-1/2" starter	1	All	B C	60/63
	Use for starter only	1	All	A	63/64
	Use with 30 amp. generators	1	All	C	64
	Use for starter and generator	AR	All	D	60/62
10094-5 BEARING (GENERATOR OR ALTERNATOR)					
B8C 10095-A	Use for 50 amp. heavy duty 60 amp. and 100 amp. alternators and 50 amp. American Bosch generator	AR	292, 352, 390	A	61
A8AZ 10094-A	Use with 60 amp. alternator rear bearing	1	All	A	60
	Use with 40 amp. Delco Remy generator rear bearing	1	All	A	61
	Use with 50 amp. Leece-Neville alternator rear bearing	1	All	A	61
	Front bearing - use with 40, 42 amp. Ford alternator	1	All	A	64
	Use for front generator bearing	1	All	A B D	60/61
	Use with 25, 30, 35 and 40 amp. Ford generator - front	1	All	A D	60/62
	Use with 25, 30, 35 and 40 amp. Ford generator - front	1	All	B C	60/63
	Use with 30 and 40 amp. Ford alternator - front	1	All	A D	63
	Use with 42 amp. Ford generator and 42 amp. alternator	1	All	C	64
	Use with 50 amp. Delco Remy generator - rear	1	All	D	60/61
	Use with 40, 42, 52 amp. Ford alternator	1	All	D	64
B6A 10095-B	Use with 25, 30, 35 and 40 amp. generators - rear	1	All	A B C D	60/63
	Use with 30 amp. generator - rear	1	All	C	64

Generator

GROUP AND PART NUMBER	DESCRIPTION, SIZE, ETC.	NO. REQ'D	MODEL OR ENGINE CUBIC INCH DISPLACEMENT	VEHICLE CODE	YEAR 19__
10098 PLATE (GENERATOR FRONT BEARING RETAINER)					
B6C 10098-A	Use with 50 amp. generator	1	All	A	60
B9LF 10098-A	Use with 40 amp. Delco-Remy generator	1	All	A	61
	Use with 50 amp. Delco-Remy generator	1	All	D	60
10104 BUSHING (GENERATOR ARMATURE)					
B6C 10104-A	Use with 50 amp. American Bosch generator	1	All	A	60
10120 EOLT (GENERATOR THRU)					
C3TZ 10120-A	No. 10-32 x 3.85" long - use with 60 amp. Leece-Neville alternator	3	All	A	64
B9LF 10120-A	Use with 40 amp. Delco-Remy generators	2	All	A	61
	Use with 50 amp. Delco-Remy generators	2	All	D	60
8EL 10120	Use with 35 and 40 amp. generators	2	All	A	D 60/62
C3AZ 10120-A	(2) req'd. - for 30 amp. generator	AR	All	A B C D	60/63
	(2) req'd. - for starters				
	For starters	2	All	A	D 64
	For 30 amp. generators	2	All	C	64
	For starters	2	200, 260, 289	C	64
10130 PULLEY (GENERATOR)					
B8MF 10130-A	Use with 50 amp. heavy duty generator	1	All	A	60
B7A 10130-A	Use with 30 amp. generator	1	312	A	60
	Not required when a/cond. or heavy duty extra cooling is installed	1	292, 352, 390	A	61/62
COAF 10130-A	Use with a/cond. hang-on	1	312	A	60
	Use with all 30, 35 amp. generators and a/cond.	1	292, 352, 390	A	61/62
	Use with 30 amp. and heavy duty extra cooling	1	292, 352, 390	A	62
COAF 10130-B	Use with 40 amp. Delco-Remy generator	1	All	A	61
FAP 10130-A	Use with 30 amp. generator - single sheave	1	406	A	62
C1VF 10130-A	Use with 35 or 40 amp. generators	1	383, 430	A	60
	Two sheave use with 40 amp. generators	1	All	D	60/62
B4TZ 10130-A	(a) 1 223	1	223	A	61/62
	Use on Meteor built prior to 5-28-62	1	170	B	62
		1	All	C	60/62
	Use with 3 point single belt drive dealer installed a/cond. only on vehicles built prior to 5-13-63	1	144, 170	C	63
C2OZ 10130-C	Use on vehicles built after 5-27-62 with C2OZ-8620-H - 33-1/4" belt	1	170, 200	B	62/63
	Use with 3 point single belt drive dealer installed a/cond. only on vehicles built after 5-12-63	1	170	C	63
	Use on a/cond. models with single belt drive only with 30 amp. generator	1	170, 200	C	64
C2OZ 10130-B	Use with a/cond.	1	221	B	62
		1	221, 260, 289	B C	63/64
C2OF 10130-A	Use with 30 amp. generator - single sheave	1	221, 260	B	62
	Use without a/cond.	1	221, 260, 289	B C	63/64
C3DZ 10130-A	Use with production installed 4 point dual belt drive - a/cond. dual sheave	1	144, 170	C	63
	Use with a/cond. models with dual belt drive with 30 amp. generator	1	170, 200	C	64
B9LF 10130-A	For 50 amp. Delco-Remy generators	1	All	D	60
74175-S	Key-No. 6 Woodruff-attach generator pulley to generator armature shaft	1	a		
351124-S	Nut-21/32"-20-generator shaft	1	a		
351496-S	Washer-lock .68"-generator pulley	1	a		

Generator

GROUP AND PART NUMBER	DESCRIPTION, SIZE, ETC.	NO. REQ'D	MODEL OR ENGINE CUBIC INCH DISPLACEMENT	VEHICLE CODE	YEAR 19__
10131 FAN - PULLEY (COOLING VANES)					
B9LF 10131-A	Use with 40 amp. Delco Remy generator	1	All	A	61
	Use with 50 amp. Delco-Remy generators	1	All	D	60
10139 PLATE (GENERATOR FRONT)					
B6C 10139-A	Use with 50 amp. American Bosch generator	1	All	A	60
COAF 10139-A	Use with 40 amp. Delco Remy generators	1	All	A	61
B6A 10139-B	Use with 30 or 35 amp. generators	1	312	A	60
		1	All	A	61/62
		1	221, 260, 289	B C	62/64
B8S 10139-A	Use with 30 or 40 amp. generator Use with 25 or 30 amp. generators on C1DF-10002-A generator and C1DF-10145-A or C1DZ-10145-C adjusting arm Drive end - use with all 40 amp. generators	1	383, 430	A	60
		1	All	C	60/61
		1	All	D	60/62
C1DZ 10139-A	Use with 25 or 30 amp. generators on C1DZ-10002-A generator and C2DZ-10145-B adjusting arm Use with 30 amp. generator	1	144, 170	B C	62/63
		1	170, 200	C	64
		1	All	D	60
B9LF 10139-A	For 50 amp. Delco-Remy generator	1	All	D	60
10141 OIL CUP (GENERATOR REAR END PLATE)					
B6A 10141-A	Use as distributor oil cup only	1	All	A B C D	60/64
10142 BAND (GENERATOR)					
B6C 10142-A	Use with 50 amp. generator	1	All	A	60
B9LF 10142-A	Use with 40 amp. Delco Remy generators Not with 50 amp. Delco-Remy generators	1	All	A	61
		1	All	D	60
10145 ARM (GENERATOR OR ALTERNATOR BELT ADJUSTMENT)					
B9ME 10145-A	6.88" long - use with 50 or 60 amp. alternators	1	312	A	60
B6A 10145-B	Use with conventional brush type generators	1	292, 312	A	60/62
C1AZ 10145-A	Use with trailing brush type generator	1	312	A	60
		1	292	A	61/62
B6A 10145-A	Use with 40 amp. Delco Remy generator	1	292	A	61
C1AE 10145-G	Use with 50 amp. pancake alternator when P/S and/or a/cond. is not installed for 223 C. I. D. engine	1	All except 76	A	61
C1AE 10145-R	Use with 50 amp. pancake alternator when P/S and/or a/cond. is not installed for 292 C. I. D. engine	1	All except 76	A	61
EBP 10145-A	Use with a/cond.	1	223	A	61/62
C2AZ 10145-D	Not used with alternator or a/cond.	1	223	A	61/62
C1AE 10145-H	Use with 30, 35 or 40 amp. H and A generator only	1	352, 390	A	61/62
C1AE 10145-S	Use with 50 amp. pancake alternator with 352 or 390 C. I. D. engine without a/cond. or 390 C. I. D. high performance engine Use with 60 amp. Leece-Neville alternator	1	All except 76	A	61
		1	390	A	64
		1	406	A	62
C2AZ 10145-A		1	406	A	62
C3SZ 10145-A	Use with 30 and 40 amp. alternator - use on models with idler pulley Use with 40 and 42 amp. Ford alternator NOTE - not used on a/cond. vehicles equipped with an idler pulley for 1964	1	390	A	63
		1	390	A	64

CONTINUED ON NEXT PAGE

Generator

GROUP AND PART NUMBER	DESCRIPTION, SIZE, ETC.	NO. REQ'D	MODEL OR ENGINE CUBIC INCH DISPLACEMENT	VEHICLE CODE	YEAR 19__
10145 ARM (GENERATOR OR ALTERNATOR BELT ADJUSTMENT) CONTINUED					
C3MY 10145-A	Use with 40 amp. Ford alternator	1	406, 427	A	63
	Use with 42 amp. Ford alternator	1	427	A	64
C4MY 10145-A	Use with a/cond. when a/cond. vibration fix kit C3AZ-19B969-J is installed	1	390	A	63
	Use with 42 amp. Ford alternator with a/cond. equipped vehicles with an idler pulley	1	390	A	64
C2AZ 10145-C	Use with 40 amp. Leece-Neville alternator	1	All	A	64
EDG 10145-A	Use with 30, 35 and 40 amp. generators	1	383, 430	A D	60
PB9M 10145-A	Use with 30 amp. low cut-in 50 and 60 amp. generator	1	383, 430	A	60
	Use with 50 amp. Bosch generator	1	All	D	60
C3OZ 10145-B	Use with 30 amp. generator without a/cond.	1	170, 200	B	63
C2DZ 10145-B	Use with C1DZ-10002-A generator and/or C1DZ-10139-A end plate	1	144, 170	B C	60/62
	Use with 30 amp. generator - with 3 point single belt drive dealer installed a/cond. only	1	144, 170	C	63
	Use with 30 amp. generator without a/cond.	1	170, 200	C	64
C4OZ 10145-A	Curved - use without a/cond. - ☆ except Special Performance	1 1	221, 260 221, 260, 289☆	B B C	62 63/64
C3OZ 10145-C	Use with a/cond. - ☆ except Special Performance	1	221, 260, 289☆	B C	63/64
C1DZ 10145-C	5-11/16" long - use with C1DF-10002-A generator and/or B8S-10139-A end plate	1	144, 170	C	60/61
C3DZ 10145-D	5-1/2" long - use with a/cond. with dual belt drive generator	1	144, 170, 200	C	63/64
C4OZ 10145-B	Use with 42 amp. Ford alternator	1	200	C	64
C4AZ 10145-C	Use with 42 amp. Ford alternator - Special Performance (Engine Warranty Code D)	1	289	C	64
B9LE 10145-A	8.10" long - use with 50 amp. Delco-Remy generator	1	All	D	60
C1VE 10145-A	Use with 40 amp. generator	1	All	D	61/62
C3VY 10145-A	Use with 40 amp. alternator without a/cond.	1	All	D	63/64
C3VY 10145-B	Use with a/cond.	1	All	D	63/64
10148 SPACER (GENERATOR MOUNTING BRACKET)					
B8A 10148-A	Use with 35 amp. generator - all with a/cond.	1	292, 312	A	60/62
	All with a/cond.	1	All	A	62
COAF 10148-A	Use with 40 amp. Delco generator with P/S	1	223	A	61
B4A 10148-A	.88" O.D. x .045" I.D. x .320" thick	AR	All	D	60/61
10151 BRACKET (GENERATOR OR ALTERNATOR MOUNTING)					
B7A 10151-A	Use with 30 amp. low cut-in 50 and 60 amp. generators	1	312	A	60
B5A 10151-B	Use with 30, 35 and 40 amp. generators	1	312	A	60
	Use with 30 and 35 amp. generators	1	292	A	61/62
B6C 10151-B	Use with 40 amp. Delco generators	1	292	A	61
B8AZ 10151-B	P/S	1	223	A	61/62
C2AZ 10151-C	Use with 30 amp. generator and a/cond.	1	223	A	61/62
PB8L 10151-A	Use with 30 amp. low cut-in 50 and 60 amp. generator and a/cond. conversion kit	1	383, 430	A	60
	Use with a/cond. and for 50 amp. Bosch generator	1	All	D	60
C2OZ 10151-A	Use with 25 or 30 amp. generator - "Y" mounting	1	221, 260, 289	B C	62/64
C3VY 10151-A	Use with 40 amp. alternator	1	All	D	63/64

Generator

GROUP AND PART NUMBER	DESCRIPTION, SIZE, ETC.	NO. REQ'D	MODEL OR ENGINE CUBIC INCH DISPLACEMENT	VEHICLE CODE	YEAR 19__
10156 BRACKET (ALTERNATOR OR GENERATOR MOUNTING FRONT)					
B9ME 10156-A	Use with 50 or 60 amp. alternator	1	312	A	60
B5A 10156-A	Use with 30 and 35 amp. generators	1	292,312	A	60/62
C1AE 10156-E	Use with 50 amp. pancake alternator without P/S and/or a/cond. on all models except 76	1	292	A	61
B8E 10156-B	Use with 40 amp. Delco Remy generator - must be used with COAE-10039-M bracket	1	352,390	A	61
C3SZ 10156-C	Use with 30 or 40 amp. Ford alternator (a)	1	390,406,427	A	63
	Use with 40 and 42 amp. Ford alternator NOTE - not used on a/cond. vehicles equipped with an idler pulley	1	390,427	A	64
C2AZ 10156-B	Use with 40 amp. Leece-Neville alternator	1	390	A	64
370100-S8	Bolt-hex. hd. -7/16"-14 x 5-1/2"-attach alternator and bracket to engine	1	a		
10159 BRACKET (ALTERNATOR ADJUSTING)					
B9ME 10159-A	Use with 50 amp. alternator	1	383,430	A	60
10163 RING (GENERATOR BEARING STOP)					
B6C 10163-A	Use with 50 amp. generator	1	All	A	60
OIA 10163		1	All	A B C D	60/63
		1	All	C	64
10170 SHIELD (GENERATOR OR ALTERNATOR SPLASH)					
C1AZ 10170-B	Use with trailing brush type generator	1	223,292,352,390	A	61/62
C3SZ 10317-B	Steel and rubber - upper	1	All	A	63
C3SZ 10317-C	Neoprene - located at end of alternator - upper	1	All	A	63
	Use with all Ford alternators	1	All	A	64
C3DZ 10170-A	Plastic	1	All	A D	60
		1	144,170	B C	60/62
		1	144,170,200	C	63/64
C3OZ 10170-D	Metal - use with 30 amp. generator - outer	1	170	B	63
C3OZ 10170-E	Metal - use with 30 amp. generator - inner	1	170	B	63
C3OZ 10170-C	Located over rear end plate - ☆ except Special Performance NOTE - not required on models without a/cond. built on or after 4-15-64 with steel inner and outer splash shields	1	221,260,289☆	B C	63/64
C4AZ 10317-A	Use with 42 amp. Ford alternator - Special Performance (Engine Warranty Code D)	1	289	C	64
C4OZ 10170-C	Outer - steel - except a/cond. - use after 4-15-64 in conjunction with inner shield C4OZ-10170-D and adjusting arm C4OZ-10145-A	1	260,289	C	64
C4OZ 10170-D	Inner - steel - except a/cond. - use after 4-15-64 with outer shield C4OZ-10170-C and adjusting arm C4OZ-10145-A	1	260,289	C	64
C1VY 10170-A	Under generator	1	All	D	61/62
C2VY 10170-A	Round - located over end of generator	1	All	D	61/62
	NS-improvise locally - top of generator	1	All	D	61/62
C3VY 10170-C	Located above alternator	1	All	D	63
C3VY 10170-B	Located over end housing - use when C3VY-10170-C and D upper and lower splash shield are used	1	All	D	63
	Located over alternator housing end with a/cond.	1	All	D	64
C3VY 10170-D	Steel - located below alternator or generator	1	All	D	63
	Located below alternator - use with a/cond.	1	All	D	64
C4VY 10170-A	Neoprene - use when C3VY-10170-C and D upper and lower splash shield are not used	1	All	D	63
	Located over alternator housing end without a/cond.	1	All	D	64

Generator

GROUP AND PART NUMBER	DESCRIPTION, SIZE, ETC.	NO. REQ'D	MODEL OR ENGINE CUBIC INCH DISPLACEMENT	VEHICLE CODE	YEAR 19__
10175 COIL (GENERATOR FIELD) COMPLETE					
B6C 10175-A	15 Volt - 50 amp.	4	All	A	60
B8QH 10175-A	15 Volt - 40 amp.	1	312	A	60
B9FM 10175-A	15 Volt - 35 amp. - use with automatic transmissions	1	383,430	A	60
B8A 10175-A	15 Volt - 35 amp. - use with automatic transmission and with a/cond.	1	312	A	60
	All transmissions	1	All	A	61/62
B9LF 10175-A	15 Volt - 40 amp. - use with B9LF-10002-A generator	1	All except 312	A D	60
COAZ 10175-A	R. H. - use with 40 amp. Delco Remy generators	1	All	A	61
	Use with 50 amp. Delco-Remy generator	1	All	D	60
COAZ 10175-B	L. H. - use with 40 amp. Delco Remy generators	1	All	A	61
	Use with 50 amp. Delco-Remy generator	1	All	D	60
B9A 10175-A	15 Volt - 30 amp. - use with standard transmission	1	312	A	60
	All transmissions	1	All except 144,170	A B	61/62
	All transmissions	1	221,260	B C	63
CODF 10175-A	15 Volt - use with 30 amp. generator	1	144, 170, 200	B C	60/64
B6A 10175-D	15 Volt - 30 amp.	1	260,289	C	64
C1VF 10175-B	15 Volt - 40 amp.	1	All	D	61/62
10180 BRACKET (GENERATOR SHIELD)					
C3OZ 10180-A	Use with 30 amp. generator	1	170	B	63
10195 SLEEVING (GENERATOR FIELD COIL LEAD INSULATING)					
PB6M 10195-A	4" long	AR	All	A D	60/62
		AR	All	B C	60/64
10202 INSULATOR (GENERATOR TERMINAL)					
B6A 10202-A	Use with conventional brush type generator	1	All	A B C	60/62
		1	All	D	60
10206 INSULATOR (GENERATOR FRAME TO OUTER COIL)					
B6C 10206-A	Generator field terminal screw - use with 50 amp. generator	1	All	A	60
COAZ 10206-A	Use with 40 amp. Delco Remy generator	2	All	A	61
81A 10206	Generator	1	All	A D	60/62
		1	All	B C	60/64
10208 INSULATOR (GENERATOR END PLATE)					
81A 10208		1	All	A D	60/62
		1	All	B C	60/64
10211 TERMINAL (GENERATOR SCREW)					
B8C 10211-A	Use with 60 amp. - alternator	1	All	A	60/61
01A 10211	Rear end plate - use with conventional brush type generator	1	All	A B C	60/62
		1	All	D	60
B4A 10211-A	Frame - use with 25 or 30 amp. generators	2	144, 170, 200	B C	60/64
10215 CABLE (GENERATOR ARMATURE TERMINAL TO BRUSH HOLDER)					
B6C 10215-A	Use with 50 amp. American Bosch generator	1	All	A	60
10248 SPACER (COMPRESSOR MOUNTING BRACKET)					
354149-S8	1" O. D. x .45" I. D. x .22" thick - use with a/cond. and single belt drive generator	1	170,200	C	64
	NS-improvise - 1/2" I. D. x .68" O. D. x 61" long - use with a/cond. and dual belt drive generator	1	170,200	C	64

Generator

GROUP AND PART NUMBER	DESCRIPTION, SIZE, ETC.	NO REQ'D	MODEL OR ENGINE CUBIC INCH DISPLACEMENT	VEHICLE CODE	YEAR 19__
10254 NUT (GENERATOR PULLEY)					
COAF 10254-A	Use with 40 amp. Delco Remy generators - single sheave pulley	1	All	A	61
B9LF 10254-A	Use with 40 amp. Delco Remy generators - double sheave pulley	1	All	A	61
	Use with 50 amp. Delco-Remy generator - double sheave pulley	1	All	D	60
10255 COLLAR (GENERATOR SHAFT)					
B9LF 10255-A	Fan spacer - use for 40 amp. Delco Remy generator	1	All	A	61
	Use for 50 amp. Delco-Remy generator	1	All	D	60
10259 SPACER (GENERATOR BRACKET SUPPORT)					
	NS-improvise - 5/8" O. D. x .091" wall x 2-5/8" long - use with a/cond.	1	260, 289	C	64
10282 STUD (GENERATOR MOUNTING BRACKET)					
C3OZ 10282-A	5.3" long - use with a/cond. - attaches idler pulley to generator adjusting arm and generator mounting bracket	1	221, 260	B C	63
C3OZ 10282-B	3/8"-16 x 5.44" long - attach idler pulley to generator adjusting arm and generator mounting bracket	1	260, 289	C	64
10A303-4 BEARING (ALTERNATOR)					
B9AF 10A303-A	Front - use with 60 amp. alternator	1	All	A	60
	Use with 60 amp. - Leece-Neville alternator	1	All	A	64
C1AF 10A303-A	Front - use with 50 amp. alternator	1	All	A	61
C3SZ 10A304-A	Rear - use with 30 and 40 amp. alternator - for front bearing refer to group 10094	1	All	A D	63
	Rear - use with 40 amp. Leece-Neville alternator	1	All	D	64
C5AZ 10A304-A	Rear - Ford alternator	1	All	A C D	64
10304 RECTIFIER ASSEMBLY (ALTERNATOR)					
COTF 10304-A	50 Amp.	1	All	A	61
C2AZ 10304-A	Use with 40 amp. Leece-Neville alternator	1	All	A	64
10309 BRACKET (ALTERNATOR RECTIFIER MOUNTING)					
C1AF 10309-A		1	223	A	61
C1AF 10309-B		1	292, 352, 390	A	61
10A310 FAN (ALTERNATOR)					
B7AZ 10A310-A	Use with 60 amp. Leece-Neville alternator	1	All	A	60/61
		1	390	A	64
C2AZ 10A310-A	Use with 40 amp. Leece-Neville alternator	1	390	A	64
10A313 BRACKET (GENERATOR & ALTERNATOR MOUNTING)					
B9ME 10039-B	Use with 50 or 60 amp. alternator	1	312	A	60
COAE 10039-A	Use with 40 amp. Delco Remy generator	1	223	A	61
COAE 10039-M	Use with 40 amp. generator - "U" shape - must be used with B8E-10156-B bracket	1	352, 390	A	61
C1AE 10039-D	Use with 50 amp. pancake alternator without a/cond. or P/S for 223 C. I. D. engine	1	All except 76	A	61
C2AZ 10039-A	Use with 50 amp. pancake alternator without P/S or a/cond. for 292 C. I. D. engine	1	All except 76	A	61
COAE 10039-R	Use with 30 amp. generator without P/S	1	223	A	61/62

CONTINUED ON NEXT PAGE

Generator

GROUP AND PART NUMBER	DESCRIPTION, SIZE, ETC.	NO. REQ'D	MODEL OR ENGINE CUBIC INCH DISPLACEMENT	VEHICLE CODE	YEAR 19__
10A313 BRACKET (GENERATOR & ALTERNATOR MOUNTING) CONTINUED					
C1AE 10039-F	Use with 30 and 35 amp. generator	1	352, 390, 406	A	61/62
C1AZ 10A313-A	Use with 50 amp. pancake alternator without a/cond. for 352, 390 or 390 high performance engine	1	All except 76	A	61
	Use with 60 amp. Leece-Neville alternator	1	390	A	64
COAZ 10A313-A	5.32' long - for 50 amp. pancake alternator with 352 or 390 C. I. D. engine - except high performance - when a/cond. is not installed	1	352, 390	A	61
	Use with 60 amp. Leece-Neville alternator	1	390	A	64
C4AZ 10A313-D	Use with a/cond. when a/cond. vibration kit is installed	1	All	A	63
	Front - use with 40 and 42 amp. Ford alternator and a/cond. with idler pulley	1	390	A	64
C2AZ 10A313-B	Rear - use with 40 amp. Leece-Neville alternator	1	390	A	64
COME 10039-A	Use with 35 and 40 amp. generators	1	383, 430	A	60
	Without a/cond. - also use with B4A-10148-A spacer on 50 amp. Delco Remy generator - for a/cond. refer to group 10151	1	All	D	60/62
C1DE 10039-A	6" long - for generator	1	144, 170, 200	B C	60/64
C4OZ 10A313-A	Use with 42 amp. alternator	1	200	C	64
C4AZ 10A313-C	Use with 42 amp. Ford alternator with Special Performance (Engine Warranty Code D)	1	289	C	64
B9LE 10039-A	For alternator	1	All	D	60
10316 REGULATOR (ALTERNATOR)					
C2AZ 10316-A	Use with 50 or 60 amp. alternator and ammeter charge indicator	1	All	A	60
	Use with 40 and 60 amp. Leece-Neville alternator	1	All	A	64
B8TZ 10316-C	Use with 50 amp.	1	All	A	61
C3SZ 10316-B	15 Volt - negative ground - use with Ford alternator - (4) terminals	1	All	A C D	63/64
10317 REFER TO GROUP 10170					
10319 CLIP (ALTERNATOR ROTOR)					
B8TZ 10319-A		1	All	A	60
10320 HOLDER (ALTERNATOR BRUSH)					
C2AZ 10320-A	Use with 40 amp. Leece-Neville alternator	1	All	A	64
10321 BUSHING (ALTERNATOR INSULATOR)					
B8AZ 10321-A	Use with 60 amp.	1	All	A	60
C2AZ 10321-A	Use with 40 amp. Leece-Neville alternator - also serviced in 10304 rectifier assembly	6	All	A	64
10323 RETAINER (ALTERNATOR)					
B8TZ 10323-A	Use with 60 amp.	1	All	A	60
C1AF 10323-A	Use with 50 amp. alternator	1	All	A	61
10325 CAP (ALTERNATOR DUST)					
B8TZ 10325-A	Use with all alternators	1	All	A	60
10328 RING ASSEMBLY (ALTERNATOR ROTOR SLIP)					
B8AZ 10328-A	Use with 60 amp. alternator	1	All	A	60
C1AF 10328-A	Use with 50 amp. alternator	1	All	A	61
	Use with 60 amp. Leece-Neville alternator	1	All	A	64

Generator

GROUP AND PART NUMBER	DESCRIPTION, SIZE, ETC.	NO. REQ'D	MODEL OR ENGINE CUBIC INCH DISPLACEMENT	VEHICLE CODE	YEAR 19__
10329 INSULATOR (ALTERNATOR TERMINAL)					
C1AF 10329-A	Use with 50 amp. alternator - inner	1	All	A	60
C1TF 10329-B	Use with 60 amp. alternator - outer	1	All	A	60
C2TZ 10329-B	Inner - use with 60 amp. Leece-Neville alternator	2	All	A	64
C4TZ 10329-A	Outer - use with 60 amp. Leece-Neville alternator	1	All	A	64
10333 HOUSING (ALTERNATOR) FRONT					
B8TZ 10333-C	Use with 60 amp. alternator	1	All	A	60
C1AF 10333-A	Use with 50 amp. alternator	1	All	A	61
C2AZ 10333-A	Use with 40 amp. Leece-Neville alternator	1	All	A	64
C2TZ 10333-A	Use with 60 amp. Leece-Neville alternator	1	All	A	64
C3SZ 10333-A	Use with 30 and 40 amp. Ford alternator	1	All	A D	63/64
C3TZ 10333-A	Use with 42 amp. Ford alternator	1	All	A C	64
	Use with 42 and 52 amp. Ford alternator	1	All	D	64
10334 HOUSING (ALTERNATOR) REAR					
C2AZ 10334-A	Use with 40 amp. Leece-Neville alternator	1	All	A	64
C4TZ 10334-A	Use with 60 amp. Leece-Neville alternator	1	All	A	64
C3SZ 10334-A	Use with 30 and 40 amp. alternator	1	All	A D	63
	Use with 40 and 42 amp. Ford alternator	1	All	A C	64
	Use with 40, 42 and 52 amp. Ford alternator	1	All	D	64
10335 ROTOR (ALTERNATOR)					
B6AZ 10335-A	Use with 60 amp. alternator	1	All	A	60
C1AF 10335-A	Use with 50 amp. alternator	1	All	A	61
C3SZ 10335-C	With bearing - use with 30 amp. alternator	1	All	A	63
C2AZ 10335-A	Use with 40 amp. Leece-Neville alternator	1	All	A	64
C2TZ 10335-A	Use with 60 amp. Leece-Neville alternator	1	All	A	64
C3SZ 10335-B	With bearing - use with 40 amp. alternator	1	All	A D	63/64
C3TZ 10335-A	Use with 42 amp. Ford alternator	1	All	A C	64
	Use with 42 and 52 amp. Ford alternator	1	All	D	64
10336 STATOR & COIL ASSEMBLY (ALTERNATOR)					
B8TZ 10336-B	Use with 60 amp. alternator	1	All	A	60
C3SZ 10336-B	With coil - use with 30 amp. alternator	1	All	A	63
C2AZ 10336-A	Use with 40 amp. Leece-Neville alternator	1	All	A	64
C2TZ 10336-B	Use with 60 amp. Leece-Neville alternator	1	All	A	64
C3SZ 10336-A	With coil - use with 40 amp. alternator	1	All	A D	63
	Use with 40 and 42 amp. Ford alternator	1	All	A C D	64
	7/8" wide				
C4SZ 10336-A	With coil - use with 52 amp. Ford alternator	1	All	D	64
10337 BRACKET (ALTERNATOR REGULATOR MOUNTING)					
C4AZ 10337-A	Use with Leece-Neville alternator	1	All	A	64
10A340 COVER (BRUSH SPRING)					
C1AF 10A340-A	Use with 50 amp. alternator	1	All	A	61
	Use with 60 amp. Leece-Neville alternator	1	All	A	64
10A342 JUMPER (BRUSH SPRING)					
C1AF 10A342-A	Use with 50 amp. alternator	2	All	A	61
	Use with 60 amp. Leece-Neville alternator	2	All	A	64
10344 PULLEY (ALTERNATOR)					
COMF 10344-A	3.00" O. D. - two sheave - use with 60 amp. alt.	1	312	A	60
B9MF 10344-A		1	383,430	A	60
CONTINUED ON NEXT PAGE					

Generator

GROUP AND PART NUMBER	DESCRIPTION, SIZE, ETC.	NO. REQ'D	MODEL OR ENGINE CUBIC INCH DISPLACEMENT	VEHICLE CODE	YEAR 19__
10344 PULLEY (ALTERNATOR) CONTINUED					
C1AF 10344-A	Use with 50 amp.alternator - 6 cylinder engine only	1	All	A	61
C1AF 10344-C	Use with 50 amp.alternator - 8 cylinder engine only	1	All	A	61
C3MY 10344-A	3.4" diameter - single sheave	1	406,427	A	63
C3SZ 10344-B	3" diameter - single sheave - use with 30 amp. and 40 amp. alternator - use with Ford alternator without a/cond.	1	390	A	63/64
C2AZ 10344-A	3" diameter - double sheave - use with 60 amp. Leece-Neville alternator	1	390	A	64
C2AZ 10344-C	2.67" diameter - double sheave - use with 40 amp. Leece-Neville alternator	1	390	A	64
C4TZ 10344-A	3.07" diameter - double sheave - use with 42 amp. Ford alternator with Deluxe a/cond. without P/S	1	390	A	64
C4OZ 10344-A	2.67" diameter - double sheave - standard on Police Interceptor - extra cooling on all other 390 C. I. D. engines with 42 amp. alternator	1	390	A	64
C4MY 10344-A	3.90" diameter - single sheave - use with 42 amp. Ford alternator without a/cond.	1	427	A	64
C4SZ 10344-A	3.02" diameter - single sheave - use with 42 amp. Ford alternator with a/cond. and P/S	1	All	A	64
C3SZ 10344-A	3" diameter - double sheave - use with 40 amp. alternator with Economy a/cond. Use with 40 amp. Ford alternator	1	390	A	63/64
C4TZ 10344-D	2.67" diameter - double sheave - use with 42 amp. alternator - Special Performance (Engine Warranty Code D)	1	289	C	64
C3SZ 10344-C	2.82" diameter - double sheave - use with a/cond. or transistorized ignition with 42 and 52 amp. Ford alternator	1	All	D	64
10A344 SPACER (ALTERNATOR ROTOR)					
B6AZ 10A344-B	Use with 60 amp. alternator	1	All	A	60
C1AF 10A344-A	Use with 50 amp. alternator	1	All	A	61
10A344 SPACER (ALTERNATOR PULLEY)					
C2AZ 10A344-A	Use with 40 amp. Leece-Neville alternator	1	390	A	64
10346 ALTERNATOR					
COMF 10346-A	60 Amp. - less pulley	1	All	A	60
C1AF 10346-A	50 Amp. - 14 volt - less pulley	1	All	A	61
C3SZ 10346-C	15 Volt - 30 amp. - with single sheave pulley - Ford - use when Deluxe a/cond. is not installed NOTE - Dealer to change pulley from single to double sheaved when used on vehicles equipped with Economy a/cond. kit	1	390	A	63
C3MY 10346-A	3.4" diameter - single sheave - 15 volt - 40 amp. - Ford	1	406,427	A	63
C3SZ 10346-A	3" diameter - with single sheave - 15 volt - 40 amp. use without a/cond. - Ford alternator Use on all except Police Interceptor and except units with a/cond. - Ford alternator	1	390	A	63
C2AZ 10346-A	14 Volt - use with 40 amp. Leece-Neville alternator - with pulley	1	390	A	64
C2TZ 10346-B	14 Volt - use with 60 amp. Leece-Neville alternator - with pulley	1	390	A	64
CONTINUED ON NEXT PAGE					

Generator

GROUP AND PART NUMBER	DESCRIPTION, SIZE, ETC.	NO. REQ'D	MODEL OR ENGINE CUBIC INCH DISPLACEMENT	VEHICLE CODE	YEAR 19__
10346 ALTERNATOR (CONTINUED)					
C4SZ 10346-A	15 Volt - 42 amp. - 3.02" diameter - with single sheave pulley - use with a/cond. and P/S - Ford alternator	1	390	A	64
C4AZ 10346-C	15 Volt - 42 amp. - 2.67" diameter - with double sheave pulley - standard on Police Interceptor - extra cooling on all other 390 C.I.D. engines with 42 amp. alternator	1	390	A	64
C4TZ 10346-A	15 Volt - 42 amp. - 3.07" diameter - with double sheave pulley - use with a/cond. without P/S - Ford alternator	1	390	A	64
C4MY 10346-A	15 Volt - 42 amp. - 3-7/8" diameter - with single sheave pulley - Ford alternator	1	427	A	64
C3SZ 10346-B	15 Volt - 40 amp. 2.82/2.92" diameter - with double sheave pulley - Ford alternator Use without a/cond. or transistorized ignition Use with a/cond. - Ford alternator	1	All		D 63
		1	All		D 64
		1	390	A	63
C4TZ 10346-D	15 Volt - 42 amp. - with pulley - duel belt drive - ☆ Special Performance (Engine Warranty Code D)	1	260, 289☆	C	64
C4VY 10346-A	15 Volt - 42 amp. - 2.9" diameter - with double sheave pulley - use with transistorized ignition without a/cond. - Ford alternator	1	All		D 64
C4VY 10346-B	15 Volt - 52 amp. - 2.9" diameter - with double sheave pulley - use with a/cond. - Ford alternator	1	All		D 64
10347 BRUSH & SPRING ASSEMBLY (ALTERNATOR)					
B8TZ 10347-B	Includes holder and bracket - use with 60 amp. alternator	1	All	A	60
B8TZ 10347-A	Use with 50 amp. alternators Use with 60 amp. Leece-Neville alternator	2	All	A	61
		2	All	A	64
C2AZ 10347-A	Use with 40 amp. Leece-Neville alternator	2	All	A	64
C3SZ 10347-B	Use with 40, 42, 52 amp. Ford alternator	1	All	A	D 63
		1	All	A C D	64
Kit consists of the following -					
(1) C4SF-10347-A	brush	(1) C3SZ-10349-A	spring-brush	(2) C3SZ-10351-A	holder-brush
(1) C4SF-10347-C	brush				
10347 KIT (SPACER & BRUSH ASSEMBLY) ALTERNATOR					
C3SZ 10347-D	Use with 40, 42, 52 amp. Ford alternator	1	All	A	D 63
		1	All	A C D	64
Consists of the following -					
(1) C4SF-10A367-A	terminal and brush assembly	(1) C3SF-10A386-A	spacer and brush assembly		
10A347 STATOR & TERMINAL (ALTERNATOR)					
C1TF 10A347-A	50 Amp. alternator	1	All	A	61
10349 SPRING (ALTERNATOR BRUSH)					
C3SZ 10349-A	Also serviced in 10347 kit Use with 40, 42, 52 amp. Ford alternator	1	All	A	D 63
		1	All	A C D	64
10351 HOLDER (ALTERNATOR BRUSH)					
C1AF 10351-A	Use with 50 amp. alternator	1	All	A	61
C2TZ 10351-A	Use with 60 amp. Leece-Neville alternator	1	All	A	64
C3SZ 10351-A	Also serviced in 10347 kit Use with 40, 42, 52 amp. Ford alternators	2	All	A	D 63
		2	All	A C D	64

Generator

GROUP AND PART NUMBER	DESCRIPTION, SIZE, ETC.	NO. REQ'D	MODEL OR ENGINE CUBIC INCH DISPLACEMENT	VEHICLE CODE	YEAR 19__
10A355 RETAINER (ALTERNATOR FRONT BEARING)					
C2TZ 10A355-A	Use with 60 amp. Leece-Neville alternator	1	All	A	64
C3SZ 10A355-A	Also serviced in 10335 assembly	1	All	A D	63
	Use with 40, 42, 52 amp. Ford alternator	1	All	A C D	64
10A360 STOP (ALTERNATOR ROTOR)					
C3SZ 10A360-A	Also serviced in 10335 assembly	1	All	A D	63
	Use with 40, 42, 52 amp. Ford alternator	1	All	A C D	64
10362 PLATE & INSERT (ALTERNATOR REAR)					
C1AF 10362-A	Use with 50 amp. alternator	1	All	A	61
10A363 SPACER (ALTERNATOR DIODE PLATE)					
C2AZ 10A363-A	Rectifier support - use with 40 amp. Leece-Neville alternator	1	All	A	64
C3SZ 10A363-A	Use with 40, 42, 52 amp. Ford alternators	3	All	A D	63
		3	All	A C D	64
10370 RING (ALTERNATOR ROTOR STOP)					
C3SZ 10370-A	Also serviced in 10335 assembly	1	All	A D	63
	Use with 40, 42, 52 amp. Ford alternators	1	All	A C D	64
10A370 SPACER (ALTERNATOR BRACKET)					
C4MY 10A370-A	Use with 40 and 42 amp. Ford alternator and a/cond. on vehicles equipped with idler pulley	1	390	A	63/64
10373 PLATE & DIODE (ALTERNATOR POSITIVE)					
C2TZ 10373-B	Use with 60 amp. Leece-Neville alternator	1	All	A	64
C3SZ 10373-A	Use with 40 and 42 amp. Ford alternator	1	All	A D	63
		1	All	A C D	64
C4AZ 10373-A	Use with 52 amp. Ford alternator	1	All	D	64
10374 DIODE ASSEMBLY (ALTERNATOR POSITIVE)					
COMF 10374-A	60 Amp.	1	All	A	60
C2AZ 10374-A	Silicon - use with 40 amp. Leece-Neville alternator - RED DOT	3	All	A	64
10377 PLATE & DIODE (ALTERNATOR NEGATIVE)					
C2TZ 10377-B	Use with 60 amp. Leece-Neville alternator	1	All	A	64
C3SZ 10377-A	Use with 40 and 42 amp. Ford alternator	1	All	A D	63
		1	All	A C D	64
C4AZ 10377-A	Use with 52 amp. Ford alternator	1	All	D	64
10378 DIODE ASSEMBLY (ALTERNATOR NEGATIVE)					
COMF 10378-A	60 Amp.	1	All	A	60
C2AZ 10378-A	Silicon - use with 40 amp. Leece-Neville alternator - BLACK DOT	3	All	A	64
10A379 SLEEVE (ALTERNATOR TERMINAL SPACER)					
C3SZ 10A379-A	Use with 40, 42, 52 amp. Ford alternator	2	All	A D	63
		2	All	A C D	64

Generator

GROUP AND PART NUMBER	DESCRIPTION, SIZE, ETC.	NO. REQ'D	MODEL OR ENGINE CUBIC INCH DISPLACEMENT	VEHICLE CODE	YEAR 19__
10A380 CAPACITOR ASSEMBLY (ALTERNATOR)					
C2AZ 10A380-A	.158 MFD - use with 40 amp. Leece-Neville alternator	1	All	A	64
10A381 BUSHING (ALTERNATOR RECTIFIER INSULATOR)					
C2AZ 10A381-A	Positive - 1-9/32" long - use with 40 amp. Leece-Neville alternator	1	All	A	64
C2AZ 10A381-B	Negative - 11/32" long - use with 40 amp. Leece-Neville alternator	1	All	A	64
10A382 SPACER (ALTERNATOR RECTIFIER INSULATOR)					
C2AZ 10A382-A	Negative - 5/8" square x 1/4" - use with 40 amp. Leece-Neville alternator	1	All	A	64
10A383 INSULATOR (ALTERNATOR DIODE PLATE)					
C3SZ 10A383-A	Use with 40, 42, 52 amp. Ford alternator	3	All	A D	63
		3	All	A C D	64
10A388 STATOR, RECTIFIER & REAR HOUSING (ALTERNATOR)					
C3SZ 10A388-A	Use with 30 amp. alternator	1	All	A	63
C3SZ 10A388-B	Use with 40 amp. alternator	1	All	A D	63
	Use with 40, 42 amp. Ford alternator	1	All	A C D	64
C4SZ 10A388-A	Use with 52 amp. Ford alternator	1	All	D	64
10390 BUSHING (ALTERNATOR TERMINAL)					
C2AZ 10390-A	Negative - 9/16" O. D. - use with 40 amp. Leece-Neville alternator	1	All	A	64
10A396 BOLT (ALTERNATOR THRU)					
C3SZ 10A396-A	Use with 30 and 40 amp. alternator - attach rear housing to front housing	3	All	A D	63
	Use with 40, 42, 52 amp. Ford alternator	3	All	A C D	64
10504 BRACKET (GENERATOR REGULATOR MOUNTING)					
COMF 10504-B	All except with 50 and 60 amp. generators or alternators	1	All	A	60
COMF 10504-C	Use with 50 and 60 amp. generator or alternators	1	All	A	60
COLF 10504-A	Use with 50 amp. Delco-Remy generator	1	All	D	60
10505 REGULATOR (GENERATOR)					
B6A 10505-C	50 Amp. - American Bosch generators only - heavy duty	1	All	A	60
C2AZ 10505-B	15 Volt - 35 amp.	1	All	A	60/62
COAF 10505-B	Use for 40 amp. Delco generator	1	All	A	61
B7A 10505-B	30 Amp.	1	All	A C	60/61
C3TZ 10505-A	15 Volt - 40 amp.	1	All	A	60/61
	15 Volt - 40 amp.	1	All	D	60
C3TZ 10505-B	15 Volt - 30 amp.	1	All	A	62
	15 Volt - 30 amp.	1	All	B C	62/64
C3DZ 10505-A	25 Amp.	1	All	C	60/61
COLF 10505-A	15 Volt - 50 amp. - use with Delco-Remy generator and a/cond.	1	All	D	60
C1VY 10505-A	15 Volt - 40 amp. - for 1962 also use C2VY-10A538-A wire	1	All	D	61/62
10A506 SHIELD (ALTERNATOR REGULATOR)					
C1VF 10A506-B	Located above regulator	1	All	D	61/64

Generator

GROUP AND PART NUMBER	DESCRIPTION, SIZE, ETC.	NO. REQ'D	MODEL OR ENGINE CUBIC INCH DISPLACEMENT	VEHICLE CODE	YEAR 19__
10A538 WIRE ASSEMBLY (GENERATOR REGULATOR JUMPER)					
C2VY 10A538-A	Also use with 1961 regulator assembly C1VY-10505-A in place of the 1962 regulator having the wire assembly soldered inside of the regulator	1	All	D	62
10A555 COVER (GENERATOR REGULATOR TERMINAL)					
C3AZ 10A555-A		1	All	B C	63/64

Battery and Battery Carrier

10653 BATTERY (LESS ELECTROLYTE)					
C3AZ 10653-A	12 Volt - 55 amp. - 66 plates - 5-1/2" x 9" x 13" long - use with standard transmission	1	All 390	A A	63 64
C3AZ 10653-C	12 Volt - 65 amp. - 78 plates - 5-1/2" x 9" x 13" long - use with automatic transmission	1	All 390	A A	63 64
C3AZ 10653-E	12 Volt - 70 amp. - 66 plates - 6-13/16" x 9" x 12-1/2" long - heavy duty Heavy duty on 390 C. I. D. engine - standard on 427 C. I. D. engine	1	All All	A A	63 64
C3DZ 10653-A	12 Volt - 40 amp. - 54 plates - 5-1/2" wide x 9" high x 9-7/16" long - standard	1	All 144, 170	B C B C	60/62 63
C3DZ 10653-C	12 Volt - 55 amp. - 54 plates - 6-13/16" wide x 9" high x 10-3/4" long - heavy duty Standard equipment Standard equipment	1	All 144, 170 260 170, 200, 260, 289	B C B C B C C	60/62 63 63 64
C3OZ 10653-A	12 Volt - 65 amp. - 66 plates - 6-13/16" x 9" x 10-3/4" long - heavy duty	1	260 170, 200, 260, 289	B C C	63 64
C3VY 10653-A	12 Volt - 80 amp. - 78 plates - 6-3/4" x 8-7/8" x 12-1/2" long	1	All	D	63/64

10654-5 BATTERY (WITH ELECTROLYTE)					
C3AZ 10654-A	12 Volt - 55 amp. - 66 plates - 5-1/2" x 9" x 13" long - use with standard transmission	1	All 390	A A	60/63 64
C3AZ 10654-C	12 Volt - 65 amp. - 78 plates - 5-1/2" x 9" x 13" long - use with automatic transmission	1	All 390	A A	60/63 64
C3AZ 10654-E	12 Volt - 70 amp. - 66 plates - 6-13/16" x 9" x 12-1/2" long - heavy duty Standard equipment	1	All 390 427	A A A	60/63 64 64
C3DZ 10654-A	12 Volt - 40 amp. - 54 plates - 5-1/2" x 9" x 9-7/16" long - standard equipment	1	144, 170	B C	60/63
C3DZ 10654-C	12 Volt - 55 amp. - 54 plates - 6-13/16" x 9" x 10-3/4" long - heavy duty for Comet and Meteor - 6 cylinder Standard for Meteor and Comet 8 cylinder Standard equipment	1	All All 170, 200, 260, 289	B C B C C	60/63 63 64
C3OZ 10654-A	12 Volt - 65 amp. - 66 plates - 6-13/16" x 9" x 10-3/4" long - heavy duty Meteor and Comet 8 cylinder Heavy duty	1	All 170, 200, 260, 289	B C C	63 64
HJK 10655-A	12 Volt - 72 amp. - 102 plates - 5-1/2" wide x 8-7/8" high x 14-1/2" long	1	All	D	60
C3VY 10654-A	12 Volt - 80 amp. - 78 plates - 6-3/4" x 8-57/64" x 12-1/2" long	1	All	D	60/64

Battery and Battery Carrier

GROUP AND PART NUMBER	DESCRIPTION, SIZE, ETC.	NO. REQ'D	MODEL OR ENGINE CUBIC INCH DISPLACEMENT	VEHICLE CODE	YEAR 19__
10A665 WIRING (CHARGE INDICATOR)					
C3MY 10A665-A	40" long - use with H. and A. alternator and charge indicator	1	All	A	63
C4AZ 10A665-A	Use with 60 amp. Leece-Neville alternator	1	All	A	64
C3AZ 10A665-C	60" long - use with H. and A. alternator and charge indicator	1	All	D	63
10670 INDICATOR (CHARGE)					
B9A 10670-A	Use with alternators	1	All	A	61
C3MY 10670-A	Use with alternator	1	All	A	63
C4MY 10670-A	Use with alternator - RED pointer - WHITE graduations - BLACK background	1	All	A	64
C2YY 10670-A		1	All	B	62
C3YY 10670-B	RED pointer - WHITE graduations on BLACK background	1	All	B	63
C4GY 10670-A		1	All	C	64
C4VY 10670-A		1	All	D	64
10718 CLAMP (BATTERY HOLD DOWN)					
C2DZ 10718-B	Standard equipment	1	All	A	60/64
		1	All	D	61/64
	Heavy duty battery - 55 amp. or 65 amp. (a)	1	All	B C	60/64
C0DB 10718-B	Use with standard battery - 40 amp. - use on vehicles built prior to 12-11-61	1	All	B C	60/62
C2DZ 10718-A	Use with C2DZ-10732-A and C3AZ-10764-A	1	All	B C	62
	Use with 40 amp. battery	1	All	B C	63
BAK 10718-A		1	All	D	60
352233-S2	Bolt-5/16"-24 x 1-3/4"-attach clamp to tray	1	a		
10A730 CONNECTOR (VOLTAGE REGULATOR)					
C4TZ 10A730-A	Also serviced in 14305 wiring assembly	1	All	A	64
10732 TRAY ASSEMBLY (BATTERY)					
COMB 10732-B	Includes support	1	All	A	60
C2SZ 10764-A		1	All	A	61/64
C3AZ 10764-A		1	All	B	62/63
	Use with 4 point dual belt drive a/cond. on vehicles built after 1-21-63	1	144, 170	C	63
	Use with a/cond.	1	170, 200	C	64
C2DZ 10732-A	Includes support	1	144, 170	C	60/62
	Use with or without a/cond. having R. H. or L. H. fender apron mounting on vehicles built prior to 1-21-63 - use with dealer installed 3 point single belt drive a/cond. having L. H. fender apron mounting only and with C2DZ-10718-A hold down clamp only on vehicles built after 1-20-63	1	144, 170	C	63
C3AZ 10764-B	Use with 4 point dual belt drive on vehicles built after 1-21-63 - 8 cylinder - sheet metal for 6 cylinder with a/cond.	1	All	C	63
C3DZ 10732-E	Includes support - use on vehicles built after 1-7-63 without a/cond.	1	144, 170, 200	C	63/64
	With or without a/cond.	1	260, 289	C	63/64
C1VY 10732-A	Includes support	1	All	D	61/64
10741 BRACE (BATTERY HOLD DOWN CLAMP)					
BAK 10741-A		1	All	D	60
10756 BOLT (BATTERY CLAMP)					
B6S 10756-A		2	All	D	60

Battery and Battery Carrier

GROUP AND PART NUMBER	DESCRIPTION, SIZE, ETC.	NO. REQ'D	MODEL OR ENGINE CUBIC INCH DISPLACEMENT	VEHICLE CODE	YEAR 19__
10757 SHIELD (BATTERY HEAT)					
B8LY 10757-A		1	All		60
C1VY 10757-A		1	All	D	61/64
10A758 INSULATOR (CHARGE INDICATOR)					
C4VY 10A758-A		1	All	D	64
10762 SUPPORT ASSEMBLY (BATTERY TRAY)					
C2YY 10762-A		1	All	B	62/63
10764 REFER TO GROUP 10732					
10765 BRACKET (BATTERY SUPPORT) INNER					
C1AB 10765-B		1	All	A	61/63
C4AZ 10765-A		1	All	A	64
10769 BRACE (BATTERY)					
CODB 10769-A	Use with or without a/cond. with either R. H. or L. H. fender apron battery tray mounting on vehicles built prior to 1-21-63 - use with dealer installed 3 point single belt drive a/cond. with battery tray mounting on L. H. fender apron only on vehicles built after 1-20-63	1	All	C	60/62
		1	144, 170	C	63
C3DZ 10769-C	Use with a/cond. on vehicles built after 1-20-63	1	144, 170	C	63
C3DZ 10769-D	Use with a/cond.	1	170, 200	C	64
10774 INSULATOR (BATTERY HOLD DOWN CLAMP)					
B8E 10774-A		2	All	D	60
10798 BRACE (BATTERY SUPPORT) FRONT					
C1VB 10798-A	Use for service in place of C3VB-10753-B and must drill (2) 5/32" holes for mounting alternator wiring junction block	1	All	D	61/63
		1	All	D	64
Instruments					
10804 REGULATOR (INSTRUMENT CLUSTER VOLTAGE)					
COMF 10804-A		1	All	A	60
B9MZ 10804-B		1	All	A	61/64
		1	All	B C D	60/64
10838 HOUSING (INSTRUMENT CLUSTER)					
COMF 10838-CP		1	All	A	60
C1MF 10838-DP		1	54A, 58A, 62A, 64A, 65A,	A	61
		1	71A, 75A		
C2MY 10838-A		1	All	A	62
C3MY 10838-B	Lower - gauges - paint to match	1	All	A	63/64
C4MY 10838-A	Upper - speedometer	1	All	A	63/64
C2YY 10838-A	Paint to match	1	All	B	62/63
C1KF 10841-B		1	All	C	60/61
C2GF 10841-A		1	All	C	62/63
CONTINUED ON NEXT PAGE					

Instruments

GROUP AND PART NUMBER	DESCRIPTION, SIZE, ETC.	NO. REQ'D	MODEL OR ENGINE CUBIC INCH DISPLACEMENT	VEHICLE CODE	YEAR 19__
10838 HOUSING (INSTRUMENT CLUSTER) CONTINUED					
C4GY 10838-A	Paint to match interior trim NOTE-less applique for 63-E part C4GY-10A861-B	1	All except 54C, D, 63C, D, 76B, D	C	64
C4GY 10838-B	BEIGE - with wood grain applique - paint to match interior trim	1	54C, D, 63C, D, 76B, D	C	64
COLF 10838-E(140)	BLACK	1	All	D	60
C1VF 10841-B(211)		1	All	D	61/63
C4VY 10838-A		1	All	D	64
10A840 BEZEL (PARKING BRAKE WARNING LAMP)					
COAF 10A840-A		1	All	A	62
10B840 RELAY ASSEMBLY (WARNING LAMP)					
C1TF 10B840-A	Oil temperature	1	427	A	64
10841 REFER TO GROUP 10838					
10A841 LAMP & WIRING (PARKING BRAKE WARNING)					
C1AF 10A841-A		1	All	A	61/62
C4AZ 10A841-A	Also serviced in 15A852 kit Use on vehicles without a/cond.	1	All	A	63
		1	All	A	64
C4DZ 10A841-A		1	All	C	64
10843 PLATE (INSTRUMENT CLUSTER BACK)					
C3MY 10843-A		1	All	A	63
C4MY 10843-A		1	All	A	64
C2YY 10843-A		1	All	B	62/63
C1KF 10843-A		1	All	C	60/61
C2GY 10843-A		1	All	C	62/63
C4GY 10843-A		1	All except 63E	C	64
C4GY 10843-B		1	63E	C	64
C4VY 10843-C		1	All	D	64
10A848 SPRING (OIL TEMPERATURE WARNING INDICATOR)					
B9FM 10A848-A		1	427	A	64
10850 REFER TO GROUP 10670					
10852 BEZEL (INSTRUMENT CLUSTER CONTROL)					
COMF 10852-A	Left vent	1	All	A	60
COMF 10852-B	Right vent	1	All	A	60
COMF 10852-C	Defrost - use with heater with manual controls	1	All	A	60
PB9M 10852-E	For hood catch cable opening	1	All	A	60
COAF 10852-C	Use with o/drive transmission	1	58A, 64A	A	61
COAF 10852-A	Top control - chrome finish	1	76A	A	61/62
C3MY 10852-A	Lights	1	All	A	63/64
C3MY 10852-B	Right air	1	All	A	63/64
C3MY 10852-C	Wipers	1	All	A	63/64
C3MY 10852-D	Left air	1	All	A	63/64
C3MY 10852-E	Top	1	76	A	63/64
C3MY 10852-F	Retractable rear window	1	All except 57, 63, 76	A	63/64
C1TF 10852-C	Lights	1	All	B	62/63
C1TF 10852-D	Wiper	1	All	B	62/63
C2OZ 10852-A	R. H. - air	1	All	B	62/63
CONTINUED ON NEXT PAGE					

Instruments

GROUP AND PART NUMBER	DESCRIPTION, SIZE, ETC.	NO. REQ'D	MODEL OR ENGINE CUBIC INCH DISPLACEMENT	VEHICLE CODE	YEAR 19__
10852 BEZEL (INSTRUMENT CLUSTER CONTROL) CONTINUED					
C3GY 10852-A	Top	1	76A	C	63
C3GY 10852-B	Rear window	1	59, 71	C	63
C4DZ 10852-C	Top and rear window	1	71, 76A	C	64
C4GY 10852-A	Lights	1	All	C	64
C4GY 10852-B	Wipers	1	All	C	64
COLF 10852-A	Lights	1	All	D	60
COLF 10852-B	Wipers	1	All	D	60
COLF 10852-C	Air system	1	All	D	60
COLF 10852-D	Door lock	1	All	D	60
C1VY 10852-A	DARK GRAY - inner	1	All	D	61/63
C3VY 10852-A	WOOD GRAIN - use with electric radio antenna	1	All	D	63
C3VY 10852-B	GRAY - use with electric radio antenna	1	All	D	63
C4VY 10852-A	Light switch outer	1	All	D	64
C4VY 10852-B	Top	1	74	D	64
10856 GASKET (INSTRUMENT CLUSTER BEZEL)					
	NS-improvise from rubber .23" O. D. x .56" long	7	All	C	64
10A856-7 BEZEL (INSTRUMENT CLUSTER)					
COMF 10A856-H	R. H. - for vehicles without heater or a/cond.	1	All	A	60
COMF 10A856-J	R. H. - use with heater with manual controls	1	All	A	60
COMF 10A856-K	R. H. - use with a/cond.	1	All	A	60
COMF 10A857-E	L. H. - for vehicles without a/cond. or power seats	1	All	A	60
COMF 10A857-F	L. H. - use with a/cond. but without power seats	1	All	A	60
COMF 10A857-G	L. H. - use with 4-way power seats and without a/cond.	1	All	A	60
COMF 10A857-H	L. H. - use with 4-way power seats and/or a/cond. with climate dial when installed	1	All	A	60
10A860 PLATE (INSTRUMENT CLUSTER CONTROL MOUNTING)					
COAF 10A860-A	R. H.	1	All	A	61
COAF 10A886-A	L. H.	1	All	A	61
C2AB 10A860-B	R. H.	1	All	A	62
C2AZ 10A860-C	L. H.	1	All	A	62
COAF 10A885-A	Choke control	1	All	A	62
C3MY 10A860-A	R. H. - air vent, wiper and lighter mounting plate	1	All	A	63
C3MY 10A860-B	L. H. - top or rear window, lights and air mounting plate - use on vehicles built prior to 9-10-62	1	All	A	63
C3MY 10A860-D	L. H. - use on vehicles built after 9-9-62	1	All	A	63
C3MY 10A860-C	Ignition	1	All	A	63
C4AZ 10A860-D	R. H. - air - ignition - cigar lighter	1	All	A	64
C4MY 10A860-B	L. H. - lights - wiper - top and L. H. air controls	1	All	A	64
C2OZ 10A860-A	L. H. - lighting and ignition switch	1	All	B	62
C3OZ 10A860-A	L. H. - lighting and ignition switch	1	All	B	63
CODF 10A886-A	L. H.	1	All	C	60/62
CODF 10A885-A	Ignition	1	All	C	60/63
C3DZ 10A860-A	L. H. - lights and wiper	1	All	C	63
C4DZ 10A885-A		1	All	C	64
C4VY 10A860-A	Ignition - socket type ignition switch bezel - use prior to 4-1-64	1	All	D	64
C4VY 10A860-B	Lights	1	All	D	64
C4VY 10A860-C	Ignition - threaded - use on models after 3-31-64	1	All	D	64

Instruments

GROUP AND PART NUMBER	DESCRIPTION, SIZE, ETC.	NO. REQ'D	MODEL OR ENGINE CUBIC INCH DISPLACEMENT	VEHICLE CODE	YEAR 19__
10A861 PLATE (INSTRUMENT CLUSTER TRIM)					
C4GY 10A861-A	Wood grain - also serviced in 10838 assembly	1	54C, D, 63C, D, 76B, D	C	64
C4GY 10A861-B	BLACK	1	63E	C	64
C1VF 10A861-C(08)	R. H. - HONEY BEIGE	1	All	D	61
C1VY 10A861-C	L. H. - HONEY BEIGE	1	All	D	61
C1VF 10A861-C(20)	R. H. - FAWN	1	All	D	61
C1VY 10A861-K	L. H. - FAWN	1	All	D	61
C1VY 10A861-H	R. H. - MEDIUM GRAY	1	All	D	61
C1VY 10A861-J	L. H. - MEDIUM GRAY	1	All	D	61
C1VY 10A861-L	R. H. - GREEN METALLIC	1	All	D	61
C1VY 10A861-M	L. H. - GREEN METALLIC	1	All	D	61
C1VY 10A861-N	R. H. - TURQUOISE METALLIC	1	All	D	61
C1VY 10A861-R	L. H. - TURQUOISE METALLIC	1	All	D	61
C1VY 10A861-S	R. H. - ROSE METALLIC	1	All	D	61
C1VY 10A861-T	L. H. - ROSE METALLIC	1	All	D	61
C1VY 10A861-U	R. H. - BLUE METALLIC	1	All	D	61
C1VY 10A861-V	L. H. - BLUE METALLIC	1	All	D	61
C1VY 10A861-A	Upper center - WOOD GRAIN finish	1	All	D	61/62
C1VF 10A861-B	R. H. - WOOD GRAIN finish	1	All	D	61/62
C1VY 10A861-B	L. H. - WOOD GRAIN finish	1	All	D	61/62
C1VY 10A861-D	R. H. - RED	1	All	D	61/62
C1VY 10A861-E	L. H. - RED	1	All	D	61/62
C1VY 10A861-F	R. H. - BLACK	1	All	D	61/62
C1VY 10A861-G	L. H. - BLACK	1	All	D	61/62
C2VY 10A861-A	R. H. - BLUE METALLIC	1	All	D	62
C2VY 10A861-B	L. H. - BLUE METALLIC	1	All	D	62
C2VY 10A861-C	R. H. - BEIGE METALLIC	1	All	D	62
C2VY 10A861-D	L. H. - BEIGE METALLIC	1	All	D	62
C2VY 10A861-E	R. H. - GREEN METALLIC	1	All	D	62
C2VY 10A861-F	L. H. - GREEN METALLIC	1	All	D	62
C2VY 10A861-G	R. H. - SILVER BLUE METALLIC	1	All	D	62
C2VY 10A861-H	L. H. - SILVER BLUE METALLIC	1	All	D	62
C2VY 10A861-J	R. H. - TURQUOISE METALLIC	1	All	D	62
C2VY 10A861-K	L. H. - TURQUOISE METALLIC	1	All	D	62
C2VY 10A861-L	R. H. - CHESTNUT METALLIC	1	All	D	62
C2VY 10A861-M	L. H. - CHESTNUT METALLIC	1	All	D	62
C3VY 10A861-C	Upper center - brush aluminum	1	All	D	63
C3VY 10A861-D	R. H. - bright brush aluminum - 3 holes - use with electric antenna on vehicles built prior to 4-4-63	1	All	D	63
C3VY 10A861-B	L. H. - bright brush aluminum - use on vehicles built prior to 4-4-63	1	All	D	63
C3VY 10A861-E	R. H. - dull brush aluminum - use with electric antenna on vehicles built after 4-3-63	1	All	D	63
C3VY 10A861-F	L. H. - dull brush aluminum - use on vehicles built after 4-3-63	1	All	D	63
10862 HOOD ASSEMBLY (INSTRUMENT CLUSTER)					
COMF 10862-AP		1	All	A	60
COLF 10862-A		1	All	D	60
10A862 PLATE (INSTRUMENT CLUSTER HOUSING OPENING)					
C4VY 10A862-A	Center - use with heater - use to cover a/cond. opening	1	All	D	64
C4VY 10A862-C	R. H. - use with heater to cover a/cond. register opening	1	All	D	64
C4VY 10A862-B	L. H. - use with heater to cover a/cond. register opening	1	All	D	64

Instruments

GROUP AND PART NUMBER	DESCRIPTION, SIZE, ETC.	NO. REQ'D	MODEL OR ENGINE CUBIC INCH DISPLACEMENT	VEHICLE CODE	YEAR 19
10864 HOOD (INSTRUMENT CLUSTER)					
C2MF 10864-AP		1	All	A	62
C3MY 10864-A	Use without padded dash - paint to match interior trim	1	All	A	63
C4MY 10864-A	Use without padded dash - paint to match interior trim	1	All	A	64
10A868-9 BEZEL (INSTRUMENT CLUSTER CONTROL POD)					
COMF 10A868-AP	R. H.	1	All	A	60
COMF 10A869-AP	L. H.	1	All	A	60
10A870 COVER (INSTRUMENT CLUSTER)					
C1VF 10A870-C		1	All	D	61/63
10B870 FILTER (INSTRUMENT CLUSTER LIGHT)					
C4MY 10B870-A	Use for ignition switch	1	All	A	64
C4MY 10B870-B	(1) req'd. for R. H. mounting plate - (1) req'd. for L. H. mounting plate	2	All	A	64
C4VY 10B870-A	BLUE - located behind clock and on door lock control	3	All	D	64
C4VY 10B870-B	BLUE - top surface dull BLACK - (2) located behind a/cond. and heater jewel - (2) located behind speedometer	4	All	D	64
C4VY 10B870-C	BLUE - one side painted dull BLACK - located below speedometer	2	All	D	64
C4VY 10B870-D	BLUE - located below clock	1	All	D	64
10A871 HOUSING & COVER (INSTRUMENT CLUSTER)					
C1MF 10A871-BP		1	54B,65B,71B,75B,76A	A	61
10A872 COVER (INSTRUMENT CLUSTER ODOMETER)					
C1AF 10A872-A		1	All	A	61
10875 GASKET (INSTRUMENT CLUSTER)					
	NS-housing - lower - dealer to improvise 5/16" x 7-1/8" long - foam rubber	2	All	A	63/64
	NS-housing - upper - dealer to improvise .185"/.235" square x 18-1/2" long - foam rubber	1	All	A	63/64
	NS-steering column opening cover - dealer to improvise .044"/.076" x .08"/.10" x .38" long - rubber	1	All	D	64
	NS-heater control - dealer to improvise felt gasket used to eliminate light leaks through heater controls	1	All	D	64
	NS-bezel - dealer to improvise .29"/.33" x 5.26"/5.30" long x .18"/.23" thick foam rubber	2	All	D	64
10876 BEZEL (INSTRUMENT CLUSTER)					
C2YY 10876-A	Fuel	1	All	B	62/63
C2YY 10876-B	Oil and charge	2	All	B	62/63
C2YY 10876-C	Temperature	1	All	B	62/63
C1VF 10876-B	(1) req'd. - for clock	1	All	D	61/62
	(1) req'd. - for fuel and temperature gauges	2	All	D	63
C4VY 10876-A	(1) req'd. - for fuel indicator (1) req'd. - for temperature indicator	2	All	D	64
C4VY 10876-B	Charge indicator	1	All	D	64
C4VY 10876-C	Oil pressure indicator	1	All	D	64

Instruments

GROUP AND PART NUMBER	DESCRIPTION, SIZE, ETC.	NO. REQ'D	MODEL OR ENGINE CUBIC INCH DISPLACEMENT	VEHICLE CODE	YEAR 19__
10A876 BEZEL (INSTRUMENT CLUSTER CONTROL)					
COLF 10A876-C	Use in instrument cluster	1	All	D	60
10A878 SPRING (INSTRUMENT CLUSTER HOOD RETAINING)					
COLF 10A878-A		3	All	D	60
10880 REFER TO GROUP 10887					
10A880 JEWEL (OPEN DOOR INDICATOR WARNING LAMP)					
CIVF 10A880-B		1	All	D	61/63
10883 INDICATOR (TEMPERATURE)					
COMF 10883-A		1	All	A	60
C1AZ 10883-A	Includes body, pointer and dial	1	All	A	61
C2MY 10883-A	Includes body, pointer and dial	1	All	A	62
C3MY 10883-A		1	All	A	63
C4MY 10883-A	RED pointer - WHITE graduations - BLACK background	1	All	A	64
C2YY 10883-A		1	All	B	62
C3YY 10883-B		1	All	B	63
C1KF 10883-A		1	All	C	60/61
C2GF 10883-A		1	All	C	62/63
C4GY 10883-A		1	All	C	64
COLF 10883-C		1	All	D	60
CIVF 10883-A		1	All	D	61/63
C4VY 10883-A		1	All	D	64
10884 BULB (ELECTRIC HEAT INDICATOR)					
C1AZ 10884-A	With a/cond. with 250° bulb - must be used on Meteor with 190° thermostat with 221 C. I. D. engine	1	All	A B C	60/62
		1	All	D	60/62
	250° - use on 8 cylinder engines built prior to 10-15-62	1	All	A B D	63
	Use on 6 cylinder engines built prior to 11-5-62	1	All	B C	63
C3AZ 10884-A	250° - use on 8 cylinder engines built after 10-14-62	1	All	A B C D	63
		1	All	B C	63
	Use on 6 cylinder and 8 cylinder engines	1	All	A C D	64
10A885-6 REFER TO GROUP 10A860					
10887 LENS (INSTRUMENT CLUSTER) MAIN					
COMF 10887-E	Miles	1	All	A	60
COMF 10887-F	Kilometers	1	All	A	60
C1AF 10887-A	Miles	1	All	A	61
C1AF 10887-B	Kilometers	1	All	A	61
C2MF 10887-A	Miles	1	All	A	62
C2MF 10887-B	Kilometers	1	All	A	62
C3MY 10880-B	Plastic - gauges	4	All	A	63
C3MY 10880-A	Plastic - speedometer	1	All	A	63/64
C4MY 10880-A	Plastic - gauges	4	All	A	64
C2YY 10880-A	Plastic - with numerals - miles	1	All	B	62/63
C2YY 10880-B	Plastic - with numerals - kilometers	1	All	B	62/63
C1KF 10887-A	Miles	1	All	C	60/61
C1KF 10887-B	Kilometers	1	All	C	60/61

CONTINUED ON NEXT PAGE

Instruments

GROUP AND PART NUMBER	DESCRIPTION, SIZE, ETC.	NO. REQ'D	MODEL OR ENGINE CUBIC INCH DISPLACEMENT	VEHICLE CODE	YEAR 19__
10887 LENS(INSTRUMENT CLUSTER) MAIN (CONTINUED)					
C2GF 10887-A	Miles	1	All		
C2GF 10887-B	Kilometers	1	All	C	62/63
C4GY 10887-A	Less numerals - resin	1	All	C	62/63
C4VY 10887-A	Center - less numerals - resin	1	All	D	64
C4VY 10887-C	R. H. - less numerals - resin	1	All	D	64
C4VY 10887-B	L. H. - less numerals - resin	1	All	D	64
C4VY 10887-D	Gauges - less numerals - resin	4	All	D	64
10890 MASK (INSTRUMENT CLUSTER)					
COMF 10890-C		1	All		
C1MF 10890-B		1	All	A	60
C2MF 10890-A		1	All	A	61
C3MY 10890-A	Speedometer	1	All	A	62
C3MY 10890-B	Gauges	4	All	A	63/64
C2YY 10890-A		1	All	A	63/64
COGY 10890-A		1	All	B	62/63
C2GY 10890-A		1	All	C	60/61
C4GY 11890-A		1	All	C	62/63
C1VF 10890-C	Miles	1	All	C	64
C1VF 10890-D	Kilos	1	All	D	61/62
C3VY 10890-A	Miles	1	All	D	61/62
C3VY 10890-B	Kilometers	1	All	D	63
C4VY 10890-A	Speedometer	1	All	D	63
C4VY 10890-B	Fuel level indicator	1	All	D	64
C4VY 10890-C	Oil pressure indicator	1	All	D	64
C4VY 10890-D	Charge indicator	1	All	D	64
C4VY 10890-E	Temperature indicator	1	All	D	64
10B892 BAFFLE (HIGH BEAM LAMP)					
	NS-dealer to improvise .79" I. D. x .82" O. D. x .84" long from kraft paper	1	All	C	64
10A894 COVER (INSTRUMENT CLUSTER OPENING)					
COMF 10A894-C	Center	1	All	A	60
C3MY 10A894-A	Center	1	All	A	63/64
10A896-7 CONDUCTOR (INSTRUMENT PANEL CLUSTER FEED)					
COMF 10A896-A	Upper - printed circuit	1	All	A	60
COMF 10A897-D	Lower - printed circuit	1	All	A	60
C1VF 10A896-B	Upper	1	All	D	61/63
10A901 REFER TO GROUP 10A936-7					
10A908 LENS (INSTRUMENT CLUSTER WINDSHIELD WIPER SWITCH)					
COMF 10A908-A		1	All	A	60
10A909 LENS (INSTRUMENT CLUSTER HEADLAMP SWITCH)					
COMF 10A909-A		1	All	A	60
10911 ADAPTOR (WATER TEMPERATURE INDICATOR)					
B7A 10911-A		1	292, 312	A	60/62
C3AZ 10911-A	Use to install sending unit into head or manifold having 1/4"-18 thread hole	1	All	A B C	63/64
		1	All	D	63
10A911 WIRING (DOOR LOCK WARNING LAMP)					
COLF 10A911-C	Assembly includes socket 65-1/2" long with (15) connections	1	All	D	60

Instruments

GROUP AND PART NUMBER	DESCRIPTION, SIZE, ETC.	NO. REQ'D	MODEL OR ENGINE CUBIC INCH DISPLACEMENT	VEHICLE CODE	YEAR 19__
10B913	JEWEL (DOOR LOCK SWITCH)				
C4VY 10B913-A		1	All	D	64
10A916	CAP (INSTRUMENT CLUSTER CONTROL ROD)				
COMF 10A916-B	(1) R. H. - (1) L. H.	2	All	A	60
10920	CLIP (INSTRUMENT CLUSTER BEZEL)				
C1VF 10920-D	(2) req'd. - for clock bezel (2) req'd. - for fuel and temperature bezel	AR	All	D	61/63
10B921	SWITCH (OIL TEMPERATURE WARNING)				
C3AZ 10B921-A	Sender unit 270°	1	427	A	64
10A936-7	JEWEL (INDICATOR WARNING LAMP)				
COMF 10A901-A	Parking brake	1	All	A	60
COMY 10A936-A	Use for generator and oil indicator	AR	All	A	60
C1AZ 10A936-A	Use for oil pressure	1	All	A	61
C1AZ 10A937-A	Use for generator	1	All	A	61
C2MF 10A936-A	Oil pressure	1	All	A	62
C2MF 10A937-A	Generator	1	All	A	62
C4MY 10A936-A	Use with Deluxe a/cond.	1	All	A	64
C1KF 10A936-A	Oil	1	All	C	60/61
C1KF 10A937-A	Generator	1	All	C	60/61
C2GF 10A936-A	Oil pressure	1	All	C	62/63
C2GF 10A937-A	Generator	1	All	C	62/63
C1VF 10A937-B	RED - generator	1	All	D	61/62
C1VF 10A901-C	Parking brake	1	All	D	61/63
C1VY 10A936-B	RED - oil pressure	1	All	D	61/63
C3VY 10A937-A	RED - alternator	1	All	D	63
10A939	SEAL (INSTRUMENT CLUSTER DUST)				
	NS-dealer to improvise .40" x .78" x 3.90" long from foam rubber	1	All	A	64
10A941	COVER (INSTRUMENT PANEL CHOKE CONTROL OPENING)				
CODF 10A941-A		1	All	C	60/63
10A945	HOUSING (SPEEDOMETER)				
C1VF 10A945-B(21)	BLACK - paint to match	1	All	D	61/63
10A949	GASKET (INSTRUMENT CLUSTER RADIO DUST)				
	NS-dealer to improvise 11/16" x 1/4" x 4-1/8" long from foam rubber	1	All	D	64
10B949	BEZEL ASSEMBLY (OIL TEMPERATURE WARNING INDICATOR)				
C4MY 10B949-A		1	427	A	64
10952	MEDALLION (INSTRUMENT CLUSTER)				
C1MF 10952-C		1	All	A	61
10958	WIRING (CHARGE INDICATOR)				
COMF 10958-A	Use with alternator	1	All	A	60
10A968	RELAY (INSTRUMENT WARNING SIGNAL)				
C4SZ 10A968-B	Low fuel level (1) req'd. as low fuel warning relay located behind R. H. front fender splash shield (1) req'd. as low fuel warning ballast resister located behind R. H. cowl trim panel	2	All	D	64

Instruments

GROUP AND PART NUMBER	DESCRIPTION, SIZE, ETC.	NO. REQ'D	MODEL OR ENGINE CUBIC INCH DISPLACEMENT	VEHICLE CODE	YEAR 19__
10976 BAFFLE (INSTRUMENT CONTROL HOUSING LIGHT)					
	NS-improvise from sponge rubber - (1) 1.42" wide x 8.80" long x .06" thick and (1) 1/8" thick	AR	All	D	63
10A981-2 HOUSING & TRIM (INSTRUMENT CLUSTER CONTROL)					
C1VY 10A981-A	R.H. - BLACK - paint to match housing only	1	All	D	61/63
C1VF 10A982-D(21)	L.H. - BLACK - paint to match	1	All	D	61/63
10A986-7 PLATE (INSTRUMENT CLUSTER CONTROL HOUSING - BACK)					
C1VV 10A986-A	R.H. - for heater and/or a/cond.	1	All	D	61/62
C3VY 10A986-A	R.H.	1	All	D	63
C1VF 10A987-B	L.H.	1	All	D	61/63
10A988 PLATE (INSTRUMENT CLUSTER MOUNTING - UPPER CENTER)					
C1VF 10A988-B(283)	BEIGE	1	All	D	61
C1VY 10A988-A	BROWN	1	All	D	62/63
10989 GASKET (INSTRUMENT CLUSTER ANTI-SQUEAK)					
C2MF 10989-A(21)	BLACK	1	All	A	62
C2MF 10989-A(23)	RED	1	All	A	62
C2MF 10989-A(310)	BLUE	1	All	A	62
C2MF 10989-A(312)	BEIGE	1	All	A	62
C2MF 10989-A(314)	GREEN	1	All	A	62
C2MF 10989-A(315)	TURQUOISE	1	All	A	62
C4VY 10989-A	18" long - rubber - (5) req'd. 18" long - (1) req'd. 6" long - cut to required length	6	All	D	64
10A990 BAFFLE ASSEMBLY (OIL INDICATOR WARNING LAMP)					
C2MY 10A990-A	Generator	1	All	A	62
C2MY 10A990-B	Oil	1	All	A	62
C1VY 10A990-B	Generator	1	All	D	61/62
C1VY 10A990-A	Oil	1	All	D	61/63
C3VY 10A990-A	Alternator	1	All	D	63
10A994 BEZEL (INSTRUMENT CLUSTER - CENTER)					
C1VF 10A994-B(225)	BLUE	1	All	D	61
C1VF 10A994-B(227)	GREEN	1	All	D	61
C1VF 10A994-B(228)	TURQUOISE	1	All	D	61
C1VF 10A994-B(237)	ROSE	1	All	D	61
C1VF 10A994-B(250)	FAWN	1	All	D	61
C1VF 10A994-B(252)	GRAY	1	All	D	61
C1VF 10A994-B(283)	BEIGE	1	All	D	61
C1VF 10A994-A(211)	WOOD GRAIN finish	1	All	D	61/62
C1VF 10A994-B(211)	BLACK	1	All	D	61/62
C1VF 10A994-B(254)	RED	1	All	D	61/62
C1VF 10A994-B(329)	BLUE	1	All	D	62
C1VF 10A994-B(330)	BEIGE	1	All	D	62
C1VF 10A994-B(331)	GREEN	1	All	D	62
C1VF 10A994-B(332)	SILVER BLUE	1	All	D	62
C1VF 10A994-B(333)	TURQUOISE	1	All	D	62
C2VY 10A994-A	CHESTNUT	1	All	D	62
C3VY 10A994-A	Prime - dealer to paint to match interior trim - use on vehicles built prior to 4-4-63 with bright brushed aluminum trim plates	1	All	D	63
C3VY 10A994-B	Prime - dealer to paint to match interior trim - use on vehicles built after 4-3-63 with dull brushed aluminum	1	All	D	63

Starter

GROUP AND PART NUMBER	DESCRIPTION, SIZE, ETC.	NO. REQ'D	MODEL OR ENGINE CUBIC INCH DISPLACEMENT	VEHICLE CODE	YEAR 19__
11002 STARTER					
C2AZ 11002-A	Use with C2AZ-11350- Bdrive	1	All	A	62/64
FAY 11002-A	Less drive	1	All	A	60/61
		1	All	D	60
C2DZ 11002-A	4" diameter frame - includes drive	1	144, 170	B C	60/64
C3OZ 11002-B	4-1/2" diameter frame	1	200	B C	63/64
C2OZ 11002-A	4-1/2" diameter frame - includes drive NOTE - this part identified by engineering part number C4OF-11001-A or C4ZF-11001-A	1	221, 260, 289	B C	62/64
C2VY 11002-A	With drive - use with 376245-S8 in 1961 as a pilot bolt	1	All	D	61/63
C4VY 11002-A	With drive	1	All	D	64
11005 ARMATURE (STARTER)					
C2AZ 11005-A		1	All	A	62/64
B6A 11005-B		1	All	A	60/61
		1	All	D	60
CODF 11005-A	Use with 4-1/2" starter (a)	1	144, 170	B C	60/62
C2DZ 11005-A	(3) R. H. helical splines - use with 4" diameter starter and C2DZ-11350-A drive assembly having (3) spline teeth	1	144, 170	B C	60/64
C4DZ 11005-A	(12) R. H. helical splines - use with 4" diameter starter and C4DZ-11350-A drive assembly having (4) spline teeth	1	144, 170	B C	63/64
C2OZ 11005-A	(3) R. H. helical splines - use with C2OZ-11350-A drive assembly having (3) spline teeth Use with C2OZ-11350-A drive on 1961 Lincoln	1	200, 221, 260, 289	B C	62/64
		1	All	D	61/63
C4OZ 11005-A	(12) R. H. helical splines - use with C4OZ-11350-A drive assembly having (4) spline teeth	1	260	B	63
		1	200, 260, 289	C	63/64
		1	All	D	64
C1VF 11005-A	Use with C1VF-11350-A drive	1	All	D	61
371581-S	Snap ring -7/16"-attach drive to armature	1	a		
11036 WASHER (STARTER ARMATURE THRUST)					
18 11036		2	All	A	60/64
		2	All	D	60
C2DF 11036-A	Use with 4" starter -.66" I. D. x 1.13" O. D. x .09" thick	1	144, 170	B C	60/64
CODZ 11036-A	Use with 4-1/2" starter only - .66" I. D. x 1.25" O. D. x .09" thick	1	144, 170	B C	60/62
		1	200, 221, 260, 289	B C	63/64
		1	430	D	61/64
11049 PLATE (STARTER BRUSH END)					
C3AZ 11049-A	Use with 375605-S locating pin	1	All	A	60/62
		1	390, 406	A	63/64
		1	427	A	64
		1	All	D	60
C3DZ 11049-A	Use with 4" starter	1	144, 170	B C	60/64
C3OZ 11049-A	Use with 4-1/2" starter	1	144, 170	B C	60/62
		1	200, 221, 260, 289, 430	B C D	61/64
11052 BEARING (STARTER BRUSH END PLATE)					
18 11052		1	All	A D	60/64
	Use with 4-1/2" starter only	1	144, 170, 221, 260	B C	60/62
		1	All except 144, 170	B C	63/64
C2DF 11052-A	Use with 4" starter	1	144, 170	B C	60/64

Starter

GROUP AND PART NUMBER	DESCRIPTION, SIZE, ETC.	NO. REQ'D	MODEL OR ENGINE CUBIC INCH DISPLACEMENT	VEHICLE CODE	YEAR 19__
11057 K/T (STARTER BRUSH)					
18 11057		AR	All	A	60/62
		AR	390, 406	A	63/64
		AR	427	A	64
		AR	All	D	60
Consists of the following -					
(2) 18-11055	brushes	(2) 18-11056	brushes		
C2DZ 11057-A	Use with 4" starter	1	144, 170	B C	60/64
Consists of the following -					
(1) C5DF-11055-A	brush-insulated	(1) C2DF-11056-C	brush-grounded	(1) 25247-S7	screw-
(1) C2DF-11056-A	brush-grounded				No. -10-32 x 5/8"
CODZ 11057-A	Use with 4-1/2" starter	1	144, 170	B C	60/62
		1	200, 221, 260, 289	B C	62/64
		1	430	D	61/64
Consists of the following -					
(1) FAA-11048-A	clip	(1) 18-11056	brush	(2) 25247-S	bolt -
(1) COLF-11055-A or CODF-11055-A	brush	(1) CODF-11056-B	brush		No. 10-32 x 5/8"
11059 SPRING (STARTER BRUSH)					
B 11059	Use with 4-1/2" starter	4	All	A D	60/64
		4	144, 170, 221, 260	B C	60/62
		4	All except 144, 170	B C	63/64
C2DZ 11059-A	Use with 4" starter	4	144, 170	B C	60/64
11060 COVER (STARTER PLUNGER)					
C2DF 11060-A	Use with 4" starter	1	144, 170	B C	60/64
CODF 11060-C	Use with 4-1/2" starter	1	144, 170	B C	60/62
		1	200, 221, 260, 289	B C	62/64
		1	All	D	61/64
11065 GASKET (STARTER PLUNGER COVER)					
C2DF 11065-A	Use with 4" starter	1	144, 170	B C	60/64
CODF 11065-A	Use with 4-1/2" starter	1	144, 170	B C	60/62
		1	200, 221, 260, 289	B C	62/64
		1	All	D	61/64
11067 LEVER (STARTER DRIVE)					
C2DF 11067-A	Use with 4" starter	1	144, 170	B C	60/64
CODF 11067-B	Use with 4-1/2" starter	1	144, 170	B C	60/62
		1	200, 221, 260, 289	B C	62/64
		1	430	D	64
C1VF 11067-B	Use with all starters except C4VY-11002-A	1	All	D	61/63
11068 INSULATOR (STARTER SWITCH)					
CODF 11068-A	Use with 4-1/2" starter	1	144, 170, 221, 260	B C	60/62
		1	All	D	61/62
11082-5 COIL (STARTER FIELD)					
70 11085	R. H. - with insulated brush	1	All	A	60/64
		1	All	D	60
70 11083	L. H. - with insulated brush	1	All	A	60/64
		1	All	D	60
B6TZ 11083-B	L. H. - shunt	1	312, 383, 430	A	60/62
		1	390, 406	A	63/64
		1	427	A	64
		1	All	D	60

CONTINUED ON NEXT PAGE

Starter

GROUP AND PART NUMBER	DESCRIPTION, SIZE, ETC.	NO. REQ'D	MODEL OR ENGINE CUBIC INCH DISPLACEMENT	VEHICLE CODE	YEAR 19__
11082-5 COIL (STARTER FIELD) CONTINUED					
C2DZ 11082-C	Complete - use with 4" starter	1	144, 170	B C	60/64
C2OZ 11082-B	Complete - use with 4-1/2" starter	1	144, 170	B C	60/62
		1	200, 221, 260, 289	B C	62/64
		1	All	D	61/64
C2OZ 11082-A	Complete	1	All	D	62
11091 BOLT (STARTER THRU)					
C2DF 11091-A	Use with 4" starter - 5-1/2" long	2	144, 170	B C	60/64
11093 WASHER (STARTER FIELD TERMINAL)					
	NS-serviced in 11102 kit	1	All	A B C D	60/62
11094 WASHER (STARTER FIELD TERMINAL INSULATING)					
	NS-serviced in 11102 kit	1	All	A B C D	60/62
11095 WASHER (STARTER FIELD TERMINAL SCREW)					
	NS-serviced in 11102 kit	1	All	A B C D	60/62
11102 TERMINAL (STARTER FIELD)					
A9A 11102-A	Kit	1	All	A	60/64
		1	All	D	60
Consists of the following -					
(1) B5A-11093-A	washer	(1) 18-11102-B	terminal	(2) 33923-S7	nut
(1) 18-11094-B	washer	(1) 18-11107-B	bushing	(1) 34802-S7	lockwasher
(1) B5A-11095-A	washer				
C2DZ 11102-A	Kit - use with 4" starter	AR	144, 170	B C	60/64
Consists of the following -					
(1) C2DZ-11093-A	washer	(1) C2DZ-11107-A	insulator	(1) 33879-S8	nut
(1) C2DZ-11102-B	terminal	(1) 33806-S7	lockwasher	(1) 33923-S8	nut
CODZ 11102-A	Kit - use with 4-1/2" starter	AR	144, 170	B C	60/62
		AR	200, 221, 260, 289	B C	63/64
		1	All	D	61/64
Consists of the following -					
(1) B5A-11093-A	washer	(1) CODF-11102-B	terminal	(2) 33923-S	nut
(1) 18-11094-B	washer-insulating	(1) 18-11107-B	bushing	(1) 34806-S	lockwasher
(1) B5A-11095-A	washer				
11103 SPRING (STARTER PLUNGER RETURN)					
C2DF 11103-A	Use with 4" starter	1	144, 170	B C	60/64
C1VF 11103-A	Use with 4-1/2" starter	1	144, 170	B C	60/62
		1	200, 221, 260, 289	B C	62/64
		1	All	D	61/64
11105 SLEEVE (STARTER COIL RETAINING)					
C2DF 11105-A	Use with 4" starter	1	144, 170	B C	60/64
CODF 11105-A	Use with 4-1/2" starter	1	144, 170	B C	60/62
		1	200, 221, 260, 289	B C	62/64
		1	All	D	61/64
11106 FLANGE (STARTER COIL RETAINER)					
C2DF 11106-A	Use with 4" starter	1	144, 170	B C	60/64
CODF 11106-A	Use with 4-1/2" starter	1	144, 170	B C	60/62
		1	200, 221, 260, 289	B C	62/64
		1	All	D	61/64
11107 BUSHING (STARTER FIELD TERMINAL INSULATOR)					
	NS-serviced in 11102 kit	1	All	A B C D	60/62

Starter

GROUP AND PART NUMBER	DESCRIPTION, SIZE, ETC.	NO. REQ'D	MODEL OR ENGINE CUBIC INCH DISPLACEMENT	VEHICLE CODE	YEAR 19__
11116 SPRING (STARTER CONTACT)					
CODF 11116-A	With brush - use with 4-1/2" starter	1	144, 170, 221, 260	B C	60/62
		1	All	D	61/62
11121 REFER TO GROUP 11527					
11126 BAND (STARTER COVER)					
BITZ 11126-A		1	All	A	60/64
		1	All	D	60
C2DF 11126-A	Use with 4" starter	1	144, 170	B C	60/64
C2OZ 11126-A	Use with 4-1/2" starter	1	144, 170	B C	60/62
		1	200, 221, 260, 289	B C	63/64
		1	All	D	61/64
11130 PLATE (STARTER REAR END)					
C2SZ 11130-A	Use with 375605-S locating pin	1	All	A	60/62
		1	390, 406	A	63/64
		1	427	A	64
		1	All	D	60
C3OZ 11130-C		1	200	B	63
C2DZ 11130-A	Use with 4" starter	1	144, 170	B C	60/64
C2OZ 11130-A		1	221, 260, 289	B C	62/64
C3OZ 11130-E	Use with 4-1/2" starter	1	144, 170	B C	62
		1	200, 430	C D	61/64
CODF 11130-B		1	All	C	60/61
11134 KIT (STARTER MOTOR CONTACT POINTS)					
C2DZ 11134-A	Use on 6 cylinder engines only with 4" starters	1	144, 170	B C	60/64
Consists of the following -					
(1) C2DZ-11068-A	insulator	(1) C2DZ-11176-B	post	(1) 39031-S7	screw-No.
(1) C2DF-11116-B	spring	(1) C2DF-11181-A	insulator		8-32 x 3/8"
C2OZ 11134-A	Use with 4-1/2" starters	1	144, 170	B C	60/62
		1	200, 221, 260, 289	B C	62/64
		1	All	D	61/64
Consists of the following -					
(1) C2DZ-11068-A	insulator	(1) C2OZ-11171-A	insulator	(1) 39036-S7	screw-pan hd. -
(1) C2OF-11116-B	spring	(1) CODF-11176-A	post		No. 8-32 x 7/16"
11135 BEARING (STARTER REAR END PLATE)					
1CM 11135-A	.628" I.D. x .815" O.D. x 1.46" long - must be used with B9S-11130-A plate only	1	All	A	60/61
		1	All	D	60
B9AF 11135-A	Must be used with COLF-11130-B plate	1	All	A	60/62
		1	390, 406	A	63/64
		1	427	A	64
		1	All	D	60
C2DF 11135-A	Use with 4" starter	1	144, 170	B C	60/64
CODZ 11135-A	Use with 4-1/2" starter	1	144, 170	B C	60/62
		1	200, 221, 260, 289	B C	62/64
		1	All	D	61/64
11181 INSULATOR (STARTER SWITCH SPRING)					
C2DF 11181-A	Use with 4" starter - also serviced in 11198 kit	1	144, 170	B C	60/64
C2OZ 11181-A	Use with 4-1/2" starter	1	144, 170	B C	60/63
		1	200, 221, 260, 289	B C	62/64
		1	430	D	62 & 64
C1VF 11181-A	Use with C1VF-11001-D starter	1	All	D	61

Starter

GROUP AND PART NUMBER	DESCRIPTION, SIZE, ETC.	NO. REQ'D	MODEL OR ENGINE CUBIC INCH DISPLACEMENT	VEHICLE CODE	YEAR 19__
11222 SNAP RING (STARTER MOTOR DRIVE)					
C2DZ 11222-A	Use with C2DZ-11223-A to retain drive to armature shaft	1	144,170	B C	60/63
		1	221,260	B C	63
		1	All	C	64
		1	All	D	62/64
11223 RETAINER (STARTER MOTOR DRIVE RING)					
C2DZ 11223-A	Use with C2DZ-11222-A to retain drive to armature shaft	1	144,170	B C	60/63
		1	221,260	B C	63
		1	All	C	64
		1	All	D	62/64
11350 DRIVE (STARTER)					
C2AZ 11350-B	Use with C2AZ-11365-A drive pin only	1	All	A	62
		1	390,406	A	63/64
		1	427	A	64
1CM 11350-C	Use with 52-11365-B drive pin only 4.77" long	1	All	A	60/61
		1	All	D	60
C2DZ 11350-B	Use with 4-1/2" starter	1	144,170	B C	60/62
C2DZ 11350-A	Use with 4" starter - 3 spline teeth - use with C2DZ-11005-A armature	1	144,170	B C	60/64
C2OZ 11350-A	3 spline teeth - use with C2OZ-11005-A armature Use with C2OZ-11005-A armature on 1961 Lincoln only	1	200, 221, 260, 289	B C	62/64
		1	All	D	61/64
C4DZ 11350-A	4 spline teeth - use with C4DZ-11005-A armature	1	170	C	64
C4OZ 11350-A	4 spline teeth - use with C4OZ-11005-A armature	1	200, 260, 289, 430	C D	64
C1VY 11350-A	Use with C1VF-11005-A armature	1	All	D	61
11365 PIN (STARTER DRIVE PINION)					
52 11365-B	Use with 1CM-11350-C drive only	1	All	A	60/61
		1	All	D	60
C2AZ 11365-A	1/4" x .90"	1	All	A	62/64
		1	All	D	60
11388 WIRING (STARTER RELAY TO CIRCUIT BREAKER)					
	NS-70-1/2" long with (2) single connections and (1) grommet - for service cut from B6A-14296-B bulk wire	1	59, 71	C	60/62
11415 SCREW (STARTER POLE PIECE)					
C2DF 11415-A	Use with 4" starter	3	144,170	B C	60/64
11450 RELAY (STARTER)					
B6A 11450-A	12 Volt	1	All	A B C D	60/64
11527 BUS BAR (STARTER RELAY TO TERMINAL)					
COLF 11527-B		1	All	D	60
C1VF 11527-A	R. H.	1	All	D	61/62
C1VF 11121-A	L. H.	1	All	D	61/62
11572 SWITCH (IGNITION)					
COLF 11572-A		1	All	A B C D	60/62
C3AZ 11572-A	Use with C3MY-11582-A cylinder Use with C3VY-11582-A cylinder - use on vehicles built prior to 4-1-64 with socket type bezel	1	All	A B C	63/64
		1	All	D	63/64
C4VY 11572-A	1"-32 thread - use on vehicles built after 4-2-64	1	All	D	64

Starter

GROUP AND PART NUMBER	DESCRIPTION, SIZE, ETC.	NO. REQ'D	MODEL OR ENGINE CUBIC INCH DISPLACEMENT	VEHICLE CODE	YEAR 19__
11581 SPRING (IGNITION SWITCH RETAINING)					
1A 11581-B	Use on vehicles built prior to 4-1-64 with socket type bezel	1	All	A B C	60/64
		1	All	D	60/64
11582 CYLINDER (IGNITION LOCK)					
COMB 11582-A	With keys	1	All	A	60
C1MB 11582-A	With keys	1	All	A B	61/62
C3MY 11582-A	With keys	1	All	C	60/62
C3VY 11582-A	With keys	1	All	A B C	63/64
		1	All	D	60
C1VB 11582-B	With keys	1	All	D	63/64
		1	All	D	61/62
11584 BEZEL (IGNITION SWITCH)					
COMF 11584-B		1	All	A	60
C3MY 11584-A		1	All	A	63
C4MY 11584-A		1	All	A	64
C3AZ 11584-A		1	All	A	61/62
		1	All	B C	61/64
COAF 11584-A		1	All	C	60
COLF 11584-B		1	All		D 60
C1VY 11584-A	WOOD GRAIN - use on vehicles built prior to 11-2-62	1	All		D 61/63
C3VY 11584-A	WOOD GRAIN - use on vehicles built after 11-1-62	1	All		D 63
C3VY 11584-B	GRAY	1	All		D 61/63
C4VY 11584-B	GRAY - socket type - use on vehicles built prior to 4-2-64	1	All		D 64
C4VY 11584-C	GRAY - threaded type - use on vehicles built after 4-1-64	1	All		D 64
11A587 SPACER (IGNITION AMPLIFIER MOUNTING)					
C3AZ 11A587-A	Use with transistorized ignition system Special Performance (Engine Warranty Code D)	1	All	A	63/64
		1	289	C	64
11604 HOUSING (IGNITION LAMP SOCKET)					
C3MY 11604-A		1	All	A	63
11A645 ROTOR (LIGHTING SWITCH)					
COMF 11A645-A		1	All	A D	60
CODF 11A645-A	Repair kit	1	All	C	60
Consists of the following -					
(1) CODF-11A645-A	rotor	(1) COAF-11A650-A	spring	(1) CODF-11A651-A	plate-round type
11A646 SPRING (LIGHTING SWITCH ROTOR)					
B9AF 11A646-A		1	All	A D	60
11A647 BLOCK (HEADLAMP SWITCH JUNCTION)					
C4VY 11A647-A		1	All	A D	64
C2AZ 11A647-A		1	All	A	61/63
		1	All	B C	60/64

Starter

GROUP AND PART NUMBER	DESCRIPTION, SIZE, ETC.	NO. REQ'D	MODEL OR ENGINE CUBIC INCH DISPLACEMENT	VEHICLE CODE	YEAR 19__
11A648 BLOCK (HEADLAMP SWITCH JUNCTION)					
C1SF 11A648-A		1	All	D	61/63
11650 NUT (LIGHTING SWITCH)					
COMF 11650-A		1	All	A	60
C1AF 11650-A		1	All except 54B, 65B, 71B, 75B, 76A	A	61
C2MB 11650-A		1	All	A	62
C2AB 11650-A		1	All	A	63
C4AZ 11650-A	7/16"-24 x 1.75" long	1	All	A	64
C1DF 11650-A		1	54B, 65B, 71B, 75B, 76A	A	61
		1	All	C	60/63
C2OB 11650-A		1	All	B	62
C3OZ 11650-A		1	All	B	63
C4GY 11650-A	7/16"-24 x 2.95" long	1	All	C	64
COLF 11650-A		1	All	D	60
C1VF 11650-A		1	All	D	61/63
C4VY 11650-A	7/16"-24 x 1.43" long	1	All	D	64
11A653 ADAPTOR (LIGHTING SWITCH TO NUT)					
B9MY 11A653-A		1	All	A	60
11654 SWITCH (LIGHTING)					
C3AZ 11654-D		1	All	A	63
C4AZ 11654-A		1	All	A	64
C2AB 11654-A		1	All	A	61/62
		1	All	C	64
COMF 11654-C		1	All	A D	60
C2OB 11654-A		1	All	B	62
C2GY 11654-A		1	All	B	63
		1	All	C	61/63
CODF 11654-C		1	All	C	60
C1VY 11654-B		1	All	D	61/63
C4VY 11654-A		1	All	D	64
11A656 BEZEL (LIGHTING SWITCH)					
C1VB 11A656-B(07)	Inner - WOOD GRAIN	1	All	D	61/63
11661 KNOB & INSERT (LIGHTING SWITCH)					
C1AF 11661-A		1	All except 54B, 65B, 71B, 75B, 76A	A	61
C1MF 11661-C		1	54B, 65B, 71B, 75B, 76A	A	61
C3MY 11661-A		1	All	A	62/63
C4MY 11661-A		1	All	A	64
C2YY 11661-A		1	All	B	62
C3YY 11661-A		1	All	B	63
C1KF 11661-A		1	All	C	60
C1GF 11661-A		1	All	C	61/63
C4GY 11661-A		1	All	C	64
COLF 11661-A		1	All	D	60
11663 INSERT (LIGHTING SWITCH KNOB)					
COMF 11663-A		1	All	A	60
C1VF 11663-A		1	All	D	61/63
C4VY 11663-A	4.95" long	1	All	D	64

Starter

GROUP AND PART NUMBER	DESCRIPTION, SIZE, ETC.	NO. REQ'D	MODEL OR ENGINE CUBIC INCH DISPLACEMENT	VEHICLE CODE	YEAR 19__
11666 KNOB (LIGHTING SWITCH)					
COMF 11666-A		1	All	A	60
C1VB 11666-A(02)	BLUE (1) req'd. - for light switch (1) req'd. - for door lock switch on vehicles built after 5-29-61 having a triangular shaft switch	AR	All	D	61
C1VB 11666-A(04)	GREEN (1) req'd. - for light switch (1) req'd. - for door lock switch on vehicles built after 5-29-61 having a triangular shaft switch	AR	All	D	61
C1VB 11666-A(06)	TURQUOISE (1) req'd. - for light switch (1) req'd. - for door lock switch on vehicles built after 5-29-61 having a triangular shaft switch	AR	All	D	61
C1VB 11666-A(01)	BLACK (1) req'd. - for light switch (1) req'd. - for door lock switch on vehicles built after 5-29-61 having a triangular shaft switch	AR	All	D	61/62
C1VB 11666-A(03)	BEIGE (1) req'd. - for light switch (1) req'd. - for door lock switch on vehicles built after 5-29-61 having a triangular shaft switch	AR	All	D	61/62
C1VB 11666-A(05)	RED (1) req'd. - for light switch (1) req'd. - for door lock switch on vehicles built after 5-29-61 having a triangular shaft switch	AR	All	D	61/62
C1VB 11666-A(07)	WOOD GRAIN (1) req'd. - for light switch (1) req'd. - for door lock switch on vehicles built after 5-29-61 having a triangular shaft switch	AR	All	D	61/62
C1VB 11666-A(20)	BLUE (1) req'd. - for light switch (1) req'd. - for door lock switch	AR	All	D	62
C1VB 11666-A(21)	GREEN (1) req'd. - for light switch (1) req'd. - for door lock switch	AR	All	D	62
C1VB 11666-A(22)	SILVER BLUE (1) req'd. - for light switch (1) req'd. - for door lock switch	AR	All	D	62
C1VB 11666-A(23)	TURQUOISE (1) req'd. - for light switch (1) req'd. - for door lock switch	AR	All	D	62
C3VY 11666-A		1	All	D	63/64
11A668 BRACKET ASSEMBLY (HEADLAMP SWITCH)					
C4DZ 11A668-A		1	All	C	64
11691 RESISTOR (LIGHTING SWITCH)					
C2MY 11691-A		1	All	A	62
11823 COVER (INSTRUMENT CLUSTER TRIM)					
C2MF 11823-A		1	All	A	62
11875 BEZEL (INSTRUMENT CLUSTER CONTROL SWITCHES)					
FFC 11875-A	(1) req'd. - for door lock switch (1) req'd. - for convertible top switch (1) req'd. - for courtesy lamp switch (1) req'd. - for electric antenna switch	AR	All	D	60

Distributor

GROUP AND PART NUMBER	DESCRIPTION, SIZE, ETC.	NO. REQ'D	MODEL OR ENGINE CUBIC INCH DISPLACEMENT	VEHICLE CODE	YEAR 19__
12000 KIT (DISTRIBUTOR REPAIR)					
C5ZZ 12000-A		1	406, 427	A	62/64
Consists of the following -					
(2) FDS-12171-A	points		(1) B7A-12200-A rotor		(1) FET-12300-A condenser
A7A 12000-B	Alternate with pivotless type point repair kit	1	223	A	61/62
	C4DZ-12000-A	1	144,170	B C	60/64
		1	200	C	64
Consists of the following -					
(1) FAA-12171-A	points-pivot type		(1) FAA-12200-B rotor		(1) 7RA-12300-C condenser
COTZ 12000-A		1	All except 223, 406, 427	A	60/64
		1	All except 170	B	62/63
		1	All except 144, 170, 200	C D	63/64
Consists of the following -					
(1) B8Q-12171-A	points		(1) B9AF-12300-A or		
(1) B7A-12200-A	rotor		(1) B9TF-12300-A condenser		
C4DZ 12000-A		1	170, 200	C	64
Consists of the following -					
(1) C3DZ-12171-A	points - pivotless type		(1) FAA-12200-B rotor		(1) 7RA-12300-C condenser-alternate with A7A-12000-B
12A024 IGNITION CABLE (HIGH TENSION)					
C3AZ 12A024-A	Radio resistance - 25 ft. roll	AR	All	A B C D	60/64
12A027 AMPLIFIER (IGNITION CURRENT)					
C3TZ 12A027-A	Use with transistorized ignition system	1	427	A	63/64
	Special Performance (Engine Warranty Code D)	1	289	C	64
		1	430	D	64
12029 COIL (IGNITION)					
C3TZ 12029-A	Use with transistorized ignition system	1	427	A	63/64
	Special Performance (Engine Warranty Code D)	1	289	C	64
		1	430	D	64
B6A 12029-B	12 Volt - use with conventional ignition system	1	All	A B C D	60/64
12A042 RELAY (IGNITION CURRENT AMPLIFIER)					
C3TZ 12A042-A	Use with transistorized ignition system	1	427	A	63/64
C3TZ 12A042-B	☆ Special Performance (Engine Warranty Code D)	1	289☆, 430	C D	64
12043-4 STRAP (IGNITION COIL)					
B8S 12043-B		1	383, 430	A D	60
		1	406, 427	A	63/64
B5A 12044-A		1	144, 170, 223, 292	A B C	61/62
	Use on vehicles with 200 C. I. D. engine built prior to 2-14-63	1	170, 200	B	63
COAF 12043-A		1	352, 390, 406	A	61/64
	Use with a/cond. fuel pump on Comet and Meteor - use on vehicles built after 2-14-63	1	144, 170, 200	B C	63
				C	64
B8S 12043-A		1	221, 260, 289	B C	62/64
CIVY 12043-A		1	All	D	61/64
12A046 RESISTOR & BRACKET (IGNITION BALLAST)					
C3TZ 12A046-A	Use with transistorized ignition system	1	427	A	63/64
	Special Performance (Engine Warranty Code D)	1	289	C	64
		1	430	D	64
12050 KIT (DISTRIBUTOR & SPARK PLUG WIRES)					
C4DZ 12050-A	Dual point - except with transistorized ignition - ☆ Special Performance (Engine Warranty Code D)	1	260, 289☆	C	64

Distributor

GROUP AND PART NUMBER	DESCRIPTION, SIZE, ETC.	NO. REQ'D	MODEL OR ENGINE CUBIC INCH DISPLACEMENT	VEHICLE CODE	YEAR 19__
12A055 FELT (DISTRIBUTOR CAM LUBRICANT)					
C3TZ 12A055-A	Use with transistorized ignition system	1 1	289, 427 430	A C D	63/64 64
12071 WIRING (TRANSISTORIZED IGNITION SYSTEM)					
C4GY 12071-A	Special Performance (Engine Warranty Code D)	1	289	C	64
12106 HOUSING (DISTRIBUTOR TERMINAL)					
7HA 12106		1 1	144, 170, 200, 223 170	A C B	60/64 62/63
B7A 12106-A		1 1	All except 144, 170, 200, 223 All except 170	A C D B	60/64 62/63
12111-2 BRACKET (IGNITION CABLE MOUNTING)					
FAC 12111-A	R. H.	AR	292, 312	A	60/62
FAC 12112-A	L. H. - 2.10" x 5/8"	AR	292, 312	A	60/62
FAA 12112-A	L. H. - 1-1/8" sq.	AR	292, 312	A	60/62
12113 INSULATOR (DISTRIBUTOR TO SPARK PLUG WIRE)					
A9AZ 12113-B	Use with universal steel core plug wires - ignition coil insulated	AR	All	A C D	64
A9AZ 12113-C	Use with universal steel core plug wires - distributor to plug and coil wires	AR	All	A C D	64
A9AZ 12113-D	Use with universal steel core plug wires - spark plug insulator	AR	All	A C D	64
A9AZ 12113-A	Use on distributor to coil wire on all 8 cylinders Use on distributor to coil wire on all 8 cylinders - use on spark plug wires on 6 cylinders	AR AR AR AR	All All All except 144, 170 All	A B C D A B C A C	60/62 60 63 64
12120 BUSHING (DISTRIBUTOR BASE)					
A8A 12120-A	Upper Upper - use on vehicles built prior to 9-30-63 in distributors having 1/4" hex. intermediate shaft - 15/32" I.D. x 3/4" O.D. x 1-3/4" long	1 1	144, 170, 200, 223 170, 200	A B C C	61/63 64
B8QH 12120-A	Upper	1 1	All except 170, 200, 223 All except 144, 170, 200	A B D C	60/64 63/64
C4DZ 12120-A	Upper - use on vehicles built after 9-29-63 in distributors having 5/16" hex. intermediate shaft - 1/2" I.D. x 3/4" O.D. x 1-3/4" long	1	170, 200	C	64
12127 DISTRIBUTOR (LESS TERMINAL HOUSING & ROTOR)					
COMF 12127-C		1	383	A	60
COAF 12127-A		1	292, 312	A	60/62
C2AZ 12127-J	Use with standard transmission	1	223	A	61
C2AZ 12127-H	Use with automatic transmission	1	223	A	61/62
C3AZ 12127-AH	Use with automatic transmission and with Police Interceptor	1	352, 390	A	61/63
C1SF 12127-B	Export only - 84 octane	1	390-4V	A	61/64
C1AZ 12127-A	Use with standard transmission - use with C2AZ-12175-A shaft	1	223	A	62
C2AZ 12127-G	Use with standard transmission - use with C2AZ-6A618-B oil pump intermediate shaft	1	223	A	62

CONTINUED ON NEXT PAGE

Distributor

GROUP AND PART NUMBER	DESCRIPTION, SIZE, ETC.	NO. REQ'D	MODEL OR ENGINE CUBIC INCH DISPLACEMENT	VEHICLE CODE	YEAR 19__
12127 DISTRIBUTOR (LESS TERMINAL HOUSING & ROTOR) CONTINUED					
COAF 12127-K	Dual points - use with conventional ignition system	1	406	A	62/63
C3AZ 12127-AD	Use with standard transmission - use on vehicles with 10.5:1 compression ratio built after 1-31-63	1	390-4V	A	63
C3SZ 12127-D	Use with automatic transmission - use on vehicles with 10.5:1 compression ratio built after 1-31-63	1	390-4V	A	63
C3MY 12127-A		1	390-2V	A	63/64
C3AZ 12127-AE	Use with conventional ignition system	1	427	A	63/64
C3AZ 12127-AF	Use with transistorized ignition system	1	427	A	63/64
C4AZ 12127-N		1	390-4V	A	64
B9MF 12127-B	With pivot type breaker plate	1	430	A D	60
C2OZ 12127-A	Use with automatic transmission	1	221	B	62
C2OZ 12127-B	Use with automatic transmission	1	260	B	62
C2OZ 12127-C	Use with standard transmission	1	221	B	62/63
C3OZ 12127-A	Use with automatic transmission	1	221	B	63
C2UZ 12127-C	Use with standard transmission	1	170	B C	61/62
C2DZ 12127-K	Use with automatic transmission	1	170	B C	61/62
C2OZ 12127-D	Use with standard transmission	1	260	B C	62/63
C2OZ 12127-K	Use for export - 84 octane	1	221	B	62
		1	260	B	63
		1	260	C	64
C3DZ 12127-D	Use with automatic transmission	1	170	B C	63
C3AZ 12127-U	Use with automatic transmission	1	260	B C	63
C3DZ 12127-C	Use with standard transmission	1	170	B C	63
	Use with standard transmission - use on vehicles built prior to 9-30-63 having 1/4" hex. intermediate shaft	1	170	B C	64
C4DZ 12127-A	Use with standard transmission - use on vehicles built after 9-29-63 having 5/16" hex. intermediate shaft	1	170	C	64
C3OZ 12127-C		1	200	B	63
	Use with automatic transmission - use on vehicles built prior to 9-30-63 having 1/4" hex. intermediate shaft	1	200	C	64
C4OZ 12127-E	Use with automatic transmission - use on vehicles built after 9-29-63 having 5/16" hex. intermediate shaft	1	200	C	64
CODF 12127-B	Use with automatic transmission	1	144	C	60/61
C2DZ 12127-G	Use with standard transmission	1	144	C	60/62
C2DZ 12127-H	Use with automatic transmission	1	144	C	60/62
C3DZ 12127-B	Use with automatic transmission	1	144	C	63
C3DZ 12127-A	Use with standard transmission	1	144	C	63
C4OZ 12127-A	Use with standard transmission	1	260	C	64
C4OZ 12127-B	Use with automatic transmission	1	260	C	64
C4GY 12127-A	Use with standard transmission - except Special Performance	1	289	C	64
C4AZ 12127-U	Use with automatic transmission - except Special Performance	1	289	C	64
C1VF 12127-A	NOTE - For export use this distributor and one (1) COAF-12192-A primary spring	1	430	D	61/63
	Export only	1	430	D	64
C3VY 12127-A		1	430	D	63
	Use with conventional ignition	1	430	D	64
C4VY 12127-A	Use with transistorized ignition	1	430	D	64

Distributor

GROUP AND PART NUMBER	DESCRIPTION, SIZE, ETC.	NO. REQ'D	MODEL OR ENGINE CUBIC INCH DISPLACEMENT	VEHICLE CODE	YEAR 19__
12135 OILER (DISTRIBUTOR BASE)					
FAA 12135-A		1	223	A	61/62
12143 SEAL (DISTRIBUTOR BASE TO CYLINDER BLOCK)					
FAA 12143-A		1	223	A	61/62
B8A 12143-A		1	All except 223	A D	60/64
CODF 12143-A		1	144,170,200	B C	60/64
B9TF 12143-A		1	221,260,289	B C	62/64
12144 CLAMP (DISTRIBUTOR TERMINAL HOUSING)					
7RA 12144		2	144,170,200,223	A B C	61/64
B7A 12144-A		2	All except 170,200,223	A B D	60/64
		2	All except 144,170,200	C	63/64
12145 RIVET (DISTRIBUTOR CAP CLAMP)					
B 12145		2	All	A B C D	60/64
12145 PLUG (DISTRIBUTOR PASSAGE)					
374166-S	Use as pump inlet ball retainer	AR	All	C	60
12146 RETAINER (DISTRIBUTOR BREAKER PLATE)					
7RA 12146		(a) 1	144,170,200,223	A B C	61/64
32917-S7	Screw-snap ring-No.10-32 x 3/8"-breaker plate to distributor housing	2	a		
12151-2 PLATE (DISTRIBUTOR BREAKER)					
COAF 12151-A	Use with automatic transmission	1	223	A	61/62
COAF 12152-A	☆ Special Performance (Engine Warranty Code D)	1	289☆,406,427	A C	62/64
C3UZ 12151-A	Use with standard transmission	1	223	A	61
		1	200	B C	63/64
C1DF 12151-A	Upper - use with standard transmission	1	223	A	62
	Use with standard and automatic transmission	1	144,170	B C	60/64
B9AF 12151-A	Lower - use with pivot type breaker plate	1	All except 223	A	60/62
		1	390	A	63/64
	☆ Except Special Performance	1	221,260,289☆	B C	62/64
		1	All	D	60
B9AF 12151-B	Upper - use with pivot type breaker plate	1	All except 223	A	60/62
		1	390	A	63/64
	☆ Except Special Performance	1	221,260,289☆	B C	62/64
		1	All	D	60
C2DZ 12151-A	Use with automatic transmission	1	170	B C	62
C1VY 12151-A	Lower	1	All	D	61/64
C1VY 12151-B	Upper	1	All	D	61/64
12171 POINT SET (DISTRIBUTOR)					
FDS 12171-A	Use with conventional ignition system	(a) 2	406,427	A	62/64
C3AZ 12171-A	Use with transistorized ignition system - ☆ Special Performance (Engine Warranty Code D)	(a) 1	289☆,427	A C	63/64
FAA 12171-A	Pivot type	(a) 1	223	A	61/62
	Heavy duty - alternate with pivotless type point C3DZ-12171-A	1	144,170,200	B C	60/64
B8Q 12171-A	Heavy duty	(a) 1	All except 223	A	60/62
		1	390	A	63/64
	☆ Except Special Performance	1	221,260,289☆	B C	62/64
		1	All	D	60/64
C3DZ 12171-A	Pivotless type - alternate with pivot type point FAA-12171-A	1	144,170,200	B C	60/64

CONTINUED ON NEXT PAGE

Distributor

GROUP AND PART NUMBER	DESCRIPTION, SIZE, ETC.	NO. REQ'D	MODEL OR ENGINE CUBIC INCH DISPLACEMENT	VEHICLE CODE	YEAR 19_____
12171 POINT SET (DISTRIBUTOR) CONTINUED					
31037-S7	Screw-fill. hd. -No. 8-32 x 5/16"-point set to breaker plate	AR	a		
34051-S7	Nut-No. 6-32-distributor condenser to breaker arm terminal stud	1	a		
34801-S7	Lockwasher-No. 6	AR	a		
34802-S7	Lockwasher-No. 8	AR	a		
351192-S	Washer-flat-No. 6	1	a		
12175 SHAFT (DISTRIBUTOR)					
B7A 12175-A		1	292, 312	A	60/62
C2AZ 12175-C	Use with C2AZ-6A618-B	1	223	A	61/62
B8A 12175-A		1	221, 260, 289, 352, 383, 390, 406, 427, 430	A B C D	60/64
C2DZ 12175-B		1	144, 170, 200	B C	60/63
	Use on vehicles built prior to 9-30-63 having 1/4" hex. intermediate shaft	1	170, 200	C	64
C4DZ 12175-A	7" long - use on vehicles built after 9-29-63 having 5/16" hex. intermediate shaft	1	170, 200	C	64
12177 RETAINER (DISTRIBUTOR CAM)					
B7A 12177-A	.25" I.D. x .31" O.D.	1	All except 223	A D	60/64
		1	221, 260, 289	B C	62/64
12179 WASHER (DISTRIBUTOR SHAFT THRUST)					
B8A 12179-A		1	223	A	61/62
B7A 12179-A	Upper	1	All except 223	A D	60/64
		1	221, 260, 289	B C	62/64
12188 WEIGHT (DISTRIBUTOR)					
C2TZ 12188-A	☆Special Performance (Engine Warranty Code D)	2	289☆, 406, 427	A C	62/64
B7A 12188-A		2	All except 223, 406	A	60/62
		2	390	A	63/64
	☆ Except Special Performance	2	221, 260, 289☆, 430	B C D	60/64
12191-2 SPRING (DISTRIBUTOR WEIGHT)					
COAZ 12192-A	Secondary with automatic transmission	1	223	A	61/62
C2SZ 12192-A	Secondary - for Police Special	1	390	A	62
C2OZ 12192-A	Primary - use with standard transmission on 221 C.I.D. engines	1	221	B	62/63
		1	390-2V	A	63/64
C1DF 12192-A	Secondary with standard transmission	1	223	A	62
	(1) for primary (1) for secondary for standard transmission	2	144		C 60/62
	(1) req'd. as primary spring for automatic transmission and standard transmission	1	170		C 61/62
B8A 12191-A	Secondary	1	383	A	60
	Secondary - use with automatic transmission	1	260	C	64
	Use with standard transmission - except Special Performance	1	289	C	64
B8A 12192-A	Primary - export only for 1961-62 - 84 octane	2	383, 390	A	60/62
	Primary and secondary - export only	2	390-4V	A	64
	Primary - use with standard transmission except Special Performance	1	289	C	64
B8A 12192-B	Primary	1	390-4V	A	61/62&64
	Primary - use with automatic transmission	1	289	C	64
CONTINUED ON NEXT PAGE					

Distributor

GROUP AND PART NUMBER	DESCRIPTION, SIZE, ETC.	NO. REQ'D	MODEL OR ENGINE CUBIC INCH DISPLACEMENT	VEHICLE CODE	YEAR 19__
12191-2 SPRING (DISTRIBUTOR WEIGHT) CONTINUED					
B8QH 12192-A	Primary	1	312	A	60
	Primary with standard and/or automatic transmission	1	292	A	61/62
	Primary with standard transmission - secondary with automatic transmission	1	352	A	61/62
	Primary	1	260	BC	62/63
7RA 12192	Primary - use with standard transmission	1	260	C	64
	Primary	1	223	A	61/62
	Primary - use with standard transmission	1	170	BC	63/64
	Primary - use with automatic transmission	1	All	C	60
B7A 12191-B	Secondary - use with automatic transmission	1	170	C	61/62
	Secondary	1	390-4V	A	61/62&64
		1	406, 427	A	62/64
	Primary with automatic transmission	1	352	A	61/62
	Secondary - use for export	1	260	B	62/63
A7AZ 12192-A	Secondary - use for export	1	260	C	64
	Primary with standard transmission	1	223	A	62
	Secondary - use with automatic transmission	1	170	BC	63
B2AZ 12192-A	Secondary with standard transmission	1	223	A	61
	Secondary with automatic transmission	1	144, 200	C	60/61&64
		1	144, 200	BC	63
B8QH 12192-B	Use as secondary spring with B9MF-12127-B - color coded BLUE	1	430	A D	60/62
	Primary	1	390-4V	A	63
	Primary - use with automatic transmission	1	221	B	63
	Primary on domestic - secondary on 430 C. I. D. export engines only	1	430	D	63/64
COAF 12192-A	Use as secondary spring	1	292, 312	A	60/62
	Primary - use with automatic transmission	1	260	C	64
	Primary for export only	1	430	D	61/62
B8QH 12192-C	Use as primary when distributor B9MF-12127-B is used - color YELLOW - also used for export	1	430	A	60
	Secondary with standard transmission	1	221	B	62
	Use as primary	1	352	A	61/62
	Primary - use for export	1	406, 427	A	62/64
	Primary - use for export	1	260	B	63
	Primary - use for export	1	260	C	64
	Primary - Special Performance (Engine Warranty Code D)	1	289	C	64
	Primary - use for export only for 1963-64	1	All	D	60/64
B7A 12191-E	Secondary	1	260	BC	62/63
		1	390-4V, 430	A D	63
	Secondary except for export	1	390-2V	A	64
8EQ 12192	Secondary with standard transmission	1	170	BC	61/62
C2OZ 12192-B	Distributor diaphragm	1	260	BC	62/63
C3DZ 12192-A	Primary - use with standard and automatic transmission on 144 C. I. D. engines - use with automatic transmission on 170 C. I. D. engines	1	144, 170	BC	63
B4TZ 12192-A	Secondary - use with standard transmission	1	144, 170	BC	63/64
B2AZ 12192-B	Primary - use with automatic transmission	1	200	BC	63/64
FFA 12191-A	Secondary	1	221	B	62/63
	Secondary - use with automatic transmission	1	289, 430	CD	64
B7A 12191-A	Secondary - use with standard transmission	1	260	C	64
C3OZ 12192-A	Secondary - Special Performance (Engine Warranty Code D)	1	289	C	64

Distributor

GROUP AND PART NUMBER	DESCRIPTION, SIZE, ETC.	NO. REQ'D	MODEL OR ENGINE CUBIC INCH DISPLACEMENT	VEHICLE CODE	YEAR 19__
12192 SPRING (DISTRIBUTOR DIAPHRAGM)					
B7AZ 12192-A	Use for export only - 84 octane	1	390-4V	A	61/64
	Use with standard transmission	1	260	C	64
	Use with automatic transmission	1	289	C	64
B7AZ 12192-B	Use on distributor diaphragm	1	352, 383, 430	A D	60/62
	Use for export only	1	430	D	63/64
COTZ 12192-A		1	390	A	61/64
		1	430	D	63/64
B7AZ 12192-C		1	221, 292, 312	A B	60/62
	Use for export on 260 C. I. D. engines only	1	221, 260	B	63
	Use with automatic transmission	1	260	C	64
	Use with standard and automatic transmission for export	1	260	C	64
	Use with standard transmission	1	289	C	64
12195 COLLAR (DISTRIBUTOR SHAFT)					
7HA 12195		(a) 1	All except 144, 170, 200, 223	A B C D	60/64
61489-S	Rivet-1/8" x 13/16" button	AR	a		
353925-S	Pin-1/8" x 3/4"	AR	a		
12200 ROTOR (DISTRIBUTOR)					
FAA 12200-B		1	144, 170, 200, 223	A B C	61/64
B7A 12200-A		1	All except 223	A D	60/64
		1	221, 260, 289	B C	62/64
12202 STOP (DISTRIBUTOR VACUUM ADVANCE)					
COAF 12202-A		1	223	A	61/62
COTZ 12202-A		1	390	A	62
B8A 12202-A		1	390-2V	A	63/64
B7A 12202-A		1	352, 390	A	61
		1	383, 430	A D	60
		1	221, 260, 352	A B	62
	Use with standard and automatic transmission	1	221	B	63
FEW 12202-A		1	292, 312	A	60/62
	Use with standard transmission	1	260	B C	62/63
	Export only - use with automatic transmission on 260 C. I. D. engine and with standard transmission on 289 C. I. D. engine	1	260, 289	C	64
	Export only for 1963-4	1	430	D	61/64
B7A 12202-B	Export only - 84 octane	1	390-4V	A	61/62
		1	221	B	62
	Export only	1	260	B	63
	Export only	1	260	C	64
		1	390-4V, 430	A D	63/64
B8E 12202-A	Use with automatic transmission	1	260	B C	63
C4AZ 12202-A	Color code BLUE - use with standard transmission on 260 C. I. D. engine - use with automatic on 289 C. I. D. engine	1	260, 289	C	64
12210 CAM (DISTRIBUTOR)					
C3AZ 12210-A		1	406	A	62/63
C3AZ 12210-C	Use with transistorized ignition system	1	427	A	63/64
	Special Performance (Engine Warranty Code D)	1	289	C	64
COAF 12210-B		1	352, 390-4V	A	61/64
	Use with standard transmission except Special Performance	1	289	C	64

CONTINUED ON NEXT PAGE

Distributor

GROUP AND PART NUMBER	DESCRIPTION, SIZE, ETC.	NO. REQ'D	MODEL OR ENGINE CUBIC INCH DISPLACEMENT	VEHICLE CODE	YEAR 19__
12210 CAM (DISTRIBUTOR) CONTINUED					
B9AF 12210-A	Use with pivot type breaker plate	1	All except 223	A	60/61
		1	390-2V	A	64
	Export only	1	390-4V	A	64
	Use with automatic transmission for 1962 Meteor	1	221, 260, 390-2V	A B C	62/63
	Use with standard and automatic transmission for export	1	260	C	64
	Export only for 1963-4	1	All	D	60/64
COTF 12210-B	Use with standard transmission	1	221, 260	B C	62/63
	Use with standard transmission or automatic transmission on 260 C.I.D. engine - use with automatic transmission on 289 C.I.D. engine	1	260, 289	C	64
	Use with conventional ignition	1	430	D	63/64
C4VY 12210-A	Use with transistorized ignition	1	430	D	64
12213 SPRING (DISTRIBUTOR SHAFT)					
OBA 12213		1	144, 170, 200, 223	A C	60/64
		1	170	B	62/63
12216 WIRE (DISTRIBUTOR TERMINAL) PRIMARY					
C3AZ 12216-A	Use with transistorized ignition system - ☆ Special Performance (Engine Warranty Code D)	1	289☆, 427	A C	63/64
C1VF 12216-A	☆Use with conventional ignition system (a)	1	352, 390, 406, 427☆	A	60/63
		1	430	D	61/63
	Use with conventional ignition system	1	390, 427, 430	A D	64
CODF 12216-A		1	144, 170, 200, 223	A B C	60/64
C2OZ 12216-A	Use with pivot type breaker plate	1	221, 260, 289, 292, 312	A B C	60/64
B9MF 12216-A	Use with pivot type breaker plate (a)	1	All	D	60
C3SZ 12216-A	Use with transistorized ignition	1	430	D	64
	34051-S7 Nut-No. 6-32-terminal primary to condenser to breaker arm	1	a		
	34079-S7 Nut-No. 10-32-distributor primary terminal	2	a		
	34801-S7 Washer-lock-No. 6-terminal primary to condenser to breaker arm	1	a		
	34803-S7 Washer-lock-No. 10	1	a		
	350032-S Screw-No. 10-32 x 27/32"-distributor primary terminal	1	a		
	351256-S7 Washer-screw-No. 10 flat-distributor primary terminal	1	a		
12226 TUBE (DISTRIBUTOR VACUUM)					
	NS-cut 24" from 8C-2269-B and use (2) 351112-S fittings for 2 venturi carburetor	1	312	A	60
	NS-cut 27-1/2" from 8C-2269-B and use (2) 351112-S fittings - use with 2 venturi PEMD carburetor	1	383, 430	A	60
	NS-cut 36-1/4" from 8C-2269-B and use (2) 351112-S fittings	1	223	A	61/62
	NS-cut 33" from 8C-2269-B and use (2) 351112-S fittings	1	292	A	61/62
	NS-cut 32-1/2" from 8C-2269-B and use with (2) 351112-S fittings	1	352, 390	A	61/64
	NS-cut 27-1/2" from 8C-2269-B and use with Carter 2 Venturi carburetor and (2) 351112-S fittings	1	430	A D	60
CONTINUED ON NEXT PAGE					

Distributor

GROUP AND PART NUMBER	DESCRIPTION, SIZE, ETC.	NO. REQ'D	MODEL OR ENGINE CUBIC INCH DISPLACEMENT	VEHICLE CODE	YEAR 19__
12226 TUBE (DISTRIBUTOR VACUUM) CONTINUED					
	NS-cut 48-5/16" from 8C-2269-B and use with (2) 351112-S fittings	1 1	144,170 200	B C C	60/64 64
	NS-cut 25-7/8" from 8C-2269-B and use with (2) 351112-S fittings - except Special Performance	1	221,260,289	B C	62/64
	NS-cut 24-3/4" from 8C-2269-B and use with Carter 4 Venturi carburetor and (2) 351112-S fittings	1	430	D	60
	NS-cut 30" from 8C-2269-B and use with (2) 351112-S fittings	1	430	D	61/62
	NS-cut 27-1/8" from 8C-2269-B and use with (2) 351112-S fittings	1	430	D	63/64
12239 COVER (DISTRIBUTOR BREAKER)					
C3AZ 12239-A	Use with transistorized ignition system - ☆Special Performance (Engine Warranty Code D)	1 1	289☆,427 430	A C D	63/64 64
12250 RESISTOR (IGNITION COIL)					
C3AZ 12250-A	32" long - color code "BLACK" - use with transistorized ignition system	1 1	All 430	A D	63/64 64
COLF 12250-A	61-1/2" long - color code "PINK" - use with conventional ignition system	1	All	A B C D	60/64
12259 KIT (SPARK PLUG & COIL HIGH TENSION WIRES)					
B2LY 12259-B		1	292,312	A	60/62
	Consists of the following -				
(1) C3TF-12A012-A	coil	(1) C3TF-12284-B	wire No. 3	(1) C3TF-12287-C	wire No. 4
(1) C3TF-12282-F	wire No. 5	(1) C3TF-12285-B	wire No. 6	(1) C3TF-12295-A	wire No. 7
(1) C3TF-12283-B	wire No. 2	(1) C3TF-12286-B	wire No. 1	(1) C3TF-12296-A	wire No. 8
C3AZ 12259-G		1	223	A	61/62
	Consists of the following -				
(1) C4AF-12282-B	wire No. 5	(1) C4AF-12285-B	wire No. 6	(1) C4AF-12287-B	wire No. 4
(1) C4AF-12283-B	wire No. 2	(1) C4AF-12286-B	wire No. 1	(1) C4AZ-12298-A	suppressor
(1) C4AF-12284-B	wire No. 3				
C3AZ 12259-J		1	352,390	A	61/64
	Consists of the following -				
(1) C3AF-12A012-B	suppressor	(1) C1VF-12284-A	wire No. 3	(1) C1VF-12287-A	wire No. 4
(1) C3AF-12282-A	wire No. 5	(1) C1VF-12285-A	wire No. 6	(1) C1VF-12295-A	wire No. 7
(1) C3AF-12283-A	wire No. 2	(1) C1VF-12286-A	wire No. 1	(1) C1VF-12296-A	wire No. 8
COAZ 12259-B	Steel core	1	406	A	62
	Consists of the following -				
(1) 2N-12113	insulator	(1) B9AF-12285-A	wire No. 6	(1) B9AF-12295-A	wire No. 7
(1) B9AF-12282-A	wire No. 5	(1) B9AF-12286-A	wire No. 1	(1) B9AF-12296-A	wire No. 8
(1) B9AF-12283-A	wire No. 2	(1) B9AF-12287-A	wire No. 4	(1) B8E-12298-A	wire - coil
(1) B9AF-12284-A	wire No. 3				
C3AZ 12259-F	Steel core	1	406,427	A	63/64
	Consists of the following -				
(1) FDS-12113	insulator	(1) C2AF-12285-D	wire No. 6	(1) C2AF-12295-C	wire No. 7
(1) C2AF-12282-D	wire No. 5	(1) C2AF-12286-D	wire No. 1	(1) C2AF-12296-C	wire No. 8
(1) C2AF-12283-D	wire No. 2	(1) C2AF-12287-D	wire No. 4	(1) FEW-12298-A	coil wire
(1) C2AF-12284-D	wire No. 3				
C3SZ 12259-B		1	383,430	A D	60/64
	Consists of the following -				
(1) C1VF-12282-A	wire No. 5	(1) C1VF-12285-A	wire No. 6	(1) C1VF-12295-A	wire No. 7
(1) C1VF-12283-A	wire No. 2	(1) COAZ-12286-B	wire No. 1	(1) C1VF-12296-A	wire No. 8
(1) C1VF-12284-A	wire No. 3	(1) C1VF-12287-A	wire No. 4	(1) C1VY-12298-A	suppressor & sleeve

CONTINUED ON NEXT PAGE

Distributor

GROUP AND PART NUMBER	DESCRIPTION, SIZE, ETC.	NO. REQ'D	MODEL OR ENGINE CUBIC INCH DISPLACEMENT	VEHICLE CODE	YEAR 19__
12259 KIT (SPARK PLUG & COIL HIGH TENSION WIRES) CONTINUED					
C3OZ 12259-F		1	144, 170	B C	60/63
		1	170, 200	C	64
Consists of the following -					
(1) CODF-12282-A	wire No. 5	(1) CODF-12285-A	wire No. 6	(1) C2OF-12287-A	wire No. 4
(1) C2OF-12283-B	wire No. 2	(1) CODF-12286-A	wire No. 1	(1) C3OZ-12298-B	suppressor
(1) CODF-12284-A	wire No. 3				
C3OZ 12259-H		1	221, 260, 289	B C	62/64
Consists of the following -					
(1) C4DF-12282-B	wire No. 5	(1) C4OF-12286-C	wire No. 1	(1) C3AZ-12298-C	suppressor
(1) C2OF-12283-A	wire No. 2	(1) C4OF-12287-C	wire No. 4	(1) Instruction sheet	
(1) C2OF-12284-A	wire No. 3	(1) C2OF-12295-A	wire No. 7		
(1) C2OF-12285-A	wire No. 6	(1) C4DF-12296-C	wire No. 8		
C4OZ 12259-B	Steel core - consists of individual plug wires for cylinders 1 through 8 plus coil to distributor hi-tension wire - for individual plug wire refer to 12286 for service - refer to C3AZ-12298-A for coil wire - Special Performance (Engine Warranty Code D)	1	289	C	64
12264 WIRE (DISTRIBUTOR BREAKER GROUND)					
B7A 12264-A	1.94" between terminals	(a) 1	312, 383, 430	A D	60
7RA 12264		1	144, 170, 200, 223	A B C	60/64
B9AF 12264-A		1	All except 223	A	61/62
		1	390	A	63/64
	☆ Except Special Performance	1	221, 260, 289☆, 430	B C D	61/64
355067-S7	Screw-lockwasher-No. 8-32 x 5/16"-attach breaker ground wire to housing	1	a		
12270 CLAMP (DISTRIBUTOR)					
B8A 12270-A		1	352, 390, 406, 427	A	61/64
C1VF 12270-B		1	383, 430	A D	60/64
C3AZ 12270-A		1	144, 170, 200, 221, 260, 289, 292, 312	A B C	60/64
12286 WIRE (DISTRIBUTOR TO SPARK PLUG)					
COAZ 12286-E	43-3/4" long - 90° moulded boot at spark plug end - NOTE - cut to required length from distributor end only	AR	144, 170, 200, 223, 292, 312	A B C	60/64
A9AZ 12286-A	54-1/2" long - steel core - 6 and 8 cylinder	AR	All	A B C D	60/64
COAZ 12286-B	28-1/2" long - 60° moulded boot at distributor end - 180° boot on spark plug end - dealer to cut length from distributor end only and attach A9AZ-12113-A boot	AR	221, 260, 289, 352, 383, 390, 430	A B C D	60/64
COAZ 12286-D	28" long - 110° moulded boot on spark plug end - 90° moulded boot on distributor end - radio resistance - for use in replacing individual spark plug wires having 110° spark plug boot - dealer to cut required length from distributor end only and attach A9AZ-12113-A insulator	AR	221, 260, 289	B C	62/64
CONTINUED ON NEXT PAGE					

Distributor

GROUP AND PART NUMBER	DESCRIPTION, SIZE, ETC.	NO. REQ'D	MODEL OR ENGINE CUBIC INCH DISPLACEMENT	VEHICLE CODE	YEAR 19_____
12286 WIRE (DISTRIBUTOR TO SPARK PLUG) CONTINUED					
COAZ 12286-H	33-1/2" long - not radio resistance - 90° moulded boot at distributor end - straight boot on spark plug end - dealer to cut required length from distributor end only	AR	406, 427	A	62/63
		AR	289-4V	C	64
COAZ 12286-F	27-3/4" long - not radio resistance - 90° moulded boot on distributor end - 110° moulded boot on spark plug end - dealer to cut to required length from distributor end only	AR	289-4V	C	64
12297 SEPARATOR (IGNITION WIRES)					
FAA 12297-A	1-1/8" x 1-1/4"	AR	292, 312	A	60/62
FAA 12297-C	23/32" x 2-1/8" x 1-1/4"	AR	292, 312	A	60/62
B6A 12297-A	(4) slotted holes	AR	All except 223, 383, 430	A B C	60/64
		AR	All	D	61/64
B8Q 12297-A		AR	221, 260, 289, 352, 383, 390, 406, 427, 430	A B C D	60/64
12298 SUPPRESSOR (IGNITION COIL TO DISTRIBUTOR)					
C2TZ 12298-C	12-1/2" long	1	All	A	63
		1	390	A	64
C3AZ 12298-A	Steel core - hi-tension - non-radio resistance - 11-1/2" long - also serviced in 12259 kit Special Performance (Engine Warranty Code D)	1	406, 427	A	62/64
		1	289	C	64
C1VY 12298-A	Also serviced in 12259 kit	1	All	A	60/62
		1	221, 260	B	62
		1	All	D	61/63
A9AZ 12298-A	16-1/2" long - steel core - 6 and 8 cylinder	AR	All	A B C D	60/64
C3OZ 12298-B	Radio resistance - 15-3/4" to 16-1/4" long fiberglass core - also serviced in 12259 kit	1	144, 170, 200	B C	60/64
C3AZ 12298-C	Radio resistance - 10" to 10-1/2" long fiberglass core - ☆ except Special Performance	1	221, 260, 289☆	B C	63/64
C3VY 12298-A	Radio resistance - 11-3/4" to 12-1/4" long fiberglass core	1	430	D	63/64
12300 CONDENSER (DISTRIBUTOR)					
7RA 12300-C	☆ Use with conventional ignition system	(a) 1	144, 170, 200, 223, 406, 427☆	A B C	60/64
B9AF 12300-A	Use with pivot type breaker plate	(a) 1	All except 170, 200, 223, 406	A B	60/63
		1	390	A	64
	☆ Except Special Performance	1	260, 289☆, 430	C D	60/64
34051-S7	Nut-No. 6-32-attach condenser to point set	1	a		
355067-S7	Screw-fill. hd. -No. 8-32 x 5/16"-attach condenser to breaker plate	1	a		
12320 GASKET (DISTRIBUTOR DIAPHRAGM VACUUM CONNECTION)					
B7A 12320-A	Automatic transmission only	1	All except 144, 170, 223	A B	60/62
		1	223	A	61/62
	☆ Except Special Performance	1	221, 260, 289☆, 390	A B C	63/64
		1	430	D	60/64
12361 CLAMP (DISTRIBUTOR TO SPARK PLUG WIRING MOUNTING BRACKET)					
FAA 12361-A		1	312	A	60/62
12370 DIAPHRAGM (DISTRIBUTOR)					
COAF 12370-A	Use with automatic transmission	1	223	A	61/62
FAA 12370-A	Standard transmission	1	223	A	61/62
		1	144	C	60
CONTINUED ON NEXT PAGE					

Distributor

GROUP AND PART NUMBER	DESCRIPTION, SIZE, ETC.	NO. REQ'D	MODEL OR ENGINE CUBIC INCH DISPLACEMENT	VEHICLE CODE	YEAR 19.....
12370 DIAPHRAGM (DISTRIBUTOR) CONTINUED					
B9AF 12370-A	Use with pivot type breaker plate * Except Special Performance	1	All except 144, 170, 223	A B	60/62
		1	221, 260, 289*, 390	A B C	63/64
		1	430	D	60/64
CODF 12370-A		1	144, 170, 200	B C	61/64
12388 RETAINER (DIAPHRAGM ROD)					
351826-S		1	292, 312, 352, 383, 390, 430	A D	60/61
12390 GEAR (DISTRIBUTOR DRIVEN)					
FAE 12390-A		1	292, 312	A	60/62
B5A 12390-A		1	223	A	61/62
FAB 12390-C		1	352, 390, 406, 427	A	61/64
FEW 12390-A		1	383, 430	A D	60/64
CODF 12390-A	(14) L.H. Helix teeth - 15/32" I.D. - use on vehicles built prior to 9-30-63 in distributors having 1/4" hex. intermediate shaft	1	144, 170, 200	B C	60/64
C4DZ 12390-A	(14) L.H. Helix teeth - 1/2" I.D. - use on vehicles built after 9-29-63 in distributors having 5/16" hex. intermediate shaft	1	170, 200	C	64
C2OF 12390-A		1	221, 260, 289	B C	62/64
12405 SPARK PLUG					
B7A 12405-A	BTF-6	6	223	A	61/62
COAZ 12405-A	BF-32	8	406, 427	A	62/64
	For Police Interceptor	8	390-4V	A	63/64
	Special Performance (Engine Warranty Code D)	8	289	C	64
B7A 12405-B	BF-82	AR	144, 170, 200, 292, 312	A C	60/64
	Export only	AR	430	D	61/64
C3AZ 12405-A	Use for racing only	AR	All	A C D	64
B8A 12405-A	BF-42 - * except Special Performance	8	200, 221, 260, 289*, 352, 383, 390, 430	A B C D	60/64
C2AZ 12405-B	BTF-1 - for racing only	AR	All	A B C D	60/64
C3AZ 12405-B	BF-12 - for racing only	AR	All	A B C D	63/64
12429 PIN (INSTRUMENT CLUSTER HOUSING RETAINER)					
PB9M 12429-A		2	All	A	60
12638 WIRING (STARTER CIRCUIT JUMPER)					
PB9M 12638-A	Use with standard transmission	1	All	A	60
C2OB 12638-A	Use with automatic transmission	1	All	B	62/63
C4GY 12638-A	Use with dual range automatic transmission	1	260, 289	C	64
12649 STRAP (HORN BLOWING RING GROUND)					
PB9L 12649-A		1	All	D	60
12738 SLIDE (WINDSHIELD WIPER MOTOR CONTROL)					
BAK 12738-A	Plastic	1	All	D	60
12748 RETAINER (RADIATOR SUPPORT TO COWL TOP BRACE)					
BAK 12748-A		2	All	D	60
12820 BRACE (RADIATOR SUPPORT TO COWL TOP)					
BAK 12820-B		2	All	D	60

Distributor

GROUP AND PART NUMBER	DESCRIPTION, SIZE, ETC.	NO. REQ'D	MODEL OR ENGINE CUBIC INCH DISPLACEMENT	VEHICLE CODE	YEAR 19____
12820 BRACE KIT (RADIATOR SUPPORT TO COWL TOP)					
HJK 12820-B		1	All	D	60
Consists of the following -					
(2) BAK-12748-A	retainer	(1) BAK-5703743-B	reinforcement	(2) 34807-S8	lockwasher
(2) BAK-12820-B	brace	(8) 20347-S8	bolt	(8) 34846-S7	lockwasher
(2) BAK-12901-A	plate	(2) 33800-S8	nut	(2) 44726-S8	flat washer
(1) BAK-5703742-B	reinforcement	(2) 33925-S8	nut	(2) 353992-S	flat washer

12901 PLATE (RADIATOR SUPPORT COWL TOP)					
BAK 12901-A		2	All	D	60

Lamps and Wiring

13007 BULB (HEADLAMP)					
B8AZ 13007-A	Headlamp low beam - double filament	2	All	A B C D	60/64
B8AZ 13007-B	Headlamp high beam - single filament	2	All	A B C D	60/64

13008 HEADLAMP (LESS WIRING)					
COMF 13008-E	R. H.	1	All	A	60
COMY 13008-A	L. H.	1	All	A	60
C3MY 13008-A	R. H.	1	All	A	63
C4MY 13008-A	R. H.	1	All	A	64
C4MY 13008-B	L. H.	1	All	A	63/64
C2YY 13008-A	R. H.	1	All	B	62
C2YY 13008-B	L. H.	1	All	B	62
C3YY 13008-A	R. H.	1	All	B	63
C3YY 13008-B	L. H.	1	All	B	63
C1KF 13008-A	Low beam - outer	2	All	C	60
C1KF 13008-B	High beam - inner	2	All	C	60
C1GB 13008-C	Low beam - (1) R. H. - (1) L. H.	2	All	C	61
C1GB 13008-D	High beam - (1) R. H. - (1) L. H.	2	All	C	61
C2GY 13008-C	Low beam - (1) R. H. - (1) L. H.	2	All	C	62
C2GY 13008-D	High beam - (1) R. H. - (1) L. H.	2	All	C	62
C3GY 13008-C	R. H. - use on vehicles built prior to 1-7-63 with 6 cylinder sheet metal	1	144, 170	C	63
C3GY 13008-E	R. H. - use on 6 or 8 cylinder engines with 8 cylinder sheet metal on vehicles built after 1-6-63	1	All	C	63
C3GY 13008-D	L. H.	1	All	C	63
C4GY 13008-A	R. H.	1	All	C	64
C4GY 13008-B	L. H.	1	All	C	64
FFC 13008-C	Low beam	2	All	D	60
FFC 13008-D	High beam	2	All	D	60
C1VB 13008-A	R. H.	1	All	D	61
C1VY 13008-A	L. H.	1	All	D	61
C2VY 13008-A	R. H.	1	All	D	62/63
C2VY 13008-B	L. H.	1	All	D	62/63
C4VY 13008-A	R. H.	1	All	D	64
C4VY 13008-B	L. H.	1	All	D	64

13A008-9 PLATE (HEADLAMP MOUNTING)					
C1VB 13A008-E	R. H.	1	All	D	61
C1VB 13A009-E	L. H.	1	All	D	61

Lamps and Wiring

GROUP AND PART NUMBER	DESCRIPTION, SIZE, ETC.	NO. REQ'D	MODEL OR ENGINE CUBIC INCH DISPLACEMENT	VEHICLE CODE	YEAR 19__
13015 RING (HEADLAMP BULB RETAINING)					
B8A 13015-B	(a) (2) R.H. - (2) L.H.	4	All	A	60
		4	All	C	60/62
C1AF 13015-A		AR	All	A B D	61/64
		4	All	C	63/64
FFC 13018-A	Upper lamps	2	All	D	60
FFC 13018-B	Lower lamps	2	All	D	60
52600-S8	Screw No. 8-18 x 3/8"-ring to headlamp adjusting R. H. and L. H. ring	AR	a		
353933-S8	Screw-cr. rec. tap. -No. 10-12 x2"-ring to headlamp body	AR	a		
13A016 KIT (AUTOMATIC HEADLAMP DIMMER)					
C4VY 13A016-J	BLACK	1	All	D	64
C4VY 13A016-K	RED	1	All	D	64
C4VY 13A016-L	BLACK-BLUE METALLIC	1	All	D	64
C4VY 13A016-M	BLACK-TURQUOISE	1	All	D	64
C4VY 13A016-N	BLACK-BEIGE METALLIC	1	All	D	64
C4VY 13A016-R	BURGUNDY	1	All	D	64
C4VY 13A016-S	BLACK-SILVER MINK	1	All	D	64
13018 REFER TO GROUP 13015					
13A018 AMPLIFIER & WIRING HARNESS (HEADLAMP DIMMER)					
COLF 13A018-B		1	All	D	60
13A019 SENSOR (HEADLAMP DIMMER)					
COLF 13A019-B	BLACK	1	All	D	60
13A020 GASKET (HEADLAMP DIMMER CONTROL)					
COLF 13A020-A		1	All	D	60
13021 BRACKET (HEADLAMP ADJUSTING NUT)					
C2MY 13021-A	(4) R. H. - (4) L. H.	8	All	A	61/62
C2YY 13021-A	R.H.	1	All	B	62
C2YY 13021-B	L.H.	1	All	B	62
C1AZ 13021-D	(1) for R.H. and (1) for L.H. - 1" x 2-3/4"	2	All	B	62/63
C1AZ 13021-F	(1) for R.H. and (1) for L.H. - 2-1/2" x 1-1/4"	2	All	B	62/63
C3YY 13021-A	R.H.	1	All	B	63
C3YY 13021-B	L.H.	1	All	B	63
COAF 13021-D	1" x 3/4" x 25/64"	1	All	C	61/62
C2GB 13021-A	2" x 1-3/4"	4	All	C	62
C2SZ 13021-A	(1) R. H. - (1) L. H.	2	All	D	61
C2VB 13021-A	(2) R. H. - (2) L. H.	4	All	D	62
C2VB 13021-B	(1) R. H. - (1) L. H.	2	All	D	62
C3VY 13021-A		4	All	D	63
C3VY 13021-B		2	All	D	63
13A024 SWITCH (HEADLAMP DIMMER)					
COTZ 13A024-A		1	All	A B C	60/64
		1	All	D	61/64
B7AZ 13A024-A	Less wires (1) req'd. - for headlamp dimmer (1) req'd. - for radio foot control	AR	All	D	60
COLF 13A024-A	Use with automatic headlamp dimmer	1	All	D	60
C2VY 13A024-A	Use with automatic headlamp dimmer	1	All	D	62/64

Lamps and Wiring

GROUP AND PART NUMBER	DESCRIPTION, SIZE, ETC.	NO. REQ'D	MODEL OR ENGINE CUBIC INCH DISPLACEMENT	VEHICLE CODE	YEAR 19__
13A025 RELAY (AUTOMATIC HEADLAMP DIMMER)					
COLF 13A025-A		1	All	D	60
C4VY 13A025-A		1	All	D	64
13031 SPRING (HEADLAMP RING)					
B8A 13031-A		AR	All	A C D	60
C2OZ 13031-A	(2) for R.H. and (2) for L.H.	4	All	A	61/64
		4	All	C	63/64
		4	All	D	64
C1AB 13031-B	(1) R.H. - (1) L.H. - high beam	2	All	B	62/63
C1AB 13031-A	(1) R.H. - (1) L.H. - low beam	2	All	B	62/63
		2	All	C	63
C1GF 13031-A	(1) R.H. and L.H. - low and high beams	AR	All	C	61/62
C1VF 13031-A	(2) for R.H. and (2) for L.H.	AR	All	D	61/63
13032 SCREW (HEADLAMP ADJUSTING)					
B9A 13032-A		AR	All	A C D	60
C2OZ 13032-A		AR	All	A D	61/64
		4	All	C	64
C1DF 13032-A	(2) R.H. and L.H. - low and high beam	AR	All	B C	61/63
13044 GASKET (HEADLAMP MOUNTING)					
FFC 13044-B	Use on upper and lower lamps	4	All	D	60
C1VF 13044-A		AR	All	D	61/62
13048-9 BEZEL (FRONT FENDER HEADLAMP)					
COLB 13048-A	R.H.	1	All	D	60
COLB 13049-A	L.H.	1	All	D	60
13A060 RETAINER (HEADLAMP JUNCTION BLOCK)					
C1AF 13A060-A		1	All	A C	60/61
13A061-2 SEAL (HEADLAMP MOUNTING PANEL)					
C1VB 13A061-B	R.H. - lower support to bumper	1	All	D	61/62
C1VB 13A062-B	L.H. - lower support to bumper	1	All	D	61/62
13062 RETAINER (HEADLAMP DOOR)					
C1KF 13062-A		4	All	C	60
13064 DOOR (HEADLAMP)					
COMY 13064-A	R.H. - outer	1	All	A	60
COMB 13064-C	L.H. - outer	1	All	A	60
COMY 13064-B	R.H. - inner	1	All	A	60
COMY 13064-C	L.H. - inner	1	All	A	60
C1MY 13064-A	R.H. - low beam	1	All	A	61
C1MF 13064-A	L.H. - low beam	1	All	A	61
C1MY 13064-B	R.H. - high beam	1	All	A	61
C1MF 13064-B	L.H. - high beam	1	All	A	61
C2MY 13064-A	R.H. - inner	(b) 1	All	A	62
C2MY 13064-B	L.H. - inner	(b) 1	All	A	62

CONTINUED ON NEXT PAGE

Lamps and Wiring

GROUP AND PART NUMBER	DESCRIPTION, SIZE, ETC.	NO. REQ'D	MODEL OR ENGINE CUBIC INCH DISPLACEMENT	VEHICLE CODE	YEAR 19__
13064 DOOR (HEADLAMP) CONTINUED					
C2MY 13064-E	R. H. - outer	(b) 1	All	A	62
C2MY 13064-F	L. H. - outer	(b) 1	All	A	62
C3MY 13064-A	R. H. - outer	1	All	A	63
C3MY 13064-C	L. H. - outer	1	All	A	63
C3MY 13064-B	R. H. - inner	1	All	A	63
C3MY 13064-D	L. H. - inner	1	All	A	63
C4MY 13064-A	R. H. - outer	1	All	A	64
C4MY 13064-C	L. H. - outer	1	All	A	64
C4MY 13064-B	R. H. - inner	1	All	A	64
C4MY 13064-D	L. H. - inner	1	All	A	64
C2YY 13064-A	R. H.	1	All	B	62
C2YY 13064-B	L. H.	1	All	B	62
C3YY 13064-A	R. H.	(e) 1	All	B	63
C3YY 13064-B	L. H.	(e) 1	All	B	63
COGY 13064-A	R. H. - low beam	1	All	C	60
C1KF 13064-A	L. H. - low beam	1	All	C	60
COGY 13064-B	R. H. - high beam	1	All	C	60
C1KF 13064-B	L. H. - high beam	1	All	C	60
C1GY 13064-A	R. H.	(a) 2	All	C	61
C1GF 13064-A	L. H.	(a) 2	All	C	61
C2GY 13064-A	R. H. - outer	1	All	C	62
C2GB 13064-A	L. H. - outer	1	All	C	62
C2GY 13064-B	R. H. - inner	1	All	C	62
C2GY 13064-C	L. H. - inner	1	All	C	62
C3GY 13064-A	R. H. - inner	(d) 1	All	C	63
C3GY 13064-B	L. H. - inner	(d) 1	All	C	63
C3GY 13064-C	R. H. - outer	(d) 1	All	C	63
C3GY 13064-D	L. H. - outer	(d) 1	All	C	63
C4GY 13064-A	R. H.	(d) 1	All	C	64
C4GY 13064-B	L. H.	(d) 1	All	C	64
COLY 13064-A	R. H.	1	53A, B, 63A, B	D	60
COLB 13064-A	L. H.	1	53A, B, 63A, B	D	60
COLY 13064-B	R. H.	1	54A, 65A, 68A, 75A	D	60
COLB 13064-B	L. H.	1	54A, 65A, 68A, 75A	D	60
C1VY 13064-A	R. H.	1	All	D	61
C1VB 13064-A	L. H.	1	All	D	61
C2VY 13064-A	R. H.	(c) 1	All	D	62/64
C2VB 13064-A	L. H.	(c) 1	All	D	62/64
45187-S8	Spring-nut-located on headlamp housing-No. 10-12	AR	d		
52379-S6	Screw-No. 14-10 x 1"	AR	b		
52391-S6	Screw-No. 14-10 x 1-1/2"-attach door to lamp assy.	AR	b		
374090-S100	Screw-No. 8-15 x .88"-attach door to grille assy.	AR	a		
375274-S100	Screw-oval hd. -No. 14-10 x 1-3/4"-attach headlamp door to grille or housing	4	c, d		
376657-S32	"J" nut	AR	e		

13076 WIRING (HEADLAMP LEADS)

COMF 13076-C	Inner lamps - (1) for R. H. - (1) for L. H.	2	All	A	60
COMF 13076-D	Outer lamps - (1) for R. H. - (1) for L. H.	2	All	A	60
C1MF 13076-B		2	All	A	61/62
C3MY 13076-A		1	All	A	63
C2YY 13076-A		2	All	B	62/63
		2	All	D	64
C1GB 13076-A	For R. H. and L. H. low beam lamps	2	All	C	60/62
C2GY 13076-A	R. H.	1	All	C	60/62
CONTINUED ON NEXT PAGE					

Lamps and Wiring

GROUP AND PART NUMBER	DESCRIPTION, SIZE, ETC.	NO. REQ'D	MODEL OR ENGINE CUBIC INCH DISPLACEMENT	VEHICLE CODE	YEAR 19_____
13076 WIRING (HEADLAMP LEADS) CONTINUED					
C2GY 13076-B	L.H.	1	All	C	60/62
C3GY 13076-A	Use on vehicles built prior to 1-7-63	2	All	C	63
C3GY 13076-B	Use on vehicles built after 1-6-63	2	All	C	63
B9LF 13076-A	For upper headlamps	2	All	D	60
B9LF 13076-C	For lower headlamps	2	All	D	60
C1VB 13076-A		2	All	D	61
C2VY 13076-A		2	All	D	62/63
13A088 BRACKET (HEADLAMP HOUSING SUPPORT)					
C4MY 13A088-A	R.H.	1	All	A	64
C4MY 13A088-B	L.H.	1	All	A	64
13A090 WIRING (HEADLAMP DIMMER SWITCH TO AMPLIFIER)					
C2VY 13A090-A		1	All	D	62
13099 HOUSING ASSEMBLY (HEADLAMP)					
C2MY 13099-A	R.H.	1	All	A	62
C2MY 13099-B	L.H.	1	All	A	62
C3MY 13099-B	L.H.	1	All	A	63
13118-9 RING (HEADLAMP ADJUSTING)					
COAZ 13118-A	R.H. and L.H. - low beam	2	All	A C ₁	60
FEW 13118-A	R.H. and L.H. - high beam	2	All	A C	60
C1AB 13118-A	R.H. - high beam	1	All	A B	61/64
		1	All	C	63/64
C1AB 13119-A	L.H. - high beam	1	All	A B	61/64
		1	All	C	63/64
C1AZ 13118-A	R.H. - low beam	1	All	A B	61/64
		1	All	C	63/64
C1AZ 13119-A	L.H. - low beam	1	All	A B	61/64
		1	All	C	63/64
C1GF 13118-A	R.H. and L.H. - high beam	2	All	C	61/62
C1GY 13118-A	Low beam	2	All	C	61/62
B8LY 13118-A	Low beam	2	All	D	60
FFC 13118-A	High beam	2	All	D	60
C1VB 13118-A	R.H. - high beam	1	All	D	61/64
C1VB 13119-A	L.H. - high beam	1	All	D	61/64
C1VY 13118-A	R.H. - low beam	1	All	D	61/64
C1VY 13119-A	L.H. - low beam	1	All	D	61/64
13177 KIT (HEADLAMP DIMMER CONTROL-SENSOR & AMPLIFIER)					
C2VY 13177-A		1	All	D	62
13181 NUT (HEADLAMP ADJUSTING)					
C2TZ 13181-A		AR	All	A	62
		AR	All	B	62/63
C3MY 13181-A		AR	All	A C	63/64
		AR	All	D	64
13198 RETAINER (DOME LAMP OR CARGO LAMP WIRING)					
FEK 13198-A	Vulcanized fibre	AR	57B, F, 58B, 63B, F, 77	A	60
		AR	54B, 71	A	61
		AR	71	A	62 & 64

Lamps and Wiring

GROUP AND PART NUMBER	DESCRIPTION, SIZE, ETC.	NO. REQ'D	MODEL OR ENGINE CUBIC INCH DISPLACEMENT	VEHICLE CODE	YEAR 19__
13200-1 LAMP (PARKING)					
C2MY 13200-C		2	All	A	60/63
C4MY 13200-A	R. H.	1	All	A	64
C4MY 13201-A	L. H.	1	All	A	64
C2YY 13200-A	R. H.	1	All	B	62
C2YY 13201-A	L. H.	1	All	B	62
C3YY 13200-A	R. H. - with AMBER lens	1	All	B	63
C3YY 13201-A	L. H. - with AMBER lens	1	All	B	63
C2GY 13200-A	R. H.	1	All	C	60/62
C2GY 13201-A	L. H.	1	All	C	60/62
C3GY 13200-A	R. H. - use on vehicles built prior to 1-7-63	1	All	C	63
C3GY 13200-B	R. H. - use on vehicles built after 1-6-63	1	All	C	63
C3GY 13201-A	L. H.	1	All	C	63
C4GY 13200-A	R. H.	1	All	C	64
C4GY 13201-A	L. H.	1	All	C	64
COLF 13200-B	R. H.	1	All	D	60
COLF 13201-B	L. H.	1	All	D	60
C2VY 13200-A	R. H. and L. H.	2	All	D	61/62
C3VY 13200-A		2	All	D	63
C4VY 13200-A	Clear	2	All	D	64
13206-7 BODY (PARKING LAMP)					
C2AZ 13206-A	R. H.	1	All	A	63
C2AZ 13207-A	L. H.	1	All	A	63
C1KF 13206-C	R. H.	1	All	C	60/61
COLY 13206-A	R. H. - includes socket	1	All	D	60
COLY 13207-A	L. H. - includes socket	1	All	D	60
13208-9 LENS (PARKING LAMP)					
C2MY 13208-B		2	All	A	60/62
C4OZ 13208-A	AMBER - use with clear bulb (a)	2	All	A	63
C3AZ 13208-B	Clear - use with AMBER bulb (a)	2	All	A	63/64
		2	All	C	64
C2GY 13208-A	Clear	2	All	B C	60/62
C3GY 13208-A	AMBER (b)	2	All	B C	60/63
COLF 13208-A	R. H.	1	All	D	60
COLF 13209-A	L. H.	1	All	D	60
C1VF 13208-B	R. H. and L. H.	AR	All	D	61/62
C3VY 13208-A	AMBER	2	All	D	63
C4VY 13208-A	Clear	2	All	D	64
374611-S100	Screw-pan hd. -No. 10-12 x 1.0"-attach parking lamp lens to body	4	b		
375423-S100	Screw-pan hd. -No. 8-32 x .62"-attach parking lens to lamp	2	a		
13210 DOOR (PARKING LAMP)					
PB9M 13210-B	R. H. and L. H.	AR	All	A	60/62
13211 GASKET (PARKING LAMP LENS)					
B9MF 13211-A		2	All	A	60/62
C1AB 13211-A		2	All	A	63/64
		2	All	C	64
COLF 13211-A		2	All	D	60
C1VF 13211-A	(1) req'd. - for R. H. and L. H. parking lamps (1) req'd. - for R. H. and L. H. back-up lamps	AR	All	D	61/64
13A214 WIRING (PARKING LAMP EXTENSION)					
COMF13A214-A	(1) R. H. - (1) L. H.	2	All	A	62

Lamps and Wiring

GROUP AND PART NUMBER	DESCRIPTION, SIZE, ETC.	NO. REQ'D	MODEL OR ENGINE CUBIC INCH DISPLACEMENT	VEHICLE CODE	YEAR 19__
13220-1	REFER TO GROUP 13256				
13256	BRACKET (PARKING LAMP MOUNTING)				
COMF 13256-A	(1) R.H. - (1) L.H.	2	All	A	60/62
C1AB 13220-B	R.H.	1	All	A	63
C1AB 13221-B	L.H.	1	All	A	63
C4MY 13220-A	R.H.	1	All	A	64
C4MY 13221-A	L.H.	1	All	A	64
C4GY 13220-A	R.H. and L.H.	2	All	C	64
C1VF 13256-A	(1) req'd. - for R.H. and L.H. parking lamps	2	All	D	61/64
	(1) req'd. - for R.H. and L.H. back-up lamps	2	All	D	61/63
C4VY 13256-A	(1) req'd. - for R.H. and L.H. back-up lamps	2	All	D	64
13A261	REFER TO GROUP 17A260				
13304	PLATE (TURN SIGNAL SWITCH)				
COMY 13304-A	Consists of plate, roller and pin with automatic transmission	1	All	A	60
PB9M 13304-A	Use with standard transmission	1	All	A	60
CODF 13304-A		1	All	C	60/61
FFC 13304-A		1	All	D	60
13305	HANDLE & SHANK (TURN SIGNAL SWITCH)				
B9FM 13305-AP		1	All	A	60
C1MF 13305-BP		1	All except 58A, 64A	A	61
COKF 13305-AP		1	58A, 64A	A	61
C2MY 13305-A	Use with standard transmission	1	All	A	62
C2MY 13305-B	Use with automatic transmission	1	All	A	62
C3AZ 13305-A		1	All	A	64
C3MY 13305-A		1	All	A	63
		1	All	B	62/63
		1	All	C	64
C2DZ 13305-AP		1	All	C	60/62
C3DZ 13305-B		1	All	C	63
COLF 13305-B	BLACK - paint to match	1	All	D	60
C1VF 13305-B(01)	BLACK - use on vehicles built prior to 11-21-61	1	All	D	61/62
C1VF 13305-B(02)	BLUE - use on vehicles built prior to 11-21-61	1	All	D	61/62
C1VF 13305-B(03)	BEIGE - use on vehicles built prior to 11-21-61	1	All	D	61/62
C1VF 13305-B(04)	GREEN - use on vehicles built prior to 11-21-61	1	All	D	61/62
C1VF 13305-B(05)	RED - use on vehicles built prior to 11-21-61	1	All	D	61/62
C1VF 13305-B(06)	TURQUOISE - use on vehicles built prior to 11-21-61	1	All	D	61/62
C1VF 13305-B(07)	WOOD GRAIN - use on vehicles built prior to 11-21-61	1	All	D	61/62
C2VY 13305-B	BLUE - use on vehicles built after 11-20-61	1	All	D	62
C2VY 13305-C	BEIGE - use on vehicles built after 11-20-61	1	All	D	62
C2VY 13305-D	GREEN - use on vehicles built after 11-20-61	1	All	D	62
C2VY 13305-F	SILVER BLUE - use on vehicles built after 11-20-61	1	All	D	62
C2VY 13305-G	TURQUOISE - use on vehicles built after 11-20-61	1	All	D	62
C2VY 13305-A	BLACK - use on vehicles built after 11-20-61	1	All	D	62/63
C2VY 13305-E	RED - use on vehicles built after 11-20-61	1	All	D	62/63
C2VY 13305-H	WOOD GRAIN - use on vehicles built after 11-20-61	1	All	D	62/63
C3VY 13305-A	MEDIUM BLUE	1	All	D	63
C3VY 13305-B	MEDIUM GOLD	1	All	D	63
C3VY 13305-D	MEDIUM GREEN	1	All	D	63

CONTINUED ON NEXT PAGE

Lamps and Wiring

GROUP AND PART NUMBER	DESCRIPTION, SIZE, ETC.	NO. REQ'D	MODEL OR ENGINE CUBIC INCH DISPLACEMENT	VEHICLE CODE	YEAR 19__
13305 HANDLE & SHANK (TURN SIGNAL SWITCH) CONTINUED					
C3VY 13305-E	MEDIUM ROSE BEIGE	1	All		
C3VY 13305-F	MEDIUM SILVER BLUE	1	All	D	63
C3VY 13305-G	MEDIUM TURQUOISE	1	All	D	63
C4VY 13305-A		1	All	D	64
13309 PAWL (TURN SIGNAL SWITCH)					
1M 13309-A		1	All	A D	60
13316 SPRING (TURN SIGNAL SWITCH PAWL)					
1M 13316-A	With automatic transmission	1	All	A	60
FEK 13316-A	With standard transmission	1	All	A	60
	With dual range transmission	1	All	D	60
CODF 13316-A		2	All	C	60/62
13318 CAM (TURN SIGNAL TURN-OFF)					
B9A 13318-A		1	58A, 64A	A	61
C3AZ 13318-B	Use with 17" steering wheel	1	All	A	63/64
C3MY 13318-A	Use with 16" and 16-1/2" steering wheel - 87" overall length	1	All	A	63/64
C1AA 13318-A	Use with standard transmission	1	All except 58A, 64A	A	61/62
		1	All except 62A(S-22), 62C	C	60/62
		1	All	C	60&63
C1MF 13318-A	Use with automatic transmission	1	All except 58A, 64A	A	61
	Use with automatic transmission	1	All	A	62
		1	All	C	63
FDT 13318-A		1	All	A D	60
C2OZ 13318-B		1	All	B	62/63
C1GY 13318-A		1	62A(S-22), 62C	C	61/62
C3DZ 13318-B		1	All	C	64
C1VF 13318-A		1	All	D	61
C2VY 13318-A		1	All	D	62/63
C4VY 13318-A		1	All	D	64
13A319 REFER TO GROUP 13341					
13322 BRACKET (BACK-UP LAMPS)					
FEW 13322-A		2	All except 71	A	62
13323 PAD (REAR LAMP WATER SEAL LOWER)					
C2MY 13323-A		2	All	A	62
13A327 BODY ASSEMBLY (TURN SIGNAL INDICATOR LAMP)					
C4MY 13A327-E	R. H. - fender mount	1	All	A	64
C4MY 13A327-C	R. H. - fender mount	1	All	A	64
C4MY 13A327-D	L. H. - fender mount	1	All	A	64
13331 FUSE					
16H 13331	10 Amp. - for electric antenna	1	All	D	60/62
13340 JEWEL (TURN SIGNAL INDICATOR LAMP)					
COMF 13340-A	GREEN	2	All	A	60
C2AZ 13340-A		2	All	A	62
C1AF 13340-A		2	All	A	61
	GREEN	2	All	C	60/61
C2YY 13340-A		2	All	B	62/63
COLF 13340-B	GREEN	2	All	D	60
C1VF 13340-A		2	All	D	61/63

Lamps and Wiring

GROUP AND PART NUMBER	DESCRIPTION, SIZE, ETC.	NO. REQ'D	MODEL OR ENGINE CUBIC INCH DISPLACEMENT	VEHICLE CODE	YEAR 19_____
13341 SWITCH & MOUNTING PLATE (TURN SIGNAL CONTROL)					
B8SZ 13341-A	With automatic transmission	1	All	A	60
B9A 13341-A	Use with standard transmission	1	58A, 64A	A	61
		1	All	A	62
C2MY 13341-A	Use with automatic transmission - ☆ except 58A, 64A, 71C for 1961	1	All☆	A	61/62
C3AZ 13341-B	With movable steering column	1	All	A	63
C3AZ 13341-D	Use with movable steering column	1	All	A	64
CODZ 13341-A	Use with standard transmission	1	All	A	60
		1	All	C	60/62
C3AZ 13341-C	Use with fixed steering column	1	All	A	63/64
		1	221, 260	B	63
		1	All	D	64
C3OZ 13341-A	Except 4 speed transmission on Meteor only	1	All	B	62/63
		1	All	C	63/64
COLY 13341-A		1	All	D	60
C1VY 13341-A	Use on vehicles built prior to 11-21-61 with handle and shank having a No. 10-32 thread	1	All	D	61/62
C2VY 13A319-A	Switch and wiring - use on vehicles built after 11-20-61	1	All	D	62
C3VY 13A319-A	Switch and wiring - use with handle and shank having 1/4" - 28 thread	1	All	D	63
13343 SPRING (TURN SIGNAL SWITCH PLATE RETAINER)					
1M 13343-A	With automatic transmission	1	All	A	60
13346 SPRING (TURN SIGNAL CONTROL ARM TENSION)					
FAA 13346-A	With standard transmission	1	All	A	60
	With dual range transmission	1	All	C D	60/62 60
13347 RETAINER (TURN SIGNAL CONTROL ARM)					
1A 13347-A	With standard transmission only	1	All	A	60
		1	All	C	60/62
		1	All	D	60
13A348 GASKET (TURN SIGNAL INDICATOR LAMP BAFFLE)					
C4VY 13A348-A	R. H. - located at instrument cluster	1	All	D	64
C4VY 13A348-B	L. H. - located at instrument cluster	1	All	D	64
13350 FLASHER (TURN SIGNAL)					
C3MY 13350-A	Color code YELLOW - 3 lamp flasher	1	All except 71	A	63/64
	Use on models with back-up lamps	1	All except 59,71	C	63/64
C2AZ 13350-A		1	All	A	60
		1	71	A	61/62
		1	All	B	62
		1	54A, 62A	C	60/62
		1	59, 71	C	62
C2GY 13350-A	All with back-up lamps	1	All except 71	A	61/62
		1	59, 71	C	60/62
C3AZ 13350-A	Without back-up lamps	1	All	D	60
		1	All	B D	63/64
		1	71	A	63
C3AZ 13350-A	Color code BLUE - 2 lamp flasher	1	All	B D	63/64
		1	71	A	63
C3AZ 13350-A	Use on models with back-up lamps	1	59, 71	C	63/64
		1	71	A	64
B6A 13350-A		1	All	D	61/62
13351 BRACKET (TURN SIGNAL FLASHER)					
B5A 13351-A		1	All	A B C	62/64
		1	All	D	62/63

Lamps and Wiring

GROUP AND PART NUMBER	DESCRIPTION, SIZE, ETC.	NO. REQ'D	MODEL OR ENGINE CUBIC INCH DISPLACEMENT	VEHICLE CODE	YEAR 19.....
13A355-6 LAMP ASSEMBLY (TURN SIGNAL INDICATOR)					
C4MY 13A355-B	R. H. - fender mount - use on vehicles built prior to 3-2-64	1	All	A	64
C4MY 13A356-B	L. H. - fender mount - use on vehicles built prior to 3-2-64	1	All	A	64
C4MY 13A355-C	R. H. - fender mount - use on vehicles built after 3-1-64	1	All	A	64
C4MY 13A356-C	L. H. - fender mount - use on vehicles built after 3-1-64	1	All	A	64
13A367 RETAINER (TURN SIGNAL FLASHER)					
C4SZ 13A367-A		1	All	D	64
13376 COVER (TURN SIGNAL SWITCH WIRING)					
COAF 13376-AP		1	58A, 64A	A	61/62
13404-5 LAMP ASSEMBLY (REAR)					
COMF 13404-G	R. H. and L. H. - use on vehicles with back-up lamps	2	All	A	60
COMF 13404-H	R. H. and L. H. - use on vehicles without back-up lamps	2	57A, 58A, 63A, 64A, 76A, 77A	A	60
C1MB 13404-B	R. H.	1	71	A	61
C1MB 13405-B	L. H.	1	71	A	61
C1MF 13404-A	R. H.	1	58A, 64A	A	61
C1MF 13405-A	L. H.	1	58A, 64A	A	61
C1MF 13404-F	R. H.	1	All except 58A, 64A, 71	A	61
C1MF 13405-F	L. H.	1	All except 58A, 64A, 71	A	61
C2MY 13404-A	R. H.	1	All except 71	A	62
C2MY 13405-A	L. H.	1	All except 71	A	62
C2MY 13404-B	R. H.	1	71	A	62
C2MY 13405-B	L. H.	1	71	A	62
C3MY 13404-A	R. H. - inner	1	All except 71B	A	63
C3MY 13405-A	L. H. - inner	1	All except 71B	A	63
C3MY 13404-C	R. H. - outer	1	All except 71B	A	63
C3MY 13405-B	L. H. - outer	1	All except 71B	A	63
C3MY 13404-B		2	71B	A	63
C4MY 13404-A	R. H. - inner	1	All except 71	A	64
C4MY 13405-A	L. H. - inner	1	All except 71	A	64
C4MY 13404-B	R. H.	1	71	A	64
C4MY 13405-B	L. H.	1	71	A	64
C4MY 13404-C	R. H. - outer	1	All except 71	A	64
C4MY 13405-C	L. H. - outer	1	All except 71	A	64
C2YY 13404-C	R. H. and L. H.	2	All	B	62
C3YY 13404-A		2	All except 71	B	63
C3YY 13404-B		2	71B, E	B	63
C1KF 13404-C	R. H. and L. H.	2	54A, 62A	C	60/61
C1KF 13404-D	R. H.	1	59, 71	C	60/61
C1KF 13405-B	L. H.	1	59, 71	C	60/61
C2GY 13404-A	(2) for R. H. and (2) L. H.	4	54, 62A, B	C	62
C2GY 13404-B	R. H.	1	59, 71	C	62
C3GY 13404-B	R. H.	1	59, 71	C	63
C3GY 13405-A	L. H.	1	59, 71	C	62/63
C3GY 13404-A	(2) for R. H. and (2) for L. H.	4	54, 62A, B, 63B, 76A	C	63
C4GY 13404-A	R. H. - use with back-up lamps	1	All except 71	C	64
C4GY 13405-A	L. H. - use with back-up lamps	1	All except 71	C	64

CONTINUED ON NEXT PAGE

Lamps and Wiring

GROUP AND PART NUMBER	DESCRIPTION, SIZE, ETC.	NO. REQ'D	MODEL OR ENGINE CUBIC INCH DISPLACEMENT	VEHICLE CODE	YEAR 19__
13404-5 LAMP ASSEMBLY (REAR) CONTINUED					
C4GY 13404-B	R. H. - use without back-up lamps NOTE - for replacement on vehicles with back-up lamps also order 13450 lens	1	71	C	64
C4GY 13405-B	L. H. - use without back-up lamps NOTE - for replacement on vehicles with back-up lamps also order 13451 lens	1	71	C	64
C4GY 13404-C	R. H. - use without back-up lamps	1	All except 71	C	64
C4GY 13405-C	L. H. - use without back-up lamps	1	All except 71	C	64
COLF 13404-D	R. H. - stop and tail	2	54A, 65A, 68A, 75A	D	60
COLF 13405-D	L. H. - stop and tail	2	54A, 65A, 68A, 75A	D	60
COLF 13404-G	R. H.	1	53A, B, 63A, B	D	60
COLF 13405-G	L. H.	1	53A, B, 63A, B	D	60
C1VY 13404-A	(1) for R. H. and (1) for L. H.	2	All	D	61/64
13410 SOCKET & WIRE (REAR LAMPS)					
C1MY 13410-A	Service replacement for each rear lamp except back-up lamp - use C1MF-15536-B for back-up only	2	58A, 64A	A	61
C2MY 13410-B		2	All	A	62
C2GY 13410-A		1	54, 62	C	62
COLY 13410-A	Stop and tail - double contact - R. H. and L. H.	4	53A, B, 63A, B	D	60
C2VY 13410-A	(1) for R. H. and (1) for L. H.	2	All	D	61/64
13412 SOCKET & WIRE (INTERIOR LAMPS)					
B 13412	Cargo lamp	1	77	A	60
	Dome lamp	1	All except 76	A	60
	Rear license lamp	AR	All	A	60
	Rear quarter - courtesy	2	68	D	60
	On doors	AR	All	D	61
13420-1 PAD (REAR LAMP MOUNTING)					
C1MB 13420-A	(1) for R. H. and (1) for L. H.	AR	71	A	61
C1MF 13420-B	(2) for R. H. and (2) for L. H.	AR	58A, 64A	A	61
C1MF 13420-D	(1) for R. H. and (1) for L. H.	AR	All except 58A, 64A, 71	A	61
C2MY 13420-B	R. H. and L. H.	AR	All	A	62
C3MY 13420-A	Outer	2	All except 71B	A	63
C3MY 13420-B	(1) req'd. - for each rear lamp	4	71B	A	63
C4MY 13420-A	R. H. and L. H.	2	71	A	64
C2YY 13420-A	R. H.	1	All except 71	B	62/63
C2YY 13421-A	L. H.	1	All except 71	B	62/63
C3YY 13420-B	R. H.	1	71	B	63
C3YY 13421-A	L. H.	1	71	B	63
C1KB 13420-A	R. H. and L. H.	2	54A, 62A	C	60/61
C2GB 13420-A	(2) for R. H. and (2) for L. H.	4	54, 62	C	62
C2GB 13420-B	(1) for R. H. and (1) for L. H. - GRAY	2	59, 71	C	62
C2GY 13420-D	(1) for R. H. and (1) for L. H. - BLACK	2	59, 71	C	62/63
C2GY 13420-B	(1) for R. H. and (1) for L. H.	2	62C	C	62/63
C4GY 13420-A	R. H.	1	71	C	64
C4GY 13421-A	L. H.	1	71	C	64
COLF 13420-A	R. H. and L. H. - tail and back-up lamp	AR	53A, B, 63A, B	D	60
C4VY 13420-A	(1) for R. H. and (1) for L. H.	2	All	D	61/63
	R. H.	1	All	D	64
C4VY 13421-A	L. H.	1	All	D	64
13423 BRACKET (REAR LICENSE LAMP)					
COMF 13423-B	Mounting bracket	1	56, 77	A	60 & 62
COMF 13423-A	Outer bracket	1	56, 77	A	60
		1	All	A	61/62
CONTINUED ON NEXT PAGE					

Lamps and Wiring

GROUP AND PART NUMBER	DESCRIPTION, SIZE, ETC.	NO. REQ'D	MODEL OR ENGINE CUBIC INCH DISPLACEMENT	VEHICLE CODE	YEAR 19__
13423 BRACKET (REAR LICENSE LAMP) CONTINUED					
C2MY 13423-A	Mounting bracket	1	All	A	61/62
C3MY 13423-A	For model 71B refer to 17A778	1	All except 71B	A	63
	For model 71 refer to 17A778	1	All except 71	A	64
C4DZ 13423-A		1	71	C	64
C4GY 13423-A		1	All except 71	C	64
C4VY 13423-A		1	All	D	64
13A428 WIRE (REAR LICENSE LAMP SOCKET)					
COMF 13A428-B		1	56, 77	A	60
13434-5 BODY WITH SOCKET & WIRE (REAR LAMP)					
COMY 13434-A	R. H. and L. H. - use on vehicles with back-up lamps	2	All	A	60
COMY 13434-B	R. H. and L. H. - use on vehicles without back-up lamps	2	57A, 58A, 63A, 64A, 76A, 77A	A	60
C1MF 13434-E	R. H.	1	All except 58A, 64A, 71	A	61
C1MF 13435-E	L. H.	1	All except 58A, 64A, 71	A	61
C3YY 13434-A		2	All except 71	B	63
C3YY 13434-B		2	71	B	63
C1KF 13434-A	R. H. and L. H.	2	54A, 62A	C	60/61
C1KF 13434-B	R. H.	1	59, 71	C	60/61
C1KF 13435-A	L. H.	1	59, 71	C	60/61
C2GY 13434-E		4	54, 62A, B	C	62
C2GY 13434-F		2	62C, 63C, 76B	C	62/63
C3GY 13434-A	R. H. - use on vehicles built prior to 1-16-63	1	59, 71	C	62/63
C2GY 13435-B	L. H. - use on vehicles built prior to 1-16-63	1	59, 71	C	62/63
C3GY 13434-A	R. H. - use on vehicles built after 1-15-63	1	59, 71	C	63
C3GY 13435-A	L. H. - use on vehicles built after 1-15-63	1	59, 71	C	63
C3GY 13434-B		4	54A, B, 62A, B, 63B, 76A	C	63
C4GY 13434-A	R. H.	1	All except 71	C	64
C4GY 13435-A	L. H.	1	All except 71	C	64
C4GY 13434-B	R. H.	1	71	C	64
C4GY 13435-B	L. H.	1	71	C	64
COLY 13434-A	R. H. - stop and tail lamp	2	54A, 65A, 68A, 75A	D	60
COLY 13435-A	L. H. - stop and tail lamp	2	54A, 65A, 68A, 75A	D	60
13437 REFLECTOR (REAR LAMP)					
C1KF 13437-A		2	59, 71	C	60/61
13440 BODY (REAR LAMP)					
C2MY 13440-A	Less socket and wire	2	All	A	62
COLF 13440-A	R. H. and L. H. - less socket and wire	2	53A, B, 63A, B	D	60
13A444 SOCKET & WIRE (COURTESY LAMP)					
B8LY 13A444-A		1	All	D	60
13450-1 LENS (REAR LAMPS)					
COMY 13450-A		(a) 2	All	A	60
C1MF 13450-A	(1) for R. H. and (1) for L. H.	AR	58, 64	A	61
C1MY 13450-A	R. H.	(a) 1	71	A	61
C1MY 13451-A	L. H.	(a) 1	71	A	61
C2MY 13450-A		2	All	A	62
C3MY 13450-A		AR	All	A	63
C4MY 13450-A		2	71	A	64
C4MY 13450-B		4	All except 71	A	64
CONTINUED ON NEXT PAGE					

Lamps and Wiring

GROUP AND PART NUMBER	DESCRIPTION, SIZE, ETC.	NO. REQ'D	MODEL OR ENGINE CUBIC INCH DISPLACEMENT	VEHICLE CODE	YEAR 19__
13450-1 LENS (REAR LAMPS) CONTINUED					
C1MF 13450-D	(2) for R.H. and (2) for L.H. R.H. and L.H. - stop and tail lamps	(a) AR AR	All except 58A, 64A, 71 54A, 65A, 68A, 75A	A D	61 60
C2YY 13450-A		2	All	B	62
C3YY 13450-A		2	54A, B, 62A, B, 65A, B	B	63
C3YY 13450-B		2	71	B	63
COGY 13450-A	R.H. - lower - use only when back-up lamps are not installed	1	59, 71	C	60/61
COGY 13451-A	L.H. - lower - use only when back-up lamps are not installed	1	59, 71	C	60/61
CIKF 13450-B	R.H. - upper	1	59, 71	C	60/61
CIKF 13451-A	L.H. - upper	1	59, 71	C	60/61
CIKF 13450-C	R.H. and L.H.	2	54A, 62A	C	60/61
C2GY 13450-A		4	54, 62A, B	C	62
C2GY 13450-B	(2) req'd. - for each side on vehicles without back-up lamps	(a) 4 4	59, 71	C	62/63
C2GY 13450-C		(a) 4 4	62C All except 59, 71	C C	62 63
C4GY 13450-A	R.H. and L.H. - use with back-up lamps	(b) 2	All except 71	C	64
C4GY 13450-D	R.H. and L.H. - use without back-up lamps	(b) 2	All except 71	C	64
C4GY 13450-B	R.H. - use without back-up lamps	1	71	C	64
C4GY 13451-A	L.H. - use without back-up lamps	1	71	C	64
C4GY 13450-C	R.H. - use with back-up lamps	1	71	C	64
C4GY 13451-B	L.H. - use with back-up lamps	1	71	C	64
COLF 13450-D	R.H. -, stop and tail lamps	2	53A, B, 63A, B	D	60
COLF 13451-C	L.H. - stop and tail lamps	2	53A, B, 63A, B	D	60
C1VB 13450-B	(1) for R.H. and (1) for L.H.	2	All	D	61/64
51763-S	Screw-cr. rec. hd. tap. -No. 6-32 x 1/2"	AR	a		
359826-S	Washer-flat-attach rear lens to door	AR	a		
374906-S	Screw-No. 8-32 x 1/2"-attach lens to body	AR	a		
376328-S100	Screw-pan hd. -No. 8-18 x 3/4"-attach lens to body	6	b		
13453 GASKET (REAR LAMP WATER SEAL)					
C2MB 13453-A		2	All	A	62
13456 RETAINER (REAR LAMP REFLECTOR)					
CIKF 13456-A		2	59, 71	C	60/61
13461 GASKET (REAR LAMP LENS)					
COMF 13461-B		2	All	A	60
C1MF 13461-A	(2) for R.H. and (2) for L.H.	AR	58A, 64A	A	61
C1MF 13461-B		2	71	A	61
C1MF 13461-C	(3) for R.H. and (3) for L.H.	AR	All except 58A, 64A, 71	A	61
C2MY 13461-A	(1) for R.H. and (1) for L.H.	2	All	A	62
C3MY 13461-A	(1) for R.H. and (1) for L.H.	2	All	A	63
C4MY 13461-A		6	All except 71	A	64
C4MY 13461-B		2	71	A	64
C2YY 13461-A	(1) for R.H. and (1) for L.H.	2	All	B	62
C3YY 13461-A		2	54A, B, 62A, B, 65A, B	B	63
C3YY 13461-B		2	71	B	63
CIKF 13461-C	R.H. and L.H.	2	54A, 62A	C	60/61
CIKF 13461-D		4	59, 71	C	60/61
C2GB 13461-A	(2) for R.H. and (2) for L.H.	4	54A, 62A	C	62
C2GB 13461-B	(2) for R.H. and (2) for L.H.	4	59A, 71A	C	62
		4	59, 71	C	63
C2GY 13461-A		6	62C, 63C, 76B	C	62/63
CONTINUED ON NEXT PAGE					

Lamps and Wiring

GROUP AND PART NUMBER	DESCRIPTION, SIZE, ETC.	NO. REQ'D	MODEL OR ENGINE CUBIC INCH DISPLACEMENT	VEHICLE CODE	YEAR 19__
13461 GASKET (REAR LAMP LENS) CONTINUED					
C3GY 13461-A		4	All except 59, 62C, 63C, 71, 76B	C	63
C4GY 13461-A		2	All except 71	C	64
C4GY 13461-B		2	71	C	64
COLF 13461-A		6	54A, 65A, 68A, 75A	D	60
COLF 13461-B		2	53A, B, 63A, B	D	60
C1VY 13461-A	(1) for R. H. and (1) for L. H.	2	All	D	61/64
13463 LENS (REAR LAMP OPTIC)					
COLF 13463-C	R. H. - stop and tail lamps	2	53A, B, 63A, B	D	60
COLF 13472-C	L. H. - stop and tail lamps	2	53A, B, 63A, B	D	60
C1VB 13463-A	(1) for R. H. and (1) for L. H.	2	All	D	61/64
13465-6 BULBS					
C3AZ 13466-D	1 C. P. - 12 volt - wedge base - use with shift quadrant light	1	All	A	63/64
B5AZ 13466-A	6 C. P. - 12 volt - S. C.				
	Courtesy lamps on quarter arm rests	2	76	A	60
	Courtesy lamps at dash	1	All	A	60
	Luggage compartment lamp - courtesy lamps at arm rest and dome lamp	AR	All	D	60/62
B8AZ 13466-A	3 C. P. - 12 volt - S. C. - clock lamp and transmission selector	1	All	A	61/62
	Use with console shift automatic transmission - PRNDL lights	1	All	A	64
	Use for radio	1	All	B	63
	(2) for temperature gauge - (1) for fuel gauge	AR	All	D	60/62
	Use for clock and L. H. control panel	AR	All	D	63
	Use for map light	2	All	D	64
COAZ 13466-A	2 C. P. - 12 volt - flashing type - use for parking brake warning lamp and open door warning lamp	AR	All	A	60/63
	Parking brake warning lamp	AR	All	A C	64
	Parking brake warning lamp	AR	All	D	61/63
C3AZ 13466-E	32-4 C. P. - 12 volt - D. C. - AMBER - use with clear parking lamp lens	1	All	A	63/64
		2	All	C D	64
C3VY 13466-A	6 C. P. - 12 volt - S. C. - double filament - use for interior lamp	AR	All	A C D	63
	(2) dome lamp - model 53A				
	(2) rear quarter roof interior - model 53A				
	(2-4) front and rear arm rests - models 53A, 74A				
	(1) luggage compartment lamp - all				
	(2) req'd. - for rear quarter arm rest lamps	AR	76	A	64
	(1) req'd. - for map lamp	AR	All	A	64
	(1) req'd. - for luggage compartment lamp				
	Use for courtesy lamp group and instrument panel	AR	All	C	64
	Use for dome lamp, luggage compartment lamp, front and rear arm rest courtesy lamps	AR	All	D	64
B6A 13465-A	32-4 C. P. - 12 volt - D. C. - use with rear lamps, parking lamps, also back-up lamps for Comet	AR	All	A B C	60/62
		AR	All	D	60
B6A 13465-B	32 C. P. - 12 volt - S. C. - back-up lamps	AR	All	A B	60/62
		AR	62C	C	62
		AR	54A, 65A, 68A, 75A	D	60
O9B 13466-A	4 C. P. - S. C. - use for rear license lamp	AR	All	A B C	60/62
		AR	All	D	61/62

CONTINUED ON NEXT PAGE

Lamps and Wiring

GROUP AND PART NUMBER	DESCRIPTION, SIZE, ETC.	NO. REQ'D	MODEL OR ENGINE CUBIC INCH DISPLACEMENT	VEHICLE CODE	YEAR 19__
13465-6 BULBS (CONTINUED)					
B6A 13466-B	1.5 C.P. - 12 volt - S.C. - stead type - use for parking brake warning lamp	AR	All	A B C D	60/62
	Use for speedo pointer, transmission selector lever light on Comet and Meteor, console shift on Mercury, speed control, heater control and ash receptacle	AR	All	A B C D	63
	Use with automatic transmission for PRNDL lights	1	All	C	64
	(1) req'd. - for heater and/or a/cond. control	AR	All	A	64
	(1) req'd. - for speedometer pointer	AR	All	D	64
	Use for front and rear door courtesy lights - low fuel warning light	AR	All	D	64
B8E 13465-A	21 C.P. - 12 volt - S.C. - use for back-up lamps	AR	All	A	60 & 64
		AR	All except 71	A	61
		2	54B, 65B, C, 71B, 75B, 76A, B	A	63
		2	71	B	63
		AR	54A, 62A	C	60/61
		AR	All except 59A, 62C, 71A	C	62
		2	54, 62A, B, 76	C	63
		AR	All except 71	C	64
AR	All	D	60/64		
B6AZ 13466-A	15 C.P. - 12 volt - S.C. base	1	All	A	60/62
		1	71, 77	A	60/63
		2	63C, 65C, 75C	A	63
		2	54B, 63B, C, 65B, C, 75B, C	A	63
		2	54B, F, 65B, C, F, 75	A	64
		2	54F, 57C, 63C, 65C, F, 75F, 76C, F	A	64
		1	All	A B C	60/62
		1	All except 76	A B C	63
		1	All except 76	C	64
		2	54C, D, 63C, D, 76B, D	C	64
		AR	53A, 57A, 63A	D	60/62
		C3AZ 13466-B	2 C.P. - 12 volt - S.C. - use for high beam indicator, turn signals, glove compartment lamp, instrument cluster lamps, clock, oil pressure, charge indicator, ignition switch, instrument panel controls and heater	AR	All
2	All			A	64
1	All except 71			A	64
1	All			D	64
C3AZ 13466-C	32-4 C.P. - 12 volt - D.C. - use for rear lamp and parking lamps with AMBER lens	AR	All	A B C D	63
		AR	All	A C	64
		2	All	D	64
C3AZ 13466-A	4 C.P. - 12 volt - S.C. - use for license plate lamp, instrument cluster, indicators, courtesy lamps and luggage compartment	1	All	B D	63
		1	All	A	64
		1	All	C D	64
C3DZ 13465-A	32 C.P. - 12 volt - S.C. - use for back-up lamps	AR	All except 71	B	63
		AR	62C	C	63

CONTINUED ON NEXT PAGE

Lamps and Wiring

GROUP AND PART NUMBER	DESCRIPTION, SIZE, ETC.	NO. REQ'D	MODEL OR ENGINE CUBIC INCH DISPLACEMENT	VEHICLE CODE	YEAR 19__
13465-6 BULBS (CONTINUED)					
C2AZ 13466-B	2 C.P. - 12 volt - wedge base - use for PRNDL light, rear door warning, turn indicator, hi-beam indicator, low fuel warning, speedometer and gauges, heater control, heater blower and clock	AR	All	D	64
13472 REFER TO GROUP 13463					
13480 SWITCH (STOPLIGHT)					
C1AZ 13480-A		1 1	All All	A B C D	61/64 60/64
13489 DOOR (REAR LAMP LENS)					
C1MY 13489-A	R.H.	1	58A, 64A	A	61
C1MY 13489-B	L.H.	1	58A, 64A	A	61
C1MY 13489-D	R.H.	1	71	A	61
C1MY 13489-E	L.H.	1	71	A	61
C2MY 13489-A	R.H.	1	All except 71	A	62
C2MY 13489-B	L.H.	1	All except 71	A	62
C2MY 13489-C	R.H.	1	71	A	62
C2MY 13489-D	L.H.	1	71	A	62
C1MY 13489-C	Chrome ring - (3) for R.H. and (3) for L.H.	AR 6	All except 58A, 64A, 71 62C, 63C	A C	61 62/63
COLF 13489-B	(1) req'd. - for each rear lamp	AR 4	All except 58A, 64A, 71 54A, B, 62A, B, 76A	A C	61 63
	Four prong zinc die cast	AR	62C	C	62/63
	(1) req'd. - for each rear lamp	6	54A, 65A, 68A, 75A	D	60
	Sleeve				
C2YY 13489-A	R.H. - upper	1	All	B	62
C2YY 13489-C	L.H. - upper	1	All	B	62
C2YY 13489-F	Lens retaining	2	All	B	62
C2YY 13489-B	R.H. - lower	1	All except 71	B	62/63
C2YY 13489-D	L.H. - lower	1	All except 71	B	62/63
C3YY 13489-A	R.H. - lower	1	71	B	63
C3YY 13489-B	L.H. - lower	1	71	B	63
C3YY 13489-C	R.H. - upper	1	71	B	63
C3YY 13489-D	L.H. - upper	1	71	B	63
C3YY 13489-G	R.H. - upper	1	All except 71	B	63
C3YY 13489-H	L.H. - upper	1	All except 71	B	63
COGY 13489-A	R.H.	1	59, 71	C	60/61
COGY 13489-B	L.H.	1	59, 71	C	60/61
COGY 13489-C	R.H. and L.H.	2	54A, 62A	C	60/61
COLY 13489-A	R.H.	1	53A, B, 63A, B	D	60
COLY 13489-B	L.H.	1	53A, B, 63A, B	D	60
C1VY 13489-A	(1) for R.H. - (1) for L.H.	2	All	D	61/64
13A495 SEAL (REAR LAMP)					
C3MY 13A495-A	Inner	4	All	A	63
C4MY 13A495-A	Inner	6	All except 71	A	64
C4MY 13A495-B		2	71	A	64
C3YY 13A495-A		2	71	B	63
C3GY 13A495-A		4	54A, B, 62A, B, 76A	C	63
C4GY 13A495-A		2	All except 71	C	64
C4GY 13A495-B	R.H.	1	71	C	64
C4GY 13A495-C	L.H.	1	71	C	64
C1VB 13A495-A	(1) req'd. - for each rear lamp	2	All	D	61/64
13508 SHIELD (REAR LICENSE LAMP)					
COMZ 13508-B		1 1	All except 56, 77 All except 71	A A	60 63/64

Lamps and Wiring

GROUP AND PART NUMBER	DESCRIPTION, SIZE, ETC.	NO. REQ'D	MODEL OR ENGINE CUBIC INCH DISPLACEMENT	VEHICLE CODE	YEAR 19____
13535 COVER (HEADLAMP DIMMER SWITCH)					
BY 13535-A		1	All	D	60
13548 SOCKET (LUGGAGE COMPARTMENT & COURTESY LAMPS)					
B7A 13548-A	(1) req'd. - for luggage compartment lamp (1) req'd. - for courtesy lamps under instrument panel	AR	All	A	60/64
	(2) req'd. - for rear quarter arm rest courtesy lamp	2	76	A	64
13549 WIRING (LUGGAGE COMPARTMENT LAMP)					
C1VF 13549-B	73-1/2" long with (6) single connections	(a) 1	53	D	61/63
7RA 14197-B	Clip	1	a		
	34903-S7 Washer-internal tooth lock-No. 10	1	a		
	39865-S8 Screw-hex. hd. washer-No. 10-24 x 3/8"	1	a		
13550 LAMP (REAR LICENSE)					
COMF 13550-E		1	All except 77	A	60
C2MY 13550-A		1	77	A	60
		1	All	A	61/62
C3MY 13550-A		1	All except 71	A	63/64
C2YY 13550-A		1	All	D	60/62
		1	All except 71	B	62/63
C3VY 13550-B		1	All	D	63
C4VY 13550-A		1	All	D	64
13551 BRACKET (LUGGAGE COMPARTMENT LAMP SWITCH)					
C3MY 13551-A		(a) 1	All	A	63
	42120-S8 Screw-washer hd. -No. 10-16 x 3/8"	2	a		
13560 BODY & SOCKET (REAR LICENSE LAMP)					
C1MY 13560-B		1	77	A	60
		1	All	A	61
C2MY 13560-A		1	All	A	62
C3AZ 13560-A		1	71	A	63/64
		1	71	B	63
		1	All	C	60/63
C3MY 13560-A	Oval shape	1	All except 56, 71, 77	A	60/64
		1	All	B	62
		1	All except 71	B	63
		1	All	D	60/63
C4DZ 13560-A		1	All except 71	C	64
C4DZ 13560-B		1	71	C	64
C4VY 13560-A		1	All	D	64
13564 LENS (REAR LICENSE LAMP)					
C1MB 13564-A		1	All	A	60/62
CODF 13564-A		1	All	C	60/63
		1	71	B	63
		1	71	A	64
C1TB 13564-A		1	All except 71	B D	60/64
		1	All except 71	A	63/64
C4AZ 13564-A		1	All	C	64
13566 DOOR (REAR LICENSE LAMP)					
C3AZ 13566-A		1	71	A	63/64
C1AZ 13566-A		1	All	C	60/63
		1	71	B	63
C5OZ 13566-A		1	All	C	64

Lamps and Wiring

GROUP AND PART NUMBER	DESCRIPTION, SIZE, ETC.	NO. REQ'D	MODEL OR ENGINE CUBIC INCH DISPLACEMENT	VEHICLE CODE	YEAR 19__
13568 GASKET (REAR LICENSE LAMP LENS)					
B6S 13568-A	Outer	1	77	A	60
		1	All	A	61/62
COMF 13568-A	Inner	1	77	A	60
		1	All	A	61/62
B9A 13568-A		1	All	C	60/63
		1	71B	A	63
		1	71	A	64
		1	71	B	63
B6A 13568-A	Inner	1	All except 71B, 77	A	60 & 63
		1	All except 71	A	64
		1	All except 71A, B	B D	60/64
B6A 13568-B	Outer	1	All except 71B, 77	A	60 & 63
		1	All except 71	A	64
		1	All except 71A, B	B D	60/64
C4AZ 13568-A		1	All	C	64
13621 SOCKET & WIRE (INSTRUMENT PANEL LAMPS)					
C4AZ 13621-A	5" long with metal socket - use for individual instrument light sockets	AR	All	A C D	64
13623 GASKET (REAR LAMP REFLECTOR)					
CIKF 13623-A		2	59,71	C	60/61
13668 GASKET (REAR LICENSE LAMP SOCKET)					
B7S 13668-A	(1) req'd. - for each parking lamp	AR	All	A D	60
13690 REFER TO GROUP 13728					
13A700 WIRE (CARGO LAMP GROUND)					
	NS-wire 15" long - No.18 gauge and (2) eyelet type terminals - dealer to improvise	1	71, 77	A	60/61
		1	71B	A	63
13A701-2 LAMP (READING) LESS BEZEL					
B9FL 13A702-A	L.H. - located at rear quarter upper	1	All except 53A, 63A, 68A	D	60
13703 SPRING (SEAT REGULATOR CONTROL KNOB)					
FFC 13703-A	6-Way seat - steel - 1-1/4" long - located at seat control on L. H. seat cushion side shield	2	All	D	60/64
		2	All	A	63
		2	All except 57C, 63C, 65C, 76C	A	64
13A703-4 DOOR (READING LAMP)					
B9FL 13A703-A	R.H. - chrome finish	(a) 1	All except 53A, 63A, 68A	D	60
B9FL 13A704-A	L.H. - chrome finish	(a) 1	All except 53A, 63A, 68A	D	60
50381-S8	Screw-oval hd. cr. rec. -No.6-32 x 1/4"	4	a		
13707 LAMP (COURTESY)					
FDU 13707-A	Rear quarter - located at front of arm rests - assembly includes lens, socket and wire, and bulb	2	68	D	60
13A708 KIT (COURTESY LAMP)					
C4MY 13A708-A	Use when dual rear seat speaker kit is installed	1	54B, F, 65B, C, F, 75	A	64
13A709 WIRING (INTERIOR LAMPS)					
COMY 13A709-A	Cargo lamp feed - 131" long with (6) terminals	1	77B	A	60
COMY 13A709-B	Dome lamp feed - 103" long with (5) terminals	1	57B, 58B, 63B, F	A	60
COMY 13A709-C	Dome lamp feed - 172" long with (9) single terminals	1	57F	A	60
CONTINUED ON NEXT PAGE					

Lamps and Wiring

GROUP AND PART NUMBER	DESCRIPTION, SIZE, ETC.	NO. REQ'D	MODEL OR ENGINE CUBIC INCH DISPLACEMENT	VEHICLE CODE	YEAR 19__
13A709 WIRING (INTERIOR LAMPS) CONTINUED					
	NS-cargo lamp - 131" long with (2) terminals - improvise from No. 16 gauge wire	1	77A	A	60
B8MY 13A709-A	Courtesy lamp at dash - 8" long with (1) bullet type terminal and (1) socket	AR 1	All All	A A	60 63/64
COAF 13A709-C	Courtesy at dash - 58" long with (1) socket and (1) bullet type terminal	1	76	A	61
C1MB 13A709-B	Courtesy at dash - 96" long with (1) socket and (12) bullet type terminals - includes lead wires to glove compartment and ash receptacle lamps	1	All	A	61
C1MY 13A709-A	Cargo lamp feed - 96" long with (5) single terminals	1	71	A	61
PB9E 14334-A	Dome lamp feed - 96" long with (2) single terminals	1	All except 76	A	61
COKF 13A709-A	Courtesy at dash - 104" long with (2) sockets and (6) bullet type terminals - remove (2) sockets on vehicles without courtesy lamps	1	All	A	61
		1	54A, 62A, 65A, 75A	A	63
C2MY 13A709-A	Courtesy at dash - 104" long - includes (1) socket and (13) terminals	1	All except 65C, 76B	A	62
C2MY 13A709-B	Courtesy at dash and rear interior lamps - 104" long with (1) socket and (8) single terminals	1	54B, 65B, 71B, D, 75B, 76A	A	62
C2MY 13A709-C	Courtesy lamp at dash - 104" long with (13) terminals and (1) socket	1	65C, 76B	A	62
	NS-dome lamp feed - 84" long with (2) terminals - improvise from No. 18 gauge B6A-14296-C bulk wire and terminals from B9A-14294-PAK kit	1	All except 54B, 65B, 75B, 76	A	62
	NS-dome lamp feed - 126" long - improvise from No. 18 gauge B6A-14296-C bulk wire and terminals from B9A-14294-PAK kit	1	54B, 65B, 75B	A	62
C3MY 13A709-A	Courtesy lamp switch - 102" long with (13) single terminals and (1) socket Instrument panel lamp	1	All except 65C, 76B	A	63
		1	All	A	64
C3MY 13A709-B	Courtesy lamp switch - 100" long with (13) single terminals and (1) socket	1	65C, 76B	A	63
	NS-roof side lamp feed - 84" and 34" with (3) connections - dealer to improvise from No. 18 gauge wire	1	54B, 63B, C, 65B, C, 75B, C	A	63
	NS-for roof side lamps - improvise from No. 18 gauge wire - cut (2) leads 84" and 34"	1	54B, F, 63, 65B, C, F, 75	A	64
	NS-dome lamp feed - 143" long with (2) terminals - improvise from No. 18 gauge B6A-14296-C bulk wire and terminals from B9A-14294-PAK kit	1	54A, 62A, 65A, 71B, 75A	A	63
	NS-dome lamp feed - 143" long - cut from No. 18 gauge wire	1	71	A	64
	NS-dome lamp feed - 68" and 3" long with (3) single connections - dealer to improvise from No. 18 gauge wire	1	54B, 63B, C, 65B, C, 75B, C	A	63
	NS-dome lamp feed - (2) leads 68" and 3" - cut from No. 18 gauge wire	1	54B, F, 65B, C, F, 75	A	64
	NS-dome lamp feed - 100" long - cut from No. 18 gauge wire	1	54A, 62A, 65A, 75A	A	64
	NS-front door courtesy lamp switch - 85" long - cut from No. 18 gauge wire	1	54F, 57C, F, 63C, F, 65C, F, 75F, 76C, F	A	64
CODZ 13A709-A	Dome lamp switches - 75" long with (6) terminals - located dash to switches on door pillars Courtesy lamp switch - 75" long with (6) single terminals	1	All	B C	60/62
		1	All	C	63
	NS-dome lamp feed - 89" long - for service improvise from No. 18 gauge wire	1 1	All All	C B	61/63 63
CONTINUED ON NEXT PAGE					

Lamps and Wiring

GROUP AND PART NUMBER	DESCRIPTION, SIZE, ETC.	NO. REQ'D	MODEL OR ENGINE CUBIC INCH DISPLACEMENT	VEHICLE CODE	YEAR 19__
13A709 WIRING (INTERIOR LAMPS) CONTINUED					
	NS-dome lamp feed - 69" long - for service improvise from No.16 gauge wire	1	All	C	60
	NS-courtesy lamp switch - improvise from B6A-14296-C bulk wire 35" with dealer installed a/cond. and 30" without a/cond.	1	76	C	63
CODZ 13A709-B	Courtesy lamp switch - 80" long - use on vehicles without RPO courtesy lamp group - runs from R.H. door courtesy lamp switch 13713 through instrument panel to L.H. door courtesy lamp switch	1	All	C	64
C4GY 13A709-A	Courtesy lamp switch - 8" long - runs from R.H. front door courtesy switch 13713 through instrument panel L.H. front door switch - includes leads for vanity mirror lamp, glove lamp, ash tray lamp, cargo lamp, luggage lamp and instrument panel courtesy lights	1	All	C	64
C4GY 13A709-B	Use with RPO courtesy lamp group - 81" long - for rear door courtesy lamp switch 13713 hook-up from front door courtesy lamp switch	2	54, 71	C	64
	NS-interior lamp feed - improvise from No. 18 gauge wire - cut 82" and attach male and female terminals	1	All	C	64
COLY 13A709-A	Courtesy lamp feed on rear quarters - lower 96" long - (5) single connections	1	68	D	60
COLY 13A709-B	Reading lamp feed on rear quarters - upper - 143" long - (6) single connections	1	53B, 54B, 63B, 65, 75	D	60
	NS-dome lamp feed - 109" long with (2) connectors - make from No.14 gauge wire	1	53A, 63A	D	60
	NS-dome lamp feed - 64" long - dealer to improvise from No. 16 gauge wire	1	All	D	61/62
		1	53	D	63
C2VY 13A709-A	Courtesy lamp feed - wire includes grommet and is located at rear door hinge area - use on vehicles built prior to 6-3-63 - not used after 6-2-63 Use on vehicles built after 12-8-63 - attaches to 13713 switch at rear door hinge area	2	All	D	62/63
		2	All	D	64
C4VY 13A709-A	Instrument lamp feed located at lower instrument panel	1	All	D	64
C4VY 13A709-C	R.H. - courtesy lamp switch - located at rear door area from rear door courtesy lamp switch 13713 to roof side reading lamp - use on vehicles built after 12-8-63	1	53	D	64
C4VY 13A709-B	L.H. - courtesy lamp switch - located at rear door hinge from rear door courtesy lamp switch 13713 to door open warning relay at center pillar - use on vehicles built after 12-8-63	1	53	D	64
C4VY 13A709-D	Located at rear door hinge from rear door courtesy lamp switch 13713 to door open warning relay at center pillar - use on vehicles built after 12-8-63	1	74	D	64
13A710 WIRING (CARGO LAMP)					
B9MF 13A710-A	69" long - feed	1	77	A	60
	NS-72" long with (2) bullet type connections - improvise from No. 18 gauge wire	1	71B	A	63

Lamps and Wiring

GROUP AND PART NUMBER	DESCRIPTION, SIZE, ETC.	NO. REQ'D	MODEL OR ENGINE CUBIC INCH DISPLACEMENT	VEHICLE CODE	YEAR 19__
13711 SOCKET (INSTRUMENT PANEL LAMP)					
COMF 13711-A	(10) req'd. - for instrument panel lamps (1) req'd. - for parking brake lamp	AR	All	A	60
		AR	All	D	60/63
C4VY 13711-A	.87" maximum diameter - twist-in type	AR	All	D	64
C4VY 13711-B	.83" maximum diameter - snap-in type	AR	All	D	64
13713 SWITCH (INTERIOR LAMPS)					
B7A 13752-B	Located at lamp Dome lamp Cargo lamp	1 1	57B, F, 58B, 63B, F, 77B 71, 77	A A	60 60/64
B9MF 13713-A	Length 1-7/8" - dome and courtesy lamp located at door pillars Use on luggage compartment lamp - located on deck lid	AR 1	All All	A B C D A B C D	60/64 60/64
PB9M 13752-A	Reading lamp - located at lamp	2	All except 53A, 63A, 68A	D	60
13B714 ADAPTOR (LUGGAGE COMPARTMENT DOOR CLOSE LIMIT SWITCH)					
C4SZ 13B714-A		1	74	D	64
13716 LENS & RIM (COURTESY LAMP)					
8L 13716-A	Located under instrument panel (1) req'd. - for model 76A without production a/cond. or with dealer installed a/cond. (2) req'd. - for model 76A with production installed a/cond. (1) req'd. - for model 76 standard production or with accessory - dealer installed a/cond. (2) req'd. - for all with production installed a/cond. or with RPO courtesy lamp group	2 2 AR AR	All All except 65C, 76B 76A 76	A A C C	60/62 63 63 64
13A719 SOCKET & WIRING (DOME LAMP OR CARGO LAMP)					
C3AZ 13A719-B	Roof side at rear quarter - (1) for R. H. (1) (c) for L. H.	2	63B, C	A	63
C4AZ 13A719-A	Roof side	2	54F, 57, 65B, C, F, 75	A	64
C4AZ 13A719-B	Roof side	2	63	A	64
C4MY 13A719-A	Dome lamp	1	All except 76	A	64
C1TB 13793-B	Cargo lamp	(a) 1 1 1	71, 77 71 71	A A C	60/61 63/64 64
COAF 13A719-B	Dome lamp - includes shield	(a) 1 1	All except 76 All except 76	A B C	60/63 61/64
CODF 13A719-B	Dome lamp - includes shield	1	All	C	60
FFC 13793-A	Assembly includes mounting bracket	1	53A, 63A	D	60
C1VF 13A719-B	Assembly includes mounting bracket	(b) 1	53	D	61/63
51751-S8	Screw-pan hd. cr. rec. -No. 8-32 x 1/4"	1	a		
52012-S8	Screw-flat hd. cr. rec. -No. 8-15 x 1/2"	2	c		
52606-S13	Screw-fill. hd. cr. rec. -No. 8-18 x 1/2"	2	b		
13A721 WIRING ASSEMBLY (GLOVE COMPARTMENT LAMP FEED)					
	NS-29" long - dealer to improvise from No.16 gauge wire - (B6A-14296-C 100 foot spool)	1	All	C	60
C4VY 13A721-A	Use with console compartment and bucket seats	1	All	D	64

Lamps and Wiring

GROUP AND PART NUMBER	DESCRIPTION, SIZE, ETC.	NO. REQ'D	MODEL OR ENGINE CUBIC INCH DISPLACEMENT	VEHICLE CODE	YEAR 19__
13A724 WIRING (COURTESY LAMP SWITCH - EXTENSION)					
B9MF 13A724-A	36" long with (3) single connections Note - used to relocate courtesy lamp when hang-on a/cond. kit is installed - also used to relocate courtesy lamp from center of instrument panel to R. H. or L. H. side	1	All	A	60
13A726 WIRE & SOCKET (ASH RECEPTACLE LAMP)					
C4AZ 13A726-A	Use when AM and FM radio is specified	1	All	A	64
C4MY 13A726-A	With Deluxe a/cond.	1	All	A	64
FEK 18981-A	Not used on vehicles equipped with AM-FM radio Not used on vehicles equipped with AM-FM radio or Deluxe a/cond.	1	All	A	60/62
		1	All	A	63
		1	All	A C	64
COLF 13A726-B	Assembly includes shield and bulb - located on front and rear doors or quarter arm rests	AR	All	D	60/63
C3VY 13A726-A	Located at dash - on vehicles less a/cond.	1	All	D	63
C4VY 13A726-A	(1) req'd. - for front door (2) req'd. - for rear door	AR	All	D	64
13A727 SWITCH & WIRING (LUGGAGE COMPARTMENT DOOR OPEN LIMIT)					
C1VF 13A727-A	Located at deck lid hinges R. H. and L. H. - assembly includes mounting bracket - wires coded YELLOW and VIOLET	2	74	D	61/63
C4VY 13A727-A		2	74	D	64
13728 DOOR (COURTESY LAMP)					
B6LY 13728-A	Rear quarter lower - assembly includes door and lens (1) for R. H. and (1) for L. H.	2	68	D	60
B8LY 13728-A	R. H. - 140 BLACK scotch grain - assembly includes door with socket - located at instrument panel extension (a)	1	All	D	60
FFC 13690-C	L. H. - 140 BLACK scotch grain - assembly includes door with socket - located at instrument panel extension (a)	1	All	D	60
52547-S8	Screw-fill. hd. cr. rec. tap. - No. 10-12 x 1/2"	2	a		
13A729 SWITCH & WIRING (LUGGAGE COMPARTMENT DOOR CLOSE LIMIT)					
C1VY 13A729-B	Located at luggage compartment side - assembly includes mounting bracket - wire coded RED and WHITE - (1) multiple connection	1	74	D	61/63
C4SZ 13A729-A		1	74	D	64
13A730-1 ACTUATOR (LUGGAGE COMPARTMENT DOOR OPEN LIMIT SWITCH)					
C1VF 13A730-A	R. H. - located at deck lid hinge (a)	1	74	D	61/63
C1VF 13A731-A	L. H. - located at deck lid hinge (a)	1	74	D	61/63
42721-S7	Screw and washer-hex. hd. external tooth-No. 8-32 x 3/8"	4	a		
13734 LENS (COURTESY LAMP)					
C4MY 13734-A	Use for map lamp	1	All	A	64
C4GY 13734-A	R. H. and L. H. - each front door	2	54F, 57F, 63C, 65C, F, 75F, 76C, F	A	64
		2	54C, D, 63C, D, 76B, D	C	64
FFC 13734-B	R. H. - located at instrument panel extension (a)	1	All	D	60
FFC 13741-B	L. H. - located at instrument panel extension (a)	1	All	D	60
C1VF 13734-A	Located at doors (b)	AR	All	D	61/64

CONTINUED ON NEXT PAGE

Lamps and Wiring

GROUP AND PART NUMBER	DESCRIPTION, SIZE, ETC.	NO. REQ'D	MODEL OR ENGINE CUBIC INCH DISPLACEMENT	VEHICLE CODE	YEAR 19__
13734 LENS (COURTESY LAMP) CONTINUED					
C4VY 13734-A	R. H. - located at rear pillar	1	53	D	64
C4VY 13734-B	L. H. - located at rear pillar	1	53	D	64
C4VY 13734-C	Use for map lamp	1	All	D	64
51245-S13	Screw-rd. hd. cr. rec. tap. -No. 8-32 x 3/8"	2	a		
51764-S13	Screw-pan hd. cr. rec. tap. -No. 8-32 x 1/2"	2	b		
370684-S100	Screw-rd. hd. cr. rec. tap. -No. 8-15 x 1-3/4"	2	a		
13741 REFER TO GROUP 13734					
13742 BEZEL (READING LAMP)					
PB9L 13742-A	Use with R.H. and L.H. lamps - located at upper rear quarters	(a) 2	All except 53A, 63A, 68A	D	60
52724-S8	Screw-pan hd. cr. rec. tap. -No. 6-18 x 1/2"	4	a		
13743 LENS (READING LAMP)					
PB9L 13743-A	Use with R.H. and L.H. lamps - located at upper rear quarters	2	All except 53A, 57A, 63A, 68A	D	60
13A744 BODY (COURTESY LAMP)					
C4MY 13A744-A	Use for instrument panel map lamp	1	All	A	64
C1VB 13A744-A	Located at doors - (2) for models 53 and (4) for model 74	(a) AR	All	D	61/62
		4	All	D	63/64
373713-S40	Screw and washer-pan hd. -No. 8-32 x 1/2"	2	a		
13A746 ACTUATOR (LUGGAGE COMPARTMENT DOOR CLOSE LIMIT SWITCH R. H.)					
C1SF 13A746-A		1	74	D	61
C1SB 13A746-A		1	74	D	62/63
13A747 LENS & PLATE (DOME LAMP)					
C1VF 13A747-B		1	53	D	61/63
13749 BODY & SWITCH (CARGO OR DOME LAMP)					
B9FM 13749-A	Dome lamp	(a) 1	57B, F, 58B, 63B, F, 77B	A	60
	Cargo lamp	1	71, 77	A	61/64
		1	71	C	64
370933-S100	Screw-truss hd. -No. 8-12 x 3/4"	2	a		
13750 SOCKET & WIRING (READING LAMP)					
PB9L 13750-A		2	All except 53A, 57A, 63A, 68A	D	60
13752 REFER TO GROUP 13713					
13A756 LAMP ASSEMBLY (LUGGAGE COMPARTMENT)					
COMY 13A756-A	Includes bracket	1	All except 77	A	60
C3MY 13A756-B	Includes mounting bracket	1	63B, 63C	A	63
C4MY 13A756-B	Mercury switch - includes mounting bracket	1	All except 71	A	64
COLY 13A756-A	Includes bracket	1	All except 71	A	61/62
	Dealer to improvise as applicable	1	All except 63B, 63C, 71	A	63
		1	All	D	60
C4GY 13A756-A	Mercury switch - includes mounting bracket	1	All except 71	C	64
C1VB 13A756-A	Assembly includes shield	1	All	D	61/63
C4SZ 13A756-A	Mercury switch - includes mounting bracket	1	74	D	64
C4VY 13A756-A	Mercury switch - includes mounting bracket	1	53	D	64
13757 SOCKET & WIRE (MAP LAMP)					
C4VY 13757-A		2	All	D	64

Lamps and Wiring

GROUP AND PART NUMBER	DESCRIPTION, SIZE, ETC.	NO. REQ'D	MODEL OR ENGINE CUBIC INCH DISPLACEMENT	VEHICLE CODE	YEAR 19__
13A759 BOOT (COURTESY LAMP SWITCH)					
C2VY 13A759-A	Rubber - located at rear door hinge - use on vehicles built prior to 6-3-63 - not used after 6-2-63	2	All	D	61/63
	Attaches to 13713 switch at rear door hinge area-use on vehicles built after 12-9-63	2	All	D	64
13763 BRACKET (FRONT DOOR COURTESY LAMP)					
C3AZ 13763-A		2	65C, 76B	A	62/63
C4AZ 13763-A		1	57C, 63C, 65C	A	64
C4GY 13763-A		2	54C, D, 63C, D, 76B, D	C	64
C4GZ 13763-B	With interior lamp group - cargo	1	71	C	64
C4VY 13763-A	R.H.	1	53	D	64
C4VY 13763-B	L.H.	1	53	D	64
13764 SWITCH ASSEMBLY (MAP LAMP)					
C4MY 13764-A		1	All	A	64
C4VY 13764-A		1	All	D	64
13A769 WIRING (FRONT DOOR COURTESY LAMP FEED)					
	NS-57" long with (4) single connections - for service cut from 16 gauge bulk wire B6A-14296-C	(a) 2	57C, 63C, 65C, F, 75C, F, 76B, C, F	A	62/64
C4GY 13A769-A		1	54C, D, 63C, D, 76B, D	C	64
372046-S100	Clip-wiring	1	a		
372303-S100	NS-clip-wiring	1	a		
13A770 REFLECTOR (INSTRUMENT PANEL ASH RECEPTACLE LAMP)					
C3VY 13A770-A		1	All	D	63
13776-7 LAMP (INTERIOR)					
FEK 13776-B	R.H. - body and lens - quarter arm rest	(a) 1	76	A	60
B7MY 13777-A	L.H. - body and lens - quarter arm rest	(a) 1	76	A	60
52474-S13	Screw-oval hd. cr. rec. tap. -No. 8-18 x 1/2"	4	a		
13A777 RELAY (INTERIOR LAMP)					
C4VY 13A777-A	Also used on Mercury for convertible top relay located at top motor	1	76	A	64
		1	53	D	64
13779 REFER TO GROUP 13788					
13A781-2 BODY & SWITCH (COURTESY LAMP)					
C4VY 13A781-A	R.H. - rear quarter reading lamp	1	53	D	64
C4VY 13A782-A	L.H. - rear quarter reading lamp	1	53	D	64
13783 LENS (INTERIOR LAMPS)					
C2AZ 13783-A	Door lamps	AR	All	A	62/63
C1SZ 13783-A	Round roof lamp	AR	All	A	62/63
	Located in front doors	AR	54B, F, 65B, C, F, 75F	A	64
C3MY 13783-A	Roof side at rear quarter - (1) for R.H. (1) for L.H.	2	54B, 65B, C, 75B	A	63
	Roof side pillar without dual rear seat speakers	2	54B, F, 65B, C, F, 75F	A	64
C3AZ 13783-B	Must use with C3AZ-13788-B door and with courtesy lamp group and/or dual rear seat speakers	2	54B, F, 57, 63, 65B, C, F, 75	A	64
C4MY 13783-A	R.H. - use in arm rest	1	76	A	64
C4MY 13783-B	L.H. - use in arm rest	1	76	A	64
CONTINUED ON NEXT PAGE					

Lamps and Wiring

GROUP AND PART NUMBER	DESCRIPTION, SIZE, ETC.	NO. REQ'D	MODEL OR ENGINE CUBIC INCH DISPLACEMENT	VEHICLE CODE	YEAR 19__
13783 LENS (INTERIOR LAMPS) CONTINUED					
B8A 13783-A	Cargo lamp	1	71, 77	A	60/64
	Dome lamp	1	57B, F, 58B, 63B, F, 77B	A	60
	Cargo lamp	1	71	C	64
COAF 13783-C	Dome lamp - round type	1	57A, 58A, 63A, 64A, 77A	A	60
		1	All except 76	A	61 & 63
		1	All except 54B, 65B, 75B, 76	A	62
		1	All except 76	A C	64
		1	All except 76	B C	61/63
CODF 13783-B	Dome lamp	1	All	C	60
FFC 13783-A	Dome lamp	1	All except 53A, 57A, 63A	D	60
13784 RETAINER (DOME LAMP LENS)					
COAF 13784-A	Spring steel 3/8" diameter	2	71, 77A	A	60/62 & 64
		2	71B	A	63
13786-7 BODY (INTERIOR LAMPS)					
B7A 13787-B	Cargo lamp (a)	1	71, 77	A	60/64
	Dome lamp	1	57B, F, 58B, 63B, F, 77B	A	60
C2MY 13786-A	Dome lamp - assembly includes socket (a, b)	1	54B, 65B, 75B	A	62
C4MY 13787-A	R. H. - use in arm rest	1	76	A	64
C4MY 13787-B	L. H. - use in arm rest	1	76	A	64
C2AZ 13786-A	Courtesy lamp - front doors - includes socket	2	54F, 63C, 65C, F, 75C, F, 76B, C, F	A	62/64
		2	54C, D, 63C, D, 76B, D	C	64
FFC 13787-C	Dome - chrome finish - 3-5/8" x 9-1/8"	1	53A, 57A, 63A	D	60
C4VY 13786-A	Includes socket - use for map lamp and to house radio antenna switch	1	All	D	64
B6AZ 13466-A	Bulb	AR	a		
51755-S8	Screw-pan hd. cr. rec. tap. -No. 8-32 x 3/8"	2	b		
13788 DOOR (INTERIOR LAMPS)					
C1SF 13779-A	Dome - assembly includes lens (d)	1	54B, 65B, 75B	A	62
C2AZ 13788-A	Courtesy at front doors - includes lens	2	63C, 65C, 75C, 76B	A	62/63
C3AZ 13788-B	Roof side at rear quarter - (1) for R. H. (1) for L. H. must use with C3AZ-13783-B lens	2	57C, D, 63B, C, D	A	63/64
C4MY 13788-A	R. H. - use in arm rest	1	76	A	64
C4MY 13788-B	L. H. - use in arm rest	1	76	A	64
C4GY 13788-A	R. H. and L. H. - front door	2	54F, 57F, 63C, 65C, F, 75F, 76C, F	A	64
		2	54C, D, 63C, D, 76B, D	C	64
COAF 13788-A	Dome - aluminum - round type (a)	1	57A, 58A, 63A, 64A, 77A	A	60
		1	All except 76	A	61 & 63/64
		1	54A, 62A, 65A, 71, 75A	A	62
		1	All	B	62/63
		(b)	All except 76	C	61 & 63
		(b)	All except 63, 76	C	64
CODF 13788-A	Dome (c)	1	All	C	60
C1VF 13788-A	Dome - chrome finish (e)	1	53	D	61/63
51796-S8	Screw-pan hd. cr. rec. tap. -No. 6-32 x 7/8"	2	a		
52732-S13	Screw-pan hd. cr. rec. tap. -No. 6-18 x 5/8"	2	c		
52746-S13	Screw-pan hd. cr. rec. tap. -No. 6-18 x 7/8"	2	b		
52775-S8	Screw-pan hd. cr. rec. tap. -No. 8-18 x 1/4"	2	e		
52926-S13	Screw-oval hd. cr. rec. tap. -No. 8-32 x 5/8"	2	d		

Lamps and Wiring

GROUP AND PART NUMBER	DESCRIPTION, SIZE, ETC.	NO. REQ'D	MODEL OR ENGINE CUBIC INCH DISPLACEMENT	VEHICLE CODE	YEAR 19__
13790 GASKET (INTERIOR LAMPS)					
B9A 13790-A	Cargo lamp - sponge rubber	1	71, 77	A	60/62&64
		1	71B	A	63
C2AZ 13790-A	Courtesy lamp - front doors - plastic	2	54F, 57F, 63C, 65C, F, 75C, F, 76B, C, F	A	62/64
		2	54C, D, 63C, D, 76B, D	C	64
13A790-1 SWITCH & PLATE (COURTESY LAMP)					
C4VY 13A790-A	R. H. - rear quarter reading lamp	1	53		D 64
C4VY 13A791-A	L. H. - rear quarter reading lamp	1	53		D 64
13793 REFER TO GROUP 13A719					
13796 WIRE (INTERIOR LAMP SOCKET)					
	NS-for service use B-13412 and cut to size Dome lamp Cargo lamp	1	All except 76	A	60
		1	77	A	60/61
C5AZ 13796-A	6-1/2" long - for roof side lamps or map lamp	AR	54F, 57, 63, 65B, C, F, 75	A	64
C1SZ 13796-B	Courtesy lamps at doors - socket and wire Courtesy lamp roof rear - socket and wire	AR	All		D 61/64
		2	54B, F, 65B, C, F, 75B, F	A	63/64
13A800 REFER TO GROUP 13A805					
13A804 WIRING (HORN RELAY TO HORN)					
B9LF 13A804-B	For radiator support mounted horns Note - Must use when replacing production horns with service horns for 1961	1	All		D 60/61
13A805 RING (HORN BLOWING)					
COMF 3623-A	Button	1	All	A	60
COMF 13A800-B		1	All	A	60
C1MF 3623-A	Button	1	All	A	61
C1MF 13A800-C	Use with automatic transmission	1	All except 58A, 64A	A	61
		1	All	A	62
C2MY 13A805-A	Use with standard transmission	1	58A, 64A	A	61
		1	All	A	62
C2MY 3623-A	Button - ☆ all 1961	1	All☆ except 65C, 76B	A	61/62
C2MY 3623-B	Button	1	65C, 76B	A	62
C3MY 3623-A	Cap used with 16" steering wheel	1	65C, 76B	A	63
C3MY 3623-B	Cap used with 16" steering wheel	1	All except 65C, 76B	A	63
C3MY 13A800-A	Spoke, cover and button assy. - use with 16" and 16-1/2" steering wheel	1	All	A	63
C3MY 13A805-A	Use with 17" steering wheel	1	63C, 65C, 75C, 76B	A	63
C3MY 13A805-B	Use with 17" steering wheel Use on vehicles built prior to 10-2-63	1	All except 63C, 65C, 75C, 76B	A	63
		1	All	A	64
C4MY 13A805-A	Use with 17" steering wheel - use on vehicles built after 10-1-63	1	All	A	63/64
C4MY 3623-C	Cap - ☆use with P/S or 427 C.I.D. engine	1	All☆	A	64
C4MY 13A800-A	Spoke, cover and button assembly - use with 16" and 16-1/2" steering wheel	1	All	A	64
C2YY 13A805-A		1	All	B	62
C3YY 3623-A	Cap	1	All	B C	63
C3YY 13A805-B	Ring	1	All	B	63
		1	54B, 59B, 62B, C, 71B, 76A	C	63
C1KF 13A805-B	Ring	1	All except 62(S-22)	C	60/61

CONTINUED ON NEXT PAGE

Lamps and Wiring

GROUP AND PART NUMBER	DESCRIPTION, SIZE, ETC.	NO. REQ'D	MODEL OR ENGINE CUBIC INCH DISPLACEMENT	VEHICLE CODE	YEAR 19__
13A805 RING (HORN BLOWING) CONTINUED					
C1GG 3623-B	Button	1	62A(S-22), 62C	C	61/62
B7MY 13A800-B	Ring	1	62(S-22), 62C	C	61/62
C1GF 13A805-B	Button	1	All except 62A(S-22), 62C	C	61/62
C2GA 13A805-A	Ring	1	54A, 59A, 62A, 71A	C	63
C4DZ 3623-A	Cap - use with padded steering wheel hub	1	All	C	62
C4DZ 3660-A	Insert on steering wheel hub cap - use with padded hub cap	1	All	C	64
C4GY 13A805-A	Button - use on vehicles built prior to 10-23-63	1	54A, 62A, 71A	C	64
C4GY 13A805-B	Two spoke type - use on vehicles built between 10-23-63 and 5-6-64	1	54A, 62A, 71A	C	64
	Use on vehicles built prior to 5-6-64	1	54B, 62B, C, 71B, C	C	64
C4GY 13A805-E	Two spoke type - use on vehicles built after 5-5-64	1	54A, B, 62, 71	C	64
C4GY 13A805-C	Two spoke type - use on vehicles built prior to 5-6-64	1	54C, D, 63C, D, 76B, D	C	64
C4GY 13A805-F	Two spoke type - use on vehicles built after 5-5-64	1	54C, D, 63C, D, 76B, D	C	64
C4GY 13A805-D	Spoke type	1	63E	C	64
COLF 13A800-B		1	All	D	60
COLF 3623-C	Button	1	53, 63	D	60
COLF 3623-D	Button	1	54, 65, 68, 75	D	60
C1VV 13A800-A	With (3) mounting holes - use with C1VV-3600-A wheel - use on vehicles built prior to 2-6-61 - mounted under steering wheel	1	All	D	61
C1VV 13A800-B	With (4) mounting holes - use with C1VV-3600-B wheel - use on vehicles built after 2-5-61 - mounted on top of steering wheel	1	All	D	61/63
C1VY 3623-A	Cap	1	All	D	61/63
C4VY 3623-A	Cap	1	All	D	64
C4VY 13A800-A	Spoke, cover and button assembly	1	All	D	64
13A807 SPRING (HORN BLOWING RING)					
B4AZ 13A807-A		1	58A, 64A	A	61
	Use with standard transmission	1	All	A	62/63
C1MF 13A807-A		4	All except 58A, 64A	A	61
	Use with automatic transmission	4	All	A	62
		4	All	D	62/63
CODF 13A807-A	Use with horn ring	1	All	B	62/63
		1	All except 62(S-22), 62C	C	60/62
	Use without P/S	1	All	A	63/64
		1	54B, 59B, 62B, C, 71B, 76A	C	63
		1	All	C	64
B8SZ 13A807-A		1	62(S-22), 62C	C	61/62
CODF 13A807-B	Use with horn button	1	All except 62(S-22), 62C	C	61/62
		1	54A, 59A, 62A, 71A	C	63
13A808 PLATE (HORN BLOWING RING CONTACT)					
B9MY 13A808-A		1	All	A	60
B9KY 13A808-A		1	58A, 64A	A	61/62
C3MY 13A808-A	Use with 17" steering wheel	1	All	A	63/64
C1VF 13A808-A	Use with C1VV-13A800-A (3) mounting holes with horn ring on bottom - use on vehicles built prior to 2-6-61	1	All	D	61
C1MF 13A808-A		1	All except 58A, 64A	A	61
	Use with automatic transmission only	1	All	A	62
	Use on vehicles built after 2-5-61 with (4) mounting holes with horn ring on top	1	All	D	61/63
CONTINUED ON NEXT PAGE					

Lamps and Wiring

GROUP AND PART NUMBER	DESCRIPTION, SIZE, ETC.	NO. REQ'D	MODEL OR ENGINE CUBIC INCH DISPLACEMENT	VEHICLE CODE	YEAR 19__
13A808 PLATE (HORN BLOWING RING CONTACT) CONTINUED					
B7MY 13A808-B		1	62(S-22), 62C	C	61/62
		1	54B, 62B	B	62
C2YY 13A808-A		1	54A, 62A	B	62
		1	All	B	63
		1	54B, 59B, 62B, 62C, 71B, 76A	C	63
CODF 13A808-A		1	All except 62(S-22)	C	60/61
CODF 13A808-B		1	All except 62C	C	62
		1	54A, 59A, 62A, 71A	C	63
		1	All	C	64
13A809 PLATE (HORN BLOWING RING INDEX)					
B9AZ 13A809-A		1	58A, 64A	A	61
		1	All	A	62
C3MY 13A809-A	Use with 17" steering wheel	1	All	A	63/64
C2DZ 13A809-A		1	All	B C	60/64
13A810 RETAINER (HORN BLOWING RING MEDALLION)					
C3MY 13A810-B	Use with P/S	1	All	A	63
C3MY 13A810-A	Use without P/S	1	All	A	63/64
C4MY 13A810-A	Use with P/S	1	All	A	64
C2YY 13A810-A		1	All	B	62
CODF 13A810-B		1	All	C	60/62&64
C4VY 13A810-A		1	All	D	64
13A813 PAD (HORN BLOWING RING SHOCK)					
B9MY 13A813-A		1	All	A	60
B9KY 13A813-A		1	58A, 64A	A	61
C2YY 13A813-A		1	All	B	62/63
		1	All except 54B, 59B, 62B, 62C, 71B, 76A	C	63
CODZ 13A813-A		1	All	C	60/62&64
		1	54A, 59A, 62A, 71A	C	63
B9LY 13A813-A		1	All	D	60
13A815 CUP (HORN RING CONTACT)					
B7MY 13A815-B		1	54B, 62B	B	62
		1	62(S-22), 62C	C	61/62
B9LY 13A815-A		1	All	D	60
13A816 INSULATOR (HORN BLOWING RING)					
B9MY 13A816-A		3	All	A	60
C1MF 13A816-A	Use with automatic transmission for 1962 Use on vehicles built after 2-5-61 with (4) mounting holes with horn ring on top	1	All	A	61/62
		1	All	D	61/63
B7MY 13A816-B		1	54B, 62B	B	62
		1	62(S-22), 62C	C	61/62
B9LY 13A816-A	Lower	1	All	D	60
B9LY 13A833-A	Upper	4	All	D	60
C1VF 13A816-A	Horn ring on bottom - use on vehicles built prior to 2-6-61	3	All	D	61
C1VF 13A833-A	Inner - with horn ring on bottom - use on vehicles built prior to 2-6-61	1	All	D	61
13A820 PAD (HORN BLOWING PRESSURE)					
C3MY 13A820-A	Use with 17" steering wheel	1	All	A	63/64
C1VF 13A820-A	With horn ring on bottom - use on vehicles built prior to 2-6-61	1	All	D	61

Lamps and Wiring

GROUP AND PART NUMBER	DESCRIPTION, SIZE, ETC.	NO. REQ'D	MODEL OR ENGINE CUBIC INCH DISPLACEMENT	VEHICLE CODE	YEAR 19__
13A821 BRUSH (HORN BLOWING RING CONTACT)					
B8AZ 13A821-A	Kit - repair - includes insulator	1	58A, 64A	A	61/62
B8LY 13A821-A		1	All	D	60
13A821 KIT (HORN BRUSH & INSULATOR REPAIR)					
C2OZ 13A821-A	Use without P/S	1	All	B	62
		2	All	A	63/64
		2	All	C	64
13A822 INSULATOR (HORN BLOWING RING BRUSH)					
CODF 13A822-A		1	All except 62(S-22), 62C	C	60/63
		1	All except 54C, D, 63C, D, 76B, D	C	64
		1	All	A B	63/64
13A823 PLATE (HORN SWITCH BRUSH)					
C3AZ 13A823-A	Use without P/S	1	All	A	63
	Use with 17" steering wheel	1	All	A	64
C3MY 13A823-A	Use with 16" and 16-1/2" steering wheel	1	All	A	63/64
		1	All	D	64
C2OZ 13A823-A		1	All	B	62/63
CODF 13A823-A		1	All except 62(S-22), 62C	C	60/62
C3DZ 13A823-A		1	All except 62C	C	63
		1	63E	C	64
C4DZ 13A823-A		1	All except 63E	C	64
13A824 BRUSH ASSEMBLY (HORN BLOWING RING)					
CODZ 13A824-B	Less insulator - for insulator refer to kit 13A821 for 1961-1962 Mercury	1	All	A	60/62
		AR	All	C	60/63
		AR	All	D	61/63
CODZ 13A824-A	Includes insulator	1	All	C	60/61
13827 SPACER (HORN BRACKET SPRING)					
B5A 13827-A		2	All	B	62/63
		2	All	D	63
13A827 INSULATOR & WIRE (HORN CONTACT)					
B9MY 13A827-A		1	All	A	60
C3MY 13A827-A	With plate - use with 16" steering wheel	3	All	A	63/64
B9LY 13A827-A		1	All	D	60
C1VF 13A827-B		1	All	D	61/63
C4VF 13A827-A		1	All	D	64
13A828 PLATE (HORN BLOWING RING GROUND)					
C1MF 13A828-A	Use with standard transmission Use on vehicles built after 2-5-61 with (4) mounting holes with horn ring on top	1	All	A	61
		1	All	A	62
		1	All	D	61/63
13A829 HUB (HORN BLOWING RING)					
C1MF 13A829-A	Use with automatic transmission	1	All	A	61/62
		1	All	A	62
13830-1 BRACKET (HORN MOUNTING)					
PB9M 13831-A	Use with a/cond. - standard on model 76	1	All	A	60
B9A 13830-A	R. H. and L. H.	AR	All	A B C	60/64
		AR	All	D	61/64
B9LF 13830-A	Upper - for radiator support mounted horns	1	All	D	60
B9LF 13831-A	Lower - for radiator support mounted horns	1	All	D	60

Lamps and Wiring

GROUP AND PART NUMBER	DESCRIPTION, SIZE, ETC.	NO. REQ'D	MODEL OR ENGINE CUBIC INCH DISPLACEMENT	VEHICLE CODE	YEAR 19__
13832-3 HORN					
B8A 13832-A	High pitch	1	All	A B C D	60/64
B8A 13833-A	Low pitch	1	All	A B C D	60/64
13A833 REFER TO GROUP 13A816					
13A834 PAD (HORN BLOWING RING INSULATOR)					
COMF 13A834-A		1	All	A	60
13A846 PLATE (HORN RELAY MOUNTING)					
C3VY 13A846-A		1	All	D	63
C4VY 13A846-A		1	All	D	64
13853 RELAY & BRACKET (HORN)					
C4AZ 13853-A		1	All	A C D	64
B8C 13853-A	12 Volt	1	All	A B C	60/63
		1	All	D	60 & 63
C1VF 13853-A		1	All	D	61/62
13958 GASKET (DOME LAMP LENS)					
FFC 13958-A	Rubber	1	53A, 57A, 63A	D	60
14A004 BRACKET (WIRING HARNESS MOUNTING)					
B9FM 14A004-A	Use to secure main wiring 12629 to dash	1	All	A	60
14005 CONNECTOR (AUTOMATIC HEADLAMP DIMMER)					
FEL 14005-A		1	All	D	60
14A005 WIRING (BODY MAIN)					
COMF 14A005-B		1	57A, 58A, 63A, 64A, 76A, D, 77A	A	60
COMF 14A005-C		1	57B, F, 58B, 63B, F, 77B	A	60
C1VB 14A005-A	Without a/cond.	1	All	D	61
C1VY 14A005-A	With a/cond. and vehicles with fast idle	1	53	D	61
C1VY 14A005-B	With a/cond. and vehicles equipped with fast idle	1	74	D	61
C1VY 14A005-C	Use on vehicles without fast idle	1	53	D	61
C1VY 14A005-D	On vehicles not equipped with fast idle	1	74	D	61
C2VY 14A005-A	Note- On all models except 74 tape 7" wire with bullet type connector identified with BROWN band	1	All	D	62
C3VY 14A005-A	Use on vehicles built prior to 6-3-63	1	All except 74	D	63
C3VY 14A005-C	Use on vehicles built after 6-2-63	1	All except 74	D	63
C3VY 14A005-B		1	74	D	63
C4VY 14A005-A	Use on vehicles built prior to 3-16-64	1	53	D	64
C4VY 14A005-C	Use on vehicles built after 3-15-64	1	53	D	64
C4VY 14A005-B	Use on vehicles built prior to 3-16-64	1	74	D	64
C4VY 14A005-D	Use on vehicles built after 3-15-64	1	74	D	64
14A008 WIRING (CIRCUIT BREAKER TO LUGGAGE COMPARTMENT LOCK SWITCH)					
COLF 14A008-C	245" long with (9) single connections and (1) socket	1	68	D	60
COLF 14A008-D	245" long with (7) single connections and (1) socket	1	All except 68	D	60
14A010 GASKET (TAILGATE LIMIT SWITCH)					
B9FM 14A010-A	Rubber	1	77	A	60

Lamps and Wiring

GROUP AND PART NUMBER	DESCRIPTION, SIZE, ETC.	NO. REQ'D	MODEL OR ENGINE CUBIC INCH DISPLACEMENT	VEHICLE CODE	YEAR 19__
14A011 SWITCH & BRACKET (TAILGATE WINDOW LIMIT)					
B9MF 14A011-A		(a) 1	77	A	60
C1MB 14A011-B		(b) 1	71	A	61
C2MY 14A011-A		1	71	A	62
C3AZ 14A011-B		1	71	A	63/64
C3OZ 14A011-A		1	71	B	63
CODF 14A011-C		(c) 1	59, 71	C	60/64
34938-S	Washer-external tooth lock-No. 8	1	b		
42066-S2	Screw-hex. hd. tap. -No. 8-15 x 1/2"	1	b		
42126-S8	Screw-hex. washer hd. tap. -No. 8-15 x 1/2"	2	b,c		
50803-S8	Screw and washer-pan hd. cr. rec. -No. 8-32 x 3/8"	2	a		
35668-S32	Clip	1	b		
14A012 WIRING (ASH RECEPTACLE LAMP FEED)					
COLF 14A012-B	57-1/2" with (1) multiple and (2) single connections used at front and rear doors or quarters	AR	All	D	60
14A016 INSULATOR (WINDOW REGULATOR SWITCH)					
B9LF 14A016-A	Double - covers (2) 14529 switches at multiple switch housing - neoprene - 1-1/4" x 1-39/64"	AR	All	D	60/62
B9LF 14A016-B	Single - covers (1) 14529 switch at switch housing - neoprene - 51/64" x 1-1/4" - R. H. front door and R. H. and L. H. rear doors	AR	All	D	60/62
C3VY 14A016-A	Use on vehicles with electric vents	AR	All	D	63
	Use with left front door window switch	AR	All	D	64
C3VY 14A016-B	Use on vehicles with manual vents	AR	All	D	63
	(2) req'd. - for right front door window switch	AR	All	D	64
	(1) each req'd. - for each rear door window switch				
14018 SWITCH (DOOR OPEN WARNING LAMP)					
C2VY 14018-A	Use on vehicles built after 3-1-61 - none required prior to this date	2	53	D	61/63
C4VY 14018-A	Length 2.05" x 5/8" diameter - plunger 5/16" diameter - use on vehicles built prior to 6-1-64	2	53	D	64
C4VY 14018-B	Length 2.05" x 5/8" diameter - plunger 5/16" diameter - use on vehicles built after 5-31-64	2	53	D	64
14A020 PLATE (WINDOW REGULATOR SINGLE SWITCH COVER)					
COMF 14A020-B	R. H. - front door - plastic	1	All	A	60
C1VF 14A020-A	Chrome finish	(a) AR	All	D	61/62
	(1) req'd. - for R. H. front door				
	(1) req'd. - for R. H. and L. H. rear doors	2	All	D	63
	(1) req'd. - for R. H. and L. H. rear doors				
C2VY 14A020-B	Located at R. H. front door - use on vehicles built after 1-31-62 with manual vents	1	All	D	62/63
C4VY 14A020-A	R. H. - use on vehicles built prior to 12-16-63	1	All	D	64
C4VY 14A020-B	L. H. - use on vehicles built prior to 12-16-63	1	All	D	64
C4VY 14A020-C	R. H. - use on vehicles built after 12-15-63	1	All	D	64
C4VY 14A020-D	L. H. - use on vehicles built after 12-15-63	1	All	D	64
53038-S13	Screw-oval trim hd. cr. rec. tap. -No. 8-15 x 3/4"	2	a		
14021 SOLENOID (ELECTRIC DOOR LOCK)					
PB9L 14021-A	Located at front and rear doors	(a) AR	All	D	60
43486-S8	Screw and washer-hex. hd. -No. 12-24 x 3/8"	AR	a		

Lamps and Wiring

GROUP AND PART NUMBER	DESCRIPTION, SIZE, ETC.	NO. REQ'D	MODEL OR ENGINE CUBIC INCH DISPLACEMENT	VEHICLE CODE	YEAR 19__
14A021 PLATE (WINDOW REGULATOR MULTIPLE SWITCH COVER)					
COMF 14A021-D	Single - located at L. H. instrument panel extension - use with electric backlite and manual windows (a)	1	77B	A	60
COMF 14A021-E	Multiple - use with (6) switch housing - openings for R. H. and L. H. front, R. H. and L. H. rear, backlite and lockout switches (a)	1	77A, B	A	60
COMF 14A021-F	Multiple - use with (5) switch housing - openings for R. H. and L. H. front, R. H. and L. H. rear and lockout switches (a)	1	All except 77B	A	60
C1VF 14A021-A	Chrome finish	1	All		
C2VY 14A021-B	Located at L. H. front door - use on vehicles built after 1-31-62 with manual vents	1	All	D	61/62
C2VY 14A021-D	Located at R. H. front door - use on vehicles built after 1-31-62 with electric vents	1	All	D	62/63
C2VY 14A021-C	Located at L. H. front door - use on vehicles built after 1-31-62 with electric vents	1	All	D	62/63
C4VY 14A021-A	Left front door - master control switches	1	All	D	64
C4VY 14A021-B	Right front door	1	All	D	64
351769-S13	Screw-stove hd. cr. rec. -No. 8-15	2	a		
14024-5 WIRING (FRONT DOOR ELECTRIC LOCK)					
COLF 14024-B	R. H. - 92" long with (4) single connections	1	All	D	60
COLF 14025-C	L. H. - 80" long with (5) single connections	1	All	D	60
14026-7 WIRING (REAR DOOR ELECTRIC LOCK)					
COLF 14026-B	R. H. - 171" long - (6) connections (a)	1	All	D	60
COLF 14027-B	L. H. - 154" long - (6) connections (a)	1	All	D	60
358683-S100	Clip	2	a		
14A027 WIRING (WINDOW REGULATOR SWITCH) FEED					
B9MF 14A027-B	Rear doors or quarters	1	All	A	60
C1AB 14A027-A	Rear doors or quarters - 56" long - use on vehicles built prior to 3-1-62	1	All	A	61
C2AZ 14A027-C	Rear doors or quarters - 60" long - use on vehicles built after 2-28-62	1	All except 65C, 76B	A	62
	Use with standard three speed and automatic transmission only - use for service on 1963 models in place of C3AB-14A027-A by taping leads 318 - GREEN-BLUE stripe - 321 - GREEN WHITE stripe - at both ends	1	All except 65C, 75C, 76B	A	63
C2AZ 14A027-D	Rear quarter windows - 56" long	1	65C, 76B	A	62
	Use for service on 1963 models in place of C3AB-14A027-B by taping leads 312 - GREEN - 315 - GREEN - BLACK stripe	1	65C, 76B	A	63
C2AZ 14A027-E	Master control switch feed - 23" long with (8) multiple and (2) single connections	1	65C, 76B	A	62/63
C2AZ 14A027-A	Use with four speed transmission - use for service on 1963 models in place of C3AB-14A027-C by taping leads 318 - GREEN-BLUE stripe - 321 GREEN-WHITE stripe - at both ends	1	All except 65C, 75C, 76B	A	63
C3AZ 14A027-A	Rear window	1	75C	A	63
C4AZ 14A027-B	Use with console - control switch	1	63C, 65C, 76C	A	64
C4AZ 14A027-C	Switch feed extension - use with four speed transmission	1	All except 63C, 65C, 76C	A	64
C4AZ 14A027-D	Rear switch feed - with three speed standard and automatic transmission	1	All except 63C, 65C, 76C	A	64
C4AZ 14A027-E	Rear switch feed	1	63C, 65C, 76C	A	64

Lamps and Wiring

GROUP AND PART NUMBER	DESCRIPTION, SIZE, ETC.	NO. REQ'D	MODEL OR ENGINE CUBIC INCH DISPLACEMENT	VEHICLE CODE	YEAR 19__
14028 SWITCH (DOOR LOCKS)					
COLF 14028-A	Electric - includes knob - located at instrument panel	1	All	D	60
C1VY 14028-A	Vacuum - less knob - includes plate - located at instrument panel	1	All	D	61/63
14028 SWITCH & PLATE ASSEMBLY (FRONT DOOR LOCK VACUUM CONTROL)					
C4VY 14028-A	Mounted on instrument panel	1	All	D	64
14030 SOLENOID (LUGGAGE COMPARTMENT ELECTRIC DOOR LOCK)					
FEY 14030-A	Located at luggage compartment door	1	All	D	60
14A032 REFER TO GROUP 14401					
14A033 BUS BAR (BATTERY FEED)					
C4AZ 14A033-A	Battery feed	1	All	A	64
C4AZ 14A033-B	Fuse panel feed	1	All	A	64
COAF 14A033-D	Accessory feed	1	All	A B	61/63
		1	All	C	61/64
C1AF 14A033-A	Battery feed	1	All	A B	61/63
		1	All	C	61/64
COLY 14A033-A	Circuit breaker - (4) hole (4) hole	1	All	D	60/61
		1	All	D	63
C3SZ 14A033-C	(3) hole	1	All	D	62
C4VY 14A033-A	Circuit breaker - (2) hole 1-3/8" long	1	All	D	64
C4VY 14A033-B	Accessory feed	1	All	D	64
C4VY 14A033-C	Battery feed	1	All	D	64
14A034 TERMINAL (FUSE HOLDER)					
COAF 14A034-C		1	All	A B	61/63
		1	All	C	61/64
C1AF 14A034-A	With internal connector	1	All	A B	61/63
		1	All	C	61/64
14A066 BRACKET (CIRCUIT BREAKER MOUNTING)					
C1AF 14A066-A	Use for backlite - located at starter motor relay	(a) 1	71A	A	61
	Use for door or quarter power windows	AR	All	A	61
C1AF 14A066-B	Use for backlite - located at starter motor relay	(a) 1	71B	A	61/62
	Use for convertible top	1	All	A	60
	Use for backlite and convertible top - located at starter motor relay	1	76	A	61/62
		AR	All	A	63/64
		AR	71	B	63
		1	59, 71	C	60/63
		AR	71, 76	C	64
C4VY 14A066-A		1	All	D	64
33923-S8	Nut-hex. jam-5/16"-24	1	a		
34079-S8	Nut-hex. -No. 10-32	1	a		
34803-S7	Washer-spring lock-No. 10	1	a		
34941-S8	Washer-external tooth lock-5/16"	1	a		
14A067-8 PANEL (FUSE JUNCTION)					
COMF 14A067-A		1	All	A	60
C4AZ 14A068-A		1	All	A	64
COLF 14A068-B	Panel - use on vehicles built prior to 1-18-60	1	All	D	60
COLF 14A068-C	Panel - use on vehicles built after 1-17-60	1	All	D	60
C1VF 14A068-A		1	All	D	61
C3SZ 14A068-A		1	All	D	62/63
C4VY 14A068-A		1	All	D	64

Lamps and Wiring

GROUP AND PART NUMBER	DESCRIPTION, SIZE, ETC.	NO. REQ'D	MODEL OR ENGINE CUBIC INCH DISPLACEMENT	VEHICLE CODE	YEAR 19__	
14A072 PANEL & BOX (FUSE JUNCTION)						
COLF 14A072-D	Use on vehicles built prior to 1-18-60	1	All	D	60	
COLF 14A072-K	Use on vehicles built after 1-17-60	1	All	D	60	
C1VB 14A072-H		1	All	D	61	
C2VY 14A072-A		1	All	D	62	
14A075 REFER TO GROUP 14A175						
14A077 GASKET (FUSE JUNCTION PANEL BOX COVER)						
COLF 14A077-B		1	All	D	60	
C1VF 14A077-A		1	All	D	61/62	
14A079 GASKET (FUSE JUNCTION PANEL BOX MOUNTING)						
COLF 14A079-B		1	All	D	60	
C1VF 14A079-A		1	All	D	61/62	
14A080 WIRING (FUSE JUNCTION PANEL)						
COLF 14A080-C	Fuse junction panel - use on vehicles built prior to 1-18-60	1	All	D	60	
COLF 14A080-E	Fuse junction panel - use on vehicles built after 1-17-60	1	All	D	60	
C1VB 14A080-B	Note - when used on vehicles built after 5-15-61 tape leads BROWN with ORANGE stripe, BLACK with RED stripe and BROWN which are not used	1	All	D	61	
C2VY 14A080-A		1	All	D	62	
14084 WIRING (WINDOW REGULATOR SAFETY RELAY TO IGNITION SWITCH)						
C3VY 14084-A	Use on vehicles built prior to 3-15-63	1	53	D	63	
C3VY 14084-B	Use on vehicles built after 3-14-63	1	All	D	63	
14A088 SHIELD (ENGINE COMPARTMENT WIRE HARNESS)						
COLF 14A088-B		1	All	D	60	
C1VF 14A088-C	Located on cowl to cover 14289 wiring assembly	1	All	D	61/62	
C1VF 14A088-B	Located on front crossmember to cover 14305 wiring assembly	1	All	D	61/64	
C3VY 14A088-A	Located at firewall to cover 14289 assembly	1	All	D	63/64	
14A092 ADAPTOR (FUSE JUNCTION BOX TO BATTERY CABLE)						
COLF 14A092-A		1	All	D	60	
14A093 RELAY (DOOR LOCK CONTROL)						
COLF 14A093-A	(1) for lock and (1) for unlock - located at dash	AR	All	D	60	
14A099 SHIELD (WIRING)						
COAF 14A099-A	Steel - to protect wiring from rear seat spring	(a)	1	62, 64, 65, 76	A	61
			2	62A, 65A, B, 76A	A	62
			1	62A, 65, 76	A	63
C2MY 14A099-A	Steel - located in tailgate	(b)	1	71	A	61/62
C2AZ 14A099-D	Power windows - nylon - 1-1/2" x 6-1/4"	1	63C, 65C, 75C, 76B	A	62/63	
C2AZ 14A099-C	Power windows - plastic binding - 9/16" x 6-5/8"	1	57C, 63C, 65C, 75C, 76B, C	A	62/64	
C2AZ 14A099-A	Inner - steel - 3-21/32" long - located at tailgate lower - use on vehicles built prior to 2-1-63	1	71	A	63	
C3OZ 14A099-A	Inner - located at tailgate lower - use on vehicles built after 1-31-63 for Monterey	1	71	A B	63/64	
CONTINUED ON NEXT PAGE						

Lamps and Wiring

GROUP AND PART NUMBER	DESCRIPTION, SIZE, ETC.	NO. REQ'D	MODEL OR ENGINE CUBIC INCH DISPLACEMENT	VEHICLE CODE	YEAR 19__
14A099 SHIELD (WIRING) CONTINUED					
C2AZ 14A099-B	Outer - steel - 2-9/16" long - located at tailgate lower - use on vehicles built prior to 2-1-63	1	71	A	63
C3OZ 14A099-B	Outer - located at tailgate lower - use on vehicles built after 1-31-63 for Monterey (a)	1	71	A B	63/64
C3MY 14A099-A	6-Way full seat	1	All	A	63
C4AZ 14A099-A	Located in R. H. and L. H. front doors - use for front and rear or front and quarter electric windows - steel	2	All except 57C, 63C, 65C, 76C	A	64
C4MY 14A099-A	Use for electric windows for front and quarter windows - nylon - secure 14644 wiring to lamp	1	62, 63, 65, 76	A	64
C1DZ 14A099-A	Tailgate window regulator - steel channeled - 4-3/4" long - located at bottom of tailgate (a)	1	59, 71	C	60/64
C2DZ 14A099-A	Tailgate window - nylon - flat - 4-1/2" long	1	59, 71	C	62/64
Package also includes -					
(2) 42127-S8 screws-hex. wshr. hd. tap. -No. 10-12 x 1/2"					
C1KZ 14A177-A	Electric tailgate window - located at R. H. wheelhouse area to house routing of electric tailgate window wiring	1	71	C	64
C1KZ 14A099-B	L. H. - rear lamp through wheelhouse shield	1	71	C	64
C3VY 14A099-A	Located at deck lid - 10-11/16" long	3	74	D	63
C3VY 14A099-B	Located at deck lid - 7-1/16" long	1	74	D	63
C3VY 14A099-C	Located at deck lid - 9-1/2" long	1	74	D	63
C3VY 14A099-D	Located above instrument cluster	1	All	D	63
C3VY 14A099-E	Upper dash panel - center	1	All	D	63
C3VY 14A099-F	Located above glove compartment	1	All	D	63
C3VY 14A099-H	Located at deck lid striker area	1	53	D	63
C3VY 14A099-J	Use with rear license lamp	1	All	D	63
C3VY 14A099-L	R. H. - window regulator wiring - 26-1/2" long - located under door scuff plates	1	All	D	63
C3VY 14A099-K	L. H. - window regulator wiring - 26-1/2" long - located under door scuff plates	1	All	D	63
C3VY 14A099-N	R. H. - window regulator wiring - 29-1/2" long - located under door scuff plates	1	All	D	63
C3VY 14A099-M	L. H. - window regulator wiring - 29-1/2" long - located under door scuff plates	1	All	D	63
C3VY 14A099-G	Install at battery support	1	All	D	63/64
C4VB 14A099-J	NS-cut 5-1/2" from C4VY-14A099-M to cover rear lamp wiring at rear of luggage compartment	3	53	D	64
C4VY 14A099-A	10.5" - located at cowl top panel under top of instrument panel R. H. side	1	All	D	64
C4VY 14A099-E	5" long - located at cowl top panel under top of instrument panel on L. H. side steering column	1	All	D	64
C4VY 14A099-D	30.5" long - located at floor side outer member to cover 14632-3 and 14405 wiring	4	All	D	64
C4VY 14A099-F	R. H. - "L" shape 7.65" x 5.46" - located at R. H. front side of package tray to cover 14632 and 14405 wiring	1	All	D	64
C4VY 14A099-G	L. H. - "L" shape 7.65" x 5.46" - located at L. H. front side of package tray to cover 14633 wiring	1	All	D	64
C4VY 14A099-H	8.5" long - located at R. H. front side of package tray to cover 14632 and 14405 wiring	1	All	D	64
C4VY 14A099-J	8.5" long - located at L. H. front side of package tray to cover 14633 wiring	1	All	D	64
CONTINUED ON NEXT PAGE					

Lamps and Wiring

GROUP AND PART NUMBER	DESCRIPTION, SIZE, ETC.	NO. REQ'D	MODEL OR ENGINE CUBIC INCH DISPLACEMENT	VEHICLE CODE	YEAR 19__
14A099 SHIELD (WIRING) CONTINUED					
C4VY 14A099-K	R. H. - located at right side of package tray to cover top control lock motor wiring 15A665	1	74	D	64
C4VY 14A099-L	L. H. - located at left side of package tray to cover top control lock motor wiring 15A665	1	74	D	64
C4VY 14A099-M	12' long - cut (3) pieces for use across luggage compartment lower back panel inner to cover 14405 for model 53 - use (1) each R. H. and L. H. side at luggage compartment lower back panel inner to cover 14405 and 15A659 wiring for model 74	AR	All	D	64
C4VY 14A099-N	10-1/2" long - located at cowl top panel under top of instrument panel on R. H. side of steering column	1	All	D	64
C4VY 14A099-R	10-1/2" long - located at cowl top panel under top of instrument panel center to cover wiring	1	All	D	64
C4VY 14A099-S	5-3/4" long - located at cowl top panel under top of instrument panel above steering column	1	All	D	64
C4VY 14A099-T	7" long - located below console to cover 13A721	1	All	D	64
C4VY 14A099-U	2.72" x 3.32" - use with buckets seats	1	All	D	64
C4VY 14A099-V	8-1/2" long curved - use with buckets seats located at seat adjuster to cover 14633	1	All	D	64
C4VY 14A099-Z	20-1/2" long - located on back side of instrument panel above glove box	1	All	D	64
C4VY 14A099-AA	12-1/4" long - located on back side of instrument panel above ash receptacle and ignition switch to cover 14401 wiring	1	All	D	64
C4VY 14A099-AC	Use to protect 18472 heater hose from intake manifold	1	All	D	64
42127-S8	Screw-hex. washer hd. tap. -No. 10-12 x 1/2"	2	a		
52727-S8	Screw-pan hd. cr. rec. tap. -No. 10-12 x 1/2"	2	b		
14A122 BEZEL (BACK WINDOW REGULATOR CONTROL SWITCH)					
C1AF 14A122-A	Chrome finish - located at dash panel	1	71	A	61/62
CODF 14A122-B	Chrome finish - located at L. H. instrument panel Located at dash panel	1	59, 71	C	60/62
		1	71	B	63
14A123 SPACER (BACK WINDOW REGULATOR CONTROL SWITCH)					
C3OZ 14A123-A		1	71	B	63
CODF 14A123-B	Chrome finish - located at L. H. instrument panel	1	59, 71	C	60/62
14A124 NUT (BACK WINDOW REGULATOR CONTROL SWITCH)					
CODF 14A124-A	Chrome finish - located at L. H. instrument panel 1/2"-28 - use with "toggle" type switch on vehicles built after 9-9-62 - prior to this date use group 15A670	1	59, 71	C	60/62
	Retractable back window	1	All	A	63
	Top control	1	76	A	63/64
	Electric tailgate window	1	71	A	64
	Electric back window	1	All except 71, 76	A	64
CIAZ 14A124-A	Chrome finish - located at dash panel	1	71	A	61/62
	Use with electric back window	1	71	A B	63
C3GY 14A124-A	(1) for top control and (1) for tailgate window control	2	59, 71, 76	C	63
14A125 BRACKET (REAR WINDOW REGULATOR CONTROL SWITCH MOUNTING)					
C1AF 14A125-A		1	71	A	61/62

Lamps and Wiring

GROUP AND PART NUMBER	DESCRIPTION, SIZE, ETC.	NO. REQ'D	MODEL OR ENGINE CUBIC INCH DISPLACEMENT	VEHICLE CODE	YEAR 19__
14A132 SWITCH & WIRE (WINDOW RETURN CUT-OFF) REAR DOORS					
C1VF 14A132-B	Located inside door panel - upper front	2	74	D	61/62
14A133 SWITCH & PLATE (WINDOW TRAVEL LIMIT) REAR DOORS					
C1VF 14A133-A	Located inside door panel - upper front - assembly includes spring and roller	2	74	D	61/62
C3VY 14A133-A	R. H. - assembly includes lever, bushing and spring	1	74	D	63
C3VY 14A133-B	L. H. - assembly includes lever, bushing and spring	1	74	D	63
C4VY 14A133-A	R. H.	1	74	D	64
C4VY 14A133-B	L. H.	1	74	D	64
14A134-5 SPRING (WINDOW REGULATOR LEVER) REAR DOORS					
C1VF 14A134-B	R. H. - located inside door panel - upper front	1	74	D	61/62
C1VF 14A135-B	L. H. - located inside door panel - upper front	1	74	D	61/62
14A136-7 LEVER (WINDOW REGULATOR LIMIT)					
C1VF 14A136-B	R. H. - located inside door panel - upper front (a)	1	74	D	61/62
C1VF 14A137-B	L. H. - located inside door panel - upper front (a)	1	74	D	61/62
354261-S	Snap ring	2	a		
373985-S	Washer-flat-nylon 5/16"	2	a		
14A141 BUSHING (WINDOW REGULATOR SWITCH LEVER PIVOT PIN) REAR DOORS					
C1VF 14A141-B	Nylon - 5/16" I.D. x 13/32" O.D. x 49/64" long - for R. H. and L. H. - located inside door panel - upper front	2	74	D	61/62
14A153 RELAY (WINDOW REGULATOR MOTOR - CURRENT LIMITER)					
C1VF 14A153-A	Assembly includes wires coded BLACK, BLUE and BROWN - located behind rear seat back	2	74	D	61/62
14A154 RELAY (WINDOW REGULATOR MOTOR ARMATURE EXCITATION)					
C1VF 14A154-A	With (4) terminals - located behind rear seat back	2	74	D	61/62
14A155 SWITCH & WIRE (WINDOW ACTUATOR STRIKER) REAR DOORS					
C2VY 14A155-A	(a)	2	74	D	61/62
C3VY 14A155-A		2	74	D	63
C4VY 14A155-A	2-3/8" long x 9/16" diameter - plunger 5/16" diameter - use on vehicles built prior to 6-1-64	2	74	D	64
C4VY 14A155-B	2-3/8" long x 9/16" diameter - plunger 5/16" diameter - use on vehicles built after 5-31-64	2	74	D	64
374705-S	Nut-hex. -1/2"-32	2	a		
375914-S100	Nut-round-1/2"-32	2	a		
14A157 SWITCH & WIRE (WINDOW ACTUATOR) REAR DOORS					
C1VF 14A157-A	Assembly includes roller 1/4" diameter - wires are BLACK - located inside door panel - lower front	2	74	D	61
14A163 RETAINER (WIRING HARNESS)					
C4AZ 14A163-A	Use to retain horn wires	1	All	A	64
C3SZ 14A163-B	Use on all except station wagon with back-up lamp	AR	All	A C D	64
14167 GASKET (AIR CONDITIONER EVAPORATOR TEMPERATURE CONTROL THERMOSTAT COVER)					
PB9M 14167-A	For a/cond. except hang-on	1	All	A	60

Lamps and Wiring

GROUP AND PART NUMBER	DESCRIPTION, SIZE, ETC.	NO. REQ'D	MODEL OR ENGINE CUBIC INCH DISPLACEMENT	VEHICLE CODE	YEAR 19__
14A170-1 PLATE (WINDOW REGULATOR LIMIT SWITCH MOUNTING) REAR DOORS					
C1VB 14A170-A	R. H. - located inside door panel - upper front (a)	1	74	D	61/62
C1VB 14A171-A	L. H. - located inside door panel - upper front (a)	1	74	D	61/62
52727-S8	Screw-pan. hd. cr. rec. tap. -No. 10-12 x 1/2"	2	a		
356207-S	Washer-flat-rubber-3/16"	2	a		
14A173 CLIP (FUSE PANEL WIRING)					
C1SF 14A173-A	Use with four speed standard transmission	1 AR	74 All	D C	62/63 62
C4VY 14A173-A	Attaches to top of fuse junction block	1	All	D	64
14A175 COVER (FUSE JUNCTION PANEL BOX)					
COLY 14A175-A		1	All	D	60
C1VY 14A075-A	Upper - use on vehicles without a/cond.	1	All	D	61
C1VY 14A175-A	Upper - use on vehicles with a/cond.	1	All	D	61
C1VF 14A175-A	Lower - use on vehicles built prior to 4-3-61	1	All	D	61/62
C1VF 14A175-B	Lower - use on vehicles built after 4-2-61	1	All	D	61/62
C2VY 14A175-A	Upper	1	All	D	62
14A177 REFER TO GROUP 14A099					
14A178 SWITCH (WINDOW REGULATOR MOTOR CURRENT LIMITER RELAY BY-PASS) REAR DOORS					
C1VF 14A178-A	Located inside door panel - upper rear	2	74	D	61/62
C3VY 14A178-A	Located inside door panel - upper rear (a)	2	74	D	63
C4VY 14A178-A	Located inside door panel - upper rear - 2-3/8" (a) long x 5/8" dia. - plunger 5/16" dia.	2	74	D	64
374705-S	Nut-hex. -1/2"-32	1	a		
14A187 BOLT (FUSE JUNCTION PANEL BOX COVER)					
C1VF 14A187-A		1	All	D	61/62
14A188 DEFLECTOR (FUSE JUNCTION PANEL BOX FUSE)					
C1VF 14A188-A		1	All	D	61
C1VF 14A188-B		1	All	D	62
14197 CLIP (WIRING LUGGAGE COMPARTMENT LAMP TO DOOR)					
B9FM 14197-A		AR	All	A	60
7RA 14197-B		1	53	D	61/63
14A200 WIRING (WINDOW REGULATOR SAFETY RELAY TO WINDOW REGULATOR SWITCH)					
C3OZ 14A200-A		1	71	B	63
C3DZ 14A200-A	Use on vehicles built prior to 1-2-63	1	59, 71	C	63
C3DZ 14A200-B	Use on vehicles built after 1-1-63	1	59, 71	C	63
C4DZ 14A200-A		1	71	C	64
14205 REFER TO GROUP 16098					
14207 REFER TO GROUP 16916					
14A208 RELAY (DOOR OPEN WARNING)					
C2VY 14A208-A	(1) for R. H. and (1) for L. H. Use on vehicles built prior to 6-3-63	2	74	D	61/62
C3VY 14A208-A	(1) for R. H. and (1) for L. H. - use on vehicles built after 6-2-63	2	74	D	63/64
C3VY 14A208-B	Use on vehicles built after 6-2-63 - not required prior to 6-3-63	1	53	D	63/64

Lamps and Wiring

GROUP AND PART NUMBER	DESCRIPTION, SIZE, ETC.	NO. REQ'D	MODEL OR ENGINE CUBIC INCH DISPLACEMENT	VEHICLE CODE	YEAR 19__
14A209-10 WIRING (REAR DOOR OPEN WARNING LAMP)					
C1VB 14A209-A	R. H. - use on vehicles built prior to 3-1-61 - not required after	1	74	D	61
C1VB 14A210-A	L. H. - use on vehicles built prior to 3-1-61 - not required after	1	74	D	61
C1VB 14A209-B	R. H. - use on vehicles built prior to 3-1-61 - not required after	1	53	D	61
C1VB 14A210-B	L. H. - use on vehicles built prior to 3-1-61 - not required after	1	53	D	61
14A218 RETAINER (FUSE JUNCTION PANEL)					
C4VY 14A218-A		2	All	D	64
14A223 WIRING (GENERATOR REGULATOR EXTENSION)					
C2VY 14A223-A		1	74	D	62
14A224 BRACKET (WIRING SHIELD)					
C4VY 14A224-A	Use to attach 14A099 shield to upper instrument panel	1	All	D	64
14A227 WIRING (LUGGAGE COMPARTMENT) JUMPER					
C1VB 14A227-A	(2) lengths of wire 4" long with (4) multiple connections - located at luggage compartment wiring 14276	1	74	D	61
14A230 GASKET (WINDOW REGULATOR SWITCH HOUSING - SINGLE)					
	NS-sponge rubber - improvise	3	All	A	62/64
14A232 LEVER (WINDOW MASTER CONTROL)					
B8LY 14A232-A	Chrome finish - zinc die cast - located at multiple window switch housing on L. H. front door arm rest	1	All	D	60/61
C1VY 14A232-A		1	All	D	62/64
14A235-6 PLATE (WINDOW ACTUATOR STRIKER SWITCH)					
C2VY 14A235-A	R. H. - zinc - 15/16" x 1-13/16"	1	74	D	62/63
C2VY 14A236-A	L. H. - zinc - 15/16" x 1-13/16"	1	74	D	62/63
14A240 INSULATOR (NON-METALLIC CONDUIT)					
C1AZ 14A240-B	3/16" I. D. x 15 foot roll	AR	All	A	60/61
C1AZ 14A240-A	3/8" I. D. x 15 foot roll	AR	All	A	60/62
14A244 SHIELD (WINDOW REGULATOR CONTROL SWITCH)					
C2AZ 14A244-A	Single - plastic - 1-5/8" long	(Δ) 1	All	A	62/64
C2AZ 14A244-B	Multiple - plastic - 5-5/16" long	(Δ) 1	All	A	62/64
Δ Package also includes -					
		(2) 42127-S8	screw-hex. wshr. hd. tap. -No. 10-12 x 1/2"		
14254 REFER TO GROUP 16738					
14A254 BRACKET (FUSE JUNCTION PANEL MOUNTING)					
C3VY 14A254-A		1	All	D	63
C4VY 14A254-A	1-3/4" long	1	All	D	64
C4VY 14A254-B	1-3/8" long	1	All	D	64

Lamps and Wiring

GROUP AND PART NUMBER	DESCRIPTION, SIZE, ETC.	NO. REQ'D	MODEL OR ENGINE CUBIC INCH DISPLACEMENT	VEHICLE CODE	YEAR 19__
14A274 PLATE (BALLAST RESISTOR MOUNTING)					
C3TZ 14A274-A	Use with transistorized ignition system	1	427	A	63
	Use on vehicles built prior to 12-16-63	1	All	A	64
C4TZ 14A274-B	Use with transistorized ignition system on vehicles built after 12-15-63 - Special Performance (Engine Warranty Code D) with 42 amp. alternator	1	All	A	64
		1	289	C	64
14A275 PLATE ASSEMBLY (BALLAST RESISTOR MOUNTING)					
C3TZ 14A275-A	Includes plate, relay, junction block resistor and bracket	1	427	A	63
14276 WIRING (LUGGAGE COMPARTMENT)					
C2VY 14276-A	62" long with (10) multiple and (8) single connections - located at deck lid	1	74	D	61/62
C3VY 14276-A	59" long with (6) single and (10) double connections	1	74	D	63
C4VY 14276-A	Use on vehicles built prior to 12-3-63 in conjunction with C1VF-15B659-A	1	74	D	64
C4VY 14276-C	Use on vehicles built after 12-2-63	1	74	D	64
14A276 COVER (BALLAST RESISTOR MOUNTING PLATE)					
C3TZ 14A276-A	Use with transistorized ignition system	1	427	A	63
	Use on vehicles built prior to 12-16-63	1	All	A	64
C4TZ 14A276-A	Use with transistorized ignition system on vehicles built after 12-15-63 - Special Performance (Engine Warranty Code D) with 42 amp. alternator	1	All	A	64
		1	289	C	64
14277 COVER (BATTERY TERMINAL INSULATOR)					
FEK 14277-A		AR	All	A	60
		AR	All	D	61/62
14278 SWITCH & BRACKET (WINDOW REGULATOR - TAILGATE)					
B9MF 14278-A	Single - located at tailgate	1	77	A	60
14A287 WIRE (WINDOW REGULATOR SAFETY RELAY FIELD)					
	NS-24" long with (2) single terminals - for service improvise from No. 18 gauge wire	1	53	D	63
14289 WIRING (DASH PANEL TO ENGINE GAUGE FEED)					
COMF 14289-Y		1	All	A	60
C1AF 14289-A	Use with standard transmission only - 81" long	1	223	A	61
C1AF 14289-B	Use with standard transmission only - 81" long	1	292	A	61
C1AF 14289-C		1	352, 390	A	61
C1AF 14289-G	Use with automatic transmission - 85-1/2" long	1	223	A	61
C1AF 14289-H	Use with automatic transmission - 85-1/2" long	1	292	A	61
C1AF 14289-J	Use with automatic transmission - 85-1/2" long	1	352, 390	A	61
C2AZ 14289-J		1	292	A	62
C2AZ 14289-U	80" long	1	223	A	62
C2AZ 14289-V	81" long	1	352, 390	A	62
C3MY 14289-D	Use with conventional ignition system	1	All	A	63
C3MY 14289-E	Use with transistorized ignition system	1	All	A	63
C4MY 14289-B	Use with transistorized ignition system	1	All	A	64
C4MY 14289-C	Use with conventional ignition system	1	All	A	64
C3YY 14289-A		1	170	B	63
C3YY 14289-B		1	221, 260	B	63

CONTINUED ON NEXT PAGE

Lamps and Wiring

GROUP AND PART NUMBER	DESCRIPTION, SIZE, ETC.	NO. REQ'D	MODEL OR ENGINE CUBIC INCH DISPLACEMENT	VEHICLE CODE	YEAR 19__
14289 WIRING (DASH PANEL TO ENGINE GAUGE FEED) CONTINUED					
C3DZ 14289-A		1	144, 170	C	60/63
C3DZ 14289-B		1	260	C	63
C4GY 14289-A		1	170, 200	C	64
C4GY 14289-B		1	260, 289	C	64
COLF 14289-C	Use without a/cond.	1	All except 23A,B	D	60
COLF 14289-E	Use with a/cond.	1	All	D	60
C1VB 14289-A	Use with heater	1	All	D	61
C1VB 14289-B	Use with a/cond.	1	All	D	61
C2VY 14289-C	Use with heater	1	All	D	61
C2VY 14289-D	Use with a/cond.	1	All	D	62
C2VY 14289-E	Use with alternator and a/cond.	1	All	D	62
C3VY 14289-A	Use with heater	1	All	D	63
C3VY 14289-D	Use with a/cond. NOTE - When used on vehicles built prior to 3-7-63 tape out black leads eyelet terminal No. 38A	1	All	D	63
C4VY 14289-A	Use with heater	1	All	D	64
C4VY 14289-B	Use with a/cond.	1	All	D	64
14290 WIRING (DASH PANEL TO HEADLAMP JUNCTION)					
COMF 14290-B	Use only when alternator is not used	1	All	A	60
COMF 14290-C	Use only when alternator is installed	1	All	A	60
C1AF 14290-A		1	All	A	61/62
C1AF 14290-B	Use with alternator	1	292, 352, 390	A	61/62
C3MY 14290-A	Use with H and A alternator and conventional ignition system	1	All	A	63
C3MY 14290-C	Use with transistorized ignition system	1	All	A	63
C4MY 14290-A	Use on all vehicles with conventional ignition system except 60 amp. Leece-Neville alternator	1	All	A	64
C4MY 14290-B	Use with transistorized ignition system except 60 amp. Leece-Neville alternator	1	All	A	64
C4MY 14290-C	Use with 60 amp. Leece-Neville alternator	1	All	A	64
C2YY 14290-C	Models 54, 62 - with single speed windshield wipers	1	170	B	62
C2YY 14290-D	All with single speed windshield wipers	1	221	B	62
C2YY 14290-E	All with two speed windshield wipers	1	170	B	62
C2YY 14290-F	All with two speed windshield wipers	1	221	B	62
C3YY 14290-A		1	170	B	63
C3YY 14290-B		1	221, 260	B	63
C1KF 14290-A	Without a/cond.	1	All	C	60/62
C1KB 14290-A	With a/cond. - also hang-on a/cond. - also serviced in 19700 kit	1	All	C	60/63
C3GY 14290-A	Without a/cond. - use on vehicles built prior to 1-7-63	1	144, 170	C	63
C3GY 14290-B	Use on 6 cylinder engines built after 1-6-63 in conjunction with C3DZ-14305-A	1	144, 170, 260	C	63
C4GY 14290-A		1	All	C	64
14294 WIRE (TERMINAL)					
B9A 14294-A		AR	All	A B C D	60/63
B9A 14294-B		AR	All	A B C D	60/63
B9A 14294-C		AR	All	A B C D	60/63
B9A 14294-D		AR	All	A B C D	60/63
B9A 14294-E		AR	All	A B C D	60/63
B9A 14294-F		AR	All	A B C D	60/63
B9A 14294-G		AR	All	A B C D	60/63
B9A 14294-H		AR	All	A B C D	60/63
B9A 14294-J	Tab - faston	AR	All	A B C D	60/63
B9A 14294-K	Terminal plug	AR	All	A B C D	60/63
B9A 14294-L	Receptacle - faston	AR	All	A B C D	60/63
B9A 14294-M	Terminal plug	AR	All	A B C D	60/63

Lamps and Wiring

GROUP AND PART NUMBER	DESCRIPTION, SIZE, ETC.	NO. REQ'D	MODEL OR ENGINE CUBIC INCH DISPLACEMENT	VEHICLE CODE	YEAR 19__
-----------------------	-------------------------	-----------	---	--------------	-----------

14294 KIT - WIRE TERMINAL

B9A 14294-PAK		AR	All	A C	60/61
Consists of the following -					
(25) 10-12 wire No. 10 stud B9A-14294-F	(10) 14-18 wire connector B6A-14487-A				
(25) 10-12 wire No. 1/4 stud B9A-14294-G	(25) 14-18 wire connector B7A-14487-A				
(25) 10-12 wire No. 3/8 stud B9A-14294-H	(25) 14-18 wire Faston tab B9A-14294-J				
(25) 14-16 wire No. 6 stud B9A-14294-B	(25) 14-18 wire Shur plug B9A-14294-K				
(25) 14-16 wire No. 10 stud B9A-14294-C	(50) 14-18 wire Faston receptacle B9A-14294-L				
(25) 14-16 wire No. 10 stud B9A-14294-E	(50) 16-22 wire No. 10 stud B9A-14294-A				
(25) 14-16 wire No. 1/4 stud B9A-14294-D	(25) 16-22 wire Butt connector B9A-14487-A				
(25) 14-16 wire Shur plug B9A-14294-M	(65) Distributor high tension B-14466				
(25) 14-16 wire Butt connector B9A-14487-B	(1) Crimping tool B9A-17018-A				

NOTE - Components of this kit are available as service items to replenish original stock supplied with kit

14296 WIRE

B3A 14296-A	No. 8 gauge - 50 ft.	AR	All	A B C D	60/64
B6A 14296-A	No. 12 gauge - 100 ft.	AR	All	A B C D	60/64
B6A 14296-B	No. 14 gauge - 100 ft.	AR	All	A B C D	60/64
B6A 14296-C	No. 16 gauge - 100 ft.	AR	All	A B C D	60/64

14300-1 CABLE (BATTERY)

FAC 14300-C	21-1/2" long - battery to ground	1	383, 430	A	60
FEL 14301-A	29-1/2" long - battery to ground	1	312	A	60
C3MY 14301-A	13" long - use with 8 cylinder engines - ground	1	All	A	63
C2RZ 14300-G	18" long - No. 2 gauge Use on 6 cylinder engines Less a/cond.	1	All	A	61/64
		1	All	B	62/63
		1	144, 170	C	60/63
		1	170, 200	C	64
		1	All	D	61/62
C2RZ 14300-H	12" long - battery to starter relay	1	All	A C	64
C2OZ 14301-B	26" long Use on all 8 cylinder engines - ground L. H. - 26" long - negative ground	1	221, 260	B	62
		1	All	B	63
		1	260, 289	C	64
C2RZ 14300-E	28" long - battery to ground Battery to starter relay	1	260, 289	B C	62/63
		1	All	D	63/64
C2RZ 14300-K	65" long - battery to starter relay on vehicles with L. H. front fender apron battery mounting	1	All	C	60/63
C2RZ 14300-F	24" long - battery to ground Use with a/cond.	1	All	C	60/62
		1	144, 170, 200	C	63/64
COLF 14300-B	37-1/2" long - battery to starter relay	1	All	D	60
COMF 14301-A	20" between terminals - 6 gauge wire - battery to ground	1	All	D	60
FAC 14301-C	21-1/4" long - battery to ground	1	All	D	60
C2RZ 14300-B	54" long - battery to starter relay	1	All	D	61/62
C1VF 14301-A	17.5" between terminals - battery to ground	1	All	D	61/62
C3VY 14301-A	R. H. - 31-1/2" long - battery to ground	1	All	D	63/64
C2RZ 14300-D	36" long - battery to ground	1	All	D	64

14303 CABLE (DASH TO ENGINE GROUND)

CIVF 14303-A	14-1/2" long	(a)	1 All	A B C	60/62
			1 All	D	61/62
			1 All	A	63/64
			1 All	B	63
			1 144, 170, 260	C	63
			1 All	C	64

CONTINUED ON NEXT PAGE

Lamps and Wiring

GROUP AND PART NUMBER	DESCRIPTION, SIZE, ETC.	NO. REQ'D	MODEL OR ENGINE CUBIC INCH DISPLACEMENT	VEHICLE CODE	YEAR 19__
14303 CABLE (DASH TO ENGINE GROUND) CONTINUED					
20328-S	Bolt-hex. hd. -3/8"-16 x 5/8"-cable to cylinder hd.	1	a		
31497-S8	Screw-hex. washer hd. tap. -No.14-10-1/2"-cable to dash	1	a		
34807-S8	Lockwasher-3/8"-cable to cylinder hd.	1	a		
34940-S7	Lockwasher-external tooth-1/4"-cable to dash panel	1	a		
14A303 WIRING (RELAY FEED)					
C4VY 14A303-A	Located at horn relay panel	1	53		
C4VY 14A303-B	Located at horn relay panel	1	74	D	64
14305 WIRING (GENERATOR TO GENERATOR REGULATOR)					
COMF 14305-D	Use with all generators - standard or heavy duty - not used when alternator is used	1	All	A	60
COMF 14305-E	Alternator rectifier system	1	All	A	60
C1AF 14305-A	Use with 30 amp. generators	1	223	A	61/62
C1AF 14305-C	Use with 40 amp. generators	1	223	A	61
C3AZ 14305-E	Use with 30 amp. generators	1	292, 352, 390	A	61/62
C1AF 14305-D	Use with 40 amp. Delco-Remy generators without a/cond. or 35 amp. generator with a/cond.	1	292, 352, 390	A	61
C3MY 14305-E	Use with H and A alternator	1	All	A	63
C3MY 14305-D	Use with 40 amp. Leece-Neville alternator	1	390	A	64
C4AZ 14305-D	Use with 60 amp. Leece-Neville alternator	1	390, 427	A	64
C4MY 14305-A	Use with Ford alternator	1	All	A	64
C3DZ 14305-A	Use on vehicles built after 1-6-63 in conjunction with C3GY-14290-B	1	144, 170	C	63
C4GY 14305-A		1	170, 200	C	64
C4GY 14305-B	☆ Except Special Performance	1	260, 289☆	C	64
C4GY 14305-C	Special Performance (Engine Warranty Code D) - with 42 amp. alternator	1	289	C	64
COLF 14305-C	Use with Delco-Remy 50 amp. generator and 40 amp. generator	1	All	D	60
C1VF 14305-B	Use with 40 amp. generator	1	All	D	61
C2VY 14305-A	Use with generator	1	All	D	62
C2VY 14305-B	Use with alternator and a/cond.	1	All	D	62
C3VY 14305-A	Starter solenoid junction block	1	All	D	63
C4VY 14305-A	Use without a/cond.	1	All	D	64
C4VY 14305-B	Use with a/cond.	1	All	D	64
14A312 WIRING (LOWER INSTRUMENT PANEL FEED)					
C4VY 14A312-B		1	All	D	64
14322 WIRE (OIL PRESSURE GAUGE CONNECTOR)					
	NS-28-1/2" long - improvise from 16 gauge wire and add (1) FAA-14474-A and (1) FDT-14461-A terminal	1	All	A	60/62
14334 REFER TO GROUP 13A709					
14343 WIRE (CIGAR LIGHTER GROUND)					
B9MF 14343-A	10-1/2" long - located at R. H. quarter arm rest	1	63F, 76D	A	60
14389 WIRE (COURTESY LAMP SOCKET)					
	NS-cut from B-13412	2	68A	D	60

Lamps And Wiring

GROUP AND PART NUMBER	DESCRIPTION, SIZE, ETC.	NO. REQ'D	MODEL OR ENGINE CUBIC INCH DISPLACEMENT	VEHICLE CODE	YEAR 19__
14398 WIRING (DASH PANEL TO ENGINE)					
COLF 14398-A		1	All	D	60
CIVB 14398-B	Use on vehicles built prior to 5-15-61 with or without a/cond.	1	74	D	61
CIVF 14398-A	Use on vehicles built after 5-14-61 without a/cond.	1	All	D	61/62
C1VF 14398-B	Use on vehicles built after 5-14-61 with a/cond.	1	All	D	61/62
C3VY 14398-A	Use without a/cond.	1	All	D	63
C3VY 14398-B	Use with a/cond.	1	All	D	63
C4VY 14398-A	Use without a/cond.	1	All	D	64
C4VY 14398-B	Use with a/cond.	1	All	D	64
14401 WIRING MAIN (INSTRUMENT PANEL TO DASH)					
COMF 14401-H	Vehicles without alternators	1	All	A	60
COMF 14401-J	Vehicles with alternators	1	All	A	60
COAF 14401-D	Use without alternators on vehicles built prior to 10-3-60	1	58A, 64A	A	61
C1AF 14401-A	Use without alternators on vehicles built after 10-2-60	1	58A, 64A	A	61
C1AF 14401-B	Use with alternators	1	58A, 64A	A	61
C1MF 14401-G	Use with alternators	1	All except 58A, 64A	A	61
C1MF 14401-F	Use with generators	1	All except 58A, 64A	A	61
C2MY 14401-C	Use with single or two speed windshield wiper with automatic transmission on vehicles built prior to 6-1-62 having Bowden cable windshield wiper control - use with single speed windshield wiper only with automatic transmission on vehicles built after 5-31-62 having electric windshield wiper control	1	All except 65C, 76B(S-55)	A	62
C2MY 14401-F	Use with two speed windshield wiper and automatic transmission on vehicles built after 5-31-62 having electric windshield wiper control	1	All except 65C, 76B(S-55)	A	62
C2MY 14401-E	Use with single or two speed windshield wiper with standard transmission on vehicles built prior to 6-1-62 having Bowden cable windshield wiper control - use with single speed windshield wiper only with standard transmission on vehicles built after 5-31-62 having electric windshield wiper control	1	All except 65C, 76B(S-55)	A	62
C2MY 14401-G	Use with two speed windshield wiper and standard transmission on vehicles built after 5-31-62 having electric windshield wiper control	1	All except 65C, 76B(S-55)	A	62
C3MY 14401-E	Use on vehicles with movable steering column	1	All except 65C, 76B	A	63
C3MY 14401-F	Use on vehicles with movable steering column	1	65C, 76B	A	63
C3MY 14401-G	Use with transistorized ignition	1	All except 63C, 65C, 75C, 76B	A	63
C3MY 14401-H	Use with transistorized ignition	1	63C, 65C, 75C, 76B	A	63
C3MY 14401-K	Use on vehicles with fixed steering column	1	63C, 65C, 75C, 76B	A	63
C3MY 14401-R	Use on vehicles with fixed steering column and conventional ignition	1	All except 63C, 65C, 75C, 76B	A	63
C4MY 14401-A	Use with conventional ignition system	1	All except 57C, 63C, 65C, 76C	A	64
C4MY 14401-B	Use with conventional ignition system	1	57C, 63C, 65C, 76C	A	64
C4MY 14401-C	Use with transistorized ignition system	1	All except 57C, 63C, 65C, 76C	A	64
C4MY 14401-D	Use with transistorized ignition system	1	57C, 63C, 65C, 76C	A	64
C2YY 14401-B	Use with single speed windshield wipers	1	All	B	62
C2YY 14401-C	Use with two speed windshield wipers	1	All	B	62
C3YY 14401-A	Use with single speed wipers	1	All	B	63

CONTINUED ON NEXT PAGE

Lamps and Wiring

GROUP AND PART NUMBER	DESCRIPTION, SIZE, ETC.	NO. REQ'D	MODEL OR ENGINE CUBIC INCH DISPLACEMENT	VEHICLE CODE	YEAR 19__
14401 WIRING MAIN (INSTRUMENT PANEL TO DASH) CONTINUED					
C3YY 14401-B	Use with two speed wipers in conjunction with C3OZ-17B587-A on vehicles built prior to 1-16-63	1	All	B	63
C3YY 14401-C	Use with two speed wipers in conjunction with C3OZ-17B587-A on vehicles built after 1-15-63	1	All	B	63
C1KF 14A032-A	Includes junction block	1	All	C	60
C1GF 14401-A		1	All	C	61/62
C3GY 14401-A	Use with single speed wipers	1	All	C	63
C3GY 14401-D	Use with two speed wipers on vehicles built prior to 1-16-63	1	All	C	63
C3GY 14401-C	Use with two speed wipers on vehicles built after 1-15-63	1	All	C	63
C4GY 14401-A	Use with single speed wipers	1	All	C	64
C4GY 14401-B	Use with two speed wipers	1	All	C	64
COLF 14401-F	Without a/cond. - on vehicles built prior to 1-18-60	1	All except 23A, B	D	60
COLF 14401-K	Without a/cond. - on vehicles built after 1-17-60	1	All except 23A, B	D	60
COLF 14401-H	23B standard equipment - all except 23A, B - with a/cond. on vehicles built prior to 1-18-60	1	All	D	60
COLF 14401-J	23A, B standard equipment - all except 23A, B - with a/cond. on vehicles built after 1-17-60	1	All	D	60
C2VY 14401-A		1	All	D	61/62
C2VY 14401-B	Use with alternator and a/cond.	1	All	D	62
C3VY 14401-A		1	All	D	63
C4VY 14401-B		1	All	D	64
14405 WIRING (REAR LAMPS)					
COMF 14405-D		1	77	A	60
COMF 14405-G		1	57A, B, 58, 63A, B, 64, 76B	A	60
COMF 14405-H		1	57F, 63F, 76D	A	60
C1MB 14405-D	330" long - use with or without back-up lamps	1	71	A	61
C1MF 14405-C	Use on vehicles built prior to 10-5-60	1	58A, 64A	A	61
C1MB 14405-E	Use on vehicles built after 10-4-60	1	58A, 64A	A	61
C1MF 14405-D		1	All except 58A, 64A, 71	A	61
C2MY 14405-A	Standard equipment	1	65B, 76A	A	62
	Use with interior lamps	1	62A, 65A	A	62
	Use with back-up lamps	1	54A, 62A, 65A, 75A	A	62
C2MY 14405-B	Standard equipment	1	71A	A	62
C2MY 14405-C	Standard on 71B - use with interior lamp on 71A	1	71A, B	A	62
C2MY 14405-D	Standard equipment	1	54B, 75B	A	62
	Use with interior lamps	1	54A, 75A	A	62
C2MY 14405-E	Use without back-up lamps or interior lamps	1	54A, 62A, 65A, 75A	A	62
C2MY 14405-L	Use on vehicles built prior to 5-31-62	1	65C, 76B	A	62
C2MY 14405-R	Use on vehicles built after 6-1-62	1	65C, 76B	A	62
C3MY 14405-A	Use without four speed floor shift transmission	1	71B, D	A	63
C3MY 14405-C	Use without four speed floor shift transmission	1	54A, 62A, 65A, B, 75A, 76A	A	63
C3MY 14405-D	Standard equipment	1	54B, 75B	A	63
	Use with interior lamp package	1	54A, B, 75A, B	A	63
C3MY 14405-E	Standard production - console shift	1	63C, 65C, 76B	A	63
C3MY 14405-F	Use with four speed floor shift transmission and use with back-up lamps with interior lamp package except on 54A, 75A - Note - This harness does not include rear door jam lamp switch feed	1	54A, 62A, B, 75A, 76A	A	63
C3MY 14405-G	Use with four speed floor shift transmission	1	71, B, D	A	63
C3MY 14405-H	Use with four speed floor shift transmission and use with back-up lamps and interior lamp package including rear door jam lamp switch feed	1	54A, B, 75A, B	A	63
CONTINUED ON NEXT PAGE					

Lamps and Wiring

GROUP AND PART NUMBER	DESCRIPTION, SIZE, ETC.	NO. REQ'D	MODEL OR ENGINE CUBIC INCH DISPLACEMENT	VEHICLE CODE	YEAR 19____
14405 WIRING (REAR LAMPS) CONTINUED					
C3MY 14405-J	Console shift	1	75C	A	63
C4MY 14405-A	Use on model 54A without courtesy lamps - with column or floor shift (☆)	1	62A, 63D, 65A, B, F, 75F	A	64
C4MY 14405-B	Use on model 54A with courtesy lamps - with column or floor shift (☆)	1	54A, B, F, 57D, 75F	A	64
C4MY 14405-C	Use with console shift	1	63C, 65C	A	64
C4MY 14405-E	Use with column or floor shift (☆)	1	71	A	64
C4MY 14405-F	Use with column or floor shift (☆)	1	76A, F	A	64
	☆NOTE - Connect BLACK-RED stripe lead for column shift to complete back-up lamp circuit				
C4MY 14405-G	Use with console shift	1	76C	A	64
C2YY 14405-A		1	All	B	62
		1	All except 71	B	63
C3OZ 14405-B		1	71	B	63
C1GB 14405-B		1	54A, 62A	C	60/61
C1GB 14405-A		1	59, 71	C	60/62
C2GY 14405-A		1	62C	C	62
C2GY 14405-B		1	54, 62A, B	C	62
C2GY 14405-D	Use on vehicles without back-up lamps	1	54, 62A, B, 76A	C	63
C2GY 14405-E		1	62C, 76B	C	63
C3GY 14405-A	Use on vehicles without back-up lamps	1	59, 71	C	63
C3GY 14405-B	Use on vehicles with back-up lamps	1	59, 71	C	63
C3GY 14405-C	Use on vehicles with back-up lamps	1	54, 62A, B, 76A	C	63
C4GY 14405-A	Use on vehicles without back-up lamps and courtesy lamps NOTE - When used on models 54, 62, 76 tape lead with BLACK-BLUE stripe	1	All except 71	C	64
C4GY 14405-B	Use on vehicles with back-up lamps and courtesy lamps NOTE - When used on models 54, 62 tape lead with BLACK-BLUE stripe	1	All except 71	C	64
C4GY 14405-C	Use on vehicles without back-up lamps	1	71	C	64
C4GY 14405-D	Use on vehicles with back-up lamps	1	71	C	64
COLF 14405-G		1	All except 63, 65, 68	D	60
COLF 14405-H		1	63, 65, 68	D	60
C1VF 14405-D		1	53	D	61/62
C1VY 14405-C		1	74	D	61
C2VY 14405-A		1	74	D	62
C3VY 14405-A		1	74	D	63
C3VY 14405-B		1	53	D	63
C4VY 14405-A	Use on vehicles built prior to 3-16-64	1	53	D	64
C4VY 14405-D	Use on vehicles built after 3-15-64	1	53	D	64
C4VY 14405-C	Use on vehicles built prior to 3-16-64	1	74	D	64
C4VY 14405-E	Use on vehicles built after 3-15-64	1	74	D	64
14406 WIRE (FUEL TANK SENDER)					
	NS-dealer improvise by cutting 48" of No. 18 gauge wire and cover with 5/32" I. D. non-metallic conduit	1	71	C	64
C3VY 14406-A		1	All	D	63
C4VY 14406-A		1	All	D	64
14411 WIRING (STARTER RELAY TO GENERATOR REGULATOR)					
COLY 14411-B	Use with 50 amp. generator	1	All	D	60
14412 LAMP & WIRE (GLOVE COMPARTMENT)					
C4VY 14412-A	For console compartment	1	All	D	64

Lamps and Wiring

GROUP AND PART NUMBER	DESCRIPTION, SIZE, ETC.	NO. REQ'D	MODEL OR ENGINE CUBIC INCH DISPLACEMENT	VEHICLE CODE	YEAR 19____
14413 SWITCH & WIRE (GLOVE COMPARTMENT LAMP)					
FEK 14413-A		1	All	A	60/61
C3MY 14413-A	Use on vehicles built prior to 11-26-63	1	All	A	63/64
C3AZ 14413-A	Includes bulb socket - use on vehicles built after 11-25-63	1	All	A	64
C2YB 14413-A		1	All	A	62
		1	All	B	62/63
C1KF 14413-A		1	All	C	60/63
C4DZ 14413-A		1	All	C	64
FDH 14413-A		1	All	D	60
C1VF 14413-A		1	All	D	61/62
C3VY 14413-A		1	All	D	63
C4VY 14413-A	Located at instrument panel glove compartment lamp - use on vehicles built prior to 12-20-63	1	All	D	64
C4VY 14413-C	Located at instrument panel glove compartment lamp - use on vehicles built after 12-19-63	1	All	D	64
C4VY 14413-B	Located at console	1	All	D	64
14417 HOLDER ASSEMBLY (FUSE)					
C4AZ 14417-A	With snap on male type terminal	2	All	A	64
C4AZ 14417-B		1	All	A D	64
14429 FUSE (CIGAR LIGHTER)					
FEW 14429-A		AR	All	A B C D	60/64
14431 CABLE (STARTER RELAY TO STARTER)					
8A 14431	48-1/2" long - use with four speed manual transmission	1	406	A	62
	Use with crankcase emission control	1	406, 427	A	63
		1	427	A	64
51 14431	38.5" long	1	All	A	60/62
		1	All	B	60/63
C3AZ 14431-A	34" long	1	260, 390	A C	63
	☆Except on Police Special	1	260, 289, 390☆	A C	64
B9TF 14431-A	23-1/2" long - No.1 gauge	1	All	C	60/63
		1	170, 200	C	64
		1	All	D	60
C1VF 14431-B	29" long	1	All	D	61/64
14434 SPRING (FUSE HOLDER)					
FDU 14434-B	7.5 Amp. use with 14430 fuse holder - use with (1) 14 and 15 amp. fuses	AR	All	A D	60
14448 BLOCK (JUNCTION)					
B9MF 14448-A	Use with automatic transmission	1	All	A	60 & 62
		1	All except 58A, 64A	A	61
C1TF 14448-C	Located under dash - use to connect amp. leads to regulator leads	1	All	B	62/63
		1	All	A	61/63
C3TZ 14448-A	Use with transistorized ignition	1	427	A	63
		1	All	D	64
	Located on 14A274 plate at L. H. front fender apron for Mercury	1	All except 71	A	64
	Use for tachometer with transistorized ignition - Special Performance (Engine Warranty Code D)	1	289	C	64
CONTINUED ON NEXT PAGE					

Lamps And Wiring

GROUP AND PART NUMBER	DESCRIPTION, SIZE, ETC.	NO. REQ'D	MODEL OR ENGINE CUBIC INCH DISPLACEMENT	VEHICLE CODE	YEAR 19____
14448 BLOCK (JUNCTION) CONTINUED					
CITF 14448-D	(2) terminals - located at instrument panel (a) Top control	AR	76	A	60
	4-Way seat	AR	All	A	60
	Windows	AR	All	A D	60
	4-Way seat - 6-way seat	AR	All	D	60
CITF 14448-E	Regulator extension	1	74	D	62
	Special Performance (Engine Warranty Code D) - with 42 amp. alternator	1	289	C	64
34079-S8	Nut-hex. cold punched-No. 10-32	2	a		
34803-S7	Washer-spring lock-No. 10	2	a		
14464 TERMINAL (FLAG EYELET)					
C4AZ 14464-A		AR	All	A	64
C2SZ 14464-B	Use for 18 gauge wire	AR	All	D	62/63
C2SZ 14464-C	Use for 10 gauge wire	AR	All	D	62/63
14466 CONNECTOR (RADIO CABLE TERMINAL)					
B8A 14466-B		AR	All	A B C D	60/62
14466 TERMINAL (DISTRIBUTOR WIRE)					
A9AZ 14466-A	Snap-on - male	AR	All	A B C D	60/64
B8AZ 14466-A	For all spark plug and coil wire assemblies with linen or fibreglas core - use at distributor and coil end	AR	All	A B C D	63/64
14474 TERMINAL (WIRE)					
CIAF 14474-A	Female - snap-on	AR	All	A	61
B8E 14474-A		AR	All	A B C	63/64
		AR	All	D	64
COAF 14474-C	Flag type	AR	All	C	63/64
14487-8 CONNECTOR (WIRE)					
B9FL 14488-A	Double female - bullet type - steel	AR	All	A	60&63/64
B7A 14488-A	Double female - bullet type	AR	All	A	61
B9MF 14487-A	Single female - all with turn signals	AR	All	A	61/62
B9A 14487-B	Double female	AR	All	A B C	60/61
B7A 14488-B	Terminal connector	AR	All	A B C	60/62
B9A 14487-A	Double connector	AR	All	A B C D	60/63
B7A 14488-C	Single female - bullet type	AR	All	A B C	60/64
		AR	All	D	60/61
		AR	All	D	63/64
14489 SLEEVE (WIRING CONNECTOR)					
C3XZ 14489-A	Use with 14305 in alternator rectifier system	1	All	D	63
14512 RELAY (WINDOW REGULATOR CONTROL)					
FFC 14512-A	Back window (4) terminals - located behind rear seat riser	1	68	D	60
C2VY 14512-B	Rear door windows - located behind rear seat - (1) for DOWN control - (1) UP control	2	74	D	61/62
C2VY 14512-A	Rear door windows - DOWN control - located on panel back of rear seat - the two center relays	2	74	D	62
C3VY 14512-A	Motor current limiter - with wires - located on relay panel back of rear seat	2	74	D	63/64
CONTINUED ON NEXT PAGE					

Lamps and Wiring

GROUP AND PART NUMBER	DESCRIPTION, SIZE, ETC.	NO. REQ'D	MODEL OR ENGINE CUBIC INCH DISPLACEMENT	VEHICLE CODE	YEAR 19__
14512 RELAY (WINDOW REGULATOR CONTROL) CONTINUED					
C3VY 14512-B	Regulator current sensing - located on relay panel back of rear seat	2	74	D	63/64
C3VY 14512-C	UP window control - located on relay panel back of rear seat	2	74	D	63/64
C3VY 14512-D	DOWN window control - located on relay panel back of rear seat	2	74	D	63/64
	Top - neutral control	1	74	D	63/64
14513 BUS BAR (WINDOW REGULATOR CONTROL SWITCH)					
B9FM 14513-A	4-39/64" long - located at multiple switch housing - use with (6) switches	1	77	A	60
B9FM 14513-B	4-9/32" long - located at multiple switch housing - use with (5) switches	1	All except 77	A	60
C1MF 14513-A	3-15/16" long - located at multiple switch	1	All	A	61
C2AZ 14513-A	3-25/32" long - located at multiple switch on console compartment	1	All except 63C, 65C, 75C, 76B	A	62/63
C4AZ 14513-A	Use on L. H. front multiple window switch housing	1	All except 63C, 65C, 76C	A	64
C4AZ 14513-B	Use on console located at multiple window switch housing	1	63C, 65C, 76C	A	64
FFC 14513-A	For R. H. front door and vent window - 1-7/8" long with - (2) 1/8" diameter holes - located at R. H. front door	1	All	D	60
		1	All	D	62/64
FFC 14513-D	For all windows - switches located at multiple housing on L. H. front door arm rest - 1-1/8" long with (2) 5/32" diameter holes	AR	All	D	60/64
14523 PLATE (WINDOW REGULATOR SINGLE SWITCH MOUNTING)					
B9MF 14523-A	Use for rear doors or quarters	2	All	A	60
B7A 14523-A	Use for R. H. front door, rear door and quarters	AR	All	A	61/63
C4AZ 14523-A	R. H. - front door and R. H. and L. H. rear door or quarter	AR	All	A	64
PB9L 14523-A	Rear doors or quarters - use on vehicles built prior to 10-19-59	2	All	D	60
COLF 14523-A	Rear doors or quarters - use on vehicles built after 10-18-59	2	All	D	60
14524 PLATE (WINDOW REGULATOR MULTIPLE SWITCH MOUNTING)					
C1AB 14524-A	Steel - 6-5/8" long	1	All	A	61/63
	Located in L. H. front door	1	All except 57C, 63C, 65C, 76C	A	64
14526 CIRCUIT BREAKER AND/OR FUSES					
B6AZ 14526-D	1 Amp. - use for clock - R-15-A	AR	All	A D	60/62
		1	All	A B C	63
51A 14526-A	2 Amp.	AR	All	B	63
		AR	All	A D	64
C4GY 14526-A	2-1/2 Amp. - use for instrument lamps	1	All	C	64
COLY 14526-B	4 Amp. - use for instrument panel lamps - R-15-C	1	All	A	60
		1	All	D	60/62
		1	All	A	63/64
B6AZ 14526-B	5 Amp. - use for radio - R-15-D	AR	All	A	60
	Consists of the following -				
	(5) FDR-19003-A fuses				
C3AZ 14526-A	5 Amp. - use with single speed windshield wipers	1	All	A B C	62/63
CONTINUED ON NEXT PAGE					

Lamps and Wiring

GROUP AND PART NUMBER	DESCRIPTION, SIZE, ETC.	NO. REQ'D	MODEL OR ENGINE CUBIC INCH DISPLACEMENT	VEHICLE CODE	YEAR 19__
14526 CIRCUIT BREAKER AND/OR FUSES (CONTINUED)					
FEL 14526-B	5 Amp. - located at R. H. and L. H. instrument panel Vent windows	AR	All	D	60
C1VY 14526-A	6 Amp. - 3/4" long - use for instrument lamps	AR	All	D	64
B6AZ 14526-A	7-1/2 Amp. - R-15-D (1) req'd. - for interior lamps (1) req'd. - for spotlight (1) req'd. - for turn signals (1) req'd. - for radio Use for radio	AR	All	A C D	60/62
A6AZ 14526-B	9 Amp. - use for radio - R-15-F Consists of the following - (5) 8M-15608	AR	All	D	60/62
B8TZ 14526-A	10 Amp. - use for electric antenna	1	All	D	60/62&64
C1VF 14526-E	10 Amp. - color code WHITE - (1) req'd. - for rear deck lock (1) req'd. - for top control	1	All	D	60/62
		1	74	D	63
		1	74	D	64
C1VF 14526-B	10 Amp. - located behind rear seat back - rear door windows	2	All	D	61/62
B9AF 14526-A	12 Amp. - use for electric windshield wipers Use with two speed wipers Use for electric two speed windshield wipers	1	All	A C	60/61
		1	All	B	62
		1	All	A B C	63
FEL 14526-A	12 Amp. - located at R. H. rear quarter to upper back panel lift relay	1	68	D	60
C1VF 14526-C	12 Amp. - color code VIOLET - use for stoplamp switch to turn signal	1	All	D	61/63
C1TF 14526-A	12 Amp.	1	All	D	64
C1AF 14526-A	13-1/2 Amp. Door and quarter windows and backlite Backlite - located rear quarter at tailgate	AR	77	A	60
		1	71	A	61/62
		1	59, 71	C	60/62
AOAZ 14526-A	14 Amp. - R-15-G Consists of the following - (5) 8A-14526 fuses	AR	All	A B C D	60/64
B6A 14526-C	15 Amp. Door and quarter windows and backlite Door and quarter windows Front doors - located at instrument panel extension Rear doors or quarters - located at rear doors or quarters Back window - located on floor back of rear seat back Convertible top Convertible top deck lid - located at center of deck lid 6-way seat	AR	All	A	60
		AR	All	A	61/62
		2	All	D	60
		2	All	D	60
		1	54, 65, 75	D	60
		1	68	D	60
		2	74	D	61
		1	All	D	61
A2AZ 14526-A	15 Amp. - R-15-H - use for park, tail, dome lights, o/drive transmission and cigar lighter	AR	All	A	60/61
		AR	All	B C D	60/64
		AR	All	A	63/64
COLF 14526-N	15 Amp. - color code GREEN - use for stoplamp switch and turn signal switch	1	All	D	60

CONTINUED ON NEXT PAGE

Lamps and Wiring

GROUP AND PART NUMBER	DESCRIPTION, SIZE, ETC.	NO. REQ'D	MODEL OR ENGINE CUBIC INCH DISPLACEMENT	VEHICLE CODE	YEAR 19__
14526 CIRCUIT BREAKER AND/OR FUSES (CONTINUED)					
C2VY 14526-A	15 Amp. - convertible top (1) req'd. - for top - lock and unlock (1) req'd. - for deck - lock and unlock (1) req'd. - for finish panel - erect and retract	3	74		D 62/64
B6A 14526-G	20 Amp. - hang-on a/cond.	1	All	A	60
C1AF 14526-D	20 Amp. - use with a/cond.	1	All	A	61/62
C4DZ 14526-A	20 Amp. - use for backlite, tailgate and power window Use for electric tailgate window Use for folding top - identified by RED dot - 1.07" long x .40" wide	1	All	A	64
		1	71C	C	64
		1	76B, D	C	64
AOAZ 14526-B	20 Amp. - R-15-J	AR	All	A	60
		AR	All	D	60/61
Consists of the following -					
(5) B-14526 fuses					
B9FL 14526-A	20 Amp. - located at seat motor - 4-way seat 4-way and 6-way seats	1	All	A	60
COLF 14526-B	20 Amp. - for heater and/or a/cond.	1	All	D	60
C1VF 14526-F	20 Amp. - color code RED - for heater blower - (1) req'd. - for all vehicles on heater blower (1) req'd. - for 23A for rear a/cond. For heater blower and windows	1	All	D	61/63
		2	All	D	64
COMY 14526-A	30 Amp. - ORANGE - use for 30 amp. generators	1	All	A	60
B9LF 14526-A	30 Amp. Power seats A/cond. blowers Power windows Door locks	1	All	A	D 60
		1	All	A	D 60
		1	All	A	D 60
		1	All	A	D 60
COLF 14526-C	30 Amp. For 30 or 35 amp. generator For 60 amp. alternator Convertible top - located near top erect motor Backlite - located at starter motor relay Convertible top - located at starter motor relay Power windows or seats Tailgate window	1	All	A	60
		1	All	A	60
		1	76	A	64
		1	71	A	61/62
		1	71	A	C 60/62
		1	76	A	61/63
		1	All	A	63
1	59, 71	A	BC 63		
C1VF 14526-G	30 Amp. - color code ORANGE (1) req'd. - for window regulator switch (1) req'd. - for 30 amp. circuit breaker to auxiliary relay (1) req'd. - for all except 23A a/cond. (2) req'd. - for 23A a/cond. (1) req'd. - for window regulator switch (1) req'd. - for circuit breaker to auxiliary relay (1) req'd. - for seats	AR	All	D	60
		AR	All	D	61/63
		AR	All	D	64
		1	All	A	60
COLY 14526-A	40 Amp. - GREEN and YELLOW - use for 40 amp. generators Use for starting motor relay to headlamp junction on vehicles built prior to 6-1-60	1	All	A	60
C1VB 14526-A	50 Amp. - color code BLUE - YELLOW	1	All	D	61
		1	74	D	61/64
COMY 14526-C	53 Amp. - GREEN and ORANGE - use for 50 amp. generators With a/cond.	1	All	A	60
		1	All	D	60
COMY 14526-D	60 Amp. - BLUE and VIOLET - use for 60 amp. generators	1	All	A	60

Lamps and Wiring

GROUP AND PART NUMBER	DESCRIPTION, SIZE, ETC.	NO. REQ'D	MODEL OR ENGINE CUBIC INCH DISPLACEMENT	VEHICLE CODE	YEAR 19__
14527 HOUSING (WINDOW REGULATOR MULTIPLE SWITCH)					
B9MF 14527-A	(6) switch openings - chrome finish (a)	1	77	A	60
B9MF 14527-B	(5) switch openings - chrome finish (a) Also for station wagon electric backlite and manual windows	1 1	All 77	A A	60 60
C1AB 14527-A	(5) switch openings - chrome finish	1	All except 63C, 65C, 75C, 76B	A	61/63
C2AZ 14527-A	(5) switch openings Located at console	1 1	65C, 76B 63C, 65C, 75C, 76B	A A	62 63
C4AZ 14527-A	(5) switch openings - chrome finish located in L. H. front door	1	All except 63C, 65C, 76C	A	64
C4AZ 14527-B	(5) switch openings - located at console on vehicles with bucket seats	1	63C, 65C, 76C	A	64
B9LF 14527-B	(5) switch type - located on L. H. front door arm rest	1	53, 57, 63	D	60
B9LF 14527-C	(7) switch type - located on L. H. front door arm rest	1	53, 57, 63	D	60
B9LF 14527-D	(8) switch type - located on L. H. front door arm rest	1	54, 65, 68, 75	D	60
PB9L 14527-E	Double switch type - used for R. H. front door and vent windows - located on R. H. front door arm rest	1	All	D	60
C1VY 14527-A	(5) switch type - L. H. front door	1	All	D	61
C2VY 14527-A	(5) switch type - L. H. front door	1	All	D	62
C2VY 14527-C	R. H. front door - use on vehicles built after 1-31-62 with power door window and manual or power vent window	1	All	D	62
C2VY 14527-B	L. H. front door - use on vehicles built after 1-31-62 with power door windows and manual or power vent windows	1	All	D	62
C3VY 14527-C	L. H. - front door - use on vehicles with manual vents	1	All	D	63
C3VY 14527-A	R. H. - front door - use on vehicles with electric vents	1	All	D	63/64
C3VY 14527-B	L. H. - front door - use on vehicles with electric vents	1	All	D	63/64
351769-S13	Screw-stove hd. cr. rec. -No. 8-15	2	a		
14528 HOUSING (WINDOW REGULATOR SINGLE SWITCH)					
B9MF 14528-A	Front door R. H. - located at R. H. instrument panel extension	1	All	A	60
PB9M 14528-B	Rear doors and quarters - located at doors and quarters	AR	All	A	60
B5A 14528-B	Use for R. H. front door and R. H. and L. H. rear doors or quarters	AR	All	A	61/63
C4AZ 14528-A	Use for R. H. front door and R. H. and L. H. rear doors or quarters	AR	All	A	64
FFC 14528-B	For rear doors or quarters - use on vehicles built prior to 10-19-59	AR	All except 53A, 57A, 63A	D	60
COLF 14528-A	For rear doors or quarters - use on vehicles built after 10-18-59 - must be used with COLF-14523-A plate	AR	All except 53A, 57A, 63A	D	60
PB9L 14528-A	R. H. - for front door window - located on front door arm rest	1	All	D	60
C1VF 14528-A	(1) req'd. - for R. H. front door (1) req'd. - for R. H. and L. H. rear doors	AR	All	D	61
C2VY 14528-A	(1) req'd. - for R. H. front door (1) req'd. - for R. H. and L. H. rear doors	AR	All	D	62
CONTINUED ON NEXT PAGE					

Lamps and Wiring

GROUP AND PART NUMBER	DESCRIPTION, SIZE, ETC.	NO. REQ'D	MODEL OR ENGINE CUBIC INCH DISPLACEMENT	VEHICLE CODE	YEAR 19__
14528 HOUSING (WINDOW REGULATOR SINGLE SWITCH) CONTINUED					
C3VY 14528-A	Use on vehicles with manual vents (1) req'd. - for R. H. front door (1) req'd. - for R. H. and L. H. rear doors	AR	All	D	63
C4VY 14528-A	(1) req'd. - for R. H. - (1) req'd. - for L. H. rear doors - use on vehicles built prior to 1-15-64	2	All	D	64
C4VY 14528-B	(1) req'd. - for R. H. - (1) req'd. - for L. H. rear doors - use on vehicles built after 1-14-64	2	All	D	64
14529 REFER TO GROUP 14717					
14537-8 REFER TO GROUP 14632-3					
14540 SWITCH (WINDOW MASTER CONTROL)					
B9MY 14540-A	Located at multiple switch housing on L. H. instrument panel extension	1	All	A	60
C1AZ 14540-A	Located at multiple switch housing on L. H. front door	1	All	A	61
C1SZ 14540-A	Located at multiple switch housing on L. H. front door	1	All	A	62/63
	At console compartment	1	65C, 76B	A	62/63
	Located at multiple switch housing on L. H. front door or at console with bucket seats	1	All	A	64
FFC 15106-B	Located at multiple switch housing at L. H. front door arm rest	1	All	D	60
C1VY 14540-A	Located at multiple switch housing at L. H. front door arm rest	1	All	D	61/64
14547 MOTOR (SEAT REGULATOR CONTROL)					
B7A 14547-B	4-Way seat - motor has flat shaft - dealer to replace terminals where necessary and use BAK-5760408-C coupling	1	All	A	60
COAF 14547-A	4-Way seat	1	All	A	61/62
C1SF 14547-A	Bucket seat	1	65C, 76B	A	62
	4-Way bucket seat	1	63C, 65C, 75C, 76B	A	63
C4SZ 14547-C	4-Way bucket seats	1	57C, 63C, 65C, 76C	A	64
C1VF 14547-A	6-Way seat - 4 wire	1	All	D	61/63
		1	All		
C4VY 14547-A	6-Way full seat - 3 wire	1	All except 57C, 63C, 65C, 76C	A	64
	6-Way full seat and bucket seats	AR	All	D	64
FFC 14547-C	4-Way and 6-way seats - with (4) eyelet type terminals on wires - use on vehicles built prior to 10-20-59	1	All	D	60
B9LF 14547-A	4-Way and 6-way seats - with (1) eyelet and (3) bullet type terminals on wires - use on vehicles built after 10-19-59	1	All	D	60
14550 SUPPORT (STARTER CABLE)					
C1VF 14550-B		1	All	D	61
C1VY 14550-A		1	All	D	62
14553 KIT - MOTOR (WINDOW REGULATOR)					
C1AZ 14553-A	Use for all windows	1	All except 59, 71	A	D 60/62
		1	59, 71	C	60
C2DZ 14553-A	Backlite	1	59, 71	A C	61/62

Lamps and Wiring

GROUP AND PART NUMBER	DESCRIPTION, SIZE, ETC.	NO. REQ'D	MODEL OR ENGINE CUBIC INCH DISPLACEMENT	VEHICLE CODE	YEAR 19__
14553 MOTOR (WINDOW REGULATOR)					
C3AZ 14553-A	Use for front and rear door and quarter side window	AR	All	A	63
C3MY 14553-A	Retractable back window	1	All except 63,71,76	A	63
		1	All except 71	A	64
C4AZ 14553-C	Use for quarter window	2	76	A	64
C4AZ 14553-B	Use for tailgate	1	71	A C	64
C3AZ 14553-B	Use for tailgate	1	59, 71	A B C	63
C1VY 14553-A	Use for front and rear door windows - when used for front doors cut out and/or tape off loose BLUE ground wires	AR	All	D	61/62
C3VY 14553-A	Use for front and rear door windows Use for front door windows	AR	53	D	63/64
		AR	74	D	63/64
C3VY 14553-B	Use for rear door windows	AR	74	D	63/64
14559 CLIP (WINDOW & SEAT REGULATOR SWITCH RETAINING)					
FAA 14559-A		AR	All	A D	60/64
14570 CLIP (WINDOW & SEAT REGULATOR HOUSING RETAINER)					
C4AZ 14570-A	For electric windows (4) req'd. - for multiple switch and housing (2) req'd. - for single switch and housing	AR	All	A	64
FAA 14570-A		AR	All	A	60/64
		AR	All	D	60
14603 GROMMET (WIRING AT PACKAGE TRAY)					
C3VY 14603-A	R. H.	1	74	D	63/64
C3VY 14603-B	L. H.	1	74	D	63/64
C4VY 14603-A	Located at quarter lock pillar at opening for routing of 14632-3 wiring	2	All	D	64
14606 PIN (WINDOW REGULATOR MASTER SWITCH LEVER PIVOT)					
FFC 14606-A	Steel - 1/8" diameter 13/32" long - located at master switch in multiple housing L. H. - front door arm rest	1	All	D	60/64
14608 RETAINER (GROMMET WIRE THROUGH DASH)					
PB9M 14608-A		(a) AR	All	A B C D	60/64
C1VY 14608-A	Retain rear door window regulator wiring to quarter pillar	2	All	D	63
31498-S8	Screw-hex. washer hd. tap. -No. 14-10 x 5/8"	2	a		
14613 RETAINER (WIRING GROMMET)					
B9FM 14613-A	Steel - use with wiring top control relay to circuit breaker	1	76	A	60
C4VY 14613-A	Located at quarter lock pillar for routing of 14632-3 wiring	2	All	D	64
14616 GASKET (MULTIPLE WINDOW REGULATOR SWITCH)					
C2AZ 14616-A	Rubber - located on console compartment	1	57C, 63C, 65C, 76B, C	A	62 & 64
14624 WIRING (INSTRUMENT WARNING SIGNAL RELAY)					
C4VY 14624-A	Low fuel warning - located in rear of R. H. cowl trim panel - connects main wiring harness through low fuel warning ballast resistor to rear lamp wiring	1	53	D	64
C4VY 14624-B	Low fuel warning - located in rear of R. H. cowl trim panel - connects main wiring harness through low fuel warning ballast resistor to rear lamp wiring	1	74	D	64

Lamps And Wiring

GROUP AND PART NUMBER	DESCRIPTION, SIZE, ETC.	NO. REQ'D	MODEL OR ENGINE CUBIC INCH DISPLACEMENT	VEHICLE CODE	YEAR 19__
14630-1 WIRING (ELECTRIC WINDOW REGULATOR) FRONT DOORS					
COMF 14630-A	R. H.	1	All	A	60
COMF 14631-A	L. H.	1	All	A	60
CIAB 14630-A	R. H. When used for service on 1963 models in place of production wire C3AB-14630-A tape lead 315 - GREEN-BLACK stripe	1	All except 65C, 76B	A	61/62
		1	All except 63C, 65C, 75C, 76B	A	63
CIMB 14631-A	L. H.	1	All except 65C, 76B	A	61/62
C3AZ 14631-A	L. H.	1	All except 63C, 65C, 75C, 76B	A	63
C2AZ 14630-B	R. H. When used for service on 1963 models in place of production wire C3AB-14630-B tape lead 315 - GREEN-BLACK stripe	1	65C, 76B	A	62
		1	63C, 65C, 75C, 76B	A	63
C2AZ 14631-C	L. H. When used for service on 1963 models in place of production wire C3AB-14631-C tape lead 312 - GREEN	1	65C, 76B	A	62
		1	63C, 65C, 75C, 76B	A	63
C4AZ 14630-A	R. H.	1	All except 63C, 65C, 76C	A	64
C4AZ 14631-B	L. H.	1	All except 63C, 65C, 76C	A	64
C4AZ 14630-B	R. H. - use with bucket seats and electric windows	1	63C, 65C, 76C	A	64
C4AZ 14631-A	L. H. - use with bucket seats and electric windows	1	63C, 65C, 76C	A	64
COLF 14630-K	R. H. - electric window, vent and door lock	1	All	D	60
COLF 14631-Y	L. H. - electric window, vent and door lock	1	All	D	60
C1VB 14630-B	R. H. - electric window	1	All	D	61
C1VB 14631-C	L. H. - electric window	1	74	D	61
C1VB 14631-D	L. H. - electric window	1	53	D	61
C2VY 14630-A	R. H. - electric window	1	All	D	62
C2VY 14631-A	L. H. - electric window	1	74	D	62
C2VY 14631-B	L. H. - electric window	1	53	D	62
C2VY 14630-B	R. H. - electric window and manual or electric vents - use on vehicles built after 1-31-62	1	All	D	62
C2VY 14631-C	L. H. - electric window and manual or electric vents - use on vehicles built after 1-31-62	1	74	D	62
C2VY 14631-D	L. H. - electric window and manual or electric vents - use on vehicles built after 1-31-62	1	53	D	62
C3VY 14630-A	R. H. - use with manual vents	1	All	D	63
C3VY 14631-A	L. H. - use with manual vents	1	74	D	63
C3VY 14631-C	L. H. - use with manual vents	1	53	D	63
C3VY 14630-C	R. H. - use with electric vents	1	All	D	63
C3VY 14631-B	L. H. - use with electric vents	1	53	D	63
C3VY 14631-D	L. H. - use with electric vents	1	74	D	63
C4VY 14630-B	R. H. - front door	1	All	D	64
C4VY 14631-C	L. H. - front door	1	53	D	64
C4VY 14631-D	L. H. - front door	1	74	D	64
14632 REFER TO GROUP 14644					
14632-3 SWITCH & WIRING (WINDOW REGULATOR)					
PB9M 14537-A	R. H. - rear door	1	57, 58, 77	A	60
PB9M 14538-A	L. H. - rear door	1	57, 58, 77	A	60
C2MY 14632-A	R. H. - rear doors	1	54, 58, 71, 75	A	61/63
C2MY 14633-A	L. H. - rear doors	1	54, 58, 71, 75	A	61/63
C2MY 14632-B	R. H. - rear quarter	1	62, 64, 65, 76	A	61 & 63
		1	62A, 65A, 76A	A	62
C2MY 14633-B	L. H. - rear quarter	1	62, 64, 65, 76	A	61 & 63
		1	62A, 65A, B, 76A	A	62
CONTINUED ON NEXT PAGE					

Lamps and Wiring

GROUP AND PART NUMBER	DESCRIPTION, SIZE, ETC.	NO. REQ'D	MODEL OR ENGINE CUBIC INCH DISPLACEMENT	VEHICLE CODE	YEAR 19__
14632-3 SWITCH & WIRING (WINDOW REGULATOR) CONTINUED					
C4AZ 14632-C	Use in R. H. and L. H. rear doors	2	54, 57, 71, 75	A	64
	R. H. - front door	1	All except 57C, 63C, 65C, 76C	A	64
C4AZ 14632-D	Use in R. H. and L. H. rear quarters	2	62, 63, 65, 76	A	64
C4AZ 14633-C	Use in console for rear window operation	1	57C, 63C, 65C, 76C	A	64
C4AZ 14633-D	Use in console for front window operation	1	57C, 63C, 65C, 76C	A	64
C4MY 14633-A	Use in multiple housing located at L. H. front door for rear window	1	All except 57C, 63C, 65C, 76C	A	64
C4MY 14633-B	Use in multiple housing located at L. H. front door for front window	1	All except 57C, 63C, 65C, 76C	A	64
14632-3 WIRING (ELECTRIC WINDOW REGULATOR) REAR DOORS					
COMF 14632-A	R. H.	1	57, 58, 77	A	60
COMF 14633-A	L. H.	1	57, 58, 77	A	60
C1AB 14632-A	R. H.	1	54, 58, 71, 75	A	61
		1	54, 71, 75	A	62
C1AF 14633-A	L. H.	1	54, 58, 71, 75	A	61
		1	54, 71, 75	A	62
C3AZ 14632-A	R. H.	1	54, 71, 75A, B, C	A	63
C3AZ 14633-A	L. H.	1	54, 71, 75A, B, C	A	63
C3AZ 14632-B	R. H.	1	75C	A	63
C3AZ 14633-B	L. H.	1	75C	A	63
C4AZ 14633-F	R. H. and L. H. - tape excess wires	2	54, 71	A	64
C4AZ 14633-G	R. H. and L. H. - tape excess wires	2	57	A	64
COLF 14632-C	R. H. - electric window and door lock	1	All except 63, 65, 68	D	60
COLF 14633-E	L. H. - electric window and door lock	1	All except 63, 65, 68	D	60
C1VB 14632-C	R. H. - electric window - use on vehicles built prior to 12-27-60	1	53	D	61
C1VB 14632-M	R. H. - electric window - use on vehicles built after 12-26-60 (a)	1	53	D	61
C1VB 14633-S	L. H. - electric window - when used on vehicles built prior to 3-1-61 tape or remove terminal with connector colored BROWN No. 396-A (a)	1	53	D	61
C1VB 14632-A	R. H. - electric window - use on vehicles built prior to 12-27-60 (a)	1	74	D	61
C1VB 14632-K	R. H. - electric window - use on vehicles built after 12-28-60 (a)	1	74	D	61
C1VB 14633-N	L. H. - electric window - when used on vehicles built prior to 3-1-61 tape or remove terminal colored BROWN NO. 396 with WHITE disconnect (a)	1	74	D	61
C2VY 14632-A	R. H.	(a) 1	53	D	62
C2VY 14633-A	L. H.	(a) 1	53	D	62
C2VY 14632-B	R. H.	(a) 1	74	D	62
C2VY 14633-B	L. H.	(a) 1	74	D	62
C3VY 14632-C	R. H. - use on vehicles built prior to 10-1-62 (a)	1	53	D	63
C3VY 14633-D	L. H. - use on vehicles built prior to 10-1-62 (a)	1	53	D	63
C3VY 14632-D	R. H. - use on vehicles built between 9-30-62 and 6-3-63	1	53	D	63
C3VY 14633-E	L. H. - use on vehicles built between 9-30-62 and 6-3-63	1	53	D	63
C3VY 14632-E	R. H. - use on vehicles built after 6-2-63	1	53	D	63
C3VY 14633-G	L. H. - use on vehicles built after 6-2-63	1	53	D	63
CONTINUED ON NEXT LINE					

Lamps and Wiring

GROUP AND PART NUMBER	DESCRIPTION, SIZE, ETC.	NO. REQ'D	MODEL OR ENGINE CUBIC INCH DISPLACEMENT	VEHICLE CODE	YEAR 19__
14632-3 WIRING (ELECTRIC WINDOW REGULATOR) REAR DOORS (CONTINUED)					
C3VY 14632-B	R. H. - use on vehicles built prior to 6-3-63 (a)	1	74		
C3VY 14633-B	L. H. - use on vehicles built prior to 6-3-63 (a)	1	74	D	63
C3VY 14632-F	R. H. - use on vehicles built after 6-2-63	1	74	D	63
C3VY 14633-F	L. H. - use on vehicles built after 6-2-63	1	74	D	63
C4VY 14632-C	R. H. - use with bucket seats	1	53	D	64
C4VY 14632-A	R. H. - use without bucket seats	1	53	D	64
C4VY 14633-A	L. H. - use with or without bucket seats	1	53	D	64
C4VY 14632-B	R. H. - use without bucket seats	1	74	D	64
C4VY 14632-D	R. H. - use with bucket seats	1	74	D	64
C4VY 14633-B	L. H. - use with or without bucket seats	1	74	D	64
C1VY 14608-A	Retainer assembly-grommet	1	a		
14644 WIRING (ELECTRIC WINDOW REGULATOR) REAR QUARTER					
B9FM 14644-A	(1) for R.H. and (1) for L.H. quarters	AR	63, 64, 76	A	60
B9A 14702-A	L. H.	1	76	A	61
C1AB 14644-B	R. H. When used for service on 1963 models in place of production wire C3AB-14644-A, B tape lead 321 - GREEN-WHITE band	1	62, 64, 65, 76	A	61
		1	62, 65, 76	A	62
		1	62A, 65A, B, 76A	A	63
COAZ 14632-A	L. H. When used for service on 1963 models in place of production wire C3AB-14632-A tape lead 318 - GREEN-BLUE stripe	1	62, 64, 65	A	61
		1	62, 65, 76	A	62
		1	62A, 65A, B	A	63
B9AZ 14644-A	L. H. - when used for service on 1963 models in place of production wire C3AB-14A081-B tape leads 318 - GREEN-BLUE band and 287 - BLACK-WHITE band	1	76A	A	63
C2AZ 14644-B	R. H.	1	65C, 76B	A	62/63
C2AZ 14632-B	L. H.	1	65C, 76B	A	62/63
C4AZ 14644-A	R. H.	1	All	A	64
C4AZ 14632-A	L. H. - use with bucket seats and electric windows	1	63C, 65C, 76C	A	64
C4AZ 14632-B	L. H.	1	62A, 63D, 65A, B, F, 76A, F	A	64
FFC 14644-B	R. H. - 126" long with (5) terminals	1	63, 65, 68		D 60
COLY 14644-A	L. H. - 108" long - (9) single (2) multiple connections	1	63, 65, 68		D 60
14663 WIRING (ELECTRIC WINDOW REGULATOR MOTOR JUMPER)					
COAF 14663-A		1	All	A	60/61
14677 RELAY (WINDOW REGULATOR) SAFETY					
C1AF 14677-A	Located at right of radiator Use with electric windows	1	53		D 61/62
		1	All	A	63
		1	All	A	D 64
		1	71	B	63
	Use with electric tailgate window	1	59, 71		C 63
		1	71		C 64
		1	All		D 63
14678 WIRING (WINDOW REGULATOR SAFETY RELAY TO CIRCUIT BREAKER)					
	NS-dealer to cut approximately 49" from No. 10 gauge wire (a)	1	All	A	63
34079-S8	Nut-hex. -No. 10-12	1	a		
34937-S7	Lockwasher-external tooth-No. 10	1	a		

Lamps and Wiring

GROUP AND PART NUMBER	DESCRIPTION, SIZE, ETC.	NO. REQ'D	MODEL OR ENGINE CUBIC INCH DISPLACEMENT	VEHICLE CODE	YEAR 19__
14678 WIRING (WINDOW REGULATOR SAFETY RELAY TO WINDOW REGULATOR SWITCH)					
C3AZ 14678-B	Use for one or more of the following options - backlite, tailgate door windows and power seats - tape BLACK leads No. 175 and/or RED lead No. 194A when not required	1	All	A	63
	Use for all electric windows	1	All	A	64
	NS-relay to window circuit breaker - 49" long - dealer to improvise from No. 12 gauge wire	1	59, 71	C	63
14683 WIRING (BACK WINDOW REGULATOR) FEED					
COMF 14683-A		1	77	A	60
C1AB 14683-B		(a) 1	71	A	61/62
C3AZ 14683-A	Use when tailgate window is not operated through ignition switch	1	71	A	63
C3AZ 14683-B	Use when tailgate window is operated through ignition switch	1	71	A	63
C3MY 14683-A	Use on vehicles built prior to 2-15-63 and with C3MY-14683-B when 4 speed floor shift is installed	1	54, 62, 65A, B, 75	A	63
C3MY 14683-B	Extension - use on vehicles built prior to 2-15-63 - with 4 speed floor shift transmission	1	54, 62, 65A, B, 75	A	63
C3MY 14683-C	Use on vehicles built after 2-14-63 with 4 speed transmission and/or electric back window	1	All except 71, 76	A	63
C4AZ 14683-E	Use for electric tailgate window	1	71	A	64
C4MY 14683-A	Use for electric back window	1	All except 71, 76	A	64
C3OZ 14683-B	Use with electric tailgate windows	1	71	B	63
CODF 14683-A	60" long with (5) single and (1) multiple connections - located at instrument panel	(b) 1	59, 71	C	60/62
CODF 14683-B	181" long with (5) single and (4) multiple connections (c) Rear feed - when used for service on 1963 models in place of production wire C3DB-14683-C tape lead 546 - GREEN	1	59, 71	C	60/62
		1	59, 71	C	63
C3DZ 14683-C	Front feed - located at dash	1	59, 71	C	63
C4DZ 14683-A	Front feed - located at dash	1	71	C	64
C4DZ 14683-B	Electric tailgate window feed extension	1	71	C	64
	34903-S7 Washer-internal tooth lock-No.10	2	a		
	42014-S8 Screw-hex. hd. tap. -No.10-12 x 5/8"	2	a		
	353873-S100 Grommet-steel	1	c		
	357955-S Clip	2	a		
	372047-S100 Clip	3	c		
	372368-S Strap-adjustable-nylon	AR	b		
	372376-S Clip	3	a		
14687 WIRING (ELECTRIC BACK WINDOW REGULATOR)					
B9MF 14687-E		1	77	A	60
C1AB 14687-C		(b) 1	71	A	61
C2MY 14687-A		(b) 1	71	A	62
C3AZ 14687-A		1	71	A	63
C4AZ 14687-B		1	71	A	64
C3OZ 14687-A		1	71	B	63
C1DB 14687-B	60-1/2" long with (5) multiple connections - located in tailgate	(a) 1	71	C	60/62
		1	59, 71	C	63
C4DZ 14687-A		1	71	C	64
COLF 14687-C	163-1/2" long with (6) single (1) multiple connections	1	54, 65, 75	D	60
	52727-S8 Screw-pan hd. tap. -No.10-12 x 1/2"	1	b		
	372046-S100 Clip	1	b		
	372368-S Strap-adjustable-nylon	3	a		
	374998-S100 Clip	1	b		

Lamps and Wiring

GROUP AND PART NUMBER	DESCRIPTION, SIZE, ETC.	NO. REQ'D	MODEL OR ENGINE CUBIC INCH DISPLACEMENT	VEHICLE CODE	YEAR 19__
14B690 BEZEL (SEAT REGULATOR CONTROL SWITCH)					
C1SF 14B690-A	Bucket seats	1	65C, 76B	A	62/63
C4SZ 14B690-A	L. H.	1	57C, 63C, 65C, 76C	A	64
14B691 BRACKET (SEAT REGULATOR CONTROL)					
C2SZ 14B691-A	Bucket seat	1	65C, 76B	A	62
	L. H. - 4-way bucket seat	1	All	A	63
14B693 HOUSING (SEAT REGULATOR CONTROL SWITCH)					
C1VF 14B693-B	6-Way seat	1	All		D 61/62
	6-Way full seat	1	All	A	D 63/64
B7LY 14B693-A	6-Way seat	1	All		D 60
14B694 PIN (SEAT REGULATOR CONTROL KNOB PIVOT)					
C1VF 14B694-A	6-Way seat	2	All		D 61/62
	6-Way full seat	AR	All	A	D 63/64
B7LY 14B694-A	6-Way seat - steel - 17/32" long with straight knurl for 5/32"	2	All		D 60
14695 NUT (SEAT REGULATOR CONTROL SWITCH BEZEL)					
COMF 14695-A	4-Way seat - chrome finish	1	All	A	60
B5A 14695-B	4-Way seat - chrome finish	1	All	A	61/63
	4-Way bucket seat	1	57C, 63C, 65C, 76C	A	64
C1VF 14695-A	6-Way seat - chrome finish	1	All	A	D 61/63
		1	All except 57C, 63C, 65C, 76C	A	D 64
B8S 14695-A	4-Way seat - chrome finish	1	All		D 60
FFC 14695-B	6-Way seat - chrome finish	1	All		D 60
14B696-7 SWITCH (SEAT TILT CONTROL) 6-WAY SEAT					
C1VF 14B696-A	R. H. - tilt	1	All		D 61/63
		1	All	A	63
	6-Way seat and bucket seats	1	All	A	D 64
C1VF 14B697-A	L. H. - tilt	1	All		D 61/63
		1	All	A	63
	6-Way seat and bucket seats	1	All	A	D 64
	NOTE - for center switch refer to group 14A701				
14A697 WIRING (ELECTRIC SEAT REGULATOR SWITCH TO RELAY)					
COMF 14A697-A	4-Way seat	1	All	A	60
COAF 14A697-A	4-Way seat	1	All	A	61/62
C1SZ 14A697-B	Bucket seat	1	65C, 76B	A	62
	4-Way bucket seat	1	All	A	63
C4SZ 14A697-A	Use with bucket seats	1	57C, 63C, 65C, 76C	A	64
C1VB 14A697-B	6-Way seat - 39-1/2" long with (5) single and (8) multiple connectors	1	All		D 61/63
		1	All	A	63
C4VY 14A697-A	Use with 6-way seat	1	All	A	64
	Use without bucket seats	1	All		D 64
B9LF 14A697-A	6-Way seat - use on vehicles built prior to 10-20-59	(a) 1	All		D 60
B9LF 14A697-D	6-Way seat - use on vehicles built after 10-19-59	(a) 1	All		D 60
B9LF 14A697-B	4-Way seat - use on vehicles built prior to 10-20-59	(a) 1	All		D 60
B9LF 14A697-C	4-Way seat - use on vehicles built after 10-19-59	(a) 1	All		D 60
C4VY 14A697-C	R. H. - use with bucket seats	1	All		D 64
C4VY 14A697-B	L. H. - use with bucket seats	1	All		D 64
372047-S100	Clip	2	a		

Lamps and Wiring

GROUP AND PART NUMBER	DESCRIPTION, SIZE, ETC.	NO. REQ'D	MODEL OR ENGINE CUBIC INCH DISPLACEMENT	VEHICLE CODE	YEAR 19__
14A698 WIRING (ELECTRIC SEAT REGULATOR) RELAY FEED					
COMF 14A698-A	4-Way seat	1	All	A	60
COAF 14A698-A	4-Way seat - 57" long - use on vehicles built prior to 3-1-62	1	All	A	61
		1	All except 65C, 76B	A	62
C2AZ 14A698-A	4-Way seat - 63" long - use on vehicles built after 2-28-62	1	All except 65C, 76B	A	62
C2AZ 14A698-C	4-Way seat - 70" long 4-Way bucket seat	1	65C, 76B	A	62
		1	All	A	63
		1	57C, 63C, 65C, 76C	A	64
C3AZ 14A698-A	6-Way full seat	1	All except 57C, 63C, 65C, 75C, 76B, C	A	63/64
	NS-65" with (2) connectors - for service make from 12 gauge wire	1	All	D	60
14A700 SOLENOID (SEAT REGULATOR CONTROL)					
C1VB 14A700-A	6-Way seat - with (3) screw type terminal connector	1	All	D	61/63
		1	All	A	63
C4VY 14A700-A	Use with 6-way power seat (2) req'd. - for bucket seat (1) req'd. - for full seat	1	All	A	64
		AR	All	D	64
C1VF 14A700-A	6-Way seat - with (3) clip type terminal connector	1	All	D	61
14A701 SWITCH (SEAT REGULATOR CONTROL)					
COMF 14A701-A	4-Way seat	1	All	A	60
COAF 14A701-B	4-Way seat	1	All	A	61/62
C1SF 14A701-B	Bucket seat 4-Way bucket seat	1	65C, 76B	A	62
		1	All	A	63
C4SZ 14A701-B	L. H. - use with bucket seats	1	57C, 63C, 65C, 76C	A	64
C1VF 14A701-A	6-Way seat NOTE - for tilt switches refer to group 14B696-7 Power full seat Use with 6-way full seat and L. H. side bucket seat	1	All	D	61/63
		1	All	A	63
		1	All except 57C, 63C, 65C, 76C	A	64
		1	All	D	64
B8LY 14A701-A	4-Way seat	1	All	D	60
B8LY 14A701-B	6-Way seat - center switch - includes knob	1	All	D	60
B8LY 14A701-C	6-Way seat - rear switch For front switch refer to group 14A724	1	All	D	60
C4VY 14A701-A	Use with bucket seats - R. H. - passenger side	1	All	D	64
14702 REFER TO GROUP 14644					
14A704 BRACKET (SEAT REGULATOR MOTOR RELAY MOUNTING)					
B8LY 14A704-A	4-Way and 6-way seats	1	All	D	60
14A705 BRACKET (SEAT REGULATOR)					
COAF 14A705-A	4-Way seat	1	All	A	61/62
C3MY 14A705-A	6-Way full seat	1	54A, 62A, 65A, 75A	A	63
		1	54A, 62A, 63A, 65A	A	64
C3MY 14A705-B	6-Way full seat	1	54B, 65B, 71B, 75B, 76A	A	63
		1	54B, F, 57D, F, 63D, F, 65B, F, 71, 75F, 76A, F	A	64
14B705 WIRING (SEAT REGULATOR SWITCH TO RELAY EXTENSION)					
C1VB 14B705-A	6" long with (1) multiple and (3) single connectors 6-Way seat (1) req'd. - for full seat (2) req'd. - for bucket seat	1	All	D	61/63
		1	All	A	63
		1	All	A	64
		AR	All	D	64

Lamps and Wiring

GROUP AND PART NUMBER	DESCRIPTION, SIZE, ETC.	NO. REQ'D	MODEL OR ENGINE CUBIC INCH DISPLACEMENT	VEHICLE CODE	YEAR 19__
14A706 BEZEL (SEAT REGULATOR CONTROL SWITCH)					
COMF 14A706-A	4-Way seat	1	All	A	60
COAF 14A706-A	4-Way seat	1	All	A	61/62
14B706 WIRE (SEAT CONTROL CIRCUIT BREAKER TO SWITCH)					
	NS-located at junction block and thru dash - use on vehicles with electric backlite - for service cut to size from B3A-14296-A bulk wire and add terminals from B9A-14294-PAK kit	1	71	A	61/62
14A707 RELAY (SEAT REGULATOR CONTROL)					
B9AZ 14A707-A	4-Way seat - located at seat motor	1	All	A	60/62
C1SF 14A707-A	Bucket seat	1	65C, 76B	A	62
	4-Way bucket seat	1	All	A	63
C1VF 14A707-C	6-Way seat with (4) terminals	1	All	D	61/63
		1	All	A	63
C1VF 14A707-D	6-Way seat with (3) terminals	1	All	D	61/63
		1	All	A	63
C4VY 14A707-A	6-Way seat	1	All except 57C, 63C, 65C, 76C	A	64
	Without bucket seats	1	All	D	64
B7LY 14A707-A	4-Way or 6-way seat - with (3) terminals - located at seat motor	1	All	D	60
B9LF 14A707-A	4-Way and 6-way seat - with (4) terminals - located at seat motor	1	All	D	60
B9LF 14A707-B	6-Way seat - with (3) terminals - located at seat motor - use on vehicles built after 10-19-59	1	All	D	60
C4VY 14A707-B	Bucket seats	2	All	D	64
14B708 PAD (SEAT REGULATOR SWITCH)					
C3MY 14B708-A	6-Way seat	1	54B, 65B, 71B, 75B, 76A	A	63
		1	All except 57C, 63C, 65C, 76C	A	64
14710 KNOB (SEAT REGULATOR CONTROL SWITCH)					
COMF 14710-A	4-Way seat	1	All	A	60
14711 KNOB (SEAT REGULATOR CONTROL SWITCH) TILT					
C1VF 14711-A	6-Way seat - chrome finish	2	All	D	61/63
	Without bucket seats	2	All	A	63/64
		2	All	D	64
FEL 14711-A	6-Way seat - chrome finish	2	All	D	60
14717 SWITCH (WINDOW REGULATOR CONTROL) SINGLE					
B9MY 14717-A	Located at tailgate lock	1	77	A	60
B9MY 14717-B	Located at L. H. instrument panel extension				
	For (6) switch housing	5	77	A	60
	For (5) switch housing	4	All	A	60
	For (1) switch housing	1	77	A	60
	Located at R. H. instrument panel extension				
	For R. H. front door	1	All	A	60
	Located at R. H. and L. H. rear quarter				
	For R. H. and L. H. rear quarter	2	63, 64, 76	A	60
B8A 14529-A	Located at multiple housing on L. H. front door	AR	All	A	61
	Located at single housing on R. H. front door	1	All	A	61
C1AB 14529-A	Backlite - located at tailgate - use on vehicles built prior to 5-1-61	(a) 1	71	A	61
C1AZ 14529-B	Backlite - located at tailgate - use on vehicles built after 4-30-61	(a) 1	71	A B	61/63
C2MY 14529-A	Backlite - located at instrument panel	1	71	A	62

CONTINUED ON NEXT PAGE

Lamps and Wiring

GROUP AND PART NUMBER	DESCRIPTION, SIZE, ETC.	NO. REQ'D	MODEL OR ENGINE CUBIC INCH DISPLACEMENT	VEHICLE CODE	YEAR 19__
14717 SWITCH (WINDOW REGULATOR CONTROL) SINGLE (CONTINUED)					
C1SF 14529-A	Located at single housing on R. H. front door Located at multiple housing on L. H. front door - located at console compartment for models 65C, 76B	1 4	All All	A A	62/63 62/63
CODF 14529-A	Backlite - located at L. H. instrument panel extension	1	71	A	61
C4AZ 14529-A	Backlite - located at tailgate (c)	1	59, 71	C	60/62
C3OZ 14529-A	Backlite - located at dash	1	71	A C	64
CODF 14529-B	Back window - switch and wire - located in tailgate - use on vehicles built prior to 8-28-62 (b)	1	59, 71	B	63
CODZ 14529-B	Back window switch and wire - located in tailgate - use on vehicles built after 8-27-62 (b)	1	59, 71	C	60/62
B9LY 14717-A	R. H. - rear quarter - with wires - located at quarter	1	63B, 65, 68	C	62/63
B9LF 14717-A	L. H. - rear quarter - with wires	1	63, 65, 68	D	60
B9LY 14717-B	Use for all door windows - vent windows - and back windows - located at multiple housing at L. H. front door and housings at R. H. front and R. H. and L. H. rear doors	AR	All	D	60
C1VY 14717-A	(1) for R. H. front door (2) for L. H. front door	AR	All	D	61/62
C1VY 14717-B	(2) for L. H. front door (1) for R. H. and L. H. rear doors Note - for master control switch refer to group 14540	AR	All	D	61/62
C3VY 14717-A	Front and rear doors single or multiple - (5) req'd. - front door without power vent window (8) req'd. - front door with power vent window	AR	All	D	63/64
34052-S	Nut-hex. -No. 8-32	2	a		
34653-S8	Nut and washer-hex. -No. 8-32	2	a, c		
34938-S	Washer-external tooth lock-No. 8	2	a		
356668-S32	Clip	1	a, c		
372368-S	Strap-adjustable-nylon	1	b		
14718 REFER TO GROUP 15A665					
14719 WIRING (CONVERTIBLE TOP LATCH LIMIT SWITCH)					
FFC 14719-B	104" long - with (4) terminals - located thru R. H. windshield frame to center top latch limit switch	1	68	D	60
FFC 14719-C	84" long with (4) terminals - located at L. H. side of windshield - runs to limit switches on R. H. and L. H. of windshield header	1	68	D	60
14A719-20 SOLENOID & CLAMP (SEAT REGULATOR CONTROL)					
B7AZ 14A720-A		2	All	A	60
COAF 14A719-A	R. H. - 4-way seat	1	All	A	61/62
COAF 14A720-A	L. H. - 4-way seat	1	All	A	61/62
14720 WIRE (CONVERTIBLE TOP LATCH MOTOR GROUND)					
	NS-No. 12 gauge wire - 103-1/2" long with (2) bullet terminals - dealer to improvise locally	1	68	D	60
14721 WIRING (CONVERTIBLE TOP LATCH MOTOR FEED JUMPER)					
FFC 14721-A	26" long - with (4) terminals - located in header bow at L. H. side	1	68	D	60

Lamps and Wiring

GROUP AND PART NUMBER	DESCRIPTION, SIZE, ETC.	NO. REQ'D	MODEL OR ENGINE CUBIC INCH DISPLACEMENT	VEHICLE CODE	YEAR 19__
14A721 SHAFT (FRONT SEAT ADJUSTING REGULATOR SOLENOID)					
COAF 14A721-A	3-5/32" long	1	All	A	61/62
C1VF 14A721-A	6-Way seat	3	All	D	61/63
		3	All	A	63
C4VY 14A721-A	6-Way power seat	3	All	A	64
	Bucket seats	3	All	D	64
	Full seats	3	All	D	64
14722 WIRE (CONVERTIBLE TOP LATCH MOTOR GROUND JUMPER)					
	NS-No. 12 gauge wire - 21-3/4" long with (2) bullet terminals - dealer to improvise locally	1	68	D	60
14A724 SWITCH (SEAT REGULATOR CONTROL) FRONT					
B8LY 14A724-A	6-Way seat - for center and rear switches refer to group 14A701	1	All	D	60
14A725 BLOCK (TERMINAL)					
C3SZ 14A725-A	"L" shape - accessory terminal	1	All	A B D	63/64
C3SZ 14A725-B	"T" shape - accessory terminal	1	All	A B D	63/64
B9FL 14A725-A	Thru cowl 8 terminals	AR	All	D	60/63
14733 TERMINAL (WINDOW REGULATOR SWITCH)					
FEL 14733-A	Brass	AR	All	A	60
	Windows	AR	All	D	60/61
	Antenna - electric	AR	All	A	63
	All electric wiring	1	All	D	63
		AR	All	D	64
14766 SWITCH (LUGGAGE COMPARTMENT DOOR OPEN LIMIT)					
FEK 14766-A	Located at left of luggage compartment door L.H. hinge	1	68	D	60
14785 WIRING (IGNITION SWITCH TO WINDOW REGULATOR SAFETY SWITCH)					
	NS-dealer to cut approximately 10.0" from 18 gauge wire	1	All	A	63
14794 WIRING (LUGGAGE COMPARTMENT LOCK SWITCH TO SOLENOID)					
FFC 14794-B	59" long - with (4) terminals	1	All	D	60
14813 WASHER (WINDSHIELD WIPER PIVOT SHAFT TO COWL TOP)					
BAK 14813-A	3/4" I.D. x 1" O.D. - seal pressure	2	All	D	60
14831 SPRING (OUTSIDE REAR VIEW MIRROR CONTROL ARM RETAINING)					
BAK 14831-A	For remote control mirror	1	All	D	60
14913 CLAMP (MULTIPLE LUBRICATOR RESERVOIR TO PUMP HOSE)					
LF 14913-A		2	All	D	60
14991 GASKET (DEFROSTER NOZZLE TO REGISTER) R. H.					
FFC 14991-A	For a/cond.	1	All	D	60
15000 CLOCK (ELECTRIC WIND)					
COMF 15000-G	Use only on vehicles listed when R. P. O. a/cond. is not installed - use COMF-15000-H when R. P. O. a/cond. is installed	1	57A, 58A, 63A, 64A, 76A, 77A	A	60
COMF 15000-H	Standard equipment on models shown - also use on 57A, 58A, 63A, 76A, 77A with R. P. O. a/cond.	1	57B, F, 58B, 63B, F, 76D, 77B	A	60
C1MF 15000-B		1	All	A	61
CONTINUED ON NEXT PAGE					

Lamps and Wiring

GROUP AND PART NUMBER	DESCRIPTION, SIZE, ETC.	NO. REQ'D	MODEL OR ENGINE CUBIC INCH DISPLACEMENT	VEHICLE CODE	YEAR 19__
15000 CLOCK (ELECTRIC WIND) CONTINUED					
C2MB 15000-A		1	All	A	62
C3MY 15000-A		1	All	A	63
C4MY 15000-A		1	All	A	64
COLF 15000-C		1	All	D	60
C1VB 15000-A(211)		1	All	D	61/62
C1VY 15000-A		1	All	D	63
C4VY 15000-B		1	All	D	64
351038-S	Nut hex. hd. -7/16"-28-winding stem to dash	1	a		
15A000 KIT (CLOCK ELECTRIC)					
C3OZ 15A000-A		1	All	B	62/63
		1	All	C	64
Consists of the following -					
(1) C3OB-15000-B	clock	(1) C3OB-6204437-A	gasket	(2) 50381-S7	screw-oval hd.-
(1) C3OB-15A004-A	base	(1) C3OB-6204548-A	support		No. 6-32 x 1/4"
(1) C3OB-15026-B	wiring	(1) C4DB-6204548-A	support	(1) 351076-S7	nut-hex.-9/16"x18
(1) FEG-18864-A	washer				
C2DZ 15A000-A		1	All	C	60/63
Consists of the following -					
(1) 19B-13466	bulb	(1) C2DB-15000-A	clock	(1) B9MF-15034-A	fuse - 2 amp.
(1) COAF-14417-E	fuse holder	(1) C2DB-15026-A	wiring	(1) I. S.	instruction sheet
15A009 CABLE ASSEMBLY (CLOCK)					
C4VY 15A009-B		1	All	D	64
15026 SOCKET & WIRE (ELECTRIC CLOCK)					
COMF 15026-A		1	57A, 58A, 63A, 64A, 76A, 77A	A	60
	About 5" long with extra male lead - also use for turn signal lamps by removing extra lead	AR	All	A	64
C2AB 15026-A		1	All	A	62
C3MY 15026-A		1	All	A	63
15A041 WIRING (CIGAR LIGHTER FEED) REAR DOOR OR QUARTER					
COLY 15A041-A	R. H. - rear door	1	53A, 57A	D	60
COLF 15A041-D	L. H. - rear door	1	53A, 57A	D	60
COLF 15A041-C	L. H. - rear quarter	1	63	D	60
15A051 BEZEL & RETAINER (CIGAR LIGHTER)					
C1VB15A051-B(07)	WOOD GRAIN - for instrument panel cigar lighter- located between knob and element with wording "LIGHTER"	1	All	D	61/62
C1VB15A051-B(08)	DARK GRAY - for instrument panel cigar lighter	1	All	D	61/62
15052 KNOB & ELEMENT (CIGAR LIGHTER)					
COAF 15052-A	For instrument panel cigar lighter	1	All except 54B, 65B, 71B, 75B, 76A	A	61
C1MF 15052-C	For instrument panel cigar lighter	1	54B, 65B, 71B, 75B, 76A	A	61
C2MY 15052-A	For instrument panel	1	All	A	62
C3MY 15052-A		1	All	A	63/64
C2YB 15052-B	For instrument panel	1	All	B	62/63
C1KF 15052-C		1	All	C	60/63
C4GY 15052-A		1	All	C	64
COLF 15052-A	For instrument panel	1	All	D	60
CONTINUED ON NEXT PAGE					

Lamps and Wiring

GROUP AND PART NUMBER	DESCRIPTION, SIZE, ETC.	NO. REQ'D	MODEL OR ENGINE CUBIC INCH DISPLACEMENT	VEHICLE CODE	YEAR 19__
15052 KNOB & ELEMENT (CIGAR LIGHTER) CONTINUED					
COLF 15052-C	Rear doors and quarters	AR	All	D	60
C3VY 15052-A	Rear doors and quarters	AR	All	D	63
C3VY 15052-B	WOOD GRAIN - for instrument panel	1	All	D	63
C3VY 15052-C	GRAY - for instrument panel - with aluminum trim	1	All	D	63
C4VY 15052-A		3	All	D	64
15A052 SHIELD (CIGAR LIGHTER WATER)					
C1VF 15A052-A	Chrome finish - located at rear arm rests	1	All	D	61/63
15053 BEZEL (CIGAR LIGHTER)					
C1VF 15053-A	For instrument panel	1	All	D	61/63
15054 ELEMENT (CIGAR LIGHTER)					
COAF 15054-A	For instrument panel	1	All	A	61
COMZ 15054-A		1	All	A C	62
C2MY 15054-A	Use in instrument panel and front seat back - display card of 12 elements	AR	All	A	60
		1	All	C	60/61
		AR	All	A B C D	63
		AR	All	A D	64
C1TZ 15054-A		1	All	B	62
C4GY 15054-A	Includes bezel	1	All	C	64
FDU 15054-B	Use on all cigar lighters located in instrument panel, front seat back and quarter arm rests	AR	All	D	60/62
15A054 SPACER (CIGAR LIGHTER WATER SHIELD)					
C1VF 15A054-A	Plastic - located at rear arm rests	1	All	D	61
15055 SOCKET & RETAINER (CIGAR LIGHTER)					
B9MY 15055-A	(1) req'd. - for front seat back (2) req'd. - for rear quarter ★ Wire - front seat back - 6" long with (2) terminals ★ Wire - front seat back - 90" long with (2) terminals ★ Dealer to improvise from No. 16 gauge wire	AR	All	A	60
COMF 15055-A	Instrument panel	1	All	A	60
C2MB 15055-B	Instrument panel	1	All	A	62
C2AB 15055-A	Instrument panel Use on Mercury vehicles built prior to 3-2-64	1	All	A	61
		1	All	A	63/64
		1	All	B	62/63
		1	All	C	64
C4AZ 15055-A	Instrument panel - use on vehicles built after 3-1-64	1	All	A	64
FFC 15055-B	Instrument panel (1) req'd. - for instrument panel (2) req'd. - for front doors (2) req'd. - for rear quarter	1	All	C	60/63
		AR	All	D	60
C1VF 15055-A	For instrument panel	1	All	D	61/62
C1VF 15055-E	Rear door arm rests	2	All	D	61/62
C1VY 15055-A	Rear door arm rests	2	All	D	63
C4VY 15055-A	(1) req'd. front door - (2) req'd. rear door	3	All	D	64
15058 BEZEL (CIGAR LIGHTER)					
COMF 15058-A		1	All	A	60
15061 SPRING (CIGAR LIGHTER RETAINER)					
C1VB 15061-A	Use on instrument panel cigar lighter	1	All	D	61/63

Lamps and Wiring

GROUP AND PART NUMBER	DESCRIPTION, SIZE, ETC.	NO. REQ'D	MODEL OR ENGINE CUBIC INCH DISPLACEMENT	VEHICLE CODE	YEAR 19__
15063 ADAPTOR (CIGAR LIGHTER SOCKET)					
C3AZ 15063-A		1	All	A	63/64
15064 KNOB (CIGAR LIGHTER)					
PB9M 15064-A	For instrument panel cigar lighter	1	All	A	60
PB9M 15064-B	For front seat back and arm rests	AR	57F, 63F, 76D	A	60
C1VF15064-A(02)	BLUE - instrument panel lighter	1	All	D	61
C1VF15064-A(04)	GREEN - instrument panel lighter	1	All	D	61
C1VF15064-A(06)	TURQUOISE - instrument panel lighter	1	All	D	61
C1VF15064-B(02)	BLUE - rear arm rests	AR	All	D	61
C1VF15064-B(04)	GREEN - rear arm rests	AR	All	D	61
C1VF15064-B(06)	TURQUOISE - rear arm rests	AR	All	D	61
C1VF15064-A(01)	BLACK - instrument panel lighter	1	All	D	61/62
C1VF15064-A(03)	BEIGE - instrument panel lighter	1	All	D	61/62
C1VF15064-A(05)	RED - instrument panel lighter	1	All	D	61/62
C1VF15064-A(07)	WOOD GRAIN - instrument panel lighter	1	All	D	61/62
C1VF15064-B(01)	BLACK - rear arm rests	AR	All	D	61/62
C1VF15064-B(03)	BEIGE - rear arm rests	AR	All	D	61/62
C1VF15064-B(05)	RED - rear arm rests	AR	All	D	61/62
C1VF15064-B(07)	WOOD GRAIN - rear arm rests	AR	All	D	61/62
C1VF15064-A(20)	BLUE - instrument panel lighter	1	All	D	62
C1VF15064-A(21)	GREEN - instrument panel lighter	1	All	D	62
C1VF15064-A(22)	SILVER BLUE - instrument panel lighter	1	All	D	62
C1VF15064-A(23)	TURQUOISE - instrument panel lighter	1	All	D	62
C1VF15064-B(20)	BLUE - rear arm rests lighter	1	All	D	62
C1VF15064-B(21)	GREEN - rear arm rests lighter	1	All	D	62
C1VF15064-B(22)	SILVER BLUE - rear arm rests lighter	1	All	D	62
C1VF15064-B(23)	TURQUOISE - rear arm rests lighter	1	All	D	62
15067 COVER (INSTRUMENT PANEL CIGAR LIGHTER)					
C20B 15067-A	Use when cigar lighter is not installed	1	All	B	62/63
CODF 15067-B	Use when cigar lighter is not installed	1	All	C	61/63
C4DZ 15067-A	Use when cigar lighter is not installed	1	All	C	64
15072 LAMP ASSEMBLY (CIGAR LIGHTER)					
C2RZ 15072-A	Chrome finish	AR	All	A B C D	63/64
15076 LAMP (CIGAR LIGHTER)					
C2RZ 15076-A	Universal	1	All	A B C D	60/62
15102 SLEEVE (RADIO ANTENNA MOUNTING BRACKET)					
FFC 15102-B	Use with Casco or P. E. T. antenna assemblies	1	All	D	60
15106 REFER TO GROUP 14540					
15109 CLAMP (RADIO ANTENNA MOUNTING)					
FFC 15109-B	Use with Casco or P. E. T. antenna assemblies	1	All	D	60
15311 MIRROR (SPOTLAMP)					
CIMF 15311-A		1	All	A	60/62

Lamps and Wiring

GROUP AND PART NUMBER	DESCRIPTION, SIZE, ETC.	NO. REQ'D	MODEL OR ENGINE CUBIC INCH DISPLACEMENT	VEHICLE CODE	YEAR 19__
15312-3 KIT (SPOTLAMP & BRACKET)					
C3AZ 15312-A	R.H. - for model 57 use C4MY-15314-A	1	All	A	63/64
C3AZ 15313-A	L.H. - for model 57 use C4MY-15315-A	1	All	A	63/64
C2OZ 15312-A	R.H.	1	All	B	62/63
C2OZ 15313-A	L.H.	1	All	B	62/63
C4DZ 15312-A	R.H.	1	All	C	64
C4DZ 15313-A	L.H.	1	All	C	64
15314-5 KIT (BRACKET ASSEMBLY SPOTLAMP)					
C4MY 15314-A	Use with C3AZ-15312-A spotlamp kit	1	57	A	64
C4MY 15315-A	Use with C3AZ-15313-A spotlamp kit	1	57	A	64
15330 BULB (SPOTLIGHT)					
B6A 15330-B	4" sealed beam	1	All	A B C	60/64
15438 REFER TO GROUP 18A603					
15A490 KIT (BACK-UP LAMP SWITCH)					
C2OZ 15A490-A	Use with standard transmission	1	All	A B	62
Consists of the following -					
(1) C2OZ-15517-A	bracket	(1) 34690-S8	hex. jam nut	(2) 40904-S	screw
(1) COAF-15520-A	switch	(1) 34943-S8	lockwasher	(1) 45247-S	stamped nut
(1) C1GB-15525-A	wire				
C3AZ 15A490-A	Use with standard transmission	1	All	B	63
Consists of the following -					
(1) C2OZ-15517-A	bracket	(1) 34690-S8	hex. jam nut	(2) 40904-S	screw
(1) COAF-15520-A	switch	(1) 34943-S8	lockwasher	(1) 45247-S	stamped nut
(1) C1GB-15525-A	wire				
C1KF 15A490-B	Use with automatic transmission	1	All	C	60/62
Consists of the following -					
(1) C1KF-7A217-A	block - neutral switch terminal	(1) C1KF-15525-B	wiring-back-up switch to lamp		
C3DZ 15A490-B	Use with two speed automatic transmission	1	All	C	63/64
Consists of the following -					
(1) C3DZ-7A217-A	block - neutral switch terminal	(1) C1KF-15525-B	wiring-back-up switch to lamp		
C3DZ 15A490-C	Use with standard transmission	1	All	C	60/64
Consists of the following -					
(1) C1KF-15517-A	bracket	(1) C1GB-15525-A	wiring-switch to lamp	(1) 34943-S7	washer
(1) COAF-15520-A	switch	(1) 34690-S8	nut	(1) 97266-S8	clamp
15A492 REFER TO GROUP 15A497-8					
15A497-8 BODY & SOCKET (BACK-UP LAMP)					
C2MB 15A497-B	R.H. - door	1	All except 71	A	62
C2MB 15A498-B	L.H. - door	1	All except 71	A	62
C2MB 15513-B	R.H. - body and socket	1	71	A	62
C2MB 15A492-B	L.H. - door	1	71	A	62
COLF 15A497-B	R.H.	1	54A, 65A, 68A, 75A	D	60
COLF 15A498-B	L.H.	1	54A, 65A, 68A, 75A	D	60

Lamps and Wiring

GROUP AND PART NUMBER	DESCRIPTION, SIZE, ETC.	NO. REQ'D	MODEL OR ENGINE CUBIC INCH DISPLACEMENT	VEHICLE CODE	YEAR 19__
15499 KIT (BACK-UP LAMP)					
C2YY 15499-A		1	All	A B	62
		1	All except 71	B	63
Consists of the following -					
(2) C2YY-15500-A	lamp assembly	(2) C2YY-15533-A	pad	(2) M-4G-59-A	1/4" dia. sealer x
(1) C2YB-15506-A	wire-switch to lamp	(4) 375942-S100	nut and washer-		6-3/8" long
(1) C2OY-15525-A	wiring assembly - for A/T only		No. 10-24	(1) MIS-1017-A	bill of material
				(1) SK-MIS-1017	installation sheet
C3YY 15499-A		1	71	B	63
Consists of the following -					
(2) B8E-13465-A	bulb	(1) C1GB-15525-A	wiring - S/T	(4) 373288-S39	screw and washer-
(1) C2YB-15506-A	wiring	(1) C2OY-15525-A	wiring - A/T		No. 10-12 x 1-3/8"
(1) C3YY-15511-A	body - R. H.	(1) C3YY-71291B40-D	panel	(4) 374975-S100	screw-No. 6-32 x
(1) C3YY-15512-A	body - L. H.	(1) C3YY-71291B41-D	panel		1.18" pan head
(2) CODB-15514-A	lens			(4) 377752-S39	nut-No. 10-12
C2GY 15499-B	NOTE - Comet with standard transmission - use with C3DZ-15A490-C Comet with automatic transmission - use with C3DZ-15A490-B	1	59, 71	C	62/63
Consists of the following -					
(1) C1GB-15506-A	wiring - B/U lamp to switch	(2) C2GB-15514-B	lens	(1) MIS-1016-1	installation sheet
		(1) MIS-1016-A	bill of material	(1) SK-MIS-1016	installation sheet
C4GY 15499-A		1	All except 71	C	64
Consists of the following -					
(2) C4GY-13450-A	lens	(1) C4GY-15506-A	wiring-switch to lamp	(1) bill of material	
(2) B8E-13465-A	bulb	(2) C4GY-15536-A	wiring back-up lamp	(1) installation sheet	
(1) C3SZ-14A163-B	retainer		socket	(1) instruction sheet	
15500-1 LAMP (BACK-UP)					
C2MY 15500-B	R. H. - less socket and wire	1	71	A	62
C2MY 15501-B	L. H. - less socket and wire	1	71	A	62
C2MY 15500-C	R. H. - less socket and wire	1	All except 71	A	62
C2MY 15501-C	L. H. - less socket and wire	1	All except 71	A	62
C3MY 15500-A	R. H.	1	All except 71B	A	63
C3MY 15501-A	L. H.	1	All except 71B	A	63
C3MY 15500-C	(1) for R. H. and (1) for L. H.	2	71B	A	63
C4MY 15500-A	R. H.	1	All except 71	A	64
C4MY 15501-A	L. H.	1	All except 71	A	64
C2YY 15500-A	(1) for R. H. and (1) for L. H.	2	All except 71	B	62/63
C1GB 15500-A	R. H. - type "B" - production installed - use as service replacement for lamps with GRAY rubber bases only	1	54A, 62A, B	C	60/61
C1GB 15501-A	L. H. - type "B" - production installed - use as service replacement for lamps with GRAY rubber bases only	1	54A, 62A, B	C	60/61
C1KF 15500-D	R. H. - type "A" - service accessory	1	54A, 62A	C	60/61
C1KF 15501-D	L. H. - type "A" - service accessory	1	54A, 62A	C	60/61
C2GY 15500-A	R. H. and L. H.	2	54, 62A, B	C	62
C3GY 15500-A	Service replacement for lamps with chrome base	2	All except 59, 71	C	62/63
COLF 15500-B	R. H.	1	54A, 65A, 68A, 75A	D	60
COLF 15501-B	L. H.	1	54A, 65A, 68A, 75A	D	60
C1VB 15500-A	R. H. and L. H.	AR	All	D	61/63
C4VY 15500-A	R. H.	1	All	D	64
C4VY 15501-A	L. H.	1	All	D	64
15A504 HOUSING (BACK-UP LAMP WIRE HARNESS)					
C1VB 15A504-C		2	All	D	61/63

Lamps And Wiring

GROUP AND PART NUMBER	DESCRIPTION, SIZE, ETC.	NO. REQ'D	MODEL OR ENGINE CUBIC INCH DISPLACEMENT	VEHICLE CODE	YEAR 19__
15506 WIRING (BACK-UP LAMP SWITCH TO BACK-UP LAMP)					
	NS-improvise from No.18 gauge wire - (1) wire 201" long (1) wire 262" long	1	All	B	62
	NS-improvise from No. 18 gauge wire - (1) wire 201" long (1) wire 262" long	1	All except 71	B	63
	NS-improvise from No.18 gauge wire - (1) wire 236" long (1) wire 78" long	1	71	B	63
C1GB 15506-A	Also serviced in 15499 kit	1	59,71	C	60/63
C1KF 15506-B	Also serviced in 15499 kit	1	54, 62	C	60/62
		1	All except 59,71	C	63
C4GY 15506-A		1	All except 71	C	64
15A507 BRACKET (BACK-UP LAMP MOUNTING)					
C2MB 15A507-C	R. H. - 2.94" long with (2) 1/4" diameter holes	1	All except 71	A	62
C2MB 15A510-B	L. H. - 2.94" long with (2) 1/4" diameter holes	1	All except 71	A	62
C2MB 15A507-D		2	All except 71	A	62
15510 GASKET (BACK-UP LAMP LENS)					
COMF 15510-B	(1) req'd. for each rear lamp	AR	All except 71	A	60
C2MB 15510-A	(1) R.H. and (1) L.H.	2	All	A	62
C2YB 15510-A	(1) R.H. and (1) L.H.	2	All except 71	B	62/63
CODB 15510-A		2	71	B	63
		2	54A,B,62A,B,76A	C	63
PB9E 15510-A	R. H. and L. H. - for type "A" lamps	2	54, 62	C	60/61
15A510 REFER TO GROUP 15A507					
15511-2 REFER TO GROUP 15515					
15513 REFER TO GROUP 15A497-8					
15A513-4 PLATE (LOWER BACK PANEL BACK-UP LAMP OPENING COVER)					
C2MB 15A513-A	R. H.	1	All except 71	A	62
C2MB 15A514-A	L. H.	1	All except 71	A	62
15514 LENS (BACK-UP LAMP)					
C1MF 15514-A	R. H.	1	71	A	61
C1MF 15519-A	L. H.	1	71	A	61
C2MY 15514-A	R. H.	1	All	A	62
C2MY 15514-B	L. H.	1	All	A	62
C3MY 15514-A	(1) R. H. and (1) L. H.	(b) 2	All	A	63
C4MY 15514-A	(1) R. H. and (1) L. H.	2	All except 71	A	64
COMF 15514-B		2	All	A	60
	R. H. and L. H. - type "B" lamp	2	54A, 62A	C	60/61
C1MF 15514-C	(1) R. H. and (1) L. H.	AR	All except 58A, 64A, 71A	A	61
		2	54A, 65A, 68A, 75A	D	60
C2YB 15514-A	(1) R.H. and (1) L.H.	(b) 2	All except 71	B	62/63
CODB 15514-A	(1) R.H. and (1) L.H.	2	All except 59,71,62C	C	62/63
		(a) 2	71	B	63
B9FK 15514-A	R. H. and L. H. - type "A" lamp	2	54A, 62A	C	60/61
C1KF 15514-B	R. H.	1	59,71	C	60/61
C1KF 15519-B	L. H.	1	59,71	C	60/61
C2GY 15514-A	(1) R.H. and (1) L.H.	2	59,71	C	62/63
C2GY 15514-B	(1) R.H. and (1) L.H.	2	62C	C	62/63
CONTINUED ON NEXT PAGE					

Lamps and Wiring

GROUP AND PART NUMBER	DESCRIPTION, SIZE, ETC.	NO. REQ'D	MODEL OR ENGINE CUBIC INCH DISPLACEMENT	VEHICLE CODE	YEAR 19____
15514 LENS (BACK-UP LAMP) CONTINUED					
COLF 15514-C		2	53A, B, 63A, B	D	60
C1VF 15514-A	(1) R. H. and (1) L. H.	2	All	D	61/63
C4VY 15514-A	(1) R. H. and (1) L. H.	2	All	D	64
374975-S	Screw-pan hd. self-tap. -No. 6-32 x 1-3/16"-attach lens to body	2	a		
376328-S	Screw-pan hd. -No. 18 x .75	2	b		
15515 BODY (BACK-UP LAMP)					
C2MY 15515-A	(1) R. H. and (1) L. H.	2	All	A	62
C2YY 15515-A	(1) R. H. and (1) L. H.	2	All	B	62
		2	All except 71	B	63
C3YY 15511-A	R. H.	1	71	B	63
C3YY 15512-A	L. H.	1	71	B	63
B9KY 15515-A	R. H. - type "A" lamp	1	54A, 62A	C	60/61
PB9E 15512-A	L. H. - type "A" lamp	1	54A, 62A	C	60/61
15517 BRACKET (BACK-UP LAMP SWITCH MOUNTING)					
PB9M 15517-A	Use with standard transmission	1	All	A	60
C1AF 15517-A	Standard and o/drive transmission	1	58A, 64A	A	61
C1MF 15517-A	Standard and o/drive transmission	1	All except 58A, 64A	A	61
C2AZ 15517-A	Use with standard transmission	1	All	A	62
C3AZ 15517-A	Upper - use with three speed standard transmission and back-up lamps	1	All	A B	63/64
C3AZ 15517-B	Lower - use with three speed standard transmission and back-up lamps	1	All	A B	63/64
C2OZ 15517-A	Use with standard transmission and back-up lamp	1	All	B	62
C1KF 15517-A	For standard transmission	1	All	C	60/64
15A518 BRACKET (BACK-UP LAMP SWITCH ADJUSTING)					
C2AZ 15A518-A	Use with standard transmission	1	All	A	62
15519 REFER TO GROUP 15514					
15520 SWITCH (BACK-UP LAMP)					
1H 15520-A	Use with standard and o/drive transmission	1	All	A	60
COAZ 15520-A	Use with standard transmission and back-up lamp	1	All except 65C, 76B	A	61/62
		1	All	B C	60/62
	Use with standard and o/drive transmission and back-up lamp	1	All except 63C, 65C, 75C, 76B	A B C	63
	Use with three speed standard transmission	1	All except 57C, 63C, 65C, 76C	A	64
		1	All	C	64
C2AZ 15520-E	Use with four speed floor shift - Ford or Borg Warner	(a) 1	All	A	62/64
	Use with four speed floor shift	1	All except 144	B	63
	Use with Borg-Warner four speed only	(a) 1	All	C	62/64
C4DZ 15520-A	Use with Ford four speed standard transmission	1	All	C	64
33943-S	Jam nut-includes mounting bracket	1	a		
15525 WIRING (BACK-UP LAMP SWITCH TO REAR LAMP FEED)					
C1MB 15525-A	For standard transmission	1	All except 58A, 64A	A	61
C1AB 15525-A	About 30" long - double wire - use with standard transmission	1	58A, 64A	A	61
		1	All except 65C, 76B	A	62
C2OY 15525-A	Use with automatic transmission	1	All	B	62/63
C1GB 15525-A	Use with standard transmission and back-up lamps - also serviced in 15A490 kit	1	All	B C	60/64
C1KF 15525-B	Use with automatic transmission and back-up lamps	1	All	C	60/64

Lamps and Wiring

GROUP AND PART NUMBER	DESCRIPTION, SIZE, ETC.	NO. REQ'D	MODEL OR ENGINE CUBIC INCH DISPLACEMENT	VEHICLE CODE	YEAR 19__
15533 PAD (BACK-UP LAMP MOUNTING)					
C2MB 15533-A	(1) R.H. and (1) L.H.	2	71	A	62
C2YY 15533-A		2	All except 71	B	62/63
C3YY 15533-A	R.H.	1	71	B	63
C3YY 15533-B	L.H.	1	71	B	63
C1KF 15533-A	R.H. - type "A"	1	54, 62	C	60/61
C1KF 15544-A	L.H. - type "A"	1	54, 62	C	60/61
C1GB 15533-A	R.H. - type "B"	1	54, 62A, B	C	60/61
C1GB 15544-A	L.H. - type "B"	1	54, 62A, B	C	60/61
C2GY 15533-A	R.H. and L.H.	2	54, 62A, B	C	62
CODB 15533-A	BLACK rubber for chrome base lamp	2	54, 62A, B	C	62
		2	All except 59, 71	C	63
15536 SOCKET & WIRE (BACK-UP LAMP)					
CIMF 15536-B	(1) req'd. for each back-up lamp - 8" long and includes socket (1) R.H. and (1) L.H.	AR	58A, 64A	A	61
		2	All	A	62
C4MY 15536-A	Attaches to body assembly - back-up lamp	2	All except 71	A	64
FEY 15536-A	Includes socket - type "A"	1	All	B C	60/62
C4GY 15536-A	Wire 5" long - also serviced in 15499 kit	2	All except 71	C	64
PB9E 15536-A	Includes socket - type "B"	1	54A, 62A	C	60/62
		2	53A, B, 63A, B	D	60
15540 ACTUATOR (BACK-UP LAMP SWITCH)					
C3AZ 15540-A	Use with three speed standard transmission and back-up lamps	1	All	A	64
C3AZ 15540-B	Use with three speed standard transmission and back-up lamps	1	All	A B	63
15544 REFER TO GROUP 15533					
15651 BRACKET (LUGGAGE COMPARTMENT DOOR OPEN LIMIT SWITCH MOUNTING)					
FFC 15651-A	Steel - located at rear of door	(a) 1	68	D	60
34802-S7	Washer-spring lock-No. 8	2	a		
51755-S8	Screw-pan hd. tap. -No. 8-32 x 3/8"	2	a		
15A652 RETAINER (MAP LAMP SOCKET)					
C4MY 15A652-A		1	All	A	64
15B656 ACTUATOR (TOP CONTROL LOCK LIMIT SWITCH)					
C1VF 15B656-B		1	74	D	61/64
15A657 WIRING (TOP CONTROL SWITCH)					
B9FM 15A657-A	12" long with (3) terminals	1	76	A	60
C1VY 15A657-B	Wiring 45" long with (1) single and (2) multiple connections - wires coded YELLOW, RED, VIOLET and BROWN - located at dash	1	74	D	61
C2VY 15A657-A	Wiring 45" long with (2) multiple connections - wires coded YELLOW, RED and VIOLET - located at dash	1	74	D	62
C3VY 15A657-A		1	74	D	63
C4VY 15A657-A		1	74	D	64
15A659 WIRING (TOP CONTROL)					
C1VY 15A659-B		1	74	D	61
C2VY 15A659-A		1	74	D	62/63
C4VY 15A659-A		1	74	D	64

Lamps and Wiring

GROUP AND PART NUMBER	DESCRIPTION, SIZE, ETC.	NO. REQ'D	MODEL OR ENGINE CUBIC INCH DISPLACEMENT	VEHICLE CODE	YEAR 19__
15B659 MOTOR (UPPER BACK FINISH PANEL ACTUATING & TOP LOCK)					
C1VF 15B659-A	For upper back finish panel - located at L. H. hinge deck lid	1	74	D	61/63
	For top lock - located in No. 1 bow	1	74	D	61/63
	(1) req'd. - for deck finish panel on vehicles built prior to 12-2-63	2	74	D	64
	(1) req'd. - for No. 1 bow lock mechanism				
C4SZ 15B659-A	Use in conjunction with C4VY-14276-C on vehicles built after 12-1-63	1	74	D	64
15B662 WIRING (TOP CONTROL ROOF LOCK LIMIT SWITCH)					
C1VF 15B662-A	Use on vehicles built prior to 12-5-60	1	74	D	61
C1VB 15B662-A	Use on vehicles built from 12-5-60 to 10-31-61	1	74	D	61/62
C2VY 15B662-A	Use on vehicles built after 10-30-61	1	74	D	62/63
C4VY 15B662-A		1	74	D	64
15B663 NUT (TOP CONTROL SWITCH MOUNTING)					
C1VF 15B663-B		1	74	D	61/63
C4VY 15B663-A		1	74	D	64
15B664 BRACKET & ACTUATOR (TOP CONTROL ERECT SWITCH MOUNTING)					
C1VF 15B664-A	Use on vehicles built prior to 12-5-60	1	74	D	61
C1VB 15B664-A	Use on vehicles built after 12-4-60	1	74	D	61/64
15A665 WIRING (CONVERTIBLE TOP LATCH MOTOR FEED)					
FFC 14718-B	149" long - with (4) terminals - located L. H. top side from header bow back to relay behind rear seat	1	68	D	60
C1VF 15A665-A	120" with (8) multiple connections - use on vehicles built prior to 11-6-60	1	74	D	61
C1VF 15A665-B	93-1/2" with (4) multiple connections - use on vehicles built from 11-6-60 to 12-5-60	1	74	D	61
C1VB 15A665-A	Use on vehicles built from 12-5-60 to 10-31-61	1	74	D	61/62
C2VY 15A665-A	Use on vehicles built after 10-30-61	1	74	D	62/63
C4VY 15A665-A		1	74	D	64
15A666 WIRING (CIRCUIT BREAKER IN POWER BOX TO JUNCTION BLOCK)					
15A666	NS-No. 8 gauge wire 46" long with (2) eyelet type terminals - for service use bulk wire B3A-14296-A	1	All	D	60
15667 REFER TO GROUP 533A00					
15B667 WIRING (TOP CONTROL ROOF LOCK)					
C1VF 15B667-A	Use on vehicles built from 11-6-60 to 12-5-60 - not required prior to this date	1	74	D	61
C1VB 15B667-A	Use on vehicles built from 12-5-60 to 10-31-61	1	74	D	61/62
C2VY 15B667-A	Use on vehicles built after 10-30-61	1	74	D	62/63
C4VY 15B667-A		1	74	D	64
15668 SWITCH (TOP CONTROL & RETRACTABLE BACK WINDOW CONTROL)					
COMF 15668-A	(a)	1	76	A	60
COAF 15668-A		1	76	A	61
C2AB 15668-A		1	76	A	62

CONTINUED ON NEXT PAGE

Lamps and Wiring

GROUP AND PART NUMBER	DESCRIPTION, SIZE, ETC.	NO. REQ'D	MODEL OR ENGINE CUBIC INCH DISPLACEMENT	VEHICLE CODE	YEAR 19__
15668 SWITCH (TOP CONTROL & RETRACTABLE BACK WINDOW CONTROL) CONTINUED					
C3MY 15668-A	"Push Pull" type switch - located at instrument panel Retractable back window Top control Tailgate electric window NOTE - for Monterey use on vehicles built prior to 9-10-62	1 1 1	All except 63, 71, 76 76 59, 71	A A C A C	63 63 63
C3MY 15668-B	"Toggle" type switch - located at instrument panel - use on vehicles built after 9-9-62 Top control Retractable back window Retractable back window Tailgate electric window	1 1 1 1	76 All except 63, 71, 76 All except 71, 76 71	A A A A	63/64 63 64 63/64
C4DZ 15668-A	Located at instrument panel Top control Electric back window	1 1	76 71	C C	64 64
COLF 15668-A	Chrome finish - located at dash	1	68		D 60
C1VY 15668-A	Switch and wire - located at dash	1	74		D 61/62
C3VY 15668-B	Located at dash	1	74		D 63
C4VY 15668-B	Located at dash	1	74		D 64
358632-S13	Nut-hex. -1/2"-28	1	a		
15A668 WIRING (TOP CONTROL RELAY TO CIRCUIT BREAKER)					
B9MY 15A668-B		1	76	A	60
COAF 15A668-A	163" long with (4) single (1) multiple connections - use on vehicles built prior to 3-1-62	1	76	A	61/62
C2AZ 15A668-B	163" long with (4) single (1) multiple connections - use on vehicles built after 2-28-62	1	76	A	62
C2AZ 15A668-A	Extension - use with four speed floor shift transmission - located between C3AZ-15A668-A and top control 7" long	1	76	A	63
C3AZ 15A668-A		1	76	A	64
C3DZ 15A668-A		1	76A		63/64
C4DZ 15A668-A		1	76	C	63
COLF 15A668-B		1	68	C	64
				D	60
15B668 WIRING (TOP CONTROL ROOF LOCK LIMIT SWITCH JUMPER)					
C1VB 15B668-A		1	74		D 61
15A669 WIRING (TOP CONTROL CIRCUIT BREAKER TO TOP CONTROL SWITCH)					
	NS-located from circuit breaker at starter motor relay to dash - used for top control - power window - power seat - backlite - cut from bulk wire B3A-14296-A (a)	1	All	A	61/62
	NS-located from circuit breaker at starter motor relay to dash - used for top control - power window - power seat - backlite - cut from bulk wire B6A-14296-A (a)	1	All	A	63
	NS-located from circuit breaker at starter motor relay to dash (a)	1	76	C	63
34079-S8	Nut-hex. -No.10-32	1	a		
34803-S7	Washer-spring lock-No.10	1	a		
15B669 GROMMET (TOP CONTROL WIRING)					
C1VY 15B669-A	Located at luggage compartment - rubber covered	1	74		D 61/63

Lamps and Wiring

GROUP AND PART NUMBER	DESCRIPTION, SIZE, ETC.	NO. REQ'D	MODEL OR ENGINE CUBIC INCH DISPLACEMENT	VEHICLE CODE	YEAR 19_____
15A670 NUT (TOP CONTROL)					
COAF 15A670-A	Chrome finish - 3/8"-32 - use with push-pull type switch on vehicles built prior to 9-10-62 - after this date see group 14A124				
	Top	1	76	A	61/63
	Retractable back window	1	All	A	63
	Electric tailgate window	1	71	A	63
15672 RELAY (TOP CONTROL MOTOR)					
FDU 15672-B	Located behind rear seat (1) for hydraulic lift (1) for top latch (1) for upper back panel	AR	68	D	60
C1VF 15672-A	Located on relay panel left side of luggage compartment - (1) for tray erect (1) for deck lock (1) for deck close (1) for top up (1) for top down	AR	74	D	61
C1VF 15672-B	Located on relay panel left side of luggage compartment - (1) for top unlock (1) for top lock (1) for tray retract	AR	74	D	61/64
C1VF 15672-C	3-post - located at left side of rear seat back support - deck unlock	1	74	D	61/64
C1VF 15672-D	4-post - located at left side of rear seat back support - deck open	1	74	D	61/64
C2VY 15672-A	Located on relay panel left side of luggage compartment (1) for tray erect (1) for deck lock (1) for deck close (1) for top up (1) for top down	AR	74	D	62/64
15A672 SWITCH (TOP CONTROL ERECT LIMIT)					
C1VF 15A672-A	With (2) wires - located in right side of No. 1 header bow - use on vehicles built prior to 12-5-60	1	74	D	61
C1VB 15A672-B	With (3) wires - located in right side of No. 1 header bow - use on vehicles built from 12-5-60 to 10-31-61	1	74	D	61/62
C2VY 15A672-B	With (2) wires - located in right side of No. 1 header bow - use on vehicles built after 10-30-61	1	74	D	62/64
C2VY 15A672-A	Top up - has (2) terminals and is located at R. H. support main pivot	1	74	D	62/63
C4VY 15A672-A	Located at support, folding top main pivot bracket at package tray	1	74	D	64
15674 KNOB (CONTROL INSTRUMENT PANEL)					
B9MF 15674-A	Located at instrument panel	1	76	A	60
C2MY 15674-A	Located at instrument panel	1	76	A	62
	Note - for 1961 application refer to group 17513 Use for top, retractable back window, tailgate, a/cond. and choke control	AR	All	A	63
	Use for top control	1	76	A	64
	Use for electric tailgate window	1	71	A	64
	Use for electric backlite	1	All except 71, 76	A	64
	Use for windshield wiper control	1	All	C	64
C4DZ 15674-A	Use for top control switch	1	76	C	64
	Use for tailgate window switch	1	71	C	64
C1VF 15674-A	Includes set screw	1	74	D	61/63

Lamps And Wiring

GROUP AND PART NUMBER	DESCRIPTION, SIZE, ETC.	NO. REQ'D	MODEL OR ENGINE CUBIC INCH DISPLACEMENT	VEHICLE CODE	YEAR 19__
15A674 SWITCH (UPPER BACK PANEL LIMIT)					
B8LY 15A674-A	With (4) lead wires (1) for limit - back window - UP (1) for limit - back panel - DOWN (1) for limit - back panel - UP	AR	68	D	60
COSF 15A674-B	(4) terminals - upper back finish panel erect - located at finish panel L. H. hinge Note - early vehicles use C1VY-15A678-A	1	74	D	61
C2VY 15A674-A	(4) terminals - upper back finish panel erect - located at upper back finish panel L. H. hinge	1	74	D	62/63
C2VY 15A674-B	(2) terminals - top lock cut-off - located at upper back finish panel L. H. hinge - use on vehicles built after 10-1-61 - prior to this date see group 15715	1	74	D	62/63
C5VY 15A674-A		1	74	D	64
15676 BRACKET (TOP CONTROL SWITCH MOUNTING)					
COAF 15676-A		1	76	A	61/62
C3GY 15676-A	(1) for top - (1) for tailgate	AR	59,71,76	C	63
C1VB 15676-A	Located at L. H. dash	(a) 1	74	D	61/63
50696-S8	Screw and washer-oval hd. cr. rec. -No. 8-32 x 1/2"	2	a		
15678 SWITCH (TOP CONTROL & TOP LOCK) LIMIT					
FDR 15678-B	Top control - limit located at R.H. and L.H. of No. 1 bow	2	68	D	60
B9LF 15678-A	Top lock - limit located at center of windshield header	1	68	D	60
C2VY 15678-A	Located in L. H. side of No. 1 bow - inboard lock - includes wire and bracket	1	74	D	61/64
C2VY 15678-B	Located in L. H. side of No. 1 bow - outboard lock - includes wire and bracket	1	74	D	61/64
15A678 SWITCH (TOP RETRACT & UPPER BACK FINISH PANEL RETRACT & ERECT)					
B8LY 15A678-A	Top retract - located at L. H. rear quarter	1	68	D	60
C1VF 15A678-B	Top retract - located at R. H. rear quarter at R. H. top support bracket	1	74	D	61
C1VY 15A678-A	Upper back finish panel - with 6 terminals (1) Retract - located at R. H. finish panel hinge (1) Erect - located at L. H. finish panel hinge Note - later vehicles use COSF-15A674-B for L. H. only	AR	74	D	61/62
C3VY 15A678-A	Top down - located at right main pivot support	1	74	D	62
C3VY 15A678-B	Top down - located at right main pivot support	1	74	D	63
C3VY 15A678-B	Upper back finish panel - retract - located at R. H. finish panel hinge	1	74	D	63
C4VY 15A678-A		1	74	D	64
15A680 BRACKET (TOP CONTROL LIMIT SWITCH MOUNTING)					
B8LY 15A680-A	Located at L. H. rear quarter - use with top retract limit switch	1	68	D	60
C1VF 15A680-A	Located at R. H. top support bracket	1	74	D	61/62
C1VY 15A680-A	Located at R. H. top support bracket - use on vehicles built after 12-25-61	1	74	D	61/62
C3VY 15A680-A	Located at R. H. top support bracket	1	74	D	63
15A682 VALVE (TOP CONTROL SOLENOID)					
B9SF 15A682-A	Located in luggage compartment	3	74	D	61/63
C3SZ 15A682-A		3	74	D	64

Lamps and Wiring

GROUP AND PART NUMBER	DESCRIPTION, SIZE, ETC.	NO. REQ'D	MODEL OR ENGINE CUBIC INCH DISPLACEMENT	VEHICLE CODE	YEAR 19__
15A685 PANEL (TOP CONTROL RELAY MOUNTING)					
C1VF 15A685-B	Steel - 4-1/4" x 9"	1	74	D	61/64
15A686 SPACER (TOP CONTROL RELAY PANEL MOUNTING)					
C1VF 15A686-A	Steel - 5/16" I. D. x 5/8" O. D.	2	74	D	61/64
15A687 BUS BAR (TOP CONTROL RELAY)					
C1SF 15A687-A	7-45/64"	1	74	D	61
C2VY 15A687-A		1	74	D	62/64
15A688 RELAY (TOP CONTROL) NEUTRAL					
C1VF 15A688-A	Located in power box (a)	1	74	D	61/62
	34079-S8 Nut-hex. -No. 10-32	2	a		
	34803-S7 Washer-spring lock-No. 10-32	2	a		
15690 MOTOR (CONVERTIBLE TOP LOCK & LUGGAGE COMPARTMENT DOOR LOCK)					
FDR 15690-A	Top lock - located in header bow - for 1961-62 see group 15B659	1	68	D	60
C1VF 15690-A	Luggage compartment door lock - located at deck lid	1	74	D	61/62
15A690 WIRING (TOP CONTROL FEED JUMPER)					
C1VY 15A690-A	Use on vehicles built from 7-5-61 to 11-1-61	1	74	D	61/62
15A691 INSULATOR (TOP CONTROL CIRCUIT BREAKER STUD)					
COSF 15A691-A		4	All	A	63
	Also used as insulator on circuit breaker - located L. H. instrument panel flange - use with 6 cylinder engine only	3	All	B	63
	Front door	4	53	D	64
	Rear door	8	74	D	64
15A692 BRACKET (UPPER BACK PANEL LIMIT SWITCH ACTUATOR)					
COSF 15A692-B	Located at upper back panel hinges (a)	2	68	D	60
C1VB 15A692-A	Located at deck lid upper right and left - has (b) (2) slots 3/16" x 3/8" - used on early built vehicles for left side	2	74	D	61/63
C1VB 15A692-B	Located at deck lid upper left - has (2) 3/16" holes - use on later vehicles	1	74	D	61/63
	42721-S8 Screw and washer-hex. hd. external tooth-No. 8-32 x 3/8"	2	b		
	51855-S8 Screw-pan hd. cr. rec. tap. -No. 8-32 x 3/8"	4	a		
15A698 BRACKET (UPPER BACK FINISH PANEL LIMIT SWITCH MOUNTING)					
C1SB 15A698-A	Located at left hinge upper back finish panel (a)	1	74	D	61
C1VF 15A698-A	Located at right hinge upper back finish panel (a)	1	74	D	61/63
C2VY 15A698-A	Located at left hinge upper back finish panel (a)	1	74	D	62/63
	42720-S8 Screw and washer-hex. hd. -No. 8-32 x 1/4"	2	a		
15715 SWITCH (TOP CONTROL FRONT LOCK LIMIT)					
B8A 15715-A	Located at upper back panel L. H. hinge - use on vehicles built prior to 10-2-61 - for vehicles built after this date see C2VY-15A674-B	1	74	D	61
15800 HOUSING (TRANSMISSION CONTROL SELECTOR INDICATOR LAMP)					
C4GY 15800-A	Use with automatic transmission	1	All	B C	63/64
C1VV 15800-AP		1	All	D	61/63

Lamps and Wiring

GROUP AND PART NUMBER	DESCRIPTION, SIZE, ETC.	NO. REQ'D	MODEL OR ENGINE CUBIC INCH DISPLACEMENT	VEHICLE CODE	YEAR 19__
15A801 LAMP (TRANSMISSION CONTROL SELECTOR)					
COMF 15A801-A	Includes pointer - automatic transmission	1	All	A	60
C1MF 15A801-A		1	All	A	61
C2MY 15A801-A		1	All	A	62
C3AZ 15A801-A	Use with automatic transmission	1	All except 65C, 75C	A	63
		1	All except 63C, 65C, 76C	A	64
		1	All	D	64
C2YY 15A801-A	Use with automatic transmission	1	All	B C	63/64
B9LY 15A801-B	Includes pointer (a)	1	All	D	60
C1VY 15A801-A		1	All	D	61/63
34938-S8	Lockwasher-external tooth-No. 8	1	a		
51855-S8	Screw-pan hd. cr. rec. tap. -No. 8-32 x 3/8	1	a		
15A803 CAP & SHIELD (TRANSMISSION CONTROL SELECTOR LAMP)					
COMF 15A803-A	Same as 15A801 less wire, bulb and socket	1	All	A	60
15805 REFER TO GROUP 7A213					
15A811 SHROUD (TRANSMISSION CONTROL SELECTOR INDICATOR LAMP)					
C2AZ 15A811-A	With automatic transmission - floor mounting	1	All	A	62/64
15815 RETAINER (TRANSMISSION CONTROL SELECTOR INDICATOR LAMP HOUSING)					
B9MF 15815-A	Use with automatic transmission	1	All	A	60
15822 SWITCH (CONVERTIBLE TOP ERECT LIMIT)					
FFC 15822-B	Located at L.H. rear quarter	1	68	D	60
15A850 WIRING ASSEMBLY (PARKING BRAKE WARNING LAMP)					
C4MY 15A850-A	Use with Deluxe a/cond.	1	All	A	64
15A851 SWITCH & BRACKET (PARKING BRAKE SIGNAL)					
COMF 15A851-A		1	All	A	60
C2AZ 15A851-A		1	All	A	61/64
C4DZ 15A851-A		1	All	C	64
B9LF 15A851-A	NOTE - on 1960-62 vehicles remove bracket as these vehicles already have the bracket	1	All	D	60/63
15A852 KIT (PARKING BRAKE WARNING LIGHT)					
C3AZ 15A852-B	Use without factory installed a/cond.	1	All	A	63
		1	All	A	64
C4DZ 15A852-A		1	All	C	64
15975 SEAL (HEATER CORE TO SUPPORT REINFORCEMENT)					
FFC 15975-A	For a/cond.	2	All	D	60
15977 SUPPORT (HEATER CORE)					
FFC 15977-B	R.H. and L.H. - for a/cond.	2	All	D	60
15994 GASKET (HEATER SIDE COWL DUCT)					
FFC 15994-G	10-3/8" long - for heater and/or a/cond.	2	All	D	60
FFC 15994-J	14-1/4" long - for heater and/or a/cond.	2	All	D	60
	NS-9-1/2" long - for service cut from FFC-15994-G	2	All	D	60
	NS-12-1/4" long - for service cut from FFC-15994-J	2	All	D	60
15996 GASKET (HEATER CASE TO SIDE COWL PANEL)					
FFC 15996-A	R.H. and L.H. - for a/cond.	2	All	D	60

MEMO

Lined area for writing the memo content.

