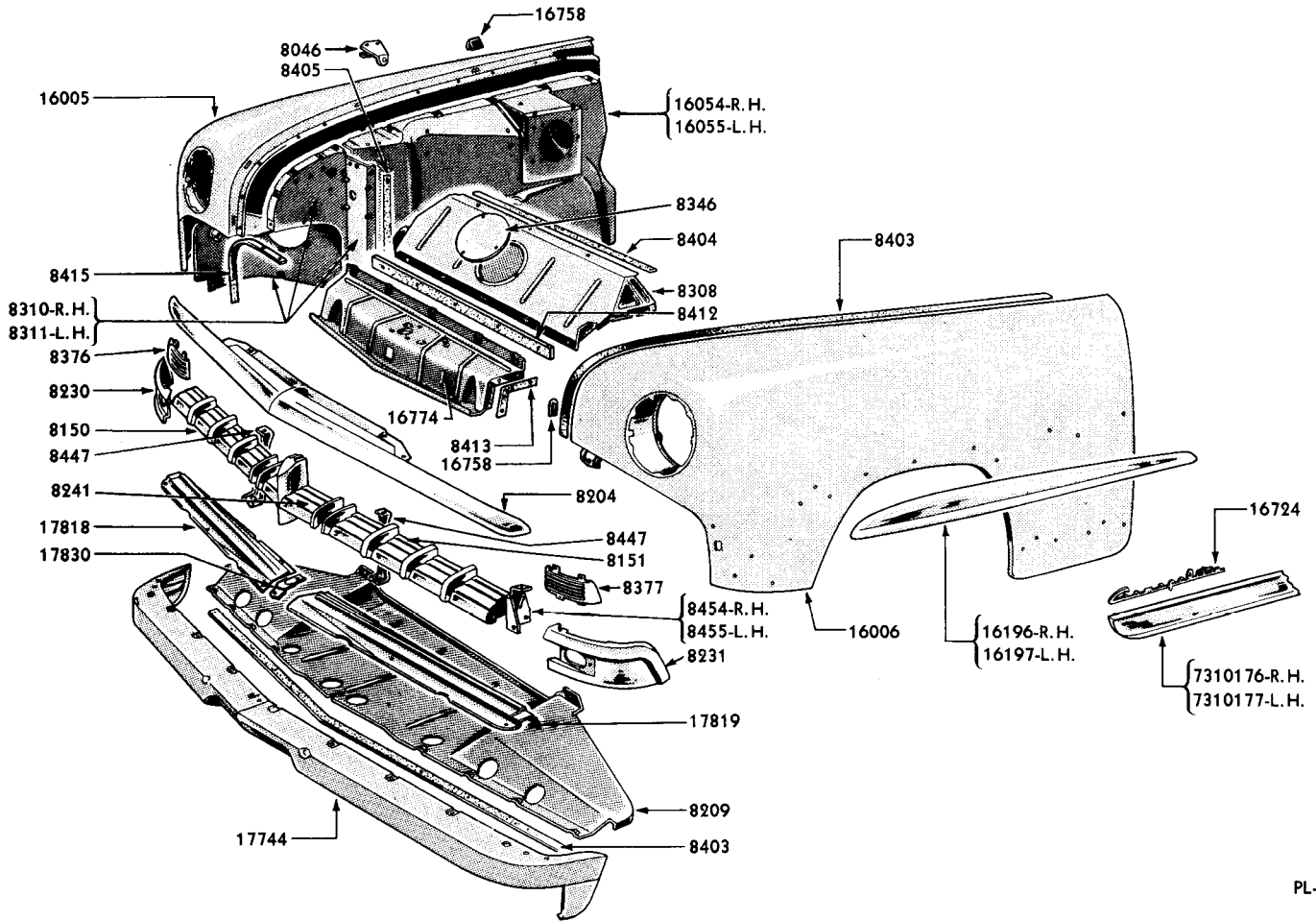


Lincoln and Lincoln Cosmopolitan

CHASSIS PARTS CATALOGUE

Radiator Grille—Continued



PL-374

LINCOLN COSMOPOLITAN (1950)

Basic numbers only shown on illustration. Order by Part Numbers shown in list of parts.

PART NUMBER	QTY	PART NAME	NO. REQ'D	MODEL	YEAR 19__
		42906-88 Screw and washer (hex head)-1/4"-20 x 3/4" bar to stone deflector	2	1L, 1H	51
		44720-88 Washer (flat)-1/4"-bar to stone deflector	2	OL, OH, 1L, 1H	50-51
3EL 8255-C		Gasket (water outlet connection)-2-9/64" I.D. hole	2	9L, 9H, OL, OH, 1L, 1H	49-51
8EL 8260		Hose (radiator upper)-used with 8EL-8005-A and 8EH-8005-A Radiator assy	2	9L, 9H, OL, OH	49-50
OEL 8260		Hose (radiator upper)-RH-used with OEH-8005 and OEL-8005 Radiator assy	1	OL, OH, 1L, 1H	50-51
OEL 8261		Hose (radiator upper)-LH-used with OEH-8005 and OEL-8005 Radiator assy	1	OL, OH, 1L, 1H	50-51
		60-8287 Clamp assy (radiator upper hose)-1-7/8" diameter	4	9L, 9H, OL, OH, 1L, 1H	49-51