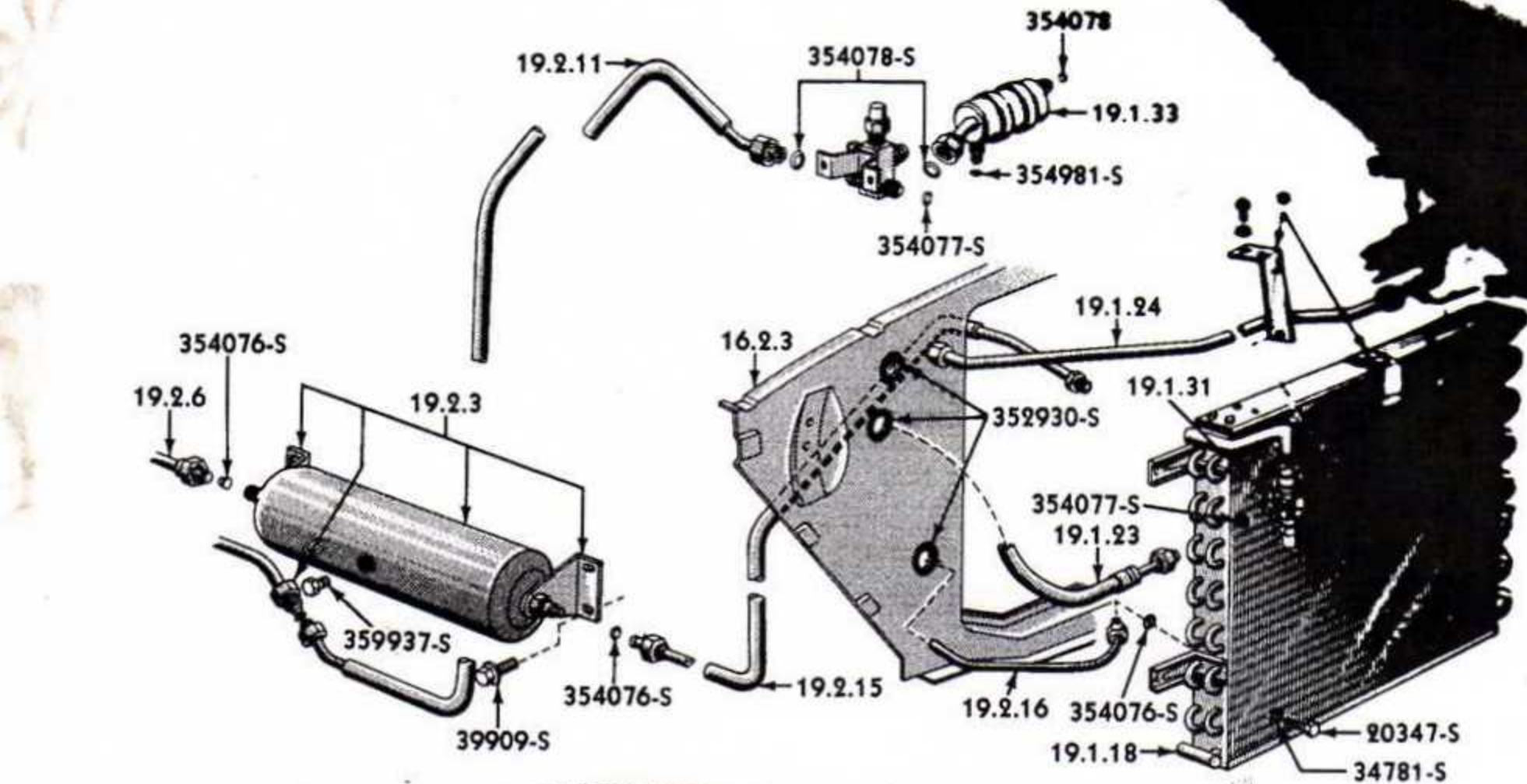
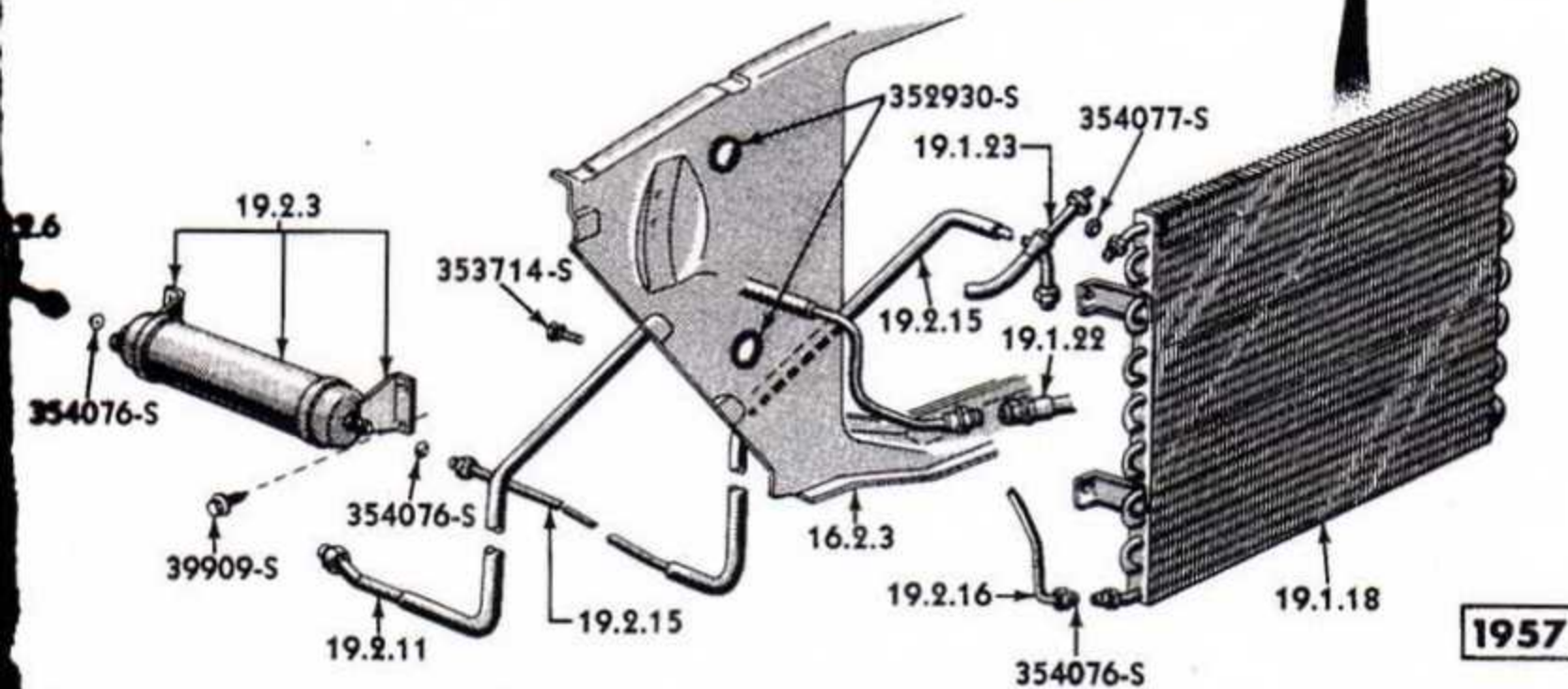
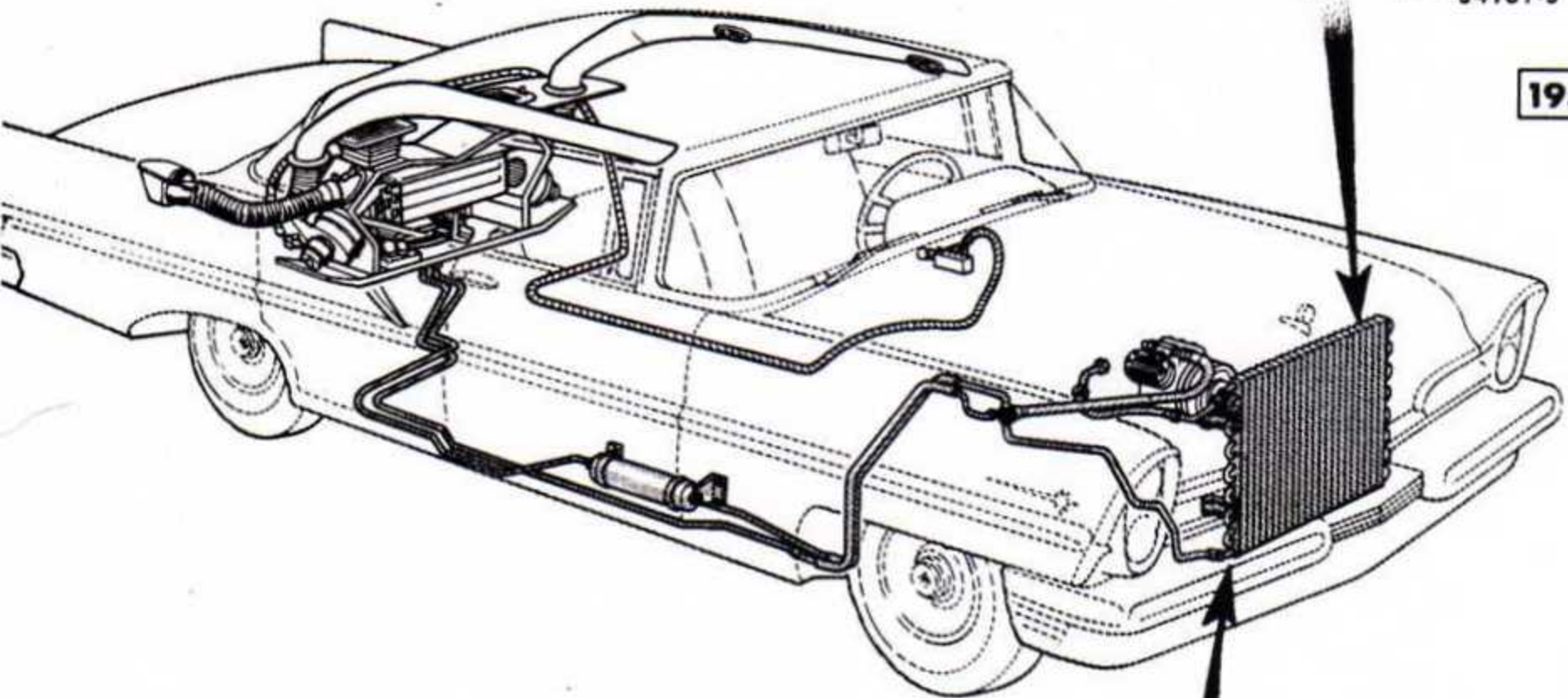


AIR CONDITIONER COMPRESSOR

GROUP NUMBERS ONLY SHOWN ON ILLUSTRATIONS. ORDER BY PART NUMBERS SHOWN IN LIST OF PARTS.



1956



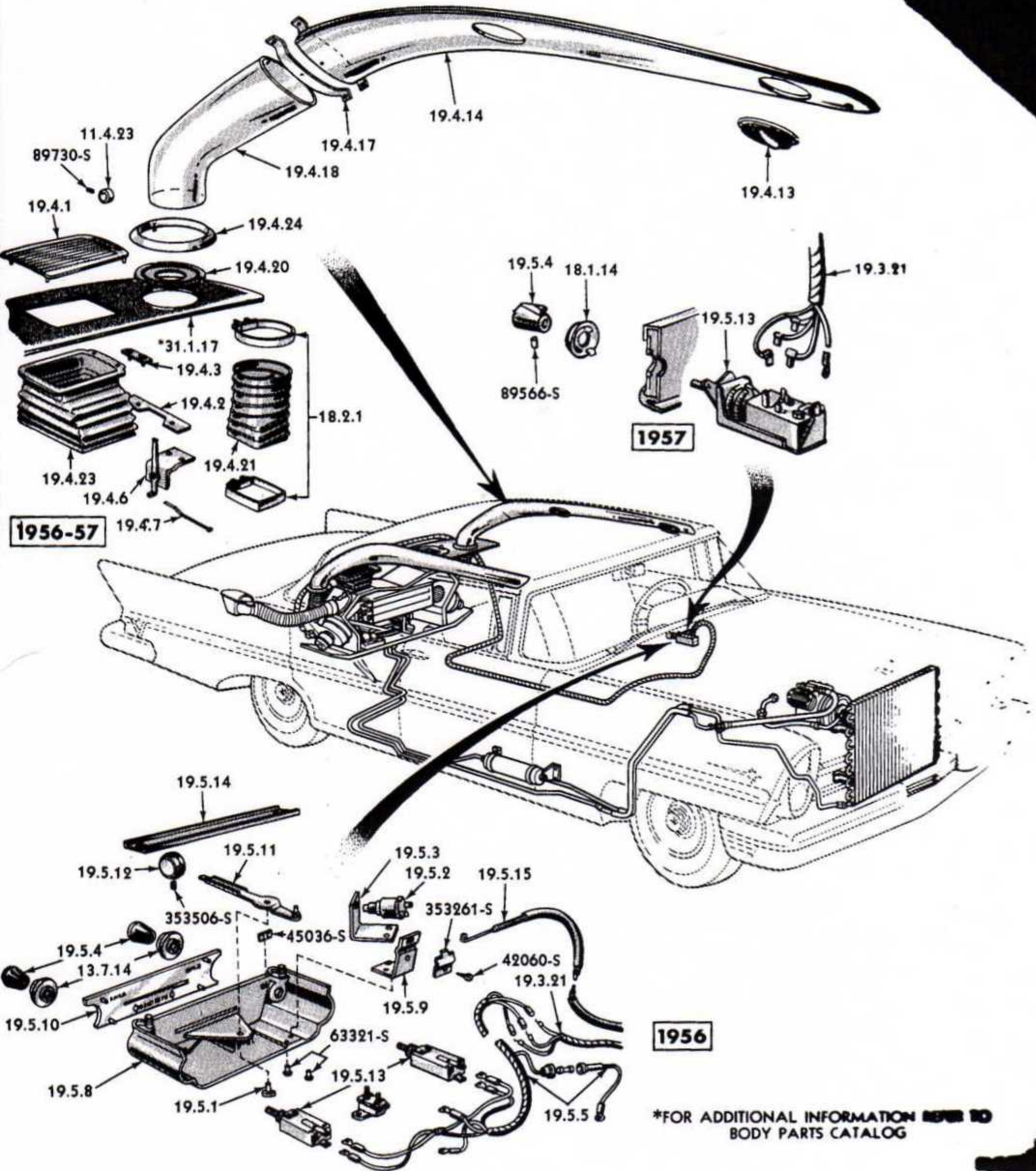
1957

SERVICED IN ASS'Y OR KIT ONLY.

PLC-205

AIR CONDITIONER CONDENSER AND RECEIVER

GROUP NUMBERS ONLY SHOWN ON ILLUSTRATIONS. ORDER BY PART NUMBERS SHOWN IN LIST OF PARTS.



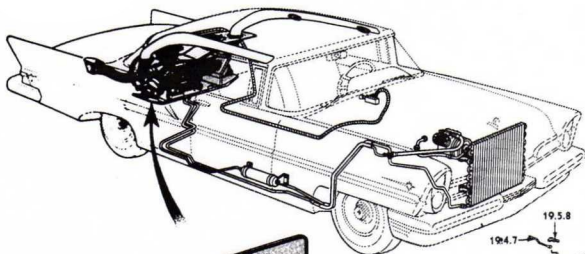
AIR CONDITIONER CONTROLS AND DUCTWORK

GROUP NUMBERS ONLY SHOWN ON ILLUSTRATIONS. ORDER BY PART NUMBERS SHOWN IN LIST OF PARTS.

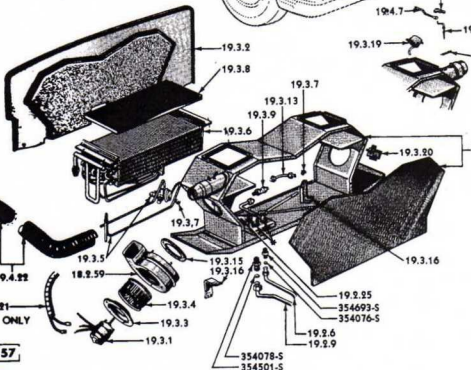
CLIMATE CONTROL AIR CONDITIONING

EVAPORATOR AND EXPANSION VALVE

1956



1957



*SERVICED IN 19.3.11 ASSY ONLY

1956-57

AIR CONDITIONER EVAPORATOR

GROUP NUMBERS ONLY SHOWN ON ILLUSTRATIONS. ORDER BY PART NUMBERS SHOWN IN LIST OF PARTS.