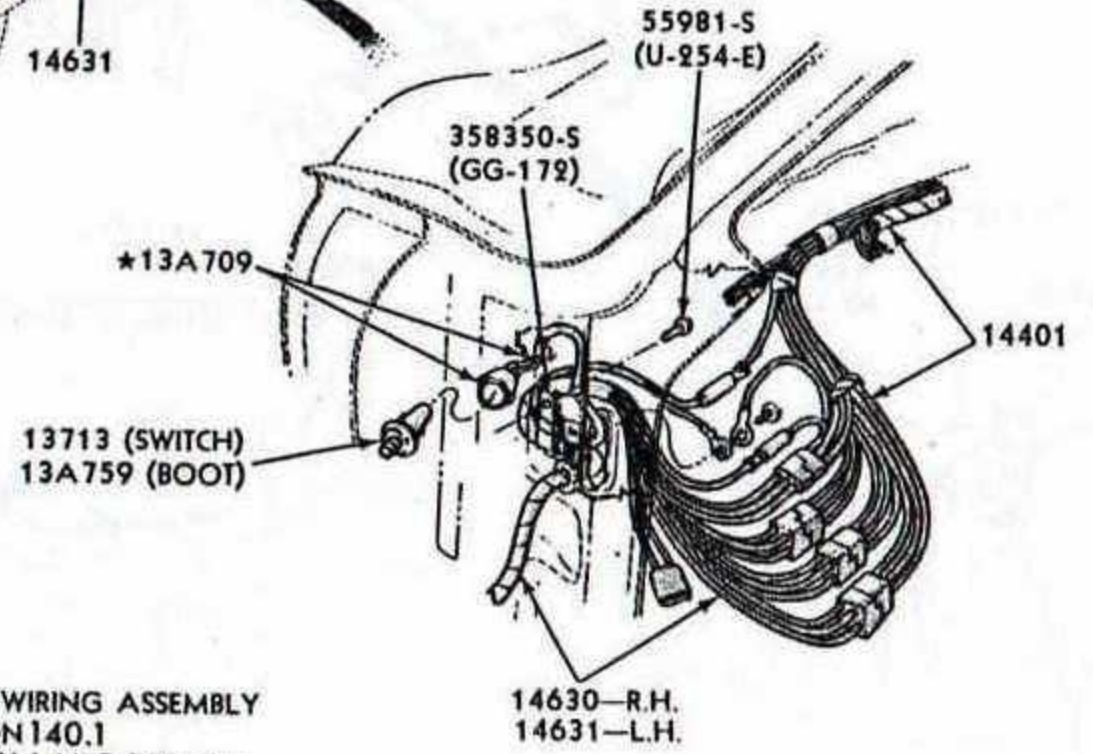


14489 CONNECTS TO STEERING COLUMN WIRING



*REFER TO BODY GROUP NUMBER
 ▲ALSO SERVICED IN 14401 MAIN WIRING ASSEMBLY
 ●REFER TO P-6037 IN ILLUS. SECTION 140.1 FOR INSTRUMENT PANEL COURTESY LAMP DETAILS

COURTESY LAMP - INTERIOR DOOR
 1969/71 MARK III